

The background of the cover is a detailed, monochromatic illustration of a watch movement. It features several interlocking gears of various sizes, with the largest gear in the upper right and another large gear in the lower left. The gears are rendered with fine lines and shading to show their mechanical complexity. The overall aesthetic is technical and precise.

ASRock®

X399 Taichi

User Manual

Version 1.1

Published August 2017

Copyright©2017 ASRock INC. All rights reserved.

Copyright Notice:

No part of this documentation may be reproduced, transcribed, transmitted, or translated in any language, in any form or by any means, except duplication of documentation by the purchaser for backup purpose, without written consent of ASRock Inc.

Products and corporate names appearing in this documentation may or may not be registered trademarks or copyrights of their respective companies, and are used only for identification or explanation and to the owners' benefit, without intent to infringe.

Disclaimer:

Specifications and information contained in this documentation are furnished for informational use only and subject to change without notice, and should not be constructed as a commitment by ASRock. ASRock assumes no responsibility for any errors or omissions that may appear in this documentation.

With respect to the contents of this documentation, ASRock does not provide warranty of any kind, either expressed or implied, including but not limited to the implied warranties or conditions of merchantability or fitness for a particular purpose.

In no event shall ASRock, its directors, officers, employees, or agents be liable for any indirect, special, incidental, or consequential damages (including damages for loss of profits, loss of business, loss of data, interruption of business and the like), even if ASRock has been advised of the possibility of such damages arising from any defect or error in the documentation or product.



This device complies with Part 15 of the FCC Rules. Operation is subject to the following two conditions:

- (1) this device may not cause harmful interference, and
- (2) this device must accept any interference received, including interference that may cause undesired operation.

CALIFORNIA, USA ONLY

The Lithium battery adopted on this motherboard contains Perchlorate, a toxic substance controlled in Perchlorate Best Management Practices (BMP) regulations passed by the California Legislature. When you discard the Lithium battery in California, USA, please follow the related regulations in advance.

“Perchlorate Material-special handling may apply, see www.dtsc.ca.gov/hazardouswaste/perchlorate”

ASRock Website: <http://www.asrock.com>

AUSTRALIA ONLY

Our goods come with guarantees that cannot be excluded under the Australian Consumer Law. You are entitled to a replacement or refund for a major failure and compensation for any other reasonably foreseeable loss or damage caused by our goods. You are also entitled to have the goods repaired or replaced if the goods fail to be of acceptable quality and the failure does not amount to a major failure. If you require assistance please call ASRock Tel : +886-2-28965588 ext.123 (Standard International call charges apply)

Contents

Chapter 1 Introduction	1
1.1 Package Contents	1
1.2 Specifications	2
1.3 Motherboard Layout	7
1.4 I/O Panel	9
Chapter 2 Installation	13
2.1 Installing the CPU	14
2.2 Installing the CPU Liquid Cooler	18
2.3 Installation of Memory Modules (DIMM)	20
2.4 Expansion Slots (PCI Express Slots)	22
2.5 Onboard Headers and Connectors	23
2.6 Smart Switches	28
2.7 Dr. Debug	30
2.8 SLI™, 3-Way SLI™, 4-Way SLI™ and Quad SLI™ Operation Guide	32
2.8.1 Installing Two SLI™-Ready Graphics Cards	32
2.8.2 Installing Three SLI™-Ready Graphics Cards	34
2.8.3 Installing Four SLI™-Ready Graphics Cards	36
2.8.4 Driver Installation and Setup	38
2.9 CrossFireX™, 3-Way CrossFireX™, 4-Way CrossFireX™ and Quad CrossFireX™ Operation Guide	39
2.9.1 Installing Two CrossFireX™-Ready Graphics Cards	39
2.9.2 Installing Three CrossFireX™-Ready Graphics Cards	40

2.9.3	Installing Four CrossFireX™-Ready Graphics Cards	41
2.9.4	Driver Installation and Setup	42
2.10	M.2_SSD (NGFF) Module Installation Guide (M2_1 and M2_2)	43
2.11	M.2_SSD (NGFF) Module Installation Guide (M2_3)	48

Chapter 3 Software and Utilities Operation 52

3.1	Installing Drivers	52
3.2	A-Tuning	53
3.2.1	Installing A-Tuning	53
3.2.2	Using A-Tuning	53
3.3	ASRock Live Update & APP Shop	56
3.3.1	UI Overview	56
3.3.2	Apps	57
3.3.3	BIOS & Drivers	60
3.3.4	Setting	61
3.4	ASRock RGB LED	62

Chapter 4 UEFI SETUP UTILITY 64

4.1	Introduction	64
4.1.1	UEFI Menu Bar	64
4.1.2	Navigation Keys	65
4.2	Main Screen	66
4.3	OC Tweaker Screen	67
4.4	Advanced Screen	70
4.4.1	CPU Configuration	71

4.4.2	North Bridge Configuration	72
4.4.3	South Bridge Configuration	73
4.4.4	Storage Configuration	74
4.4.5	Super IO Configuration	75
4.4.6	ACPI Configuration	76
4.4.7	AMD PBS	77
4.4.8	AMD CBS	78
4.5	Tools	87
4.6	Hardware Health Event Monitoring Screen	89
4.7	Security Screen	91
4.8	Boot Screen	92
4.9	Exit Screen	94

Chapter 1 Introduction

Thank you for purchasing ASRock X399 Taichi motherboard, a reliable motherboard produced under ASRock's consistently stringent quality control. It delivers excellent performance with robust design conforming to ASRock's commitment to quality and endurance.

In this documentation, Chapter 1 and 2 contains the introduction of the motherboard and step-by-step installation guides. Chapter 3 contains the operation guide of the software and utilities. Chapter 4 contains the configuration guide of the BIOS setup.



Because the motherboard specifications and the BIOS software might be updated, the content of this documentation will be subject to change without notice. In case any modifications of this documentation occur, the updated version will be available on ASRock's website without further notice. If you require technical support related to this motherboard, please visit our website for specific information about the model you are using. You may find the latest VGA cards and CPU support list on ASRock's website as well. ASRock website <http://www.asrock.com>.

1.1 Package Contents

- ASRock X399 Taichi Motherboard (ATX Form Factor)
- ASRock X399 Taichi Quick Installation Guide
- ASRock X399 Taichi Support CD
- 1 x I/O Panel Shield
- 4 x Serial ATA (SATA) Data Cables (Optional)
- 1 x ASRock 3-Way SLI Bridge Card (Optional)
- 1 x ASRock 4-Way SLI-S111 Bridge Card (Optional)
- 1 x ASRock SLI_HB_Bridge_3S Card (Optional)
- 2 x ASRock WiFi 2.4/5 GHz Antennas (Optional)
- 3 x Screws for M.2 Sockets (Optional)

1.2 Specifications

- Platform**
- ATX Form Factor
 - 8 Layer PCB
 - 2oz Copper PCB

- CPU**
- Supports AMD TR4 Socket Ryzen Threadripper Series CPUs
 - IR Digital PWM
 - 11 Power Phase design
 - Supports ASRock Hyper BCLK Engine III

- Chipset**
- AMD X399

- Memory**
- Quad Channel DDR4 Memory Technology
 - 8 x DDR4 DIMM Slots
 - Supports DDR4 3600+(OC)/3200(OC)/2933(OC)/2667/2400/2133 ECC & non-ECC, un-buffered memory*
- * Please refer to Memory Support List on ASRock's website for more information. (<http://www.asrock.com/>)
- Max. capacity of system memory: 128GB
 - 15μ Gold Contact in DIMM Slots

- Expansion Slot**
- 4 x PCI Express 3.0 x16 Slots (PCIE1/PCIE2/PCIE4/PCIE5: single at x16 (PCIE1); dual at x16 (PCIE1) / x16 (PCIE4); triple at x16 (PCIE1) / x8 (PCIE2) / x16 (PCIE4); quad at x16 (PCIE1) / x8 (PCIE2) / x16 (PCIE4) / x8 (PCIE5))*
- * Supports NVMe SSD as boot disks
- 1 x PCI Express 2.0 x1 Slot
 - Supports AMD Quad CrossFireX™, 4-Way CrossFireX™, 3-Way CrossFireX™ and CrossFireX™
 - Supports NVIDIA® Quad SLI™, 4-Way SLI™, 3-Way SLI™ and SLI™
 - 1 x Vertical M.2 Socket (Key E) with the bundled WiFi-802.11ac module (on the rear I/O)
 - 15μ Gold Contact in VGA PCIe Slot (PCIE1 and PCIE4)

- Audio**
- 7.1 CH HD Audio with Content Protection (Realtek ALC1220 Audio Codec)

- Premium Blu-ray Audio support
- Supports Surge Protection (ASRock Full Spike Protection)
- Supports Purity Sound™ 4
 - Nichicon Fine Gold Series Audio Caps
 - 120dB SNR DAC with Differential Amplifier
 - TI® NE5532 Premium Headset Amplifier for Front Panel Audio Connector (Supports up to 600 Ohm headsets)
 - Pure Power-In
 - Direct Drive Technology
 - PCB Isolate Shielding
 - Impedance Sensing on Line Out port
 - Individual PCB Layers for R/L Audio Channel
 - Gold Audio Jacks
 - 15µ Gold Audio Connector
- Supports DTS Connect

LAN

- Gigabit LAN 10/100/1000 Mb/s
- 2 x GigaLAN Intel® I211AT
- Supports Wake-On-LAN
- Supports Lightning/ESD Protection
- Supports Energy Efficient Ethernet 802.3az
- Supports PXE

Wireless

LAN

- Intel® 802.11ac WiFi Module (Free Bundle)
- Supports IEEE 802.11a/b/g/n/ac
- Supports Dual-Band (2.4/5 GHz)
- Supports high speed wireless connections up to 433Mbps
- Supports Bluetooth 4.2 / 3.0 + High speed class II

Rear Panel I/O

- 2 x Antenna Ports
 - 1 x PS/2 Mouse/Keyboard Port
 - 1 x Optical SPDIF Out Port
 - 1 x USB 3.1 Type-A Port (10 Gb/s) (Supports ESD Protection)
 - 1 x USB 3.1 Type-C Port (10 Gb/s) (Supports ESD Protection)
 - 8 x USB 3.0 Ports (Supports ESD Protection)
- * Ultra USB Power is supported on USB3_6 port.
- * ACPI wake-up function is not supported on USB3_6 port.

- 2 x RJ-45 LAN Ports with LED (ACT/LINK LED and SPEED LED)
- 1 x BIOS Flashback Switch
- HD Audio Jacks: Rear Speaker / Central / Bass / Line in / Front Speaker / Microphone (Gold Audio Jacks)

Storage

- 8 x SATA3 6.0 Gb/s Connectors, support RAID (RAID 0, RAID 1 and RAID 10), NCQ, AHCI and Hot Plug
- 2 x Ultra M.2 Sockets (M2_1 and M2_2), support M Key type 2242/2260/2280 M.2 SATA3 6.0 Gb/s module and M.2 PCI Express module up to Gen3 x4 (32 Gb/s)*
- 1 x Ultra M.2 Socket (M2_3), supports M Key type 2230/2242/2260/2280 M.2 SATA3 6.0 Gb/s module and M.2 PCI Express module up to Gen3 x4 (32 Gb/s)*
- * Supports NVMe SSD as boot disks
- * Supports ASRock U.2 Kit
 - 1 x U.2 Connector
- * If U.2 Connector is plugged, M2_1 will be disabled

Connector

- 1 x Power LED and Speaker Header
- 2 x RGB LED Headers
- * Each header supports up to 12V/3A, 36W LED Strip
- 1 x CPU Fan Connector (4-pin)
- * The CPU Fan Connector supports the CPU fan of maximum 1A (12W) fan power.
 - 1 x CPU Optional/Water Pump Fan Connector (4-pin) (Smart Fan Speed Control)
- * The CPU Optional/Water Pump Fan supports the water cooler fan of maximum 1.5A (18W) fan power.
 - 2 x Chassis Fan Connectors (4-pin) (Smart Fan Speed Control)
 - 1 x Chassis Optional/Water Pump Fan Connector (4-pin) (Smart Fan Speed Control)
- * The Chassis Optional/Water Pump Fan supports the water cooler fan of maximum 1.5A (18W) fan power.
- * CPU_FAN1, CHA_FAN1, CHA_FAN2, CPU_OPT/W_PUMP and CHA_FAN3/W_PUMP can auto detect if 3-pin or 4-pin fan is in use.

- 1 x 24 pin ATX Power Connector (Hi-Density Power Connector) (for Motherboard)
- 1 x 8 pin 12V Power Connector (Hi-Density Power Connector) (for Motherboard)
- 1 x 4 pin 12V Power Connector (Hi-Density Power Connector) (for Motherboard)
- 1 x 6 pin 12V Power Connector (Hi-Density Power Connector) (for PCIe graphics card)
- 1 x Front Panel Audio Connector (15 μ Gold Audio Connector)*
- 1 x Right Angle Front Panel Audio Connector*

* Connect the audio device to either one of the audio connectors.

- 2 x USB 2.0 Headers (Support 4 USB 2.0 ports) (Supports ESD Protection)
- 2 x USB 3.0 Headers (Support 4 USB 3.0 ports) (Supports ESD Protection)
- 1 x Clear CMOS Switch
- 1 x Dr. Debug with LED
- 1 x Power Switch with LED
- 1 x Reset Switch with LED
- 1 x CPU Xtreme OC Switch

BIOS Feature

- AMI UEFI Legal BIOS with GUI support
- Supports “Plug and Play”
- ACPI 5.1 compliance wake up events
- Supports jumperfree
- SMBIOS 2.3 support
- CPU, VCORE_NB, DRAM, VPPM, PCH 1.05V, +1.8V, VDDP, PROM 2.5V, Voltage Multi-adjustment

Hardware Monitor

- Temperature Sensing: CPU, CPU Optional/Water Pump, Chassis, Chassis Optional/Water Pump Fans
- Fan Tachometer: CPU, CPU Optional/Water Pump, Chassis, Chassis Optional/Water Pump Fans
- Quiet Fan (Auto adjust chassis fan speed by CPU temperature): CPU, CPU Optional/Water Pump, Chassis, Chassis Optional/Water Pump Fans

- Fan Multi-Speed Control: CPU, CPU Optional/Water Pump, Chassis, Chassis Optional/Water Pump Fans
- Voltage monitoring: +12V, +5V, +3.3V, CPU Vcore, VCORE_NB, DRAM, PCH 1.05V, +1.8V, VDDP

OS

- Microsoft® Windows® 10 64-bit
- * Windows® 10 RS2 is supported.
- * For the updated Windows® 10 driver, please visit ASRock's website for details: <http://www.asrock.com>

Certifications

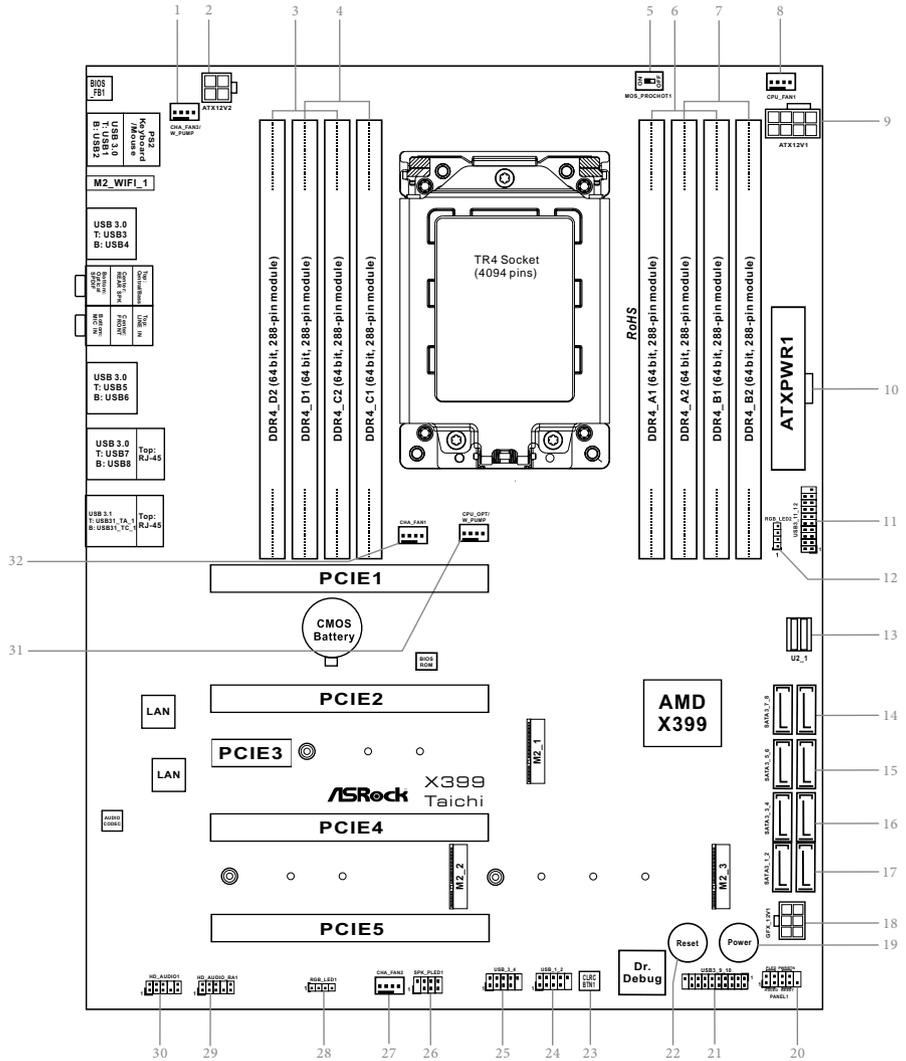
- FCC, CE
- ErP/EuP ready (ErP/EuP ready power supply is required)

* For detailed product information, please visit our website: <http://www.asrock.com>



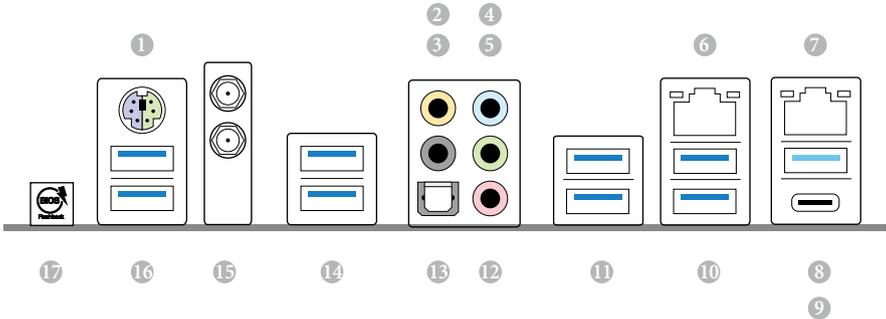
Please realize that there is a certain risk involved with overclocking, including adjusting the setting in the BIOS, applying Untied Overclocking Technology, or using third-party overclocking tools. Overclocking may affect your system's stability, or even cause damage to the components and devices of your system. It should be done at your own risk and expense. We are not responsible for possible damage caused by overclocking.

1.3 Motherboard Layout



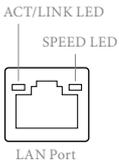
No.	Description
1	Chassis Fan / Waterpump Fan Connector (CHA_FAN3/W_PUMP)
2	4 pin 12V Power Connector (ATX12V2)
3	2 x 288-pin DDR4 DIMM Slots (DDR4_D2, DDR4_C2)
4	2 x 288-pin DDR4 DIMM Slots (DDR4_D1, DDR4_C1)
5	CPU Xtreme OC Switch (MOS_PROCHOT1)
6	2 x 288-pin DDR4 DIMM Slots (DDR4_A1, DDR4_B1)
7	2 x 288-pin DDR4 DIMM Slots (DDR4_A2, DDR4_B2)
8	CPU Fan Connector (CPU_FAN1)
9	8 pin 12V Power Connector (ATX12V1)
10	ATX Power Connector (ATXPWR1)
11	USB 3.0 Header (USB3_11_12)
12	RGB LED Header (RGB_LED2)
13	U.2 Connector (U2_1)
14	SATA3 Connectors (SATA3_7_8)
15	SATA3 Connectors (SATA3_5_6)
16	SATA3 Connectors (SATA3_3_4)
17	SATA3 Connectors (SATA3_1_2)
18	Graphics 12V Power Connector (GFX_12V1)
19	Power Switch (PWRBTN1)
20	System Panel Header (PANEL1)
21	USB 3.0 Header (USB3_9_10)
22	Reset Switch (RSTBTN1)
23	Clear CMOS Switch (CLRCBTN1)
24	USB 2.0 Header (USB_1_2)
25	USB 2.0 Header (USB_3_4)
26	Power LED and Speaker Header (SPK_PLED1)
27	Chassis Fan Connector (CHA_FAN2)
28	RGB LED Header (RGB_LED1)
29	Right Angle Front Panel Audio Header (HD_AUDIO_RA1)
30	Front Panel Audio Header (HD_AUDIOI1)
31	CPU Fan / Waterpump Fan Connector (CPU_OPT/W_PUMP)
32	Chassis Fan Connector (CHA_FAN1)

1.4 I/O Panel



No.	Description	No.	Description
1	PS/2 Mouse/Keyboard Port (PS2_KB1)	10	USB 3.0 Ports (USB3_7_8)
2	Central / Bass (Orange)	11	USB 3.0 Ports (USB3_5_6)***
3	Rear Speaker (Black)	12	Microphone (Pink)
4	Line In (Light Blue)	13	Optical SPDIF Out Port
5	Front Speaker (Lime)**	14	USB 3.0 Ports (USB3_3_4)
6	LAN RJ-45 Port (Intel® I211AT)*	15	Antenna Ports
7	LAN RJ-45 Port (Intel® I211AT)*	16	USB 3.0 Port (USB3_1_2)
8	USB 3.1 Type-A Port (USB31_TA_1)	17	BIOS Flashback Switch
9	USB 3.1 Type-C Port (USB31_TC_1)		

* There are two LEDs on each LAN port. Please refer to the table below for the LAN port LED indications.



Activity / Link LED		Speed LED	
Status	Description	Status	Description
Off	No Link	Orange	10Mbps connection
Blinking	Data Activity	Orange	100Mbps connection
On	Link	Green	1Gbps connection

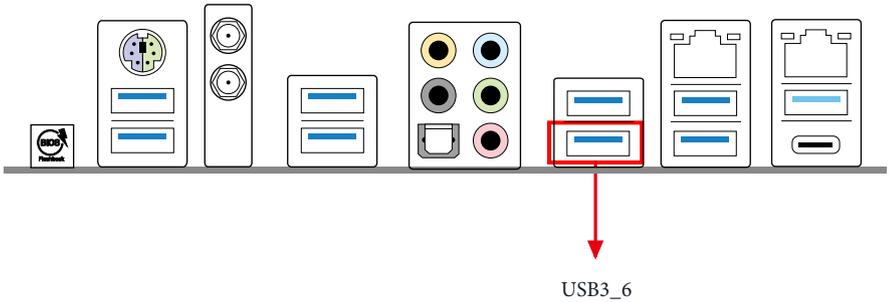
** If you use a 2-channel speaker, please connect the speaker's plug into "Front Speaker Jack". See the table below for connection details in accordance with the type of speaker you use.

Audio Output Channels	Front Speaker (No. 5)	Rear Speaker (No. 3)	Central / Bass (No. 2)	Line In (No. 4)
2	V	--	--	--
4	V	V	--	--
6	V	V	V	--
8	V	V	V	V



To enable Multi-Streaming, you need to connect a front panel audio cable to the front panel audio header. After restarting your computer, you will find the "Mixer" tool on your system. Please select "Mixer ToolBox" , click "Enable playback multi-streaming", and click "ok". Choose "2CH", "4CH", "6CH", or "8CH" and then you are allowed to select "Realtek HDA Primary output" to use the Rear Speaker, Central/Bass, and Front Speaker, or select "Realtek HDA Audio 2nd output" to use the front panel audio.

*** ACPI wake-up function is not supported on USB3_6 port.



1.5 WiFi-802.11ac Module and ASRock WiFi 2.4/5 GHz Antenna

WiFi-802.11ac + BT Module

This motherboard comes with an exclusive WiFi 802.11 a/b/g/n/ac + BT v4.2 module (pre-installed on the rear I/O panel) that offers support for WiFi 802.11 a/b/g/n/ac connectivity standards and Bluetooth v4.2. WiFi + BT module is an easy-to-use wireless local area network (WLAN) adapter to support WiFi + BT. Bluetooth v4.2 standard features Smart Ready technology that adds a whole new class of functionality into the mobile devices. BT 4.2 also includes Low Energy Technology and ensures extraordinary low power consumption for PCs.

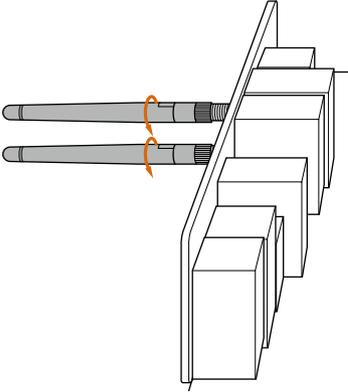
* The transmission speed may vary according to the environment.

WiFi Antennas Installation Guide



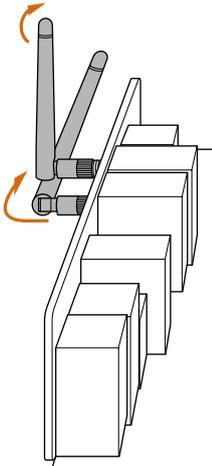
Step 1

Prepare the WiFi 2.4/5 GHz Antennas that come with the package.



Step 2

Connect the two WiFi 2.4/5 GHz Antennas to the antenna connectors. Turn the antenna clockwise until it is securely connected.



Step 3

Set the WiFi 2.4/5 GHz Antenna as shown in the illustration.

*You may need to adjust the direction of the antenna for a stronger signal.

Chapter 2 Installation

This is an ATX form factor motherboard. Before you install the motherboard, study the configuration of your chassis to ensure that the motherboard fits into it.

Pre-installation Precautions

Take note of the following precautions before you install motherboard components or change any motherboard settings.

- Make sure to unplug the power cord before installing or removing the motherboard components. Failure to do so may cause physical injuries and damages to motherboard components.
- In order to avoid damage from static electricity to the motherboard's components, NEVER place your motherboard directly on a carpet. Also remember to use a grounded wrist strap or touch a safety grounded object before you handle the components.
- Hold components by the edges and do not touch the ICs.
- Whenever you uninstall any components, place them on a grounded anti-static pad or in the bag that comes with the components.
- When placing screws to secure the motherboard to the chassis, please do not over-tighten the screws! Doing so may damage the motherboard.

2.1 Installing the CPU

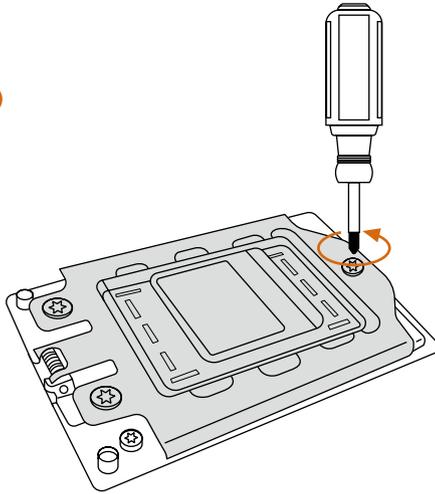


Tutorial Video

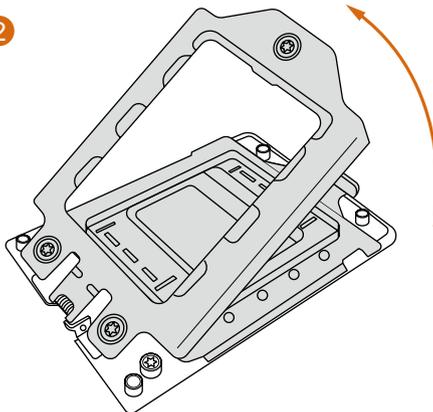


Unplug all power cables before installing the CPU.

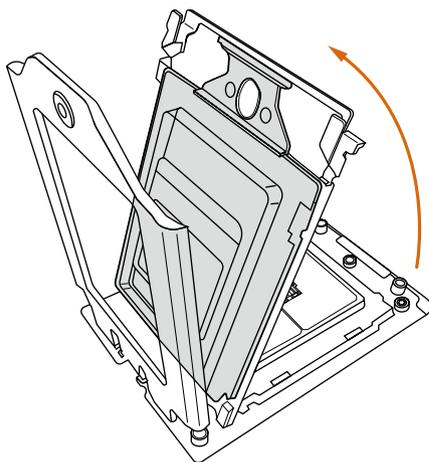
1



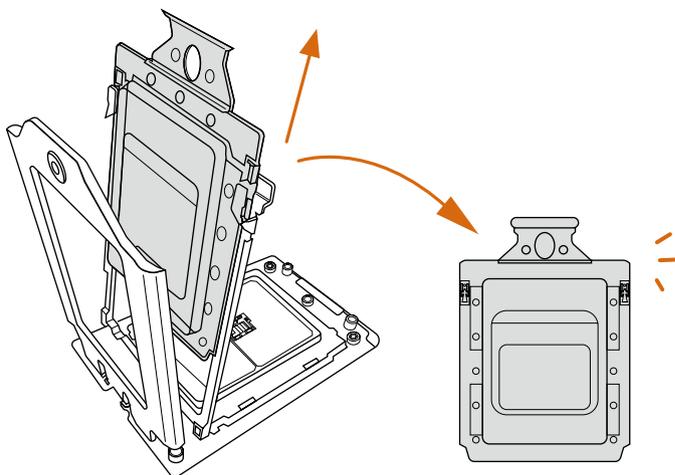
2



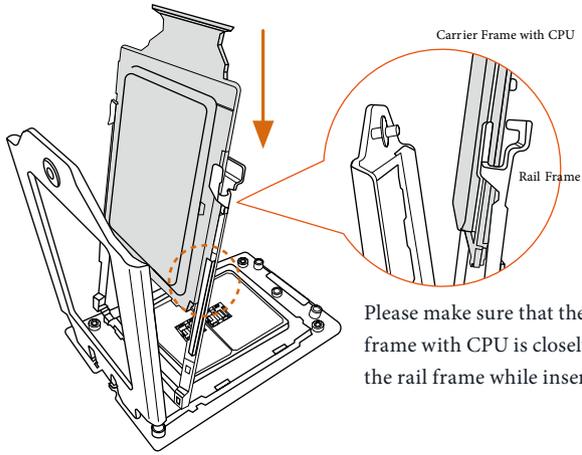
3



4

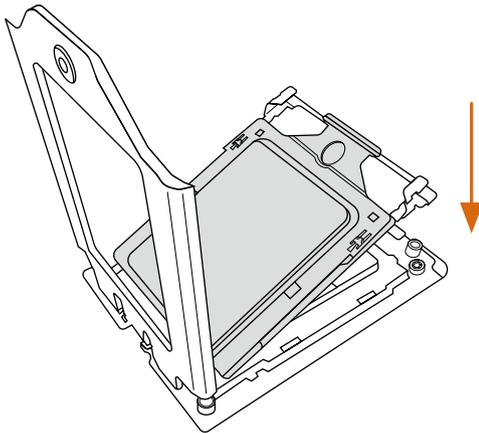


5

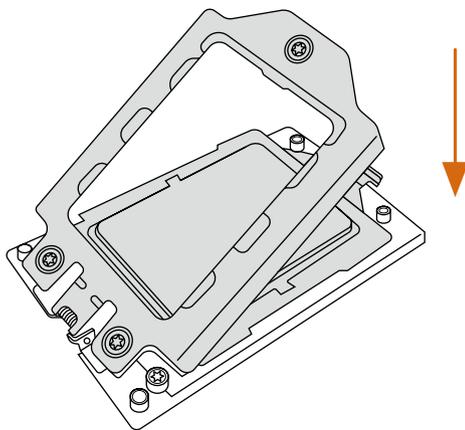


Install the orange carrier frame with CPU. Don't separate them.

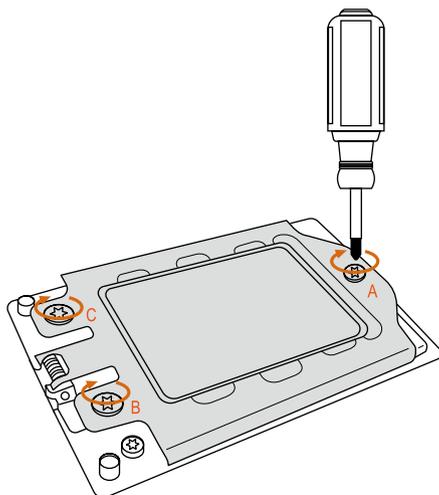
6



7



8



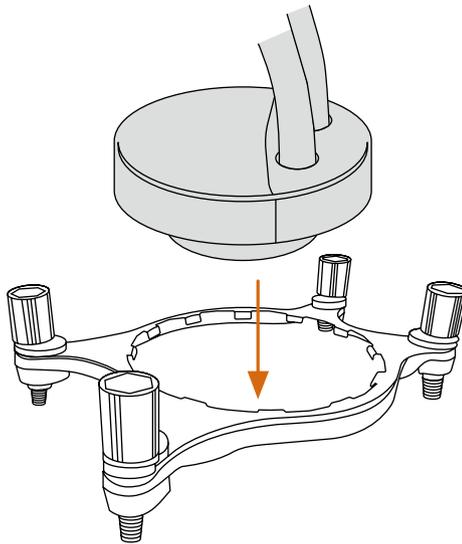
2.2 Installing the CPU Liquid Cooler

After you install the CPU into this motherboard, it is necessary to install a larger heatsink and cooling fan to dissipate heat. You also need to spray thermal grease between the CPU and the heatsink to improve heat dissipation. Make sure that the CPU and the heatsink are securely fastened and in good contact with each other.

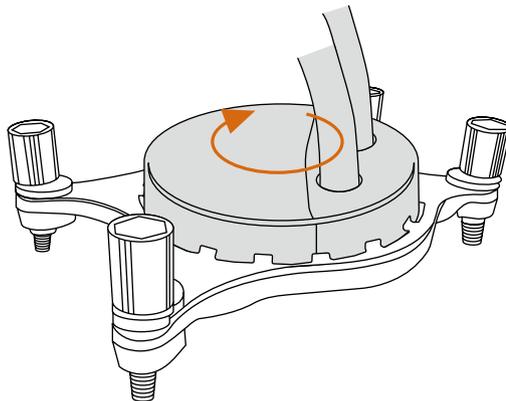


Please turn off the power or remove the power cord before changing a CPU or heatsink.

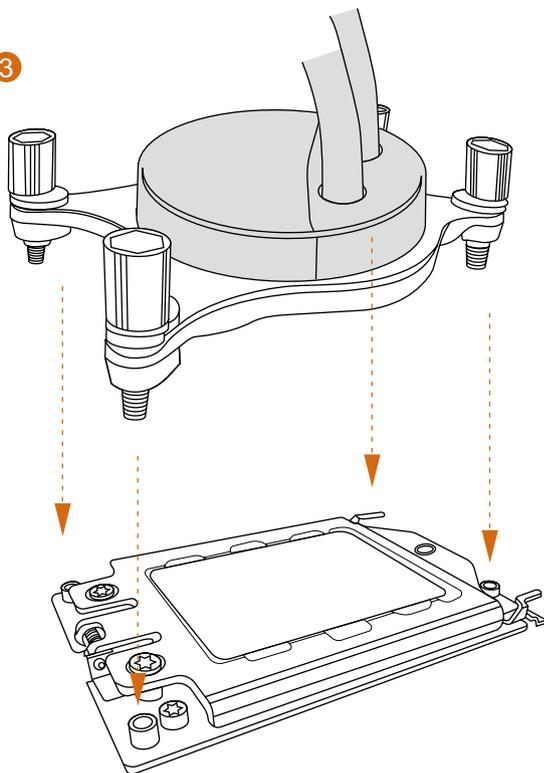
1



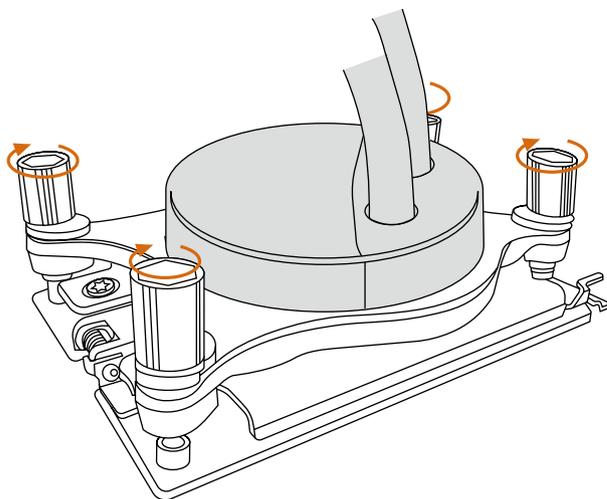
2



3



4



2.3 Installation of Memory Modules (DIMM)

This motherboard provides eight 288-pin DDR4 (Double Data Rate 4) DIMM slots, and supports Quad Channel Memory Technology.



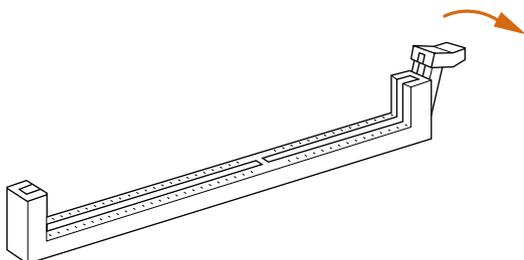
1. For quad channel configuration, you always need to install identical (the same brand, speed, size and chip-type) DDR4 DIMM pairs.
2. It is not allowed to install a DDR, DDR2 or DDR3 memory module into a DDR4 slot; otherwise, this motherboard and DIMM may be damaged.
3. The DIMM only fits in one correct orientation. It will cause permanent damage to the motherboard and the DIMM if you force the DIMM into the slot at incorrect orientation.

Memory Configuration

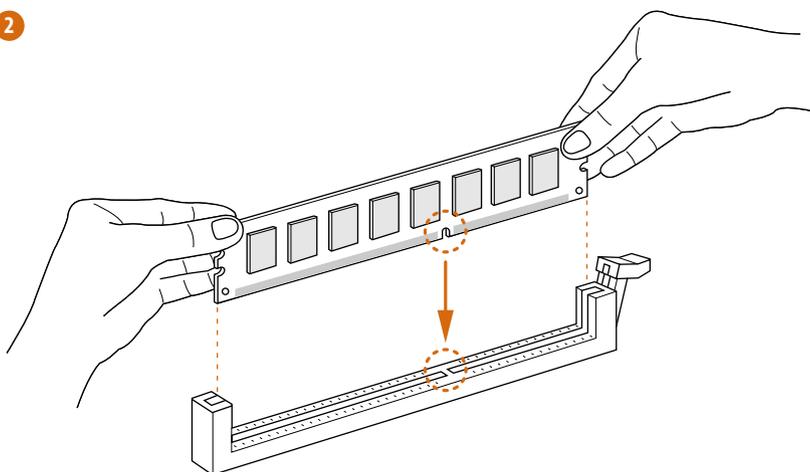
Priority	1	2	3
DDR4_D2		Populated	Populated
DDR4_D1			Populated
DDR4_C2		Populated	Populated
DDR4_C1			Populated
DDR4_A1			Populated
DDR4_A2	Populated	Populated	Populated
DDR4_B1			Populated
DDR4_B2	Populated	Populated	Populated

- If only two memory modules are installed in the DDR4 DIMM slots, then Dual Channel Memory Technology is activated. If three memory modules are installed, then Triple Channel Memory Technology is activated. If more than four memory modules are installed in the DDR4 DIMM slots, then Quad Channel Memory Technology is activated.

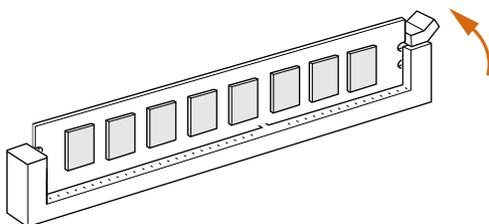
1



2



3



2.4 Expansion Slots (PCI Express Slots)

There are 5 PCI Express slots on the motherboard.



Before installing an expansion card, please make sure that the power supply is switched off or the power cord is unplugged. Please read the documentation of the expansion card and make necessary hardware settings for the card before you start the installation.

PCIe slots:

PCIE1 (PCIe 3.0 x16 slot) is used for PCI Express x16 lane width graphics cards.

PCIE2 (PCIe 3.0 x16 slot) is used for PCI Express x8 lane width graphics cards.

PCIE3 (PCIe 2.0 x1 slot) is used for PCI Express x1 lane width cards.

PCIE4 (PCIe 3.0 x16 slot) is used for PCI Express x16 lane width graphics cards.

PCIE5 (PCIe 3.0 x16 slot) is used for PCI Express x8 lane width graphics cards.

PCIe Slot Configurations

	PCIE1	PCIE2	PCIE4	PCIE5
Single Graphics Card	x16	N/A	N/A	N/A
Two Graphics Cards in CrossFireX™ or SLI™ Mode	x16	N/A	x16	N/A
Three Graphics Cards in 3-Way CrossFireX™ Mode or 3-Way SLI™ Mode	x16	x8	x16	N/A
Four Graphics Cards in 4-Way CrossFireX™ Mode or 4-Way SLI™ Mode	x16	x8	x16	x8



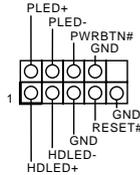
For a better thermal environment, please connect a chassis fan to the motherboard's | chassis fan connector (CHA_FAN1, CHA_FAN2 or CHA_FAN3) when using multiple graphics cards.

2.5 Onboard Headers and Connectors



Onboard headers and connectors are NOT jumpers. Do NOT place jumper caps over these headers and connectors. Placing jumper caps over the headers and connectors will cause permanent damage to the motherboard.

System Panel Header
(9-pin PANEL1)
(see p.7, No. 20)



Connect the power switch, reset switch and system status indicator on the chassis to this header according to the pin assignments below. Note the positive and negative pins before connecting the cables.



PWRBTN (Power Switch):

Connect to the power switch on the chassis front panel. You may configure the way to turn off your system using the power switch.

RESET (Reset Switch):

Connect to the reset switch on the chassis front panel. Press the reset switch to restart the computer if the computer freezes and fails to perform a normal restart.

PLED (System Power LED):

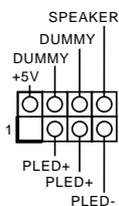
Connect to the power status indicator on the chassis front panel. The LED is on when the system is operating. The LED keeps blinking when the system is in S1/S3 sleep state. The LED is off when the system is in S4 sleep state or powered off (S5).

HDLED (Hard Drive Activity LED):

Connect to the hard drive activity LED on the chassis front panel. The LED is on when the hard drive is reading or writing data.

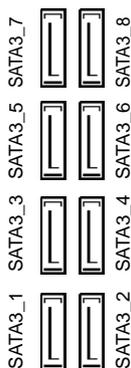
The front panel design may differ by chassis. A front panel module mainly consists of power switch, reset switch, power LED, hard drive activity LED, speaker and etc. When connecting your chassis front panel module to this header, make sure the wire assignments and the pin assignments are matched correctly.

Power LED and Speaker Header
 (7-pin SPK_PLED1)
 (see p.7, No. 26)



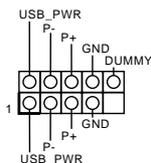
Please connect the chassis power LED and the chassis speaker to this header.

Serial ATA3 Connectors
 (SATA3_1_2:
 see p.7, No. 17)
 (SATA3_3_4:
 see p.7, No. 16)
 (SATA3_5_6:
 see p.7, No. 15)
 (SATA3_7_8:
 see p.7, No. 14)



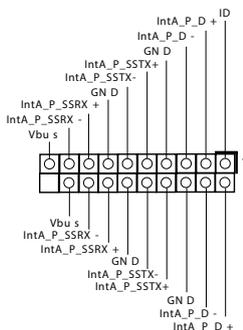
These eight SATA3 connectors support SATA data cables for internal storage devices with up to 6.0 Gb/s data transfer rate.

USB 2.0 Headers
 (9-pin USB_1_2)
 (see p.7, No. 24)
 (9-pin USB_3_4)
 (see p.7, No. 25)



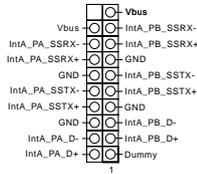
There are two headers on this motherboard. Each USB 2.0 header can support two ports.

USB 3.0 Headers
 (19-pin USB3_9_10)
 (see p.7, No. 21)



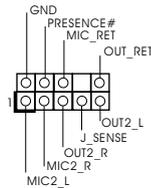
There are two headers on this motherboard. Each USB 3.0 header can support two ports.

(19-pin USB3_11_12)
(see p.7, No. 11)



Front Panel Audio
Headers

(9-pin HD_AUDIO1)
(see p.7, No. 30)
(9-pin HD_AUDIO_RA1)
(see p.7, No. 29)

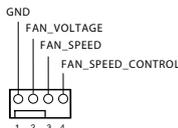


This header is for connecting audio devices to the front audio panel.
* Connect the audio device to either one of the audio connectors.



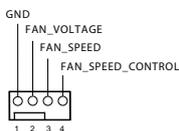
- High Definition Audio supports Jack Sensing, but the panel wire on the chassis must support HDA to function correctly. Please follow the instructions in our manual and chassis manual to install your system.
- If you use an AC'97 audio panel, please install it to the front panel audio header by the steps below:
 - Connect Mic_IN (MIC) to MIC2_L.
 - Connect Audio_R (RIN) to OUT2_R and Audio_L (LIN) to OUT2_L.
 - Connect Ground (GND) to Ground (GND).
 - MIC_RET and OUT_RET are for the HD audio panel only. You don't need to connect them for the AC'97 audio panel.
 - To activate the front mic, go to the "FrontMic" Tab in the Realtek Control panel and adjust "Recording Volume".

Chassis Fan Connectors
(4-pin CHA_FAN1)
(see p.7, No. 32)
(4-pin CHA_FAN2)
(see p.7, No. 27)



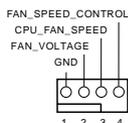
Please connect fan cables to the fan connectors and match the black wire to the ground pin.

Chassis Optional/Water
Pump Fan Connector
(4-pin CHA_FAN3/W_
PUMP)
(see p.7, No. 1)



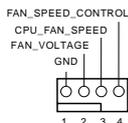
This motherboard provides a 4-Pin water cooling chassis fan connectors. If you plan to connect a 3-Pin chassis water cooler fan, please connect it to Pin 1-3.

CPU Fan Connector
(4-pin CPU_FAN1)
(see p.7, No. 8)



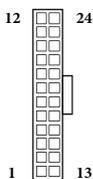
This motherboard provides a 4-Pin CPU fan (Quiet Fan) connector. If you plan to connect a 3-Pin CPU fan, please connect it to Pin 1-3.

CPU Optional/Water
Pump Fan Connector
(4-pin CPU_OPT/W_
PUMP)
(see p.7, No. 31)



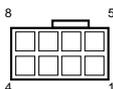
This motherboard provides a 4-Pin water cooling CPU fan connector. If you plan to connect a 3-Pin CPU water cooler fan, please connect it to Pin 1-3.

ATX Power Connector
(24-pin ATXPWR1)
(see p.7, No. 10)



This motherboard provides a 24-pin ATX power connector. To use a 20-pin ATX power supply, please plug it along Pin 1 and Pin 13.

ATX 12V Power
Connector
(8-pin ATX12V1)
(see p.7, No. 9)



This motherboard provides a 8-pin ATX 12V power connector. Connect the 8-pin ATX 12V connector from your power supply.

ATX 12V Power
Connector
(4-pin ATX12V2)
(see p.7, No. 2)



Please connect an ATX 12V power supply to this connector.
*The power supply plug fits into this connector in only one orientation.

Graphics 12V Power
Connector
(6-pin GFX_12V1)
(see p.7, No. 18)



This motherboard provides a 6-pin Graphics 12V power connector.
* Install the PSU's power cable to this connector when 4 graphics cards are installed.

RGB LED Headers
(4-pin RGB_LED1)
(see p.7, No. 28)



(4-pin RGB_LED2)
(see p.7, No. 12)



These two RGB headers are used to connect RGB LED extension cable which allows users to choose from various LED lighting effects.

Caution: Never install the RGB LED cable in the wrong orientation; otherwise, the cable may be damaged.

*Please refer to page 62 for further instructions on these two headers.

U.2 Connector
(36-pin U2_1)
(see p.7, No. 13)



This connector supports U.2 NVMe Express storage devices up to Gen3 x4 (32 Gb/s).
* If U.2 Connector is plugged, M2_1 will be disabled.

2.6 Smart Switches

The motherboard has five smart switches: Power Switch, Reset Switch, Clear CMOS Switch, CPU Xtreme OC Switch and BIOS Flashback Switch.

Power Switch
(PWRBTN)
(see p.7, No. 19)



Power Switch allows users to quickly turn on/off the system.

Reset Switch
(RSTBTN)
(see p.7, No. 22)



Reset Switch allows users to quickly reset the system.

Clear CMOS Switch
(CLRCBTN)
(see p.7, No. 23)



Clear CMOS Switch allows users to quickly clear the CMOS values.



This function is workable only when you power off your computer and unplug the power supply.

CPU Xtreme OC Switch
(MOS_PROCHOT1)
(see p.7, No. 5)



PROCHOT = ON (default)
(Disable CPU Extreme OC mode)

PROCHOT = OFF
(Enable CPU Extreme OC mode)

Warning: Overclocking may cause damage to your CPU and motherboard. It should be done at your own risk and expense.

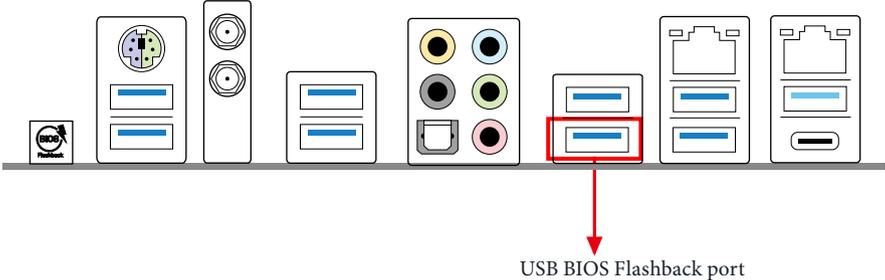
BIOS Flashback Switch
(BIOS_FB1)
(see p.9, No. 19)



BIOS Flashback Switch allows users to flash the BIOS.

To use USB BIOS Flashback function, press the BIOS Flashback Switch for three seconds. Please follow the steps below.

1. Download the latest BIOS file from ASRock's website : <http://www.asrock.com>.
2. Copy the BIOS file to your USB flash drive. Please make sure the file system of your USB flash drive must be FAT32.
3. Extract BIOS file from the zip file.
4. Rename the file to “**creative.rom**” and save it to the root directory of X: USB flash drive.
5. Install PSU and turn it on.
*Do not boot the system.
6. Then plug your USB drive to the USB BIOS Flashback port.
7. Press the BIOS Flashback Switch for about three seconds. Then the LED starts to blink.
8. Wait until the LED stops blinking, indicating that BIOS flashing has been completed.
*If the LED light turns solid green, this means that the BIOS Flashback is not operating properly.



2.7 Dr. Debug

Dr. Debug is used to provide code information, which makes troubleshooting even easier. Please see the diagrams below for reading the Dr. Debug codes.

Code	Description
00	Please check if the CPU is installed correctly and then clear CMOS.
0d	Problem related to memory, VGA card or other devices. Please clear CMOS, re-install the memory and VGA card, and remove other USB, PCI devices.
01 - 54 (except 0d), 5A - 60	Problem related to memory. Please re-install the CPU and memory then clear CMOS. If the problem still exists, please install only one memory module or try using other memory modules.
55	The Memory could not be detected. Please re-install the memory and CPU. If the problem still exists, please install only one memory module or try using other memory modules.
61 - 91	Chipset initialization error. Please press reset or clear CMOS.
92 - 99	Problem related to PCI-E devices. Please re-install PCI-E devices or try installing them in other slots. If the problem still exists, please remove all PCI-E devices or try using another VGA card.
A0 - A7	Problem related to IDE or SATA devices. Please re-install IDE and SATA devices. If the problem still exists, please clear CMOS and try removing all SATA devices.
b0	Problem related to memory. Please re-install the CPU and memory. If the problem still exists, please install only one memory module or try using other memory modules.

- b4 Problem related to USB devices. Please try removing all USB devices.
- b7 Problem related to memory. Please re-install the CPU and memory then clear CMOS. If the problem still exists, please install only one memory module or try using other memory modules.
- d6 The VGA could not be recognized. Please clear CMOS and try re-installing the VGA card. If the problem still exists, please try installing the VGA card in other slots or use other VGA cards.
- d7 The Keyboard and mouse could not be recognized. Please try re-installing the keyboard and mouse.
- d8 Invalid Password.
- FF Please check if the CPU is installed correctly and then clear CMOS.

2.8 SLI™, 3-Way SLI™, 4-Way SLI™ and Quad SLI™ Operation Guide

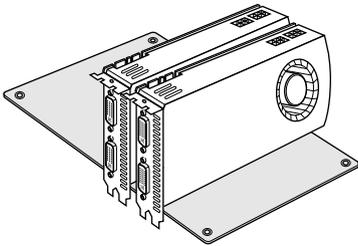
This motherboard supports NVIDIA® SLI™, 3-way SLI™, 4-way SLI™ and Quad SLI™ (Scalable Link Interface) technology that allows you to install up to four identical PCI Express x16 graphics cards.



Requirements

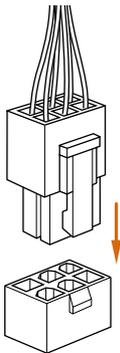
1. You should only use identical SLI™-ready graphics cards that are NVIDIA® certified.
2. Make sure that your graphics card driver supports NVIDIA® SLI™ technology. Download the drivers from the NVIDIA® website: www.nvidia.com
3. Make sure that your power supply unit (PSU) can provide at least the minimum power your system requires. It is recommended to use a NVIDIA® certified PSU. Please refer to the NVIDIA® website for details.

2.8.1 Installing Two SLI™-Ready Graphics Cards



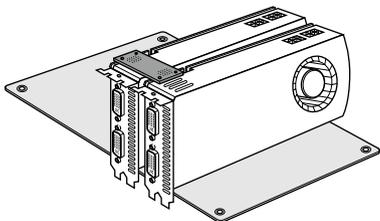
Step 1

Insert one graphics card into PCIE1 slot and the other graphics card to PCIE4 slot. Make sure that the cards are properly seated on the slots.



Step 2

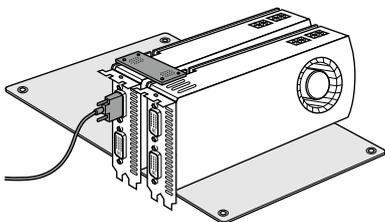
If required, connect the auxiliary power source to the PCI Express graphics cards.

**Step 3**

Align and insert the ASRock SLI_HB_Bridge_3S Card (if you install NVIDIA® high-bandwidth graphics cards) to the goldfingers on each graphics card. Make sure the ASRock SLI_HB_Bridge_3S Card is firmly in place.

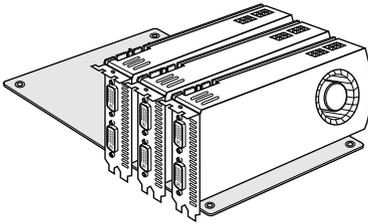


ASRock SLI_HB_Bridge_3S Card
(For NVIDIA® high-bandwidth graphics cards)

**Step 4**

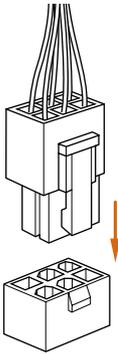
Connect a VGA cable or a DVI cable to the monitor connector or the DVI connector of the graphics card that is inserted to PCIE1 slot.

2.8.2 Installing Three SLI™-Ready Graphics Cards



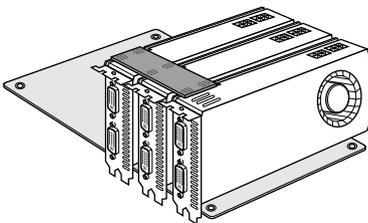
Step 1

Insert one graphics card into PCIE1 slot, another graphics card to PCIE2 slot, and the other graphics card to PCIE4 slot. Make sure that the cards are properly seated on the slots.



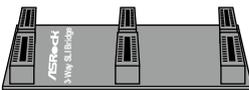
Step 2

Connect the auxiliary power source to the PCI Express graphics card. Please make sure that both power connectors on the PCI Express graphics card are connected. Repeat this step on the three graphics cards.

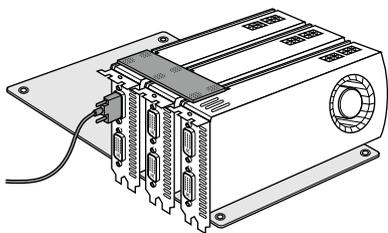


Step 3

Align and insert the ASRock 3-Way SLI Bridge Card to the goldfingers on each graphics card. Make sure the ASRock 3-Way SLI Bridge Card is firmly in place.



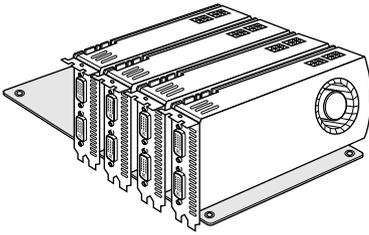
ASRock 3-Way SLI Bridge Card

**Step 4**

Connect a VGA cable or a DVI cable to the monitor connector or the DVI connector of the graphics card that is inserted to PCIE1 slot.

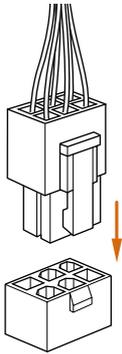
*If possible, please plug the PSU's power cable to GFX_12V1.

2.8.3 Installing Four SLI™-Ready Graphics Cards



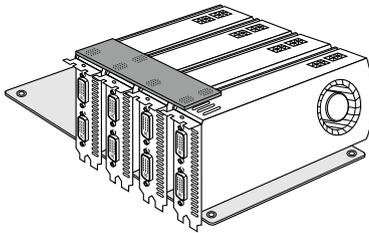
Step 1

Insert one graphics card into the PCI E1 slot, another graphics card into the PCI E2 slot, the third graphics card into the PCI E4 slot and the last graphics card into the PCI E5 slot. Make sure that the cards are properly seated on the slots.



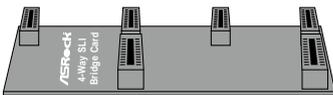
Step 2

Connect the auxiliary power source to the PCI Express graphics card. Please make sure that both power connectors on the PCI Express graphics card are connected. Repeat this step on the three graphics cards.

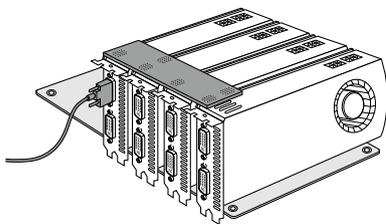


Step 3

Align and insert the ASRock 4-Way SLI-S111 Bridge Card to the goldfingers on each graphics card. Make sure the ASRock 4-Way SLI-S111 Bridge Card is firmly in place.



ASRock 4-Way SLI-S111 Bridge Card

**Step 4**

Connect a VGA cable or a DVI cable to the monitor connector or the DVI connector of the graphics card that is inserted to PCIE1 slot.

*If possible, please plug the PSU's power cable to GFX_12V1.

2.8.4 Driver Installation and Setup

Install the graphics card drivers to your system. After that, you can enable the Multi-Graphics Processing Unit (GPU) in the NVIDIA® nView system tray utility. Please follow the below procedures to enable the multi-GPU.



Step 1

Double-click the **NVIDIA Control Panel** icon in the Windows® system tray.



Step 2

In the left pane, click **Set SLI and PhysX configuration**. Then select **Maximize 3D performance** and click **Apply**.

Step 3

Reboot your system.

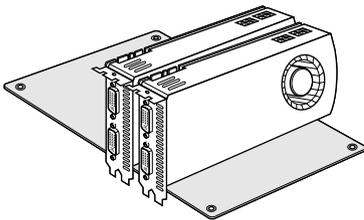
2.9 CrossFireX™, 3-Way CrossFireX™, 4-Way CrossFireX™ and Quad CrossFireX™ Operation Guide

This motherboard supports CrossFireX™, 3-way CrossFireX™, 4-way CrossFireX™ and Quad CrossFireX™ that allows you to install up to four identical PCI Express x16 graphics cards.



1. You should only use identical CrossFireX™-ready graphics cards that are AMD certified.
2. Make sure that your graphics card driver supports AMD CrossFireX™ technology. Download the drivers from the AMD's website: www.amd.com
3. Make sure that your power supply unit (PSU) can provide at least the minimum power your system requires. It is recommended to use a AMD certified PSU. Please refer to the AMD's website for details.
4. If you pair a 12-pipe CrossFireX™ Edition card with a 16-pipe card, both cards will operate as 12-pipe cards while in CrossFireX™ mode.
5. Different CrossFireX™ cards may require different methods to enable CrossFireX™. Please refer to AMD graphics card manuals for detailed installation guide.

2.9.1 Installing Two CrossFireX™-Ready Graphics Cards



Step 1

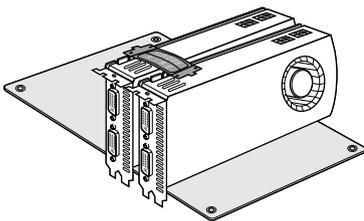
Insert one graphics card into PCIE1 slot and the other graphics card to PCIE4 slot. Make sure that the cards are properly seated on the slots.

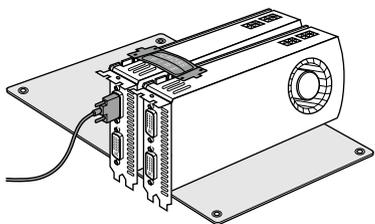


CrossFire Bridge

Step 2

Connect two graphics cards by installing a CrossFire Bridge on the CrossFire Bridge Interconnects on the top of the graphics cards. (The CrossFire Bridge is provided with the graphics card you purchase, not bundled with this motherboard. Please refer to your graphics card vendor for details.)

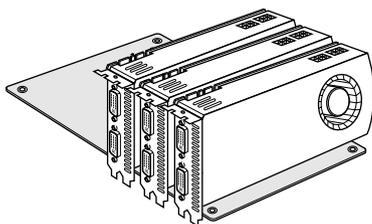




Step 3

Connect a VGA cable or a DVI cable to the monitor connector or the DVI connector of the graphics card that is inserted to PCI Express slot.

2.9.2 Installing Three CrossFire™-Ready Graphics Cards



Step 1

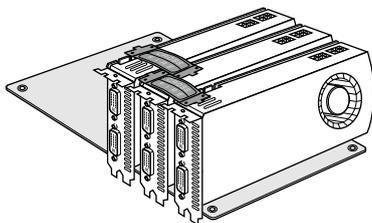
Insert one graphics card into PCI Express slot, another graphics card to PCI Express slot, and the other graphics card to PCI Express slot. Make sure that the cards are properly seated on the slots.



CrossFire Bridge

Step 2

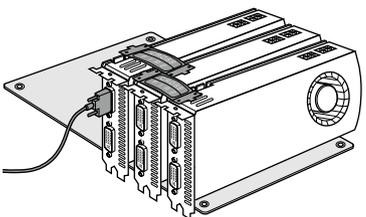
Use one CrossFire Bridge to connect the graphics cards on PCI Express and PCI Express slots, and use the other CrossFire Bridge to connect the graphics cards on PCI Express and PCI Express slots. (The CrossFire Bridge is provided with the graphics card you purchase, not bundled with this motherboard. Please refer to your graphics card vendor for details.)



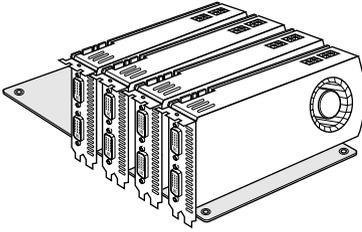
Step 3

Connect a VGA cable or a DVI cable to the monitor connector or the DVI connector of the graphics card that is inserted to PCI Express slot.

*If possible, please plug the PSU's power cable to GFX_12V1.

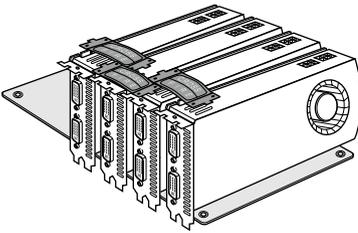


2.9.3 Installing Four CrossFireX™-Ready Graphics Cards



Step 1

Insert one graphics card into PCIE1 slot, another graphics card into PCIE2 slot, the third graphics card into PCIE4 slot and the last graphics card into PCIE5 slot. Make sure that the cards are properly seated on the slots.

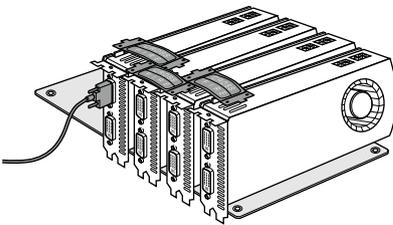


Step 2

Use one CrossFire Bridge to connect the graphics cards on PCIE1 and PCIE2 slots, another CrossFire Bridge to connect the graphics cards on PCIE2 and PCIE4 slots, and use the third CrossFire Bridge to connect the Radeon graphics cards on PCIE4 and PCIE5 slots. (The CrossFire Bridge is provided with the graphics card you purchase, not bundled with this motherboard. Please refer to your graphics card vendor for details.)



CrossFire Bridge



Step 3

Connect a VGA cable or a DVI cable to the monitor connector or the DVI connector of the graphics card that is inserted to PCIE1 slot.

*If possible, please plug the PSU's power cable to GFX_12V1.

2.9.4 Driver Installation and Setup

Step 1

Power on your computer and boot into OS.

Step 2

Remove the AMD drivers if you have any VGA drivers installed in your system.



The Catalyst Uninstaller is an optional download. We recommend using this utility to uninstall any previously installed Catalyst drivers prior to installation. Please check AMD's website for AMD driver updates.

Step 3

Install the required drivers and CATALYST Control Center then restart your computer. Please check AMD's website for details.



AMD Catalyst Control Center

Step 4

Double-click the **AMD Catalyst Control Center** icon in the Windows® system tray.



Step 5

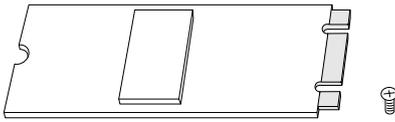
In the left pane, click **Performance** and then **AMD CrossFireX™**. Then select **Enable AMD CrossFireX** and click **Apply**. Select the GPU number according to your graphics card and click **Apply**.

2.10 M.2_SSD (NGFF) Module Installation Guide (M2_1 and M2_2)

The M.2, also known as the Next Generation Form Factor (NGFF), is a small size and versatile card edge connector that aims to replace mPCIe and mSATA. The Ultra M.2 Socket (M2_1 and M2_2) support SATA3 6.0 Gb/s module and M.2 PCI Express module up to Gen3 x4 (32 Gb/s).

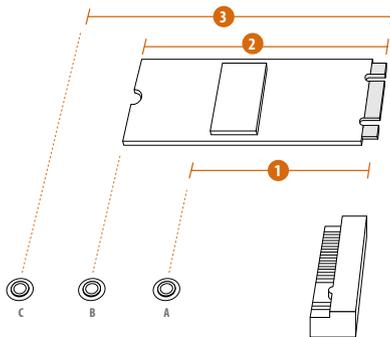
* If U.2 Connector is plugged, M2_1 will be disabled

Installing the M.2_SSD (NGFF) Module



Step 1

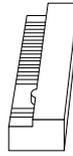
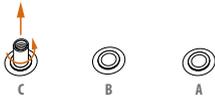
Prepare a M.2_SSD (NGFF) module and the screw.



Step 2

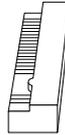
Depending on the PCB type and length of your M.2_SSD (NGFF) module, find the corresponding nut location to be used.

No.	1	2	3
Nut Location	A	B	C
PCB Length	4.2cm	6cm	8cm
Module Type	Type 2242	Type2260	Type 2280



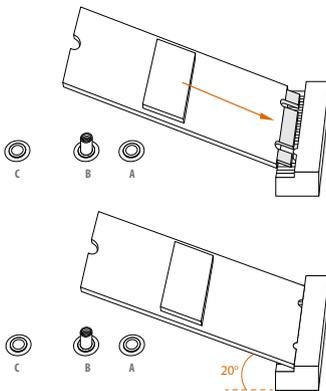
Step 3

Move the standoff based on the module type and length. The standoff is placed at the nut location D by default. Skip Step 3 and 4 and go straight to Step 5 if you are going to use the default nut. Otherwise, release the standoff by hand.



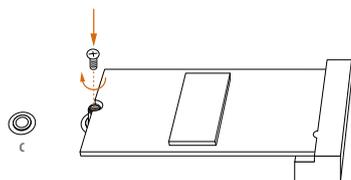
Step 4

Peel off the yellow protective film on the nut to be used. Hand tighten the standoff into the desired nut location on the motherboard.



Step 5

Align and gently insert the M.2 (NGFF) SSD module into the M.2 slot. Please be aware that the M.2 (NGFF) SSD module only fits in one orientation.

**Step 6**

Tighten the screw with a screwdriver to secure the module into place. Please do not overtighten the screw as this might damage the module.

M.2_SSD (NGFF) Module Support List

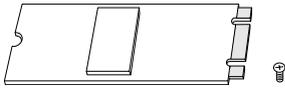
Vendor	Interface	Length	P/N
ADATA	SATA3	2280	AXNS381E-128GM-B
ADATA	SATA3	2280	ASU800NS38-256GT-C
ADATA	SATA3	2280	AXNS381E-256GM-B
ADATA	SATA3	2280	ASU800NS38-512GT-C
ADATA	PCIe3 x4	2280	ASX7000NP-128GT-C
ADATA	PCIe3 x4	2280	ASX8000NP-256GM-C
ADATA	PCIe3 x4	2280	ASX7000NP-256GT-C
ADATA	PCIe3 x4	2280	ASX7000NP-512GT-C
ADATA	PCIe3 x4	2280	ASX8000NP-512GM-C
Corsair	PCIe3 x4	2280	CSSD-F240GBMP500
Crucial	SATA3	2280	CT120M500SSD4
Crucial	SATA3	2280	CT240M500SSD4
Intel	SATA3	2280	Intel SSDSCKGW080A401/80G
Intel	PCIe3 x4	2280	SSDPEKKF256G7
Intel	PCIe3 x4	2280	SSDPEKKF512G7
Kingston	SATA3	2280	SM2280S3
Kingston	PCIe2 x4	2280	SH2280S3/480G
OCZ	PCIe3 x4	2280	RVD400 -M2280-512G (NVME)
Plextor	PCIe3 x4	2280	PX-128M8PeG
Plextor	PCIe3 x4	2280	PX-1TM8PeG
Plextor	PCIe3 x4	2280	PX-256M8PeG
Plextor	PCIe3 x4	2280	PX-512M8PeG
Plextor	PCIe	2280	PX-G256M6e
Plextor	PCIe	2280	PX-G512M6e
Samsung	PCIe3 x4	2280	SM961 MZVWPW128HEGM (NVM)
Samsung	PCIe3 x4	2280	PM961 MZVLW128HEGR (NVME)
Samsung	PCIe3 x4	2280	960 EVO (MZ-V6E250) (NVME)
Samsung	PCIe3 x4	2280	960 EVO (MZ-V6E250BW) (NVME)
Samsung	PCIe3 x4	2280	SM951 (NVME)
Samsung	PCIe3 x4	2280	SM951 (MZHPV256HDGL)
Samsung	PCIe3 x4	2280	SM951 (MZHPV512HDGL)
Samsung	PCIe3 x4	2280	SM951 (NVME)
Samsung	PCIe x4	2280	XP941-512G (MZHPU512HCGL)
SanDisk	PCIe	2260	SD6PP4M-128G
SanDisk	PCIe	2260	SD6PP4M-256G
Team	SATA3	2242	TM4PS4128GMC105
Team	SATA3	2242	TM4PS4256GMC105
Team	SATA3	2280	TM8PS4128GMC105
Team	SATA3	2280	TM8PS4256GMC105
TEAM	PCIe3 x4	2280	TM8FP2240G0C101
TEAM	PCIe3 x4	2280	TM8FP2480GC110

Transcend	SATA3	2242	TS256GMTS400
Transcend	SATA3	2260	TS512GMTS600
Transcend	SATA3	2280	TS512GMTS800
V-Color	SATA3	2280	VLM100-120G-2280B-RD
V-Color	SATA3	2280	VLM100-240G-2280B-RD
V-Color	SATA3	2280	VLM100-240G-2280RGB
V-Color	SATA3	2280	VSM100-240G-2280
WD	SATA3	2280	WDS100T1B0B-00AS40
WD	SATA3	2280	WDS240G1G0B-00RC30
WD	PCIe3 x4	2280	WDS256G1X0C-00ENX0 (NVME)
WD	PCIe3 x4	2280	WDS512G1X0C-00ENX0 (NVME)

2.11 M.2_SSD (NGFF) Module Installation Guide (M2_3)

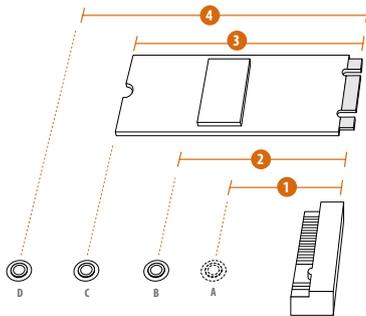
The M.2, also known as the Next Generation Form Factor (NGFF), is a small size and versatile card edge connector that aims to replace mPCIe and mSATA. The Ultra M.2 Socket (M2_3) support SATA3 6.0 Gb/s module and M.2 PCI Express module up to Gen3 x4 (32 Gb/s).

Installing the M.2_SSD (NGFF) Module



Step 1

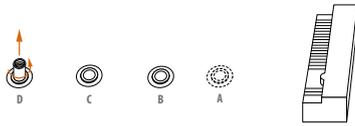
Prepare a M.2_SSD (NGFF) module and the screw.



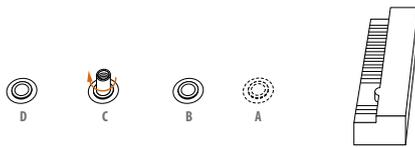
Step 2

Depending on the PCB type and length of your M.2_SSD (NGFF) module, find the corresponding nut location to be used.

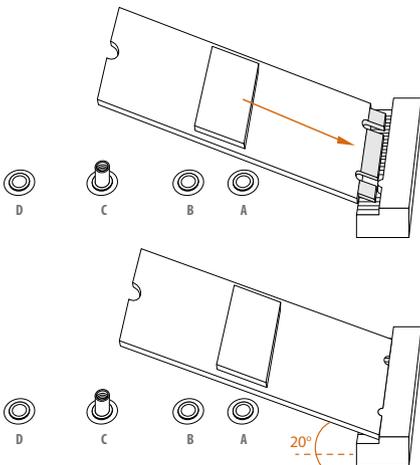
No.	1	2	3	4
Nut Location	A	B	C	D
PCB Length	3cm	4.2cm	6cm	8cm
Module Type	Type2230	Type 2242	Type2260	Type 2280

**Step 3**

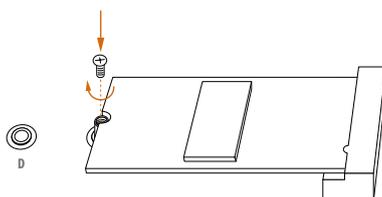
Move the standoff based on the module type and length. The standoff is placed at the nut location D by default. Skip Step 3 and 4 and go straight to Step 5 if you are going to use the default nut. Otherwise, release the standoff by hand.

**Step 4**

Peel off the yellow protective film on the nut to be used. Hand tighten the standoff into the desired nut location on the motherboard.

**Step 5**

Align and gently insert the M.2 (NGFF) SSD module into the M.2 slot. Please be aware that the M.2 (NGFF) SSD module only fits in one orientation.

**Step 6**

Tighten the screw with a screwdriver to secure the module into place. Please do not overtighten the screw as this might damage the module.

M.2_SSD (NGFF) Module Support List

Vendor	Interface	Length	P/N
ADATA	SATA3	2230	AXNS330E-32GM-B
ADATA	SATA3	2280	AXNS381E-128GM-B
ADATA	SATA3	2280	ASU800NS38-256GT-C
ADATA	SATA3	2280	AXNS381E-256GM-B
ADATA	SATA3	2280	ASU800NS38-512GT-C
ADATA	PCIe3 x4	2280	ASX7000NP-128GT-C
ADATA	PCIe3 x4	2280	ASX8000NP-256GM-C
ADATA	PCIe3 x4	2280	ASX7000NP-256GT-C
ADATA	PCIe3 x4	2280	ASX7000NP-512GT-C
ADATA	PCIe3 x4	2280	ASX8000NP-512GM-C
Corsair	PCIe3 x4	2280	CSSD-F240GBMP500
Crucial	SATA3	2280	CT120M500SSD4
Crucial	SATA3	2280	CT240M500SSD4
Intel	SATA3	2280	Intel SSDSCKGW080A401/80G
Intel	PCIe3 x4	2280	SSDPEKKF256G7
Intel	PCIe3 x4	2280	SSDPEKKF512G7
Kingston	SATA3	2280	SM2280S3
Kingston	PCIe2 x4	2280	SH2280S3/480G
OCZ	PCIe3 x4	2280	RVD400 -M2280-512G (NVME)
Plextor	PCIe3 x4	2280	PX-128M8PeG
Plextor	PCIe3 x4	2280	PX-1TM8PeG
Plextor	PCIe3 x4	2280	PX-256M8PeG
Plextor	PCIe3 x4	2280	PX-512M8PeG
Plextor	PCIe	2280	PX-G256M6e
Plextor	PCIe	2280	PX-G512M6e
Samsung	PCIe3 x4	2280	SM961 MZVVPW128HEGM (NVM)
Samsung	PCIe3 x4	2280	PM961 MZVVLW128HEGR (NVME)
Samsung	PCIe3 x4	2280	960 EVO (MZ-V6E250) (NVME)
Samsung	PCIe3 x4	2280	960 EVO (MZ-V6E250BW) (NVME)
Samsung	PCIe3 x4	2280	SM951 (NVME)
Samsung	PCIe3 x4	2280	SM951 (MZHPV256HDGL)
Samsung	PCIe3 x4	2280	SM951 (MZHPV512HDGL)
Samsung	PCIe3 x4	2280	SM951 (NVME)
Samsung	PCIe x4	2280	XP941-512G (MZHPU512HCGL)
SanDisk	PCIe	2260	SD6PP4M-128G
SanDisk	PCIe	2260	SD6PP4M-256G
Team	SATA3	2242	TM4PS4128GMC105
Team	SATA3	2242	TM4PS4256GMC105
Team	SATA3	2280	TM8PS4128GMC105
Team	SATA3	2280	TM8PS4256GMC105
TEAM	PCIe3 x4	2280	TM8FP2240G0C101
TEAM	PCIe3 x4	2280	TM8FP2480GC110

Transcend	SATA3	2242	TS256GMTS400
Transcend	SATA3	2260	TS512GMTS600
Transcend	SATA3	2280	TS512GMTS800
V-Color	SATA3	2280	VLM100-120G-2280B-RD
V-Color	SATA3	2280	VLM100-240G-2280B-RD
V-Color	SATA3	2280	VLM100-240G-2280RGB
V-Color	SATA3	2280	VSM100-240G-2280
WD	SATA3	2280	WDS100T1B0B-00AS40
WD	SATA3	2280	WDS240G1G0B-00RC30
WD	PCIe3 x4	2280	WDS256G1X0C-00ENX0 (NVME)
WD	PCIe3 x4	2280	WDS512G1X0C-00ENX0 (NVME)

Chapter 3 Software and Utilities Operation

3.1 Installing Drivers

The Support CD that comes with the motherboard contains necessary drivers and useful utilities that enhance the motherboard's features.

Running The Support CD

To begin using the support CD, insert the CD into your CD-ROM drive. The CD automatically displays the Main Menu if "AUTORUN" is enabled in your computer. If the Main Menu does not appear automatically, locate and double click on the file "ASRSETUP.EXE" in the Support CD to display the menu.

Drivers Menu

The drivers compatible to your system will be auto-detected and listed on the support CD driver page. Please click **Install All** or follow the order from top to bottom to install those required drivers. Therefore, the drivers you install can work properly.

Utilities Menu

The Utilities Menu shows the application software that the motherboard supports. Click on a specific item then follow the installation wizard to install it.

3.2 A-Tuning

A-Tuning is ASRock's multi purpose software suite with a new interface, more new features and improved utilities.

3.2.1 Installing A-Tuning

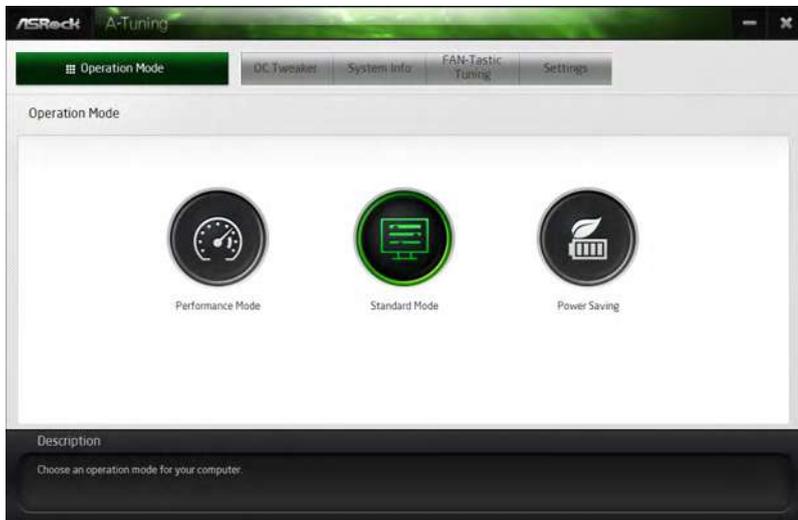
A-Tuning can be downloaded from ASRock Live Update & APP Shop. After the installation, you will find the icon "A-Tuning" on your desktop. Double-click the "A-Tuning"  icon, A-Tuning main menu will pop up.

3.2.2 Using A-Tuning

There are six sections in A-Tuning main menu: Operation Mode, OC Tweaker, System Info, FAN-Tastic Tuning and Settings.

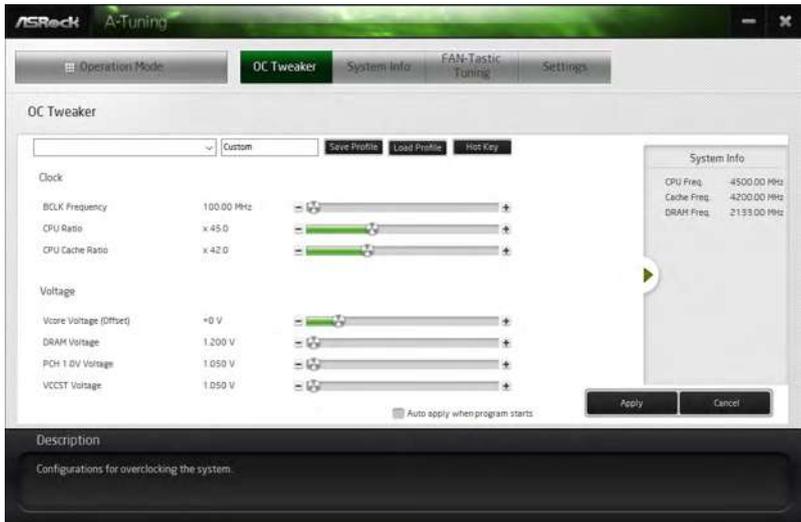
Operation Mode

Choose an operation mode for your computer.



OC Tweaker

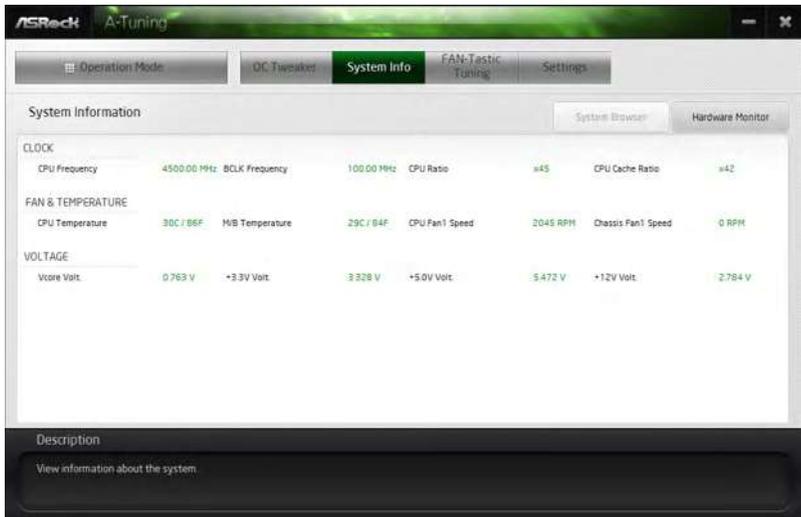
Configurations for overclocking the system.



System Info

View information about the system.

*The System Browser tab may not appear for certain models.



FAN-Tastic Tuning

Configure up to five different fan speeds using the graph. The fans will automatically shift to the next speed level when the assigned temperature is met.

The screenshot shows the ASRock A-Tuning software interface. The 'FAN-Tastic Tuning' tab is active. On the left, a graph plots Fan Speed (%) on the y-axis (0 to 100) against Temperature (°C) on the x-axis (0 to 100). A step function is shown, starting at 60% fan speed for temperatures up to 45°C, then increasing to 70% at 50°C, 80% at 60°C, 90% at 70°C, and 100% at 80°C. To the right of the graph is a table for configuring fan speeds:

Fan Power	Fan Speed
100%	N/A RPM
90%	N/A RPM
80%	N/A RPM
70%	N/A RPM
60%	N/A RPM
50%	N/A RPM
40%	N/A RPM
30%	N/A RPM
20%	N/A RPM
10%	N/A RPM

Below the table is a 'Start FAN Test' button and an 'Auto apply when program starts' checkbox. To the right of the table is an illustration of a computer monitor and a fan. At the bottom right are 'Apply' and 'Cancel' buttons. A 'Description' box at the bottom of the window reads: 'Configure different fan speeds for respective temperatures using the graph. The fans will automatically shift to the next speed level when the assigned temperature is met.'

Settings

Configure ASRock A-Tuning. Click to select "Auto run at Windows Startup" if you want A-Tuning to be launched when you start up the Windows operating system.

The screenshot shows the ASRock A-Tuning software interface with the 'Settings' tab selected. The 'Settings' section contains a single checkbox labeled 'Auto run at Windows Startup', which is currently checked. At the bottom right of the settings area, the text 'Version 3.0.0' is visible. A 'Description' box at the bottom of the window reads: 'Configure ASRock A-Tuning.'

3.3 ASRock Live Update & APP Shop

The ASRock Live Update & APP Shop is an online store for purchasing and downloading software applications for your ASRock computer. You can quickly and easily install various apps and support utilities. With ASRock APP Shop, you can optimize your system and keep your motherboard up to date simply with a few clicks.

Double-click  on your desktop to access ASRock Live Update & APP Shop utility.

**You need to be connected to the Internet to download apps from the ASRock Live Update & APP Shop.*

3.3.1 UI Overview



Category Panel: The category panel contains several category tabs or buttons that when selected the information panel below displays the relative information.

Information Panel: The information panel in the center displays data about the currently selected category and allows users to perform job-related tasks.

Hot News: The hot news section displays the various latest news. Click on the image to visit the website of the selected news and know more.

3.3.2 Apps

When the "Apps" tab is selected, you will see all the available apps on screen for you to download.

Installing an App

Step 1

Find the app you want to install.



The most recommended app appears on the left side of the screen. The other various apps are shown on the right. Please scroll up and down to see more apps listed.

You can check the price of the app and whether you have already installed it or not.

Free - The red icon displays the price or "Free" if the app is free of charge.

Installed - The green "Installed" icon means the app is installed on your computer.

Step 2

Click on the app icon to see more details about the selected app.

Step 3

If you want to install the app, click on the red icon  to start downloading.



Step 4

When installation completes, you can find the green "Installed" icon appears on the upper right corner.



To uninstall it, simply click on the trash can icon .

*The trash icon may not appear for certain apps.

Upgrading an App

You can only upgrade the apps you have already installed. When there is an available new version for your app, you will find the mark of "New Version"  appears below the installed app icon.



Step 1

Click on the app icon to see more details.

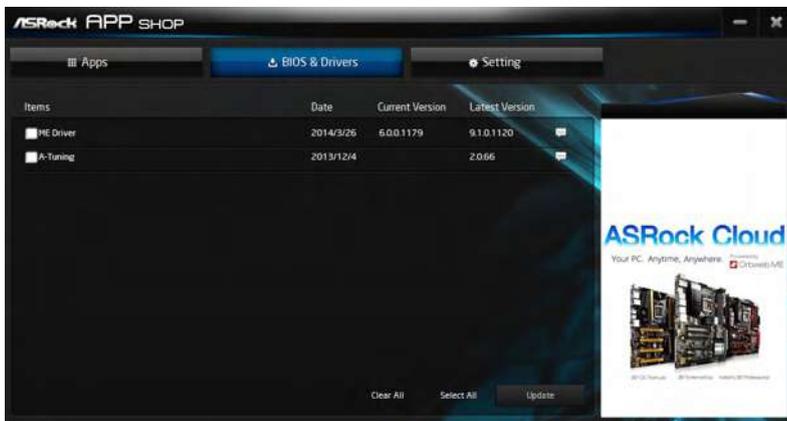
Step 2

Click on the yellow icon  to start upgrading.

3.3.3 BIOS & Drivers

Installing BIOS or Drivers

When the "BIOS & Drivers" tab is selected, you will see a list of recommended or critical updates for the BIOS or drivers. Please update them all soon.



Step 1

Please check the item information before update. Click on  to see more details.

Step 2

Click to select one or more items you want to update.

Step 3

Click Update to start the update process.

3.3.4 Setting

In the "Setting" page, you can change the language, select the server location, and determine if you want to automatically run the ASRock Live Update & APP Shop on Windows startup.

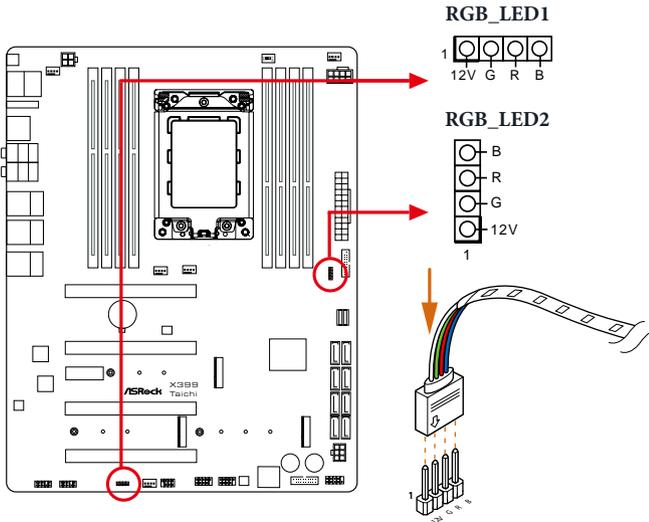


3.4 ASRock RGB LED

ASRock RGB LED is a lighting control utility specifically designed for unique individuals with sophisticated tastes to build their own stylish colorful lighting system. Simply by connecting the LED strip, you can customize various lighting schemes and patterns, including Static, Breathing, Strobe, Cycling, Music, Wave and more.

Connecting the LED Strip

Connect your RGB LED strips to the **RGB LED Headers (RGB_LED1, RGB_LED2)** on the motherboard.



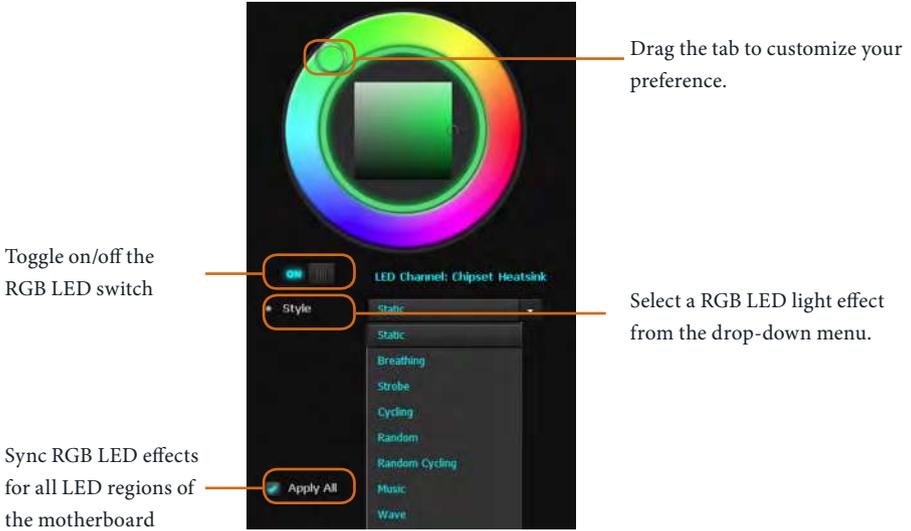
1. Never install the RGB LED cable in the wrong orientation; otherwise, the cable may be damaged.
2. Before installing or removing your RGB LED cable, please power off your system and unplug the power cord from the power supply. Failure to do so may cause damages to motherboard components.



1. Please note that the RGB LED strips do not come with the package.
2. The RGB LED header supports standard 5050 RGB LED strip (12V/G/R/B), with a maximum power rating of 3A (12V) and length within 2 meters.

ASRock RGB LED Utility

Now you can adjust the RGB LED color through the ASRock RGB LED utility. Download this utility from the ASRock Live Update & APP Shop and start coloring your PC style your way!



Chapter 4 UEFI SETUP UTILITY

4.1 Introduction

This section explains how to use the UEFI SETUP UTILITY to configure your system. You may run the UEFI SETUP UTILITY by pressing <F2> or right after you power on the computer, otherwise, the Power-On-Self-Test (POST) will continue with its test routines. If you wish to enter the UEFI SETUP UTILITY after POST, restart the system by pressing <Ctl> + <Alt> + <Delete>, or by pressing the reset button on the system chassis. You may also restart by turning the system off and then back on.



Because the UEFI software is constantly being updated, the following UEFI setup screens and descriptions are for reference purpose only, and they may not exactly match what you see on your screen.

4.1.1 UEFI Menu Bar

The top of the screen has a menu bar with the following selections:

Main	For setting system time/date information
OC Tweaker	For overclocking configurations
Advanced	For advanced system configurations
Tool	Useful tools
H/W Monitor	Displays current hardware status
Security	For security settings
Boot	For configuring boot settings and boot priority
Exit	Exit the current screen or the UEFI Setup Utility

4.1.2 Navigation Keys

Use <←> key or <→> key to choose among the selections on the menu bar, and use <↑> key or <↓> key to move the cursor up or down to select items, then press <Enter> to get into the sub screen. You can also use the mouse to click your required item.

Please check the following table for the descriptions of each navigation key.

Navigation Key(s)	Description
+ / -	To change option for the selected items
<Tab>	Switch to next function
<PGUP>	Go to the previous page
<PGDN>	Go to the next page
<HOME>	Go to the top of the screen
<END>	Go to the bottom of the screen
<F1>	To display the General Help Screen
<F7>	Discard changes and exit the SETUP UTILITY
<F9>	Load optimal default values for all the settings
<F10>	Save changes and exit the SETUP UTILITY
<F12>	Print screen
<ESC>	Jump to the Exit Screen or exit the current screen

4.2 Main Screen

When you enter the UEFI SETUP UTILITY, the Main screen will appear and display the system overview.



4.3 OC Tweaker Screen

In the OC Tweaker screen, you can set up overclocking features.



Because the UEFI software is constantly being updated, the following UEFI setup screens and descriptions are for reference purpose only, and they may not exactly match what you see on your screen.

CPU Configuration

Overclock Mode

Select the overclock mode.

CPU Frequency and Voltage Change

If this item is set to [Manual], the multiplier and voltage will be set based on user selection.

Final result is depending on the CPU's capability.

SMT Mode

This item can be used to disable symmetric multithreading. To re-enable SMT, a power cycle is needed after selecting [Auto].

Warning: S3 is not supported on systems where SMT is disabled.

DRAM Timing Configuration

Load XMP Setting

Load XMP settings to overclock the DDR memory and perform beyond standard specifications.

Voltage Configuration

Voltage Mode

[OC]

If this option is selected, there is larger range voltage for overclocking.

[Stable]

If this option is selected, there is smaller range voltage for stable system.

CPU Vcore Voltage

Configure the voltage for the CPU Vcore.

CPU Load-Line Calibration

CPU Load-Line Calibration helps prevent CPU voltage droop when the system is under heavy loading.

VDDCR_SOC Voltage

Configure the voltage for the VID-requested VDDCR_SOC supply level.

VDDCR_SOC Load-Line Calibration

VDDCR_SOC Load-Line Calibration helps prevent VDDCR_SOC voltage droop when the system is under heavy loading.

CPU OVP

Configure the CPU OVP (Over Voltage Protection).

CPU OCP

Configure the CPU OCP (Over Current Protection).

MOS Over Temperature Protection

When MOS Over Temperature Protection is enabled, the system automatically shuts down when the motherboard is overheated.

DRAM Voltage

Use this to select DRAM Voltage. The default value is [Auto].

DRAM_CD Voltage

Use this to select DRAM_CD Voltage. The default value is [Auto].

VTT_DDR

Configure the VTT DDR voltage. The default value is [Auto].

VTT_DDR_CD

Configure the VTT DDR_CD voltage. The default value is [Auto].

VPPM

Configure the voltage for the VPPM.

VPPM_CD

Configure the voltage for the VPPM_CD.

VDDCR_SOC_S5

Configure the VDDCR SOC (S5) voltage.

1.05V_PROM Voltage

Use this to select 1.05V_PROM Voltage. The default value is [Auto].

+1.8 Voltage

Use this to select +1.8 Voltage. The default value is [Auto].

+1.8 SB Voltage

Use this to select +1.8 SB Voltage. The default value is [Auto].

2.50V_PROM Voltage

Configure the voltage for the 2.50V PROM.

4.4 Advanced Screen

In this section, you may set the configurations for the following items: CPU Configuration, North Bridge Configuration, South Bridge Configuration, Storage Configuration, Super IO Configuration, ACPI Configuration, AMD PBS and AMD CBS.



Setting wrong values in this section may cause the system to malfunction.

UEFI Configuration

Active Page on Entry

Select the default page when entering the UEFI setup utility.

Full HD UEFI

When [Auto] is selected, the resolution will be set to 1920 x 1080 if the monitor supports Full HD resolution. If the monitor does not support Full HD resolution, then the resolution will be set to 1024 x 768. When [Disable] is selected, the resolution will be set to 1024 x 768 directly.

4.4.1 CPU Configuration



AMD fTPM Switch

Use this to enable or disable AMD CPU fTPM.

SVM Mode

When this option is set to [Enabled], a VMM (Virtual Machine Architecture) can utilize the additional hardware capabilities provided by AMD-V. The default value is [Enabled]. Configuration options: [Enabled] and [Disabled].

4.4.2 North Bridge Configuration



IOMMU

Use this to configure IOMMU. The default value of this feature is [Auto].

SR-IOV Support

Enable/disable the SR-IOV (Single Root IO Virtualization Support) if the system has SR-IOV capable PCIe devices.

4.4.3 South Bridge Configuration



Deep Sleep

Configure deep sleep mode for power saving when the computer is shut down.

Restore on AC/Power Loss

Select the power state after a power failure. If [Power Off] is selected, the power will remain off when the power recovers. If [Power On] is selected, the system will start to boot up when the power recovers.

WAN Radio

Configure the WiFi module's connectivity.

Onboard Debug Port LED

Enable/disable the onboard Dr. Debug LED.

4.4.4 Storage Configuration



SATA Controller(s)

Enable/disable the SATA controllers.

SATA Mode

AHCI: Supports new features that improve performance.

RAID: Combine multiple disk drives into a logical unit.

SATA Hot Plug

Enable/disable the SATA Hot Plug function.

4.4.5 Super IO Configuration



PS2 Y-Cable

Enable the PS2 Y-Cable or set this option to Auto.

4.4.6 ACPI Configuration



Suspend to RAM

It is recommended to select auto for ACPI S3 power saving.

ACPI HPET Table

Enable the High Precision Event Timer for better performance and to pass WHQL tests.

PS/2 Keyboard Power On

Allow the system to be waked up by a PS/2 Keyboard.

PCIE Devices Power On

Allow the system to be waked up by a PCIE device and enable wake on LAN.

RTC Alarm Power On

Allow the system to be waked up by the real time clock alarm. Set it to By OS to let it be handled by your operating system.

4.4.7 AMD PBS



PCIe x16 Switch

Configure the PCIe x16 Switch.

Promontory PCIe Switch

Configure the Promontory PCIe Switch.

4.4.8 AMD CBS



DRAM Timing Configuration

Overclock

Configure the memory overclock settings.

Custom Pstates / Throttling

Custom Pstates0

Custom P-State0 or leave this item to [Auto].

Custom Pstates1

Custom P-State1 or leave this item to [Auto].

Custom Pstates2

Custom P-State2 or leave this item to [Auto].

Custom Pstates3

Custom P-State3 or leave this item to [Auto].

Custom Pstates4

Custom P-State4 or leave this item to [Auto].

Custom Pstates5

Custom P-State5 or leave this item to [Auto].

Custom Pstates6

Custom P-State6 or leave this item to [Auto].

Custom Pstates7

Custom P-State7 or leave this item to [Auto].

Relaxed EDC throttling

[Disabled]

If this option is selected, part-specific EDC throttling protection is enabled.

[Enabled]

Select this option to reduce the amount of time the processor will throttle.

[Auto]

AMD's recommendation (Disabled).

Zen Common Options

RedirectForReturnDis

From a workaround for GCC/C000005 issue for XV Core on CZ A0, setting MSRC001_1029 Decode Configuration (DE_CFG) bit 14 [DecfgNoRdrctForReturns] to 1.

L2 TLB Associativity

0 - L2 TLB ways [11:8] are fully associative. 1 - =L2 TLB ways [11:8] are 4K-only.

Platform first Error Handling

Enable/disable PFEH, cloak individual banks, and mask deferred error interrupts from each bank.

Core Performance Boost

Disable CPB.

Enable IBS

Enables IBS through MSRC001_1005[42] and disables SpecLockMap through MSRC001_1020[54].

Global C-state Control

Controls IO based C-state generation and DF C-states.

Opcache Control

Enables or disables the Opcache.

OC Mode

OC1 - 16 cores/3.6GHz on 1.3375V

OC2 - 8 cores/3.7GHz on 1.369V

OC3 - 4 cores/3.75GHz on 1.374V\nMax Stress - 16 cores/3.8GHz on 1.400V

SEV-ES ASID Space Limit

SEV VMs using ASIDs below the SEV-ES ASID Space Limit must enable the SEV-ES feature.

The valid values for this field are from 0x1 (1) - 0x10 (16).

Core/Thread Enablement

Downcore control

Sets the number of cores to be used. Once this option has been used to remove any cores, a POWER CYCLE is required in order for future selections to take effect.

SMTEN

This item can be used to disable symmetric multithreading. To re-enable SMT, a POWER CYCLE is needed after selecting the 'Auto' option.

Warning: S3 is NOT SUPPORTED on systems where SMT is disabled.

Streaming Stores Control

Enables or disables the streaming stores functionality.

DF Common Options

DRAM scrub time

Provide a value that is the number of hours to scrub memory.

Redirect scrubber control

Control DF::RedirScrubCtrl[EnRedirScrub]

Disable DF sync flood propagation

Control DF::PIEConfig[DisSyncFloodProp].

Freeze DF module queues on error

Controls DF::PIEConfig[DisImmSyncFloodOnFatalError]

Disabling this option sets DF::PIEConfig[DisImmSyncFloodOnFatalError].

GMI encryption control

GMI encryption control

Control GMI link encryption

xGMI encryption control

Control xGMI link encryption

CC6 memory region encryption

Control whether or not the CC6 save/restore memory is encrypted

Location of private memory regions

Controls whether or not the private memory regions (PSP, SMU and CC6) are at the top of DRAM or distributed. Note that distributed requires memory on all dies. Note that it will always be at the top of DRAM if some dies don't have memory regardless of this option's setting.

System probe filter

Controls whether or not the probe filter is enabled. Has no effect on parts where the probe filter is fuse disabled.

Memory interleaving

Controls fabric level memory interleaving (AUTO, none, channel, die, socket). Note that channel, die, and socket has requirements on memory populations and it will be ignored if the memory doesn't support the selected option.

Memory interleaving size

Controls the memory interleaving size. The valid values are AUTO, 256 bytes, 512 bytes, 1 Kbytes or 2Kbytes. This determines the starting address of the interleave (bit 8, 9, 10 or 11).

Channel interleaving hash

Controls whether or not the address bits are hashed during channel interleave mode. This field should not be used unless the interleaving is set to channel and the interleaving size is 256 or 512 bytes.

Memory Clear

When this feature is disabled, BIOS does not implement MemClear after memory training (only if non-ECC DIMMs are used).

UMC Common Options

DDR4 Common Options

DRAM Controller Configuration

DRAM Controller Configuration

DRAM Power Options

Cmd2T

Select between 1T and 2T mode on ADDR/CMD

Gear Down Mode

Configure the Gear Down Mode.

CAD Bus Configuration

CAD Bus Timing User Controls

Setup time on CAD bus signals to Auto or Manual

CAD Bus Drive Strength User Controls

Drive Strength on CAD bus signals to Auto or Manual

Data Bus Configuration

Data Bus Configuration User Controls

Specify the mode for drive strength to Auto or Manual

Common RAS

Data Poisoning

Enable/disable data poisoning: UMC_CH::EccCtrl[UcFatalEn] UMC_CH::EccCtrl[WrrEccEn]

Should be enabled/disabled together.

Security

TSME

Transparent SME: AddrTweakEn = 1; ForceEncrEn =1; DataEncrEn = 0

Data Scramble

Data scrambling: DataScrambleEn

DRAM Memory Mapping

Chipselect Interleaving

Interleave memory blocks across the DRAM chip selects for node 0.

BankGroupSwap

Configure the BankGroupSwap.

BankGroupSwapAlt

Configure BankGroupSwapAlt.

Address Hash Bank

Configure the bank address hashing.

Address Hash CS

Configure the CS address hashing.

NVDIMM

Memory MBIST

MBIST Enable

Configure the Memory MBIST.

MBIST SubType Test

Select MBIST Subtest - Single Chipselect, Multi Chipselect, Address Line Test or execute All test

MBIST Aggressors

Enable or disable MBIST Aggressor test.

MBIST Per Bit Slave Die Reporting

Enable or disable MBIST per bit slave die result report.

NBIO Common Options

NB Configuration

IOMMU

Use this to enable or disable IOMMU. The default value of this feature is [Disabled].

Determinism Slider

[Auto]

Use default performance determinism settings

cTDP Control

[Auto]

Use the fused cTDP.

[Manual]

User can set customized cTDP.

Fan Control

[Auto]

Use the default fan controller settings.

[Manual]

User can set customized fan controller settings.

PSI

Disable PSI.

ACS Enable

Enable ACS.

PCIe ARI Support

Enables Alternative Routing-ID Interpretation

CLDO_VDDP Control

[Manual]

If this option is selected, user can set customized CLDO_VDDP voltage.

HD Audio Enable

Enable HD Audio.

FCH Common Options

SATA Configuration Options

SATA Controller

Disable or enable OnChip SATA controller

Sata RAS Support

Disable or enable Sata RAS Support

Sata Disabled AHCI Prefetch Function

Configure the Sata Disabled AHCI Prefetch function.

Aggressive SATA Device Sleep Port 0

Configure the Aggressive SATA Device Sleep Port 0.

Aggressive SATA Device Sleep Port 1

Configure the Aggressive SATA Device Sleep Port 1.

USB Configuration Options

XHCI controller enable

Configure the USB3 controller.

SD (Secure Digital) Options

SD Configuration Mode

Select SD Mode.

Ac Power Loss Options

Select Ac Loss Control Method.

I2C Configuration Options

Uart Configuration Options

ESPI Configuration Options

XGBE Configuration Options

eMMC Options

NTB Common Options

DRAM Memory Mapping

Chipselect Interleaving

Interleave memory blocks across the DRAM chip selects for node 0.

BankGroupSwap

Configure the BankGroupSwap.

BankGroupSwapAlt

Configure the BankGroupSwapAlt.

Address Hash Bank

Configure the bank address hashing.

Address Hash CS

Configure the CS address hashing.

NVDIMM

Memory MBIST

MBIST Enable

Configure the Memory MBIST.

MBIST SubType Test

Select MBIST Subtest - Single Chipselect, Multi Chipselect, Address Line Test or execute all test.

MBIST Aggressors

Configure the MBIST Aggressor test.

MBIST Per Bit Slave Die Reporting

Configure the MBIST per bit slave die result report.

4.5 Tools



RGB LED

ASRock RGB LED allows you to adjust the RGB LED color to your liking.

Easy RAID Installer

Easy RAID Installer helps you to copy the RAID driver from the support CD to your USB storage device. After copying the drivers please change the SATA mode to RAID, then you can start installing the operating system in RAID mode.

Instant Flash

Save UEFI files in your USB storage device and run Instant Flash to update your UEFI.

Internet Flash - DHCP (Auto IP), Auto

ASRock Internet Flash downloads and updates the latest UEFI firmware version from our servers for you. Please setup network configuration before using Internet Flash.

*For BIOS backup and recovery purpose, it is recommended to plug in your USB pen drive before using this function.

Network Configuration

Use this to configure internet connection settings for Internet Flash.



Internet Setting

Enable or disable sound effects in the setup utility.

UEFI Download Server

Select a server to download the UEFI firmware.

4.6 Hardware Health Event Monitoring Screen

This section allows you to monitor the status of the hardware on your system, including the parameters of the CPU temperature, motherboard temperature, fan speed and voltage.



Fan-Tastic Tuning

Select a fan mode for CPU Fans 1&2, or choose Customize to set 5 CPU temperatures and assign a respective fan speed for each temperature.

CPU Fan 1 Setting

Select a fan mode for CPU Fan 1, or choose Customize to set 5 CPU temperatures and assign a respective fan speed for each temperature.

CPU_OPT / W_Pump Switch

Select CPU Optional or Water Pump mode.

CPU Optional Fan Control Mode

Select PWM mode or DC mode for CPU Optional fan.

CPU Optional Fan Setting

Select a fan mode for CPU Optional fan, or choose Customize to set 5 CPU temperatures and assign a respective fan speed for each temperature.

CPU Optional Fan Temp Source

Select a fan temperature source for CPU Optional fan.

Chassis Fan 1 Setting

Select a fan mode for Chassis Fan 1, or choose Customize to set 5 CPU temperatures and assign a respective fan speed for each temperature.

Chassis Fan 1 Temp Source

Select a fan temperature source for Chassis Fan 1.

Chassis Fan 2 Setting

Select a fan mode for Chassis Fan 2, or choose Customize to set 5 CPU temperatures and assign a respective fan speed for each temperature.

Chassis Fan 2 Temp Source

Select a fan temperature source for Chassis Fan 2.

CHA_FAN3 / W_Pump Switch

Select CHA_FAN3 or Water Pump mode.

Chassis Fan 3 Control Mode

Select PWM mode or DC mode for Chassis Fan 3 .

Chassis Fan 3 Setting

Select a fan mode for Chassis Fan 3, or choose Customize to set 5 CPU temperatures and assign a respective fan speed for each temperature.

Chassis Fan 3 Temp Source

Select a fan temperature source for Chassis Fan 3.

4.7 Security Screen

In this section you may set or change the supervisor/user password for the system. You may also clear the user password.



Supervisor Password

Set or change the password for the administrator account. Only the administrator has authority to change the settings in the UEFI Setup Utility. Leave it blank and press enter to remove the password.

User Password

Set or change the password for the user account. Users are unable to change the settings in the UEFI Setup Utility. Leave it blank and press enter to remove the password.

Secure Boot

Enable to support Secure Boot.

4.8 Boot Screen

This section displays the available devices on your system for you to configure the boot settings and the boot priority.



Fast Boot

Fast Boot minimizes your computer's boot time. In fast mode you may not boot from an USB storage device.

Boot From Onboard LAN

Allow the system to be waked up by the onboard LAN.

Setup Prompt Timeout

Configure the number of seconds to wait for the setup hot key.

Bootup Num-Lock

Select whether Num Lock should be turned on or off when the system boots up.

Boot Beep

Select whether the Boot Beep should be turned on or off when the system boots up. Please note that a buzzer is needed.

Full Screen Logo

Enable to display the boot logo or disable to show normal POST messages.

AddOn ROM Display

Enable AddOn ROM Display to see the AddOn ROM messages or configure the AddOn ROM if you've enabled Full Screen Logo. Disable for faster boot speed.

CSM (Compatibility Support Module)



CSM

Enable to launch the Compatibility Support Module. Please do not disable unless you're running a WHCK test.

Launch PXE OpROM Policy

Select UEFI only to run those that support UEFI option ROM only. Select Legacy only to run those that support legacy option ROM only. Select Do not launch to not execute both legacy and UEFI option ROM.

Launch Storage OpROM Policy

Select UEFI only to run those that support UEFI option ROM only. Select Legacy only to run those that support legacy option ROM only. Select Do not launch to not execute both legacy and UEFI option ROM.

Launch Video OpROM Policy

Select UEFI only to run those that support UEFI option ROM only. Select Legacy only to run those that support legacy option ROM only. Select Do not launch to not execute both legacy and UEFI option ROM.

4.9 Exit Screen



Save Changes and Exit

When you select this option the following message, “Save configuration changes and exit setup?” will pop out. Select [OK] to save changes and exit the UEFI SETUP UTILITY.

Discard Changes and Exit

When you select this option the following message, “Discard changes and exit setup?” will pop out. Select [OK] to exit the UEFI SETUP UTILITY without saving any changes.

Discard Changes

When you select this option the following message, “Discard changes?” will pop out. Select [OK] to discard all changes.

Load UEFI Defaults

Load UEFI default values for all options. The F9 key can be used for this operation.

Launch EFI Shell from filesystem device

Copy shellx64.efi to the root directory to launch EFI Shell.

Contact Information

If you need to contact ASRock or want to know more about ASRock, you're welcome to visit ASRock's website at <http://www.asrock.com>; or you may contact your dealer for further information. For technical questions, please submit a support request form at <http://www.asrock.com/support/tsd.asp>

ASRock Incorporation

2F., No.37, Sec. 2, Jhongyang S. Rd., Beitou District,

Taipei City 112, Taiwan (R.O.C.)

ASRock EUROPE B.V.

Bijsterhuizen 11-11

6546 AR Nijmegen

The Netherlands

Phone: +31-24-345-44-33

Fax: +31-24-345-44-38

ASRock America, Inc.

13848 Magnolia Ave, Chino, CA91710

U.S.A.

Phone: +1-909-590-8308

Fax: +1-909-590-1026