



Register your new Bosch now:
www.bosch-home.com/welcome



Dishwasher
Lave-vaisselle
SHE3AR****



BOSCH

en-us Operating instructions
fr-ca Notice d'utilisation

Table of contents

	Safety Definitions	5
	IMPORTANT SAFETY INSTRUCTIONS	6
	Causes of Damage	10
	Getting Started	11
	Rinse Aid.	14
	Loading the Dishwasher	16
	Detergent	22
	Dishwasher Cycles	24
	Dishwasher Cycle Options	25
	Operating the Dishwasher.	26
	Care and Maintenance	30
	Troubleshooting.	34
	Customer Service.	39
	Statement of Limited Product Warranty	40

Dear Valued Customer,

Thank you for selecting a Bosch® dishwasher. You have joined the many consumers who demand quiet and superior performance from their dishwashers.

This manual was written with your safety and convenience in mind, and the information contained herein is very important. We highly recommend that you read this manual before using your dishwasher for the first time.

To learn more about your dishwasher and available accessories, as well as many other top quality Bosch appliances, visit our web site at:

www.bosch-home.com/us (USA)

or

www.bosch-home.ca (Canada)

While there, don't forget to register your new dishwasher by clicking on the "Support" tab or filling out the product registration card enclosed with your new unit.

If you have any questions or comments, please contact us by phone at:

1-800-944-2904

or write us at:

BSH Home Appliances Corporation
1901 Main Street, Suite 600
Irvine, CA 92614

 **Safety Definitions**

⚠ WARNING

This indicates that death or serious injuries may occur as a result of non-observance of this warning.

⚠ CAUTION

This indicates that minor or moderate injuries may occur as a result of non-observance of this warning.

NOTICE

This indicates that damage to the appliance or property may occur as a result of non-compliance with this advisory.

Note: This alerts you to important information and/or tips.

IMPORTANT SAFETY INSTRUCTIONS

READ AND SAVE THESE INSTRUCTIONS

This dishwasher is provided with Installation Instructions and this Use and Care Manual. Read and understand all instructions before using the dishwasher.

This dishwasher is intended for use up to a maximum altitude of 13,000 ft (4,000 meters) above sea level.

To reduce the risk of fire, electrical shock, or serious injury, observe the following:

WARNING

RISK OF INJURY OR DEATH!

Misuse of the dishwasher can result in serious injury or death. Do not use the dishwasher in any way not covered in this manual or for any purpose other than those explained in the following pages.

WARNING

RISK OF INJURY!

Severe injury and/or product damage could result from the use of unauthorized service technicians or non-original replacement parts. All repairs must be performed by an authorized service technician using only original equipment factory replacement parts.

WARNING

RISK OF ELECTRICAL SHOCK OR FIRE!

Electrical shock or fire could result if the electrical supply for the dishwasher covered in this manual is incorrectly installed or if the dishwasher has been improperly grounded. Do not use the dishwasher covered in this manual unless you are certain the electrical supply has been correctly installed and the dishwasher has been properly grounded.

WARNING

RISK OF EXPLOSION!

- Under certain conditions, hydrogen gas may be produced in a hot water system that has not been used for two weeks or more. Hydrogen gas is explosive. Before using a dishwasher that is connected to a hot water system that has been unused for two weeks or longer, turn on all hot water faucets and let the water flow from each for several minutes. This will release any accumulated hydrogen gas. As the gas is explosive, do not smoke or use an open flame during this time.
- When cleaning your dishwasher with any cleaning agent, remove all cookware, utensils or any foreign material from inside. Some cleaning agents are highly acidic and/or caustic alkaline, which can cause



IMPORTANT SAFETY INSTRUCTIONS

READ AND SAVE THESE INSTRUCTIONS

hydrogen gas to form if aluminum material is also inside the dishwasher tub. Hydrogen gas is explosive.

Refer to the Care and Maintenance section of the dishwasher Use and Care manual for instructions on how to properly clean your dishwasher.



WARNING

HEALTH HAZARD!

Never use harsh chemicals to clean your dishwasher. Some bleach-based products can damage your dishwasher and may present health hazards!



WARNING

RISK OF ELECTRIC SHOCK!

This appliance must be grounded. In the event of a malfunction or breakdown, grounding will reduce the risk of electric shock by providing a path of least resistance for electric current. This appliance is equipped with a cord having an equipment-grounding conductor.

Improper connection of the equipment-grounding conductor can result in risk of electric shock. Check with a qualified electrician if you are in doubt whether the appliance is properly grounded.

GROUNDING INSTRUCTIONS

This appliance must be grounded to a metal, permanent wiring system or an equipment grounding conductor must be run with the circuit conductors and connected to the equipment grounding terminal or lead on the dishwasher. See the Installation Instructions included with this dishwasher for more information on electrical requirements.

IMPORTANT SAFETY INSTRUCTIONS

READ AND SAVE THESE INSTRUCTIONS

Safe Operation

Use this dishwasher only for its intended function, which is the washing of household dishware and kitchenware rated as dishwasher safe.

Use only detergents or rinsing agents recommended for use in a dishwasher, and keep them out of the reach of children.

CAUTION

When loading items to be washed:

- Locate sharp items so they are not likely to damage the door seal.
- Load knives and other sharp utensils with their HANDLES UP to reduce the risk of cut-type injuries.
- Do not wash plastic items unless they are marked “dishwasher safe” or the equivalent. For plastic items not so marked, check the manufacturer’s recommendations.
- Do not operate your dishwasher unless all enclosure panels are in place.
- Do not tamper with or override controls and interlocks.

Do not abuse, sit or stand on the door or dish racks of the dishwasher.

WARNING

RISK OF INJURY!

To avoid risk of injury, always use caution when opening the door during or following a wash cycle as hot water or steam may escape. Do not fully open the door until water noises have stopped and steam has subsided.

WARNING

CHILD SAFETY!

- To reduce risk of injury, do not allow children to play in or on the dishwasher.
 - When children become old enough to operate the appliance, it is the responsibility of the parents/legal guardians to ensure the children are instructed in safe practices by qualified persons.
-

NSF/ANSI 184 Certified residential dishwashers are not intended for licensed food establishments.



IMPORTANT SAFETY INSTRUCTIONS

READ AND SAVE THESE INSTRUCTIONS

Proper Care and Maintenance

Remove the dishwasher door to the washing compartment when removing an old dishwasher for service or discarding.

To avoid floor damage and possible mold growth, do not allow wet areas to remain around or under the dishwasher.

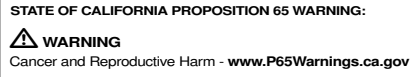
Note: To avoid dishwasher damage, do not allow water to remain in your dishwasher systems through extended periods of freezing temperatures. Freezing temperatures can damage the water fill valve and potentially other components of your dishwasher.

NOTICE

It is highly recommended for the end user to become familiar with the procedure to shut off the incoming water supply and the procedure to shut off the incoming power supply. See the Installation Instructions or contact your installer for more information.

Proposition 65 Warning:

This product may contain a chemical known to the State of California, which can cause cancer or reproductive harm. Therefore, the packaging of your product may bear the following label as required by California:





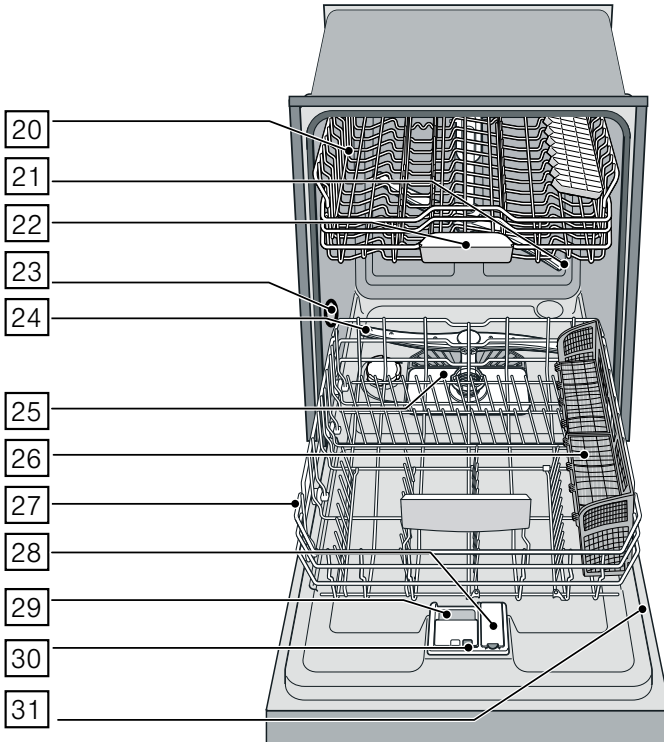
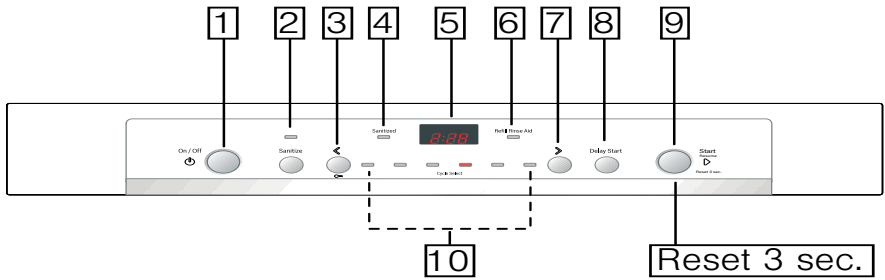
Causes of Damage

NOTICES

- Never use steam cleaning products to clean your dishwasher. The manufacturer will not be liable for the possible damages or consequences.
 - Bleach-based wipes can cause stainless-steel doors and tubs to rust.
 - Using harsh chemicals (e.g. bleach), abrasive cleaners, scouring pads (metal or plastic), or abrasive cloths/paper towels can damage your dishwasher's exterior door panel, fascia panel and buttons.
 - To avoid dishwasher damage, do not load the dishwasher with paper products, plastic bags, packing materials or anything other than normal, dishwasher safe dishware and kitchenware.
-

Getting Started

Appliance overview



The dotted lines show optional features which may or may not be included with your dishwasher.

The numbers stated below refer to the overview images on the previous page of this manual.

Operating panel

- 1 On/Off button
- 2 Sanitize option
- 3 Selection button <
- 4 Sanitized indicator
- 5 Digital display
- 6 Rinse aid refill indicator
- 7 Selection button >
- 8 Delay start button
- 9 START button
- 10 Wash cycles**

Note: Some of the wash cycles and options will vary by model.

Dishwasher interior components

- 20 Upper rack
- 21 Upper spray arm
- 22 Detergent tab tray
- 23 Vent hole
- 24 Lower spray arm
- 25 Filters
- 26 Silverware basket
- 27 Lower rack
- 28 Rinse aid dispenser
- 29 Detergent dispenser
- 30 Lock for detergent dispenser
- 31 Rating plate

Display indicators

0:00	Cycle time remaining
Add Rinse Aid	Lights up when rinse aid is low
Sanitize	Lights up when sanitation requirements are met

Menu overview

The dishwasher has been preset with certain settings for your convenience. You can change these factory settings.

Setting	Factory setting	Description
<i>r</i> Rinse aid <i>r:00 - r:05</i>	<i>r:05</i>	Amount of rinse aid affects drying.
<i>d</i> Intensive drying <i>d:00 - d:01</i>	<i>d:00 / Off</i>	Improved drying for glasses and plasticware.
<i>P</i> Auto power off <i>P:00 - P:02</i>	<i>P:00</i>	Dishwasher switches off automatically after wash cycle is complete.

Rinse Aid

To achieve proper drying, always use a liquid rinse aid, even if your detergent contains a rinse aid or drying additive.

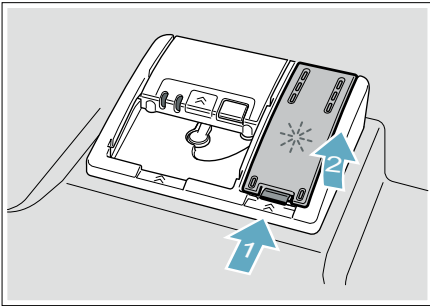
Note: The dishwasher indicates low rinse aid by turning on the Rinse Aid indicator. If this indicator lights up, you need to refill the rinse aid dispenser [28] by following the directions below.

Adding rinse aid

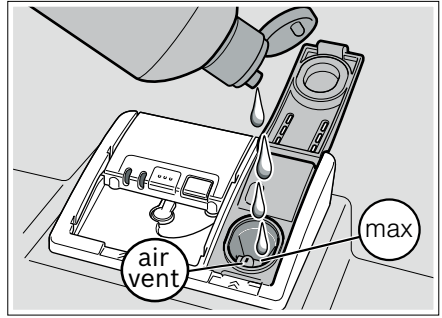
NOTICE

To avoid oversudsing or clogging, do not overfill the rinse aid dispenser [28]. Wipe up any spills with a damp cloth.

1. Open the rinse aid dispenser [28] by pressing on the latch of the lid and pull it open.



2. Add liquid rinse aid to the dispenser [28] until it is full. Do not overfill. Avoid spilling into air vent hole.



3. Close the lid. Lid must be fully closed until it clicks in order to seal.
4. Wipe up any excess rinse aid that may have puddled when the dispenser reservoir is full.

The indicator light will go out a few moments after the dishwasher door is shut.

Tip: For easier pouring, remove lid from the rinse aid bottle.

NOTICE

Do not fill the rinse aid dispenser [28] with detergent. Doing so will damage the dishwasher.

Setting the amount of rinse aid used

The amount of rinse aid dispensed can be set from *r:00* to *r:06*. The factory setting is *r:05*.

You should only change the setting if streaks remain on the dishes (lower the amount), or if dishes are not getting dry enough (increase the amount).

Setting	Amount
<i>r:00</i>	dispenser is OFF
<i>r:01</i>	lowest setting
<i>r:02</i>	low setting

Setting	Amount
<i>r</i> :03	medium setting
<i>r</i> :04	medium/high setting
<i>r</i> :05	high setting
<i>r</i> :06	highest setting

1. Press the **On/Off** button .
2. Hold down the selection button > and press the **Start** button until the display indicates *H*:0x (x can be any number). Release both buttons.
3. Press the selection button > until the display shows *r*:05.
4. Press the selection button < to select the desired setting.
5. Press the **Start** button to save the setting.

Turning off rinse aid indicator

Proceed as described in the section "Setting the amount of rinse aid used" and set value to *r*:00. The rinse aid indicator is now turned off.

NOTICE

Using no rinse aid or setting the dispenser to *r*:00 may result in longer cycle times consuming more energy and water. The higher temperatures and longer cycle times can damage fine china or glassware.



Loading the Dishwasher

Dishware material

Note: Before using your dishwasher for the first time, check the information in this section. Some items are not dishwasher-safe and should be hand washed; others require special loading.

Recommended

Aluminum	Colored anodized aluminum may fade over time. Minerals in your water may cause the aluminum to darken or spot. This can usually be removed with a soap-filled steel wool pad.
China, Crystal, Stoneware	Some hand-painted utensils may discolor, fade or spot. Hand wash these utensils. Position fragile glassware so that it will not topple over or come in contact with other utensils during the wash cycle.
Glass	Make sure to use dishwasher-safe glass. Milk glass may discolor or become yellow.
Non-stick Coatings	Apply a light coating of vegetable oil to non-stick surfaces after drying.
Plastics	Make sure the plasticware is dishwasher-safe.
Stainless Steel, Sterling Silver and Silver Plates	Load these so they do not come in contact with other metals, stainless steel dishwasher tub walls or the inner door.

Not Recommended

Acrylic	Crazing or small cracks throughout the acrylic, may occur.
Adhesive-Joined Pieces	Adhesives that join materials such as plastic, wood, bone, steel, copper, tin, etc. may loosen.
Bone-Handled Utensils	Handles may separate.
Iron	Iron will rust. Hand wash and dry immediately.
Non-Dishware Items	Your dishwasher is intended for use in cleaning ONLY standard household dishware and kitchenware.
Pewter, Brass, Bronze	These items will tarnish. Hand wash and dry immediately.
Tin	Tin will stain. Hand wash and dry immediately.
Wood	Wooden bowls, wooden utensils and utensils with wooden handles can crack, warp and lose their finish.

Loading the racks

For best dishwashing results, observe the following when loading the dishwasher:

- Do not pre-wash items with loosely attached food soil.
- Remove all food particles, bones, toothpicks and excessive grease.
- Pre-treat items having burned-on, baked-on or starchy soils.
- Load dishes in the dishwasher racks so the insides of bowls, pots and pans are facing the spray arms.
- Avoid nesting and contact points between dishes.
- Separate items of dissimilar metals. Use care to not block movement of the spray arms.

- Only wash household dishware and kitchenware rated as dishwasher-safe. Refer to the Dishware Materials section for more information about dishware suitability.

NOTICE

To avoid dishwasher damage, do not load the dishwasher with paper products, plastic bags, packing materials or anything other than normal, dishwasher safe dishware and kitchenware.

Loading the upper rack

Ensure items do not protrude through the bottom of the racks and block the spray arms.

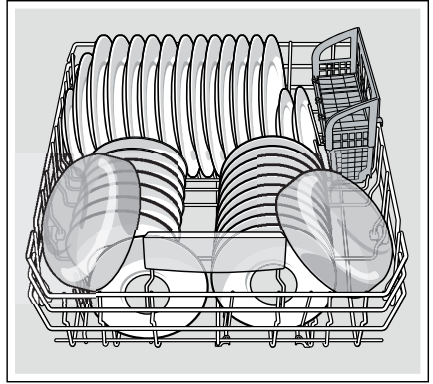
Note: When pushing the upper rack [20] into the dishwasher, push it until it stops against the back of the tub so the upper rack spray arm [21] connects to the water supply at the back of the tub. Do not push racks in using the door.

Loading the lower rack

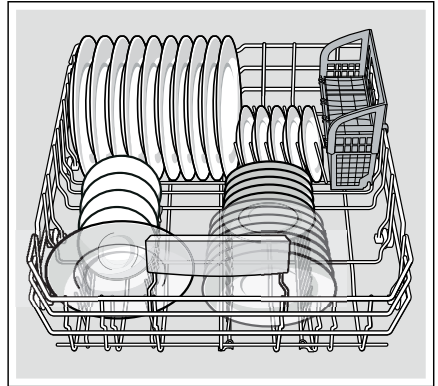
Place large items in the lower rack [27]. Load pots, pans and bowls upside down. Do not block the vent hole [23] with tall baking sheets. Load these items on the right side of the dishwasher.

Loading patterns for lower rack

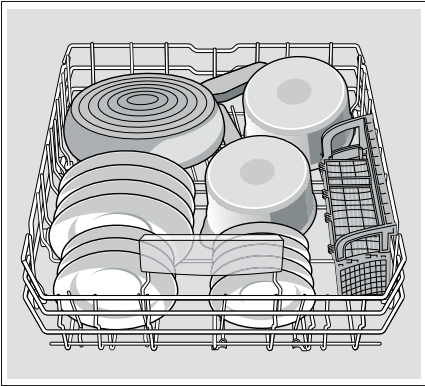
Lower rack [27]



Alternate loading pattern



Alternate loading pattern with pots and pans



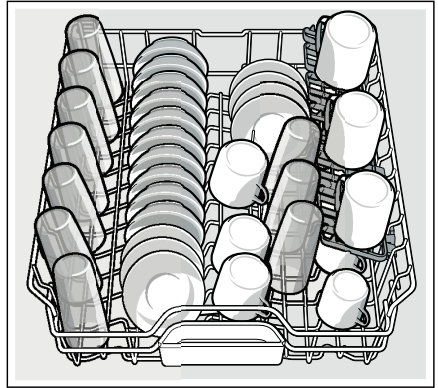
For best results, load large items face down in the lower rack.

Loading patterns for upper rack

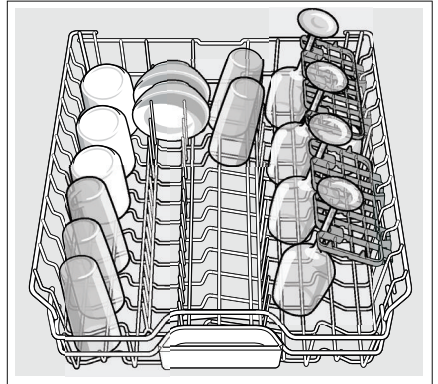
12 place setting suggested loading pattern



Alternate loading pattern



Alternate loading pattern with stemware



Use supports to load stemware glasses in the upper rack.

Loading the silverware basket

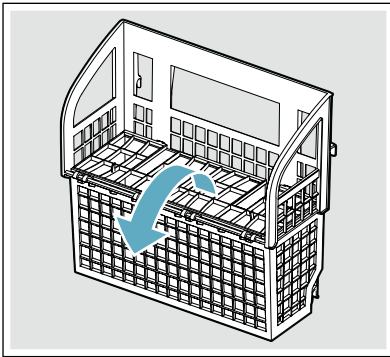
Place knives and sharp utensils with their handles up and forks and spoons with their handles down. If large or oddly-shaped items are loaded in the silverware basket, be sure they do not nest together.

⚠ WARNING

RISK OF INJURY!

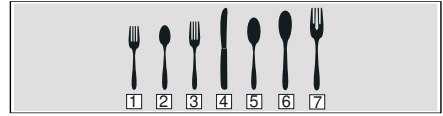
The sharp points and edges of knives and other sharp utensils can cause serious injury. Load knives and other sharp utensils with edges down. Do not allow children to handle or play near knives and sharp utensils.

Silverware basket

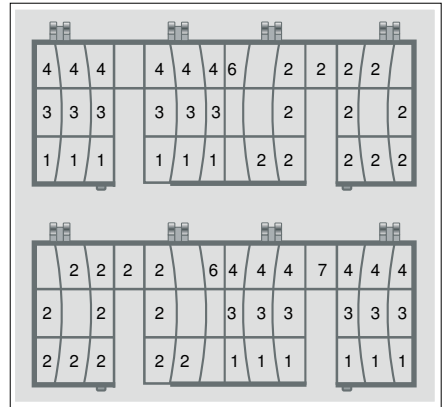


Note: The silverware basket lid may also be folded downward in order to leave the basket open.

Suggested loading patterns



- 1 Salad fork
- 2 Teaspoon
- 3 Dinner fork
- 4 Knife
- 5 Tablespoon
- 6 Serving spoon
- 7 Serving fork



Unloading the dishwasher

⚠ CAUTION

Dishes can be very hot immediately after cycle ends. Open the door slightly and allow dishes to cool for a few minutes before unloading.

Note: Dishes are more likely to chip when unloading before cooling.

When unloading the dishwasher, to prevent water from dripping onto dry dishes, unload the lower rack [27] first. Next, unload the silverware basket [26] followed by

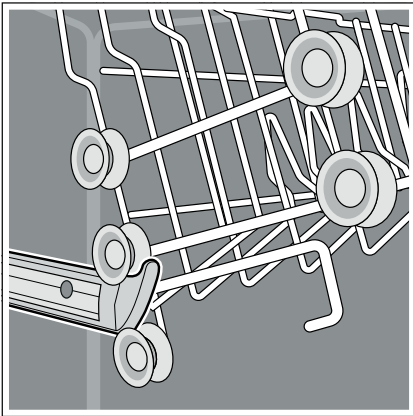
en-us Loading the Dishwasher

the upper tilt rack [20], and then the third rack (if equipped).

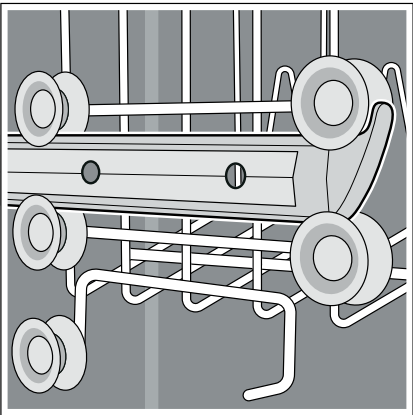
Adjustable Upper Rack

If desired, the height of the upper rack can be adjusted to accommodate larger items in the lower rack.

1. Pull the empty upper rack [20] out, tilt it up, and pull it all the way out until it is free of the roller guides.



2. Re-insert the rack with the other set of roller guides as shown below.

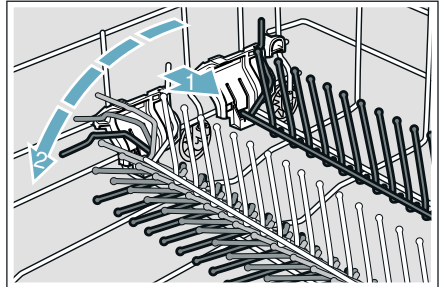


Rack accessories

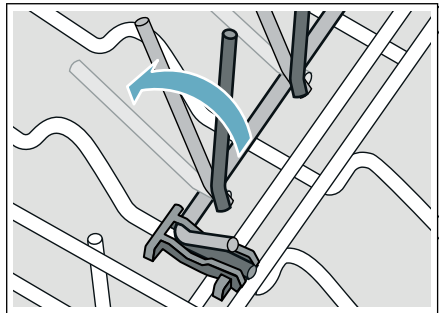
Flip tines*

The upper and lower rack are fitted with flip tines that can be folded down depending on what you may need to load in the rack.

Lower rack flip tines: To fold down, pull flip tine gently forward and release it from the notch. Push the flip tine downward. To fold up, push flip tines into an upright position until the holder engages in the notch.



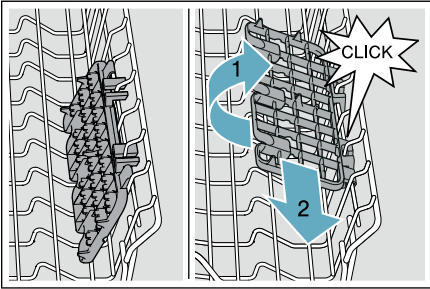
Upper rack flip tines: To fold down, push flip tines downward with gentle pressure. To fold up, push flip tines into an upright position until the holder engages in the notch.



* optional feature which may or may not be included with your dishwasher.

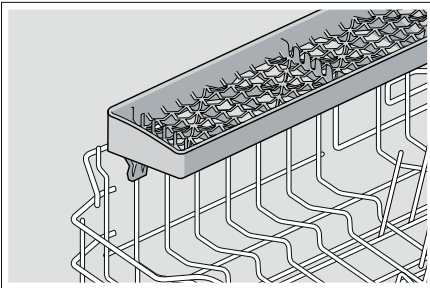
Cup shelves

The cup shelves can be used for small cups or for serving utensils. They also serve as stemware supports.



Utility rack *

Long knives and other utensils can be placed on the utility rack.



* optional feature which may or may not be included with your dishwasher.



Detergent

Use only detergent specifically designed for dishwashers. For best results, use fresh powdered dishwashing detergent or detergent tabs.

NOTICE

To avoid damage to dishwasher or dishware:

- Do not use hand dishwashing products in your dishwasher.
- Do not use too much detergent if your water is soft. Using too much detergent with soft water may cause etching in glassware and fine china.
- To best protect glassware, use a wash cycle with low temperatures or a specific glass-care cycle (depending on the model) and use a detergent that includes etch protection.

This dishwasher uses less water than most, therefore, less detergent is required. With soft water, 1 tablespoon (15 ml) of detergent will clean most loads. The detergent dispenser cup has lines that measure detergent to 1 tablespoon (15 ml) and 1.75 tablespoons (25 ml). 3 tablespoons (45 ml) of detergent will completely fill the detergent dispenser.

Note: If you do not know the hardness of your water supply, use 15 ml of detergent. Increase the amount if necessary to the least amount required to get your kitchenware clean.

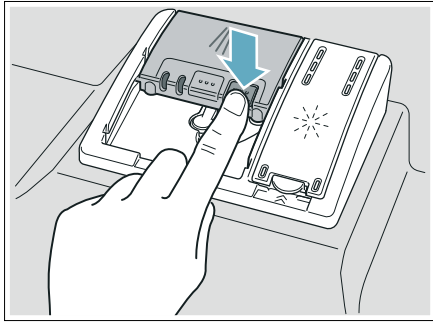
Use the measuring lines in the detergent dispenser cup as a guide to measure the amount of detergent recommended in the following table.

Wash Cycle	Hard Water/ Heavy Soil	Medium Water/ Medium Soil	Soft Water/ Little Soil
Heavy	3 tbsp (45 ml)	3 tbsp (45 ml)	1.75 - 3 tbsp (25 - 45 ml)
Auto	1.75 - 3 tbsp (25 - 45 ml)	1.75 tbsp (25 ml)	1 - 1.75 tbsp (15 - 25 ml)
Normal	1.75 - 3 tbsp (25 - 45 ml)	1.75 tbsp (25 ml)	1 - 1.75 tbsp (15 - 25 ml)
Delicate	1.75 tbsp (25 ml)	1 - 1.75 tbsp (15 - 25 ml)	1 tbsp (15 ml)
Express	1.75 tbsp (25 ml)	1 - 1.75 tbsp (15 - 25 ml)	1 tbsp (15 ml)
Half Load	1.75 tbsp (25 ml)	1 - 1.75 tbsp (15 - 25 ml)	1 tbsp (15 ml)

Adding detergent

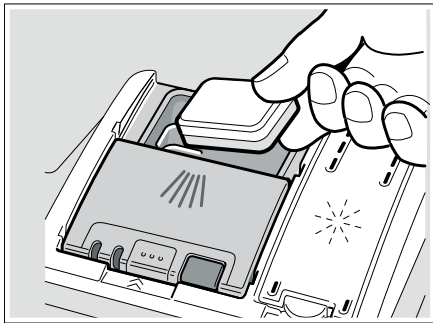
1. If the detergent dispenser [29] is still closed, push the button [30] to open it.

Note: Make sure the detergent dispenser is dry and clear of detergent residue.

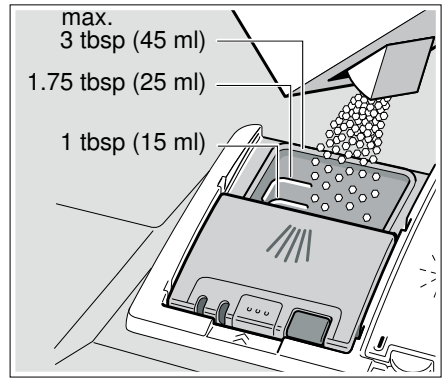


2. When using detergent tabs, lay them such that they do not come in contact with the cover, insert a detergent tab flat, not on its side.

Note: Do not place detergent tabs or utensils in the detergent tab tray [22]. Place tabs or other detergent forms directly in the detergent dispenser [29].

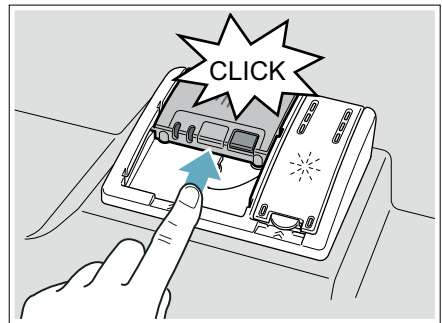


Pour detergent into the dry detergent dispenser [29] only. Add detergent. Do not overfill the detergent dispenser.



Dosage: see manufacturer's instructions on the packaging.

3. Close the lid by placing the finger on the lid as shown. Slide the lid closed until it clicks.



The detergent dispenser will open automatically at the ideal time for the set cycle. The powder or liquid detergent is distributed in the appliance and is dissolved, detergent tabs will fall into the detergent tab tray [22] where it dissolves during the cycle.

Tip: If the dishware is only lightly soiled, slightly less than the indicated amount of detergent is usually adequate.

Dishwasher Cycles

Wash cycle	Recommended use	Possible wash cycle option
Heavy	Best for cleaning items with baked-on food or grease. These dishes would normally require soaking or hand scouring.	all
Auto	Smartest cycle, with most flexible soil sensing, which is ideal for mixed dishware and food soils.	all
Normal (see note at bottom of table)	Recommended for daily, regular or typical use to completely wash a full load of normally soiled dishes.	all
Delicate	Best for delicate dishes and glasses. This cycle lowers temperature and cycle length to protect dishes and decrease energy usage.	Delay
Express	Cleans lightly soiled dishes and reduces overall wash time. Use this cycle to clean glasses and dessert dishware that may need to be reused at the same event.	Delay
Half Load	Use this cycle if you have only a few items to wash (e.g. glasses, cups, plates). Saves water, energy and time. It is recommended to put a little less detergent in the detergent dispenser than for a full load.	all

Note: The Energy Guide label was based on the **Normal** soil sensing cycle as follows: The unit was tested without any rinse aid (liquid) in the rinse aid dispenser [28]. A single dose of detergent was inserted into the detergent dispenser [29], with no detergent being used in the prewash. The unit was not subjected to truncated testing per the definitions in the test procedure. We recommend that dish loads such as the one in the energy certification test have the rack position set in the highest position.

P+ Dishwasher Cycle Options

* Depending on the features of your dishwasher you can select various wash cycle options 2.

Delay

Allows you to delay the start time of your dishwasher up to 24 hours.

Sanitize

Increases the temperatures and retains them for an extra long time to obtain a defined disinfecting performance. Continuous use of this function increases the hygiene status. This additional option is ideal for cleaning items such as chopping boards and baby bottles.

The sanitize LED will light when sanitation requirements are met. Using the Sanitize option may also improve drying. There is a slight increase in energy consumption.

Wash Cycle Information

To save energy, this dishwasher has EcoSense where the sensors in the dishwasher automatically adjust the cycle length, temperature and water changes based on the amount of food soil and the incoming water temperature. The “Smart Control” makes decisions that can cause the cycle time and water usage to adjust intermittently. **Wash cycle times are based on 120°F (49° C) water supply.** If your household water supply is different than 120°F (49° C), your dishwasher’s cycle times may be impacted.

	Heavy	Auto	Normal	Delicate	Express	Half Load
Cycle time min.	110-130	115-130	130-135	80-85	30	95-115
Water usage gal/L	5.7-7.3/ 21.5-27.7	3.8-6.5/ 14.4-24.5	3.0-5.7/ 11.3-21.5	3-4.4 11.2-16.5	3.5/ 10.3	2.9-4.6 11.1-17.4
Wash temp. °F/°C	151-160/ 66-71	126-151/ 52-66	122-131/ 50-55	113-122/ 45-50	113/ 45	126-151 52-66
Rinse temp. °F/°C	162/ 72	154-162/ 68-72	153-158/ 67-70	144/ 62	131/ 55	162- 72
Sanitize						
Cycle time min.	120-140	135-150	150-155	N/A	N/A	115-135
Water usage gal/L	5.7-7.3/ 21.5-27.7	3.8-6.5/ 14.4-24.5	3.0-5.7/ 11.3-21.5	N/A	N/A	2.9-4.6 11.1-17.4
Rinse temp. °F/°C	162/ 72	162/ 72	162/ 72	N/A	N/A	162/ 72

Note: Only sanitizing cycles have been designed to meet the requirements of Section 6 of the NSF/ANSI Standard for Residential Equipment for soil removal and sanitization efficacy. There is no intention, either directly or indirectly, to imply that all cycles have passed sanitization performance tests.



Operating the Dishwasher

WARNING

RISK OF INJURY!

To avoid risk of injury, always use caution when opening the door during or following a wash cycle as hot water or steam may escape. Do not fully open the door until water noises have stopped and steam has subsided.

Protection against unintentional operation

Your dishwasher is equipped with a function that helps to prevent unintentional operation (e.g. by children).

After starting the dishwasher, the dishwasher door has to be closed within 4 seconds, otherwise the operation will be paused. There will be a signal on the control panel advising you to press the Start button again and close the door.

This function will be activated when:

- pressing Start to begin a wash cycle
- setting Delay time and pressing Start
- opening the door while Delay time is active
- opening the door during a wash cycle.

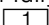
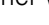
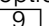
Note: This function cannot be deactivated.


AquaSensor

The AquaSensor is an optical measuring device which measures the cleanliness of the rinse water.

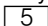
The AquaSensor is used according to the wash cycle. If the AquaSensor is active, “clean” rinse water can be transferred to the next rinse and water consumption can be reduced by 0.8–1.5 gal (3–6 liters). If the rinse water is not yet clear, the water is drained and is replaced with fresh water. In the automatic wash cycles the temperature and running time can also be adjusted to the degree of soiling.

Switching the appliance on

1. Turn the water supply on fully.
2. Press the **On/Off** button . The AUTO wash cycle has been preset as a default whenever the appliance starts. This wash cycle remains selected if no other wash cycle  is selected. Select any desired option.
3. Press **Start** button . Wash cycle sequence starts.

Note: Your dishwasher is protected against unintentional operation. If the appliance door remains open for more than 4 seconds after pressing the Start button, the operation will be paused. Close the appliance door and press the Start button  again.

Time display

When a wash cycle is selected the remaining wash cycle time is shown on the display .

The wash cycle time is determined during the wash cycle by the water temperature, the amount of dishes, as well as the degree of soiling and may vary (depending on the selected wash cycle).

Delay start

You can delay the start of the cycle in one hour increments up to 24 hours.

h:01 1 hour delay

h:24 24 hours delay

To set Delay start:

1. Press **On/Off** button . Select a cycle.
2. Press **Delay** button until the displayed time corresponds with your requirements.
3. Press **Start** button to activate Delay start.

To cancel Delay start:

1. Press **Delay** button until *h:00* is indicated on the digital display .
2. Press **Start** button to save setting.

Note: Your dishwasher is protected against unintentional operation. If the appliance door remains open for more than 4 seconds after pressing the Start button, the operation will be paused. Close the appliance door and press the Start button again.

Wash cycle end

The wash cycle has ended when the display reads *0:00*.

Auto power off

This setting determines the length of time the control panel stays illuminated after the cycle is complete. To save energy the recommended setting is *P:01*.

This setting can be adjusted from *P:00* to *P:02*.

P:00 dishwasher does not turn off automatically

P:01 dishwasher turns off automatically after 1 minute

P:02 dishwasher turns off automatically after 120 minutes (2 hours)

To change the setting:

1. Press the **On/Off** button .
2. Hold down the selection button and press the **Start** button until the display indicates *d:0x* (x can be any number).
3. Release both buttons.
4. Press the selection button until the display indicates *P:0x*.
5. Press the selection button until the display corresponds with your requirements.
6. Press the **Start** button .

Switching off the appliance

Short time after the end of the wash cycle:

1. Press **On/Off** button .
2. Remove the dishes when they have cooled down.

WARNING

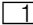

RISK OF INJURY!

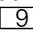
To avoid risk of injury, always use caution when opening the door during or following a wash cycle as hot water or steam may escape. Do not fully open the door until water noises have stopped and steam has subsided.

Interrupting the wash cycle

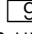
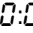
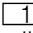
CAUTION

Expansion (overpressure) may cause the appliance door to open and/or water to escape! If the door was opened on an appliance which has a hot water connection or is heated, always leave the door ajar for several minutes and then close.


1. Press **On/Off** button .
The LED's go out. The wash cycle is saved.
2. To continue the wash cycle, close the door and press **On/Off** button  again.

Note: Your dishwasher is protected against unintentional operation. If the appliance door remains open for more than 4 seconds after pressing the Start button, the operation will be paused. Close the appliance door and press the Start button  again.

Terminating the wash cycle (Reset)

1. Press and hold **Start** button  for approximately 3 seconds until the display reads  !.
2. Wait about 1 minute while the dishwasher drains.
3. Press **On/Off** button .
You may now power the dishwasher back on and begin a new cycle if desired.

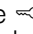
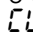
Changing the wash cycle

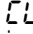
When the **Start** button  has been pressed, the wash cycle cannot be changed. The only way a wash cycle can be changed is by terminating the wash cycle (Reset).

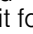
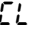
Child Lock (panel lock)

The child lock will lock the panel while the dishwasher is in operation to prevent that a wash cycle is interrupted unintentionally (e.g. by children).

To set the panel lock:

1. Start the desired wash cycle.
2. Hold down the button with the  symbol over it for approximately 3 seconds until the display reads .
The panel lock is active.

 will be indicated now if any button is pressed and the program will not be reset.

To **deactivate** the panel lock hold down the button with the  over it for approximately 3 seconds until the display no longer reads .

The panel lock is deactivated automatically when the wash cycle is completed. In case of a power outage the panel lock will remain active. The panel lock has to be activated with each new wash cycle.

Intensive drying

The final rinse uses a higher temperature which improves the drying result. The cycle time and energy usage may be increased. (Caution if utensils are delicate!)

This feature has two settings:

d:00 Off
d:01 On

1. Press the **On/Off** button 1.
2. Hold down the selection button > 7 and press **Start** button 9 until the display 5 indicates d:x (x can be any number).
3. Release both buttons.
4. Press selection button < 3 to switch the intensive drying feature on d:01 or off d:00.
5. Press **Start** button 9 to save setting.



Care and Maintenance

A regular inspection and maintenance of your machine will help to prevent faults. This saves time and prevents future problems.

Cleaning the dishwasher

- Regularly wipe the front of the appliance with a damp cloth - water and a small amount of liquid soap is adequate.
- For black stainless steel and anti-fingerprint surfaces, use a soft, dry towel. For stubborn dirt, use warm water diluted with a non-abrasive, mild cleansing soap. Never use stainless steel polish.
- For stainless steel appliances (excluding black stainless and anti-fingerprint), use a stainless steel polish to seal and protect the surface.
- Clean the outer edges of the inside door panel regularly to remove debris that may collect from normal loading. If spots begin to appear on the stainless steel, make sure the rinse aid dispenser is full and functioning properly.
- Clean the door seal regularly with a damp cloth to remove food particles that may collect from normal loading and cause odor. A soiled door seal may not seal properly.

NOTICE

- Never use a steam cleaner to clean your dishwasher. The manufacturer is not liable for any resulting damage.
 - Do not use sponges as they could scratch the surfaces.
 - Do not use bleach-based wipes as they could damage the surface or printing.
 - Never use stainless steel polish on a black stainless finish or anti-fingerprint surfaces.
-

WARNING

RISK OF EXPLOSION!

- When cleaning your dishwasher with any cleaning agent, remove all cookware, utensils or any foreign material from inside. Some cleaning agents are highly acidic and/or caustic alkaline, which can cause hydrogen gas to form if aluminum material is also inside the dishwasher tub. Hydrogen gas is explosive.
-

WARNING

Use caution when removing parts for cleaning as some debris may be sharp.

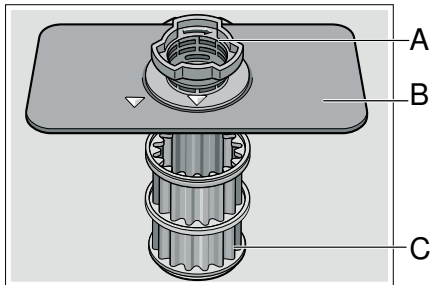
Filters

The Bosch® filter system [25] is designed to prevent the need to pre-rinse normally attached food soils from your dishes. Simply scrape leftover food soils off of dishware before loading. This process will conserve time, water and the energy require to heat your household water supply.

Your dishwasher filter system is designed to filter 100% of the water entering the spray arms to provide a continuous supply of clean water to remove food soils from your dishware.

Filter components

The filter system [25] consists of three parts.



- A Large Object Trap**
Prevents objects that should not be placed in your dishwasher from damaging the dishwasher pump system or clogging your household drain.
- B Flat Fine Filter**
Prevents food particles from entering the wash chamber and directs particles toward the micro filter.
- C Micro Filter**
Directs the smallest of particles to the household plumbing drain.

Cleaning intervals

The filter system [25] is designed to minimize maintenance while providing premium cleaning performance and minimum energy consumption.

Depending on use habits and water hardness, the filter system will require some maintenance to sustain premium cleaning performance.

Your filter system may need to be cleaned when:

- You notice food soils remaining on the filter system or objects trapped in the Large Object Trap.
- A drop in cleaning performance or a gritty film forms on the dishware.

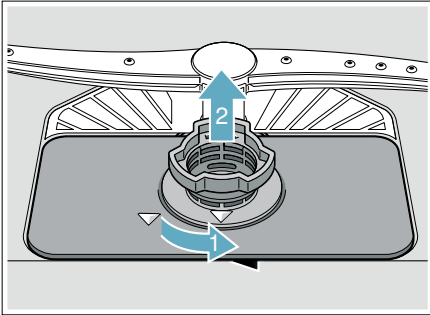
When washing normally attached food soils that have been scraped before loading, in a household that runs the dishwasher every other day, your filter should be cleaned:

Cleaning interval	Usage
3-6 times a year	light to average use
8-12 times a year	heavy use

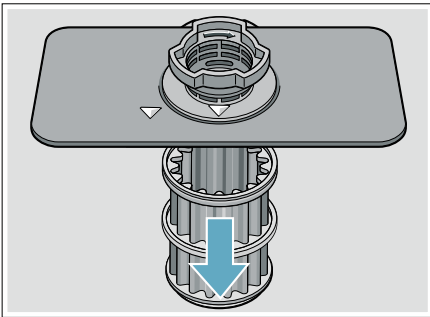
Note: Clean the filter system after washing loads with large amounts of food soils or loads with a heavy starch content, like potatoes and pasta, to maintain optimal performance.

To check or clean the filter system:

1. Unscrew the Large Object Trap as illustrated and remove the entire filter system.



2. Remove the microfilter from the fine filter for easier cleaning.



3. Rinse the filters under running water and use a soft brush to clean.

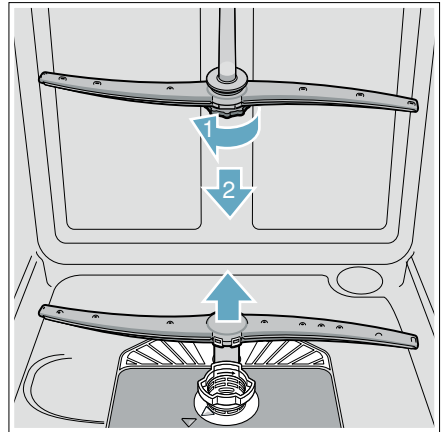
Note: do not use abrasive brushes or steel wool, etc., as they may damage the filter.

4. Reinstall the filter system in reverse sequence and lock into place by screwing the Large Object Trap until the marking arrows align.

Spray arms

Check spray arms [21], [24] for grease and limescale deposits. If you find such deposits:

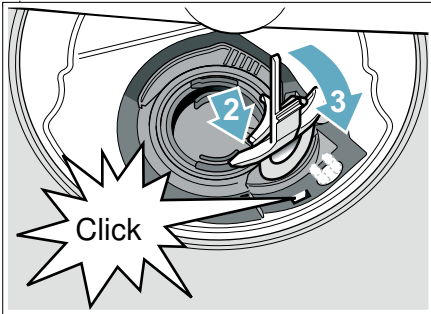
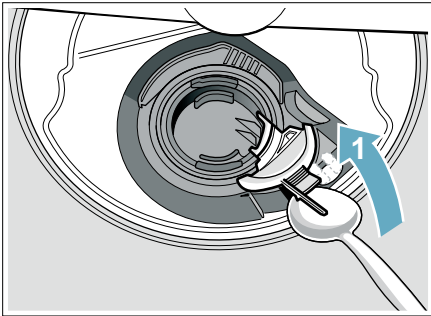
- Fill detergent dispenser [29] with detergent and start the appliance without utensils in the cycle with the highest rinsing temperature. → "Wash Cycle Information" on page 25
- Clean the appliance with detergents/appliance cleaners which are particularly suitable for use with dishwashers.
- Unscrew the upper spray arm [21] and pull off the lower spray arm [24] as shown. Inspect for deposits.



Drain pump

Large food remnants in the rinsing water not retained by the filters may block the waste water pump. In this case:

- Disconnect the appliance from the power supply.
- Remove the filters. → "Filters" on page 31
- Scoop out standing water - use a sponge if necessary.
- Using a spoon, pry off the pump cover until it clicks, then grip the cover and pull upward until it resists and then pull forward.



- Check inner compartment and remove any foreign objects.

▲ WARNING

Use caution when removing parts for cleaning as some debris may be sharp.

- Place cover in the original position, press down and engage.
- Reinstall filters.

Note: The drain pump will not work properly if the drain pump cover is not snapped in completely until it clicks.

Preparing your unit for vacation

NOTICE

Before leaving for vacation during warmer weather, besides turning off the main valve, also turn off water supply at the nearest point to the dishwasher. Do not leave soiled dishware in unit and leave door slightly open. During colder weather, please follow the instructions for winterizing your unit below.

Winterizing your unit

NOTICE

If your dishwasher will be unused for a period of time in a location that experiences freezing temperatures (holiday home or through a vacation period), have your dishwasher winterized by a professional service.

Troubleshooting

Dishwashers may occasionally exhibit problems that are unrelated to a malfunction of the dishwasher itself.

The following information may help you with a dishwasher problem without involving a repair professional.

Problem	Cause	Action
Error code E:18 is lit.	Supply hose kinked.	Install supply hose without kinks.
	Water supply turned off.	Turn on the water supply.
	Water supply line is clogged.	Unclog water line.
Error code E:22 is lit.	Water in sump since sump filters [25] are dirty or blocked.	Clean filters.
Error code E:24 is lit.	Drain line is clogged.	Unclog drain line.
	Drain hose is kinked, clogged or blocked.	Replace drain hose.
	Drain pump impeller (vanes) is clogged or blocked.	Remove drain pump cover, clean around pump impeller and replace cover.
	Drain pump cover was loose.	Lock drain pump cover into place in the sump.
Error code E:25 is lit.	Drain pump is blocked or pump cover is loose.	Clean drain pump and lock drain pump cover into place in the sump.
Error code E:27 is lit.	Supply voltage too low (less than 98 volts).	Not a dishwasher fault; have the supply voltage and electrical installation checked.
A different error code is indicated on the digital display. (E:01 to E:30)	A technical fault has probably occurred.	Switch off dishwasher with the On/Off switch [1] . After a short time restart the dishwasher. If the problem recurs, turn off the tap and pull out the power supply plug. Call customer service and mention the error code.

Dishwasher does not start.	Door may be ajar or not be properly latched.	Close door securely until door latch clicks.
	No power to the dishwasher (display won't come on). Fuse may have been blown, circuit breaker may have tripped, power cord may have been unplugged or dishwasher may have been turned off.	Replace blown fuse or reset tripped circuit breaker. Plug power cord into outlet securely. Press the on/off button <input type="checkbox"/> to turn the dishwasher on.
	Can't select a wash cycle since the previous wash cycle may not have finished or the dishwasher hasn't been reset.	Reset the dishwasher by pressing and holding the START button for at least three seconds.
	Delay start or Child lock may be activated.	Reset Delay start or Child lock functions (refer to the appropriate section in this manual).
	The door may have been closed without selecting a wash cycle.	Select a wash cycle and close the door.
	Water supply may not be turned on or connected.	Check and turn on water supply.
Wash cycle won't resume after door was opened and closed.	The door has been open for more than 4 seconds after pressing the Start button.	Press Start button again and close the dishwasher door within 4 seconds (see "Protection against unintentional operation" section in this manual).
Display does not illuminate.	A fuse may have been blown or circuit breaker tripped.	Check the fuse or circuit breaker box and replace the fuse or reset the breaker if necessary.
	Door not closed or latched. Note: For models with controls on top of the door, the display only illuminates when the door is opened and controls are visible.	Ensure door is properly latched and completely closed.

en-us Troubleshooting

Dishwasher runs a long time.	Incoming water is not warm enough.	Before starting a cycle, run hot water faucet at the sink closest to the dishwasher.
	Cycle time depends on wash cycle chosen and amount of soil on dishes (dishwasher sensors increase cycle times to ensure dishes are clean when heavy soil is detected).	Scrape food off of dishes and use less intensive wash cycles.
	Rinse aid dispenser [28] is empty, or rinse aid setting = 0. Without rinse aid, wash cycle defaults to longest time with most number of washes and rinses.	Add rinse aid and change rinse aid setting depending on water hardness.
	Dishwasher is connected to cold water supply.	Connect dishwasher to hot water supply.
Dishes aren't clean enough	Spray arms are blocked or misaligned where they cannot rotate freely.	Make sure spray arms [21], [24] can rotate freely.
	Little or no water spray due to clogged spray arm nozzle.	Clean out spray arm nozzles and filters of all debris and obstructions. → "Spray arms" on page 32
	Little or no water spray due to clogged or misaligned filters [25].	Clean filters and make sure they're installed correctly. → "Filter components" on page 31
	Dishes are nested or placed too closely together and racks are over-filled.	Space dishes apart so spray jets can reach the surface of the dishes and dishes don't contact each other. → "Loading the Dishwasher" on page 16
	Improper or ineffective wash cycle or detergent used.	Choose a more intensive wash cycle and use appropriate dishwasher detergents. → "Wash Cycle Information" on page 25
	Detergent is made less effective due to hard water.	Install a water softener and choose a more intensive wash cycle.
Removable spots or streaks on glasses and silverware.	Too much rinse aid causes streaks and too little rinse aid can cause spots.	Add rinse aid and check rinse aid setting (recommended setting 4-5). → "Rinse Aid" on page 14
	Mineral deposits from hard water.	Install a water softener.
	Water from top (3rd) or upper rack dripped on racks below.	Unload lower rack 1st, upper rack 2nd and top (3rd) rack last.

Dishes not dry.	Rinse aid dispenser [28] is empty or incorrect rinse aid amount is set.	Add rinse aid or adjust setting - the use of rinse agent improves drying, use the Auto cycle, use the Sanitize option.
	Extra Dry heat option not chosen.*	Activate Extra Dry heat option.*
	Water collected in depressions on the dishes and silverware.	Arrange dishes in upper rack to slope so water can drain.
	Door was opened or dishes removed before wash cycle was completed.	Wait until wash cycle ends before opening door or removing dishes.
	Plastics don't absorb heat like cutlery or china and don't dry as well.	Use more intensive wash cycles (with hotter rinse water) or activate Extra Dry heat option.*
	Silverware not arranged properly in the silverware basket or top rack.	Arrange silverware properly and separate them so they don't contact each other.
Odor Note: Water testing is done in the factory. Occasionally water may still appear in dishwasher at purchase which may create an odor.	Food debris in the dishwasher sump and door seal.	Clean sump filters, sump and door seal as needed. → <i>"Care and Maintenance" on page 30</i>
	Food debris left on dishes too long.	Run dishwasher more frequently.
	Not using rinse aid or using improper detergent.	Use rinse aid and the proper detergent.
	Residual standing water in the sump.	Make sure previous wash cycle has finished.
	Drain line is clogged or drain hose is kinked, clogged or blocked. Or drain hose was not installed with a high loop.	Unclog drain line or replace drain hose. Be sure drain hose is installed with high-loop. Note: If odor still persists, run the Normal/Regular cycle until it flushes and interrupt the cycle and place an 8 oz. cup of distilled white vinegar solution on the upper rack and then finish the cycle.
Dishwasher isn't filling with water (or "Check water supply" display occurs)	Water supply hose is kinked.	Install new supply hose (without kinks).
	Previous wash cycle was not completed or current wash cycle was interrupted.	Complete wash cycle or reset dishwasher.
	Delay start or Child lock may be activated.	Reset Delay start or Child lock functions (refer to the appropriate sections in this manual).
	Water supply line is clogged.	Unclog water line.
	Water supply was turned off.	Turn on water supply.
Fascia panel is discolored or scratched.	Panel was cleaned with bleach-based wipes or abrasive cleaners/cleaning pads.	Use mild detergents with soft damp cloth.

en-us Troubleshooting

Noise from dishes rattling or water striking tub walls.	Dishes weren't loaded properly, allowing dishes to hit each other or spray arms.	Load dishes properly into racks. → <i>"Loading the Dishwasher" on page 16</i>
	Light dishes or lightly loaded racks allow dishes to move or water sprays to strike tubs.	Load more dishes or distribute dishes more evenly/securely in the dishwasher.
Water leaks from tub or from around door.	Suds from using the wrong detergent (i.e. dish) or overfilling/spilling rinse aid.	Use an appropriate dishwasher detergent, don't overfill rinse aid and clean any spilled rinse aid. If suds still persist, add one tablespoon of vegetable oil and run the desired cycle.
	Door seal was misaligned or pulled from its track.	Make sure the door seal is securely inserted into its track.
	Condensation vent is blocked.	Clean out vent and move tall items like trays away from the vent.
	Improper installation.	Have an authorized service professional remount the dishwasher.
White limescale on dishes, tub, racks or door.	White residue coats dishwasher interior and racks wheels squeak from lime scale deposits in hard water.	Use a dishwasher cleaner every few months. If dishwasher has a water softener, increase the setting.
	Hard water kept 3 in 1 detergent or Eco detergent from being effective.	Use separate dishwasher detergent, rinse aid and dishwasher softener salt (if dishwasher has a softener).
	Under dosing of detergent.	Use more detergent or change to a more effective detergent.
	Rinse temperature is too low.	Select more intensive wash cycles with higher washing temperatures.
Detergent dispenser cover will not shut	Cover guides are blocked by sticky detergent residue.	Remove detergent residue. → <i>"Detergent" on page 22</i>
Unable to select desired cycle	Previous cycle not finished.	→ <i>"Operating the Dishwasher" on page 26</i>



Customer Service

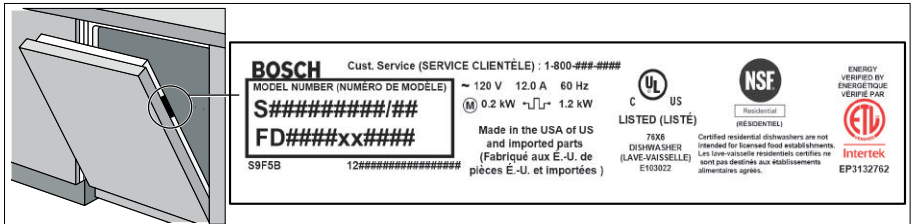
Your Bosch® dishwasher requires no special care other than that described in the Care and Maintenance section of this manual. If you are having a problem with your dishwasher, before calling for service please refer to the Troubleshooting Guide section of the manual. If service is necessary, contact your dealer or installer or an authorized service center. Do not attempt to repair the appliance yourself. Any work performed by unauthorized personnel may void the warranty.

If you are having a problem with your Bosch® dishwasher and are not pleased with the service you have received, please take the following steps until the problem is corrected to your satisfaction:

1. Call us at 1-800-944-2904
2. Contact Customer Service from our web site:
www.bosch-home.com/us or **www.bosch-home.ca**
3. Contact your installer or the Bosch Authorized Service Contractor in your area.
4. Write us:

BSH Home Appliances Corporation
1901 Main Street
Irvine, CA 92614

Please be sure to include your model information as well as an explanation of the problem and the date it started. You will find the model and serial number information on the label located on the edge of the dishwasher door. Please make a copy of your invoice and keep it with this manual. The customer may be required to show proof of purchase to validate warranty coverage.





Statement of Limited Product Warranty

What this Warranty Covers & Who it Applies to:

The limited warranty provided by BSH Home Appliances (“Bosch”) in this Statement of Limited Product Warranty applies only to the Bosch appliance sold to you (“Product”), provided that the Product was purchased:

- For your normal, household (non-commercial) use, and has in fact at all times only been used for normal household purposes.
- New at retail (not a display, “as is”, or previously returned model), and not for resale, or commercial use.
- Within the United States or Canada, and has at all times remained within the country of original purchase.

The warranties stated herein apply to the original purchaser of the product warranted herein and to each succeeding owner of the product purchased for ordinary home use during the term of the warranty.

Please make sure to return your registration card; while not necessary to effectuate warranty coverage, it is the best way for Bosch to notify you in the unlikely event of a safety notice or product recall.

How Long the Warranty Lasts

Bosch warrants that the Product is free from defects in materials and workmanship for a period of three hundred sixty-five (365) days from the date of the original purchase. The foregoing timeline begins to run upon the date of the original purchase, and

shall not be stalled, tolled, extended, or suspended, for any reason whatsoever.

This Product is also warranted to be free from *cosmetic* defects in material and workmanship (such as scratches of stainless steel, paint/porcelain blemishes, chip, dents, or other damage to the finish) of the Product, for a period of thirty (30) days from the date of purchase or closing date for new construction. This *cosmetic* warranty excludes slight color variations due to inherent differences in painted and porcelain parts, as well as differences caused by kitchen lighting, product location, or other similar factors. This *cosmetic* warranty specifically excludes any display, floor, “As Is”, or “B” stock appliances.

Extended Limited Warranty

BSH also provides these additional limited warranties:

- 5 year limited warranty on electronics: BSH will repair or replace any BSH microprocessor or printed circuit board if it proves to be defective in materials or workmanship (excludes labor charges).
- 5 year limited warranty on dish racks: BSH will replace the upper or lower dish rack (excluding rack components), if the rack proves defective in materials or workmanship (excludes labor charges).
- Lifetime warranty against stainless steel rust through: BSH will repair or replace your dishwasher with the same model or a current model that is substantially equivalent or better in functionality, if the inner liner should rust through (excludes labor charges).

- BSH will repair or replace the stainless steel door if the door should rust through (excludes labor charges).

Repair/Replace as Your Exclusive Remedy

During this warranty period, Bosch or one of its authorized service providers will repair your Product without charge to you (subject to certain limitations stated herein) if your Product proves to have been manufactured with a defect in materials or workmanship. If reasonable attempts to repair the Product have been made without success, then Bosch will replace your Product (upgraded models may be available to you, in Bosch's sole discretion, for an additional charge). Nothing in this warranty requires damaged or defective parts to be replaced with parts of a different type or design than the original part. All removed parts and components shall become the property of Bosch at its sole option. All replaced and/or repaired parts shall assume the identity of the original part for purposes of this warranty and this warranty shall not be extended with respect to such parts. Bosch's sole liability and responsibility hereunder is to repair manufacturer-defective Product only, using a Bosch-authorized service provider during normal business hours. For safety and property damage concerns, Bosch highly recommends that you do not attempt to repair the Product yourself, or use a non-authorized service provider; Bosch will have no responsibility or liability for repairs or work performed by a non-authorized service provider. Authorized service providers are those persons or companies that have been specially trained on Bosch products, and who possess, in

Bosch's opinion, a superior reputation for customer service and technical ability (note that they are independent entities and are not agents, partners, affiliates or representatives of Bosch). Notwithstanding the foregoing, Bosch will not incur any liability, or have responsibility, for the Product if it is located in a remote area (more than 100 miles from an authorized service provider) or is reasonably inaccessible, hazardous, threatening, or treacherous locale, surroundings, or environment; in any such event, if you request, Bosch would still pay for labor and parts and ship the parts to the nearest authorized service provider, but you would still be fully liable and responsible for any travel time or other special charges by the service company, assuming they agree to make the service call.

Out of Warranty Product

Bosch is under no obligation, at law or otherwise, to provide you with any concessions, including repairs, prorates, or Product replacement, once this warranty has expired.

Warranty Exclusions

The warranty coverage described herein excludes all defects or damage that are not the direct fault of Bosch, including without limitation, one or more of the following:

- Use of the Product in anything other than its normal, customary and intended manner (including without limitation, any form of commercial use, use or storage of an indoor product outdoors, use of the Product in conjunction with air or water-going vessels).

en-us Statement of Limited Product Warranty

- Any party's willful misconduct, negligence, misuse, abuse, accidents, neglect, improper operation, failure to maintain, improper or negligent installation, tampering, failure to follow operating instructions, mishandling, unauthorized service (including self performed "fixing" or exploration of the appliance's internal workings).
- Adjustment, alteration or modification of any kind.
- A failure to comply with any applicable state, local, city, or county electrical, plumbing and/or building codes, regulations, or laws, including failure to install the product in strict conformity with local fire and building codes and regulations.
- Ordinary wear and tear, spills of food, liquid, grease accumulations, or other substances that accumulate on, in, or around the Product.
- Any external, elemental and/or environmental forces and factors, including without limitation, rain, wind, sand, floods, fires, mud slides, freezing temperatures, excessive moisture or extended exposure to humidity, lightning, power surges, structural failures surrounding the appliance, and acts of God.
- Service calls to correct the installation of your Product, to instruct you how to use your Product, to replace house fuses or correct house wiring or plumbing.

In no event shall Bosch have any liability or responsibility whatsoever for damage to surrounding property, including cabinetry, floors, ceilings, and other structures or objects around the Product. Also excluded from this warranty are Products, on which the serial numbers have been altered, defaced, or removed; service

visits to teach you how to use the Product, or visits where there is nothing wrong with the Product; correction of installation problems (you are solely responsible for any structure and setting for the Product, including all electrical, plumbing or other connecting facilities, for proper foundation/flooring, and for any alterations including without limitation cabinetry, walls, floors, shelving, etc.); and resetting of breakers or fuses.

TO THE EXTENT ALLOWED BY LAW, THIS WARRANTY SETS OUT YOUR EXCLUSIVE REMEDIES WITH RESPECT TO PRODUCT, WHETHER THE CLAIM ARISES IN CONTRACT OR TORT (INCLUDING STRICT LIABILITY, OR NEGLIGENCE) OR OTHERWISE. THIS WARRANTY IS IN LIEU OF ALL OTHER WARRANTIES, WHETHER EXPRESS OR IMPLIED. ANY WARRANTY IMPLIED BY LAW, WHETHER FOR MERCHANTABILITY OR FITNESS FOR A PARTICULAR PURPOSE, OR OTHERWISE, SHALL BE EFFECTIVE ONLY FOR THE PERIOD THAT THIS EXPRESS LIMITED WARRANTY IS EFFECTIVE. IN NO EVENT WILL THE MANUFACTURER BE LIABLE FOR CONSEQUENTIAL, SPECIAL, INCIDENTAL, INDIRECT, "BUSINESS LOSS", AND/OR PUNITIVE DAMAGES, LOSSES, OR EXPENSES, INCLUDING WITHOUT LIMITATION TIME AWAY FROM WORK, HOTELS AND/OR RESTAURANT MEALS, REMODELLING EXPENSES IN EXCESS OF DIRECT DAMAGES WHICH ARE DEFINITELY CAUSED EXCLUSIVELY BY BOSCH, OR OTHERWISE. SOME STATES DO NOT ALLOW THE EXCLUSION OR LIMITATION OF INCIDENTAL OR CONSEQUENTIAL DAMAGES, AND SOME STATES DO NOT ALLOW LIMITATIONS ON HOW LONG AN IMPLIED WARRANTY LASTS, SO THE ABOVE EXCLUSIONS OR

LIMITATIONS MAY NOT APPLY TO YOU. THIS WARRANTY GIVES YOU SPECIFIC LEGAL RIGHTS, AND YOU MAY ALSO HAVE OTHER RIGHTS WHICH VARY FROM STATE TO STATE.

No attempt to alter, modify or amend this warranty shall be effective unless authorized in writing by an officer of BSH.

Obtaining Warranty Service:

To obtain warranty service for your Product, you should contact Bosch Customer Service at 1-800-944-2904 to schedule a repair.

Table des matières

	Indications de sécurité	47
	CONSIGNES DE SÉCURITÉ IMPORTANTES.	48
	Causes de pannes	53
	Mise en marche	54
	Produit de rinçage	57
	Chargement du lave-vaisselle	59
	Détergent	66
	Cycles du lave-vaisselle	68
	Options de cycles du lave-vaisselle	69
	Mise en marche du lave-vaisselle	71
	Entretien et maintenance	75
	Dépannage	80
	Service à la clientèle	86
	Déclaration de la garantie limitée du produit.	87

Cher client,

Merci d'avoir choisi un lave-vaisselle Bosch®. Vous êtes maintenant l'un des nombreux consommateurs qui exigent de leur lave-vaisselle un fonctionnement silencieux et un rendement élevé.

Ce manuel a été rédigé en prenant en compte votre sécurité et votre entière satisfaction, et les informations qu'il contient sont d'une importance capitale. Nous vous recommandons vivement de le lire avant la première utilisation de ce lave-vaisselle.

Pour plus d'informations sur votre lave-vaisselle, les accessoires disponibles, et d'autres équipements Bosch de haute qualité, consultez notre site. Internet à l'adresse :

www.bosch-home.com/us (E.-U.)

ou

www.bosch-home.ca (Canada)

Une fois à cette page, n'oubliez pas d'enregistrer votre nouveau lave-vaisselle en cliquant sur l'onglet « Assistance » ou en remplissant la fiche d'enregistrement du produit envoyée avec votre nouvel appareil.

Si vous avez d'autres questions ou des commentaires, veuillez nous contacter en appelant au :

1-800-944-2904

ou en nous écrivant à l'adresse :

BSH Home Appliances Corporation
1901 Main Street, Suite 600
Irvine, CA 92614



Indications de sécurité



AVERTISSEMENT

Ceci indique des risques de blessures graves ou mortelles en cas de non-respect de cette mise en garde.



ATTENTION

Ceci indique des risques de blessures mineures ou de gravité moyenne en cas de non-respect de cette mise en garde.

AVIS

Ceci indique un risque d'endommagement de l'appareil ou de biens en cas de non respect de ces consignes.

Remarque : Ceci vous signale des informations et/ou indications importantes.

CONSIGNES DE SÉCURITÉ IMPORTANTES

LISEZ ET CONSERVEZ CES INSTRUCTIONS

Ce lave-vaisselle est livré avec des instructions de montage et ce Manuel d'utilisation et d'entretien. Lisez et assurez-vous d'avoir bien assimilé toutes les instructions avant d'utiliser le lave-vaisselle.

Ce lave-vaisselle est conçu pour une utilisation jusqu'à une altitude de 13 000 pieds (4000 m) au-dessus du niveau de la mer.

Pour réduire le risque d'incendie, de choc électrique, ou de blessures graves, respectez les consignes suivantes :

AVERTISSEMENT

RISQUE DE BLESSURE OU DE DÉCÈS !

La mauvaise utilisation du lave-vaisselle peut causer des blessures graves ou mortelles. Évitez d'utiliser le lave-vaisselle d'une manière non conforme aux directives énoncées dans ce manuel ou à d'autres fins que celles énoncées dans les pages suivantes.

AVERTISSEMENT

RISQUE DE BLESSURES !

La réparation de l'appareil par des techniciens d'entretien non qualifiés ou l'utilisation de pièces de rechange non originales peuvent causer des blessures graves ou endommager l'équipement. Tous les travaux de réparation doivent être effectués par un technicien d'entretien qualifié utilisant uniquement des pièces de rechange d'origine.

AVERTISSEMENT

RISQUE DE CHOC ÉLECTRIQUE OU D'INCENDIE !

Un choc électrique ou un incendie peut survenir si l'alimentation électrique du lave-vaisselle décrit dans le présent manuel est mal installée ou s'il n'est pas correctement mis à la terre. Le lave-vaisselle décrit dans ce manuel ne doit pas être utilisé à moins d'être certain de la bonne installation de l'alimentation électrique et de la mise à la terre correcte du lave-vaisselle.

AVERTISSEMENT

RISQUE D'EXPLOSION !

- Sous certaines conditions, de l'hydrogène gazeux peut se créer dans un système d'eau chaude inutilisé pendant deux semaines ou plus. L'hydrogène gazeux est de nature explosive. Avant d'utiliser un

CONSIGNES DE SÉCURITÉ IMPORTANTES

LISEZ ET CONSERVEZ CES INSTRUCTIONS

lave-vaisselle connecté à un système d'eau chaude inutilisé pendant deux semaines ou plus, ouvrez tous les robinets d'eau chaude et laissez l'eau s'écouler pendant plusieurs minutes. Tout l'hydrogène gazeux accumulé sera ainsi évacué. Compte tenu de la nature explosive du gaz, évitez de fumer ou d'utiliser des flammes nues à ce moment.

- Videz d'abord le lave-vaisselle de l'équipement, des ustensiles et des matières étrangères qu'il pourrait contenir avant de le laver avec un nettoyant quelconque. Certains nettoyants sont hautement acides ou caustiques, ce qui pourrait entraîner la formation d'hydrogène gazeux si la cuve du lave-vaisselle contient de l'aluminium. L'hydrogène gazeux est de nature explosive. **Reportez-vous à la section Soins et entretien du manuel d'utilisation du lave-vaisselle pour des instructions de nettoyage.**

AVERTISSEMENT

RISQUE POUR LA SANTÉ !
N'utilisez jamais des produits chimiques agressifs pour nettoyer votre lave-vaisselle. Certains produits contenant du chlore peuvent endommager le lave-vaisselle et présenter des risques pour la santé!

INSTRUCTIONS DE MISE À LA TERRE

Cet équipement doit être mis à la terre au niveau d'un système de câblage permanent en métal, ou un conducteur de mise à la masse d'équipement doit être intégré aux conducteurs d'alimentation et connecté au terminal de mise à la masse de l'équipement ou à la broche de raccordement du lave-vaisselle. Voir la rubrique Instructions de montage fournie pour avoir plus d'informations sur les exigences électriques.

AVERTISSEMENT

RISQUE DE CHOC ÉLECTRIQUE !

Cet appareil doit être mis à la terre. En cas de dysfonctionnement, la mise à la terre réduira le risque de choc électrique en fournissant une voie de moindre résistance au courant électrique. Cet appareil est équipé d'un câble disposant d'un conducteur de mise à la terre.

La mauvaise connexion du conducteur de mise à la terre peut provoquer un risque de choc électrique. En présence d'un électricien qualifié, vérifiez, en cas de doute, si l'appareil est correctement mis à la terre.

Fonctionnement normal

Utilisez ce lave-vaisselle uniquement aux fins spécifiées, notamment le lavage de vaisselle et d'ustensiles de cuisine indiqués comme lavables au lave-vaisselle.

Utilisez uniquement des détergents ou des produits de rinçage

CONSIGNES DE SÉCURITÉ IMPORTANTES

LISEZ ET CONSERVEZ CES INSTRUCTIONS

recommandés pour un lave-vaisselle, puis tenez-les hors de la portée des enfants.

ATTENTION

Lors du chargement de vaisselle à laver :

- identifiez les objets tranchants pour éviter qu'ils n'endommagent le joint de la porte.
 - les couteaux et autres ustensiles tranchants doivent être placés debout, les **POIGNÉES EN HAUT**, afin de réduire le risque de coupures.
 - ne lavez pas les objets en plastique, sauf s'ils portent l'inscription « lavable au lave-vaisselle » ou une indication équivalente. Pour les objets en plastique ne portant pas cette indication, consultez les recommandations de leurs fabricants respectifs.
 - évitez de mettre votre lave-vaisselle en marche à moins que tous les panneaux ne soient en place.
 - ne touchez pas ou ne passez pas outre les commandes et verrouillages.
-

Évitez de vous asseoir, de vous appuyer ou d'utiliser de manière abusive la porte ou les paniers à vaisselle du lave-vaisselle.

CONSIGNES DE SÉCURITÉ IMPORTANTES

LISEZ ET CONSERVEZ CES INSTRUCTIONS

AVERTISSEMENT

RISQUE DE BLESSURES !
Pour éviter des risques de blessures, faites toujours attention lorsque vous ouvrez la porte pendant ou après un cycle de lavage car des rejets d'eau chaude ou de vapeur peuvent survenir. N'ouvrez pas complètement la porte avant que les bruits d'eau n'aient cessés et que la vapeur ne soit dissipée.

AVERTISSEMENT

SÉCURITÉ DES ENFANTS !

- Pour réduire le risque de blessure, interdisez aux enfants de jouer dans ou sur le lave-vaisselle.
- Dès que les enfants sont assez vieux pour utiliser la machine, il est de la responsabilité des parents/tuteurs de s'assurer que les enfants apprennent d'une personne compétente à faire un usage sécuritaire de la machine.

Les lave-vaisselle domestiques certifiés NSF/ANSI 184 ne sont pas destinés aux établissements de services alimentaires agréés.

Entretien et maintenance corrects

Retirez la porte du lave-vaisselle menant au compartiment de nettoyage lors du retrait d'un ancien lave-vaisselle dans le cadre de l'entretien ou de la mise au rebut.

Pour éviter d'endommager le plancher et la propagation des moisissures, les alentours et le dessous du lave-vaisselle ne doivent pas rester humides.

Remarque : Afin de ne pas endommager le lave-vaisselle, évitez de laisser l'eau pénétrer dans les systèmes de votre appareil pendant de longues périodes à des températures de gel. Par temps de gel, la vanne de remplissage d'eau ainsi que d'autres composants de votre lave-vaisselle peuvent s'endommager.

AVIS

Il est vivement recommandé à l'utilisateur final de se familiariser avec les procédures d'arrêt de l'alimentation en eau ainsi qu'avec les procédures d'arrêt de l'alimentation électrique entrante. Consultez les instructions de montage ou contactez votre installateur pour de plus amples informations.

CONSIGNES DE SÉCURITÉ IMPORTANTES

LISEZ ET CONSERVEZ CES INSTRUCTIONS

Avertissement issu de la proposition 65 :

Ce produit pourrait contenir un produit chimique reconnu par l'État de la Californie comme cancérigène ou ayant des effets nocifs sur la reproduction. Par conséquent, l'emballage de votre produit pourrait porter l'étiquette suivante, comme requis par la Californie :

STATE OF CALIFORNIA PROPOSITION 65 WARNING:

 **WARNING**

Cancer and Reproductive Harm - www.P65Warnings.ca.gov



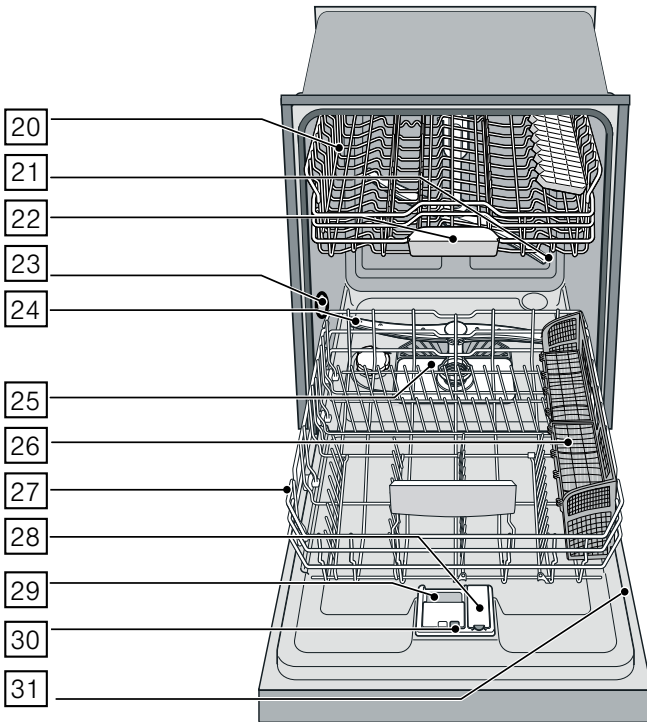
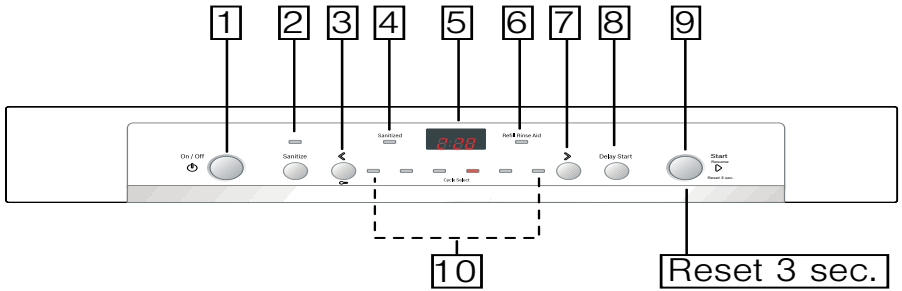
Causes de pannes

AVIS

- N'utilisez jamais de nettoyeurs à vapeur pour laver votre lave-vaisselle. Le fabricant n'est pas responsable des dommages ou des conséquences éventuels.
 - Les lingettes à base d'eau de javel peuvent entraîner la rouille des réservoirs et des portes en acier inoxydable.
 - L'utilisation de produits chimiques acides (p. ex. javel), de nettoyeurs abrasifs, de tampons à récurer (métalliques ou plastiques) ou d'éponges/essuie-tout abrasifs peut endommager le panneau de porte extérieure, le panneau avant et les boutons de votre lave-vaisselle.
 - Afin de ne pas endommager le lave-vaisselle, n'y chargez pas d'objets en papier, de sacs en plastique, de matériaux d'emballage ou tout article autre qu'un article normal, de la vaisselle ou des ustensiles de cuisine lavables au lave-vaisselle.
-

Mise en marche

Vue d'ensemble de l'appareil



Les lignes pointillées indiquent des fonctions facultatives qui pourraient éventuellement être comprises avec votre lave-vaisselle.

Les numéros mentionnés ci-dessous font référence aux images d'aperçu sur la page précédente du présent manuel.

Panneau de commande

- 1 Interrupteur Marche/Arrêt
- 2 Option de désinfection
- 3 Touche de sélection <
- 4 Indicateur de fin de désinfection
- 5 Affichage digital
- 6 Indicateur de remplissage de liquide de rinçage
- 7 Touche de sélection <
- 8 Départ différé
- 9 Touche DÉMARRAGE
- 10 Touches de programmation **

Remarque : Certains cycles et options de nettoyage varient selon le modèle.

Composants internes du lave-vaisselle

- 20 Panier à vaisselle supérieur
- 21 Bras d'aspersion supérieur
- 22 Coupelle interceptrice des pastilles
- 23 Orifice de ventilation
- 24 Bras d'aspersion inférieur
- 25 Filtres
- 26 Panier à couverts
- 27 Panier à vaisselle inférieur
- 28 Réservoir de liquide de rinçage
- 29 Compartiment à détergent
- 30 Verrou de fermeture du compartiment à détergent
- 31 Plaque signalétique

Indicateurs

0:00	Temps de cycle restant
Add Rinse Aid (Ajoutez le produit de rinçage)	S'allume lorsque la quantité de produit de rinçage est faible
Sanitize (désinfecter)	S'allume lorsque les exigences en matière de désinfection sont remplies

Réglages

Il est possible de modifier ces réglages usine.

Le lave-vaisselle a été configuré avec certains réglages pour votre confort.

Réglage	Réglages d'usine	Description
<i>r</i> Produit de rinçage <i>r:00 - r:06</i>	<i>r:05</i>	La quantité de produit de rinçage utilisée affecte le séchage.
<i>d</i> Séchage intensif <i>d:00 - d:01</i>	<i>d:00 / Off (Arrêt)</i>	Séchage amélioré pour les verres et la vaisselle en plastique.
<i>P</i> Auto power off <i>P:00 - P:02</i>	<i>P:00</i>	le lave-vaisselle s'arrête automatiquement à la fin du cycle de lavage.

Produit de rinçage

Pour un séchage optimal, utilisez toujours un produit de rinçage liquide, même si votre détergent contient un produit de rinçage ou des additifs de séchage.

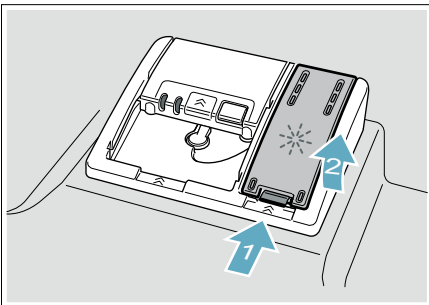
Remarque : Le lave-vaisselle indique qu'il faut remplir le distributeur de produit de rinçage en allumant l'indicateur Recharger produit de rinçage. Si cet indicateur s'allume, vous devez recharger le distributeur de produit de rinçage [28] comme suit.

Ajout de produit de rinçage

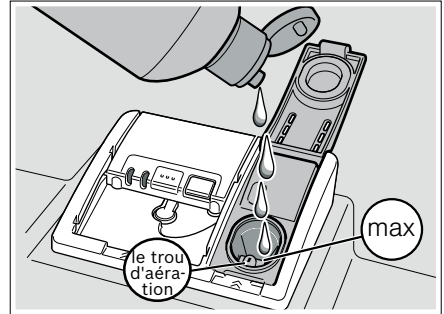
AVIS

Pour éviter l'excès de mousse ou l'engorgement, ne remplissez pas le distributeur de produit de rinçage [28]. Essuyez les déversements à l'aide d'un chiffon humide.

1. Ouvrez le distributeur de liquide de rinçage [28] en appuyant sur le loquet du couvercle et en tirant celui-ci.



2. Ajoutez le produit de rinçage liquide au distributeur [28] à pleine capacité. Ne le remplissez pas outre mesure. Évitez tout déversement dans le trou d'aération.



3. Fermez le couvercle. Le couvercle doit être hermétiquement fermé jusqu'à l'encliquetage du loquet, pour garantir son étanchéité.
4. Essuyez tout excédent de produit de rinçage déversé lorsque le réservoir est plein.

Le témoins lumineux s'éteindra peu après la fermeture de la porte du lave-vaisselle.

Conseil : Pour verser plus facilement, retirez le couvercle de la bouteille de produit de rinçage.

AVIS

Ne pas remplir le distributeur de rinçage auxiliaire [28] avec de la lessive. Sinon, vous pourriez endommager le lave-vaisselle.

Réglage de la quantité de produit de rinçage utilisé

La quantité de produit de rinçage distribuée peut être définie dans la plage de $r:00$ à $r:05$. Le paramètre d'usine est $r:05$.

Tout changement de paramètre doit se faire uniquement si les plats présentent des traces (diminuer la quantité), ou si les plats ne séchent pas complètement (augmenter la quantité).

Réglage	Quantité
$r:00$	le distributeur est à OFF
$r:01$	valeur minimale
$r:02$	valeur faible
$r:03$	valeur moyenne
$r:04$	valeur moyenne/élevée
$r:05$	valeur élevée
$r:05$	valeur maximale

- Appuyez sur le bouton **On/Off** (Marche/Arrêt) $\square 1$.
- Maintenez enfoncée la touche de sélection $> \square 7$ et appuyez sur le bouton **Start** $\square 9$ jusqu'à ce que l'afficheur $\square 5$ indique $H:0x$ (x peut être un nombre quelconque). Relâchez les deux boutons.
- Appuyez sur la touche de sélection $> \square 7$ jusqu'à ce que l'afficheur $\square 5$ indique $r:05$.
- Appuyez sur la touche de sélection $\square 3$ pour sélectionner la valeur désirée.
- Appuyez sur le bouton **Start** $\square 9$ pour enregistrer le paramètre.

Désactivation de l'indicateur de produit de rinçage

Procédez comme décrit dans la section « Réglage de la quantité de produit de rinçage utilisée » et réglez la valeur à $r:00$. L'indicateur de produit de rinçage est maintenant désactivé.

AVIS

En utilisant aucun produit de rinçage ou le réglage du distributeur à $r:00$ peut conduire à des durées de cycle plus longues, ce qui consommera plus d'énergie et plus d'eau. Les températures plus élevées et des durées de cycle plus longues peuvent endommager la porcelaine fine ou la verrerie.



Chargement du lave-vaisselle

Matériaux lavables au lave-vaisselle

Remarque : Avant la première utilisation de votre lave-vaisselle, vérifiez les informations énoncées dans la présente rubrique. Certains objets ne peuvent pas être lavés au lave-vaisselle et doivent l'être à la main ; d'autres doivent être chargés de manière spéciale.

Recommandé

Aluminium	L'aluminium anodisé et coloré peut se décolorer au fil du temps. Les minéraux présents dans l'eau peuvent ternir ou tacher l'aluminium. En général, ils sont éliminés à l'aide d'un tampon en laine d'acier imbibé de savon.
Porcelaine, cristal, grès	Certains ustensiles peints à la main peuvent se décolorer ou se tacher. Lavez ces ustensiles à la main. Positionnez la verrerie fragile de manière à ce qu'elle ne bascule pas ou n'entre pas en contact avec d'autres ustensiles au cours du cycle de nettoyage.
Verre	Assurez-vous d'utiliser du verre lavable au lave-vaisselle. Le verre de lait peut se décolorer ou jaunir.
Revêtements anti-adhésifs	Appliquez une légère couche d'huile végétale aux surfaces anti-adhésives après séchage.

Recommandé

Plastiques	Assurez-vous que les articles plastiques sont lavables au lave-vaisselle.
Acier inoxydable, argent sterling et métal argenté	Chargez ces objets de manière à ce qu'ils n'entrent pas en contact avec d'autres métaux, les parois de la cuve du lave-vaisselle en acier inoxydable ou la porte intérieure.

Non recommandé

Acrylique	Des craques ou de petites fissures peuvent survenir sur l'acrylique.
Pièces assemblées par un adhésif	Les adhésifs permettant d'assembler des matériaux comme le plastique, le bois, l'os, l'acier, le cuivre, l'étain, etc. peuvent perdre en adhérence.
Ustensiles à poignée en os	Les poignées peuvent se séparer.
Fer	Le fer va rouiller. Lavez-les à la main et séchez-les immédiatement.
Articles autres que la vaisselle	Votre lave-vaisselle est destiné au nettoyage de vaisselle et d'articles de cuisine standards UNIQUEMENT.
Potin, laiton, bronze	Ces articles terniront. Lavez-les à la main et séchez-les immédiatement.
Étain	L'étain peut se tacher. Lavez-les à la main et séchez-les immédiatement.
Bois	Les bols et ustensiles en bois, ainsi que les ustensiles dotés de poignées en bois peuvent se fissurer, se déformer et perdre de leur éclat.

Chargement des paniers

Pour obtenir les meilleurs résultats, respectez les instructions suivantes lors du chargement de la vaisselle :

- Les articles avec de légères incrustations de résidus alimentaires ne doivent pas être pré-lavés.
- Retirez toutes les particules d'aliments, os, cure-dents et excès de graisse.
- Pré-lavez les articles souillés par les matières brûlées, cuites ou féculentes.
- Chargez les plats dans les paniers du lave-vaisselle de telle sorte que les parois internes des bols, chaudrons et casseroles font face aux bras gicleurs.
- Évitez l'emboîtement et les points de contact entre les plats.
- Séparez les objets à base de métaux différents. Veillez à ne pas bloquer les bras gicleurs.
- Lavez uniquement la vaisselle et les articles de cuisine indiqués comme lavables au lave-vaisselle. Reportez-vous à la rubrique Matériaux lavables au lave-vaisselle pour plus d'informations sur la vaisselle adaptée.

AVIS

Afin de ne pas endommager le lave-vaisselle, n'y chargez pas des objets en papier, des sacs en plastique, des matériaux d'emballage ou tout article autre qu'un article normal, de la vaisselle ou des ustensiles de cuisine lavables au lave-vaisselle.

Chargement du panier supérieur

Assurez-vous que les articles ne dépassent le fond des paniers et ne bloquent les bras gicleurs.

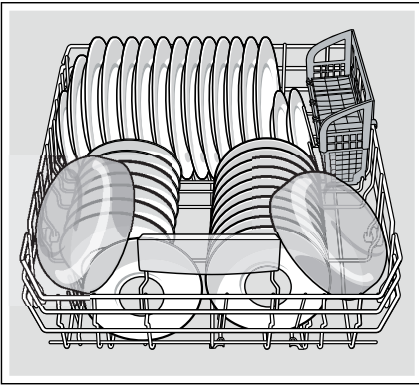
Remarque : Lors de l'insertion du panier supérieur [20] dans le lave-vaisselle, poussez-le jusqu'à ce qu'il bute contre la paroi arrière du bac à laver. Ainsi, le bras gicleur du panier supérieur [21] se connecte à l'alimentation en eau à l'arrière du bac à laver. Ne poussez pas les paniers à l'aide de la porte.

Chargement du panier inférieur

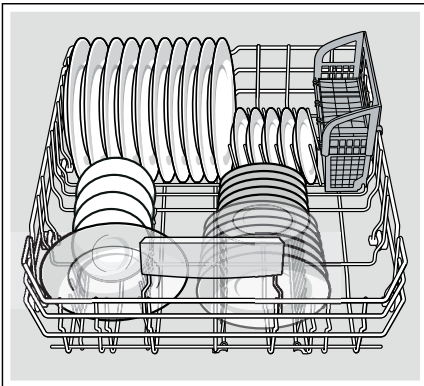
Placez les objets volumineux dans le panier inférieurs [27]. Chargez les chaudrons, casseroles et bols à l'envers. Ne bloquez pas le trou de ventilation [23] avec de grandes plaques à pâtisserie. Chargez ces objets du côté droit du lave-vaisselle.

Chargement du panier inférieur

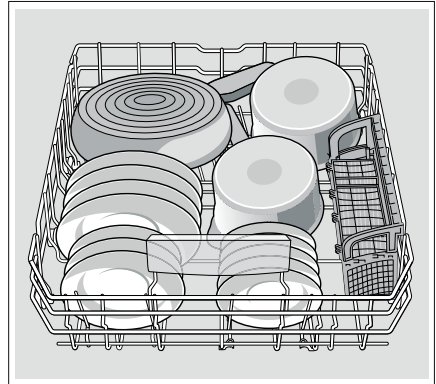
Panier inférieur 27



Autre configuration



Autre profil de chargement avec chaudrons et casseroles



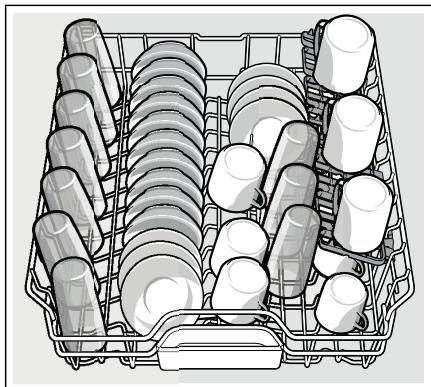
Pour de meilleurs résultats, mettez la vaisselle volumineuse face vers le bas dans le panier inférieur.

Chargement du panier supérieur

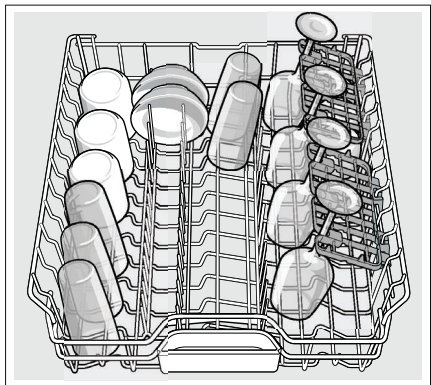
Placement recommandé en configuration 12 places



Autre configuration



Autre profil de chargement avec verres à vin



Utilisez des supports pour charger les verres à vin dans le panier supérieur.

Chargement du panier à ustensiles

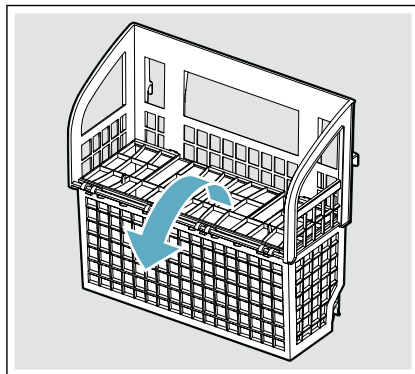
Les couteaux et ustensiles tranchants doivent être placés avec les poignées en haut, les cuillères et fourchettes avec les poignées en bas. Si des objets volumineux ou aux formes irrégulières sont chargés dans le panier à ustensiles, veillez à ce qu'ils ne s'entassent pas.

⚠ AVERTISSEMENT

RISQUE DE BLESSURES !

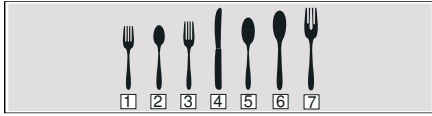
Les points et bords tranchants des couteaux et autres ustensiles coupants peuvent causer des blessures graves. Lors du chargement, les pointes des couteaux et autres ustensiles tranchants doivent être tournés vers le bas. Les enfants ne doivent pas utiliser ou jouer près des couteaux et ustensiles tranchants.

Paniers à ustensiles

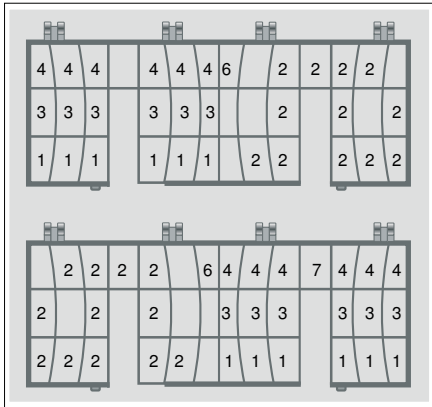


Remarque : Le couvercle du panier à ustensiles peut également être rabattu afin de laisser le panier ouvert.

Profils de chargement suggérés



- 1 Fourchette à salade
- 2 Cuillère à café
- 3 Fourchette de table
- 4 Couteau
- 5 Cuillère à soupe
- 6 Cuillère à servir
- 7 Fourchette à servir



Retrait de la vaisselle

ATTENTION

La vaisselle peut être brûlante immédiatement après un cycle. Ouvrez la porte légèrement et laissez la vaisselle se refroidir quelques minutes avant de la retirer.

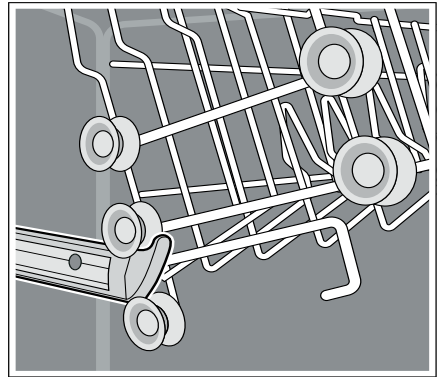
Remarque : Les plats sont plus susceptibles de s'ébrécher lorsqu'ils sont déchargés avant d'être refroidis.

Lors du retrait de la vaisselle, pour éviter que l'eau ne coule sur les plats secs, videz d'abord le panier inférieur [27]. Ensuite, déchargez le panier à ustensiles [26] suivi du panier supérieur [20], puis le troisième panier (s'il y a lieu).

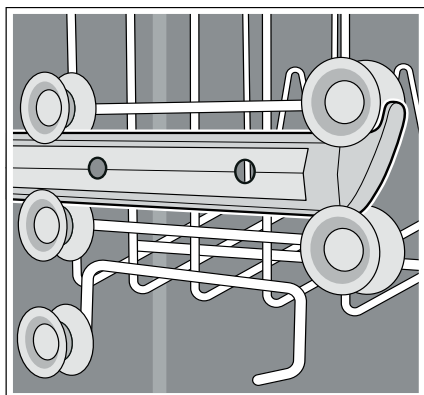
Panier supérieur réglable

Si désiré, vous pouvez ajuster le panier supérieur en hauteur afin de faire de la place dans le panier inférieur.

1. Soulevez le panier supérieur [20] et soulevez-le complètement jusqu'à ce que les roulettes se dégagent complètement des guides.



2. Réinsérez le panier avec l'autre ensemble de roulettes sur les guides tel qu'indiqué ci-dessous.

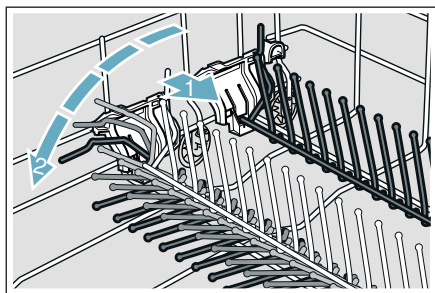


Accessoires de panier

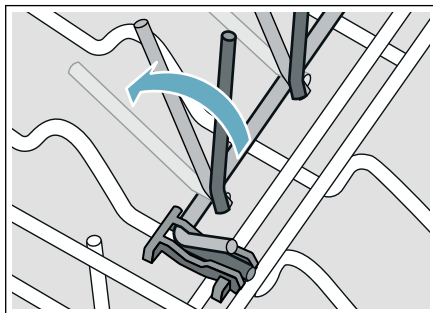
Peignes rabattables*

Les paniers supérieur et inférieur sont équipés de peignes rabattables qui peuvent être repliés en fonction des objets que vous souhaitez charger dans le panier.

Peignes rabattables du panier inférieur : Pour les abaisser, tirez légèrement le peigne rabattable vers l'avant et dégagez-le de l'encoche. Poussez le peigne rabattable vers le bas. Pour les élever, poussez les peignes rabattables dans une position verticale jusqu'à ce que le support s'encliquette dans l'encoche.



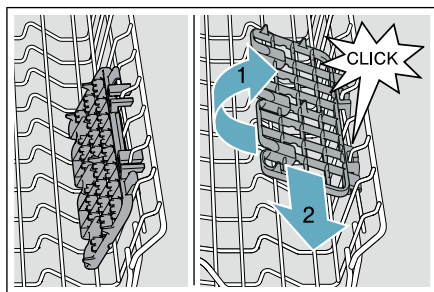
Peignes rabattables du panier supérieur : Pour les abaisser, poussez légèrement les peignes rabattables vers le bas. Pour les élever, poussez les peignes rabattables dans une position verticale jusqu'à ce que le support s'encliquette dans l'encoche.



* option facultative qui peut être ou ne pas être incluse avec votre lave-vaisselle.

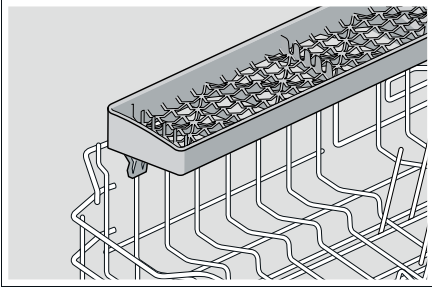
Étagère pour tasses

Les étagères pour tasses peuvent être utilisés pour les petites tasses ou pour des ustensiles plus larges. Ils fonctionnent également comme supports de verres à vin.



Panier utilitaire

Placez les longs couteaux et autres ustensiles dans le panier utilitaire.



* option facultative qui peut être ou ne pas être incluse avec votre lave-vaisselle.



Détergent

Utilisez uniquement un détergent spécialement conçu pour les lave-vaisselle. Pour de meilleurs résultats, utilisez un détergent pour lave-vaisselle en poudre ou des comprimés détergents.

AVIS

Pour éviter d'endommager le lave-vaisselle :

- évitez d'utiliser des détergents pour vaisselle à la main dans votre lave-vaisselle.
- N'utilisez pas trop de détergent si l'eau utilisée est douce. L'utilisation d'une quantité excessive de détergent avec une eau douce peut rayer la verrerie et la porcelaine fine.
- Pour mieux protéger le verre, utilisez un cycle de nettoyage avec une température peu élevée ou un cycle conçu spécifiquement pour le verre (selon le modèle) et utilisez un détergent avec une protection contre les marquages.

Ce lave-vaisselle nécessite moins d'eau que les autres, et par conséquent, moins de détergent. Avec de l'eau froide, 1 cuillère à soupe (15 ml) de détergent suffira pour le nettoyage. Le distributeur de détergent dispose de traits de graduation correspondant à 1 cuillère à soupe (15 ml) et 1,75 cuillères à soupe (25 ml). 3 cuillères à soupe (45 ml) de détergent rempliront complètement le distributeur de détergent.

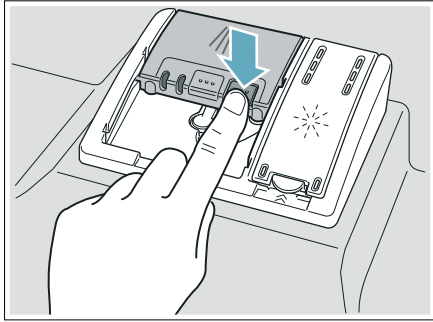
Remarque : Si vous ignorez la dureté de votre eau, utilisez 15 ml de détergent. Si nécessaire, ajoutez la quantité minimale nécessaire au nettoyage impeccable de vos ustensiles de cuisine.

Servez-vous des lignes de référence du distributeur de détergent comme aide à la mesure de la quantité de détergent recommandée dans le tableau suivant.

Cycle de nettoyage	Eau dure/ Souillure impor- tante	Eau à dureté moyenne/ Souillure moyenne	Eau douce/ Souillure légère/
Intensif	3 c. à soupe (45 ml)	3 c. à soupe (45 ml)	1,75-3 c. à soupe (25-45 ml)
Auto	1,75-3 c. à soupe (25-45 ml)	1,75 c. à soupe (25 ml)	1-1,75 c. à soupe (15-25 ml)
Normal	1,75-3 c. à soupe (25-45 ml)	1,75 c. à soupe (25 ml)	1-1,75 c. à soupe (15-25 ml)
Delicate (délicat)	1,75 c. à soupe (25 ml)	1-1,75 c. à soupe (15-25 ml)	1 c. à soupe (15 ml)
Express	1,75 c. à soupe (25 ml)	1-1,75 c. à soupe (15-25 ml)	1 c. à soupe (15 ml)
Half load (Demi-charge)	1,75 c. à soupe (25 ml)	1-1,75 c. à soupe (15-25 ml)	1 c. à soupe (15 ml)

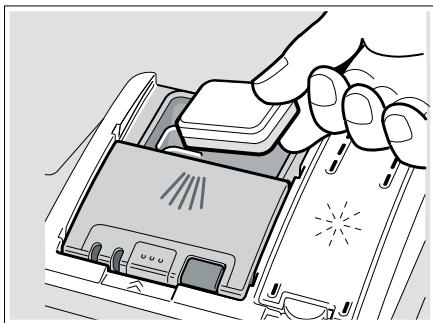
Ajout de détergent

1. Si le distributeur de détergent [29] demeure fermé, actionnez la barre de verrouillage [30] pour l'ouvrir.

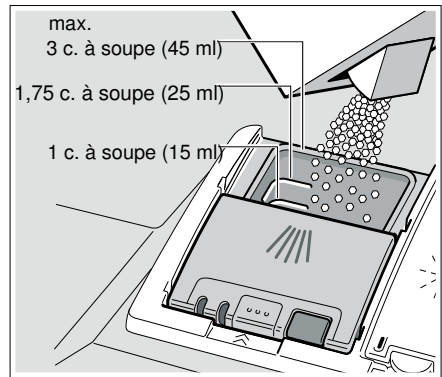


2. En cas d'utilisation de comprimés détergents, placez-les de telle sorte qu'ils n'entrent pas en contact avec le couvercle. Insérez-les à plat et non sur le côté.

Remarque : Ne placez pas les comprimés détergents dans le compartiment à détergent [22]. Placez les comprimés ou d'autres formes de détergent directement dans le distributeur de détergent [29].

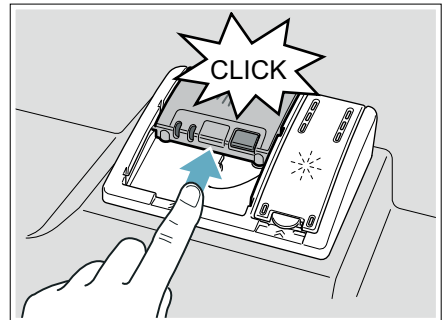


Ne versez du détergent que dans le distributeur de détergent sec [29]. Ajoutez le détergent. Ne remplissez pas le distributeur de détergent outre mesure.



Dosage : voir les instructions du fabricant sur l'emballage.

3. Fermez le couvercle en plaçant le doigt sur le couvercle tel qu'illustré. Faites glisser le couvercle pour fermer et appuyez dessus fermement jusqu'à entendre un clic.



Le distributeur de détergent s'ouvrira automatiquement au moment approprié pour le cycle défini. Le détergent liquide ou en poudre est dispersé dans l'appareil et dissout, les comprimés détergents tombent dans le compartiment à détergent [22] où ils se dissolvent tout au long du cycle.

Conseil : Si les ustensiles sont peu souillés, une quantité de détergent légèrement inférieure à celle recommandée est suffisante.

Cycles du lave-vaisselle

Cycle de nettoyage	Usage recommandé	Option du cycle de nettoyage possible
Heavy (Intensif)	Idéal pour le nettoyage d'ustensiles salis par les aliments cuits ou la graisse. Ils nécessitent généralement un temps de trempage ou un récurage à la main.	tout
Auto	Le cycle le plus intelligent, avec la détection de salissure la plus souple, idéal pour la vaisselle mélangée et souillée par les aliments.	tout
Normal (voir la note au bas du tableau)	Recommandé pour une utilisation quotidienne, régulière ou typique pour le lavage complet d'un chargement plein de vaisselle à souillure normale.	tout
Delicate (Déli-cat)	Idéal pour la vaisselle et les verres délicats. Ce cycle réduit la température et la longueur du cycle afin de protéger la vaisselle et de diminuer la consommation d'énergie.	Delay (Retardé)
Express	Permet de nettoyer les plats légèrement encrassés et de réduire le temps total de nettoyage. Utilisez ce cycle pour nettoyer les verres et les assiettes à dessert pouvant être réutilisés pour au cours d'une même occasion.	Delay (Retardé)
Half Load (Demi-charge)	Utilisez ce cycle si vous n'avez que peu de vaisselle à laver (par ex. des verres, des tasses et des assiettes) Permet d'économiser de l'eau de l'énergie et du temps. Il est recommandé d'utiliser légèrement moins de détergent que pour un chargement complet.	tout

Remarque : L'étiquetage Energy Guide se base sur le cycle de détection du niveau de saleté **Normal** comme suit : l'unité a été testée avec un distributeur de produit de rinçage (liquide) vide [28]. Une seule dose de détergent a été introduite dans le distributeur de détergent [29], aucun détergent n'étant utilisé dans le cycle de pré-lavage. L'appareil n'a pas été soumis à un processus d'essai tronqué aux termes des définitions décrites dans la procédure d'essai. Nous recommandons, pour les chargements de vaisselle tel que celui décrit dans le test de certification en matière de performance énergétique, que le panier soit placé à la position la plus élevée.

P+ Options de cycles du lave-vaisselle

*Selon les fonctions de votre lave-vaisselle, vous pourriez avoir le choix entre de multiples options de cycles de nettoyage [2].

Delay (Retardé)

Vous permet de retarder le démarrage de votre lave-vaisselle jusqu'à 24 heures.

Sanitize (désinfecter)

Cette fonction augmente les températures et les maintient pendant une durée prolongée afin d'obtenir des performances d'assainissement prédéfinies. L'utilisation continue de cette fonction améliore l'état d'hygiène. Cette option supplémentaire est idéale pour le lavage d'articles tels que des planches à découper et des biberons.

Le témoin de désinfection à DEL s'allume lorsque les exigences en matière de désinfection sont remplies. Cette option peut également améliorer le séchage. Elle fait aussi augmenter légèrement la consommation d'énergie.

Informations sur le cycle de lavage

Pour économiser de l'énergie, ce lave-vaisselle dispose d'un système EcoSense dans lequel les capteurs du lave-vaisselle ajustent automatiquement les variations de longueur, de température et d'eau du cycle en fonction du niveau de souillure alimentaire et de la température de l'eau entrante. Les

décisions prises par le « Contrôle intelligent » peuvent causer un ajustement intermittent du temps et de l'eau utilisée pour le cycle. **Les temps du cycle de lavage sont définis en fonction température d'alimentation en eau de 120°F (49°C).** Si la température d'alimentation en eau de votre maison est autre que 120°F (49°C), les temps de cycle de votre lave-vaisselle peuvent être affectés.

	Heavy	Auto	Normal	Delicate (délicat)	Express	De-mi-charge
Temps de cycle min.	110-130	115-130	130-135	80-85	30	95-115
Consommation d'eau gal/l	5,7-7,3/ 21,5-27,7	3,8-6,5/ 14,4-24,5	3,0-5,7/ 11,3-21,5	3-4,4 11,2-16,5	3,5/ 10,3	2,9-4,6 11,1-17,4
Temp. de nettoyage °F/°C	151-160/ 66-71	126-151/ 52-66	122-131/ 50-55	113-122/ 45-50	113/ 45	126-151 52-66
Temp. de rinçage °F/°C	162/ 72	154-162/ 68-72	153-158/ 67-70	144/ 62	131/ 55	162- 72
Sanitize (Désinfecter)						
Temps de cycle min.	120-140	135-150	150-155	S/O	S/O	115-135
Consommation d'eau gal/l	5,7-7,3/ 21,5-27,7	3,8-6,5/ 14,4-24,5	3,0-5,7/ 11,3-21,5	S/O	S/O	2,9-4,6 11,1-17,4
Temp. de rinçage °F/°C	162/ 72	162/ 72	162/ 72	S/O	S/O	162/ 72

Remarque : Seuls les cycles de désinfection ont été conçus de manière à respecter les exigences de la Section 6 de la norme NSF/ANSI relative aux Équipements à usage résidentiel destinés à l'élimination de salissures et à la désinfection efficace. À cet effet, aucune indication ne spécifie, directement ou indirectement, que tous les cycles ont passé avec succès les tests de performance en matière d'assainissement.



Mise en marche du lave-vaisselle

⚠ AVERTISSEMENT

RISQUE DE BLESSURES !
 Pour éviter des risques de blessures, faites toujours attention lorsque vous ouvrez la porte pendant ou après un cycle de lavage car des rejets d'eau chaude ou de vapeur peuvent survenir. N'ouvrez pas complètement la porte avant que les bruits d'eau n'aient cessés et que la vapeur ne soit dissipée.

Protection contre une opération involontaire

Votre lave-vaisselle est équipé d'une fonction qui aide à empêcher toute utilisation involontaire (par exemple par des enfants).

Après le démarrage du lave-vaisselle, la porte doit être fermée dans les 4 secondes qui suivent ou l'opération sera interrompue. Un signal apparaîtra alors sur le panneau de contrôle, vous invitant à appuyer de nouveau sur le bouton Départ et à fermer la porte.

Cette fonction s'active lorsque :

- vous appuyez sur Départ pour lancer un cycle de lavage
- vous réglez le Départ différé et appuyez sur Départ
- vous ouvrez la porte alors que le Départ différé est enclenché
- vous ouvrez la porte au cours d'un cycle de lavage

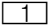
Remarque : Il est impossible de désactiver cette fonction.

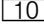
AquaSensor

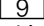
L'AquaSensor est un outil de mesure optique qui évalue la propreté de l'eau de rinçage.


L'AquaSensor est utilisé en fonction du cycle de lavage. Si l'AquaSensor est activé, l'eau de rinçage « propre » peut être réutilisée pour le prochain rinçage et la consommation d'eau peut ainsi être réduite de 0,8 à 1,5 gal (3 à 6 litres). Si l'eau de rinçage n'est pas encore propre, celle-ci est évacuée et remplacée par de l'eau claire. Pour les cycles de lavage automatiques, la température ainsi que la durée du cycle peuvent également être ajustées en fonction du degré de souillure.

Mise sous tension de l'appareil

1. Allumez complètement l'alimentation en eau.
2. Appuyez sur le bouton **On/Off** .

Le cycle de nettoyage AUTO a été réglé comme option par défaut au démarrage de l'appareil. Ce cycle de lavage demeure sélectionné si vous n'appuyez sur aucun autre bouton  de cycle de lavage. Choisissez l'option que vous désirez.

3. Appuyez sur **Start** .
- Le cycle de nettoyage démarre.

Remarque : Votre lave-vaisselle est protégé contre les mises en marche involontaires. Si la porte de l'appareil reste ouverte durant plus de 4 secondes après que vous ayez appuyé sur le bouton Start (démarrer), l'opération est suspendue. Fermez la porte de l'appareil et appuyez de nouveau sur le bouton Start (démarrer) .

Affichage de l'heure

Lorsqu'un cycle de nettoyage est sélectionné, la durée restante du cycle est indiquée sur l'afficheur [5].

La durée du cycle de nettoyage est déterminée par la température de l'eau lors du cycle de nettoyage, la quantité de vaisselle, ainsi que son degré de souillure. Elle peut aussi varier selon le cycle de lavage choisi.

Démarrage retardé

Vous pouvez choisir de retarder le démarrage du cycle d'environ 24 heures, par intervalles d'une heure.

h:01 Retard de 1 heure

h:24 Retard de 24 heures

Pour définir le démarrage retardé :

1. Appuyez sur le bouton **On/Off** (Marche/Arrêt) [1]. Sélectionnez un cycle.
2. Appuyez sur le bouton **Delay** (retardé) [8] jusqu'à ce que le temps affiché corresponde à vos besoins.
3. Appuyez sur le bouton **Start** (Démarrer) [9] pour activer le Démarrage retardé.

Pour annuler le démarrage retardé :

1. Ouvrez la porte et appuyez sur le bouton **Delay** (retardé) [8] jusqu'à ce que *h:00* soit affiché sur l'afficheur numérique [5].
2. Appuyez sur le bouton **Start** (Démarrer) [9] pour enregistrer le réglage.

Remarque : Votre lave-vaisselle est protégé contre les mises en marche involontaires. Si la porte de l'appareil reste ouverte durant plus de 4 secondes après que vous ayez appuyé sur le bouton Start (démarrer), l'opération est suspendue. Fermez la porte de l'appareil et appuyez de nouveau sur le bouton Start (démarrer) [9].

Fin du cycle de nettoyage

Le cycle de nettoyage est terminé lorsque l'afficheur [5] indique *0:00*.

Auto power off (Arrêt automatique)

Ce réglage détermine la durée d'illumination du tableau de commande une fois le cycle terminé. Afin d'économiser de l'énergie, le réglage recommandé est *P:01*.

Ce paramètre peut être réglé sur une plage de *P:00* à *P:02*.

P:00 le lave-vaisselle ne s'arrête pas automatiquement

P:01 le lave-vaisselle s'arrête automatiquement après 1 minute

P:02 le lave-vaisselle s'arrête automatiquement après 120 minutes (2 heures)

Pour changer le réglage :

1. Appuyez sur le bouton **On/Off** (Marche/Arrêt) [1].
2. Maintenez enfoncée la touche de sélection > [7] et appuyez sur le bouton **Start** [9] jusqu'à ce que l'afficheur [5] indique *d:0x* (x peut être un nombre quelconque).
3. Relâchez les deux boutons.
4. Appuyez sur la touche de sélection > [7] jusqu'à ce que l'afficheur [5] indique *P:0x*.

- Appuyez sur la touche de sélection < [3] jusqu'à ce que l'afficheur corresponde à ce que vous souhaitez.
- Appuyez sur le bouton **Start** [9].

Mise hors tension de l'appareil

Peu de temps après la fin du cycle de nettoyage :

- Appuyez sur le bouton **On/Off** (Marche/Arrêt) [1].
- Fermez l'approvisionnement en eau.
- Sortez la vaisselle lorsque ceux-ci ont refroidi.

AVERTISSEMENT

RISQUE DE BLESSURES !
Pour éviter des risques de blessures, faites toujours attention lorsque vous ouvrez la porte pendant ou après un cycle de lavage car des rejets d'eau chaude ou de vapeur peuvent survenir. N'ouvrez pas complètement la porte avant que les bruits d'eau n'aient cessés et que la vapeur ne soit dissipée.

Interruption du cycle de nettoyage

ATTENTION

Une pression trop excessive peut provoquer l'ouverture de la porte et le ruissellement d'eau! Si la porte a été ouverte et que celle-ci est chaude ou que le raccordement est chaud, laissez-la toujours entrouverte quelques minutes, puis fermez-la.

- Appuyez sur le bouton **On/Off** (Marche/Arrêt) [1]. Les DEL s'éteignent. Le cycle de nettoyage a été sauvegardé.
- Pour relancer le cycle de nettoyage, Fermez la porte de l'appareil et appuyez de nouveau sur le bouton **On/Off** (Marche/Arrêt) [1].

Remarque : Votre lave-vaisselle est protégé contre les mises en marche involontaires. Si la porte de l'appareil reste ouverte durant plus de 4 secondes après que vous ayez appuyé sur le bouton Start (démarrer), l'opération est suspendue. Fermez la porte de l'appareil et appuyez de nouveau sur le bouton Start (démarrer) [9].

Arrêt du cycle de nettoyage (réinitialisation)

- Maintenez enfoncé le bouton **Start** (Démarrer) [9] pendant environ 3 secondes jusqu'à ce que l'afficheur indique **0:01**.
- Patiencez environ 1 minute, le temps pour le lave-vaisselle d'être drainé.
- Appuyez sur le bouton **On/Off** (Marche/Arrêt) [1].

Vous pouvez maintenant redémarrer le lave-vaisselle et commencer un nouveau cycle si désiré.


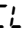
Changement du cycle de lavage

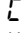
Après avoir appuyé sur la touche **Start** [9], il est impossible de changer de cycle de lavage. Un changement de cycle de lavage n'est possible que via l'abandon d'un cycle de lavage (Réinitialisation (Reset)).



Verrouillage automatique du panneau/à l'épreuve des enfants

La sécurité enfants empêche l'ouverture du lave-vaisselle lorsqu'il fonctionne afin de prévenir l'interruption du cycle de nettoyage (par ex. par des enfants).

Pour verrouiller le panneau :

1. Lancez le cycle de nettoyage désiré.
2. Maintenez enfoncé le bouton avec le symbole  pendant environ 3 secondes jusqu'à ce que l'afficheur indique . Le verrouillage est enclenché.

 devrait maintenant apparaître si un bouton est enfoncé. Le programme ne sera pas réinitialisé.

Pour **deactivate** (déverrouiller) le panneau, maintenez enfoncé le bouton avec le  pendant environ 3 secondes, jusqu'à ce que l'afficheur n'indique plus .


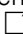

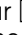
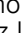
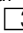
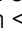


Le panneau est complètement déverrouillé une fois le cycle de nettoyage terminé. Dans l'éventualité d'une panne, le verrouillage demeurera enclenché. Le panneau doit être verrouillé à chaque nouveau cycle de nettoyage.

Séchage intensif

Le rinçage final utilise une température supérieure qui améliore le résultat de séchage. Cela pourrait rallonger le cycle et faire augmenter la consommation d'énergie. (Attention si les ustensiles sont fragiles!)

Cet équipement possède deux réglages :

-  Désactivé
-  Activé

1. Appuyez sur le bouton **On/Off** (Marche/Arrêt) .
2. Maintenez enfoncée la touche de sélection  et appuyez sur le bouton **Start**  jusqu'à ce que l'afficheur  indique :x (x peut être un nombre quelconque).
3. Relâchez les deux boutons.
4. Appuyez sur la touche de sélection  pour activer  ou désactiver  la fonction de séchage intensif.
5. Appuyez sur **Start**  pour enregistrer le réglage.



Entretien et maintenance

Une inspection régulière et une maintenance de votre appareil vous aideront à prévenir d'éventuelles pannes. Ceci vous permet de sauver du temps et de parer à de nouveaux problèmes.

Nettoyer le filtre du lave-vaisselle

- Essayez régulièrement le devant de l'appareil à l'aide d'un chiffon légèrement humide; de l'eau et un peu de savon liquide suffisent.
- Pour l'acier inox noir et les surfaces anti-empreintes, utilisez un linge doux et sec. Pour la saleté tenace, utilisez de l'eau tiède diluée avec du savon doux, non abrasif. N'utilisez jamais de produit à polir pour inox.
- Avec des électroménagers en acier inoxydable (sauf ceux en acier inox noir et les surfaces anti-empreintes), utilisez un produit à polir pour acier inoxydable pour sceller et protéger la surface.
- Nettoyez régulièrement les bords extérieurs du panneau intérieur de la porte afin d'éliminer les résidus déposés lors du chargement normal. Si des taches apparaissent sur l'acier inoxydable, assurez-vous que le distributeur de produit de rinçage est rempli et fonctionne correctement.

- Nettoyez régulièrement le joint de la porte avec un chiffon légèrement humide afin d'éliminer les particules alimentaires déposées lors du chargement normal et qui peuvent causer des odeurs. Un joint de porte souillé peut empêcher le bon verrouillage de celle-ci.

AVIS

- N'utilisez jamais un nettoyeur à vapeur pour laver votre lave-vaisselle. Le fabricant ne sera en aucun cas responsable des dégâts causés.
- Évitez d'utiliser des éponges, elles pourraient rayer les surfaces.
- N'utilisez pas de lingettes à base d'eau de javel, elles pourraient endommager la surface ou l'impression.
- N'utilisez pas de produit à polir pour l'acier inoxydable sur des surfaces en acier inox noir ou anti-empreintes.

AVERTISSEMENT

RISQUE D'EXPLOSION !

- Videz d'abord le lave-vaisselle de l'équipement, des ustensiles et des matières étrangères qu'il pourrait contenir avant de le laver avec un nettoyant quelconque. Certains nettoyants sont hautement acides ou caustiques, ce qui pourrait entraîner la formation d'hydrogène gazeux si la cuve du lave-vaisselle contient de l'aluminium. L'hydrogène gazeux est de nature explosive.

⚠ AVERTISSEMENT

Faites preuve de prudence lorsque vous démontez les pièces pour le nettoyage, car certains débris peuvent être tranchants.

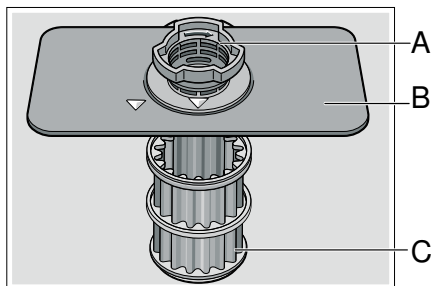
Filters

Le système de filtre Bosch® [25] est conçu pour éviter la nécessité de faire un nettoyage préalable des résidus alimentaires salissants incrustés sur vos plats. Il vous suffit tout simplement de racler la vaisselle pour en éliminer les résidus d'aliments avant de la charger. Ce procédé permet de faire des économies de temps, d'eau et d'énergie nécessaire au chauffage de l'alimentation en eau de votre maison.

Le système de filtrage de votre lave-vaisselle est conçu de manière à filtrer à 100 % l'eau entrant dans les gicleurs, assurant ainsi un apport continu d'eau propre nécessaire à l'élimination des résidus d'aliments de votre vaisselle.

Éléments de filtrage

Le système de filtration [25] est constitué de trois éléments.



A Filtre à gros éléments

Il empêche aux objets qui ne devraient pas être placés dans votre lave-vaisselle d'endommager le système de pompage du lave-vaisselle ou d'obstruer le système d'évacuation de votre maison.

B Filtre fin plat

Il empêche aux particules d'aliments d'entrer dans la chambre de lavage et dirige ces particules vers le micro-filtre.

C Micro-filtre

Il dirige les particules les plus petites vers le système de plomberie de la maison.

Intervalles de nettoyage

Le système de filtration [25] est conçu de manière à minimiser l'entretien tout en assurant un rendement de nettoyage élevé et une faible consommation d'énergie.

Selon les habitudes d'utilisation et la dureté de l'eau, le système de filtration nécessite un certain entretien afin de garder son efficacité.

Vous pouvez nettoyer le système de filtration :

- lorsque vous y trouvez des résidus d'aliments ou si des éléments sont retenus dans le filtre à gros éléments.

- En cas de baisse d'efficacité ou si un film granuleux se forme sur la vaisselle.

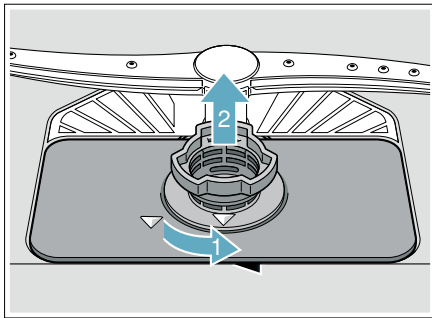
En cas de nettoyage de résidus alimentaires à incrustation normale raclez avant l'insertion de la vaisselle dans l'appareil, dans un ménage où le lave-vaisselle fonctionne un jour sur deux, le filtre de l'appareil doit être nettoyé :

Intervalle de nettoyage	Utilisation
3 à 6 fois par an	usage léger à moyen
8 à 12 fois par an	usage intensif

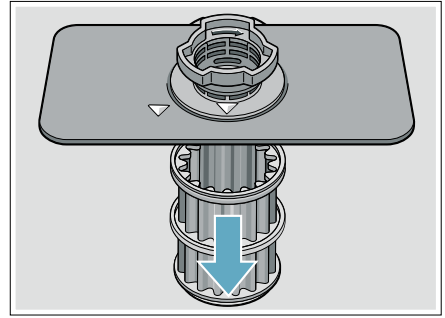
Remarque : Nettoyez le filtre après le lavage d'une vaisselle à grande quantité de résidus alimentaires ou d'une vaisselle à forte teneur en fécule (comme les patates et les pâtes) afin de garder un rendement optimal.

Pour vérifier ou nettoyer le système de filtration :

1. Dévissez le filtre à gros éléments tel qu'illustré et retirez tout le système de filtration.



2. Retirez le microfiltre du filtre fin pour faciliter le nettoyage.



3. Rincez les filtres sous l'eau courante et frottez-les avec une brosse souple.

Remarque : n'utilisez pas de brosse abrasive ou de laine d'acier, etc., car elles pourraient endommager le filtre.

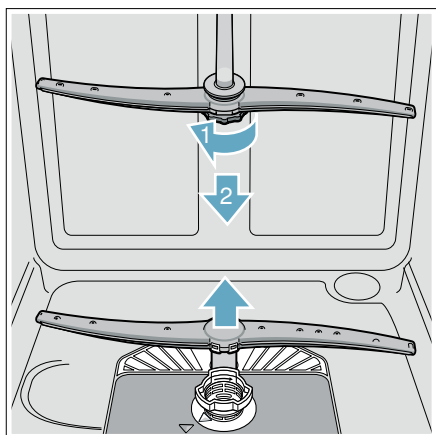
4. Remontez le système de filtration dans l'ordre inverse et fixez le filtre au gros élément en le vissant jusqu'à ce que les flèches de marquage soient alignées.

Bras gicleurs

Vérifiez les dépôts [21], [24] de graisse et de tartre sur les gicleurs.

En cas de présence de dépôts :

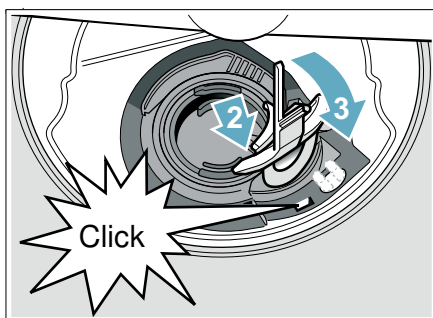
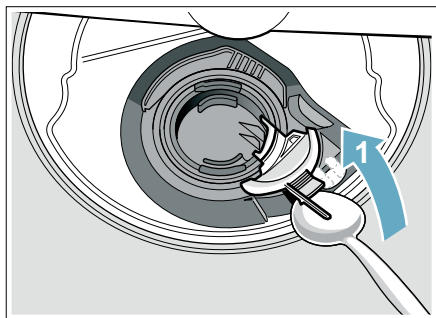
- dans le distributeur de détergent, [29] faites le plein de détergent et démarrez l'appareil à vide, au cycle dont la température est la plus élevée.
→ "Informations sur le cycle de lavage" à la page 70
- nettoyez l'appareil à l'aide de détergents/nettoyants spécialement appropriés pour les lave-vaisselles.
- Dévissez le bras gicleur supérieur [21] et décrochez le bras gicleur inférieur [24] tel qu'indiqué. Contrôlez la présence de dépôts.



Pompe pour eaux résiduaires

De gros résidus alimentaires présents dans l'eau de rinçage et non retenus par les filtres peuvent obstruer la pompe pour eaux résiduaires. Dans ce cas :

- débranchez l'appareil du réseau électrique.
- retirez les filtres. → "Filtres" à la page 76
- écopez l'eau résiduelle - utilisez une éponge si besoin.
- à l'aide d'une cuillère, débloquez le couvercle de la pompe jusqu'à entendre un clic, saisissez-le ensuite et tirez-le jusqu'à ce qu'une légère résistance se fasse sentir, puis tirez-le vers l'avant.



- contrôlez le compartiment interne et éliminez tout objet étranger.

▲ AVERTISSEMENT

Faites preuve de prudence lorsque vous démontez les pièces pour le nettoyage, car certains débris peuvent être tranchants.

- placez le couvercle à sa position initiale, appuyez et bloquez-le.
- remontez les filtres.

Remarque : La pompe de vidange ne fonctionnera pas correctement si elle n'est pas totalement insérée, jusqu'à ce qu'elle émette un « clic ».

Rangement de l'appareil en cas d'inactivité

AVIS

Par temps chaud, avant d'aller en vacances, en plus de l'arrêt de la vanne principale, arrêtez également l'alimentation en eau au point le plus proche du lave-vaisselle. Ne pas laisser la vaisselle sale dans l'appareil et laisser la porte légèrement ouverte. Par temps froid, veuillez respecter les instructions suivantes relatives à la préparation de l'appareil pour l'hiver.

Préparation de l'appareil pour l'hiver

AVIS

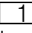
En cas d'inutilisation de votre lave-vaisselle pour une période dans un emplacement aux températures hivernales (maison de vacances ou pendant une période de vacances), faites préparer votre lave-vaisselle pour l'hiver par un personnel qualifié.

Dépannage

Les lave-vaisselle peuvent occasionnellement présenter des problèmes sans rapport avec un dysfonctionnement dudit

lave-vaisselle. Les informations suivantes peuvent vous aider à résoudre un problème afférent au lave-vaisselle sans la nécessité de recourir à un professionnel.

Problème	Cause	Mesure
Le code d'erreur E:18 est allumé.	Le tuyau d'alimentation est coudé ou bouché.	Installez le tuyau d'alimentation sans coudes.
	L'approvisionnement en eau est coupé.	Allumez l'approvisionnement en eau.
	La conduite d'alimentation en eau est obstruée.	Désobstruez la conduite d'alimentation en eau.
Le code d'erreur E:22 est allumé.	De l'eau dans le puisard car les filtres de puisard [25] sont sales ou obstrués.	Nettoyez les filtres.
Le code d'erreur E:24 est allumé.	La conduite d'évacuation est bloquée.	Désobstruez la conduite d'évacuation.
	Le boyau d'évacuation est coudé ou obstruée.	Remplacez le boyau d'évacuation.
	La turbine (valves) de la pompe d'évacuation est bloquée ou obstruée.	Retirez le couvercle de la pompe d'évacuation, nettoyez le pourtour de la turbine et remplacez le couvercle.
	Le couvercle de la pompe d'évacuation est mal fermé.	Verrouillez le couvercle de la pompe d'évacuation dans le puisard.
Le code d'erreur E:25 est allumé.	La pompe d'évacuation est bloquée ou le couvercle est mal fermé.	Nettoyez la pompe d'évacuation et verrouillez le couvercle en place dans le puisard.
Le code d'erreur E:27 est allumé.	La tension d'alimentation est trop faible (moins de 98 volts).	Il ne s'agit pas d'une défaillance du lave-vaisselle. Faites vérifier la tension et l'installation électrique.
Un code d'erreur différent est affiché sur l'affichage numérique. (E:01 à E:30)	Une défaillance technique a probablement eu lieu.	Mettez l'appareil hors tension en appuyant sur le bouton Marche/Arrêt [1]. Après un court moment, remettez le lave-vaisselle sous tension. Si le problème persiste, fermez le robinet et débranchez la prise d'alimentation. Appelez le service à la clientèle et mentionnez le code d'erreur.

Le lave-vaisselle ne démarre pas	La porte est peut-être entrouverte ou mal verrouillée.	Fermez bien la porte jusqu'à ce qu'elle s'encliquète.
	Le lave-vaisselle ne s'allume pas (l'écran n'affiche rien). Le fusible d'alimentation a peut-être sauté, le disjoncteur s'est déclenché, le câble d'alimentation est débranché ou le lave-vaisselle est tout simplement éteint.	Remplacez le fusible ayant sauté ou réenclenchez le disjoncteur qui a sauté. Branchez le câble d'alimentation. Appuyez sur la touche on/off  pour allumer le lave-vaisselle.
	Impossible de sélectionner un nouveau cycle car le cycle précédent ne s'est pas terminé ou car le lave-vaisselle n'a pas été réinitialisé.	Réinitialisez le lave-vaisselle en maintenant le bouton START enfoncé pendant au moins trois secondes.
	Démarrage différé ou sécurité enfants activée.	Réinitialisez le démarrage différé ou les fonctions de sécurité enfants (reportez-vous à la section appropriée du présent manuel).
	La porte a probablement été fermée sans que le cycle ne soit préalablement sélectionné.	Sélectionnez un cycle et fermez la porte.
	L'approvisionnement en eau est peut-être coupé.	Vérifiez et rétablissez l'approvisionnement en eau.
Le cycle de nettoyage ne reprendra pas après que la porte ait été ouverte et refermée.	La portée est restée ouverte durant plus de 4 secondes après avoir appuyé sur le bouton START . Appuyez à nouveau sur le bouton START et fermez la porte du lave-vaisselle dans les 4 secondes qui suivent (voir « Protection contre les utilisations non désirées »).	
L'afficheur ne s'allume pas	Un fusible a peut être sauté ou le disjoncteur s'est déclenché.	Vérifiez le fusible ou le boîtier de disjoncteur et remplacez le fusible ou réinitialisez le disjoncteur si nécessaire.
	Porte non fermée ou verrouillée. Remarque : Pour les modèles équipés de commandes situées sur la partie supérieure de la porte, l'afficheur ne s'allume que lorsque la porte est ouverte et les commandes sont visibles.	Assurez-vous que la porte est correctement fermée et complètement verrouillée.

Le lave-vaisselle semble fonctionner trop longtemps	L'eau entrante n'est pas assez chaude.	Avant de démarrer un cycle, ouvrez le robinet d'eau chaude au niveau de l'évier le plus proche du lave-vaisselle.
	La durée du cycle dépend du cycle choisi et de la quantité de saleté sur les assiettes (les capteurs dans le lave-vaisselle augmentent automatiquement la durée du cycle pour assurer un bon lavage lorsque beaucoup de saleté est détectée).	Rincez votre vaisselle préalablement et utilisez des cycles de lavage moins intenses.
	Le distributeur de produit de rinçage [28] est vide ou les réglages de produit de rinçage sont à 0. Sans produit de rinçage, le cycle est réglé par défaut à la plus longue durée de rinçage avec le plus de rinçages et de rinçages.	Ajoutez du produit de rinçage et ajustez le réglage du produit de rinçage selon la dureté de l'eau.
	Le lave-vaisselle est connecté à l'alimentation en eau froide.	Connectez le lave-vaisselle à l'eau chaude.
La vaisselle n'est pas assez propre	Les bras de pulvérisation sont bloqués ou désalignés d'une façon qui les empêche de pivoter librement.	Assurez-vous que les bras de pulvérisation [21], [24] peuvent pivoter librement.
	Peu ou pas d'eau pulvérisée parce que la buse du bras de pulvérisation est bloquée.	Retirez tous les débris et obstructions des buses du bras de pulvérisation et des filtres. → "Bras gicleurs" à la page 77
	Peu ou pas d'eau pulvérisée parce que les filtres [25] sont bloqués ou désalignés.	Nettoyez les filtres et assurez-vous qu'ils sont bien installés. → "Éléments de filtrage" à la page 76
	Pas assez d'espace entre les éléments et les paniers sont surchargés.	Laissez plus d'espace entre la vaisselle de façon à ce que les jets d'eau puissent tout atteindre et que les plats ne se touchent pas. → "Chargement du lave-vaisselle" à la page 59
	Cycle de rinçage ou détergent inapproprié ou inefficace.	Utilisez un cycle de rinçage plus intense et un détergent plus approprié. → "Informations sur le cycle de lavage" à la page 70
	L'efficacité du détergent est entravée en raison de l'eau dure.	Installez un adoucisseur d'eau et utilisez un cycle de rinçage plus intense.

Taches et stries amovibles sur les verres et l'argenterie.	Mettre trop de produit de rinçage cause des stries, tandis que trop peu cause des taches.	Ajoutez du produit de rinçage et vérifiez les réglages (valeur recommandée de 4 ou 5) → "Produit de rinçage" à la page 57
	Dépôts de minéraux en raison de l'eau dure.	Installez un adoucisseur d'eau.
	De l'eau du panier du haut (3e) a coulé sur les paniers au-dessous.	Déchargez le panier du dessous en premier, puis celui du milieu en 2e et celui du haut (3e) en dernier.
La vaisselle n'est pas sèche.	Le distributeur de [28] produit de rinçage est vide ou ne contient pas la bonne quantité de produit.	Ajoutez du produit de rinçage (l'utilisation d'un agent de rinçage améliore le séchage), utilisez le cycle Auto, utilisez l'option Désinfecter.
	L'option Extra Dry heat n'a pas été choisie.	Activer l'option Extra Dry heat.
	Il reste de l'eau dans les creux de la vaisselle et de l'argenterie.	Disposez la vaisselle dans le panier supérieur de façon à ce que l'eau puisse s'en écouler.
	La porte a été ouverte ou la vaisselle a été retirée avant la fin du cycle de nettoyage.	Attendez la fin du cycle de nettoyage avant d'ouvrir la porte ou de retirer la vaisselle.
	Les matières plastiques n'absorbent pas la chaleur aussi bien que les ustensiles et la porcelaine et ne sèchent donc pas aussi bien.	Utilisez des cycles de nettoyage plus intense (avec de l'eau de rinçage plus chaude) ou activez l'option Extra Dry heat.*
	L'argenterie n'est pas disposée correctement dans le panier prévu à cet effet ou dans le panier supérieur.	Disposez l'argenterie correctement et séparez-la.

<p>Odeur</p> <p>Remarque : L'essai à flot se fait en usine. Parfois, de l'eau peut être présente dans le lave-vaisselle au moment de l'achat, ce qui peut laisser une odeur.</p>	<p>Présence de débris alimentaires dans le puisard du lave-vaisselle et dans le joint de la porte.</p>	<p>Nettoyez les filtres du puisard, le puisard et le joint de la porte. → "Entretien et maintenance" à la page 75</p>
	<p>Des résidus alimentaires ont été laissés trop longtemps sur la vaisselle.</p>	<p>Faites fonctionner le lave-vaisselle plus souvent.</p>
	<p>Pas de produit de rinçage ou détergent inapproprié.</p>	<p>Utilisez du produit de rinçage et le bon détergent.</p>
	<p>Résidus d'eau dormante dans le puisard.</p>	<p>Assurez-vous que le cycle précédent a été terminé.</p>
	<p>La conduite d'évacuation est obstruée ou le boyau d'évacuation est entortillé ou obstrué. Ou le boyau d'évacuation n'a pas été installé avec une boucle élevée.</p>	<p>Désobstruez la conduite d'évacuation ou remplacez le boyau d'évacuation. Assurez-vous que le boyau d'évacuation est installé avec une boucle élevée.</p> <p>Remarque : Si l'odeur persiste, activez le cycle Normal/Régulier jusqu'à ce que le système soit vidé et le cycle arrêté et mettez 8 onces de vinaigre blanc distillé sur le panier supérieur puis terminez le cycle.</p>
<p>Le lave-vaisselle ne se remplit pas d'eau ou le message « Vérifier l'alimentation en eau » s'affiche à l'écran</p>	<p>Le boyau d'alimentation est coudé.</p>	<p>Poser un nouveau boyau d'alimentation (sans coudes).</p>
	<p>Le cycle de nettoyage précédent ne s'est pas achevé ou le cycle actuel a été interrompu.</p>	<p>Terminer le cycle de nettoyage ou réinitialiser le lave-vaisselle.</p>
	<p>Démarrage différé ou sécurité enfants activée.</p>	<p>Réinitialisez le démarrage différé ou les fonctions de sécurité enfants (reportez-vous à la section appropriée du présent manuel).</p>
	<p>La conduite d'alimentation en eau est obstruée.</p>	<p>Désobstruez la conduite d'alimentation en eau.</p>
	<p>L'approvisionnement en eau est coupé.</p>	<p>Vérifiez l'approvisionnement en eau.</p>
<p>Panneau de bordure de toit décoré ou égratigné.</p>	<p>Le panneau a été nettoyé avec des serviettes à base de javellisant ou des nettoyants/tampons de nettoyage abrasifs.</p>	<p>Utilisez des détergents doux avec un chiffon légèrement humide.</p>

Bruit de cliquetis de vaisselle ou de choc sur les parois du lave-vaisselle.	La vaisselle a été mal chargée, ce qui fait en sorte que la vaisselle s'entrechoque ou se cogne contre les bras pulvérisateurs.	Chargez la vaisselle complètement dans les paniers. → " <i>Chargement du lave-vaisselle</i> " à la page 59
	Une vaisselle trop peu nombreuse ou légère bouge dans les paniers ou fait en sorte que les jets d'eau sont propulsés contre les parois.	Chargez davantage l'appareil ou disposez la vaisselle de manière plus uniforme dans celui-ci.
De l'eau se déverse du lave-vaisselle au sol.	La mousse est engendrée par le mauvais détergent (par ex. savon à vaisselle manuelle) ou d'une trop grosse quantité de ce dernier.	Utilisez le bon détergent à lave-vaisselle et évitez de trop en mettre. Nettoyez également tout déversement. Si la mousse persiste, ajoutez une cuillère à soupe d'huile végétale et mettez le cycle désiré.
	Le joint de la porte et désaligné ou extrait de son rail.	Assurez-vous que le joint de la porte est correctement inséré dans son rail.
	L'aération réduisant la condensation est bloquée.	Nettoyez la bouche d'aération et éloignez-en les grands objets (comme les plaques).
	Installation incorrecte.	Faites réinstaller l'appareil par un professionnel agréé.
Dépôts de calcaire sur la vaisselle, le bassin, les paniers ou la porte.	Un résidu blanc recouvre l'intérieur du lave-vaisselle et les roues des paniers grincent en raison des dépôts de calcaire dans l'eau dure.	Utilisez un nettoyant à lave-vaisselle à tous les quelques mois. Si le lave-vaisselle a un adoucisseur d'eau, augmentez-en le réglage.
	L'eau dure a empêché les détergents 3 en 1 ou écologiques d'être efficaces.	Utilisez un détergent à lave-vaisselle, un produit de rinçage et des sels adoucissants (si le lave-vaisselle est muni d'un adoucisseur) distincts et séparés.
	Sous-dosage de détergent.	Utilisez plus de détergent ou un détergent plus efficace.
	La température de rinçage est trop basse.	Choisissez un cycle de nettoyage plus intense avec des températures de nettoyage plus chaudes.
Le couvercle du distributeur de détergent ne se ferme pas	Les guides de couvercle sont bloqués par des résidus collants de détergent.	Retirez les résidus de détergent. → " <i>Détergent</i> " à la page 66
Impossible de sélectionner le cycle désiré	Le cycle précédent ne s'est pas achevé.	→ " <i>Mise en marche du lave-vaisselle</i> " à la page 71

Service à la clientèle

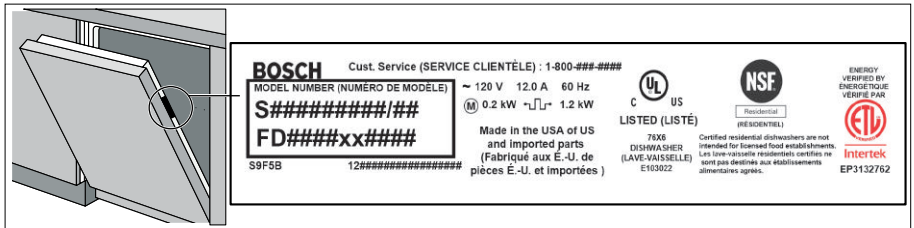
Votre lave-vaisselle BoschMC ne nécessite pas d'entretien autre que les mesures décrites dans la rubrique Entretien et maintenance du présent manuel. En cas de défaillance de votre lave-vaisselle, veuillez vous référer à la rubrique Guide de dépannage du présent manuel, avant de contacter le service client. Si la maintenance est nécessaire, contactez votre revendeur ou installateur, ou un centre de service agréé. N'essayez pas de réparer votre appareil vous-même. Tout travail effectué par un personnel non autorisé peut annuler la garantie.

En cas de problème avec votre lave-vaisselle BoschMC et si vous n'êtes pas satisfait du service que vous avez reçu, veuillez suivre les étapes suivantes jusqu'à ce que le problème soit résolu à votre entière satisfaction :

1. Contactez-nous au 1-800-944-2904
2. Contactez le Service client à partir de notre site internet : **www.bosch-home.com/us** or **www.bosch-home.ca**
3. Contactez votre installateur ou le Fournisseur de services agréé Bosch de votre région.
4. Écrivez-nous :

BSH Home Appliances Corporation
1901 Main Street
Irvine, CA 92614

Veuillez vous assurer d'indiquer les informations relatives à votre modèle ainsi qu'une explication du problème et la date à laquelle celui-ci a débuté. Vous trouverez les informations relatives au modèle et au numéro de série sur l'étiquette se trouvant à l'extrémité de la porte du lave-vaisselle. Veuillez faire une copie de votre facture et conservez-la avec ce manuel. Pour bénéficier du service de garantie, il peut être demandé au client de présenter une preuve d'achat de l'équipement.





Déclaration de la garantie limitée du produit

Couverture de la garantie limitée

La garantie limitée fournie par BSH Home Appliances (« Bosch ») dans cet énoncé de garantie limitée s'applique seulement à l'appareil Bosch qui vous a été vendu (« Produit »), pour autant que le produit ait été acheté :

- Pour une utilisation normale, résidentielle (non commerciale), et qu'en fait, en tout temps, a été utilisé pour un usage domestique normal.
- Neuf au moment de la vente au détail (non en montre, « tel quel » ou un modèle retourné antérieurement), qu'il n'est pas destiné à la revente ni à un usage commercial.
- Aux États-Unis ou au Canada et qu'il est demeuré en tout temps dans le pays où l'appareil a été acheté.

Les garanties aux présentes s'appliquent à l'acheteur original du Produit sous garantie et à tout propriétaire successif du produit acheté pour une utilisation résidentielle habituelle et la durée de la garantie.

Assurez-vous de renvoyer la carte d'enregistrement; bien que cette démarche ne soit pas nécessaire pour que la garantie soit valide, c'est la meilleure façon de permettre à Bosch de vous avertir dans l'éventualité improbable d'un avis de sécurité ou d'un rappel du produit.

Durée de la garantie

Bosch garantit que le Produit est exempt de défauts matériels et de fabrication, laquelle garantie s'applique pour une période de trois cent soixante-cinq (365) jours à compter de la date d'achat. La période susmentionnée commence à partir de la date d'achat et ne doit pas être retenue, retardée, prolongée, ou interrompue pour une raison quelconque.

Ce produit est également garanti comme étant exempt de défaut *esthétique* au niveau du matériau et de la fabrication (par ex. d'égratignures sur l'acier inoxydable, d'imperfections au niveau de la peinture/porcelaine, d'éclats, de bosses ou autres dommages à la finition du produit), pour une période de trente (30) jours à partir de la date d'achat ou de la date limite pour une construction neuve. La présente garantie *esthétique* exclut les variations légères de couleur causées par les différences inhérentes entre les sections peintes et les sections en porcelaine, de même que les différences causées par l'éclairage de la cuisine, l'emplacement du produit et autres facteurs similaires. La présente garantie *esthétique* exclut spécifiquement tous les appareils en montre, de plancher, « tel quel » et remis à neuf.

Garantie limitée prolongée

BSH fournit également les garanties limitées supplémentaires ci-après :

- 5 ans de garantie limitée sur les appareils électroniques : BSH se chargera de la réparation ou du remplacement de tout microprocesseur BSH ou carte de circuit imprimée en cas de défaillance matérielle ou de défauts liés à la fabrication (à l'exception des coûts de travail).
- 5 ans de garantie limitée sur les paniers de vaisselle : BSH se chargera du remplacement du panier supérieur ou inférieur (excepté les composants de panier) si le panier présente des défaillances matérielles ou des défauts liés à la fabrication (à l'exception des coûts de travail).
- Garantie à vie contre la rouille de l'acier inoxydable : BSH se chargera de la réparation ou du remplacement de votre lave-vaisselle par un modèle similaire ou un tout nouveau modèle pratiquement équivalent ou meilleur en termes de fonctionnalités, si le revêtement intérieur rouille (à l'exception des coûts de travail).
- BSH se chargera de la réparation ou du remplacement de la porte en acier inoxydable en cas de rouille (à l'exclusion des coûts de travail).

Réparation ou remplacement : votre recours exclusif

Pendant cette période de garantie, Bosch ou l'un de ses centres de réparations autorisés réparera gratuitement votre Produit (sous réserve de certaines restrictions aux présentes) si celui-ci présente des défauts de matériels ou de fabrication. Si des tentatives raisonnables pour réparer le produit sont vaines, alors Bosch remplacera le produit (un modèle supérieur peut être offert, à la seule discrétion de Bosch, moyennant des frais supplémentaires). Rien dans cette garantie n'exige que les pièces endommagées ou défectueuses soient remplacées par des pièces d'un type ou d'une conception différent de la pièce d'origine. Toutes les pièces ou les composants enlevés demeurent la seule propriété de Bosch. Toute pièce remplacée ou réparée doit être identique à la pièce d'origine aux fins de la présente garantie et la garantie ne sera pas prolongée en regard de telles pièces. La seule responsabilité de Bosch est de faire réparer le produit défectueux uniquement par un centre de réparation autorisé pendant les heures de travail normales. Pour la sécurité et éviter des dommages matériels, Bosch recommande fortement de ne pas réparer le produit soi-même ni de le faire réparer par un centre de réparation non-autorisé; Bosch ne sera pas tenue responsable de réparations ou de travail effectués par un centre de réparation non autorisé. Les centres de réparation autorisés sont les personnes ou les entreprises qui ont été spécialement formées sur les produits Bosch et qui possèdent, selon l'opinion de Bosch, une réputation supérieure pour le service après-vente et la capacité technique

(il est à noter qu'elles sont des entités indépendantes et non des agents, partenaires, affiliés ou représentants de Bosch). Nonobstant ce qui suit, Bosch ne sera pas tenue responsable d'aucune façon si le produit est situé dans une région éloignée (supérieure à 100 miles d'un centre de réparation autorisé) ou n'est pas accessible de façon raisonnable, dans un environnement ou un local dangereux, menaçant ou périlleux; dans une telle éventualité, à la demande du consommateur, Bosch pourrait encore payer les frais de main-d'œuvre et de pièces et expédier les pièces au centre de réparation autorisé le plus près, mais le consommateur serait entièrement responsable pour tous les frais de déplacement et autres frais spéciaux encourus par le centre de réparation, en autant qu'il accepte la demande de réparation.

Produit hors garantie

Bosch n'a aucune obligation, aux termes de la loi ou autrement, d'offrir toute concession, incluant réparation, prorata ou remplacement de produit une fois la garantie expirée.

Exclusions de garantie

La couverture de garantie décrite dans les présentes exclut tous les défauts ou dommages pour lesquels Bosch serait directement imputable, y compris, sans s'y limiter, l'un ou plusieurs des cas suivants :

- Utilisation du produit autre qu'un usage normal, habituel et de la façon destinée (incluant, sans s'y limiter, toute forme d'utilisation commerciale, d'utilisation ou de rangement d'un produit pour l'intérieur à l'extérieur, d'utilisation du produit de concert avec un transporteur aérien ou marin).
- Mauvaise conduite de toute partie, négligence, mauvaise utilisation, abus, accidents, fonctionnement inadéquat, mauvais entretien, installation inadéquate ou négligente, altération, manquement d'observer les instructions de fonctionnement, mauvaise manipulation, service non autorisé (incluant réparation par le consommateur ou exploration du fonctionnement interne du produit).
- Réglage, modification ou altération de tout type.
- Non conformité aux normes fédérales, provinciales, municipales ou électriques en vigueur au pays, aux codes de plomberie ou du bâtiment, aux réglementations ou aux lois, incluant le non respect d'installer le produit en stricte conformité avec les codes et les réglementations du bâtiment et d'incendie locaux.
- Bris et usure normaux, déversements d'aliments ou de liquides, accumulations de graisse ou d'autres substances dans, sur ou autour du Produit.
- Toute force ou tout facteur externe, élémentaire et / ou environnemental, incluant sans limitation, la pluie, le vent, le sable, les inondations, les incendies, les coulées de boue, le gel, l'humidité excessive ou l'exposition prolongée à l'humidité, la foudre, les surtensions, les problèmes de structure autour de l'appareil et les désastres naturels.
- Demandes de service visant à corriger l'installation de votre Produit, à obtenir des conseils à propos de son utilisation, à remplacer les fusibles de votre maison ou à réparer l'installation électrique ou la plomberie de votre foyer.

En aucun cas, Bosch ne sera tenue responsable de dommages survenus à la propriété environnantes, incluant les armoires, les planchers, les plafonds et les autres objets ou structures situés autour du produit. Également exclus de la garantie sont les Produits dont les numéros de série ont été modifiés, effacés ou enlevés; les demandes de réparations pour enseigner le fonctionnement du Produit ou les visites où il n'y a aucun problème avec le produit; la correction de problèmes d'installation (le consommateur est seul responsable pour toute structure et tout réglage du Produit, incluant l'électricité, la plomberie et les autres raccordements nécessaires, pour une fondation / plancher approprié[e], et pour toute modification incluant, sans limitation, armoires, murs, planchers, tablettes, etc.) et le réenclenchement de disjoncteurs ou le remplacement de fusibles.

DANS LA MESURE AUTORISÉE PAR LOI, LA PRÉSENTE GARANTIE PRÉCISE LES RECOURS EXCLUSIFS DONT VOUS DISPOSEZ À L'ÉGARD DU PRODUIT, QUE LA DEMANDE SOIT FONDÉE SUR UN CONTRAT OU DÉLIT (Y COMPRIS RESPONSABILITÉ ABSOLUE OU NÉGLIGENCE) OU AUTRE. LA PRÉSENTE GARANTIE REMPLACE TOUTES LES AUTRES GARANTIES, EXPRESSES OU IMPLICITES. TOUTES GARANTIES IMPLICITES AUX TERMES DE LA LOI, QUE SE SOIT LES GARANTIES DE QUALITÉ MARCHANDE OU D'APTITUDE À UN USAGE PARTICULIER, OU AUTRES, SONT LIMITÉES DANS LE TEMPS À LA DURÉE DE CETTE GARANTIE LIMITÉE EXPRESSE. LE FABRICANT NE SERA EN AUCUN CAS RESPONSABLE DE DOMMAGES CONSÉCUTIFS, SPÉCIAUX, ACCESSOIRES, INDIRECTS OU DE « PERTES COMMERCIALES » ET / OU

DE DOMMAGES PUNITIFS, DE PERTES OU DE DÉPENSES, Y COMPRIS SANS S'Y LIMITER, ABSENCE DU TRAVAIL, FRAIS D'HÔTEL ET / OU FRAIS DE RESTAURANT, FRAIS DE REMANIEMENT EN EXCÉDENT DES DOMMAGES DIRECTS QUI SONT DÉFINITIVEMENT CAUSÉS EXCLUSIVEMENT PAR BOSCH, OU AUTREMENT. CERTAINS ÉTATS N'AUTORISENT PAS L'EXCLUSION OU LA LIMITATION DE DOMMAGES ACCESSOIRES OU CONSÉCUTIFS, ET CERTAINS ÉTATS N'AUTORISENT PAS LA LIMITATION DE LA DURÉE DES GARANTIES IMPLICITES. PAR CONSÉQUENT, LES EXCLUSIONS OU LES LIMITES SUSMENTIONNÉES POURRAIENT NE PAS VOUS CONCERNER. LA PRÉSENTE GARANTIE VOUS DONNE DES DROITS PRÉCIS RECONNUS PAR LA LOI ET VOUS POUVEZ ÉGALEMENT AVOIR D'AUTRES DROITS QUI VARIENT D'UN ÉTAT À L'AUTRE.

Aucune tentative de modifier, changer ou amender la présente garantie ne peut être valide sans le consentement écrit autorisé par un dirigeant de BSH.

Comment obtenir une réparation sous garantie :

Pour obtenir une réparation sous garantie pour votre produit, communiquez avec le département de service après-vente de Bosch : Appelez 1-800 944-2904 pour planifier une réparation.

BSH reserves the right to change specifications or design without notice. Some models are certified for use in Canada. BSH is not responsible for products which are transported from the United States for use in Canada. Check with your local Canadian distributor or dealer.

BSH se réserve le droit de modifier les données techniques ou le design sans préavis. Certains modèles sont certifiés pour une utilisation au Canada. BSH n'est pas responsable pour les produits transportés des États-Unis pour une utilisation au Canada. Vérifier auprès d'un marchand ou distributeur canadien.

BSH Home Appliances Corporation
1901 Main Street, Suite 600
Irvine, CA 92614
1-800-944-2904



9001556877
(0007) 640B ER