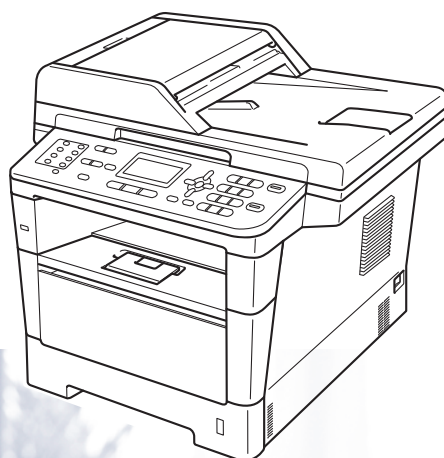


Basic User's Guide

MFC-8510DN
MFC-8710DW
MFC-8810DW
MFC-8910DW



Not all models are available in all countries.

If you need to call Customer Service

Please complete the following information for future reference:

Model Number: MFC-8510DN / MFC-8710DW /
MFC-8810DW / MFC-8910DW

(Circle your model number)

Serial Number: ¹ _____

Date of Purchase: _____

Place of Purchase: _____

¹ The serial number is on the back of the unit. Retain this User's Guide with your sales receipt as a permanent record of your purchase, in the event of theft, fire or warranty service.

Register your product on-line at

<http://www.brother.com/registration/>

By registering your product with Brother, you will be recorded as the original owner of the product. Your registration with Brother:

- may serve as confirmation of the purchase date of your product should you lose your receipt;
- may support an insurance claim by you in the event of product loss covered by insurance; and,
- will help us notify you of enhancements to your product and special offers.

The most convenient and efficient way to register your new product is online at <http://www.brother.com/registration/>.

Brother numbers

Important

For technical help, you must call the country where you bought the machine. Calls must be made **from within** that country.

Register your product

By registering your product with Brother International Corporation, you will be recorded as the original owner of the product. Your registration with Brother:

- may serve as confirmation of the purchase date of your product should you lose your receipt;
- may support an insurance claim by you in the event of product loss covered by insurance; and,
- will help us notify you of enhancements to your product and special offers.

Please complete and fax the Brother Warranty Registration and Test Sheet or, for your convenience and most efficient way to register your new product, register on-line at

<http://www.brother.com/registration/>

FAQs (frequently asked questions)

The Brother Solutions Center is our one-stop resource for all your Fax Machine/Multi-Function Center needs. You can download the latest software and utilities and read FAQs and troubleshooting tips to learn how to get the most from your Brother product.

<http://solutions.brother.com/>

Note

You can check here for Brother driver updates.

To keep your machine's performance up to date, check here for the latest firmware upgrade.

For Customer Service

In USA: 1-877-BROTHER (1-877-276-8437)

1-901-379-1215 (fax)

In Canada: 1-877-BROTHER

(514) 685-4898 (fax)

Service Center Locator (USA only)

For the location of a Brother authorized service center, call 1-877-BROTHER (1-877-276-8437) or visit us on-line at <http://www.brother-usa.com/service/>.

Service Center Locations (Canada only)

For the location of a Brother authorized service center, call 1-877-BROTHER.

Ordering accessories and supplies

For best quality results use only genuine Brother accessories, which are available at most Brother retailers. If you cannot find the accessory you need and you have a Visa, MasterCard, Discover, or American Express credit card, you can order accessories directly from Brother. (You can visit us online for a complete selection of the Brother accessories and supplies that are available for purchase.)



Note

In Canada, only Visa and MasterCard are accepted.

In USA: 1-877-552-MALL (1-877-552-6255)
1-800-947-1445 (fax)

<http://www.brothermall.com/>

In Canada: 1-877-BROTHER

<http://www.brother.ca/>

| Description | Item |
|--|---|
| Toner Cartridge <Black> | TN-720 (Approx. 3,000 pages) ^{1 2 3} |
| | TN-750 (Approx. 8,000 pages) ^{1 2 4} |
| Drum Unit | DR-720 (Approx. 30,000 pages) ^{5 6} |
| Telephone Line Cord | LG3077001 |
| Basic User's Guide | LX9912001 (English for USA and Canada) |
| | LX9496002 (French for Canada) |
| Quick Setup Guide | (MFC-8510DN) |
| | LX9501001 (English for USA and Canada) |
| | (MFC-8710DW, MFC-8810DW and MFC-8910DW) |
| | LX9911001 (English for USA and Canada) |
| | (MFC-8510DN) |
| | LX9501002 (French for Canada) |
| | (MFC-8710DW and MFC-8910DW) |
| LX9708002 (French for Canada) | |
| Paper Tray 2 (MFC-8710DW, MFC-8810DW and MFC-8910DW option) | LT-5400 |

¹ Letter or A4 size single-sided pages.

² Approx. cartridge yield is declared in accordance with ISO/IEC 19752.

³ Standard toner cartridge

⁴ High yield toner cartridge

⁵ 1 page per job.

⁶ Drum life is approximate and may vary by type of use.

Notice - Disclaimer of Warranties (USA and Canada)

BROTHER'S LICENSOR(S), AND THEIR DIRECTORS, OFFICERS, EMPLOYEES OR AGENTS (COLLECTIVELY BROTHER'S LICENSOR) MAKE NO WARRANTIES, EXPRESS OR IMPLIED, INCLUDING WITHOUT LIMITATION THE IMPLIED WARRANTIES OF MERCHANTABILITY AND FITNESS FOR A PARTICULAR PURPOSE, REGARDING THE SOFTWARE. BROTHER'S LICENSOR(S) DOES NOT WARRANT, GUARANTEE OR MAKE ANY REPRESENTATIONS REGARDING THE USE OR THE RESULTS OF THE USE OF THE SOFTWARE IN TERMS OF ITS CORRECTNESS, ACCURACY, RELIABILITY, CURRENTNESS OR OTHERWISE. THE ENTIRE RISK AS TO THE RESULTS AND PERFORMANCE OF THE SOFTWARE IS ASSUMED BY YOU. THE EXCLUSION OF IMPLIED WARRANTIES IS NOT PERMITTED BY SOME STATES IN THE USA AND SOME PROVINCES IN CANADA. THE ABOVE EXCLUSION MAY NOT APPLY TO YOU.

IN NO EVENT WILL BROTHER'S LICENSOR(S) BE LIABLE TO YOU FOR ANY CONSEQUENTIAL, INCIDENTAL OR INDIRECT DAMAGES (INCLUDING DAMAGES FOR LOSS OF BUSINESS PROFITS, BUSINESS INTERRUPTION, LOSS OF BUSINESS INFORMATION, AND THE LIKE) ARISING OUT OF THE USE OR INABILITY TO USE THE SOFTWARE EVEN IF BROTHER'S LICENSOR HAS BEEN ADVISED OF THE POSSIBILITY OF SUCH DAMAGES. BECAUSE SOME STATES IN THE USA AND SOME PROVINCES IN CANADA DO NOT ALLOW THE EXCLUSION OR LIMITATION OF LIABILITY FOR CONSEQUENTIAL OR INCIDENTAL DAMAGES, THE ABOVE LIMITATIONS MAY NOT APPLY TO YOU. IN ANY EVENT BROTHER'S LICENSOR'S LIABILITY TO YOU FOR ACTUAL DAMAGES FROM ANY CAUSE WHATSOEVER, AND REGARDLESS OF THE FORM OF THE ACTION (WHETHER IN CONTRACT, TORT (INCLUDING NEGLIGENCE), PRODUCT LIABILITY OR OTHERWISE), WILL BE LIMITED TO \$50.

Compilation and Publication Notice

Under the supervision of Brother Industries Ltd., this manual has been compiled and published, covering the latest product descriptions and specifications.

The contents of this manual and the specifications of this product are subject to change without notice.

Brother reserves the right to make changes without notice in the specifications and materials contained herein and shall not be responsible for any damages (including consequential) caused by reliance on the materials presented, including but not limited to typographical and other errors relating to the publication.

User's Guides and where do I find them?

| Which Guide? | What's in it? | Where is it? |
|---|---|--|
| Product Safety Guide | Read this Guide first. Please read the Safety Instructions before you set up your machine. See this Guide for trademarks and legal limitations. | Printed / In the Box |
| Quick Setup Guide | Follow the instructions for setting up your machine and installing the drivers and software for the operating system and connection type you are using. | Printed / In the Box |
| Basic User's Guide | Learn the basic Fax, Copy, Scan and Direct Print operations and how to replace consumables. See troubleshooting tips. | Printed / In the Box |
| Advanced User's Guide | Learn more advanced operations: Fax, Copy, security features, printing reports and performing routine maintenance. | PDF file / Installer CD-ROM / In the Box |
| Software User's Guide | Follow these instructions for Printing, Scanning, Network Scanning, Remote Setup, PC-Fax, and using the Brother ControlCenter utility. | PDF file / Installer CD-ROM / In the Box |
| Network User's Guide | This Guide provides useful information about wired and wireless network settings and security settings using the Brother machine. You can also find supported protocol information for your machine and detailed troubleshooting tips. | PDF file / Installer CD-ROM / In the Box |
| Wi-Fi Direct™ Guide (MFC-8710DW, MFC-8810DW and MFC-8910DW) | This Guide provides details on how to configure and use your Brother machine for wireless printing directly from a mobile device supporting the Wi-Fi Direct™ standard. | PDF file / Brother Solutions Center ² |
| Google Cloud Print Guide | This Guide provides details on how to configure your Brother machine to a Google account and use Google Cloud Print services for printing over the Internet from devices using Gmail™ for mobile, GOOGLE DOCS™ for mobile and applications for the Chrome OS. | PDF file / Brother Solutions Center ² |
| Mobile Print/Scan Guide for Brother iPrint&Scan | This Guide provides useful information about printing JPEG and PDF ¹ files from your mobile device and scanning from your Brother machine to your mobile device when connected on a Wi-Fi network. | PDF file / Brother Solutions Center ² |

| Which Guide? | What's in it? | Where is it? |
|-----------------------|--|--|
| AirPrint Guide | This Guide provides information for using AirPrint to print from Mac OS X 10.7.x and your iPhone, iPod touch, iPad, or other iOS device to your Brother machine without installing a printer driver. | PDF file / Brother Solutions Center ² |

¹ PDF printing is not supported on Windows® Phone.

² Visit us at <http://solutions.brother.com/>.

Table of Contents

(Basic User's Guide)

| | | |
|----------|---|-----------|
| 1 | General information | 1 |
| | Using the documentation | 1 |
| | Symbols and conventions used in the documentation | 1 |
| | Accessing the Advanced User's Guide, Software User's Guide and Network User's Guide..... | 2 |
| | Viewing Documentation | 2 |
| | How to access Guides for Advanced Features..... | 4 |
| | Accessing Brother Support (Windows®) | 4 |
| | Accessing Brother Support (Macintosh) | 5 |
| | Control panel overview | 6 |
| | Data LED indications | 8 |
| 2 | Loading paper | 9 |
| | Loading paper and print media | 9 |
| | Loading paper in the standard paper tray and the optional lower tray | 9 |
| | Loading paper in the multi-purpose tray (MP tray) | 11 |
| | Unscannable and unprintable areas | 15 |
| | Paper settings | 16 |
| | Paper Type | 16 |
| | Paper Size | 16 |
| | Tray Use in COPY mode | 17 |
| | Tray Use in FAX mode | 18 |
| | Tray Use in print mode | 18 |
| | Acceptable paper and other print media | 19 |
| | Recommended paper and print media | 19 |
| | Type and size of paper | 19 |
| | Handling and using special paper | 21 |
| 3 | Loading documents | 24 |
| | How to load documents | 24 |
| | Using the automatic document feeder (ADF) | 24 |
| | Using the scanner glass | 25 |
| 4 | Sending a fax | 26 |
| | How to send a fax | 26 |
| | Faxing A4, Legal or Folio size documents from the scanner glass | 28 |
| | Canceling a fax in process | 28 |
| | Transmission Verification Report..... | 28 |

| | | |
|----------|--|-----------|
| 5 | Receiving a fax | 30 |
| | Receive modes..... | 30 |
| | Choose the correct Receive Mode | 30 |
| | Using receive modes | 32 |
| | Fax Only | 32 |
| | Fax/Tel..... | 32 |
| | Manual..... | 32 |
| | External TAD | 32 |
| | Receive Mode settings | 33 |
| | Ring Delay | 33 |
| | F/T Ring Time (Fax/Tel mode only)..... | 33 |
| | Easy Receive..... | 34 |
| 6 | Using PC-FAX | 35 |
| | How to use PC-FAX..... | 35 |
| | PC-FAX Receive (For Windows® only) | 35 |
| | PC-FAX Send | 36 |
| 7 | Telephone services and external devices | 37 |
| | Telephone line services..... | 37 |
| | Voice Mail..... | 37 |
| | Distinctive Ring..... | 38 |
| | Connecting an external TAD (telephone answering device)..... | 40 |
| | Connections..... | 41 |
| | Recording an outgoing message (OGM)..... | 41 |
| | Multi-line connections (PBX) | 41 |
| | External and extension telephones..... | 42 |
| | Connecting an external or extension telephone | 42 |
| | Using external and extension telephones | 42 |
| | Using a non-Brother cordless external handset | 43 |
| | Using Remote Codes | 43 |
| 8 | Dialing and storing numbers | 44 |
| | How to dial..... | 44 |
| | Manual dialing | 44 |
| | One Touch dialing | 44 |
| | Speed dialing..... | 44 |
| | Search | 45 |
| | LDAP search (MFC-8810DW and MFC-8910DW) | 45 |
| | Fax redial..... | 45 |
| | Storing numbers | 46 |
| | One Touch and Speed Dial Storage Options | 47 |
| | Storing a pause | 48 |
| | Storing One Touch Dial numbers | 48 |
| | Storing Speed Dial numbers..... | 50 |
| | Changing or Deleting One Touch and Speed Dial numbers | 53 |

| | | |
|-----------|--|-----------|
| 9 | Making copies | 54 |
| | How to copy | 54 |
| | Stop copying | 54 |
| | Copy settings | 54 |
| 10 | Printing data from a USB Flash memory drive or digital camera supporting mass storage | 55 |
| | Creating a PRN file for direct printing | 55 |
| | Printing data directly from the USB Flash memory drive or digital camera supporting mass storage | 56 |
| 11 | How to print from a computer | 59 |
| | Printing a document..... | 59 |
| 12 | How to scan to a computer | 60 |
| | Scanning a document as a PDF file using ControlCenter4 (Windows®) | 60 |
| | Changing the SCAN key settings | 63 |
| | Before scanning..... | 63 |
| | SCAN key settings..... | 63 |
| | Scanning using the SCAN key | 65 |
| A | Routine maintenance | 66 |
| | Replacing the consumable items | 66 |
| | Replacing the toner cartridge | 68 |
| | Cleaning the corona wire | 74 |
| | Replacing the drum unit..... | 76 |

| | | |
|----------|--|------------|
| B | Troubleshooting | 81 |
| | Identifying your problem | 81 |
| | Error and maintenance messages..... | 83 |
| | Transferring your faxes or Fax Journal report | 90 |
| | Document Jams..... | 91 |
| | Document is jammed in the top of the ADF unit | 91 |
| | Document is jammed under the document cover | 91 |
| | Removing small documents jammed in the ADF..... | 92 |
| | Document is jammed at the output tray | 92 |
| | Paper Jams..... | 93 |
| | Paper is jammed in the MP tray | 93 |
| | Paper is jammed in paper tray 1 or tray 2 | 94 |
| | Paper is jammed at the back of the machine | 95 |
| | Paper is jammed inside the machine..... | 98 |
| | Paper is jammed in the duplex tray | 102 |
| | If you are having difficulty with your machine | 104 |
| | Setting Dial Tone detection | 114 |
| | Telephone line interference / VoIP | 114 |
| | Improving the print quality..... | 115 |
| | Machine Information | 123 |
| | Checking the Serial Number..... | 123 |
| | Reset functions | 123 |
| | How to reset the machine..... | 124 |
| C | Menu and features | 125 |
| | On-screen programming..... | 125 |
| | How to access the menu mode | 125 |
| | Menu table | 126 |
| | Entering text | 170 |
| D | Specifications | 172 |
| | General..... | 172 |
| | Document Size | 174 |
| | Print media..... | 175 |
| | Fax..... | 176 |
| | Copy | 177 |
| | Scanner | 178 |
| | Printer | 179 |
| | Interfaces | 180 |
| | Direct Print feature..... | 181 |
| | Computer requirements | 182 |
| | Consumable items | 184 |
| | Network (LAN) | 185 |
| E | Index | 186 |

Table of Contents

(Advanced User's Guide)

You can view the Advanced User's Guide on the Installer CD-ROM.

The Advanced User's Guide explains the following features and operations.

1 General Setup

IMPORTANT NOTE

Memory storage

Volume settings

Automatic Daylight Saving Time

Ecology features

Quiet mode feature

LCD Contrast

Dial Prefix

Mode Timer

2 Security features

Secure Function Lock 2.0

Setting Lock

Restricting dialing

3 Sending a fax

Additional sending options

Additional sending operations

Polling overview

4 Receiving a fax

Remote Fax Options

Additional receiving operations

Polling overview

5 Dialing and storing numbers

Telephone line services

Additional dialing operations

Additional ways to store numbers

6 Printing reports

Fax reports

Reports

7 Making copies

Copy settings

Duplex (2-sided) copying

A Routine maintenance

Cleaning and checking the machine

Replacing periodic maintenance parts

Packing and shipping the machine

B Options

Options

Optional paper tray (LT-5400)

Memory board

C Glossary

D Index

Using the documentation

Thank you for buying a Brother machine! Reading the documentation will help you make the most of your machine.

Symbols and conventions used in the documentation


The following symbols and conventions are used throughout the documentation.

WARNING


WARNING indicates a potentially hazardous situation which, if not avoided, could result in death or serious injuries.


Important


Important indicates a potentially hazardous situation which, if not avoided, may result in damage to property or loss of product functionality.

 Prohibition icons indicate actions that must not be performed.

 Electrical Hazard icons alert you to a possible electrical shock.

 Hot Surface icons warn you not to touch machine parts that are hot.

 Fire hazard icons alert you to the possibility of fire.

 Notes tell you how you should respond to a situation that may arise or give tips about how the current operation works with other features.

Bold Bold style identifies keys on the machine's control panel or on the computer screen.

Italics Italicized style emphasizes an important point or refers you to a related topic.

`Courier New` Courier New font identifies the messages shown on the LCD of the machine.

Follow all warnings and instructions marked on the product.



Note

Most of the illustrations in this User's Guide show the MFC-8910DW.

Accessing the Advanced User's Guide, Software User's Guide and Network User's Guide

This Basic User's Guide does not contain all the information about the machine such as how to use the advanced features for Fax, Copy, Printer, Scanner, PC-Fax and Network. When you are ready to learn detailed information about these operations, read the **Advanced User's Guide**, **Software User's Guide** and **Network User's Guide** that are on the Installer CD-ROM.

Viewing Documentation

Viewing Documentation (Windows®)

To view the documentation, from the **Start** menu, select **Brother, MFC-XXXX** (where XXXX is your model name) from the programs group, and then choose **User's Guides**.

If you have not installed the software, you can find the documentation on the Installer CD-ROM by following the instructions below:

- 1 Turn on your computer. Insert the Installer CD-ROM into your CD-ROM drive.



Note

If the Brother screen does not appear automatically, go to **My Computer (Computer)**, double-click the CD-ROM icon, and then double-click **start.exe**.

- 2 If the model name screen appears, click your model name.

- 3 If the language screen appears, click your language. The CD-ROM Top Menu will appear.



- 4 Click **Documentation**.
- 5 Click **PDF documents**. If the country screen appears, choose your country. After the list of User's Guides appears, choose the Guide you want to read.

Viewing Documentation (Macintosh)

- 1 Turn on your Macintosh. Insert the Installer CD-ROM into your CD-ROM drive. The following window will appear.



- 2 Double-click the **Documentation** icon.
- 3 If the model name screen appears, choose your model name and click **Next**.
- 4 If the language screen appears, double-click your language folder.

- 5 Double-click **top.pdf**. If the country screen appears, choose your country.
- 6 After the list of User's Guides appears, choose the Guide you want to read.

How to find Scanning instructions

There are several ways you can scan documents. You can find the instructions as follows:

Software User's Guide

- *Scanning*
- *ControlCenter*
- *Network Scanning*

Nuance™ PaperPort™ 12SE How-to-Guides

(Windows® users)

- The complete Nuance™ PaperPort™ 12SE How-to- Guides can be viewed from the Help selection in the Nuance™ PaperPort™ 12SE application.

Presto! PageManager User's Guide

(Macintosh users)



Note

Presto! PageManager is available as a download from http://nj.newsoft.com.tw/download/brother/PM9SEInstaller_BR_multilang.dmg

- The complete Presto! PageManager User's Guide can be viewed from the Help selection in the Presto! PageManager application.

How to find Network setup instructions

Your machine can be connected to a wireless or wired network.

Basic setup instructions >> Quick Setup Guide

(MFC-8710DW, MFC-8810DW and MFC-8910DW) If your wireless access point or router supports Wi-Fi Protected Setup or AOSS™ >> Quick Setup Guide.

More information about network setup >> Network User's Guide

How to access Guides for Advanced Features

You can view and download these Guides from the Brother Solutions Center at:

<http://solutions.brother.com/>

Click **Manuals** on your model's page to download the documentation.

Wi-Fi Direct™ Guide

(MFC-8710DW, MFC-8810DW and MFC-8910DW)

This Guide provides details on how to configure and use your Brother machine for wireless printing directly from a mobile device supporting the Wi-Fi Direct™ standard.

Google Cloud Print Guide

This Guide provides details on how to configure your Brother machine to a Google account and use Google Cloud Print services for printing over the Internet from devices using Gmail™ for mobile, GOOGLE DOCS™ for mobile and applications for the Chrome OS.

Mobile Print/Scan Guide for Brother iPrint&Scan

This Guide provides useful information about printing JPEG and PDF ¹ files from your mobile device and scanning from your Brother machine to your mobile device when connected on a Wi-Fi network.

¹ PDF printing is not supported on Windows® Phone.

AirPrint Guide

This Guide provides information for using AirPrint to print from Mac OS X 10.7.x and your iPhone, iPod touch, iPad, or other iOS device to your Brother machine without installing a printer driver.

Accessing Brother Support (Windows®)

You can find all the contacts you will need, such as Web support (Brother Solutions Center), Customer Service and Brother Authorized Service Centers in *Brother numbers* >> page i and the Installer CD-ROM.

- Click **Brother Support** on the main menu. The following screen will appear:



- To access our Web site (<http://www.brother.com/>) click **Brother Home Page**.
- To view all Brother Numbers, including Customer Service numbers for the USA and Canada, click **Support Information**.
- To access the USA Brother online shopping mall (<http://www.brothermall.com/>) for additional product and service information, click **Brother Mall.com**.
- To access Canada's Brother online shopping mall (<http://www.brother.ca/>) for additional product and services information, click **Shop Online (Canada)**.
- For the latest news and product support information (<http://solutions.brother.com/>), click **Brother Solutions Center**.
- To visit our web site for original/genuine Brother supplies (<http://www.brother.com/original/>), click **Supplies Information**.

- To access the Brother CreativeCenter (<http://www.brother.com/creativecenter/>) for FREE photo projects and printable downloads, click **Brother CreativeCenter**.

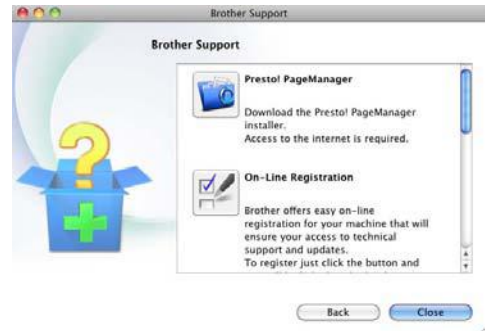
To return to the main page, click **Back**.

Or, if you have finished, click **Exit**.

Accessing Brother Support (Macintosh)

You can find all the contacts you will need, such as Web support (Brother Solutions Center) on the Installer CD-ROM.

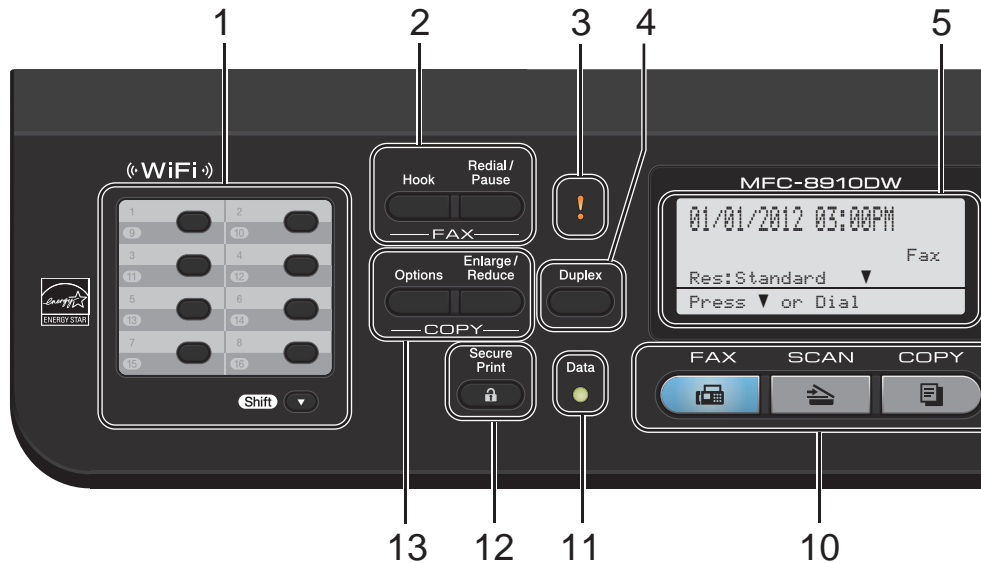
- Double-click the **Brother Support** icon. The following screen will appear:



- To download and install Presto! PageManager, click **Presto! PageManager**.
- To register your machine from the Brother Product Registration Page (<http://www.brother.com/registration/>), click **On-Line Registration**.
- For the latest news and product support information (<http://solutions.brother.com/>), click **Brother Solutions Center**.
- To visit our Web site for original/genuine Brother Supplies (<http://www.brother.com/original/>), click **Supplies Information**.

Control panel overview

MFC-8510DN, MFC-8710DW, MFC-8810DW and MFC-8910DW have the same keys. The illustration is based on the **MFC-8910DW**.



1 One Touch keys

These 8 keys give you instant access to 16 previously stored numbers.

Shift

Lets you access One Touch numbers 9 to 16 when held down.

2 FAX keys:

Hook

Press before dialing if you want to make sure a fax machine will answer, and then press **Start**. Also, press this key after you pick up the handset of an external telephone during the F/T ring (pseudo/double-rings).

Redial/Pause

Redials the last number called. It also inserts a pause when programming quick dial numbers or when dialing a number manually.

3 Error LED

Blinks in orange when the LCD displays an error or an important status message.

4 Duplex

You can choose Duplex to copy or print on both sides of the paper.

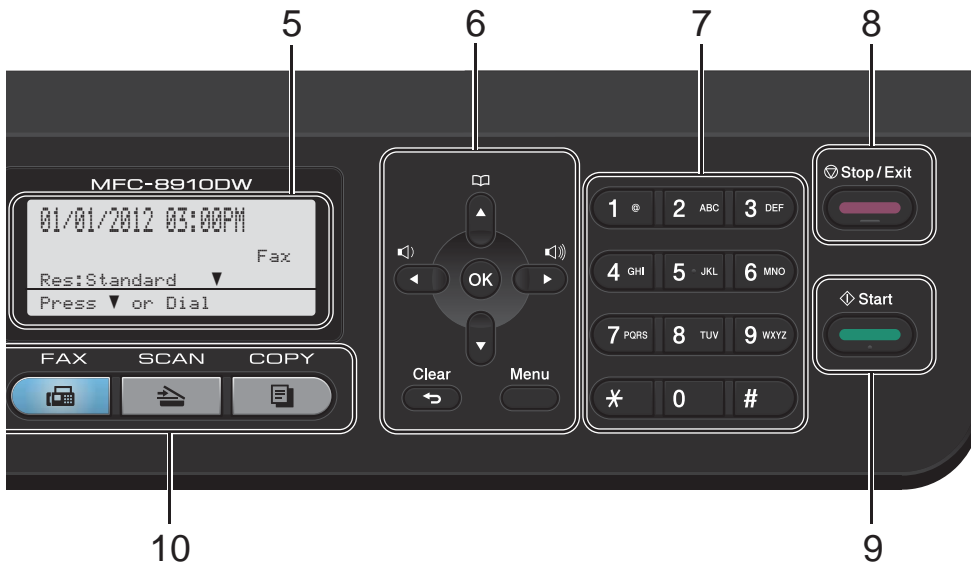
(MFC-8810DW and MFC-8910DW) Also, this key enables automatic 2-sided (Duplex) fax sending when the machine is in FAX mode.

5 LCD

Displays messages to help you set up and use your machine.

(MFC-8710DW, MFC-8810DW and MFC-8910DW) In FAX mode and SCAN mode a four level indicator shows the current wireless signal strength if you are using a wireless connection or Wi-Fi Direct™.





6 Menu Keys:

Clear

Deletes entered data or lets you cancel the current setting.

Menu

Lets you access the Menu to program your settings in the machine.

OK

Lets you store your settings in the machine.

Volume keys:

◀ or ▶

Press to scroll backwards or forwards through menu selections. Press to change the volume when in fax or standby mode.

▲ or ▼

Press to scroll through the menus and options.

Address Book



Lets you look up and dial stored numbers.

7 Dial pad

Use these keys to dial telephone and fax numbers and as a keyboard for entering information into the machine.

8 Stop/Exit

Stops an operation or exits from a menu.

9 Start

Lets you start sending faxes or making copies.

10 Mode keys:



FAX

Puts the machine in FAX mode.



SCAN

Puts the machine in SCAN mode.



COPY

Puts the machine in COPY mode.

11 Data LED

The LED will flash depending on the machine status.

12 Secure Print

You can print data saved in the memory when you enter your four-digit password. (See *Software User's Guide*.)

When using Secure Function Lock, you can switch restricted users by holding down **Shift** as you press **Secure Print**. (See *Advanced User's Guide: Secure Function Lock 2.0*.)

13 COPY keys:

Options

You can quickly and easily choose temporary settings for copying.




Enlarge/Reduce

Reduces or enlarges copies.

Data LED indications

The **Data LED** (light emitting diode) will flash depending on the machine's status.



| LED | Machine Status | Description |
|--|--------------------------|--|
|  | Ready Mode | The machine is ready to print, in Sleep mode, there is no print data, or the power switch is off. |
|  Green (blinking) | Receiving Data | The machine is either receiving data from the computer, processing data in memory, or printing data. |
|  Green | Data Remaining in Memory | Print data remains in the machine's memory. |

2

Loading paper

Loading paper and print media

The machine can feed paper from the standard paper tray, optional lower tray¹ or multi-purpose tray.

When you put paper into the paper tray, note the following:

- If your application software supports paper size selection on the print menu, you can select it through the software. If your application software does not support it, you can set the paper size in the printer driver or by using the control panel buttons.

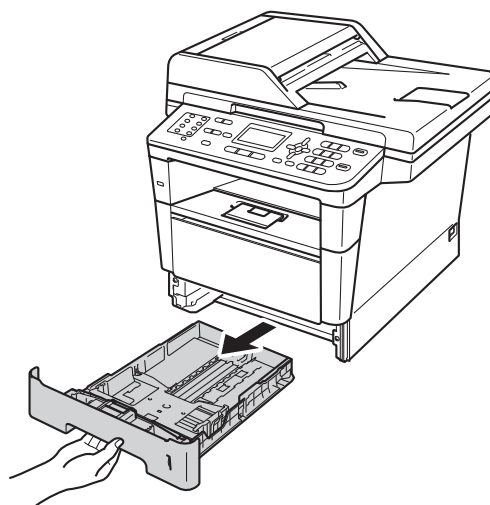
¹ The optional lower tray is available for MFC-8710DW, MFC-8810DW and MFC-8910DW.

Loading paper in the standard paper tray and the optional lower tray

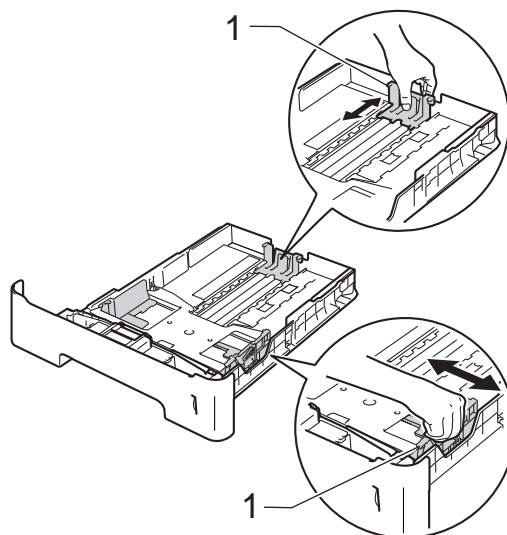
You can load up to 250 sheets in the standard paper tray (Tray 1) and 500 sheets in the optional lower tray (Tray 2). Paper can be loaded up to the maximum paper mark (▼▼▼) on the right-hand side of the paper tray. (For recommended paper to use, see *Acceptable paper and other print media* >> page 19.)

Printing on plain paper, thin paper or recycled paper from Tray 1 and Tray 2

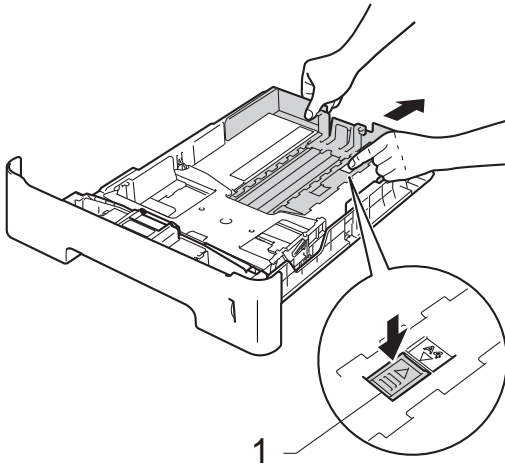
- 1 Pull the paper tray completely out of the machine.



- 2 While pressing the green paper-guide release lever (1), slide the paper guides to fit the paper you are loading in the tray. Make sure that the guides are firmly in the slots.

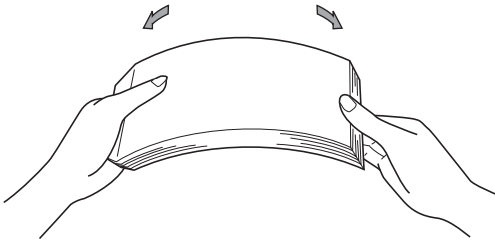


 **Note**



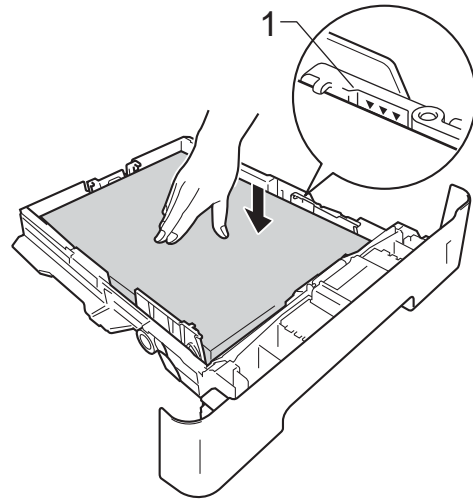
For Legal or Folio size paper, press the release button (1) in the bottom of the paper tray and then pull out the back of the paper tray. (Legal and Folio size paper are not available in some regions.)

- 3 Fan the stack of paper well to avoid paper jams and misfeeds.



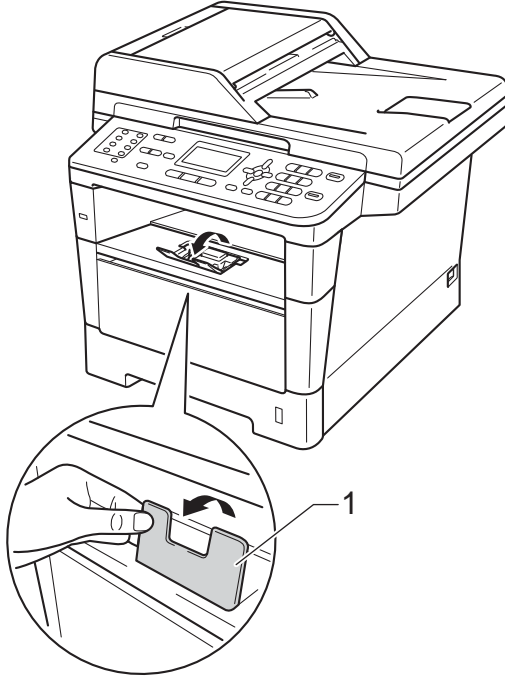
- 4 Put paper in the tray and make sure:

- The paper is below the maximum paper mark (▼▼▼) (1).
- Overfilling the paper tray will cause paper jams.
- The side to be printed on must be *face down*.
- The paper guides touch the sides of the paper so it will feed correctly.



- 5 Put the paper tray firmly back in the machine. Make sure that it is completely inserted into the machine.

- 6 Lift up the support flap (1) to prevent paper from sliding off the face-down output tray, or remove each page as soon as it comes out of the machine.

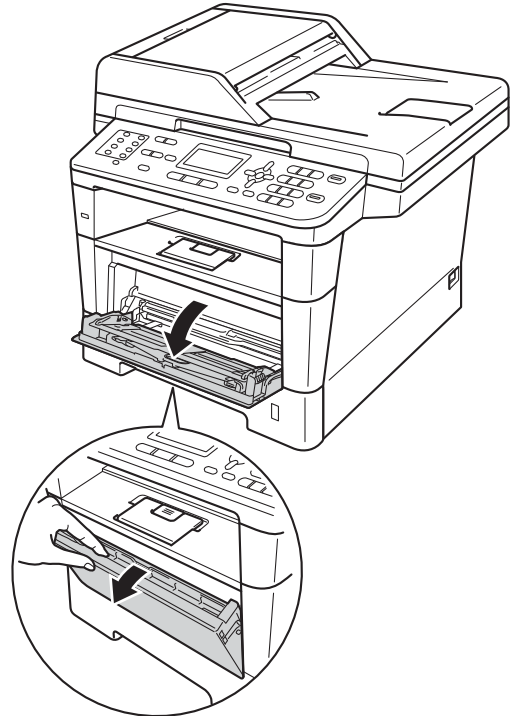


Loading paper in the multi-purpose tray (MP tray)

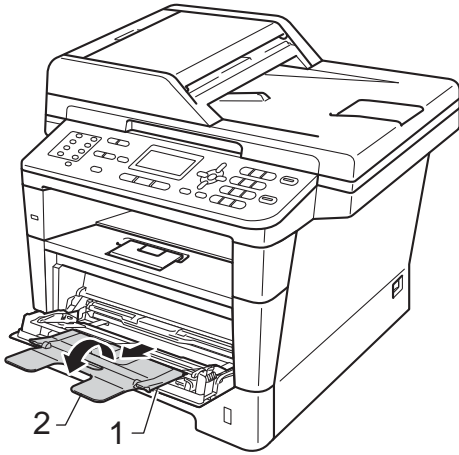
You can load up to 3 envelopes or special print media in the MP tray or up to 50 sheets of plain paper. Use this tray to print or copy on thick paper, bond paper, labels or envelopes. (For recommended paper to use, see *Paper capacity of the paper trays* >> page 20.)

Printing on plain paper, thin paper, recycled paper and bond paper from the MP tray

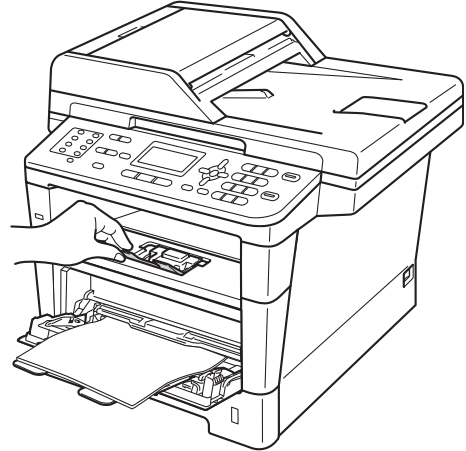
- 1 Open the MP tray and lower it gently.



- 2 Pull out the MP tray support (1) and unfold the flap (2).

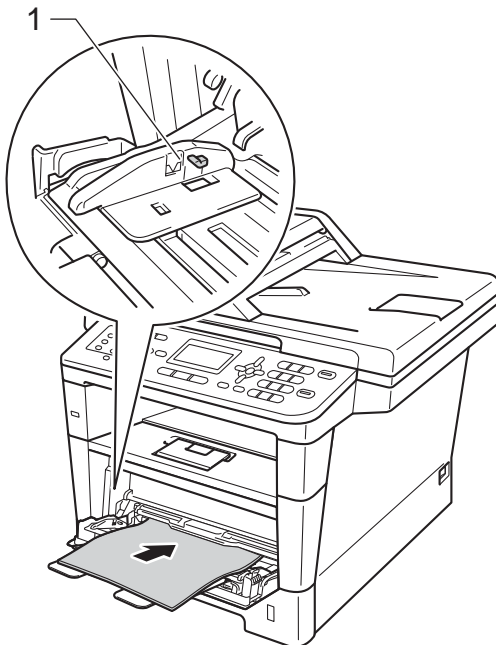


- 4 Lift up the support flap to prevent paper from sliding off the face-down output tray, or remove each page as soon as it comes out of the machine.



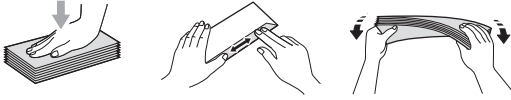
- 3 Put paper in the MP tray and make sure:

- The paper stays under the maximum paper mark (1).
- The side to be printed on must be *face up* with the leading edge (top of the paper) in first.
- The paper guides touch the sides of the paper so it will feed correctly.

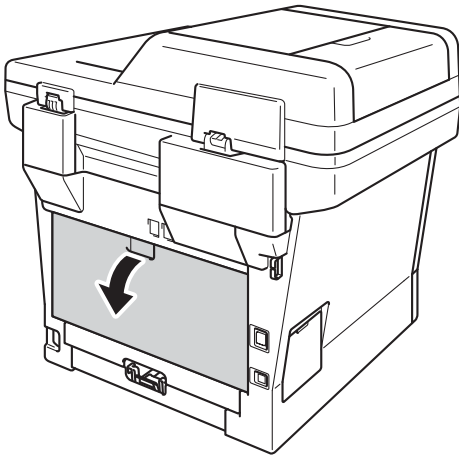


Printing on thick paper, labels and envelopes from the MP tray

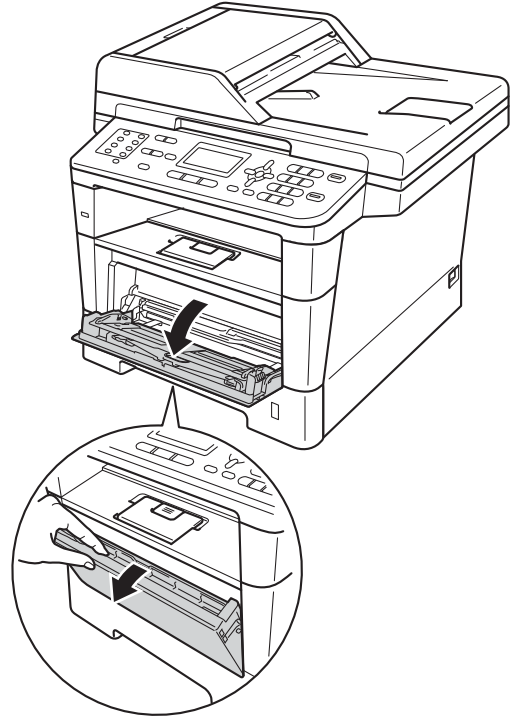
Before loading, press the corners and sides of the envelopes to make them as flat as possible.



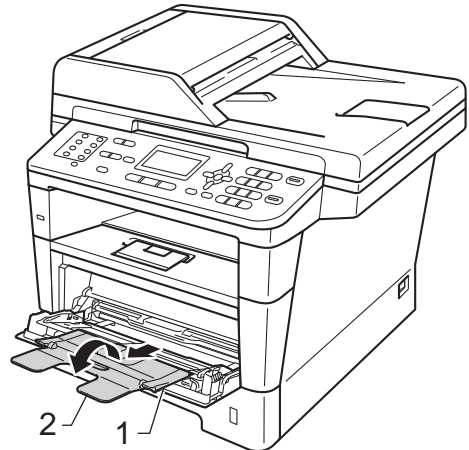
- 1 Open the back cover (face-up output tray).



- 2 Open the MP tray and lower it gently.



- 3 Pull out the MP tray support (1) and unfold the flap (2).



4 Put paper, labels or envelopes in the MP tray. Make sure:

- The number of envelopes in the MP tray does not exceed 3.
- The paper, labels or envelopes stay under the maximum paper mark (1).
- The side to be printed on must be face up.



5 Send the print data to the machine.

 **Note**

- Remove each printed envelope immediately to prevent a paper jam.
- If your thick paper curls during printing, put only one sheet at a time in the MP tray and open the back cover (face-up output tray) to let the printed pages exit to the face-up output tray.

6 Close the back cover (face-up output tray).

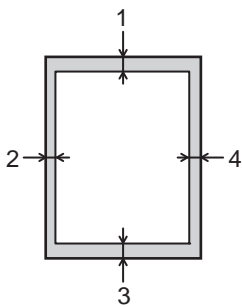
Unscannable and unprintable areas

The figures below show maximum unscannable and unprintable areas. These areas may vary depending on the paper size or settings in the application you are using.



Note

When using BR-Script3 emulation, the edges of the paper that cannot be printed on are 0.16 in. (4.2 mm).



| Usage | Document Size | Top (1) Bottom (3) | Left (2) Right (4) |
|---|---------------|-----------------------|--|
| Fax (Sending) | Letter | 0.12 in. (3 mm) | 0.16 in. (4 mm) |
| | A4 | 0.12 in. (3 mm) | (ADF) 0.04 in. (1 mm) (Scanner Glass) 0.12 in. (3 mm) |
| | Legal | 0.12 in. (3 mm) | 0.16 in. (4 mm) |
| Copy* *a single copy or a 1 in 1 copy | Letter | 0.16 in. (4 mm) | 0.16 in. (4 mm) |
| | A4 | 0.16 in. (4 mm) | 0.12 in. (3 mm) |
| | Legal | 0.16 in. (4 mm) | 0.16 in. (4 mm) |
| Scan | Letter | 0.12 in. (3 mm) | 0.12 in. (3 mm) |
| | A4 | 0.12 in. (3 mm) | 0.12 in. (3 mm) |
| | Legal | 0.12 in. (3 mm) | 0.12 in. (3 mm) |
| Print | Letter | 0.16 in. (4.2 mm) | 0.25 in. (6.35 mm) |
| | A4 | 0.16 in. (4.2 mm) | 0.24 in. (6.01 mm) |
| | Legal | 0.16 in. (4.2 mm) | 0.25 in. (6.35 mm) |

Paper settings

Paper Type

Set up the machine for the type of paper you are using. This will give you the best print quality.

- 1 Do one of the following:
 - To set the paper type for the MP Tray press **Menu, 1, 2, 1, 1**.
 - To set the paper type for Tray#1 press **Menu, 1, 2, 1, 2**.
 - To set the paper type for Tray#2¹ press **Menu, 1, 2, 1, 3** if you installed the optional lower tray.

```

21.Paper Type
  1.MP Tray
  ▲ Plain
  ▼ Thick
  Select ▲▼ or OK
  
```

- 2 Press **▲** or **▼** to choose Thin, Plain, Thick, Thicker, Recycled Paper or Label². Press **OK**.

- 3 Press **Stop/Exit**.

- ¹ Tray#2 appears only if the optional lower tray is installed on the MFC-8710DW, MFC-8810DW or MFC-8910DW.
- ² The Label type option appears only if you chose the MP tray in step 1.

Paper Size



Note

You can use four sizes of paper for printing faxes: Letter, A4, Legal or Folio.

You can use ten sizes of paper for copies: Letter, A4, Legal, Executive, A5, A5 L, A6, B5, B6 and Folio and four sizes for printing faxes: Letter, A4, Legal or Folio (8.5 in. × 13 in.).

When you change the size of paper in the tray, you will also need to change the setting for the paper size at the same time so your machine can fit the document or an incoming fax on the page.

- 1 Do one of the following:
 - To set the paper size for the MP Tray press **Menu, 1, 2, 2, 1**.
 - To set the paper size for Tray#1 press **Menu, 1, 2, 2, 2**.
 - To set the paper size for Tray#2¹ press **Menu, 1, 2, 2, 3** if you installed the optional lower tray.

```

22.Paper Size
  1.MP Tray
  ▲ Letter
  ▼ Legal
  Select ▲▼ or OK
  
```

- 2 Press **▲** or **▼** to choose A4, Letter, Legal, Executive, A5, A5 L, A6, B5, B6, Folio or Any². Press **OK**.

- 3 Press **Stop/Exit**.

- ¹ Tray#2 appears only if the optional lower tray is installed on the MFC-8710DW, MFC-8810DW or MFC-8910DW.
- ² The Any size option appears only when you choose the MP tray.

**Note**

- If you choose *Any* for the MP Tray Paper Size, you must choose *MP Only* for the Tray Use setting. You cannot use the *Any* Paper Size selection for the MP tray when making N in 1 copies. You must choose one of the other available Paper Size selections for the MP tray.
- A5 L and A6 size are not available for Tray#2.

Tray Use in COPY mode

You can change the priority tray that the machine will use for printing copies.

When you choose *Tray#1 Only*, *MP Only* or *Tray#2 Only*¹, the machine pulls the paper only from that tray. If the selected tray is out of paper, *No Paper* will appear on the LCD. Insert the paper in the empty tray.

To change the tray setting follow the instructions below:

- 1 Press **Menu, 1, 6, 1**.

```

16.Tray Use
  1.Copy
  ▲  MP>T1>T2
  ▼  T1>T2>MP
-----
Select ▲▼ or OK

```

- 2 Press **▲** or **▼** to choose *Tray#1 Only*, *Tray#2 Only*¹, *MP Only*, *MP>T1>T2*¹ or *T1>T2*¹>*MP*. Press **OK**.
- 3 Press **Stop/Exit**.

¹ *Tray#2 Only* and *T2* appear only if the optional lower tray is installed on the MFC-8710DW, MFC-8810DW or MFC-8910DW.

**Note**

- When loading the documents in the ADF and *MP>T1>T2* or *T1>T2>MP* is selected, the machine looks for the tray with the most suitable paper and pulls paper from that tray. If no tray has suitable paper, the machine pulls paper from the higher priority tray.
- When using the scanner glass, your document is copied from the higher priority tray even if more suitable paper is in another paper tray.

Tray Use in FAX mode

You can change the default tray that the machine will use for printing received faxes.

When you choose **Tray#1 Only**, **MP Only** or **Tray#2 Only**¹, the machine pulls the paper only from that tray. If the selected tray is out of paper, **No Paper** will appear on the LCD. Insert the paper in the empty tray.

When you choose **T1>T2**¹>**MP**, the machine pulls paper from **Tray #1** until it is empty, then from **Tray #2**, and then from the **MP** tray.

When you choose **MP>T1>T2**¹, the machine pulls paper from the **MP** tray until it is empty, then from **Tray #1**, and then from **Tray #2**.



Note

- You can use four sizes of paper for printing faxes: Letter, A4, Legal or Folio. When a suitable size is not in any of the trays received faxes will be stored in the machine's memory and **Size mismatch** will appear on the LCD. (For details, see *Error and maintenance messages* >> page 83.)
- If the tray is out of paper and received faxes are in the machine's memory, **No Paper** will appear on the LCD. Insert paper in the empty tray.

- 1 Press **Menu, 1, 6, 2**.

```
16.Tray Use
 2.Fax
▲  MP>T1>T2
▼  T1>T2>MP
Select ▲▼ or OK
```

- 2 Press **▲** or **▼** to choose **Tray#1 Only**, **Tray#2 Only**¹, **MP Only**, **MP>T1>T2**¹ or **T1>T2**¹>**MP**. Press **OK**.

- 3 Press **Stop/Exit**.

¹ **Tray#2 Only** and **T2** appear only if the optional lower tray is installed on the MFC-8710DW, MFC-8810DW or MFC-8910DW.

Tray Use in print mode

You can change the default tray the machine will use for printing from your computer and for Direct print.

- 1 Press **Menu, 1, 6, 3**.

```
16.Tray Use
 3.Print
▲  MP>T1>T2
▼  T1>T2>MP
Select ▲▼ or OK
```

- 2 Press **▲** or **▼** to choose **Tray#1 Only**, **Tray#2 Only**¹, **MP Only**, **MP>T1>T2**¹ or **T1>T2**¹>**MP**. Press **OK**.

- 3 Press **Stop/Exit**.

¹ **Tray#2 Only** and **T2** appear only if the optional lower tray is installed on the MFC-8710DW, MFC-8810DW or MFC-8910DW.

Acceptable paper and other print media

Print quality may vary according to the type of paper you are using.

You can use the following types of print media: plain paper, thin paper, thick paper, thicker paper, bond paper, recycled paper, labels or envelopes.

For best results, follow the instructions below:

- **DO NOT** put different types of paper in the paper tray at the same time because it may cause paper jams or misfeeds.
- For proper printing, you must choose the same paper size from your software application as the paper in the tray.
- Avoid touching the printed surface of the paper immediately after printing.
- Before you buy a lot of paper, test a small quantity to make sure the paper is suitable.
- Use labels that are designed for use in laser machines.

Recommended paper and print media

| Paper Type | Item |
|----------------|---|
| Plain Paper | Xerox 4200DP 20 lb |
| | Hammermill Laser Print (24 lb=90 g/m ²) |
| Recycled Paper | No specific brand recommended |
| Labels | Avery laser labels white #5160 |
| Envelopes | No specific brand recommended |

Type and size of paper

The machine feeds paper from the installed standard paper tray, multi-purpose tray or optional lower tray.

The names for the paper trays in the printer driver and this Guide are as follows:

| Tray and optional unit | Name |
|------------------------|---------------------|
| Standard Paper Tray | Tray 1 |
| Multi-purpose Tray | MP Tray |
| Optional Lower Tray | Tray 2 ¹ |

¹ The optional lower tray is available for MFC-8710DW, MFC-8810DW and MFC-8910DW.

Paper capacity of the paper trays

| | Paper size | Paper types | No. of sheets |
|---|--|--|--|
| Standard Paper Tray (Tray 1) | Letter, A4, Legal, B5, Executive, A5, A5 (Long Edge), A6, B6, Folio ¹ | Plain paper, Thin paper, Recycled paper | up to 250 20 lb (80 g/m ²) |
| Multi-purpose Tray (MP Tray) | Width: 3 to 8.5 in. (76.2 to 215.9 mm) Length: 5 to 14 in. (127 to 355.6 mm) | Plain paper, Thin paper, Thick paper, Thicker paper, Bond paper, Recycled paper, Envelopes, Labels | 50 sheets 20 lb (80 g/m ²) 3 Envelopes |
| Optional Lower Tray (Tray 2) ² | Letter, A4, Legal, B5, Executive, A5, B6, Folio ¹ | Plain paper, Thin paper, Recycled paper | up to 500 20 lb (80 g/m ²) |

¹ Folio size is 8.5 in. × 13 in.

² The optional lower tray is available for MFC-8710DW, MFC-8810DW and MFC-8910DW.

Recommended paper specifications

The following paper specifications are suitable for this machine.

| | |
|---------------------|--|
| Basis weight | 20-24 lb (75-90 g/m ²) |
| Thickness | 80-110 μm |
| Roughness | Higher than 20 sec. |
| Stiffness | 90-150 cm ³ /100 |
| Grain direction | Long grain |
| Volume resistivity | 10e ⁹ -10e ¹¹ ohm |
| Surface resistivity | 10e ⁹ -10e ¹² ohm-cm |
| Filler | CaCO ₃ (Neutral) |
| Ash content | Below 23 wt% |
| Brightness | Higher than 80% |
| Opacity | Higher than 85% |

- Use paper made for plain paper copying.
- Use paper that is 20 to 24 lb (75 to 90 g/m²).
- Use long grain paper with a neutral Ph value, and a moisture content of approx. 5%.
- This machine can use recycled paper that meets DIN 19309 specifications.

Handling and using special paper

The machine is designed to work well with most types of xerographic and bond paper. However, some paper variables may have an effect on print quality or handling reliability. Always test samples of paper before purchasing to ensure desirable performance. Store paper in its original packaging and keep it sealed. Keep the paper flat and away from moisture, direct sunlight and heat.

Some important guidelines when selecting paper are:

- DO NOT use inkjet paper because it may cause a paper jam or damage your machine.
- Preprinted paper must use ink that can withstand the temperature of the machine's fusing process 392 °F (200 °C).
- If you use bond paper, paper having a rough surface, or paper that is wrinkled or creased, the paper may exhibit degraded performance.

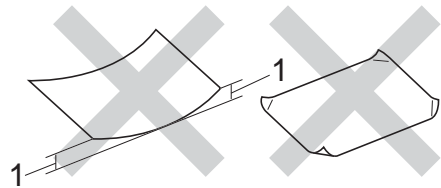
Types of paper to avoid

! Important

Some types of paper may not perform well or may cause damage to your machine.

DO NOT use paper:

- that is highly textured
- that is extremely smooth or shiny
- that is curled or warped



1 A curl of 0.08 in. (2 mm) or greater may cause jams to occur.

- that is coated or has a chemical finish
- that is damaged, creased or folded
- that exceeds the recommended weight specification in this guide
- with tabs and staples
- with letterheads using low temperature dyes or thermography
- that is multipart or carbonless
- that is designed for inkjet printing

If you use any of the types of paper listed above, they may damage your machine. This damage is not covered under any Brother warranty or service agreement.

Envelopes

Most envelopes designed for laser printers will be suitable for your machine. However, some envelopes may have feed and print-quality problems because of the way they have been made. A suitable envelope should have edges with straight, well-creased folds. The envelope should lie flat and not be of baggy or flimsy construction. You should buy quality envelopes from a supplier who understands that you will be using the envelopes in a laser machine.

Envelopes can only be fed through the MP tray.

We recommend that you print a test envelope to make sure the print results are what you want.

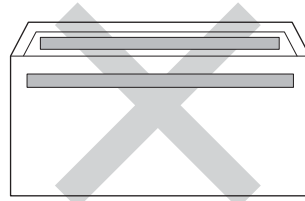
Types of envelopes to avoid

❗ Important

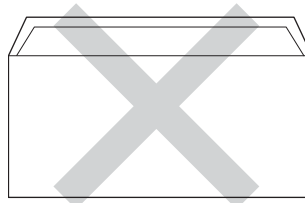
DO NOT use envelopes:

- that are damaged, curled, wrinkled or an unusual shape
- that are extremely shiny or textured
- with clasps, staples, snaps or tie strings
- with self-adhesive closures
- that are of a baggy construction
- that are not sharply creased
- that are embossed (have raised writing on them)
- that were previously printed by a laser machine
- that are pre-printed on the inside
- that cannot be arranged neatly when stacked
- that are made of paper that weighs more than the paper weight specifications for the machine
- with edges that are not straight or consistently square

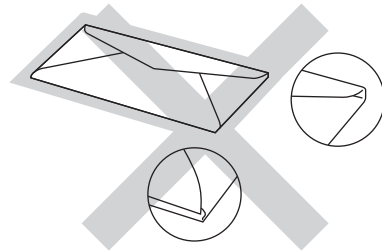
- with windows, holes, cut-outs or perforations
- with glue on the surface as shown in the figure below



- with double flaps as shown in the figure below



- with sealing flaps that are not folded down when purchased
- with each side folded as shown in the figure below



If you use any of the types of envelopes listed above, they may damage your machine. This damage may not be covered under any Brother warranty or service agreement.

Occasionally you may experience paper feed problems caused by the thickness, size and flap shape of the envelopes you are using.

Labels

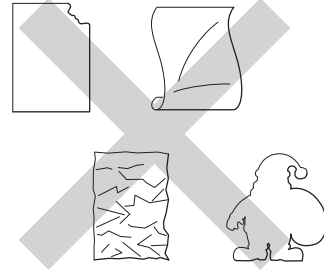
The machine will print on most types of labels designed for use with a laser machine. Labels should have an adhesive that is acrylic-based since this material is more stable at the high temperatures in the fuser unit. Adhesives should not come in contact with any part of the machine, because the label stock may stick to the drum unit or rollers and cause jams and print quality problems. No adhesive should be exposed between the labels. Labels should be arranged so that they cover the entire length and width of the sheet. Using labels with spaces may result in labels peeling off and causing serious jams or print problems.

All labels used in this machine must be able to withstand a temperature of 392 °F (200 °C) for a period of 0.1 seconds.

Labels can only be fed through the MP tray.

Types of labels to avoid

Do not use labels that are damaged, curled, wrinkled or an unusual shape.



! Important

- Avoid feeding labels with the carrier sheet exposed because your machine will be damaged.
- Label sheets should not exceed the paper weight specifications described in this User's Guide. Labels exceeding this specification may not feed or print correctly and may cause damage to your machine.
- DO NOT reuse or insert labels that have previously been used or are missing a few labels on the sheet.

3

Loading documents

How to load documents

You can send a fax, make copies, and scan from the ADF (Automatic Document Feeder) and the scanner glass.

Using the automatic document feeder (ADF)

The ADF can hold up to 35 pages (for MFC-8510DN) or up to 50 pages (for MFC-8710DW, MFC-8810DW and MFC-8910DW) and feeds each sheet individually. Use standard 20 lb (80 g/m²) paper and always fan the pages before putting them in the ADF.

Document Sizes Supported

| | |
|---------|--|
| Length: | 5.8 to 14 in. (147.3 to 355.6 mm) |
| Width: | 5.8 to 8.5 in. (147.3 to 215.9 mm) |
| Weight: | 17 to 24 lb (64 to 90 g/m ²) |

How to load documents

⚠ Important

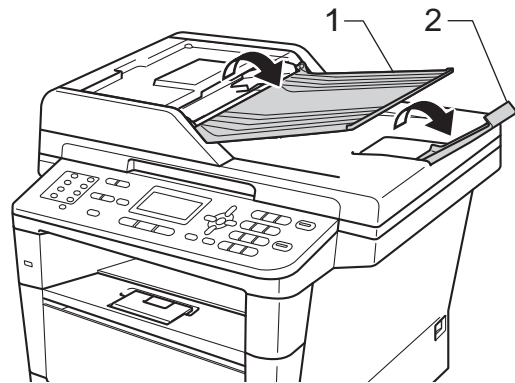
- DO NOT leave thick documents on the scanner glass. If you do this, the ADF may jam.
- DO NOT use paper that is curled, wrinkled, folded, ripped, stapled, paper-clipped, pasted or taped.
- DO NOT use cardboard, newspaper or fabric.
- To avoid damaging your machine while using the ADF, DO NOT pull on the document while it is feeding.



Note

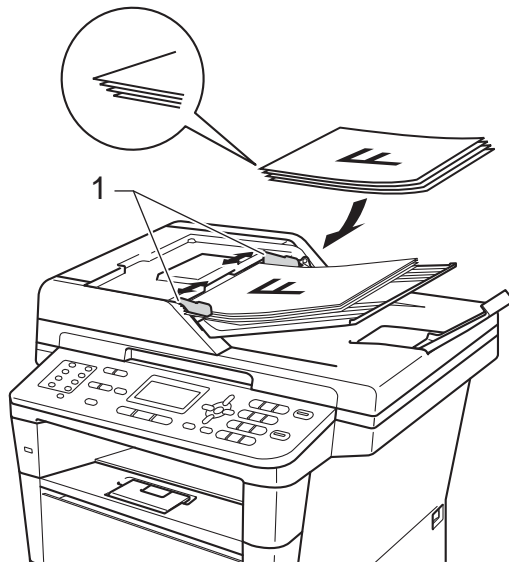
- To scan documents that are not suitable for the ADF, see *Using the scanner glass* >> page 25.
- It is easier to use the ADF if you are loading a multiple page document.
- Make sure documents with correction fluid or written with ink are completely dry.

- 1 Unfold the ADF document support (1). Lift up and unfold the ADF document output support flap (2).



- 2 Fan the pages well.
- 3 Stagger the pages of your document *face up top edge first*, in the ADF until the LCD display message changes and you feel the top page touch the feed rollers.

- 4 Adjust the paper guides (1) to fit the width of your document.



Note

To scan non-standard documents, see *Using the scanner glass* >> page 25.

Using the scanner glass

You can use the scanner glass to fax, copy or scan pages of a book, one page at a time.

Document Sizes Supported

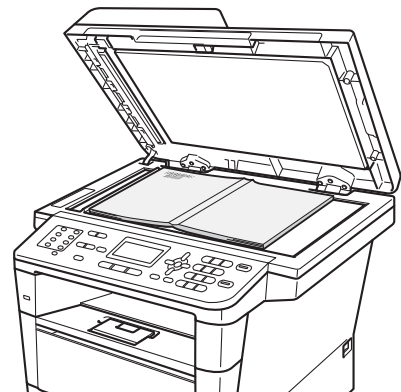
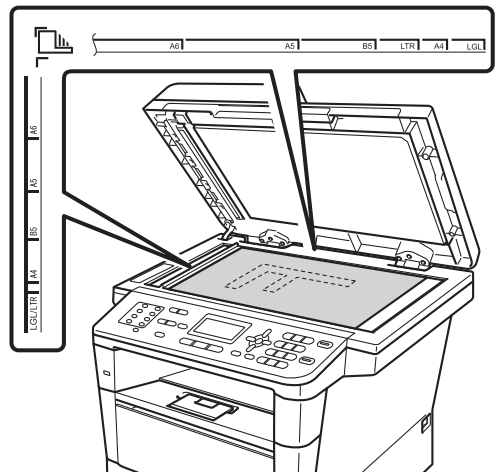
| | |
|---------|--|
| Length: | (MFC-8710DW, MFC-8810DW and MFC-8910DW) Up to 14 in. (355.6 mm) |
| | (MFC-8510DN) Up to 11.8 in. (300.0 mm) |
| Width: | Up to 8.5 in. (215.9 mm) |
| Weight: | Up to 4.4 lb (2.0 kg) |

How to load documents

Note

To use the scanner glass, the ADF must be empty.

- 1 Lift the document cover.
- 2 Using the document guidelines on the left and top, place the document *face down* in the upper left corner of the scanner glass.



- 3 Close the document cover.

Important


If the document is a book or is thick do not slam the cover or press on it.

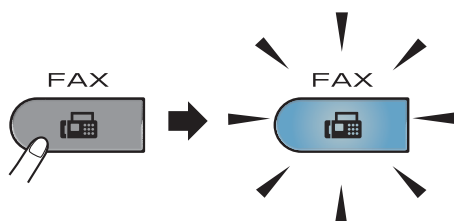
4

Sending a fax

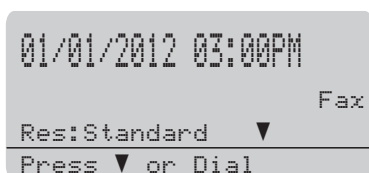
How to send a fax

The following steps show you how to send a fax.

- 1 When you want to send a fax, or change fax send or receive settings, press the  (**FAX**) key to illuminate it in blue.



- The LCD shows:





- 2 Do one of the following to load your document:
 - Place the document *face up* in the ADF. (See *Using the automatic document feeder (ADF)* >> page 24.)
 - Load your document *face down* on the scanner glass. (See *Using the scanner glass* >> page 25.)

Note

To send faxes with multiple pages use the ADF.

- 3 Do one of the following:
 - If you want to change fax resolution, press ▼ and press ◀ or ▶ to choose fax resolution.
Press **OK**.
 - To send the document, go to Step 4.
- 4 (MFC-8810DW and MFC-8910DW) Do one of the options below:
 - If you want to send a single-sided document, go to Step 5.
 - If you want to send a 2-sided document, press **Duplex**.

Note

- You can send 2-sided documents from the ADF.
 - When the machine is ready to scan 2-sided documents the LCD shows  for Duplex in the lower right corner.
- 5 Enter the fax number by using the dial pad (up to 40 digits), by pressing a One Touch key, or by pressing  (**Address Book**) twice and entering a three-digit Speed Dial number.

- 6 Press **Start**.

Faxing from the ADF

- The machine starts scanning the document.

Faxing from the scanner glass

- The machine starts scanning the first page.

Do one of the following:

- To send a single page, press **2** to choose **No (Send)** or press **Start** again. The machine starts sending the document.
- To send more than one page, press **1** to choose **Yes** and place the next page on the scanner glass. Press **OK**. The machine starts scanning the page. (Repeat this step for each additional page.) Press **2** to choose **No (Send)** when all the pages have been scanned. The machine starts sending the document.



Note

To cancel a fax in process, press **Stop/Exit**.

Fax settings


You can change fax settings.

(See Advanced User's Guide: *Sending a fax*.)

- Duplex Scan (2-sided fax layout)
(For MFC-8810DW and MFC-8910DW)
- Contrast
- Fax Resolution
- Broadcast
- Real Time TX
- Overseas Mode
- Delayed Fax
- Batch TX
- Coverpage (Setup)
- Coverpage (Message)
- Destination
- Polled TX

Faxing A4, Legal or Folio size documents from the scanner glass

When faxing A4, Legal or Folio ¹ size documents, you will need to set the scan glass size to A4 or Legal/Folio ¹; otherwise, a portion of your faxes will be missing.

1 Make sure you are in FAX mode .

2 Press **Menu, 1, 9, 1**.

```
19.Document Scan
  1.Glass ScanSize
  ▲   A4
  ▼   Letter
-----
Select ▲▼ or OK
```

3 Press ▲ or ▼ to choose A4 or Legal/Folio ¹. Press **OK**.

4 Press **Stop/Exit**.

¹ The Legal/Folio option is available for MFC-8710DW, MFC-8810DW and MFC-8910DW.

Canceling a fax in process

Press **Stop/Exit** to cancel the fax. If you press **Stop/Exit** while the machine is dialing or sending, the LCD will ask you to confirm.

```
Clear Fax?
-----
▲   1.Yes
▼   2.No
-----
Select ▲▼ or OK
```

Press **1** to cancel the fax.

Transmission Verification Report

You can use the Transmission Verification Report as proof that you sent a fax. (See Advanced User's Guide: *Transmission Verification Report*.) This report lists the receiving party's name or fax number, the time and date of transmission, duration of transmission, number of pages sent, and whether or not the transmission was successful.

There are several settings available for the Transmission Verification Report:

- **On:** Prints a report after every fax you send.
- **On+Image:** Prints a report after every fax you send. A portion of the fax's first page appears on the report.
- **Off:** Prints a report if your fax is unsuccessful due to a transmission error. Off is the default setting.
- **Off+Image:** Prints a report if your fax is unsuccessful due to a transmission error. A portion of the fax's first page appears on the report.

1 Press **Menu, 2, 4, 1**.

```
24.Report Setting
  1.Transmission
  ▲   Off
  ▼   Off+Image
-----
Select ▲▼ or OK
```

2 Press ▲ or ▼ to choose On, On+Image, Off or Off+Image. Press **OK**.

3 Press **Stop/Exit**.

**Note**

- If you choose `On+Image` or `Off+Image`, the image will only appear on the Transmission Verification Report if Real Time Transmission is set to `Off`. (See Advanced User's Guide: *Real Time Transmission*.)
 - If the transmission is successful, `OK` will appear next to `RESULT` on the Transmission Verification Report. If the transmission is not successful, `NG` will appear next to `RESULT`.
-

5

Receiving a fax

Receive modes



Note

You can use four sizes of paper for printing faxes: Letter, A4, Legal or Folio.

Choose the correct Receive Mode

The correct Receive Mode is determined by the external devices and telephone subscriber services (Voice Mail, Distinctive Ring, etc.) you will be using on the same line as the Brother machine.

Will you be using a Distinctive Ring number for receiving faxes?

Brother uses the term "Distinctive Ring" but different telephone companies may have other names for this service such as Custom Ringing, RingMaster, Personalized Ring, Teen Ring, Ident-A-Ring, Ident-A-Call, Data Ident-A-Call, Smart Ring and SimpleBiz Fax & Alternate Number Ringing. (See *Distinctive Ring* >> page 38 for instructions on setting up your machine using this feature.)

Will you be using Voice Mail on the same telephone line as your Brother machine?

If you have Voice Mail on the same telephone line as your Brother machine, there is a strong possibility that Voice Mail and the Brother machine will conflict with each other when receiving incoming calls. (See *Voice Mail* >> page 37 for instructions on setting up your machine using this service.)

Will you be using a Telephone Answering Device on the same telephone line as your Brother machine?

Your external telephone answering device (TAD) will automatically answer every call. Voice messages are stored on the external TAD and fax messages are printed. Choose *External TAD* as your receive mode. (See *Connecting an external TAD (telephone answering device)* >> page 40.)

Will you be using your Brother machine on a dedicated fax line?

Your machine automatically answers every call as a fax. Choose *Fax Only* as your receive mode. (See *Fax Only* >> page 32.)

Will you be using your Brother machine on the same line as your telephone?

Do you want to receive voice calls and faxes automatically?

The *Fax/Tel* receive mode is used when sharing the Brother machine and your telephone on the same line. Choose *Fax/Tel* as your receive mode. (See *Fax/Tel* >> page 32.)

Important Note: You can not receive voice messages on either Voice Mail or an answering machine if you choose *Fax/Tel* mode.

Do you expect to receive very few faxes?

Choose *Manual* as your receive mode. You control the telephone line and must answer every call yourself. (See *Manual* >> page 32.)

To set the receive mode follow the instructions below:

- 1 Press **Menu, 0, 1**.

| |
|-----------------|
| 01.Receive Mode |
| ▲ Fax Only |
| Fax/Tel |
| ▼ External TAD |
| Select ▲▼ or OK |

- 2 Press ▲ or ▼ to choose Fax Only, Fax/Tel, External TAD or Manual.
Press **OK**.

**Note**

If you cannot change the Receive Mode, make sure the Distinctive Ring feature is set to Off.
(See *Distinctive Ring* >> page 38.)

- 3 Press **Stop/Exit**.

The LCD will display the current receive mode.

Using receive modes

Some receive modes answer automatically (Fax Only and Fax/Tel). You may want to change the Ring Delay before using these modes. (See *Ring Delay* >> page 33.)

Fax Only

Fax Only mode will automatically answer every call as a fax.

Fax/Tel

Fax/Tel mode helps you automatically manage incoming calls, by recognizing whether they are fax or voice calls and handling them in one of the following ways:

- Faxes will be automatically received.
- Voice calls will start the F/T ring to tell you to pick up the line. The F/T ring is a fast pseudo/double-ring made by your machine.

(Also see *F/T Ring Time (Fax/Tel mode only)* >> page 33 and *Ring Delay* >> page 33.)

Manual

Manual mode turns off all automatic answering functions unless you are using the Distinctive Ring Receive feature.

To receive a fax in Manual mode lift the handset of the external telephone or press **Hook**. When you hear fax tones (short repeating beeps), press **Start**, and then press **2** to receive a fax. You can also use the Easy Receive feature to receive faxes by lifting a handset on the same line as the machine.

(Also see *Easy Receive* >> page 34.)

External TAD

External TAD mode lets an external answering device manage your incoming calls. Incoming calls will be handled in the following ways:

- Faxes will be automatically received.
- Voice callers can record a message on the external TAD.


(For more information see *Connecting an external TAD (telephone answering device)* >> page 40.)

Receive Mode settings

Ring Delay

The Ring Delay setting sets the number of times the machine rings before it answers in Fax Only and Fax/Tel modes.

If you have external or extension telephones on the same line as the machine, keep the Ring Delay setting of 4. (See *Using external and extension telephones* >> page 42 and *Easy Receive* >> page 34.)

1 Make sure you are in FAX mode .

2 Press **Menu, 2, 1, 1**.

```
21.Setup Receive
 1.Ring Delay
▲   03
▼   04
-----
Select ▲▼ or OK
```

3 Press ▲ or ▼ to choose 00, 01, 02, 03 or 04 for how many times you want the line to ring before the machine answers. Press **OK**.

4 Press **Stop/Exit**.



Note


If you choose 00, the machine will answer immediately and the line will not ring at all.

F/T Ring Time (Fax/Tel mode only)

When somebody calls your machine, you and your caller will hear the normal telephone ring sound. The number of rings is set by the Ring Delay setting.

If the call is a fax, then your machine will receive it; however, if it is a voice call the machine will sound the F/T ring (a fast double-ring) for the time you have set in the F/T Ring Time setting. If you hear the F/T ring it means that you have a voice caller on the line.

Because the F/T ring is made by the machine, extension and external telephones will *not* ring; however, you can still answer the call on any telephone. (For more information see *Using Remote Codes* >> page 43.)

1 Make sure you are in FAX mode .

2 Press **Menu, 2, 1, 2**.

```
21.Setup Receive
 2.F/T Ring Time
▲   20 Secs
▼   30 Secs
-----
Select ▲▼ or OK
```

3 Press ▲ or ▼ to choose how long the machine will ring to alert you that you have a voice call (20, 30, 40 or 70 seconds). Press **OK**.

4 Press **Stop/Exit**.

Easy Receive

If Easy Receive is On:

The machine can receive a fax automatically, even if you answer the call. When you see *Receiving* on the LCD or hear a click on the phone line through the handset you are using, just replace the handset. Your machine will do the rest.

If Easy Receive is Off:


If you are at the machine and answer a fax call first by lifting the external handset, then press **Start**, and then press **2** to receive.

If you answered at an extension telephone press ***51**. (See *Using external and extension telephones* >> page 42.)



Note

- If this feature is set to *On*, but your machine does not connect a fax call when you lift an extension telephone handset, press the fax receive code ***51**.
- If you send faxes from a computer on the same telephone line and the machine intercepts them, set Easy Receive to *Off*.

1 Make sure you are in FAX mode .

2 Press **Menu, 2, 1, 3**.

```

21.Setup Receive
 3.Easy Receive
▲   On
▼   Off
Select ▲▼ or OK

```

3 Press **▲** or **▼** to choose *On* (or *Off*). Press **OK**.

4 Press **Stop/Exit**.

How to use PC-FAX

PC-FAX Receive (For Windows[®] only)

If you turn on the PC-Fax Receive feature your machine will store received faxes in memory and send them to your PC automatically. You can then use your PC to view and store these faxes.

Even if you have turned off your PC (at night or on the weekend, for example), your machine will receive and store your faxes in its memory. The LCD will show the number of stored faxes received, for example:

PC Fax Msg:001

When you start your PC and the PC-Fax Receiving software runs, your machine transfers your faxes to your PC automatically.

For PC-Fax Receive to work you must have the PC-FAX Receive software running on your PC.

From the Windows[®] **Start** menu, select **All Programs, Brother, MFC-XXXX, PC-Fax Receiving**, and select **Receive**. (XXXX is your model name.)

If you choose Backup Print On, the machine will also print the fax.

- 1 Press **Menu, 2, 5, 1**.

```

25.Remote Fax Opt
 1.Fwd/Page/Store
▲   Fax Forward
▼   Paging
Select ▲▼ or OK
  
```

- 2 Press **▲** or **▼** to choose PC Fax Receive.
Press **OK**.

- 3 The LCD shows a reminder to start the PC-FAX Receive program on your computer. If you have started the PC-FAX Receive program, press **OK**. If you have not started the PC-FAX Receive program, see **»» Software User's Guide: PC-FAX receiving**.

- 4 Press **▲** or **▼** to choose <USB> or your computer name if the machine is connected to a network.

```

25.Remote Fax Opt
 1.Fwd/Page/Store
▲   <USB>
▼   PCNAME01
Select ▲▼ or OK
  
```

Press **OK**.

- 5 Press **▲** or **▼** to choose On or Off.

```

25.Remote Fax Opt
 Backup Print
▲   Off
▼   On
Select ▲▼ or OK
  
```

Press **OK**.

- 6 Press **Stop/Exit**.

! Important

If you choose Backup Print On, the machine will also print the fax at your machine so you will have a copy. This is a safety feature in case there is a power failure before the fax is transferred to your PC.

**Note**

- Before you can set up PC-Fax Receive you must install the MFL-Pro Suite software on your PC. Make sure your PC is connected and turned on. (See Software User's Guide: *PC-FAX receiving*.)
- If your machine has an error and is unable to print faxes from memory, you can use this setting to transfer your faxes to a PC. (See *Transferring your faxes or Fax Journal report* >> page 90.)
- PC-Fax Receive is not supported in Mac OS.


PC-FAX Send

The Brother PC-FAX feature lets you use your PC to send a document from an application as a standard fax. You can send a file created in any application on your PC as a PC-FAX. You can even attach a cover page.

For details >> Software User's Guide: *PC-FAX sending*

How to send a PC-FAX:

Contact your application vendor if you need more support.

- 1 From your application select **File**, and then **Print**.
The Print dialog box will be displayed. (The steps may vary depending on your application.)
- 2 Select the **Brother PC-FAX v.3**.
- 3 Click **OK**.
The **Brother PC-FAX** user interface will be displayed.
- 4 Enter the recipient's fax number using your computer keyboard or by clicking the numeric keypad of the **Brother PC-FAX** user interface. You can also select a stored number from the **Address Book**.
Click  when using your computer keyboard or the numeric keypad.
- 5 Click **Start**.
Your document will be sent to the Brother machine and then faxed to the recipient.

Telephone line services

Voice Mail

If you have Voice Mail on the same telephone line as your Brother machine, Voice Mail and the Brother machine will conflict with each other when receiving incoming calls.

For example, if your Voice Mail is set to answer after 4 rings and your Brother machine is set to answer after 2 rings, then your Brother machine will answer first. This will prevent callers from being able to leave a message in your Voice Mail.

Similarly, if your Brother machine is set to answer after 4 rings and your Voice Mail is set to answer after 2 rings, then your Voice Mail will answer first. This will prevent your Brother machine from being able to receive an incoming fax, since Voice Mail cannot transfer the incoming fax back to the Brother machine.

To avoid conflicts between your Brother machine and your Voice Mail service, do one of the following:

Get the Distinctive Ring service from your telephone company. Distinctive Ring is a feature of your Brother machine that allows a person with one line to receive fax and voice calls through two different telephone numbers on that one line. Brother uses the term 'Distinctive Ring,' but telephone companies market the service under a variety of names, such as Custom Ringing, Personalized Ring, Smart Ring, RingMaster, Ident-A-Ring, Ident-A-Call, Data Ident-A-Call,

Teen Ring, and SimpleBiz Fax & Alternate Number Ringing. This service establishes a second telephone number on the same line as your existing telephone number, and each number has its own ring pattern. Typically, the original number rings with the standard ring pattern and is used for receiving voice calls, and the second number rings with a different ring pattern and is used for receiving faxes. (See *Distinctive Ring* >> page 38.)

OR

Set your Brother machine's Receive Mode to "Manual". Manual Mode requires that you answer every incoming call if you want to be able to receive a fax. If the incoming call is a telephone call, then complete the call as you normally would. If you hear fax sending tones you must transfer the call to the Brother machine. (See *Using external and extension telephones* >> page 42.) Unanswered fax and voice calls will go to your Voice Mail. (To set the machine in **MANUAL** Mode, see *Choose the correct Receive Mode* >> page 30.)

Distinctive Ring

Distinctive Ring is a function of your Brother machine that allows a person with one line to receive fax and voice calls through two different phone numbers on that one line. Brother uses the term "Distinctive Ring," but telephone companies market the service under a variety of names, such as Smart Ring, Ring Master or Ident-a-Ring. This service establishes a second telephone number on the same line as your existing telephone number, and each number has its own ring pattern. Typically, the original number rings with the standard ring pattern and is used for receiving voice calls, and the second number rings with a different ring pattern and is used for receiving faxes.



Note

- You must pay for your telephone company's Distinctive Ring service before you program the machine to work with it.
 - Please call your telephone company for availability and rates.
-

What does your telephone company's 'Distinctive Ring' do?

Your telephone company's Distinctive Ring service allows you to have more than one number on the same telephone line. **If you need more than one telephone number, it is cheaper than paying for an extra line.** Each telephone number has its own distinctive ring pattern, so you will know which telephone number is ringing. This is one way you can have a separate telephone number for your machine.



Note

Please call your telephone company for availability and rates.

What does Brother's 'Distinctive Ring' do?

The Brother machine has a Distinctive Ring feature that allows you to use your machine to take full advantage of the telephone company's Distinctive Ring service. The new telephone number on your line can just receive faxes.



Note

You must pay for your telephone company's Distinctive Ring service before you program the machine to work with it.

Do you have Voice Mail?

If you have Voice Mail on the telephone line that you will install your new machine on, *there is a strong possibility that Voice Mail and the machine will conflict with each other while receiving incoming calls.* **However, the Distinctive Ring feature allows you to use more than one number on your line, so both Voice Mail and the machine can work together without any problems.** If each one has a separate telephone number, neither will interfere with the other's operations.

If you decide to get the Distinctive Ring service from the telephone company, you will need to follow the directions below to 'register' the new Distinctive Ring pattern they give you. This is so your machine can recognize its incoming calls.







Note

You can change or cancel the Distinctive Ring pattern at any time. You can switch it off temporarily, and turn it back on later. When you get a new fax number, make sure you reset this feature.

Before you choose the ring pattern to register

You can only register one Distinctive Ring pattern with the machine. Some ring patterns cannot be registered. The ring patterns below are supported by your Brother machine. Register the one your telephone company gives you.

| Ring Pattern | Rings | |
|--------------|----------------------------|---|
| 1 | short-short or long-long |  |
| 2 | short-long-short |  |
| 3 | short-short-long |  |
| 4 | very long (normal pattern) |  |



Note

- Ring Pattern #1 is often called Short-Short and is the most commonly used.
 - If the ring pattern you received is not on this chart, **please call your telephone company and ask for one that is shown.**
-
- The machine will only answer calls to its registered number.
 - The first two rings are silent on the machine. This is because the fax must <<listen>> to the ring pattern (to compare it to the pattern that was 'registered'). (Other telephones on the same line will ring.)
 - If you program the machine correctly, it will recognize the registered ring pattern of the 'fax number' within 2 ring patterns and then answer with a fax tone. When the 'voice number' is called, the machine will not answer.

Registering the distinctive ring pattern Very important!

After you have set the Distinctive Ring feature to On, your Distinctive Ring number will receive faxes automatically. The receive mode is automatically set to `Manual` and you cannot change it to another receive mode while Distinctive Ring is set to On. This ensures the Brother machine will only answer the Distinctive Ring number and not interfere when your main telephone number is called.

- 1 Press **Menu, 2, 0, 2.**

```

20.Miscellaneous
 2.Distinctive
▲   Off
▼   Set
Select ▲▼ or OK

```

- 2 Press **▲** or **▼** to choose `Set`.
- 3 Press **OK**.
- 4 Press **▲** or **▼** to choose the prestored ring pattern you want to use. Press **OK**.
(You will hear each pattern as you scroll through the four patterns. Make sure you choose the pattern that the telephone company gave you.)
- 5 Press **Stop/Exit**.
Distinctive Ring is now set to On.

Turning off distinctive ring

- 1 Press **Menu, 2, 0, 2**.

```

20.Miscellaneous
 2.Distinctive
  ▲   On
  ▼   Off
Select ▲▼ or OK
  
```

- 2 Press **▲** or **▼** to choose **Off**. Press **OK**.

- 3 Press **Stop/Exit**.

Note

If you do not want to receive faxes on your Distinctive Ring number, you can turn off Distinctive Ring. The machine will stay in Manual receive mode so you will need to set the Receive Mode again. (See *Choose the correct Receive Mode* ►► page 30.)

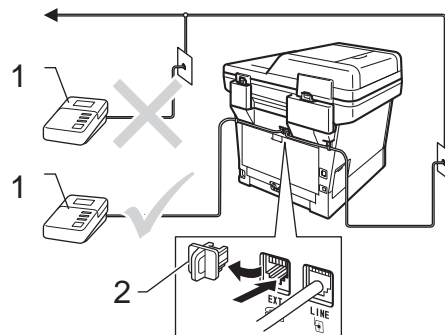
Connecting an external TAD (telephone answering device)

You can connect an external Telephone Answering Device (TAD) to the same line as your machine. When the TAD answers a call, your machine will “listen” for the CNG (fax calling) tones sent by a sending fax machine. If it hears them it will take over the call and receive the fax. If it does not hear them, it will let your TAD take a voice message and the display will show **Telephone**.

The external TAD must answer within four rings (we recommend you set it to two rings). This is because your machine cannot hear the CNG tones until the external TAD has picked up the call. The sending machine will send CNG tones for only eight to ten seconds longer. We do not recommend using the toll saver feature on your external TAD if it needs more than four rings to activate it.

Unless you are using Distinctive Ring, the TAD must be connected to the EXT. jack of the machine.

Before you connect an external TAD (telephone answering device), remove the protective cap (2) from the EXT. jack on the machine.



- 1 TAD
- 2 Protective Cap

Note

If you have problems receiving faxes, reduce the ring delay setting on your external TAD.

Connections

The external TAD must be plugged into the back of the machine, into the jack labeled EXT. Your machine cannot work correctly if you plug the TAD into a wall jack (unless you are using Distinctive Ring).

- 1 Plug the telephone line cord from the telephone wall jack into the back of the machine, in the jack labeled LINE.
- 2 Plug the telephone line cord from your external TAD into the back of the machine, in the jack labeled EXT. (Make sure this cord is connected to the TAD at the TAD's telephone line jack, and not its handset jack.)
- 3 Set your external TAD to four rings or less. (The machine's Ring Delay setting does not apply.)
- 4 Record the outgoing message on your external TAD.
- 5 Set the TAD to answer calls.
- 6 Set the Receive Mode on your machine to **External TAD**. (See *Choose the correct Receive Mode* >> page 30.)

Recording an outgoing message (OGM)

- 1 Record 5 seconds of silence at the beginning of your message. This allows your machine time to listen for fax tones.
- 2 Limit your speaking to 20 seconds.
- 3 End your 20-second message by giving your Fax Receive Code for people sending manual faxes. For example: "After the beep, leave a message or press *51 and **Start** to send a fax."



Note

We recommend beginning your OGM with an initial 5 second silence because the machine cannot hear fax tones over a loud voice. You may try leaving out this pause, but if your machine has trouble receiving, then you should re-record the OGM to include it.

Multi-line connections (PBX)

We suggest you ask the company who installed your PBX to connect your machine. If you have a multi line system we suggest you ask the installer to connect the unit to the last line on the system. This prevents the machine being activated each time the system receives telephone calls. If all incoming calls will be answered by a switchboard operator we recommend that you set the Receive Mode to **Manual**.

We cannot guarantee that your machine will operate correctly under all circumstances when connected to a PBX. Any difficulties with sending or receiving faxes should be reported first to the company who handles your PBX.

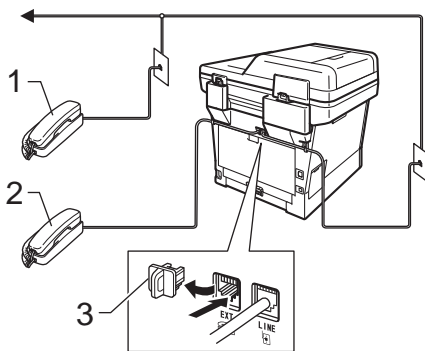
External and extension telephones

Connecting an external or extension telephone

You can connect a separate telephone directly to your machine as shown in the diagram below.

Connect the telephone line cord to the jack labeled EXT.

Before you connect an external telephone, remove the protective cap (3) from the EXT. jack on the machine.



- 1 Extension telephone
- 2 External telephone
- 3 Protective Cap

When you are using an external telephone, the LCD shows *Telephone*.

Using external and extension telephones

Using extension telephones

If you answer a fax call at an extension telephone, you can make your machine receive the fax by pressing the Fax Receive Code ***51**.

If the machine answers a voice call and pseudo/double-rings for you to take over, you can take the call at an extension telephone by pressing the Telephone Answer Code **#51**. (See *F/T Ring Time (Fax/Tel mode only)* >> page 33.)

Using an external telephone (Connected to the EXT. jack of the machine)

If you answer a fax call at the external telephone connected to the EXT. jack of the machine, you can make the machine receive the fax by pressing **Start** and then **2** to *Receive*.

If the machine answers a voice call and pseudo/double-rings for you to take over, you can take the call at the external telephone by pressing **Hook**.

If you answer a call and no one is on the line:

You should assume that you're receiving a manual fax.

Press ***51** and wait for the chirp or until the LCD shows *Receiving*, and then hang up.



Note

You can also use the Easy Receive feature to make your machine automatically take the call. (See *Easy Receive* >> page 34.)

Using a non-Brother cordless external handset

If your non-Brother cordless telephone is connected to the EXT. jack of the machine (see page 42) and you typically carry the cordless handset elsewhere, it is easier to answer calls during the Ring Delay.

If you let the machine answer first, you will have to go to the machine so you can press **Hook** to transfer the call to the cordless handset.

Using Remote Codes

Fax Receive Code

If you answer a fax call on an extension telephone, you can tell your machine to receive it by pressing the Fax Receive Code *51. Wait for the chirping sounds then replace the handset. (See *Easy Receive* >> page 34.)

If you answer a fax call at the external telephone, you can make the machine receive the fax by pressing **Start**.


Telephone Answer Code

If you receive a voice call and the machine is in F/T mode, it will start to sound the F/T (pseudo/double-ring) after the initial ring delay. If you pick up the call on an extension telephone you can turn the F/T ring off by pressing #51 (make sure you press this *between* the rings).

If the machine answers a voice call and pseudo/double-rings for you to take over, you can take the call at the external telephone by pressing **Hook**.

Changing the Remote Codes

The preset Fax Receive Code is *51. The preset Telephone Answer Code is #51. If you are always disconnected when accessing your External TAD, try changing the three-digit remote codes, for example ### and 999.

1 Make sure you are in FAX mode .

2 Press **Menu, 2, 1, 4**.

```
21.Setup Receive
  4.Remote Codes
▲      On
▼      Off
Select ▲▼ or OK
```

3 Press ▲ or ▼ to choose On (or Off). Press **OK**.

4 If you chose On in step 3, enter the new Fax Receive Code. Press **OK**.

5 Enter the new Telephone Answer Code. Press **OK**.

6 Press **Stop/Exit**.

8

Dialing and storing numbers

How to dial

You can dial in any of the following ways.

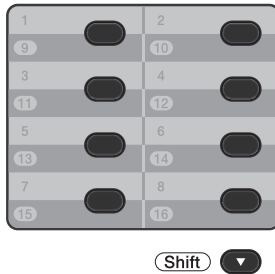
Manual dialing

Use the dial pad to enter all the digits of the telephone or fax number.




One Touch dialing

Press the One Touch key that stores the number you want to call. (See *Storing One Touch Dial numbers* >> page 48.)



To dial One Touch numbers 9 to 16, hold down **Shift** as you press the One Touch key.

Speed dialing

Press  (**Address Book**) twice and enter the three digit Speed Dial number. (See *Storing Speed Dial numbers* >> page 50.)



Three-digit number





Note

If the LCD shows *Register Now?* when you enter a One Touch or a Speed Dial number, it means that a number is not stored there.

Search

You can search alphabetically for names you have stored in the One Touch and Speed Dial memories. (See *Storing One Touch Dial numbers* >> page 48 and *Storing Speed Dial numbers* >> page 50.)

- 1 Make sure you are in FAX mode .
- 2 Press  (**Address Book**).
- 3 Press the dial pad key for the first few letters of the name. (Use the chart on *Entering text* >> page 170 to help you enter letters.)
Press **OK**.
- 4 Press **▲** or **▼** to scroll until you find the name you are looking for.
Press **OK**.
- 5 Press **Start**.



Note

- If you do not enter a letter and press **OK** in step 3, all registered names will appear. Press **▲** or **▼** to scroll until you find the name you are looking for.

If you are using LDAP you must enter the letters of your search in step 3. (The LDAP function is available as a download for MFC-8510DN and MFC-8710DW.)

- If the LCD shows `No Contact Found` when you enter the first few letters of the name, it means that a name for the letter is not stored.

LDAP search (MFC-8810DW and MFC-8910DW)

If the machine is connected to your LDAP server, you can search for information such as fax numbers and E-mail addresses from your server. (See *How to set up LDAP* >> *Network User's Guide*)

(The LDAP function is available as a download for MFC-8510DN and MFC-8710DW.)

Fax redial

If you are sending a fax manually and the line is busy, press **Hook** and then **Redial/Pause**, wait for the other fax machine to answer, and then press **Start** to try again. If you want to make a second call to the last number dialed, you can save time by pressing **Redial/Pause** and **Start**.

Redial/Pause only works if you dialed from the control panel.

If you are sending a fax automatically and the line is busy, the machine will automatically redial one time after five minutes.

Storing numbers

You can set up your machine to do the following types of easy dialing: One Touch, Speed Dial and Groups for Broadcasting faxes. You can also specify the default resolution for each One Touch and Speed Dial number. When you dial a quick dial number, the LCD shows the name, if you stored it, or the number. A scan profile can also be stored along with the fax number.

If you lose electrical power, the quick dial numbers stored in the memory will not be lost.

A scan profile is the resolution and other scan settings that you choose when you store a number. For example, you can select Standard, Fine, S.Fine or Photo for the Fax/Tel option and Standard, Fine or Photo for IFAX. Or, you can select Color 100 dpi, Color 200 dpi, Color 300 dpi, Color 600 dpi, Color Auto, Gray 100 dpi, Gray 200 dpi, Gray 300 dpi, Gray Auto, B&W 300 dpi, B&W 200 dpi, or B&W 200x100 dpi if you selected one of the E-Mail options. (The IFAX and E-Mail options are available as a download for MFC-8510DN and MFC-8710DW.)

One Touch and Speed Dial Storage Options

The following chart shows the selections for the settings for One Touch and Speed Dial numbers when IFAX and E-mail options are on your machine. When you store numbers, the LCD instructs you to choose from the options shown in the following steps.

| Step 1 Enter One Touch or Speed Dial Location | Step 2 Select Registration Type ¹ | Step 3 Enter Number or E-mail Address | Step 4 Enter Name | Step 5 Select Resolution | Step 6 Select File type |
|--|---|--|----------------------|--------------------------------------|----------------------------|
| One Touch or Speed Dial | Fax/Tel | Fax Number or Tel Number | (Name) | Std, Fine, S. Fine, Photo | - |
| | IFAX | E-mail Address | | Std, Fine, Photo | - |
| | Email Color PDF | | | 100dpi, 200dpi, 300dpi, 600dpi, Auto | PDF, PDF/A, SPDF, SiPDF |
| | Email Color JPG | | | 100dpi, 200dpi, 300dpi, 600dpi, Auto | - |
| | Email Color XPS | | | 100dpi, 200dpi, 300dpi, 600dpi, Auto | - |
| | Email Gray PDF | | | 100dpi, 200dpi, 300dpi, Auto | PDF, PDF/A, SPDF, SiPDF |
| | Email Gray JPG | | | 100dpi, 200dpi, 300dpi, Auto | - |
| | Email Gray XPS | | | 100dpi, 200dpi, 300dpi, Auto | - |
| | Email B&W PDF | | | 300dpi, 200dpi, 200x100dpi | PDF, PDF/A, SPDF, SiPDF |
| | Email B&W TIFF | | | 300dpi, 200dpi, 200x100dpi | - |

¹ Registration Type selection is available for MFC-8810DW and MFC-8910DW. The selection is also available for MFC-8510DN and MFC-8710DW if you download the IFAX and E-mail options from the Brother Solutions Center at: <http://solutions.brother.com/>.



Note

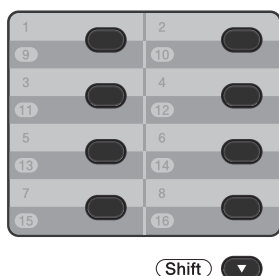
- PDF/A is a PDF file format intended for long-term archiving. This format contains all the necessary information for reproducing the document after long-term storage.
- SPDF (Secure PDF) is a PDF file format that has been password-protected.
- SiPDF (Signed PDF) is a PDF file format that helps prevent data tampering and the impersonation of an author by including a digital certificate within the document. If you choose SiPDF, you must install a certificate on your machine using Web Based Management. Choose **Signed PDF** from **Administrator** in Web Based Management. (How to install a certificate >>> *Network User's Guide*)

Storing a pause

Press **Redial/Pause** to insert a 3.5-second pause between numbers. You can press **Redial/Pause** as many times as needed to increase the length of the pause.

Storing One Touch Dial numbers

Your machine has 8 One Touch keys where you can store 16 fax or telephone numbers for automatic dialing. To access numbers 9 to 16, hold down **Shift** as you press the One Touch key.



For MFC-8510DN and MFC-8710DW

You can add the IFAX and E-mail options by downloading them from the Brother Solutions Center at: <http://solutions.brother.com/>.

Then you can store IFAX and E-mail options on your machine by following the steps for MFC-8810DW and MFC-8910DW. See *For MFC-8810DW and MFC-8910DW (or if you downloaded IFAX and E-mail options)* >> page 48.

- 1 Press the One Touch key where you want to store the number. If a number is not stored there, the LCD shows *Register Now?*. Press **1** to choose *Yes*.
- 2 Enter the telephone or fax number (up to 20 characters). Press **OK**.

- 3 Do one of the following:
 - Enter the name using the dial pad (up to 15 characters). To help you enter letters, see *Entering text* >> page 170 .
Press **OK**.
 - Press **OK** to store the number without a name.
- 4 If you want to save a fax resolution along with the number, do one of the following:
 - To store the fax resolution, press **▲** or **▼** to choose *Std*, *Fine*, *S. Fine* or *Photo*.
Press **OK**.
 - Press **OK** if you don't want to change the default resolution.

For MFC-8810DW and MFC-8910DW (or if you downloaded IFAX and E-mail options)

If you installed the IFAX and E-mail options on the MFC-8510DN or MFC-8710DW, use this procedure to store the One Touch Dial numbers.

- 1 Press the One Touch key where you want to store the number or E-mail address. If a number or E-mail address is not stored there, the LCD shows *Register Now?*
Press **1** to choose *Yes*.
- 2 Press **▲** or **▼** to choose one of the following:
Fax/Tel
IFAX
Email Color PDF
Email Color JPG
Email Color XPS
Email Gray PDF
Email Gray JPG
Email Gray XPS
Email B&W PDF
Email B&W TIFF
Press **OK**.

- 3 Enter the fax/telephone number (up to 20 characters each) or E-mail address (up to 60 characters each). For help entering characters, see *Entering text* >> page 170.
Press **OK**.



Note

- If you selected an E-Mail Registration Type in step 2 and save the E-mail address, you can only use the E-mail address when you are in SCAN mode.
- If you selected the IFAX Registration Type in step 2 and save the E-mail address, you can only use the E-mail address when you are in FAX mode.

- 4 Do one of the following:
- Enter the name using the dial pad (up to 15 characters).
Press **OK**.
 - Press **OK** to store the number or E-mail address without a name.

- 5 Do one of the following:
- If you want to save a fax/scan resolution along with the number, go to the appropriate step as shown in the following table.
 - If you do not want to change the default resolution, press **OK**.

| Option selected in step 2 | Go to step |
|---------------------------|------------|
| Fax/Tel | 6 |
| IFAX | 7 |
| Email Color PDF | 8 |
| Email Color JPG | |
| Email Color XPS | |
| Email Gray PDF | 9 |
| Email Gray JPG | |
| Email Gray XPS | |
| Email B&W PDF | 10 |
| Email B&W TIFF | |



Note

- When you do a broadcast and you have saved a scan profile along with the number or E-mail address, the scan profile of the One Touch, Speed Dial or Group number you chose *first* will be applied to the broadcast.
- You can also store the number or E-mail address by pressing **Menu, 2, 3, 1**.
- For details about the file format >> *Software User's Guide: Using the Scan key*.

- 6 Press **▲** or **▼** to choose the resolution from Std, Fine, S.Fine or Photo.
Press **OK**.
- 7 Press **▲** or **▼** to choose the resolution from Std, Fine or Photo.
Press **OK**.
- 8 Press **▲** or **▼** to choose the resolution from 100dpi, 200dpi, 300dpi, 600dpi or Auto. Press **OK**.
- When you chose Email Color PDF, go to step 11.

- 9 Press ▲ or ▼ to choose the resolution from 100dpi, 200dpi, 300dpi or Auto.
Press **OK**.
- When you chose Email Gray PDF, go to step 11.
- 10 Press ▲ or ▼ to choose the resolution from 300dpi, 200dpi or 200x100dpi.
Press **OK**.
- When you chose Email B&W PDF, go to step 11.
- 11 Press ▲ or ▼ to choose the PDF type from PDF, PDF/A, SPDF (Secure PDF) or SiPDF (Signed PDF) that will be used to send to your PC.
Press **OK**.




Note

If you choose SPDF (Secure PDF), the machine will ask you to enter a four-digit password using the numbers 0-9 before it starts scanning.

Storing Speed Dial numbers


You can store your frequently used numbers as Speed Dial numbers, so that when you dial you will only have to press a few keys

( **(Address Book)** twice, the three-digit number and **Start**). The machine can store 300 Speed Dial numbers (001- 300).

For MFC-8510DN and MFC-8710DW

You can add the IFAX and E-mail options by downloading them from the Brother Solutions Center at: <http://solutions.brother.com/>.


Then you can store IFAX and E-mail options on your machine by following the steps for MFC-8810DW and MFC-8910DW. See *For MFC-8810DW and MFC-8910DW (or if you downloaded IFAX and E-mail options)* >> page 51.

- 1 Press  **(Address Book)** twice and enter a three-digit Speed Dial location number (001-300).
If a number is not stored there, the LCD shows `Register Now?`
Press **1** to choose `Yes`.
- 2 Enter the telephone or fax number (up to 20 characters).
Press **OK**.
- 3 Do one of the following:
 - Enter the name using the dial pad (up to 15 characters). For help entering characters, see *Entering text* >> page 170.
Press **OK**.
 - Press **OK** to store the number without a name.

- 4 If you want to save a fax resolution along with the number, do one of the following:
- To store the fax resolution, press ▲ or ▼ to choose Std, Fine, S. Fine or Photo.
Press **OK**.
 - Press **OK** if you don't want to change the default resolution.

For MFC-8810DW and MFC-8910DW (or if you downloaded IFAX and E-mail options)

If you installed the IFAX and E-mail options on the MFC-8510DN and MFC-8710DW, use this procedure to store the Speed Dial numbers.

- 1 Press  (**Address Book**) twice and enter a three-digit Speed Dial location number (001-300).
If a number or E-mail address is not stored there, the LCD shows
Register Now?
Press **1** to choose Yes.

- 2 Press ▲ or ▼ to choose one of the following:
Fax/Tel
IFAX
Email Color PDF
Email Color JPG
Email Color XPS
Email Gray PDF
Email Gray JPG
Email Gray XPS
Email B&W PDF
Email B&W TIFF
Press **OK**.

- 3 Enter the fax/telephone number (up to 20 characters each) or E-mail address (up to 60 characters each). For help entering characters, see *Entering text* >> page 170.
Press **OK**.



Note

- If you selected an E-Mail Registration Type in step 2 and save the E-mail address, you can only use the E-mail address when you are in SCAN mode.
- If you selected the IFAX Registration Type in step 2 and save the E-mail address, you can only use the E-mail address when you are in FAX mode.

- 4 Do one of the following:
- Enter the name using the dial pad (up to 15 characters).
Press **OK**.
 - Press **OK** to store the number or E-mail address without a name.

- 5 Do one of the following:
- If you want to save a fax/scan resolution along with the number, go to the appropriate step as shown in the following table:
 - If you do not want to change the default resolution, press **OK**.

| Option selected in step 2 | Go to step |
|---------------------------|------------|
| Fax/Tel | 6 |
| IFAX | 7 |
| Email Color PDF | 8 |
| Email Color JPG | |
| Email Color XPS | |
| Email Gray PDF | 9 |
| Email Gray JPG | |
| Email Gray XPS | |
| Email B&W PDF | 10 |
| Email B&W TIFF | |

 **Note**

- When you do a broadcast and you have saved a scan profile along with the number or E-mail address, the scan profile of the One Touch, Speed Dial or Group number you chose *first* will be applied to the broadcast.
- For details about the file format
 >> Software User's Guide: *Using the Scan key*.
- You can also store the number by pressing **Menu, 2, 3, 2**.

- 6 Press **▲** or **▼** to choose the resolution from **Std**, **Fine**, **S.Fine** or **Photo**. Press **OK**.

- 7 Press **▲** or **▼** to choose the resolution from **Std**, **Fine** or **Photo**. Press **OK**.

- 8 Press **▲** or **▼** to choose the resolution from **100dpi**, **200dpi**, **300dpi**, **600dpi** or **Auto**. Press **OK**.

- When you chose **Email Color PDF**, go to step 11.

- 9 Press **▲** or **▼** to choose the resolution from **100dpi**, **200dpi**, **300dpi** or **Auto**. Press **OK**.

- When you chose **Email Gray PDF**, go to step 11.

- 10 Press **▲** or **▼** to choose the resolution from **300dpi**, **200dpi** or **200x100dpi**. Press **OK**.

- When you chose **Email B&W PDF**, go to step 11.

- 11 Press **▲** or **▼** to choose the PDF type from **PDF**, **PDF/A**, **SPDF (Secure PDF)** or **SiPDF (Signed PDF)** that will be used to send to your PC. Press **OK**.

 **Note**

If you choose **SPDF (Secure PDF)**, the machine will ask you to enter a four-digit password using the numbers 0-9 before it starts scanning.

Changing or Deleting One Touch and Speed Dial numbers

You can change or delete a One Touch or Speed Dial number that has already been stored. The LCD will show the name or number, and if the number has a scheduled job, such as a delayed fax, or a fax forwarding number, it will display a message.

1 Do one of the following:

- To change or delete a stored One Touch number, press **Menu, 2, 3, 1**.

```
23.Address Book
1.One Touch Dial

One Touch:
Select One Touch
```

Press the One Touch key number you want to change or delete.

- To change or delete a stored Speed Dial number, press **Menu, 2, 3, 2**.

```
23.Address Book
2.Speed Dial

Speed Dial? #_
Enter & OK Key
```

Enter the Speed Dial number you want to change or delete, then press **OK**.



Note

If a One Touch or Speed Dial number in the Group you are trying to change has been set to a scheduled job or a fax forwarding number, the LCD will ask you if you want to change the name or number.

2 Do one of the following:

- Press **1** to choose **Change** to edit the number, name or E-mail address.

Go to step **3**.

- Press **2** to choose **Clear** to delete all information in a One Touch or Speed Dial number.

When **Erase This Data?** appears, press **1** to choose **Yes** to confirm.

Go to step **4**.

```
23.Address Book
#005:MIKE
▲ 1.Change
▼ 2.Clear
Select ▲▼ or OK
```

3 For MFC-8510DN and MFC-8710DW

Edit the number, name and Resolution by the following the instruction in the Note. When you are finished editing, press **OK**.

(For more details, see *Storing One Touch Dial numbers* >> page 48, steps **2 - 4**.)

For MFC-8810DW and MFC-8910DW or if you downloaded IFAX and E-mail options

Edit the Registration Type, number or E-mail address, name and Resolution by the following the instruction in the Note. When you are finished editing, press **OK**.

(For more details, see *Storing One Touch Dial numbers* >> page 48, steps **2 - 11**.)



Note

To edit the stored name or number, press **◀** or **▶** to position the cursor under the character you want to change and press **Clear**. Then enter the correct character.

The LCD will display your new setting.


4 Press **Stop/Exit**.

9

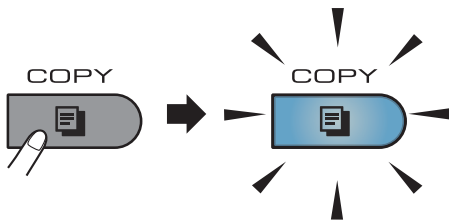
Making copies

How to copy

The following steps show the basic copy operation. (See *Advanced User's Guide*.)

- 1 When you want to make a copy, press  (**COPY**) to illuminate it in blue.

- Make sure you are in COPY mode.



- The LCD shows:

```
Contrast:-□□■□□+
Quality :Auto
Enlg/Red:100%
Tray    :MP>T1
Press▲▼ or Start 01—1
```

1 No. of Copies

Use the dial pad to enter the number of copies you want.

Note

The default setting is FAX mode. You can change the amount of time that the machine stays in COPY mode after the last copy operation. (See *Advanced User's Guide: Mode Timer*.)

- 2 Do one of the following to load your document:

- Place the document *face up* in the ADF. (See *Using the automatic document feeder (ADF)* >> page 24.)
- Load your document *face down* on the scanner glass. (See *Using the scanner glass* >> page 25.)

- 3 Press **Start**.

Stop copying

To stop copying, press **Stop/Exit**.

Copy settings

Press **COPY** and then press ▲ or ▼ to scroll through the copy settings. When the setting you want is highlighted, press ► repeatedly until you see the option you want, and then press **OK**.

(BASIC USER'S GUIDE)

For details about changing the following settings, see pages 16 - 17:

- Paper Type
- Paper Size
- Tray Use (*Tray Use in COPY mode*)

(ADVANCED USER'S GUIDE)

For details about changing the following settings >> *Advanced User's Guide: Copy settings*)

- Enlg/Red (Enlarge/Reduce)
- Stack/Sort
- Quality
- Brightness
- Contrast
- Page Layout
- Tray Select (Tray Selection)
- Duplex

10

Printing data from a USB Flash memory drive or digital camera supporting mass storage

With the Direct Print feature, you do not need a computer to print data. You can print by just plugging your USB Flash memory drive into the machine's USB direct interface. You can also connect and print directly from a camera set to USB mass storage mode.

You can use a USB Flash Memory Drive that has the following specifications:

| | |
|------------------------|--|
| USB Class | USB Mass Storage Class |
| USB Mass Storage Class | SCSI or SFF-8070i |
| Transfer protocol | Bulk transfer Only |
| Format ¹ | FAT12/FAT16/FAT32 |
| Sector size | Max. 4096 Byte |
| Encryption | USB Flash Memory Drive does not secure itself. |

¹ NTFS format is not supported.

Note

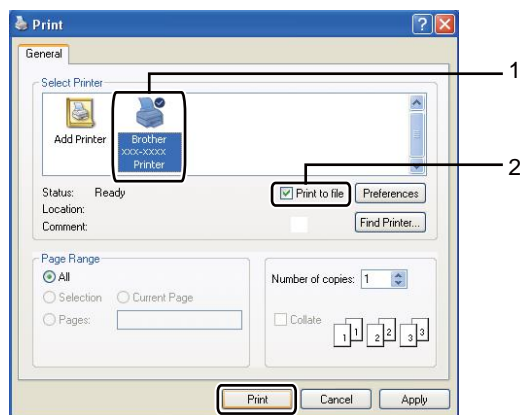
- Some USB Flash memory drives may not work with the machine.
- If your camera is in PictBridge mode, you cannot print data. Please refer to the documentation supplied with your camera to switch from PictBridge mode to mass storage mode.

Creating a PRN file for direct printing

Note

The screens in this section may vary depending on your application and operating system.

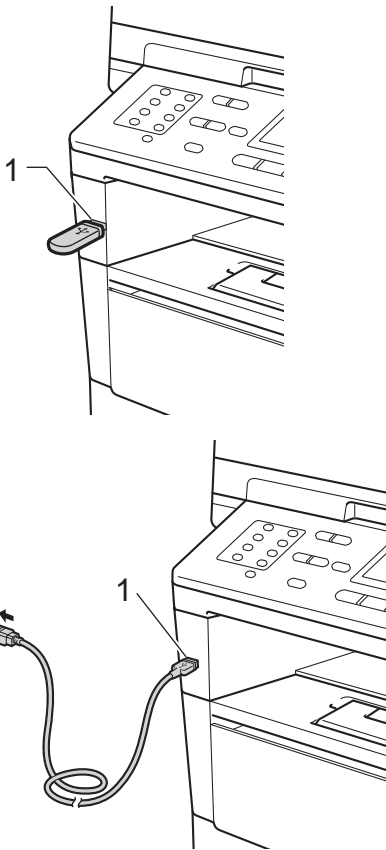
- 1 From the menu bar of an application, click **File**, then **Print**.
- 2 Choose **Brother MFC-XXXX Printer** (1) and check the **Print to file** box (2). Click **Print**.



- 3 Choose the folder you want to save the file to and enter the file name if you are prompted to. If you are prompted for a file name only, you can also specify the folder you want to save the file in by entering the directory name. For example:
C:\Temp\FileName.prn
If you have a USB Flash memory drive or digital camera connected to your computer, you can save the file directly to the USB Flash memory drive.

Printing data directly from the USB Flash memory drive or digital camera supporting mass storage

- 1 Connect your USB Flash memory drive or digital camera to the USB direct interface (1) on the front of the machine. Your machine will enter Direct Print mode automatically. The LCD will automatically show the USB memory menu to confirm the intended use of the USB Flash memory drive or digital camera.



Note

- Make sure your digital camera is turned on.
- If an error occurs, the USB memory menu will not appear on the LCD.
- When the machine is in the Deep Sleep mode, the LCD does not show any information even if you connect a USB Flash memory drive or digital camera to the USB direct interface. Press **Stop/Exit** on the control panel to wake up the machine.

- 2 Press **▲** or **▼** to choose 1.Direct Print. Press **OK**.

Note

- If Direct Print is restricted in Secure Function Lock 2.0 for your User ID, and access has been given to another User ID or Public mode, *Access Denied* will appear on the LCD. The machine will ask your name so you may switch to a User ID or Public mode that has access.

If you are a restricted user with access to Direct Print, press **▲** or **▼** to choose your name and press **OK**. Enter your four-digit password and press **OK**.

- If your machine has been set to Secure Function Lock *On*, you may not be able to access Direct Print. (See *Advanced User's Guide: Switching Users.*)
- If your ID has been restricted to a page limit in Secure Function Lock, the LCD will show *Remaining Pages* with the number of pages you have left to print.

- 3 Press ▲ or ▼ to choose the folder name or file name you want to print. Press **OK**.
If you have chosen the folder name, press ▲ or ▼ to choose the file name you want to print.
Press **OK**.

```
Direct Print
▲1. /FOLDER1
  2. FILE_1.PDF
▼3. FILE_2.PDF
Select ▲▼ or OK
```



Note

- Your digital camera must be switched from PictBridge mode to mass storage mode.
- If you want to print an index of the files, choose *Index Print*, and then press **OK**. Press **Start** to print the data.

- 4 Do one of the following:

- Press ▲ or ▼ to choose a setting you need to change and press **OK**, and then press ▲ or ▼ to choose an option for the setting and press **OK**.
- If you do not need to change the current default settings, go to step 5.

```
Print File Set
▲Paper Size
  Media Type
▼Multiple Page
Select ▲▼ or OK
```



Note

- You can choose the following settings:
 - Paper Size
 - Media Type
 - Multiple Page
 - Orientation
 - Duplex
 - Collate
 - Tray Use
 - Print Quality
 - PDF Option
- Depending on the file type, some of these settings may not appear.

- 5 Press **Start** if you have finished selecting settings.

- 6 Use the dial pad keys to enter the number of copies you want. Press **OK**.

```
Direct Print
FILE_1.PDF
  No. of Copies: 1
Press Start
```

- 7 Press **Start** to print the data.

- 8 Press **Stop/Exit**.

Important

- To prevent damage to your machine, **DO NOT** connect any device other than a digital camera or USB Flash memory drive to the USB direct interface.
- DO NOT** remove the USB Flash memory drive or digital camera from the USB direct interface until the machine has finished printing.



Note

- You can change the default tray that the machine will use for printing. Press **Menu**, **1**, **6**, **3**, and then press ▲ or ▼ to select the tray you want as the new default.
(See *Tray Use in print mode* >> page 18.)
 - You can change the default settings for Direct Print by using the control panel when the machine is not in the Direct Print mode. Press **Menu**, **5** to enter the USB Direct I/F menu. (See *Menu table* >> page 126.)
-

Printing a document

The machine can receive data from your computer and print it. To print from a computer, you must install the printer driver.

(See Software User's Guide: *Printing* for Windows® or *Printing and Faxing* for Macintosh.)

- 1 Install the Brother printer driver from the Installer CD-ROM. (See Quick Setup Guide.)
- 2 From your application, choose the Print command.
- 3 Choose the name of your machine in the **Print** dialog box and click **Properties** (or **Preferences**, depending on the application you are using).
 - Paper Size
 - Orientation
 - Copies
 - Media Type
 - Resolution
 - Print Settings
 - Multiple Page
 - Duplex / Booklet
 - Paper Source
- 5 Click **OK** to begin printing.

12

How to scan to a computer

Scanning a document as a PDF file using ControlCenter4 (Windows®)

(Detailed information >>> Software User's Guide: *Scanning*)

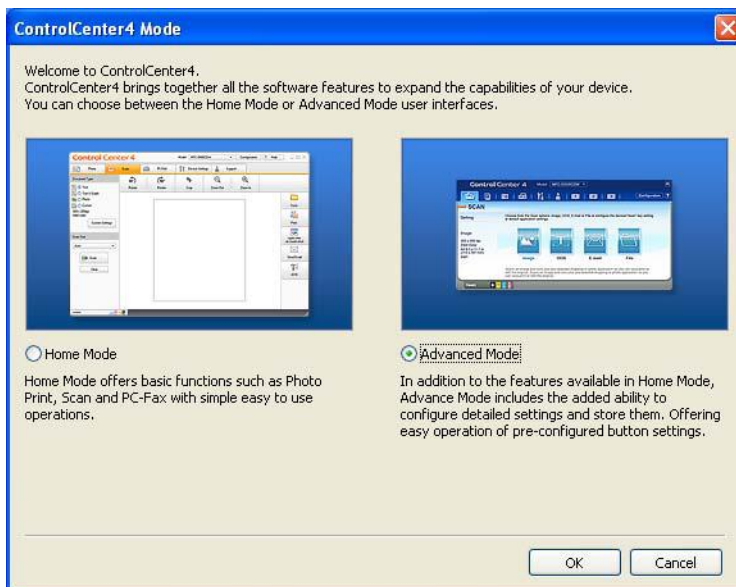


Note

The screens on your PC may vary depending on your model.

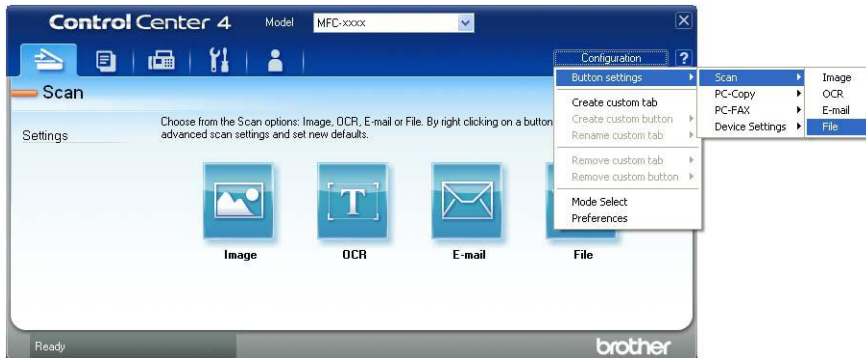
ControlCenter4 is a software utility that lets you quickly and easily access the applications you use most often. Using ControlCenter4 eliminates the need to manually launch specific applications. You can use ControlCenter4 on your computer.

- 1 Load your document. (See *How to load documents* >>> page 24.)
- 2 Open ControlCenter4 by clicking **Start/All Programs/Brother/XXX-XXXX** (where XXX-XXXX is your model name)/**ControlCenter4**. The ControlCenter4 application will open.
- 3 Choose **Home Mode** or **Advanced Mode** before you use ControlCenter4 and then click **OK**.

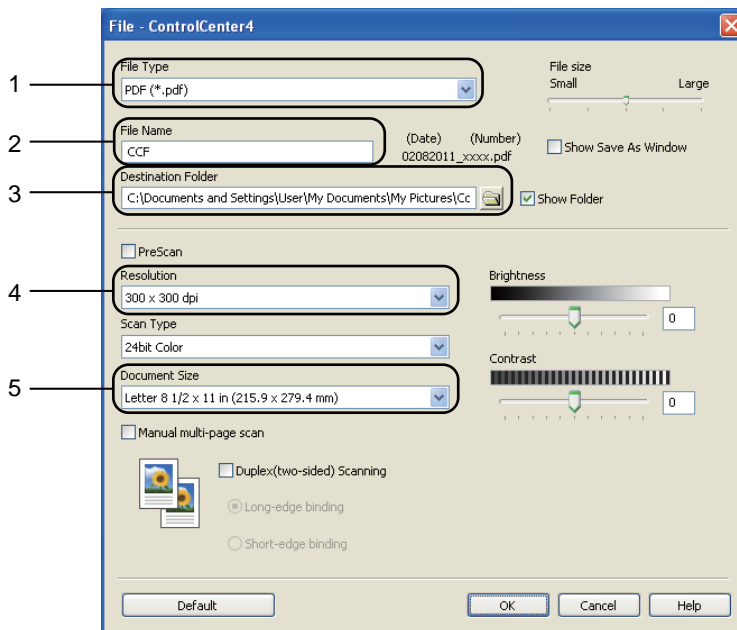



- 4 Make sure the machine you want to use is selected from the **Model** pull-down list.

- 5 Set the scanning configuration.
Click **Configuration**, and then select **Button settings**, **Scan** and **File**.



The configuration dialog box appears. You can change the default settings.



- 1 Confirm **PDF (*.pdf)** is selected from the **File Type** pull-down list.
- 2 You can enter the file name you want to use for the document.
- 3 You can save the file to the default folder, or choose your preferred folder by clicking the  (**Browse**) button.
- 4 You can choose a scanning resolution from the **Resolution** pull-down list.
- 5 You can choose the document size from the **Document Size** pull-down list.

- 6 Click **OK**.

7

Click **File**.

The machine starts the scanning process. The folder where the scanned data is saved will open automatically.



Changing the SCAN key settings

Before scanning

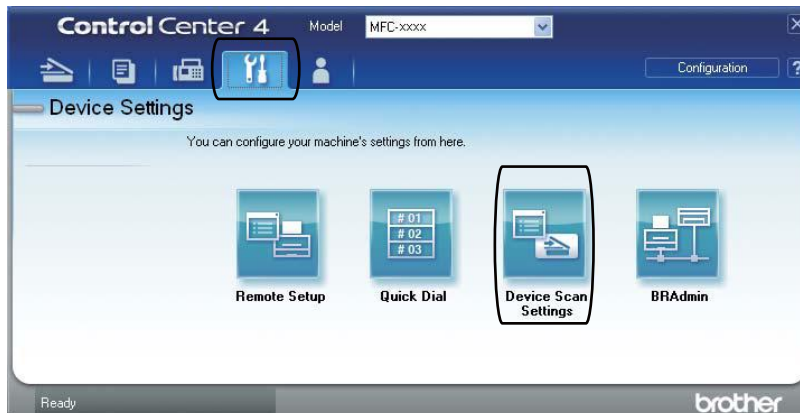
To use the machine as a scanner, install a scanner driver. If the machine is on a network, configure it with a TCP/IP address.

- Install the scanner drivers from the Installer CD-ROM. (See Quick Setup Guide.)
- Configure the machine with a TCP/IP address if network scanning does not work. (See Software User's Guide: *Configuring Network Scanning (Windows®)*.)

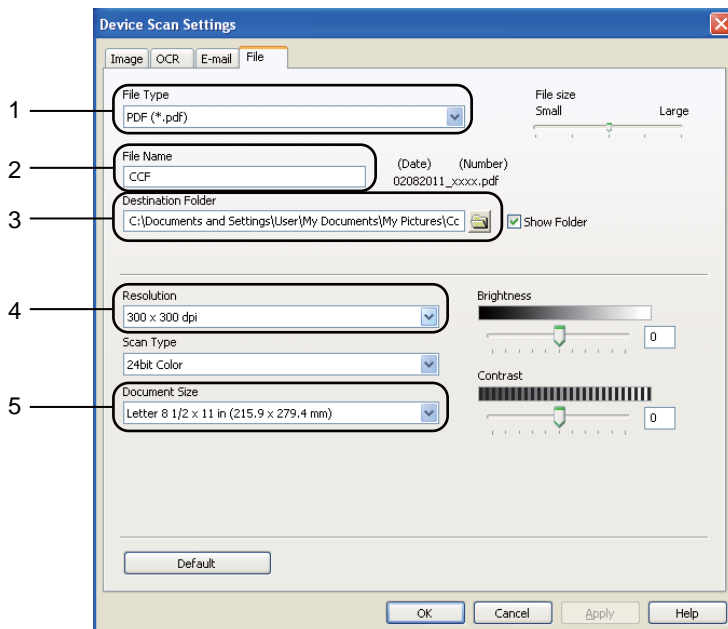
SCAN key settings


You can change your machine's **SCAN** key settings using ControlCenter4.

- 1 Open ControlCenter4 by clicking **Start/All Programs/Brother/XXX-XXXX** (where XXX-XXXX is your model name)/**ControlCenter4**. The ControlCenter4 application will open.
- 2 Make sure the machine you want to use is selected from the **Model** pull-down list.
- 3 Click the **Device Settings** tab.
- 4 Click **Device Scan Settings**.




- 5 Choose the **File** tab. You can change the default settings.



- 1 You can choose the file type from the pull-down list.
- 2 You can enter the file name you want to use for the document.
- 3 You can save the file to the default folder, or choose your preferred folder by clicking the  (**Browse**) button.
- 4 You can choose a scanning resolution from the **Resolution** pull-down list.
- 5 You can choose the document size from the **Document Size** pull-down list.

- 6 Click **OK**.

Scanning using the SCAN key

- 1 Load your document. (See *How to load documents* >> page 24.)
- 2 Press  (**SCAN**).
- 3 Press ▲ or ▼ to choose `Scan to PC`.
Press **OK**.
- 4 Press ▲ or ▼ to choose `File`.
Press **OK**.
- 5 (MFC-8810DW and MFC-8910DW)
If you want to change the duplex setting, press ▲ or ▼ to choose `1sided`, `2sided (L)edge` or `2sided (S)edge`.
Press **OK**.
- 6 (For Network users)
Press ▲ or ▼ to choose the destination computer you want to send to.
Press **OK**.
If the LCD prompts you to enter a PIN number, enter the 4-digit PIN number for the destination computer using the dial pad on the control panel.
Press **OK**.
- 7 Press ▲ or ▼ to choose `Start Scan`.
Press **OK**.
- 8 Press **Start**.
The machine starts the scanning process.



Note

The following scan modes are available:

Scan to:

- USB
- Network (Windows®)
- E-mail (Server) (For MFC-8810DW and MFC-8910DW) ¹
- Image (Scan to PC)
- OCR (Scan to PC)
- E-mail (Scan to PC)
- File (Scan to PC)
- FTP
- Web Service ² (Web Services Scan)

¹ Available for MFC-8510DN and MFC-8710DW if you download IFAX and E-mail options.

² Windows® users only. (Windows Vista® SP2 or later and Windows® 7)

See Software User's Guide: *Using Web Services for scanning on your network (Windows Vista® SP2 or greater and Windows® 7)*.

A

Routine maintenance

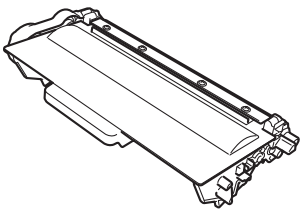
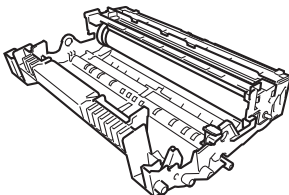
Replacing the consumable items

The following messages appear on the LCD in the Ready mode. These messages provide advanced warnings to replace the consumable items before they reach the end of their life. To avoid any inconvenience, you may want to buy spare consumable items before the machine stops printing.



Note

The drum unit and toner cartridge are two separate parts.

| Toner cartridge | Drum unit |
|--|---|
| See <i>Replacing the toner cartridge</i> >> page 68. Order No. TN-720, TN-750 | See <i>Replacing the drum unit</i> >> page 76. Order No. DR-720 |
|  |  |

| LCD messages | Consumable item to get ready | Approximate life | How to replace | Order No. |
|------------------------------|------------------------------|------------------------------|----------------|---------------------|
| Toner Low | Toner cartridge | 3,000 pages ^{1 2 3} | See page 68. | TN-720 ³ |
| Prepare New Toner Cartridge. | | 8,000 pages ^{1 2 4} | | TN-750 ⁴ |

¹ Letter or A4 size single-sided pages.

² Approx. cartridge yield is declared in accordance with ISO/IEC 19752.

³ Standard toner cartridge

⁴ High yield toner cartridge

You will need to clean the machine regularly and replace the consumable items when the following messages are displayed on the LCD.

| LCD messages | Consumable item to replace | Approximate life | How to replace | Order No. |
|------------------------------------|----------------------------|--|----------------|--|
| Replace Toner | Toner cartridge | 3,000 pages ^{1 2 5} 8,000 pages ^{1 2 6} | See page 68. | TN-720 ⁵ TN-750 ⁶ |
| Replace Parts Drum Drum Stop | Drum unit | 30,000 pages ^{1 3 4} | See page 77. | DR-720 |

¹ Letter or A4 size single-sided pages.

² Approx. cartridge yield is declared in accordance with ISO/IEC 19752.

³ 1 page per job.

⁴ Drum life is approximate and may vary by type of use.

⁵ Standard toner cartridge

⁶ High yield toner cartridge



Note

- Go to <http://www.brother.com/original/index.html> for instructions on how to return your used consumable items to the Brother collection program. If you choose not to return your used consumable, please discard the used consumable according to local regulations, keeping it separate from domestic waste. If you have questions, call your local waste disposal office.
- We recommend placing used consumable items on a piece of paper to prevent accidentally spilling or scattering the material inside.
- If you use paper that is not a direct equivalent for the recommended paper, the life of consumable items and machine parts may be reduced.
- The projected life for each of the toner cartridges is based on ISO/IEC 19752. Frequency of replacement will vary depending on the complexity of printed pages, percentage of coverage and type of media used.

Replacing the toner cartridge

Order No. TN-720, TN-750

The Standard toner cartridge can print approximately 3,000 pages¹. The High Yield toner cartridge can print approximately 8,000 pages¹. Actual page count will vary depending on your average type of document.

When the toner cartridge is running low, the LCD shows `Toner Low`.

The toner cartridge that comes supplied with the machine will need to be replaced after approximately 2,000 pages¹ for MFC-8510DN and approximately 3,000 pages¹ for MFC-8710DW, MFC-8810DW and MFC-8910DW.

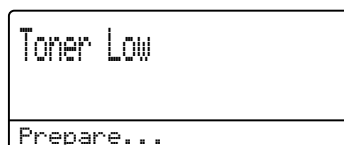
¹ Approx. cartridge yield is declared in accordance with ISO/IEC 19752.



Note

- It is a good idea to keep a new toner cartridge ready for use when you see the `Toner Low` warning.
- To ensure high quality printing, we recommend that you use only Genuine Brother Brand toner cartridges. When you want to buy toner cartridges, please call Brother Customer Service.
- If you print graphics, bold text, charts, Web pages with borders, and other types of printouts that consist of more than simple text, the amount of toner used will increase.
- We recommend that you clean the machine when you replace the toner cartridge. (See *Advanced User's Guide: Cleaning and checking the machine.*)
- If you change the print density setting for lighter or darker printing, the amount of toner used will change.
- Wait to unpack the toner cartridge until immediately before you put it into the machine.

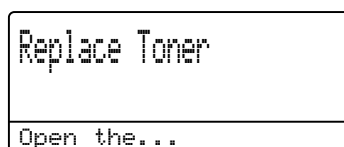
Toner Low



If the LCD shows `Toner Low`, buy a new toner cartridge and have it ready before you get a `Replace Toner` message.

Replace Toner

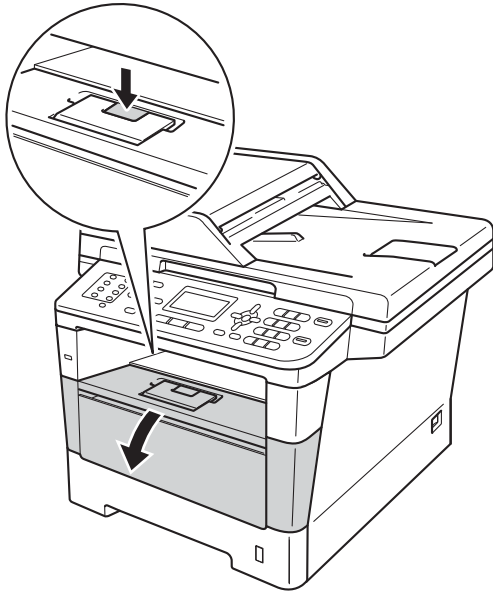
When the following message appears on the LCD, you need to replace the toner cartridge:



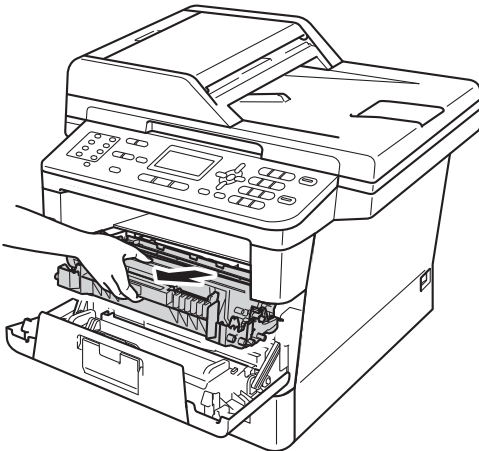
The machine will stop printing until you replace the toner cartridge. A new genuine Brother toner cartridge will reset the `Replace Toner` mode.

Replacing the toner cartridge

- 1 Leave the machine turned on for 10 minutes for the internal fan to cool the extremely hot parts inside the machine.
- 2 Press the front cover release button and then open the front cover.



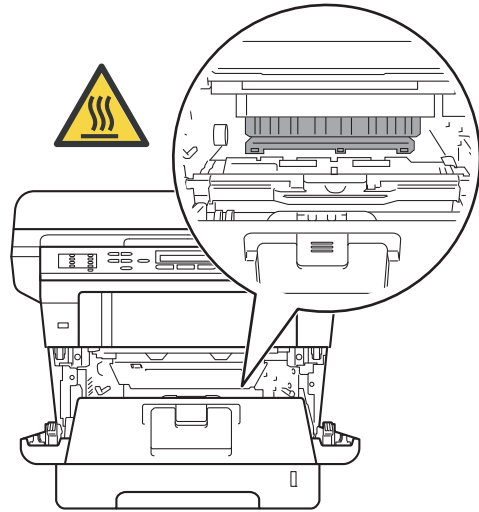
- 3 Take out the drum unit and toner cartridge assembly.



WARNING

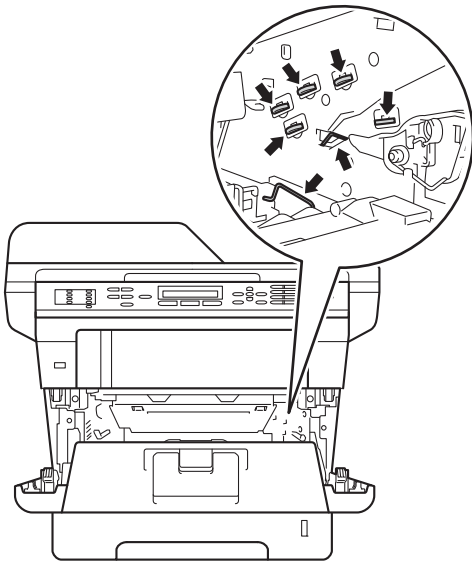
HOT SURFACE

After you have just used the machine, some internal parts of the machine will be extremely hot. Wait for the machine to cool down before you touch the internal parts of the machine.

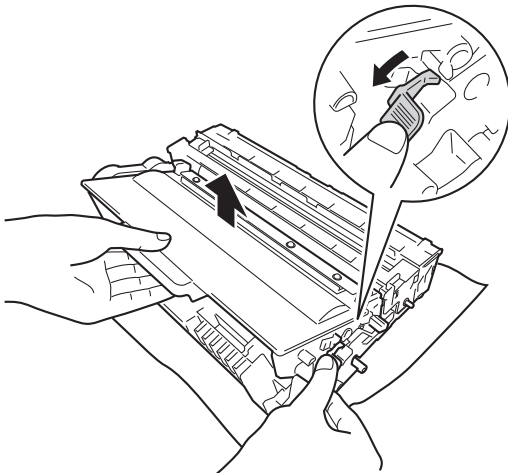


❗ Important

- We recommend that you place the drum unit and toner cartridge assembly on a clean, flat surface with a piece of disposable paper underneath it in case you accidentally spill or scatter toner.
- To prevent damage to the machine from static electricity, **DO NOT** touch the electrodes shown in the illustration.



- 4 Push down the green lock lever and take the toner cartridge out of the drum unit.



⚠ WARNING



- **DO NOT** put a toner cartridge or a toner cartridge and drum unit assembly into a fire. It could explode, resulting in injuries.
- **DO NOT** use flammable substances, any type of spray, or an organic solvent/liquid containing alcohol or ammonia to clean the inside or outside of the product. Doing so could cause a fire or electrical shock. Instead, use only a dry, lint-free cloth.

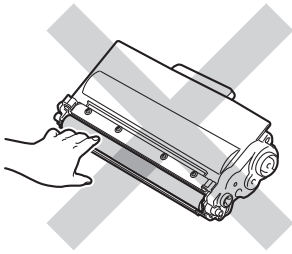
(See Product Safety Guide: *To use the product safely.*)



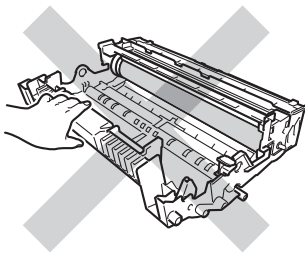
! Important

- Handle the toner cartridge carefully. If toner scatters on your hands or clothes, immediately wipe or wash it off with cold water.
- To avoid print quality problems, DO NOT touch the shaded parts shown in the illustrations.

<Toner cartridge>



<Drum unit>

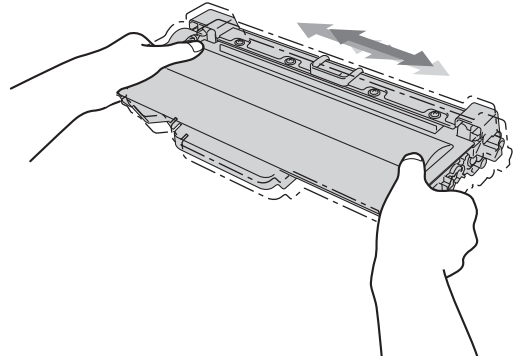


- We recommend that you place the toner cartridge on a clean, flat, level, stable surface with a sheet of disposable paper or cloth underneath it in case you accidentally spill or scatter toner.

✍ Note

- Be sure to seal up the used toner cartridge tightly in a suitable bag so that toner powder does not spill out of the cartridge.
- Go to <http://www.brother.com/original/index.html> for instructions on how to return your used consumable items to the Brother collection program. If you choose not to return your used consumable, please discard the used consumable according to local regulations, keeping it separate from domestic waste. If you have questions, call your local waste disposal office.

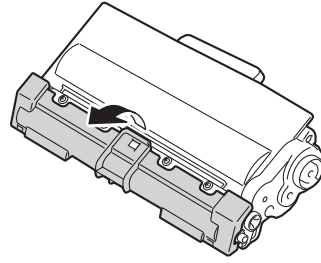
5. Unpack the new toner cartridge. Hold the cartridge level with both hands and gently shake it from side to side several times to spread the toner evenly inside the cartridge.



! Important

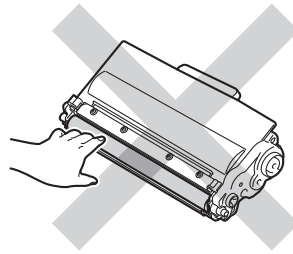
- Wait to unpack the new toner cartridge until immediately before you put it in the machine. If a toner cartridge is left unpacked for a long time, the toner life will be shortened.
- If an unpacked drum unit is put in direct sunlight or room light, the unit may be damaged.
- Brother strongly recommends that you DO NOT refill the toner cartridge provided with your machine. We also strongly recommend that you continue to use only Genuine Brother Brand replacement toner cartridges. Use or attempted use of third party toner and/or cartridges in the Brother machine may cause damage to the machine and/or may result in unsatisfactory print quality. In addition, use of third party toner and/or cartridges may trigger incorrect status messages, cause the printer to stop prematurely or otherwise malfunction. Our limited warranty coverage does not apply to any problem that is caused by the use of third party toner and/or cartridges. To protect your investment and obtain premium performance from the Brother machine, we strongly recommend the use of Genuine Brother Supplies.

- 6 Pull off the protective cover.

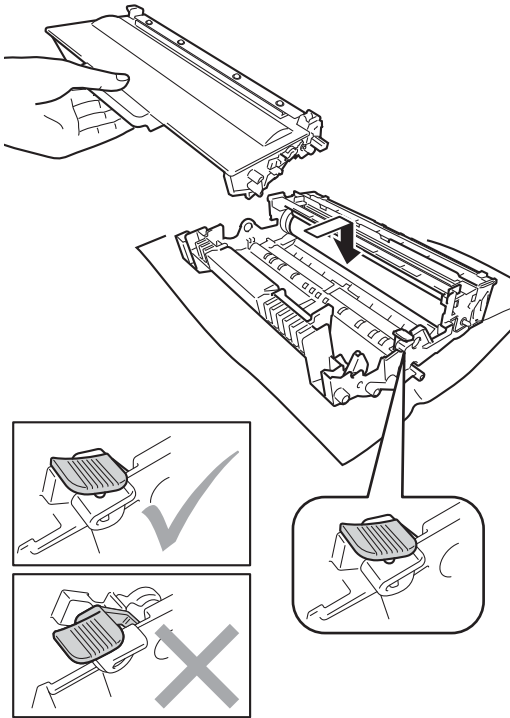


! Important

Put the toner cartridge in the drum unit immediately after you have removed the protective cover. To prevent any degradation to the print quality, DO NOT touch the shaded parts shown in the illustrations.

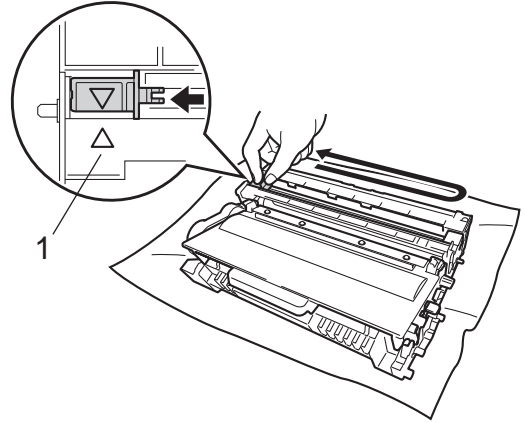


- 7 Put the new toner cartridge firmly into the drum unit until you hear it lock into place. If you put it in correctly, the green lock lever will lift automatically.



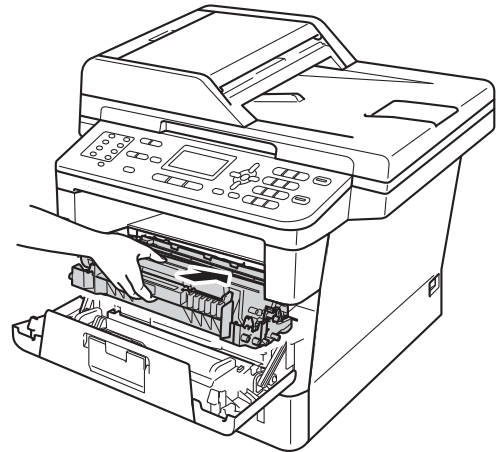
Note
Make sure that you put in the toner cartridge correctly or it may separate from the drum unit.

- 8 Clean the corona wire inside the drum unit by gently sliding the green tab from left to right and right to left several times.



Note
Be sure to return the tab to the home position (▲) (1). If you do not, printed pages may have a vertical stripe.

- 9 Put the drum unit and toner cartridge assembly back into the machine.



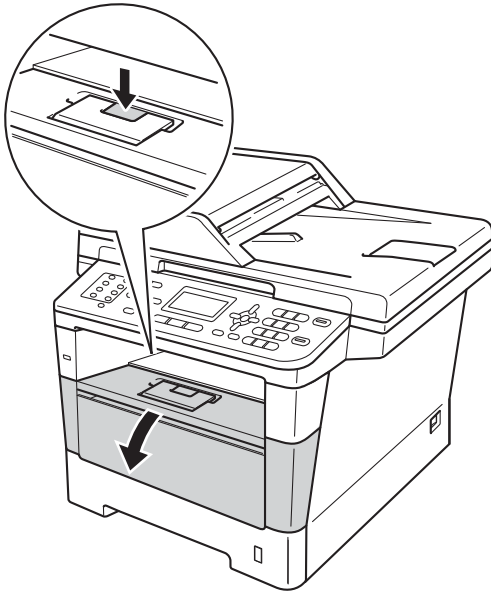
- 10 Close the front cover of the machine.

Note
After you replace a toner cartridge, DO NOT turn off the machine's power switch or open the front cover until the LCD clears the Please Wait message and returns to Ready mode.

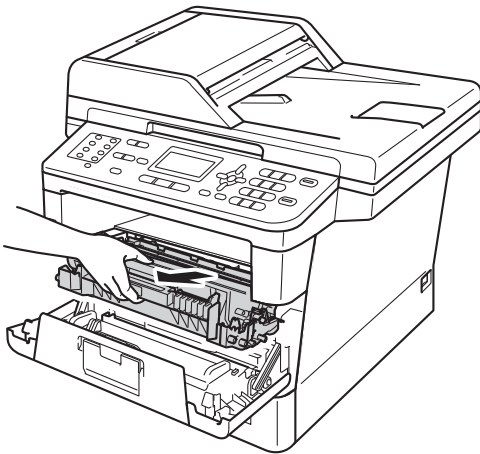
Cleaning the corona wire

If you have print quality problems, clean the corona wire as follows:

- 1 Leave the machine turned on for 10 minutes for the internal fan to cool the extremely hot parts inside the machine.
- 2 Press the front cover release button and then open the front cover.



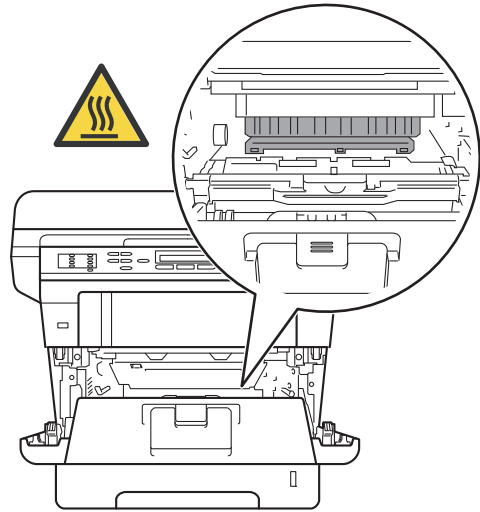
- 3 Take out the drum unit and toner cartridge assembly.



! WARNING

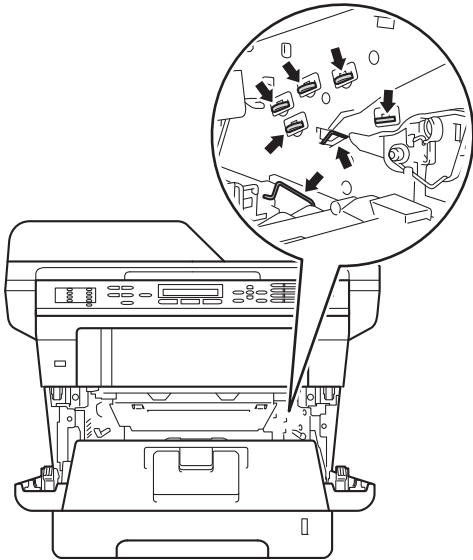
! HOT SURFACE

After you have just used the machine, some internal parts of the machine will be extremely hot. Wait for the machine to cool down before you touch the internal parts of the machine.

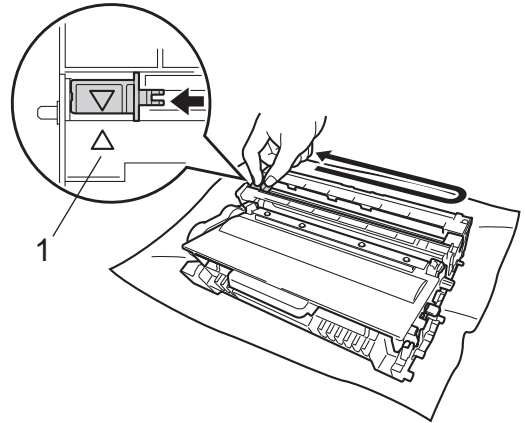


! Important

- We recommend that you put the drum unit and toner cartridge assembly on a piece of disposable paper or cloth in case you accidentally spill or scatter toner.
- Handle the drum unit and toner cartridge assembly carefully. If toner scatters on your hands or clothes, immediately wipe or wash it off with cold water.
- To prevent damage to the machine from static electricity, DO NOT touch the electrodes shown in the illustration.



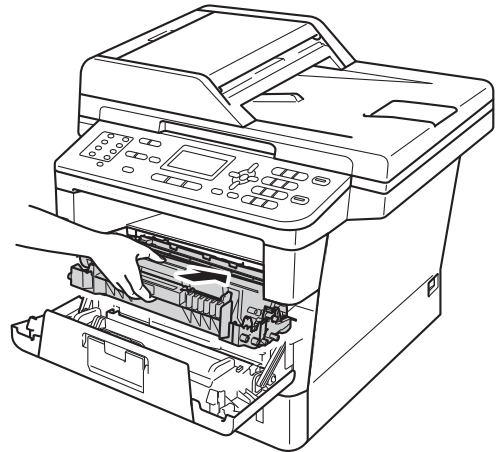
- 4** Clean the corona wire inside the drum unit by gently sliding the green tab from left to right and right to left several times.



Note

Be sure to return the tab to the home position (▲) (1). If you do not, printed pages may have a vertical stripe.

- 5** Put the drum unit and toner cartridge assembly back into the machine.



- 6** Close the front cover of the machine.

Replacing the drum unit

Order No. DR-720

A new drum unit can print approximately 30,000 Letter or A4 size single-sided pages.

Note

- There are many factors that determine the actual drum life, such as the temperature, humidity, type of paper, type of toner used and so on. Under ideal conditions, the average drum life is estimated at approximately 30,000 pages. The actual number of pages that your drum will print may be significantly less than this estimate. Because we have no control over the many factors that determine the actual drum life, we cannot guarantee a minimum number of pages that will be printed by your drum.
- For best performance, use only genuine Brother toner. The machine should be used only in a clean, dust-free environment with adequate ventilation.
- Printing with a non-Brother drum unit may reduce not only the print quality but also the quality and life of the machine itself. Warranty coverage does not apply to problems caused by the use of a non-Brother drum unit.

Drum Error



The corona wire has become dirty. Clean the corona wire in the drum unit. (See *Cleaning the corona wire* >> page 74.)

If you cleaned the corona wire and `Drum Error` was not cleared then the drum unit is at the end of its life. Replace the drum unit with a new one.

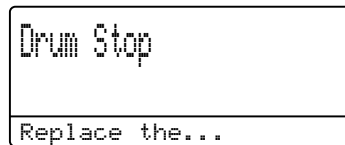
Replace Parts Drum



The drum unit has exceeded its rated life. Please replace the drum unit with a new one. We recommend a genuine Brother drum unit be installed at this time.

After replacement, reset the drum counter by following the instructions included with the new drum unit. (See *Resetting the drum counter* >> page 80.)

Drum Stop



We cannot guarantee the print quality. Please replace the drum unit with a new one. We recommend a genuine Brother drum unit be installed at this time.

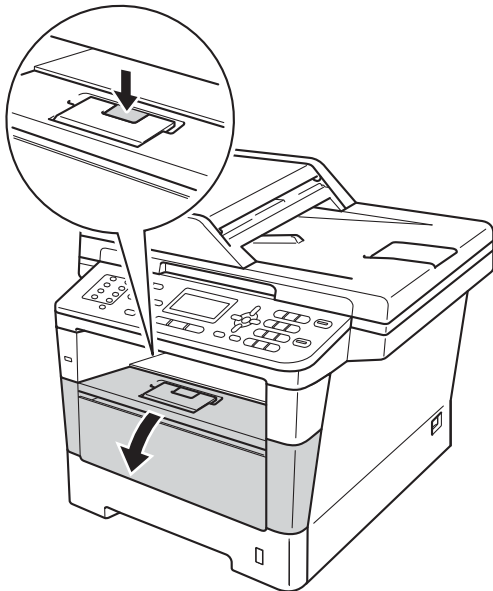
After replacement, reset the drum counter by following the instructions included with the new drum unit. (See *Resetting the drum counter* >> page 80.)

Replacing the drum unit

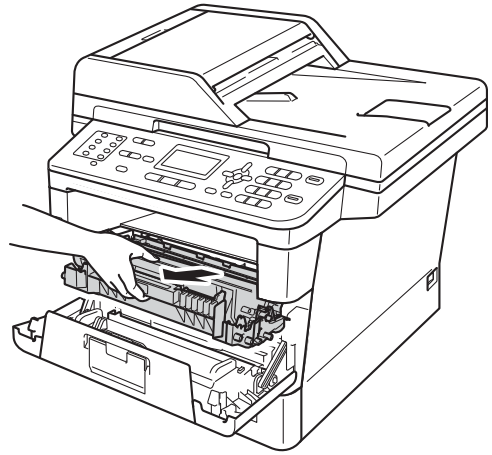
! Important

- While removing the drum unit, handle it carefully because it may contain toner. If toner scatters on your hands or clothes, immediately wipe or wash it off with cold water.
- Every time you replace the drum unit, clean the inside of the machine. (See *Advanced User's Guide: Cleaning and checking the machine.*)
- Wait to unpack the new drum unit immediately before you put it in the machine. Exposure to direct sunlight or room light may damage the drum unit.

- 1 Leave the machine turned on for 10 minutes for the internal fan to cool the extremely hot parts inside the machine.
- 2 Press the front cover release button and then open the front cover.



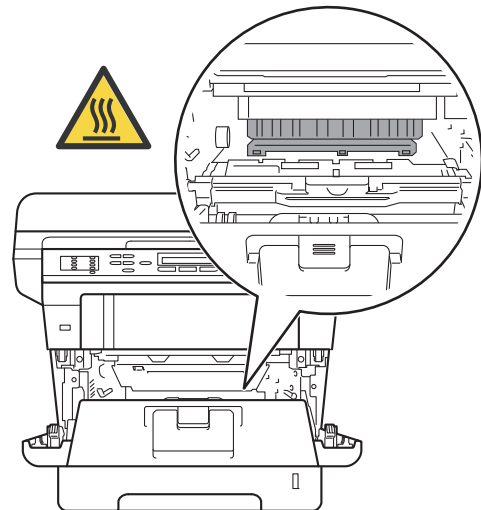
- 3 Take out the drum unit and toner cartridge assembly.



! WARNING

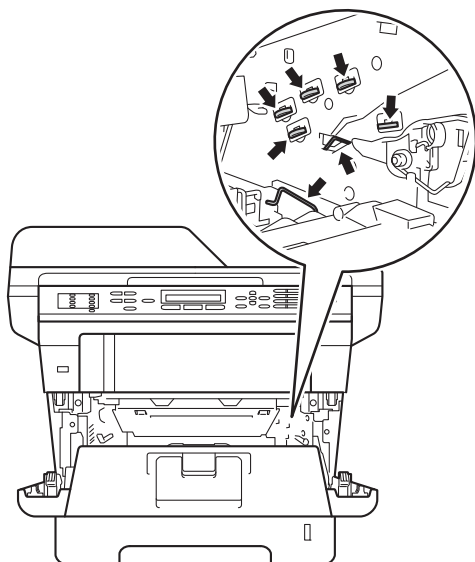
! HOT SURFACE

After you have just used the machine, some internal parts of the machine will be extremely hot. Wait for the machine to cool down before you touch the internal parts of the machine.

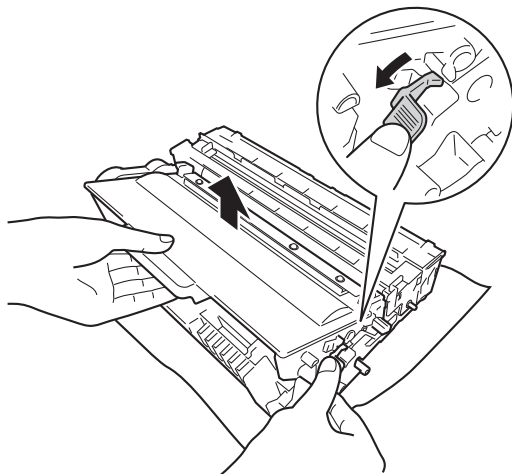


! Important

- We recommend that you place the drum unit and toner cartridge assembly on a clean, flat surface with a piece of disposable paper underneath it in case you accidentally spill or scatter toner.
- To prevent damage to the machine from static electricity, **DO NOT** touch the electrodes shown in the illustration.



- 4 Push down the green lock lever and take the toner cartridge out of the drum unit.



! WARNING



- **DO NOT** put a toner cartridge or a toner cartridge and drum unit assembly into a fire. It could explode, resulting in injuries.
- **DO NOT** use flammable substances, any type of spray, or an organic solvent/liquid containing alcohol or ammonia to clean the inside or outside of the product. Doing so could cause a fire or electrical shock. Instead, use only a dry, lint-free cloth.

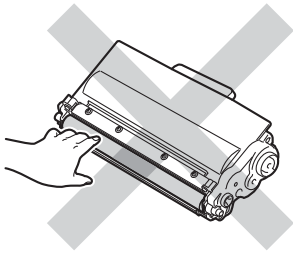
(See Product Safety Guide: *To use the product safely.*)



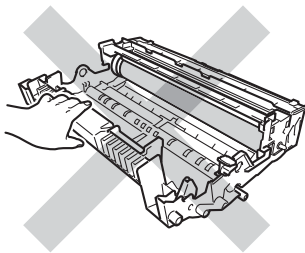
! Important

- Handle the toner cartridge carefully. If toner scatters on your hands or clothes, immediately wipe or wash it off with cold water.
- To avoid print quality problems, DO NOT touch the shaded parts shown in the illustrations.

<Toner cartridge>



<Drum unit>



- We recommend that you place the toner cartridge on a clean, flat, level, stable surface with a sheet of disposable paper or cloth underneath it in case you accidentally spill or scatter toner.

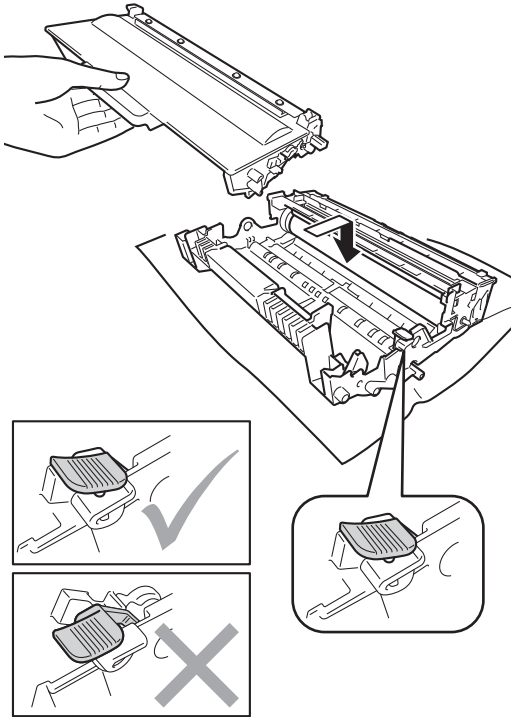


Note

- Be sure to seal up the used drum unit tightly in a suitable bag so that toner powder does not spill out of the drum unit.
- Go to <http://www.brother.com/original/index.html> for instructions on how to return your used consumable items to the Brother collection program. If you choose not to return your used consumable, please discard the used consumable according to local regulations, keeping it separate from domestic waste. If you have questions, call your local waste disposal office.

- 5 Unpack the new drum unit.

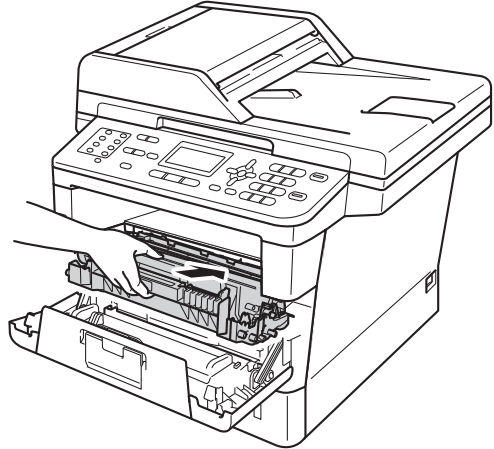
- 6 Put the toner cartridge firmly into the new drum unit until you hear it lock into place. If you put the cartridge in correctly, the green lock lever will lift automatically.



Note

Make sure that you put in the toner cartridge correctly or it may separate from the drum unit.

- 7 Put the drum unit and toner cartridge assembly back into the machine. Do not close the front cover of the machine.



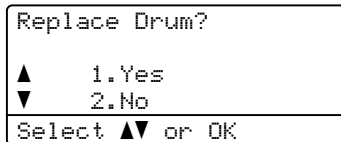
Resetting the drum counter

When you replace the drum unit with a new one, you need to reset the drum counter by completing the following steps.

! Important

Do not reset the drum counter when you only replace the toner cartridge.

- 1 With the front cover still open, press **Clear**.



- 2 To confirm you are installing a new drum, press **1**.
- 3 When the LCD shows *Accepted*, close the front cover of the machine.

If you think there is a problem with your machine, check each of the items below first and follow the troubleshooting tips.

You can correct most problems by yourself. If you need additional help, the Brother Solutions Center offers the latest FAQs and troubleshooting tips.

Visit us at <http://solutions.brother.com/>.

Identifying your problem

First, check the following:

- The machine's power cord is connected correctly and the machine's power switch is turned on. If the machine does not turn on after connecting the power cord, see *Other difficulties* >> page 113.
- All of the protective parts have been removed.
- Paper is inserted correctly in the paper tray.
- The interface cables are securely connected to the machine and the computer, or the wireless connection is set up on both the machine and your computer.
- LCD Messages
(See *Error and maintenance messages* >> page 83.)

If you did not solve your problem with the above checks, identify your problem and then go to the page suggested below.

Paper handling and Printing problems:

- *Printing difficulties* >> page 104
- *Paper handling difficulties* >> page 105
- *Printing received faxes* >> page 106

Telephone and Fax problems:

- *Telephone line or connections* >> page 107
- *Handling incoming calls* >> page 110
- *Receiving faxes* >> page 108
- *Sending faxes* >> page 109

Copying problems:

- *Copying difficulties* >> page 111

Scanning problems:

- *Scanning difficulties* >> page 111

Software and Network problems:

- *Software difficulties* >> page 111
- *Network difficulties* >> page 112

Error and maintenance messages

As with any sophisticated office product, errors may occur and consumable items may need to be replaced. If this happens, your machine identifies the error or required routine maintenance and shows the appropriate message. The most common error and maintenance messages are shown below.

You can correct most errors and perform routine maintenance by yourself. If you need more help, the Brother Solutions Center offers the latest FAQs and troubleshooting tips:

Visit us at <http://solutions.brother.com/>.

| Error Message | Cause | Action |
|---|---|---|
| Access Denied | The function you want to use is restricted by Secure Function Lock 2.0. | Contact your administrator to check your Secure Function Lock Settings. |
| Access Error | The device is removed from the USB direct interface while the data is processing. | Press Stop/Exit . Reinsert the device and try to print with Direct Print. |
| Cartridge Error Put the Toner Cartridge back in. | The toner cartridge is not installed correctly. | Pull out the drum unit and toner cartridge assembly, take out the toner cartridge, and put it back into the drum unit again. Put the drum unit and toner cartridge assembly back in the machine. |
| Comm.Error | Poor telephone line quality caused a communication error. | Send the fax again or connect the machine to another telephone line. If the problem continues, call the telephone company and ask them to check your telephone line. |
| Connection Fail | You tried to poll a fax machine that is not in Polled Waiting mode. | Check the other fax machine's polling setup. |
| Cooling Down Wait for a while | The temperature of the drum unit or toner cartridge is too hot. The machine will pause its current print job and go into cooling down mode. During the cooling down mode, you will hear the cooling fan running while the LCD shows Cooling Down, and Wait for a while . | Make sure that you can hear the fan in the machine spinning and that the exhaust outlet is not blocked by something. If the fan is spinning, remove any obstacles that surround the exhaust outlet, and then leave the machine turned on but do not use it for several minutes. If the fan is not spinning, disconnect the machine from the power for several minutes, then reconnect it. |

| Error Message | Cause | Action |
|----------------|--|--|
| Cover is Open | The front cover is not completely closed. | Close the front cover of the machine. |
| | The ADF cover is not completely closed. | Close the ADF cover of the machine. |
| | The ADF is open while loading a document. | Close the ADF cover of the machine, then press Stop/Exit . |
| | The fuser cover is not completely closed or paper was jammed in the back of the machine when you turned on the power. | <ul style="list-style-type: none"> ■ Close the fuser cover of the machine. ■ Make sure paper is not jammed inside the back of the machine, and then close the fuser cover and press Start. <p>(See <i>Paper is jammed at the back of the machine</i> >> page 95.)</p> |
| DIMM Error | <ul style="list-style-type: none"> ■ The DIMM is not installed correctly. ■ The DIMM is broken. ■ The DIMM does not meet the required specifications. | <ul style="list-style-type: none"> ■ Turn off the machine and remove the DIMM. (See <i>Advanced User's Guide: Installing extra memory</i>.) ■ Confirm the DIMM meets the required specifications. (See <i>Advanced User's Guide: Memory board</i>.) ■ Re-install the DIMM correctly. Wait a few seconds, and then turn it on again. ■ If this error message appears again, replace the DIMM with a new one. (See <i>Advanced User's Guide: Installing extra memory</i>.) |
| Disconnected | The other person or other person's fax machine stopped the call. | Try to send or receive again. |
| Document Jam | The document was not inserted or fed correctly, or the document scanned from the ADF was too long. | See <i>Document is jammed in the top of the ADF unit</i> >> page 91 or <i>Using the automatic document feeder (ADF)</i> >> page 24. |
| DR Mode in Use | The machine is set to Distinctive Ring mode. You cannot change the Receive Mode from Manual to another mode. | Set Distinctive Ring to OFF. (See <i>Turning off distinctive ring</i> >> page 40.) |
| Drum Error | The corona wire on the drum unit needs to be cleaned. | Clean the corona wire on the drum unit. (See <i>Cleaning the corona wire</i> >> page 74.) |
| | The toner cartridge is placed in the machine without the drum unit. | Put the toner cartridge into the drum unit, and then re-install the drum unit and toner cartridge assembly in the machine. |

| Error Message | Cause | Action |
|--------------------------|---|--|
| Drum Stop | It is time to replace the drum unit. | Replace the drum unit. (See <i>Replacing the drum unit</i> >> page 77.) |
| Duplex Disabled | The back of the machine is not closed completely. | Close the back cover of the machine. |
| Fuser Error | The temperature of the fuser unit does not rise to a specified temperature within the specified time. | Turn the power switch off, wait a few seconds, and then turn it on again. Leave the machine idle for 15 minutes with the power on. |
| | The fuser unit is too hot. | |
| Jam Duplex | The paper is jammed in the duplex tray or the fuser unit. | See <i>Paper is jammed in the duplex tray</i> >> page 102. |
| Jam Inside | The paper is jammed inside the machine. | See <i>Paper is jammed inside the machine</i> >> page 98. |
| | The toner cartridge is placed in the machine without the drum unit. | Put the toner cartridge into the drum unit, and then re-install the drum unit and toner cartridge assembly in the machine. |
| Jam MP Tray | The paper is jammed in the MP tray of the machine. | See <i>Paper is jammed in the MP tray</i> >> page 93. |
| Jam Rear | The paper is jammed in the back of the machine. | See <i>Paper is jammed at the back of the machine</i> >> page 95. |
| Jam Tray 1 Jam Tray 2 | The paper is jammed in the paper tray of the machine. | See <i>Paper is jammed in paper tray 1 or tray 2</i> >> page 94. |
| Limit Exceeded | The printing limit set by Secure Function Lock 2.0 was reached. | Contact your administrator to check your Secure Function Lock Settings. |
| Log Access Error | The machine could not access the print log file in the server. | Contact your administrator to check the Store Print Log to Network settings. For detailed information >> Network User's Guide: <i>Store Print Log to Network</i> |
| Manual Feed | Manual was selected as the paper source when there was no paper in the MP tray. | Place paper in the MP tray. If the machine is in Pause mode, press Start . (See <i>Loading paper in the multi-purpose tray (MP tray)</i> >> page 11.) |
| No HUB Support | A USB hub device is connected to the USB direct interface. | Disconnect the USB hub device from the USB direct interface. |
| No Paper | The machine is out of paper in the specified tray or all trays, or paper is not correctly loaded in the paper tray. | Do one of the following: <ul style="list-style-type: none"> ■ Refill paper in the paper tray shown on the LCD. Make sure the paper guides are set to the correct size. ■ Remove the paper and load it again. Make sure the paper guides are set to the correct size. |



| Error Message | Cause | Action |
|------------------|---|---|
| No Response/Busy | The number you dialed does not answer or is busy. | Verify the number and try again. |
| No Toner | The toner cartridge or the drum unit and toner cartridge assembly is not installed correctly. | <p>Remove the drum unit and toner cartridge assembly, remove the toner cartridge from the drum unit, and re-install the toner cartridge back into the drum unit again. Re-install the drum unit and toner cartridge assembly back in the machine. If the problem continues, replace the toner cartridge.</p> <p>(See <i>Replacing the toner cartridge</i> >> page 68.)</p> |
| No Tray | The standard paper tray is not installed or not installed correctly. | Re-install the standard paper tray. |
| Not Available | The requested function is not permitted to all User IDs by Secure Function Lock 2.0. | Contact your administrator to check your Secure Function Lock Settings. |
| Out of Memory | The machine's memory is full. | <p>Fax sending or copy operation in process</p> <p>Do one of the following:</p> <ul style="list-style-type: none"> ■ Press Start to send or copy the scanned pages. ■ Press Stop/Exit and wait until the other operations in progress finish, and then try again. ■ Clear the faxes from the memory. <ul style="list-style-type: none"> Print the faxes that are stored in the memory to restore the memory to 100%. Then turn off Fax Storage to avoid storing more faxes in the memory. (See <i>Advanced User's Guide: Printing a fax from the memory and Fax Storage.</i>) ■ Add optional memory. <ul style="list-style-type: none"> (See <i>Advanced User's Guide: Memory board.</i>) <p>Print operation in process</p> <p>Do one of the following:</p> <ul style="list-style-type: none"> ■ Reduce the print resolution. <ul style="list-style-type: none"> (See <i>Software User's Guide: Printing (for Windows®) or Printing and Faxing (for Macintosh).</i>) ■ Clear the faxes from the memory. <ul style="list-style-type: none"> (See the above explanation.) |

| Error Message | Cause | Action |
|---|--|---|
| Out of Memory Secure Print Data is full. | The machine's memory is full. | Press Stop/Exit and delete the previously stored secure print data. See Software User's Guide: <i>Secure Print Key</i> . |
| Print Unable XX | The machine has a mechanical problem. | Do one of the following: <ul style="list-style-type: none"> ■ Turn the power switch off, wait a few minutes, and then turn it on again. (See <i>Transferring your faxes or Fax Journal report</i> >> page 90.) ■ If the problem continues, call Brother Customer Service. |
| Protected Device | The protect switch of the USB Flash memory drive is on. | Turn off the protect switch of the USB Flash memory drive. |
| Rename the File | There is already a file on the USB Flash memory drive with the same name as the file you are trying to save. | Change the file name of the file on the USB Flash memory drive or the file you are trying to save. |
| Replace Parts Drum | It is time to replace the drum unit. | Replace the drum unit. (See <i>Replacing the drum unit</i> >> page 77.) |
| | The drum unit counter was not reset when a new drum was installed. | Reset the drum unit counter. (See <i>Replacing the drum unit</i> >> page 77.) |
| Replace Parts Fuser Unit | It is time to replace the fuser unit. | Call Brother Customer Service or a Brother Authorized Service Center to replace the fuser unit. To replace Fuser Unit call Brother Customer Service at: 1-877-BROTHER (1-877-276-8437) (in USA) 1-877-BROTHER (in Canada) or to locate a Brother Authorized Service Center, visit us at: http://www.brother-usa.com/service/ |
| Replace Parts Laser Unit | It is time to replace the laser unit. | Call Brother Customer Service or a Brother Authorized Service Center to replace the laser unit. To replace Laser Unit call Brother Customer Service at: 1-877-BROTHER (1-877-276-8437) (in USA) 1-877-BROTHER (in Canada) or to locate a Brother Authorized Service Center, visit us at: http://www.brother-usa.com/service/ |



| Error Message | Cause | Action |
|--|--|---|
| Replace Parts PF Kit 1 PF Kit 2 PF Kit MP | It is time to replace the paper feeding kit. | Call Brother Customer Service or a Brother Authorized Service Center to replace the PF Kit. To replace PF Kit call Brother Customer Service at: 1-877-BROTHER (1-877-276-8437) (in USA) 1-877-BROTHER (in Canada) or to locate a Brother Authorized Service Center, visit us at: http://www.brother-usa.com/service/ |
| Replace Toner | The toner cartridge is at the end of its life. The machine will stop all print operations. While memory is available, faxes will be stored in the memory. | Replace the toner cartridge. (See <i>Replacing the toner cartridge</i> >> page 68.) |
| Scan Unable XX | The machine has a mechanical problem. | <ul style="list-style-type: none"> ■ Turn the power switch off, and then turn it on again. (See <i>Transferring your faxes or Fax Journal report</i> >> page 90.) ■ If the problem continues, call Brother Customer Service. |
| | Document is too long for duplex scanning. | Press Stop/Exit . Use the suitable size of paper for duplex scanning. (See <i>Print media</i> >> page 175.) |
| Size Error | The paper size defined in the printer driver is not usable for the tray you use. | Choose a paper size which is supported by the tray shown on the LCD. (See <i>Paper Size</i> >> page 16.) |
| Size Error DX | The paper size defined in the printer driver and the control panel menu is not available for automatic duplex printing. | Press Stop/Exit . Choose a paper size which is supported by the duplex tray. The paper size you can use for automatic duplex printing is Letter, Legal or Folio. |
| | The paper in the tray is not correct size and is not usable for automatic duplex printing. | Load the correct size of paper in the tray and set the "Paper Size" (Menu, 1, 2, 2). The paper size you can use for automatic duplex printing is Letter, Legal or Folio. |
| Size mismatch | The paper in the tray is not the correct size. | Load the correct size of paper in the tray and set the "Paper Size" (Menu, 1, 2, 2). (See <i>Paper Size</i> >> page 16.) |
| Toner Low | If the LCD shows Toner Low you can still print; however, the machine is telling you that the toner cartridge is near the end of its life. | Order a new toner cartridge now so a replacement toner cartridge will be available when the LCD shows Replace Toner . |

| Error Message | Cause | Action |
|---|---|--|
| Too Many Files | There are too many files stored on the USB Flash memory drive. | Reduce the number of files stored on the USB Flash memory drive. |
| Unusable Device Remove the Device. Turn the power off and back on again. | A defective USB device or a high power consumption USB device has been connected to the USB direct interface. | Unplug the device from the USB direct interface. Turn the machine off and then on again. |
| Unusable Device | A USB device or USB Flash memory drive that is encrypted or not supported has been connected to the USB direct interface. | Unplug the device from the USB direct interface. (See the specifications for supported USB Flash memory drives in <i>Printing data from a USB Flash memory drive or digital camera supporting mass storage</i> ►► page 55.) |
| Wrong Paper Size | The machine cannot find paper of the same size in another tray when the paper tray in use has run out of paper during a copy operation. | Load the paper in the paper tray shown on the LCD. |

Transferring your faxes or Fax Journal report

If the LCD shows:

- Print Unable XX
- Scan Unable XX

We recommend transferring your faxes to another fax machine or to your PC. (See *Transferring faxes to another fax machine* >> page 90 or *Transferring faxes to your PC* >> page 90.)

You can also transfer the Fax Journal report to see if there are any faxes you need to transfer. (See *Transferring the Fax Journal report to another fax machine* >> page 90.)



Note

If there is an error message on the machine's LCD, after the faxes have been transferred, disconnect the machine from the power source for several minutes, and then reconnect it.

Transferring faxes to another fax machine

If you have not set up your Station ID, you cannot enter fax transfer mode. (See Quick Setup Guide: *Set your Station ID.*)

- 1 Press **Menu, 9, 0, 1.**
- 2 Do one of the following:
 - If the LCD shows **No Data**, there are no faxes left in the machine's memory. Press **Stop/Exit.**
 - Enter the fax number to which faxes will be forwarded.
- 3 Press **Start.**

Transferring faxes to your PC

You can transfer the faxes from your machine's memory to your PC.

- 1 Make sure that you have installed **MFL-Pro Suite** on your PC, and then turn on **PC-Fax Receiving** on the PC. (See Software User's Guide: *PC-FAX receiving.*)
From the Windows® **Start** menu, select **All Programs, Brother, MFC-XXXX, PC-Fax Receiving**, and select **Receive.** (XXXX is your model name.)
- 2 Make sure that you have set **PC Fax Receive** on the machine. (See *PC-FAX Receive (For Windows® only)* >> page 35.)
If faxes are in the machine's memory when you set up PC-Fax Receive, the LCD will ask if you want to transfer the faxes to your PC.
- 3 Do one of the following:
 - To transfer all faxes to your PC, press **1.** You will be asked if you want a backup print.
 - To exit and leave the faxes in the memory, press **2.**
- 4 Press **Stop/Exit.**

Transferring the Fax Journal report to another fax machine

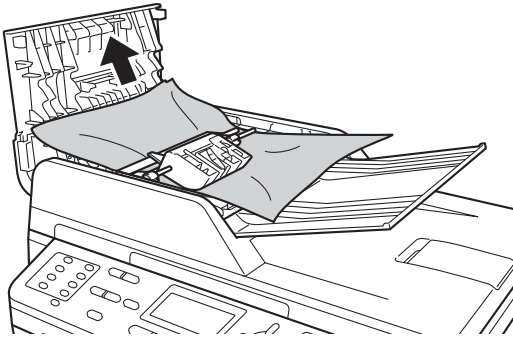
If you have not set up your Station ID, you cannot enter fax transfer mode. (See Quick Setup Guide: *Set your Station ID.*)

- 1 Press **Menu, 9, 0, 2.**
- 2 Enter the fax number to which the Fax Journal report will be forwarded.
- 3 Press **Start.**

Document Jams

Document is jammed in the top of the ADF unit

- 1 Take out any paper from the ADF that is not jammed.
- 2 Open the ADF cover.
- 3 Pull the jammed document out to the left.

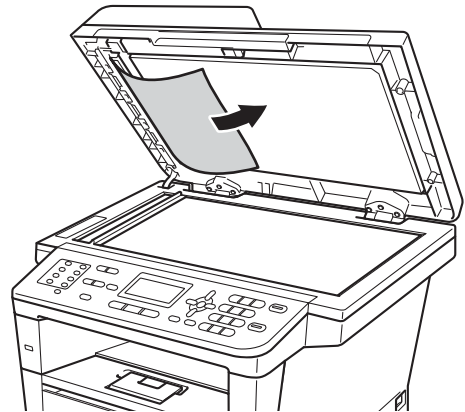


If the document rips or tears, be sure you remove all small paper scraps to prevent future jams.

- 4 Close the ADF cover.
- 5 Press **Stop/Exit**.

Document is jammed under the document cover

- 1 Take out any paper from the ADF that is not jammed.
- 2 Lift the document cover.
- 3 Pull the jammed document out to the right.

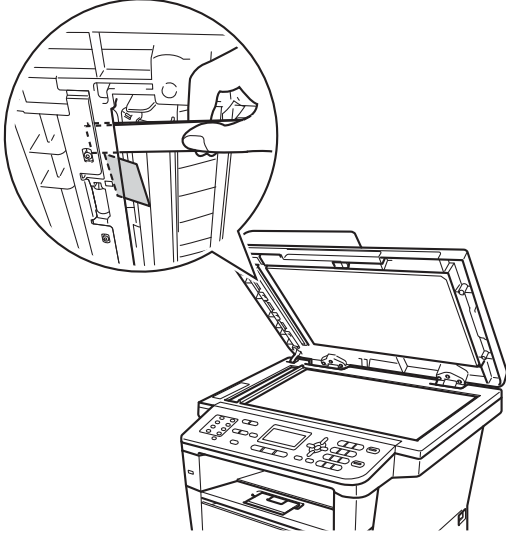


If the document rips or tears, be sure you remove all small paper scraps to prevent future jams.

- 4 Close the document cover.
- 5 Press **Stop/Exit**.

Removing small documents jammed in the ADF

- 1 Lift the document cover.
- 2 Insert a piece of stiff paper, such as cardstock, into the ADF to push any small paper scraps through.



- 3 Close the document cover.
- 4 Press **Stop/Exit**.

Document is jammed at the output tray

- 1 Take out any paper from the ADF that is not jammed.
- 2 Pull the jammed document out to the right.



- 3 Press **Stop/Exit**.

Paper Jams

Always remove all paper from the paper tray and straighten the stack when you add new paper. This helps prevent multiple sheets of paper from feeding through the machine at one time and prevents paper jams.

Paper is jammed in the MP tray

If the LCD shows **Jam MP Tray**, follow these steps:

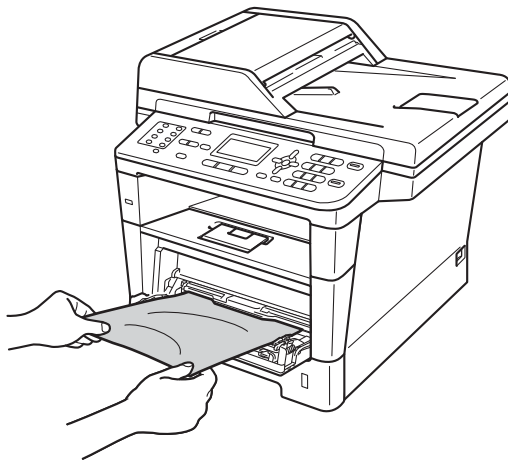
- 1 Remove the paper from the MP tray.



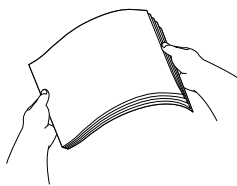
Note

DO NOT use a sharp object to remove jammed paper as it may damage the internal parts.

- 2 Remove any jammed paper from in and around the MP tray.



- 3 Fan the paper stack, and then put it back in the MP tray.



- 4 When loading paper in the MP tray, make sure that the paper stays under the maximum paper height guides (1) on both sides of the tray.



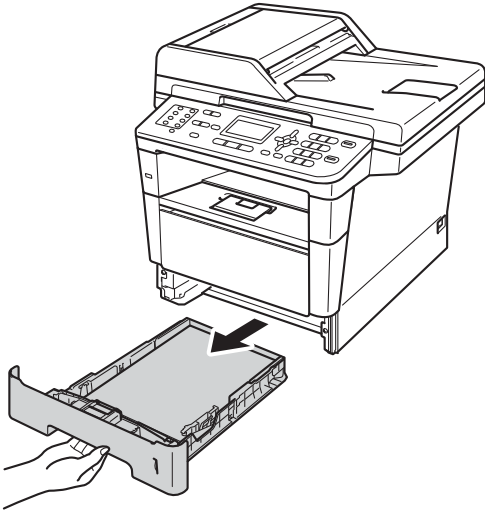
- 5 Press **Start** to resume printing.

Paper is jammed in paper tray 1 or tray 2

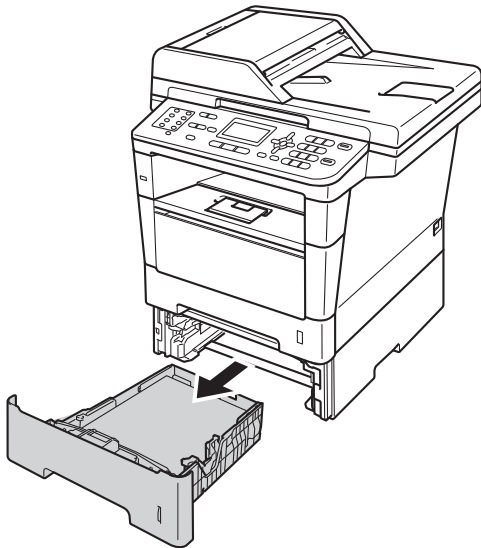
If the LCD shows Jam Tray 1 or Jam Tray 2, follow these steps:

- 1 Pull the paper tray completely out of the machine.

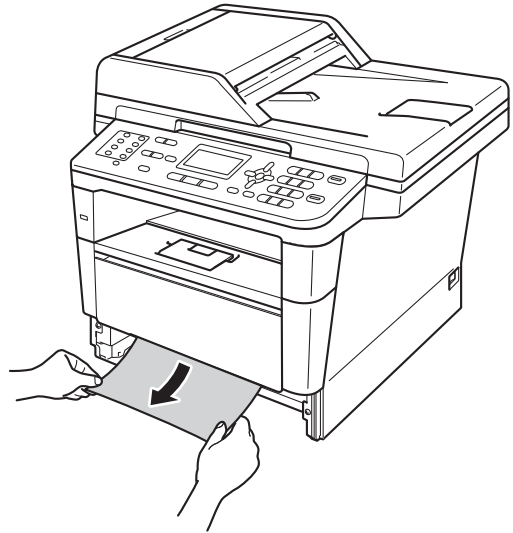
For Jam Tray 1:



For Jam Tray 2:



- 2 Use both hands to slowly pull out the jammed paper.



Note

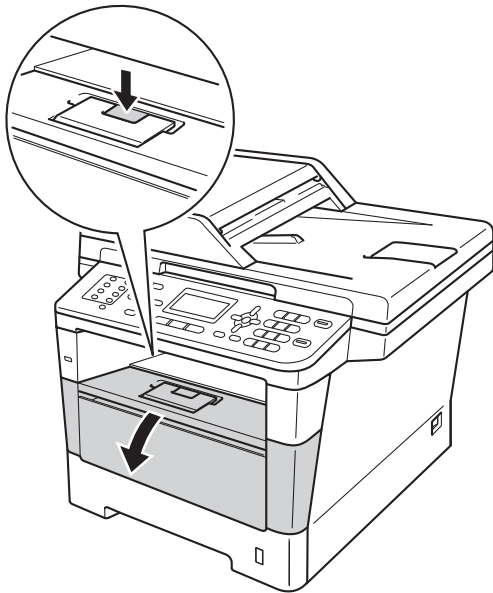
- DO NOT use a sharp object to remove jammed paper as it may damage the internal parts.
- Pulling the jammed paper downward allows you to remove the paper easier.

- 3 Make sure that the paper is below the maximum paper mark (▼▼▼) in the paper tray. While pressing the green paper-guide release lever, slide the paper guides to fit the paper size. Make sure that the guides are firmly in the slots.
- 4 Put the paper tray firmly back in the machine.

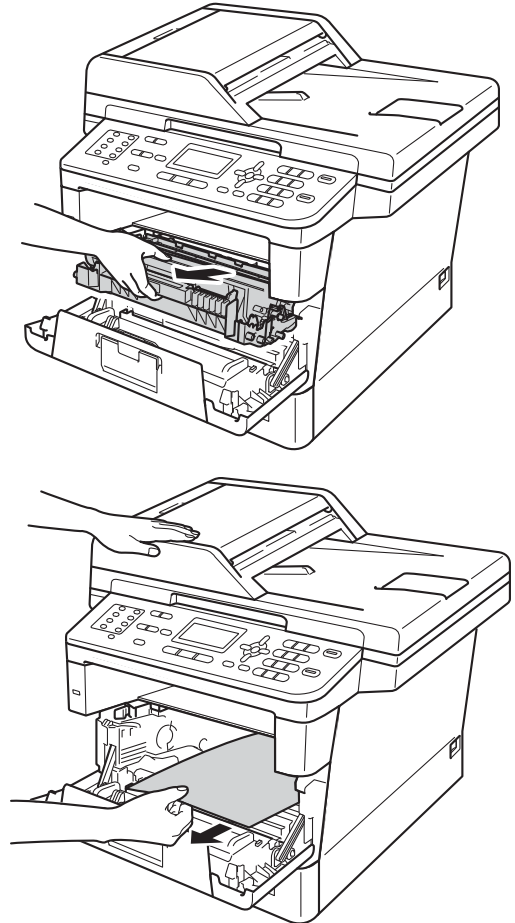
Paper is jammed at the back of the machine

If the LCD shows **Jam Rear**, a paper jam occurred behind the back cover. Follow these steps:

- 1 Leave the machine turned on for 10 minutes for the internal fan to cool the extremely hot parts inside the machine.
- 2 Press the front cover release button and then open the front cover.



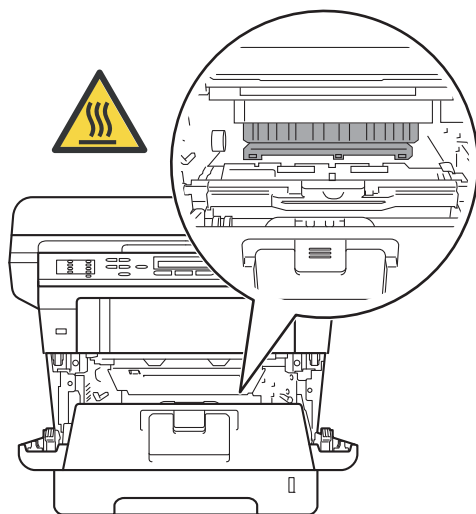
- 3 Slowly take out the drum unit and toner cartridge assembly. The jammed paper may be pulled out with the drum unit and toner cartridge assembly, or this may release the paper so you can pull it out from inside of the machine.



WARNING

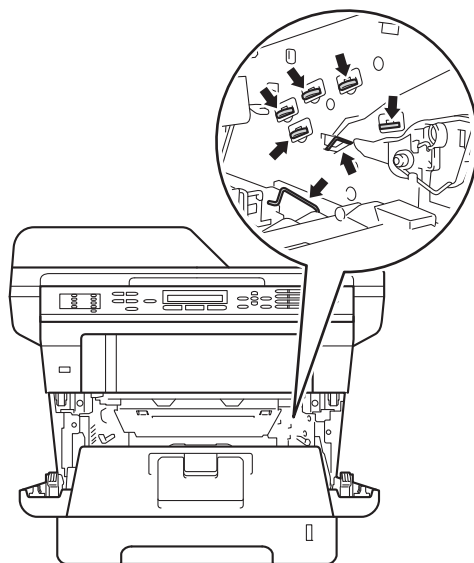
HOT SURFACE

After you have just used the machine, some internal parts of the machine will be extremely hot. Wait for the machine to cool down before you touch the internal parts of the machine.



Important

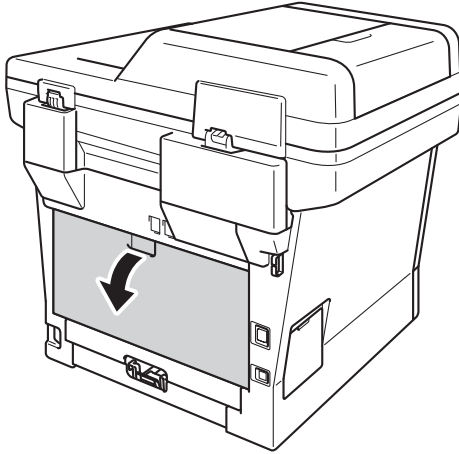
- We recommend that you put the drum unit and toner cartridge assembly on a piece of disposable paper or cloth in case you accidentally spill or scatter toner.
- Handle the drum unit and toner cartridge assembly carefully. If toner scatters on your hands or clothes, immediately wipe or wash it off with cold water.
- To prevent damage to the machine from static electricity, **DO NOT** touch the electrodes shown in the illustration.



Note

DO NOT use a sharp object to remove jammed paper as it may damage the internal parts.

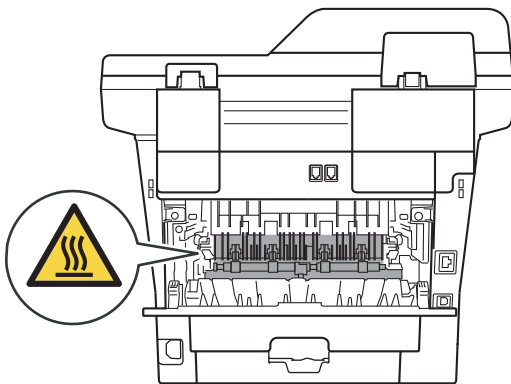
- 4 Open the back cover.



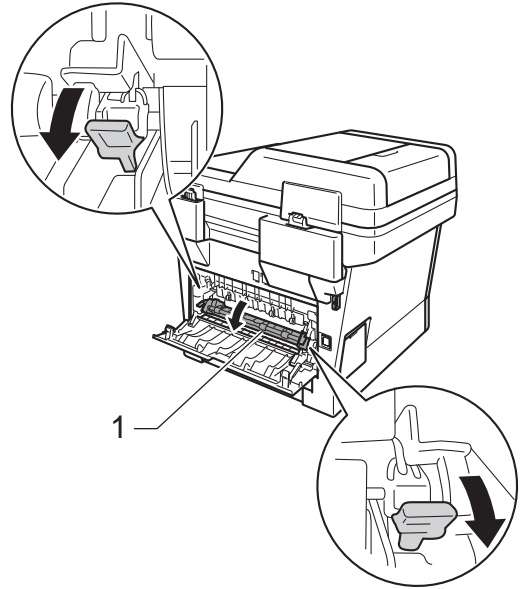
⚠ WARNING

🔥 HOT SURFACE

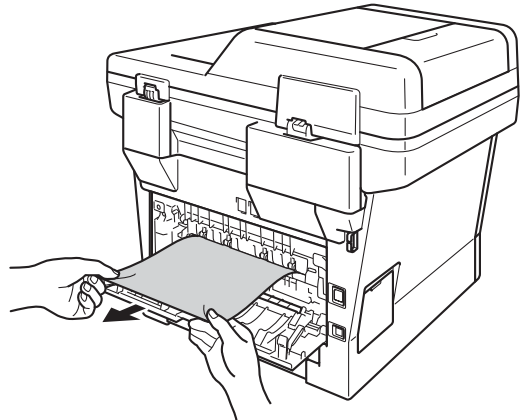
After you have just used the machine, some internal parts of the machine will be extremely hot. Wait for the machine to cool down before you touch the internal parts of the machine.



- 5 Pull the green tabs at the left and right hand sides toward you and fold down the fuser cover (1).



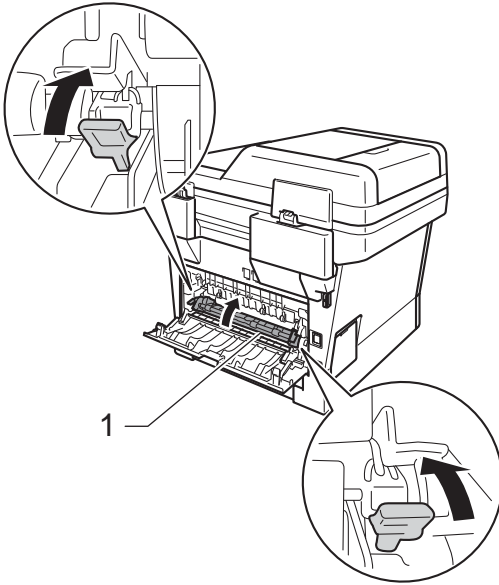
- 6 Using both hands, gently pull the jammed paper out of the fuser unit.



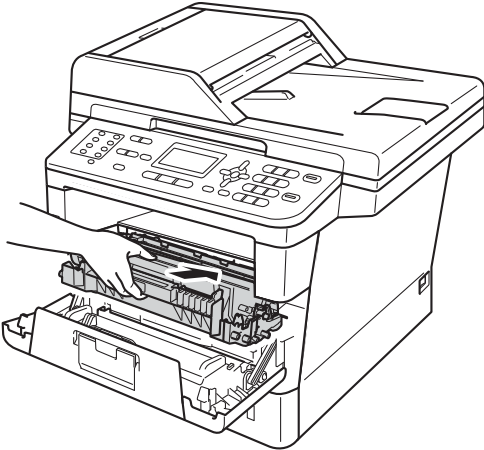
Note

DO NOT use a sharp object to remove jammed paper as it may damage the internal parts.

- 7 Close the fuser cover (1).



- 8 Close the back cover.
- 9 Put the drum unit and toner cartridge assembly back into the machine.

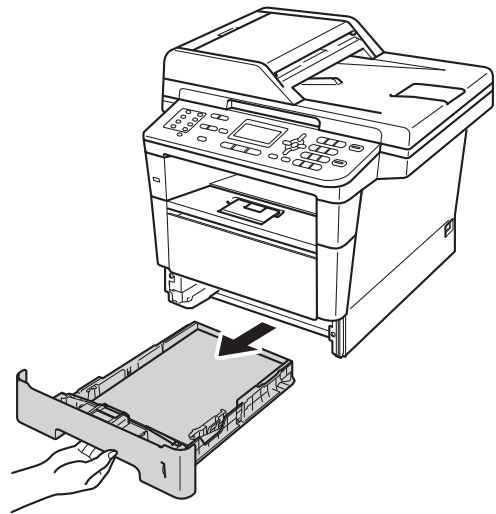


- 10 Close the front cover of the machine.

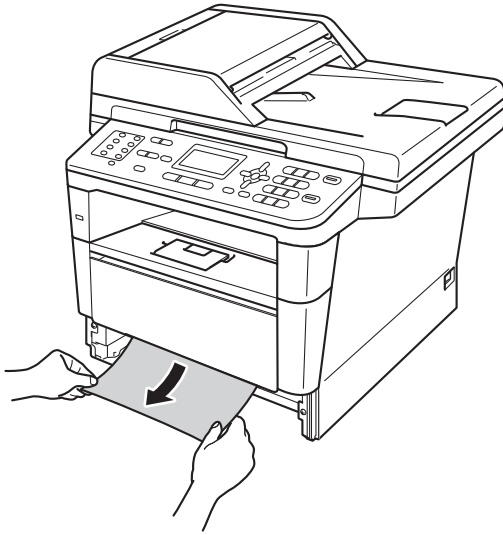
Paper is jammed inside the machine

If the LCD shows `Jam Inside`, follow these steps:

- 1 Leave the machine turned on for 10 minutes for the internal fan to cool the extremely hot parts inside the machine.
- 2 Pull the paper tray completely out of the machine.



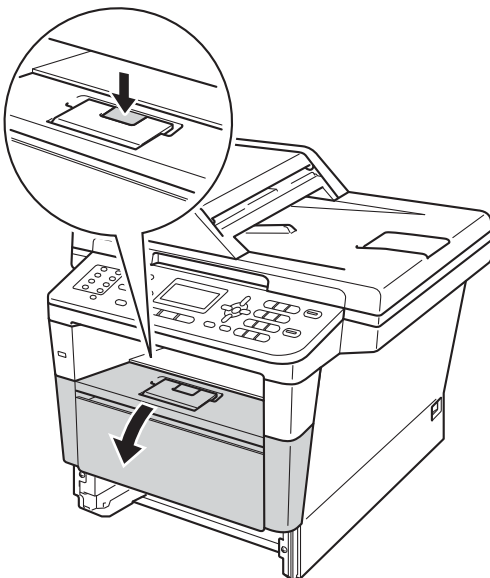
- 3 Use both hands to slowly pull out the jammed paper.



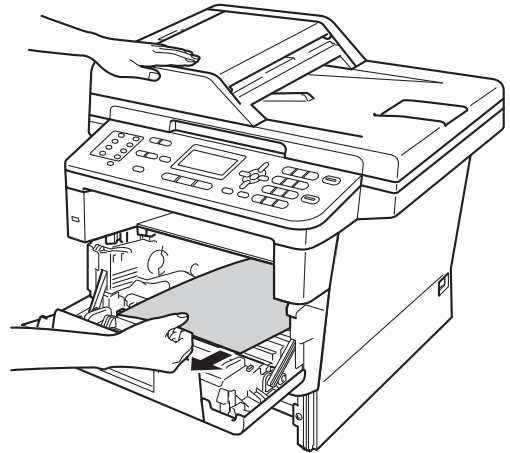
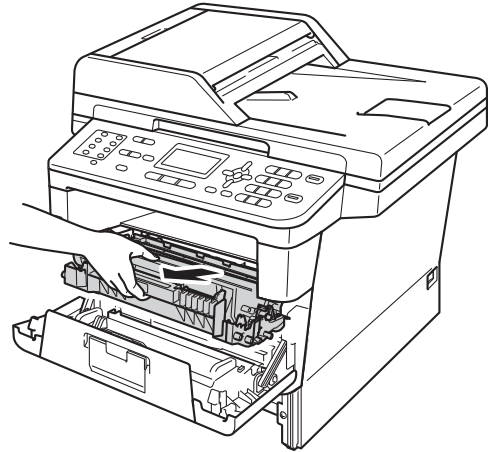
Note

- DO NOT use a sharp object to remove jammed paper as it may damage the internal parts.
- Pulling the jammed paper downward allows you to remove the paper easier.

- 4 Press the front cover release button and then open the front cover.



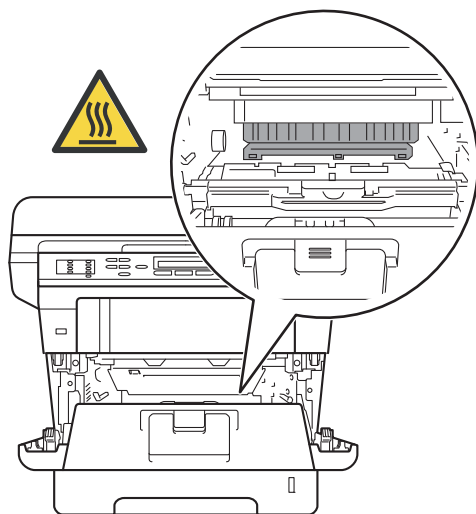
- 5 Slowly take out the drum unit and toner cartridge assembly. The jammed paper may be pulled out with the drum unit and toner cartridge assembly, or this may release the paper so you can pull it out from inside of the machine.



WARNING

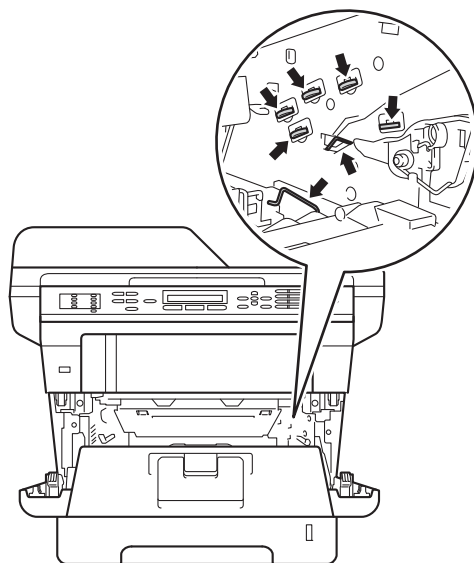
HOT SURFACE

After you have just used the machine, some internal parts of the machine will be extremely hot. Wait for the machine to cool down before you touch the internal parts of the machine.



Important

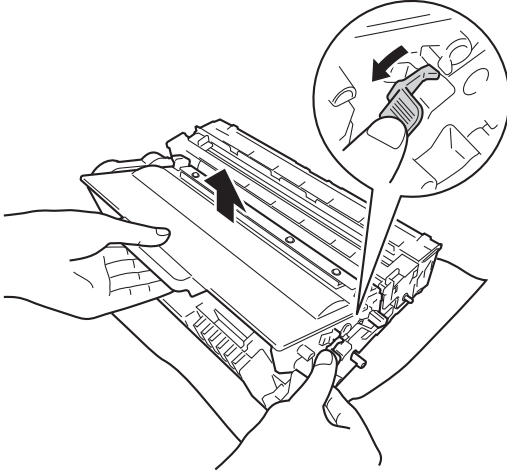
- We recommend that you put the drum unit and toner cartridge assembly on a piece of disposable paper or cloth in case you accidentally spill or scatter toner.
- Handle the drum unit and toner cartridge assembly carefully. If toner scatters on your hands or clothes, immediately wipe or wash it off with cold water.
- To prevent damage to the machine from static electricity, **DO NOT** touch the electrodes shown in the illustration.



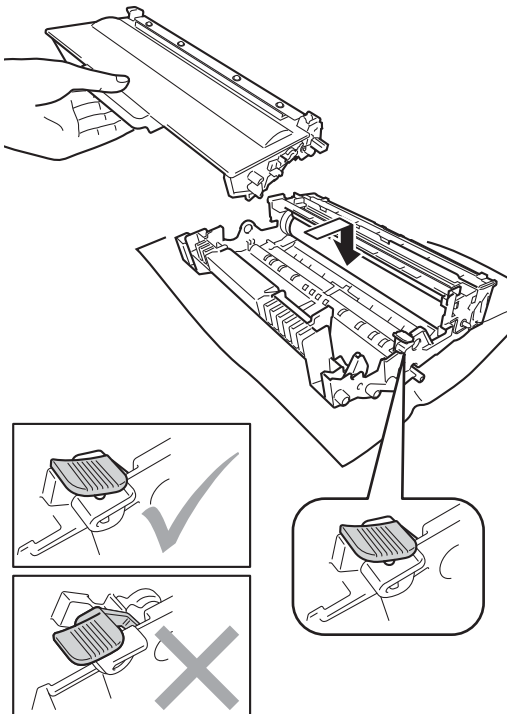
Note

- **DO NOT** use a sharp object to remove jammed paper as it may damage the internal parts.
- The drum unit and toner cartridge are two separate parts. Make sure both are installed as an assembly. If the toner cartridge is placed in the machine without the drum unit, the messages **Drum Error** or **Jam Inside** may be displayed.

- 6 Push down the green lock lever and take the toner cartridge out of the drum unit. Remove the jammed paper if there is any inside the drum unit.



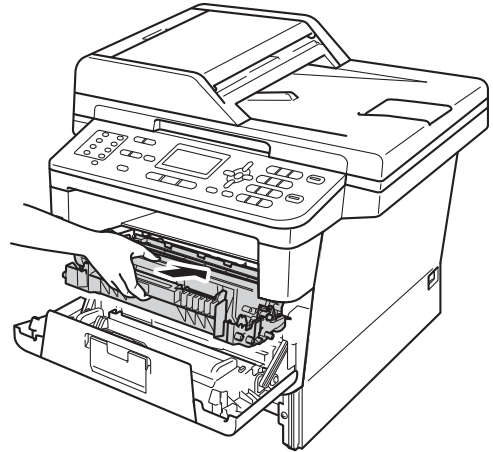
- 7 Put the toner cartridge back into the drum unit until you hear it lock into place. If you put the cartridge in correctly, the green lock lever on the drum unit will lift automatically.



 **Note**

Make sure that you put in the toner cartridge correctly or it may separate from the drum unit.

- 8 Put the drum unit and toner cartridge assembly back into the machine.



- 9 Close the front cover of the machine.
- 10 Put the paper tray firmly back in the machine.

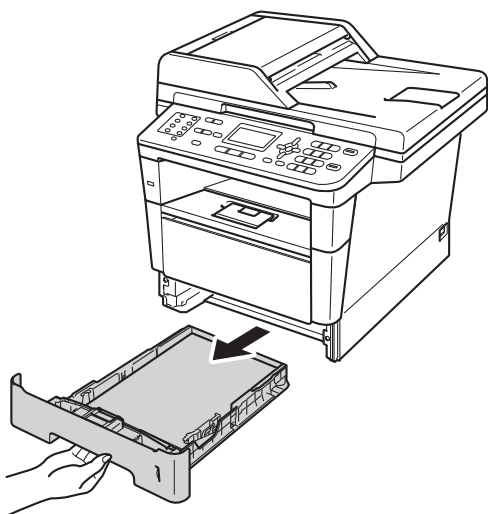
 **Note**

If you turn off the machine while **Jam Inside** is displayed, the machine will print incomplete data from your computer. Before you turn on the machine, delete the print spool job on your computer.

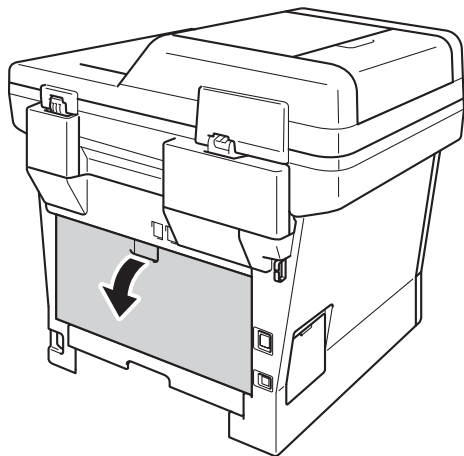
Paper is jammed in the duplex tray

If the LCD shows **Jam Duplex**, follow these steps:

- 1 Leave the machine turned on for 10 minutes for the internal fan to cool the extremely hot parts inside the machine.
- 2 Pull the paper tray completely out of the machine.



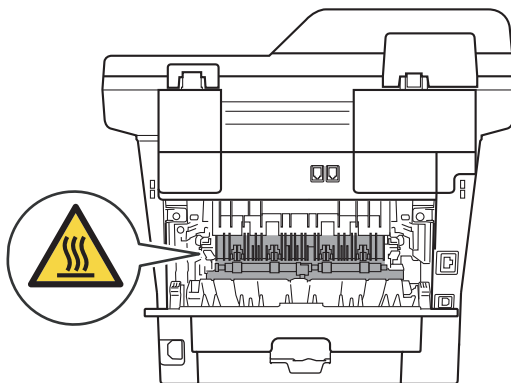
- 3 Open the back cover.



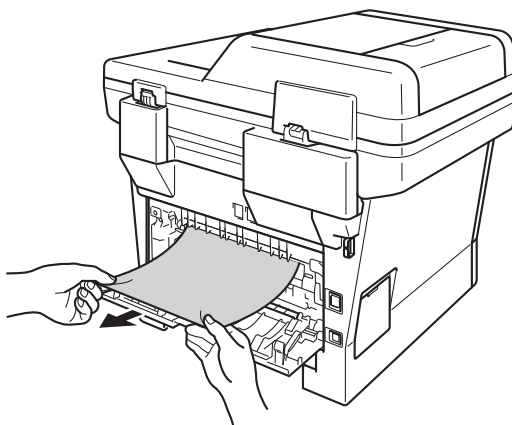
⚠ WARNING

🔥 HOT SURFACE

After you have just used the machine, some internal parts of the machine will be extremely hot. Wait for the machine to cool down before you touch the internal parts of the machine.



- 4 Using both hands, gently pull the jammed paper out of the back of the machine.

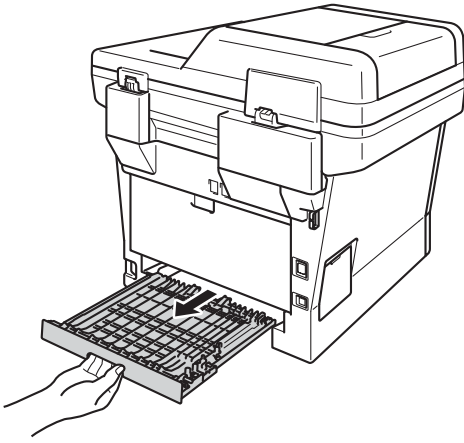


📄 Note

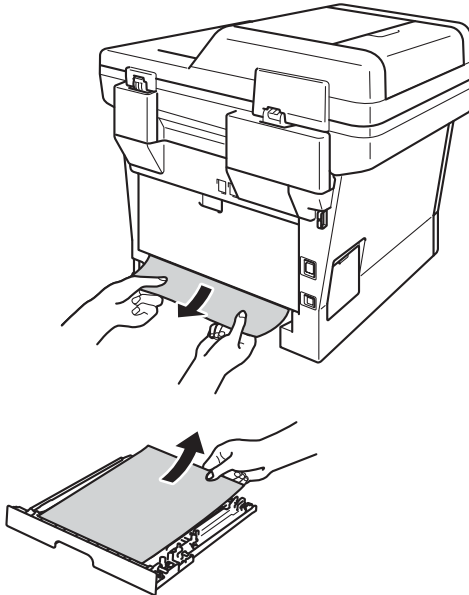
DO NOT use a sharp object to remove jammed paper as it may damage the internal parts.

- 5 Close the back cover.

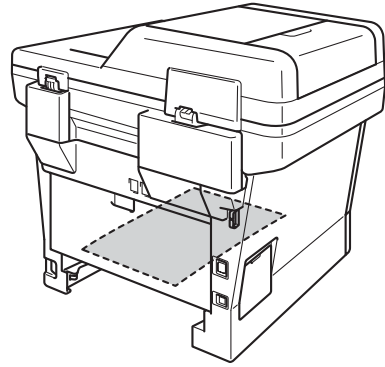
- 6 Pull the duplex tray completely out of the machine.



- 7 Pull the jammed paper out of the machine or out of the duplex tray.



- 8 Make sure that the jammed paper does not remain under the machine from static electricity.



- 9 Put the duplex tray back into the machine.



- 10 Put the paper tray firmly back in the machine.

If you are having difficulty with your machine

! Important

- For technical help, you must call the country where you bought the machine. Calls must be made from within that country.
- If you think there is a problem with your machine, check the chart below and follow the troubleshooting tips. You can correct most problems by yourself.
- If you need additional help, the Brother Solutions Center offers the latest FAQs and troubleshooting tips.
Visit us at <http://solutions.brother.com/>.
- Using non-Brother supplies may affect the print quality, hardware performance, and machine reliability.

Printing difficulties

| Difficulties | Suggestions |
|--|---|
| No printout. | Check that the correct printer driver has been installed and chosen. |
| | Check to see if the LCD is showing an error message. See <i>Error and maintenance messages</i> >> page 83. |
| | Check that the machine is online: (Windows® 7 and Windows Server® 2008 R2) Click the  (Start) button and then Devices and Printers . Right-click Brother MFC-XXXX Printer and click See what's printing . Click Printer in the menu bar. Make sure that Use Printer Offline is unchecked. (Windows Vista® and Windows Server® 2008) Click the  (Start) button, Control Panel, Hardware and Sound , and then Printers . Right-click Brother MFC-XXXX Printer . Make sure that Use Printer Offline is unchecked. (Windows® XP and Windows Server® 2003) Click the Start button and choose Printers and Faxes . Right-click Brother MFC-XXXX Printer . Make sure that Use Printer Offline is unchecked. |
| | Contact your administrator to check your Secure Function Lock settings. |
| | |
| The machine is not printing or has stopped printing. | Press Stop/Exit . The machine will cancel the print job and clear it from the memory. The printout may be incomplete. |
| The headers or footers appear when the document displays on the screen but they do not show up when it is printed. | There is an unprintable area on the top and bottom of the page. Adjust the top and bottom margins in your document to allow for this. See <i>Unscannable and unprintable areas</i> >> page 15. |
| The machine prints unexpectedly or it prints garbage. | Press Stop/Exit to cancel print jobs. |
| | Check the settings in your application to make sure that it is set up to work with your machine. |

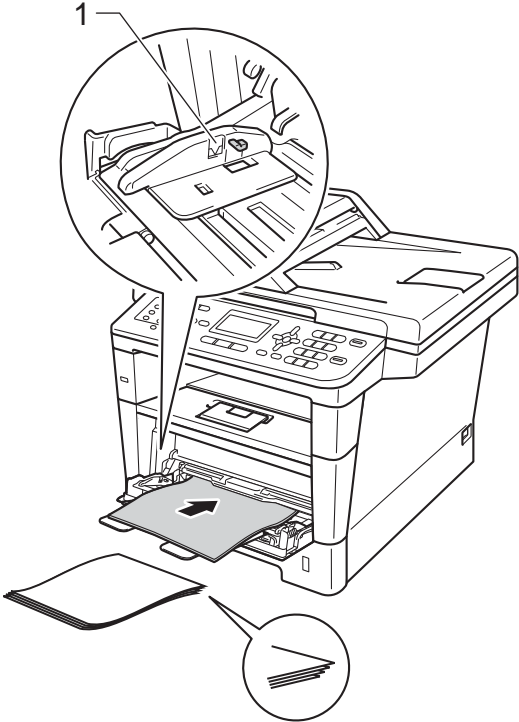
Printing difficulties (continued)

| Difficulties | Suggestions |
|--|---|
| The machine prints the first couple of pages correctly, then some pages have text missing. | Check the settings in your application to make sure that it is set up to work with your machine. |
| | Your computer is not recognizing the machine's input buffer's full signal. Make sure that you connected the interface cable correctly. |
| | See Quick Setup Guide. |
| The machine does not print on both sides of the paper even though the printer driver setting is Duplex. | Check the paper size setting in the printer driver. You need to choose Letter, Legal or Folio paper that is 16 to 28 lb (60 to 105 g/m ²). |
| The machine does not change to Direct Print mode when a USB flash memory drive is connected to the USB direct interface. | When the machine is in Deep Sleep mode, the machine does not wake up even if you connect a USB flash memory drive to the USB direct interface. Press Stop/Exit to wake up the machine. |
| Cannot perform 'Page Layout' printing. | Check that the paper size setting in the application and in the printer driver are the same. |
| Print speed is too slow. | Try changing the printer driver setting. The highest resolution needs longer data processing, sending and printing time. |
| | Check that the back cover is firmly closed and the duplex tray is firmly installed. |
| | Add optional memory. |
| | See Advanced User's Guide: <i>Installing extra memory</i> . |
| The machine does not print from Adobe® Illustrator®. | Try to reduce the print resolution. See Software User's Guide: <i>Printing</i> (for Windows®). See Software User's Guide: <i>Printing and Faxing</i> (for Macintosh). |
| Poor print quality | See <i>Improving the print quality</i> >> page 115. |

Paper handling difficulties

| Difficulties | Suggestions |
|---|--|
| The machine does not feed paper. | If the LCD shows the Paper Jam message and you still have a problem, see <i>Error and maintenance messages</i> >> page 83. |
| | If there is no paper, load a new stack of paper into the paper tray. |
| | If there is paper in the paper tray, make sure it is straight. If the paper is curled, you should straighten it. Sometimes it is helpful to remove the paper, turn the stack over and put it back into the paper tray. |
| | Reduce the amount of paper in the paper tray, and then try again. |
| | Make sure that manual feed mode is not chosen in the printer driver. |
| | Clean the paper pick-up roller. |
| | See Advanced User's Guide: <i>Cleaning the paper pick-up rollers</i> . |
| The machine does not feed paper from the MP tray. | Make sure that MP Tray is chosen in the printer driver. |
| | Fan the paper well and put it back in the tray firmly. |

Paper handling difficulties (continued)

| Difficulties | Suggestions |
|---|--|
| The machine does not feed paper from the MP Tray when using a large stack of paper. | <p>Fan the paper well and make sure the paper is under the maximum paper mark (1). Stagger the pages and put them in the tray until you feel the top page touch the feed rollers as shown in the illustration.</p>  |
| How do I print on envelopes? | You can load envelopes in the MP tray. Your application must be set up to print the envelope size you are using. This is usually done in the Page Setup or Document Setup menu of your application. (See your application's manual for more information.) |

Printing received faxes

| Difficulties | Suggestions |
|--|--|
| <ul style="list-style-type: none"> ■ Condensed print ■ Horizontal streaks ■ Top and bottom sentences are cut off ■ Missing lines | Usually this is caused by a poor telephone connection. Make a copy: if your copy looks good, you probably had a bad connection, with static or interference on the telephone line. Ask the other party to send the fax again. |
| Vertical black lines when receiving | <p>The corona wire for printing may be dirty. Clean the corona wire on the drum unit. See <i>Cleaning the corona wire</i> >> page 74.</p> <p>The sender's scanner may be dirty. Ask the sender to make a copy to see if the problem is with the sending machine. Try receiving from another fax machine.</p> |

Printing received faxes (continued)

| Difficulties | Suggestions |
|--|---|
| Received faxes appear as split or blank pages. | Left and right margins are cut off or a single page is printed on two pages. See <i>Paper Size</i> >> page 16. |
| | Turn on Auto Reduction. |
| | See <i>Advanced User's Guide: Printing a reduced incoming fax</i> . |

Telephone line or connections

| Difficulties | Suggestions |
|--|--|
| Dialing does not work. (No dial tone) | Check all line cord connections. Make sure the telephone line cord is plugged into the telephone wall jack and the LINE jack of the machine. |
| | (Canada only) Change <i>Tone/Pulse</i> setting. See <i>Quick Setup Guide</i> . |
| | Send a manual fax by pressing Hook and dialing the number. Wait to hear fax receiving tones before pressing Start . |
| | If there is no dial tone, connect a known working telephone and telephone line cord to the jack. Then lift the external telephone's handset and listen for a dial tone. If there is still no dial tone, ask your telephone company to check the line and/or wall jack. |
| The machine does not answer when called. | Make sure the machine is in the correct receive mode for your setup. See <i>Receive Mode settings</i> >> page 33. Check for a dial tone. If possible, call your machine to hear it answer. If there is still no answer, check the telephone line cord connection. If you do not hear ringing when you call your machine, ask your telephone company to check the line. |


Receiving faxes

| Difficulties | Suggestions |
|---|---|
| Cannot receive a fax. | <p>Make sure your machine has a dial tone by pressing the Hook key. If you hear static or interference on your fax line, please contact your local telephone company.</p> |
| | <p>Check all line cord connections. Make sure the telephone line cord is plugged into the telephone wall jack and the LINE jack of the machine. If you subscribe to DSL or VoIP services, please contact your service provider for connection instructions.</p> |
| | <p>Make sure the machine is in the correct Receive Mode. This is determined by the external devices and telephone subscriber services you have on the same line as the Brother machine.</p> <p>See <i>Receive Mode settings</i> >> page 33.</p> <ul style="list-style-type: none"> ■ If you have a dedicated fax line and want your Brother machine to automatically answer all incoming faxes, you should select Fax Only mode. ■ If your Brother machine shares a line with an external answering machine, you should select the External TAD mode. In External TAD mode, your Brother machine will automatically receive incoming faxes and voice callers will be able to leave a message on your answering machine. ■ If your Brother machine shares the line with a Voice Mail subscriber service, please see <i>Voice Mail</i> >> page 37. ■ If your Brother machine is on a line with the Distinctive Ring subscriber service, please see <i>Distinctive Ring</i> >> page 38. ■ If your Brother machine shares a line with other telephones and you want it to automatically answer all incoming faxes, you should select the Fax/Tel mode. In Fax/Tel mode, your Brother machine will automatically receive faxes and produce a pseudo/double-ring to alert you to answer voice calls. ■ If you do not want your Brother machine to automatically answer any incoming faxes, you should select the Manual mode. In Manual mode, you must answer every incoming call and activate the machine to receive faxes. |
| | <p>Another device or service at your location may be answering the call before your Brother machine answers. To test this, lower the ring delay setting:</p> <ul style="list-style-type: none"> ■ If the answer mode is set to Fax Only or Fax/Tel, reduce the ring delay to 1 ring. <p>See <i>Ring Delay</i> >> page 33.</p> <ul style="list-style-type: none"> ■ If the answer mode is set to External TAD, reduce the number of rings programmed on your answering machine to 2. ■ If the answer mode is set to Manual, DO NOT adjust the ring delay setting. |
| <p>Have someone send you a test fax:</p> <ul style="list-style-type: none"> ■ If you received the test fax successfully, your machine is operating correctly. Remember to reset your ring delay or answering machine setting back to your original setting. If receiving problems recur after resetting the ring delay, then a person, device, or subscriber service is answering the fax call before the machine has a chance to answer. ■ If you were not able to receive the fax, then another device or subscriber service may be interfering with your fax reception or there may be a problem with your fax line. | |

Receiving faxes (continued)

| Difficulties | Suggestions |
|--|--|
| <p>Cannot receive a fax. (continued)</p> | <p>If you are using a telephone answering machine (External TAD mode) on the same line as the Brother machine, make sure your answering machine is set up correctly.</p> <p>See <i>Connecting an external TAD (telephone answering device)</i> >> page 40.</p> <ol style="list-style-type: none"> 1 Plug the telephone line cord directly from the wall telephone jack to your Brother machine's LINE jack. 2 Remove the protective cap from your Brother machine's EXT jack, and then plug the telephone line cord from your answering machine into the EXT jack. 3 Set your answering machine to answer within 4 rings. <p>If you are having problems receiving faxes or voice messages, set your answering machine to answer within 2 or 3 rings.</p> <ol style="list-style-type: none"> 4 Record the outgoing message on your answering machine. <ul style="list-style-type: none"> ■ Record five seconds of silence at the beginning of your outgoing message. ■ Limit your speaking to 20 seconds. ■ End your outgoing message with your Fax Receive Code for people sending manual faxes. For example: "After the beep, leave a message or press *51 and Start to send a fax." 5 Set your answering machine to answer calls. 6 Set your Brother machine's Receive Mode to External TAD. <p>See <i>Receive Mode settings</i> >> page 33.</p> |
| | <p>Make sure your Brother machine's Easy Receive feature is turned On. Easy Receive is a feature that allows you to receive a fax even if you have answered the call on an external or extension telephone.</p> <p>See <i>Easy Receive</i> >> page 34.</p> |
| | <p>If you often get transmission errors due to possible interference on the telephone line, try changing the Compatibility setting to Basic (for VoIP).</p> <p>See <i>Telephone line interference / VoIP</i> >> page 114.</p> |
| | <p>Contact your administrator to check your Secure Function Lock Settings.</p> |

Sending faxes

| Difficulties | Suggestions |
|---------------------------|---|
| <p>Cannot send a fax.</p> | <p>Check all line cord connections. Make sure the telephone line cord is plugged into the telephone wall jack and the LINE jack of the machine.</p> <p>Make sure that FAX  is illuminated.</p> <p>See <i>How to send a fax</i> >> page 26.</p> <p>Print the Transmission Verification Report and check for an error.</p> <p>See <i>Advanced User's Guide: Reports</i>.</p> <p>Contact your administrator to check your Secure Function Lock Settings.</p> <p>Ask the other party to check that the receiving machine has paper.</p> |

B


Sending faxes (continued)

| Difficulties | Suggestions |
|--|--|
| Poor sending quality. | Try changing your resolution to Fine or S. Fine . Make a copy to check your machine's scanner operation. If the copy quality is not good, clean the scanner. See <i>Advanced User's Guide: Cleaning the scanner</i> . |
| Transmission Verification Report says RESULT:NG . | There is probably temporary noise or static on the line. Try sending the fax again. If you are sending a PC-Fax message and get RESULT:NG on the Transmission Verification Report, your machine may be out of memory. To free up extra memory, you can turn off fax storage (See <i>Advanced User's Guide: Changing Remote Fax Options</i> .), print fax messages in memory (See <i>Advanced User's Guide: Printing a fax from the memory</i> .) or cancel a delayed fax or polling job. (See <i>Advanced User's Guide: Checking and canceling waiting jobs</i> .) If the problem continues, ask the telephone company to check your telephone line. If you often get transmission errors due to possible interference on the telephone line, try changing the Compatibility setting to Basic (for VoIP). See <i>Telephone line interference / VoIP</i> >> page 114. |
| Sent faxes are blank. | Make sure you are loading the document correctly. When using the ADF, the document should be face up. When using the scanner glass, the document should be face down. See <i>Loading documents</i> >> page 24. |
| Vertical black lines when sending. | Black vertical lines on faxes you send are typically caused by dirt or correction fluid on the glass strip. See <i>Advanced User's Guide: Cleaning the scanner</i> . |

Handling incoming calls

| Difficulties | Suggestions |
|--|---|
| The machine 'Hears' a voice as a CNG Tone. | If Easy Receive is set to On, your machine is more sensitive to sounds. It may mistakenly interpret certain voices or music on the line as a fax machine calling and respond with fax receiving tones. Deactivate the machine by pressing Stop/Exit . Try avoiding this problem by turning Easy Receive to Off. See <i>Easy Receive</i> >> page 34. |
| Sending a Fax Call to the machine. | If you answered on an external or extension telephone, press your Fax Receive Code (the factory setting is *51). If you answered on the external telephone (connected to the EXT. jack), press Start to receive the fax. When your machine answers, hang up. |
| Custom features on a single line. | If you have Call Waiting, Call Waiting/Caller ID, Caller ID, RingMaster, Voice Mail, an answering machine, an alarm system or other custom feature on a single telephone line with your machine, it may create a problem sending or receiving faxes. For Example: If you subscribe to Call Waiting or some other custom service and its signal comes through the line while your machine is sending or receiving a fax, the signal can temporarily interrupt or disrupt the faxes. Brother's ECM (Error Correction Mode) feature should help overcome this problem. This condition is related to the telephone system industry and is common to all devices that send and receive information on a single, shared line with custom features. If avoiding a slight interruption is crucial to your business, a separate line with no custom features is recommended. |

Copying difficulties

| Difficulties | Suggestions |
|--|--|
| Cannot make a copy. | <p>Make sure that COPY  is illuminated.</p> <p>See <i>How to copy</i> >> page 54.</p> <p>Contact your administrator to check your Secure Function Lock Settings.</p> |
| Vertical black line appears in copies. | <p>Black vertical lines on copies are typically caused by dirt or correction fluid on the glass strip, or the corona wire is dirty. Clean the glass strip and scanner glass and also the white bar and white plastic above them.</p> <p>See <i>Cleaning the corona wire</i> >> page 74.</p> <p>See <i>Advanced User's Guide: Cleaning the scanner</i>.</p> |
| Copies are blank. | <p>Make sure you are loading the document correctly.</p> <p>See <i>Using the automatic document feeder (ADF)</i> >> page 24 or <i>Using the scanner glass</i> >> page 25.</p> |

Scanning difficulties

| Difficulties | Suggestions |
|---|---|
| TWAIN or WIA errors appear when starting to scan. (Windows®) | <p>Make sure the Brother TWAIN or WIA driver is chosen as the primary source in your scanning application. For example, in Nuance™ PaperPort™ 12SE, click Scan Settings, Select to choose the Brother TWAIN/WIA driver.</p> |
| TWAIN or ICA errors appear when starting to scan. (Macintosh) | <p>Make sure the Brother TWAIN driver is chosen as the primary source. In PageManager, click File, Select Source and choose the Brother TWAIN driver.</p> <p>Mac OS X 10.6.x and 10.7.x users can also scan documents using the ICA Scanner Driver</p> <p>See <i>Software User's Guide: Scanning a document using the ICA driver (Mac OS X 10.6.x or greater)</i>.</p> |
| OCR does not work. | <p>Try increasing the scanning resolution.</p> <p>(Macintosh users)</p> <p>Make sure you have downloaded and installed Presto! PageManager from http://nj.newssoft.com.tw/download/brother/PM9SEInstaller_BR_multilang.dmg</p> |
| Network scanning does not work. | <p>See <i>Network difficulties</i> >> page 112.</p> |
| Cannot scan. | <p>Contact your administrator to check your Secure Function Lock Settings.</p> |

Software difficulties

| Difficulties | Suggestions |
|-----------------------------------|--|
| Cannot install software or print. | <p>(Windows® users)</p> <p>Run the Repair MFL-Pro Suite program on the CD-ROM. This program will repair and reinstall the software.</p> |




Network difficulties

| Difficulties | Suggestions |
|---|--|
| Cannot print over a wired Network. | <p>If you are having Network problems. See Network User's Guide.</p> <p>Make sure your machine is powered on and is online and in Ready mode. Print the Network Configuration Report to verify your Network settings. See Advanced User's Guide: <i>Reports</i>.</p> <p>Reconnect the LAN cable to the hub to verify that the cable and network connections are good. If possible, try connecting the machine to a different port on your hub using a different cable. You can check the current wired network status from the Network control panel menu.</p> |
| The network scanning feature does not work. | <p>(Windows® and Macintosh)</p> <p>The network scanning feature may not work due to the firewall settings. Change or disable the firewall settings. It is necessary to set the third-party Security/Firewall Software to allow Network scanning. To add port 54925 for Network scanning, enter the information below:</p> <ul style="list-style-type: none"> ■ In Name: Enter any description, for example Brother NetScan. ■ In Port number: Enter 54925. ■ In Protocol: UDP is selected. <p>Please refer to the instruction manual that came with your third-party Security/Firewall Software or contact the software manufacturer.</p> <p>For more details, you can read FAQs and troubleshooting suggestions at http://solutions.brother.com/.</p> <p>(Macintosh)</p> <p>Re-select your machine in the Device Selector application located in Macintosh HD/Library/Printers/Brother/Utilities/DeviceSelector or from the model list in ControlCenter2.</p> |
| The network PC-Fax Receive feature does not work. | <p>(Windows® only)</p> <p>It is necessary to set the third-party Security/Firewall Software to allow PC-FAX Rx. To add port 54926 for Network PC-FAX Rx, enter the information below:</p> <ul style="list-style-type: none"> ■ In Name: Enter any description, for example Brother PC-FAX Rx. ■ In Port number: Enter 54926. ■ In Protocol: UDP is selected. <p>Please refer to the instruction manual that came with your third-party Security/Firewall Software or contact the software manufacturer.</p> <p>For more details, you can read FAQs and troubleshooting suggestions at http://solutions.brother.com/.</p> |
| The Brother software cannot be installed. | <p>(Windows®)</p> <p>If the Security Software warning appears on the PC screen during the installation, change the Security Software settings to permit the Brother product setup program or other program to run.</p> <p>(Macintosh)</p> <p>If you are using a firewall function of anti-spyware or antivirus security software, temporarily disable it and then install the Brother software.</p> |

Network difficulties (continued)

| Difficulties | Suggestions |
|---|---|
| Cannot connect to wireless network. (MFC-8710DW, MFC-8810DW and MFC-8910DW) | Investigate the problem using the WLAN Report. Press Menu, 6, 7. and then press Start . See Quick Setup Guide. |

Other difficulties

| Difficulties | Suggestions |
|--|---|
| The machine will not turn on. | Adverse conditions on the power connection (such as lightning or a power surge) may have triggered the machine's internal safety mechanisms. Turn the machine off and unplug the power cord. Wait for ten minutes, then plug in the power cord and turn the machine on. If the problem is not solved, turn off the machine. If you are using a backup battery or surge suppressor device, disconnect it to make sure it is not the problem. Plug the machine's power cord directly into a different known working wall outlet and turn on the machine. |
| The machine cannot print EPS data that includes binary with the BR-Script3 printer driver. | (Windows®) You need the following settings to print EPS data: <ol style="list-style-type: none"> 1 For Windows® 7 and Windows Server® 2008 R2: Click the  (Start) button and Devices and Printers. For Windows Vista® and Windows Server® 2008: Click the  (Start) button, Control Panel, Hardware and Sound, and then Printers. For Windows® XP and Windows Server® 2003: Click the Start button, and select Printers and Faxes. 2 Right-click the Brother MFC-XXXX BR-Script3 icon and select Properties¹. 3 From the Device Settings tab, choose TBCP (Tagged binary communication protocol) in Output Protocol. (Macintosh) If your machine is connected to a computer with a USB interface, you cannot print EPS data that includes binary. You can print the EPS data at the machine through a network. For installing BR-Script3 printer driver through the network, visit the Brother Solutions Center at http://solutions.brother.com/ . |
| The machine beeps when you try to access the Setup Receive and Setup Send menus. | If FAX  is not illuminated, press it to turn on FAX mode. The Setup Receive settings (Menu, 2, 1) and Setup Send settings (Menu, 2, 2) are available only when the machine is in FAX mode. |

¹ For Windows® 7 and Windows Server® 2008 R2: **Printer properties**

Setting Dial Tone detection

Setting the Dial Tone to **Detection** will shorten the Dial Tone detect pause.

- 1 (USA) Press **Menu, 0, 4**.
(Canada) Press **Menu, 0, 5**.

```
04.Dial Tone
▲      Detection
▼      No Detection
Select ▲▼ or OK
```

- 2 Press **▲** or **▼** to choose **Detection** or **No Detection**. Press **OK**.
- 3 Press **Stop/Exit**.

Telephone line interference / VoIP

If you are having difficulty sending or receiving a fax due to possible interference on the telephone line, we recommend that you adjust the Equalization for compatibility to reduce the modem speed for fax operations.

- 1 Press **Menu, 2, 0, 1**.

```
20.Miscellaneous
 1.Compatibility
▲      High
▼      Normal
Select ▲▼ or OK
```

- 2 Press **▲** or **▼** to choose **High**, **Normal** or **Basic**(for VoIP).

- **Basic**(for VoIP) reduces the modem speed to 9600 bps and turns off ECM (error correction mode). Unless interference is a recurring problem on your telephone line, you may prefer to use it only when needed.

To improve compatibility with most VoIP services, Brother recommends changing the compatibility setting to **Basic**(for VoIP).

- **Normal** sets the modem speed at 14400 bps.
- **High** sets the modem speed at 33600 bps.

Press **OK**.

- 3 Press **Stop/Exit**.



Note

VoIP (Voice over IP) is a type of phone system that uses an Internet connection, rather than a traditional phone line.

Improving the print quality


If you have a print quality problem, print a test page first (**Menu, 4, 2, 3**). If the printout looks good, the problem is probably not the machine. Check the interface cable connections and try printing a different document. If the printout or test page printed from the machine has a quality problem, check the following steps first. And then, if you still have a print quality problem, check the chart below and follow the recommendations.


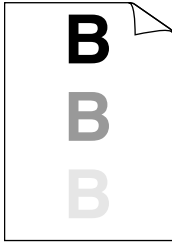





Note


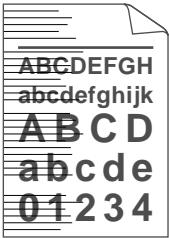
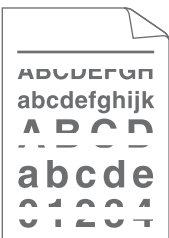
Using non-Brother supplies may affect the print quality, hardware performance, and machine reliability.

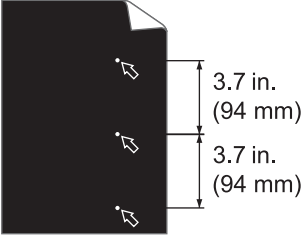
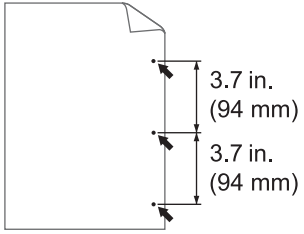
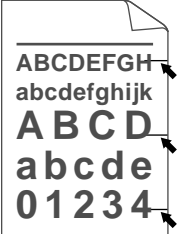
- 1 To get the best print quality, we suggest using the recommended paper. Check that you use paper that meets our specifications. (See *Acceptable paper and other print media* >> page 19.)
- 2 Check that the drum unit and toner cartridge are installed correctly.

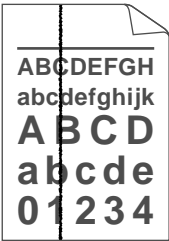


| Examples of poor print quality | Recommendation |
|---|--|
| <div style="text-align: center;">  <p>Faint</p> </div> | <ul style="list-style-type: none"> ■ Take out the drum unit and toner cartridge assembly. Hold the assembly level with both hands and gently shake it from side to side several times to spread the toner evenly inside the cartridge. ■ If the LCD shows <i>Replace Toner</i>, put in a new toner cartridge. See <i>Replacing the toner cartridge</i> >> page 68. ■ Check the machine's environment. Conditions such as humidity, high temperatures, and so on, may cause this print fault. See <i>Product Safety Guide: Choosing a location</i>. ■ If the whole page is too light, <i>Toner Save</i> may be turned on. Turn off <i>Toner Save</i> in the machine's menu settings or Toner Save Mode in the Printer Properties of the driver. See <i>Advanced User's Guide: Toner Save</i>. See <i>Software User's Guide: Printing</i> (for Windows®). See <i>Software User's Guide: Printing and Faxing</i> (for Macintosh). ■ Clean the corona wire of the drum unit. See <i>Cleaning the corona wire</i> >> page 74. ■ Put in a new toner cartridge. See <i>Replacing the toner cartridge</i> >> page 68. ■ Put in a new drum unit. See <i>Replacing the drum unit</i> >> page 76. |

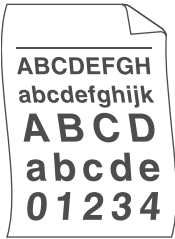
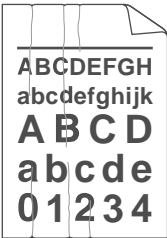

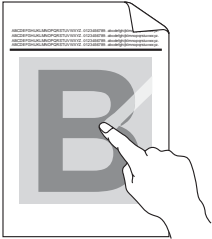
| Examples of poor print quality | Recommendation |
|--|---|
|  <p data-bbox="179 556 378 581">Gray background</p> | <ul style="list-style-type: none"> <li data-bbox="477 291 1136 363">■ Make sure that you use paper that meets our specifications. See <i>Acceptable paper and other print media</i> >> page 19. <li data-bbox="477 378 1136 504">■ Check the machine's environment. Conditions such as high temperatures and high humidity can increase the amount of background shading. See <i>Product Safety Guide: Choosing a location</i>. <li data-bbox="477 519 1002 591">■ Put in a new toner cartridge. See <i>Replacing the toner cartridge</i> >> page 68. <li data-bbox="477 606 948 678">■ Put in a new drum unit. See <i>Replacing the drum unit</i> >> page 76. |
|  <p data-bbox="244 952 314 977">Ghost</p> | <ul style="list-style-type: none"> <li data-bbox="477 683 1222 788">■ Make sure that you use paper that meets our specifications. Rough-surfaced paper or thick paper may cause this problem. See <i>Acceptable paper and other print media</i> >> page 19. <li data-bbox="477 803 1222 929">■ Make sure that you choose the appropriate media type in the printer driver or in the machine's <i>Paper Type</i> menu setting. See <i>Paper Type</i> >> page 16. See <i>Software User's Guide: Printing</i> (for Windows®). See <i>Software User's Guide: Printing and Faxing</i> (for Macintosh). <li data-bbox="477 1006 1181 1132">■ Choose Reduce Ghosting mode in the printer driver. See <i>Software User's Guide: Printing</i> (for Windows®). See <i>Software User's Guide: Printing and Faxing</i> (for Macintosh). <li data-bbox="477 1147 948 1219">■ Put in a new drum unit. See <i>Replacing the drum unit</i> >> page 76. <li data-bbox="477 1234 1002 1306">■ Put in a new toner cartridge. See <i>Replacing the toner cartridge</i> >> page 68. <li data-bbox="477 1321 975 1466">■ The fuser unit may be contaminated. Call Brother Customer Service at: In USA: 1-877-BROTHER (1-877-276-8437) In Canada: 1-877-BROTHER |


| Examples of poor print quality | Recommendation |
|--|---|
|  <p>Toner specks</p> | <ul style="list-style-type: none"> ■ Make sure that you use paper that meets our specifications. Rough-surfaced paper may cause the problem. See <i>Acceptable paper and other print media</i> >> page 19. ■ Clean the corona wire of the drum unit. See <i>Cleaning the corona wire</i> >> page 74. ■ The drum unit may be damaged. Put in a new drum unit. See <i>Replacing the drum unit</i> >> page 76. ■ The fuser unit may be contaminated. Call Brother Customer Service at: In USA: 1-877-BROTHER (1-877-276-8437) In Canada: 1-877-BROTHER |
|  <p>Hollow print</p> | <ul style="list-style-type: none"> ■ Make sure that you use paper that meets our specifications. See <i>Acceptable paper and other print media</i> >> page 19. ■ Choose Thick Paper mode in the printer driver, choose Thick in the machine's Paper Type menu setting or use thinner paper than you are currently using. See <i>Paper Type</i> >> page 16. See <i>Software User's Guide: Printing</i> (for Windows®). See <i>Software User's Guide: Printing and Faxing</i> (for Macintosh). ■ Check the machine's environment. Conditions such as high humidity can cause hollow print. See <i>Product Safety Guide: Choosing a location</i>. ■ The drum unit may be damaged. Put in a new drum unit. See <i>Replacing the drum unit</i> >> page 76. |
|  <p>All black</p> | <ul style="list-style-type: none"> ■ Clean the corona wire inside the drum unit by sliding the green tab. Be sure to return the green tab to the home position (▲). See <i>Cleaning the corona wire</i> >> page 74. ■ The drum unit may be damaged. Put in a new drum unit. See <i>Replacing the drum unit</i> >> page 76. |

| Examples of poor print quality | Recommendation |
|---|--|
|  <p data-bbox="120 552 440 581">White lines across the page</p> | <ul style="list-style-type: none"> <li data-bbox="477 291 1218 378">■ Make sure that you use paper that meets our specifications. A rough surfaced paper or thick print media can cause this problem. See <i>Acceptable paper and other print media</i> >> page 19. <li data-bbox="477 394 1218 494">■ Make sure that you choose the appropriate media type in the printer driver or in the machine's <i>Paper Type</i> menu setting. See <i>Paper Type</i> >> page 16. See <i>Software User's Guide: Printing</i> (for Windows®). See <i>Software User's Guide: Printing and Faxing</i> (for Macintosh). <li data-bbox="477 600 1218 687">■ The problem may disappear by itself. Print multiple blank pages to clear this problem, especially if the machine has not been used for a long time. <li data-bbox="477 703 1218 770">■ The drum unit may be damaged. Put in a new drum unit. See <i>Replacing the drum unit</i> >> page 76. |
|  <p data-bbox="152 1041 408 1070">Lines across the page</p> | <ul style="list-style-type: none"> <li data-bbox="477 780 1218 848">■ Clean the corona wire inside the drum unit. See <i>Cleaning the corona wire</i> >> page 74. <li data-bbox="477 863 1218 931">■ The drum unit may be damaged. Put in a new drum unit. See <i>Replacing the drum unit</i> >> page 76. |
|  <p data-bbox="113 1336 440 1394">White lines, bands or ribbing across the page</p> | <ul style="list-style-type: none"> <li data-bbox="477 1076 1218 1163">■ Check the machine's environment. Conditions such as high humidity and high temperatures may cause this print quality problem. See <i>Product Safety Guide: Choosing a location</i>. <li data-bbox="477 1178 1218 1278">■ If the problem is not solved after printing a few pages, put in a new drum unit. See <i>Replacing the drum unit</i> >> page 76. |

| Examples of poor print quality | Recommendation |
|--|---|
|  <p>White Spots on black text and graphics at 3.7 in. (94 mm) intervals</p>  <p>Black Spots at 3.7 in. (94 mm) intervals</p> | <ul style="list-style-type: none"> ■ Make 10-15 copies of a blank, white sheet of paper. If the problem is not solved after printing the blank pages, the drum unit may have foreign material, such as glue from a label, stuck on the drum. Clean the drum unit. See <i>Advanced User's Guide: Cleaning the drum unit</i>. ■ The drum unit may be damaged. Put in a new drum unit. See <i>Replacing the drum unit</i> >> page 76. |
|  <p>Black toner marks across the page</p> | <ul style="list-style-type: none"> ■ If you use label sheets for laser printers, the glue from the sheets may sometimes stick to the OPC drum surface. Clean the drum unit. See <i>Advanced User's Guide: Cleaning the drum unit</i>. ■ Make sure that you use paper that meets our specifications. See <i>Acceptable paper and other print media</i> >> page 19. ■ Do not use paper that has clips or staples because they will scratch the surface of the drum. ■ If the unpacked drum unit is in direct sunlight or room light, the unit may be damaged. ■ The toner cartridge may be damaged. Put in a new toner cartridge. See <i>Replacing the toner cartridge</i> >> page 68. ■ The drum unit may be damaged. Put in a new drum unit. See <i>Replacing the drum unit</i> >> page 76. |

| Examples of poor print quality | Recommendation |
|--|---|
|  <p>Black lines down the page Printed pages have toner stains down the page</p> | <ul style="list-style-type: none"> ■ Clean the corona wire inside the drum unit by sliding the green tab. See <i>Cleaning the corona wire</i> >> page 74. ■ Make sure the green tab of the corona wire is at the home position (▲). ■ The toner cartridge may be damaged. Put in a new toner cartridge. See <i>Replacing the toner cartridge</i> >> page 68. ■ The drum unit may be damaged. Put in a new drum unit. See <i>Replacing the drum unit</i> >> page 76. ■ The fuser unit may be contaminated. Call Brother Customer Service at: In USA: 1-877-BROTHER (1-877-276-8437) In Canada: 1-877-BROTHER |
|  <p>White lines down the page</p> | <ul style="list-style-type: none"> ■ Make sure that foreign material such as a torn piece of paper, sticky notes or dust is not inside the machine and around the drum unit and toner cartridge. ■ The toner cartridge may be damaged. Put in a new toner cartridge. See <i>Replacing the toner cartridge</i> >> page 68. ■ The drum unit may be damaged. Put in a new drum unit. See <i>Replacing the drum unit</i> >> page 76. |
|  <p>Image skewed</p> | <ul style="list-style-type: none"> ■ Make sure that the paper or other print media is loaded correctly in the paper tray and that the guides are not too tight or too loose against the paper stack. ■ Set the paper guides correctly. See <i>Loading paper and print media</i> >> page 9. ■ If you are using the MP tray, see <i>Loading paper in the multi-purpose tray (MP tray)</i> >> page 11. ■ The paper tray may be too full. See <i>Loading paper and print media</i> >> page 9. ■ Check the paper type and quality. See <i>Acceptable paper and other print media</i> >> page 19. ■ Check for loose objects such as torn paper inside the machine. ■ If the problem only occurs during duplex printing, check for torn paper in the duplex tray, verify that the duplex tray is inserted completely and verify that the back cover is closed completely. |

| Examples of poor print quality | Recommendation |
|--|---|
|  <p data-bbox="223 552 396 581">Curled or wavy</p> | <ul style="list-style-type: none"> <li data-bbox="506 295 1195 436">■ Check the paper type and quality. High temperatures and high humidity will cause paper to curl. See <i>Acceptable paper and other print media</i> >> page 19. See Product Safety Guide: <i>Choosing a location</i>. <li data-bbox="506 452 1254 566">■ If you do not use the machine often, the paper may have been in the paper tray too long. Turn over the stack of paper in the paper tray. Also, fan the paper stack and then rotate the paper 180° in the paper tray. <li data-bbox="506 581 1254 794">■ Open the back cover (face-up output tray) to let the printed paper exit onto the face-up output tray. ■ Choose Reduce Paper Curl mode in the printer driver when you do not use our recommended paper. See Software User's Guide: <i>Printing</i> (for Windows®). See Software User's Guide: <i>Printing and Faxing</i> (for Macintosh). |
|  <p data-bbox="196 1070 426 1099">Wrinkles or creases</p> | <ul style="list-style-type: none"> <li data-bbox="506 813 1034 880">■ Make sure that paper is loaded correctly. See <i>Loading paper and print media</i> >> page 9. <li data-bbox="506 896 1144 966">■ Check the paper type and quality. See <i>Acceptable paper and other print media</i> >> page 19. <li data-bbox="506 981 1254 1035">■ Turn over the stack of paper in the tray or rotate the paper 180° in the input tray. |
|  <p data-bbox="204 1336 415 1365">Envelope Creases</p> | <ul style="list-style-type: none"> <li data-bbox="506 1112 1247 1238">■ Make sure that envelopes are printed with the back cover (face-up output tray) opened. See <i>Printing on thick paper, labels and envelopes from the MP tray</i> >> page 13. <li data-bbox="506 1253 1144 1323">■ Check the envelope type and quality. See <i>Acceptable paper and other print media</i> >> page 19. <li data-bbox="506 1338 1247 1408">■ Make sure envelopes are fed only from the MP tray. See <i>Loading paper in the multi-purpose tray (MP tray)</i> >> page 11. |
|  <p data-bbox="246 1682 374 1711">Poor fixing</p> | <ul style="list-style-type: none"> <li data-bbox="506 1421 1240 1611">■ Choose Improve Toner Fixing mode in the printer driver. See Software User's Guide: <i>Printing</i> (for Windows®). See Software User's Guide: <i>Printing and Faxing</i> (for Macintosh). If this selection does not provide enough improvement, change the printer driver setting in Media Type to a thick setting. |

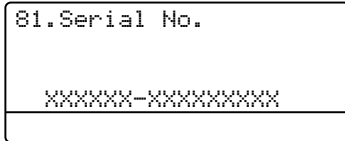
| Examples of poor print quality | Recommendation |
|---|--|
|  <p data-bbox="241 566 319 585">Curled</p> | <ul style="list-style-type: none"> <li data-bbox="477 295 1085 320">■ Choose Reduce Paper Curl mode in the printer driver. <li data-bbox="504 343 1057 369">See Software User's Guide: <i>Printing</i> (for Windows®). <li data-bbox="504 392 1181 417">See Software User's Guide: <i>Printing and Faxing</i> (for Macintosh). <li data-bbox="477 440 1222 484">■ Open the back cover (face-up output tray) to let the printed paper exit onto the face-up output tray. |

Machine Information

Checking the Serial Number

You can see the machine's Serial Number on the LCD.

- 1 Press **Menu**, **8**, **1**.



- 2 Press **Stop/Exit**.

Reset functions

The following reset functions are available:

1 Network

You can reset the internal print server back to its default factory settings such as the password and IP address information.

2 Address & Fax

Address & Fax resets the following settings:

- Address Book
(One Touch Dial / Speed Dial / Setup Groups)
- Programmed fax jobs in the memory
(Polled TX, Delayed Fax, Batch TX)
- Station ID
(name and numbers)
- Coverpage
(comments)
- Remote Fax Opt
(Remote Access Code, Fax Storage, Fax Forward, Paging and PC Fax Receive)
- Report settings
(Transmission Verification Report / Tel Index List / Fax Journal)
- Setting Lock password

3 All Settings

You can reset all the machine settings back to the settings that were set at the factory.

Brother strongly recommends you perform this operation when you dispose of the machine.



Note

Unplug the interface cable before you choose **Network** or **All Settings**.

How to reset the machine

- 1 (USA) Press **Menu, 0, 6**.
(Canada) Press **Menu, 0, 7**.

```
06.Reset
 1.Network
 2.Address & Fax
 3.All Settings
Select ▲▼ or OK
```

- 2 Press ▲ or ▼ to choose the reset function you want to use.
Press **OK**.
- 3 Do one of the following;
 - To reset the settings, press **1** and go to step 4.
 - To exit without making changes, press **2** and go to step 5.
- 4 You will be asked to reset the machine. Do one of the following;
 - To reset the machine press **1**. The machine will begin the reset.
 - To exit without resetting the machine, press **2**. Go to step 5.
- 5 Press **Stop/Exit**.



Note

You can also reset the Network settings by pressing **Menu, 7, 0**.

On-screen programming

Your machine has been designed to be easy to use. The LCD provides on-screen programming using the menu keys.

We have created step by step on-screen instructions to help you program your machine. Simply follow the steps as they guide you through the menu selections and programming options.

How to access the menu mode

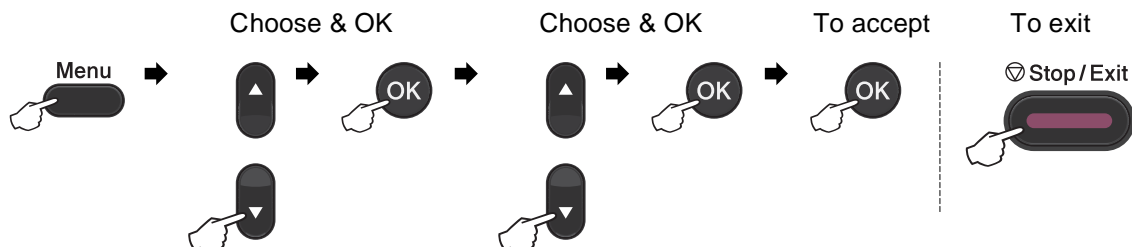
- 1 Press **Menu**.
- 2 Choose an option.
 - Press **1** for General Setup menu.
 - Press **2** for Fax menu.
 - Press **3** for Copy menu.
 - Press **4** for Printer menu.
 - Press **5** for USB Direct I/F menu.
 - Press **6** for Print Reports menu.
 - Press **7** for Network menu.
 - Press **8** for Machine Info. menu.
 - Press **9** for Service menu. ¹
 - Press **0** for Initial Setup menu.
- 3 Press **OK** when the option you want appears on the LCD. The LCD will then show the next menu level.
- 4 Press **▲** or **▼** to scroll to your next menu selection.
- 5 Press **OK**.
When you have finished setting an option, the LCD will show *Accepted*.
- 6 Press **Stop/Exit** to exit Menu mode.

¹ This will appear only when the LCD shows an error message.

You can also scroll through each menu level by pressing **▲** or **▼** for the direction you want.

Menu table

The factory settings are shown in Bold with an asterisk.




| Level 1 | Level 2 | Level 3 | Level 4 | Options | Descriptions | Page |
|-----------------|--------------|--------------|--|--|---|--------|
| 1.General Setup | 1.Mode Timer | — | — | 0 Sec 30 Secs 1 Min 2 Mins* 5 Mins Off | Sets the time to return to FAX mode and the time the machine will change from individual user to public user when using Secure Function Lock. | See ♦. |
| | 2.Paper | 1.Paper Type | 1.MP Tray | Thin Plain* Thick Thicker Recycled Paper Label | Sets the type of paper in the paper tray. | 16 |
| | | | 2.Tray#1 | Thin Plain* Thick Thicker Recycled Paper | Sets the type of paper in the paper tray. | 16 |
| | | | 3.Tray#2 (This menu appears if you have installed the optional lower tray on MFC-8710DW, MFC-8810DW or MFC-8910DW.) | Thin Plain* Thick Thicker Recycled Paper | Sets the type of paper in the paper tray. | 16 |




♦ See *Advanced User's Guide*.


□ See *Software User's Guide*.





The factory settings are shown in Bold with an asterisk.


| Level 1 | Level 2 | Level 3 | Level 4 | Options | Descriptions | Page |
|--|------------------------|--------------|--|--|---|------|
| 1.General Setup (Continued) | 2.Paper (Continued) | 2.Paper Size | 1.MP Tray | A4 Letter* Legal Executive A5 A5 L A6 B5 B6 Folio Any | Sets the size of the paper in the paper tray. | 16 |
| | | | 2.Tray#1 | A4 Letter* Legal Executive A5 A5 L A6 B5 B6 Folio | Sets the size of the paper in the paper tray. | 16 |
| | | | 3.Tray#2 (This menu appears if you have installed the optional lower tray on MFC-8710DW, MFC-8810DW or MFC-8910DW.) | A4 Letter* Legal Executive A5 B5 B6 Folio | Sets the size of the paper in the paper tray. | 16 |
| <p>◆ See <i>Advanced User's Guide</i>.</p> <p>□ See <i>Software User's Guide</i>.</p> | | | | | | |
|  The factory settings are shown in Bold with an asterisk. | | | | | | |

| Level 1 | Level 2 | Level 3 | Level 4 | Options | Descriptions | Page | |
|--------------------------------|--|--------------|---------|--|---|---|--|
| 1.General Setup (Continued) | 3.Volume | 1.Ring | — | Low Med* High Off | Adjusts the ring volume. | See  . | |
| | | 2.Beeper | — | Low Med* High Off | Adjusts the volume level of the beeper. | | |
| | | 3.Speaker | — | Low Med* High Off | Adjusts the speaker volume. | | |
| | 4.Ecology | 1.Toner Save | — | On Off* | Increases the page yield of the toner cartridge. | | |
| | | 2.Sleep Time | — | Range varies depending on models. 03Min* | Conserves power. | | |
| | 5.Quiet Mode | — | — | On Off* | Decreases printing noise. | | |
| | 6.Tray Use | 1.Copy | — | Tray#1 Only Tray#2 Only MP Only MP>T1>T2* T1>T2>MP (Tray#2 and T2 appear if you have installed the optional lower tray on MFC-8710DW, MFC-8810DW or MFC-8910DW.) | Chooses the tray that will be used for COPY mode. | 17 | |
| |  See <i>Advanced User's Guide</i> . | | | | | | |
| | <input type="checkbox"/> See <i>Software User's Guide</i> . | | | | | | |
| |  The factory settings are shown in Bold with an asterisk. | | | | | | |

| Level 1 | Level 2 | Level 3 | Level 4 | Options | Descriptions | Page |
|--|---------------------------|-----------------|---------|--|--|-------|
| 1.General Setup (Continued) | 6.Tray Use (Continued) | 2.Fax | — | Tray#1 Only Tray#2 Only MP Only MP>T1>T2 T1>T2>MP* (Tray#2 and T2 appear if you have installed the optional lower tray on MFC-8710DW, MFC-8810DW or MFC-8910DW.) | Chooses the tray that will be used for FAX mode. | 18 |
| | | 3.Print | — | Tray#1 Only Tray#2 Only MP Only MP>T1>T2* T1>T2>MP (Tray#2 and T2 appear if you have installed the optional lower tray on MFC-8710DW, MFC-8810DW or MFC-8910DW.) | Chooses the tray that will be used for Print mode. | 18 |
| | 7.LCD Contrast | — | — | -□□□■+ -□□□■+ -□□■□+* -□■□□+ -■□□□+ | Adjusts the contrast of the LCD. | See ◆ |
| | 8.Security | 1.Function Lock | — | — | Can restrict selected machine operation for up to 25 individual users and all other non-authorized Public users. | |
| 2.Setting Lock | | — | — | Stops unauthorized users from changing the machine's current settings. | | |
| ◆ See <i>Advanced User's Guide</i> . | | | | | | |
| □ See <i>Software User's Guide</i> . | | | | | | |
|  The factory settings are shown in Bold with an asterisk. | | | | | | |

| Level 1 | Level 2 | Level 3 | Level 4 | Options | Descriptions | Page |
|---|-----------------|--|---------|---|---|---|
| 1.General Setup (Continued) | 9.Document Scan | 1.Glass ScanSize | — | A4 Letter* Legal/Folio (Legal/Folio is available for MFC-8710DW, MFC-8810DW and MFC-8910DW) | Adjusts the scan area of the scanner glass to the size of the document. | 28 |
| | | 2.File Size | 1.Color | Small Medium* Large | You can set your own default settings of the data compression rate. | See <input type="checkbox"/> . |
| | | | 2.Gray | Small Medium* Large | | |
| | | 3.Duplex Scan (MFC-8810DW and MFC-8910DW) | — | Long edge* Short edge | Chooses the duplex scanning format. | See <input checked="" type="checkbox"/> . |
| <p>◆ See <i>Advanced User's Guide</i>.</p> <p><input type="checkbox"/> See <i>Software User's Guide</i>.</p> | | | | | | |
|  The factory settings are shown in Bold with an asterisk. | | | | | | |

| Level 1 | Level 2 | Level 3 | Level 4 | Options | Descriptions | Page |
|--|--|-------------------|---------|--|--|--------|
| 2. Fax | 1. Setup Receive (In FAX mode only) | 1. Ring Delay | — | 00 01 02 03 04* | Sets the number of rings before the machine answers in Fax Only or Fax/Tel mode. | 33 |
| | | 2. F/T Ring Time | — | 20 Secs* 30 Secs 40 Secs 70 Secs | Sets the length of the pseudo/double-ring time in Fax/Tel mode. | 33 |
| | | 3. Easy Receive | — | On* Off | Receives fax messages without pressing Start . | 34 |
| | | 4. Remote Codes | — | On* (*51, #51) Off | Allows you to answer all calls at an extension or external telephone and use codes to turn the machine on or off. You can personalize these codes. | 43 |
| | | 5. Auto Reduction | — | On* Off | Reduces the size of incoming faxes. | See ♦. |
| | | 6. Print Density | — | -□□□■+ -□□□■+ -□□■□+* -□■□□+ -■□□□+ | Makes printouts darker or lighter. | |
| | | 7. Polling RX | — | — | Sets up your machine to poll another fax machine. | |
| | | 8. Fax Rx Stamp | — | On Off* | Prints the received time and date on the top of the received faxes. | |
| | | 9. Duplex | — | On Off* | Prints received faxes on both sides of the paper. | |
| ♦ See <i>Advanced User's Guide</i> . | | | | | | |
|  The factory settings are shown in Bold with an asterisk. | | | | | | |


| Level 1 | Level 2 | Level 3 | Level 4 | Options | Descriptions | Page |
|--|------------------------------------|---------------------------|--|--|--|--------|
| 2.Fax (Continued) | 2.Setup Send (In FAX mode only) | 1.Contrast | — | Auto* Light Dark | Changes the lightness or darkness of faxes you send. | See ◆. |
| | | 2.Fax Resolution | — | Standard* Fine S.Fine Photo | Sets the default resolution for outgoing faxes. | |
| | | 3.Delayed Fax | — | — | Sets the time of day that the delayed faxes will be sent. | |
| | | 4.Batch TX | — | On Off* | Combines delayed faxes going to the same fax number at the same time of day into one transmission. | |
| | | 5.Real Time TX | — | Next Fax:On Next Fax:Off On Off* | Sends a fax without using the memory. | |
| | | 6.Polled TX | — | On Off* | Sets up your machine with a document to be retrieved by another fax machine. | |
| | | 7.Coverpage | 1.Setup | Next Fax:On Next Fax:Off On Off* Print Sample | Automatically sends a cover page you have programmed. | |
| | | | 2.Message | — | Sets up your own comments for the fax cover page. | |
| | | 8.Overseas Mode | — | On Off* | If you are having difficulty sending faxes overseas, set this to On. | |
| 9.Destination | — | Display* Hidden | Sets the machine to display the destination information on the LCD during fax sending. | | | |
| ◆ See <i>Advanced User's Guide</i> . | | | | | | |
|  The factory settings are shown in Bold with an asterisk. | | | | | | |


| Level 1 | Level 2 | Level 3 | Level 4 | Options | Descriptions | Page |
|-----------------------|-------------------|---|---------|--|--|--------|
| 2. Fax (Continued) | 3. Address Book | 1. One Touch Dial | — | — | Stores up to 16 One Touch Dial numbers, so you can dial by pressing one key (and Start). | 48 |
| | | 2. Speed Dial | — | — | Stores up to 300 Speed Dial numbers, so you can dial by pressing only a few keys (and Start). | 50 |
| | | 3. Setup Groups | — | — | Sets up to 20 Group numbers for Broadcasting. | See ♦. |
| | 4. Report Setting | 1. Transmission | — | On On+Image Off* Off+Image | Sets initial setup for Transmission Verification Report. | 28 |
| | | 2. Journal Period | — | Every 50 Faxes* Every 6 Hours Every 12 Hours Every 24 Hours Every 2 Days Every 7 Days Off | Sets the interval for automatic printing of the Fax Journal. | See ♦. |
| | 5. Remote Fax Opt | 1. Fwd/Page/Store (Backup Print) | — | Fax Forward Paging Fax Storage PC Fax Receive Off* | Sets the machine to forward fax messages, to call your cell phone or pager, to store incoming faxes in the memory (so you can retrieve them while you are away from your machine), or to send faxes to your PC. If you choose Fax Forward or PC-Fax Receive, you can turn on the safety feature Backup Print. | |
| | | | | 2. Remote Access | — | ---* |

♦ See *Advanced User's Guide*.



The factory settings are shown in Bold with an asterisk.

| Level 1 | Level 2 | Level 3 | Level 4 | Options | Descriptions | Page |
|--|---------------------------------|--|--------------------|---|---|--------|
| 2. Fax (Continued) | 5.Remote Fax Opt (Continued) | 3.Print Fax | — | — | Prints incoming faxes stored in the memory. | See ◆. |
| | 6.Dial Restrict. | 1.Dial Pad | — | Enter # twice On Off* | You can set the machine to restrict dialing when using the dial pad. | |
| | | 2.One Touch Dial | — | Enter # twice On Off* | You can set the machine to restrict the dialing of One Touch numbers. | |
| | | 3.Speed Dial | — | Enter # twice On Off* | You can set the machine to restrict the dialing of Speed Dial numbers. | |
| | | 4.LDAP Server (MFC-8810DW and MFC-8910DW, or if you download LDAP function on MFC-8510DN or MFC-8710DW) | — | Enter # twice On Off* | You can set the machine to restrict the dialing of LDAP server numbers. | |
| | 7.Remaining Jobs | — | — | — | You can check which jobs are in the memory and lets you cancel scheduled jobs. | |
| | 0.Miscellaneous | 1.Compatibility | — | High* Normal Basic(for VoIP) | Adjusts the equalization for transmission difficulties. VoIP service providers offer fax support using various standards. If you regularly experience fax transmission errors, choose Basic(for VoIP) . | 114 |
| 2.Distinctive | | — | Set Off* | Uses the telephone company's Distinctive Ring subscriber service to register the ring pattern with the machine. | 38 | |
| ◆ See <i>Advanced User's Guide</i> . | | | | | | |
|  The factory settings are shown in Bold with an asterisk. | | | | | | |


| Level 1 | Level 2 | Level 3 | Options | Descriptions | Page |
|--|--------------|---------|--|---|----------------|
| 3.Copy | 1.Quality | — | Auto* Text Photo Graph | You can choose the Copy resolution for your type of document. | See ◆ . |
| | 2.Brightness | — | -□□□□■+ -□□□□■+ -□□■□□+* -□■□□□+ -■□□□□+ | Adjust the brightness for copies. | |
| | 3.Contrast | — | -□□□□■+ -□□□□■+ -□□■□□+* -□■□□□+ -■□□□□+ | Adjusts the contrast for copies. | |
| ◆ See <i>Advanced User's Guide</i> . | | | | | |
|  The factory settings are shown in Bold with an asterisk. | | | | | |


| Level 1 | Level 2 | Level 3 | Options | Descriptions | Page |
|------------------|------------------|---------------------|--|---|--------------------------------|
| 4. Printer | 1. Emulation | — | Auto (EPSON)* Auto (IBM) HP LaserJet BR-Script 3 Epson FX-850 IBM Proprinter | Chooses the emulation mode. | See <input type="checkbox"/> . |
| | 2. Print Options | 1. Internal Font | 1. HP LaserJet 2. BR-Script 3 | Prints a list of the machine's internal fonts. | |
| | | 2. Configuration | — | Prints a list of the machine's printer settings. | |
| | | 3. Test Print | — | Prints a test page. | |
| | 3. Duplex | — | On (Long Edge) On (Short Edge) Off* | Enables or disables duplex printing. You can also choose long edge or short edge duplex printing. | |
| | 4. Auto Continue | — | On* Off | If this setting is enabled the machine will automatically clear a paper size error, and will use any compatible paper from the other paper trays. | |
| 5. Reset Printer | — | 1. Reset 2. Exit | Restores the printer settings to the original factory default settings. | | |


See *Software User's Guide*.



The factory settings are shown in Bold with an asterisk.

| Level 1 | Level 2 | Level 3 | Options | Descriptions | Page |
|--|----------------|-----------------|---|--|------|
| 5.USB Direct I/F | 1.Direct Print | 1.Paper Size | A4 Letter* Legal Executive A5 A5 L A6 B5 B6 Folio | Sets the paper size when printing directly from the USB flash memory drive. | 55 |
| | | 2.Media Type | Thin Plain* Thick Thicker Recycled Paper Label | Sets the media type when printing directly from the USB flash memory drive. | 55 |
| | | 3.Multiple Page | 1in1* 2in1 4in1 9in1 16in1 25in1 1 in 2x2 pages 1 in 3x3 pages 1 in 4x4 pages 1 in 5x5 pages | Sets the page style when printing multiple pages directly from the USB Flash memory drive. | 56 |
| | | 4.Orientation | Portrait* Landscape | Sets the page orientation when printing directly from the USB Flash memory drive. | 56 |
| | | 5.Collate | On* Off | Enables or disables the page collation when printing directly from the USB Flash memory drive. | 56 |
| <input type="checkbox"/> See <i>Software User's Guide</i> . | | | | | |
|  The factory settings are shown in Bold with an asterisk. | | | | | |

| Level 1 | Level 2 | Level 3 | Options | Descriptions | Page |
|--|-------------------------------|-----------------|--|---|--------------------------------|
| 5.USB Direct I/F (Continued) | 1.Direct Print (Continued) | 6.Print Quality | Normal* Fine | Sets the print quality option when printing directly from the USB Flash memory drive. | 56 |
| | | 7.PDF Option | Document* Document&Markup Document&Stamps | Sets the PDF option whether to print comments (Markup) or stamps in the PDF file along with the text. | 56 |
| | | 8.Index Print | Simple* Details | Sets the index print option, simple format or details. | 56 |
| | 2.Scan to USB | 1.Resolution | Color 100 dpi* Color 200 dpi Color 300 dpi Color 600 dpi Color Auto Gray 100 dpi Gray 200 dpi Gray 300 dpi Gray Auto B&W 300 dpi B&W 200 dpi B&W 200x100 dpi | Sets the resolution to send the scanned data to USB Flash memory drive. | See <input type="checkbox"/> . |
| | | 2.File Name | — | Enter the file name of the scanned data. | |
| <input type="checkbox"/> See <i>Software User's Guide</i> . | | | | | |
|  The factory settings are shown in Bold with an asterisk. | | | | | |

| Level 1 | Level 2 | Level 3 | Options | Descriptions | Page |
|--|-------------------|-----------------|---|---|--------|
| 6. Print Reports | 1. Transmission | 1. View on LCD | — | You can view the Transmission Verification Report for your last 200 outgoing faxes and print the last report. | See ◆. |
| | | 2. Print Report | — | | |
| | 2. Tel Index List | 1. Numeric | — | Lists names and numbers stored in the One Touch and Speed Dial memory, in numerical or alphabetical order. | |
| | | 2. Alphabetic | — | | |
| | 3. Fax Journal | — | — | Lists information about your last 200 incoming and outgoing faxes. (TX means Transmit. RX means Receive.) | |
| | 4. User Settings | — | — | Lists your settings. | |
| | 5. Network Config | — | — | Lists your Network settings. | |
| | 6. Drum Dot Print | — | — | Prints the drum dot check sheet. | |
| 7. WLAN Report (MFC-8710DW, MFC-8810DW and MFC-8910DW) | — | — | Prints the result of wireless LAN connectivity diagnosis. | See ‡. | |
| ◆ See <i>Advanced User's Guide</i> . | | | | | |
| ‡ See <i>Quick Setup Guide</i> . | | | | | |
|  The factory settings are shown in Bold with an asterisk. | | | | | |

| Level 1 | Level 2 | Level 3 | Level 4 | Level 5 | Options | Descriptions | Page |
|----------------------------|-----------|-----------------|------------------------|--------------------------------------|---|---|----------------|
| 7. Network (MFC-8510DN) | 1. TCP/IP | 1. Boot Method | — | — | Auto* Static RARP BOOTP DHCP | Chooses the BOOT method that best suits your needs. | See + . |
| | | (IP Boot Tries) | — | — | 00003* [00000-32767] | Specifies the number of attempts the machine will try to obtain an IP address when the Boot Method is set to any setting except Static. | |
| | | 2. IP Address | — | — | [000-255]. [000-255]. [000-255]. [000-255] | Enter the IP address. | |
| | | 3. Subnet Mask | — | — | [000-255]. [000-255]. [000-255]. [000-255] | Enter the Subnet mask. | |
| | | 4. Gateway | — | — | [000-255]. [000-255]. [000-255]. [000-255] | Enter the Gateway address. | |
| | | 5. Node Name | — | — | BRNXXXXXXXXXXXX | Enter the Node name. (Up to 32 characters) | |
| 6. WINS Config | — | — | Auto* Static | Chooses the WINS configuration mode. | | | |

+ See Network User's Guide.



- The factory settings are shown in Bold with an asterisk.
- LDAP, Internet Fax and Scan to E-mail Server functions are available as a download.
- To use these functions, please download the necessary software from our web site, the Brother Solutions Center at <http://solutions.brother.com/>.
- Level 2 menus inside parentheses appear if you download IFAX/E-mail options to your machine.

| Level 1 | Level 2 | Level 3 | Level 4 | Level 5 | Options | Descriptions | Page |
|---|--------------------------|----------------|---------|---------|--|--|--------|
| 7. Network (MFC-8510DN) (Continued) | 1. TCP/IP (Continued) | 7. WINS Server | — | — | Primary [000-255]. [000-255]. [000-255]. [000-255] Secondary [000-255]. [000-255]. [000-255]. [000-255] | Specifies the IP address of the primary or secondary WINS server. | See +. |
| | | 8. DNS Server | — | — | Primary [000-255]. [000-255]. [000-255]. [000-255] Secondary [000-255]. [000-255]. [000-255]. [000-255] | Specifies the IP address of the primary or secondary DNS server. | |
| | | 9. APIPA | — | — | On* Off | Automatically allocates the IP address from the link-local address range. | |
| | | 0. IPv6 | — | — | On Off* | Enable or Disable the IPv6 protocol. If you want to use the IPv6 protocol, visit http://solutions.brother.com/ for more information. | |
| | 2. Ethernet | — | — | — | Auto* 100B-FD 100B-HD 10B-FD 10B-HD | Chooses the Ethernet link mode. | |

+ See Network User's Guide.



- The factory settings are shown in Bold with an asterisk.
- LDAP, Internet Fax and Scan to E-mail Server functions are available as a download.
- To use these functions, please download the necessary software from our web site, the Brother Solutions Center at <http://solutions.brother.com/>.
- Level 2 menus inside parentheses appear if you download IFAX/E-mail options to your machine.

| Level 1 | Level 2 | Level 3 | Level 4 | Level 5 | Options | Descriptions | Page | | |
|---|----------------------------|---|---------|----------------|--|---------------------------------------|--------|---|--|
| 7. Network (MFC-8510DN) (Continued) | 3. Status | — | — | — | Active 100B-FD Active 100B-HD Active 10B-FD Active 10B-HD Inactive | You can see the current wired status. | See +. | | |
| | 4. MAC Address | — | — | — | — | Shows the MAC address of the machine. | | | |
| | (5. E-mail/ IFAX) | 1. Mail Address | — | — | — | — | | Enter the E-mail address. (Up to 60 characters) | |
| | | 2. Setup Server | 1. SMTP | 1. SMTP Server | Name (Up to 64 characters) | Enter the SMTP server address. | | | |
| | | | | | IP Address [000-255]. [000-255]. [000-255]. [000-255] | | | | |
| | | | | | 2. SMTP Port | | | 25* [00001-65535] | Enter the SMTP port number. |
| | | | | | 3. Auth. for SMTP | | | None* SMTP-AUTH POP bef. SMTP | Selects the Security method for E-mail notification. |
| 4. SMTP SSL/TLS | None* SSL TLS | | | | You can send or receive an E-mail via an E-mail server that requires secure SSL/TLS communication. | | | | |
| 5. Verify Cert. | On Off* | Verify the SMTP Server Certificate automatically. | | | | | | | |

+ See Network User's Guide.



- The factory settings are shown in Bold with an asterisk.
- LDAP, Internet Fax and Scan to E-mail Server functions are available as a download.
- To use these functions, please download the necessary software from our web site, the Brother Solutions Center at <http://solutions.brother.com/>.
- Level 2 menus inside parentheses appear if you download IFAX/E-mail options to your machine.

| Level 1 | Level 2 | Level 3 | Level 4 | Level 5 | Options | Descriptions | Page |
|---|-------------------------------------|--------------------------------|-------------------|-----------------|--|--|--------|
| 7. Network (MFC-8510DN) (Continued) | (5. E-mail/ IFAX) (Continued) | 2. Setup Server (Continued) | 2. POP3 | 1. POP3 Server | Name (Up to 64 characters) IP Address [000-255]. [000-255]. [000-255]. [000-255] | Enter the POP3 server address. | See +. |
| | | | | 2. POP3 Port | 110* [00001-65535] | Enter the POP3 port number. | |
| | | | | 3. Mailbox Name | — | Enter the mail box name. (Up to 60 characters) | |
| | | | | 4. Mailbox Pwd | — | Enter the password to login to the POP3 server. | |
| | | | | 5. POP3 SSL/TLS | None* SSL TLS | You can send or receive an E-mail via an E-mail server that requires secure SSL/TLS communication. | |
| | | | | 6. Verify Cert. | On Off* | Verify the POP3 Server Certificate automatically. | |
| | | | | 7. APOP | On Off* | Enables or disables APOP. | |
| | | 3. Setup Mail RX | 1. Auto Polling | — | On* Off | Automatically checks the POP3 server for new messages. | |
| | | | 2. Poll Frequency | — | 10* [01-60] Min | Sets the interval for checking for new messages on the POP3 server. | |
| | | | 3. Header | — | All Subject+From+To None* | Selects the contents of the mail header to be printed. | |

+ See Network User's Guide.



- The factory settings are shown in Bold with an asterisk.
- LDAP, Internet Fax and Scan to E-mail Server functions are available as a download.
- To use these functions, please download the necessary software from our web site, the Brother Solutions Center at <http://solutions.brother.com/>.
- Level 2 menus inside parentheses appear if you download IFAX/E-mail options to your machine.

| Level 1 | Level 2 | Level 3 | Level 4 | Level 5 | Options | Descriptions | Page |
|---|-------------------------------------|---------------------------------|-------------------|---------|-------------------|---|--------|
| 7. Network (MFC-8510DN) (Continued) | (5. E-mail/ IFAX) (Continued) | 3. Setup Mail RX (Continued) | 4. Del Error Mail | — | On* Off | Deletes error mails automatically. | See +. |
| | | | 5. Notification | — | On MDN Off* | Receives notification messages. | |
| | | 4. Setup Mail TX | 1. Sender Subject | — | — | Displays the subject that is attached to the Internet Fax data. | |
| | | | 2. Size Limit | — | On Off* | Limits the size of E-mail documents. | |
| | | | 3. Notification | — | On Off* | Sends notification messages. | |
| | | 5. Setup Relay | 1. Rly Broadcast | — | On Off* | Relays a document to another fax machine. | |
| | | | 2. Relay Domain | — | — | Registers the Domain name. | |
| | | | 3. Relay Report | — | On Off* | Prints the Relay Broadcast Report. | |
| | | (6. Scan To E-mail) | — | — | — | Color 100 dpi* Color 200 dpi Color 300 dpi Color 600 dpi Color Auto Gray 100 dpi Gray 200 dpi Gray 300 dpi Gray Auto B&W 300 dpi B&W 200 dpi B&W 200x100 dpi | |

+ See Network User's Guide.



- The factory settings are shown in Bold with an asterisk.
- LDAP, Internet Fax and Scan to E-mail Server functions are available as a download.
- To use these functions, please download the necessary software from our web site, the Brother Solutions Center at <http://solutions.brother.com/>.
- Level 2 menus inside parentheses appear if you download IFAX/E-mail options to your machine.

| Level 1 | Level 2 | Level 3 | Level 4 | Level 5 | Options | Descriptions | Page |
|---|--|---------|---------|---------|---|---|--------|
| 7. Network (MFC-8510DN) (Continued) | 5. Scan To FTP (7. Scan To FTP) | — | — | — | Color 100 dpi* Color 200 dpi Color 300 dpi Color 600 dpi Color Auto Gray 100 dpi Gray 200 dpi Gray 300 dpi Gray Auto B&W 300 dpi B&W 200 dpi B&W 200x100 dpi | Chooses the type and resolution for scanning to send the scanned data via FTP. | See +. |
| | 6. ScanTo Network (Windows®) (8. ScanTo Network) (Windows®) | — | — | — | Color 100 dpi* Color 200 dpi Color 300 dpi Color 600 dpi Color Auto Gray 100 dpi Gray 200 dpi Gray 300 dpi Gray Auto B&W 300 dpi B&W 200 dpi B&W 200x100 dpi | Chooses the type and resolution for scanning to save the scanned data directly to a CIFS server on your local network or on the Internet. | |
| | (9. Fax to Server) | — | — | — | On (Prefix/Suffix) Off* | You can store a prefix/suffix address in the machine and can send a document from a fax server system. | |
| | 0. Network Reset | — | — | — | 1. Reset 2. Exit | Restores all network settings to the factory defaults. | |

+ See Network User's Guide.



- The factory settings are shown in Bold with an asterisk.
- LDAP, Internet Fax and Scan to E-mail Server functions are available as a download.
- To use these functions, please download the necessary software from our web site, the Brother Solutions Center at <http://solutions.brother.com/>.
- Level 2 menus inside parentheses appear if you download IFAX/E-mail options to your machine.

| Level 1 | Level 2 | Level 3 | Level 4 | Level 5 | Options | Descriptions | Page |
|----------------------------|--------------|------------------------|--------------------------------------|---------|---|---|----------------|
| 7. Network (MFC-8710DW) | 1. Wired LAN | 1. TCP/IP | 1. Boot Method | — | Auto* Static RARP BOOTP DHCP | Chooses the BOOT method that best suits your needs. | See + . |
| | | | (IP Boot Tries) | — | 00003* [00000-32767] | Specifies the number of attempts the machine will try to obtain an IP address when the Boot Method is set to any setting except Static. | |
| | | | 2. IP Address | — | [000-255]. [000-255]. [000-255]. [000-255] | Enter the IP address. | |
| | | | 3. Subnet Mask | — | [000-255]. [000-255]. [000-255]. [000-255] | Enter the Subnet mask. | |
| | | | 4. Gateway | — | [000-255]. [000-255]. [000-255]. [000-255] | Enter the Gateway address. | |
| | | | 5. Node Name | — | BRNXXXXXXXXXXXX | Enter the Node name. (Up to 32 characters) | |
| 6. WINS Config | — | Auto* Static | Chooses the WINS configuration mode. | | | | |

+ See Network User's Guide.

♣ Please go to the Brother Solutions Center to download the manual at <http://solutions.brother.com/>.



- The factory settings are shown in Bold with an asterisk.
- LDAP, Internet Fax and Scan to E-mail Server functions are available as a download.
- To use these functions, please download the necessary software from our web site, the Brother Solutions Center at <http://solutions.brother.com/>.
- Level 2 menus inside parentheses appear if you download IFAX/E-mail options to your machine.

| Level 1 | Level 2 | Level 3 | Level 4 | Level 5 | Options | Descriptions | Page |
|---|-----------------------------|--------------------------|----------------|---------|--|--|--------|
| 7. Network (MFC-8710DW) (Continued) | 1. Wired LAN (Continued) | 1. TCP/IP (Continued) | 7. WINS Server | — | Primary [000-255]. [000-255]. [000-255]. [000-255] Secondary [000-255]. [000-255]. [000-255]. [000-255] | Specifies the IP address of the primary or secondary WINS server. | See +. |
| | | | 8. DNS Server | — | Primary [000-255]. [000-255]. [000-255]. [000-255] Secondary [000-255]. [000-255]. [000-255]. [000-255] | Specifies the IP address of the primary or secondary DNS server. | |
| | | | 9. APIPA | — | On* Off | Automatically allocates the IP address from the link-local address range. | |
| | | | 0. IPv6 | — | On Off* | Enable or Disable the IPv6 protocol. If you want to use the IPv6 protocol, visit http://solutions.brother.com/ for more information. | |
| | | 2. Ethernet | — | — | Auto* 100B-FD 100B-HD 10B-FD 10B-HD | Chooses the Ethernet link mode. | |

+ See Network User's Guide.

♣ Please go to the Brother Solutions Center to download the manual at <http://solutions.brother.com/>.



- The factory settings are shown in Bold with an asterisk.
- LDAP, Internet Fax and Scan to E-mail Server functions are available as a download.
- To use these functions, please download the necessary software from our web site, the Brother Solutions Center at <http://solutions.brother.com/>.
- Level 2 menus inside parentheses appear if you download IFAX/E-mail options to your machine.


| Level 1 | Level 2 | Level 3 | Level 4 | Level 5 | Options | Descriptions | Page |
|---|-----------------------------|-------------------|----------------|-----------------|---|---|---|
| 7. Network (MFC-8710DW) (Continued) | 1. Wired LAN (Continued) | 3. Wired Status | — | — | Active 100B-FD Active 100B-HD Active 10B-FD Active 10B-HD Inactive Wired OFF | You can see the current wired status. | See +. |
| | | 4. MAC Address | — | — | — | Shows the MAC address of the machine. | |
| | | 5. Set to Default | — | — | 1. Reset 2. Exit | Restore the wired network setting to factory default. | |
| | | 6. Wired Enable | — | — | On* Off | Enable or Disable the Wired LAN manually. | |
| | 2. WLAN | 1. TCP/IP | 1. Boot Method | — | — | Auto* Static RARP BOOTP DHCP | Chooses the BOOT method that best suits your needs. |
| | | | | (IP Boot Tries) | — | — | 00003* [00000-32767] |
| | | | 2. IP Address | — | — | [000-255]. [000-255]. [000-255]. [000-255] | Enter the IP address. |
| | | | 3. Subnet Mask | — | — | [000-255]. [000-255]. [000-255]. [000-255] | Enter the Subnet mask. |

+ See Network User's Guide.

♣ Please go to the Brother Solutions Center to download the manual at <http://solutions.brother.com/>.



- The factory settings are shown in Bold with an asterisk.
- LDAP, Internet Fax and Scan to E-mail Server functions are available as a download.
- To use these functions, please download the necessary software from our web site, the Brother Solutions Center at <http://solutions.brother.com/>.
- Level 2 menus inside parentheses appear if you download IFAX/E-mail options to your machine.

| Level 1 | Level 2 | Level 3 | Level 4 | Level 5 | Options | Descriptions | Page |
|---|------------------------|--------------------------|----------------|---------|--|---|--------|
| 7. Network (MFC-8710DW) (Continued) | 2. WLAN (Continued) | 1. TCP/IP (Continued) | 4. Gateway | — | [000-255]. [000-255]. [000-255]. [000-255] | Enter the Gateway address. | See +. |
| | | | 5. Node Name | — | BRWXXXXXXXXXXXX | Enter the Node name. (Up to 32 characters) | |
| | | | 6. WINS Config | — | Auto* Static | Chooses the WINS configuration mode. | |
| | | | 7. WINS Server | — | Primary [000-255]. [000-255]. [000-255]. [000-255] Secondary [000-255]. [000-255]. [000-255]. [000-255] | Specifies the IP address of the primary or secondary WINS server. | |
| | | | 8. DNS Server | — | Primary [000-255]. [000-255]. [000-255]. [000-255] Secondary [000-255]. [000-255]. [000-255]. [000-255] | Specifies the IP address of the primary or secondary DNS server. | |
| | | | 9. APIPA | — | On* Off | Automatically allocates the IP address from the link-local address range. | |
| + See Network User's Guide. | | | | | | | |
| ♣ Please go to the Brother Solutions Center to download the manual at http://solutions.brother.com/ . | | | | | | | |
|  <ul style="list-style-type: none"> ■ The factory settings are shown in Bold with an asterisk. ■ LDAP, Internet Fax and Scan to E-mail Server functions are available as a download. ■ To use these functions, please download the necessary software from our web site, the Brother Solutions Center at http://solutions.brother.com/. ■ Level 2 menus inside parentheses appear if you download IFAX/E-mail options to your machine. | | | | | | | |

| Level 1 | Level 2 | Level 3 | Level 4 | Level 5 | Options | Descriptions | Page |
|---|------------------------|--------------------------|---------------|---------|---|--|--------|
| 7. Network (MFC-8710DW) (Continued) | 2. WLAN (Continued) | 1. TCP/IP (Continued) | 0. IPv6 | — | On Off* | Enable or Disable the IPv6 protocol. If you want to use the IPv6 protocol, visit http://solutions.brother.com/ for more information. | See +. |
| | | 2. Setup Wizard | — | — | — | You can configure your internal print server. | |
| | | 3. WPS/AOSS | — | — | — | You can easily configure your wireless network settings using the one-button push method. | |
| | | 4. WPS w/PIN Code | — | — | — | You can easily configure your wireless network settings using WPS with a PIN code. | |
| | | 5. WLAN Status | 1. Status | — | Active(11n) Active(11b) Active(11g) Wired LAN Active WLAN OFF AOSS Active Connection Fail | You can see the current wireless network status. | |
| | | | 2. Signal | — | Strong Medium Weak None | You can see the current wireless network signal strength. | |
| | | | 3. SSID | — | — | You can see the current SSID. | |
| | | | 4. Comm. Mode | — | Ad-hoc Infrastructure | You can see the current Communication Mode. | |

+ See Network User's Guide.

♣ Please go to the Brother Solutions Center to download the manual at <http://solutions.brother.com/>.



- The factory settings are shown in Bold with an asterisk.
- LDAP, Internet Fax and Scan to E-mail Server functions are available as a download.
- To use these functions, please download the necessary software from our web site, the Brother Solutions Center at <http://solutions.brother.com/>.
- Level 2 menus inside parentheses appear if you download IFAX/E-mail options to your machine.

| Level 1 | Level 2 | Level 3 | Level 4 | Level 5 | Options | Descriptions | Page | | |
|---|------------------------|-------------------|----------------|---------|---------------------|---|--|--------|---|
| 7. Network (MFC-8710DW) (Continued) | 2. WLAN (Continued) | 6. MAC Address | — | — | — | Shows the MAC address of the machine. | See +. | | |
| | | 7. Set to Default | — | — | 1. Reset 2. Exit | Restore the wireless network settings to factory default. | | | |
| | | 8. WLAN Enable | — | — | On Off* | Enable or disable the wireless LAN manually. | | | |
| | 3. Wi-Fi Direct | 1. Push Button | — | — | — | — | You can easily configure your Wi-Fi Direct™ network settings using the one-button push method. | See ♣. | |
| | | 2. PIN Code | — | — | — | — | You can easily configure your Wi-Fi Direct™ network settings using WPS with a PIN code. | | |
| | | 3. Manual | — | — | — | — | You can manually configure your Wi-Fi Direct™ network settings. | | |
| | | 4. Group Owner | — | — | — | On Off* | Sets your machine as the Group Owner. | | |
| | | 5. Device Info. | 1. Device Name | — | — | — | — | | You can see the device name of your machine. |
| | | | 2. SSID | — | — | — | — | | Shows SSID of Group Owner. When the machine is not connected, LCD shows Not Connected. |
| | | | 3. IP Address | — | — | — | — | | You can see the current IP Address of your machine. |

+ See Network User's Guide.

♣ Please go to the Brother Solutions Center to download the manual at <http://solutions.brother.com/>.



- The factory settings are shown in Bold with an asterisk.
- LDAP, Internet Fax and Scan to E-mail Server functions are available as a download.
- To use these functions, please download the necessary software from our web site, the Brother Solutions Center at <http://solutions.brother.com/>.
- Level 2 menus inside parentheses appear if you download IFAX/E-mail options to your machine.

| Level 1 | Level 2 | Level 3 | Level 4 | Level 5 | Options | Descriptions | Page | |
|---|--------------------------------|-----------------|-----------------|---------|---|---|--|--------|
| 7. Network (MFC-8710DW) (Continued) | 3. Wi-Fi Direct (Continued) | 6. Status Info. | 1. Status | — | G/O Active(**) Client Active Not Connected Off Wired LAN Active ** = the number of devices | You can see the current Wi-Fi Direct™ network status. | See ♣. | |
| | | | 2. Signal | — | Strong Medium Weak None | You can see the current Wi-Fi Direct™ network signal strength. When your machine acts as Group Owner, the LCD always shows Strong. | | |
| | | 7. I/F Enable | — | — | On Off* | Enable or Disable the Wi-Fi Direct™ connection. | | |
| | (4. E-mail/ IFAX) | | 1. Mail Address | — | — | — | Enter the E-mail address. (Up to 60 characters) | See †. |
| | | | 2. Setup Server | 1. SMTP | 1. SMTP Server | Name (Up to 64 characters) IP Address [000-255]. [000-255]. [000-255]. [000-255] | Enter the SMTP server address. | |
| | | | | | | 2. SMTP Port | 25* [00001-65535] | |
| 3. Auth. for SMTP | | | | | | None* SMTP-AUTH POP bef. SMTP | Selects the Security method for E-mail notification. | |

† See Network User's Guide.

♣ Please go to the Brother Solutions Center to download the manual at <http://solutions.brother.com/>.



- The factory settings are shown in Bold with an asterisk.
- LDAP, Internet Fax and Scan to E-mail Server functions are available as a download.
- To use these functions, please download the necessary software from our web site, the Brother Solutions Center at <http://solutions.brother.com/>.
- Level 2 menus inside parentheses appear if you download IFAX/E-mail options to your machine.

| Level 1 | Level 2 | Level 3 | Level 4 | Level 5 | Options | Descriptions | Page |
|---|-------------------------------------|--------------------------------|------------------------|-----------------|--|--|--------|
| 7. Network (MFC-8710DW) (Continued) | (4. E-mail/ IFAX) (Continued) | 2. Setup Server (Continued) | 1. SMTP (Continued) | 4. SMTP SSL/TLS | None* SSL TLS | You can send or receive an E-mail via an E-mail server that requires secure SSL/TLS communication. | See +. |
| | | | | 5. Verify Cert. | On Off* | Verify the SMTP Server Certificate automatically. | |
| | | | 2. POP3 | 1. POP3 Server | Name (Up to 64 characters) IP Address [000-255]. [000-255]. [000-255]. [000-255] | Enter the POP3 server address. | |
| | | | | 2. POP3 Port | 110* [00001-65535] | Enter the POP3 port number. | |
| | | | | 3. Mailbox Name | — | Enter the mail box name. (Up to 60 characters) | |
| | | | | 4. Mailbox Pwd | — | Enter the password to login to the POP3 server. | |
| | | | | 5. POP3 SSL/TLS | None* SSL TLS | You can send or receive an E-mail via an E-mail server that requires secure SSL/TLS communication. | |
| | | | | 6. Verify Cert. | On Off* | Verify the POP3 Server Certificate automatically. | |
| | | | | 7. APOP | On Off* | Enables or disables APOP. | |

+ See Network User's Guide.

♣ Please go to the Brother Solutions Center to download the manual at <http://solutions.brother.com/>.



- The factory settings are shown in Bold with an asterisk.
- LDAP, Internet Fax and Scan to E-mail Server functions are available as a download.
- To use these functions, please download the necessary software from our web site, the Brother Solutions Center at <http://solutions.brother.com/>.
- Level 2 menus inside parentheses appear if you download IFAX/E-mail options to your machine.


| Level 1 | Level 2 | Level 3 | Level 4 | Level 5 | Options | Descriptions | Page |
|---|-------------------------------------|------------------|-------------------|---------|---------------------------------|---|--------|
| 7. Network (MFC-8710DW) (Continued) | (4. E-mail/ IFAX) (Continued) | 3. Setup Mail RX | 1. Auto Polling | — | On* Off | Automatically checks the POP3 server for new messages. | See +. |
| | | | 2. Poll Frequency | — | 10* [01-60] Min | Sets the interval for checking for new messages on the POP3 server. | |
| | | | 3. Header | — | All Subject+From+To None* | Selects the contents of the mail header to be printed. | |
| | | | 4. Del Error Mail | — | On* Off | Deletes error mails automatically. | |
| | | | 5. Notification | — | On MDN Off* | Receives notification messages. | |
| | | 4. Setup Mail TX | 1. Sender Subject | — | — | Displays the subject that is attached to the Internet Fax data. | |
| | | | 2. Size Limit | — | On Off* | Limits the size of E-mail documents. | |
| | | | 3. Notification | — | On Off* | Sends notification messages. | |
| | | 5. Setup Relay | 1. Rly Broadcast | — | On Off* | Relays a document to another fax machine. | |
| | | | 2. Relay Domain | — | — | Registers the Domain name. | |
| | | | 3. Relay Report | — | On Off* | Prints the Relay Broadcast Report. | |

+ See Network User's Guide.

♣ Please go to the Brother Solutions Center to download the manual at <http://solutions.brother.com/>.



- The factory settings are shown in Bold with an asterisk.
- LDAP, Internet Fax and Scan to E-mail Server functions are available as a download.
- To use these functions, please download the necessary software from our web site, the Brother Solutions Center at <http://solutions.brother.com/>.
- Level 2 menus inside parentheses appear if you download IFAX/E-mail options to your machine.

| Level 1 | Level 2 | Level 3 | Level 4 | Level 5 | Options | Descriptions | Page |
|---|--|---------|---------|---------|--|---|--------|
| 7.Network (MFC-8710DW) (Continued) | (5.Scan To E-mail) | — | — | — | Color 100 dpi* Color 200 dpi Color 300 dpi Color 600 dpi Color Auto Gray 100 dpi Gray 200 dpi Gray 300 dpi Gray Auto B&W 300 dpi B&W 200 dpi B&W 200x100 dpi | Chooses the type and resolution for scanning to send the scanned data via E-mail. | See +. |
| | 4.Scan To FTP (6.Scan To FTP) | — | — | — | Color 100 dpi* Color 200 dpi Color 300 dpi Color 600 dpi Color Auto Gray 100 dpi Gray 200 dpi Gray 300 dpi Gray Auto B&W 300 dpi B&W 200 dpi B&W 200x100 dpi | Chooses the type and resolution for scanning to send the scanned data via FTP. | |
| + See Network User's Guide. ♣ Please go to the Brother Solutions Center to download the manual at http://solutions.brother.com/ . | | | | | | | |
|  <ul style="list-style-type: none"> ■ The factory settings are shown in Bold with an asterisk. ■ LDAP, Internet Fax and Scan to E-mail Server functions are available as a download. ■ To use these functions, please download the necessary software from our web site, the Brother Solutions Center at http://solutions.brother.com/. ■ Level 2 menus inside parentheses appear if you download IFAX/E-mail options to your machine. | | | | | | | |

| Level 1 | Level 2 | Level 3 | Level 4 | Level 5 | Options | Descriptions | Page |
|--|--|---------|---------|---------|---|---|--------|
| 7.Network (MFC-8710DW) (Continued) | 5.ScanTo Network (Windows®) (7.ScanTo Network) (Windows®) | — | — | — | Color 100 dpi* Color 200 dpi Color 300 dpi Color 600 dpi Color Auto Gray 100 dpi Gray 200 dpi Gray 300 dpi Gray Auto B&W 300 dpi B&W 200 dpi B&W 200x100 dpi | Chooses the type and resolution for scanning to save the scanned data directly to a CIFS server on your local network or on the Internet. | See +. |
| | (8.Fax to Server) | — | — | — | On (Prefix/Suffix) Off* | You can store a prefix/suffix address in the machine and can send a document from a fax server system. | |
| | 0.Network Reset | — | — | — | 1.Reset 2.Exit | Restores all network settings to the factory defaults. | |

+ See Network User's Guide.

♣ Please go to the Brother Solutions Center to download the manual at <http://solutions.brother.com/>.



- The factory settings are shown in Bold with an asterisk.
- LDAP, Internet Fax and Scan to E-mail Server functions are available as a download.
- To use these functions, please download the necessary software from our web site, the Brother Solutions Center at <http://solutions.brother.com/>.
- Level 2 menus inside parentheses appear if you download IFAX/E-mail options to your machine.

| Level 1 | Level 2 | Level 3 | Level 4 | Level 5 | Options | Descriptions | Page |
|---|--------------|--|---|---------|---|---|----------------|
| 7. Network (MFC-8810DW and MFC-8910DW) | 1. Wired LAN | 1. TCP/IP | 1. Boot Method | — | Auto* Static RARP BOOTP DHCP | Chooses the BOOT method that best suits your needs. | See + . |
| | | | (IP Boot Tries) | — | 00003* [00000-32767] | Specifies the number of attempts the machine will try to obtain an IP address when the Boot Method is set to any setting except Static. | |
| | | | 2. IP Address | — | [000-255]. [000-255]. [000-255]. [000-255] | Enter the IP address. | |
| | | | 3. Subnet Mask | — | [000-255]. [000-255]. [000-255]. [000-255] | Enter the Subnet mask. | |
| | | | 4. Gateway | — | [000-255]. [000-255]. [000-255]. [000-255] | Enter the Gateway address. | |
| | | | 5. Node Name | — | BRNXXXXXXXXXXXX | Enter the Node name. (Up to 32 characters) | |
| | | | 6. WINS Config | — | Auto* Static | Chooses the WINS configuration mode. | |
| 7. WINS Server | — | Primary [000-255]. [000-255]. [000-255]. [000-255] Secondary [000-255]. [000-255]. [000-255]. [000-255] | Specifies the IP address of the primary or secondary WINS server. | | | | |

+ See Network User's Guide.

♣ Please go to the Brother Solutions Center to download the manual at <http://solutions.brother.com/>.



The factory settings are shown in Bold with an asterisk.


| Level 1 | Level 2 | Level 3 | Level 4 | Level 5 | Options | Descriptions | Page |
|--|-----------------------------|--------------------------|---------------|---------|--|--|--------|
| 7. Network (MFC-8810DW and MFC-8910DW) (Continued) | 1. Wired LAN (Continued) | 1. TCP/IP (Continued) | 8. DNS Server | — | Primary [000-255]. [000-255]. [000-255]. [000-255] Secondary [000-255]. [000-255]. [000-255]. [000-255] | Specifies the IP address of the primary or secondary DNS server. | See +. |
| | | | 9. A.P.I.P.A | — | On* Off | Automatically allocates the IP address from the link-local address range. | |
| | | | 0. I.P.v.6 | — | On Off* | Enable or Disable the IPv6 protocol. If you want to use the IPv6 protocol, visit http://solutions.brother.com/ for more information. | |
| | | 2. Ethernet | — | — | Auto* 100B-FD 100B-HD 10B-FD 10B-HD | Chooses the Ethernet link mode. | |
| | | 3. Wired Status | — | — | Active 100B-FD Active 100B-HD Active 10B-FD Active 10B-HD Inactive Wired OFF | You can see the current wired status. | |
| | | 4. MAC Address | — | — | — | Shows the MAC address of the machine. | |
| | | 5. Set to Default | — | — | 1. Reset 2. Exit | Restore the wired network setting to factory default. | |
| | | 6. Wired Enable | — | — | On* Off | Enable or Disable the Wired LAN manually. | |

+ See Network User's Guide.

♣ Please go to the Brother Solutions Center to download the manual at <http://solutions.brother.com/>.



The factory settings are shown in Bold with an asterisk.

| Level 1 | Level 2 | Level 3 | Level 4 | Level 5 | Options | Descriptions | Page |
|--|---------|----------------------------|--------------------------------------|---------|---|---|--------|
| 7. Network (MFC-8810DW and MFC-8910DW) (Continued) | 2. WLAN | 1. TCP/IP | 1. Boot Method | — | Auto* Static RARP BOOTP DHCP | Chooses the BOOT method that best suits your needs. | See +. |
| | | | (IP Boot Tries) | — | 00003* [00000-32767] | Specifies the number of attempts the machine will try to obtain an IP address when the Boot Method is set to any setting except Static. | |
| | | | 2. IP Address | — | [000-255]. [000-255]. [000-255]. [000-255] | Enter the IP address. | |
| | | | 3. Subnet Mask | — | [000-255]. [000-255]. [000-255]. [000-255] | Enter the Subnet mask. | |
| | | | 4. Gateway | — | [000-255]. [000-255]. [000-255]. [000-255] | Enter the Gateway address. | |
| | | | 5. Node Name | — | BRWXXXXXXXXXXXX | Enter the Node name. (Up to 32 characters) | |
| 6. WINS Config | — | Auto* Static | Chooses the WINS configuration mode. | | | | |
| <p>+ See Network User's Guide.</p> <p>♣ Please go to the Brother Solutions Center to download the manual at http://solutions.brother.com/.</p> | | | | | | | |
|  The factory settings are shown in Bold with an asterisk. | | | | | | | |

| Level 1 | Level 2 | Level 3 | Level 4 | Level 5 | Options | Descriptions | Page |
|--|------------------------|--------------------------|----------------|---------|--|--|--------|
| 7. Network (MFC-8810DW and MFC-8910DW) (Continued) | 2. WLAN (Continued) | 1. TCP/IP (Continued) | 7. WINS Server | — | Primary [000-255]. [000-255]. [000-255]. [000-255] Secondary [000-255]. [000-255]. [000-255]. [000-255] | Specifies the IP address of the primary or secondary WINS server. | See +. |
| | | | 8. DNS Server | — | Primary [000-255]. [000-255]. [000-255]. [000-255] Secondary [000-255]. [000-255]. [000-255]. [000-255] | Specifies the IP address of the primary or secondary DNS server. | |
| | | | 9. APIPA | — | On* Off | Automatically allocates the IP address from the link-local address range. | |
| | | | 0. IPv6 | — | On Off* | Enable or Disable the IPv6 protocol. If you want to use the IPv6 protocol, visit http://solutions.brother.com/ for more information. | |
| | | 2. Setup Wizard | — | — | — | You can configure your internal print server. | |
| | | 3. WPS/AOSS | — | — | — | You can easily configure your wireless network settings using the one-button push method. | |
| | | 4. WPS w/PIN Code | — | — | — | You can easily configure your wireless network settings using WPS with a PIN code. | |

+ See Network User's Guide.

♣ Please go to the Brother Solutions Center to download the manual at <http://solutions.brother.com/>.



The factory settings are shown in Bold with an asterisk.

| Level 1 | Level 2 | Level 3 | Level 4 | Level 5 | Options | Descriptions | Page |
|--|------------------------|-------------------|---------------|---------|---|--|--------|
| 7. Network (MFC-8810DW and MFC-8910DW) (Continued) | 2. WLAN (Continued) | 5. WLAN Status | 1. Status | — | Active(11n) Active(11b) Active(11g) Wired LAN Active WLAN OFF AOSS Active Connection Fail | You can see the current wireless network status. | See +. |
| | | | 2. Signal | — | Strong Medium Weak None | You can see the current wireless network signal strength. | |
| | | | 3. SSID | — | — | You can see the current SSID. | |
| | | | 4. Comm. Mode | — | Ad-hoc Infrastructure | You can see the current Communication Mode. | |
| | | 6. MAC Address | — | — | — | Shows the MAC address of the machine. | |
| | | 7. Set to Default | — | — | 1. Reset 2. Exit | Restore the wireless network settings to factory default. | |
| | | 8. WLAN Enable | — | — | On Off* | Enable or disable the wireless LAN manually. | |
| | 3. Wi-Fi Direct | 1. Push Button | — | — | — | You can easily configure your Wi-Fi Direct™ network settings using the one-button push method. | See ♣. |
| | | 2. PIN Code | — | — | — | You can easily configure your Wi-Fi Direct™ network settings using WPS with a PIN code. | |
| | | 3. Manual | — | — | — | You can manually configure your Wi-Fi Direct™ network settings. | |

+ See Network User's Guide.

♣ Please go to the Brother Solutions Center to download the manual at <http://solutions.brother.com/>.



The factory settings are shown in Bold with an asterisk.

| Level 1 | Level 2 | Level 3 | Level 4 | Level 5 | Options | Descriptions | Page | |
|--|--------------------------------|-----------------|----------------|---------|-------------------|---|--------|---|
| 7. Network (MFC-8810DW and MFC-8910DW) (Continued) | 3. Wi-Fi Direct (Continued) | 4. Group Owner | — | — | On Off* | Sets your machine as the Group Owner. | See ♣. | |
| | | 5. Device Info. | 1. Device Name | — | — | — | | You can see the device name of your machine. |
| | | | 2. SSID | — | — | — | | Shows SSID of Group Owner. When the machine is not connected, LCD shows Not Connected. |
| | | | 3. IP Address | — | — | — | | You can see the current IP Address of your machine. |
| | | 6. Status Info. | 1. Status | — | — | G/O Active(**) Client Active Not Connected Off Wired LAN Active ** = the number of devices | | You can see the current Wi-Fi Direct™ network status. |
| | | | 2. Signal | — | — | Strong Medium Weak None | | You can see the current Wi-Fi Direct™ network signal strength. When your machine acts as Group Owner, the LCD always shows Strong. |
| | | 7. I/F Enable | — | — | — | On Off* | | Enable or Disable the Wi-Fi Direct™ connection. |

+ See Network User's Guide.

♣ Please go to the Brother Solutions Center to download the manual at <http://solutions.brother.com/>.



The factory settings are shown in Bold with an asterisk.


| Level 1 | Level 2 | Level 3 | Level 4 | Level 5 | Options | Descriptions | Page | | |
|--|----------------|-----------------|---------|----------------|-------------------------------|--|---|--------|--|
| 7. Network (MFC-8810DW and MFC-8910DW) (Continued) | 4. E-mail/IFAX | 1. Mail Address | — | — | — | — | Enter the E-mail address. (Up to 60 characters) | See +. | |
| | | 2. Setup Server | 1. SMTP | 1. SMTP Server | Name (Up to 64 characters) | Name (Up to 64 characters) IP Address [000-255]. [000-255]. [000-255]. [000-255] | Enter the SMTP server address. | | |
| | | | | | 2. SMTP Port | | 25* [00001-65535] | | Enter the SMTP port number. |
| | | | | | 3. Auth. for SMTP | | None* SMTP-AUTH POP bef. SMTP | | Selects the Security method for E-mail notification. |
| | | | | | 4. SMTP SSL/TLS | | None* SSL TLS | | You can send or receive an E-mail via an E-mail server that requires secure SSL/TLS communication. |
| | | | | | 5. Verify Cert. | | On Off* | | Verify the SMTP Server Certificate automatically. |
| | | | 2. POP3 | 1. POP3 Server | Name (Up to 64 characters) | Name (Up to 64 characters) IP Address [000-255]. [000-255]. [000-255]. [000-255] | Enter the POP3 server address. | | |
| | | | | | 2. POP3 Port | | 110* [00001-65535] | | Enter the POP3 port number. |
| | | | | | 3. Mailbox Name | | — | | Enter the mail box name. (Up to 60 characters) |
| | | 4. Mailbox Pwd | | | — | | Enter the password to login to the POP3 server. | | |


+ See Network User's Guide.


♣ Please go to the Brother Solutions Center to download the manual at <http://solutions.brother.com/>.



The factory settings are shown in Bold with an asterisk.

| Level 1 | Level 2 | Level 3 | Level 4 | Level 5 | Options | Descriptions | Page | | | |
|--|-------------------------------|---|------------------------|-----------------|--|--|--------|--|--|--|
| 7. Network (MFC-8810DW and MFC-8910DW) (Continued) | 4. E-mail/IFAX (Continued) | 2. Setup Server (Continued) | 2. POP3 (Continued) | 5. POP3 SSL/TLS | None* SSL TLS | You can send or receive an E-mail via an E-mail server that requires secure SSL/TLS communication. | See +. | | | |
| | | | | 6. Verify Cert. | On Off* | Verify the POP3 Server Certificate automatically. | | | | |
| | | | | 7. APOP | On Off* | Enables or disables APOP. | | | | |
| | | 3. Setup Mail RX | 1. Auto Polling | — | On* Off | Automatically checks the POP3 server for new messages. | | | | |
| | | | 2. Poll Frequency | — | 10* [01-60] Min | Sets the interval for checking for new messages on the POP3 server. | | | | |
| | | | 3. Header | — | All Subject+From+To None* | Selects the contents of the mail header to be printed. | | | | |
| | | | 4. Del Error Mail | — | On* Off | Deletes error mails automatically. | | | | |
| | | | 5. Notification | — | On MDN Off* | Receives notification messages. | | | | |
| | | 4. Setup Mail TX | 1. Sender Subject | — | — | Displays the subject that is attached to the Internet Fax data. | | | | |
| | | | 2. Size Limit | — | On Off* | Limits the size of E-mail documents. | | | | |
| | | | 3. Notification | — | On Off* | Sends notification messages. | | | | |
| | | 5. Setup Relay | 1. Rly Broadcast | — | On Off* | Relays a document to another fax machine. | | | | |
| | | | 2. Relay Domain | — | — | Registers the Domain name. | | | | |
| | | + See Network User's Guide. | | | | | | | | |
| | | ♣ Please go to the Brother Solutions Center to download the manual at http://solutions.brother.com/ . | | | | | | | | |
|  The factory settings are shown in Bold with an asterisk. | | | | | | | | | | |

| Level 1 | Level 2 | Level 3 | Level 4 | Level 5 | Options | Descriptions | Page |
|--|-------------------------------|-------------------------------|-----------------|---------|--|---|--------|
| 7. Network (MFC-8810DW and MFC-8910DW) (Continued) | 4. E-mail/IFAX (Continued) | 5. Setup Relay (Continued) | 3. Relay Report | — | On Off* | Prints the Relay Broadcast Report. | See +. |
| | 5. Scan To E-mail | — | — | — | Color 100 dpi* Color 200 dpi Color 300 dpi Color 600 dpi Color Auto Gray 100 dpi Gray 200 dpi Gray 300 dpi Gray Auto B&W 300 dpi B&W 200 dpi B&W 200x100 dpi | Chooses the type and resolution for scanning to send the scanned data via E-mail. | |
| | 6. Scan To FTP | — | — | — | Color 100 dpi* Color 200 dpi Color 300 dpi Color 600 dpi Color Auto Gray 100 dpi Gray 200 dpi Gray 300 dpi Gray Auto B&W 300 dpi B&W 200 dpi B&W 200x100 dpi | Chooses the type and resolution for scanning to send the scanned data via FTP. | |
| <p>+ See Network User's Guide.</p> <p>♣ Please go to the Brother Solutions Center to download the manual at http://solutions.brother.com/.</p> | | | | | | | |
|  The factory settings are shown in Bold with an asterisk. | | | | | | | |

| Level 1 | Level 2 | Level 3 | Level 4 | Level 5 | Options | Descriptions | Page |
|---|------------------------------------|---------|---------|---------|---|---|--------|
| 7. Network (MFC-8810DW and MFC-8910DW) (Continued) | 7. ScanTo Network (Windows®) | — | — | — | Color 100 dpi* Color 200 dpi Color 300 dpi Color 600 dpi Color Auto Gray 100 dpi Gray 200 dpi Gray 300 dpi Gray Auto B&W 300 dpi B&W 200 dpi B&W 200x100 dpi | Chooses the type and resolution for scanning to save the scanned data directly to a CIFS server on your local network or on the Internet. | See +. |
| | 8. Fax to Server | — | — | — | On (Prefix/Suffix) Off* | You can store a prefix/suffix address in the machine and can send a document from a fax server system. | |
| | 0. Network Reset | — | — | — | 1. Reset 2. Exit | Restores all network settings to the factory defaults. | |
| + See Network User's Guide. | | | | | | | |
| ♣ Please go to the Brother Solutions Center to download the manual at http://solutions.brother.com/ . | | | | | | | |
|  The factory settings are shown in Bold with an asterisk. | | | | | | | |

| Level 1 | Level 2 | Level 3 | Options | Descriptions | Page | |
|------------------------|-----------------------|--------------------|------------------------------------|--|--------|--|
| 8.Machine Info. | 1.Serial No. | — | — | You can check the serial number of your machine. | 123 | |
| | 2.Page Counter | — | Total Fax/List Copy Print | You can check the number of total pages the machine has printed during its life. | See ◆. | |
| | 3.Parts Life | 1.Drum | — | — | | You can check the percentage of a machine part's life that remains available. (PF Kit 2 appears only if you installed the optional paper tray on MFC-8710DW, MFC-8810DW or MFC-8910DW.) |
| | | 2.Fuser | — | — | | |
| | | 3.Laser | — | — | | |
| | | 4.PF Kit MP | — | — | | |
| | | 5.PF Kit 1 | — | — | | |
| | | 6.PF Kit 2 | — | — | | |

◆ See *Advanced User's Guide*.



The factory settings are shown in Bold with an asterisk.

| Level 1 | Level 2 | Level 3 | Options | Descriptions | Page | |
|-----------------|---|-------------------|---|---|---|--------|
| 0.Initial Setup | 1.Receive Mode | — | Fax Only* Fax/Tel External TAD Manual | Chooses the receive mode that best suits your needs. | 30 | |
| | 2.Date&Time | 1.Date&Time | — | | Puts the date and time on the LCD and in headings of faxes you send. | See ‡. |
| | | 2.Auto Daylight | On Off* | | Changes for Daylight Saving Time automatically. | See ◆. |
| | | 3.Time Zone | UTCXXX:XX | | Sets the time zone for your country. | See †. |
| | 3.Station ID | — | Fax: Tel: Name: | Sets your name and fax number to appear on each page you fax. | See ‡. | |
| | 4.Tone/Pulse (in Canada) | — | Tone* Pulse | Chooses the dialing mode. | | |
| | 4.Dial Tone (in USA) 5.Dial Tone (in Canada) | — | Detection No Detection* | | You can shorten the dial tone detect pause. | 114 |
| | 5.Dial Prefix (in USA) 6.Dial Prefix (in Canada) | — | — | — | Sets a prefix number that will always be added before the fax number every time you dial. | See ◆. |
| | 6.Reset (in USA) 7.Reset (in Canada) | 1.Network | 1.Reset 2.Exit | | Restores all network settings to the factory defaults. | 123 |
| | | 2.Address & Fax | 1.Reset 2.Exit | | Restores all stored phone numbers and fax settings. | |
| 3.All Settings | | 1.Reset 2.Exit | | Restores all the machine settings to factory default. | | |


◆ See *Advanced User's Guide*.

‡ See *Quick Setup Guide*.

† See *Network User's Guide*.



The factory settings are shown in Bold with an asterisk.

| Level 1 | Level 2 | Level 3 | Options | Descriptions | Page |
|---|------------------|---------|--|---|--------|
| 0.Initial Setup (Continued) | 0.Local Language | — | (in USA) English* Español (in Canada) English* Français | Allows you to change the LCD language for your country. | See ‡. |
| <p>◆ See <i>Advanced User's Guide</i>.</p> <p>‡ See <i>Quick Setup Guide</i>.</p> <p>+ See <i>Network User's Guide</i>.</p> | | | | | |
| <p> The factory settings are shown in Bold with an asterisk.</p> | | | | | |

Entering text

When setting certain menu selections, such as the Station ID, you will need to type text characters. The dial pad keys have letters printed on them. The keys: **0**, **#** and ***** do *not* have printed letters because they are used for special characters.

Press the appropriate dial pad key the number of times shown in this reference table to access the character you want.

| Press Key | one time | two times | three times | four times | five times | six times | seven times | eight times | nine times |
|-----------|----------|-----------|-------------|------------|------------|-----------|-------------|-------------|------------|
| 1 | @ | . | / | 1 | @ | . | / | 1 | @ |
| 2 | a | b | c | A | B | C | 2 | a | b |
| 3 | d | e | f | D | E | F | 3 | d | e |
| 4 | g | h | i | G | H | I | 4 | g | h |
| 5 | j | k | l | J | K | L | 5 | j | k |
| 6 | m | n | o | M | N | O | 6 | m | n |
| 7 | p | q | r | s | P | Q | R | S | 7 |
| 8 | t | u | v | T | U | V | 8 | t | u |
| 9 | w | x | y | z | W | X | Y | Z | 9 |

For menu selections that do not allow lower case letter selection, please use this reference table.

| Press Key | one time | two times | three times | four times | five times |
|-----------|----------|-----------|-------------|------------|------------|
| 2 | A | B | C | 2 | A |
| 3 | D | E | F | 3 | D |
| 4 | G | H | I | 4 | G |
| 5 | J | K | L | 5 | J |
| 6 | M | N | O | 6 | M |
| 7 | P | Q | R | 7 | P |
| 8 | T | U | V | 8 | T |
| 9 | W | X | Y | 9 | W |

Inserting spaces

To enter a space in a fax number, press **▶** once between numbers. To enter a space in a name, press **▶** twice between characters.

Making corrections

If you entered a character incorrectly and want to change it, press **◀** or **▶** to move the cursor to the incorrect character, and then press **Clear**.

Repeating letters

To enter a letter on the same key as the previous letter, press **▶** to move the cursor right before pressing the key again.

Special characters and symbols

Press *****, **#** or **0**, then press **◀** or **▶** to move the cursor to the symbol or letter you want. Press **OK** to choose it. The symbols and characters below will appear depending on your menu selection.

| | | |
|----------------|-----|---|
| Press * | for | (space) ! " # \$ % & ' () * + , - . / € |
| Press # | for | : ; < = > ? @ [] ^ _ \ ~ ' { } |
| Press 0 | for | Á À Ã Ä Ç È É Ê Ë Ì Í Î Ï Ó Ô Õ Ö Ø Ù Ú Û Ü |

D

Specifications

General

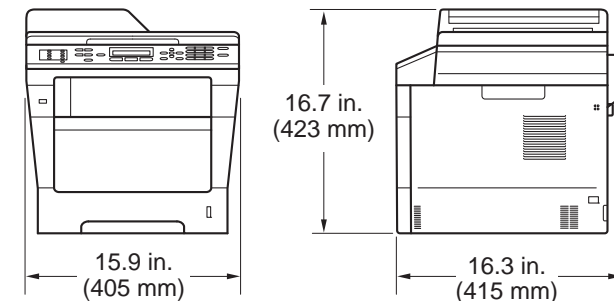


Note

This chapter provides a summary of the machines' specifications. For additional specifications visit us at <http://www.brother.com/> for details.

| Model | | MFC-8510DN | MFC-8710DW | MFC-8810DW | MFC-8910DW |
|--|----------------------|---|--------------------------------|--------------------------------|--------------------------------|
| Printer Type | | Laser | | | |
| Print Method | | Electrophotographic Laser Printer | | | |
| Memory Capacity | Standard | 64 MB | | 128 MB | |
| | Optional | 1 slot: DDR2 SO-DIMM (144-pin) up to 256 MB | | | |
| LCD (liquid crystal display) | | 22 characters × 5 lines | | | |
| Power Source | | 110 - 120 V AC 50/60 Hz | | | |
| Power Consumption ¹ (Average) | Peak | Approx. 1200 W at 77 °F (25 °C) | | | |
| | Copying | Approx. 669 W at 77 °F (25 °C) | Approx. 702 W at 77 °F (25 °C) | Approx. 687 W at 77 °F (25 °C) | Approx. 702 W at 77 °F (25 °C) |
| | Copying (Quiet Mode) | Approx. 336 W at 77 °F (25 °C) | Approx. 350 W at 77 °F (25 °C) | Approx. 325 W at 77 °F (25 °C) | Approx. 350 W at 77 °F (25 °C) |
| | Ready | Approx. 8.1 W at 77 °F (25 °C) | | | |
| | Sleep (WLAN:On) | - | Approx. 6.3 W | | |
| | Deep Sleep | Approx. 1.2 W | Approx. 1.4 W | | |
| Dimensions | | MFC-8710DW, MFC-8810DW, MFC-8910DW | | | |

¹ USB connections to PC

| Model | | MFC-8510DN | MFC-8710DW | MFC-8810DW | MFC-8910DW |
|--|----------------|---|----------------------------------|-------------------|------------|
| Dimensions (Continued) | | MFC-8510DN  | | | |
| Weights (with consumables) | | 34.8 lb (15.8 kg) | 35.9 lb (16.3 kg) | 36.8 lb (16.7 kg) | |
| Noise Level | Sound Pressure | Printing | LPAm = 59 dB (A) | | |
| | | Ready | LPAm = 37 dB (A) | | |
| | | Printing (Quiet Mode) | LPAm = 54 dB (A) | | |
| | Sound Power | Printing | LWAd = 6.64 B (A) | LWAd = 6.58 B (A) | |
| | | Ready | LWAd = 4.62 B (A) | LWAd = 4.60 B (A) | |
| | | Printing (Quiet Mode) | LWAd = 6.4 B (A) | | |
| Temperature | | Operating | 50 °F to 90.5 °F (10 to 32.5 °C) | | |
| | | Storage | 32 °F to 104 °F (0 to 40 °C) | | |
| Humidity | | Operating | 20 to 80% (without condensation) | | |
| | | Storage | 10 to 90% (without condensation) | | |
| ADF (automatic document feeder) | | Up to 50 pages (MFC-8710DW, MFC-8810DW and MFC-8910DW) Up to 35 pages (MFC-8510DN) For best results we recommend: Temperature: 68°F to 86°F (20 to 30 °C) Humidity: 50% to 70% Paper: 20 lb (80 g/m ²) | | | |

Document Size

| Model | | MFC-8510DN | MFC-8710DW | MFC-8810DW | MFC-8910DW |
|---|----------------------|-------------------------------------|--------------------------|-------------------------------------|------------|
| Document Size (Single-sided) | ADF Width | 5.8 to 8.5 in. (147.3 to 215.9 mm) | | | |
| | ADF Length | 5.8 to 14.0 in. (147.3 to 355.6 mm) | | | |
| | Scanner Glass Width | Max. 8.5 in. (215.9 mm) | | | |
| | Scanner Glass Length | Max. 11.8 in. (300.0 mm) | Max. 14.0 in. (355.6 mm) | | |
| Document Size (2-sided (Duplex)) | ADF Width | - | | 5.8 to 8.5 in. (147.3 to 215.9 mm) | |
| | ADF Length | - | | 5.8 to 14.0 in. (147.3 to 355.6 mm) | |

Print media

| Model | | MFC-8510DN | MFC-8710DW | MFC-8810DW | MFC-8910DW |
|----------------------------------|------------------------------|--|---|---|------------|
| Paper Input | Paper Tray (Standard) | Paper Type | Plain Paper, Thin Paper, Recycled Paper | | |
| | | Paper Size | Letter, A4, B5 (ISO/JIS), A5, A5 (Long Edge), B6 (ISO), A6, Executive, Legal, Folio | | |
| | | Paper Weight | 16 to 28 lb (60 to 105 g/m ²) | | |
| | | Maximum Paper Capacity | Up to 250 sheets of 20 lb (80 g/m ²) Plain paper | | |
| | Multi-purpose tray (MP tray) | Paper Type | Plain Paper, Thin Paper, Thick Paper, Thicker Paper, Recycled Paper, Bond Paper, Label, Envelope, Env.Thin, Env.Thick | | |
| | | Paper Size | Width: 3 to 8.5 in (76.2 to 215.9 mm) Length: 5 to 14 in (127.0 to 355.6 mm) | | |
| | | Paper Weight | 16 to 43 lb (60 to 163 g/m ²) | | |
| | | Maximum Paper Capacity | Up to 50 sheets of 20 lb (80 g/m ²) Plain paper | | |
| | Paper Tray 2 (Optional) | Paper Type | - | Plain Paper, Thin Paper, Recycled Paper | |
| | | Paper Size | - | Letter, A4, B5 (ISO/JIS), A5, B6 (ISO), Executive, Legal, Folio | |
| | | Paper Weight | - | 16 to 28 lb (60 to 105 g/m ²) | |
| | | Maximum Paper Capacity | - | Up to 500 sheets of 20 lb (80 g/m ²) Plain paper | |
| Paper Output ¹ | Face-Down Output Tray | Up to 150 sheets of 20 lb (80 g/m ²) Plain Paper (face-down delivery to the face-down output paper tray) | | | |
| | Face-Up Output Tray | One sheet (face-up delivery to the face-up output tray) | | | |
| Duplex | Automatic Duplex Printing | Paper Type | Plain Paper, Thin Paper, Recycled Paper | | |
| | | Paper Size | Letter, Legal, Folio | | |
| | | Paper Weight | 16 to 28 lb (60 to 105 g/m ²) | | |

¹ For labels, we recommend removing printed pages from the output paper tray immediately after they exit the machine to avoid the possibility of smudging.

Fax

| Model | | MFC-8510DN | MFC-8710DW | MFC-8810DW | MFC-8910DW |
|---|--|--------------------------------------|------------|----------------|------------|
| Compatibility | | ITU-T Super Group 3 | | | |
| Coding System | | MH/MR/MMR/JBIG/JPEG | | | |
| Modem Speed | | 33,600 bps (with Automatic Fallback) | | | |
| 2-sided (Duplex) Print Receiving | | Yes | | | |
| Automatic 2-sided (Duplex) Sending | | - | | Yes (from ADF) | |
| Scanning Width | | Max. 8.19 in. (208 mm) | | | |
| Printing Width | | Max. 8.19 in. (208 mm) | | | |
| Gray Scale | | 8 bit/256 levels | | | |
| Resolution | Horizontal | 203 dot/in. (8 dot/mm) | | | |
| | Vertical | Standard: 98 line/in. (3.85 line/mm) | | | |
| | | Fine: 196 line/in. (7.7 line/mm) | | | |
| | | Photo: 196 line/in. (7.7 line/mm) | | | |
| | Superfine: 392 line/in. (15.4 line/mm) | | | | |
| One Touch Dial | | 16 (8 × 2) | | | |
| Speed Dial | | 300 stations | | | |
| Groups | | Up to 20 | | | |
| Broadcasting | | 366 stations | | | |
| Automatic Redial | | Yes, 1 time after 5 minutes | | | |
| Memory Transmission | | Up to 500 ¹ pages | | | |
| Out of Paper Reception | | Up to 500 ¹ pages | | | |

¹ 'Pages' refers to the 'ITU-T Test Chart #1' (a typical business letter, Standard resolution, JBIG code). Specifications and printed materials are subject to change without prior notice.

Copy

| Model | MFC-8510DN | MFC-8710DW | MFC-8810DW | MFC-8910DW |
|---|---|------------|----------------|------------|
| Copy Width | Max. 8.27 in. (210 mm) | | | |
| Automatic 2-sided (Duplex) Copy | - | | Yes (from ADF) | |
| Multiple Copies | Stacks or Sorts up to 99 pages | | | |
| Reduce/Enlarge | 25% to 400% (in increments of 1%) | | | |
| Resolution | Up to 1200 × 600 dpi | | | |
| First Copy Out Time ¹ | Less than 10.5 seconds at 73.4 °F (23 °C) / 115 V | | | |

¹ From Ready mode and standard tray

Scanner

| Model | MFC-8510DN | MFC-8710DW | MFC-8810DW | MFC-8910DW |
|--|--|------------|----------------|------------|
| Color / Mono | Yes / Yes | | | |
| TWAIN Compliant | Yes (Windows® XP / Windows Vista® / Windows® 7 / Mac OS X 10.5.8, 10.6.x, 10.7.x ¹) | | | |
| WIA Compliant | Yes (Windows® XP / Windows Vista® / Windows® 7) | | | |
| ICA Compliant | Yes (Mac OS X 10.6.x, 10.7.x) | | | |
| Color Depth | 48 bit internal / 24 bit external color | | | |
| Resolution | Up to 19200 × 19200 dpi (interpolated) ² Up to 1200 × 1200 dpi (optical) ² (from Scanner Glass) Up to 1200 × 600 dpi (optical) ² (from ADF) | | | |
| Scanning Width | Max. 8.27 in. (210 mm) | | | |
| Automatic 2-sided (Duplex) Scanning | - | | Yes (from ADF) | |
| Gray Scale | 256 levels | | | |

¹ For the latest driver updates for the version of Mac OS X you are using, visit us at <http://solutions.brother.com/>.

² Maximum 1200 × 1200 dpi scanning with the WIA driver in Windows® XP, Windows Vista® and Windows® 7 (resolution up to 19200 × 19200 dpi can be chosen by using the scanner utility)

Printer

| Model | MFC-8510DN | MFC-8710DW | MFC-8810DW | MFC-8910DW |
|---|--|--|------------|--|
| Automatic 2-sided (Duplex) Print | Yes | | | |
| Emulations | PCL6, BR-Script3 (PostScript® 3™), IBM Proprinter XL, Epson FX-850 | | | |
| Resolution | 1200 dpi × 1200 dpi, HQ1200 (2400 × 600 dpi) quality, 600 dpi × 600 dpi | | | |
| Print Speed (Duplex) | Up to 18 sides/minute (Up to 9 sheets/minute) (Letter size) ¹ | | | |
| Print Speed | Up to 38 pages/minute (Letter size) ¹ | Up to 40 pages/minute (Letter size) ¹ | | Up to 42 pages/minute (Letter size) ¹ |
| First Print Time ² | Less than 8.5 seconds at 73.4 °F (23 °C) / 115 V | | | |

¹ The print speed may vary depending on the type of document you print.

² From Ready mode and standard tray

Interfaces

| Model | MFC-8510DN | MFC-8710DW | MFC-8810DW | MFC-8910DW |
|----------------------------------|---|--|------------|------------|
| USB | Hi-Speed USB 2.0 ^{1 2} It is recommended you use a USB 2.0 cable (Type A/B) that is no more than 6 feet (2.0 meters) long. ⁴ | | | |
| Ethernet ³ | 10BASE-T / 100BASE-TX Use a straight-through Category 5 (or greater) twisted-pair cable. | | | |
| Wireless LAN ³ | - | IEEE 802.11b/g/n (Infrastructure mode) IEEE 802.11b (Ad-hoc mode) | | |

¹ Your machine has a Hi-Speed USB 2.0 interface. The machine can also be connected to a computer that has a USB 1.1 interface.

² Third-party USB ports are not supported.

³ For detailed network specifications, see *Network (LAN)* >> page 185 and >>> *Network User's Guide*.

⁴ MFC-8810DW includes the USB cable.

Direct Print feature

| Model | MFC-8510DN | MFC-8710DW | MFC-8810DW | MFC-8910DW |
|----------------------|---|------------|------------|------------|
| Compatibility | PDF version 1.7 ¹ , JPEG, Exif + JPEG, PRN (created by Brother printer driver), TIFF (scanned by all Brother MFC or DCP models), XPS version 1.0 | | | |
| Interface | USB direct interface | | | |

¹ PDF data including a JBIG2 image file, a JPEG2000 image file or a transparency file is not supported.

Computer requirements

| Minimum System Requirements and Supported PC Software Functions | | | | | | | | |
|---|--|---|--------------------------------|--------------------------------|----------------------------|------------------|--|--|
| Computer Platform & Operating System Version | | Processor Minimum Speed | Minimum RAM | Recommended RAM | Hard Disk Space to install | | Supported PC Software Functions | Supported PC Interface ² |
| | | | | | For Drivers | For Applications | | |
| Windows [®] Operating System | Windows [®] XP Home ^{1 4} Windows [®] XP Professional ^{1 4} | Intel [®] Pentium [®] II or equivalent | 128 MB | 256 MB | 150 MB | 500 MB | Printing, PC-Fax ³ , Scanning | USB, 10Base-T/100 Base-TX (Ethernet), Wireless 802.11 b/g/n ⁵ |
| | Windows [®] XP Professional x64 Edition ^{1 4} | 64-bit (Intel [®] 64 or AMD64) supported CPU | 256 MB | 512 MB | | | | |
| | Windows Vista [®] ^{1 4} | Intel [®] Pentium [®] 4 or equivalent 64-bit (Intel [®] 64 or AMD64) supported CPU | 512 MB | 1 GB | 500 MB | 1.2 GB | | |
| | Windows [®] 7 ^{1 4} | Intel [®] Pentium [®] 4 or equivalent 64-bit (Intel [®] 64 or AMD64) supported CPU | 1 GB (32-bit) 2 GB (64-bit) | 1 GB (32-bit) 2 GB (64-bit) | 650 MB | | | |

| Minimum System Requirements and Supported PC Software Functions | | | | | | | | |
|---|---|---|-------------|-----------------|----------------------------|------------------|---|--|
| Computer Platform & Operating System Version | | Processor Minimum Speed | Minimum RAM | Recommended RAM | Hard Disk Space to install | | Supported PC Software Functions | Supported PC Interface ² |
| | | | | | For Drivers | For Applications | | |
| | Windows Server [®] 2003 (print only via network) | Intel [®] Pentium [®] III or equivalent | 256 MB | 512 MB | 50 MB | N/A | Printing | 10Base-T/ 100 Base-TX (Ethernet), Wireless 802.11 b/g/n ⁵ |
| | Windows Server [®] 2003 x64 Edition (print only via network) | 64-bit (Intel [®] 64 or AMD64) supported CPU | | | | | | |
| | Windows Server [®] 2008 (print only via network) | Intel [®] Pentium [®] 4 or equivalent 64-bit (Intel [®] 64 or AMD64) supported CPU | 512 MB | 2 GB | | | | |
| | Windows Server [®] 2008 R2 (print only via network) | 64-bit (Intel [®] 64 or AMD64) supported CPU | | | | | | |
| Macintosh Operating System | Mac OS X 10.5.8 | PowerPC [®] G4/G5 Intel [®] Processor | 512 MB | 1 GB | 80 MB | 400 MB | Printing, PC-Fax Send ³ , Scanning | USB, 10Base-T/ 100 Base-TX (Ethernet), Wireless 802.11 b/g/n ⁵ |
| | Mac OS X 10.6.x | Intel [®] Processor | 1 GB | 2 GB | | | | |
| | Mac OS X 10.7.x | Intel [®] Processor | 2 GB | 2 GB | | | | |

¹ For WIA, 1200 x 1200 resolution. Brother Scanner Utility enables to enhance up to 19200 x 19200 dpi.

² Third-party USB ports are not supported.

³ PC-Fax supports black and white only.

⁴ Nuance[™] PaperPort[™] 12SE supports Microsoft[®] SP3 or higher for Windows[®] XP and SP2 or higher for Windows Vista[®] and Windows[®] 7.

⁵ For MFC-8710DW, MFC-8810DW and MFC-8910DW

For the latest driver updates, visit <http://solutions.brother.com/>.

All trademarks, brand and product names are property of their respective companies.

Consumable items

| Model | | MFC-8510DN | MFC-8710DW | MFC-8810DW | MFC-8910DW | Order No. |
|-----------------|------------|---|--|------------|------------|-----------|
| Toner Cartridge | Inbox | Approx. 2,000 pages Letter or A4 page ¹ | Approx. 3,000 pages Letter or A4 page ¹ | | | - |
| | Standard | Approx. 3,000 pages Letter or A4 page ¹ | | | | TN-720 |
| | High Yield | Approx. 8,000 pages Letter or A4 page ¹ | | | | TN-750 |
| Drum Unit | | Approx. 30,000 pages Letter or A4 pages (1 page / job) ² | | | | DR-720 |

¹ Approx. cartridge yield is declared in accordance with ISO/IEC 19752.

² Drum life is approximate and may vary by type of use.

Network (LAN)



Note

For more information about the Network specifications >> Network User's Guide

D

| Model | | MFC-8510DN | MFC-8710DW | MFC-8810DW | MFC-8910DW |
|---|--------------|--|---|------------|------------|
| LAN | | You can connect your machine to a network for Network Printing, Network Scanning, PC-Fax Send, PC-Fax Receive (Windows® only) and Remote Setup ¹ . Also included is Brother BRAdmin Light ^{2 3} Network Management software. | | | |
| Protocols | IPv4 | ARP, RARP, BOOTP, DHCP, APIPA (Auto IP), WINS/NetBIOS name resolution, DNS Resolver, mDNS, LLMNR responder, LPR/LPD, Custom Raw Port/Port9100, POP3 ⁴ , SMTP Client, IPP/IPPS, FTP Client and Server, LDAP Client ⁴ , CIFS Client, TELNET Server, SNMP v1/v2c/v3, HTTP/HTTPS server, TFTP client and server, ICMP, Web Services (Print/Scan), SNTIP Client | | | |
| | IPv6 | NDP, RA, DNS resolver, mDNS, LLMNR responder, LPR/LPD, Custom Raw Port/Port9100, IPP/IPPS, FTP Client and Server, LDAP Client ⁴ , CIFS Client, TELNET Server, SNMP v1/v2c/v3, HTTP/HTTPS server, TFTP client and server, SMTP Client, ICMPv6, SNTIP Client, Web Services (Print/Scan) | | | |
| Security Protocols | Wired | APOP, POP before SMTP, SMTP-AUTH, SSL/TLS (IPPS, HTTPS, SMTP, POP), SNMP v3, 802.1x (EAP-MD5, EAP-FAST, PEAP, EAP-TLS, EAP-TTLS), Kerberos | | | |
| | Wireless | - | APOP, POP before SMTP, SMTP-AUTH, SSL/TLS (IPPS, HTTPS, SMTP, POP), SNMP v3, 802.1x (LEAP, EAP-FAST, PEAP, EAP-TLS, EAP-TTLS), Kerberos | | |
| Wireless Network Security | | - | WEP 64/128 bit, WPA-PSK (TKIP/AES), WPA2-PSK (AES) | | |
| Wireless Network Setup Support Utility | AOSS™ | - | Yes | | |
| | WPS | - | Yes | | |

¹ See *Computer requirements* >> page 182.

² (For Windows® users) Brother BRAdmin Light is available on the CD-ROM provided with the machine.
(For Macintosh users) Brother BRAdmin Light is available as a download from <http://solutions.brother.com/>.

³ (For Windows® users) If you require more advanced machine management, use the latest Brother BRAdmin Professional utility version that is available as a download from <http://solutions.brother.com/>.

⁴ (MFC-8510DN and MFC-8710DW) These protocols are available if you download LDAP function to your machine.

-
- A**
- Accessories and supplies ii
 - ADF (automatic document feeder)
 - using24
 - Answering machine (TAD)
 - connecting41
 - Apple Macintosh
 - See Software User's Guide.
 - Automatic
 - fax receive32
 - easy receive34
 - fax redial45
-
- B**
- Brother
 - accessories and supplies ii
 - Brother numbers i
 - Customer Service i
 - FAQs (frequently asked questions) i
 - product support i
 - service centers i
 - warranties iii
-
- C**
- Cleaning
 - corona wire74
 - Connecting
 - external TAD (answering machine)40
 - external telephone42
 - Consumable items 66, 67
 - Control panel overview6
 - ControlCenter2 (for Macintosh)
 - See Software User's Guide.
 - ControlCenter4 (for Windows®)
 - See Software User's Guide.
 - Copy
 - keys7
 - Cordless telephone (non-Brother)43
 - Custom Ringing37
-
- D**
- Data Ident-A-Call 37
 - Dialing
 - a pause 48
 - automatic fax redial 45
 - manual 44
 - one touch 44
 - speed dial 44
 - using the Search key 45
 - Dimensions 172
 - Direct print 55
 - Direct key 56
 - specification 181
 - Distinctive ring 38
 - choosing ring pattern 39
 - setting ring pattern 39
 - turning off 40
 - Document
 - how to load24, 25
 - Drum unit
 - cleaning 74
 - replacing 76
-
- E**
- Envelopes 13, 19, 20, 22
 - Equalization 114
 - Error messages on LCD 83
 - Comm. Error 83
 - No Paper 85
 - Out of Memory 86
 - Print Unable XX 87
 - Scan Unable XX 88
 - Extension telephone, using 43
 - External telephone, connecting 42

F

| | |
|---|--------|
| Fax codes | |
| changing | 43 |
| fax receive code | 43 |
| telephone answer code | 43 |
| Fax, stand-alone | |
| receiving | 30 |
| easy receive | 34 |
| from extension telephone | 43 |
| receive mode | 30 |
| ring delay, setting | 33 |
| telephone line interference | 114 |
| sending | 26 |
| telephone line interference | 114 |
| Fax/Tel mode | |
| answering at extension telephones | 43 |
| easy receive | 34 |
| F/T ring time (double-ring) | 33 |
| fax receive code | 43 |
| ring delay | 33 |
| telephone answer code | 43 |
| Folio | 16, 20 |

G

| | |
|------------------|----------|
| Gray scale | 176, 178 |
|------------------|----------|

H

| | |
|--------------------|-------|
| HELP | |
| LCD messages | 125 |
| Menu Table | 126 |
| Hook key | 6, 43 |

I

| | |
|--------------------|----|
| Ident-A-Call | 37 |
| Ident-A-Ring | 37 |

J

| | |
|-------------------------------|----|
| Jacks | |
| EXT | |
| external telephone | 42 |
| TAD (answering machine) | 40 |

L

| | |
|------------------------------------|----------------|
| Labels | 11, 19, 20, 23 |
| LCD (liquid crystal display) | 6, 125 |

M

| | |
|------------------------------------|--------|
| Machine information | |
| how to reset the machine | 124 |
| reset functions | 123 |
| serial number | 123 |
| status LED | 8 |
| Macintosh | |
| See Software User's Guide. | |
| Maintenance, routine | |
| replacing | |
| drum unit | 76 |
| toner cartridge | 68 |
| Manual | |
| dialing | 44 |
| receive | 30, 32 |
| Memory | 172 |
| Menu Table | 126 |
| Mode, entering | |
| copy | 54 |
| fax | 26 |
| scan | 7 |
| Multi-line connections (PBX) | 41 |

N

| | |
|--|-----|
| Network | |
| faxing | |
| See Software User's Guide. | |
| printing | |
| See Network User's Guide. | |
| scanning | |
| See Software User's Guide. | |
| Network connectivity | 180 |
| Nuance™ PaperPort™ 12SE | |
| See Software User's Guide and Help in the PaperPort™ 12SE application to access How-to-Guides. | |

O

| | |
|-----------------------------|----|
| One Touch | |
| using | 44 |
| One touch | |
| changing | 53 |
| setting up | 48 |
| Out of Memory message | 86 |

P

| | |
|--|----------|
| Paper | 19 |
| how to load | 9 |
| in multi-purpose tray | 11 |
| in paper tray | 9 |
| recommended | 19, 20 |
| size | 16, 19 |
| tray capacity | 20 |
| type | 16, 19 |
| PC-Fax | |
| See Software User's Guide. | |
| Personalized Ring | 37 |
| Presto! PageManager | |
| See Software User's Guide. See also Help | |
| in the Presto! PageManager application. | |
| Print | |
| difficulties | 104, 106 |
| document from your computer | 59 |
| drivers | 179 |
| quality | 115 |
| resolution | 179 |
| specifications | 179 |
| Printing | |
| See Software User's Guide. | |
| Programming your machine | 125 |

Q

| | |
|---------------------------|-----|
| Quality | |
| printing | 115 |
| Quick dial | 48 |
| Group dial | |
| changing | 53 |
| one touch dial | |
| changing | 53 |
| custom scan profile | 48 |
| setting up | 48 |
| using | 44 |
| search | 45 |
| speed dial | |
| changing | 53 |
| custom scan profile | 50 |
| setting up | 50 |
| using | 44 |

R

| | |
|---------------------------------|--------|
| Redial/Pause key | 45, 48 |
| Remote setup | |
| See Software User's Guide. | |
| Replacing | |
| drum unit | 76 |
| toner cartridge | 68 |
| Reports | |
| Transmission Verification | 28 |
| Resolution | |
| copy | 177 |
| fax (standard, fine, superfine, | |
| photo) | 176 |
| print | 179 |
| scan | 178 |
| Ring delay, setting | 33 |
| RingMaster | 37 |

S

| | |
|---|----|
| Scan a document to a computer | 60 |
| Scanner glass | |
| scan size for fax sending | 28 |
| using | 25 |
| Scanning | |
| See Software User's Guide. | |
| Secure Print key | 7 |
| Serial number | |
| how to find..... See inside front cover | |
| Service centers | i |
| SimpleBiz Fax & Alternate Number | |
| Ringing | 37 |
| Smart Ring | 37 |
| Speed dial | |
| changing | 53 |
| setting up | 50 |
| using | 44 |
| Status LED | 8 |

T

| | |
|-----------------------------------|--------|
| TAD (telephone answering device), | |
| external | 30, 32 |
| connecting | 40, 41 |
| recording OGM | 41 |
| Teen Ring | 37 |
| Telephone line | |
| connections | 41 |
| difficulties | 107 |
| interference | 114 |
| multi-line (PBX) | 41 |
| Text, entering | 170 |
| Toner cartridge | |
| replacing | 68 |

| | |
|-----------------------------------|---------------------|
| Troubleshooting | 104 |
| document jam | 91, 92 |
| error messages on LCD | 83 |
| if you are having difficulty | |
| copy quality | 111 |
| incoming calls | 110 |
| network | 112 |
| paper handling | 105 |
| print quality | 115 |
| printing | 104, 106 |
| receiving faxes | 108 |
| scanning | 111 |
| sending faxes | 109 |
| software | 111 |
| telephone line | 114 |
| maintenance messages on LCD | 83 |
| paper jam | 93, 94, 95, 98, 102 |

V

| | |
|------------------|-----|
| Voice Mail | 37 |
| VoIP | 114 |

W

| | |
|-----------------------------------|-----|
| Warranties | |
| Notice-Disclaimer | iii |
| Weights | 173 |
| Wi-Fi Direct™ | 4 |
| Windows® | |
| See Software User's Guide. | |
| Wireless Network | |
| See Quick Setup Guide and Network | |
| User's Guide. | |
| World Wide Web | i |

Brother International Corporation
100 Somerset Corporate Boulevard
P.O. Box 6911
Bridgewater, NJ 08807-0911 USA

Brother International Corporation (Canada) Ltd.
1 rue Hôtel de Ville,
Dollard-des-Ormeaux, QC, Canada H9B 3H6

brother®

Visit us on the World Wide Web
<http://www.brother.com/>

These machines are approved for use in the country of purchase only. Local Brother companies or their dealers will only support machines purchased in their own countries.