



Owner's manual & Installation manual  
Mode d'emploi et manuel d'installation  
Manual de instrucciones y de instalación

# NX500

# NZ500

---

2-DIN DVD MULTIMEDIA STATION  
WITH BUILT-IN NAVIGATION  
& 6.5" TOUCH PANEL CONTROL

DVD MULTIMEDIA STATION  
WITH BUILT-IN NAVIGATION  
& 7" TOUCH PANEL CONTROL

STATION MULTIMÉDIA DVD 2-DIN  
AVEC NAVIGATION INTÉGRÉE  
ET ÉCRAN TACTILE DE 6,5 POUCES

STATION MULTIMÉDIA DVD  
AVEC NAVIGATION INTÉGRÉE  
ET ÉCRAN TACTILE DE 7 POUCES

ESTACIÓN DVD MULTIMEDIA DOBLE DIN  
CON SISTEMA DE NAVEGACIÓN  
INCORPORADO Y PANTALLA TÁCTIL DE 6,5"

ESTACIÓN DVD MULTIMEDIA  
CON SISTEMA DE NAVEGACIÓN  
INCORPORADO Y PANTALLA TÁCTIL DE 7"

## **CLARION PRODUCT REGISTRATION INFORMATION**

For USA and Canada only

**[www.clarion.com](http://www.clarion.com)**

Dear Customer:

Congratulations on your purchase of a Clarion mobile electronic product. We are confident that you'll enjoy your Clarion experience.

There are many benefits to registering your product. We invite you to visit our website at [www.clarion.com](http://www.clarion.com) to register your Clarion product.

We have made product registration simple with our easy to use website.

The registration form is short and easy to complete. Once you're registered, we can keep you informed of important product information.

Register at **[www.clarion.com](http://www.clarion.com)** - it's easy to keep your Clarion product up to date.

# Contents

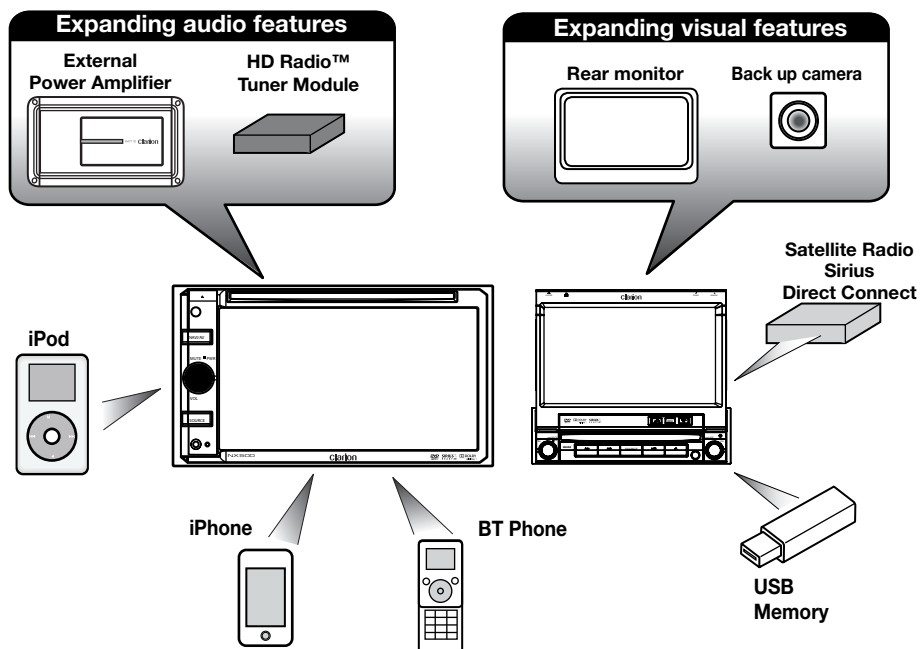
<b>1. FEATURES</b> .....	4
Expanding Systems .....	4
<b>2. PRECAUTIONS</b> .....	5
<b>3. CONTROLS</b> .....	7
Operational Panel.....	7
Functions of Buttons.....	8
Remote Control .....	9
Functions of Remote Control Buttons.....	10
<b>4. CAUTIONS ON HANDLING</b> .....	12
Operation panel.....	12
Navigation System .....	12
USB Port .....	13
Cleaning .....	13
Handling Discs .....	14
<b>5. DVD VIDEO SYSTEM</b> .....	15
DVD Video Features .....	15
Discs .....	16
About the registered marks etc.....	17
<b>6. OPERATIONS</b> .....	18
Basic Operations.....	18
Radio Operations .....	22
DVD Video Player Operations .....	23
Sirius Satellite Radio Operations.....	30
Navigation System Operations.....	32
Introduction to Navigation Software .....	32
Main Menu Screen Operations.....	32
Route to Home Address.....	33
Select the Destination .....	33
• Address or Intersection Mode.....	33
• Point of Interest Mode.....	34
• Coordinates Mode.....	35
• Edit Favorites Mode .....	35
• History Mode.....	36
System Preferences Setup .....	36
Office Address Setup .....	37
Trip Computer Readings and Resets .....	38
<b>7. ACCESSORIES</b> .....	39
iPod/iPhone Operations .....	39
USB Operations .....	41
Bluetooth Audio Player Operations.....	42
HD Radio Operations .....	47
AUX In/AV In Operations .....	49
Camera In Operations .....	49
Setup Operations .....	50
<b>8. TROUBLESHOOTING</b> .....	52
<b>9. ERROR DISPLAYS</b> .....	53
<b>10. SPECIFICATIONS</b> .....	54
<b>INSTALLATION/ WIRE CONNECTION GUIDE</b> .....	55

# 1. FEATURES

- Double Din 6.5" Touch Panel Control
- Motorized 7" Touch Panel Control
- DVD Video/CD-DA/MP3/WMA Playback Capability
- Built-In Navigation
- OEM Steering Wheel Remote Ready
- Compatible with Sirius Satellite Radio
- Built-In Bluetooth®
- Compatible with iPod®/ iPhone™ via USB
- HD Radio™ Ready



## Expanding Systems



### NOTE:

The unit can receive analog, HD Radio (optional) and satellite radio (optional) broadcasts. The items listed outside the frames are the commercial products generally sold.

## 2. PRECAUTIONS

### WARNING

- For your safety, the driver should not watch any video sources and/or operate the controls while driving. Please note that watching and operating any video sources while driving are prohibited by law in some countries. Also, while driving, keep the volume to a level at which external sounds can be heard.
- When using the navigation system, follow the precautions listed below. After reading this manual, be sure to keep it in a handy place (such as the glove box of your car).
- This navigation system should not be used to replace your own judgment. No itinerary suggested by this navigation system should ever override any highway regulations, your own judgment, or a knowledge of safe driving practices. Do not follow the navigation system's suggested itinerary if it would cause you to perform a dangerous or illegal act, place you in a dangerous situation, or take you into an area you consider unsafe.
- The advice provided by the navigation system is to be regarded as a suggestion only. There may be times when the navigation system displays the vehicle's location incorrectly, fails to suggest the shortest route, or fails to direct you to your desired destination. In such instances, rely on your own driving judgment, taking into account the driving conditions at the time.
- Do not use the navigation system to locate emergency services. The database does not contain a complete listing of emergency services such as police stations, fire halls, hospitals and walk-in clinics. Please show discretion and ask for directions in such instances.
- As the driver, you alone are responsible for your driving safety.
  - In order to avoid a traffic accident, do not operate the system while driving.
  - In order to avoid a traffic accident, operate the system only when the vehicle is stopped at a safe place and the parking brake is on.
  - In order to avoid a traffic accident or traffic offense, remember that actual road conditions and traffic regulations take precedence over the information contained on the navigation system.
  - The software may contain inaccurate or incomplete information due to the passage of time, changing circumstances, and the sources of information used. Please respect current traffic conditions and regulations at all times while driving.
  - Where actual road conditions and highway regulations differ from the information contained on the navigation system, abide by the highway regulations.
  - Keep the amount of time spent viewing the screen while driving to a strict minimum.
- The navigation system does not provide, nor represent in any way information on: traffic and highway regulations; technical aspects of the vehicle including weight, height, width, load and speed limits; road conditions including grade, percentage of incline and surface conditions; obstacles such as the height and width of bridges and tunnels; and other current driving or road conditions. Always rely on your own judgment when driving a car, taking into account current driving conditions.
- Do not disassemble or modify this unit. It may cause an accident, fire, or electric shock.
- Do not use this unit when a trouble exists, such as no screen content appears or no sound is audible. It may cause an accident, fire, or electric shock. For that case, consult your authorized dealer or a nearest Clarion service center.
- In case of a problem, such as foreign materials have entered in the unit, the unit gets wet, or smoke or strange smells come out of the unit, etc., stop using this unit immediately, and consult your authorized dealer or a nearest Clarion service center.  
Using it in that condition may cause an accident, fire, or electric shock.
- Use a fuse with the same specification only when replacing the fuse.  
Using a fuse with a different specification may cause a fire.
- For the installation of this unit or a change in the installation, ask your authorized dealer or a nearest Clarion service center for safety. Professional skills and experiences are required to do so.

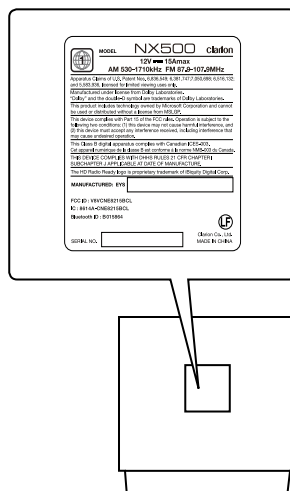
1. When the inside of the car is very cold and the player is used soon after switching on the heater, moisture may form on the disc (DVD/CD) or the optical parts of the player and proper playback may not be possible. If moisture forms on the disc (DVD/CD), wipe it off with a soft cloth. If moisture forms on the optical parts of the player, do not use the player for about one hour. The condensation will disappear naturally allowing normal operation.

2. Driving on extremely bumpy roads which cause severe vibration may cause the sound to skip.

3. This unit uses a precision mechanism. Even in the event that trouble arises, never open the case, disassemble the unit, or lubricate the rotating parts.

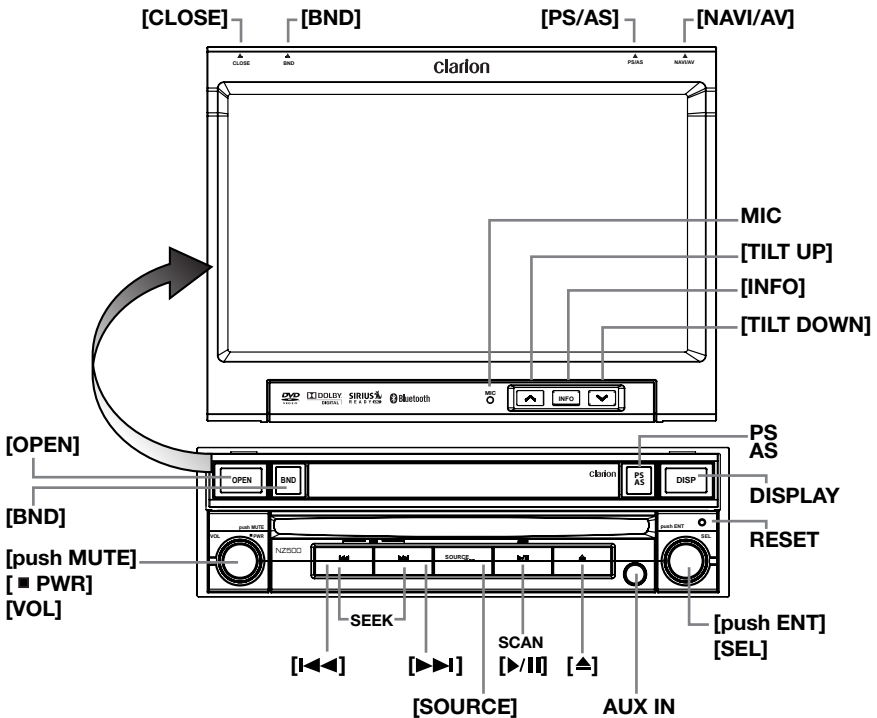
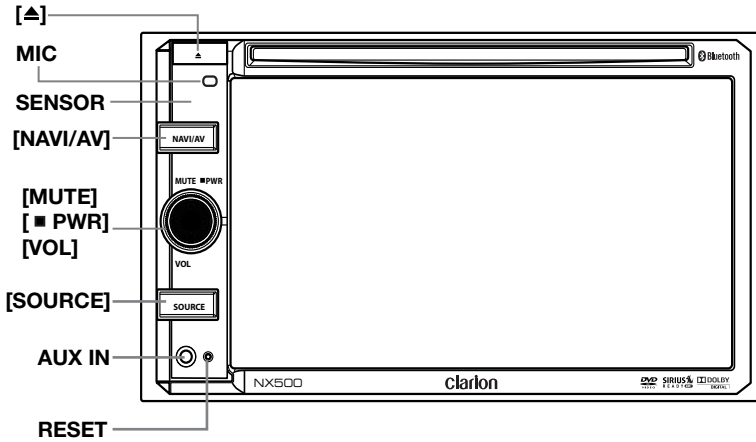
4. This equipment has been tested and found to comply with the limits for a Class B digital device, pursuant to Part 15 of the FCC Rules. These limits are designed to provide reasonable protection against harmful interference in a residential installation. This equipment generates, uses, and can radiate radio frequency energy and, if not installed and used in accordance with the instructions, may cause harmful interference to radio communications. However, there is no guarantee that interference will not occur in a particular installation. If this equipment does cause harmful interference to radio or television reception, which can be determined by turning the equipment off and on, the user is encouraged to consult the dealer or an experienced radio/TV technician for help.

**INFORMATION FOR USERS:  
CHANGES OR MODIFICATIONS TO  
THIS PRODUCT NOT APPROVED  
BY THE MANUFACTURER WILL VOID  
THE WARRANTY AND WILL VIOLATE  
FCC APPROVAL**



# 3. CONTROLS

## Operational Panel



## Functions of Buttons

**Note:** Be sure to read this chapter while referring to front diagram "CONTROLS"

### [MUTE] [■ PWR] [VOL] Knob

- Press this knob to turn on the power. Keep pressing this knob more than 1 second to turn off the power.
- Press this knob to attenuate the sound of the receiver, press again to restore sound.
- Rotate the knob to increase or decrease the volume.

### [NAVI/AV] Button

- Press this button to enter navigation video.
- Press this button more than 2 seconds to return to the previous mode.

### [SOURCE] Button

- Press this button to scroll through the available sources such as AM/FM Tuner, Sirius, DVD, NAVI, USB, Camera modes, etc.

### [◀◀] [▶▶] Search/Seek Button

- Press to search next or previous station or channel in Tuner, Sirius radio modes.
- Press to search next or previous track or chapter in CD, MP3/WMA, iPod and DVD video modes.
- Press and hold to fast forward or fast backward by ×2, 4, 8, 16 step in CD, MP3/WMA and DVD video mode.
- Press and hold to fast forward or fast backward in iPod music.
- Press and hold to enter manual seek status in Tuner and Sirius radio mode, then press briefly to seek station by step.

### [▶/||] Play /Pause Button / Scan Button

Press to play, pause or scan audio or video.

- Press shortly to scan.
- Press and hold one time:  
Audio or video file will be paused. If then press briefly, file will be resumed to play.

### [▲] Eject

- Press to eject disc from unit when panel is opened.

### [OPEN] [CLOSE] Button

Use this button to open/close operation panel.

### [BAND] Button

- Use this button to enter AM/FM tuner mode from any source.
- Once in AM/FM tuner mode, you can press it to change bands between FM1, FM2, FM3, AM bands.

### [PS/AS] Button

- Press this button to start the preset scan mode.
- Press and hold this button to start the auto preset scan and setting mode.

### [^] [v] Button

Press the buttons to adjust the operational panel angle.

### [INFO] Button

Press to turn On and Off to display list in Tuner, Sirius radio, DVD/CD modes.

### [push ENT] [SEL] Button

- Rotate the button to move to next folder in iPod mode.
- Press to confirm and play current media file in CD, MP3/WMA, DVD and iPod mode.

### [DISPLAY] Button

- Press this button to display band in Radio, Sattelite, CD/DVD, iPod mode.
- Press one more time to display current time from any mode.

### RESET Button

- Press this button to reset the unit.

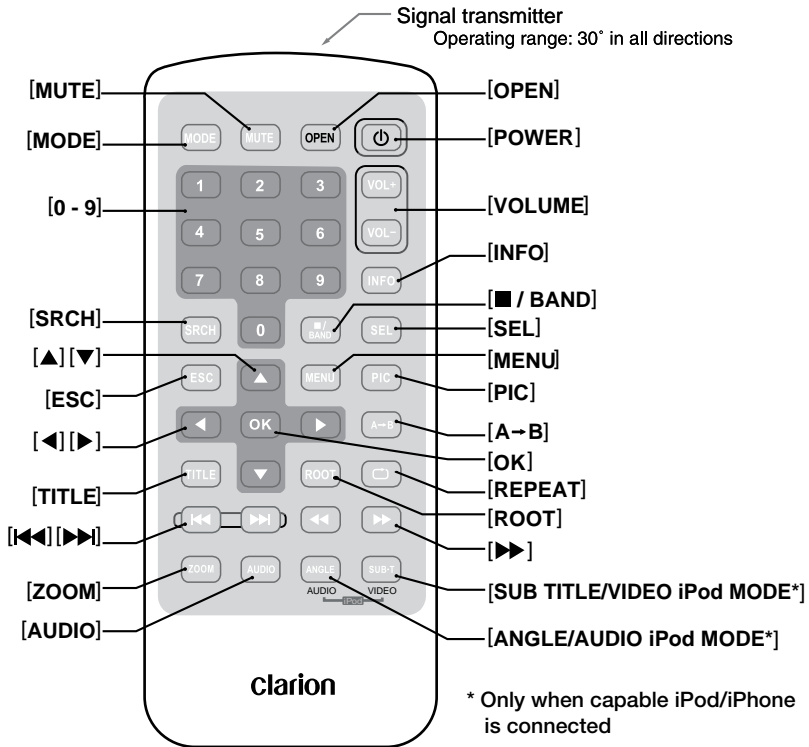
### SENSOR

- Receiver for the remote control unit (operating range: 30 degree in all directions).

### MIC

- Internal microphone for use during Bluetooth phone calls. Sensitivity can be adjusted from the Settings menu.





## Replacing the batteries

1. Press the retention tab and pull out the battery tray and remove the old battery.
2. Insert the new CR2025 battery and slide the battery tray back in the remote control the same direction that you removed it. Please ensure the tray is inserted in the correct direction.

## Note:

*Using batteries improperly can cause them to explode. Take note of the following points:*

- When replacing batteries, replace both batteries with new ones.
- Do not short-circuit, disassemble or heat batteries.
- Do not dispose of batteries into fire or flames.
- Dispose of discharged batteries properly.

## Functions of Remote Control Buttons

You can use the remote control unit to control the NX500 and NZ500.

### Note:

- The wireless remote control operation may not be optimal in direct sunlight.

### Shared modes

#### [MODE] Button

- Press this button to scroll through the various available sources such as the AM/FM tuner, DVD player, iPod, Sirius Radio, or AUX IN.

#### [VOLUME] Button

Increase and decrease volume.

#### [MUTE] Button

Turns mute on and off.

#### [POWER] Button

Press this button to turn the unit on or off.

#### [OPEN] Button

Press this button to OPEN or CLOSE the motorized screen. Please ensure there are no obstructions before starting the operation.

#### [MENU] Button

Press this button to enter the MAIN MENU. From the main menu, you can select your desired source or change your settings.

#### [PIC] Button

Press this button to change your monitor settings such as Brightness, Color, and Contrast.

#### [SEL] Button

Press this button to change your audio settings such as Tone, Fader, and Balance.

#### [ESC] Button

Press this button to exit selection and adjustment menus.

### TUNER/Satellite Radio mode

#### [BAND] button

Switches reception band.

#### [0 - 9] Buttons

- Use in the Key Pad screen to set the radio frequency or Satellite Radio channels.
- Use to select the preset number in the Preset List screen.

#### [SEARCH] Button

Press to show/hide the Key Pad screen.

#### [OK] button

Press to fix the entered data in the Key Pad screen.

#### [◀◀], [▶▶] Buttons

Press to seek the next available higher or lower station in TUNER mode. In Sirius Radio mode, you will scroll through the categories.

#### [◀◀], [▶▶] Buttons

Press to manually select the next higher or lower station in TUNER and Satellite Radio modes.

#### [▲], [▼] Buttons

Press to scroll through the saved presets in the TUNER mode. Press [OK] to tune to the highlighted preset.

#### [INFO] Button

Press to switch in and out of the LIST mode while in the TUNER/ Sirius Radio mode.

### DVD PLAYER mode

- Press to turn on and off the playtime display in the DVD video.
- Press to switch in and out of the LIST mode while playing CD audio.

#### [SEARCH] Button

Press to open the direct search menu while in the DVD video mode.

#### [OK] Button

Press to select, play or pause video and audio media.

#### [■]/[BAND] Button

- Press to stop video and audio media play back.

#### [0 - 9] Buttons

- Press to enter DVD video chapters/titles in the Key Pad screen.
- Press to set the track/folder number of the CD, or MP3/WMA in the Key Pad screen.

#### [DISC SEL] Button

- Press to show/hide the Track List screen in the CD mode.
- Press to show/hide the Folder List screen in the MP3/WMA mode.

#### [TITLE] Button

Press to go to the title menu on the DVD.

#### [ROOT] Button

Press to go to the root menu on the DVD.

#### [▲], [▼], [◀], [▶] Buttons

- Press to select button items on the menu screen of a DVD video.
- Press [◀], [▶] to scroll through the page screens in the CD and MP3/WMA modes.

## Functions of Remote Control Buttons

### [◀◀], [▶▶] Buttons

- Press to select the next higher or lower chapter number in DVD video mode.
- Press to select the next higher or lower track in CD.

### [◀◀], [▶▶] Buttons

Press to perform fast-forward and fast-backward. Press again to advance to higher speed reversing or forwarding such as 2x, 4x, 8x and 16x. Press once more to resume normal speed playback.

### [RPT] Button

- Press to perform chapter repeat in the DVD video mode, and track repeat in CD and MP3/WMA modes.
- Press again to perform title repeat in DVD video mode or folder repeat in MP3/WMA mode. In CD mode, this will activate the repeat all mode.
- Press again to perform all repeat in MP3/WMA playback mode.

### [A→B] Button

- Press to set initial starting point of repeat. The screen will show 'REP A-'.
- Press again to set repeat ending point. The screen will show 'REP A-B'
- Press again to turn off A-B repeating. The screen will show 'REP AB Off'

### [ZOOM] Button

Press to turn on and zoom in while in DVD Video mode. You can zoom in up to 3x.

### [AUDIO] Button

Press to switch the AUDIO function in the DVD video mode.

### [SUB-T] Button

Press to display subtitles in the DVD video mode.

### [ANGLE] Button

Press to switch the ANGLE function in the DVD video mode when the Angle mark is displayed.

### [OK] Button

Press to play or pause the selected media.

### [◀], [▶] Buttons

Press to scroll the list screens.

### [◀◀], [▶▶] Buttons

Press to select the next higher or lower track numbers.

### [◀◀], [▶▶] Buttons

Press to perform fast-forward or fast-backward searching. Press again to change the speed to 2x, 4x, 8x or 16x.

## 4. CAUTIONS ON HANDLING

### Operation Panel

For a longer service life, be sure to read the following cautions.

- The operation panel will operate properly in a temperature range of 0° to 60° C.
- Do not allow any liquids on the set from drinks, umbrellas etc. Doing so may damage the internal circuitry.
- Do not disassemble or modify the set in any way. Doing so may result in damage.
- Subjecting the operation panel to shocks may result in breakage, deformation or other damage.
- If a problem should occur, have the set inspected at your store of purchase.
- Do not insert objects or poke in the space between the operation panel and the main unit when the panel is tilted.
- The remote control unit may not work if the remote control sensor is exposed to direct sunlight.
- In extremely cold weather, the display movement may slow down and the display may darken, but this is not a malfunction. The display will work normally when the temperature increases.
- Small black and shiny spots inside the liquid crystal panel are normal for LCD products.

### Navigation System

- To prevent discharge of the car battery, use this system with the engine of the vehicle running as much as possible.
  - The housing of this unit may become hot because this unit has a high-speed CPU. Be careful to handle the unit during navigating or immediately after turning the power off.
  - Turn off the power of the vehicle when connecting or disconnecting wires. Doing this while the power of the vehicle is turned on, may cause a trouble or malfunction.
- Note:**
- *When using this unit first time after purchasing, or not used for long periods of time, it might take about 5 to 15 minutes until the current location is determined using GPS. Moreover, even when using it often, it may take about 2 to 3 minutes until the current location is determined according to the GPS measuring situation.*
  - *When the route (path) cannot be calculated, move desired destination to a nearby main road and perform calculation again. It may be impossible to find a route in case the car location is too close to the desired destination.*
  - *For vehicles equipped with an intelligent key, do not bring the intelligent key close to the unit of the navigation system. The navigation system may not operate correctly.*
  - *If an electrical equipment that generates a strong electrical noise is used near this unit, the screen may be disturbed and noise may be generated. In this case, keep away such an electrical equipment or refrain from using it.*
  - Data saved to the flash memory may get lost in case of a breakdown, malfunction, or other trouble of this unit.
  - Operation of the navigation system may be limited to protect the unit if the temperature is extremely high or low. In such a case, please wait until temperature becomes normal again.

## USB Port

---

- The USB memory stick may stick out when inserted, so it may cause danger during driving. In such cases, you can use a commercial USB extension cable, etc., but use it safely under your own judgment.
- The USB memory sticks must be recognized as “USB mass storage class” to work properly. Some models may not operate correctly.  
**When the memorized data is lost or damaged by any chance, Clarion shall not be liable for any damage.**  
When using an USB memory stick, we recommend that you backup your data stored on it before by using a personal computer etc.
- Data files may be broken when using USB memory sticks in the following situation:  
When disconnecting the USB memory stick or turning the power off during writing or reading data.  
When affected by static electricity or electric noise.  
Connect/disconnect the USB memory stick when it is not accessed.
- Some USB memory sticks cannot be inserted to the main unit because of their shape. In such cases, use a commercial USB extension cable to connect them.
- Connecting with the computer is not covered.
- Music files (MP3, WMA, etc.) stored in the USB memory stick cannot be played back.

### WARNING

Alkaline (CR) button batteries contain Perchlorate.  
Dispose of discharged batteries properly.

## Cleaning

---

### • Cleaning the cabinet

Use a soft, dry cloth and gently wipe off the dirt. For tough dirt, apply some neutral detergent diluted in water to a soft cloth, wipe off the dirt gently, then wipe again with a dry cloth. Do not use benzene, thinner, car cleaner, etc., as these substances may damage the cabinet or cause the paint to peel. Also, leaving rubber or plastic products in contact with the cabinet for long periods of time may cause stains.

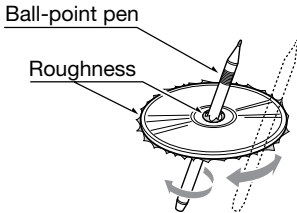
### • Cleaning the liquid crystal panel

The liquid crystal panel tends to collect dust, so wipe it off occasionally with a soft cloth. The surface is easily scratched, so do not rub it with hard objects.

## Handling Discs

### Handling

- New discs may have some roughness around the edges. If such discs are used, the player may not work or the sound may skip. Use a ball-point pen or the like to remove any roughness from the edge of the disc.



- Never stick labels on the surface of the disc or mark the surface with a pencil or pen.
- Never play a disc with any cellophane tape or other glue on it or with peeling off marks. If you try to play such a disc, you may not be able to get it back out of the DVD player or it may damage the DVD player.
- Do not use discs that have large scratches, are misshapen, cracked, etc. Use of such discs may cause misoperation or damage.
- To remove a disc from its storage case, press down on the center of the case and lift the disc out, holding it carefully by the edges.
- Do not use commercially available disc protection sheets or discs equipped with stabilizers, etc. These may damage the disc or cause breakdown of the internal mechanism.

### Storage

- Do not expose discs to direct sunlight or any heat source.
- Do not expose discs to excess humidity or dust.
- Do not expose discs to direct heat from heaters.

### Cleaning

- To remove fingermarks and dust, use a soft cloth and wipe in a straight line from the center of the disc to the circumference.
- Do not use any solvents, such as commercially available cleaners, anti-static spray, or thinner to clean discs.
- After using special disc cleaner, let the disc dry off well before playing it.

### On Discs

- Exercise a good precaution when loading a disc. The operation panel will close automatically when leaving it open for a while.
- Never turn off the power and remove the unit from the car with a disc loaded.

### **⚠ CAUTION**

**For your safety, the driver should not insert or eject a disc, opening the operation panel while driving.**

## 5. DVD VIDEO SYSTEM

DVD video is a high-quality digital video source that provides crisp and clear images. One 12 cm disc contains either one film or four hours of music.

### DVD Video Features

This unit provides the following functions in addition to the high image quality and sound quality of DVD video.

#### Note:

- The functions described in this section, for example, the recorded language, subtitles, angles, etc. differ depending on the DVD video disc.  
Refer to the instructions provided with the DVD video.
- Some disc functions may operate differently from described in this manual.

#### Multi-sound function

DVD video can store up to 8 languages for one film; select the language of your preference.

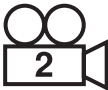
- The languages stored on the disc are indicated by the icon shown below.



#### Multi-angle function

A DVD video that is filmed from multiple angles allows you to select the angle of choice.

- The number of recorded angles are indicated by the icon shown below.



#### Subpicture (subtitles) function

A DVD video can record subtitles for up to 32 languages and you can select the language of the subtitles you wish to see. The number of recorded subtitle languages are indicated by the icon shown below.



#### Multi-story function

When a DVD video contains more than one story for a film, you can select the story you wish to enjoy. The operation procedures vary with the disc; observe the instructions for selecting a story provided during playback.

#### Menu screens

Menus can be called up during DVD video playback to perform menu setting.

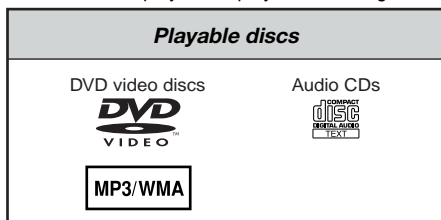
- Example showing menu display



## Discs

### Playable discs

This DVD video player can play the following discs.



### About CD Extra discs

A CD Extra disc is a disc in which a total of two sessions have been recorded. The first session is Audio session and the second session is Data session.

Your personally-created CDs with more than second data sessions recorded cannot be played on this DVD video player.

#### Note:

- When you play a CD Extra disc, only the first session will be recognized.

### About playing a CD-R/CD-RW disc (MP3, WMA)

This player can play CD-R/CD-RW discs previously recorded in music CD format (MP3, WMA) or video CD format.

### About playing a DVD-R/RW or DVD+R/RW disc

This player cannot play DVD-R/RW and DVD~R/ RW discs previously recorded in video CD format.

However, MP3/WMA files recorded on DVD-R/ RW and DVD+R/RW discs can be played.

### Discs that cannot be played back

This DVD video player cannot play back DVD-Audio, DVD-RAM, Photo CDs, etc.

#### Note:

- It may also not be possible to play back CDs recorded on a CD-R unit and CD-RW unit. (Cause: disc characteristics, cracks, dust/dirt, dust/dirt on player's lens, etc.)
- If a CD-R or CD-RW disc that has not been finalized is played, it will take a long time to start playing. Also, it may not be possible to play depending on its recording conditions.
- You cannot play SuperAudio CDs. Playback of the CD player is not supported even if it is a hybrid disc.

### About MP3/WMA playback

This unit can play back CD-R/CD-RW, DVD-R/ RW and DVD~R/RW discs on which MP3/WMA music data have been recorded.

For a detailed information, see the section entitled "Listening to MP3/WMA".

### Note on region numbers

The DVD video system assigns a region number to DVD video players and DVD discs by sales area. DVD video players sold in the United States can play back DVD discs with the region number "ALL", "1" or any combination of numbers that also incorporate a "1".

The DVD video region number is marked on the disc jacket as shown below.





## About the registered marks, etc.

---

- This product incorporates copyright protection technology that is protected by U.S. patents and other intellectual property rights. Use of this copyright protection technology must be authorized by Macrovision, and is intended for home and other limited viewing uses only unless otherwise authorized by Macrovision. Reverse engineering or disassembly is prohibited.
- Manufactured under license from Dolby Laboratories. “Dolby”, “Pro Logic” and the double-D symbol are trademarks of Dolby Laboratories.
- “Made for iPod” means that an electronic accessory has been designed to connect specifically to iPod and has been certified by the developer to meet Apple performance standards. “Works with iPhone” means that an electronic accessory has been designed to connect specifically to iPhone and has been certified by the developer to meet Apple performance standards.

Apple is not responsible for the operation of this device or its compliance with safety and regulatory standards.

iPod and iTunes® are trademarks of Apple Inc., registered in the U.S. and other countries.

iPhone is a trademark of Apple Inc.

- HD Radio™ and the HD Radio and HD Radio Ready logos are proprietary trademarks of iBiquity Digital Corporation.
- The Bluetooth® word mark and logos are owned by the Bluetooth® SIG, Inc. and any use of such marks by Clarion Co., Ltd. is under license. Other trademarks and trade names are those of their respective owners.
- 2009 SIRIUS XM Radio Inc., SIRIUS, XM and all related marks and logos are trademarks of SIRIUS XM Radio Inc. and its subsidiaries. All other marks, channel names and logos are the property of their respective owners.

# 6. OPERATIONS

## Basic Operations

### Note:

- Be sure to read this chapter referring to the chapter "3. CONTROLS"

### CAUTION

When the unit is turned on, starting and stopping the engine with its volume raised to the maximum level may harm your hearings. Be careful about adjusting the volume.

### Turning ON and OFF the Power

#### Note:

- Start the engine before using this unit.
  - Be careful about using this unit for a long time without running the engine. If you drain the car's battery too far, you may not be able to start the engine and this can reduce the service life of the battery.
1. Start the engine. The power button / knob illumination on the unit will light up.
  2. Press the [■ PWR] button on the tuner to turn ON the power.
  3. Press the [⏻] power button on the remote control to turn ON the power.
  4. To turn OFF the power, press and hold the [■ PWR] power button on the tuner for more than 2 seconds.
  5. To turn OFF the power, press and hold the [⏻] power button on the remote control for more than 2 seconds.



### Opening and Closing Operational Panel

Press [OPEN] button on the unit (NZ500). The operational panel will be open. Press the same button again to close the panel.

### CAUTION

- Do not move the operation panel forcibly or do not apply strong force to the operation panel.
- When the operation panel is operating, be careful not to get your hand or finger caught between the operation panel and main unit or its mechanical parts.
- The driver should not operate the operation panel while driving.

### Adjusting the Angle of the Operational Panel

Adjust the desired angle by pressing [^] [v] tilt buttons on the unit (NZ500).

### Selecting a Mode

1. Touch the screen button on the Main Menu to enter the desired mode: Tuner, Disc, NAVI, USB, Sirius, AUX IN, AV IN, etc., iPod/iPhone.
  - \*External equipment not connected to this unit is not displayed.



### Turning Monitor ON or OFF

1. Touch the screen button **Monitor OFF** on the Main Menu to turn Off the screen.
2. Touch the screen again to turn monitor screen On.

## Basic Operations

### Adjusting the volume

Turn the volume knob to adjust the volume.  
Clockwise : Increases the volume.

Counter- clockwise : Decreases the volume.

- The volume level indicated in the display is in a range from 0 (min.) to 40 (max.).

### CAUTION

**While driving, keep the volume level at which external sounds can be heard.**

### Mute

Press the **[MUTE] [PWR]** button to turn mute On and Off.

### Adjusting the Settings

1. Press **[Setup]** to enter setting menu mode.
2. Press the desired mode button.  
Modes come in the following order:
  - General, including **Clock** settings, **Beep**, **Camera Image**, **Radio Field**, **Tel Mute**, **Tel SP**, **Aux In Input SW**, **Version**.
  - Video, Audio, Navigation, Misc.



3. Perform the adjustment for the desired item.  
See the following sections for details.

### Adjusting the Audio

1. Press the **[EQ]** button on the screen or the **[SEL]** button on the remote control.
2. Touch the item key to adjust.
3. Perform the adjustment.



See the following sections for detail.

4. Touch the **[←]** key to return to the previous screen.

\* In the following sections, only the details regarding adjustments are described, procedures to select items are skipped.



### Adjusting the Balance/Fader

1. Touch the **BALANCE** or **FADER** in the Audio Settings.
2. Touch the **[F]** or **[R]** key to adjust to the fader level.
  - The factory default setting is "0".  
(Adjustment range: front 9 to rear -9)
3. Touch the **[L]** or **[R]** key to adjust to the balance level.
  - The factory default setting is "0".  
(Adjustment range: left -9 to right 9)

### Adjusting the Bass

The bass gain and bass frequency can be adjusted as follows.

1. Touch **[◀]** or **[▶]** key to set the desirable level.
2. To set the bass center frequency, enter the Audio adjustment in the SETUP menu.

### Adjusting the Treble

The treble gain and treble frequency can be adjusted as follows.

1. Touch **[◀]** or **[▶]** key to set the desirable level.
2. To set the treble center frequency, enter the Audio adjustment in the SETUP menu.

## Basic Operations

### Adjusting the clock

Press the **[Setup]** button. The Setup menu will be displayed. Touch **"Clock"** in **General** sub menu.



- Set up the time by touching the digital numbers on the screen.
- Touch the **[Clock Mode]** to change time settings to 12Hr or 24Hr. Select 12Hr, then you can choose AM or PM mode.

### Adjusting the Radio region

- Touch the **[Radio Field]** button in the Setup menu.
- A region selection menu will appear. Scroll down using the arrow at the bottom of the menu. Scroll up using the arrow at the bottom of the menu. Select the area's radio region that you are in. If the region selected is incorrect, radio reception will be poor.

### Displaying the Navigation Map

- Touch the **[Navi]** button on the Main Menu screen.



The warning screen will be displayed.



- Press the highlighted check mark (Accept). The Main Menu will be displayed. Select your destination.



- Select one of the options displayed on the screen.
  - Go To...**
  - Point of Interest**
  - State or Province: CA** (The software remembers the last State/Province)
  - History** (The addresses you navigate before)



- The navigation system will calculate a route to the selected destination by using the criteria set in **Setup Mode**.
- Touch the **State or Province** button. The "City" keyboard screen will be displayed. Press the  check button to choose the city from the list, or spell the City name on keyboard. Then press **[Enter]** button.



6. Enter the required information on the screens displayed in the order shown below. In order to proceed to the next screen, press the “Check” button.



7. Press the highlighted “Start Route” button.



8. Route map will be displayed. The navigation to your destination will start.



- |                      |                       |
|----------------------|-----------------------|
| 1 - Zoom Out         | 6 - Back to Menu      |
| 2 - Map Scale        | 7 - Local Information |
| 3 - GPS Status       | 8 - Mute              |
| 4 - Compass Position | 9 - Change View       |
| 5 - Current Time     | 10 - Zoom In          |

9. To set up navigation menu, see “Navigation set up” in “Setup Operations” chapter.

### **Reset to Factory Defaults**

1. Press **Setup** to enter setting menu mode.
2. Press the **Misc** button.
3. Press **Restore Defaults** button.

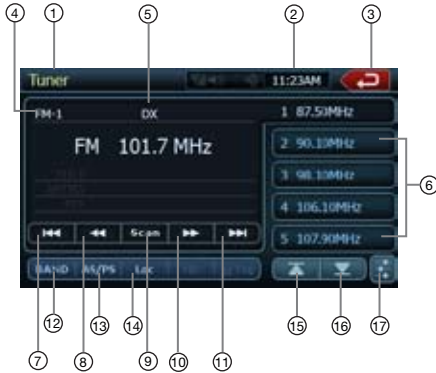
Select **[YES]** to restore your unit to factory default settings. This function will erase all memory from the unit and you must reset all personalized items such as tuner presets.

**NOTE:** You will be asked once to confirm that you would like to reset the unit. The unit will power down and restart with factory defaults.

# Radio Operations

## Listening to the Radio

1. Touch the **Tuner** button on the Main menu display. The tuner mode screen is displayed.
2. Press the **[BAND]** button or touch the **[Band]** key on remote control to select the radio band. Each time the button is pressed, the radio reception band changes in the following order: FM1, FM2, FM3, AM, FM1...



- |                      |                           |
|----------------------|---------------------------|
| 1 - Tuner display    | 11 - Seek Up              |
| 2 - Clock display    | 12 - Band button          |
| 3 - Main Menu button | 13 - AS/PS button         |
| 4 - Band display     | 14 - Loc/DX Button        |
| 5 - Loc/DX display   | 15 - Previous page button |
| 6 - Preset list      | 16 - Next page button     |
| 7 - Seek down        | 17 - EQ button            |
| 8 - Tune down        |                           |
| 9 - Scan button      |                           |
| 10 - Tune Up         |                           |

## Seek Tuning

1. Press the **[BAND]** button to select the radio band (FM or AM).
2. Touch the **[◀◀]** or **[▶▶]** key to automatically seek a station.
  - When touching the **[▶▶]** key, the station is sought in the direction of higher frequencies.
  - When touching the **[◀◀]** key, the station is sought in the direction of lower frequencies.

## Manual Tuning

1. Press the **[BAND]** button to select the radio band (FM or AM).
2. Touch the **[◀◀]** or **[▶▶]** key to automatically seek a station.
  - When touching the **[▶▶]** key, the station is sought in the direction of higher frequencies.
  - When touching the **[◀◀]** key, the station is sought in the direction of lower frequencies.

## Recalling a preset station

There are 2 ways to recall the preset station.

- Using the remote control:
  1. Press the **[BAND]** button to select the desired band (FM or AM) on the remote control.
  2. Press the preset number (1 to 6) on numeric pad.
- Using the tuner unit:
  1. Press the **[BAND]** button to select the desired band (FM or AM) on the tuner.
  2. Press the preset station (1 to 5) on tuner display.
  3. Press **[▲]** or **[▼]** to select next station up or down the preset list.
  4. Press **[AS]** button to auto search and store the stations.

## Manual memory

1. Touch the desired Band key to select the band you wish to store.
2. Tune in the station you wish to store using the seek tuning, manual tuning, or preset tuning.
3. Touch and hold the desired Preset key you wish to store the current station for more than 2 seconds.

## Auto Store

The Auto Store is a function for storing up to 12 stations that are automatically tuned in sequentially. If 12 receivable stations cannot be received, a previously stored station remains unoverwritten at the memory position.

1. Touch the **[Band]** key to select the desired band. (FM or AM)
2. Touch and hold the **[AS]** key to start the Auto Store function.
 

A beep sounds and the stations with good reception are stored automatically to the preset channels.

# Radio Operations

## Preset Scan

The Preset Scan receives the stations stored in the preset memory in order. This function is useful when searching for the desired station in memory.

1. Touch the **[Band]** key to select the desired band. (FM or AM)
2. Touch the **[PS]** key to start the Preset Scan. The unit starts scanning each station for 10 seconds sequentially.
3. When the desired station is tuned in, touch the **[PS]** key again to continue receiving that station.

## DVD Video Player Operations

### Change DVD System Settings

#### Note:

If the set up operation is performed in the middle of DVD video play, the disc will restart from the beginning.

### Selecting DVD Set Up Menu

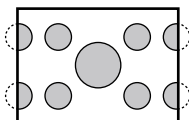
1. Press the **[SETUP]** button on the Main Menu to access the Video set up menu.
2. Press the **[Video]**. The video menu is displayed.



### Setting up the Screen Size

Press the **[Aspect Ratio]** button on the display in to change the screen size **4:3** or **16:9**. The factory default setting is " 16:9 ".

- When watching a wide type through a conventional type of the rear view monitor (4:3), the leftmost and rightmost areas of the screen are cut off.



This function allows displaying the important

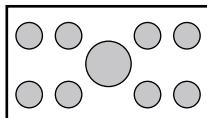
## LOC/DX Setting

The DX / LOC setting changes the tuner sensitivity in order to separate closely spaced stations. This feature is useful in areas that have many radio stations in close proximity.

1. Touch the **[DX]** key to switch to LOCAL tuner sensitivity.
2. Touch the **[LOC]** key to switch to DX tuner sensitivity.

part of image fully on the screen. In some cases, image is displayed while being panned (scrolled).

- When watching a wide type through a wide type of the rear view monitor (16:9), the leftmost and rightmost areas of the screen are not cut off.



### Setting up the Video System Format

Press the **Aux IN** button on the display to set up the video system format : **Auto**, **PAL** or **NTSC**. The default setting is **Auto**.

Touch the required system format on the screen.

### Setting up the Video Brightness

Press the brightness button. Touch the desired video brightness displayed, on scale from 0 to 20.



## DVD Video Player Operations

### Setting up the password for parental level control

The factory default setting is "0000".

- In **Main Menu** press **Setup** button. Press **Misc** button on the display. Touch the **Set Password** ---- and a numerical key pad will appear.



Input a new password. The password is set.

**Note:** When a disc with view restrictions is inserted, you will be prompted to input a password. The disc will not be viewable until the correct password is entered.

### Set rating for parental level control

- Select **MISC** screen while in **SETUP** mode. Press **Kid Saf** button. Press the desired rating for level control. Use this table to set the parental level.

<b>NC-17</b>	NO ONE 17 AND UNDER ADMITTED
<b>R</b>	RESTRICTED
<b>PG13</b>	PARENTS STRONGLY CAUTIONED
<b>PG</b>	PARENTAL GUIDANCE SUGGESTED
<b>G</b>	GENERAL AUDIENCES

- The contents that the parental level restricts vary with the country code.

**Note:** The rating can be selected only under the password unlocked status, and the limits can be set only under the password locked status.

### Watching/Listening to a disc

**Note:** Refer to the diagram in "CONTROLS" chapter.

- To load a disc:  
Press the **[OPEN]** button to flip down the front panel. (NZ500 only)  
Insert the disc into the center of the insertion

slot the label side facing up.

### CAUTION

**For your safety, the driver should not insert or eject a disc, or operate the controls while driving.**

#### Note:

- Never insert foreign objects into the disc insertion slot.
  - If the disc is not inserted easily, there may be another disc in the mechanism or the unit may require service.
  - 8cm (single play) discs cannot be used.
- Disc starts playing automatically.

### WARNING

**Some videos may be recorded at higher than desired volume levels. Increase the volume gradually from the minimal setting after the video has started.**

### Ejecting a disc

- To eject a disc press eject [**▲**] button. The play mode than switches to the Tuner mode.

\*If the disc is left in the ejected position for 15 seconds, the disc is automatically reloaded. In this case, the play mode will remain set to the Tuner mode.

**Note:** If you force a disc into before auto reloading, it will damage a disc.

### Showing DVD Player mode screen

After disc is loaded, the play mode is automatically engaged.

Touch the screen of the playing disc to display DVD Video menu. The display will return to the playback screen, if you do not touch the screen for 5 seconds.





## DVD Video Player Operations

- |                       |                           |
|-----------------------|---------------------------|
| 1 - MENU Button       | 8 - Chap Button           |
| 2 - INFO Button       | 9 - Previous Track Button |
| 3 - A-B Repeat Button | 10 - Fast Backward Button |
| 4 - Repeat Button     | 11 - Play/Pause Button    |
| 5 - Subtitle Button   | 12 - Fast Forward Button  |
| 6 - Channel Button    | 13 - Next Track Button    |
| 7 - Main Menu Button  | 14 - Stop Button          |

### Operate the DVD Player menu

You can select the button items displayed in the DVD menu by directly touching it.

If the button items are hard to select correctly, you can also operate them by using the remote control directional buttons.

### Stop Playback

1. Touch the [■] key. Playback is stopped.
2. To resume playback, press the [▶/II] button. Playback resumes from the scene where playback is stopped.

### Play/Pause Playback

1. Touch the [▶/II] key to pause during playback.
2. Touch the [▶/II] key again to resume playback.

### Skip (Search) a Chapter

1. Press the [I◀◀] or [▶▶I] button during playback.

Chapters are skipped down or up from current locations, as many times as the button is pressed, and playback starts.

### Fast Forward Fast Backward

1. Press the [◀◀] or [▶▶] button to start your fast backward or fast forward during playback.

The playback speed starts at 2x, then will increase to 4x, 8x, and 16x with each additional press.

\*No audio is reproduced during fast forward and fast backward operation.

\*The fast forward and fast backward speed may differ depending on the disc.

### Search with a Chapter/Title Number

You can locate the beginning of a scene using the chapter numbers or title numbers recorded on the DVD Video disc.

1. Showing the DVD PLAYER mode screen, touch the [CHAP] key.  
The Key Pad screen appears with the chapter number input mode. Touching the [Title] key

turns the Key Pad to the title number input mode. Touching the [Time] key turns the Key Pad to the time number input mode.

- **Title**  
A large segment to divide the data area of the disc.
- **Chapter**  
A small segment to divide the data area of the disc.
- **Time**  
A specific time on the disc.

2. Input the number of the title/chapter/time that you want to play back with the [0] to [9] key.
3. Touch the [OK] key.



Playback starts from the scene of the input title number, time or chapter number.

\*If the input title/chapter/time number does not exist or searching with a title/chapter number is not allowed, the screen image will not change.

4. Touch the [↶] Back key.

### Repeat Playback

This operation plays back chapters recorded on the DVD-Video repeatedly.

1. Showing the DVD Player mode screen, touch the [↶] Repeat key.
2. Touch the [↶] key once for Chapter Repeat, again for Title Repeat.
3. Press the [↶] button again to turn off the repeat playback.

### Repeat A → B

Select the desired passage to play back.

Touch [↶] repeat A to B button.

Selected passage starts play again.

Touch this button again to stop replay.

## DVD Video Player Operations

### Using the Title Menu

On DVD discs containing two or more titles, you can select from the title menu for playback.

1. Showing the DVD PLAYER mode screen, touch the **[CHAP]** key during playback. The title menu screen appears.
  - \* Depending on the disc, the title menu cannot be called.
2. Select the button items displayed in the title menu screen by the same way of the DVD menu operation.
  - \* Depending on the disc, items cannot be selected with the ten-key buttons.

### Switching among the languages

On discs in which two or more audios or audio languages have been recorded, you can switch among the audio languages during playback.

1. Touch the **[AUDIO]** audio key during playback.
  - Each time you touch the key, you can switch among audio languages.
  - It may take time to switch among audios.
  - \* Depending on the disc, up to 8 audios may be recorded. For details, see the mark of the disc: (8) Indicates that 8 audios have been recorded).
  - \* When the power is turned on and when the disc is changed to a new one, the language set as the factory default is selected. If that language has not been recorded, the language specified on the disc.
  - \* Depending on the disc, switching may be completely impossible or impossible on some scenes.
2. The DVD PLAYER mode screen will hide in 5 seconds after your selection is made.

### Switching Subtitles

On DVD discs in which two or more subtitle languages have been recorded, you can switch among the subtitle languages during playback.

1. Touch the **[Sub T.]** key during playback. Each time you touch the key, you can switch among subtitles.
  - It may take time to switch among subtitles.
  - \* Depending on the disc, up to 32 kinds of subtitles may be recorded. For details, see the mark of the disc: (8) Indicates that 8 kinds of 8 subtitles have been recorded).
  - \* Depending on the disc, switching may be completely impossible or impossible on some scenes.

2. The DVD Player mode screen will hide in 5 seconds after your selection is made.
3. To turn off subtitles, repeat touching **[Sub T.]** key until subtitles are turned off.

### Switching angles

On DVD discs in which video images have been recorded in two or more angles, you can switch among the angles during playback.

1. Touch the **[ANGLE]** button on the remote control during playback. Each time you touch the key, you can switch among angles.
  - \* It may take time to switch among angles.
  - \* Depending on the disc, up to 9 angles may be recorded. For details, see the mark of the disc: (9) Indicates multi-angle).
  - \* Depending on the disc, angles may switch smoothly or switch with a momentary still image.
  - \* Depending on the disc, switching may be completely impossible or impossible on some scenes.
  - \* Depending on the disc, scenes recorded in two or more angles may be played back.

### Displaying the playback status

Touch the **[INFO]** key on the DVD Player mode screen, or remote control. Playback status is displayed on the screen.



# DVD Video Player Operations

## LISTENING TO a CD



- |                           |                           |
|---------------------------|---------------------------|
| 1 - Mute Display          | 12 - Stop Button          |
| 2 - Repeat Display        | 13 - Previous Page Button |
| 3 - Shuffle Display       | 14 - Next Page Button     |
| 4 - Clock Display         | 15 - EQ Button            |
| 5 - Main Menu Button      | 16 - Source Display       |
| 6 - Keyboard Button       | 17 - Song Title           |
| 7 - Repeat Button         | 18 - Artist Information   |
| 8 - Shuffle Button        | 19 - Album Information    |
| 9 - Previous Track Button | 20 - Scan Button          |
| 10 - Play/Pause Button    |                           |
| 11 - Next Track Button    |                           |

### Pausing Playback

1. Touch the [||] button to pause playback.
2. Touch the [▶] button to resume playback.

### Skipping a Track (searching)

Touch the [◀◀] button during playback. Tracks are skipped, as many as the times the button is pressed, and playback starts.

- Pressing the [▶▶] button starts playback from the beginning of the next track.
- Pressing the [◀◀] button starts playback from the beginning of the current track. When this button is pressed again within about 2 seconds, playback starts from the beginning of the previous track.

### Fast Forward and Fast Backward

1. Press and hold the [▶▶] or [◀◀] button during playback. Press again to advance to highspeed reversing or forwarding such as 2x, 4x, 8x and 16x. Press once more to resume normal speed playback.

### Scanning the Tracks

1. Touch the [Scan] button during playback. Touch again to advance to higher speed reversing or forwarding such as 2x, 4x, 8x and 16x. Press once more to resume normal speed playback.

### Searching with the Track Number

This operation allows searching using the track numbers recorded on the CDs.

1. Touch the [≡] keyboard button on a display. The numerical keypad will appear on the screen.

2. Input the track number that you want to play back with [0] to [9] key.

Playback starts from the track of the input track number.

- If the input track number does not exist or searching with a track number is not allowed, the screen image will not change.

### Selecting a track on the Track List Screen

This function allows you to select tracks from a displayed list.

1. Touch the track title on the display list. The selected track will start playing.
2. When the desired track is not displayed, touch the [▲] or [▼] key to scroll the track list.
3. Touch the desired track title key. The corresponding track is started playback.
4. Press the [◀] key to return to the previous screen.

### Other various play functions

Touch the touch key of the function you want to play.

**Repeat [↺]:** Press once to start a single track repeat. Press again to activate a repeat all. To turn repeat off, press same button again.

- Repeat symbols are displayed in the info window in the upper right area of the screen.

**Shuffle [↻]:** Touch this button to shuffle the tracks during playback.

Touch this button again to turn off the feature.

- A shuffle symbol is displayed in the info window in the upper right area of the screen.

**Stop Playing [■]:** Stop play all the tracks.

**Set up [⚙] Audio:** Touch this button to enter EQ settings menu.

# DVD Video Player Operations

## LISTENING TO MP3/WMA

This unit is an ID3 Tag compatible model.

This unit supports the ID3 TAGs of the Version 2.4, 2.3, 1.1 and 1.0.

In displaying, this unit gives priority to the Version 2.3 and 2.4 TAGs.

After USB device inserted into USB slot, or disc is loaded, the play mode is automatically engaged.

### What is MP3/WMA?

MP3 is an audio compression method and classified into audio layer 3 of MPEG standards. WMA is an audio compression method developed by Microsoft Corporation.

These audio compression methods have penetrated into PC users and become a standard format.

These features compress the original audio data to about 10 percent of its initial size with a high sound quality. This means that about 10 music CDs can be recorded on a CD-R disc or CD-RW disc to allow a long listening time without having to change CDs.

### Note:

- Some CDs recorded on CD-R/RW mode may not be usable.

### Displaying MP3/WMA TAG titles

Tag information such as title, artist and album title can be displayed for MP3/WMA file containing Tag information.

### Precautions when creating MP3 disc

#### • File extensions

1. Always add a file extension “.MP3” or “.mp3” to an MP3 file, and “.WMA” or “.wma” to a WMA file by using single byte letters. If you add a file extension other than specified or forget to add these file extension, the file cannot be played. In addition, if you use upper case and lower case letters (capital and small letters) mixedly for file extensions, normal play may not be possible.
2. Files other than MP3/WMA data cannot be played.  
Playing files with a format not supported will be skipped, and the scan, random and repeat playback mode may be canceled.

#### • File and Disc Not Supported

Files and discs with following extensions are not supported: \*.AAC, \*.DLF, \*.M3U, \*.PLS, MP3 PRO files, files with DRM, open session discs.

#### • Logical format (File system)

1. When writing an MP3/WMA file on a disc, please select “**ISO9660 level 1 or level 2 (without including expansion format)**” as the writing software format. Normal playback may not be possible if the disc is recorded on another format.
2. The folder name and file name can be displayed as the title during MP3/WMA play but the title must be within 31 single byte alphabetical letters and numerals for the folder name and file name (including an extension). Entering more letters or numerals than specified may cause an incorrect display.

#### • Entering File and Folder Names

Names using the code list characters are the only file names and folder names that can be entered and displayed. Using any other character will cause the file and folder names to be displayed incorrectly.

#### • Electronic Shock Protection

10 seconds for CD-DA (CDA)

45 seconds for MP3 recorded at 44.1 kHz, 128kbps

90 seconds for WMA recorded at 44.1 kHz, 128kbps

#### • Folder structure

1. A disc with a folder having more than 8 hierarchical levels will conflict with the ISO9660 and playback will be impossible.

#### • Number of files or folders

1. The maximum allowable number of folders is 200 (including root directory); the maximum allowable number of files is 1500 (max. 1500 per folder). This represents the maximum number of tracks that can be played back.
2. Tracks are played in the order that they were recorded onto a disc. (Tracks might not always be played in the order displayed on the PC).
  - Some noise may occur depending on the type of encoder software used while recording.
  - In case of a track recorded at VBR (variable bit rate), the display for the play time of the track may be slightly different from the actual play time. Also, the recommended value of VBR ranges from 32 kbps to 320 kbps.
  - After disc selection, the play mode is automatically engaged.

## DVD Video Player Operations

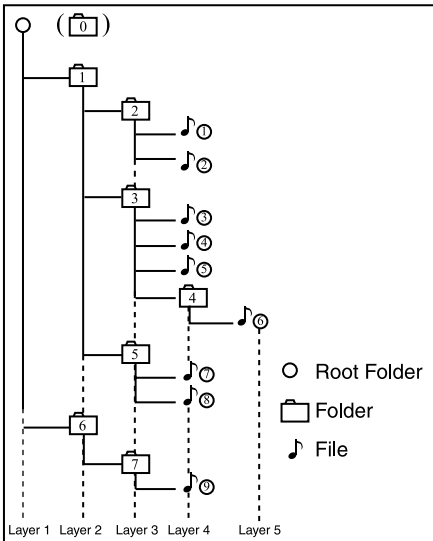
### Playing MP3 folders

When selected for play, files and folders (Folder Search, File Search or Folder Select) are accessed in the order in which they were written to the media. As a result, the order in which they are expected to be played may not match the order in which they are actually played.

You may be able to set the order in which MP3/WMA files are to be played by assigning file names beginning with play sequence numbers such as "01" to "99".

For example, a medium with the following folder/ file hierarchy is subject to Folder Search, File Search or Folder Select.

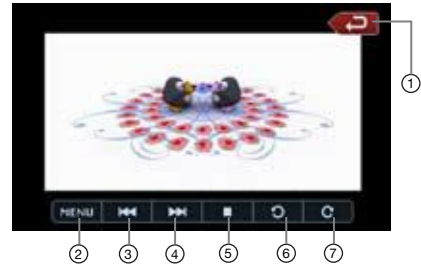
See the diagram below.



The player will only recognize three folder levels and does not display folders containing other folders. In the example above, the unit will display folders 2, 3, 4, 5, and 7, but not 1 and 6 since they only contain folders and not playable material.

### Playback Picture Menu

The picture on the display comes with the different functions to operate.



- 1 - Main Menu Button
- 2 - Menu Button
- 3 - Previous Picture Button
- 4 - Next Picture Button
- 5 - Stop Button
- 6 - Rotate Picture counterclockwise
- 7 - Rotate Picture clockwise

- Touch **[▶▶▶]** button to play next picture.
- Touch **[◀◀◀]** button to play previous picture.
- Touch **[■]** button to stop playing.
- Touch **[⌚]** button to rotate picture 90° counterclockwise.
- Touch **[⌚]** button to rotate picture 90° clockwise.
- Touch **[MENU]** button to return to disc root Menu.
- Touch **[↶]** button to return to the Main menu.

## Sirius Satellite Radio Operations

This function is available when a Sirius Satellite Radio Receiver is connected through the dedicated connection. This unit requires the following receiver:

SIRIUS Satellite Radio Receiver: SC-C1

### Note:

*SIRIUS satellite radio is a subscription service. Please contact Sirius Radio to begin or alter your subscription:*

• Internet: [www.sirius.com](http://www.sirius.com)

Telephone: 888-539-SIRIUS (747487)

### Selecting a Satellite Radio mode

Press the **[SIRIUS]** button on Main Menu display. The system changes to the Sirius Satellite Radio mode. The Sirius mode screen is displayed.



- |                             |                               |
|-----------------------------|-------------------------------|
| 1 - Keyboard Button         | 11 - Mute Display             |
| 2 - Previous Channel Button | 12 - Satellite Signal         |
| 3 - Store Button            | 13 - Next Category Button     |
| 4 - Next Channel Button     | 14 - Category Name            |
| 5 - Scan Button             | 15 - Previous Category Button |
| 6 - Previous Page Button    | 16 - Source Display           |
| 7 - Next Page Button        | 17 - Song Title               |
| 8 - EQ Button               | 18 - Artist Information       |
| 9 - Main Menu Button        | 19 - Album Information        |
| 10 - Clock Display          | 20 - Scan Button              |

### Information Displayed During Reception

The following information is displayed when the satellite radio cannot be received normally.

- When the receiver is turned on the first time or after a reset: **"UPDATING"** followed by a percentage of completion.
- When a channel is being tuned in (no signal is yet received): **"ACQUIRING SIGNAL"**
- A channel without a broadcast has been selected: **"INVALID CHANNEL"**
- A channel not covered by your contract: **"CALL 888-539-SIRIUS"**

Call (888) 539-747487 to activate your radio.

- When a channel is out of air time: **"OFF AIR"**
- When the antenna is disconnected or has been damaged: **"ANTENNA ERROR"**

### Confirming Your Radio ID

1. Touch the **[]** keyboard button on the SIRIUS Menu display to display the keypad. Enter **"0"** and press **"OK"**. Your SIRIUS ID (12-digit number) will be displayed.
2. Touch the **[Settings]** button on the SIRIUS Menu display to enter Settings menu.



2. Press **[SID]** button. Your SIRIUS ID (12-digit number) will be displayed.

### Channel Selection

1. Touch the **[Channels]** button on the SIRIUS Menu display to enter channel list preview mode.
2. Select the channel with the **[◀◀]** or **[▶▶]**. Only channels that can be received are selected. Channels that are locked and channels not covered by the contract will be skipped. The receiver seeks the next available channel below or above the current channel.



### Channel Selection with the channel number

1. Touch the direct access button on the SIRIUS Menu display to enter direct channel selection.
2. Enter the channel number of your desired station by touching the **[0]** to **[9]** keys. If you enter a wrong number, you can cancel it by touching the **[BACK]** key.



## Sirius Satellite Radio Operations

3. Touch the **[OK]** key.

The radio channel you entered will be tuned.

### Recalling a preset station

A total of 20 satellite radio stations can be stored in the receiver's memory. You can access the presets by pressing the **Presets** button. This allows you to store your favorite satellite radio stations in the memory for later recall.

1. Touch the **[Preset...]** button to enter the preset list to select or save your presets.
2. Touch **[▲]** or **[▼]** button to view previous or next page.

\* There are 5 pages of preset memory space available for your use. You can scroll the pages using the scroll bar buttons to the right of the screen.

3. Touch the **[Preset...]** key to return to the previous screen.

### Auto Preset Store

1. Touch and hold for more than 2 seconds the corresponding preset key to save the selected channel.
2. Touch the **[P]** button to save the current channel.

### Deleting a Preset

1. Touch **[Preset...]** button and enter the preset menu.
2. Touch the preset button you would like to delete.
3. Touch the **[DEL]** button to delete it.



### Receiving Stations by Category

Satellite Radio allows you to select broadcast channel category (contents).

1. Touch **[Categories]** button to enter category mode.
2. Touch **[▲]** or **[▼]** button to view all valid category.
3. Touch the desired category item key to select the category.
4. Select the desired channel by touching it momentarily on the screen.

### Note:

When the category selection mode is entered, the category of the last received channel is displayed first.



### Parental Controls Lock Channels

1. Touch **[Settings]** button to enter setting list.
2. Touch **[Lock]** button to enter lock list.
3. Touch **[▽]** key to view next page in the lock list.
4. Touch the channel item, and it will be locked or unlocked alternately.



### Setting the password

1. Touch **[Settings]** button to enter setting list.
2. Touch **[Password]** button to enter password mode.
3. Touch **[🔒]** to set password.
4. Touch **[🔓]** button to remove password.
5. Touch **[Settings]** button to return to Sirius menu.



### Note:

If you set passwords, you must input the correct code to enter lock list. When you try to locked channel by keypad, it will display password's keypad. Only entering correct code can tune to the channel, or it will be back to the last channel, if a password is wrong.

# Navigation System Operations

## Introduction to Navigation Software

Navigation software provides turn-by-turn visual and voice assistance to direct you to selected destination. The software quickly calculates step-by-step directions to any destination available on the included navigation map. The navigation software uses Global Positioning System (GPS) satellites, and a digital roadway map database to calculate and display travel directions. The system's GPS antenna receives signals from a constellation of 24 satellites orbiting the earth and uses the strongest of signals, to determine your position to within meters.

### Vehicle Position

The navigation software's computer considers vehicle speed and heading changes, together with longitude and latitude information, to accurately determine vehicle heading and position on a digital map. Signals from GPS satellites are used to determine the vehicle location. Three (good) or four (best) satellites must be received to accurately determine location. The GPS reception status is indicated by the GPS symbol on the map.

### Map and Information Database

The map database used by navigation software was created using high-resolution aerial and land based data collection. Car navigation maps are frequently updated. While the database was judged to be as accurate as possible at the time of its release, a map database can never be 100% accurate. Road information that is maintained in the map databases, such as turn restrictions or road names may change over time.

## Main Menu Screen Operations

1. After the navigation system is activated by touching "NAVI" button on the Main Menu screen, the warning screen is displayed. Press the button to accept it.
2. The "Main Menu" navigation screen is displayed.



3. Main menu screen has different options:
  - Home Address** - Route to home address.
  - Go To...** - Select a destination for navigation.
  - Setup** - Set preferences for routing and navigation display.
  - Office Address** - Route to office address.
  - Trip Computer** - Display speed, trip, odometer reading, clock reading.
4. To operate the navigation system use display function buttons as described below.



Zoom in the map to show a smaller area



Zoom out the map to show a larger area



Return to Map mode  
Display map in 2D view



Return to the previous screen



Display menu, jump to main menu



Display map in 3D view



Select current panned position,  
after panning map.



Information about current location  
on the map, mode items



Select (check) currently highlighted  
item



Display spell mode



Page up, page down in  
displayed list



Step up or step down on menu list



Voice instructions are activated



Reset button



Cancel button



Delete button (Move cell content to  
Trash can)



## Route to home address

1. Touch the **Home Address** button on the screen. If the home address is not set previously, the following screen will be displayed.



2. Press the check key to display home address set up screen.



3. Select one of the option on the screen to set the address. Once the address is set, it will be saved in the software memory.
4. If the home address was saved previously, the screen with address will pop up, after you touched the **Home Address** button. Start your route



## Select the destination

To select the destination press **Go To...** button on Main Menu screen. The **Go To...** screen is displayed.



To start your navigation use one of these modes:

- Address or Intersection**
- Point of Interest**
- Favorites**
- History**


### Address or Intersection Mode

1. Press **Address or Intersection**, if you know the street address. The spelling keyboard will be displayed.



2. Touch the first letter of desired city on the keyboard. The city name will appear on the screen.
3. Touch the  select key. The list of the cities, which name starts with same letter, will be displayed. Press the desired city name.




4. Touch  street key to display street name.  
The street screen is displayed.



5. Choose desired street by typing on the keyboard. The list of streets under this letter will be displayed. Press up or down button to go thru the list. Select your street.



Press  button to return to the street mode screen.

6. Touch the  postal code button to display postal code.



Press the select key to display the list of the postal code. Select the desired code and press return key.

### Point of Interest Mode

1. Use **Point of Interest** option when you are going to a public place or are looking for some type of facility such as a gasoline station. After selecting the **Point of Interest** option, you must select the State/Province where the destination is located.

**NOTE:** The system remembers the last State/Province selected, so this step is not necessary every time.

2. **Point of Interest** may be searched by Category, City or Name.



- Use **Category** mode, if you are looking for a certain service or business, like nearest gas station.



- **City** mode - select the city by spelling its name.



- **Name** mode - select the name by typing it.



### Coordinates Mode

You can route to a destination by directly inputting latitude and longitude values.



### Favorites Mode

You can select your route to a destination by choosing one of preset favorite places in the **Favorites** mode.



1. **Address Book** is a convenient place to store frequently visited destinations.



2. **Trail Book** will allow to create your own navigation routes.



3. **My POI** will allow to create and save your personal points of interest.



4. **Trip Book** will allow to navigate multiple destination trip.



### Edit Favorites

1. Press this button to edit **Address Book**, **Trail Book**, **Trip Book**, **My POI**. The following screen will pop up.



2. Select the mode, you want to edit. The editing screen will be displayed.

**Address Book** editing screen:



**Trail Book** editing screen:



**Trip Book** editing screen:

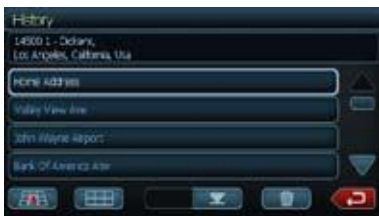


**My POI** editing screen:



## History Mode

Previous destinations entered into your navigation software are automatically saved into the memory. This is helpful when you want to return to a recent destination, such as a hotel where you may be staying. The Previous Origin of the last calculated route is also stored for easy return to your start point.



## System Preferences Setup

Press this button to set up your preferences for routing and navigation. The following screen will pop up. Select the mode you want to be set.



1. Press **Setup Routing Criteria** to set up your driving preferences. Check the preferable items on pop up screen.



2. Press **Display Options** to set up your screen display preferences. All the options are listed on 3 screens. Check the preferable items on pop up screen list.



- Press **User Preferences** to set up your personal preferences. All the options are listed on 2 screens. Check the preferable items on pop up screen list.



- Press **Location Reset** to set up your location preferences. Select the item, you would like to reset from pop up screen options.



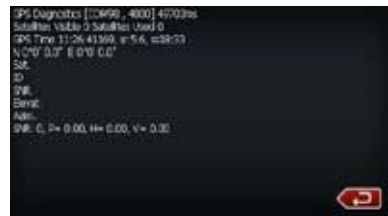
- Press **System** button. The following screen will pop up.



- Select the **Volume** mode. The popup screen will allow to mute or turn on the system sound.



- Select the **GPS Diagnostics** mode. The information about current GPS condition will be displayed on popup screen.



- Select the **System Information** mode. The information about your navigation system will be displayed on popup screen.



### ***Office Address Guidance and Setup***

Press this button and the **Start Route** screen will pop up.



If the office address is not saved:

- Press the **Favorites** on the **Go To** screen.
- On pop up screen press **Edit Favorites** button. The following screen will pop up.




- Press the **Office Address** button. The **Set Office Address** screen will be displayed. Fill the information in highlighted items.



### Trip Computer Readings and Resets

Press this button to display speed, trip, odometer reading, clock reading.




1. Touch the  button to display the trip informaton items. The following screen will pop up.





Touch the arrow keys down or up the list or page to display more listed items.



2. Select the item from displayed list by touching it.
3. Reset the displayed item by pressing the  reset key. The following screen will pop up.



4. Touch the  check button to accept, or  cancell button to return back to Trip Computer screen.



# 7. ACCESSORIES

## iPod/iPhone Operations

iPod/iPhones can be connected by using the connector cable supplied with the iPod/iPhone, but in this case, you can enjoy its audio sound only. To enjoy video movies stored in the iPod/iPhone with video displaying them on this unit, it is required to use the special connector cable separately sold.

### Note:

- This system will not operate or may operate improperly with unsupported versions.
- For detailed information on the playable iPod/iPhone models, see our home page: [www.clarion.com](http://www.clarion.com)

### Notes on using Apple iPod/iPhone

- Do not connect an iPod/iPhone to this unit with a headphone connected to the iPod/iPhone.
- After the iPod/iPhone has been connected to this unit, the iPod's buttons are disabled for operation in the Music mode. In the Video mode, do not operate the iPod's buttons.
- When in the iPod mode, a special iPod/iPhone control screen is displayed different from the main screens for other modes.
- When in the iPod mode, the screen image input from the AUX terminal is output to the rear monitor.
- When no data is present, the title display will remain blank.
- The iPod/iPhone is used with the equalizer function turned OFF.
- Set the iPod/iPhone's language setting to English before connecting your iPod/iPhone. Some characters of the other languages may not be displayed correctly in this system.
- **Precautions on battery consumption:** If the iPod/iPhone is connected to this unit when the iPod/iPhone's internal battery has run down, this function may not operate correctly. You must connect the iPod/iPhone after charging the battery if it has run down.

### Selecting the iPod mode

1. Connect your iPod/iPhone to the USB connector. The system will automatically detect the connected device and change to the iPod mode. The iPod icon is displayed on the Main Menu screen.



The playback starts after a while, from where the iPod/iPhone has been paused.

### • When a iPod/iPhone is already connected

Touch the [iPod] key on the Main Menu screen. The system changes to the iPod mode, and starts playback from the previous position.

### Controlling the iPod/iPhone

#### Operation keys

- iPod audio mode screen



- |                           |                         |
|---------------------------|-------------------------|
| 1 - Repeat Button         | 12 - Main Menu Button   |
| 2 - Shuffle Button        | 13 - Clock Display      |
| 3 - Previous Track Button | 14 - Shuffle Display    |
| 4 - Scan Button           | 15 - Repeat Display     |
| 5 - Play/Pause Button     | 16 - Mute Display       |
| 6 - iPod Video Button     | 17 - Song Title         |
| 7 - Next Track Button     | 18 - Artist Information |
| 8 - Stop Button           | 19 - Album Information  |
| 9 - Previous Page Button  | 20 - Keyboard Button    |
| 10 - Next Page Button     |                         |
| 11 - EQ Button            |                         |

### [Video] Video key

- Switches to the screen of which the video output from the iPod/iPhone is displayed.

### Note:

- Note that not all iPod/iPhone devices are compatible to output video to this unit.

## iPod/iPhone Operations

### [X] Shuffle key

- Use to switch the shuffle mode on or off. When enabled, this function performs playback of tracks in random order, regardless of the order in which they are recorded.

### [P] Play/Pause key

- Use to control playback and pause.
  1. Touch the key during playback. Playback pauses.
  2. To resume playback touch the key again.

### [EQ] EQ button

- Use to enter Audio Settings menu to set.

### [1-9] Keyboard button

- Use to input number to select the track.

### [↺] Repeat button

- Use to repeat the selected track.

### Skipping a track (searching)

1. Press the [▶▶] or [◀◀] button during playback. Tracks are skipped, as many times as the button is pressed, and playback starts.
  - Pressing the [▶▶] button starts playback from the beginning of the next track.
  - Pressing the [◀◀] button starts playback from the beginning of the current track. When this button is pressed again within about 2 seconds, playback starts from the beginning of the previous track.

### Fast forward and fast backward playback

Press and hold the [▶▶] or [◀◀] buttons on the menu display for fast forward or fast reverse. The first press will advance the music at 2x speed. Following presses will increase the speed to 4x, 8x, and 16x. Release the button to resume normal playback.

### Selecting a list item from a list screen

1. Touch the display list icon in the iPod selection screen.
2. Touch a desired list item on the screen to display the corresponding list of tracks.
  - Use the [▲] and [▼] keys to scroll the list.
3. Touch the desired track name on the list to play back.
  - Use the [▲] and [▼] keys to scroll the list.

### Viewing video data in the iPod/iPhone (only for the iPod/iPhone with video features)

When you connect an iPod/iPhone with video features by using the optional connector cable for iPod/iPhone with video, you can enjoy the

video data and slide show data stored in the iPod/iPhone showing them on the display of this unit (and the rear monitor if connected).

#### Note:

- Do not connect the iPod/iPhone to this unit when a Video Playlists item is selected on the iPod/iPhone.

1. Touch the [VIDEO] video key on the iPod audio menu screen. The iPod play video screen is displayed.



2. Select the type of video, you would like to be played, by touching it on the right side of the menu. The video playback will start.

#### Note:

Video playback is not available on all iPod/iPhone devices. Please contact your Clarion dealer for details. An optional connection cable or accessory may be required for this feature.

3. To stop the video play, touch the screen. iPod play video menu will be displayed.
4. Touch the [AUDIO] audio button (1) to return to the iPod audio menu.

#### Note:

- "AUDIO ONLY" is displayed when the automobile is moving.
- Image data may not be played back according to the status of the iPod/iPhone.
- The volume setting of video data is relatively lower than audio data. Be sure to lower the volume setting before switching to the other mode.
- Do not select the categories with no track registered from the iPod menu screen. The iPod/iPhone may be frozen. If the iPod/iPhone is frozen, reset the iPod/iPhone by following the procedure described in the instruction manual of the iPod/iPhone.
- Audio may be played back slightly out of synchronization with video images.



## USB Operations

This system can play audio files (MP3/WMA) stored in an USB memory which is recognized as “USB Mass Storage Class device”. You can use your USB memory as an audio device by simply copying desired audio files into it.

### Note:

- This system will not operate or may operate improperly with some USB memory.
- Files protected with any DRM can not be played.

### Notes on using USB memories

#### • General notes

- When no data is present, the message “NO FILE” will be displayed.
- The USB memory is used with the equalizer function turned OFF.

#### • Notes on the MP3/WMA files

- This system can play the MP3/WMA files stored in the USB memory.
- This system cannot play DivX files stored in the USB memory.
- Set the Sampling Frequency to:
  - For MP3 files:
    - MPEG1 Layer3: 32, 44.1, or 48 kHz
    - MPEG2 Layer3: 16, 22.05, or 24 kHz
    - MPEG2.5 Layer3: 8, 11.025, or 12 kHz
  - For WMA files: 32, 44.1, or 48 kHz
- Set the Bit Rate to:
  - For MP3 files:
    - MPEG1 Layer3: 32 to 320 kbps (VBR)
    - MPEG2 Layer3: 16 to 160 kbps (VBR)
    - MPEG2.5 Layer3: 16 to 160 kbps (VBR)
  - For WMA files: 32, 48, 64, 80, 96, 128, 160, or 192 kbps
- Add the following file extension using single byte characters:
  - For MP3 files: “.MP3” or “.mp3”
  - For WMA files: “.WMA” or “.wma”

#### • Notes on the folder structure

- The folder hierarchy must be within 8 hierarchical levels. Otherwise, playback will be impossible.
- The maximum allowable number of folders is 200 (including root directory and folders with no MP3/WMA file).
- The maximum allowable number of files in a folder is 1500.
- The maximum files allowable in all folders is 1500.
- You can store the MP3 files, WMA files together in a folder.

#### • Notes on the Tag titles

The limitations on the Tag titles are same as those in the MP3/WMA modes.

#### • Folder representation in the folder list

The limitations on the folder representation are same as those in the MP3/WMA modes.

### Selecting the USB Memory mode

Connect your USB memory to the USB connector. The system will automatically detect the connected device, and change to the USB mode (USB Memory mode), and start playback after a while. If you reconnect the same device that you disconnected last, the system will play back where it left off.

#### • When an USB memory is already connected

Touch the **[USB]** key to select the USB in a Main Menu mode.

The system changes to the USB mode and starts playback from the previous position.



### Playing back files in the USB memory

The operations in the USB Memory mode are same as those in the MP3/WMA modes.

See “Listening to a CD” for details.

#### Note:

When performing the fast forward or fast backward function, the playback speed will become 10-time faster. For the VBR files, it may differ depending on the file.

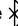
## Bluetooth Audio Player Operations

Some Bluetooth cellular phones have the audio features, and some portable audio player support the Bluetooth feature. These devices will be called as “Bluetooth audio players” in this manual. This system can play audio data stored in a Bluetooth audio player.

### Note:

- This system will not operate or may operate improperly with some Bluetooth audio players.
- For detailed information on the playable Bluetooth audio players, see our home page: [www.clarion.com](http://www.clarion.com)

### Selecting the Bluetooth mode

1. Press the [**Menu**] button to display the Main Menu screen.
2. Touch the [**Bluetooth**] key to select the Bluetooth mode.  
The system changes to the Bluetooth mode. If the connection with a Bluetooth audio player has been already established, you may select the Music function.
- When the connection with a Bluetooth audio player has been established, the  icon is displayed at the top of the screen.



### Bluetooth audio player settings

#### Confirming Bluetooth Information and setting Pass Key

You can confirm the various information concerning the Bluetooth Interface features.

1. Touch the [**Settings**] key to display the information on the screen.



2. When you finish confirming the Bluetooth information, touch the [**BT Menu**] key to return to the previous screen.  
If you want to change the Pass Key setting of this unit, perform the following steps.
  - The factory default setting is “1234”.
3. Touch the text box of the Pass Key item to display the Ten-Key Pad screen.
4. Enter your desired 4-digit PIN number, then touch the [**OK**] key.

### Registering your Bluetooth audio player (Pairing)

You can register up to 5 Bluetooth audio players.

1. Turn on the power of the Bluetooth audio player you wish to register.
2. Touch the [**Device**] key to display the Device Select screen.



3. Touch the [**Add**] key to display the Add the Device screen.
4. Touch your desired Device key to select the key for the Bluetooth audio player to be registered.
5. If entering the Pass Key code is prompted on your Bluetooth audio player, enter the Pass Key code set to this unit.
  - You can change the Pass key setting of this unit from the BT Info screen.

When the pairing operation completes, the registered Bluetooth audio player is set as the current device, and the display returns to the Bluetooth mode screen.

**Note:**

- You cannot register the same Bluetooth audio player which is already registered doubly.

If you wish to change the Device key registered, once delete the corresponding Bluetooth audio player from the previous Device key, and then register it again to your desired Device key.

• **To delete the Bluetooth audio player registration**

1. Touch the [Device] key.
2. Touch the desired Device key you wish to delete.  
A confirmation screen is displayed.
3. Touch the [Delete] key to display the Delete the Device screen.

### Selecting the Bluetooth audio player

To change the current Bluetooth audio player to the other device which is already registered, perform the following operation.

1. Touch the [Device] key to display the Device Select screen.
2. Touch the currently connected device, then press the [Cut] key to disconnect the active device.
3. Touch the desired Device key you wish to use. Press the [Connect] key to select it as your active device. The corresponding Bluetooth audio player is set as the current device.
  - If the power of the Bluetooth audio player is not turned on, turn it on.
  - The Bluetooth audio player may prompt to acknowledge the Bluetooth connection or to enter the Pass Key code of this unit. Perform these operations according to the message displayed.
4. Touch the [BT Menu] key to return to the previous screen.

### Controlling the Bluetooth audio player

**Note:**

- Occasionally, depending on the environment, playback sounds may be fragmented, or switch noises may be generated.

### Playing back a music

After the connection with a Bluetooth audio player is established, the play mode is automatically engaged.

- When playback is not started, touch the [▶] key.

### Pausing playback

1. Touch the [||] key during playback.  
Playback pauses.
2. To resume playback, touch the [▶] key.  
Playback resumes.

### Skipping a track (searching)

1. Press the [◀◀] or [▶▶] button during playback.  
Tracks are skipped, as many as the times the button is pressed, and playback starts.

### Fast forward and fast backward

1. Press and hold the [◀◀] or [▶▶] button during playback.  
The system enters the fast backward or fast forward playback mode during pressing the button. Releasing the button resumes the normal speed playback.

## Bluetooth Telephone Operations

When the connection with your Bluetooth cellular phone is established, the following functions are available on this unit:


- Listening to your telephone calls on the car speakers.
- Answering to an incoming call.
- Making a call using the Ten-Key pad screen.
- Making a call using the Phone Book data in the selected cellular phone.
- Making a call using the History data of the dialed/received calls.

**Note:**

- Some cellular phones may not be able to transfer the Phone Book data.
- The Phone Book data transmission may take a long time. The operations of sending calls are disabled during the data transmission.

- You can talk with other party by using the internal microphone. When it is hard to hear for the other party in accordance with the communication condition or the used telephone, use the optional microphone (RCB-199), and set the Microphone Select setting to "External". The sound will be improved, but noises may still be heard depending on the communication condition.

### Selecting the BT Phone mode

- Press the [**☰**] button to display the Menu screen.
- Touch the [**Bluetooth**] key to select the Bluetooth mode.
- Touch the [**Telephone**] key to select the BT Phone mode.  
The Telephone screen is displayed.
  - When the connection with a Bluetooth telephone has been established, the  icon and signal level indicator are displayed at the top of the screen.



### Telephone settings

#### Setting the telephone features

- Touch the [**Setting**] key to display the Telephone Settings screen.



- Perform setting for the desired item. See the following sections for detail.
  - Touch the [**Back**] key to return to the previous screen.
- Setting Automatic Connection**  
The system automatically reconnects the

cellular phone after the connection is lost or the system is restarted.

- The factory default setting is "OFF".  
Touch the [**ON**] or [**OFF**] key of the Automatic Connection item to set the function ON or OFF.

- Selecting Microphone**

- You can select the microphone to be used.
- The factory default setting is "Internal".  
Touch the [**External**] or [**Internal**] key of the Microphone Select item to set the function.

#### Note:

- When "Internal" is selected, and a call comes in during the operation panel open, the operation panel is automatically closed because the microphone is on the operation panel.
- When "Internal" is selected, the [**OPEN /CLOSE**] button is disabled during a call.
- Setting Microphone Gain**  
You can adjust the input level of the microphone in 5 levels.  
• The factory default setting is "3".

#### Note:

- The input level of the microphone can be affected by its surroundings. Adjust the level when the person on the other end of the telephone has a reception problem.
- Touch the level indicator button of the Microphone Gain item to adjust the input level.
- Confirming Bluetooth Information and setting Pin Code**

You can confirm the various information concerning the Bluetooth Interface features.

- Touch the [**Settings**] key of the BT Info item to display the information on the screen.
- When you finish confirming the Bluetooth information, touch the [**BT Menu**] key to return to the previous screen.  
If you want to change the Pin Code setting of this unit, perform the following steps.
- Touch the text box of the Pin Code item to display the Ten-Key Pad screen.
  - The factory default setting is "1234".
- Enter your desired 4-digit PIN number, then touch the [**OK**] key.

### Registering your cellular phone (Pairing)

You can register up to 4 cellular phones.

1. Turn on the power of the cellular phone you wish to register.
2. Touch the **[Device]** key to display the Device Select screen.



3. Touch the **[Add]** key to display the Add the Cellular screen.
4. Touch your desired Cellular key to select the key for the cellular phone to be registered.
  - You cannot select the Cellular key of which another cellular phone is already registered. Select a blank Cellular key.
5. If entering the Pass Key code is prompted on your cellular phone, enter the Pass Key code set to this unit.
  - You can change the Pass key setting of this unit by the BT Info screen under the Telephone Settings screen.

When the pairing operation completes, the registered cellular phone is set as the current telephone, and the display returns to the Telephone screen.

#### Note:

- You cannot register the same cellular phone which is already registered doubly. If you wish to change the Cellular key registered, once delete the corresponding cellular phone from the current Cellular key, and then register it again to your desired Cellular key.
- **To delete the cellular phone registration**
  1. Touch the **[Device]** key.
  2. Touch the desired Device key you wish to delete. A confirmation screen is displayed.
  3. Touch the **[Delete]** key to display the Delete the Cellular screen.

### Selecting the cellular phone

To change the current cellular phone to the other device which is already registered, perform the following operation.

1. Touch the **[Device]** key to display the Device Select screen.

2. Touch the currently connected device, then press the **[Cut]** key to disconnect the active device.
3. Touch the desired Device key you wish to use. Press the **[Connect]** key to select it as your active device. The corresponding cellular phone is set as the current telephone.
  - If the power of the cellular phone is not turned on, turn it on.
  - The cellular phone may prompt to acknowledge the Bluetooth connection or to enter the Pass Key code of this unit. Perform these operations according to the message displayed.
4. Touch the **[Back]** key to return to the previous screen.

### Obtaining the Phone Book data

Sending the Phone Book data from the cellular phone enables you to make a call using the Phone Book function from this unit.

1. Perform the Object Push transfer operation of the Phone Book data on the current cellular phone.
 

For details of the operation, see the operation manual of the cellular phone.

#### Note:

- Some cellular phones may not be able to transfer the Phone Book data.
- Some cellular phones cannot transfer the Phone Book data when the hands-free mode is set or it is also registered in the Bluetooth mode. In those cases, disable these functions from the cellular phone before performing the Object Push transfer.
- Some cellular phones may transfer Phone Book data automatically.

## Telephone operations

### Note:

- For your safety, this system disables the calling functions when the car is moving. Be sure to stop the car and apply the parking brake before making a call.

### Making a call using the Ten-Key pad

1. Touch the **[Telephone]** key to display the Ten-Key pad screen.
2. Enter the telephone number by using the Ten-Key pad displayed on the screen.
3. Touch the **[☞]** (Send) key to call the entered number.
  - The following Telephone Interrupt screen is displayed during phone call.



- Touch the **[☐]]]** (Private) key to talk using the cellular phone canceling the hands-free function. To return to the hands-free mode, touch the **[☐]]]** (Private) key.
4. When the call is finished, touch the **[☞]** (End) key to hang up. The display will return to the previous mode screen selected before entering the BT Phone mode.

### Note:

- Depending on the cellular phone, the Telephone Interrupt screen may be closed and the connection with this system may be disconnected when entering the Private mode.

### Making a call using the Phone Book

You can use the Phone Book data obtained from the cellular phone to make a call from this unit.

### Note:

- Before using this function, the Phone Book data must be sent from the cellular phone
- Only the Phone Book items with at least one telephone number registered in the captured Phone Book data are displayed on the Phone Book screen.

1. Touch the **[Contacts]** key to display the Phone Book screen.

2. Touch the desired Name key you wish to dial.
  - Touch the **[Δ]** or **[∇]** key to scroll the list.
  - When you touch the alphabet key at the right of the screen, the list scrolls to the item which starts with the specified character.
3. Touch the desired Number key you wish to dial.
4. Touch the **[Call]** key to call the specified number. The Telephone Interrupt screen is displayed, and calling starts.
  - When the call is finished, touch the **[☞]** (End) key to hang up.

### Making a call using the History

The system will memorize the Dialed/Received calls record data in the memory. You can confirm it and use it to make a call from this unit.

1. Touch the **[Call Log]** key. The History List screen is displayed.
  - The items are sorted by Dialed, Missed and Received calls.
  - Touch the **[Δ]** or **[∇]** key to scroll the list.
  - Touch the **[BT Menu]** key to return to the previous screen.
2. Touch the desired History item key you wish to dial.
3. Touch the **[Call]** key to call the specified number. The Telephone Interrupt screen is displayed, and calling starts.
  - When the call is finished, touch the **[☞]** (End) key to hang up.

### Answering to an incoming call

When a call comes in, the following Telephone Interrupt screen appears.



You can answer to the incoming call on this system by the following operation.

1. Touch the **[☞]** (Send) key to answer to the call.
  - When the call is finished, touch the **[☞]** (End) key to hang up.

## HD Radio Operations

This function is available when an HD Radio tuner is connected.

This unit can control the following HD Radio tuner:

- HD Radio Module (THD400)

### Note:

- Be sure to disconnect power before connecting/disconnecting the HD Radio tuner.
- Not all areas offer HD Radio broadcasts
- HD Radio stations may not always broadcast subchannels
- Volume levels of HD Radio stations may vary. Increase the volume gradually from the minimal setting after the channel is selected. Be sure to lower the volume setting before switching to another mode or channel.

Additional information about HD Radio can be found at [www.hdradio.com](http://www.hdradio.com)

### Listening to HD Radio

1. Touch the **Tuner** button on the Main menu display. The tuner mode screen is displayed.
2. Press the **[BAND]** button or touch the **[Band]** key on remote control to select the radio band. Each time the button is pressed, the radio reception band changes in the following order: FM1, FM2, FM3, AM, FM1...



- |                           |                                 |
|---------------------------|---------------------------------|
| 1 - Stereo indicator      | 12 - Seek up                    |
| 2 - Signal strength       | 13 - iTunes TAG key             |
| 3 - Station name          | 14 - Manual tune up             |
| 4 - HD Radio status       | 15 - Auto store/Preset scan key |
| 5 - Clock                 | 16 - Channel scan               |
| 6 - Main Menu key         | 17 - HD Radio subchannel key    |
| 7 - Preset list           | 18 - Manual tune down           |
| 8 - EQ mode key           | 19 - Band key                   |
| 9 - Next preset page      | 20 - Seek down                  |
| 10 - Previous preset page |                                 |
| 11 - Frequency display    |                                 |

### Seek Tuning

1. Press the **[BAND]** button to select the radio band (FM or AM).
2. Touch the **[◀◀]** or **[▶▶]** key to automatically seek a station.
  - When touching the **[▶▶]** key, the station is sought in the direction of higher frequencies.
  - When touching the **[◀◀]** key, the station is sought in the direction of lower frequencies.

### Manual Tuning

1. Press the **[BAND]** button to select the radio band (FM or AM).
2. Touch the **[◀◀]** or **[▶▶]** key to automatically seek a station.
  - When touching the **[▶▶]** key, the station is sought in the direction of higher frequencies.
  - When touching the **[◀◀]** key, the station is sought in the direction of lower frequencies.
3. To quick tune, touch and hold the **[◀◀]** or **[▶▶]** key to tune into a station.

### Recalling a preset station

There are 2 ways to recall the preset station.

- Preset scan function:
  1. Press the **[BAND]** button to select the desired band (FM or AM) on the remote control.
  2. Press the **[AS/PS]** key momentarily. The unit will begin to scan the saved presets.
  3. When the desired preset is found, press the **[AS/PS]** key momentarily.



## HD Radio Operations

---

- Manual recall:
  1. Press the **[BAND]** button to select the desired band (FM or AM) on the tuner.
  2. Press the preset station (1 to 15) on tuner display. Press **[▲]** or **[▼]** to select next station up or down the preset list.
  3. Touch the desired Band key to select the band you wish to store.
  4. Tune in the station you wish to store using the seek tuning, manual tuning, or preset tuning.
  5. Touch and hold the desired Preset key you wish to store the current station for more than 2 seconds.

### Manual memory

---

1. Touch the desired Band key to select the band you wish to store.
2. Tune in the station you wish to store using the seek tuning, manual tuning, or preset tuning.
3. Touch and hold the desired Preset key you wish to store the current station for more than 2 seconds.

### Auto Store

---

The Auto Store is a function for storing up to 15 stations that are automatically tuned in sequentially. If 15 receivable stations cannot be received, a previously stored station remains unoverwritten at the memory position.

1. Touch the **[Band]** key to select the desired band. (FM or AM)
2. Touch and hold the **[AS/PS]** key to start the Auto Store function. A beep sounds and the stations with good reception are stored automatically to the preset channels.

### Preset Scan

---

The Preset Scan receives the stations stored in the preset memory in order. This function is useful when searching for the desired station in memory.

1. Touch the **[Band]** key to select the desired band. (FM or AM)
2. Touch the **[PS]** key to start the Preset Scan. The unit starts scanning each station for 10 seconds sequentially.
3. When the desired station is tuned in, touch the **[PS]** key again to continue receiving that station.

### HD Radio Subchannel Function

---

1. Touch the **[HD]** key to switch between the available subchannels. Each time the key is touched, the subchannel reception changes in the following order: HD1, HD2, HD3, HD4, HD1...
2. You can save your desired subchannel by touching and holding the desired Preset key you wish to store the current subchannel for more than 2 seconds.

**Note:** *Not all stations have HD Radio subchannel broadcasts.*

### iTunes Tagging Function

---

1. Touch the **[TAG]** key to store the current music information to memory.
2. You may store up to 64 tags in the memory when an iPod/iPhone is not connected.
3. When an iPod/iPhone is connected to the unit, the unit will automatically transfer the tags to the iPod/iPhone.

**Note:** *Not all broadcasted material can be tagged. The iTunes Tagging function is only available for Apple iPod and iPhone devices.*



## AUX In / AV In Operations

External peripheral devices, including a game console, camcorder, navigation unit, iPod/iPhone, etc. can be connected to the AUX IN or AV IN connector on the back of this unit using the A/V media cables.

### ⚠ WARNING

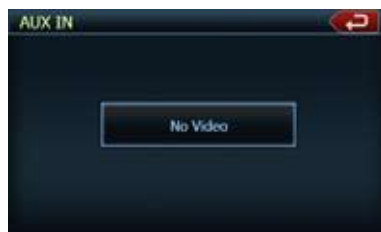
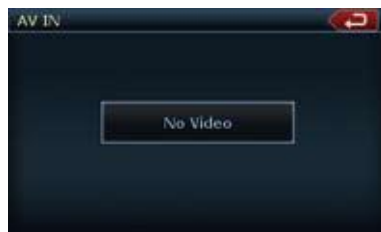
**For your safety, the driver should not watch the VTR, etc. or operate the controls while driving. Please note that watching and operating the VTR, etc. while driving are prohibited by law in some countries.**

### NOTE:

*For your safety, the unit has a safety function, which turns off the picture when car is moving, so only the audio can be heard. The picture can be only watched, when the car is stopped and parking brake is applied.*

### Switching to AUX IN / AV IN mode

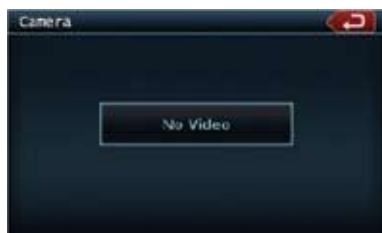
Press **[AUX IN]** or **[AV IN]** button on Main Menu to select desired mode (when unit is reading). The LCD will display the external video. The screen will display "No Video" menu, if there is no video signal. You cannot directly control external devices connected to the AUX IN or AV IN input.



## Camera In Operations

### Switching to Camera mode

Press **[Camera]** button on Main Menu to select desired mode (when unit is reading). The LCD will display the external video. The screen will display "No Video" menu, if there is no video signal. Press **[←]** back button to return to the Main Menu.



When the video signal is displayed, press right top corner to return to the Main Menu.



## Setup Operations

Press **[Setup]** button on the Main Menu screen. The Setup menu screen will be displayed.

### General Setup Menu



- Clock:** Touch the button to set the clock. Select Clock Mode 12 Hr.
- AM/PM:** Touch the button to change AM or PM, when 12Hr mode is selected.
- Beep:** The function of it is to choose the Beep voice on or off.
- Camera Image:** The Function of it is to choose the mode of camera image normal or mirror.
- Radio Field:** The function of it is to choose the radio mode in the country you are. It's contain USA, Europe, S. America, Other.
- Aux In Input SW:** The function of it is to choose the auxin input switch, including Low, Mid, High.
- Version:** Display the software version information.

### Video Setup Menu

This menu includes: TV Shape; Aux IN; Brightness.



- TV Shape:** The function of it is to choose the screen area shape - 4:3 or 16:9.
- Aux IN:** The function of it is to choose Aux In format. It contains AUTO, PAL, NTSC.
- Brightness:** Set brightness value from 0 to 20.

### Audio Setup Menu

This menu includes: Bass Freq; Treble Freq; Sub Filter; Bass Q-Factor.



- Bass Freq:** Choose the desired bass frequency. 60Hz, 80Hz, 100Hz, 200Hz
- Treble Freq:** Choose the desired treble frequency 10KHz/12.5KHz/15KHz/17.5KHz.
- Sub Filter:** Choose the desired Sub Filter frequency: 80Hz/120Hz/160Hz.
- Bass Q-Factor:** Choose the Bass Q-Factor:1.0/1.25/1.5/2.0.

### Navigation Setup Menu

This menu includes: GPS Time, Time Zone, DST



## Setup Operations

**GPS Time:** Use this function of it is to synchronize the GPS time or not. It contains two choices: Ignore and Sync.

**Time Zone:** Choose the desired Time Zone: NTF/Atlantic/Eastern/Central/Mountain/Pacific/Alaska.

**DST:** Use this function to set Daylight Saving Time on or off.

### Misc Set Up

This menu include: TS Calibrate; Set Password; Parental control.

**TS Calibrate:** The function of it is to select the TS Calibrate YES or NO.

**Set password:** The function of it is to set the password of the child lock.

**Parental control:** The function of it is to set the rating of the age. It contains Kid Saf/G/PG/PG- 13/PG-R/R/NC- 17/Adult.

**Software Update:** Choose the function to update the software.

**NAV Update:** Choose the function to update the NAV software.

**Restore Defaults:** The function is to select to load factory default or not.

### Phone Menu

If you receive a phone call and the Bluetooth is On, the screen will display Phone Interrupt Menu.

1. Press the right top corner to go back to Main Menu.
2. Touch **[Setup]** button to set Tel Mute and Tel SP.

### EQ Set Up



No.	Button Name	Function
1	Title Name	Display title name
2	Main Menu Button	Close the Audio Settings menu
3	EQ	Set EQ mode
4	BASS	Set bass value
5	TREBLE	Set treble value
6	BALANCE	Set balance position
7	FADER	Set fader position
8	SUB	Set Sub Woofer level
9	LOUDNESS	Set loudness on or off

### Monitor OFF Menu

Press **[Monitor OFF]** button to temporarily turn off the display. Touch the screen to turn the display on.

# 8. TROUBLESHOOTING

## GENERAL

Problem	Cause	Measure
Power does not turn on. (No sound is produced.)	Fuse is blown.	Replace with a fuse of the same amperage. If the fuse blows again, consult your store of purchase.
	Incorrect wiring.	Consult your store of purchase.
Nothing happens when buttons are pressed.  Display is not accurate.	The microprocessor has malfunctioned due to noise, etc.	Turn off the power and open the operation panel. Press the reset button with a thin rod. <b>Note:</b> <i>When the Reset button is pressed, turn off the ACC power.</i> * When the Reset button is pressed, frequencies of radio stations, titles, etc. stored in memory are cleared."
The remote control unit does not work.	Direct rays of the sun fall on the light-receptive part of the remote control unit.	When direct rays of the sun fall on the light-receptive part of the remote control unit, it may not work.
	The batteries of the remote control unit are dead or there is no battery in the remote control unit.	Check the batteries of the remote control unit.

## DVD PLAYER

Problem	Cause	Measure
Disc cannot be loaded.	Another disc is already loaded.	Eject the disc before loading the new one.
	There is a foreign matter already in place.	Eject the foreign matter forcibly.
Sound skips or is noisy.	Compact disc is dirty.	Clean the compact disc with a soft cloth.
	Compact disc is heavily scratched or warped.	Replace with a compact disc with no scratches.
Sound is bad directly after power is turned on.	Water droplets may form on the internal lens when the car is parked in a humid place.	Let dry for about 1 hour with the power on.
The image is not displayed.	The parking brake is not engaged.	Check that the parking brake is engaged.
Disc cannot play with the display " <b>PARENTAL VIOLATION</b> " shown.	Feature exceeds set parental level.	Release the view limitation or change the parental level. See the subsection "Setting up the parental level"

## USB DEVICE

Problem	Cause	Measure
USB device cannot be inserted.	The USB device has been inserted with wrong direction.	Reversing the connection direction of the USB device, try it again.
	The USB connector is broken.	Replace with a new USB device.
USB device is not recognized.	The USB device is damaged.	Disconnect the USB device and reconnect. If the device is still not recognized, try replacing with a different USB device.
	Connectors are loose.	
No sound heard with the display "NO FILE" shown.	No MP3/WMA file is stored in the USB device.	Store these files properly in the USB device.
Sound skips or is noisy.	MP3/WMA files are not encoded properly.	Use MP3/WMA files encoded properly.
The iPod/iPhone's video image is disturbed.	The TV Signal setting of the iPod/iPhone is not set correctly.	Set the TV Signal setting (NTSC/PAL) of the iPod/iPhone correctly.

## 9. ERROR DISPLAY

If an error occurs, one of the following displays is displayed. Take the measures described below to solve the problem.

### DVD PLAYER

Display	Cause	Measure
<b>BAD DISC</b>	A disc is caught inside the CD deck and is not ejected.	This is a failure of DVD deck's mechanism and consult your store of purchase.
<b>BAD DISC</b>	A disc cannot be played due to scratches, etc.	Replace with a non-scratched, non-warped disc.
<b>BAD DISC</b>	A disc is loaded upside-down inside the DVD deck and does not play.	Eject the disc then reload it properly.
<b>PARENTAL VIOLATION</b>	Parental level error	Set the correct Parental level.
<b>WRONG REGION</b>	Region code error	Eject the disc, and replace correct region code disc.

If an error display other than the ones described above appears, press the Reset button. If the problem persists, turn off the power and consult your store of purchase.

\* When the Reset button is pressed, frequencies of radio stations, titles, etc. stored in memory are cleared.

# 10. SPECIFICATIONS

## FM Tuner

Frequency Range: 87.9 MHz to 107.9 MHz  
 Usable Sensitivity: 8 dB $\mu$ V  
 50dB Quieting Sensitivity: 14 dB $\mu$ V  
 Alternate Channel Selectivity: 70 dB  
 Stereo Separation: 25 dB (1 kHz)  
 Frequency Response: 30 Hz to 15kHz

## AM Tuner

Frequency Range: 530 kHz to 1710 kHz  
 Usable Sensitivity: 28 dB $\mu$ V

## DVD Player System

Digital Versatile Disc System with CDDA capable

Usable discs:

DVD video disc, Compact disc

Frequency Response: 20 Hz to 20 kHz

Sound/Noise Ratio: 95 dbA (1W Ref)

Dynamic Range: 95 dB (1 kHz)

Distortion: 0.05%

Video system: NTSC

## Navigation

Memory: NAND Flash Memory

Upgrade Platform: USB

TTS (Text to Speech): Street Announcements

Find Menu: Address, POI, History, Coordinates, Favorites, Plan on map

POI: 12 million

Road Selection: Unpaved, Permit needed, Motor ways, Toll, Ferries, Border crossing, Carpool lanes

## Audio/Video Input

Audio input voltage: 300  $\mu$ V $r_{p-s}$  (low)

Audio input voltage: 600  $\mu$ V $r_{p-s}$  (med)

Audio input voltage: 950  $\mu$ V $r_{p-s}$  (high)

Video input voltage: 1.0V $p-p$  @75 $\Omega$

## Audio/Video output

Audio output impedance: 10k $\Omega$

Video output voltage: 1.0V $p-p$  @75 $\Omega$

## LCD Monitor

NX500 Screen Size: 6.5" wide type

Pixels: 280,800

Resolution: 1200 x 234 (RGB)

NZ500 Screen Size: 7" wide type

Pixels: 336,960

Resolution: 1440x234 (RGB)

## General

Power source voltage:

14.4 V DC (10.8 to 15.6 V allowable)

Ground: Negative

Current consumption:

4.0 A @1 W (57.6W @1W)

Auto Antenna Rated Current: 500 mA less

NX500 dimensions:

7" (178mm) width, 3-15/16" (100mm) height,

7" (179mm) depth

NX500 weight: 3.5 kg

NZ500 dimensions:

7" (178mm) width, 2" (50 mm) height,

7.5" (191.5mm) depth

NZ500 weight: 3.5 kg

Remote Control dimensions:

2-1/8" (54mm) width, 9/16" (14mm) height

4-13/16" (122 mm) depth

Remote Control weight:

50 grams (including battery)

## Note:

- Specifications comply with JEITA Standards.
- Specifications and design are subject to change without notice for further improvement.

## Power Output:

18W RMS x 4 Channels at 4 $\Omega$   
 and 1% THD+N

## Signal to Noise Ratio:

85 dBA (reference: 1W into 4 $\Omega$ )



# INSTALLATION /WIRE CONNECTION GUIDE

## CONTENTS

1. Before Starting.....	55
2. Package Contents .....	55
3. General Cautions .....	55
4. Cautions On Installation .....	56
5. Installing The Main Unit .....	57
6. Cautions On Wiring .....	59
7. Wire Connections .....	60

## 1. Before Starting

1. This set is exclusively for use in cars with a negative ground 12V power supply.
2. Read these instructions carefully.
3. Be sure to disconnect the battery“ ”terminal before starting. This is to prevent short circuits during installation. (Figure 1)

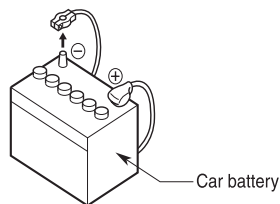


Figure 1

## 2. Package Contents

Main unit.....	1	2DIN trim ring 200mm wide .....	1
GPS antenna .....	1	Back Strap.....	1
Wiring harness.....	1	Flush mount bolts .....	4
AV cable .....	1	Cap bolts.....	4
USB extension cable.....	1	Rear radio stud and stopper .....	1
Remote control unit.....	1	Cleaning cloth .....	1
Battery (CR2025).....	1	Warranty Card .....	1
(Installed in remote control)		Owner's manual and	
2DIN trim ring .....	1	Installation manual .....	1

## 3. General Cautions

1. Do not open the case. There are no user- serviceable parts inside. If you drop anything into the unit during installation, consult your dealer or an authorized Clarion service center.
2. Use a soft, dry cloth to clean the case. Never use a rough cloth, thinner, benzene, or alcohol etc. For tough dirt, apply a little cold or warm water to a soft cloth and wipe off the dirt gently.

## 4. Cautions on Installation

1. Prepare all articles necessary for installing the source unit before starting.
2. This model features an operation panel that slides forward.

On some types of cars, the operation panel may make contact with the dashboard or gearshift lever, in which cause it cannot be installed. Before installing, check that the unit will not hamper operation of the gearshift lever or obstruct your view before selecting the installation location. (Figure 2)

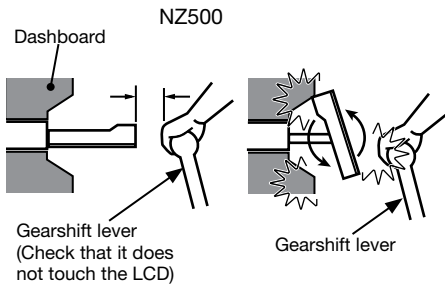


Figure 2

3. Install the unit within 30° of the horizontal plane. (Figure 3)

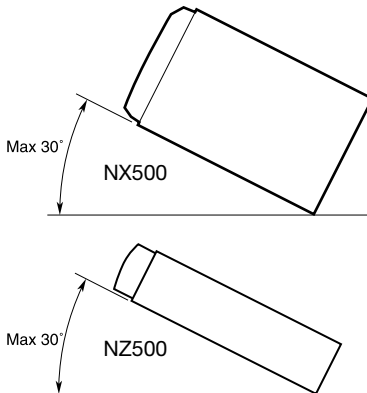


Figure 3

4. If you have to do any work on the car body, such as drilling holes, consult your car dealer before hand.
5. Use the enclosed screws for installation. Using other screws can cause damage. (Figure 4)

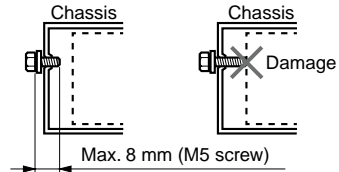


Figure 4



## 5. Installing the Main Unit

This unit is designed for fixed installation in the dashboard.

1. When installing the main unit in NISSAN vehicles, use the parts attached to the unit and follow the instructions in Figure 6. When installing the main unit in TOYOTA vehicles, use the parts attached to the
- vehicle and follow the instructions in Figure 7.
2. Wire as shown in Section 7.
3. Reassemble and secure the unit in the dashboard and set the face panel and center panel.

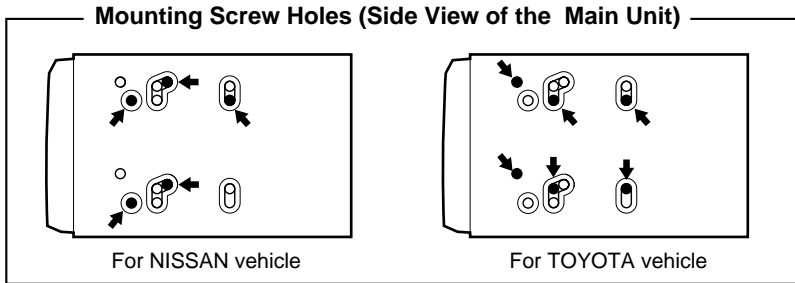


Figure 5

### Installing the Main Unit in NISSAN Vehicle

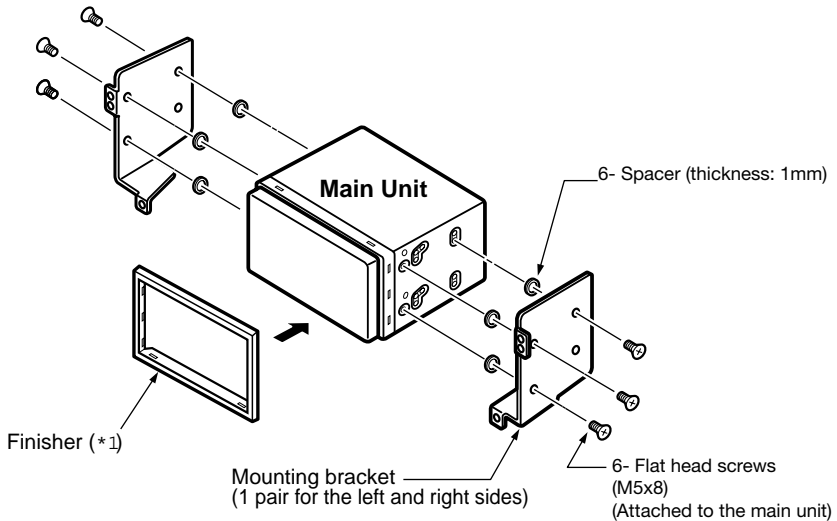


Figure 6

**Note:**

- \* 1: Position the face panel with its wide edge at the bottom. Fit the edge into the groove of the main unit.

## Installing the Main Unit in TOYOTA Vehicle

Install by using parts attached to the vehicle. (Screws marked★ are attached to the vehicle.)

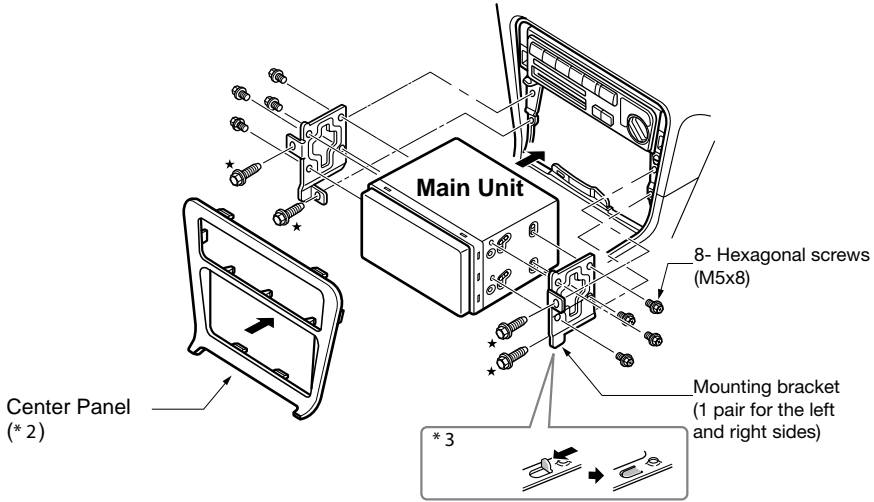
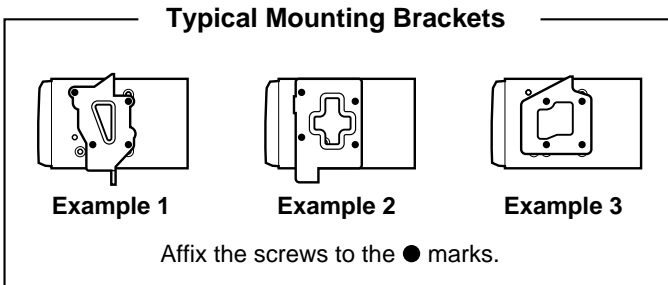


Figure 7

\*2 Some panel openings are too small for the unit depending on the vehicle type and model. In such a case, trim the upper and lower sides of the panel frame by about 0.5 to 1.5 mm so the unit can be inserted smoothly.

\*3 If a hook on the installation bracket interferes with the unit, bend and flatten it with a nipper or similar tool.



### Vehicles other than NISSAN and TOYOTA

In some cases the center panel may require modification. (Trimming, filing, etc.)

#### • Removing the Main Unit

When the main unit is to be removed, disassemble it in the reverse of the order in "INSTALLING THE MAIN UNIT".

## 6. Cautions on Wiring

1. Be sure to turn the power off before wiring.
2. Be particularly careful where you route the wires. Keep them well away from the engine, and exhaust pipe, etc. Heat may damage the wires.
3. If the fuse should blow, check to see if the wiring is correct.  
If a fuse is blown, replace it with a new one of the same amperage rating as the original (15A FUSE).
4. To replace the fuse, remove the old fuse on the back of the unit and insert the new one. (Figure 8)

### NOTE:

*There are various types of fuse holder. Do not let the battery side touch other metal parts.*

### CAUTION

**After the connection, fix the cord by a clamp or insulation tape for protection.**

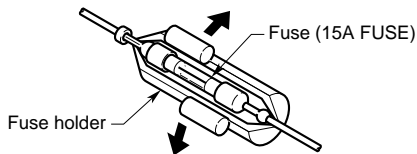


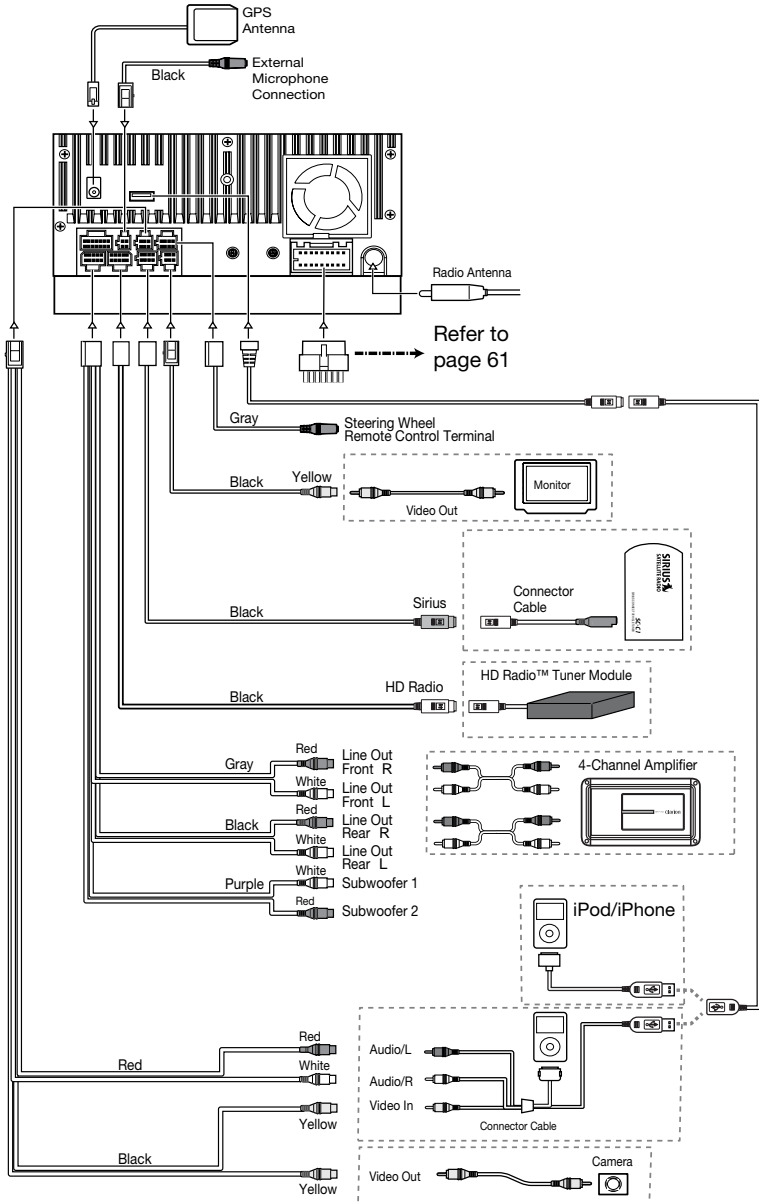
Figure 8

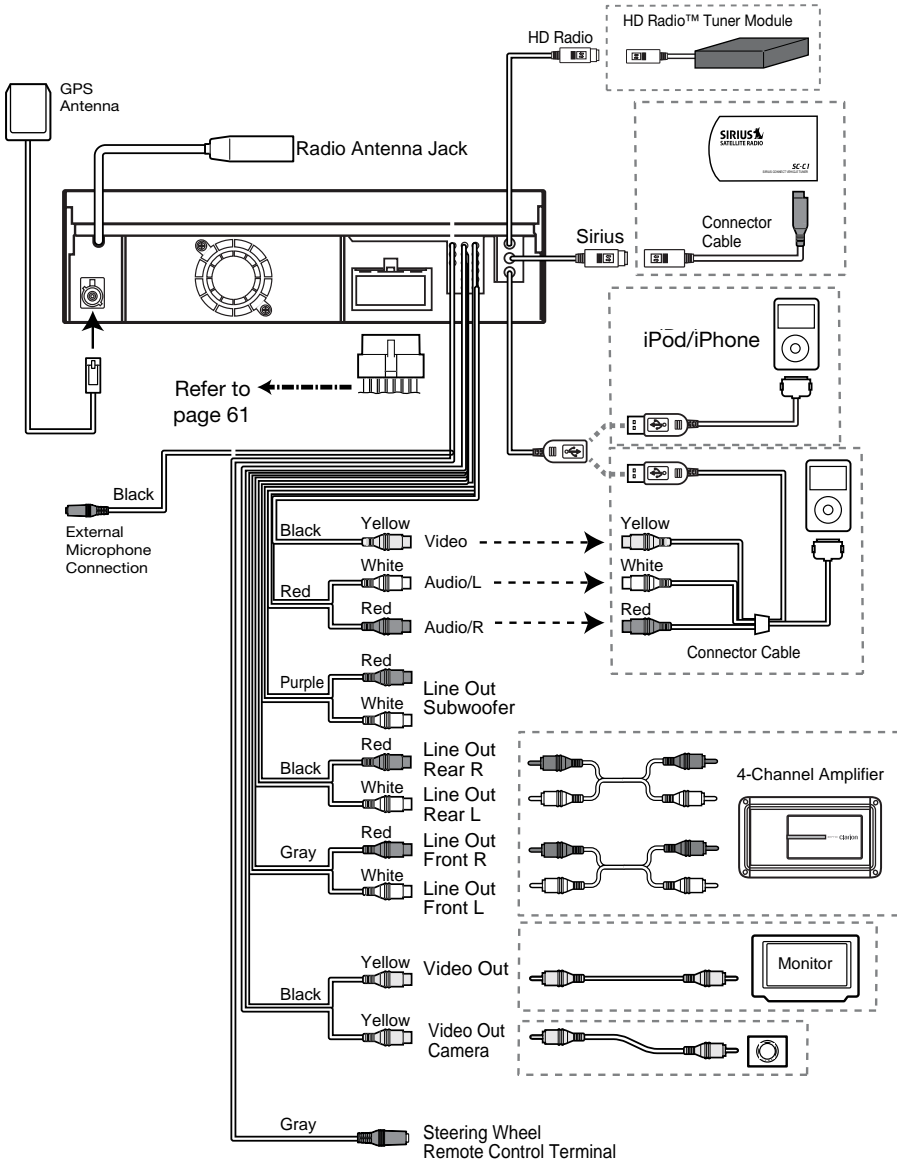
## 7. Wire Connections

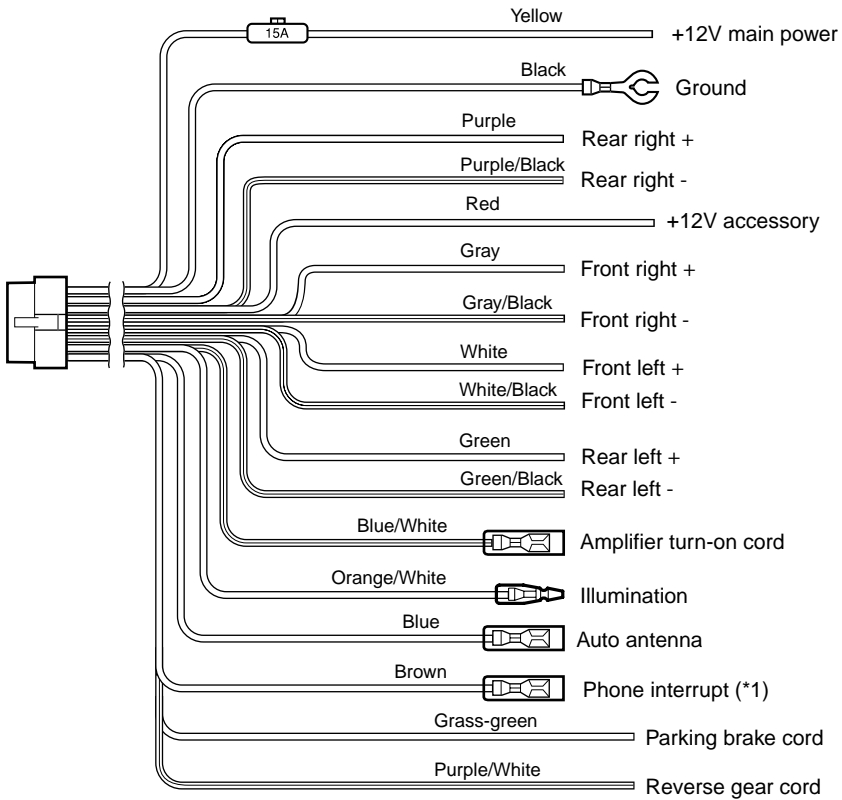
### Note:

- Before installing, be sure to disconnect the negative cable of the car battery.
- In the optional devices, the RCA cables and the Connector cables are separately-sold items.

### NX500





**Note:**

\*1: Connecting the PHONE INTERRUPT terminal

The phone interrupt will mute the audio if the lead receives a negative or ground signal.

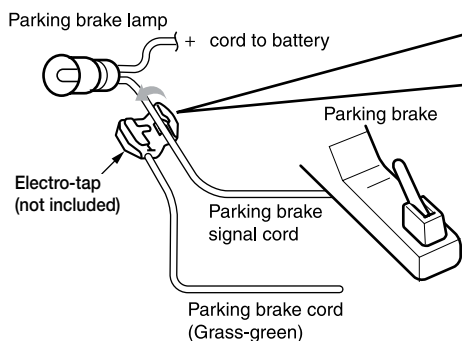
See next page for how to connect the parking brake cord.

## Connecting the parking brake cord

Connect the cord to parking brake lamp ground in the meter panel.

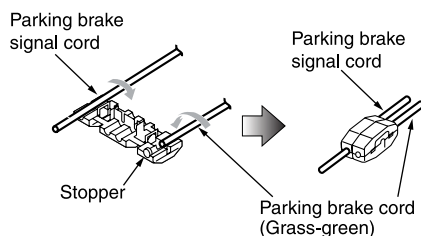
### Note:

- Connecting the parking brake cord to lamp ground allows you to watch iPod/iPhone video/DVD video/AV input when the parking brake is engaged.
- When the parking brake cord is not connected, the monitor will not show any video sources.
- If “AUDIO ONLY” appears on the screen just after turning on the ACC power of the car, release the parking brake while confirming safety, and then engage the parking brake again.



### How to attach the electro-tap (not included)

1. Place the Parking brake cord at the stopper, and fold it back in the direction of the arrow.
2. Pass the Parking brake signal cord through, and fold it back in the direction of the arrow.



## Connecting the accessories

### • Connecting to the external amplifier

The external amplifiers can be connected to the 6 channel RCA output connections. Ensure that the connectors are not grounded or shorted to prevent damage to the unit.

### • Connecting to iPod/iPhone device

The iPod/iPhone device can be connected to dedicated iPod/iPhone connection on the main unit. For detailed information, refer to the instruction sheet or manual for the iPod/iPhone cable.

### Note:

- This unit may not support all functions of all iPod/iPhone devices.
- The iPod/ iPhone connection will charge your iPod/iPhone unless the iPod/iPhone battery is completely depleted. If the specified cord of the cellular phone is connected to the phone interrupt cord of the main unit, the audio mute is activated when cellular phone in use.
- **Connecting to Sirius Satellite Radio Receiver**  
When Sirius Satellite Radio Receiver is to be connected, use the dedicated connector. For detailed information, refer to the instruction manual of the Sirius Satellite Radio Receiver.

## **DONNÉES D'ENREGISTREMENT DU PRODUIT CLARION**

États-Unis et Canada seulement

**[www.clarion.com](http://www.clarion.com)**

À l'intention du client :

Nous vous félicitons d'avoir acheté un produit électronique mobile Clarion. Nous sommes persuadés que vous en apprécierez l'expérience.

Il existe de nombreux avantages à l'enregistrement de votre produit. Aussi, nous vous invitons à visiter notre site Internet à l'adresse [www.clarion.com](http://www.clarion.com) afin de l'enregistrer.

Nous avons d'ailleurs simplifié cet enregistrement grâce à la convivialité du site Internet en question.

Le formulaire d'enregistrement est rapide et facile à remplir. Une fois l'enregistrement terminé, nous pourrons vous communiquer des renseignements importants sur le produit.

Il suffit d'enregistrer votre produit Clarion à l'adresse **[www.clarion.com](http://www.clarion.com)** pour en assurer la mise à jour constante.

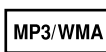


# Table des matières

<b>1. CARACTÉRISTIQUES</b> .....	66
Évolutivité des systèmes.....	66
<b>2. PRÉCAUTIONS</b> .....	67
<b>3. COMMANDES</b> .....	69
Panneau de commande.....	69
Fonction des boutons.....	70
Télécommande.....	71
Fonctions des boutons de la télécommande.....	72
<b>4. MESURES DE PRÉCAUTION</b> .....	74
Panneau de commande.....	74
Système de navigation.....	74
Port USB.....	75
Nettoyage.....	75
Manipulation des disques.....	76
<b>5. SYSTÈME DE DVD VIDÉO</b> .....	77
Caractéristiques des DVD vidéo.....	77
Disques.....	78
À propos des marques de commerce.....	78
<b>6. COMMANDES</b> .....	79
Fonctionnement de base.....	79
Fonctionnement de la radio.....	83
Commandes du lecteur DVD vidéo.....	84
Commandes radio satellite Sirius.....	91
Commandes du système de navigation.....	93
Présentation du logiciel de navigation.....	93
Commandes de l'écran du menu principal.....	93
Route vers le domicile.....	94
Sélection d'une destination.....	94
• Mode d'adresse ou d'intersection.....	94
• Mode de points d'intérêt.....	95
• Mode de coordonnées.....	96
• Mode de modification des favoris.....	96
• Mode d'historique.....	97
Configuration des préférences.....	97
Configuration de l'adresse au travail.....	98
Lectures des données de voyage et réinitialisation.....	99
<b>7. ACCESSOIRES</b> .....	100
Commandes iPod/iPhone.....	100
Commandes USB.....	102
Commandes du lecteur audio Bluetooth.....	103
Commandes Radio HD.....	107
Commandes AUX In/AV In.....	110
Commandes de l'entrée caméra.....	110
Commandes de configuration.....	111
<b>8. DÉPANNAGE</b> .....	113
<b>9. ÉCRAN D’AFFICHAGE DES ERREURS</b> .....	114
<b>10. CARACTÉRISTIQUES TECHNIQUES</b> .....	115
<b>MANUEL D'INSTALLATION ET DE CÂBLAGE</b> .....	116

# 1. CARACTÉRISTIQUES

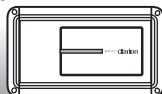
- Écran tactile 6,5 pouces Double DIN
- Écran tactile 7 pouces motorisé
- Fonction de lecture DVD vidéo, CD audio, MP 3 et WMA
- Navigation intégrée
- Prêt pour Commandes au Volant d'Origine
- Compatible avec la radio satellite Sirius
- Bluetooth® intégré
- Compatible avec iPod®/iPhone™ par USB
- Prêt pour la radio HD Radio™



## Évolutivité des systèmes

### Fonctions audio évolutives

Amplificateurs de puissance externes



Synthesiseur HD Radio™

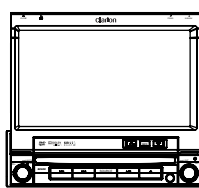
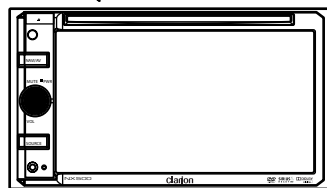


### Fonctions vidéo évolutives

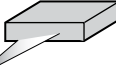
Écran arrière



Caméra de recul



Radio satellite Sirius  
Direct Connect



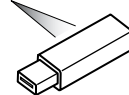
iPhone



BT Phone



Mémoire  
USB



### REMARQUE :

Cet appareil peut capter des diffusions analogiques, de radio HD (facultatif) et la radio satellite (facultatif). Les articles figurant hors des cadres sont les produits commerciaux qui se vendent habituellement.

## 2. PRÉCAUTIONS

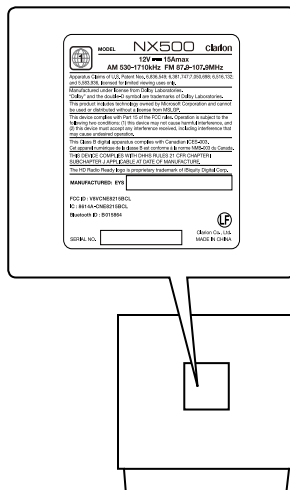
### AVERTISSEMENT

- Aux fins de sécurité, le conducteur ne doit jamais regarder un appareil vidéo ou en utiliser les commandes pendant qu'il conduit son véhicule. Veuillez remarquer que, dans certains pays, il est interdit de regarder un appareil vidéo ou d'en utiliser les commandes en cours de conduite. Lorsque vous conduisez, prenez soin de régler le volume de l'appareil de manière à ce que vous puissiez entendre les sons extérieurs.
- Veuillez respecter les précautions suivantes lors de l'utilisation du système de navigation. Après avoir lu ce manuel, rangez-le dans un endroit facilement accessible (comme la boîte à gants de votre véhicule).
- Ce système de navigation ne doit pas se substituer à votre propre jugement. Aucun itinéraire suggéré par ce système de navigation ne devrait supplanter une quelconque réglementation routière, votre jugement, ni votre bonne conduite. Ne pas suivre l'itinéraire suggéré du système de navigation s'il vous force à effectuer des manœuvres interdites ou dangereuses, s'il vous met en danger ou vous fait passer par une zone que vous considérez peu sûre.
- Les conseils offerts par le système de navigation doivent être considérés uniquement à titre de suggestions. Il est possible que le système de navigation situe incorrectement l'emplacement du véhicule, n'indique pas l'itinéraire le plus court, ni ne vous amène à la destination de votre choix. Dans de tels cas, fiez-vous à votre jugement en tenant compte des conditions de la route.
- N'utilisez pas le système de navigation pour localiser les services d'urgence. La base de données ne contient pas une liste exhaustive des services d'urgence tels que postes de polices, casernes, hôpitaux et cliniques de consultation sans rendez-vous. Dans de tels cas, soyez prudent et demandez des indications.
- À titre de conducteur, vous êtes le seul responsable de votre sécurité.
  - Afin d'éviter un accident de la route, ne faites pas fonctionner ce système pendant que vous conduisez.
  - Afin d'éviter un accident de la route, ne faites fonctionner le système que lorsque le véhicule se trouve dans un endroit sûr et que le frein de stationnement est engagé.
  - Afin d'éviter un accident de la route ou des infractions au code de la route, n'oubliez que les conditions de route et le code de la route sont prioritaires par rapport aux informations contenues dans le système de navigation.
  - Il est possible que le logiciel contienne des informations erronées ou incomplètes en raison du laps de temps écoulé, de changement de circonstances et des sources d'information utilisées. Veuillez respecter les conditions de route et réglementations actuelles, à tout instant, quand vous conduisez.
  - Si les conditions de route ou le code de la route en vigueur diffèrent des informations du système de navigation, respectez le code de la route.
  - Réduisez au minimum le temps passé à regarder l'écran pendant la conduite.
- Le système de navigation ne contient ni ne reflète les informations concernant : la circulation et le code de la route, les aspects techniques du véhicule incluant le poids, la hauteur, la largeur, la charge et les limites de vitesse ; les conditions routières incluant la déclivité ou le degré d'inclinaison des routes et l'état de la surface ; les obstacles comme la hauteur et la largeur des ponts et des tunnels ; et les autres conditions actuelles de la circulation et des conditions routières. Il faut toujours vous fier à votre propre jugement lors de la conduite d'un véhicule et tenir compte des conditions routières actuelles.
- Ne pas démonter ni modifier cet appareil. Ceci peut causer un accident, un incendie ou une décharge électrique.
- Cessez toute utilisation de l'appareil en cas de problème, par exemple aucun affichage ou aucun son audible. Ceci peut causer un accident, un incendie ou une décharge électrique. Dans ce cas, consultez votre détaillant ou communiquez avec le centre d'entretien Clarion agréé le plus proche.
- En cas de problème, par exemple si un corps étranger est présent dans l'appareil, l'appareil est mouillé, ou si l'appareil émet de la fumée ou une senteur étrange, etc. cessez d'utiliser le système immédiatement et consultez votre détaillant ou communiquez avec le centre d'entretien Clarion agréé le plus proche.

L'utilisation de l'appareil dans de pareilles conditions peut causer un accident, un incendie ou une décharge électrique.
- Lors du remplacement du fusible, n'utilisez qu'un fusible comportant les mêmes caractéristiques. L'utilisation d'un fusible différent peut causer un incendie.
- Pour obtenir des conseils d'installation ou de modification d'installation, consultez votre représentant agréé ou communiquez avec le centre Clarion agréé le plus proche pour des raisons de sécurité. Ces opérations requièrent une expérience et un savoir-faire professionnels.

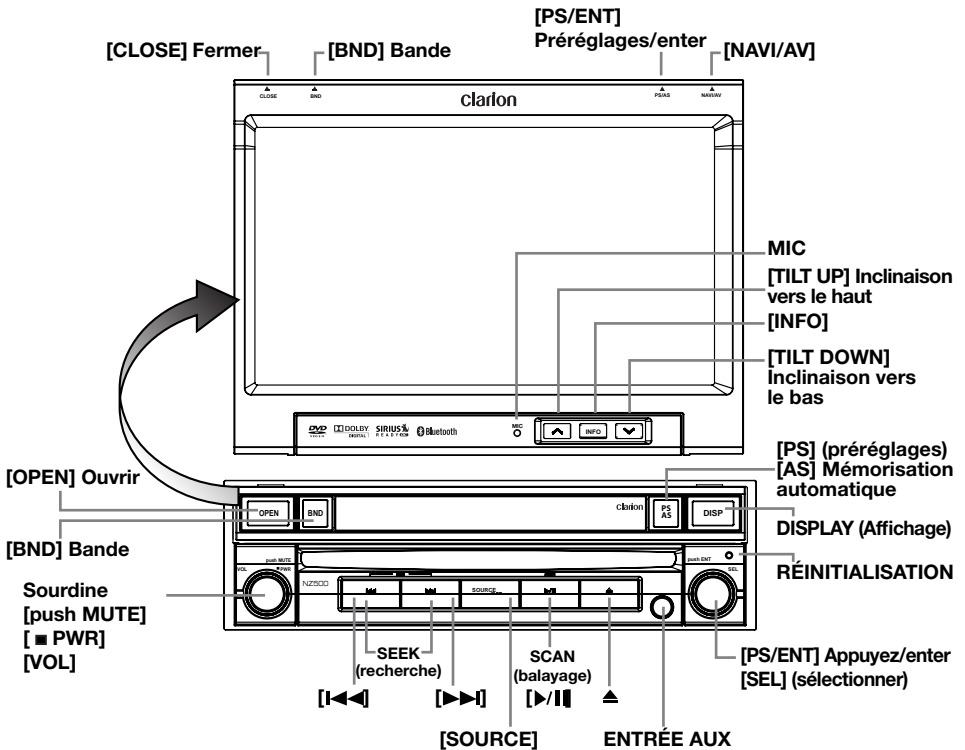
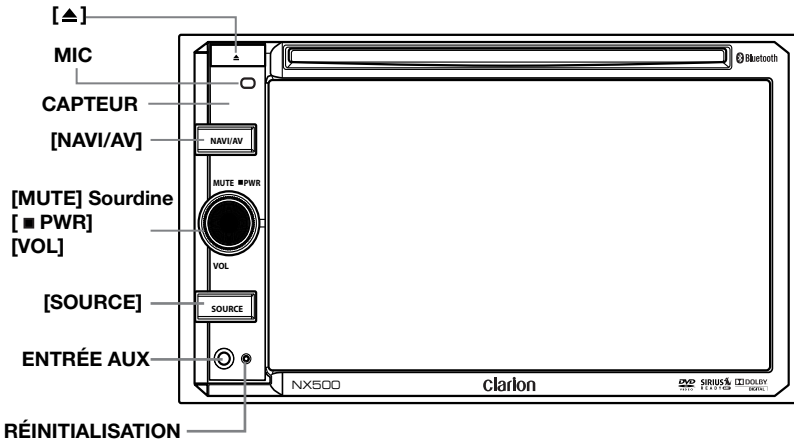
1. Si la température ambiante de l'habitacle est très froide et que vous utilisez le lecteur peu de temps après la mise en fonction du chauffage, il peut se former de l'humidité sur le disque (DVD/CD) ou sur les pièces optiques du lecteur ce qui risque d'en rendre la lecture impossible. S'il y a de l'humidité sur le disque (CD/DVD), essuyez-le à l'aide d'un chiffon doux. S'il y a de l'humidité sur les composants optiques de l'appareil, attendez environ une heure avant d'utiliser le lecteur. La condensation se dissipera d'elle-même, rétablissant du même coup le fonctionnement normal de ce dernier.
2. La conduite sur des routes extrêmement cahoteuses donne lieu à de fortes vibrations qui risquent de provoquer des sauts de lecture.
3. Cet appareil étant muni d'un mécanisme de précision, n'ouvrez jamais son boîtier, ne démontez jamais l'appareil et ne lubrifiez jamais ses pièces, même en cas de défectuosité.
4. Cet équipement a été testé et il est considéré conforme aux exigences en matière de limitations qui s'appliquent aux appareils numériques de classe B, aux termes du paragraphe 15 de la réglementation FCC. Ces conditions restrictives sont conçues pour fournir une protection raisonnable contre les interférences nuisibles dans le cadre d'une installation résidentielle. Le présent équipement génère, utilise et peut émettre des radiofréquences susceptibles, faute d'une installation adéquate et d'une utilisation conforme aux instructions, de causer un brouillage nuisible aux communications radioélectriques. Il n'existe toutefois aucune garantie que ce brouillage ne se produira pas dans une installation donnée. S'il s'avère que le présent équipement cause un brouillage nuisible à la réception radiophonique et télévisuelle, dont il est possible de déterminer l'effet sur simple mise en fonction et hors fonction de l'appareil, on invite l'utilisateur à consulter le détaillant ou un technicien en radio ou en télévision aux fins d'assistance.

**RENSEIGNEMENTS À L'INTENTION DES UTILISATEURS : LES MODIFICATIONS DU PRODUIT QUI NE FONT PAS L'OBJET D'UNE APPROBATION PAR LE FABRICANT ET QUI CONSTITUENT UNE INFRACTION AUX NORMES D'HOMOLOGATION DE LA FCC ONT POUR CONSÉQUENCE D'ANNULER LA GARANTIE.**



# 3. COMMANDES

## Panneau de commande



Français  
 Mode  
 d'emploi

# Fonction des boutons

**Remarque :** Bien lire ce chapitre en vous reportant au schéma de face du chapitre « COMMANDES ».

## **Bouton [MUTE] [■ PWR] [VOL]**

- Appuyez sur ce bouton pour mettre l'appareil en fonction. Appuyez sur ce bouton pendant plus d'une seconde pour mettre l'appareil hors fonctions.
- Appuyez sur ce bouton pour atténuer le son du récepteur et appuyez de nouveau pour rétablir le son.
- Tournez le bouton pour augmenter ou diminuer le volume.

## **Bouton [NAVI/AV]**

- Appuyez sur ce bouton pour accéder à la navigation vidéo.
- Appuyez sur ce bouton pendant plus de 2 secondes pour retourner au mode précédent.

## **Bouton [SOURCE]**

- Appuyez sur ce bouton pour faire défiler les différentes sources disponibles comme le syntoniseur AM/FM, Sirius, DVD, NAVI, USB, modes caméra, etc.

## **Boutons de recherche [◀◀] [▶▶]**

- Appuyez pour chercher la prochaine station ou la précédente ou le prochain canal en mode syntoniseur ou de radio Sirius.
- Appuyez pour chercher la prochaine piste ou la précédente ou le prochain chapitre en mode CD, MP3/WMA, iPod et DVD.
- Maintenez enfoncé pour lancer l'avance ou le recul rapide x2, 4, 8, 16 étapes en mode CD, MP3/WMA et DVD vidéo.
- Maintenez enfoncé pour lancer l'avance ou le recul rapide en mode iPod.
- Maintenez enfoncé pour entrer en recherche manuelle dans le mode syntoniseur et Sirius, puis appuyez brièvement pour chercher une station par étape.

## **[▶/||] Bouton Lecture/Pause/Balayage**

- Appuyez pour lancer ou interrompre la lecture audio ou vidéo ou pour faire un balayage.
- Appuyez brièvement pour effectuer le balayage.
- Maintenez enfoncé une fois :  
Le fichier audio ou vidéo sera mis en pause.  
Puis appuyez brièvement pour reprendre la lecture du fichier.

## **[▲] Éjection**

- Appuyez pour éjecter le disque de l'appareil lorsque le panneau est ouvert.

## **Bouton [OPEN] [CLOSE] (ouvrir/fermer)**

Utiliser ce bouton pour ouvrir ou fermer le panneau de commande.

## **Bouton bande [BAND]**

- Utilisez ce bouton pour accéder au mode syntonisation AM/FM depuis n'importe quelle source.
- Une fois en mode syntonisation AM/FM, vous pouvez appuyer sur ce bouton pour sélectionner les bandes FM1, FM2, FM3 ou AM.

## **Bouton [PS/AS] Préréglages/mémorisation automatique**

- Appuyez sur ce bouton pour lancer le mode balayage des présélections.
- Appuyez sur ce bouton et maintenez-le enfoncé pour lancer le mode configuration et balayage automatique des présélections.

## **Boutons [^] [v]**

Appuyez sur ces boutons pour régler l'angle du panneau de commande.

## **Bouton [INFO]**

Appuyez sur ce bouton pour mettre en fonction ou hors fonction l'affichage de liste en mode syntoniseur, Sirius, DVD/CD.

## **Bouton [push ENT] [SEL]**

- Tournez le bouton pour passer au dossier suivant en mode iPod.
- Appuyez pour confirmer et lire le fichier multimédia actuel en mode CD, MP3/WMA, DVD et iPod.

## **Bouton d'affichage [DISPLAY]**

- Appuyez sur ce bouton pour afficher la bande en mode radio, satellite, CD/DVD, iPod.
- Appuyez une autre fois pour afficher l'heure actuelle à partir de n'importe quel mode.

## **Bouton de réinitialisation [RESET]**

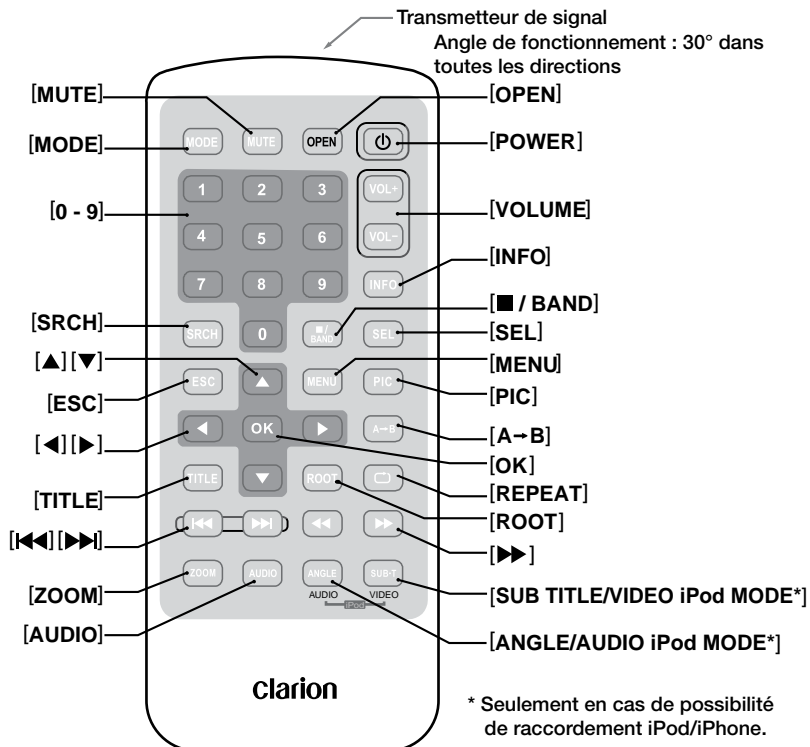
- Appuyez sur ce bouton pour réinitialiser l'appareil.

## **CAPTEUR**

- Récepteur du signal de la télécommande (portée : 30° dans toutes les directions).

## **MIC**

- Microphone interne pour utilisation durant les appels en mode Bluetooth. La sensibilité peut être réglée depuis le menu Setting (Paramètres).



## Remplacement des piles

1. Appuyez sur la patte de retenue, sortez le compartiment des piles et enlevez la pile usée.
2. Insérez la pile CR2025 neuve et remettez le compartiment des piles dans la télécommande dans le même sens que vous l'avez enlevé. Veuillez prendre soin d'insérer le compartiment dans le bon sens.

## Remarque :

*L'utilisation inadéquate des piles peut provoquer leur explosion. Faites attention aux points suivants :*

- Lors du remplacement des vieilles piles, insérez deux piles neuves.
- Ne court-circuitez pas, ne désassemblez pas ni ne chauffez les piles.
- Ne jetez pas les piles dans le feu.
- Se débarrasser des piles mortes de manière appropriée.

# Fonctions des boutons de la télécommande

Vous pouvez utiliser la télécommande aux fins de pilotage des appareils NX500 et NZ500.

## Remarque :

- Il se peut que la télécommande sans fil fonctionne moins bien sous la lumière directe du soleil.

## Modes partagés

### Bouton [MODE]

- Appuyez sur ce bouton pour faire défiler les différentes sources disponibles comme le syntoniseur AM/FM, lecteur DVD, iPod, radio Sirius, ou AUX IN.

### Boutons [VOLUME]

Boutons servant à monter ou à baisser le volume.

### Bouton sourdine [MUTE]

Bouton de mise en fonction et hors fonction de la sourdine.

### Bouton [POWER]

Appuyez sur ce bouton pour mettre l'appareil en fonction ou hors fonction.

### Bouton ouvrir [OPEN]

Appuyez sur ce bouton pour OUVRIRE ou FERMER l'écran motorisé. Veuillez vérifier qu'il n'y a pas d'obstacles avant de le mettre en marche.

### Bouton [MENU]

Appuyez sur ce bouton pour accéder au MENU PRINCIPAL. Depuis le menu principal, vous pouvez sélectionner la source voulue ou modifier vos paramètres de réglage.

### Bouton d'image [PIC]

Appuyez sur ce bouton pour modifier les paramètres vidéo de luminosité, de couleur et de contraste de votre écran.

### Bouton sélection [SEL]

Appuyez sur ce bouton pour modifier les paramètres audio de tonalité, d'équilibrage avant-arrière et de balance.

### Bouton échappement [ESC]

Appuyez sur ce bouton pour quitter les menus de sélection et de réglage.

## Mode SYNTONISATION ou radio satellite

### Bouton de bande [BAND]

Bouton servant à syntoniser la bande de réception.

### Boutons [0 - 9]

- Utilisez l'écran de pavé numérique pour régler la fréquence radio ou les canaux de radio satellite.
- Utilisez-les pour choisir le numéro de présélection intégré à l'écran liste des présélections.

### Bouton de recherche [SEARCH]

Appuyez sur ce bouton pour afficher ou masquer le pavé numérique.

### Bouton [OK]

Appuyez sur ce bouton pour confirmer les données faisant l'objet d'une saisie au moyen du pavé numérique.

### Boutons [◀◀], [▶▶]

Appuyez sur ces boutons pour rechercher la station précédente ou suivante en mode SYNTONISATION. En mode radio Sirius, vous faites défiler les catégories.

### Boutons [◀], [▶]

Appuyez sur ces boutons pour sélectionner manuellement la station précédente ou suivante en mode SYNTONISATION ou en mode radio satellite.

### Boutons [▲], [▼]

Appuyez sur ces boutons pour faire défiler les présélections mises en mémoire en mode SYNTONISATION. Appuyez sur le bouton [OK] pour syntoniser la présélection mise en évidence.

### Bouton [INFO]

Appuyez sur ce bouton pour accéder à la LISTE ou la quitter, alors qu'on se trouve en mode SYNTONISATION ou radio satellite Sirius.

## Mode LECTEUR DVD

- Appuyez sur ce bouton pour mettre en fonction ou hors fonction l'écran d'affichage de la durée de lecture en mode DVD vidéo.
- Appuyez sur ce bouton pour accéder à la LISTE ou la quitter, alors qu'on fait jouer un CD audio.

### Bouton de recherche [SEARCH]

Appuyez sur ce bouton pour ouvrir le menu de recherche directe en mode DVD vidéo.

### Bouton [OK]

Appuyez sur ce bouton pour assurer la sélection, la lecture et la pause du support audio ou vidéo.

### Bouton bande [■/BAND]

- Appuyez sur ce bouton pour interrompre la lecture du support audio ou vidéo.

### Boutons [0 - 9]

- Appuyez sur ces boutons pour saisir les titres ou les chapitres DVD vidéo au moyen du pavé numérique.
- Appuyez sur ces boutons pour choisir le numéro de dossier ou de plage du disque CD et du disque MP3/WMA au moyen du pavé numérique.

### Bouton de sélection de disque [DISC SEL]

- Appuyez sur ce bouton pour afficher ou masquer la liste des plages en mode CD.
- Appuyez sur ce bouton pour afficher ou masquer la liste des dossiers en mode MP3/WMA.

### Bouton titre [TITLE]

Appuyez sur ce bouton pour accéder au menu des titres du disque DVD.

### Bouton racine [ROOT]

Appuyez sur ce bouton pour accéder au menu racine du disque DVD.

### Boutons [▲], [▼], [◀], [▶]

- Appuyez sur ces boutons pour sélectionner les articles à l'écran d'affichage menu du disque DVD vidéo.
- Appuyez sur les boutons [◀], [▶] pour faire défiler les pages en mode CD ou MP3/WMA.



## Fonctions des boutons de la télécommande

### Boutons [◀◀], [▶▶]

- Appuyez sur ces boutons pour sélectionner le numéro de chapitre précédent ou suivant en mode DVD vidéo.
- Appuyez sur ces boutons pour sélectionner les numéros de plage précédents ou suivants en mode CD.

### Boutons [◀], [▶]

Appuyez sur ces boutons pour actionner la commande d'avance ou de recul rapide. Appuyez de nouveau sur l'un ou l'autre bouton pour augmenter la vitesse de défilement de 2x, 4x, 8x et 16x. Appuyez encore une fois pour rétablir la vitesse normale de lecture.

### Bouton répétition [RPT]

- Appuyez sur ce bouton pour assurer la répétition d'un chapitre en mode DVD vidéo ou d'une plage en mode CD ou MP3 et WMA.
- Appuyez de nouveau sur ce bouton pour assurer la répétition d'un titre en mode DVD vidéo ou d'un dossier en mode MP3/WMA. En mode CD, cette opération permet d'actionner le mode Repeat all (répétition intégrale).
- Appuyez de nouveau sur ce bouton pour assurer la répétition intégrale en mode de lecture MP3/WMA.

### Bouton [A → B]

- Appuyez sur ce bouton pour régler le point initial de la répétition. L'écran affiche alors la mention REP A.
- Appuyez de nouveau sur ce bouton pour régler le point final de la répétition. L'écran affiche alors la mention REP A-B.
- Appuyez de nouveau sur ce bouton pour interrompre la répétition A-B. L'écran affichera alors la mention REP AB Off.

### Bouton [ZOOM]

Appuyez sur ce bouton pour mettre le zoom avant en fonction en mode DVD vidéo. Il est possible d'agrandir l'image jusqu'à 3x.

### Bouton [AUDIO]

Appuyez sur ce bouton pour actionner la fonction AUDIO en mode DVD vidéo.

### Bouton sous-titres [SUB-T]

Appuyez sur ce bouton pour afficher les sous-titres en mode DVD vidéo.

### Bouton [ANGLE]

Appuyez sur ce bouton pour actionner la fonction ANGLE en mode DVD vidéo lorsque le repère d'angle de prise de vue s'affiche à l'écran.

### Bouton [OK]

Appuyez sur ce bouton pour assurer la lecture ou la pause du support sélectionné.

### Boutons [◀], [▶]

Appuyez sur ces boutons pour faire défiler les listes.

### Boutons [◀◀], [▶▶]

Appuyez sur ces boutons pour sélectionner les numéros de plage précédents ou suivants.

### Boutons [◀], [▶]

Appuyez sur ces boutons pour actionner la commande d'avance ou de recul rapide. Appuyez de nouveau sur ces boutons pour augmenter la vitesse de défilement de 2x, 4x, 8x ou 16x.

# 4. MESURES DE PRÉCAUTION

## Panneau de commande

Pour une plus longue durée de vie, veuillez lire les mesures de précaution suivantes.

- Le panneau de commande fonctionnera adéquatement à des températures comprises entre 0 et 60°C.
- Aucun liquide (boisson, parapluie, etc.) ne doit atteindre l'appareil, car il pourrait endommager les circuits internes.
- Ne démontez et ne modifiez pas l'appareil de quelque façon que ce soit. Cela risque de l'endommager.
- Soumettre le panneau de commande à des chocs peut causer des ruptures, des déformations ou d'autres dommages.
- En cas d'anomalie, faites vérifier l'appareil par le magasin où vous l'avez acheté.
- N'insérer pas d'objet ou de pointe dans l'espace compris entre le panneau de commande et le corps principal lorsque le panneau est incliné.
- La télécommande peut ne pas fonctionner si le capteur de télécommande est exposé aux rayons directs du soleil.
- Par grand froid, le mouvement de l'écran peut ralentir et l'affichage devenir plus foncé, mais il ne s'agit pas là d'un dysfonctionnement. L'affichage se remet à fonctionner normalement lorsque température augmente.
- Les petits points noirs et brillants dans le panneau à cristaux liquides sont normaux dans les produits ACL.

## Système de navigation

- Pour éviter de décharger la batterie du véhicule, utilisez de préférence ce système pendant que le moteur tourne.
- Le boîtier de cet appareil peut devenir chaud car il contient une unité centrale à haute vitesse. Manipulez avec soins l'appareil lors de la navigation ou immédiatement après l'avoir éteint.
- Coupez le moteur du véhicule avant de brancher ou de débrancher les fils. Vous risquez sinon de provoquer un dysfonctionnement.

### Remarque :

- *Lorsque vous utilisez cet appareil la première fois ou que vous ne vous en êtes pas servi depuis un certain temps, le GPS peut prendre entre 5 et 15 minutes pour déterminer la position actuelle. De plus, même en cas d'utilisation fréquente, le GPS peut parfois prendre entre 2 et 3 minutes pour déterminer la position actuelle, selon les conditions de mesure.*
- *Lorsque l'itinéraire (route) ne peut pas être calculé, déplacez le point de destination sur*

*une route principale à proximité et relancez le calcul. Un itinéraire peut être difficile à trouver si la position du véhicule est trop proche du point de destination défini.*

- *Pour tout véhicule muni d'une clé intelligente, n'approchez pas cette clé de l'unité du système de navigation. Cela peut interférer avec le fonctionnement du système de navigation.*
- *L'utilisation d'un appareil électrique générant un bruit électrique fort près de cet appareil risque de perturber l'image et de provoquer des parasites. Dans ce cas, éloignez l'appareil en question ou évitez de l'utiliser simultanément.*
- Les données enregistrées sur le disque dur risquent d'être perdues en cas de panne, de dysfonctionnement ou de tout autre problème de cet appareil.
- Le fonctionnement du système de navigation peut être limité afin de protéger l'appareil si la température devient extrêmement élevée ou basse. Dans ce cas, attendez que le système revienne à sa température normale.

## Port USB

- Une fois insérée, la clé USB peut dépasser de son logement et présenter un risque lors de la conduite. Dans ce cas, vous pouvez utiliser un câble de rallonge USB en vente dans le commerce, en adoptant les mesures de sécurité appropriées.
- Les clés USB doivent être reconnues comme des « périphériques de stockage de masse USB » pour fonctionner correctement. Certains modèles peuvent ne pas fonctionner correctement.  
**Si les données mémorisées venaient à être perdues ou endommagées, Clarion ne saurait être tenu responsable.**  
Lorsque vous utilisez une clé USB, sauvegardez d'abord les données qu'elle contient sur un ordinateur, etc.
- Les fichiers de données peuvent être endommagés lorsque vous utilisez une clé USB dans les conditions suivantes :  
Lors de la déconnexion de la clé USB ou la mise hors tension de l'appareil pendant l'écriture ou la lecture de données.  
Lorsque l'électricité statique ou un bruit électrique se produisent.  
Connectez/déconnectez la clé USB lorsqu'elle est inactive.
- Certaines clés USB ne peuvent pas être insérées dans l'unité principale en raison de leur forme. Dans ce cas, utilisez un câble de rallonge vendu dans le commerce pour effectuer la connexion.
- La connexion à l'ordinateur n'est pas couverte.
- Les fichiers de musique (MP3, WMA, etc.) stockés dans la clé USB ne peuvent pas être lus.

### AVERTISSEMENT

Les piles bouton alcalines (CR) contiennent du perchlorate.  
Débarrassez-vous des piles mortes de manière appropriée.

## Nettoyage

### • Nettoyage du boîtier

Utilisez un chiffon sec et doux pour essuyer doucement la poussière.

Pour la saleté plus tenace, humectez un chiffon doux avec du détergent neutre dilué dans l'eau, essuyez doucement la saleté, puis essuyez de nouveau avec un chiffon sec.

Ne pas utiliser de benzène, de diluant, de nettoyeur à automobile, ni d'autres nettoyants.

Ces produits peuvent endommager le boîtier ou faire peler la peinture. De plus, laisser des produits en caoutchouc ou en plastique en contact avec le boîtier pendant de longues périodes peut provoquer l'apparition de taches.

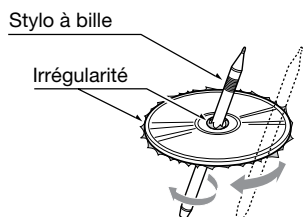
### • Nettoyage de l'écran à cristaux liquides

L'écran à cristaux liquides attire la poussière ; essuyez-le régulièrement avec un chiffon doux. La surface se raye facilement ; ne la frottez pas avec des objets durs.

# Manipulation des disques

## Manipulation

- Le rebord des disques neufs peut être irrégulier. Lorsque de tels disques sont utilisés, le lecteur peut ne pas fonctionner ou le son peut sauter. Utilisez un stylo à bille ou l'équivalent pour ôter les irrégularités du rebord du disque.



- Ne collez jamais d'étiquette ou n'écrivez jamais avec un stylo ou un crayon sur la surface du disque.
- Ne lisez jamais un disque qui présente du papier adhésif ou de la colle, ou dont la surface pèle. Si vous tentez d'utiliser un disque en cet état, il est possible que vous ne puissiez pas les faire ressortir du lecteur DVD ou que vous causiez des dommages au lecteur DVD.
- N'utilisez pas de disques présentant de grandes rayures, déformés, fendus, etc. Leur utilisation peut provoquer un dysfonctionnement ou des dommages.
- Pour retirer un disque de son boîtier de rangement, appuyez sur le centre du boîtier et soulevez le disque en le tenant par les rebords.
- N'utilisez pas de feuilles de protection de disque disponibles dans le commerce ni de disques munis de stabilisateurs, etc. Ils peuvent endommager le disque ou le mécanisme interne.

## Rangement

- N'exposez pas les disques aux rayons directs du soleil ou à une source de chaleur.
- N'exposez pas les disques à une humidité ou à de la poussière excessive.
- N'exposez pas les disques à la chaleur directe des radiateurs.

## Nettoyage

- Pour retirer les traces de doigts et la poussière, utilisez un chiffon doux et frottez en ligne droite du centre du disque à la circonférence.
- N'utilisez pas de solvants, comme les nettoyants commerciaux, de produits antistatiques ou de diluant pour nettoyer les disques.
- Après utilisation d'un nettoyant spécial pour disque, laissez le disque bien sécher avant de l'utiliser.

## À propos des disques

- Chargez les disques avec précaution. Le panneau de commande se ferme automatiquement lorsqu'il est laissé ouvert un certain temps.
- Ne coupez jamais le courant et ne retirez pas l'appareil de la voiture avec un disque chargé.

## ⚠ ATTENTION

**Pour votre sécurité, le conducteur ne devrait pas insérer ou éjecter un disque en ouvrant le panneau de commande pendant qu'il conduit.**

## 5. SYSTÈME DE DVD VIDÉO

Les DVD vidéo constituent une source vidéo numérique de haute qualité fournissant des images nettes et précises. Un disque de 12 cm contient un film ou quatre heures de musique.

### **Caractéristiques des DVD vidéo**

En plus de fournir les images et le son de haute qualité des DVD vidéo, cet appareil dispose des fonctions suivantes.

#### **Remarque :**

- Les fonctions décrites dans ce chapitre, langue enregistrée, sous-titre, angles, etc. par exemple, diffèrent en fonction des DVD vidéo. Reportez-vous aux directives fournies avec le DVD vidéo.
- Certaines fonctions des disques peuvent être différentes de celles qui sont décrites dans ce manuel.

#### **Fonction multison**

Le DVD vidéo peut mémoriser jusqu'à 8 langues pour un film ; choisissez la langue que vous préférez.

- Les langues enregistrées sur le disque sont indiquées par l'icône ci-dessous.



#### **Fonction multi-angle**

Un film sur DVD vidéo est filmé de différents angles et vous permet de choisir l'angle de votre choix.

- Le nombre d'angles enregistrés est indiqué par l'icône ci-dessous.



#### **Fonction sous-image (sous-titres)**

Des sous-titres, correspondant à un maximum de 32 langues, peuvent être enregistrés sur un DVD vidéo, et vous pouvez choisir la langue des sous-titres que vous désirez voir. Le nombre de langues de sous-titres enregistrées est indiqué par l'icône ci-dessous.



#### **Fonction multihistoire**

Lorsqu'un DVD vidéo contient plus d'une histoire pour un film, vous pouvez choisir l'histoire que vous désirez voir. Les procédures de fonctionnement varient d'un disque à l'autre ; suivez les directives de sélection d'une histoire fournies pendant la lecture.

#### **Écrans de menus**

Des menus peuvent apparaître pendant la lecture du DVD vidéo afin que vous puissiez effectuer des réglages.

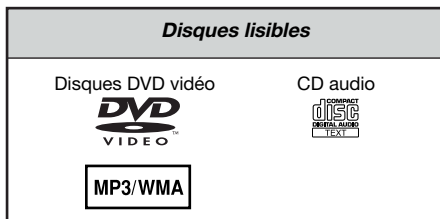
- Exemple de l'affichage d'un menu



# Disques

## Disques lisibles

Ce lecteur DVD vidéo peut lire les disques suivants :



### À propos des disques CD Extra

Un disque CD Extra est un disque sur lequel deux sessions au total ont été gravées. La première session est une session audio et la deuxième, une session de données.

Les CD que vous avez créés avec plus d'une deuxième session de données ne peuvent pas être lus sur ce lecteur DVD vidéo.

#### Remarque :

- Lorsque vous lisez un disque CD Extra, seule la première session est reconnue.

### À propos de la lecture des disques CD-R/CD-RW (MP3, WMA)

Ce lecteur peut lire les disques CD-R/CD-RW gravés en format de CD de musique (MP3, WMA) ou de CD vidéo.

### À propos de la lecture des disques DVD-R/RW ou DVD+R/RW

Ce lecteur ne peut pas lire les disques DVD-R/RW et DVD+R/RW gravés en format de CD vidéo.

Cependant, les fichiers MP3/WMA gravés sur des disques DVD-R/RW et DVD+R/RW peuvent être lus.

## Disques ne pouvant pas être lus

Ce lecteur DVD vidéo ne peut pas lire les disques DVD-audio, DVD-RAM, CD photo, etc.

#### Remarque :

- Il peut aussi être impossible de lire des CD gravés avec un graveur de CD-R ou de CD réinscriptibles (CD-RW). (Cause : caractéristiques des disques, fissures, poussière/saleté, sur les lentilles du lecteur, etc.)
- Lorsqu'un disque CD-R ou CD-RW qui n'a pas été finalisé est inséré dans le lecteur, la lecture commence au bout d'un temps plus long. De plus, la lecture peut être impossible selon les conditions de gravure.
- Vous ne pouvez pas lire de CD Super Audio. La lecture de ce CD n'est pas prise en charge, même s'il s'agit d'un disque hybride.

### À propos de la lecture de fichiers MP3/WMA

Ce lecteur peut lire les disques CD-R/CD-RW, DVD-R/RW et DVD+R/RW sur lesquels des fichiers de musique MP3/WMA ont été gravés.

Pour plus de renseignements, reportez-vous à la section « Écoute d'un fichier MP3/WMA ».

### Note sur les codes de région

Le système de DVD vidéo affecte un code de région aux lecteurs de DVD vidéo et aux disques DVD par région de vente. Les lecteurs de DVD vidéo vendus aux États-Unis peuvent lire les disques DVD ayant le code de région « ALL », « 1 » ou toute autre combinaison de chiffres contenant un « 1 ».

Le code de région des DVD vidéo est inscrit sur la pochette du disque, comme le montre l'illustration.



## À propos des marques de commerce déposées

- Ce produit contient une technologie de protection des droits d'auteurs protégée par un brevet des États-Unis et d'autres droits de propriété intellectuelle. L'utilisation de cette technologie de protection des droits d'auteurs doit être autorisée par Macrovision ; elle est destinée uniquement aux visionnements domestiques limités à moins d'une autorisation de Macrovision. L'ingénierie inverse ou le démontage est interdit.
- Fabriqué sous licence de Dolby Laboratories. « Dolby », « Pro Logic » et le symbole des deux D sont des marques de commerce de Dolby Laboratories.
- L'indication « Made for iPod » signifie qu'un accessoire électronique donné a été conçu pour être connecté à un iPod et que son fabricant certifie qu'il respecte les normes de performances d'Apple. L'indication « Works with iPhone » signifie qu'un accessoire électronique donné a été conçu pour être connecté à un iPhone que son fabricant certifie qu'il respecte les normes de performances d'Apple.

L'entreprise Apple n'est pas responsable du fonctionnement de ce périphérique et du respect, par celui-ci, des normes et réglementations relatives à la sécurité.

iPod et iTunes® sont des marques de commerce de Apple Inc., déposées aux États-Unis et dans d'autres pays.

iPhone est une marque de commerce de Apple Inc.

- Les logos HD Radio™ et HD Radio et HD Radio Ready sont des marques de commerce appartenant à iBiquity Digital Corporation.
- 2009 Sirius XM Radio Inc., SIRIUS, XM et toutes marques et appellations reliées sont enregistré à SIRIUS XM Radio Inc., et ses affiliations. Toutes autres marques, nom de canal et logos appartiennent à leurs propriétaires respectifs.

# 6. PRINCIPES DE FONCTIONNEMENT

## Fonctionnement de base

### Remarque :

- Bien lire ce chapitre en vous référant au chapitre « 3. COMMANDES »

### ⚠ ATTENTION

Lorsque l'appareil est sous tension, le démarrage et l'arrêt du moteur peuvent produire un son très fort si son volume est réglé au maximum. Réglez le volume avec soin.

### Mise sous et hors tension

#### Remarque :

- Faire démarrer le moteur avant d'utiliser l'appareil.
  - Évitez d'utiliser cet appareil pendant de longues périodes sans que le moteur tourne. Si vous déchargez trop la batterie, vous pourriez ne pas pouvoir faire démarrer le moteur ; de plus, cela réduit la durée de vie de la batterie.
1. Démarrer le moteur. L'éclairage de l'interrupteur et des boutons est activé.
  2. Appuyez sur le bouton [■PWR] pour mettre l'appareil en fonction.
  3. Appuyer sur le bouton [⏻TITLE] de la télécommande pour mettre l'appareil sous tension.
  4. Pour mettre l'appareil hors tension, maintenez enfoncé le bouton [■PWR] du syntoniseur pendant plus de 2 secondes.
  5. Pour mettre l'appareil hors tension, maintenez enfoncé le bouton [⏻] de la télécommande pendant plus de 2 secondes.



Moteur en marche



### Ouverture et fermeture du panneau de commande

Appuyez sur le bouton [OPEN] de l'appareil (NZ500). Le panneau de commande s'ouvrira. Appuyez sur le même bouton pour fermer le panneau.

### ⚠ ATTENTION

- Ne bougez pas le panneau de commande en insistant et ne le forcez pas.
- Lorsque le panneau de commande fonctionne, faites attention à ne pas vous coincer les doigts ou la main entre le panneau et l'unité principale ou ses pièces mécaniques.
- Le conducteur ne devrait pas actionner le panneau de commande lorsqu'il conduit.

### Réglage de l'angle du panneau de commande

Réglez l'angle voulu en appuyant sur les boutons d'inclinaison [^][v] de l'appareil (NZ500).

### Sélection d'un mode

1. Appuyez sur le bouton du menu principal pour entrer dans le mode désiré : syntoniseur, disque, NAVI, USB, Sirius, AUX IN, AV IN, etc., iPod/iPhone.  
\*L'équipement externe non raccordé à cet appareil n'est pas affiché.



### Mettre le moniteur en fonction ou hors fonction

1. Appuyez sur le bouton de fermeture d'écran sur l'écran principal pour mettre le moniteur hors tension.
2. Appuyez de nouveau sur le bouton à l'écran pour remettre l'écran en fonction.

# Fonctionnement de base

## Réglage du volume

Tournez le bouton de volume pour régler le volume.  
Dans le sens des aiguilles d'une montre :

Augmentation du volume.

Dans le sens inverse des aiguilles d'une montre :

Diminution du volume.

- Le volume indiqué sur l'écran couvre une plage allant de 0 (min.) à 40 (max.).

### ATTENTION

Lorsque vous conduisez, prenez soin de régler le volume de l'appareil de manière à ce que vous puissiez entendre les sons extérieurs.

## Sourdine

Appuyez sur le bouton **[MUTE] [PWR]** pour activer et désactiver la sourdine.

## Configuration des paramètres

- Appuyez sur le bouton **Setup** pour accéder au menu de configuration des modes.
- Appuyez sur le bouton du mode désiré. Les modes apparaissent dans l'ordre suivant :
  - Général, incluant les paramètres **horloge, bip, image caméra, champs de radio, sourdine téléphone, haut-parleur téléphone, commutateur d'entrée AUX IN, version.**
  - Vidéo, audio, navigation, divers



- Effectuez le réglage désiré. Pour plus de détails, reportez-vous aux sections suivantes.

## Réglage du son

- Appuyez sur le bouton **[EQ]** sur l'écran ou sur le bouton **[SEL]** de la télécommande.
- Appuyez sur la touche de l'élément pour le régler.
- Effectuer le réglage.



Pour plus de détails, reportez-vous aux sections suivantes.

- Appuyez sur [**←**] pour revenir à l'écran précédent.

\* Les sections suivantes présentent seulement les détails concernant les réglages ; les procédures de sélection des éléments sont sautées.



## Réglage de la balance et de l'équilibre avant/arrière

- Appuyez sur **BALANCE** ou **FADER** dans le menu de réglage Audio.
- Appuyez sur **[F] (avant)** ou **[R] (arrière)** pour régler l'équilibre avant/arrière.
  - Le réglage par défaut de l'usine est 0. (Plage de réglage : avant 9 à arrière -9)
- Appuyez sur **[L] (gauche)** ou **[R] (droite)** pour régler la balance gauche/droite.
  - Le réglage par défaut de l'usine est 0. (Plage de réglage : gauche -9 à droite 9)

## Réglage des basses

Le gain et la fréquence des basses se règlent de la façon suivante :

- Appuyez sur les boutons **[◀]** ou **[▶]** pour régler le niveau désiré.
- Pour régler la fréquence centrale des basses, ouvrez le réglage Audio du menu de configuration.

## Réglage des aigus

Le gain et la fréquence des aigus se règlent de la façon suivante :

- Appuyez sur **[◀]** ou **[▶]** pour régler le niveau désiré.
- Pour régler la fréquence centrale des aigus, ouvrez le réglage Audio du menu de configuration.



# Fonctionnement de base

## Réglage de l'horloge

Appuyez sur le bouton **[Setup]**. Le menu de configuration s'affichera. Appuyez sur **Clock (Horloge)** dans le sous-menu **General**.



1. Réglez l'heure en appuyant sur les chiffres à l'écran.
2. Appuyez sur **[Clock Mode]** pour modifier le format d'affichage de l'heure de 12 à 24 heures. Sélectionnez 12Hr, puis sélectionnez le mode AM ou PM.

## Réglage de la région de la radio

1. Appuyez sur le bouton **[Radio Field]** dans le menu de configuration.
2. Un menu de sélection de région apparaît. Faire défiler le menu vers le bas à l'aide de la flèche située au bas du menu. Faire défiler le menu vers le haut en utilisant la flèche en bas du menu. Sélectionnez la région radio où vous vous trouvez. Si la région sélectionnée est incorrecte, la qualité de la réception radio sera médiocre.

## Affichage de la carte de navigation

1. Appuyez sur le bouton **[Navi]** sur l'écran du menu principal.



L'écran d'avertissement s'affichera.



2. Appuyez sur la coche en surbrillance (Accept). Le menu principal s'affichera. Sélectionnez votre destination.



3. Sélectionnez l'une des options affichées à l'écran.
  - **Go To... (Aller à...)**
  - **Point of Interest (Point d'intérêt)**
  - **State or Province (État ou province) :**
    - **CA** (Le système mémorise le dernier État ou la dernière province)
  - **History (Historique)** (Les adresses inscrites antérieurement)



4. Le système de navigation calculera un itinéraire vers la destination sélectionnée en utilisant les critères inscrits dans le **Mode de configuration**.
5. Appuyez sur le bouton **State or Province (État ou Province)**. Le clavier « Ville » s'affichera. Appuyez sur le bouton de la coche  pour choisir la ville dans la liste ou tapez le nom de la ville sur le clavier. Ensuite appuyez sur le bouton Entrée



6. Entrez les informations requises sur l'écran dans l'ordre illustré ci-dessous. Pour passer à l'écran suivant, appuyez sur le bouton de la coche.



7. Appuyez sur le bouton « Start Route (Point de départ) ».



8. La carte routière s'affichera. La navigation vers votre destination s'amorcera.



- |                             |                          |
|-----------------------------|--------------------------|
| 1 - Zoom arrière            | 6 - Retour au menu       |
| 2 - Échelle de carte        | 7 - Informations locales |
| 3 - Statut du GPS           | 8 - Sourdine             |
| 4 - Position de la boussole | 9 - Changement de vue    |
| 5 - Heure actuelle          | 10 - Zoom avant          |

9. Pour configurer le menu de navigation, consultez « Configuration de la navigation » dans le chapitre « Commandes de configuration ».

### **Restauration des réglages par défaut de l'usine**

- Appuyez sur le bouton **[Setup]** pour accéder au menu de configuration des modes.
- Appuyez sur le bouton **Misc** (divers).
- Appuyez sur le bouton **Restore Defaults** (restaurer les paramètres par défaut). Sélectionnez **[YES]** pour rétablir les réglages par défaut de l'usine de votre appareil. Cette fonction efface la mémoire de l'appareil et vous devez réinitialiser tous les éléments personnalisés, comme les préreglages du syntoniseur.

**REMARQUE :** Une fenêtre vous demandera de confirmer que vous voulez réinitialiser l'appareil. L'appareil se met hors tension, puis sous tension avec les réglages par défaut de l'usine.

# Fonctionnement de la radio

## Écoute de la radio

1. Appuyez sur le bouton **Tuner** sur l'écran du menu principal. L'écran du mode syntoniseur apparaît.
2. Appuyez sur le bouton **[BAND]** ou appuyez sur **[Band]** sur la télécommande pour sélectionner la bande radio. À chaque pression sur le bouton, la bande de réception de la radio change dans l'ordre suivant : FM1, FM2, FM3, AM, FM1...



- |                               |                                 |
|-------------------------------|---------------------------------|
| 1 - Écran du syntoniseur      | 10 - Syntonisation vers le haut |
| 2 - Écran de l'horloge        | 11 - Recherche vers le haut     |
| 3 - Bouton du menu principal  | 12 - Bouton bande               |
| 4 - Affichage de la bande     | 13 - Bouton [AS/PS]             |
| 5 - Affichage Loc/DX          | 14 - Bouton LoC/DX              |
| 6 - Liste de présélections    | 15 - Bouton de page précédente  |
| 7 - Recherche vers le bas     | 16 - Bouton de page suivante    |
| 8 - Syntonisation vers le bas | 17 - Bouton EQ                  |
| 9 - Bouton de balayage        |                                 |

## Syntonisation de recherche

1. Appuyez sur le bouton **[BAND]** pour sélectionner la bande (FM ou AM).
2. Appuyez sur **[I◀◀]** ou **[▶▶I]** pour chercher automatiquement une station.
  - Lorsqu'on appuie sur la touche **[▶▶I]**, la recherche de station s'effectue vers les fréquences supérieures.
  - Lorsqu'on appuie sur la touche **[I◀◀]**, la recherche de station s'effectue vers les fréquences inférieures.

## Syntonisation manuelle

1. Appuyez sur le bouton **[BAND]** pour sélectionner la bande (FM ou AM).
2. Appuyez sur **[◀◀I]** ou **[I▶▶]** pour chercher automatiquement une station.
  - Lorsqu'on appuie sur la touche **[I▶▶]**, la recherche de station s'effectue vers les fréquences supérieures.
  - Lorsqu'on appuie sur la touche **[◀◀I]**, la recherche de station s'effectue vers les fréquences inférieures.

## Rappel d'une station présélectionnée

Deux façons permettent de rappeler une station présélectionnée.

- Utilisation de la télécommande :
  1. Appuyez sur le bouton **[BAND]** pour sélectionner la bande désirée (FM ou AM) sur la télécommande.
  2. Appuyez sur le numéro de présélecteur (1 à 6) sur le pavé numérique.
- Utilisation du syntoniseur :
  1. Appuyez sur le bouton **[BAND]** pour sélectionner la bande désirée (FM ou AM) sur le syntoniseur.
  2. Appuyez sur le numéro de présélecteur (1 à 5) sur le syntoniseur.
  3. Appuyez sur **[▲]** ou **[▼]** pour sélectionner la station suivante ou précédente dans la liste de présélections.
  4. Appuyez sur le bouton **[AS]** pour faire une recherche automatique et mémoriser les stations.

## Mémoire manuelle

1. Touchez la touche tactile pour sélectionner la bande que vous désirez mémoriser.
2. Syntonisez la station que vous désirez mémoriser avec la recherche de syntonisation, la syntonisation manuelle ou la syntonisation présélectionnée.
3. Touchez et maintenez le doigt sur la touche tactile de présélection pendant plus de 2 secondes pour mémoriser la station actuelle.

## Mémorisation auto

La mémorisation automatique (AS) est une fonction permettant de mémoriser jusqu'à 12 stations syntonisées séquentiellement de façon automatique. Si 12 stations recevables ne sont pas reçues, une station précédemment mémorisée reste mémorisée à la position de mémorisation.

1. Appuyez sur **[Band]** pour sélectionner la bande désirée. (FM ou AM)
2. Touchez et maintenez le doigt sur la touche **[AS]** pour amorcer la fonction de mémorisation automatique.

Un bip retentit et les stations dont la réception est bonne sont automatiquement mémorisées aux canaux présélectionnés.

# Fonctionnement de la radio

## Balayage des stations présélectionnées

Le balayage des stations présélectionnées permet de recevoir les stations mémorisées en ordre dans la mémoire de présélection. Cette fonction sert à rechercher la station désirée dans la mémoire.

1. Appuyez sur **[Band]** pour sélectionner la bande désirée. (FM ou AM)
2. Appuyez sur **[PS]** pour lancer le balayage des stations présélectionnées. L'appareil commence le balayage séquentiel de chaque station sur laquelle il s'arrête 10 secondes.
3. Lorsque la station désirée est syntonisée, appuyez sur **[PS]** une nouvelle fois pour continuer à recevoir cette station.

## Réglages LOC/DX

Le réglage DX / LOC permet de modifier la sensibilité du syntoniseur afin de séparer des stations peu espacées. Cette fonction est utile dans les régions où de nombreuses stations de radio sont proches les unes des autres.

1. Appuyez sur **[DX]** pour passer à la sensibilité LOCALE du syntoniseur.
2. Appuyez sur **[LOC]** pour passer à la sensibilité DX du syntoniseur.

# Commandes du lecteur DVD vidéo

## Modification des réglages du système de DVD

### Remarque :

Si l'opération est effectuée pendant la lecture d'un DVD, le disque recommencera à jouer depuis le début.

## Sélection du menu de configuration DVD

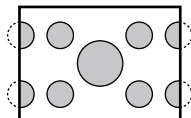
1. Appuyez sur le bouton **[SETUP]** sur l'écran du menu principal pour accéder au menu de configuration vidéo.
2. Appuyez sur **[Video]**. Le menu vidéo apparaîtra.



## Configuration de la taille de l'écran

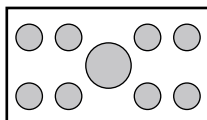
Appuyez sur le bouton **[Aspect Ratio]** sur l'écran afin de modifier la taille de l'écran **4:3** ou **16:9**. Le réglage par défaut de l'usine est 16:9.

- Lors du visionnement d'un écran large sur un écran classique du moniteur arrière (4:3), les parties les plus à gauche et à droite de l'écran sont coupées.



Cette fonction permet d'afficher sur tout l'écran une partie importante de l'image. Dans certains cas, l'image est affichée pendant un panoramique (défilement).

- Lors du visionnement d'un écran large sur un écran large du moniteur arrière (16:9) les parties les plus à gauche et à droite de l'écran ne sont pas coupées.



## Configuration du système de format vidéo

Appuyez sur le bouton **Aux IN** sur l'écran pour configurer le système de format vidéo : **Auto**, **PAL** ou **NTSC**.

Le paramètre par défaut est **Auto**.

Appuyez sur le système de format à l'écran.

## Configuration de la luminosité

Appuyez sur le bouton de luminosité. Appuyez sur la luminosité affichée sur une échelle de 0 à 20.

# Commandes du lecteur DVD vidéo

## Établissement du mot de passe du niveau de contrôle parental

Le réglage par défaut de l'usine est « 0000 ».

1. Dans le **Menu principal** appuyez sur le bouton **Configuration**. Appuyez sur le bouton **Misc. (Divers)** sur l'écran. Appuyez sur **Set Password (Réglage du mot de passe)** ---- et le pavé numérique apparaîtra.



Entrez un nouveau mot de passe. Le mot de passe est réglé.

**Remarque :** *Lorsqu'un disque avec des restrictions de visionnement est inséré, une fenêtre vous demande d'entrer un mot de passe. Le disque ne peut pas être visionné tant que le mot de passe correct n'est pas entré.*

## Réglage du niveau de contrôle parental

1. Sélectionnez l'écran **MISC (DIVERS)** en mode **SETUP (CONFIGURATION)**. Appuyez sur le bouton **Kid Saf** (adéquat pour les enfants). Appuyez sur le niveau de contrôle parental désiré. Utilisez ce tableau pour établir le niveau parental.

<b>NC-17</b>	(18 ANS ET PLUS)
<b>R</b>	(17 ANS ET PLUS)
<b>PG13</b>	SOUS SURVEILLANCE ÉTROITE DES PARENTS
<b>PG</b>	PRÉSENCE DES PARENTSSUGGÉRÉE
<b>G</b>	AUDIENCES GÉNÉRALES

- Le contenu que le niveau parental limite varie avec le code des pays.

**Remarque :** *La cote peut être sélectionnée seulement en statut de mot de passe déverrouillé, et les limites peuvent être réglées en statut de mot de passe verrouillé.*

## Visionnement/écoute d'un disque

**Remarque :** *Veuillez consulter le diagramme dans le chapitre « COMMANDES ».*

1. Pour charger un disque : Appuyez sur le bouton **[OPEN]** pour incliner le panneau avant. (NZ500 seulement) Insérez un disque au centre de la fente d'insertion, l'étiquette sur le dessus.

## ⚠ ATTENTION

**Pour votre sécurité, le conducteur ne devrait pas insérer ou éjecter un disque ou actionner le panneau de commande lorsqu'il conduit.**

### Remarque :

- N'insérez jamais de corps étranger dans la fente d'insertion de disque.
  - Si le disque ne s'insère pas facilement, il peut y avoir un autre disque dans le mécanisme ; l'appareil peut aussi avoir besoin d'une réparation.
  - Les disques de 8 cm (un seul morceau) ne peuvent pas être utilisés.
2. Le disque est lu automatiquement.

## ⚠ AVERTISSEMENT

**Certaines vidéos sont gravées à des niveaux sonores supérieurs aux niveaux désirés. Augmentez progressivement le volume à partir du minimum une fois la lecture du disque vidéo commencée.**

## Éjection d'un disque

1. Pour éjecter un disque appuyez sur le bouton d'éjection **[▲]**. Le mode de lecture passe alors au mode syntonisation.

\* Si un disque est laissé plus de 15 secondes en position éjectée, il sera automatiquement rechargé. Dans ce cas, le mode demeurera en mode syntonisation.

**Remarque :** *Vous pouvez endommager un disque si vous le forcez dans la fente avant son rechargement automatique.*

## Écran du mode lecteur DVD

Après la sélection du disque, le mode lecture entre automatiquement en fonction.

Appuyez sur l'écran du disque chargé pour afficher le menu du DVD vidéo. Si vous ne touchez pas l'écran pendant 5 secondes, l'affichage revient à l'écran de lecture.



# Commandes du lecteur DVD vidéo

- |                              |                             |
|------------------------------|-----------------------------|
| 1 - Bouton MENU              | 8 - Bouton Chapitre         |
| 2 - Bouton INFO              | 9 - Bouton piste précédente |
| 3 - Bouton répétition A-B    | 10 - Bouton de recul rapide |
| 4 - Bouton répétition        | 11 - Bouton Lecture/Pause   |
| 5 - Bouton sous-titrage      | 12 - Bouton d'avance rapide |
| 6 - Bouton de canal          | 13 - Bouton piste suivante  |
| 7 - Bouton du menu principal | 14 - Bouton Arrêt           |

## Fonctionnement du menu du lecteur DVD

Vous pouvez sélectionner les éléments de boutons affichés dans le menu du DVD en les touchant directement.

Si les éléments de boutons sont difficiles à sélectionner correctement, vous pouvez aussi les sélectionner au moyen des boutons de direction de la télécommande.

## Arrêt de la lecture

1. Appuyez sur [■]. La lecture s'arrête.
2. Pour reprendre la lecture, appuyez sur le bouton [▶/||]. La lecture reprend à partir de la scène durant laquelle elle a été arrêtée.

## Bouton Lecture/Pause

1. Appuyez sur [▶/||] pour pauser la lecture.
2. Appuyez une autre fois sur [▶/||] pour reprendre la lecture.

## Saut (recherche) d'un chapitre

1. Appuyez sur [◀◀] ou [▶▶] pendant la lecture. Autant de chapitres sont sautés vers l'avant ou l'arrière que vous appuyez de fois sur le bouton. La lecture reprend après.

## Avance et recul rapide

1. Appuyez sur les boutons [◀◀] ou [▶▶] pour lancer la marche arrière rapide ou l'avance rapide pendant la lecture. La lecture commence à 2 fois la vitesse, puis accélère à 4, 8 et 16 fois la vitesse à chaque nouvelle pression.  
\* Aucun son n'est reproduit pendant l'avance et la marche arrière rapides.  
\*La vitesse de l'avance et de la marche arrière rapides peut varier selon le disque.

## Recherche à l'aide d'un numéro de chapitre/titre

Vous pouvez localiser le début d'une scène au moyen d'un numéro de chapitre et de titre gravé sur le disque DVD vidéo.

1. Sur l'écran du mode lecteur DVD, appuyez sur [CHAP]. Le pavé numérique apparaît avec le mode d'entrée du numéro de chapitre. Appuyer sur [Title] fait passer le pavé numérique en mode d'entrée de numéro de titre. Appuyer sur [Time] fait passer le pavé numérique en mode d'entrée de temps.

- **Title (Titre)**  
Grand segment de la zone de données du disque.
  - **Chapter (Chapitre)**  
Petit segment de la zone de données du disque.
  - **Time (Temps)**  
Temps particulier sur le disque.
2. Entrez le numéro du titre/chapitre/temps que vous désirez lire au moyen des touches tactiles [0] à [9].
  3. Appuyez sur [OK].



La lecture commence à partir de la scène correspondant au numéro du titre, du temps ou du chapitre entré.

\* Si le numéro du titre/chapitre/temps entré n'existe pas ou que la recherche au moyen d'un numéro de plage s'avère impossible, l'image à l'écran ne change pas.

4. Appuyez sur [↶].

## Lecture répétitive

Cette opération permet de lire de façon répétitive des chapitres gravés sur le DVD vidéo.

1. Sur l'écran du mode lecteur DVD, appuyez sur [↶] (répétition).
2. Appuyez une fois sur le bouton [↶] (répétition) pour répéter un chapitre.
3. Appuyez une autre fois sur le bouton [↶] pour arrêter la lecture répétitive.

## Répétition A → B

Sélectionnez le passage à répéter. Appuyez sur le bouton de répétition A-B [↶↷]. La lecture du passage sélectionné s'amorcera. Appuyez une autre fois sur le bouton pour arrêter la répétition.



# Commandes du lecteur DVD vidéo

## Utilisation du menu de titres

Sur les DVD contenant plusieurs titres, vous pouvez faire un choix de lecture à partir du menu de titres.

1. Sur l'écran du mode lecteur DVD, appuyez sur **[CHAP]** pendant la lecture. L'écran du menu de titres apparaît.
  - \* Selon le disque, le menu de titres peut ne pas apparaître.
2. Sélectionnez les éléments de bouton affichés dans l'écran de menu de titres de la même façon que pour le fonctionnement du menu du DVD.
  - \* Selon le disque, les éléments peuvent ne pas être sélectionnés à l'aide des dix boutons tactiles.

## Commutation des langues

Sur les disques dont les pistes ont fait l'objet d'un enregistrement en deux ou plusieurs langues, vous pouvez passer d'un sous-titre langue à l'autre en cours de lecture.

1. Appuyez sur **[⊕]** en cours de lecture.
  - Chaque fois que vous appuyez sur cette touche, vous pouvez changer de langue.
  - Il se peut que le changement de langue prenne un certain temps.
  - \* Un disque peut comporter jusqu'à huit pistes sonores différentes. Pour plus de renseignements, reportez-vous à la mention sur le disque. (8) Ce nombre indique que l'enregistrement comporte huit pistes sonores).
  - \* Lorsqu'on met l'appareil en fonction et qu'on remplace l'ancien disque par un nouveau, la langue par défaut faisant l'objet de la sélection est celle dont la configuration s'est effectuée en usine. Si cette langue n'est pas enregistrée, c'est précisé sur le disque.
  - \* Sur quelques disques, le choix de l'angle de prise de vue peut s'avérer totalement impossible, sauf en partie au cours du déroulement de certaines scènes.
2. L'écran de mode LECTEUR DVD fait l'objet d'un masquage 5 secondes après votre sélection.

## Changement des sous-titres

Sur les disques DVD dont les pistes ont fait l'objet d'un enregistrement en deux ou plusieurs langues sous-titrées, vous pouvez passer d'un sous-titre à l'autre en cours de lecture.

1. Appuyez sur **[Sub T.]** en cours de lecture. Chaque fois que vous appuyez sur cette touche, vous pouvez changer de sous-titre.
  - Il se peut que le changement de sous-titre prenne un certain temps.
  - \* Un disque peut comporter jusqu'à trente-deux types différents de sous-titres. Pour plus de renseignements, reportez-vous à la mention sur le disque. (3) Ce nombre indique que l'enregistrement comporte huit types de sous-titres.)

- \* Sur quelques disques, le choix de l'angle de prise de vue peut s'avérer totalement impossible, sauf en partie au cours du déroulement de certaines scènes.
2. L'écran de mode lecteur DVD fait l'objet d'un masquage 5 secondes après votre sélection.
  3. Pour désactiver les sous-titres, appuyez sur **[Sub T.]** (Sous-titrage) jusqu'à ce que l'écran affiche « subtitle off ».

## Modification des angles de prise de vue

Sur les disques DVD dont les images vidéo ont fait l'objet d'un enregistrement sous deux ou plusieurs angles de prise de vue, vous pouvez passer d'un angle à l'autre en cours de lecture.

1. Appuyez sur le bouton **[Angle]** de la télécommande pendant la lecture. Chaque fois que vous appuyez sur cette touche, vous pouvez modifier l'angle de prise de vue.
  - \* Il se peut que la modification de l'angle de prise de vue prenne un certain temps.
  - \* Un disque peut comporter jusqu'à 9 angles de vue enregistrés. Pour plus de renseignements, reportez-vous à la mention sur le disque. (9) Ce nombre indique une prise de vue multiangulaire.)
  - \* Sur quelques disques, le passage d'un angle de prise de vue à un autre peut s'effectuer en douceur ou faire un court arrêt sur image.
  - \* Sur quelques disques, le choix de l'angle de prise de vue peut s'avérer totalement impossible, sauf en partie au cours du déroulement de certaines scènes.
  - \* Sur quelques disques, les scènes enregistrées sous deux ou plusieurs angles de prise de vue peuvent faire l'objet d'une lecture.

## Affichage de l'état de la lecture

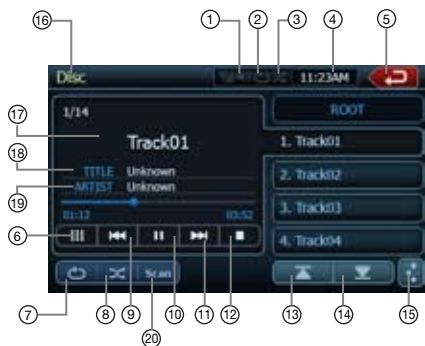
Appuyez sur **[INFO]** sur l'écran de mode lecteur DVD ou sur la télécommande.

L'état de la lecture s'affiche à l'écran.



# Commandes du lecteur DVD vidéo

## ÉCOUTE D'UN CD



- |                                 |                                |
|---------------------------------|--------------------------------|
| 1 - Affichage sourdine          | 10 - Bouton Lecture/Pause      |
| 2 - Affichage répétition        | 11 - Bouton piste suivante     |
| 3 - Affichage lecture aléatoire | 12 - Bouton Arrêt              |
| 4 - Écran de l'horloge          | 13 - Bouton de page précédente |
| 5 - Bouton du menu principal    | 14 - Bouton de page suivante   |
| 6 - Bouton de clavier           | 15 - Bouton EQ                 |
| 7 - Bouton répétition           | 16 - Affichage de la source    |
| 8 - Bouton de lecture aléatoire | 17 - Titre de la chanson       |
| 9 - Bouton piste précédente     | 18 - Information sur l'artiste |
|                                 | 19 - Informations sur l'album  |
|                                 | 20 - Bouton de balayage        |

### Pause de lecture

1. Appuyer sur la touche [II] pour arrêter la lecture.
2. Appuyer sur la touche [▶] pour recommencer la lecture.

### Saut de lecture (recherche)

Appuyez sur le bouton [◀◀] pendant la lecture. Il se produit alors autant de sauts de lecture que vous appuyez de fois sur le bouton, après quoi la lecture commence.

- Appuyez sur le bouton [▶▶] pour commencer la lecture depuis le début de la plage suivante.
- Appuyez sur le bouton [◀◀] pour commencer la lecture depuis le début de la plage actuelle. Si on appuie de nouveau sur ce bouton dans les deux secondes environ, la lecture commence depuis le début de la plage précédente.

### Avance et recul rapide

1. Maintenez enfoncés les boutons [▶▶] ou [◀◀] pendant la lecture. Appuyez de nouveau pour augmenter la vitesse de défilement avant ou arrière de 2x, 4x, 8x et 16x. Appuyez encore une fois pour rétablir la vitesse normale de lecture.

### Balayage des pistes

1. Appuyez sur [Scan] pendant la lecture. Appuyez de nouveau sur l'un ou l'autre bouton pour augmenter la vitesse de défilement avant ou arrière de 2x, 4x, 8x et 16x. Appuyez encore une fois pour rétablir la vitesse normale de lecture.

### Recherche au moyen d'un numéro de plage

Cette opération lance la recherche au moyen des numéros de plage faisant l'objet d'un enregistrement sur les CD.

1. Appuyez sur le bouton [≡] du clavier à l'écran. Le clavier numérique apparaîtra à l'écran.
2. Saisissez le numéro de la plage dont vous souhaitez faire la lecture au moyen des nombres [0] à [9] du pavé numérique.

La lecture commence depuis le numéro de la plage ayant fait l'objet de la saisie.

- Si le numéro de la plage ayant fait l'objet de la saisie n'existe pas ou que la recherche au moyen d'un numéro de plage s'avère impossible, l'image ne change pas sur l'écran.

### Sélection d'une plage sur la liste des plages

Cette fonction permet de sélectionner les plages dans une liste qui s'affiche à l'écran.

1. Appuyez sur le nom de la plage souhaitée dans la liste. La lecture de la plage sélectionnée s'amorcera.
2. Lorsque la plage souhaitée ne s'affiche pas à l'écran, appuyez sur [▲] ou [▼] pour faire défiler la liste des plages.
3. Appuyez sur la touche du titre de la plage souhaitée. La lecture de la plage correspondante commence.
4. Appuyez sur [↶] pour revenir à l'écran précédent.

### Diverses fonctions de lecture

Appuyez sur la touche tactile de la fonction que vous souhaitez commander.

**Répétition [↺] :** Appuyez une fois sur cette commande pour lancer la répétition d'une seule plage. Appuyez de nouveau pour lancer la répétition intégrale. Pour arrêter la répétition, appuyez sur le même bouton.

- Les symboles de répétition s'affichent dans la fenêtre INFO située dans le coin supérieur droit de l'écran.

**Lecture aléatoire [↻] :** Appuyez sur ce bouton pendant la lecture pour faire la lecture aléatoire des plages.

Appuyez une autre fois sur le même bouton pour arrêter la fonction.

- Un symbole de lecture aléatoire s'affiche dans la fenêtre INFO située dans le coin supérieur droit de l'écran.

**Arrêt de la lecture [■] :** Arrête la lecture de toutes les plages.

**Réglages audio [⚙] :** Appuyez sur ce bouton pour accéder au menu audio.



## Écoute d'un disque MP3/WMA

Cet ensemble constitue un modèle compatible avec les étiquettes ID3.

Il assure la prise en charge des étiquettes ID3 versions 2.4, 2.3, 1.1 et 1.0.

Lors de l'affichage, il accorde la priorité aux étiquettes versions 2.3 et 2.4.

Après l'insertion d'un appareil USB dans le logement USB ou si un disque est chargé, le mode de lecture entre automatiquement en fonction.

### En quoi consiste la technologie MP3/WMA ?

La technologie MP3 est un mode de compression audio faisant l'objet d'un classement au sein des normes MPEG à architecture à trois couches audio. La technologie WMA est un mode de compression audio élaboré par la société Microsoft.

Ces modes de compression audio ont conquis les utilisateurs d'ordinateurs personnels et sont devenus des formats normalisés.

Ils assurent la compression des données audio originales en les réduisant à 10 pour cent environ de leur taille initiale sans perte de qualité sonore. Ce qui signifie qu'on peut enregistrer à peu près dix CD audio sur un disque CD-R ou CD-RW afin de prolonger la durée d'écoute sans devoir changer constamment de disque.

### Remarque :

- Certains CD enregistrés en mode CD-R/RW peuvent toutefois s'avérer inutilisables.

## Affichage des titres MP3/WMA

Les données d'étiquetage comme le titre, l'artiste et le titre de l'album peuvent s'afficher sur un fichier MP3/WMA contenant les données en question.

### Précautions à prendre lors de la création d'un disque MP3

#### • Extension des fichiers

1. Ajoutez toujours l'extension .MP3 ou .mp3 à un fichier MP3 et l'extension .WMA ou .wma à un fichier WMA en utilisant des lettres à un octet. Si vous ajoutez une extension autre que celle prescrite ou si vous oubliez de l'ajouter au fichier, la lecture de ce dernier deviendra impossible. Si vous mélangez les lettres haut de casse ou bas de casse (majuscules ou minuscules) aux fins d'identification de l'extension des fichiers, la lecture de ces derniers peut devenir impossible.

2. Les fichiers au format de données autres que MP3/WMA ne sont pas lus.

Les fichiers comportant un format non pris en charge donnent lieu à des sauts de lecture ou à la neutralisation possible des fonctions de balayage, de lecture aléatoire et de répétition.

#### • Fichiers et disques qui ne sont pas pris en charge

Les fichiers et les disques avec les extensions suivantes ne sont pas pris en charge : \*.AAC, \*.DLF, \*.M3U, \*.PLS, MP3 PRO, les fichiers DRM (gestion numérique des droits), les disques dont la session n'est pas fermée.

#### • Format logique (Système de fichiers)

1. Au moment de graver un fichier MP3/WMA sur un disque, veuillez sélectionner « **ISO9660 niveau 1 ou niveau 2 (sans inclure le format d'expansion)** » comme format du logiciel de gravure. La lecture normale peut s'avérer impossible si le disque fait l'objet d'un enregistrement sous un autre format.
2. Le nom du dossier et du fichier peut être affiché en tant que titre pendant la lecture du disque MP3/WMA, mais ce titre doit comporter au plus 31 caractères alphanumériques à un octet aux fins d'identification du nom du dossier et du fichier (y compris l'extension). La saisie d'un nombre supérieur de caractères alphanumériques au nombre prescrit risque de provoquer un affichage erroné.

#### • Entrée des noms de fichiers et de dossiers

Les noms utilisant les caractères de la liste de code sont les seuls noms de fichiers et de dossiers qui pourront être entrés et affichés. L'utilisation de tout autre caractère causera un affichage incorrect des noms de fichiers et de dossiers.

#### • Protection contre les décharges électriques

10 secondes pour les CD audio (CDA)  
45 secondes pour les MP3 enregistrés à 44,1 kHz, 128 kbps  
90 secondes pour les WMA enregistrés à 44,1 kHz, 128 kbps

#### • Structure du dossier

1. Un disque comportant un dossier à plus de 8 niveaux hiérarchiques entre en conflit avec la norme ISO 9660, ce qui en rend la lecture impossible.

#### • Nombre de fichiers et de dossiers

1. Le nombre maximum admissible de dossiers est de 200 (y compris le répertoire racine), alors que le nombre maximum admissible de fichiers s'élève à 1500 (c'est-à-dire 1500 au plus par dossier). Ce qui représente le nombre maximum de plages pouvant faire l'objet d'une lecture.
2. Les plages se lisent dans l'ordre de l'enregistrement sur le disque. (Les pistes ne seront peut-être pas toujours lues dans l'ordre affiché sur l'ordinateur).
  - Un certain bruit peut se produire, selon le type de logiciel de codage utilisé lors de l'enregistrement.
  - Dans le cas d'une plage enregistrée à débit binaire variable (VBR), la durée de lecture de la plage s'affichant à l'écran peut différer légèrement de la durée de lecture réelle. Aussi, la valeur recommandée du débit binaire variable (VBR) s'échelonne-t-elle de 32 kbps à 320 kbps.
  - Après la sélection du disque, le mode lecture entre automatiquement en fonction.

# Commandes du lecteur DVD vidéo

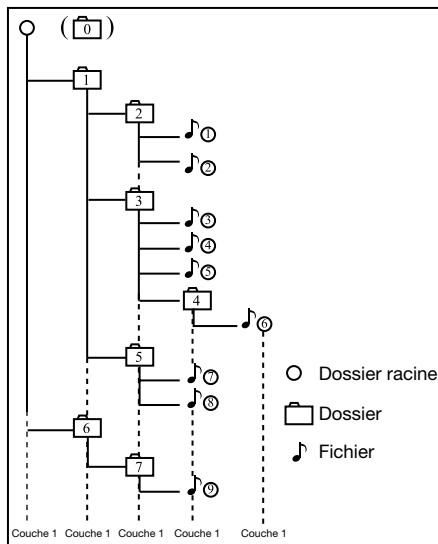
## Lecture de dossiers MP3

Les fichiers et les dossiers sélectionnés pour la lecture (Recherche dossier, recherche fichier ou sélection dossier) sont accessibles selon l'ordre où ils ont été gravés sur le support. Par conséquent, l'ordre dans lequel ils devraient jouer, peut ne pas correspondre à l'ordre dans lequel ils sont effectivement lus.

Vous pourriez être capable de régler l'ordre dans lequel les fichiers MP3/WMA seront lus en attribuant des noms de fichiers commençant par un chiffre de lecture en séquence comme « 01 » à « 99 ».

Par exemple, un support multimédia ayant la hiérarchie de dossier et de fichiers suivante est soumis à la recherche dossier, recherche fichier ou sélection dossier.

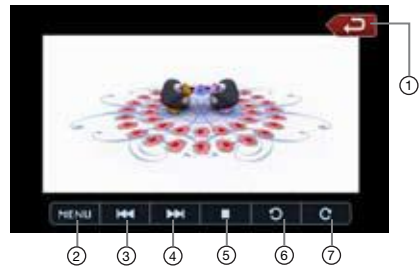
Consultez le diagramme ci-dessous.



Le lecteur ne reconnaîtra que trois niveaux de dossiers et n'affichera pas les dossiers contenant d'autres dossiers. Dans l'exemple ci-dessus, l'appareil affichera les dossiers 2, 3, 4, 5, et 7, mais pas le 1 ni le 6 puisqu'ils ne contiennent pas de dossiers.

## Menu de lecture d'images

Les images à l'écran varient selon les différentes fonctions de commandes.



- 1 - Bouton du menu principal
- 2 - Bouton Menu
- 3 - Bouton image précédente
- 4 - Bouton image suivante
- 5 - Bouton Arrêt
- 6 - Pivoter l'image dans le sens antihoraire
- 7 - Pivoter l'image dans le sens horaire

- Appuyez sur le bouton [▶▶▶] pour lire l'image suivante.
- Appuyez sur le bouton [◀◀◀] pour lire l'image précédente.
- Appuyez sur le bouton [■] pour arrêter la lecture d'image.
- Appuyez sur le bouton [◡] pour faire pivoter l'image de 90° dans le sens antihoraire.
- Appuyez sur le bouton [◢] pour faire pivoter l'image de 90° dans le sens des aiguilles d'une montre.
- Appuyez sur le bouton [MENU] pour retourner au menu racine du disque.
- Appuyez sur le bouton [↶] pour retourner au menu principal.

# Commandes radio satellite Sirius

Cette fonction est accessible lorsqu'un récepteur radio satellite Sirius fait l'objet d'un raccordement au moyen du connecteur exclusif. Cet appareil nécessite le récepteur suivant :

Le récepteur radio satellite SIRIUS modèle SC-C1

## Remarque :

La radio satellite SIRIUS comporte un service de souscription. Veuillez communiquer avec Radio Sirius pour lancer ou modifier votre souscription :

- Internet : [www.sirius.com](http://www.sirius.com)
- Téléphone : 888 539-SIRIUS (747487)

## Sélection du mode radio satellite

Appuyez sur le bouton **[SIRIUS]** sur l'écran du menu principal. L'ensemble passe alors en mode radio satellite Sirius. L'écran du mode Sirius apparaît.



- |                               |                                     |
|-------------------------------|-------------------------------------|
| 1 - Bouton de clavier         | 11 - Affichage sourdine             |
| 2 - Bouton de canal précédent | 12 - Signal satellite               |
| 3 - Bouton mémorisation       | 13 - Bouton catégorie suivante      |
| 4 - Bouton de canal suivant   | 14 - Nom de catégorie               |
| 5 - Bouton de balayage        | 15 - Bouton de catégorie précédente |
| 6 - Bouton de page précédente | 16 - Affichage de la source         |
| 7 - Bouton de page suivante   | 17 - Titre de la chanson            |
| 8 - Bouton EQ                 | 18 - Information sur l'artiste      |
| 9 - Bouton du menu principal  | 19 - Informations sur l'album       |
| 10 - Écran de l'horloge       | 20 - Bouton de balayage             |

## Renseignements affichés en cours de réception

Les renseignements suivants s'affichent lorsque le radio satellite ne fonctionne pas en mode normal de réception.

- Lorsque le récepteur fait l'objet d'une mise en fonction la première fois ou après une remise à zéro : **UPDATING (MISE À JOUR)** suivi d'un pourcentage de réussite.
- Lors de la syntonisation d'un canal (alors qu'aucun signal ne fait encore l'objet d'une réception) : **ACQUIRING SIGNAL (TRANSMISSION DU SIGNAL EN COURS)**
- Sélection d'un canal sans signal de radiodiffusion : **INVALID CHANNEL (CANAL ERRONÉ)**
- Canal non accessible en vertu de votre contrat : **CALL (COMPOSEZ) 888 539-SIRIUS**  
Composez le numéro 888 539-747487 pour mettre votre radio en activité.

- Canal hors plage horaire de diffusion : **OFF AIR (HORS DES ONDES)**
- Antenne débranchée ou endommagée : **ANTENNA ERROR (ERREUR ANTENNE)**

## Confirmation de votre code de radio

1. Appuyez sur le bouton **[#]** sur l'écran de menu SIRIUS pour afficher le pavé numérique. Entrez « 0 » et appuyez sur « **OK** ». Votre code radio (nombre à 12 chiffres) s'affiche alors à l'écran.
2. Appuyez sur le bouton **[Settings]** sur l'écran du menu SIRIUS pour accéder au menu de configuration.



2. Appuyez sur le bouton **[SID]**. Votre code SIRIUS (nombre à 12 chiffres) s'affiche alors à l'écran.

## Sélection des canaux

1. Appuyez sur le bouton **[Channels]** sur l'écran du menu SIRIUS pour accéder mode d'aperçu de la liste de canaux.
2. Sélectionnez le canal avec les boutons **[<<]** ou **[>>]**. Seuls les canaux sujets à réception font l'objet d'une sélection : Les canaux verrouillés et non accessibles par contrat font l'objet d'un saut de syntonisation. Le récepteur se met aussitôt à la recherche du canal précédent ou suivant auquel vous avez accès.



## Sélection d'un canal par numéro

1. Appuyez sur le bouton d'accès direct de l'écran de menu SIRIUS pour sélectionner directement le canal.
2. Saisissez le numéro du canal de la station désirée en appuyant sur les touches numériques de **[0]** à **[9]**. Si vous faites une erreur de saisie du numéro, vous pouvez la corriger en appuyant sur **[BACK]**.

Français  
Mode  
d'emploi

# Commandes radio satellite Sirius

## 3. Appuyez sur [OK].

Le canal radio fait alors l'objet d'une syntonisation.

### Sélection d'un canal par numéro

Le récepteur peut mémoriser jusqu'à vingt stations radio satellite. Pour accéder aux présélections, il suffit d'appuyer sur le bouton **Présélections**. Cette opération permet de stocker vos stations radio satellite préférées dans la mémoire du récepteur aux fins de rappel ultérieur.

1. Appuyez sur **[Preset...]** pour accéder à la liste permettant de choisir ou de sauvegarder vos présélections.

2. Appuyez sur **[▲]** ou **[▼]** pour voir la page précédente ou suivante.

\* Il existe cinq pages d'espace mémoire de présélection à votre disposition. Vous pouvez faire défiler les pages au moyen de la barre de défilement située à la droite de l'écran.

3. Appuyez sur **[Preset...]** pour revenir à l'écran précédent.

### Stockage automatique des présélections

1. Appuyez sur la touche de présélection correspondante et maintenez-la enfoncée pendant plus de deux secondes pour sauvegarder le canal de votre choix

2. Appuyez sur **[↵]** pour mémoriser le canal actuel.

### Effacement d'une présélection

1. Appuyez sur le bouton **[Preset...]** pour accéder au menu de présélections.

2. Appuyez sur le bouton de la présélection que vous désirez supprimer.

3. Appuyez sur le bouton **[DEL]** pour la supprimer.



### Réception de stations par catégorie

La radio satellite permet de sélectionner une catégorie de canaux de diffusion (contenu).

1. Appuyez sur **[Categories]** pour accéder au mode de catégorie.

2. Appuyez sur **[▲]** ou **[▼]** pour voir toutes les catégories valides.

3. Appuyez sur la touche Élément de catégorie souhaitée pour sélectionner la catégorie.

4. Il suffit d'appuyer momentanément sur l'écran pour sélectionner le canal de votre choix.

### Remarque :

Au moment d'accéder au mode sélection de la catégorie, la catégorie du dernier canal faisant l'objet d'une réception s'affiche en premier lieu à l'écran.



### Verrouillage de canaux (contrôle parental)

1. Appuyez sur **[Settings]** pour accéder à la liste de réglages.

2. Appuyez sur **[Lock]** pour accéder à la liste de verrouillage.

3. Appuyez sur **[▽]** pour voir la page suivante de la liste de verrouillage.

4. Appuyez sur l'élément de canal pour le verrouiller ou le déverrouiller.



### Établissement du mot de passe

1. Appuyez sur **[Settings]** pour accéder à la liste de réglages.

2. Appuyez sur **[Password]** pour accéder au mode de mot de passe.

3. Appuyez sur **[▲]** pour inscrire le mot de passe.

4. Appuyez sur **[↵]** pour supprimer le mot de passe.

5. Appuyez sur **[Settings]** pour retourner au menu SIRIUS.



### Remarque :

Si vous inscrivez des mots de passe, vous devez inscrire le bon code pour accéder à la liste de verrouillage. Lorsque vous tentez de verrouiller un canal avec le pavé numérique, l'écran de mot de passe s'affichera. Seule la saisie d'un code correct activera la syntonisation du canal, si le mot de passe est incorrect le dernier canal s'affichera.

# Commandes du système de navigation

## Présentation du logiciel de navigation

Le logiciel de navigation offre un guidage visuel et vocal détaillé pour vous aider à vous rendre à votre destination. Le logiciel calcule rapidement des directions pas à pas à n'importe quelle destination figurant dans la carte de navigation fournie.

Le logiciel de navigation utilise les satellites d'un système de positionnement mondial (GPS), et une base de données cartographiques numérique pour calculer et afficher les directions routières. L'antenne du système GPS reçoit des signaux provenant d'une constellation de 24 satellites en orbite autour de la terre et elle utilise les signaux les plus forts pour déterminer votre position à quelques mètres près.

### Position du véhicule

Le logiciel de navigation tient compte de la vitesse de déplacement du véhicule et des changements de direction, ainsi que des renseignements au sujet de la latitude et de la longitude pour établir précisément la direction et la position sur la carte numérique. Les signaux provenant des satellites GPS sont utilisés pour déterminer la position du véhicule. Les signaux de trois (bon) ou quatre (meilleur) satellites doivent être reçus pour établir précisément la position du véhicule. La qualité des signaux est indiquée par le symbole GPS sur la carte.

### Base de données cartographiques et de renseignements

La base de données cartographiques utilisée par le logiciel de navigation a été créée en collectant des données aériennes et de terrain haute résolution. Les cartes de navigation automobile sont fréquemment mises à jour. Bien que la base de données ait été jugée aussi précise que possible au moment de son lancement, une base de données cartographiques ne peut jamais être à 100 % précise. Les renseignements routiers qui sont maintenus dans la base de données cartographiques, tels que les restrictions relatives aux virages ou le nom des rues peuvent changer au fil du temps.

## Commandes de l'écran du menu principal

1. Activez le système de navigation en appuyant sur le bouton « NAVI » sur l'écran du menu principal ; un écran d'avertissement s'affichera. Appuyez sur le bouton pour accepter.
2. L'écran du menu principal de navigation apparaît.



3. L'écran du menu principal vous offre différentes options :

**Home Address (Domicile)** - Route vers le domicile.

**Go To... (Destination...)** - Sélectionnez une destination pour la navigation.

**Setup (Configuration)** - Configurez les préférences pour les itinéraires et l'affichage de navigation.

**Office Address (Travail)** - Route vers le travail.

**Trip Computer (Données de voyage)** -

Affichage de la vitesse, lecture de l'odomètre du trajet et du temps.

4. Utilisez les boutons de fonctions, décrits ci-dessous, pour faire fonctionner le système de navigation.



Zoom avant pour afficher une plus petite zone



Zoom arrière pour afficher une plus grande zone



Retour au mode de carte routière  
Affichage de la carte en 2D



Retour à l'écran précédent



Affichage du menu, retour au menu principal



Affichage de la carte en 3D



Sélection d'une position actuelle en mode panoramique



Renseignements sur la position actuelle sur la carte, mode d'éléments



Sélectionnez (cochez) l'élément actuellement en surbrillance



Affichage du mode d'épellation



Page précédente, page suivante dans la liste à l'écran.



Étape précédente ou étape suivante dans la liste de menu



Instructions vocales activées



Bouton de réinitialisation



Bouton d'annulation



Bouton de suppression (Déplacer le contenu de la cellule dans la poubelle)

## Route vers le domicile

1. Appuyez sur le bouton **Home Address (Domicile)** sur l'écran. Si l'adresse du domicile n'a jamais été inscrite, l'écran suivants'affichera.



2. Appuyez sur la coche pour afficher l'écran de configuration de l'adresse du domicile.



3. Sélectionnez l'une des options à l'écran pour configurer l'adresse. Une fois l'adresse configurée, elle sera mémorisée par le logiciel.
4. Si l'adresse est déjà mémorisée, l'écran apparaîtra avec l'adresse affichée, une fois que vous aurez appuyé sur le bouton **Home Address (Domicile)**.  
Point de départ



## Sélection d'une destination

Pour sélectionner une destination appuyez sur le bouton **Go To...** (destination) sur l'écran du menu principal. L'écran **Go To...** (destination) s'affiche.



Utilisez l'un des trois modes suivants pour commencer votre navigation :

- Address or Intersection (Adresse ou intersection)**
- Point of Interest (Point d'intérêt)**
- Favorites (Favoris)**
- History (Historique)**

### Mode d'adresse ou d'intersection


1. Si vous connaissez l'adresse, appuyez sur **Address or Intersection (Adresse ou intersection)**. Le clavier apparaîtra.



2. Appuyez sur la première lettre de la ville sur le clavier. Le nom de la ville apparaîtra à l'écran.
3. Appuyez sur la touche de  sélection. La liste de toutes les villes commençant par cette lettre s'affichera. Appuyez sur le nom de la ville désirée.






- Appuyez sur la touche «  (Rue) » pour afficher le nom de la rue. L'écran des rues s'affichera.



- Sélectionnez la rue en inscrivant le nom sur le clavier. La liste des rues commençant par ces lettres s'affichera. Appuyez sur les boutons Haut ou Bas pour parcourir la liste. Sélectionnez la rue.



Appuyez sur le bouton  pour retourner à l'écran du mode Rue.

- Appuyez sur le bouton  de code postal pour afficher le code postal.



Appuyez sur la touche de sélection pour afficher la liste de codes postaux. Sélectionnez le code désiré et appuyez sur la touche Retour.

**Mode par point d'intérêt**

- Utilisez l'option **Point of Interest (Points d'intérêt)** lorsque vous vous rendez dans un endroit public ou que vous cherchez un emplacement tel qu'une station service. Après avoir sélectionné l'option **Point of Interest (Points d'intérêt)** vous devez sélectionner l'état ou la province où se situe votre destination.

**REMARQUE :** Le système mémorise le dernier état ou la dernière province utilisé, cette étape n'est donc pas obligatoire à chaque fois.

- La recherche par **Point of Interest (Point d'intérêt)** peut être effectuée par catégories, par ville ou par nom.



- Utilisez le mode **Category (Catégorie)**, si vous cherchez un service ou un commerce, comme la station d'essence la plus proche.



- Mode **City (Ville)** - sélectionnez la ville en épelant son nom.



- Mode **Name (Nom)** - sélectionnez le nom en le tapant.



### Mode de coordonnées

Vous pouvez naviguer vers une destination en entrant directement la longitude et la latitude.



### Mode de favoris

Vous pouvez sélectionner votre itinéraire vers une destination en choisissant l'un des favoris présélectionnés dans le mode **Favorites (Favoris)**.



1. Le **Address Book (Carnet d'adresses)** est un endroit pratique pour mémoriser les destinations fréquemment visitées.



2. Le **Trail Book (Carnet d'itinéraires)** vous permettra de créer vos propres itinéraires de navigation.



3. **My POI (Mes POI)** vous permettra de créer et de sauvegarder vos points d'intérêt personnels.



4. Le **Trip Book (Carnet de voyages)** vous permettra de naviguer vers plusieurs destinations pendant un voyage.



### Modification des favoris

1. Appuyez sur ce bouton pour modifier les **Address Book (Carnet d'adresses)**, **Trail Book (Carnet d'itinéraires)**, **Trip Book (Carnet de voyages)**, **My POI (Mes POI)**. L'écran suivant apparaîtra.



2. Sélectionnez le mode à modifier. L'écran de modification s'affichera.

Écran de modification du **Address Book (Carnet d'adresses)** :





## Écran de modification du carnet d'itinéraires :



## Écran de modification du carnet de voyages :



## Écran de modification de mes Points d'intérêt :



## Mode d'historique

Les destinations précédemment entrées dans votre logiciel de navigation sont automatiquement inscrites dans la mémoire. Ceci est pratique pour retourner à une destination récente, comme un hôtel où vous avez séjourné. L'origine précédente du dernier itinéraire calculé est aussi mémorisée pour retourner facilement à votre point de départ.



## Configuration des préférences

Appuyez sur ce bouton pour configurer vos préférences de type d'itinéraire et de navigation. L'écran suivant apparaîtra. Sélectionnez le mode à utiliser.



1. Appuyez sur **Setup Routing Criteria (Sélection des critères d'itinéraire)** pour configurer vos préférences de conduite. Cochez les éléments favoris à l'écran.



2. Appuyez sur **Display Options (Options d'affichage)** pour configurer vos préférences d'affichage. Toutes les options sont énumérées sur 3 écrans. Cochez les éléments favoris sur la liste à l'écran.



- Appuyez sur **User Preferences (Préférences de l'utilisateur)** pour configurer vos préférences personnelles. Toutes les options sont énumérées sur 2 écrans. Cochez les éléments favoris sur la liste à l'écran.



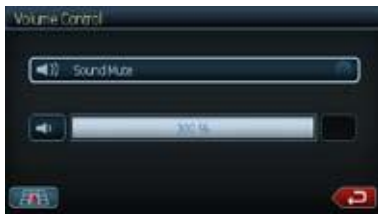
- Appuyez sur **Location Reset (Réinitialisation d'emplacement)** pour configurer vos préférences en matière d'emplacement. Sélectionnez l'élément que vous désirez réinitialiser à partir des options du menu.



- Appuyez sur le bouton **System (Système)**. L'écran suivant apparaîtra.



- Sélectionnez le mode **Volume**. L'écran vous permettra d'activer ou de désactiver le son du système.



- Sélectionnez le mode **Diagnostic GPS**. Les renseignements concernant l'état GPS s'afficheront sur l'écran.



- Sélectionnez le mode **Renseignements sur le système**. Les renseignements concernant votre système de navigation s'afficheront à l'écran.



### Configuration et guidage vers l'adresse au travail

Appuyez sur ce bouton et l'écran **Start Route (Point de départ)** apparaîtra.



Si l'adresse au travail n'est pas sauvegardée :

- Appuyez sur **Favorites** à l'écran **Go To**.
- Sur l'écran appuyez sur le bouton **Edit Favorites**. L'écran suivant apparaîtra.



- Appuyez sur le bouton **Office Address (ravail)**. L'écran **Set Office Address (Réglage de l'adresse au travail)** apparaîtra. Inscrivez les renseignements dans les éléments en surbrillance.



### Lectures des données de voyage et réinitialisation

Appuyez sur ce bouton pour afficher la vitesse, la lecture de l'odomètre et du temps.



1. Appuyez sur le bouton pour afficher les éléments d'information du voyage. L'écran suivant apparaîtra.



Appuyez sur les flèches pour monter ou descendre dans la liste ou pour changer de page et afficher d'autres éléments.



2. Appuyez sur l'élément de la liste pour le sélectionner.
3. Réinitialisez l'élément affiché en appuyant sur la touche de réinitialisation. L'écran suivant apparaîtra.



4. Appuyez sur le bouton pour accepter ou sur le bouton pour annuler et retourner à l'écran de données de voyage.

# 7. ACCESSOIRES

## Commandes iPod/iPhone

Les appareils iPod/iPhone peuvent être branchés avec le câble de branchement fourni avec l'iPod/iPhone, mais dans ce cas, vous ne pourrez entendre que le son. Pour visionner les films stockés dans l'iPod/iPhone avec l'image sur cet appareil, vous devez utiliser le câble de branchement spécial vendu séparément.

### Remarque :

- Ce système ne fonctionne pas ou risque de mal fonctionner s'il utilise des versions qui ne sont pas prises en charge.
- Pour des informations supplémentaires sur les modèles d'iPod/iPhone compatibles, consultez notre page d'accueil : [www.clarion.com](http://www.clarion.com)

### Remarques sur l'utilisation de l'iPod/iPhone de Apple

- Ne branchez pas un iPod/iPhone à cet appareil lorsque les écouteurs sont branchés à l'iPod/iPhone.
- Après le raccordement de l'iPod/iPhone à cet appareil, les boutons de commandes de l'iPod/iPhone sont désactivés pour le mode musique. En mode vidéo, ne pas utiliser les boutons de l'iPod/iPhone.
- En mode iPod, un écran spécial de commande iPod/iPhone s'affiche à l'écran, qui diffère des écrans principaux des autres modes.
- En mode iPod, l'image entrée par la connexion AUX est diffusée sur l'écran arrière.
- En l'absence de données, l'affichage du titre reste vierge.
- Le baladeur iPod s'utilise lorsque la commande de correction est hors fonction (OFF).
- Réglez la langue de l'iPod/iPhone à l'anglais avant de brancher votre iPod/iPhone. Certains caractères des autres langues peuvent s'afficher incorrectement dans ce système.
- **Précautions concernant la consommation de la pile :**  
Si l'iPod/iPhone est raccordé à cette unité lorsque la pile interne de l'iPod/iPhone est déchargée, il est possible que cette fonction ne marche pas correctement. Si la pile est déchargée, assurez-vous de la recharger avant de brancher l'iPod/iPhone à cet appareil.

### Sélection du mode iPod

1. Branchez votre iPod/iPhone par le connecteur USB. Le système détectera automatiquement le périphérique et passera au mode iPod. L'icône iPod s'affichera à l'écran du menu principal.



La lecture commencera où l'iPod/iPhone a été mis en pause.

- **Lorsqu'un iPod/iPhone est déjà branché**  
Appuyez sur **[USB]** sur l'écran du menu Pod. Le système passera au mode iPod (USB) et commencera la lecture à partir de la position précédente.

### Commande de l'iPod/iPhone

#### Boutons de commande

- Écran du mode audio iPod



- |                                 |                                  |
|---------------------------------|----------------------------------|
| 1 - Bouton répétition           | 11 - Bouton EQ                   |
| 2 - Bouton de lecture aléatoire | 12 - Bouton du menu principal    |
| 3 - Bouton piste précédente     | 13 - Écran de l'horloge          |
| 4 - Bouton de balayage          | 14 - Affichage lecture aléatoire |
| 5 - Bouton Lecture/Pause        | 15 - Affichage répétition        |
| 6 - Bouton vidéo iPod           | 16 - Affichage sourdine          |
| 7 - Bouton piste suivante       | 17 - Titre de la chanson         |
| 8 - Bouton Arrêt                | 18 - Information sur l'artiste   |
| 9 - Bouton de page précédente   | 19 - Informations sur l'album    |
| 10 - Bouton de page suivante    | 20 - Bouton de clavier           |

### Touche vidéo [ ]

- Permet de passer à l'écran de la sortie vidéo de l'iPod/iPhone.

### Remarque :

- Remarquez que tous les dispositifs iPod/iPhone ne sont pas compatibles avec la sortie vidéo reliée à cet appareil.

## Commandes iPod/iPhone

### Touche de lecture aléatoire [Shuffle] [X]

- Utilisée pour la mise en fonction ou hors fonction du mode lecture aléatoire. Une fois mis en fonction, ce mode favorise la lecture aléatoire des plages, peu importe leur ordre d'enregistrement initial.

### Bouton Lecture/Pause [II]

- Utilisé pour commander la lecture et la pause.
  1. Appuyez sur la touche en cours de lecture. La lecture s'interrompt.
  2. Pour reprendre la lecture, appuyez une autre fois sur le bouton.

### Bouton EQ [EQ]

- Utilisé pour accéder aux réglages du menu audio.

### Bouton de clavier [:::]

- Utilisé pour inscrire le numéro de sélection de la plage.

### Bouton répétition [C]

- Utilisé pour répéter la piste sélectionnée.

### Saut de lecture (recherche)

1. Appuyez sur le bouton [▶▶] ou [◀◀] en cours de lecture. Il se produit alors autant de sauts de lecture que vous appuyez de fois sur le bouton, après quoi la lecture commence.
  - Appuyez sur le bouton [▶▶] pour commencer la lecture depuis le début de la plage suivante.
  - Appuyez sur le bouton [◀◀] pour commencer la lecture depuis le début de la plage actuelle. Si on appuie de nouveau sur ce bouton dans les deux secondes environ, la lecture commence depuis le début de la plage précédente.

### Avance et recul rapide

Maintenez enfoncés les boutons [▶▶] ou [◀◀] sur l'écran du menu pour avancer ou reculer rapidement. La pression du bouton la première fois permet de faire défiler la musique à la vitesse 2x. Les pressions subséquentes permettent d'augmenter la vitesse de défilement de 4x, 8x et 16x. Relâchez le bouton pour rétablir la vitesse normale de lecture.

### Sélection d'un élément dans une liste

1. Appuyez sur l'icône d'affichage de listes dans le menu de sélection de l'iPod.
2. Appuyez sur l'élément de la liste à l'écran pour afficher la liste des plages correspondantes.
  - Utilisez [▲] ou [▼] pour faire défiler la liste.
3. Dans la liste, appuyez sur le nom de la plage que vous désirez lire.
  - Utilisez [▲] ou [▼] pour faire défiler la liste.

### Visionnement des données vidéo dans l'iPod/iPhone (exclusif aux iPod/iPhone comprenant des fonctions vidéo)

Lors du raccordement d'un iPod/iPhone comprenant des fonctions vidéo au moyen du câble de raccordement facultatif de ce dernier,

vous pouvez profiter des données vidéo et des données de diaporama stockées dans l'iPod/iPhone en les affichant à l'écran de cet appareil (et, à l'écran arrière, s'il y est raccordé).

### Remarque :

- *Ne raccordez pas l'iPod/iPhone à cet appareil lorsqu'un élément des listes de lecture vidéo fait l'objet d'une sélection sur l'iPod/iPhone.*
1. Appuyez sur [ ] de l'écran du menu audiode l'iPod. L'écran de lecture vidéo de l'iPod s'affiche.



2. Sélectionnez le genre de vidéo que vous désirez écouter en appuyant sur le côté droit du menu. La lecture de la vidéo commencera.

### Remarque :

*La lecture de vidéo n'est pas disponible sur tous les appareils iPod/iPhone. Consultez le détaillant Clarion pour les détails. Un câble de connexion optionnel ou un accessoire peut être requis pour cette fonction.*

3. Pour arrêter la lecture de la vidéo, appuyez sur l'écran. L'écran du menu de lecture vidéo de l'iPod s'affichera.
4. Appuyez sur le bouton [ ] audio (1) pour retourner au menu iPod.

### Remarque :

- *Le message « AUDIO ONLY (audio seulement) » s'affiche à l'écran lorsque le véhicule est en mouvement.*
- *La lecture de données d'images peut être impossible selon l'état de l'iPod.*
- *Le réglage du volume des données vidéo est plus bas que celui des données audio. Assurez-vous de baisser le volume avant de passer à un autre mode.*
- *Ne pas sélectionner les catégories qui ne comportent pas de plages enregistrées à partir du menu iPod. Ceci peut bloquer le fonctionnement de l'iPod/iPhone. Si un blocage de l'iPod/iPhone se produit, réinitialisez l'iPod/iPhone en suivant la procédure décrite dans le manuel de l'iPod/iPhone.*
- *La lecture audio peut être légèrement désynchronisée en rapport avec les images vidéo.*

## Commandes USB

Ce système peut lire des fichiers audio (MP3/WMA) stockés dans une clé USB reconnue comme « périphérique de stockage de masse USB ». Vous pouvez utiliser votre clé USB comme appareil audio en copiant simplement des fichiers audio sur celle-ci.

### Remarque :

- Ce système ne fonctionne pas ou risque de mal fonctionner avec certaines clés USB.
- Les fichiers protégés par une gestion numérique des droits (DRM) ne peuvent pas être lus.

### Remarques sur l'utilisation des clés USB

#### • Remarques générales

- En l'absence de données, le message « NO FILE (AUCUN FICHIER) » s'affichera.
- La clé USB est utilisée lorsque la fonction de correction est hors fonction (OFF).

#### • Remarques sur les fichiers MP3/WMA

- Ce système peut lire les fichiers MP3/WMA stockés dans la clé USB.
- Ce système ne peut pas lire les fichiers DivX stockés dans la clé USB.
- Réglez la fréquence d'échantillonnage à :  
Pour les fichiers MP3 :
  - MPEG1 couche 3 : 32, 44,1, ou 48 kHz
  - MPEG2 couche 3 : 16, 22,05, ou 24 kHz
  - MPEG2.5 couche 3 : 8, 11,025, ou 12 kHzPour les fichiers WMA : 32, 44,1, ou 48 kHz
- Réglez le débit binaire à :  
Pour les fichiers MP3 :
  - MPEG1 couche 3 : 32 à 320 kbps (débit binaire variable)
  - MPEG2 couche 3 : 16 à 160 kbps (débit binaire variable)
  - MPEG2.5 couche 3 : 16 à 160 kbps (débit binaire variable)Pour les fichiers WMA : 32,48, 64, 80, 96, 128, 160, ou 192 kbps
- Ajoutez les extensions de fichier suivantes en utilisant des caractères à un seul octet :  
Pour les fichiers MP3 : « .MP3 » ou « .mp3 »  
Pour les fichiers WMA : « .WMA » ou « .wma »

#### • Remarque sur la structure des dossiers

- La hiérarchie du dossier doit contenir moins de 8 niveaux hiérarchiques. Autrement la lecture est impossible.
- Le nombre maximum admissible de dossiers est de 200 (y compris le répertoire racine et les dossiers ne comprenant pas de fichier MP3/WMA).
- Le nombre maximum de fichiers admissibles dans un dossier est de 1500.
- Le maximum de fichiers alloués dans tous les répertoires est de 1500.
- Vous pouvez stocker des fichiers MP3 et WMA ensemble dans un dossier.

#### • Remarque sur les titres d'étiquette

Les limites des titres d'étiquette sont les mêmes que celles des modes MP3/WMA.

#### • Représentation des dossiers dans la liste des dossiers

Les limites sur la représentation des dossiers sont les mêmes que celles des modes MP3/WMA.

### Sélection du mode de clé USB

Branchez votre clé USB dans le connecteur USB. Le système détectera automatiquement le périphérique branché, passera au mode USB et commencera la lecture. Si vous rebranchez le même appareil que vous avez branché la dernière fois, le système commencera la lecture à l'endroit où il s'était arrêté.

#### • Lorsqu'une clé USB est déjà branchée

Appuyez sur [USB] pour sélectionner USB dans le mode de menu principal.

Le système passera au mode USB et commencera la lecture à l'endroit précédent.



### Lecture des fichiers de la clé USB

Les commandes du mode de clé USB sont les mêmes que celles des modes MP3/WMA. Consultez « Écoute d'un CD » pour plus de renseignements.

#### Remarque :

Lorsque vous utilisez la fonction d'avance rapide ou de recul rapide, la vitesse de lecture est 10 fois plus rapide. Pour les fichiers à débit binaire variable, elle sera différente selon le fichier.



## Commandes du lecteur audio Bluetooth

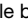
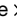
Certains téléphones cellulaires Bluetooth possèdent des fonctions audio et certains lecteurs audio portables supportent la fonction Bluetooth. Ces dispositifs seront appelés « Lecteurs audio Bluetooth » dans ce manuel.

Ce système peut lire les données audio stockées sur un lecteur audio Bluetooth.

### Remarque :

- Ce système ne fonctionne pas du tout ou incorrectement avec certains lecteurs audio Bluetooth.
- Pour des informations supplémentaires sur les lecteurs audio Bluetooth compatibles, consultez notre page d'accueil : [www.clarion.com](http://www.clarion.com)

### Sélection du mode Bluetooth

1. Appuyez sur le bouton [] pour afficher l'écran du menu principal.
2. Appuyez sur [**Bluetooth**] pour sélectionner le mode Bluetooth.  
Le système passe alors en mode Bluetooth. Si la connexion avec un lecteur audio Bluetooth est déjà établie, vous pouvez sélectionner la fonction de musique.
- Une fois la connexion avec un lecteur audio Bluetooth établie, l'icône  s'affiche en haut de l'écran.



### Paramètres du lecteur audio Bluetooth

#### Confirmation des informations Bluetooth et réglage du code secret

Vous pouvez confirmer les diverses informations concernant les fonctions de l'interface Bluetooth.

1. Appuyez sur [**Settings**] pour afficher les informations à l'écran.



2. Une fois les informations Bluetooth confirmées, appuyez sur [**BT Menu**] pour retourner à l'écran précédent.  
Si vous désirez changer le paramètre de code secret de l'unité, procédez de la manière suivante.
  - Le réglage par défaut de l'usine est « 1234 ».
3. Appuyez sur la boîte de texte de l'élément du code secret pour afficher l'écran du pavé tactile à 10 touches.
4. Saisissez votre code secret à quatre chiffres, puis appuyez sur [**OK**].

### Enregistrement de votre lecteur audio Bluetooth (Jumelage)

Vous pouvez enregistrer jusqu'à cinq lecteurs audio Bluetooth.

1. Mettez le lecteur audio Bluetooth que vous désirez enregistrer sous tension.
2. Appuyez sur [**Delete**] pour afficher l'écran de sélection d'appareil.



3. Appuyez sur [**Delete**] pour afficher l'écran d'ajout de l'appareil.
4. Appuyez sur la touche d'appareil souhaité pour sélectionner la touche du lecteur audio Bluetooth à enregistrer.
5. Si le système vous demande de saisir le code secret de votre lecteur audio Bluetooth, saisissez le code secret établi pour cette unité.
  - Vous pouvez changer le code secret de cette unité sur l'écran d'information Bluetooth.

Lorsque le processus de jumelage est terminé, le lecteur audio Bluetooth enregistré est réglé comme étant le dispositif actuel et l'écran revient à l'écran du mode Bluetooth.

**Remarque :**

- Vous ne pouvez pas enregistrer un même lecteur audio Bluetooth deux fois. Si vous désirez modifier l'appareil enregistré sur la touche, effacez d'abord le lecteur audio Bluetooth enregistré sur la touche d'appareil et enregistrez-y le nouvel appareil.

• **Pour supprimer l'enregistrement du lecteur audio Bluetooth**

1. Appuyez sur **[OK]**.
2. Appuyez sur la touche d'appareil que vous désirez supprimer. Un écran de confirmation s'affichera.
3. Appuyez sur **[Delete]** pour afficher l'écran de suppression d'appareil.

**Pour supprimer l'enregistrement du lecteur Bluetooth**

Pour remplacer le lecteur audio Bluetooth actuel par un autre appareil déjà enregistré, procédez de la manière suivante.

1. Appuyez sur **[Delete]** pour afficher l'écran de sélection d'appareil.
2. Appuyez sur l'appareil actuellement connecté, puis appuyez sur **[Cut]** pour déconnecter l'appareil actif.
3. Appuyez sur la touche d'appareil que vous désirez utiliser. Appuyez sur **[Connect]** pour qu'il devienne votre appareil actif. Le lecteur audio Bluetooth correspondant est établi comme le dispositif actuel.
  - Si le lecteur audio Bluetooth n'est pas sous tension, allumez-le.
  - Il est possible que le lecteur audio Bluetooth vous demande de reconnaître la connexion Bluetooth ou de saisir le code secret de l'unité. Réalisez ces opérations en suivant les explications du message affiché.
4. Touchez la touche **[BT Menu]** pour revenir à l'écran précédent.

**Contrôle du lecteur audio Bluetooth**

**Remarque :**

- De temps à autres, selon la situation, la lecture peut paraître fragmentée ou des bruits peuvent interférer.

**Lecture de musique**

Une fois la connexion avec un appareil audio Bluetooth établie, le mode de lecture est automatiquement en fonction.

- Si la lecture ne commence pas, appuyez sur la Touche **[▶]**.

**Pause de lecture**

1. Appuyez sur la touche **[||]** en cours de lecture. La lecture s'interrompt.
2. Pour reprendre la lecture, appuyez une autre fois sur le bouton **[▶]**. La lecture se poursuit.

**Saut de lecture (recherche)**

1. Appuyez sur le bouton **[◀◀]** ou **[▶▶]** pendant la lecture. Il se produit alors autant de sauts de lecture que vous appuyez de fois sur le bouton, après quoi la lecture commence.

**Avance et recul rapide**

1. Maintenez enfoncés les boutons **[◀◀]** ou **[▶▶]** pendant la lecture. Le système se met en mode de recul rapide ou d'avance rapide en appuyant sur le bouton. Si vous relâchez le bouton, la vitesse normale de lecture reprend.

**Commandes de téléphone Bluetooth**

Lorsque votre téléphone cellulaire Bluetooth se connecte, les fonctions suivantes sont disponibles sur cette unité

- Écoute de vos appels téléphoniques sur les haut-parleurs du véhicule.
- Réponse aux appels téléphoniques.
- Composition de numéro téléphonique à l'aide de l'écran du pavé tactile à 10 touches.
- Appels téléphoniques à l'aide des données de l'annuaire du téléphone cellulaire sélectionné.
- Appels téléphoniques à l'aide des données d'historique des appels effectués/reçus.

**Remarque :**

- Il se peut que certains téléphones cellulaires ne puissent pas transférer les données de leur annuaire.
- La transmission des données de l'annuaire peut prendre un certain temps. L'envoi d'appel est interrompu pendant la transmission de données.



- Vous pouvez parler au téléphone en utilisant le microphone interne. Si vous avez du mal à entendre votre interlocuteur en raison des conditions de communication ou du téléphone utilisé, servez-vous du microphone facultatif (RCB-199) et réglez le paramètre de sélection de microphone sur « External » (externe). Le son sera meilleur mais vous entendrez encore du bruit en fonction des conditions de communication.

### Sélection du mode BT Phone (téléphone Bluetooth)

1. Appuyez sur le bouton [] pour afficher l'écran de menu.
2. Appuyez sur [**Bluetooth**] pour sélectionner le mode Bluetooth.
3. Appuyez sur [**Téléphone**] pour sélectionner le mode BT Phone (téléphone Bluetooth). L'écran du téléphone s'affichera.
  - Une fois la connexion avec un téléphone Bluetooth établie, l'icône et l'indicateur de niveau de signal s'affichent en haut de l'écran.



### Paramètres de téléphone

#### Réglage des fonctions téléphoniques

1. Appuyez sur [**Settings**] pour afficher l'écran de réglage du téléphone.



2. Effectuez le réglage de l'élément désiré. Pour plus de détails, reportez-vous aux sections suivantes.
3. Touchez la touche [**Back**] pour revenir à l'écran précédent.

- **Réglage de la connexion automatique**  
Le système reconnecte automatiquement le téléphone cellulaire si la connexion échoue ou si le système est redémarré.
  - Le réglage par défaut de l'usine est OFF. Appuyez sur la touche [**ON**] or [**OFF**] de l'élément Automatic Connection pour régler la fonction sur ON (ACTIVÉE) ou OFF (DÉSACTIVÉE).

#### Sélection du microphone

Vous pouvez sélectionner le microphone à utiliser.

- Le réglage par défaut de l'usine est Internal (Interne). Appuyez sur [**External**] or [**Internal**] de l'élément Microphone Select pour régler la fonction.

#### Remarque :

- Lorsque **Internal** (interne) est sélectionné et que le téléphone sonne pendant que le tableau de commandes est ouvert, celui-ci est automatiquement fermé car le microphone se trouve sur le panneau de commande.
- Lorsque **Internal** (interne) est sélectionné, le bouton [**OPEN/CLOSE**] est désactivé pendant un appel.
- **Réglage de gain de microphone**  
Vous pouvez régler le niveau d'entrée du microphone sur cinq niveaux différents.
  - Le réglage par défaut de l'usine est 3.

#### Remarque :

- Le niveau d'entrée du microphone peut être affecté par l'environnement ambiant. Réglez le niveau lorsque l'interlocuteur a un problème de réception.

1. Appuyez sur le bouton d'indicateur de niveau de l'élément Microphone Gain pour régler le niveau d'entrée.

#### Confirmation des informations Bluetooth et réglage du code secret

Vous pouvez confirmer les diverses informations concernant les fonctions de l'interface Bluetooth.

1. Appuyez sur [**Settings**] de l'élément BT Info pour afficher les informations à l'écran.
2. Une fois les informations Bluetooth confirmées, appuyez sur [**BT Menu**] pour retourner à l'écran précédent. Si vous désirez changer le paramètre de code secret de l'unité, procédez de la manière suivante.
3. Appuyez sur la boîte de texte de l'élément du code secret pour afficher l'écran du pavé tactile à 10 touches.
  - Le réglage par défaut de l'usine est **1234**.
4. Saisissez votre code secret à quatre chiffres, puis appuyez sur [**OK**].

## Enregistrement de votre téléphone cellulaire (Jumelage)

Vous pouvez enregistrer jusqu'à quatre téléphones cellulaires.

1. Mettez le téléphone cellulaire que vous désirez enregistrer sous tension.
2. Appuyez sur **[Device]** pour afficher l'écran de sélection d'appareil.



3. Appuyez sur **[Add]** pour afficher l'écran d'ajout de téléphone cellulaire.
4. Appuyez sur la touche de téléphone cellulaire souhaité pour sélectionner la touche du téléphone cellulaire à enregistrer.
  - Vous ne pouvez pas sélectionner la touche d'un téléphone cellulaire déjà enregistré. Sélectionnez une touche de téléphone cellulaire non attribuée.
5. Si le système vous demande de saisir le code secret de votre téléphone cellulaire, saisissez-le.
  - Vous pouvez changer le code secret de cette unité via l'écran d'information Bluetooth sous l'écran de réglage du téléphone. Lorsque le processus de jumelage est terminé, le téléphone cellulaire enregistré est réglé comme téléphone actuel et l'écran affiche de nouveau l'écran de téléphone.

### Remarque :

- Vous ne pouvez pas enregistrer le même téléphone cellulaire deux fois. Si vous désirez modifier le téléphone cellulaire enregistré sur la touche, effacez d'abord le téléphone cellulaire enregistré sur cette touche, puis enregistrez-y le nouveau téléphone cellulaire.
- **Pour supprimer l'enregistrement du téléphone cellulaire**
  1. Appuyez sur **[Device]**.
  2. Appuyez sur la touche d'appareil que vous désirez supprimer. Un écran de confirmation s'affichera.
  3. Appuyez sur **[Delete]** pour afficher l'écran de suppression de téléphone cellulaire.

## Sélection de téléphone cellulaire

Pour remplacer le téléphone cellulaire actuel par un autre appareil déjà enregistré, procédez de la manière suivante.

1. Appuyez sur **[Device]** pour afficher l'écran de sélection d'appareil.
2. Appuyez sur l'appareil actuellement connecté, puis appuyez sur **[Cut]** pour déconnecter l'appareil actif.
3. Appuyez sur la touche d'appareil que vous désirez utiliser. Appuyez sur **[Connect]** pour qu'il devienne votre appareil actif. Le téléphone cellulaire correspondant est établi comme le téléphone actuel.
  - Si le téléphone cellulaire n'est pas sous tension, allumez-le.
  - Il est possible que le téléphone cellulaire vous demande de reconnaître la connexion Bluetooth ou de saisir le code secret de l'unité. Réalisez ces opérations en suivant les explications du message affiché.
4. Touchez la touche tactile **[Back]** pour revenir à l'écran précédent.

## Obtention des données de l'annuaire

L'envoi des données de l'annuaire du téléphone cellulaire vous permet d'effectuer des appels à l'aide de la fonction d'annuaire de cette unité.

1. Réalisez le transfert Object Push (envoi de fichiers) des données de l'annuaire du téléphone cellulaire actuel. Pour plus de détails sur cette opération, consultez le manuel du téléphone cellulaire.

### Remarque :

- Il se peut que certains téléphones cellulaires ne puissent pas transférer les données de leur annuaire.
- Certains téléphones cellulaires ne peuvent pas transférer les données de l'annuaire lorsque le mode mains libres est en fonction ou si le téléphone est enregistré en mode Bluetooth. Dans ces cas, désactivez ces fonctions sur le téléphone cellulaire avant de réaliser le transfert Object Push (envoi de fichiers).
- Certains téléphones cellulaires transfèrent les données de l'annuaire automatiquement.

## Commandes téléphoniques

### Remarque :

- Par mesure de sécurité, ce système désactive les fonctions d'appels lorsque le véhicule est en mouvement. Prenez soin d'arrêter le véhicule et de serrer le frein de stationnement avant d'effectuer un appel.

### Composition de numéro téléphonique à l'aide du pavé tactile à 10 touches

- Appuyez sur [Settings] pour afficher l'écran du pavé tactile à 10 touches.
- Saisissez le numéro de téléphone sur le pavé tactile à 10 touches sur l'écran.
- Appuyez sur la touche [↵] (Envoi) pour appeler le numéro composé.
  - L'écran d'interruption du téléphone suivant s'affiche durant l'appel.



- Appuyez sur la touche [📞] (privé) pour parler dans le téléphone cellulaire et annuler le mode mains libres. Pour retourner au mode mains libres, appuyez sur [📞] (privé).
- Lorsque l'appel est terminé, appuyez sur [↵] (fin) pour raccrocher. L'affichage retourne à l'écran de mode précédent, sélectionné avant d'entrer en mode BT Phone (téléphone Bluetooth).

### Remarque :

- Seul le téléphone cellulaire, l'écran d'interruption du téléphone pourra être fermé et la connexion avec ce système perdue en cas d'utilisation du mode privé.

### Appels téléphoniques à l'aide de l'annuaire

Vous pouvez utiliser les données de l'annuaire, obtenues du téléphone cellulaire, pour effectuer un appel sur cette unité.

### Remarque :

- Avant d'utiliser cette fonction, les données de l'annuaire doivent avoir été transmises du téléphone cellulaire.
  - Seuls les éléments de l'annuaire contenant au moins un numéro de téléphone sont affichés sur l'écran de l'annuaire.
- Appuyez sur [Contacts] pour afficher l'écran de l'annuaire.

- Appuyez sur la touche du nom de la personne que vous désirez appeler.
  - Utilisez les touches [▲] et [▼] pour faire défiler la liste.
  - Si vous touchez la touche de l'alphabet située à droite de l'écran, la liste défile jusqu'à l'élément commençant par cette lettre.
- Appuyez sur la touche du numéro que vous désirez composer.
- Appuyez sur [Call] pour appeler le numéro spécifié. L'écran d'interruption du téléphone s'affiche et l'appel commence.
  - Lorsque l'appel est terminé, appuyez sur [↵] (fin) pour raccrocher.

### Appels téléphoniques à l'aide de l'historique

Le système mémorise les données d'appels effectués/reçus. Vous pouvez les confirmer et les utiliser pour effectuer un appel depuis cette liste.

- Appuyez sur [Call Log] (journal des appels). La liste de l'historique s'affiche à l'écran.
  - Les éléments sont triés par appels Dialed (effectués), Missed (manqués) et Received (reçus).
  - Utilisez les touches [▲] et [▼] pour faire défiler la liste.
  - Touchez la touche [BT Menu] pour revenir à l'écran précédent.
- Appuyez sur l'élément de l'historique que vous désirez utiliser.
- Appuyez sur [Call] pour appeler le numéro. L'écran d'interruption du téléphone s'affiche et l'appel commence.
  - Lorsque l'appel est terminé, appuyez sur [↵] (fin) pour raccrocher.

### Réponse aux appels téléphoniques

Lorsqu'on vous appelle, l'écran d'interruption de téléphone suivant s'affiche.



Vous pouvez répondre à l'appel sur ce système en procédant de la manière suivante.

- Appuyez sur la touche [↵] (Envoi) pour répondre.
  - Lorsque l'appel est terminé, appuyez sur [↵] (fin) pour raccrocher.

# Commandes de radio HD Radio

Cette fonction est disponible si le syntoniseur de radio HD Radio est connecté.

Cette unité peut contrôler le syntoniseur de radio HD Radio suivant :

- Module de radio HD Radio (THD400)

### Remarque :

- *Veillez à déconnecter l'alimentation avant de connecter/déconnecter le syntoniseur de radio HD Radio.*
- *La radiodiffusion de HD Radio n'est pas disponible partout.*
- *Les stations HD Radio ne diffusent pas toujours de sous-canaux\*\**
- *Le volume des stations HD Radio peut varier. Augmentez progressivement le volume à partir du minimum après avoir sélectionné le canal. Assurez-vous de baisser le volume avant de passer à un autre mode ou canal.*

Vous trouverez des informations supplémentaires sur HD Radio à l'adresse [www.hdradio.com](http://www.hdradio.com)

## Écoute de la radio HD Radio

1. Appuyez sur le bouton **Tuner** sur l'écran du menu principal. L'écran du mode syntoniseur apparaît.
2. Appuyez sur le bouton **[BAND]** ou appuyez sur la touche **[Band]** sur la télécommande pour sélectionner la bande radio. À chaque pression sur le bouton, la bande de réception de la radio change dans l'ordre suivant : FM1, FM2, FM3, AM, FM1...



- |  |   |
|--|---|
| 1 - Indicateur stéréo                  | 13 - Touche iTunes TAG                                      |
| 2 - Force de signal                    | 14 - Syntonisation manuelle vers le haut                    |
| 3 - Nom de station                     | 15 - Touche de mémorisation auto/balayage de pré-sélections |
| 4 - État de radio HD Radio             | 16 - Balayage des canaux                                    |
| 5 - Horloge                            | 17 - Touche de sous-canaux de radio HD Radio                |
| 6 - Bouton du menu principal           | 18 - Syntonisation manuelle vers le bas                     |
| 7 - Liste de pré-sélections            | 19 - Touche de bande  |
| 8 - Touche de mode EQ                  | 20 - Recherche vers le bas                                  |
| 9 - Page de pré-sélections suivante    |   |
| 10 - Page de pré-sélections précédente |   |
| 11 - Écran de fréquence                |   |
| 12 - Recherche vers le haut            |   |

## Syntonisation de recherche

1. Appuyez sur le bouton **[BAND]** pour sélectionner la bande (FM ou AM).
2. Appuyez sur **[I◀◀]** ou **[▶▶]** pour chercher automatiquement une station.
  - Lorsqu'on appuie sur la touche **[▶▶]**, la recherche de station s'effectue vers les fréquences supérieures.
  - Lorsqu'on appuie sur la touche **[I◀◀]**, la recherche de station s'effectue vers les fréquences inférieures.

## Syntonisation manuelle

1. Appuyez sur le bouton **[BAND]** pour sélectionner la bande (FM ou AM).
2. Appuyez sur **[◀◀]** ou **[▶▶]** pour chercher automatiquement une station.
  - Lorsqu'on appuie sur la touche **[▶▶]**, la recherche de station s'effectue vers les fréquences supérieures.
  - Lorsqu'on appuie sur la touche **[◀◀]**, la recherche de station s'effectue vers les fréquences inférieures.
3. Pour une syntonisation rapide, maintenez enfoncées la touche **[◀◀]** ou la touche **[▶▶]** pour syntoniser une station.

## Rappel d'une station présélectionnée

Deux façons permettent de rappeler une station présélectionnée.

- Fonction de balayage des stations présélectionnées :
  1. Appuyez sur le bouton **[BAND]** pour sélectionner la bande désirée (FM ou AM) sur la télécommande.
  2. Appuyez momentanément sur la touche **[AS/PS]**. L'unité commencera à balayer les stations présélectionnées.
  3. Une fois la station présélectionnée trouvée, appuyez momentanément sur la touche **[AS/PS]**.

## Commandes de radio HD Radio

- Rappel manuel :
  1. Appuyez sur le bouton **[BAND]** pour sélectionner la bande désirée (FM ou AM) sur le syntoniseur.
  2. Appuyez sur le numéro de pré réglage (1 à 15) sur le syntoniseur. Appuyez sur **[▲]** ou **[▼]** pour sélectionner la station suivante ou précédente dans la liste de présélections.
  3. Appuyez sur la touche de Bande désirée pour sélectionner la bande que vous désirez mémoriser.
  4. Syntonisez la station que vous désirez mémoriser à l'aide de la recherche de syntonisation, la syntonisation manuelle ou la syntonisation présélectionnée.
  5. Touchez et maintenez le doigt sur la touche tactile de présélection pendant plus de 2 secondes pour mémoriser la station actuelle.
- 2. Appuyez sur **[PS]** pour lancer le balayage des stations présélectionnées. L'appareil commence le balayage séquentiel de chaque station sur laquelle il s'arrête 10 secondes.
- 3. Lorsque la station désirée est syntonisée, appuyez de nouveau sur la touche **[PS]** pour continuer à recevoir cette station.

### Fonction de sous-canaux de radio HD Radio

1. Appuyez sur **[HD]** pour basculer entre les sous-canaux disponibles. À chaque fois que la touche est enfoncée, la réception des sous-canaux change dans l'ordre suivant : HD1, HD2, HD3, HD4, HD1...
2. Vous pouvez mémoriser les sous-canaux que vous désirez en maintenant enfoncée pendant plus de 2 secondes la touche de présélection sur laquelle vous désirez mémoriser le sous-canal actuel.

**Remarque :** Toutes les stations n'ont pas de sous-canaux de diffusion HD Radio.

### Fonction de marquage iTunes

1. Appuyez sur **[TAG]** pour mémoriser les informations de la musique actuelle.
2. Vous pouvez mémoriser jusqu'à 64 marques lorsqu'un iPod/iPhone n'est pas connecté.
3. Lorsqu'un iPod/iPhone est connecté à l'unité, celle-ci transférera automatiquement les marques à l'iPod/iPhone.

**Remarque :** Toutes les radiodiffusions ne se prêtent pas au marquage. La fonction de marquage iTunes est seulement disponible pour les appareils iPod et iPhone de Apple.

### Mémoire manuelle

1. Touchez la touche tactile pour sélectionner la bande que vous désirez mémoriser.
2. Syntonisez la station que vous désirez mémoriser à l'aide de la recherche de syntonisation, la syntonisation manuelle ou la syntonisation présélectionnée.
3. Touchez et maintenez le doigt sur la touche tactile de présélection pendant plus de 2 secondes pour mémoriser la station actuelle.

### Mémorisation auto

La mémorisation automatique (AS) est une fonction permettant de mémoriser jusqu'à 15 stations syntonisées séquentiellement de façon automatique. Si 15 stations recevables ne sont pas reçues, une station précédemment mémorisée reste mémorisée à la position de mémorisation.

1. Appuyez sur **[Band]** pour sélectionner la bande désirée. (FM ou AM)
2. Touchez et maintenez le doigt sur la touche **[AS/PS]** pour amorcer la fonction de mémorisation automatique. Un bip retentit et les stations dont la réception est bonne sont automatiquement mémorisées aux canaux présélectionnés.

### Balayage des stations présélectionnées

Le balayage des stations présélectionnées permet de recevoir les stations mémorisées en ordre dans la mémoire de présélection. Cette fonction sert à rechercher la station désirée dans la mémoire.

1. Appuyez sur **[Band]** pour sélectionner la bande désirée. (FM ou AM)

## Commandes AUX In/AV In

Des périphériques externes, incluant une console de jeu, un caméscope, des appareils de navigation, iPod/iPhone, etc. peuvent être branchés au connecteur AUX IN à l'arrière de cet appareil en utilisant le câble média A/V.

### AVERTISSEMENT

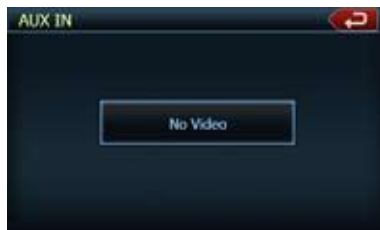
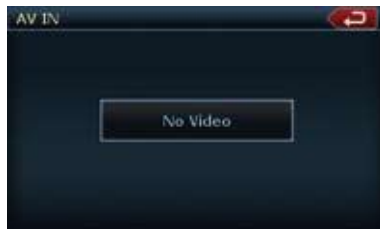
**Pour votre sécurité, le conducteur ne devrait pas regarder le magnétoscope ou un autre appareil auxiliaire et en utiliser les commandes pendant qu'il conduit son véhicule. Veuillez remarquer que, dans certains pays, il est interdit de regarder un magnétoscope ou un autre appareil auxiliaire et d'en utiliser les commandes en cours de conduite.**

### REMARQUE :

Aux fins de sécurité, l'appareil comporte une fonction de sécurité capable de mettre l'image hors fonction en cours de conduite de manière à ce qu'il soit possible d'entendre exclusivement le son. L'image ne devient accessible que lorsque la voiture est à l'arrêt et que le frein de stationnement est en fonction.

### Passage en mode AUX IN/AV IN

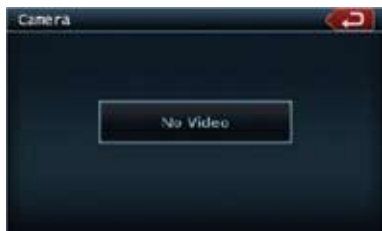
Appuyez sur le bouton **[AUX IN]** ou **[AV IN]** du menu principal pour sélectionner le mode désiré (lorsque l'appareil fait la lecture). L'écran ACL affichera la vidéo externe. L'écran affichera le menu « No Video (Pas de vidéo) » s'il n'y a pas de signal vidéo. Vous ne pouvez pas commander directement les appareils externes branchés aux entrées AUX IN ou AV IN.



## Commandes de l'entrée caméra

### Passage en mode Caméra

Appuyez sur le bouton **[Camera]** du menu principal pour sélectionner le mode désiré (lorsque l'appareil fait la lecture). L'écran ACL affichera la vidéo externe. L'écran affichera le menu « No Video (Pas de vidéo) » s'il n'y a pas de signal vidéo. Appuyez sur le bouton **[↩]** pour retourner au menu principal.



Lorsque le signal vidéo s'affiche, appuyez dans le coin supérieur droit pour retourner au menu principal.



## Commandes de configuration

Appuyez sur le bouton de configuration [Setup] à l'écran du menu principal. L'écran du menu de configuration s'affichera.

### Menu de configuration général



**Clock (Horloge)** : Appuyez sur ce bouton pour régler l'horloge. Sélectionnez le format d'affichage à 12 heures.

**AM/PM** : Appuyez sur le bouton pour passer de AM à PM, si le mode d'affichage à 12 heures est sélectionné.

**Beep (Bip)** : Cette fonction sert à activer ou désactiver le bip.

**Camera Image (Image caméra)** : Cette fonction permet de choisir le mode de l'image caméra normal ou miroir.

**Radio Field (Champ de radio)** : Cette fonction permet de choisir le mode radio adapté au pays où vous vous trouvez. Vous pouvez choisir parmi États-Unis, Europe, Afrique du Sud, autre.

**Aux In Input SW (Commutateur d'entrée**

**AUX IN)** : Cette fonction sert à choisir le commutateur d'entrée auxiliaire bas, moyen ou haut.

**Version** : Affiche les informations de version de logiciel.

### Menu de configuration vidéo

Ce menu inclut : Le format TV ; Aux IN ; Luminosité.



**Aspect Ratio (Format TV)** : Cette fonction permet de choisir le format de l'écran 4:3 ou 16:9.

**Aux IN (ENTRÉE AUX)** : Cette fonction permet de choisir le format de l'entrée AUX. Elle contient AUTO, PAL et NTSC.

**Brightness (Luminosité)** : Règle la luminosité entre 0 et 20.

### Menu de configuration audio

Ce menu inclut : fréquence des basses ; fréquence des aigus ; filtre du haut-parleur d'extrêmes-graves ; facteur de qualité des basses.



**Fréquence des basses (Bass Freq)** : Sélectionnez la fréquence des basses désirée. 60 Hz, 80 Hz, 100 Hz, 200 Hz.

**Fréquence des aigus (Treble Freq)** : Sélectionnez la fréquence des aigus désirée : 10 KHz/12,5 KHz/15 KHz/17,5 KHz.

**Filtre du haut-parleur d'extrêmes-graves** : Sélectionnez la fréquence du filtre du haut-parleur d'extrêmes-graves (Sub Filter) : 80Hz/120Hz/160Hz.

**Facteur de qualité des basses** : Sélectionnez le facteur de qualité des basses (Bass Q-Factor) : 1.0/1.25/1.5/2.0.

### Menu de configuration de la navigation

Ce menu inclut : GPS Time (Heure GPS), Time Zone (fuseau horaire) et DST (heure d'été).





# Commandes de configuration

**Heure GPS :** Utilisez cette fonction pour synchroniser ou non l'heure GPS. Elle comporte deux choix : Ignorer et synchroniser.

**Fuseau horaire :** Sélectionnez le fuseau horaire : NTF, atlantique, est, centre, Rocheuses, pacifique, Alaska.

**HA :** Utilisez cette fonction pour activer ou désactiver l'heure d'été.

## Configuration divers

Ce menu inclut : Calibration de l'écran tactile ; Réglage du mot de passe ; Contrôle parental.

**Calibration de l'écran tactile :** Cette fonction sert à activer ou désactiver la calibration de l'écran tactile.

**Réglage de mot de passe :** Cette fonction sert à régler le mot de passe pour le contrôle parental.

**Contrôle parental :** Cette fonction sert à régler la catégorie d'âge. Elle contient Kid Saf/G/PG/PG- 13/PG-R/R/NC- 17/Adulte.

**Mise à jour du logiciel :** Sélectionnez cette fonction pour mettre à jour le logiciel.

**Mise à jour du logiciel NAV :** Sélectionnez cette fonction pour mettre à jour le logiciel NAV.

**Restaurer les paramètres par défaut :** La fonction sert à charger les paramètres par défaut ou non.

## Menu téléphone

Si vous recevez un appel téléphonique et que Bluetooth est activé, l'écran du menu d'interruption du téléphone apparaîtra.

1. Appuyez sur le coin supérieur droit de l'écran pour retourner au menu principal.
2. Appuyez sur le bouton **[Setup]** pour sélectionner la sourdine du téléphone et le haut-parleur téléphone.

## Configuration EQ



N°	Nom du bouton	Fonction
1	Nom du titre	Affiche le nom du titre
2	Bouton du menu principal	Fermer le menu de réglage Audio.
3	EQ	Mode de configuration EQ
4	BASS	Règle la valeur des basses
5	TREBLE	Règle la valeur des aigus
6	BALANCE	Réglage de la balance
7	FADER	Réglage de l'équilibrage avant/arrière
8	SUB	Règle la valeur des extrêmes graves
9	LOUDNESS	Active ou désactive la fonction loudness

## Menu de fermeture de l'écran

Appuyez sur **[Monitor OFF]** pour éteindre temporairement l'écran. Appuyez sur l'écran pour ouvrir l'écran.



# 8. DÉPANNAGE

## GÉNÉRALITÉS

Problème	Cause	Solution
Pas d'alimentation électrique. (Aucun son n'est produit.)	Le fusible est grillé.	Remplacez-le par un fusible de même ampérage. Si le fusible grille à nouveau, consultez votre détaillant.
	Câblage inadéquat	Consultez votre détaillant.
Il ne se passe rien lorsqu'on appuie sur les boutons.  L'affichage est incorrect.	Le microprocesseur a eu un dysfonctionnement dû aux bruits, etc.	Coupez l'alimentation électrique et ouvrez le panneau de commande. Appuyez sur le bouton de réinitialisation avec une tige mince. <b>Remarque :</b> <i>Lorsque vous appuyez sur le bouton de réinitialisation, coupez l'alimentation ACC.</i> *Lorsque vous appuyez sur le bouton de réinitialisation, les fréquences des stations radio, les titres, etc. enregistrés dans la mémoire sont effacés.
La télécommande ne fonctionne pas.	La partie sensible à la lumière de la télécommande a reçu trop de soleil direct.	Lorsque les rayons du soleil tombent directement sur la partie sensible à la lumière de la télécommande, il est possible qu'elle ne fonctionne pas.
	Les piles de la télécommande sont épuisées ou il n'y a pas de piles dans la télécommande.	Vérifiez les piles de la télécommande.

## LECTEUR DVD

Problème	Cause	Solution
Il est impossible de charger le disque.	Un autre disque est déjà chargé.	Éjectez le disque avant d'en charger un autre.
	Il y a un corps étranger déjà en place.	Éjectez le corps étranger en insistant.
Le son se coupe ou il est bruyant.	Le disque est sale.	Nettoyez le disque avec un linge doux.
	Le disque est très égratigné ou déformé.	Remplacer le disque par un disque sans égratignures.
Le son est mauvais au moment de la mise en marche.	Des gouttelettes d'eau peuvent se former sur la lentille intégrée lorsque le véhicule est stationné dans un endroit humide.	Laissez sécher environ une heure avec l'appareil sous tension.
L'image ne s'affiche pas.	Le frein de stationnement n'est pas serré.	Assurez-vous que le frein de stationnement est bien serré.
Le disque n'est pas lu et l'écran affiche « <b>PARENTAL VIOLATION</b> » (violation du contrôle parental).	Le film excède le niveau de contrôle parental.	Annulez la limite de visionnement ou modifiez le niveau de contrôle parental. Consultez le paragraphe « Configuration du niveau parental »

## APPAREIL USB

Problème	Cause	Solution
L'appareil USB ne peut pas être inséré.	L'appareil a été inséré dans le mauvais sens.	Inversez le sens du branchement de l'appareil USB et réessayez.
	Le connecteur USB est défectueux.	Remplacez-le par un nouvel appareil USB.
L'appareil USB n'est pas reconnu.	L'appareil USB est endommagé.	Débranchez l'appareil USB et rebranchez-le à nouveau. Si l'appareil n'est toujours pas reconnu, essayez de le remplacer par un autre appareil USB.
	Les connecteurs sont desserrés.	
Aucun son et l'écran affiche « No File (AUCUN FICHER) ».	Aucun fichiers MP3/WMA stockés dans l'appareil USB.	Stockez ces fichiers correctement dans l'appareil USB.
Le son se coupe ou il est bruyant.	Les fichiers MP3/WMA ne sont pas encodés correctement.	Utilisez des fichiers MP3/WMA encodés correctement.
L'image vidéo de l'iPod/iPhone est mauvaise.	Le réglage du signal TV de l'iPod/iPhone n'est pas réglé correctement.	Réglez le signal TV (NTSC/PAL) de l'iPod/iPhone correctement.

## 9. ÉCRAN D'AFFICHAGE DES ERREURS

Si une erreur se produit, l'un des écrans suivants s'affichera. Essayez la solution proposée décrite ci-dessous pour résoudre le problème.

### LECTEUR DVD

Affichage	Cause	Solution
<b>BAD DISK (MAUVAIS DISQUE)</b>	Un disque est bloqué dans le lecteur et ne s'éjecte pas.	C'est un bris du mécanisme du lecteur DVD, consultez votre détaillant.
<b>BAD DISK (MAUVAIS DISQUE)</b>	Un disque est impossible à lire à cause des égratignures, etc.	Remplacez-le par un disque sans égratignures et non déformé.
<b>BAD DISK (MAUVAIS DISQUE)</b>	Un disque est chargé à l'envers dans le lecteur DVD et la lecture est impossible.	Éjectez le disque et le recharger correctement.
<b>PARENTAL VIOLATION (VIOLATION DU CONTRÔLE PARENTAL)</b>	Erreur de niveau de contrôle parental	Configurez le bon niveau de contrôle parental.
<b>WRONG REGION (MAUVAISE RÉGION)</b>	Erreur de code de région	Éjectez le disque et remplacer le bon code de région.

Pour toute autre erreur affichée, différente de celles décrites ci-dessus, appuyez sur le bouton de réinitialisation. Si le problème persiste, éteignez l'appareil et consultez votre détaillant.

\* Lorsque vous appuyez sur le bouton de réinitialisation, les fréquences des stations radio, les titres, etc. enregistrés dans la mémoire sont effacés.

# 10. CARACTÉRISTIQUES TECHNIQUES

## Syntoniseur FM

Plage de fréquences : 87,9 MHz à 107,9 MHz  
Sensibilité utile : 8 dB $\mu$ V  
Seuil de sensibilité à 50 dB : 14 dB $\mu$ V  
Sélectivité des canaux secondaires : 70 dB  
Séparation des canaux : 25 dB (1 kHz)  
Réponse en fréquence : 30 Hz à 15 kHz

## Syntoniseur AM

Plage de fréquences : 530 kHz à 1 710 kHz  
Sensibilité utile : 28 dB $\mu$ V

## Système de lecteur DVD

Ensemble lecteur de disque numérique polyvalent avec possibilité de lecture des CD audio  
Disques compatibles :  
Disque DVD vidéo, disque compact  
Réponse en fréquence : 20 Hz à 20 kHz  
Rapport signal-bruit : 95 dBA (1 W eff.)  
Dynamique : 95 dB (1 kHz)  
Distortion : 0,05 %  
Système vidéo : NTSC

## Navigation

Mémoire : mémoire flash NAND  
Mise à jour de plateforme : USB  
TTS (Texte à parole) : Annonce du nom des rues  
Menu chercher : Adresse, POI, Historique, Coordonnées, Favoris, Plan sur carte  
POI : 12 millions  
Types de routes : Routes non pavées, autorisation spéciale requise, autoroutes, péages, traversiers, traverse de frontières, voies de covoiturage

## Entrée Audio/Vidéo

Tension d'entrée audio : 300  $\mu$ V $r_{ms}$  (basse)  
Tension d'entrée audio : 600  $\mu$ V $r_{ms}$  (moyen)  
Tension d'entrée audio : 950  $\mu$ V $r_{ms}$  (haut)  
Tension d'entrée vidéo : 1,0 V crête à crête @75  $\Omega$

## Sortie Audio/Vidéo :

Impédance de sortie audio : 10 k $\Omega$   
Tension de sortie vidéo : 1,0 V crête à crête @75  $\Omega$

## Écran d'affichage à cristaux liquides (ACL)

Taille de l'écran NX500 : écran large 6,5 pouces  
Pixels : 280 800  
Définition : 1200 x 234 (RVB)  
Taille de l'écran NZ500 : écran large 7 pouces  
Pixels : 336 960  
Définition : 1440x234 (RVB)

## Généralités

Tension de la source d'alimentation : 14,4 V c.c. (de 10,8 à 15,6 V admissibles)  
Mise à la terre : Négative  
Consommation de courant : 4,0 A @1 W (57,6 W @1 W)  
Courant nominal de l'antenne automatique : 500 mA ou moins  
Dimensions du NX500 :  
7 po (178 mm) largeur, 3 15/16 po (100 mm) hauteur, 7 po (179 mm) profondeur  
Poids du NX500 : 3,5 kg  
Dimensions du NZ500 :  
7 po (178 mm) largeur, 2 po (50 mm) hauteur, 7,5 po (191.5 mm) profondeur  
Poids du NZ500 : 3,5 kg  
Dimensions de télécommande :  
2 1/8 po (54 mm) largeur x 9/16 po (14 mm) hauteur  
4 13/16 po (122 mm) profondeur  
Poids de télécommande : 50 g (incluant la pile)

## Remarque :

- Spécifications conformes aux normes JEITA Normes.
- Spécifications et conception modifiables sans préavis aux fins d'amélioration ultérieure.

## Puissance de sortie :

18 W eff. x 4 Canaux à 4  $\Omega$   
et 1 % THD+N

## Rapport signal-bruit :

85 dBA (référence : 1 W en 4  $\Omega$ )



# MANUEL D'INSTALLATION ET DE CÂBLAGE

## TABLE DES MATIÈRES

1. Avant de commencer .....	116
2. Contenu de l'emballage .....	116
3. Précautions générales.....	116
4. Précautions pour l'installation.....	117
5. Installation de l'unité principale.....	118
6. Mises en garde de câblage .....	120
7. Câblage .....	121

### 1. Avant de commencer

1. Cet ensemble est destiné uniquement aux véhicules équipés d'une borne négative à la masse et d'une alimentation de 12 V.
2. Lisez attentivement les présentes instructions.
3. Prenez soin de débrancher la borne négative (-) de la batterie avant de commencer. Cette opération préliminaire vise à prévenir les courts-circuits lors de l'installation. (Figure 1)

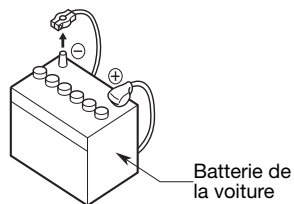


Figure 1

### 2. Contenu de l'emballage

Ensemble principal .....	1	Anneau de garniture 2DIN	
Antenne GPS.....	1	200 mm de largeur .....	1
Faisceau de câbles.....	1	Courroie arrière.....	1
Câble audio/vidéo .....	1	Boulons pour montage encastré...4	
Câble de rallonge USB.....	1	Boulons à chapeau.....	4
Télécommande.....	1	Goujon et butée de radio arrière ...1	
Pile (CR2025).....	1	Chiffon de nettoyage .....	1
(installée dans la télécommande)		Carte de garantie.....	1
Anneau de garniture 2DIN .....	1	Mode d'emploi et	
		manuel d'installation .....	1

### 3. Précautions générales

1. Ne pas ouvrir le boîtier. Il renferme des pièces non réparables par l'utilisateur. Si un objet tombe dans l'appareil pendant l'installation, consultez votre détaillant ou communiquez avec un centre de réparations Clarion agréé.
2. Servez-vous d'un chiffon sec et doux aux fins de nettoyage du boîtier. Ne jamais utiliser de chiffon rugueux, de diluant, de l'alcool ou des produits du genre. Pour enlever la poussière tenace, imbinez un chiffon doux d'un peu d'eau chaude ou froide et enlevez doucement la poussière en essuyant.

## 4. Précautions pour l'installation

1. Avant de commencer, préparez toutes les pièces nécessaires pour installer l'unité de source.
2. Ce modèle comporte un panneau de commande qui se glisse vers l'avant. Sur certains types de véhicules, le panneau de commande peut toucher au tableau de bord ou au levier de changement de vitesse, dans ce cas il est impossible de l'installer. Avant l'installation, vérifiez que l'unité ne gênera pas le fonctionnement du levier de changement de vitesse et qu'il n'obstruera pas votre vision avant de choisir l'emplacement d'installation. (Figure 2)
4. S'il est nécessaire d'effectuer certains travaux sur la carrosserie comme percer des trous, consultez d'abord votre concessionnaire automobile.
5. Utilisez les vis fournies pour l'installation. L'utilisation d'autres vis peut causer des dommages. (Figure 4)

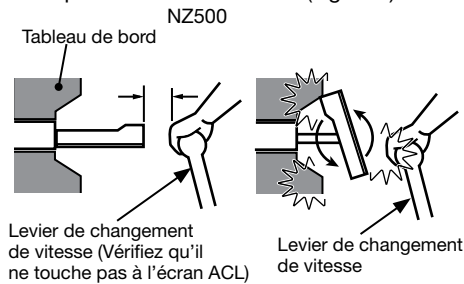


Figure 2

3. Installez l'appareil avec un angle inférieur à 30° par rapport à l'horizontale. (Figure 3)

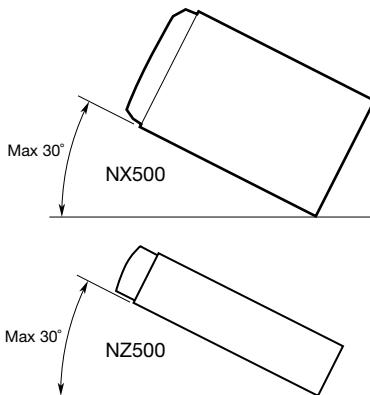


Figure 3

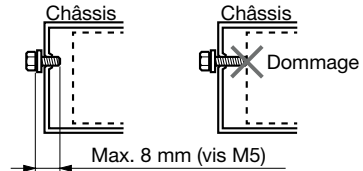


Figure 4

## 5. Installation de l'unité principale

Cet appareil est conçu pour être installé de manière fixe dans le tableau de bord.

1. Pour installer l'unité principale dans un véhicule NISSAN utilisez les pièces fixées à l'unité et suivez les directives de la figure 6. Pour installer l'unité principale dans un véhicule TOYOTA

utilisez les pièces fixées au véhicule et suivez les directives de la figure 7.

2. Câblez comme montré dans la section 7.
3. Remontez et fixez l'unité dans le tableau de bord et installez le panneau frontal et le panneau central.

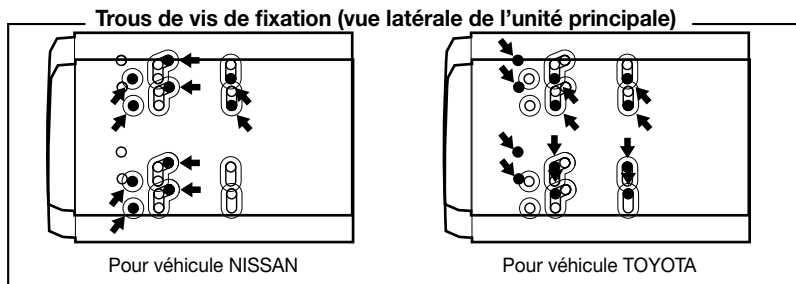


Figure 5

### Installation de l'unité principale dans un véhicule NISSAN

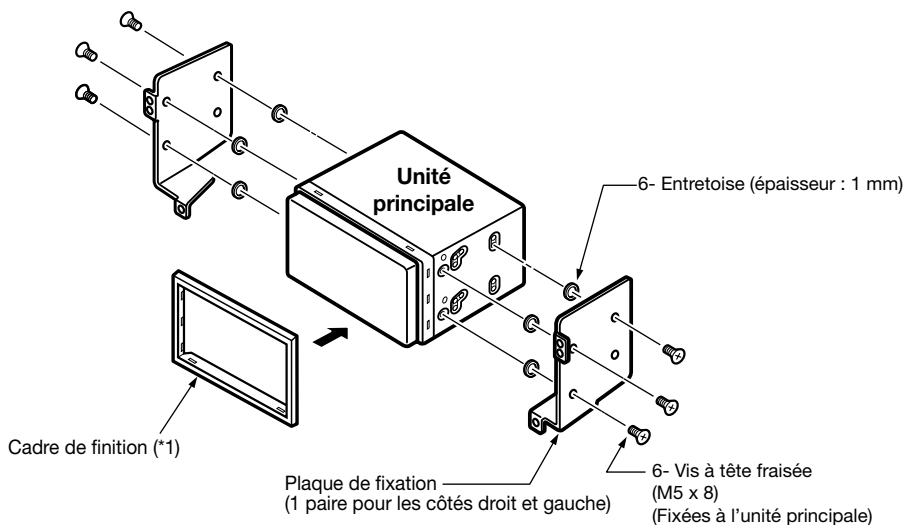


Figure 6

#### Remarque :

- \* 1: Placez le panneau frontal pour que le côté le plus large se retrouve en bas. Faites correspondre le bord avec la rainure de l'unité principale.

## Installation de l'unité principale dans un véhicule TOYOTA

Installez l'unité au moyen des pièces appartenant au véhicule. (Les vis identifiées par ★ appartiennent au véhicule.)

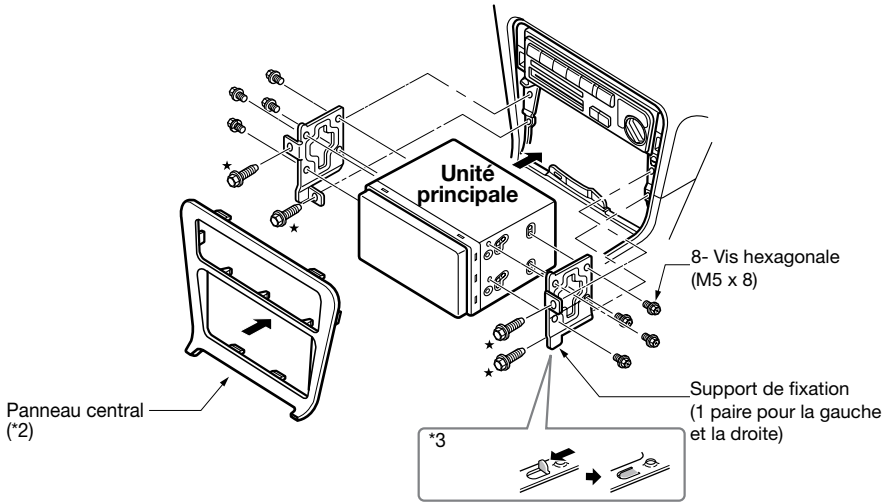
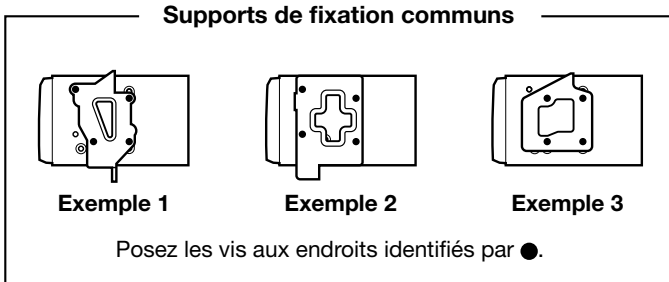


Figure 7

\*2 Certaines ouvertures du panneau sont trop petites pour l'unité selon le type et le modèle du véhicule. Dans ce cas, limez les bords supérieur et inférieur du cadre du panneau de 0,5 à 1,5 mm pour pouvoir insérer l'unité sans difficulté.

\*3 Si un crochet du support d'installation gêne la pose de l'unité, courbez et aplatissez-le avec une pince ou l'équivalent.



### Véhicules autres que NISSAN et TOYOTA

Dans certains cas, le panneau central doit être modifié. (découpe, limage, etc.)

#### • Dépose de l'unité principale

Pour déposer l'unité principale, déposez-la dans l'ordre inverse de « L'INSTALLATION DE L'UNITÉ PRINCIPALE ».

## 6. Mises en garde de câblage

1. Coupez la tension avant de procéder au câblage.
2. Faites bien attention lorsque vous acheminez les câbles. Éloignez-les du moteur, du tuyau d'échappement, etc., la chaleur peut endommager les câbles.
3. Si le fusible brûle, vérifiez si le câblage est correct. Si le fusible est grillé, remplacez-le avec un fusible neuf de même ampérage que le fusible d'origine (Fusible 15A).
4. Pour remplacer le fusible, retirez l'ancien fusible à l'arrière de l'appareil et insérez-en un nouveau. (Figure 8).

### REMARQUE :

*Il existe divers types de porte-fusible. Il ne faut pas que le côté batterie touche d'autres pièces métalliques.*

### ⚠ ATTENTION

**Une fois raccordé, fixez le cordon avec une agrafe ou du ruban isolant pour le protéger.**

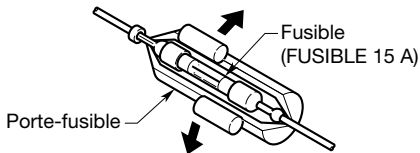


Figure 8

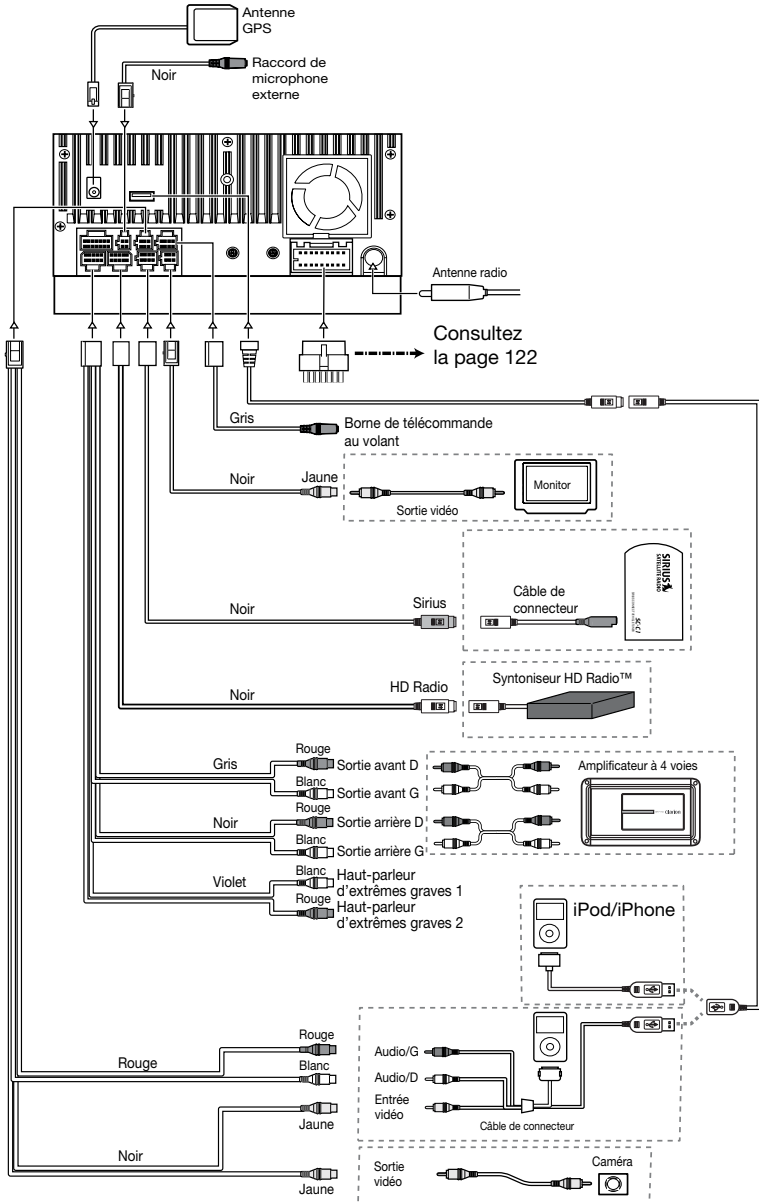


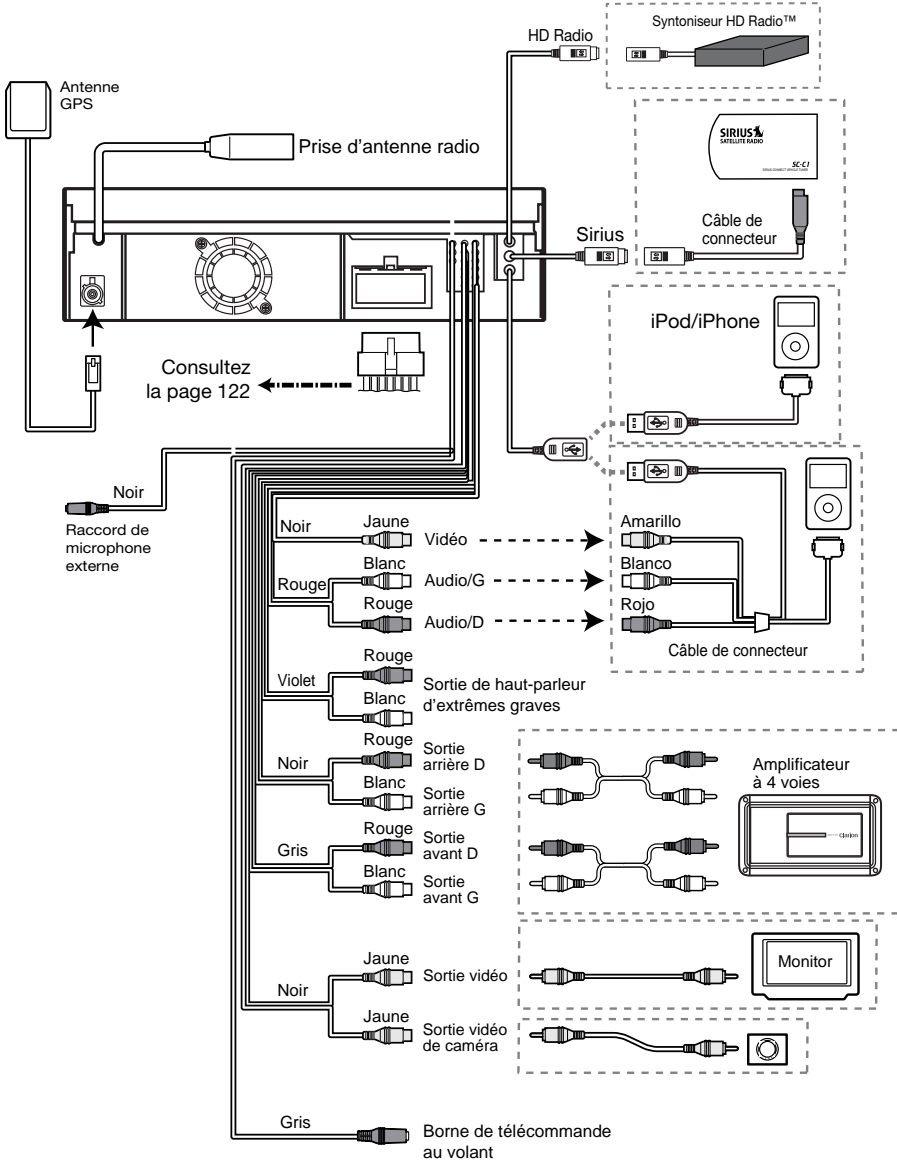
## 7. Câblage

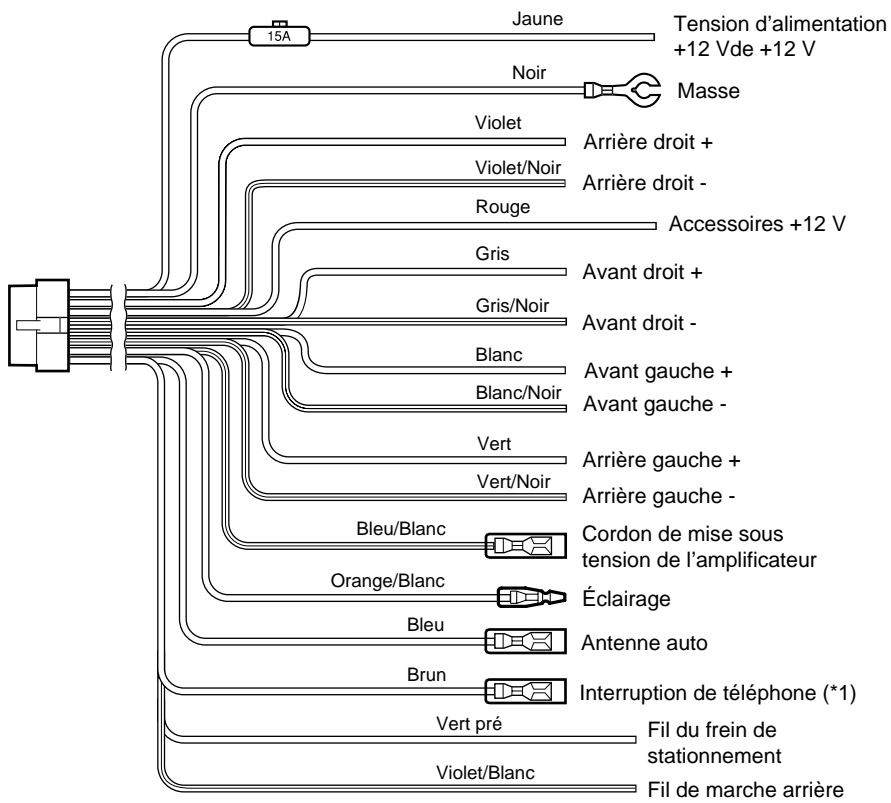
### Remarque :

- Avant l'installation, vérifiez que le câble négatif de la batterie du véhicule est débranché.
- Dans les dispositifs en options, les câbles RCA et les câbles de connecteurs sont des éléments vendus séparément.

### NX500







**Remarque :**

\*1: Raccordement de la borne PHONE INTERRUPT (interruption téléphone)  
L'interrupteur du téléphone coupe le son si le fil reçoit un signal négatif ou de masse.

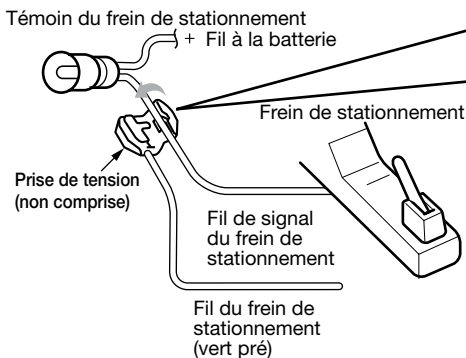
Reportez-vous à la page suivante pour la façon de raccorder le fil du frein de stationnement.

## Branchement du fil du frein de stationnement

Branchez le fil à la masse du témoin de frein de stationnement dans le tableau de bord.

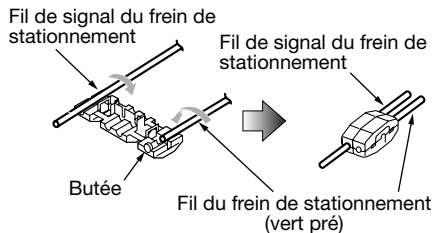
### Remarque :

- Le branchement du fil du frein de stationnement à la masse du témoin vous permet de visionner l'entrée vidéo iPod/iPhone/DVD vidéo/AV lorsque le frein de stationnement est serré.
- Lorsque le fil du frein de stationnement n'est pas branché, aucune source vidéo n'apparaît sur l'écran.
- Si « **AUDIO ONLY** » (audio seulement) apparaît sur l'écran juste après la mise sous tension des accessoires de la voiture, desserrez le frein de stationnement pour confirmer la sécurité, puis serrez de nouveau le frein de stationnement.



### Fixation d'une prise de tension (non comprise)

1. Placez le fil du frein de stationnement à la butée et repliez-le dans le sens de la flèche.
2. Placez le fil de signal du frein de stationnement à travers, et repliez-le dans le sens de la flèche.



## Raccordement des accessoires

### • Raccordement à l'amplificateur externe

Les amplificateurs externes peuvent être raccordés aux connexions de sortie RCA des 6 voies. Vérifiez que les connecteurs ne sont pas mis à la masse ou court-circuités pour ne pas endommager l'unité.

### • Branchement d'un iPod/iPhone

L'iPod/iPhone peut être connecté à la connexion iPod/iPhone spécialisée de l'unité principale. Pour plus de renseignements, reportez-vous à la fiche d'instructions ou au manuel pour le câble du iPod/iPhone.

### Remarque :

- Cette unité ne prend pas en charge toutes les fonctions de l'iPod/iPhone.
- Les connexions iPod/iPhone chargent votre iPod/iPhone à moins que sa pile ne soit complètement déchargée. Si le câble spécifié du téléphone cellulaire est connecté au câble d'interruption du téléphone de l'unité principale, le silence audio est activé lors de l'utilisation du téléphone cellulaire.
- **Branchement d'un récepteur radio satellite Sirius**  
Pour raccorder un récepteur de radio satellite Sirius, utilisez le connecteur spécialisé. Pour plus de renseignements, reportez-vous au manuel d'utilisation du récepteur de radio satellite Sirius.

## **INFORMACIÓN DE REGISTRO DE LOS PRODUCTOS CLARION**

Para Estados Unidos y Canadá solamente

**[www.clarion.com](http://www.clarion.com)**

Estimado cliente:

Felicitaciones por haber comprado un producto electrónico móvil Clarion. Estamos seguros de que disfrutará de la experiencia Clarion.

Gozará de muchos beneficios al registrar su producto. Para hacerlo, lo invitamos a visitar nuestro sitio web en [www.clarion.com](http://www.clarion.com).

Hemos simplificado el registro de los productos a través de nuestro práctico sitio web.

El formulario de registro es breve y fácil de completar. Una vez realizado el trámite, lo podremos mantener informado con las importantes novedades del producto.

Regístrese en **[www.clarion.com](http://www.clarion.com)**: un modo fácil de mantener su producto Clarion actualizado.

# Índice

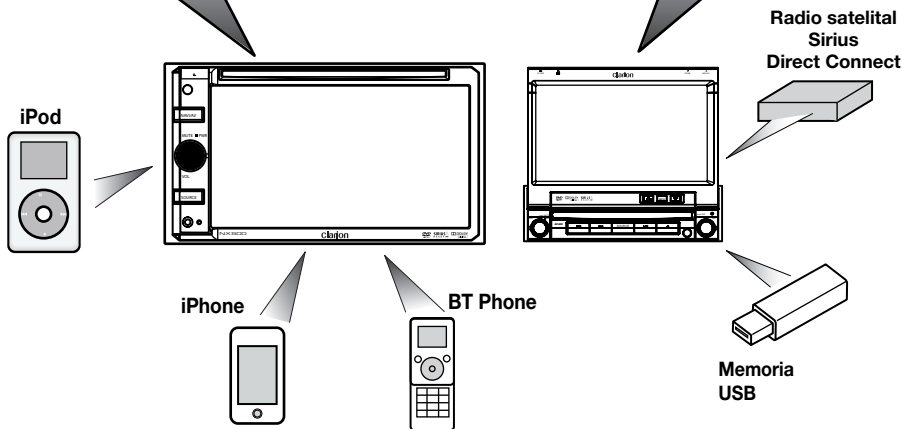
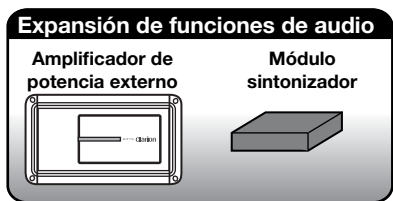
<b>1. CARACTERÍSTICAS</b> .....	127
Expansión de los sistemas.....	127
<b>2. PRECAUCIONES</b> .....	128
<b>3. CONTROLES</b> .....	130
Panel de operación .....	130
Funciones de los botones .....	131
Control remoto .....	132
Funciones de los botones del control remoto.....	132
<b>4. PRECAUCIONES PARA LA MANIPULACIÓN</b> .....	133
Panel de operación .....	135
Sistema de navegación .....	135
Puerto USB .....	136
Limpieza .....	136
Manipulación de discos .....	137
<b>5. SISTEMA DE VIDEO EN DVD</b> .....	138
Funciones del sistema de video en DVD.....	138
Discos .....	139
Marcas registradas y otros conceptos.....	139
<b>6. OPERACIÓN</b> .....	140
Funciones básicas .....	140
Operación de la radio.....	144
Operación del reproductor de video en DVD.....	145
Operación de la radio satelital Sirius.....	152
Operación del sistema de navegación.....	154
Introducción al software de navegación .....	154
Operación de la pantalla Menú principal.....	154
Ruta a la dirección residencial.....	155
Selección de destinos .....	155
• Modo Dirección o intersección .....	155
• Modo Punto de interés.....	156
• Modo Coordenadas .....	157
• Modo Edición de favoritos .....	157
• Modo Historial .....	158
Configuración de las preferencias del sistema.....	158
Configuración de la dirección laboral.....	159
Computadora de viaje: lecturas y restablecimiento de funciones .....	160
<b>7. ACCESORIOS</b> .....	161
Operación de dispositivos iPod/iPhone .....	161
Operación de dispositivos USB .....	163
Operación de reproductores de audio Bluetooth.....	164
Operación de la radio HD.....	169
Operación en los modos AUX In/AV In .....	171
Operación en el modo Cámara .....	171
Operaciones de configuración .....	172
<b>8. SOLUCIÓN DE PROBLEMAS</b> .....	174
<b>9. PANTALLAS DE ERROR</b> .....	175
<b>10.ESPECIFICACIONES</b> .....	176
<b>GUÍA DE INSTALACIÓN Y CONEXIÓN DE CABLES</b> .....	177

# 1. CARACTERÍSTICAS

- Pantalla táctil doble DIN de 6,5"
- Pantalla táctil motorizada de 7"
- Reproduce DVD de video, CD-DA, MP3 y WMA
- Sistema de navegación incorporado
- Control remoto para el volante, del fabricante original del equipo
- Compatible con radio satelital Sirius
- Bluetooth® incorporado
- Compatible con iPod®/iPhone™ vía USB
- HD Radio™ Ready



## Expansión de los sistemas



### NOTA:

Esta unidad puede recibir transmisiones analógicas, de radio satelital (opcional) y de radio HD (opcional). Los elementos que aparecen fuera de los recuadros son productos comerciales de venta general.

## 2. PRECAUCIONES

### ADVERTENCIA

- Para su seguridad, el conductor no debe mirar videos ni operar los controles mientras maneja. Tenga en cuenta que mirar y operar fuentes de video mientras se maneja está prohibido por la ley en algunos países. Mientras conduzca, mantenga el volumen en un nivel que le permita oír los sonidos externos.
- Al utilizar el sistema de navegación, respete las precauciones detalladas a continuación. Una vez que haya leído el manual, téngalo a mano, por ejemplo, en la guantera del carro.
- El sistema de navegación no debe utilizarse en reemplazo de su propio juicio. Los itinerarios sugeridos por el sistema jamás deben invalidar las normas de las carreteras, su propio juicio ni las prácticas de conducción segura. Jamás siga un itinerario sugerido por el sistema si esto lo obligara a realizar una acción peligrosa o ilegal, si lo pusiera en una situación de riesgo o si lo condujese a un área poco segura.
- La información provista por el sistema de navegación debe considerarse una sugerencia solamente. Existe la posibilidad de que, en ocasiones, el sistema informe incorrectamente la ubicación del vehículo, no sugiera la ruta más corta o no lo dirija al destino deseado. En tales casos, confíe en su propio juicio y tenga en cuenta las condiciones del tránsito del momento.
- No utilice el sistema de navegación para ubicar servicios de emergencia. La base de datos no incluye todos los servicios de emergencia, como estaciones de policía, estaciones de bomberos, hospitales y clínicas de presentación espontánea. Use su criterio y solicite indicaciones de ser necesario.
- Como conductor, usted es el responsable de manejar en forma segura.
  - Para evitar accidentes de tránsito, no opere el sistema mientras maneja.
  - Para evitar accidentes de tránsito, opere el sistema únicamente con el vehículo detenido en un lugar seguro y el freno de aparcamiento accionado.
  - A fin de evitar accidentes de tránsito e infracciones, recuerde que las normas de tránsito y las condiciones actuales de los caminos priman sobre la información incluida en el sistema de navegación.
  - El software puede contener información errónea o incompleta debido al paso del tiempo, las circunstancias en permanente cambio y las fuentes de información utilizadas. Cuando maneje, respete en todo momento las condiciones y las normas de tránsito actuales.
  - Si las condiciones actuales del camino y las normas de la carretera difieren de la información que brinda el sistema de navegación, respete las normas de la carretera.
  - Mientras conduce, minimice tanto como sea posible el tiempo que dedica a mirar la pantalla.
- El sistema de navegación no proporciona, ni declara en forma alguna, información sobre lo siguiente: normas de tránsito y carreteras; aspectos técnicos del vehículo, incluidos, peso, altura, ancho y límites de carga y de velocidad; condiciones de los caminos, entre ellas, pendiente, porcentaje de inclinación y condición de la superficie; obstáculos, como peso y altura de puentes y túneles; y otras condiciones actuales del tránsito o de los caminos. Al conducir un vehículo, siempre confíe en su propio juicio y tenga en cuenta las condiciones del tránsito del momento.
- No desarme ni modifique esta unidad. Podría producirse un accidente, un incendio o una descarga eléctrica.
- No utilice la unidad si surge algún problema, como falta de información en la pantalla o ausencia de sonido. Podría producirse un accidente, un incendio o una descarga eléctrica. En tales casos, consulte a un distribuidor autorizado o en el centro de servicio técnico Clarion más cercano.
- Ante cualquier problema, por ejemplo, si entran materiales extraños en la unidad, si ésta se moja o si sale de ella humo u olor extraño, suspenda su uso de inmediato y consulte a un distribuidor autorizado o en el centro de servicio técnico Clarion más cercano.

El uso de la unidad en esas condiciones podría producir un accidente, un incendio o una descarga eléctrica.
- Cuando cambie el fusible, reemplácelo por otro del mismo amperaje.

El uso de fusibles de distinto amperaje podría ocasionar un incendio.
- Para instalar la unidad o realizar cambios en su instalación sin comprometer la seguridad, consulte a un distribuidor autorizado o en el centro de servicio técnico Clarion más cercano, ya que dichas tareas requieren la destreza y la experiencia de un profesional.



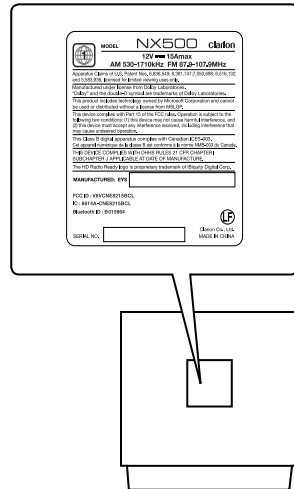
1. Cuando la temperatura del interior del carro es muy baja y se utiliza el reproductor inmediatamente después de encender la calefacción, puede formarse humedad en el disco (DVD/CD) o en las piezas ópticas del reproductor, lo que podría impedir la correcta reproducción del disco. Si se forma humedad en el disco, séquela con un paño suave. Si se forma humedad en las piezas ópticas del reproductor, no lo utilice durante una hora. La condensación desaparecerá de manera natural, y podrá utilizarlo normalmente.

2. Transitar por calles con muchos baches ocasiona fuertes vibraciones y podría hacer que salte el sonido.

3. Esta unidad utiliza un mecanismo de precisión. Aunque surjan problemas, nunca abra la carcasa, desarme la unidad ni lubrique las piezas giratorias.

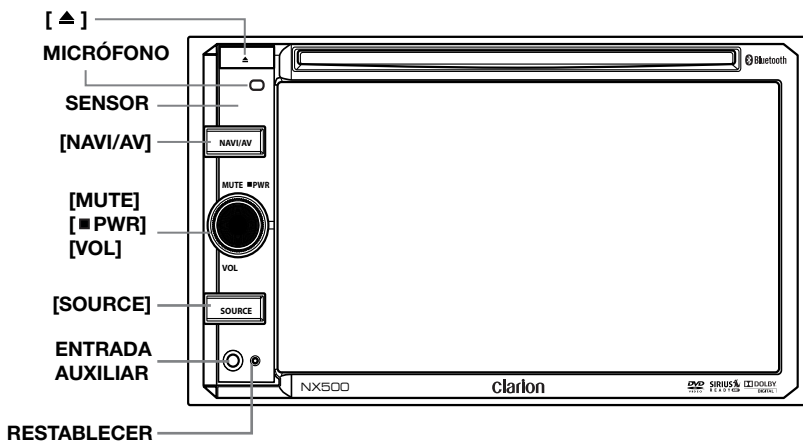
4. Este equipo ha sido probado y cumple con los límites para un dispositivo digital de clase B, de conformidad con la Parte 15 de las Reglas de la FCC. Estos límites fueron ideados para proporcionar una protección razonable contra interferencias dañinas en instalaciones residenciales. Este equipo genera, utiliza y puede emitir energía de radiofrecuencia y, si no se instala y usa según las instrucciones, puede causar interferencias dañinas en las comunicaciones de radio. Sin embargo, no existe garantía de que no habrá interferencia en una instalación en particular. Si este equipo causa interferencias dañinas a la recepción de radio o televisión, lo cual puede determinarse encendiendo y apagando el equipo, se recomienda que el usuario consulte al distribuidor o a un técnico en radio y TV para obtener ayuda.

**INFORMACIÓN PARA USUARIOS:  
LOS CAMBIOS O MODIFICACIONES  
A ESTE PRODUCTO NO APROBADOS  
POR EL FABRICANTE DEJARÁN SIN  
EFECTO LA GARANTÍA E INFRINGIRÁN  
LA APROBACIÓN DE LA FCC.**

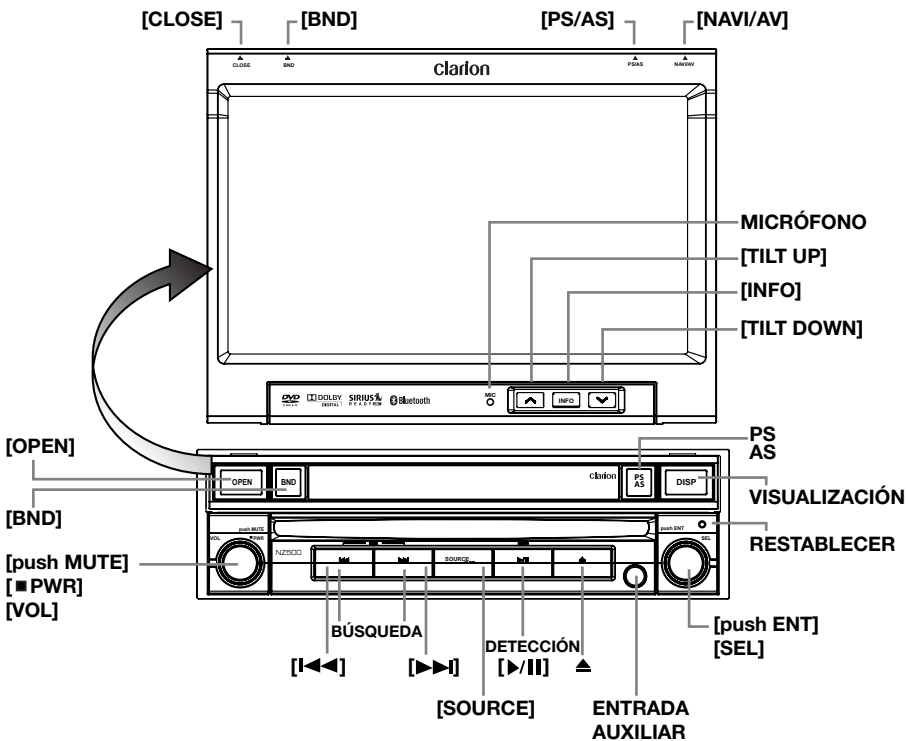


# 3. CONTROLES

## Panel de operación



Español  
Manual de instrucciones



## Funciones de los botones

**Nota:** Asegúrese de leer esta sección cuando consulte el diagrama que se encuentra al comienzo del capítulo "CONTROLES".

### [MUTE] [■ PWR] [VOL] Perilla Silencio/Encendido/Volumen

- Presione esta perilla para encender el equipo. Mantenga presionada la perilla durante más de 1 segundo para apagar el equipo.
- Presione la perilla para atenuar el sonido del receptor; presione nuevamente para restaurar el sonido.
- Gire la perilla para subir o bajar el volumen.

### [NAVI/AV] Botón de navegación

- Presione este botón para ingresar al video de navegación.
- Presione este botón durante más de 2 segundos para regresar al modo anterior.

### [SOURCE] Botón de fuente

- Presione este botón para recorrer las fuentes disponibles: modos AM/FM Tuner (Sintonizador de AM/FM), Sirius, DVD, NAVI (Navegación), USB, Camera (Cámara), etc.

### [◀◀] [▶▶] Botones de búsqueda

- Presione para buscar la estación o el canal anterior o siguiente en los modos Sintonizador y Radio Sirius.
- Presione para buscar la pista o el capítulo anterior o siguiente en los modos CD, MP3/WMA, iPod y Video en DVD.
- Mantenga presionado para avanzar o retroceder rápidamente a una velocidad de 2x, 4x, 8x o 16x en los modos CD, MP3/WMA y Video en DVD.
- Mantenga presionado para avanzar o retroceder rápidamente en el modo iPod.
- Mantenga presionado para ingresar al estado de búsqueda manual desde los modos Sintonizador y Radio Sirius. Luego presione brevemente para buscar estaciones una a una.

### [▶/II] Botón Reproducir/Pausar/Detectar

- Presione este botón para reproducir, pausar o detectar audio o video.
- Presione brevemente para detectar.
  - Presione una vez y mantenga:  
El archivo de audio o video hará una pausa.  
Al volver a presionar brevemente, se reanudará la reproducción.

### [▲] Botón Expulsar

- Presione este botón para expulsar el disco de la unidad cuando el panel está abierto.

### [OPEN] [CLOSE] Botón Abrir/Cerrar

Use este botón para abrir y cerrar el panel de operación.

### [BAND] Botón de banda

- Use este botón para ingresar al modo Sintonizador de AM/FM desde cualquier fuente.
- Una vez dentro del modo Sintonizador de AM/FM, presione el botón para alternar entre las bandas FM1, FM2, FM3 y AM.

### [PS/AS] Botón de detección

- Presione este botón para iniciar el modo de detección de presintonías.
- Mantenga presionado este botón para iniciar el modo de detección y almacenamiento automático de presintonías.

### Botones [^] [v]

Presione estos botones para ajustar el ángulo del panel de operación.

### [INFO] Botón de información

Presione este botón para activar (On) o desactivar (Off) la visualización del listado en los modos Sintonizador, Radio Sirius y DVD/CD.

### [push ENT] [SEL] Botón Aceptar/Seleccionar

- Gire este botón para pasar a la carpeta siguiente en el modo iPod.
- Presione este botón para confirmar y reproducir el archivo actual en los modos CD, MP3/WMA, iPod y DVD.

### [DISPLAY] Botón de visualización

- Presione este botón para visualizar la banda en los modos Radio satelital, iPod y CD/DVD.
- Presione una vez más para visualizar la hora actual desde cualquier modo.

### Botón RESTABLECER

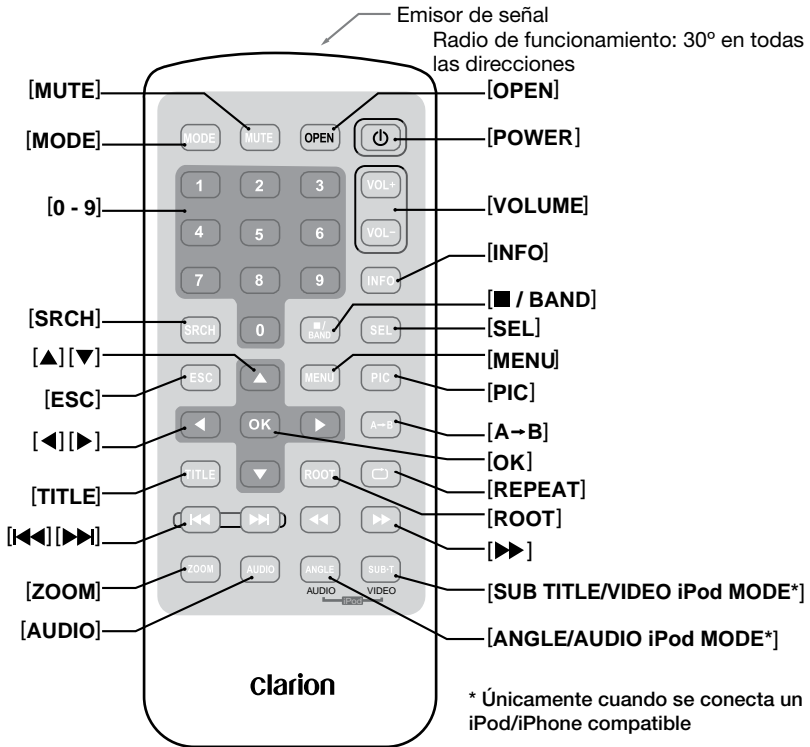
- Presione este botón para restablecer la unidad.

### SENSOR

- Receptor del control remoto (radio de funcionamiento: 30° en todas las direcciones).

### MICRÓFONO

- Micrófono interno para utilizar durante llamadas telefónicas Bluetooth. Puede regularse la sensibilidad desde el menú de configuración.



## Cambio de baterías

1. Presione la pestaña de retención, retire el compartimento de baterías y quite las baterías viejas.
2. Coloque la batería CR2025 nueva y deslice el compartimento de baterías nuevamente dentro del control remoto en la misma dirección en que lo retiró. Asegúrese de insertar el compartimento en la dirección correcta.

## Nota:

*El uso indebido de baterías puede hacerlas explotar. Tenga en cuenta lo siguiente:*

- Cuando las cambie, reemplace las dos baterías por baterías nuevas.
- No desarme las baterías, no las caliente ni las ponga en cortocircuito.
- No deseche las baterías sobre fuego o llamas.
- Deseche correctamente las baterías usadas.

# Funciones de los botones del control remoto

Los modelos NX500 y NZ500 pueden operarse mediante el control remoto.

## Nota:

- El funcionamiento del control remoto puede no ser óptimo en caso de exposición directa a los rayos del sol.

## Todos los modos

### [MODE] Botón de modo

- Presione este botón para recorrer las fuentes disponibles: AM/FM Tuner (Sintonizador de AM/FM), reproductor de DVD, iPod, Radio Sirius o AUX IN (Entrada auxiliar).

### [VOLUME] Botón de volumen

Presione este botón para subir y bajar el volumen.

### [MUTE] Botón de silencio

Presione este botón para activar y desactivar la función de silencio.

### [POWER] Botón de encendido

Presione este botón para encender y apagar la unidad.

### [OPEN] Botón Abrir

Presione este botón para ABRIR o CERRAR la pantalla motorizada. Asegúrese de que no haya obstrucciones antes de comenzar la operación.

### [MENU] Botón Menú

Presione este botón para ingresar a la pantalla MAIN MENU (Menú Principal). Desde el menú principal, puede elegir la fuente o cambiar la configuración.

### [PIC] Botón Imagen

Presione este botón para cambiar los ajustes del monitor: Brightness (Brillo), Color (Color) y Contrast (Contraste).

### Botón [SEL]

Presione este botón para cambiar los ajustes de audio: Tone (Tono), Fader (Atenuador) y Balance (Balance).

### [ESC] Botón Salir

Presione este botón para salir de un elemento seleccionado y de los menús de ajuste.

### Modo TUNER/Satellite Radio (Sintonizador/Radio satelital)

### [BAND] Botón de banda

Presione este botón para cambiar la banda de recepción.

### Botones [0-9]

- Utilice estos botones para accionar el teclado numérico que aparece en la pantalla y establecer la radiofrecuencia o los canales de la radio satelital.
- Utilice estos botones para seleccionar el número de presintonía en la pantalla Preset List (Lista de presintonías).

### [SEARCH] Botón Buscar

Presione este botón para mostrar el teclado numérico en la pantalla u ocultarlo.

### [OK] Botón Aceptar

Presione este botón para confirmar los datos ingresados con el teclado numérico de la pantalla.

### Botones [◀◀], [▶▶]

Presione estos botones para buscar la estación disponible anterior o siguiente en el modo SINTONIZADOR. En el modo Radio Sirius, estos botones permiten recorrer las categorías.

### Botones [◀], [▶]

Presione estos botones para seleccionar manualmente la estación disponible anterior o siguiente en los modos SINTONIZADOR y Radio satelital.

### Botones [▲], [▼]

Presione estos botones para recorrer las presintonías guardadas en el modo SINTONIZADOR. Presione [OK] para sintonizar la presintonía resaltada.

### [INFO] Botón de información

Presione este botón para activar o desactivar la visualización del listado en los modos SINTONIZADOR y Radio Sirius.

### Modo Reproductor de DVD

- Presione este botón para activar y desactivar la visualización del tiempo de reproducción en el modo Video en DVD.
- Presione este botón para activar o desactivar la visualización del listado durante la reproducción de un CD de audio.

### [SEARCH] Botón Buscar

Presione este botón para abrir el menú de búsqueda directa en el modo Video en DVD.

### [OK] Botón Aceptar

Presione este botón para seleccionar, reproducir o poner en pausa archivos de audio y video.

### ■ /BAND] Botón Detener/Banda

- Presione este botón para detener la reproducción de archivos de audio y video.

### Botones [0-9]

- Presione estos botones para ingresar capítulos o títulos de un DVD de video en el teclado numérico de la pantalla.
- Presione estos botones para ingresar el número de pista o carpeta del CD o MP3/WMA en el teclado numérico de la pantalla.

### [DISC SEL] Botón Selección de disco

- Presione este botón para mostrar u ocultar la pantalla Track List (Lista de pistas) en el modo CD.
- Presione este botón para mostrar u ocultar la pantalla Folder List (Lista de carpetas) en el modo MP3/WMA.

### [TITLE] Botón Título

Presione este botón para ir al menú de títulos del DVD.

### [ROOT] Botón Raíz

Presione este botón para ir al menú raíz del DVD.

### Botones [▲], [▼], [◀], [▶]

- Presione para seleccionar elementos del menú de un DVD de video.
- Presione [◀] o [▶] para visualizar las distintas páginas en los modos CD y MP3/WMA.

## Funciones de los botones del control remoto

### Botones [◀◀], [▶▶]

- Presione estos botones para seleccionar el capítulo anterior o siguiente en el modo Video en DVD.
- Presione estos botones para seleccionar la pista anterior o siguiente en el modo CD.

### Botones [◀], [▶]

Presione estos botones para avanzar o retroceder rápidamente. Presione nuevamente para avanzar o retroceder a mayor velocidad: 2x, 4x, 8x y 16x. Presione una vez más para reanudar la reproducción a velocidad normal.

### [RPT] Botón Repetir

- Presione este botón para repetir un capítulo en el modo Video en DVD y para repetir una pista en los modos CD y MP3/WMA.
- Presione nuevamente para repetir un título en el modo Video en DVD o para repetir una carpeta en el modo MP3/WMA. En el modo CD, esto activará la función Repeat All (Repetir todo).
- Presione una vez más para repetir todo en el modo MP3/WMA.

### Botón [A → B]

- Presione este botón para establecer el punto de inicio de la repetición. La pantalla mostrará REP A- (Repetir desde A).
- Vuelva a presionar para establecer el punto de finalización de la repetición. La pantalla mostrará REP A-B (Repetir A-B).
- Presione nuevamente para desactivar la repetición A-B. La pantalla mostrará REP A-B Off (Repetir A-B desactivado).

### [ZOOM] Botón Zoom

Presione este botón para activar el zoom y acercar en el modo Video en DVD. Puede acercarse hasta 3x.

### [AUDIO] Botón de audio

Presione este botón para activar la función AUDIO en el modo Video en DVD.

### [SUB-T] Botón Subtítulos

Presione este botón para mostrar los subtítulos en el modo Video en DVD.

### [ANGLE] Botón Ángulo

Presione este botón para activar la función ANGLE (Ángulo) en el modo Video en DVD si el disco tiene el símbolo de multiplicidad de ángulos.

### [OK] Botón Aceptar

Presione este botón para reproducir o poner en pausa los medios seleccionados.

### Botones [◀], [▶]

Presione estos botones para desplazarse por las listas.

### Botones [◀◀], [▶▶]

Presione estos botones para seleccionar la pista anterior o siguiente.

### Botones [◀◀], [▶▶]

Presione estos botones para realizar una búsqueda mediante avance o retroceso rápido. Vuelva a presionar para cambiar la velocidad a 2x, 4x, 8x o 16x.

# 4. PRECAUCIONES PARA LA MANIPULACIÓN

## Panel de operación

Para incrementar la vida útil del equipo, asegúrese de leer las siguientes precauciones.

- El panel de operación funciona correctamente a temperaturas de entre 0 °C y 60 °C.
- No permita que ningún líquido (bebidas, agua de paraguas, etc.) alcance el equipo. Esto podría dañar los circuitos internos.
- No desarme ni modifique el equipo de ninguna manera. Si lo hace, el equipo podría dañarse.
- Si el panel de operación se golpea, puede romperse, deformarse o sufrir otros daños.
- Si surgiera algún problema con el equipo, solicite una revisión en la tienda donde lo compró.
- No inserte objetos ni introduzca el dedo en el espacio que queda entre el panel de operación y la unidad principal cuando el panel está inclinado.
- Es posible que el control remoto no funcione si el sensor queda expuesto en forma directa a los rayos del sol.
- Con temperaturas extremadamente bajas, el movimiento de la pantalla puede ser más lento y ésta podría verse más oscura, pero esto no es una falla de funcionamiento. La visualización se normalizará cuando suba la temperatura.
- La aparición de puntos negros pequeños y brillantes en el panel de cristal líquido es normal en los productos LCD.

## Sistema de navegación

- Para evitar que la batería del carro se descargue, utilice la unidad con el motor del vehículo en marcha siempre que sea posible.
  - La carcasa de la unidad puede calentarse puesto que contiene una CPU de alta velocidad. Sea cuidadoso al manipular la unidad durante la navegación o inmediatamente después de haberla apagado.
  - Apague el motor del vehículo cuando conecte o desconecte cables. Hacerlo con el motor en marcha podría causar problemas o fallas.
- Nota:**
- *Cuando se utiliza la unidad por primera vez o después de períodos prolongados sin uso, el sistema puede tardar entre 5 y 15 minutos en determinar la ubicación actual mediante el GPS. Incluso cuando se la utiliza con frecuencia, puede tardar unos 2 ó 3 minutos en determinar la ubicación, según las condiciones de medición del GPS.*
  - *Cuando no sea posible calcular la ruta (o recorrido), mueva el destino deseado hasta una calle principal cercana y vuelva a realizar el cálculo. Si el vehículo se encuentra demasiado cerca del destino, puede resultar imposible encontrar una ruta.*
  - *Si el vehículo está equipado con llave inteligente, no la acerque a la unidad, ya que esto podría afectar el correcto funcionamiento del sistema de navegación.*
  - *Utilizar cerca de la unidad equipos eléctricos que generan fuertes interferencias eléctricas podría generar ruido y distorsiones en la pantalla. Si sucediera esto, aleje el equipo eléctrico o no lo utilice.*
- Los datos guardados en la memoria flash podrían perderse si la unidad sufre averías, fallas u otros problemas.
  - Si la temperatura ambiente es extremadamente alta o baja, el funcionamiento del sistema de navegación podría verse limitado a fin de proteger la unidad. En tales casos, espere a que la temperatura se normalice.

- El dispositivo de almacenamiento USB puede sobresalir cuando se encuentra conectado, lo que podría resultar peligroso al conducir. Para estos casos, puede usar un cable prolongador USB u otro dispositivo similar, pero hágalo de manera segura bajo su exclusivo criterio.
- Las memorias USB deben estar identificadas como "clase de dispositivo de almacenamiento masivo USB" para que funcionen correctamente. Algunos modelos pueden funcionar mal.  
**Si por cualquier motivo se perdiesen o dañasen los datos almacenados, Clarion no será responsable de ningún daño.**  
Si planea utilizar una memoria USB, le recomendamos que primero haga una copia de seguridad de los datos almacenados, en una computadora personal u otro medio.
- Los archivos de datos guardados en memorias USB pueden dañarse en los siguientes casos:  
Cuando se desconecta la memoria USB o se corta la fuente de alimentación durante la escritura o la lectura de datos.  
Cuando la memoria se ve afectada por electricidad estática o interferencias.  
Al conectar o desconectar la memoria USB cuando no se tiene acceso a ella.
- Algunas memorias USB no pueden insertarse en la unidad principal debido a su forma. En estos casos, use un cable prolongador USB para conectar el dispositivo.
- La conexión con computadoras no está cubierta.
- Los archivos de música (MP3, WMA, etc.) almacenados en memorias USB no pueden reproducirse.

### ADVERTENCIA

Las baterías alcalinas (CR) de tipo botón contienen perclorato.  
Deseche correctamente las baterías usadas.

## Limpieza

### • Limpieza del gabinete

Con un paño suave y seco, limpie la suciedad delicadamente. Para manchas difíciles de quitar, coloque detergente neutro diluido en agua sobre un paño suave, limpie la suciedad delicadamente y luego pase un paño seco. No utilice bencina, diluyente, líquido limpiador de carros, etcétera, ya que estas sustancias pueden dañar el gabinete o desprender la pintura. Asimismo, no deje productos de caucho o de plástico en contacto con el gabinete durante períodos prolongados ya que éste podría mancharse.

### • Limpieza del panel de cristal líquido

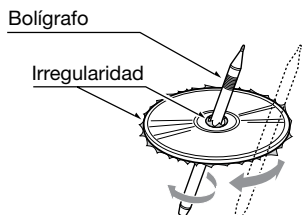
El panel de cristal líquido tiende a juntar polvo. Límpielo de vez en cuando con un paño suave. La superficie se raya con facilidad, por lo cual no debe frotarla con objetos duros.



## Manipulación de discos

### Manipulación

- Los discos nuevos pueden tener bordes irregulares. Si utiliza discos de estas características, es posible que el reproductor no funcione o que el sonido salte. Use un bolígrafo o un objeto similar para eliminar cualquier irregularidad del borde del disco.



- Nunca adhiera etiquetas a la superficie del disco ni escriba en ella con lápiz o bolígrafo.
- Nunca reproduzca discos que tengan cinta adhesiva u otro pegamento, o marcas de adhesivo. Si intenta reproducir discos de estas características, es posible que no pueda sacarlos del reproductor de DVD o quizás el equipo resulte dañado.
- No use discos que tengan grandes rayones, que estén deformados, partidos, etc. Utilizar discos de estas características podría dañar el equipo o causar fallas de funcionamiento.
- Para retirar un disco de su caja, presione el centro de la caja y levante el disco, sosteniéndolo con cuidado de los bordes.
- No use láminas de protección de discos de distribución comercial ni discos equipados con estabilizadores, etcétera, ya que éstos podrían dañar los discos u ocasionar fallas en el mecanismo interno del equipo.

### Almacenamiento

- No exponga los discos en forma directa a los rayos del sol ni a ninguna otra fuente de calor.
- No exponga los discos a humedad o a polvo excesivos.
- No exponga los discos al calor directo de calefactores.

### Limpieza

- Para eliminar huellas digitales y polvo, pase un paño suave en línea recta desde el centro del disco hacia el borde.
- No utilice solventes de ningún tipo, como limpiadores de distribución comercial, aerosoles antiestática o diluyentes, para limpiar los discos.
- Si utiliza limpiador especial para discos, deje secar bien el disco antes de reproducirlo.

### Discos

- Proceda con sumo cuidado al cargar los discos. El panel de operación se cerrará automáticamente después de unos segundos.
- Nunca apague el equipo y lo retire del carro con un disco cargado.

### **⚠ PRECAUCIÓN**

**Por su seguridad, el conductor no debe abrir el panel de operación para insertar o expulsar discos mientras maneja.**

## 5. SISTEMA DE VIDEO EN DVD

Los DVD de video ofrecen video digital de alta calidad con imágenes claras y nítidas. Un disco de 12 cm tiene capacidad para una película o cuatro horas de música.

### ***Funciones del sistema de video en DVD***

Esta unidad brinda las siguientes funciones además de la alta calidad de imagen y sonido que ofrecen los DVD de video.

**Nota:**

- Las funciones descritas en esta sección, por ejemplo, el idioma de audio, los subtítulos, los ángulos, etcétera, difieren según el DVD de video. Consulte las instrucciones que acompañan el disco.
- Es posible que algunas funciones se activen de manera distinta de la descrita en este manual.

#### **Función Multisonido**

Los DVD de video pueden almacenar el audio de una película en hasta 8 idiomas; elija el de su preferencia.

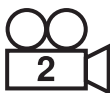
- La cantidad de idiomas almacenados en el disco se indica con el siguiente icono.



#### **Función Multiángulo**

Si el contenido del DVD fue filmado desde distintos ángulos, puede seleccionar el ángulo de su preferencia.

- La cantidad de ángulos grabados se indica con el siguiente icono.



#### **Función Subimagen (subtítulos)**

Los DVD de video pueden almacenar los subtítulos en hasta 32 idiomas. Seleccione el que desee. La cantidad de idiomas en que se brindan los subtítulos se indica con el siguiente icono.



#### **Función Multihistoria**

Si el DVD de video contiene más de una historia para una película, usted puede seleccionar la historia que prefiera. Los procedimientos de operación varían según el disco; para seleccionar una historia, siga las instrucciones que se ofrecen durante la reproducción.

#### **Pantallas de menús**

Durante la reproducción de un DVD de video, pueden abrirse los distintos menús para realizar ajustes.

- Ejemplo de visualización de un menú



## Discos

### Discos reproducibles

Este reproductor de DVD puede reproducir los siguientes discos.



### Acerca de los CD Extra

Un CD Extra es un disco en el que se han grabado dos sesiones en total. La primera es la sesión de audio y la segunda, la sesión de datos.

Los CD creados por usted que contengan más sesiones de datos no pueden reproducirse en este reproductor.

#### Nota:

- Al reproducir un CD Extra, el sistema sólo reconocerá la primera sesión.

### Acerca de la reproducción de discos CD-R/CD-RW (MP3, WMA)

Este reproductor puede reproducir discos CD-R/CD-RW grabados en formato de CD de música (MP3, WMA) o en formato de CD de video.

### Acerca de la reproducción de discos DVD-R/RW o DVD+R/RW

Este equipo no puede reproducir discos DVD-R/RW ni DVD+R/RW grabados en formato de CD de video.

Sin embargo, pueden reproducirse archivos MP3/WMA grabados en DVD-R/RW y DVD+R/RW.

### Discos que no pueden reproducirse

Este reproductor de video en DVD no puede reproducir DVD-Audio, DVD-RAM, Photo CD, etc.

#### Nota:

- Es probable que tampoco puedan reproducirse CD grabados en unidades CD-R y CD-RW. (Causa: características del disco, grietas, polvo o suciedad en la lente del reproductor u otras partes, etcétera).
- Si se introduce un CD-R o un CD-RW cuya sesión de grabación no fue cerrada, iniciar la reproducción llevará mucho tiempo. Además, tal vez no sea posible reproducirlo, según las condiciones de grabado.
- No pueden reproducirse CD Super Audio. La reproducción no será posible aunque se trate de un disco híbrido.

### Acerca de la reproducción de MP3/WMA

Esta unidad puede reproducir discos CD-R/CD-RW, DVD-R/RW y DVD+R/RW en los que se hayan grabado datos de música en MP3/WMA.

Para obtener más detalles, consulte la sección "Cómo escuchar archivos MP3/WMA".

### Nota sobre los números de región

El sistema de video en DVD asigna un número de región a los DVD y a los reproductores de DVD de video por área de ventas. Los reproductores de DVD de video adquiridos en Estados Unidos pueden reproducir DVD que tengan el número de región "ALL" (Todos), "1" o cualquier combinación de números que contenga un "1". El número de región correspondiente al DVD se indica en la cubierta del disco con uno de los siguientes símbolos.



## Marcas registradas y otros conceptos

- Este producto incorpora tecnología de protección de derechos de autor protegida por patentes de Estados Unidos y por otros derechos de propiedad intelectual. El uso de esta tecnología debe estar autorizado por Macrovision, y está destinado solamente al uso doméstico y a otros usos de visualización limitados, a menos que se cuente con la autorización expresa de Macrovision. Se prohíbe su desarmado u otro proceso de ingeniería inversa.
- Fabricado bajo licencia de Dolby Laboratories. "Dolby", "Pro Logic" y el símbolo de la doble D son marcas comerciales de Dolby Laboratories.
- Made for iPod (Compatible con iPod) indica que el accesorio electrónico ha sido diseñado para conectarse específicamente con un dispositivo iPod, y que el desarrollador ha certificado que cumple con los estándares de rendimiento de Apple. Works with iPhone (Compatible con iPhone) significa que el accesorio electrónico ha sido diseñado para

conectarse específicamente con un dispositivo iPhone, y que el desarrollador ha certificado que cumple con los estándares de rendimiento de Apple.

Apple no se responsabiliza por la operación de este dispositivo ni por el cumplimiento de los estándares normativos y de seguridad correspondientes.

iPod e iTunes® son marcas comerciales de Apple Inc., registradas en Estados Unidos y otros países. iPhone es una marca comercial de Apple Inc.

- HD Radio™ y los logotipos de HD Radio y HD Radio Ready son marcas comerciales patentadas de iBiquity Digital Corporation.
- 2009 SIRIUS XM Radio Inc., SIRIUS, XM y todas las marcas y logotipos relacionados son marcas registradas de SIRIUS XM Radio Inc. y sus subsidiarias. Todas las demás marcas, nombres de canales y logotipos son propiedad de sus respectivos dueños.

# 6. OPERACIÓN

## Funciones básicas

### Nota:

- Asegúrese de leer esta sección cuando consulte el capítulo 3, "CONTROLES".

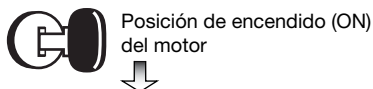
### ⚠ PRECAUCIÓN

Arrancar y detener el motor del carro cuando la unidad se encuentra encendida con el volumen en el nivel máximo podría impedirle oír los sonidos externos. Tenga la precaución de regular el volumen.

### ENCENDIDO y APAGADO del equipo

#### Nota:

- Arranque el motor antes de utilizar la unidad.
  - Tenga cuidado al usar esta unidad durante un tiempo prolongado sin poner en marcha el motor. Si descarga demasiado la batería del carro, es posible que no pueda encender el motor, lo que podría reducir la vida útil de la batería.
1. Encienda el motor. Se iluminará el botón de encendido de la unidad.
  2. Presione el botón [■PWR] del sintonizador para ENCENDER el equipo.
  3. Presione el botón [⏻] del control remoto para ENCENDER el equipo.
  4. Para APAGAR el equipo, mantenga presionado el botón [■PWR] del sintonizador durante más de 2 segundos.
  5. Para APAGAR el equipo, mantenga presionado el botón [⏻] del control remoto durante más de 2 segundos.



### Apertura y cierre del panel de operación

Presione el botón [OPEN] de la unidad (NZ500). Se abrirá el panel de operación. Vuelva a presionar el mismo botón para cerrar el panel.

### ⚠ PRECAUCIÓN

- No mueva el panel de operación por la fuerza ni ejerza demasiada presión en él.
- Cuando el panel se encuentre en funcionamiento, tenga cuidado y evite que la mano o los dedos queden atrapados entre el panel de operación y la unidad principal o sus piezas mecánicas.
- El conductor no debe operar el panel mientras maneja.

### Ajuste del ángulo del panel de operación

Coloque el panel en el ángulo deseado presionando los botones [^] [v] de la unidad (NZ500).

### Selección de modos

1. En la pantalla Main Menu (Menú principal), toque el botón correspondiente al modo deseado: Tuner (Sintonizador), Disc (Disco), NAVI (Navegación), USB, Sirius, AUX IN (Entrada auxiliar), AV IN (Entrada de audio y video), iPod/iPhone, etc.  
\*Los equipos externos no conectados a la unidad no se muestran.



### ENCENDIDO y APAGADO del monitor

1. Toque el botón **Monitor OFF** (Monitor apagado) en la pantalla Main Menu (Menú principal) para desactivar el monitor.
2. Toque la pantalla nuevamente para volver a activarla.

# Funciones básicas

## Ajuste del volumen

Gire la perilla de volumen para regular el volumen. En el sentido de las agujas del reloj; aumenta el volumen.

En el sentido contrario al de las agujas del reloj; disminuye el volumen.

- El nivel de volumen indicado en la pantalla puede estar entre 0 (mínimo) y 40 (máximo).

### ⚠ PRECAUCIÓN

**Mientras esté manejando, mantenga el volumen en un nivel que le permita oír los sonidos externos.**

## Silencio

Presione el botón **[MUTE]** **[PWR]** para activar o desactivar la función de silencio.

## Ajuste de la configuración

1. Presione **[Setup]** para ingresar al menú de configuración.
2. Presione el botón correspondiente al modo deseado. El orden de los modos es el siguiente:
  - General, que incluye **Clock, Beep, Camera Image, Radio Field, Tel Mute, Tel SP, Auxin Input SW, Version.**
  - Video, Audio, Navigation (Navegación), Misc (Misceláneo).



3. Realice el ajuste del elemento deseado. Consulte las siguientes secciones para obtener detalles.

## Ajuste del audio

1. Presione el botón **[EQ]** de la pantalla o el botón **[SEL]** del control remoto.
2. Toque el botón del elemento que necesita el ajuste.
3. Realice el ajuste.



Consulte las siguientes secciones para obtener detalles.

4. Toque el botón **[←]** para volver a la pantalla anterior.

- \* En las siguientes secciones, se describen únicamente los detalles sobre los distintos ajustes; se omiten los procedimientos para seleccionar elementos.



## Ajuste del balance y del atenuador

1. Toque el elemento **BALANCE** (Balance) o **FADER** (Atenuador) en el menú Audio Settings (Configuración de audio).
2. Toque el botón **[F]** (atenuador frontal) o el **[R]** (atenuador trasero) para regular el atenuador.
  - La configuración predeterminada de fábrica es 0. (Rango de ajuste: de 9 atenuador frontal a -9 atenuador trasero).
3. Toque el botón **[L]** (altavoz izquierdo) o el **[R]** (altavoz derecho) para regular el balance.
  - La configuración predeterminada de fábrica es 0. (Rango de ajuste: de -9 altavoz izquierdo a 9 altavoz derecho).

## Ajuste de bajos

La ganancia y la frecuencia de bajos (Bass) pueden ajustarse de la siguiente manera.

1. Toque los botones **[◀]** o **[▶]** para establecer el nivel deseado.
2. Para ajustar la frecuencia central de bajos, ingrese al elemento Audio en el menú **SETUP** (Configuración).

## Ajuste de agudos

La ganancia y la frecuencia de agudos (Treble) pueden ajustarse de la siguiente manera.

1. Toque los botones **[◀]** o **[▶]** para establecer el nivel deseado.
2. Para ajustar la frecuencia central de agudos, ingrese al elemento Audio en el menú **SETUP** (Configuración).

# Funciones básicas

## Ajuste del reloj

1. Presione el botón **[Setup]**. Aparecerá el menú Setup (Configuración). Toque **Clock** (Reloj) en el submenú **General**.



2. Establezca la hora tocando los números digitales que aparecen en la pantalla.
3. Toque **[Clock Mode]** para cambiar el formato de la hora de 12Hr (12 horas) a 24Hr (24 horas). Si selecciona 12Hr, luego podrá elegir AM o PM.

## Ajuste de la región de la radio

1. Toque el botón **[Radio Field]** en el menú Setup.
2. Aparecerá un menú de selección de región. Desplácese hacia abajo con la flecha ubicada en la parte inferior del menú. Desplácese hacia arriba con la flecha ubicada en la parte superior del menú. Seleccione la región de radio correspondiente al área en que se encuentre. Si la región seleccionada es incorrecta, la recepción de radio será deficiente.

## Visualización del mapa de navegación

1. Toque el botón **[Navi]** en la pantalla Main Menu (Menú Principal).



Aparecerá la pantalla de advertencia.





2. Presione el botón de confirmación resaltado (Aceptar). Aparecerá la pantalla Main Menu (Menú Principal). Seleccione el destino.



3. Seleccione una de las opciones que se muestran en la pantalla.
  - **Go To... [Ir a]**
  - **Point of Interest [Punto de interés]**
  - **State or Province: CA [Estado o provincia: CA]** (El software recuerda el último estado o provincia seleccionado).
  - **History [Historial]** (Las direcciones a las que se dirigió anteriormente).



4. El sistema de navegación calculará una ruta hasta el destino seleccionado utilizando los criterios establecidos en el modo **Setup** (Configuración).
5. Toque el botón **State or Province** (Estado o provincia). Aparecerá la pantalla con teclado City (Ciudad). Presione el botón de confirmación  para elegir la ciudad de la lista o escriba el nombre de la ciudad con el teclado. Luego, presione el botón .



6. Ingrese la información requerida en las pantallas que aparecen en el siguiente orden. Para pasar a la siguiente pantalla, presione el botón de confirmación.



7. Presione el botón Start Route (Iniciar ruta), que se encuentra resaltado.



8. Aparecerá el mapa de la ruta y comenzará la navegación hacia el destino seleccionado.



- |                            |                       |
|----------------------------|-----------------------|
| 1 - Alejar                 | 6 - Volver al menú    |
| 2 - Escala del mapa        | 7 - Información local |
| 3 - Estado del GPS         | 8 - Silencio          |
| 4 - Posición de la brújula | 9 - Cambiar vista     |
| 5 - Hora actual            | 10 - Acercar          |

9. Para configurar el menú Navigation (Navegación), consulte la sección “Configuración de la navegación” en el capítulo “Operaciones de configuración”.

### Restablecer la configuración predeterminada de fábrica

1. Presione **Setup** para ingresar al menú de configuración.
2. Presione el botón **Misc** (Misceláneo).
3. Presione el botón **Restore Defaults** (Restablecer la configuración predeterminada). Seleccione **[YES]** (Si) para restablecer la unidad a la configuración predeterminada de fábrica. Esta función borrará por completo la memoria de la unidad y usted deberá volver a configurar todos los elementos personalizados, por ejemplo, las presintonías.

**NOTA:** El sistema le preguntará una vez si desea restablecer la unidad. El equipo se apagará y se reiniciará con los valores predeterminados de fábrica.



# Operación de la radio

## Uso de la radio

1. Toque el botón **Tuner** en la pantalla Main Menu (Menú Principal). Aparecerá la pantalla de sintonización.
2. Presione el botón **[BAND]** en la pantalla o la tecla **[Band]** del control remoto para seleccionar la banda de radio. Cada vez que se presiona el botón, la banda de recepción de radio cambia en el siguiente orden: FM1, FM2, FM3, AM, FM1...



- |  |                                   |
|--|-----------------------------------|
| 1 - Visualización del modo Tuner             | 8 - Sintonización descendente     |
| 2 - Visualización de la hora                 | 9 - Detectar                      |
| 3 - Volver al menú principal                 | 10 - Sintonización ascendente     |
| 4 - Visualización de la banda                | 11 - Búsqueda ascendente          |
| 5 - Visualización de la sensibilidad: Loc/DX | 12 - Botón de banda               |
| 6 - Lista de presintonías                    | 13 - Botón AS/PS                  |
| 7 - Búsqueda descendente                     | 14 - Botón de sensibilidad Loc/DX |
|  | 15 - Página anterior              |
|  | 16 - Página siguiente             |
|  | 17 - Botón del modo EQ            |

## Sintonización con los botones de búsqueda

1. Presione el botón **[BAND]** para seleccionar la banda de radio (FM o AM).
2. Toque los botones **[◀◀]** o **[▶▶]** para buscar automáticamente una estación.
  - Al tocar el botón **[▶▶]**, la búsqueda se realiza en la dirección de las frecuencias altas.
  - Al tocar el botón **[◀◀]**, la búsqueda se realiza en la dirección de las frecuencias bajas.

## Sintonización manual

1. Presione el botón **[BAND]** para seleccionar la banda de radio (FM o AM).
2. Toque los botones **[◀◀]** o **[▶▶]** para buscar manualmente una estación.
  - Al tocar el botón **[▶▶]**, la búsqueda se realiza en la dirección de las frecuencias altas.
  - Al tocar el botón **[◀◀]**, la búsqueda se realiza en la dirección de las frecuencias bajas.

## Sintonización de una estación presintonizada

Existen dos maneras de escuchar estaciones presintonizadas.

- Con el control remoto:
  1. Presione el botón **[BAND]** del control remoto para seleccionar la banda deseada (FM o AM).
  2. Ingrese el número de presintonía (1 a 6) con el teclado numérico.
- Con la unidad de sintonización:
  1. Presione el botón **[BAND]** del sintonizador para seleccionar la banda deseada (FM o AM).
  2. Presione la estación presintonizada (1 a 5) en la pantalla del sintonizador.
  3. Presione **[▲]** o **[▼]** para seleccionar la estación anterior o siguiente de la lista de presintonías.
  4. Presione el botón **[AS]** para buscar automáticamente las estaciones y almacenarlas.

## Memoria manual

1. Toque el botón correspondiente a la banda que desea guardar.
2. Sintonice la estación deseada con los botones de búsqueda, en forma manual o mediante las presintonías.
3. Toque durante más de dos segundos el botón correspondiente a la presintonía donde quiere almacenar la estación actual.

## Almacenamiento automático

La función Auto Store (Almacenamiento automático) permite almacenar hasta doce estaciones sintonizadas en forma automática y consecutiva. Si no es posible recibir doce estaciones, algunas de las estaciones previamente almacenadas no serán sobrescritas.

1. Toque el botón **[Band]** para seleccionar la banda deseada (FM o AM).
2. Toque el botón **[AS]** durante unos segundos para activar la función Auto Store.  
Se oír una señal y las estaciones con buena recepción se almacenarán en forma automática en los canales presintonizados.



## Operación de la radio

### Detección de presintonías

La función Preset Scan (Detección de presintonías) recibe las estaciones almacenadas en la memoria de presintonías en orden. Esta función es útil para buscar una estación en la memoria.

1. Toque el botón **[Band]** para seleccionar la banda deseada (FM o AM).
2. Toque el botón **[PS]** para iniciar la detección de presintonías. La unidad detecta cada estación durante 10 segundos en forma consecutiva.
3. Cuando se sintonice la estación deseada, toque el botón **[PS]** nuevamente para seguir recibiendo esa estación.

### Ajuste LOC/DX

El ajuste DX/LOC cambia la sensibilidad del sintonizador para separar estaciones que están muy cerca. Esta función es útil en zonas que tienen muchas estaciones de radio muy próximas.

1. Toque el botón **[DX]** para cambiar la sensibilidad del sintonizador a LOCAL.
2. Toque el botón **[LOC]** para cambiar la sensibilidad del sintonizador a DX (Distante).

## Operación del reproductor de video en DVD

### Cambio de la configuración del sistema de DVD

#### Nota:

*Si el procedimiento de configuración se realiza durante la reproducción de un DVD de video, el disco volverá a reproducirse desde el principio.*

### Selección del menú de configuración de DVD

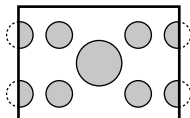
1. Presione el botón **[SETUP]** (Configuración) en la pantalla Main Menu (Menú principal) para acceder al menú de configuración de video.
2. Presione el botón **[Video]**. Aparecerá el menú de video.



### Configuración del tamaño de la pantalla

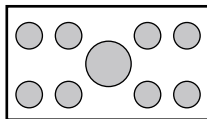
Presione el botón **[Aspect Ratio]** (Proporción) para cambiar el tamaño de la pantalla: **4:3** ó **16:9**.

- La configuración predeterminada de fábrica es 16:9.
- Cuando se mira video en formato ancho a través de un monitor de visión trasera tradicional, los laterales izquierdo y derecho de la pantalla se ven cortados.



Esta función permite visualizar en detalle la parte importante de la imagen. En algunos casos, la imagen se visualiza durante la panoramización (desplazamiento).

- Cuando se mira video en formato ancho a través de un monitor de visión trasera de formato ancho (16:9), los laterales izquierdo y derecho de la pantalla no se ven cortados.



### Configuración del formato del sistema de video

Presione el botón **Aux IN** (Entrada auxiliar) en la pantalla para configurar el formato del sistema de video: **Auto**, **PAL** o **NTSC**.

La configuración predeterminada de fábrica es **Auto**. Toque en la pantalla la opción correspondiente al formato deseado.

### Configuración del brillo del video

Presione el botón **Brightness** (Brillo). Toque la opción de brillo deseada, entre 0 y 20.

# Operación del reproductor de video en DVD

## Configuración de la contraseña para activar el control infantil

La configuración predeterminada de fábrica es 0000.

1. En la pantalla **Main Menu** (Menú principal), presione el botón **Setup** (Configuración). Presione el botón **Misc** en la pantalla. Toque **Set Password ----** (Establecer contraseña) y aparecerá un teclado numérico.



Ingrese una nueva contraseña. Con esto, habrá establecido la contraseña.

**Nota:** Cuando se inserte un disco con restricciones de visualización, se le pedirá que ingrese la contraseña. El disco no podrá visualizarse hasta que se haya ingresado la contraseña correcta.

## Configuración del control infantil

1. Presione el botón **MISC** en la pantalla **SETUP** (Configuración). Presione el botón **Kid Saf** (Seguridad infantil). Presione la clasificación de control infantil deseada. Use este cuadro cuando ajuste el nivel de control infantil.

<b>NC-17</b>	PROHIBIDA PARA MENORES DE 17 O MENOS
<b>R</b>	PROHIBIDA PARA MENORES DE 17, SE REQUIERE LA COMPAÑÍA DE UN PADRE O TUTOR ADULTO
<b>PG13</b>	ADVERTENCIA ESPECIAL PARA PADRES
<b>PG</b>	SE SUGIERE LA ORIENTACIÓN DE LOS PADRES
<b>G</b>	APTA PARA TODO PÚBLICO

- El contenido que el nivel de control restringe varía según el código de país.

**Nota:** La clasificación puede seleccionarse únicamente bajo el estado de desbloqueo por contraseña, y los límites pueden fijarse sólo bajo el estado de bloqueo por contraseña.

## Cómo ver o escuchar un disco

**Nota:** Consulte el diagrama del capítulo "CONTROLES".

1. Para cargar un disco: Presione el botón **[OPEN]** para abrir el panel frontal (NZ500 solamente). Introduzca el disco

en el centro de la ranura de inserción con el lado de la etiqueta hacia arriba.

## ⚠ PRECAUCIÓN

**Por su seguridad, el conductor no debe introducir o expulsar discos, ni operar los controles mientras maneja.**

### Nota:

- Nunca introduzca objetos extraños en la ranura de inserción de discos.
  - Si el disco no puede introducirse con facilidad, es posible que haya otro disco en el interior o tal vez la unidad requiera servicio técnico.
  - No pueden usarse discos de 8 cm (de reproducción sencilla).
2. Los discos se reproducen automáticamente.

## ⚠ ADVERTENCIA

**Algunos videos pueden estar grabados a un volumen superior al deseado. Suba el volumen gradualmente desde el nivel mínimo una vez que el video haya comenzado.**

## Cómo expulsar un disco

1. Para expulsar un disco, presione el botón **[▲]**. El sistema pasará del modo de reproducción al modo de sintonización.
  - \* Si se deja el disco expulsado en la bandeja durante 15 segundos, éste volverá a cargarse en forma automática. En tal caso, el sistema permanecerá en el modo de sintonización.

**Nota:** Introducir un disco por la fuerza antes de la recarga automática podría dañarlo.

## Pantalla del modo Reproductor de DVD

Una vez cargado el disco, el modo de reproducción se activa automáticamente.

Toque la pantalla del disco en reproducción para visualizar el menú de video en DVD. Si no toca la pantalla durante 5 segundos, se volverá a mostrar la pantalla de reproducción.



# Operación del reproductor de video en DVD

- |                              |                        |
|------------------------------|------------------------|
| 1 - Menú                     | 8 - Capítulo           |
| 2 - Información              | 9 - Pista anterior     |
| 3 - Repetir A-B              | 10 - Retroceso rápido  |
| 4 - Repetir                  | 11 - Reproducir/Pausar |
| 5 - Subtítulos               | 12 - Avance rápido     |
| 6 - Canal                    | 13 - Pista siguiente   |
| 7 - Volver al menú principal | 14 - Detener           |

## Uso del menú Reproductor de DVD

Para seleccionar los elementos del menú DVD, tóquelos directamente.

Si le resulta difícil seleccionar correctamente los elementos, también puede accionarlos con las flechas del control remoto.

## Detención de la reproducción

1. Toque el botón [■]. La reproducción se detendrá.
2. Para reanudar la reproducción, presione el botón [▶||]. La reproducción se inicia desde la escena donde se detuvo antes.

## Reproducir y pausar

1. Toque el botón [▶||] para hacer una pausa durante la reproducción.
2. Toque el botón [▶||] para reanudar la reproducción.

## Omitir (buscar) capítulos

1. Presione los botones [I◀◀] o [▶▶I] durante la reproducción.

Se omiten tantos capítulos anteriores o siguientes desde la ubicación actual como veces se oprima el botón, y luego comienza la reproducción.

## Avance y retroceso rápidos

1. Presione los botones [◀◀] o [▶▶] para avanzar o retroceder rápidamente durante la reproducción.

La velocidad de reproducción comienza en 2x y aumenta a 4x, 8x y 16x cada vez que vuelve a oprimirse el botón.

\* El audio no se reproduce durante el avance y el retroceso rápidos.

\* La velocidad de avance y retroceso rápidos puede variar según el disco.

## Búsqueda con un número de título o capítulo

Es posible ubicar el comienzo de una escena utilizando los números de capítulo o de título grabados en el DVD de video.

1. Mientras se muestra la pantalla del modo Reproductor de DVD, toque el botón [CHAP] (Capítulo).

Aparecerá el teclado numérico para que ingrese el número de capítulo. Toque el botón [Title] (Título) y aparecerá el teclado para que ingrese el título. Toque el botón [Time] (Tiempo) y aparecerá el teclado para que ingrese el tiempo.

### • Título

Un segmento grande que divide el área de datos del disco.

### • Capítulo

Un segmento pequeño que divide el área de datos del disco.

### • Tiempo

Un momento específico en el disco.

2. Ingrese el número correspondiente al título, capítulo o tiempo que desea reproducir, mediante los botones [0] a [9].
3. Presione el botón [OK].



La reproducción se inicia desde la escena correspondiente al título, capítulo o tiempo ingresado.

\* Si el número de título, capítulo o tiempo ingresado no existe o no está permitida la búsqueda con número de título o capítulo, la imagen de la pantalla no cambiará.

4. Toque el botón [◀◀].

## Repetir la reproducción

Esta función reproduce repetidamente capítulos grabados en el DVD de video.

1. Mientras se muestra la pantalla del modo Reproductor de DVD, toque el botón [↺].
2. Toque el botón [↺] una vez para repetir el capítulo. Tóquelo una vez más para repetir el título.
3. Presione el botón [↺] nuevamente para desactivar la repetición.

## Repetición A → B

Seleccione la parte que desea reproducir.

Toque el botón [↺].

La parte seleccionada comienza a reproducirse nuevamente.

Vuelva a presionar este botón para detener la repetición.

# Operación del reproductor de video en DVD

## Uso del menú Título

Si el DVD contiene dos o más títulos, puede seleccionar uno de ellos desde el menú Título (Título) para su reproducción.

1. Mientras se muestra la pantalla del modo Reproductor de DVD, toque el botón **[CHAP]** (Capítulo) durante la reproducción. Aparecerá la pantalla del menú Title (Título).
  - \* Según el disco, es posible que no pueda cargarse el menú Título.
2. Seleccione los elementos del menú Título igual que en el menú DVD.
  - \* Según el disco, es posible que no puedan seleccionarse elementos con los botones numéricos.

## Cambio de idioma

Si el disco tiene el audio grabado en dos o más idiomas, puede alternar entre ellos durante la reproducción.

1. Toque el botón **[Globe]** durante la reproducción.
  - Cada vez que pulse la tecla, el idioma del audio cambiará.
  - El cambio de audio puede demorar unos segundos.
  - \* Según el disco, el audio puede grabarse en hasta 8 idiomas. Verifique la marca en el disco para obtener más detalles. (El símbolo **(8)** indica que el audio se grabó en 8 idiomas).
  - \* Cuando la unidad está encendida y se cambia el disco, se selecciona el idioma predeterminado de fábrica. Si ese idioma no se encuentra grabado, se selecciona el idioma especificado en el disco.
  - \* Según el disco, el cambio puede ser imposible o sólo posible en algunas escenas.
2. La pantalla del modo Reproductor de DVD se ocultará 5 segundos después de efectuada la selección.

## Cambio de subtítulos

Si el DVD tiene los subtítulos grabados en dos o más idiomas, puede alternar entre ellos durante la reproducción.

1. Toque el botón **[Sub T.]** (Subtítulos) durante la reproducción. Cada vez que pulse la tecla, podrá cambiar el idioma de los subtítulos.
  - El cambio de subtítulos puede demorar unos segundos.
  - \* Según el disco, los subtítulos pueden grabarse en hasta 32 idiomas. Verifique la marca en el disco para obtener más detalles. (El símbolo **[S]** indica que los subtítulos se grabaron en 8 idiomas).

- \* Según el disco, el cambio puede ser imposible o sólo posible en algunas escenas.
2. La pantalla del modo Reproductor de DVD se ocultará 5 segundos después de efectuada la selección.
  3. Para desactivar los subtítulos, toque el botón **[Sub T.]** varias veces hasta desactivarlos.

## Cambio de ángulo

Si las imágenes del DVD se grabaron desde dos o más ángulos, puede alternar entre ellos durante la reproducción.

1. Presione el botón **[Angle]** del control remoto durante la reproducción. Cada vez que pulse el botón, el ángulo cambiará.
  - \* El cambio de ángulo puede demorar unos segundos.
  - \* Según el disco, las imágenes pueden grabarse en hasta 9 ángulos distintos. Verifique la marca en el disco para obtener más detalles. (El símbolo **(9)** indica multiplicidad de ángulos).
  - \* Según el disco, el cambio de ángulo puede ser suave o con una imagen fija momentánea.
  - \* Según el disco, el cambio puede ser imposible o sólo posible en algunas escenas.
  - \* Según el disco, es posible reproducir escenas grabadas desde dos o más ángulos.

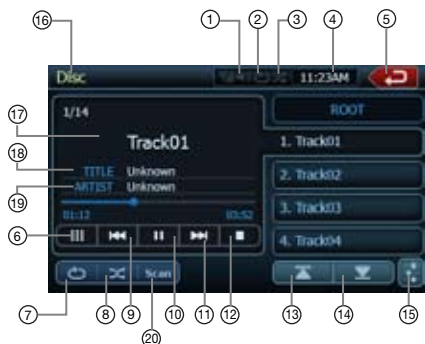
## Visualización del estado de reproducción

Presione el botón **[INFO]** en la pantalla del modo Reproductor de DVD o en el control remoto. El estado de reproducción aparecerá en la pantalla.



# Operación del reproductor de video en DVD

## CÓMO ESCUCHAR un CD



- |   |                                    |
|---|------------------------------------|
| 1 - Visualización de la función de silencio | 10 - Reproducir/Pausar de silencio |
| 2 - Visualización de repetición             | 11 - Pista siguiente               |
| 3 - Visualización de selección aleatoria    | 12 - Detener                       |
| 4 - Visualización de la hora                | 13 - Página anterior               |
| 5 - Volver al menú principal                | 14 - Página siguiente              |
| 6 - Teclado numérico                        | 15 - Botón del modo EQ             |
| 7 - Repetir                                 | 16 - Visualización de la fuente    |
| 8 - Selección aleatoria                     | 17 - Título de la canción          |
| 9 - Pista anterior                          | 18 - Información del artista       |
|   | 19 - Información del álbum         |
|   | 20 - Detectar                      |

### Poner en pausa

1. Toque el [II] botón para hacer pausa ó reproducir.
2. Toque el [▶] botón para reproducir.

### Omisión de pistas (búsqueda)

Toque el botón [◀▶] durante la reproducción. Se omiten tantas pistas como veces se oprima el botón, y luego se inicia la reproducción.

- Al presionar el botón [▶▶], la reproducción se inicia desde el comienzo de la siguiente pista.
- Al presionar el botón [◀◀], la reproducción se inicia desde el comienzo de la pista actual. Si se oprime nuevamente este botón dentro de los 2 segundos, la reproducción empieza desde el principio de la pista anterior.

### Avance y retroceso rápidos

1. Mantenga presionado el botón [▶▶] o el botón [◀◀] durante la reproducción. Presione nuevamente para avanzar o retroceder a mayor velocidad: 2x, 4x, 8x y 16x. Presione una vez más para reanudar la reproducción a velocidad normal.

### Detección de pistas

1. Toque el botón [Scan] (Detectar) durante la reproducción. Presione nuevamente para avanzar o retroceder a mayor velocidad: 2x, 4x, 8x y 16x. Presione una vez más para reanudar la reproducción a velocidad normal.

### Búsqueda con el número de pista

Esta función permite realizar búsquedas mediante los números de pista grabados en el CD.

1. Toque el botón [=] en la pantalla. Aparecerá el teclado numérico.
  2. Ingrese el número de pista que desea reproducir, mediante los botones [0] a [9].
- La reproducción se inicia desde la pista correspondiente al número ingresado.
- Si el número de pista ingresado no existe o si la búsqueda con número de pista no está permitida, la imagen de la pantalla no cambiará.

### Selección de pistas de la lista en pantalla

Esta función permite seleccionar pistas de la lista que aparece en la pantalla.

1. En la lista que se muestra, toque el título de la pista deseada. La pista seleccionada comenzará a reproducirse.
2. Si la pista que desea seleccionar no aparece, presione las teclas [▲] o [▼] para desplazarse por la lista.
3. Toque la tecla correspondiente al título de la pista deseada. La pista comenzará a reproducirse.
4. Presione el botón [◀] para volver a la pantalla anterior.

### Otras funciones de reproducción

Toque la tecla de la función que desea activar.

**Repetir [↺]:** Presione esta tecla una vez para iniciar la repetición de una sola pista. Vuelva a oprimirla para repetir todo. Para desactivar la repetición, vuelva a presionar el mismo botón.

- Los símbolos de repetición aparecen en la ventana de información en la esquina superior derecha de la pantalla.

**Selección aleatoria [↻]:** Toque este botón para seleccionar pistas en forma aleatoria durante la reproducción.

Vuelva a presionarlo para desactivar la función.

- El símbolo de selección aleatoria aparece en la ventana de información en la esquina superior derecha de la pantalla.

**Detener reproducción [■]:** Detiene la reproducción de todas las pistas.

**Configuración [⚙] del audio:** Toque este botón para ingresar al menú de configuración EQ.

# Operación del reproductor de video en DVD

## CÓMO ESCUCHAR ARCHIVOS MP3/WMA

Esta unidad es compatible con etiquetas ID3. Admite las ETIQUETAS ID3 de las versiones 2.4, 2.3, 1.1 y 1.0.

Al visualizar, la unidad prioriza las ETIQUETAS de las versiones 2.3 y 2.4.

Cuando se conecta un dispositivo USB al puerto USB o se carga un disco, se activa automáticamente el modo de reproducción.

### ¿Qué es MP3 y WMA?

MP3 es un método de compresión de audio comprendido en la categoría capa de audio 3 de las normas MPEG.

WMA es un método de compresión de audio creado por Microsoft Corporation.

Estos métodos de compresión de audio han tenido gran aceptación entre los usuarios de PC y se han convertido en formatos estándar.

Permiten comprimir los datos de audio originales a aproximadamente un 10% de su tamaño inicial con una alta calidad de sonido. Esto significa que pueden grabarse unos diez CD de música en un CD-R o un CD-RW para disfrutar de largas sesiones musicales sin tener que cambiar el CD.

### Nota:

- *Es posible que algunos CD grabados en modo CD-R/RW no puedan utilizarse.*

## Visualización de títulos de ETIQUETAS MP3/WMA

Es posible visualizar datos, como título, artista y álbum, de un archivo MP3/WMA si éste contiene la información de la etiqueta.

### Precauciones al crear discos MP3

#### • Extensiones de archivos

1. Siempre agregue la extensión “.MP3” o “.mp3” a los archivos MP3, y la extensión “.WMA” o “.wma” a los archivos WMA, con letras de un solo byte. Si agrega una extensión distinta de la especificada o si olvida agregar la extensión correspondiente, el archivo no podrá reproducirse. Asimismo, si se mezclan letras mayúsculas y minúsculas en las extensiones, el archivo no podrá reproducirse normalmente.
2. No pueden reproducirse archivos cuyos datos no sean MP3/WMA. Los archivos de formatos no admitidos serán omitidos, y es posible que los modos de detección, selección aleatoria y repetición sean cancelados.

#### • Tipos de archivos y discos no admitidos

Los archivos y discos con las siguientes extensiones no son compatibles: \*.AAC, \*.DLF, \*.M3U, \*.PLS, archivos MP3 PRO, archivos con DRM, discos con sesión abierta.

#### • Formato lógico (sistema de archivos)

1. Al grabar archivos MP3/WMA en un disco, seleccione “**ISO9660 level 1 or level 2 (without including expansion format)**” como formato del software de escritura. Si el disco se graba en otro formato, es posible que no pueda reproducirse normalmente.
2. El nombre de la carpeta y el nombre del archivo pueden visualizarse como título durante la reproducción de un archivo MP3/WMA, pero, para poder usarse como título, dichos nombres deben tener, como máximo, 31 letras y números de un solo byte (incluida la extensión). Si se ingresan más letras y números de lo especificado, la reproducción podría verse afectada.

#### • Ingreso de nombres de archivos y carpetas

Sólo pueden ingresarse y visualizarse nombres de archivos y carpetas que contengan caracteres incluidos en la lista de códigos. El uso de cualquier otro carácter podría afectar la correcta visualización de los nombres de archivos y de carpetas.

#### • Protección contra descargas eléctricas

10 segundos para CD-DA (CDA)  
45 segundos para archivos MP3 grabados a 44,1 kHz, 128 kbps  
90 segundos para archivos WMA grabados a 44,1 kHz, 128 kbps

#### • Estructura de carpetas

1. Los discos con carpetas que tengan más de ocho niveles jerárquicos entrarán en conflicto con la norma ISO9660 y su reproducción será imposible.

#### • Cantidad de archivos o carpetas

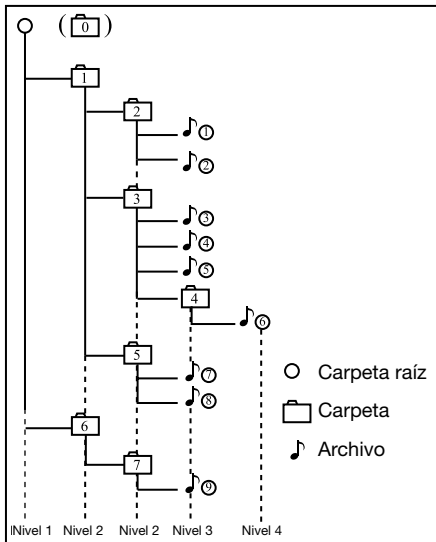
1. La cantidad máxima permitida de carpetas es 200 (incluido el directorio raíz); la cantidad máxima permitida de archivos es 1500 (1500 por carpeta como máximo). Esto constituye la cantidad máxima de pistas que pueden reproducirse.
2. Las pistas son reproducidas en el orden en que se grabaron en el disco. (No siempre se reproducen en el orden que se muestra en la computadora).
  - Puede producirse algo de ruido, según el tipo de software codificador utilizado en la grabación.
  - En el caso de pistas grabadas en VBR (tasa de bits variable), el tiempo de reproducción de la pista mostrado en la pantalla puede ser ligeramente distinto del tiempo real de reproducción. Asimismo, el valor recomendado de VBR oscila entre 32 kbps y 320 kbps.
  - Después de seleccionar el disco, el modo de reproducción se activa automáticamente.

# Operación del reproductor de video en DVD

## Reproducción de carpetas MP3

Cuando se seleccionan archivos y carpetas (Búsqueda de carpeta, Búsqueda de archivo o Selección de carpeta) para su reproducción, éstos se reproducen en el orden en que fueron grabados en el medio. En consecuencia, el orden de reproducción esperado tal vez no coincida con el orden de reproducción real.

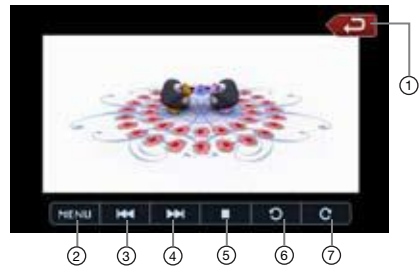
Para establecer el orden de reproducción de archivos MP3/WMA, puede asignarles nombres que comiencen con el número que ocupan en la secuencia de reproducción, desde "01" hasta "99". Por ejemplo, un medio con la siguiente jerarquía de carpetas y archivos está sujeto a Búsqueda de carpeta, Búsqueda de archivo o Selección de carpeta. Vea el siguiente diagrama.



El reproductor sólo reconocerá tres niveles de carpetas y no muestra las carpetas que contienen otras carpetas. En el ejemplo anterior, la unidad mostrará las carpetas 2, 3, 4, 5 y 7, pero no la 1 y la 6, ya que estas dos sólo contienen carpetas y no archivos reproducibles.

## Menú Reproducción de imágenes

La imagen que se muestra en la pantalla viene acompañada de distintas funciones.



- 1 - Volver al menú principal
- 2 - Menú
- 3 - Imagen anterior
- 4 - Imagen siguiente
- 5 - Detener
- 6 - Rotar imagen en sentido antihorario
- 7 - Rotar imagen en sentido horario

- Toque el botón [▶▶▶] para reproducir la imagen siguiente.
- Toque el botón [◀◀◀] para reproducir la imagen anterior.
- Toque el botón [■] para detener la reproducción.
- Toque el botón [↺] para rotar la imagen 90° en el sentido contrario al de las agujas del reloj.
- Toque el botón [↻] para rotar la imagen 90° en el sentido de las agujas del reloj.
- Toque el botón [MENU] para volver al menú raíz del disco.
- Toque el botón [↶] para volver al menú principal.



# Operación de la radio satelital Sirius

Esta función está disponible cuando se conecta un receptor de radio satelital Sirius a través de la conexión específica. Esta unidad requiere el siguiente receptor:

Receptor de radio satelital SIRIUS: SC-C1

## Nota:

La radio satelital SIRIUS es un servicio de suscripción. Póngase en contacto con Sirius Radio para iniciar o modificar su suscripción.

• Internet: [www.sirius.com](http://www.sirius.com)

• Teléfono: 888-539-SIRIUS (747487)

## Selección del modo Radio satelital

Presione el botón **[SIRIUS]** en la pantalla Main Menu (Menú principal). El sistema pasará al modo Radio satelital Sirius y aparecerá la pantalla del modo Sirius.



- |                               |  |
|-------------------------------|--|
| 1 - Teclado numérico          | 11 - Visualización de la función de silencio |
| 2 - Canal anterior            | 12 - Señal satelital                         |
| 3 - Guardar                   | 13 - Categoría siguiente                     |
| 4 - Canal siguiente           | 14 - Nombre de la categoría                  |
| 5 - Detectar                  | 15 - Categoría anterior                      |
| 6 - Página anterior           | 16 - Visualización de la fuente              |
| 7 - Página siguiente          | 17 - Título de la canción                    |
| 8 - Botón del modo EQ         | 18 - Información del artista                 |
| 9 - Volver al menú principal  | 19 - Información del álbum                   |
| 10 - Visualización de la hora | 20 - Detectar                                |

## Información en pantalla durante la recepción

La siguiente información aparecerá en la pantalla cuando la radio satelital no pueda recibirse normalmente.

- Cuando el receptor se enciende por primera vez o después de restablecerlo: **UPDATING** (Actualizando) seguido por el porcentaje de avance.
- Cuando se está sintonizando un canal (aún no hay recepción de señal): **ACQUIRING SIGNAL (Captando señal)**.
- Cuando se ha seleccionado un canal sin transmisión: **INVALID CHANNEL (Canal no válido)**.
- Cuando el canal no está incluido en su contrato: **CALL 888-539-SIRIUS (Llame al 888-539-SIRIUS)**. Llame al (888) 539-747487 para activar el servicio de radio.

- Cuando un canal está fuera del aire: **OFF AIR (Fuera de aire)**.
- Cuando la antena está desconectada o dañada: **ANTENNA ERROR (Error de antena)**.

## Confirmación de su ID de radio

1. Toque el botón **[!!!]** en la pantalla del menú SIRIUS para visualizar el teclado numérico. Ingrese **0** y presione **OK**. Aparecerá su ID SIRIUS (un número de 12 dígitos).
2. Presione el botón **[Settings]** en la pantalla del menú SIRIUS para ingresar al menú de configuración.



2. Presione el botón **[SID]**. Aparecerá su ID SIRIUS (un número de 12 dígitos).

## Selección de canales

1. Toque el botón **[Channels]** en la pantalla del menú SIRIUS para visualizar la lista de canales.
2. Seleccione el canal con los botones **[<<]** y **[>>]**. Sólo podrán seleccionarse canales con buena recepción. Se omitirán los canales bloqueados y los que no estén incluidos en el contrato. El receptor busca el canal disponible anterior o siguiente al canal actual.



## Selección de canales con el número de canal

1. Toque el botón de acceso directo en la pantalla del menú SIRIUS para ingresar a la selección directa de canales.
2. Ingrese el número de canal de la estación deseada mediante los botones **[0]** a **[9]**. Si ingresa un número incorrecto, puede cancelarlo con la tecla **[BACK]** (Atrás).
3. Presione el botón **[OK]**. Se sintonizará el canal de radio que ingresó.



# Operación de la radio satelital Sirius

## Selección de canales con el número de canal

Se puede almacenar un total de 20 estaciones de radio satelital en la memoria del receptor. Puede acceder a las presintonías mediante el botón **Presets**. Esto le permite guardar sus estaciones de radio satelital favoritas en la memoria para escucharlas después.

1. Toque el botón **[Preset...]** para ingresar a la lista de presintonías y seleccionar o guardar sus presintonías.
2. Toque los botones **[▲]** o **[▼]** para ver la página anterior o la siguiente.

\* Hay cinco páginas de espacio disponible en la memoria de presintonías. Puede recorrer las páginas con los botones de la barra de desplazamiento ubicada a la derecha de la pantalla.

3. Toque el botón **[Preset...]** para volver a la pantalla anterior.

## Almacenamiento automático de presintonías

1. Toque durante más de dos segundos el botón de la presintonía correspondiente para guardar el canal seleccionado.
2. Toque el botón **[📁]** para guardar el canal actual.

## Eliminar una presintonía

1. Toque el botón **[Preset...]** e ingrese al menú de presintonías.
2. Toque el botón de la presintonía que desea eliminar.
3. Toque el botón **[DEL]** para eliminarla.



## Recepción de estaciones por categoría

La radio satelital permite seleccionar la categoría de canales de radiodifusión (contenido).

1. Toque el botón **[Categories]** para ingresar al modo de categorías.
2. Toque los botones **[▲]** o **[▼]** para ver todas las categorías válidas.
3. Presione la tecla de la categoría deseada para seleccionarla.
4. Para seleccionar el canal deseado, presione brevemente la tecla correspondiente en la pantalla.

## Nota:

Al ingresar al modo de selección de categoría, la categoría del último canal recibido aparecerá primero.



## Control infantil: bloqueo de canales

1. Toque el botón **[Settings]** para ingresar a la lista de configuración.
2. Toque el botón **[Lock]** para ingresar a la lista de bloqueo.
3. Toque el botón **[▽]** para ver la página siguiente de la lista de bloqueo.
4. Toque el canal deseado para bloquearlo y vuélvalo a tocar para desbloquearlo.



## Configuración de la contraseña

1. Toque el botón **[Settings]** para ingresar a la lista de configuración.
2. Toque el botón **[Password]** para ingresar al modo de contraseña.
3. Toque el botón **[🔑]** para establecer la contraseña.
4. Toque el botón **[🔑]** para eliminar la contraseña.
5. Toque el botón **[Settings]** para volver al menú Sirius.



## Nota:

Si establece una contraseña, deberá ingresar el código correcto para acceder a la lista de bloqueo. Al intentar acceder a un canal bloqueado, aparecerá el teclado para el ingreso de la contraseña. Sólo podrá sintonizarse el canal si se ingresa el código correcto. De lo contrario, el sistema volverá al último canal sintonizado.

# Operación del sistema de navegación

## Introducción al software de navegación

El software de navegación brinda asistencia visual y verbal detallada para guiarlo al destino seleccionado. Calcula rápidamente indicaciones paso a paso a cualquier destino disponible en el mapa de navegación que incluye. Este software utiliza satélites del sistema de posicionamiento global (GPS, por sus siglas en inglés) y una base de datos de mapas digitales para calcular y mostrar en la pantalla las indicaciones de viaje. La antena GPS del sistema recibe señales de veinticuatro satélites que orbitan la Tierra y utiliza las señales más fuertes a fin de determinar la posición del usuario con un margen de error de pocos metros.

### Posición del vehículo

La computadora del software de navegación tiene en cuenta la velocidad del vehículo y los cambios de rumbo, junto con la longitud y la latitud, para determinar con precisión la posición y el rumbo del vehículo en un mapa digital. Las señales de los satélites GPS se utilizan para determinar la ubicación del vehículo. Para poder determinar la ubicación con precisión, deben recibirse señales de tres (condición buena) o cuatro (condición óptima) satélites. El estado de recepción del GPS se indica mediante el símbolo de GPS en el mapa.

### Base de datos de mapas y de información


La base de datos de mapas utilizada por el software de navegación fue creada a partir de datos recopilados en tierra y a través de una antena de alta resolución. Los mapas de navegación vehicular se actualizan con frecuencia. Si bien la base de datos era lo más precisa posible al momento de su publicación, las bases de datos de mapas nunca son ciento por ciento exactas. La información vial incluida en las bases de datos de mapas, como restricciones de giro o nombres de calles, puede cambiar con el correr del tiempo.


## Operación de la pantalla Menú principal


1. Luego de activar el sistema de navegación mediante el botón NAVI (Navegación) de la pantalla Main Menu (Menú principal), aparece la pantalla de advertencia. Presione el botón para aceptar.
2. Aparecerá la pantalla de navegación Main Menu (Menú principal).





3. El menú principal tiene diversas opciones:
  - Home Address** (Dirección residencial): ruta a la dirección residencial.
  - Go To... (Ir a)**: para seleccionar un destino.
  - Setup** (Configuración): para establecer las preferencias de visualización de rutas y navegación.
  - Office Address** (Dirección laboral): ruta a la dirección laboral.
  - Trip Computer** (Computadora de viaje): muestra la velocidad, el viaje, el velocímetro y el reloj.
4. Para operar el sistema de navegación, utilice los botones de funciones que aparecen en la pantalla, según se describe a continuación.


 Acercar el mapa para mostrar un área más pequeña


 Alejar el mapa para mostrar un área más grande


 Volver al modo Mapa  
Mostrar el mapa en dos dimensiones


 Volver a la pantalla anterior

 Mostrar el menú, volver al menú principal


 Mostrar el mapa en tres dimensiones


 Seleccionar la posición panoramizada actual, después de panoramizar el mapa


 Información sobre la ubicación actual en el mapa, elementos del modo

 Seleccionar (confirmar) el elemento resaltado

 Mostrar el teclado de escritura


 Página anterior, página siguiente de la lista en pantalla

 Subir o bajar por la lista del menú

 Instrucciones verbales activadas

 Botón Restablecer

 Botón Cancelar

 Botón Eliminar (Mover el contenido celular a la papelera)

## Ruta a la dirección residencial

1. Toque el botón **Home Address** (Dirección residencial) en la pantalla. Si la dirección residencial no se encuentra configurada, aparecerá la siguiente pantalla.



2. Presione la tecla de confirmación para mostrar la pantalla de configuración de la dirección residencial.



3. Seleccione una de las opciones que aparecen en la pantalla para establecer la dirección. Una vez ingresada la dirección, quedará guardada en la memoria del software.
4. Si la dirección residencial se encuentra configurada, al tocar el botón **Home Address**, aparecerá una pantalla con la dirección. Inicie la ruta (Start Route).



## Selección de destinos

Para seleccionar el destino, presione el botón **Go To...** en la pantalla Main Menu. Aparecerá la pantalla **Go To...** (Ir a).




Para iniciar la navegación, utilice uno de los siguientes modos:

- Address or Intersection (Dirección o intersección)**
- Point of Interest (Punto de interés)**
- Favorites (Favoritos)**
- History (Historial)**

### Modo Dirección o intersección

1. Presione el botón **Address or Intersection** si conoce la dirección. Aparecerá el teclado.



2. Toque la primera letra de la ciudad deseada. El nombre de la ciudad aparecerá en la pantalla.
3. Toque la tecla de confirmación . En la pantalla, se mostrará una lista de las ciudades cuyo nombre empieza con la misma letra. Presione el nombre de la ciudad deseada.



4. Toque la tecla  para visualizar el nombre de la calle.  
Aparecerá la pantalla de calles.



5. Para elegir la calle, escribala con el teclado. Se mostrará la lista de calles que comiencen con esas letras. Presione las flechas arriba y abajo para recorrer la lista. Seleccione la calle.



Presione el botón  para regresar a la pantalla de calles.

6. Toque el botón  para mostrar el código postal.



Presione la tecla de selección para mostrar la lista de códigos postales. Seleccione el código deseado y presione la tecla Entrar.

### Modo Punto de interés

1. Use la opción **Point of Interest** (Punto de interés) cuando se dirija a un lugar público o esté buscando algún tipo de establecimiento en particular, como una gasolinera. Una vez seleccionada la opción **Point of Interest**, seleccione el estado o provincia (State/Province) donde se encuentra el destino.

**NOTA:** El sistema recuerda el último estado o provincia seleccionado, por lo que este paso no siempre es necesario.

2. En la opción **Punto de interés**, puede buscarse por categoría (Category), ciudad (City) o nombre (Name).



- Modo **Categoría:** utilice este modo para buscar una empresa o un servicio específico, por ejemplo, la gasolinera más cercana.



- Modo **Ciudad:** para seleccionar la ciudad, escriba el nombre.



- Modo **Nombre:** para seleccionar el nombre, escríbalo.



## Modo Coordenadas

Puede calcularse la ruta a un destino ingresando directamente la latitud y la longitud.



## Modo Favoritos

Puede seleccionarse la ruta a un destino eligiendo uno de los lugares favoritos preestablecidos en el modo **Favoritos**.



1. La función **Address Book** (Libreta de direcciones) le permite guardar destinos visitados recientemente.



2. La función **Trail Book** (Libreta de caminos) le permite crear sus propias rutas.



3. La función **My POI** (Mi punto de interés) le permite crear y guardar sus propios puntos de interés.



4. La función **Trip Book** (Libreta de viajes) le permite recorrer distintos viajes.



## Edición de favoritos

1. Presione el botón Edit Favorites para editar los modos **Address Book**, **Trail Book**, **Trip Book** y **My POI**. Aparecerá la siguiente pantalla.



2. Seleccione el modo que desea editar. Aparecerá la pantalla de edición.

Pantalla de edición **Address Book** (Libreta de direcciones):





### Pantalla de edición Trail Book (Libreta de caminos):



### Pantalla de edición Trip Book (Libreta de viajes):



### Pantalla de edición My POI (Mi punto de interés):



### Modo Historial

Los destinos ingresados en el software de navegación se guardan automáticamente en la memoria. Esto es útil cuando uno quiere volver a un destino reciente, por ejemplo, un hotel donde podría hospedarse. El punto de partida de la última ruta calculada también se almacena en la memoria para poder volver a él fácilmente.



### Configuración de las preferencias del sistema

Presione el botón Setup para configurar sus preferencias de rutas y navegación. Aparecerá la siguiente pantalla. Seleccione el modo que desea configurar.



1. Presione **Select Routing Criteria** (Seleccionar criterios de rutas) para configurar sus preferencias de conducción. Marque los elementos deseados en la pantalla que aparece.



2. Presione **Display Options** (Opciones de visualización) para configurar sus preferencias de visualización. Todas las opciones se listan en tres pantallas. Marque los elementos deseados en la lista que aparece en la pantalla.



- Presione **User Preferences** (Preferencias del usuario) para configurar sus preferencias. Todas las opciones se listan en dos pantallas. Marque los elementos deseados en la lista que aparece en la pantalla.



- Presione **Location Reset** (Restablecer ubicación) para configurar sus preferencias de ubicación. Seleccione de las opciones que aparecen en la pantalla el elemento que desee restablecer.



- Presione el botón **System** (Sistema). Aparecerá la siguiente pantalla.



- Seleccione el modo **Volume** (Volumen). La pantalla que aparece le permitirá activar o desactivar el sonido del sistema.



- Seleccione el modo **GPS Diagnostics** (Diagnóstico del GPS). Aparecerá una pantalla con información sobre el estado actual del GPS.



- Seleccione el modo **System Information** (Información del sistema). Aparecerá una pantalla con información sobre el sistema de navegación.



### ***Dirección laboral: guía y configuración***

Presione el botón Office Address (Dirección laboral) y aparecerá la pantalla **Start Route** (Iniciar ruta).



Si la dirección laboral no se encuentra configurada:

- Presione el botón **Favorites** en la pantalla **Go To**.
- En la pantalla que aparece, presione el botón **Edit Favorites**. Aparecerá la siguiente pantalla.




- Presione el botón **Office Address**. Aparecerá la pantalla **Set Office Address** (Establecer dirección laboral). Complete la información en los elementos resaltados.



### **Computadora de viaje: lecturas y restablecimiento de funciones**

Presione el botón Trip Computer (Computadora de viaje) para visualizar la velocidad, el viaje, el velocímetro y el reloj.




1. Toque el botón  para mostrar la información del viaje. Aparecerá la siguiente pantalla.





Toque las flechas arriba o abajo de la lista o de la página para ver más elementos.



2. Para seleccionar un elemento de la lista, tóquelo.
3. Para restablecer el elemento mostrado, presione la tecla . Aparecerá la siguiente pantalla.



4. Toque el botón de confirmación  para aceptar o el botón de cancelación  para volver a la pantalla Trip Computer.



# 7. ACCESORIOS

## Operación de dispositivos iPod/iPhone

Los iPod/iPhone pueden conectarse mediante el cable provisto con el dispositivo, pero, en este caso, sólo podrá disfrutar de la función de audio. Para ver películas guardadas en el iPod/iPhone a través de esta unidad, debe utilizarse un cable especial que se vende por separado.

### Nota:

- Con versiones no compatibles, la unidad no funciona o lo hace incorrectamente.
- Para obtener más información sobre los modelos compatibles de iPod/iPhone, consulte nuestra página: [www.clarion.com](http://www.clarion.com).

### Notas sobre el uso de dispositivos iPod/iPhone de Apple

- No conecte un iPod/iPhone a la unidad si hay auriculares conectados al dispositivo.
- Una vez conectado el iPod/iPhone a la unidad, los botones del iPod quedan deshabilitados para el modo Música. En el modo Video, no utilice los botones del iPod.
- Al seleccionar el modo iPod, aparecerá una pantalla especial para controlar el iPod/iPhone, distinta de las pantallas principales de los otros modos.
- En el modo iPod, las imágenes provenientes del terminal AUX se emiten por el monitor trasero.
- Si no hay información disponible, la línea del título permanecerá en blanco.
- El iPod/iPhone se utiliza con la función de ecualización desactivada (OFF).
- Coloque el idioma del iPod/iPhone en inglés antes de conectarlo. Es posible que algunos caracteres de otros idiomas no se visualicen correctamente en este sistema.
- **Precauciones relacionadas con el consumo de la batería:**  
Si conecta el iPod/iPhone a la unidad con la batería interna del dispositivo agotada, es posible que no funcione correctamente. Si la batería se agotó, cárguela antes de conectar el iPod/iPhone.

### Selección del modo iPod

1. Conecte el iPod/iPhone al conector USB. El sistema detectará automáticamente el dispositivo conectado y pasará al modo iPod. En la pantalla Main Menu (Menú principal), aparecerá el icono de iPod.



La reproducción comenzará unos momentos después desde donde se pausó el dispositivo.

### • Cuando ya hay un iPod/iPhone conectado

- Toque el botón [iPod] en la pantalla Main Menu. El sistema pasará al modo iPod y la reproducción comenzará desde la posición anterior.

### Control del iPod/iPhone

#### Botones de operación

- Pantalla del modo de audio iPod



- |                               |  |
|-------------------------------|--|
| 1 - Repetir                   | 13 - Visualización de la hora                |
| 2 - Selección aleatoria       | 14 - Visualización de selección aleatoria    |
| 3 - Pista anterior            | 15 - Visualización de repetición             |
| 4 - Detectar                  | 16 - Visualización de la función de silencio |
| 5 - Reproducir/Pausar         | 17 - Título de la canción                    |
| 6 - Botón de Video iPod       | 18 - Información del artista                 |
| 7 - Pista siguiente           | 19 - Información del álbum                   |
| 8 - Detener                   | 20 - Teclado numérico                        |
| 9 - Página anterior           |  |
| 10 - Página siguiente         |  |
| 11 - Botón del modo EQ        |  |
| 12 - Volver al menú principal |  |

### [Video] Botón Video

- Cambia a la pantalla en la que se visualiza la salida de video del iPod/iPhone.

### Nota:

- Tenga en cuenta que no todos los dispositivos iPod/iPhone pueden transmitir video a esta unidad.

# Operación de dispositivos iPod/iPhone

## [X] Botón Selección aleatoria

- Presione este botón para activar o desactivar el modo de selección aleatoria. Cuando está activada, esta función reproduce las pistas en orden aleatorio, independientemente del orden en que fueron grabadas.

## [II] Botón Reproducir/Pausar

- Permite reproducir pistas y hacer pausas.
  1. Presione este botón durante la reproducción y ésta se detendrá.
  2. Para reanudar la reproducción, vuelva a presionar el botón.

## [EQ] Botón EQ

- Permite ingresar al menú Audio Settings (Configuración de audio) para configurar los ajustes.

## [123] Botón Teclado numérico

- Permite ingresar números para seleccionar pistas.

## [↺] Botón Repetir

- Permite repetir la pista seleccionada.

## Omitir una pista (búsqueda)

1. Presione los botones [▶▶▶] o [◀◀◀] durante la reproducción. Se omiten tantas pistas como veces se oprima el botón, y luego se inicia la reproducción.
  - Al presionar el botón [▶▶▶], la reproducción se inicia desde el comienzo de la pista siguiente.
  - Al presionar el botón [◀◀◀], la reproducción se inicia desde el comienzo de la pista actual. Si se oprime nuevamente este botón dentro de los 2 segundos, la reproducción empieza desde el principio de la pista anterior.

## Avance y retroceso rápidos

Mantenga presionado los botones [▶▶▶] o [◀◀◀] de la pantalla del menú para avanzar o retroceder rápidamente. La primera vez que pulse el botón, la música avanzará al doble de velocidad. Si sigue pulsando, la velocidad aumentará a 4x, 8x y 16x. Suelte el botón para reanudar la reproducción normal.

## Selección de elementos de una lista

1. Toque el icono de visualización de listas en la pantalla de selección iPod.
2. Toque el elemento deseado para visualizar la lista de pistas correspondiente.
  - Use los botones [▲] y [▼] para recorrer la lista.
3. Toque el nombre de la pista deseada para reproducirla.
  - Use los botones [▲] y [▼] para recorrer la lista.

## Reproducción de video de un iPod/iPhone (sólo para iPod/iPhone con funciones de video)

Al conectar un iPod/iPhone con funciones de video mediante el cable opcional para iPod/iPhone con video, podrá ver las presentaciones de diapositivas y los videos almacenados en el dispositivo a través de la pantalla de esta unidad (y del monitor trasero si está conectado).

### Nota:

- No conecte el iPod/iPhone a la unidad cuando en el dispositivo se encuentre seleccionado un elemento de las listas de reproducción de video.
1. Presione la tecla de video [📺] en la pantalla iPod de audio. Aparecerá la pantalla iPod de reproducción de video.



2. Para seleccionar el tipo de video que desea reproducir, toque el botón correspondiente a la derecha del menú. Se iniciará la reproducción del video.

### Nota:

La reproducción de video no está disponible en todos los dispositivos iPod/iPhone. Consulte a su distribuidor Clarion para obtener más detalles. Para utilizar esta función, puede requerirse un cable o un accesorio opcionales.

3. Para detener la reproducción del video, toque la pantalla. Aparecerá el menú iPod de reproducción de video.
4. Toque el botón de audio [🎵] (1) para volver al menú iPod de audio.

### Nota:

- Cuando el vehículo esté en movimiento, aparecerá el mensaje AUDIO ONLY (Audio solamente).
- Según el estado del iPod/iPhone, es posible que las imágenes no se reproduzcan.
- El ajuste de volumen de video es relativamente más bajo que el de audio. Recuerde bajar el volumen antes de pasar al otro modo.
- No seleccione categorías cuando no haya pistas registradas en la pantalla del menú iPod. Es posible que el iPod/iPhone no responda. Si sucediera esto, restablezca el iPod/iPhone según el procedimiento descrito en el manual del dispositivo.
- Es posible que el audio no se reproduzca en forma sincronizada con las imágenes.

## Operación de dispositivos USB

Este sistema puede reproducir archivos de audio (MP3/WMA) almacenados en memorias USB identificadas como “clase de dispositivo de almacenamiento masivo USB”. La memoria USB puede utilizarse como dispositivo de audio simplemente copiando en ella los archivos deseados.

### Nota:

- Con algunas memorias USB, el sistema no funciona o lo hace incorrectamente.
- Los archivos protegidos con DRM (gestión de derechos digitales, por sus siglas en inglés) no pueden reproducirse.

### Notas sobre el uso de memorias USB

#### • Notas generales

- Cuando no haya datos disponibles, aparecerá el mensaje NO FILE.
- Las memorias USB se utilizan con la función de ecualización desactivada (OFF).

#### • Notas sobre los archivos MP3/WMA

- Este sistema puede reproducir archivos MP3/WMA almacenados en memorias USB.
- Este sistema no puede reproducir archivos DivX almacenados en memorias USB.

#### • Establezca la frecuencia de muestreo en:

Para archivos MP3:

- MPEG1 Layer3: 32, 44, 1 ó 48 kHz
- MPEG2 Layer3: 16, 22,05 ó 24 kHz
- MPEG2.5 Layer3: 8, 11,025 ó 12 kHz

Para archivos WMA: 32, 44, 1 ó 48 kHz

#### • Establezca la tasa de bits en:

Para archivos MP3:

- MPEG1 Layer3: 32 a 320 kbps (VBR)
- MPEG2 Layer3: 16 a 160 kbps (VBR)
- MPEG2.5 Layer3: 16 a 160 kbps (VBR)

Para archivos WMA: 32, 48, 64, 80, 96, 128, 160 ó 192 kbps

#### • Agregue la siguiente extensión utilizando caracteres de un solo byte:

Para archivos MP3: “.MP3” o “.mp3”

Para archivos WMA: “.WMA” o “.wma”

#### • Notas sobre la estructura de carpetas

- La jerarquía de carpetas debe incluir no más de 8 niveles jerárquicos. De lo contrario, la reproducción será imposible.
- La cantidad máxima permitida de carpetas es 200 (incluidos el directorio raíz y carpetas que no contengan archivos MP3/WMA).
- La cantidad máxima permitida de archivos en una carpeta es 1500.
- El máximo número de archivos permitidos en todas las carpetas es de 1500.
- En una misma carpeta, pueden guardarse archivos MP3 y WMA.

#### • Notas sobre títulos de etiquetas

Las limitaciones respecto de los títulos de etiquetas son las mismas que rigen en los modos MP3/WMA.

#### • Representación de carpetas en la lista de carpetas

Las limitaciones respecto de la representación de carpetas son las mismas que rigen en los modos MP3/WMA.

### Selección del modo Memoria USB

Conecte la memoria USB al conector USB. El sistema detectará automáticamente el dispositivo conectado, pasará al modo USB (modo Memoria USB) y comenzará la reproducción después de unos instantes. Si vuelve a conectar el mismo dispositivo que usó la última vez, el sistema iniciará la reproducción desde donde dejó en aquella oportunidad.

#### • Cuando ya hay una memoria USB conectada

Toque el botón **[USB]** para seleccionar el modo USB desde un menú principal.

El sistema pasará al modo USB y la reproducción comenzará desde la posición anterior.



### Reproducción de archivos guardados en una memoria USB

La operación del modo Memoria USB es igual a la de los modos MP3/WMA.

Consulte la sección “Cómo escuchar un CD” para obtener más detalles.

#### Nota:

Al avanzar o retroceder rápidamente, la velocidad de reproducción aumenta diez veces. En el caso de archivos VBR, puede variar según cada archivo.


# Operación de reproductores de audio Bluetooth

Algunos teléfonos móviles Bluetooth cuentan con funciones de audio y algunos reproductores de audio portátiles admiten funciones Bluetooth. En este manual, a estos dispositivos los denominaremos reproductores de audio Bluetooth. Esta unidad puede reproducir archivos de audio almacenados en reproductores de audio Bluetooth.

## Nota:

- Con algunos reproductores de audio Bluetooth, el sistema no funciona o lo hace incorrectamente.
- Para obtener más información sobre reproductores de audio Bluetooth compatibles, consulte nuestra página: [www.clarion.com](http://www.clarion.com).

## Cómo seleccionar el modo Bluetooth

1. Presione el botón [**<=>**] para ver la pantalla Main Menu (Menú principal).
2. Toque el botón [**Bluetooth**] para seleccionar el modo Bluetooth.  
El sistema pasará al modo Bluetooth.  
Si ya se estableció la conexión con el reproductor de audio Bluetooth, puede seleccionar la función de música.
- Cuando el sistema está conectado a un reproductor de audio Bluetooth, aparece el icono  en la parte superior de la pantalla.



## Opciones del reproductor de audio Bluetooth

### Información de la interfaz Bluetooth y cambio del código de acceso

Puede consultarse la información referente a la interfaz Bluetooth.

1. Toque el botón [**Settings**] (Configuración) para visualizar la información.



2. Una vez verificados los datos, toque el botón [**BT Menu**] (Menú Bluetooth) para volver a la pantalla anterior.  
Si desea cambiar el código de acceso de la unidad, siga estos pasos.
  - La configuración predeterminada de fábrica es **1234**.
3. Toque la caja de texto del elemento Pin Code (Código PIN) y aparecerá el teclado numérico.
4. Ingrese un número PIN de cuatro dígitos y luego toque el botón [**OK**].

## Cómo registrar un reproductor de audio Bluetooth (sincronización)

Pueden registrarse hasta cinco reproductores de audio Bluetooth.

1. Encienda el reproductor de audio Bluetooth que desee registrar.
2. Toque la tecla [**Device**] para visualizar la pantalla Device Select (Seleccionar dispositivo).



3. Toque el botón [**Add**] (Agregar) para visualizar la pantalla Add the Device (Agregar dispositivo).
4. Toque la tecla que desee asignar al reproductor de audio Bluetooth que está registrando.
5. Si el reproductor de audio Bluetooth le pide que ingrese el código de acceso, ingrese el código establecido para esta unidad.
  - Puede cambiar el código de acceso de la unidad desde la pantalla de información Bluetooth.

Al finalizar el procedimiento de sincronización, el reproductor de audio Bluetooth registrado queda establecido como dispositivo activo, y el sistema vuelve a la pantalla del modo Bluetooth.

**Nota:**

- No es posible registrar un reproductor de audio Bluetooth que ya fue sincronizado. Si desea cambiar la tecla asignada al dispositivo, primero borre el reproductor de audio Bluetooth de dicha tecla y vuélvalo a registrar en otra.
- **Cómo borrar un reproductor de audio Bluetooth registrado**
  1. Toque la tecla [Device].
  2. Toque la tecla del dispositivo que desea borrar. Aparecerá una pantalla de confirmación.
  3. Toque el botón [Delete] para visualizar la pantalla Delete the Device (Borrar dispositivo).

### Cómo seleccionar un reproductor de audio Bluetooth

---

Para pasar del reproductor de audio Bluetooth activo a otro dispositivo ya registrado, siga estos pasos.

1. Toque la tecla [Device] para visualizar la pantalla Device Select (Seleccionar dispositivo).
2. Toque el dispositivo que se encuentra conectado y luego presione el botón [Cut] (Cortar) para desconectarlo.
3. Toque la tecla del dispositivo que desea utilizar. Presione el botón [Connect] (Conectar) para seleccionarlo como dispositivo activo. El reproductor de audio Bluetooth correspondiente queda establecido como dispositivo activo.
  - Si el reproductor de audio está apagado, enciéndalo.
  - El reproductor puede solicitarle que acepte la conexión Bluetooth o que ingrese el código de acceso de esta unidad. Realice dichas operaciones siguiendo las instrucciones que aparecen en la pantalla.
4. Toque el botón [BT Menu] (Menú Bluetooth) para volver a la pantalla anterior.

### Cómo operar el reproductor de audio Bluetooth

---

**Nota:**

- En ocasiones, según el entorno, el audio puede oírse fragmentado o pueden generarse ruidos durante la reproducción.

#### Cómo reproducir música

Al conectar el sistema a un reproductor de audio Bluetooth, se activa automáticamente el modo de reproducción.

- Si la reproducción no se inicia, toque el botón [▶].

#### Cómo hacer una pausa

1. Toque el botón [||] durante la reproducción y ésta se detendrá.
2. Para reanudar la reproducción, toque el botón [▶]. La reproducción se reiniciará.

#### Cómo omitir una pista (búsqueda)

1. Presione los botones [◀◀] o [▶▶] durante la reproducción. Se omiten tantas pistas como veces se oprima el botón, y luego se inicia la reproducción.

#### Avance y retroceso rápidos

1. Mantenga presionado el botón [◀◀] o el botón [▶▶] durante la reproducción. Como resultado, el sistema pasará al modo de avance o retroceso rápido. Al soltar el botón, se reanuda la reproducción a velocidad normal.

### Funciones disponibles mediante teléfonos Bluetooth

---

Cuando se conecta un teléfono móvil Bluetooth a la unidad, las siguientes funciones están disponibles:


- Escuchar llamadas telefónicas a través de los altavoces del carro.
- Responder llamadas.
- Hacer llamadas utilizando el teclado numérico táctil.
- Hacer llamadas utilizando los datos de la agenda telefónica del teléfono conectado.
- Hacer llamadas utilizando el historial de llamadas realizadas y recibidas.

**Nota:**

- Algunos teléfonos móviles tal vez no puedan transferir los datos de la agenda telefónica.
- La transmisión de los datos de la agenda telefónica puede demorar bastante. No pueden enviarse llamadas durante la transmisión de datos.

- Puede utilizarse el micrófono interno para hablar con el otro interlocutor. Cuando no oiga bien a la otra persona debido a las condiciones de la comunicación o al teléfono conectado, utilice el micrófono opcional (RCB-199) y establezca el ajuste Microphone Select (Seleccionar micrófono) en External (Externo). El sonido mejorará, pero, según las condiciones de la comunicación, tal vez siga oyendo ruidos.

### Cómo seleccionar el modo Teléfono Bluetooth

1. Presione el botón [**←**] para volver al menú.
2. Toque el botón [**Bluetooth**] para seleccionar el modo Bluetooth.
3. Toque el botón [**Telephone**] para seleccionar el modo Teléfono Bluetooth.  
Aparecerá la pantalla Telephone (Teléfono).
  - Cuando el sistema está conectado a un teléfono Bluetooth, el icono  y el indicador de nivel de señal aparecen en la parte superior de la pantalla.



### Configuración del teléfono

#### Cómo configurar el teléfono

1. Toque el botón [**Setting**] (Configuración) para visualizar la pantalla Telephone Settings (Configuración del teléfono).



2. Configure los elementos deseados. Consulte las siguientes secciones para obtener detalles.
  3. Toque el botón [**Back**] para volver a la pantalla anterior.
- **Cómo configurar la conexión automática**  
El sistema reconecta automáticamente el teléfono móvil si se pierde la conexión o si el sistema se reinicia.
    - La configuración predeterminada de fábrica es OFF (Desactivado).

Toque las teclas [**ON**] u [**OFF**] del elemento Auto Connect (Conexión automática) para activar (ON) o desactivar (OFF) la función.

#### • Cómo seleccionar el micrófono

Puede seleccionar el micrófono que desea utilizar.

- La configuración predeterminada de fábrica es Internal (Micrófono interno). Toque las teclas [**External**] (Externo) o [**Internal**] (Interno) del elemento Microphone (Micrófono) para configurar la función.

#### Nota:

- Si se encuentra seleccionada la opción **Internal** e ingresa una llamada mientras el panel de operación está abierto, el panel se cierra automáticamente porque allí se encuentra el micrófono.
- Si se encuentra seleccionada la opción **Internal**, el botón [**OPEN/CLOSE**] (Abrir/Cerrar) permanece deshabilitado durante las llamadas.
- **Cómo configurar la ganancia del micrófono**  
Puede ajustarse el nivel de entrada del micrófono en cinco niveles.
  - La configuración predeterminada de fábrica es 3.

#### Nota:

- El nivel de entrada del micrófono puede verse afectado por el entorno. Ajuste el nivel cuando su interlocutor tenga problemas de recepción.
1. Toque el botón indicador de nivel correspondiente al elemento Microphone Gain (Ganancia del micrófono) para regular el nivel de entrada.

#### • Información de la interfaz Bluetooth y cambio del código de acceso

Puede consultarse la información referente a la interfaz Bluetooth.

1. Toque la tecla [**Settings**] (Configuración) correspondiente al elemento BT Info (Información Bluetooth) para visualizar la información.
2. Una vez verificados los datos, toque el botón [**BT Menu**] (Menú Bluetooth) para volver a la pantalla anterior. Si desea cambiar el código de acceso de la unidad, siga estos pasos.
3. Toque la caja de texto del elemento Pin Code (Código PIN) y aparecerá el teclado numérico.
  - La configuración predeterminada de fábrica es **1234**.
4. Ingrese un número PIN de cuatro dígitos y luego toque el botón [**OK**].



### Cómo registrar un teléfono móvil (sincronización)

Pueden registrarse hasta cuatro teléfonos móviles.

1. Encienda el teléfono móvil que desee registrar.
2. Toque la tecla **[Device]** para visualizar la pantalla Device Select (Seleccionar dispositivo).



3. Toque el botón **[Add]** (Agregar) para visualizar la pantalla Add the Cellular (Agregar teléfono móvil).
4. Toque la tecla que desee asignar al teléfono que está registrando.
  - No pueden seleccionarse teclas que ya tengan asignado otro teléfono. Seleccione una tecla que esté libre.
5. Si el teléfono le pide que ingrese el código de acceso, ingrese el código establecido para esta unidad.
  - Puede cambiar el código de acceso de la unidad desde la pantalla de información Bluetooth, a la que se accede desde la pantalla Telephone Settings (Configuración del teléfono).

Al finalizar el procedimiento de sincronización, el teléfono móvil registrado queda establecido como teléfono activo, y el sistema vuelve a la pantalla Telephone (Teléfono).

#### Nota:

- *No es posible registrar un teléfono móvil que ya fue sincronizado. Si desea cambiar la tecla asignada, primero borre el teléfono móvil de dicha tecla y vuélvalo a registrar en otra.*
- **Cómo borrar un teléfono móvil registrado**
  1. Toque la tecla **[Device]**.
  2. Toque la tecla del dispositivo que desea borrar. Aparecerá una pantalla de confirmación.
  3. Toque el botón **[Delete]** para visualizar la pantalla Delete the Cellular (Borrar teléfono móvil).

### Cómo seleccionar un teléfono móvil

Para pasar del teléfono móvil activo a otro dispositivo ya registrado, siga estos pasos.

1. Toque la tecla **[Device]** para visualizar la pantalla Device Select (Seleccionar dispositivo).
2. Toque el dispositivo que se encuentra conectado y luego presione el botón **[Cut]** (Cortar) para desconectarlo.

3. Toque la tecla del dispositivo que desea utilizar. Presione el botón **[Connect]** (Conectar) para seleccionarlo como dispositivo activo. El teléfono móvil correspondiente queda establecido como teléfono activo.
  - Si el teléfono móvil está apagado, enciéndalo.
  - El teléfono puede solicitarle que acepte la conexión Bluetooth o que ingrese el código de acceso de esta unidad. Realice dichas operaciones siguiendo las instrucciones que aparecen en la pantalla.
4. Toque el botón **[Back]** para volver a la pantalla anterior.

### Cómo transferir los datos de la agenda telefónica

Transferir los datos de la agenda telefónica desde el teléfono móvil le permite realizar llamadas desde esta unidad mediante la función Phone Book (Agenda telefónica).

1. Realice la operación Object Push (Envío de objetos) en el teléfono móvil activo para transferir los datos de la agenda telefónica. Para obtener detalles de este procedimiento, consulte el manual del teléfono móvil.

#### Nota:

- *Algunos teléfonos móviles tal vez no puedan transferir los datos de la agenda telefónica.*
- *Algunos teléfonos móviles no pueden transferir los datos de la agenda telefónica cuando el modo manos libres está activado o cuando también está registrado en el modo Bluetooth. En dichos casos, desactive estas funciones en el teléfono antes de realizar el envío de objetos.*
- *Algunos teléfonos móviles transfieren los datos de la agenda telefónica automáticamente.*

## Cómo utilizar el teléfono

### Nota:

- Por su seguridad, el sistema desactiva las funciones de llamadas cuando el carro está en movimiento. Recuerde detener el automóvil y accionar el freno de aparcamiento antes de realizar una llamada.

### Cómo llamar utilizando el teclado numérico

1. Toque el botón [**Telephone**] (Teléfono) para visualizar el teclado numérico.
2. Ingrese el número de teléfono mediante el teclado que aparece en la pantalla.
3. Toque el botón [**↵**] (Enviar) para llamar al número ingresado.
  - La siguiente pantalla de interrupción por llamada aparecerá durante la comunicación.



- Toque el botón [**☎**] (Privado) para hablar sin utilizar la función manos libres. Para volver al modo manos libres, toque el botón [**☎**].
4. Una vez finalizada la llamada, toque el botón [**↵**] (Finalizar) para colgar. El sistema volverá a la pantalla del modo que se encontraba seleccionado antes de utilizar el teléfono Bluetooth.

### Nota:

- *Según el teléfono móvil que se utilice, al activar el modo Privado, podría cerrarse la pantalla de interrupción por llamada y perderse la conexión con el sistema.*

### Cómo llamar utilizando la agenda

Puede utilizarse la agenda telefónica transferida desde el teléfono móvil para realizar una llamada desde esta unidad.

### Nota:

- *Antes de utilizar esta función, los datos de la agenda telefónica deben ser transferidos desde el teléfono móvil.*
  - *Sólo los contactos con al menos un número de teléfono registrados en la captura de datos aparecen en la pantalla Phone Book (Agenda telefónica).*
1. Toque el botón [**Contacts**] (Contactos) para visualizar la pantalla Phone Book (Agenda telefónica).

2. Toque la tecla correspondiente a la persona que desea llamar.
  - Toque las teclas [**▲**] o [**▼**] para recorrer la lista.
  - Al tocar una de las letras que aparece a la derecha de la pantalla, la lista avanza hasta el contacto que empieza con el carácter especificado.
3. Toque la tecla correspondiente al número al que desea llamar.
4. Toque la tecla [**Call**] (Llamar) para llamar al número especificado. Aparecerá la pantalla de interrupción y se iniciará la llamada.
  - Una vez finalizada la llamada, toque la tecla [**↵**] (Finalizar) para colgar.

### Cómo llamar utilizando el historial

El sistema guarda en la memoria los datos de las llamadas realizadas y recibidas. El usuario puede acceder a esta información y utilizarla para hacer una llamada desde la unidad.

1. Toque la tecla [**Call Log**] (Registro de llamadas). Se mostrará la pantalla History List (Historial).
  - Los elementos se encuentran ordenados por llamadas realizadas, perdidas y recibidas.
  - Toque las teclas [**▲**] o [**▼**] para recorrer la lista.
  - Toque la tecla [**BT Menu**] (Menú Bluetooth) para volver a la pantalla anterior.
2. Toque el elemento del historial al que desea llamar.
3. Toque la tecla [**Call**] (Llamar) para llamar al número especificado. Aparecerá la pantalla de interrupción y se iniciará la llamada.
  - Una vez finalizada la llamada, toque la tecla [**↵**] (Finalizar) para colgar.

### Cómo responder llamadas

Cuando ingresa una llamada, aparece la siguiente pantalla de interrupción.



Para responder una llamada a través de este sistema, siga estos pasos.

1. Toque la tecla [**↵**] (Enviar) para responder la llamada.
  - Una vez finalizada la llamada, toque la tecla [**↵**] (Finalizar) para colgar.



## Operación de la radio HD

Esta función sólo está disponible si el sistema tiene conectado un sintonizador de radio HD. Esta unidad es compatible con el siguiente sintonizador de radio HD:

- Módulo de Radio HD (THD400).

### Nota:

- Recuerde apagar el equipo antes de conectar y desconectar el sintonizador de radio HD.
- No todas las áreas ofrecen transmisiones de radio HD.
- Las estaciones de radio HD no siempre transmiten subcanales.
- El volumen de las estaciones de radio HD puede variar. Una vez seleccionado el canal, suba el volumen gradualmente desde el nivel mínimo. Recuerde bajar el volumen antes de pasar a otro modo o a otro canal.

Para obtener más información sobre radio HD, ingrese en [www.hdradio.com](http://www.hdradio.com).

### Cómo escuchar radio HD

1. Toque el botón **Tuner** en la pantalla Main Menu (Menú Principal). Aparecerá la pantalla Tuner (Sintonizador).
2. Presione el botón **[BAND]** en la pantalla o la **[Band]** del control remoto para seleccionar la banda de radio. Cada vez que se presiona el botón, la banda de recepción de radio cambia en el siguiente orden: FM1, FM2, FM3, AM, FM1...



- |                                      |  |
|--------------------------------------|--|
| 1 - Indicador de modo estéreo        | 12 - Búsqueda ascendente                                 |
| 2 - Intensidad de la señal           | 13 - Etiqueta iTunes                                     |
| 3 - Nombre de la estación            | 14 - Sintonización manual ascendente                     |
| 4 - Estado de la radio HD            | 15 - Almacenamiento automático/Detección de presintonías |
| 5 - Hora                             | 16 - Detección de canales                                |
| 6 - Volver al menú principal         | 17 - Subcanales de radio HD                              |
| 7 - Lista de presintonías            | 18 - Sintonización manual descendente                    |
| 8 - Botón del modo EQ                | 19 - Banda   |
| 9 - Página de presintonías siguiente | 20 - Búsqueda descendente                                |
| 10 - Página de presintonías anterior |  |
| 11 - Visualización de la frecuencia  |  |

### Sintonización con los botones de búsqueda

1. Presione el botón **[BAND]** para seleccionar la banda de radio (FM o AM).
2. Toque los botones **[◀◀]** o **[▶▶]** para buscar automáticamente una estación.
  - Al tocar el botón **[▶▶]**, la búsqueda se realiza en la dirección de las frecuencias altas.
  - Al tocar el botón **[◀◀]**, la búsqueda se realiza en la dirección de las frecuencias bajas.

### Sintonización manual

1. Presione el botón **[BAND]** para seleccionar la banda de radio (FM o AM).
2. Toque los botones **[◀◀]** o **[▶▶]** para buscar manualmente una estación.
  - Al tocar el botón **[▶▶]**, la búsqueda se realiza en la dirección de las frecuencias altas.
  - Al tocar el botón **[◀◀]**, la búsqueda se realiza en la dirección de las frecuencias bajas.
3. Para sintonizar una estación rápidamente, toque sin soltar los botones **[◀◀]** o **[▶▶]**.

### Recuperación de una estación presintonizada

Existen dos maneras de recuperar estaciones presintonizadas.

- Función Detección de presintonías:
  1. Presione el botón **[BAND]** del control remoto para seleccionar la banda deseada (AM o FM).
  2. Presione el botón **[AS/PS]** brevemente. La unidad comenzará a detectar las presintonías guardadas.
  3. Al encontrar la presintonía deseada, presione el botón **[AS/PS]** brevemente.

## Operación en el modo HD Radio

- Recuperación manual:
  1. Presione el botón **[BAND]** del sintonizador para seleccionar la banda deseada (AM o FM).
  2. Ingrese el número de la presintonía (1 a 15) en la pantalla del sintonizador. Presione **[▲]** o **[▼]** para seleccionar la estación anterior o siguiente de la lista de presintonías.
  3. Toque la tecla correspondiente a la banda que desea guardar.
  4. Sintonice la estación deseada con los botones de búsqueda, en forma manual o mediante las presintonías.
  5. Toque durante más de dos segundos el botón correspondiente a la presintonía donde quiere almacenar la estación actual.

### Memoria manual

1. Toque el botón correspondiente a la banda que desea guardar.
2. Sintonice la estación deseada con los botones de búsqueda, en forma manual o mediante las presintonías.
3. Toque durante más de dos segundos el botón correspondiente a la presintonía donde quiere almacenar la estación actual en la memoria.

### Almacenamiento automático

La función Auto Store (Almacenamiento automático) permite almacenar hasta quince estaciones sintonizadas en forma automática y consecutiva. Si no es posible recibir quince estaciones, algunas de las estaciones previamente almacenadas no serán sobrescritas.

1. Toque el botón **[Band]** para seleccionar la banda deseada (FM o AM).
2. Toque el botón **[AS/PS]** durante unos segundos para activar la función Auto Store. Se oír una señal y las estaciones con buena recepción se almacenarán en forma automática en los canales presintonizados.

### Detección de presintonías

La función Preset Scan (Detección de presintonías) recibe las estaciones almacenadas en la memoria de presintonías en orden. Esta función es útil para buscar una estación.

1. Toque el botón **[Band]** para seleccionar la banda deseada (FM o AM).
2. Toque el botón **[PS]** para iniciar la detección de presintonías. La unidad detecta cada estación durante 10 segundos en forma consecutiva.
3. Cuando se sintonice la estación deseada, toque el botón **[PS]** nuevamente para seguir recibiendo esa estación.

### Subcanales de radio HD

1. Toque la tecla **[HD]** para alternar entre los subcanales disponibles. Cada vez que se presiona la tecla, el subcanal recibido cambia en el siguiente orden: HD1, HD2, HD3, HD4, HD1...
2. Para guardar un subcanal, toque durante más de dos segundos la tecla correspondiente a la presintonía donde desea almacenar el subcanal actual.

**Nota:** No todas las estaciones cuentan con subcanales de radio HD.

### Etiquetas iTunes

1. Toque la tecla **[TAG]** (Etiqueta) para guardar en la memoria la información del tema musical en reproducción.
2. Cuando no hay dispositivos iPod o iPhone conectados, pueden guardarse hasta 64 etiquetas en la memoria.
3. Cuando hay un dispositivo iPod o iPhone conectado a la unidad, el sistema transfiere las etiquetas en forma automática al dispositivo.

**Nota:** No todo el contenido transmitido puede ser etiquetado. La función de etiquetas iTunes sólo está disponible para dispositivos iPod e iPhone de Apple.

## Operación en los modos AUX In/AV In

Si desea utilizar dispositivos externos, como consolas de juegos, videocámaras, unidades de navegación, iPod/iPhone, etc., puede enchufarlos a los conectores AUX IN (Entrada auxiliar) o AV IN (Entrada de audio y video) ubicados en el dorso de la unidad, utilizando el cable de medios A/V.

### ADVERTENCIA

**Por su seguridad, el conductor no debe mirar imágenes ni operar los controles mientras maneja. Tenga presente que reproducir y ver videos y demás materiales mientras se maneja está prohibido por la ley en algunos países.**

#### NOTA:

Para su seguridad, la unidad tiene una función de seguridad que apaga la imagen cuando el carro está en movimiento, de modo que sólo se escucha el audio. La imagen sólo puede verse cuando el automóvil está detenido con el freno de aparcamiento accionado.

### Cómo cambiar al modo AUX IN / AV IN

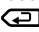
Presione los botones **[AUX IN]** o **[AV IN]** en la pantalla Main Menu para seleccionar el modo deseado (cuando la unidad esté leyendo). La pantalla de LCD mostrará el video externo. Si no hay señal de video, aparecerá el mensaje No Video.

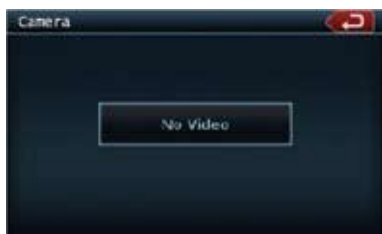
Los dispositivos externos conectados a las entradas AUX IN o AV IN no pueden operarse en forma directa.



## Operación en el modo Cámara

### Cómo cambiar al modo Cámara

Presione el botón **[Camera]** en la pantalla Main Menu (Menú principal) para seleccionar el modo deseado (cuando la unidad esté leyendo). La pantalla de LCD mostrará el video externo. Si no hay señal de video, aparecerá el mensaje No Video. Presione el botón  para volver al menú principal.



Durante la reproducción de video, presione la esquina superior derecha para volver al menú principal.



## Operaciones de configuración

Presione el botón **[Setup]** (Configuración) en la pantalla Main Menu (Menú principal). Aparecerá la pantalla Setup.

### Menú Setup: General



**Clock (Reloj):** Toque este botón para poner en hora el reloj.

Seleccione el modo 12Hr (12 horas).

**AM/PM:** Toque este botón para cambiar de AM a PM cuando está seleccionado el modo 12Hr.

**Beep (Señal sonora):** Esta función permite activar y desactivar la señal sonora.

**Camera Image (Imagen de la cámara):**

Esta función permite cambiar el modo de la imagen de la cámara, entre Normal (Normal) y Mirror (En espejo).

**Radio Field (Campo de radio):** Esta función permite elegir el modo de radio del país en que se encuentre. Las opciones son USA (Estados Unidos), Europe (Europa), S. America (América del Sur) y Other (Otro).

**Aux In Input SW (Regulador de entrada auxiliar):** Esta función permite regular el nivel de sensibilidad de la entrada auxiliar mediante tres opciones: Low (Baja), Mid (Media), High (Alta).

**Version (Versión):** Permite ver los datos de la versión del software.

### Menú Setup: Video

Este menú incluye las funciones Aspect Ratio, Aux IN y Brightness.



**Aspect Ratio (Proporción):** Esta función permite elegir el formato de pantalla, entre 4:3 y 16:9.

**Aux IN (Entrada auxiliar):** Esta función permite elegir el formato de la entrada auxiliar, entre AUTO, PAL y NTSC.

**Brightness (Brillo):** Permite regular el nivel del brillo entre 0 y 20.

### Menú Setup: Audio

Este menú incluye las funciones Bass Freq, Treble Freq, Sub Filter y Bass Q-Factor.



**Bass Freq (Frecuencia de bajos):** Permite elegir la frecuencia de bajos entre 60 Hz, 80 Hz, 100 Hz y 200 Hz.

**Treble Freq (Frecuencia de agudos):** Permite elegir la frecuencia de agudos entre 10 KHz, 12,5 KHz, 15 KHz y 17,5 KHz.

**Sub Filter (Subfiltro):** Permite elegir la frecuencia del subfiltro entre 80 Hz, 120 Hz y 160 Hz.

**Bass Q-Factor (Factor Q de bajos):** Permite elegir el factor Q de bajos entre 1,0; 1,25; 1,5 y 2,0.

### Menú Setup: Navigation (Navegación)

Este menú incluye las funciones GPS Time, Time Zone, y DST.



## Operaciones de configuración

**GPS Time (Hora del GPS):** Esta función permite sincronizar la hora del GPS. Incluye dos opciones: Ignore (Ignorar) y Sync (Sincronizar).

**Time Zone (Huso horario):** Permite elegir el huso horario deseado: NTF, Atlantic (Atlántico), Eastern (Este), Central, Mountain (Montaña), Pacific (Pacífico) y Alaska.

**DST (Hora de verano):** Permite activar y desactivar el horario de verano.

### Menú Setup: Misc (Misceláneo)

Este menú incluye las funciones TS Calibrate, Set Password y Parental control.

**TS Calibrate (Calibración de la pantalla táctil):** Esta función permite calibrar la pantalla táctil mediante las opciones YES (Sí) y NO (No).

**Set password (Establecer contraseña):** Esta función permite establecer la contraseña del sistema de control infantil.

**Parental control (Control infantil):** Esta función permite establecer el nivel de control según la edad. Las opciones son Kid Saf, G, PG, PG-13, PG-R, R, NC-17 y Adult.

**Software Update (Actualizar software):** Esta función permite actualizar el software.

**NAV Update (Actualizar software de navegación):** Esta función permite actualizar el software de navegación.

**Restore Defaults (Restablecer la configuración predeterminada):** Esta función permite cargar la configuración predeterminada de fábrica.

### Menú Teléfono

Si se recibe una llamada telefónica y el Bluetooth está activado, aparecerá la pantalla de interrupción por llamada.

1. Presione la esquina superior derecha para volver a la pantalla Main Menu (Menú principal).
2. Toque el botón **[Setup]** (Configuración) para activar las funciones Tel Mute (Silenciar al recibir llamadas) y Tel SP (Altavoz para recibir llamadas).

### Menú Setup: EQ



N.º	Nombre del botón	Función
1	Título	Visualización del título.
2	Menú principal	Cierra el menú Audio Settings.
3	EQ	Permite establecer el modo EQ.
4	BASS	Permite configurar los bajos.
5	TREBLE	Permite configurar los agudos.
6	BALANCE	Permite configurar el balance.
7	FADER	Permite configurar el atenuador.
8	SUB	Permite configurar el subwoofer.
9	LOUDNESS	Permite activar y desactivar el efecto de intensidad.

### Menú Monitor OFF

Presione el botón **[Monitor OFF]** (Monitor apagado) para apagar la pantalla temporalmente. Toque la pantalla para volver a encenderla.

# 8. SOLUCIÓN DE PROBLEMAS

## GENERAL

Problema	Causa	Medida
La unidad no enciende. (No emite ningún sonido).	Se quemó el fusible.	Reemplácelo por un fusible del mismo amperaje. Si el fusible se vuelve a quemar, consulte en la tienda donde compró la unidad.
	Cableado incorrecto.	Consulte en la tienda donde compró la unidad.
Al presionar los botones, la unidad no responde.  La visualización no es precisa.	El microprocesador ha fallado debido a ruido, etc.	Apague la unidad y abra el panel de operación. Presione el botón Reset con una varilla delgada. <b>Nota:</b> <i>Al presionar el botón Reset, desconecte la alimentación accesorios.</i> * Al presionar el botón Reset, se borran las frecuencias de las estaciones de radio, los títulos, etc., que estaban almacenados en la memoria.
El control remoto no funciona.	La exposición directa a los rayos del sol afecta el receptor de luz del control remoto.	Cuando la exposición directa a los rayos del sol afecta el receptor de luz del control remoto, es posible que éste no funcione.
	Las baterías del control remoto están agotadas o no hay baterías en el control remoto.	Revise las baterías del control remoto.

## REPRODUCTOR DE DVD

Problema	Causa	Medida
No se puede cargar el disco.	Hay otro disco cargado.	Expulse el disco antes de cargar otro.
	Hay un elemento extraño en su lugar.	Expulse el elemento extraño por la fuerza.
El sonido salta o hace ruidos.	El disco compacto está sucio.	Limpie el disco compacto con un paño suave.
	El disco compacto está muy rayado o deformado.	Reemplácelo por uno que no esté rayado.
El sonido se oye mal inmediatamente después de encender la unidad.	Es posible que se formen gotas de agua en la lente interna cuando el carro está aparcado en un lugar húmedo.	Deje secar durante una hora con la unidad encendida.
No se ve la imagen.	El freno de aparcamiento no está accionado.	Verifique si el freno de aparcamiento se encuentra accionado.
El disco no puede reproducirse y aparece la leyenda <b>PARENTAL VIOLATION</b> (VIOLACIÓN AL CONTROL INFANTIL).	La función excede el nivel de control infantil establecido.	Elimine el límite de visualización o cambie el nivel de control infantil. Consulte la subsección "Configuración del control infantil".

## DISPOSITIVO USB

Problema	Causa	Medida
No es posible insertar el dispositivo USB.	El dispositivo USB se insertó en la dirección incorrecta. El conector USB está roto.	Invierta la dirección de inserción del dispositivo y vuelva a intentar. Utilice un dispositivo USB nuevo.
El sistema no detecta el dispositivo USB.	El dispositivo USB está dañado. Los conectores están flojos.	Desconecte el dispositivo USB y vuelva a conectarlo. Si el sistema aún no lo detecta, pruebe con otro dispositivo USB.
No hay sonido cuando aparece el mensaje NO FILE (Archivo no disponible).	No hay ningún archivo MP3 o WMA guardado en el dispositivo USB.	Almacene estos archivos correctamente en el dispositivo USB.
El sonido salta o hace ruidos.	Los archivos MP3 o WMA no fueron codificados correctamente.	Use archivos MP3 o WMA correctamente codificados.
La imagen de video del iPod/iPhone se ve distorsionada.	El ajuste Señal de TV del iPod/iPhone no está bien configurado.	Configure el ajuste Señal de TV (NTSC/PAL) del iPod/iPhone correctamente.

## 9. PANTALLAS DE ERROR

Si se produjera un error, se mostrará alguna de las siguientes pantallas. Tome las medidas descritas a continuación para solucionar el problema.

### REPRODUCTOR DE DVD

Pantalla	Causa	Medida
<b>BAD DISC (DISCO DEFECTUOSO)</b>	Hay un disco dentro de la unidad de CD y no puede expulsarse.	Se trata de una falla en el mecanismo de la unidad de DVD. Consulte en la tienda donde compró la unidad.
<b>BAD DISC (DISCO DEFECTUOSO)</b>	El disco no se puede reproducir debido a rayones, etc.	Cámbielo por un disco que no esté rayado ni deformado.
<b>BAD DISC (DISCO DEFECTUOSO)</b>	El disco está cargado al revés en la unidad de DVD y no funciona.	Expúlselo y vuelva a cargarlo correctamente.
<b>PARENTAL VIOLATION (VIOLACIÓN DEL CONTROL INFANTIL)</b>	Error en el nivel de control infantil.	Establezca el nivel de control infantil correcto.
<b>WRONG REGION (REGIÓN INCORRECTA)</b>	Error en el código de región.	Expulse el disco y reemplácelo por un disco con el código de región correcto.

Si aparece una pantalla de error distinta de las descritas anteriormente, presione el botón Reset (Restablecer). Si el problema persiste, apague la unidad y consulte en la tienda donde la compró.

\* Al presionar el botón Reset, se borran las frecuencias de las estaciones de radio, los títulos, etc., que estaban almacenados en la memoria.

# 10. ESPECIFICACIONES

## Sintonizador de FM

Rango de frecuencia: 87,9 MHz a 107,9 MHz  
Sensibilidad utilizable: 8 dB $\mu$ V  
Sensibilidad de silenciamiento a 50 dB: 14 dB $\mu$ V  
Selectividad de canal alterno: 70 dB  
Separación estéreo: 25 dB (1 kHz)  
Respuesta de frecuencia: 30 Hz a 15 kHz

## Sintonizador de AM

Rango de frecuencia: 530 kHz a 1710 kHz  
Sensibilidad utilizable: 28 dB $\mu$ V

## Sistema del reproductor de DVD

Sistema de disco versátil digital compatible con CDDA  
Discos admitidos:  
DVD de video, disco compacto  
Respuesta de frecuencia: 20 Hz a 20 kHz  
Proporción sonido-ruido: 95 dbA (referencia 1 W)  
Rango dinámico: 95 dB (1 kHz)  
Distorsión: 0,05%  
Sistema de video: NTSC

## Navegación

Memoria: Memoria Flash de NAND  
Plataforma de actualización: USB  
TTS (Texto a voz): anuncio de calles  
Menú Buscar: Dirección, Punto de interés, Historial, Coordenadas, Favoritos, Planificación en mapa  
Puntos de interés: 12 millones  
Selección de camino: sin pavimentar, permiso requerido, autopistas, peaje, transbordadores, cruce de frontera, carriles para transporte compartido

## Entrada de audio y video

Voltaje de la entrada de audio: 300  $\mu$ Vrms (bajo)  
Voltaje de la entrada de audio: 600  $\mu$ Vrms (medio)  
Voltaje de la entrada de audio: 950  $\mu$ Vrms (alto)  
Voltaje de la entrada de video: 1,0 Vp-p a 75  $\Omega$

## Salida de audio y video

Impedancia de salida de audio: 10 k $\Omega$   
Voltaje de la salida de video: 1,0 Vp-p a 75  $\Omega$

## Monitor LCD

Tamaño de la pantalla (modelo NX500): 6,5" formato ancho  
Píxeles: 280.800  
Resolución: 1200 x 234 (RGB)  
Tamaño de la pantalla (modelo NZ500): 7" formato ancho  
Píxeles: 336.960  
Resolución: 1440 x 234 (RGB)

## General

Voltaje de la fuente de alimentación: 14,4 V CC (10,8 a 15,6 V permitido)  
Conexión a tierra: Negativa  
Consumo de corriente: 4,0 A a 1 W (57,6 W a 1 W)  
Capacidad nominal de corriente de la antena automática: 500 mA menos  
Dimensiones de NX500:  
ancho: 7" (178 mm), altura: 3 15/16" (100 mm), profundidad: 7" (179 mm)  
Peso de NX500: 3,5 kg  
Dimensiones de NZ500:  
ancho: 7" (178 mm), altura: 2" (50 mm), profundidad: 7,5" (191,5 mm)  
Peso de NZ500: 3,5 kg  
Dimensiones del control remoto:  
ancho: 2 1/8" (54 mm), altura: 9/16" (14 mm), profundidad: 4 13/16" (122 mm)  
Peso del control remoto: 50 g (incluida la batería)

## Nota:

- Las especificaciones cumplen con las Normas JEITA.
- Las especificaciones y el diseño están sujetos a cambios sin previo aviso, para realizar mejoras.

## Salida de potencia:

18 W RMS x 4 canales a 4  $\Omega$   
y 1% THD+N

## Proporción señal-ruido:

85 dbA (referencia: 1 W en 4  $\Omega$ )





# GUÍA DE INSTALACIÓN Y CONEXIÓN DE CABLES

## ÍNDICE

1. Antes de comenzar .....	177
2. Contenido de la caja .....	177
3. Precauciones generales .....	177
4. Precauciones para la instalación.....	178
5. Instalación de la unidad principal.....	179
6. Precauciones para el cableado .....	181
7. Conexión de cables.....	182

## 1. Antes de comenzar

1. Este dispositivo es para uso exclusivo en automóviles equipados con fuente de alimentación de 12 V con conexión a tierra negativa.
2. Lea atentamente estas instrucciones.
3. Asegúrese de desconectar el terminal “-” antes de comenzar. Esto sirve para evitar cortocircuitos durante la instalación (Figura 1).

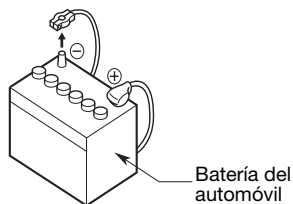


Figura 1

## 2. Contenido de la caja

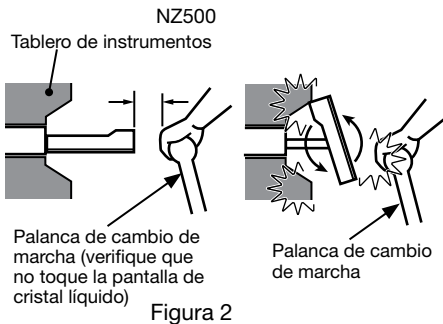
Unidad principal .....	1	Bastidor doble DIN de 200 mm de ancho .....	1
Antena del GPS .....	1	Cinta trasera.....	1
Mazo de cables .....	1	Tornillos de montaje plano .....	4
Cable AV .....	1	Tornillos de cabeza rebajada.....	4
Cable prolongador USB .....	1	Perno y tope traseros de la radio ...	1
Unidad de control remoto .....	1	Paño de limpieza .....	1
Batería (CR2025) .....	1	Tarjeta de garantía .....	1
(instalada en el control remoto)		Manual de instrucciones y de instalación .....	1
Bastidor doble DIN .....	1		

## 3. Precauciones generales

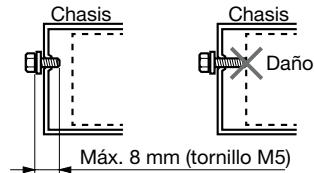
1. No abra la carcasa. No contiene piezas que el usuario pueda reparar. Si durante la instalación cayera algo adentro de la unidad, consulte a su distribuidor o en un centro de servicio técnico Clarion autorizado.
2. Use un paño suave y seco para limpiar la carcasa. Nunca utilice paños ásperos, diluyente, bencina, alcohol. etc. Para manchas difíciles de quitar, aplique una pequeña cantidad de agua fría o tibia en un paño suave y limpie con delicadeza.

## 4. Precauciones para la instalación

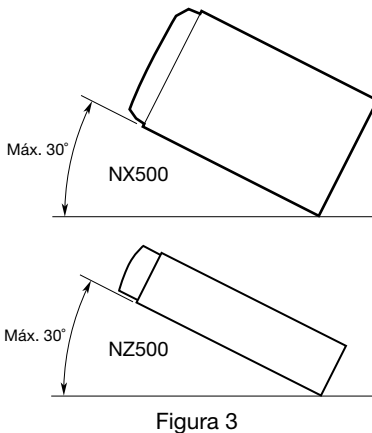
1. Antes de comenzar, prepare todos los elementos necesarios para instalar la unidad fuente.
2. Este modelo tiene un panel de operación que se desliza hacia delante. En algunos vehículos, el panel de operación puede hacer contacto con el tablero de instrumentos o con la palanca de cambio de marcha, en cuyo caso no podrá instalarse. Antes de seleccionar la ubicación e instalar la unidad, verifique que ésta no obstaculice el funcionamiento de la palanca de cambio ni obstruya la visión (Figura 2).



4. Si tiene que realizar alguna modificación en la carrocería, por ejemplo, hacer orificios, consulte primero a su distribuidor.
5. Use los tornillos que se incluyen para la instalación. Si utiliza otros tornillos, el equipo podría dañarse (Figura 4).



3. Instale la unidad con una inclinación inferior a 30° respecto del plano horizontal (Figura 3).



## 5. Instalación de la unidad principal

Esta unidad está diseñada para instalación fija en el tablero de instrumentos.

1. Al instalar la unidad principal en vehículos NISSAN, use las piezas adosadas a la unidad y siga las instrucciones de la Figura 6.  
Al instalar la unidad principal en vehículos TOYOTA, use las piezas adosadas al vehículo y siga las instrucciones de la Figura 7.

2. Conecte los cables como se muestra en la sección 7.
3. Vuelva a ensamblar la unidad, asegúrela en el tablero de instrumentos y ajuste los paneles frontal y central.

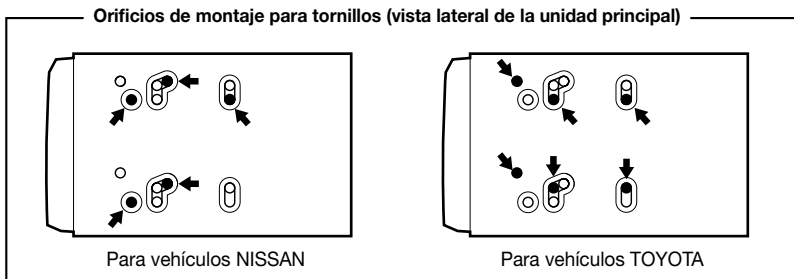


Figura 5

### Instalación de la unidad principal en un vehículo NISSAN

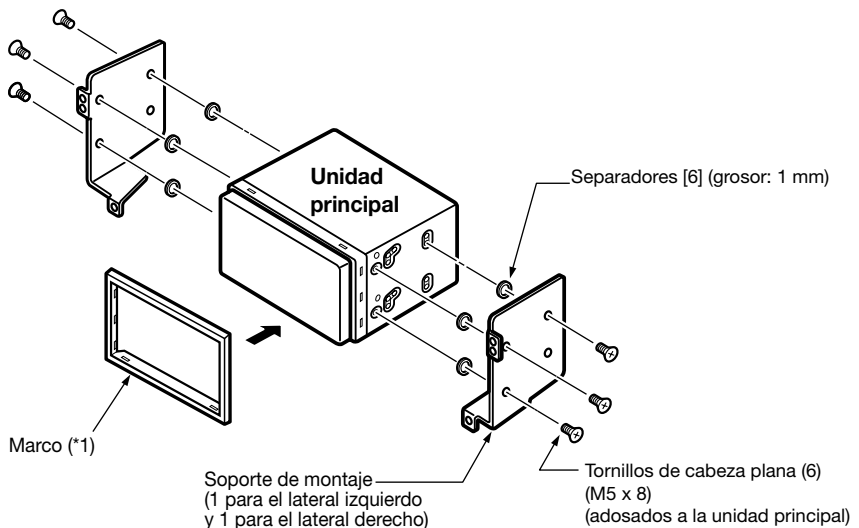


Figura 6

**Nota:**

- \* 1 Posicione el panel frontal con el borde ancho hacia abajo. Inserte el borde en la ranura de la unidad principal.

## Instalación de la unidad principal en un vehículo TOYOTA

Realice la instalación con las piezas adosadas al vehículo. (Los tornillos marcados con ★ se encuentran instalados en el vehículo).

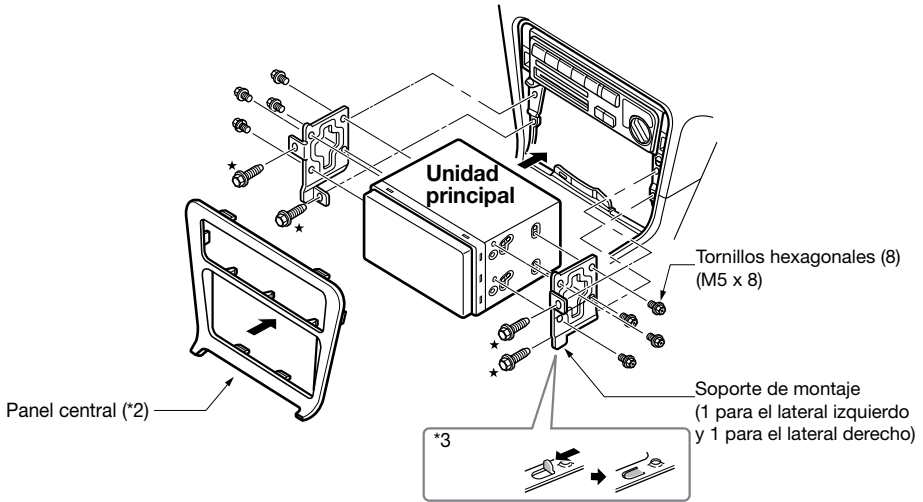
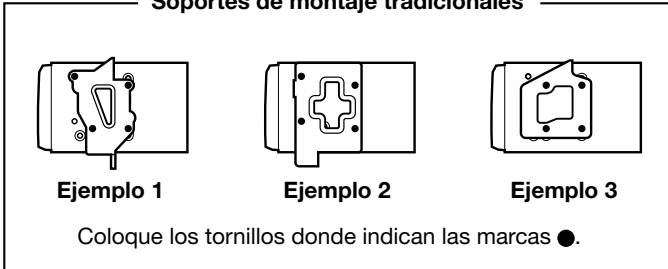


Figura 7

\*2 Según el tipo y modelo de vehículo, algunas aberturas del panel pueden resultar demasiado pequeñas para la unidad. En esos casos, recorte los lados superior e inferior del marco del panel aproximadamente unos 0,5 a 1,5 mm para poder insertar la unidad sin problemas.

\*3 Si algún gancho del soporte de instalación interfiere con la unidad, dóblelo y aplánelo con alicates o con una herramienta similar.

### Soportes de montaje tradicionales



### Otros vehículos (que no sean NISSAN ni TOYOTA)

En algunos casos, será necesario modificar el panel central (recortar, limar, etcétera).

#### • Extracción de la unidad principal

Para extraer la unidad principal, desensámblela en el orden inverso al descrito en la sección "INSTALACIÓN DE LA UNIDAD PRINCIPAL".

## 6. Precauciones para el cableado

1. Asegúrese de apagar la unidad antes de realizar el cableado.
2. Tenga especial cuidado por dónde pasa los cables.  
Manténgalos bien alejados del motor, del tubo de escape, etc.  
El calor puede dañar los cables.
3. Si el fusible llegara a quemarse, verifique que el cableado esté bien hecho.  
Si se quema el fusible, reemplácelo por uno nuevo del mismo amperaje que el original (FUSIBLE DE 15 A).
4. Para cambiarlo, quite el fusible viejo de la parte posterior de la unidad e inserte el nuevo (Figura 8).

### NOTA:

*Existen distintos tipos de portafusibles. Evite que la parte lateral de la batería toque otras piezas de metal.*

### PRECAUCIÓN

Después de la conexión, fije el cable con una abrazadera o con cinta aislante para una mejor protección.

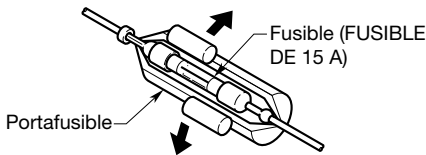


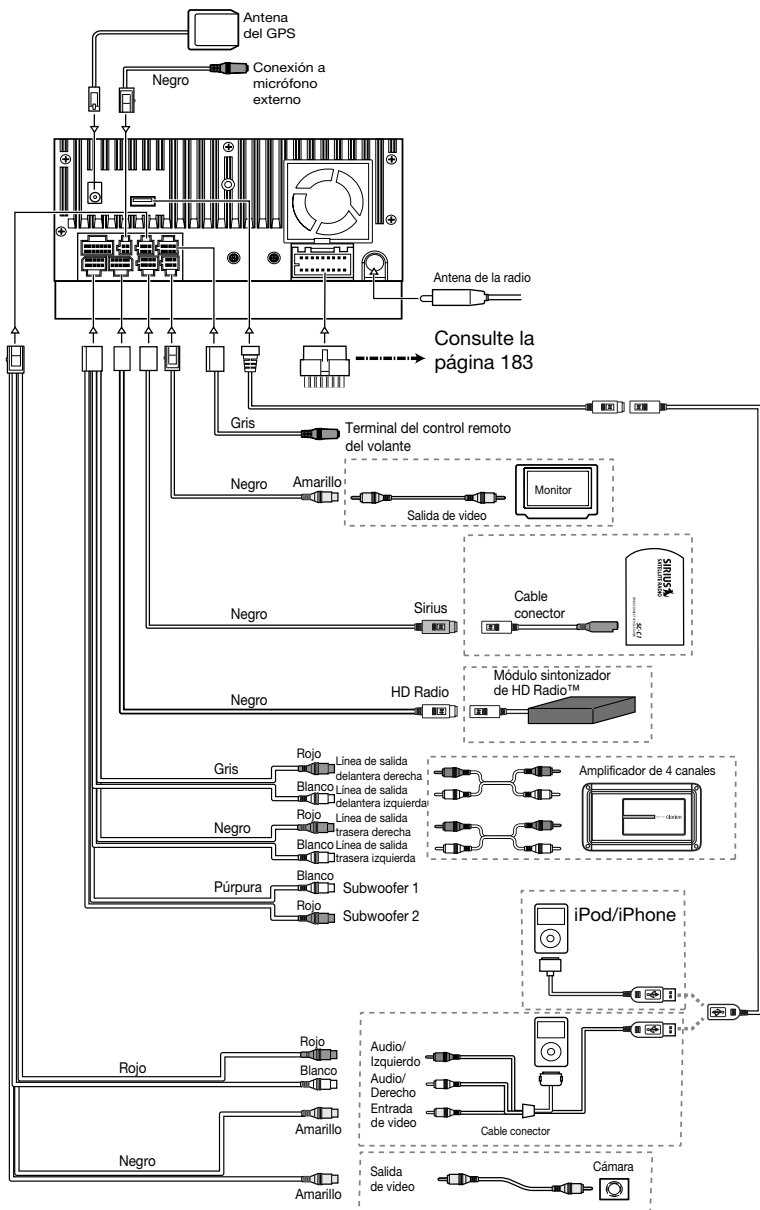
Figura 8

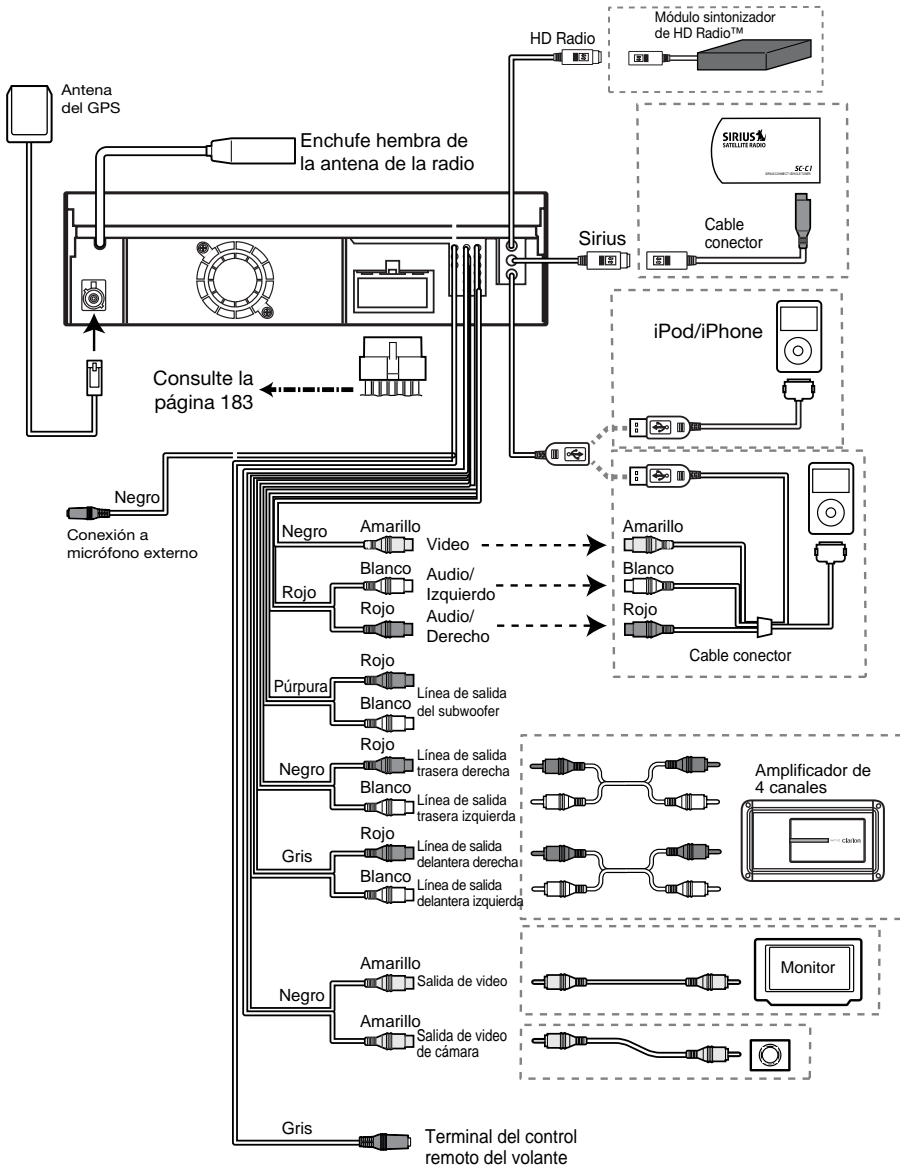
## 7. Conexión de cables

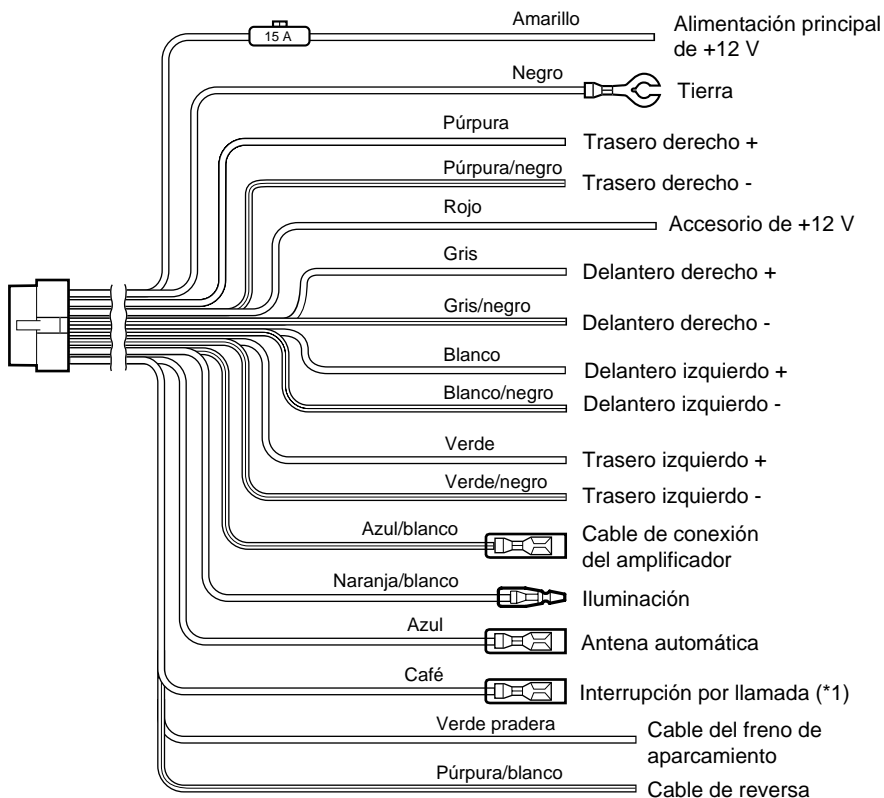
### Nota:

- Antes de la instalación, asegúrese de desconectar el cable negativo de la batería del carro.
- En los dispositivos opcionales, los cables RCA y los cables de conexión se venden por separado.

### NX500







**Nota:**

\*1: Conectado al terminal de **INTERRUPCIÓN POR LLAMADA**

La función de interrupción por llamada silenciará el audio si el cable recibe una señal negativa o de tierra.

Consulte la página siguiente para obtener información sobre cómo conectar el cable del freno de aparcamiento.

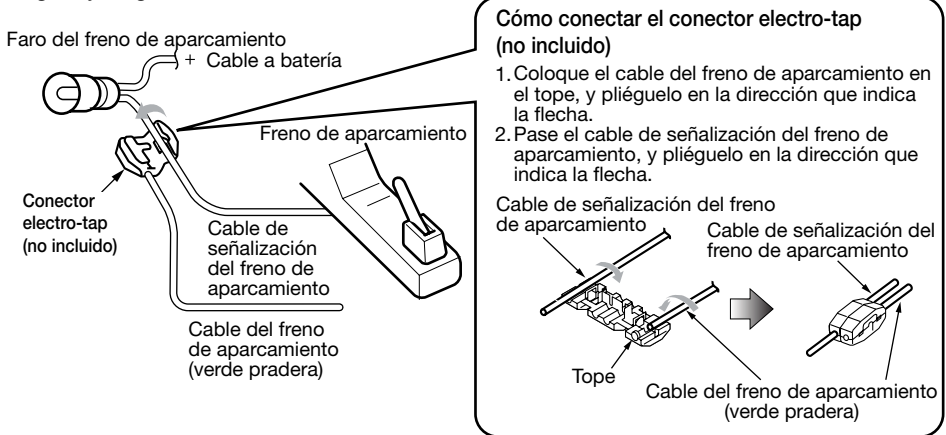


## Conexión del cable del freno de aparcamiento

Conecte el cable a la conexión a tierra del faro del freno de aparcamiento, ubicada en el tablero de instrumentos.

### Nota:

- Conectar el cable del freno de aparcamiento a la conexión a tierra del faro permite ver archivos de video almacenados en DVD de video, iPod/iPhone y dispositivos conectados a la entrada AV, cuando dicho freno está accionado.
- Cuando el cable del freno de aparcamiento no está conectado, el monitor no mostrará ninguna fuente de video.
- Si en la pantalla aparece la leyenda **AUDIO ONLY** (SÓLO AUDIO) cuando enciende la alimentación del ciclo combinado del carro, desactive el freno de aparcamiento en forma segura y luego vuelva a accionarlo.



## Conexión de los accesorios

### • Conexión del amplificador externo

Los amplificadores externos pueden conectarse a las conexiones RCA de salida de 6 canales. Asegúrese de que los conectores no estén a tierra o en cortocircuito para evitar dañar la unidad.

### • Conexión de dispositivos iPod/iPhone

Los dispositivos iPod/iPhone pueden conectarse a la conexión especial para iPod/iPhone en la unidad principal. Para obtener información detallada, consulte la hoja o el manual de instrucciones del cable del iPod/iPhone.

### Nota:

- Es posible que esta unidad no admita todas las funciones de los dispositivos iPod/iPhone.
- Su iPod/iPhone se cargará al conectarlo, a menos que la batería del dispositivo esté completamente agotada. Si el cable especificado del teléfono móvil está conectado al cable de interrupción por llamada de la unidad principal, la función de silencio se activará al utilizar el teléfono.
- **Conexión del receptor de radio satelital Sirius**  
Para conectar el receptor de radio satelital Sirius, utilice el conector específico para esto. Para obtener más detalles, consulte el manual del receptor de radio satelital Sirius.

This device complies with Part 15 of the FCC Rules. Operation is subject to the following two conditions:

- (1) this device may not cause harmful interference, and
- (2) this device must accept any interference received, including interference that may cause undesired operation.

---

This Class B digital apparatus complies with Canadian ICES-003.  
Cet appareil numérique de la classe B est conforme à la norme NMB-003 du Canada.

**NX500**

FCC ID: V8VCNE8215BCL  
IC: 8614A-CNE82115BCL  
Bluetooth ID: B015864

**NZ500**

FCC ID: V8VCNE8115BCL  
IC: 8614A-CNE81115BCL  
Bluetooth ID: B015864

---

**Clarion Co., Ltd.**

All Rights Reserved. Copyright © 2009: Clarion Co., Ltd.  
Printed in China / Imprime au Chiné / Impreso en China