

Owner's Manual

**CRAFTSMAN®**

## **GARDEN TRACTOR**

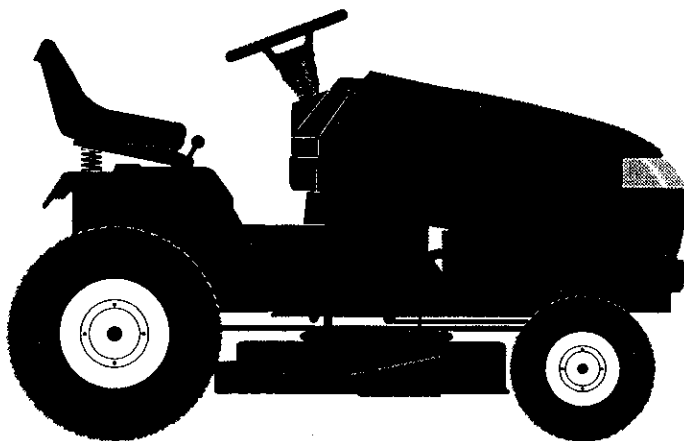
27.0 HP, 48" Mower

Electric Start

Automatic Transmission

Model No.

**917.275280**



**This product has a low emission engine which operates differently from previously built engines. Before you start the engine, read and understand this Owner's Manual.**

### **CAUTION:**

Read and follow all Safety Rules and Instructions before operating this equipment.

For answers to your questions about this product, Call:

**1-800-659-5917**

Sears Craftsman Help Line  
5 am - 5 pm, Mon - Sat

Sears, Roebuck and Co., Hoffman Estates, IL 60179 U.S.A.  
Visit our Craftsman website: [www.sears.com/craftsman](http://www.sears.com/craftsman)

## TABLE OF CONTENTS

|                              |    |                               |            |
|------------------------------|----|-------------------------------|------------|
| Warranty .....               | 2  | Maintenance .....             | 16         |
| Safety Rules .....           | 3  | Service and Adjustments ..... | 20         |
| Product Specifications ..... | 6  | Storage .....                 | 29         |
| Assembly/Pre-Operation ..... | 7  | Troubleshooting .....         | 30         |
| Operation .....              | 9  | Repair Parts .....            | 34         |
| Maintenance Schedule .....   | 16 | Sears Service .....           | Back Cover |

## WARRANTY

### LIMITED WARRANTY ON CRAFTSMAN RIDING EQUIPMENT

For two (2) years from the date of purchase, if this Craftsman Riding Equipment is maintained, lubricated and tuned up according to the instructions in the owner's manual, Sears will repair or replace free of charge any parts that are found to be defective in material or workmanship according to the guidelines of coverage listed below. Sears will also provide free labor for these applicable warranted parts for the two full years. During the first 30 days of purchase, there will be no charges to service the product at your home for issues covered by this warranty. (See exclusions below). For your convenience, IN HOME warranty service will still be available after the first 30 days of purchase, but a trip charge will apply. This charge will be waived if the Craftsman product is dropped off at an authorized Sears location. For the nearest authorized Sears location, please call 1-800-4-MY-HOME®. This warranty applies only while this product is within the United States.

This Warranty does not cover:

- Expendable items which become worn during normal use, including but not limited to blades, spark plugs, air cleaners, belts, and oil filters.
- Standard Maintenance Servicing, oil changes, or tune-ups
- Tire replacement or repair caused by punctures from outside objects, such as nails, thorns, stumps, or glass.
- Repairs necessary because of operator abuse, including but not limited to, damage caused by towing objects beyond the capability of the riding equipment, impacting objects that bend the frame or crankshaft, or over-speeding the engine.
- Repairs necessary because of operator negligence, including but not limited to, electrical and mechanical damage caused by improper storage, failure to use the proper grade and amount of engine oil, failure to keep the deck clear of flammable debris, or failure to maintain the equipment according to the instructions contained in the owner's manual.
- Engine (fuel system) cleaning or repairs caused by fuel determined to be contaminated or oxidized (stale). In general, fuel should be used within 30 days of its purchase date.
- Normal deterioration and wear of the exterior finishes, or product label replacement.
- Riding equipment used for commercial or rental purposes.

### LIMITED WARRANTY ON BATTERY

For ninety (90) days from date of purchase, if any battery included with this riding equipment proves defective in material or workmanship and our testing determines the battery will not hold a charge, Sears will replace the battery at no charge. During the first 30 days of purchase, there will be no charges to replace the battery at your HOME. After the first 30 days, for your convenience, IN-HOME warranty service will still be available but a trip charge will apply. This charge will be waived if the Craftsman product is dropped off at an authorized Sears location. For the nearest authorized Sears location, please call 1-800-4-MY-HOME®.

This battery warranty applies only while this product is within the United States.

This warranty gives you specific legal rights, and you may also have other rights, which vary, from state to state.

Sears, Roebuck and Co., Dept. 817WA, Hoffman Estates, IL 60179

# SAFETY RULES

**IMPORTANT:** This cutting machine is capable of amputating hands and feet and throwing objects. Failure to observe the following safety instructions could result in serious injury or death.

**!** Look for this symbol to point out important safety precautions. It means **CAUTION!!! BECOME ALERT!!! YOUR SAFETY IS INVOLVED.**

**!** **CAUTION:** In order to prevent accidental starting when setting up, transporting, adjusting or making repairs, always disconnect spark plug wire and place wire where it cannot contact spark plug.

**!** **CAUTION:** Do not coast down a hill in neutral, you may lose control of the tractor.

**!** **CAUTION:** Tow only the attachments that are recommended by and comply with specifications of the manufacturer of your tractor. Use common sense when towing. Operate only at the lowest possible speed when on a slope. Too heavy of a load, while on a slope, is dangerous. Tires can lose traction with the ground and cause you to lose control of your tractor.

**!** **WARNING:** Engine exhaust, some of its constituents, and certain vehicle components contain or emit chemicals known to the State of California to cause cancer and birth defects or other reproductive harm.

**!** **WARNING:** Battery posts, terminals and related accessories contain lead and lead compounds, chemicals known to the State of California to cause cancer and birth defects or other reproductive harm. **Wash hands after handling.**

## I. GENERAL OPERATION

- Read, understand, and follow all instructions in the manual and on the machine before starting.
- Only allow responsible adults, who are familiar with the instructions, to operate the machine.
- Clear the area of objects such as rocks, toys, wire, etc., which could be picked up and thrown by the blade.
- Be sure the area is clear of other people before mowing. Stop machine if anyone enters the area.

- Never carry passengers.
- Do not mow in reverse unless absolutely necessary. Always look down and behind before and while backing.
- Be aware of the mower discharge direction and do not point it at anyone. Do not operate the mower without either the entire grass catcher or the guard in place.
- Slow down before turning.
- Never leave a running machine unattended. Always turn off blades, set parking brake, stop engine, and remove keys before dismounting.
- Turn off blades when not mowing.
- Stop engine before removing grass catcher or unclogging chute.
- Mow only in daylight or good artificial light.
- Do not operate the machine while under the influence of alcohol or drugs.
- Watch for traffic when operating near or crossing roadways.
- Use extra care when loading or unloading the machine into a trailer or truck.
- Data indicates that operators, age 60 years and above, are involved in a large percentage of riding mower-related injuries. These operators should evaluate their ability to operate the riding mower safely enough to protect themselves and others from serious injury.
- Keep machine free of grass, leaves or other debris build-up which can touch hot exhaust / engine parts and burn. Do not allow the mower deck to plow leaves or other debris which can cause build-up to occur. Clean any oil or fuel spillage before operating or storing the machine. Allow machine to cool before storage.

## II. SLOPE OPERATION

Slopes are a major factor related to loss-of-control and tipover accidents, which can result in severe injury or death. All slopes require extra caution. If you cannot back up the slope or if you feel uneasy on it, do not mow it.

## SAFETY RULES

### DO:

- Mow up and down slopes, not across.
- Remove obstacles such as rocks, tree limbs, etc.
- Watch for holes, ruts, or bumps. Uneven terrain could overturn the machine. *Tall grass can hide obstacles.*
- Use slow speed. Choose a low gear so that you will not have to stop or shift while on the slope.
- Follow the manufacturer's recommendations for wheel weights or counterweights to improve stability.
- Use extra care with grass catchers or other attachments. These can change the stability of the machine.
- Keep all movement on the slopes *slow* and *gradual*. Do not make sudden changes in speed or direction.
- Avoid starting or stopping on a slope. If tires lose traction, disengage the blades and proceed slowly *straight* down the slope.

### DO NOT:

- *Do not* turn on slopes unless necessary, and then, turn slowly and gradually downhill, if possible.
- *Do not* mow near drop-offs, ditches, or embankments. The mower could suddenly turn over if a wheel is over the edge of a cliff or ditch, or if an edge caves in.
- *Do not* mow on wet grass. Reduced traction could cause sliding.
- *Do not* try to stabilize the machine by putting your foot on the ground.
- *Do not* use grass catcher on steep slopes.

### III. CHILDREN

Tragic accidents can occur if the operator is not alert to the presence of children. Children are often attracted to the machine and the mowing activity. *Never* assume that children will remain where you last saw them.

- Keep children out of the mowing area and under the watchful care of another responsible adult.
- Be alert and turn machine off if children enter the area.
- Before and when backing, look behind and *down* for small children.

- Never carry children. They may fall off and be seriously injured or interfere with safe machine operation.
- Never allow children to operate the machine.
- Use extra care when approaching blind corners, shrubs, trees, or other objects that may obscure vision.

### IV. SERVICE

- Use extra care in handling gasoline and other fuels. They are flammable and vapors are explosive.
  - Use only an approved container.
  - Never remove gas cap or add fuel with the engine running. Allow engine to cool before refueling. Do not smoke.
  - Never refuel the machine indoors.
  - Never store the machine or fuel container inside where there is an open flame, such as a water heater.
- Never run a machine inside a closed area.
- Keep nuts and bolts, especially blade attachment bolts, tight and keep equipment in good condition.
- Never tamper with safety devices. Check their proper operation regularly.
- Keep machine free of grass, leaves, or other debris build-up. Clean oil or fuel spillage. Allow machine to cool before storing.
- Stop and inspect the equipment if you strike an object. Repair, if necessary, before restarting.
- Never make adjustments or repairs with the engine running.
- Grass catcher components are subject to wear, damage, and deterioration, which could expose moving parts or allow objects to be thrown. Frequently check components and replace with manufacturer's recommended parts, when necessary.
- Mower blades are sharp and can cut. Wrap the blade(s) or wear gloves, and use extra caution when servicing them.
- Check brake operation frequently. Adjust and service as required.

## SAFETY RULES



- Be sure the area is clear of other people before mowing. Stop machine if anyone enters the area.
- Never carry passengers or children even with the blades off.
- Do not mow in reverse unless absolutely necessary. Always look down and behind before and while backing.
- Never carry children. They may fall off and be seriously injured or interfere with safe machine operation.
- Keep children out of the mowing area and under the watchful care of another responsible adult.
- Be alert and turn machine off if children enter the area.
- Before and when backing, look behind and down for small children.
- Mow up and down slopes (15° Max), not across.
- Remove obstacles such as rocks, tree limbs, etc.
- Watch for holes, ruts, or bumps. Uneven terrain could overturn the machine. Tall grass can hide obstacles.
- Use slow speed. Choose a low gear so that you will not have to stop or shift while on the slope.
- Avoid starting or stopping on a slope. If tires lose traction, disengage the blades and proceed slowly straight down the slope.
- If machine stops while going uphill, disengage blades, shift into reverse and back down slowly.
- Do not turn on slopes unless necessary, and then, turn slowly and gradually downhill, if possible.

## PRODUCT SPECIFICATIONS

|                             |  |
|-----------------------------|--|
| Gasoline Capacity and Type: | 5.0 Gallons<br>Unleaded<br>Regular                     |
| Oil Type (API-SF-SJ):       | SAE 10W30<br>(above 32°F)<br>SAE 5W-30<br>(below 32°F) |
| Oil Capacity:               | W/ Filter: 4.5 Pints<br>W/O Filter: 4.0 Pints          |
| Spark Plug: (Gap: .030")    | Champion RC12YC  |
| Ground Speed (MPH):         | Forward: 0 - 5.8<br>Reverse: 0 - 2.1                   |
| Tire Pressure:              | Front: 14 PSI<br>Rear: 10PSI                           |
| Charging System:            | 15AMPS @ 3600RPM                                       |
| Battery:                    | Amp/Hr: 35<br>Min. CCA: 280<br>Case size: U1R          |
| Blade Bolt Torque:          | 45-55 Ft. Lbs.   |

**CONGRATULATIONS** on your purchase of a new tractor. It has been designed, engineered and manufactured to give you the best possible dependability and performance. Should you experience any problem you cannot easily remedy, please contact a Sears or other qualified service center.

We have competent, well-trained technicians and the proper tools to service or repair this tractor.

Please read and retain this manual. The instructions will enable you to assemble and maintain your tractor properly. Always observe the "SAFETY RULES".

### REPAIR AGREEMENT

A Repair Agreement is available on this product. Contact your nearest Sears store for details.

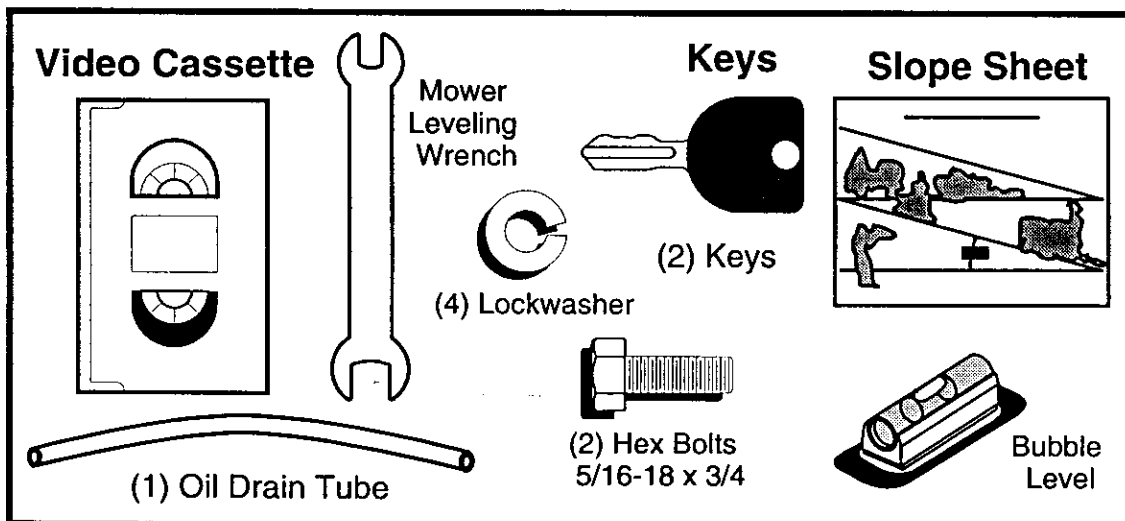
### CUSTOMER RESPONSIBILITIES

- Read and observe the safety rules.
- Follow a regular schedule in maintaining, caring for and using your tractor.
- Follow the instructions under "Maintenance" and "Storage" sections of this owner's manual.

**⚠ WARNING:** This tractor is equipped with an internal combustion engine and should not be used on or near any unimproved forest-covered, brush-covered or grass-covered land unless the engine's exhaust system is equipped with a spark arrester meeting applicable local or state laws (if any). If a spark arrester is used, it should be maintained in effective working order by the operator.

In the state of California the above is required by law (Section 4442 of the California Public Resources Code). Other states may have similar laws. Federal laws apply on federal lands. A spark arrester for the muffler is available through your nearest Sears service center (See REPAIR PARTS section of this manual).

## PARTS BAG CONTENTS



## ASSEMBLY/PRE-OPERATION

Your new tractor has been assembled at the factory. Review the video cassette before you begin.

When right or left hand is mentioned in this manual, it means, from your point of view, when you are in the operating position (seated behind the steering wheel).

### TO REMOVE TRACTOR FROM CARTON

#### UNPACK CARTON

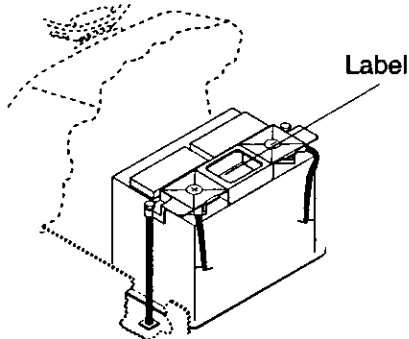
1. Cut, from top to bottom, along lines on all four corners of carton, and lay panels flat.
2. Remove packing materials.
3. Remove protective materials from tractor hood and grill.

**IMPORTANT:** Check for and remove any staples in skid that may puncture tires where tractor is to roll off skid.

#### CHECK BATTERY

1. Lift hood to raised position.

**NOTE:** If this battery is put into service after month and year indicated on label (label located between terminals) charge battery for minimum of one hour at 6-10 amps. (See "BATTERY" in Maintenance section of this manual for charging instructions).



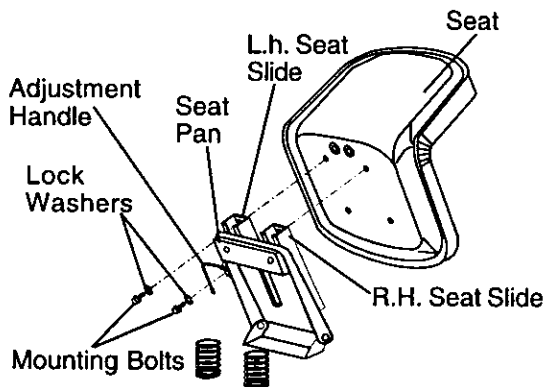
#### INSTALL SEAT

Seat position should be adjusted forward or backward so that the operator can comfortably reach clutch/brake pedal and safely operate the tractor.

1. Remove the two (2) bolts and flat washers securing the seat to cardboard packing. Keep the two (2) bolts only and place them with the two (2) identical bolts and four (4) washers in the parts bag. Discard the flat washers and cardboard packing.

2. Release L.H. seat slide on seat pan by pulling out on adjustment handle and sliding it to the rear position exposing seat mounting holes from bottom. Slide R.H. slide to same rear position.
3. Mount rear of seat on slides using mounting bolts and lock washers as shown.
4. Pull out on adjustment handle and slide seat all the way forward. Install front mounting bolts and lock washers. Tighten all mounting bolts securely.
5. Lower seat into operating position and sit on seat. Press clutch/brake pedal all the way down. If operating position is not comfortable, adjust seat.

To adjust seat: Grasp adjustment handle and pull out, slide seat to desired position and release adjustment handle.



**NOTE:** You may now roll or drive your tractor off the skid. Follow the appropriate instruction below to remove the tractor from the skid.

#### TO ROLL TRACTOR OFF SKID (See Operation section for location and function of controls)

1. Press lift lever plunger and raise attachment lift lever to its highest position.
2. Release parking brake by depressing brake pedal.
3. Place freewheel control in transmission disengaged position (See "To Transport" in the Operation section of this manual).
4. Roll tractor forward off skid.

## **TO DRIVE TRACTOR OFF SKID (See Operation section for location and function of controls)**

**⚠ WARNING:** Before starting, read, understand and follow all instructions in the Operation section of this manual. Be sure tractor is in a well-ventilated area. Be sure the area in front of tractor is clear of other people and objects.

1. Be sure all the above assembly steps have been completed.
2. Check engine oil level and fill fuel tank with gasoline.
3. Place freewheel control in "transmission engaged" position (See "To Transport" in the Operation section of this manual).
4. Sit on seat in operating position, depress brake pedal and set the parking brake.
5. Press lift lever plunger and raise attachment lift lever to its highest position.
6. Start the engine. After engine has started, move throttle control to idle position.
7. Release parking brake.
8. Slowly move the motion control lever forward and slowly drive tractor off skid.
9. Apply brake to stop tractor and set parking brake.
10. Turn ignition key to "STOP" position. Continue with the instructions that follow.

## **CHECK TIRE PRESSURE**

The tires on your tractor were overinflated at the factory for shipping purposes. Correct tire pressure is important for best cutting performance.

- Reduce tire pressure to PSI shown in "PRODUCT SPECIFICATIONS" section of this manual.

## **CHECK DECK LEVELNESS**

For best cutting results, mower housing should be properly leveled. See "TO LEVEL MOWER HOUSING" in the Service and Adjustments section of this manual.

## **CHECK FOR PROPER POSITION OF ALL BELTS**

See the figures that are shown for replacing motion and mower blade drive belts in the Service and Adjustments section of this manual. Verify that the belts are routed correctly.

## **CHECK BRAKE SYSTEM**

After you learn how to operate your tractor, check to see that the brake is properly adjusted. See "TO ADJUST BRAKE" in the Service and Adjustments section of this manual.

### **✓CHECKLIST**

Before you operate your new tractor, we wish to assure that you receive the best performance and satisfaction from this Quality Product.

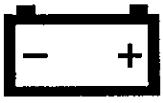
Please review the following checklist:

- ✓ All assembly instructions have been completed.
  - ✓ No remaining loose parts in carton.
  - ✓ Battery is properly prepared and charged. (Minimum 1 hour at 6 amps).
  - ✓ Seat is adjusted comfortably and tightened securely.
  - ✓ All tires are properly inflated. (For shipping purposes, the tires were overinflated at the factory).
  - ✓ Be sure mower deck is properly leveled side-to-side/front-to-rear for best cutting results. (Tires must be properly inflated for leveling).
  - ✓ Check mower and drive belts. Be sure they are routed properly around pulleys and inside all belt keepers.
  - ✓ Check wiring. See that all connections are still secure and wires are properly clamped.
  - ✓ Before driving tractor, be sure free-wheel control is in "transmission engaged" position (see "TO TRANSPORT" in the Operation section of this manual).
- While learning how to use your tractor, pay extra attention to the following important items:
- ✓ Engine oil is at proper level.
  - ✓ Fuel tank is filled with fresh, clean, regular unleaded gasoline.
  - ✓ Become familiar with all controls, their location and function. Operate them before you start the engine.
  - ✓ Be sure brake system is in safe operating condition.
  - ✓ It is important to purge the transmission before operating your tractor for the first time. Follow proper starting and transmission purging instructions (See "TO START ENGINE" and "PURGE TRANSMISSION" in the Operation section of this manual).



# OPERATION

These symbols may appear on your tractor or in literature supplied with the product. Learn and understand their meaning.



BATTERY



CAUTION OR WARNING



REVERSE



FORWARD



FAST



SLOW



ENGINE ON



ENGINE OFF



OIL PRESSURE



LIGHTS ON



OVER TEMP LIGHT



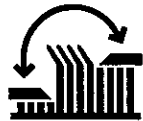
MOWER LIFT



FUEL



CHOKE



MOWER HEIGHT



PARKING BRAKE LOCKED



UNLOCKED



ATTACHMENT CLUTCH ENGAGED



REVERSE



NEUTRAL



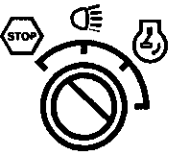
HIGH



LOW



PARKING BRAKE



IGNITION



ATTACHMENT CLUTCH DISENGAGED



KEEP AREA CLEAR

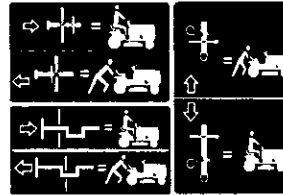


SLOPE HAZARDS

(SEE SAFETY RULES SECTION)



DANGER, KEEP HANDS AND FEET AWAY

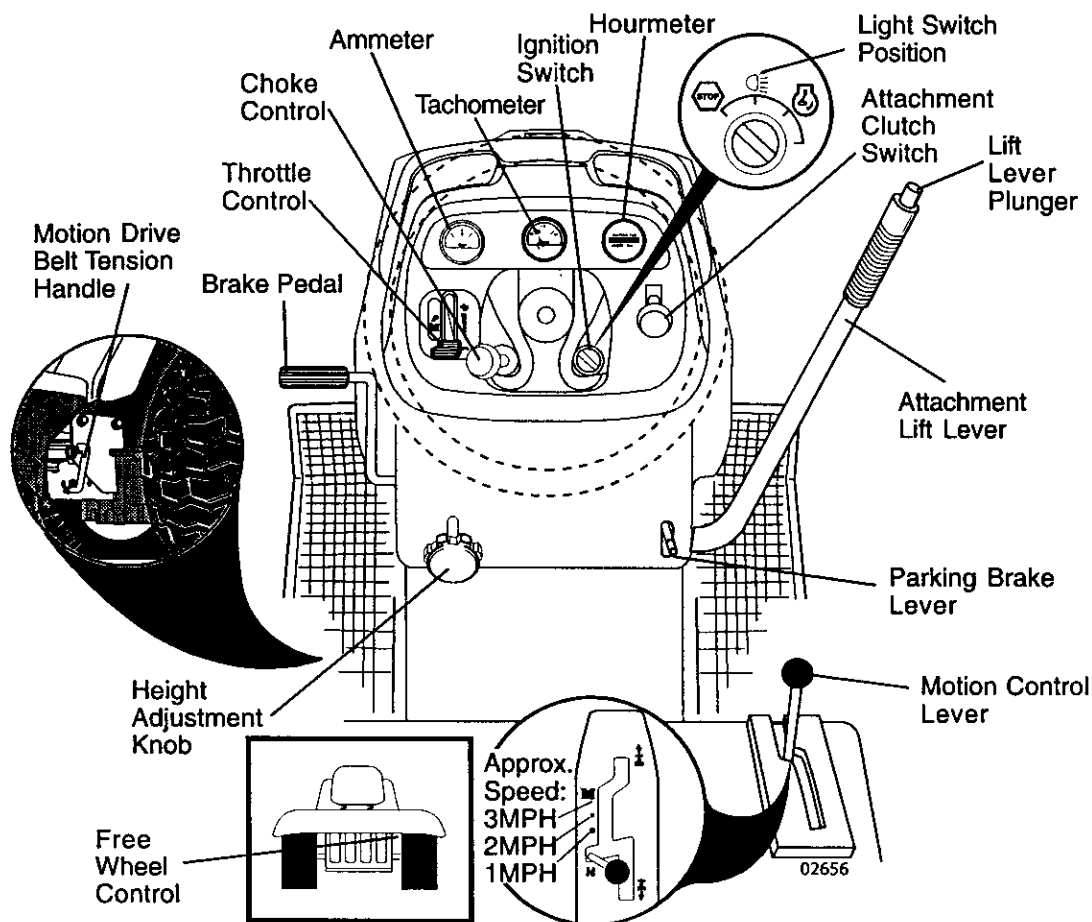


FREE WHEEL (Automatic Models only)

## KNOW YOUR TRACTOR

### READ THIS OWNER'S MANUAL AND SAFETY RULES BEFORE OPERATING YOUR TRACTOR

Compare the illustrations with your tractor to familiarize yourself with the locations of various controls and adjustments. Save this manual for future reference.



Our tractors conform to the safety standards of the American National Standards Institute.

#### **ATTACHMENT CLUTCH SWITCH -**

Used to engage the mower blades, or other attachments mounted to your tractor.

**LIGHT SWITCH POSITION -** Turns the headlights on and off.

**THROTTLE CONTROL -** Used to control engine speed.

**BRAKE PEDAL -** Used for braking the tractor and starting the engine.

**CHOKE CONTROL -** Used when starting a cold engine.

**HEIGHT ADJUSTMENT KNOB -** Used to adjust the mower cutting height.

**IGNITION SWITCH -** Used for starting and stopping the engine.

**ATTACHMENT LIFT LEVER -** Used to raise and lower the mower deck or other attachments mounted to your tractor.

**LIFT LEVER PLUNGER -** Used to release attachment lift lever when changing its position.

**AMMETER -** Indicates charging (+) or discharging (-) of battery.

**PARKING BRAKE LEVER -** Locks brake pedal into the brake position.

**MOTION CONTROL LEVER -** Selects the speed and direction of tractor.

**FREEWHEEL CONTROL -** Disengages transmission for pushing or slowly towing the tractor with the engine off.

#### **MOTION DRIVE BELT TENSION**

**HANDLE -** Used when changing motion drive belt and, if necessary, starting engine under extremely cold conditions.

**TACHOMETER -** Measures the speed of your engine in revolutions per minute (RPM).

**HOURMETER -** Indicates hours of operation.

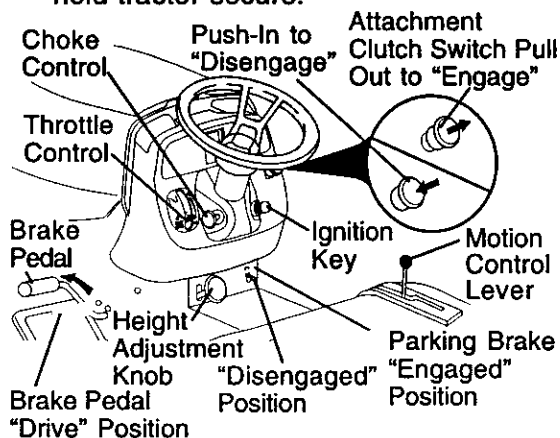


The operation of any tractor can result in foreign objects thrown into the eyes, which can result in severe eye damage. Always wear safety glasses or eye shields while operating your tractor or performing any adjustments or repairs. We recommend standard safety glasses or a wide vision safety mask worn over spectacles.

## HOW TO USE YOUR TRACTOR TO SET PARKING BRAKE

Your tractor is equipped with an operator presence sensing switch. When engine is running, any attempt by the operator to leave the seat without first setting the parking brake will shut off the engine.

1. Depress clutch/brake pedal all the way down and hold.
2. Pull parking brake lever up and release pressure from clutch/brake pedal. Pedal should remain in brake position. Make sure parking brake will hold tractor secure.



## STOPPING

### MOWER BLADES -

- To stop mower blades, push attachment clutch switch in to disengaged position.

### GROUND DRIVE -

- To stop ground drive, depress brake pedal all the way down.

**IMPORTANT:** The motion control lever returns to neutral (N) position when the brake pedal is fully depressed.

### ENGINE -

- Move throttle control to slow position.
- NOTE:** Failure to move throttle control to slow position to allow engine to idle before stopping may cause engine to "backfire".
- Turn ignition key to "STOP" position and remove key. Always remove key when leaving tractor to prevent unauthorized use.

- Never use choke to stop engine.
- IMPORTANT:** Leaving the ignition switch in any position other than "STOP" will cause the battery to discharge and go dead.

**NOTE:** Under certain conditions when tractor is standing idle with the engine running, hot engine exhaust gases may cause "browning" of grass. To eliminate this possibility, always stop engine when stopping tractor on grass areas.

**CAUTION:** Always stop tractor completely, as described above, before leaving the operator's position.

## TO USE THROTTLE CONTROL

Always operate engine at full throttle.

- Operating engine at less than full throttle reduces the battery charging rate.
- Full throttle offers the best mower performance.

## TO USE CHOKE CONTROL

Use choke control whenever you are starting a cold engine. Do not use to start a warm engine.

- To engage choke control, pull knob out. Slowly push knob in to disengage.

## TO MOVE FORWARD AND BACKWARD

**CAUTION:** Do not attempt to operate motion control lever when the parking brake is set or when the brake pedal is depressed. Doing so may result in misadjustment to the drive control system. The direction and speed of movement is controlled by the motion control lever.

1. Start tractor with motion control lever in neutral (N) position.
2. Release parking brake.
3. Slowly move motion control lever to desired position.

## TO ADJUST MOWER CUTTING HEIGHT

The cutting height is controlled by turning the height adjustment knob in desired direction.

- Turn knob clockwise (↻) to raise cutting height.
- Turn knob counterclockwise (↺) to lower cutting height.

The cutting height range is approximately 1-1/2" to 4-1/2". The heights are measured from the ground to the blade tip with the engine not running.

These heights are approximate and may vary depending upon soil conditions, height of grass and types of grass being mowed.

- The average lawn should be cut to approximately 2-1/2 inches during the cool season and to over 3 inches during hot months. For healthier and better looking lawns, mow often and after moderate growth.
- For best cutting performance, grass over 6 inches in height should be mowed twice. Make the first cut relatively high; the second to desired height.

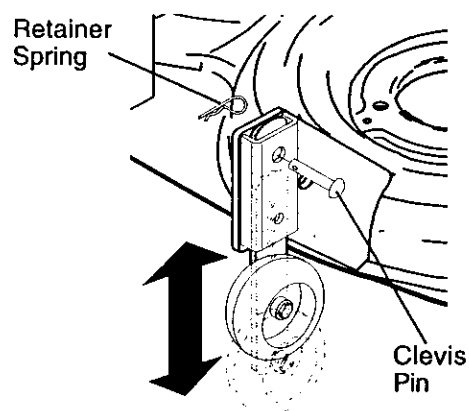
### TO ADJUST GAUGE WHEELS

Gauge wheels are properly adjusted when they are slightly off the ground when mower is at the desired cutting height in operating position. Gauge wheels then keep the deck in proper position to help prevent scalping in most terrain conditions.

**NOTE:** Be sure tractor is on a flat level surface.

1. Lower mower and adjust mower to desired cutting height.
2. Remove retainer spring and clevis pin which secure each gauge wheel bar.
3. Lower gauge wheels to ground. Raise gauge wheels slightly to align holes in bracket and gauge wheel bar and insert clevis pin. Gauge wheels should be slightly off the ground.
4. Replace retainer spring into clevis pin.
5. Be sure all gauge wheels are in the same setting.

**IMPORTANT:** Be sure to readjust gauge wheels if you change the cutting height of the mower deck.



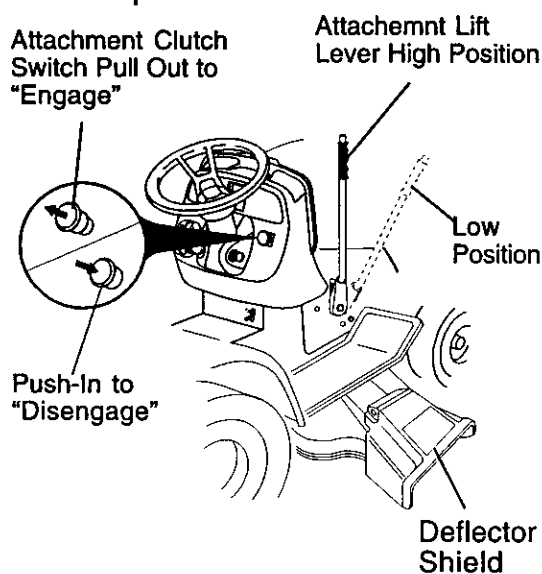
### TO OPERATE MOWER

Your tractor is equipped with an operator presence sensing switch. Any attempt by the operator to leave the seat with the engine running and the attachment clutch engaged will shut off the engine.

1. Select desired height of cut.
2. Lower mower with attachment lift control.
3. Start mower blades by engaging attachment clutch control.

**TO STOP MOWER BLADES -** disengage attachment clutch control.

**CAUTION:** Do not operate the mower without either the entire grass catcher, on mowers so equipped, or the deflector shield in place.



### TO OPERATE ON HILLS

**CAUTION:** Do not drive up or down hills with slopes greater than 15° and do not drive across any slope. Use the slope guide provided at the back of this manual.

- Choose the slowest speed before starting up or down hills.
- Avoid stopping or changing speed on hills.
- If stopping is absolutely necessary, push brake pedal quickly to brake position and engage parking brake.

**IMPORTANT:** The motion control lever returns to neutral (N) position when the brake pedal is depressed.

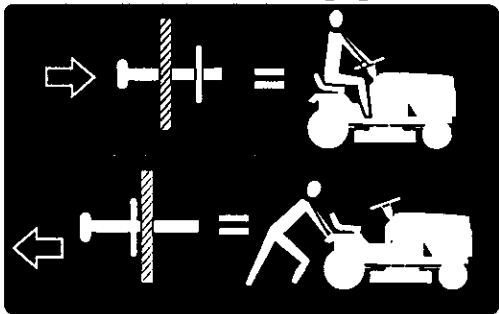
- To restart movement, slowly release parking brake and brake pedal.
- Slowly move motion control lever to slowest setting.
- Make all turns slowly.

## TO TRANSPORT

When pushing or towing your tractor, be sure to disengage transmission by placing freewheel control in freewheeling position. Freewheel control is located at the rear drawbar of tractor.

1. Raise attachment lift to highest position with attachment lift control.
  2. Pull freewheel control out and into the slot and release so it is held in the disengaged position.
- Do not push or tow tractor at more than two (2) MPH.
  - To re-engage transmission, reverse above procedure.

### Transmission Engaged



### Transmission Disengaged

**NOTE:** To protect hood from damage when transporting your tractor on a truck or a trailer, be sure hood is closed and secured to tractor. Use an appropriate means of tying hood to tractor (rope, cord, etc.).

## TOWING CARTS AND OTHER ATTACHMENTS

Tow only the attachments that are recommended by and comply with specifications of the manufacturer of your tractor. Use common sense when towing. Too heavy of a load, while on a slope, is dangerous. Tires can lose traction with the ground and cause you to lose control of your tractor.

## BEFORE STARTING THE ENGINE

### CHECK ENGINE OIL LEVEL

The engine in your tractor has been shipped, from the factory, already filled with summer weight oil.

1. Check engine oil with tractor on level ground.
2. Unthread and remove oil fill cap/dipstick; wipe oil off. Reinsert the dipstick into the tube and rest oil fill cap on the tube. Do not thread the cap onto the tube. Remove and read oil level. If necessary, add oil until "FULL" mark on dipstick is reached. Do not overfill.

- For cold weather operation you should change oil for easier starting (See the oil viscosity chart in the Maintenance section of this manual).
- To change engine oil, see the Maintenance section in this manual.

## ADD GASOLINE

- Fill fuel tank to bottom of filler neck. Do not overfill. Use fresh, clean, regular unleaded gasoline with a minimum of 87 octane. (Use of leaded gasoline will increase carbon and lead oxide deposits and reduce valve life). Do not mix oil with gasoline. Purchase fuel in quantities that can be used within 30 days to assure fuel freshness.

**CAUTION:** Wipe off any spilled oil or fuel. Do not store, spill or use gasoline near an open flame.

**IMPORTANT:** When operating in temperatures below 32°F (0°C), use fresh, clean winter grade gasoline to help insure good cold weather starting.

**CAUTION:** Alcohol blended fuels (called gasohol or using ethanol or methanol) can attract moisture which leads to separation and formation of acids during storage. Acidic gas can damage the fuel system of an engine while in storage. To avoid engine problems, the fuel system should be emptied before storage of 30 days or longer. Drain the gas tank, start the engine and let it run until the fuel lines and carburetor are empty. Use fresh fuel next season. See Storage Instructions for additional information. Never use engine or carburetor cleaner products in the fuel tank or permanent damage may occur.

## TO START ENGINE

When starting the engine for the first time or if the engine has run out of fuel, it will take extra cranking time to move fuel from the tank to the engine.

1. Be sure freewheel control is in the transmission engaged position.
2. Sit on seat in operating position, depress brake pedal and set parking brake.
3. Move attachment clutch to "disengage" position.
4. Move throttle control to fast position
5. Pull choke control out for a cold engine start attempt. For a warm engine start attempt the choke control may not be needed.

**NOTE:** Before starting, read the warm and cold starting procedures below.

6. Insert key into ignition and turn key clockwise to start position and release key as soon as engine starts. Do not run starter continuously for more than fifteen seconds per minute. If the engine does not start after several attempts, push choke control in, wait a few minutes and try again. If engine still does not start, pull the choke control out and retry.

**WARM WEATHER STARTING (50° F and above)**

7. When engine starts, slowly push choke control in until the engine begins to run smoothly. If the engine starts to run roughly, pull the choke control out slightly for a few seconds and then continue to push the control in slowly.
- The attachments and ground drive can now be used. If the engine does not accept the load, restart the engine and allow it to warm up for one minute using the choke as described above.

**COLD WEATHER STARTING (50° F and below)**

7. When engine starts, slowly push choke control in until the engine begins to run smoothly. Continue to push the choke control in small steps allowing the engine to accept small changes in speed and load, until the choke control is fully in. If the engine starts to run roughly, pull the choke control out slightly for a few seconds and then continue to push the control in slowly. This may require an engine warm-up period from several seconds to several minutes, depending on the temperature.

**NOTE:** In extreme cold conditions, if engine will not start you may need to disengage the motion drive belt as follows:

1. Be sure parking brake is engaged.
2. Remove retainer spring from the drive belt tension handle to relieve belt tension.
3. Start engine and allow it to warm up for three (3) minutes.
4. Shut-off engine and engage parking brake.
5. Engage drive belt tension handle and replace the retainer spring.

## **AUTOMATIC TRANSMISSION WARM UP**

Before driving the unit in cold weather, the transmission should be warmed up as follows:

1. Be sure the tractor is on level ground.
  2. Place the motion control lever in neutral. Release the parking brake and let the brake slowly return to operating position.
  3. Allow one minute for transmission to warm up. This can be done during the engine warm up period.
- The attachments can be used during the engine warm-up period after the transmission has been warmed up and may require the choke control be pulled out slightly.

**NOTE:** If at a high altitude (above 3000 feet) or in cold temperatures (below 32 F) the carburetor fuel mixture may need to be adjusted for best engine performance. (See "TO ADJUST CARBURETOR" in the Service and Adjustments section of this manual).

## **PURGE TRANSMISSION**

**CAUTION:** Never engage or disengage freewheel lever while the engine is running.

To ensure proper operation and performance, it is recommended that the transmission be purged before operating tractor for the first time. This procedure will remove any trapped air inside the transmission which may have developed during shipping of your tractor.

**IMPORTANT:** Should your transmission require removal for service or replacement, it should be purged after reinstallation before operating the tractor.

1. Place tractor safely on level surface with engine off and parking brake set.
2. Disengage transmission by placing freewheel control in disengaged position (See "TO TRANSPORT" in this section of manual).
3. Sitting in the tractor seat, start engine. After the engine is running, move throttle control to slow position. Disengage parking brake.
4. Move motion control lever to full forward position and hold for five (5) seconds. Move lever to full reverse position and hold for five (5) seconds. Repeat this procedure three (3) times.

**NOTE:** During this step there will be no movement of drive wheels. The air is being removed from hydraulic drive system.

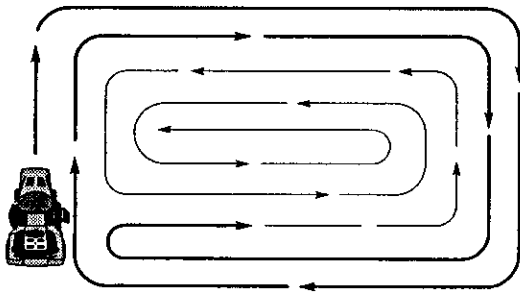
5. Move motion control lever to neutral (N) position. Shutoff engine and set parking brake.
6. Engage transmission by placing freewheel control in engaged position (See "TO TRANSPORT" in this section of manual).
7. Sitting in the tractor seat, start engine. After the engine is running, move throttle control to half (1/2) speed. Disengage parking brake.
8. Slowly move motion control lever forward, after the tractor moves approximately five (5) feet, slowly move motion control lever to reverse position. After the tractor moves approximately five (5) feet return the motion control lever to the neutral (N) position. Repeat this procedure with the motion control lever three (3) times.

Your transmission is now purged and now ready for normal operation.

### MOWING TIPS

- Tire chains cannot be used when the mower housing is attached to tractor.
- Mower should be properly leveled for best mowing performance. See "TO LEVEL MOWER HOUSING" in the Service and Adjustments section of this manual.
- The left hand side of mower should be used for trimming.
- Drive so that clippings are discharged onto the area that has already been cut. Have the cut area to the right of the tractor. This will result in a more even distribution of clippings and more uniform cutting.
- When mowing large areas, start by turning to the right so that clippings will discharge away from shrubs, fences, driveways, etc. After one or two rounds, mow in the opposite direction making left hand turns until finished.

- If grass is extremely tall, it should be mowed twice to reduce load and possible fire hazard from dried clippings. Make first cut relatively high; the second to the desired height.
- Do not mow grass when it is wet. Wet grass will plug mower and leave undesirable clumps. Allow grass to dry before mowing.
- **Always operate engine at full throttle when mowing** to assure better mowing performance and proper discharge of material. Regulate ground speed by selecting a low enough gear to give the mower cutting performance as well as the quality of cut desired.
- When operating attachments, select a ground speed that will suit the terrain and give best performance of the attachment being used.



# MAINTENANCE

| MAINTENANCE SCHEDULE                                |   | SERVICE DATES   |               |                  |                  |                 |                                |
|---|---|-----------------|---------------|------------------|------------------|-----------------|--------------------------------|
| FILL IN DATES<br>AS YOU COMPLETE<br>REGULAR SERVICE |   | BEFORE EACH USE | EVERY 8 HOURS | EVERY 25 HOURS   | EVERY 50 HOURS   | EVERY 100 HOURS | EVERY SEASON<br>BEFORE STORAGE |
| <b>T<br/>R<br/>A<br/>C<br/>T<br/>O<br/>R</b>        | Check Brake Operation                         | ✓               | ✓             |                  |                  |                 |                                |
|   | Check Tire Pressure                           | ✓               | ✓             |                  |                  |                 |                                |
|   | Check Operator Presence and Interlock Systems | ✓               |               |                  |                  |                 |                                |
|   | Check for Loose Fasteners                     | ✓               |               |                  | ✓ <sup>5</sup>   | ✓               |                                |
|   | Sharpen/Replace Mower Blades                  |                 |               | ✓ <sup>3</sup>   |                  |                 |                                |
|   | Lubrication Chart                             |                 |               | ✓ <sup>4</sup>   |                  | ✓               |                                |
|   | Check Battery Level                           |                 |               | ✓ <sup>4</sup>   |                  |                 |                                |
|   | Clean Battery and Terminals                   |                 |               | ✓                |                  | ✓               |                                |
|   | Check Transaxle Cooling                       |                 |               | ✓                |                  |                 |                                |
|   | Check V-Belts                                 |                 |               |                  | ✓                |                 |                                |
| <b>E<br/>N<br/>G<br/>I<br/>N<br/>E</b>              | Check Engine Oil Level                        | ✓               | ✓             |                  |                  |                 |                                |
|   | Change Engine Oil (with oil filter)           |                 |               | ✓ <sup>1,2</sup> |                  | ✓               |                                |
|   | Change Engine Oil (without oil filter)        |                 |               | ✓ <sup>1,2</sup> |                  | ✓               |                                |
|   | Clean Air Filter                              |                 |               | ✓ <sup>2</sup>   |                  |                 |                                |
|   | Clean Air Screen                              |                 |               | ✓ <sup>2</sup>   |                  |                 |                                |
|   | Inspect Muffler/Spark Arrester                |                 |               | ✓                |                  |                 |                                |
|   | Replace Oil Filter (If equipped)              |                 |               |                  | ✓ <sup>1,2</sup> |                 |                                |
|   | Clean Engine Cooling Fins                     |                 |               |                  | ✓ <sup>2</sup>   |                 |                                |
|   | Replace Spark Plug                            |                 |               |                  | ✓                | ✓               |                                |
|   | Replace Air Filter Paper Cartridge            |                 |               |                  | ✓ <sup>2</sup>   |                 |                                |
| Replace Fuel Filter                                 |   |                 |               |                  | ✓                |                 |                                |

1 - Change more often when operating under a heavy load or in high ambient temperatures.  
 2 - Service more often when operating in dirty or dusty conditions.

3 - Replace blades more often when mowing in sandy soil.  
 4 - Not required if equipped with maintenance-free battery.  
 5 - Tighten front axle pivot bolt to 35 ft.-lbs. maximum. Do not overtighten.

## GENERAL RECOMMENDATIONS

The warranty on this tractor does not cover items that have been subjected to operator abuse or negligence. To receive full value from the warranty, operator must maintain tractor as instructed in this manual. Some adjustments will need to be made periodically to properly maintain your tractor.

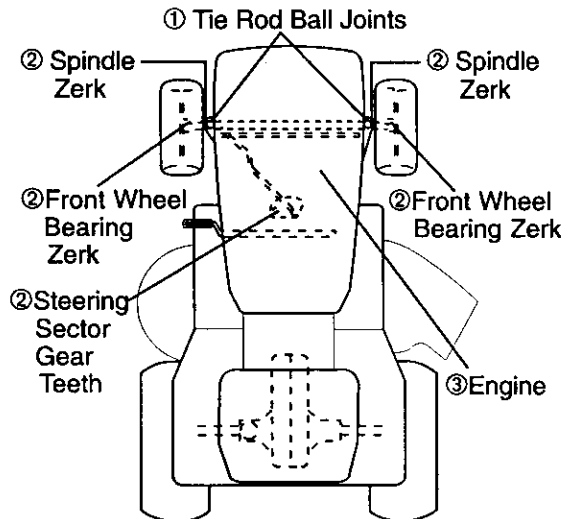
All adjustments in the Service and Adjustments section of this manual should be checked at least once each season.

- Once a year you should replace the spark plug, clean or replace air filter, and check blades and belts for wear. A new spark plug and clean air filter assure proper air-fuel mixture and help your engine run better and last longer.

## BEFORE EACH USE

- Check engine oil level.
- Check brake operation.
- Check tire pressure.
- Check operator presence and interlock systems for proper operation.
- Check for loose fasteners.

## LUBRICATION CHART



① Spray Silicone Lubriant (Move Boots to Lubricate)

② General Purpose Grease

③ Refer to Maintenance "ENGINE" Section

**IMPORTANT:** Do not oil or grease the pivot points which have special nylon bearings. Viscous lubricants will attract dust and dirt that will shorten the life of the self-lubricating bearings. If you feel they must be lubricated, use only a dry, powdered graphite type lubricant sparingly.



## TRACTOR

Always observe safety rules when performing any maintenance.

## BRAKE OPERATION

If tractor requires more than six (6) feet stopping distance at high speed in highest gear, then brake must be adjusted. (See "TO ADJUST BRAKE" in the Service and Adjustments section of this manual).

## TIRES

- Maintain proper air pressure in all tires (See "PRODUCT SPECIFICATIONS" section of this manual).
- Keep tires free of gasoline, oil, or insect control chemicals which can harm rubber.
- Avoid stumps, stones, deep ruts, sharp objects and other hazards that may cause tire damage.

**NOTE:** To seal tire punctures and prevent flat tires due to slow leaks, tire sealant may be purchased from your local parts dealer. Tire sealant also prevents tire dry rot and corrosion.

## OPERATOR PRESENCE SYSTEM

Be sure operator presence and interlock systems are working properly. If your tractor does not function as described, repair the problem immediately.

- The engine should not start unless the brake pedal is fully depressed and attachment clutch control is in the disengaged position.
- When the engine is running, any attempt by the operator to leave the seat without first setting the parking brake should shut off the engine.
- When the engine is running and the attachment clutch is engaged, any attempt by the operator to leave the seat should shut off the engine.
- The attachment clutch should never operate unless the operator is in the seat.

## BLADE CARE

For best results mower blades must be kept sharp. Replace bent or damaged blades.

## BLADE REMOVAL

1. Raise mower to highest position to allow access to blades.

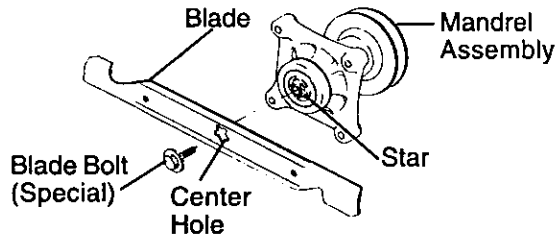
**NOTE:** Protect your hands with gloves and/or wrap blade with heavy cloth.

2. Remove blade bolt by turning counter-clockwise.
3. Install new or resharpened blade with stamped "THIS SIDE UP" facing deck and mandrel assembly.

**IMPORTANT:** To ensure proper assembly, center hole in blade must align with star on mandrel assembly.

4. Install and tighten blade bolt securely (45-55 Ft. Lbs. torque).

**IMPORTANT:** Special blade bolt is heat treated.



## TO SHARPEN BLADE

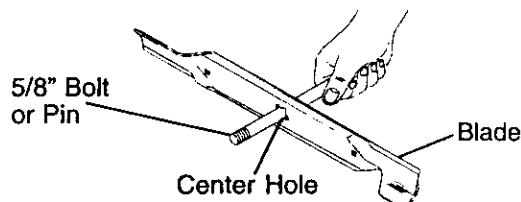
**NOTE:** We do not recommend sharpening blade - but if you do, be sure the blade is balanced.

Care should be taken to keep the blade balanced. An unbalanced blade will cause excessive vibration and eventual damage to mower and engine.

- The blade can be sharpened with a file or on a grinding wheel. Do not attempt to sharpen while on the mower.
- To check blade balance, you will need a 5/8" diameter steel bolt, pin, or a cone balancer. (When using a cone balancer, follow the instructions supplied with balancer.)

**NOTE:** Do not use a nail for balancing blade. The lobes of the center hole may appear to be centered, but are not.

- Slide blade on to an unthreaded portion of the steel bolt or pin and hold the bolt or pin parallel with the ground. If blade is balanced, it should remain in a horizontal position. If either end of the blade moves downward, sharpen the heavy end until the blade is balanced.



## BATTERY

Your tractor has a battery charging system which is sufficient for normal use. However, periodic charging of the battery with an automotive charger will extend its life.

- Keep battery and terminals clean.
- Keep battery bolts tight.
- Keep small vent holes open.
- Recharge at 6-10 amperes for 1 hour.

**NOTE:** The original equipment battery on your tractor is maintenance free. Do not attempt to open or remove caps or covers. Adding or checking level of electrolyte is not necessary.

#### TO CLEAN BATTERY AND TERMINALS

Corrosion and dirt on the battery and terminals can cause the battery to "leak" power.

1. Remove terminal guard.
2. Disconnect BLACK battery cable first then RED battery cable and remove battery from tractor.
3. Rinse the battery with plain water and dry.
4. Clean terminals and battery cable ends with wire brush until bright.
5. Coat terminals with grease or petroleum jelly.
6. Reinstall battery (See "REPLACING BATTERY" in the SERVICE AND ADJUSTMENTS section of this manual).

#### TRANSAXLE COOLING

The transmission fan and cooling fins should be kept clean to assure proper cooling.

Do not attempt to clean fan or transmission while engine is running or while the transmission is hot. To prevent possible damage to seals, do not use high pressure water or steam to clean transaxle.

- Inspect cooling fan to be sure fan blades are intact and clean.
- Inspect cooling fins for dirt, grass clippings and other materials. To prevent damage to seals, do not use compressed air or high pressure sprayer to clean cooling fins.

#### TRANSAXLE PUMP FLUID

The transaxle was sealed at the factory and fluid maintenance is not required for the life of the transaxle. Should the transaxle ever leak or require servicing, contact a Sears or other qualified service center.

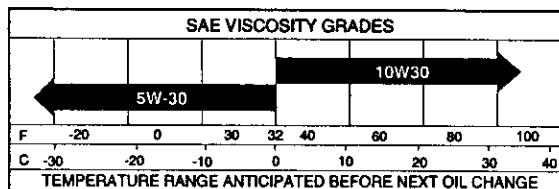
#### V-BELTS

Check V-belts for deterioration and wear after 100 hours of operation and replace if necessary. The belts are not adjustable. Replace belts if they begin to slip from wear.

#### ENGINE

##### LUBRICATION

Only use high quality detergent oil rated with API service classification SF-SJ. Select the oil's SAE viscosity grade according to your expected operating temperature.



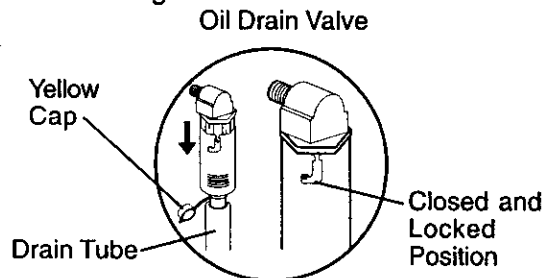
Change the oil after every 50 hours of operation or at least once a year if the tractor is not used for 50 hours in one year.

Check the crankcase oil level before starting the engine and after each eight (8) hours of operation.

#### TO CHANGE ENGINE OIL

Determine temperature range expected before oil change. All oil must meet API service classification SF-SJ.

- Be sure tractor is on level surface.
  - Oil will drain more freely when warm.
  - Catch oil in a suitable container.
1. Remove oil fill cap/dipstick. Be careful not to allow dirt to enter the engine when changing oil.
  2. Remove yellow cap from end of drain valve and install the drain tube onto the fitting.



3. Unlock drain valve by pushing upward slightly and turning counterclockwise.
4. To open, pull down on the drain valve.
5. After oil has drained completely, close and lock the drain valve by pushing upward and turning clockwise until the pin is in the locked position as shown.
6. Remove the drain tube and replace the cap onto the end of the drain valve.
7. Refill engine with oil through oil fill dipstick tube. Pour slowly. Do not overfill. For approximate capacity see "PRODUCT SPECIFICATIONS" section of this manual.
8. Use gauge on oil fill cap/dipstick for checking level. Insert dipstick into the tube and rest the oil fill cap on the tube. Do not thread the cap onto the tube when taking reading. Keep oil at "FULL" line on dipstick. Tighten cap onto the tube securely when finished.

## ENGINE OIL FILTER

Replace the engine oil filter every season or every other oil change if the tractor is used more than 100 hours in one year.

## AIR FILTER

Your engine will not run properly using a dirty air filter. Clean the foam pre-cleaner after every 25 hours of operation or every season. Service paper cartridge every 100 hours of operation or every season, whichever occurs first.

Service air cleaner more often under dusty conditions.

1. Loosen knob and remove cover.

### TO SERVICE PRE-CLEANER

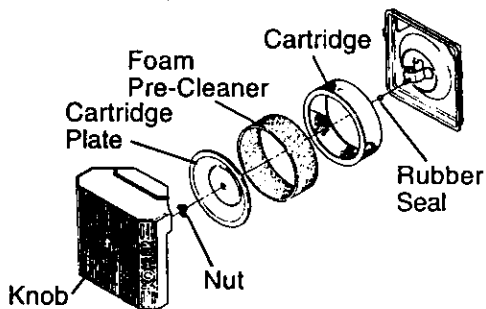
2. Slide foam pre-cleaner off cartridge.
3. Wash it in liquid detergent and water.
4. Squeeze it dry in a clean cloth. Allow it to dry.
5. Saturate it in engine oil. Wrap it in clean, absorbent cloth and squeeze to remove excess oil.

### TO SERVICE CARTRIDGE

- Replace a dirty, bent, or damaged cartridge.

**NOTE:** Do not wash the paper cartridge or use pressurized air, as this will damage the cartridge.

6. Remove nut and cartridge plate.
7. Reinstall the pre-cleaner (cleaned and oiled) over the paper cartridge.
8. Check rubber seal for damage and proper position around stud. Replace if necessary.
9. Reassemble air cleaner, cartridge plate, and nut.
10. Reinstall air cleaner cover and secure by tightening knob.



## CLEAN AIR SCREEN

Air screen must be kept free of dirt and chaff to prevent engine damage from overheating. Clean with a wire brush or compressed air to remove dirt and stubborn dried gum fibers.

## CLEAN AIR INTAKE/COOLING AREAS

To insure proper cooling, make sure the grass screen, cooling fins, and other external surfaces of the engine are kept clean at all times.

Every 100 hours of operation (more often under extremely dusty, dirty conditions), remove the blower housing and other cooling shrouds. Clean the cooling fins and external surfaces as necessary. Make sure the cooling shrouds are reinstalled.

**NOTE:** Operating the engine with a blocked grass screen, dirty or plugged cooling fins, and/or cooling shrouds removed will cause engine damage due to overheating.

## MUFFLER

Inspect and replace corroded muffler and spark arrester (if equipped) as it could create a fire hazard and/or damage.

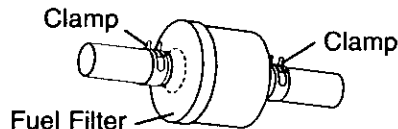
## SPARK PLUG(S)

Replace spark plug(s) at the beginning of each mowing season or after every 100 hours of operation, whichever occurs first. Spark plug type and gap setting are shown in "PRODUCT SPECIFICATIONS" section of this manual.

## IN-LINE FUEL FILTER

The fuel filter should be replaced once each season. If fuel filter becomes clogged, obstructing fuel flow to carburetor, replacement is required.

1. With engine cool, remove filter and plug fuel line sections.
2. Place new fuel filter in position in fuel line with arrow pointing towards carburetor.
3. Be sure there are no fuel line leaks and clamps are properly positioned.
4. Immediately wipe up any spilled gasoline.



## CLEANING

- Clean engine, battery, seat, finish, etc. of all foreign matter.
- Keep finished surfaces and wheels free of all gasoline, oil, etc.
- Protect painted surfaces with automotive type wax.

We do not recommend using a garden hose to clean your tractor unless the electrical system, muffler, air filter and carburetor are covered to keep water out. Water in engine can result in a shortened engine life.

## SERVICE AND ADJUSTMENTS



**WARNING: TO AVOID SERIOUS INJURY, BEFORE PERFORMING ANY SERVICE OR ADJUSTMENTS:**

1. Depress clutch/brake pedal fully and set parking brake.
2. Place motion control lever in neutral (N) position.
3. Place attachment clutch in "DISENGAGED" position.
4. Turn ignition key to "STOP" and remove key.
5. Make sure the blades and all moving parts have completely stopped.
6. Disconnect spark plug wire from spark plug and place wire where it cannot come in contact with plug.

### TRACTOR

#### TO REMOVE MOWER

1. Place attachment clutch in "DISENGAGED" position.
2. If equipped, turn height adjustment knob to lowest setting.
3. Lower mower to its lowest position.
4. Disengage belt tension rod from lock bracket.

**CAUTION:** Rod is spring loaded. Have a tight grip on rod and release slowly.

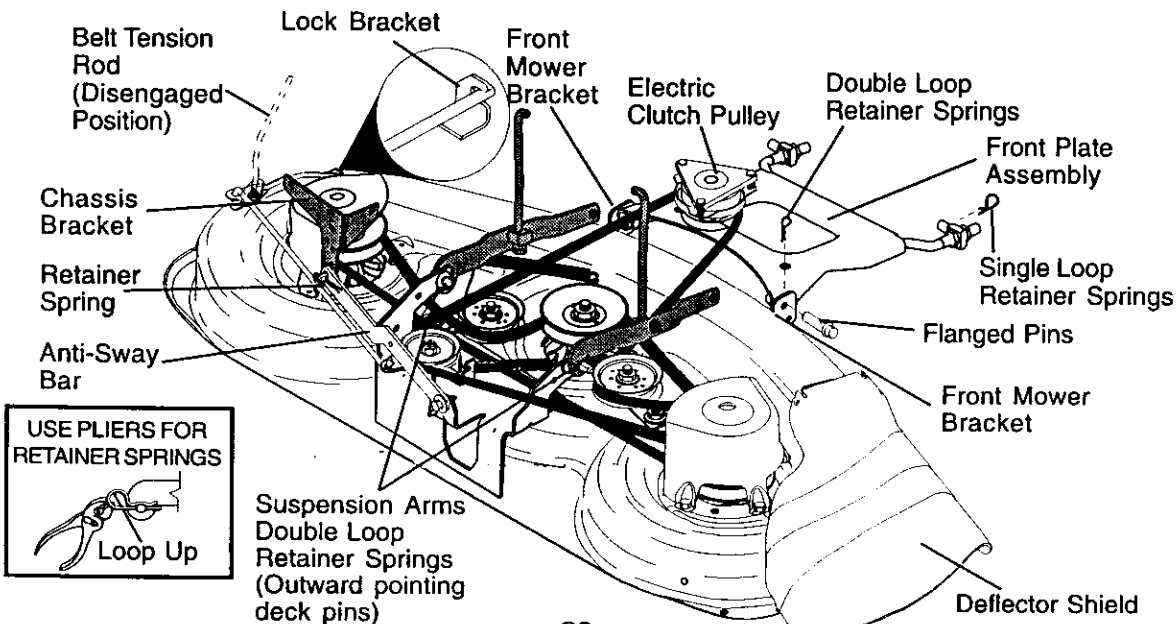
5. Remove retainer spring holding anti-swaybar to chassis bracket and disengage anti-swaybar from bracket.
6. Remove four retainer springs from front plate assembly and remove plate.
7. Remove retainer springs from suspension arms at deck and disengage arms from deck.
8. Raise attachment lift to its highest position.
9. Slide mower forward and remove belt from electric clutch pulley.

10. Slide mower out from under right side of tractor.

#### TO INSTALL MOWER

Be sure tractor is on level surface and mower suspension arms are raised with attachment lift control. Engage parking brake.

1. Swing anti-sway bar to left side of mower deck.
  2. Slide mower under tractor with deflector shield to right side of tractor.
- IMPORTANT:** Check belt for proper routing in all mower pulley grooves.
3. If equipped, turn height adjustment knob counterclockwise until it stops.
  4. Lower mower linkage with attachment lift control.
  5. Be sure belt tension rod is in disengaged position.
  6. Install belt into electric clutch pulley groove.
  7. Place the suspension arms on outward pointing deck pins. Retain with double loop retainer spring with loops up as shown.



8. Install front plate assembly to tractor suspension brackets and retain with single loop retainer springs as shown.
9. Position front plate assembly between front mower brackets. Raise deck and plate assembly to align holes and insert flanged pins. Secure pins with double loop retainer springs between the plate assembly and mower brackets.

**NOTE:** To assist in locating hole in flanged pin, the hole in pin is inline with notch on head of pin. If necessary, move mower side-to-side to give space between plate and mower brackets.

**IMPORTANT:** Check belt for proper routing in all mower pulley grooves.

10. Engage belt tension rod by pushing rod into locking bracket.

**CAUTION:** Belt tension rod is spring loaded. Have a tight grip on rod and engage slowly.

11. Connect anti-sway bar to chassis bracket under left footrest and retain with double loop retainer spring.
12. If equipped, turn height adjustment knob clockwise to remove slack from mower suspension.
13. Raise deck to highest position.

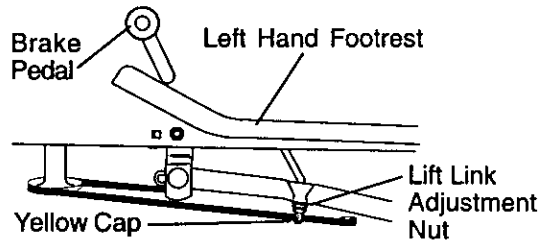
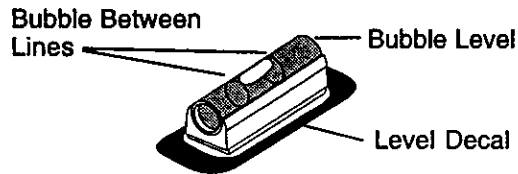
### TO LEVEL MOWER HOUSING

Adjust the mower while tractor is parked on level ground such as a carport or garage. Make sure tires are properly inflated (See "PRODUCT SPECIFICATIONS" section of this manual). If tires are over or underinflated, you will not properly adjust your mower.

### SIDE-TO-SIDE ADJUSTMENT WITH BUBBLE LEVEL

**NOTE:** If necessary, check side-to-side surface below tractor for levelness with a long board and the bubble level.

- Using the lift lever, place mower in position where no part of the mower, including gauge wheels, is touching the ground.
- From left side of tractor, find the level decal on top of mower and place bubble level on decal as indicated.
- Mower is level side-to-side when bubble is between the two lines in the bubble level.
- If adjustment is necessary, under left hand footrest, turn lift link adjustment nut (above yellow cap) in appropriate direction to bring bubble between the lines in the bubble level.
- Remove bubble level from mower and store in a safe place.

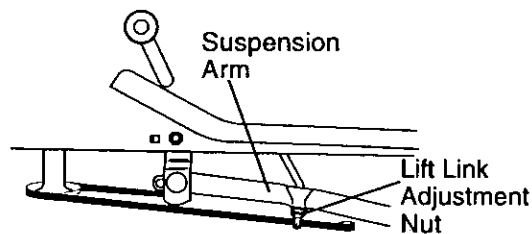
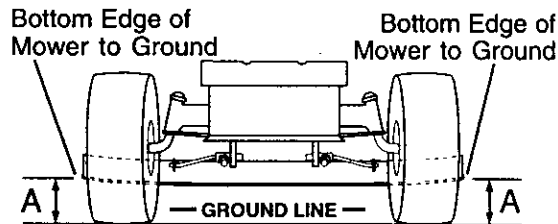


### ALTERNATE SIDE-TO-SIDE ADJUSTMENT METHOD

- Raise mower to its highest position.
- Measure height from bottom edge of mower to ground level at front corners of mower. Distance "A" on both sides of mower should be the same.
- If adjustment is necessary, make adjustment on one side of mower only.
- To raise one side of mower, tighten lift link adjustment nut on that side.
- To lower one side of mower, loosen lift link adjustment nut on that side.

**NOTE:** Each full turn of adjustment nut will change mower height about 3/16".

- Recheck measurements after adjusting.



### FRONT-TO-BACK ADJUSTMENT

**IMPORTANT:** Deck must be level side-to-side. If the following front-to-back adjustment is necessary, be sure to adjust both front links equally so mower will stay level side-to-side.

To obtain the best cutting results, the mower blades should be adjusted so the front tip is approximately 1/8" to 1/2" lower than the rear tip when the mower is in its highest position.

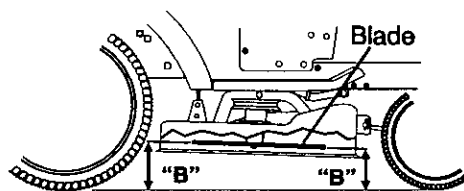
**⚠ CAUTION:** Blades are sharp. Protect your hands with gloves and/or wrap blade with heavy cloth.

Check adjustment on right side of tractor. Position any blade so the tip is pointing straight forward. Measure distance "B" at front and rear tip of blade

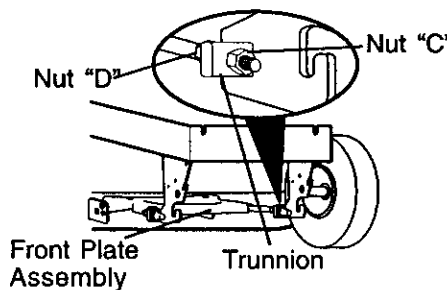
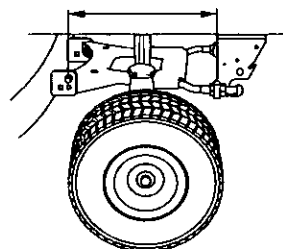
- Before making any necessary adjustments, check that both front links are equal in length.
- If links are not equal in length, adjust one link to same length as other link.
- To lower front of blade, loosen nut "C" on both front links an equal number of turns.

**NOTE:** Each full turn of nut "C" will change dim. "B" by approximately 3/16".

- When distance "B" is 1/8" to 1/2" lower at front than rear, tighten nut "D" against trunnion on both front links.
- To raise front of blade, loosen nut "D" from trunnion on both front links. Tighten nut "C" on both front links an equal number of turns.
- When distance "B" is 1/8" to 1/2" lower at front than rear, tighten nut "D" against trunnion on both front links.
- Recheck side-to-side adjustment.



**BOTH FRONT LINKS MUST BE EQUAL IN LENGTH**



## TO REPLACE MOWER DRIVE BELT

### MOWER DRIVE BELT REMOVAL

1. Park tractor on a level surface. Engage parking brake.
2. Lower mower to its lowest position.
3. Disengage belt tension rod from lock bracket.

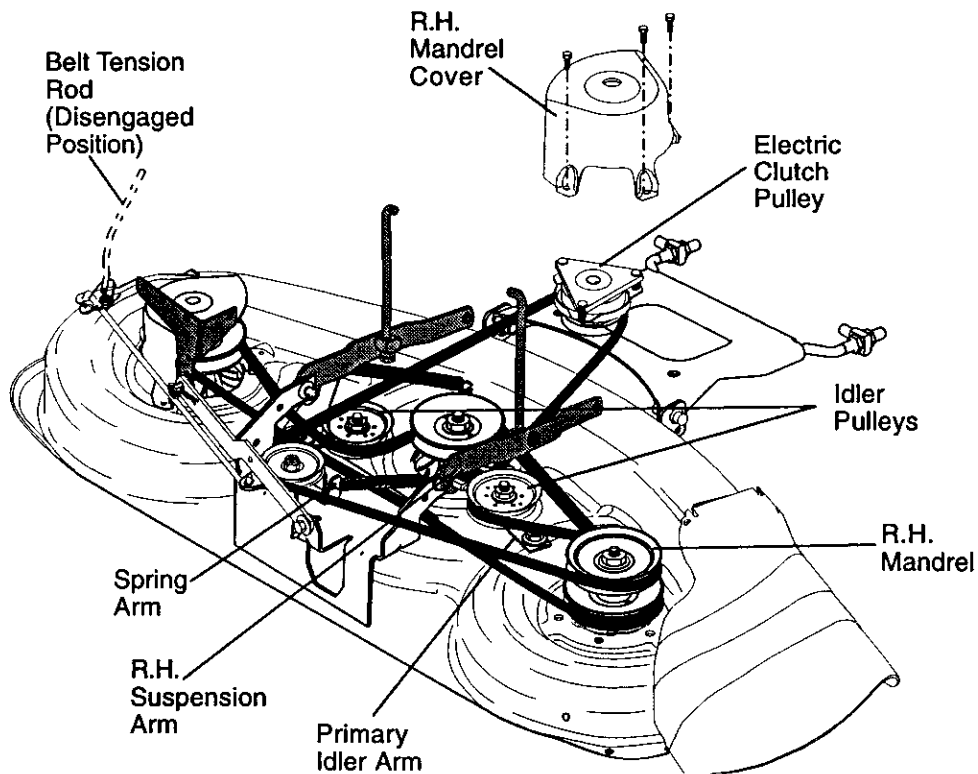
**⚠ CAUTION:** Rod is spring loaded. Have a firm grip on rod and release slowly.

4. Remove screws from R.H. mandrel cover and remove cover.
5. Remove any dirt or grass clippings which may have accumulated around mandrels and entire upper deck surface.
6. Disconnect R.H. suspension arm from rear deck bracket by removing retainer spring.
7. Carefully roll belt over the top of R.H. mandrel pulley.

8. Remove belt from electric clutch pulley.
9. Remove belt from idler pulleys.
10. Check primary idler arm and two idlers to see that they rotate freely.
11. Be sure spring is securely hooked to primary idler arm and spring arm.

### MOWER DRIVE BELT INSTALLATION

12. Install belt in both idlers.
13. Install new belt onto electric clutch pulley.
14. Carefully roll belt into upper groove of R.H. mandrel pulley.
15. Carefully check belt routing making sure belt is in the grooves correctly.
16. Reconnect R.H. suspension arm to rear deck bracket with retainer spring.
17. Reassemble R.H. mandrel cover.
18. Engage belt tension rod by pushing rod into locking bracket.



### TO REPLACE MOWER BLADE (SECONDARY) DRIVE BELT

Park the tractor on level surface. Engage parking brake.

1. Remove mower (See "TO REMOVE MOWER" in this section of manual).
2. Remove screws from R.H. and L.H. mandrel covers and remove covers.

#### REMOVE MOWER DRIVE BELT

(Refer to "TO REMOVE MOWER DRIVE BELT" illustration in this section of manual).

3. Carefully roll belt over the top of R.H. mandrel pulley.
4. Remove belt from idler pulleys.
5. Check primary idler arm and two idlers to see that they rotate freely.
6. Be sure spring is securely hooked to primary idler arm and spring arm.

#### REMOVE MOWER BLADE (SECONDARY) DRIVE BELT

7. Carefully roll belt off L.H. mandrel pulley.
8. Remove belt from center mandrel pulley, idler pulley, and R.H. mandrel pulley.
9. Remove any dirt or grass which may have accumulated around mandrels and entire upper deck surface.

10. Check secondary idler arm and idler pulley to see that they rotate freely.
11. Be sure spring is hooked in secondary idler arm and secondary spring arm.

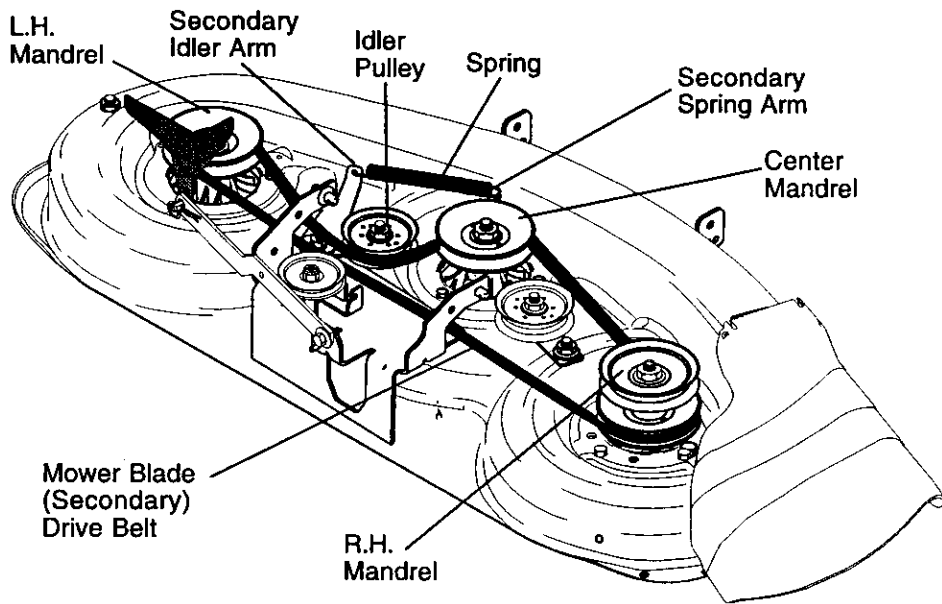
#### INSTALL NEW MOWER BLADE (SECONDARY) DRIVE BELT

12. Install new belt in lower groove of R.H. mandrel pulley, idler pulley, and center mandrel pulley as shown.
13. Carefully roll belt over L.H. mandrel pulley. Make sure belt is in all grooves properly.

#### REINSTALL MOWER DRIVE BELT

(Refer to "TO REMOVE MOWER DRIVE BELT" illustration in this section of manual).

14. Install belt into upper groove of R.H. mandrel pulley and around both idlers. Pull belt to front of mower to remove slack.
15. Reinstall mandrel covers and securely tighten all screws.
16. Carefully check belt routing making sure belt is in all grooves correctly.
17. Reinstall mower to tractor (See "TO INSTALL MOWER" in this section of manual).

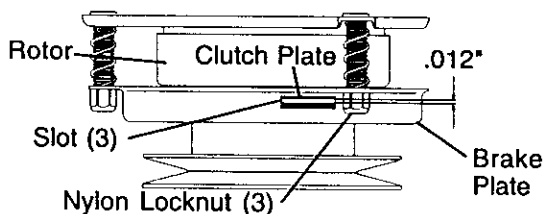


### TO ADJUST ATTACHMENT CLUTCH

The electric clutch should provide years of service. The clutch has a built-in brake that stops the pulley within 5 seconds. Eventually, the internal brake will wear which may cause the mower blades to not engage, or, to not stop as required. Adjustments should be made by a Sears or other qualified service center.

1. Make sure attachment clutch and ignition switches are in "OFF" position.
2. Adjust the three nylon locknuts until space between clutch plate and rotor measures .012" at all three slot locations cut in the side of brake plate.

**NOTE:** After installing a new electric clutch, run tractor at full throttle and engage and disengage electric clutch 10 cycles to wear in clutch plate.



### TO ADJUST BRAKE

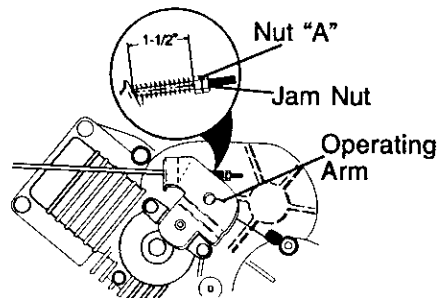
Your tractor is equipped with an adjustable brake system which is mounted on the side of the transaxle.

If tractor requires more than six (6) feet stopping distance at high speed in highest gear on a level dry concrete or paved surface, then brake must be adjusted.

1. Depress clutch/brake pedal and engage parking brake.

2. Measure distance between brake operating arm and nut "A" on brake rod.
3. If distance is other than 1-1/2", loosen jam nut and turn nut "A" until distance becomes 1-1/2". Retighten jam nut against nut "A".
4. Road test tractor for proper stopping distance as stated above. Readjust if necessary. If stopping distance is still greater than six (6) feet in highest gear, further maintenance is necessary. Contact a Sears or other qualified service center.

With parking brake "Engaged"



### TO REPLACE MOTION DRIVE BELT

Park the tractor on level surface. Engage parking brake. For ease of service there is a belt installation guide decal on bottom of left footrest.

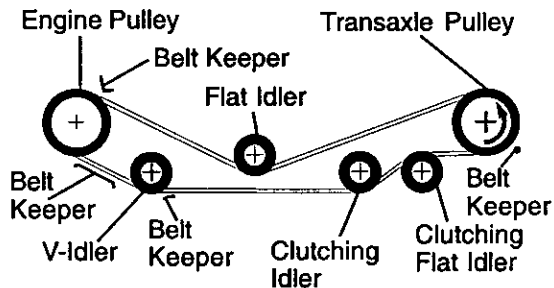
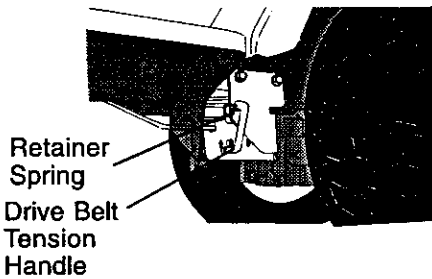
1. Remove mower (See "TO REMOVE MOWER" in this section of this manual.)

#### BELT REMOVAL -

2. Create slack in belt by removing retainer spring from drive belt tension handle.



- Remove belt from all idler pulleys, transaxle pulley and then from engine pulley.



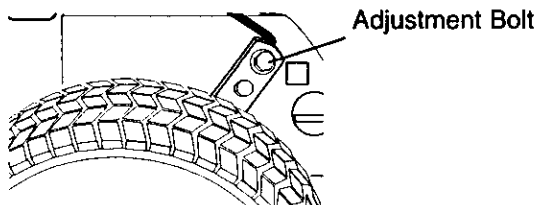
#### BELT INSTALLATION -

- Install new belt around engine pulley first, then around transaxle pulley and lastly into all the idler pulleys.
- Check to be sure belt is positioned correctly and is on proper side of all belt keepers.
- Engage the drive belt tension handle and replace the retainer spring.
- Reinstall mower.

#### TRANSAXLE MOTION CONTROL LEVER NEUTRAL ADJUSTMENT

The motion control lever has been preset at the factory and adjustment should not be necessary.

- Park Tractor on level surface. Stop tractor by turning ignition key to "OFF" position and engage parking brake.
- Loosen the adjustment bolt in front of the right rear wheel.
- Move motion control lever to the neutral position.
- Tighten the adjustment bolt.



#### TRANSMISSION REMOVAL/REPLACEMENT

Should your transmission require removal for service or replacement, it should be purged after reinstallation and before operating the tractor. See "PURGE TRANSMISSION" in the Operation section of this manual.

#### TO ADJUST STEERING WHEEL ALIGNMENT

If steering wheel crossbars are not horizontal (left to right) when wheels are positioned straight forward, remove steering wheel and reassemble with crossbars horizontal. Tighten securely.

#### FRONT WHEEL TOE-IN ADJUSTMENT

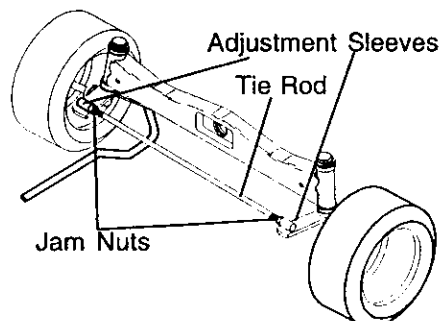
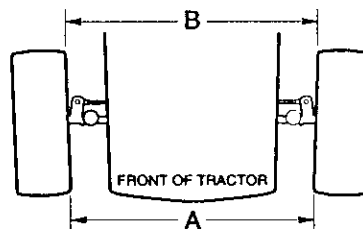
Front wheel toe-in is required for proper steering operation. Toe-in was set at the factory and adjustment should not be necessary. If parts in the front axle or steering mechanism have been replaced or damaged, check toe-in and adjust if necessary.

#### TO CHECK TOE-IN -

- Position front wheels straight ahead.
- Measure distance between wheels at front and rear of tires (dimensions "A" and "B").
- Front dimension "A" should be 1/8" to 1/4" less than rear dimension "B".

#### TO ADJUST TOE-IN -

- Loosen jam nuts at adjustment sleeves on tie rod.
- Adjust tie rod until dimension "A" is 1/8" to 1/4" less than dimension "B".
- Tighten jam nuts securely.



## FRONT WHEEL CAMBER

The front wheel camber is not adjustable on your tractor. If damage has occurred to affect the front wheel camber, contact contact a Sears or other qualified service center

## TO REMOVE WHEEL FOR REPAIRS

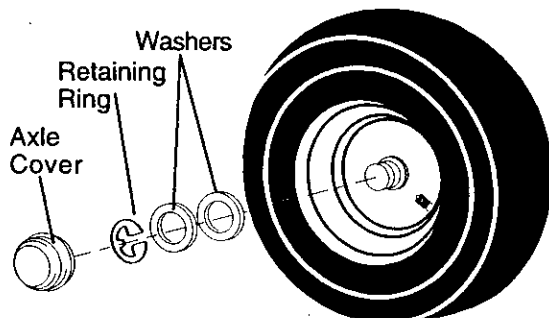
### FRONTWHEEL -

1. Block up axle securely.
2. Remove axle cover, retaining ring and washers to allow wheel removal.
3. Repair tire and reassemble.
4. Replace washers and snap retaining ring securely in axle groove.
5. Replace axle cover.

### REAR WHEEL -

1. Block rear axle securely.
2. Remove five (5) hub bolts to allow wheel removal.
3. Repair tire and reassemble. Replace and tighten hub bolts securely.

**NOTE:** To seal tire punctures and prevent flat tires due to slow leaks, purchase and use tire sealant from Sears. Tire sealant also prevents tire dry rot and corrosion.



## TO START ENGINE WITH A WEAK BATTERY

**WARNING:** Lead-acid batteries generate explosive gases. Keep sparks, flame and smoking materials away from batteries. Always wear eye protection when around batteries.

If your battery is too weak to start the engine, it should be recharged. (See "BATTERY" in the MAINTENANCE section of this manual).

If "jumper cables" are used for emergency starting, follow this procedure:

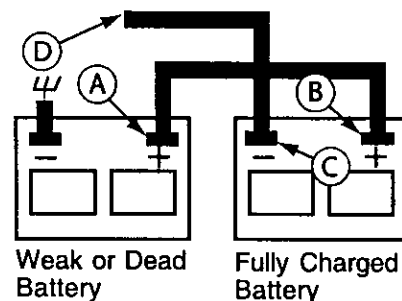
**IMPORTANT:** Your tractor is equipped with a 12 volt system. The other vehicle must also be a 12 volt system. Do not use your tractor battery to start other vehicles.

## TO ATTACH JUMPER CABLES -

1. Connect one end of the RED cable to the POSITIVE (+) terminal of each battery(A-B), taking care not to short against tractor chassis.
2. Connect one end of the BLACK cable to the NEGATIVE (-) terminal (C) of fully charged battery.
3. Connect the other end of the BLACK cable (D) to good chassis ground, away from fuel tank and battery.

## TO REMOVE CABLES, REVERSE ORDER -

1. BLACK cable first from chassis and then from the fully charged battery.
2. RED cable last from both batteries.

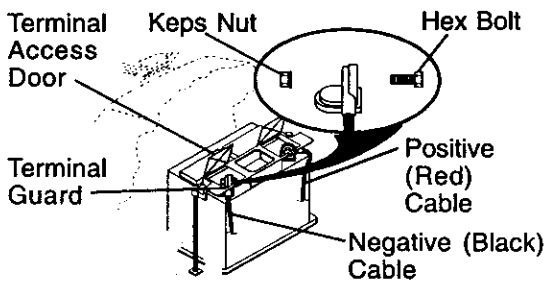


## REPLACING BATTERY

**CAUTION:** Do not short battery terminals by allowing a wrench or any other object to contact both terminals at the same time. Before connecting battery, remove metal bracelets, wristwatch bands, rings, etc.

Positive terminal must be connected first to prevent sparking from accidental grounding.

1. Lift hood to raised position.
2. Remove terminal guard.
3. Disconnect BLACK battery cable then RED battery cable and carefully remove battery from tractor.
4. Install new battery with terminals in same position as old battery.
5. Reinstall terminal guard.
6. First connect RED battery cable to positive (+) battery terminal with hex bolt and keps nut as shown. Tighten securely.
7. Connect BLACK grounding cable to negative (-) battery terminal with remaining hex bolt and keps nut. Tighten securely
8. Close terminal access doors.
9. Close hood.



### TO REPLACE HEADLIGHT BULB

1. Raise hood.
2. Pull bulb holder out of the hole in the backside of the grill.
3. Replace bulb in holder and push bulb holder securely back into the hole in the backside of the grill.
4. Close hood.

### INTERLOCKS AND RELAYS

Loose or damaged wiring may cause your tractor to run poorly, stop running, or prevent it from starting.

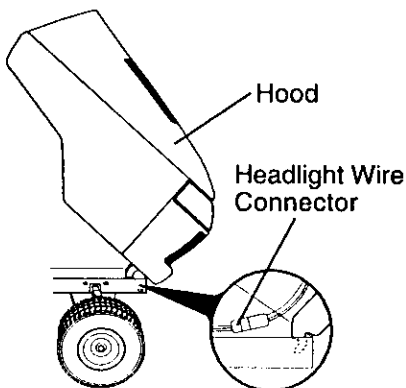
- Check wiring. See electrical wiring diagram in the Repair Parts section.

### TO REPLACE FUSE

Replace with 30 amp automotive-type plug-in fuse. The fuse holder is located behind the dash.

### TO REMOVE HOOD AND GRILL ASSEMBLY

1. Raise hood.
2. Unsnap headlight wire connector.
3. Stand in front of tractor. Grasp hood at sides, tilt toward engine and lift off of tractor.
4. When replacing hood, be sure to reconnect the headlight wire connector.



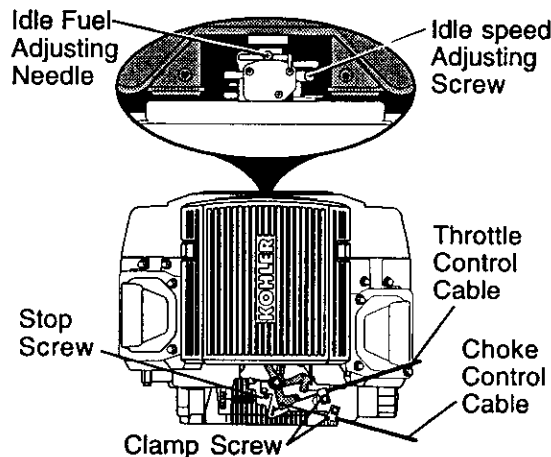
## ENGINE

Maintenance, repair, or replacement of the emission control devices and systems, which are being done at the customers expense, may be performed by any non-road engine repair establishment or individual. Warranty repairs must be performed by an authorized engine manufacturer's service outlet.

### TO ADJUST THROTTLE CONTROL CABLE

The throttle control has been preset at the factory and adjustment should not be necessary. Check adjustment as described below before loosening cable. If adjustment is necessary, proceed as follows:

1. With engine not running, move throttle control lever to fast position.
2. Check that speed control lever is against stop screw. If it is not, loosen casing clamp screw and pull throttle cable until lever is against screw. Tighten clamp screw securely.

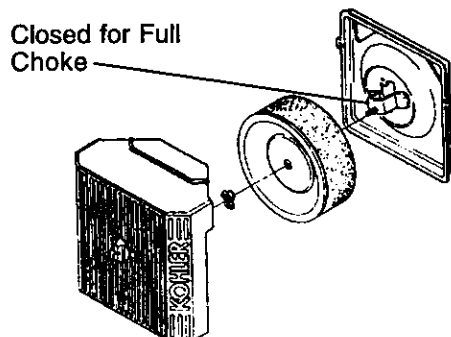


### TO ADJUST CHOKE CONTROL

The choke control has been preset at the factory and adjustment should not be necessary. Check adjustment as described below before loosening cable. If adjustment is necessary, proceed as follows:

1. With engine not running, move choke control (located on dash panel) to full choke position.
2. Remove air cleaner cover, filter and cartridge plate to expose carburetor choke (See "AIR FILTER" in the Maintenance section of this manual).
3. Choke should be closed. If it is not, loosen casing clamp screw and move choke cable until choke is completely closed. Tighten casing clamp screw securely.

4. Reassemble air cleaner.



### TO ADJUST CARBURETOR

The carburetor has been present at the factory and adjustment should not be necessary. However, minor adjustment may be required to compensate for differences in fuel, temperature, altitude or load. If the carburetor does need adjustment, proceed as follows:

In general, turning the adjusting needles **in** (clockwise) decreases the supply of fuel to the engine giving a leaner fuel/air mixture. Turning the adjusting needles **out** (counterclockwise) increases the supply of fuel to the engine giving a richer fuel/air mixture.

**IMPORTANT:** Damage to the needles and the seats in carburetor may result if screw is turned in too tight.

#### PRELIMINARY SETTING -

1. Be sure you have a clean air filter, and the throttle control cable is adjusted properly (see "TO ADJUST THROTTLE CONTROL CABLE" in the Service and Adjustments section of this manual).
2. With engine off turn idle fuel adjusting needle **in** (clockwise) closing it finger tight and then turn **out** (counterclockwise) 1 turn.

#### FINAL SETTING -

1. Start engine and allow to warm for five minutes. Make final adjustments with engine running and shift/motion control lever in neutral (N) position.

**NOTE:** The high idle is set at the factory and cannot be adjusted.

2. **Idle speed setting** - With throttle control lever in slow position, engine should idle at 1200 RPM. If engine idles too slow or fast, turn idle speed adjusting screw in or out until correct idle is attained.
3. **Idle fuel needle setting** - With throttle control lever in slow position, turn idle fuel adjusting needle **in** (clockwise) until engine speed decreases and then turn **out** (counterclockwise) approximately 3/4 turn to obtain the best low speed performance.
4. Recheck idle speed. Readjust if necessary.

#### ACCELERATION TEST -

5. Move throttle control lever from slow to fast position. If engine hesitates or dies, turn idle fuel adjusting needle **out** (counterclockwise) 1/8 turn. Repeat test and continue to adjust, if necessary, until engine accelerates smoothly.

High speed stop is factory adjusted. Do not adjust-damage may result.

**IMPORTANT:** Never tamper with the engine governor, which is factory set for proper engine speed. Overspeeding the engine above the factory high speed setting can be dangerous. If you think the engine-governed high speed needs adjusting, contact a Sears or other qualified service center, which has proper equipment and experience to make any necessary adjustments.

## STORAGE

Immediately prepare your tractor for storage at the end of the season or if the tractor will not be used for 30 days or more.

**⚠ CAUTION:** Never store the tractor with gasoline in the tank inside a building where fumes may reach an open flame or spark. Allow the engine to cool before storing in any enclosure.

### TRACTOR

Remove mower from tractor for winter storage. When mower is to be stored for a period of time, clean it thoroughly, remove all dirt, grease, leaves, etc. Store in a clean, dry area.

1. Clean entire tractor (See "CLEANING" in the Maintenance section of this manual).
2. Inspect and replace belts, if necessary (See belt replacement instructions in the Service and Adjustments section of this manual).
3. Lubricate as shown in the Maintenance section of this manual.
4. Be sure that all nuts, bolts and screws are securely fastened. Inspect moving parts for damage, breakage and wear. Replace if necessary.
5. Touch up all rusted or chipped paint surfaces; sand lightly before painting.

### BATTERY

- Fully charge the battery for storage.
- After a period of time in storage, battery may require recharging.
- To help prevent corrosion and power leakage during long periods of storage, battery cables should be disconnected and battery cleaned thoroughly (see "TO CLEAN BATTERY AND TERMINALS" in the Maintenance section of this manual).
- After cleaning, leave cables disconnected and place cables where they cannot come in contact with battery terminals.
- If battery is removed from tractor for storage, do not store battery directly on concrete or damp surfaces.

### ENGINE

#### FUEL SYSTEM

**IMPORTANT:** It is important to prevent gum deposits from forming in essential fuel system parts such as carburetor, fuel hose, or tank during storage. Also,

alcohol blended fuels (called gasohol or using ethanol or methanol) can attract moisture which leads to separation and formation of acids during storage. Acidic gas can damage the fuel system of an engine while in storage.

1. Drain the fuel tank.
  2. Start the engine and let it run until the fuel lines and carburetor are empty.
- Never use engine or carburetor cleaner products in the fuel tank or permanent damage may occur.
  - Use fresh fuel next season.

**NOTE:** Fuel stabilizer is an acceptable alternative in minimizing the formation of fuel gum deposits during storage. Add stabilizer to gasoline in fuel tank or storage container. Always follow the mix ratio found on stabilizer container. Run engine at least 10 minutes after adding stabilizer to allow the stabilizer to reach the carburetor. Do not drain the gas tank and carburetor if using fuel stabilizer.

#### ENGINE OIL

Drain oil (with engine warm) and replace with clean engine oil. (See "ENGINE" in the Maintenance section of this manual).

#### CYLINDER(S)

1. Remove spark plug(s).
2. Pour one ounce of oil through spark plug hole(s) into cylinder(s).
3. Turn ignition key to "START" position for a few seconds to distribute oil.
4. Replace with new spark plug(s).

#### OTHER

- Do not store gasoline from one season to another.
- Replace your gasoline can if your can starts to rust. Rust and/or dirt in your gasoline will cause problems.
- If possible, store your tractor indoors and cover it to give protection from dust and dirt.
- Cover your tractor with a suitable protective cover that does not retain moisture. Do not use plastic. Plastic cannot breathe which allows condensation to form and will cause your tractor to rust.

**IMPORTANT:** Never cover tractor while engine and exhaust areas are still warm.

## TROUBLESHOOTING CHART:

See appropriate section in manual unless directed to Sears service center

| PROBLEM                                 | CAUSE   | CORRECTION   |
|---|---|--|
| <b>Will not start</b>                   | <ol style="list-style-type: none"> <li>1. Out of fuel.</li> <li>2. Engine not "CHOKED" properly.</li> <li>3. Engine flooded.</li> <li>4. Bad spark plug.</li> <li>5. Dirty air filter.</li> <li>6. Dirty fuel filter.</li> <li>7. Water in fuel.</li> <li>8. Loose or damaged wiring.</li> <li>9. Carburetor out of adjustment.</li> <li>10. Engine valves out of adjustment.</li> </ol>      | <ol style="list-style-type: none"> <li>1. Fill fuel tank.</li> <li>2. See "TO START ENGINE" in Operation section.</li> <li>3. Wait several minutes before attempting to start.</li> <li>4. Replace spark plug.</li> <li>5. Clean/replace air filter.</li> <li>6. Replace fuel filter.</li> <li>7. Drain fuel tank and carburetor, refill tank with fresh gasoline and replace fuel filter.</li> <li>8. Check all wiring.</li> <li>9. See "To Adjust Carburetor" in Service and Adjustments section.</li> <li>10. Contact a Sears or other qualified service center.</li> </ol> |
| <b>Hard to start</b>                    | <ol style="list-style-type: none"> <li>1. Dirty air filter.</li> <li>2. Bad spark plug.</li> <li>3. Weak or dead battery.</li> <li>4. Dirty fuel filter.</li> <li>5. Stale or dirty fuel.</li> <li>6. Loose or damaged wiring.</li> <li>7. Carburetor out of adjustment.</li> <li>8. Engine valves out of adjustment.</li> </ol>  | <ol style="list-style-type: none"> <li>1. Clean/replace air filter.</li> <li>2. Replace spark plug.</li> <li>3. Recharge or replace battery.</li> <li>4. Replace fuel filter.</li> <li>5. Drain fuel tank and refill with fresh gasoline.</li> <li>6. Check all wiring.</li> <li>7. See "To Adjust Carburetor" in Service and Adjustments section.</li> <li>8. Contact a Sears or other qualified service center.</li> </ol>   |
| <b>Engine will not turn over</b>        | <ol style="list-style-type: none"> <li>1. Brake pedal not depressed.</li> <li>2. Attachment clutch is engaged.</li> <li>3. Weak or dead battery.</li> <li>4. Blown fuse.</li> <li>5. Corroded battery terminals.</li> <li>6. Loose or damaged wiring.</li> <li>7. Faulty ignition switch.</li> <li>8. Faulty solenoid or starter.</li> <li>9. Faulty operator presence switch(es).</li> </ol> | <ol style="list-style-type: none"> <li>1. Depress brake pedal.</li> <li>2. Disengage attachment clutch.</li> <li>3. Recharge or replace battery.</li> <li>4. Replace fuse.</li> <li>5. Clean battery terminals.</li> <li>6. Check all wiring.</li> <li>7. Check/replace ignition switch.</li> <li>8. Check/replace solenoid or starter.</li> <li>9. Contact a Sears or other qualified service center.</li> </ol>  |
| <b>Engine clicks but will not start</b> | <ol style="list-style-type: none"> <li>1. Weak or dead battery.</li> <li>2. Corroded battery terminals.</li> <li>3. Loose or damaged wiring.</li> <li>4. Faulty solenoid or starter.</li> </ol>   | <ol style="list-style-type: none"> <li>1. Recharge or replace battery.</li> <li>2. Clean battery terminals.</li> <li>3. Check all wiring.</li> <li>4. Check/replace solenoid or starter.</li> </ol>  |
| <b>Loss of power</b>                    | <ol style="list-style-type: none"> <li>1. Cutting too much grass/too fast.</li> <li>2. Throttle in "CHOKE" position.</li> </ol>   | <ol style="list-style-type: none"> <li>1. Set in "Higher Cut" position/reduce speed.</li> <li>2. Adjust throttle control.</li> </ol>   |

## TROUBLESHOOTING CHART:

See appropriate section in manual unless directed to Sears service center

| PROBLEM   | CAUSE  | CORRECTION   |
|---|--|--|
| <b>Loss of power<br/>(continued)</b>  | <ol style="list-style-type: none"> <li>3. Build-up of grass, leaves and trash under mower.</li> <li>4. Dirty air filter.</li> <li>5. Low oil level/dirty oil.</li> <li>6. Faulty spark plug.</li> <li>7. Dirty fuel filter.</li> <li>8. Stale or dirty fuel.</li> <li>9. Water in fuel.</li> <li>10. Spark plug wire loose.</li> <li>11. Dirty engine air screen/fins.</li> <li>12. Dirty/clogged muffler.</li> <li>13. Loose or damaged wiring.</li> <li>14. Carburetor out of adjustment.</li> <li>15. Engine valves out of adjustment.</li> </ol> | <ol style="list-style-type: none"> <li>3. Clean underside of mower housing.</li> <li>4. Clean/replace air filter.</li> <li>5. Check oil level/change oil.</li> <li>6. Clean and regap or change spark plug.</li> <li>7. Replace fuel filter.</li> <li>8. Drain fuel tank and refill with fresh gasoline.</li> <li>9. Drain fuel tank and carburetor, refill tank with fresh gasoline and replace fuel filter.</li> <li>10. Connect and tighten spark plug wire.</li> <li>11. Clean engine air screen/fins.</li> <li>12. Clean/replace muffler.</li> <li>13. Check all wiring.</li> <li>14. See "To Adjust Carburetor" in Service and Adjustments section.</li> <li>15. Contact a Sears or other qualified service center.</li> </ol> |
| <b>Excessive vibration</b>  | <ol style="list-style-type: none"> <li>1. Worn, bent or loose blade.</li> <li>2. Bent blade mandrel.</li> <li>3. Loose/damaged part(s).</li> </ol>   | <ol style="list-style-type: none"> <li>1. Replace blade. Tighten blade bolt.</li> <li>2. Contact a Sears or other qualified service center.</li> <li>3. Tighten loose part(s). Replace damaged parts.</li> </ol>   |
| <b>Engine continues to run when operator leaves seat with attachment clutch engaged</b> | <ol style="list-style-type: none"> <li>1. Faulty operator-safety presence control system.</li> </ol>   | <ol style="list-style-type: none"> <li>1. Check wiring, switches and connections. If not corrected, contact a Sears or other qualified service center.</li> </ol>  |
| <b>Poor cut - uneven</b>  | <ol style="list-style-type: none"> <li>1. Worn, bent or loose blade.</li> <li>2. Mower deck not level.</li> <li>3. Buildup of grass, leaves, and trash under mower.</li> <li>4. Bent blade mandrel.</li> <li>5. Clogged mower deck vent from build-up of grass, leaves, and trash around mandrels.</li> </ol>  | <ol style="list-style-type: none"> <li>1. Replace blade. Tighten blade bolt.</li> <li>2. Level mower deck.</li> <li>3. Clean underside of mower housing.</li> <li>4. Contact a Sears or other qualified service center.</li> <li>5. Clean around mandrels to open vent holes.</li> </ol>   |
| <b>Mower blades will not rotate</b>   | <ol style="list-style-type: none"> <li>1. Obstruction in clutch mechanism.</li> </ol>  | <ol style="list-style-type: none"> <li>1. Remove obstruction.</li> </ol>   |

## TROUBLESHOOTING CHART:

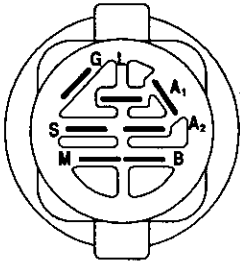
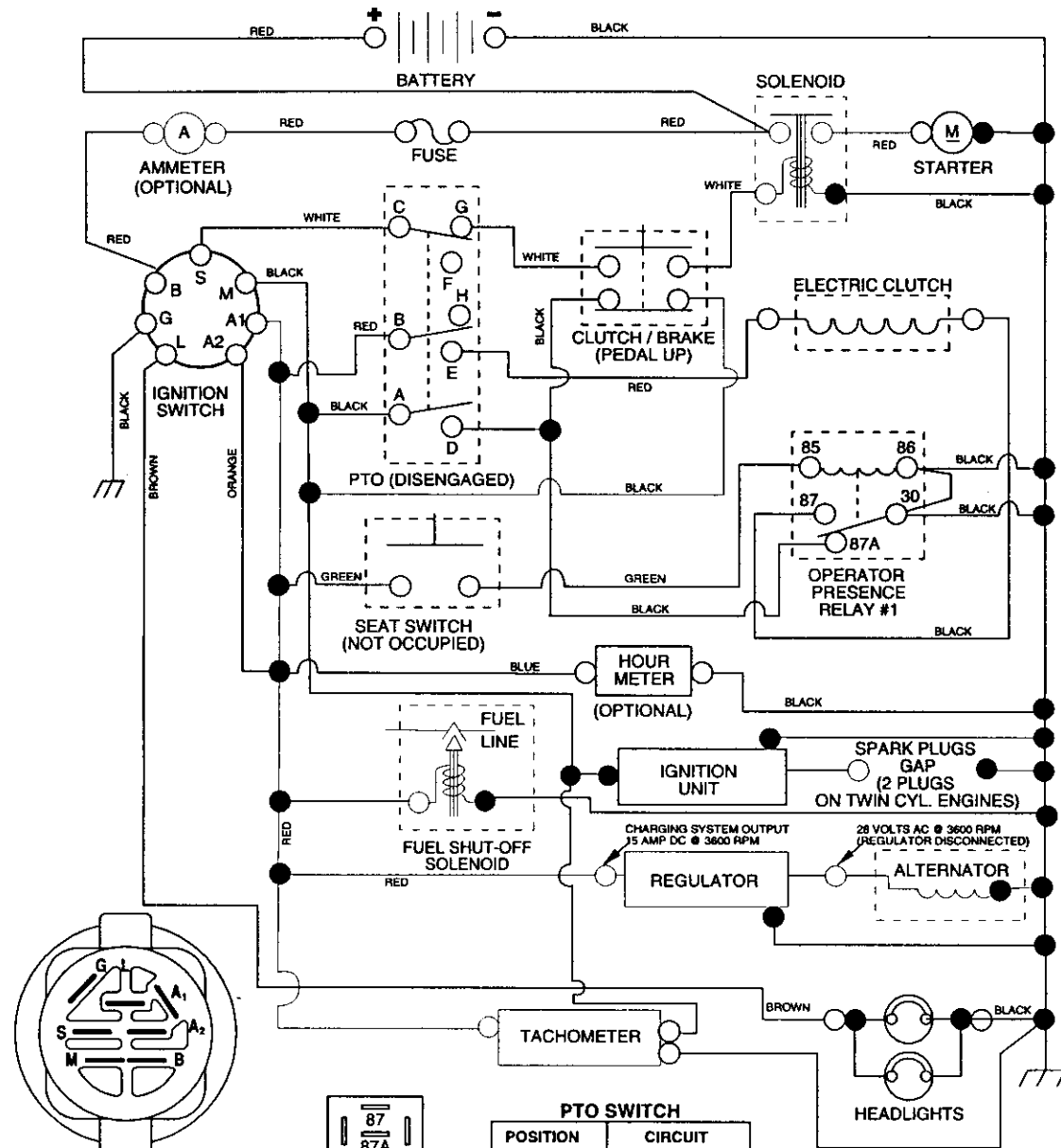
See appropriate section in manual unless directed to Sears service center

| PROBLEM   | CAUSE  | CORRECTION  |
|---|--|---|
| <b>Mower blades will not rotate (con't)</b>         | <ol style="list-style-type: none"> <li>2. Worn/damaged mower drive belt.</li> <li>3. Frozen idler pulley.</li> <li>4. Frozen blade mandrel.</li> </ol>   | <ol style="list-style-type: none"> <li>2. Replace mower drive belt.</li> <li>3. Replace idler pulley.</li> <li>4. Contact a Sears or other qualified service center.</li> </ol>   |
| <b>Poor grass discharge</b>                         | <ol style="list-style-type: none"> <li>1. Engine speed too slow.</li> <li>2. Travel speed too fast.</li> <li>3. Wet grass.</li> <li>4. Mower deck not level.</li> <li>5. Low/uneven tire air pressure.</li> <li>6. Worn, bent or loose blade.</li> <li>7. Buildup of grass, leaves and trash under mower.</li> <li>8. Mower drive belt worn.</li> <li>9. Blades improperly installed.</li> <li>10. Improper blades used.</li> <li>11. Clogged mower deck vent holes from buildup of grass, leaves, and trash around mandrels.</li> </ol> | <ol style="list-style-type: none"> <li>1. Place throttle control in "FAST" position.</li> <li>2. Shift to slower speed.</li> <li>3. Allow grass to dry before mowing.</li> <li>4. Level mower deck.</li> <li>5. Check tires for proper air pressure.</li> <li>6. Replace/sharpen blade. Tighten blade bolt.</li> <li>7. Clean underside of mower housing.</li> <li>8. Replace mower drive belt.</li> <li>9. Reinstall blades sharp edge down.</li> <li>10. Replace with blades listed in this manual.</li> <li>11. Clean around mandrels to open vent holes.</li> </ol> |
| <b>Headlight(s) not working (if so equipped)</b>    | <ol style="list-style-type: none"> <li>1. Switch is "OFF".</li> <li>2. Bulb(s) or lamp(s) burned out.</li> <li>3. Faulty light switch.</li> <li>4. Loose or damaged wiring.</li> <li>5. Blown fuse.</li> </ol>   | <ol style="list-style-type: none"> <li>1. Turn switch "ON".</li> <li>2. Replace bulb(s) or lamp(s).</li> <li>3. Check/replace light switch.</li> <li>4. Check wiring and connections.</li> <li>5. Replace fuse.</li> </ol>  |
| <b>Battery will not charge</b>                      | <ol style="list-style-type: none"> <li>1. Bad battery cell(s).</li> <li>2. Poor cable connections.</li> <li>3. Faulty regulator (if so equipped).</li> <li>4. Faulty alternator.</li> </ol>  | <ol style="list-style-type: none"> <li>1. Replace battery.</li> <li>2. Check/clean all connections.</li> <li>3. Replace regulator.</li> <li>4. Replace alternator.</li> </ol>   |
| <b>Loss of drive</b>                                | <ol style="list-style-type: none"> <li>1. Freewheel control in "disengaged" position.</li> <li>2. Motion drive belt worn, damaged, or broken.</li> <li>3. Air trapped in transmission during shipment or servicing.</li> </ol>   | <ol style="list-style-type: none"> <li>1. Place freewheel control in "engaged" position.</li> <li>2. Replace motion drive belt.</li> <li>3. Purge transmission.</li> </ol>  |
| <b>Engine "backfires" when turning engine "OFF"</b> | <ol style="list-style-type: none"> <li>1. Engine throttle control not set at "SLOW" position for 30 seconds before stopping engine.</li> </ol>   | <ol style="list-style-type: none"> <li>1. Move throttle control to "SLOW" position and allow to idle for 30 seconds before stopping engine.</li> </ol>  |



# TRACTOR – MODEL NUMBER 917.275280

## SCHEMATIC



**IGNITION SWITCH**

| POSITION    | CIRCUIT    | "MAKE" |
|-------------|------------|--------|
| OFF         | M + G + A1 | NONE   |
| ON + LIGHTS | B + A1     | L + A2 |
| ON          | B + A1     | NONE   |
| START       | B + S + A1 | NONE   |



**RELAY**

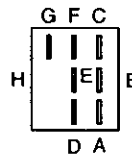
| PTO SWITCH |                     |
|------------|---------------------|
| POSITION   | CIRCUIT             |
| OFF        | C + G, B + H        |
| ON         | C + F, B + E, A + D |



REMOVABLE CONNECTIONS



NON-REMOVABLE CONNECTIONS

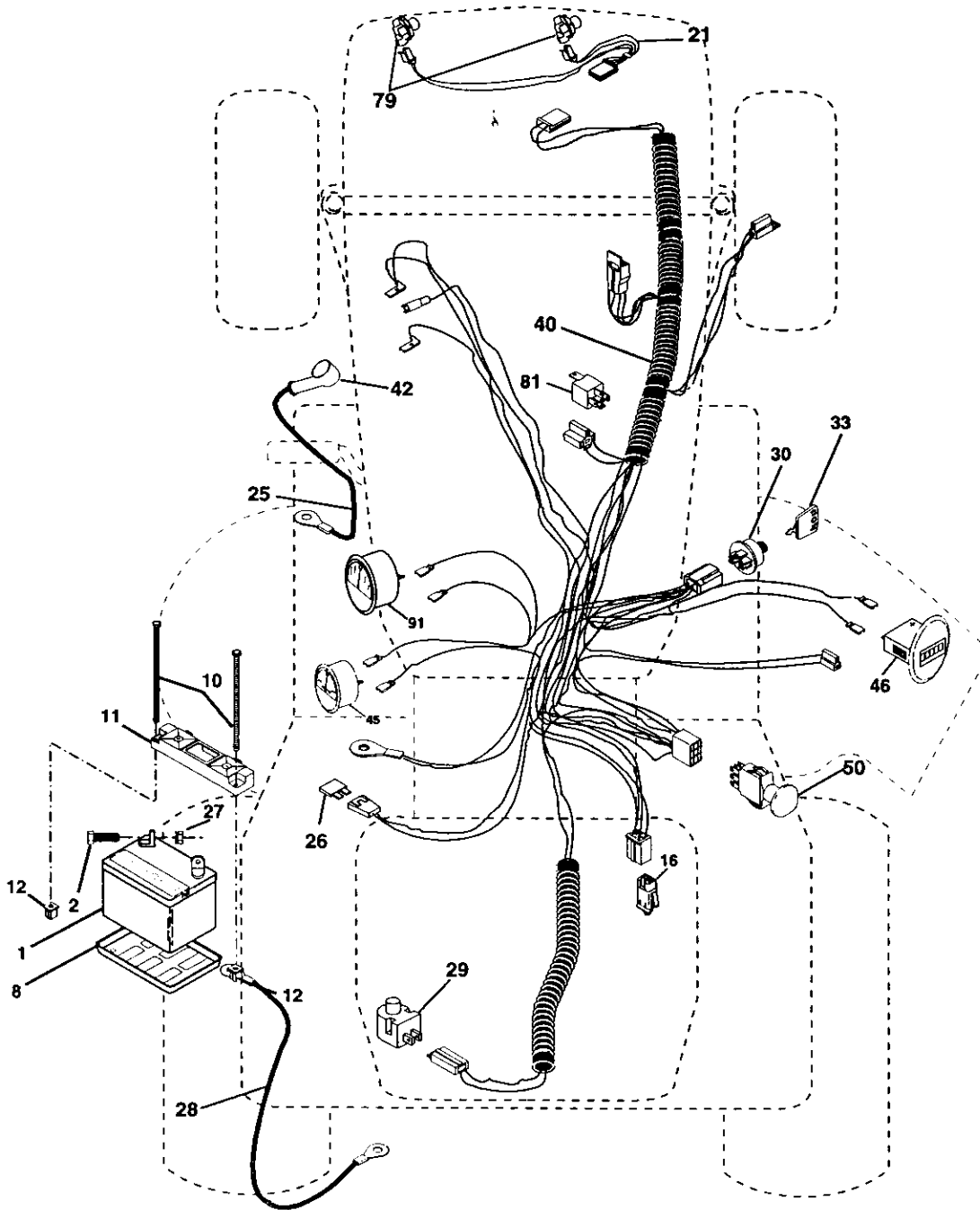


**WIRING INSULATED CLIPS**  
 NOTE: IF WIRING INSULATED CLIPS WERE REMOVED FOR SERVICING OF UNIT, THEY SHOULD BE REPLACED TO PROPERLY SECURE YOUR WIRING.

# REPAIR PARTS

TRACTOR – MODEL NUMBER 917.275280

ELECTRICAL



## TRACTOR – MODEL NUMBER 917.275280

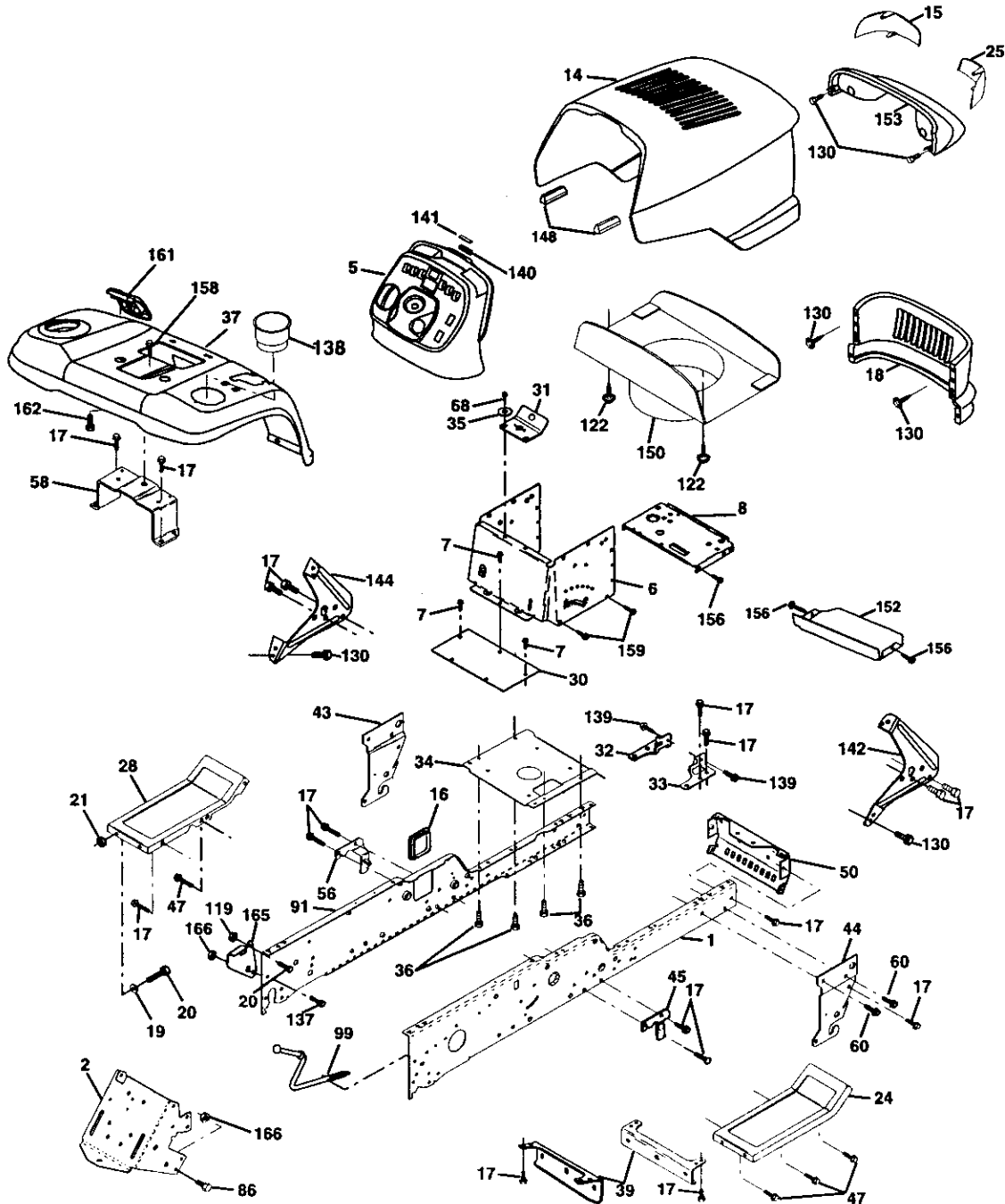
### ELECTRICAL

| KEY NO. | PART NO. | DESCRIPTION                      |
|---------|----------|----------------------------------|
| 1       | 144927   | Battery                          |
| 2       | 74760412 | Bolt Hex Head 1/4-20 x 3/4       |
| 8       | 7603J    | Tray, Battery                    |
| 10      | 145211   | Bolt 1/4-20 x 7.5 Zinc           |
| 11      | 150109   | Hold down Battery Dash Mount     |
| 12      | 145769   | Nut Push Nylon 1/4"              |
| 16      | 176138   | Switch Interlock                 |
| 21      | 175449   | Harness Socket Light Halogen     |
| 25      | 150755   | Cable 4 Ga. 31" Red CV25 w/16.W. |
| 26      | 108824X  | Fuse                             |
| 27      | 73510400 | Nut, Keps Hex 1/4-20 UNC         |
| 28      | 170697   | Cable, Ground                    |
| 29      | 160784   | Switch, Plunger                  |
| 30      | 175442   | Switch, Ign                      |
| 33      | 175447   | Key, Ignition                    |
| 40      | 182249   | Harness Ign.                     |
| 42      | 154336   | Cover Terminal                   |
| 45      | 177500   | Ammeter                          |
| 46      | 177501   | Meter, Hour                      |
| 50      | 178461   | Switch, PTO                      |
| 79      | 175448   | Bulb and Holder Asm. Halogen     |
| 81      | 109748X  | Relay Asm.                       |
| 91      | 181883   | Tachometer Round                 |

**NOTE:** All component dimensions given in U. S. inches 1 inch = 25.4 mm

# TRACTOR – MODEL NUMBER 917.275280

## CHASSIS AND ENCLOSURES



**TRACTOR – MODEL NUMBER 917.275280**  
**CHASSIS AND ENCLOSURES**

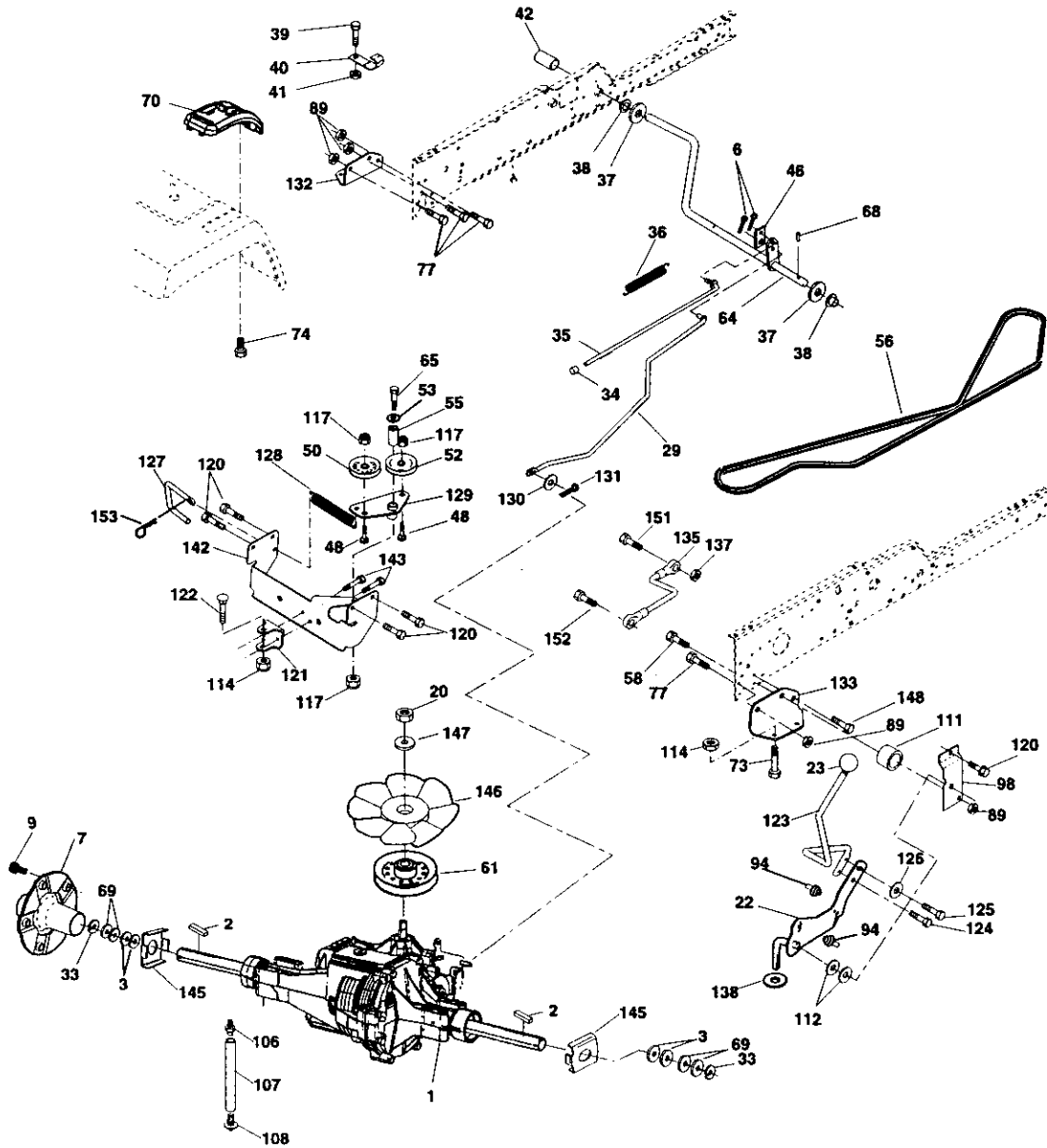
**KEY PART**

| <b>NO.</b> | <b>NO.</b> | <b>DESCRIPTION</b>              |
|------------|------------|---------------------------------|
| 1          | 180372     | Rail, Frame RH                  |
| 2          | 175282     | Drawbar, Gt                     |
| 5          | 180639X418 | Dash                            |
| 6          | 157882     | Dash, Lower Vgt One Piece       |
| 7          | 17720408   | Screw, Thd Cut 1/4-20 x 1/2     |
| 8          | 145166     | Support, Battery                |
| 14         | 175260X615 | Hood Asm                        |
| 15         | 161841     | Lens LH                         |
| 16         | 121794X    | Cover, Access                   |
| 17         | 17060612   | Screw 3/8-16 x .75              |
| 18         | 174515X615 | Grille                          |
| 19         | 19131312   | Washer 13/32x13/16x12 Ga.       |
| 20         | STD523710  | Bolt, Fin Hex 3/8-16 x 1        |
| 21         | STD541437  | Nut Crownlock 3/8-16 Unc        |
| 24         | 179717X615 | Footrest, RH                    |
| 25         | 161842     | Lens RH                         |
| 28         | 179716X615 | Footrest, LH                    |
| 30         | 145052     | Saddle, Hydro                   |
| 31         | 161419     | Brace, Supt 1-pc VGT            |
| 32         | 161327     | Bracket, Pivot Chassis Lh       |
| 33         | 161326     | Bracket, Pivot Chassis Rh       |
| 34         | 177018     | Plate Asm Engine                |
| 35         | 19111116   | Washer 11/32x11/16x16 Ga.       |
| 36         | 17060512   | Screw 5/16-18 x 3/4             |
| 37         | 178510X615 | Fender Pnt                      |
| 39         | 175278     | Bracket, Axle Front             |
| 43         | 136939     | Bracket, Spnsn Front Lh         |
| 44         | 136940     | Bracket, Spnsn Front Rh         |
| 45         | 176018     | Bracket Asm., Susp Chas.Rh      |
| 47         | 17490608   | Screw Thdrol. 3/8-16 x 1/2      |
| 50         | 175476     | Bracket, Chassis Front          |
| 56         | 176016     | Bracket Asm., Susp Chas. Lh     |
| 58         | 175315     | Bracket Asm., Fender            |
| 60         | 17060620   | Screw 3/8-16 x 1-1/4            |
| 68         | 17490508   | Screw Thdrol. 5/16-18 x 1/2     |
| 86         | 74780716   | Bolt Fin Hex 7/16-14 UNC x 1    |
| 91         | 180366     | Rail, Frame Lh                  |
| 99         | 177143     | Rod By Pass                     |
| 119        | 73680600   | Nut Crown Lock 3/8-16           |
| 122        | 161464     | Screw Hex Wshd 8-18 x 7/8       |
| 130        | 164863     | Screw Hwhd Hi-Lo #13-16 x 3/4   |
| 137        | 74780716   | Bolt Fin Hex 7/16-14 x 1        |
| 138        | 179125X418 | Cup Holder                      |
| 139        | 171873     | Bolt Shoulder 5/16-18 TT        |
| 140        | 163806     | Magnet YTGT                     |
| 141        | 163805     | Striker Plate YTGT              |
| 142        | 161897     | Bracket Dash Rh                 |
| 144        | 161900     | Bracket Dash Lh                 |
| 148        | 164655     | Extrusion Bumpers               |
| 150        | 175352     | Duct Heat Hood                  |
| 152        | 175620     | Shield Heat                     |
| 153        | 181574     | Lens Lightbox                   |
| 156        | 17000512   | Screw 5/16-18 x 3/4             |
| 158        | 17670608   | Screw Thdrol 3/8-16 x 1/2       |
| 159        | 17000612   | Screw Hexwsh Thdrl 3/8-16 x 3/4 |
| 161        | 179612X418 | Console Fuel Window             |
| 162        | 142432     | Screw Hex Wsh Hi-Lo 1/4-1/2     |
| 165        | 182254     | Bracket Support Fuel Tank       |
| 166        | 73680700   | Nut Crown Lock 7/16-14          |

**NOTE:** All component dimensions given in U. S.  
inches 1 inch = 25.4 mm

# TRACTOR -- MODEL NUMBER 917.275280

## GROUND DRIVE



## TRACTOR – MODEL NUMBER 917.275280

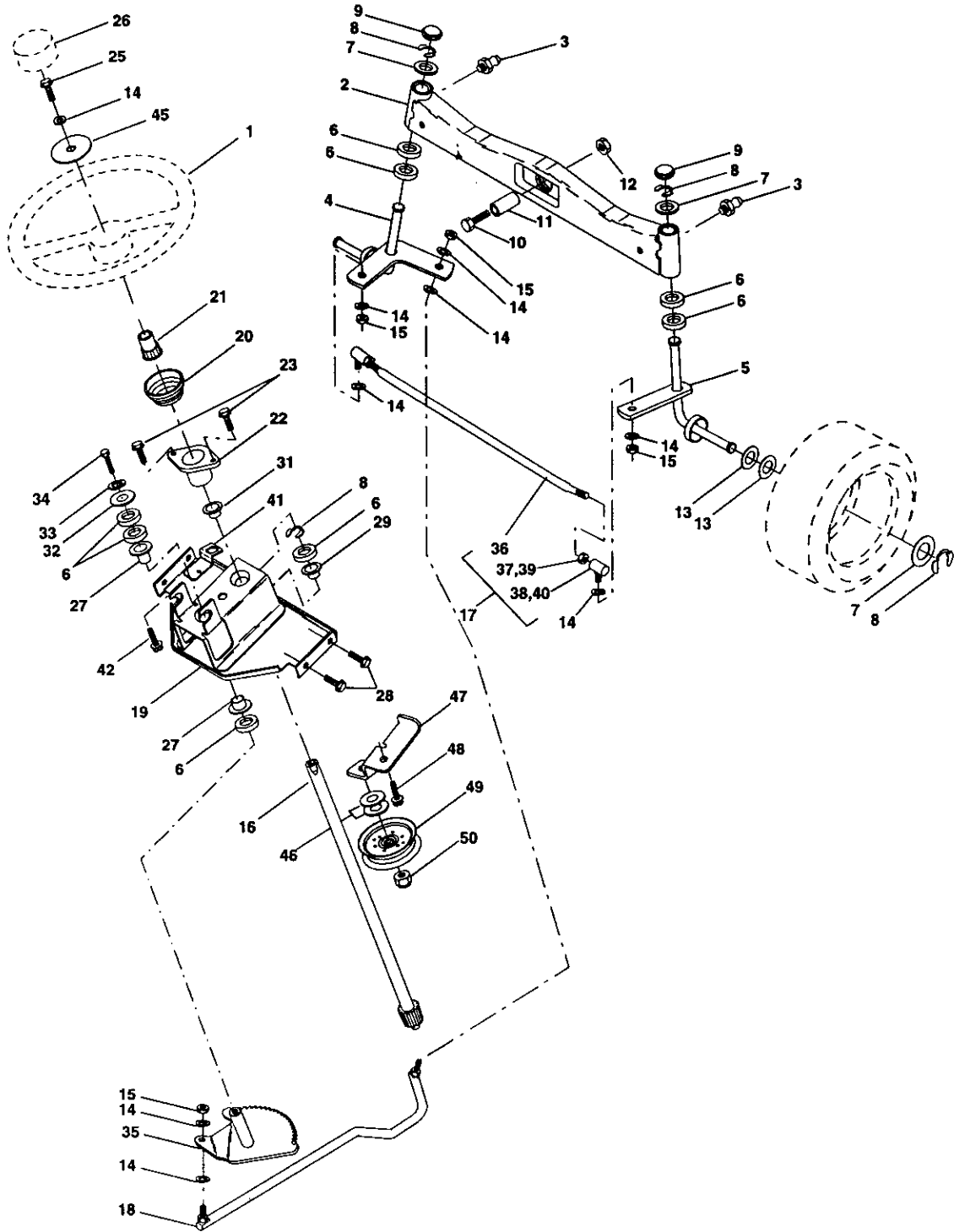
### GROUND DRIVE

| KEY PART NO. | NO.        | DESCRIPTION                                      | KEY PART NO. | NO.      | DESCRIPTION                         |
|--------------|------------|--|--------------|----------|-------------------------------------|
| 1            | -----      | Transaxle Hydro Gear<br>311-3500 (See Breakdown) | 94           | 133835   | Fastener Christmas Tree             |
| 2            | 7070E      | Key 1/4 x 2.5                                    | 98           | 141004   | Bracket Shift                       |
| 3            | 7563R      | Washer Thrust Axle Hardened                      | 106          | 142918   | O-Ring Asm Hydro Gear               |
| 6            | STD561210  | Pin, Cotter                                      | 107          | 154739   | Line Fuel Hydro 15" VGT             |
| 7            | 140507     | Wheel, Hub Assembly                              | 108          | 142917   | Cap Asm Vent Hydro Gear<br>70109    |
| 9            | 140080     | Bolt, Hub  | 111          | 156240   | Spacer Shift Lever VGTH             |
| 20           | 73940800   | Nut  | 112          | 156104   | Washer Nylon High Temp              |
| 22           | 180235     | Lever Asm Shift Lower                            | 114          | 73800500 | Nut Lock Hx W/Ins 5/16-18 Unc       |
| 23           | 130564     | Knob   | 117          | 73900600 | Nut, Lock Fig. 3/8-16               |
| 29           | 176600     | Brake, Rod                                       | 120          | 17060612 | Screw 3/8-16 x .75                  |
| 33           | 12000053   | Ring E   | 121          | 175611   | Bracket Strap Torque                |
| 34           | 71673      | Cap, Parking Brake                               | 122          | 72010520 | Bolt RDHD SQ<br>5/16-18unc x 2-1/2  |
| 35           | 137648     | Rod, Parking Brake                               | 123          | 176602   | Rod Shift                           |
| 36           | 149412     | Spring, Drive Ground                             | 124          | 165492   | Bolt Shoulder 5/16-18 x .561        |
| 37           | 121749X    | Washer 25/32 x 1-1/4 x 16 Ga.                    | 125          | 166880   | Screw 5/16-18 x 5/8                 |
| 38           | 150035     | Nyliner  | 126          | 166002   | Washer SRRTD 5/16ID x 1.0 x<br>.125 |
| 39           | 74321016   | Screw, Fin. #10-24 x 1                           | 127          | 177362   | Link Control Clutch                 |
| 40           | 178575     | Actuator, Interlock Switch                       | 128          | 176624   | Spring Drive GRND                   |
| 41           | 73931000   | Nut Centerlock 10-24 Unc                         | 129          | 179473   | Bracket Asm Idler Tensioning        |
| 42           | 8883R      | Cover, Pedal                                     | 130          | 19131016 | Washer 13/32 x 5/8 x 16 Ga          |
| 46           | 145170     | Retainer, Spring                                 | 131          | 76020312 | Pin Cotter 3/32 x 3/4               |
| 48           | 72110614   | Bolt, RDHD 3/8-16 x 1-3/4<br>Gr. 5               | 132          | 175467   | Bracket Mtg Hydro 3500 LH VGT       |
| 50           | 131494     | Pulley, Idler, Flat                              | 133          | 175468   | Bracket Mtg Hydro 3500 RH VGT       |
| 52           | 127783     | Pulley, Idler, Grooved                           | 135          | 177364   | Link Asm Control Hydro 3500         |
| 53           | 207J       | Washer, Hardened                                 | 137          | 1685H    | Nut Lock 5/16-18 NC Thd             |
| 55           | 105706X    | Bearing, Idler                                   | 138          | 1370H    | Washer Thrust 5/8 x 1.10 x 1/32     |
| 56           | 161597     | V-Belt   | 142          | 175469   | Strap Torque HG-3500                |
| 58           | 74760724   | Bolt Fin Hex 7/16-14 x 1-1/2                     | 143          | 17060512 | Screw Thdrol 5/16-18 x 3/4          |
| 61           | 143995     | Pulley, Transaxle                                | 145          | 163168   | Washer Axle Flange HG-3000          |
| 64           | 176601     | Shaft, Clutch/Brake Pedal                        | 146          | 140462   | Fan 7" Hydro                        |
| 65           | 67609      | Bolt, Shoulder                                   | 147          | 141322   | Washer                              |
| 68           | STD571812  | Pin, Roll  | 148          | 17060620 | Screw 3/8-16 x 1-1/4                |
| 69           | 123800X    | Washer   | 151          | 74760514 | Bolt Fin Hex 5/16-18unc x 7/8       |
| 70           | 179121X418 | Console Automatic YT/GT                          | 152          | 178705   | Bolt Hex 5/16-18 x 1                |
| 73           | 74490548   | Bolt Hex Flghd 5/16-18 x 3<br>Gr5                | 153          | 4497H    | Retainer Spring                     |
| 74           | 142432     | Screw Hex Wsh. Hi-Lo<br>1/4-1/2                  |              |          |                                     |
| 77           | 74780716   | Bolt Fin Hex 7/16-14 x 1                         |              |          |                                     |
| 89           | 73680700   | Nut Crownlock 7/16-14 Unc                        |              |          |                                     |

**NOTE:** All component dimensions given in U. S. inches 1 inch = 25.4 mm

# TRACTOR – MODEL NUMBER 917.275280

## STEERING





## TRACTOR – MODEL NUMBER 917.275280

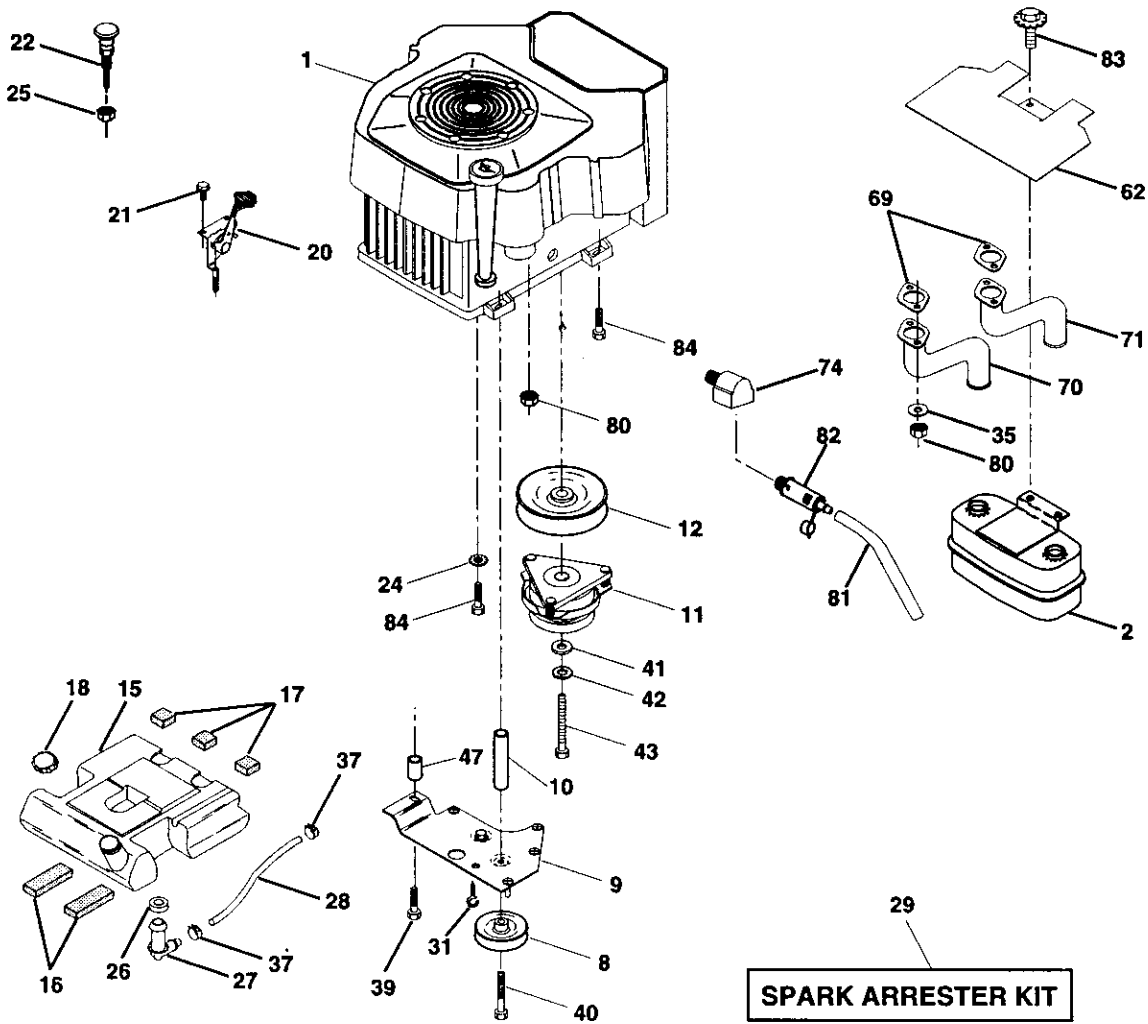
### STEERING

| KEY PART NO. | NO.        | DESCRIPTION  |
|--------------|------------|--|
| 1            | 175139X418 | Wheel, Steering                                    |
| 2            | 178557     | Axle Asm., Front                                   |
| 3            | 6855M      | Fitting, Grease                                    |
| 4            | 161849     | Spindle Asm, LH                                    |
| 5            | 161848     | Spindle Asm., RH                                   |
| 6            | 6266H      | Bearing, Race Thrust Harden                        |
| 7            | 121748X    | Washer 25/32 x 1-5/8 x 16 Ga.                      |
| 8            | 12000029   | Ring, Klip #T5304-75                               |
| 9            | 121232X    | Cap, Spindle                                       |
| 10           | 74781044   | Bolt, Fin Hex 5/8-11 x 2-3/4                       |
| 11           | 136518     | Spacer Bearing Axle Front                          |
| 12           | 73901000   | Nut, Lock Flange 5/8-11 Unc                        |
| 13           | 121749X    | Washer 25/32 x 1-1/4 x 16 Ga.                      |
| 14           | STD551137  | Washer, Lock Hvy Hlcl Spr 3/8                      |
| 15           | STD541537  | Nut, Lock Center 3/8-24 UNF                        |
| 16           | 145103     | Shaft Asm., Steering                               |
| 17           | 137347     | Rod Asm., Tie Ball J Ball Vgt (Inc. Key No. 36-40) |
| 18           | 175572     | Draglink, Ball Joint Solid Vgt                     |
| 19           | 156011     | Support Asm., Steering Vgt                         |
| 20           | 177646X418 | Boot, Steering                                     |
| 21           | 159945     | Adapter, Wheel Steering                            |
| 22           | 155105     | Bushing, Strg. Blk                                 |
| 23           | 152927     | Screw  |
| 25           | 74780616   | Bolt, Fin Hex 3/8-16 x 1 Gr. 5                     |
| 26           | 175140X418 | Insert , Wheel Steering                            |
| 27           | 3366R      | Bearing, Col. Strg.                                |
| 28           | 17000612   | Screw, 3/8-16 x 3/4                                |
| 29           | 104239X    | Bearing, Flange                                    |
| 31           | 138136     | Bushing, Nylon Snap                                |
| 32           | 19111610   | Washer 11/32 x 1 x 10 Ga.                          |
| 33           | STD551131  | Washer, Lock Hvy Hlcl Spr 5/16                     |
| 34           | 74780512   | Bolt Fin Hex 5/16-18unc x 3/4                      |
| 35           | 138059     | Gear, Sector Steering                              |
| 36           | 137156     | Tie Rod  |
| 37           | 73360600   | Jam Nut RH Thread                                  |
| 38           | 109850X    | Joint Asm. Ball RH Thread                          |
| 39           | 73700600   | Jam Nut LH Thread                                  |
| 40           | 109851X    | Joint Asm. Ball LH Thread                          |
| 41           | 155246     | Bracket Switch Interlock VGT 97                    |
| 42           | 17490508   | Screw Thdrol 5/16-18 x 1/2 Tyt                     |
| 45           | 19132411   | Washer 13/32 x 1-1/20 x 11 Ga.                     |
| 46           | 19131610   | Washer 13/32 x 1 x 10 Ga.                          |
| 47           | 179471     | Bracket Asm Idler Stationary                       |
| 48           | 17060612   | Screw 3/8-16 x .75                                 |
| 49           | 175820     | Pulley Idler Flat                                  |
| 50           | 73900600   | Nut Lock Flg 3/8-16 UNC                            |

**NOTE:** All component dimensions given in U. S.  
inches 1 inch = 25.4 mm

# TRACTOR – MODEL NUMBER 917.275280

## ENGINE



**SPARK ARRESTER KIT**

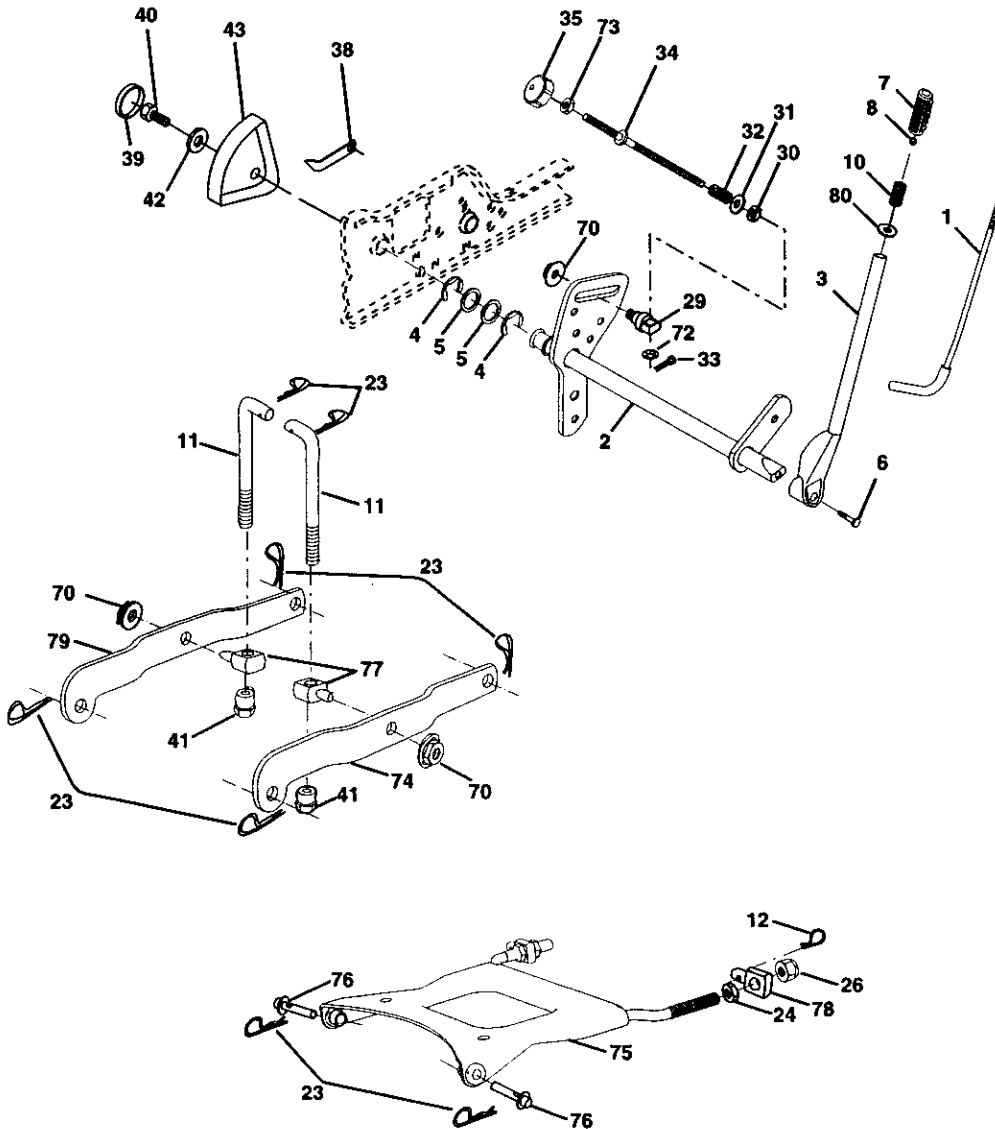
| KEY PART NO. | NO.        | DESCRIPTION                                 |
|--------------|------------|---|
| 1            | -----      | Engine (See Breakdown)<br>Kohler CV740-0005 |
| 2            | 149723     | Muffler                                     |
| 8            | 121361X    | Pulley V-Idler                              |
| 9            | 177748     | Belt Engine Keeper Asm                      |
| 10           | 175287     | Bushing                                     |
| 11           | 174605     | Clutch Electric                             |
| 12           | 143996     | Pulley Engine VGT Elect Clutch              |
| 15           | 179115     | Tank Fuel Rear 5.0 YT/GT                    |
| 16           | 109227X    | Pad Spacer                                  |
| 17           | 106082X    | Pad Spacer                                  |
| 18           | 179124X418 | Cap Fuel                                    |
| 20           | 177328X505 | Control Throttle                            |
| 21           | 164863     | Screw HWHD Hi-Lo #13-16 x 3/4               |
| 22           | 175441X505 | Control Choke                               |
| 24           | STD551237  | Lockwasher Ext Tooth 3/8                    |
| 25           | 73920600   | Nut Keys 3/8 - 24 UNF                       |
| 26           | 3645J      | Bushing                                     |
| 27           | 139277     | Stem Tank Fuel                              |
| 28           | 7834R      | Fuel Line                                   |
| 29           | 137180     | Spark Arrester Kit                          |
| 31           | 145006     | Clip Push-In                                |
| 35           | 10010500   | Washer Split                                |

| KEY PART NO. | NO.       | DESCRIPTION                             |
|--------------|-----------|---|
| 37           | 123487X   | Clamp Hose                              |
| 39           | 17490636  | Screw TT 3/8-16 x 2-1/4 Unc             |
| 40           | 17490664  | Screw TT 3/8-16 x 4                     |
| 41           | 126197X   | Washer 1-1/2 OD X 15/32 ID X .250       |
| 42           | STD551143 | Washer Lock 7/16                        |
| 43           | 173937    | Bolt Hex 7/16 - 20 X 4 Gr. 5 - 1.5 Thr. |
| 47           | 175288    | Bushing                                 |
| 62           | 146629    | Shield Heat Muffler                     |
| 69           | 24-041-02 | Gasket Kohler CV18-CV26                 |
| 70           | 175545    | Tube Exhaust LH                         |
| 71           | 175546    | Tube Exhaust RH                         |
| 74           | 162295    | Elbow Street Brass                      |
| 80           | M73030800 | Nut Flange M8-1.25 Non Lk Zinc          |
| 81           | 148456    | Drain Tube                              |
| 82           | 148315    | Drain Plug                              |
| 83           | 171877    | Bolt 5/16-18 Unc x 3/4 w/Sems           |
| 84           | 17060624  | Screw 3/8-16 x 1/2                      |

**NOTE:** All component dimensions given in U. S. inches 1 inch = 25.4 mm

# TRACTOR – MODEL NUMBER 917.275280

## LIFT ASSEMBLY



### KEY PART

| NO. | NO.       | DESCRIPTION                   |
|-----|-----------|-------------------------------|
| 1   | 121006X   | Rod Asm., Lever               |
| 2   | 180045    | Shaft Asm., Lift Vgt          |
| 3   | 159189    | Lever Asm., Lift Rh           |
| 4   | 12000022  | E-Ring Truarc #5133-87        |
| 5   | 19292016  | Washer 29/32 x 1-1/4 x 16 Ga. |
| 6   | 71110624  | Bolt, Fin Hex 3/8-16 x 1-1/2  |
| 7   | 175830    | Grip Handle Premium LTX       |
| 8   | 175831    | Button, Plunger               |
| 10  | 2876H     | Spring 2-1/8"                 |
| 11  | 175375    | Link Lift                     |
| 12  | 163552    | Retainer, Spring              |
| 23  | STD624008 | Retainer, Spring              |
| 24  | 73350800  | Nut, Jam Hex 1/2-13 Unc       |
| 26  | 73680800  | Nut, Crownlock 1/2-13 Unc     |
| 29  | 150233    | Trunnion, Infin Height        |
| 30  | 110807X   | Nut, Special                  |
| 31  | 19131016  | Washer 13/32 x 5/8 x 16 Ga.   |
| 32  | 137150    | Spring, Compression Inf Hgt   |
| 33  | STD560907 | Pin, Cotter 3/32 x 1/2        |
| 34  | 137167    | Rod, Adj Lift                 |

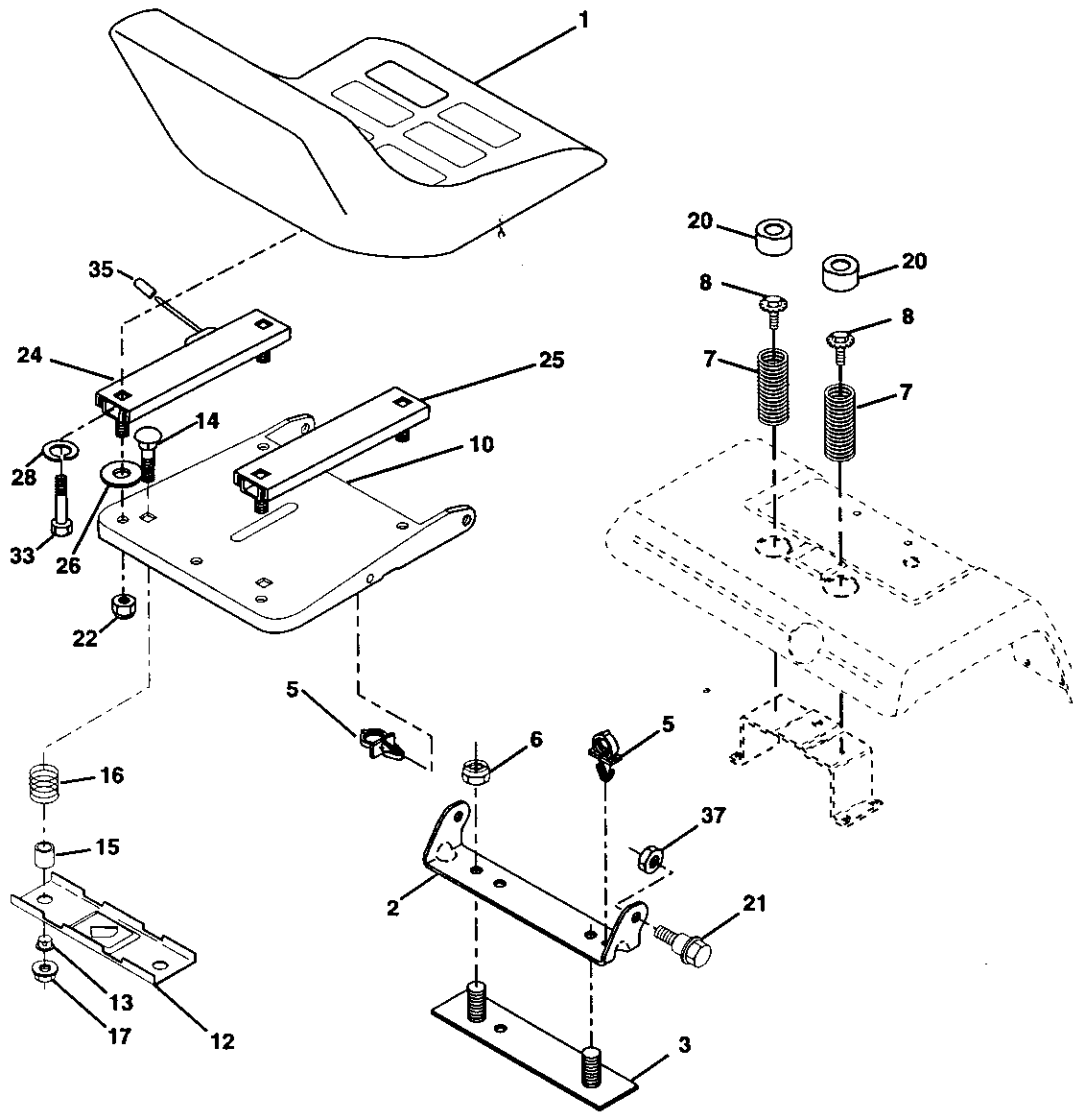
### KEY PART

| NO. | NO.      | DESCRIPTION                   |
|-----|----------|-------------------------------|
| 35  | 138057   | Knob, Inf 3/8-16 Unc          |
| 38  | 155097   | Pointer, Height Indicator     |
| 39  | 123935X  | Plug, Hole                    |
| 40  | 17060516 | Screw 5/16-18 x 1 SMGML Tap/R |
| 41  | 175994   | Nut Lift Link 7/16-20         |
| 42  | 19112410 | Washer 11/32 x 1-1/2 x 10 Ga. |
| 43  | 123934X  | Scale, Indicator Height       |
| 70  | 145212   | Nut Hex Flange Lock           |
| 72  | 110452X  | Nut Push Phos & Oil           |
| 73  | 73350600 | Nut Hex Jam 3/8-16 Unc        |
| 74  | 175802   | Arm Suspension Rear Rh        |
| 75  | 175805   | Plate Asm Susp. Front VGT     |
| 76  | 175560   | Pin Flange                    |
| 77  | 176205   | Trunnion Susp. Arm            |
| 78  | 175689   | Trunnion Front Susp.          |
| 79  | 175378   | Arm, Suspension Rear LH       |
| 80  | 126684X  | Washer Shim 1/4 x 5/8 x .062  |

**NOTE:** All component dimensions given in U. S. inches 1 inch = 25.4 mm

# TRACTOR – MODEL NUMBER 917.275280

## SEAT ASSEMBLY



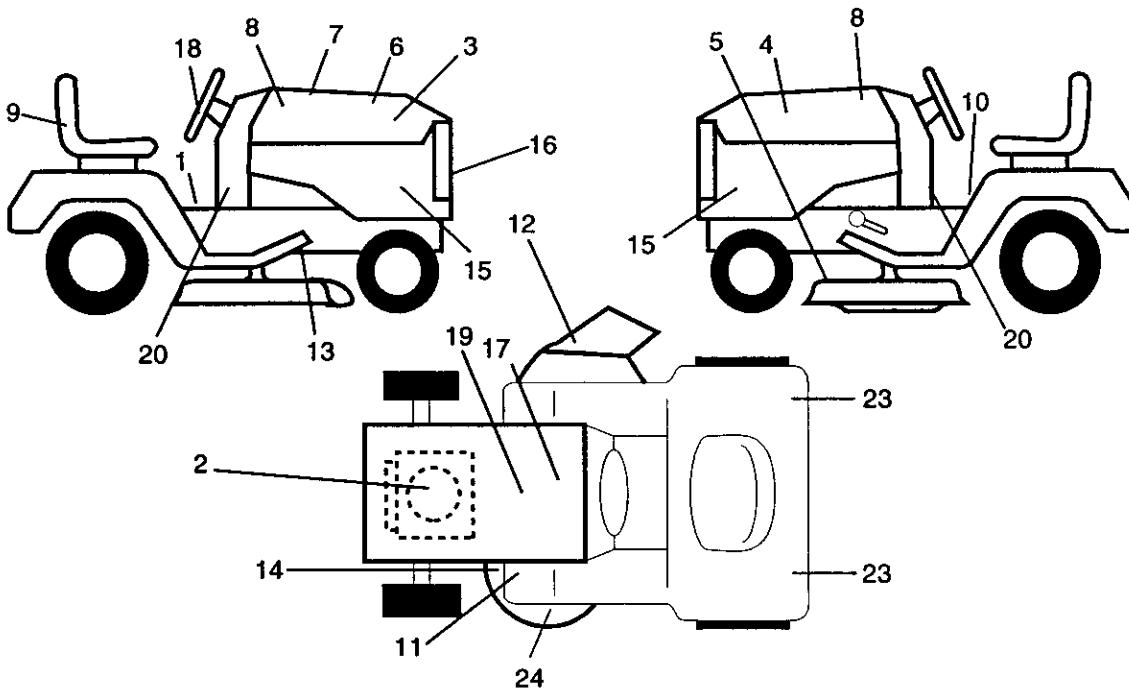
| KEY PART NO. | NO.       | DESCRIPTION                   |
|--------------|-----------|-------------------------------|
| 1            | 177978    | Seat                          |
| 2            | 140551    | Bracket, Pivot Seat           |
| 3            | 140675    | Strap, Fender                 |
| 5            | 145006    | Clip, Push In, Hinged         |
| 6            | STD541437 | Nut, Crownlock 3/8-16 Unc     |
| 7            | 124181X   | Spring, Seat Cprsn            |
| 8            | 171877    | Bolt 5/16-18 Unc x 3/4 w Sems |
| 10           | 182493    | Pan, Seat                     |
| 12           | 121246X   | Bracket, Mounting Switch      |
| 13           | 121248X   | Bushing, Snap                 |
| 14           | 72050412  | Bolt, Carriage 1/4-20 X 1-1/2 |
| 15           | 121249X   | Spacer, Split                 |
| 16           | 123740X   | Spring, Cprsn                 |

| KEY PART NO. | NO.       | DESCRIPTION                    |
|--------------|-----------|--------------------------------|
| 17           | 123976X   | Nut, Lock 1/4 Lge Flg Gr. 5    |
| 20           | 124238X   | Cap, Spring Seat               |
| 21           | 171852    | Bolt, Shoulder 5/16-18         |
| 22           | STD541431 | Nut, Crownlock 5/16-18 Unc     |
| 24           | 177946    | Track Slide Seat LH Locking    |
| 25           | 177947    | Track Slide Seat RH Free       |
| 26           | 19111012  | Washer 11/32 x 5/8 x 12 Ga.    |
| 28           | 10010500  | Washer Split                   |
| 33           | 74780512  | Bolt Fin Hex 5/16-18 Unc x 3/4 |
| 35           | 178426    | Cap Plunger Red                |
| 37           | 73800500  | Nut Lock Hx w/Ins.5/16-18      |

**NOTE:** All component dimensions given in U. S. inches 1 inch = 25.4 mm

## TRACTOR – MODEL NUMBER 917.275280

### DECALS



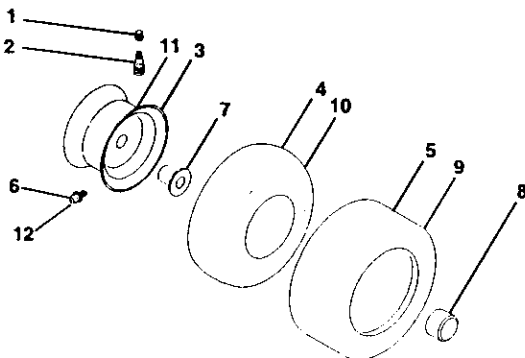
#### KEY PART NO. NO.

| KEY PART NO. | NO.    | DESCRIPTION               |
|--------------|--------|---------------------------|
| 1            | 182221 | Decal, Oper. Instructions |
| 2            | 182795 | Decal, Hp Engine          |
| 3            | 180983 | Decal, Hood RH            |
| 4            | 180984 | Decal, Hood LH            |
| 5            | 181470 | Decal, Deck Leveling      |
| 6            | 133644 | Decal, Maintenance        |
| 7            | 181503 | Decal, Replacement        |
| 8            | 180978 | Decal, Hood Nameplate     |
| 9            | 180978 | Decal, Hood/Seat          |
| 10           | 156439 | Decal, Fender Danger      |
| 11           | 181252 | Decal, Clutch/Brake       |
| 12           | 178455 | Decal, Deck Caution       |
| 13           | 177554 | Decal, Belt Drive         |
| 14           | 175291 | Decal, Deck Schematic     |
| 15           | 177376 | Decal, Side Panel         |

#### KEY PART NO. NO.

| KEY PART NO. | NO.        | DESCRIPTION                                   |
|--------------|------------|---|
| 16           | 180979     | Decal Grille                                  |
| 17           | 149516     | Decal, Btry Dngr/Psn Eng. Acme                |
| 18           | 177890     | Decal, Insert Strg                            |
| 19           | 138047     | Decal, Battery                                |
| 20           | 182796     | Decal, Lower Dash                             |
| 23           | 106202X    | Reflector, Taillight                          |
| 24           | 178482     | Decal, Deck Hvy Duty                          |
| --           | 138311     | Decal, Handle LFT Height Adjust (Lift Handle) |
| --           | 166960     | Decal, Bypass Control (Drawbar)               |
| --           | 179768X418 | Pad, Footrest LH                              |
| --           | 179769X418 | Pad, Footrest RH                              |
| --           | 182096     | Owner's Manual, English                       |
| --           | 182097     | Owner's Manual, Spanish                       |

### WHEELS AND TIRES



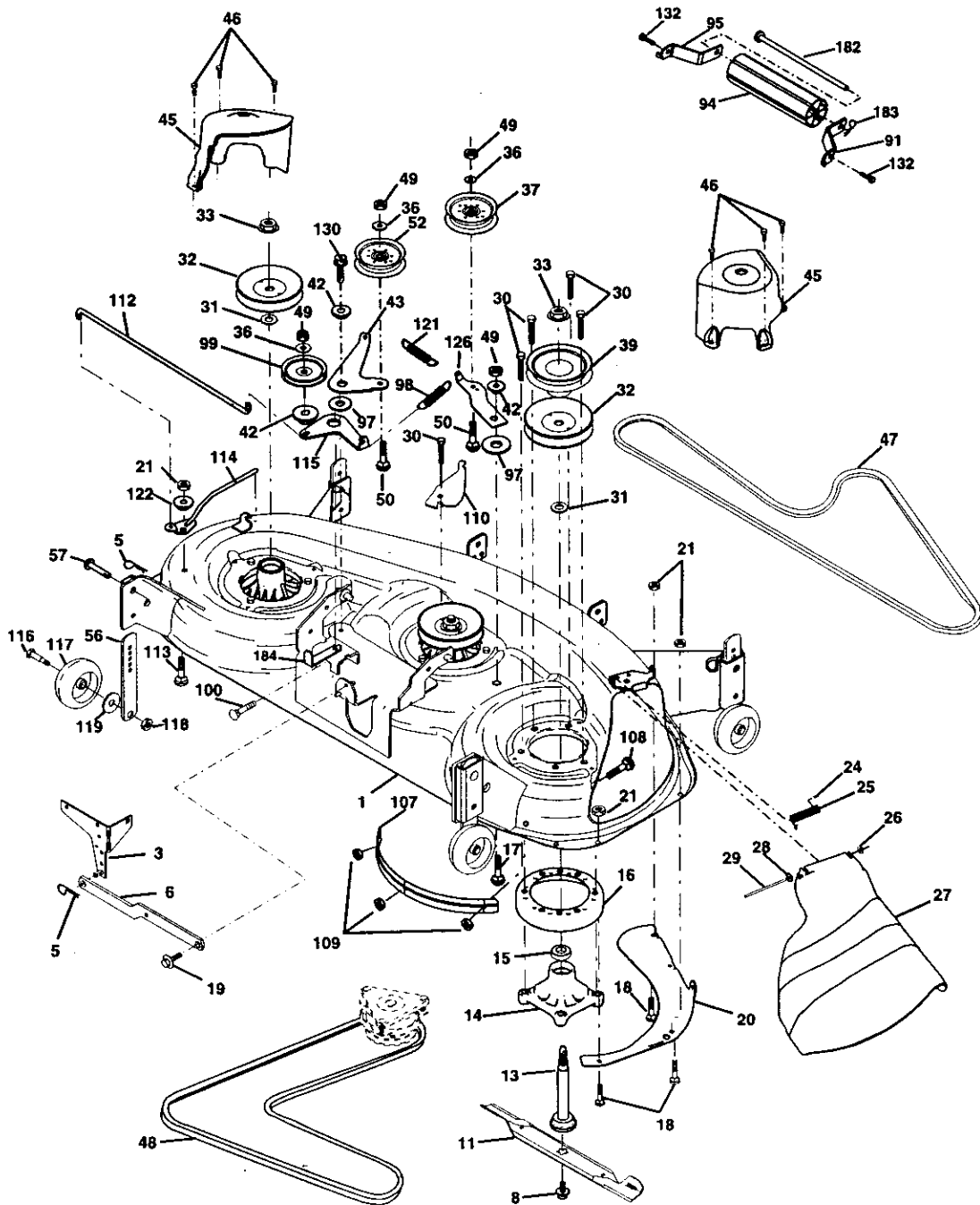
#### KEY PART NO. NO.

| KEY PART NO. | NO.        | DESCRIPTION                       |
|--------------|------------|-----------------------------------|
| 1            | 59192      | Cap Valve Tire                    |
| 2            | 65139      | Stem Valve                        |
| 3            | 148736X417 | Rim Asm Front                     |
| 4            | 8134H      | Tube, Front (Service Item Only)   |
| 5            | 182525     | Tire, Front                       |
| 6            | 278H       | Fitting Grease (Front Wheel Only) |
| 7            | 9040H      | Bearing Flange (Front Wheel Only) |
| 8            | 104757X428 | Cap Axle (Front Wheel Only)       |
| 9            | 182526     | Tire Rear                         |
| 10           | 7154J      | Tube Rear (Service Item Only)     |
| 11           | 148738X417 | Rim Asm Rear                      |
| 12           | 6856M      | Fitting Grease                    |
| --           | 144334     | Sealant, Tire ( 10 oz. Tube)      |

**NOTE:** All component dimensions given in U. S. inches 1 inch = 25.4 mm

# TRACTOR - MODEL NUMBER 917.275280

## MOWER DECK



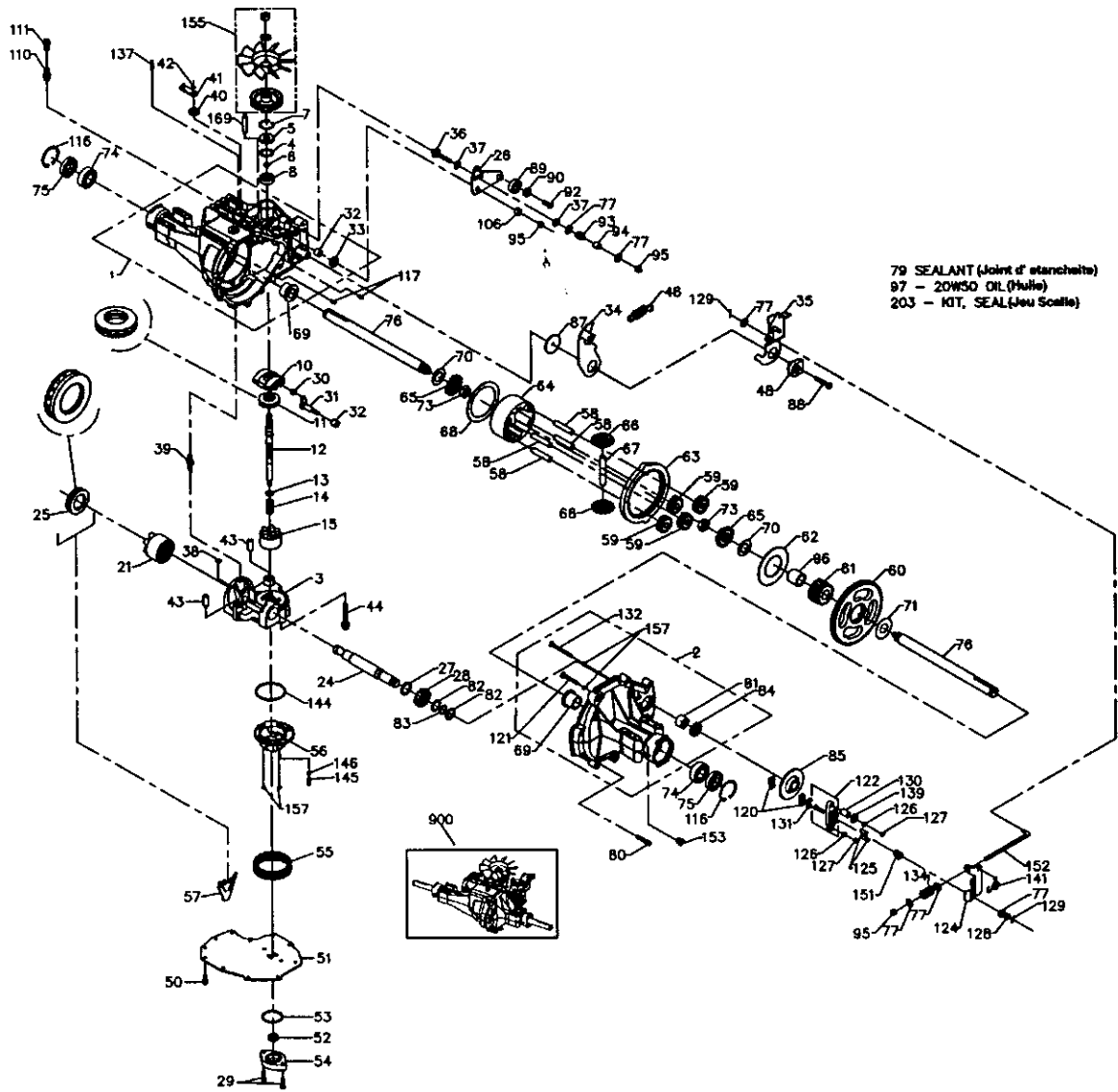
## TRACTOR – MODEL NUMBER 917.275280

### MOWER DECK

| KEY PART<br>NO. NO. | DESCRIPTION                      | KEY PART<br>NO. NO. | DESCRIPTION  |
|---------------------|----------------------------------|---------------------|--|
| 1 180358            | Deck Weldment Mower 48           | 52 175820           | Pulley Idler Flat                                    |
| 3 178915            | Bracket Asm., Sway Bar           | 56 155986X431       | Bar Pnt Adj.   |
| 5 4939M             | Retainer Spring                  | 57 156941           | Pin Head Rivet                                       |
| 6 178024            | Sway Bar                         | 91 180535           | Bracket Asm. Noseroller RH                           |
| 8 174365            | Bolt 7/16 Asm. Blade             | 94 176066           | Noseroller   |
| 11 180054           | Blade                            | 95 180534           | Bracket Asm Noseroller LH                            |
| 13 174360           | Shaft Asm. w/Lower Bearing       | 97 133943           | Washer Hardened                                      |
| 14 174358           | Mandrel Asm.                     | 98 179479           | Spring Primary Drive                                 |
| 15 110485X          | Bearing, Ball, Mandrel           | 99 181775           | Pulley Idler"V"                                      |
| 16 174493           | Stripper Mandrel Deck            | 100 72110616        | Bolt RDHD Sqnk 3/8-16 UNC x 2                        |
| 17 72110610         | Bolt RDHD Sq Neck 3/8-16x1.25    | 110 175016          | Arm Spring Secondary                                 |
| 18 72140505         | Bolt, Carriage 5/16-18 x 5/8     | 112 174387          | Link Tension Relief Lever                            |
| 19 132827           | Bolt, Hex Hd, Shoulder 5/16-18   | 113 72110508        | Bolt Carr. 5/16-18 x 1                               |
| 20 174378           | Baffle, Vortex Mower             | 114 174384          | Tension Asm. Relief Lever                            |
| 21 73680500         | Nut, Crownlock 5/16-18 UNC       | 115 174609          | Arm Spring Tension Relief                            |
| 24 105304X          | Cap, Sleeve                      | 116 137644          | Bolt, Shoulder                                       |
| 25 178102           | Spring, Torsion                  | 117 174873          | Gauge Wheel  |
| 26 110452X          | Nut, Push                        | 118 73930600        | Nut, Centerlock 3/8-16 UNC                           |
| 27 180655X428       | Deflector Shield                 | 119 19121414        | Washer 3/8 x 7/8 x 14 Ga.                            |
| 28 19111016         | Washer 11/32 x 5/8 x 16 Ga.      | 121 174371          | Spring Secondary Drive                               |
| 29 131491           | Rod, Hinge                       | 122 174606          | Bushing Pivot Tension Relief                         |
| 30 173984           | Screw, Thdroll Washer Head       | 126 174372          | Arm, Idler, Primary Deck                             |
| 31 129963           | Washer, Spacer Mower Vented      | 130 17000616        | Screw 3/8-16 x 1.0                                   |
| 32 177865           | Pulley, Mandrel                  | 132 17060612        | Screw 3/8-16 x 3/4                                   |
| 33 178342           | Nut, Flg. Top Lock Cntr. 9/16    | 182 179127          | Rod Roller Nose                                      |
| 36 19131316         | Washer 13/32 x 13/16 x 16 Ga.    | 183 163552          | Retainer Spring                                      |
| 37 177968           | Pulley, Idler, Flat              | 184 173979          | Keeper Belt Idler                                    |
| 39 174375           | Pulley, Idler, Driven            | -- 181579           | Replacement Mower, Complete                          |
| 42 165723           | Spacer, Retainer                 | -- 174356           | Mandrel Assembly<br>(Includes Key Nos. 13-15 and 33) |
| 43 174373           | Arm, Idler Secondary             |                     |  |
| 45 174343           | Cover, Mandrel Deck              |                     |  |
| 46 137729           | Screw, Thdroll. 1/4-20 x 5/8     |                     |  |
| 47 180808           | V-Belt, Mower, Secondary         |                     |  |
| 48 174368           | V-Belt, Mower, Primary           |                     |  |
| 49 73680600         | Nut, Crownlock 3/8-16 UNC        |                     |  |
| 50 72110612         | Bolt, Carr. 3/8-16 x 1-1/2 Gr. 5 |                     |  |

**NOTE:** All component dimensions given in U. S. inches 1 inch = 25.4 mm

**TRACTOR – MODEL NUMBER 917.275280**  
**TRANSAXLE – MODEL NUMBER 311-3500**





## TRACTOR -- MODEL NUMBER 917.275280

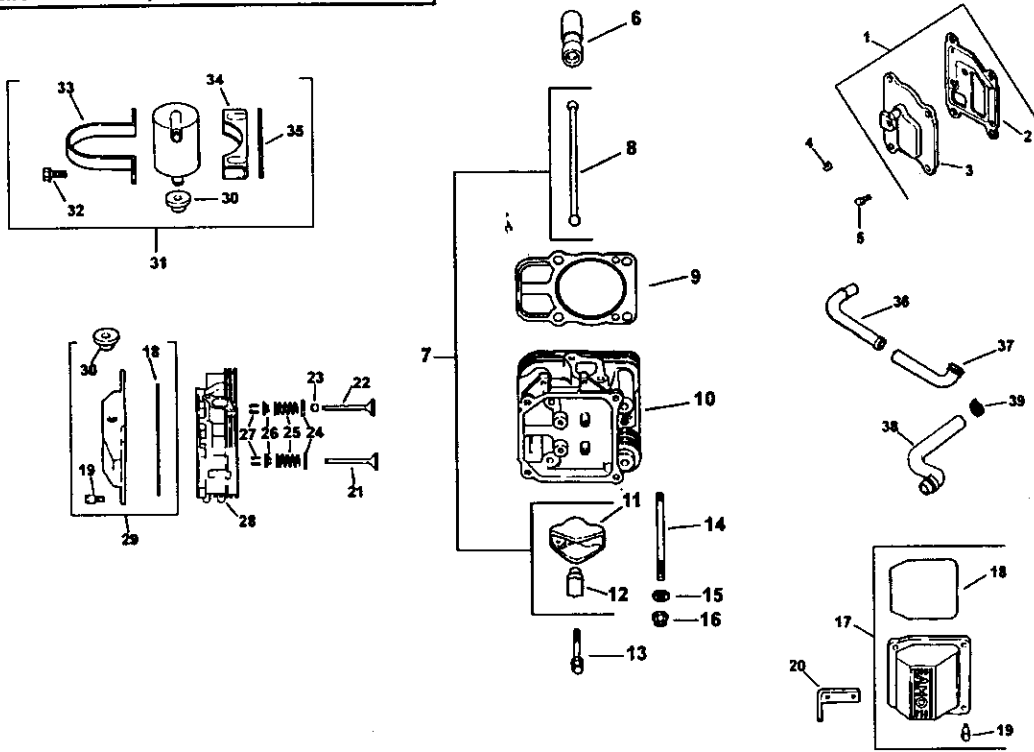
### TRANSAXLE--MODEL NUMBER 311-3500

| KEY NO. | PART NO. | DESCRIPTION                  | KEY NO. | PART NO. | DESCRIPTION                         |
|---------|----------|------------------------------|---------|----------|-------------------------------------|
| 1       | 161122   | Main Housing Assembly        | 74      | 169535   | Ball Brg 6205-1                     |
| 2       | 178317   | R.H. Housing Assembly        | 75      | 161157   | Seal 1"Id X 2.0472" X 0.375"        |
| 3       | 169522   | Center Section Assembly      |         |          |                                     |
| 4       | 161125   | Spacer                       | 76      | 161158   | Shaft, Axle                         |
| 5       | 142932   | Seal-Lip                     | 77      | 142884   | Washer                              |
| 6       | 142928   | Wire Retaining Ring          | 79      | 178322   | Gasket Material                     |
| 7       | 142933   | Retaining Ring               | 80      | 161159   | Torx Head Screw, 5/16-18            |
| 8       | 142934   | Ball Bearing                 | 81      | 161160   | Needle Bearing (Sce1412)            |
| 9       | 169523   | Cradle Bearing               | 82      | 161161   | Washer2                             |
| 10      | 169524   | Variable Swashplate          | 83      | 161162   | Retaining Ring                      |
| 11      | 150771   | Thrust Bearing 30 X 52 X 13  | 84      | 161163   | Lip Seal (0.875i.D.X1.3o.D.X0.25    |
| 12      | 161126   | Input Shaft                  |         |          |                                     |
| 13      | 142978   | Block Thrust Washer          | 85      | 161164   | Brake Disk                          |
| 14      | 142977   | Arm - Trunnion               | 87      | 178323   | Washer                              |
| 15      | 196050   | 10cc Cylinder Block Assembly | 88      | 178324   | Screw 5/16-24                       |
|         |          |                              | 89      | 178325   | Bearing                             |
| 21      | 169525   | 21cc Cylinder Block Assembly | 90      | 178326   | Spacer                              |
|         |          |                              | 91      | 169536   | Oring, 0.070 X 0.239                |
| 24      | 161127   | Output (Motor) Shaft         | 92      | 178327   | Screw                               |
| 25      | 169526   | Thrust Bearing 42 X 68 X 16  | 93      | 142969   | Spring, Friction Pack               |
| 26      | 161128   | Control Arm                  | 94      | 142980   | Spacer, Friction Pack               |
| 27      | 161129   | Spacer                       | 95      | 169537   | Hex Lock Nut 5/16-24                |
| 28      | 161130   | 16t Pinion Gear              | 96      | 169538   | Sleeve Bearing                      |
| 29      | 169527   | Capscrew, M6 X 1-22          | 97      | 150798   | Oil                                 |
| 30      | 142941   | Slot Guide                   | 106     | 161166   | Spacer, Trunnion                    |
| 31      | 161132   | Trunnion Arm                 | 108     | 178328   | Plug                                |
| 32      | 161133   | Trunnion Bushing             | 110     | 142918   | Fitting-O Ring Ass'y                |
| 33      | 142940   | Lip Seal                     | 111     | 142917   | Cap Vent Ass'y                      |
| 34      | 178318   | Arm Return                   | 116     | 169539   | Retaining Ring                      |
| 35      | 178319   | Arm Actuating                | 117     | 161168   | Std Hdls Pin                        |
| 36      | 169528   | 5/16-24 Stud                 | 120     | 142883   | Puck, Brake                         |
| 37      | 142967   | Puck, Friction               | 121     | 169540   | Rib Neck Bolt, 2"                   |
| 38      | 150787   | Bypass Plate                 | 122     | 178329   | Brake Yoke                          |
| 39      | 169529   | Bypass Actuator              | 124     | 178330   | Arm, Brake                          |
| 40      | 142945   | Lip Seal                     | 125     | 142887   | Pins, Brake                         |
| 41      | 142952   | Bypass Arm                   | 126     | 161172   | Lockwasher, 1/4"                    |
| 42      | 142953   | Retaining Ring               | 127     | 161173   | Nut, 1/4-20                         |
| 43      | 142965   | Pin                          | 128     | 142885   | Nut, Castle                         |
| 44      | 150797   | Screw                        | 129     | 142886   | Cotter Pin                          |
| 48      | 178320   | Puck                         | 130     | 161174   | Spacer                              |
| 50      | 178343   | Screw-Self Tapping           | 131     | 142882   | Puck Plate                          |
| 51      | 169530   | Lower Cover                  | 132     | 169544   | Rib Neck Bolt, 3" 1                 |
| 52      | 169531   | Gerotor Assembly             | 134     | 178331   | Spring                              |
| 53      | 144581   | O-Ring                       | 136     | 178332   | Spring Extension                    |
| 54      | 161139   | Gerotor Cover                | 137     | 178333   | Pin Spring                          |
| 55      | 178321   | Filter                       | 138     | 178334   | Bolt Self Tapping                   |
| 56      | 169533   | Charge Manifold              | 139     | 161176   | Washer, 7/8od X 0.265id X 0.125 Thk |
| 57      | 161142   | Retainer, Motor Bearing      |         |          |                                     |
| 58      | 161143   | Pin, Carrier                 | 141     | 178335   | Spring Brake                        |
| 59      | 161144   | 15t Planet Gear              | 144     | 169545   | O Ring, 2.864 Id X 0.070 Thk        |
| 60      | 161145   | 7t Spur Gear                 |         |          |                                     |
| 61      | 161146   | 21t Sun Gear                 | 145     | 169546   | Spring, Relief                      |
| 62      | 161147   | Planet Thrust Plate          | 146     | 169547   | Ball, 7/16                          |
| 63      | 161148   | 51t Ring Gear                | 151     | 161181   | Comp. Spring, Brake Anti-Drage      |
| 64      | 161149   | Planetary Carrier            |         |          |                                     |
| 65      | 178511   | Miter Gear, Diff. (Splined)  | 152     | 178336   | Brake Pull Rod                      |
| 66      | 178512   | Miter Gear, Diff.            | 153     | 142914   | Plug, Straight Thread               |
| 67      | 161152   | Shaft, Differential          | 155     | 178337   | Kit Fan                             |
| 68      | 161153   | Diff. Thrust Plate           | 157     | 169548   | Screw O-Ring                        |
| 69      | 169534   | Flange Bearing               | 180     | 169549   | Manifold Kit                        |
| 70      | 161154   | Washer                       | 203     | 178338   | Kit Seal                            |
| 71      | 161155   | Washer                       | 900     | 176057   | Transaxle, complete                 |
| 73      | 161156   | Hex Jam Nut, 5/8-18          |         |          |                                     |

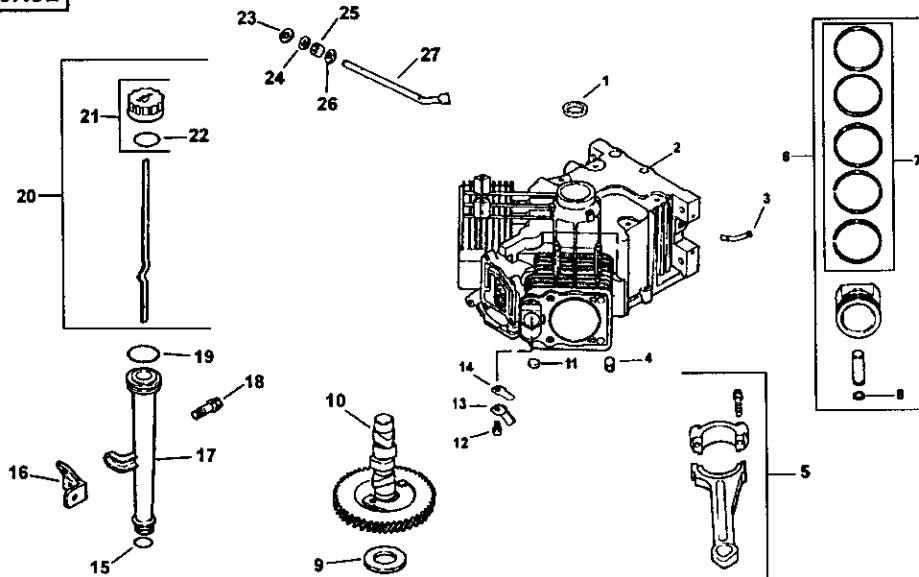
**NOTE:** All component dimensions given in U.S. inches 1 inch = 25.4 mm

**TRACTOR – MODEL NUMBER 917.275280  
 KOHLER ENGINE-MODEL NUMBER CV740, TYPE NUMBER 0005**

**CYLINDER HEAD, VALVE AND BREATHER**



**CRANCASE**



**TRACTOR – MODEL NUMBER 917.275280  
 KOHLER ENGINE-MODEL NUMBER CV740, TYPE NUMBER 0005**

**HEAD/VALVE/BREATHER**

| KEY PART NO. | NO.         | DESCRIPTION  |
|--------------|-------------|--|
| 1.           | 24-033-03-S | Kit, breather cover w/gasket (Includes 2,3)                |
| 2.           | 24-041-23-S | Gasket, breather   |
| 3.           | 24-096-87-S | Cover, breather  |
| 4.           | 25-139-60-S | Plug, allen hd. 1/8"                                       |
| 5.           | M-645020-S  | Screw, hex. flange M6x1.0x20 (4)                           |
| 6.           | 25-351-01-S | Lifter, valve (4)  |
| 7.           | 24-755-66-S | Kit, valve train (Includes 8, 11, 12)                      |
| 8.           | 24-411-05-S | Rod, push (4)  |
| 9.           | 24-041-37-S | Gasket, cylinder head (2)                                  |
| 10.          | 24-318-72-S | Head assembly, #2 cylinder                                 |
| 11.          | 25-186-01-S | Arm, rocker (4)  |
| 12.          | 24-599-01-S | Pivot, rocker arm (4)                                      |
| 13.          | M-640034-S  | Screw, hex. flange M6x1.0x34 (4)                           |
| 14.          | 24-072-09-S | Stud, cylinder hd. M8x1.25x20, M10x1.5x33, 105 mm long (8) |
| 15.          | 24-468-16-S | Washer, flat 8 mm (8)                                      |
| 16.          | 24-100-10-S | Nut, hex. flange M8x1.25 (8)                               |
| 17.          | 24-755-74-S | Kit, valve cover - plain (Includes 18, 19)                 |
| 18.          | 24-153-16-S | O-Ring   |
| 19.          | 24-086-32-S | Screw, shoulder (4)  |
| 20.          | 24-445-01-S | Strap, lifting   |
| 21.          | 24-016-01-S | Valve, exhaust (Std.) (2)                                  |
|              | 24-016-02-S | Valve, exhaust (.25) (2)                                   |
| 22.          | 24-017-01-S | Valve, intake (Std.) (2)                                   |
|              | 24-017-02-S | Valve, intake (.25) (2)                                    |
| 23.          | 66-032-05-S | Seal, valve stem (2)                                       |
| 24.          | 235011-S    | Retainer, spring (4)                                       |
| 25.          | 24-089-02-S | Spring, valve (4)  |
| 26.          | 12-173-01-S | Cap, valve spring (4)                                      |
| 27.          | 12-755-03-S | Kit, retainer (4)  |
| 28.          | 24-318-69-S | Head assembly, #1 cylinder                                 |
| 29.          | 24-755-76-S | Kit, valve cover - breather (Includes 18, 19, 30)          |
| 30.          | 25-313-02-S | Grommet, rubber  |
| 31.          | 24-755-57-S | Kit, breather separator (Includes 30, 32-35)               |
| 32.          | M-545016-S  | Screw, hex. flange M5x0.8x16 (2)                           |
| 33.          | 24-445-02-S | Strap, breather  |
| 34.          | 24-126-44-S | Bracket, breather separator                                |
| 35.          | 24-112-12-S | Spacer   |
| 36.          | 24-294-06-S | Fitting  |
| 37.          | 24-326-13-S | Hose, breather   |
| 38.          | 24-326-14-S | Hose, breather   |
| 39.          | 25-237-14-S | Clamp, hose (2)  |

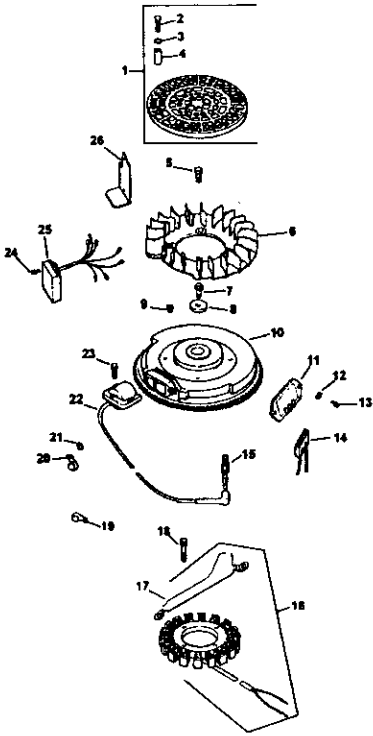
**CRANKCASE**

| KEY PART NO. | NO.         | DESCRIPTION                                  |
|--------------|-------------|--|
| 1.           | 24-032-01-S | Seal, oil front                              |
| 2.           |             | Crankcase (USE: Miniblock 24 782 23)         |
| 3.           | 24-294-13-S | Fitting                                      |
| 4.           | 24-380-13-S | Pin, locating (6)                            |
| 5.           | 24-067-13-S | Connecting Rod (Std.) (2)                    |
|              | 24-067-14-S | Connecting Rod (.25) (2)                     |
| 6.           | 24-874-08-S | Piston w/Ring Set (Std.) (2) (Includes 7, 8) |
|              | 24-874-16-S | Kit, Piston w/Ring Set (.08) (2)             |
| 7.           | 24-108-05-S | Ring Set (Std. & .08) (2)                    |
| 8.           | 24-018-01-S | Retainer, piston pin (4)                     |
| 9.           | 12-422-09-S | Shim, camshaft (A.R.)                        |
|              | 12-422-13-S | Shim, camshaft (A.R.)                        |
|              | 12-422-07-S | Shim, camshaft (A.R.)                        |
|              | 12-422-08-S | Shim, camshaft (A.R.)                        |
|              | 12-422-10-S | Shim, camshaft                               |
|              | 12-422-11-S | Shim, camshaft (A.R.)                        |
|              | 12-422-12-S | Shim, camshaft (A.R.)                        |
| 10.          | 24-012-18-S | Camshaft                                     |
| 11.          | 52-139-09-S | Plug, cup                                    |
| 12.          | M-545010-S  | Screw, hex. flange M5x0.8x10 (2)             |
| 13.          | 24-018-04-S | Retainer, reed (2)                           |
| 14.          | 24-402-05-S | Reed, breather (2)                           |
| 15.          | 12-153-01-S | O-Ring, lower oil fill tube                  |
| 16.          | 24-126-19-S | Bracket, oil fill tube                       |
| 17.          | 12-123-04-S | Tube, oil fill                               |
| 18.          | M-545016-S  | Screw, hex. flange M5x0.8x16                 |
| 19.          | 12-153-02-S | O-Ring, upper oil fill tube                  |
| 20.          | 24-038-04-S | Dipstick assembly (Includes 21, 22)          |
| 21.          | 24-755-46-S | Kit, oil fill cap (Includes 22)              |
| 22.          | 25-153-02-S | O-Ring, dipstick                             |
| 23.          | 24-018-09-S | Retainer, ring                               |
| 24.          | M-931010-S  | Washer, nylon (top)                          |
| 25.          | 28-032-09-S | Seal, governor cross shaft                   |
| 26.          | 24-468-15-S | Washer (bottom)                              |
| 27.          | 24-144-33-S | Shaft, governor cross                        |

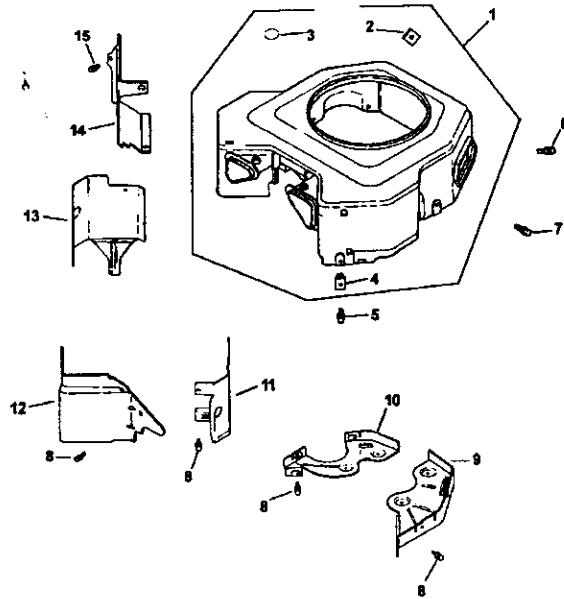
**NOTE:** All component dimensions given in U.S. inches 1 inch = 25.4 mm

**TRACTOR – MODEL NUMBER 917.275280**  
**KOHLER ENGINE-MODEL NUMBER CV740, TYPE NUMBER 0005**

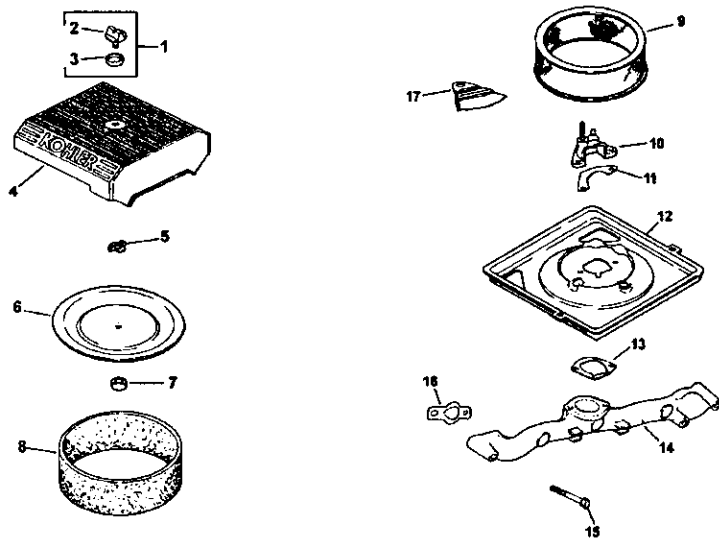
**IGNITION/ELECTRICAL**



**BLOWER HOUSING AND BAFFLES**



**AIR INTAKE**



**TRACTOR – MODEL NUMBER 917.275280**  
**KOHLER ENGINE-MODEL NUMBER CV740, TYPE NUMBER 0005**

**IGNITION/ELECTRICAL**

| KEY NO. | PART NO.    | DESCRIPTION                                       |
|---------|-------------|---|
| 1.      | 54-755-15-S | Kit, grass screen (Includes 2-4, and 24 113 18-S) |
| 2.      | M-403025-S  | Screw, hex. cap M4x0.7x25 (4)                     |
| 3.      | X-25-92-S   | Washer, plain 5/16" (4)                           |
| 4.      | 24-112-04-S | Spacer, grass screen (4)                          |
| 5.      | 25-086-47-S | Bolt, shoulder M6x1.0x16 (4)                      |
| 6.      | 24-157-03-S | Fan   |
| 7.      | 12-086-14-S | Screw, hex. flange M10x1.5x46                     |
| 8.      | 12-468-03-S | Washer, plain 3/8"                                |
| 9.      | X-42-15-S   | Key   |
| 10.     | 24-025-25-S | Flywheel  |
| 11.     | 25-403-03-S | Rectifier-regulator                               |
| 12.     | X-25-92-S   | Washer, plain 3/16" (2)                           |
| 13.     | 24-086-18-S | Screw, phillips hd. 11-16x7/8 (2)                 |
| 14.     | 236602-S    | Connector (3 contact)                             |
| 15.     | 12-132-06-S | Spark Plug (2)                                    |
| 16.     | 54-755-09-S | Kit, 15 amp stator (Includes 17)                  |
| 17.     | 24-126-71-S | Bracket, stator wire                              |
| 18.     | M-548025-S  | Screw, hex. cap M5x0.8x25 (2)                     |
| 19.     | 47-154-01-S | Clip, cable                                       |
| 20.     | 48-154-02-S | Clip, cable                                       |
| 21.     | X-25-63-S   | Washer, plain 1/4"                                |
| 22.     | 24-584-15-S | Module, ignition (2)                              |
| 23.     | M-561025-S  | Screw, hex flange M5x0.8x25 (4)                   |
| 24.     | M-448010-S  | Screw, hex. cap M4x0.7x10 (2)                     |
| 25.     | 24-584-27-S | Module, speed advance                             |
| 26.     | 24-063-27-S | Baffle, heat shield                               |

**NOT ILLUSTRATED**

|             |  |
|-------------|--|
| X-22-11-S   | Washer, lock 1/4"                                      |
| 24-176-81-S | Harness, wiring Lead, black (rect.-reg. 5" - 12 gauge) |
| 24-518-12-S | Insulated grip barrel eye lets)                        |
| 24-113-18-S | Decal, grass screen                                    |
| 25-454-03-S | Tie, wire (3)  |

**BLOWER HOUSING & BAFFLES**

| KEY NO. | PART NO.    | DESCRIPTION                      |
|---------|-------------|----------------------------------|
| 1.      | 24-027-32-S | Housing, blower (Includes 2-4)   |
| 2.      | 24-100-01-S | Nut, plastic (2)                 |
| 3.      | 25-139-16-S | Plug, button 9/16"               |
| 4.      | 24-100-02-S | Nut, plastic (3)                 |
| 5.      | M-545020-S  | Screw, hex. flange M5x0.8x20 (4) |
| 6.      | M-551016-S  | Screw, hex. flange M5x0.8x16     |
| 7.      | M-545016-S  | Screw, hex. flange M6x0.8x16 (2) |
| 8.      | M-645016-S  | Screw, hex. flange M6x1.0x16 (6) |
| 9.      | 24-146-19-S | Plate, backing - # 2 side        |
| 10.     | 24-146-20-S | Plate, backing - # 1 side        |
| 11.     | 24-063-39-S | Baffle, cylinder barrel-# 2 side |
| 12.     | 24-063-14-S | Baffle, valley - #2 side         |
| 13.     | 24-063-58-S | Baffle, cylinder barrel-# 1 side |
| 14.     | 24-063-10-S | Baffle, valley - #1 side         |
| 15.     | M-545010-S  | Screw, hex. flange M5x0.8x10 (2) |

**NOT ILLUSTRATED**

|             |                                    |
|-------------|------------------------------------|
| 24-096-66-S | Cover, control                     |
| 24-086-06-S | Screw, phillips hd. 11-16x3/4" (2) |

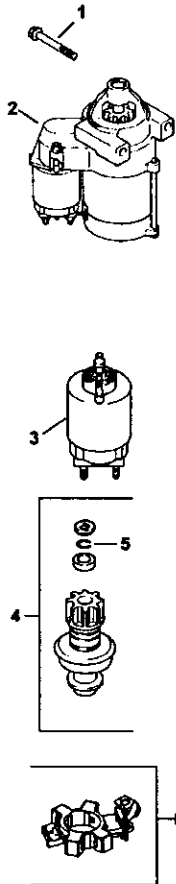
**AIR INTAKE/FILTRATION**

| KEY NO. | PART NO.    | DESCRIPTION                        |
|---------|-------------|------------------------------------|
| 1.      | 54-755-01-S | Kit, knob with seal (Includes 2,3) |
| 2.      | 25-341-03-S | Knob, cover                        |
| 3.      | 24-153-20-S | O-Ring                             |
| 4.      | 24-096-73-S | Cover, air cleaner                 |
| 5.      | 12-100-01-S | Wing Nut                           |
| 6.      | 24-096-01-S | Cover, inner air cleaner           |
| 7.      | 231032-S    | Seal, breather                     |
| 8.      | 24-083-05-S | Precleaner, element                |
| 9.      | 24-083-03-S | Element, air cleaner               |
| 10.     | 24-109-09-S | Cup, fuel spit-back                |
| 11.     | 24-041-13-S | Gasket, fuel spit-back cup         |
| 12.     | 24-094-18-S | Base, air cleaner                  |
| 13.     | 24-041-14-S | Gasket, air cleaner base           |
| 14.     | 24-164-06-S | Manifold, intake                   |
| 15.     | 25-086-84-S | Screw, hex. flange M6x1.0x55 (4)   |
| 16.     | 24-041-01-S | Gasket, intake manifold (2)        |
| 17.     | 24-063-51-S | Baffle, spit-back cup              |

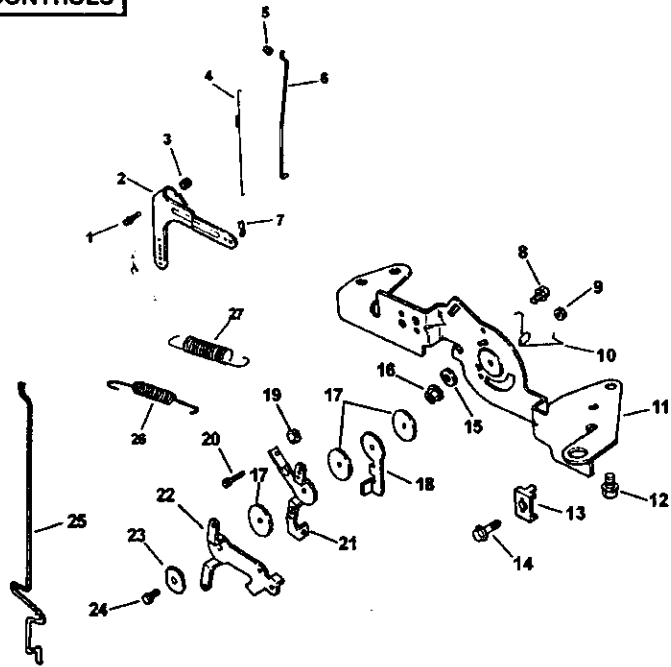
**NOTE:** All component dimensions given in U.S. inches 1 inch = 25.4 mm

**TRACTOR -- MODEL NUMBER 917.275280  
 KOHLER ENGINE-MODEL NUMBER CV740, TYPE NUMBER 0005**

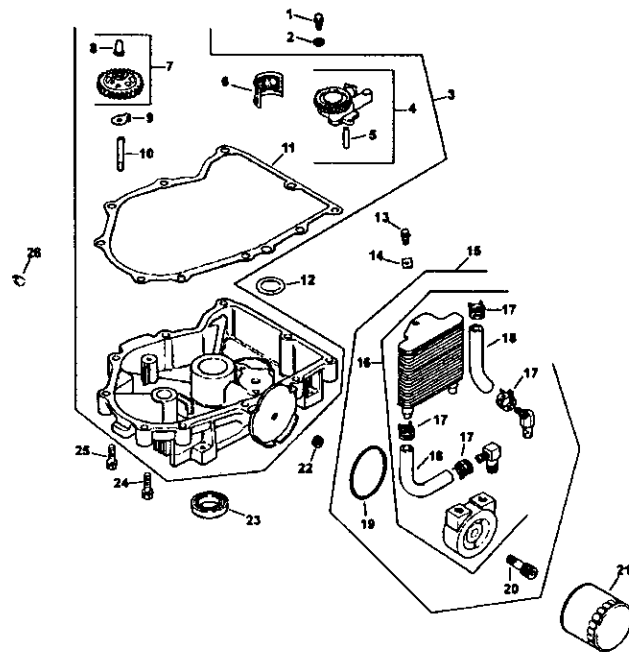
**STARTING SYSTEM**



**ENGINE CONTROLS**



**OIL PAN / LUBRICATION**



**TRACTOR – MODEL NUMBER 917.275280**  
**KOHLER ENGINE-MODEL NUMBER CV740, TYPE NUMBER 0005**

**STARTING SYSTEM**

| KEY NO. | PART NO.    | DESCRIPTION  |
|---------|-------------|--|
| 1.      | M-839080-S  | Screw, hex. flange<br>M8x1.25x80 (2)               |
| 2.      | 25-098-08-S | Starter, solenoid shift<br>assembly (Includes 3-6) |
| 3.      | 25-435-04-S | Kit, solenoid                                      |
| 4.      | 25-755-33-S | Kit, pinion drive (Includes 5)                     |
| 5.      | 25-141-05-S | Ring   |
| 6.      | 25-221-01-S | Kit, brush   |

**ENGINE CONTROLS**

| KEY NO. | PART NO.    | DESCRIPTION                         |
|---------|-------------|-------------------------------------|
| 1.      | 24-211-03-S | Bolt, round head square<br>neck     |
| 2.      | 24-090-33-S | Lever, governor                     |
| 3.      | M-641060-S  | Nut, hex. flange M6x1.0             |
| 4.      | 24-089-01-S | Spring, linkage                     |
| 5.      | 25-158-08-S | Bushing, linkage retaining          |
| 6.      | 24-079-04-S | Linkage, throttle                   |
| 7.      | 25-158-11-S | Bushing, throttle linkage           |
| 8.      | M-545016-S  | Screw, hex. flange<br>M5x0.8x16     |
| 9.      | M-547050-S  | Nut, hex. lock M5x0.8               |
| 10.     | 24-089-03-S | Spring, choke return                |
| 11.     | 24-126-56-S | Bracket, control                    |
| 12.     | M-645016-S  | Screw, hex. flange<br>M6x1.0x16 (4) |
| 13.     | 12-237-01-S | Clamp, cable (2)                    |
| 14.     | 24-086-43-S | Screw, thread forming (2)           |
| 15.     | X-20-1-S    | Washer, lock 1/4"                   |
| 16.     | M-541050-S  | Nut, hex. flange M5x0.8             |
| 17.     | 24-468-01-S | Washer, plain 5.5 mm (3)            |
| 18.     | 24-090-07-S | Lever, throttle actuator            |
| 19.     | M-446030-S  | Nut, hex. M4x0.7                    |
| 20.     | M-545020-S  | Screw, hex. flange<br>M5x0.8x20     |
| 21.     | 24-090-13-S | Lever, throttle control             |
| 22.     | 24-090-05-S | Lever, choke                        |
| 23.     | 41-468-03-S | Washer, spring 1/4"                 |
| 24.     | M-403025-S  | Screw, hex. cap M4x0.7x25           |
| 25.     | 24-079-05-S | Linkage, choke                      |
| 26.     | 24-089-51-S | Spring, throttle limiter            |
| 27.     | 24-089-45-S | Spring, governor                    |

**OIL PAN/LUBRICATION**

| KEY NO. | PART NO.    | DESCRIPTION                                   |
|---------|-------------|---|
| 1.      | M-645025-S  | Screw, hex. flange<br>M6x1.0x25 (2)           |
| 2.      | M-631005-S  | Washer, plain 6 mm (2)                        |
| 3.      | 24-755-59-S | Kit, oil pan w/gasket<br>(Includes 4-11)      |
| 4.      | 24-393-08-S | Oil pump assembly (Includes<br>5)             |
| 5.      | 24-123-05-S | Tube, oil pickup                              |
| 6.      | 24-162-26-S | Screen, oil                                   |
| 7.      | 24-043-12-S | Kit, governor gear w/pin<br>(Includes 8)      |
| 8.      | 12-380-01-S | Pin, governor regulating                      |
| 9.      | 52-448-02-S | Tab, locking                                  |
| 10.     | 12-144-02-S | Shaft, governor gear                          |
| 11.     | 24-041-24-S | Gasket, oil pan                               |
| 12.     | 24-422-03-S | Shim, thrust                                  |
| 13.     | 24-086-12-S | Screw, hex. cap<br>M6x1.7x18 (2)              |
| 14.     | 24-100-01-S | Nut, plastic (2)                              |
| 15.     | 54 755 21-S | Kit, alum base oil cooler<br>(Includes 16-20) |
| 16.     | 24 594 09-S | Cooler assembly, oil<br>(Includes 17, 18)     |
| 17.     | 24 237 10-S | Clamp, oil cooler hose (4)                    |
| 18.     | 24 326 15-S | Hose, oil cooler (2)                          |
| 19.     | 24-153-13-S | O-Ring  |
| 20.     | 28-136-01-S | Nipple, oil filter                            |
| 21.     | 52-050-02-S | Filter, oil                                   |
| 22.     | 25-139-62-S | Plug, hex. ctsk. 3/8"                         |
| 23.     | 52-032-08-S | Seal, oil (PTO end)                           |
| 24.     | 24-086-17-S | Screw, hex. flange<br>M8x1.25x45              |
| 25.     | 24-086-16-S | Screw, hex. flange<br>M8x1.25x45 (9)          |
| 26.     | 25-139-57-S | Plug, sq. hd. solid 3/8"<br>N.P.T.F.          |

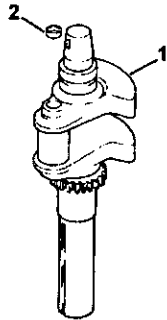
**NOT ILLUSTRATED**

24-113-25-S Decal, oil cooler

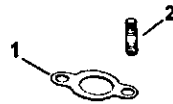
**NOTE:** All component dimensions given in U.S.  
 inches 1 inch = 25.4 mm

**TRACTOR – MODEL NUMBER 917.275280  
KOHLER ENGINE-MODEL NUMBER CV740, TYPE NUMBER 0005**

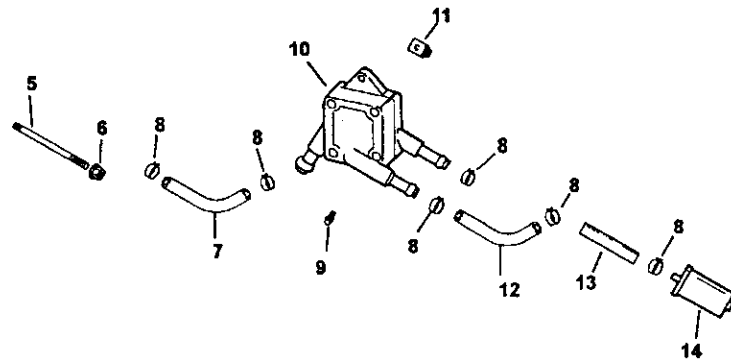
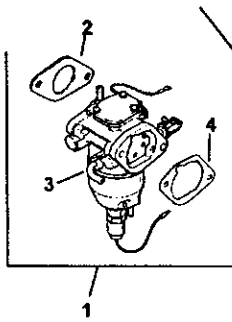
**CRANKSHAFT**



**EXHAUST**



**FUEL SYSTEM**





**TRACTOR -- MODEL NUMBER 917.275280  
KOHLER ENGINE-MODEL NUMBER CV740, TYPE NUMBER 0005**

**CRANKSHAFT**

| KEY NO. | PART NO.    | DESCRIPTION             |
|---------|-------------|-------------------------|
| 1.      | 24-014-72-S | Crankshaft (Includes 2) |
| 2.      | 52-139-09-S | Plug, cup               |

**EXHAUST**

| KEY NO. | PART NO.       | DESCRIPTION         |
|---------|----------------|---------------------|
| 1.      | 24-041-02-S    | Gasket, exhaust (2) |
| 2.      | 25-072-04-S    | Stud M8x1.25x33 (4) |
| --      | PA-CV740S-0005 | Replacement Engine  |
| --      | 24-782-23      | Miniblock           |
| --      | 24-755-113-S   | Gasket Set          |

**FUEL SYSTEM**

| KEY NO. | PART NO.    | DESCRIPTION  |
|---------|-------------|--|
| 1.      | 24-853-90-S | Kit, carburetor w/gaskets (Includes 2-4)   |
| 2.      | 24-041-15-S | Gasket, carburetor   |
| 3.      | 24-053-90   | Carburetor assembly (For information only not available separately) (Service with: 24-234-02-S, 24-757-18-S, 24-757-19-S, 24-757-20-S, 24-757-21-S, 24-757-22-S) |
| 4.      | 24 041 14-S | Gasket, air cleaner base   |
| 5.      | M-629095-S  | Stud M6x1.0x95 (2)   |
| 6.      | M-641060-S  | Nut, hex. flange M6x1.0 (2)  |
| 7.      | 25-353-03-S | Line, fuel 13-1/2"   |
| 8.      | 25-237-14-S | Clamp, hose (6)  |
| 9.      | 24-086-12-S | Screw, hex. cap M6x1.7x18 (2)  |
| 10.     | 24-393-16-S | Pump, fuel - pulse   |
| 11.     | 24-100-01-S | Nut, plastic (2)   |
| 12.     | 24-353-03-S | Line, fuel 10-5/8"   |
| 13.     | 15-353-04-S | Line, fuel 11-1/2"   |
| 14.     | 24-050-02-S | Filter, fuel   |

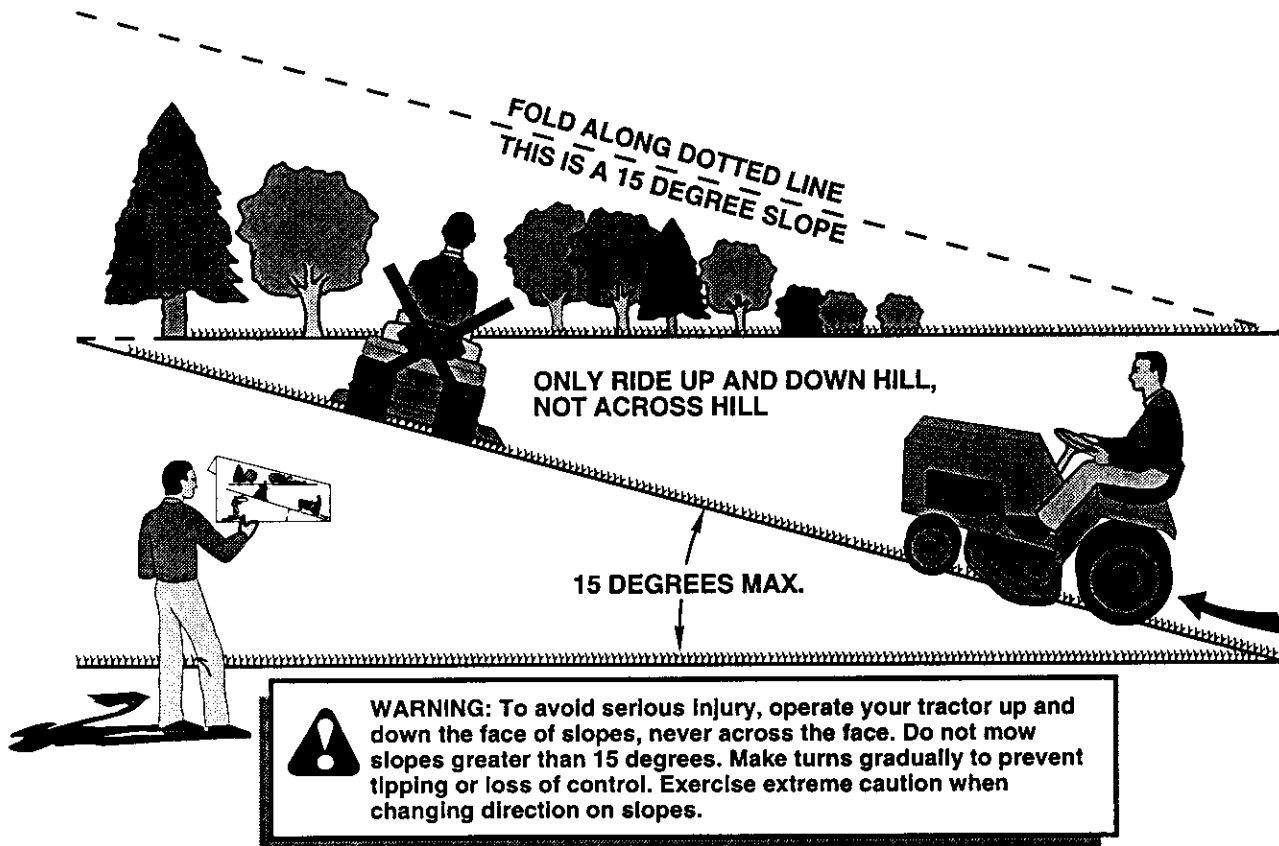
**NOT ILLUSTRATED**

|             |                                     |
|-------------|-------------------------------------|
| 24-757-18-S | Kit, overhaul w/gaskets             |
| 24-757-19-S | Kit, choke repair w/gaskets         |
| 24-757-20-S | Kit, gasket                         |
| 24-757-21-S | Kit, accelerator pump w/gaskets     |
| 24-757-22-S | Kit, solenoid replacement w/gaskets |

**NOTE:** All component dimensions given in U.S. inches 1 inch = 25.4 mm

## SERVICE NOTES

# SUGGESTED GUIDE FOR SIGHTING SLOPES FOR SAFE OPERATION



59



**WARNING:** To avoid serious injury, operate your tractor up and down the face of slopes, never across the face. Do not mow slopes greater than 15 degrees. Make turns gradually to prevent tipping or loss of control. Exercise extreme caution when changing direction on slopes.

1. Fold this page along dotted line indicated above.
2. Hold page before you so that its left edge is vertically parallel to a tree trunk or other upright structure.
3. Sight across the fold in the direction of hill slope you want to measure.
4. Compare the angle of the fold with the slope of the hill.

## Get it fixed, at your home or ours!

For repair of major brand appliances in your own home . . .  
no matter who made it, no matter who sold it!

**1-800-4-MY-HOME<sup>®</sup>** Anytime, day or night  
(1-800-469-4663) (U.S.A. and Canada)

[www.sears.com](http://www.sears.com)

[www.sears.ca](http://www.sears.ca)

For repair of carry-in products like vacuums, lawn equipment, and  
electronics, call for the nearest **Sears Parts and Repair Center**.

**1-800-488-1222** Anytime, day or night (U.S.A. only)

[www.sears.com](http://www.sears.com)

For the replacement parts, accessories and owner's manuals  
that you need to do-it-yourself, call **Sears PartsDirect<sup>SM</sup>**!

**1-800-366-PART** 6 a.m. – 11 p.m., 7 days a week  
(1-800-366-7278) (U.S.A. only)

[www.sears.com/partsdirect](http://www.sears.com/partsdirect)

To purchase or inquire about a Sears Service Agreement  
or Sears Maintenance Agreement:

**1-800-827-6655** (U.S.A.)

**1-800-361-6665** (Canada)

7 a.m. – 5 p.m., CST, Mon. – Sat.

9 a.m. – 8 p.m. EST, M–F, 4 p.m. Sat.

Para pedir servicio de reparación a  
domicilio, y para ordenar piezas:

**1-888-SU-HOGAR<sup>SM</sup>**  
(1-888-784-6427)

Au Canada pour service en français:

**1-800-LE-FOYER<sup>MC</sup>**  
(1-800-533-6937)  
[www.sears.ca](http://www.sears.ca)



© Sears, Roebuck and Co.

® Registered Trademark / <sup>TM</sup> Trademark / <sup>SM</sup> Service Mark of Sears, Roebuck and Co.

® Marca Registrada / <sup>TM</sup> Marca de Fábrica / <sup>SM</sup> Marca de Servicio de Sears, Roebuck and Co.

<sup>MC</sup> Marque de commerce / <sup>MD</sup> Marque déposée de Sears, Roebuck and Co.