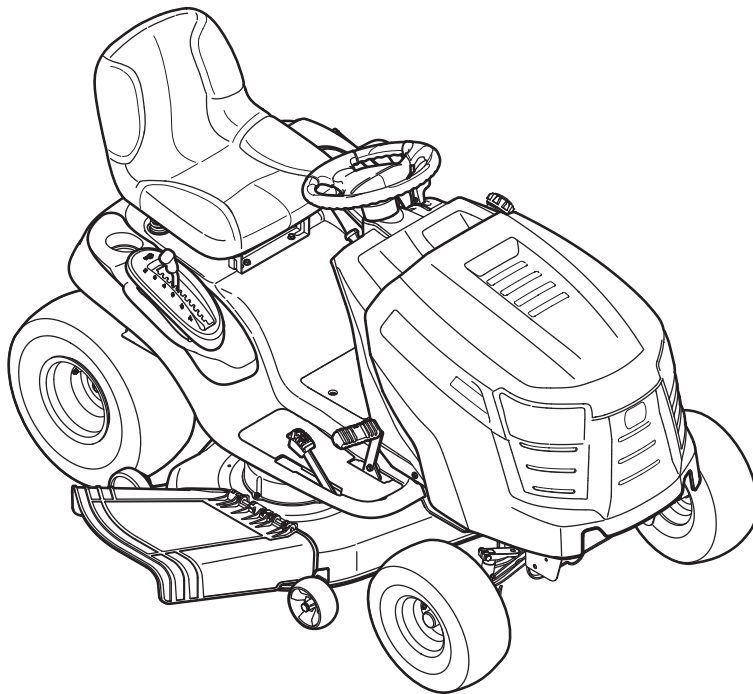


---

# *Cub Cadet*<sup>®</sup>

## ILLUSTRATED PARTS MANUAL



**Hydrostatic Lawn Tractor — LTX1042 & LTX1045**

---

CUB CADET LLC, P.O. BOX 361131 CLEVELAND, OHIO 44136-0019

---

# To The Owner

## Thank You

Thank you for purchasing a Cub Cadet Lawn Tractor. It was carefully engineered to provide excellent performance when properly operated and maintained.

All information in this manual is relative to the most recent product information available at the time of printing. Please be aware that this Illustrated Part's Manual may cover a range of product specifications for various models.

Components listed and/or illustrated in this manual may not be applicable to all models. We reserve the right to change product specifications, designs and equipment without notice and without incurring obligation.

Throughout this manual, all references to *right* (RH) and *left* (LH) are observed from the operating position.

## Table of Contents

<a href="#">Front and Rear Wheels</a> .....	<a href="#">3</a>	<a href="#">Hydrostatic Transmission (Tuff-Torq 918-05010)</a>	<a href="#">18</a>
<a href="#">Steering</a> .....	<a href="#">4</a>	<a href="#">Engine Accessories (Kohler Single)</a> .....	<a href="#">22</a>
<a href="#">Frame, Electrical and PTO</a> .....	<a href="#">6</a>	<a href="#">Engine Accessories (Kawasaki)</a> .....	<a href="#">23</a>
<a href="#">Seat, Fender and Lift</a> .....	<a href="#">8</a>	<a href="#">LTX 1042 Labels</a> .....	<a href="#">24</a>
<a href="#">Fuel Tank, Hood and Dash</a> .....	<a href="#">10</a>	<a href="#">LTX 1042KW Labels</a> .....	<a href="#">25</a>
<a href="#">Drive System (Tuff Torq)</a> .....	<a href="#">12</a>	<a href="#">LTX 1045 Labels</a> .....	<a href="#">26</a>
<a href="#">42-inch Deck</a> .....	<a href="#">14</a>	<a href="#">Electrical Schematic</a> .....	<a href="#">27</a>
<a href="#">46-inch Deck</a> .....	<a href="#">16</a>	<a href="#">Kohler SV600-3225</a> .....	<a href="#">28</a>

## Record Product Information

To ease in ordering replacement parts, please locate the model plate on the equipment and record the information in the provided area to the right. You can locate the model plate by looking beneath the seat.

### MODEL NUMBER

--	--	--	--	--	--	--	--	--	--	--	--

### SERIAL NUMBER

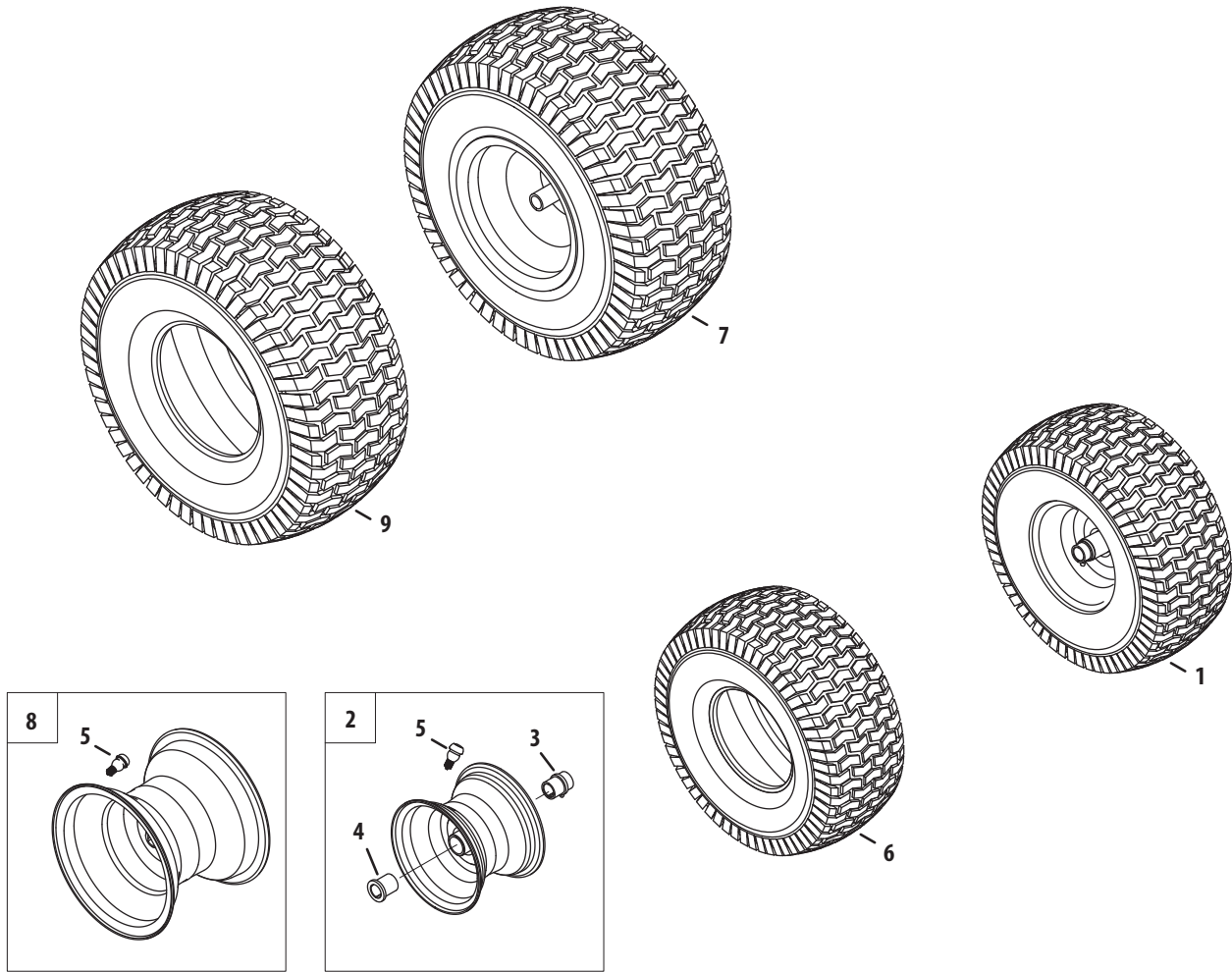
--	--	--	--	--	--	--	--	--	--	--	--

## Painted Parts

When ordering painted service parts, a four digit color suffix must be added to the part number (e.g. 783-XXXX-0637). Please refer to the table below for current color codes:

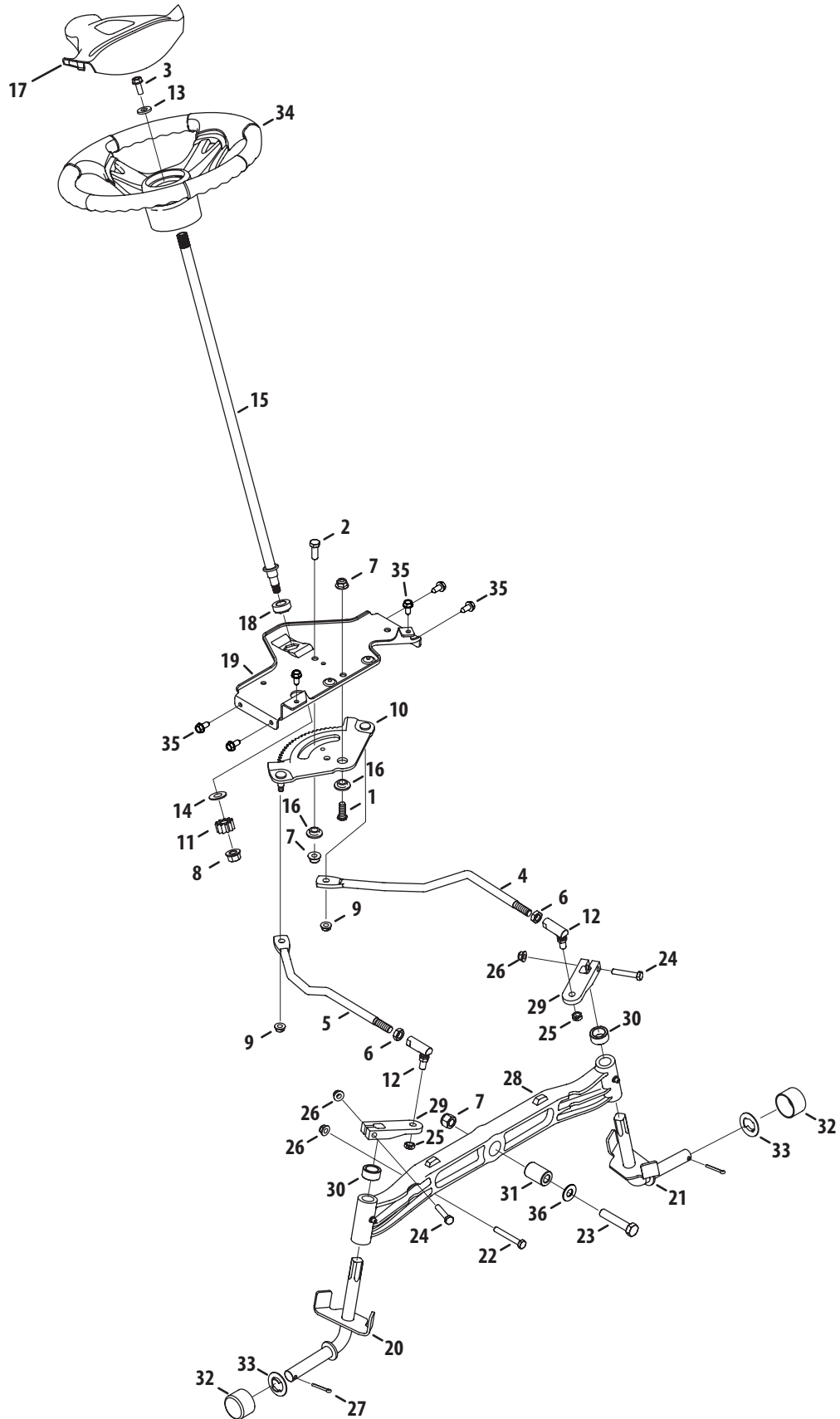
0637	Black
4021	Yellow (Cub Cadet)
0499	Beige (Cub Cadet)

0685	Blue (Cub Cadet)
0691	Black Jack (Cub Cadet Commercial)



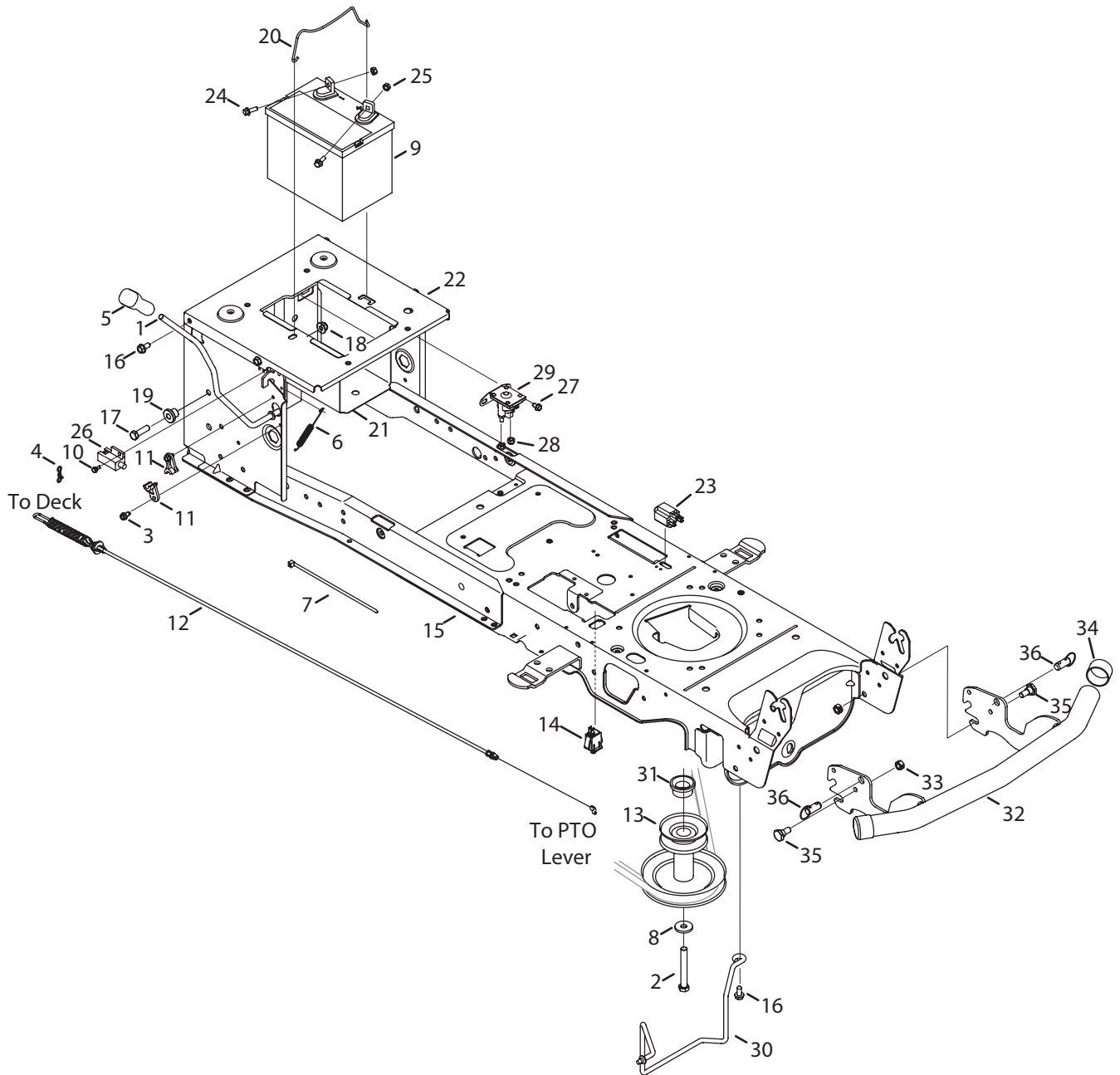
Ref.	Part Number	Description
1.	634-04406-0931	Wheel Ass'y, Complete, 15 x 6 x 6
2.	634-04405-0499	Rim Ass'y, 6.0 x 4.5, Plastic Bearings
3.	741-0990B	Bearing, Flange, .760 ID w/ Fitting
4.	741-0516B	Bearing, Flange, .760 x 1.00 x 1.20
5.	934-0255	Valve, Tubeless Air
6.	734-1731-0901	Tire, 15 x 6 x 6 Sq Shoulder
7.	634-0104-0931	Wheel, Complete, 20 x 8 x 8
8.	634-04369-0499	Rim Ass'y, 8.0 x 7.0 x .750 ID
9.	734-1730-0901	Tire, 20 x 8 x 8 Sq Shoulder

# Steering



Ref.	Part Number	Description
1.	710-04095	Hex Screw, 3/8-16, 1.00, Gr5, Spec
2.	710-0514	Hex Screw, 3/8-16, 1.00, Gr5, Std
3.	710-0650	Hex Screw, 5/16-18, .875, Gr5, Lock
4.	711-04998	Link, Drag LH
5.	711-04999	Link, Drag RH
6.	912-0240	Nut, Jam, 7/16-20, Gr2
7.	712-04065	Nut, Flange Lock, 3/8-16, Grf,
8.	712-0459	Nut, Flange Lock, 7/16-20, Grb, Lock
9.	712-3004A	Nut, Flange Lock, 5/16-18, Gr5, Sd Lk
10.	717-1550F	Gear, Steering, 11/90 Ratio
11.	717-1554	Gear, Pinion, Steering
12.	923-0448A	Ball Joint, 7/16-20, Lock
13.	936-3004	Washer, Flat, .406 x .875 x .105
14.	736-3084	Washer, Flat, .51 x 1.12 x .06
15.	738-04262	Shaft, Steering, .625 OD x 25, Cub
16.	738-04363	Spacer, Shoulder, .385x 1.25 x .3025
17.	731-04532B	Cover, Steering Wheel, Cub Cadet
18.	741-04237B	Bearing, Flange, Hex 5/8 Pm
19.	783-06043	Bracket, Support, Steering
20.	638-04021	Axle Ass'y, RH .750 Dia. (42" Deck)
	638-04022	Axle Ass'y, RH .750 Dia. (46" Deck)
21.	638-04027	Axle Ass'y, LH .750 Dia. (42" Deck)
	638-04028	Axle Ass'y, LH .750 Dia. (46" Deck)
22.	710-0395	Hex Screw, 5/16-18, 2.25, Gr5, Std
23.	710-0859	Hex Screw, 3/8-16, 2.50, Gr5, Std
24.	710-3180	Hex Screw, 5/16-18, 1.75, Gr5, Std
25.	912-0214	Nut, Hex Lock, 3/8-24, Grb
26.	712-04063	Nut, Flange Lock, 5/16-18, Grf
27.	714-0162	Pin, Cotter, 5/32, 1.25
28.	719-04413A	Axle, Pivot Bar, Cast
29.	748-04278	Steering, Block
30.	748-04068	Spacer, .71 ID x .125 OD x .56
31.	750-05280	Spacer, .385 x 1.00 x 1.5075
32.	731-08049	Cap, Bumper
33.	736-04228A	Washer, Flat, .350 x 1.559 x .062
34.	631-04008A	Wheel, Steering, 3 Spoke, Softgrip
35.	710-04484	Screw, Self-tapping, 5/16-18, .750,
36.	936-0300	Flat Washer, .406 x .875 x .059

# Frame, Electrical and PTO

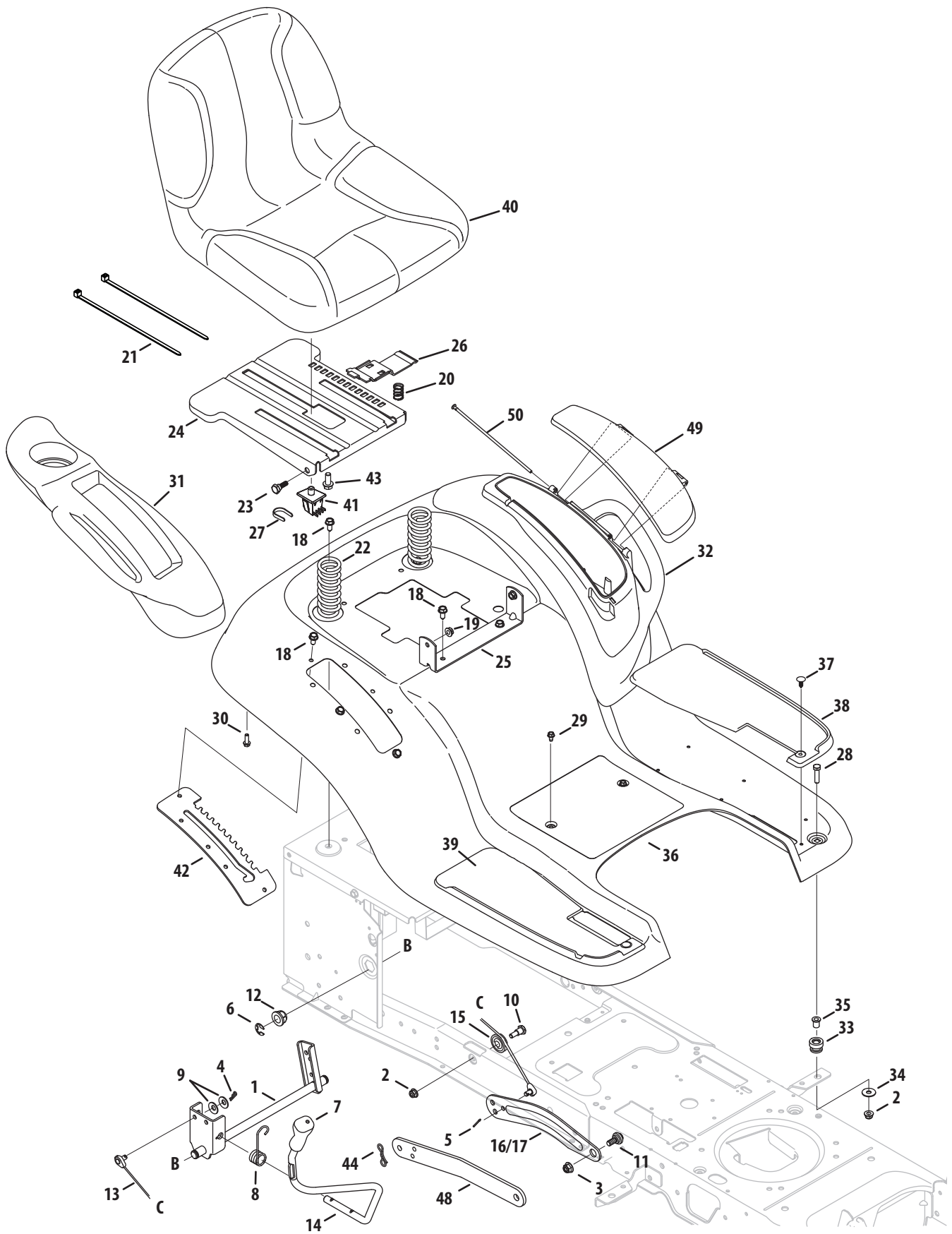


## Frame, Electrical and PTO

Ref.	Part Number	Description
1.	647-04151	Handle Ass'y, PTO
2.	710-04379A	Hex Screw, 7/16-20, 3.50, Gr5, Lock
3.	710-0599	Screw, Self-tapping, 1/4-20, 0.50
4.	714-04040	Pin, Cotter, Bow-Tie 72
5.	720-04140B	Grip, Handle, Cub
6.	732-0932	Spring, Ext, .38 Dia x 5.6
7.	725-0157	Cable, Tie, 3/16 X .05 X 7.4
8.	736-0322	Washer, Flat, .450 x 1.250 x .164
9.	925-1707D	Battery
10.	738-04237A	Screw, Shoulder, #10-32, .500
11.	741-04119A	Bearing, PTO
12.	946-04618C	Cable, Engag, Deck
13.	956-04067A	Pulley, Engine, 3.56 x 6.12 Dia.
14.	725-04807	Switch, Plunger, Snap Mount
15.	683-04469D	Frame Ass'y, Lower
16.	710-04484	Screw, Self-tapping, 5/16-18, .750,
17.	710-3005	Hex Screw, 3/8-16, 1.25, Gr5
18.	712-04065	Nut, Flange Lock, 3/8-16, Grf,
19.	738-04058	Spacer, Shoulder, .38 x 1.0 x .70

Ref.	Part Number	Description
20.	747-04121A	Rod, Battery
21.	783-0349	Tray, Battery
22.	783-06089	Bracket, Frame, Seat
23.	725-04232	Switch, 3-Pole
24.	710-04666	Hex Flange Screw, 1/4-20, .75, Gr5
25.	712-0271	Nut, Sems, 1/4-20
26.	725-04363	Switch, Interlock
27.	710-0653	Screw, Self-tapping, 1/4-20, 0.375,
28.	712-04064	Nut, Flange Lock, 1/4-20, Grf,
29.	725-06153	Solenoid, 12V, 100 Amp, 4 term
30.	747-05171A	Rod, Keeper
31.	750-0956	Spacer, 1.010 x 1.40 x .825
32.	683-04219B	Bumper Assembly, Universal
33.	712-0130	Hex Lock Nut, 3/8-16
34.	731-08049	Cap, Bumper
35.	738-0143	Bolt, Shoulder, .496 x .336, 3/8-16
36.	714-04061	Pin, Quick Release, 1/2 Dia x .50
—	925-04094	Wire Harness, Main

# Seat, Fender and Lift

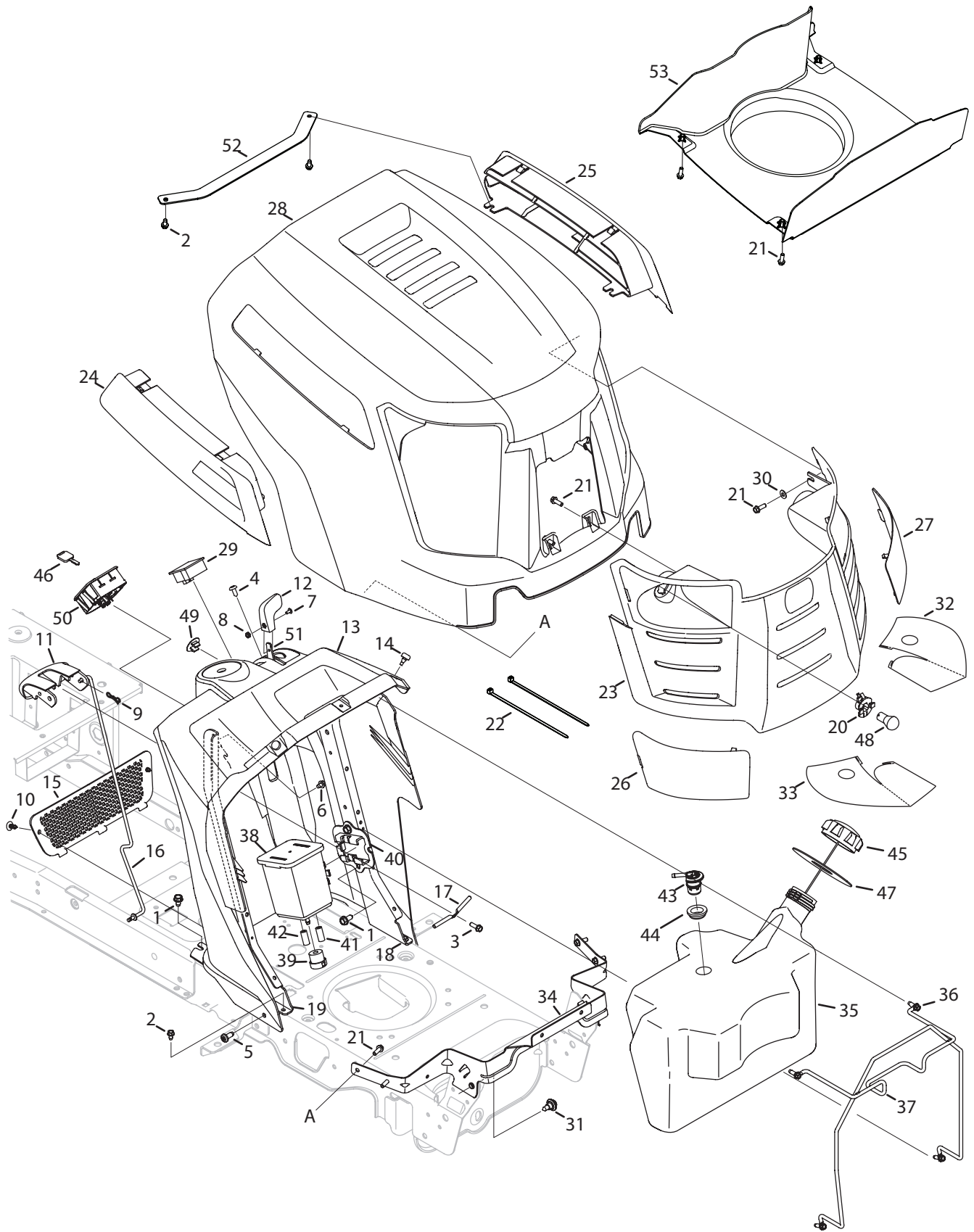




## Seat, Fender and Lift

Ref.	Part Number	Description	Ref.	Part Number	Description
1.	683-04223	Shaft Ass'y, Lift	24.	783-06049	Bracket, Mounting, Seat
2.	712-04063	Nut, Flange Lock, 5/16-18, Grf	25.	783-06088A	Bracket, Pivot, Seat
3.	712-04065	Nut, Flange Lock, 3/8-16, Grf	26.	783-06050	Lever, Seat Adjustment
4.	914-0104	Pin, Cotter, .072 Dia. x 1.13	27.	783-06448	Clip, Retaining, Switch
5.	714-04040	Pin, Cotter, Bow-Tie 72 (42")	28.	710-0528	Hex Screw, 5/16-18, 1.25, Gr5, Std
6.	716-0106A	Ring, E Type, .625 Dia. Shaft	29.	710-0599	Screw, Self-tapping, 1/4-20, 0.500,
7.	720-04139B	Grip, Handle, Cub, .50 ID	30.	710-0895	Screw, HL, 1/4-15, 0.750,
8.	732-0874	Spring, Torsion	31.	731-06700	Cover, Fender, RH
9.	736-0105	Washer, Spring, .401 x .870 x .063	32.	731-06676	Cover, Fender, LH
10.	738-0138A	Screw, Shoulder, .437 x .470, 5/16-18	33.	735-0690	Grommet, .4375 ID x .750
11.	738-04130	Bolt, Shoulder, .625, 3/8-16 (42")	34.	736-3078	Washer, Flat .344 x 1.00 x .063
	938-0380	Bolt, Shoulder, .50, 3/8-16 (46")	35.	750-3310	Spacer, Flange, .3125 x .4375 x .625
12.	941-0225	Bearing, Hex Flange	36.	783-06118	Fender, Cub Hydro
13.	746-0968	Cable, Lift, 16.16	37.	726-3046	Clip, Ratchet, .250 Dia
14.	747-04962A	Handle, Lift,	38.	735-04137	Pad, Foot, LH
15.	756-04331	Pulley, Roller, Cable	39.	735-04139	Pad, Foot, RH
16.	783-04494C	Arm, Lift, RH (42")	40.	757-04131	Seat, High Back Cloth, Cub
17.	783-04711C	Arm, Lift, LH (42")	41.	925-05013	Switch, Seat
18.	710-04484	Screw, Self-tapping, 5/16-18, .750,	42.	783-06443	Bracket, Lift, Man PTO, 6 Pos
19.	712-3004A	Nut, Flange Lock, 5/16-18, Gr5, Sd Lk	43.	710-04482	Hex Flange Screw, 3/8/16, .875, Gr5
20.	732-04563	Spring, Comp, .68 x 1.065 x .055	44.	714-04040	Pin, Cotter, Bow-Tie 72 (46")
21.	725-0157	Cable, Tie, 3/16 x .05 x 7.4	48.	783-05546A	Link, Lift (46")
22.	732-04849	Spring, Compr, 1.50 x 3.90 x .200	49.	731-06584	Door, Cover, Fender
23.	938-0296	Screw, Shoulder, .437 x .268, 5/16-18	50.	747-05039	Pin, Door

# Fuel Tank, Hood and Dash

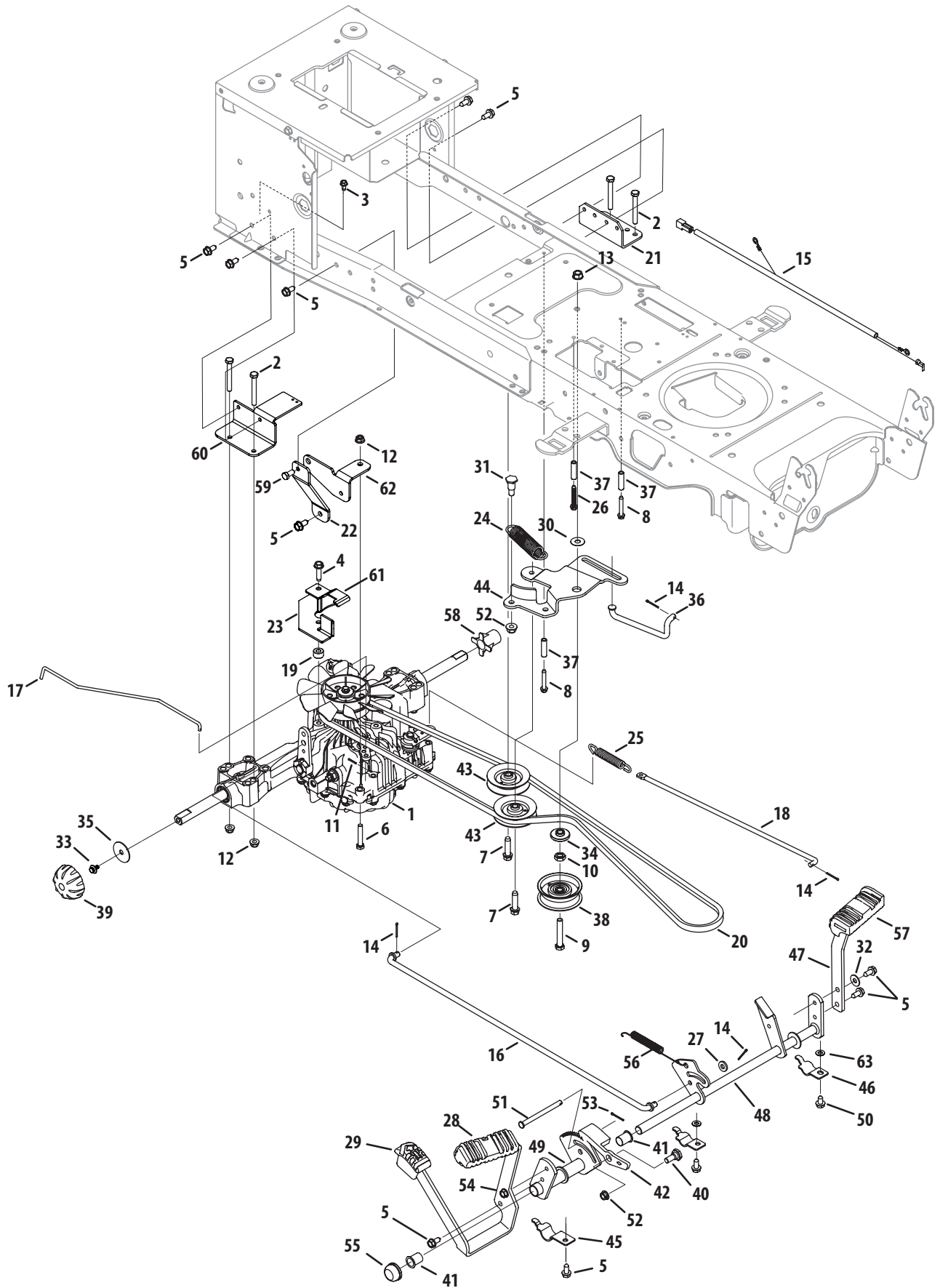


## Fuel Tank, Hood and Dash

Ref.	Part Number	Description
1.	710-04484	Screw, Self-tapping, 5/16-18, .750
2.	710-0599	Screw, Self-tapping, 1/4-20, 0.500
3.	710-0895	Screw, HL, 1/4-15, 0.750
4.	710-1017	Screw, Ab, 1/4-14, 0.625,
5.	710-1611B	Screw, Self-tapping, 5/16-18, 0.750,
6.	710-1652	Screw, Self-tapping, 1/4-20 x .625
7.	710-3217	Screw, Mach, #8-32, 0.375
8.	712-0142	Nut, Hex, #8-32
9.	714-04040	Pin, Cotter, Bow-Tie 72
10.	726-3046	Clip, Ratchet, .250 Dia
11.	731-05447A	Lever, Dash, Cruise/Brake
12.	731-06593	Knob, Throttle
13.	931-06666	Dash Panel, A-Style, Man PTO
14.	735-0271A	Bumper, .62 Dia X .3
15.	735-04076	Net
16.	747-05009B	Rod, Control, Latch Cub
17.	747-1196	Rod, Lever, Bent
18.	783-06098	Support, Dash, Plate LH
19.	783-06099	Support, Dash, Plate RH
20.	925-1649	Socket, Lamp
21.	710-05108	Screw, 1/4 Dia, .750
22.	926-0154	Tie, Cable, Push Mount 7.5 Lg
23.	931-04322	Grille Ass'y (Incl. 26, 27, 32 & 33)
24.	931-06542B	Scoop, Hood, RH A-Style
25.	931-06543B	Scoop, Hood, LH A-Style
26.	931-06558	Lens, Hood, RH A-Style
27.	931-06559	Lens, Hood, LH A-Style
28.	931-06634	Hood, A-Style

Ref.	Part Number	Description
29.	925-06154	Meter, Indicator
30.	936-3020	Washer, Flat, .271, .630, .065
31.	738-04091A	Screw, Shoulder, .43x.29, 5/16-18
32.	777X44055	Reflector, Cub A Style, LH
33.	777X44056	Reflector, Cub A Style, RH
34.	783-06114	Bracket, Pivot, Hood A-Style
35.	951-04311	Tank, Fuel, 3.30 Gal.
36.	710-1652	Screw, Self-tapping, 1/4-20, .625
37.	747-05040A	Rod, Support, Fuel Tank
38.	951-10589	Cnstr, Carbon, 5 Gallon (CA)
39.	951-10590	Filter, Vent, Canister (CA)
40.	951-10610	Bracket, Adapter, Canister (CA)
41.	751-10749-14	Hose, Fuel, Low Perm, 3/16 Wht (CA)
42.	751-10750-28	Hose, Fuel, Low Perm, 7/32 Yel (CA)
43.	751-12118	Valve, Rollover Grommet
44.	735-04081	Grommet, Rubber, 23.0 ID
45.	951-12179B	Cap, Fuel
	951-12426A	Cap, Fuel Carb
46.	625-05000	Key, Assembly
47.	735-04170	Gasket, Fuel Tank
48.	925-0963	Lamp, 12v
49.	731-1999	Plug, Choke
	746-04120	Choke Control (Kaw.)
50.	925-06119	Module Switch, Ignition
51.	946-04617	Cable, Throttle/Choke, 28"
	946-1086	Cable, Throttle, 39" (Kaw.)
52.	783-08613	Hood Plate
53.	731-06936	Plenum

# Drive System (Tuff Torq)



## Drive System (Tuff Torq)

Ref.	Part Number	Description
1.	918-05010	Transmission, Tuff Torq K46
2.	710-0378	Hex Screw, 5/16-18, 2.50, Gr5, Std
3.	710-0599	Screw, Self-tapping, 1/4-20, 0.500
4.	710-0817	Screw, Self-tapping, 5/16-18, 1.250
5.	710-04484	Screw, Self-tapping, 5/16-18, .750
6.	710-3180	Hex Screw, 5/16-18, 1.75, Gr5
7.	710-1007	Screw, Self-tapping, 3/8-16, 1.500
8.	710-1325	Screw, Self-tapping, 1/4-20, 1.625
9.	710-3011	Hex Screw, 3/8-16, 2.25, Gr5
10.	912-0240	Nut, Jam, 7/16-20, Gr2
11.	914-0111	Pin, Cotter, 3/32, 1.0
12.	712-04063	Nut, Flange Lock, 5/16-18, Nylon
13.	912-0431	Nut, Flange Lock, 3/8-16
14.	914-0111	Pin, Cotter, 3/32, 1.0
15.	725-05335	Jumper Harness, Ground & Reverse
16.	747-05447	Rod, Control, Tuff-Torq
17.	747-05448	Rod, Hydro Bypass
18.	747-05452	Rod, Brake, NX9 Tuff-Torq
19.	750-05512	Spacer, .330 x .715 x .430
20.	954-04297	Belt, V-Type
21.	783-06849	Bracket, Mount, Tuff-Torq
22.	783-07349	Bracket, NX9 Tuff Torq
23.	783-07260	Bracket, Belt Keeper
24.	732-04792	Spring, Extension, 1.00 Dia x 4.75
25.	732-0716D	Spring, Extension, .59 Od x 4.00
26.	710-1026	Screw, Self-tapping, 1/4-20 x 1.75
27.	936-0185	Washer, Flat, .375 x .738 x .063
28.	735-04118A	Pad, Pedal, Forward
29.	735-04135	Pad, Pedal, Reverse
30.	936-0344	Wash, Flat, .385 x 1.00 x .030
31.	738-0430	Scr, Shldr, .50 x .685 3/8-16
32.	736-0242	Washer, Bell, .340 x .872 x .060

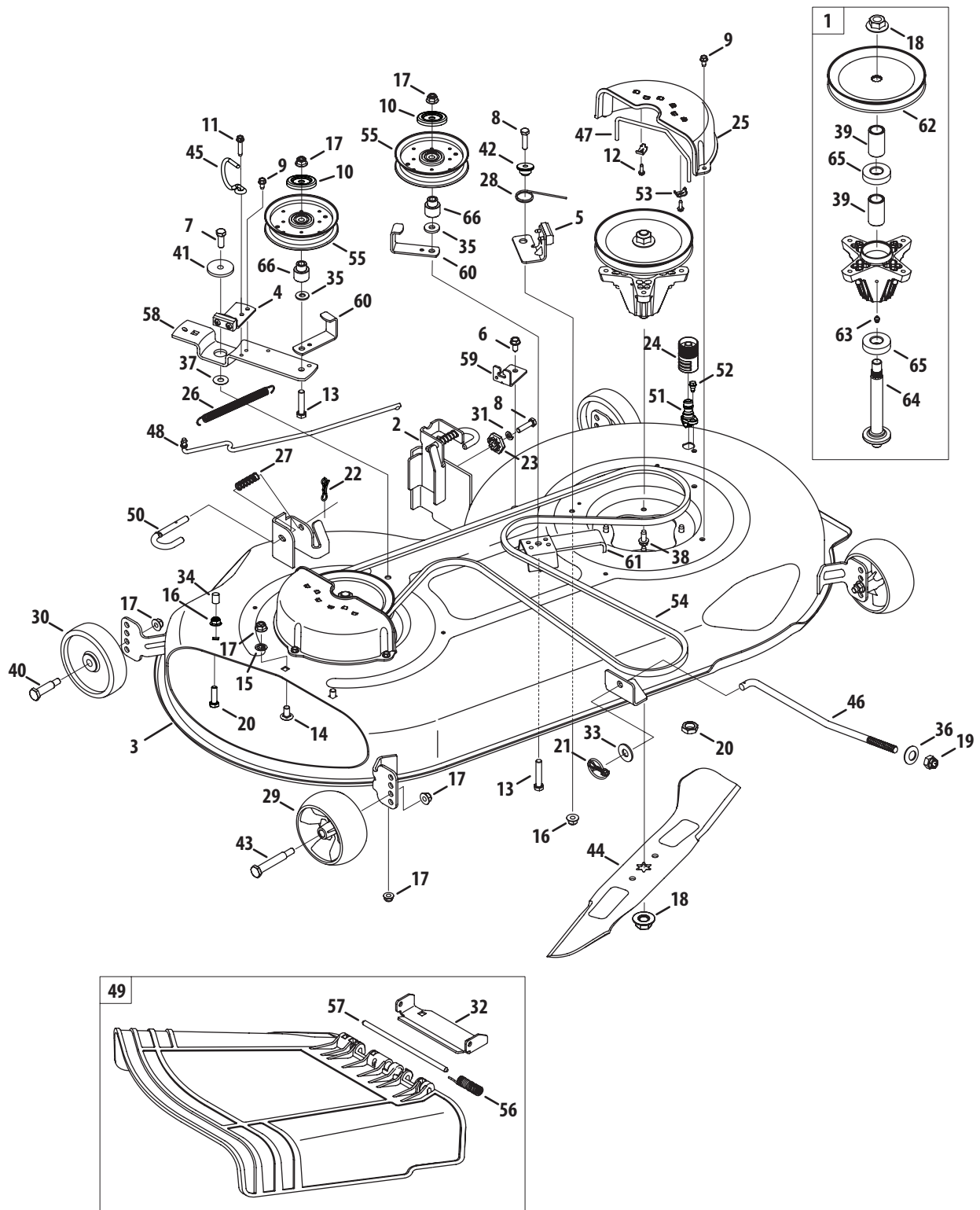
Ref.	Part Number	Description
33.	710-05339	Screw, 5/16-24 x .750
34.	738-04420	Spacer, Shoulder, 1.375 x .380 x .183
35.	736-0430	Washer, Flat, .350 x 1.59 x .062
36.	747-04957A	Rod, Transmission, Bypass
37.	750-04456	Spacer, .260 x .372 x 1.420
38.	756-04224	Pulley, Idler, Flat 2.75 OD
39.	731-2290A	Cap, Hub
40.	938-0380	Bolt, Shoulder, .500 x .270, 3/8-16
41.	741-0495	Bearing, Flange, .630 x .695 x .60
42.	748-04203	Latch, Cruise
43.	756-04325	Pulley, Idler, V-Type x 3.06
44.	783-06027B	Bracket, Idler, Center Double
45.	783-05914	Bracket, Support, Pedal Strap
46.	783-05940	Bracket, Support, Pedal Strap 5/8
47.	783-06103A	Bracket, Pedal, Brake
48.	647-04152D	Control Assembly, Brake
49.	683-04488	Bracket Assembly, Pedal, Hydro
50.	710-0604A	Screw, Self-tapping, 5/16-18, 0.625,
51.	711-05068A	Pin, Clevis, 5/16 x 3.985
52.	712-04065	Nut, Flange Lock, 3/8-16, Nylon
53.	714-04040	Pin, Cotter, Bow-Tie 72
54.	783-06059	Bracket, Pedal, Hydro
55.	726-0214	Cap, Push 5/8
56.	732-04587	Spring, Extension, .63 Dia x 4.95
57.	735-04136	Pad, Pedal, Brake
58.	731-05299A	Sleeve, .765 Id x 1.500
59.	710-0216	Hex Cap Screw, 3/8-16 x .75
60.	783-07295	Bracket, Mount
61.	783-07347	Bracket, Belt
62.	783-07350	Bracket, Support
63.	936-0275	Flat Washer, .344 x .688 x .065



Ref.	Part Number	Description	Ref.	Part Number	Description
1.	918-04822A	Spindle Ass'y, Pulley, 6.3 Dia	35.	921-04041	Adapter, Water Port
2.	683-0254B	Bracket Ass'y, Deck, Hanger LH	36.	738-04162C	Spacer, Shoulder, .8840 x .190
3.	983-04511	Brake Ass'y, Deck, 42/46	37.	710-1260A	Screw, Self-tapping, 5/16-18, 0.750,
4.	983-04525	Brake Ass'y, Deck, 46"	38.	938-3056	Bolt, Shoulder, .496 x 2.50, 3/8-16
5.	983-04598A	Deck Ass'y, Offset, 42"	39.	942-04312	Blade, Cut, 21.23" 2-In-1, Cub
6.	710-04484	Screw, Self-tapping, 5/16-18, .750,	40.	747-05323	Rod, Keeper, Belt 42 Idler
7.	710-3005	Hex Screw, 3/8-16, 1.25, Gr5, Std	41.	747-04944B	Rod, Lift, Deck, Frt, 13.7
8.	710-0528	Hex Screw, 5/16-18, 1.25, Gr5, Std	42.	747-05105B	Rod, Control, Brake 42"
9.	710-0599	Screw, Self-tapping, 1/4-20, 0.500,	43.	631-05191	Chute Ass'y, Deflector 42" Offset
10.	710-0376	Hex Cap Screw, 5/16-18 x 1.00	44.	747-1116	Rod, Handle, Deck Rel .375 Dia
11.	710-0642	Screw, Self-tapping, 1/4-20, .750,	45.	748-04272	Spacer, Shoulder, .50 x .145
12.	710-3144	Hex Screw, 3/8-16, 2.00, Gr5, Std	46.	734-0973	Wheel, Deck
13.	710-3178	Bolt, Carriage, 3/8-16, 0.75, Gr1	47.	954-04060B	Belt, V Type, A Sec x 96.5
14.	712-0229	Nut, Push, 3/8	48.	756-05042	Pulley, Idler, 4.25"Dia
15.	712-04063	Nut, Flange Lock, 5/16-18, Grf,	49.	711-04847B	Pin, Hinge, Dia .3125 x 7.96
16.	712-04065	Nut, Flange Lock, 3/8-16, Grf,	50.	783-04740	Bracket, Cable, Deck Engage
17.	712-0417A	Nut, Flange, 5/8-18	51.	732-04372	Spring, Torsion, .44 I.D. x 2.0
18.	712-05046	Hex Nut, 1/2-13	52.	783-05946	Bracket, Idler, Pivot, 46
19.	720-05010	Cap, .290 x .500	53.	783-06243	Bracket, Cable, Deck Engage
20.	753-04070	Pin, Lynch, .1875	54.	783-06368A	Bracket, Guard, Belt, 4.25 Pulley
21.	914-0470	Pin, Cotter, 1/8 x 1.25	55.	731-06496	Cover, Belt, Universal
22.	917-04074	Gear, Deck, Adjustment	56.	783-06632	Stop, LH, 42 Deck
23.	932-0384	Spring, Extension, .62 Dia x 6.12	57.	783-06643	Bracket, Support, Stationary Idler
24.	732-04652	Spring, Comp, .535 OD x 1.751	58.	748-05029A	Shoulder Spacer, Idler
25.	732-04840	Spring, Torsion, .992 I.D x 1.17 O.D	59.	936-0351	Washer, Flat, .760 Idx1.50 OD
26.	734-04155	Wheel, Deck, 5.0 Dia Ball	60.	738-1186A	Shift, Spindle, 6.11.
27.	936-0119	Washer, Lock, 5/16, Regular Duty	61.	941-0919B	Bearing, Ball, .787id x 1.85 Odx.551
28.	938-0373	Bolt, Shoulder, .496 x 1.525, 3/8-16	62.	750-04936	Spacer, .792 x 1.060 x 1.860
29.	936-0179	Washer, Flat, .531 x 1.25 x .100	63.	956-1227	Pulley, Deck, 6.3 Dia
30.	731-07487	Deck Wash Nozzle	64.	783-06074A	Bkrt, Chute, 42
31.	738-04278	Shoulder Screw, 1/4-20 x 0.50	65.	747-05011	Rod, Keeper, Belt
32.	736-0262	Washer, Flat, .385 x .870 x .092	66.	710-04669	Screw, B, #10-16, 0.625
33.	736-0317	Washer, Bell, .63 x 1.25 x .18	67.	751B221535	Clamp, Casing
34.	783-08389	Pulley Cap			



# 46-inch Deck

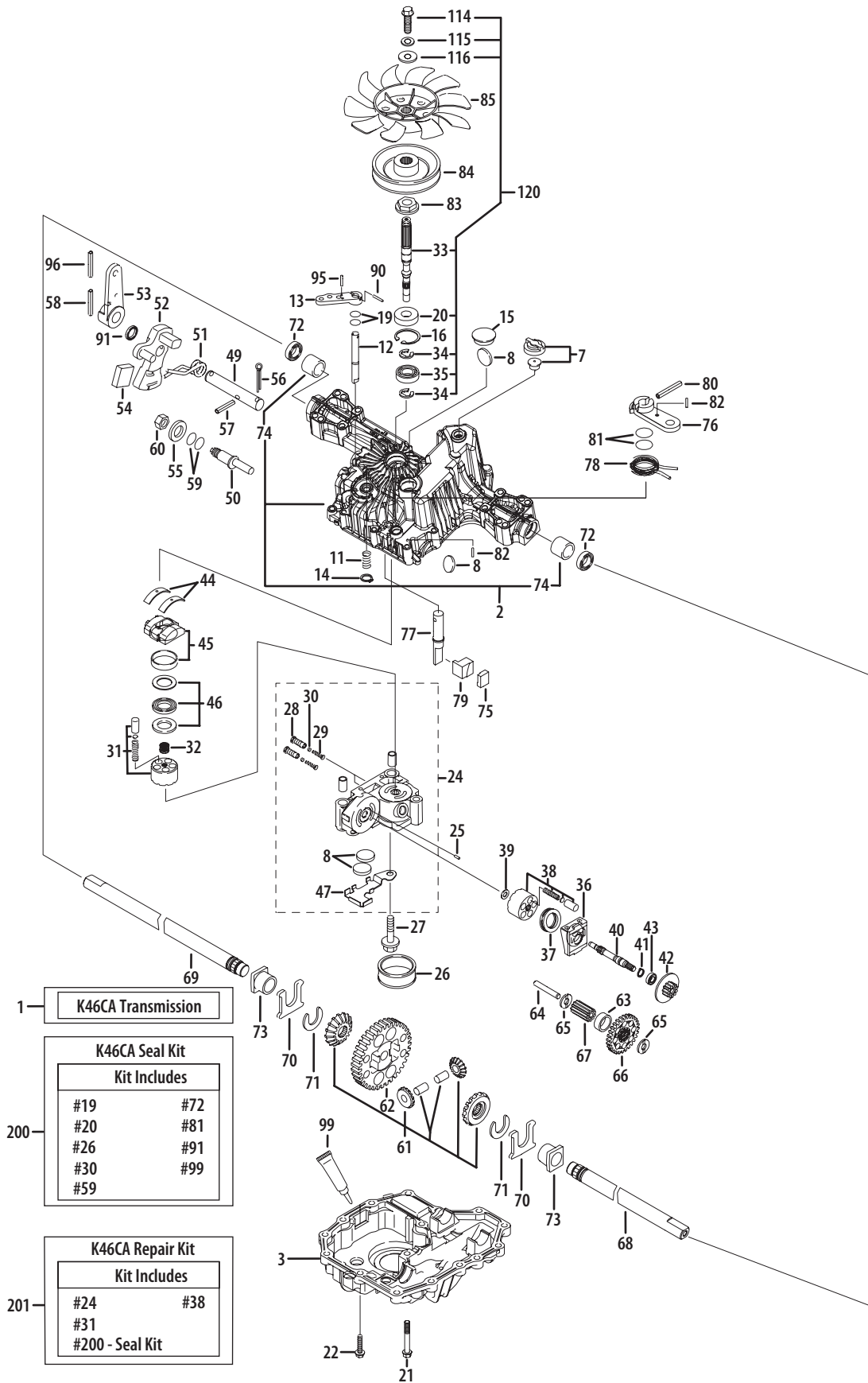




Ref.	Part Number	Description
1.	918-04865A	Spindle Assembly, Pul 6.93 Dia
2.	683-0254B	Bracket Assembly, Deck Hanger, LH
3.	983-04468B	Deck Assembly, Offset, 46"
4.	983-04511	Brake Assembly, Deck, 42/46
5.	983-04525	Brake Assembly, Deck, 46"
6.	710-04484	Screw, Self-tapping, 5/16-18, .750,
7.	710-0514	Hex Screw, 3/8-16, 1.00, Gr5, Std
8.	710-0528	Hex Screw, 5/16-18, 1.25, Gr5, Std
9.	710-0599	Screw, Self-tapping, 1/4-20, 0.500
10.	783-08389	Pulley Cap
11.	710-0642	Screw, Self-tapping, 1/4-20, .750
12.	710-04669	Screw, B, #10-16, 0.625
13.	710-3144	Hex Screw, 3/8-16, 2.00, Gr5, Std
14.	710-3178	Bolt, Carriage, 3/8-16, 0.75, Gr1
15.	712-0229	Nut, Push, 3/8
16.	712-04063	Nut, Flange Lock, 5/16-18, Nylon
17.	712-04065	Nut, Flange Lock, 3/8-16, Nylon
18.	712-0417A	Nut, Flange, 5/8-18
19.	712-05046	Hex Nut, 1/2-13
20.	710-0376	Hex Cap Screw, 5/16-18 x 1.00
21.	753-04070	Pin, Lynch, .1875
22.	714-04040	Bow-Tie Cotter Pin, 72
23.	917-04074	Gear, Deck Adjustment
24.	921-04041	Adapter, Water Port
25.	731-06496	Belt Cover, Universal
26.	932-0384	Spring, Extension, .62 x 6.12
27.	732-04652	Spring, Compression, .535 x 1.751
28.	732-04840	Spring, Torsion, .992 I.D x 1.17 O.D
29.	734-04155	Wheel, Deck, 5.0 Dia Ball
30.	734-0973	Wheel, Deck 5.0 x 1.38
31.	936-0119	Washer, Lock, 5/16, Regular Duty
32.	783-06074A	Bracket, Chute, 46
33.	936-0179	Washer, Flat, .531 x 1.25 x .100

Ref.	Part Number	Description
34.	720-05010	Cap, .290 x .500
35.	736-0262	Washer, Flat, .385 x .870 x .092
36.	736-0317	Washer, Bell, .63 x 1.25 x .18
37.	936-0344	Washer, Flat, .385 x 1.0 x .030
38.	710-1260A	Self Tapping Screw, 5/16-18 x .75
39.	750-04936	Spacer, .792 x 1.060 x 1.860 Lg
40.	938-0373	Bolt, Shoulder, .496 x 1.525, 3/8-16
41.	738-04162C	Spacer, Shoulder, .8840 x .190
42.	748-04272	Spacer, Shoulder, .50 x .145
43.	938-3056	Bolt, Shoulder, .496 x 2.50, 3/8-16
44.	942-04244A	Blade, Cut, 23.25" 2-In-1, Cub
45.	747-05323	Rod, Belt Keeper, 42 Idler
46.	747-04944B	Rod, Lift, Deck, Frt, 13.7
47.	747-05011	Rod, Keeper, Belt
48.	747-05052A	Rod, Control, Brake 46"
49.	631-05191	Chute Assembly, 46" Offset Cub
50.	747-1116	Rod, Deck Release
51.	731-07487	Deck Wash Nozzle
52.	738-04278	Shoulder Screw, 1/4-20 x 0.50
53.	751B221535	Clamp, Casing
54.	954-04219	Belt, V-Type, A-Sec
55.	756-05042	Pulley, Idler, 4.25"Dia
56.	732-04372	Spring, Torsion, .44 I.D. x 2.0
57.	711-04847B	Pin, Hinge, 7.96
58.	783-05946	Bracket, Idler, Pivot, 46
59.	783-06243	Bracket, Cable, Deck Engagement
60.	783-06368A	Bracket, Guard, Belt, 4.25 Pulley
61.	783-06643	Bracket, Support, Deck Idler
62.	756-04356	Pulley, Deck, 6.93 Dia
63.	937-3000	Lube Fitting, 3/16
64.	738-1186A	Shaft, Spindle, 6.11 Lg.
65.	941-0919A	Bearing, Ball, .787 x 1.85 x .551
66.	748-05029A	Shoulder Spacer, Idler

# Hydrostatic Transmission (Tuff-Torq 918-05010)



1 - K46CA Transmission

200 - K46CA Seal Kit

Kit Includes

#19	#72
#20	#81
#26	#91
#30	#99
#59	

201 - K46CA Repair Kit

Kit Includes

#24	#38
#31	
#200 - Seal Kit	

## Hydrostatic Transmission (Tuff-Torq 918-05010)

Ref.	Part Number	Description
1	918-05010	K46CA Transaxle
2	TT-1A646084431	Kit, Upper Case
3	TT-1A646084181	Lower Case
7	TT-168T2024250	Vent Valve 15
8	TT-19216324360	Magnet
11	TT-19215427281	Spring 25
12	TT-1A646029510	Bypass Shaft A
13	TT-1A632029520	Bypass Lever
14	TT-19216829570	Snap Ring 10
15	TT-168T2036300	Sealing Cap 30
16	TT-22252000350	Snap Ring C 35
19	TT-24311240100	O-Ring 1A P10A
20	TT-24421153507	Seal TC 153507
21	TT-26476080552	Tapping Screw 8 x 55
22	TT-26476080302	Tapping Screw 8 x 30
24	TT-1A646099070	Kit, Center Case C
25	TT-19216824760	Pin 3 x 9.8
26	TT-168T2025220	Filter 105
27	TT-168T2099990	Bolt 10 x 75
28	TT-1A646024800	IDS Valve 1.2
29	TT-1A646024761	IDS Spring
30	TT-1A646024790	IDS Filter 300
31	TT-168T2025090	Kit, Cylinder Block (Pump)
32	TT-1A646025200	Spring
33	TT-1A646025230	Pump Shaft
34	TT-22272-000120	E-Ring 15
35	TT-24101062020	Bearing 6202C3
36	TT-19216824210	Motor Housing
37	TT-1A646034750	Thrust Bearing 51106
38	TT-168T2025080	Kit, Cylinder Block
39	TT-19216825230	Washer 12 x 24 x 1
40	TT-1A646025271	Motor Shaft
41	TT-19215425310	Snap Ring C15
42	TT-1A646025400	Brake Disc/Motor Gear (11T)
43	TT-168T2025280	Bearing 6202 RSR C3
44	TT-187T0027060	Thrust, Plastic
45	TT-168T2084530	Swash Plate Assembly
46	TT-19216399000	Kit, Thrust Bearing (Pump)
47	TT-1A646029010	Magnet Holder

Ref.	Part Number	Description
49	TT-1A646029911	Control Shaft
50	TT-168T2029920	Fulcrum
51	TT-168T2029800	Torsion Spring, Standard
52	TT-1A646029740	Control Arm A
53	TT-1A646029400	Control Lever F
54	TT-168T2029360	Jerky Plate
55	TT-22137120000	Washer 12
56	TT-1A646029940	Cotter Pin 1/8" x 3/4"
57	TT-22351060036	Spring Pin 6 x 36
58	TT-22351060040	Roll Pin 6 x 40
59	TT-24311000140	O-Ring P14
60	TT-26776120002	Nut 12
61	TT-1A646031570	Diff Gear Kit
62	TT-1A646033520	Final Gear (54T)
63	TT-1A646033250	Final Pinion Collar
64	TT-1A646033410	Reduction Shaft
65	TT-19216833420	Washer 12 x 32 x 3.2
66	TT-1A646033450	Reduction Gear (37T)
67	TT-168T2033540	Final Pinion Gear (10T)
68	TT-1A646034370	Axle Shaft, Left
69	TT-1A646034380	Axle Shaft, Right
70	TT-19216334261	Thrust Washer
71	TT-19216834270	Ring 17
72	TT-19216334280	Seal 19 x 32 x 8
73	TT-19216834350	Bushing 19 x 25
74	TT-19216334240	Bushing 19.05
75	TT-1A646036121	Brake Shoe
76	TT-1A646036160	Brake Lever
77	TT-1A646036171	Brake Shaft
78	TT-168T2036180	Brake Return Spring
79	TT-1A646036200	Brake Actuator
80	TT-22351050032	Spring Pin 5 x 32
81	TT-24311000120	O-Ring 1A P12
82	TT-22351040016	Spring Pin 4 x 16
83	TT-1A646025300	Spline Collar
84	TT-1A646025760	Pulley B
85	TT-1A646083070	Fan, Black
90	TT-22351030020	Spring Pin 3.0A x 20
91	TT-1A646024440	Oil Seal 16 x 22 x 03

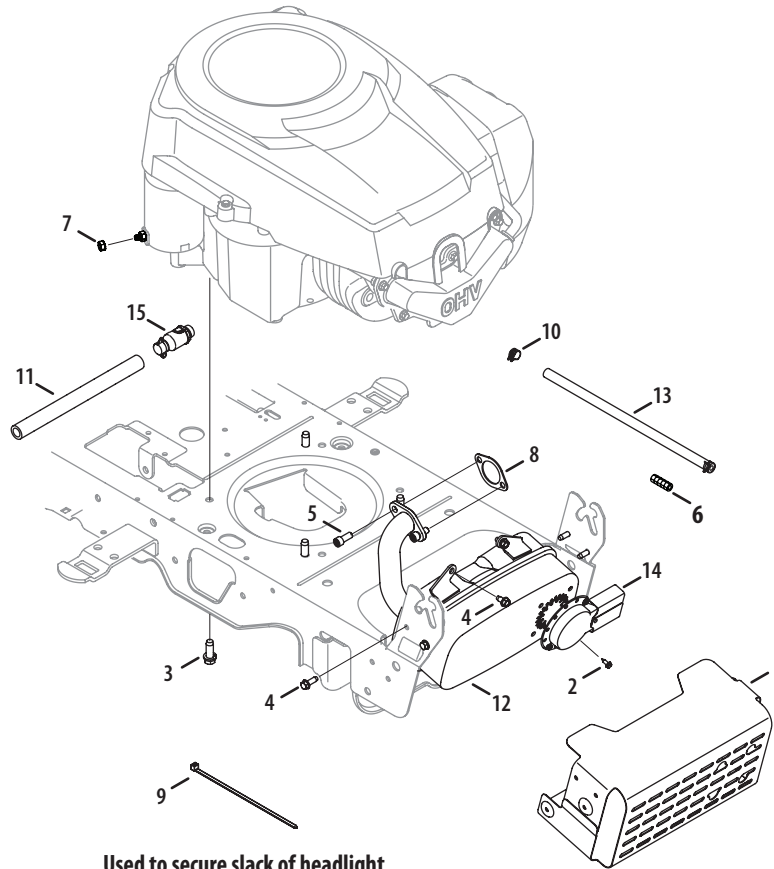
Continued on next page

## Hydrostatic Transmission (Tuff-Torq 918-05010)

Ref.	Part Number	Description
95	TT-22351030016	Spring Pin 3.0A x 16
96	TT-22351035040	Roll Pin 3.5 x 40
99	N/A	Sealant
114	TT-1A646083090	Bolt
115	TT-1A646083100	Lock Washer
116	TT-1A646083110	Washer
120	TT-1A646099980	Pump Shaft/Bearing Kit
200	TT-1A646099140	Kit, Seal Incl. 19, 20, 26, 30, 59, 72, 81, 91 & 99
201	TT-1A646099600	Repair Kit, Incl. 24, 31, 38 & 200

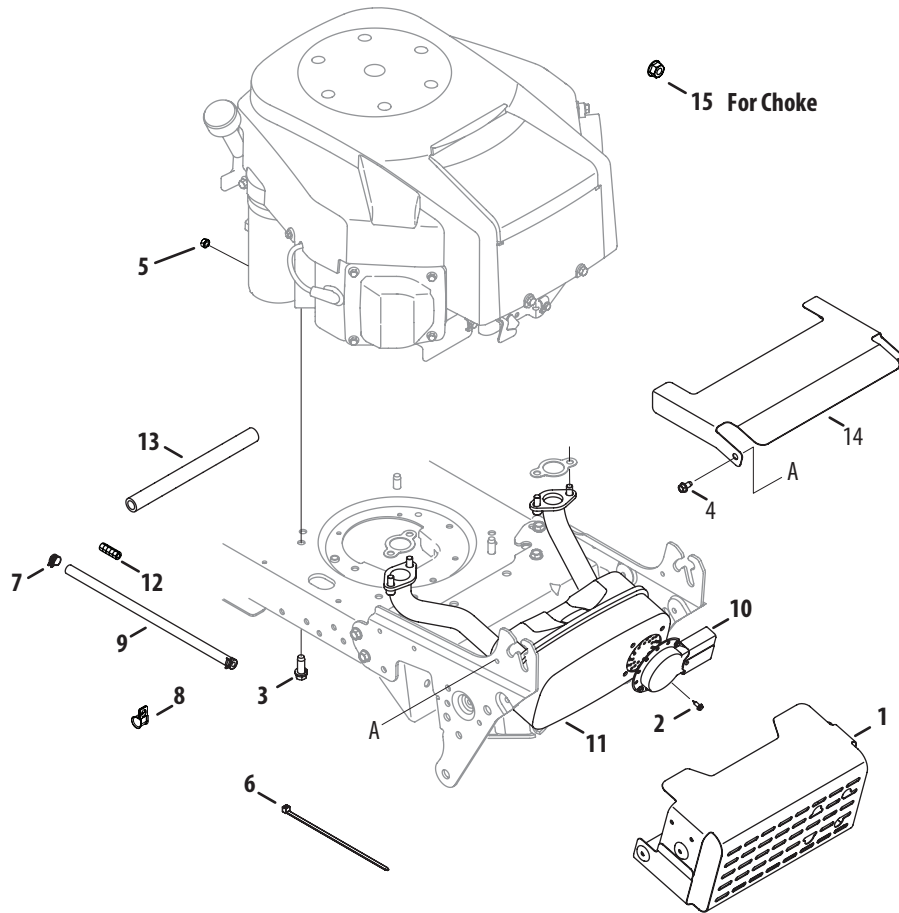
**Page Left Blank Intentionally**

## Engine Accessories (Kohler Single)



Used to secure slack of headlight harness to hood hinge

Ref.	Part Number	Description
1.	683-04549	Shield Ass'y, Muffler
2.	710-0227	Screw, Ab, #8-18, 0.500,
3.	710-04683A	Screw, Self-tapping, 3/8-16, 1.000,
4.	710-0599	Screw, Self-tapping, 1/4-20, 0.500,
5.	710-1314A	Screw, Socket Head, 5/16-18, .750
6.	751-12089-28	Hose, Vent
7.	712-0271	Nut, Sems, 1/4-20
8.	KH-20-041-12-S	Gasket, Exhaust
9.	725-0157	Cable, Tie, 3/16 x .05 x 7.4
10.	726-0205	Clamp, Hose, .490 Dia.
11.	751-3141-14	Hose, Extension, Oil Drain
12.	751-11943A	Muffler, Single, Kohler
13.	751-10349-16	Hose, Fuel, Low Permeation, 1/4
14.	751-11053A	Deflector, Muffler, Long
15.	951-10517A	Drain, Oil



Ref.	Part Number	Description
1.	683-04549	Shield Ass'y, Muffler
2.	710-0227	Screw, Ab, #8-18, 0.500,
3.	710-1315	Screw, Self-tapping, 3/8-16, 1.250,
4.	710-0599	Screw, Self-tapping, 1/4-20, 0.500,
5.	712-0271	Nut, Sems, 1/4-20
6.	725-0157	Cable, Tie, 3/16 x .05 x 7.4
7.	726-0205	Clamp, Hose, .490 Dia.
8.	726-0475	Clamp, 1.0 Dia.
9.	751-10349-16	Hose, Fuel, Low Permeation, 1/4
10.	751-11053A	Deflector, Muffler, Long
11.	751-11471A	Muffler, Twin, Kawasaki
	751-11278	Muffler, Twin, kawasaki (CA)
12.	751-12089-28	Hose, Vent
13.	751-3141-14	Hose, Extension, Oil Drain
14.	783-06378A	Heat Shield
15.	912-3005	Nut, 3/8-16, Flangelock

# LTX 1042 Labels

777D15338



777D16533



777D16298



777I23301



777D15269



777S33233

**⚠ DANGER**  
**ROTATING BLADES CAUSE SERIOUS INJURY OR DEATH**  
 • DO NOT MOW WHEN CHILDREN OR OTHERS ARE AROUND  
 • NEVER CARRY CHILDREN EVEN WITH BLADES OFF.  
 • LOOK DOWN AND BEHIND BEFORE AND WHILE BACKING.  
 • MOWING IN REVERSE IS NOT RECOMMENDED.

**⚠ WARNING**  
**TO AVOID SERIOUS INJURY OR DEATH**  
 • GO UP AND DOWN SLOPES, NOT ACROSS.  
 • AVOID SUDDEN TURNS.  
 • DO NOT OPERATE THE UNIT WHERE IT COULD SLIP OR TIP.  
 • IF MACHINE STOPS GOING UPHILL, STOP BLADE(S) AND BACK DOWNHILL SLOWLY.  
 • KEEP SAFETY DEVICES (GUARDS, SHIELDS, AND SWITCHES, ETC.) IN PLACE AND WORKING.  
 • REMOVE OBJECTS THAT COULD BE THROWN BY THE BLADE(S).  
 • KNOW LOCATION AND FUNCTION OF ALL CONTROLS.  
 • BE SURE BLADE(S) AND ENGINE ARE STOPPED BEFORE PLACING HANDS OR FEET NEAR BLADE(S).  
 • BEFORE LEAVING OPERATOR'S POSITION, DISENGAGE BLADE(S), ENGAGE PARKING BRAKE, SHUT OFF AND REMOVE KEY.

**READ OPERATOR'S MANUAL**

**⚠ WARNING**  
 Operation Of This Equipment May Create Sparks That Can Start Fires Around Dry Vegetation. A Spark Arrestor May Be Required. The Operator Should Contact Local Fire Agencies For Laws Or Regulations Relating To Fire Prevention Requirements.

**TO START**  
 1. DISENGAGE BLADES/PTO, (POWER TAKE OFF)  
 2. ENGAGE THE TRACTOR'S PARKING BRAKE.  
 3. ACTIVATE THE CHOKE CONTROL.  
 4. TURN KEY TO START ENGINE, AFTER START RELEASE KEY & DEACTIVATE CHOKE BY PLACING THROTTLE TO FAST "RABBIT" POSITION.

**OPERATING MODES**  
**NORMAL MOWING**  
 YOU MUST DISENGAGE BLADES/PTO, (POWER TAKE OFF) BEFORE TRAVELING IN REVERSE.  
**REVERSE CAUTION MODE**  
 1. TURN KEY TO REVERSE CAUTION MODE POSITION.  
 2. DEPRESS REVERSE PUSH BUTTON. (RED INDICATOR LIGHT "ON")  
 WHEN RED LIGHT IS "ON" MACHINE CAN BE OPERATED IN REVERSE WITH MOWER BLADES ENGAGED.  
 IMPORTANT: MOWING IN REVERSE IS NOT RECOMMENDED.  
 3. AFTER RESUMING FORWARD OPERATION, RETURN KEY TO "NORMAL MOWING" POSITION.  
 NOTE: IN BOTH MODES, WHEN OPERATOR LEAVES SEAT, ENGINE WILL STOP UNLESS PARKING BRAKE IS SET AND BLADES ARE DISENGAGED.

**LOWER DASH**  
**PARKING BRAKE**  
 DEPRESS BRAKE PEDAL, PUSH PARKING BRAKE LEVER DOWN AND RELEASE PEGAL TO LOCK  
**CRUISE CONTROL**  
 DEPRESS SPEED CONTROL PEGAL TO DESIRE SPEED, PUSH CRUISE CONTROL LEVER DOWN AND RELEASE PEGAL, PRESS BRAKE OR SPEED CONTROL TO RELEASE

**For A List Of Optional Attachments, Please Refer To Your Operators Manual.**

777D15268



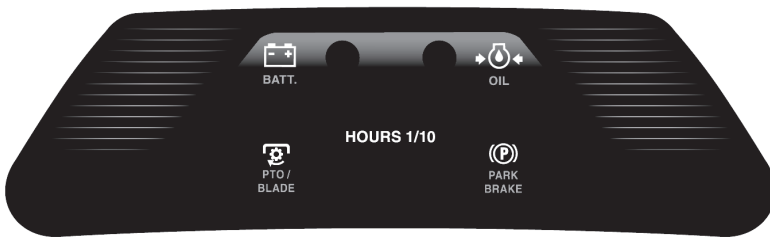
777S35012

**⚠ DANGER**  
**AVOID SERIOUS INJURY OR DEATH**  
 • KEEP HANDS AND FEET AWAY FROM ROTATING PARTS  
 • REMOVE OBJECTS THAT CAN BE THROWN BY THE BLADE IN ANY DIRECTION. WEAR SAFETY GLASSES.  
 • DO NOT MOW WHEN CHILDREN OR OTHERS ARE AROUND.  
 • NEVER CARRY CHILDREN EVEN WITH BLADES OFF.  
 • USE EXTRA CAUTION ON SLOPES. DO NOT MOW SLOPES GREATER THAN 15°. MOW UP AND DOWN NOT ACROSS. AVOID SUDDEN TURNS. USE LOW SPEED.  
 READ OPERATOR'S MANUAL. KEEP SAFETY DEVICES IN PLACE AND WORKING

777D15397



777I23490



777I23294



777D15442



777D15443



777I23132



777X46549

**MODEL LTX 1042 REPLACEMENT PARTS**

**Use only Cub Cadet genuine factory parts**

Blades	942-04312 (2)	Oil Filter	KH-12-050-01-S
Lower Drive Belt	954-04207	Air Filter W/ Pre-Cleaner	KH-20-883-03-S1
Deck Spindle Belt	954-04060B	Spark Plug	KH-12-132-02-S
Deck Spindles	919-04822A	Fuel Filter	KH-25-050-22-S1
Ignition Key	925-2054A		
Solenoid	725-04439		

[www.cubcadet.com](http://www.cubcadet.com) X46549

777S33896

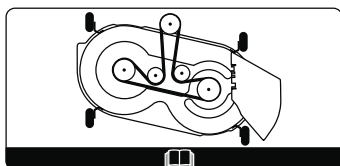
**⚠ DANGER**  
**KEEP HANDS AND FEET AWAY. DO NOT OPERATE MOWER UNLESS CHUTE DEFLECTOR OR ENTIRE GRASS CATCHER IS IN ITS PROPER PLACE.**

**ASSEMBLE CHUTE DEFLECTOR TO THIS UNIT BEFORE OPERATING.**

777I23133



777I23092





777D15338



777S33185

**⚠ DANGER**  
**ROTATING BLADES CAUSE SERIOUS INJURY OR DEATH**

- DO NOT MOW WHEN CHILDREN OR OTHERS ARE AROUND
- NEVER CARRY CHILDREN EVEN WITH BLADE(S) OFF.
- LOOK DOWN AND BEHIND BEFORE AND WHILE BACKING.
- MOWING IN REVERSE IS NOT RECOMMENDED.

**⚠ WARNING**  
**TO AVOID SERIOUS INJURY OR DEATH**

- GO UP AND DOWN SLOPES, NOT ACROSS.
- AVOID SUDDEN TURNS.
- DO NOT OPERATE THE UNIT WHERE IT COULD SLIP OR TIP.
- IF MACHINE STOPS GOING UPHILL, STOP BLADE(S) AND BACK DOWNHILL SLOWLY.
- KEEP SAFETY DEVICES (GUARDS, SHIELDS, AND SWITCHES, ETC.) IN PLACE AND WORKING.
- REMOVE OBJECTS THAT COULD BE THROWN BY THE BLADE(S).
- KNOW LOCATION AND FUNCTION OF ALL CONTROLS.
- BE SURE BLADE(S) AND ENGINE ARE STOPPED BEFORE PLACING HANDS OR FEET NEAR BLADE(S).
- BEFORE LEAVING OPERATOR'S POSITION, DISENGAGE BLADE(S), ENGAGE PARKING BRAKE, SHUT OFF AND REMOVE KEY.

**READ OPERATOR'S MANUAL**

**⚠ WARNING**  
 Operation Of This Equipment May Create Sparks That Can Start Fires Around Dry Vegetation. A Spark Arrestor May Be Required. The Operator Should Contact Local Fire Agencies For Laws Or Regulations To Fire Prevention Requirements.

**OPERATING MODES**

**NORMAL MOWING**  
 YOU MUST DISENGAGE BLADES/PTO, (POWER TAKE OFF) BEFORE TRAVELING IN REVERSE.

**REVERSE CAUTION MODE**

- TURN KEY TO REVERSE CAUTION MODE POSITION.
- DEPRESS REVERSE PUSH BUTTON. (RED INDICATOR LIGHT "ON")

WHEN RED LIGHT IS "ON" MACHINE CAN BE OPERATED IN REVERSE WITH MOWER BLADES ENGAGED.

IMPORTANT: MOWING IN REVERSE IS NOT RECOMMENDED.

- AFTER RESUMING FORWARD OPERATION, RETURN KEY TO "NORMAL MOWING" POSITION.

**NOTE:** IN BOTH MODES, WHEN OPERATOR LEAVES SEAT, ENGINE WILL STOP UNLESS PARKING BRAKE IS SET AND BLADES ARE DISENGAGED.

**LOWER DASH**

**PARKING BRAKE**  
 DEPRESS BRAKE PEDAL, PUSH PARKING BRAKE LEVER DOWN AND RELEASE PEDAL TO LOCK

**CRUISE CONTROL**  
 DEPRESS SPEED CONTROL PEDAL TO DESIRED SPEED, PUSH CRUISE CONTROL LEVER DOWN AND RELEASE PEDAL, PRESS BRAKE OR SPEED CONTROL TO RELEASE

**FORWARD**  
**REVERSE**  
 (LOCATED ON DRIVERS RIGHT) DIRECTION/SPEED CONTROL PEDAL

**For A List Of Optional Attachments, Please Refer To Your Operators Manual.**

777D16533



777D16298



777I23301



777D15269



777D15268



777S35012

**⚠ DANGER**  
**AVOID SERIOUS INJURY OR DEATH**

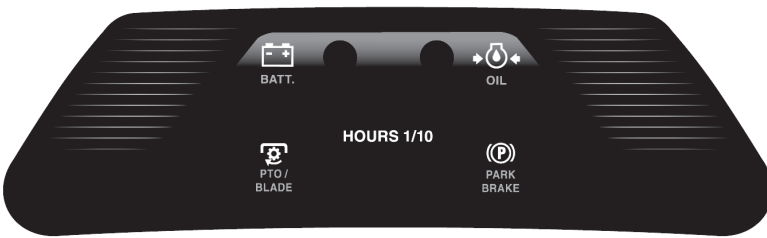
- KEEP HANDS AND FEET AWAY FROM ROTATING PARTS.
- REMOVE OBJECTS THAT CAN BE THROWN BY THE BLADE IN ANY DIRECTION. WEAR SAFETY GLASSES.
- DO NOT MOW WHEN CHILDREN OR OTHERS ARE AROUND.
- NEVER CARRY CHILDREN EVEN WITH BLADES OFF.
- USE EXTRA CAUTION ON SLOPES. DO NOT MOW SLOPES GREATER THAN 15°. MOW UP AND DOWN NOT ACROSS. AVOID SUDDEN TURNS. USE LOW SPEED.

READ OPERATOR'S MANUAL. KEEP SAFETY DEVICES IN PLACE AND WORKING.

777D15397



777I23490



777I23295



777D16948



777D16947



777I23765

**TRANSMISSION RELEASE**

**RELEASED**  
 PULL ROD OUT UNTIL YOU FEEL IT LOCKED IN PLACE.

**ENGAGED**  
 PUSH ROD IN UNTIL YOU FEEL IT LOCKED IN PLACE.

777X45805

**MODEL LTX 1042 KW REPLACEMENT PARTS**

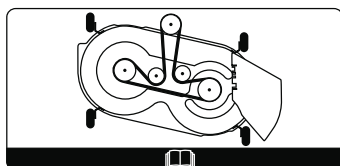
Use only Cub Cadet genuine factory parts

Blades	942-04312 (2)	Oil Filter	KM-49065-7007
Lower Drive Belt	954-04297	Air Filter	KM-11013-7050
Engine To Deck Belt	954-04060B	Spark Plug	KM-8PR4ES
Deck Spindles	918-04822A	Fuel Filter	KM-49019-7005
Ignition Key	925-2054A	Oil Capacity	57.6 oz
Solenoid	725-04439		

www.cubcadet.com

777I23133

777I23092



777S33896

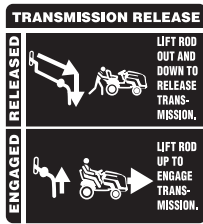
**⚠ DANGER**  
**KEEP HANDS AND FEET AWAY. DO NOT OPERATE MOWER UNLESS CHUTE DEFLECTOR OR ENTIRE GRASS CATCHER IS IN ITS PROPER PLACE.**

**ASSEMBLE CHUTE DEFLECTOR TO THIS UNIT BEFORE OPERATING.**



# LTX 1045 Labels

777I23132



777D16298



777S33233

**⚠ DANGER**

**ROTATING BLADES CAUSE SERIOUS INJURY OR DEATH**

- DO NOT MOW WHEN CHILDREN OR OTHERS ARE AROUND.
- NEVER CARRY CHILDREN EVEN WITH BLADE(S) OFF.
- LOOK DOWN AND BEHIND BEFORE AND WHILE BACKING.
- MOWING IN REVERSE IS NOT RECOMMENDED.

**⚠ WARNING**

**TO AVOID SERIOUS INJURY OR DEATH**

- GO UP AND DOWN SLOPES, NOT ACROSS.
- AVOID SUDDEN TURNS.
- DO NOT OPERATE THE UNIT WHERE IT COULD SLIP OR TIP.
- IF MACHINE STOPS GOING UPHILL, STOP BLADE(S) AND BACK DOWNHILL SLOWLY.
- KEEP SAFETY DEVICES (GUARDS, SHIELDS, AND SWITCHES, ETC.) IN PLACE AND WORKING.
- REMOVE OBJECTS THAT COULD BE THROWN BY THE BLADE(S).
- KNOW LOCATION AND FUNCTION OF ALL CONTROLS.
- BE SURE BLADE(S) AND ENGINE ARE STOPPED BEFORE PLACING HANDS OR FEET NEAR BLADE(S).
- BEFORE LEAVING OPERATOR'S POSITION, DISENGAGE BLADE(S), ENGAGE PARKING BRAKE, SHUT OFF AND REMOVE KEY.

**READ OPERATOR'S MANUAL**

**⚠ WARNING**

Operation Of This Equipment May Create Sparks That Can Start Fires Around Dry Vegetation. A Spark Arrestor May Be Required. The Operator Should Contact Local Fire Agencies For Laws Or Regulations To Fire Prevention Requirements.

**HOW TO START**

- DISENGAGE BLADES/PTO, (POWER TAKE OFF)
- ENGAGE THE TRACTOR'S PARKING BRAKE.
- ACTIVATE THE CHOKE CONTROL.
- TURN KEY TO START ENGINE, AFTER START RELEASE KEY & DEACTIVATE CHOKE BY PLACING THROTTLE TO FAST "RABBIT" POSITION.

**OPERATING MODES**

**NORMAL MOWING**

YOU MUST DISENGAGE BLADES/PTO, (POWER TAKE OFF) BEFORE TRAVELING IN REVERSE.

**REVERSE CAUTION MODE**

- TURN KEY TO REVERSE CAUTION MODE POSITION.
- DEPRESS REVERSE PUSH BUTTON, (RED INDICATOR LIGHT "ON") WHEN RED LIGHT IS "ON" MACHINE CAN BE OPERATED IN REVERSE WITH MOWER BLADES ENGAGED. IMPORTANT: MOWING IN REVERSE IS NOT RECOMMENDED.
- AFTER RESUMING FORWARD OPERATION, RETURN KEY TO "NORMAL MOWING" POSITION.

**NOTE:** IN BOTH MODES, WHEN OPERATOR LEAVES SEAT, ENGINE WILL STOP UNLESS PARKING BRAKE IS SET AND BLADES ARE DISENGAGED.

**LOWER DASH**

**PARKING BRAKE**  
DEPRESS BRAKE PEDAL, PUSH PARKING BRAKE LEVER DOWN AND RELEASE PEDAL TO LOCK

**CRUISE CONTROL**  
DEPRESS SPEED CONTROL PEDAL TO DESIRED SPEED, PUSH CRUISE CONTROL LEVER DOWN AND RELEASE PEDAL, PRESS BRAKE OR SPEED CONTROL TO RELEASE

**FORWARD**  
**REVERSE**  
(LOCATED ON DRIVER'S RIGHT) DIRECTION/SPEED CONTROL PEDAL

**For A List Of Optional Attachments, Please Refer To Your Operator's Manual.**

777D15338



777I23301



777D15269



777D15268



777D15435



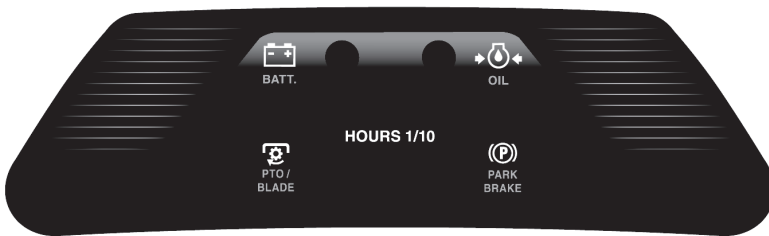
777D15436



777D15399



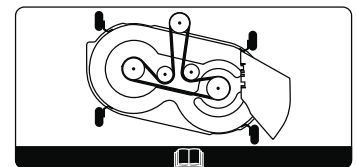
777I23490



777I23294



777I23092



777S30018

**⚠ DANGER**

**AVOID SERIOUS INJURY OR DEATH**

- KEEP HANDS AND FEET AWAY FROM ROTATING PARTS.
- REMOVE OBJECTS THAT CAN BE THROWN BY THE BLADE IN ANY DIRECTION. WEAR SAFETY GLASSES.
- DO NOT MOW WHEN CHILDREN OR OTHERS ARE AROUND. NEVER CARRY CHILDREN EVEN WITH BLADES OFF.
- USE EXTRA CAUTION ON SLOPES. DO NOT MOW SLOPES GREATER THAN 15°. MOW UP AND DOWN, NOT ACROSS. AVOID SUDDEN TURNS. USE LOW SPEED.

READ OPERATOR'S MANUAL. KEEP SAFETY DEVICES IN PLACE AND WORKING.

777S33896

**⚠ DANGER**

**KEEP HANDS AND FEET AWAY. DO NOT OPERATE MOWER UNLESS CHUTE DEFLECTOR OR ENTIRE GRASS CATCHER IS IN ITS PROPER PLACE.**

**ASSEMBLE CHUTE DEFLECTOR TO THIS UNIT BEFORE OPERATING.**

777X44897

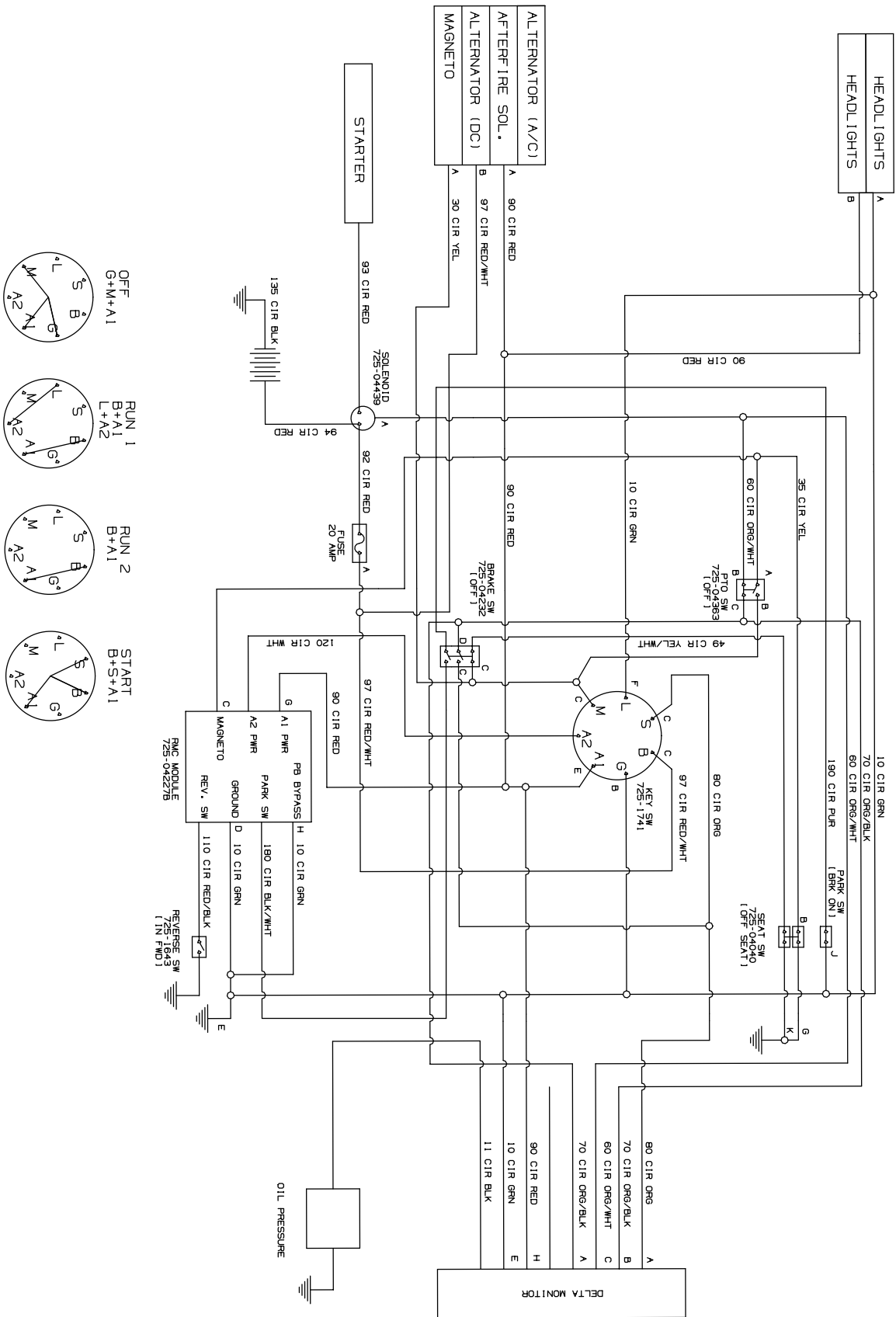
MODEL LTX 1045 REPLACEMENT PARTS			
Use only Cub Cadet genuine factory parts			
Rides	842-04244A (2)	Oil Filter	KN-12-050-01-S
Lower Drive Belt	954-04207	Air Filter W/ Pre-Cleaner	KN-20-883-02-S1
Engine To Deck Belt	954-04219	Spark Plug	759-3336
Deck Spindles	918-04855A	Fuel Filter	KN-25-050-21-S
Ignition Key	925-2054A	Oil Capacity	51.2 oz.
Solenoid	725-04439		

www.cubcadet.com

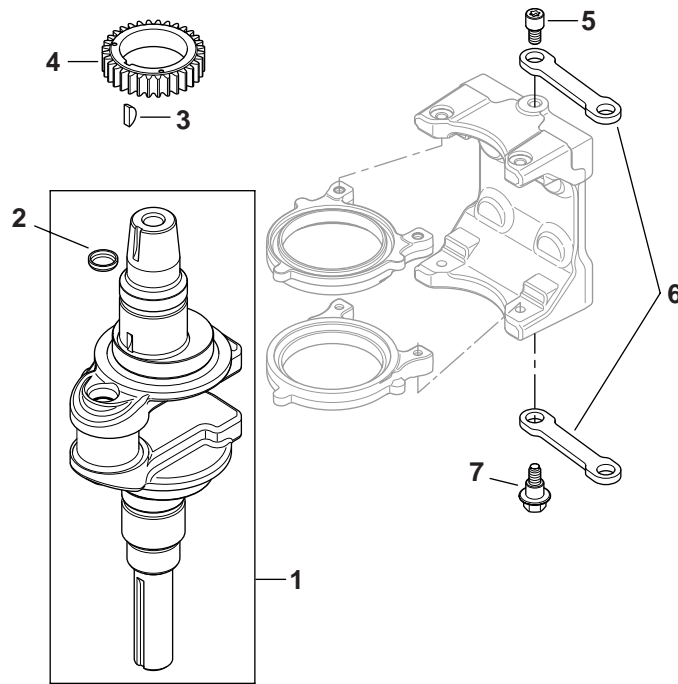
777I23133



# Electrical Schematic (725-04762B)

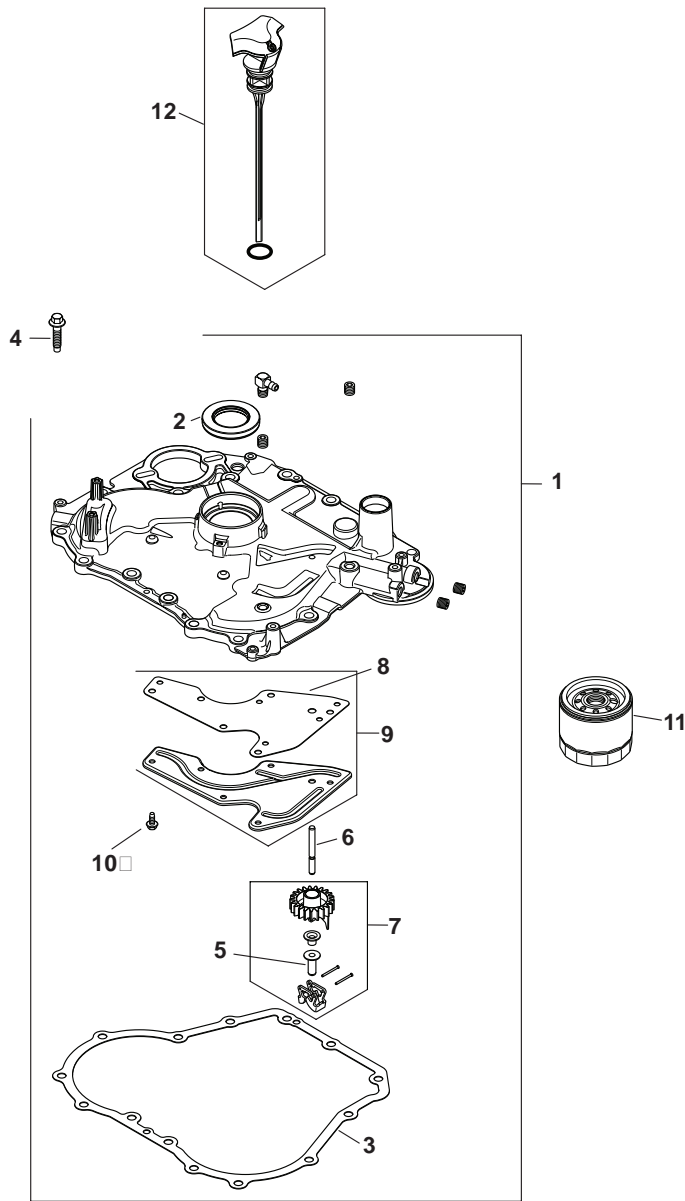


# Kohler SV600-3225 Crankshaft



Ref.	Part Number	Description
1	KH-20-014-38-S	Crankshaft Assembly Kit (Inc. 2)
2	KH-25-139-27-S	Cup Plug
3	KH-X-42-15	Key, $\frac{3}{16}$ X $\frac{5}{8}$
4	KH-20-043-15-S	Crankshaft Gear
5	KH-25-086-214-S	Link Pivot Screw
6	KH-20-186-04-S	Balance Weight Linkage
7	KH-25-086-213-S	Shoulder Screw

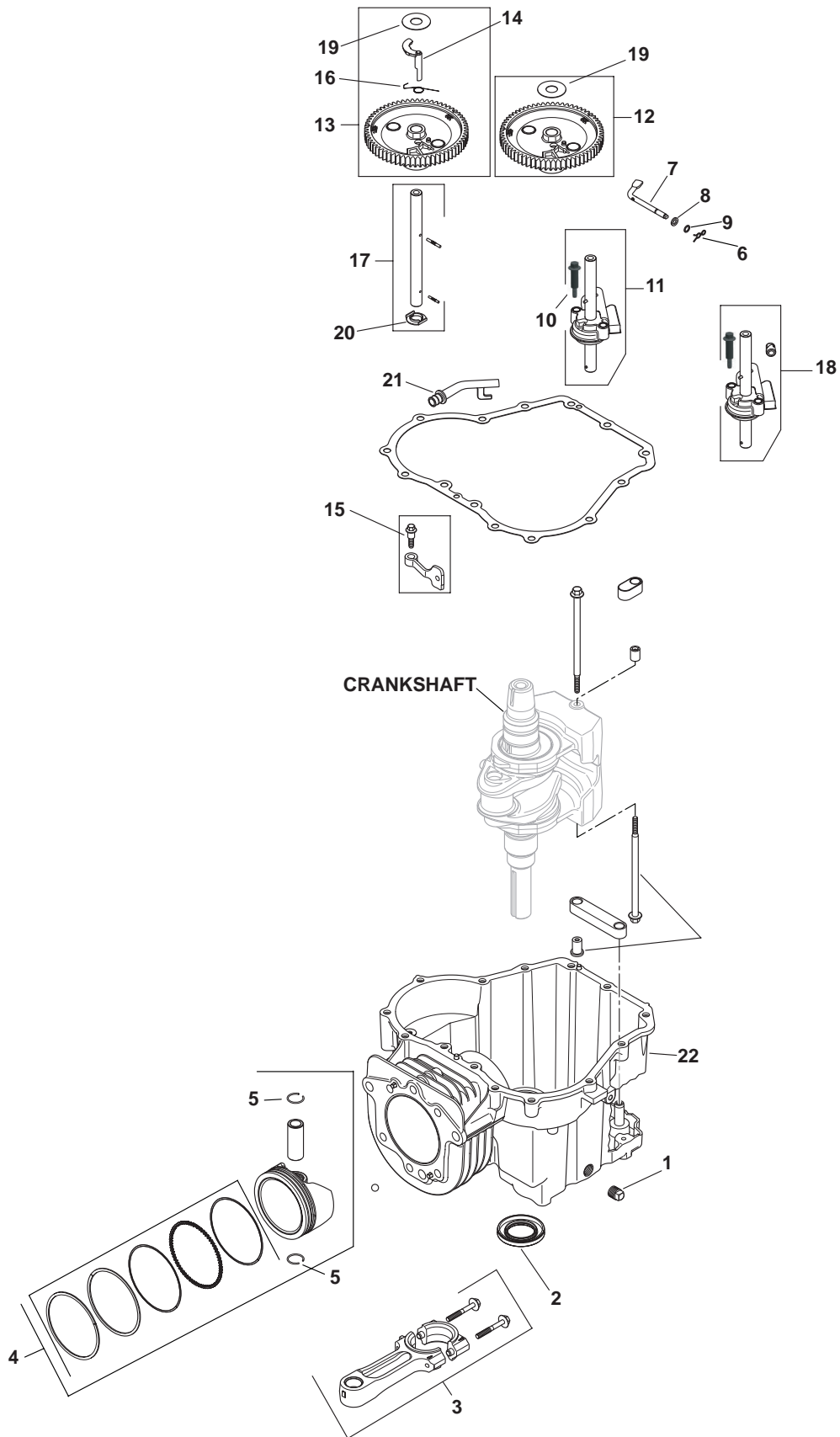
# Kohler SV600-3225 Oil Pan/Lubrication



Ref.	Part Number	Description
1	KH-20-009-35-S	Closure Plate Assembly
2	KH-20-032-08-S	Oil Seal
3	KH-20-041-01-S	Closure Plate Gasket
4	KH-25-086-127-S	Hex Flange Screw, ½
5	KH-12-380-01	Governor Regulating Pin
6	KH-20-144-03-S	Governor Cross Shaft

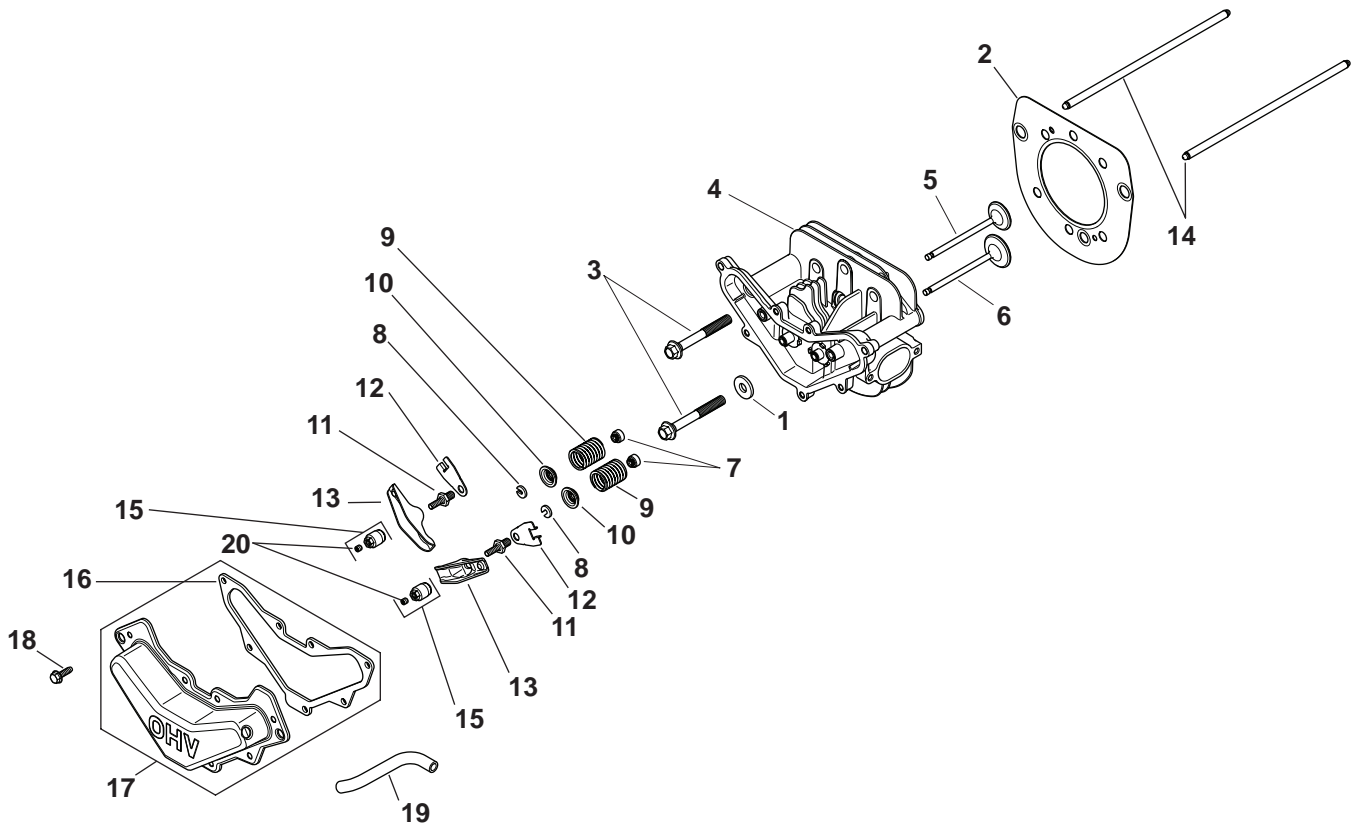
Ref.	Part Number	Description
7	KH-25-310-07-S	Governor Gear Assembly
8	KH-20-041-02-S	Oil Passage Gasket
9	KH-20-096-02-S	Oil Passage Cover Kit (Includes 7)
10	KH-M-545013-S	Flg. Thd. Frm. Screw, M5 X 0.8 X 13
11	KH-12-050-01-S	Oil Filter
12	KH-20-040-08-S	Dipstick Assembly Blade

# Kohler SV600-3225 Crankcase



Ref.	Part Number	Description
1	KH-25-139-57-S	Square Head Pipe Plug, $\frac{3}{8}$
2	KH-20-032-08-S	Oil Seal
3	KH-20-067-05-S	Connecting Assembly Rod
4	KH-20-874-16-S	Piston W/ Ring Set Kit, 94mm
5	KH-62-018-04-S	Piston Pin Retainer
6	KH-12-154-05	Hitch Pin Clip
7	KH-20-144-02-S	Governor Cross Shaft
8	KH-M-631015	Flat Washer, 6 Mm
9	KH-X-25-102-S	Flat Washer, $\frac{1}{4}$
10	KH-20-086-12-S	Shd. Thd. Frm. Screw
11	KH-20-393-02-S	Oil Pump Assembly Kit
12	KH-20-010-07-S	Cam Lobe Assembly
13	KH-20-010-08-S	Cam Gear Assembly
14	KH-20-044-32-S	Acr. Weight and Follower Kit
15	KH-20-086-06-S	Shd. Thd. Frm. Screw, M6 x 1 x 26
16	KH-20-089-06-S	Acr. Spring
17	KH-20-144-11-S	Cam Center Shaft Kit
18	KH-20-393-01-S	Oil Pump Kit (Shallow 10mm)
19	KH-20-468-03-S	Thrust -Acr. Washer
20	KH-20-468-08-S	Thrust Washer
21	KH-20-123-02-S	Drainback Tube
22	N/A	Crankcase (Use: Short Block)

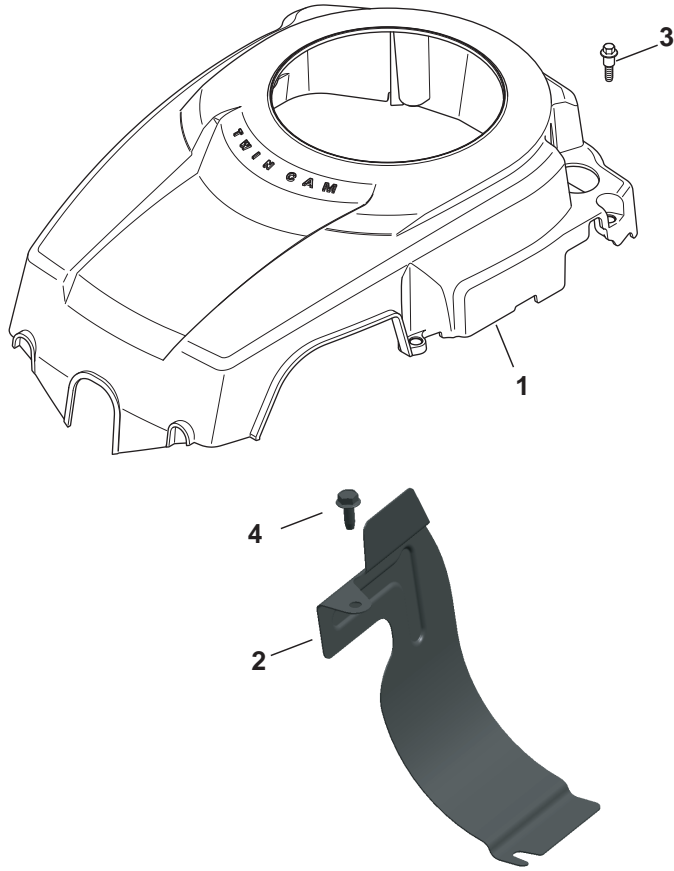
# Kohler SV600-3225 Head/Valve/Breather



Ref.	Part Number	Description	Ref.	Part Number	Description
1	KH-12-468-05	Flat Washer, <sup>19</sup> / <sub>32</sub>	11	KH-20-072-08-S	Rocker Stud
2	KH-20-841-01-S	Cylinder Head Gasket Kit	12	KH-20-146-03-S	Push Rod Guide Plate
3	KH-20-086-02-S	Flange Screw, M10 X 1.5 X 80	13	KH-20-186-01-S	Rocker Arm
4	KH-20-318-14-S	Cylinder Head Kit	14	KH-20-411-05-S	Push Rod
5	KH-20-016-01-S	Exhaust Valve	15	KH-20-599-04-S	Rocker Pivot Assembly
6	KH-20-017-01-S	Intake Valve	16	KH-20-041-13-S	Valve Cover Gasket
7	KH-20-032-10-S	Valve Stem Seal	17	KH-20-096-14-S	Valve Cover Kit
8	KH-20-062-01-S	Retainer Lock	18	KH-25-086-396-S	Flg. Thd. Frm. Screw, M6 X 1.0 X 20
9	KH-20-089-03-S	Valve Spring	19	KH-20-326-20-S	Breather Hose
10	KH-20-173-01-S	Valve Spring Cap	20	KH-20-086-04-S	Set Screw

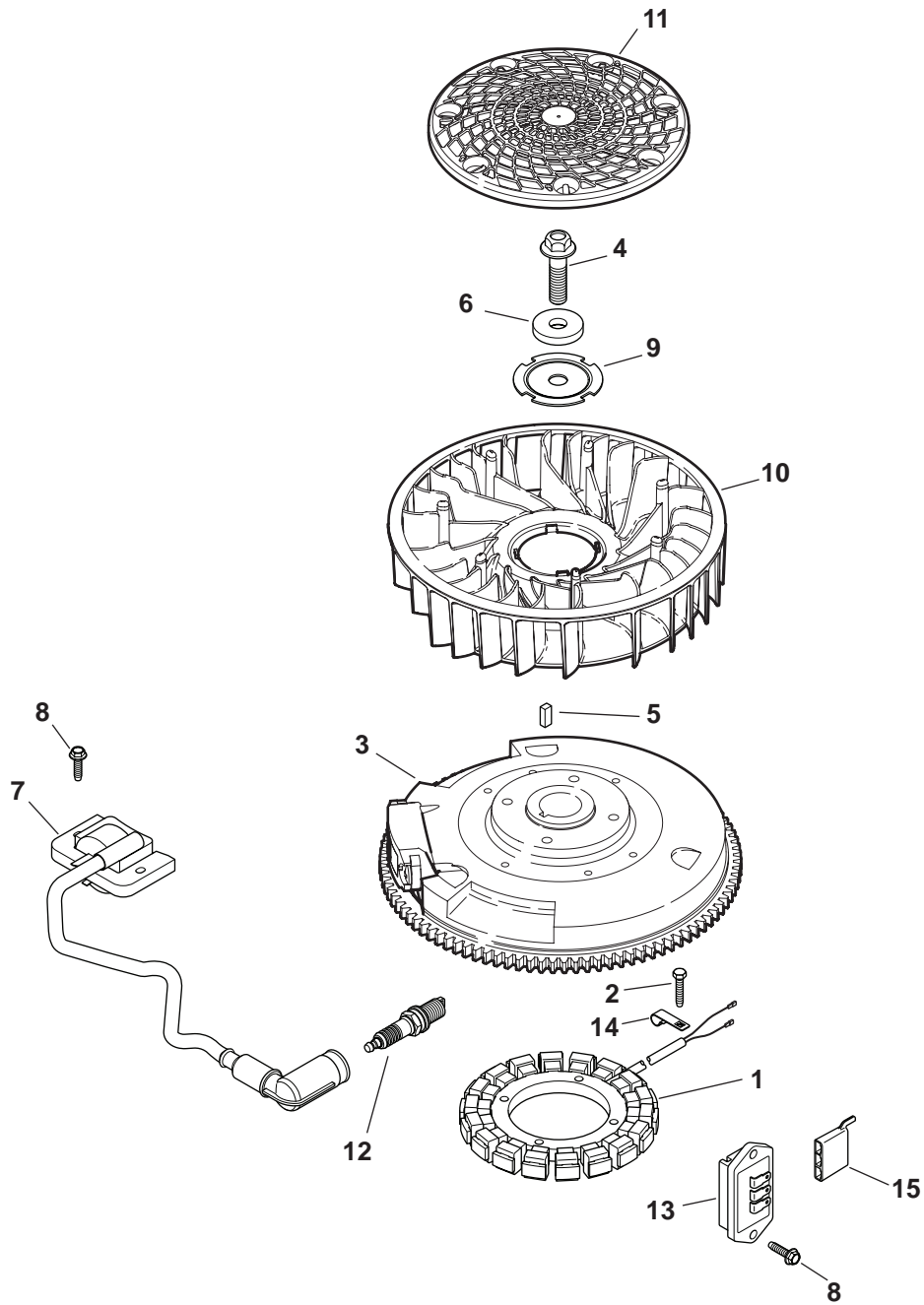


# Kohler SV600-3225 Blower Housing & Baffles



Ref.	Part Number	Description
1	KH-20-027-07-S	Blower Housing Kit
2	KH-20-063-03-S	Barrel Baffle
3	KH-20-086-06-S	Shd. Thd. Frm. Screw, M6 X 1 X 26
4	KH-M-645016-S	Flg. Thd. Frm. Screw, M6 X 1.0 X 16

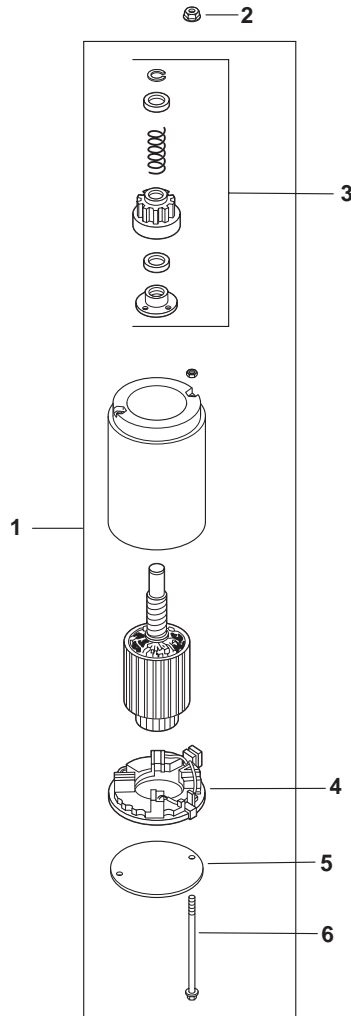
# Kohler SV600-3225 Ignition/Electrical



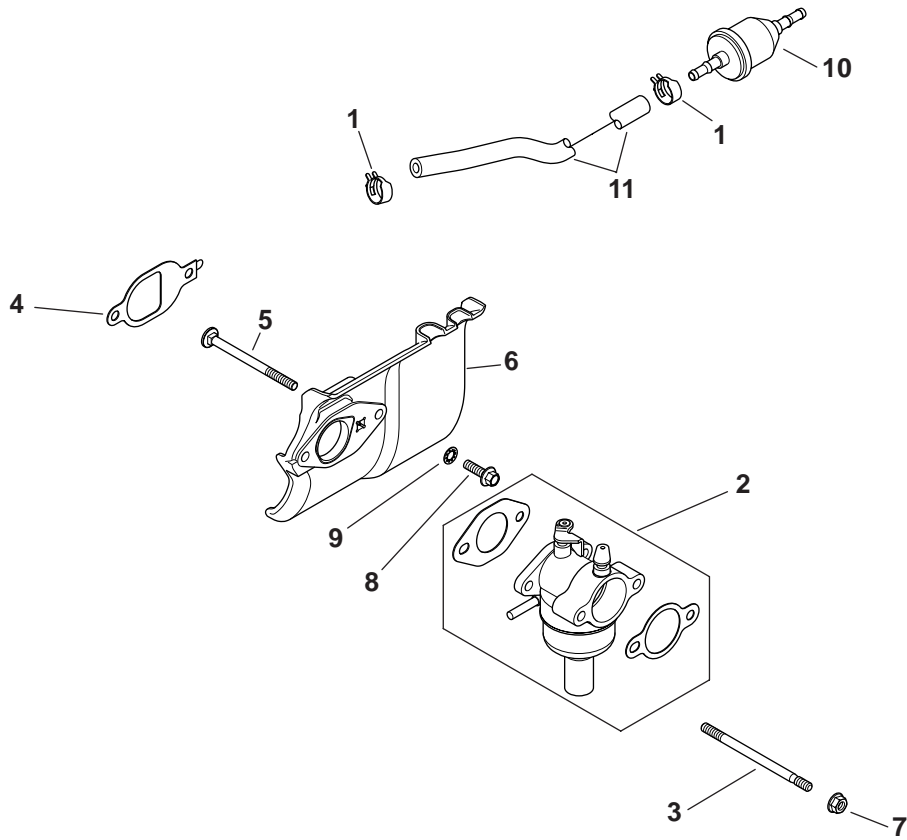
## Kohler SV600-3225 Ignition/Electrical

Ref.	Part Number	Description
1	KH-237878	15 Amp Stator Kit
2	KH-M-548025-S	Thd. Frm. Screw, M5 X 0.8 X 25
3	KH-20-025-44-S	Flywheel
4	KH-25-086-362-S	Screw, Hex Flange
5	KH-25-340-04-S	Square Key
6	KH-25-468-09-S	Flat Washer
7	KH-20-584-03-S	Ignition Module
8	KH-M-545020-S	Flg. Thd. Frm. Screw, M5 X .8 X 20
9	KH-20-146-05-S	Fan Mounting Plate
10	KH-20-157-01-S	Fan
11	KH-20-162-02-S	Grass Screen
12	759-3336	Spark Plug
13	KH-41-403-10-S	Regulator/Rectifier
14	KH-20-154-04-S	Wire Clip
15	KH-25-155-41-S	Connector
—	KH-20-176-16-S	Wiring Harness
—	KH-25-454-05-S	Tie

# Kohler SV600-3225 Starting System

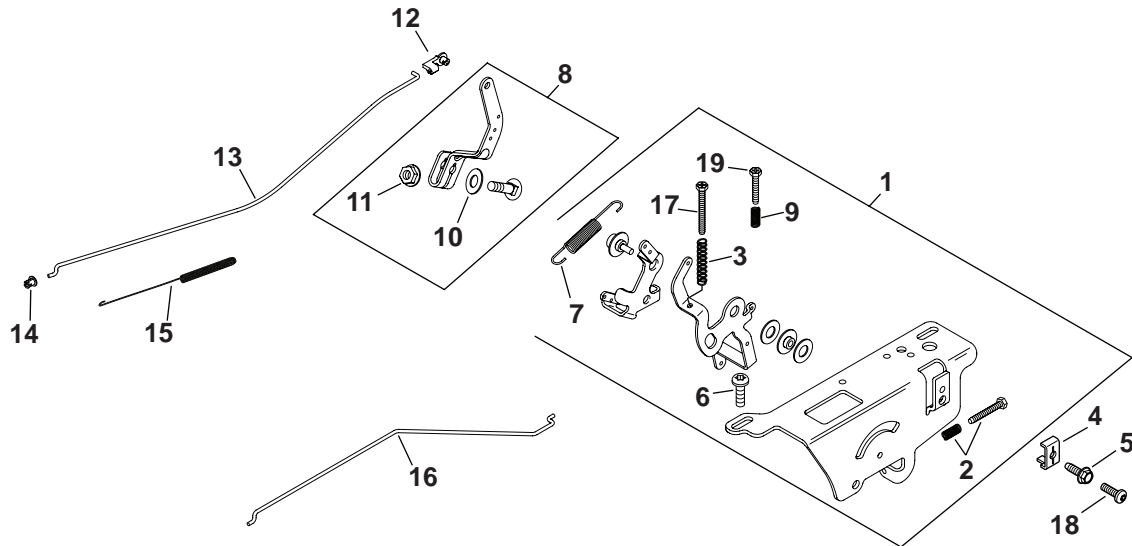


Ref.	Part Number	Description
1	KH-20-098-10-S	Starter Assembly (Inc. 3-6)
2	KH-25-100-56-S	Free Spinning Flg. Nut, #10-24
3	N/A	Drive Kit (J.E.)
4	KH-12-221-02-S	Brush Kit
5	KH-20-227-01-S	Drive End Cap (J.E.)
6	KH-20-211-02-S	Thru Bolt



Ref.	Part-Number	Description
1	KH-25-237-31-S	Hose Clamp, ½
2	KH-20-853-95-S	Carburetor Kit
3	KH-20-072-05-S	Stud, M6 X 1.0 X 100
4	KH-20-041-18-S	Heat Deflector Gasket
5	KH-20-072-07-S	Carburetor Stud
6	KH-20-265-09-S	Heat Deflector Kit
7	KH-M-641060-S	Flange Nut, M6 X 1.0
8	KH-M-651020-S	Flange Screw, M6 X 1.0 X 20
9	KH-X-22-11	Int. Tooth Lock Washer, ¼
10	KH-25-050-22-S1	Fuel Filter
11	KH-25-111-81-S	Fuel Line
—	KH-25-454-05-S	Tie

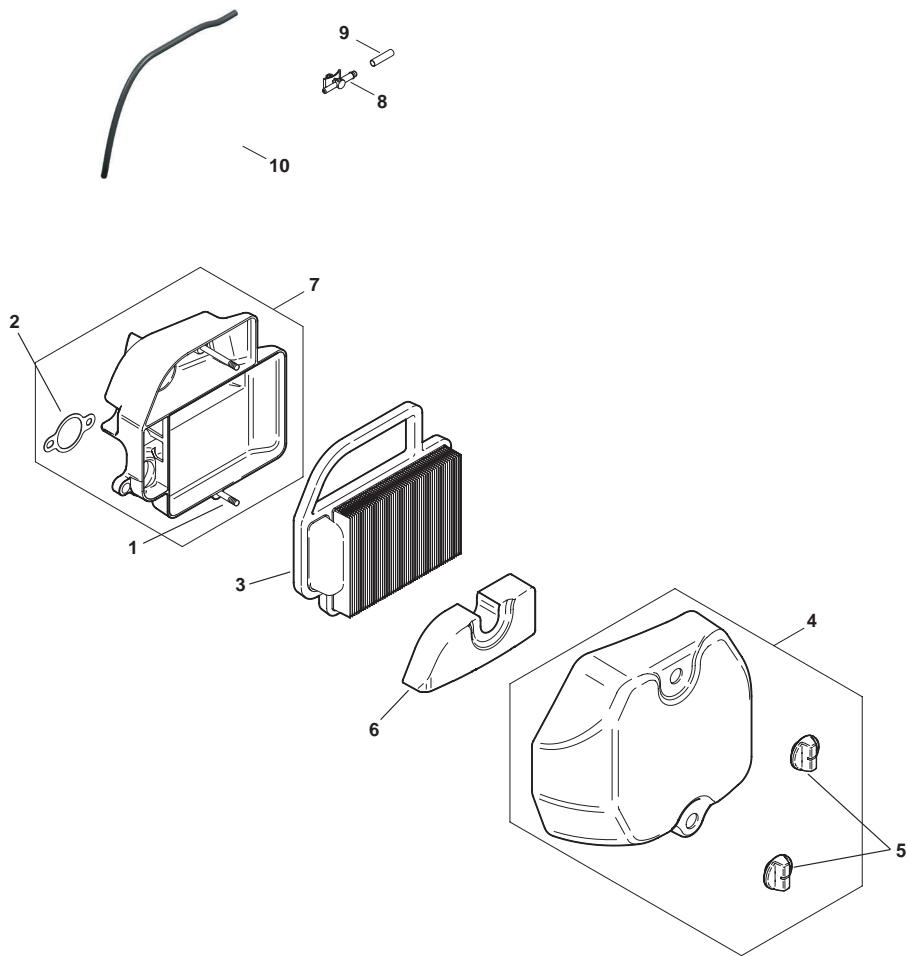
# Kohler SV600-3225 Engine Controls



Ref.	Part-Number	Description
1	KH-20-536-06-S	Speed Control Assembly Kit (Inc. 2, 3, 6, 7, 17, 19, 20)
2	KH-25-086-297-S	Idle Adj. Screw & Spring Kit
3	KH-20-089-12-S	Speed Control Spring
4	KH-12-237-01	Cable Clamp
5	KH-M-545016-S	Flg. Thd. Frm. Screw, M5 X 0.8 X 16
6	KH-M-664020-S	Lbd. Skt. Screw, M6 X 1.0 X 20
7	KH-20-089-11-S	Governor Spring
8	KH-20-090-11-S	Governor Assembly Lever (Inc. 9-11)
9	KH-12-089-11-S	Speed Control Spring (Short)

Ref.	Part-Number	Description
10	KH-X-22-11	Int. Tooth Lock Washer, ¼
11	KH-12-100-07-S	Hex Flange Nut, ¼-20
12	KH-25-158-11	Throttle Linkage Bushing
13	KH-20-079-07-S	Throttle Linkage
14	KH-25-158-08	Linkage Retaining Bushing
15	KH-20-089-10-S	Linkage Spring
16	KH-20-079-05-S	Choke Linkage
17	KH-20-086-18-S	Phl. Thd. Frm. Screw, M4 X 0.7 X 38
19	KH-20-086-10-S	Phl. Thd. Frm. Screw, M4 X 0.7 X 25

# Kohler SV600-3225 Air Intake/Filtration



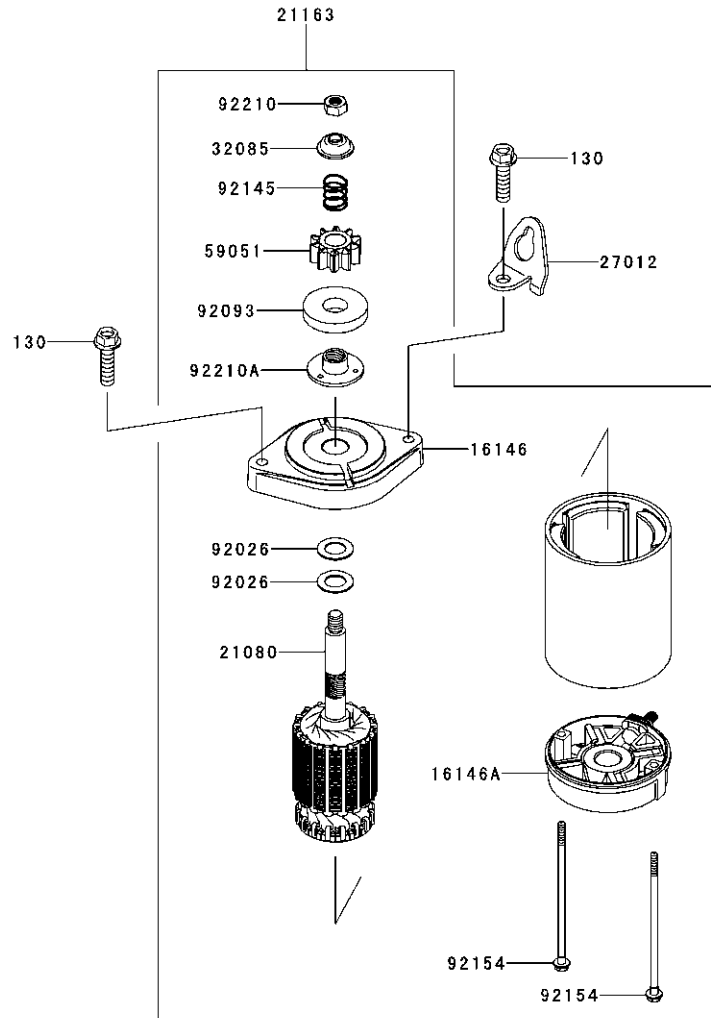
Ref.	Part Number	Description
1	KH-20-072-04-S	Air Cleaner Base Stud
2	KH-12-041-02	Air Cleaner Base Gasket
3	KH-20-883-06-S1	Air Cleaner Element
4	KH-20-096-15-S	Air Cleaner Cover Kit
5	KH-25-341-04-S	Cover Knob
6	KH-20-883-06-S1	Pre-Cleaner Element (Dry)
7	KH-20-094-11-S	Air Cleaner Base Kit
8	KH-25-155-51-S	Evaporative Connector
9	KH-25-173-33-S	Masking Cap
10	KH-25-326-08-S	Hose, Evaporative, 20"

## Kohler SV600-3225 Miscellaneous

<b>Ref.</b>	<b>Part Number</b>	<b>Description</b>
N/A	Decals KH-25-113-39-S KH-20-113-14-S	Clear Laminate Decal 20HP



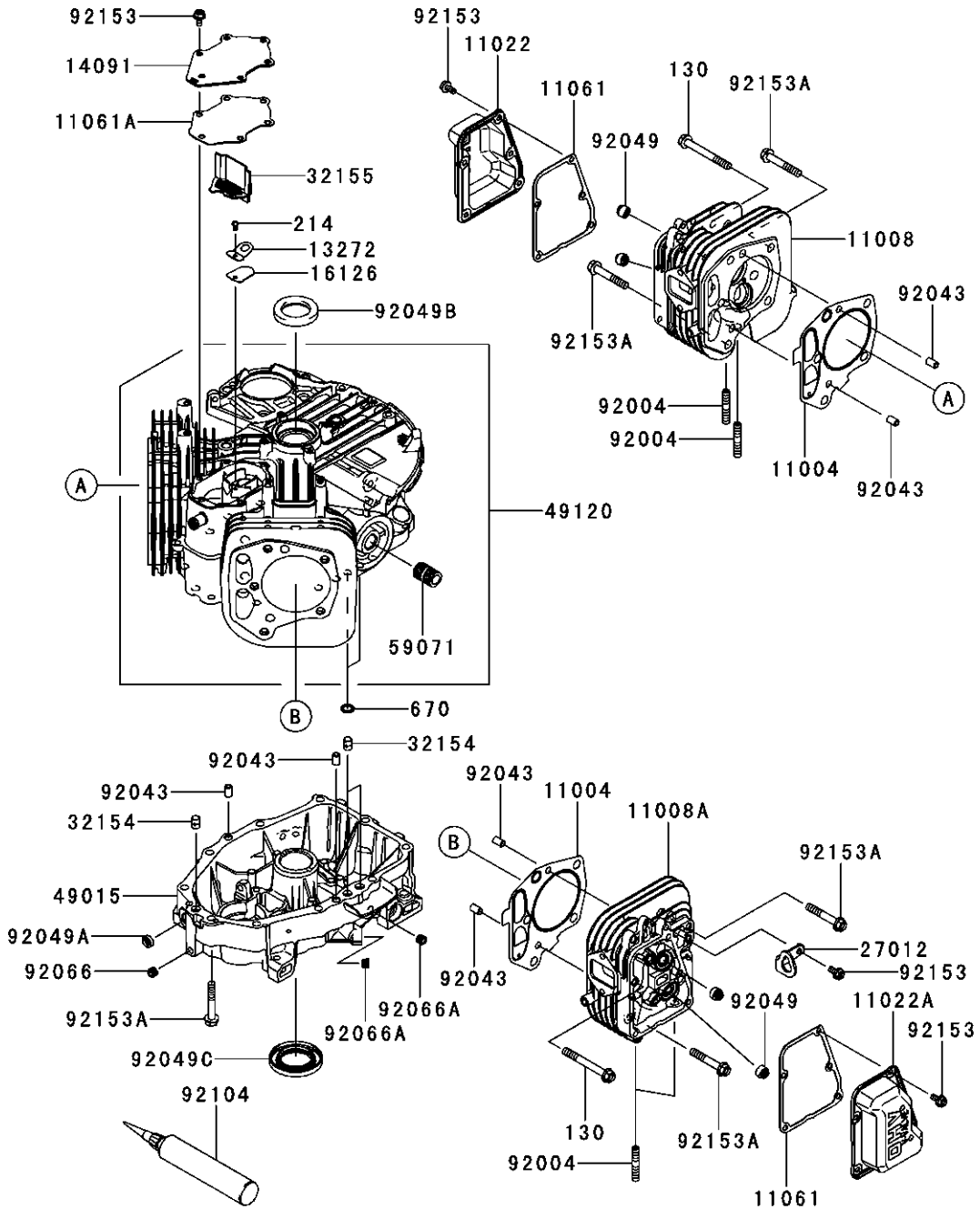
# Kawasaki FR600V-AS06 Starter



Ref.	Part Number	Description
16146	KM-16146-0707	Cover Assembly
16146A	KM-16146-0708	Cover Assembly
21080	KM-21080-0002	Armature
21163	KM-21163-0728	Electric Starter
27012	KM-27012-7008	Hook
32085	KM-32085-0708	Stopper
59051	KM-59051-0719	Gear-Spur
92026	KM-92026-0720	Spacer
92093	KM-92093-0576	Seal
92145	KM-92145-0851	Spring
92154	KM-92154-0804	Bolt
92210	KM-92210-0741	Nut
92210A	KM-92210-0742	Nut
130	KM-130AA0830	Flanged Bolt, 8 X 30

# Kawasaki FR600V-AS06 Cylinder/Crankcase

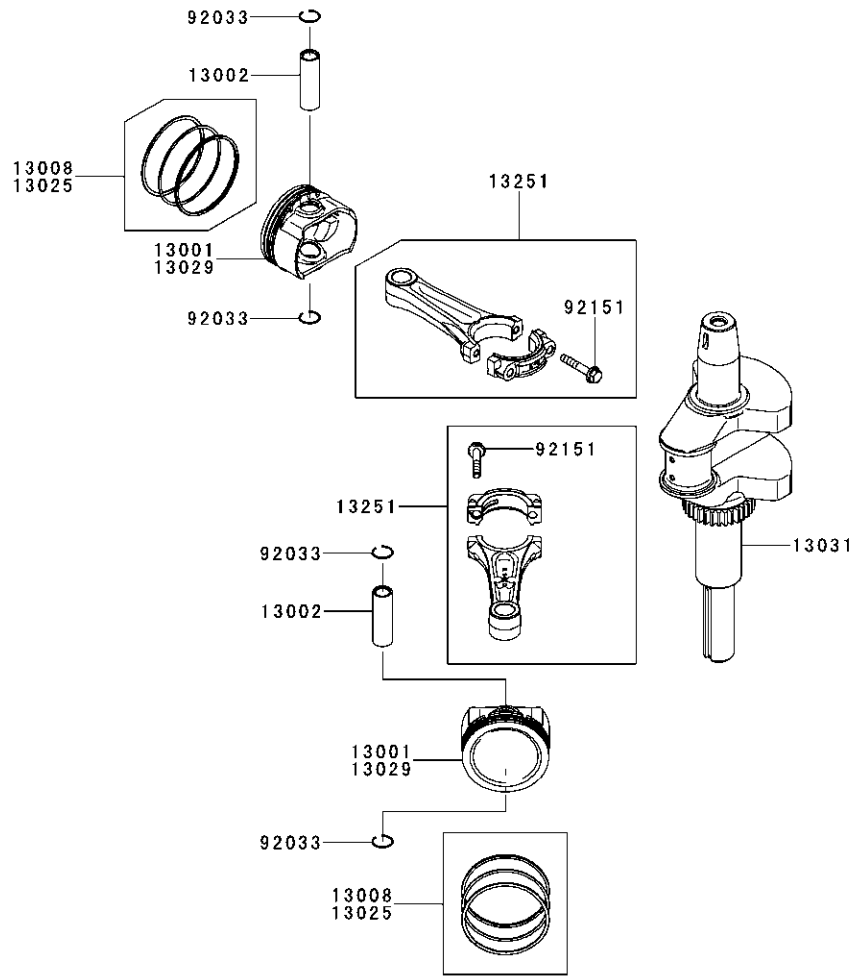
E0110-A716A



## Kawasaki FR600V-AS06 Cylinder/Crankcase

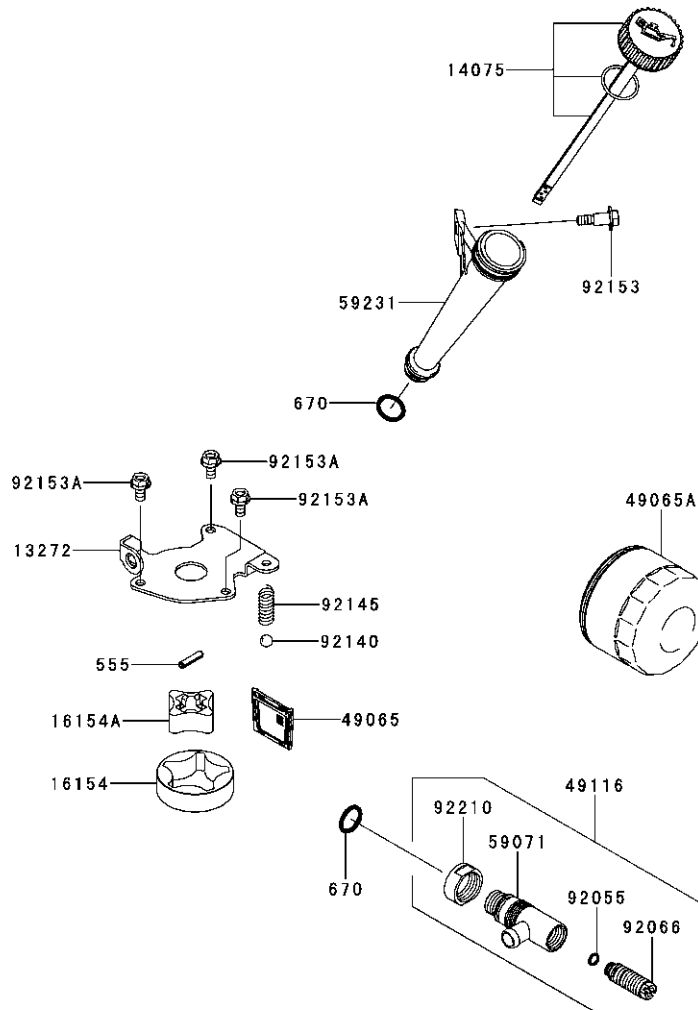
Ref.	Part Number	Description
11004	KM-11004-7027	Head Gasket
11008	KM-11008-7050	Complete Cylinder Head, #1
11008A	KM-11008-7051	Complete Cylinder Head, #2
11022	KM-11022-7034	Rocker Case, #1
11022A	KM-11022-7035	Rocker Case, #2
11061	KM-11061-7083	Rocker Case Gasket
11061A	KM-11061-7094	Breather Gasket
13272	KM-13272-7004	Breather Plate
14091	KM-14091-7064	Breather Cover
16126	KM-16126-7020	Breather Valve
27012	KM-27012-0721	Lift Hook
32154	KM-32154-7019	Pipe
32155	KM-32155-7003	Breather Pipe
49015	KM-49015-7110	Crankcase Cover
49120	KM-49120-7145	Complete Crankcase
59071	KM-59071-7025	Joint
92004	KM-92004-7024	Stud, 8 x 30
92043	KM-92043-1263	Pin
92049	KM-92049-7001	Oil Seal, RVC2, 6 X 11 X 10.2
92049A	KM-92049-7019	Oil Seal, So 8 X 14 X 5 HS
92049B	KM-92049-7010	Oil Seal, Sd 35 X 48 X 8 R HS
92049C	KM-92049-7028	Oil Seal, 38 X 62 X 8 MTCLV
92066	KM-92066-7023	Plug
92066A	KM-92066-7026	Plug
92153	KM-92153-7043	Bolt, 6 X 12
92153A	KM-92153-7054	Bolt, 8 X 50
130	KM-130CA0870	Flanged Bolt, 8 X 70
214	KM-214AA0408	Pan Screw +-, 4 X 8
670	KM-670B2011	O-Ring, 11mm

# Kawasaki FR600V-AS06 Piston/Crankshaft



Ref.	Part Number	Description
13001	KM-13001-7031	Engine Piston
13002	KM-13002-7001	Piston Pin
13008	KM-13008-7006	Piston Ring Set
13025	KM-13025-7010	Piston Ring Set L, 0.5
13029	KM-13029-7011	Engine Piston L, 0.5
13031	KM-13031-7097	Complete Crankshaft
13251	KM-13251-7021	Connecting Rod Assembly
92033	KM-92033-7002	Snap Ring
92151	KM-92151-7017	Bolt, 6 X 35

# Kawasaki FR600V-AS06 Lubrication Equipment

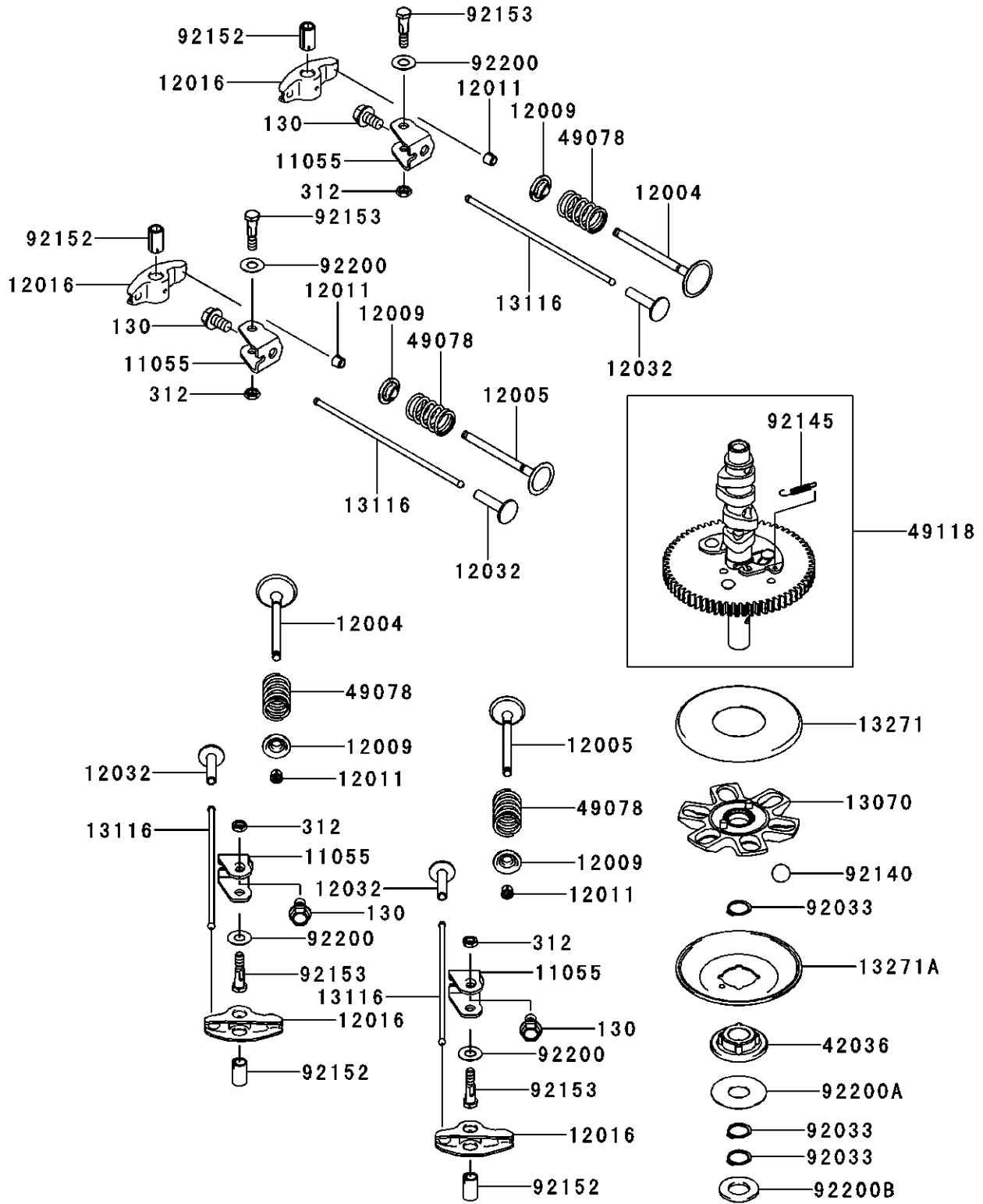


Ref.	Part Number	Description
13272	KM-13272-7011	Rotor Plate
14075	KM-14075-7013	Oil Gauge Cap Assembly
16154	KM-16154-7010	Outer Rotor Pump
16154A	KM-16154-7011	Inner Rotor Pump
49065	KM-49065-7006	Oil Filter
49065A	KM-49065-7007	Oil Filter
49116	KM-49116-7001	Valve Assembly
59071	KM-59071-7008	Joint
59231	KM-59231-0712	Filler

Ref.	Part Number	Description
92055	KM-92055-7002	O-Ring, 6mm
92066	KM-92066-7007	Plug
92140	KM-92140-7003	Ball
92145	KM-92145-7002	Spring
92153	KM-92153-7008	Bolt
92153A	KM-92153-7043	Bolt, 6 X 12
92210	KM-92210-7012	Nut, M22
555	KM-555A0420	Spring Pin, 4 X 20
670	KM-670D2016	O-Ring, 16mm

# Kawasaki FR600V-AS06 Valve & Camshaft

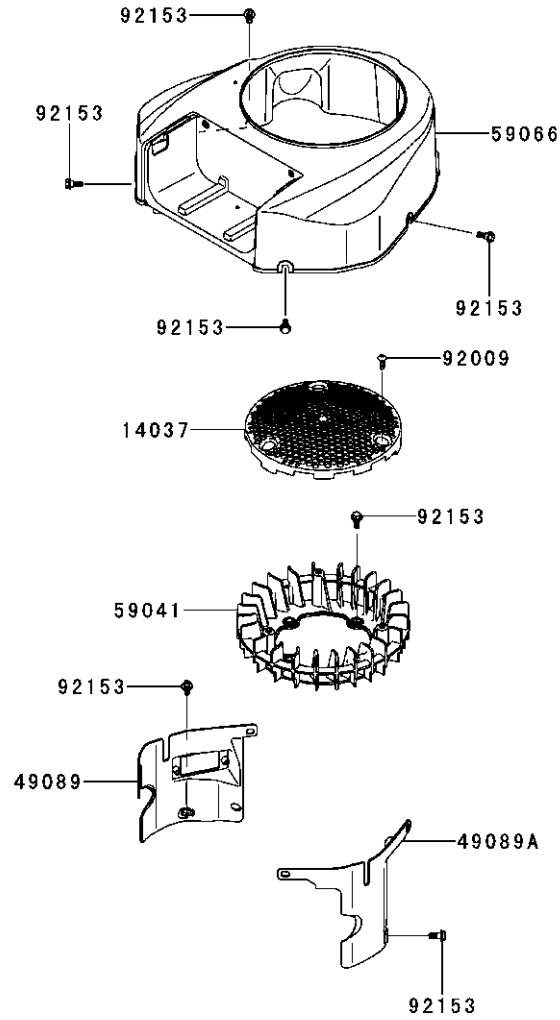
E0130-A197A



## Kawasaki FR600V-AS06 Valve & Camshaft

Ref.	Part Number	Description
11055	KM-11055-7009	Bracket
12004	KM-12004-7009	Intake Valve
12005	KM-12005-7010	Exhaust Valve
12009	KM-12009-7001	Valve Spring Retainer
12011	KM-12011-2056	Collet
12016	KM-12016-2066	Rocker Arm
12032	KM-12032-7001	Tappet
13070	KM-13070-7017	Governor Guide
13116	KM-13116-7008	Push Rod
13271	KM-13271-7007	Plate
13271A	KM-13271-7021	Governor Plate
42036	KM-42036-7021	Sleeve
49078	KM-49078-7002	Engine Valve Spring, IN
49118	KM-49118-7027	Complete Camshaft
92033	KM-92033-7001	Snap Ring
92140	KM-92140-7005	Ball
92145	KM-92145-7001	Spring
92152	KM-92152-1689	Collar
92153	KM-92153-7100	Bolt, 6 X 29.5
92200	KM-92200-2151	Washer, 8.1 X 18 X 0.5
92200A	KM-92200-7009	Washer, 16 X 42 X 0.91
92200B	KM-92200-7048	Washer, 16.3 X 30 X 2.28
130	KM-130AA0814	Flanged Bolt, 8 X 14
312	KM-312AA0600	Hex Nut, 6mm

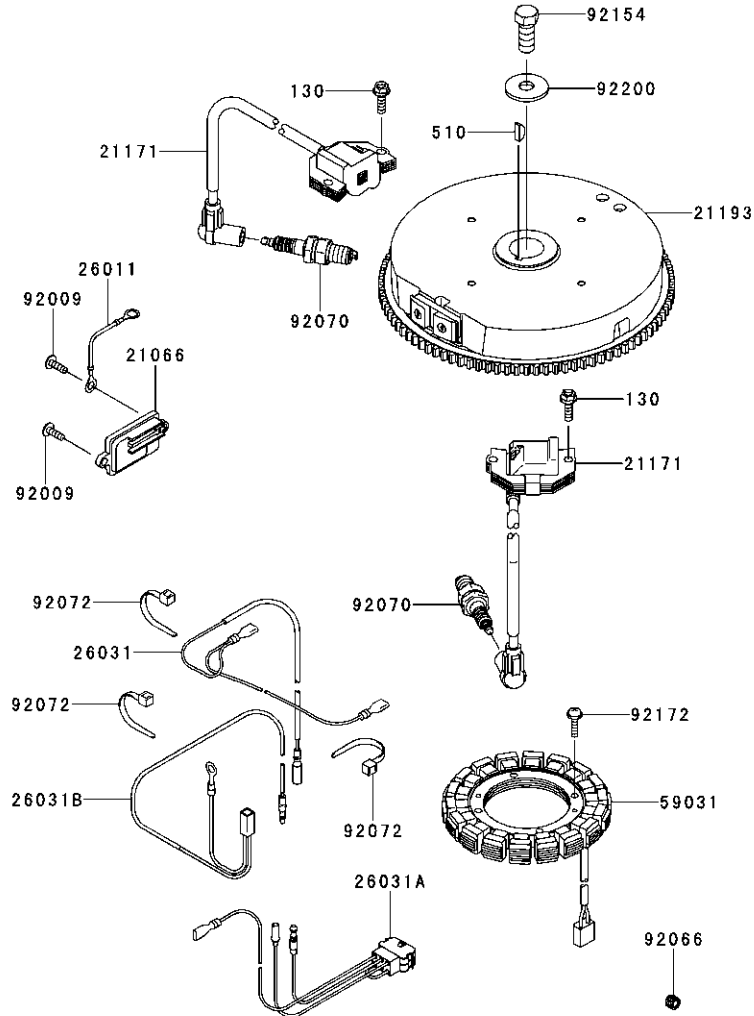
# Kawasaki FR600V-AS06 Cooling Equipment



Ref.	Part Number	Description
14037	KM-14037-70089H	Screen
49089	KM-49089-7091	Engine Shroud
49089A	KM-49089-7092	Engine Shroud
59041	KM-59041-7020	Fan
59066	KM-59066-7067	Fan Housing
92009	KM-92009-2303	Screw
92153	KM-92153-7007	Bolt



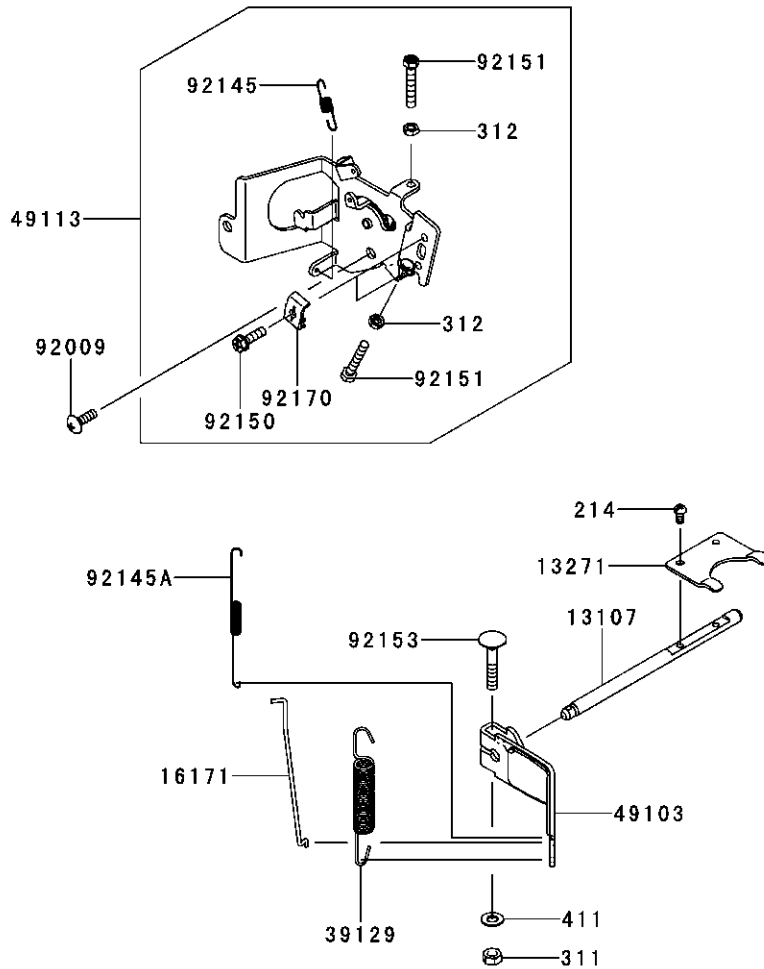
# Kawasaki FR600V-AS06 Electric Equipment



Ref.	Part Number	Description
21066	KM-21066-7017	Voltage Regulator
21171	KM-21171-0711	Ignition Coil Assembly
21193	KM-21193-7061	Flywheel Assembly
26011	KM-26011-7025	Lead Wire, L = 95
26031	KM-26031-7040	Harness
26031A	KM-26031-1625	Harness
26031B	KM-26031-7047	Harness
59031	KM-59031-7017	Charging Coil
92009	KM-92009-2303	Screw

Ref.	Part Number	Description
92066	KM-92066-7026	Plug
92070	KM-BPR4ES	Spark Plug, BPR4ES (NGK)
92072	KM-92072-7003	Band
92154	KM-92154-7003	Bolt, 12 X 30
92172	KM-92172-7018	Screw, 5 X 20
92200	KM-92200-7002	Washer
130	KM-130AA0620	Flanged Bolt, 6 X 20
510	KM-510A5100	Woodruff Key

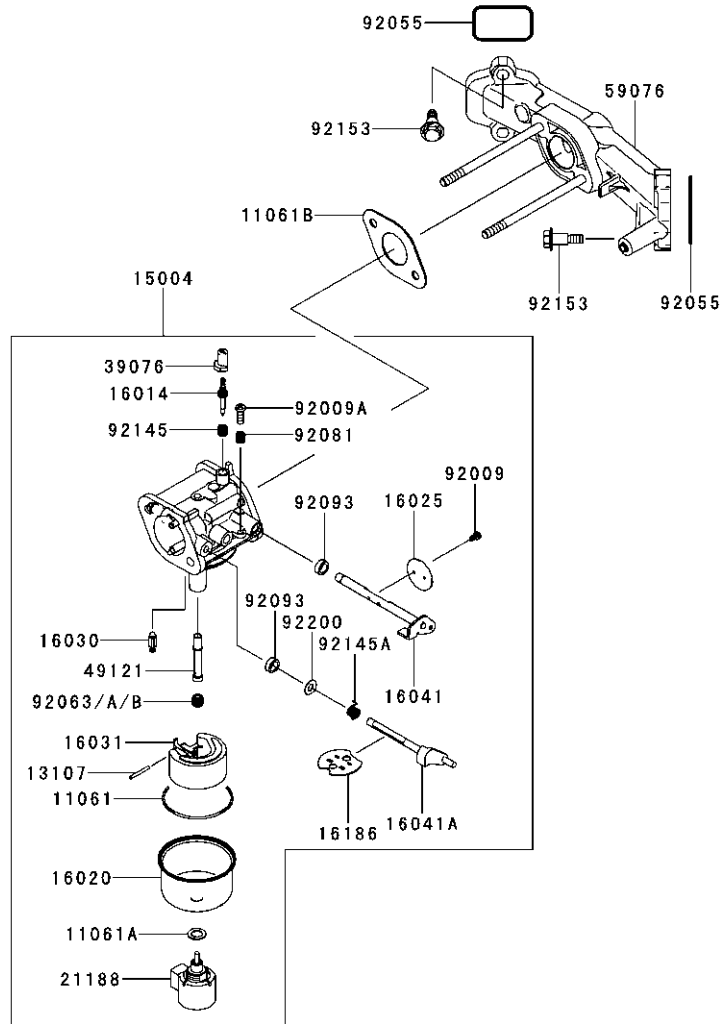
# Kawasaki FR600V-AS06 Control Equipment



Ref.	Part Number	Description
13107	KM-13107-7049	Shaft
13271	KM-13271-7038	Plate
16171	KM-16171-7025	Link
39129	KM-39129-7033	Governor Spring
49103	KM-49103-7017	Governor Arm
49113	KM-49113-0716	Complete Control Panel
92009	KM-92009-2303	Screw
92145	KM-92145-7032	Spring
92145A	KM-92145-7057	Spring

Ref.	Part Number	Description
92150	KM-92150-2182	Bolt, 5 X 18
92151	KM-92151-7014	Bolt, 5 x 30
92153	KM-92153-7033	Bolt, 6 X 35
92170	KM-92170-7001	Clamp
214	KM-214AA0408	Pan Screw +-, 4 X 8
311	KM-311AA0600	Hex Nut, 6mm
312	KM-312AA0500	Hex Nut, 5mm
411	KM-411AA0600	Plain Washer, 6mm

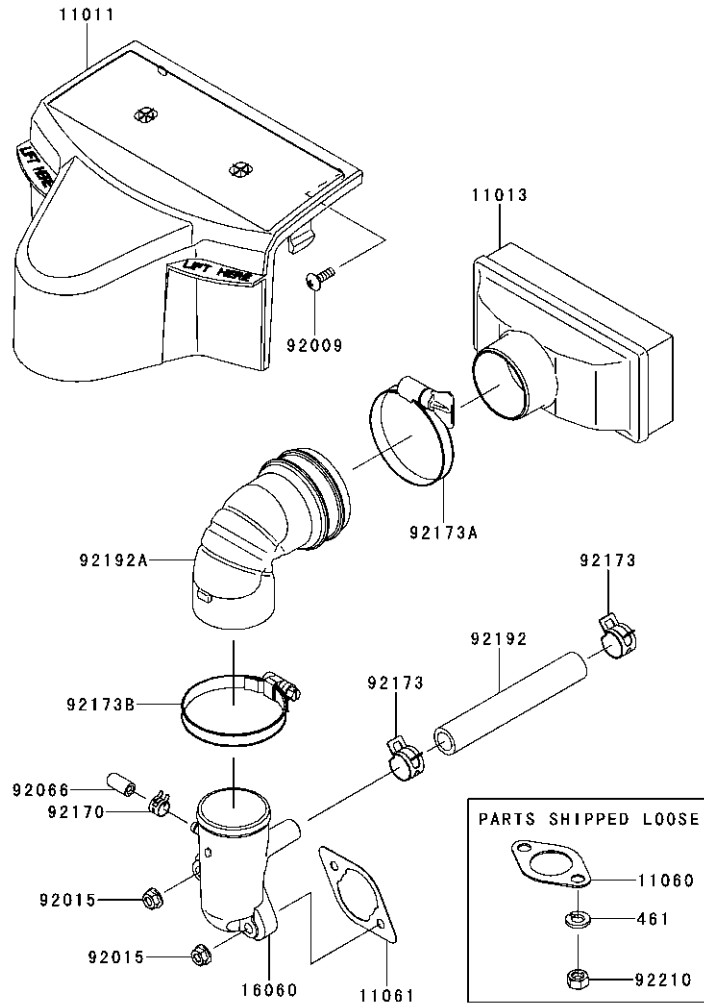
# Kawasaki FR600V-AS06 Carburetor



Ref.	Part Number	Description
11061	KM-11061-7009	Chamber Gasket
11061A	KM-11061-7010	Screw Gasket
11061B	KM-11061-7103	Gasket
13107	KM-13107-7018	Shaft
15004	KM-15004-0827	Carburetor Assembly
16014	KM-16014-7011	Pilot Air Screw
16020	KM-16020-7003	Float Chamber
16025	KM-16025-7006	Throttle Valve
16030	KM-16030-7003	Float Valve
16031	KM-16031-7002	Float
16041	KM-16041-7018	Throttle Carburetor Shaft
16041A	KM-16041-7049	Choke Carburetor Shaft
16186	KM-16186-7001	Choke Valve Assembly
21188	KM-21188-7002	Solenoid
39076	KM-39076-7001	Limiter

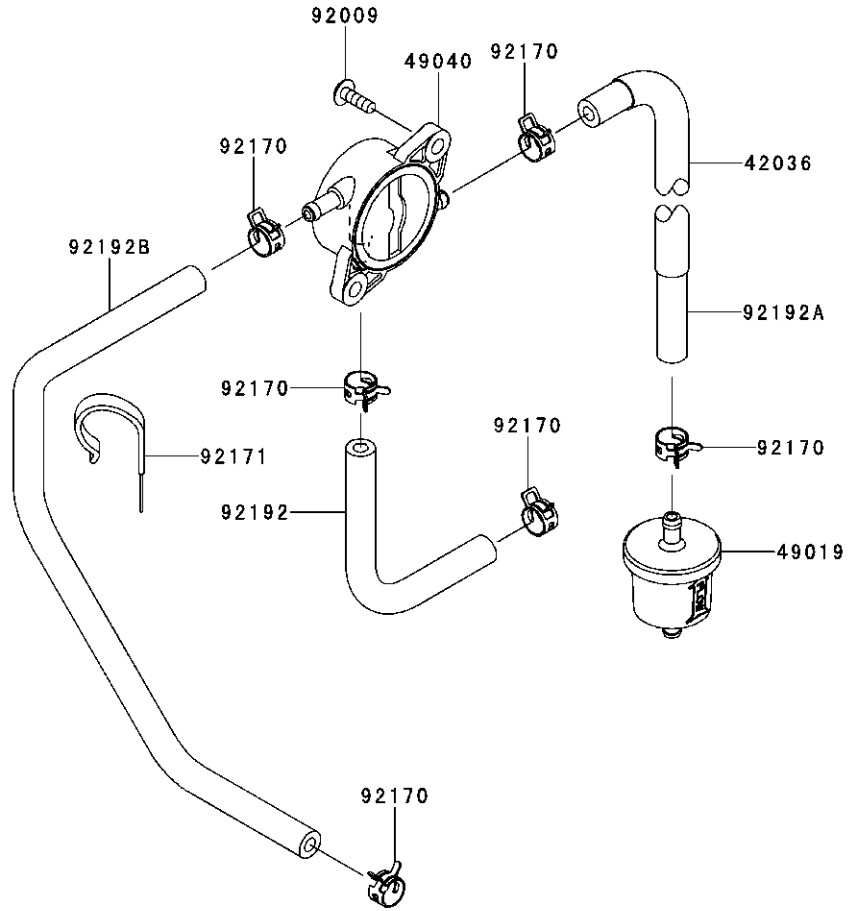
Ref.	Part Number	Description
49121	KM-49121-7019	Main Nozzle
59076	KM-59076-7026	Intake Manifold
92009	KM-92009-2083	Screw
92009A	KM-92009-2349	Screw
92055	KM-92055-7026	O-Ring, 42mm
92063	KM-92063-7046	Main Jet, #100
92063A	KM-92063-7047	Main Jet, #098
92063B	KM-92063-7156	Main Jet, #102
92081	KM-92081-2234	Spring
92093	KM-92093-2100	Seal
92145	KM-92145-7015	Spring
92145A	KM-92145-7061	Spring
92153	KM-92153-7008	Bolt
92200	KM-92200-2061	Washer, 9.8 x 5.5 x 1.0

# Kawasaki FR600V-AS06 Air Filter/Muffler



Ref.	Part Number	Description
11011	KM-11011-7068	Air Filter Case
11013	KM-99999-0383	Air Filter Element
11060	KM-11060-7016	Muffler Gasket
11061	KM-11061-7095	Air Cleaner Gasket
16060	KM-16060-7039	Intake Pipe
92009	KM-92009-2303	Screw
92015	KM-92015-1367	Nut
92066	KM-92066-0095	Plug
92170	KM-92170-2042	Clamp
92173	KM-92173-7003	Clamp
92173A	KM-92173-1001	Clamp
92173B	KM-92173-7009	Clamp
92192	KM-92192-7146	Tube, 12.6 X 18.6 X 118
92192A	KM-92192-7164	Air Filter Tube
92210	KM-92210-7027	Nut, M8
461	KM-461DA0800	Washer-Spring Washer, 8mm

# Kawasaki FR600V-AS06 Fuel Tank/Fuel Valve



Ref.	Part Number	Description
42036	KM-42036-7015	Sleeve
49019	KM-49019-0014	Fuel Filter
49040	KM-49040-7008	Fuel Pump
92009	KM-92009-2303	Screw
92170	KM-92170-2009	Clamp
92171	KM-92171-7005	Clamp
92192	KM-92192-7148	Tube, 6.4 X 12.7 X 150
92192A	KM-92192-7172	Tube, 6.35 X 12.7 X 185
92192B	KM-92192-7184	Tube, 6.35 X 12.7 X 360

# Kawasaki FR600V-AS06 Engine Labels

56070



Ref.	Part Number	Description
56070	KM-56070-7001	Warning Label





To order replacement parts, call a Customer Support Representative at (800) 965-4CUB.  
Locate your nearest Cub Cadet dealer at (877) 282-8684  
or visit [www.cubcadet.com](http://www.cubcadet.com) to find the nearest Cub Cadet dealer in your area.

---

**CUB CADET LLC, P.O. BOX 361131 CLEVELAND, OHIO 44136-0019**

---