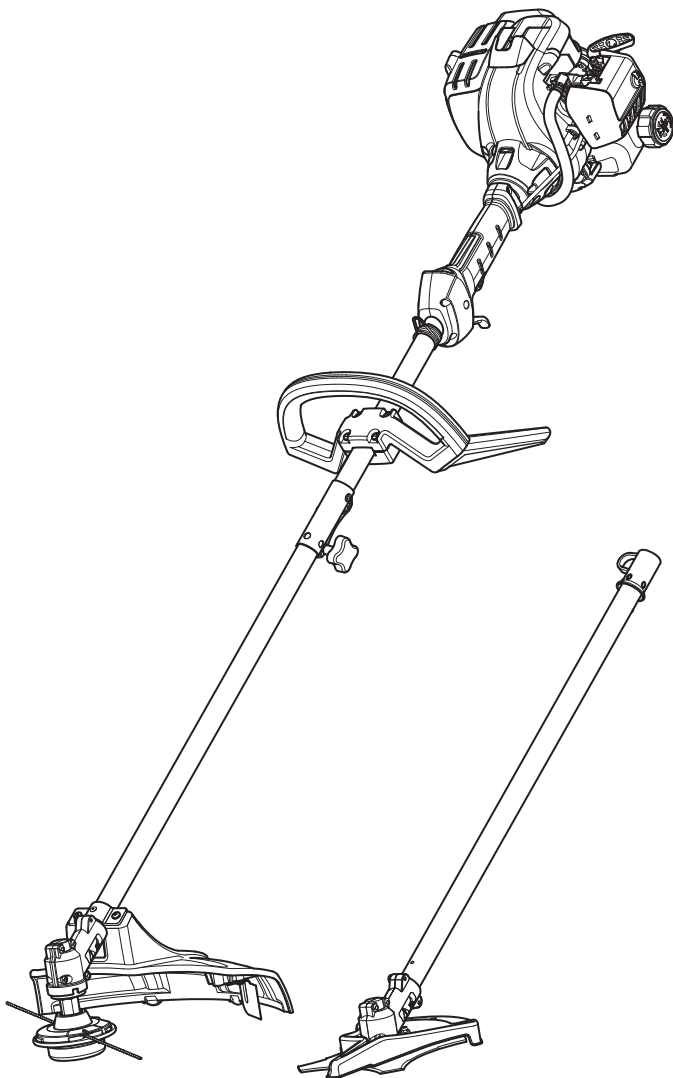


# Cub Cadet®

## Operator's Manual

### 2-Cycle Trimmer / Brushcutter

### BC280



### TABLE OF CONTENTS

Service .....	1
Safety .....	2
Know Your Unit .....	6
Specifications .....	6
Assembly .....	7
Oil and Fuel .....	10
Starting and Stopping .....	11
Operation .....	12
Maintenance .....	14
Cleaning and Storage .....	18
Troubleshooting .....	19
Warranty .....	20

## SAVE THESE INSTRUCTIONS

### SERVICE

**DO NOT RETURN THIS UNIT TO THE RETAILER. PROOF OF PURCHASE WILL BE REQUIRED FOR WARRANTY SERVICE.**

For assistance regarding the assembly, controls, operation or maintenance of the unit, please call the Customer Support Department at **1-877-282-8684** in the United States or **1-800-668-1238** in Canada. Additional information about the unit can be found on our website: **www.cubcadet.com** (U.S.) or **www.cubcadet.ca** (Canada).

For service, please call the Customer Support Department to obtain a list of authorized service dealers near you. Service on this unit, both within and after the warranty period, should only be performed by an authorized and approved service dealer. When servicing, use only identical replacement parts.

All information, illustrations, and specifications in this manual are based on the latest product information available at the time of printing. We reserve the right to make changes at any time without notice.

Copyright© 2013 MTD SOUTHWEST INC, All Rights Reserved.

**IMPORTANT: Read this manual thoroughly before using this product. Follow all instructions.**

# SAFETY

The purpose of safety symbols is to attract your attention to possible dangers. The safety symbols, and their explanations, deserve your careful attention and understanding. The safety warnings do not by themselves eliminate any danger. The instructions or warnings they give are not substitutes for proper accident prevention measures.

## SYMBOL MEANING

 **DANGER:** Signals an EXTREME hazard. Failure to obey a safety **DANGER** signal **WILL** result in serious injury or death to yourself or to others.

 **WARNING:** Signals a SERIOUS hazard. Failure to obey a safety **WARNING** signal **CAN** result in serious injury to yourself or to others.

 **CAUTION:** Signals a MODERATE hazard. Failure to obey a safety **CAUTION** signal **MAY** result in property damage or injury to yourself or to others.

**NOTE:** Advises you of information or instructions vital to the operation or maintenance of the equipment.

## SPARK ARRESTOR NOTE

**NOTE: For users on U.S. Forest Land and in the states of California, Maine, Oregon and Washington.** All U.S. Forest Land and the state of California (Public Resources Codes 4442 and 4443), Oregon and Washington require, by law that certain internal combustion engines operated on forest brush and/or grass-covered areas be equipped with a spark arrestor, maintained in effective working order, or the engine be constructed, equipped and maintained for the prevention of fire. Check with your state or local authorities for regulations pertaining to these requirements. Failure to follow these requirements could subject you to liability or a fine. **This unit is factory equipped with a spark arrestor.** If it requires replacement, contact your local service dealer to install the appropriate muffler assembly.




## CALIFORNIA PROPOSITION 65

**WARNING:** Engine exhaust, some of its constituents and certain finished components contain or emit chemicals known to the State of California to cause cancer and birth defects or other reproductive harm. Wash hands after handling.

**Read the operator's manual and follow all warnings and safety instructions. Failure to do so can result in serious injury to the operator and/or bystanders.**

# • IMPORTANT SAFETY INSTRUCTIONS •

## READ ALL INSTRUCTIONS BEFORE OPERATING

 **WARNING:** When using the unit, all safety rules must be followed. Please read these instructions before operating the unit in order to ensure the safety of the operator and any bystanders. Please keep these instructions for later use.

- Read the instructions carefully. Be familiar with the controls and proper use of the unit.
- Do not operate this unit when tired, ill or under the influence of alcohol, drugs or medication.
- Children must not operate the unit. Teens must be accompanied and guided by an adult.
- All guards and safety attachments must be installed properly before operating the unit.
- Inspect the unit before use. Replace damaged parts. Check for fuel leaks. Make sure all fasteners are in place and secure. Replace parts that are cracked, chipped, or damaged in any way. Do not operate the unit with loose or damaged parts.
- Be aware of risk of injury to the head, hands and feet.
- Carefully inspect the area before starting the unit. Remove rocks, broken glass, nails, wire, string and other objects that may be thrown or become entangled with the unit.

- Clear the area of children, bystanders and pets; keep them outside a 50-foot (15 m) radius, at a minimum. Even then, they are still at risk from thrown objects. Encourage bystanders to wear eye protection. If you are approached, stop the unit immediately.
- Squeeze the throttle control and check that it returns automatically to the idle position. Make all adjustments or repairs before using the unit.
- This unit is intended for occasional, household use only.

## SAFETY WARNINGS FOR GAS UNITS



**WARNING:** Gasoline is highly flammable and its vapors can explode if ignited. Take the following precautions:

- Store fuel only in containers specifically designed and approved for the storage of such materials.
- Always stop the engine and allow it to cool before filling the tank. Never remove the fuel tank cap or add fuel when the engine is hot. Always loosen the fuel tank cap slowly to relieve any pressure in the tank before fueling.
- Always mix and add fuel in a clean, well-ventilated outdoor area where there are no sparks or flames. DO NOT smoke.
- Never operate the unit without the fuel cap securely in place.
- Avoid creating a source of ignition for spilled fuel. Wipe up any spilled fuel from the unit immediately, before starting the unit. Move the unit at least 30 ft. (9.1 m) from the fueling source and site before starting the engine. DO NOT smoke.
- Never start or run the unit inside a closed room or building. Breathing exhaust fumes can kill. Operate this unit only in a well ventilated outdoor area.

### WHILE OPERATING

- Wear safety glasses or goggles that meet current ANSI / ISEA Z87.1 standards and are marked as such. Wear ear/hearing protection when operating this unit. Wear a face mask or dust mask if the operation is dusty.
- Wear heavy long pants, boots, gloves and a long sleeve shirt. Do not wear loose clothing, jewelry, short pants, sandals or go barefoot. Secure hair above shoulder level.
- This unit has a clutch. The cutting head / blade remains stationary when the engine is idling. If it does not, take the unit to an authorized service dealer for an adjustment.
- The cutting head / blade may spin during idle speed adjustments. Wear protective clothing and observe all safety instructions to prevent serious personal injury.
- Adjust the handle to provide the best grip, if applicable.
- Make sure the attachment is not in contact with anything before starting the unit.
- Use the unit only in daylight or good artificial light.
- Avoid accidental starting. Be in the starting position whenever pulling the starter rope. The operator and unit must be in a stable position while starting. Refer to *Starting and Stopping*.
- Use the right tool. Only use this tool for its intended purpose.
- Always hold the unit with both hands when operating. Keep a firm grip on both handles or grips.
- Do not overreach. Always keep proper footing and balance. Take extra care when working on stairs, steep slopes or inclines. To avoid serious injury, do not operate the unit while on a ladder or a roof.
- Keep hands, face, and feet away from all moving parts. Do not touch or try to stop moving parts.
- Do not touch the engine, gear housing or muffler. These parts get extremely hot from operation, even after the unit is turned off.
- Do not operate the unit faster than the speed needed to do the job. Do not run the unit at high speed when not in use.
- Do not force the unit. It will do a better, safer job when used at the intended rate.
- Always stop the unit when operation is delayed or when walking from one location to another.

- If you strike or become entangled with a foreign object, stop the unit immediately and check for damage. Do not operate the unit before repairing damage. Do not operate the unit with loose or damaged parts.
- Turn the engine to off and disconnect the spark plug for maintenance or repair.
- Use only original equipment manufacturer (OEM) replacement parts and accessories for this unit. These are available from your authorized service dealer. Use of any other parts or accessories could lead to serious injury to the user, or damage to the unit, and void the warranty.
- Keep the unit clean. Carefully remove vegetation and other debris that could block moving parts.
- To reduce fire hazard, replace a faulty muffler and spark arrestor. Keep the engine and muffler free from grass, leaves, excessive grease or carbon build up.
- If the unit starts to vibrate abnormally, stop the unit immediately. Inspect the unit for the cause of the vibration. Vibration is generally an indicator of trouble.

### TRIMMER SAFETY

- Only use the trimming line described in the *Specifications* section of this manual. Never use metal-reinforced line, wire, chain or rope. These can break off and become dangerous projectiles.
- Do not replace the cutting head with rigid or metal blades. Doing so could result in serious injury.
- The cutting head shield must always be in place while operating the unit. Do not operate the unit without both trimming lines extended and the proper line installed. Do not extend the trimming line beyond the length of the shield.

### BRUSHCUTTER SAFETY

- The blade shield must always be in place while operating the unit.
- Always use the shoulder harness when operating a brushcutter.
- Always keep the handle between the operator and the blade during operation.
- Never operate the unit with the blade above waist level.
- To avoid violent kickback, do not attempt to cut material larger than 1/2 inch (1.27 cm) in diameter.
- Blade thrust may occur when the spinning blade contacts an object that it does not immediately cut. Blade thrust can be violent enough to propel the unit and/or operator in any direction, possibly causing a loss of control. Blade thrust can occur without warning if the blade snags, stalls or binds. This is more likely to occur in areas where it is difficult to see the material being cut.
- The blade will continue to spin after the unit is turned off. A coasting blade can cause serious injury. Maintain control of the unit until all moving parts have stopped.
- Do not sharpen the blade. Sharpening the blade can cause the tip of the blade to break off while in use. This can result in severe personal injury. Replace the blade if it is dull.
- Do not operate the unit with a bent, cracked or dull blade. Replace bent, cracked or dull blades.
- Do not use the blade for edging; severe personal injury to yourself or others may occur.
- The blade may become very sharp from use. Always wear heavy gloves when handling, replacing or cleaning the blade.











## **OTHER SAFETY WARNINGS**



- All service, other than the maintenance procedures described in this manual, should be performed by an authorized service dealer.
- Before inspecting, servicing, cleaning, storing, transporting or replacing any parts on the unit:
  1. Stop the unit.
  2. Make sure all moving parts have stopped.
  3. Allow the unit to cool.
  4. Disconnect the spark plug wire.
- Secure the unit while transporting.
- Never store the unit with fuel in the tank, inside a building where fumes may reach an open flame (pilot lights, etc.) or sparks (switches, electrical motors, etc.).
- Store the unit in a dry place, secured or at a height to prevent unauthorized use or damage. Keep the unit out of the reach of children.
- Never douse or squirt the unit with water or any other liquid. Keep handles dry and clean (free from debris, oil and grease). Clean the unit after each use. Refer to *Cleaning and Storage*. Do not use solvents or strong detergents.
- Keep these instructions. Refer to them often and use them to instruct other users. If you loan this unit to others, also loan them these instructions.

## **SAVE THESE INSTRUCTIONS**

• SAFETY & INTERNATIONAL SYMBOLS •

This operator's manual describes safety and international symbols and pictographs that may appear on this product. Read the operator's manual for complete safety, assembly, operating and maintenance and repair information.

SYMBOL	MEANING
	<ul style="list-style-type: none"> <li>• <b>SAFETY ALERT SYMBOL</b> Indicates danger, warning or caution. May be used in conjunction with other symbols or pictographs.</li> </ul>
	<ul style="list-style-type: none"> <li>• <b>READ OPERATOR'S MANUAL</b> <b>WARNING:</b> Read the operator's manual(s) and follow all warnings and safety instructions. Failure to do so can result in serious injury to the operator and/or bystanders.</li> </ul>
	<ul style="list-style-type: none"> <li>• <b>WEAR EYE AND HEARING PROTECTION</b> <b>WARNING:</b> Thrown objects and loud noise can cause severe eye injury and hearing loss. Wear eye protection meeting current ANSI / ISEA Z87.1 standards and ear protection when operating this unit. Use a full face shield when needed.</li> </ul>
	<ul style="list-style-type: none"> <li>• <b>UNLEADED FUEL</b> Always use clean, fresh unleaded fuel.</li> </ul>
	<ul style="list-style-type: none"> <li>• <b>OIL</b> Refer to operator's manual for the proper type of oil.</li> </ul>
	<ul style="list-style-type: none"> <li>• <b>DO NOT USE E85 FUEL IN THIS UNIT</b> <b>WARNING:</b> It has been proven that fuel containing greater than 10% ethanol will likely damage this engine and void the warranty.</li> </ul>
	<ul style="list-style-type: none"> <li>• <b>ON/OFF STOP CONTROL</b> ON / START / RUN</li> </ul>
	<ul style="list-style-type: none"> <li>• <b>ON/OFF STOP CONTROL</b> OFF or STOP</li> </ul>
	<ul style="list-style-type: none"> <li>• <b>PRIMER BULB</b> Push primer bulb, fully and slowly, 10 times.</li> </ul>
	<ul style="list-style-type: none"> <li>• <b>CHOKE CONTROL</b> <ol style="list-style-type: none"> <li>1. • FULL choke position</li> <li>2. • PARTIAL choke position</li> <li>3. • RUN choke position</li> </ol> </li> </ul>

SYMBOL	MEANING
	<ul style="list-style-type: none"> <li>• <b>THROWN OBJECTS AND ROTATING CUTTER CAN CAUSE SEVERE INJURY</b> <b>WARNING:</b> Small objects can be propelled at high speed, causing injury. Keep away from the rotating rotor.</li> </ul>
	<ul style="list-style-type: none"> <li>• <b>KEEP BYSTANDERS AWAY</b> <b>WARNING:</b> Keep all bystanders, especially children and pets, at least 50 feet (15 m) from the operating area.</li> </ul>
	<ul style="list-style-type: none"> <li>• <b>HOT SURFACE</b> <b>WARNING:</b> Do not touch a hot muffler or cylinder. You may get burned. These parts get extremely hot from operation. When turned off, they remain hot for a short time.</li> </ul>
	<ul style="list-style-type: none"> <li>• <b>SHARP BLADE</b> <b>WARNING:</b> Sharp blade on trimmer attachment shield. To prevent serious injury, do not touch the line cutting blade.</li> </ul>
	<ul style="list-style-type: none"> <li>• <b>BRUSHCUTTER: REPLACE DULL BLADE</b> <b>WARNING:</b> Do not sharpen the blade. Sharpening the blade can cause the tip of the blade to break off while in use. This can result in severe personal injury. Replace the blade if it is dull.</li> </ul>
	<ul style="list-style-type: none"> <li>• <b>TRIMMER / BRUSHCUTTER SAFETY</b> <b>WARNING:</b> Thrown objects and rotating cutter can cause severe injury. Keep all bystanders, especially children and pets, at least 50 feet (15 m) from the operating area. The cutting head shield must be installed when using a trimmer attachment. The blade shield must be installed when using the brushcutter attachment.</li> </ul>

# KNOW YOUR UNIT

## APPLICATIONS

As a trimmer:

- Cutting grass and light weeds.
- Edging
- Decorative trimming around trees, fences, etc.

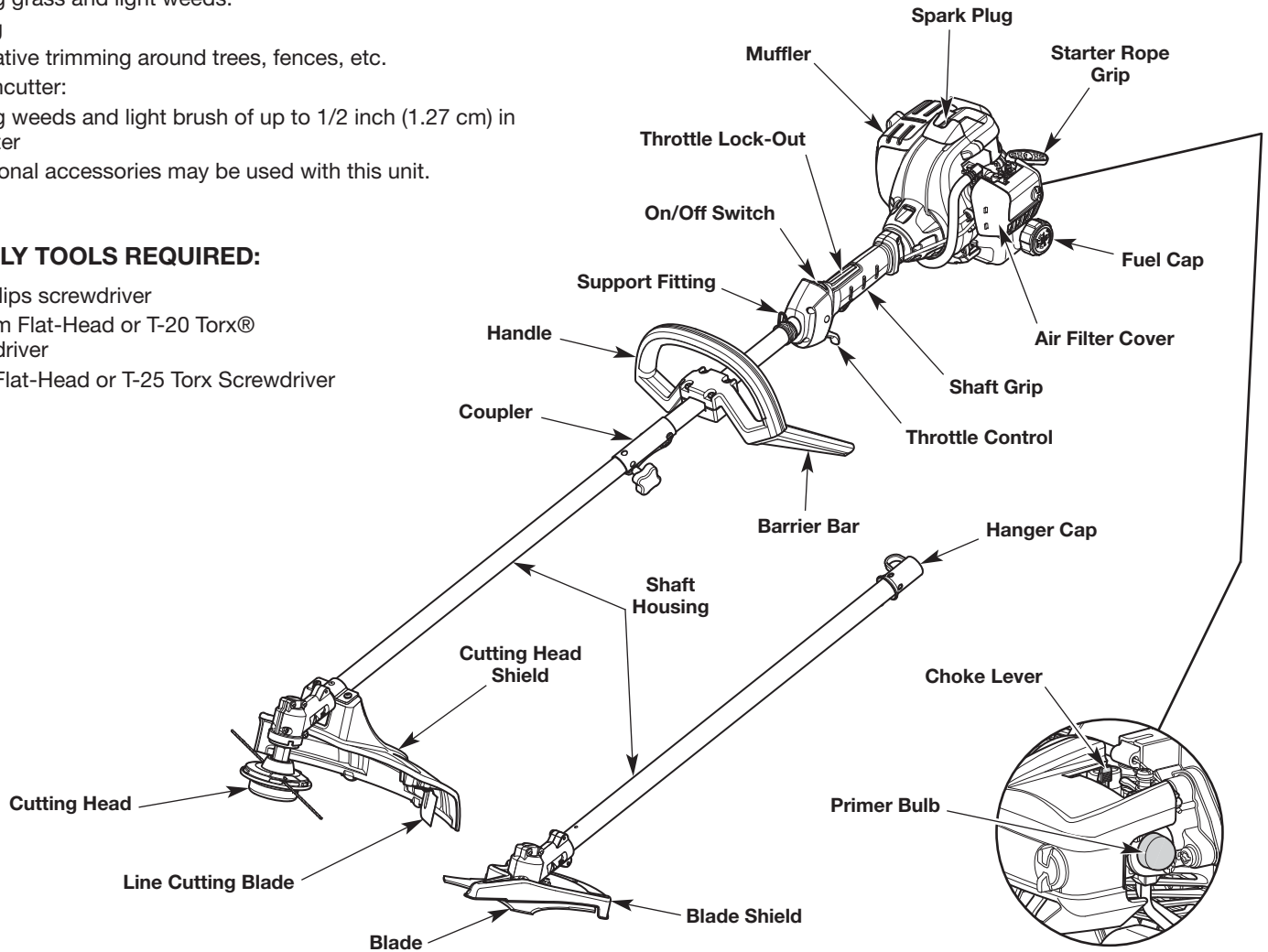
As a brushcutter:

- Cutting weeds and light brush of up to 1/2 inch (1.27 cm) in diameter

Other optional accessories may be used with this unit.

## ASSEMBLY TOOLS REQUIRED:

- #2 Phillips screwdriver
- Medium Flat-Head or T-20 Torx® Screwdriver
- Large Flat-Head or T-25 Torx Screwdriver



## SPECIFICATIONS\*

Engine Type . . . . .	Air-Cooled, 2-Cycle
Displacement . . . . .	27 cc (1.64 cu. in.)
Spark Plug Gap . . . . .	0.025 in. (0.635 mm)
Spark Plug . . . . .	Champion® RDJ7J or equivalent plug
Lubrication . . . . .	Fuel/Oil Mixture
Fuel/Oil Ratio . . . . .	40:1
Fuel Tank Capacity . . . . .	14 oz. (414 ml)
Approximate Unit Weight (No fuel) . . . . .	12.5 - 13.5 lbs. (5.7 - 6.1 kg)
Trimmer Mechanism . . . . .	Fixed-line cutting head
Trimming Line . . . . .	0.105 inches (2.67 mm) pre-cut line
Cutting Path Diameter (Trimmer) . . . . .	17 in. (43.2 cm)
Cutting Path Diameter (Brushcutter) . . . . .	8 in. (20.3 cm)

\* All specifications are based on the latest product information available at the time of printing. We reserve the right to make changes at any time without notice.

## ASSEMBLY

### INSTALLING THE CUTTING HEAD SHIELD



**WARNING:** To prevent serious personal injury, never operate the unit without the cutting head shield in place.

1. Place the cutting head shield onto the mount bracket. Align the holes in the cutting head shield with the holes in the mount bracket. (Fig. 1)
2. Screw the 2 screws through the mount bracket and into the cutting head shield until finger tight.
3. Using a #2 Phillips screwdriver, tighten the screws until the cutting head shield is firmly in place. Tighten the screws equally. The gap between the mount bracket and the cutting head shield should be the same on each side.

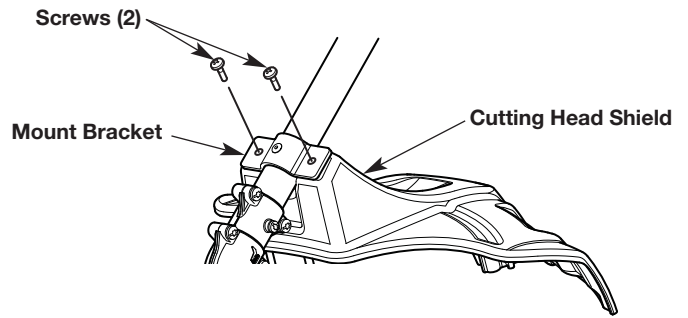


Fig. 1

### INSTALLING AND ADJUSTING THE HANDLE

#### Installing the Barrier Bar

1. Align the two pegs on the barrier bar with the two holes in the handle (Fig. 2).
2. Press the barrier bar into the handle until the barrier bar snaps into place.
3. Insert the barrier bar screw into the handle (Fig. 2).
4. Use a medium flat-head screwdriver or a T-20 Torx® screwdriver to tighten the barrier bar screw until the barrier bar is secure.

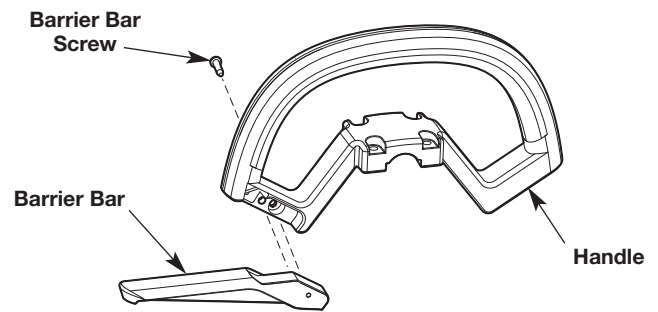


Fig. 2

#### Installing the Handle

1. Use a large flat-head screwdriver or a T-25 Torx screwdriver to remove the four (4) screws and bottom clamp from the handle.
2. Place the handle onto the top of the shaft housing. Make sure the barrier bar is on the left when holding the unit in the operating position.
3. Align the bottom clamp below the shaft housing and handle. Hold the handle and bottom clamp together.
4. Insert the four (4) screws through the handle and into the bottom clamp.
5. Use a large flat-head screwdriver or a T-25 Torx screwdriver to tighten the screws until the handle and bottom clamp are held together. Do not tighten the screws completely.
6. While holding the unit in the operating position (Fig. 13), move the handle to the location that provides the best grip. Place it a minimum of 6 inches (15.24 cm) from the end of the shaft grip (Fig. 3).
7. Tighten the screws until the handle is secure.

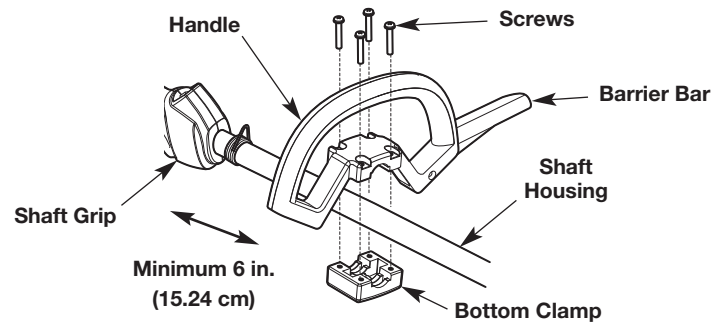


Fig. 3

#### Adjusting the Handle

If the handle requires adjustment:

1. Use a large flat-head screwdriver or a T-25 Torx screwdriver to loosen the 4 screws in the handle.
2. While holding the unit in the operating position (Fig. 13), move the handle to the location that provides the best grip. Place it a minimum of 6 inches (15.24 cm) from the end of the shaft grip (Fig. 3).
3. Tighten the screws until the handle is secure.

## INSTALLING THE SHOULDER STRAP



**WARNING:** To avoid serious personal injury, always use the shoulder strap when operating the brushcutter.

1. Push the strap up through the center slot in the buckle (Fig. 4).
2. Bend the strap over and push it down through the lower slot in the buckle (Fig. 4).
3. Put the shoulder strap over the operator's head and onto the left shoulder (Fig. 13).
4. Snap the clip onto the support fitting (Fig. 5).
5. Adjust the shoulder strap to fit the operator (Fig. 6). Pull the buckle up to loosen the shoulder strap. Pull the strap down to tighten the shoulder strap.

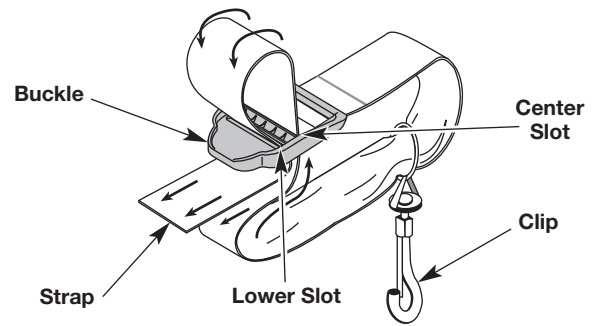


Fig. 4

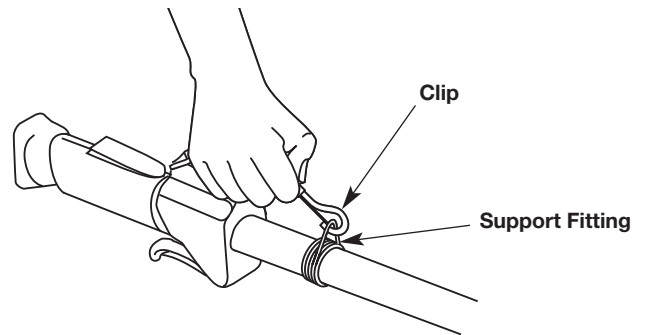


Fig. 5

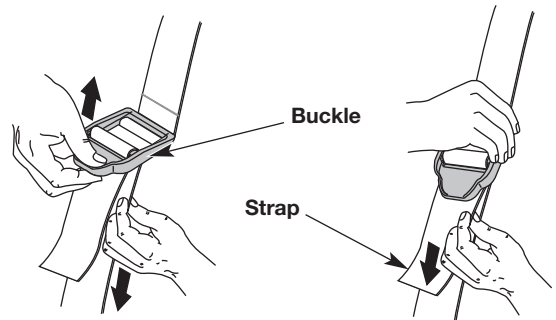


Fig. 6



**WARNING:** Before using any attachment, read and understand the manual that came with the attachment. Follow all safety information contained within.

**WARNING:** To avoid serious personal injury and damage to the unit, shut the unit off before removing or installing an attachment.

## OPERATING THE COUPLER

The coupler enables the use of various optional attachments.

### Installing the Attachment

1. Remove the hanger cap from the attachment. Keep the hanger cap for use when storing the attachment. If present, remove the gray spacer from the coupler.
2. Set the unit on a flat, level surface.
3. Turn the knob counterclockwise to loosen the coupler (Fig. 8).
4. Align the release button with the guide recess (Fig. 9).
5. Push the attachment straight into the coupler (Fig. 7) until the release button snaps firmly into the primary hole (Fig. 9).
6. Turn the knob clockwise to tighten the coupler (Fig. 8).

**NOTE:** For decorative trimming with a string trimmer attachment, lock the release button into the 90° hole (Fig. 8).

**CAUTION:** Before operating the unit, make sure the release button is fully snapped into the primary hole and the knob is securely tightened.

**CAUTION:** Unless specified otherwise, the release button should be snapped into the primary hole only. Using the wrong hole could lead to personal injury or damage to the unit.

### Removing the Attachment

1. Set the unit on a flat, level surface.
2. Turn the knob counterclockwise to loosen the coupler (Fig. 8).
3. Press and hold the release button (Fig. 9).
4. Pull the attachment straight out of the coupler (Fig. 7).

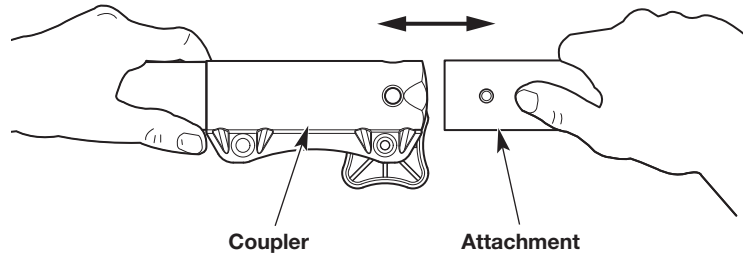


Fig. 7

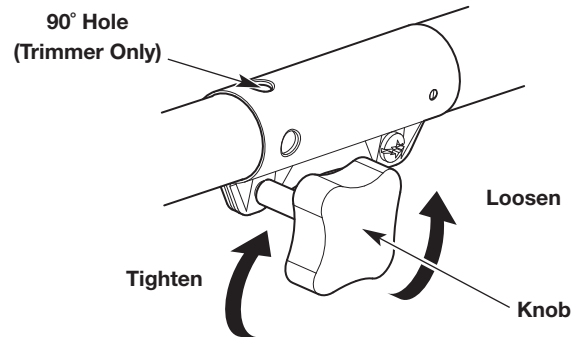


Fig. 8

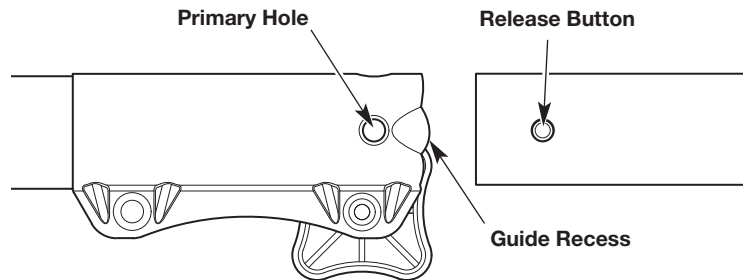


Fig. 9

## OIL AND FUEL MIXING INSTRUCTIONS

The use of old and/or improperly mixed fuel is the most common cause of performance problems. Use only fresh, clean unleaded gasoline. Follow the instructions carefully for the proper gasoline/oil mixture.

### Definition of Blended Fuels

Today's fuels are often a blend of gasoline and oxygenates such as ethanol, methanol or MTBE (ether). Alcohol-blended fuel absorbs water. As little as 1% water in the fuel can make fuel and oil separate, forming acids when stored. ALWAYS use fresh fuel (less than 30 days old).

**NOTE:** Dispose of old fuel according to federal, state and local regulations.

### Using Blended Fuels

If using a blended fuel:

- Always use the fresh fuel mix explained in your operator's manual
- Use the fuel additive STA-BIL® or an equivalent
- Always agitate the fuel mix before fueling the unit
- Drain the tank and run the engine dry before storing the unit


	<b>WARNING: DO NOT USE E85 FUEL IN THIS UNIT.</b> It has been proven that fuel containing greater than 10% ethanol will likely damage this engine and void the warranty.
--	--

### Using Fuel Additives



The bottle of 2-cycle oil provided with this unit contains a fuel additive to help inhibit corrosion and minimize gum deposits. Always use the brand of 2-cycle oil that came with this unit. If this is unavailable, use a 2-cycle oil designed for air-cooled engines and mix it with a fuel additive, such as STA-BIL Fuel Stabilizer or an equivalent. Add 0.8 oz. (23 ml) of fuel additive per gallon of fuel, according to the instructions on the container. NEVER add fuel additives directly to the unit's fuel tank.

### Mixing the Fuel

**NOTE:** This unit comes with a 3.2 oz. bottle of 2-cycle oil. To obtain the correct fuel mixture described below, pour the entire bottle into one gallon of unleaded gasoline.


	<b>CAUTION:</b> For proper engine operation and maximum reliability, pay strict attention to the gasoline and oil mixing instructions on the 2-cycle oil bottle. Using improperly mixed fuel can severely damage the engine.
--	--


Thoroughly mix the proper ratio of unleaded gasoline with 2-cycle engine oil. Do not mix them directly in the unit's fuel tank. Use a separate fuel can. Use a 40:1 gasoline/oil ratio. See the table below for specific gasoline and oil mixing ratios.


	
<b>Unleaded gasoline</b>	<b>2-cycle oil</b>
<b>1 gallon U.S. (3.8 liters)</b>	<b>3.2 fl. oz. (95 ml)</b>
<b>1 liter</b>	<b>25 ml</b>

**MIXING RATIO - 40:1**

## FUELING THE UNIT

	<b>WARNING:</b> Gasoline is extremely flammable. Ignited vapors may explode. Always stop the engine and allow it to cool before filling the fuel tank. Do not smoke while filling the tank. Keep sparks and open flames at a distance from the area.
---	--

	<b>WARNING:</b> Remove the fuel cap slowly to avoid injury from fuel spray. Never operate the unit without the fuel cap securely in place.
---	--

	<b>WARNING:</b> Add fuel in a clean, well ventilated outdoor area. Wipe up any spilled fuel immediately. Avoid creating a source of ignition for spilled fuel. Do not start the engine until fuel vapors dissipate.
---	---

1. Position the unit with the fuel cap facing up.
2. Remove the fuel cap.
3. Place the fuel container spout into the fill hole on the fuel tank and fill the tank.

**NOTE:** Do not overfill the tank.

4. Wipe up any fuel that may have spilled.
5. Reinstall the fuel cap.
6. Move the unit at least 30 ft. (9.1 m) from the fuel container and the fueling site before starting the engine.

## STARTING AND STOPPING



**WARNING:** Operate this unit only in a well-ventilated outdoor area. Carbon monoxide exhaust fumes can be lethal in a confined area.



**WARNING:** Avoid accidentally starting the unit. To avoid serious injury, the operator and the unit must be in a stable position when pulling the starter rope (Fig. 12).

### STARTING INSTRUCTIONS

1. Mix gasoline with oil. Refer to *Oil and Fuel Mixing Instructions*.
2. Fill the fuel tank. Refer to *Fueling the Unit*.

**NOTE:** There is no need to turn the unit on. The On/Off switch is in the ON (I) position at all times (Fig. 10).

3. Slowly press and release the primer bulb **10 times** (Fig. 11). If fuel cannot be seen in the primer bulb, press and release the primer bulb until fuel is visible.
4. Move the choke lever to **Position 1** (Fig. 11).
5. Crouch in the starting position (Fig. 12).

**NOTE:** **PRESS** and **HOLD** the throttle lock-out to engage the throttle control. **SQUEEZE** and **HOLD** the throttle control for **ALL** further steps.

6. Press the throttle lock-out and squeeze the throttle control (Fig. 10). Pull the starter rope with a controlled and steady motion **5 times** (Fig. 12).
7. Continue to press the throttle lock-out and squeeze the throttle control. Move the choke lever to **Position 2** (Fig. 11).
8. Continue to press the throttle lock-out and squeeze the throttle control. Pull the starter rope with a controlled and steady motion **3 to 5 times** to start the engine.
9. Continue to press the throttle lock-out and squeeze the throttle control. Allow the engine to warm up for 30 to 60 seconds.
10. Continue to press the throttle lock-out and squeeze the throttle control. Move the choke lever to **Position 3** (Fig. 11) and continue warming the engine for an additional 60 seconds. The unit may be used during this time.

**NOTE:** The engine is properly warmed up when it accelerates without hesitation.

**IF...** the engine hesitates, return the choke lever to **Position 2** (Fig. 11) and continue the warm-up.

**IF...** the engine does not start, begin the starting procedure with step 3.

**IF...** the engine fails to start after a few attempts, move the choke lever to **Position 3**, press the throttle lock-out and squeeze the throttle control. Pull the starter rope with a controlled and steady motion **3 to 8 times**. The engine should start. If it does not, repeat this instruction.

**IF...** the engine is already warm, begin the starting procedure with step 7.

### STOPPING INSTRUCTIONS

1. Release the throttle control and allow the engine to idle.
2. Press and hold the On/Off switch in the OFF (O) position until the engine comes to a complete stop (Fig. 10).

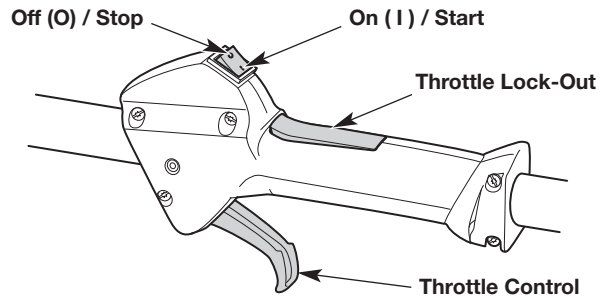


Fig. 10

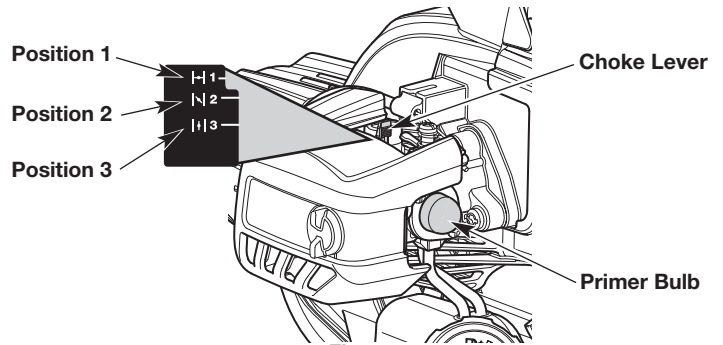


Fig. 11

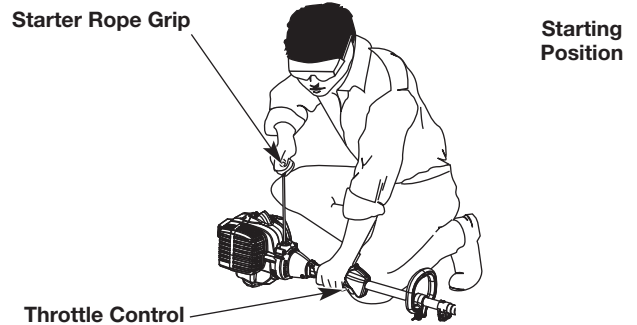


Fig. 12

## OPERATION

### HOLDING THE UNIT



**WARNING:** Always wear eye, hearing, hand, foot and body protection to reduce the risk of injury when operating this unit.

- Stand in the operating position (Fig. 13). Stand up straight. Do not bend over.
- Keep feet apart and firmly planted.
- Hold the shaft grip with the right hand. Keep the right arm slightly bent.
- Hold the handle with the left hand. Keep the left arm straight.
- Hold the unit at waist level.
- Position the cutting head / blade a few inches above the ground.

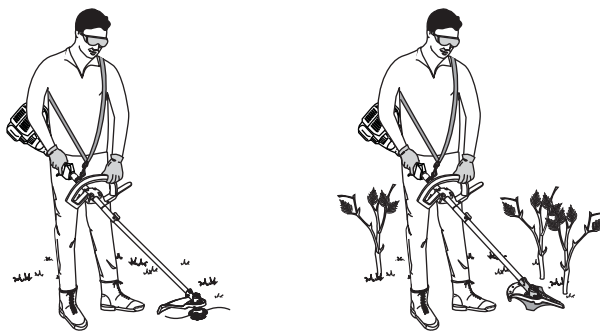


Fig. 13

### TIPS FOR BEST RESULTS (AS A TRIMMER)

- To direct clippings away from the operator, tilt the cutting head slightly down to the right; cut from left to right whenever possible.
- Do not trim wet grass or weeds.

**NOTE:** Some line breakage will occur from:

- Entanglement with foreign matter
- Normal line fatigue
- Attempting to cut thick vegetation
- Forcing the line into objects such as walls or fence posts

### DECORATIVE TRIMMING (AS A TRIMMER)

When trimming around trees, posts, fences, etc., rotate the whole unit so that the cutting head is at a 30° angle to the ground (Fig. 14).

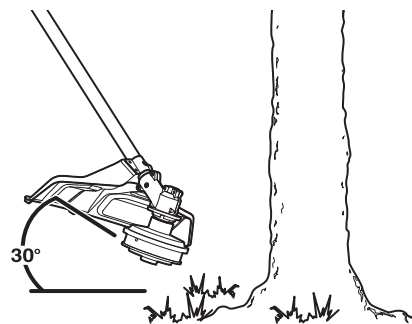


Fig. 14

## TIPS FOR BEST RESULTS (AS A BRUSHCUTTER)



**WARNING:** To avoid serious injury to the operator or others, do not use the blade as an edger.

- Keep the blade parallel to the ground.
- Always cut with the unit running at full speed. This provides maximum cutting power and makes the blade less likely to bind, stall or cause blade thrust.



**WARNING:** Blade thrust can occur when the spinning blade contacts an object that it does not immediately cut. Blade thrust can be violent enough to cause the unit and/or operator to be propelled in any direction and possibly lose control of the unit. Blade thrust can occur without warning if the blade snags, stalls or binds. This is more likely to occur in areas where it is difficult to see the material being cut.

- To direct clippings away from the operator, cut from left to right whenever possible.
- Always release the throttle control and allow the unit to idle when not cutting.
- When finished, always unsnap the shoulder strap from the unit before taking off the shoulder strap.
- The blade has a second cutting edge. If the blade becomes dull, remove the blade, turn it upside down and reinstall the blade. If both sides are dull, replace the blade. Refer to *Replacing the Blade*.



**WARNING:** The blade will continue to spin for a while after the unit is turned off. To avoid serious personal injury, do not touch a coasting blade.



**WARNING:** To avoid serious personal injury, always turn the unit off before removing debris from the unit. Allow the blade to come to a complete stop.

# MAINTENANCE



**WARNING:** To prevent serious injury, never perform maintenance or repairs while the unit is running. Always allow the unit to cool before servicing or repairing the unit. Disconnect the spark plug wire to prevent the unit from starting accidentally.

## MAINTENANCE SCHEDULE

Perform these required maintenance procedures at the frequency stated in the table. These procedures should also be a part of any seasonal tune-up.

**NOTE:** Some maintenance procedures may require special tools or skills. If you are unsure about these procedures, take the unit to an MTD authorized service dealer.

**NOTE:** Maintenance, replacement, or repair of the emission control devices and system may be performed by an MTD authorized service dealer.

**NOTE:** Please read the California/EPA statement that came with the unit for a complete listing of terms and coverage for the emissions control devices, such as the spark arrestor, muffler, carburetor, etc.

FREQUENCY	MAINTENANCE REQUIRED
Every 10 hours	<ul style="list-style-type: none"> <li>Clean and re-oil the air filter. Refer to <i>Maintaining the Air Filter</i>.</li> </ul>
Every 25 hours	<ul style="list-style-type: none"> <li>Check the spark plug condition and gap. Refer to <i>Maintaining the Spark Plug</i>.</li> </ul>

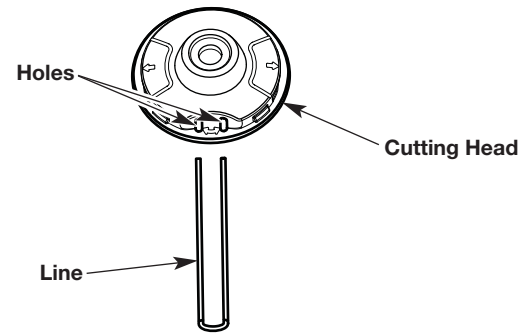


Fig. 15

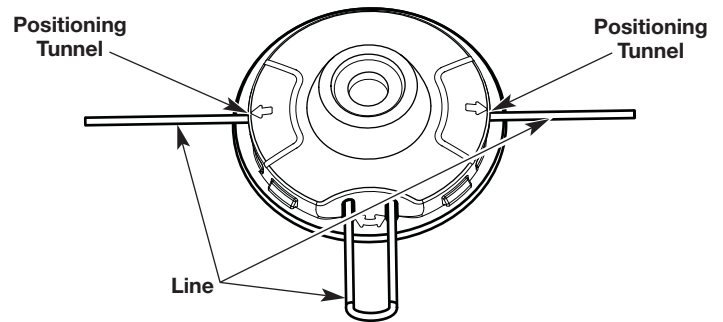


Fig. 16

## REPLACING THE TRIMMING LINE

Only use the trimming line described in the *Specifications* section. Other types of trimming line may cause the unit to overheat or fail.



**WARNING:** Never use metal-reinforced line, wire, chain or rope. These can break off and become dangerous projectiles.

1. Remove the old line from the cutting head.
2. Use a clean cloth to clean the surface of the cutting head.
3. Insert the ends of the line through the circular holes in the side of the cutting head (Fig. 15). Push the line through the holes until both ends protrude from the positioning tunnels (Fig. 16).
4. Pull the ends of the line until the line is tight against the cutting head. Make sure the ends of the line are of equal length (Fig. 17). If one end is longer than the other, push the longer end back through the cutting head partway and pull the shorter end out. If necessary, repeat this process until both ends are of equal length.
5. Press the exposed trimming line between the circular holes until it lies flat against the cutting head (Fig. 17).

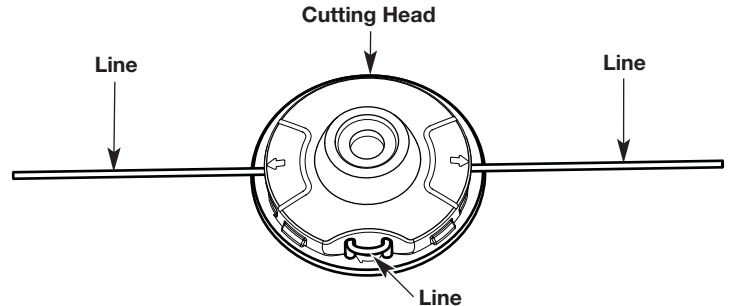


Fig. 17

## REPLACING THE BLADE



**WARNING:** To avoid serious personal injury, always wear gloves when handling the blade.



**WARNING:** Do not sharpen the blade. Sharpening the blade can cause the blade tip to break off while in use. This can result in severe personal injury.

### Removing the Blade

1. Align the shaft bushing hole with the locking rod slot (Fig. 18). Insert the locking rod into the locking rod slot and shaft bushing hole (Fig. 18).
2. While holding the locking rod in place, loosen the nut by turning it clockwise with a 13 mm closed-end or socket wrench (Fig. 19).
3. Remove the locking rod (Fig. 20).
4. Remove the nut, blade retainer and blade (Fig. 20).

### Installing the Blade

1. Put the blade on the output shaft bushing (Fig. 20). Make sure the blade is centered on the pilot step (Fig. 21). The blade should sit flat against the output shaft bushing.



**WARNING:** If the blade is off-center, the unit will vibrate and the blade may fly off, possibly causing serious personal injury.

2. Align the shaft bushing hole with the locking rod slot (Fig. 18). Insert the locking rod into the locking rod slot and shaft bushing hole (Fig. 18).
3. While holding the locking rod in place, put the blade retainer and nut on the output shaft (Fig. 21).
4. While holding the locking rod in place, tighten the nut by turning it counterclockwise:
  - If you are using a torque wrench and an 13 mm socket, tighten the nut to: **325 - 335 in•lb, 27 - 28 ft•lb, 37 - 38 N•m.**
  - Without a torque wrench, use a 13 mm closed-end or socket wrench. Turn the nut until the blade retainer is snug against the shaft bushing. Make sure the blade is installed correctly, then rotate the nut an additional 1/4 to 1/2 turn counterclockwise (Fig. 22).
5. Remove the locking rod.



**WARNING:** To avoid serious personal injury or damage to the unit, do not start or operate the unit with the locking rod inserted into the locking rod slot.

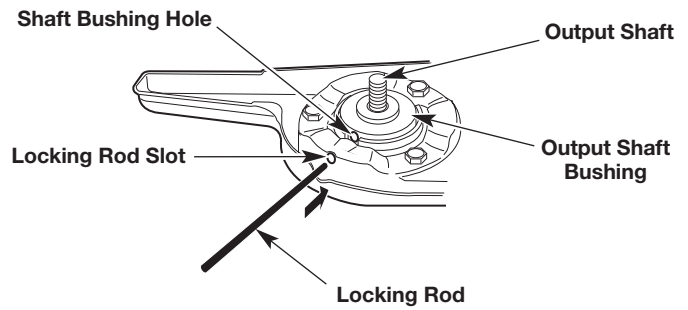


Fig. 18

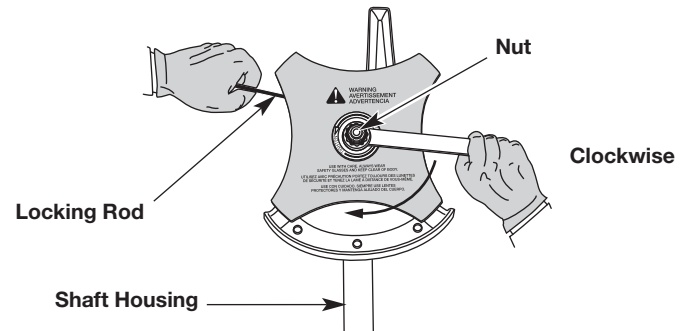


Fig. 19

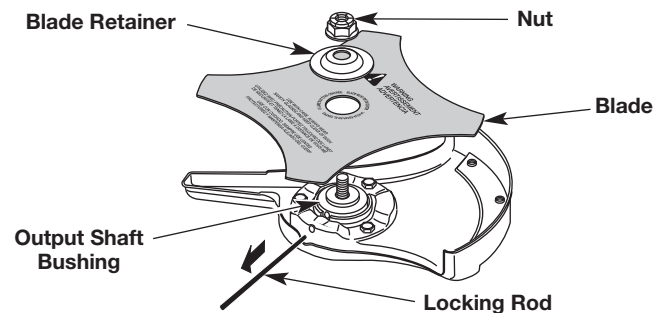


Fig. 20

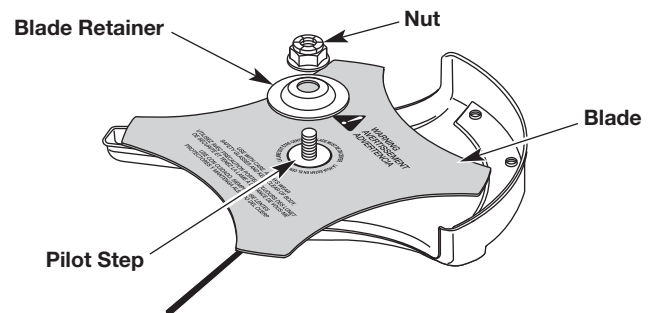


Fig. 21

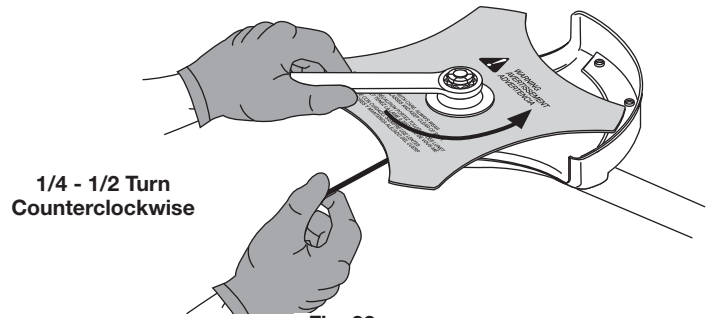


Fig. 22

## MAINTAINING THE AIR FILTER



**WARNING:** To avoid serious personal injury, always stop the engine and allow it to cool before cleaning or maintaining the unit.

Failure to maintain the air filter can result in poor performance or can cause permanent damage to the engine. Engine failure due to improper air filter maintenance is not covered by the product warranty.

### Cleaning the Air Filter

1. Open the air filter cover by unscrewing the cover screw (Fig. 23).
2. Remove the air filter from the air filter housing (Fig. 23).
3. Wash the air filter in detergent and water. Rinse the air filter thoroughly and allow it to dry.
4. Lightly coat the air filter with clean SAE 30 oil.
5. Squeeze the air filter to spread and remove excess oil.
6. Reinstall the air filter in the air filter housing (Fig. 23).

**NOTE:** Operating the unit without the air filter and air filter cover will VOID the warranty.

7. Insert the hooks on the air filter housing into the slots on the air filter cover (Fig. 24).
8. Swing the air filter cover to the right and align the cover screw with the cover screw hole (Fig. 24). Tighten the cover screw to secure the air filter cover.

**NOTE:** Do not over tighten, as this may strip the screw.

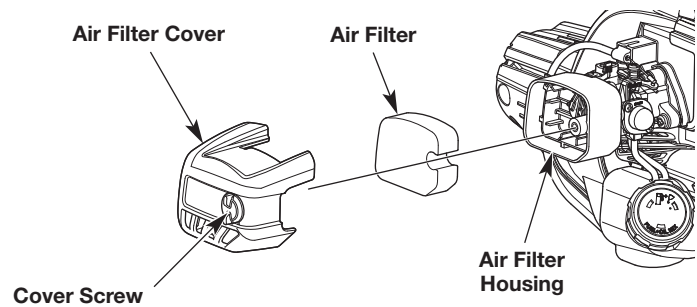


Fig. 23

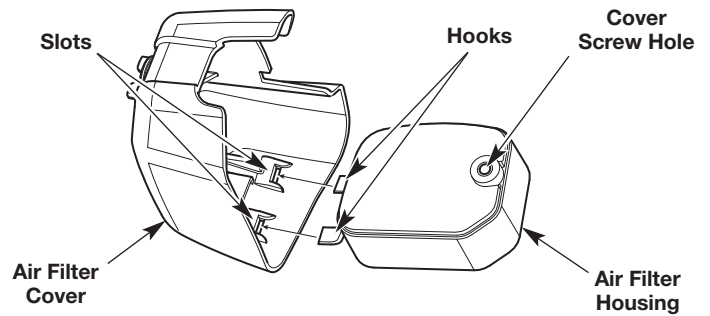


Fig. 24



## ADJUSTING THE IDLE SPEED



**WARNING:** The cutting head / blade may spin during idle speed adjustments. Wear protective clothing and observe all safety instructions to prevent serious personal injury.

**NOTE:** Careless adjustments can seriously damage the unit. An authorized service dealer should make carburetor adjustments.

If, after checking the fuel and cleaning the air filter, the engine still will not idle, adjust the idle speed screw as follows:

1. Start the engine. Refer to *Starting and Stopping*.
2. Release the throttle control and let the engine idle.
  - If the engine stops, use a small Phillips screwdriver to turn the idle speed screw clockwise, 1/8 of a turn at a time (as needed) until the engine idles smoothly (Fig. 25).
  - If the engine idles too quickly, turn the idle speed screw counterclockwise, 1/8 of a turn at a time (as needed) to reduce the idle speed (Fig. 25).

**NOTE:** The cutting head / blade should not spin when the engine idles. If it does, reduce the idle speed until the cutting head stops moving.

Checking the fuel, cleaning the air filter, and adjusting the idle speed should solve most engine problems. If not, and any of the following conditions are true, take the unit to an authorized service dealer:

- the engine will not idle
- the engine hesitates or stalls on acceleration
- there is a loss of engine power

## MAINTAINING THE SPARK PLUG

1. Stop the engine and allow it to cool. Grasp the spark plug boot firmly and pull it from the spark plug.
2. Clean around the spark plug. Remove the spark plug from the cylinder head with a 5/8-inch socket, turning counterclockwise.



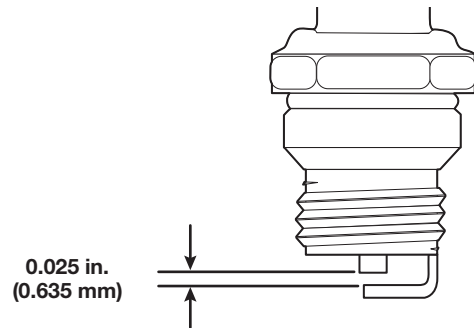
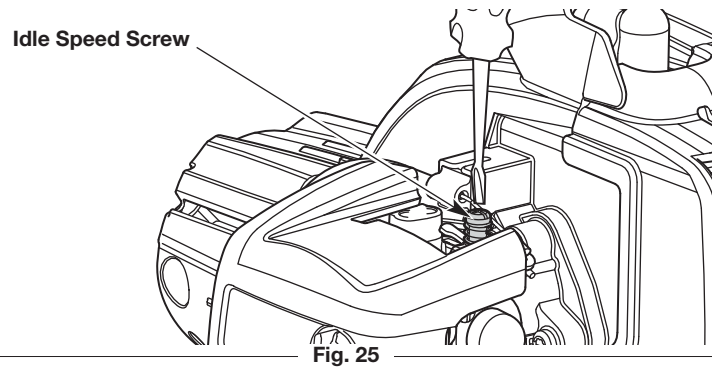
**WARNING:** Do not sand blast, scrape or clean spark plug electrodes. Grit in the engine could damage the cylinder.

3. Inspect the spark plug. If the spark plug is cracked, fouled or dirty, replace it with replacement part #753-06193, a **Champion RDJ7J** or an equivalent spark plug.
4. Use a feeler gauge to set the air gap at **0.025 in. (0.635 mm)** (Fig. 26).
5. Install the spark plug in the cylinder head. Tighten the spark plug with a 5/8-inch socket, turning it clockwise until snug.

**NOTE:** If using a torque wrench, torque to:

**110-120 in.•lb. (12.3-13.5 N•m). Do not over tighten.**

6. Reattach the spark plug boot.



## CLEANING AND STORAGE

### CLEANING



**WARNING:** To avoid serious personal injury, always stop the unit and allow it to cool before cleaning or maintaining the unit.

Use a small brush to clean the outside of the unit. Do not use strong detergents. Household cleaners that contain aromatic oils such as pine and lemon, and solvents such as kerosene, can damage plastic. Wipe off any moisture with a soft cloth.

Clean the brush cutter blade with a household cleaner to remove gum buildup. Wipe the brush cutter blade with a light machine oil to prevent rust.

### STORAGE

- Never store a fueled unit where fumes may reach an open flame or spark.
- Allow the engine to cool before storing.
- Lock up the unit to prevent unauthorized use or damage.
- Store the unit in a dry, well-ventilated area.
- Store the unit out of the reach of children.
- To suspend the attachment from a hook, install the hanger cap onto the attachment. Make sure the release button is securely locked into one of the holes on the hanger cap.

#### Short-term Storage (1-2 weeks)

1. Store the unit in a horizontal position. If this is not possible, store the unit vertically with the engine at the top.

#### Long-term Storage

1. Remove the fuel cap, tip the unit and drain the fuel into an approved container. Reinstall the fuel cap.
2. Start the engine and allow it to run until it stalls. This ensures that all fuel has been drained from the carburetor.
3. Allow the engine to cool. Remove the spark plug and put 5 drops of any high quality motor oil or 2-cycle oil into the cylinder. Pull the starter rope slowly to distribute the oil. Reinstall the spark plug.
4. Thoroughly clean the unit and inspect it for any loose or damaged parts. Repair or replace damaged parts and tighten loose screws, nuts or bolts.

#### Preparing the Unit for Use after Long-term Storage

1. Remove the spark plug and drain all of the oil from the cylinder.

**NOTE:** Do not use fuel that has been stored for more than 30 days. Dispose of old fuel according to federal, state and local regulations.

## TROUBLESHOOTING

PROBLEM	SOLUTION
<b>THE ENGINE WILL NOT START</b>	
The fuel tank is empty	Fill the fuel tank with properly mixed fuel
The primer bulb was not pressed enough	Press the primer bulb 10 times or until fuel is visible
The engine is flooded	Move the choke lever to Position 3, squeeze the throttle control and pull the starter rope
The fuel is old (over 30 days) and/or improperly mixed	Drain the fuel tank and add fresh, properly mixed fuel
The spark plug is fouled	Replace the spark plug
<b>THE ENGINE WILL NOT IDLE</b>	
The air filter is dirty	Clean or replace the air filter
The fuel is old (over 30 days) and/or improperly mixed	Drain the fuel tank and add fresh, properly mixed fuel
The idle speed is incorrect	Adjust the idle speed
<b>THE ENGINE WILL NOT ACCELERATE</b>	
The fuel is old (over 30 days) and/or improperly mixed	Drain the fuel tank and add fresh, properly mixed fuel
The cutting head is bound with grass	Stop the engine and clean the cutting head
The air filter is dirty	Clean or replace the air filter
<b>THE ENGINE LACKS POWER OR STALLS</b>	
The fuel is old (over 30 days) and/or improperly mixed	Drain the fuel tank and add fresh, properly mixed fuel
The air filter is dirty	Clean or replace the air filter
The spark plug is fouled	Replace the spark plug
<b>THE ENGINE STOPS WHILE IN USE</b>	
The engine overspeed protection is engaged	Allow the engine to cool down for 10 minutes before restarting the unit

**If further assistance is required, contact an authorized service dealer.**

**MANUFACTURER'S LIMITED WARRANTY FOR:**



The limited warranty set forth below is given by Cub Cadet LLC (Cub Cadet) with respect to new merchandise purchased and used in the United States, its possessions and territories.

Cub Cadet warrants this product against defects in material and workmanship for a period of three (3) years commencing on the date of original purchase and will, at its option, repair or replace, free of charge, any part found to be defective in material or workmanship. This limited warranty shall only apply if this product has been operated and maintained in accordance with the Operator's Manual furnished with the product, and has not been subject to misuse, abuse, commercial use, neglect, accident, improper maintenance, alteration, vandalism, theft, fire, water or damage because of other peril or natural disaster. Damage resulting from the installation or use of any accessory or attachment not approved by Cub Cadet for use with the product(s) covered by this manual will void your warranty as to any resulting damage. This warranty is limited to ninety (90) days from the date of original retail purchase for any Cub Cadet product that is used for rental or commercial purposes, or any other income-producing purpose.

**HOW TO OBTAIN SERVICE:** Warranty service is available, WITH PROOF OF PURCHASE THROUGH YOUR LOCAL AUTHORIZED SERVICE DEALER. To locate the dealer in your area, visit our website at [www.cubcadet.com](http://www.cubcadet.com) or [www.cubcadet.ca](http://www.cubcadet.ca), check for a listing in the Yellow Pages, call **1-877-282-8684** or **1-800-668-1238** in Canada, or write to P.O. Box 361131, Cleveland, OH 44136-0019. No product returned directly to the factory will be accepted unless prior written permission has been extended by the Customer Service Department of Cub Cadet.

**This limited warranty does not provide coverage in the following cases:**

- A. Tune-ups - Spark Plugs, Carburetor Adjustments, Filters
- B. Wear items - Bump Knobs, Outer Spools, Cutting Line, Inner Reels, Starter Pulley, Starter Ropes, Drive Belts, Saw Chains, Guide Bars, Cultivator Tines, Blades.
- C. Cub Cadet does not extend any warranty for products sold or exported outside of the United States of America, its possessions and territories, except those sold through Cub Cadet's authorized channels of export distribution.

Cub Cadet reserves the right to change or improve the design of any Cub Cadet Product without assuming any obligation to modify any product previously manufactured.

**No implied warranty, including any implied warranty of merchantability or fitness for a particular purpose, applies after the applicable period of express written warranty above as to the parts as identified. No other express warranty or guaranty, whether written or oral, except as mentioned above, given by any person or entity, including a dealer or retailer, with respect to any product shall bind Cub Cadet. During the period of the Warranty, the exclusive remedy is repair or replacement of the product as set forth above.** (Some states do not allow limitations on how long an implied warranty lasts, so the above limitation may not apply to you.)

**The provisions as set forth in this Warranty provide the sole and exclusive remedy arising from the sales. Cub Cadet shall not be liable for incidental or consequential loss or damages including, without limitation, expenses incurred for substitute or replacement lawn care services, for transportation or for related expenses, or for rental expenses to temporarily replace a warranted product.** (Some states do not allow limitations on how long an implied warranty lasts, so the above limitation may not apply to you.)

In no event shall recovery of any kind be greater than the amount of the purchase price of the product sold. Alteration of the safety features of the product shall void this Warranty. You assume the risk and liability for loss, damage, or injury to you and your property and/or to others and their property arising out of the use or misuse or inability to use the product.

This limited warranty shall not extend to anyone other than the original purchaser, original lessee or the person for whom it was purchased as a gift.

**How State Law Relates to this Warranty:** This warranty gives you specific legal rights, and you may also have other rights which vary from state to state.

To locate your nearest service dealer, dial **1-877-282-8684** in the United States or **1-800-668-1238** in Canada.

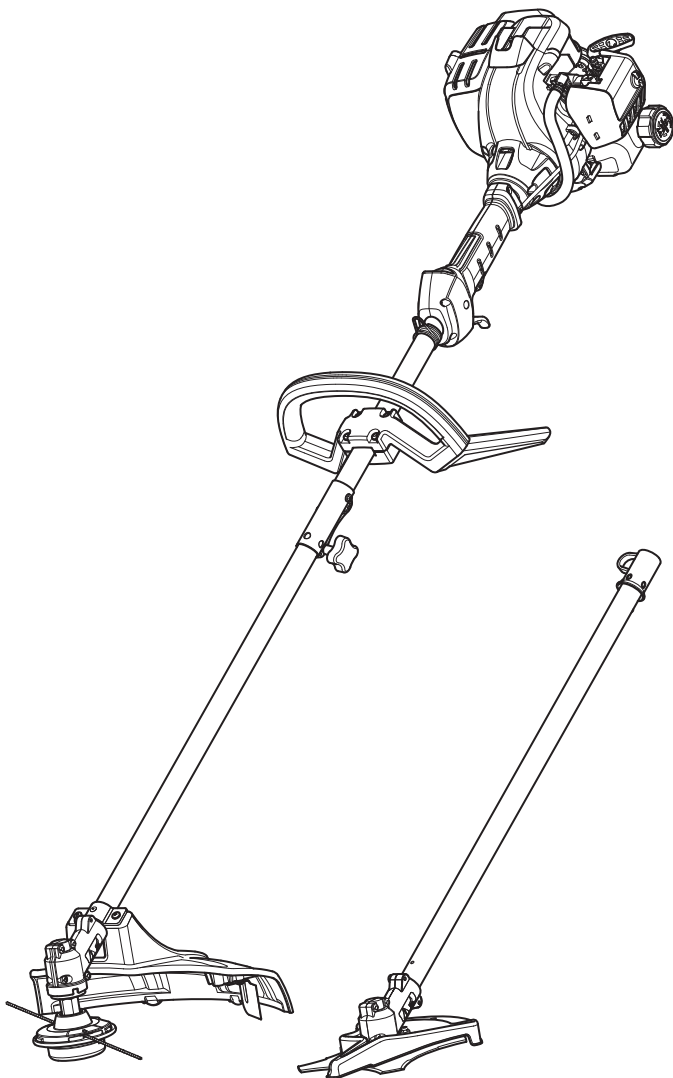
**CUB CADET LLC**

P.O. Box 361131  
Cleveland, OH 44136-0019

# Cub Cadet®

## Manuel de l'opérateur

### Taille-bordure / Débroussailleuse à 2 temps **BC280**



#### TABLE DES MATIÈRES

Service technique .....	21
Sécurité .....	22
Apprenez à connaître votre appareil .....	26
Caractéristiques .....	26
Assemblage .....	27
Huile et carburant .....	30
Mise en marche et arrêt .....	31
Utilisation .....	32
Entretien .....	34
Nettoyage et entreposage .....	38
Dépannage .....	39
Garantie .....	40

## CONSERVEZ CES INSTRUCTIONS

### SERVICE TECHNIQUE

**NE RAMENEZ PAS CET APPAREIL CHEZ LE  
REVENDEUR. UNE PREUVE D'ACHAT SERA EXIGÉE  
POUR AVOIR RECOURS À LA GARANTIE.**

Pour obtenir de l'aide concernant l'assemblage, les commandes, l'utilisation ou l'entretien de cet appareil, veuillez contacter le service à la clientèle au **1-877-282-8684** (États-Unis) ou au **1-800-668-1238** (Canada). Pour obtenir des informations supplémentaires sur cet appareil, visitez le site Internet : **www.cubcadet.com** (É.-U.) ou **www.cubcadet.ca** (Canada).


Pour profiter du service technique, veuillez appeler le service à la clientèle pour obtenir une liste des centres de réparation agréés les plus proches. Les réparations de cet appareil doivent être confiées uniquement à un centre de réparation agréé, à la fois pendant et après la période de garantie. Lors d'une réparation, utilisez uniquement des pièces de rechange identiques.


Toutes les informations, illustrations et caractéristiques contenues dans ce manuel reposent sur les dernières informations disponibles sur ce produit à la date d'impression. Nous nous réservons le droit d'apporter à tout instant des modifications, sans préavis.  
Copyright© 2013 MTD SOUTHWEST INC, Tous droits réservés.

**IMPORTANT : Lisez attentivement ce manuel avant d'utiliser ce produit. Respectez toutes les instructions.**

Les symboles de sécurité visent à attirer votre attention sur les dangers éventuels. Vous devez accorder une attention particulière aux symboles de sécurité afin de bien les comprendre. Les avertissements de sécurité n'éliminent pas les dangers en eux-mêmes. Les instructions ou mises en garde ne remplacent en rien les mesures de prévention appropriées contre les accidents.

## SYMBOLE SIGNIFICATION

 **DANGER** : indique un danger EXTRÊME.  
Le non-respect d'un symbole de **DANGER ENTRAÎNERA** des blessures graves, voire un décès, de l'opérateur ou d'autres personnes.

 **AVERTISSEMENT** : indique un danger GRAVE.  
Le non-respect d'un symbole d'**AVERTISSEMENT PEUT** provoquer des blessures graves de l'opérateur ou d'autres personnes.

 **ATTENTION** : indique un danger MODÉRÉ.  
Le non-respect d'un symbole **ATTENTION POURRAIT** provoquer des blessures ou des dommages des biens de l'opérateur ou d'autres personnes.

**REMARQUE** : vous donne des informations ou des consignes essentielles pour l'utilisation ou l'entretien de l'équipement.

## NOTE SUR LE PARE-ÉTINCELLES


**REMARQUE** : à l'intention des utilisateurs sur les terrains forestiers américains et dans les États de Californie, du Maine, de l'Oregon et de Washington. Tous les services des forêts américains et les États de Californie (codes des ressources publiques 4442 et 4443), de l'Oregon et de Washington exigent, au titre de la loi, que certains moteurs à combustion interne utilisés dans les broussailles de forêt et/ou les zones recouvertes d'herbe soient équipés d'un pare-étincelles, soient maintenus en bon état de marche, ou soient construits, équipés et entretenus en vue d'éviter tout risque d'incendie. Veuillez contacter les autorités nationales ou locales pour connaître les réglementations à cet égard. Le non-respect de ces exigences pourrait impliquer votre responsabilité ou entraîner une amende. **Cet appareil est équipé en usine d'un pare-étincelles.** Si un remplacement est nécessaire, communiquez avec votre distributeur local pour l'installation du silencieux approprié.

 **PROPOSITION 65 DE L'ÉTAT DE CALIFORNIE AVERTISSEMENT** : les gaz d'échappement, certains de leurs constituants et certains composants finis contiennent ou émettent des produits chimiques reconnus par l'État de Californie comme étant à l'origine de cancers ou de malformations congénitales ou autres dangers pour la reproduction. Lavez-vous les mains après avoir manipulé l'appareil.

**Veuillez lire le manuel de l'opérateur et respecter tous les avertissements et consignes de sécurité. Dans le cas contraire, l'opérateur et/ou les passants peuvent subir des blessures graves.**

# • CONSIGNES DE SÉCURITÉ IMPORTANTES •

## VEUILLEZ LIRE TOUTES LES INSTRUCTIONS AVANT

 **AVERTISSEMENT** : quand vous utilisez l'appareil, vous devez respecter toutes les règles de sécurité. Veuillez lire ces consignes avant d'utiliser l'appareil pour assurer la sécurité de l'opérateur et de tous les passants. Veuillez conserver ces instructions pour référence ultérieure.

- Veuillez lire soigneusement ces instructions. Familiarisez-vous avec les commandes et l'utilisation correcte de l'appareil.
- N'utilisez pas cet appareil quand vous êtes fatigué, malade ou sous l'influence de boissons alcoolisées, de drogues ou de médicaments.
- Les enfants ne doivent pas utiliser cet appareil. Les adolescents doivent être supervisés par des adultes.
- Tous les carters et dispositifs de sécurité doivent être correctement installés avant l'utilisation de cet appareil.
- Inspectez l'appareil avant l'utilisation. Remplacez les pièces endommagées. Détectez les fuites de carburant éventuelles. Assurez-vous que toutes les fixations sont en place et bien serrées. Remplacez les pièces fissurées, ébréchées ou endommagées d'une manière ou d'une autre. N'utilisez pas l'appareil quand des pièces sont desserrées ou endommagées.

- Vous devez être conscient des risques de blessures à la tête, aux mains et aux pieds.
- Inspectez attentivement la zone de travail avant de démarrer l'appareil. Retirez les pierres, le verre cassé, les clous, les fils, les ficelles et autres objets qui peuvent être projetés ou s'enrouler dans l'appareil.
- Éloignez les enfants, les passants et les animaux domestiques ; ils doivent rester dans un rayon d'au moins 15 mètres (50 pieds). Même à cette distance, il existe néanmoins un risque de projectiles pour les personnes à proximité. Encouragez-les à porter des lunettes de sécurité. Si quelqu'un s'approche de vous, arrêtez immédiatement l'appareil.
- Appuyez sur la manette des gaz et vérifiez qu'elle revient automatiquement à la position de ralenti. Effectuez tous les réglages ou réparations avant d'utiliser l'appareil.
- Cet appareil est uniquement destiné à un usage domestique occasionnel.

## AVERTISSEMENTS DE SÉCURITÉ POUR LES APPAREILS À GAZ



**AVERTISSEMENT :** l'essence est extrêmement inflammable et ses vapeurs peuvent exploser en présence d'une source d'inflammation. Prenez les précautions suivantes :

- Stockez le carburant uniquement dans des récipients spécifiquement conçus à cet usage et approuvés pour le stockage de telles substances.
- Arrêtez toujours le moteur et laissez-le refroidir avant de remplir le réservoir d'essence. N'enlevez jamais le bouchon du réservoir de carburant ou ne remplissez jamais ce dernier quand le moteur est chaud. Dévissez toujours lentement le bouchon du réservoir de carburant afin de relâcher toute pression présente avant de le remplir.
- Mélangez et ajoutez toujours le carburant dans une zone extérieure propre et bien aérée, en l'absence totale d'étincelles ou de flammes. NE fumez PAS.
- N'utilisez jamais l'appareil quand le bouchon du réservoir de carburant n'est pas correctement vissé.
- Évitez de créer une source d'inflammation en présence d'un déversement de carburant. Essayez immédiatement tout carburant échappé du réservoir avant de démarrer l'appareil. Éloignez l'appareil à 9,1 mètres (30 pieds) au moins de la source de ravitaillement et du site avant de démarrer le moteur. NE fumez PAS.
- Ne démarrez jamais ou n'utilisez jamais l'appareil à l'intérieur d'un espace ou d'un bâtiment clos. L'inhalation des fumées d'échappement peut tuer. Utilisez cet appareil uniquement dans une zone extérieure bien aérée.

### PENDANT L'UTILISATION

- Portez des lunettes de sécurité conformes aux normes ANSI / ISEA Z87.1 en vigueur et marquées comme telles. Portez une protection auditive pendant l'utilisation de cet appareil. Portez un écran facial ou un masque antipoussières si la tâche est poussiéreuse.
- Portez un pantalon long et épais, des bottes, des gants et une chemise à manches longues. Ne portez pas des vêtements amples, des bijoux, un pantalon court, des sandales et ne travaillez pas pieds nus. Attachez vos cheveux au-dessus des épaules.
- Cet appareil est doté d'un embrayage. La tête de coupe/lame reste stationnaire lorsque le moteur est au ralenti. Si ce n'est pas le cas, apporter l'appareil à un centre de réparation agréé pour obtenir un ajustement.
- La tête de coupe/lame peut tourner pendant les ajustements de la vitesse du ralenti. Portez des vêtements de protection et respectez toutes les consignes de sécurité pour éviter toute blessure grave.
- Ajustez la poignée pour procurer une meilleure prise, le cas échéant.
- Assurez-vous que l'accessoire n'est pas en contact avec quoi que ce soit avant de démarrer l'appareil.
- Utilisez l'appareil uniquement en plein jour ou avec un bon éclairage artificiel.
- Évitez tout démarrage accidentel. Placez-vous dans la position de démarrage dès que vous tirez sur le câble de démarreur. L'opérateur et l'appareil doivent être dans une position stable pendant le démarrage. Consultez les sections *Mise en marche et Arrêt*.
- Utilisez le bon outil. Utilisez uniquement cet outil pour l'usage prévu.
- Tenez toujours l'appareil à deux mains lorsqu'il est en marche. Tenez fermement les deux anses ou poignées.

- Ne vous penchez pas trop en avant. Conservez toujours une position stable et un bon équilibre. Redoublez de prudence lorsque vous travaillez dans des escaliers, des pentes ou des rampes abruptes. Pour éviter les blessures graves, n'utilisez pas l'appareil lorsque vous vous trouvez sur une échelle ou un toit.
- Éloignez vos mains, votre visage et vos pieds des pièces mobiles. Ne touchez pas ou n'essayez pas d'arrêter des pièces en mouvement.
- Ne touchez pas le moteur, le carter d'engrenage ou le pot d'échappement. Ces composants deviennent extrêmement chauds pendant l'utilisation, même après l'arrêt de l'appareil.
- N'utilisez pas l'appareil à une vitesse supérieure à celle nécessaire pour réaliser le travail. Ne faites pas fonctionner l'appareil à haute vitesse quand vous ne l'utilisez pas.
- Ne forcez pas l'appareil. Il sera plus efficace et plus sûr si vous l'utilisez à la vitesse pour laquelle il a été conçu.
- Arrêtez toujours l'appareil quand le travail est interrompu ou quand vous vous déplacez d'un endroit à un autre.
- Si vous heurtez ou enrroulez un objet étranger dans l'appareil, arrêtez immédiatement l'appareil et vérifiez les dommages éventuels. Ne redémarrez pas l'appareil avant de l'avoir réparé. N'utilisez pas l'appareil quand des pièces sont desserrées ou endommagées.
- Arrêtez le moteur et débranchez la bougie pour les tâches d'entretien ou les réparations.
- Utilisez uniquement des pièces et des accessoires de rechange du fabricant d'origine pour cet appareil. Ils sont disponibles auprès de votre centre de réparation agréé. L'utilisation d'autres pièces ou accessoires pourrait entraîner de graves blessures de l'utilisateur ou endommager l'appareil, et annuler la garantie.
- L'appareil doit rester propre. Retirez avec précaution la végétation et autres débris qui pourraient bloquer les pièces mobiles.
- Pour réduire les risques d'incendie, remplacez un pot d'échappement et un pare-étincelles défectueux. Nettoyez l'herbe, les feuilles, les couches de graisse excessives ou les dépôts de carbone présents sur le moteur et le pot d'échappement.
- Si l'appareil commence à vibrer de façon anormale, arrêtez-le immédiatement. Inspectez l'appareil pour découvrir l'origine des vibrations. Les vibrations indiquent en général un problème.

### SÉCURITÉ DU TAILLE-BORDURE

- Utilisez uniquement le fil de coupe décrit dans la section *Caractéristiques* de ce manuel. N'utilisez jamais de fils, de câbles, de chaînes ou de cordons à renfort métallique. Ils peuvent se casser et se transformer en projectiles dangereux.
- Ne pas remplacer la tête de coupe par des lames rigides ou en métal. Cela pourrait entraîner de graves blessures.
- Le carter de la tête de coupe doit toujours être en place pendant l'utilisation de l'appareil. N'utilisez pas l'appareil sans que les deux fils de coupe soient tendus et que le fil correct soit installé. Ne tirez pas le fil de coupe au-delà du carter de protection.

## SÉCURITÉ DE LA DÉBROUSSAILLEUSE

- Le capot de la lame doit toujours être en place lorsque vous utilisez l'appareil.
- Utilisez toujours la bandoulière lors de l'utilisation d'une débroussailleuse.
- Pendant le fonctionnement, gardez toujours le manche entre l'opérateur et la lame.
- Ne faites jamais faire fonctionner l'appareil alors que la lame se trouve à une hauteur supérieure à la taille.
- Pour éviter un rebond violent, ne tentez pas de couper des matériaux plus grands que 1,27 cm (0,5 po) de diamètre.
- Un rebond peut se produire lorsque la lame pivotante frappe un objet qu'elle n'a pas immédiatement coupé. Un rebond peut être assez violent pour propulser l'appareil ou l'opérateur dans n'importe quelle direction, ce qui peut causer une perte de contrôle. Un rebond peut se produire sans avertissement si la lame accroche, paralyse ou se coince. Cela est plus susceptible de se produire dans les zones où il est difficile de voir le matériau coupé.
- La lame continue de tourner une fois que l'appareil est éteint. Une lame en rotation peut causer des blessures graves. Gardez le contrôle de l'appareil jusqu'à ce que toutes les pièces mobiles se soient immobilisées.
- N'affûtez pas la lame. L'affûtage de la lame peut causer la rupture de la pointe de la lame en cours d'utilisation. Il peut en résulter des blessures graves. Remplacez la lame si elle est émoussée.
- Ne faites pas fonctionner l'appareil avec une lame courbée ou émoussée. Remplacez les lames courbées ou émoussées.
- N'utilisez pas la lame pour tailler les bordures; vous pourriez gravement vous blesser ou blesser quelqu'un d'autre.
- La lame peut devenir très tranchante en raison de son utilisation. Portez toujours des gants épais lorsque vous manipulez, remplacez ou nettoyez la lame.

## AUTRES AVERTISSEMENTS DE SÉCURITÉ

- Toutes les réparations, autres que les procédures de maintenance décrites dans ce manuel, doivent être effectuées par un centre de réparations agréé.
- Avant une inspection, un entretien, un nettoyage, un entreposage, un transport ou le remplacement d'une pièce de l'appareil :
  1. Arrêtez l'appareil.
  2. Assurez-vous que toutes les pièces mobiles se sont arrêtées.
  3. Laissez l'appareil refroidir.
  4. Débranchez le fil de la bougie.
- Assurez-vous que l'appareil est sécurisé pour les transports.
- Quand le réservoir contient du carburant, ne rangez jamais l'appareil à l'intérieur d'un bâtiment où des vapeurs d'essence pourraient atteindre une flamme nue (veilleuses, etc.) ou des étincelles (interrupteurs, moteurs électriques, etc.).
- Rangez l'appareil dans un endroit sec et sûr ou en hauteur pour éviter une utilisation non autorisée ou des dommages. Gardez toujours l'appareil hors de portée des enfants.
- Ne mouillez pas ou n'éclaboussez pas l'appareil avec de l'eau ou tout autre liquide. Gardez les poignées sèches et propres (sans débris, huile et graisse). Nettoyez l'appareil après chaque utilisation. Consultez la section *Nettoyage et entreposage*. N'utilisez pas de solvants ou de puissants détergents.
- Conservez ces instructions. Consultez-les souvent et utilisez-les pour former d'autres utilisateurs. Si vous prêtez cet appareil à d'autres personnes, remettez-leur également ces instructions.

## CONSERVEZ CES INSTRUCTIONS



• SYMBOLES DE SÉCURITÉ ET INTERNATIONAUX •

Le présent manuel de l'opérateur décrit les symboles et pictogrammes de sécurité et internationaux, susceptibles d'apparaître sur ce produit. Veuillez lire le manuel de l'opérateur pour connaître les informations complètes sur la sécurité, l'assemblage, l'utilisation, l'entretien et la réparation.

**SYMBOLE SIGNIFICATION**

	<p>• <b>SYMBOLE D'ALERTE DE SÉCURITÉ</b></p> <p>Indique un danger, un avertissement ou une mise en garde. Peut être utilisé conjointement avec d'autres symboles ou pictogrammes.</p>
	<p>• <b>LISEZ LE MANUEL DE L'OPÉRATEUR</b></p> <p><b>AVERTISSEMENT :</b> veuillez lire le(s) manuel(s) de l'opérateur et respecter tous les avertissements et consignes de sécurité. Dans le cas contraire, l'opérateur et/ou les passants peuvent subir des blessures graves.</p>
	<p>• <b>PORTEZ DES PROTECTIONS AUDITIVES ET OCULAIRES</b></p> <p><b>AVERTISSEMENT :</b> la projection d'objets et les bruits forts peuvent provoquer des blessures oculaires graves et une perte auditive. Portez une protection oculaire conforme aux normes ANSI / ISEA Z87.1 en vigueur, ainsi qu'une protection auditive pendant l'utilisation de cet appareil. Utilisez un écran facial complet dès que nécessaire.</p>
	<p>• <b>ESSENCE SANS PLOMB</b></p> <p>Utilisez toujours de l'essence sans plomb, propre et neuve.</p>
	<p>• <b>HUILE</b></p> <p>Consultez le manuel de l'opérateur pour connaître le type d'huile à utiliser.</p>
	<p>• <b>N'UTILISEZ PAS UN CARBURANT E85 DANS CET APPAREIL</b></p> <p><b>AVERTISSEMENT :</b> il a été prouvé qu'un carburant contenant plus de 10 % d'éthanol est susceptible d'endommager ce moteur et d'annuler la garantie.</p>
	<p>• <b>COMMANDE DE MARCHÉ/ARRÊT</b></p> <p>ALLUMAGE / DÉMARRAGE / MARCHÉ</p>
	<p>• <b>COMMANDE DE MARCHÉ/ARRÊT</b></p> <p>ARRÊT</p>
	<p>• <b>POIRE D'AMORÇAGE</b></p> <p>Poussez complètement et lentement la poire d'amorçage à 10 reprises.</p>
	<p>• <b>COMMANDE DE L'ÉTRANGLEUR</b></p> <ol style="list-style-type: none"> <li>• Position d'étranglement MAXIMUM</li> <li>• Position d'étranglement PARTIELLE</li> <li>• Position d'étranglement MARCHÉ</li> </ol>

**SYMBOLE SIGNIFICATION**

	<p>• <b>LES OBJETS PROJETÉS ET LA TÊTE ROTATIVE PEUVENT PROVOQUER DES BLESSURES GRAVES</b></p> <p><b>AVERTISSEMENT :</b> les petits objets peuvent être propulsés à des vitesses élevées, provoquant des blessures. Tenez-les à l'écart du rotor en mouvement.</p>
	<p>• <b>ÉLOIGNEZ LES PASSANTS</b></p> <p><b>AVERTISSEMENT :</b> éloignez tous les passants, en particulier les enfants et les animaux domestiques, à 15 m (50 pieds) au moins de la zone de coupe.</p>
	<p>• <b>SURFACE CHAUDE</b></p> <p><b>AVERTISSEMENT :</b> ne touchez pas un pot d'échappement ou un cylindre chaud. Vous pourriez vous brûler. Ces éléments chauffent énormément lorsque l'appareil est en marche. Ils restent chauds pendant un court instant après l'arrêt.</p>
	<p>• <b>LAME TRANCHANTE</b></p> <p><b>AVERTISSEMENT :</b> lame tranchante sur le carter de protection de l'accessoire de coupe. Pour éviter toute blessure grave, ne touchez pas la lame du coupe-fil.</p>
	<p>• <b>DÉBROUSSAILLEUSE : REMPLACEZ UNE LAME ÉMOUSSÉE</b></p> <p><b>AVERTISSEMENT :</b> N'affûtez pas la lame. L'affûtage de la lame peut causer la rupture de la pointe de la lame en cours d'utilisation. Il peut en résulter des blessures graves. Remplacez la lame si elle est émoussée.</p>
	<p>• <b>SÉCURITÉ DE LA TAILLE-BORDURE / DÉBROUSSAILLEUSE</b></p> <p><b>AVERTISSEMENT :</b> Les objets projetés et la tête de coupe en rotation peuvent entraîner des blessures graves. Faites reculer les personnes se trouvant à proximité, en particulier les enfants et les animaux domestiques, d'au moins 15 m (50 pieds) de la zone de travail. Le bouclier de tête de coupe doit être installé si vous utilisez un accessoire de taille. Le capot de la lame doit être installé lors de l'utilisation de l'accessoire débroussailleur.</p>

# APPRENEZ À CONNAÎTRE VOTRE APPAREIL

## APPLICATIONS

Comme taille-bordure :

- Coupe d'herbe et de mauvaises herbes.
- Coupe de bordures
- aille décorative autour des arbres, des clôtures, etc.

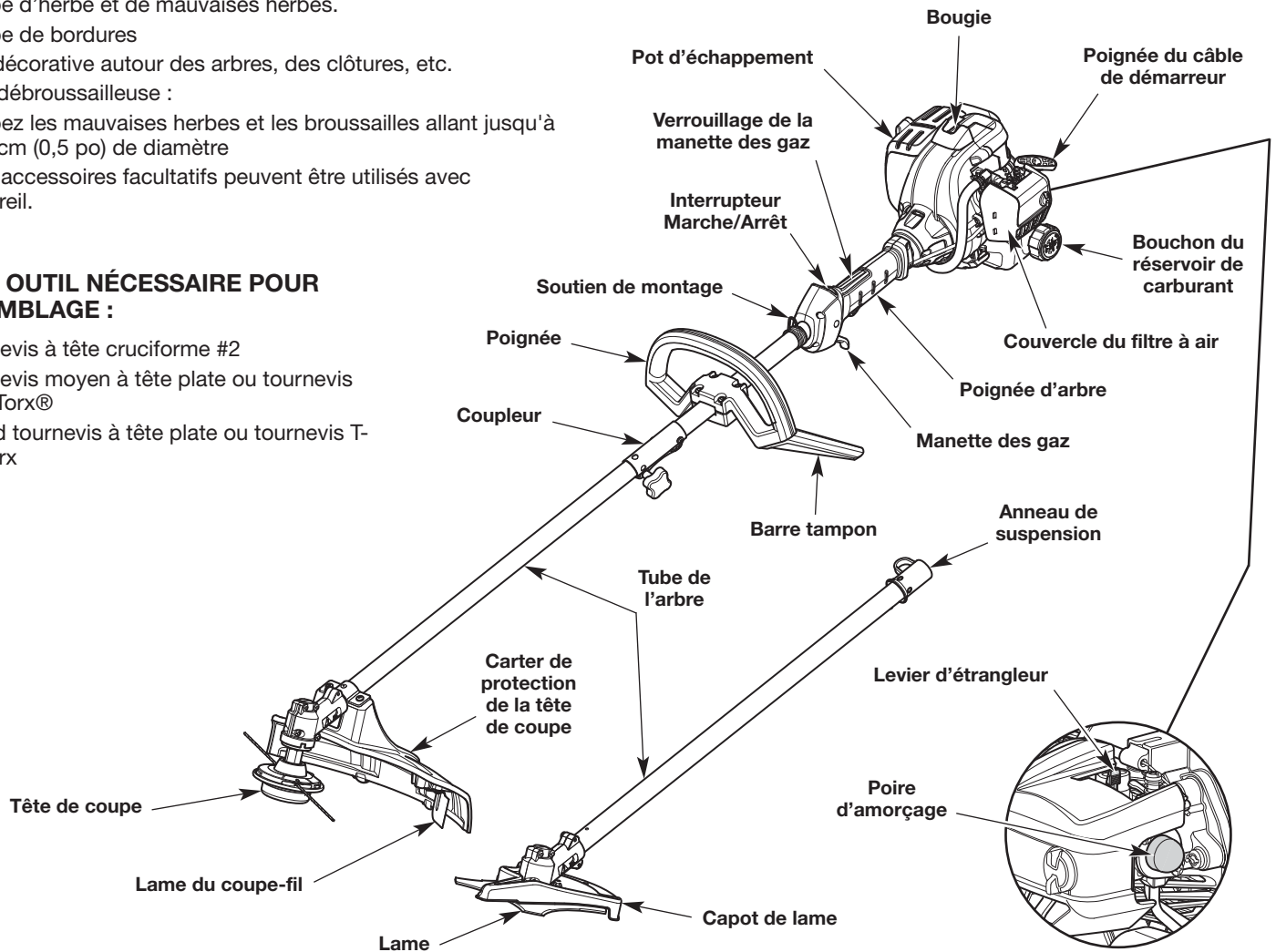
Comme débroussailluse :

- Coupez les mauvaises herbes et les broussailles allant jusqu'à 1,27 cm (0,5 po) de diamètre

D'autres accessoires facultatifs peuvent être utilisés avec cet appareil.

## AUCUN OUTIL NÉCESSAIRE POUR L'ASSEMBLAGE :

- Tournevis à tête cruciforme #2
- Tournevis moyen à tête plate ou tournevis T-20 Torx®
- Grand tournevis à tête plate ou tournevis T-25 Torx



## CARACTÉRISTIQUES\*

Type de moteur	Refroidi par air, 2 temps
Cylindrée	27 cc (1,64 po. cube)
Écartement des électrodes	0,635 mm (0,025 po.)
Bougie	Champion® RDJ7J ou équivalent
Lubrification	Mélange carburant/huile
Rapport carburant/huile	40:1
Capacité du réservoir de carburant	414 ml (14 oz.)
Poids approximatif de l'appareil (sans carburant)	5,7 - 6,1 kg (12.5 - 13.5 livres)
Mécanisme de coupe	Tête de coupe de lignes fixes
Découpe de ligne	Fil pré-coupé de 2,67 mm (0,105 po.)
Diamètre de la trajectoire de coupe (taille-bordure)	43,2 cm (17 po.)
Diamètre de la trajectoire de coupe (débroussailluse)	20,3 cm (8 po.)

\* Toutes les caractéristiques reposent sur les dernières informations disponibles sur le produit au moment de l'impression de ce manuel. Nous nous réservons le droit d'apporter à tout instant des modifications, sans préavis.

## ASSEMBLAGE

### INSTALLATION DU CARTER DE PROTECTION DE LA TÊTE DE COUPE



**AVERTISSEMENT :** pour éviter toute blessure grave, n'utilisez jamais cet appareil quand le carter de protection de la tête de coupe n'est pas en place.

1. Placez le carter de protection de la tête de coupe sur le support de fixation. Alignez les trous présents dans le carter de protection de la tête de coupe avec ceux du support de fixation. (Fig. 1)
2. Serrez manuellement les 2 vis, en les passant à travers le support de fixation et le carter de protection.
3. À l'aide d'un tournevis à tête cruciforme #2, serrez les vis jusqu'à ce que la tête de coupe soit correctement en place. Serrez les vis uniformément. L'espace entre le support de fixation et le carter de protection doit être identique des deux côtés.

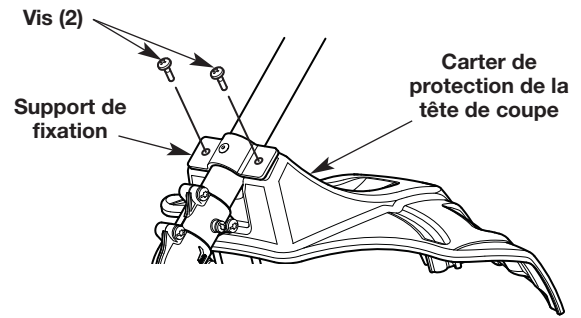


Fig. 1

### INSTALLATION ET RÉGLAGE DE LA POIGNÉE

#### Installation de la barre tampon

1. Alignez les deux chevilles sur la barre tampon avec les deux orifices de la poignée (Fig. 2).
2. Insérez la barre tampon dans la poignée jusqu'à ce que la barre tampon s'enclenche.
3. Insérez la vis de la barre tampon dans la poignée (Fig. 2).
4. Utilisez un moyen tournevis à tête plate ou un tournevis Torx® T-20 pour serrer la vis de la barre tampon jusqu'à ce que la barre soit sécurisée.

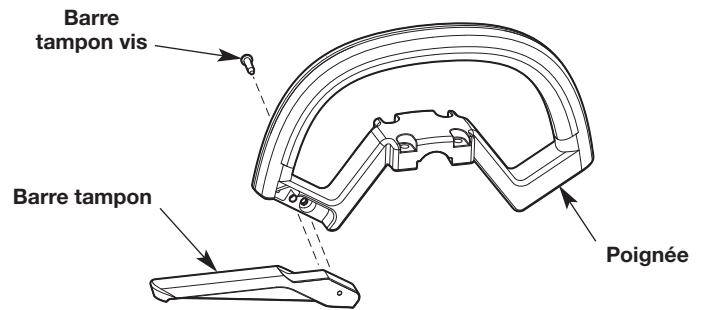


Fig. 2

#### Installation de la poignée

1. Utilisez un grand tournevis à tête plate ou un tournevis Torx T-25 pour enlever les quatre vis (4) et le collier de serrage inférieur de la poignée.
2. Placez la poignée sur la partie supérieure du logement d'arbre. Assurez-vous que la barre tampon se trouve à la gauche quand l'appareil est maintenu en position de fonctionnement.
3. Alignez le collier de serrage inférieur sous le logement d'arbre et la poignée. Maintenez la poignée et le collier de serrage ensemble.
4. Insérez les quatre vis (4) à travers la poignée et dans le collier de serrage inférieur.
5. Utilisez un grand tournevis à tête plate ou un tournevis Torx T-25 pour serrer les vis jusqu'à ce que la poignée et le collier de serrage inférieur soient maintenus ensemble. Ne serrez pas complètement les vis.
6. Tout en tenant l'appareil en position d'utilisation (Fig. 13), déplacez la poignée à la hauteur vous assurant la meilleure prise en main. Placez-la à 15,24 cm (6 po.) au moins de l'extrémité de la poignée d'arbre (Fig. 3).
7. Serrez les vis jusqu'à ce que la poignée soit sécurisée.

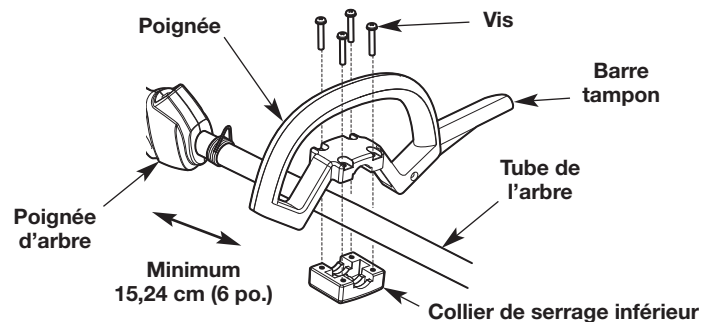


Fig. 3

#### Réglage de la poignée

Si la poignée doit être ajustée :

1. Utilisez un grand tournevis à tête plate ou un tournevis Torx T-25 pour dévisser les 4 vis dans la poignée.
2. Tout en tenant l'appareil en position d'utilisation (Fig. 13), déplacez la poignée à la hauteur vous assurant la meilleure prise en main. Placez-la à 15,24 cm (6 po.) au moins de l'extrémité de la poignée d'arbre (Fig. 3).
3. Serrez les vis jusqu'à ce que la poignée soit sécurisée.

## INSTALLATION DE LA BANDOULIÈRE



**AVERTISSEMENT** : Pour éviter des blessures graves, utilisez toujours la bandoulière lors de l'utilisation de la débroussailluse

1. Poussez la courroie à travers la fente centrale de la boucle (Fig. 4).
2. Repliez la sangle et faites-la passer dans la fente inférieure de la boucle (Fig. 4).
3. Placez la bandoulière par-dessus la tête de l'opérateur et sur l'épaule gauche (Fig. 13).
4. Enclenchez l'attache dans la pièce de support (Fig. 5).
5. Ajustez la bandoulière en fonction de l'opérateur (Fig. 6). Tirez la boucle vers le haut pour desserrer la bandoulière. Tirez la bandoulière vers le bas pour serrer la bandoulière.

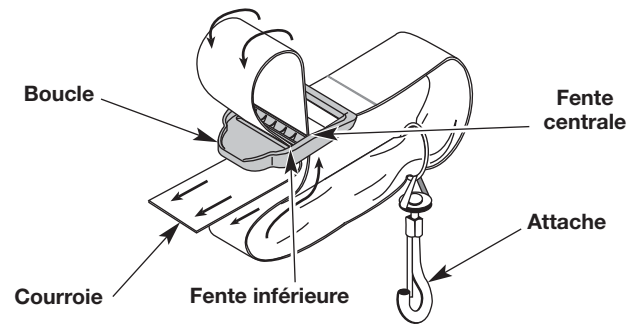


Fig. 4

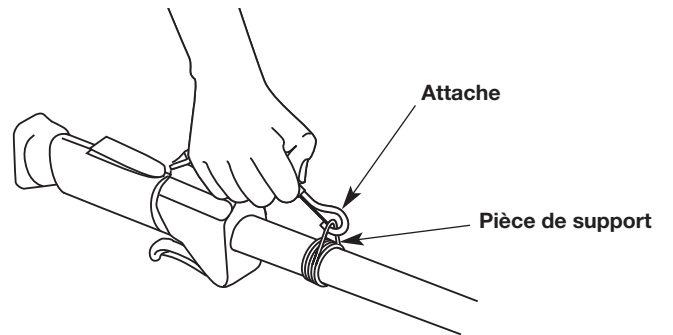


Fig. 5

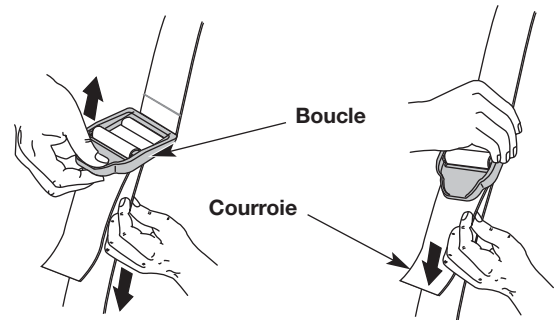


Fig. 6

**AVERTISSEMENT :** Avant d'utiliser un accessoire, lire et comprendre le manuel livré avec l'accessoire. Respectez toutes les consignes de sécurité qu'il contient.

**AVERTISSEMENT :** pour éviter toute blessure grave ou dommage, arrêtez l'appareil avant de démonter ou d'installer un accessoire.

## UTILISATION DU COUPLEUR

Le coupleur permet l'utilisation de différents accessoires en option.

### Installation de l'accessoire

1. Enlevez l'anneau de suspension de l'accessoire. Conservez l'anneau de suspension pour une utilisation lors du rangement de l'accessoire. Le cas échéant, enlevez l'entretoise grise du coupleur.
2. Réglez l'appareil sur une surface plane.
3. Tournez le bouton dans le sens contraire des aiguilles d'une montre pour desserrer le coupleur (Fig. 8).
4. Alignez le bouton de déclenchement avec la rainure de guidage (Fig. 9).
5. Poussez l'accessoire directement dans le coupleur (Fig. 7) jusqu'à ce que le bouton de déverrouillage s'enclenche fermement dans l'orifice principal (Fig. 9).
6. Tournez le bouton dans le sens contraire des aiguilles d'une montre pour serrer le coupleur (Fig. 8).

**REMARQUE :** Pour tailler une bordure décorative avec un accessoire taille-bordures, verrouillez le bouton de déclenchement dans l'orifice à 90° (Fig. 8).

**ATTENTION :** Avant d'utiliser l'appareil, s'assurer que le bouton de déverrouillage est entièrement enclenché dans l'orifice principal et que la poignée est bien serrée.

**ATTENTION :** Sauf indication contraire, le bouton de déclenchement doit être enclenché dans l'orifice principal uniquement. L'utilisation du mauvais orifice pourrait provoquer des blessures graves ou endommager l'appareil.

### Démontage de l'accessoire

1. Réglez l'appareil sur une surface plane.
2. Tournez le bouton dans le sens contraire des aiguilles d'une montre pour desserrer le coupleur (Fig. 8).
3. Appuyez et maintenez enfoncé le bouton de déclenchement (Fig. 9).
4. Retirez l'accessoire du coupleur (Fig. 7).

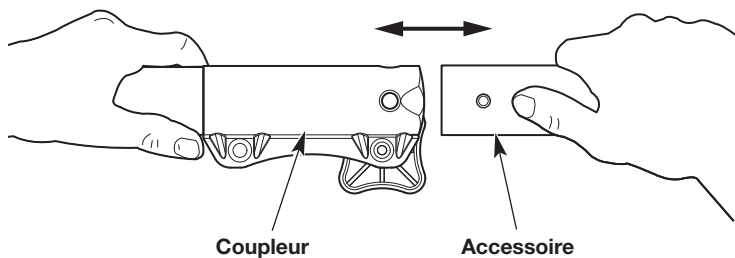


Fig. 7

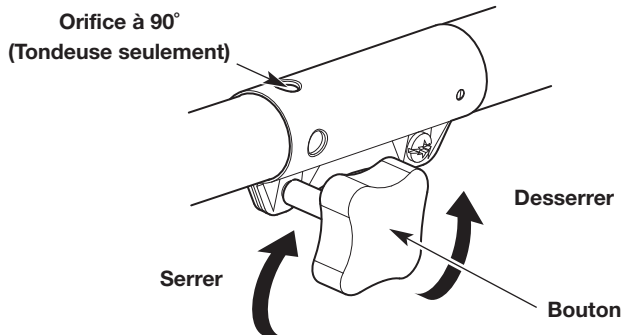


Fig. 8

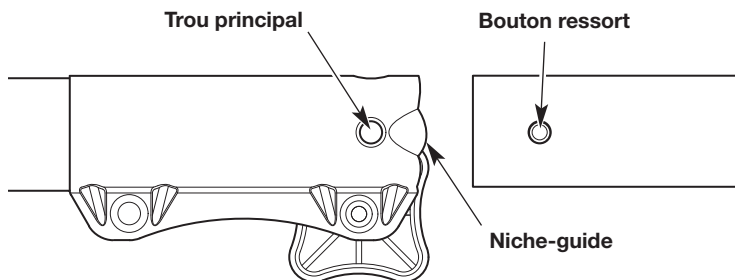


Fig. 9

## INSTRUCTIONS DE MÉLANGE D'HUILE ET DE CARBURANT

L'utilisation d'un carburant vieux et/ou mal mélangé est la cause la plus courante des problèmes de performance. Utilisez uniquement une essence sans plomb neuve et propre. Respectez ces instructions à la lettre pour mélanger correctement l'essence et l'huile.

### Définition des carburants mélangés

Les carburants d'aujourd'hui sont souvent un mélange d'essence et de produits oxygénés, comme l'éthanol, le méthanol ou l'éther méthyl-tertiobutylique. Un carburant mélangé à l'alcool absorbe l'eau. Il suffit de 1 % d'eau pour séparer le carburant et l'huile, ce qui formera des acides pendant l'entreposage. Utilisez TOUJOURS un carburant neuf (moins de 30 jours).

**REMARQUE :** jetez le vieux carburant en respectant les réglementations fédérales, étatiques et locales.

### Utilisation des carburants mélangés

Si vous utilisez un carburant mélangé :

- Utilisez toujours un mélange de carburant frais, comme expliqué dans votre manuel de l'opérateur.
- Utilisez l'additif pour carburant STA-BIL® ou un produit équivalent
- Agitez toujours le mélange de carburant avant de remplir l'appareil
- Videz le réservoir et faites fonctionner le moteur jusqu'à épuisement du carburant avant de ranger l'appareil

**AVERTISSEMENT :** N'UTILISEZ PAS UN CARBURANT E85 DANS CET APPAREIL. Il a été prouvé qu'un carburant contenant plus de 10 % d'éthanol est susceptible d'endommager ce moteur et d'annuler la garantie.

### Utilisation d'additifs pour carburant

Le bidon d'huile pour moteur à 2 temps, qui est livré avec cet appareil, contient un additif permettant d'empêcher la corrosion et de minimiser la formation de résidus de gomme. Utilisez toujours la marque d'huile pour moteur à 2 temps fournie avec cet appareil. En cas d'indisponibilité, utilisez une huile conçue pour les moteurs à 2 temps refroidis par air, en la mélangeant avec un additif pour carburant, comme le stabilisateur de carburant STA-BIL ou un produit équivalent. Ajoutez 23 ml (2 oz.) d'additif pour 3,8 litres (1 gallon) de carburant selon les instructions du récipient. N'ajoutez JAMAIS des additifs directement dans le réservoir de l'appareil.



### Mélange du carburant

**REMARQUE :** cet appareil est livré avec un bidon d'huile pour moteur à 2 temps de 95 ml (3,2 oz.). Pour obtenir le mélange de carburant correct décrit ci-dessous, versez la totalité du bidon dans 3,8 litres (1 gallon) d'essence sans plomb.



**ATTENTION :** pour que le moteur fonctionne correctement en toute fiabilité, suivez scrupuleusement les instructions de mélange de l'essence et de l'huile indiquées sur le bidon d'huile pour moteur à 2 temps. L'utilisation d'un carburant mal mélangé peut gravement endommager le moteur.

Mélangez soigneusement l'essence sans plomb et l'huile pour moteur à 2 temps en respectant à la lettre les proportions. Ne les mélangez pas directement dans le réservoir de l'appareil. Utilisez un bidon séparé. Utilisez un rapport d'essence/huile de 40:1. Consultez le tableau ci-dessous pour connaître les rapports de mélange exacts de l'essence et de l'huile.

	
<b>Essence sans plomb</b>	<b>Huile 2-temps</b>
<b>3,8 litres (1 gallon américain)</b>	<b>95 ml (3,2 oz.)</b>
<b>1 litre</b>	<b>25 ml</b>

RAPPORT DE MÉLANGE - 40:1

## REMPLISSAGE DU RÉSERVOIR



**AVERTISSEMENT :** l'essence est extrêmement inflammable. Des vapeurs enflammées peuvent exploser. Arrêtez toujours le moteur et laissez-le refroidir avant de remplir le réservoir d'essence. Ne fumez pas pendant le remplissage du réservoir. Maintenez toute flamme nue et étincelle loin de la zone.



**AVERTISSEMENT :** dévissez lentement le bouchon du réservoir pour éviter toute blessure due à un jet de carburant. N'utilisez jamais l'appareil quand le bouchon du réservoir de carburant n'est pas correctement vissé.



**AVERTISSEMENT :** ajoutez l'essence dans une zone extérieure propre et bien aérée. Essuyez immédiatement tout carburant déversé. Évitez de créer une source d'inflammation en présence d'un déversement de carburant. Ne démarrez pas le moteur avant que les vapeurs d'essence ne se soient dissipées.

1. Placez l'appareil afin que le bouchon du réservoir soit tourné vers le haut.
2. Dévissez le bouchon du réservoir.
3. Placez le bec verseur du bidon de carburant dans l'orifice de remplissage du réservoir de l'appareil et remplissez ce dernier.

**REMARQUE :** ne remplissez pas le réservoir de manière excessive.

4. Essuyez la totalité du carburant échappé du réservoir.
5. Revissez le bouchon du réservoir.
6. Éloignez l'appareil à 9,1 mètres (30 pieds) au moins du bidon de carburant et du site de ravitaillement avant de démarrer le moteur.



**AVERTISSEMENT :** Ne faites marcher l'appareil qu'à l'extérieur, dans un lieu bien aéré. Les fumées d'échappement de monoxyde de carbone peuvent être mortelles dans les zones confinées



**AVERTISSEMENT :** Évitez un démarrage accidentel de l'unité. Afin d'éviter les blessures graves, l'utilisateur et l'appareil doivent se trouver en position stable lorsque le cordon de démarrage est tiré (Fig. 12).

## CONSIGNES POUR DÉMARRER L'APPAREIL

1. Mélangez l'essence et l'huile. Consultez la section *Instructions de mélange de l'huile et de l'essence*.
2. Remplissez le réservoir de carburant. Consultez la section *Faire le plein de l'appareil*.

**REMARQUE :** Il est inutile de mettre l'appareil en marche. La commande Marche/Arrêt est en position Marche (I) en permanence (Fig. 10).

3. Lentement, pressez puis relâchez **10 fois** de suite la poire d'amorçage (Fig. 11). Si vous ne voyez pas de carburant dans la poire d'amorçage, pressez et relâchez la poire jusqu'à ce que du carburant soit visible.
4. Mettez le levier d'étrangleur en **Position 1** (Fig. 11).
5. Placez-vous en position de démarrage (Fig. 12).

**REMARQUE : APPUYEZ** sur le verrouillage de la manette des gaz et **MAINTENEZ-LE ENFONCÉ** pour engager la manette des gaz. **PRESSEZ** et **MAINTENEZ** la manette des gaz **ENFONCÉE TOUT AU LONG** des étapes suivantes.

6. Appuyez sur le verrouillage de la manette des gaz et enfoncez la manette des gaz (Fig. 10). Tirez sur la corde de démarrage en effectuant un mouvement contrôlé et ferme à **5 reprises** (Fig. 12).
7. Continuez à appuyer sur le verrouillage de la manette des gaz et maintenir la manette des gaz. Mettez le levier d'étrangleur en **Position 2** (Fig. 11).
8. Continuez à appuyer sur le verrouillage de la manette des gaz et maintenir la manette des gaz. Tirez sur le cordon de démarrage **3 à 5 fois** de suite d'un mouvement contrôlé et ferme pour démarrer le moteur.
9. Continuez à appuyer sur le verrouillage de la manette des gaz et maintenir la manette des gaz. Laissez le moteur chauffer pendant 30 à 60 secondes.
10. Continuez à appuyer sur le verrouillage de la manette des gaz et maintenir la manette des gaz. Mettez le levier d'étrangleur en **Position 3** (Fig. 11) et continuez à faire chauffer le moteur pendant 60 secondes de plus. L'appareil peut être utilisé pendant ce temps.

**REMARQUE :** L'appareil est suffisamment chaud lorsque le moteur accélère sans à-coups.

**Si...** le moteur a des à-coups, remettez le levier d'étrangleur en **Position 2** (Fig. 11) et continuez à chauffer le moteur.

**Si...** le moteur ne démarre pas, lancez la procédure de démarrage en commençant à l'étape 3.

**Si...** le moteur ne démarre pas après quelques tentatives, déplacez le levier d'étrangleur en **Position 3**, appuyez sur le verrouillage de la manette des gaz et enfoncez la manette des gaz. Tirez sur le cordon de démarrage de **3 à 8 reprises** d'un mouvement contrôlé et ferme. Le moteur devrait démarrer. S'il ne démarre pas, répétez cette dernière étape.

**Si...** le moteur est déjà chaud, lancez la procédure de démarrage en commençant à l'étape 7.

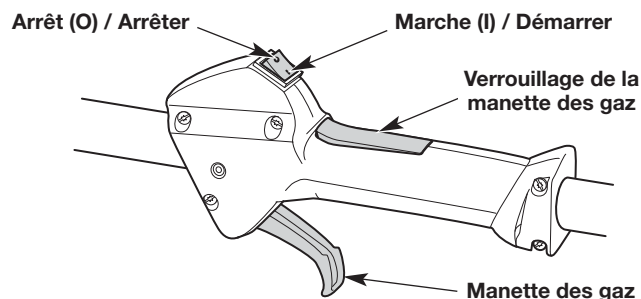


Fig. 10

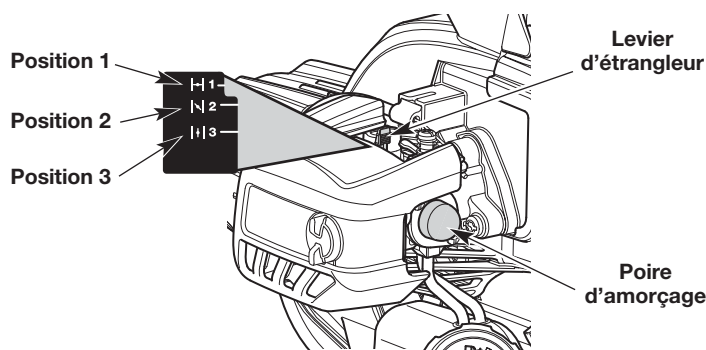


Fig. 11

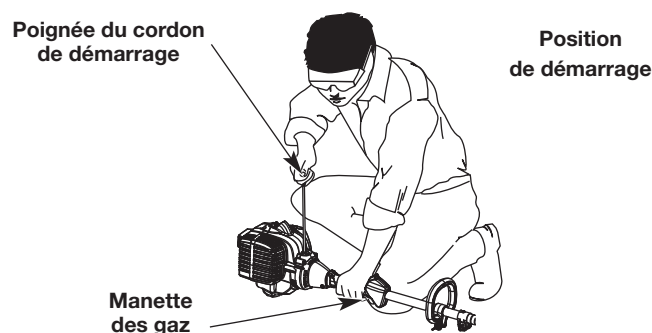


Fig. 12

## CONSIGNES POUR ARRÊTER L'APPAREIL

1. Relâchez la manette des gaz et laissez le moteur tourner au ralenti.
2. Maintenez la commande Marche/Arrêt enfoncée en position ARRÊT (O) jusqu'à ce que le moteur soit complètement arrêté (Fig. 10).

## TENUE DE L'APPAREIL



**AVERTISSEMENT** : portez toujours une protection pour les yeux, les oreilles, les mains, les pieds et le corps afin de limiter les risques de blessure pendant l'utilisation de cet appareil.

- Placez-vous en position d'utilisation (Fig. 13). Tenez-vous bien droit. Ne vous penchez pas.
- Gardez les pieds écartés et fermement posés sur le sol.
- Tenez la poignée d'arbre avec la main droite. Le bras droit doit rester légèrement plié.
- Tenez la poignée avec la main gauche. Le bras gauche doit rester tendu.
- Tenez l'appareil au niveau de votre taille.
- Placez les têtes de coupe/lame à quelques centimètres au-dessus du sol.

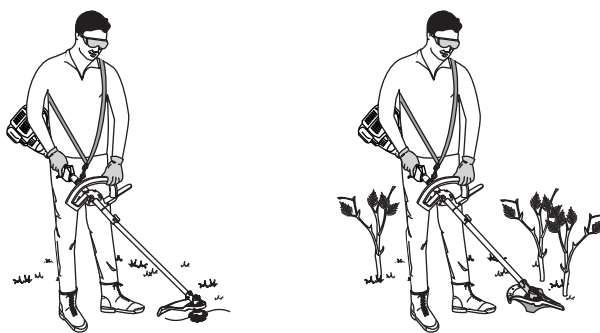


Fig. 13

## CONSEILS POUR UN RÉSULTAT OPTIMAL (COMME TAILLE-BORDURE)

- Pour diriger les accumulations à l'écart de l'opérateur, inclinez la tête de coupe légèrement vers la droite et, lorsque cela est possible, coupez de gauche à droite.
- Ne coupez pas de l'herbe ou des mauvaises herbes mouillées.

**REMARQUE** : le fil peut parfois se casser à cause de :

- Une matière étrangère qui s'enroule dans l'appareil
- Une usure normale du fil
- La coupe d'une végétation épaisse
- Le forçage du fil contre des objets comme des murs ou des poteaux de clôture

## COUPE DE BORDURE DÉCORATIVE (COMME TAILLE-BORDURE)

Quand vous taillez autour des arbres, des poteaux, des clôtures, etc., faites tourner complètement l'appareil afin que la tête de coupe soit à un angle de 30° par rapport au sol (Fig. 14).

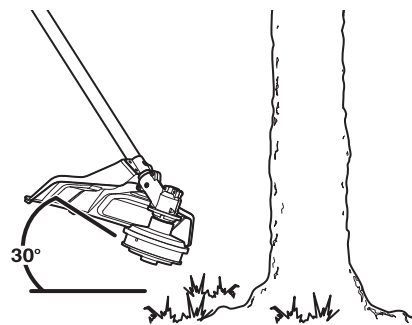


Fig. 14



## CONSEILS POUR OBTENIR DE MEILLEURS RÉSULTATS (COMME DÉBROUSSAILLEUSE)



**AVERTISSEMENT** : Pour éviter que des blessures graves ne surviennent à l'opérateur ou à d'autres personnes, n'utilisez pas la lame comme coupe-bordures.

- Gardez la lame parallèle avec le sol.
- Coupez toujours alors que l'unité fonctionne à pleine vitesse. Ceci fournit une puissance de coupe maximale et rend la lame moins susceptible de coincer, de paralyser ou de faire un ricochet.



**AVERTISSEMENT** : Un rebond peut se produire lorsque la lame pivotante frappe un objet qu'elle n'a pas immédiatement coupé. Un rebond peut être assez violent pour propulser l'appareil ou l'opérateur dans n'importe quelle direction, ce qui peut causer une perte de contrôle. Un rebond peut se produire sans avertissement si la lame accroche, paralyse ou se coince. Cela est plus susceptible de se produire dans les zones où il est difficile de voir le matériau coupé.

- Pour diriger les déchets de coupe à l'écart de l'opérateur, coupez de gauche à droite lorsque possible.
- Relâchez toujours la manette des gaz et laissez l'appareil tourner au ralenti quand il n'est pas en train de couper.
- Lorsque vous avez terminé, détachez toujours la bandoulière de l'appareil avant de la retirer.
- La lame présente une seconde arête de coupe. Si la lame est émoussée, retirez-la, retournez-la et réinstallez-la. Remplacez la lame si les deux côtés sont émoussés. Reportez-vous à *Remplacement de la lame*.



**AVERTISSEMENT** : La lame continue de tourner une fois que l'appareil est éteint. Pour éviter des blessures graves, ne touchez pas à une lame en rotation.



**AVERTISSEMENT** : Pour éviter des blessures graves, éteignez toujours l'appareil avant d'en retirer les débris. Laissez la lame s'arrêter complètement.



**AVERTISSEMENT :** pour éviter des blessures graves, n'effectuez jamais des travaux d'entretien ou des réparations quand l'appareil est en marche. Laissez toujours l'appareil refroidir avant un entretien ou une réparation. Débranchez le fil de la bougie pour éviter un démarrage accidentel de l'appareil.

## PROGRAMME D'ENTRETIEN

Effectuez ces procédures d'entretien obligatoires aux intervalles indiqués dans le tableau. Ces procédures doivent également faire partie d'une mise au point saisonnière.

**REMARQUE :** certaines procédures d'entretien peuvent nécessiter des compétences ou des outils particuliers. Si vous avez des doutes concernant ces procédures, amenez l'appareil chez un revendeur agréé de MTD.

**REMARQUE :** l'entretien, le remplacement ou la réparation du système et des dispositifs de contrôle des émissions peuvent être réalisés par un revendeur agréé de MTD.

**REMARQUE :** veuillez lire la déclaration de l'État de Californie / EPA (agence de protection de l'environnement) qui est livrée avec l'appareil pour obtenir une liste complète des conditions et de la couverture des dispositifs antipollution, tels que le pare-étincelles, le pot d'échappement, le carburateur, etc.

INTERVALLE	D'ENTRETIEN OBLIGATOIRE
Toutes les 10 heures	<ul style="list-style-type: none"> <li>Nettoyez et graissez le filtre à air. Consultez la section <i>Entretien du filtre à air</i>.</li> </ul>
Toutes les 25 heures	<ul style="list-style-type: none"> <li>Vérifiez l'état de la bougie et l'écartement des électrodes. Consultez la section <i>Entretien de la bougie</i>.</li> </ul>

## REMPACEMENT DU FIL DE COUPE

Utilisez uniquement le fil de coupe décrit dans la section *Caractéristiques*. D'autres types de fil de coupe peuvent provoquer la surchauffe de l'appareil ou sa défaillance.



**AVERTISSEMENT :** n'utilisez jamais de fils, de câbles, de chaînes ou de cordons à renfort métallique. Ils peuvent se casser et se transformer en projectiles dangereux.

1. Enlever l'ancien fil de la tête de coupe.
2. Utiliser un chiffon propre pour nettoyer la surface de la tête de coupe.
3. Insérer les extrémités du fil à travers les orifices circulaires du côté de la tête de coupe (Fig. 15). Pousser le fil dans les orifices jusqu'à ce que les deux extrémités fassent saillie des tunnels de positionnement (Fig. 16).
4. Tirer sur les extrémités du fil jusqu'à ce qu'il soit bien serré contre la tête de coupe. S'assurer les extrémités du fil soient de longueur égale (Fig. 17). Si une extrémité est plus longue que l'autre, pousser l'extrémité arrière à mi-course à travers la tête de coupe et tirer sur la partie courte. Si nécessaire, répéter cette opération jusqu'à ce que les deux extrémités soient de longueur égale.
5. Appuyer sur le fil de coupe exposé entre les orifices circulaires jusqu'à ce qu'il repose à plat contre la tête de coupe (Fig. 17).

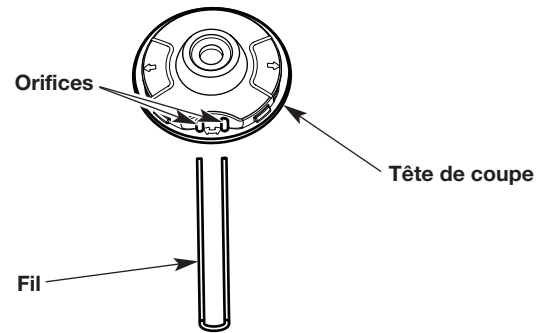


Fig. 15

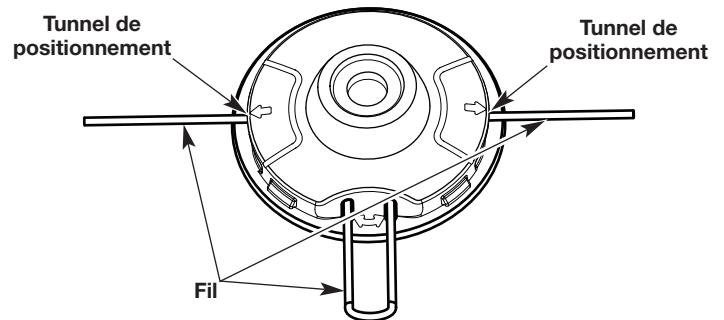


Fig. 16

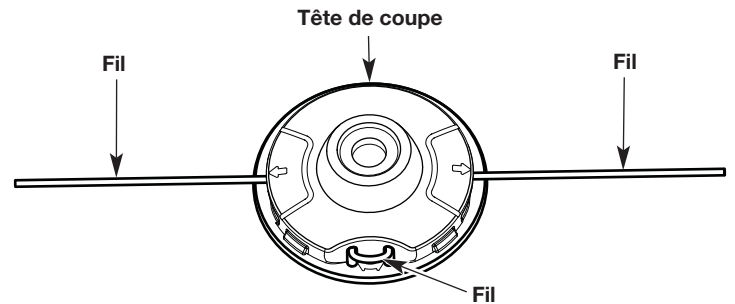


Fig. 17

## REPLACEMENT DE LA LAME



**AVERTISSEMENT** : Pour éviter des blessures graves, portez toujours des gants lorsque vous manipulez la lame.



**AVERTISSEMENT** : N'affûtez pas la lame. L'affûtage de la lame peut causer la rupture de la pointe en cours d'utilisation. Il peut en résulter des blessures graves.

### Retrait de la lame

1. Alignez l'orifice du logement d'arbre avec la fente de la tige de verrouillage (Fig. 18). Insérez la tige de verrouillage dans la fente de la tige de verrouillage et l'orifice du logement d'arbre (Fig. 18).
2. Tout en maintenant la tige de verrouillage en place, desserrez l'écrou en le tournant dans le sens horaire avec une clé plate ou une clé à douille de 13 mm (Fig. 19).
3. Enlevez la tige de verrouillage (Fig. 20).
4. Enlevez l'écrou, le dispositif de retenue de la lame et la lame (Fig. 20).

### Installation de la lame

1. Mettez la lame sur la douille de l'arbre de sortie (Fig. 20). Assurez-vous que la lame est centrée sur le pilote (Fig. 21). La lame doit reposer à plat contre la douille de l'arbre de sortie.



**AVERTISSEMENT** : Si la lame est décentrée, l'appareil se met à vibrer et la lame peut se détacher et causer des blessures graves.

2. Alignez l'orifice du logement d'arbre avec la fente de la tige de verrouillage (Fig. 18). Insérez la tige de verrouillage dans la fente de la tige de verrouillage et l'orifice du logement d'arbre (Fig. 18).
3. Tout en maintenant la tige de verrouillage en place, mettez le dispositif de retenue de la lame et l'écrou sur l'arbre de sortie (Fig. 21).
4. Tout en maintenant la tige de verrouillage en place, serrez l'écrou en le tournant dans le sens antihoraire :
  - Si vous utilisez une clé dynamométrique et une douille de 13 mm, serrez l'écrou à : **325 à 335 po-lb, 27 à 28 pi-lb, 37 à 38 Nm.**
  - Sans une clé dynamométrique, utiliser une clé plate ou une clé à douille de 13 mm. Tournez l'écrou jusqu'à ce que la retenue de la lame soit bien ajustée contre la bague d'arbre. Assurez-vous que la lame est correctement installée, puis tournez l'écrou d'un quart à un demi-tour supplémentaire dans le sens antihoraire (Fig. 22).
5. Enlevez la tige de verrouillage.



**AVERTISSEMENT** : Pour éviter des blessures graves ou que des dommages ne surviennent à l'appareil, ne démarrez pas ou ne faites pas fonctionner l'appareil alors que la tige de verrouillage est insérée dans la fente.

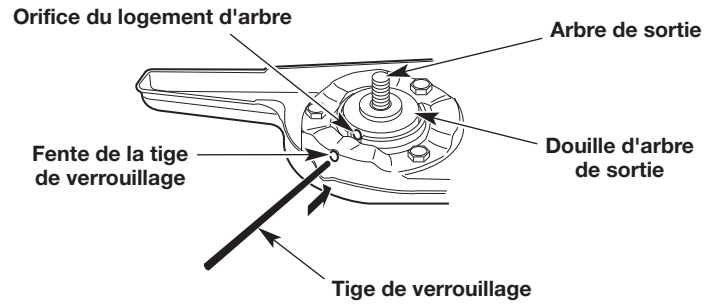


Fig. 18

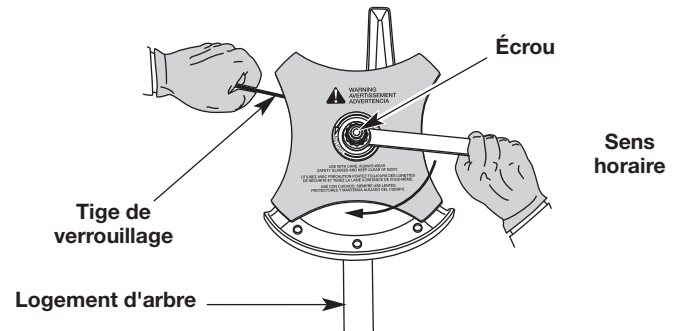


Fig. 19

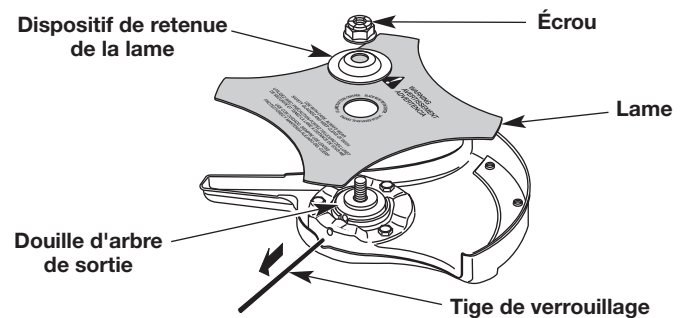


Fig. 20

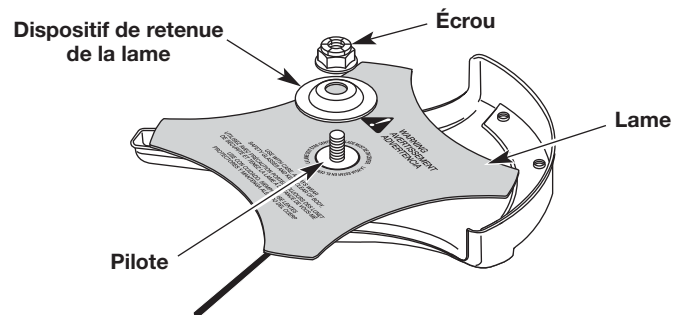


Fig. 21

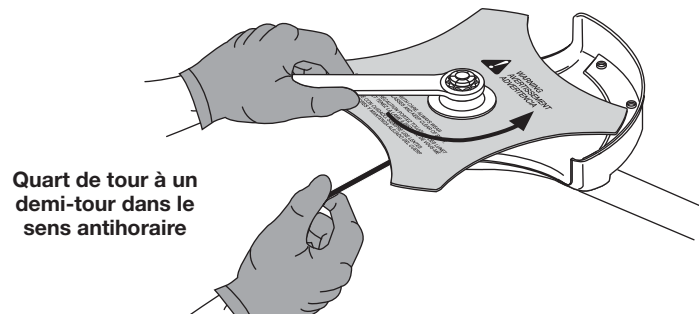


Fig. 22

## ENTRETIEN DU FILTRE À AIR



**AVERTISSEMENT:** Afin d'éviter des blessures graves, arrêtez toujours l'appareil et laissez-le refroidir avant tout nettoyage ou entretien.

Tout défaut d'entretien du filtre à air peut entraîner une baisse des performances ou endommager le moteur de façon irrémédiable. Une panne de moteur due à un mauvais entretien du filtre à air n'est pas couverte par la garantie.

### Nettoyage du filtre à air

1. Ouvrez le couvercle du filtre à air en desserrant la vis du couvercle (Fig. 23).
2. Retirez le filtre à air du logement du filtre à air (Fig. 23).
3. Lavez le filtre à air avec du détergent et de l'eau. Rincez soigneusement le filtre à air et laissez-le sécher.
4. Appliquez une légère couche d'huile SAE 30 propre sur le filtre à air.
5. Pressez le filtre à air pour répartir et enlever l'excédent d'huile.
6. Réinstallez le filtre à air dans le logement du filtre à air (Fig. 23).

**REMARQUE:** Utiliser l'appareil sans le filtre à air et le couvercle du filtre à air ANNULERA la garantie.

7. Insérer les crochets sur le boîtier du filtre à air en fonction des encoches de son couvercle (Fig. 24).
8. Basculer le couvercle du filtre à air vers la droite et aligner la vis du couvercle avec le trou de la vis (Fig. 24). Serrez la vis du couvercle, de manière à immobiliser le couvercle du filtre à air.

**REMARQUE :** Ne serrez pas trop, afin de ne pas endommager la vis.

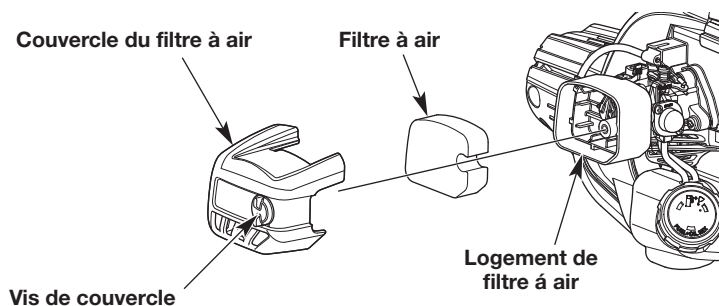


Fig. 23

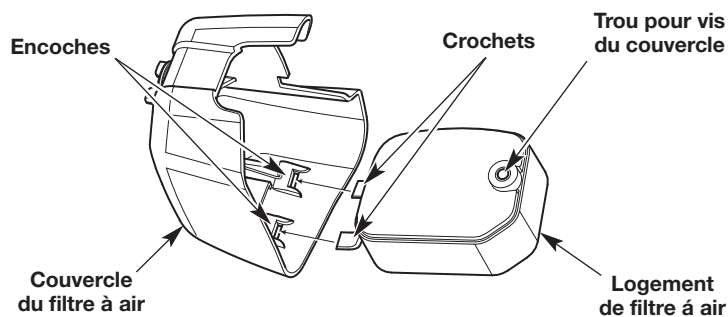


Fig. 24

## RÉGLAGE DU RALENTI



**AVERTISSEMENT** : La tête de coupe/lame peut tourner pendant les ajustements de la vitesse de ralenti. Portez des vêtements de protection et respectez toutes les consignes de sécurité pour éviter toute blessure grave.

**REMARQUE** : un réglage négligé peut gravement endommager l'appareil. Un centre de réparations agréé doit effectuer les réglages de carburateur.

Si le moteur ne se met toujours pas au ralenti après une vérification du carburant et un nettoyage du filtre à air, réglez la vis du ralenti comme suit :

1. Démarrez le moteur. Consultez les sections *Mise en marche et Arrêt*.
2. Relâchez la manette des gaz et laissez le moteur tourner au ralenti.
  - Si le moteur s'arrête, insérez un petit tournevis à pointe cruciforme pour tourner la vis du ralenti dans le sens horaire, de 1/8 de tour à la fois (comme nécessaire) jusqu'à ce que le moteur tourne au ralenti (Fig. 25).
  - Si le moteur tourne trop rapidement au ralenti, tournez la vis de ralenti dans le sens antihoraire, d'un 1/8 de tour à la fois (si nécessaire) pour réduire la vitesse de ralenti (Fig. 25).

**REMARQUE** : La tête de coupe/lame ne doit pas tourner lorsque le moteur tourne au ralenti. Si c'est le cas, réduisez le régime de ralenti jusqu'à ce que la tête de coupe s'arrête.

La vérification du carburant, le nettoyage du filtre à air et le réglage du ralenti devraient résoudre la plupart des problèmes de moteur. Sinon, et si l'une des conditions suivantes est remplie, apportez l'appareil dans un atelier de réparation autorisé :

- le moteur ne se met pas au ralenti
- le moteur hésite ou cale lors d'une accélération
- le moteur perd de sa puissance

## ENTRETIEN DE LA BOUGIE D'ALLUMAGE

1. Arrêtez le moteur et laissez-le refroidir. Saisissez fermement la coiffe de la bougie d'allumage et retirez-la de la bougie d'allumage.
2. Nettoyez bien l'espace autour de la bougie d'allumage. Dévissez la bougie d'allumage de la tête du cylindre à l'aide d'une douille 1,59 cm (5/8 po) en tournant dans le sens inverse des aiguilles d'une montre.



**AVERTISSEMENT**: Ne jamais gratter, sabler ou nettoyer les électrodes de la bougie d'allumage. De la poussière de grain dans le moteur pourrait endommager le cylindre.

3. Inspectez la bougie d'allumage. Si la bougie d'allumage est fendillée, encrassée ou sale, remplacez-la par une **bougie Champion RDJ7J**, pièce rechange de **référence 753-06193**, ou une bougie d'allumage équivalente.
4. Utilisez une jauge d'épaisseur pour régler l'écartement à **0,635 mm (0,025 po)** (Fig. 26).
5. Installez la bougie d'allumage dans la tête du cylindre. Resserrez la bougie d'allumage à l'aide d'une douille de 1,59 cm (5/8 po). Tournez-la dans le sens des aiguilles d'une montre jusqu'à ce qu'elle soit bien fixée.

**REMARQUE** : Si vous utilisez une clé dynamométrique, serrez à : **12,3 à 13,5 N•m (110 à 120 po•lb)**. **Ne serrez pas trop fort.**

6. Rattachez la coiffe de la bougie d'allumage.

Vis de réglage du ralenti

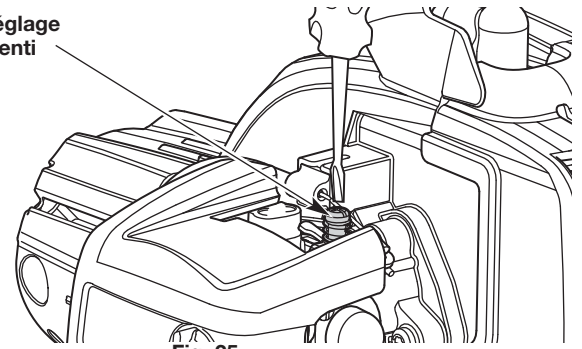


Fig. 25

0,635 mm  
(0,025 po)

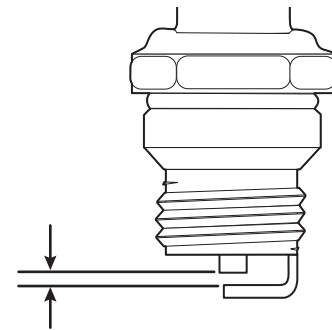


Fig. 26

## NETTOYAGE



**AVERTISSEMENT** : Afin d'éviter des blessures graves, arrêtez toujours l'appareil et laissez-le refroidir avant tout nettoyage ou entretien.

Utilisez une petite brosse pour nettoyer l'extérieur de l'appareil. N'utilisez pas de détergents agressifs. Des produits d'entretien ménagers contenant des huiles aromatiques, telles que le pin ou le citron, et des solvants tels que le kérosène, peuvent endommager le plastique. Essuyez toute trace d'humidité avec un chiffon doux.

Utilisez un nettoyant ménager pour enlever l'accumulation de gomme sur la lame de la débroussailleuse. Pour prévenir la rouille, essuyez la lame débroussailleuse avec un lubrifiant.

## ENTREPOSAGE

- Ne rangez jamais l'appareil quand le réservoir contient encore de l'essence dont les vapeurs pourraient entrer en contact avec une flamme nue ou une étincelle.
- Laissez le moteur refroidir avant de ranger l'appareil.
- Rangez l'unité dans un endroit fermé à clé pour éviter toute utilisation non autorisée ou tout dommage.
- Rangez l'unité dans un endroit sec et bien aéré.
- Rangez l'appareil hors de portée des enfants.
- Pour suspendre l'accessoire à un crochet, installez l'anneau de suspension sur l'accessoire. Assurez-vous que le bouton de déclenchement est bien verrouillé dans l'un des orifices sur l'anneau de suspension.

### Entreposage à court terme (1-2 semaines)

1. Rangez l'unité en position horizontale. En cas d'impossibilité, rangez l'appareil à la verticale, le moteur étant au sommet.

### Entreposage de longue durée

1. Retirez le bouchon du réservoir d'essence, basculez l'appareil et vidangez le carburant dans un bidon approprié. Revissez le bouchon du réservoir.
2. Démarrez le moteur et laissez-le tourner jusqu'à ce qu'il cale. Ainsi, le carburateur sera totalement vidé de tout carburant.
3. Laissez refroidir le moteur. Retirez la bougie d'allumage et versez 5 gouttes d'une huile moteur de haute qualité ou d'une huile pour moteur à 2 temps dans le cylindre. Tirez lentement sur le cordon de démarrage pour bien répartir l'huile. Remettez la bougie en place.
4. Nettoyez soigneusement l'appareil et vérifiez la présence de pièces desserrées ou endommagées. Réparez ou remplacez les éléments endommagés, et serrez les vis, les écrous ou les boulons desserrés.

### Préparation de l'appareil après un entreposage de longue durée

1. Retirez la bougie et vidangez la totalité de l'huile présente dans le cylindre.

**REMARQUE** : n'utilisez pas un carburant qui a été entreposé pendant plus de 30 jours. Jetez le vieux carburant en respectant les réglementations fédérales, étatiques et locales.

## DÉPANNAGE

PROBLÈME	SOLUTION
<b>LE MOTEUR NE DÉMARRE PAS</b>	
Le réservoir de carburant est vide	Remplissez le réservoir de carburant avec du carburant correctement mélangé
La poire d'amorçage n'a pas été suffisamment pressée	Pressez la poire d'amorçage 10 fois ou jusqu'à ce que le carburant soit visible
Le moteur est noyé	Mettez le levier d'étrangleur en position 3, pressez la manette des gaz et tirez sur le cordon de démarrage
Le carburant est vieux (plus de 30 jours) et/ou incorrectement mélangé	Videz tout le carburant du réservoir et remplissez-le avec du carburant frais, correctement mélangé
La bougie d'allumage est encrassée	Remplacez la bougie d'allumage
<b>LE MOTEUR NE TOURNE PAS AU RALENTI</b>	
Le filtre à air est sale	Nettoyez ou remplacez le filtre à air
Le carburant est vieux (plus de 30 jours) et/ou incorrectement mélangé	Videz tout le carburant du réservoir et remplissez-le avec du carburant frais, correctement mélangé
La vitesse de ralenti est inappropriée	Réglez la vitesse de ralenti
<b>LE MOTEUR N'ACCÉLÈRE PAS</b>	
Le carburant est vieux (plus de 30 jours) et/ou incorrectement mélangé	Videz tout le carburant du réservoir et remplissez-le avec du carburant frais, correctement mélangé
La tête de coupe est engorgée d'herbes	Coupez le moteur et nettoyez la tête de coupe
Le filtre à air est sale	Nettoyez ou remplacez le filtre à air
<b>LE MOTEUR MANQUE DE PUISSANCE OU CALE</b>	
Le carburant est vieux (plus de 30 jours) et/ou incorrectement mélangé	Videz tout le carburant du réservoir et remplissez-le avec du carburant frais, correctement mélangé
Le filtre à air est sale	Nettoyez ou remplacez le filtre à air
La bougie d'allumage est encrassée	Remplacez la bougie d'allumage
<b>LE MOTEUR S'ARRÊTE EN COURS D'UTILISATION</b>	
La protection contre la survitesse du moteur est engagée	Laissez le moteur refroidir pendant 10 minutes avant de redémarrer l'appareil

**Si vous avez besoin d'une aide supplémentaire, veuillez contacter un revendeur agréé.**

## GARANTIE LIMITÉE DU FABRICANT POUR :

# Cub Cadet.

La garantie limitée énoncée ci-après est accordée par Cub Cadet LLC (« Cub Cadet ») et s'applique aux produits neufs achetés et utilisés aux États-Unis, ses possessions et territoires.

Cub Cadet garantit ce produit contre tout défaut de pièces et de main d'œuvre pendant une période de trois (3) ans à compter de la date d'achat initiale et s'engage à titre gratuit à réparer ou à remplacer, à sa discrétion, toute pièce présentant un défaut de pièces et de main d'œuvre. Cette garantie limitée s'applique uniquement si le produit a été utilisé et entretenu conformément aux instructions du manuel de l'opérateur livré avec le produit, et qu'il n'a pas fait l'objet d'une utilisation inadéquate, abusive, commerciale ou négligente, d'un accident, d'un entretien inapproprié, d'une modification, d'un acte de vandalisme, d'un vol, d'un incendie, d'une inondation ou d'un dommage découlant d'une catastrophe naturelle ou autre. Tout dommage découlant de l'installation ou de l'utilisation d'une pièce ou d'un accessoire non approuvé par Cub Cadet avec le(s) produit(s) couvert(s) dans le présent manuel annulera la garantie quant aux dommages qui en résulteraient. La présente garantie est limitée à quatre-vingt-dix (90) jours à compter de la date d'achat initiale d'un produit Cub Cadet utilisé à des fins locatives ou commerciales, ou toute utilisation produisant des revenus.

**OBTENTION DU SERVICE DE GARANTIE :** le service de garantie est disponible SUR PRÉSENTATION D'UNE PREUVE D'ACHAT AUPRES DE VOTRE CENTRE DE RÉPARATION LOCAL AGREE. Pour trouver le revendeur le plus proche, visitez notre site Internet sur [www.cubcadet.com](http://www.cubcadet.com) ou [www.cubcadet.ca](http://www.cubcadet.ca), consultez les pages jaunes, téléphonez au **1-877-282-8684** ou **1-800-668-1238** au Canada, ou adressez un courrier à P.O. Box 361131, Cleveland, OH 44136-0019. Aucun produit retourné directement à l'usine ne sera accepté si le service à la clientèle de Cub Cadet n'a pas accordé une autorisation préalable et écrite au client.

### **Cette garantie limitée ne s'applique pas dans les cas suivants :**

- A. Mises au point : bougies, réglages du carburateur, filtres
- B. Éléments d'usure : boutons de butée, bobines extérieures, fil de coupe, moulinets, poulie du démarreur, câbles de démarreur, courroies d'entraînement, chaînes de scie, barres de guidage, couteaux de cultivateur, lames.
- C. Cub Cadet n'accorde aucune garantie pour les produits vendus ou exportés des États-Unis d'Amérique, ses possessions et territoires, à l'exception des produits vendus par le biais du réseau agréé de distribution à l'exportation de Cub Cadet.

Cub Cadet se réserve le droit de modifier ou d'améliorer la conception de ses produits sans pour autant assumer l'obligation de modifier tout produit de fabrication plus ancienne.

**Aucune garantie implicite, y compris toute garantie de qualité marchande ou d'adéquation à un usage particulier, n'est valable après la période applicable de la garantie expresse et écrite ci-dessus concernant les pièces qui sont identifiées. Aucune autre garantie expresse, écrite ou orale, à l'exception de celle mentionnée ci-dessus, accordée par toute personne ou entité, y compris un revendeur ou un distributeur, concernant tout produit ne peut engager Cub Cadet. Pendant la période de garantie, l'unique recours est la réparation ou le remplacement du produit dans les conditions énoncées ci-dessus.** (Certains états n'autorisent pas la limitation de la durée d'une garantie implicite ; de ce fait, les limitations ci-dessus peuvent ne pas vous concerner.)

**Les dispositions énoncées dans la présente garantie constituent le recours unique et exclusif inhérent à la vente. Cub Cadet ne sera pas tenu responsable des pertes ou dommages accessoires ou indirects, y compris sans aucune limite, les dépenses découlant de l'utilisation de services de remplacement ou de substitution pour l'entretien de votre pelouse, du transport ou des dépenses associées, ou de la location permettant le remplacement temporaire d'un produit garanti.** (Certains états n'autorisent pas la limitation de la durée d'une garantie implicite ; de ce fait, les limitations ci-dessus peuvent ne pas vous concerner.)

Aucun recouvrement de quelque nature qu'il soit ne pourra dépasser le prix d'achat du produit vendu. Toute modification des dispositifs de sécurité du produit annulera cette garantie. Vous assumez le risque et la responsabilité résultant d'une perte, d'un dommage ou d'un préjudice que vous et vos biens et /ou que d'autres personnes et leurs biens pourront encourir du fait de l'utilisation normale ou abusive ou de l'incapacité à utiliser ce produit.

Cette garantie limitée ne doit en aucun cas inclure toute personne autre que l'acheteur d'origine, le preneur initial ou la personne à laquelle le produit a été offert.

**Rapport de cette garantie avec les lois de chaque état :** la présente garantie vous confère certains droits juridiques spécifiques, et vous pouvez bénéficier d'autres droits qui varient d'un état à l'autre.

Pour trouver le centre de réparation le plus proche, composez le **1-877-282-8684** aux États-Unis ou le **1-800-668-1238** au Canada.

**CUB CADET LLC**

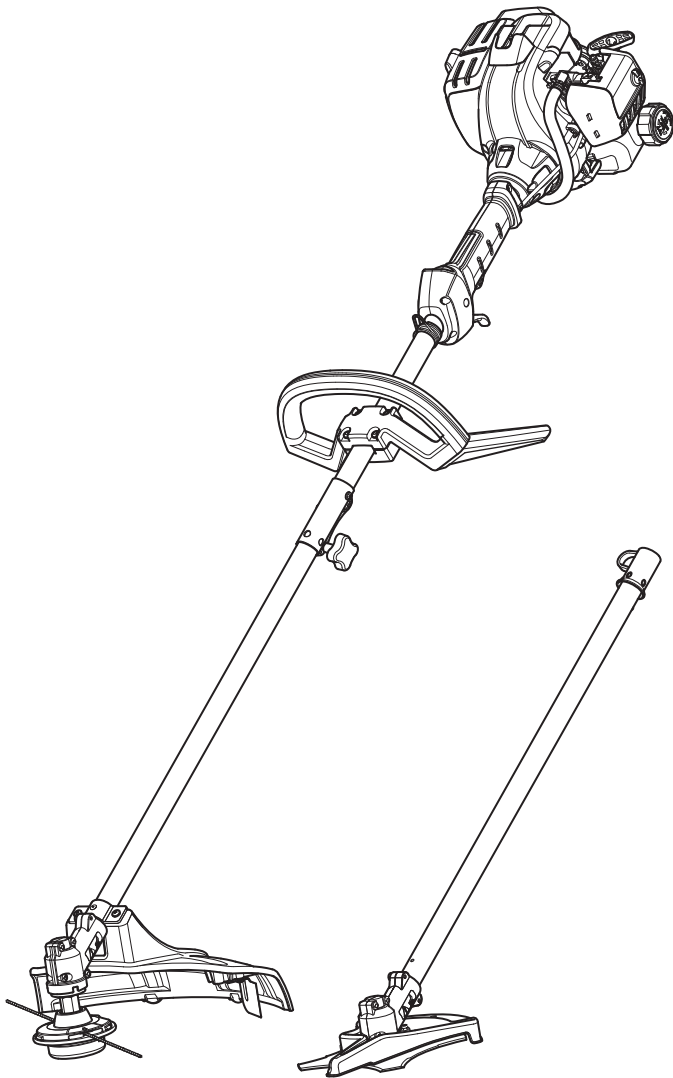
P.O. Box 361131  
Cleveland, OH 44136-0019



# Cub Cadet®

## Manual del Operador

### Recortador / Cortamalezas de 2 ciclos **BC280**



### ÍNDICE

Reparación y mantenimiento	.41
Seguridad	.42
Conozca su unidad	.46
Especificaciones	.46
Montaje	.47
Aceite y combustible	.50
Arranque y detención	.51
Funcionamiento	.52
Mantenimiento	.54
Limpieza y almacenamiento	.58
Solución de Problemas	.59
Garantía	.64

## GUARDE ESTAS INSTRUCCIONES

### REPARACIÓN Y MANTENIMIENTO

**NO DEVUELVA ESTA UNIDAD AL DISTRIBUIDOR. SE EXIGIRÁ COMPROBANTE DE COMPRA PARA LAS REPARACIONES Y EL MANTENIMIENTO QUE CUBRE LA GARANTÍA.**

Por ayuda en relación con el montaje, los controles, el funcionamiento o el mantenimiento de la unidad, llame al Departamento de Asistencia al Cliente al **1-877-282-8684** en los Estados Unidos o al **1-800-668-1238** en Canadá. Se puede encontrar información adicional sobre la unidad en nuestro sitio web: **www.cubcadet.com** (EE. UU.) o **www.cubcadet.ca** (Canadá).

Por reparaciones y mantenimiento, llame al Departamento de Asistencia al Cliente a fin de obtener la lista de distribuidores de servicio autorizados de su zona. La reparación y el mantenimiento de la presente unidad, tanto dentro del período de la garantía como después de él, sólo debe realizarlos un distribuidor de servicio autorizado y aprobado. Cuando le dé servicio use únicamente piezas de reemplazo idénticas.

Toda la información, las ilustraciones y las especificaciones que se incluyen en el presente manual se basan en la información más reciente sobre el producto disponible al momento de la impresión. Nos reservamos el derecho a realizar cambios en cualquier momento sin previo aviso.


Copyright© 2013 MTD SOUTHWEST INC, Todos los derechos reservados.

**IMPORTANTE:** Lea este manual por completo antes de utilizar este producto. Siga todas las instrucciones.


## SEGURIDAD

El objetivo de los símbolos de seguridad es dirigir su atención hacia posibles peligros. Los símbolos de seguridad, así como sus explicaciones, necesitan su atención y comprensión completas. Las advertencias de seguridad no eliminan por sí mismas ningún peligro. Las instrucciones o advertencias que contienen no reemplazan a las medidas adecuadas de prevención de accidentes.

### SÍMBOLOS SIGNIFICADO

 **PELIGRO:** Indica un peligro EXTREMO.  
Si no se cumple una advertencia de seguridad de **PELIGRO** usted mismo u otras personas sufrirán lesiones graves o la muerte.

 **ADVERTENCIA:** Indica un peligro GRAVE.  
Si no se cumple una **ADVERTENCIA** de seguridad usted mismo u otras personas **PUEDEN** sufrir lesiones graves.

 **PRECAUCIÓN:** Indica un peligro de GRAVEDAD MODERADA.  
Si no se cumple una señal de seguridad de **PRECAUCIÓN** usted mismo o a otras personas **PUEDEN** sufrir lesiones o se **PUEDEN** producir daños materiales.

**NOTA:** Proporciona información o instrucciones de vital importancia para el funcionamiento o el mantenimiento del equipo.

### NOTA SOBRE EL AMORTIGUADOR DE CHISPAS

**NOTA: Para usuarios de los territorios de bosques de EE. UU. y de los estados de California, Maine, Oregon y Washington.** Todos los territorios de bosques de EE. UU. y los estados de California (Códigos de Recursos Públicos 4442 y 4443), Oregon y Washington exigen por ley, que determinados motores de combustión interna que se operan en zonas cubiertas por malezas de bosque y/o hierbas cuenten con un amortiguador de chispas que se deberá mantener en condiciones de uso adecuadas o que el motor se diseñe, equipe y mantenga para prevenir incendios. Corrobore con las autoridades estatales o locales cuáles son las normativas correspondientes a dichas exigencias. El incumplimiento de dichos requerimientos podría generarle una responsabilidad o una multa. **La presente unidad se equipa en la fábrica con un amortiguador de chispas.** Si requiere reemplazo, póngase en contacto con su representante local de servicio para instalar el conjunto de silenciador adecuado.

 **PROPOSICIÓN 65 DE CALIFORNIA**  
**ADVERTENCIA:** El escape del motor de este producto, algunos de sus componentes y algunos componentes terminados contienen o liberan sustancias químicas que el estado de California considera que pueden producir cáncer, defectos de nacimiento u otros problemas reproductivos. Lávese las manos después de estar en contacto con estos componentes.

**Lea el manual del operador y siga todas las advertencias e instrucciones de seguridad. Si no lo hace, el operador y/o los observadores pueden sufrir lesiones graves.**

## • INSTRUCCIONES DE SEGURIDAD IMPORTANTES •

### LEA TODAS LAS INSTRUCCIONES ANTES DE USAR LA UNIDAD

 **ADVERTENCIA:** Se deben respetar todas las normas de seguridad al usar la unidad. Por favor, lea estas instrucciones antes de utilizar la unidad para garantizar la seguridad del operador y los observadores. Por favor, guarde estas instrucciones para su uso posterior.

- Lea las instrucciones con atención. Debe familiarizarse con los controles y con el uso apropiado de la unidad.
- No opere esta unidad si está cansado, enfermo o bajo la influencia de alcohol, drogas o medicamentos.
- La unidad no debe ser utilizada por niños. Los adolescentes deben contar con la compañía y guía de un adulto.
- Se deben instalar correctamente todos los protectores y accesorios de seguridad antes de operar la unidad.
- Inspeccione la unidad antes de usarla. Reemplace las piezas dañadas. Compruebe si hay pérdidas de combustible. Compruebe que todas las sujeciones estén en su lugar y bien ajustadas. Reemplace las piezas que estén agrietadas, astilladas o dañadas de cualquier manera. No utilice la unidad si hay piezas sueltas o dañadas.

- Tenga en cuenta el riesgo de lesiones en la cabeza, las manos y los pies.
- Inspeccione el área con atención antes de arrancar la unidad. Extraiga las rocas, los vidrios rotos, los clavos, los cables, cordeles y demás objetos que podrían ser arrojados o enredarse en la unidad.
- Despeje la zona de niños, observadores y mascotas; manténgalos fuera de un radio de 50 pies (15 m), como mínimo. Incluso a esa distancia, sigue el riesgo de ser alcanzados por los objetos arrojados por el aire. Sugiera a los observadores que usen protección ocular. Si alguien se le aproxima, detenga la unidad de inmediato.
- Apriete el control del acelerador y verifique que vuelva automáticamente a la posición de ralentí. Realice todos los ajustes o las reparaciones antes de usar la unidad.
- Esta unidad está diseñada para uso ocasional, para el hogar únicamente.

## ADVERTENCIAS DE SEGURIDAD PARA LAS UNIDADES A GASOLINA



**ADVERTENCIA:** La gasolina es sumamente inflamable y sus vapores pueden explotar si se encienden. Adopte las siguientes precauciones:

- Almacene el combustible únicamente en recipientes diseñados específicamente y aprobados para el almacenamiento de dichos materiales.
- Detenga siempre el motor y déjelo enfriar antes de llenar el depósito. Nunca retire la tapa del depósito de combustible ni agregue combustible cuando el motor esté caliente. Afloje siempre lentamente la tapa del depósito de combustible para descargar la presión que haya en el depósito antes de recargar combustible.
- Mezcle y agregue siempre combustible en una zona al aire libre, limpia y bien ventilada, en la que no haya chispas ni llamas. NO fume.
- Nunca opere la unidad si la tapa del combustible no está bien sujeta en su lugar.
- Evite que se genere una fuente de encendido para el combustible derramado. Limpie de inmediato el combustible derramado de la unidad, antes de encenderla. Mueva la unidad al menos 30 pies (9.1m) de la fuente de combustible y del sitio antes de arrancar el motor. NO fume.
- Nunca arranque ni use la unidad dentro de una habitación o de una construcción cerrada. La inhalación de humos de escape puede ser mortal. Opere esta unidad únicamente en una zona bien ventilada, al aire libre.

## DURANTE LA OPERACIÓN

- Utilice anteojos o antiparras de seguridad que cumplan con las normas ANSI / ISEA Z87.1 vigentes y que tengan la identificación correspondiente. Utilice una protección auditiva al operar esta unidad. Utilice una máscara facial o para polvos si la máquina levanta polvo durante su funcionamiento.
- Use pantalones largos y gruesos, botas, guantes y camisa de mangas largas. No use ropa holgada, alhajas, pantalones cortos, sandalias ni ande descalzo. Sujétese el cabello a nivel de los hombros.
- Esta unidad tiene un embrague. El cabezal de corte / la cuchilla permanece fijo cuando el motor está en ralentí. Si no es así, debe llevar la unidad a un distribuidor de servicio calificado para que la ajusten.
- El cabezal de corte / la cuchilla puede girar mientras se ajusta la velocidad de ralentí. Utilice vestimenta de protección y respete todas las instrucciones de seguridad para evitar que se produzcan lesiones personales graves.
- Ajuste la manija para que brinde el mejor agarre, si corresponde.
- Compruebe que el accesorio no esté en contacto con nada antes de poner en marcha la unidad.
- Use la unidad solamente con luz de día o con una buena luz artificial.
- Evite arranques accidentales. Permanezca en la posición de arranque siempre que tire de la cuerda de arranque. El operador y la unidad deben estar en una posición estable durante el arranque. Consulte *Arranque y Parada*
- Utilice la herramienta apropiada. Use esta herramienta sólo para el propósito para el que fue diseñada.
- Sostenga siempre la unidad con ambas manos durante la operación. Sostenga firmemente ambas manijas o empuñaduras.
- No se extienda demasiado. Siempre debe estar bien afirmado y mantener el equilibrio adecuado. Tenga cuidado al trabajar sobre escalinatas, cuevas empinadas o pendientes. Para evitar lesiones graves, no haga funcionar la unidad desde una escalera de mano o un techo.

- Mantenga las manos, el rostro y los pies alejados de todas las piezas móviles. No toque ni intente detener las piezas móviles.
- No toque el motor, el alojamiento del engranaje ni el silenciador. Estas partes se ponen extremadamente calientes por el funcionamiento, incluso después de que se apaga la unidad.
- No opere la unidad a una velocidad mayor a la necesaria para la tarea. No haga funcionar la unidad a alta velocidad cuando no está en uso.
- No exija demasiado a la unidad. Si se usa a la velocidad para la que fue diseñada, realizará un trabajo más eficiente y seguro.
- Detenga siempre la unidad cuando la operación esté demorada o cuando camine de un lugar a otro.
- Si golpea un objeto extraño o si éste se engancha en la unidad, deténgala de inmediato y controle si se produjeron daños. No utilice la unidad hasta haber reparado el daño. No utilice la unidad si hay piezas sueltas o dañadas.
- Apague el motor y desconecte la bujía para realizar tareas de mantenimiento o reparación.
- Use sólo piezas de reemplazo y accesorios del fabricante del equipo original (OEM) para esta unidad. Los puede adquirir al distribuidor de servicio autorizado. Si usa cualquier otra pieza o accesorio, el usuario podría lesionarse gravemente o la unidad podría dañarse y se anularía la garantía.
- Mantenga limpia la unidad. Quite con cuidado cualquier resto de vegetación u otros residuos que puedan bloquear las piezas móviles.
- A fin de reducir el riesgo de incendio, reemplace el silenciador y el amortiguador de chispas si están averiados. Mantenga el motor y el silenciador libres de hierbas, hojas y de la acumulación excesiva de grasa o de carbono.
- Si la unidad comienza a vibrar en forma anormal, deténgala de inmediato. Inspeccione la unidad para determinar la causa de la vibración. La vibración por lo general indica que hay algún problema.

## SEGURIDAD DE LA RECORTADORA

- Use únicamente el hilo de recorte que se describe en la sección *Especificaciones* de este manual. Nunca use un hilo, un cable, una cadena o una cuerda de metal reforzados. Podrían separarse y convertirse en proyectiles peligrosos.
- No cambie el cabezal de corte por cuchillas rígidas o de metal. Si lo hace, podría provocar lesiones graves.
- El protector del cabezal de corte siempre debe estar colocado mientras se opera la unidad. No utilice la unidad si no están extendidos ambos hilos de recorte y si no está instalado el hilo adecuado. No extienda el hilo de recorte más allá de la longitud del protector.

## SEGURIDAD DE LA DESBROZADORA

- El protector de la cuchilla siempre debe estar colocado mientras la unidad está funcionando.
- Use siempre el arnés de hombro cuando opere una desbrozadora.
- Cuando está en funcionamiento, mantenga siempre la manija entre el operador y la cuchilla.
- Nunca haga funcionar la unidad con la cuchilla más arriba de la cintura.
- Para evitar un rebote violento, no intente cortar material de más de 1/2 pulgada (1.27 cm) de diámetro.
- Puede generar arrastre de la cuchilla cuando la cuchilla girando toca un objeto que no corta inmediatamente. El arrastre puede ser lo suficientemente violento como para impulsar a la unidad y/o al operador en cualquier dirección, posiblemente provocando pérdida de control. El arrastre puede ocurrir sorpresivamente si la cuchilla se engancha, se frena o se adhiere. Hay más probabilidad de que esto ocurra en áreas donde es difícil ver el material que se corta.
- La cuchilla continuará girando luego de apagar la unidad. La cuchilla girando por inercia puede causar lesiones graves. Mantenga el control de la unidad hasta que todas las piezas móviles se hayan detenido.
- No afile la cuchilla. Si la afila, es posible que la punta de la cuchilla se rompa mientras está en uso. Podrían producirse lesiones personales graves. Si la cuchilla está desafilada, reemplácela.
- No utilice la unidad si la cuchilla está doblada, rajada o desafilada. Reemplace las cuchillas dobladas, rajadas o desafiladas.
- No use la cuchilla para recortes; podría ocasionar lesiones personales graves para usted o para terceros.
- La cuchilla puede estar afilarse demasiado con el uso. Use siempre guantes pesados para manipular, reemplazar o limpiar la cuchilla.

## OTRAS ADVERTENCIAS DE SEGURIDAD


- Todas las tareas de reparación, con excepción de los procedimientos de mantenimiento que se describen en este manual, deben ser realizados por un distribuidor de servicio autorizado.
- Antes de inspeccionar, limpiar, guardar o transportar la unidad, o de hacer tareas de reparación o mantenimiento o reemplazar alguna de sus piezas:
  1. Detenga la unidad.
  2. Asegúrese de que se hayan detenido todas las piezas móviles.
  3. Deje que la unidad se enfríe.
  4. Desconecte el cable de la bujía.
- Sujete la unidad durante el transporte.
- Nunca almacene la unidad con combustible en el depósito, en el interior de una construcción donde las emanaciones puedan alcanzar una llama abierta (luces piloto, etc.) o chispas (interruptores, motores eléctricos, etc.).
- Almacene la unidad en un lugar seco, asegurada o a una altura que evite que se la use sin autorización o se la dañe. Mantenga la unidad lejos del alcance de los niños.
- Nunca rocíe ni arroje chorros de agua ni de ningún otro líquido a la unidad. Mantenga las manijas secas y limpias (sin residuos, aceite ni grasa). Limpie la unidad luego de cada uso. Consulte *Limpieza y almacenamiento*. No utilice solventes o detergentes fuertes.
- Guarde estas instrucciones. Consúltelas con frecuencia y úselas para capacitar a otros usuarios. Si le presta esta unidad a otras personas, también debe prestarles estas instrucciones.

# GUARDE ESTAS INSTRUCCIONES

• SÍMBOLOS INTERNACIONALES Y DE SEGURIDAD •

Este manual del operador describe símbolos de seguridad e internacionales, así como pictogramas, que pueden aparecer en este producto. Lea el manual del operador para obtener información completa sobre seguridad, montaje, funcionamiento, mantenimiento y reparaciones.

SÍMBOLOS SIGNIFICADO

	<p>• <b>SÍMBOLO DE ALERTA DE SEGURIDAD</b></p> <p>Indica peligro, advertencia o precaución. Puede utilizarse junto con otros símbolos o pictogramas.</p>
	<p>• <b>LEA EL MANUAL DEL OPERADOR</b></p> <p><b>ADVERTENCIA:</b> Lea el (los) manual(es) del operador y cumpla todas las advertencias e instrucciones de seguridad. Si no lo hace, el operador y/o los observadores pueden sufrir lesiones graves.</p>
	<p>• <b>UTILICE PROTECCIÓN OCULAR Y AUDITIVA</b></p> <p><b>ADVERTENCIA:</b> Los objetos que son arrojados por el aire y los ruidos fuertes pueden provocar graves lesiones oculares y pérdidas de audición. Cuando opere esta unidad, utilice protección ocular que cumpla con las normas ANSI / ISEA Z87.1 vigentes y protectores auditivos. Utilice una máscara que cubra todo el rostro si es necesario.</p>
	<p>• <b>COMBUSTIBLE SIN PLOMO</b></p> <p>Utilice siempre combustible limpio, nuevo y sin plomo.</p>
	<p>• <b>ACEITE</b></p> <p>Consulte el manual del operador para conocer el tipo adecuado de aceite.</p>
	<p>• <b>NO UTILICE COMBUSTIBLE E85 EN ESTA UNIDAD</b></p> <p><b>ADVERTENCIA:</b> Se ha demostrado que el combustible que contiene más de un 10% de etanol es probable que dañe este motor y anule la garantía.</p>
	<p>• <b>APAGADO/ENCENDIDO DE CONTROL DE PARADA</b></p> <p>ENCENDIDO / ARRANQUE / MARCHA</p>
	<p>• <b>APAGADO/ENCENDIDO DE CONTROL DE PARADA</b></p> <p>APAGADO o PARADA</p>
	<p>• <b>BULBO DEL CEBADOR</b></p> <p>Presione por completo el bulbo del cebador lentamente 10 veces.</p>
	<p>• <b>CONTROL DEL ESTRANGULADOR</b></p> <ol style="list-style-type: none"> <li>• Posición FULL (máximo) del estrangulador</li> <li>• Posición PARTIAL (parcial) del estrangulador</li> <li>• Posición RUN (funcionamiento) del estrangulador</li> </ol>

SÍMBOLOS SIGNIFICADO

	<p>• <b>LOS OBJETOS QUE SON ARROJADOS POR EL AIRE Y EL CORTADOR GIRATORIO PUEDEN PROVOCAR LESIONES GRAVES</b></p> <p><b>ADVERTENCIA:</b> Es posible que se arrojen objetos pequeños por el aire a alta velocidad, lo cual puede provocar lesiones. Manténgase alejado del rotor giratorio.</p>
	<p>• <b>MANTENGA ALEJADOS A LOS OBSERVADORES</b></p> <p><b>ADVERTENCIA:</b> Mantenga a todos los observadores, especialmente a los niños y las mascotas, al menos a 50 pies (15 m) de la zona de trabajo.</p>
	<p>• <b>SUPERFICIE CALIENTE</b></p> <p><b>ADVERTENCIA:</b> No toque el silenciador o el cilindro cuando estén calientes. Puede quemarse. Estas piezas se calientan extremadamente durante el funcionamiento. Una vez apagadas, continúan calientes durante un período breve.</p>
	<p>• <b>CUCHILLA AFILADA</b></p> <p><b>ADVERTENCIA:</b> Hay una cuchilla afilada en el protector del accesorio de recorte. A fin de evitar lesiones graves, no toque la cuchilla de corte del hilo.</p>
	<p>• <b>DESBROZADORA: REEMPLACE LA CUCHILLA DESAFILADA</b></p> <p><b>ADVERTENCIA:</b> No afile la cuchilla. Si la afila, es posible que la punta de la cuchilla se rompa mientras está en uso. Podrían producirse lesiones personales graves. Si la cuchilla está desafilada, reemplácela.</p>
	<p>• <b>SEGURIDAD DE LA RECORTADORA / DESBROZADORA</b></p> <p><b>ADVERTENCIA:</b> Los objetos que salen despedidos y la cuchilla giratoria pueden ocasionar lesiones graves. Mantenga a todos los presentes, especialmente a los niños y animales domésticos, a una distancia de al menos 50 pies (15 m). El protector del cabezal de corte debe estar instalado para usar el accesorio de recorte. El protector de cuchilla debe estar instalada para usar el accesorio de desbrozar.</p>

## CONOZCA SU UNIDAD

### APLICACIONES

Como recortadora:

- Corta hierbas y malezas ligeras.
- Bordeado
- Recorte decorativo alrededor de árboles, vallas, etc.

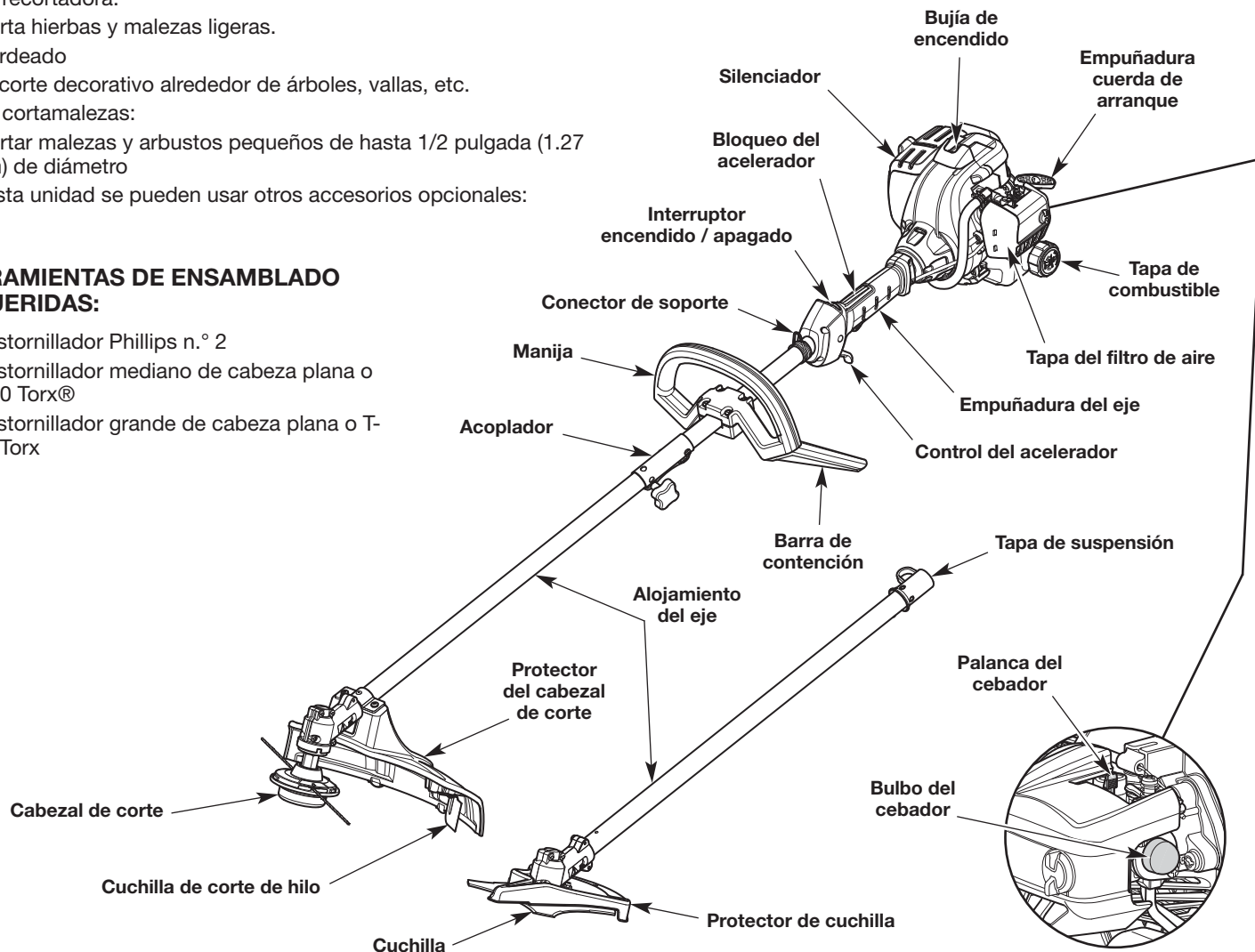
Como cortamalezas:

- Cortar malezas y arbustos pequeños de hasta 1/2 pulgada (1.27 cm) de diámetro

Con esta unidad se pueden usar otros accesorios opcionales:

### HERRAMIENTAS DE ENSAMBLADO REQUERIDAS:

- Destornillador Phillips n.º 2
- Destornillador mediano de cabeza plana o T-20 Torx®
- Destornillador grande de cabeza plana o T-25 Torx



## ESPECIFICACIONES\*

Tipo de motor	Refrigerado por aire, de 2 ciclos
Desplazamiento	27 cc (1.64 pulgadas cúbicas)
Separación de las bujías	0.025 pulgadas (0.635 mm)
Bujía de encendido	Champion® RDJ7J o bujía equivalente
Lubricación	Mezcla de combustible y aceite
Relación combustible/aceite	40:1
Capacidad del depósito de combustible	14 onzas (414 ml)
Peso aproximado de la unidad (sin combustible)	12.5 - 13.5 libras (5.7 - 6.1 kg)
Mecanismo de recorte	Cabezal de corte de hilo fijo
Hilo de recorte	Hilo precortado de 0,105 pulgadas (2,67 mm)
Diámetro de la senda de corte (recortador)	17 pulgadas (43.2 cm)
Diámetro de la senda de corte (cortamalezas)	8 pulgadas (20.3 cm)

\* Todas las especificaciones están basadas se basan en la información más reciente sobre el producto disponible al momento de la impresión. Nos reservamos el derecho a realizar cambios en cualquier momento sin previo aviso.

## INSTALACIÓN DEL PROTECTOR DEL CABEZAL DE CORTE DE CORTE



**ADVERTENCIA:** A fin de evitar que se produzcan lesiones personales graves, no opere nunca la unidad sin el protector del cabezal de corte en su lugar.

1. Ubique el protector del cabezal de corte sobre el soporte de montaje. Se deben alinear los orificios del protector del cabezal de corte con los orificios del soporte de montaje. (Fig. 1)
2. Enrosque los 2 tornillos a través del soporte de montaje y dentro del protector del cabezal de corte hasta que queden ajustados manualmente.
3. Con un destornillador Phillips n.º 2, ajuste los tornillos hasta que el protector del cabezal de corte quede firmemente en su lugar. Apriete los tornillos de manera uniforme. La separación que hay entre el soporte de montaje y el protector del cabezal de corte debe ser la misma a ambos lados.

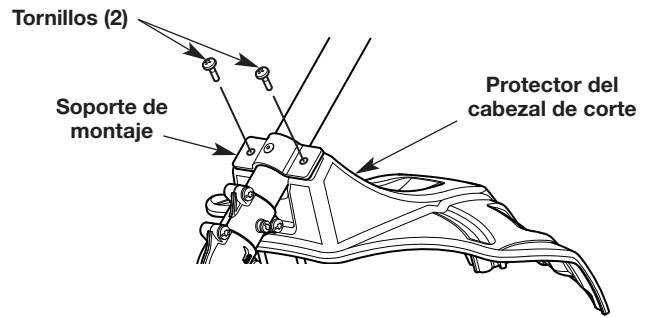


Fig. 1

## INSTALACIÓN Y AJUSTE DE LA MANIJA

### Instalación de la barra de contención

1. Alinee los dos pasadores de la barra de contención con los dos orificios de la manija (Fig. 2).
2. Presione la barra de contención contra la manija hasta que la barra calce en su lugar.
3. Inserte el tornillo de la barra de contención en la manija (Fig. 2).
4. Use un destornillador mediano de cabeza plana o un destornillador T-20 Torx® para ajustar la barra de contención hasta que se encuentre asegurada.

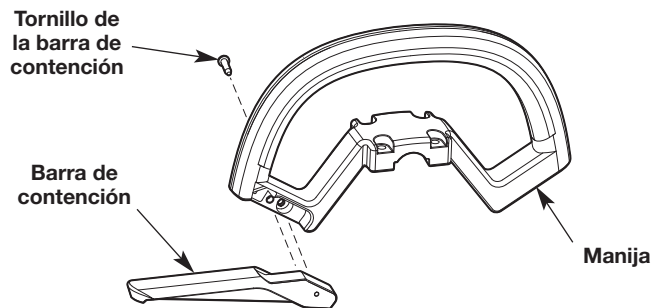


Fig. 2

### Instalación de la manija

1. Use un destornillador mediano de cabeza plana o un destornillador T-25 Torx para extraer los cuatro (4) tornillos y la abrazadera inferior de la manija.
2. Coloque la manija encima del alojamiento del eje. Verifique que la barra de contención está del lado izquierdo cuando sujeta la unidad en la posición de funcionamiento.
3. Alinee la abrazadera inferior por debajo del alojamiento del eje y la manija. Sujete la manija y la abrazadera inferior juntas.
4. Inserte los cuatro (4) tornillos a través de la manija y en la abrazadera inferior.
5. Use un destornillador grande de cabeza plana o un destornillador T-25 Torx para ajustar los tornillos hasta que la manija y la abrazadera inferior estén bien unidas. No ajuste los tornillos completamente.
6. Mientras sujeta la unidad en la posición de funcionamiento (Fig. 13), desplace la manija hasta la ubicación que le ofrece el mejor agarre. Ubíquela como mínimo a 6 pulgadas (15.24 cm) del extremo de la empuñadura del eje (Fig. 3).
7. Ajuste los tornillos hasta que la manija quede segura.

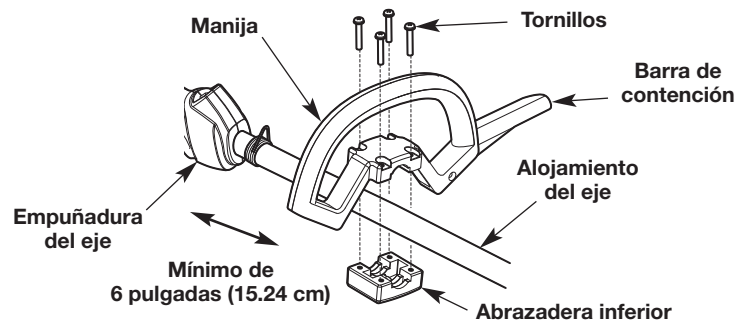


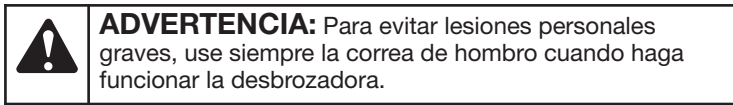
Fig. 3

### Ajuste de la manija

Si la manija requiere ajustes:

1. Use un destornillador grande de cabeza plana o un destornillador T-25 Torx para aflojar los 4 tornillos de la manija.
2. Mientras sujeta la unidad en la posición de funcionamiento (Fig. 13), desplace la manija hasta la ubicación que le ofrece el mejor agarre. Ubíquela como mínimo a 6 pulgadas (15.24 cm) del extremo de la empuñadura del eje (Fig. 3).
3. Ajuste los tornillos hasta que la manija quede segura.

## INSTALACIÓN DE LA CORREA DE HOMBRO



1. Haga pasar la correa hacia arriba por el ojal central de la hebilla (Fig. 4).
2. Doble la correa sobre sí misma y hágala pasar por el ojal inferior de la hebilla (Fig. 4).
3. Pase la correa de hombro sobre la cabeza del operador y sobre el hombro izquierdo (Fig. 13).
4. Inserte el sujetador en el conector de soporte (Fig. 5).
5. Ajuste la correa de hombro para adecuarla al operador (Fig. 6). Tire de la hebilla hacia arriba para aflojar la correa. Tire de la correa hacia abajo para ajustarla.

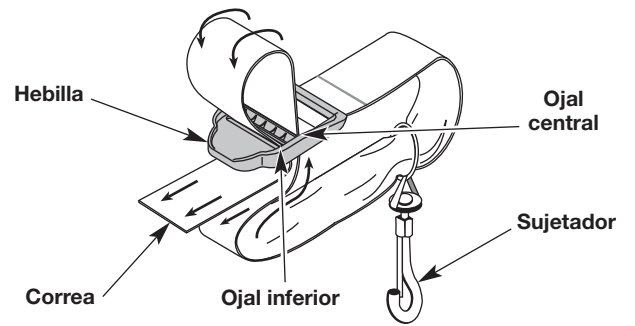


Fig. 4

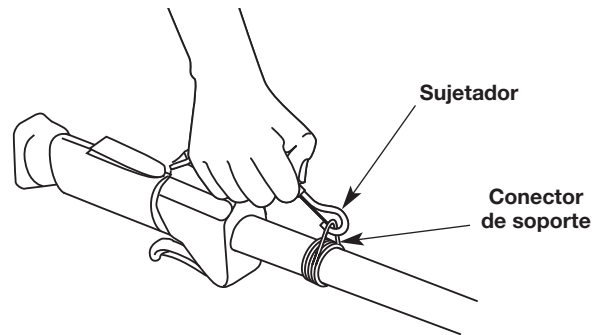


Fig. 5

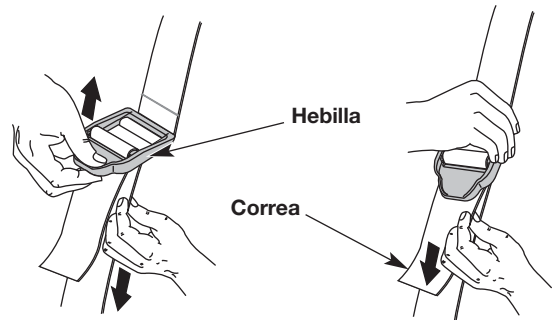


Fig. 6



**ADVERTENCIA:** Antes de comenzar a utilizar cualquiera de los accesorios, lea y comprenda el manual que viene con dicho accesorio. Tenga en cuenta toda la información de seguridad que incluye.

**ADVERTENCIA:** A fin de evitar lesiones personales graves y daños a la unidad, apáguela antes de extraer o instalar un accesorio.

## FUNCIONAMIENTO DEL ACOPLADOR

El acoplador permite el uso de varios accesorios opcionales.

### Instalación del accesorio

1. Quite la tapa de suspensión del accesorio. Guarde la tapa de suspensión para utilizarla al almacenar el accesorio. De estar presente, extraiga el espaciador gris del acoplador.
2. Coloque la unidad en una superficie plana y nivelada.
3. Gire la perilla en el sentido contrario a las agujas del reloj para aflojar el acoplador (Fig. 8).
4. Alinee el botón de liberación con el embutimiento de la guía (Fig. 9).
5. Presione el accesorio directamente dentro del acoplador (Fig. 7) hasta que el botón de liberación encaje a presión firmemente del orificio principal (Fig. 9).
6. Gire la perilla en el sentido de las agujas del reloj para apretar el acoplador (Fig. 8).

**NOTA:** Para un reborde decorativo con un accesorio de recorte, trabe el botón de liberación en el orificio de 90° (Fig. 8).

**PRECAUCIÓN:** Antes de utilizar esta unidad, asegúrese de que el botón de liberación entre a presión completamente dentro del orificio principal y que la perilla quede bien ajustada.

**PRECAUCIÓN:** Este botón de liberación debe colocarse a presión solamente en el orificio principal a menos que se especifique lo contrario. Si se utiliza un orificio equivocado, se podrían producir lesiones personales o daños a la unidad.

### Extracción del accesorio

1. Coloque la unidad en una superficie plana y nivelada.
2. Gire la perilla en el sentido contrario a las agujas del reloj para aflojar el acoplador (Fig. 8).
3. Oprima y mantenga apretado el botón de liberación (Fig. 9).
4. Tire del accesorio directamente hacia fuera del acoplador (Fig. 7).

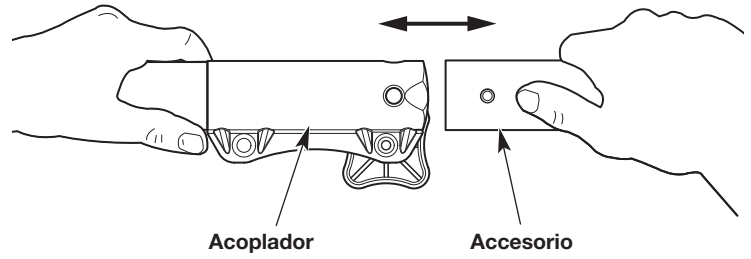


Fig. 7

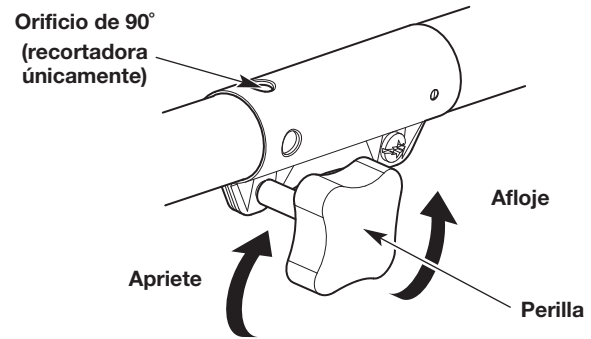


Fig. 8

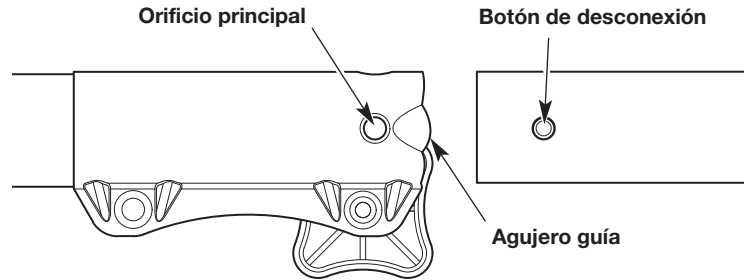


Fig. 9

## ACEITE Y COMBUSTIBLE

### INSTRUCCIONES PARA LA MEZCLA DEL ACEITE Y EL COMBUSTIBLE

El uso de combustible viejo y/o mal mezclado es la causa más frecuente de los problemas de rendimiento. Sólo se debe utilizar gasolina nueva, limpia y sin plomo. Siga atentamente las instrucciones para que la mezcla de gasolina/aceite sea adecuada.

#### Definición de combustibles mezclados


Actualmente los combustibles con frecuencia son una mezcla de gasolina y oxigenatos como etanol, metanol o éter (éter metílico terciario-butílico, MTBE). Los combustibles con mezcla de alcohol absorben el agua. Con tan solo un 1% de agua en el combustible es posible que el combustible y el aceite se separen, formando ácidos cuando se almacenan. SIEMPRE debe usar combustible nuevo (con menos de 30 días de antigüedad).

**NOTA:** Deseche el combustible usado de acuerdo con las normativas federales, estatales y locales.

#### Uso de combustibles mezclados

Si utiliza un combustible mezclado:

- Utilice siempre la mezcla de combustible nueva según se explica en el manual del operador
- Use el aditivo para combustible STA-BIL® u otro equivalente
- Agite siempre la mezcla de combustible antes de recargar combustible en la unidad
- Drene el depósito y ponga en marcha el motor en seco antes de almacenar la unidad


	<b>ADVERTENCIA: NO UTILICE COMBUSTIBLE E85 EN ESTA UNIDAD.</b> Se ha demostrado que el combustible que contiene más de un 10% de etanol es probable que dañe este motor y anule la garantía.
---	--

#### Uso de aditivos para el combustible



La botella de aceite de 2 ciclos que se suministra con esta unidad contiene un aditivo para combustible que ayuda a inhibir la corrosión y minimiza la formación de depósitos de goma. Utilice siempre la marca de aceite de 2 ciclos que vino con esta unidad. Si no está disponible, utilice un aceite de 2 ciclos que esté diseñado para motores enfriados por aire y mézclelo con un aditivo para combustible, como el estabilizador de combustible STA-BIL u otro equivalente. Agregue 0.8 onzas (23 ml) de aditivo para combustible por galón de combustible según las instrucciones del recipiente. NUNCA agregue aditivos para el combustible directamente al depósito de combustible de la unidad.

#### Mezcla del combustible

**NOTA:** La presente unidad viene con una botella de 3.2 onzas de aceite de 2 ciclos. Para obtener la mezcla de combustible correcta que se describe a continuación, vierta toda la botella dentro de un galón de gasolina sin plomo.


	<b>PRECAUCIÓN:</b> Para el funcionamiento correcto del motor y la máxima confiabilidad, preste mucha atención y siga estrictamente las instrucciones para la mezcla de la gasolina y el aceite que figuran en la botella de aceite de 2 ciclos. El uso de combustible que se mezcló incorrectamente puede dañar gravemente el motor.
---	--


Mezcle completamente la proporción adecuada de gasolina sin plomo con el aceite para motor de 2 ciclos. No los mezcle directamente en el depósito de combustible de la unidad. Use una lata de combustible separada. Utilice una proporción de 40:1 de gasolina/aceite. Consulte la tabla a continuación para conocer las proporciones específicas para mezclar la gasolina y el aceite.


	
<b>Gasolina sin plomo</b>	<b>Aceite de 2 ciclos</b>
<b>1 galón EE. UU. (3.8 litros)</b>	<b>3.2 onzas líquidas (95 ml)</b>
<b>1 liter</b>	<b>25 ml</b>

**PROPORCIÓN DE LA MEZCLA - 40:1**

#### CARGA DE COMBUSTIBLE EN LA UNIDAD

	<b>ADVERTENCIA:</b> La gasolina es extremadamente inflamable. Los vapores encendidos pueden explotar. Detenga siempre el motor y déjelo enfriar antes de llenar el depósito de combustible. No fume mientras llena el depósito. Mantenga las chispas y llamas abiertas a una distancia de la zona.
---	--

	<b>ADVERTENCIA:</b> Retire la tapa del combustible lentamente a fin de evitar lesiones ocasionadas por salpicaduras de combustible. Nunca opere la unidad si la tapa del combustible no está bien sujeta en su lugar.
---	---

	<b>ADVERTENCIA:</b> Agregue combustible en una zona al aire libre, limpia y bien ventilada. Limpie de inmediato la gasolina que se haya derramado. Evite que se genere una fuente de encendido para el combustible derramado. No arranque el motor hasta que se hayan disipado los vapores del combustible.
---	---

1. Ubique la unidad con la tapa del combustible orientada hacia arriba.
2. Extraiga la tapa de combustible.
3. Ubique el pico del recipiente de combustible dentro del orificio de llenado del depósito de combustible y llene el depósito.

**NOTA:** No llene en exceso el depósito de combustible.

4. Limpie el combustible que se pueda haber derramado.
5. Vuelva a colocar la tapa del combustible.
6. Mueva la unidad al menos 30 pies (9.1m) del recipiente de combustible y del sitio de carga de combustible antes de arrancar el motor.

## ARRANQUE Y PARADA



**ADVERTENCIA:** Opere esta unidad solamente en un área exterior bien ventilada. El monóxido de carbono de los gases de escape puede ser letal en un área confinada.



**ADVERTENCIA:** Evite arrancar la unidad por accidente. A fin de evitar lesiones graves, el operador y la unidad deben estar en una posición estable al tirar de la cuerda de arranque (Fig. 12).

### INSTRUCCIONES DE ARRANQUE

1. Mezcle la gasolina con el aceite. Consulte las *Instrucciones para mezclar el aceite y el combustible*.
2. Llene el tanque de combustible. Consulte *Abastecer de combustible la unidad*.

**NOTA:** No hay necesidad de encender la unidad. El interruptor de Encendido/Apagado debe estar en la posición ENCENDIDO (1) en todo momento (Fig. 10).

3. Oprima y suelte despacio la pera del cebador **10 veces** (Fig. 11). Si no se ve combustible en la pera del cebador, oprima y suelte la pera hasta que se vea el combustible.
4. Mueva la palanca del obturador a la **Posición 1** (Fig. 11).
5. Agáchese en la posición de arranque (Fig. 12).

**NOTA: OPRIMA y SOSTENGA** el bloqueo del acelerador para enganchar el control del acelerador. **APRIETE y MANTENGA APRETADO** el control del acelerador para **TODOS** los pasos subsiguientes.

6. Oprima el bloqueo del acelerador y apriete el control del acelerador (Fig. 10). Tire de la cuerda de arranque **5 veces** con un movimiento firme y controlado (Fig. 12).
7. Continúe oprimiendo el bloqueo del acelerador y apretando el control del acelerador. Mueva la palanca del obturador a la **Posición 2** (Fig. 11).
8. Continúe oprimiendo el bloqueo del acelerador y apretando el control del acelerador. Tire de la cuerda de arranque unas **3 a 5 veces** con movimiento regulado y firme para arrancar el motor.
9. Continúe oprimiendo el bloqueo del acelerador y apretando el control del acelerador. Deje que el motor se caliente de 30 a 60 segundos.
10. Continúe oprimiendo el bloqueo del acelerador y apretando el control del acelerador. Mueva la palanca del obturador a la **Posición 3** (Fig. 11) y siga calentando el motor otros 60 segundos. La unidad se puede usar en este momento.

**NOTA:** Cuando el motor acelera sin fallar, la unidad ya se calentó como es debido.

**SI...** el motor falla, mueva de nuevo la palanca del obturador a la **Posición 2** (Fig. 11) y siga calentándolo.

**SI...** el motor no arranca, comience el procedimiento de arranque por el paso 3.

**SI...** el motor no arranca al cabo de unos pocos intentos, mueva la palanca del cebador a la **Posición 3**, oprima el bloqueo del acelerador y apriete el control del acelerador. Tire de la cuerda de arranque unas **3 a 8 veces** con movimiento regulado y firme. El motor deberá arrancar. Si no lo hace, repita estas instrucciones.

**SI...** el motor ya está tibio, comience el procedimiento de arranque por el paso 7.

### INSTRUCCIONES DE APAGADO

1. Suelte el control del regulador y deje que el motor trabaje en vacío.
2. Oprima y no suelte el interruptor de control de Encendido y Apagado en la posición APAGADO (O) hasta que el motor se detenga por completo (Fig. 10).

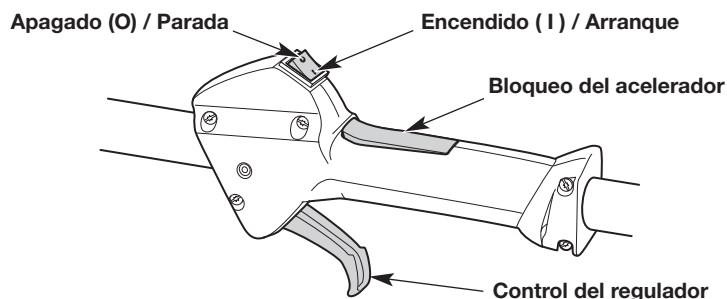


Fig. 10

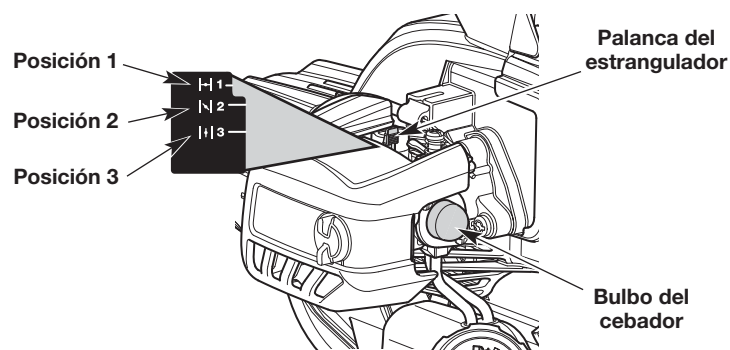


Fig. 11



Fig. 12

## CÓMO SOSTENER LA UNIDAD



**ADVERTENCIA:** Utilice siempre protección ocular, auditiva, de manos, pies y corporal para reducir el riesgo de sufrir lesiones durante la operación de esta unidad.

- Párese en la posición de arranque (Fig. 13). Párese derecho. No se incline sobre el aparato.
- Mantenga los pies alejados y apoyados firmemente sobre el suelo.
- Sujete la empuñadura del eje con la mano derecha. Mantenga el brazo derecho ligeramente doblado.
- Sostenga la manija con la mano izquierda. Mantenga el brazo izquierdo bien derecho.
- Mantenga la unidad al nivel de la cintura.
- Posicione el cabezal de corte / la cuchilla algunos pulgadas sobre el suelo.

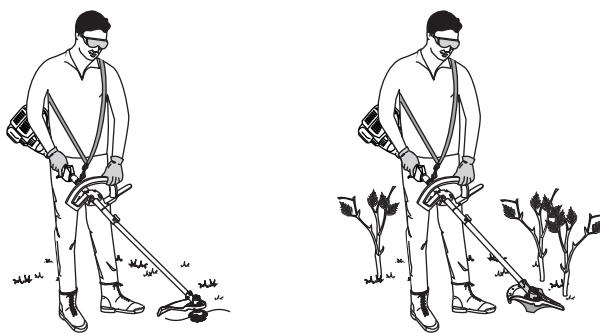


Fig. 13

## CONSEJOS PARA OBTENER LOS MEJORES RESULTADOS (COMO RECORTADORA)

- Para alejar los recortes del operador, incline levemente el cabezal de corte hacia abajo a la derecha, corte de izquierda a derecha siempre que sea posible.
- No recorte césped o malezas que estén húmedos.

**NOTA:** El hilo puede romperse:

- Si se enreda con objetos extraños
- Por la fatiga normal del hilo
- Si se intenta cortar plantas gruesas
- Si se empuja el hilo contra objetos como paredes o cercas

## RECORTE DECORATIVO (COMO RECORTADORA)

Cuando recorte alrededor de árboles, postes, vallas, etc., rote toda la unidad de manera que el cabezal de corte quede en un ángulo de 30° en relación con el suelo (Fig. 14).

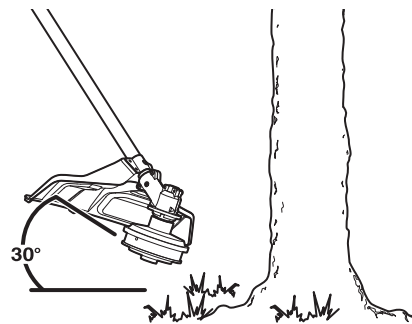


Fig. 14

## RECOMENDACIONES PARA MEJORES RESULTADOS (COMO CORTAMALEZAS)



**ADVERTENCIA:** Para evitar lesiones graves al operador u otros, no use la cuchilla como un recortador de bordes.

- Mantenga la cuchilla paralela al suelo.
- Haga el corte siempre con la unidad funcionando a plena velocidad. Esto ofrece máxima potencia de corte y hace que la cuchilla sea menos propensa que doblarse, atascarse u ocurrir un empuje de la cuchilla.



**ADVERTENCIA:** Se puede producir un empuje de la cuchilla cuando entra en contacto con un objeto si no lo corta de inmediato. El empuje de la cuchilla puede ser lo suficientemente violento para ocasionar que la unidad y/o el operador sean lanzados en cualquier dirección, y que posiblemente se pierda el control de la unidad. El empuje de la cuchilla puede producirse sin aviso si la cuchilla se desbasta, se atasca o se dobla. Esto es más probable que en áreas en las que es difícil ver el material que se está cortando.

- Para dirigir los recortes lejos del operador, corte de izquierda a derecha siempre que sea posible.
- Siempre suelte el control del regulador y deje que la unidad trabaje en vacío cuando no esté cortando.
- Cuando termine el trabajo, desenganche siempre la bandolera de la unidad, antes de quitársela.
- La cuchilla tiene un segundo borde de corte. Si la cuchilla se queda sin filo, retírela, voltee la boca abajo y reinstálela. Si ambos lados se quedan sin filo, reemplace la cuchilla. Remítase a *Reemplazar la cuchilla*.



**ADVERTENCIA:** La cuchilla seguirá girando durante un rato luego de apagar el motor. Para evitar lesiones personales graves, no toque la cuchilla mientras esté girando por inercia.



**ADVERTENCIA:** Para evitar lesiones personales graves, apague siempre la unidad antes de retirar los desechos de la misma. Deje que la cuchilla se detenga por completo.



**ADVERTENCIA:** Para evitar lesiones graves, nunca realice el mantenimiento ni las reparaciones con la unidad en funcionamiento. Siempre deje que se enfríe la unidad antes de hacer el mantenimiento o las reparaciones de la unidad. Desconecte el cable de la bujía para evitar que la unidad arranque accidentalmente.

## PROGRAMA DE MANTENIMIENTO

Realice estos procedimientos de mantenimiento requeridos con la frecuencia establecida en la tabla. Estos procedimientos también deben realizarse como parte de la afinación estacional.

**NOTA:** Algunos procedimientos de mantenimiento pueden requerir herramientas o habilidades especiales. Si no está seguro acerca de estos procedimientos, lleve la unidad a un distribuidor de servicio autorizado de MTD.

**NOTA:** Los trabajos de mantenimiento, reemplazo o reparación de los dispositivos y los sistemas de control de emisiones puede realizarlos un distribuidor de servicio autorizado de MTD.

**NOTA:** Lea la declaración de California/EPA que recibió con la unidad para obtener un listado completo de las condiciones y la cobertura para los dispositivos de control de emisiones, tales como los amortiguadores de chispas, el silenciador, el carburador, etc.

FRECUENCIA	MANTENIMIENTO REQUERIDA
Cada 10 horas	<ul style="list-style-type: none"> <li>• Limpie y vuelva a lubricar el filtro de aire. Consulte <i>Mantenimiento del filtro de aire</i>.</li> </ul>
Cada 25 horas	<ul style="list-style-type: none"> <li>• Controle el estado y la separación de la bujía de encendido. Consulte <i>Mantenimiento de la bujía de encendido</i>.</li> </ul>

## REEMPLAZO DEL HILO DE RECORTE

Use únicamente el hilo de recorte que se describe en la sección *Especificaciones*. Otros tipos de hilo de recorte pueden causar el recalentamiento o la falla de la unidad.



**ADVERTENCIA:** Nunca use un hilo, un cable, una cadena o una cuerda de metal reforzados. Podrían separarse y convertirse en proyectiles peligrosos.

1. Retire el hilo viejo del cabezal de corte.
2. Use una tela limpia para limpiar la superficie del cabezal de corte.
3. Inserte los extremos del hilo a través de los orificios circulares que están al costado del cabezal de corte (Fig. 15). Empuje el hilo a través de los orificios hasta que ambos extremos sobresalgan de los conductos de posicionamiento (Fig. 16).
4. Tire de los extremos del hilo hasta que quede tenso contra el cabezal de corte. Asegúrese de que los extremos del hilo sean de igual longitud (Fig. 17). Si un extremo es más largo que el otro, empuje el extremo más largo nuevamente a través del cabezal de corte parcialmente y tire del extremo más corto hacia afuera. De ser necesario, repita el proceso hasta que ambos extremos sean de igual longitud.
5. Presione el hilo de recorte expuesto entre los orificios circulares hasta que se extienda de plano contra el cabezal de corte (Fig. 17).

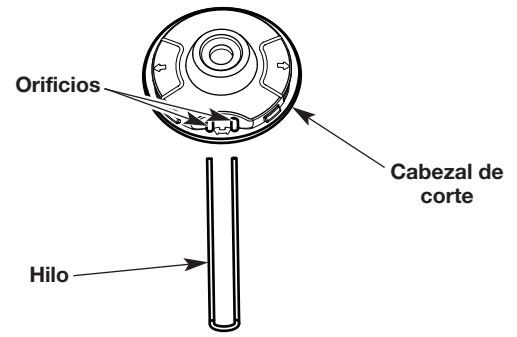


Fig. 15

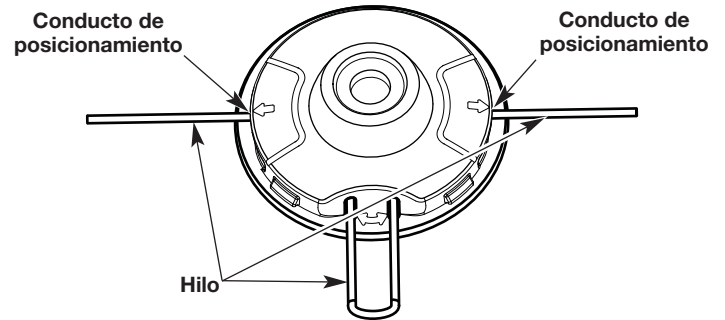


Fig. 16

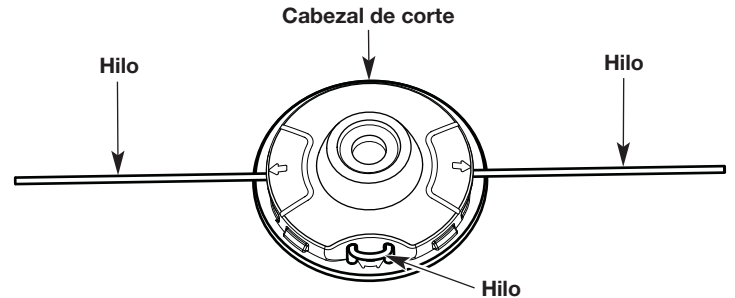


Fig. 17

## CÓMO REEMPLAZAR LA CUCHILLA



**ADVERTENCIA:** Para evitar lesiones personales graves, lleve puesto siempre guantes cuando manipule la cuchilla.



**ADVERTENCIA:** No afile la cuchilla. Afilar la cuchilla puede hacer que la punta de la cuchilla se rompa mientras se usa. Esto puede provocar lesiones personales graves.

### Cómo quitar la cuchilla

1. Alinee el orificio del buje del eje con la ranura de la varilla de traba (Fig. 18). Inserte la varilla de traba en la ranura de la varilla y el orificio del buje del eje (Fig. 18).
2. Mientras sostiene la varilla de seguridad en su lugar, afloje la tuerca girándola en sentido horario con una llave de cubo o cerrada de 13 mm (Fig. 19).
3. Quite la varilla de traba (Fig. 20).
4. Quite la tuerca, el retenedor de la hoja y la hoja (Fig. 20).

### Cómo instalar la cuchilla

1. Coloque la cuchilla en el buje del eje de salida (Fig. 20). Asegúrese de que la cuchilla esté centrada en el paso del piloto (Fig. 21). La cuchilla debe asentarse de forma plana contra el buje del eje de salida.



**ADVERTENCIA:** Si la cuchilla no está centrada, la unidad vibrará y la cuchilla puede desprenderse y salir volando, lo cual posiblemente pueda causar lesiones personales graves.

2. Alinee el orificio del buje del eje con la ranura de la varilla de traba (Fig. 18). Inserte la varilla de traba en la ranura de la varilla y el orificio del buje del eje (Fig. 18).
3. Mientras está sosteniendo la varilla de traba en su lugar, coloque el retén de la cuchilla y la tuerca en el eje de salida (Fig. 21).
4. Mientras sostenga la varilla de traba, apriete la tuerca girándola en sentido contrario a las agujas del reloj:
  - Si está usando una llave de torsión y una llave de cubo de 13 mm, ajuste la tuerca a: **325 - 335 pulg.•libras, 27 - 28 pies•libras, 37 - 38 N•m.**
  - Si no tiene una llave de torsión, use una llave de cubo o cerrada de 13 mm. Gire la tuerca hasta que el retén de la cuchilla quede ajustado contra el buje del eje. Asegúrese de que la cuchilla esté bien instalada, luego gire la tuerca 1/4 o 1/2 vuelta más en sentido contrario a las agujas del reloj (Fig. 22).
5. Quite la varilla de traba.



**ADVERTENCIA:** Para evitar lesiones personales graves o daño a la unidad, no arranque ni opere la unidad con la varilla de traba colocada en su ranura.

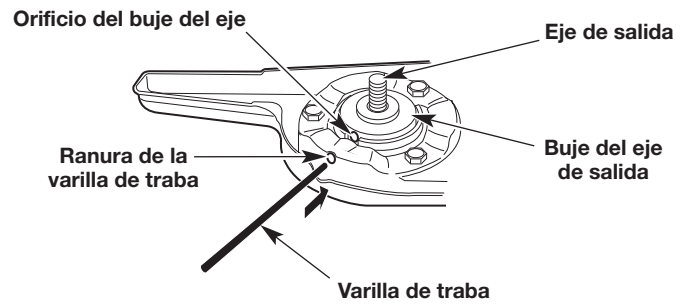


Fig. 18

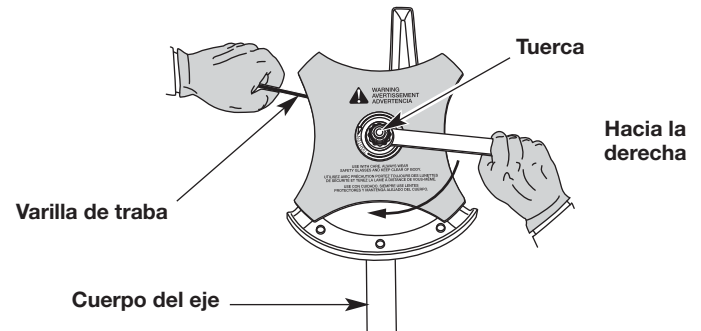


Fig. 19

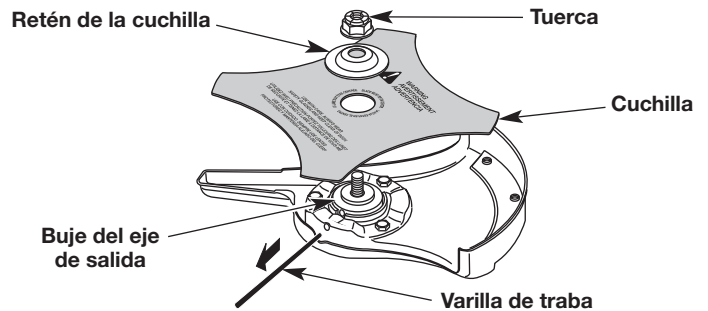


Fig. 20

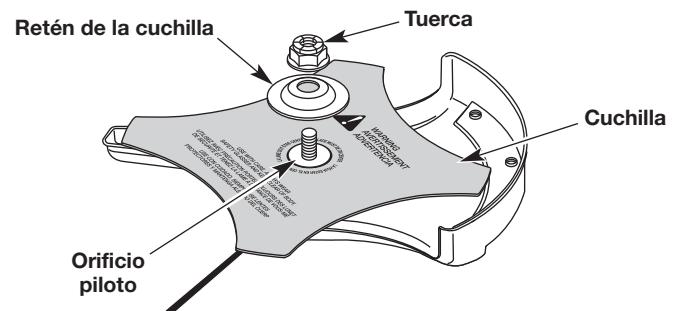


Fig. 21

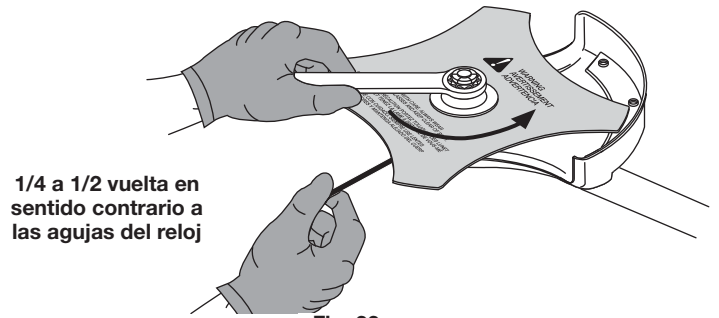


Fig. 22

## MANTENIMIENTO DEL FILTRO DE AIRE

	<p><b>ADVERTENCIA:</b> A fin de evitar lesiones personales graves, siempre pare el motor y deje que se enfríe antes de limpiar o mantener la unidad.</p>
--	--

Si no se mantiene el filtro de aire se puede obtener un rendimiento insuficiente o se puede dañar el motor de manera permanente. Las averías del motor ocasionadas por un mantenimiento inadecuado del filtro de aire no están cubiertas por la garantía del producto.

### Limpeza del filtro de aire

1. Abra la tapa del filtro de aire para lo cual debe aflojar el tornillo de la tapa (Fig. 23).
2. Extraiga el filtro de aire de su alojamiento (Fig. 23).
3. Lave el filtro de aire con agua y detergente. Enjuague minuciosamente el filtro de aire y déjelo secar.
4. Cubra el filtro de aire con una capa ligera de aceite SAE 30 limpio.
5. Apriete el filtro de aire para distribuir y eliminar el exceso de aceite.
6. Vuelva a instalar el filtro de aire en su alojamiento (Fig. 23).

**NOTA:** Si se opera la unidad sin el filtro de aire y sin la cubierta del filtro de aire se ANULARÁ la garantía.

7. Inserte los ganchos del alojamiento del filtro de aire dentro de las ranuras de la tapa del filtro de aire (Fig. 24).
8. Debe girar la tapa del filtro de aire hacia la derecha y alinear el tornillo de la cubierta con el orificio destinado a dicho tornillo (Fig. 24). Apriete el tornillo de la tapa para sujetar dicha tapa.

**NOTA:** No ajuste en exceso ya que esto puede arruinar la rosca del tornillo.

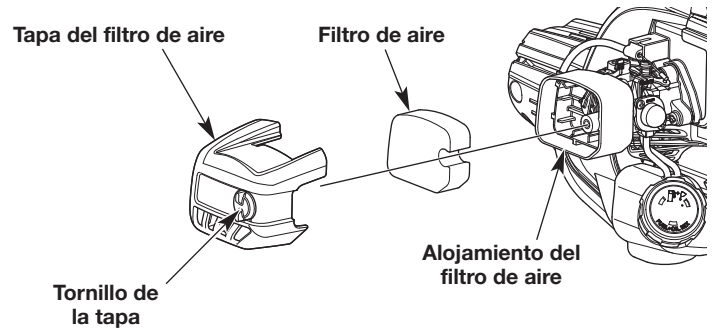


Fig. 23

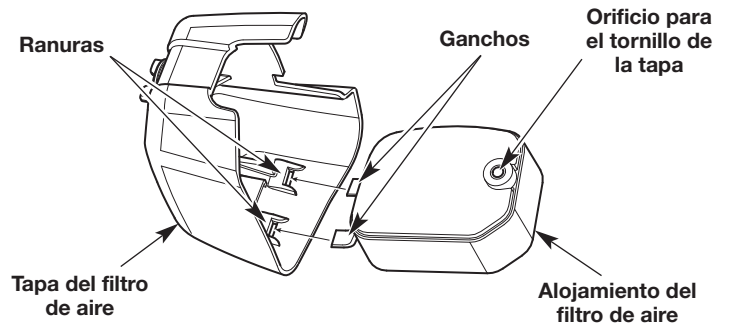


Fig. 24



## AJUSTE DE LA VELOCIDAD DE RALENTÍ



**ADVERTENCIA:** El cabezal de corte / la cuchilla puede girar mientras se ajusta la velocidad de ralentí. Utilice vestimenta de protección y respete todas las instrucciones de seguridad para evitar que se produzcan lesiones personales graves.

**NOTA:** Los ajustes que se realizan de manera descuidada pueden dañar gravemente la unidad. Los ajustes del carburador debe realizarlos un distribuidor de servicio autorizado.

Si, después de controlar el combustible y limpiar el filtro de aire, el motor sigue sin funcionar al ralentí, ajuste el tornillo de velocidad de ralentí de la siguiente manera:

1. Arranque el motor. Consulte *Arranque y Parada*
2. Suelte el control del acelerador y deje que el motor funcione en ralentí.
  - Si el motor se para, use un destornillador Phillips pequeño para girar el tornillo de velocidad de ralentí en el sentido de las agujas del reloj, 1/8 de giro cada vez (según sea necesario) hasta que el motor funciona al ralentí de manera uniforme (Fig. 25).
  - Si el motor funciona al ralentí demasiado rápido, gire el tornillo de velocidad de ralentí en el sentido contrario de las agujas del reloj, 1/8 de giro a la vez (según sea necesario) para reducir la velocidad de ralentí (Fig. 25).

**NOTA:** El cabezal de corte / la cuchilla no debe girar cuando el motor funciona al ralentí. Si lo hace, reduzca la velocidad de ralentí hasta que el cabezal de corte se detenga.

El control del combustible, la limpieza del filtro de aire y el ajuste de la velocidad de ralentí deben resolver la mayoría de los problemas del motor. De lo contrario, y si está presente alguna de las siguientes condiciones, lleve la unidad a un distribuidor de servicio autorizado:

- el motor no funciona al ralentí
- el motor no funciona de manera uniforme o se detiene al acelerar
- existe una pérdida de potencia del motor

## MANTENIMIENTO DE LA BUJÍA

1. Detenga el motor y déjelo enfriar. Agarre firmemente la pipa (capucha) y sáquela de la bujía.
2. Limpie alrededor de la bujía. Saque la bujía de la culata girándola en sentido contrario a las agujas del reloj con una llave de bujía de 5/8 de pulgada.



**ADVERTENCIA:** No sople, raspe ni limpie los electrodos con arena. La arenisca en el motor podría dañar el cilindro.

3. Inspeccione la bujía. Si la bujía de encendido está rajada, corroída o sucia, reemplácela con una pieza de repuesto **#753-06193, Champion RDJ7J** o una bujía equivalente.
4. Use un calibrador de hoja para ajustar abertura de la bujía a **0.025 pulgadas (0.635 mm)** (Fig. 26).
5. Instale la bujía en la culata del motor. Apriete la bujía en el sentido de las agujas del reloj con una llave de bujía de 5/8 hasta ajustarla.

**NOTA:** Si usa una llave dinamométrica, use un par de torsión de: **110-120 pulgada•libra (12.3-13.5 N•m). No apriete demasiado.**

6. Vuelva a ponerle la pipa (capucha).

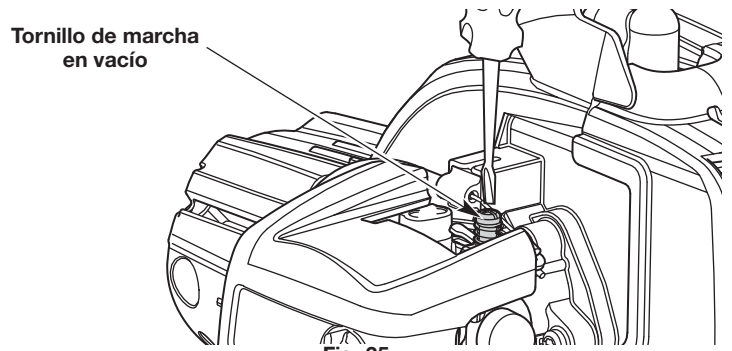


Fig. 25

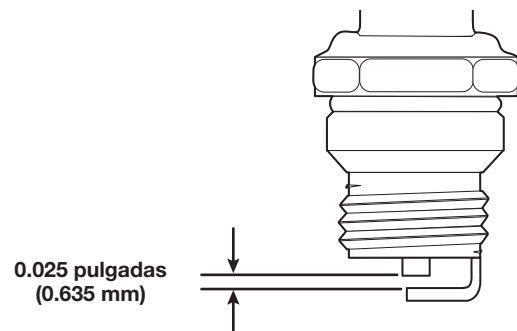


Fig. 26

## LIMPIEZA



**ADVERTENCIA:** Para evitar lesiones personales graves, apague siempre la unidad y deje que se enfríe antes de limpiarla o darle mantenimiento.

Use un cepillo pequeño para limpiar la unidad por fuera. No utilice detergentes fuertes. Los limpiadores caseros que contienen aceites esenciales, por ejemplo, de pino y limón, y los solventes como el queroseno, pueden dañar el plástico. Seque la humedad con un paño suave.

Limpie la cuchilla de la desbrozadora con un limpiador doméstico para retirar el adhesivo acumulado. Pásele un paño con aceite liviano de máquina para evitar que se oxide.

## ALMACENAMIENTO

- Nunca almacene la unidad con combustible en lugares donde las emanaciones pueden alcanzar llamas abiertas o chispas.
- Deje que se enfríe el motor antes de almacenar la unidad.
- Trabe la unidad para evitar que se la utilice sin permiso o que se provoquen daños.
- Almacene la unidad en una zona seca y bien ventilada.
- Almacene la unidad lejos del alcance de los niños.
- Para suspender el accesorio de un gancho, instale la tapa de suspensión sobre el accesorio. Asegúrese de que el botón de liberación esté firmemente trabado dentro de uno de los orificios de la tapa de suspensión.

### Almacenamiento a corto plazo (1-2 semanas)

1. Almacene la unidad en posición horizontal. Si esto no es posible, almacene la unidad de manera vertical con el motor arriba.

### Almacenamiento a largo plazo

1. Retire la tapa de combustible, incline la unidad y drene el combustible en un recipiente aprobado. Vuelva a colocar la tapa del combustible.
2. Arranque el motor y déjelo correr hasta que se detenga. Esto asegura que todo el combustible se haya drenado del carburador.
3. Espere a que el motor se enfríe. Quítele la bujía y eche 5 gotas de cualquier aceite de motor de 2 tiempos de alta calidad en el cilindro. Tire despacio de la cuerda de arranque para distribuir el aceite. Vuelva a poner la bujía.
4. Limpie minuciosamente la unidad e inspeccione si hay alguna pieza suelta o dañada. Repare o reemplace las piezas dañadas y ajuste los tornillos, tuercas o pernos que estén flojos.

### Preparación de la unidad para su uso luego del almacenamiento a largo plazo

1. Retire la bujía y drene todo el aceite del cilindro.

**NOTA:** No use combustible que haya estado guardado durante más de 30 días. Deseche el combustible usado de acuerdo con las normativas federales, estatales y locales.

## SOLUCIÓN DE PROBLEMAS

PROBLEMA	SOLUCIÓN
<b>EL MOTOR NO ARRANCA</b>	
El tanque de combustible está vacío	Llene el tanque de combustible con la mezcla adecuada
La pera del cebador no se oprimió lo suficiente	Oprima la pera del cebador 10 veces o hasta que se vea el combustible
El motor está rebosado	Mueva la palanca del obturador a la Posición 3, apriete el control de la válvula de velocidad y tire de la cuerda de arranque
El combustible está viejo (tiene más de 30 días) y/o mal mezclado	Vacíe el tanque de combustible y eche combustible nuevo bien mezclado
La bujía está corroída	Reemplace la bujía
<b>EL MOTOR NO TRABAJA EN VACÍO</b>	
El filtro de aire está sucio	Limpie o cambie el filtro de aire
El combustible está viejo (tiene más de 30 días) y/o mal mezclado	Vacíe el tanque de combustible y eche combustible nuevo bien mezclado
La marcha en vacío no es la correcta	Ajuste la velocidad de marcha en vacío
<b>EL MOTOR NO ACELERA</b>	
El combustible está viejo (tiene más de 30 días) y/o mal mezclado	Vacíe el tanque de combustible y eche combustible nuevo bien mezclado
El cabezal de corte está atascado de hierba	Apague el motor y limpie el cabezal de corte
El filtro de aire está sucio	Limpie o cambie el filtro de aire
<b>AL MOTOR LE FALTA POTENCIA O SE PARA</b>	
El combustible está viejo (tiene más de 30 días) y/o mal mezclado	Vacíe el tanque de combustible y eche combustible nuevo bien mezclado
El filtro de aire está sucio	Limpie o cambie el filtro de aire
La bujía está corroída	Reemplace la bujía
<b>EL MOTOR SE DETIENE CUANDO ESTÁ EN USO</b>	
Se activa la protección contra sobrevelocidad del motor	Deje que el motor se enfríe durante 10 minutos antes de volver a poner en marcha la unidad

**Si necesita asistencia adicional, comuníquese con un distribuidor de servicio autorizado.**









**GARANTÍA LIMITADA DEL FABRICANTE PARA:**

# **Cub Cadet.**

La garantía limitada que se extiende a continuación es otorgada por la empresa Cub Cadet LLC (Cub Cadet) y cubre mercaderías nuevas compradas y utilizadas en los Estados Unidos, sus posesiones y territorios.

Cub Cadet garantiza este producto por defectos materiales y de fabricación por un período de tres (3) años a partir de la fecha de la compra original y reparará o cambiará sin cargo cuando lo considere pertinente todas las piezas con defectos materiales o de fabricación. Esta garantía limitada sólo se aplicará si el producto ha sido operado y mantenido de acuerdo con las instrucciones del Manual del Operador que se proporciona con el producto y no ha sido sujeto a uso inapropiado, abuso, uso comercial, abandono, accidente, mantenimiento incorrecto, alteración, vandalismo, robo, incendio, inundación o algún daño debido a otro peligro o desastre natural. El daño resultante por la instalación o el uso de accesorios o uniones no aprobados por Cub Cadet para su uso con el(los) producto(s) incluido(s) en este manual anulará la garantía en lo que respecta a esos daños. La presente garantía se limita a noventa (90) días a partir de la fecha de la compra minorista original por cualquier producto Cub Cadet que se utiliza para fines comerciales o de alquiler, o para cualquier otro objetivo lucrativo.

**CÓMO SOLICITAR Y OBTENER SERVICIO TÉCNICO:** El servicio de la garantía está disponible, CON PRUEBA DE COMPRA A TRAVÉS DEL DISTRIBUIDOR LOCAL AUTORIZADO PARA EL MANTENIMIENTO. Para ubicar a un distribuidor en su área, visite nuestro sitio web en [www.cubcadet.com](http://www.cubcadet.com) o [www.cubcadet.ca](http://www.cubcadet.ca), consulte un listado en las Páginas Amarillas, llame al **1-877-282-8684** o al **1-800-668-1238** en Canadá, o escriba a P.O. Box 361131, Cleveland, OH 44136-0019. No se aceptará ningún producto que sea enviado directamente a la fábrica sin que haya una previa autorización por escrito emitida por el Departamento de Asistencia al Cliente de Cub Cadet.

**Esta garantía limitada no suministra cobertura en los siguientes casos:**

- A. Puestas a punto – Bujías, ajustes al carburador, filtros
  - B. Artículos de desgaste – Perillas de impacto, bobinas exteriores, hilo de corte, carretes interiores, polea de arranque, cuerdas de arranque, correas de transmisión, motosierras, barras de guía, dientes de la cultivadora, cuchillas.
  - C. Cub Cadet no extiende ninguna garantía para los productos vendidos o exportados fuera de los Estados Unidos de América, sus posesiones y territorios, excepto para aquellos vendidos a través de los canales autorizados de distribución de exportaciones de Cub Cadet.
- Cub Cadet se reserva el derecho a cambiar o mejorar el diseño de cualquier Producto Cub Cadet sin asumir ningún tipo de obligación de modificar ningún producto fabricado previamente.

**No se otorgan garantías implícitas, incluidas las garantías implícitas de comerciabilidad o de adecuación para un propósito determinado, después del período de garantía escrita expresa aplicable anteriormente mencionado para las piezas identificadas. Cub Cadet no se verá comprometido por ninguna otra garantía expresa, oral o escrita sobre un producto, excepto la mencionada anteriormente, extendida por personas físicas o personas jurídicas, incluidos los distribuidores o los minoristas. Durante el plazo de la garantía el único recurso es la reparación o el reemplazo del producto como se indicó anteriormente.** (Algunos estados no permiten las limitaciones a la duración de las garantías implícitas por lo que la limitación antes mencionada puede no serle de aplicación.)

**Las disposiciones incluidas en esta garantía proveen el recurso único y exclusivo que surge de las ventas. Cub Cadet no será responsable por pérdidas o daños incidentales o directos, incluyendo sin límites los gastos incurridos para los servicios de cuidado del pasto de reemplazo o cambio, los gastos de transporte o los gastos relacionados, o los gastos de alquiler para reemplazar de manera transitoria un producto bajo garantía.** (Algunos estados no permiten las limitaciones a la duración de las garantías implícitas por lo que la limitación antes mencionada puede no serle de aplicación.)

En ningún caso se obtendrá una compensación mayor al monto del precio de compra del producto adquirido. La alteración de las características de seguridad del producto anulará esta garantía. Usted asume el riesgo y la responsabilidad por las pérdidas, daños o lesiones que sufra Usted y sus bienes y / o otras personas y sus bienes como consecuencia del uso, del uso incorrecto o de la imposibilidad de uso de este producto.

Esta garantía limitada alcanza solamente al comprador original, al arrendatario original o a la persona que recibió el producto de regalo.

**Relación de la ley estadual con esta garantía:** Esta garantía le otorga derechos legales específicos, pero usted podría gozar de otros derechos que varían en cada estado.

Para ubicar su distribuidor de servicio más cercano, marque **1-877-282-8684** en los Estados Unidos o **1-800-668-1238** en Canadá.

**CUB CADET LLC**

P.O. Box 361131

Cleveland, OH 44136-0019