

# Cuisinart®

## INSTRUCTION AND RECIPE BOOKLET



**Cuisinart® Digital Convection Toaster Oven**

**CTO-1300PCC**

For your safety and continued enjoyment of this product, always read the instruction book carefully before using.

---

# IMPORTANT SAFEGUARDS

## SAVE AND READ THESE INSTRUCTIONS

When using electrical appliances, basic safety precautions should always be followed, including the following:

1. **READ ALL INSTRUCTIONS.**
2. **WHEN THE UNIT IS NOT IN USE AND BEFORE CLEANING, UNPLUG THE CONVECTION TOASTER OVEN BROILER FROM THE WALL OUTLET. NOTE: MAKE SURE THE OVEN IS TURNED OFF BEFORE UNPLUGGING.**
3. Always unplug from outlet prior to handling or cleaning.
4. Do not touch hot surfaces. Always use handles or knobs and oven mitts when handling hot materials and allow metal parts to cool before cleaning. Allow the unit to cool thoroughly before putting in or taking off parts, or before moving it.
5. To protect against risk of electrical shock, do not immerse cord, plug, or any parts of the oven in water or other liquids.
6. Close supervision is always necessary when this or any appliance is used near children. This appliance is not for use by children.
7. Do not operate this or any appliance with a frayed or damaged cord or plug or after the appliance malfunctions or is dropped or has been damaged in any manner. Return the Digital Convection Toaster Oven to the nearest authorized Cuisinart® Service Center for examination, repair or electrical or mechanical adjustment.
8. Do not use attachments not recommended by the manufacturer; they may cause fire, electrical shock or personal injury.
9. Do not use outdoors or for commercial purposes.
10. Do not use this appliance for other than its intended use.
11. Do not let the cord dangle over the edge of a tabletop or countertop or touch hot surfaces.
12. Do not place the appliance near a hot gas or electric burner or in a heated oven.
13. Extreme caution should be used when using containers constructed of material other than metal or glass.

14. A fire may occur if the Digital Convection Toaster Oven is covered or touching flammable materials, including curtains, draperies, wall, etc., when in operation. **Do not store any items on top of the appliance when in operation.**
15. When using the Digital Convection Toaster Oven, pull the unit out a minimum of 6 inches (15 cm) away from the wall or other cords.
16. Do not store any materials, other than manufacturer's recommended accessories, in this unit when not in use.
17. Do not place any flammable materials in oven, such as paper, cardboard, plastic or any similar materials that may catch fire or melt.
18. Do not cover the crumb tray or any part of the oven with metal foil. This will cause overheating. Foil can be used to cover approved cooking containers.
19. Oversized foods or metal utensils must not be inserted in the appliance, as they may create a fire or risk of electrical shock.
20. Do not clean with metal scouring pads. Pieces can break off the pad and touch electrical parts, involving a risk of electrical shock.
21. When broiling, use extreme caution when removing pan or disposing of hot grease.
22. To turn this appliance off, press START/STOP. LEDs will all turn off.
23. Unplug from outlet when not in use and before cleaning. Allow to cool before putting in or taking off parts.
24. To disconnect, turn appliance off, then remove plug from wall outlet.
25. Extreme caution must be used when moving an appliance containing oil or other hot liquids.
26. Do not operate your appliance in an appliance garage or under a wall cabinet. **When storing in an appliance garage always unplug the unit from the electrical outlet.** Not doing so could create a risk of fire, especially if the appliance touches the walls of the garage or the door touches the unit as it closes.

## SAVE THESE INSTRUCTIONS

Please read and keep these instructions handy. These instructions will help you to use your Cuisinart® Convection Toaster Oven Broiler to its fullest so that you will achieve consistent, professional results.

## SPECIAL CORD SET INSTRUCTIONS

A short power-supply cord is provided to reduce the risks resulting from becoming entangled in or tripping over a longer cord.

Extension cords are available and may be used if care is exercised in their use.

If an extension cord is used, the marked electrical rating of the extension cord must be at least as great as the electrical rating of the appliance, and the longer cord should be arranged so that it will not drape over the countertop or tabletop, where it can be tripped over or pulled on by children unintentionally.

### NOTICE

This appliance has a polarized plug (one blade is wider than the other). As a safety feature, this plug will fit in a polarized outlet only one way. If the plug does not fit fully in the outlet, reverse the plug. If it still does not fit, contact a qualified electrician. Do not attempt to defeat this safety feature.

## TABLE OF CONTENTS:

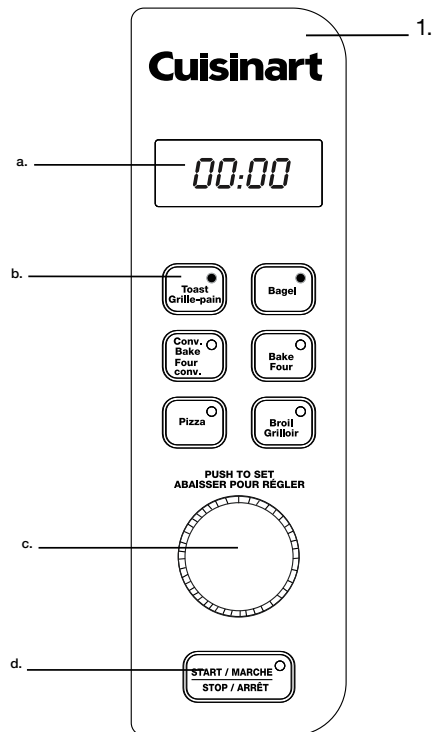
Important Safeguards .....	2
Learning about your Countertop Oven .....	3
Parts .....	4
Operating Instructions.....	4
Assembly Instructions .....	5
Helpful Tips/Troubleshooting .....	6
Cleaning and Maintenance .....	7
Recipes.....	8
Warranty .....	26

# HOUSEHOLD USE ONLY

# NOT INTENDED FOR COMMERCIAL USE

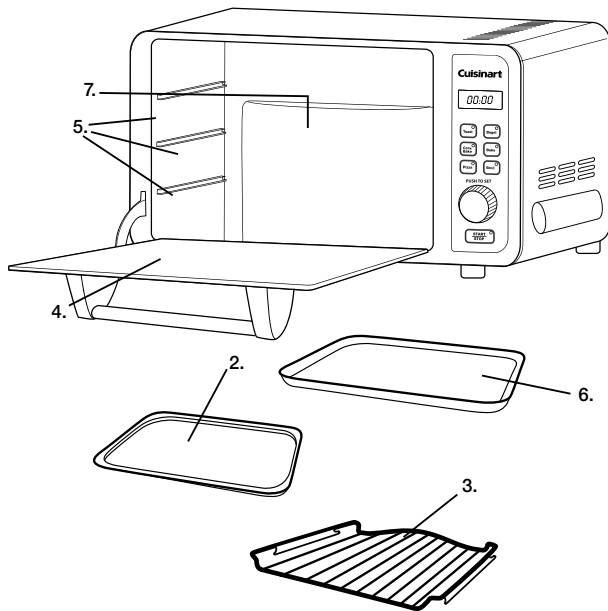
## LEARNING ABOUT YOUR COUNTERTOP OVEN

- Control Panel
  - Timer/Temperature Display
  - Function Touchpads with LEDs
  - Selector Dial – Used to set clock, temperature, toast shade and timer
  - Start/Stop Touchpad with LED



## PARTS

2. **Removable Internal Crumb Tray** – Located at the bottom of the oven. Collects crumbs and fallen food particles. Pulls out for easy cleaning.
3. **Reversible Oven/Broil Rack** – See “Positioning Rack” section (page 5).
4. **Tempered Glass Door** – Allows viewing of food.
5. **Three Rack Levels** – To accommodate a variety of foods.
6. **Baking Pan** – Use for all your baking and roasting needs. Attaches to Oven/Broil rack to broil.
7. **Pizza Fit Capacity** – Fits most large 12-inch (30 cm) frozen pizzas.



## OPERATING INSTRUCTIONS

### PREPARING TO USE YOUR CONVECTION TOASTER OVEN BROILER FOR THE FIRST TIME

If you are using your Digital Convection Oven for the first time, please be sure to:

- Remove any stickers from the surface of the oven.
- Open oven door and remove all printed documents and paper from inside the oven.
- Clean the oven/broil rack and baking pan with hot water, a small amount of dishwashing liquid and non-abrasive cleaning pad.
- Do not immerse the body of the unit in water or dishwashing liquids.
- Dry all parts thoroughly before using.
- Select a convenient location for the Digital Convection Toaster Oven. The location should be in an open area on a flat counter where the plug will easily reach an outlet.
- Plug the Digital Convection Toaster Oven into a 120-volt outlet.

We recommend a “trial run” at a high temperature to eliminate any protective substance or oil that may have been used for packing and shipping. Press Toast, then turn the Selector Dial to “6” and press START/STOP. A small amount of smoke and odor may be detected in your oven during this trial run. This is normal.

**WARNING:** When the Digital Convection Toaster Oven is in use or cooling down, please be sure there is a 6-inch (15 cm) clearance between the oven and any other surface, including cords. Be sure the cord is not resting against the back of the oven.

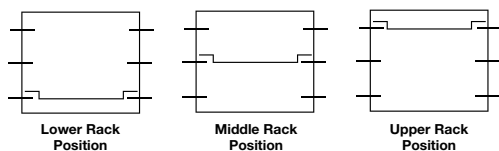
---

## ASSEMBLY INSTRUCTIONS

### Positioning Rack

To accommodate a wide variety of foods, the oven has three rack positions (see figure below).

Positioning of the rack will depend on the size of the food and desired browning. Before removing the rack, allow unit to cool.



Please note: For darker pizza results, position the rack facing up in middle position.

### To Set Clock:

When you plug your oven in, 12:00 will appear in the display and hour digits will flash.

- Step 1. Turn dial to set hour.
- Step 2. Press Selector Dial again; minute digits will flash.
- Step 3. Turn dial to set minutes.
- Step 4. Press Selector Dial to set selected time.

### To Use the Toast or Bagel Function

- Step 1. Position the rack on the middle rack position.
- Step 2. Place items on rack; place bagels cut-side up.
- Step 3. Close glass door completely.
- Step 4. Press Toast or Bagel function.
- Step 5. Turn Selector Dial to choose shade from 1 (lightest) to 6 (darkest). Selected shade will appear in display.
- Step 6. Press START/STOP to begin toasting.

**NOTE:** No preheat is necessary for Toast or Bagel function.

### To Use the Convection Bake, Bake or Pizza Function

- Step 1. Place rack in oven in lower or middle position. Position rack up or down, depending on the size of the item(s) you are cooking. For pizza, place rack facing up for darker results.
  - Step 2. Press Conv. Bake, Bake or Pizza function. Corresponding LED will light up.
  - Step 3. The default temperature [350°F (180°C) for Convection Bake and Bake, 400°F (200°C) for Pizza] will flash on display; set desired temperature by turning the Selector Dial. Temperature changes in 25°F (3.8°C) increments.
  - Step 4. Press START/STOP to begin preheating. Default cooking time will appear in display window, disregard it during the preheat stage.
  - Step 5. Oven will beep 4 times when it reaches selected temperature.
  - Step 6. Place food on baking pan and place pan on rack in oven.
  - Step 7. Press Selector Dial twice to display time. Hour digits will flash; turn dial to select hour. Press dial again and minute digits will flash; turn dial to select minutes. Temperature will flash for 10 seconds and then selected time will appear in display and countdown will begin.
- NOTE:** If no time is selected, timer will continue counting down 20-minute default time.
- Step 8. To check or change temperature or time while cooking, press Selector Dial and follow directions in Steps 3 and 7.
  - Step 9. When cooking time has elapsed, :01 will appear in display and oven will beep and turn itself off.

### To Use Broil Function

- Step 1. Press Broil function. LED will light up.
- Step 2. The default temperature [450°F (230°C)] will appear on display.
- Step 3. Press START/STOP to begin preheating. Default cooking time will appear in display window, disregard it during the preheat stage.
- Step 4. Allow oven to preheat for 5 to 7 minutes.
- Step 5. While oven is preheating, attach baking pan to base of oven/broil rack by sliding the pan under the rack to fit into the metal brackets on the sides.

- Step 6. Place food on rack and slide broiling assembly into middle or upper rack position in oven.
- Step 7: After the oven preheats, press Selector Dial twice to display time. Hour digits will flash; turn dial to select hour. Press dial again and minute digits will flash; turn dial to select minutes. Selected time will appear in display and countdown will begin.  
**NOTE:** If no time is selected, timer will continue counting down 20-minute default time.
- Step 8. To check or change time while broiling, press the Selector Dial and follow directions in Step 7.
- Step 9. Leave oven door open about one-half inch while broiling.
- Step 10. When cooking time has elapsed, :01 will appear in display and oven will beep and turn itself off.

**WARNING:** Cooked food and metal rack can be very hot; handle with care. Do not leave Digital Convection Toaster Oven unattended. To turn oven off, press the START/STOP button.

### Indicator Beep Settings

The indicator beep ON is the oven's default setting. To turn the indicator beep OFF, follow the steps below. If unplugged, the oven will return to default indicator ON setting.

1. To turn the indicator beep OFF: Plug in the oven, press both [TOAST] and [BAGEL] keys and hold for 5 seconds.
2. To turn the indicator beep ON: Repeat the above process or simply unplug the oven.

## FAQs About Convection Baking

### What is Convection?

**Answer:** In your Digital Convection Toaster Oven there is a built-in fan that circulates the hot air in the oven chamber to better heat the food.

### How do I adjust the time for Convection?

**Answer:** On average, convection will shorten the cooking time, but it varies by food and it is suggested to select a shorter cooking time to start and then add time if it is needed.

### What are the best foods to use with Convection?

**Answer:** While a shorter cooktime is often desirable, baked goods in particular benefit from convection cooking as the circulating air keeps oven temperature consistent throughout.

HELPFUL TIPS / TROUBLESHOOTING		
Problem	Potential Cause	Solution
<ul style="list-style-type: none"> <li>Overcooked /undercooked foods</li> </ul>	<ul style="list-style-type: none"> <li>Incorrect Temperature or Time setting</li> <li>Rack placement</li> </ul>	<ul style="list-style-type: none"> <li>You may have to adjust the time and temperature to desired taste. Because your Convection Toaster Oven is smaller than your regular oven, it will heat up faster and generally cook in shorter periods of time.</li> <li>Refer to "Positioning Rack" section, page 5.</li> </ul>
<ul style="list-style-type: none"> <li>Burnt smell</li> </ul>	<ul style="list-style-type: none"> <li>Food buildup inside oven, on heating elements or in crumb tray.</li> </ul>	<ul style="list-style-type: none"> <li>Refer to "Cleaning Your Digital Convection Toaster Oven" section, page 7.</li> </ul>
<ul style="list-style-type: none"> <li>Oven does not turn on.</li> </ul>	<ul style="list-style-type: none"> <li>Unit is unplugged.</li> </ul>	<ul style="list-style-type: none"> <li>Plug the Digital Convection Toaster Oven into a 120-volt AC electrical outlet.</li> <li>Set to desired setting and press START/ STOP. Both must be turned on to operate the Digital Convection Toaster Oven.</li> </ul>
<ul style="list-style-type: none"> <li>Only one heating element is heating up.</li> </ul>	<ul style="list-style-type: none"> <li>Function setting selection determines which heating element will operate.</li> </ul>	<ul style="list-style-type: none"> <li>Check to see if Broil setting is selected, which turns on only top element.</li> </ul>
<ul style="list-style-type: none"> <li>Heating elements do not stay on.</li> </ul>	<ul style="list-style-type: none"> <li>Heating elements will cycle on and off to maintain proper heat.</li> </ul>	<ul style="list-style-type: none"> <li>Confirm Function setting is the one you selected.</li> </ul>

Phone Customer Service at 1-800-472-7606 if further assistance is needed.

---

## CLEANING AND MAINTENANCE

### Cleaning Your Digital Convection Oven

- Step 1. Turn oven off, then unplug unit and let it cool.
- Step 2. Wipe unit down with damp cloth. DO NOT IMMERSE IN WATER.  
Make sure to use only mild, soapy water.
- Step 3. Remove crumb tray by pulling out from base of oven.
- Step 4. Shake off crumbs from crumb tray. Cleaning the crumb tray often will reduce any accumulation.
- Step 5. Wash the oven rack, baking pan, and crumb tray in hot, sudsy water.  
Oven crumb tray is located on inside bottom of oven.  
**Note:** These parts are not dishwasher safe. Please hand wash and dry.

Any other servicing should be performed by an authorized service representative.

### Storing Your Convection Toaster Oven Broiler

Allow the appliance to cool completely before storing. If storing the Digital Convection Toaster Oven for long periods of time, make certain that the Digital Convection Toaster Oven is clean and free of food particles. Store the Digital Convection Toaster Oven in a dry location, such as on a table or countertop or cupboard shelf. Other than the recommended cleaning, no further user maintenance should be necessary.

---

# WARRANTY

## LIMITED THREE-YEAR WARRANTY

We warrant that this Cuisinart product will be free of defects in materials or workmanship under normal home use for 3 years from the date of original purchase. This warranty covers manufacturer's defects including mechanical and electrical defects. It does not cover damage from consumer abuse, unauthorized repairs or modifications, theft, misuse, or damage due to transportation or environmental conditions. Products with removed or altered identification numbers will not be covered.

This warranty is not available to retailers or other commercial purchasers or owners. If your Cuisinart product should prove to be defective within the warranty period, we will repair it or replace it if necessary. For warranty purposes, please register your product online at [www.cuisinart.ca](http://www.cuisinart.ca) to facilitate verification of the date of original purchase and keep your original receipt for the duration of the limited warranty. This warranty excludes damage caused by accident, misuse or abuse, including damage caused by overheating, and it does not apply to scratches, stains, discolouration or other damage to external or internal surfaces that does not impair the functional utility of the product. This warranty also expressly excludes all incidental or consequential damages.

Your Cuisinart product has been manufactured to the strictest specifications and has been designed for use only in 120 volt outlets and only with authorized accessories and replacement parts. This warranty expressly excludes any defects or damages caused by attempted use of this unit with a converter, as well as use with accessories, replacement parts or repair service other than those authorized by Cuisinart.

If the appliance should become defective within the warranty period, do not return the appliance to the store. Please contact our Customer Service Centre:

**Toll-free phone number:**  
1-800-472-7606

**Address:**  
Cuisinart Canada  
100 Conair Parkway  
Woodbridge, ON L4H 0L2

**Email:**  
[consumer\\_Canada@conair.com](mailto:consumer_Canada@conair.com)

**Model:**  
CTO-1300PCC

To facilitate the speed and accuracy of your return, please enclose:

- \$10.00 for shipping and handling of the product (cheque or money order)
- Return address and phone number
- Description of the product defect
- Product date code\*/copy of original proof of purchase
- Any other information pertinent to the product's return

\* Product date code can be found on the underside of the base of the product. The product date code is a 4 or 5 digit number. Example, 90630 would designate year, month & day (2009, June 30th).

**Note:** We recommend you use a traceable, insured delivery service for added protection. Cuisinart will not be held responsible for in-transit damage or for packages that are not delivered to us.

To order replacement parts or accessories, call our Customer Service Centre at 1-800-472-7606. For more information, please visit our website at [www.cuisinart.ca](http://www.cuisinart.ca).



# Cuisinart®



Coffeemakers



Blenders



Juicers



Cookware



Tools and  
Gadgets

Cuisinart™ offers an extensive assortment of top quality products to make life in the kitchen easier than ever. Try some of our other countertop appliances and cookware, and Savor the Good Life®.

**[www.cuisinart.ca](http://www.cuisinart.ca)**

©2016 Cuisinart Canada  
100 Conair Parkway,  
Woodbridge, ON L4H 0L2

Printed in China

16CC024392

Trademarks or service marks of third parties referred to herein are the trademarks or service marks of their respective owners.

IB-14026-CAN