

# Dell PowerEdge R430

## Owner's Manual

## Notes, cautions, and warnings

 **NOTE:** A NOTE indicates important information that helps you make better use of your product.

 **CAUTION:** A CAUTION indicates either potential damage to hardware or loss of data and tells you how to avoid the problem.

 **WARNING:** A WARNING indicates a potential for property damage, personal injury, or death.

<b>Chapter 1: Dell PowerEdge R430 system overview.....</b>	<b>8</b>
Supported configurations for the PowerEdge R430 system.....	8
Front panel .....	9
Front panel features of a 4 x 3.5-inch hard drive system.....	9
Front panel features of the 4 x 3.5-inch cabled hard drive system.....	11
Front panel features of the 8 x 2.5 inch hard drives or SSDs system.....	12
Front panel features of the 10 x 2.5-inch hard drives or SSDs system.....	14
LCD panel.....	15
Back panel features.....	17
Redundant PSU back panel features .....	17
Cabled PSU back panel features .....	19
Diagnostic indicators.....	21
Diagnostic indicators on the front panel.....	21
Hard drive indicator codes.....	22
uSATA SSD indicator codes.....	23
NIC indicator codes.....	24
Internal dual SD module indicator codes.....	24
iDRAC Direct LED indicator codes.....	25
Indicator codes for redundant power supply unit.....	26
Non-redundant cabled power supply unit indicator codes.....	27
Locating service tag of your system.....	28
<b>Chapter 2: Documentation resources.....</b>	<b>29</b>
<b>Chapter 3: Technical specifications.....</b>	<b>32</b>
Chassis dimensions.....	32
Chassis weight.....	33
Processor specifications.....	33
PSU specifications.....	33
System battery specifications.....	33
Expansion bus specifications.....	33
Memory specifications.....	34
Drive specifications.....	34
Hard drives.....	34
Optical drive.....	34
Ports and connectors specifications.....	35
USB ports.....	35
NIC ports.....	35
Serial connector.....	35
VGA ports.....	35
Internal Dual SD Module.....	35
Video specifications.....	35
Environmental specifications.....	36
Particulate and gaseous contamination specifications .....	37

Expanded operating temperature.....	37
Expanded operating temperature restrictions.....	38
<b>Chapter 4: Initial system setup and configuration.....</b>	<b>39</b>
Setting up your system.....	39
iDRAC configuration.....	39
Options to set up iDRAC IP address.....	39
Options to install the operating system.....	40
Methods to download firmware and drivers.....	40
<b>Chapter 5: Pre-operating system management applications.....</b>	<b>42</b>
Options to manage the pre-operating system applications.....	42
System Setup.....	42
Viewing System Setup.....	43
System Setup details.....	43
System BIOS.....	43
iDRAC Settings utility.....	67
Device Settings.....	68
Dell Lifecycle Controller.....	68
Embedded systems management.....	68
Boot Manager.....	69
Viewing Boot Manager.....	69
Boot Manager main menu.....	69
PXE boot.....	70
<b>Chapter 6: Installing and removing system components.....</b>	<b>71</b>
Safety instructions.....	71
Before working inside your system.....	72
After working inside your system.....	72
Recommended tools.....	72
Front bezel (optional).....	73
Removing the optional front bezel.....	73
Installing the optional front bezel.....	73
System cover.....	74
Removing the system cover.....	74
Installing the system cover.....	75
Inside the system.....	76
Cooling shroud.....	79
Removing the cooling shroud.....	79
Installing the cooling shroud.....	80
System memory.....	80
General memory module installation guidelines.....	82
Mode-specific guidelines.....	82
Sample memory configurations.....	83
Removing memory modules.....	87
Installing memory modules.....	88
Hard drives.....	89
Removing a 2.5-inch hard drive blank.....	90
Installing a 2.5-inch hard drive blank.....	91



Removing a 3.5-inch hard drive blank.....	91
Installing a 3.5-inch hard drive blank.....	92
Removing a 3.5-inch cabled hard drive carrier.....	93
Installing a 3.5-inch cabled hard drive carrier.....	94
Removing a hot swappable hard drive carrier.....	95
Installing a hot swappable hard drive carrier.....	96
Removing a 3.5-inch hot swappable hard drive adapter from a 3.5-inch hot swappable hard drive carrier.....	98
Installing a 3.5-inch hard drive adapter into a hot swap hard drive carrier.....	99
Removing a 2.5-inch hard drive from a 3.5-inch hard drive adapter.....	100
Installing a 2.5-inch hard drive into a 3.5-inch hard drive adapter.....	101
Removing a hard drive or a solid state drive from a hard drive carrier.....	101
Installing a hard drive or solid state drives into a hard drive carrier.....	102
Optical drive (optional).....	103
Removing the optional ultra slim optical drive.....	103
Installing the optional ultra slim optical drive.....	104
Removing the standard optical drive.....	105
Installing the standard optical drive.....	106
Cooling fans.....	108
Removing a cooling fan.....	108
Installing a cooling fan.....	109
Internal USB memory key (optional).....	110
Replacing the optional internal USB memory key.....	111
Expansion cards and expansion card riser.....	112
Expansion card installation guidelines.....	112
Removing the expansion card riser.....	113
Installing the expansion card riser.....	114
Removing an expansion card.....	115
Installing an expansion card.....	116
iDRAC port card (optional).....	117
Removing the optional iDRAC port card.....	117
Installing the optional iDRAC port card.....	119
SD vFlash card (optional).....	120
Removing the optional SD vFlash card.....	120
Installing an optional SD vFlash card.....	120
Internal dual SD module (optional).....	121
Removing an internal SD card.....	121
Installing an internal SD card.....	122
Removing the optional internal dual SD module.....	123
Installing the optional internal dual SD module .....	124
Integrated storage controller card.....	125
Removing the integrated storage controller card.....	125
Installing the integrated storage controller card.....	127
Processors and heat sinks.....	128
Removing a heat sink.....	128
Removing a processor.....	129
Installing a processor.....	132
Installing a heat sink.....	134
Power supply units.....	135
Hot spare feature.....	136

Removing a redundant power supply unit.....	136
Installing a redundant power supply unit.....	137
Removing a cabled power supply unit.....	138
Installing a cabled power supply unit.....	139
Removing the power supply unit blank.....	140
Installing the power supply unit blank.....	141
System battery .....	142
Replacing the system battery.....	142
Hard-drive backplane.....	143
Removing the hard drive backplane.....	143
Installing the hard drive backplane.....	150
Control panel.....	152
Removing the control panel.....	152
Installing the control panel.....	154
Removing the control panel module.....	156
Installing the control panel module.....	157
Power interposer board.....	158
Removing the power interposer board.....	158
Installing the power interposer board.....	159
System board.....	160
Removing the system board.....	161
Installing the system board.....	163
Trusted Platform Module.....	166
Installing the Trusted Platform Module.....	166
Initializing the TPM for BitLocker users.....	167
Initializing the TPM for TXT users.....	167
<b>Chapter 7: Using system diagnostics.....</b>	<b>168</b>
Dell Embedded System Diagnostics.....	168
When to use the Embedded System Diagnostics.....	168
Running the Embedded System Diagnostics from Boot Manager.....	168
Running the Embedded System Diagnostics from the Dell Lifecycle Controller.....	168
System diagnostic controls.....	169
<b>Chapter 8: Jumpers and connectors.....</b>	<b>170</b>
System board jumper settings.....	170
System board connectors.....	171
Disabling forgotten password.....	172
<b>Chapter 9: Troubleshooting your system.....</b>	<b>174</b>
Troubleshooting system startup failure.....	174
Troubleshooting external connections.....	174
Troubleshooting the video subsystem.....	175
Troubleshooting a USB device.....	175
Troubleshooting a serial input and output device.....	175
Troubleshooting a NIC.....	176
Troubleshooting a wet system.....	176
Troubleshooting a damaged system.....	177
Troubleshooting the system battery.....	178

Troubleshooting power supply units.....	178
Troubleshooting power source problems.....	178
Power supply unit problems.....	179
Troubleshooting cooling problems.....	179
Troubleshooting cooling fans.....	180
Troubleshooting system memory.....	180
Troubleshooting an internal USB key.....	181
Troubleshooting a micro SD card.....	181
Troubleshooting an optical drive.....	182
Troubleshooting a drive or SSD.....	183
Troubleshooting a storage controller.....	183
Troubleshooting expansion cards.....	184
Troubleshooting processors.....	185
System messages.....	185
Warning messages.....	185
Diagnostic messages.....	186
Alert messages.....	186
<b>Chapter 10: Getting help.....</b>	<b>187</b>
Contacting Dell EMC.....	187
Documentation feedback.....	187
Accessing system information by using QRL.....	187
Quick Resource Locator for the PowerEdge R430 system.....	188

# Dell PowerEdge R430 system overview

The Dell PowerEdge R430 systems are 2U rack servers that support up to two Intel Xeon E5-2600 v3 or Xeon E5-2600 v4 processors, up to 12 DIMMs, and ten hard drives or solid state drives (SSDs).

## Topics:

- Supported configurations for the PowerEdge R430 system
- Front panel
- Back panel features
- Diagnostic indicators
- Locating service tag of your system

## Supported configurations for the PowerEdge R430 system

The Dell PowerEdge R430 system supports the following configurations:

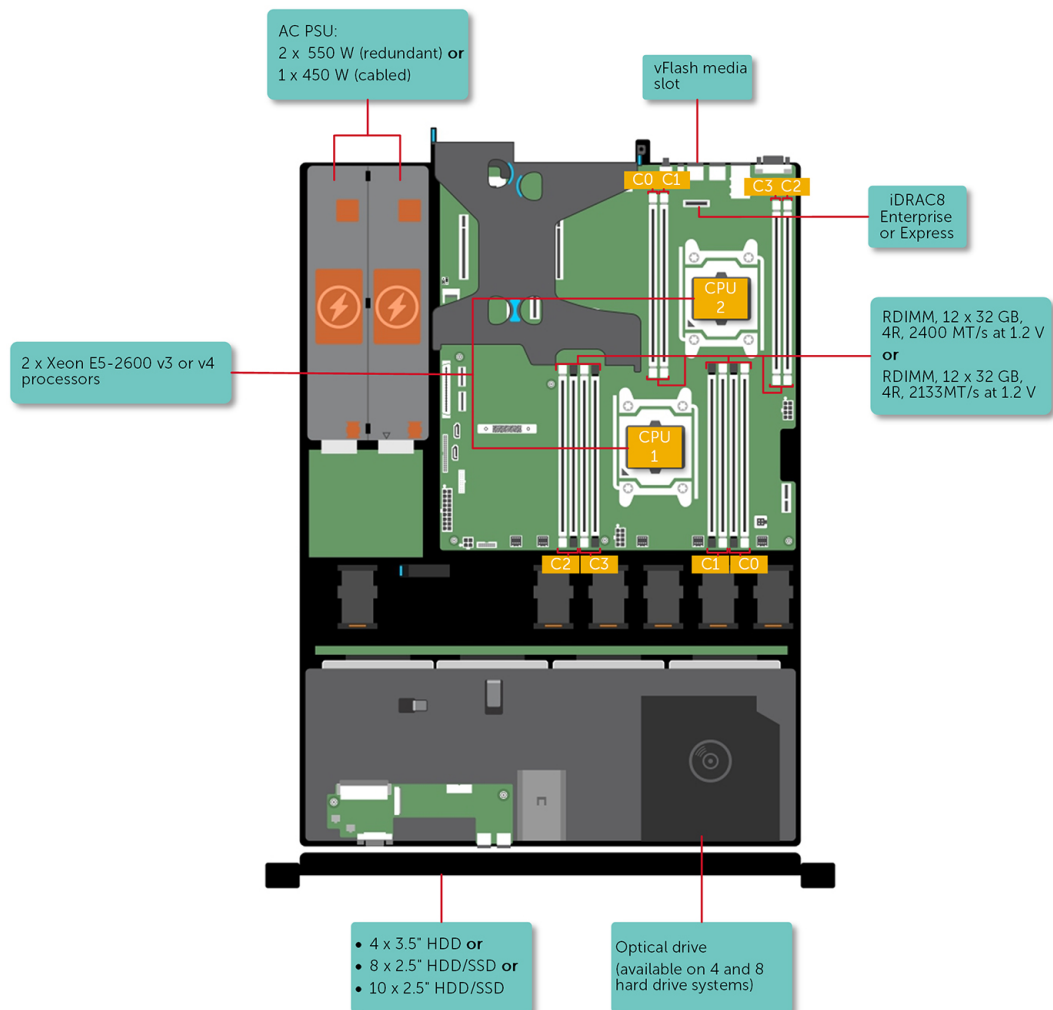
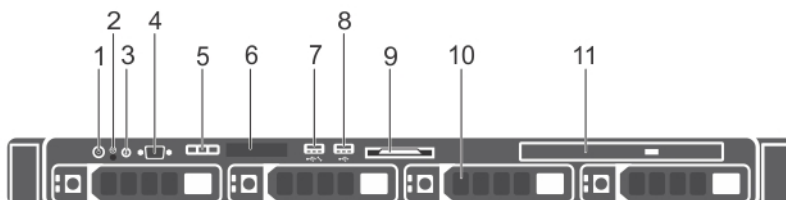


Figure 1. Supported configurations for the PowerEdge R430 system

# Front panel

The front panel provides access to the features available on the front of the server, such as the power button, NMI button, system identification tag, system identification button, and USB and VGA ports. The diagnostic LEDs or the LCD panel is prominently located on the front panel. The hot swappable hard drives are accessible from the front panel.

## Front panel features of a 4 x 3.5-inch hard drive system








**Figure 2. Front panel features of a 4 x 3.5-inch hard drive system**

- |                                               |                    |
|-----------------------------------------------|--------------------|
| 1. Power button                               | 2. NMI button      |
| 3. System identification button               | 4. Video connector |
| 5. LCD menu buttons                           | 6. LCD panel       |
| 7. USB management port/iDRAC managed USB port | 8. USB port        |
| 9. Information tag                            | 10. Hard drives    |
| 11. Optical drive (optional)                  |                    |

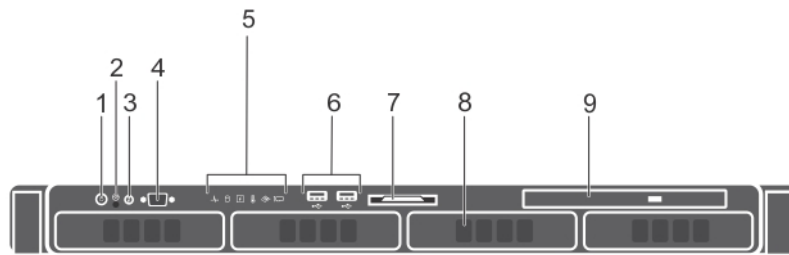
**Table 1. Front panel features of a 4 x 3.5-inch hard drive system (continued)**

Item	Indicator, Button, or Connector	Icon	Description
1	Power button		Indicates if the system is powered on or off. Press the power button to manually power on or off the system.  <b>NOTE:</b> Press the power button to gracefully shut down an ACPI-compliant operating system.
2	NMI button		Press the Non-Maskable Interrupt (NMI) button to troubleshoot software application and device driver errors when running certain operating systems. Use the end of a paper clip to press the NMI button.  <b>NOTE:</b> Use the NMI button only if directed to do so by qualified support personnel or by the operating system documentation.
3	System identification button		The System Identification (ID) button is available on the front and back panels. Press the button to identify a system in a rack by powering on or off the system ID LED.  When pressed, the system ID LED in the back panel blinks until either the front or rear button is pressed again. Press the button to click between on or off mode.  <b>NOTE:</b> If the server stops responding during POST, press and hold the <b>System ID</b> button for more than five seconds to enter the BIOS progress mode.

**Table 1. Front panel features of a 4 x 3.5-inch hard drive system**

Item	Indicator, Button, or Connector	Icon	Description
			<p> <b>NOTE:</b> To reset the iDRAC (if not disabled on the iDRAC setup page by pressing F2 during system boot), press and hold the <b>System ID</b> button for more than 15 seconds.</p>
4	Video connector		Enables you to connect a display device to the system. For more information, see the Technical specifications section.
5	LCD menu buttons		The LCD menu buttons enable you to perform actions similar to GUI, RACADM, and the WS-Man interfaces.
6	LCD panel		<p>The LCD panel displays system ID, status information, and system error messages. For more information, see the LCD panel section.</p> <p> <b>NOTE:</b> LCD panel is not available in a cabled hard drive system.</p>
7	USB management port/iDRAC managed USB port		The USB management port is USB 2.0 compliant. Enables you to connect USB devices to the system or provides access to the iDRAC Direct features. For more information, see the Integrated Dell Remote Access Controller User's Guide at <a href="http://Dell.com/idracmanuals">Dell.com/idracmanuals</a> .
8	USB port		The USB ports are 4-pin, 2.0-compliant. These ports enable you to connect USB devices to the system.
9	Information tag		The Information tag is a slide-out label panel that contains system information such as Service Tag, NIC, MAC address, and so on. If you have opted for the secure default access to iDRAC, the Information tag also contains the iDRAC secure default password.
10	Hard drives		<p>Up to four 3.5-inch hard drives or solid state drives (SSD).</p> <p>Enable you to install drives that are supported on your system. For more information about drives, see the Technical specifications section.</p>
11	Optical drive (optional)		<p>One optional slim SATA DVD-ROM drive or DVD+/-RW drive.</p> <p>Enables you to retrieve and store data on optical discs such as compact discs (CD) and digital versatile discs (DVD). For more information, see the Technical specifications section.</p>

## Front panel features of the 4 x 3.5-inch cabled hard drive system



**Figure 3. Front panel features of the 4 x 3.5 inch cabled hard drive system**

- |                                 |                    |
|---------------------------------|--------------------|
| 1. Power button                 | 2. NMI button      |
| 3. System identification button | 4. Video connector |
| 5. Diagnostic indicators        | 6. USB port (2)    |
| 7. Information tag              | 8. Hard drives     |
| 9. Optical drive                |                    |

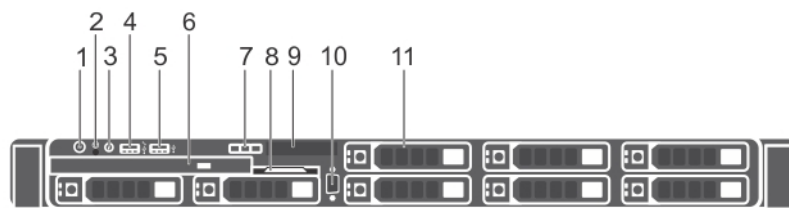
**Table 2. Front panel features of the 4 x 3.5-inch cabled hard drive system**

Item	Indicator, Button, or Connector	Icon	Description
1	Power button		Indicates if the system is powered on or off. Press the power button to manually power on or off the system.  <b>NOTE:</b> Press the power button to gracefully shut down an ACPI-compliant operating system.
2	NMI button		Press the Non-Maskable Interrupt (NMI) button to troubleshoot software application and device driver errors when running certain operating systems. Use the end of a paper clip to press the NMI button.  <b>NOTE:</b> Use the NMI button only if directed to do so by qualified support personnel or by the operating system documentation.
3	System identification button		The System Identification (ID) button is available on the front and back panels. Press the button to identify a system in a rack by powering on or off the system ID LED.  When pressed, the system ID LED in the back panel blinks until either the front or rear button is pressed again. Press the button to click between on or off mode.  <b>NOTE:</b> If the server stops responding during POST, press and hold the <b>System ID</b> button for more than five seconds to enter the BIOS progress mode.  <b>NOTE:</b> To reset the iDRAC (if not disabled on the iDRAC setup page by pressing F2 during system boot), press and hold the <b>System ID</b> button for more than 15 seconds.
4	Video connector		Enables you to connect a display device to the system. For more information, see the Technical specifications section.
5	Diagnostic indicators		The diagnostic indicators light up to display error status.
6	USB port (2)		The USB ports are 4-pin, 2.0-compliant. These ports enable you to connect USB devices to the system.

**Table 2. Front panel features of the 4 x 3.5-inch cabled hard drive system**

Item	Indicator, Button, or Connector	Icon	Description
7	Information tag		The Information tag is a slide-out label panel that contains system information such as Service Tag, NIC, MAC address, and so on. If you have opted for the secure default access to iDRAC, the Information tag also contains the iDRAC secure default password.
8	Hard drives		Up to 4 x 3.5 inch cabled hard drives.  Enable you to install drives that are supported on your system. For more information about drives, see the Technical specifications section.
9	Optical drive (optional)		One optional slim SATA DVD-ROM drive or DVD+/-RW drive.  Enables you to retrieve and store data on optical discs such as compact discs (CD) and digital versatile discs (DVD). For more information, see the Technical specifications section.

## Front panel features of the 8 x 2.5 inch hard drives or SSDs system



**Figure 4. Front panel features of a 8 x 2.5 inch hard drives or SSDs system**





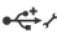



- |                                 |                                                  |
|---------------------------------|--------------------------------------------------|
| 1. Power button                 | 2. NMI button                                    |
| 3. System identification button | 4. USB management port or iDRAC managed USB port |
| 5. USB port                     | 6. Optical drive                                 |
| 7. LCD menu buttons             | 8. Information tag                               |
| 9. LCD panel                    | 10. Video connector                              |
| 11. Hard drives                 |                                                  |

**Table 3. Front panel features of a 8 x 2.5 inch hard drives or SSDs system (continued)**

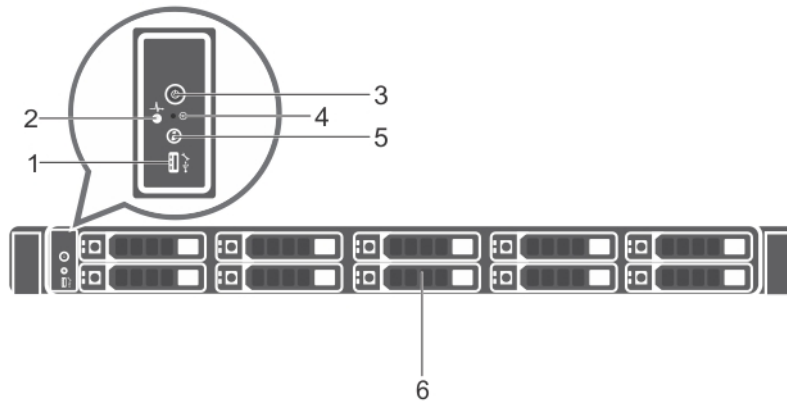
Item	Indicator, Button, or Connector	Icon	Description
1	Power button		Indicates if the system is powered on or off. Press the power button to manually power on or off the system.  <b>NOTE:</b> Press the power button to gracefully shut down an ACPI-compliant operating system.
2	NMI button		Press the Non-Maskable Interrupt (NMI) button to troubleshoot software application and device driver errors when running certain operating systems. Use the end of a paper clip to press the NMI button.



**Table 3. Front panel features of a 8 x 2.5 inch hard drives or SSDs system**

Item	Indicator, Button, or Connector	Icon	Description
			<p> <b>NOTE:</b> Use the NMI button only if directed to do so by qualified support personnel or by the operating system documentation.</p>
3	System identification button		<p>The System Identification (ID) button is available on the front and back panels. Press the button to identify a system in a rack by powering on or off the system ID LED.</p> <p>When pressed, the system ID LED in the back panel blinks until either the front or rear button is pressed again. Press the button to click between on or off mode.</p> <p> <b>NOTE:</b> If the server stops responding during POST, press and hold the <b>System ID</b> button for more than five seconds to enter the BIOS progress mode.</p> <p> <b>NOTE:</b> To reset the iDRAC (if not disabled on the iDRAC setup page by pressing F2 during system boot), press and hold the <b>System ID</b> button for more than 15 seconds.</p>
4	USB management port or iDRAC managed USB port		<p>The USB management port is USB 2.0 compliant. Enables you to connect USB devices to the system or provides access to the iDRAC Direct features. For more information, see the Integrated Dell Remote Access Controller User's Guide at <a href="http://Dell.com/idracmanuals">Dell.com/idracmanuals</a>.</p>
5	USB port		<p>The USB ports are 4-pin, 2.0-compliant. These ports enable you to connect USB devices to the system.</p>
6	Optical drive (optional)		<p>One optional slim SATA DVD-ROM drive or DVD+/-RW drive.</p>
7	LCD menu buttons		<p>The LCD menu buttons enable you to perform actions similar to GUI, RACADM, and the WS-Man interfaces.</p>
8	Information tag		<p>The Information tag is a slide-out label panel that contains system information such as Service Tag, NIC, MAC address, and so on. If you have opted for the secure default access to iDRAC, the Information tag also contains the iDRAC secure default password.</p>
9	LCD panel		<p>The LCD panel displays system ID, status information, and system error messages. For more information, see the LCD panel section.</p> <p> <b>NOTE:</b> LCD panel is not available in a cabled hard drive system.</p>
10	Video connector		<p>Enables you to connect a display device to the system. For more information, see the Technical specifications section.</p>
11	Hard drives		<p>Up to 8 x 2.5-inch hard drives or SSDs.</p> <p>Enable you to install drives that are supported on your system. For more information about drives, see the Technical specifications section.</p>

# Front panel features of the 10 x 2.5-inch hard drives or SSDs system



**Figure 5. Front panel features of the 10 x 2.5-inch hard drives or SSDs system**

- 1. USB management port/iDRAC managed USB port
- 2. Diagnostic indicators
- 3. Power button
- 4. NMI button
- 5. System identification button
- 6. Hard drives

**Table 4. Front panel features of the 10 x 2.5-inch hard drives or SSDs system (continued)**

Item	Indicator, Button, or Connector	Icon	Description
1	USB management port/iDRAC managed USB port		The USB management port is USB 2.0 compliant. Enables you to connect USB devices to the system or provides access to the iDRAC Direct features. For more information, see the Integrated Dell Remote Access Controller User’s Guide at <a href="http://Dell.com/idracmanuals">Dell.com/idracmanuals</a> .
2	Diagnostic indicators		The diagnostic indicators light up to display error status.
3	Power button		Indicates if the system is powered on or off. Press the power button to manually power on or off the system. <b>NOTE:</b> Press the power button to gracefully shut down an ACPI-compliant operating system.
4	NMI button		Press the Non-Maskable Interrupt (NMI) button to troubleshoot software application and device driver errors when running certain operating systems. Use the end of a paper clip to press the NMI button. <b>NOTE:</b> Use the NMI button only if directed to do so by qualified support personnel or by the operating system documentation.
5	System identification button		<b>NOTE:</b> If the server stops responding during POST, press and hold the <b>System ID</b> button for more than five seconds to enter the BIOS progress mode. <b>NOTE:</b> To reset the iDRAC (if not disabled on the iDRAC setup page by pressing F2 during system boot), press and hold the <b>System ID</b> button for more than 15 seconds.
6	Hard drives		Up to 10 x 2.5 inch hard drives/SSDs.

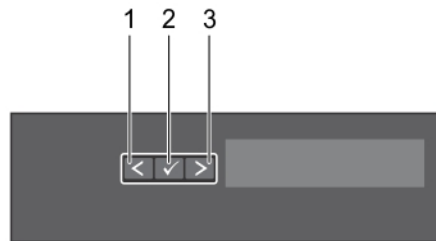
**Table 4. Front panel features of the 10 x 2.5-inch hard drives or SSDs system**

Item	Indicator, Button, or Connector	Icon	Description
			Enable you to install drives that are supported on your system. For more information about drives, see the Technical specifications section.

## LCD panel

The LCD panel of your system provides system information, status, and error messages to indicate if the system is functioning correctly or if the system needs attention. For more information about error messages, see the *Dell Event and Error Messages Reference Guide* at [Dell.com/openmanagemanuals](http://Dell.com/openmanagemanuals) > **OpenManage software**.

- The LCD backlight turns blue during normal operating conditions.
- When the system needs attention, the LCD turns amber, and displays an error code followed by descriptive text.
  - ⓘ **NOTE:** If the system is connected to a power source and an error is detected, the LCD turns amber regardless of whether the system is turned on or off.
- The LCD backlight is turned off when the system is in standby mode and can be turned on by pressing either the Select, Left, or Right button on the LCD panel.
- The LCD backlight remains off if LCD messaging is turned off using the iDRAC utility, the LCD panel, or other tools.



**Figure 6. LCD panel features**

**Table 5. LCD panel features**

Item	Button	Description
1	Left	Moves the cursor back in one-step increments.
2	Select	Selects the menu item highlighted by the cursor.
3	Right	<p>Moves the cursor forward in one-step increments.</p> <p>During message scrolling:</p> <ul style="list-style-type: none"> <li>• Press and hold the button to increase scrolling speed.</li> <li>• Release the button to stop.</li> </ul> <p>ⓘ <b>NOTE:</b> The display stops scrolling when the button is released. After 45 seconds of inactivity, the display starts scrolling.</p>

### Related references

[Setup menu](#) on page 16

[View menu](#) on page 16




### Related tasks

[Viewing Home screen](#) on page 16

## Viewing Home screen

The **Home** screen displays user-configurable information about the system. This screen is displayed during normal system operation when there are no status messages or errors. When the system turns off and there are no errors, LCD enters the standby mode after five minutes of inactivity. Press any button on the LCD to turn it on.

### Steps

1. To view the **Home** screen, press one of the three navigation buttons (Select, Left, or Right).
2. To navigate to the **Home** screen from another menu, complete the following steps:
  - a. Press and hold the navigation button till the up arrow  is displayed.
  - b. Navigate to the  using the up arrow .
  - c. Select the **Home** icon.
  - d. On the **Home** screen, press the **Select** button to enter the main menu.


### Related references

[LCD panel](#) on page 15

[Setup menu](#) on page 16

[View menu](#) on page 16

## Setup menu

 **NOTE:** When you select an option in the Setup menu, you must confirm the option before proceeding to the next action.

Option	Description
<b>iDRAC</b>	Select <b>DHCP</b> or <b>Static IP</b> to configure the network mode. If <b>Static IP</b> is selected, the available fields are <b>IP</b> , <b>Subnet (Sub)</b> , and <b>Gateway (Gtw)</b> . Select <b>Setup DNS</b> to enable DNS and to view domain addresses. Two separate DNS entries are available.
<b>Set error</b>	Select <b>SEL</b> to view LCD error messages in a format that matches the IPMI description in the SEL. This enables you to match an LCD message with an SEL entry.  Select <b>Simple</b> to view LCD error messages in a simplified user-friendly description. For more information about error messages, see the <i>Dell Event and Error Messages Reference Guide</i> at <a href="http://Dell.com/openmanagemanuals">Dell.com/openmanagemanuals</a> > <b>OpenManage software</b> .
<b>Set home</b>	Select the default information to be displayed on the <b>Home</b> screen. See View menu section for the options and option items that can be set as the default on the <b>Home</b> screen.

### Related references


[LCD panel](#) on page 15

[View menu](#) on page 16

### Related tasks

[Viewing Home screen](#) on page 16

## View menu

 **NOTE:** When you select an option in the View menu, you must confirm the option before proceeding to the next action.

Option	Description
<b>iDRAC IP</b>	Displays the <b>IPv4</b> or <b>IPv6</b> addresses for iDRAC8. Addresses include <b>DNS (Primary and Secondary)</b> , <b>Gateway</b> , <b>IP</b> , and <b>Subnet</b> (IPv6 does not have Subnet).
<b>MAC</b>	Displays the MAC addresses for <b>iDRAC</b> , <b>iSCSI</b> , or <b>Network</b> devices.

Option	Description
<b>Name</b>	Displays the name of the <b>Host</b> , <b>Model</b> , or <b>User String</b> for the system.
<b>Number</b>	Displays the <b>Asset tag</b> or the <b>Service tag</b> for the system.
<b>Power</b>	Displays the power output of the system in BTU/hr or Watts. The display format can be configured in the <b>Set home</b> submenu of the <b>Setup</b> menu.
<b>Temperature</b>	Displays the temperature of the system in Celsius or Fahrenheit. The display format can be configured in the <b>Set home</b> submenu of the <b>Setup</b> menu.

**Related references**

- [LCD panel](#) on page 15
- [Setup menu](#) on page 16

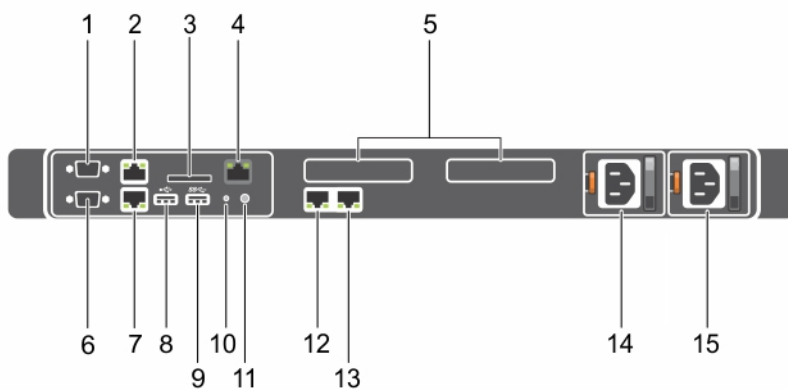
**Related tasks**

- [Viewing Home screen](#) on page 16

## Back panel features

The back panel provides access to the features available on the back of the server, such as the system identification button, power supply sockets, cable management arm connectors, iDRAC storage media, NIC ports, and USB and VGA ports. A majority of the expansion card ports can be accessed from the back panel. The hot swappable and cabled power supply units are accessible from the back panel.

### Redundant PSU back panel features






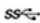



**Figure 7. Redundant PSU back panel features**


- |                                     |                                  |
|-------------------------------------|----------------------------------|
| 1. Serial connector                 | 2. Ethernet connector 1          |
| 3. vFlash card slot (optional)      | 4. iDRAC port (optional)         |
| 5. PCIe expansion card slots (2)    | 6. Video connector               |
| 7. Ethernet connector 2             | 8. USB connector                 |
| 9. USB connector                    | 10. System identification button |
| 11. System identification connector | 12. Ethernet connector 3         |
| 13. Ethernet connector 4            | 14. Power supply unit PSU1       |
| 15. Power supply unit PSU2          |                                  |

**Table 6. Redundant PSU back panel features**

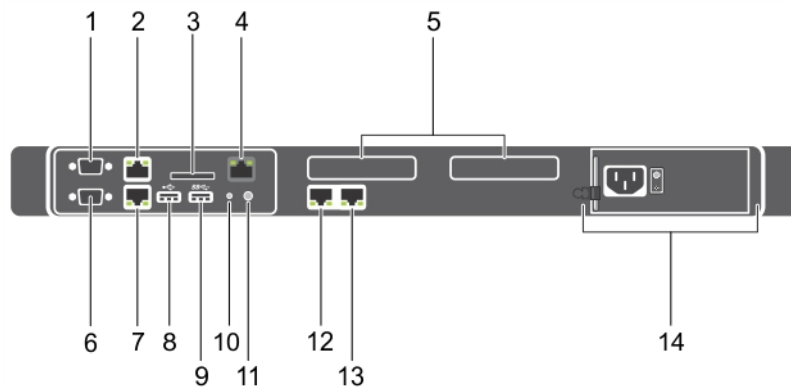
**Table 6. Redundant PSU back panel features**

Item	Indicator, Button, or Connector	Icon	Description
1	Serial connector		Enables you to connect a serial device to the system. For more information, see the Technical specifications section.
2	Ethernet port 1		Use the Ethernet port to connect Local Area Networks (LANs) to the system. For more information about the supported Ethernet ports, see the Technical specifications section.
3	vFlash card slot (optional)		The SD vFlash media card slot provides persistent on-demand local storage and a custom deployment environment that enables automation of system configuration, scripts, and imaging.
4	iDRAC port (optional)		Enables you to remotely access iDRAC. For more information, see the iDRAC User's Guide at <a href="http://www.dell.com/poweredgemanuals">www.dell.com/poweredgemanuals</a> .
5	PCIe expansion card slots (2)		Enables you to connect two PCI Express expansion cards.
6	Video connector		Enables you to connect a display device to the system. For more information, see the Technical specifications section.
7	Ethernet port 2		Use the Ethernet port to connect Local Area Networks (LANs) to the system. For more information about the supported Ethernet ports, see the Technical specifications section.
8	USB port		The USB ports are 4-pin, 2.0-compliant. These ports enable you to connect USB devices to the system.
9	USB port		The USB ports are 9-pin and 3.0-compliant. These ports enable you to connect USB devices to the system.
10	System identification button		<p>The System Identification (ID) button is available on the front and back of the systems. Press the button to identify a system in a rack by turning on the system ID button. You can also use the system ID button to reset iDRAC and to access BIOS using the step through mode.</p> <p>When pressed, the system ID LED in the back panel blinks until either the front or rear button is pressed again. Press the button to toggle between on or off mode.</p> <p><b>NOTE:</b> If the server stops responding during POST, press and hold the <b>System ID</b> button for more than five seconds to enter the BIOS progress mode</p> <p><b>NOTE:</b> To reset the iDRAC (if not disabled on the iDRAC setup page by pressing F2 during system boot), press and hold the <b>System ID</b> button for more than 15 seconds.</p>
11	System identification port		The System identification port connects the optional system status indicator assembly to the system through the optional cable management arm.

**Table 6. Redundant PSU back panel features**

Item	Indicator, Button, or Connector	Icon	Description
12	Ethernet port 3		Use the Ethernet port to connect Local Area Networks (LANs) to the system. For more information about the supported Ethernet ports, see the Technical specifications section.
13	Ethernet port 4		
14	Power supply unit (PSU1 and PSU2)		Up to two 550 W redundant AC power supplies.



## Cabled PSU back panel features






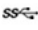


**Figure 8. Cabled PSU back panel features**

- |                                     |                                  |
|-------------------------------------|----------------------------------|
| 1. Serial connector                 | 2. Ethernet connector 1          |
| 3. vFlash card slot (optional)      | 4. iDRAC port (optional)         |
| 5. PCIe expansion card slots (2)    | 6. Video connector               |
| 7. Ethernet connector 2             | 8. USB connector                 |
| 9. USB connector                    | 10. System identification button |
| 11. System identification connector | 12. Ethernet connector 3         |
| 13. Ethernet connector 4            | 14. Cabled PSU                   |

**Table 7. Cabled PSU back panel features**

Item	Indicator, Button, or Connector	Icon	Description
1	Serial connector		Enables you to connect a serial device to the system. For more information, see the Technical specifications section.
2	Ethernet port 1		Use the Ethernet port to connect Local Area Networks (LANs) to the system. For more information about the supported Ethernet ports, see the Technical specifications section.
3	vFlash card slot (optional)		The SD vFlash media card slot provides persistent on-demand local storage and a custom deployment environment that enables automation of system configuration, scripts, and imaging.
4	iDRAC port (optional)		Enables you to remotely access iDRAC. For more information, see the iDRAC User's Guide at <a href="http://www.dell.com/poweredgemanuals">www.dell.com/poweredgemanuals</a> .

**Table 7. Cabled PSU back panel features**

Item	Indicator, Button, or Connector	Icon	Description
5	PCIe expansion card slots (2)		Enables you to connect two PCI Express expansion cards.
6	Video connector		Enables you to connect a display device to the system. For more information, see the Technical specifications section.
7	Ethernet port 2		Use the Ethernet port to connect Local Area Networks (LANs) to the system. For more information about the supported Ethernet ports, see the Technical specifications section.
8	USB port		The USB ports are 4-pin, 2.0-compliant. These ports enable you to connect USB devices to the system.
9	USB port		The USB ports are 9-pin and 3.0-compliant. These ports enable you to connect USB devices to the system.
10	System identification button		<p>The System Identification (ID) button is available on the front and back of the systems. Press the button to identify a system in a rack by turning on the system ID button. You can also use the system ID button to reset iDRAC and to access BIOS using the step through mode.</p> <p>When pressed, the system ID LED in the back panel blinks until either the front or rear button is pressed again. Press the button to toggle between on or off mode.</p> <p><b>i NOTE:</b> If the server stops responding during POST, press and hold the <b>System ID</b> button for more than five seconds to enter the BIOS progress mode</p> <p><b>i NOTE:</b> To reset the iDRAC (if not disabled on the iDRAC setup page by pressing F2 during system boot), press and hold the <b>System ID</b> button for more than 15 seconds.</p>
11	System identification port		The System identification port connects the optional system status indicator assembly to the system through the optional cable management arm.
12	Ethernet port 3		Use the Ethernet port to connect Local Area Networks (LANs) to the system. For more information about the supported Ethernet ports, see the Technical specifications section.
13	Ethernet port 4		
14	Power supply unit (PSU)		<p>One 450 W cabled AC PSU.</p> <p><b>i NOTE:</b> Cabled PSU is supported in systems with cabled hard drives and the systems with x4 backplane.</p>








# Diagnostic indicators

The diagnostic indicators on the system indicate operation and error status.

## Diagnostic indicators on the front panel

**NOTE:** No diagnostic indicators are lit when the system is turned off. To start the system, plug it into a working power source and press the power button.

**Table 8. Diagnostic indicators**

Icon	Description	Condition	Corrective action
	Health indicator	<p>The indicator turns solid blue if the system is in good health.</p> <p>The indicator flashes amber:</p> <ul style="list-style-type: none"> <li>• When the system is turned on.</li> <li>• When the system is in standby.</li> <li>• If any error condition exists. For example, a failed fan, PSU, or a hard drive.</li> </ul>	<p>None required.</p> <p>Check the System Event Log or system messages for the specific issue. For more information about error messages, see the <i>Dell Event and Error Messages Reference Guide</i> at <a href="https://www.dell.com/openmanagemanuals">Dell.com/openmanagemanuals</a> &gt; <b>OpenManage software</b>.</p> <p>The POST process is interrupted without any video output due to invalid memory configurations. See the Getting help section.</p>
	Hard drive indicator	The indicator flashes amber if there is a hard drive error.	Check the System Event Log to determine the hard drive that has an error. Run the appropriate Online Diagnostics test. Restart the system and run embedded diagnostics (ePSA). If the hard drives are configured in a RAID array, restart the system and enter the host adapter configuration utility program.
	Electrical indicator	The indicator flashes amber if the system experiences an electrical error (for example, voltage out of range, or a failed power supply unit (PSU) or voltage regulator).	Check the System Event Log or system messages for the specific issue. If it is due to a problem with the PSU, check the LED on the PSU. Reseat the PSU. If the problem persists, see the Getting help section.
	Temperature indicator	The indicator flashes amber if the system experiences a thermal error (for example, the ambient temperature is out of range or fan failure).	<p>Ensure that none of the following conditions exist:</p> <ul style="list-style-type: none"> <li>• A cooling fan has been removed or has failed.</li> <li>• System cover, cooling shroud, EMI filler panel, memory module blank, or back filler bracket is removed.</li> <li>• Ambient temperature is too high.</li> <li>• External airflow is obstructed.</li> </ul> <p>See the Getting help section.</p>
	Memory indicator	The indicator flashes amber if a memory error occurs.	Check the system event log or system messages for the location of the failed memory. Reseat the memory module. If the problem persists, see the Getting help section.

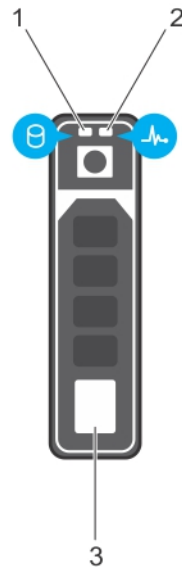
### Related references

[Getting help](#) on page 187

[Expansion card installation guidelines](#) on page 112

## Hard drive indicator codes

Each hard drive carrier has an activity indicator and a status indicator. The indicators provide information about the current status of the hard drive. The activity LED indicates whether hard drive is currently in use or not. The status LED indicates the power condition of the hard drive.



**Figure 9. Hard drive indicators**

1. Hard drive activity indicator
2. Hard drive status indicator
3. Hard drive

**NOTE:** If the hard drive is in the Advanced Host Controller Interface (AHCI) mode, the status indicator (on the right side) does not turn on.

**Table 9. Hard drive indicator codes**

Drive-status indicator pattern	Condition
Flashes green twice per second	Identifying drive or preparing for removal.
Off	Drive ready for insertion or removal. <b>NOTE:</b> The drive status indicator remains off until all hard drives are initialized after the system is turned on. Drives are not ready for insertion or removal during this time.
Flashes green, amber, and then turns off	Predicted drive failure
Flashes amber four times per second	Drive failed
Flashes green slowly	Drive rebuilding
Steady green	Drive online
Flashes green for three seconds, amber for three seconds, and then turns off after six seconds	Rebuild stopped

## uSATA SSD indicator codes



**Figure 10. uSATA SSD indicators**

1. uSATA SSD activity indicator
2. uSATA SSD status indicator
3. uSATA SSD

**NOTE:** If the SSD is in the Advanced Host Controller Interface (AHCI) mode, the status indicator (on the right side) does not function and remains off.

**Table 10. Drive status indicator codes**

Drive-status indicator pattern	Condition
Flashes green twice per second	Identifying drive or preparing for removal.
Off	Drive ready for insertion or removal. <b>NOTE:</b> The drive status indicator remains off until all hard drives are initialized after the system is turned on. Drives are not ready for insertion or removal during this time.
Flashes green, amber, and turns off	Predicted drive failure
Flashes amber four times per second	Drive failed
Steady green	Drive online
Flashes green for three seconds, amber for three seconds, and turns off after six seconds	Rebuild aborted

## NIC indicator codes

The NIC on the back panel has an indicator that provides information about the network activity and link status. The activity LED indicates whether the NIC is currently connected or not. The link LED indicates the speed of the connected network.

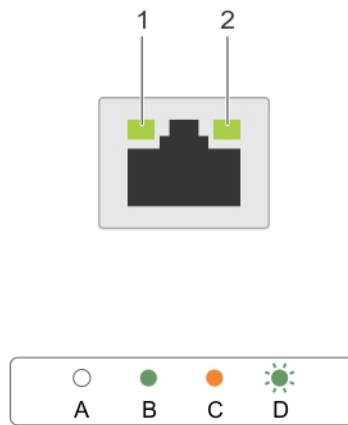


Figure 11. NIC Indicator Codes

1. link indicator
2. activity indicator

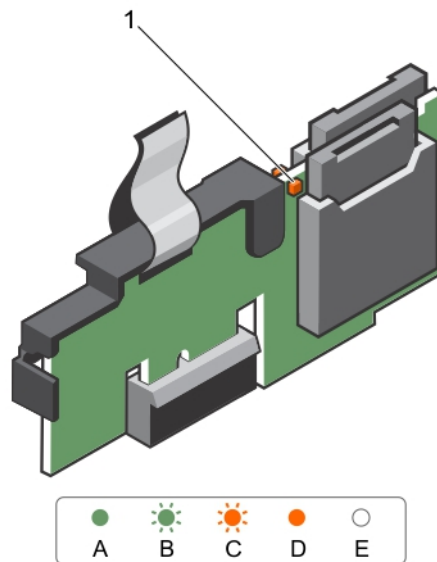
Table 11. NIC indicators

Convention	Status	Condition
A	Link and activity indicators are off.	The NIC is not connected to the network.
B	Link indicator is green.	The NIC is connected to a valid network at its maximum port speed (1 Gbps or 10 Gbps).
C	Link indicator is amber	The NIC is connected to a valid network at less than its maximum port speed.
D	Activity indicator is flashing. green	Network data is being sent or received.

## Internal dual SD module indicator codes

The Internal Dual SD module (IDSMD) provides you with a redundant SD card solution. You can configure the IDSMD for storage or as the OS boot partition. The IDSMD card offers the following features:

- Dual card operation — maintains a mirrored configuration by using SD cards in both the slots and provides redundancy.  
**NOTE:** When the Redundancy option is set to Mirror Mode in the Integrated Devices screen of System Setup, the information is replicated from one SD card to another.
- Single card operation — single card operation is supported, but without redundancy.



**Figure 12. Internal dual SD module (IDSDM)**

1. LED status indicator (2)

The following table describes the IDSDM indicator codes:

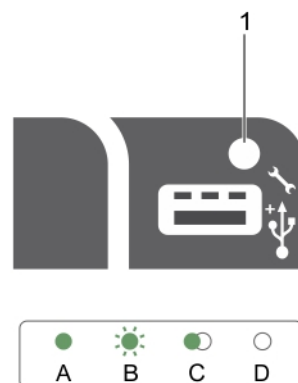
**Table 12. IDSDM indicator codes**

Convention	IDSDM indicator code	Description
A	Green	Indicates that the card is online.
B	Flashing green	Indicates rebuild or activity.
C	Flashing amber	Indicates card mismatch or that the card has failed.
D	Amber	Indicates that the card is offline, has failed, or is write-protected.
E	Not lit	Indicates that the card is missing or is booting.

## iDRAC Direct LED indicator codes

The iDRAC Direct LED indicator lights up to indicate that the port is connected and is being used as a part of the iDRAC subsystem.

**NOTE:** The iDRAC Direct LED indicator does not turn on when the USB port is used in the USB mode.



**Figure 13. iDRAC Direct LED indicator codes**

1. iDRAC Direct status indicator

The iDRAC Direct LED indicator table describes iDRAC Direct activity when configuring iDRAC Direct by using the management port (USB XML Import).

**Table 13. iDRAC Direct LED indicators**

Convention	iDRAC Direct LED indicator pattern	Condition
A	Green	Turns green for a minimum of two seconds to indicate the start and end of a file transfer.
B	Flashing green	Indicates file transfer or any operation tasks.
C	Green and turns off	Indicates that the file transfer is complete.
D	Not lit	Indicates that the USB is ready to be removed or that a task is complete.

The following table describes iDRAC Direct activity when configuring iDRAC Direct by using your laptop and cable (Laptop Connect):

**Table 14. iDRAC Direct LED indicator patterns**

iDRAC Direct LED indicator pattern	Condition
Solid green for two seconds	Indicates that the laptop is connected.
Flashing green (on for two seconds and off for two seconds)	Indicates that the laptop connected is recognized.
Turns off	Indicates that the laptop is unplugged.

## Indicator codes for redundant power supply unit

Each AC power supply unit (PSU) has an illuminated translucent handle that indicates whether power is present or whether a power fault has occurred.



**Figure 14. AC PSU status indicator**

- AC PSU status indicator or handle

**Table 15. Redundant AC PSU status indicator (continued)**

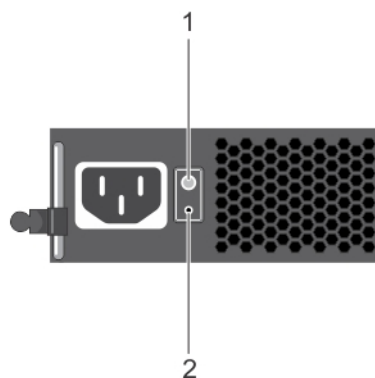
Convention	Power Indicator Pattern	Condition
A	Green	A valid power source is connected to the PSU and the PSU is operational.
B	Flashing green	When the PSU firmware is being updated, the PSU handle flashes green. <b>⚠ CAUTION: Do not disconnect the power cord or unplug the PSU when updating firmware. If firmware update is interrupted, the PSUs will not</b>

**Table 15. Redundant AC PSU status indicator**

Convention	Power Indicator Pattern	Condition
C	Flashing green and turns off	<p>function. You must roll back the PSU firmware by using Dell Lifecycle Controller. For more information, see Dell Lifecycle Controller User's Guide at <a href="http://Dell.com/idracmanuals">Dell.com/idracmanuals</a>.</p> <p>When hot-adding a PSU, the PSU handle flashes green five times at 4 Hz rate and turns off. This indicates that there is a PSU mismatch with respect to efficiency, feature set, health status, and supported voltage.</p> <p><b>CAUTION:</b> For AC PSUs, use only PSUs with the Extended Power Performance (EPP) label on the back.</p> <p><b>NOTE:</b> Ensure that both the PSUs are of the same capacity.</p> <p><b>NOTE:</b> Mixing PSUs from previous generations of Dell PowerEdge servers can result in a PSU mismatch condition or failure to turn the system on.</p>
D	Flashing amber	<p>Indicates a problem in the PSU.</p> <p><b>CAUTION:</b> When correcting a PSU mismatch, replace only the PSU with the flashing indicator. Swapping the other PSU to make a matched pair can result in an error condition and unexpected system shutdown. To change from a High Output configuration to a Low Output configuration or vice versa, you must turn off the system.</p> <p><b>CAUTION:</b> AC PSUs support both 220 V and 110 V input voltages with the exception of Titanium PSUs, which support only 220 V. When two identical PSUs receive different input voltages, they can output different wattages, and trigger a mismatch.</p> <p><b>CAUTION:</b> If two PSUs are used, they must be of the same type and have the same maximum output power.</p> <p><b>CAUTION:</b> Combining AC and DC PSUs is not supported and triggers a mismatch.</p>
E	Not lit	Power is not connected.

## Non-redundant cabled power supply unit indicator codes

Press the self-diagnostic button to perform a quick health check on the non-redundant cabled power supply unit (PSU) of the system.



**Figure 15. Non-redundant cabled AC PSU status indicator and self-diagnostic button**

1. self-diagnostic button
2. AC PSU status indicator

**Table 16. Non-redundant AC PSU status indicator**

<b>Power Indicator Pattern</b>	<b>Condition</b>
Not lit	Power is not connected or PSU is faulty.
Green	A valid power source is connected to the PSU and the PSU is operational.

## Locating service tag of your system


Your system is identified by a unique Express Service Code and Service Tag number. The Express Service Code is and Service Tag are found on the front of the system by pulling out the information tag. Alternatively, the information may be on a sticker on the chassis of the system. This information is used by Dell to route support calls to the appropriate personnel.



## Documentation resources

This section provides information about the documentation resources for your system.

To view the document that is listed in the documentation resources table:

- From the Dell EMC support site:
  1. Click the documentation link that is provided in the Location column in the table.
  2. Click the required product or product version.
-  **NOTE:** To locate the product name and model, see the front of your system.
- On the Product Support page, click **Manuals & documents**.
- Using search engines:
  - Type the name and version of the document in the search box.

**Table 17. Additional documentation resources for your system (continued)**

Task	Document	Location
Setting up your system	<p>For more information about installing and securing the system into a rack, see the Rail Installation Guide included with your rack solution.</p> <p>For information about setting up your system, see the <i>Getting Started Guide</i> document that is shipped with your system.</p>	<a href="http://www.dell.com/poweredgemanuals">www.dell.com/poweredgemanuals</a>
Configuring your system	<p>For information about the iDRAC features, configuring and logging in to iDRAC, and managing your system remotely, see the Integrated Dell Remote Access Controller User's Guide.</p> <p>For information about understanding Remote Access Controller Admin (RACADM) subcommands and supported RACADM interfaces, see the RACADM CLI Guide for iDRAC.</p> <p>For information about Redfish and its protocol, supported schema, and Redfish Eventing are implemented in iDRAC, see the Redfish API Guide.</p> <p>For information about iDRAC property database group and object descriptions, see the Attribute Registry Guide.</p>	<a href="http://www.dell.com/poweredgemanuals">www.dell.com/poweredgemanuals</a>
	<p>For information about earlier versions of the iDRAC documents, see the iDRAC documentation.</p> <p>To identify the version of iDRAC available on your system, on the</p>	<a href="http://www.dell.com/idracmanuals">www.dell.com/idracmanuals</a>

**Table 17. Additional documentation resources for your system (continued)**

Task	Document	Location
	iDRAC web interface, click ? > <b>About</b> .	
	For information about installing the operating system, see the operating system documentation.	<a href="http://www.dell.com/operatingsystemmanuals">www.dell.com/operatingsystemmanuals</a>
	For information about updating drivers and firmware, see the Methods to download firmware and drivers section in this document.	<a href="http://www.dell.com/support/drivers">www.dell.com/support/drivers</a>
Managing your system	For information about systems management software offered by Dell, see the Dell OpenManage Systems Management Overview Guide.	<a href="http://www.dell.com/poweredgemanuals">www.dell.com/poweredgemanuals</a>
	For information about setting up, using, and troubleshooting OpenManage, see the Dell OpenManage Server Administrator User's Guide.	<a href="http://www.dell.com/openmanagemanuals">www.dell.com/openmanagemanuals</a> > OpenManage Server Administrator
	For information about installing, using, and troubleshooting Dell OpenManage Essentials, see the Dell OpenManage Essentials User's Guide.	<a href="http://www.dell.com/openmanagemanuals">www.dell.com/openmanagemanuals</a> > OpenManage Essentials
	For information about installing, using, and troubleshooting Dell OpenManage Enterprise, see the Dell OpenManage Enterprise User's Guide.	<a href="http://www.dell.com/openmanagemanuals">www.dell.com/openmanagemanuals</a> > OpenManage Enterprise
	For information about installing and using Dell SupportAssist, see the Dell EMC SupportAssist Enterprise User's Guide.	<a href="https://www.dell.com/serviceabilitytools">https://www.dell.com/serviceabilitytools</a>
	For information about partner programs enterprise systems management, see the OpenManage Connections Enterprise Systems Management documents.	<a href="http://www.dell.com/openmanagemanuals">www.dell.com/openmanagemanuals</a>
	Working with the Dell PowerEdge RAID controllers	For information about understanding the features of the Dell PowerEdge RAID controllers (PERC), Software RAID controllers, or BOSS card and deploying the cards, see the Storage controller documentation.
Understanding event and error messages	For information about the event and error messages that are generated by the system firmware and agents that monitor system components, see the Error Code Lookup.	<a href="http://www.dell.com/qrl">www.dell.com/qrl</a>
		<a href="http://www.dell.com/storagecontrollermanuals">www.dell.com/storagecontrollermanuals</a>

**Table 17. Additional documentation resources for your system**

<b>Task</b>	<b>Document</b>	<b>Location</b>
Troubleshooting your system	For information about identifying and troubleshooting the PowerEdge server issues, see the Server Troubleshooting Guide.	<a href="http://www.dell.com/poweredgemanuals">www.dell.com/poweredgemanuals</a>

# Technical specifications

The technical and environmental specifications of your system are outlined in this section.

## Topics:

- Chassis dimensions
- Chassis weight
- Processor specifications
- PSU specifications
- System battery specifications
- Expansion bus specifications
- Memory specifications
- Drive specifications
- Ports and connectors specifications
- Video specifications
- Environmental specifications

## Chassis dimensions

This section describes the physical dimensions of the system.

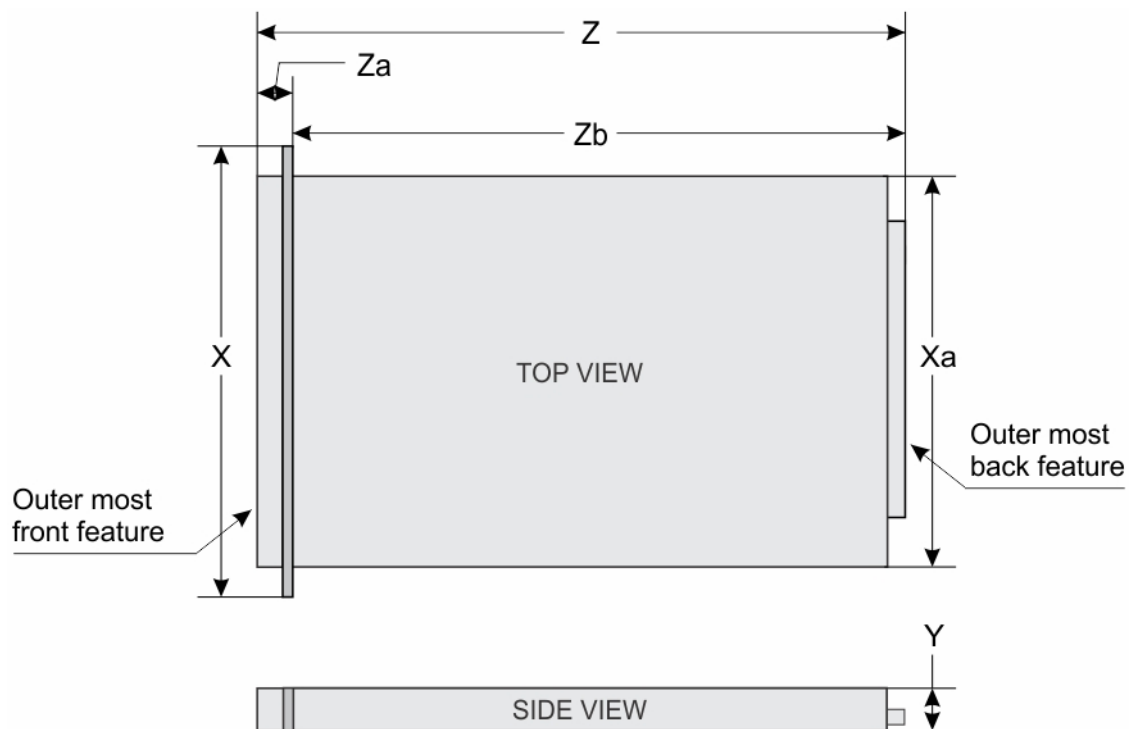


Figure 16. Chassis dimensions of the PowerEdge R430 system

Table 18. Dimensions of the Dell PowerEdge R430 system

**Table 18. Dimensions of the Dell PowerEdge R430 system**

X	Xa	Y	Z (with bezel)	Z (without bezel)	Za (with bezel)	Za (without bezel)	Zb
482.4 mm (18.99 inches)	434.0 mm (17.08 inches)	42.8 mm (1.68 inches)	677.3 mm (26.66 inches)	662.4 mm (264.07 inches)	35.0 mm (1.37 inches)	20.1 mm (0.79 inches)	642.3 mm (25.28 inches)

## Chassis weight

This section describes the weight of the system.

**Table 19. Chassis weight**

System	Maximum weight (with all hard drives/SSDs)
PowerEdge R430	19.9 kg (43.87 lb)

## Processor specifications

The PowerEdge R430 system supports up to two Intel Xeon E5-2600 v3 or Intel Xeon E5-2600 v4 product family processors.

## PSU specifications

The PowerEdge R430 system supports up to two AC redundant power supply units (PSUs) and a single AC cabled PSU.

**Table 20. PSU specifications**

PSU	Class	Heat dissipation (maximum)	Frequency	Voltage	Current
550 W AC	Platinum	2107 BTU/hr	50/60 Hz	100–240 V AC, autoranging	7.4 A-3.7 A
450 W AC	Bronze	1871 BTU/hr	50/60 Hz	100–240 V AC, autoranging	6.5 A-3.5 A

**NOTE:** Heat dissipation is calculated using the PSU wattage rating.

**NOTE:** This system is also designed to connect to the IT power systems with a phase-to-phase voltage not exceeding 230 V.

## System battery specifications

The PowerEdge R430 system supports 3 V CR2032 Lithium coin cell system battery.

## Expansion bus specifications

The PowerEdge R430 system supports PCI express (PCIe) Generation 2 and 3 expansion cards, which need to be installed on the system board using expansion card risers. This system supports two types of expansion card risers. The following table provides the expansion card riser specifications:

**Table 21. Expansion card riser specifications**

**Table 21. Expansion card riser specifications**

Expansion card riser	PCIe slots on the riser	Height	Length	Link
PCIe_G3_X16 riser	Slot 1	low-profile	half-length	x16
	Slot 2	low-profile	half-length	x16
PCIe_G3_X8 riser	Slot 1	full-height	half-length	x8
	Slot 2	low-profile	half-length	x8

## Memory specifications

The PowerEdge R430 system supports DDR4 registered DIMMs (RDIMMs) and load-reduced DIMMs (LRDIMMs). Supported memory bus frequencies are 1866 MT/s, 2133MT/s, or 2400 MT/s.

**Table 22. Memory specifications**

Memory module sockets	Memory capacity	Minimum RAM	Maximum RAM
Twelve 288-pin	<ul style="list-style-type: none"> <li>4 GB single rank (RDIMMs)</li> <li>8 GB, 16 GB, or 32 GB dual rank (RDIMMs)</li> </ul>	<ul style="list-style-type: none"> <li>4 GB with single processor</li> <li>8 GB with dual processors (minimum one memory module per processor)</li> </ul>	<ul style="list-style-type: none"> <li>Up to 256 GB with a single processor</li> <li>Up to 384 GB with a dual processor</li> </ul>

## Drive specifications

### Hard drives

The PowerEdge R430 system supports SAS, SATA, Nearline SAS hard drives and Solid State Drives (SSDs).

**Table 23. Supported hard drive and SSD options for the PowerEdge R430 system**

Drive System	Supports up to
Four hard drive systems	<p>Up to four 3.5-inch cabled hard drives, or</p> <p>Up to four 3.5-inch hot-swappable SAS, SATA, or Nearline SAS hard drives, or</p> <p>Up to four 2.5-inch hot-swappable SAS, SATA, SATA SSD, or Nearline SAS hard drives.</p> <p><b>NOTE:</b> Four hard-drive systems support software RAID. For more information about software RAID, see the Dell PowerEdge RAID Controller (PERC) documentation at <a href="https://www.dell.com/storagecontrollermanuals">dell.com/storagecontrollermanuals</a>.</p>
Eight hard-drive systems	Up to eight 2.5-inch, hot-swappable SAS, SATA, SATA SSD, or Nearline SAS hard drives
Ten hard-drive systems	Up to ten 2.5-inch, hot-swappable SATA hard drive or SATA SSD

### Optical drive

The PowerEdge R430 system supports one optional SATA DVD-ROM drive or DVD+/-RW drive.

**NOTE:** The optical drive is supported on the four hard-drive systems and eight hard-drive systems.

# Ports and connectors specifications

## USB ports

The PowerEdge R430 system supports:

- USB 2.0-compliant ports on the front panel
- USB 3.0-complaint and USB 2.0-compliant ports on the back panel
- USB 3.0-compliant internal port

The following table provides more information about the USB specifications:

**Table 24. USB specifications**

System	Front panel	Back panel	Internal
PowerEdge R430	Two 4-pin, USB 2.0-compliant ports	One 9-pin, USB 3.0-compliant port One 4-pin, USB 2.0-compliant port	One 9-pin, USB 3.0-compliant port

## NIC ports

The PowerEdge R430 system supports four 10/100/1000 Mbps Network Interface Controller (NIC) ports on the back panel.

## Serial connector


The serial connector connects a serial device to the system. The PowerEdge R430 system supports one serial connector on the back panel, which is a 9-pin connector, Data Terminal Equipment (DTE), 16550-compliant.

## VGA ports

The Video Graphic Array (VGA) port enables you to connect the system to a VGA display. The PowerEdge R430 system supports two 15-pin VGA ports one each on the front and back panels.

## Internal Dual SD Module

The PowerEdge R430 system supports two optional flash memory card slots with an internal dual SD module.

 **NOTE:** One card slot is dedicated for redundancy.

## Video specifications

The PowerEdge R430 system supports Matrox G200 graphics card with 16 MB capacity.

**Table 25. Supported video resolution options**

Resolution	Refresh rate (Hz)	Color depth (bits)
640 x 480	60, 70	8, 16, 32
800 x 600	60, 75, 85	8, 16, 32
1024 x 768	60, 75, 85	8, 16, 32
1152 x 864	60, 75, 85	8, 16, 32
1280 x 1024	60, 75	8, 16, 32

**Table 25. Supported video resolution options**

Resolution	Refresh rate (Hz)	Color depth (bits)
1440 x 900	60	8, 16, 32

## Environmental specifications

**NOTE:** For additional information about environmental measurements for specific system configurations, see [Dell.com/environmental\\_datasheets](https://www.dell.com/environmental_datasheets).

**Table 26. Temperature specifications**

Temperature	Specifications
Storage	-40°C to 65°C (-40°F to 149°F)
Continuous operation (for altitude less than 950 m or 3117 ft)	10°C to 35°C (50°F to 95°F) with no direct sunlight on the equipment.
Maximum temperature gradient (operating and storage)	20°C/h (36°F/h)

**Table 27. Relative humidity specifications**

Relative humidity	Specifications
Storage	5% to 95% RH with 33°C (91°F) maximum dew point. Atmosphere must be non-condensing at all times.
Operating	10% to 80% relative humidity with 29°C (84.2°F) maximum dew point.

**Table 28. Maximum vibration specifications**

Maximum vibration	Specifications
Operating	0.26 G <sub>rms</sub> at 5 Hz to 350 Hz (all operation orientations).
Storage	1.88 G <sub>rms</sub> at 10 Hz to 500 Hz for 15 min (all six sides tested).

**Table 29. Maximum shock specifications**

Maximum shock	Specifications
Operating	Six consecutively executed shock pulses in the positive and negative x, y, and z axes of 40 G for up to 2.3 ms.
Storage	Six consecutively executed shock pulses in the positive and negative x, y, and z axes (one pulse on each side of the system) of 71 G for up to 2 ms.

**Table 30. Maximum altitude specifications**

Maximum altitude	Specifications
Operating	30482000 m (10,0006560 ft)
Storage	12,000 m (39,370 ft)

**Table 31. Operating temperature de-rating specifications**

Operating temperature de-rating	Specifications
Up to 35°C (95°F)	Maximum temperature is reduced by 1°C/300 m (1°F/547 ft) above 950 m (3,117 ft).



**Table 31. Operating temperature de-rating specifications**

Operating temperature de-rating	Specifications
35°C to 40°C (95°F to 104°F)	Maximum temperature is reduced by 1°C/175 m (1°F/319 ft) above 950 m (3,117 ft).
40°C to 45°C (104°F to 113°F)	Maximum temperature is reduced by 1°C/125 m (1°F/228 ft) above 950 m (3,117 ft).

## Particulate and gaseous contamination specifications

The following table defines the limitations that help avoid any equipment damage or failure from particulates and gaseous contamination. If the levels of particulates or gaseous pollution exceed the specified limitations and result in equipment damage or failure, you may need to rectify the environmental conditions. Re-mediation of environmental conditions is the responsibility of the customer.

**Table 32. Particulate contamination specifications**

Particulate contamination	Specifications
Air filtration	Data center air filtration as defined by ISO Class 8 per ISO 14644-1 with a 95% upper confidence limit. <i>i</i> <b>NOTE:</b> This condition applies to data center environments only. Air filtration requirements do not apply to IT equipment designed to be used outside a data center, in environments such as an office or factory floor. <i>i</i> <b>NOTE:</b> Air entering the data center must have MERV11 or MERV13 filtration.
Conductive dust	Air must be free of conductive dust, zinc whiskers, or other conductive particles. <i>i</i> <b>NOTE:</b> This condition applies to data center and non-data center environments.
Corrosive dust	<ul style="list-style-type: none"> <li>Air must be free of corrosive dust.</li> <li>Residual dust present in the air must have a deliquescent point less than 60% relative humidity.</li> </ul> <i>i</i> <b>NOTE:</b> This condition applies to data center and non-data center environments.

**Table 33. Gaseous contamination specifications**

Gaseous contamination	Specifications
Copper coupon corrosion rate	<300 Å/month per Class G1 as defined by ANSI/ISA71.04-1985.
Silver coupon corrosion rate	<200 Å/month as defined by AHSRAE TC9.9.

*i* **NOTE:** Maximum corrosive contaminant levels measured at ≤50% relative humidity.

## Expanded operating temperature

**Table 34. Expanded operating temperature specifications**

Expanded operating temperature	Specifications
Continuous operation	5°C to 40°C at 5% to 85% RH with 29°C dew point. <i>i</i> <b>NOTE:</b> Outside the standard operating temperature (10°C to 35°C), the system can operate continuously in temperatures as low as 5°C and as high as 40°C.

**Table 34. Expanded operating temperature specifications (continued)**

Expanded operating temperature	Specifications
	For temperatures between 35°C and 40°C, de-rate maximum allowable dry bulb temperature by 1°C per 175 m above 950 m (1°F per 319 ft).
≤ 1% of annual operating hours	<p>–5°C to 45°C at 5% to 90% RH with 29°C dew point.</p> <p><b>i</b> <b>NOTE:</b> Outside the standard operating temperature (10°C to 35°C), the system can operate down to –5°C or up to 45°C for a maximum of 1% of its annual operating hours.</p> <p>For temperatures between 40°C and 45°C, de-rate maximum allowable temperature by 1°C per 125 m above 950 m (1°F per 228 ft).</p>

**i** **NOTE:** When operating in the expanded temperature range, system performance may be impacted.

**i** **NOTE:** When operating in the expanded temperature range, ambient temperature warnings maybe reported on the LCD panel and in the System Event Log.

## Expanded operating temperature restrictions

- Processors of 55 W and 65 W are not supported.
- Do not perform a cold startup below 5°C.
- Allow processor performance degrade.
- Non-redundant power supplies are not supported.
- Non Dell qualified peripheral cards and/or peripheral cards are not supported.
- Maximum altitude for the operating temperature must be 3050 m (10,000 ft).

# Initial system setup and configuration

## Topics:

- [Setting up your system](#)
- [iDRAC configuration](#)
- [Options to install the operating system](#)

## Setting up your system

Complete the following steps to set up your system:

### Steps

1. Unpack the system.
2. Install the system into the rack. For more information about installing the system into the rack, see your system *Rack Installation Placemat* at [Dell.com/poweredgemanuals](https://www.dell.com/poweredge/manuals).
3. Connect the peripherals to the system.
4. Connect the system to its electrical outlet.
5. Turn the system on by pressing the power button or by using iDRAC.
6. Turn on the attached peripherals.

## iDRAC configuration

The Integrated Dell Remote Access Controller (iDRAC) is designed to make system administrators more productive and improve the overall availability of Dell EMC systems. iDRAC alerts administrators to system issues, helps them perform remote system management, and reduces the need for physical access to the system.


## Options to set up iDRAC IP address

You must configure the initial network settings based on your network infrastructure to enable the communication to and from iDRAC. You can set up the IP address by using one of the following interfaces:

Interfaces	Document/Section
<b>iDRAC Settings utility</b>	See <i>iDRAC User's Guide</i> available at <a href="https://www.dell.com/idracmanuals">https://www.dell.com/idracmanuals</a>
<b>Dell Deployment Toolkit</b>	See <i>OpenManage Deployment Toolkit User's Guide</i> available at <a href="https://www.dell.com/openmanagemanuals">https://www.dell.com/openmanagemanuals</a>
<b>Dell Lifecycle Controller</b>	See <i>Lifecycle Controller User's Guide</i> available at <a href="https://www.dell.com/idracmanuals">https://www.dell.com/idracmanuals</a>
<b>Chassis or Server LCD panel</b>	See the LCD panel section

You must use the default iDRAC IP address 192.168.0.120 to configure the initial network settings, including setting up DHCP or a static IP for iDRAC.

**NOTE:** To access iDRAC, ensure that you install the iDRAC port card or connect the network cable to the Ethernet connector 1 on the system board.

 **NOTE:** Ensure that you change the default user name and password after setting up the iDRAC IP address.

## Log in to iDRAC

You can log in to iDRAC as:

- iDRAC user
- Microsoft Active Directory user
- Lightweight Directory Access Protocol (LDAP) user

The default user name and password are `root` and `calvin`. You can also log in by using Single Sign-On or Smart Card.

 **NOTE:** You must have iDRAC credentials to log in to iDRAC.

For more information about logging in to iDRAC and iDRAC licenses, see the latest Integrated Dell Remote Access Controller User's Guide at [Dell.com/idracmanuals](https://www.dell.com/idracmanuals).

## Options to install the operating system

If the system is shipped without an operating system, install the supported operating system by using one of the following resources:

**Table 35. Resources to install the operating system**

Resources	Location
Dell Systems Management Tools and Documentation media	<a href="https://www.dell.com/operatingsystemmanuals">https://www.dell.com/operatingsystemmanuals</a>
Dell Lifecycle Controller	<a href="https://www.dell.com/idracmanuals">https://www.dell.com/idracmanuals</a>
Dell OpenManage Deployment Toolkit	<a href="https://www.dell.com/openmanagemanuals">https://www.dell.com/openmanagemanuals</a>
Dell certified VMware ESXi	<a href="https://www.dell.com/virtualizationsolutions">https://www.dell.com/virtualizationsolutions</a>
Supported operating systems on Dell PowerEdge systems	<a href="http://www.dell.com/ossupport">www.dell.com/ossupport</a>
Installation and How-to videos for supported operating systems on Dell PowerEdge systems	<a href="https://www.youtube.com/playlist?list=PLe5xhhyFjDPfTCaDRFfIB_VsoLpL8x84G">https://www.youtube.com/playlist?list=PLe5xhhyFjDPfTCaDRFfIB_VsoLpL8x84G</a>

## Methods to download firmware and drivers

You can download the firmware and drivers by using any of the following methods:

**Table 36. Firmware and drivers**

Methods	Location
From the Dell Support site	<a href="#">Global Technical Support</a>
Using Dell Remote Access Controller Lifecycle Controller (iDRAC with LC)	<a href="https://www.dell.com/idracmanuals">Dell.com/idracmanuals</a>
Using Dell Repository Manager (DRM)	<a href="https://www.dell.com/openmanagemanuals">Dell.com/openmanagemanuals</a> > OpenManage Deployment Toolkit
Using Dell OpenManage Essentials (OME)	<a href="https://www.dell.com/openmanagemanuals">Dell.com/openmanagemanuals</a> > OpenManage Deployment Toolkit
Using Dell Server Update Utility (SUU)	<a href="https://www.dell.com/openmanagemanuals">Dell.com/openmanagemanuals</a> > OpenManage Deployment Toolkit
Using Dell OpenManage Deployment Toolkit (DTK)	<a href="https://www.dell.com/openmanagemanuals">Dell.com/openmanagemanuals</a> > OpenManage Deployment Toolkit


## Downloading the drivers and firmware

Dell EMC recommends that you download and install the latest BIOS, drivers, and systems management firmware on your system.

### Prerequisites

Ensure that you clear the web browser cache before downloading the drivers and firmware.

### Steps

1. Go to [Dell.com/support/drivers](https://Dell.com/support/drivers).
2. In the **Drivers & Downloads** section, type the Service Tag of your system in the **Service Tag or Express Service Code** box, and then click **Submit**.  
 **NOTE:** If you do not have the Service Tag, select **Detect My Product** to allow the system to automatically detect your Service Tag, or in **General support**, navigate to your product.
3. Click **Drivers & Downloads**.  
The drivers that are applicable to your selection are displayed.
4. Download the drivers to a USB drive, CD, or DVD.

# Pre-operating system management applications

You can manage basic settings and features of a system without booting to the operating system by using the system firmware.

## Topics:

- [Options to manage the pre-operating system applications](#)
- [System Setup](#)
- [Dell Lifecycle Controller](#)
- [Boot Manager](#)
- [PXE boot](#)

## Options to manage the pre-operating system applications

Your system has the following options to manage the pre-operating system applications:

- [System Setup](#)
- [Boot Manager](#)
- [Dell Lifecycle Controller](#)
- [Preboot Execution Environment \(PXE\)](#)

### Related concepts

[System Setup](#) on page 42


[Boot Manager](#) on page 69

[Dell Lifecycle Controller](#) on page 68

[PXE boot](#) on page 70

## System Setup

By using the **System Setup** screen, you can configure the BIOS settings, iDRAC settings, and device settings of your system.

 **NOTE:** Help text for the selected field is displayed in the graphical browser by default. To view the help text in the text browser, press F1.

You can access system setup by using two methods:

- Standard graphical browser — The browser is enabled by default.
- Text browser — The browser is enabled by using Console Redirection.

### Related references

[System Setup details](#) on page 43

### Related tasks

[Viewing System Setup](#) on page 43

# Viewing System Setup

To view the **System Setup** screen, perform the following steps:

## Steps

1. Turn on, or restart your system.
2. Press F2 immediately after you see the following message:

```
F2 = System Setup
```

**NOTE:** If your operating system begins to load before you press F2, wait for the system to finish booting, and then restart your system and try again.

## Related concepts

[System Setup](#) on page 42

## Related references

[System Setup details](#) on page 43

# System Setup details

The **System Setup Main Menu** screen details are explained as follows:

Option	Description
<b>System BIOS</b>	Enables you to configure BIOS settings.
<b>iDRAC Settings</b>	Enables you to configure iDRAC settings.  The iDRAC settings utility is an interface to set up and configure the iDRAC parameters by using UEFI (Unified Extensible Firmware Interface). You can enable or disable various iDRAC parameters by using the iDRAC settings utility. For more information about this utility, see <i>Integrated Dell Remote Access Controller User's Guide</i> at <a href="http://Dell.com/idracmanuals">Dell.com/idracmanuals</a> .
<b>Device Settings</b>	Enables you to configure device settings.

## Related concepts

[System Setup](#) on page 42

## Related tasks

[Viewing System Setup](#) on page 43

# System BIOS

You can use the **System BIOS** screen to edit specific functions such as boot order, system password, setup password, set the RAID mode, and enable or disable USB ports.

## Related references

[System BIOS Settings details](#) on page 44

[Boot Settings](#) on page 45

[Network Settings](#) on page 47

[System Information](#) on page 53

[Memory Settings](#) on page 55

[Processor Settings](#) on page 56

[SATA Settings](#) on page 58

- [Integrated Devices](#) on page 61
- [Serial Communication](#) on page 63
- [System Profile Settings](#) on page 64
- [Miscellaneous Settings](#) on page 66
- [iDRAC Settings utility](#) on page 67
- [Device Settings](#) on page 68

**Related tasks**

[Viewing System BIOS](#) on page 44

## Viewing System BIOS

To view the **System BIOS** screen, perform the following steps:

**Steps**

1. Turn on, or restart your system.
2. Press F2 immediately after you see the following message:

```
F2 = System Setup
```

**NOTE:** If your operating system begins to load before you press F2, wait for the system to finish booting, and then restart your system and try again.

3. On the **System Setup Main Menu** screen, click **System BIOS**.

**Related references**

- [System BIOS](#) on page 43
- [System BIOS Settings details](#) on page 44

## System BIOS Settings details

**About this task**

The **System BIOS Settings** screen details are explained as follows:

Option	Description
<b>System Information</b>	Specifies information about the system such as the system model name, BIOS version, and Service Tag.
<b>Memory Settings</b>	Specifies information and options related to the installed memory.
<b>Processor Settings</b>	Specifies information and options related to the processor such as speed and cache size.
<b>SATA Settings</b>	Specifies options to enable or disable the integrated SATA controller and ports.
<b>Boot Settings</b>	Specifies options to specify the boot mode (BIOS or UEFI). Enables you to modify UEFI and BIOS boot settings.
<b>Network Settings</b>	Specifies options to change the network settings.
<b>Integrated Devices</b>	Specifies options to manage integrated device controllers and ports and specify related features and options.
<b>Serial Communication</b>	Specifies options to manage the serial ports and specify related features and options.
<b>System Profile Settings</b>	Specifies options to change the processor power management settings, memory frequency, and so on.



Option	Description
<b>System Security</b>	Specifies options to configure the system security settings, such as system password, setup password, Trusted Platform Module (TPM) security. It also manages the power and NMI buttons on the system.
<b>Miscellaneous Settings</b>	Specifies options to change the system date, time, and so on.

#### Related references

[System BIOS](#) on page 43

#### Related tasks

[Viewing System BIOS](#) on page 44

## Boot Settings

You can use the **Boot Settings** screen to set the boot mode to either **BIOS** or **UEFI**. It also enables you to specify the boot order.

#### Related references

[System BIOS](#) on page 43

[Choosing the system boot mode](#) on page 46

#### Related tasks

[Boot Settings details](#) on page 46

[Viewing Boot Settings](#) on page 45

[Changing the boot order](#) on page 47


## Viewing Boot Settings

To view the **Boot Settings** screen, perform the following steps:

#### Steps

1. Turn on, or restart your system.
2. Press F2 immediately after you see the following message:

```
F2 = System Setup
```

 **NOTE:** If your operating system begins to load before you press F2, wait for the system to finish booting, and then restart your system and try again.

3. On the **System Setup Main Menu** screen, click **System BIOS**.
4. On the **System BIOS** screen, click **Boot Settings**.

#### Related references

[Boot Settings](#) on page 45

[Choosing the system boot mode](#) on page 46

#### Related tasks





[Boot Settings details](#) on page 46

[Changing the boot order](#) on page 47

## Boot Settings details

### About this task

The **Boot Settings** screen details are explained as follows:

Option	Description
<b>Boot Mode</b>	<p>Enables you to set the boot mode of the system.</p> <p> <b>CAUTION: Switching the boot mode may prevent the system from booting if the operating system is not installed in the same boot mode.</b></p> <p>If the operating system supports UEFI, you can set this option to <b>UEFI</b>. Setting this field to <b>BIOS</b> allows compatibility with non-UEFI operating systems. This option is set to <b>BIOS</b> by default.</p> <p> <b>NOTE:</b> Setting this field to <b>UEFI</b> disables the <b>BIOS Boot Settings</b> menu. Setting this field to <b>BIOS</b> disables the <b>UEFI Boot Settings</b> menu.</p>
<b>Boot Sequence Retry</b>	<p>Enables or disables the Boot Sequence Retry feature. If this option is set to <b>Enabled</b> and the system fails to boot, the system reattempts the boot sequence after 30 seconds. This option is set to <b>Enabled</b> by default.</p>
<b>Hard-Disk Failover</b>	<p>Specifies the hard drive that is booted in the event of a hard drive failure. The devices are selected in the <b>Hard-Disk Drive Sequence</b> on the <b>Boot Option Setting</b> menu. When this option is set to <b>Disabled</b>, only the first hard drive in the list is attempted to boot. When this option is set to <b>Enabled</b>, all hard drives are attempted to boot in the order selected in the <b>Hard-Disk Drive Sequence</b>. This option is not enabled for UEFI Boot Mode.</p>
<b>Boot Option Settings</b>	<p>Configures the boot sequence and the boot devices.</p>
<b>BIOS Boot Settings</b>	<p>Enables or disables BIOS boot options.</p> <p> <b>NOTE:</b> This option is enabled only if the boot mode is BIOS.</p>
<b>UEFI Boot Settings</b>	<p>Enables or disables UEFI Boot options. The Boot options include <b>IPv4 PXE</b> and <b>IPv6 PXE</b>. This option is set to <b>IPv4</b> by default.</p> <p> <b>NOTE:</b> This option is enabled only if the boot mode is UEFI.</p>

### Related references

[Boot Settings](#) on page 45

[Choosing the system boot mode](#) on page 46

### Related tasks

[Viewing Boot Settings](#) on page 45

[Changing the boot order](#) on page 47

## Choosing the system boot mode

System Setup enables you to specify one of the following boot modes for installing your operating system:

- BIOS boot mode (the default) is the standard BIOS-level boot interface.
- Unified Extensible Firmware Interface (UEFI) (the default) boot mode is an enhanced 64-bit boot interface. If you have configured your system to boot to UEFI mode, it replaces the system BIOS.

1. From the **System Setup Main Menu**, click **Boot Settings**, and select **Boot Mode**.
2. Select the boot mode you want the system to boot into.

 **CAUTION: Switching the boot mode may prevent the system from booting if the operating system is not installed in the same boot mode.**

3. After the system boots in the specified boot mode, proceed to install your operating system from that mode.

 **NOTE:**

- Operating systems must be UEFI-compatible to be installed from the UEFI boot mode. DOS and 32-bit operating systems do not support UEFI and can only be installed from the BIOS boot mode.
- For the latest information about supported operating systems, go to [Dell.com/ossupport](https://Dell.com/ossupport).

### Related references

[Boot Settings](#) on page 45

### Related tasks

[Boot Settings details](#) on page 46

[Viewing Boot Settings](#) on page 45

## Changing the boot order

### About this task

You may have to change the boot order if you want to boot from a USB key or an optical drive. The following instructions may vary if you have selected **BIOS** for **Boot Mode**.

### Steps

1. On the **System Setup Main Menu** screen, click **System BIOS > Boot Settings**.
2. Click **Boot Option Settings > Boot Sequence**.
3. Use the arrow keys to select a boot device, and use the plus (+) and minus (-) sign keys to move the device down or up in the order.
4. Click **Exit**, and then click **Yes** to save the settings on exit.

### Related references

[Boot Settings](#) on page 45


### Related tasks

[Boot Settings details](#) on page 46

[Viewing Boot Settings](#) on page 45

## Network Settings

You can use the **Network Settings** screen to modify PXE device settings. The network settings option is available only in the UEFI mode.

 **NOTE:** The BIOS does not control network settings in the BIOS mode. For the BIOS boot mode, the optional Boot ROM of the network controllers handles the network settings.

### Related concepts

[UEFI iSCSI Settings](#) on page 48

### Related references

[Network Settings screen details](#) on page 48

[UEFI iSCSI Settings details](#) on page 49

[System BIOS](#) on page 43

### Related tasks

[Viewing Network Settings](#) on page 48

[Viewing UEFI iSCSI Settings](#) on page 49

## Viewing Network Settings

To view the **Network Settings** screen, perform the following steps:

### Steps

1. Turn on, or restart your system.
2. Press F2 immediately after you see the following message:

```
F2 = System Setup
```

**NOTE:** If your operating system begins to load before you press F2, wait for the system to finish booting, and then restart your system and try again.

3. On the **System Setup Main Menu** screen, click **System BIOS**.
4. On the **System BIOS** screen, click **Network Settings**.

### Related references

[Network Settings](#) on page 47

[Network Settings screen details](#) on page 48

## Network Settings screen details

The **Network Settings** screen details are explained as follows:

### About this task

Option	Description
<b>PXE Device n (n = 1 to 4)</b>	Enables or disables the device. When enabled, a UEFI boot option is created for the device.
<b>PXE Device n Settings(n = 1 to 4)</b>	Enables you to control the configuration of the PXE device.

### Related references

[Network Settings](#) on page 47

### Related tasks

[Viewing Network Settings](#) on page 48

## UEFI iSCSI Settings

You can use the iSCSI Settings screen to modify iSCSI device settings. The iSCSI Settings option is available only in the UEFI boot mode. BIOS does not control network settings in the BIOS boot mode. For the BIOS boot mode, the option ROM of the network controller handles the network settings.

### Related references

[UEFI iSCSI Settings details](#) on page 49

[UEFI iSCSI Settings](#) on page 48

### Related tasks

[Viewing UEFI iSCSI Settings](#) on page 49

## Viewing UEFI iSCSI Settings

To view the **UEFI iSCSI Settings** screen, perform the following steps:

### Steps

1. Turn on, or restart your system.
2. Press F2 immediately after you see the following message:

```
F2 = System Setup
```

**NOTE:** If your operating system begins to load before you press F2, wait for the system to finish booting, and then restart your system and try again.

3. On the **System Setup Main Menu** screen, click **System BIOS**.
4. On the **System BIOS** screen, click **Network Settings**.
5. On the **Network Settings** screen, click **UEFI iSCSI Settings**.

### Related references

[UEFI iSCSI Settings](#) on page 48

## UEFI iSCSI Settings details

The **UEFI iSCSI Settings** screen details are explained as follows:

Option	Description
<b>iSCSI Initiator Name</b>	Specifies the name of the iSCSI initiator (iqn format).
<b>iSCSI Device n (n = 1 to 4)</b>	Enables or disables the iSCSI device. When disabled, a UEFI boot option is created for the iSCSI device automatically.

## System Security

You can use the **System Security** screen to perform specific functions such as setting the system password, setup password and disabling the power button.

### Related references

[Operating with a setup password enabled](#) on page 53  
[System BIOS](#) on page 43

### Related tasks

[System Security Settings details](#) on page 50  
[Viewing System Security](#) on page 49  
[Creating a system and setup password](#) on page 52  
[Using your system password to secure your system](#) on page 52  
[Deleting or changing system and setup password](#) on page 53

## Viewing System Security

To view the **System Security** screen, perform the following steps:

### Steps

1. Turn on, or restart your system.

2. Press F2 immediately after you see the following message:

F2 = System Setup

**NOTE:** If your operating system begins to load before you press F2, wait for the system to finish booting, and then restart your system and try again.

3. On the **System Setup Main Menu** screen, click **System BIOS**.

4. On the **System BIOS** screen, click **System Security**.

### Related references

[System Security](#) on page 49

### Related tasks

[System Security Settings details](#) on page 50

## System Security Settings details

### About this task

The **System Security Settings** screen details are explained as follows:

Option	Description
<b>Intel AES-NI</b>	Improves the speed of applications by performing encryption and decryption by using the Advanced Encryption Standard Instruction Set (AES-NI). This option is set to <b>Enabled</b> by default.
<b>System Password</b>	Sets the system password. This option is set to <b>Enabled</b> by default and is read-only if the password jumper is not installed in the system.
<b>Setup Password</b>	Sets the setup password. This option is read-only if the password jumper is not installed in the system.
<b>Password Status</b>	Locks the system password. This option is set to <b>Unlocked</b> by default.
<b>TPM Security</b>	<b>NOTE:</b> The TPM menu is available only when the TPM module is installed.  Enables you to control the reporting mode of the TPM. The <b>TPM Security</b> option is set to <b>Off</b> by default. You can only modify the TPM Status, TPM Activation, and Intel TXT fields if the <b>TPM Status</b> field is set to either <b>On with Pre-boot Measurements</b> or <b>On without Pre-boot Measurements</b> .
<b>TPM Information</b>	Changes the operational state of the TPM. This option is set to <b>No Change</b> by default.
<b>TPM Status</b>	Specifies the TPM status.
<b>TPM Command</b>	<b>CAUTION:</b> Clearing the TPM results in the loss of all keys in the TPM. The loss of TPM keys may affect booting to the operating system.  Clears all the contents of the TPM. The <b>TPM Clear</b> option is set to <b>No</b> by default.
<b>Intel TXT</b>	Enables or disables the Intel Trusted Execution Technology (TXT) option. To enable the <b>Intel TXT</b> option, virtualization technology and TPM Security must be enabled with Pre-boot measurements. This option is set to <b>Off</b> by default.
<b>Power Button</b>	Enables or disables the power button on the front of the system. This option is set to <b>Enabled</b> by default.
<b>NMI Button</b>	Enables or disables the NMI button on the front of the system. This option is set to <b>Disabled</b> by default.
<b>AC Power Recovery</b>	Sets how the system behaves after AC power is restored to the system. This option is set to <b>Last</b> by default.
<b>AC Power Recovery Delay</b>	Sets the time delay for the system to power up after AC power is restored to the system. This option is set to <b>Immediate</b> by default.
<b>User Defined Delay (60s to 240s)</b>	Sets the <b>User Defined Delay</b> option when the <b>User Defined</b> option for <b>AC Power Recovery Delay</b> is selected.

Option	Description
<b>UEFI Variable Access</b>	Provides varying degrees of securing UEFI variables. When set to <b>Standard</b> (the default), UEFI variables are accessible in the operating system per the UEFI specification. When set to <b>Controlled</b> , selected UEFI variables are protected in the environment and new UEFI boot entries are forced to be at the end of the current boot order.
<b>Secure Boot Policy</b>	When Secure Boot policy is set to <b>Standard</b> , the BIOS uses the system manufacturer's key and certificates to authenticate pre-boot images. When Secure Boot policy is set to <b>Custom</b> , the BIOS uses the user-defined key and certificates. Secure Boot policy is set to <b>Standard</b> by default.
<b>Secure Boot Policy Summary</b>	Specifies the list of certificates and hashes that secure boot uses to authenticate images.

#### Related references

[System Security](#) on page 49

#### Related tasks

[Viewing System Security](#) on page 49

## Secure Boot Custom Policy Settings

Secure Boot Custom Policy Settings is displayed only when **Secure Boot Policy** is set to **Custom**.

### Viewing Secure Boot Custom Policy Settings

To view the **Secure Boot Custom Policy Settings** screen, perform the following steps:

#### Steps

1. Turn on, or restart your system.
2. Press F2 immediately after you see the following message:

```
F2 = System Setup
```

**NOTE:** If your operating system begins to load before you press F2, wait for the system to finish booting, and then restart your system and try again.

3. On the **System Setup Main Menu** screen, click **System BIOS**.
4. On the **System BIOS** screen, click **System Security**.
5. On the **System Security** screen, click **Secure Boot Custom Policy Settings**.

### Secure Boot Custom Policy Settings details


The **Secure Boot Custom Policy Settings** screen details are explained as follows:

Option	Description
<b>Platform Key</b>	Imports, exports, deletes, or restores the platform key (PK).
<b>Key Exchange Key Database</b>	Enables you to import, export, delete, or restore entries in the Key Exchange Key (KEK) Database.
<b>Authorized Signature Database</b>	Imports, exports, deletes, or restores entries in the Authorized Signature Database (db).
<b>Forbidden Signature Database</b>	Imports, exports, deletes, or restores entries in the Forbidden Signature Database (dbx).

## Creating a system and setup password

### Prerequisites

Ensure that the password jumper is enabled. The password jumper enables or disables the system password and setup password features. For more information, see the System board jumper settings section.

 **NOTE:** If the password jumper setting is disabled, the existing system password and setup password are deleted and you need not provide the system password to boot the system.

### Steps

1. To enter System Setup, press F2 immediately after turning on or rebooting your system.
2. On the **System Setup Main Menu** screen, click **System BIOS > System Security**.
3. On the **System Security** screen, verify that **Password Status** is set to **Unlocked**.
4. In the **System Password** field, type your system password, and press Enter or Tab.


Use the following guidelines to assign the system password:

- A password can have up to 32 characters.
- The password can contain the numbers 0 through 9.
- Only the following special characters are allowed: space, ("), (+), (.), (-), (.), (/), (:), ([), (\), (]), ( ` ).

A message prompts you to reenter the system password.

5. Reenter the system password, and click **OK**.
6. In the **Setup Password** field, type your setup password and press Enter or Tab. A message prompts you to reenter the setup password.
7. Reenter the setup password, and click **OK**.
8. Press Esc to return to the System BIOS screen. Press Esc again.

A message prompts you to save the changes.

 **NOTE:** Password protection does not take effect until the system reboots.

### Related references

[System Security](#) on page 49

## Using your system password to secure your system

### About this task


If you have assigned a setup password, the system accepts your setup password as an alternate system password.

### Steps

1. Turn on or reboot your system.
2. Type the system password and press Enter.

### Next steps

When **Password Status** is set to **Locked**, type the system password and press Enter when prompted at reboot.

 **NOTE:** If an incorrect system password is typed, the system displays a message and prompts you to reenter your password. You have three attempts to type the correct password. After the third unsuccessful attempt, the system displays an error message that the system has stopped functioning and must be turned off. Even after you turn off and restart the system, the error message is displayed until the correct password is entered.


### Related references

[System Security](#) on page 49



## Deleting or changing system and setup password

### Prerequisites

 **NOTE:** You cannot delete or change an existing system or setup password if the **Password Status** is set to **Locked**.

### Steps

1. To enter System Setup, press F2 immediately after turning on or restarting your system.
2. On the **System Setup Main Menu** screen, click **System BIOS > System Security**.
3. On the **System Security** screen, ensure that **Password Status** is set to **Unlocked**.
4. In the **System Password** field, alter or delete the existing system password, and then press Enter or Tab.
5. In the **Setup Password** field, alter or delete the existing setup password, and then press Enter or Tab.  
If you change the system and setup password, a message prompts you to reenter the new password. If you delete the system and setup password, a message prompts you to confirm the deletion.
6. Press Esc to return to the **System BIOS** screen. Press Esc again, and a message prompts you to save the changes.

### Related references

[System Security](#) on page 49

## Operating with a setup password enabled


If **Setup Password** is set to **Enabled**, type the correct setup password before modifying the system setup options.

If you do not type the correct password in three attempts, the system displays the following message:

```
Invalid Password! Number of unsuccessful password attempts: <x> System Halted! Must  
power down.
```

Even after you turn off and restart the system, the error message is displayed until the correct password is typed. The following options are exceptions:

- If **System Password** is not set to **Enabled** and is not locked through the **Password Status** option, you can assign a system password. For more information, see the System Security Settings screen section.
- You cannot disable or change an existing system password.

 **NOTE:** You can use the password status option with the setup password option to protect the system password from unauthorized changes.

### Related references

[System Security](#) on page 49

## System Information

You can use the **System Information** screen to view system properties such as Service Tag, system model name, and the BIOS version.

### Related references

[System Information details](#) on page 54

[System BIOS](#) on page 43

### Related tasks

[Viewing System Information](#) on page 54

## Viewing System Information

To view the **System Information** screen, perform the following steps:

### Steps

1. Turn on, or restart your system.
2. Press F2 immediately after you see the following message:

```
F2 = System Setup
```

**NOTE:** If your operating system begins to load before you press F2, wait for the system to finish booting, and then restart your system and try again.

3. On the **System Setup Main Menu** screen, click **System BIOS**.
4. On the **System BIOS** screen, click **System Information**.

### Related references

[System Information](#) on page 53

## System Information details

### About this task

The **System Information** screen details are explained as follows:

Option	Description
<b>System Model Name</b>	Specifies the system model name.
<b>System BIOS Version</b>	Specifies the BIOS version installed on the system.
<b>System Management Engine Version</b>	Specifies the current version of the Management Engine firmware.
<b>System Service Tag</b>	Specifies the system Service Tag.
<b>System Manufacturer</b>	Specifies the name of the system manufacturer.
<b>System Manufacturer Contact Information</b>	Specifies the contact information of the system manufacturer.
<b>System CPLD Version</b>	Specifies the current version of the system complex programmable logic device (CPLD) firmware.
<b>UEFI Compliance Version</b>	Specifies the UEFI compliance level of the system firmware.

### Related references

[System Information](#) on page 53

[System Information details](#) on page 54

### Related tasks

[Viewing System Information](#) on page 54

## Memory Settings

You can use the **Memory Settings** screen to view all the memory settings and enable or disable specific memory functions, such as memory testing and node interleaving.

### Related references

[Memory Settings details](#) on page 55

[System BIOS](#) on page 43

### Related tasks

[Viewing Memory Settings](#) on page 55


## Viewing Memory Settings

To view the **Memory Settings** screen, perform the following steps:

### Steps

1. Turn on, or restart your system.
2. Press F2 immediately after you see the following message:

```
F2 = System Setup
```

 **NOTE:** If your operating system begins to load before you press F2, wait for the system to finish booting, and then restart your system and try again.

3. On the **System Setup Main Menu** screen, click **System BIOS**.
4. On the **System BIOS** screen, click **Memory Settings**.

### Related references

[Memory Settings](#) on page 55

[Memory Settings details](#) on page 55

## Memory Settings details

### About this task

The **Memory Settings** screen details are explained as follows:

Option	Description
<b>System Memory Size</b>	Specifies the memory size in the system.
<b>System Memory Type</b>	Specifies the type of memory installed in the system.
<b>System Memory Speed</b>	Specifies the memory speed.
<b>System Memory Voltage</b>	Specifies the memory voltage.
<b>Video Memory</b>	Specifies the amount of video memory.
<b>System Memory Testing</b>	Specifies whether the memory tests are run during system boot. Options are <b>Enabled</b> and <b>Disabled</b> . This option is set to <b>Disabled</b> by default.
<b>Memory Operating Mode</b>	Specifies the memory operating mode. The options available are <b>Optimizer Mode</b> , <b>Advanced ECC Mode</b> , <b>Mirror Mode</b> , <b>Spare Mode</b> , <b>Spare with Advanced ECC Mode</b> , <b>Dell Fault Resilient Mode</b> and <b>Dell NUMA Fault Resilient Mode</b> . This option is set to <b>Optimizer Mode</b> by default.

Option	Description
	<p><b>NOTE:</b> The <b>Memory Operating Mode</b> option can have different default and available options based on the memory configuration of your system.</p> <p><b>NOTE:</b> The <b>Dell Fault Resilient Mode</b> option establishes an area of memory that is fault resilient. This mode can be used by an operating system that supports the feature to load critical applications or enables the operating system kernel to maximize system availability.</p>
<b>Node Interleaving</b>	Specifies if the Non-Uniform Memory Architecture (NUMA) is supported. If this field is set to <b>Enabled</b> , memory interleaving is supported if a symmetric memory configuration is installed. If the field is set to <b>Disabled</b> , the system supports NUMA (asymmetric) memory configurations. This option is set to <b>Disabled</b> by default.
<b>Snoop Mode</b>	Specifies the Snoop Mode options. The Snoop Mode options available are <b>Home Snoop</b> , <b>Early Snoop</b> , and <b>Cluster on Die</b> . This option is set to <b>Early Snoop</b> by default. This field is available only when the <b>Node Interleaving</b> is set to <b>Disabled</b> .

### Related references

[Memory Settings](#) on page 55

### Related tasks

[Viewing Memory Settings](#) on page 55

## Processor Settings

You can use the **Processor Settings** screen to view the processor settings, and perform specific functions such as enabling virtualization technology, hardware prefetcher, and logical processor idling.

### Related references

[Processor Settings details](#) on page 57

[System BIOS](#) on page 43

### Related tasks

[Viewing Processor Settings](#) on page 56

## Viewing Processor Settings

To view the **Processor Settings** screen, perform the following steps:

### Steps

1. Turn on, or restart your system.
2. Press F2 immediately after you see the following message:

```
F2 = System Setup
```

**NOTE:** If your operating system begins to load before you press F2, wait for the system to finish booting, and then restart your system and try again.

3. On the **System Setup Main Menu** screen, click **System BIOS**.
4. On the **System BIOS** screen, click **Processor Settings**.

### Related references





[Processor Settings](#) on page 56

[Processor Settings details](#) on page 57

## Processor Settings details

### About this task

The **Processor Settings** screen details are explained as follows:

Option	Description
<b>Logical Processor</b>	Enables or disables the logical processors and displays the number of logical processors. If this option is set to <b>Enabled</b> , the BIOS displays all the logical processors. If this option is set to <b>Disabled</b> , the BIOS displays only one logical processor per core. This option is set to <b>Enabled</b> by default.
<b>QPI Speed</b>	Enables you to control QuickPath Interconnect data rate settings.
<b>Alternate RTID (Requestor Transaction ID) Setting</b>	Modifies Requestor Transaction IDs, which are QPI resources. This option is set to <b>Disabled</b> by default.  <b>NOTE:</b> Enabling this option may negatively impact the overall system performance.
<b>Virtualization Technology</b>	Enables or disables the additional hardware capabilities provided for virtualization. This option is set to <b>Enabled</b> by default.
<b>Address Translation Service (ATS)</b>	Defines the Address Translation Cache (ATC) for devices to cache the DMA transactions. This option provides an interface between CPU and DMA Memory Management to a chipset's Address Translation and Protection Table to translate DMA addresses to host addresses. This option is set to <b>Enabled</b> by default.
<b>Adjacent Cache Line Prefetch</b>	Optimizes the system for applications that need high utilization of sequential memory access. This option is set to <b>Enabled</b> by default. You can disable this option for applications that need high utilization of random memory access.
<b>Hardware Prefetcher</b>	Enables or disables the hardware prefetcher. This option is set to <b>Enabled</b> by default.
<b>DCU Streamer Prefetcher</b>	Enables or disables the Data Cache Unit (DCU) streamer prefetcher. This option is set to <b>Enabled</b> by default.
<b>DCU IP Prefetcher</b>	Enables or disables the Data Cache Unit (DCU) IP prefetcher. This option is set to <b>Enabled</b> by default.
<b>Execute Disable</b>	Enables you to run the disable memory protection technology. This option is set to <b>Enabled</b> by default.
<b>Logical Processor Idling</b>	Enables you to improve the energy efficiency of a system. It uses the operating system core parking algorithm and parks some of the logical processors in the system which in turn allows the corresponding processor cores to transition into a lower power idle state. This option can only be enabled if the operating system supports it. It is set to <b>Disabled</b> by default.
<b>Configurable TDP</b>	Enables you to reconfigure the processor Thermal Design Power (TDP) levels during POST based on the power and thermal delivery capabilities of the system. TDP verifies the maximum heat the cooling system is needed to dissipate. This option is set to <b>Nominal</b> by default.  <b>NOTE:</b> This option is only available on certain stock keeping units (SKUs) of the processors.
<b>X2Apic Mode</b>	Enables or disables the X2Apic mode.
<b>Dell Controlled Turbo</b>	Controls the turbo engagement. Enable this option only when <b>System Profile</b> is set to <b>Performance</b> .  <b>NOTE:</b> Depending on the number of installed CPUs, there may be up to four processor listings.
<b>Number of Cores per Processor</b>	Controls the number of enabled cores in each processor. This option is set to <b>All</b> by default.
<b>Processor 64-bit Support</b>	Specifies if the processor(s) support 64-bit extensions.
<b>Processor Core Speed</b>	Specifies the maximum core frequency of the processor.
<b>Processor 1</b>	 <b>NOTE:</b> Depending on the number of CPUs, there may be up to four processors listed.

The following settings are displayed for each processor installed in the system:

Option	Description
<b>Option</b>	<b>Description</b>
<b>Family-Model-Stepping</b>	Specifies the family, model, and stepping of the processor as defined by Intel.
<b>Brand</b>	Specifies the brand name.
<b>Level 2 Cache</b>	Specifies the total L2 cache.
<b>Level 3 Cache</b>	Specifies the total L3 cache.
<b>Number of Cores</b>	Specifies the number of cores per processor.

#### Related references

[Processor Settings](#) on page 56

#### Related tasks

[Viewing Processor Settings](#) on page 56

## SATA Settings

You can use the **SATA Settings** screen to view the SATA settings of SATA devices and enable RAID on your system.

#### Related references

[System BIOS](#) on page 43

#### Related tasks

[SATA Settings details](#) on page 59

[Viewing SATA Settings](#) on page 58

## Viewing SATA Settings

To view the **SATA Settings** screen, perform the following steps:

#### Steps

1. Turn on, or restart your system.
2. Press F2 immediately after you see the following message:

```
F2 = System Setup
```

**NOTE:** If your operating system begins to load before you press F2, wait for the system to finish booting, and then restart your system and try again.

3. On the **System Setup Main Menu** screen, click **System BIOS**.
4. On the **System BIOS** screen, click **SATA Settings**.

#### Related references

[SATA Settings](#) on page 58

#### Related tasks

[SATA Settings details](#) on page 59

## SATA Settings details

### About this task

The **SATA Settings** screen details are explained as follows:

Option	Description								
<b>Embedded SATA</b>	Enables the embedded SATA option to be set to <b>Off</b> , <b>ATA</b> , <b>AHCI</b> , or <b>RAID</b> modes. This option is set to <b>AHCI</b> by default.								
<b>Security Freeze Lock</b>	Sends Security Freeze Lock command to the Embedded SATA drives during POST. This option is applicable only for ATA and AHCI modes.								
<b>Write Cache</b>	Enables or disables the command for Embedded SATA drives during POST.								
<b>Port A</b>	<p>Sets the drive type of the selected device. For <b>Embedded SATA settings</b> in <b>ATA</b> mode, set this field to <b>Auto</b> to enable BIOS support. Set it to <b>OFF</b> to turn off BIOS support.</p> <p>For <b>AHCI</b> or <b>RAID</b> mode, BIOS support is always enabled.</p> <table><thead><tr><th>Option</th><th>Description</th></tr></thead><tbody><tr><td><b>Model</b></td><td>Specifies the drive model of the selected device.</td></tr><tr><td><b>Drive Type</b></td><td>Specifies the type of drive attached to the SATA port.</td></tr><tr><td><b>Capacity</b></td><td>Specifies the total capacity of the hard drive. This field is undefined for removable media devices such as optical drives.</td></tr></tbody></table>	Option	Description	<b>Model</b>	Specifies the drive model of the selected device.	<b>Drive Type</b>	Specifies the type of drive attached to the SATA port.	<b>Capacity</b>	Specifies the total capacity of the hard drive. This field is undefined for removable media devices such as optical drives.
Option	Description								
<b>Model</b>	Specifies the drive model of the selected device.								
<b>Drive Type</b>	Specifies the type of drive attached to the SATA port.								
<b>Capacity</b>	Specifies the total capacity of the hard drive. This field is undefined for removable media devices such as optical drives.								
<b>Port B</b>	<p>Sets the drive type of the selected device. For <b>Embedded SATA settings</b> in <b>ATA</b> mode, set this field to <b>Auto</b> to enable BIOS support. Set it to <b>OFF</b> to turn off BIOS support.</p> <p>For <b>AHCI</b> or <b>RAID</b> mode, BIOS support is always enabled.</p> <table><thead><tr><th>Option</th><th>Description</th></tr></thead><tbody><tr><td><b>Model</b></td><td>Specifies the drive model of the selected device.</td></tr><tr><td><b>Drive Type</b></td><td>Specifies the type of drive attached to the SATA port.</td></tr><tr><td><b>Capacity</b></td><td>Specifies the total capacity of the hard drive. This field is undefined for removable media devices such as optical drives.</td></tr></tbody></table>	Option	Description	<b>Model</b>	Specifies the drive model of the selected device.	<b>Drive Type</b>	Specifies the type of drive attached to the SATA port.	<b>Capacity</b>	Specifies the total capacity of the hard drive. This field is undefined for removable media devices such as optical drives.
Option	Description								
<b>Model</b>	Specifies the drive model of the selected device.								
<b>Drive Type</b>	Specifies the type of drive attached to the SATA port.								
<b>Capacity</b>	Specifies the total capacity of the hard drive. This field is undefined for removable media devices such as optical drives.								
<b>Port C</b>	<p>Sets the drive type of the selected device. For <b>Embedded SATA settings</b> in <b>ATA</b> mode, set this field to <b>Auto</b> to enable BIOS support. Set it to <b>OFF</b> to turn off BIOS support.</p> <p>For <b>AHCI</b> or <b>RAID</b> mode, BIOS support is always enabled.</p> <table><thead><tr><th>Option</th><th>Description</th></tr></thead><tbody><tr><td><b>Model</b></td><td>Specifies the drive model of the selected device.</td></tr><tr><td><b>Drive Type</b></td><td>Specifies the type of drive attached to the SATA port.</td></tr><tr><td><b>Capacity</b></td><td>Specifies the total capacity of the hard drive. This field is undefined for removable media devices such as optical drives.</td></tr></tbody></table>	Option	Description	<b>Model</b>	Specifies the drive model of the selected device.	<b>Drive Type</b>	Specifies the type of drive attached to the SATA port.	<b>Capacity</b>	Specifies the total capacity of the hard drive. This field is undefined for removable media devices such as optical drives.
Option	Description								
<b>Model</b>	Specifies the drive model of the selected device.								
<b>Drive Type</b>	Specifies the type of drive attached to the SATA port.								
<b>Capacity</b>	Specifies the total capacity of the hard drive. This field is undefined for removable media devices such as optical drives.								
<b>Port D</b>	<p>Sets the drive type of the selected device. For <b>Embedded SATA settings</b> in <b>ATA</b> mode, set this field to <b>Auto</b> to enable BIOS support. Set it to <b>OFF</b> to turn off BIOS support.</p> <p>For <b>AHCI</b> or <b>RAID</b> mode, BIOS support is always enabled.</p> <table><thead><tr><th>Option</th><th>Description</th></tr></thead><tbody><tr><td><b>Model</b></td><td>Specifies the drive model of the selected device.</td></tr><tr><td><b>Drive Type</b></td><td>Specifies the type of drive attached to the SATA port.</td></tr><tr><td><b>Capacity</b></td><td>Specifies the total capacity of the hard drive. This field is undefined for removable media devices such as optical drives.</td></tr></tbody></table>	Option	Description	<b>Model</b>	Specifies the drive model of the selected device.	<b>Drive Type</b>	Specifies the type of drive attached to the SATA port.	<b>Capacity</b>	Specifies the total capacity of the hard drive. This field is undefined for removable media devices such as optical drives.
Option	Description								
<b>Model</b>	Specifies the drive model of the selected device.								
<b>Drive Type</b>	Specifies the type of drive attached to the SATA port.								
<b>Capacity</b>	Specifies the total capacity of the hard drive. This field is undefined for removable media devices such as optical drives.								

<b>Option</b>	<b>Description</b>								
<b>Port E</b>	<p>Sets the drive type of the selected device. For <b>Embedded SATA settings</b> in <b>ATA</b> mode, set this field to <b>Auto</b> to enable BIOS support. Set it to <b>OFF</b> to turn off BIOS support.</p> <p>For <b>AHCI</b> or <b>RAID</b> mode, BIOS support is always enabled.</p> <table border="0" style="margin-left: 20px;"> <thead> <tr> <th style="text-align: left;"><b>Option</b></th> <th style="text-align: left;"><b>Description</b></th> </tr> </thead> <tbody> <tr> <td><b>Model</b></td> <td>Specifies the drive model of the selected device.</td> </tr> <tr> <td><b>Drive Type</b></td> <td>Specifies the type of drive attached to the SATA port.</td> </tr> <tr> <td><b>Capacity</b></td> <td>Specifies the total capacity of the hard drive. This field is undefined for removable media devices such as optical drives.</td> </tr> </tbody> </table>	<b>Option</b>	<b>Description</b>	<b>Model</b>	Specifies the drive model of the selected device.	<b>Drive Type</b>	Specifies the type of drive attached to the SATA port.	<b>Capacity</b>	Specifies the total capacity of the hard drive. This field is undefined for removable media devices such as optical drives.
<b>Option</b>	<b>Description</b>								
<b>Model</b>	Specifies the drive model of the selected device.								
<b>Drive Type</b>	Specifies the type of drive attached to the SATA port.								
<b>Capacity</b>	Specifies the total capacity of the hard drive. This field is undefined for removable media devices such as optical drives.								
<b>Port F</b>	<p>Sets the drive type of the selected device. For <b>Embedded SATA settings</b> in <b>ATA</b> mode, set this field to <b>Auto</b> to enable BIOS support. Set it to <b>OFF</b> to turn off BIOS support.</p> <p>For <b>AHCI</b> or <b>RAID</b> mode, BIOS support is always enabled.</p> <table border="0" style="margin-left: 20px;"> <thead> <tr> <th style="text-align: left;"><b>Option</b></th> <th style="text-align: left;"><b>Description</b></th> </tr> </thead> <tbody> <tr> <td><b>Model</b></td> <td>Specifies the drive model of the selected device.</td> </tr> <tr> <td><b>Drive Type</b></td> <td>Specifies the type of drive attached to the SATA port.</td> </tr> <tr> <td><b>Capacity</b></td> <td>Specifies the total capacity of the hard drive. This field is undefined for removable media devices such as optical drives.</td> </tr> </tbody> </table>	<b>Option</b>	<b>Description</b>	<b>Model</b>	Specifies the drive model of the selected device.	<b>Drive Type</b>	Specifies the type of drive attached to the SATA port.	<b>Capacity</b>	Specifies the total capacity of the hard drive. This field is undefined for removable media devices such as optical drives.
<b>Option</b>	<b>Description</b>								
<b>Model</b>	Specifies the drive model of the selected device.								
<b>Drive Type</b>	Specifies the type of drive attached to the SATA port.								
<b>Capacity</b>	Specifies the total capacity of the hard drive. This field is undefined for removable media devices such as optical drives.								
<b>Port G</b>	<p>Sets the drive type of the selected device. For <b>Embedded SATA settings</b> in <b>ATA</b> mode, set this field to <b>Auto</b> to enable BIOS support. Set it to <b>OFF</b> to turn off BIOS support.</p> <p>For <b>AHCI</b> or <b>RAID</b> mode, BIOS support is always enabled.</p> <table border="0" style="margin-left: 20px;"> <thead> <tr> <th style="text-align: left;"><b>Option</b></th> <th style="text-align: left;"><b>Description</b></th> </tr> </thead> <tbody> <tr> <td><b>Model</b></td> <td>Specifies the drive model of the selected device.</td> </tr> <tr> <td><b>Drive Type</b></td> <td>Specifies the type of drive attached to the SATA port.</td> </tr> <tr> <td><b>Capacity</b></td> <td>Specifies the total capacity of the hard drive. This field is undefined for removable media devices such as optical drives.</td> </tr> </tbody> </table>	<b>Option</b>	<b>Description</b>	<b>Model</b>	Specifies the drive model of the selected device.	<b>Drive Type</b>	Specifies the type of drive attached to the SATA port.	<b>Capacity</b>	Specifies the total capacity of the hard drive. This field is undefined for removable media devices such as optical drives.
<b>Option</b>	<b>Description</b>								
<b>Model</b>	Specifies the drive model of the selected device.								
<b>Drive Type</b>	Specifies the type of drive attached to the SATA port.								
<b>Capacity</b>	Specifies the total capacity of the hard drive. This field is undefined for removable media devices such as optical drives.								
<b>Port H</b>	<p>Sets the drive type of the selected device. For <b>Embedded SATA settings</b> in <b>ATA</b> mode, set this field to <b>Auto</b> to enable BIOS support. Set it to <b>OFF</b> to turn off BIOS support.</p> <p>For <b>AHCI</b> or <b>RAID</b> mode, BIOS support is always enabled.</p> <table border="0" style="margin-left: 20px;"> <thead> <tr> <th style="text-align: left;"><b>Option</b></th> <th style="text-align: left;"><b>Description</b></th> </tr> </thead> <tbody> <tr> <td><b>Model</b></td> <td>Specifies the drive model of the selected device.</td> </tr> <tr> <td><b>Drive Type</b></td> <td>Specifies the type of drive attached to the SATA port.</td> </tr> <tr> <td><b>Capacity</b></td> <td>Specifies the total capacity of the hard drive. This field is undefined for removable media devices such as optical drives.</td> </tr> </tbody> </table>	<b>Option</b>	<b>Description</b>	<b>Model</b>	Specifies the drive model of the selected device.	<b>Drive Type</b>	Specifies the type of drive attached to the SATA port.	<b>Capacity</b>	Specifies the total capacity of the hard drive. This field is undefined for removable media devices such as optical drives.
<b>Option</b>	<b>Description</b>								
<b>Model</b>	Specifies the drive model of the selected device.								
<b>Drive Type</b>	Specifies the type of drive attached to the SATA port.								
<b>Capacity</b>	Specifies the total capacity of the hard drive. This field is undefined for removable media devices such as optical drives.								
<b>Port I</b>	<p>Sets the drive type of the selected device. For <b>Embedded SATA settings</b> in <b>ATA</b> mode, set this field to <b>Auto</b> to enable BIOS support. Set it to <b>OFF</b> to turn off BIOS support.</p> <p>For <b>AHCI</b> or <b>RAID</b> mode, BIOS support is always enabled.</p> <table border="0" style="margin-left: 20px;"> <thead> <tr> <th style="text-align: left;"><b>Option</b></th> <th style="text-align: left;"><b>Description</b></th> </tr> </thead> <tbody> <tr> <td><b>Model</b></td> <td>Specifies the drive model of the selected device.</td> </tr> <tr> <td><b>Drive Type</b></td> <td>Specifies the type of drive attached to the SATA port.</td> </tr> <tr> <td><b>Capacity</b></td> <td>Specifies the total capacity of the hard drive. This field is undefined for removable media devices such as optical drives.</td> </tr> </tbody> </table>	<b>Option</b>	<b>Description</b>	<b>Model</b>	Specifies the drive model of the selected device.	<b>Drive Type</b>	Specifies the type of drive attached to the SATA port.	<b>Capacity</b>	Specifies the total capacity of the hard drive. This field is undefined for removable media devices such as optical drives.
<b>Option</b>	<b>Description</b>								
<b>Model</b>	Specifies the drive model of the selected device.								
<b>Drive Type</b>	Specifies the type of drive attached to the SATA port.								
<b>Capacity</b>	Specifies the total capacity of the hard drive. This field is undefined for removable media devices such as optical drives.								



Option	Description
<b>Port J</b>	Sets the drive type of the selected device. For <b>Embedded SATA settings</b> in <b>ATA</b> mode, set this field to <b>Auto</b> to enable BIOS support. Set it to <b>OFF</b> to turn off BIOS support. For <b>AHCI</b> or <b>RAID</b> mode, BIOS support is always enabled.
<b>Option</b>	<b>Description</b>
<b>Model</b>	Specifies the drive model of the selected device.
<b>Drive Type</b>	Specifies the type of drive attached to the SATA port.
<b>Capacity</b>	Specifies the total capacity of the hard drive. This field is undefined for removable media devices such as optical drives.

### Related references

[SATA Settings](#) on page 58

### Related tasks

[Viewing SATA Settings](#) on page 58

## Integrated Devices

You can use the **Integrated Devices** screen to view and configure the settings of all integrated devices including the video controller, integrated RAID controller, and the USB ports.

### Related references

[System BIOS](#) on page 43

### Related tasks

[Integrated Devices details](#) on page 62

[Viewing Integrated Devices](#) on page 61

## Viewing Integrated Devices

To view the **Integrated Devices** screen, perform the following steps:

### Steps

1. Turn on, or restart your system.
2. Press F2 immediately after you see the following message:

```
F2 = System Setup
```

**NOTE:** If your operating system begins to load before you press F2, wait for the system to finish booting, and then restart your system and try again.

3. On the **System Setup Main Menu** screen, click **System BIOS**.
4. On the **System BIOS** screen, click **Integrated Devices**.

### Related references

[Integrated Devices](#) on page 61


### Related tasks

[Integrated Devices details](#) on page 62

## Integrated Devices details

### About this task

The **Integrated Devices** screen details are explained as follows:

Option	Description
<b>USB 3.0 Setting</b>	Enables or disables the USB 3.0 support. Enable this option only if your operating system supports USB 3.0. If you disable this option, devices operate at USB 2.0 speed. USB 3.0 is enabled by default.
<b>User Accessible USB Ports</b>	Enables or disables the USB ports. Selecting <b>Only Back Ports On</b> disables the front USB ports, selecting <b>All Ports Off</b> disables all USB ports. The USB keyboard and mouse operate during boot process in certain operating systems. After the boot process is complete, the USB keyboard and mouse do not work if the ports are disabled.  <b>NOTE:</b> Selecting <b>Only Back Ports On</b> and <b>All Ports Off</b> disables the USB management port and also restricts access to iDRAC features.
<b>Internal USB Port</b>	Enables or disables the internal USB port. This option is set to <b>Enabled</b> by default.
<b>Integrated RAID Controller</b>	Enables or disables the integrated RAID controller. This option is set to <b>Enabled</b> by default.
<b>Integrated Network Card 1</b>	Enables or disables the integrated network card.
<b>I/OAT DMA Engine</b>	Enables or disables the I/OAT option. Enable only if the hardware and software support the feature.
<b>I/O Snoop Holdoff Response</b>	Selects the number of cycles PCI I/O can withhold snoop requests from the CPU, to allow time to complete its own write to LLC. This setting can help improve performance on workloads where throughput and latency are critical.
<b>Embedded Video Controller</b>	Enables or disables the <b>Embedded Video Controller</b> option. This option is set to <b>Enabled</b> by default.
<b>Current State of Embedded Video Controller</b>	Displays the current state of the embedded video controller. The <b>Current State of Embedded Video Controller</b> option is a read-only field. If the Embedded Video Controller is the only display capability in the system (that is, no add-in graphics card is installed), then the Embedded Video Controller is automatically used as the primary display even if the <b>Embedded Video Controller</b> setting is set to <b>Disabled</b> .
<b>SR-IOV Global Enable</b>	Enables or disables the BIOS configuration of Single Root I/O Virtualization (SR-IOV) devices. This option is set to <b>Disabled</b> by default.
<b>OS Watchdog Timer</b>	If your system stops responding, this watchdog timer aids in the recovery of your operating system. When this option is set to <b>Enabled</b> , the operating system initializes the timer. When this option is set to <b>Disabled</b> (the default), the timer does not have any effect on the system.
<b>Memory Mapped I/O above 4 GB</b>	Enables or disables the support for PCIe devices that need large amounts of memory. This option is set to <b>Enabled</b> by default.
<b>Slot Disablement</b>	Enables or disables the available PCIe slots on your system. The slot disablement feature controls the configuration of PCIe cards installed in the specified slot. Slots must be disabled only when the installed peripheral card prevents booting into the operating system or causes delays in system startup. If the slot is disabled, both the Option ROM and UEFI drivers are disabled.

### Related references

[Integrated Devices](#) on page 61

### Related tasks

[Viewing Integrated Devices](#) on page 61

## Serial Communication

You can use the **Serial Communication** screen to view the properties of the serial communication port.

### Related references

[System BIOS](#) on page 43

### Related tasks

[Serial Communication details](#) on page 63

[Viewing Serial Communication](#) on page 63

## Viewing Serial Communication

To view the **Serial Communication** screen, perform the following steps:

### Steps

1. Turn on, or restart your system.
2. Press F2 immediately after you see the following message:

```
F2 = System Setup
```

**NOTE:** If your operating system begins to load before you press F2, wait for the system to finish booting, and then restart your system and try again.

3. On the **System Setup Main Menu** screen, click **System BIOS**.
4. On the **System BIOS** screen, click **Serial Communication**.

### Related references

[Serial Communication](#) on page 63

### Related tasks

[Serial Communication details](#) on page 63

## Serial Communication details

### About this task

The **Serial Communication** screen details are explained as follows:

Option	Description
<b>Serial Communication</b>	Selects serial communication devices (Serial Device 1 and Serial Device 2) in BIOS. BIOS console redirection can also be enabled and the port address can be specified. This option is set to <b>Auto</b> by default.
<b>Serial Port Address</b>	Enables you to set the port address for serial devices. This option is set to <b>Serial Device 1=COM2, Serial Device 2=COM1</b> by default. <b>NOTE:</b> You can use only Serial Device 2 for the Serial Over LAN (SOL) feature. To use console redirection by SOL, configure the same port address for console redirection and the serial device. <b>NOTE:</b> Every time the system boots, the BIOS syncs the serial MUX setting saved in iDRAC. The serial MUX setting can independently be changed in iDRAC. Loading the BIOS default settings from within the BIOS setup utility may not always revert the serial MUX setting to the default setting of Serial Device 1.

Option	Description
<b>External Serial Connector</b>	<p>Enables you to associate the External Serial Connector to Serial Device 1, Serial Device 2, or the Remote Access Device by using this option.</p> <p><b>NOTE:</b> Only Serial Device 2 can be used for Serial Over LAN (SOL). To use console redirection by SOL, configure the same port address for console redirection and the serial device.</p> <p><b>NOTE:</b> Every time the system boots, the BIOS syncs the serial MUX setting saved in iDRAC. The serial MUX setting can independently be changed in iDRAC. Loading the BIOS default settings from within the BIOS setup utility may not always revert this setting to the default setting of Serial Device 1.</p>
<b>Failsafe Baud Rate</b>	<p>Specifies the failsafe baud rate for console redirection. The BIOS attempts to determine the baud rate automatically. This failsafe baud rate is used only if the attempt fails, and the value must not be changed. This option is set to <b>115200</b> by default.</p>
<b>Remote Terminal Type</b>	<p>Sets the remote console terminal type. This option is set to <b>VT 100/VT 220</b> by default.</p>
<b>Redirection After Boot</b>	<p>Enables or disables the BIOS console redirection when the operating system is loaded. This option is set to <b>Enabled</b> by default.</p>

#### Related references

[Serial Communication](#) on page 63

#### Related tasks

[Viewing Serial Communication](#) on page 63

## System Profile Settings

You can use the **System Profile Settings** screen to enable specific system performance settings such as power management.

#### Related references

[System BIOS](#) on page 43

#### Related tasks

[System Profile Settings details](#) on page 65

[Viewing System Profile Settings](#) on page 64

## Viewing System Profile Settings

To view the **System Profile Settings** screen, perform the following steps:

#### Steps

1. Turn on, or restart your system.
2. Press F2 immediately after you see the following message:

```
F2 = System Setup
```

**NOTE:** If your operating system begins to load before you press F2, wait for the system to finish booting, and then restart your system and try again.

3. On the **System Setup Main Menu** screen, click **System BIOS**.
4. On the **System BIOS** screen, click **System Profile Settings**.

## Related references

[System Profile Settings](#) on page 64



## Related tasks

[System Profile Settings details](#) on page 65

# System Profile Settings details

## About this task

The **System Profile Settings** screen details are explained as follows:

Option	Description
<b>System Profile</b>	Sets the system profile. If you set the <b>System Profile</b> option to a mode other than <b>Custom</b> , the BIOS automatically sets the rest of the options. You can only change the rest of the options if the mode is set to <b>Custom</b> . This option is set to <b>Performance Per Watt Optimized (DAPC)</b> by default. DAPC is Dell Active Power Controller.  <b>NOTE:</b> All the parameters on the system profile setting screen are available only when the <b>System Profile</b> option is set to <b>Custom</b> .
<b>CPU Power Management</b>	Sets the CPU power management. This option is set to <b>System DBPM (DAPC)</b> by default.
<b>Memory Frequency</b>	Sets the speed of the memory. You can select <b>Maximum Performance</b> , <b>Maximum Reliability</b> , or a specific speed.
<b>Turbo Boost</b>	Enables or disables the processor to operate in the turbo boost mode. This option is set to <b>Enabled</b> by default.
<b>Energy Efficient Turbo</b>	Enables or disables the <b>Energy Efficient Turbo</b> option. Energy Efficient Turbo (EET) is a mode of operation where a processor's core frequency is adjusted to be within the turbo range based on workload.
<b>C1E</b>	Enables or disables the processor to switch to a minimum performance state when it is idle. This option is set to <b>Enabled</b> by default.
<b>C States</b>	Enables or disables the processor to operate in all available power states. This option is set to <b>Enabled</b> by default.
<b>Collaborative CPU Performance Control</b>	Enables or disables the CPU power management option. When set to <b>Enabled</b> , the CPU power management is controlled by the OS DBPM and the System DBPM (DAPC). This option is set to <b>Disabled</b> by default.
<b>Memory Patrol Scrub</b>	Sets the memory patrol scrub frequency. This option is set to <b>Standard</b> by default.
<b>Memory Refresh Rate</b>	Sets the memory refresh rate to either 1x or 2x. This option is set to <b>1x</b> by default.
<b>Uncore Frequency</b>	Enables you to select the <b>Processor Uncore Frequency</b> option. Dynamic mode enables the processor to optimize power resources across the cores and uncore during runtime. The optimization of the uncore frequency to either save power or optimize performance is influenced by the setting of the <b>Energy Efficiency Policy</b> option.
<b>Energy Efficient Policy</b>	Enables you to select the <b>Energy Efficient Policy</b> option. The CPU uses the setting to manipulate the internal behavior of the processor and determines whether to target higher performance or better power savings.
<b>Number of Turbo Boot Enabled Cores for Processor 1</b>	 <b>NOTE:</b> If there are two processors installed in the system, you see an entry for <b>Number of Turbo Boost Enabled Cores for Processor 2</b> . Controls the number of turbo boost enabled cores for processor 1. The maximum number of cores is enabled by default.

Option	Description
<b>Monitor/Mwait</b>	<p>Enables the Monitor/Mwait instructions in the processor. This option is set to <b>Enabled</b> for all system profiles, except <b>Custom</b> by default.</p> <p><b>NOTE:</b> This option can be disabled only if the <b>C States</b> option in the <b>Custom</b> mode is set to <b>disabled</b>.</p> <p><b>NOTE:</b> When <b>C States</b> is set to <b>Enabled</b> in the <b>Custom</b> mode, changing the Monitor/Mwait setting does not impact the system power or performance.</p>

#### Related references

[System Profile Settings](#) on page 64

#### Related tasks

[Viewing System Profile Settings](#) on page 64

## Miscellaneous Settings

You can use the **Miscellaneous Settings** screen to perform specific functions such as updating the asset tag and changing the system date and time.

#### Related references

[System BIOS](#) on page 43

#### Related tasks

[Miscellaneous Settings details](#) on page 67

[Viewing Miscellaneous Settings](#) on page 66

## Viewing Miscellaneous Settings

To view the **Miscellaneous Settings** screen, perform the following steps:

#### Steps

1. Turn on, or restart your system.
2. Press F2 immediately after you see the following message:

```
F2 = System Setup
```

**NOTE:** If your operating system begins to load before you press F2, wait for the system to finish booting, and then restart your system and try again.

3. On the **System Setup Main Menu** screen, click **System BIOS**.
4. On the **System BIOS** screen, click **Miscellaneous Settings**.

#### Related references

[Miscellaneous Settings](#) on page 66



#### Related tasks

[Miscellaneous Settings details](#) on page 67

## Miscellaneous Settings details

### About this task

The **Miscellaneous Settings** screen details are explained as follows:

Option	Description
<b>System Time</b>	Enables you to set the time on the system.
<b>System Date</b>	Enables you to set the date on the system.
<b>Asset Tag</b>	Specifies the asset tag and enables you to modify it for security and tracking purposes.
<b>Keyboard NumLock</b>	Enables you to set whether the system boots with the NumLock enabled or disabled. This option is set to <b>On</b> by default.  <b>NOTE:</b> This option does not apply to 84-key keyboards.
<b>F1/F2 Prompt on Error</b>	Enables or disables the F1/F2 prompt on error. This option is set to <b>Enabled</b> by default. The F1/F2 prompt also includes keyboard errors.
<b>Load Legacy Video Option ROM</b>	Enables you to determine whether the system BIOS loads the legacy video (INT 10H) option ROM from the video controller. Selecting <b>Enabled</b> in the operating system does not support UEFI video output standards. This field is available only for UEFI boot mode. You cannot set the option to <b>Enabled</b> if <b>UEFI Secure Boot</b> mode is enabled.
<b>In-System Characterization</b>	Enables or disables <b>In-System Characterization</b> . This option is set to <b>Disabled</b> by default. The two other options are <b>Enabled</b> and <b>Enabled - No Reboot</b> .  <b>NOTE:</b> The default setting for <b>In-System Characterization</b> is subject to change in future BIOS releases.  When enabled, In-System Characterization (ISC) executes during POST upon detecting relevant changes in system configuration to optimize system power and performance. ISC takes about 20 seconds to execute, and system reset is needed for ISC results to be applied. The <b>Enabled - No Reboot</b> option executes ISC and continues without applying ISC results until the next time system reset occurs. The <b>Enabled</b> option executes ISC and forces an immediate system reset so that ISC results can be applied. It takes the system longer to be ready due to the forced system reset. When disabled, ISC does not execute.

### Related references


[Miscellaneous Settings](#) on page 66

### Related tasks

[Viewing Miscellaneous Settings](#) on page 66

## iDRAC Settings utility

The iDRAC settings utility is an interface to set up and configure the iDRAC parameters by using UEFI. You can enable or disable various iDRAC parameters by using the iDRAC settings utility.

 **NOTE:** Accessing some of the features on the iDRAC settings utility needs the iDRAC Enterprise License upgrade.

For more information about using iDRAC, see *Dell Integrated Dell Remote Access Controller User's Guide* at [Dell.com/idracmanuals](http://Dell.com/idracmanuals).

### Related concepts

[Device Settings](#) on page 68

### Related references

[System BIOS](#) on page 43

### Related tasks

[Entering the iDRAC Settings utility](#) on page 68  
[Changing the thermal settings](#) on page 68

## Entering the iDRAC Settings utility

### Steps

1. Turn on or restart the managed system.
2. Press F2 during Power-on Self-test (POST).
3. On the **System Setup Main Menu** page, click **iDRAC Settings**.  
The **iDRAC Settings** screen is displayed.

### Related references

[iDRAC Settings utility](#) on page 67

## Changing the thermal settings

The iDRAC settings utility enables you to select and customize the thermal control settings for your system.

1. Click **iDRAC Settings > Thermal**.
2. Under **SYSTEM THERMAL PROFILE > Thermal Profile**, select one of the following options:
  - Default Thermal Profile Settings
  - Maximum Performance (Performance Optimized)
  - Minimum Power (Performance per Watt Optimized)
3. Under **USER COOLING OPTIONS**, set the **Fan Speed Offset**, **Minimum Fan Speed**, and **Custom Minimum Fan Speed**.
4. Click **Back > Finish > Yes**.

### Related references

[iDRAC Settings utility](#) on page 67

## Device Settings

**Device Settings** enables you to configure device parameters.

### Related references

[System BIOS](#) on page 43

## Dell Lifecycle Controller

Dell Lifecycle Controller (LC) provides advanced embedded system management capabilities including system deployment, configuration, update, maintenance, and diagnosis. LC is delivered as part of the iDRAC out-of-band solution and Dell EMC system embedded Unified Extensible Firmware Interface (UEFI) applications.


### Related references

[Embedded systems management](#) on page 68

## Embedded systems management

The Dell Lifecycle Controller provides advanced embedded systems management throughout the lifecycle of the system. The Dell Lifecycle Controller can be started during the boot sequence and can function independently of the operating system.



 **NOTE:** Certain platform configurations may not support the full set of features provided by the Dell Lifecycle Controller.

For more information about setting up the Dell Lifecycle Controller, configuring hardware and firmware, and deploying the operating system, see the Dell Lifecycle Controller documentation at [Dell.com/idracmanuals](https://www.dell.com/ldracmanuals).

#### Related references

[Dell Lifecycle Controller](#) on page 68

## Boot Manager

The **Boot Manager** screen enables you to select boot options and diagnostic utilities.

#### Related references

[Boot Manager main menu](#) on page 69

[System BIOS](#) on page 43

#### Related tasks

[Viewing Boot Manager](#) on page 69

## Viewing Boot Manager

To enter **Boot Manager**:

#### Steps

1. Turn on, or restart your system.
2. Press F11 when you see the following message:

```
F11 = Boot Manager
```

If your operating system begins to load before you press F11, allow the system to complete the booting, and then restart your system and try again.

#### Related references

[Boot Manager](#) on page 69

[Boot Manager main menu](#) on page 69

## Boot Manager main menu

Menu item	Description
<b>Continue Normal Boot</b>	The system attempts to boot to devices starting with the first item in the boot order. If the boot attempt fails, the system continues with the next item in the boot order until the boot is successful or no more boot options are found.
<b>One-shot Boot Menu</b>	Enables you to access boot menu, where you can select a one-time boot device to boot from.
<b>Launch System Setup</b>	Enables you to access System Setup.
<b>Launch Lifecycle Controller</b>	Exits the Boot Manager and invokes the Dell Lifecycle Controller program.
<b>System Utilities</b>	Enables you to launch System Utilities menu such as System Diagnostics and UEFI shell.

### Related references

[Boot Manager](#) on page 69

### Related tasks

[Viewing Boot Manager](#) on page 69

## One-shot BIOS boot menu

**One-shot BIOS boot menu** enables you to select a boot device to boot from.


### Related references

[Boot Manager](#) on page 69

## System Utilities

**System Utilities** contains the following utilities that can be launched:

- Launch Diagnostics
- BIOS/UEFI Update File Explorer
- Reboot System


 **NOTE:** Depending on the boot mode selected, you might have BIOS or UEFI Update File Explorer.

### Related references

[Boot Manager](#) on page 69

## PXE boot

You can use the Preboot Execution Environment (PXE) option to boot and configure the networked systems, remotely.


 **NOTE:** To access the **PXE boot** option, boot the system and then press F12. The system scans and displays the active networked systems.

# Installing and removing system components

## Topics:


- Safety instructions
- Before working inside your system
- After working inside your system
- Recommended tools
- Front bezel (optional)
- System cover
- Inside the system
- Cooling shroud
- System memory
- Hard drives
- Optical drive (optional)
- Cooling fans
- Internal USB memory key (optional)
- Expansion cards and expansion card riser
- iDRAC port card (optional)
- SD vFlash card (optional)
- Internal dual SD module (optional)
- Integrated storage controller card
- Processors and heat sinks
- Power supply units
- System battery
- Hard-drive backplane
- Control panel
- Power interposer board
- System board
- Trusted Platform Module


## Safety instructions


 **NOTE:** Whenever you need to lift the system, get others to assist you. To avoid injury, do not attempt to lift the system by yourself.

 **WARNING:** Opening or removing the system cover while the system is powered on may expose you to a risk of electric shock.

 **CAUTION:** Do not operate the system without the cover for a duration exceeding five minutes.

 **CAUTION:** Many repairs may only be done by a certified service technician. You should only perform troubleshooting and simple repairs as authorized in your product documentation, or as directed by the online or telephone service and support team. Damage due to servicing that is not authorized by Dell is not covered by your warranty. Read and follow the safety instructions that are shipped with your product.

 **NOTE:** It is recommended that you always use an antistatic mat and antistatic strap while working on components inside the system.

 **NOTE:** To ensure proper operation and cooling, all bays in the system and system fans must be populated always with either a component or with a blank.

# Before working inside your system

## Prerequisites

Follow the safety guidelines listed in the Safety instructions section.

## Steps

1. Turn off the system, including any attached peripherals.
2. Disconnect the system from the electrical outlet and disconnect the peripherals.
3. If installed, remove the front bezel.
4. If applicable, remove the system from the rack.  
For more information, see the *Rack Installation* placemat at [Dell.com/poweredgemanuals](https://Dell.com/poweredgemanuals).
5. Remove the system cover.

## Related references

[Safety instructions](#) on page 71

## Related tasks

[Removing the optional front bezel](#) on page 73

[Removing the system cover](#) on page 74

# After working inside your system

## Prerequisites

Follow the safety guidelines listed in the Safety instructions section.

## Steps

1. Install the system cover.
2. If applicable, install the system into the rack.  
For more information, see the *Rack Installation* placemat at [Dell.com/poweredgemanuals](https://Dell.com/poweredgemanuals).
3. If removed, install the front bezel.
4. Reconnect the peripherals and connect the system to the electrical outlet.
5. Turn on the system, including any attached peripherals.

## Related references

[Safety instructions](#) on page 71

## Related tasks

[Installing the optional front bezel](#) on page 73

[Installing the system cover](#) on page 75

# Recommended tools

You need the following tools to perform the removal and installation procedures:

- Key to the bezel lock.  
The key is needed only if your system includes a bezel.
- Phillips #1 screwdriver
- Phillips #2 screwdriver
- Plastic scribe

- Wrist grounding strap

## Front bezel (optional)

The front bezel is attached to the front side of the system and prevents accidents while removing the hard drive or when pressing the reset or power button. The front bezel can also be locked for additional security.

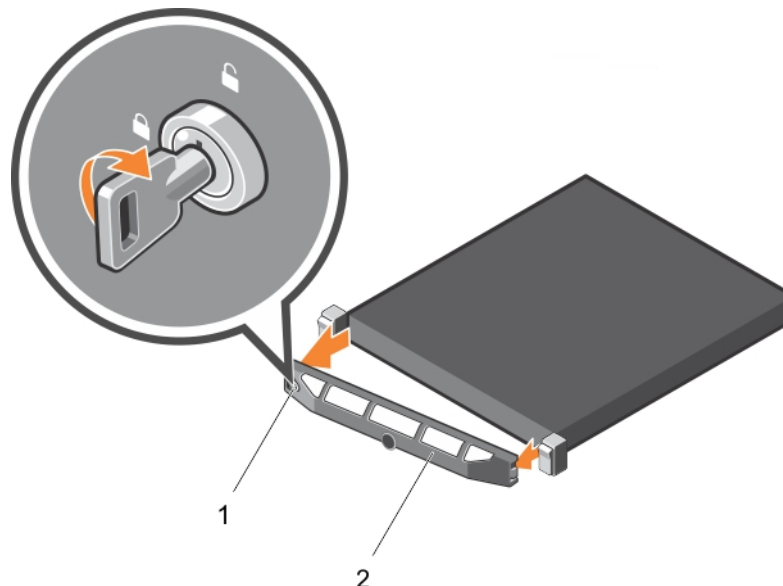
### Removing the optional front bezel

#### Steps

1. Locate and remove the bezel key.

**i** **NOTE:** The bezel key is attached to the back of the bezel.

2. Unlock the bezel by using the key.
3. Slide the release latch up, and pull the left end of the bezel.
4. Unhook the right end, and remove the bezel.



**Figure 17. Removing the optional front bezel**

- a. bezel lock
- b. front bezel

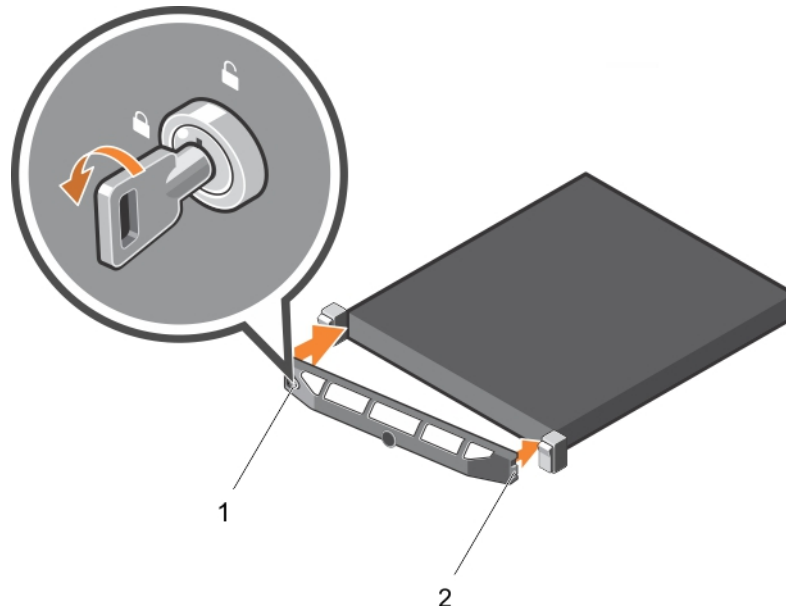
### Installing the optional front bezel

#### Steps

1. Locate and remove the bezel key.

**i** **NOTE:** The bezel key is attached to the back of the bezel.

2. Hook the right end of the bezel onto the chassis.
3. Fit the free end of the bezel onto the system.
4. Lock the bezel by using the key.



**Figure 18. Installing the optional front bezel**

- a. bezel lock
- b. front bezel

## System cover

The system cover protects the components inside the system and helps in maintaining air flow inside the system. Removing the system cover activates the intrusion switch.

## Removing the system cover

### Prerequisites

1. Turn off the system, including any attached peripherals.
2. Disconnect the system from the electrical outlet and disconnect the peripherals.
3. If installed, remove the optional bezel.

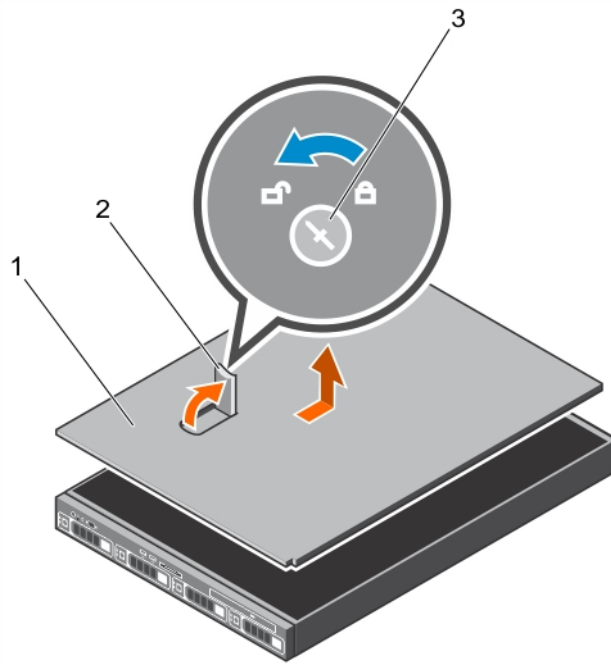
### Steps

1. Rotate the latch release lock counter clockwise to the unlocked position.
2. Lift the latch toward the back of the system.

The system cover slides back and the tabs on the system cover disengage from the slots on the chassis.

**i** **NOTE:** The position of the latch may vary depending on the configuration of your system.

3. Hold the cover on both sides, and lift the cover away from the system.



**Figure 19. Removing the system cover**

- a. system cover
- b. latch
- c. latch release lock

#### **Next steps**

1. Install the system cover.

#### **Related references**

[Safety instructions](#) on page 71

#### **Related tasks**

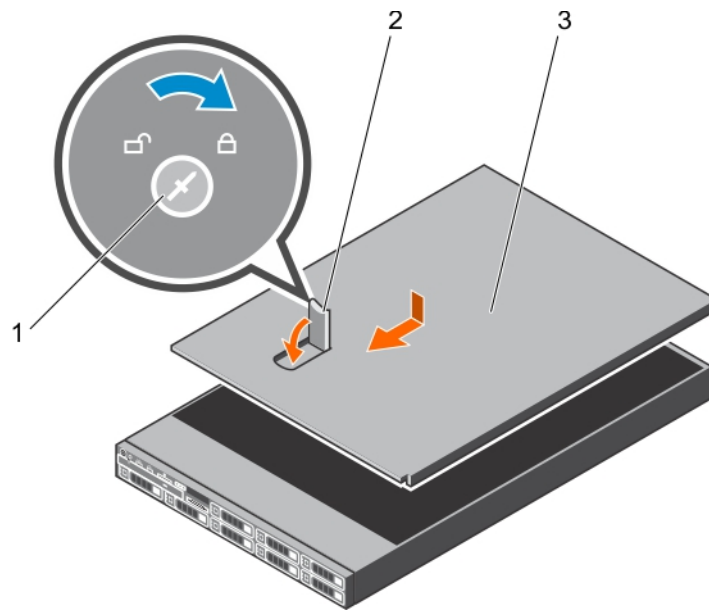
[Removing the optional front bezel](#) on page 73

[Installing the system cover](#) on page 75

## **Installing the system cover**

#### **Steps**

1. Align the slots on the system cover with the tabs on the chassis.
2. Push the system cover latch down.  
The system cover slides forward and the slots on the system cover engage with the tabs on the chassis. The system cover latch locks into place when the system cover is completely engaged with the tabs on the chassis.
3. Rotate the latch release lock clockwise to the locked position.



**Figure 20. Installing the system cover**

- a. latch release lock
- b. latch
- c. system cover

#### **Next steps**

1. If removed, install the front bezel.
2. Reconnect the peripherals and connect the system to the electrical outlet.
3. Turn on the system, including any attached peripherals.
4. Follow the procedure listed in the After working inside your system section.

#### **Related references**

[Safety instructions](#) on page 71

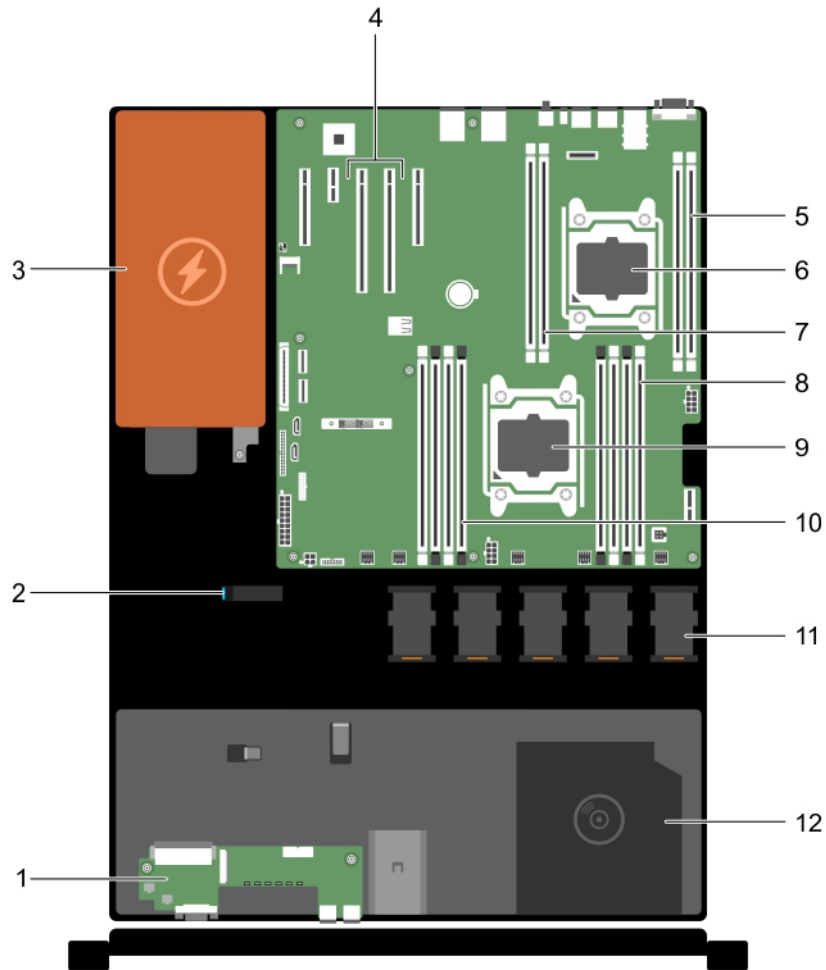
#### **Related tasks**

[Installing the optional front bezel](#) on page 73

## **Inside the system**

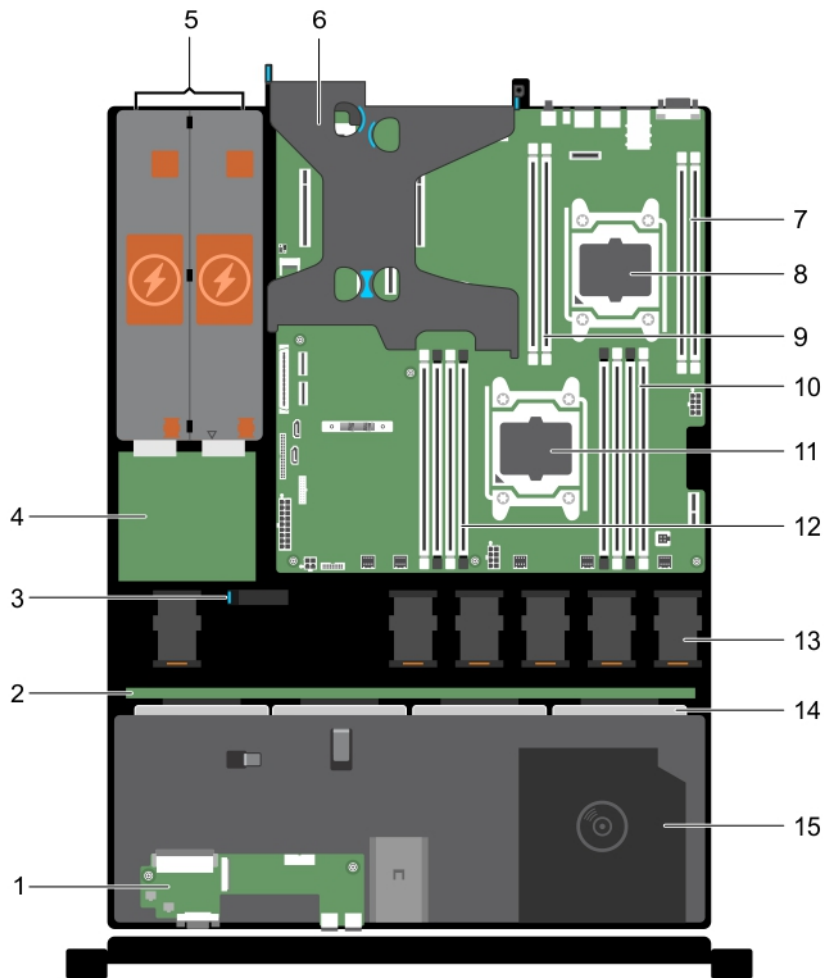
**CAUTION:** Many repairs may only be done by a certified service technician. You should only perform troubleshooting and simple repairs as authorized in your product documentation, or as directed by the online or telephone service and support team. Damage due to servicing that is not authorized by Dell is not covered by your warranty. Read and follow the safety instructions that are shipped with your product.





**Figure 21. Inside the system—with a cabled power supply**

- |                                  |                                           |
|----------------------------------|-------------------------------------------|
| 1. control panel                 | 2. cable routing latch                    |
| 3. power supply unit             | 4. expansion-card riser connector (2)     |
| 5. memory-module socket (B3, B4) | 6. processor 2                            |
| 7. memory-module socket (B1, B2) | 8. memory-module socket (A1, A5, A2, A6)  |
| 9. processor 1                   | 10. memory-module socket (A3, A7, A4, A8) |
| 11. cooling fan (5)              | 12. optical drive (optional)              |



**Figure 22. Inside the system—with redundant power supplies**

- |                                  |                                           |
|----------------------------------|-------------------------------------------|
| 1. control panel                 | 2. hard drive/SSD backplane               |
| 3. cable routing latch           | 4. power interposer board                 |
| 5. power supply units (2)        | 6. PCIe expansion card riser (optional)   |
| 7. memory-module socket (B3, B4) | 8. processor 2                            |
| 9. memory-module socket (B1, B2) | 10. memory-module socket (A1, A5, A2, A6) |
| 11. processor 1                  | 12. memory-module socket (A3, A7, A4, A8) |
| 13. cooling fan (6)              | 14. hard drives/SSDs                      |
| 15. optical drive                |                                           |

# Cooling shroud

The cooling shroud aerodynamically directs the airflow across the entire system. The airflow passes through all the critical parts of the system, where the vacuum pulls air across the entire surface area of the heat sink, thus allowing increased cooling.

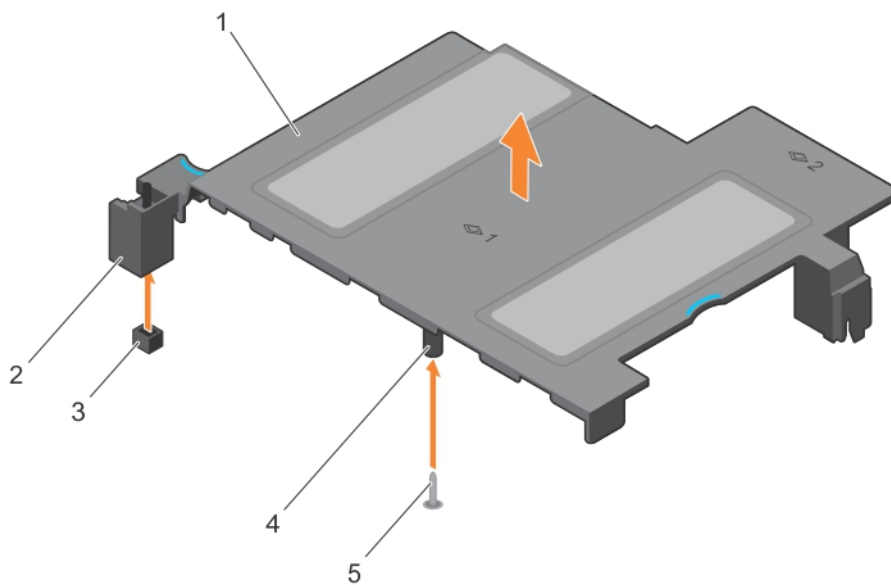
## Removing the cooling shroud

### Prerequisites

**CAUTION:** Never operate your system with the air shroud removed. The system may get overheated quickly, resulting in shutdown of the system and loss of data.

### Steps

Holding the touch points, lift the cooling shroud away from the system.



**Figure 23. Removing the cooling shroud**

- |                                                   |                                |
|---------------------------------------------------|--------------------------------|
| 1. cooling shroud                                 | 2. intrusion switch            |
| 3. intrusion switch connector on the system board | 4. guide on the cooling shroud |
| 5. guide pin                                      |                                |

### Next steps

1. Install the cooling shroud.

### Related references

[Safety instructions](#) on page 71

### Related tasks

[Before working inside your system](#) on page 72

[After working inside your system](#) on page 72

# Installing the cooling shroud

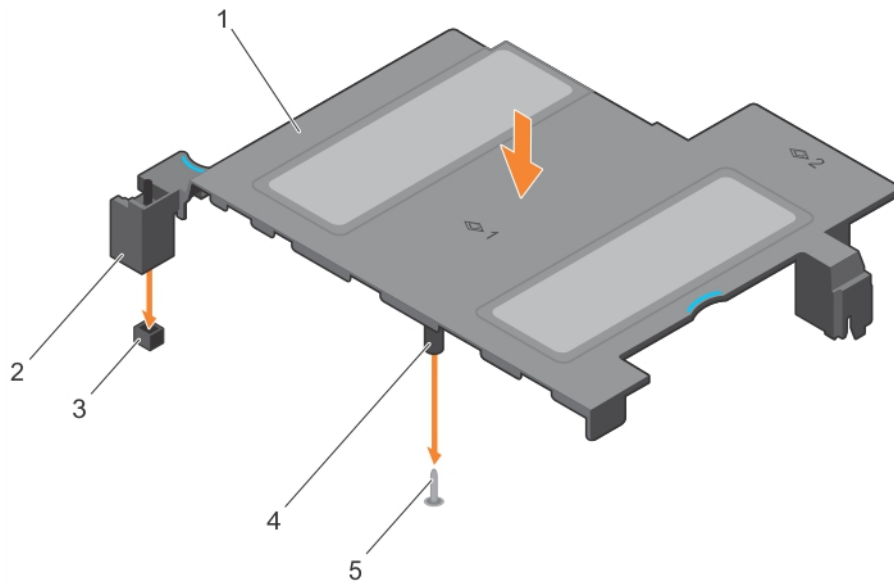
## Prerequisites

1. If applicable, route the cables inside the system along the chassis wall and secure the cables by using the cable-securing bracket.

## Steps

1. Align the tabs on the cooling shroud with the securing slots on the chassis.
  - a. Align the cooling shroud with the guide pin on the system board.
  - b. Align the intrusion switch with the intrusion switch connector on the system board.
2. Lower the cooling shroud into the chassis until it is firmly seated.

When firmly seated, the memory socket numbers marked on the cooling shroud align with the respective memory sockets.



**Figure 24. Installing the cooling shroud**

- |                                                   |                                |
|---------------------------------------------------|--------------------------------|
| 1. cooling shroud                                 | 2. intrusion switch            |
| 3. intrusion switch connector on the system board | 4. guide on the cooling shroud |
| 5. guide pin                                      |                                |

## Related references

[Safety instructions](#) on page 71

## Related tasks

[Before working inside your system](#) on page 72

[After working inside your system](#) on page 72

# System memory

Your system supports DDR4 registered DIMMs (RDIMMs).

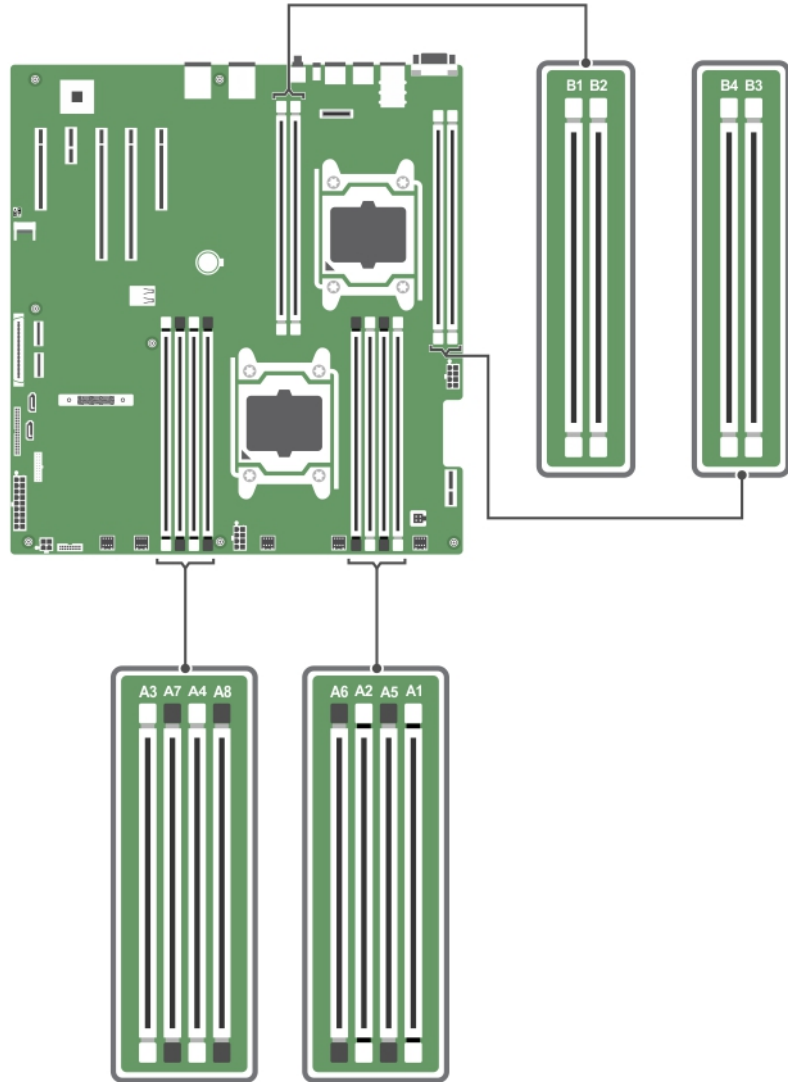
**NOTE:** MT/s indicates DIMM speed in MegaTransfers per second.

Memory bus operating frequency can be 2400 MT/s, 2133 MT/s, or 1866 MT/s depending on the following factors:

- System profile selected (for example, Performance Optimized, Custom, or Dense Configuration Optimized)
- Maximum supported DIMM frequency of the processors

The system contains 12 memory sockets split into four sets — two sets of 4 sockets and two sets of 2 sockets each. Each 4-socket set is organized into two channels and each 2-socket set is organized into one channel. In each channel of the 4-socket set, the release levers of the first socket are marked white and the second socket black. In the 2-socket set, each release lever is marked white.

**NOTE:** DIMMs in sockets A1 to A8 are assigned to processor 1 and DIMMs in sockets B1 to B4 are assigned to processor 2.



**Figure 25. System memory board**

Memory channels are organized as follows:

- Processor 1**
  - channel 0: memory sockets A1 and A5
  - channel 1: memory sockets A2 and A6
  - channel 2: memory sockets A3 and A7
  - channel 3: memory sockets A4 and A8
- Processor 2**
  - channel 0: memory sockets B1
  - channel 1: memory sockets B2
  - channel 2: memory sockets B3
  - channel 3: memory sockets B4

The following table shows the memory populations and operating frequencies for the supported configurations.

**Table 37. Supported configurations**

DIMM type	DIMMs populated/ channel	Voltage	Operating frequency (in MT/s)	Maximum DIMM rank/channel
RDIMM	1	1.2 V	2400, 2133, 1866	Dual rank or single rank
	2			

## General memory module installation guidelines

**NOTE:** Memory configurations that fail to observe these guidelines can prevent your system from booting, stop responding during memory configuration, or operating with reduced memory.

The system supports Flexible Memory Configuration, enabling the system to be configured and run in any valid chipset architectural configuration. The following are the recommended guidelines for installing memory modules:

- RDIMMs and LRDIMMs must not be mixed.
- x4 and x8 DRAM based memory modules can be mixed. For more information, see the Mode-specific guidelines section.
- Up to two dual- or single-rank RDIMMs can be populated per channel.
- Up to two LRDIMMs can be populated per channel regardless of rank count.
- If memory modules with different speeds are installed, they will operate at the speed of the slowest installed memory module(s) or slower depending on system DIMM configuration.
- Populate memory module sockets only if a processor is installed. For single-processor systems, sockets A1 to A8 are available. For dual-processor systems, sockets A1 to A8 and sockets B1 to B4 are available.
- Populate all sockets with white release tabs first and then the black release tabs.
- When mixing memory modules with different capacities, populate the sockets with memory modules with highest capacity first. For example, if you want to mix 4 GB and 8 GB memory modules, populate 8 GB memory modules in the sockets with white release tabs and 4 GB memory modules in the sockets with black release tabs.
- In a dual-processor configuration, the memory configuration for each processor should be identical. For example, if you populate socket A1 for processor 1, then populate socket B1 for processor 2, and so on.
- Memory modules of different capacities can be mixed provided other memory population rules are followed (for example, 4 GB and 8 GB memory modules can be mixed).
- Mixing of more than two memory module capacities in a system is not supported.
- Populate four memory modules per processor (one DIMM per channel) at a time to maximize performance.

## Mode-specific guidelines

Four memory channels are allocated to each processor. The allowable configurations depend on the memory mode selected.

## Advanced Error Correction Code

Advanced Error Correction Code (ECC) mode extends SDDC from x4 DRAM based DIMMs to both x4 and x8 DRAMs. This protects against single DRAM chip failures during normal operation.

The installation guidelines for memory modules are as follows:

- Memory modules must be identical in size, speed, and technology.
- DIMMs installed in memory sockets with white release levers must be identical and the same rule applies for sockets with black release levers. This ensures that identical DIMMs are installed in matched pair —for example, A1 with A2, A3 with A4, A5 with A6, and so on.

## Memory optimized independent channel mode

This mode supports Single Device Data Correction (SDDC) only for memory modules that use x4 device width. It does not impose any specific slot population requirements.

## Memory sparing

**NOTE:** To use memory sparing, this feature must be enabled in System Setup.

In this mode, one rank per channel is reserved as a spare. If persistent correctable errors are detected on a rank, the data from this rank is copied to the spare rank, and the failed rank is disabled.

With memory sparing enabled, the system memory available to the operating system is reduced by one rank per channel. For example, in a dual-processor configuration with sixteen 4 GB single-rank memory modules, the available system memory is: 3/4 (ranks/channel) × 16 (memory modules) × 4 GB = 48 GB, and not 16 (memory modules) × 4 GB = 64 GB.

**NOTE:** Memory sparing does not offer protection against a multi-bit uncorrectable error.

**NOTE:** Both Advanced ECC/Lockstep and Optimizer modes support memory sparing.

## Memory mirroring

Memory mirroring offers the strongest memory module reliability mode compared to all other modes, providing improved uncorrectable multi-bit failure protection. In a mirrored configuration, the total available system memory is one half of the total installed physical memory. Half of the installed memory is used to mirror the active memory modules. In the event of an uncorrectable error, the system switches over to the mirrored copy. This ensures SDDC and multi-bit protection.

The installation guidelines for memory modules are as follows:

- Memory modules must be identical in size, speed, and technology.
- DIMMs installed in memory sockets with white release tabs must be identical and similar rule applies for sockets with black release tabs. This ensures that identical DIMMs are installed in matched pairs—for example, A1 with A2, A3 with A4.

**NOTE:** Mirroring and Advanced ECC modes require minimum of two DIMMs per CPU and must be populated in pairs of either two or four DIMMs per CPU.

**Table 38. Processor configuration**

Processor	Configuration	Memory population rules	Memory population information
Single CPU	Memory population order	{1,2}, {3,4}	See Memory mirroring note

## Sample memory configurations

The following tables show sample memory configurations for one and two processor configurations that follow the appropriate memory guidelines.

**NOTE:** 1R and 2R in the following tables indicate single- and dual-rank DIMMs respectively.

**Table 39. Memory configurations—single processor (continued)**

System Capacity (in GB)	DIMM Size (in GB)	Number of DIMMs	DIMM Rank, Organization, and Frequency	DIMM Slot Population
4	4	1	1R, x8, 2400 MT/s, 1R, x8, 2133 MT/s, 1R, x8, 1866 MT/s	A1
8	4	2	1R, x8, 2400 MT/s, 1R, x8, 2133 MT/s	A1, A2

**Table 39. Memory configurations—single processor (continued)**

System Capacity (in GB)	DIMM Size (in GB)	Number of DIMMs	DIMM Rank, Organization, and Frequency	DIMM Slot Population
			1R, x8, 1866 MT/s	
	8	1	1R, x8, 2400 MT/s,	A1
			1R, x8, 2133 MT/s,	
			1R, x8, 1866 MT/s	
16	4	4	1R, x8, 2400 MT/s,	A1, A2, A3, A4
			1R, x8, 2133 MT/s,	
			1R, x8, 1866 MT/s	
	8	2	2R, x8, 2400 MT/s,	A1, A2
			2R, x8, 2133 MT/s,	
			2R, x8, 1866 MT/s	
	16	1	2R, x8, 2400 MT/s,	A1
			2R, x8, 2133 MT/s,	
			2R, x8, 1866 MT/s	
24	4	6	1R, x8, 2400 MT/s,	A1, A2, A3, A4, A5, A6
			1R, x8, 2133 MT/s,	
			1R, x8, 1866 MT/s	
	8	3	1R, x8, 2400 MT/s,	A1, A2, A3
			1R, x8, 2133 MT/s,	
			1R, x8, 1866 MT/s	
32	4	8	1R, x8, 2400 MT/s,	A1, A2, A3, A4, A5, A6, A7, A8
			1R, x8, 2133 MT/s,	
			1R, x8, 1866 MT/s	
	8	4	1R, x8, 2400 MT/s,	A1, A2, A3, A4
			1R, x8, 2133 MT/s,	
			1R, x8, 1866 MT/s	
	16	2	1R, x8, 2400 MT/s,	A1, A2
			1R, x8, 2133 MT/s,	
			1R, x8, 1866 MT/s	
	32	1	1R, x8, 2400 MT/s,	A1
			1R, x8, 2133 MT/s,	
			1R, x8, 1866 MT/s	
48	8	6	2R, x8, 2400 MT/s,	A1, A2, A3, A4, A5, A6
			2R, x8, 2133 MT/s,	
			2R, x8, 1866 MT/s	
	16	3	2R, x8, 2400 MT/s,	A1, A2, A3
			2R, x8, 2133 MT/s,	



**Table 39. Memory configurations—single processor**

System Capacity (in GB)	DIMM Size (in GB)	Number of DIMMs	DIMM Rank, Organization, and Frequency	DIMM Slot Population
64	8	8	2R, x8, 1866 MT/s	A1, A2, A3, A4, A5, A6, A7, A8
			2R, x8, 2400 MT/s,	
			2R, x8, 2133 MT/s, 2R, x8, 1866 MT/s	
	16	4	2R, x8, 2400 MT/s,	A1, A2, A3, A4
			2R, x8, 2133 MT/s,	
			2R, x8, 1866 MT/s	
	32	2	2R, x8, 2400 MT/s,	A1, A2
			2R, x8, 2133 MT/s,	
			2R, x8, 1866 MT/s	
96	16	6	2R, x8, 2400 MT/s,	A1, A2, A3, A4, A5, A6
			2R, x4, 2133 MT/s,	
			2R, x4, 1866 MT/s	
	32	3	2R, x8, 2400 MT/s,	A1, A2, A3
			2R, x4, 2133 MT/s,	
			2R, x4, 1866 MT/s	
128	16	8	2R, x8, 2400 MT/s,	A1, A2, A3, A4, A5, A6, A7, A8
			2R, x4, 2133 MT/s,	
			2R, x4, 1866 MT/s,	
	32	4	2R, x8, 2400 MT/s,	A1, A2, A3, A4
			2R, x4, 2133 MT/s,	
			2R, x4, 1866 MT/s,	
192	32	6	2R, x4, 2400 MT/s	A1, A2, A3, A4, A5, A6
			2R, x4, 2133 MT/s	
			2R, x4, 1866 MT/s	
256	32	8	2R, x4, 2400 MT/s	A1, A2, A3, A4, A5, A6, A7, A8
			2R, x4, 2133 MT/s	
			2R, x4, 1866 MT/s	

**Table 40. Memory configurations—two processors (continued)**

System Capacity (in GB)	DIMM Size (in GB)	Number of DIMMs	DIMM Rank, Organization, and Frequency	DIMM Slot Population
8	4	2	1R, x8, 2400 MT/s,	A1, B1
			1R, x8, 2133 MT/s,	
			1R, x8, 1866 MT/s	
16	4	4	1R, x8, 2400 MT/s,	A1, A2, B1, B2

**Table 40. Memory configurations—two processors (continued)**

<b>System Capacity (in GB)</b>	<b>DIMM Size (in GB)</b>	<b>Number of DIMMs</b>	<b>DIMM Rank, Organization, and Frequency</b>	<b>DIMM Slot Population</b>
			1R, x8, 2133 MT/s, 1R, x8, 1866 MT/s	
	8	2	1R, x8, 2400 MT/s, 1R, x8, 2133 MT/s, 1R, x8, 1866 MT/s	A1, B1
24	4	6	1R, x8, 2400 MT/s, 1R, x8, 2133 MT/s, 1R, x8, 1866 MT/s	A1, A2, A3, B1, B2, B3
32	4	8	1R, x8, 2400 MT/s, 1R, x8, 2133 MT/s, 1R, x8, 1866 MT/s	A1, A2, A3, A4, B1, B2, B3, B4
	8	4	2R, x8, 2400 MT/s, 2R, x8, 2133 MT/s, 2R, x8, 1866 MT/s	A1, A2, B1, B2
	16	2	2R, x8, 2400 MT/s, 2R, x8, 2133 MT/s, 2R, x8, 1866 MT/s	A1, B1
48	4	12	2R, x8, 2400 MT/s, 2R, x8, 2133 MT/s, 2R, x8, 1866 MT/s	A1, A2, A3, A4, A5, A6, A7, A8, B1, B2, B3, B4
	8	6	2R, x8, 2400 MT/s, 2R, x8, 2133 MT/s, 2R, x8, 1866 MT/s	A1, A2, A3, B1, B2, B3
64	8	8	2R, x8, 2400 MT/s, 2R, x8, 2133 MT/s, 2R, x8, 1866 MT/s	A1, A2, A3, A4, B1, B2, B3, B4
	16	4	2R, x8, 2400 MT/s, 2R, x8, 2133 MT/s, 2R, x8, 1866 MT/s	A1, A2, B1, B2
	32	2	2R, x8, 2400 MT/s, 2R, x8, 2133 MT/s, 2R, x8, 1866 MT/s	A1, B1
96	8	12	2R, x8, 2400 MT/s, 2R, x8, 2133 MT/s, 2R, x8, 1866 MT/s	A1, A2, A3, A4, A5, A6, A7, A8, B1, B2, B3, B4
	16	6	2R, x8, 2400 MT/s,	A1, A2, A3, B1, B2, B3

**Table 40. Memory configurations—two processors**

System Capacity (in GB)	DIMM Size (in GB)	Number of DIMMs	DIMM Rank, Organization, and Frequency	DIMM Slot Population
128	16	8	2R, x8, 2133 MT/s, 2R, x8, 1866 MT/s	A1, A2, A3, A4, B1, B2, B3, B4
			2R, x4, 2400 MT/s, 2R, x4, 2133 MT/s, 2R, x4, 1866 MT/s	
160	32	4	2R, x4, 2400 MT/s, 2R, x4, 2133 MT/s, 2R, x4, 1866 MT/s	A1, A2, B1, B2
			2R, x4, 2400 MT/s, 2R, x8, 2400 MT/s, 2R, x4, 2133 MT/s, 2R, x8, 2133 MT/s, 2R, x4, 1866 MT/s, 2R, x8, 1866 MT/s	
192	16 and 8	12	2R, x4, 2400 MT/s, 2R, x8, 2400 MT/s, 2R, x4, 2133 MT/s, 2R, x8, 2133 MT/s, 2R, x4, 1866 MT/s, 2R, x8, 1866 MT/s	A1, A2, A3, A4, A5, A6,A7,A8, B1, B2, B3, B4  <b>i</b> <b>NOTE:</b> 16 GB DIMMs must be installed in slots numbered A1, A2, A3, A4, B1, B2, B3, and B4 and 8 GB DIMMs must be installed in slots A5, A6, A7, and A8.
192	16	12	2R, x4, 2400 MT/s, 2R, x4, 2133 MT/s, 2R, x4, 1866 MT/s	A1, A2, A3, A4, A5, A6,A7,A8, B1, B2, B3, B4
			2R, x4, 2400 MT/s, 2R, x4, 2133 MT/s, 2R, x4, 1866 MT/s	
256	32	8	2R, x4, 2400 MT/s, 2R, x4, 2133 MT/s, 2R, x4, 1866 MT/s	A1, A2, A3, A4, B1, B2, B3, B4
384	32	12	2R, x4, 2400 MT/s, 2R, x4, 2133 MT/s, 2R, x4, 1866 MT/s	A1, A2, A3, A4, A5, A6, A7, A8, B1, B2, B3, B4

## Removing memory modules

### Prerequisites

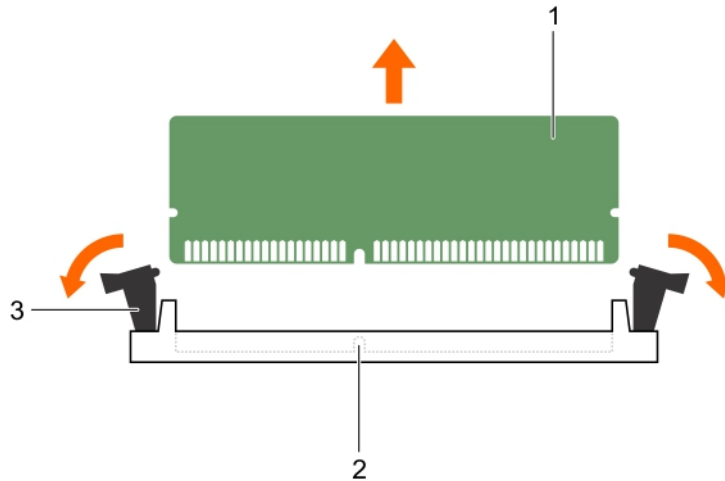
1. Remove the cooling shroud.

**i** **NOTE:** The memory modules are hot to touch for some time after the system has been powered down. Allow the memory modules to cool before handling them. Handle the memory modules by the card edges and avoid touching the components or metallic contacts on the memory module.

**⚠** **CAUTION:** To ensure proper system cooling, memory module blanks must be installed in any memory socket that is not occupied. Remove memory module blanks only if you intend to install memory modules in those sockets.

### Steps

1. Locate the appropriate memory module socket.
2. To release the memory module from the socket, simultaneously press the ejectors on both ends of the memory module socket.
3. Lift and remove the memory module from the system.



**Figure 26. Removing the memory module**

- a. memory module
- b. memory module socket
- c. memory module socket ejector (2)

### Next steps

1. Install the memory module.  
**NOTE:** If you are removing the memory module permanently, install a memory module blank.
2. Install the cooling shroud.

### Related references

[Safety instructions](#) on page 71

### Related tasks

[Before working inside your system](#) on page 72

[Removing the cooling shroud](#) on page 79

[Installing memory modules](#) on page 88

[Installing the cooling shroud](#) on page 80

[After working inside your system](#) on page 72

## Installing memory modules

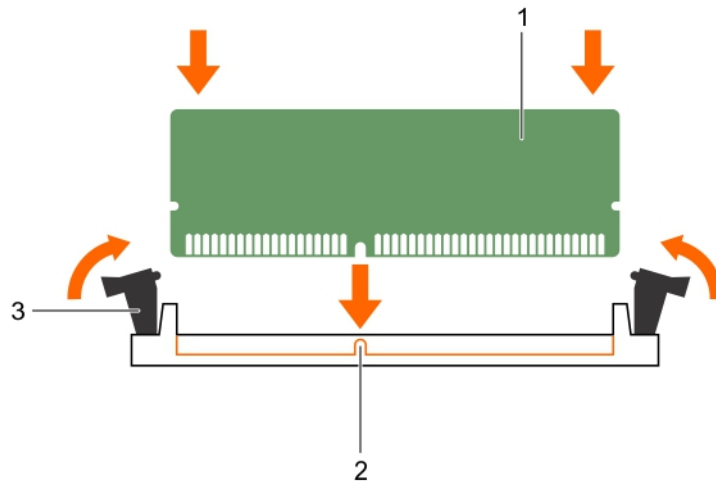
### Steps

1. Locate the appropriate memory module socket.
2. Open the ejectors on the memory module socket outward to allow the memory module to be inserted into the socket.
3. Align the edge connector of the memory module with the alignment key of the memory module socket, and insert the memory module in the socket.

**CAUTION:** Do not apply pressure at the center of the memory module; apply pressure at both ends of the memory module evenly.

**NOTE:** The memory module socket has an alignment key that enables you to install the memory module in the socket in only one orientation.

4. Press the memory module with your thumbs until the socket levers firmly click into place.  
When the memory module is properly seated in the socket, the levers on the memory module socket align with the levers on the other sockets that have memory modules installed.



**Figure 27. Installing the memory module**

- a. memory module
- b. alignment key
- c. memory module socket ejector (2)

#### Related references

[Safety instructions](#) on page 71

#### Related tasks

[Before working inside your system](#) on page 72

[Removing the cooling shroud](#) on page 79

[Installing the cooling shroud](#) on page 80

[After working inside your system](#) on page 72

## Hard drives

Depending on the configuration, your system supports one of the following:

**Four hard-drive systems** Up to four 3.5-inch cabled hard drives, or

Up to four 3.5-inch hot-swappable SAS hard drives, SATA hard drives, or SATA SSDs or

Up to four 2.5-inch hot-swappable SAS hard drives, SATA hard drives, or SATA SSDs

**Eight hard-drive systems** Up to eight 2.5-inch hot-swappable SAS hard drives, SATA hard drives, or SATA SSDs

**Ten hard-drive systems** Up to ten 2.5-inch hot-swappable SATA hard drives or SATA SSDs

**NOTE:** SSD/SAS/SATA hard drives cannot be mixed in a system.

The hot-swappable hard drives connect to the system board through the hard-drive backplane. Hot-swappable hard drives are supplied in hot-swappable hard-drive carriers that fit in the hard-drive slots.

**CAUTION:** Before attempting to remove or install a hot-swappable hard drive while the system is running, see the documentation for the storage controller card to ensure that the host adapter is configured correctly to support hot-swap hard drive removal and insertion.

**CAUTION:** Do not turn off or reboot your system while the hard drive is being formatted. Doing so can cause a hard drive failure.

**NOTE:** Use only hard drives that have been tested and approved for use with the hard-drive backplane.

When you format a hard drive, allow enough time for the formatting to be completed. Be aware that high-capacity hard drives can take a number of hours to format.

## Removing a 2.5-inch hard drive blank

### Prerequisites

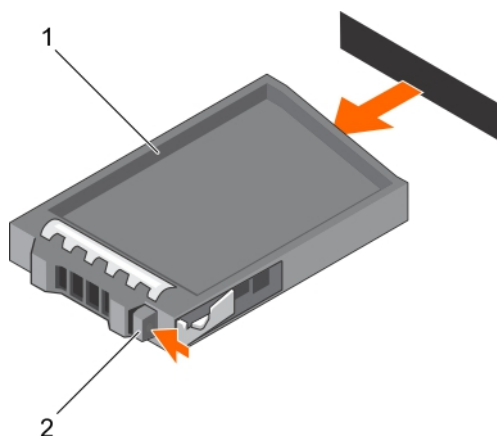
**CAUTION:** Many repairs may only be done by a certified service technician. You should only perform troubleshooting and simple repairs as authorized in your product documentation, or as directed by the online or telephone service and support team. Damage due to servicing that is not authorized by Dell is not covered by your warranty. Read and follow the safety instructions that are shipped with your product.

**CAUTION:** To maintain proper system cooling, all empty hard drive slots must have hard drive blanks installed.

1. Follow the safety guidelines listed in the Safety instructions section.
2. If installed, remove the front bezel.

### Steps

Press the release button and slide the hard drive blank out of the hard drive slot.



**Figure 28. Removing a 2.5-inch hard drive blank**

- a. hard drive blank
- b. release button

### Next steps

If removed, install the front bezel.

### Related references

[Safety instructions](#) on page 71

### Related tasks

[Removing the optional front bezel](#) on page 73

[Installing the optional front bezel](#) on page 73

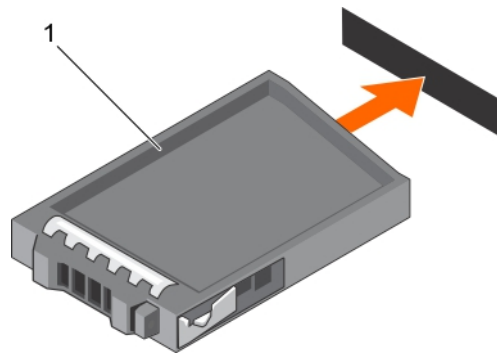
## Installing a 2.5-inch hard drive blank

### Prerequisites

1. If installed, remove the front bezel.

### Steps

Insert the hard drive blank into the hard drive slot until the release button clicks into place.



**Figure 29. Installing a 2.5-inch hard drive blank**

- a. hard drive blank

### Next steps

If removed, install the front bezel.

### Related references

[Safety instructions](#) on page 71

### Related tasks

[Removing the optional front bezel](#) on page 73

[Installing the optional front bezel](#) on page 73

## Removing a 3.5-inch hard drive blank

### Prerequisites

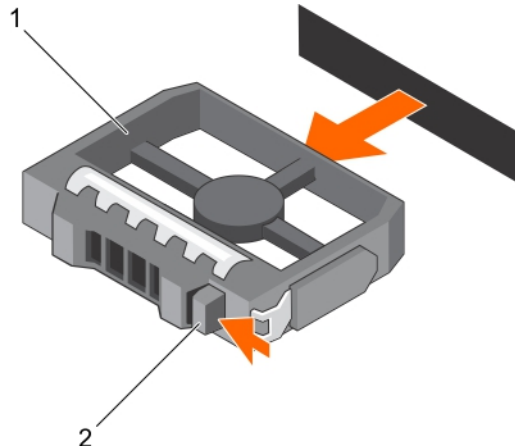
**CAUTION:** Many repairs may only be done by a certified service technician. You should only perform troubleshooting and simple repairs as authorized in your product documentation, or as directed by the online or telephone service and support team. Damage due to servicing that is not authorized by Dell is not covered by your warranty. Read and follow the safety instructions that came with the product.

**CAUTION:** To maintain proper system cooling, all empty hard drive slots must have hard drive blanks installed.

1. Follow the safety guidelines listed in the Safety instructions section.
2. If installed, remove the front bezel.

### Steps

Press the release button and slide the blank out of the hard drive slot.



**Figure 30. Removing a 3.5-inch hard drive blank**

- a. hard drive blank
- b. release button

### Next steps

If applicable, install the front bezel.

### Related references

[Safety instructions](#) on page 71

### Related tasks

[Removing the optional front bezel](#) on page 73

[Installing the optional front bezel](#) on page 73

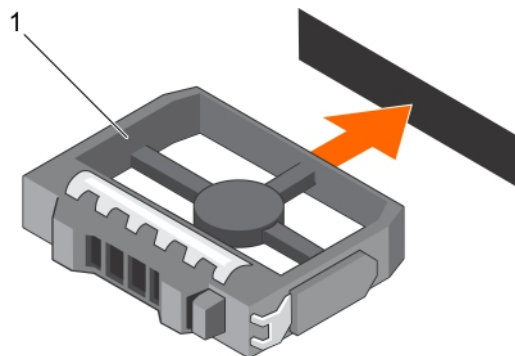
## Installing a 3.5-inch hard drive blank

### Prerequisites

1. Follow the safety guidelines listed in the Safety instructions section.
2. If installed, remove the front bezel.

### Steps

Insert the hard drive blank into the hard drive slot until the release button clicks into place.



**Figure 31. Installing a 3.5-inch hard drive blank**

- a. hard drive blank



### Next steps

If applicable, install the front bezel.

### Related references

[Safety instructions](#) on page 71

### Related tasks

[Removing the optional front bezel](#) on page 73

[Installing the optional front bezel](#) on page 73

## Removing a 3.5-inch cabled hard drive carrier

### Prerequisites

**CAUTION:** Many repairs may only be done by a certified service technician. You should only perform troubleshooting and simple repairs as authorized in your product documentation, or as directed by the online or telephone service and support team. Damage due to servicing that is not authorized by Dell is not covered by your warranty. Read and follow the safety instructions that are shipped with your product.

1. Follow the safety guidelines listed in the Safety instructions section.
2. Follow the procedure listed in the Before working inside your system section.
3. If installed, remove the front bezel.
4. If connected, disconnect the power and data cable from the hard drive.

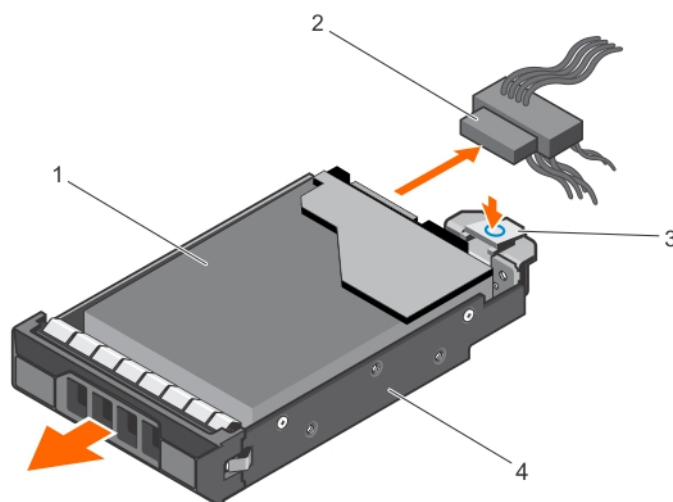
**NOTE:** The empty cabled hard drive carrier can be used as a blank.

### Steps

1. Press the release tab on the hard drive carrier and slide the hard drive carrier out of the hard drive slot.

**CAUTION:** To maintain proper system cooling, all empty hard drive slots must have hard drive carrier blanks installed.

2. Insert a hard drive blank in the empty hard drive slot.



**Figure 32. Removing a cabled hard drive carrier**

- |                |                       |
|----------------|-----------------------|
| 1. hard drive  | 2. power/data cable   |
| 3. release tab | 4. hard drive carrier |

### Next steps

1. If required, install a hard drive in the hard drive carrier and install the hard drive carrier into the hard drive slot in the system.
2. If you are not replacing the hard drive immediately, insert a hard drive carrier in the empty hard drive slot.
3. Follow the procedure listed in the After working inside your system section.

### Related references

[Safety instructions](#) on page 71

### Related tasks


[Before working inside your system](#) on page 72

[Installing a 3.5-inch cabled hard drive carrier](#) on page 94

[After working inside your system](#) on page 72

## Installing a 3.5-inch cabled hard drive carrier

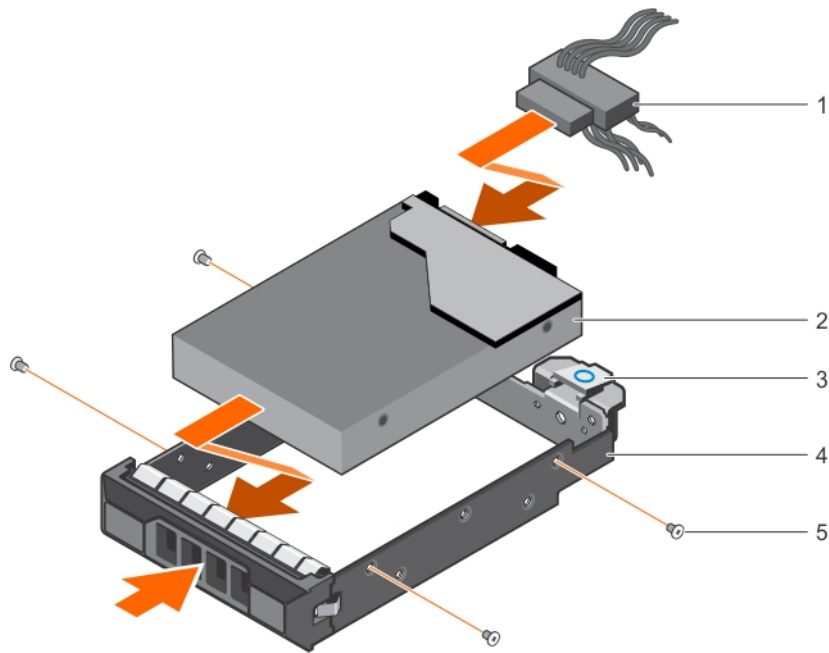
### Prerequisites

 **CAUTION:** Many repairs may only be done by a certified service technician. You should only perform troubleshooting and simple repairs as authorized in your product documentation, or as directed by the online or telephone service and support team. Damage due to servicing that is not authorized by Dell is not covered by your warranty. Read and follow the safety instructions that are shipped with your product.

1. Follow the safety guidelines listed in the Safety instructions section.
2. Follow the procedure listed in the Before working inside your system section.
3. Keep the Phillips #2 screwdriver ready.

### Steps

1. Press the release tab on the hard drive carrier and slide the hard drive carrier out of the system.
2. Install the hard drive into the hard drive carrier.
  - a. Secure the hard drive in place with screws.
3. Insert the hard drive carrier into the hard drive slot, and push the hard drive carrier until it clicks into place.
4. Connect the power and data cable to the hard drive.
  - If connecting to the integrated SATA controller (SATA hard drives only), connect the SATA data cable to the SATA\_A-D connector on the system board.
  - If connecting to a SAS RAID controller card (SAS or SATA hard drives), connect the data cable to the connector on the card.



**Figure 33. Installing a cabled hard drive carrier**

- |                     |                       |
|---------------------|-----------------------|
| 1. power/data cable | 2. hard drive         |
| 3. release tab      | 4. hard drive carrier |
| 5. screw (4)        |                       |

**Next steps**

1. Enter System Setup and ensure that the controller of the hard drive is enabled.
2. Exit System Setup and reboot the system.
3. Install any software required for the hard drive operation as described in the documentation for the hard drive.
4. Follow the procedure listed in the After working inside your system section.

**Related references**

[Safety instructions](#) on page 71

**Related tasks**

[Before working inside your system](#) on page 72

[After working inside your system](#) on page 72

## Removing a hot swappable hard drive carrier

**Prerequisites**

1. If installed, remove the front bezel.
2. Using the management software, prepare the hard drive for removal. For more information, see the documentation for the storage controller.

If the hard drive is online, the green activity or fault indicator flashes when the hard drive is turned off. You can remove the hard drive when the hard drive indicators turn off.

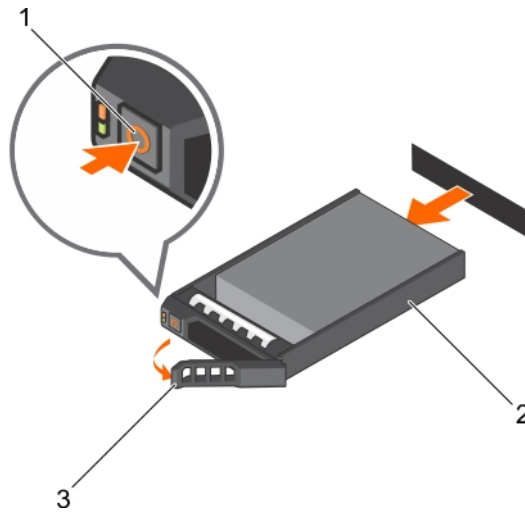
**CAUTION:** To prevent data loss, ensure that your operating system supports hot-swap drive installation. See the documentation supplied with your operating system.

**NOTE:** Hot swappable hard drives are supplied in hot swappable hard drive carriers that fit in the hard drive slots.

## Steps

1. To open the hard drive carrier release handle, press the release button.
2. Slide the hard drive carrier out of the hard drive slot.

**CAUTION:** To maintain proper system cooling, all empty hard drive slots must have hard drive carrier blanks installed.



**Figure 34. Removing a hot swappable hard drive or SSD**

- a. release button
- b. hard drive carrier
- c. hard drive carrier handle

## Next steps

1. If you are not replacing the hard drive immediately, insert a hard drive carrier blank in the empty hard drive slot, or install a hard drive carrier.
2. If removed, install the front bezel.

## Related references

[Safety instructions](#) on page 71

## Related tasks

[Removing the optional front bezel](#) on page 73

[Installing a hot swappable hard drive carrier](#) on page 96

[Removing a 3.5-inch hard drive blank](#) on page 91

[Installing the optional front bezel](#) on page 73

# Installing a hot swappable hard drive carrier

## Prerequisites

**CAUTION:** Use only hard drives that have been tested and approved for use with the hard drive backplane.

**CAUTION:** When installing a hard drive, ensure that the adjacent drives are fully installed. Inserting a hard drive carrier and attempting to lock its handle next to a partially installed carrier can damage the partially installed carrier's shield spring and make it unusable.

**CAUTION:** To prevent data loss, ensure that your operating system supports hot-swap drive installation. See the documentation supplied with your operating system.

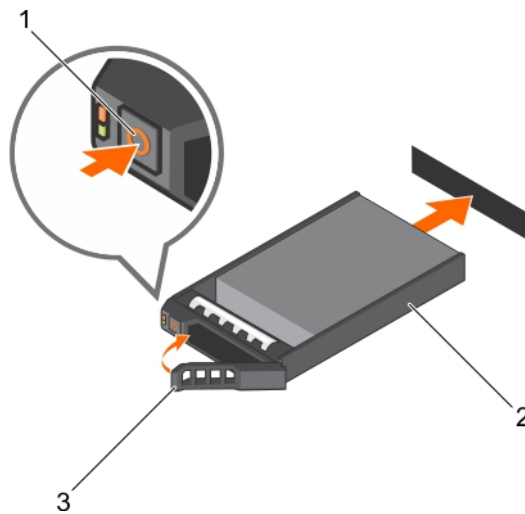
**CAUTION:** When a replacement hot swappable drive is installed and the system is powered on, the drive automatically begins to rebuild. Ensure that the replacement drive is blank or contains data that you wish to overwrite. Any data on the replacement drive is immediately lost after the drive is installed.

**NOTE:** Hot swappable hard drives are supplied in hot swappable hard drive carriers that fit in the hard drive slots.

1. If installed, remove the front bezel.
2. If installed, remove the hard drive carrier blank.
3. Install a hot swappable hard drive into the hot swappable hard drive carrier.

### Steps

1. Press the release button on the front of the hot swappable hard drive carrier and open the hot swappable hard drive carrier handle.
2. Insert the hot swappable hard drive carrier into the hard drive slot, and push the hot swappable hard drive carrier until it comes in contact with the backplane.
3. Close the hot swappable hard drive carrier handle to lock the hot swappable hard drive carrier in place.



**Figure 35. Installing a hot swappable hard drive carrier**

- a. release button
- b. hard drive carrier
- c. hard drive carrier handle

### Next steps

If removed, install the front bezel.

### Related references

[Safety instructions](#) on page 71

### Related tasks

[Removing the optional front bezel](#) on page 73

[Installing a hard drive or solid state drives into a hard drive carrier](#) on page 102

[Installing the optional front bezel](#) on page 73

# Removing a 3.5-inch hot swappable hard drive adapter from a 3.5-inch hot swappable hard drive carrier

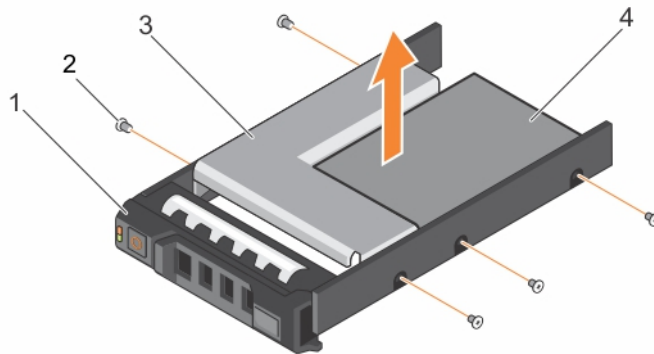
## Prerequisites

**CAUTION:** Many repairs may only be done by a certified service technician. You should only perform troubleshooting and simple repairs as authorized in your product documentation, or as directed by the online or telephone service and support team. Damage due to servicing that is not authorized by Dell is not covered by your warranty. Read and follow the safety instructions that are shipped with your product.

1. Follow the safety guidelines listed in safety instructions section.
2. Keep the Phillips #2 screwdriver ready.
3. If installed, remove the front bezel.

## Steps

1. Remove the 3.5-inch hot swappable hard drive carrier from the system.
2. Remove the screws from the rails on the hot swappable hard drive carrier.
3. Lift the 3.5-inch hard drive adapter out of the 3.5-inch hot swappable hard drive carrier.



**Figure 36. Removing a 3.5-inch hot swappable hard drive adapter from a 3.5-inch hot swappable hard drive carrier**

- |                                |                        |
|--------------------------------|------------------------|
| 1. 3.5-inch hard drive carrier | 2. screw (5)           |
| 3. hard drive adapter          | 4. 2.5-inch hard drive |

## Next steps

If removed, install the front bezel.

## Related references

[Safety instructions](#) on page 71

## Related tasks

[Removing the optional front bezel](#) on page 73

[Installing a 3.5-inch hard drive adapter into a hot swap hard drive carrier](#) on page 99

[Installing the optional front bezel](#) on page 73

# Installing a 3.5-inch hard drive adapter into a hot swap hard drive carrier

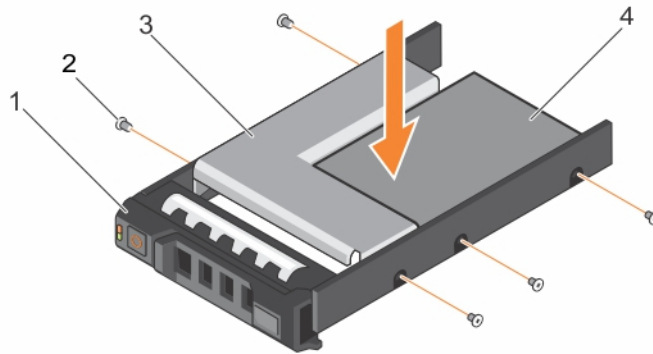
## Prerequisites

**CAUTION:** Many repairs may only be done by a certified service technician. You should only perform troubleshooting and simple repairs as authorized in your product documentation, or as directed by the online or telephone service and support team. Damage due to servicing that is not authorized by Dell is not covered by your warranty. Read and follow the safety instructions that are shipped with your product.

1. Follow the safety guidelines listed in the Safety instructions section.
2. Keep the Phillips #2 screwdriver ready.
3. If installed, remove the front bezel.
4. Install the 2.5-inch hot swappable hard drive into the hot swappable hard drive adapter.

## Steps

1. Insert the 3.5-inch hard drive adapter into the hot swappable hard drive carrier with the connector end of the hard drive toward the back of the hot swappable hard drive carrier.
2. Align the screw holes on the hard drive with the holes on the hot swappable hard drive carrier.
3. Install the screws to secure the hot swappable hard drive to the hot swappable hard drive carrier.



**Figure 37. Installing a 3.5-inch hard drive adapter into a hot swappable hard drive carrier**

- |                                |                        |
|--------------------------------|------------------------|
| 1. 3.5-inch hard drive carrier | 2. screw (5)           |
| 3. hard drive adapter          | 4. 2.5-inch hard drive |

## Next steps

1. Install the hot swappable hard drive carrier into the system.
2. If removed, install the front bezel.

## Related references

[Safety instructions](#) on page 71

## Related tasks

[Removing the optional front bezel](#) on page 73

[Installing a 2.5-inch hard drive into a 3.5-inch hard drive adapter](#) on page 101

[Installing a hot swappable hard drive carrier](#) on page 96

[Installing the optional front bezel](#) on page 73

# Removing a 2.5-inch hard drive from a 3.5-inch hard drive adapter

## Prerequisites

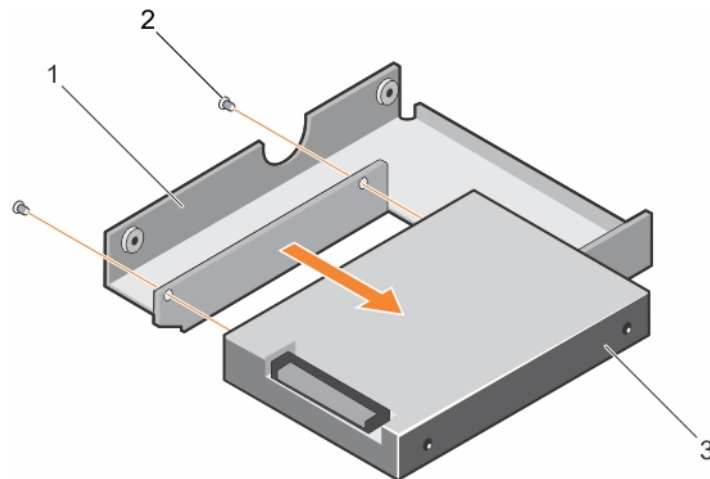
**CAUTION:** Many repairs may only be done by a certified service technician. You should only perform troubleshooting and simple repairs as authorized in your product documentation, or as directed by the online or telephone service and support team. Damage due to servicing that is not authorized by Dell is not covered by your warranty. Read and follow the safety instructions that came with the product.

1. Follow the safety guidelines listed in the Safety instructions section.
2. Keep the Phillips #2 screwdriver ready.
3. Remove the 3.5-inch hard drive adapter from the 3.5-inch hot swappable hard drive carrier.

**NOTE:** A 2.5-inch hot swappable hard drive is installed in a 3.5-inch hard drive adapter, which is then installed in the 3.5-inch hot swappable hard drive carrier.

## Steps

1. Remove the screws from the side of the 3.5-inch hard drive adapter.
2. Remove the hard drive from the 3.5-inch hard drive adapter.



**Figure 38. Removing a 2.5-inch hard drive from a 3.5-inch hard drive adapter**

- a. 3.5-inch hard drive adapter
- b. screw (2)
- c. 2.5-inch hard drive

## Next steps

Install a 2.5-inch hard drive into a 3.5-inch hard drive adapter.

## Related references

[Safety instructions](#) on page 71

## Related tasks

[Removing a 3.5-inch hot swappable hard drive adapter from a 3.5-inch hot swappable hard drive carrier](#) on page 98

[Installing a 2.5-inch hard drive into a 3.5-inch hard drive adapter](#) on page 101

[Installing a 3.5-inch hard drive adapter into a hot swap hard drive carrier](#) on page 99



# Installing a 2.5-inch hard drive into a 3.5-inch hard drive adapter

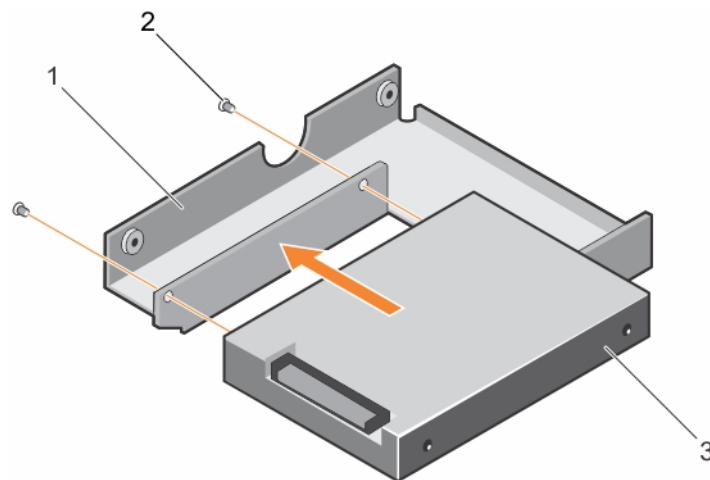
## Prerequisites

**CAUTION:** Many repairs may only be done by a certified service technician. You should only perform troubleshooting and simple repairs as authorized in your product documentation, or as directed by the online or telephone service and support team. Damage due to servicing that is not authorized by Dell is not covered by your warranty. Read and follow the safety instructions that are shipped with your product.

1. Follow the safety guidelines listed in the Safety instructions section.
2. Keep the Phillips #2 screwdriver ready.
3. Remove a 3.5-inch hot swappable hard drive adapter from a 3.5-inch hot swappable hard drive carrier.

## Steps

1. Align the screw holes on the 2.5-inch hard drive with the screw holes on the 3.5-inch hard drive adapter.
2. Install the screws to secure the hard drive to the 3.5-inch hard drive adapter.



**Figure 39. Installing a 2.5-inch hard drive into a 3.5-inch hard drive adapter**

- a. 3.5-inch hard drive adapter
- b. screw (2)
- c. 2.5-inch hard drive

## Next steps

Install the 3.5-inch adapter into the 3.5-inch hard drive carrier.

## Related references

[Safety instructions](#) on page 71

## Related tasks

[Removing a 3.5-inch hot swappable hard drive adapter from a 3.5-inch hot swappable hard drive carrier](#) on page 98

[Installing a 3.5-inch hard drive adapter into a hot swap hard drive carrier](#) on page 99

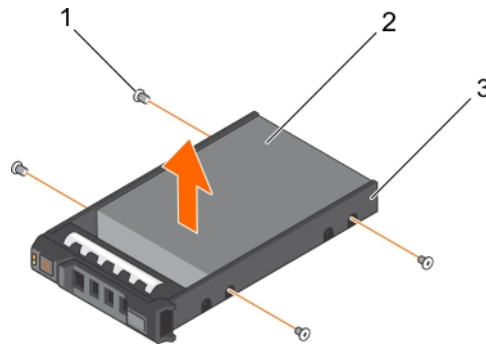
# Removing a hard drive or a solid state drive from a hard drive carrier

## Prerequisites

1. Remove the hot swappable hard drive carrier from the system.

### Steps

1. Remove the screws from the slide rails on the hard drive carrier.
2. Lift the hard drive out of the hard drive carrier.



**Figure 40. Removing a hard drive from a hard drive carrier**

- a. screw (4)
- b. hard drive
- c. hard drive carrier

### Next steps

If applicable, install a hard drive into the hard drive carrier.

### Related tasks

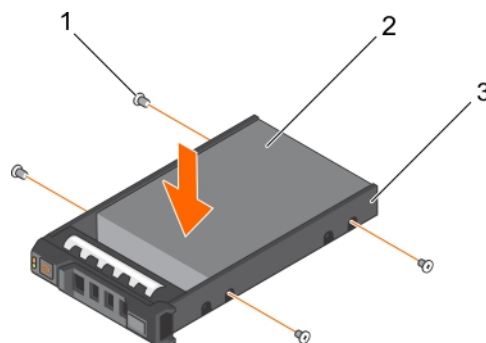
[Removing a hot swappable hard drive carrier](#) on page 95

## Installing a hard drive or solid state drives into a hard drive carrier

### Prerequisites

### Steps

1. Insert the hard drive into the hard drive carrier with the connector end of the hard drive toward the back of the carrier.
2. Align the screw holes on the hard drive with the screws holes on the hard drive carrier.  
When aligned correctly, the back of the hard drive is flush with the back of the hard drive carrier.
3. Attach the screws to secure the hard drive to the hard drive carrier.



**Figure 41. Installing a hard drive into a hard drive carrier**

1. screw (4)
2. hard drive
3. hard drive carrier

### Next steps

Install the hot swappable hard drive carrier.

### Related tasks

[Installing a hot swappable hard drive carrier](#) on page 96

## Optical drive (optional)

Optical drives retrieve and store data on optical discs such as CD and DVD. Optical drives can be categorized into two basic types: optical disc readers and optical disc writers.

### Removing the optional ultra slim optical drive

The procedure for removing an optical drive and optical drive blank is the same.

#### Prerequisites

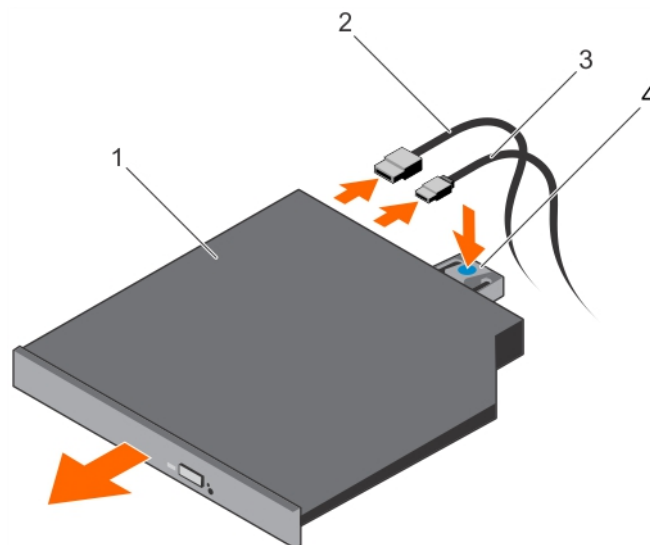
**CAUTION:** Many repairs may only be done by a certified service technician. You should only perform troubleshooting and simple repairs as authorized in your product documentation, or as directed by the online or telephone service and support team. Damage due to servicing that is not authorized by Dell is not covered by your warranty. Read and follow the safety instructions that are shipped with your product.

1. Follow the safety guidelines listed in the Safety instructions section.
2. Follow the procedure listed in the Before working inside your system section.

**NOTE:** Observe the routing of the power and data cables inside the chassis as you remove them from the system board and the optical drive. Route these cables in the same way when you replace them to prevent them from being pinched or crimped.

#### Steps

1. Disconnect the power and data cables from the back of the optical drive.
2. If required, disconnect the power and data cables from the system board.
3. To release the optical drive, press and push the release tab toward the front of the system.
4. Slide the optical drive out of the system.



**Figure 42. Removing the ultra slim optical drive**

1. optical drive


2. data cable


3. power cable

4. release tab

### Next steps

1. If you are not installing an optical drive immediately, install an optical drive blank.

 **NOTE:** Blanks must be installed on empty optical drive or tape drive slots to maintain FCC certification of the system. The brackets also keep dust and dirt out of the system and aid in proper cooling and airflow inside the system.

 **NOTE:** The procedure to install an optical drive blank is similar to the procedure to install an optical drive.

2. Follow the procedure listed in the After working inside your system section.

### Related references

[Safety instructions](#) on page 71

### Related tasks

[Before working inside your system](#) on page 72


[Installing the optional ultra slim optical drive](#) on page 104

[After working inside your system](#) on page 72

## Installing the optional ultra slim optical drive

The procedure for installing an optical drive and optical drive blank is similar to the procedure to install an optical drive.

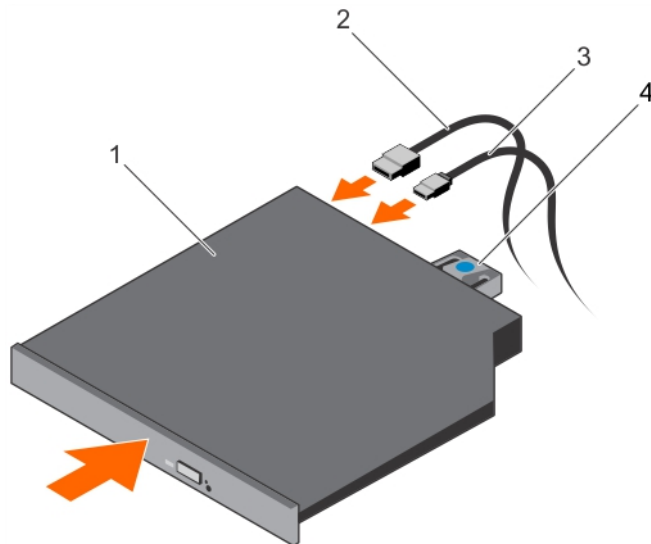
### Prerequisites

 **CAUTION:** Many repairs may only be done by a certified service technician. You should only perform troubleshooting and simple repairs as authorized in your product documentation, or as directed by the online or telephone service and support team. Damage due to servicing that is not authorized by Dell is not covered by your warranty. Read and follow the safety instructions that are shipped with your product.

1. Follow the safety guidelines listed in the Safety instructions section.
2. Follow the procedure listed in the Before working inside your system section.
3. If installed, remove the optical drive blank by pressing the blue release tab at the back of the blank and pushing the blank out of the system.

### Steps

1. Align the optical drive with the optical drive slot on the front of the chassis.
2. Slide the optical drive into the slot until the latch snaps into place.
3. Connect the power and data cables to the back of the optical drive.
4. Route the power and data cables through the cable routing latch of the system.
5. Connect the power and data cables to the connectors on the system board.



**Figure 43. Installing the ultra slim optical drive**

- |                  |                |
|------------------|----------------|
| 1. optical drive | 2. data cable  |
| 3. power cable   | 4. release tab |

### Next steps

Follow the procedure listed in the After working inside your system section.

### Related references

[Safety instructions](#) on page 71

### Related tasks

[Before working inside your system](#) on page 72

[After working inside your system](#) on page 72

## Removing the standard optical drive

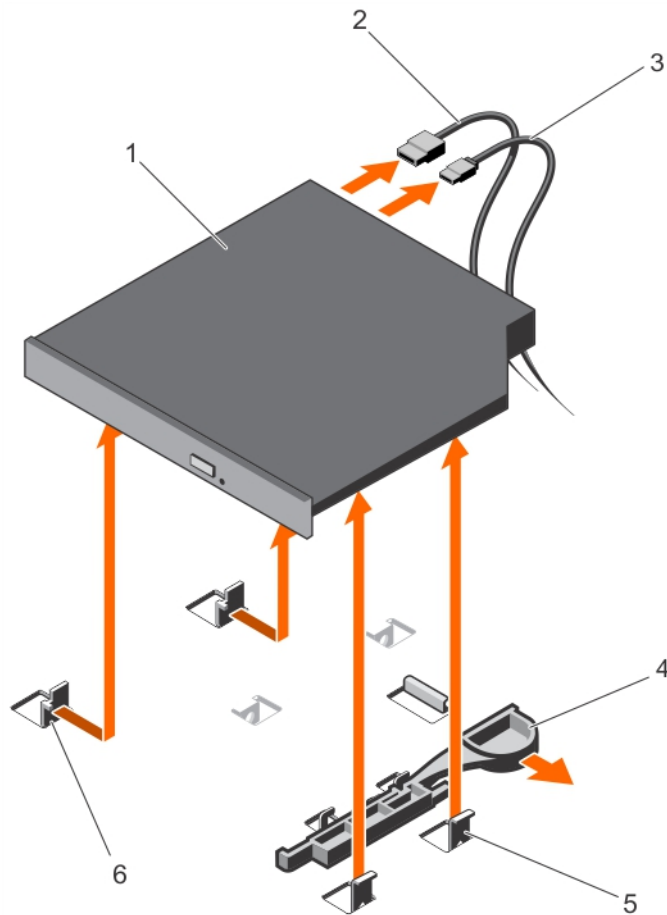
### Prerequisites

**CAUTION:** Many repairs may only be done by a certified service technician. You should only perform troubleshooting and simple repairs as authorized in your product documentation, or as directed by the online or telephone service and support team. Damage due to servicing that is not authorized by Dell is not covered by your warranty. Read and follow the safety instructions that are shipped with your product.

1. Follow the safety guidelines listed in the Safety instructions section.
2. Follow the procedure listed in the Before working inside your system section.

### Steps

1. Disconnect the power and data cable from the back of the optical drive.  
Observe the routing of the power and data cable inside the chassis as you remove them from the system board and the drive. You must route these cables properly when you replace them to prevent them from being pinched or crimped.
2. Pull the release latch and disengage the optical drive from the notches on the metal standoffs.
3. Lift the optical drive out of the system.
4. If you are not adding a new optical drive, install the optical-drive blank.



**Figure 44. Removing the standard optical drive**

- |                       |                                    |
|-----------------------|------------------------------------|
| 1. optical drive      | 2. data cable                      |
| 3. power cable        | 4. release latch                   |
| 5. metal standoff (4) | 6. notch on the metal standoff (2) |

### Next steps

Follow the procedure listed in the After working inside your system section.

### Related references

[Safety instructions](#) on page 71

### Related tasks

[Before working inside your system](#) on page 72

[After working inside your system](#) on page 72

## Installing the standard optical drive

### Prerequisites

**CAUTION:** Many repairs may only be done by a certified service technician. You should only perform troubleshooting and simple repairs as authorized in your product documentation, or as directed by the online or telephone service and support team. Damage due to servicing that is not authorized by Dell is not covered by your warranty. Read and follow the safety instructions that are shipped with your product.

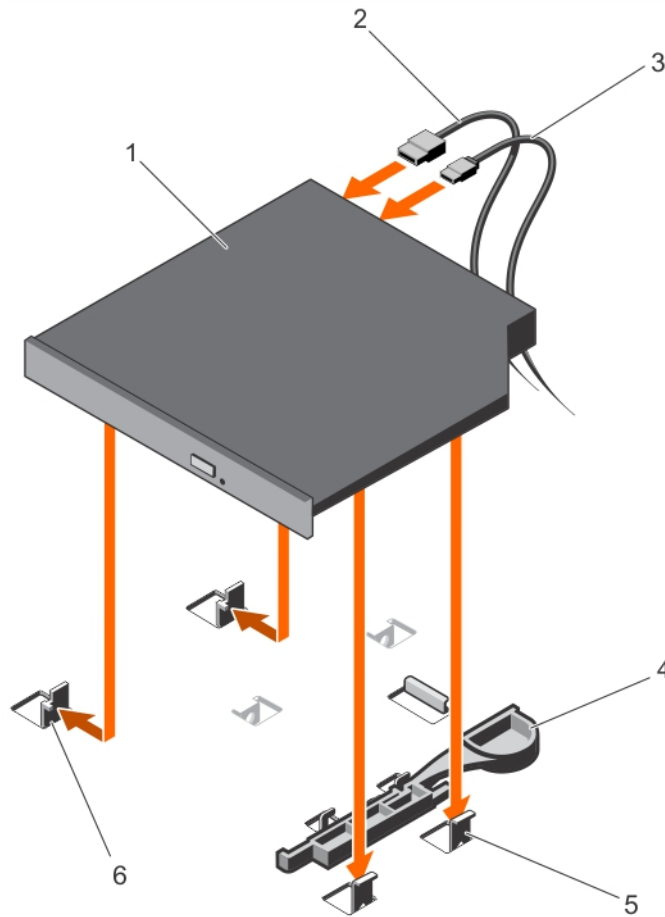
1. Follow the safety guidelines listed in the Safety instructions section.

2. Follow the procedure listed in the Before working inside your system section.

**Steps**

1. Align the two notches on the metal standoffs with the slots on the side of the optical drive.
2. Slide the optical drive into the notches until it is seated firmly and the release latch snaps into place.
3. Connect the power cable.
4. Connect the data cable to the back of the drive and to the SATA connector on the system board.

**NOTE:** Route and secure the cables using the cable routing latch on the system chassis to prevent them from being pinched or crimped.



**Figure 45. Installing the standard optical drive**

- |                       |                                    |
|-----------------------|------------------------------------|
| 1. optical drive      | 2. data cable                      |
| 3. power cable        | 4. release latch                   |
| 5. metal standoff (4) | 6. notch on the metal standoff (2) |

**Next steps**

Follow the procedure listed in the After working inside your system section.

**Related references**

[Safety instructions](#) on page 71

**Related tasks**

[Before working inside your system](#) on page 72

[After working inside your system](#) on page 72

# Cooling fans

Your system supports:

- Up to four cooling fans in a non-redundant power supply unit (PSU) configuration.
- Up to five cooling fans in a redundant PSU configuration.

**NOTE:** Fan 1 must be installed in a redundant power supply configuration and is connect to Power Interposer board (PIB)

**NOTE:** Hot-swap removal or installation of the fans is not supported.

**NOTE:** Each fan is listed in the systems management software, referenced by the respective fan number. If there is a problem with a particular fan, you can easily identify and replace the proper fan by noting the fan numbers on the cooling fan assembly.

## Removing a cooling fan

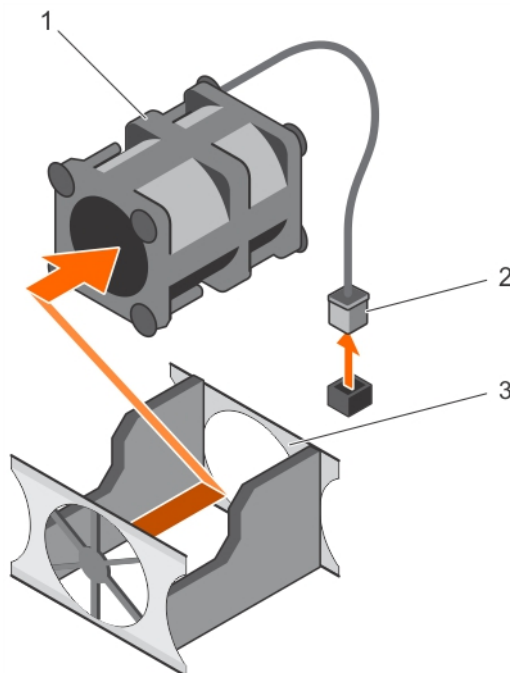
### Prerequisites

**NOTE:** The procedure for removing each fan is identical.

1. Remove the cooling shroud.
2. If required, remove the cooling shroud.

### Steps

1. Disconnect the power cable from the power connector on the system board or power interposer board.
2. Lift the fan out of the cooling fan bracket.



**Figure 46. Removing a cooling fan**

- a. cooling fan
- b. power cable connector
- c. cooling fan bracket

### Next steps

1. Install the cooling fan.



## Related references

[Safety instructions](#) on page 71

## Related tasks

[Before working inside your system](#) on page 72

[Removing the cooling shroud](#) on page 79

[Installing a cooling fan](#) on page 109

[Installing the cooling shroud](#) on page 80

[After working inside your system](#) on page 72

# Installing a cooling fan

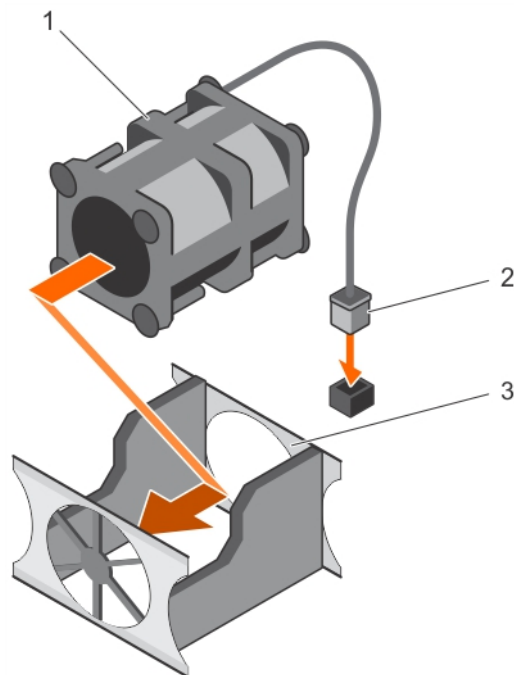
## Prerequisites

**NOTE:** The procedure for installing each fan is identical.

1. Follow the safety guidelines listed in the Safety instructions section.
2. Follow the procedure listed in the Before working inside your system section.
3. Remove the cooling shroud.
4. If installed, remove the cooling fan blank.

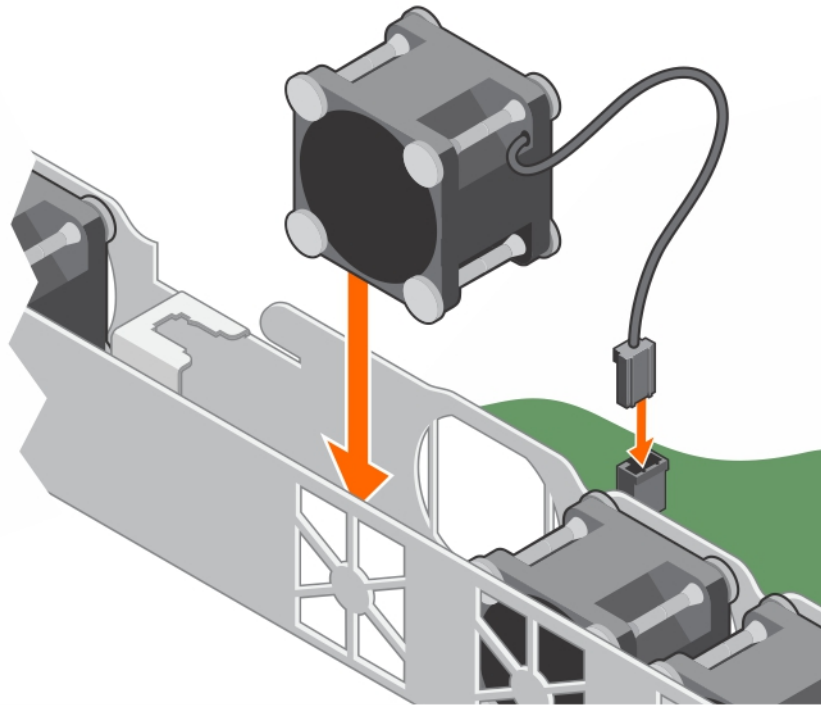
## Steps

1. Lower the fan into the cooling fan bracket.
2. Connect the power cable to the power cable connector on the system board.



**Figure 47. Installing a cooling fan**

- a. cooling fan
- b. power cable connector
- c. cooling fan bracket



**Figure 48. Installing a cooling fan**

#### Next steps

1. Install the cooling shroud.
2. Follow the procedure listed in the After working inside your system section.

#### Related references

[Safety instructions](#) on page 71

#### Related tasks

[Before working inside your system](#) on page 72

[Removing the cooling shroud](#) on page 79

[Installing the cooling shroud](#) on page 80

[After working inside your system](#) on page 72

## Internal USB memory key (optional)

An optional USB memory key installed inside your system can be used as a boot device, security key, or mass storage device.

To boot from the USB memory key, configure the USB memory key with a boot image and then specify the USB memory key in the boot sequence in System Setup.

The internal USB port must be enabled in **Internal USB Port** option in the **Integrated Devices** screen of **System Setup**.

The internal USB port is located on the system board.

**NOTE:** To locate the internal USB port (INT\_USB) on the system board, see the System board connectors section.

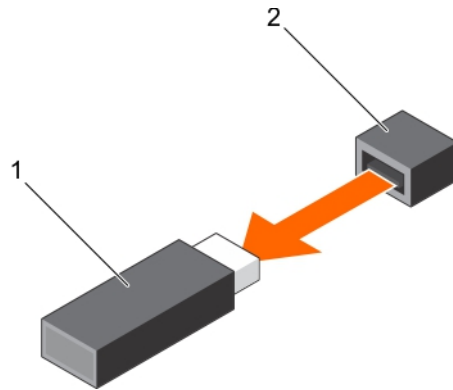
#### Related references

[System board connectors](#) on page 171

# Replacing the optional internal USB memory key

## Steps

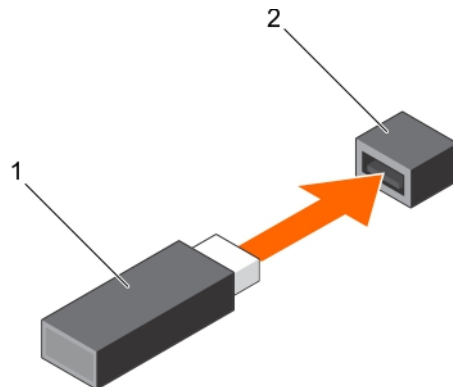
1. Locate the USB port or USB memory key on the system board.  
To locate the USB port, see the System board connectors section.
2. If installed, remove the USB memory key from the USB port.



**Figure 49. Removing the internal USB memory key**

- a. USB memory key
- b. USB port

3. Insert the replacement USB memory key into the USB port.



**Figure 50. Installing the internal USB memory key**

- a. USB memory key
- b. USB port

## Next steps

1. While booting, press F2 to enter System Setup and verify that the system detects the USB memory key.

## Related references

[Safety instructions](#) on page 71

[System board connectors](#) on page 171

## Related tasks

[Before working inside your system](#) on page 72

[After working inside your system](#) on page 72

## Expansion cards and expansion card riser

An expansion card in the system is an add-on card that can be inserted into an expansion slot on the system board or riser card to add enhanced functionality to the system through the expansion bus.

**NOTE:** A System Event Log (SEL) event is logged if an expansion card riser is unsupported or missing. It does not prevent your system from turning on and no BIOS POST message or F1/F2 pause is displayed.

### Expansion card installation guidelines

Your system supports Generation 1, Generation 2, and Generation 3 cards. The following table provides riser configurations for R430 systems:

**NOTE:** Full-height: 312mm, Half-height: 175.26mm, Low-profile: 119.91mm.

**Table 41. Expansion card slots available on the expansion-card riser**

PCIe slot on the expansion card riser		Processor	Link width	Slot width	Height	Length
PCIe_G3_x8 / Butterfly riser	Right - Slot 1	1	x8	x16	Full height	Half length
	Left - Slot 2		x8	x16	Half height	Half length
PCIe_G3_x16 / Left or right riser	Right riser - Slot 1	1	x16	x16	Half height	Half length
	Left riser - Slot 2		x16	x16	Half height	Half length
PCIe_BTBTB_x16		2	Not supported		Not supported	

**NOTE:** The PCIe\_G3\_X8 and PCIe\_G3\_X16 are the two different types of risers supported on R430 systems. You can install an expansion card on the system board only using expansion-card riser.

**NOTE:** The expansion cards are not hot-swappable.

The following table provides a guide for installing expansion cards to ensure proper cooling and mechanical fit. The expansion cards with the highest priority must be installed first using the slot priority indicated. All other expansion cards must be installed in card priority and slot priority order.

**Table 42. Expansion card installation order (Low Profile + Low Profile configuration)**

Card priority	Card type	Slot priority	Maximum allowed
1	RAID Integrated Storage	Integrated Slot	1
	RAID External Storage	2, 1	1
2	Infiniband single Port/Dual (Mellanox)	2, 1	2
3	40 Gb NICs	2, 1	2
4	10 Gb NICs	2, 1	2
5	FC8 HBA	2, 1	2
6	1 Gb NICs	2, 1	2
7	12 GB SAS HBA	2, 1	2
	HBA330	Integrated Slot	1

**Table 43. Expansion card installation order (Full Height +Low Profile configuration)**

Card priority	Card type	Slot priority	Maximum allowed
1	RAID Integrated Storage	Integrated Slot	1

**Table 43. Expansion card installation order (Full Height +Low Profile configuration)**

Card priority	Card type	Slot priority	Maximum allowed
	RAID External Storage Low Profile	2	1
	RAID External Storage Full Height	1	1
2	Infiniband Single Port/Dual Port (Mellanox)	2	1
3	40 Gb NICs (Low profile)	2	1
	40 Gb NICs (Full height)	1	1
4	10 Gb NICs (Low profile)	2	1
	10 Gb NICs (Full height)	1	1
5	FC8 HBA (Low profile)	2	1
	FC8 HBA (Full height)	1	1
6	1 Gb NICs (Low profile)	2	1
	1 Gb NICs (Full height)	1	1
7	12 GB-SAS-HBA (Low profile)	2	1
	12 GB-SAS-HBA (Full height)	1	1
8	Non-RAID HBA330	Integrated Slot	1

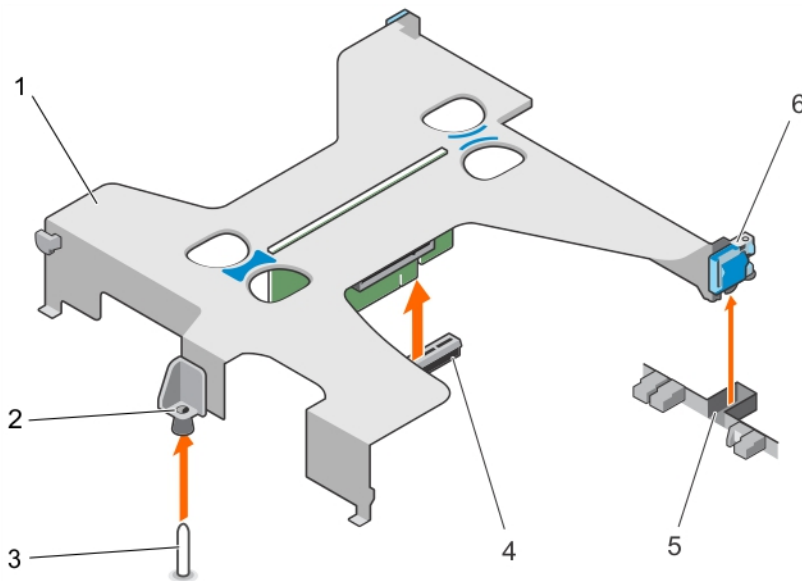
## Removing the expansion card riser

### Prerequisites

1. Follow the safety guidelines listed in the Safety instructions section.
2. Follow the procedure listed in the Before working inside your system section.

### Steps

Holding the touch points, lift the expansion card riser from the riser connector on the system board.



**Figure 51. Removing the expansion card riser**

1. expansion card riser
2. guide on the expansion card riser
3. guide pin on the system board
4. riser connector on the system board

5. slot on the chassis

6. expansion card latch

### Next steps

1. Install the expansion card riser.

### Related references

[Safety instructions](#) on page 71

### Related tasks

[Before working inside your system](#) on page 72

[Installing the expansion card riser](#) on page 114

[After working inside your system](#) on page 72

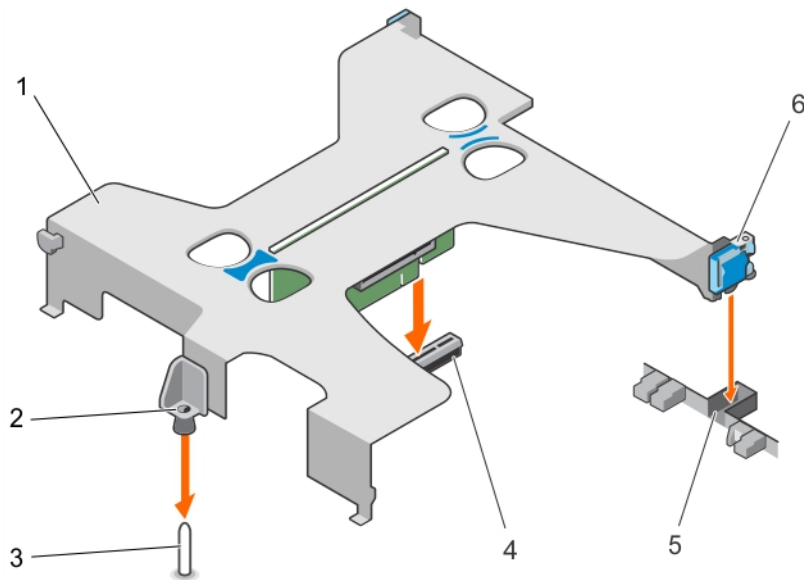
## Installing the expansion card riser

### Prerequisites

1. Install the expansion card into the expansion card riser.

### Steps

1. Align the following:
  - a. Guide on the expansion-card riser with the guide pin on the system board.
  - b. Expansion card riser latch with the slot on the chassis.
2. Lower the expansion card riser until the expansion card riser is firmly seated in the connector on the system board.
3. Close the expansion card riser latch.



**Figure 52. Installing the expansion card riser**

1. expansion card riser
2. guide on the expansion card riser
3. guide pin on the system board
4. riser connector on the system board
5. slot on the chassis
6. expansion card latch

### Related references

[Safety instructions](#) on page 71

### Related tasks

[Before working inside your system](#) on page 72

[Installing an expansion card](#) on page 116

[After working inside your system](#) on page 72

## Removing an expansion card

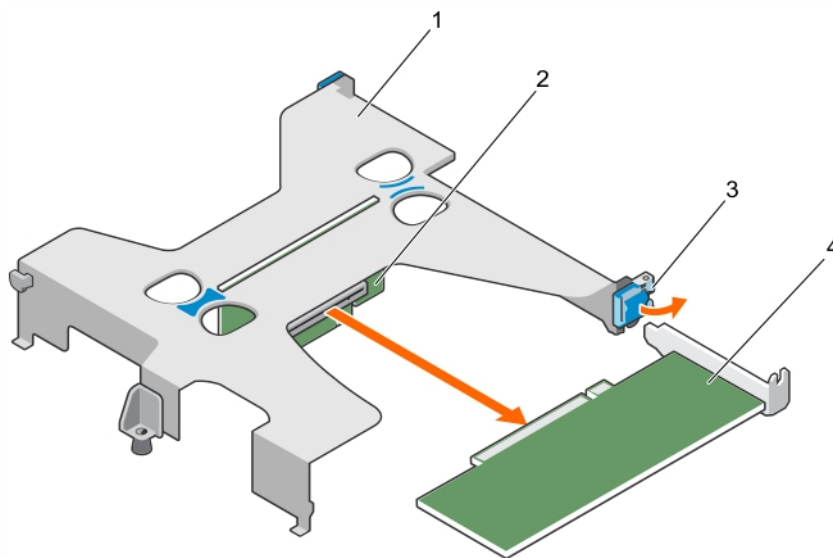
### Prerequisites

1. Follow the safety guidelines listed in the Safety instructions section.
2. Follow the procedure listed in the Before working inside your system section.
3. Disconnect any cables connected to the expansion card or expansion card riser.
4. If installed, remove the expansion card riser.

### Steps

1. Hold the expansion card by its edges and remove it from the expansion card riser connector.
2. If you are removing the card permanently, install a filler bracket in the empty expansion card slot and close the expansion card latch.

**i** **NOTE:** You must install a filler bracket over an empty expansion card slot. The brackets also keep dust and dirt out of the system and aid in proper cooling and airflow inside the system. The filler bracket is necessary to maintain proper thermal conditions.



**Figure 53. Removing an expansion card from the expansion card riser**

- |                         |                                   |
|-------------------------|-----------------------------------|
| 1. expansion card riser | 2. expansion card riser connector |
| 3. expansion card latch | 4. expansion card                 |

### Next steps

1. Install the expansion card.
2. Install the expansion card riser
3. Follow the procedure listed in the After working inside your system section.

### Related references

[Safety instructions](#) on page 71

### Related tasks

- [Before working inside your system](#) on page 72
- [Removing the expansion card riser](#) on page 113
- [Installing an expansion card](#) on page 116
- [Installing the expansion card riser](#) on page 114
- [After working inside your system](#) on page 72

## Installing an expansion card

### Prerequisites

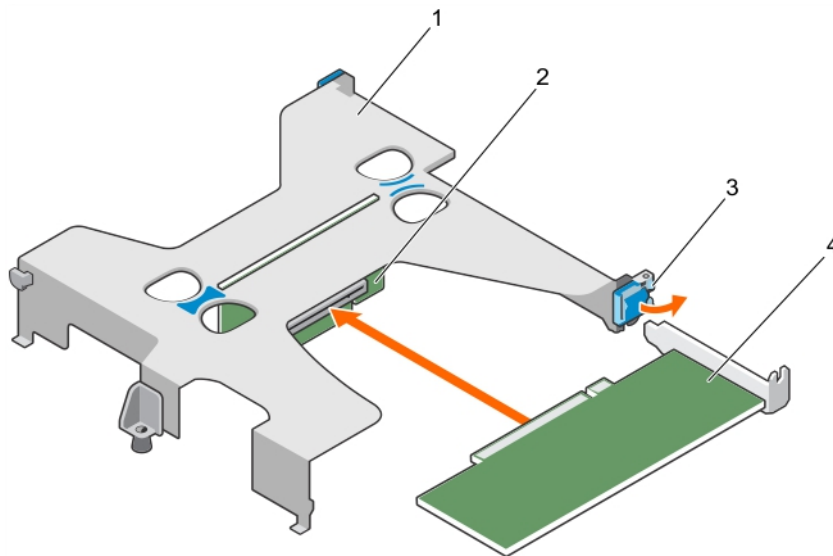
1. Follow the safety guidelines listed in the Safety instructions section.
2. Follow the procedure listed in the Before working inside your system section.
3. Remove the expansion card riser.

### Steps

1. Locate the expansion card connector on the riser.
2. Holding the expansion card by its edges, position the card so that the card connector aligns with the connector on the expansion card riser.
3. Align the expansion card bracket with the hooks on the chassis.
4. Insert the card connector into the expansion card riser connector until the card is firmly seated.

**NOTE:** Ensure that the expansion card is properly seated along the chassis, so that expansion card latch can be closed.

5. If required, connect the cables to the expansion card.



**Figure 54. Installing an expansion card into the expansion card riser**

- |                         |                                   |
|-------------------------|-----------------------------------|
| 1. expansion card riser | 2. expansion card riser connector |
| 3. expansion card latch | 4. expansion card                 |

### Next steps

1. Install the expansion card riser.
2. Follow the procedure listed in the After working inside your system section.

### Related references

[Safety instructions](#) on page 71



## Related tasks

[Before working inside your system](#) on page 72

[Removing the expansion card riser](#) on page 113

[Installing the expansion card riser](#) on page 114

[After working inside your system](#) on page 72

# iDRAC port card (optional)


The iDRAC port card consists of a SD vFlash card slot and an iDRAC port. The iDRAC port card is used for advanced management of the system. An SD vFlash card is a Secure Digital (SD) card that plugs into the SD vFlash card slot in the system. It provides persistent on-demand local storage and a custom deployment environment that allows automation of server configuration, scripts, and imaging. It emulates USB device(s). For more information, see the Integrated Dell Remote Access Controller User's Guide at [Dell.com/esmanuals](http://Dell.com/esmanuals).

The iDRAC port card consists of the SD vFlash card slot and an iDRAC port. The iDRAC port card features a dedicated NIC port and is used for remote, advanced management of the system through the network.

An SD vFlash card is a Secure Digital (SD) card that plugs into the SD vFlash card slot in the iDRAC port card. It provides persistent on-demand local storage and a custom deployment environment that enables automation of server configuration, scripts, and imaging. It emulates a USB device. For more information, see the Integrated Dell Remote Access Controller User's Guide at [Dell.com/idracmanuals](http://Dell.com/idracmanuals).

## Removing the optional iDRAC port card

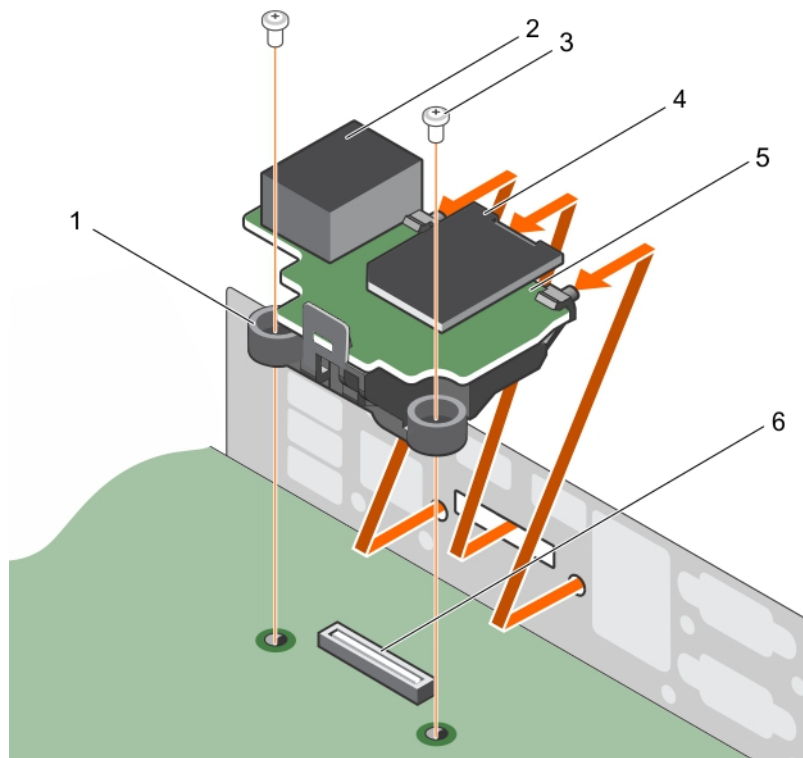
### Prerequisites

 **CAUTION:** Many repairs may only be done by a certified service technician. You should only perform troubleshooting and simple repairs as authorized in your product documentation, or as directed by the online or telephone service and support team. Damage due to servicing that is not authorized by Dell is not covered by your warranty. Read and follow the safety instructions that are shipped with your product.

1. Keep the Phillips #2 screwdriver ready.
2. If connected, disconnect the network cable from the iDRAC port card.
3. If installed, remove the expansion card riser.
4. Remove the cooling shroud.

### Steps

1. Loosen the screws securing the iDRAC port card holder to the system board.
2. Pull the iDRAC port card to disengage it from the iDRAC port card connector on the system board, and remove the card from the chassis.



**Figure 55. Removing the iDRAC port card**

- |                           |                              |
|---------------------------|------------------------------|
| 1. iDRAC port card holder | 2. iDRAC port                |
| 3. screw (2)              | 4. SD vFlash media card      |
| 5. iDRAC port card        | 6. iDRAC port card connector |

### Next steps

1. Install the iDRAC port card.
2. Install the expansion card riser.
3. Install the cooling shroud.
4. If disconnected, reconnect the network cable.

### Related references

[Safety instructions](#) on page 71

### Related tasks

- [Before working inside your system](#) on page 72
- [Removing the cooling shroud](#) on page 79
- [Removing the expansion card riser](#) on page 113
- [Installing the optional iDRAC port card](#) on page 119
- [Installing the expansion card riser](#) on page 114
- [Installing the cooling shroud](#) on page 80
- [After working inside your system](#) on page 72

# Installing the optional iDRAC port card

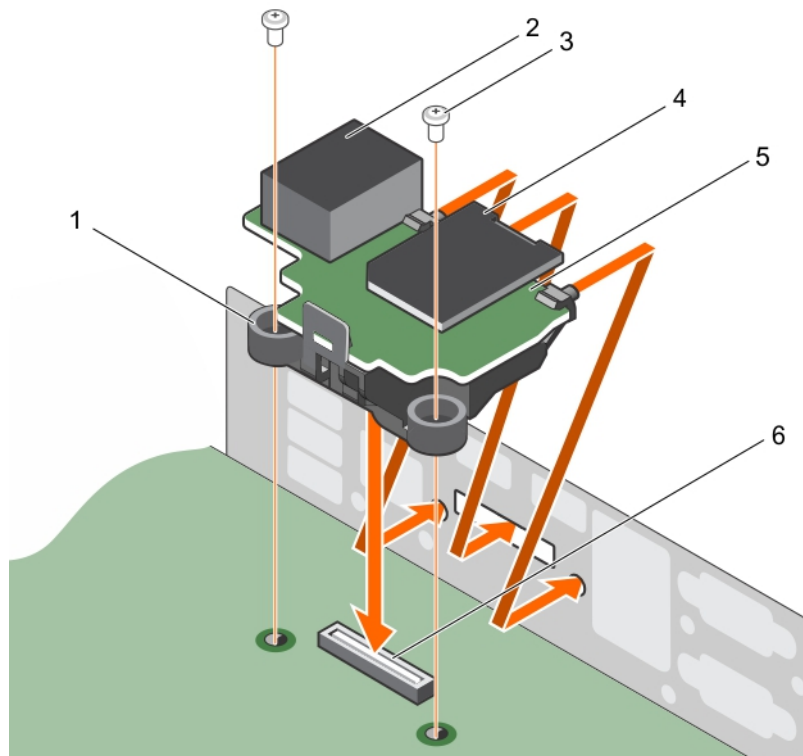
## Prerequisites

**CAUTION:** Many repairs may only be done by a certified service technician. You should only perform troubleshooting and simple repairs as authorized in your product documentation, or as directed by the online or telephone service and support team. Damage due to servicing that is not authorized by Dell is not covered by your warranty. Read and follow the safety instructions that are shipped with your product.

1. Keep the Phillips #2 screwdriver ready.
2. Remove the cooling shroud.
3. If installed, remove the expansion card riser.

## Steps

1. Align and insert the tabs on the iDRAC port card into the slots on the chassis.
2. Insert the iDRAC port card into the connector on the system board.
3. Tighten the screws that secure the iDRAC port card holder to the system board.



**Figure 56. Installing the iDRAC port card**

- |                           |                              |
|---------------------------|------------------------------|
| 1. iDRAC port card holder | 2. iDRAC port                |
| 3. screw (2)              | 4. SD vFlash media card      |
| 5. iDRAC port card        | 6. iDRAC port card connector |

## Next steps

1. Install the expansion card riser.
2. Install the cooling shroud.
3. If disconnected, reconnect the network cable.

## Related references

[Safety instructions](#) on page 71

## Related tasks

[Before working inside your system](#) on page 72

[Removing the cooling shroud](#) on page 79

[Removing the expansion card riser](#) on page 113

[Installing the expansion card riser](#) on page 114

[Installing the cooling shroud](#) on page 80

[After working inside your system](#) on page 72

# SD vFlash card (optional)

An SD vFlash card is a Secure Digital (SD) card that plugs into the SD vFlash card slot in the iDRAC port card. It provides persistent on-demand local storage and a custom deployment environment that enables automation of server configuration, scripts, and imaging. It emulates USB device(s). For more information, see the Integrated Dell Remote Access Controller User's Guide at [Dell.com/idracmanuals](http://Dell.com/idracmanuals).

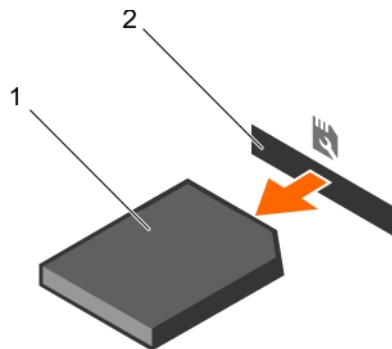
## Removing the optional SD vFlash card

### Prerequisites

1. Follow the safety guidelines listed in the Safety instructions section.
2. Locate the SD vFlash card slot at the back of the chassis.

### Steps

To remove the SD vFlash card, push the SD vFlash card inward to release it, and pull the SD vFlash card from the SD vFlash card slot.



**Figure 57. Removing the optional SD vFlash card**

- a. SD vFlash card
- b. SD vFlash card slot

## Related references

[Safety instructions](#) on page 71

## Installing an optional SD vFlash card

### Prerequisites

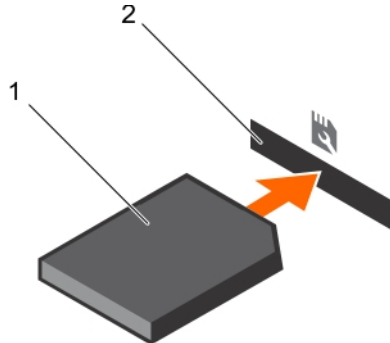
1. Follow the safety guidelines listed in the Safety instructions section.
2. Locate the SD vFlash card slot at the back of the chassis.

## Steps

1. Install a the SD vFlash card by inserting the contact-pin end of the SD vFlash card into the SD vFlash card slot on the iDRAC port card module.

**NOTE:** The slot is keyed to ensure correct insertion of the SD vFlash card.

2. Press the SD vFlash card inward to lock it into the SD vFlash card slot.



**Figure 58. Installing an optional SD vFlash card**

## Related references

[Safety instructions](#) on page 71

# Internal dual SD module (optional)

The Internal Dual SD Module (IDSDM) card provides two SD card slots. This card offers the following features:

- Dual card operation — maintains a mirrored configuration by using SD cards in both the slots and provides redundancy.  
**NOTE:** When the **Redundancy** option is set to **Mirror Mode** in the **Integrated Devices** screen of System Setup, the information is replicated from one SD card to another.
- Single card operation — single card operation is supported, but without redundancy.

## Removing an internal SD card

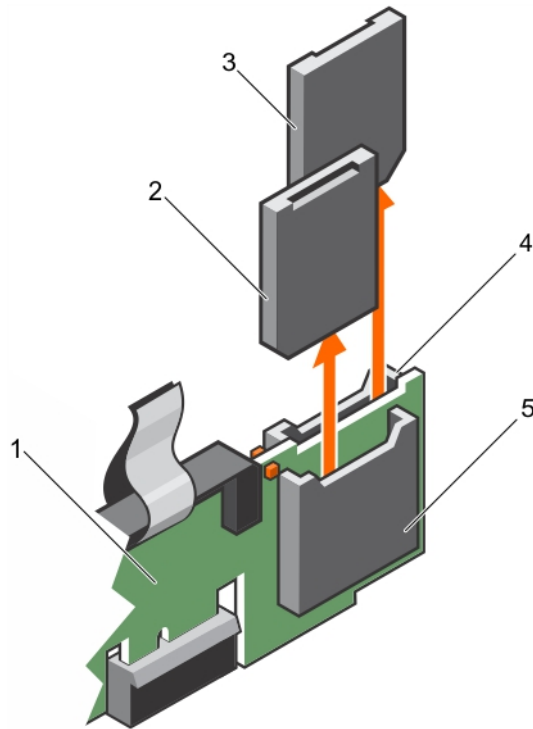
### Prerequisites

**CAUTION:** Many repairs may only be done by a certified service technician. You should only perform troubleshooting and simple repairs as authorized in your product documentation, or as directed by the online or telephone service and support team. Damage due to servicing that is not authorized by Dell is not covered by your warranty. Read and follow the safety instructions that are shipped with your product.

**NOTE:** Temporarily label each SD card with its corresponding slot number before removal. Reinstall the SD card(s) into the corresponding slots.

### Steps

Locate the SD card slot on the internal dual SD module, and press the card to release it from the slot.



**Figure 59. Removing an internal SD card**

- |                   |                   |
|-------------------|-------------------|
| 1. IDSDM          | 2. SD card 1      |
| 3. SD card 2      | 4. SD card slot 2 |
| 5. SD card slot 1 |                   |

### Related references

[Safety instructions](#) on page 71

### Related tasks

[Before working inside your system](#) on page 72

[After working inside your system](#) on page 72

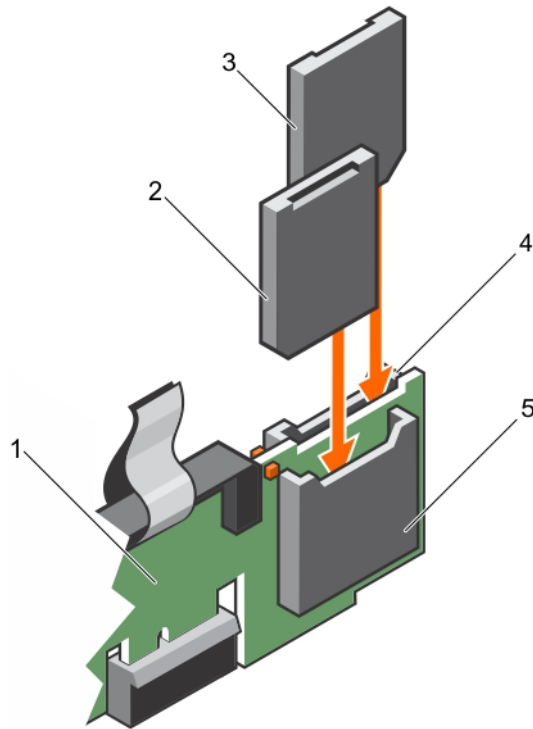
## Installing an internal SD card

### Prerequisites

- NOTE:** To use an SD card with your system, ensure that the **Internal SD Card Port** is enabled in System Setup.
- NOTE:** Temporarily label each SD card with its corresponding slot number before removal. Re-install the SD card(s) into the corresponding slots.

### Steps

1. Locate the SD card connector on the internal dual SD module. Orient the SD card appropriately and insert the contact-pin end of the card into the slot.
  - NOTE:** The slot is keyed to ensure correct insertion of the card.
2. Press the card into the card slot to lock it into place.



**Figure 60. Installing an internal SD card**

- |                   |                   |
|-------------------|-------------------|
| 1. IDSDM          | 2. SD card 2      |
| 3. SD card 1      | 4. SD card slot 1 |
| 5. SD card slot 2 |                   |

### Related references

[Safety instructions](#) on page 71

### Related tasks

[Before working inside your system](#) on page 72

[After working inside your system](#) on page 72

## Removing the optional internal dual SD module

### Prerequisites

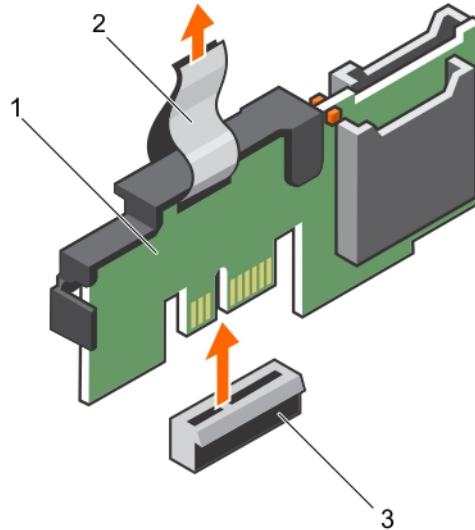
**CAUTION:** Many repairs may only be done by a certified service technician. You should only perform troubleshooting and simple repairs as authorized in your product documentation, or as directed by the online or telephone service and support team. Damage due to servicing that is not authorized by Dell is not covered by your warranty. Read and follow the safety instructions that are shipped with your product.

1. If installed, remove the SD cards.

**NOTE:** Temporarily label each SD card with its corresponding slot number before removal. Reinstall the SD cards into the corresponding slots.

### Steps

1. Locate the internal dual SD module (IDSDM) on the system board. To locate the internal dual SD module connector, see the System board connectors section.
2. Holding the pull tab, lift the IDSDM out of the system.



**Figure 61. Removing the internal dual SD module (IDSDM)**

- a. IDSDM
- b. pull tab
- c. IDSDM connector

#### Next steps

1. Install the IDSDM.
2. If removed, install the SD cards.

#### Related references

[Safety instructions](#) on page 71

#### Related tasks

[Before working inside your system](#) on page 72

[Removing an internal SD card](#) on page 121

[Installing the optional internal dual SD module](#) on page 124

[Installing an internal SD card](#) on page 122

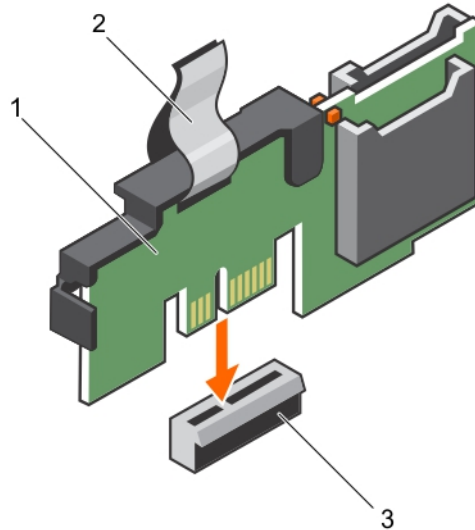
[After working inside your system](#) on page 72

## Installing the optional internal dual SD module

#### Steps

1. Locate the internal dual SD module (IDSDM) connector on the system board. To locate the IDSDM connector, see the [System board connectors](#) section.
2. Align the IDSDM with the connector on the system board.
3. Push the IDSDM until it is firmly seated on the system board.





**Figure 62. Installing the optional internal dual SD module**

- a. IDSDM
- b. pull tab
- c. IDSDM connector

#### Next steps

1. Install the SD cards.

**NOTE:** Re-install the SD cards into the same slots based on the labels you had marked on the cards during removal.

#### Related references

[Safety instructions](#) on page 71

#### Related tasks

[Before working inside your system](#) on page 72

[Removing an internal SD card](#) on page 121

[Installing an internal SD card](#) on page 122

[After working inside your system](#) on page 72

## Integrated storage controller card

Your system includes a dedicated expansion card slot on the system board for an integrated storage controller card. The integrated storage controller card provides the integrated storage subsystem for the internal hard drives in your system. The controller supports SAS and SATA hard drives and also enables you to set up the hard drives in RAID configurations. The RAID configurations depend on the version of the storage controller included with your system. The controller supports SAS hard drives.

**NOTE:** The upgrade from embedded controller or Software RAID controller to Hardware RAID controller is not supported.

## Removing the integrated storage controller card

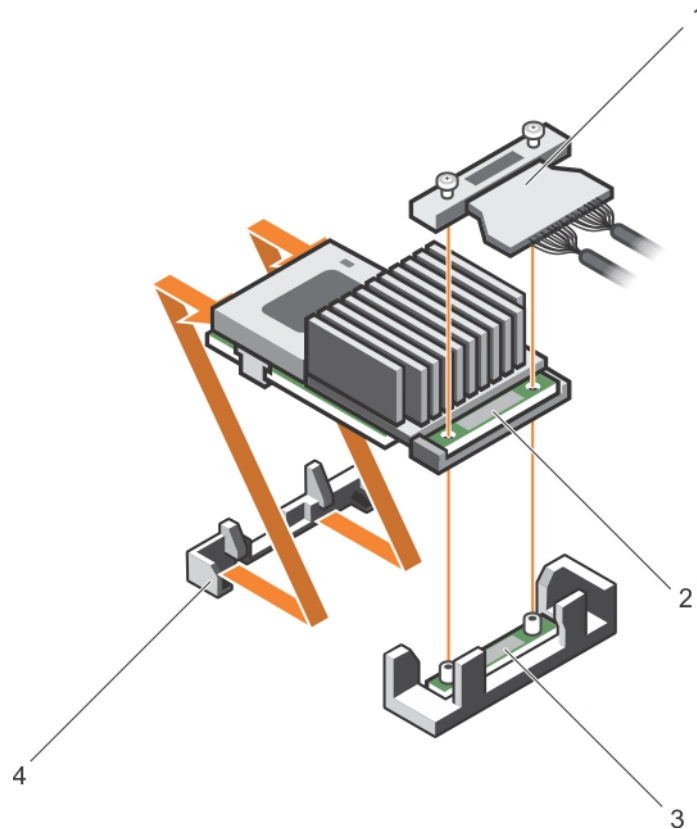
#### Prerequisites

**CAUTION:** Many repairs may only be done by a certified service technician. You should only perform troubleshooting and simple repairs as authorized in your product documentation, or as directed by the online or telephone service and support team. Damage due to servicing that is not authorized by Dell is not covered by your warranty. Read and follow the safety instructions that are shipped with your product.

1. Remove the cooling shroud.

### Steps

1. Loosen the screws that secure the integrated storage controller cable to the integrated storage controller card connector on the system board.
2. Lift the integrated storage controller cable away from the integrated storage controller.
3. Lift one end of the card and angle it to disengage the card from the integrated storage controller card holder on the system board.
4. Lift the card out of the system.



**Figure 63. Removing the integrated storage controller card**

- |                                                                     |                                              |
|---------------------------------------------------------------------|----------------------------------------------|
| 1. integrated storage controller cable                              | 2. integrated storage controller card        |
| 3. integrated storage controller card connector on the system board | 4. integrated storage controller card holder |

### Next steps

1. Install the cooling shroud.
2. Installing the integrated storage controller card.

### Related references

[Safety instructions](#) on page 71

### Related tasks

[Before working inside your system](#) on page 72

[Removing the cooling shroud](#) on page 79

[Installing the cooling shroud](#) on page 80

[Installing the integrated storage controller card](#) on page 127

[After working inside your system](#) on page 72

# Installing the integrated storage controller card

## Prerequisites

**CAUTION:** Many repairs may only be done by a certified service technician. You should only perform troubleshooting and simple repairs as authorized in your product documentation, or as directed by the online or telephone service and support team. Damage due to servicing that is not authorized by Dell is not covered by your warranty. Read and follow the safety instructions that are shipped with your product.

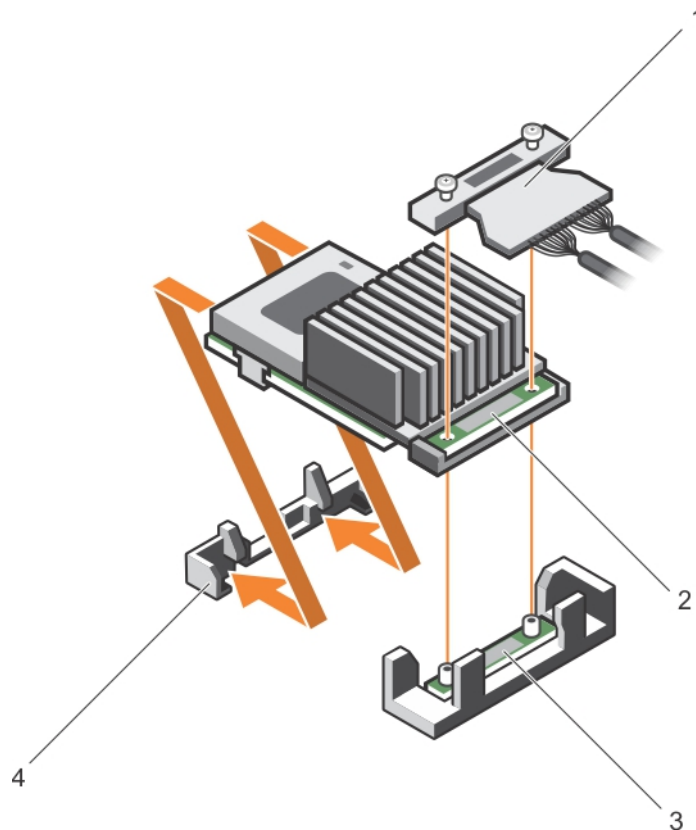
1. Remove the cooling shroud.

## Steps

1. Align the end of the integrated storage controller card with the controller card connector on the system board.
2. Lower the connector side of the integrated storage controller card into the integrated storage controller card connector on the system board.

**NOTE:** Ensure that the tabs on the system board align with the screw holes on the integrated storage controller card.

3. Align the screws on the integrated storage controller card cable with the screw holes on the connector.
4. Tighten the screws to secure the integrated storage controller card cable with the integrated storage controller card connector on the system board.



**Figure 64. Installing the integrated storage controller card**

- |                                                                     |                                              |
|---------------------------------------------------------------------|----------------------------------------------|
| 1. integrated storage controller cable                              | 2. integrated storage controller card        |
| 3. integrated storage controller card connector on the system board | 4. integrated storage controller card holder |

## Next steps

1. Install the cooling shroud.

## Related references

[Safety instructions](#) on page 71

## Related tasks

[Before working inside your system](#) on page 72

[Removing the cooling shroud](#) on page 79

[Installing the cooling shroud](#) on page 80

[After working inside your system](#) on page 72

# Processors and heat sinks

Use the following procedures when:

- Removing and installing a heat sink
- Installing an additional processor
- Replacing a processor

**NOTE:** To ensure proper cooling, you must install a processor blank in any empty processor socket.

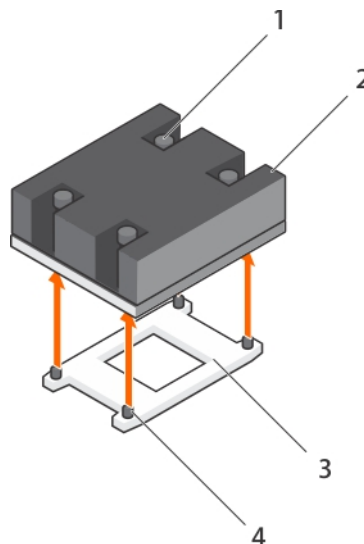
## Removing a heat sink

### Prerequisites

1. If installed, remove the full-length PCIe card(s).
2. Remove the cooling shroud.

### Steps

1. Loosen one of the screws that secure the heat sink to the system board.  
Allow some time (approximately 30 seconds) for the heat sink to loosen from the processor.
2. Remove the screw diagonally opposite to the screw that you first removed.
3. Repeat step 1 and 2 for removing the remaining two screws.
4. Remove the heat sink.



**Figure 65. Removing a heat sink**

- |                        |                             |
|------------------------|-----------------------------|
| 1. retention screw (4) | 2. heat sink                |
| 3. processor socket    | 4. retention screw slot (4) |

## Next steps

1. Replace the heat sink(s) and processor(s).
2. Replace the processor and heat sink.

## Related references

[Safety instructions](#) on page 71

## Related tasks

[Before working inside your system](#) on page 72

[Removing the cooling shroud](#) on page 79

[Removing an expansion card](#) on page 115

[Removing a processor](#) on page 129

[Installing a processor](#) on page 132

[Installing a heat sink](#) on page 134

[Installing the cooling shroud](#) on page 80

[After working inside your system](#) on page 72

# Removing a processor

## Prerequisites

**CAUTION:** Many repairs may only be done by a certified service technician. You should only perform troubleshooting and simple repairs as authorized in your product documentation, or as directed by the online or telephone service and support team. Damage due to servicing that is not authorized by Dell is not covered by your warranty. Read and follow the safety instructions that are shipped with your product.

**NOTE:** If you are upgrading your system, download the latest system BIOS version from [Dell.com/support](https://www.dell.com/support) and follow the instructions included in the compressed download file to install the update on your system.

**NOTE:** You can update the system BIOS by using the Dell Lifecycle Controller.



**NOTE:** To ensure proper system cooling, you must install a processor blank in any empty processor socket.

1. Remove the cooling shroud.
2. Remove the heat sink.

**WARNING:** The processor is hot to touch for some time after the system has been powered down. Allow the processor to cool before removing it.

**CAUTION:** The processor is held in its socket under strong pressure. Be aware that the release lever can spring up suddenly if not firmly grasped.

## Steps

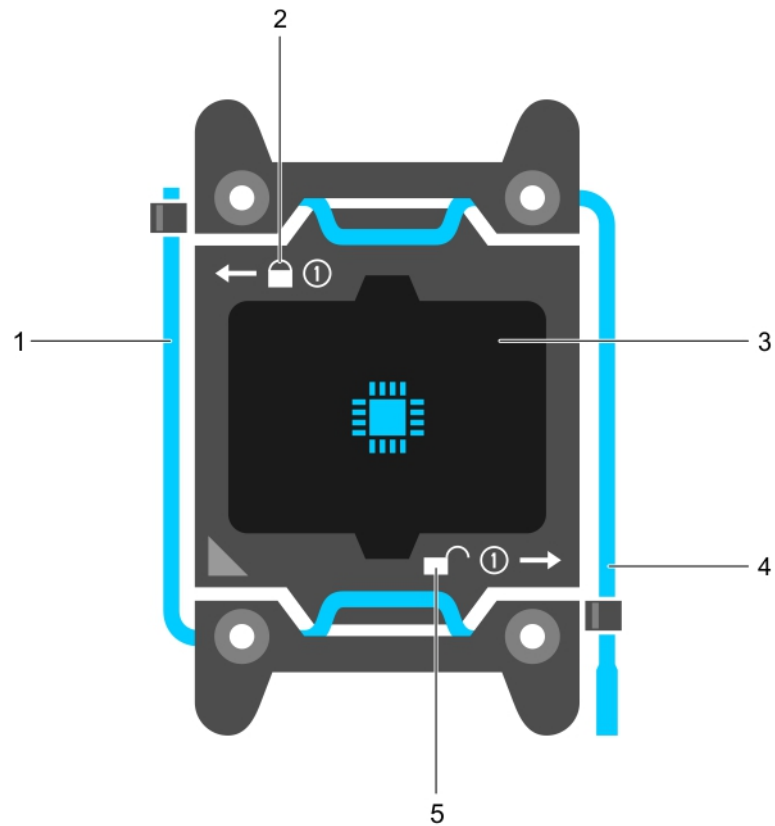
1. Release the *open first* socket lever near the unlock icon  by pushing the lever down and out from under the tab.
2. Release the *close first* socket release lever near the lock icon  by pushing the lever down and out from under the tab. Lift the lever 90 degrees upward.
3. Lower the *open first* socket-release lever to lift the processor shield.
4. Hold the tab on the processor shield and lift the processor shield until the *open first* socket-release lever lifts up.

**CAUTION:** The socket pins are fragile and can be permanently damaged. Be careful not to bend the pins in the socket when removing the processor out of the socket.

5. Lift the processor out of the socket and leave the *open first* socket-release lever up.

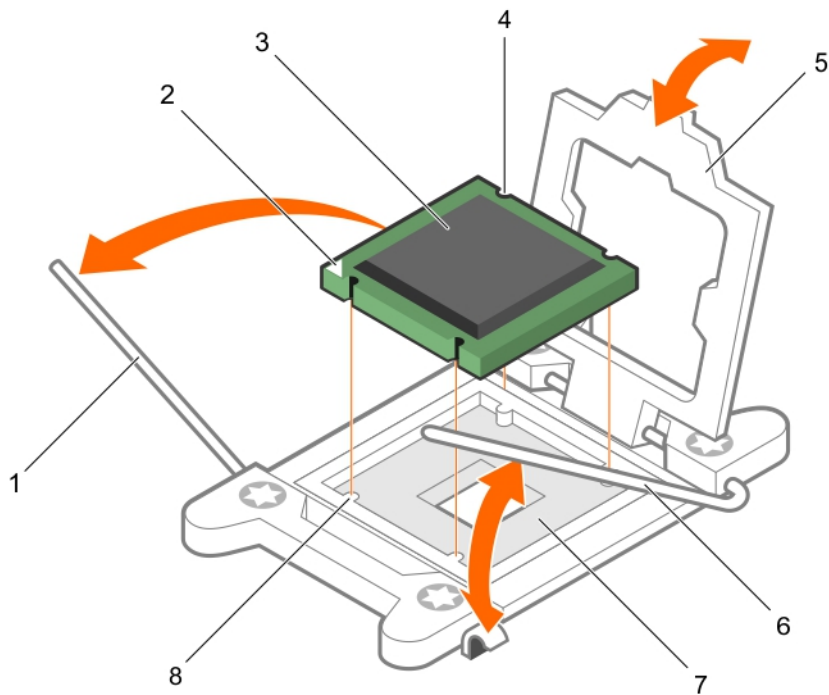
**NOTE:** If you are permanently removing the processor, you must install a socket protective cap in the vacant socket to protect the socket pins and keep the socket free of dust.

**NOTE:** After removing the processor, place it in an anti-static container for reuse, return, or temporary storage. Do not touch the bottom of the processor. Touch only the side edges of the processor.



**Figure 66. Processor shield**

- 1. *close first* socket release lever
- 2. lock icon
- 3. processor
- 4. *open first* socket release lever
- 5. unlock icon



**Figure 67. Removing a processor**

- |                                            |                                           |
|--------------------------------------------|-------------------------------------------|
| 1. <i>close first</i> socket-release lever | 2. pin-1 indicator of processor           |
| 3. processor                               | 4. slot (4)                               |
| 5. processor shield                        | 6. <i>open first</i> socket-release lever |
| 7. socket                                  | 8. socket keys (4)                        |

#### Next steps

1. Replace the processor(s).
2. Install the heat sink.
3. Reinstall the cooling shroud.

#### Related references

[Safety instructions](#) on page 71

#### Related tasks

[Before working inside your system](#) on page 72

[Removing the cooling shroud](#) on page 79

[Removing an expansion card](#) on page 115

[Installing a processor](#) on page 132

[Installing a heat sink](#) on page 134

[Installing the cooling shroud](#) on page 80

[After working inside your system](#) on page 72

# Installing a processor

## Prerequisites

**CAUTION:** Many repairs may only be done by a certified service technician. You should only perform troubleshooting and simple repairs as authorized in your product documentation, or as directed by the online or telephone service and support team. Damage due to servicing that is not authorized by Dell is not covered by your warranty. Read and follow the safety instructions that are shipped with your product.

1. If you are upgrading your system, download the latest system BIOS version from [Dell.com/support](https://Dell.com/support) and follow the instructions included in the compressed download file to install the update on your system.

**NOTE:** You can also update the system BIOS by using the Dell Lifecycle Controller.

2. Remove the cooling shroud.

**NOTE:** If applicable, close the expansion card latch on the cooling shroud to release the full length card.

3. If connected, disconnect the cables from expansion card(s).
4. If installed, remove the expansion card riser.

**NOTE:** If you are installing a single processor, it must be installed in socket CPU1.


## Steps


1. Unpack the new processor.

**NOTE:** If the processor has previously been used in a system, remove any remaining thermal grease from the processor by using a lint-free cloth.

2. Locate the processor socket.

3. If applicable, remove the socket protective cap.

4. Release the *open first* socket-release lever near the unlock icon  by pushing the lever down and out from under the tab.

5. Similarly, release the *close first* socket-release lever near the lock icon  by pushing the lever down and out from under the tab. Lift the lever 90 degrees upward.

6. Hold the tab near the lock symbol on the processor shield and lift it up and out of the way.

**CAUTION:** Positioning the processor incorrectly can permanently damage the system board or the processor. Be careful not to bend the pins in the socket.

**CAUTION:** While removing or reinstalling the processor, wipe your hands of any contaminants. Contaminants on the processor pins such as thermal grease or oil can damage the processor.


7. Align the processor with the socket keys.


**CAUTION:** Do not use force to seat the processor. When the processor is positioned correctly, it engages easily into the socket.

8. Align the pin-1 indicator of the processor with the triangle on the socket.

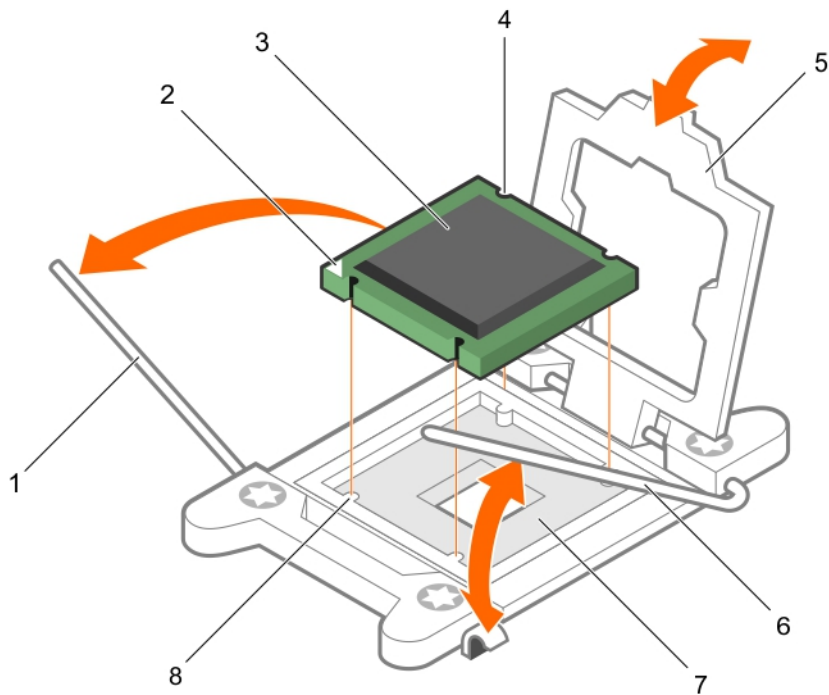
9. Place the processor on the socket such that the slots on the processor align with the socket keys.

10. Close the processor shield.

11. Lower the *close first* socket-release lever near the lock icon  and push it under the tab to lock it.

12. Similarly, lower the *open first* socket-release lever near the unlock icon  and push it under the tab to lock it.





**Figure 68. Installing a processor**

- |                           |                                  |
|---------------------------|----------------------------------|
| 1. socket-release lever 1 | 2. pin-1 corner of the processor |
| 3. processor              | 4. slot (4)                      |
| 5. processor shield       | 6. socket-release lever 2        |
| 7. processor socket       | 8. tab (4)                       |

### Next steps

1. Install the heat sink.
2. If removed, reinstall the PCIe expansion card riser.
3. If disconnected, reconnect the cables to the expansion card(s).
4. Install the cooling shroud.
5. While booting, press F2 to enter System Setup and verify that the processor information matches the new system configuration.
6. Run the system diagnostics to verify that the new processor operates correctly.

### Related references

[Safety instructions](#) on page 71

### Related tasks

[Before working inside your system](#) on page 72

[Removing the cooling shroud](#) on page 79

[Removing an expansion card](#) on page 115

[Installing a heat sink](#) on page 134

[Installing the cooling shroud](#) on page 80

[After working inside your system](#) on page 72

# Installing a heat sink

## Prerequisites

**CAUTION:** Many repairs may only be done by a certified service technician. You should only perform troubleshooting and simple repairs as authorized in your product documentation, or as directed by the online or telephone service and support team. Damage due to servicing that is not authorized by Dell is not covered by your warranty. Read and follow the safety instructions that are shipped with your product.

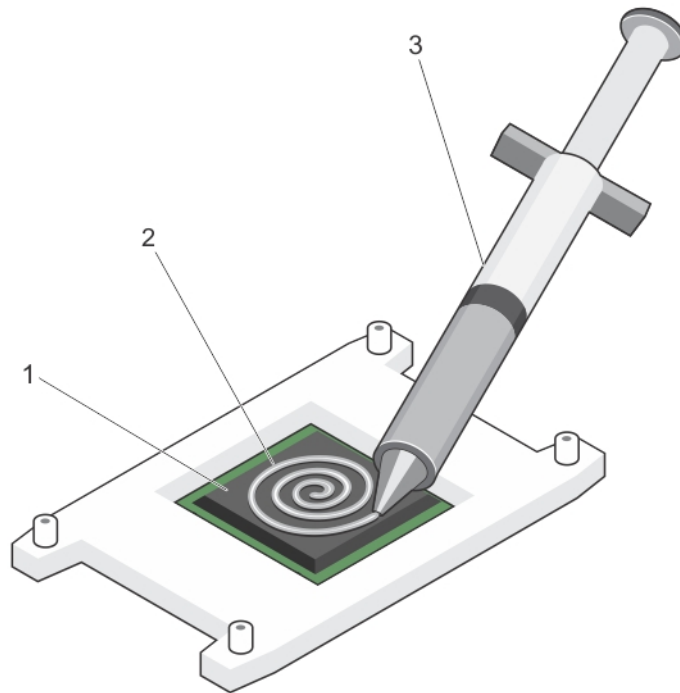
1. Install the processor.

## Steps

1. If you are using an existing heat sink, remove the thermal grease from the heat sink by using a clean lint-free cloth.
2. Use the thermal grease syringe included with your processor kit to apply the grease in a thin spiral on the top of the processor.

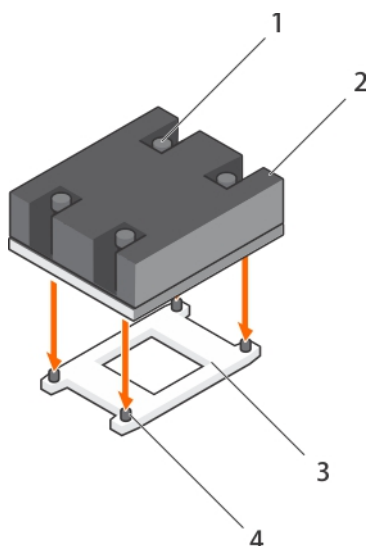
**CAUTION:** Applying too much thermal grease can result in excess grease coming in contact with and contaminating the processor socket.

**NOTE:** The thermal grease syringe is intended for one-time use only. Dispose of the syringe after you use it.



**Figure 69. Applying thermal grease on the top of the processor**

- a. processor
  - b. thermal grease
  - c. thermal grease syringe
3. Place the heat sink onto the processor.
  4. Tighten one of the four screws to secure the heat sink to the system board.
  5. Repeat the procedure for the remaining two screws.



**Figure 70. Installing the heat sink**

- |                        |                             |
|------------------------|-----------------------------|
| 1. retention screw (4) | 2. heat sink                |
| 3. processor socket    | 4. retention screw slot (4) |

### Next steps

1. While booting, press F2 to enter System Setup and verify that the processor information matches the new system configuration.
2. Run the system diagnostics to verify that the new processor operates correctly.

### Related references

[Safety instructions](#) on page 71

### Related tasks

[Before working inside your system](#) on page 72

[Removing the cooling shroud](#) on page 79

[Removing an expansion card](#) on page 115

[Installing the cooling shroud](#) on page 80

[After working inside your system](#) on page 72

## Power supply units

Your system supports the following power supply units (PSUs):

- 450 W AC (non-redundant)
- 550 W AC (redundant)

When two identical PSUs are installed, the power supply configuration is redundant (1 + 1). In redundant mode, power is supplied to the system equally from both PSUs to maximize efficiency.

When only one PSU is installed, the power supply configuration is non-redundant (1 + 0). Power is supplied to the system only by the single PSU.

**NOTE:** If two PSUs are used, they must be of the same type and have the same maximum output power.

**NOTE:** For AC PSUs, use only PSU with the Extended Power Performance (EPP) label on the back. Mixing PSUs from previous generations of Dell PowerEdge servers can result in a PSU mismatch condition or failure to turn on.

## Hot spare feature

Your system supports the hot spare feature that significantly reduces the power overhead associated with power supply unit (PSU) redundancy.

When the hot spare feature is enabled, one of the redundant PSUs is switched to the sleep state. The active PSU supports 100 percent of the load, thus operating at higher efficiency. The PSU in the sleep state monitors output voltage of the active PSU. If the output voltage of the active PSU drops, the PSU in the sleep state returns to an active output state.

If having both PSUs active is more efficient than having one PSU in the sleep state, the active PSU can also activate the sleeping PSU.

The default PSU settings are as follows:

- If the load on the active PSU is more than 50 percent, then the redundant PSU is switched to the active state.
- If the load on the active PSU falls below 20 percent, then the redundant PSU is switched to the sleep state.

You can configure the hot spare feature by using the iDRAC settings. For more information about iDRAC settings, see the *Integrated Dell Remote Access Controller User's Guide* available at [Dell.com/idracmanuals](http://Dell.com/idracmanuals).

## Removing a redundant power supply unit

### Prerequisites

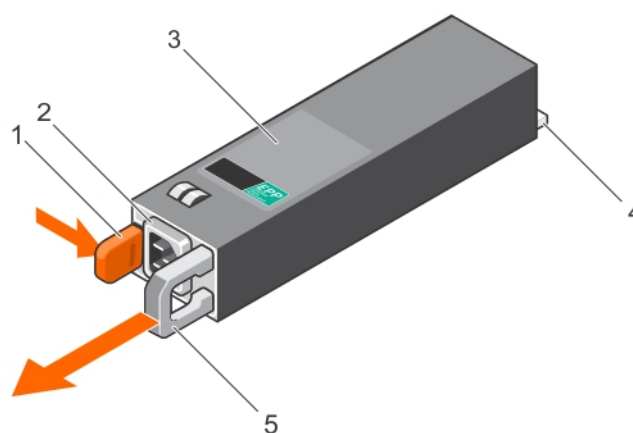
**CAUTION:** Many repairs may only be done by a certified service technician. You should only perform troubleshooting and simple repairs as authorized in your product documentation, or as directed by the online or telephone service and support team. Damage due to servicing that is not authorized by Dell is not covered by your warranty. Read and follow the safety instructions that are shipped with your product.

**CAUTION:** The system requires one power supply unit (PSU) for normal operation. On power-redundant systems, remove and replace only one PSU at a time in a system that is powered on.

1. Follow the safety guidelines listed in the Safety instructions section.
2. Disconnect the power cable from the power source.
3. Disconnect the power cable from the PSU and remove the straps that bundle and secure the system cables.
4. Unlatch and lift the optional cable management arm if it interferes with PSU removal. For information about the cable management arm, see the systems rack documentation at [Dell.com/poweredgemanuals](http://Dell.com/poweredgemanuals).

### Steps

Press the release latch and pull the PSU out of the chassis.



**Figure 71. Removing a redundant PSU**

- |                  |                    |
|------------------|--------------------|
| 1. release latch | 2. PSU connector   |
| 3. PSU           | 4. power connector |
| 5. PSU handle    |                    |

### Next steps

Install the PSU.

**i** **NOTE:** If you are removing the PSU permanently, install a PSU blank.

### Related references

[Safety instructions](#) on page 71

### Related tasks

[Installing a redundant power supply unit](#) on page 137

[Installing the power supply unit blank](#) on page 141

## Installing a redundant power supply unit

### Prerequisites

**⚠ CAUTION:** Many repairs may only be done by a certified service technician. You should only perform troubleshooting and simple repairs as authorized in your product documentation, or as directed by the online or telephone service and support team. Damage due to servicing that is not authorized by Dell is not covered by your warranty. Read and follow the safety instructions that are shipped with your product.

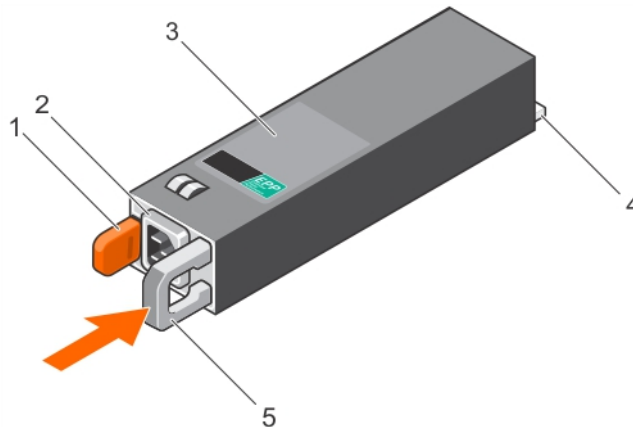
1. Follow the safety guidelines listed in the Safety instructions section.
2. Verify that both power supply units (PSUs) are of the same type and have the same maximum output power.

**i** **NOTE:** The maximum output power (shown in Watt) is listed on the PSU label.

3. If installed, remove the PSU blank.

### Steps

Slide the new PSU into the chassis until the PSU is fully seated and the release latch snaps into place.



**Figure 72. Installing a redundant PSU**

- |                  |                        |
|------------------|------------------------|
| 1. release latch | 2. PSU cable connector |
| 3. PSU           | 4. power connector     |
| 5. PSU handle    |                        |

### Next steps

1. If you have unlatched the cable management arm, relatch it. For information about the cable management arm, see the rack documentation of the system.
2. Connect the power cable to the PSU and plug the cable into a power outlet.

**⚠ CAUTION:** When connecting the power cable, secure the cable with the strap.

**NOTE:** When installing, hot-swapping, or hot-adding a new PSU in a system with two PSUs, allow several seconds for the system to recognize the PSU and determine its status. The PSU status indicator turns green to signify that the PSU is functioning properly.

## Removing a cabled power supply unit

### Prerequisites

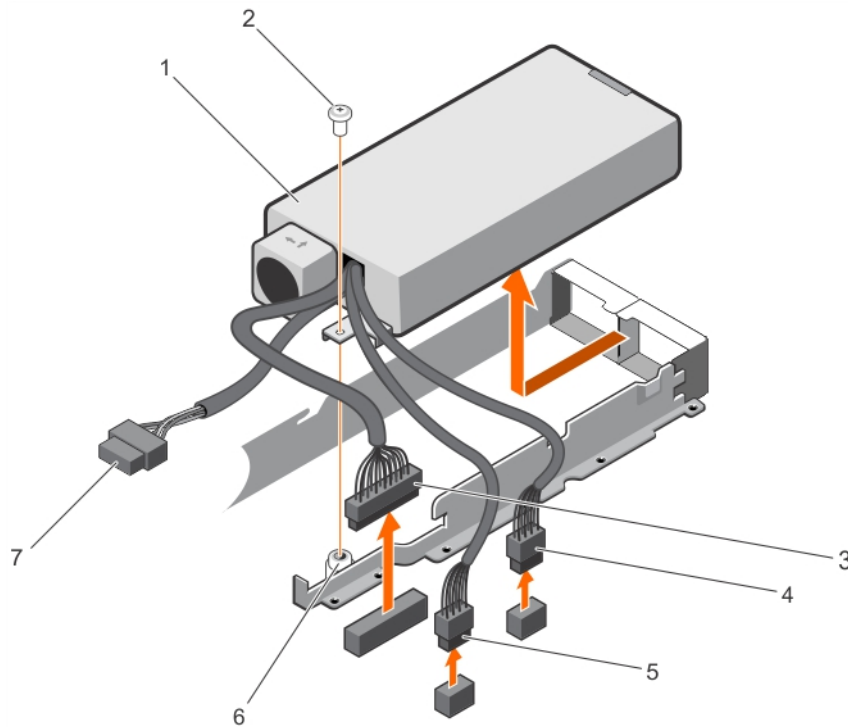
**CAUTION:** Many repairs may only be done by a certified service technician. You should only perform troubleshooting and simple repairs as authorized in your product documentation, or as directed by the online or telephone service and support team. Damage due to servicing that is not authorized by Dell is not covered by your warranty. Read and follow the safety instructions that are shipped with your product.

1. Follow the safety guidelines listed in the Safety instructions section.
2. Follow the procedure listed in the Before working inside your system section.
3. Disconnect the power cable from the power source.
4. Disconnect the power cable from the power supply and remove the straps that bundle and secure the system cables.

**NOTE:** You may have to unlatch and lift the optional cable management arm if it interferes with the power supply unit (PSU) removal. For information about the cable management arm, see the system's rack documentation.

### Steps

1. Disconnect all the power cables from the PSU to the system board, hard drives, and optical drive.
2. Remove the screw securing the PSU to the chassis, slide and lift the power supply out of the chassis.



**Figure 73. Removing a cabled PSU**

- |                        |                       |
|------------------------|-----------------------|
| 1. PSU                 | 2. screw              |
| 3. P1 cable connector  | 4. P2 cable connector |
| 5. P3 cable connector  | 6. standoff           |
| 7. Backplane connector |                       |

### Next steps

1. Install the cabled PSU.
2. Follow the procedure listed in After working inside your system section.

### Related references

[Safety instructions](#) on page 71

### Related tasks


[Before working inside your system](#) on page 72

[Installing a cabled power supply unit](#) on page 139


[After working inside your system](#) on page 72

## Installing a cabled power supply unit

### Prerequisites

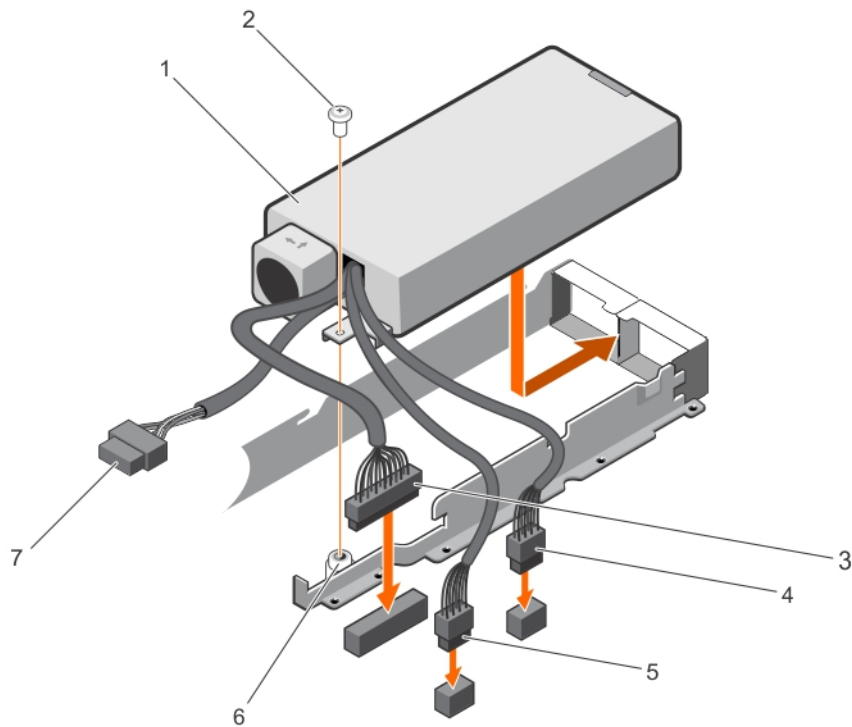
 **CAUTION:** Many repairs may only be done by a certified service technician. You should only perform troubleshooting and simple repairs as authorized in your product documentation, or as directed by the online or telephone service and support team. Damage due to servicing that is not authorized by Dell is not covered by your warranty. Read and follow the safety instructions that are shipped with your product.

1. Follow the safety guidelines listed in the Safety instructions section.
2. Follow the procedure listed in the Before working inside your system section.

 **NOTE:** A hot-swappable non-redundant power supply unit (PSU) must be installed in Slot 1 of the PSU slot.

### Steps

1. Slide the PSU into the PSU slot.
2. Align the screw hole on the PSU with the standoff on the chassis.
3. Tighten the screw to secure the PSU to the chassis.
4. Connect all the power cables to the system board, hard drives, and optical drive.



**Figure 74. Installing a cabled PSU**

- |                        |                       |
|------------------------|-----------------------|
| 1. PSU                 | 2. screw              |
| 3. P1 cable connector  | 4. P2 cable connector |
| 5. P3 cable connector  | 6. standoff           |
| 7. backplane connector |                       |

### Next steps

1. Follow the procedure listed in the After working inside your system section.

### Related references

[Safety instructions](#) on page 71

### Related tasks

[Before working inside your system](#) on page 72

[After working inside your system](#) on page 72

## Removing the power supply unit blank

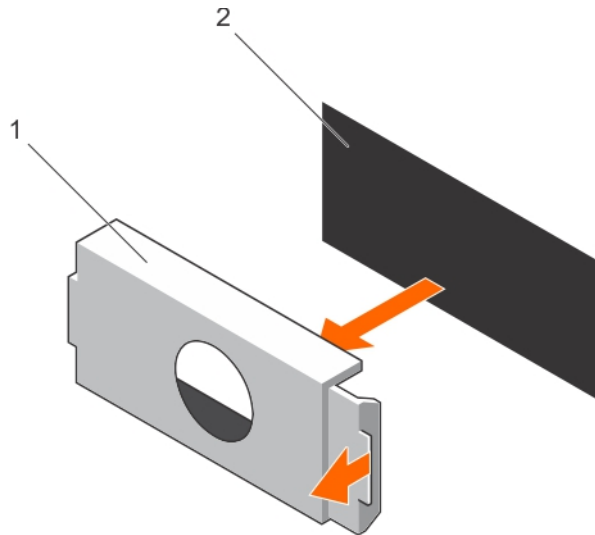
Install the power supply unit (PSU) blank only in the second PSU bay.

### Steps

If you are installing a second power supply unit (PSU), remove the PSU blank in the bay by pulling the blank outward.

**⚠ CAUTION: To ensure proper system cooling, the PSU blank must be installed in the second PSU bay in a non-redundant configuration. Remove the PSU blank only if you are installing a second PSU.**





**Figure 75. Removing the PSU blank**

- a. PSU blank
- b. PSU bay

**Next steps**

Install the PSU or PSU blank.

**Related references**

[Safety instructions](#) on page 71

**Related tasks**

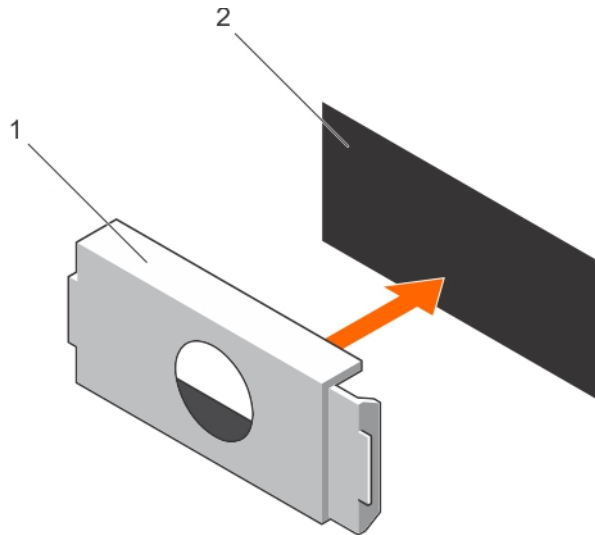
[Installing the power supply unit blank](#) on page 141

## Installing the power supply unit blank

Install the power supply unit (PSU) blank only in the second PSU bay.

**Steps**

Align the power supply unit blank with the power supply unit slot and push it into the power supply unit slot until it clicks into place.



**Figure 76. Installing the PSU blank**

- a. PSU blank
- b. PSU bay


## System battery

The system battery is used to power the real-time clock and storing the BIOS settings of the system.

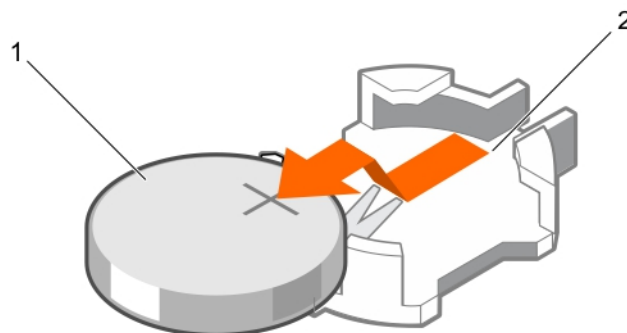
## Replacing the system battery

### Steps

1. Locate the battery socket. For more information, see the System board connectors section.

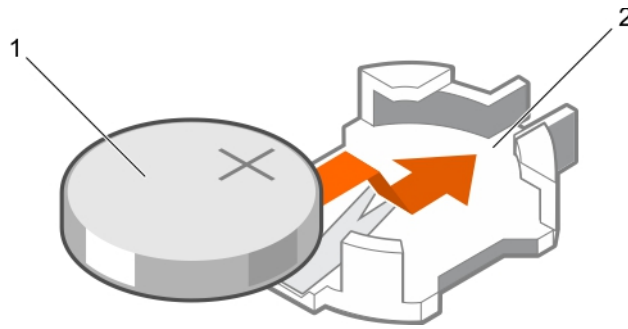
 **CAUTION: To avoid damage to the battery connector, you must firmly support the connector while installing or removing a battery.**

2. Place your finger between the securing tabs at the negative side of the battery connector, and lift the battery out of the socket.



**Figure 77. Removing the system battery**

- a. system battery
  - b. system battery slot
3. To install a new system battery, hold the battery with the "+" facing up and slide it under the securing tabs.
  4. Press the battery into the connector until it snaps into place.



**Figure 78. Installing the system battery**

- a. system battery
- b. system battery slot

### Next steps

1. Install the cooling shroud.
2. If removed, install the expansion card riser.
3. While booting, press F2 to enter System Setup and ensure the battery is operating properly.
4. Enter the correct time and date in the System Setup **Time** and **Date** fields.
5. Exit System Setup.

### Related references

[Safety instructions](#) on page 71

### Related tasks

[Before working inside your system](#) on page 72

[Removing the cooling shroud](#) on page 79

[Removing the expansion card riser](#) on page 113

[Installing the expansion card riser](#) on page 114

[Installing the cooling shroud](#) on page 80

[After working inside your system](#) on page 72

## Hard-drive backplane

Depending on your system configuration:

**PowerEdge R430** Four 3.5 inch or 2.5 inch SAS/SATA backplane or supports

Eight 2.5 inch SAS/SATA backplane or

Ten 2.5 inch SAS/SATA backplane

## Removing the hard drive backplane

### Prerequisites

**CAUTION:** Many repairs may only be done by a certified service technician. You should only perform troubleshooting and simple repairs as authorized in your product documentation, or as directed by the online or telephone service and support team. Damage due to servicing that is not authorized by Dell is not covered by your warranty. Read and follow the safety instructions that are shipped with your product.

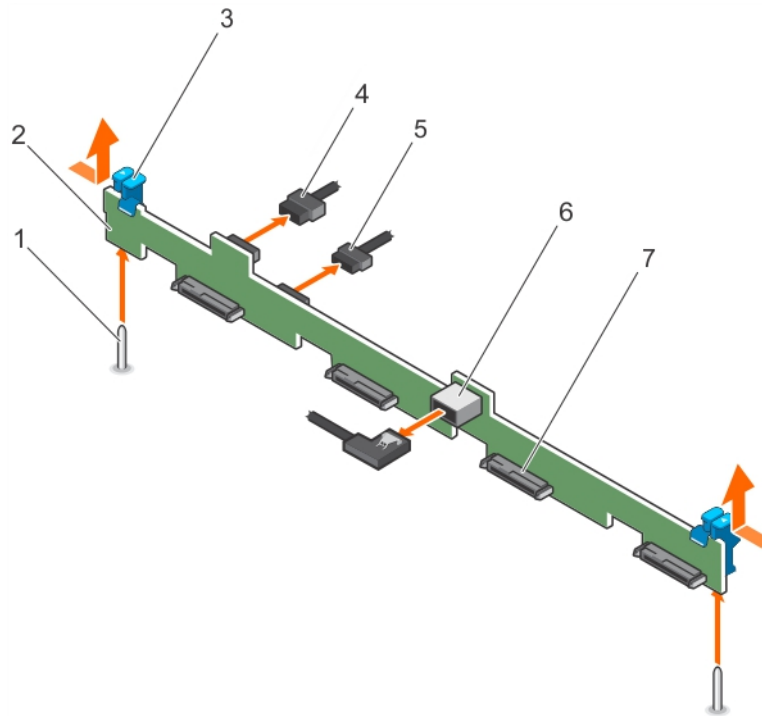
**CAUTION:** To prevent damage to the drives and backplane, you must remove the hard drives from the system before removing the backplane.

**CAUTION:** You must note the number of each hard drive and temporarily label them before removal so that you can replace them in the same locations.

1. Follow the safety guidelines listed in the Safety instructions section.
2. Follow the procedure listed in the Before working inside your system section.
3. Remove all hard drives.

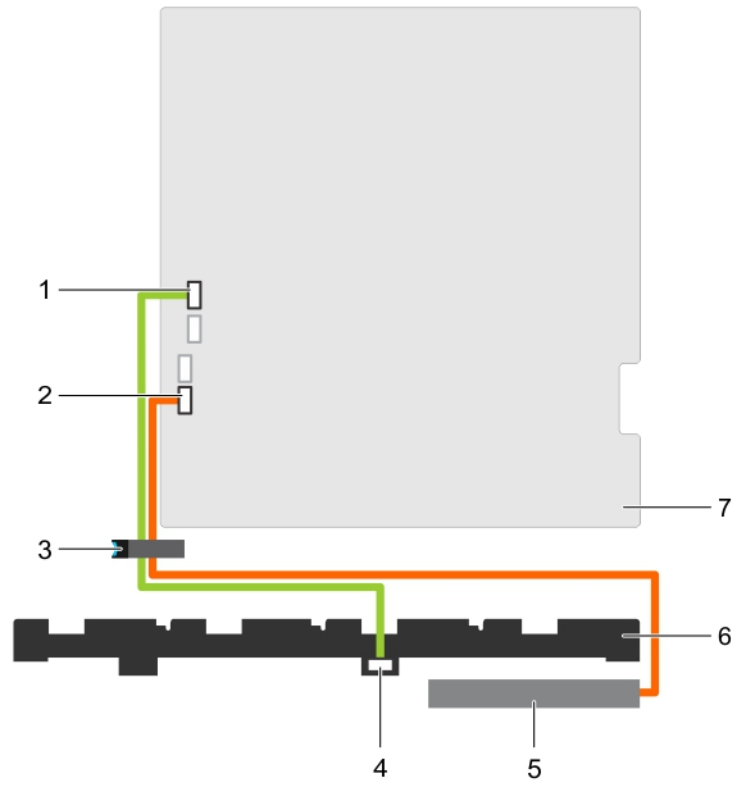
### Steps

1. Disconnect the SAS/SATA data, signal, and power cable(s) from the backplane.
2. Press the release tabs and lift the backplane upward and slide it toward the back of the chassis.



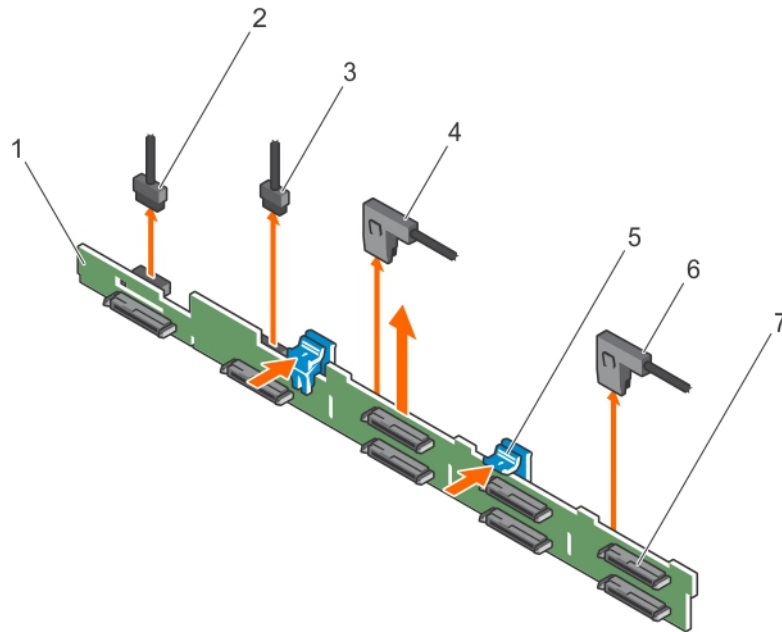
**Figure 79. Removing the four 3.5 inch hard drive SAS/SATA backplane**

- |                                 |                                     |
|---------------------------------|-------------------------------------|
| 1. guide (2)                    | 2. hard drive/SSD backplane         |
| 3. release tab (2)              | 4. backplane power cable            |
| 5. backplane signal cable       | 6. SAS_A connector on the backplane |
| 7. hard drive/SSD connector (4) |                                     |



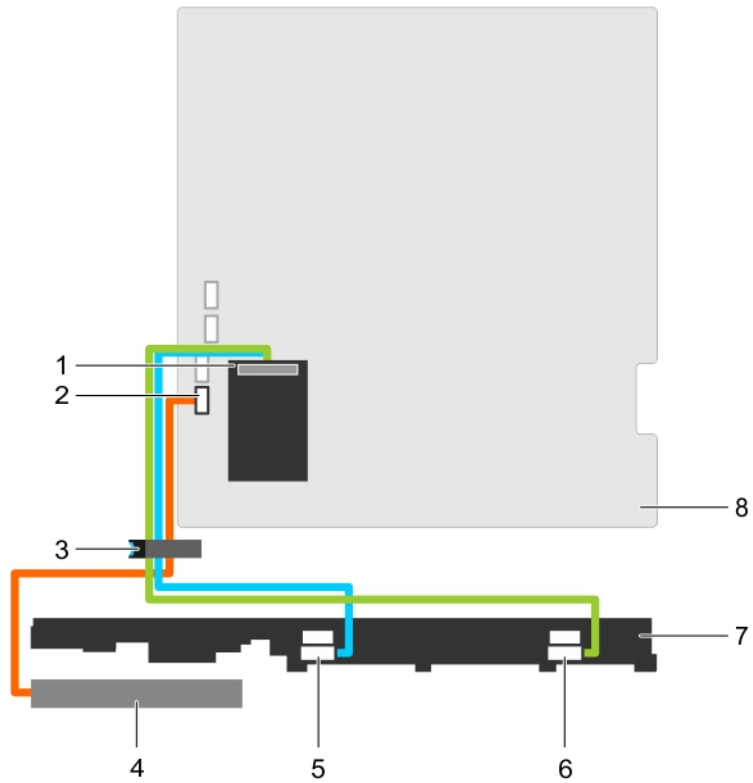
**Figure 80. Cabling diagram—Four 3.5 inch or 2.5 inch hard drive SAS/SATA backplane**

- |                                            |                                             |
|--------------------------------------------|---------------------------------------------|
| 1. SW_RAID_A connector on the system board | 2. SATA_CDROM connector on the system board |
| 3. cable routing latch                     | 4. SAS_A connector on the backplane         |
| 5. Optical Disk Drive (ODD)                | 6. hard drive backplane                     |
| 7. system board                            |                                             |



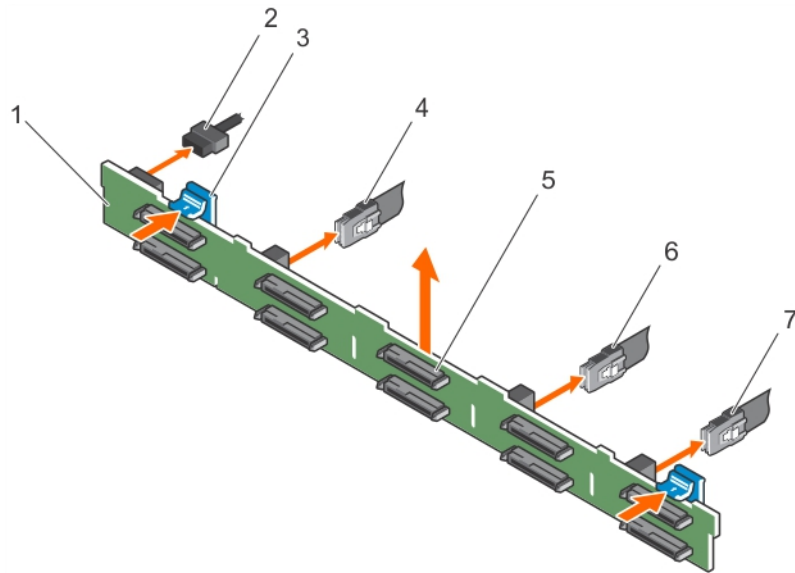
**Figure 81. Removing the eight 2.5 inch SAS/SATA backplane**

1. hard drive/SSD backplane
2. backplane power cable
3. backplane signal cable
4. SAS\_A cable connector
5. release tab (2)
6. SAS\_B cable connector
7. hard drive/SSD connector (8)



**Figure 82. Cabling diagram—Eight 2.5 inch SAS/SATA backplane**

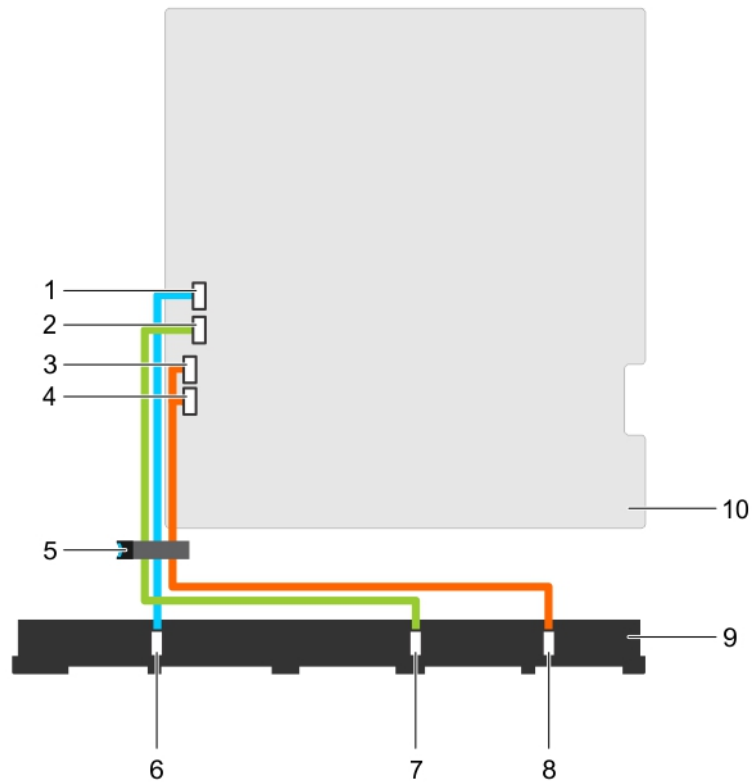
- |                                       |                                             |
|---------------------------------------|---------------------------------------------|
| 1. integrated storage controller card | 2. SATA_CDROM connector on the system board |
| 3. cable routing latch                | 4. Optical Disk Drive (ODD)                 |
| 5. SAS_A connector on the backplane   | 6. SAS_B connector on the backplane         |
| 7. hard drive/SSD backplane           | 8. system board                             |



**Figure 83. Removing the ten 2.5 inch SAS/SATA backplane**

1. hard drive/SSD backplane
2. backplane power cable
3. release tab (2)
4. SAS\_A connector on the backplane
5. hard drive/SSD connector (10)
6. SAS\_B connector on the backplane
7. SAS\_C connector on the backplane





**Figure 84. Cabling diagram—Ten 2.5 inch SAS/SATA backplane**

- |                                                   |                                                   |
|---------------------------------------------------|---------------------------------------------------|
| 1. SW_RAID_A connector on the system board        | 2. SW_RAID_B connector on the system board        |
| 3. SATA_hard drive8 connector on the system board | 4. SATA_hard drive9 connector on the system board |
| 5. cable routing latch                            | 6. SAS_A connector on the backplane               |
| 7. SAS_B connector on the backplane               | 8. SAS_C connector on the backplane               |
| 9. hard drive/SSD backplane                       | 10. system board                                  |

### Next steps

1. Install the hard drive backplane.
2. Install all the hard drives into their original slots.
3. Follow the procedure listed in the After working inside your system section.

### Related references

[Safety instructions](#) on page 71

### Related tasks

- [Before working inside your system](#) on page 72
- [Removing a hot swappable hard drive carrier](#) on page 95
- [Installing the hard drive backplane](#) on page 150
- [Installing a hot swappable hard drive carrier](#) on page 96
- [After working inside your system](#) on page 72

# Installing the hard drive backplane

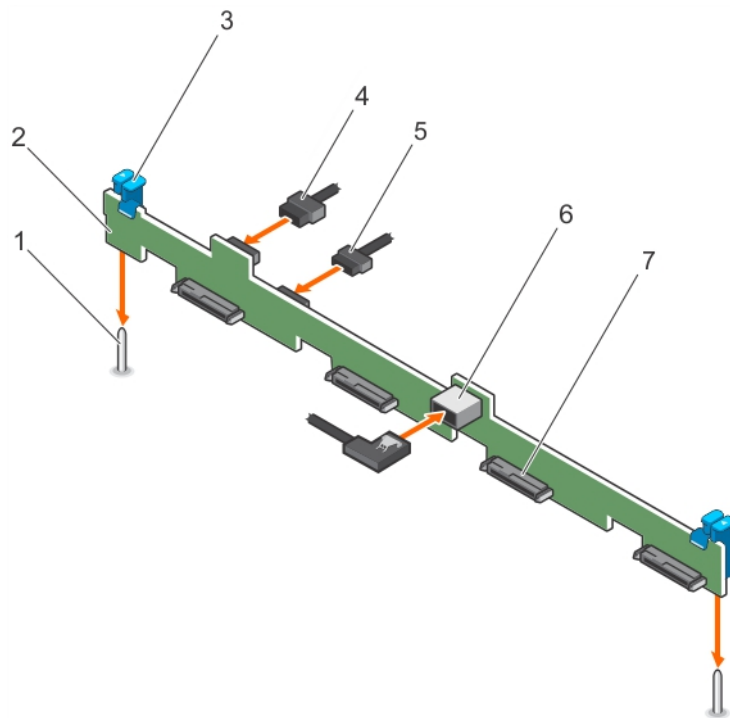
## Prerequisites

- CAUTION:** Many repairs may only be done by a certified service technician. You should only perform troubleshooting and simple repairs as authorized in your product documentation, or as directed by the online or telephone service and support team. Damage due to servicing that is not authorized by Dell is not covered by your warranty. Read and follow the safety instructions that are shipped with your product.
- CAUTION:** To prevent damage to the control panel flex cable, do not bend the control panel flex cable after it is inserted into the connector.

1. Follow the safety guidelines listed in Safety instructions section.
2. Follow the procedure listed in the Before working inside your system section.

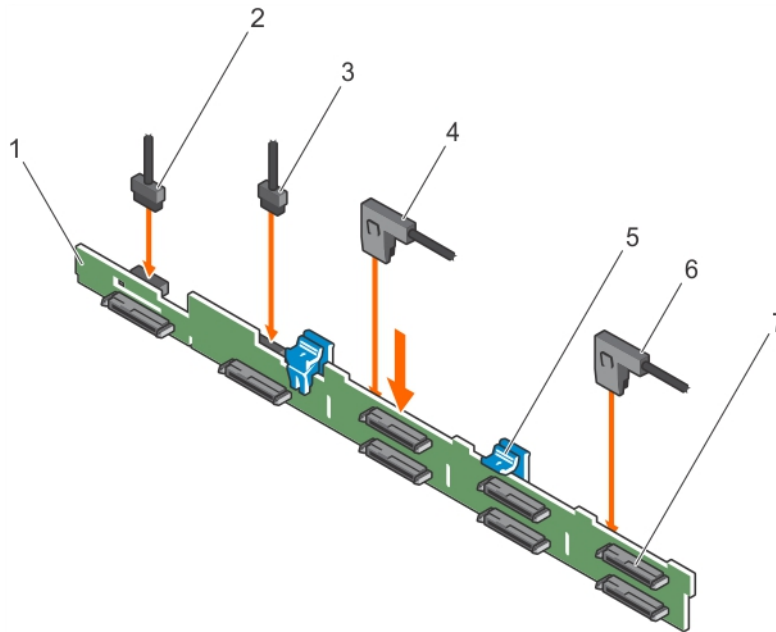
## Steps

1. Align the slots on the hard drive backplane with the hooks on the chassis.
2. Press down the hard drive backplane until the release tabs snap into place.
3. Connect the SAS/SATA/SSD data, signal, and power cables to the backplane.



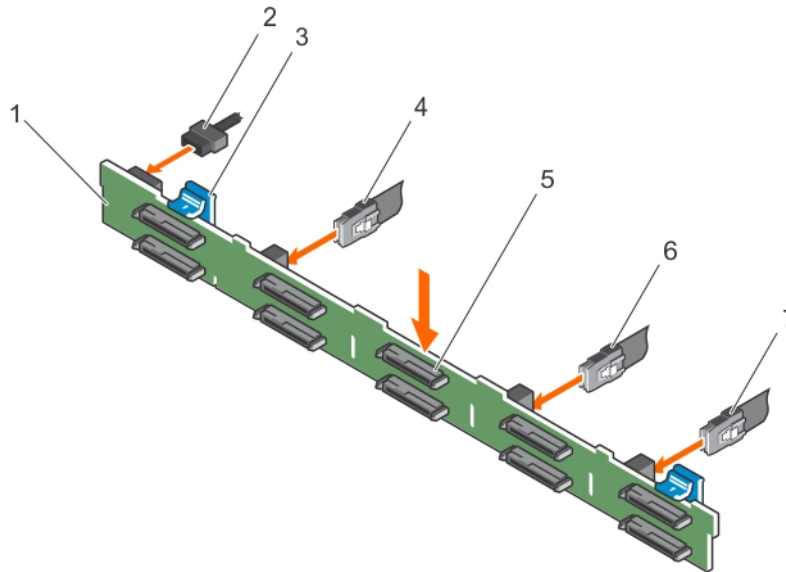
**Figure 85. Installing the four 3.5 inch hard drive SAS/SATA backplane**

- |                                 |                                     |
|---------------------------------|-------------------------------------|
| 1. guide (2)                    | 2. hard-drive/SSD backplane         |
| 3. release tab (2)              | 4. backplane power cable            |
| 5. backplane signal cable       | 6. SAS_A connector on the backplane |
| 7. hard-drive/SSD connector (4) |                                     |



**Figure 86. Installing the eight 2.5 inch SAS/SATA backplane**

- |                                 |                          |
|---------------------------------|--------------------------|
| 1. hard-drive/SSD backplane     | 2. backplane power cable |
| 3. backplane signal cable       | 4. SAS_A cable connector |
| 5. release tab (2)              | 6. SAS_B cable connector |
| 7. hard-drive/SSD connector (8) |                          |



**Figure 87. Installing the ten 2.5 inch SAS/SATA backplane**

- |                                     |                                     |
|-------------------------------------|-------------------------------------|
| 1. hard drive/SSD backplane         | 2. backplane power cable            |
| 3. release tab (2)                  | 4. SAS_A connector on the backplane |
| 5. hard drive/SSD connector (10)    | 6. SAS_B connector on the backplane |
| 7. SAS_C connector on the backplane |                                     |

**Next steps**

1. Install the hard drives in their original locations.
2. Follow the procedure listed in the After working inside your system section.

## Related references

[Safety instructions](#) on page 71

## Related tasks

[Before working inside your system](#) on page 72

[Removing a hot swappable hard drive carrier](#) on page 95

[Installing a hot swappable hard drive carrier](#) on page 96


[After working inside your system](#) on page 72

# Control panel

The control panel contains the power button, the diagnostic indicators, and the front USB ports.

## Removing the control panel

### Prerequisites

 **CAUTION:** Many repairs may only be done by a certified service technician. You should only perform troubleshooting and simple repairs as authorized in your product documentation, or as directed by the online or telephone service and support team. Damage due to servicing that is not authorized by Dell is not covered by your warranty. Read and follow the safety instructions that are shipped with your product.

1. Follow the safety guidelines listed in the Safety instructions section.
2. Follow the procedure listed in the Before working inside your system section.
3. Keep the Phillips #2 screwdriver ready.

### Steps

1. Using a Phillips #2 screwdriver, remove the screw(s) securing the control panel to the chassis.

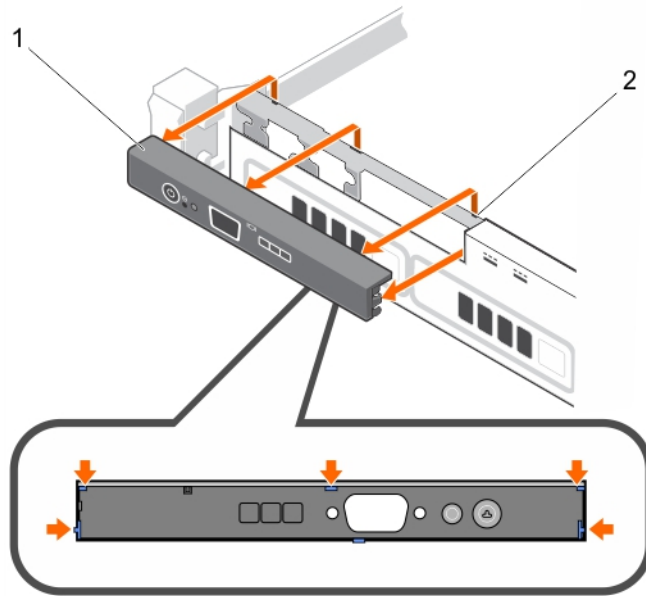
 **CAUTION:** Do not use excessive force when removing the control panel as it can damage the connectors.

2. Release the locking tabs of the control panel by angling the control panel up and away from the system.

For an eight 2.5 inch hot-swappable hard-drive chassis, remove the screw (located at the bottom of the chassis) that secures the control panel to the chassis.

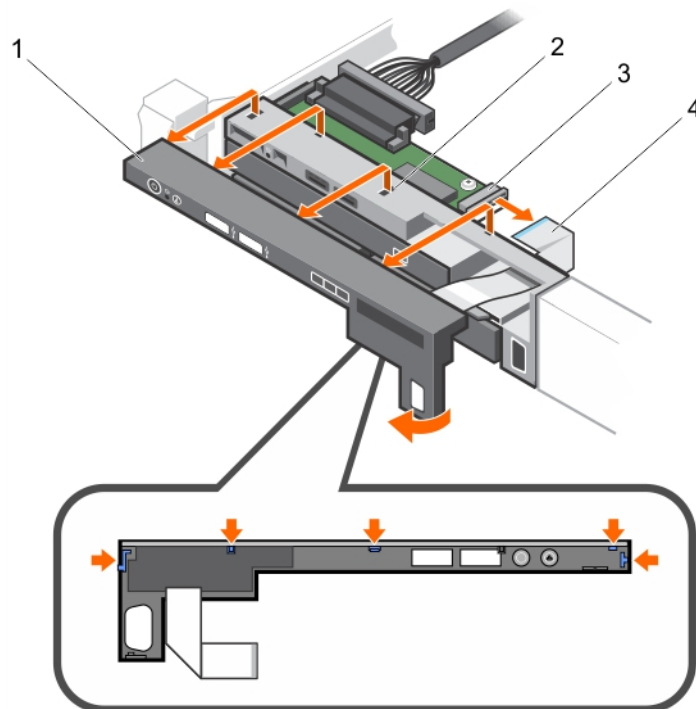
For a ten 2.5 inch hot-swappable hard-drive chassis, press the control panel latch and slide the control panel out of the chassis.

3. Remove all the cables connecting the control panel to the chassis.



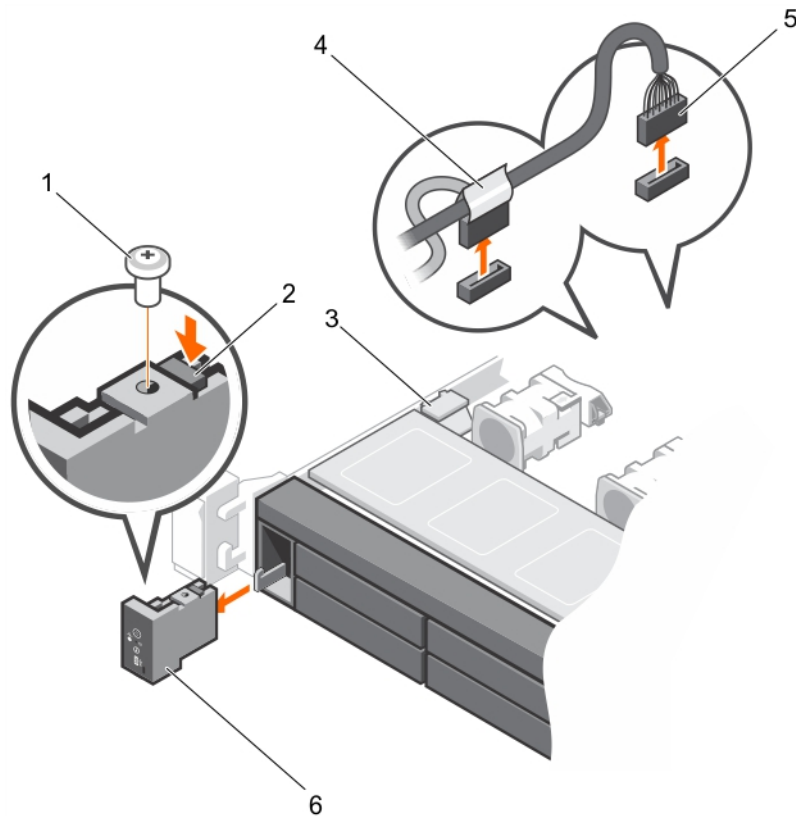
**Figure 88. Removing the control panel—four 3.5-inch hard drives chassis**

- a. control panel
- b. notches (5)



**Figure 89. Removing the control panel—eight 2.5-inch hard drives/SSDs chassis**

- 1. control panel
- 2. notches (5)
- 3. control panel module
- 4. LCD connector cable



**Figure 90. Removing the control panel—ten 2.5-inch hard drives/SSDs chassis**

- |                             |                                                       |
|-----------------------------|-------------------------------------------------------|
| 1. screw                    | 2. control panel release latch                        |
| 3. cable securing clip      | 4. control panel cable connecting to the system board |
| 5. J_FP_USB connector cable | 6. control panel                                      |

### Next steps

1. Replace the control panel.
2. Follow the procedure listed in the After working inside your system section.

### Related references

[Safety instructions](#) on page 71

### Related tasks

[Before working inside your system](#) on page 72

[Installing the control panel](#) on page 154

[After working inside your system](#) on page 72

## Installing the control panel

### Prerequisites

**CAUTION:** Many repairs may only be done by a certified service technician. You should only perform troubleshooting and simple repairs as authorized in your product documentation, or as directed by the online or telephone service and support team. Damage due to servicing that is not authorized by Dell is not covered by your warranty. Read and follow the safety instructions that are shipped with your product.

1. Follow the safety guidelines listed in the Safety instructions section.
2. Follow the procedure listed in the Before working inside your system section.

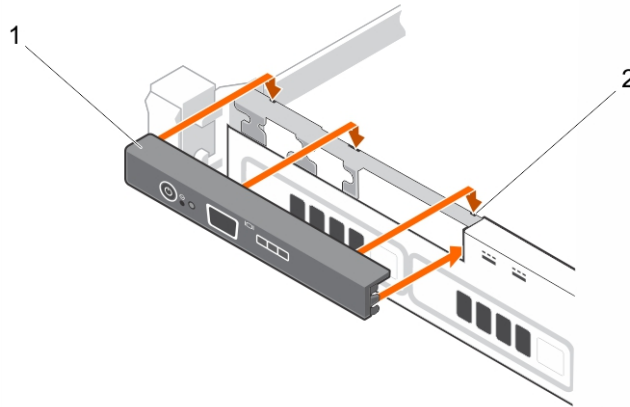
3. Keep the Phillips #2 screwdriver ready.

**Steps**

Align the locking tabs on the control panel with the notches on the chassis and angle the control panel until it snaps into place. When properly seated, the control panel will be flush with the front panel.

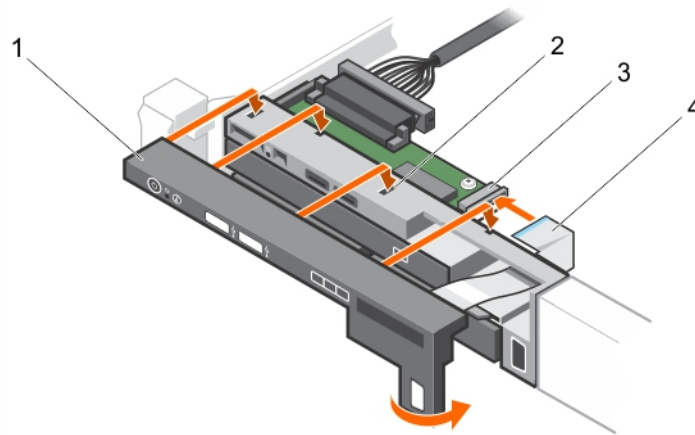
**NOTE:** For an eight 2.5 inch hard drive chassis, tighten the screw to secure the control panel to the bottom of the chassis.

**NOTE:** For a ten 2.5 inch hard-drive chassis, slide the control panel into the chassis and secure the module with the screw.



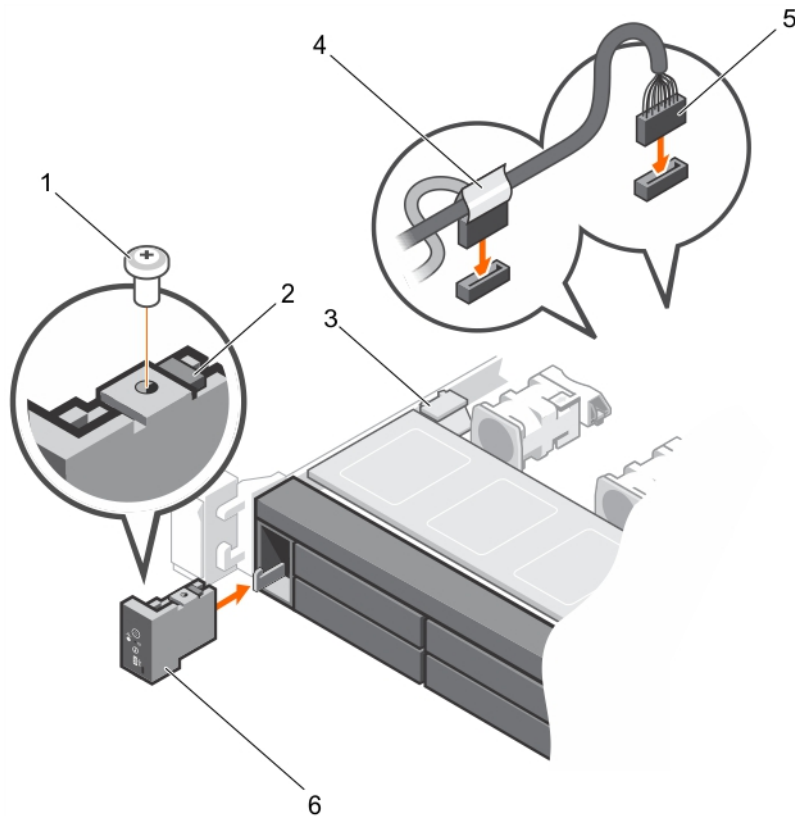
**Figure 91. Installing the control panel—four 3.5 inch hard-drives chassis**

- a. control panel
- b. notches (6)



**Figure 92. Installing the control panel—eight 2.5 inch hard-drives/SSDs chassis**

- 1. control panel
- 2. notches (4)
- 3. control panel module
- 4. LCD connector cable



**Figure 93. Installing the control panel—ten 2.5 inch hard-drives/SSDs chassis**

- |                             |                                                       |
|-----------------------------|-------------------------------------------------------|
| 1. screw                    | 2. control panel release latch                        |
| 3. cable securing clip      | 4. control panel cable connecting to the system board |
| 5. J_FP_USB connector cable | 6. control panel                                      |

### Next steps

Follow the procedure listed in the After working inside your system section.

### Related references

[Safety instructions](#) on page 71

### Related tasks

[Before working inside your system](#) on page 72

[After working inside your system](#) on page 72

## Removing the control panel module

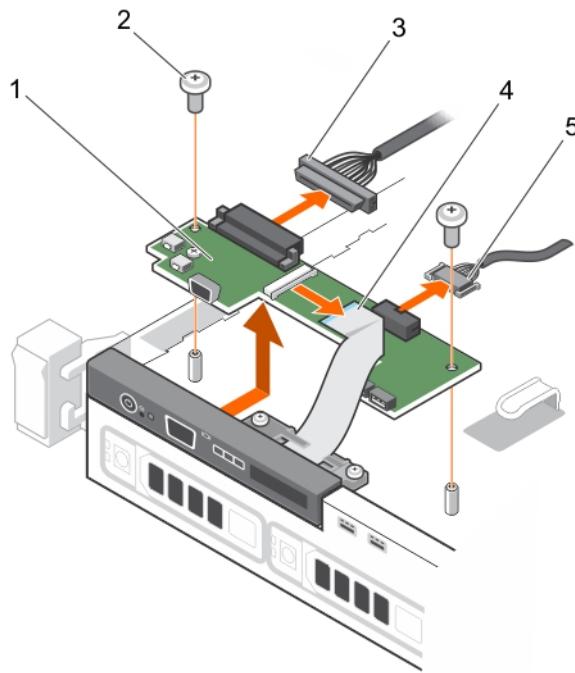
### Prerequisites

**CAUTION:** Do not use excessive force when removing the control panel as it can damage the connectors.

### Steps

1. Remove the screw(s) securing the control panel module to the chassis.
2. For a 3.5 inch cabled hard-drive chassis:
  - a. Remove the screw(s) securing the LED panel to the chassis.
  - b. Remove the LED panel.
3. Remove all the cables connecting the control panel module to the chassis.





**Figure 94. Removing the control panel module—four hard-drive chassis**

- |                                         |                                    |
|-----------------------------------------|------------------------------------|
| 1. control panel module                 | 2. control panel module screws (2) |
| 3. control panel module connector cable | 4. display module cable            |
| 5. USB connector cable                  |                                    |

#### Related references

[Safety instructions](#) on page 71

#### Related tasks

[Before working inside your system](#) on page 72

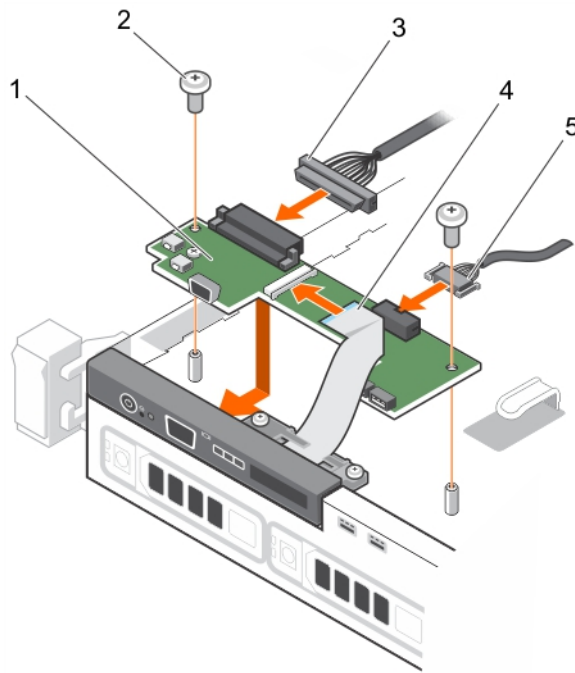
[Installing the control panel module](#) on page 157

[After working inside your system](#) on page 72

## Installing the control panel module

#### Steps

1. For a 3.5 inch cabled hard drive system:
  - a. Insert the LED panel into the slot in the chassis.
  - b. Secure the LED panel with the screws.
2. Insert the control panel module into the slot in the chassis and align the two screw holes on the control panel module with the corresponding holes on the chassis.
3. Secure the control panel module with the screws.
4. Connect all the applicable cables to the control panel module.



**Figure 95. Installing the control panel module—four hard-drive chassis**

- |                                         |                                    |
|-----------------------------------------|------------------------------------|
| 1. control panel module                 | 2. control panel module screws (2) |
| 3. control panel module connector cable | 4. display module cable            |
| 5. USB connector cable                  |                                    |

#### Related references

[Safety instructions](#) on page 71

#### Related tasks

[Before working inside your system](#) on page 72

[After working inside your system](#) on page 72

## Power interposer board

### Removing the power interposer board

#### Prerequisites

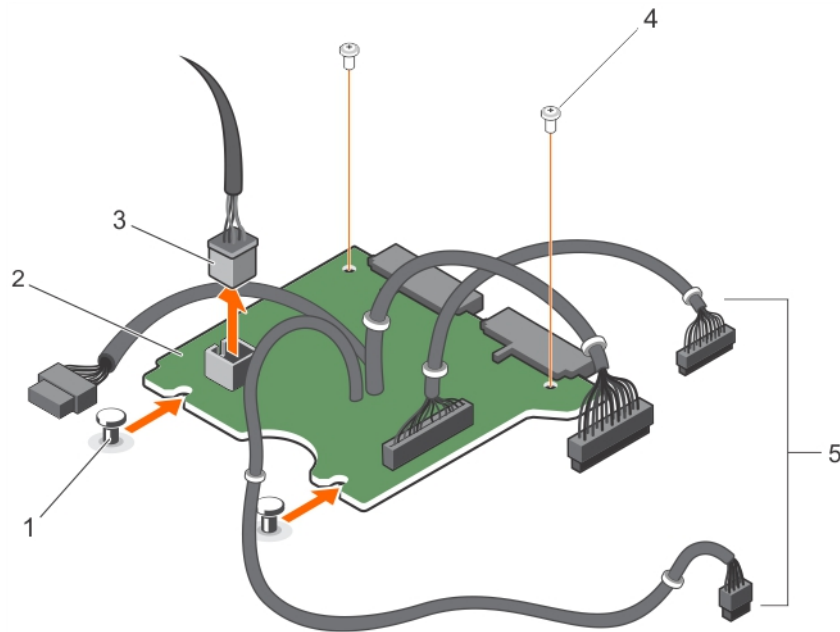
**CAUTION:** Many repairs may only be done by a certified service technician. You should only perform troubleshooting and simple repairs as authorized in your product documentation, or as directed by the online or telephone service and support team. Damage due to servicing that is not authorized by Dell is not covered by your warranty. Read and follow the safety instructions that are shipped with your product.

**NOTE:** The power interposer board (PIB) is present only in systems that support redundant power supply units (PSUs).

1. Follow the safety guidelines listed in the Safety instructions section.
2. Follow the procedure listed in the Before working inside your system section.
3. Remove the PSUs from the system.
4. Keep the Phillips #2 screwdriver ready.

## Steps

1. Disconnect the power distribution cables from the system board.
2. Disconnect the fan cable.
3. Remove the two screws securing the PIB to the chassis and lift the board out of the chassis.



**Figure 96. Removing the power interposer board**

- |                                       |                           |
|---------------------------------------|---------------------------|
| 1. standoffs (2)                      | 2. power interposer board |
| 3. fan cable connector                | 4. screw (2)              |
| 5. PSU cables to the system board (3) |                           |

## Next steps

Follow the procedure listed in [After working inside your system](#) section.

## Related references

[Safety instructions](#) on page 71

## Related tasks

[Before working inside your system](#) on page 72

[Removing a redundant power supply unit](#) on page 136

[Installing the power interposer board](#) on page 159

[Installing a redundant power supply unit](#) on page 137

[After working inside your system](#) on page 72

# Installing the power interposer board

## Prerequisites

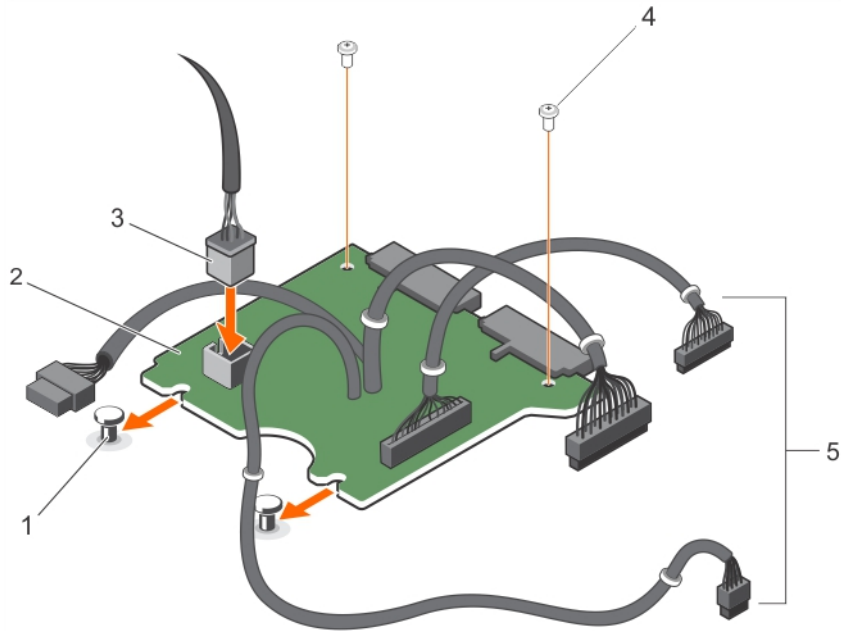
**CAUTION:** Many repairs may only be done by a certified service technician. You should only perform troubleshooting and simple repairs as authorized in your product documentation, or as directed by the online or telephone service and support team. Damage due to servicing that is not authorized by Dell is not covered by your warranty. Read and follow the safety instructions that are shipped with your product.

1. Follow the safety guidelines listed in the [Safety instructions](#) section.
2. Follow the procedure listed in [Before working inside your system](#) section.

3. Keep the Phillips #2 screwdriver ready.
4. Remove the redundant power supply unit.

**Steps**

1. Align the power interposer board (PIB) with the standoffs on the chassis.
2. Install the two screws that secure the PIB to the chassis.
3. Connect the power distribution cables to the system board and fan cable connector to PIB.



**Figure 97. Installing the power interposer board**

- |                                       |                           |
|---------------------------------------|---------------------------|
| 1. standoffs (2)                      | 2. power interposer board |
| 3. fan cable connector                | 4. screw (2)              |
| 5. PSU cables to the system board (3) |                           |

**Next steps**

1. Install the power supply units.
2. Follow the procedure listed in After working inside your system section.

**Related references**

[Safety instructions](#) on page 71

**Related tasks**



- [Before working inside your system](#) on page 72
- [Removing a redundant power supply unit](#) on page 136
- [Installing the power interposer board](#) on page 159
- [Installing a redundant power supply unit](#) on page 137
- [After working inside your system](#) on page 72

## System board

A system board (also known as the motherboard) is the main printed circuit board in the system with different connectors used to connect different components or peripherals of the system. A system board provides the electrical connections to the components in the system to communicate.




# Removing the system board

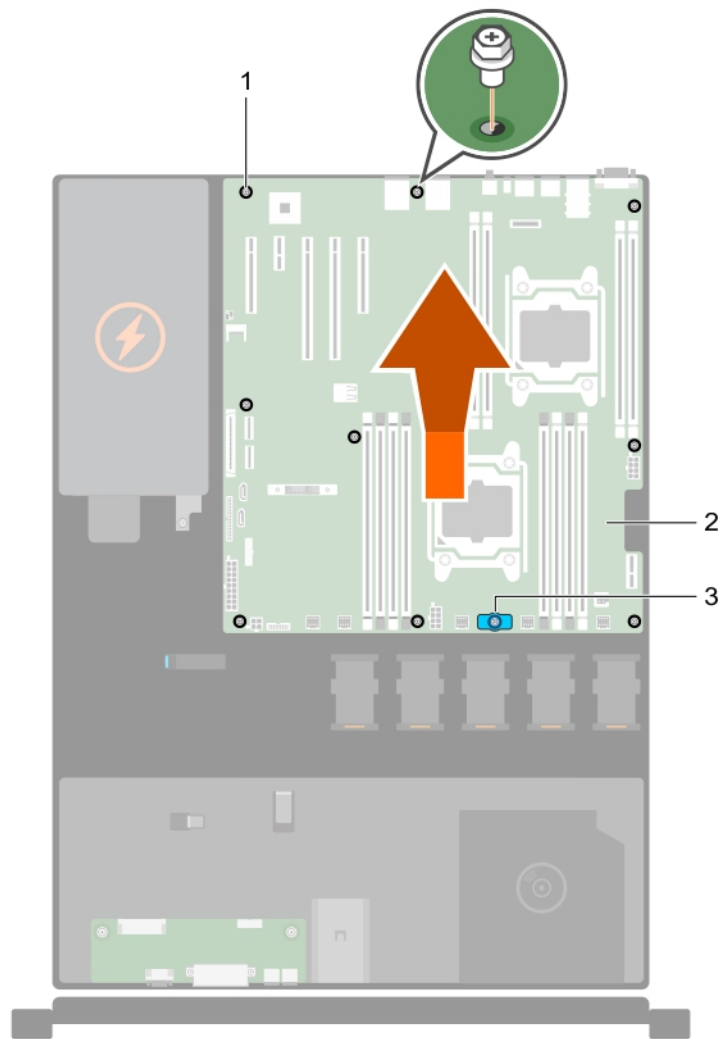
## Prerequisites

-  **CAUTION:** If you are using the Trusted Program Module (TPM) with an encryption key, you may be prompted to create a recovery key during program or System Setup. Be sure to create and safely store this recovery key. If you replace this system board, you must supply the recovery key when you restart your system or program before you can access the encrypted data on your hard drives.
-  **CAUTION:** Do not attempt to remove the TPM plug-in module from the system board. Once the TPM plug-in module is installed, it is cryptographically bound to that specific system board. Any attempt to remove an installed TPM plug-in module breaks the cryptographic binding, and it cannot be re-installed or installed on another system board.

1. Keep the Phillips #2 screwdriver ready.
2. Remove the following:
  - a. cooling shroud
  - b. memory modules
  - c. cooling fan cables
  - d. expansion card riser
  - e. integrated storage controller card
  - f. heat sink and processor
  - g. internal dual SD module

## Steps

1. Disconnect all other cables from the system board.
  -  **CAUTION:** Take care not to damage the system identification button while removing the system board from the chassis.
2. Remove the nine screws on the system board and slide the system board toward the front of the system.
3. Hold the system board t-handle and lift the system board out of the chassis.
  -  **NOTE:** To prevent damage to the system board, ensure that you hold the system board by its edges only.
  -  **CAUTION:** Do not lift the system board by holding a memory module, processor, or other components.



**Figure 98. Removing the system board**

- a. screw (9)
- b. system board
- c. system board t-handle

**Related references**




[Safety instructions](#) on page 71

**Related tasks**

- [Before working inside your system](#) on page 72
- [Removing the cooling shroud](#) on page 79
- [Removing the expansion card riser](#) on page 113
- [Removing memory modules](#) on page 87
- [Removing the optional iDRAC port card](#) on page 117
- [Removing a cooling fan](#) on page 108
- [Replacing the optional internal USB memory key](#) on page 111
- [Removing an internal SD card](#) on page 121
- [Removing the optional internal dual SD module](#) on page 123
- [Removing the integrated storage controller card](#) on page 125
- [Removing a heat sink](#) on page 128
- [Removing a processor](#) on page 129
- [After working inside your system](#) on page 72

# Installing the system board

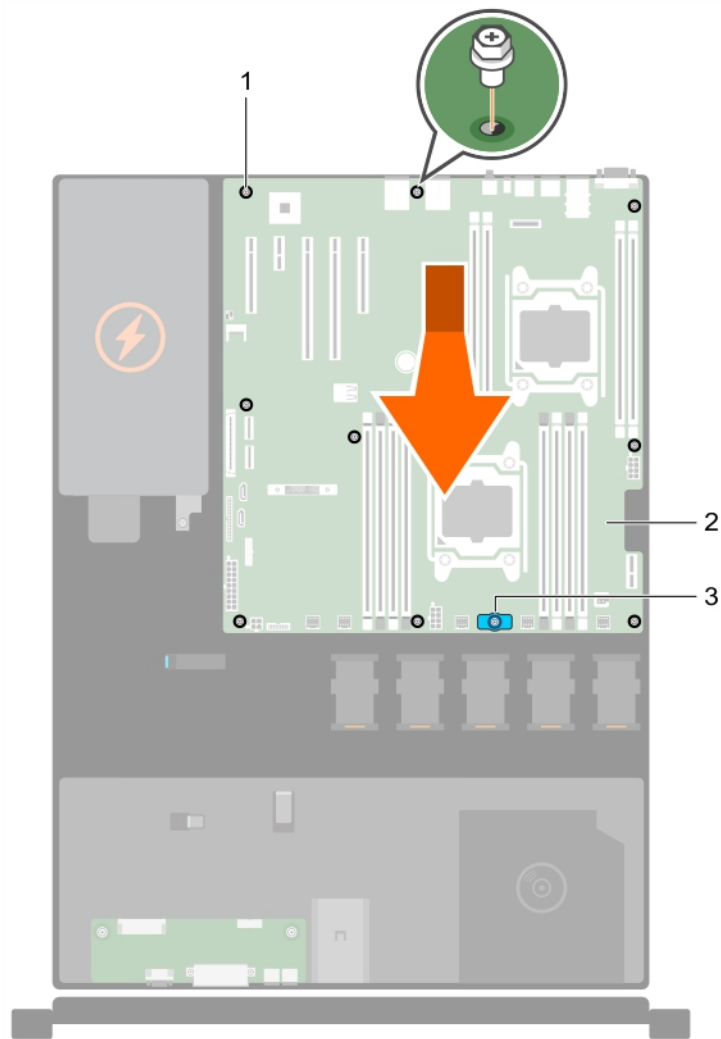
## Prerequisites

-  **CAUTION:** Many repairs may only be done by a certified service technician. You should only perform troubleshooting and simple repairs as authorized in your product documentation, or as directed by the online or telephone service and support team. Damage due to servicing that is not authorized by Dell is not covered by your warranty. Read and follow the safety instructions that are shipped with your product.
-  **CAUTION:** Do not lift the system board by holding a memory module, processor, or other components.
-  **CAUTION:** Take care not to damage the system identification button while placing the system board into the chassis.

1. Follow the safety guidelines listed in the Safety instructions section.
2. Follow the procedure listed in the Before working inside your system section.
3. Keep the Phillips #2 screwdriver ready.
4. Unpack the new system board assembly.

## Steps

1. Hold the system board by its edges and the system board t-handle, and angle it toward the back of the chassis.
2. Lower the system board into the chassis until the connectors at the back of the system board align with the slots on the rear wall of the chassis, and the screw holes on the system board align with the standoffs on the chassis.
3. Tighten the nine screws that secure the system board to the chassis.



**Figure 99. Installing the system board**

- a. screw (9)
- b. system board
- c. system board t-handle

**Next steps**

1. Install the Trusted Platform Module (TPM). See [the Installing the Trusted Platform Module section](#).
  2. Replace the following:
    - a. Internal dual SD module
    - b. Heat sink/heat sink blank and processor/processor blank
    - c. Expansion card riser
    - d. Expansion cards
    - e. Integrated storage controller card
    - f. Memory modules
    - g. Cooling shroud
  3. Reconnect all cables to the system board.
- NOTE:** Ensure that the cables inside the system are routed through the cable routing latch.
4. Follow the procedure listed in the After working inside your system section.



5. Import your new or existing iDRAC Enterprise license. For more information, see the *Integrated Dell Remote Access Controller User's Guide* at [Dell.com/idracmanuals](https://Dell.com/idracmanuals).
6. Ensure that you:
  - a. Use the Easy Restore feature to restore the service tag. See [Restoring the Service Tag by using the Easy Restore feature](#).
  - b. If the Service Tag is not backed up in the backup flash device, enter the system service tag manually. See [Entering the system service tag](#).
  - c. Update the BIOS and iDRAC versions.
  - d. Re-enable the Trusted Platform Module (TPM). See [Initializing the TPM for BitLocker users](#) or [Initializing the TPM for Intel TXT users](#).
  - e. Download the Personality Module. For details, see [Rebrand the system](#).

### Related references

[Safety instructions](#) on page 71

### Related tasks

[Before working inside your system](#) on page 72

[Installing a processor](#) on page 132

[Installing a heat sink](#) on page 134

[Installing the integrated storage controller card](#) on page 127

[Installing the optional internal dual SD module](#) on page 124

[Replacing the optional internal USB memory key](#) on page 111

[Installing a cooling fan](#) on page 109

[Installing the optional iDRAC port card](#) on page 119

[Installing memory modules](#) on page 88

[Installing the expansion card riser](#) on page 114

[Installing the cooling shroud](#) on page 80

[After working inside your system](#) on page 72

## Restoring the Service Tag by using the Easy Restore feature

By using the Easy Restore feature, you can restore your Service Tag, license, UEFI configuration, and the system configuration data after replacing the system board. All data is automatically backed up in a backup flash device. If BIOS detects a new system board and the Service Tag in the backup flash device, BIOS prompts the user to restore the backup information.

### Steps

1. Turn on the system.  
If BIOS detects a new system board, and if the Service Tag is present in the backup flash device, BIOS displays the Service Tag, the status of the license, and the **UEFI Diagnostics** version.
2. Perform one of the following steps:
  - Press **Y** to restore the Service Tag, license, and diagnostics information.
  - Press **N** to navigate to the Dell Lifecycle Controller based restore options.
  - Press F10 to restore data from a previously created **Hardware Server Profile**.After the restore process is complete, BIOS prompts to restore the system configuration data.
3. Perform one of the following steps:
  - Press **Y** to restore the system configuration data.
  - Press **N** to use the default configuration settings.After the restore process is complete, the system restarts.

## Entering the system Service Tag by using System Setup

If Easy Restore fails to restore the Service Tag, use System Setup to enter the Service Tag.

### Steps

1. Turn on the system.
2. Press F2 to enter System Setup.
3. Click **Service Tag Settings**.
4. Enter the Service Tag.

**NOTE:** You can enter the Service Tag only when the **Service Tag** field is empty. Ensure that you enter the correct Service Tag. After the Service Tag is entered, it cannot be updated or changed.

5. Click **OK**.
6. Import your new or existing iDRAC Enterprise license.

For more information, see the *Integrated Dell Remote Access Controller User's Guide* at [www.dell.com/poweredgemanuals](http://www.dell.com/poweredgemanuals).

## Trusted Platform Module

Trusted Platform Module (TPM) is a dedicated microprocessor designed to secure hardware by integrating cryptographic keys into devices. A software can use a Trusted Platform Module to authenticate hardware devices. As each TPM chip has a unique and secret RSA key burned in as it is produced, it can perform the platform authentication.

**CAUTION:** Do not attempt to remove the Trusted Platform Module (TPM) from the system board. After the TPM is installed, it is cryptographically bound to that specific system board. Any attempt to remove an installed TPM breaks the cryptographic binding, and it cannot be re-installed or installed on another system board.

## Installing the Trusted Platform Module

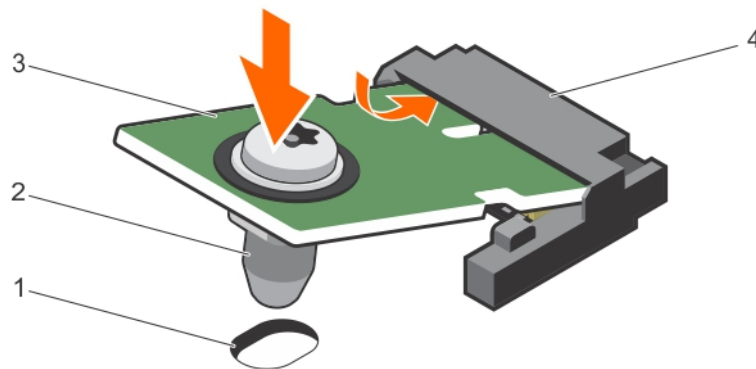
### Prerequisites

### Steps

1. Locate the TPM connector on the system board.

**NOTE:** To locate the TPM connector on the system board, see the System board connectors section.

2. Align the edge connectors on the TPM with the slot on the TPM connector.
3. Insert the TPM into the TPM connector such that the plastic rivet aligns with the slot on the system board.
4. Press the plastic rivet until the rivet snaps into place.



**Figure 100. Installing the TPM**

1. rivet slot on the system board

2. plastic rivet

**Next steps**

1. Install the system board.

**Related references**

[Safety instructions](#) on page 71

[System board connectors](#) on page 171

**Related tasks**

[Before working inside your system](#) on page 72

[Installing the system board](#) on page 163

[After working inside your system](#) on page 72

## Initializing the TPM for BitLocker users

**Steps**

Initialize the TPM.

For more information about initializing the TPM, see <https://technet.microsoft.com/en-us/library/cc753140.aspx>.

The **TPM Status** changes to **Enabled, Activated**.

## Initializing the TPM for TXT users

**Steps**

1. While booting your system, press F2 to enter System Setup.
2. On the **System Setup Main Menu** screen, click **System BIOS > System Security Settings**.
3. From the **TPM Security** option, select **On with Pre-boot Measurements**.
4. From the **TPM Command** option, select **Activate**.
5. Save the settings.
6. Restart your system.
7. Enter **System Setup** again.
8. On the **System Setup Main Menu** screen, click **System BIOS > System Security Settings**.
9. From the **Intel TXT** option, select **On**.

# Using system diagnostics

If you experience a problem with your system, run the system diagnostics before contacting Dell for technical assistance. The purpose of running system diagnostics is to test your system hardware without using additional equipment or risking data loss. If you are unable to fix the problem yourself, service and support personnel can use the diagnostics results to help you solve the problem.

**NOTE:** For more information about OEM diagnostic event messages, see the Event and Error Message Reference Guide for 13th Generation Dell PowerEdge Servers Version 1.2

## Topics:

- [Dell Embedded System Diagnostics](#)

## Dell Embedded System Diagnostics

**NOTE:** The Dell Embedded System Diagnostics is also known as Enhanced Pre-boot System Assessment (ePSA) diagnostics.

The Embedded System Diagnostics provides a set of options for particular device groups or devices allowing you to:

- Run tests automatically or in an interactive mode
- Repeat tests
- Display or save test results
- Run thorough tests to introduce additional test options to provide extra information about the failed device(s)
- View status messages that inform you if tests are completed successfully
- View error messages that inform you of problems encountered during testing

## When to use the Embedded System Diagnostics

Run the Embedded System Diagnostics (ePSA) if your system does not boot.

## Running the Embedded System Diagnostics from Boot Manager

### Prerequisites

Run the Embedded System Diagnostics (ePSA) if your system does not boot.

### Steps

1. When the system is booting, press F10.
2. Use the up arrow and down arrow keys to select **System Utilities > Launch Diagnostics**.  
The **ePSA Pre-boot System Assessment** window is displayed, listing all devices detected in the system. The diagnostics starts executing the tests on all the detected devices.

## Running the Embedded System Diagnostics from the Dell Lifecycle Controller

### Steps

1. As the system boots, press F10.
2. Select **Hardware Diagnostics** → **Run Hardware Diagnostics**.

The **ePSA Pre-boot System Assessment** window is displayed, listing all devices detected in the system. The diagnostics starts executing the tests on all the detected devices.

## System diagnostic controls

<b>Menu</b>	<b>Description</b>
<b>Configuration</b>	Displays the configuration and status information of all detected devices.
<b>Results</b>	Displays the results of all tests that are run.
<b>Systemhealth</b>	Provides the current overview of the system performance.
<b>Event log</b>	Displays a time-stamped log of the results of all tests run on the system. This is displayed if at least one event description is recorded.

# Jumpers and connectors

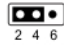
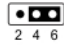
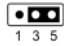

## Topics:

- System board jumper settings
- System board connectors
- Disabling forgotten password

## System board jumper settings

For information about resetting the password jumper to disable a password, see the Disabling a forgotten password section.

**Table 44. System board jumper settings**

Jumper	Setting	Description
PWRD_EN	 2 4 6 (default)	The password reset feature is enabled (pins 2–4).
	 2 4 6	The password reset feature is disabled (pins 4–6). The iDRAC local access is unlocked at the next AC power cycle.
NVRAM_CLR	 1 3 5 (default)	The configuration settings are retained at the next system boot (pins 3–5).
	 1 3 5	The configuration settings are cleared at system boot (pins 1–3).

# System board connectors

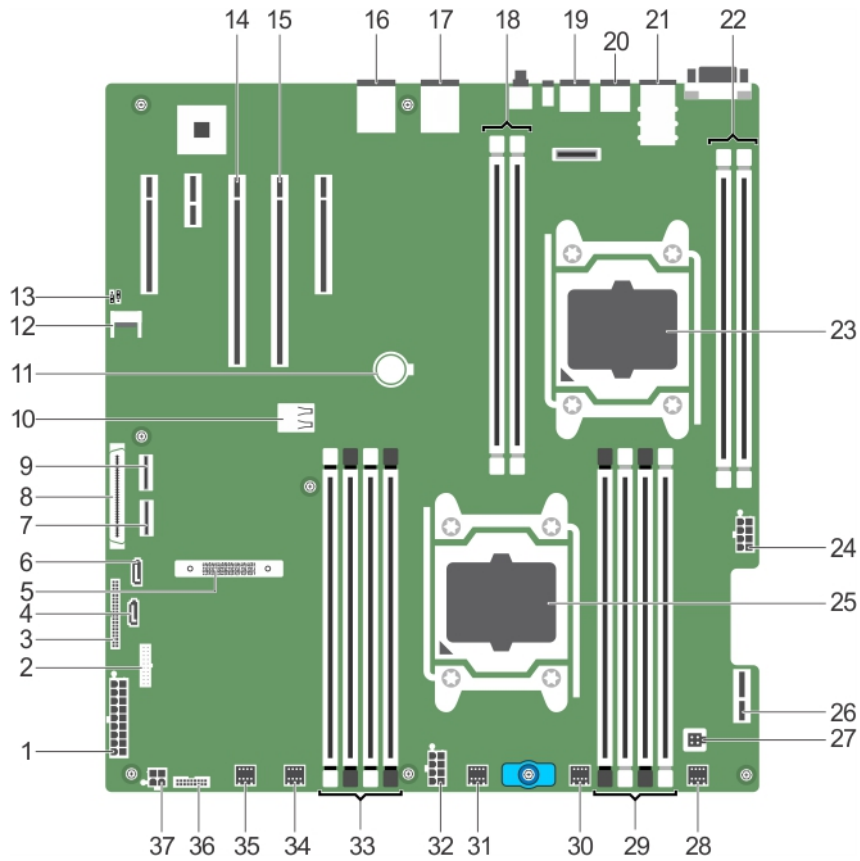


Figure 101. System board jumpers and connectors

Table 45. System board jumpers and connectors (continued)

Item	Connector	Description
1	SYS_PWR_CONN (P1)	24-pin power connector
2	FB_USB	Front-panel USB connector
3	PIB_CONN	Power interposer board connector
4	SATA_CDRUM	SATA connector CDRUM
5	MiniPERC_PCIE_G3_X8 (CPU1)	Mini PERC card connector
6	SATA_TBU	SATA connector tape backup unit
7	SW_RAID_B	Software RAID connector B
8	CTRL_PNL	Control panel interface connector
9	SW_RAID_A	Software RAID connector A
10	INT_USB_3.0	Internal USB connector
11	BATTERY	Battery connector
12	TPM_MODULE	Trusted platform module connector
13	J_PSWD_NVRAM	For more information, see the System board jumper setting section.
14	SLOT3_PCIE_G3_X16(CPU1)	PCIe card connector 3
15	SLOT2_PCIE_G3_X16(CPU1)	PCIe card connector 2

**Table 45. System board jumpers and connectors**

Item	Connector	Description
		<b>i</b> <b>NOTE:</b> The PCIE_G3_X8 and PCIE_G3_X16 are the two different types of risers supported on R430 systems. You can install an expansion card on the system board only using expansion card riser. For more information about the installation guidelines, see the Expansion card installation guidelines section.
16	NIC4	Network connector
17	NIC3	Network connector
18	B1, B2	Memory module socket
19	USB2_3.0	USB connector
20	USB1	USB connector
21	NIC1 and NIC2	Network connector
22	B3, B4	Memory module socket
23	CPU2	Processor socket 2
24	PWR_CONN_C(P3)	8-pin power connector
25	CPU1	Processor socket 1
26	IDSDM	Internal Dual SD Module connector
27	INTRUSION	Intrusion switch connector
28	FAN6	Cooling fan connector
29	A1, A5, A2, A6	Memory module socket
30	FAN5	Cooling fan connector
31	FAN4	Cooling fan connector
32	PWR_CONN_B(P2)	8-pin power connector
33	A3, A7, A4, A8	Memory module socket
34	FAN3	Cooling fan connector
35	FAN2	Cooling fan connector
36	BP_SIG	Backplane signal connector
37	ODD_PWR	Optical disc drive connector

**Related references**

[System board jumper settings](#) on page 170

[Expansion card installation guidelines](#) on page 112

## Disabling forgotten password

The software security features of the system include a system password and a setup password. The password jumper enables or disables password features and clears any password(s) currently in use.


**Steps**

1. Turn off the system, including any attached peripherals, and disconnect the system from the electrical outlet.
2. Remove the system cover.



3. Move the jumper on the system board jumper from pins 4 and 6 to pins 2 and 4.
4. Install the system cover.

The existing passwords are not disabled (erased) until the system boots with the jumper on pins 2 and 4. However, before you assign a new system and/or setup password, you must move the jumper back to pins 4 and 6.

 **NOTE:** If you assign a new system and/or setup password with the jumper on pins 2 and 4, the system disables the new password(s) the next time it boots.

5. Reconnect the system to its electrical outlet and turn on the system, including any attached peripherals.
6. Turn off the system, including any attached peripherals, and disconnect the system from the electrical outlet.
7. Remove the system cover.
8. Move the jumper on the system board jumper from pins 2 and 4 to pins 4 and 6.
9. Install the system cover.
10. Reconnect the system to its electrical outlet and turn on the system, including any attached peripherals.
11. Assign a new system and/or setup password.

# Troubleshooting your system

## Safety first—for you and your system

**CAUTION:** Many repairs may only be done by a certified service technician. You should only perform troubleshooting and simple repairs as authorized in your product documentation, or as directed by the online or telephone service and support team. Damage due to servicing that is not authorized by Dell is not covered by your warranty. Read and follow the safety instructions that are shipped with your product.

### Topics:

- [Troubleshooting system startup failure](#)
- [Troubleshooting external connections](#)
- [Troubleshooting the video subsystem](#)
- [Troubleshooting a USB device](#)
- [Troubleshooting a serial input and output device](#)
- [Troubleshooting a NIC](#)
- [Troubleshooting a wet system](#)
- [Troubleshooting a damaged system](#)
- [Troubleshooting the system battery](#)
- [Troubleshooting power supply units](#)
- [Troubleshooting cooling problems](#)
- [Troubleshooting cooling fans](#)
- [Troubleshooting system memory](#)
- [Troubleshooting an internal USB key](#)
- [Troubleshooting a micro SD card](#)
- [Troubleshooting an optical drive](#)
- [Troubleshooting a drive or SSD](#)
- [Troubleshooting a storage controller](#)
- [Troubleshooting expansion cards](#)
- [Troubleshooting processors](#)
- [System messages](#)

## Troubleshooting system startup failure

If you boot the system to the BIOS boot mode after installing an operating system from the UEFI Boot Manager, the system stops responding. To avoid this issue, you must boot to the same boot mode in which you installed the operating system.

For all other startup issues, note the system messages that appear on the screen.

## Troubleshooting external connections

Before troubleshooting any external devices, ensure that all external cables are securely attached to the external connectors on your system.

- Compare the technical specification of the system with the external device to check the compatibility.
- Check the external device functionality with some other similar system so that we are sure that the device is working fine.
- Check any other similar external device with this system so that we are sure that the system port is working fine.

For any further queries contact, [Global Technical Support](#).

# Troubleshooting the video subsystem

## Steps


1. Check the system and power connections to the monitor.
2. Check the video interface cabling from the system to the monitor.
3. Run the appropriate diagnostic test.

## Results

If the tests run successfully, the problem is not related to video hardware.


# Troubleshooting a USB device

## Prerequisites

 **NOTE:** Follow steps 1 to 6 to troubleshoot a USB keyboard or mouse. For other USB devices, go to step 7.

## Steps

1. Disconnect the keyboard and/or mouse cables from the system and reconnect them.
2. If the problem persists, connect the keyboard and/or mouse to another USB port on the system.
3. If the problem is resolved, restart the system, enter System Setup, and check if the non-functioning USB ports are enabled.

 **NOTE:** Older operating systems may not support USB 3.0.

4. Check if USB 3.0 is enabled in System Setup. If enabled, disable it and see if the issue is resolved.
5. In **iDRAC Settings Utility**, ensure that **USB Management Port Mode** is configured as **Automatic** or **Standard OS Use**.
6. If the problem is not resolved, replace the keyboard and/or mouse with a known working keyboard or mouse.  
If the problem is not resolved, proceed to step 7 to troubleshoot other USB devices attached to the system.  
If the problem is not resolved, proceed to troubleshoot other USB devices attached to the system.
7. Turn off all attached USB devices, and disconnect them from the system.
8. Restart the system.
9. If your keyboard is functioning, enter System Setup, verify that all USB ports are enabled on the **Integrated Devices** screen. If your keyboard is not functioning, use remote access to enable or disable the USB options.
10. Check if USB 3.0 is enabled in System Setup. If it is enabled, disable it and restart your system.
11. If the system is not accessible, reset the NVRAM\_CLR jumper inside your system and restore the BIOS to the default settings. See the System board jumper setting section
12. In the **iDRAC Settings Utility**, ensure that **USB Management Port Mode** is configured as **Automatic** or **Standard OS Use**.
13. Reconnect and turn on each USB device one at a time.
14. If a USB device causes the same problem, turn off the device, replace the USB cable with a known good cable, and turn on the device.

## Related references

[Getting help](#) on page 187

[System board jumper settings](#) on page 170

# Troubleshooting a serial input and output device

## Steps

1. Turn off the system and any peripheral devices connected to the serial port.


2. Swap the serial interface cable with a known working cable, and turn on the system and the I/O serial device.  
If the problem is resolved, replace the interface cable with a known working cable.
3. Turn off the system and the I/O serial device, and swap the serial device with a compatible device.
4. Turn on the system and the I/O serial device.

### Related references

[Getting help](#) on page 187

## Troubleshooting a NIC

### Prerequisites

 **NOTE:** Network Daughter Card (NDC) slot is not hot-pluggable.

### Steps

1. Run the appropriate diagnostic test. For more information, see the Using system diagnostics section for the available diagnostic tests.
2. Restart the system and check for any system messages pertaining to the NIC controller.
3. Check the appropriate indicator on the NIC connector:
  - If the link indicator does not glow, the cable connected might be disengaged.
  - If the activity indicator does not glow, the network driver files might be damaged or missing. Install or replace the drivers as necessary. For more information, see the NIC documentation.
  - Try another known good network cable.
  - If the problem persists, use another connector on the switch or hub.
4. Ensure that the appropriate drivers are installed and the protocols are bound. For more information, see the NIC documentation.
5. Enter System Setup and confirm that the NIC ports are enabled on the **Integrated Devices** screen.
6. Ensure that all the NICs, hubs, and switches on the network are set to the same data transmission speed and duplex. For more information, see the documentation for each network device.
7. Ensure that all the NICs and switches on the network are set to the same data transmission speed and duplex. For more information, see the documentation for each network device.
8. Ensure that all network cables are of the proper type and do not exceed the maximum length.

### Related references

[Getting help](#) on page 187

[Using system diagnostics](#) on page 168

## Troubleshooting a wet system

### Steps

1. Turn off the system and attached peripherals, and disconnect the system from the electrical outlet.
2. Remove the system cover.
3. Remove the following components (if installed) from the system:
  - Power supply unit(s)
  - Optical drive
  - Hard drives
  - Hard drive backplane
  - USB memory key
  - Hard drive tray
  - Cooling shroud

- Expansion card risers (if installed)
  - Expansion cards
  - Cooling fan assembly (if installed)
  - Cooling fan(s)
  - Memory modules
  - Processor(s) and heat sink(s)
  - System board
4. Let the system dry thoroughly for at least 24 hours.
  5. Reinstall the components you removed in step 3 except the expansion cards.
  6. Install the system cover.
  7. Turn on the system and attached peripherals.
  8. If the system starts properly, turn off the system, and reinstall all the expansion cards that you removed.
  9. Run the appropriate diagnostic test. For more information, see the Using system diagnostics section.


### Related references

[Getting help](#) on page 187

[Using system diagnostics](#) on page 168

## Troubleshooting a damaged system

### Prerequisites

 **CAUTION: Many repairs may only be done by a certified service technician. You should only perform troubleshooting and simple repairs as authorized in your product documentation, or as directed by the online or telephone service and support team. Damage due to servicing that is not authorized by Dell is not covered by your warranty. Read and follow the safety instructions that are shipped with your product.**

### Steps

1. Turn off the system and attached peripherals, and disconnect the system from the electrical outlet.
2. Remove the system cover.
3. Ensure that the following components are properly installed:
  - cooling shroud
  - expansion card risers (if installed)
  - expansion cards
  - power supply unit(s)
  - cooling fan assembly (if installed)
  - cooling fan(s)
  - processor(s) and heat sink(s)
  - memory modules
  - drive carriers or cage
  - drive backplane
4. Ensure that all cables are properly connected.
5. Install the system cover.
6. Run the appropriate diagnostic test. For more information, see the Using system diagnostics section.


### Related references


[Getting help](#) on page 187


[Using system diagnostics](#) on page 168

# Troubleshooting the system battery

## Prerequisites

 **CAUTION:** Many repairs may only be done by a certified service technician. You should only perform troubleshooting and simple repairs as authorized in your product documentation, or as directed by the online or telephone service and support team. Damage due to servicing that is not authorized by Dell is not covered by your warranty. Read and follow the safety instructions that are shipped with your product.

 **NOTE:** If the system is turned off for long periods of time (for weeks or months), the NVRAM may lose the system configuration information. This situation is caused by a defective battery.

 **NOTE:** Some software may cause the system time to speed up or slow down. If the system seems to operate normally except for the time set in System Setup, the problem may be caused by a software, rather than by a defective battery.

## Steps

1. Re-enter the time and date in System Setup.
2. Turn off the system, and disconnect it from the electrical outlet for at least an hour.
3. Reconnect the system to the electrical outlet, and turn on the system.
4. Enter System Setup.


If the date and time displayed in System Setup are not correct, check the System Error Log (SEL) for system battery messages.

## Related references


[Getting help](#) on page 187

# Troubleshooting power supply units

## Prerequisites

 **CAUTION:** Many repairs may only be done by a certified service technician. You should only perform troubleshooting and simple repairs as authorized in your product documentation, or as directed by the online or telephone service and support team. Damage due to servicing that is not authorized by Dell is not covered by your warranty. Read and follow the safety instructions that are shipped with your product.

The following sections provide information on troubleshooting power source and power supply units problems.


 **NOTE:** Power Supply Units (PSUs) are hot-pluggable.

## Troubleshooting power source problems

### Steps

1. Press the power button to ensure that your system is turned on. If the power indicator does not glow when the power button is pressed, press the power button firmly.
2. Plug in another working power supply unit to ensure that the system board is not faulty.
3. Ensure that no loose connections exist.  
For example, loose power cables.
4. Ensure that the power source meets applicable standards.
5. Ensure that there are no short circuits.
6. Have a qualified electrician check the line voltage to ensure that it meets the needed specifications.


## Results

 **NOTE:** Some power supply units require 200-240V AC to deliver their rated capacity. For more information, see the system Technical Specifications section in the Installation and Service Manual available at [www.dell.com/poweredge manuals](http://www.dell.com/poweredge manuals).

## Power supply unit problems

### Steps

1. Ensure that no loose connections exist.  
For example, loose power cables.
2. Ensure that the power supply unit (PSU) handle or LED indicates that the PSU is working properly.  
For more information about PSU indicators, see the Power indicator codes section.
3. If you have recently upgraded your system, ensure that the PSU has enough power to support the new system.
4. If you have a redundant PSU configuration, ensure that both the PSUs are of the same type and wattage.  
You may have to upgrade to a higher wattage PSU.
5. Ensure that you use only PSUs with the Extended Power Performance (EPP) label on the back.
6. Reseat the PSU.

 **NOTE:** After installing a PSU, allow several seconds for the system to recognize the PSU and determine if it is working properly.

If the problem persists, see the Getting help section.


### Related references

[Getting help](#) on page 187

[Indicator codes for redundant power supply unit](#) on page 26

[Non-redundant cabled power supply unit indicator codes](#) on page 27

## Troubleshooting cooling problems

 **CAUTION:** Many repairs may only be done by a certified service technician. You should only perform troubleshooting and simple repairs as authorized in your product documentation, or as directed by the online or telephone service and support team. Damage due to servicing that is not authorized by Dell is not covered by your warranty. Read and follow the safety instructions that are shipped with your product.

Ensure that the following conditions exist:

- System cover, cooling shroud, EMI filler panel, or back filler bracket is not removed.
- Ambient temperature is not higher than the system specific ambient temperature.
- External airflow is not obstructed.
- A cooling fan is not removed or has not failed.
- The expansion card installation guidelines have been followed.

Additional cooling can be added by one of the following methods:

From the iDRAC web GUI:

1. Click **Hardware > Fans > Setup**.
2. From the **Fan Speed Offset** drop-down list, select the cooling level that is required or set the minimum fan speed to a custom value.

From F2 System Setup:

1. Select **iDRAC Settings > Thermal**, and set a higher fan speed from the fan speed offset or minimum fan speed.

From RACADM commands:

1. Run the command `racadm help system.thermalsettings`

For more information, see *Integrated Dell Remote Access User's Guide* at [www.dell.com/poweredge manuals](http://www.dell.com/poweredge manuals)

# Troubleshooting cooling fans

## Prerequisites

**CAUTION:** Many repairs may only be done by a certified service technician. You should only perform troubleshooting and simple repairs as authorized in your product documentation, or as directed by the online or telephone service and support team. Damage due to servicing that is not authorized by Dell is not covered by your warranty. Read and follow the safety instructions that are shipped with your product.

**NOTE:** The fan number is referenced by the management software of the system. In the event of a problem with a particular fan, you can easily identify and replace it by noting down the fan numbers on the cooling fan assembly.

## Steps

1. Reseat the fan or the fan's power cable.
2. Restart the system.

## Related references

[Getting help](#) on page 187

[Safety instructions](#) on page 71

## Related tasks

[Before working inside your system](#) on page 72

# Troubleshooting system memory

## Prerequisites

**CAUTION:** Many repairs may only be done by a certified service technician. You should only perform troubleshooting and simple repairs as authorized in your product documentation, or as directed by the online or telephone service and support team. Damage due to servicing that is not authorized by Dell is not covered by your warranty. Read and follow the safety instructions that are shipped with your product.


**NOTE:** Memory slots are not hot-pluggable.

**NOTE:** NVDIMM-N battery is not hot-pluggable.

## Steps

1. If the system is operational, run the appropriate diagnostic test. See the Using system diagnostics section for the available diagnostic tests.  
If the diagnostic tests indicate a fault, follow the corrective actions that are provided by the diagnostic tests.
2. If the system is not operational, turn off the system and attached peripherals, and unplug the system from the power source. Wait at least for 10 seconds, and then reconnect the system to the power source.
3. Turn on the system and attached peripherals, and note the messages on the screen.  
If an error message is displayed indicating a fault with a specific memory module, go to step 12.
4. Enter System Setup, and check the system memory setting. Make any changes to the memory settings, if needed.  
If the memory settings match the installed memory but the problem still persists, go to step 12.
5. Turn off the system and attached peripherals, and disconnect the system from the electrical outlet.
6. Remove the system cover.
7. Check the memory channels and ensure that they are populated correctly.



 **NOTE:** See the system event log or system messages for the location of the failed memory module. Reinstall the memory device.

8. Reseat the memory modules in their sockets.
9. Install the system cover.
10. Enter System Setup, and check the system memory setting.  
If the problem is not resolved, proceed with step 11.
11. Remove the system cover.
12. If a diagnostic test or error message indicates a specific memory module as faulty, swap or replace the module with a known working memory module.
13. To troubleshoot an unspecified faulty memory module, replace the memory module in the first DIMM socket with a module of the same type and capacity.  
If an error message is displayed on the screen, this may indicate a problem with one or more installed DIMM types, incorrect DIMM installation, or defective DIMMs. Follow the on-screen instructions to resolve the problem.
14. Install the system cover.
15. As the system boots, observe any error message that is displayed and the diagnostic indicators on the front of the system.
16. If the memory problem persists, repeat step 12 through step 15 for each memory module installed.

#### Related references

[Getting help](#) on page 187

[Using system diagnostics](#) on page 168

#### Related tasks

[Removing the system cover](#) on page 74

[Installing the system cover](#) on page 75

## Troubleshooting an internal USB key

### Steps


1. Enter System Setup and ensure that the **USB key port** is enabled on the **Integrated Devices** screen.
2. Turn off the system and attached peripherals, and disconnect the system from the electrical outlet.
3. Remove the system cover.
4. Locate the USB key and reseat it.
5. Install the system cover.
6. Turn on the system and attached peripherals, and check if the USB key is functioning.
7. If the problem is not resolved, repeat step 2 and step 3.
8. Insert a known working USB key.
9. Install the system cover.


#### Related references

[Getting help](#) on page 187

## Troubleshooting a micro SD card

### Prerequisites

 **NOTE:** Certain micro SD cards have a physical write-protect power on the card. If the write-protect switch is turned on, the micro SD card is not writable.

 **NOTE:** IDSDM and vFlash slots are not hot-pluggable.

## Steps

1. Enter System Setup, and ensure that the **Internal SD Card Port** is enabled.
2. Turn off the system, including any attached peripherals, and disconnect the system from the electrical outlet.
3. Remove the system cover.
  - NOTE:** When an SD card failure occurs, the internal dual SD module controller notifies the system. On the next restart, the system displayed a message indicating the failure. If redundancy is enabled at the time of SD card failure, a critical alert is logged and chassis health will degrade.
4. Replace the failed micro SD card with a new micro SD card.
5. Install the system cover.
6. Reconnect the system to its electrical outlet and turn on the system, including any attached peripherals.
7. Enter System Setup, and ensure that the **Internal SD Card Port** and **Internal SD Card Redundancy** modes are set to the needed modes.

Verify that the correct SD slot is set as **Primary SD Card**.
8. Check if the micro SD card is functioning properly.
9. If the **Internal SD Card Redundancy** option is set to **Enabled** at the time of the SD card failure, the system prompts you to perform a rebuild.
  - NOTE:** The rebuild is always sourced from the primary SD card to the secondary SD card.

## Related tasks

[Removing the system cover](#) on page 74

[Installing the system cover](#) on page 75

# Troubleshooting an optical drive

## Steps

1. Try using a different CD or DVD.
2. If the problem is not resolved, enter System Setup and ensure that the integrated SATA controller and the drive's SATA port are enabled.
3. Run the appropriate diagnostic test.
4. Turn off the system and attached peripherals, and disconnect the system from the electrical outlet.
5. If installed, remove the bezel.
6. Remove the system cover.
7. Ensure that the interface cable is securely connected to the optical drive and to the controller.
8. Ensure that a power cable is properly connected to the drive.
9. Install the system cover.

## Related references

[Getting help](#) on page 187

## Related tasks

[Removing the optional front bezel](#) on page 73

[Removing the system cover](#) on page 74


[Installing the system cover](#) on page 75

[Installing the optional front bezel](#) on page 73

# Troubleshooting a drive or SSD

## Prerequisites

 **CAUTION:** This troubleshooting procedure can erase data stored on the drive. Before you proceed, back up all files on the drive.

 **CAUTION:** Many repairs may only be done by a certified service technician. You should only perform troubleshooting and simple repairs as authorized in your product documentation, or as directed by the online or telephone service and support team. Damage due to servicing that is not authorized by Dell is not covered by your warranty. Read and follow the safety instructions that are shipped with your product.

## Steps


1. Run the appropriate diagnostic test. See the Using system diagnostics section.  
Depending on the results of the diagnostics test, proceed as required through the following steps.
2. If your system has a RAID controller and your drives are configured in a RAID array, perform the following steps:
  - a. Restart the system and press F10 during system startup to run the Dell Lifecycle Controller, and then run the Hardware Configuration wizard to check the RAID configuration.  
See the Dell Lifecycle Controller documentation or online help for information about RAID configuration.
  - b. Ensure that the drives are configured correctly for the RAID array.
  - c. Take the drive offline and reseal the drive.
  - d. Exit the configuration utility and allow the system to boot to the operating system.
3. Ensure that the needed device drivers for your controller card are installed and are configured correctly. For more information, see the operating system documentation.
4. Restart the system and enter the System Setup.
5. Verify that the controller is enabled and the drives are displayed in the System Setup.


## Related references

[Getting help](#) on page 187

[Using system diagnostics](#) on page 168

# Troubleshooting a storage controller

 **CAUTION:** Many repairs may only be done by a certified service technician. You should only perform troubleshooting and simple repairs as authorized in your product documentation, or as directed by the online or telephone service and support team. Damage due to servicing that is not authorized by Dell is not covered by your warranty. Read and follow the safety instructions that are shipped with your product.

 **NOTE:** When troubleshooting a controller, see the documentation for your operating system and the controller.

 **NOTE:** Mini-PERC socket is not hot-pluggable.

1. Run the appropriate diagnostic test. See the Using system diagnostics section.
2. Turn off the system and attached peripherals, and disconnect the system from the electrical outlet.
3. Remove the system cover.
4. Verify that the installed expansion cards are compliant with the expansion card installation guidelines.
5. Ensure that each expansion card is firmly seated in its connector.
6. Install the system cover.
7. Reconnect the system to the electrical outlet, and turn on the system and attached peripherals.
8. If the problem is not resolved, turn off the system and attached peripherals, and disconnect the system from the electrical outlet.
9. Remove the system cover.
10. Remove all expansion cards installed in the system.
11. Install the system cover.

12. Reconnect the system to the electrical outlet, and turn on the system and attached peripherals.
13. Run the appropriate diagnostic test. See the Using system diagnostics section.
14. For each expansion card you removed in step 10, perform the following steps:
  - a. Turn off the system and attached peripherals, and disconnect the system from the electrical outlet.
  - b. Remove the system cover.
  - c. Reinstall one of the expansion cards.
  - d. Install the system cover.
  - e. Run the appropriate diagnostic test. See the Using system diagnostics section.

### Related references

[Getting help](#) on page 187

[Using system diagnostics](#) on page 168

[Safety instructions](#) on page 71


### Related tasks


[Removing the system cover](#) on page 74


[Installing the system cover](#) on page 75

## Troubleshooting expansion cards

### Prerequisites

 **CAUTION:** Many repairs may only be done by a certified service technician. You should only perform troubleshooting and simple repairs as authorized in your product documentation, or as directed by the online or telephone service and support team. Damage due to servicing that is not authorized by Dell is not covered by your warranty. Read and follow the safety instructions that are shipped with your product.

 **NOTE:** When troubleshooting an expansion card, you also have to see the documentation for your operating system and the expansion card.

 **NOTE:** Riser slots are not hot-pluggable.

### Steps

1. Run the appropriate diagnostic test. See the Using system diagnostics section.
2. Turn off the system and attached peripherals, and disconnect the system from the electrical outlet.
3. Remove the system cover.
4. Ensure that each expansion card is firmly seated in its connector.
5. Install the system cover.
6. Turn on the system and attached peripherals.
7. If the problem is not resolved, turn off the system and attached peripherals, and disconnect the system from the electrical outlet.
8. Remove the system cover.
9. Remove all expansion cards installed in the system.
10. Install the system cover.
11. Run the appropriate diagnostic test. See the Using system diagnostics section.
12. For each expansion card you removed in step 8, perform the following steps:
  - a. Turn off the system and attached peripherals, and disconnect the system from the electrical outlet.
  - b. Remove the system cover.
  - c. Reinstall one of the expansion cards.
  - d. Install the system cover.
  - e. Run the appropriate diagnostic test. See the Using system diagnostics section.

### Related references

[Getting help](#) on page 187

[Using system diagnostics](#) on page 168

[Safety instructions](#) on page 71


### Related tasks

[Removing the system cover](#) on page 74

[Installing the system cover](#) on page 75

## Troubleshooting processors

### Prerequisites

 **CAUTION:** Many repairs may only be done by a certified service technician. You should only perform troubleshooting and simple repairs as authorized in your product documentation, or as directed by the online or telephone service and support team. Damage due to servicing that is not authorized by Dell is not covered by your warranty. Read and follow the safety instructions that are shipped with your product.

 **NOTE:** Processor sockets are not hot-pluggable.

### Steps

1. Run the appropriate diagnostics test. See the Using system diagnostics section.
2. Turn off the system and attached peripherals, and disconnect the system from the electrical outlet.
3. Remove the system cover.
4. Ensure that the processor and heat sink are properly installed.
5. Install the system cover.
6. Run the appropriate diagnostic test. See the Using system diagnostics section.

### Related references

[Getting help](#) on page 187

[Using system diagnostics](#) on page 168

### Related tasks

[Removing the system cover](#) on page 74


[Installing the system cover](#) on page 75

## System messages

For information about the event and error messages generated by the system firmware and agents that monitor system components, go to [qrl.dell.com](http://qrl.dell.com) > **Look Up** > **Error Code**, type the error code, and then click **Look it up**.

## Warning messages

A warning message alerts you to a possible problem and prompts you to respond before the system continues a task. For example, before you format a hard drive, a message warns you that you may lose all data on the hard drive. Warning messages usually interrupt the task and need you to respond by typing y (yes) or n (no).

 **NOTE:** Warning messages are generated by either the application or the operating system. For more information, see the documentation that shipped with the operating system or application.

## Diagnostic messages

The system diagnostic utility generates messages if there are errors detected when you run diagnostic tests on your system. For more information about system diagnostics, see the For information about the event and error messages generated by the system firmware and agents that monitor system components, go to [qrl.dell.com](http://qrl.dell.com) > **Look Up** > **Error Code**, type the error code, and then click **Look it up**.

### Related references

[Using system diagnostics](#) on page 168

## Alert messages

The systems management software generates alert messages for your system. Alert messages include information, status, warning, and failure messages for drive, temperature, fan, and power conditions. For more information, see the systems management software documentation links listed in the Documentation resources section of this manual.

### Related references

[Documentation resources](#) on page 29

## Getting help

### Topics:

- [Contacting Dell EMC](#)
- [Documentation feedback](#)
- [Accessing system information by using QRL](#)

## Contacting Dell EMC

Dell EMC provides several online and telephone based support and service options. If you do not have an active internet connection, you can find contact information about your purchase invoice, packing slip, bill, or Dell EMC product catalog. Availability varies by country and product, and some services may not be available in your area. To contact Dell EMC for sales, technical assistance, or customer service issues:

### Steps

1. Go to [www.dell.com/support/home](http://www.dell.com/support/home).
2. Select your country from the drop-down menu on the lower right corner of the page.
3. For customized support:
  - a. Enter your system Service Tag in the **Enter your Service Tag** field.
  - b. Click **Submit**.  
The support page that lists the various support categories is displayed.
4. For general support:
  - a. Select your product category.
  - b. Select your product segment.
  - c. Select your product.  
The support page that lists the various support categories is displayed.
5. For contact details of Dell EMC Global Technical Support:
  - a. Click [Global Technical Support](#).
  - b. Enter your system Service Tag in the **Enter your Service Tag** field on the Contact Us webpage.

## Documentation feedback

Click the **Feedback** link in any of the Dell EMC documentation pages, fill out the form, and click **Submit** to send your feedback.

## Accessing system information by using QRL

### Prerequisites

Ensure that your smartphone or tablet has the QR code scanner installed.

The QRL includes the following information about your system:

- How-to videos
- Reference materials, including the Installation and Service Manual, LCD diagnostics, and mechanical overview
- Your system service tag to quickly access your specific hardware configuration and warranty information
- A direct link to Dell to contact technical assistance and sales teams

### Steps

1. Go to [www.dell.com/qrl](http://www.dell.com/qrl) and navigate to your specific product or
2. Use your smartphone or tablet to scan the model-specific Quick Resource (QR) code on your system or in the Quick Resource Locator section.

## Quick Resource Locator for the PowerEdge R430 system



Figure 102. Quick Resource Locator