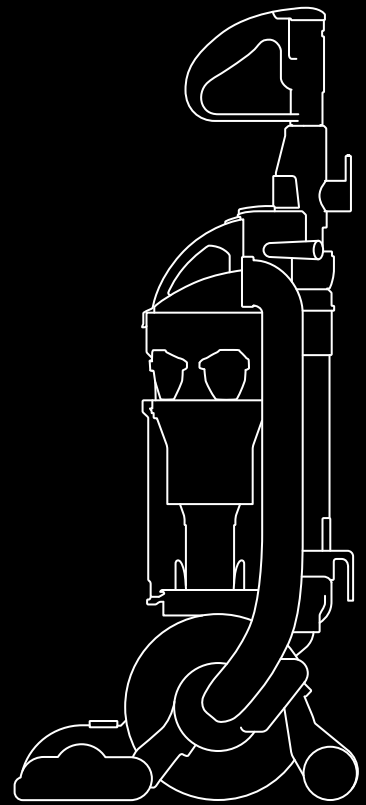


dyson ball

DC
24





IMPORTANT SAFETY INSTRUCTIONS

READ ALL INSTRUCTIONS BEFORE USING THIS VACUUM CLEANER

When using an electrical appliance, basic precautions should always be followed, including the following:

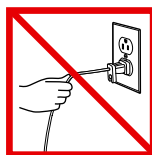
WARNING

TO REDUCE THE RISK OF FIRE, ELECTRIC SHOCK OR INJURY:

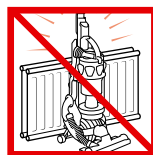
- 1 **Do not** leave appliance when plugged in. Unplug from outlet when not in use and before servicing.
- 2 **Do not** use outdoors or on wet surfaces.
- 3 **Do not** allow to be used as a toy. Close attention is necessary when used by or near children.
- 4 Use only as described in this manual. Use only Dyson recommended accessories and replacement parts.
- 5 **Do not** use with damaged cord or plug. If appliance is not working as it should, has been dropped, damaged, left outdoors, or dropped into water, contact the Dyson helpline.
- 6 **Do not** pull or carry by cord, use cord as a handle, close a door on cord, or pull cord around sharp edges or corners. **Do not** run appliance over cord. Keep cord away from heated surfaces.
- 7 **Do not** unplug by pulling on cord. To unplug, grasp the plug, not the cord.
- 8 **Do not** handle plug or appliance with wet hands.
- 9 **Do not** put any object into openings. **Do not** use with any opening blocked; keep free of dust, lint, hair, and anything that may reduce air flow.
- 10 Keep hair, loose clothing, fingers, and all parts of body away from openings and moving parts, such as the brushbar.
- 11 Turn off all controls before unplugging.
- 12 Use extra care when cleaning on stairs.
- 13 **Do not** use to pick up flammable or combustible liquids, such as gasoline, or use in areas where they may be present.
- 14 Unplug before connecting accessory tools.
- 15 **Do not** pick up anything that is burning or smoking, such as cigarettes, matches, or hot ashes.
- 16 **Do not** use without clear bin™ and filters in place.

SAVE THESE INSTRUCTIONS

THIS APPLIANCE IS INTENDED FOR HOUSEHOLD USE ONLY



Do not pull on the cord.



Do not store near heat sources.



Do not use near open flame.



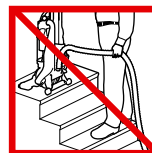
Do not run over the cord.



Do not pick up water or liquids.



Do not pick up burning objects.



Do not use above you on the stairs.



Do not put your hands near the brushbar when the vacuum cleaner is in use.

Polarization instructions

To reduce the risk of electric shock, this appliance has a polarized plug (one blade is wider than the other). This plug will fit in a polarized outlet only one way. If the plug does not fit fully in the outlet, reverse the plug. If it still does not fit, contact a qualified electrician to install the proper outlet. **Do not** change the plug in any way.



INSTRUCCIONES DE SEGURIDAD IMPORTANTES

LEA TODAS LAS INSTRUCCIONES ANTES DE UTILIZAR LA ASPIRADORA

Al utilizar un aparato eléctrico, siempre debe tener precauciones básicas, incluso las que se enumeran a continuación:

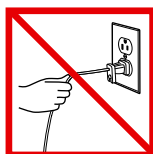
PELIGRO

PARA DISMINUIR EL RIESGO DE PROVOCAR UN INCENDIO, RECIBIR UNA DESCARGA ELÉCTRICA O LESIONES:

- 1 **No deje** el aparato enchufado. Desenchúfelo cuando no lo esté utilizando y antes de hacerle el mantenimiento.
- 2 **No utilice** el aparato al aire libre o sobre superficies húmedas.
- 3 **No permita** que el aparato sea utilizado como un juguete. Preste mucha atención si es utilizado por niños o cerca de ellos.
- 4 Utilice el aparato sólo como se describe en este manual. Utilice solamente los accesorios y partes de repuesto Dyson recomendados.
- 5 **No utilice** el aparato si el cable o el enchufe están dañados. Si el aparato no funciona como debería, si se cayó, fue dañado, dejado al aire libre o sumergido en agua, comuníquese con la línea de ayuda de Dyson.
- 6 **No utilice** el cable como una manija ni tire de él. Evite también cerrar las puertas sobre el cable o tirar de éste alrededor de esquinas o bordes filosos. **No pise** el cable con el aparato. Mantenga el cable alejado de superficies calientes.
- 7 **No desconecte** el aparato tirando del cable. Para desconectar, tome el enchufe y no el cable.
- 8 **No toque** el enchufe o el aparato con las manos mojadas.
- 9 **No obstruya** las aberturas del aparato con ningún objeto. **No utilice** el aparato si tiene alguna abertura obstruida. Manténgalas libres de polvo, pelusas, cabellos y cualquier otra cosa que pueda reducir la circulación del aire.
- 10 Mantenga el cabello, la ropa suelta, los dedos y cualquier otra parte del cuerpo alejados de las aberturas y de las partes móviles, como el cepillo.
- 11 Apague todos los controles antes de desconectar el aparato.
- 12 Tenga mucho cuidado cuando utilice la aspiradora sobre una escalera.
- 13 **No aspire** líquidos inflamables o combustibles como gasolina, ni utilice el producto en áreas donde pueda haber este tipo de líquido.
- 14 Desconecte la aspiradora antes de colocar los accesorios.
- 15 **No aspire** nada que se esté quemando o que emita humo, como cigarrillos, fósforos o cenizas calientes.
- 16 **No utilice** la aspiradora si el compartimiento clear bin™ y los filtros no están colocados en su lugar.

CONSERVE ESTAS INSTRUCCIONES

ESTE APARATO ES PARA USO DOMÉSTICO SOLAMENTE



No tire del cable.



No guarde la aspiradora cerca de fuentes de calor.



No utilice la aspiradora cerca de una llama.



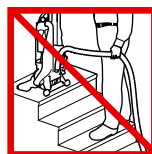
No pise el cable.



No aspire agua ni ningún tipo de líquido.



No aspire objetos que estén ardiendo.



No coloque la aspiradora por encima suyo cuando esté en una escalera.

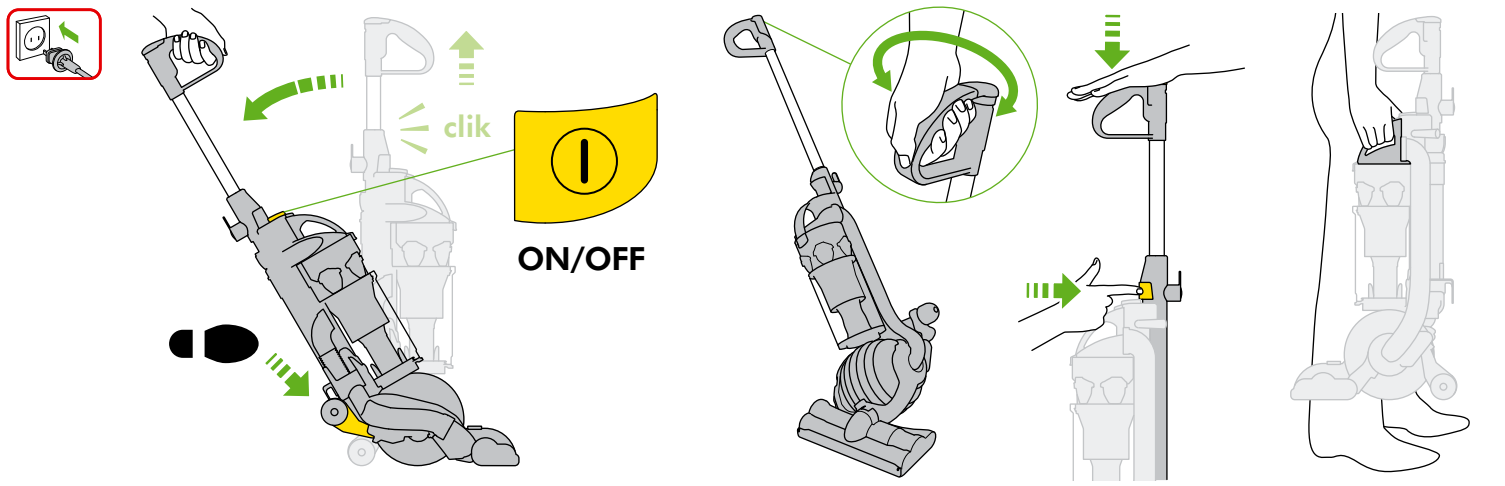


No ponga sus manos cerca del cepillo cuando esté utilizando la aspiradora.

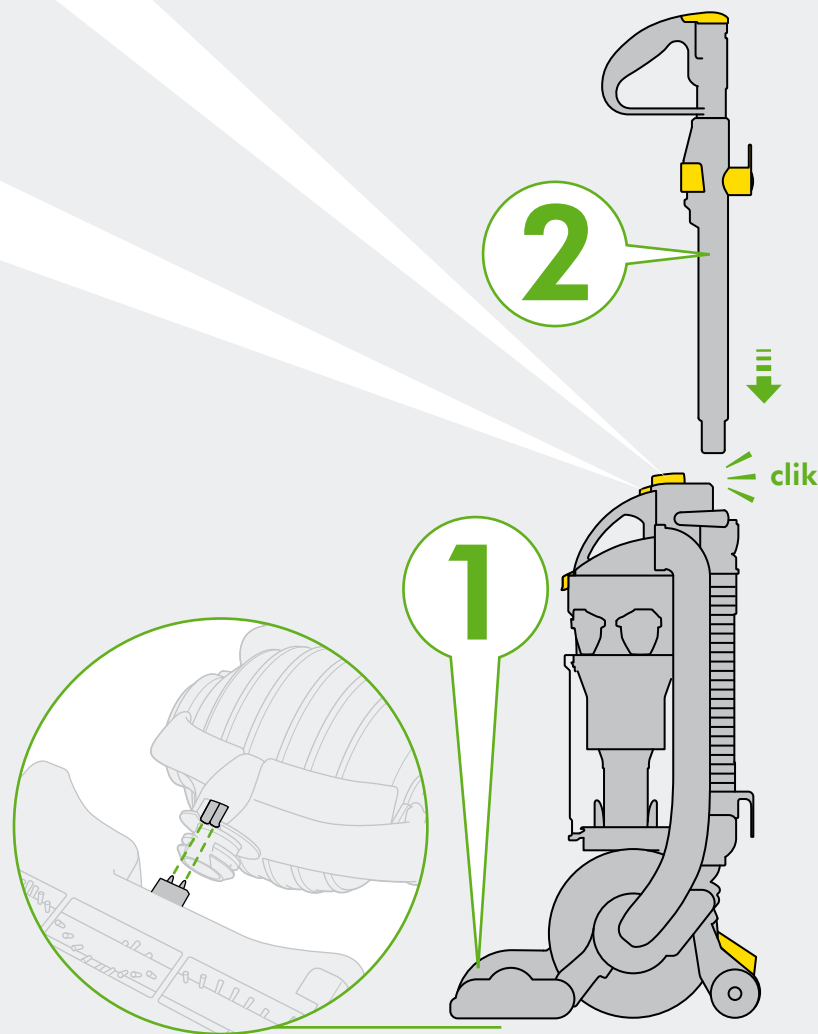
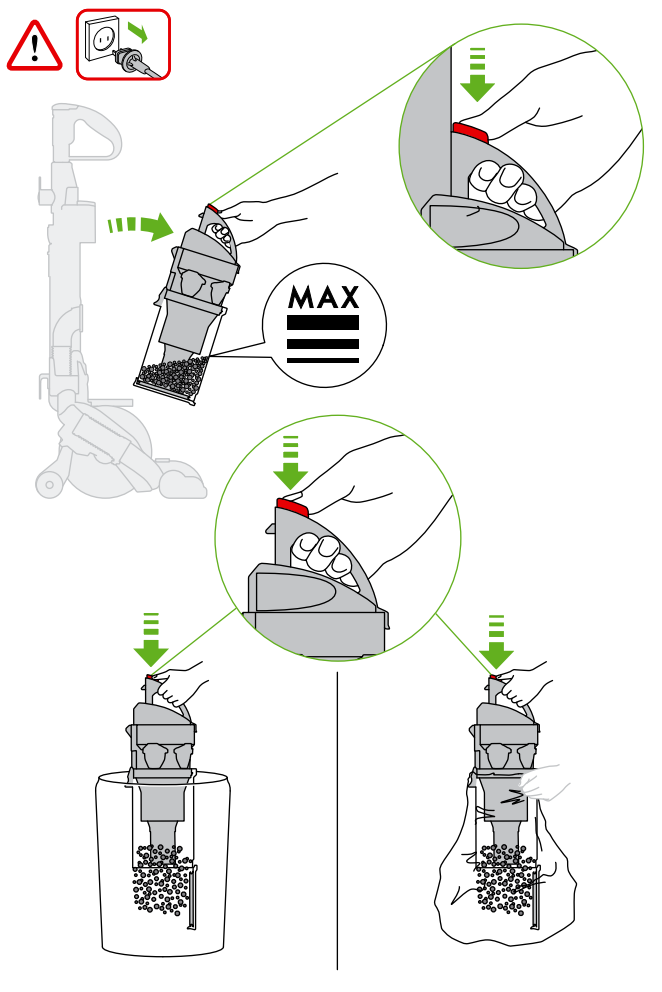
Instrucciones para la polarización

Para reducir el riesgo de recibir una descarga eléctrica, este aparato tiene un enchufe polarizado (un terminal es más ancho que el otro). Este enchufe podrá colocarse de una sola manera en una toma de corriente. Si el enchufe no entra completamente en la toma de corriente, pruebe dándole vuelta. Si aún así no se puede conectar, comuníquese con un electricista capacitado para instalar la toma de corriente adecuada. **No** cambie el enchufe del aparato.

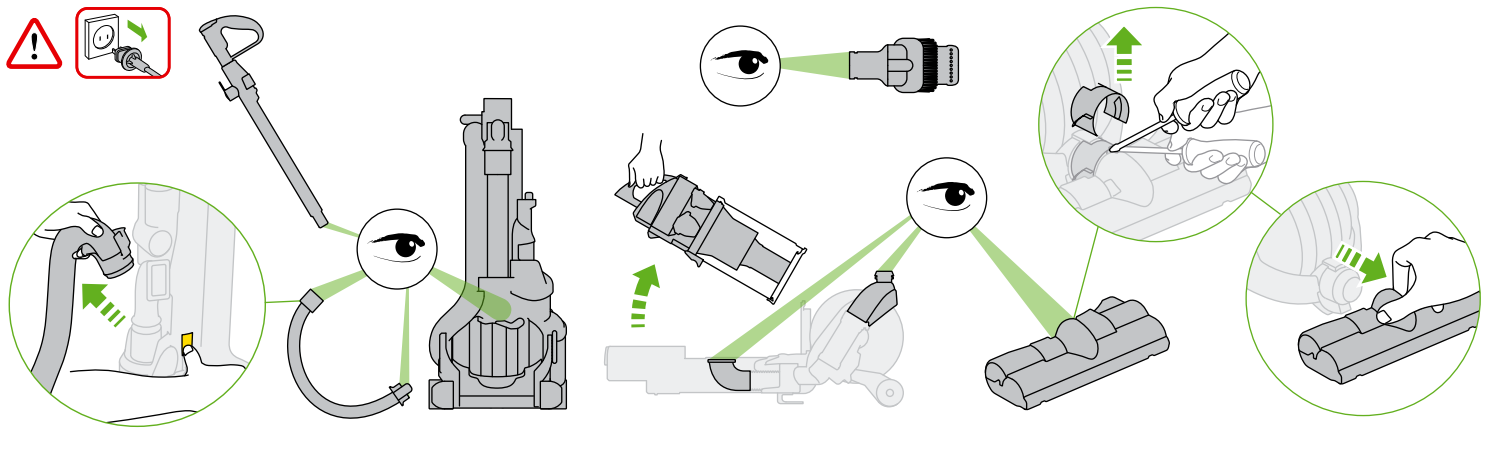
Using your Dyson • Cómo utilizar su aspiradora Dyson



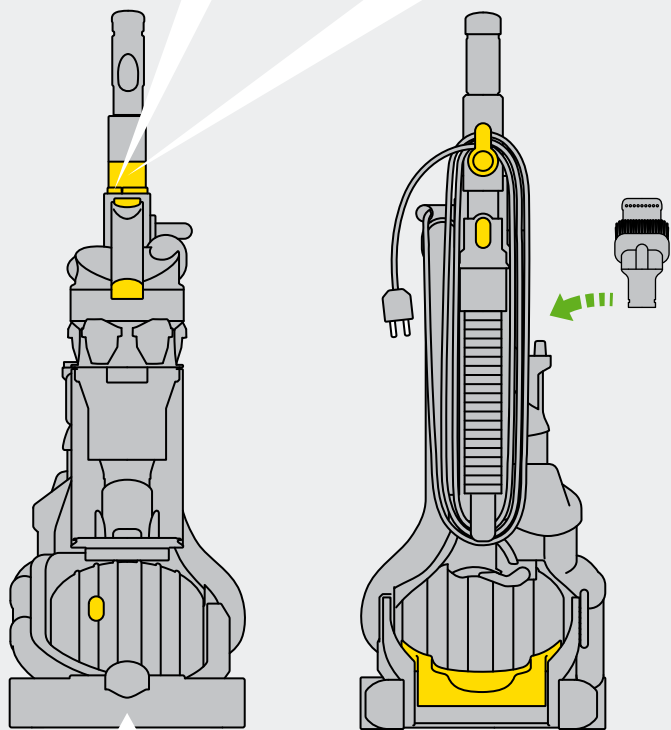
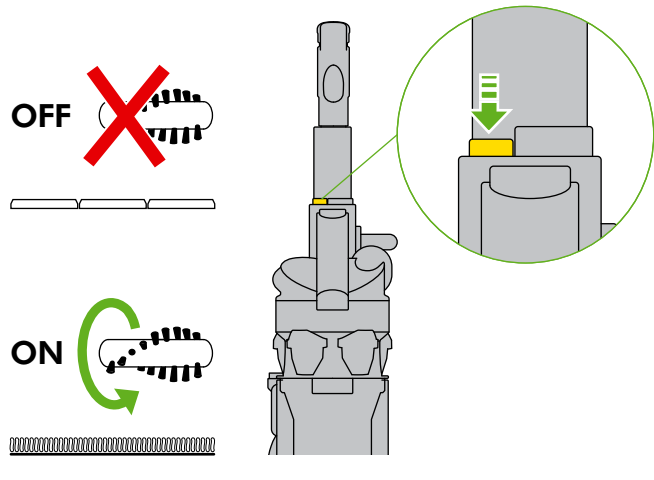
Clear bin™ emptying • Cómo vaciar el compartimiento Clear bin™



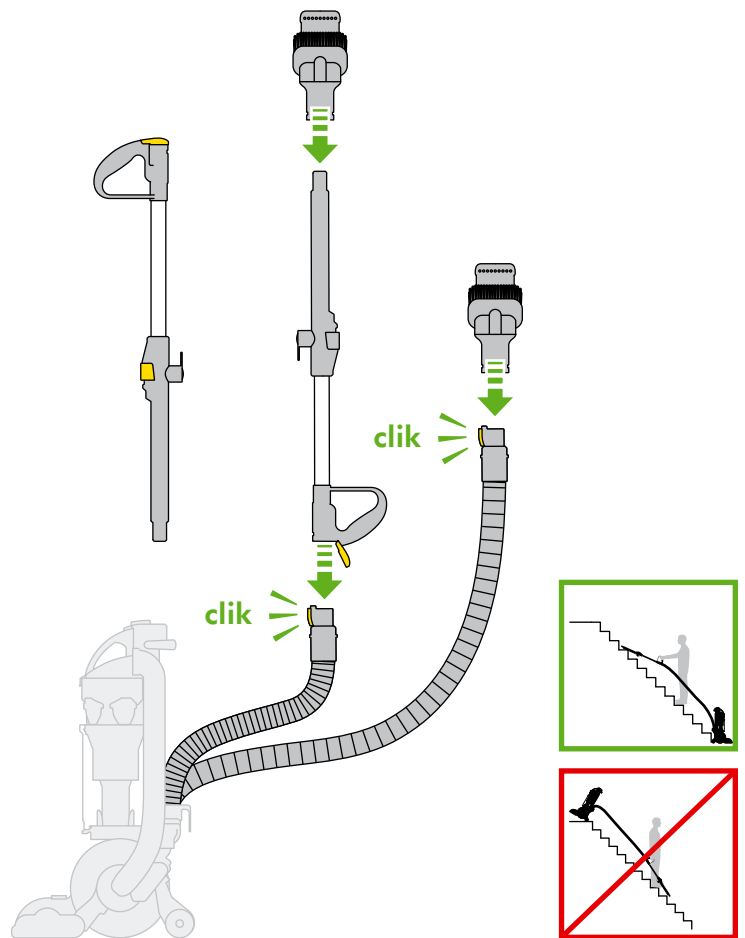
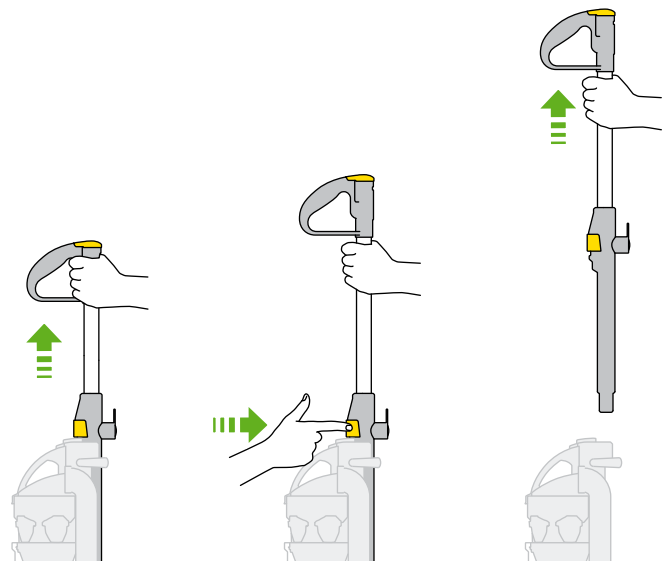
Looking for blockages • Cómo buscar obstrucciones



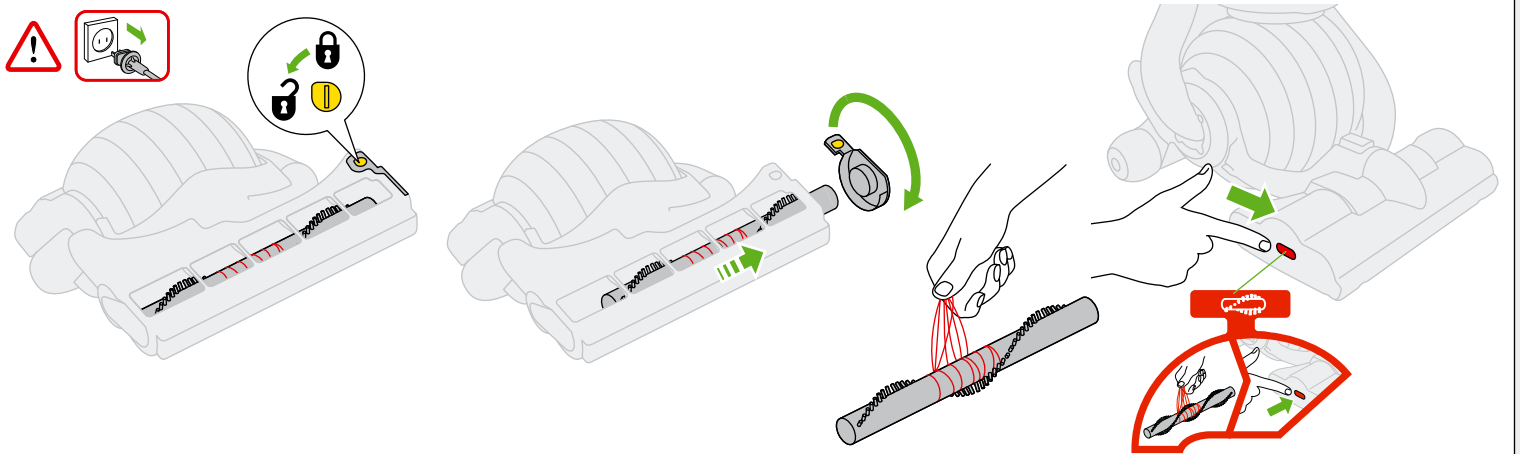
Hard floors or carpets • Pisos duros o alfombras



High-reach cleaning • Tubo telescópico ajustable a la longitud requerida



Clearing brushbar obstructions • Cómo liberar las obstrucciones en el cepillo

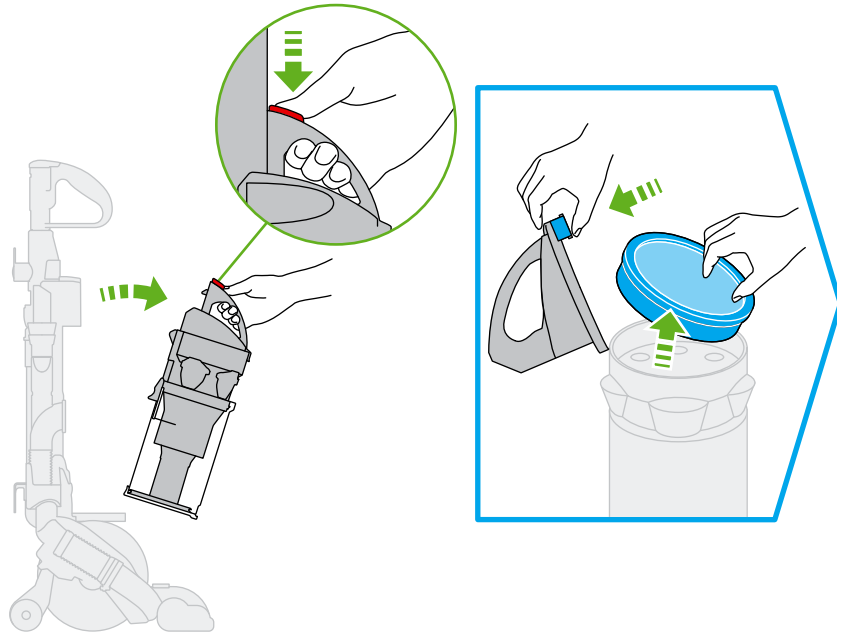


¡IMPORTANT!

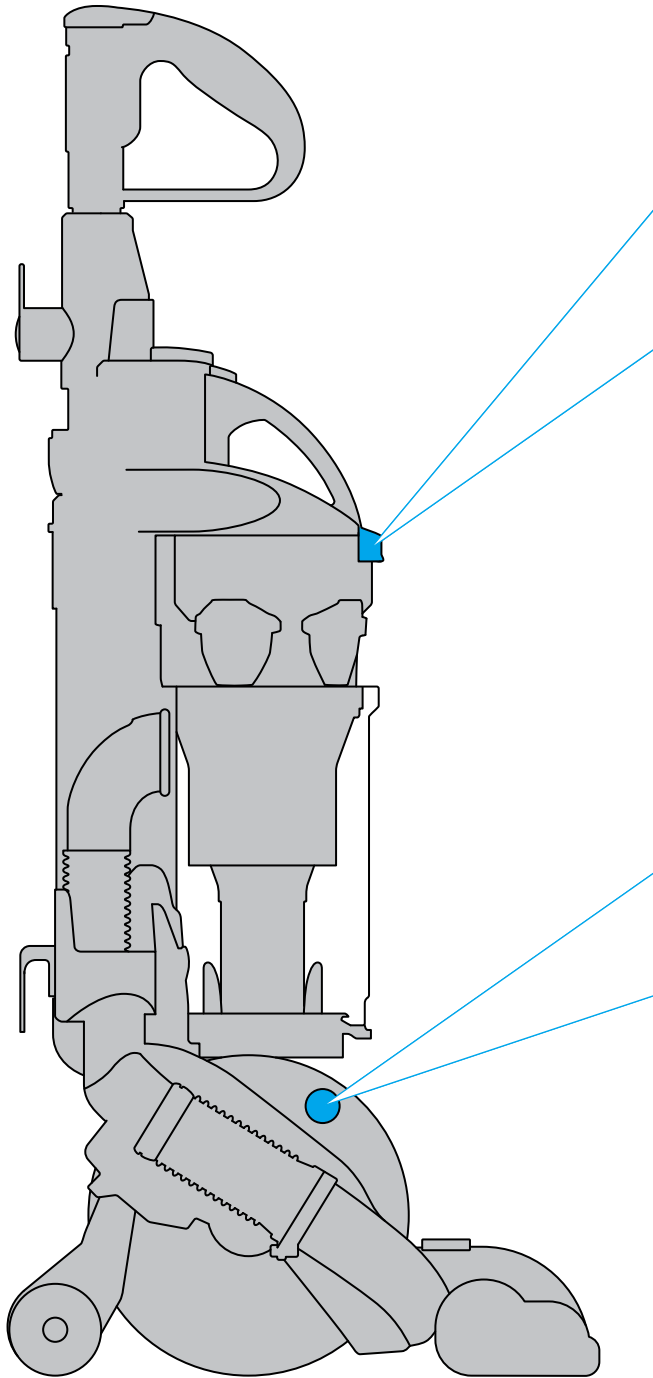
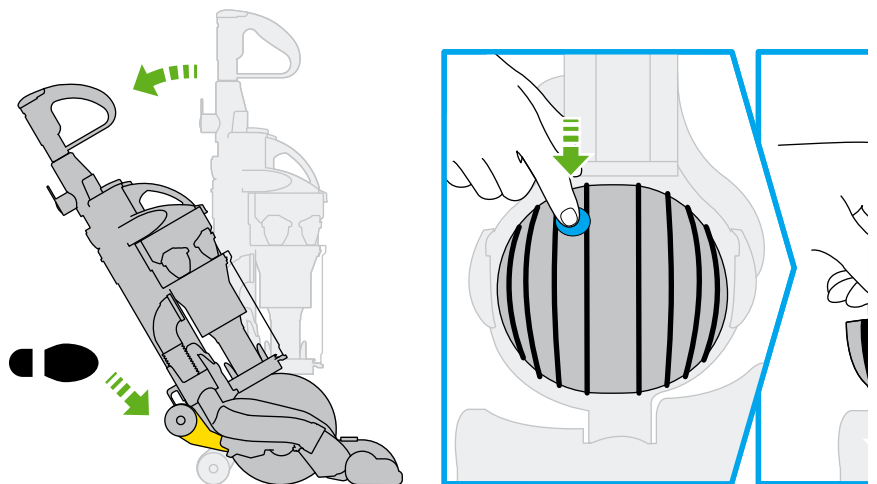
WASH FILTERS LAVADO DE LOS FILTROS



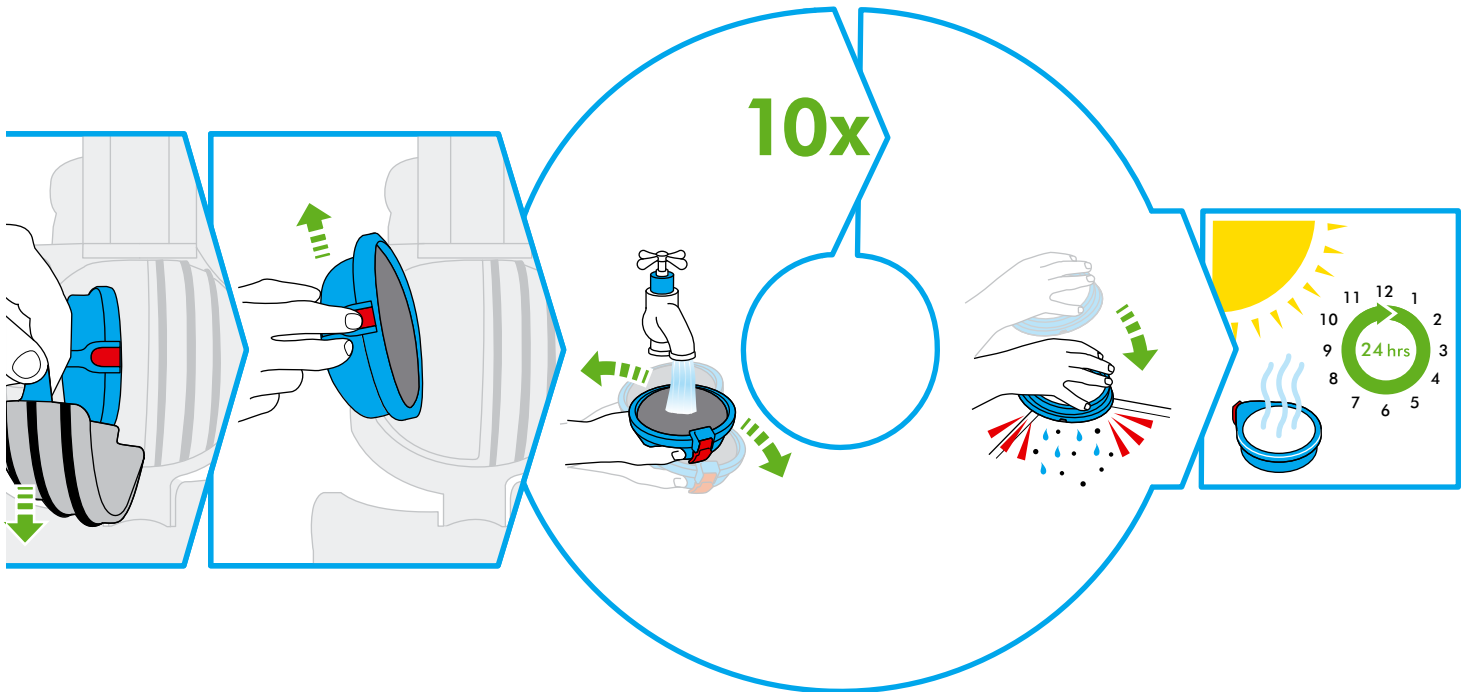
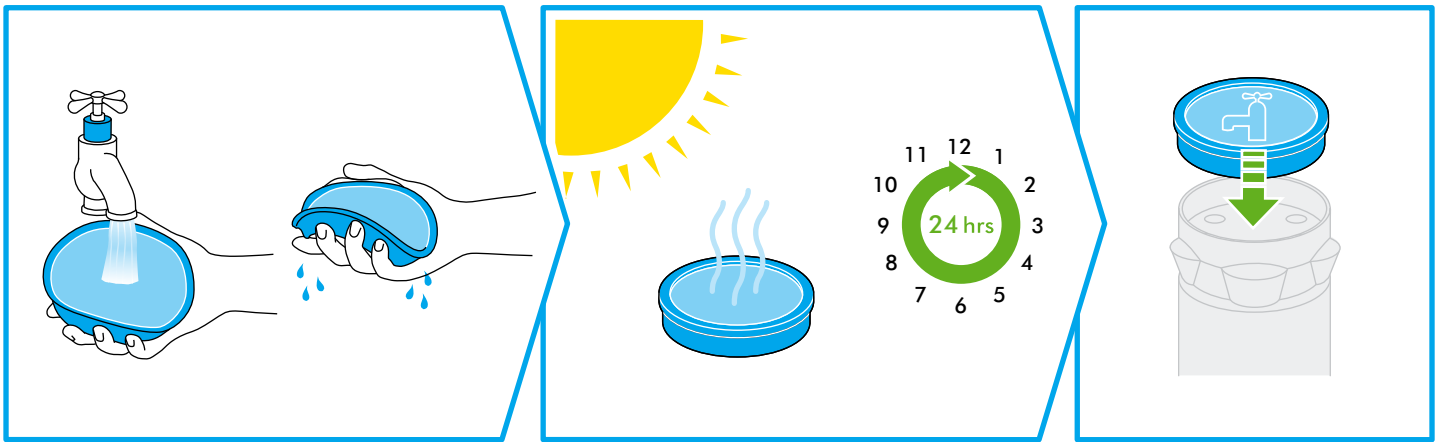
⚠️ Filter • Filtro **A**



⚠️ Filter • Filtro **B**



Wash filters with cold water at least every month.
Lave los filtros con agua frio al menos una vez por mes.



Rinse and shake filter under tap. Turn over and tap very firmly to remove motor emissions. Repeat 10x or until water runs clear.

Enjuague y mueva el filtro debajo del grifo. De vuelta el filtro y golpéelo firmemente para eliminar las emisiones del motor. Repita 10 veces o hasta que el agua corra limpia.

Assembly

Lie machine flat and push on cleaner head until it clicks.

Stand vacuum cleaner up straight, insert wand into hose and push into place until it clicks.

Attach tools to the side of the machine.

Using your Dyson

Press foot pedal and recline handle to use. The stabilizer stand will automatically lift up.

To switch 'ON', depress power button in front of handle. When finished cleaning, push machine into an upright position and stabilizer wheels will automatically drop. Use the cyclone carry handle to carry the machine.



Caution:

- (i) If the vacuum cleaner is not functioning properly, has been dropped, damaged, left outdoors, or immersed in liquid, contact the Dyson helpline.
- (ii) **Do not** allow the vacuum cleaner to be used by anyone who may not be able to operate it safely.
- (iii) The use of an extension cord is not recommended.
- (iv) Always switch off and unplug before performing maintenance on your appliance.
- (v) When returning to the upright position, ensure that the stabilizer wheels are fully engaged before releasing the cleaner.
- (vi) Ensure the cyclone is secured to the machine. **Do not** press the cyclone release button or shake the appliance while carrying or it could fall and cause injury.
- (vii) Store the machine indoors. Put the vacuum cleaner away after use with the cable coiled safely, to prevent tripping hazards.
- (viii) **Do not** use your vacuum cleaner outdoors or on wet surfaces. Vacuum may be used inside a garage only when used with the Model 08909 Dyson Car Cleaning Kit accessories. If used in a garage, care should be taken to wipe the soleplate and wheels with a dry cloth after vacuuming to clean off any sand, dirt, or pebbles that could damage delicate floors.
- (ix) **Do not** use outdoors or on wet surfaces or to vacuum water or other liquids – electric shock could occur.
- (x) Check to ensure your electricity supply corresponds to that shown on the rating plate, which can be found behind the clear bin.[™] The machine must only be used as rated.
- (xi) **Do not** lubricate any parts, or carry out any maintenance or repair work other than that shown in this manual, or advised by the Dyson Helpline.

Please note:

- This machine is intended for domestic use only. Fine dust such as plaster dust or flour should only be vacuumed in very small amounts.
- **Do not** use the machine to pick up sharp hard objects, small toys, pins, paper clips, etc. They may damage the machine.
- When vacuuming, certain carpets may generate small static charges in the clear bin[™] or wand. These are entirely harmless and are not associated with the electricity supply. To minimize any effect from this, **do not** put your hand or insert any object into the clear bin unless you have first emptied it and rinsed it out with cold water.
- Consult your flooring manufacturer's recommended instructions before vacuuming and caring for your flooring, rugs, and carpet. Some carpets will fuzz if a rotating brushbar is used when vacuuming. If this happens, we recommend vacuuming in bare floors mode and consulting with your flooring manufacturer.

Hard floors or carpets

The brushbar will always default to 'ON' (spinning) each time you switch on the machine and recline it for cleaning. The brushbar will automatically stop if it becomes obstructed. If the brushbar stops during use, please refer to the 'Clearing brushbar obstructions' section.

To switch the brushbar off (e.g. for hard floors), recline the machine and turn it 'ON', then press the brushbar 'ON/OFF' button – the brushbar will stop spinning.

Using the tools – High-reach cleaning



Caution:

- (i) Switch 'OFF' machine before changing tools.
- (ii) Powerful suction can cause the hose to 'pull back' - please take care.

- (iii) Take extra care when vacuuming on stairs; do not work with the vacuum cleaner above you on the stairs. **Do not** put the vacuum cleaner on chairs, tables etc.
- (iv) Ensure machine is in upright position before using tools.

To release the wand, open the wand cap, press button and lift up. Rotate the wand and clip handle into hose. Tools can be attached to either the hose or wand.

The brushbar **will not** rotate when the machine is in an upright position.

Emptying the Clear bin™



Caution:

- (i) Switch 'OFF' and unplug machine before emptying the bin.

Empty as soon as the dirt reaches the level of the MAX mark – **do not** overfill. To remove the clear bin™ from the machine press the button at rear of carrying handle. To release the dirt, press the button again to open the bin.

Please note:

- (i) **Do not** use the machine without the clear bin™ in place.

Cleaning the Clear bin™



Caution:

- (i) **Do not** immerse the whole cyclone in water or pour water into the cyclones.
- (ii) Ensure bin is completely dry before replacing.

Please note:

- (i) **Do not** use detergents, polishes or air fresheners to clean the bin.
- (ii) **Do not** put bin in a dishwasher.

Washing your filters



Caution:

- (i) Switch 'OFF' and unplug machine before removing the filters.
- (ii) Ensure filters are completely dry before refitting to machine.

This machine has two filters, located as shown. It is important to check your filters regularly and wash at least **every month** according to instructions, to maintain performance. The filter in the ball should be rinsed and tapped out until the water runs clean, then tapped out again to ensure all excess water is removed. This will normally require up to 10 rinse cycles. Please leave to dry completely for 24 hours.

Please note:

- (i) It is normal for this filter in the ball to turn grey in color. The filters may require more frequent washing if vacuuming fine dust.
- (ii) **Do not** use detergents to clean the filters.
- (iii) **Do not** put the filters in the dishwasher, washing machine, tumble dryer, oven, microwave or near an open flame.

Looking for blockages



Caution:

- (i) Switch 'OFF' and unplug machine before checking for blockages. Failure to do so could result in personal injury.
- (ii) Please ensure machine is upright and switched off before removing hose or airway inspection parts.
- (iii) Beware of sharp objects when clearing blockages.
- (iv) Refit all parts of the machine securely before using.

Please note:

- (i) Clearing blockages is not covered by your machine's limited warranty. This machine is fitted with a thermal cut-out. If any part of your machine becomes blocked, it may overheat and then automatically shut off. Switch 'OFF' and unplug machine and leave to cool down for at least 60 minutes before attempting to check filters or for blockages. Clear blockage before restarting.

Clearing brushbar obstructions



Caution:

- (i) Switch off and unplug machine before clearing brushbar obstructions. Failure to do so could result in personal injury.
- (ii) If your brushbar is obstructed, it may shut off. If this happens you will need to remove the brushbar as shown and clear any obstructing debris. Refit all parts securely and press the 'RESET' button.

Dyson customer care

THANK YOU FOR CHOOSING TO BUY A DYSON.

If you have a question about your Dyson vacuum cleaner, call the Dyson Helpline at 1-886-693-9766 with your serial number and details of where and when you bought the cleaner. Your serial number can be found on the rating plate, which is behind the clear bin.TM

Most questions can be solved over the phone by one of our Helpline staff. If your vacuum cleaner needs service, call the Dyson Helpline so we can discuss the available options. If your machine is under warranty, and it is a covered repair, it will be repaired at no cost.

Dyson Helpline

Call 1-866-693-9766 toll free, 7 days a week.

Please register as a Dyson owner

THANK YOU FOR CHOOSING TO BUY A DYSON.

To help us ensure you receive prompt and efficient service, please register as a Dyson owner. There are two ways to do this:

- By completing and returning the enclosed form to us by mail
- Online at www.dyson.com

This will confirm ownership of your Dyson in the event of an insurance loss, and enable us to contact you if necessary.

Limited 5 year warranty

Terms and conditions of the Dyson 5 year limited warranty.

What is covered

Your Dyson vacuum cleaner is warranted against original defects in material and workmanship for a period of five years from the date of purchase, when used for private household purposes in accordance with the Dyson Owner's Manual. This warranty provides, at no extra cost to you, all labor and parts necessary to ensure your vacuum cleaner is in proper operating condition during the warranty period. This limited warranty is subject to the following terms:

What is not covered

Dyson, Inc. shall not be liable for costs, damages or repairs incurred as a result of:

- Machines purchased from an unauthorized dealer.
- Clearing blockages from your machine.
- Use of parts not in accordance with the Owner's Manual.
- Careless operation or handling, misuse, abuse and/or lack of maintenance or use not in accordance with the Owner's Manual.
- External sources such as weather.
- Repairs or alterations carried out by unauthorized parties or agents.
- Use of the vacuum cleaner other than for normal domestic purposes within the United States, e.g. for commercial or rental purposes.
- Normal wear and tear, including normal wearing parts such as belt, filter, brushbar, hose assembly, and power cord (or where external damage or abuse is diagnosed).
- Use of parts and accessories other than those produced or recommended by Dyson, Inc.

Warranty service

- Please fill out and return the Product Registration form, or register online at www.dyson.com
- Before service can take place, the terms of the limited warranty require that you contact the Dyson Helpline with your model name/number, serial number, date and place of purchase. Please keep your purchase receipt in a safe place to ensure you have this information. The serial number is found on the vacuum cleaner's rating plate, which is behind the clear bin.™
- All work will be carried out by Dyson, Inc. or its authorized agents.
- Any replaced defective parts will become the property of Dyson Inc.
- Service under this warranty will not extend the period of this warranty.
- If your machine is not functioning properly, please call the Dyson Helpline at 1-866-693-9766. Most issues can be rectified over the telephone by our trained customer care staff. If this is not possible Dyson, Inc. will arrange for your vacuum cleaner to be repaired and returned in full working order at no extra cost to yourself.

Warranty limitations and exclusions

- Any implied warranties relating to your vacuum cleaner, including but not limited to warranty of merchantability or warranty of fitness for a particular purpose, are limited to the duration of this warranty. This limitation is not allowed by some states and so this limitation may not apply to you.
- Your remedy for breach of this warranty is limited to the warranty service described above. Dyson, Inc. will not be liable for any consequential damages or incidental damages you may incur in connection with your purchase and use of your vacuum cleaner. This limitation is not allowed by some states and so this limitation may not apply to you.
- This limited warranty gives you specific legal rights. You may also have other rights which vary by state.
- This limited warranty is not transferable.

Product information: Net weight: 5.28kg, Voltage: 120V 60Hz, Maximum current: 7.5A.

This product is protected by the following intellectual property rights:

Patent/Patent Application numbers: JP 2004-537336; EP 1361812; AU 744408; EP1119282; JP 2002-527132; US 6,519,807; AU 744362; EP 1121043; JP 2002-527131; US 6,572,078; GB 0326102.1; AU 2002-226556; EP 1370172; JP 2004-528876; US 6,991,666; AU 2002-225207; EP 1361814; JP 2004-520137; US 7,018,439; AU 2001-240894; EP 1268076; JP 2003-528704; US 6,835,222; AU 2002-225232; EP 1361815; JP 3940082; US 6,974,488; AU 2003-283157; EP 1526796; JP 2006-503607; US 2005-0235454; AU 2003-283159; EP 1526797; JP 2005-534442; AU 2003-283161; EP 1526798; JP 2006-503608; AU 2004-294771; EP 1680232; JP 2007-508934; US 2007-0079579; AU 2005-263889; EP 1768536

Equivalent patents, registered designs and applications exist in other countries.

Please note: Small details may vary from those shown.

Cómo armar la aspiradora

Coloque el aparato en posición horizontal y empuje el cabezal de limpieza hasta que haga clic.

Coloque la aspiradora en posición vertical, introduzca el tubo en la manguera y empújelo hasta que haga clic.

Coloque las herramientas a un costado del aparato.

Cómo utilizar su Dyson

Para comenzar a usar el aparato, presione el pedal con el pie e incline la manija. La base estabilizadora se elevará automáticamente. Para encender, presione el botón que se encuentra enfrente de la manija.

Cuando termine de utilizar la aspiradora, colóquela en posición vertical y las ruedas del estabilizador dejarán de funcionar automáticamente. Utilice la manija del extractor de polvo para trasladar la aspiradora.



Advertencia:

- (i) Si la aspiradora no funciona correctamente, se cayó, fue dañada, dejada al aire libre o sumergida en algún líquido, comuníquese con la línea de ayuda de Dyson.
- (ii) **No permita** que la aspiradora sea usada por alguien que no esté capacitado para operarla de manera segura.
- (iii) No es recomendable utilizar una prolongación de cable.
- (iv) Siempre apague y desconecte el aparato antes de realizar cualquier tipo de mantenimiento.
- (v) Cuando vuelva a colocar la aspiradora en posición vertical, asegúrese de que las ruedas del estabilizador estén engranadas por completo antes de soltar la aspiradora.
- (vi) Asegúrese de que el extractor de polvo esté bien conectado a la máquina. **No presione** el botón para soltar el extractor de polvo ni sacuda el aparato mientras lo transporta porque el mismo podría caerse y dañarse.
- (vii) Guarde la aspiradora bajo techo. Luego de ser utilizada, guarde la aspiradora con el cable apropiadamente enrollado para evitar posibles tropezones.
- (viii) **No utilice** la aspiradora al aire libre ni sobre superficies húmedas. La aspiradora puede usarse dentro de un garaje, únicamente con los accesorios del Kit de limpieza para el coche Dyson Modelo 08909. Si se utiliza en un garaje, tenga extremo cuidado de limpiar la placa base y las ruedas con un paño seco después de aspirar, para quitarles la arena, suciedad o piedritas que podrían dañar los pisos delicados.
- (ix) **No la utilice** al aire libre, ni sobre superficies húmedas, ni para aspirar agua u otros líquidos, ya que podría recibir un choque eléctrico.
- (x) Compruebe que la corriente eléctrica se corresponda con la que figura en la placa de calificación, la cual se encuentra detrás del compartimiento clear bin.™ La máquina sólo debe utilizarse conforme a las características técnicas.
- (xi) **No lubrique** ninguna parte del aparato ni intente repararlo o realizar cualquier otro tipo de mantenimiento que no se encuentre en este manual o que no haya sido indicado por la línea de ayuda de Dyson.

Recuerde:

- Este aparato es para uso doméstico solamente. Sólo deben aspirarse cantidades pequeñas de polvo fino como por ejemplo residuos de yeso o harina.
- **No utilice** la máquina para recoger objetos duros cortantes, juguetes pequeños, alfileres, sujetapapeles, etc., ya que podrían dañar la máquina.
- Al aspirar, algunas alfombras pueden generar pequeñas descargas de estática en el cubo transparente o en el tubo. Éstas son totalmente inofensivas y no están asociadas al suministro de corriente eléctrica. Para minimizar sus efectos, **no coloque** su mano ni introduzca ningún objeto en el cubo transparente, a menos que primero lo haya vaciado y lavado con agua fría.
- Consulte las instrucciones recomendadas por el fabricante de su piso antes de aspirar y cuidar sus pisos y alfombras. Algunas alfombras formarán pelusa si utiliza el cepillo rotatorio mientras aspira. Si esto sucede, recomendamos aspirar en el modo de pisos expuestos y consultar con el fabricante de su piso.

Pisos duros o alfombras

El cepillo estará en "ON" (girar) por defecto cada vez que encienda la aspiradora y la recline para limpiar.

El cepillo se detendrá automáticamente si se obstruye con algo. Si el cepillo se detiene mientras la aspiradora está en funcionamiento, vea la sección "Cómo liberar las obstrucciones del cepillo".

Para apagar el cepillo (por ejemplo, para limpiar pisos duros), recline la aspiradora y enciéndala, luego presione el botón "ON/OFF" del cepillo y éste dejará de girar.

Cómo utilizar las herramientas – Tubo telescópico ajustable a la longitud requerida



Advertencia:

- (i) Apague la aspiradora antes de cambiar las herramientas.
- (ii) Si el aparato aspira a la máxima potencia, la manguera puede retraerse. Tenga mucho cuidado.
- (iii) Tenga mucho cuidado cuando utilice la aspiradora sobre una escalera y no la coloque encima suyo. **No suba** la aspiradora a sillas, mesas, etc.

(iv) Asegúrese de que la máquina esté en posición vertical antes de usar las herramientas. Para soltar el tubo, abra la tapa, presione el botón y levántelo. Gire el tubo y sujete la manija dentro de la manguera. Las herramientas pueden ser colocadas tanto en el tubo como en la manguera. El cepillo no rotará cuando la máquina está en posición vertical.

Cómo vaciar el compartimiento Clear bin™



Advertencia:

(i) Apague la aspiradora y desconéctela antes de vaciar el compartimiento.

Vacíe el compartimiento cuando la basura llegue al nivel máximo. Evite sobrecargarlo. Para quitar el compartimiento clear bin™ de la máquina, presione el botón que está detrás de la manija para trasladar la aspiradora. Para tirar la basura, presione el botón una vez más y se abrirá el compartimiento.

Recuerde:

(i) **No utilice** la aspiradora si el compartimiento clear bin™ no está colocado.

Cómo limpiar el compartimiento Clear bin™



Advertencia:

(i) **No sumerja** totalmente el extractor de polvo en agua ni ponga agua dentro de éste.

(ii) Asegúrese de que el compartimiento esté totalmente seco antes de colocarlo.

Recuerde:

(i) **No utilice** detergente, líquido para encerar ni desodorante de ambientes para limpiar el compartimiento.

(ii) **No limpie** el compartimiento en un lavavajillas.

Cómo lavar los filtros



Advertencia:

(i) Apague la aspiradora y desconéctela antes de quitar los filtros.

(ii) Asegúrese de que los filtros estén totalmente secos antes de volver a colocarlos en la aspiradora.

Esta aspiradora tiene dos filtros, ubicados como se muestra en las ilustraciones. Es importante controlar los filtros con regularidad y lavarlos al menos **una vez al mes** de acuerdo con las instrucciones, para mantener el funcionamiento del aparato. El filtro que se encuentra en la parte inferior debe ser enjuagado y vaciado hasta que el agua corra limpia, y luego debe vaciarse una vez más para asegurarse de que no quede nada de agua en el interior. Para ello, el filtro deberá ser enjuagado hasta diez veces. Déjelo secar por completo durante 24 horas.

Recuerde:

(i) Es normal que el filtro que se encuentra en la parte inferior se vuelva de color gris. Si se aspira polvo fino, será necesario lavar los filtros con mayor frecuencia.

(ii) **No use** detergentes para limpiar los filtros.

(iii) **No coloque** los filtros en el lavavajillas, el lavarropas, la secadora, el horno, el microondas o cerca del fuego.

Cómo buscar obstrucciones



Advertencia:

(i) Apague la aspiradora y desconéctela antes de buscar obstrucciones. Si no lo hace, podría sufrir lesiones.

(ii) Por favor asegúrese de que el aparato esté en posición vertical y apagado antes de quitar el tubo o las partes de ventilación.

(iii) Tenga cuidado al utilizar objetos filosos para sacar las obstrucciones.

(iv) Coloque todas las partes de la aspiradora correctamente antes de utilizarla.

Recuerde:

(i) Su garantía limitada no cubre la eliminación de obstrucciones. Este aparato posee un sistema de desconexión térmica. Si alguna parte de la aspiradora se obstruye, ésta puede recalentarse y apagarse automáticamente. Apague la aspiradora con la opción "OFF", desconéctela y deje que se enfríe durante por lo menos 60 minutos antes de controlar los filtros o buscar obstrucciones.

Cómo liberar las obstrucciones del cepillo



Advertencia:

(i) Apague la aspiradora y desconéctela antes de liberar las obstrucciones del cepillo. Si no lo hace, podría sufrir lesiones.

(ii) No lubrique ninguna parte del aparato ni intente repararlo o realizar cualquier otro tipo de mantenimiento que no se encuentre en este manual o que no haya sido indicado por la línea de ayuda de Dyson.

(iii) Si el cepillo se encuentra obstruido, la aspiradora puede apagarse. Si esto sucede, deberá quitar el cepillo como se muestra en las ilustraciones y quitar todo desecho que esté obstruyéndolo. Coloque todas las partes correctamente y presione el botón "RESET".

Atención al cliente de Dyson

GRACIAS POR HABER ADQUIRIDO UN PRODUCTO DYSON.

Si tiene alguna duda acerca de su aspiradora Dyson, llame a la línea de ayuda de Dyson al 1-886-693-9766 con el número de serie y detalles de cuándo y dónde adquirió el producto. Encontrará el número de serie en la placa de datos de servicio que se encuentra detrás del compartimiento clear bin.TM

Si tiene más preguntas, puede consultar por teléfono a algún miembro de la línea de ayuda.

Si su aspiradora necesita ser reparada, comuníquese con la línea de ayuda de Dyson para poder ver las opciones disponibles. Si su aspiradora tiene garantía y la reparación necesaria está incluida dentro de esa garantía, será reparada sin costo alguno.

Línea de ayuda Dyson

Llame gratis al 1-866-693-9766 durante los siete días de la semana.

Regístrese como dueño de un producto Dyson

GRACIAS POR HABER ADQUIRIDO UN PRODUCTO DYSON.

Para poder recibir un servicio rápido y eficiente, regístrese como

Dueño de un producto Dyson. Hay dos maneras de registrarse:

- Completando y enviando por correo el formulario adjunto
- Por Internet, en www.dyson.com

Así, usted confirmará que es dueño de su aspiradora Dyson en caso de perder el seguro, y podremos comunicarnos con usted si es necesario.

Términos y condiciones de la garantía limitada de 5 años de Dyson.

Garantía limitada de 5 años.

Términos y condiciones de la garantía limitada de 5 años de Dyson.

Qué cubre

Su aspiradora Dyson tiene garantía por defectos en el material o su fabricación por un período de cinco años desde la fecha de adquisición del producto. La garantía es válida si el producto es utilizado con fines domésticos y privados de acuerdo con lo expuesto en el manual del usuario de Dyson. Esta garantía cubre, sin ningún costo adicional todo el trabajo y las partes necesarias para asegurar que su aspiradora funcione correctamente. Esta garantía limitada está sujeta a los siguientes términos:

Qué es lo que no cubre

Dyson, Inc. no será responsable por los gastos, daños o reparaciones ocasionados como resultado de:

- Aparatos comprados a un representante no autorizado.
- Liberar obstrucciones de su aspiradora.
- Utilizar las partes del producto de alguna manera que no esté en conformidad con lo expresado en el manual del usuario.
- Uso y manejo descuidado, uso incorrecto, mantenimiento excesivo o falta de éste o cualquier uso que no esté en conformidad con lo expresado en el manual del usuario.
- Acción de agentes externos tales como el clima.
- Reparaciones o alteraciones del producto realizadas por personas no autorizadas.
- Cualquier uso que se le dé a la aspiradora que no tenga fines domésticos dentro de los Estados Unidos, por ejemplo, uso comercial o alquiler del producto.
- Uso y desgaste normal, incluido desgaste normal de partes como banda, filtro, cepillo, ensamble de la manguera, y cable de corriente (o donde se diagnostique daño o abuso externo).
- Cualquier uso que se le dé a las partes y accesorios que no haya sido recomendado por Dyson, Inc.

Servicio de garantía

- Complete el formulario de registro del producto y envíelo por correo, o regístrese por Internet en www.dyson.com
- De acuerdo con lo expresado en la garantía limitada, antes de realizar el servicio usted debe comunicarse con la línea de ayuda de Dyson y proporcionar el nombre o número del producto, número de serie, fecha y lugar en donde compró el producto. Conserve su recibo de compra en un lugar seguro para así tener la información requerida. El número de serie se encuentra en la placa de datos de servicio ubicada detrás del compartimiento clear bin.™
- Todo el trabajo será realizado por Dyson, Inc. o por sus agentes autorizados.
- Cualquier parte defectuosa que sea reemplazada se convertirá en propiedad de Dyson, Inc.
- El mantenimiento realizado bajo esta garantía limitada no extiende el período de la misma.
- Si su aspiradora no funciona correctamente, llame a la línea de ayuda de Dyson al 1-866-693-9766. La mayoría de los problemas pueden resolverse por teléfono con la ayuda de nuestro personal capacitado de atención al cliente. En caso contrario, Dyson, Inc. se encargará de reparar su aspiradora y devolverla funcionando sin ningún costo.

Limitaciones y apartados excluyentes de la garantía

- Cualquier garantía implícita relacionada con su aspiradora, que incluya pero que no esté limitada a la garantía de aptitud e idoneidad para un propósito en particular, es válida dentro del tiempo de duración de esta garantía. Esta limitación no está permitida en algunos estados. Por lo tanto, podría no aplicarse en su caso.
- Sus derechos por el incumplimiento de esta garantía están limitados al servicio de garantía descrito anteriormente. Dyson, Inc. no será responsable por ningún daño consiguiente o accidental que esté relacionado con la adquisición y el uso del producto. Esta limitación no está permitida en algunos estados. Por lo tanto, podría no aplicarse en su caso.
- Esta garantía limitada le otorga derechos legales específicos. Usted puede tener otros derechos que varían según el estado.
- Esta garantía no es transferible.

Información acerca del producto: Peso neto: 5,28kg. Voltaje: 120V 60Hz, Corriente máxima: 7.5A.

Este producto se encuentra bajo la protección de los siguientes derechos de propiedad intelectual:

Patente/Números de solicitud de patente: JP 2004-537336; EP 1361812; AU 744408; EP1119282; JP 2002-527132; US 6,519,807; AU 744362; EP 1121043; JP 2002-527131; US 6,572,078; GB 0326102.1; AU 2002-226556; EP 1370172; JP 2004-528876; US 6,991,666; AU 2002-225207; EP 1361814; JP 2004-520137; US 7,018,439; AU 2001-240894; EP 1268076; JP 2003-528704; US 6,835,222; AU 2002-225232; EP 1361815; JP 3940082; US 6,974,488; AU 2003-283157; EP 1526796; JP 2006-503607; US 2005-0235454; AU 2003-283159; EP 1526797; JP 2005-534442; AU 2003-283161; EP 1526798; JP 2006-503608; AU 2004-294771; EP 1680232; JP 2007-508934; US 2007-0079579; AU 2005-263889; EP 1768536

En otros países existen patentes equivalentes, diseños y aplicaciones registrados.

Recuerde: El producto puede diferir en algunos pequeños detalles en comparación con las ilustraciones.

¡IMPORTANT!

WASH FILTERS

LAVADO DE FILTROS



Wash filters with cold water at least every month.

Lave los filtros con agua frío al menos una vez al mes.



Dyson Customer care
1-866-693-9766
Toll free, 7 days a week

Servicio de atención al cliente Dyson
1-866-693-9766
Llamada gratuita, 7 días a la semana

www.dyson.com