

user manual

Dishwasher

DX303

We were thinking of you
when we made this product

The Thoughtful Design Innovator.

Do you remember the last time you opened a gift that made you say “Oh! How did you know? That’s exactly what I wanted!” That’s the kind of feeling that the designers at Electrolux seek to evoke in everyone who chooses or uses one of our products. We devote time, knowledge, and a great deal of thought to anticipating and creating the kind of appliances that our customers really need and want.

This kind of thoughtful care means innovating with insight. Not design for design’s sake, but design for the user’s sake. For us, thoughtful design means making appliances easier to use and tasks more enjoyable to perform, freeing our customers to experience that ultimate 21st century luxury, ease of mind. Our aim is to make this ease of mind more available to more people in more parts of their everyday lives, all over the world. So when we say we’re thinking of you, you know we mean just that.

Electrolux. Thinking of you.

Share more of our thinking at www.electrolux.com

Contents

Safety information	5
Product description	7
Control panel	8
First use	10
Daily use	11
Washing programmes	22
Care and cleaning	23
Something not working	25
Technical data	28
Hints for test institutes	30
Installation	31
Building-in	34
Environment concerns	36
Warranty	37

The following symbols are used in this manual:



Important information concerning your personal safety and information on how to avoid damaging the appliance.



General information and tips



Environmental information

Safety information



In the interest of your safety and to ensure correct use, before installing and first using the appliance, read this user manual carefully, including its hints and warnings. To avoid unnecessary mistakes and accidents, it is important to ensure that all people using the appliance are thoroughly familiar with its operation and safety features. Save these instructions and make sure that they remain with the appliance if it is moved or sold, so that everyone using it through its life will be properly informed on appliance use and safety.

Correct use

- This dishwasher is only intended for washing household utensils suitable for machine washing.
 - Do not put any solvents in the dishwasher. This could cause an explosion.
 - Knives and other items with sharp points must be loaded in the cutlery basket with their points down or placed in a horizontal position in the upper basket.
 - Only use products (detergents, cleaners, rinse aid etc) suitable for dishwashers.
 - Avoid opening the door whilst the appliance is in operation, hot steam may escape.
 - Do not take any dishes out of the dishwasher before the end of the dishwashing cycle.
- If the supply cord is damaged, it must be replaced by the manufacturer or its service agent or a similarly qualified person in order to avoid a hazard.
 - This product should be serviced only by an authorised service engineer, and only genuine spare parts should be used.

General safety

- Dishwasher detergents are very alkaline and extremely dangerous if swallowed. Be careful to: keep them away from your eyes and skin, keep children from the dishwasher when the door is opened, and only put detergent in the dispenser when you are ready to wash. Otherwise, check that the detergent receptacle in the dispenser is empty after the completion of the wash cycle.
- The water in your dishwasher is not for drinking. Detergent residues may still be present in your machine.
- Ensure that the door of the dishwasher is always closed when it is not being loaded or unloaded. In this way you will avoid anybody tripping over the open door and hurting themselves.
- Do not sit or stand on the open door.

Child safety

- This appliance is not intended for use by young children or infirm persons unless they have been adequately supervised by a responsible person to ensure that they can use the appliance safely.
- Young children should be supervised to ensure that they do not play with the appliance.
- Keep all packaging well away from children. There is risk of suffocation.
- Keep all detergents in a safe place out of children's reach.
- Keep children well away from the dishwasher when the door is open.

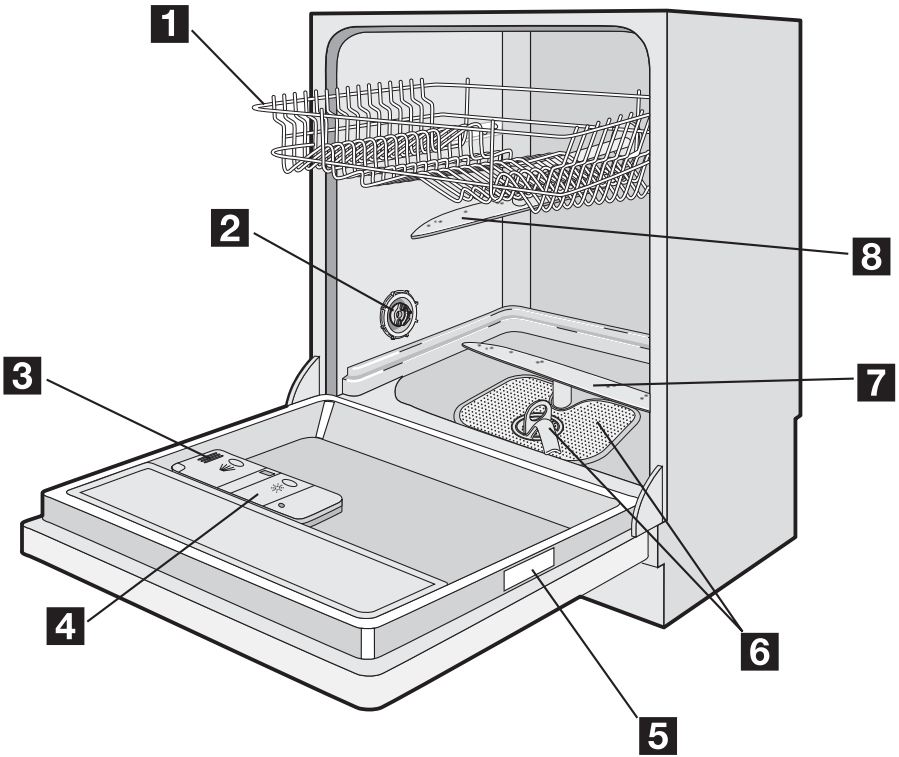
Installation

- Check your dishwasher for any transport damage. Never connect a damaged machine. If your dishwasher is damaged contact your supplier.
- All packaging must be removed before use.
- Any electrical and plumbing work required to install this appliance must be carried out by a qualified and competent person.
- For safety reasons it is dangerous to alter the specifications or attempt to modify this product in any way.
- Never use the dishwasher if the electrical supply cable and water hoses are damaged; or if the control panel, work top or plinth area are damaged such that the inside of the appliance is freely accessible. Contact your local Customer Care centre, in order to avoid hazard.
- All sides of the dishwasher must never be drilled to prevent damage to hydraulic and electric components.



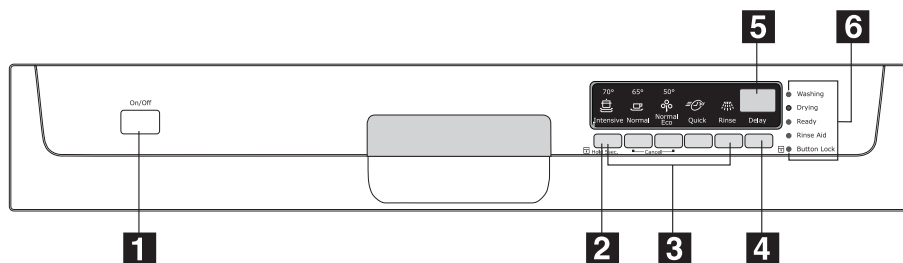
For electrical and water connection carefully follow the instructions given in specific paragraphs.

Product description



- 1** Upper basket
- 2** Pressure balancing device
- 3** Detergent dispenser
- 4** Rinse aid dispenser
- 5** Rating plate
- 6** Filters
- 7** Lower spray arm
- 8** Upper spray arm

Control panel



1 On/Off button

2 Button Lock

3 Program selection buttons

4 Delay start button

5 Digital display

6 Indicator lights



The digital display indicates:

- the approximate remaining time of the running programme,
- the end of a washing program (a zero will appear in the digital display),
- the countdown of the delay start,
- fault codes concerning malfunction of the dishwasher
- activation of button lock (CL).



Button Lock option

Press the ON button.

Press the selected program button.

Press the Delay start button if required.

Close the door, the program starts.

To activate the Button Lock function, press the Button Lock for 5 seconds (the Button Lock led blinks for 15 seconds), then when is permanently on, it indicates the function is active.

The button lock key stops anyone from changing the selected program.

To cancel the selected program and chose a new one reset the dishwasher by:

- pressing the Button Lock for 5 seconds
- press and hold 2nd and 3rd button (CANCEL) simultaneously until all program lights illuminate, then the program has been cancelled and the key lock is deactivated and a new program can be selected.

The Button Lock option is automatically de-activated at the end of the selected program by switching OFF the dishwasher or opening and closing the door.

Indicator lights	
Washing	Illuminates when the washing and rinsing phases are running.
Drying	Illuminates when the drying phase is running.
Ready	Illuminates when a washing programme has ended.
Rinse aid	Illuminates when the rinse aid has run out.
Button Lock	When the Button lock function is selected, it blinks for 15 seconds and then is permanently on when the function Button lock is activated.



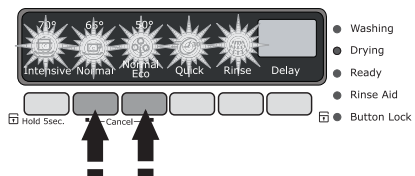
The rinse aid indicator light is never illuminated while a washing program is running even if filling with rinse aid is necessary.

Setting mode



To cancel a set program or a programme in progress

Simultaneously press and hold the two program buttons positioned over the word **Cancel**, until all the program lights will illuminate. The program has been cancelled and the machine is now in setting mode.



First use

Before using your dishwasher for the first time:

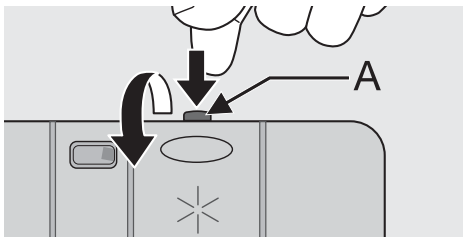
- Ensure that the electrical and water connections comply with the installation instructions
- Remove all packaging from inside the appliance
- Fill the rinse aid dispenser

Filling with rinse aid

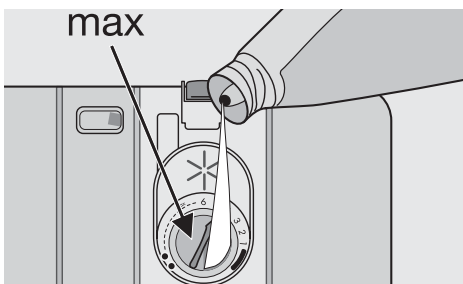
Rinse aid ensures thorough rinsing, and spot and streak free drying.

Rinse aid is automatically added during the last rinse.

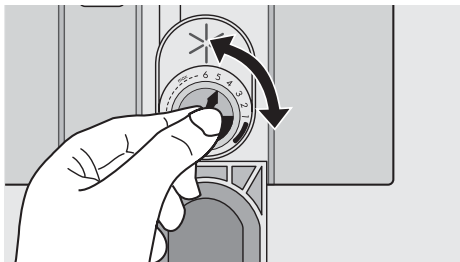
1. Open the container by pressing the release button (A).



2. Add the rinse aid in the container. The maximum level for filling is indicated by "max".



The dispenser holds about 110 ml of rinse aid, which is sufficient for between 16 and 40 dishwashing cycles, depending upon the dosage setting. According to the finish and drying results obtained, adjust the dose of rinse aid by means of the 6 position selector (position 1 minimum dosage, position 6 maximum dosage).



The dose is factory set in position 4. Increase the dose if there are drops of water or lime spots on the dishes after washing.

Reduce it if there are sticky whitish streaks on the dishes or a bluish film on glassware or knife blades.

3. Ensure that the lid is closed after every refill.



Clean up any rinse aid spilt during filling with an absorbent cloth to avoid excess foaming during the next wash.

Only use branded rinse aid for dishwashers.

Never fill the rinse aid dispenser with any other substances (e.g. dishwasher cleaning agent, liquid detergent). This may damage the appliance.

Daily use

- Check if it's necessary to refill with rinse aid
 - Load cutlery and dishes into the dishwasher.
 - Add required amount of detergent to dispenser just prior to wash.
 - Select a wash program suitable for the cutlery and dishes.
 - Start the wash program.
- Lay small objects in the cutlery basket.
 - Plastic items and pans with non stick coatings have a tendency to retain water drops; these items will not dry as well as porcelain and steel items.

Loading cutlery and dishes

Sponges, household cloths and any object that can absorb water must not be washed in the dishwasher.

- Before loading the dishes, you should:
 - Remove all left over food and debris.
 - Soften remnants of burnt food in pans
- When loading the dishes and cutlery, please note:
 - Dishes and cutlery must not impede the rotation of the spray arms .
 - Load hollow items such as cups, glasses, pans, etc. with the opening downwards so that water cannot collect in the container or a deep base.
 - Dishes and items of cutlery must not lie inside one another, or cover each other.
 - To avoid damage to glasses, they must not touch.

For washing in the dishwasher the following cutlery and dishes

are not suitable:

- Cutlery with wooden, horn, china or mother-of-pearls handles.
- Plastic items that are not heat resistant.
- Older cutlery with glued parts that are not temperature resistant.
- Bonded cutlery items or dishes.
- Pewter or copper items.
- Lead crystal glass.
- Steel items prone to rusting.
- Wooden platters.
- Items made from synthetics fibres.

are of limited suitability:

- Only wash stoneware in the dishwasher if it is specially marked as being dishwasher-safe by the manufacturer.
- Glazed patterns may fade if machine washed frequently.
- Silver and aluminium parts have a tendency to discolour during washing: Residues, e.g. egg white, egg yolk and mustard often cause discolouring and staining on silver. Therefore always clean left-overs from silver immediately, if it is not to be washed straight after use.

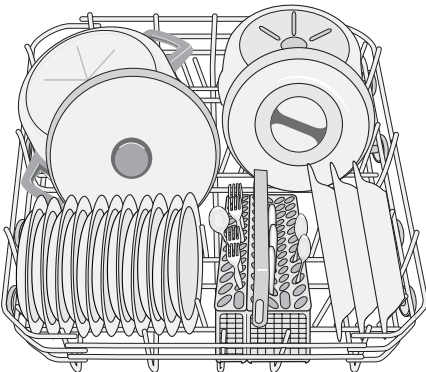
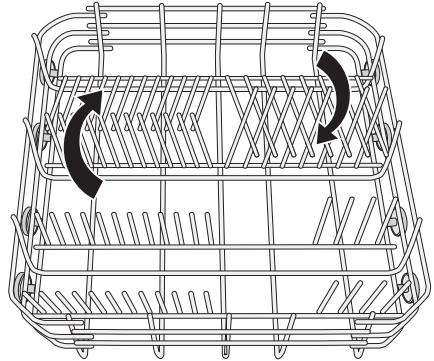
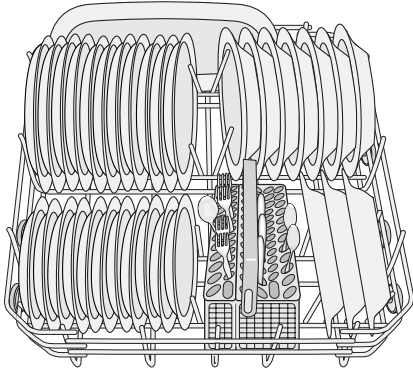
Open the door and slide out the baskets to load the dishes.

The lower basket

The lower basket is designed to take saucepans, lids, plates, salad bowls, cutlery etc.

Serving dishes and large lids should be arranged around the edge of the basket, ensuring that the spray arms turn freely.

The two rows of prongs on the lower basket can be easily lowered to allow you to load pots, pans and bowls.



The cutlery basket

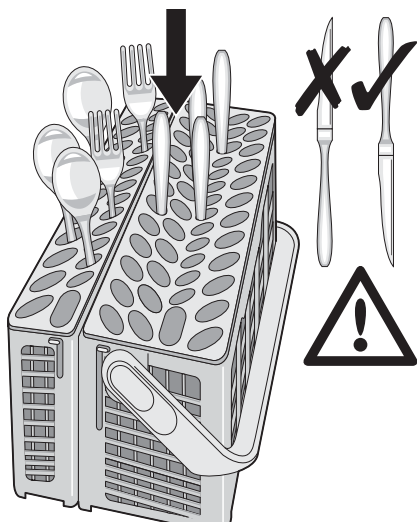


Long bladed knives stored in an upright position are a potential hazard.

Long and/or sharp items of cutlery such as carving knives must be positioned horizontally in the upper basket.

Take care when loading or unloading sharp items such as knives.

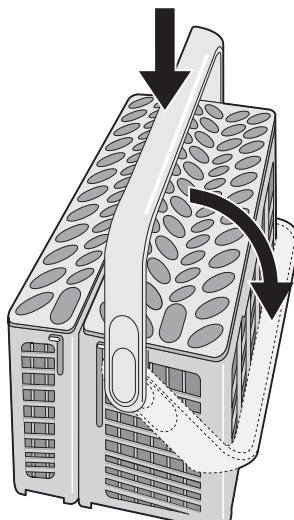
Forks and spoons should be placed in the removable cutlery basket with the handles facing downwards and the knives with their handles facing upwards.



If the handles protrude from the bottom of the basket, obstructing the lower spray arm, load the cutlery with the handles facing upwards.

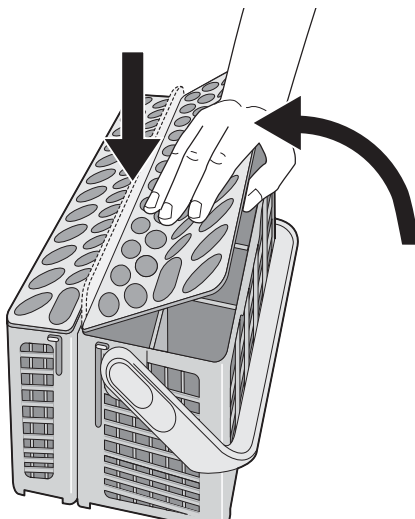
Mix spoons with other cutlery to prevent them from sticking together.

To make loading of the cutlery basket easier, lower the cutlery basket handle.

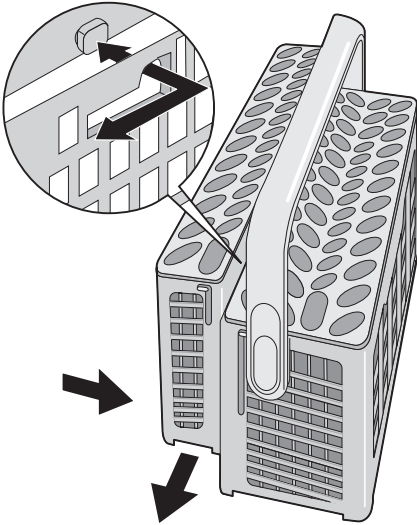


For best results we recommend you use the cutlery grids.

If the size and dimensions of the cutlery do not allow the use of the grids, they can be easily hidden.



The cutlery basket is in two parts which can be separated to give greater loading flexibility. To separate the two parts, slide them horizontally in opposite directions and pull them apart.

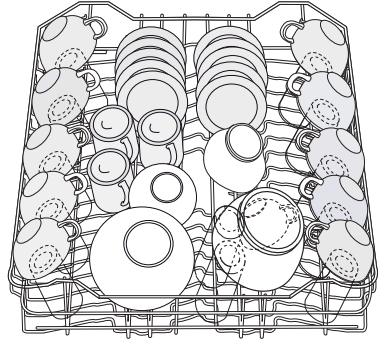


To reassemble, reverse the procedure.

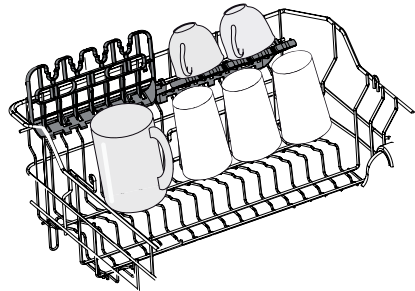
The upper basket

The upper basket is designed for saucers, salad bowls, cups, glasses, pots and lids.

Arrange items on and underneath the cup racks so that water can reach all surfaces.



Glasses with long stems can be placed upside down in the cup racks. For taller items, the cup racks can be folded upwards.



Light items (plastic bowls etc.) must be loaded in the upper basket and arranged so they do not move.



Before closing the door, ensure that the spray arms can rotate freely.

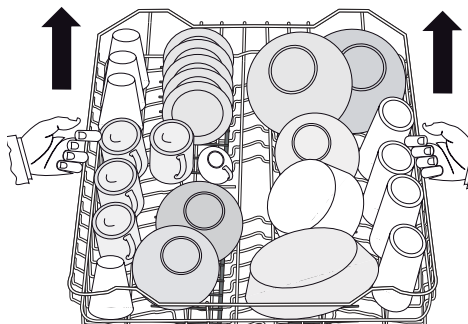
Adjusting the height of the upper basket

If washing very large plates you can load them in the lower basket after moving the upper basket to the higher position.

Maximum height of the dishes in the lower basket	
With upper basket raised	31 cm
With upper basket lowered	27 cm

To move to the higher position proceed as follows:

1. Pull out the basket until it stops.
2. Carefully lift both sides upwards until the mechanism is engaged and the basket is stable.



To lower the basket to the original position proceed as follows:

1. Pull out the basket until it stops.
2. Carefully lift both sides upwards and then allow the mechanism to drop back down slowly, keeping hold of it.



Never lift or lower the basket on one side only.

When the upper basket is raised you will not be able to use the cup racks.



After loading your machine always close the door, as an open door can be a hazard.

Use of detergent



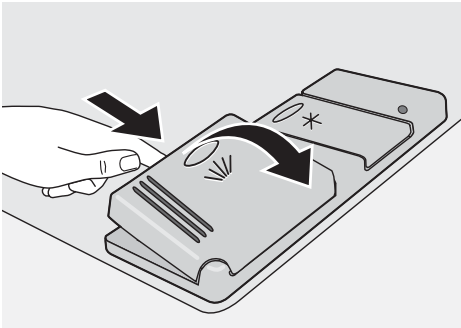
Only use detergents specifically designed for use in dishwashers. Please observe the manufacturer's dosing and storage recommendations as stated on the detergent packaging.



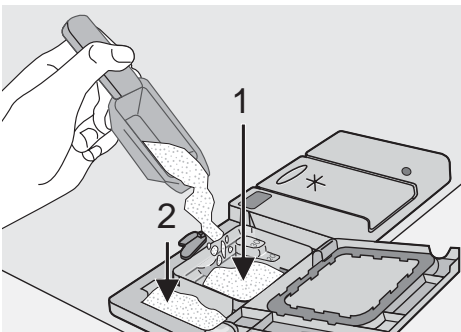
Using no more than the correct amount of detergent contributes to reducing pollution.

Filling with detergent

1. Open the lid.



2. Fill the detergent dispenser (1) with detergent. The marking indicates the dosing levels:

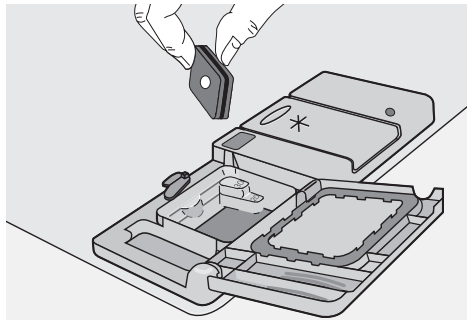


20 = approximately 20 g of detergent

30 = approximately 30 g of detergent

3. All programmes with prewash need an additional detergent dose (5/10 g) that must be placed in the prewash detergent chamber (2). This detergent will take effect during the prewash phase.

When using detergent tablets; place the tablet in compartment (1)



4. Close the lid and press until it locks in place.



Detergent tablets

Detergent tablets from different manufactures dissolve at different rates. For this reason, some detergent tablets do not attain their full cleaning power during short washing programmes. Therefore, please use long washing programmes when using detergent tablets, to ensure the complete removal of detergent residuals.

Use of Tablets

These products are detergents with a combined cleaning, rinsing and salt functions. They can also contain other different agents depending on which kind of tablets you choose («3 in 1», «4 in 1», «5 in 1» etc...).

1. Check whether these detergents are suitable for your water hardness. Follow the manufacturers instructions.

Refilling the rinse aid dispenser may no longer be necessary. In this case the rinse aid indicator light will always remain illuminated when the machine is switched on.

2. Before starting the washing program put the multi functions tablet in the detergent dispenser.



If the drying results are not satisfactory we suggest that you:

1. Fill up the rinse aid dispenser with rinse aid.
2. Set the rinse aid dosage to position 2.



If you decide to turn back to the use of standard detergent system we advise that you:

1. Fill up the rinse aid dispenser again.
2. Adjust the rinse aid dosage.

Select and start a washing program

Select the washing programme and



delay start with the door slightly opened. The start of the program or the countdown of the delay start will occur only after the closure of the door. Until then it is possible to modify the settings.

1. Check that the baskets have been loaded correctly and that the spray arms are free to rotate
2. Press the On/Off button: all the program lights illuminate (setting mode).
3. Press the button corresponding to the required program (see "Washing programmes" chart).
When a program has been selected the corresponding light will illuminate.
The indicator lights of the program phases start flashing.
Close the dishwasher door, the program starts automatically.

Setting and starting the program with "delay start"

1. After having selected the washing program, press the delay start button until the flashing number of hours for the delay start will appear in the digital display. The commencement of the selected washing program can be delayed from 1 to 19 hours.

2. Close the dishwasher door, the countdown starts automatically and the number in the display stops flashing.
3. The countdown will decrease with steps of 1 hour.
4. The opening of the door will not modify or interrupt the countdown.
5. Once the delay start has elapsed the program will start automatically.

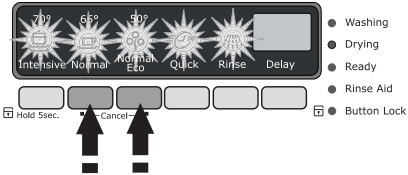


The selection of the washing program and delay start can also occur with the door closed. Keep in mind that in this way, once a washing program button is pressed you have **ONLY 3 seconds** in which you can choose another program or select a delay start, after which the selected program will start automatically.

Canceling the "delay start"

To cancel a delay start in progress you have to reset the dishwasher.

Simultaneously press and hold the two program buttons positioned over the word **Cancel**, until all the program lights illuminate.



Canceling a delay start also cancels the selected washing program. In this case you have to set the washing program again.



Interrupt or cancel a washing program in progress ONLY if it's absolutely necessary.

Attention! Hot steam may escape when the door is opened. Open the door carefully.

Interrupt a washing program in progress:

- Open the dishwasher door; the program will stop. Close the door; the program will start from the point at which it was interrupted.
- Press the On/Off button, all lights will turn off. Press the On/Off button again; the program will start from the point at which it was interrupted.

Cancel a washing program in progress

- Simultaneously press and hold the two program buttons positioned over the word **Cancel**, until all the program lights illuminate. The washing program has been cancelled.

If a new washing program is to be selected, check that there is detergent in the detergent dispenser.

End of the washing program

- The dishwasher will automatically stop.
 - The **Ready** indicator light will illuminate.
 - The light of the program just ended will remain on.
 - The digital display shows zero.
1. Switch off the dishwasher by pressing the On/Off button.
 2. Open the dishwasher door, leave it ajar and wait a few minutes before removing the dishes; in this way they will be cooler and the drying will be improved.



The dishwasher drying system is provided with a device that allows air to circulate inside the dishwasher to prevent residual steam recondensing on the dishes as water droplets.






Once the washing program has ended **this device operates intermittently for another 20 minutes, as long as the dishwasher is switched on.**

If the On/Off button is pressed or the door is opened during these 20 minutes, the device will be automatically cancelled.

Unloading the dishwasher

- Hot dishes are sensitive to knocks. Dishes should therefore be allowed to cool down before removing from the appliance.
- Empty the lower basket first and then the upper one; this will avoid water dripping from the upper basket onto the dishes in the lower one.
- Water may appear on the sides and the door of the dishwasher as the stainless steel will eventually become cooler than the dishes.

Washing programmes

Programme	Degree of soil	Type of load	Programme description
 Intensive 70°	Heavy soil	Crockery, cutlery, pots and pans	Prewash Main wash up to 70°C 2 intermediate rinses Final rinse Drying
 Normal 65°	Normal soil	Crockery and cutlery	Prewash Main wash up to 65°C 2 intermediate rinses Final rinse Drying
 Quick (1) 30'	Light soil	Crockery and cutlery	Main wash up to 60°C Final rinse
 Normal Eco (2) 50°	Normal soil	Crockery and cutlery	Prewash Main wash up to 50°C 1 intermediate rinse Final rinse Drying
 Rinse	Any. Partial load (to be completed later in the day).		1 cold rinse (to avoid food scraps from sticking together). This programme does not require the use of detergent.

(1)

Ideal for washing a partially loaded dishwasher. This is the perfect daily programme, made to meet the needs of a family of 4 persons who only wish to load breakfast and dinner crockery and cutlery.

(2)

The “NORMAL ECO” program is recommended to wash a full 12 place setting load of normally soiled dishes. It saves energy and water. Because it runs at a lower temperature, it is not suitable for heavily soiled wash loads. To save energy, dry performance is reduced so you may have to open the door at the end of the wash cycle or even towel dry some dishes.

Care and cleaning

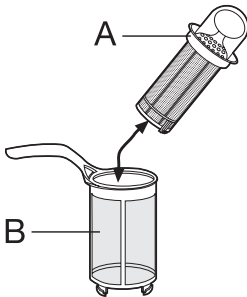
Cleaning the filters

The filters must be checked and cleaned from time to time. Dirty filters will degrade the washing result.

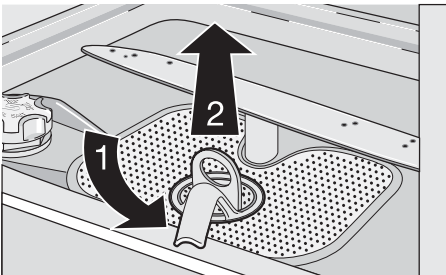


Before cleaning the filters ensure that the machine is switched off.

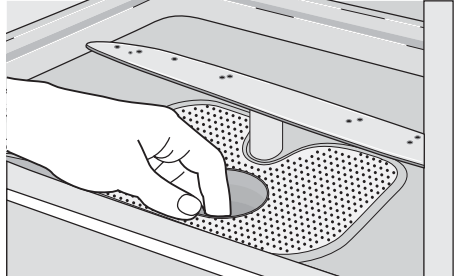
1. Open the door, remove the lower basket.
2. The dishwasher filter system comprises a coarse filter (A), a microfilter (B) and a flat filter. Unlock the filter system using the handle on the microfilter.



3. Turn the handle about $\frac{1}{4}$ a turn anticlockwise and remove the filter system.



4. Take hold of the coarse filter (A) by the handle with the hole and remove from the microfilter (B).
5. Clean all filters thoroughly under running water.
6. Remove the flat filter from the base of the washing compartment and clean both faces thoroughly.



7. Put the flat filter back in the base of the washing compartment and ensure that it fits perfectly.
8. Place the coarse filter (A) in the microfilter (B) and press together.
9. Put the filter combination in place and lock by turning the handle clockwise to the stop. During this process ensure that the flat filter does not protrude above the base of the washing compartment.



NEVER use the dishwasher without filters. Incorrect repositioning and fitting of the filters will produce poor washing results and may result in damage to the appliance.



NEVER try to remove the spray arms.

If residues of soil have clogged the holes in the spray arms, remove them with a toothpick.

External cleaning

Clean the external surfaces of the machine and control panel with a damp soft cloth. If necessary use only mild detergents. Never use abrasive products, scouring pads or solvent (acetone, trichloroethylene etc....).

Ensure that the seals around the door, the detergent and rinse aid dispensers are cleaned regularly with a damp cloth.

We recommend every 3 months to run the wash program for heavy soiled dishes using detergent but without dishes.

Prolonged periods of non-operation

If you are not using the machine for any prolonged period of time you are advised to:

1. Unplug the appliance and then turn off the water.
2. Leave the door ajar to prevent the formation of any unpleasant smells.
3. Leave the inside of the machine clean.

Frost precautions

Avoid placing the machine in a location where the temperature is below 0°C. If this is unavoidable, empty the machine, close the appliance door, disconnect the water inlet pipe and empty it.

Moving the machine

If you have to move the machine (moving house etc....):

1. Unplug it.
2. Turn the water tap off.
3. Remove the water inlet and discharge hoses.
4. Pull the machine out together with the hoses.

Avoid over tilting the machine during transportation.

Something not working

The dishwasher will not start or stops during operation.

Certain problems are due to the lack of simple maintenance or oversights, which can be solved with the help of the indications described in the chart, without calling out a service technician.

Switch off the dishwasher, open the door and carry out the following suggested corrective actions.

Fault code	Malfunction	Possible cause	Solution
<ul style="list-style-type: none"> • continuous flashing of the light of the running program • <i>,10</i> appears in the digital display 	The dishwasher does not fill with water	<ul style="list-style-type: none"> • The water tap is blocked or furred with limescale • The water tap is turned off • The filter (where present) in the threaded hose fitting at the water inlet valve is blocked • The water inlet hose has not been correctly laid or it is bent or squashed 	<ul style="list-style-type: none"> • Clean the water tap • Turn the water tap on • Clean the filter in the threaded hose • Check the water inlet hose connection
<ul style="list-style-type: none"> • continuous flashing of the light of the running program • <i>,20</i> appears in the digital display 	The dishwasher will not drain	<ul style="list-style-type: none"> • The sink spigot is blocked • The water drain hose has not been correctly laid or it is bent or squashed 	<ul style="list-style-type: none"> • Clean out the sink spigot • Check the water drain hose connection

Malfunction	Possible cause	Solution
The programme does not start	<ul style="list-style-type: none"> ● The dishwasher door has not been properly closed ● The main plug is not plugged in ● The fuse has blown out in the household fuse box ● Delay start has been set 	<ul style="list-style-type: none"> ● Close the door ● Insert the main plug ● Replace the fuse ● If dishes are to be washed immediately, cancel the delay start

Once these checks have been carried out; close the dishwasher door and switch on the appliance. Press the button of the programme that was running before the intervention of the alarm. The program will continue from the point at which it was interrupted.

If the malfunction or fault code reappears or for other fault codes not described in the above chart, please contact your Customer Care Centre, quoting the model (Mod.), product number (PNC) and serial number (S.N.).

This information can be found on the rating plate located on the side of the dishwasher door.

So that you always have these numbers at hand, we recommend you note them here:

Mod. :

PNC :

S.N. :

The wash results are not satisfactory	
The dishes are not clean	<ul style="list-style-type: none"> ● The wrong washing programme has been selected. ● The dishes are arranged in such a way as to stop water reaching all parts of the surface. The baskets must not be overloaded. ● The spray arms do not rotate freely due to incorrect arrangement of the load. ● The filters in the base of the washing compartment are dirty or incorrectly positioned. ● Too little or no detergent has been used. ● The drain hose connection is not correct.
The dishes are wet and dull	<ul style="list-style-type: none"> ● Rinse aid was not used. ● The rinse aid dispenser is empty.
There are streaks, milky spots or a bluish coating on glasses and dishes	<ul style="list-style-type: none"> ● Decrease rinse aid dosing.
Water drops have dried onto glasses and dishes	<ul style="list-style-type: none"> ● Increase rinse aid dosing. ● The detergent may be the cause. Contact the detergent manufacturer's consumer care line.

If after all these checks, the problem persists, contact your local Customer Care Centre.

Technical data

Dimensions	Width	59,6 cm
	Height	82 - 88 cm
	Depth	58,2 cm
Electrical connection Voltage - Overall power - Fuse	Information on the electrical connection is given on the rating plate on the inner edge of the dishwasher's door	
Water supply pressure	Minimum	50 kPa (7 psi)
	Maximum cold water	800 kPa (116 psi)
	Maximum hot water	350 kPa (51 psi)
Capacity		12 place settings
Max. weight		39 kg
Noise level		48 dB (A)



Consumption values			
Programme	Programme duration (in minutes)	Energy consumption (in kWh)	Water consumption (in litres)
Intensive 70°	*	1,8 - 2,0	23 - 25
Normal 65°	*	1,3 - 1,5	19 - 21
Quick	*	0,9	9
Normal Eco 50° (Test programme for test institutes)	*	0,54 - 0,64	15 - 17
Rinse	*	0,1	4

* The programme duration is visible in the digital display when the washing programme is selected.



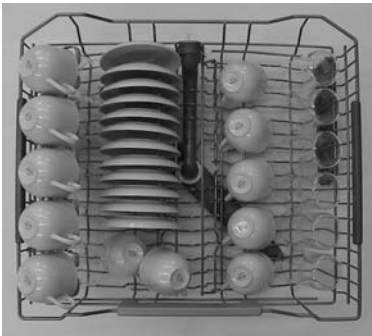
The consumption values are intended as a guide and depend on the pressure and the temperature of the water and also by the variations of the power supply and the amount of dishes.

Hints for test institutes

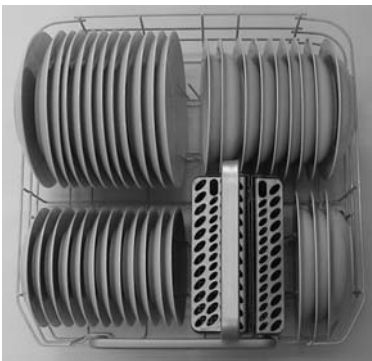
Testing in accordance with **AS/NZS 2007** must be carried out with the appliance fully loaded and using the test programme (see "Consumption values").

The rinse aid dispenser must be filled and the door must be opened at the end of cycle for 30 minutes for drying assessment.

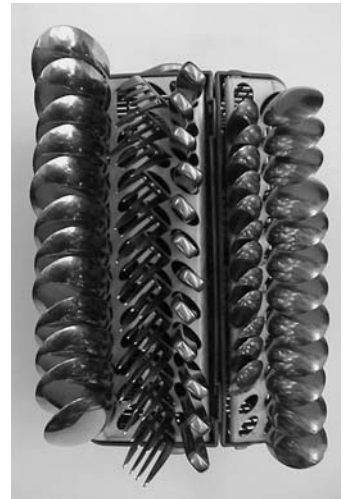
Full load: 12 standard place settings	
Amount of detergent required:	10 g + 20 g (AS/NZS)
Rinse aid setting:	position 4 (AS/NZS)



Arrangement upper basket
(remove the cupracks on the right side)



Arrangement lower basket



Arrangement cutlery basket

Installation



Any electrical and/or plumbing work required to install this appliance should be carried out by a qualified electrician and/or plumber or competent person.

Remove all packaging before positioning the machine.

If possible, position the machine next to a water tap and a drain.

During all operations that involve accessibility to internal components the dishwasher has to be unplugged.

When inserting the machine, ensure that the water inlet hose, the drain hose and the supply cable are not kinked or squashed.

Water supply connections

This dishwasher may be fed with either hot (max. 60°) or cold water. However, a hot water supply is not always efficient with very soiled crockery as it shortens the washing programmes a lot. Therefore we recommend connection to a cold water supply.

The water coupling nut fitted to the machine's supply hose is designed to screw onto a 3/4" BSP thread spout.

The water pressure must be within the limits given in the "Technical specifications". Your local Water Authority will advise you on the average mains pressure in your area.

When the dishwasher is likely to be connected to a solar hot water system, drip heater, or any other supply where temperatures in excess of 60° are anticipated, a water temperature tempering valve should be installed. A pressure reducing valve must be fitted if the hot water supply pressure can exceed 350 kPa or the cold supply pressure can exceed 800 kPa.

The water inlet hose must not be kinked, crushed, or entangled when it is being connected.

The dishwasher features fill and drain hoses which can be turned either to the left or the right to suit the installation by means of the locknut.

If the machine is connected to new pipes or pipes which have not been used for a long time, you should run the water for a few minutes before connecting the inlet hose.

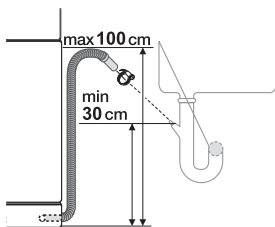
Always use a new hose-set when connecting the appliance to the water mains. An old hose-set must not be reused. The inlet hose should be inspected every 12 months for deterioration and replaced if necessary.



This appliance has been fitted with safety features which will prevent the water used in the appliance from returning back into the drinking water system. This appliance complies with the applicable plumbing regulations.

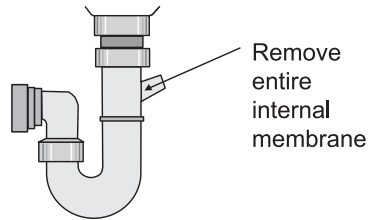
Drain hose

- Connect drain hose to the sink. Secure it with the supplied hose clamp.
- Required height: 30 to 100 cm above bottom of the dishwasher.
- If you use a drain hose extension the total length should not be longer than 4 metres. Likewise the internal diameter of the couplings used for connections to the waste outlet must be no smaller than the diameter of the hose provided. Ensure the hose is not bent or squashed as this could prevent or slow down the discharge of water.



Likewise the internal diameter of the couplings used for connections to the waste outlet must be no smaller than the diameter of the hose provided.

When connecting the drain hose to an under sink trap spigot, **the entire plastic membrane must be removed.** Failure to remove all the membrane will result in food particles building up over time eventually blocking the dishwasher drain hose spigot.



Our appliances are supplied with a security device to protect against the return of dirty water back into the machine.

If the spigot of your sink has a "no return valve" incorporated this can prevent the correct draining of your dishwasher. We therefore advise you to remove it.

Electrical connection



Safety standards require the appliance to be earthed. Prior to using the appliance for the first time, ensure that the rated voltage and type of supply on the rating plate match that of the supply where the appliance is to be installed. The electrical rating data is found on the rating plate.

Always plug the mains plug into a correctly installed approved socket.

Multi-way plugs, connectors and extension cables must not be used. This could constitute a fire hazard through overheating.

If necessary, have the domestic wiring system socket replaced. If the electrical supply cord has to be replaced, contact your local Customer Care centre.

The plug must be accessible after the appliance has been installed.

Never unplug the appliance by pulling on the cable. Always pull the plug.

The manufacturer accepts no liability for failure to observe the above safety precautions.

Building-in

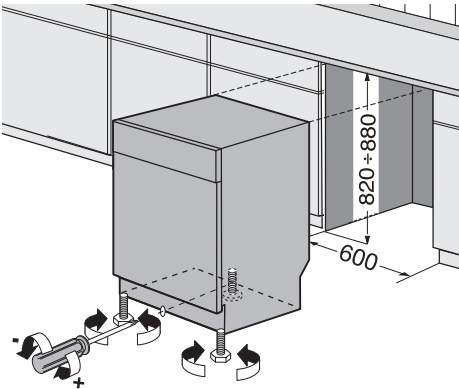
This dishwasher is designed to be fitted either under a kitchen counter or a worksurface.

It is essential that the recess dimensions indicated in the illustration are followed.

No further openings for venting of the dishwasher are required, but only to let the water fill and drain hose and power supply cable pass through.

The height of the recess where the dishwasher is to be installed can vary between 820 and 880 mm from the floor since the dishwasher is fitted with adjustable feet (max. 60 mm).

Leave a space of 2 mm between the top of the dishwasher and the underside of the kitchen counter.



Adjusting the height of the dishwasher

To adjust the height proceed as follows:

1. Loosen or tighten the two front feet.
2. Loosen and remove the adjustable plinth.
3. Adjust the rear foot by turning the screw in the middle of the front kick plate to the left or to the right.

Good levelling is essential for correct closure and sealing of the door. When the appliance is correctly levelled, the door will not catch on the levelling spacers on either side of the cabinet.

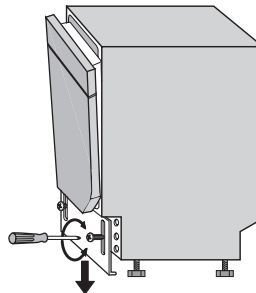
If the door does not close properly, loosen or tighten the adjustable feet until the machine is perfectly level.

Adjusting the height of the plinth

It is important for the dishwasher to be absolutely horizontal so that the door seals properly.

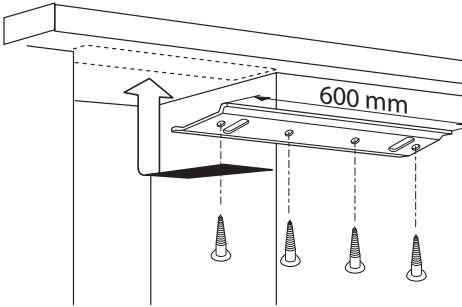
The adjustable feet are to be turned to the left or right until the dishwasher is horizontal.

If there is a space at the bottom of the machine, this can be covered by lowering the plinth.



Fitting the steam protection

Fit the steam protection onto the front part of the worktop, using the screws provided.



The dishwasher must be secured to the underside of the worktop or to adjacent units by using the brackets supplied.

Neglect to do this can cause injury or damage.

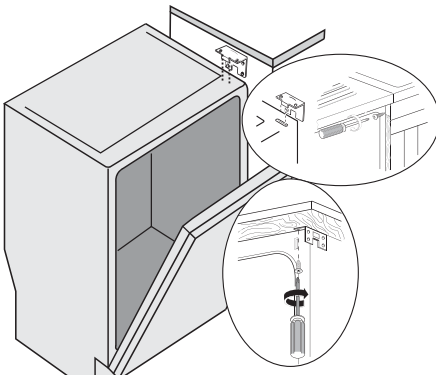
Under no circumstances may holes be drilled through the sides of the dishwasher since this could damage the hydraulic components.

Securing the dishwasher

Secure the dishwasher by screwing it firmly in position under the bench or to the cupboard beside it. Use the angular brackets supplied which are fitted into the slots on the top of the dishwasher (see fig.).

Tighten the machine in position (upwards or sideways) by using the screws supplied (3.5 x 16 mm).

Tighten the screws so that the dishwasher cannot tip forward and cause damage when the door is open and loaded.



Environment concerns

Packaging material

The packaging materials include recyclable items. The plastic components are identified by markings, e.g. >PE<, >PS<, etc. Please dispose of the packaging materials in the appropriate container at the community waste disposal facilities.



When a unit is no longer being used:

- Pull the plug out of the socket.
- Cut off the cable and plug and dispose of them.
- Dispose of the door catch. This prevents children from trapping themselves inside and endangering their lives.

Old appliance

This appliance should be handed over to the applicable collection point for recycling. By ensuring this product is disposed of correctly, you will help prevent potential negative consequences for the environment and human health, which could otherwise be caused by inappropriate waste handling of this product. For more detailed information about recycling of this product, please contact your local city office, your household waste disposal service or the shop where you purchased the product.

Electrolux Warranty

FOR SALES IN AUSTRALIA AND NEW ZEALAND
APPLIANCE: Dishwasher

This document sets out the terms and conditions of product warranties for Electrolux branded appliances. It is an important document. Please keep it with your proof of purchase documents in a safe place for future reference should you require service for your Electrolux appliance.

General Terms and Conditions

1. In this warranty
 - (a) "Electrolux" means Electrolux Home Products Pty Ltd ABN 51 004 762 341 in respect of Appliances purchased in Australia and Electrolux (NZ) Limited in respect of Appliances purchased in New Zealand;
 - (b) "Appliance" means any Electrolux product purchased by you accompanied by this document;
 - (c) "Warranty Period" means
 - (i) where you use the Appliance for personal, domestic or household purposes in Australia the period of 24 months and in New Zealand the period of 24 months;
 - (ii) where you use the Appliance for commercial purposes, in Australia the period of 0 months and in New Zealand the period of 0 months, (if the period stated is 0 months you are not covered by this product warranty) following the date of original purchase of the Appliance;
 - (d) "you" means the purchaser of the Appliance not having purchased the appliance for re-sale, and "your" has a corresponding meaning.
2. This warranty only applies to Appliances purchased and used in Australia or New Zealand and is in addition to (and does not exclude, restrict, or modify in any way) any non-excludable statutory warranties in Australia or New Zealand.
3. Electrolux warrants that, when dispatched from an Electrolux warehouse, the Appliance is free from defects in materials and workmanship for the Warranty Period.
4. During the Warranty Period Electrolux or its Authorised Service Centre will, at no extra charge if your appliance is readily accessible without special equipment, and subject to these terms and conditions, repair or replace any parts which it considers to be defective. You agree that any replaced Appliances or parts become the property of Electrolux. This warranty does not apply to light globes, batteries, filters or similar perishable parts.
5. Parts and Appliances not supplied by Electrolux are not covered by this warranty.
6. Where you are within an Electrolux service area, this warranty covers the cost of transport of the Appliance to and from Authorised Service Centres of Electrolux and travelling costs for representatives of the Authorised Service Centre to and from your home or business. If you are outside an Electrolux service area, you will bear these costs. For information about whether you are within an Electrolux service area, please phone 13 13 49 in Australia, or 0800 10 66 10 in New Zealand.
7. Proof of purchase is required before you can make a claim under this warranty.
8. You may not make a claim under this warranty unless the defect claimed is due to faulty or defective parts or workmanship. Electrolux is not liable in the following situations (which are not exhaustive):
 - (a) The Appliance is damaged by:
 - (i) accident
 - (ii) misuse or abuse, including failure to properly maintain or service
 - (iii) normal wear and tear
 - (iv) power surges, electrical storm damage or incorrect power supply
 - (v) incomplete or improper installation
 - (vi) incorrect, improper or inappropriate operation
 - (vii) insect or vermin infestation.
 - (b) The Appliance is modified without authority from Electrolux in writing.
 - (c) The Appliance's serial number or warranty seal has been removed or defaced.
 - (d) The Appliance was serviced or repaired by anyone other than Electrolux or its Authorised Service Centres.
9. This warranty, the contract to which it relates and the relationship between you and Electrolux are governed by the law applicable in the Australian State where the Appliance was purchased or the law applicable in New Zealand if the Appliance was purchased in New Zealand. Where the Appliance was purchased in New Zealand for business purposes the Consumer Guarantee Act does not apply.

38 electrolux warranty

Limitation of Liability

10. To the extent permitted by law:
- (a) Electrolux excludes all warranties other than as contained in this document;
 - (b) Electrolux shall not be liable for any loss or damage whether direct or indirect or consequential arising from your purchase, use or non-use of the Appliance.
11. Provisions of the Trade Practices Act and State consumer legislation in Australia, and the Consumer Guarantees Act, the Sale of Goods Act and the Fair Trading Act in New Zealand, imply warranties or conditions, or impose obligations, upon Electrolux which cannot be excluded, restricted or modified. To the extent permitted by law, the liability of Electrolux (if any) arising out of or in relation to the Appliance or any services supplied by Electrolux shall be limited (where it is fair and reasonable to do so):

- (a) in the case of Appliances, at its option, to the replacement or repair of the Appliances or the supply of equivalent products or the payment of the cost of replacing the Appliances or having the Appliances repaired or of acquiring equivalent Appliances. Upon being replaced, parts and Appliances become the property of Electrolux; or
 - (b) in the case of services, at its option, to the supply of the services again or the payment of the cost of having the services re-supplied;
- and in the case of Appliances or services supplied in New Zealand, loss or damage whether direct or indirect or consequential that is reasonably foreseeable.

Privacy

You acknowledge that in the event that you make a warranty claim it will be necessary for Electrolux and its Authorised Service Centres to exchange information in relation to you to enable Electrolux to meet its obligations under this warranty.

Important Notice

Before Calling a Service Technician please check carefully the operating instructions, service booklet and the warranty terms and conditions.

<p>FOR SERVICE OR TO FIND THE ADDRESS OF YOUR NEAREST STATE SERVICE CENTRE IN AUSTRALIA Please call 13 13 49 For the cost of a local call (Australia only)</p>	<p>SERVICE AUSTRALIA</p>  <p>ELECTROLUX HOME PRODUCTS</p>	<p>FOR SPARE PARTS OR TO FIND THE ADDRESS OF YOUR NEAREST STATE SPARE PARTS CENTRE IN AUSTRALIA Please call 13 13 50 For the cost of a local call (Australia only)</p>
<p>FOR SERVICE OR TO FIND THE ADDRESS OF YOUR NEAREST STATE SERVICE CENTRE IN NEW ZEALAND Free call 0800 10 66 10 (New Zealand only)</p>	<p>NEW ZEALAND SPARE PARTS CENTRE</p> <p>AUCKLAND Prime Distributors Ltd. 8 Highbrook Drive, East Tamaki. (09) 273 3580 CHRISTCHURCH Prime Distributors Ltd. Unit 1, 127 Montreal Street. . . . (03) 377 1009 R. Redpath Ltd. 55 Ferry Road. (03) 379 0446 DUNEDIN Appliance Parts Company, 590 Hillside Road (03) 455 5443</p>  <p>ELECTROLUX HOME PRODUCTS</p>	

www.electrolux.com

www.electrolux.com.au