

## **Use & Care Guide**

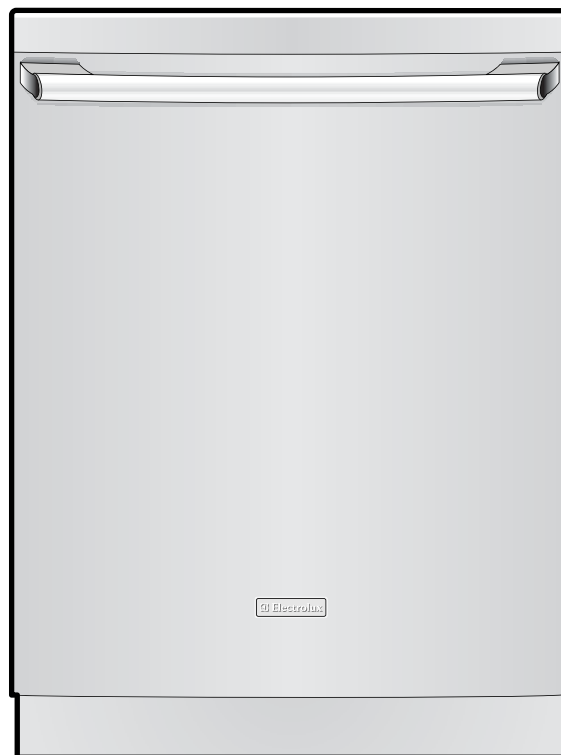
Built-In Dishwasher

## **Guia de Uso y Cuidado**

Lavavajillas Empotrado

## **Guide d'utilisation et d'entretien**

Lave-vaisselle encastré



 **Electrolux**

## Table of Contents

<b>Finding Information</b> .....	<b>2</b>
Make a Record for Future use .....	2
Questions? .....	2
Internet .....	2
Table of Contents .....	2
<b>Safety</b> .....	<b>3</b>
Important Safety Instructions .....	3
<b>Feature Overview</b> .....	<b>4</b>
How your Dishwasher Cleans .....	4
<b>Operating Instructions</b> .....	<b>5</b>
Getting Started .....	5
Normal Operating Sounds .....	5
Wash Cycle Selections .....	5
Cycle Selections .....	6
Energy Option Selections .....	6
Operation Selections .....	7
<b>Preparing &amp; Loading Dishes</b> .....	<b>8</b>
Dish Preparation .....	8
Loading the Top Rack .....	8
Loading the Bottom Rack .....	9
Adjusting Rack Height .....	10
Loading the Silverware Basket .....	10
Adding a dish .....	10
<b>Dishwasher Dispenser &amp; Detergents</b> .....	<b>11</b>
Filling the Detergent Dispenser .....	11
How much Detergent to use .....	11
Detergent Usage Guide .....	12
Rinse Aid .....	13
<b>Factors Affecting Performance</b> .....	<b>14</b>
Water Temperature .....	14
Water Pressure .....	14
<b>Care &amp; Cleaning</b> .....	<b>15</b>
Outside .....	15
Inside .....	15
Winterizing .....	16
<b>Solutions to Common Problems</b> .....	<b>17</b>
Food Soils Left on Dishes .....	17
Dishes Not Dry .....	17
Dishware Chipped .....	17
Glassware/Flatware Spotted or Cloudy .....	18
Etching .....	18
Normal Sounds You Will Hear .....	18
Dishware Stained or Discolored .....	18
Detergent Left in Dispenser Cup .....	18
Dishwasher Leaks .....	19
Water in Bottom of Tub .....	19
Dishwasher Won't Run .....	19
Dishwasher Does Not Drain Properly .....	19
Cycle Takes a Long Time .....	19

Dishwasher Won't Fill .....	19
Dishwasher Has an Odor .....	20
Removing Spots and Film .....	20
Error Codes .....	20
Error Code Indication .....	21

<b>Warranty Information</b> .....	<b>22</b>
-----------------------------------	-----------

<b>Spanish Version</b> .....	<b>23</b>
------------------------------	-----------

<b>French Version</b> .....	<b>40</b>
-----------------------------	-----------

## Please read and save this guide

Thank you for choosing **Electrolux**, the new premium brand in home appliances. This *Use & Care Guide* is part of our commitment to customer satisfaction and product quality throughout the service life of your new appliance.

We view your purchase as the beginning of a relationship. To ensure our ability to continue serving you, please use this page to record important product information.

## Keep a record for quick reference

Purchase date

Electrolux model number

Electrolux serial number

### NOTE

Registering your product with Electrolux enhances our ability to serve you. You can register online at **[www.electroluxappliances.com](http://www.electroluxappliances.com)** or by dropping your Product Registration Card in the mail.

## Questions?

For toll-free telephone support in the U.S. and Canada:

**1-877-4ELECTROLUX (1-877-435-3287)**

For online support and Internet production information visit [http://](http://www.electroluxappliances.com)

**[www.electroluxappliances.com](http://www.electroluxappliances.com)**

## Important Safety Instructions

Please read all safety instructions before using your new Electrolux dishwasher.

- Read all instructions before using your dishwasher.
- Use your dishwasher only as instructed in this Use and Care Manual.
- This manual does not cover every possible condition and situation that may occur. Use common sense and caution when installing, operating and maintaining any appliance.
- National Sanitation Foundation (NSF) certified residential dishwashers are not intended for licensed food establishments. Such establishments require a higher dishwasher water temperature to meet commercial sanitization requirements.
- **DISHWASHER MUST BE ELECTRICALLY GROUNDED.** Read the Installation Instructions for details.
- This dishwasher is designed to operate on regular house current (120 V, 60 Hz). Use a circuit equipped with a 15 ampere fuse or circuit breaker. Use a 20 ampere fuse or circuit breaker if dishwasher is connected with a food waste disposer.
- Do not operate dishwasher unless all enclosure panels are in their proper place as explained in the Installation Instructions provided with your dishwasher.
- To avoid entrapment and/or suffocation, remove the door to the washing compartment when removing an old dishwasher from service or discarding it.
- Keep young children and infants a safe distance away from the dishwasher when it is in operation.
- Use only detergents and rinse agents recommended for use in a dishwasher.
- Do not abuse, sit on, or stand on the door or dish rack of the dishwasher.
- Store dishwasher detergent and rinse agents out of the reach of children.



### WARNING

This symbol will help alert you to such dangers as personal injury, burns, fire, and electrical shock.



### WARNING

To reduce the risk of fire, electrical shock, or injury when using your dishwasher, follow basic precautions including the following:

- Do not wash plastic items unless marked “dishwasher safe” or the equivalent. Check with manufacturer for recommendations, if not marked. Items that are not dishwasher safe may melt.
- If the dishwasher drains into a food disposal, make sure disposal is completely empty before running dishwasher.
- Disconnect electrical power to dishwasher before servicing.
- Repairs should be done by a qualified Electrolux professional.
- Do not tamper with controls.
- Use care unloading the dishware when the SANITIZE option has been selected. Contents may be hot to the touch immediately after the end of cycle.
- When loading and unloading items:
  - Locate sharp items and knives so that they are not likely to damage the tub or door seal
  - Load sharp items and knives with the handles up to reduce the risk of cut-type injuries.
- Under certain conditions, hydrogen gas may be produced in a hot water system that has not been used for 2 weeks or more. **HYDROGEN GAS IS EXPLOSIVE.** If hot water system has not been used for such a period, before using dishwasher, turn on all hot water faucets and let water flow from each for several minutes. This will release any accumulated hydrogen gas. **HYDROGEN GAS IS FLAMMABLE.** Do not smoke or use an open flame during this time.
- Do not store or use combustible materials, gasoline or other flammable vapors and liquids in the vicinity of this or any other appliance.



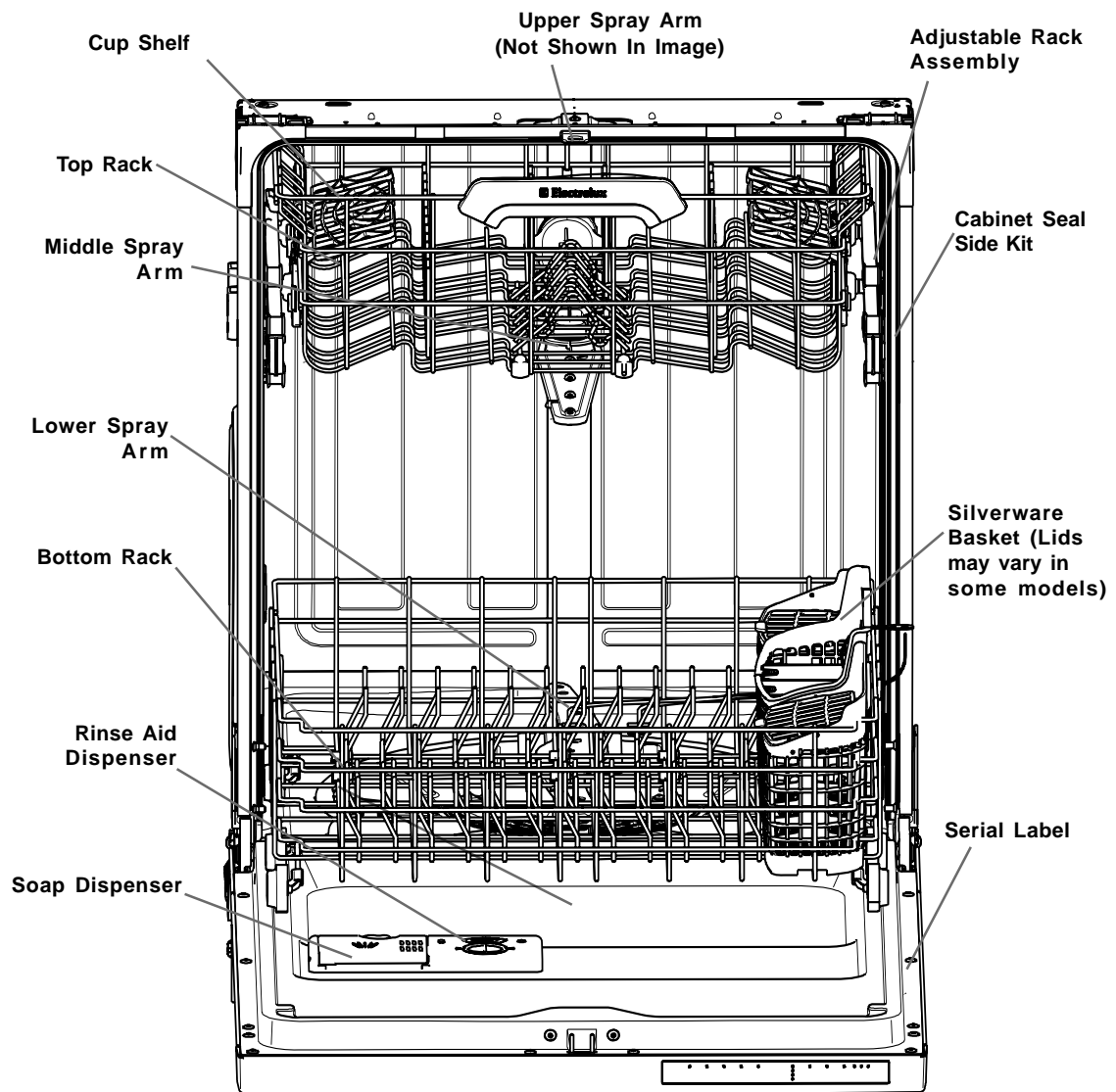
### NOTE

Save these important safety instructions for future reference.

## HOW YOUR DISHWASHER CLEANS

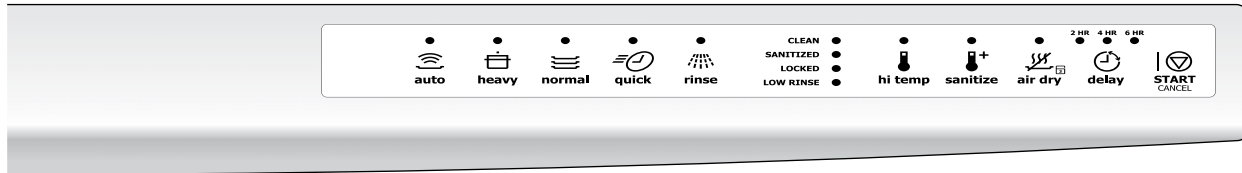
Your dishwasher fills with a small amount of water (just covers the filter area at the bottom), sprays that water on to the dishware to remove soils, captures the soils in its filtration system and then uses that water to flush the captured soils down the drain. When more soils are present more iterations of the fill/spray/filter/flush are applied. When appropriate, detergent, heat and /or rinse agent are also applied to the spray water at the optimal times within the cycle.

The applied cycle (number of fills, spray pressure, water temperature, addition of detergent, addition of rinse agent, and amount of heat for drying) is set by a combination of your cycle and option selections and many automated decisions programmed into your dishwasher. Your input sets the temperature targets but the dishwasher will automatically adjust heat input to account for the actual heat loss, thermal capacity of the dish load, and temperature of the incoming water. The dishwasher also has the capacity to measure the soil load and to shorten or lengthen the cycle to apply the optimal response.



## GETTING STARTED

### EIDW5905



Press and hold **HI-TEMP** icon for 5 - 10 seconds before first use.

### To run your dishwasher, follow these basic steps:

- 1 Load dishwasher. (See Preparing and Loading Dishes, pages 8-10.)
- 2 Add detergent. (See Dishwasher Dispenser & Detergents, pages 11-12.)
- 3 Add rinse aid, if needed. (See Rinse Aid, page 13.)
- 4 Select desired **CYCLE**. (See Cycle Selections, pages 5 -7.)

The cycle LED will illuminate when selected.

- 5 Select desired **OPTIONS**. (See Energy Options Selections, page 5-7.)

The option LED will illuminate when selected.

- 6 To start, press **START/CANCEL** pad and close door. (See Start/Cancel, page 7.)

## NORMAL OPERATING SOUNDS

Though your dishwasher has many enhancements to reduce its sound level, it is normal to hear some of what is going on inside. The wash cycles include several instances of water entering the unit (splashing), the wash pump running to spray water on the dishware (motor & splashing) and the drain pump running to discharge the dirty water and soils. Variations in the pumping/spraying sounds are also normal. During a cycle the pump switches on and off many times and the spray pressure is adjusted up and down throughout to provide the best cleaning performance.

## WASH CYCLE SELECTIONS

Cycle times are approximate and vary by options selected. Hot water is necessary to activate dishwasher detergent and melt fatty food soils.

An automatic sensor checks the water temperature throughout each cycle. When **HI-TEMP WASH** is selected, the unit heats the water to an even higher temperature. Run hot water faucet nearest dishwasher until water is hot before starting.

## CYCLE SELECTIONS

You may find that your highly efficient dishwasher actually washes longer than your old one. The hydraulic system and cycles are carefully designed to use less heat and less water. To assure the dishes get clean with less use of costly resources more time is spent spraying water. The pump uses little energy. The advanced filter design allows water to be used longer before needing to replace it and results in a better use of resources.

Cycle durations, wash temperatures and water usage all vary with the cycle and options selected. When incoming water or the room is colder the unit will heat and wash longer to be sure to achieve critical temperatures.

Your dishwasher also uses a Smart Sensor to understand how heavily soiled the dish load is and to adjust the cycle accordingly. This sensor is calibrated at the end of most cycles - when the unit is sure to have a small amount of clean water around the sensor. The sensor will not be calibrated for the first cycle run after power has been removed from the dishwasher. To assure you get clean dishes the unit defaults to the cycle option that is suited for heavy soils on this first run after power is restored.

### Heavy Wash



This is a hard hitting cycle for pots, pans, casserole dishes and dinnerware with dried-on or baked-on soils. Water usage is about 9.2 gallons. Wash time ranges from approximately 140 to 162 minutes.

### Auto Wash



This excellent all around cycle uses the SmartSensor to determine the amount soils that were on the dishware. Cycle time and water usage are then automatically adjusted to assure the soils are fully and efficiently removed. Soils from light to extreme are accommodated. Light soils will result in a short cycle, heavy soils in a long cycle. Water usage varies between 3.1 to 9.1 gallons while cycle duration varying from 93 to 131 minutes.

### Normal Wash



This cycle is an automated, one-cycle-fits-all solution that is appropriate for all but very special loads. Its automatic adjustment and wash limits are nearly identical to the Auto Wash described above.

### Quick Wash



This cycle uses power and water (about 6.1 gallons) at a higher rate to wash dishes quickly (approximately 42 to 52 minutes). The cycle is designed to wash lightly soiled or pre-rinsed dishes and silverware.

### Rinse



This cycle is intended for rinsing off food soils when you do not intend to run a full cycle until much later. Rinse uses much less water than you would use rinsing by hand. Unheated water is used to dissolve and remove much of the soils and wash them down the drain before they can dry in place or spoil.

## ENERGY OPTION SELECTIONS

### Hi-Temp Wash



When the HI-TEMP option is selected, the dishwasher heats water in the main wash to approximately 140°F (60°C) and in the final rinse to 150°F (65°C). HI-TEMP ON will be displayed.

This increase in water temperature helps dishwasher detergent remove food, grease and soil from dishes more effectively and aids in drying. The HI-TEMP option can only be used with AUTO, HEAVY and NORMAL cycles.

When the HI-TEMP option is selected, the LED will illuminate and remain on until the door is closed.

## Child Lock Controls/ Air Dry



To prevent children from accidentally changing or starting a dishwasher cycle, lock the dishwasher controls by pressing the AIR DRY icon for at least 3 seconds then release. The LOCKED indicator light will illuminate when the controls are locked. Then no new selections can be made and dishwasher will not operate until the lock is released. To unlock the controls, again press the AIR DRY icon for 3 seconds and release.

## Sanitize



To sanitize your dishes, glassware and silverware select the SANITIZE option available on the Auto, Heavy, and Normal cycles. Only these cycles offer the option to meet NSF Sanitization requirements.

When the Sanitize option is selected an LED above the icon resembling a thermometer will illuminate. The unit will then drive the water to higher temperatures, up to about 155°F (68.3°C) in the final rinse, and maintain that temperature for 7 minutes.

Sanitization is accomplished when the water reaches a set temperature and the dishware is assured to have achieved a specific temperature and amount of heat input.

When the sanitized option is selected the dishwasher will complete the cycle. However, the sanitization LED, located in the center of the keypad, will only light at the end of the cycle if ALL of the NSF criteria are met.

Failure to reach sanitization may mean that the cycle was interrupted due to power loss or the opening of the dishwasher's door during the final rinse. Another possibility is a failure to reach temperature which might occur if the incoming water is too cold. Within limits, the unit automatically adjusts for variations in water supply temperature and so this will not normally occur.

## OPERATION SELECTIONS

### Delay Start



The dishwasher start can be delayed 2, 4, or 6 hours from the time the cycle is initiated. Make cycle selections, press the DELAY START key until the desired delay LED is lit, then close the door and the cycle will start.

To cancel the delay and start the cycle before the delay period is over, open the door and press the START/CANCEL key. Close the door and the cycle will start.

## Start/Cancel



To start a cycle, press the START/CANCEL key once and close the door. To cancel when a cycle is running, open the door and press the START/CANCEL key once. Close the door again and the dishwasher will drain and shut off.

## NOTE

Opening the door during normal operation will only pause the selected cycle.

## Error Indications

Your unit monitors wash parameters and component communications. If any event or failure occurs that might prevent proper machine function or safe operation the unit will shut down and indicate an error by flashing all indicator lights. If the lights are flashing contact the Electrolux Customer Care Center at **1-877-435-3287**. They will be able to provide assistance in troubleshooting the problem and/or locating an authorized service technician, if needed.

Possible errors are detailed on page 20. In the case of an error, an LED on the bottom control board in the base of your unit will further indicate the root cause for error as shown on page 21.

## Automatic Overflow Correction and Prevention

During the entire cycle your dishwasher watches for high water level. In the rare instance that correction is needed, it will pause the cycle, drain (often a few seconds is sufficient) then resume the cycle.

If corrective draining continues for 90 seconds without lowering the water level your unit will stop the cycle and initiate error 16 (Float switch stuck/ Drain clogged).

If the water level must be corrected 7 times during a cycle, your unit will stop the cycle and initiate error 15 (Stuck water valve). It will then periodically run the drain pump to prevent flooding until someone arrives to clear the error and turn off the water.

## DISH PREPARATION

Scrape away large pieces of food, bone, pits, toothpicks, etc. The wash system will remove remaining food particles. Gently scrape away burned-on food with a non-scratch utensil or let dish soak before loading them into the dishwasher (See Figure 1). Empty liquids from glasses and cups.

Foods containing vegetable oil and/or chemical additives such as mustard, mayonnaise, vinegar, lemon juice or tomato-based products may cause discoloration of stainless steel and plastics if allowed to sit for a long period of time. Unless the dishwasher is to be operated at once, it is best to rinse off these food soils.

- Load racks so that large items do not prevent the detergent dispenser from opening.
- Check dishware manufacturer's recommendations before washing items in question.
- If the dishwasher drains into a food disposal, **be sure disposal is completely empty before starting dishwasher.**

### Tips for Loading the Racks -

Soil is removed when water is sprayed on each surface. For optimal cleaning, load dishware and silverware so that it is not touching each other. Then every surface is exposed to the cleaning jets.

Corner positions are the hardest to reach for spray arms. It is best to put the tallest glasses away from the corner positions of the upper rack.

Always place dishware with open ends facing down for best cleaning and drying.

Some dishes have rims or indentations that may capture and hold water. For improved drying use the slopes built into the rack and the position of the tines to place this dishware so that the surfaces are not horizontal to help drain as much out as possible.

Load delicate items securely in the rack without allowing them to touch other dishware. This will minimize the chance that they will tip or collide with other dishware and become damaged when the rack is moved or when the spray jets are turned on.

In some dishwashers it is not safe to load glasses or plastics into the lower rack - mainly because they have an exposed heater just below it. This is not one of them. The same strong, gentle jets and the same temperature water is applied to the dishware in both the upper and lower racks. You're free to place the dishware where it fits best.

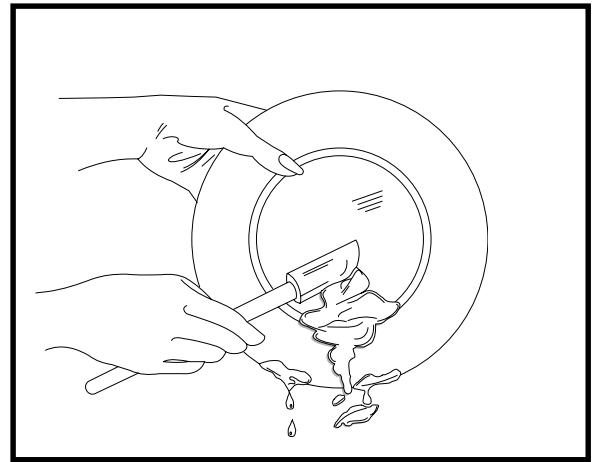
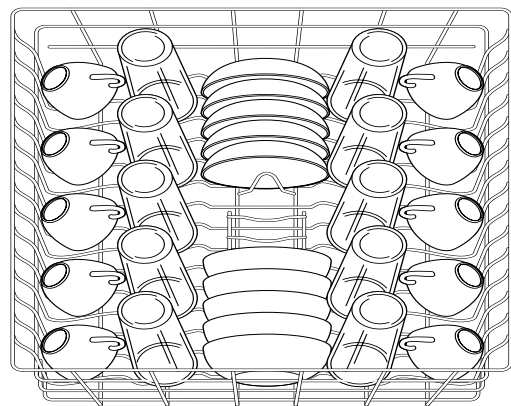


Figure 1

## LOADING THE TOP RACK

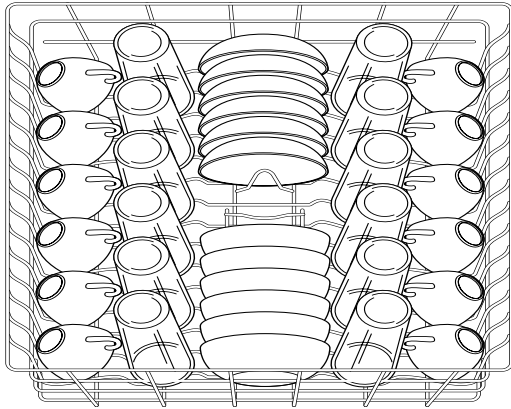
The top rack is optimized for flexibility in loading a wide variety of items but especially cups, glasses, stemware, small plates and small bowls.

Be sure that nothing protrudes through the bottom of the rack or can shift to protrude so that the middle spray arm is blocked. If in doubt, give the arm a spin to see if there is interference.

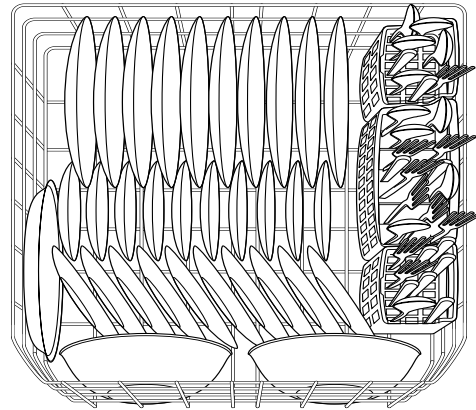


10 place settings standard loading pattern





12 place settings standard loading pattern



10 place settings standard loading pattern



## NOTE

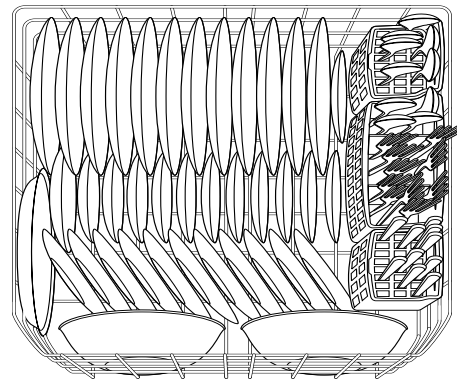
Features in your dishwasher's model may vary in appearance from illustrations in this manual.

## LOADING THE BOTTOM RACK

To wash items up to 13" in the bottom rack place the top rack in its high position.

The bottom rack is designed to accept plates, saucers, bowls, and cookware.

- Large items should be placed along the edge so they do not block the middle spray arm rotation.
- For best results, place bowls, casserole dishes, and sauce pans with the soiled surface facing down or toward the center. Tilt any horizontal surfaces slightly for better drainage.
- Make sure tall items do not block middle spray arm rotation.
- Be sure pan handles do not protrude through the bottom of the rack and block the lower spray arm rotation.

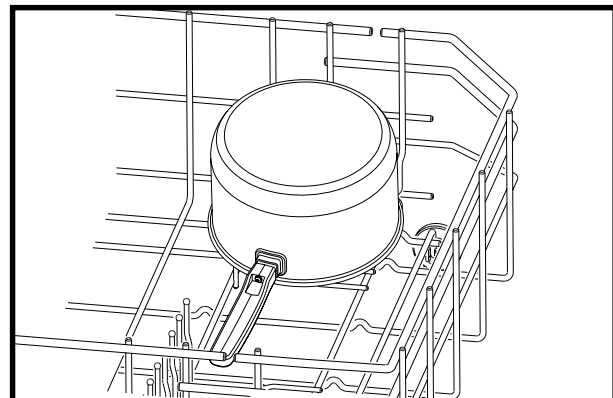


12 place settings standard loading pattern

## Fold-down Bowl Tines

The fold-down tines in the lower rack and the bowl tines in the upper rack make easy loading for those extra large and hard-to-fit items. The tines may be left up for normal use or folded down for more flexible loading.

Fold tines down for ease in loading large pots or pans.



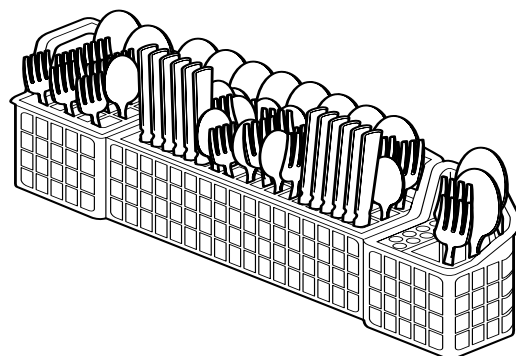
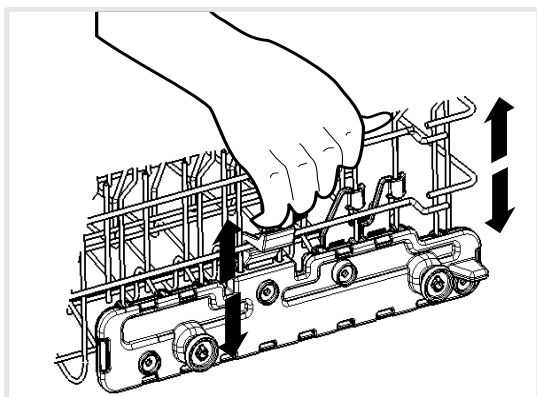
# 10 Preparing & Loading Dishes

## ADJUSTING RACK HEIGHT

The top rack has two height settings. Adjust the rack down to the low height to accommodate loading of tall glasses. Adjust it to the high setting to make room for tall dishware in the lower rack.

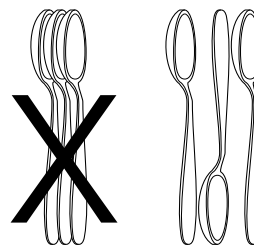
To avoid damage to dishware always adjust the upper rack's height before loading dishware into it.

To change the rack position with the greatest ease lift or lower the rack so that it remains level from front to back and from side to side. To raise the rack from the low to the high position simply grab the top rack (one hand on each side) and lift it straight up. The lever is spring loaded and will engage when the upper position is reached. To release the rack and lower it to the bottom position grab the rack as shown in the figure below, extend your fingers to pull on the lever and gently lower the rack to its level and lowest setting.



### CAUTION

**TO AVOID CUT INJURY:** Load sharp items (knives, skewers, etc.) pointing down. Failure to do so may result in injury.



When covers are up, mix non-sharp items in each section of the basket with some pointing up and some down to avoid nesting. Water spray cannot reach nested items.

## LOADING THE SILVERWARE BASKET

The silverware basket may be loaded while it is in the bottom rack or it can be taken to a counter or table.

- Place small items like baby bottle caps, jar lids, corn cob holders, etc., in a covered section. Close the cover to hold small items in place.
- Be sure nothing protrudes through the bottom of the basket or rack that might block the lower spray arm.
- Do not mix silver and stainless items to avoid damaging the silver finish.
- Silverware placed one item per slot will result in the best cleaning.

## ADDING A DISH

**To add or remove items after wash cycle starts:**

- 1 Open door slightly and wait a few seconds until wash action stops before completely opening.
- 2 Add the item.
- 3 Close door firmly to latch and the cycle will automatically resume.

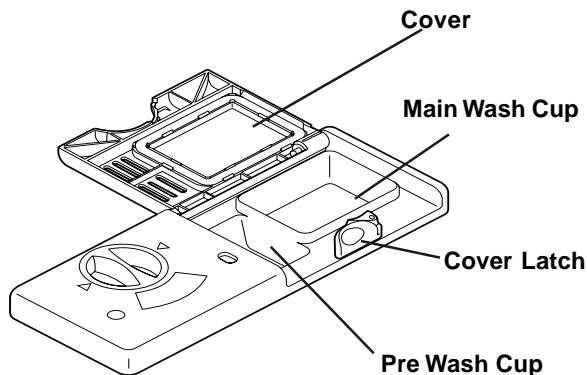
### CAUTION

**TO AVOID BURN INJURY:** Slightly open door and wait until spray arms and wash action stop. Hot water may splash out of dishwasher. Failure to do so may result in injury.

## FILLING THE DETERGENT DISPENSER

The detergent dispenser has two cups one for the pre-wash and another for the main wash. Once the detergent is placed the dispenser door should be closed. Open slots over the pre-wash cup allow it to enter at the time of the first wash. During the main wash the door will automatically open to allow the main wash cup detergent to enter and work with the heated water of the main wash.

- If the detergent cups have water in them, lift the door to the closed position to remove the water then re-open to place the detergent.
- Place the detergent into the dishwasher just before starting the cycle to minimize the chance for it to become moist.
- Use only automatic dishwashing detergent. Other detergents will cause oversudsing.
- When using automatic dishwashing detergent tablets or packets place just one in the main wash cup and close the dispenser door.
- Store detergent in a cool, dry location. Moist or caked detergent may not dissolve properly.



### CAUTION

The use of industrial grade detergent can damage parts of the dishwasher leading to damage to the unit and surrounding property. Use only household grade automatic dishwasher detergents.

## HOW MUCH DETERGENT TO USE

The amount of detergent to use depends upon the water hardness. The greater the concentration of minerals in solution, the “harder” the water. Minerals are actually good for you and up to a point, changes in the amount of detergent can be used to assure a proper wash. If the water is too hard, then it is difficult to get a good wash and the minerals may stain or build up on the dishware and dishwasher. In that case a water softener is recommended.

Using too little detergent can result in poor cleaning and hard water filming or spotting. Using too much, especially in combination with high water temperatures, can result in permanent damage to the surface of dishware called “etching” (see “etching”, page 18). Etching on glassware gives their surface the appearance of a hazy film.

For the proper amount of detergent use the chart provided.

Your local water company, water softener company, or county extension agent can tell you the water hardness in your area. There are many different units used to describe water hardness so be sure to ask them for the measure in grains per US gallon (gpg) used in the chart. If they are not able, water hardness conversion calculators are readily available on line.

## DETERGENT USAGE GUIDE

Refer to the following table for recommended detergent usage.

<b>Cycle</b>	<b>Soft Water</b> (0-3 Grains)	<b>Medium Hard Water</b> (4-8 Grains)	<b>Hard Water</b> (9-12 Grains)	<b>Very Hard Water*</b> (Over 12 Grains)
<b>Heavy, Auto or Normal</b>	<b>2 Teaspoons</b> (Main Wash Cup – ¼ Full)	<b>5 Teaspoons</b> (Main Wash Cup – fill to line above “Regular”)	<b>8 Teaspoons</b> (Main Wash Cup Completely Full)	<b>Each Cup – Completely Full</b> (Water Softener Recommended)
<b>Quick</b>	<b>2 Teaspoons</b> (Main Wash Cup – ¼ Full)	<b>5 Teaspoons</b> (Main Wash Cup – fill to line above “Regular”)	<b>8 Teaspoons</b> (Main Wash Cup completely full)	<b>Main Wash Cup – Completely Full</b> (Water Softener Recommended)
<b>Rinse</b>	<b>No Detergent</b>	<b>No Detergent</b>	<b>No Detergent</b>	<b>No Detergent</b> (Water Softener Recommended)

As shown in the last column of this table, a water softener is recommended to improve water quality and dishwashing performance when using very hard water.

## RINSE AID

**Rinse aid greatly improves drying and reduces water spots and filming.** It causes the water to “sheet” off of dishes rather than form water droplets that cling and leave spots.

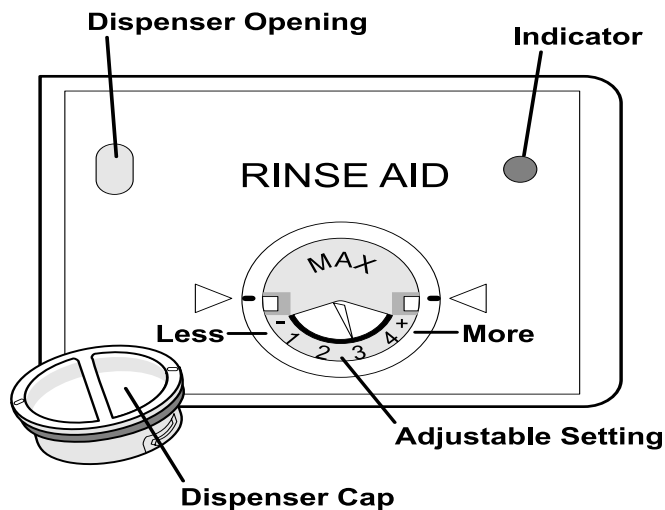
The rinse aid dispenser, located next to the detergent cup, automatically releases a measured amount of rinse aid during the last rinse. If spotting and poor drying are problems, increase the amount of rinse aid dispensed by rotating the dial to a higher number. The dial is located under the dispenser cap.

If the rinse aid is low, the LOW RINSE LED is illuminated at the beginning and end of the cycle indicating that it is time to refill.

### To add liquid rinse aid:

- 1 Turn dispenser cap 1/4 turn counterclockwise and lift out.
- 2 Pour in rinse aid until liquid reaches the flat surface marked MAX in the Rinse Aid dispenser. Do not overfill since this can cause oversudsing.
- 3 Replace cap.
- 4 Wipe up any spills with a damp cloth.

The dispenser holds enough for 35 to 140 washes, depending on the setting.



# 14 Factors Affecting Performance

## WATER TEMPERATURE

All heated cycles are designed for 120°F (49°C) inlet water, the typical setting for your home's hot water heater. Up to a point, if the water comes in at a different temperature than the dishwasher will adjust its washing and heating time. Limits are placed on adjustments to prevent excessively long or short cycles.

The first pre-wash in each cycle is typically unheated and gets the dose of detergent from the pre-wash cup of the dispenser. The detergent is more effective at 120°F than at the 90°F or even 70°F water that you might get the first time you open the valve. To get optimal cleaning it is recommended that the hot water be run in the sink next to the dishwasher until the cold water is purged from the line. Then shut off the sink and start the dishwasher cycle.

Plastic items will likely need to be towel dried. This geometry is more likely to capture water. Also, plastic does not hold heat as well so that when the cycle is over, there is little heat left in the plastic with which to evaporate the remaining water on its surface.

### To check water temperature entering the dishwasher:

- 1 Turn on hot water faucet nearest dishwasher for several minutes to clear cool water from pipes.
- 2 Hold a candy or meat thermometer in stream of water to check the temperature.
- 3 If temperature is below 120°F (49°C), have a qualified person raise the water heater thermostat setting.



### IMPORTANT

Before starting a cycle, run hot water to clear cool water from pipe.

## Tips for Dryer Dishes -

Rinse agents help to minimize the amount of water that remains on dishware when the unit is drained. Water that remains on the dishware is evaporated in large part due to the heat that is stored in the dishware at the end of the cycle. Plastics do not store much heat and so they do not dry as well. When the water becomes vapor (moist air) it is removed by a fan.

Water that is captured in the up turned lip or indentation of dishware may not evaporate. To avoid having this fall on to dishes that are dry during the unloading process follow the following sequence: Unload the bottom rack first, then the top rack. In either rack, first unload the dishware that is fully dry, then remove dishware that has free standing rinse water on or in it.

At the end of the cycle your unit will stop the wash, complete a drain and light the LED to tell you the cycle is ended. At this time you may unload the dishes. If you are not there or do not empty it immediately the unit will run a very small fan for up to an hour longer or until someone opens the door (which ever comes first) to further improve the drying. This fan uses very little energy.

## WATER PRESSURE

The hot water line to the dishwasher must provide water pressure between 20 and 90 pounds per square inch (psi).

Low water pressure may occur when laundry or showers are in operation. Wait until water use is reduced before starting the dishwasher.

## OUTSIDE

Occasionally wipe the outside surfaces of your dishwasher with a mild nonabrasive detergent and water. Rinse and dry.

### Stainless Steel Door

Clean the stainless steel door and handle with hot, soapy water and a dishcloth. Rinse with clean water and a cloth. Do not use harsh scrubbing cleaners. Use only kitchen cleaners made especially for cleaning stainless steel.

## INSIDE

Remove spots on the door and tub with a damp, nonabrasive cloth.

### → IMPORTANT

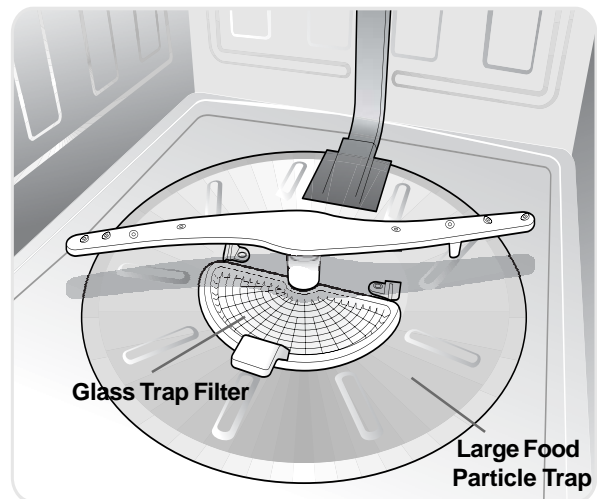
**Read before operating your dishwasher!**

### Care of Glass Trap Filter

Your dishwasher is equipped with a state of the art wash system. Periodically, the Glass Trap Filter and Large Food Particle Trap may need to be cleaned to maximize wash performance.

The Glass Trap Filter is located in the center of the Large Food Particle Trap. The Glass Trap Filter is designed to collect large debris such as pieces of broken glass, straws, bones and pits. To remove items in the Glass Trap Filter, grasp the handle, push it forward slightly as you lift out, empty and replace.

The Large Food Particles Trap may be cleaned by wiping with a damp paper towel.



## Care of Drain Air Gap

If a drain air gap was installed for your built-in dishwasher, check to make sure it is clean so the dishwasher will drain properly. A drain air gap is usually mounted on the sink at the countertop and can be inspected by removing the cover. This is not part of your dishwasher and is not covered by warranty.



### CAUTION

Freezing temperatures may cause water lines to rupture. Be sure all supply lines to and circulating lines within dishwasher are protected. Failure to do so could result in property damage.

## WINTERIZING

A dishwasher left in an unheated place should be protected from freezing. Have a qualified person do the following:

### To Disconnect Service:

- 1 Turn off electrical power to the dishwasher at the supply source by removing fuses or tripping circuit breaker.
- 2 Shut off water supply.
- 3 Place a pan under the inlet valve. Disconnect water line from inlet valve and drain into pan.
- 4 Disconnect drain line and drain water into pan.

### To Restore Service:

- 1 Reconnect the water, drain, and electrical power supply.
- 2 Turn on water and electrical power supply.
- 3 Fill both detergent cups and run dishwasher through a HEAVY WASH cycle.



### NOTE

See Installation Instructions for more details.



## IMPORTANT

Before calling for service, review this list. It may save you both time and expense. This list includes common experiences that are not the result of defective workmanship or material in your dishwasher.

## FOOD SOILS LEFT ON DISHES

- Make sure items are not blocking any of the spray arms, preventing them from rotating.
- Check incoming water temperature. (See Getting Started, page 5.) It should be at least 120°F (49°C). (See Factors Affecting Performance, page 14.)
- Choose another cycle for longer washing time.
- Check rack loading section for proper loading—avoid nesting items.
- Home water pressure may be too low—should be 20 to 90 pounds per square inch (psi).
- Check water hardness. More detergent is needed when water is hard. For extremely hard water, it may be necessary to install a water softener. (See Detergent Usage Guide, page 12.)
- Use fresh detergent.
- Consider running the rinse cycle when soiled dishes are expected to sit in the dishwasher for hours before running a wash cycle.

## DISHES NOT DRY

- Make sure the rinse aid dispenser is filled.
- Increase the amount of rinse aid (See Rinse Aid, page 13).
- Check the incoming water temperature. Be sure it is at least 120°F (49°C).
- Check for proper loading—avoid nesting items.
- Plastic items will likely need to be towel dried. Plastic items generally are less flat - shape gives stiffness to the more flexible material. This geometry is more likely to capture water. Also, plastic does not hold heat as well so that when the cycle is over, there is little heat left in the plastic with which to evaporate the remaining water on its surface.
- Cups with a concave bottom will collect water.
- See Tips for Dryer Dishes, page 14.

## DISHWARE CHIPPED

- Load with care and do not overload. (See Preparing and Loading Dishes, pages 8-10.)
- Place delicate items in top rack.
- Place glasses securely against pins and not over pins.
- Load items so they are secure and don't jar loose when moving racks in and out. Move racks in and out slowly.
- Make sure tall glasses and stemware will clear top of tub when rack is pushed in.
- It is recommended to wash fine antique china and crystal by hand.

## GLASSWARE / FLATWARE SPOTTED OR CLOUDY

- Check water hardness. For extremely hard water, it may be necessary to install a water softener. (See Detergent Usage Guide, page 13.)
- Water temperature may be low. Avoid extremely low or high temperatures. (See Factors Affecting Performance, page 14.)
- Avoid overloading and improper loading. (See Preparing and Loading Dishes, pages 8-10.)
- Use fresh detergent. Old detergent is ineffective.
- Make sure rinse aid dispenser is filled.
- Check to see that the proper amount of detergent is being used for cycle selected. (See Detergent Dispenser, pages 12-13.)
- Home water pressure may be too low—it should be 20 to 90 pounds per square inch (psi).

## ETCHING

- Using too much detergent, especially in combination with high water temperatures, can result in permanent damage to the surface of dishware called “ETCHING”. Etching on glassware gives their surface the appearance of a hazy film.
- Adjust the amount of detergent based on water table, Detergent Usage Guide, Page 12.
- Lower the temperature (select a lower temperature option or turn down the temperature of the hot water heater if water over 130°F is being supplied to the dishwasher.

## NORMAL SOUNDS YOU WILL HEAR

- Normal sounds include water fill, water circulation, draining water and motor sounds.
- Pump motor speed will increase and decrease during cycles.

## DISHWARE STAINED OR DISCOLORED

- Tea and coffee can stain cups. Remove the stains by hand washing in a solution of 1/2 cup (120 ml) bleach and one quart (1 L) of warm water. Rinse thoroughly.
- Iron deposits in water can cause a yellow or brown film. A proper water filter or water softener installed in-line with your water supply will correct this problem.
- Aluminum utensils can leave gray/black marks when they rub against other items. Load properly allowing spaces between dishware.
- Certain high acid foods can cause discoloration of stainless steel and plastics if allowed to sit for a long period. Use the Rinse cycle or rinse by hand if not operating dishwasher immediately after loading.
- Mixing stainless steel and silver utensils in silverware basket can cause pitting on the stainless steel utensils. Avoid mixing stainless steel and silver.

## DETERGENT LEFT IN DISPENSER CUP

- Detergent may be old. Discard and use fresh detergent.
- Load dishware differently in rack - spray jets used to rinse detergent from cup may be blocked.
- Check to see if cycle has been completed.
- Make sure items do not block the detergent dispenser door from opening.
- Make sure the upper rack is firmly engaged to the nozzle on the back of the tub before closing the door.

## DISHWASHER LEAKS

- Use only fresh detergent designed for automatic dishwashers. Measure detergent carefully. Try a different brand.
- Spilled rinse aid can cause foam and lead to overflowing. Wipe up any spills with a damp cloth.
- Check to see that dishwasher is level (See Installation Instructions).

## WATER IN THE BOTTOM OF THE TUB

- It is not normal for water to remain in the bottom of the tub at the end of a cycle. If water remains in the bottom of the tub at the end of a cycle, the dishwasher may not be draining properly. (See Dishwasher Does Not Drain Properly, page 19.) The filter may also need to be cleaned. (See Care of Glass Trap Filter, page 15.) *Note: It is normal to see a small amount of water under the filter and glass trap at the end of a cycle.*

## DISHWASHER WON'T FILL

- Check to see if the water supply is turned on.
- Check to see if inlet water hose is kinked.
- Check that float is in down position and make sure it moves freely.

## DISHWASHER WON'T RUN

- Check to see if circuit breaker is tripped or if a fuse is blown.
- Make sure water supply is turned on.
- Check to see if cycle is set correctly. (See Operating Instructions, pages 6-7.)
- Check to see if the Delay Start option has been selected.
- Make sure door is closed and latched.
- Check to see if the dishwasher is in the Child Lock mode.

## DISHWASHER DOES NOT DRAIN PROPERLY

- If unit is hooked up to a garbage disposal, make sure the disposer is empty.
- If unit is hooked up to a new food waste disposer, check to see if the “knockout” plug located inside the disposal inlet has been removed.
- Check to see if drain hose is kinked.
- Make sure cycle is complete, not in a pause.

## CYCLE TAKES A LONG TIME

- Check to see if cycle is in a water heating delay, depending on incoming water temperature, cycle time may be increased. Water temperature should be at least 120°F (49°C). (See Factors Affecting Performance, page 14.)
- Check to see if the delay start option has been selected.
- Check to see if the sanitize option has been selected.
- The first cycle after power has been removed from the dishwasher will run a long version of the selected cycle.

## DISHWASHER HAS AN ODOR

- Soiled dishes left in dishwasher too long can create an odor. Use Rinse cycle.
- There will be a “new” smell when first installed. This is normal.
- Check to see if food particles are in glass trap. (See Care of Glass Trap Filter, page 15).
- Check to see if unit is draining properly (See Dishwasher Does Not Drain Properly, page 19).



## REMOVING SPOTS AND FILM

Hard water can cause lime deposit buildup on the interior of the dishwasher. Dishes and glasses may also get spots and film for a number of reasons (See Glassware/Flatware Spotted or Cloudy, page 18).

### To remove build-up, spots and film, clean using the following instructions:

- 1 Load clean dishes and glasses in normal manner. Do not load any metal utensils or silverware.
- 2 Do not add detergent.
- 3 Select the HEAVY WASH cycle. Press START/CANCEL pad and close door.
- 4 Allow 1/2 hour for the dishwasher to begin the main wash. Open door and pour 2 cups of white vinegar into the bottom of the dishwasher.
- 5 Close and latch door and allow cycle to finish.



## NOTE

If these conditions persist, a home water softener should be considered.

## ERROR CODES

In certain situations which are critical to machine function and safe operation, the control will shut down. All lights on console will illuminate.

Er 01

Leak Detector - Water detected in the pan under the tub.

Er 02

Thermistor - Failed thermistor/turbidity module.

Er 03

Wash Pump - Wash pump not operating

Er 06

Lower Fan - The control board did not receive proper speed feedback from the lower fan

Er 08

Tactile or touch switch - Control board has verified a switch on the user interface is bad or shorted

Er 09

Communications - Communication failure between main user board and power supply

Er 10

Mains Relay - Failure in the mains power relay

Er 13

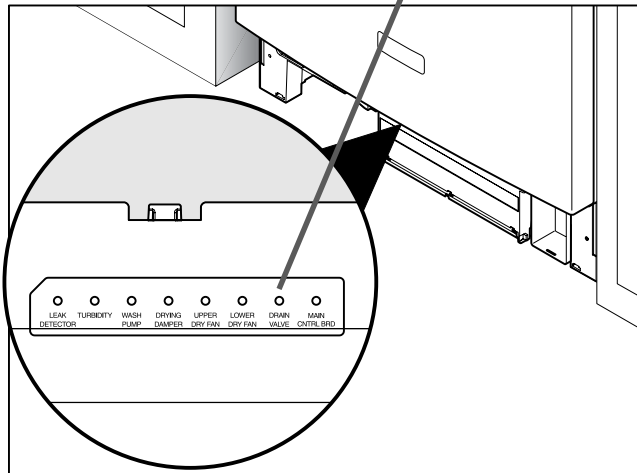
System wide - Lost control of the State Machine

Er 15

Fill Valve - Water inlet valve is leaking

Er 16

Float - Float switch is stuck/drain is clogged.



To gain access to the Control Housing Assembly, remove kickplate assembly. LED indicates which component is the source of the error.

Your appliance is covered by a one year limited warranty. For one year from your original date of purchase, Electrolux will repair or replace any parts of this appliance that prove to be defective in materials or workmanship when such appliance is installed, used, and maintained in accordance with the provided instructions. The stainless tub and door liner of your appliance are covered by a lifetime limited warranty. During the lifetime of the appliance, Electrolux will provide a replacement stainless tub or door liner that fails to contain water due to a defect in materials or workmanship if the appliance has been installed, used, and maintained in accordance with the provided instructions. In addition, the dishwasher racks and the electronic control module of your appliance are covered by a two through five year limited warranty. During the 2nd through 5th years from your original date of purchase, Electrolux will provide a replacement dishwasher rack or electronic control module for your appliance which has proven to be defective in materials or workmanship when such appliance is installed, used, and maintained in accordance with the provided instructions.

#### Exclusions

This warranty does not cover the following:

1. Products with original serial numbers that have been removed, altered or cannot be readily determined.
2. Product that has been transferred from its original owner to another party or removed outside the USA or Canada.
3. Rust on the interior or exterior of the unit.
4. Products purchased "as-is" are not covered by this warranty.
5. Food loss due to any refrigerator or freezer failures.
6. Products used in a commercial setting.
7. Service calls which do not involve malfunction or defects in materials or workmanship, or for appliances not in ordinary household use or used other than in accordance with the provided instructions.
8. Service calls to correct the installation of your appliance or to instruct you how to use your appliance.
9. Expenses for making the appliance accessible for servicing, such as removal of trim, cupboards, shelves, etc., which are not a part of the appliance when it is shipped from the factory.
10. Service calls to repair or replace appliance light bulbs, air filters, water filters, other consumables, or knobs, handles, or other cosmetic parts.
11. Labor or in-home service costs during the additional limited warranty periods beyond the first year from your original date of purchase.
12. Pickup and delivery costs; your appliance is designed to be repaired in the home.
13. Surcharges including, but not limited to, any after hour, weekend, or holiday service calls, tolls, ferry trip charges, or mileage expense for service calls to remote areas, including the state of Alaska.
14. Damages to the finish of appliance or home incurred during transportation or installation, including but not limited to floors, cabinets, walls, etc.
15. Damages caused by: services performed by unauthorized service companies; use of parts other than genuine Electrolux parts or parts obtained from persons other than authorized service companies; or external causes such as abuse, misuse, inadequate power supply, accidents, fires, or acts of God.

#### **DISCLAIMER OF IMPLIED WARRANTIES; LIMITATION OF REMEDIES**

CUSTOMER'S SOLE AND EXCLUSIVE REMEDY UNDER THIS LIMITED WARRANTY SHALL BE REPAIR OR REPLACEMENT AS PROVIDED HEREIN. **CLAIMS BASED ON IMPLIED WARRANTIES, INCLUDING WARRANTIES OF MERCHANTABILITY OR FITNESS FOR A PARTICULAR PURPOSE, ARE LIMITED TO ONE YEAR OR THE SHORTEST PERIOD ALLOWED BY LAW, BUT NOT LESS THAN ONE YEAR.** ELECTROLUX SHALL NOT BE LIABLE FOR CONSEQUENTIAL OR INCIDENTAL DAMAGES SUCH AS PROPERTY DAMAGE AND INCIDENTAL EXPENSES RESULTING FROM ANY BREACH OF THIS WRITTEN LIMITED WARRANTY OR ANY IMPLIED WARRANTY. SOME STATES AND PROVINCES DO NOT ALLOW THE EXCLUSION OR LIMITATION OF INCIDENTAL OR CONSEQUENTIAL DAMAGES, OR LIMITATIONS ON THE DURATION OF IMPLIED WARRANTIES, SO THESE LIMITATIONS OR EXCLUSIONS MAY NOT APPLY TO YOU. THIS WRITTEN WARRANTY GIVES YOU SPECIFIC LEGAL RIGHTS. YOU MAY ALSO HAVE OTHER RIGHTS THAT VARY FROM STATE TO STATE.

#### If You Need Service

Keep your receipt, delivery slip, or some other appropriate payment record to establish the warranty period should service be required. If service is performed, it is in your best interest to obtain and keep all receipts. Service under this warranty must be obtained by contacting Electrolux at the addresses or phone numbers below.

This warranty only applies in the USA, Puerto Rico and Canada. In the USA and Puerto Rico, your appliance is warranted by Electrolux Major Appliances North America, a division of Electrolux Home Products, Inc. In Canada, your appliance is warranted by Electrolux Canada Corp. Electrolux authorizes no person to change or add to any obligations under this warranty. Obligations for service and parts under this warranty must be performed by Electrolux or an authorized service company. Product features or specifications as described or illustrated are subject to change without notice.

USA  
1-877-435-3287  
Electrolux Major Appliances North America  
10200 David Taylor Drive  
Charlotte, NC 28262

Canada  
1-800-265-8352  
Electrolux Canada Corp.  
5855 Terry Fox Way  
Mississauga, Ontario, Canada L5V 3E4

## TABLA DE MATERIAS

<b>Donde Obtener Información</b> .....	<b>23</b>
Añote estos datos para uso futuro .....	23
¿Consultas? .....	24
Internet .....	24
<b>Seguridad</b> .....	<b>24</b>
Instrucciones importantes sobre seguridad .....	25
<b>Descripción de las Características</b> .....	<b>26</b>
Cómo funciona su lavavajillas .....	27
<b>Instrucciones de Funcionamiento</b> .....	<b>27</b>
Cómo usar el lavavajillas .....	27
Sonidos normales de funcionamiento .....	27
Selecciones de ciclos de lavado .....	28
Selecciones de ciclos .....	28
Selecciones de opciones de energía .....	29
Selecciones de funcionamiento .....	30
<b>Preparación y Carga de la Vajilla</b> .....	<b>31</b>
Preparación de los platos .....	31
Carga de la canastilla superior .....	32
Carga de la canastilla inferior .....	32
Ajuste de la altura de la canastilla .....	33
Carga de la cestilla de la cuchillería .....	34
Agregando un plato .....	34
<b>Distribuidor y Detergentes del Lavavajillas</b> .....	<b>35</b>
Llenado del distribuidor de detergente .....	35
Cantidad de detergente necesaria .....	35
Guía de uso del detergente .....	36
Agente de enjuague .....	37
<b>Factores que Afectan el Rendimiento</b> .....	<b>38</b>
Presión del agua .....	38
Temperatura del agua .....	38
<b>Cuidado y Limpieza</b> .....	<b>39</b>
Exterior .....	39
Interior .....	39
Preparación para el invierno .....	40
<b>Soluciones a Problemas Comunes</b> .....	<b>41</b>
Quedan manchas de alimentos .....	41
en los platos .....	41
Los platos no se secan .....	41
Fisuras superficiales .....	41
Cuchillería o artículos de vidrio manchados .....	42
u opacos .....	42
Vajilla dañada .....	42
Queda detergente en el compartimiento .....	42
del distribuidor .....	42
Vajilla manchada o descolorida .....	43

El lavavajillas tiene escape .....	43
Sonidos normales que usted escuchará ...	43
Agua en el fondo de la tina .....	43
El lavavajillas no funciona .....	44
El lavavajillas no se llena .....	44
El lavavajillas tiene un olor .....	44
El lavavajillas no desagua bien .....	44
El ciclo demora demasiado tiempo .....	44
Para quitar películas y manchas .....	45
Códigos de Error .....	45
Indicación de Error Código .....	46

**Información sobre la Garantía** .....

**Version in English** .....

**Version en français** .....

## Leer y ahorrar por favor esta guía

Gracias por elegir **Electrolux**, la nueva marca de fabrica superior en los aparatos electrodomesticos. Este & del uso; La guía del cuidado es parte de nuestra comisión a la satisfacción del cliente y de calidad del producto a través de la vida de servicio de tu nueva aplicación.

Vemos tu compra como el principio de una relación. Para asegurar nuestra capacidad de continuar sirviendote, utilizar pro favor esta página para registrar la información de producto importante.

## Guardar un expediente para la referencia rapida

Fecha de la compra

Numero de modelo de Electrolux

Numero de serie de Electrolux

## ¿CONSULTAS?

Para la ayuda gratis del telefono en los E.E.U.U y el Canadá:

**1-877-4ELECTROLUX (1-877-435-3287)**

Para la visita en linea [http://](http://www.electroluxappliances.com) de la informacion de la ayuda y de la produccion del internet

**[www.electroluxappliances.com](http://www.electroluxappliances.com)**

### NOTA

Colocar tu producto con Electrolux realza o capacidad de servirte. Puedes colocarse en linea en **[www.electroluxappliances.com](http://www.electroluxappliances.com)** com o cayendo tu tarjeta de registro del producto en el correo.

## INSTRUCCIONES IMPORTANTES SOBRE SEGURIDAD

Por favor lea todas las instrucciones de seguridad antes de usar su nuevo lavavajillas Electrolux.

- Lea todas las instrucciones antes de usar su lavavajillas.
- Use su lavavajillas solamente como se indica en esta Guía de Uso y Cuidado.
- Este manual no cubre todas las posibles condiciones y situaciones que pueden ocurrir. Use sentido común y precaución cuando instale, haga funcionar y repare cualquier electrodoméstico.
- Los lavavajillas para uso doméstico certificados por la National Sanitation Foundation (Fundación Nacional de Sanidad - NSF) no están destinados para uso en establecimientos con venta de bebidas alcohólicas. Tales establecimientos necesitan un lavavajillas de temperatura más alta del agua para cumplir los requerimientos de esterilización comercial.
- EL LAVAVAJILLAS DEBE SER PUESTO A TIERRA. Lea los detalles en las instrucciones de instalación.
- Este lavavajillas ha sido diseñado para funcionar con la corriente normal del hogar (120 V, 60 Hz.). Use un circuito equipado con un fusible de 15 amperes o un disyuntor. Use un fusible de 20 amperes si el lavavajillas está conectado a un triturador de desperdicios de comidas.
- No ponga en marcha el lavavajillas a menos que todos los paneles de cerramiento estén instalados en sus lugares como se explica en las Instrucciones de Instalación provistas con su lavavajillas.
- A fin de evitar atrapamiento y/o asfixia, retire la puerta del compartimiento del lavado cuando se deshaga o ponga fuera de servicio un lavavajillas antiguo.
- Mantenga a los niños pequeños y bebés a una distancia prudente del lavavajillas cuando esté en funcionamiento.
- Use solamente detergentes y agentes de enjuague recomendados para uso en un lavavajillas.
- No abuse, ni se siente o se pare en la puerta o en la canastilla del lavavajillas.



- Guarde el detergente y los agentes de enjuague del lavavajillas fuera del alcance de los niños.
- No lave artículos de plástico a menos que estén marcados "resistentes al lavavajillas" o algo similar. Si no están marcados, consulte con el fabricante para obtener las recomendaciones. Los artículos que no son resistentes al lavavajillas pueden derretirse y crear un peligro potencial de incendio.
- Si el lavavajillas se desagua en un triturador de desperdicios de comidas, asegúrese de que el triturador está completamente vacío antes de poner en funcionamiento el lavavajillas.
- Desenchufe el lavavajillas antes de repararlo.
- Las reparaciones deben ser hechas por profesionales calificados de Electrolux.
- No modifique los controles.
- Tenga cuidado cuando retire la vajilla al terminar el lavado si se ha usado la opción 'SANITIZE' (Esterilizar). Los artículos pueden estar muy calientes si se tocan inmediatamente después de finalizado el ciclo.
- Cuando coloque en el lavavajillas los artículos:
  - Coloque los artículos afilados y los cuchillos de modo que no vayan a dañar la tina o la junta de la tina
  - Coloque los artículos afilados y los cuchillos con los mangos hacia arriba a fin de reducir el riesgo de sufrir cortaduras. Alternativamente, coloque los artículos afilados y los cuchillos en la cesta para utensilios que se encuentra en la canastilla superior.
- Bajo ciertas condiciones se puede producir gas hidrógeno en un sistema de agua caliente que no ha sido usado durante 2 o más semanas. **EL GAS HIDROGENO ES EXPLOSIVO.** Si el sistema del agua caliente no ha sido usado durante tal período, antes de usar el lavavajillas, abra todas las llaves del agua caliente y deje escurrir agua de cada una de ellas durante varios minutos. Esto aliviará cualquier gas hidrógeno acumulado. **EL GAS HIDROGENO ES INFLAMABLE.** No fume ni use una llama abierta durante este tiempo.
- No guarde ni use materiales combustibles, gasolina ni otros vapores inflamables en la cercanía de este o de cualquier otro electrodoméstico.



## NOTA

**CONSERVE ESTAS INSTRUCCIONES IMPORTANTES DE SEGURIDAD PARA REFERENCIA FUTURA.**



## ATENCIÓN

**Este símbolo le alertará sobre peligros de lesiones, quemaduras, incendios y choque eléctrico.**



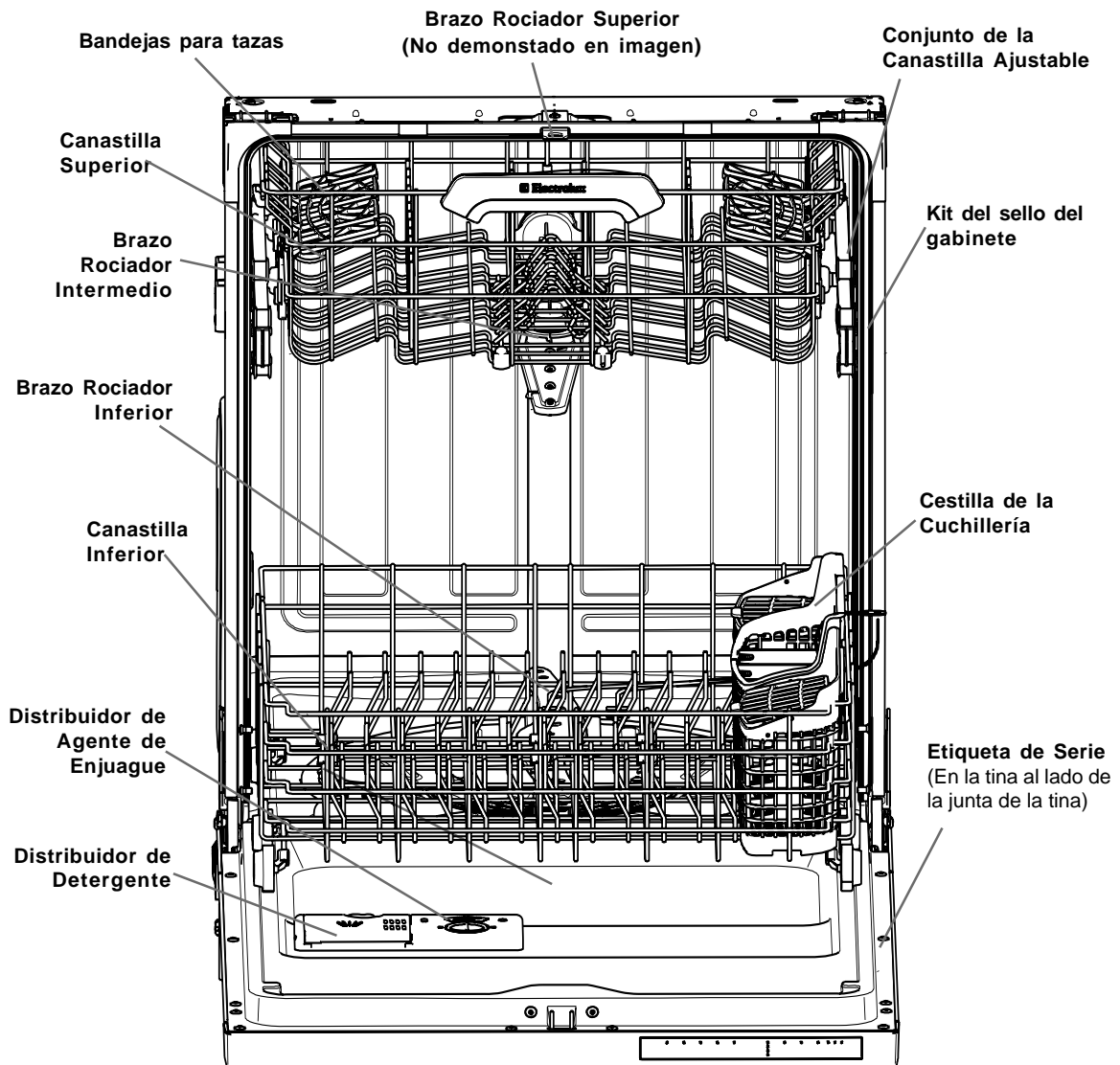
## ATENCIÓN

**Para disminuir el riesgo de incendio, choque eléctrico o lesiones cuando esté usando su lavavajillas, siga las precauciones básicas incluyendo las siguientes:**

## COMO FUNCIONA SU LAVAVAJILLAS

Su lavavajillas se llena con una pequeña cantidad de agua (lo suficiente como para cubrir el área del filtro en el fondo), rocía esa agua sobre los platos para remover la suciedad, atrapa la suciedad en el sistema de filtrado y luego utiliza esa misma agua para eliminar la suciedad por el desagüe. Mientras más suciedad haya, más se repetirá el ciclo de llenado, rociado, filtrado y eliminación. Cuando sea apropiado, también se aplicará detergente, calor o aditivo de enjuague al agua rociada en los momentos ideales del ciclo.

El ciclo aplicado (cantidad de llenados, presión de rociado, temperatura del agua, aplicación de detergente, aplicación de aditivo de enjuague y cantidad de calor para el secado) se determina automáticamente según las selecciones de ciclo y de opciones y según muchas decisiones automatizadas programadas en el lavavajillas. Las opciones que programe establecen la temperatura deseada, pero el lavavajillas ajustará automáticamente el nivel de calor para adaptarse a la pérdida de calor real, a la capacidad térmica de la carga de platos y a la temperatura del agua entrante. El lavavajillas también tiene la capacidad de medir el nivel de suciedad de la carga y reducir o alargar el ciclo para aplicar las acciones ideales.



## COMO USAR EL LAVAVAJILLAS

EIDW5905



**Presionar y llevar a cabo el icono de HI-TEMP por 5 - 10 segundos antes de que primer uso.**

### Para hacer funcionar su lavavajillas, siga estos pasos básicos:

- 1 Cargue el lavavajillas. (Ver Preparación y Carga de la Vajilla, pág 31-34.)
- 2 Agregue el detergente. (Ver Distribuidor y Detergentes del Lavavajillas, pág 35-37.)
- 3 Agregue el agente de enjuague, si es necesario. (Ver Agente de Enjuague, pág 37.)
- 4 Seleccione el CICLO deseado. (Ver Selecciones de Ciclos, pág 27.)

La luz que rodea la tecla se iluminará cuando se oprima la tecla.

- 5 Seleccione las OPCIONES deseadas. (Ver Selecciones de Opciones de Energía, pág 29.)

La luz que rodea la tecla se iluminará cuando se oprima la tecla.

- 6 Para poner en marcha, oprima la tecla 'START/CANCEL' y cierre la puerta. (Ver 'Start/Cancel', pág 30.)

### SON DOS NORMALES DE FUNCIONAMIENTO

A pesar de que su lavavajillas cuenta con muchas mejoras que reducen el nivel de ruido, es normal escuchar algunos sonidos relacionados con la actividad interna del lavavajillas. Los ciclos de lavado incluyen varias instancias de admisión de agua a la unidad (chapoteo), de funcionamiento de la bomba de lavado en funcionamiento para rociar agua sobre los platos (motor y chapoteo) y de la bomba de desagüe en funcionamiento para eliminar el agua sucia y los desperdicios. También es normal que hayan variaciones en los sonidos de bombeo y rociado. Durante un ciclo, la bomba se enciende y se apaga muchas veces; la presión de rociado también se ajusta (se aumenta o reduce) durante el ciclo para ofrecer el mejor rendimiento de limpieza.

### SELECCIONES DE CICLOS DE LAVADO

Las duraciones de los ciclos son aproximadas y varían según las opciones seleccionadas. Se requiere agua caliente para activar el detergente de lavavajillas y para derretir suciedad grasosa.

Un sensor automático verifica la temperatura del agua durante cada ciclo. Cuando se selecciona "HI-TEMP WASH" (lavado a alta temperatura), la unidad calienta el agua a una temperatura aún mayor. Antes de encender el lavavajillas, abra la llave de agua caliente en el fregadero más cercano al lavavajillas hasta que el agua salga caliente.

## SELECCIONES DE CICLOS

Es posible que note que su lavavajillas de alta eficiencia tarda más en lavar que su lavavajillas anterior. El sistema hidráulico y los ciclos de lavado fueron diseñados cuidadosamente para utilizar menos calor y menos agua. Para asegurarse de que los platos queden limpios con el uso de menos recursos valiosos, el lavavajillas pasa más tiempo rociando el agua. La bomba utiliza menos electricidad. El diseño avanzado del filtro permite utilizar el agua durante más tiempo antes de que sea necesario reemplazarla, lo que resulta en un consumo más eficiente de los recursos.

Las duraciones de los ciclos, las temperaturas del agua y el consumo de agua varían según el ciclo programado y según las opciones seleccionadas. Cuando el agua entrante o la habitación están más frías, la unidad calentará y lavará durante más tiempo para alcanzar las temperaturas necesarias.

Este lavavajillas también utiliza un sensor inteligente para detectar qué tan sucios están los platos y para ajustar el ciclo automáticamente. Este sensor se calibra al final de la mayoría de los ciclos, cuando la unidad tiene una pequeña cantidad de agua limpia alrededor del sensor. El sensor no estará calibrado para el primer ciclo después de una interrupción del suministro eléctrico al lavavajillas. Para asegurarse de que sus platos queden limpios, la unidad pasa automáticamente a la opción de ciclo ideal para suciedad fuerte la primera vez que se utilice después de la interrupción eléctrica.

### 'Heavy Wash'



Este ciclo rocía fuertemente el agua y es ideal para ollas, sartenes, cacerolas, cazuelas y platos con suciedad endurecida. El uso de agua es aproximadamente de 9,2 galones. La duración de lavado varía entre 140 y 162 minutos.

### 'Auto Wash'



Este excelente ciclo completo utiliza el sensor inteligente para determinar la cantidad de suciedad presente en los platos. La duración del ciclo y el uso de agua se ajustan automáticamente para asegurar que la suciedad sea removida eficiente y completamente. Este ciclo se adapta a niveles de suciedad leves a extremos. La suciedad leve resultará en un ciclo más corto, mientras que la suciedad fuerte resultará en un ciclo largo. El uso de agua varía entre 3,1 y 9,1 galones y la duración del ciclo varía entre 93 y 131 minutos.

### 'Normal Wash'



Es un ciclo automático general ideal para todo tipo de cargas excepto cargas muy especiales. Su ajuste automático y sus límites de lavado son casi idénticos a los del lavado automático descritos más arriba.

### 'Quick Wash'



Este ciclo utiliza más electricidad y agua (aproximadamente 6,1 galones) a la vez para lavar platos más rápidamente (aproximadamente entre 42 y 52 minutos). Este ciclo fue diseñado para lavar platos y cubiertos levemente sucios o previamente enjuagados.

### 'Rinse'



Este ciclo es para enjuagar los platos cuando no vaya a utilizar un ciclo completo sino hasta mucho más tarde. El enjuague utiliza mucha menos agua de la que usaría si enjuagara los platos a mano. El lavavajillas utiliza agua sin calentar para disolver y remover una gran parte de la suciedad y la elimina por el desagüe antes de que pueda secarse o pudrirse.

## SELECCIONES DE OPCIONES DE ENERGIA

### 'Hi-Temp Wash'



Cuando se selecciona la opción 'HI-TEMP WASH' (alta temperatura), el lavavajillas calienta el agua del lavado principal a aproximadamente 140°F (60°C) y el enjuague final a 150°F (65°C). Se mostrará el mensaje "HI-TEMP ON" (alta temperatura activada).

Esta temperatura más alta ayuda a que el detergente del lavavajillas quite el alimento, grasa y suciedad de los platos de manera más eficaz y a la vez mejora el secado. La opción 'HI-TEMP WASH' puede ser usada con todos los ciclos AUTO, HEAVY y NORMAL ciclos.

Cuando se seleccione la opción 'HI-TEMP WASH', la luz que rodea la tecla se iluminará y permanecerá iluminada hasta el fin del ciclo.

### Controles a prueba de niños/ 'Air Dry'



Para evitar que los niños inicien o cambien un ciclo de lavado accidentalmente, bloquee los controles del lavavajillas oprimiendo el ícono de secado con aire ('AIR DRY') por lo menos durante 3 segundos antes de liberarlo. La luz indicadora 'LOCKED' (bloqueado) se encenderá cuando estén bloqueados. De esta forma no se podrán realizar nuevas selecciones y el lavavajillas no funcionará hasta que se libere el bloqueo. Para desbloquear los controles, oprima nuevamente el ícono de secado con aire ('AIR DRY') durante 3 segundos.

### 'Sanitize' (Esterilizar)



Para esterilizar sus platos y vasos, seleccione la opción 'SANITIZE'. Cuando se selecciona, la luz que rodea la tecla se iluminará y permanecerá iluminada hasta que se oprima la tecla 'START/CANCEL' o se cierre la puerta. Esta opción aumenta la temperatura del agua en el enjuague final a 155°F (68°C) y mantiene tal temperatura durante 7 minutos. La opción 'SANITIZE' está disponible en los ciclos 'Auto Wash', 'Heavy Wash' y 'Normal Wash'. Solamente estos ciclos de esterilización han sido diseñados para cumplir los requerimientos de la NSF.

*La duración del ciclo se prolongará hasta que se alcance la temperatura apropiada del agua. El lavado continúa durante el período de calentamiento del agua. Para mejores resultados, la temperatura del agua de admisión debe ser por lo menos de 120°F (49°C).*

La luz que rodea la tecla no se iluminará al final del ciclo si no se lograron los requerimientos de esterilización de la NSF. El criterio de esterilización no se cumplirá si el ciclo se interrumpe, si ocurre una falla de energía o si la temperatura del agua es inferior a 120°F (49°C).

## SELECCIONES DE FUNCIONAMIENTO

### 'Delay Start'



El encendido del lavavajillas puede ser diferido por 2, 3, o 6 horas a partir de la programación del ciclo. Realice las selecciones del ciclo, oprima la tecla 'DELAY START' (encendido diferido) hasta que la luz LED del diferimiento deseado se encienda, cierra la puerta y el ciclo se iniciará.

Para anular el diferimiento e iniciar el ciclo antes de que termine el tiempo de espera, abra la puerta y oprima la tecla 'START/CANCEL' (encender/anular). Cierre la puerta y el ciclo se iniciará.

## 'Start/Cancel'

Para comenzar un ciclo, oprima una vez la tecla 'START/CANCEL' y cierre la puerta.

Para cancelar un ciclo en curso, abra la puerta y oprima una vez la tecla 'START/CANCEL'. Cierre la puerta nuevamente y el lavavajillas se desaguará y apagará.



### NOTA

**Si se abre la puerta durante el funcionamiento normal, el ciclo seleccionado solamente se detendrá pero no se apagará.**

## Indicaciones del Error

Esta unidad supervisa los parámetros de lavado y la comunicación de las piezas. Si ocurre cualquier evento o falla que evite el funcionamiento adecuado o seguro del producto, la unidad se apagará y mostrará un mensaje de error haciendo destellar todas las luces indicadoras. Si las luces están destellando, póngase en contacto con el Centro de Atención al Client Electrolux llamando al **1-877-435-3287**. Allí le ofrecerán asistencia en la localización y solución de la avería y/o, de ser necesario, para localizar a un técnico de servicio autorizado.

Los posibles errores están indicados en la pág. 45. En caso de que ocurra un error, una luz LED en la parte inferior del tablero de control en la base de la unidad le indicará en más detalle cuál es la causa del error (como lo muestra la pág. 45).

## Corrección y prevención automáticas de desbordamiento

Durante el ciclo completo, el lavavajillas detecta niveles elevados de agua. En el caso extraordinario de que tal corrección sea necesaria, el lavavajillas interrumpirá el ciclo, drenará el agua (en general unos pocos segundos son suficientes) y continuará el ciclo.

Si el drenaje correctivo continúa durante 90 segundos sin que se reduzca el nivel de agua, la unidad se detendrá y emitirá el error 16 (interruptor flotante atascado/ desagüe obstruido).

Si el nivel de agua debe ser corregido 7 veces durante un ciclo, la unidad detendrá el ciclo y mostrará el error 15 (escape en la válvula de agua). Luego hará funcionar periódicamente la bomba de drenaje para evitar una inundación hasta que alguien llegue para cerrar el suministro de agua y desactivar el error.

## PREPARACION DE LOS PLATOS

Raspe los pedazos grandes de alimento, huesos, huesos de fruta, picadientes, etc. El sistema de lavado retirará el resto de las partículas de comida. Raspe con cuidado el alimento quemado con un utensilio que no raye o coloque el plato a remojar antes de lavarlo. Vacíe los líquidos de los vasos y tazas.

Los alimentos que contienen aceite vegetal y/o aditivos químicos tales como mostaza, mayonesa, vinagre, jugo de limón o productos a base de tomate pueden causar descoloración del acero inoxidable y de los plásticos si se dejan sin lavar durante un período de tiempo prolongado. A menos que el lavavajillas vaya a ser puesto a funcionar inmediatamente, es mejor enjuagar los platos para quitar previamente tales suciedades.

- Acomode las canastillas de modo que los artículos grandes no interfieran con la apertura del distribuidor de detergente.
- Verifique las recomendaciones del fabricante antes de lavar los artículos sin indicaciones.
- Si el lavavajillas desagua hacia un triturador de alimentos, **asegúrese de que el triturador esté completamente vacío antes de poner en marcha el lavavajillas.**

## Sugerencias para Cargar la Rejillas

La suciedad se limpia cuando se rocía agua sobre cada superficie. Para una limpieza óptima, cargue los platos y los cubiertos de manera que no estén en contacto con otros platos o cubiertos. Así todas las superficies quedarán expuestas a los chorros de limpieza.

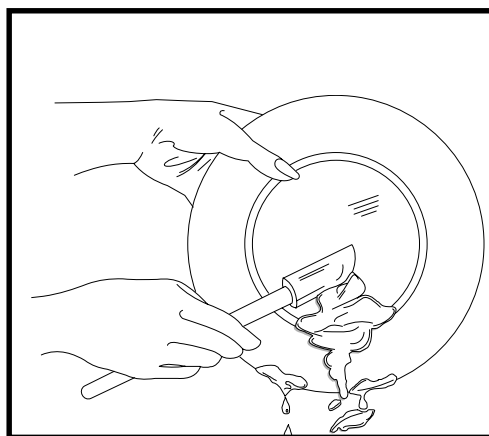
Las esquinas son las más difíciles de alcanzar para los brazos de rociado. Lo mejor es colocar los vasos más altos alejados de las esquinas de la rejilla superior.

Siempre coloque boca abajo los objetos con abertura para que se limpien y sequen mejor.

Algunos platos tienen bordes o ranuras que pueden atrapar el agua. Para mejorar el secado, utilice las pendientes incorporadas en la rejilla y las osciones de los soportes verticales para ubicar este objeto de manera que las superficies no queden horizontales y así ayudar a drenar la mayor cantidad de agua posible.

Coloque objetos delicados de manera segura en la rejilla sin permitir que toquen otros objetos. Esto minimizará la posibilidad de que se volteen o que entren en contacto con otros objetos y se dañen cuando se mueva la rejilla o cuando las boquillas de rociado estén encendidas.

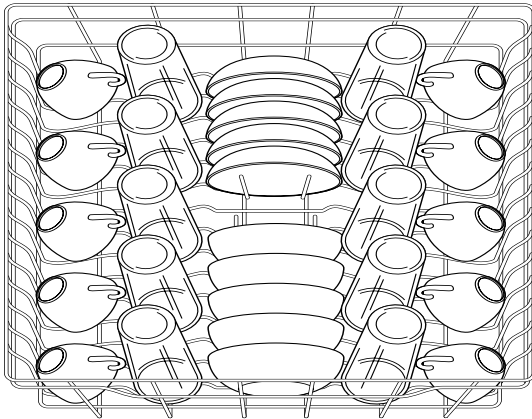
En algunos lavavajillas no es seguro colocar objetos de vidrio o de plástico en la rejilla inferior, primordialmente porque tienen un calentador abierto directamente por debajo. Este lavavajillas no es así. Este lavavajillas aplica la misma presión fuerte y delicada y agua a la misma temperatura a los platos en las rejillas superior e inferior. Siéntase en libertad de colocar los platos y otros objetos donde quepan mejor.



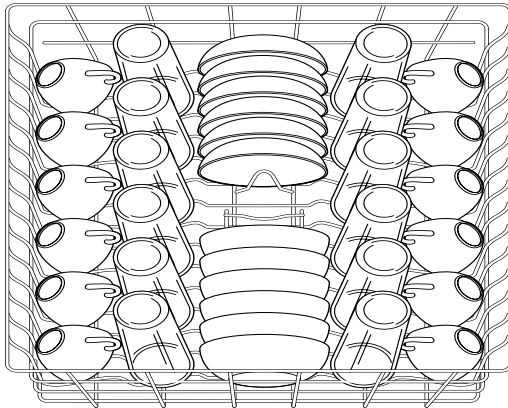
## CARGA DE LA CANASTILLA SUPERIOR

La rejilla superior fu diseñada para ofrecer la máxima flexibilidad para cargar una gran variedad de objetos, en especial tazas, vasos, copas, platos pequeños y tazones pequeños.

Asegúrese de que nada sobresalga a través de la parte interior de la rejilla o que pueda moverse hasta tal posición ya que el brazo de rociado medio podría bloquearse. Si no está seguro, gire el brazo de rociado manualmente para ver si ha interferencia.



patron de carga normal con 10 ajustes de posiciones



patron de carga normal con 12 ajustes de posiciones

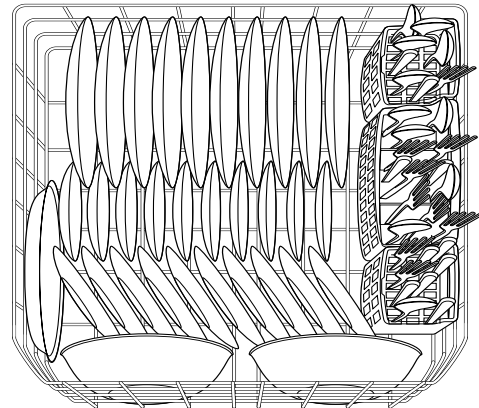
## NOTA

Las características en el modelo de su lavavajillas pueden ser diferentes a las ilustraciones de este manual.

## CARGA DE LA CANASTILLA INFERIOR

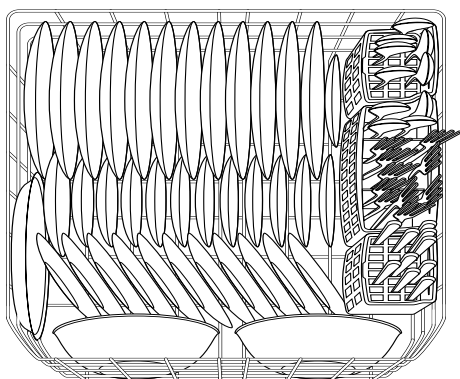
Para lavar objetos de hasta 13" (33cm) en la rejilla inferior, coloque la rejilla superior en su posición alta.

- Los artículos grandes deben ser colocados a lo largo del borde de modo que no bloqueen la rotación del brazo rociador central.
- Para obtener mejores resultados, coloque los tazones, cacerolas y sartenes con la superficie sucia hacia abajo o hacia el centro. Incline levemente cualquier superficie plana para un mejor drenaje del agua.
- Asegúrese de que los artículos altos no bloqueen la rotación del brazo rociador intermedio.
- Asegúrese de que los mangos de los sartenes no sobresalgan a través de la parte inferior de la canastilla y bloqueen la rotación del brazo rociador inferior.
- Las tazas o utensilios adicionales pueden ser colocados en la parte trasera.



patron de carga normal con 10 ajustes de posiciones



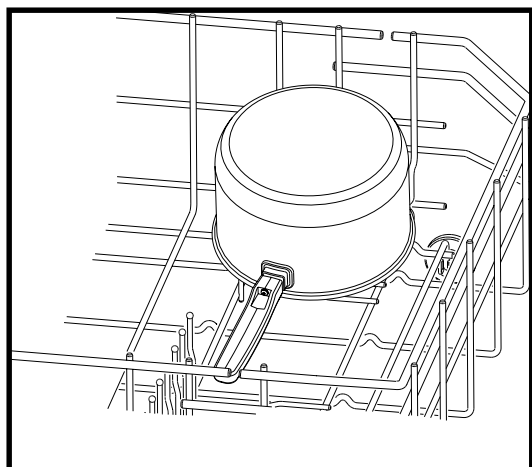


patron de carga normal con 12 ajustes de posiciones

## Soportes Abatibles

Los soportes abatibles en la canastilla inferior y estante superior facilitan la carga de aquellos artículos grandes o difíciles de colocar. Los soportes pueden ser dejados levantados para uso normal o plegados para mayor flexibilidad de la carga.

Coloque los soportes hacia abajo para facilitar la carga de ollas y sartenes grandes.

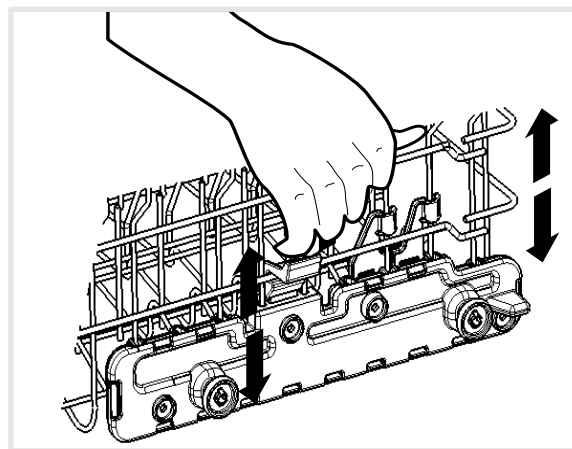


## AJUSTE DE LA ALTURA DE LA CANASTILLA

La rejilla superior tiene dos ajustes de altura. Baje la rejilla a la posición inferior para lavar vasos altos. Súbala a la posición superior para hacer lugar para objetos altos en la rejilla inferior.

Para evitar daños a los artículos, siempre ajuste la rejilla superior antes de colocar objetos en ella.

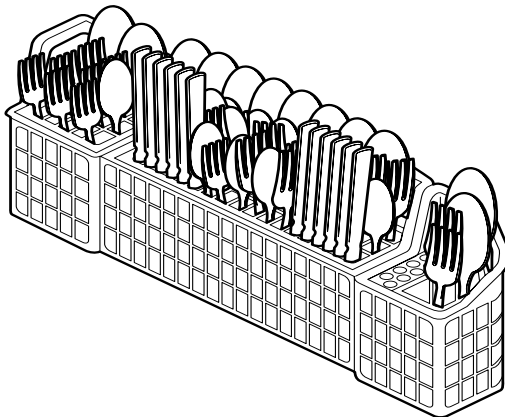
Para cambiar la posición de la rejilla con mayor facilidad, suba o baje la rejilla de manera que quede nivelada de adelante hacia atrás y de lado a lado. Para subir la rejilla desde la posición inferior hasta la posición superior, simplemente sosténgala con una mano a cada lado y levántela derecho hacia arriba. La palanca es a resorte y se acoplará cuando la rejilla alcance la posición superior. Para liberar la rejilla y bajarla a la posición inferior, sostenga la rejilla como lo muestra la figura más abajo, extienda los dedos para tirar de la palanca y baje la rejilla a su posición más baja.



## CARGA DE LA CESTILLA DE LA CUCHILLERÍA

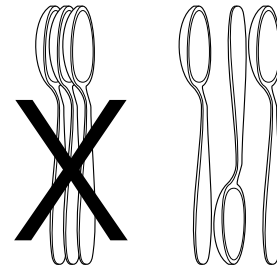
La cesta para cubiertos puede ser llenada mientras está en la rejilla interior o puede retirarla y llevarla al mostrador o a la mesa.

- Coloque los artículos pequeños como las tapas de las mamaderas, tapas de frascos, sujetadores de elotes, etc. en una de las secciones con tapa. Cierre la tapa para mantener los artículos pequeños en su lugar.
- Asegúrese de que nada sobresalga a través de la parte inferior de la cestilla o de la canastilla inferior que bloquee el brazo rociador inferior.
- No mezcle artículos de plata y de acero inoxidable a fin de evitar que se dañe el acabado de la plata.
- Para obtener los mejores resultados de limpieza, de los cubiertos, coloque un solo cubierto en cada ranura.



### ATENCION

**PARA EVITAR SUFRIR UNA CORTADURA:** Cargue los artículos afilados (cuchillos, broquetas, etc.) con las puntas hacia abajo. El incumplimiento de esta advertencia puede ocasionar una lesión.



Cuando las tapas estén hacia arriba, mezcle los artículos no afilados en cada sección de la cestilla con algunos dirigidos hacia arriba y algunos hacia abajo para evitar que se aniden unos contra otros. El agua rociada no puede llegar a los artículos que están anidados.

## AGREGANDO UN PLATO

**Para agregar o quitar artículos después de que ha comenzado el ciclo de lavado:**

- 1 Abra ligeramente la puerta y espere unos pocos segundos hasta que se detenga el lavado antes de abrirla completamente.
- 2 Agregue el artículo olvidado.
- 3 Cierre firmemente la puerta con seguro y el ciclo se reanudará automáticamente.

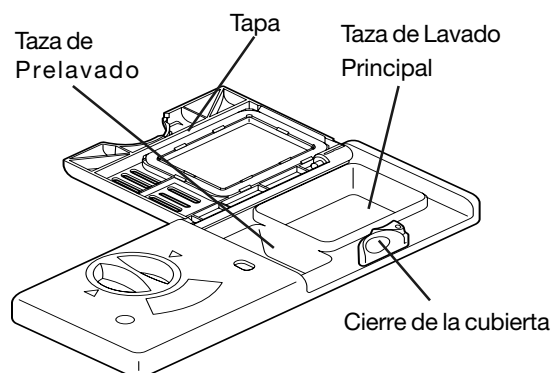
### ATENCION

**PARA EVITAR SUFRIR UNA QUEMADURA:** Abra ligeramente la puerta y espere hasta que los brazos rociadores y la acción de lavado se detenga. Puede salpicar agua caliente hacia afuera del lavavajillas. El incumplimiento de esta advertencia puede ocasionar una lesión.

## LLENADO DEL DISTRIBUIDOR DE DETERGENTE

El distribuidor de detergente tiene dos envases, uno para el detergente de prelavado y otro para el detergente principal. Una vez que haya colocado el detergente en su envase, cierre la puerta del distribuidor. Las ranuras abiertas del envase de detergente de prelavado permiten que el detergente entre al lavavajillas durante el primer lavado. Durante el lavado principal, la puerta se abrirá automáticamente para permitir que el detergente de lavado principal entre al lavavajillas para activarse con el agua caliente del lavado principal.

- Si los envases de detergente tienen agua en su interior, suba la puerta a la posición cerrada para remover el agua y luego ábrala nuevamente para colocar el detergente en el envase.
- Coloque el detergente en el envase justo antes de iniciar el ciclo para minimizar la posibilidad de que se humedezca.
- Sólo utilice detergente para lavavajillas automáticos. Otros tipos de detergentes causarán la formación excesiva de espuma.
- Cuando use pastillas o paquetes de detergente para lavavajillas automáticos, coloque sólo una unidad en el envase de detergente para lavado principal y cierre la compuerta del distribuidor.
- Almacene el detergente en un lugar fresco y seco. El detergente humedecido o endurecido podría no disolverse adecuadamente.



## CANTIDAD DE DETERGENTE NECESARIA

La cantidad de detergente que debe utilizar depende del nivel de dureza del agua. Mientras mayor sea la concentración de minerales en la solución, más “dura” será el agua. Los minerales son en realidad buenos para usted y, hasta cierto punto, puede usar cambios en la cantidad de detergente para asegurar un lavado adecuado. Si el agua es demasiado dura, va a ser difícil lavar bien los platos y los minerales podrían mancharlos o acumularse en los platos y el lavavajillas. En tal caso, se recomienda instalar un suavizador de agua.

El uso de una cantidad insuficiente de detergente podría causar una reducción de calidad del lavado o en la aparición de manchas o capas de suciedad. Si utiliza demasiado, especialmente en combinación con agua a altas temperaturas, podría causar daños permanentes (denominados “decapado”) a la superficie de los platos (consulte la sección “decapado” en la pág. 41). El decapado de los objetos de vidrio le da a la superficie una apariencia opaca.

Para conocer la cantidad adecuada de detergente que debe utilizar, consulte la tabla proporcionada.

La compañía local de agua, la compañía de suavizantes de agua o un agente de extensión de su región puede indicarle el nivel de dureza del agua en su área. Hay muchas unidades diferentes que sirven para describir el nivel de dureza del agua; asegúrese de pedirles la medición en granos por galón imperial (“grains per US gallon”) (gpg) que se utiliza en la tabla. De no ser posible, puede utilizar calculadoras de conversión de dureza del agua disponibles en Internet.

### ATENCION

**El uso de detergentes industriales puede dañar el del lavavajillas, lo que causaría daños a la unidad y a la propiedad que lo rodea. Sólo use detergentes para lavavajillas automáticos para el hogar.**

## GUIA DE USO DEL DETERGENTE

Consulte la tabla siguiente para el uso de detergente recomendado.

Ciclo	Agua Blanda (0 a 3 granos)	Agua Semidura (4 a 8 granos)	Agua Dura (9 a 12 granos)	Agua Muy Dura* (Más de 12 granos)
Pesado, automóvil o Normal	2 Cucharaditas (Compartimiento de lavado principal – ¼ de la capacidad)	5 Cucharaditas (Compartimiento de lavado principal – llenar hasta la línea más arriba de "Regular")	8 Cucharaditas (Compartimiento de lavado principal completamente lleno)	Cada compartimiento completamente lleno (Se recomienda suavizador de agua)
Lavado Corto	2 Cucharaditas (Compartimiento de lavado principal – ¼ de la capacidad)	5 Cucharaditas (Compartimiento de lavado principal – llenar hasta la línea más arriba de "Regular")	8 Cucharaditas (Compartimiento de lavado principal completamente lleno)	Compartimiento de lavado principal completamente lleno (Se recomienda suavizador de agua)
Enjuague	No usar detergente	No usar detergente	No usar detergente	No usar detergente (Se recomienda suavizador de agua)

Como se muestra en la última columna de esta tabla, se recomienda un ablandador de agua para mejorar la calidad del agua y el rendimiento del lavado cuando se usa agua muy dura.

## AGENTE DE ENJUAGUE

**El agente de enjuague mejora enormemente el secado y reduce las manchas y la capa delgada dejada por el agua.** Ayuda a que el agua se extienda sobre los platos en vez de que forme gotitas que se adhieren y dejan manchas.

El distribuidor de agente de enjuague, ubicado junto al compartimiento del detergente, distribuye automáticamente una cantidad medida de agente de enjuague durante el último enjuague. Si existe el problema de manchas y secado deficiente, aumente la cantidad de agente de enjuague distribuida girando el control y colocándolo en un número más alto. El control se encuentra debajo de la tapa del distribuidor.

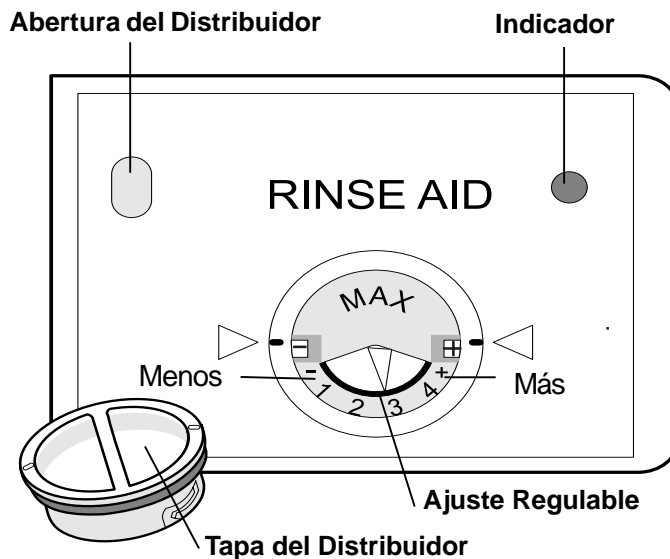
El indicador se oscurece cuando está lleno y queda transparente cuando se debe llenar.

En la aclaración la ayuda es baja, de LOW RINSE LED se ilumina indicando que es tiempo de llenar el distribuidor.

### Para agregar agente de enjuague líquido:

- 1 Gire a la izquierda 1/4 de vuelta la tapa del distribuidor y levántela.
- 2 Agregue el agente de enjuague hasta que el líquido toque el MAX nivel de llenado indicado. No llene demasiado pues se puede causar demasiada espuma.
- 3 Vuelva a colocar la tapa.
- 4 Limpie cualquier derrame con un paño húmedo.

El distribuidor tiene capacidad suficiente para 35 a 140 lavados, dependiendo del ajuste en que sea colocado.



## TEMPERATURA DEL AGUA

Todos los ciclos que utilizan calor están diseñados para usar agua entrante de 120° F (49° C) el ajuste común del calentador de agua de su hogar. Hasta cierto punto, si el agua entra a una temperatura diferente, el lavavajillas ajustará el tiempo de lavado y de calentamiento. Se programaron límites para estos ajustes para evitar que los ciclos sean demasiado largos o demasiado cortos.

El primer prelavado de cada ciclo generalmente no utiliza calentamiento y utiliza una dosis de detergente del envase de detergente de prelavado. El detergente es más eficiente a 120° F que a 90° F o incluso que a 70° F, que son las temperaturas que obtendría cuando abre la válvula por primera vez. Para una limpieza óptima, se recomienda abrir el agua caliente en el fregadero más cercano al lavavajillas hasta haber eliminado el agua fría de la tubería. Luego cierre la llave del fregadero e inicie el ciclo del lavavajillas.

Es posible que deba secar los objetos de plástico con una toalla. Su geometría tiende más a atrapar el agua. Además, el plástico no retiene el calor tan bien, por lo que cuando termina el ciclo, no queda suficiente calor en el plástico para evaporar el agua restante en la superficie.

### Verificación de la temperatura del agua que entra al lavavajillas:

- 1 Abra la llave del agua caliente que esté más cerca al lavavajillas durante varios minutos para hacer salir el agua fría de las tuberías.
- 2 Coloque un termómetro de carne o repostería en el chorro de agua para verificar la temperatura.
- 3 Si la temperatura es inferior a 120°F (49°C), pida a una persona calificada que eleve el ajuste del termostato del calentador de agua.



### IMPORTANTE

**Antes de comenzar un ciclo, haga correr agua caliente para despejar el agua fría de la tubería.**

## Sugerencias para platos más secos

Los aditivos de enjuague ayudan a minimizar la cantidad de agua que permanece en los platos cuando se drena el agua de la unidad. El agua que permanece en los platos se evapora principalmente debido al calor que queda en los platos al finalizar el ciclo. El plástico no retiene tanto calor, por lo que no se seca tan bien. Cuando el agua se evapora (aire húmedo), el vapor es extraído por un ventilador.

Es posible que el agua que quede atrapada en el reborde o en las ranuras de los platos no se evapore. Para evitar que esta agua caiga sobre platos que están secos cuando los retire del lavavajillas, utilice esta secuencia: Retire los platos de la rejilla inferior primero y luego los de la rejilla superior. En cualquiera de las rejillas, retire primero los platos que están completamente secos y luego retire los platos que todavía tienen un poco de agua en ellos.

Al final del ciclo, la unidad detendrá el lavado, completará el drenaje y encenderá la luz LED para indicarle que el ciclo terminó. En este momento podrá retirar los platos. Si no está presente o no retira inmediatamente los platos, la unidad encenderá un ventilador pequeño hasta por una hora más o hasta que alguien abra la puerta (lo que ocurra primero) para mejorar aún más el secado. Este ventilador utiliza muy poca electricidad.

## PRESION DEL AGUA

La tubería del agua caliente hacia el lavavajillas debe proporcionar una presión de agua entre 20 y 90 libras por pulgada cuadrada (lbs./pulg.<sup>2</sup>).

Puede ocurrir presión baja del agua cuando la ducha o la lavadora de ropa están en funcionamiento. Espere a que se reduzca el uso del agua antes de poner en marcha el lavavajillas.

## EXTERIOR

Limpe ocasionalmente las superficies exteriores de su lavavajillas con un detergente suave no abrasivo y agua. Enjuague y seque.

### Puerta de Acero Inoxidable

Limpe la puerta de acero inoxidable y la manija con agua caliente, jabonosa y un paño. Enjuague con agua limpia y un paño. No use limpiadores abrasivos. Use solamente limpiadores domésticos especialmente fabricados para limpiar acero inoxidable.

## INTERIOR

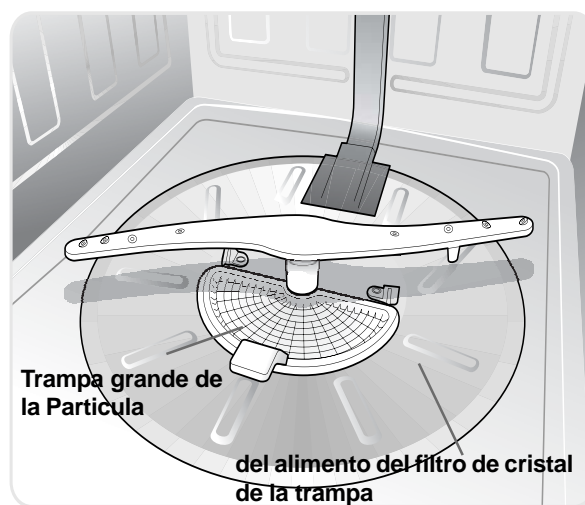
Quite las manchas en la puerta y en la tina con un paño húmedo, no abrasivo.

### Cuidado del depósito/filtro de vidrio

El lavavajillas está equipado con un moderno sistema de lavado. Para maximizar el rendimiento del sistema de lavado, es posible que haya que lavar periódicamente el depósito/filtro de vidrio y el depósito/filtro de partículas grandes de alimentos.

El depósito/filtro de vidrio se encuentra en el centro del depósito/filtro de partículas grandes de alimentos. El depósito/filtro de vidrio está diseñado para filtrar y recibir desperdicios grandes como las partículas de vidrio roto, pajillas, huesos y semillas. Para remover los objetos del filtro de vidrio, sostenga la manija, presiónelo levemente hacia adelante mientras lo levanta, vacíelo y vuelva a instalarlo.

Puede limpiar el filtro para partículas grandes de alimentos usando una toalla de papel húmeda.



## Cuidado de la Válvula Rompevacío

Si se instaló una válvula rompevacío en su lavavajillas empotrado, verifique para asegurarse de que esté limpia de modo que el lavavajillas pueda desaguar en forma apropiada. La válvula rompevacío generalmente se instala en el fregadero de la mesada y puede ser inspeccionada retirando la tapa. Esto no es parte de su lavavajillas y no está cubierto por la garantía.



### ATENCIÓN

**Las temperaturas de congelación pueden causar ruptura de las tuberías del agua. Asegúrese de que todas las tuberías de suministro del agua y las tuberías de circulación dentro del lavavajillas estén protegidas. De lo contrario se pueden ocasionar daños materiales.**

## PREPARACION PARA EL INVIERNO

Si el lavavajillas se deja en un lugar sin calefacción debe ser protegido contra congelamiento. Solicite a un técnico calificado que haga lo siguiente:

### Desconexión del Servicio:

- 1 Desconecte la energía eléctrica hacia el lavavajillas en la fuente de suministro, ya sea retirando los fusibles o disparando el disyuntor.
- 2 Cierre el suministro del agua.
- 3 Coloque un recipiente debajo de la válvula de admisión de agua. Desconecte la tubería de agua de la válvula de admisión y desagüe hacia el recipiente.
- 4 Desconecte la tubería de desagüe de la bomba y escurra el agua en el recipiente.

### Para restaurar el servicio:

- 1 Vuelva a conectar el agua, el desagüe y el suministro de energía eléctrica.
- 2 Abra la llave del agua y conecte el suministro de energía eléctrica.
- 3 Llene ambos dispensadores de detergente y ejecute un ciclo de lavado 'HEAVY WASH' (Lavado Intenso).



### NOTA

**Vea las instrucciones de instalación para obtener más detalles.**



**IMPORTANTE**

**Antes de hacer una llamada de servicio, revise primero esta lista. Le puede ahorrar tiempo y gastos. Esta lista incluye las experiencias más comunes que no son el resultado de defectos de materiales o fabricación en su lavavajillas.**


**QUEDAN MANCHAS DE ALIMENTOS EN LOS PLATOS**

- Verifique la temperatura del agua de admisión. (Ver Como usar el lavavajillas, página 27.) Debe ser de por lo menos 120°F (49°C). (Ver Factores que Afectan el Rendimiento, pág 38.)
- Seleccione otro ciclo para un lavado más prolongado.
- Consulte las secciones sobre carga de las canastillas para una carga correcta – evite que los artículos se aniden.
- La presión del agua en el hogar puede ser demasiado baja – debe ser 20 a 90 libras por pulgada cuadrada (lbs./pulg.<sup>2</sup>).
- Verifique el nivel de dureza del agua. se requiere más detergente cuando el agua es dura. Para agua extremadamente dura, es posible que sea necesario instalarla un suavizante de agua. (Consulte la Guía de uso de detergente en la pág. 37).
- Use detergente fresco.
- Considere utilizar el ciclo de enjuague cuando vaya a dejar los platos sucios en el interior del lavavajillas durante varias horas antes de iniciar el ciclo de lavado.

**LOS PLATOS NO SE SECAN**

- Asegúrese de que el distribuidor de agente de enjuague esté lleno.
- Aumente la cantidad de agente de enjuague (Ver Agente de Enjuague, pág 37).
- Verifique la temperatura del agua de admisión. Asegúrese de que esté por lo menos a 120°F (49°C).
- Verifique la carga correcta del lavavajillas, evite anidar los artículos.
- Es posible que deba secar los objetos de plástico con una toalla. Los objetos de plástico generalmente son menos planos, su forma le da mayor rigidez a los materiales más flexibles. Su geometría tiende a atrapar más el agua. Además, el plástico no retiene el calor tan bien, por lo que cuando termina el ciclo, quedará muy poco calor en el plástico, y no es suficiente para evaporar el agua que queda en la superficie.
- Las tazas con fondo cóncavo pueden retener agua.
- Consulte las Sugerencias para cargar la rejillas en la pág. 31.


**DECAPADO**

- Si utiliza demasiado detergente, especialmente en combinación con agua a altas temperaturas, podría causar daños permanentes (denominados “decapado”) a la superficie de los platos. El decapado de los objetos de vidrio le da a la superficie una apariencia opaca.
- Ajuste la cantidad de detergente según la tabla de agua de la Guía de uso de detergente de la pág. 36.
- Baje la temperatura (seleccione una opción de temperatura más baja o reduzca el ajuste de temperatura del calentador de agua si proporciona agua a más de 130°F).

## CUCHILLERIA O ARTICULOS DE VIDRIO MANCHADOS U OPACOS

- Verifique la dureza del agua. Para agua extremadamente dura, puede ser necesario instalar un suavizador de agua. (Ver la Guía de Uso del Detergente, pág 36.)
- La temperatura del agua puede ser demasiado baja. Evite temperaturas extremadamente bajas o altas. (Ver Factores que Afectan el Rendimiento, pág 38.)
- Evite cargar demasiado el lavavajillas o cargarlo de manera incorrecta. (Ver Preparación y Carga de la Vajilla, pág 31-34.)
- Use detergente fresco. El detergente antiguo no es eficaz.
- Asegúrese de que el distribuidor de agente de enjuague esté lleno.
- Verifique que se esté usando la cantidad de detergente apropiada para el ciclo seleccionado. (Ver Llenado del Distribuidor de Detergente, pág 35-37.)
- La presión del agua del hogar puede ser demasiado baja – debe ser entre 20 y 90 libras por pulgada cuadrada (lbs./pulg.<sup>2</sup>).

## VAJILLA DAÑADA

- Cargue con cuidado y no sobrecargue el lavavajillas. (Ver Preparación y Carga de la Vajilla, pág 31-34.)
- Coloque los artículos delicados en la canastilla superior.
- Coloque los vasos contra los soportes y no sobre los soportes.
- Coloque los artículos en forma segura y a efecto de que no se suelten cuando se mueven las canastillas al deslizarla hacia adentro o hacia afuera. Mueva las canastillas hacia adentro y hacia afuera lentamente.
- Asegúrese de que los vasos y las copas altas no toquen la parte superior de la tina cuando la canastilla es empujada hacia adentro.
- Se recomienda lavar la loza antigua fina y el cristal a mano.

## QUEDA DETERGENTE EN EL COMPARTIMIENTO DEL DISTRIBUIDOR

- El detergente puede ser antiguo. Descarte y use detergente fresco.
- Coloque los platos de maneras diferentes en la rejilla ya que los chorros utilizados para enjuagar el detergente de los vasos podría quedar bloqueado.
- Verifique para ver si el ciclo terminó.
- Asegúrese de que no haya artículos que impidan que se abra el distribuidor.
- Asegúrese de que la canastilla superior está firmemente instalada en la boquilla en la parte trasera de la tina antes de cerrar la puerta.

## VAJILLA MANCHADA O DESCOLORIDA

- El té o el café pueden manchar las tazas. Quite las manchas a mano, lavando con una solución de ½ taza (120 ml) de blanqueador y un cuarto de galón (1 Litro) de agua tibia. Enjuague bien.
- Los depósitos de hierro en el agua pueden producir una película amarilla o café. La instalación de un filtro de agua o de un suavizante de agua en la tubería de suministro de agua corregirá este problema.
- Los utensilios de aluminio pueden dejar marcas grises o negras cuando se frota contra otros artículos. Cargue el lavavajillas adecuadamente dejando espacios entre los platos.
- Ciertos alimentos altamente ácidos pueden causar descoloración del acero inoxidable y de los plásticos si se dejan sin enjuagar durante un período largo. Utilice el ciclo de enjuague o enjuague los platos a mano si no va a iniciar el lavavajillas inmediatamente después de cargarlo.
- Si coloca utensilios de acero inoxidable y de plata en la canastilla de la cuchillería puede causar daño a las hojas de acero inoxidable. Evite mezclar el acero inoxidable y la plata.

## EL LAVAVAJILLAS TIENE ESCAPE

- Use solamente detergente fresco formulado para lavavajillas automáticos. Mida el detergente cuidadosamente. Pruebe una marca diferente.
- El agente de enjuague derramado puede producir espuma y causar sobrellenado. Limpie los derrames con un paño húmedo.
- Verifique si el lavavajillas está nivelado. (Ver Instrucciones de Instalación).

## SONIDOS NORMALES QUE USTED ESCUCHARA

- Los sonidos normales de funcionamiento incluyen el llenado de agua, la circulación del agua, el drenaje y los ruidos del motor.
- La pulsación de la bomba puede causar que la velocidad del motor aumente y disminuya a intervalos regulares durante los ciclos.

## AGUA EN EL FONDO DE LA TINA

- No es normal que quede agua en el fondo de la tina al final de un ciclo. Si el agua permanece en el fondo de la tina al final del ciclo, el lavavajillas puede que no esté desaguando en forma debida. (Ver El Lavavajillas no Desagua Bien, pág 44.) El filtro también puede necesitar limpieza. (Ver Cuidado del Filtro, pág 39.) *Nota: Es normal ver una pequeña cantidad de agua debajo del filtro al final de un ciclo.*

## EL LAVAVAJILLAS NO SE LLENA

- Verifique si el suministro de agua está abierto.
- Agregue ½ taza de agua en el fondo del lavavajillas y ponga en marcha nuevamente.

## EL LAVAVAJILLAS NO FUNCIONA

- Verifique si el disyuntor está disparado o si hay un fusible fundido.
- Asegúrese de que el suministro del agua está abierto.
- Verifique si el ciclo está programado correctamente. (Ver Instrucciones de Funcionamiento, pág 27-30.)
- Verifique si la opción 'DELAY START' ha sido seleccionada.
- Asegúrese de que la puerta esté cerrada y con seguro.

## EL LAVAVAJILLAS TIENE UN OLOR

- Los platos sucios dejados en el lavavajillas por mucho tiempo pueden crear un olor. Use el ciclo de enjuague.
- Tendrá olor a "nuevo" cuando recién se instale. Esto es normal.
- Verifique si el lavavajillas está desaguando en forma debida. (Ver El Lavavajillas No Desagua Bien).

## EL LAVAVAJILLAS NO DESAGUA BIEN

- Si el lavavajillas está conectado a un triturador de desperdicios, asegúrese de que el triturador esté vacío.
- Si el lavavajillas está conectado a un triturador de desperdicios de comidas recién instalado, verifique si se ha quitado el tapón removible dentro de la admisión del triturador.
- Verifique si la manguera de desagüe está torcida.
- Asegúrese de que el ciclo se ha completado y no está en una pausa.

## EL CICLO DEMORA DEMASIADO TIEMPO

- Compruebe si está en un ciclo de calentamiento de agua demora, en función de la temperatura del agua de entrada, tiempo de ciclo puede ser aumentado. La temperatura del agua debe estar a 120°F (49°C). (Ver Factores que afectan al Rendimiento, pág. 38).
- Verifique si la opción de comienzo diferido ha sido seleccionada.
- Verifique si se seleccionó la opción de esterilización.
- El primer ciclo después de una desconexión del suministro eléctrico al lavavajillas será una versión prolongada del ciclo seleccionado.



## PARA QUITAR

### PELICULAS Y MANCHAS

El agua dura puede causar acumulación de depósitos de cal en el interior del lavavajillas. Los platos y vasos pueden también quedar con películas y manchas por un número de razones. (Ver Cuchillería o Artículos de Vidrio Manchados u Opacos, pág 42).

#### Para quitar las manchas y películas, limpie usando las siguientes

##### instrucciones:

- 1 Cargue los platos y vasos limpios de manera normal. No cargue utensilios de metal o cuchillería.
- 2 No agregue detergente.
- 3 Seleccione el ciclo 'HEAVY WASH' (lavado fuerte). Oprima la tecla 'START/CANCEL' y cierre la puerta.
- 4 Espere 1/2 hora para que el lavavajillas comience con el lavado principal. Abra la puerta y vierta 2 tazas de vinagre blanco en el fondo del lavavajillas.
- 5 Cierre la puerta con seguro y espere hasta que el ciclo termine.



## NOTA

Si no se soluciona el problema, puede ser necesario usar un suavizador de agua.

## CODIGOS DE ERROR

En algunas situaciones que son cruciales para el funcionamiento de la máquina y la seguridad de su operación, el control se cerrará. Todas las luces en la consola se encenderá.

Er 01

Detector de fugas: Cuando se detecta agua bago la tina.

Er 02

Thermistor - Cuando falla el módulo de termistor/ turbiedad.

Er 03

Bomba de auga - está averidad

Er 06

Ventilador inferior - en el ciclo de secado, el panel de control no recibe la información adecuada de velocidad del ventilador inferior

Er 08

Interrupto táctil - el panel de control ha detectado que un interruptor de la interfaz del usuario ha tenido una avería o un cortocircuito

Er 09

Comunicaciones - falla de comunicación entre el panel principal del usuario y el panel de suministro eléctrico.

Er 10

Relé de alimentación prinicipal - ha tenido una falla

Er 13

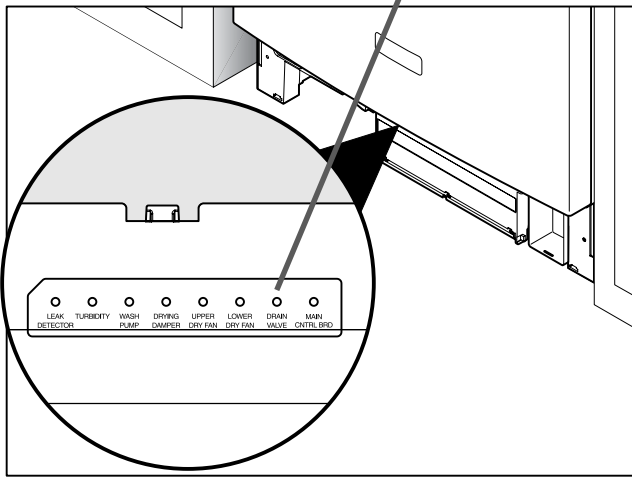
En todo el sistema - pérdida del control del estado de la máquina

Er 15

Válvula de llenado - la válvula de admisión de agua tiene un escape.

Er 16

Flotador - el interruptor flotador está atascado.



Para obtener acceso al conjunto del alojamiento del control, remueva el conjunto de la placa inferior. La luz LED indica cuál componente es la causa del error.

Su electrodoméstico está cubierto por una garantía limitada de un año. Durante un año a partir de la fecha original de compra, Electrolux se hace responsable de la reparación o el reemplazo de cualquier pieza de este electrodoméstico que se encuentre defectuosa en materiales o mano de obra, siempre que el electrodoméstico se instale, utilice y mantenga de acuerdo con las instrucciones proporcionadas. La cuba (tina) de acero inoxidable y el revestimiento de la puerta del electrodoméstico están cubiertos por una garantía limitada de por vida. Durante el período de garantía de por vida del electrodoméstico, Electrolux se hace responsable del reemplazo de la cuba (tina) de acero inoxidable o el revestimiento de la puerta en caso de falla al contener el agua debido a defectos de materiales o mano de obra, siempre que el electrodoméstico se instale, utilice y mantenga de acuerdo a las instrucciones proporcionadas. Además, las rejillas del lavavajillas y el módulo de control electrónico del electrodoméstico están cubiertos por una garantía limitada de dos a cinco años. Es decir, durante el segundo y hasta el quinto año a partir de la fecha original de compra, Electrolux se hace responsable del reemplazo de las rejillas del lavavajillas y el módulo de control electrónico del electrodoméstico que se encuentren defectuosos en materiales o mano de obra, siempre que el electrodoméstico se instale, utilice y mantenga de acuerdo con las instrucciones proporcionadas.

## Exclusiones

Esta garantía no cubre lo siguiente:

1. Productos cuyos números de serie originales hayan sido quitados, alterados o no puedan determinarse con facilidad.
2. Productos que hayan sido transferidos del dueño original a un tercero o que no se encuentren en los EE.UU. o en Canadá.
3. Óxido en el interior o exterior de la unidad.
4. Los productos comprados "como están" no están cubiertos por esta garantía.
5. Pérdida de alimentos por fallas del refrigerador o congelador.
6. Productos utilizados para fines comerciales.
7. Las llamadas de servicio técnico que no involucren un mal funcionamiento o defectos de materiales o de mano de obra, o para electrodomésticos que no sean utilizados para uso doméstico normal o de acuerdo con las instrucciones proporcionadas.
8. Llamadas de servicio técnico para corregir errores de instalación del electrodoméstico o para obtener instrucciones sobre el uso del mismo.
9. Los gastos necesarios para hacer accesible el electrodoméstico a fin de repararlo, como por ejemplo la extracción de adornos, alacenas, estanterías, etc., que no formaban parte del electrodoméstico en el momento en que salió de la fábrica.
10. Llamadas de servicio técnico para reparar o reemplazar bombillas, filtros de aire, filtros de agua, otros consumibles, perillas, manijas u otras piezas decorativas.
11. Costos de mano de obra o de servicio técnico a domicilio durante los períodos adicionales de garantía limitada después del primer año de la fecha original de compra.
12. Costos de recogida y entrega del electrodoméstico (el electrodoméstico está diseñado para ser reparado en el lugar/vivienda en el que está instalado).
13. Costos adicionales que incluyen, sin limitación, cualquier llamada de servicio técnico fuera de las horas de oficina, durante los fines de semana o días feriados, peajes, tarifas de transporte o gastos de traslado para atender llamadas de servicio técnico en áreas remotas, incluyendo el estado de Alaska.
14. Daños al acabado del electrodoméstico o a la vivienda que hayan ocurrido durante la instalación, incluyendo, sin limitación, los armarios, paredes, etc.
15. Daños causados por: servicio técnico realizado por compañías de servicio técnico no autorizadas, el uso de piezas que no sean piezas genuinas Electrolux o piezas obtenidas de personas que no pertenezcan a compañías de servicio técnico autorizado, o causas externas como abuso, mal uso, suministro eléctrico inadecuado, accidentes, incendios o hechos fortuitos.

## RENUNCIA DE RESPONSABILIDAD DE GARANTÍAS IMPLÍCITAS; LIMITACIÓN DE ACCIONES LEGALES

LA ÚNICA Y EXCLUSIVA OPCIÓN DEL CLIENTE BAJO ESTA GARANTÍA LIMITADA ES LA REPARACIÓN O EL REEMPLAZO DEL PRODUCTO SEGÚN SE INDICA. **LOS RECLAMOS BASADOS EN GARANTÍAS IMPLÍCITAS, INCLUYENDO LAS GARANTÍAS DE COMERCIALIZACIÓN O IDONEIDAD DEL PRODUCTO PARA UN PROPÓSITO ESPECÍFICO, ESTÁN LIMITADOS A UN AÑO O AL PERÍODO MÍNIMO PERMITIDO POR LEY, PERO NUNCA MENOS DE UN AÑO.** ELECTROLUX NO SERÁ RESPONSABLE POR DAÑOS CONSECUENTES O INCIDENTALES COMO, POR EJEMPLO, DAÑOS A LA PROPIEDAD Y GASTOS INCIDENTALES OCASIONADOS POR EL INCUMPLIMIENTO DE ESTA GARANTÍA ESCRITA O DE CUALQUIER GARANTÍA IMPLÍCITA. ALGUNOS ESTADOS Y PROVINCIAS NO PERMITEN LA EXCLUSIÓN O LIMITACIÓN DE DAÑOS INCIDENTALES O CONSECUENTES O LIMITACIONES EN LA DURACIÓN DE LAS GARANTÍAS IMPLÍCITAS, DE MANERA QUE PUEDE QUE ESTAS LIMITACIONES O EXCLUSIONES NO SE APLIQUEN EN SU CASO. ESTA GARANTÍA ESCRITA LE OTORGA DERECHOS LEGALES ESPECÍFICOS. ES POSIBLE QUE TAMBIÉN TENGA OTROS DERECHOS QUE VARÍAN DE UN ESTADO A OTRO.

## Si tiene que solicitar servicio técnico

Guarde su recibo, la boleta de entrega o cualquier otro registro de pago adecuado para establecer el período de la garantía si llegara a requerir servicio técnico. Si se realiza una reparación, es conveniente obtener y conservar todos los recibos de dicho servicio. El servicio técnico realizado bajo esta garantía debe ser obtenido a través de Electrolux utilizando las direcciones o números que se indican abajo.

Esta garantía sólo se aplica en los Estados Unidos, Puerto Rico y Canadá. En los EE. UU. y Puerto Rico, su electrodoméstico está garantizado por Electrolux Major Appliances North America, una división de Electrolux Home Products, Inc. En Canadá, su electrodoméstico está garantizado por Electrolux Canada Corp. Electrolux no autoriza a ninguna persona para que cambie ninguna de nuestras obligaciones bajo esta garantía ni tampoco agregue ninguna otra. Nuestras obligaciones de reparación y piezas bajo esta garantía deben ser realizadas por Electrolux o una compañía de servicio técnico autorizado. Las características o especificaciones descritas o ilustradas están sujetas a cambios sin previo aviso.

## EE. UU.

1-877-435-3287

Electrolux Major Appliances North America  
10200 David Taylor Drive  
Charlotte, NC 28262

## Canadá

1-800-265-8352

Electrolux Canada Corp.  
5855 Terry Fox Way  
Mississauga, Ontario, Canadá L5V 3E4

## TABLE DES MATIÈRES

<b>Pour trouver les informations</b> .....	<b>48</b>
Noter ces informations	
pour une utilisation ultérieure .....	48
Questions? .....	49
Internet .....	49
<b>Sécurité</b> .....	<b>49</b>
Conseils de sécurité importants .....	49
<b>Résumé des caractéristiques</b> .....	<b>50</b>
Comment votre lave-vaisselle nettoie-t-il? .....	50
<b>Instructions d'utilisation</b> .....	<b>51</b>
Pour commencer .....	51
Bruits normaux de fonctionnement .....	51
Sélection du cycle de lavage .....	51
Sélection du cycle .....	52
Sélection des options d'énergie .....	53
Sélection de la fonction .....	54
<b>Préparation et chargement de la vaisselle</b> .....	<b>57</b>
Préparation de la vaisselle .....	55
Astuces pour Charger les Paniers .....	55
Chargement du panier supérieur .....	56
Chargement du panier inférieur .....	56
Réglage de la hauteur du panier .....	57
Chargement du panier à couverts .....	57
Pour ajouter de la vaisselle .....	58
<b>Distributeurs du lave-vaisselle et détergents</b> .....	<b>59</b>
Remplissage du distributeur à détergent .....	59
Quantité de détergent à utiliser .....	59
Guide d'utilisation des détergents .....	60
Produit de rinçage .....	61
<b>Facteurs affectant les performances</b> .....	<b>62</b>
Pression de l'eau .....	62
Température de l'eau .....	62
<b>Entretien et nettoyage</b> .....	<b>63</b>
Extérieur .....	63
Intérieur .....	63
Préparation pour l'hiver .....	64
<b>Solutions aux problèmes simples</b> .....	<b>65</b>
Nourriture restant sur la vaisselle .....	65
La vaisselle n'est pas sèche .....	65
Les verres et les couverts comportent des taches ou sont recouverts d'un film blanchâtre .....	66
La vaisselle est ébréchée .....	66
Bruits normaux que vous entendrez .....	66
La vaisselle est tachée ou décolorée .....	67
Du détergent reste dans le godet .....	67
De l'eau reste dans le fond de la cuve .....	67
Le lave-vaisselle fuit .....	67
Le lave-vaisselle ne fonctionne pas .....	67
Le lave-vaisselle ne se vide pas correctement .....	68

Le cycle prend trop de temps .....	68
Le lave-vaisselle ne se remplit pas .....	68
Le lave-vaisselle a une odeur .....	68
Pour enlever les taches et les films .....	69
Codes D'erreur .....	69
Indication Code D'erreur .....	70

**Renseignements sur la garantie** .....

**Version espagnole** .....

**Version anglaise** .....

## LIRE ET VEUILLEZ SAUVER CE

### GUIDE

Que toi pour choisir Electrolux, la nouvelle marque de la maeilleure qualite dans des appareils menagers. Ce & d'utilisation; Le guide de soin fait partie de notre engagement a la satisfaction du client et de qualite du produit durant toute la duree de view de votre nouvel appareil.

Nous regardons votre achat comme commencement d'un rapport. Pour assurer notre capacite de continuer de vous servir, employer svp cette page pour enregistrer l'information sur le produit importante.

Date d'achat

Numéro de modèle

Numéro de série

### QUESTIONS?

**1-877-4Electrolux** (États-Unis et Canada)

### INTERNET

Pour obtenir une aide en ligne et des informations sur le produit, veuillez consulter le site [www.electroluxappliances.com](http://www.electroluxappliances.com) aux É.-U. ou [www.electroluxca.com](http://www.electroluxca.com) au Canada.

### NOTE

L'enregistrement de votre produit ave Electrolux augment notre capacite de vous servir. Vous pouvez s'enregistrer en ligne chez [www.electroluxappliances.com](http://www.electroluxappliances.com) ou en laissant tomber votre carte d'enreistrement de produit dans le courrier.

### ATTENTION

Pour réduire les risques d'incendie, d'électrocution ou de blessûre lorsque vous utilisez votre lave-vaisselle, suivre les précautions élémentaires suivantes:



## CONSEILS DE SÉCURITÉ IMPORTANTS

Veillez lire tous ces conseils de sécurité avant d'utiliser votre nouveau lave-vaisselle Electrolux.

- Lisez toutes les instructions avant d'utiliser votre lave-vaisselle.
- N'utilisez votre lave-vaisselle qu'en suivant les instructions contenues dans ce Guide d'utilisation et d'entretien.
- Ce manuel ne couvre pas toutes les situations possibles qui pourraient se produire. Utilisez votre bon sens et prenez des précautions lors de l'installation, de l'utilisation et de l'entretien d'un appareil ménager.
- La « National Sanitation Foundation » (NSF) certifie que les lave-vaisselle pour usage domestique ne sont pas conçus pour les établissements licenciés de restauration. Ces établissements doivent utiliser des lave-vaisselle ayant une température d'eau plus élevée pour satisfaire aux exigences de désinfection.
- **CE LAVE-VAISSELLE DOIT ÊTRE RACCORDÉ ÉLECTRIQUEMENT À LA TERRE.** Lisez les Instructions d'installation pour les détails.
- Ce lave-vaisselle est conçu pour fonctionner avec une alimentation électrique domestique normale (120 V, 60 Hz). Utilisez un circuit équipé d'un fusible ou d'un disjoncteur de 15 ampères. Utilisez un circuit comportant un fusible de 20 ampères si le lave-vaisselle est raccordé à un broyeur à déchets.
- Ne permettez pas aux jeunes enfants et aux bébés d'approcher trop près du lave-vaisselle lorsqu'il est en fonctionnement.
- Ne faites pas fonctionner le lave-vaisselle si tous les panneaux extérieurs ne sont pas à leur place, comme il est expliqué dans les Instructions d'installation fournies avec votre lave-vaisselle.
- Pour éviter que personne ne reste enfermé et n'étouffe, retirez la porte du compartiment de lavage quand cet ancien lave-vaisselle est mis hors service ou au rebut.
- N'utilisez que des détergents et des produits de rinçage recommandés pour une utilisation dans un lave-vaisselle.
- Ne maltraitez pas, ne vous asseyez pas ou ne montez pas sur la porte ou le panier du lave-vaisselle.
- Rangez le détergent et le produit de rinçage pour le lave-vaisselle hors de portée des enfants.
- Ne lavez pas dans le lave-vaisselle les articles en plastique sauf s'ils sont prévus à cet effet. Vérifiez les recommandations du fabricant s'ils ne comportent pas de marque spécifique. Les articles qui ne sont pas prévus pour être lavés au lave-vaisselle peuvent fondre et créer un danger d'incendie.
- Si le lave-vaisselle s'évacue dans un broyeur à déchets, assurez-vous que celui-ci soit complètement vide avant de faire fonctionner le lave-vaisselle.
- Coupez le courant d'alimentation du lave-vaisselle avant tout dépannage.
- Les réparations doivent être effectuées par un technicien Electrolux qualifié.
- Ne modifiez pas les commandes.
- Faites attention en enlevant la vaisselle lorsque l'option de DÉSINFECTION a été sélectionnée. Juste après la fin du cycle, la vaisselle peut être très chaude au toucher.
- Lors du chargement de la vaisselle à laver :
  - Mettez les articles pointus et les couteaux de manière à ce qu'ils ne puissent pas endommager la cuve ou son joint; et
  - Mettez les articles pointus et les couteaux la pointe en bas pour réduire le risque de blessure par coupure. Vous pouvez aussi placer les articles pointus et les couteaux sur l'étagère à ustensiles de cuisine située dans le panier supérieur.
- Dans certaines conditions, de l'hydrogène peut être libéré par un système d'eau chaude qui n'a pas été utilisé pendant 2 semaines ou plus. **L'HYDROGÈNE EST UN GAZ EXPLOSIF.** Si le système d'eau chaude n'a pas été utilisé pendant cette période, avant d'utiliser le lave-vaisselle, ouvrez tous les robinets d'eau chaude et laissez l'eau couler pendant plusieurs minutes. Ceci permettra à l'hydrogène accumulé de s'échapper. **L'HYDROGÈNE EST UN GAZ INFLAMMABLE.** Ne fumez pas et n'utilisez pas une flamme nue à ce moment là.
- Ne rangez pas ou n'utilisez pas de matériaux combustibles, d'essence ou d'autres gaz ou liquides inflammables à proximité de cet appareil ou de tout autre appareil ménager.

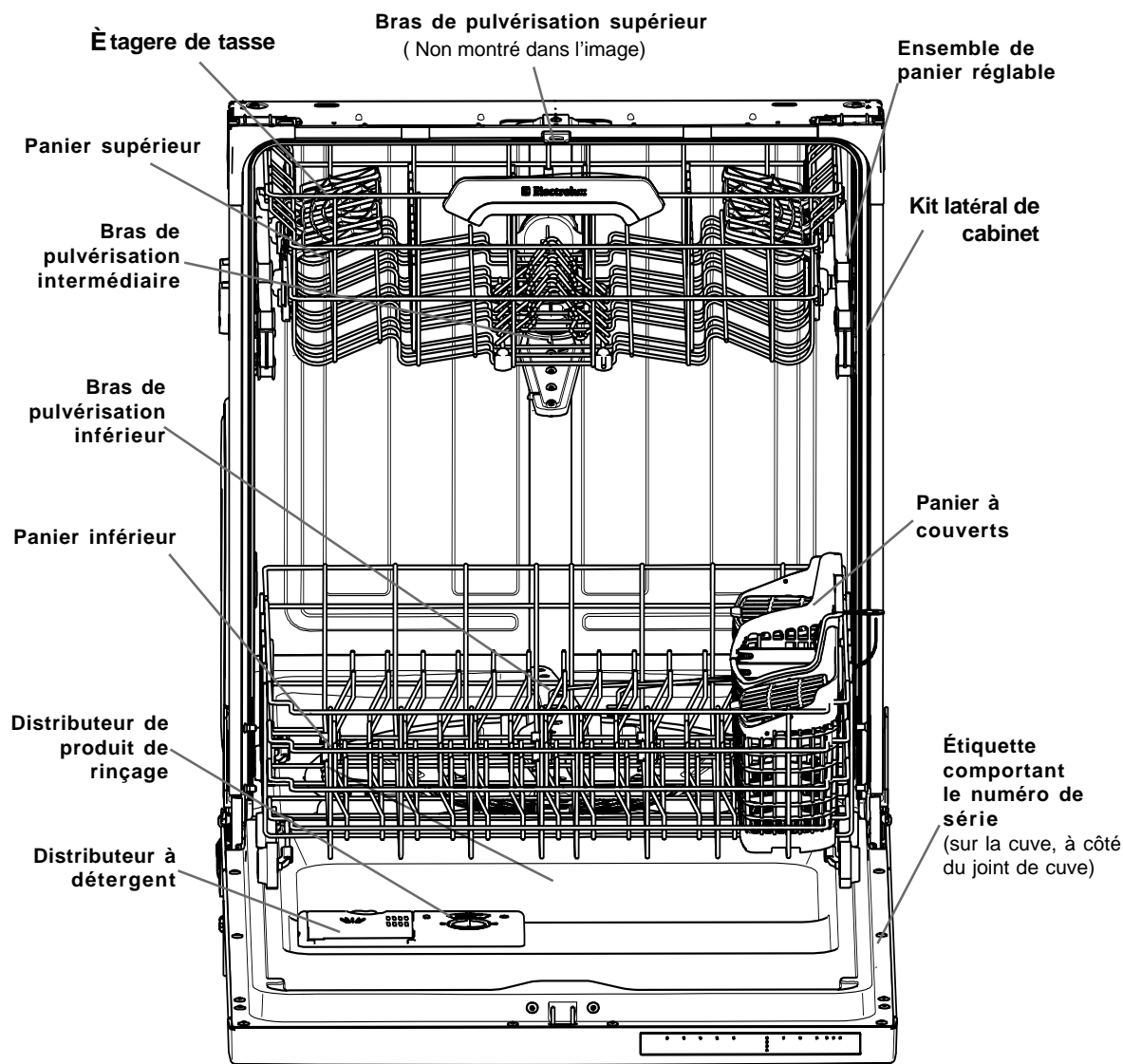
### REMARQUE

Conservez ces instructions de sécurité importantes pour les consulter ultérieurement.

## COMMENT VOTRE LAVE-VAISSELLE NETTOIE-T-IL ?

Votre lave-vaisselle se remplit d'une petite quantité d'eau qui couvre la zone du filtre au bas, puis cette eau est vaporisée sur la vaisselle afin d'en retirer les saletés qui sont capturées dans le système de filtration. L'eau évacue ensuite les saletés par le siphon. En présence d'une plus grande quantité de saletés, le processus de remplissage, de vaporisation, de filtrage et de vidange est répété à plus d'une reprise. Au besoin, injectez un détergent, de la chaleur et/ou un agent de rinçage dans l'eau qui est giclée, aux moments propices au cours du cycle.

Le cycle précisé (le nombre de remplissages, la pression du vaporisateur, la température de l'eau, l'ajout de détergent, l'ajout d'un agent de rinçage et la chaleur pour le séchage) est réglé en fonction du cycle et des options sélectionnés, ainsi que de plusieurs choix automatiques programmés dans votre lave-vaisselle. Vous réglez la température, mais le lave-vaisselle réglera automatiquement l'entrée de chaleur afin de tenir compte des pertes de chaleur, de la capacité thermique de la charge à laver et de la température de l'eau qui arrive à l'appareil. Le lave-vaisselle peut également mesurer la quantité de saletés et augmenter ou raccourcir la durée du cycle pour offrir un rendement optimal.



## POUR COMMENCER

### EIDW5905



Presser et tenir l'icône de HI-TEMP pendant 5 - 10 secondes avant que la première utilisation.

Pour faire fonctionner votre lave-vaisselle, suivez ces étapes de base :

- 1 Chargez la vaisselle. (Voir Préparation et chargement de la vaisselle, pages 55 et 58.)
- 2 Ajoutez le détergent. (Voir Distributeurs du lave-vaisselle et détergents, pages 59 et 61.)
- 3 Ajoutez du produit de rinçage si nécessaire. (Voir Produit de rinçage, page 61.)
- 4 Sélectionnez le CYCLE désiré. (Voir Sélection des cycles, page 51.)  
La lumière entourant le bouton s'allume pour indiquer la sélection.
- 5 Sélectionnez les OPTIONS désirées. (Voir Sélection de l'option d'énergie, page 53.)  
La lumière entourant le bouton s'allume pour indiquer la sélection.
- 6 Pour mettre en marche, appuyez sur le bouton MARCHE/ANNULATION et fermez la porte. (Voir Marche/Annulation, page 54.)

## BRUITS D'UN FONCTIONNEMENT NORMAL

Bien que plusieurs améliorations aient été apportées à votre lave-vaisselle pour réduire les sons qu'il émet, il est normal d'entendre certains bruits provenant de l'intérieur. Les cycles de lavage comportent plusieurs remplissages (éclaboussures). On peut également entendre le fonctionnement de la pompe de lavage qui vaporise l'eau sur la vaisselle (moteur et éclaboussures) et la pompe d'évacuation qui évacue l'eau sale et les saletés. Il est également normal d'entendre des variantes sonores pendant l'évacuation et la vaporisation. Au cours d'un cycle, la pompe est mise en marche et éteinte à plusieurs reprises, et la pression du vaporisateur est augmentée ou réduite tout au long du cycle afin d'optimiser le nettoyage.

## SÉLECTION DU CYCLE DE LAVAGE

La durée d'un cycle est estimée et varie selon les options sélectionnées. Il est nécessaire que l'appareil soit alimenté en eau chaude pour activer le détergent et faire fondre les résidus d'aliments gras.

Un capteur automatique vérifie la température de l'eau tout au long d'un cycle. Lorsque HI-TEMP WASH (lavage à haute température) est sélectionné, l'appareil réchauffe l'eau afin qu'elle soit encore plus chaude. Avant de commencer, faites couler le robinet d'eau chaude le plus proche du lave-vaisselle, jusqu'à ce que l'eau soit chaude.

## SÉLECTION DU CYCLE

Vous découvrirez peut-être que votre lave-vaisselle hautement efficace lave la vaisselle pendant plus longtemps que votre ancien lave-vaisselle. Le système hydraulique et les cycles sont conçus avec soin pour réduire l'utilisation de la chaleur et la consommation d'eau. Pour s'assurer que la vaisselle est nettoyée en utilisant moins de ressources coûteuses, l'eau est vaporisée pendant plus longtemps. La pompe utilise moins d'énergie. La conception du filtre à la fine pointe permet d'utiliser l'eau pendant une plus longue période, sans avoir à la remplacer, ce qui favorise une meilleure utilisation des ressources.

La durée des cycles, les températures de lavage et la consommation d'eau varient selon le cycle et les options sélectionnés.

Lorsque la température de l'eau d'alimentation ou de la pièce est plus basse, l'appareil chauffe et lave pendant plus longtemps pour atteindre des températures optimales. Votre lave-vaisselle est également doté d'un capteur intelligent qui détermine le niveau de saleté de la vaisselle et règle le cycle en conséquence. Ce capteur se règle à la fin de la plupart des cycles, au moment où une petite quantité d'eau propre se trouve autour du capteur. Il ne se règle pas pendant le premier cycle de lavage après que l'alimentation en électricité a été coupée. Une fois l'alimentation restaurée, l'appareil sélectionne par défaut le cycle qui convient aux saletés importantes pour garantir une vaisselle propre.

### 'Heavy Wash'



Il s'agit d'un cycle fort, qui s'attaque aux résidus qui ont séché ou cuit sur les casseroles, les cocottes et la vaisselle. La consommation d'eau est de 34,8 L (9,2 gallons) approximativement. La durée du lavage varie de 140 à 162 minutes approximativement.

### 'Auto Wash'



Ce cycle performant et polyvalent utilise la technologie SmartSensor pour déterminer la quantité de saletés qui se trouve sur la vaisselle. Le temps de lavage et l'utilisation d'eau sont automatiquement réglés pour garantir une élimination complète et efficace des saletés. Cela convient aux niveaux de saleté faibles et élevés. Pour les niveaux de saleté moins importants, le cycle est de plus courte durée. Pour les niveaux de saleté importants, le cycle est de plus longue durée. La consommation d'eau varie de 11,7 à 34,4 L (3,1 à 9,1 gallons) et la durée du cycle varie de 93 à 131 minutes.

### 'Normal Wash'



Cette solution automatique est adaptée à toutes les charges, sauf les charges spéciales. Son réglage automatique et ses limites de lavage sont presque identiques à celles du lavage automatique décrit plus haut.

### 'Quick Wash'



Ce cycle puissant utilise l'eau (environ 23,1 L / 6,1 gallons) à une vitesse optimale pour laver la vaisselle rapidement (42 à 52 minutes approximativement). Le cycle est conçu pour laver légèrement la vaisselle ou les ustensiles sales ou rincés au préalable.

### 'Rinse'



Ce cycle est conçu pour rincer les résidus d'aliments lorsque vous n'avez pas l'intention de lancer un cycle complet avant une longue période de temps. Le rinçage utilise beaucoup moins d'eau que si vous effectuiez un rinçage à la main. L'eau non chauffée est utilisée pour dissoudre et retirer la plupart des saletés et les évacuer dans le siphon avant qu'elles ne sèchent ou pourrissent.

## SÉLECTION DES OPTIONS D'ÉNERGIE

### Sanitize (Désinfection)



Pour désinfecter votre vaisselle et vos verres, sélectionnez l'option SANTIZE (DÉSINFECTION). Lorsque vous sélectionnez cette option, la lumière entourant le bouton s'allume et reste allumée jusqu'à ce que le bouton START/CANCEL soit appuyé ou que la porte soit fermée. Cette option chauffe l'eau à une température de 155°F (68°C) pendant le rinçage final et maintient cette température pendant 7 minutes. La SANITIZE (DÉSINFECTION) est possible pour les cycles de lavage automatique, de vaisselle sale, de lavage normal et de lavage court. Ces cycles de désinfection ont été conçus pour répondre aux exigences de la NSF.

*Le temps de cycle sera allongé jusqu'à ce que la température d'eau appropriée soit atteinte.* L'action de lavage continuera pendant l'attente pour le chauffage de l'eau. Pour de meilleurs résultats, la température de l'eau d'alimentation doit être au moins à 120°F (49°C).

La lumière entourant le bouton ne s'allumera pas en fin de cycle si les exigences de la NSF pour la désinfection ne sont pas atteintes. Les critères de désinfection peuvent ne pas être satisfaits s'il y a eu une interruption du cycle, s'il y a eu une coupure de courant ou si la température de l'eau d'alimentation est inférieure à 120°F (49°C).

Pour arrêter l'option SANTIZE (DÉSINFECTION), appuyez une deuxième fois sur le bouton. La lumière entourant le bouton s'éteindra.

### Child Lock Controls/ Air Dry (Contrôles Verrouillage Enfant/Air Sec)



Pour empêcher les enfants de modifier ou de démarrer accidentellement un cycle de lave-vaisselle, verrouillez les commandes du lave-vaisselle en appuyant sur l'icône AIR DRY (séchage à l'air) pendant au moins 3 secondes avant de la relâcher. Le voyant LOCKED (verrouillé) s'allume lorsque les commandes sont verrouillées. Par la suite, il vous sera impossible de faire des sélections et le lave-vaisselle ne fonctionnera pas tant et aussi longtemps que le verrouillage n'aura pas été désactivé. Pour déverrouiller les commandes, appuyez à nouveau sur l'icône AIR DRY (séchage à l'air) pendant 3 secondes, puis relâchez-la.

### Hi-Temp Wash



#### (Lavage à haute température)

Lorsque l'option HI-TEMP (haute température) est sélectionnée, le lave-vaisselle réchauffe l'eau à 60 °C (140 °F) approximativement pendant le cycle de lavage principal, et à 65 °C (150 °F) pendant le rinçage final. HI-TEMP ON (haute température activée) est affiché.

Cette augmentation de la température de l'eau aide le détergent de lave-vaisselle à enlever les aliments, la graisse et les saletés de la vaisselle plus efficacement et aide également au séchage. Le HI-TEMP option ne peut être utilisé avec AUTO, NORMAL et lourds à cycle.

Lorsque l'option HI-TEMP est sélectionné, la LED s'allume et reste allumé jusqu'à la porte est fermée.

## SÉLECTION DE LA FONCTION

### Marche/Annulation



Pour démarrer un cycle, appuyez une fois sur le bouton MARCHE/ANNULATION et fermez la porte.

Pour annuler le cycle en cours, ouvrez la porte et appuyez une fois sur le bouton MARCHE/ANNULATION. Refermez la porte et le lave-vaisselle se vidangera et s'arrêtera.

### Delay Start (Mise en Marche Différée)



Le démarrage du lave-vaisselle peut être retardé pendant 2, 3 ou 6 heures après l'activation du cycle. Sélectionnez le cycle désiré, puis appuyez sur la touche DELAY START (mise en marche différée) jusqu'à ce que le voyant correspondant s'allume. Fermez la porte et le cycle commencera.

Pour annuler le délai et commencer le cycle avant la fin du délai, ouvrez la porte et appuyez sur la touche START/CANCEL (mise en marche/annulation). Fermez la porte et le cycle commencera.

## Indications des Erreurs

Votre appareil surveille les paramètres de lavage et les communications entre les composants. En cas de défaillance et dans toute autre situation qui pourrait empêcher le fonctionnement adéquat ou sécuritaire du lave-vaisselle, l'appareil s'éteint et indique la présence d'une erreur en faisant clignoter tous les voyants. Si les voyants clignotent, communiquez avec le service à la clientèle Electrolux au **1 877 435-3287**. Des gens vous offriront un service de dépannage pour résoudre le problème ou pour trouver un technicien autorisé, au besoin.

Certaines erreurs possibles sont expliquées en détail à la page 70. En cas d'erreur, un voyant DEL s'allume sur le tableau de commande inférieur situé à la base de l'appareil, indiquant la cause de l'erreur, tel qu'illustré à la page 70.

## Correction et prévention automatiques du débordement

Tout au long du cycle, votre lave-vaisselle s'assure qu'il n'y a pas de débordement. En cas de débordement, ce qui arrive rarement, le cycle est mis en pause et l'appareil évacue l'eau (quelques secondes suffisent) avant de poursuivre le cycle.

Si l'évacuation dure plus de 90 secondes et que le niveau de l'eau n'a pas diminué, le cycle est arrêté et l'erreur 16 s'affiche (flotteur coincé/tuyau de vidange bouché).

Si le niveau de l'eau doit être corrigé 7 fois au cours d'un cycle, le cycle est arrêté et l'erreur 15 s'affiche (robinet d'eau qui fuit). La pompe d'évacuation sera mise en marche périodiquement afin d'empêcher le débordement, jusqu'à ce qu'une personne règle le problème et ferme l'alimentation en eau.

### REMARQUE

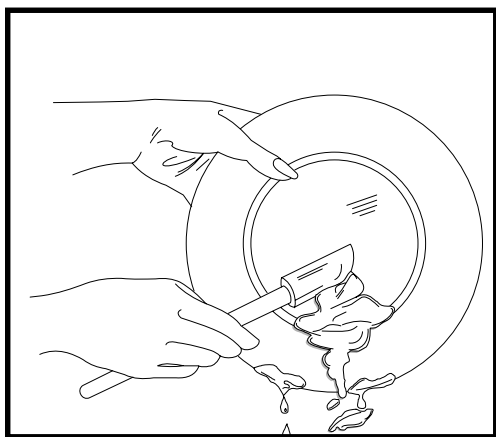
L'ouverture de la porte pendant le fonctionnement normal n'effectuera qu'une pause du cycle sélectionné.

## PRÉPARATION DE LA VAISSELLE

Enlevez les gros morceaux de nourriture, les os, les noyaux, les cure-dents, etc. Le système de lavage enlèvera les particules d'aliments restantes. Grattez doucement les aliments brûlés avec un ustensile ne rayant pas ou faites tremper le plat avant de le laver. Videz les liquides des verres et des tasses.

Les aliments contenant des huiles végétales et/ou des additifs chimiques tels que la moutarde, la mayonnaise, le vinaigre, le jus de citron ou des produits à base de tomates, peuvent provoquer une décoloration de l'acier inox et des plastiques s'ils restent en contact pendant longtemps avec ces objets. Sauf si le lave-vaisselle doit être mis en marche immédiatement, il est conseillé de rincer ce genre de résidus alimentaires.

- Chargez les paniers de façon à ce que les gros objets n'empêchent pas le distributeur de détergent de s'ouvrir.
- Vérifiez les recommandations du fabricant avant de laver des objets dont on n'est pas sûr.
- Si le lave-vaisselle se vidange dans un broyeur à déchets, **assurez-vous que le broyeur à déchets est complètement vide avant de mettre en marche le lave-vaisselle.**



## Astuces Pour Charger les Paniers

Les saletés sont nettoyées lorsque de l'eau est vaporisée sur chaque surface. Pour un nettoyage optimal, chargez la vaisselle et les ustensiles en vous assurant qu'il n'y a pas de contact entre eux. Ainsi, chaque surface sera exposée aux gicleurs.

Les coins sont plus difficiles à atteindre pour les bras gicleurs. Nous vous recommandons de disposer les grands verres loin des coins du panier supérieur.

Disposez toujours la vaisselle face ouverte vers le bas pour optimiser le nettoyage et le séchage.

Certaines assiettes comportent des bordures ou des bosses qui peuvent capturer et retenir l'eau. Pour améliorer le séchage, utilisez les pentes intégrées au panier et la position des tiges pour disposer les assiettes de façon à ce qu'elles ne soient pas à l'horizontale. Cela aidera à évacuer autant d'eau que possible.

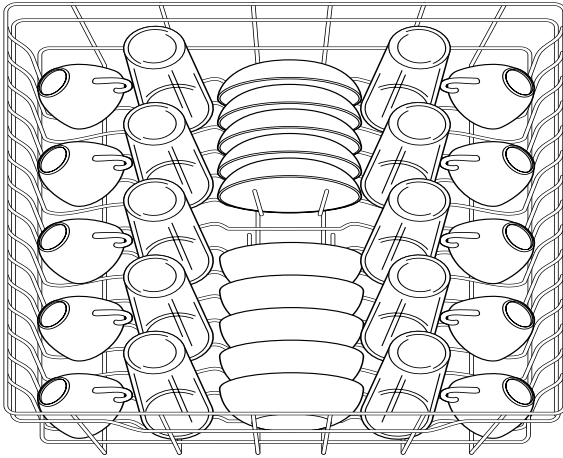
Chargez soigneusement les articles délicats dans le panier, en évitant qu'ils touchent le reste de la vaisselle. Cela réduira les chances qu'ils se renversent ou entrent en collision avec le reste de la vaisselle, ou qu'ils s'endommagent lorsque le panier est retiré ou que les bras gicleurs sont en marche.

Dans certains lave-vaisselle, il n'est pas sécuritaire de charger des verres ou des articles en plastique dans le panier inférieur, car un élément chauffant se trouve directement en dessous. Vous n'aurez pas ce problème avec ce lave-vaisselle. Les mêmes gicleurs robustes et doux, et la même température d'eau, sont utilisés dans les paniers supérieurs et inférieurs. Vous pouvez disposer la vaisselle là où elle s'insère le mieux.

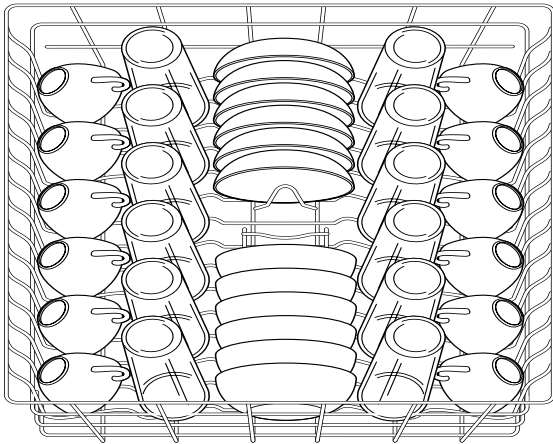
## CHARGEMENT DU PANIER SUPÉRIEUR

Le panier supérieur est optimisé pour vous offrir plus de souplesse quant au chargement d'une gamme étendue d'articles, en particulier les tasses, les verres, les verres à pied, les petites assiettes et les petits bols.

Assurez-vous que rien ne dépasse sous le panier et que rien ne peut se glisser sous le panier, ce qui pourrait bloquer le bras de lavage central. En cas de doute, faites tourner le bras pour voir s'il y a de l'obstruction.



**Chargement standard pour 10 couverts**

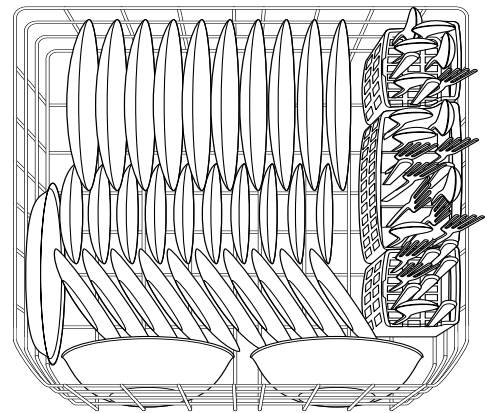


**Chargement standard pour 12 couverts**

## CHARGEMENT DU PANIER INFÉRIEUR

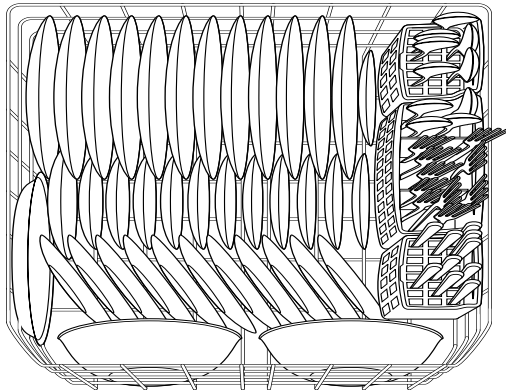
Pour laver des articles d'une hauteur maximale de 33 cm (13 po), disposez le panier supérieur dans sa position élevée.

- Les gros objets doivent être placés le long des bords pour ne pas bloquer la rotation du bras de pulvérisation intermédiaire.
- Pour obtenir de meilleurs résultats, placez les bols, les sauteuses et les casseroles avec la surface sale dirigée vers le bas ou vers le centre. Inclinez-les légèrement pour qu'ils s'égouttent bien. Inclinez légèrement toute surface horizontale pour optimiser l'évacuation.
- Assurez-vous que les objets hauts ne bloquent pas la rotation du bras de pulvérisation intermédiaire.
- Assurez-vous que les poignées des casseroles ne dépassent pas en dessous du panier et ne bloquent pas la rotation du bras de pulvérisation inférieur.
- Des ustensiles supplémentaires ou des tasses peuvent être placés sur les étagères à tasses.



**Chargement standard pour 10 couverts**





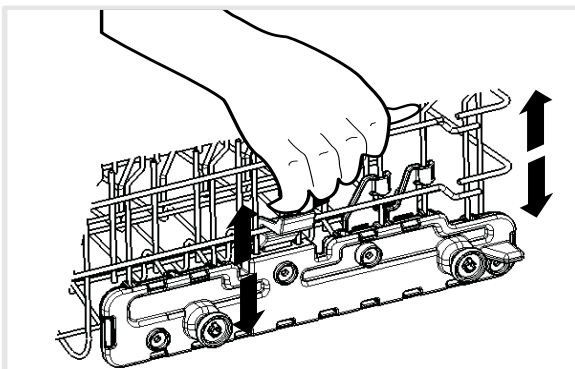
**Chargement standard pour 12 couverts**

## Régler la Hauteur du Panier

Le panier supérieur comprend deux hauteurs réglables. Réglez-le dans sa position basse pour charger des grands verres. Réglez-le dans sa position haute pour faire de la place pour la haute vaisselle dans le panier inférieur.

Pour éviter d'endommager la vaisselle, réglez toujours la hauteur du panier supérieur avant d'y charger la vaisselle.

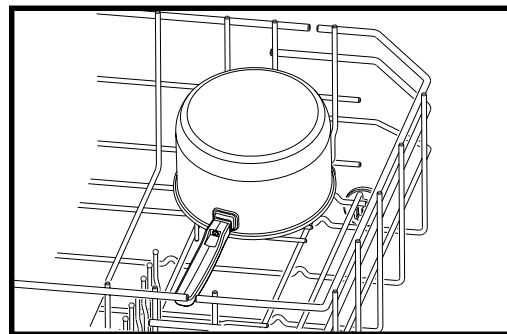
Pour modifier la position du panier, soulevez ou baissez le panier afin qu'il soit de niveau à l'avant et à l'arrière, et sur les côtés. Pour soulever le panier de sa position basse à sa position élevée, prenez tout simplement le panier supérieur à deux mains, puis soulevez-le à la verticale. Le levier est doté d'un joint à ressort et s'enclenche lorsque la position élevée est atteinte. Pour libérer le panier et le baisser dans sa position basse, tenez-le de la façon illustrée dans la figure ci-dessous. Tendez vos doigts pour tirer sur le levier et baissez doucement le panier jusqu'à ce qu'il soit de niveau et dans sa position la plus basse.



## Tiges repliables

Les tiges repliables du panier inférieur et support supérieur facilitent le chargement des très gros objets et de ceux qui sont difficiles à placer. Les tiges peuvent être redressées pour une utilisation normale ou être repliées pour une plus grande flexibilité de chargement.

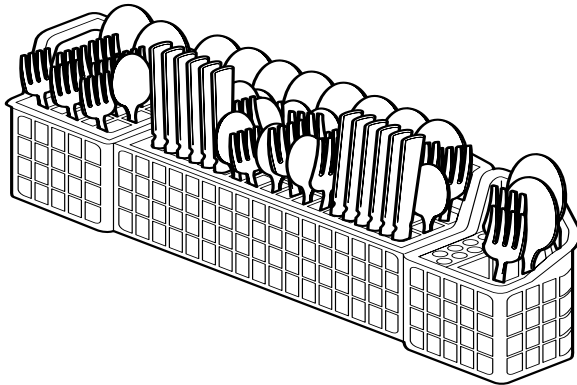
Repliez les tiges pour faciliter le chargement des grandes marmites ou des casseroles.



## CHARGEMENT DU PANIER À COUVERTS

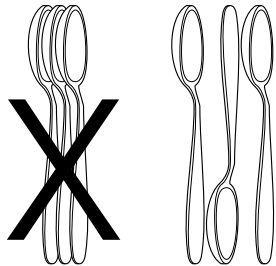
Le panier à couverts peut être chargé pendant qu'il se trouve dans le panier inférieur ou peut être amené à un comptoir ou à une table.

- Placez les petits objets comme les capuchons des biberons, les couvercles de pots, les piques le maïs, etc. dans la partie couverte. Fermez le couvercle pour maintenir les petits objets en place.
- Assurez-vous que rien ne dépasse du dessous du panier ou du panier inférieur qui pourrait bloquer la rotation du bras de pulvérisation inférieur.
- Ne mélangez pas les couverts en inox avec ceux en métal argenté pour éviter d'endommager la finition du métal argenté.
- Les couverts se nettoient mieux lorsqu'on les dispose un par fente.



### ATTENTION

**POUR ÉVITER DE SE COUPER :** Placez les objets pointus (couteaux, brochettes, etc.) avec la pointe vers le bas. Le non-respect de ces instructions peut entraîner des blessures.



Lorsque les couvercles sont relevés, mélangez les objets non pointus dans chaque partie du panier, les uns la tête en haut, les autres la tête en bas pour éviter qu'ils ne s'emboîtent. La pulvérisation d'eau ne peut pas atteindre les objets emboîtés.

## POUR AJOUTER DE LA VAISSELLE

**Pour ajouter ou enlever de la vaisselle un fois le cycle démarré :**

- 1 Ouvrez légèrement la porte et attendez quelques secondes jusqu'à ce que le lavage s'arrête avant d'ouvrir la porte complètement.
- 2 Ajoutez l'objet.
- 3 Fermez fermement la porte pour la verrouiller et le cycle se remettra en marche automatiquement.



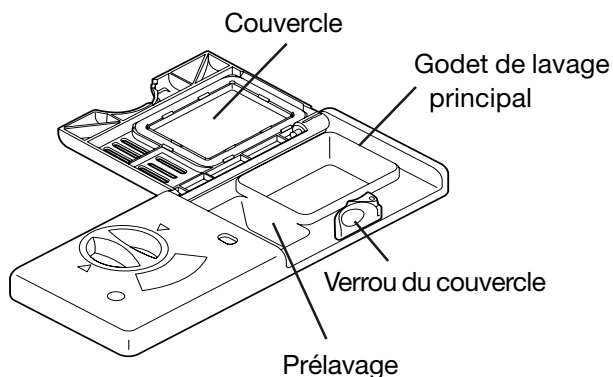
### ATTENTION

**POUR ÉVITER DES BRÛLURES :** Ouvrez légèrement la porte et attendez que les bras de pulvérisation s'arrêtent de tourner et que le lavage s'arrête. L'eau chaude peut gicler hors du lave-vaisselle. Le non-respect de ces instructions peut entraîner des blessures.

## REPLISSAGE DU DISTRIBUTEUR DE DÉTERGENT

Le distributeur de détergent est doté de deux réservoirs : un pour le pré-lavage et un pour le lavage principal. Une fois le réservoir rempli de détergent, fermez la porte. Les fentes sur le réservoir de pré-lavage permettent l'injection de détergent pendant le premier lavage. Pendant le lavage principal, la porte se ferme automatiquement pour injecter le détergent dans l'eau chaude du lavage principal.

- Si les réservoirs de détergent contiennent de l'eau, soulevez la porte pour la fermer et retirer l'eau, puis ouvrez-la de nouveau pour remplir les réservoirs de détergent.
- Placez le détergent dans le lave-vaisselle immédiatement avant de lancer le cycle afin d'éviter qu'il devienne humide.
- Utilisez uniquement du détergent pour lave-vaisselle. Les autres types de détergent causeront du surmoussage.
- Lorsque vous utilisez des tablettes ou des sachets de détergent pour lavage automatique, disposez-en un dans le réservoir principal et fermez la porte du distributeur.
- Conservez le détergent dans un endroit frais et sec. Du détergent mouillé ou durci ne peut se dissoudre correctement.



## QUANTITÉ DE DÉTERGENT À UTILISER

La quantité de détergent requise dépend de la dureté de l'eau. Plus la concentration en minéraux est élevée, plus l'eau est dure.

En fait, les minéraux sont bénéfiques pour vous. Des modifications de dosage de détergent peuvent être apportées pour assurer un lavage adéquat. Si l'eau est trop dure, il est difficile d'obtenir un lavage adéquat, et les minéraux peuvent tacher ou s'accumuler sur la vaisselle et dans le lave-vaisselle. Le cas échéant, nous vous recommandons d'utiliser un adoucisseur d'eau.

L'utilisation d'une trop petite quantité de détergent peut entraîner un lavage inadéquat et la formation d'une pellicule ou de taches d'eau dure.

L'utilisation d'une trop grande quantité de détergent, en particulier si elle est combinée à de l'eau chaude, peut entraîner des dommages permanents à la surface de la vaisselle, appelés « gravures » (reportez-vous à la section « Gravures » de la page 18). Les gravures donnent l'apparence d'une pellicule floue à la verrerie.

Pour déterminer la quantité adéquate de détergent à utiliser, reportez-vous au tableau fourni.

Votre compagnie des eaux, votre compagnie d'adoucissement de l'eau ou votre conseiller agricole peut vous informer de la dureté de l'eau de votre région. On utilise différentes unités pour mesurer la dureté de l'eau. Demandez une mesure des grains par gallon américain (gpg). Cette mesure est utilisée dans le tableau. S'ils sont incapables de vous fournir cette mesure, vous trouverez en ligne des outils vous permettant de faire la conversion.

### ATTENTION

**L'utilisation d'un détergent industriel peut endommager pièces du lave-vaisselle, entraînant ainsi des dommages à l'appareil et aux biens qui l'entourent. Utilisez uniquement des détergents à lave-vaisselle ménagers.**

## GUIDE D'UTILISATION DES DÉTERGENTS

Référez-vous au tableau ci-dessous pour l'utilisation recommandée des détergents

Cycle	Eau douce (0 à 3 grains)	Eau de dureté moyenne (4 à 8 grains)	Eau dure (9 à 12 grains)	Eau très dure* (au-dessus de 12 grains)
Lavage de vaisselle sale ou lavage normal	2 cuillères à café (godet de lavage principal : 1/4 plein)	5 cuillères à café (godet de lavage principal : remplir jusqu'à la ligne au-dessus de la mention « normal »)	8 cuillères à café (godet de lavage principal : complètement plein)	Chaque godet complètement plein (Adoucisseur d'eau recommandé)
Lavage court	2 cuillères à café (godet de lavage principal : 1/4 plein)	5 cuillères à café (godet de lavage principal : remplir jusqu'à la ligne au-dessus de la mention « normal »)	8 cuillères à café (godet de lavage principal : complètement plein)	Chaque godet complètement plein (Adoucisseur d'eau recommandé)
Rinçage	Pas de détergent	Pas de détergent	Pas de détergent	Pas de détergent (Adoucisseur d'eau recommandé)

Comme l'indique la dernière colonne de ce tableau, un adoucisseur d'eau est recommandé pour améliorer la qualité de l'eau et les performances du lave-vaisselle lorsqu'on utilise de l'eau très dure.

## PRODUIT DE RINÇAGE

**Le produit de rinçage améliore de beaucoup le séchage et réduit le risque de formation de taches et de films dus à l'eau.** Il permet à l'eau de s'écouler de la vaisselle plutôt que de former des gouttelettes qui s'accrochent et laissent des taches.

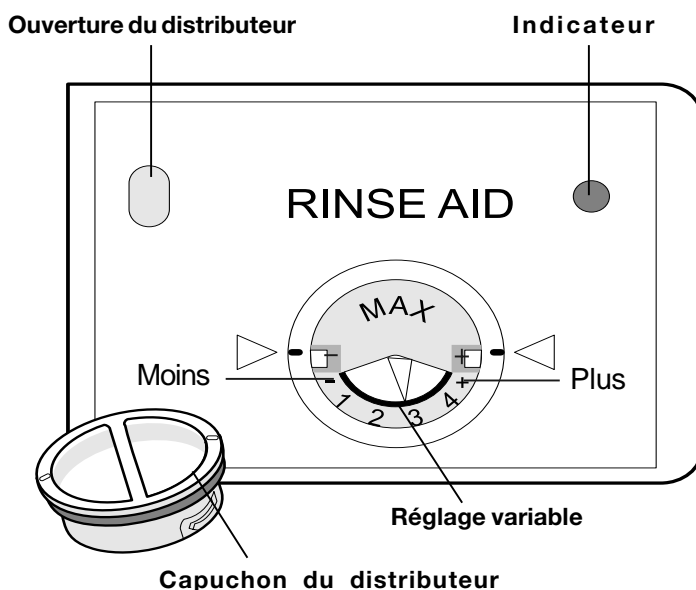
Le distributeur de produit de rinçage, situé près du godet à détergent, relâche automatiquement une quantité mesurée de produit de rinçage lors du dernier rinçage. Si vous observez des taches et que le séchage n'est pas parfait, augmentez la quantité de produit de rinçage distribuée en tournant le réglage sur un numéro plus élevé. Le réglage est situé sous le bouchon du distributeur.

Les modèles possédant une fenêtre indications d'état affichent LOW RINSE led lumineuse à fin du cycle pour indiquer qu'il est temps de refaire le plein du produit de rinçage.

### Pour ajouter du produit de rinçage liquide :

- 1 Tournez le bouchon du distributeur de 1/4 de tour dans le sens horaire et retirez-le.
- 2 Versez le produit de rinçage jusqu'à ce qu'il atteigne le niveau maximum de remplissage. Ne remplissez pas trop car cela provoquerait la formation d'une quantité de mousse trop importante.
- 3 Remettez le bouchon.
- 4 Essayez tout débordement à l'aide d'un chiffon humide.

Le distributeur contient assez de produit pour environ 35 à 140 vaisselles, en fonction du réglage.



## TEMPÉRATURE DE L'EAU

Tous les cycles de chaleur sont adaptés pour une entrée d'eau de 49 °C (120 °F), soit la température habituelle de votre chauffe-eau résidentiel. Si la température de l'eau qui arrive à l'appareil est différente, le temps de lavage et de chauffage du lave-vaisselle sera modifié. Ces modifications sont sujettes à certaines limites afin d'éviter les cycles trop longs ou trop courts.

Habituellement, l'eau utilisée lors du premier prélavage compris dans un cycle n'est pas chaude. Le détergent y est injecté à partir du réservoir de prélavage. Le détergent est plus efficace à 49 °C (120 °F) qu'à 32 °C (90 °F) ou 21 °C (70 °F), soit la température de l'eau après avoir ouvert le robinet. Pour obtenir un meilleur lavage, nous vous recommandons de laisser l'eau couler dans l'évier à côté du lave-vaisselle jusqu'à ce l'eau froide ait été purgée du tuyau. Fermez ensuite le robinet et démarrez le lave-vaisselle.

Les objets en plastique devront sans doute être séchés à l'aide d'un linge à vaisselle, leur géométrie permettant de capturer l'eau plus facilement. De plus, le plastique ne retient pas la chaleur aussi facilement. Ainsi, lorsque le cycle est terminé, le plastique conserve très peu de chaleur, laquelle favorise l'évaporation de l'eau restante sur sa surface.

### Pour vérifier la température de l'eau d'alimentation du lave-vaisselle :

- 1 Ouvrez le robinet d'eau chaude le plus près du lave-vaisselle pendant quelques minutes pour purger l'eau froide des tuyaux d'eau.
- 2 Maintenez un bonbon ou un thermomètre à viandes dans le courant d'eau sortant du robinet pour vérifier la température.
- 3 Si la température est inférieure à 120°F (49°C), demandez à une personne qualifiée de remonter la température du thermostat de votre chauffe-eau.

## IMPORTANT

**Avant de commencer un cycle, faites couler l'eau chaude pour purger l'eau froide des tuyauteries.**

## Astuces Pour le Séchage de la Vaisselle

Les agents de rinçage aident à réduire la quantité d'eau restante sur la vaisselle après l'évacuation du lave-vaisselle. L'eau qui demeure sur la vaisselle s'évapore en grande partie avec la chaleur qui s'est accumulée dans la vaisselle à la fin du cycle. Les objets en plastique n'accumulent pas autant de chaleur, alors ils ne sèchent pas aussi facilement. L'eau qui s'évapore est évacuée par un ventilateur.

L'eau qui s'accumule dans les bords ou les crans de la vaisselle pourrait ne pas s'évaporer. Pour éviter que l'eau coule sur la vaisselle sèche pendant le déchargement, suivez la séquence suivante : Déchargez le panier inférieur en premier, puis le panier supérieur. Dans un panier ou l'autre, déchargez la vaisselle qui est complètement sèche en premier, puis retirez la vaisselle qui contient encore de l'eau de rinçage.

À la fin du cycle, le lavage est arrêté, l'eau est évacuée et le voyant est allumé, ce qui vous indique que le cycle est terminé. Une fois le cycle terminé, déchargez la vaisselle. Si vous n'êtes pas présent ou que vous ne déchargez pas immédiatement le lave-vaisselle, un petit ventilateur se mettra en marche pendant une heure ou jusqu'à ce qu'une personne ouvre la porte afin d'optimiser le séchage. Ce ventilateur consomme très peu d'énergie.

## PRESSION DE L'EAU

Le tuyau d'alimentation en eau chaude du lave-vaisselle doit fournir une pression d'eau comprise entre 20 et 90 livres par pouce carré (lb/po<sup>2</sup>).

Une baisse de pression d'eau peut se produire lorsqu'un lave-linge fonctionne ou que quelqu'un prend une douche. Attendez que l'utilisation d'eau soit moins importante avant de mettre en marche le lave-vaisselle.

## EXTÉRIEUR

De temps en temps, nettoyez les surfaces extérieures de votre lave-vaisselle à l'aide d'eau et d'un détergent non abrasif. Rincez et séchez.

### Porte en acier inox

Nettoyez la porte en acier inox et la poignée avec un chiffon à vaisselle et de l'eau chaude savonneuse. Rincez avec un chiffon et de l'eau propre. N'utilisez pas de nettoyeurs de récurage durs. Utilisez seulement des nettoyeurs de cuisine spécialement conçus pour le nettoyage de l'acier inox.

## INTÉRIEUR

Enlevez les taches sur la porte et sur la cuve à l'aide d'un chiffon mouillé non abrasif.

## IMPORTANT

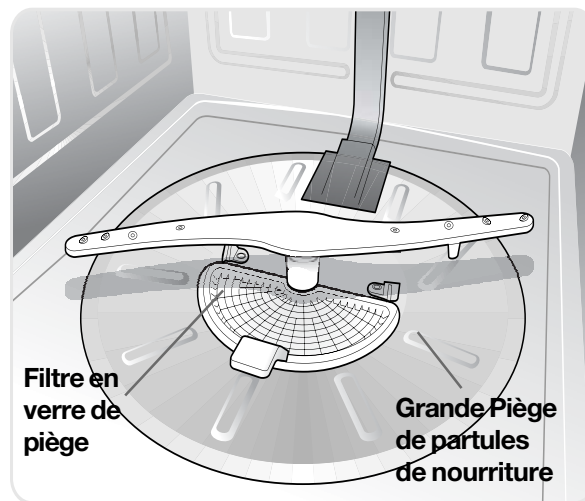
À lire avant de faire fonctionner votre lave-vaisselle!

## Entretien du Filtre à Verre

Votre lave-vaisselle est équipé d'un système de lavage d'aveant-garde. Pour un meilleur redement, il est nécessaire de nettoyer régulièrement le filtre à verre et le collecteur de gros résidus alimentaires.

Le filtre à verre est situé au centre du collecteur de gros résidus alimentaires. Il est conçu pour retenir les gros débris, notamment les morceaux de verre cassé, les pailles, les os et les noyaux. Pour retirer des objets du filtre à verre, tirez sur la poignée, poussez-le légèrement vers l'avant en le soulevant, puis videz-le et remettez-le en place.

Le collecteur de résidus d'aliments peut être nettoyé à l'aide d'un chiffon humide et propre.



## Entretien de l'écart anti-retour d'évacuation

Si un écart anti-retour d'évacuation a été installé pour votre lave-vaisselle, vérifiez qu'il est propre de façon à ce que la vidange du lave-vaisselle se fasse correctement. Un écart anti-retour d'évacuation est normalement installé sur l'évier du comptoir et peut être inspecté en enlevant le couvercle. Ce dispositif ne fait pas partie de votre lave-vaisselle et n'est pas couvert par la garantie.



### ATTENTION

**Des températures en dessous du point de congélation peuvent faire éclater les tuyaux d'eau. Assurez-vous que tous les tuyaux d'alimentation du lave-vaisselle sont protégés. La non-observation de cet avertissement peut entraîner des dommages matériels.**

## PRÉPARATION POUR L'HIVER

Un lave-vaisselle laissé dans un endroit sans chauffage doit être protégé du gel. Demandez à une personne qualifiée d'effectuer les opérations suivantes :

### Pour débrancher l'alimentation :

- 1 Coupez l'alimentation électrique du lave-vaisselle en enlevant les fusibles ou en déclenchant le disjoncteur.
- 2 Coupez l'alimentation d'eau.
- 3 Placez un récipient sous la vanne d'entrée. Débranchez le tuyau d'alimentation en eau de la vanne d'entrée et laissez l'eau s'écouler dans le récipient.
- 4 Débranchez le tuyau de vidange de la pompe et laissez l'eau s'écouler dans le récipient.

### Pour remettre en service :

- 1 Rebranchez l'alimentation en eau et le tuyau de vidange, ainsi que l'alimentation électrique.
- 2 Remettez l'eau et l'électricité en service.
- 3 Remplissez les deux godets de détergent et effectuez un cycle pour HEAVY WASH.

## REMARQUE

**Voyez les instructions d'installation pour plus de détails.**



**IMPORTANT**

Avant d'appeler pour un dépannage, relisez ce chapitre. Il peut vous gagner du temps et vous économiser de l'argent. Ce chapitre contient les solutions aux problèmes simples qui ne sont pas le résultat d'un défaut de main-d'œuvre ou de matériaux défectueux de votre lave-vaisselle.

**NOURRITURE RESTANT  
SUR LA VAISSELLE**

- Vérifiez la température de l'alimentation en eau. (Voir Pour commencer, page 51.) Elle doit être d'au moins 120°F (49°C). (Voir Facteurs affectant les performances, page 62.)
- Choisissez un autre cycle pour un temps de lavage plus long.
- Vérifiez que les paniers sont bien chargés. Évitez l'emboîtement des objets.
- La pression d'eau de la maison peut être trop basse. Elle doit être comprise entre 20 et 90 livres par pouce carré (lb/po<sup>2</sup>).
- Vérifiez la dureté de l'eau. Une plus grande quantité de détergent est requise lorsque l'eau est dure. Pour l'eau très dure, il pourrait être nécessaire d'installer un adoucisseur d'eau. (Reportez-vous au Guide d'utilisation du détergent à la page 60.)
- Utilisez un nouveau détergent.
- Songez à mettre en marche le cycle de rinçage lorsque vous prévoyez laisser la vaisselle dans le lave-vaisselle pendant plusieurs heures avant le lavage.

**LA VAISSELLE N'EST PAS  
SÈCHE**

- Assurez-vous que le distributeur de produit de rinçage est rempli.
- Augmentez la quantité de produit de rinçage (Voir Produit de rinçage, page 61).
- Vérifiez la température de l'alimentation en eau. Assurez-vous qu'elle est d'au moins 120°F (49°C).
- Vérifiez le chargement. Évitez l'emboîtement des objets.
- Les objets en plastique devront sans doute être séchés à l'aide d'un linge à vaisselle. De manière générale, les objets en plastique ne sont pas plats. Les courbes donnent une certaine raideur aux matériaux souples. Cela permet de capturer l'eau plus facilement. De plus, le plastique ne retient pas la chaleur aussi facilement. Ainsi, lorsque le cycle est terminé, le plastique conserve très peu de chaleur, laquelle favorise l'évaporation de l'eau restante sur sa surface.
- Les tasses avec un fond concave gardent l'eau.
- Reportez-vous aux Astuces pour le séchage de la vaisselle, à la page 62.

## LES VERRES OU LES COUVERTS COMPORTENT DES TACHES OU SONT RECOUVERTS D'UN FILM BLANCHÂTRE

- Vérifiez la dureté de l'eau. Pour des eaux très dures, il peut être nécessaire d'installer un adoucisseur d'eau. (Voir Guide d'utilisation du détergent, page 60.)
- La température de l'eau peut être trop basse. Évitez les températures extrêmement basses ou hautes. (Voir Facteurs affectant les performances, page 62.)
- Évitez de trop charger le lave-vaisselle ou de le charger de manière incorrecte. (Voir Préparation et chargement de la vaisselle, pages 55 et 58.)
- Utilisez un nouveau détergent. Un vieux détergent n'est pas efficace.
- Assurez-vous que le distributeur de produit de rinçage est plein.
- Vérifiez si la quantité appropriée de détergent est utilisée pour le cycle sélectionné. (Voir Distributeur de détergent, page 59.)
- La pression d'eau de la maison peut être trop basse. Elle doit être comprise entre 20 et 90 livres par pouce carré (lb/po<sup>2</sup>).

## LA VAISSELLE EST ÉBRÉCHÉE

- Chargez la vaisselle avec soin et ne surchargez pas le lave-vaisselle. (Voir Préparation et chargement de la vaisselle, pages 55 et 58.)
- Placez les objets délicats dans le panier supérieur.
- Appuyez bien les verres contre les tiges et ne les placez pas sur les tiges.
- Rangez les objets de façon à ce qu'ils soient stables et qu'ils ne basculent pas lors du déplacement des paniers. Tirez ou poussez les paniers lentement.
- Assurez-vous que les grands verres et les verres à pied ne touchent pas le dessus de la cuve lorsque le panier est repoussé.
- Il est recommandé de laver la porcelaine fine ancienne et les cristaux à la main.

## BRUITS NORMAUX QUE VOUS ENTENDREZ

- Les bruits normaux comprennent le remplissage de l'eau, la circulation de l'eau et les bruits des moteurs.
- La pulsation de la pompe provoque une augmentation et une diminution de la vitesse du moteur à intervalles réguliers pendant les cycles.

## LA VAISSELLE EST TACHÉE OU DÉCOLORÉE

- Le thé et le café peuvent tacher les tasses. Enlevez les taches en lavant à la main dans une solution d'eau de javel d'1/2 tasse (120 mL) dans un quart (1 L) d'eau tiède. Rincez soigneusement.
- Les dépôts de fer dans l'eau peuvent provoquer un film jaune ou brun. Un filtre à eau installé dans la tuyauterie d'alimentation corrigera ce problème.
- Les ustensiles de cuisine en aluminium peuvent laisser des marques grises ou noires lorsqu'ils frottent sur les autres objets. Effectuez correctement le chargement.
- Certains aliments très acides peuvent provoquer la décoloration de l'acier inox et des plastiques s'ils sont en contact avec ces objets pendant longtemps. Utilisez le cycle de rinçage ou rincez à la main si le lave-vaisselle n'est pas mis en marche immédiatement.
- Le mélange de couverts en acier inox et en métal argenté dans le panier à couverts peut provoquer des points d'attaque sur les lames en acier ustensils. Évitez de mélanger les couverts en acier inox et en métal argenté.

## DU DÉTERGENT RESTE DANS LE GODET

- Le détergent peut être vieux. Jetez-le et utilisez un nouveau détergent.
- Assurez-vous que l'action de l'eau peut atteindre le distributeur.
- Vérifiez que le cycle est bien terminé.
- Assurez-vous que des objets n'empêchent pas le distributeur de s'ouvrir.
- Assurez-vous que le panier supérieur est fermement attaché à la buse située à l'arrière de la cuve avant de fermer la porte.

## DE L'EAU RESTE DANS LE FOND DE LA CUVE

- Il n'est pas normal que de l'eau reste dans le fond de la cuve à la fin du cycle. Si c'est le cas, le lave-vaisselle peut ne pas se vidanger correctement. (Voir Le lave-vaisselle ne se vide pas correctement, page 68.) Il peut aussi être nécessaire de nettoyer le filtre. (Voir Entretien du filtre, page 63.)  
*Remarque : Il est normal de voir un peu d'eau sous le filtre à la fin d'un cycle.*



## LE LAVE-VAISSELLE FUIT

- Utilisez seulement un nouveau paquet de détergent conçu pour les lave-vaisselle automatiques. Mesurez le détergent soigneusement. Essayez une marque différente.
- Du produit de rinçage renversé peut provoquer de la mousse et entraîner un débordement. Essuyez tout renversement avec un chiffon mouillé.
- Vérifiez que le lave-vaisselle est bien de niveau. (Voir Instructions d'installation.)

## LE LAVE-VAISSELLE NE FONCTIONNE PAS

- Vérifiez que le disjoncteur n'est pas déclenché ou que le fusible n'est pas brûlé.
- Assurez-vous que l'alimentation en eau est ouverte.
- Vérifiez que le cycle est programmé correctement. (Voir Instructions d'utilisation, pages 51 et 54.)
- Vérifiez que l'option de RETARD de démarrage n'a pas été sélectionnée.
- Assurez-vous que la porte est fermée et verrouillée.

## LE LAVE-VAISSELLE NE SE VIDE PAS CORRECTEMENT

- Si l'appareil est raccordé à un broyeur à déchets, assurez-vous que le broyeur est vide.
- Si l'appareil est raccordé à un nouveau broyeur à déchets, vérifiez que le bouchon à défoncer situé à l'intérieur de l'entrée du broyeur a bien été enlevé.
- Vérifiez que le tuyau de vidange n'est pas pincé.
- Assurez-vous que le cycle est terminé, que ce n'est pas une simple pause.

## LE CYCLE PREND TROP DE TEMPS

- Vérifiez que le cycle n'est pas dans une phase de chauffage de l'eau.
- Vérifiez que l'option de retard de démarrage n'a pas été sélectionnée.
- Vérifiez que l'option de désinfection n'a pas été sélectionnée.
- Le premier cycle après la mise sous tension a été effacé. Le cycle du lave-vaisselle sera plus long.

## LE LAVE-VAISSELLE NE SE REMPLIT PAS

- Vérifiez que l'alimentation en eau est ouverte.
- Ajoutez 1/2 tasse d'eau dans le fond de l'appareil et démarrez-le à nouveau.

## LE LAVE-VAISSELLE A UNE ODEUR

- La vaisselle sale laissée dans le lave-vaisselle trop longtemps peut développer une odeur. Utilisez le cycle de rinçage.
- Lors de la première installation il y a une odeur de « neuf ». Ceci est normal.
- Vérifiez que l'appareil se vidange correctement. Voir Le lave-vaisselle ne se vide pas correctement.)

## GRAVURES

- L'utilisation d'une trop grande quantité de détergent, en particulier si elle est combinée à de l'eau très chaude, peut entraîner des dommages permanents à la surface de la vaisselle, appelés « gravures ». Les gravures donnent l'apparence d'une pellicule floue à la verrerie.
- Déterminez la quantité de détergent en vous référant au tableau du Guide d'utilisation du détergent, à la page 60.
- Diminuez la température (sélectionnez une température plus basse ou baissez la température de l'eau chaude si la température de l'eau qui arrive à l'appareil est supérieure à 54 °C (130 °F).

## POUR ENLEVER LES TACHES ET LES FILMS

L'eau dure peut laisser un dépôt de calcaire à l'intérieur du lave-vaisselle. La vaisselle et les verres peuvent aussi avoir des taches ou un film pour de nombreuses autres raisons. (Voir Les verres et les couverts comportent des taches ou sont recouverts d'un film blanchâtre, page 66.)

**Pour enlever les dépôts, les taches et les films, faites un cycle en suivant les instructions ci-dessous :**

- 1 Chargez la vaisselle et les verres propres de la manière normale. Ne mettez pas de couverts ou d'ustensiles en métal.
- 2 N'ajoutez pas de détergent.
- 3 Sélectionnez le cycle de LAVAGE HEAVY. Appuyez sur le bouton MARCHE/ANNULATION et fermez la porte.
- 4 Prévoyez une demi-heure avant de commencer le lavage principal. Ouvrez la porte et versez environ 500 ml (2tasses) de vinaigre blanc dans le bas du lave-vaisselle.
- 5 Fermez et verrouillez la porte. Laissez le cycle se terminer.

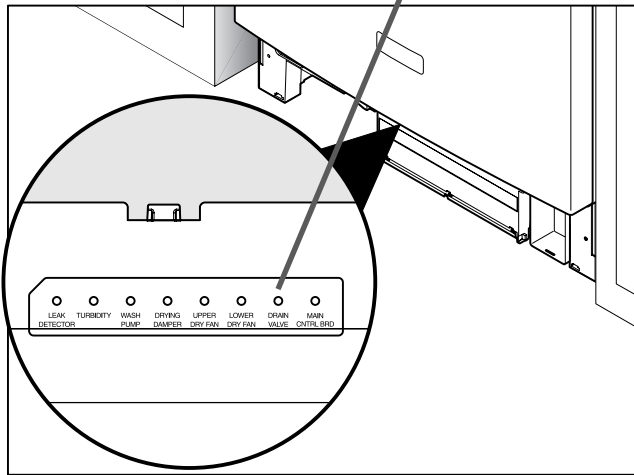
### REMARQUE

**Si ces conditions persistent, vous devrez envisager l'adjonction d'un adoucisseur d'eau pour la maison.**

## CODES D'ERREUR

Ces codes peuvent apparaître dans des situations ou l'utilisation de certaines fonctions de l'appareil en toute sécurité est risquée.

- Er 01  
Détecteur de fuite - De l'eau est détectée sous la cuve.
- Er 02  
Thermistance - Panne de la thermistance/du module de turbidité.
- Er 03  
Pompe de lavage - La pompe de lavage ne fonctionne plus.
- Er 06  
Ventilateur inférieur - Lorsque l'appareil effectue un programme de séchage, le tableau de commande reçoit un signal de vitesse inappropriée de la part du ventilateur inférieur.
- Er 08  
Touche ou panneau tactile - Le tableau de commande a détecté qu'une touche de l'interface utilisateur fonctionne mal ou est court-circuitée.
- Er 09  
Communications - Défaillance de communication entre la carte principale de l'utilisateur et le bloc d'alimentation.
- Er 10  
Relais principal - Panne du relais de puissance principal.
- Er 13  
Système en entier - Perte de contrôle de l'état de la machine.
- Er 15  
Soupape de remplissage - Le robinet d'arrivée d'eau fuit.
- Er 16  
Flotteur - Le flotteur est coincé.



Pour accéder au boîtier du système de commande, retirez l'ensemble du garde-pieds. Le voyant LED indique le composant qui est la source de l'erreur.

Votre appareil est couvert par une garantie limitée d'un an. Pendant un an à partir de la date d'achat d'origine, Electrolux réparera ou remplacera les pièces de cet appareil qui présentent un défaut de matériau ou de fabrication, si cet appareil est installé, utilisé et entretenu selon les instructions fournies. La cuve et le revêtement de porte en acier inoxydable de votre appareil sont couverts par une garantie limitée à vie. Pendant la vie de l'appareil, Electrolux remplacera une cuve ou un revêtement de porte en acier inoxydable qui manque de contenir de l'eau à cause d'un défaut de matériau ou de fabrication si cet appareil est installé, utilisé et entretenu selon les instructions fournies. De plus, les paniers de lave-vaisselle et le module de commande électronique de votre appareil sont couverts par une garantie limitée de deux à cinq ans. Durant la période s'étendant de la deuxième à la cinquième année à partir de la date d'achat d'origine, Electrolux fournira un panier de lave-vaisselle ou un module de commande électronique pour votre appareil qui présente un défaut de matériau ou de fabrication, si cet appareil est installé, utilisé et entretenu selon les instructions fournies.

## Exclusions

Cette garantie ne couvre pas ce qui suit :

1. Les produits dont le numéro de série d'origine a été enlevé, modifié ou n'est pas facilement lisible.
2. Les appareils qui ont changé de propriétaire ou qui se trouvent à l'extérieur des États-Unis ou du Canada.
3. La présence de rouille à l'intérieur ou à l'extérieur de l'appareil.
4. Les produits vendus « tels quels » ne sont pas couverts par cette garantie.
5. La perte d'aliments causée par une panne du réfrigérateur ou du congélateur.
6. Les produits utilisés dans des établissements commerciaux.
7. Les appels de service qui ne concernent pas un mauvais fonctionnement, un défaut de fabrication ou un vice de matériau, ou pour les appareils qui ne font pas l'objet d'un usage domestique ou qui ne sont pas utilisés conformément aux instructions fournies.
8. Les appels de service pour vérifier l'installation de votre appareil ou pour obtenir des instructions concernant l'utilisation de votre appareil.
9. Les frais engagés pour rendre l'appareil accessible pour une réparation, par exemple l'enlèvement des garnitures, des armoires, des étagères, etc., qui ne faisaient pas partie de l'appareil lorsqu'il a quitté l'usine.
10. Les appels de service qui concernent la réparation ou le remplacement des ampoules, des filtres à air, des filtres à eau ou d'autres articles consommables, ou des boutons, des poignées ou d'autres pièces esthétiques.
11. Les coûts de main-d'œuvre ou de service à domicile pendant les périodes supplémentaires de garantie limitée au delà de la première année suivant la date d'achat originale.
12. Les coûts de ramassage et de livraison; votre appareil est conçu pour être réparé à la maison.
13. Les frais supplémentaires comprenant, sans s'y limiter, les appels de service en dehors des heures normales de bureau, en fin de semaine ou un jour férié, les droits de péage, les frais de convoyage ou les frais de déplacement pour les appels de service dans des endroits isolés, notamment l'État de l'Alaska.
14. Les dommages causés au fini de l'appareil ou à la maison pendant le transport ou l'installation, ce qui comprend, sans s'y limiter, les planchers, les armoires, les murs, etc.
15. Les dommages causés par : des réparations faites par des techniciens non autorisés; l'utilisation de pièces autres que les pièces Electrolux d'origine ou l'utilisation de pièces qui n'ont pas été obtenues par l'entremise d'un réparateur autorisé; ou les causes externes comme l'abus, la mauvaise utilisation, l'alimentation électrique inadéquate, les accidents, les feux ou les catastrophes naturelles.

## AVERTISSEMENT CONCERNANT LES GARANTIES IMPLICITES; LIMITATIONS DES RECOURS

L'UNIQUE RECOURS DU CLIENT EN VERTU DE CETTE GARANTIE LIMITÉE EST LA RÉPARATION OU LE REMPLACEMENT DU PRODUIT COMME DÉCRIT PRÉCÉDEMMENT. **LES RÉCLAMATIONS BASÉES SUR DES GARANTIES IMPLICITES, Y COMPRIS LES GARANTIES IMPLICITES DE QUALITÉ MARCHANDE OU D'ADAPTATION À UN USAGE PARTICULIER, SONT LIMITÉES À UN AN OU À LA PÉRIODE LA PLUS COURTE PERMISE PAR LA LOI, QUI NE DOIT PAS ÊTRE INFÉRIEURE À UN AN.** ELECTROLUX NE POURRA ÊTRE TENUE RESPONSABLE DES DOMMAGES ACCESSOIRES OU INDIRECTS NI DES DOMMAGES MATÉRIELS ET DES DÉPENSES IMPRÉVUES RÉSULTANT D'UNE VIOLATION DE CETTE GARANTIE ÉCRITE OU DE TOUTE AUTRE GARANTIE IMPLICITE. CERTAINS ÉTATS ET CERTAINES PROVINCES NE PERMETTENT AUCUNE RESTRICTION OU EXEMPTION SUR LES DOMMAGES ACCESSOIRES OU INDIRECTS NI RESTRICTION SUR LES GARANTIES IMPLICITES. DANS CE CAS, CES RESTRICTIONS OU EXEMPTIONS POURRAIENT NE PAS ÊTRE APPLICABLES. CETTE GARANTIE ÉCRITE VOUS DONNE DES DROITS LÉGAUX PRÉCIS. SELON L'ÉTAT OU LA PROVINCE, IL SE PEUT QUE VOUS DISPOSIEZ D'AUTRES DROITS.

## Si vous devez faire appel au service de réparation

Conservez votre reçu, votre bon de livraison ou toute autre preuve valide de paiement permettant d'établir la période de la garantie au cas où vous auriez besoin de faire appel au service de réparation. Si une réparation est effectuée, il est dans votre intérêt d'obtenir et de conserver tous les reçus. Le service auquel vous avez droit en vertu de cette garantie doit être obtenu en communiquant avec Electrolux aux adresses ou aux numéros de téléphone ci-dessous.

Cette garantie n'est valide qu'aux États-Unis, à Puerto Rico et au Canada. Aux États-Unis et à Puerto Rico, votre appareil est garanti par Electrolux Major Appliances North America, une division d'Electrolux Home Products, Inc. Au Canada, votre appareil est garanti par Electrolux Canada Corp. Personne n'est autorisé à modifier les obligations contenues dans cette garantie ni à y apporter des ajouts. Les obligations de cette garantie concernant la réparation et les pièces doivent être remplies par Electrolux ou par une compagnie de réparation autorisée. Les caractéristiques et les spécifications décrites ou illustrées peuvent être modifiées sans préavis.

## EE. UU.

1-877-435-3287

Electrolux Major Appliances North America  
10200 David Taylor Drive  
Charlotte, NC 28262

## Canada

1-800-265-8352

Electrolux Canada Corp.  
5855 Terry Fox Way  
Mississauga, Ontario, Canada L5V 3E4

 **Electrolux**

---