

# Tumble dryer

## T5550

### Features and benefits

- Axial airflow and tight construction gives low energy consumption
- High productivity - 2 full loads per hour
- Large door opening for easy loading and unloading
- Easy and ergonomic access to the lint screen
- Excellent water evaporation efficiency per kWh
- The coin version with Ecopower to avoid over drying of the garments and get a lower energy consumption
- With Compass Pro program control
  - Large and clear display with control knob for easy program selection
  - Easy access with user-friendly interface
  - Language selection
  - Drying program packages optimized for Economy, Care and Time
  - Service program for adjustment of parameters
  - USB connection

### Main options

- Stainless steel front
- Stainless steel drum
- Residual Moisture Control - RMC
- Connection to booking- /payment- system or coin meter
- Reversing drum
- Emergency stop button
- Supply disconnecter

### Accessories

- Fresh air intake
- Exhaust on top  
(Top evacuation is not available on steam heated tumble dryers)
- Insert for drying special equipment



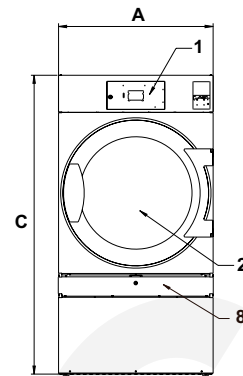
Images shown are a representation of the product only and variations may occur.

Main specifications			T5550			
Rated capacity, filling factor 1:18		kg/lb	30.5/67.2			
	filling factor 1:22	kg/lb	25/55.1			
Drum volume		litre	550			
Drum diameter		mm	913			
Heating alternatives	electric	kW	24/32			
	gas	BTU/h (kW)	11 2700 (33)			
	steam at 600-700 kPa		36			
			kW			
<b>Consumption data*</b>			24 kW	32 kW	Gas	Steam
Total time at 25 kg	min		31	23	24	23
Energy consumption at 25 kg	kWh		12.29	12.19	13.27	15.24
Evaporation	g/min		409	543	512	550
Energy kWh/litre water evaporated	kWh/l		0.98	0.98	1.06	1.22

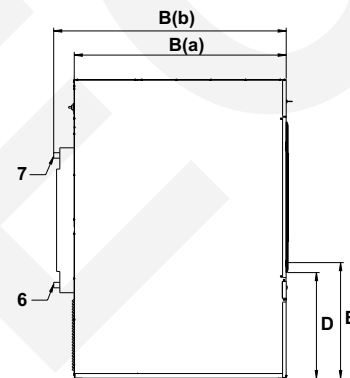
\* At rated capacity 100% cotton load at 50% initial moisture dried to 0%.

Electrical connections*					
Heating alternative	Main voltage		Heating power kW	Total power kW	Recommended fuse A
		Hz			
Electric heated	220-240V 1 ~	50/60	24.0	26.2	125
	220-240V 3 ~	50/60	24.0/32.0	26.3/34.3	80/100
	380-415V 3 ~	50/60	24.0/32.0	26.7/34.7	50/50
Gas heated/ Steam heated	220-240V 1 ~	50/60	-	1.9	10
	220-240V 3 ~	50/60	-	2.4	10
	380-415V 3 ~	50/60	-	2.6	10

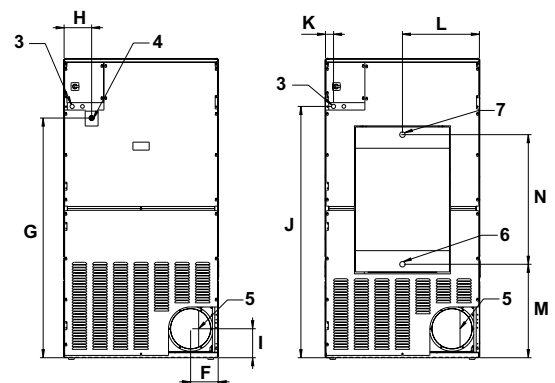
Steam, gas and air connections			T5550
Steam	ISO 7/1-R		1"
Steam pressure		kPa	100-1000
Steam consumption		kg/h	65
Condensate	ISO 7/1-R		1"
Gas	NG/PG	ISO 7/1-R	1/2"
Gas pressure	Natural gas	Pa	2000
		mbar	20
		Pa	2800-3700
Propane	Pa		28-37
	mbar		200
Air outlet		ø mm	200
Maximum air flow:			
	Electric 50 Hz / 60 Hz	m <sup>3</sup> /h	940 / 940
	Gas 50 Hz / 60 Hz	m <sup>3</sup> /h	940 / 940
	Steam 50 Hz / 60 Hz	m <sup>3</sup> /h	1080 / 1080
Maximum static back pressure:			
	Electric 50 Hz / 60 Hz	Pa	480 / 950
	Gas 50 Hz / 60 Hz	Pa	420 / 900
	Steam 50 Hz / 60 Hz	Pa	1300 / 1550
Sound levels			
Airborne sound level		dB(A)	<70
Heat emission			
% of installed power, max			15
Shipping data**			
Shipping volume		net, kg	280
		crated, m <sup>3</sup>	2.80
Dimensions in mm			
A	Width		961
B(a)	Depth		1365
B(b)	Depth		1445
C	Height		1869
D			660
E			720
F			170
G			1490
H			200
I			180
J			1560
K			50
L			480
M			580
N			805
1	Control panel		
2	Door opening ø 810 mm		
3	Electrical connection		
4	Gas connection		
5	Exhaust connection		
6	Condensate connection		
7	Steam connection		
8	Lint screen		



Front



Left side



El, gas

Steam

Rear side

\* Other voltages available, see installation manual.

\*\* Average data. Crated weight/shipping volume depends on configuration. Please contact logistics for exact measures.