

## Use & Care Guide

Wine Cooler / Beverage Center

## Guia de Uso y Cuidado

Refrigerador de Vinos / Centro de Bebidas

## Guide D'utilisation et D'entretien

Refroidisseur à Vin / Centre de Boissons



 **Electrolux**

## Please Read and Save This Guide

Thank you for choosing Electrolux, the new premium brand in home appliances. This Use & Care Guide is part of our commitment to customer satisfaction and product quality throughout the service life of your new wine cooler / beverage center.

We view your purchase as the beginning of a relationship. To ensure our ability to continue serving you, please use this page to record key product information.

### IMPORTANT

PLEASE READ all instructions completely before attempting to install or operate the unit. All wine coolers / beverage centers require a connection to an electrical power source. Improper hook-up can result in a safety hazard and potential damage to the product or contents! Proper installation, in accordance with the manufacturer's specifications and all local codes, is the sole responsibility of the consumer. The manufacturer is not responsible for any installation expenses or damages incurred due to improper installation. If you are unsure of your ability to safely connect electric power to the unit, consult a licensed and insured professional to perform all electrical work.

Once you have your unit installed, we suggest you keep this manual in a safe place for future reference. Should any problems occur, refer to the "Troubleshooting" section of this manual. This information will help you quickly identify a problem and get it remedied. In the event you require assistance, please contact the dealer where you purchased your unit.

## Make a Record for Quick Reference

Whenever you call to request information or service, you will need to know your model number and serial number. You can find this information on the serial plate located on the ceiling of your unit and on the product registration card.

## Product Registration Card

The package containing this manual also includes your product registration information. Warranty coverage begins at the time your Electrolux wine cooler / beverage center was purchased.

### NOTE

Registering your product with Electrolux enhances our ability to serve you. You can register online at [www.electroluxappliances.com](http://www.electroluxappliances.com) or by dropping your Product Registration Card in the mail. Complete and mail the Product Registration Card as soon as possible to validate the registration date.

Please record the purchase date of your Electrolux unit and your dealer's name, address and telephone number.

\_\_\_\_\_  
Purchase Date

\_\_\_\_\_  
Electrolux Model Number

\_\_\_\_\_  
Electrolux Serial Number

\_\_\_\_\_  
Dealer Name

\_\_\_\_\_  
Dealer Address

\_\_\_\_\_  
Dealer Telephone

Keep this manual and the sales receipt together in a safe place for further reference.

## Questions?

For toll-free telephone support in the U.S. and Canada:

1-877- 4ELECTROLUX (1-877-435-3287)

For online support and Internet product information:  
[www.electroluxappliances.com](http://www.electroluxappliances.com)

## Table of Contents


<b>Finding Information</b> .....	<b>2</b>
Please Read and Save This Guide .....	2
Make a Record for Quick Reference .....	2
Product Registration Card .....	2
Questions? .....	2
<b>Safety</b> .....	<b>4</b>
Important Safety Instructions .....	4
Safety Precautions .....	4
Definitions .....	4
General Precautions .....	4
<b>Installation</b> .....	<b>5</b>
Installing the Wine Cooler / Beverage Center .....	5
Site Preparation .....	6
<b>Leveling</b> .....	<b>7</b>
Leveling the Unit .....	7
<b>Door Reversal</b> .....	<b>8</b>
Reversing the Door .....	8
<b>Start-Up and Temperature Control</b> .....	<b>11</b>
Starting the Unit .....	11
Adjusting the Temperature .....	11
<b>Operation</b> .....	<b>12</b>
Description of Features .....	12
Alarms .....	12
Notifications .....	12
Sabbath Mode .....	12
<b>Storage</b> .....	<b>13</b>
Proper Storage .....	13
Display Rack (Wine Cooler Only) .....	13
Stocking Recommendations (Wine Cooler Only) .....	13
<b>Maintenance</b> .....	<b>14</b>
Maintaining Your Wine Cooler / Beverage Center .....	14
Exterior Cleaning for Your Stainless Steel Model .....	14
Interior Cleaning .....	14
Wine Rack Removal/Installation .....	14
Glass Shelf Removal/Installation (Beverage Center Only) .....	15
<b>Troubleshooting</b> .....	<b>16</b>
Before You Call for Service .....	16
If Service is Required .....	16
<b>Warranty Information</b> .....	<b>17</b>

## Important Safety Instructions

### Safety Precautions

Do not attempt to install or operate your unit until you have read the safety precautions in this manual. Safety items throughout this manual are labeled with a Danger, Warning or Caution based on the risk type.

### Definitions

 This is the safety alert symbol. It is used to alert you to potential personal injury hazards. Obey all safety messages that follow this symbol to avoid possible injury or death.

### DANGER

**DANGER** indicates an imminently hazardous situation which, if not avoided, will result in death or serious injury.

### WARNING

**WARNING** indicates a potentially hazardous situation which, if not avoided, could result in death or serious injury.

### CAUTION

**CAUTION** indicates a potentially hazardous situation which, if not avoided, may result in minor or moderate injury.

### IMPORTANT

Indicates installation, operation or maintenance information which is important but not hazard-related.

### General Precautions

### WARNING

**RISK OF CHILD ENTRAPMENT.** Before you throw away your old appliance, take off the doors and leave shelves in place so that children may not easily climb inside.

### WARNING

- Never attempt to repair or perform maintenance on the unit until the electricity has been disconnected.
- Altering, cutting of power cord, removal of power cord, removal of power plug, or direct wiring can cause serious injury, fire and/or loss of property and/or life and will void the warranty.
- Do not lift unit by door handle.

### CAUTION

- Use care when moving the unit. Some edges are sharp and may cause personal injury. Wear gloves when moving or repositioning the unit.
- Never install the unit behind closed doors. Be sure front grille is free of obstruction. Obstructing free air flow can cause the unit to malfunction, and may void the warranty.
- Allow unit temperature to stabilize for 24 hours before use.

### CAUTION

- Use only genuine Electrolux replacement parts. Imitation parts can damage the unit and may void the warranty.

## Installing the Wine Cooler / Beverage Center

Your Electrolux wine cooler / beverage center has been designed for either free-standing or built-in installation. When built-in, your wine cooler does not require additional air space for top, sides or rear. In either case, the front grille must **NOT** be obstructed.

### NOTE

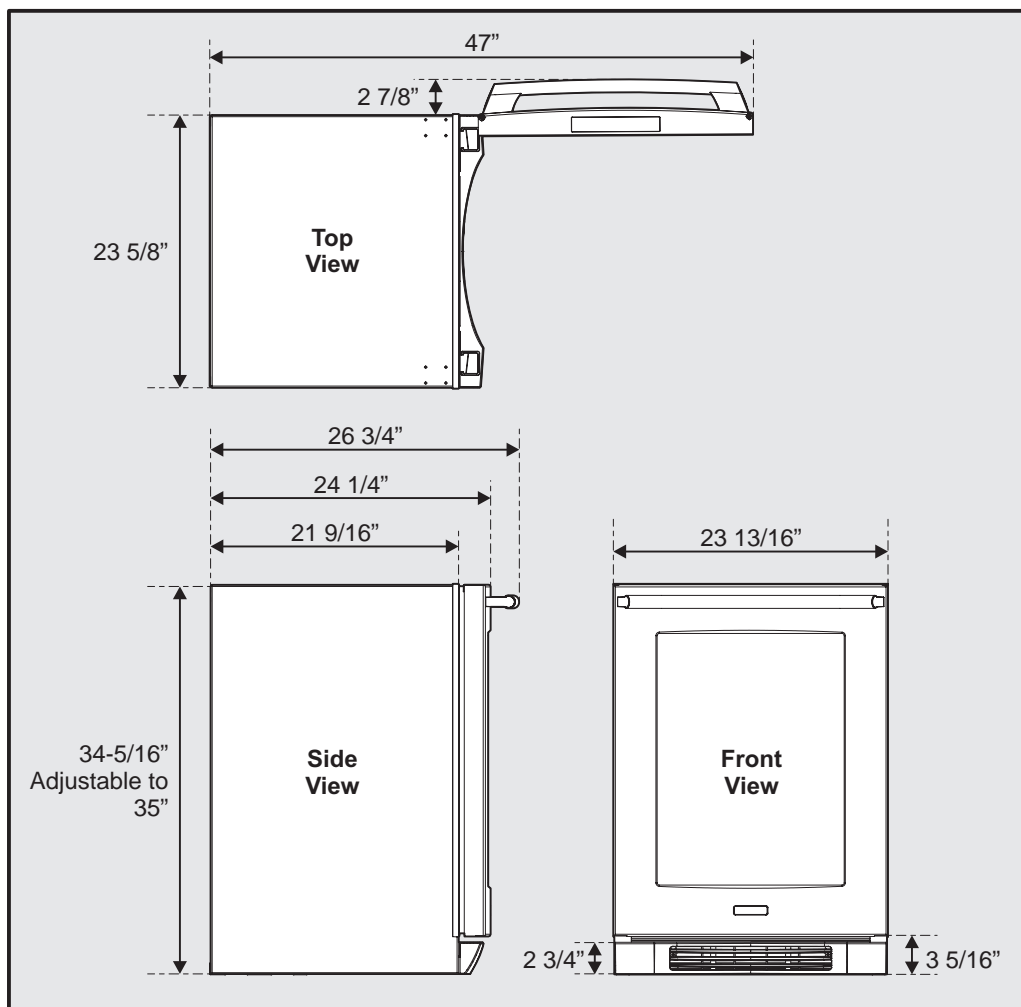
To ease unit installation and removal, it is recommended that the cabinet rough opening dimensions be increased by at least 1/4 inch over the dimensions given for your unit.

### NOTE

All units require zero clearance when installed flush with a cabinet or wall. Electrolux stainless steel models require a minimum 27/8 inch handle clearance when installed against a wall or cabinet that extends beyond the front edge of the unit.

Unit Dimensions

Width	Height	Depth
23 13/16 inch	34 5/16 - 35 inches	26 3/4 inch



Product Dimensions

# 6

## Installation

### Site Preparation

- 1 Position the unit on a flat, level surface capable of supporting the entire weight of the unit. Remember the unit will be significantly heavier once it is fully loaded.
- 2 This unit requires a grounded and polarized 115 VAC, 60Hz, 15A circuit (normal household current).
- 3 Avoid connecting the unit to a Ground Fault Interruptor (GFI). GFIs are prone to nuisance tripping which will cause the unit to shut down. GFIs are generally not used on circuits which power equipment that must run unattended for long periods of time.
- 4 The unit must be installed according to your state and local laws and regulations.

### WARNING

#### ELECTROCUTION HAZARD!

**Electrical Grounding Required.** This appliance is equipped with a three prong (grounding) polarized plug for your protection against possible shock hazards.

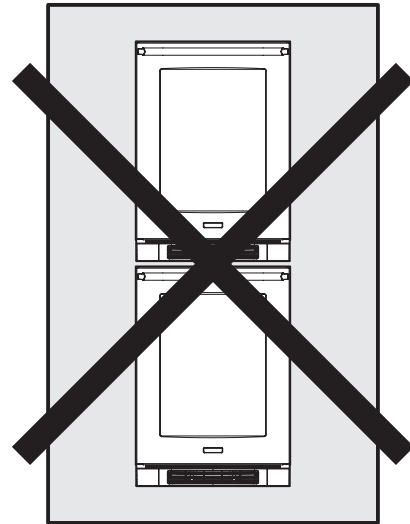
- NEVER remove the round grounding prong from the plug.
- NEVER use a two-prong grounding adapter.
- NEVER use an extension cord to connect power to the unit.

Where a two-prong wall receptacle is encountered or a longer power cord is required, contact a qualified electrician to have it replaced in accordance with applicable electrical codes.

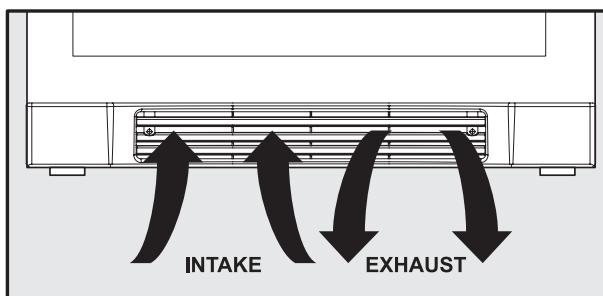
- 6 Wipe out inside of unit with a damp cloth.
- 7 Be sure to install the Anti-Tip bracket. Follow the instructions provided with the Anti-Tip bracket kit.

### WARNING

**The Anti-Tip Kit must be installed on this unit before it is used. Double stacking units may cause serious personal injury.**



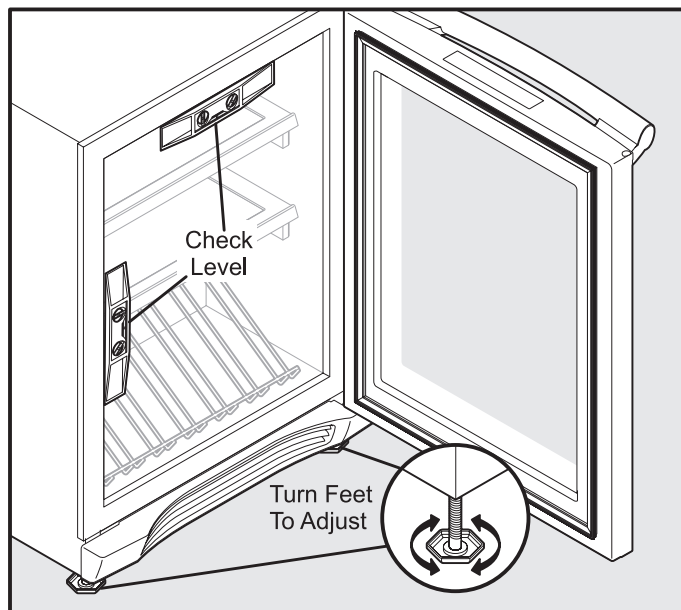
- 5 Position the unit to allow free air flow through the front grille.



## Leveling the Unit

Position the unit on a flat, level surface capable of supporting the entire weight of the unit when full.

This unit contains four (4) adjustable leveling legs. Turn the legs clockwise to raise and counterclockwise to lower.



# Door Reversal

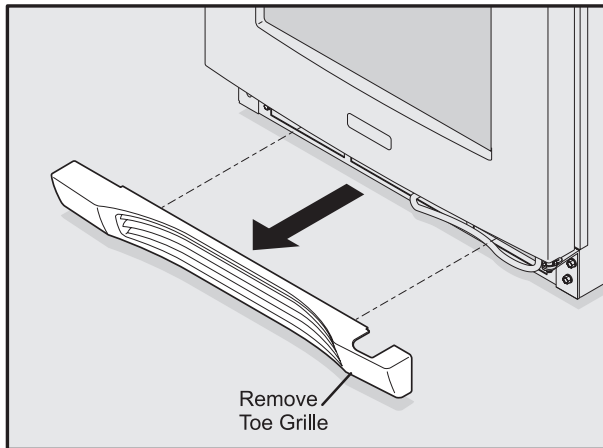
## Reversing the Door

This model comes equipped with a right-hand (RH) swing door. To convert the unit to a left-hand (LH) swing door (as shown in the Use & Care Guide), certain components must be obtained before beginning the conversion. These components are available from your local dealer or by calling Electrolux.

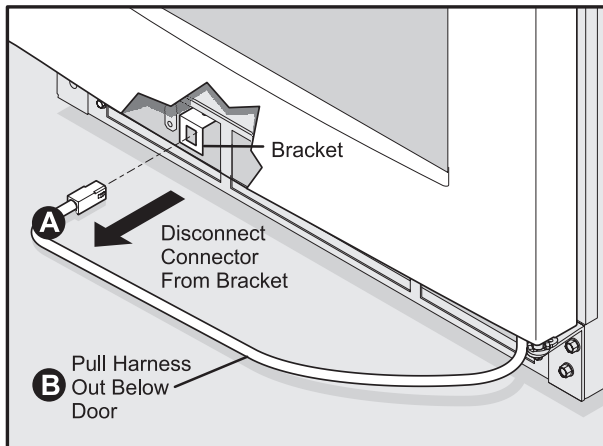
**Order Part Number: 5303918374**  
(Models EI24WC65GS & EI24BC65GS)

### To reverse the door:

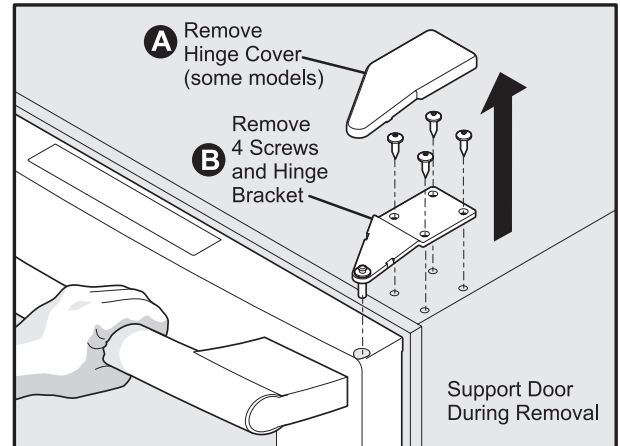
- 1 Disconnect power to the wine cooler / beverage center.
- 2 Remove toe grille.



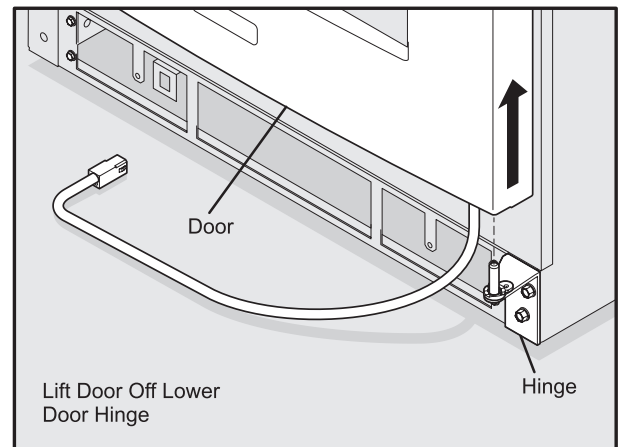
- 3 Disconnect door harness from connector bracket behind lower front panel. Pull harness from behind lower front panel so it is hanging below the door.



- 4 Remove upper RH hinge bracket by loosening four (4) screws. Be careful to support the door while loosening and removing the upper hinge bracket.

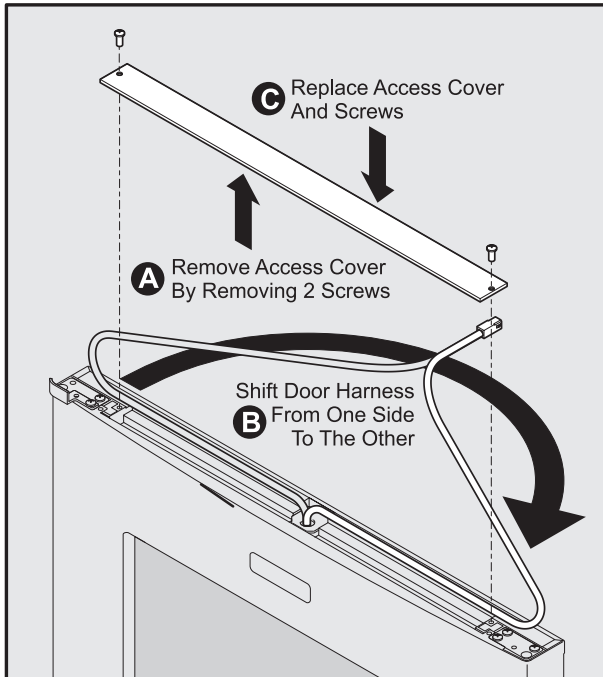


- 5 Lift the door off of the lower RH hinge bracket. Turn the door upside down and place on a soft, non-abrasive surface.

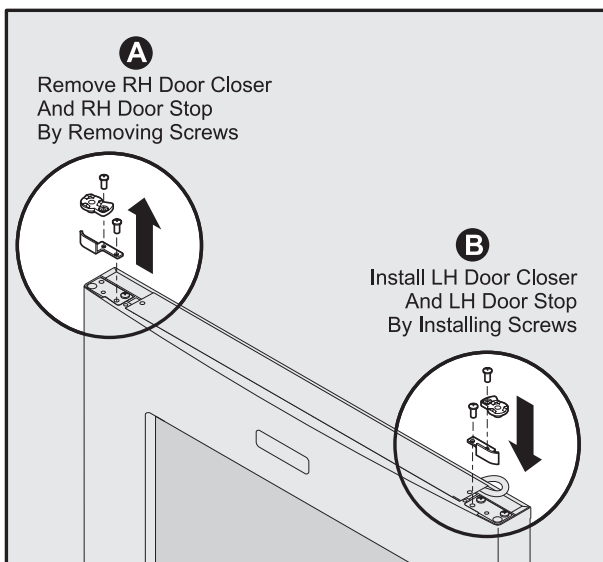




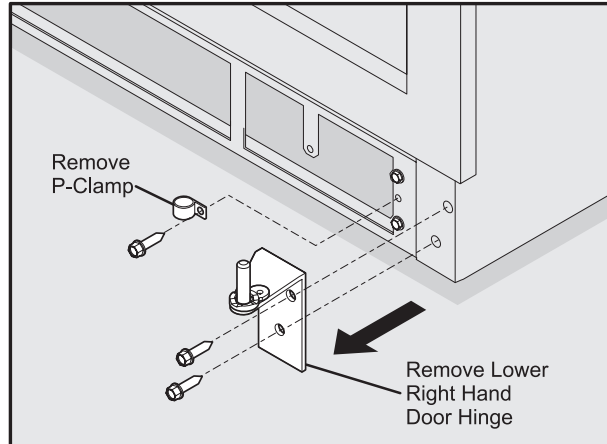
- 6 Remove access cover by removing two (2) screws.
- 7 Shift door harness from one side to the other. Replace access cover.



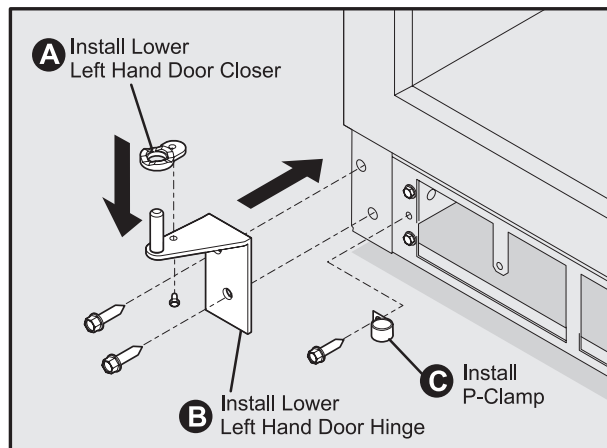
- 8 Remove plastic RH door closer by removing screw. Remove metal RH door stop by removing screw.



- 9 Install metal LH door stop by installing screw. Do not overtighten.
- 10 Install plastic LH door stop by installing screw.
- 11 Remove lower RH door hinge by removing two (2) screws. Remove P-clamp and install in LH side.

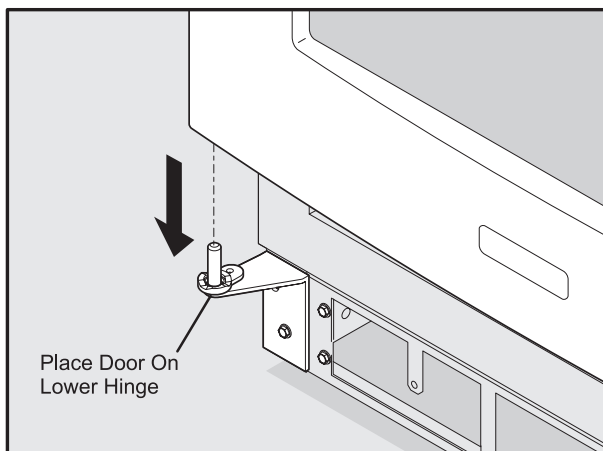
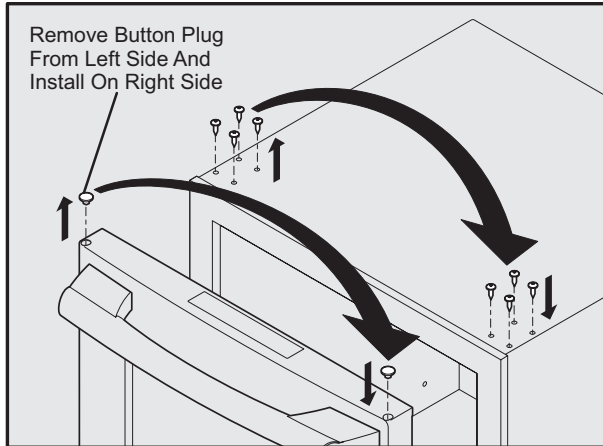


- 12 Install lower LH door closer in lower LH door hinge by installing screw.
- 13 Install lower LH door hinge by installing two (2) screws. Apply petroleum jelly to lower LH hinge pin.

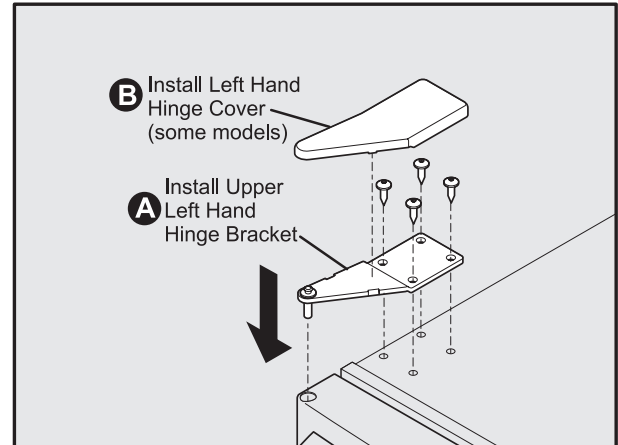


# Door Reversal

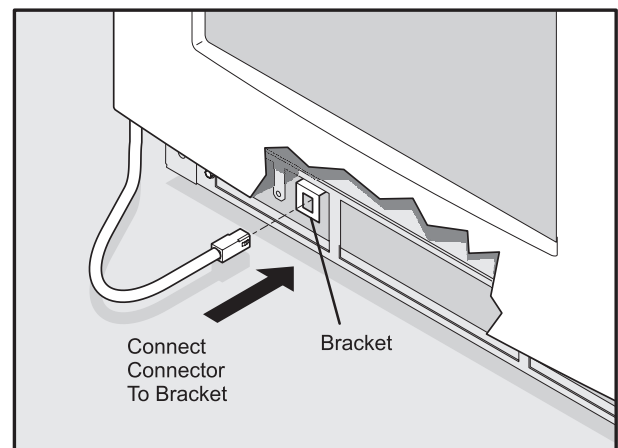
- 14** Remove button plug from upper left side of door and place in upper right side of door. Place door on lower LH hinge bracket.



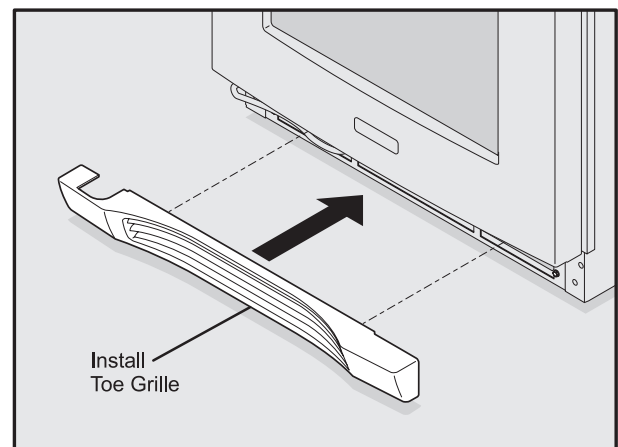
- 15** Install upper LH hinge bracket by installing four (4) screws.
- If door does not close properly after reversing, the following actions may be taken:
- Loosen lower hinge screws and align door. Retighten screws.
  - Loosen upper hinge screws and align door. Retighten screws.
  - Remove door gasket, turn 180°, and reinstall.



- 16** Route door harness behind lower front panel. Reconnect door harness to bracket.



- 17** Attach LH toe grille.



- 18** Reapply power.

## Starting the Unit

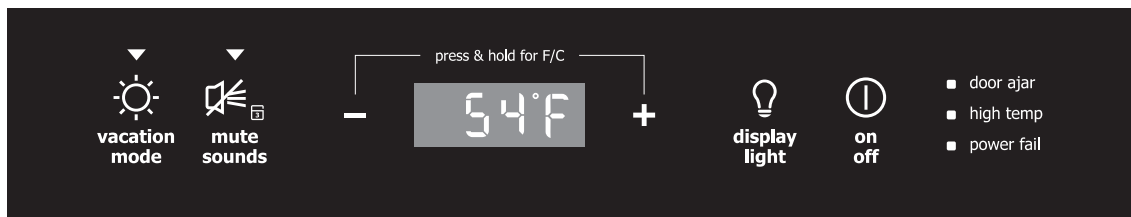
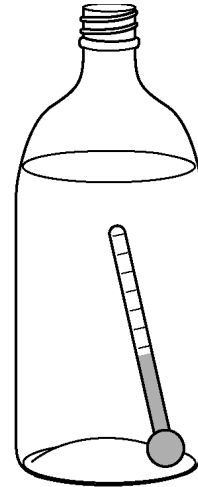
Your wine cooler / beverage center is shipped in the ON position; however, you may turn it ON or OFF by pressing the ON/OFF for three (3) seconds.

## Adjusting the Temperature

To accurately check the temperature, insert a reliable thermometer into a plastic (non-breakable) bottle, partially filled with water. Tighten the bottle cap securely.

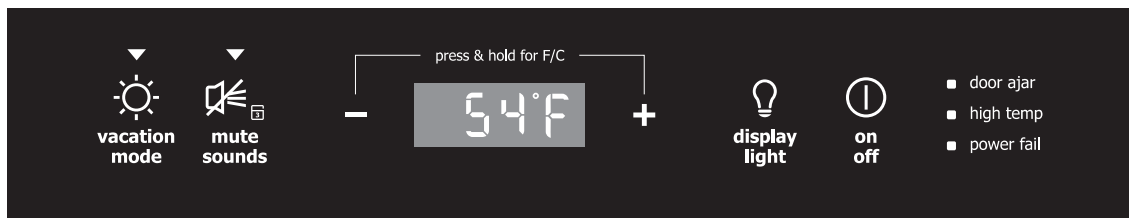
Place the bottle in the desired area for 24 hours. Refrain from opening the unit during the testing period. After 24 hours, check the temperature of the water.

Press the (+) or (-) indicator to adjust the temperature to the desired setting. The temperature display will begin to blink with the first touch. Adjust the temperature by touching the key. After three (3) seconds of inactivity, the display will beep to accept the new temperature.



### ***Factors that affect the internal temperatures of the cabinet***

- Temperature setting
- Room temperature where installed
- Number of times the door is opened and closed
- Amount of time the internal light is illuminated (this affects primarily wines/beverages on the top racks/shelves)
- Installation in direct sunlight or near a heat source



## Description of Features

- vacation mode** Conserves energy by disabling interior lights and keypad inputs.
- mute sounds** Tones emitted by each keypress can be turned off based on user preference. The sounds are muted when the red indicator is lit. The **mute sounds** key also is used to acknowledge alarm conditions, denoted by a flashing red indicator. Press and hold the **mute sounds** key for three (3) seconds to enable **control lock**, which prevents undesired changes to the unit settings. Temperature display will show “LOC”.
- temperature mode** Simultaneously pressing and holding the (+) and (-) keys for three (3) seconds causes the temperature display to toggle from Fahrenheit to Celsius and back again.
- display light** Manually activates the lights, regardless of whether the door is closed. Each successive keypress will advance the interior lights from “Off” to “Low Intensity” to “Maximum Intensity” then to “Off” again. Interior lighting is automatically disabled after 120 minutes, at which point the lights may be manually activated again if desired.
- on off** Pressing and holding for three (3) seconds allows the user to turn off the cooling system. The temperature display will display “OFF”. **THIS DOES NOT REMOVE POWER FROM THE UNIT.**

## Alarms

- door ajar** If the door has been left open for five (5) minutes, an audible alarm will sound and the **door ajar** indicator will illuminate on the right side of the display. The **mute sounds** indicator will blink. Pressing the **mute sounds** key or closing the door will acknowledge the alarm and disable the audible portion and the LED indicator until the door is left open another five (5) minutes.

## high temp (Beverage Center Only)

In the event of a high temperature condition, an audible alarm will sound, the temperature display will blink and display “HI” and the **high temp** indicator on the right side of the display will blink. The **mute sounds** indicator will blink. Pressing the **mute sounds** key will acknowledge the alarm and disable the audible portion. All other modes are turned off until the alarm is acknowledged. The **high temperature** indicator and “HI” will stay illuminated until a normal safe range operating temperature has been reached, at which time the temperature display will show the actual temperature.

## power fail

In the event of a power failure or initial power-up, an audible alarm will sound and the **power fail** indicator on the right side of the display will blink. The **mute sounds** indicator will blink. Pressing the **mute sounds** key will acknowledge the alarm and disable the audible portion. All other functions are disabled until the alarm is acknowledged, at which point the **power fail** indicator is turned off and the unit will resume normal operation. The **high temp** alarm (beverage center only) may also be illuminated until a safe temperature has been reached.

## Notifications

- air filter** After six (6) months of use, the display will show **AF**. This is a reminder that it is time to change the air filter. The product will continue to function normally. Pressing any key will reset the reminder for 10 minutes. Once the air filter is replaced, pressing the “On/Off” and “-” keys for three (3) seconds will reset the reminder for another six (6) months.

## Sabbath Mode

Sabbath mode disables portions of the unit and its controls in accordance with the weekly Sabbath and religious holidays observed within the Orthodox Jewish community.

Sabbath mode is enabled and disabled by pressing and holding the **vacation mode** key for five (5) seconds. Temperature display shows “Sb” while in Sabbath mode.



The customer may open or close the door at any time without concern of directly turning on or off any lights, digital readouts, solenoids, fans, valves, compressor, icons, tones or alarms. After power failure, the unit will immediately return to Sabbath mode.

While in Sabbath mode, alarm indicators will not illuminate, nor be accompanied by audible alarms.

For further assistance, guidelines for proper usage and a complete list of models with the Sabbath feature, please visit the web at <http://www.star-k.org>.

## Proper Storage

The wine cooler will accommodate 46 bottles (750 ml size). There are five (5) upper racks that will hold eight (8) bottles each and one lower display rack that will hold six (6) bottles. Specially designed wine racks allow for proper horizontal storage of the wine. The cork remains moist which keeps air from entering the bottle.

The beverage center will accommodate six (6) bottles on the lower rack. Additional storage capacity is provided on the glass shelves above the racks.

## Display Rack

The bottom rack in your wine cooler is designed for storage as well as for display purposes. The unit holds six (6) bottles in the display rack.

## Stocking Recommendations (Wine Cooler Only)

The wine racks allow for the proper horizontal storage of wine. The bottles are properly positioned so that the wine remains in contact with the cork to assure that the cork does not become dry. White and sparkling wines should be maintained on the bottom to middle racks and red wine on the top racks.

Your wine cooler should be stocked beginning with the bottom display rack at the back and working forward staggering the bottles.

Subsequent racks should be stocked similarly, starting with the back of each rack.

## Maintaining Your Wine Cooler/ Beverage Center

Periodic cleaning and proper maintenance will ensure efficiency, top performance, and long life. The maintenance intervals listed are based on normal conditions. You may want to shorten the intervals if you have pets or other special considerations.

### Exterior Cleaning for Your Stainless Steel Model

- Your stainless steel model may discolor when exposed to chlorine gas, pool chemicals, salt water, or cleaners with bleach.
- Keep your stainless unit looking new by cleaning with a high quality, all-in-one stainless steel cleaner/polish on a monthly basis. Frequent cleaning will remove surface contamination that could lead to rust. Some installations will require cleaning on a weekly basis.
- DO NOT CLEAN WITH STEEL WOOL PADS.
- DO NOT USE CLEANERS THAT ARE NOT SPECIFICALLY INTENDED FOR STAINLESS STEEL (this includes glass, tile and counter cleansers).
- If any surface discolors or rusting appears, clean it quickly with Bon-Ami or Barkeepers Friend Cleanser and a non-abrasive cloth. Always clean in the direction of the grain. Always finish this process with a high quality, all-in-one stainless steel cleaner/polish to prevent further problems.
- USE OF ABRASIVE PADS SUCH AS SCOTCHBRITE WILL CAUSE THE GRAINING IN THE STAINLESS TO BECOME BLURRED.
- Rust that is allowed to linger can penetrate into the surface of the stainless steel and become impossible to remove.



### CAUTION

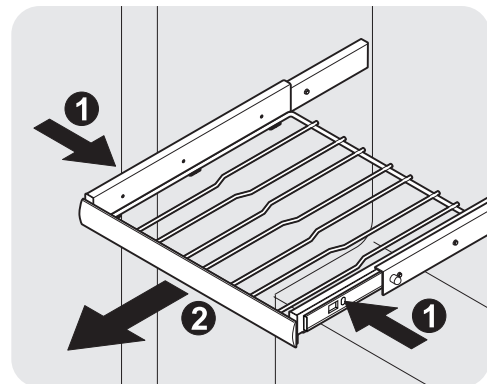
- **Stainless steel models exposed to chlorine gas and moisture such as areas with spas or swimming pools, may have some discoloration of the stainless steel. Discoloration from chlorine gas is normal. Follow exterior cleaning instructions.**
- **NEVER USE CHLORIDE OR CLEANERS CONTAINING BLEACH TO CLEAN STAINLESS STEEL.**

### Interior Cleaning - as Required

- 1 Disconnect power to the wine cooler / beverage center.
- 2 Remove racks if desired, see “**WINE RACK REMOVAL/INSTALLATION**” below.
- 3 Wipe down the interior with a solution of non-abrasive mild detergent and warm water.
- 4 Rinse with clear water.
- 5 Reconnect power to the unit.

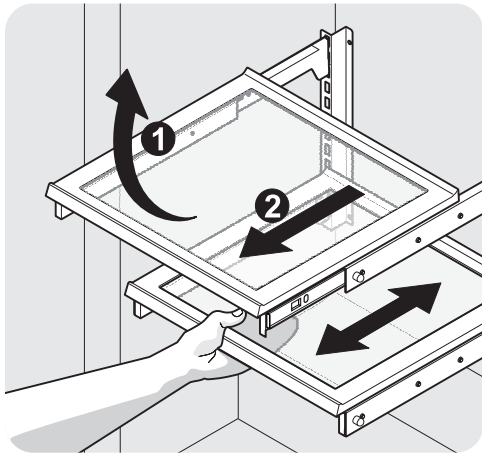
### Wine Rack Removal/Installation

- 1 Open door fully.
- 2 Extend wine rack fully.
- 3 Ball bearing slide features plastic release latches on each side. Push release latches, then pull wine rack out.
- 4 To reinstall, push ball bearing slides in fully. Slide rack into ball bearing slide ensuring each side engages properly.



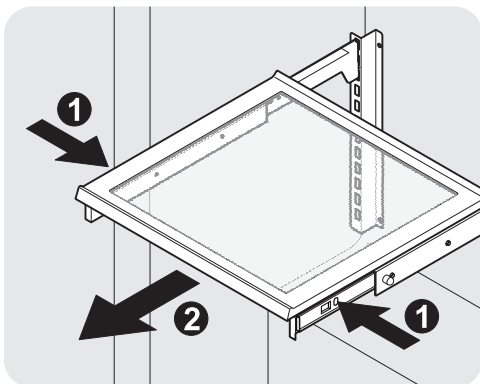
## Glass Shelf Removal/Installation (Beverage Center Only)

- 1 Open door fully.
- 2 **Method 1 - removal of entire shelf assembly:**
  - a. Lift up on front edge and rear portion of shelf. Cantilever brackets will disengage from ladder.
  - b. To reinstall, slide shelf into cabinet ensuring the cantilever brackets engage fully in the proper holes. It may help to extend the glass portion.



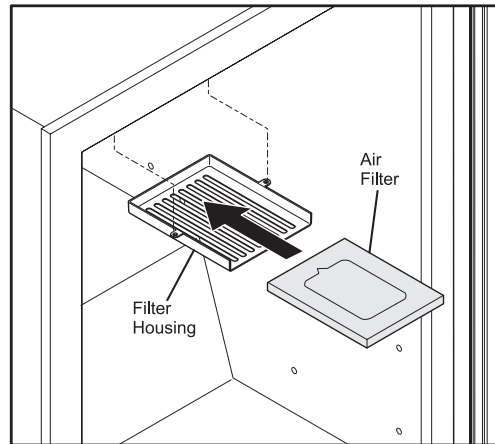
### 3 **Method 2 - glass shelf removal:**

- a. Extend shelf fully.
- b. Ball bearing slide features plastic release latches on each side. Push release latches then pull shelf out.
- c. To reinstall, push ball bearing slides in fully. Slide shelf rack into ball bearing slide ensuring each side engages properly.



## Air Filter

Install the static air filter, located in the literature pack, in the proper housing.



## Ordering replacement filters

Order new filters by calling toll-free 1-877-808-4195, visiting [www.electroluxappliances.com](http://www.electroluxappliances.com), or seeing the dealer where you bought your wine cooler. Electrolux recommends that you order extra filters when you first install your wine cooler, and that you replace your filters at least once every six months.

Here is the product number to request when ordering:

**PureAdvantage™** Air Filter, Part # **EAFCBF**

## Before You Call for Service

If the unit appears to be malfunctioning, read through this manual first. If the problem persists, check the **Troubleshooting Guide** below. Locate the problem in the guide and refer to the cause and its remedy before calling for service. The problem may be something very simple that can be solved without a service call. Consulting or contracting a qualified service technician may be necessary.

## If Service is Required

Contact the dealer where you purchased the unit if service is required. State the model and serial number and explain the problem. The model and serial number plate is located on the ceiling of your unit.

If you do not know the name of the selling dealer or a local service company, you can check online at [www.electroluxappliances.com](http://www.electroluxappliances.com) or call 1-877-435-3287.

### **WARNING**

#### ELECTROCUTION HAZARD

**NEVER attempt to repair or perform maintenance on the unit until the main electrical power has been disconnected.**

Problem	Possible Cause	Remedy
Unit not cold enough.  Adjust temperatures (see “ <b>Adjusting the Temperature</b> ” in the “ <b>Start-Up and Temperature Control</b> ” section).	<ul style="list-style-type: none"> <li>Control set too warm.</li> <li>Light staying on.</li> <li>Airflow to front grille blocked.</li> <li>Door gasket not sealing properly.</li> </ul>	<ul style="list-style-type: none"> <li>Adjust temperature colder. Allow 24 hours for temperature to stabilize.</li> <li>Turn off manual light control. See “<b>Operation</b>” section.</li> <li>Airflow must not be obstructed to front grille. See “<b>Installation</b>” section.</li> <li>Adjust door gasket.</li> </ul>
Unit too cold.  Contents of unit too cold/frozen.  Adjust temperatures (see “ <b>Adjusting the Temperature</b> ” in the “ <b>Start-Up and Temperature Control</b> ” section).	<ul style="list-style-type: none"> <li>Control set too cold.</li> </ul>	<ul style="list-style-type: none"> <li>Adjust temperature warmer. Allow 24 hours for temperature to stabilize.</li> </ul>
No interior light.	<ul style="list-style-type: none"> <li>Failed LED assembly.</li> </ul>	<ul style="list-style-type: none"> <li>Contact a qualified Electrolux Service Technician.</li> </ul>
Light will not go out when door is closed.	<ul style="list-style-type: none"> <li>Manual light control is ON.</li> <li>Door switch not making contact.</li> </ul>	<ul style="list-style-type: none"> <li>Turn off manual light control. See “<b>Operation</b>” section.</li> <li>Check for proper door alignment.</li> </ul>
Alarm(s) will not shut off.	<ul style="list-style-type: none"> <li>Door is ajar.</li> <li>Power has failed.</li> <li>Internal temperature is too high. (Beverage Center only)</li> </ul>	<ul style="list-style-type: none"> <li>Press “Mute Sounds” key to acknowledge alarm.</li> <li>Ensure door is closed firmly.</li> <li>Allow 24 hours for temperature to stabilize.</li> </ul>
Power is not restored after power failure.	<ul style="list-style-type: none"> <li>Circuit breaker has tripped.</li> </ul>	<ul style="list-style-type: none"> <li>Verify electrical supply. See “<b>Installation</b>” section.</li> </ul>
Door does not close properly after reversing it.	<ul style="list-style-type: none"> <li>Door hinges are misaligned.</li> <li>Door gasket is not sealing properly.</li> </ul>	<ul style="list-style-type: none"> <li>Loosen hinges and re-align door. Retighten hinges.</li> <li>Turn gasket 180°. See “<b>Door Reversal</b>” section.</li> </ul>



## Major Appliance Warranty Information

Your appliance is covered by a one year limited warranty. For one year from your original date of purchase, Electrolux will repair or replace any parts of this appliance that prove to be defective in materials or workmanship when such appliance is installed, used, and maintained in accordance with the provided instructions. In addition, the cabinet liner and sealed refrigeration system (compressor, condenser, evaporator, dryer or tubing) of your appliance is covered by a two through five year limited warranty. During the 2nd through 5th years from your original date of purchase, Electrolux will repair or replace any parts in the cabinet liner and sealed refrigeration system which prove to be defective in materials or workmanship when such appliance is installed, used, and maintained in accordance with the provided instructions.

### Exclusions

This warranty does not cover the following:

1. Products with original serial numbers that have been removed, altered or cannot be readily determined.
2. Product that has been transferred from its original owner to another party or removed outside the USA or Canada.
3. Rust on the interior or exterior of the unit.
4. Products purchased "as-is" are not covered by this warranty.
5. Food loss due to any refrigerator or freezer failures.
6. Products used in a commercial setting.
7. Service calls which do not involve malfunction or defects in materials or workmanship, or for appliances not in ordinary household use or used other than in accordance with the provided instructions.
8. Service calls to correct the installation of your appliance or to instruct you how to use your appliance.
9. Expenses for making the appliance accessible for servicing, such as removal of trim, cupboards, shelves, etc., which are not a part of the appliance when it is shipped from the factory.
10. Service calls to repair or replace appliance light bulbs, air filters, water filters, other consumables, or knobs, handles, or other cosmetic parts.
11. Pickup and delivery costs; your appliance is designed to be repaired in the home.
12. Surcharges including, but not limited to, any after hour, weekend, or holiday service calls, tolls, ferry trip charges, or mileage expense for service calls to remote areas, including the state of Alaska.
13. Damages to the finish of appliance or home incurred during transportation or installation, including but not limited to floors, cabinets, walls, etc.
14. Damages caused by: services performed by unauthorized service companies; use of parts other than genuine Electrolux parts or parts obtained from persons other than authorized service companies; or external causes such as abuse, misuse, inadequate power supply, accidents, fires, or acts of God.

### DISCLAIMER OF IMPLIED WARRANTIES; LIMITATION OF REMEDIES

CUSTOMER'S SOLE AND EXCLUSIVE REMEDY UNDER THIS LIMITED WARRANTY SHALL BE REPAIR OR REPLACEMENT AS PROVIDED HEREIN. **CLAIMS BASED ON IMPLIED WARRANTIES, INCLUDING WARRANTIES OF MERCHANTABILITY OR FITNESS FOR A PARTICULAR PURPOSE, ARE LIMITED TO ONE YEAR OR THE SHORTEST PERIOD ALLOWED BY LAW, BUT NOT LESS THAN ONE YEAR.** ELECTROLUX SHALL NOT BE LIABLE FOR CONSEQUENTIAL OR INCIDENTAL DAMAGES SUCH AS PROPERTY DAMAGE AND INCIDENTAL EXPENSES RESULTING FROM ANY BREACH OF THIS WRITTEN LIMITED WARRANTY OR ANY IMPLIED WARRANTY. SOME STATES AND PROVINCES DO NOT ALLOW THE EXCLUSION OR LIMITATION OF INCIDENTAL OR CONSEQUENTIAL DAMAGES, OR LIMITATIONS ON THE DURATION OF IMPLIED WARRANTIES, SO THESE LIMITATIONS OR EXCLUSIONS MAY NOT APPLY TO YOU. THIS WRITTEN WARRANTY GIVES YOU SPECIFIC LEGAL RIGHTS. YOU MAY ALSO HAVE OTHER RIGHTS THAT VARY FROM STATE TO STATE.

### If You Need Service

Keep your receipt, delivery slip, or some other appropriate payment record to establish the warranty period should service be required. If service is performed, it is in your best interest to obtain and keep all receipts. Service under this warranty must be obtained by contacting Electrolux at the addresses or phone numbers below.

This warranty only applies in the USA, Puerto Rico and Canada. In the USA and Puerto Rico, your appliance is warranted by Electrolux Major Appliances North America, a division of Electrolux Home Products, Inc. In Canada, your appliance is warranted by Electrolux Canada Corp. Electrolux authorizes no person to change or add to any obligations under this warranty. Obligations for service and parts under this warranty must be performed by Electrolux or an authorized service company. Product features or specifications as described or illustrated are subject to change without notice.

#### USA

1-877-435-3287

Electrolux Major Appliances North America  
10200 David Taylor Drive  
Charlotte, NC 28262

#### Canada

1-800-265-8352

Electrolux Canada Corp.  
5855 Terry Fox Way  
Mississauga, Ontario, Canada L5V 3E4

 **Electrolux**

