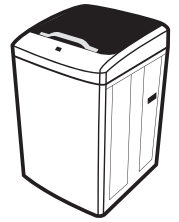


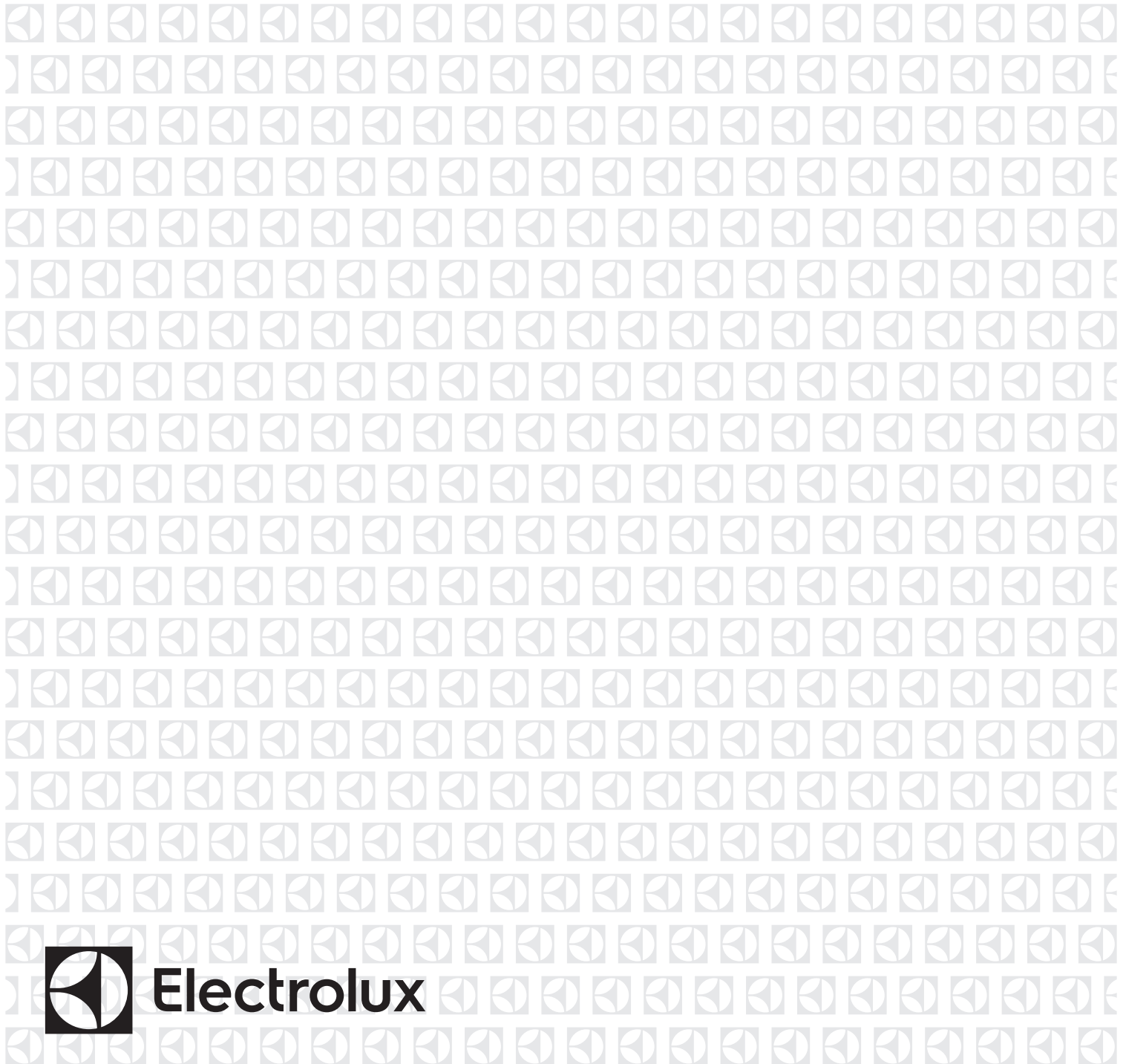
EWT654XW  
EWT754XW, EWT754XS  
EWT854XW, EWT854XS



---

EN Top Load Washer

User Manual



## Welcometotheworldof Electrolux

Thank you for choosing a first class product from Electrolux, which hopefully will provide you with lots of pleasure in the future. The Electrolux ambition is to offer a wide variety of quality products that make your life more comfortable. You find some examples on the cover in this manual. Please take a few minutes to study this manual so that you can take advantage of the benefits of your new machine. We promise that it will provide a superior User Experience delivering Ease-of-Mind. Good luck!

The symbols you will see on some paragraphs of this booklet have the following meaning:



The warning triangle and/or the key words (Warning!, Caution!) emphasize information that is particularly important for your safety or correct functioning of the appliance.



The information marked with this symbol provides additional instructions and practical tips on the use of the appliance.



Tips and information about economical and ecological use of the machine are marked with this symbol.

**Our contribution to the protection of the environment;  
we use environmentally friendly paper.**

## CONTENTS

<b>Safety information</b> .....	<b>3</b>
<b>Product description</b> .....	<b>5</b>
<b>Control panel</b> .....	<b>6</b>
<b>Washing program</b> .....	<b>7</b>
<b>Use</b> .....	<b>8</b>
<b>Care and cleaning</b> .....	<b>11</b>
<b>Helpful hints in dealing with washing problem</b> .....	<b>13</b>
<b>Troubleshooting</b> .....	<b>14</b>
<b>The normal non-fault problems</b> .....	<b>15</b>
<b>Technical information</b> .....	<b>15</b>
<b>Installation instruction</b> .....	<b>16</b>
<b>Environment concerns</b> .....	<b>19</b>
<b>Contact detail: Electrolux customer care</b> .....	<b>20</b>

## SAFETY INFORMATION



**In the interest of your safety and to ensure the correct use, before installing and first using the appliance, read this user manual carefully, including its hints and warnings.**

**To avoid unnecessary mistakes and accidents, it is important to ensure that all people using the appliance are thoroughly familiar with its operation and safety features.**

**Save these instructions and make sure that they remain with the appliance if it is moved or sold, so that everyone using it through its life will be properly informed on appliance use and safety.**

### General safety

- It is dangerous to alter the specifications or attempt to modify this product in anyway.
- Make sure that small pets do not climb into the washbowl . To avoid this, please check into the washbowl before using the appliance.
- Any objects such as coins, safety pins, nails, screws, stones or any other hard, sharp material can cause extensive damage and must not be placed into the machine.
- Only use the advised quantity of fabric softener and detergent. Damage to the fabric can ensue if you overfill. Refer to the manufacturer's recommendation.

- This appliance is not intended for use by persons (including children) with reduced physical, sensory or mental capabilities, or lack of experience and knowledge, unless they have been given supervision or instruction concerning use of the appliance by a person responsible for their safety.
- Wash small items such as socks, laces, washable belts etc in a washing bag or pillow case as it is possible for such items to slip down between the tub and the Pulsator.
- Do not use your washing machine to wash articles with whale bones, material without hems or torn material.
- Always unplug the appliance and turn off the water supply after use, clean and maintenance.
- Under no circumstances should you attempt to repair the machine yourself. Repairs carried out by inexperienced persons may cause injury or serious malfunctioning. Contact your local Service Centre. Always insist on genuine spare parts
- If the supply cord is damaged, it must be replaced by the manufacturer, its service agent or similarly quality persons in order to avoid a hazard.

### Installation

- This appliance is heavy. Care should be taken when moving it.
- When unpacking the appliance, check that it is not damaged. If in doubt, do not use it and contact the Service Centre.

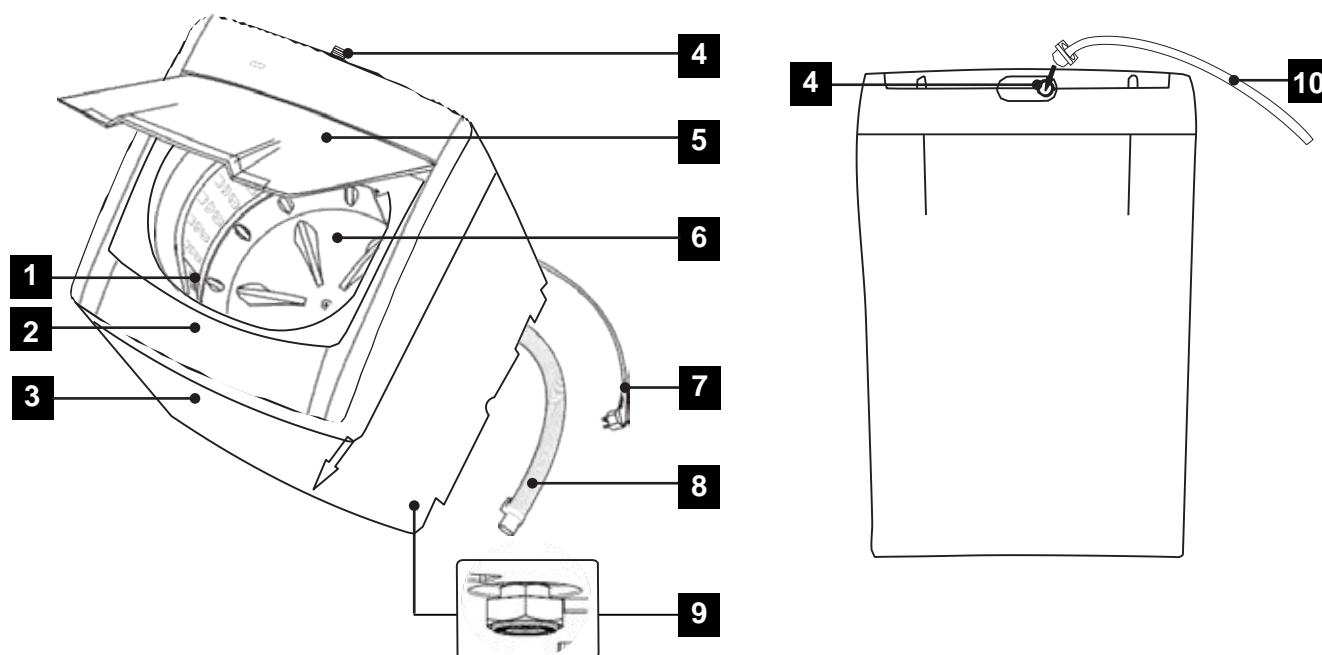
## SAFETY INFORMATION

- After having installed the appliance check that it is not standing on the inlet and drain hose.
- Appliance is prohibited to be placed on a carpeted floor.
- Always be sure, that there is no water leakage from hoses and their connections after the installation.
- Any plumbing work required to install this appliance should be carried out by a qualified plumber.
- Any electrical work required to install this appliance should be carried out by a qualified electrician.
- The new hose-sets supplied with the appliance are to be used and that old hose-sets should not be reused.
- Garments which have been in contact with volatile petroleum products should not be machine washed. If volatile cleaning fluids are used, care should be taken to ensure that the fluid is removed from the garment before placing in the machine.
- Never pull the power supply cable to remove the plug from the socket; always take hold of the plug itself.
- Never use the washing machine if the power supply cable, the control panel, the working surface or the base are damaged so that the inside of the washing machine is accessible.

### Use

- This appliance is designed for domestic use. It must not be used for purposes other than those for which it was designed.
- Only wash fabrics which are designed to be machine washed. Follow the instructions on each garment label.
- Do not overload the appliance. See the relevant section in the user manual.
- Before washing, ensure that all pockets are empty and buttons and zips are fastened. Avoid washing frayed or torn articles and treat stains such as paint, ink, rust, and grass before washing. Underwired bras must NOT be machine washed.
- This washing machine is not intended for use by young children or infirm persons without supervision.
- Young children should be supervised to ensure that they do not play with the appliance.
- The packaging components (e.g. plastic film, polystyrene) can be dangerous to children - danger of suffocation! Keep them out of children's reach
- Keep all detergents in a safe place out of children's reach.
- Make sure that children or pets do not climb into the washbowl.

## PRODUCT DESCRIPTION



**1** Lint Filter

**2** Control Panel

**3** Cabinet

**4** Water Inlet Valve

**5** Lid

**6** Pulsator

**7** Main cable with plug

**8** Drain Hose

**9** Level Adjustment Feet

Front Left	Front Right
EWT754XW	EWT654XW
EWT754XS	EWT854XW
	EWT854XS

**10** Water Inlet Hose

### Auto Water Level

Optimised water level is automatically selected after the appliance detects the load size. This function is only available in the “Regular” program.

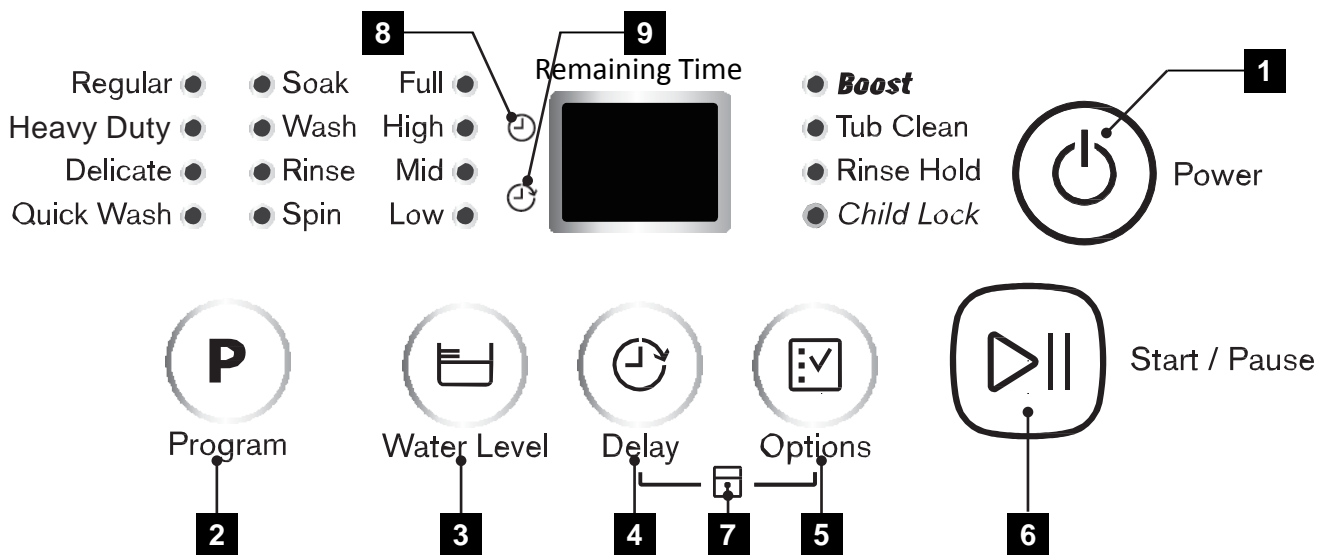
### Power Failure Recovery

This washing machine has last status memory and whenever power supply recovers, machine will continue with the last status before power supply was cut-off.

### Child Lock

To prevent disruption to your washing program as well as safety purpose, no respond to any changes once “Child Lock” is activated and operation will stop when the lid is opened. If lid is opened for more than 10sec, water will be discharge automatically.

# CONTROL PANEL



## 1 Power On/Off

After the machine is switched on and no selection is made within 5 minutes, machine will automatically power off.

## 2 Program Selector

This button is used for Program selection. Default program is Regular with the following program Sequence,  
 Regular → Regular + Soak → Heavy Duty → Heavy Duty + Soak → Delicate → Quick Wash → Wash → Rinse and Spin → Spin

## 3 Water Level

This button allows you to manually select your required water level if the automatic selected level in “Regular” program is not your preferred. You can also adjust the water level for “Delicate” and “Quick Wash”.

## 4 Delay

This button allows you to delay the start of the washing cycle from 1hr up to 18hr.

## 5 Options

This button is used for selecting additional options as you require.

## 6 Start/Pause

This button is used to start or pause the washing cycle.

## 7 Child Lock

Press “Delay” and “Option” button together during machine operation to turn on/off the Child Lock option. The Child Lock option is indicated by the LED light.

## 8 Time remaining

Time show under this icon represent the remaining time required by the machine to finish the washing cycle.

## 9 Delay time

Time show under this icon represent the remaining time before the machine starts the washing cycle.

## WASHING PROGRAMS

Program	Description	Option
Regular	Suitable for washing shirts, casual pants and other ordinary clothes. This is the default program when machine is power ON.	Water Level, Soak, <b>*Boost</b> , Rinse Hold, Child Lock, Delay, <b>**ECO Wash</b>
Heavy Duty	Suitable for a heavily soiled washing shirts, casual pants and other ordinary clothes.	Soak, Rinse Hold, Child Lock, Delay
Delicate	Suitable for washing delicate items such as silk and underwear.	Water Level, Rinse Hold, Child Lock, Delay
Quick Wash	Suitable for washing daily clothes that are lightly soiled and small quantity.	Water Level, Rinse Hold, Child Lock, Delay
Wash	This is a "Regular" washing phase only. No rinse and spin is available in this program.	Water Level, Child Lock, Delay
Rinse+Spin	This is a "Regular" rinse and spin phase only.	Water Level, Rinse Hold, Child Lock, Delay
Spin	This is a "Regular" spin phase only.	Child Lock, Delay

## Option

Option	Description
<b>*Boost</b>	This option is recommend for washing of soiled laundry. To achieve good result, it is recommended to wash with half of the machine maximum capacity.
Tub Clean	This option is used for cleaning the wash tub. Do not put in any clothes to wash when this option is used.
Rinse Hold	This option will maintain the last rinse water in the tub and machine will be in pause mode up to 12 hours before it automatically drain the water. To drain and spin, just press "Start/Pause" button.
<b>**ECO Wash</b>	The machine has the ECO wash option. The ECO wash program is subject to each country regulation. Regular program with ECO wash option selected is the water and energy rating label program. Press and hold the "Program" button for 3 sec or more until blinking "Regular" LED indicates that this option is activated.



## USE

Follow the instructions in this section for best washing results.

### Sort Your Washing Into Separate Wash Loads



Each load of washing should contain clothing which needs the same washing conditions. For example, you should not wash delicate clothes with very dirty work clothes.

Colour fast and non-colourfast fabrics should be separated. Knowing the type of fabrics you have and how dirty they are will help when you make selections from the wash program options.

Some fabrics are lint collectors and can pick up lint, dirt and colour from other fabrics which are lint producers. Some examples are listed below:

#### Lint collectors

- Corduroy
- Synthetics
- Permanent press fabrics

#### Lint producers

- Towels
- Nappies
- Chenille/Candlewick



**Make sure that you wash lint collectors separately from lint producers.**

### Check your clothes to avoid damage

Empty all pockets. Close all hooks and zippers to avoid snagging clothes.

Wash bras, pantyhose and other delicates in a mesh laundry bag, which you can purchase from your supermarket.

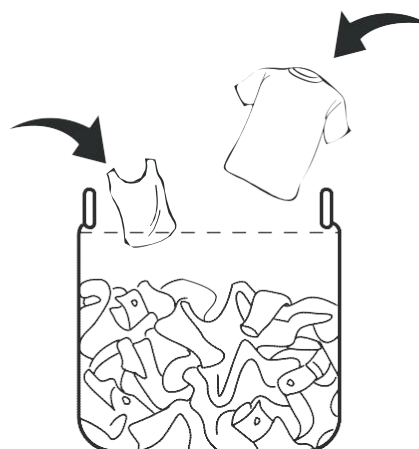
### Pre-treatment sprays and stain removers



**Pre-treatment sprays and stain remover can damage plastic components on your washing machine.**

If you use pre-treatment sprays or stain removers, apply them to the clothing well away from your washing machine.

### Load the washing machine



When loading the clothes into your washing machine, there are four things to remember:



## USE

- Clothes must be loaded evenly in the tub.
- Clothes must not be wrapped around in the tub.
- The washing machine must not be overloaded. Clothes must be able to move around during washing.
- A mixed load of large and small items will wash cleaner than a full load of large items. For example, sheets should be accompanied by small items.

### Detergent

- Please use detergent designed for top load or front load washing machines.
- It is best to use detergent labelled low sudsing.
- Don't use soap-based products in your washing machine.
- Don't use too much detergent. This will give you too many suds causing low spin speeds, poor rinsing and overloading the motor during spin stages of the wash program.

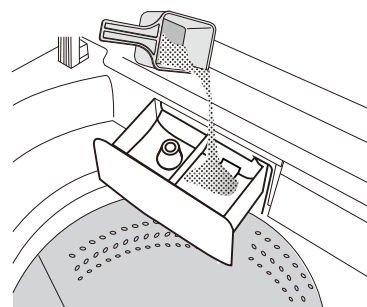
### Adding the detergent

When using the washing machine for the first time, check that the dispenser is set for the type of detergent you will use. To do this, proceed as follows:

1. Pull out the dispenser drawer.
2. Put proper detergent into it.
3. Pull back the dispenser drawer.



Please add the detergent according to the product instruction. Please add the detergent properly if you have changed the detergent.



Please add detergent into the drawer based on detergent type.

- For liquid detergent compartment, you may add bleach or liquid detergent. Do not add beyond the maximum allowable level.
- For powder detergent compartment, you can only add powder detergent.



### Adding Bleach

Bleaching of clothes can help to remove stains and heavy soiling.

**Oxygen type** - This is generally a powder type bleach. Add bleach in the left-side box of the drawer. Refer to the instructions on the bleach container.

Attention:

- 1 Do not overfill the siphon cap for the liquid bleach.
- 2 Liquid detergent and bleach should not be added to the left-side box simultaneously in order to avoid chemical reaction.

**Chlorine type** - This type of bleach should NOT be mixed with detergent. Mix the bleach with water as per the instructions on the container.

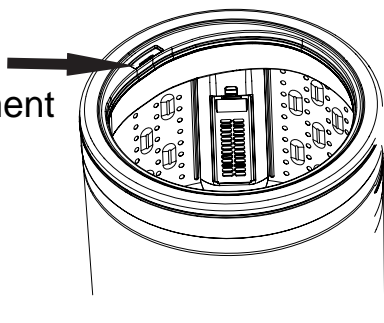
- Bleach should NOT be used on silk, wool, rayon or drip dry clothes.

## USE

- Dose the amount as recommended by the manufacturer and do not mix bleach with detergent to avoid chemical reaction.
- Do not overflow the siphon cap for the liquid bleach.

## Adding Fabric Softener

Fabric softener dosing compartment



### Fabric Softener function

You can add fabric softener into dosing compartment as shown above. The machine is designed to dispense the fabric softener in the final rinse cycle. Measure the correct amount as recommended on the softener package into a cup and then pour it into the compartment on the balance ring.

Please rotate inner drum clockwise until you can add softener into the dosing compartment conveniently.



The maximum dose is 40ml.



### Deactivate Softener Reminder "SO" warning tone

During the program cycle, press the "Program" button for 3 seconds, the LED will display "SO" for 1 second, "CL" for 1 second and buzzer will sound for 1 second. After this operation, "SO" warning tone for all programs will be cancelled but the LED will still show "SO" before the last rinse.

### Reactivate Softener Reminder "SO" warning tone

During the program cycle, press the "Program" button for 3 seconds, the LED will display "SO" for 1 second, "ON" for 1 second and buzzer will sound for 2 seconds. The "SO" warning tone is restarted. Washer will buzz and show "SO" on LED before last rinse.

The machine will display "So" (Softener) with beeping alarm before the last rinse so that you can add softener manually if you have forgotten at start of washing cycle. It is recommended to manually dose concentrated softener instead of using the auto dosing function as the dosing performance can be affected by the softener viscosity.

Before dosing softener manually, please dilute softener with water first in order to prevent staining to your clothes.



1. Unbalancing of the drum during washing or opening of the lid during spinning may result in early dosing of the softener before the last rinse.
2. Please deactivate "Child Lock" before the manual addition of softener if the "Child Lock" function had been activated. Failure to do so may result in draining of the water due to the safety function of "Child Lock".
3. The Auto Dosing function will not work if rinse option is selected as "1".

## CARE AND CLEANING

### What To Do After You Have Finished Your Washing.

- After washing course is completed, the water tap must be turned off. (If required, the water inlet hose can be removed.)
- After using the washing machine, please discharge the water in the barrel out so as to keep it dry.
- Plug out the power socket for maintenance.
- Hang up power line and drain hose.
- Wipe up the droplet and dirt in washing machine barrel with clean soft cloth.
- Leave lid open for a while. This allows time for moisture inside the washing machine to evaporate and for any odours to disperse.



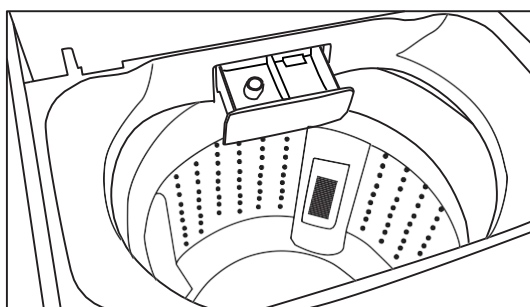
You must DISCONNECT the appliance from the electricity supply, before you carry out any cleaning or maintenance work.

### Cleaning The Dispenser

The dispenser needs to be cleaned regularly, preferably after each wash. Inspect the dispenser after each wash to see if there is any residue of detergent. To do this, proceed as follows:

- Pull out the dispenser drawer until it stops.

- Lift the front of the drawer up and pull to remove it from the runners.
- Clean the dispenser drawer with hot water and a brush, eg. an old toothbrush.
- Dry the drawer.
- Before replacing the dispenser back in its recess, clean the inside of the recess with an old toothbrush.

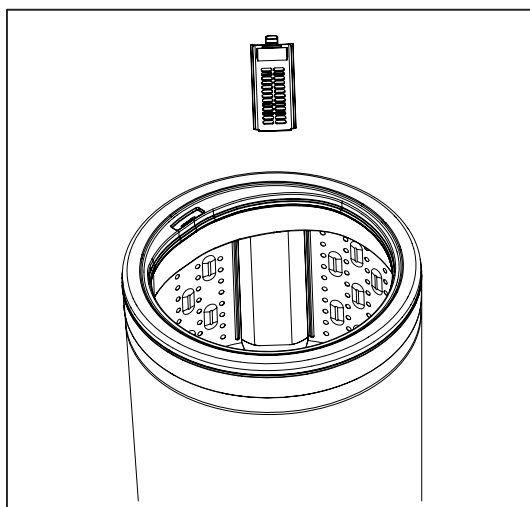


- Put the dispenser back into its runners and close the drawer.

### Cleaning of Lint Filter

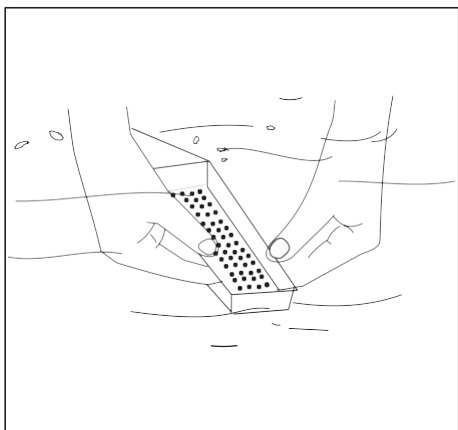
Following is the concrete operation method:

- 1: Press the button and pull out the filter screen.

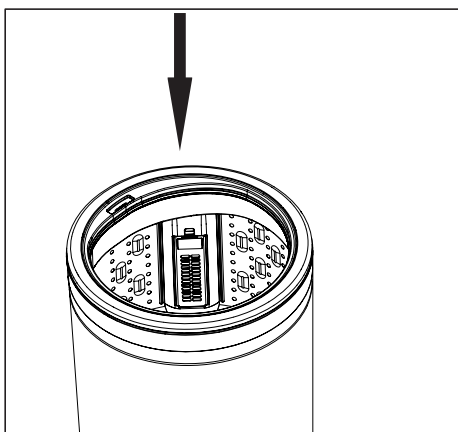


## CARE AND CLEANING

- 2: Open the filter screen and wash it with water.



- 3: Push down the filter screen and insert it into the groove.



## Cleaning Your Washing Machine

To clean the inside and outside of your washing machine you should:

- Wipe the surface with mild dishwashing detergent and warm water.
- Wipe dry with a soft cloth.



**Avoid the use of chemical medicines such as detergent and propellant as they damage the surface.**

## Cleaning Stains In The Washbowl

Stains and residue in the washbowl can be caused by:

- Metal objects such as bobby pins, dress making pins and nails.
- Salt.
- Body oils and grease from dirty or sweaty clothes being deposited around the top of the washbowl.
- Excessive foam during wash if incorrect or too much detergent is used.



- **Check all pockets before loading clothes into your washing machine.**
- **Don't leave wet clothing (especially swimwear) in the bowl for too long before you wash it.**

### How to clean the washbowl:

- Wipe with a cleaning product which is suitable for stainless steel.
- Oily deposits can be removed by wiping surfaces with mild dishwashing detergent and warm water.



**Never use bleach cleaners or steel wool to clean the stainless steel washbowl.**

## HELPFUL HINTS IN DEALING WITH WASHING PROBLEMS

### Residues On Washed Items

If you are experiencing residue on some clothes, the following tips will help:

- Pre-mix the detergent thoroughly in warm water to improve the dissolving.
  - Reduce detergent dosage to between 1/2 and 2/3 of the manufacturer's standard recommendation to avoid over concentration (lower water usage requires lower detergent usage).
  - Some residue may be re-deposited lint, so be careful to not have lint producing items in a load which has darker clothes.
- If you use pre-treatment sprays or stain removers, apply them to the clothes items in a well ventilated area away from your washing machine.
  - Use light strokes and don't rub the stain remover into the fabric.
  - If you use a chlorine bleach, follow the instructions on the bottle and dilute it before putting it on clothing.
  - Test coloured fabrics on an inside seam for colour fastness before using any stain removers or bleaches.
  - Test synthetic fabric on an inside seam before using any chemicals or bleaches.



**Some detergents have ingredients which do not fully dissolve and as a consequence, may leave white residue or particles evident on the surface of darker clothes in the finished wash load.**

**Similarly, some soils may not dissolve fully, resulting in residue evident on lighter coloured clothes.**

### Stained Clothes

Treat all stains as soon as possible. The longer you leave a stain, the harder it will be to remove. Try soakers and stain removers first.

**NOTE:** Chemicals referred to for stain removal are available from your local supermarket, hardware store or the chemist.



**Pre-treatment sprays and stain removers can damage plastic components on your washing machine.**

**Do not use dry cleaning fluids or solvents near your washing machine. These fluids will damage your washing machine and may cause an explosion.**

## TROUBLESHOOTING

When the washing machine displays the below content with a buzzer, it will automatically power off after 10 minutes.

Identify the problem and if possible, rectify it before contacting local service. Do not dismantle and repair the machine without authorization.

If the machine displays any of the code below when it is powered on, this is due to the memory of machine last status prior to automatic power off.

Program	Display	Possible causes	What to do
No filling of water	<b>E1</b>	1. Water tap is not turned on. 2. Inlet hose is blocked.	1. Turn on the water tap. 2. Clean tap filter/water inlet filter.
Abnormal water level signal	<b>E2</b>	1. Water inflows too much and exceeds max water level. 2. The water level is abnormal.	The program adjusts and recovers automatically.
Machine does not operate during delay or spin dry after washing.	<b>E3</b>	1. Lid is opened when delay start is selected. 2. Lid is opened during spin cycle.	Close the lid.
Water cannot be drained	<b>E5</b>	1. Drain hose is placed too high. 2. Drain hose is blocked /bent/ squashed.	1. Lower the drain hose and press Start/Pause. 2. Check drain hose for blockage or being bented / squashed and press Start/Pause to resume operation.
Machine not working	<b>E7</b>	Lid is not closed with "Child Lock" option selected.	Close the lid within 10 seconds and machine will recover automatically. <b>Note:</b> If the lid is not closed in 10 seconds, machine will drain water automatically.
Machine goes out of balance or vibrates excessively during spinning	<b>E4</b> <b>E8</b>	1. Uneven floor. 2. Adjustable feet is not adjusted. 3. Clothes is not evenly adjusted.	1. Adjust the machine level with the adjustable feet. 2. Redistribute clothes evenly.

Note: In "E8" machine will be self performed load adjustment for twice.

In "E4" after machine had self performed load adjustment twice and unsuccessfully.



## THE NORMAL NON-FAULT PROBLEMS

PROBLEMS	POSSIBLE REASONS AND RELEVANT SOLUTION
Machine pauses during washing or rinsing	Machine is detecting water level which is normal operation.
Water flowing in during washing or rinsing	The machine detects water level lower than required and automatically top up water.
Machine pause after water is fully drained	Spin cycle is delayed to ensure complete water drain which is normal operation.
Spinning of the drum is intermittent or paused during the initial spin cycle	The machine program is designed with initial intermittent spinning which is normal operation.
Machine adds water into the drum during spinning cycle	The washing load is unevenly distributed and machine is redistributing the load.
The control panel feels warm	This is normal as some electrical components generate heat
The machines does not continue after power supply recovers from sudden supply cut-off	There has been continuous power supply cut-off and machine goes into power off for protection purpose.
Machine does not respond when buttons are pressed	Child Lock option is activated. Unlock Child Lock to resume normal operation of the control buttons.
Some detergent residue in the detergent drawer	Check the water supply pressure. The suitable water supply pressure is 0.03-0.6MPa.
Machine displays "So"	"SO" is not an error code and is displayed to remind users to add softener to the wash tub. LED will show "SO" before the last rinse and the buzzer will sound to prompt users to add softener. How to remove the reminder adding softener: Open the top lid and close it again for the machine to run next program. If not, the machine will automatically run next program after 42 seconds. Buzzing beat: The buzzing resembles "di-di" (1s-1s) and will sound every 7 seconds.
Machine displays "EC"	"EC" is not an error code and only displayed during Eco Program selection. EC is displayed when the remaining time is above 99 minutes as the display can only shown up to 99 minutes. The display will change from "EC" to the actual time when it falls to 99 minutes.

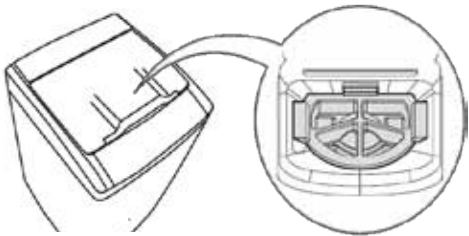
## Technical Information

Model	EWT654XW	EWT754XW/XS	EWT854XW/XS
Product Dimension (WxHxD) mm	530x920x550	560x950x575	580x950x600
Power supply : Vietnam / Indonesia	220V~,50Hz	220V~,50Hz	220V~,50Hz
Malaysia / Singapore	230-240V~,50Hz	230-240V~,50Hz	230-240V~,50Hz
Philippines	230V~,60Hz	230V~,60Hz	230V~,60Hz
Rated Power	460W	520W	600W
Water supply pressure (min-max) Mpa	0.03-0.6MPa	0.03-0.6MPa	0.03-0.6MPa
Maxium load	6.5kg	7.5kg	8.5kg
Spin speed	700 rpm(50HZ)/735 rpm(60HZ)		

# INSTALLATION INSTRUCTIONS

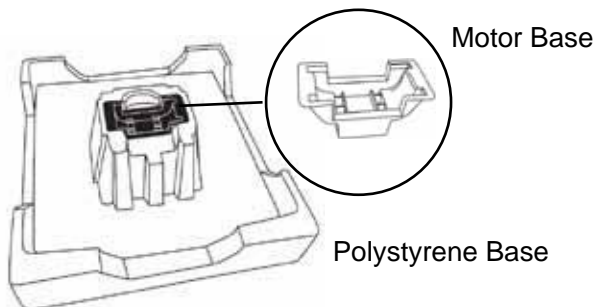
## 1. Unpacking and bottom cover

1.1 Take the machine out of the packaging base.



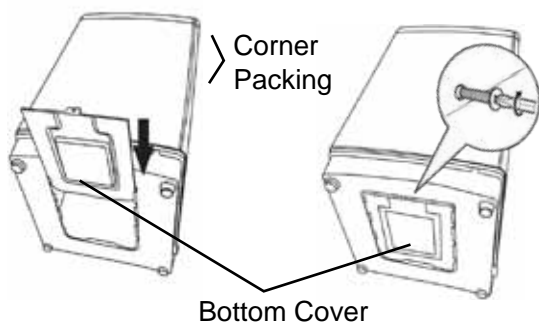
**IMPORTANT :** The top polystyrene must be removed the last process, protecting the drum from hitting the cabinet when the machine is tilted.

1.2 After lifting the machine out, all the packaging base must be removed.



## 2. Bottom cover insertion

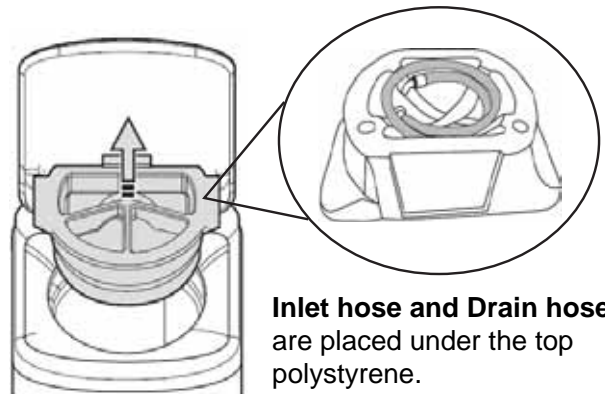
Lay down the machine on its back side, and insert the bottom cover into slot until to the end, then fasten the screw.



**IMPORTANT :** Prevention damaged to the cabinet by placing two of the corner packing pieces supporting between back of machine and floor.

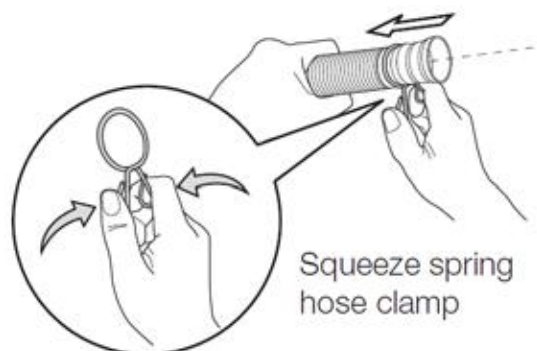
### **IMPORTANT:**

Top polystyrene must be removed after installation bottom cover. Lift up the machine and remove the top polystyrene.



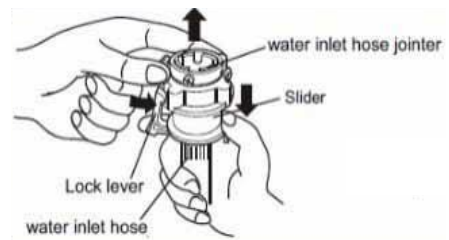
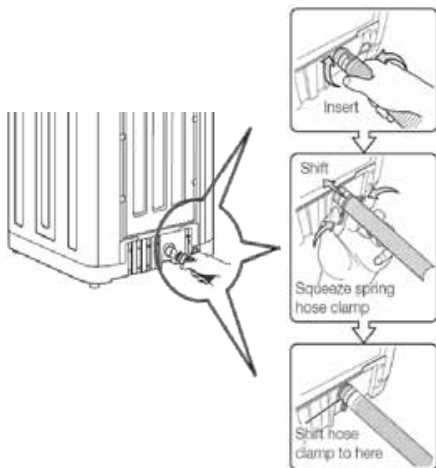
## 3. Drain hose

3.1 Holding the hose clamp and squeezing it, then put it into the drain hose inserting.



3.2 Insert drain hose into the drainage holes at the bottom of washing machine until it comes to end. Squeeze hose clamp again and shift it to the location as shown on picture to lock the drain hose.

# INSTALLATION INSTRUCTIONS

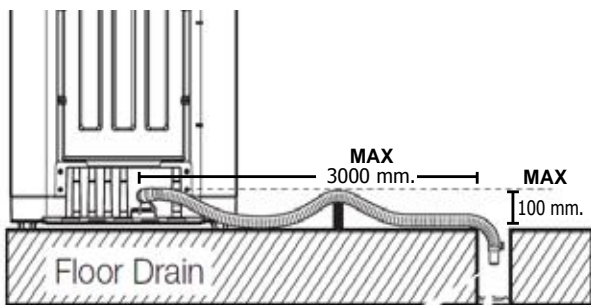
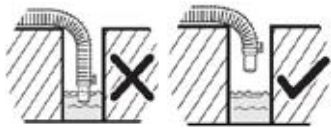


4.2 Loosen the screw till the water faucet can be accessed. Put the jointer of the water inlet hose on the faucet.

3.3 Position drain hose by adjusting the free length of hose to suit your installation.

**IMPORTANT:**

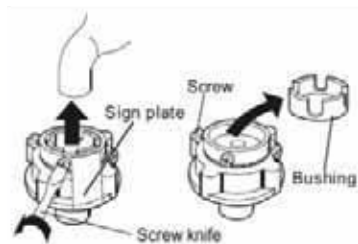
Do not put hose tip into the water. For prevent syphon effect.



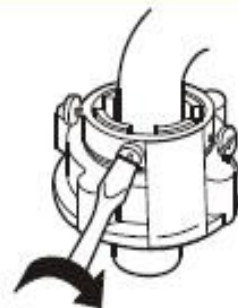
## 4. Inlet hose

### At the water tap faucet

4.1 Press the lower end of the lock lever and push down the slider. Take off the water inlet hose jointer from the water inlet hose component.

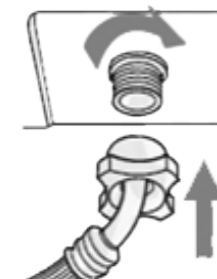


4.3 Fasten the four screws evenly.



### At the washing machine

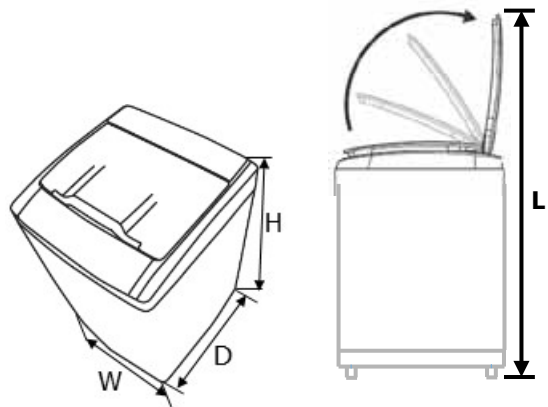
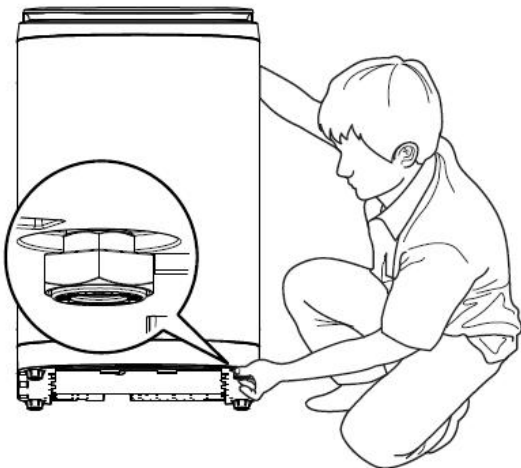
4.4 Fix the lock nut on the water inlet valve by even strength. Do not twist water inlet hose to avoid breakage.



# INSTALLATION INSTRUCTIONS

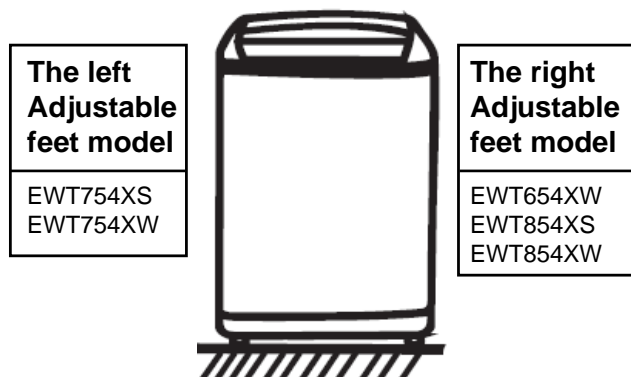
## 5. Leveling of the machine

Machine should be placed even on the floor. If the flooring is not even, adjust the adjustable feet of the washing machine until the entire machine is stable.



Model	Product Dimension (mm.)			
	W	D	H	L
EWT654XW	530	550	920	1218
EWT754XW	560	575	950	1232
EWT754XS	560	575	950	1232
EWT854XW	580	600	950	1294
EWT854XS	580	600	950	1294

**IMPORTANT:** Adjustable feet are assembled on the left or right side depending on the different models.

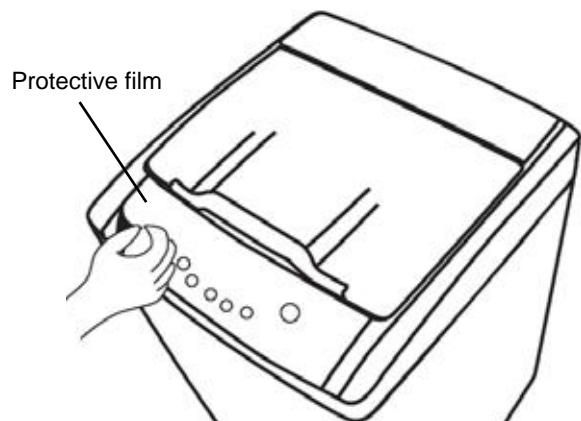


## 6. Lid and machine clearance

Machine must have at least 5 cm space clearance around itself.


## 7. Control panel protective film

Protective film on the control panel can be removed by yourself.



### Packaging materials



The materials marked with the symbol  are recyclable.


- >PE<=polyethylene
- >PS<=polystyrene
- >PP<=polypropylene

This means that they can be recycled by disposing of them properly in appropriate collection containers.

### Old machine

Use authorised disposal sites for your old appliance. Help to keep your country tidy!



The symbol  on the product or on its packaging indicates that this product may not be treated as household waste.

Instead it shall be handed over to the applicable collection point for the recycling of electrical and electronic equipment.

By ensuring this product is disposed of correctly, you will help prevent potential negative consequences on the environment and human health, which could otherwise be caused by inappropriate waste handling of this product.

For more detailed information about recycling of this product, please contact your local city office, your household waste disposal service or the shop where you purchased the product.

### Ecological hints

To save water, energy and to help protect the environment, we recommend that you follow these tips:

- Normally soiled laundry may be washed without prewashing in order to save detergent, water and time (the environment is protected too!).
- The machine works more economically if it is fully loaded.
- With adequate pre-treatment, stains and limited soiling can be removed; the laundry can then be washed at a lower temperature.
- Measure out detergent according to the water hardness, the degree of soiling and the quantity of laundry being washed.

## **CONTACT DETAILS ELECTROLUX CUSTOMER CARE**

### **Thailand**

Tel: (+66 2) 725 9000  
Electrolux Thailand Co., Ltd.  
14th Floor, 1910 New Petchburi Road  
Bangkapi, Huay Kwang  
Bangkok 10310

### **Indonesia**

Tel: (+62 21) 522 7180  
PT. Electrolux Indonesia  
Gedung Plaza Kuningan  
Menara Utara Suite 201  
Jl. HR. Rasuna Said Kav. C11-14  
Jakarta 12940  
Depdag No. I.43.EI7.00401.0911

### **Malaysia**

Domestic Toll Free: 1300-88-11-22  
Electrolux Home Appliances Sdn. Bhd  
7th Floor, Tower 2, Jaya 33, No. 3 Jalan  
Semangat, Seksyen 13, 46100 Petaling Jaya,  
Selangor  
Office Tel: (+60 3) 7843 5999  
Office Fax: (+60 3) 7955 5511  
Customer Care Center: Lot C6, No. 28,  
Jalan 15/22, Taman Perindustrian Tiong Nam,  
40200 Shah Alam, Selangor.  
Consumer Care Hotline: (+60 3) 5525 0800  
Fax: (+60 3) 5524 2521

### **Singapore**

CONSUMER CARE HOTLINE : (+65) 67273699  
Electrolux S.E.A. Pte Ltd.  
1 Fusionopolis Place, West Lobby #07-10 Galaxis,  
Singapore 138522.  
Office Fax: (+65) 67273611  
Email : customer-care.sin@electrolux.com

### **Vietnam**

Toll Free: 1800-58-88-99  
Tel: (+84 8) 3910 5465  
Electrolux Vietnam Ltd .  
AB Tower, 9th Floor  
76 Le Lai Street, District 1  
Ho Chi Minh City

### **Philippines**

Domestic Toll Free : 1-800-10-845-care 2273  
Customer Care Hotline : (+63 2) 845 care 2273  
10th Floor. W5th Avenue Building  
5th Avenue Corner 32nd Street  
Bonifacio Global City,  
Taguig Philippines 1634  
Trunkline: +63 2 737- 4756

Being ensured the permissible content  
limitation of some toxic chemicals (RoHS  
compliant)  
(According to the Circular No. 30/2011/TT-BCT,  
Vietnam, dated 10th August, 2011)



[www.electrolux.com](http://www.electrolux.com)



\* We may make changes to this product or manual in our continuous effort for improvement without prior notification.

Q6003P08SMSWB

