



# MICROWAVE OVEN

**SAFETY INFORMATION** .....3-5

**USING YOUR OVEN**

Oven Features.....6

Power Levels.....7

Features.....8-10

Defrost.....10-11

Other Features ..... 12-13

**CARE AND CLEANING**

Care and Cleaning ..... 14-16

**TROUBLESHOOTING**

Things that are Normal.....18

Microwave Terms.....17

**CONSUMER SUPPORT**

Warranty .....19

Consumer Support.....Back Cover

## OWNER'S MANUAL

- AVM4160
- JNM3161
- JVM3160
- RVM5160

**Hotpoint®**



Artistry™ Series



Write the model and serial numbers here:

Model # \_\_\_\_\_

Serial # \_\_\_\_\_

You can find them on a label inside the oven.

### ESPAÑOL

Para consultar una version en español de este manual de instrucciones, visite nuestro sitio de internet [GEAppliances.com](http://GEAppliances.com).

## **THANK YOU FOR MAKING GE APPLIANCES A PART OF YOUR HOME.**

---

Whether you grew up with GE Appliances, or this is your first, we're happy to have you in the family.

We take pride in the craftsmanship, innovation and design that goes into every GE Appliances product, and we think you will too. Among other things, registration of your appliance ensures that we can deliver important product information and warranty details when you need them.

Register your GE appliance now online. Helpful websites and phone numbers are available in the Consumer Support section of this Owner's Manual. You may also mail in the pre-printed registration card included in the packing material.



# IMPORTANT SAFETY INSTRUCTIONS

## READ ALL INSTRUCTIONS BEFORE USING THE APPLIANCE

### **⚠ WARNING**

To reduce the risk of burns, electric shock, fire, injury to persons, or exposure to excessive microwave energy:

When using electrical appliances, basic safety precautions should be followed, including the following:

- Read all instructions before using this appliance.
- Read and follow the specific precautions in the PRECAUTIONS TO AVOID POSSIBLE EXPOSURE TO EXCESSIVE MICROWAVE ENERGY section on page 5.
- Use this appliance only for its intended use as described in this manual. Do not use corrosive chemicals or vapors in this appliance. This microwave oven is specifically designed to heat, dry or cook food, and is not intended for laboratory or industrial use.
- This appliance should be serviced only by qualified service personnel. Contact nearest authorized service facility for examination, repair, or adjustment.

#### **INSTALLATION**

- Install or locate this appliance only in accordance with the provided installation instructions.
- This appliance must be grounded. Connect only to a properly grounded outlet. See the GROUNDING INSTRUCTIONS section on page 5.
- Be certain to place the front surface of the door 3 inches or more back from the counter top edge to avoid accidental tipping of the appliance in normal usage.
- Recommended clearances: 3 inches on each side, 3 inches on the top, and 1 inch in the rear.
- Do not operate this appliance if it has a damaged power cord or plug, if it is not working properly, or if it has been damaged or dropped.
- Keep power cord away from heated surfaces.
- Do not let cord hang over edge of table or counter.
- Do not immerse power cord or plug in water.
- Do not cover or block any opening on the appliance.
- Do not store this appliance outdoors. Do not use this product near water - for example, in a wet basement, near a swimming pool, or in a similar location.
- Do not mount over a sink.

#### **TO REDUCE THE RISK OF FIRE IN THE CAVITY:**

- Do not overcook food. Carefully attend appliance when paper, plastic or other combustible materials are placed inside the oven while cooking.
- Remove wire twist-ties and metal handles from paper or plastic containers before placing them in the oven.
- If materials inside the oven ignite, keep the oven door closed, turn the oven off and disconnect the power cord, or shut off power at the fuse or circuit breaker panel.
- Do not store any materials in the oven when not in use. Do not leave paper products, cooking utensils, or food in the cavity when not in use. All racks should be removed from oven when not in use.
- Do not operate the microwave feature without food in the oven.

#### **TO REDUCE THE RISK OF BURNS**

- Be careful when opening containers of hot food. Use pot holders and direct steam away from face and hands.
- Vent, pierce, or slit containers, pouches or plastic bags to prevent build-up of pressure.
- Be careful when touching the turntable, door, rack or walls of the oven which may become hot during use.
- Liquids and certain foods heated in the microwave oven can present a risk of burn when removing them from the microwave. The potential for a burn is greater in young children, who should not be allowed to remove hot items from the microwave.

## READ AND SAVE THESE INSTRUCTIONS

# IMPORTANT SAFETY INSTRUCTIONS

## READ ALL INSTRUCTIONS BEFORE USING THE APPLIANCE

### ⚠ WARNING

#### OPERATING

- As with any appliance, close supervision is necessary when used by children.
- Do not operate the oven without the turntable in place. The turntable must be unrestricted so it can turn.
- Make sure all cookware used in your microwave oven is suitable for microwaving. Most glass casseroles, cooking dishes, measuring cups, custard cups, pottery or china dinnerware which does not have metallic trim or glaze with a metallic sheen can be used in compliance with cookware manufacturers' recommendations.
- Do not store anything directly on top of the microwave surface when the microwave is in operation.
- Some products such as whole eggs and sealed containers - for example, closed jars - are able to explode and should not be heated in the microwave oven.
- Do not overcook potatoes. They could dehydrate and catch fire.
- Do not cover any other part of the oven with metal foil. This will cause overheating of the oven.
- Cook meat and poultry thoroughly—meat to at least an INTERNAL temperature of 160°F and poultry to at least an INTERNAL temperature of 180°F. Cooking to these temperatures usually protects against foodborne illness.
- This oven is not approved or tested for marine use.

#### CLEANING

- Keep the oven free from grease buildup.
- Do not clean with metal scouring pads. Pieces can burn off the pad and touch electrical parts involving risk of electric shock.
- When cleaning surfaces of door and oven that comes together on closing the door, use only mild, nonabrasive soaps, or detergents applied with a clean sponge or soft cloth. Rinse well.

#### SUPER HEATED WATER

- Liquids, such as water, coffee, or tea, are able to be overheated beyond the boiling point without appearing to be boiling. Visible bubbling or boiling when the container is removed from the microwave oven is not always present. **THIS COULD RESULT IN VERY HOT LIQUIDS SUDDENLY BOILING OVER WHEN THE CONTAINER IS DISTURBED OR A SPOON OR OTHER UTENSIL IS INSERTED INTO THE LIQUID.**
- To reduce the risk of injury to persons:
  - Do not overheat the liquid.
  - Stir the liquid both before and halfway through heating it.
  - Do not use straight-sided containers with narrow necks.
  - After heating, allow the container to stand in the microwave oven for a short time before removing the container.
  - Use extreme care when inserting a spoon or other utensil into the container.

**READ AND SAVE THESE INSTRUCTIONS**

# IMPORTANT SAFETY INSTRUCTIONS

## READ ALL INSTRUCTIONS BEFORE USING THE APPLIANCE

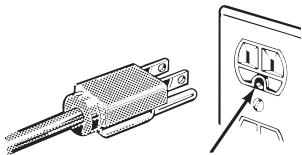
### PRECAUTIONS TO AVOID POSSIBLE EXPOSURE TO EXCESSIVE MICROWAVE ENERGY

- (a) **Do Not Attempt** to operate this oven with the door open since open-door operation can result in harmful exposure to microwave energy. It is important not to defeat or tamper with the safety interlocks.
- (b) **Do Not Place** any object between the oven front face and the door or allow soil or cleaner residue to accumulate on sealing surfaces.
- (c) **Do Not Operate** the oven if it is damaged. It is particularly important that the oven door close properly and that there is no damage to the:
- (1) door (bent),
  - (2) hinges and latches (broken or loosened),
  - (3) door seals and sealing surfaces.
- (d) **The Oven Should Not** be adjusted or repaired by anyone except properly qualified service personnel.

### GROUNDING INSTRUCTIONS

#### ⚠ WARNING

Improper use of the grounding plug can result in a risk of electric shock.



Ensure proper ground exists before use.

This appliance must be grounded. In the event of an electrical short circuit, grounding reduces the risk of electric shock by providing an escape wire for the electric current.

This appliance is equipped with a power cord having a grounding wire with a grounding plug. The plug must be plugged into an outlet that is properly installed and grounded.

Consult a qualified electrician or service technician if the **GROUNDING INSTRUCTIONS** are not completely understood, or if doubt exists as to whether the appliance is properly grounded.

If the outlet is a standard 2-prong wall outlet, it is your personal responsibility and obligation to have it replaced with a properly grounded 3-prong wall outlet. Do not under any circumstances cut or remove the third (ground) prong from the power cord.

Do not use an extension cord. If the power cord is too short, have a qualified electrician or service technician install an outlet near the appliance.

For best operation, plug this appliance into its own electrical outlet to prevent flickering of lights, blowing of fuse or tripping of circuit breaker.

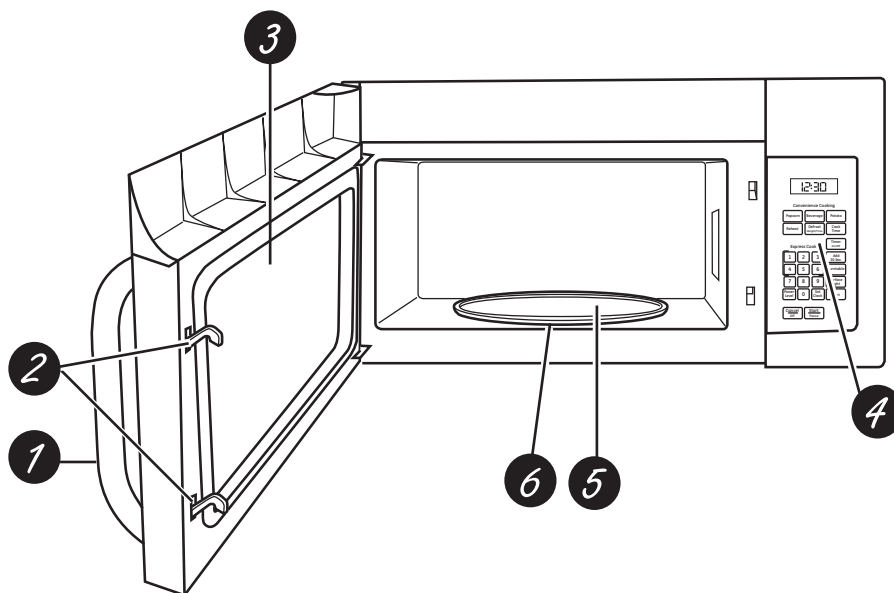
#### NOTICE: PACEMAKERS

Most pacemakers are shielded from interference from electronic products, including microwaves. However, patients with pacemakers may wish to consult their physicians if they have concerns.

## READ AND SAVE THESE INSTRUCTIONS

# Features

Throughout this manual, features and appearance may vary from your model.



**1 Door Latches**

**2 Window with Metal Shield.** Screen allows cooking to be viewed while keeping microwaves confined in the oven.

**3 Window with Metal Shield.** Screen allows cooking to be viewed while keeping microwaves confined in the oven.

**4 Control Panel.**

**5 Removable Turntable.** Turntable and support must be in place when using the oven. The turntable may be removed for cleaning.

**6 Removable Turntable Support.** The turntable support must be in place when using the oven.

## Changing the power level

**Changing the Power Level:** The power level may be entered or changed before or during cooking. Power Level is set for Level 10 (High) unless it is changed.

1. Press **Power Level** button.
2. Enter new power level by using the number pads or press the **Power Level** button multiple times until you find the level you want.
3. After you have selected the power level, wait five seconds. The display will go back to the **Cook Time** screen.
4. Enter cooking time and press **START**.

### OR

1. Press **Cook Time** button.
2. Enter your cooking time.
3. Press **Power Level** button.
4. Enter new power level by using the number pads or press the **Power Level** button multiple times until you find the level you want.
5. After you have selected the power level, wait five seconds. The display will go back to the **Cook Time (Enter Time)** screen.
6. Press **START**.

Variable power levels add flexibility to microwave cooking. The power levels on the microwave oven can be compared to the surface units on a range. Each power level gives you microwave energy a certain percent of the time. **Power level 7** is microwave energy 70% of the time. **Power level 3** is energy 30% of the time. Most cooking will be done on High (power level 10) which gives you 100% power. **Power level 10** will cook faster but food may need more frequent stirring, rotating or turning over. A lower setting will cook more evenly and need less stirring or rotating of the food. Some foods may have better flavor, texture or appearance if one of the lower settings is used. Use a lower power level when cooking foods that have a tendency to boil over, such as scalloped potatoes and some casseroles.

Rest periods (when the microwave energy cycles off) give time for the food to “equalize” or transfer heat to the inside of the food. An example of this is shown with **Power level 3**—the defrost cycle. If microwave energy did not cycle off, the outside of the food would cook before the inside was defrosted.

**Here are some examples of uses for various power levels:**

**High 10 (100%):** Fish, bacon, vegetables, boiling liquids.

**Med-High 7 (70%):** Gentle cooking of meat and poultry; baking casseroles and reheating.

**Medium 5 (50%):** Slow cooking and tenderizing for stews and less tender cuts of meat.

**Low 2 or 3 (20 or 30%):** Defrosting; simmering; delicate sauces.

**Warm 1 (10%):** Keeping food warm; softening butter.

**NOTE:** You can also change the power level during many cooking modes by pressing the power level button entering a valid power level.

# About the features

## Cook Time

Allows you to microwave from 1 second to 99 minutes and 99 seconds.

**Power level 10 (HIGH)** is automatically set, but you may change it for more flexibility.

1. Press **Cook Time**.
2. Enter cooking time.
3. Press **START**.



**Cooking will start when the countdown begins in the display.**

You may open the door during Cook Time to check the food. Close the door and press **START** to resume cooking.

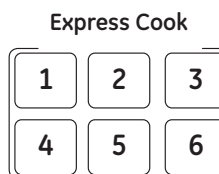
## Express Cook

This is a quick way to set cooking time from 1-6 minutes.

1. Press one of the **Express Cook** pads (from 1-6) for 1-6 minutes of cooking at **power level 10**. For example, press the 2 pad for 2 minutes of cooking time.

The power level can be changed as time is counting down. Press **POWER LEVEL** and enter 1-10.

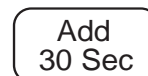
**NOTE: Express Cook function pertains to pads 1-6 only.**



## Add 30 Sec

It will add 30 seconds to the time counting down each time the pad is pressed. Each touch will add 30 seconds, up to 99 minutes and 99 seconds.

**Add 30 sec** can also be used like an express 30 seconds button. The microwave oven will start immediately when pressed.



## Popcorn

To use the **Popcorn** feature:

1. Press the **POPCORN** button once for 2.0 ounce bag, twice for 2.5 ounce bag, or three times for a 3.0 ounce bag.
2. Press **START**.



**Cooking will start when the countdown begins in the display.**

**You can not change the selection or quantity after the feature has started.**

**IMPORTANT:** Do not use the sensor features twice in succession on the same food portion. If food is undercooked after the first countdown, use **Cook Time** for additional time.

If food is undercooked after the countdown, use Cook Time for additional cooking time. We recommend 30 seconds and watch carefully.

Use only with prepackaged microwave popcorn weighing 2.5 to 3.0 ounces.



# About the features

## Reheat

The Reheat feature reheats servings of previously cooked foods or a plate of leftovers.

Place the cup of liquid or covered food in the oven.

1. Press the REHEAT button up to six times to choose the correct selection.

Press once for a pizza.

Press twice for vegetables.

Press three times for a plate of leftovers.

Press four times for soup.

Press five times for meat.

Press six times for pasta.

2. Press the reheat pad again after food type has been entered in order to select quantity.

3. Press START.

Cooking will start when the countdown begins in the display.

Reheat

After removing food from the oven, stir, if possible, to even out the temperature. Reheated foods may have wide variations in temperature. Some areas of food may be extremely hot.

If food is not hot enough after the countdown use Cook Time for additional reheating time.

Some Foods Not Recommended for Use With Reheat

It is best to use Cook Time for these foods:

- Bread products.
- Foods that must be reheated uncovered.
- Foods that need to be stirred or rotated.
- Foods calling for a dry look or crisp surface after reheating.

**NOTE: Do not use this feature twice in succession on the same food portion—it may result in severely overcooked or burnt food.**

## Beverage

Use the Beverage feature to heat various amounts of liquids measured in ounces: Place the liquid into the microwave oven.

4 oz.	1/2 cup
8 oz.	1 cup
12 oz.	1-1/2 cups
16 oz.	2 cups

2. Press START.

Cooking will start when the countdown begins in the display.

Beverage

1. Press the Beverage button up to four times to choose the correct selection.

Press once for a 4 ounce beverage.

Press twice for a 8 ounce beverage.

Press three times for a 12 ounce beverage.

Press four times for a 16 ounce beverage.

## Potato

To use the Potato feature:

Place the potato(es) into the oven.

1. Press the **Potato** button up to four times to choose the correct selection.

Press once for 1 item.

Press twice for 2 items.

Press three times for 3 items.

Press four times for 4 items.

2. Press **START**.

Cooking will start when the countdown begins in the display.

**NOTE: Do not use this feature twice in succession on the same food portion. It may result in severely overcooked or burnt food.**

Potato

# Defrosting

## Weight Defrost

Use **Weight Defrost** for meat, poultry and fish. Use **Time Defrost** for most other frozen foods. (Time Defrost is explained on page 13.)

Defrost  
Weight/Time

1. Press **DEFROST** once for **Weight Defrost**.
2. Enter the weight in pounds.
3. Press **START**.  
**Cooking will start when the countdown begins in the display.**

### Defrosting Tips

- Remove meat from package and place on microwave-safe dish.
- When the oven signals, turn the food over. Remove defrosted meat or shield warm areas with small pieces of foil.
- After defrosting, most meats need to stand 5 minutes to complete defrosting. Large roasts should stand for about 30 minutes.

## Conversion Guide

If the weight of food is stated in pounds and ounces, the ounces must be converted to tenths (.1) of a pound.

Ounces	Pounds
1-2	.1
3	.2
4-5	.3
6-7	.4
8	.5
9-10	.6
11	.7
12-13	.8
14-15	.9

Note: Max 6.0 lbs.

## Time Defrost

Allows you to defrost for a selected length of time. See the Defrosting Guide on page 14 for suggested times (**Weight Defrost** is explained on page 12).

Defrost  
Weight/Time

1. Press **DEFROST** twice for **Time Defrost**.
2. Enter defrosting time in minutes and seconds.
3. Press **START**.  
**Cooking will start when the countdown begins in the display.**

At one half of selected defrosting time, turn food over and break apart or rearrange pieces for more even defrosting. Shield any warm areas with small pieces of foil. The oven will continue to defrost if you don't open the door and turn the food.

Noises may be heard during defrosting. This is normal when oven is not operating at **High** power.

### Defrosting Tips

- Foods frozen in paper or plastic can be defrosted in the package. Closed packages should be slit, pierced or vented AFTER food has partially defrosted. Plastic storage containers should be partially uncovered.
- Family-size, prepackaged frozen dinners can be defrosted and microwaved. If the food is in a foil container, transfer it to a microwave-safe dish.
- Foods that spoil easily should not be allowed to sit out for more than one hour after defrosting. Room temperature promotes the growth of harmful bacteria.
- For more even defrosting of larger foods, such as roasts, use **Time Defrost**. Be sure large meats are completely defrosted before cooking.
- When defrosted, food should be cool but softened in all areas. If still slightly icy, return to the microwave very briefly, or let it stand a few minutes.

# Defrosting

## Defrosting Guide

<i>Food</i>	<i>Time</i>	<i>Comments</i>
<b>Breads, Cakes</b> <i>Bread, buns, or rolls</i> (1 piece) <i>Sweet rolls</i> (approx. 12 oz.)	<b>1/4 min.</b> <b>2 to 4 min.</b>	Rearrange after half the time.
<b>Fish and Seafood</b> <i>Filletts, frozen</i> (1 lb.) <i>Shellfish, small pieces</i> (1 lb.)	<b>6 to 9 min.</b> <b>3 to 7 min.</b>	Place block in casserole. Turn over and break up after half the time.
<b>Fruit</b> <i>Plastic pouch—1 or 2</i> (10-oz. package)	<b>1 to 5 min.</b>	
<b>Meat</b> <i>Bacon</i> (1 lb.) <i>Franks</i> (1 lb.) <i>Ground meat</i> (1 lb.) <i>Roast: beef, lamb, veal, pork</i> <i>Steaks, chops and cutlets</i>	<b>2 to 5 min.</b> <b>2 to 5 min.</b> <b>4 to 6 min.</b> <b>9 to 13 min.</b> <b>per lb.</b> <b>4 to 8 min.</b> <b>per lb.</b>	Place unopened package in oven. Let stand 5 minutes after defrosting. Place unopened package in oven. Microwave just until franks can be separated. Let stand 5 minutes, if necessary, to complete defrosting. Turn meat over after first half of time. Use power level 10. Place unwrapped meat in cooking dish. Turn over after first half of time and shield warm areas with foil. After second half of time, separate pieces with table knife. Let stand to complete defrosting.
<b>Poultry</b> <i>Chicken, broiler-fryer, cut up</i> (2½ to 3 lbs.) <i>Chicken, whole</i> (2½ to 3 lbs.) <i>Cornish hen</i> <i>Turkey breast</i> (4 to 6 lbs.)	<b>14 to 20 min.</b> <b>20 to 25 min.</b> <b>7 to 13 min.</b> <b>per lb.</b> <b>3 to 8 min.</b> <b>per lb.</b>	Place wrapped chicken in dish. Unwrap and turn over after first half of time. After second half of time, separate pieces and place in cooking dish. Microwave 2 to 4 minutes more, if necessary. Let stand a few minutes to finish defrosting. Place wrapped chicken in dish. After half the time, unwrap and turn chicken over. Shield warm areas with foil. To complete defrosting, run cold water in the cavity until giblets can be removed. Place unwrapped hen in the oven breast-side-up. Turn over after first half of time. Run cool water in the cavity until giblets can be removed. Place unwrapped breast in microwave-safe dish breast-side-down. After first half of time, turn breast-side-up and shield warm areas with foil. Defrost for second half of time. Let stand 1 to 2 hours in refrigerator to complete defrosting.

## About the other features

---

### Clock

To change the time of day.

1. Press the **Set Clock** button. (The microwave should not be running.)
2. Enter the appropriate time of day. Clock is on a 12-hour scale.
3. Press **Set Clock** or **Start** to accept the time.



### Pause

In addition to starting many functions, **START/PAUSE** allows you to stop cooking without opening the door or clearing the display and resume cooking later.



### Child Lock-Out

Press the **CANCEL/OFF** button to stop and cancel cooking at any time.



### Control Lock-Out

You may lock the control panel to prevent the oven from being accidentally started during cleaning or being used by children.

To lock or unlock the controls, press and hold the **CANCEL/OFF** button for three seconds. When the control panel is locked, **LOCKED** will be displayed briefly anytime a button or dial is pressed. "L" will show in the display.



### Surface Light

Press **SURFACE LIGHT** once for bright light, twice for the night light or a third time to turn the light off.



### Timer

**NOTE: The Timer indicator will be lit while the timer is operating.**

#### Timer

The **Timer** operates as a minute timer and can be used at any time, even when the oven is operating.

1. Press the **Timer** button.
2. Enter a time.
3. Press the **Timer** 3 **Start** button to start.

**To cancel, press the Timer button or Cancel button.**

**NOTE:** If you press the **Cancel** button to cancel the timer and you are cooking at the same time, it will cancel your cooking selection also.

When time is up, the oven will signal.

To turn off the timer signal, press **Timer** or **Cancel**



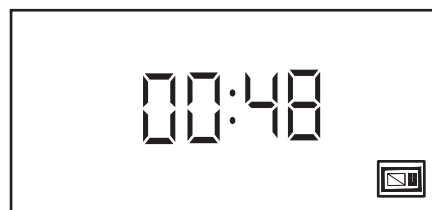
## About the other features

---

### Display

If you have the Timer counting down and you are using the Cook Time at the same time, you can change the display to show either the timer or the cook time countdown.

If the display shows the time for the Timer and you would like to view the Cook Time, press the **COOK TIME** button.



If the display shows the time for the Cook Time and you would like to view the Timer, press the **TIMER** button

---

### Turntable

**For best cooking results, leave the turntable on.** It can be turned off for large dishes.

Press the **Turntable** pad once to turn the turntable off. Press again to turn the turntable back on.

Sometimes the turntable can become too hot to touch. Be careful touching the turntable during and after cooking.

Turntable can be turned off during the **Cook Time** or **Express Cook** features by pressing the **Turntable** pad.

**Note:** At the conclusion of the **Cook Time** and **Express Cook** features, the turntable will automatically return to ON.




---

### Vent Fan

The vent fan removes steam and other vapors from surface cooking.

Press **Vent Fan** once for high fan speed, twice for low fan speed or three times to turn the fan off.



### Automatic Fan

An automatic fan feature protects the microwave from too much heat rising from the cooktop below it. It automatically turns on if it senses too much heat.

If you have turned the fan on you may find that you cannot turn it off. The fan will automatically turn off when the internal parts are cool. It may stay on for 30 minutes or more after the cooktop and microwave controls are turned off.

---

### Insert Food Reminder

A reminder will show on the display if the user tries to start the cooking cycle without placing food inside the microwave oven within 5 minutes prior to starting the cooking cycle.

---

### Cooking Complete Reminder

To remind you that you have food in the oven, the oven will display "Food is ready" and beep once a minute until you either open the oven door or press the CANCEL/OFF button.

# Care and Cleaning

## Helpful Hints

An occasional thorough wiping with a solution of baking soda and water keeps the inside fresh.

Unplug the cord before cleaning any part of this oven.

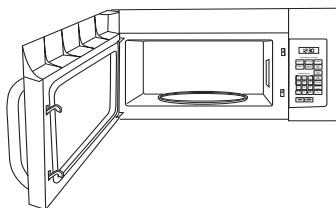


## How to Clean the Inside

### Walls, Floor, Inside Window, Metal and Plastic Parts on the Door

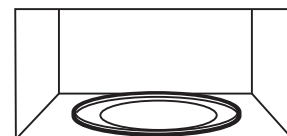
Some spatters can be removed with a paper towel; others may require a damp cloth. Remove greasy spatters with a sudsy cloth, then rinse with a damp cloth. Do not use abrasive cleaners or sharp utensils on oven walls.

Never use a commercial oven cleaner on any part of your microwave.



### Removable Turntable and Turntable Support

To prevent breakage, do not place the turntable into water just after cooking. Wash it carefully in warm, sudsy water or in the dishwasher. The turntable and support can be broken if dropped. Remember, do not operate the oven in the microwave mode without the turntable and support seated and in place.



## How to Clean the Outside

We recommend against the use of spray cleaners and using cleaners with ammonia or alcohol, as they can damage the appearance of the microwave oven. If you choose to use a common household cleaner, first apply the cleaner directly to a clean cloth, then wipe the soiled area.

### Case

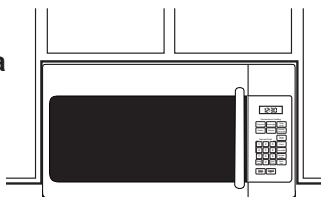
Clean the outside of the microwave with a sudsy cloth. Rinse and then dry. Wipe the window clean with a damp cloth.

### Control Panel

Wipe with a damp cloth. Dry thoroughly. Do not use cleaning sprays, large amounts of soap and water, abrasives or sharp objects on the panel—they can damage it. Some paper towels can also scratch the control panel.

### Door Panel

Before cleaning the front door panel, make sure you know what type of panel you have. Refer to the eighth digit of the model number. "S" is stainless steel "B", "W" or "C" are plastic colors.



### Stainless Steel (on some models)

The stainless steel panel can be cleaned with Stainless Steel Magic or a similar product using a clean, soft cloth. Apply stainless cleaner carefully to avoid the surrounding plastic parts. Do not use appliance wax, polish, bleach or products containing chlorine on Stainless Steel finishes.

### Plastic Color Panels

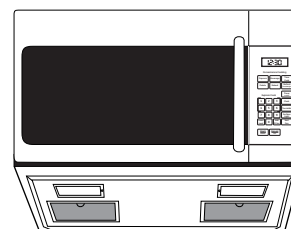
Use a clean, soft, lightly dampened cloth, then dry thoroughly.

### Door Seal

It's important to keep the area clean where the door seals against the microwave. Use only mild, non-abrasive detergents applied with a clean sponge or soft cloth. Rinse well.

### Bottom

Clean off the grease and dust on the bottom often. Use a solution of warm water and detergent.



# Care and Cleaning

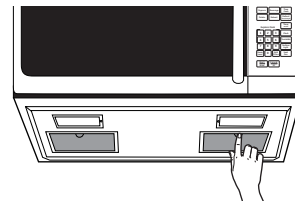
## Removing and Cleaning the Filters

**To remove**, slide them to the rear using the tabs. Pull down and out.

To clean the vent filters, soak them and then swish around in hot water and detergent. Don't use ammonia or ammonia products because they will darken the metal. Light brushing can be used to remove embedded dirt.

Rinse, shake and let dry before replacing.

**To replace**, slide the filters into the frame slots on the back of each opening. Press up and to the front to lock into place.



## Charcoal Filter

**The charcoal filter cannot be cleaned. It must be replaced. Order Part No. WB02X11550 from your GE supplier.**

If the model is not vented to the outside, the air will be recirculated through a disposable charcoal filter that helps remove smoke and odors.

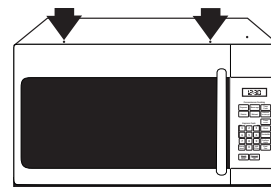
The charcoal filter should be replaced when it is noticeably dirty or discolored (usually after 6 to 12 months, depending on usage).

## To Remove the Charcoal Filter

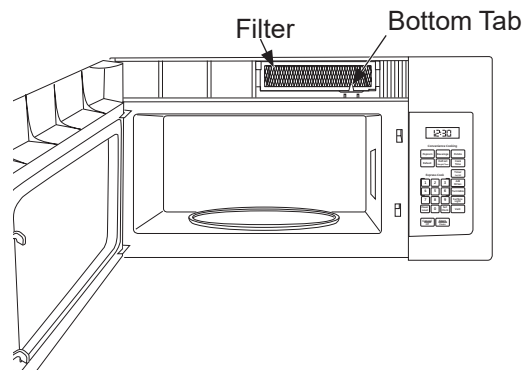
**To remove the charcoal filter**, first disconnect power at the main fuse or circuit breaker, or pull the plug. Remove the top grille by removing only the two screws that hold it in place, as shown.

You may need to open the cabinet doors to remove the screws.

Press back on the top of the filter with both hands until the filter lays down almost horizontal. Lift the filter at the bottom until it comes free of the tabs. Slide the filter down and out.



Remove 2 grille screws to remove the grille.



## Replacing the Oven Cavity Lamp

1. Disconnect power at the main fuse or circuit breaker panel.
2. Remove the top grill by removing the two screws that hold it in place.
3. Remove charcoal filter if present. **NOTE:** Charcoal filter is an optional kit, you may not have one.
4. Press the retainer holding the lamp shield in place.
5. Pull the lamp shield out. Unscrew the light bulb out and replace with the 120V-130V, 30W incandescent bulb. Order WB25X10029 from your GE supplier.
6. Return the lamp and lamp shield to original position and replace charcoal filter.
7. Replace the grill and 2 screws. Reconnect power to the oven.

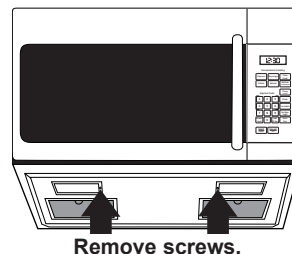


# Care and Cleaning

## Cooktop Lights/Nite Lights

Replace with 120 volt, 40 watt (max) incandescent bulbs. Order WB25X10030 from your GE supplier.

1. To replace the cooktop lights/nite lights, first disconnect the power at the main fuse or circuit breaker panel, or pull the plug.
2. One side at a time, remove the screw from the side of the light compartment cover and lower the cover until it stops.
3. Be sure the bulb is cool before removing. Break the adhesive seal by gently unscrewing the bulb.
4. Screw in the new bulb, then raise the light cover and replace the screw. Repeat for the other light. Connect electrical power to the oven.



## Vent Fan

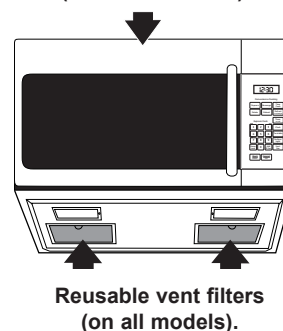
The vent fan has two metal reusable vent filters. Models that recirculate air back into the room also use a charcoal filter.

### Reusable Vent Filters

The metal filters trap grease released by foods on the cooktop. They also prevent flames from foods on the cooktop from damaging the inside of the oven.

For this reason, the filters must always be in place when the hood is used. The vent filters should be cleaned once a month, or as needed.

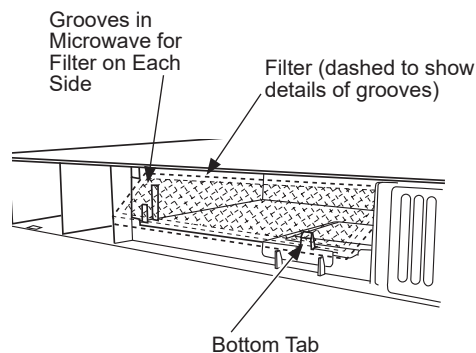
Charcoal filter (on some models).



## To Install the Charcoal Filter

To install a new charcoal filter, remove plastic and other outer wrapping from the new filter.

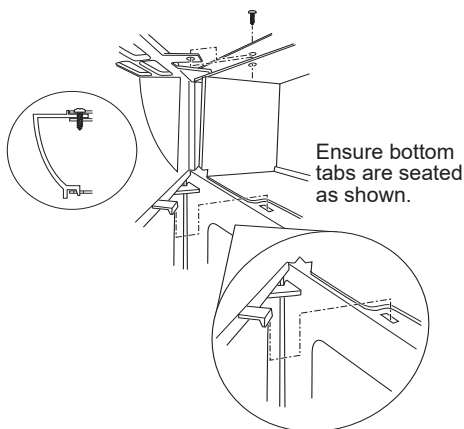
Insert the top of the filter up and into the grooves on both sides of the inside of the top opening. Once you have cleared the bottom tab, push the bottom of the filter in until it rests in place vertically behind the tab.



How to install charcoal filter, here is video instruction.  
<http://www.geappliances.com/videos/microwave-troubleshooting-fix.htm>



Use your smartphone app to scan this code.





# Microwave Terms

---

Term	Definition
Arcing	Arcing is the microwave term for sparks in the oven. Arcing is caused by: <ul style="list-style-type: none"><li>■ metal or foil touching the side of the oven.</li><li>■ foil that is not molded to food (upturned edges act like antennas).</li><li>■ metal such as twist-ties, poultry pins, gold-rimmed dishes.</li><li>■ recycled paper towels containing small metal pieces.</li><li>■ plates or dishes with a metallic trim or glaze with a metallic sheen.</li></ul>
Covering	Covers hold in moisture, allow for more even heating and reduce cooking time. Venting plastic wrap or covering with wax paper allows excess steam to escape.
Shielding	In a regular oven, you shield chicken breasts or baked foods to prevent over-browning. When microwaving, you use small strips of foil to shield thin parts, such as the tips of wings and legs on poultry, which would cook before larger parts.
Standing Time	When you cook with regular ovens, foods such as roasts or cakes are allowed to stand to finish cooking or to set. Standing time is especially important in microwave cooking. Note that a microwaved cake is not placed on a cooling rack.
Venting	After covering a dish with plastic wrap, you vent the plastic wrap by turning back one corner so excess steam can escape.

## Troubleshooting Tips

Problem	Possible Cause	What To Do
Oven will not start	A fuse in your home may be blown or the circuit breaker tripped.	• Replace fuse or reset circuit breaker.
	Power surge.	• Unplug the microwave oven, then plug it back in.
	Plug not fully inserted into wall outlet	• Make sure the 3-prong plug on the oven is fully inserted into wall outlet.
	Door not securely closed.	• Open the door and close securely.
Control panel lighted, yet oven will not start	Door not securely closed.	• Open the door and close securely.
	START/PAUSE button not pressed after entering cooking selection.	• Press <b>START/PAUSE</b> .
	Another selection entered already in oven and CANCEL/OFF button not pressed to cancel it.	• Press <b>CANCEL/OFF</b> .
	Cooking time not entered after pressing <b>COOK TIME</b>	• Make sure you have entered cooking time after pressing <b>COOK TIME</b> .
	CANCEL/OFF was pressed accidentally.	• Reset cooking program and press <b>START/PAUSE</b> .
CONTROL LOCKED appears on display	The control has been locked.	• Press and hold <b>CANCEL/OFF</b> for about 3 seconds to unlock the control.
Floor of the oven is warm even when the oven has not been used	The cooktop light is located below the oven floor. When light is on, the heat it produces may make the oven floor get warm.	• This is normal.
You hear an unusual low-tone beep	You have tried to change the power level when it is not allowed	• Many of the oven's features are preset and cannot be changed.
Vent fan comes on automatically	The vent fan automatically turns on to protect the microwave if it senses too much heat rising from the cooktop below.	• This is normal.

### Things That Are Normal With Your Microwave Oven

- Moisture on the oven door and walls while cooking. Wipe the moisture off with a paper towel or soft cloth.
- Moisture between the oven door panels when cooking certain foods. Moisture should dissipate shortly after cooking is finished.
- Steam or vapor escaping from around the door.
- Light reflection around door or outer case.
- Dimming oven light and change in the blower sound at power levels other than high.
- Noises while oven is operating.
- TV/radio interference might be noticed while using the microwave. Similar to the interference caused by other small appliances, it does not indicate a problem with the microwave. Plug the microwave into a different electrical circuit, move the radio or TV as far away from the microwave as possible, or check the position and signal of the TV/radio antenna.

# GE Appliances Microwave Oven Limited Warranty

**WARRANTY**

All warranty service provided by our Factory Service Centers, or an authorized Customer Care® technician. To schedule service, online, contact us at [GEAppliances.com](http://GEAppliances.com), or call 800.GE.CARES (800.432.2737). Please have serial and model numbers available when calling for service.

Staple your receipt here. Proof of the original purchase date is needed to obtain service under the warranty.

For The Period Of:	GE Appliances Will Choose to Replace or Service:
One Year From the date of original purchase	In the event of service, GE will provide any part of the microwave oven which fails due to a defect in materials or workmanship. From the date of the During this limited one-year warranty, GE will also provide, free of charge, all labor and original purchase related service costs to replace the defective part when the unit is serviced.

**What GE Appliances Will Not Cover:**

- Service trips to your home to teach you how to use the product.
- Improper installation, delivery or maintenance. If you have an installation problem, contact your dealer or installer. You are responsible for providing adequate electrical, exhausting, and other connecting facilities.
- Failure of the product or damage to the product if it is abused, misused (for example, cavity arcing from wire rack or metal/foil), or used for other than the intended purpose or used commercially.
- Replacement of house fuses or resetting of circuit breakers.
- Damage to the product caused by accident, fire, floods or acts of God.
- Incidental or consequential damage caused by possible defects with this appliance.
- Damage caused after delivery.
- Product not accessible to provide required service.
- Service to repair or replace light bulbs, except for LED lamps.
- Damage to the finish, such as surface rust, tarnish, or small blemishes not reported within 48 hrs of delivery.

**EXCLUSION OF IMPLIED WARRANTIES**  
 Your sole and exclusive remedy is product repair as provided in this Limited Warranty. Any implied warranties, including the implied warranties of merchantability or fitness for a particular purpose, are limited to one year or the shortest period allowed by law.

This warranty is extended to the original purchaser and any succeeding owner for products purchased for home use within the USA. If the product is located in an area where service by a GE Appliances Authorized Servicer is not available, you may be responsible for a trip charge or you may be required to bring the product to an Authorized GE Appliances Service Location for service. In Alaska, the warranty excludes the service calls to your home.

Some states do not allow the exclusion or limitation of incidental or consequential damages. This warranty gives you specific legal rights, and you may also have other rights which vary from state to state. To know what your legal rights are, consult your local or state consumer affairs office or your state's Attorney General.

Warrantor: GE Appliances, a Haier company

# Consumer Support

---

## GE Appliances Website

Have a question or need assistance with your appliance? Try the GE Appliances Website 24 hours a day, any day of the year! You can also shop for more great GE Appliances products and take advantage of all our on-line support services designed for your convenience. In the US: [GEAppliances.com](http://GEAppliances.com)

---

## Register Your Appliance

Register your new appliance on-line at your convenience! Timely product registration will allow for enhanced communication and prompt service under the terms of your warranty, should the need arise. You may also mail in the pre-printed registration card included in the packing material. In the US: [GEAppliances.com/register](http://GEAppliances.com/register)

---

## Schedule Service

Expert GE Appliances repair service is only one step away from your door. Get on-line and schedule your service at your convenience any day of the year. In the US: [GEAppliances.com/ge/service-and-support/service.htm](http://GEAppliances.com/ge/service-and-support/service.htm) or call 800.432.2737 during normal business hours.

---

## Extended Warranties

Purchase a GE Appliances extended warranty and learn about special discounts that are available while your warranty is still in effect. You can purchase it on-line anytime. GE Appliances Services will still be there after your warranty expires. In the US: [GEAppliances.com/ge/service-and-support/shop-for-extended-service-plans.htm](http://GEAppliances.com/ge/service-and-support/shop-for-extended-service-plans.htm) or call 800.626.2224 during normal business hours.

---

## Remote Connectivity

For assistance with wireless network connectivity (for models with remote enable), visit our website at [GEAppliances.com/ge/connected-appliances/](http://GEAppliances.com/ge/connected-appliances/) or call 800.220.6899 in the US.

---

## Parts and Accessories

Individuals qualified to service their own appliances can have parts or accessories sent directly to their homes (VISA, MasterCard and Discover cards are accepted). Order on-line today 24 hours every day. In the US: [GEApplianceparts.com](http://GEApplianceparts.com) or by phone at 877.959.8688 during normal business hours.

**Instructions contained in this manual cover procedures to be performed by any user. Other servicing generally should be referred to qualified service personnel. Caution must be exercised, since improper servicing may cause unsafe operation.**

---

## Contact Us

If you are not satisfied with the service you receive from GE Appliances, contact us on our Website with all the details including your phone number, or write to:

In the US: General Manager, Customer Relations | GE Appliances, Appliance Park | Louisville, KY 40225  
[GEAppliances.com/ge/service-and-support/contact.htm](http://GEAppliances.com/ge/service-and-support/contact.htm)



# Horno Microondas

**INFORMACIÓN DE SEGURIDAD .. 3-5**

**USO DE LA HORNO**

Funciones de su horno ..... 6  
 Nivel de Potencia .....7  
 Acerca de las funciones ..... 8-10  
 Descongelación ..... 11  
 Terminología de microondas ..... 12-13

**CUIDADO Y LIMPIEZA**

Cuidado y limpieza ..... 14-16

**CONSEJOS PARA LA SOLUCIÓN DE PROBLEMAS ..... 18**

**GARANTÍA ..... 19**

**SOPORTE PARA EL CONSUMIDOR. 20**

**Manual del Propietario**

**AVM4160**

**JNM3161**

**JVM3160**

**RVM5160**

**Hotpoint®**



Artistry™ Series



Escriba los números de modelo y de serie aquí:

Nº de Modelo \_\_\_\_\_

Nº de Serie \_\_\_\_\_

Los encontrará en una etiqueta cuando abra la puerta.

## **GRACIAS POR HACER QUE GE APPLIANCES SEA PARTE DE SU HOGAR.**

---

Ya sea que haya crecido usando GE Appliances, o que ésta es su primera vez, nos complace tenerlo en la familia.

Sentimos orgullo por el nivel de arte, innovación y diseño de cada uno de los electrodomésticos de GE Appliances, y creemos que usted también. Entre otras cosas, el registro de su electrodoméstico asegura que podamos entregarle información importante del producto y detalles de la garantía cuando los necesite.

Registre su electrodoméstico GE ahora a través de Internet. Sitios Web y números telefónicos útiles están disponibles en la sección de Soporte para el Consumidor de este Manual del Propietario.

También puede enviar una carta en la tarjeta de inscripción preimpresa que se incluye con el material embalado.



**GE APPLIANCES**

# INFORMACIÓN IMPORTANTE DE SEGURIDAD

## LEA TODAS LAS INSTRUCCIONES ANTES DE USAR

### ⚠️ ADVERTENCIA

**Para reducir el riesgo de quemaduras, descargas eléctricas, incendio, lesiones o exposición a energía de microondas excesiva:**

Cuando utilice aparatos eléctricos, se deben seguir las precauciones de seguridad básicas, entre las que se incluyen las siguientes:

- Lea todas las instrucciones antes de utilizar este aparato.
- Lea y siga las precauciones específicas descritas en la sección PRECAUCIONES PARA EVITAR LA POSIBLE EXPOSICIÓN A ENERGÍA DE MICROONDAS EXCESIVA de la página 7.
- Utilice este aparato solamente para el fin previsto, como se describe en este manual. No utilice químicos ni vapores corrosivos en este aparato. Este horno está específicamente diseñado para calentar, secar o cocinar alimentos y bebidas y no está diseñado para usarse en un laboratorio ni para uso industrial.
- Este electrodoméstico sólo debería ser reparado por personal técnico con calificación. En caso de necesitar una evaluación, reparación o ajuste, comuníquese con el servicio autorizado más cercano.

### INSTALACIÓN

- Instale o ubique este aparato únicamente de acuerdo a las instrucciones de instalación suministradas.
- Este aparato debe contar con una conexión a tierra. Conecte sólo a un tomacorriente con adecuada conexión a tierra. Ver la sección Instrucciones de conexión a tierra de la página 7.
- Asegúrese de colocar la superficie frontal de la puerta a 3 pulgadas o más atrás del extremo superior de la mesada, a fin de evitar caídas accidentales del electrodoméstico durante su uso normal.
- Espacios recomendados: 3 pulgadas a cada lado, 3 pulgadas sobre la parte superior y 1 pulgada en la parte trasera.
- No utilice este aparato si tiene el cable eléctrico o el enchufe dañados, si no funciona bien o si ha sufrido una avería o una caída.
- Mantenga el cable alejado de superficies calientes.
- No permita que el cable eléctrico cuelgue sobre el borde de la mesa o del mostrador de encimera.
- No sumerja el cable eléctrico o el enchufe en agua.
- No cubra ni bloquee ninguna apertura de este aparato.
- No almacene este aparato al aire libre. No utilice este producto cerca del agua; por ejemplo, en un sótano húmedo, cerca de una piscina, cerca de un lavabo o lugares similares.
- No monte este aparato sobre el fregadero.

### PARA REDUCIR EL RIESGO DE INCENDIO DENTRO DEL HORNO:

- No cocine excesivamente los alimentos. Vigile cuidadosamente el aparato cuando se coloque papel, plástico u otros materiales combustibles dentro del microondas para facilitar la cocción.
- Quite las tiritas de seguridad (twist-ties) y asas metálicas de los recipientes de papel o plástico antes de colocarlos dentro del microondas.
- No guarde ningún material, a excepción de nuestros accesorios recomendados, en este horno cuando no esté en uso. No deje productos de papel, utensilios de cocina ni comida en el horno cuando no esté en uso. El estante del microondas se deberá retirar del horno cuando no se encuentre en uso.
- Si los materiales que se encuentran dentro del horno prenden fuego, mantenga cerrada la puerta del horno, apáguelo y desconecte el cable eléctrico, o corte la energía desde el panel de fusibles o del interruptor de circuitos.
- No opere el horno sin alimentos adentro.

### A FIN DE REDUCIR RIESGOS DE QUEMADURAS:

- Tenga cuidado al abrir envases con comida caliente. Use manijas y aleje el vapor del rostro y las manos.
- Ventile, perforo, o corte envases, bolsas, o bolsas plásticas para evitar la acumulación de presión.
- Tenga cuidado al tocar el plato giratorio, la puerta, estantes o paredes del horno, los cuales se podrán calentar durante el uso.
- Los líquidos y ciertas comidas calentadas en el horno microondas pueden presentar riesgos de quemaduras, al ser retirados del horno microondas. La posibilidad de quemaduras es mayor en niños pequeños, a los cuales no se les deberá permitir retirar ítems calientes del horno microondas.

## LEA Y GUARDE ESTAS INSTRUCCIONES

# INFORMACIÓN IMPORTANTE DE SEGURIDAD LEA TODAS LAS INSTRUCCIONES ANTES DE USAR

## **⚠ ADVERTENCIA**

Continuado

### USO

- Como con cualquier aparato, cuando sea utilizado por niños es necesaria una estrecha vigilancia.
- No use el horno sin el plato giratorio en su posición. El plato giratorio no deberá tener restricciones, de modo que pueda girar.
- Asegúrese de que todos los utensilios usados en el horno microondas sean para uso en el mismo. Se pueden usar la mayoría de las cazuelas de vidrio, platos de cocción, tazas graduadas, tazas para postre, vajillas de cerámica o cubiertos de porcelana que no poseen bordes metálicos o vidriados con un brillo metálico, siguiendo las recomendaciones del fabricante.
- No almacene ningún elemento directamente sobre la superficie del horno de microondas cuando éste se encuentre en funcionamiento.
- Algunos productos tales como huevos enteros y contenedores sellados (por ejemplo, frascos sellados) son propensos a explotar y no deben calentarse en este horno. Tal uso del horno puede resultar en lesiones personales.
- No cocine demasiado las patatas. El deshidratado y incendiarse.
- No cubra las otra parte del horno con papel metálico. Esto ocasionará un sobrecalentamiento del horno microondas/ por convección.
- Cocine a fondo la carne de res o ave la carne de res a por los menos una temperatura INTERNA de 160° F y carne de ave a por lo menos una temperatura INTERNA de 180° F. Cocinar a estas temperaturas generalmente protege contra enfermedades causadas por los alimentos.
- Este horno no fue aprobado ni evaluado para uso en la marina.

### LIMPIEZA

- Mantenga el horno libre de acumulación de grasa.
- No limpie con almohadillas metálicas para fregar. Las piezas podrán quemar la almohadilla y tener contacto con partes eléctricas, involucrando riesgos de descargas eléctricas.
- Al limpiar superficies de puerta y horno que se unen al cerrar la puerta, use sólo jabones o detergentes suaves y no abrasivos, aplicando los mismos con una esponja limpia o tela suave. Enjuague bien.

### AGUA SOBRECALENTADA

- Líquidos, tales como agua, café o té, son capaces de sobrecalentarse más allá del punto de ebullición sin parecer que estén hirviendo. No siempre hay burbujeo o hervor visible cuando se saca el recipiente del horno microondas. **ESTO PUEDE RESULTAR EN LA EBULLICIÓN REPENTINA DE LÍQUIDOS MUY CALIENTES CUANDO SE MUEVE EL RECIPIENTE O SE INSERTA UNA CUCHARA U OTRO UTENSILIO DENTRO DEL LÍQUIDO.**
- Para reducir el riesgo de lesión física:
  - No sobrecaliente el líquido.
  - Revuelva el líquido antes y a la mitad del tiempo de calentamiento.
  - No utilice recipientes con costados rectos y cuellos angostos.
  - Después de calentar el recipiente, déjelo en el horno microondas por un período corto de tiempo antes de sacarlo.
  - Tenga extrema precaución cuando introduzca una cuchara u otro utensilio en el recipiente.

**LEA Y GUARDE ESTAS INSTRUCCIONES**



# INFORMACIÓN IMPORTANTE DE SEGURIDAD LEA TODAS LAS INSTRUCCIONES ANTES DE USAR

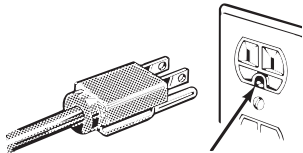
## PRECAUCIONES PARA EVITAR LA POSIBLE EXPOSICIÓN A ENERGÍA DE MICROONDAS EXCESIVA

- (a) **No intente hacer** funcionar el horno con la compuerta abierta ya que ésto puede provocar exposición peligrosa a la energía de microondas. Es importante no forzar ni dañar los seguros.
- (b) **No coloque** ningún objeto entre la parte frontal del horno y la compuerta, ni permita que se acumulen residuos de producto limpiador o detergente, suciedad o polvo en las superficies de sellado.
- (c) **No haga funcionar** el horno si se encuentra dañado. Es particularmente importante cerrar bien la compuerta
  - (1) la compuerta (doblada o curvada),
  - (2) las bisagras y pestillos (rotos o flojos),
  - (3) sellos de la compuerta y superficies de sellado.
- (d) **El horno no debe** ser ajustado o reparado por ninguna persona, excepto por personal de mantenimiento calificado.

## INSTRUCCIONES DE CONEXIÓN A TIERRA

### ⚠ ADVERTENCIA

El uso inadecuado del enchufe de conexión a tierra puede provocar riesgos de descargas eléctricas.



Asegúrese de contar con una conexión a tierra adecuada antes de usar.

Este electrodoméstico debe estar conectado a tierra. Si se produjera un cortocircuito, la toma de tierra reduce el riesgo de descarga eléctrica al proveer un cable de escape para la corriente eléctrica.

Este electrodoméstico está equipado con un cable de

corriente que dispone de un hilo para toma de tierra con un enchufe con toma de tierra. El enchufe debe estar conectado a una toma de corriente que esté debidamente instalada y con salida a tierra.

Consulte con un electricista cualificado o un técnico de reparaciones si no entiende completamente las instrucciones sobre la toma de tierra, o si tuviese alguna duda sobre si su aparato está debidamente conectado a tierra.

Si la toma de corriente es un modelo estándar de dos clavijas, es su responsabilidad personal y su obligación el reemplazarla por una toma adecuada para tres clavijas con conexión a tierra.

Bajo ninguna circunstancia debe cortar o quitar la tercera clavija (tierra) del cable de corriente.

No recomendamos el uso de un cable de prolongación con este electrodoméstico. Si el cable de corriente es demasiado corto, haga que un electricista cualificado o un técnico de reparaciones instalen una toma de corriente cerca del electrodoméstico. (Consulte la sección ADVERTENCIA—CABLES DE PROLONGACIÓN.)

Para un mejor funcionamiento, enchufe este electrodoméstico en una toma de corriente exclusiva para evitar parpadeos de luz, fusibles quemados o que salte el diferencial.

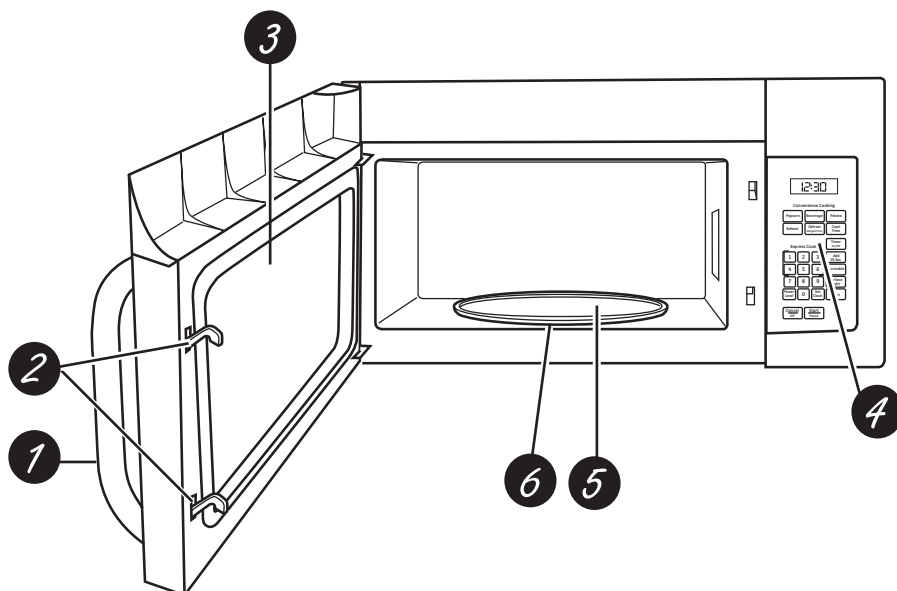
## MARCAPASOS

La mayoría de los marcapasos poseen protección contra interferencias de productos eléctricos, incluyendo microondas. Sin embargo, es aconsejable que los pacientes con marcapasos consulten a sus médicos ante cualquier duda.

# LEA Y GUARDE ESTAS INSTRUCCIONES

## Funciones

Su modelo puede tener otras características y apariencia que las ilustradas en este manual.



**1. Manija de la Puerta**

**2. Pestillos de la Puerta**

**3. Ventana con Protector Metálico.** La pantalla permite que la cocción pueda ser observada mientras se mantienen las microondas dentro del horno.

**4. Panel de Control**

**5. Panel de Control** No utilice el horno en el modo de microondas sin el plato giratorio y el soporte del plato giratorio, ubicados en sus lugares correspondientes.

**6. Soporte Extraíble del Plato Giratorio.** No utilice el horno en el modo de microondas sin el plato giratorio y el soporte del plato giratorio ubicados en su lugar.

# Modificar el Nivel de Potencia

**Cómo Modificar el Nivel de Potencia** El nivel de potencia podrá ser ingresado o modificado antes o durante la cocción. **Power Level (Nivel de Potencia)** está configurado en el Nivel 10 (Alto) a menos que sea modificado.

1. Presione el botón **Power Level (Nivel de Potencia)**.
2. Ingrese el nuevo nivel de potencia usando las teclas numéricas o presionando el botón **Power Level (Nivel de Potencia)** muchas veces hasta que se alcance el nivel de potencia que desee.
3. Luego de seleccionar el nivel de potencia, espere cinco segundos. Se volverá a visualizar la pantalla **Cook Time (Tiempo de Cocción)**.
4. Ingrese el tiempo de cocción y presione **START (Iniciar)**.

**O**

1. Presione el botón **Cook Time (Tiempo de Cocción)**.
2. Ingrese el tiempo de cocción.
3. Presione el botón **Power Level (Nivel de Potencia)**.
4. Ingrese el nuevo nivel de potencia usando las teclas numéricas o presionando el botón **Power Level (Nivel de Potencia)** muchas veces hasta que encuentre el nivel de potencia que desee.
5. Luego de seleccionar el nivel de potencia, espere cinco segundos. Se volverá a visualizar la pantalla **Cook Time (Tiempo de Cocción)**.
6. Presione **START (Iniciar)**.

Los niveles de potencia variables suman flexibilidad a la cocción en el microondas. Los niveles de potencia del horno microondas se pueden comparar con las unidades de superficie de una cocina. Cada nivel de potencia le brinda energía de microondas un cierto porcentaje del tiempo. El **Nivel de Potencia 7** es energía de microondas el 70% del tiempo. El **Nivel de Potencia 3** es energía el 30% del tiempo. La mayoría de las cocciones se harán en High (Alto) (nivel de potencia 10), lo cual le brinda el 100% de potencia. **Power level 10 (Nivel de potencia 10)** hará la cocción más rápido pero será necesario revolver, rotar o dar vuelta la comida con mayor frecuencia. Una configuración inferior hará la cocción más pareja y se necesitará revolver y rotar menos la comida. Algunas comidas podrán tener mejor sabor, textura o aspecto si se usa una de las configuraciones inferiores. Use un nivel de potencia inferior al cocinar comidas con tendencia a hervir, tales como papas en escalope y algunas cazuelas.

Los períodos de descanso (cuando los ciclos de energía de microondas finalizan) brindan tiempo para que la comida “equipare” o transfiera calor al interior de la comida. Un ejemplo de esto se muestra con el **nivel de potencia 3** - el ciclo de descongelamiento. Si la energía del microondas no finalizó el ciclo, la parte externa de la comida se cocinará antes de que el interior esté descongelado.

**Estos son algunos ejemplos de usos de diferentes niveles de potencia:**

**Alto 10 (100%):** Pescado, tocino, verduras, líquidos en hervor.

**Medio-Alto 7 (70%):** Cocción suave de carne y ave; cacerolas para hornear y recalentar.

**Medio 5 (50%):** Cocción lenta y ablandamiento para guisados y cortes de carne menos tiernos.

**Bajo 2 o 3 (20 o 30%):** Descongelar; hervir a fuego lento; platos delicados.

**Caliente 1 (10%):** Mantener la comida caliente; ablandar la manteca.

**NOTA: También puede modificar el nivel de potencia durante muchos modos de cocción, presionando el botón de nivel de potencia e ingresando un nivel de potencia válido.**

## Acerca de las funciones

### Cook Time (Tiempo de Cocción)

Le permite cocinar en el horno microondas por cualquier tiempo hasta 99 minutos y 99 segundos.

**Power level 10 (Nivel de potencia 10)** se configura de forma automática, pero lo puede modificar para una mayor flexibilidad.

1. Presione **Cook Time (Tiempo de Cocción)**.
2. Ingrese el tiempo de cocción.
3. Presione **START (Iniciar)**.  
**La cocción se iniciará cuando la cuenta regresiva comience en la pantalla.**



Puede abrir la puerta durante **Time Cook (Cocción con Temporizador)** para controlar la comida. Cierre la puerta y presione **START (Iniciar)** para reanudar la cocción.

### Express Cook (Cocción Exprés)

Ésta es una forma rápida de configurar el tiempo de cocción entre 1 y 6 minutos.

1. Presione una de las teclas de **Express Cook (Cocción Exprés)** (de 1 a 6) para una cocción de entre 1 y 6 minutos en el **nivel de potencia 10**.  
Por ejemplo: presione la tecla 2 para un tiempo de cocción de 2 minutos.

El nivel de potencia se puede modificar mientras se está realizando la cuenta regresiva. Presione **POWER LEVEL (Nivel de Potencia)** e ingrese una opción del 1 al 10.

**NOTA: La función Express Cook (Cocción Exprés) se aplica sólo con las teclas 1 a 6.**

Express Cook



### Add 30 Sec (Agregar 30 segundos)

Esto agregará 30 segundos a la cuenta regresiva cada vez que la tecla se presione. Cada vez que presione se sumarán 30 segundos, hasta 99 minutos y 99 segundos.

**Add 30 sec (Agregar 30 segundos)** también se puede usar como un botón exprés de 30 segundos. El horno microondas comenzará a funcionar de inmediato cuando se presione.



### Popcorn (Palomitas de Maíz)

Para usar la función de **Popcorn (Palomitas de Maíz)**:

1. Presione el botón **POPCORN (Palomitas de Maíz)** una vez para una bolsa de 2.0 onzas, dos veces para una bolsa de 2.5 onzas, o tres veces para una bolsa de 3.0 onzas.
2. Presione **START (Iniciar)**.  
**La cocción se iniciará cuando la cuenta regresiva comience en la pantalla.**  
**No podrá cambiar la selección o cantidad una vez que la función se haya iniciado.**



Use sólo palomitas de maíz preempaquetadas para hornos de microondas que pesen entre 2 y 3 onzas..

Si la comida no termina de cocinarse luego de la cuenta regresiva, use **Cook Time (Tiempo de Cocción)** para adicionar tiempo de cocción. Recomendamos 30 segundos y observar atentamente.

**NOTA: No use esta función dos veces seguidas en la misma porción de comida; esto podrá hacer que la comida se sobrecaliente de forma excesiva o que se queme.**

# Acerca de las funciones

## Reheat (Recalentar)

La función **Reheat (Recalentar)** vuelve a calentar las porciones de comidas cocinadas previamente o un plato con restos de comida.

Coloque la taza de líquido o comida cubierta en el horno.

1. Presione el botón **REHEAT (Recalentar)** hasta seis veces para elegir la selección correcta.  
 Presione una vez para una pizza.  
 Presione dos veces para verduras.  
 Presione tres veces para un plato con restos de comida.  
 Presione cuatro veces para sopa  
 Presione cinco veces para carne.  
 Presione seis veces para pasta.
2. Presione la tecla recalentar nuevamente una vez que el tipo de comida haya sido ingresado a fin de seleccionar la cantidad.
3. Presione **START (Iniciar)**.  
**La cocción se iniciará cuando la cuenta regresiva comience en la pantalla.**

Reheat

Luego de retirar la comida del horno, revuelva, si es posible, para emparejar la temperatura. Las comidas recalentadas podrán tener amplias variaciones de temperatura. Algunas partes de la comida podrán estar extremadamente calientes.

Si la comida no se calentó lo suficiente luego de la cuenta regresiva, use **Cook Time (Tiempo de Cocción)** para adicionar tiempo de recalentamiento.

### Algunas Comidas No Recomendadas para Uso con la Función de Recalentamiento

Es mejor usar **Cook Time (Tiempo de Cocción)** para estas comidas:

- Productos con pan
- Comidas que se deben recalentar sin estar cubiertas
- Comidas que se deben revolver o girar
- Comidas que deben tener un aspecto seco o una superficie crocante luego de recalentar

**NOTA: No use esta función dos veces seguidas en la misma porción de comida; esto podrá hacer que la comida se sobrecaliente de forma excesiva o que se quemé.**

## Beverage (Bebida)

Use la función **Beverage (Bebida)** para calentar diferentes cantidades de líquidos medidos en onzas: coloque el líquido en el horno microondas.

4 oz.	1/2 taza
8 oz.	1 taza
12 oz.	1-1/2 taza
16 oz.	2 taza

1. Presione el botón **Beverage (Bebida)** hasta cuatro veces para elegir la selección correcta.  
 Presione una vez para una bebida de 4 onzas.  
 Presione dos veces para una bebida de 8 onzas  
 Presione tres veces para una bebida de 12 onzas.  
 Presione cuatro veces para una bebida de 16 onzas.
2. Presione **START (Iniciar)**.  
**La cocción se iniciará cuando la cuenta regresiva comience en la pantalla.**

Beverage

## Potato (Papa)

Para usar la función de **Potato (Papa)**:

Coloque la papa(s) en el horno.

1. Presione el botón **Potato (Papa)** hasta cuatro veces para elegir la selección correcta.  
 Presione una vez para 1 producto.  
 Presione dos veces para 2 productos.  
 Presione tres veces para 3 productos.  
 Presione cuatro veces para 4 productos.
2. Presione **START (Iniciar)**.  
**La cocción se iniciará cuando la cuenta regresiva comience en la pantalla.**

Potato

**NOTA: No use esta función dos veces seguidas con la misma porción de comida. Como resultado la comida se podrá cocinar en exceso o quemar.**

# Descongelación

## Descongelación por Peso

Use **Weight Defrost (Descongelación por Peso)** para carnes, aves y pescado. Use **Time Defrost (Descongelación por Tiempo)** para la mayoría de las demás comidas congeladas. (La función Descongelación por Tiempo se explica en la página 13).

**Defrost  
Weight/Time**

1. Presione **DEFROST (Descongelar)** una vez para **Weight Defrost (Descongelación por Tiempo)**.
2. Ingrese el peso en libras.
3. Presione **START (Iniciar)**.  
**La cocción se iniciará cuando la cuenta regresiva comience en la pantalla.**

### Consejos para la Descongelación

- Retire la carne del paquete y coloque la misma en el plato para un uso seguro en el microondas.
- Cuando el horno dé la señal, dé vuelta la comida. Retire la carne descongelada o cubra las partes calientes con trozos pequeños de papel de aluminio.
- Luego de la descongelación, la mayoría de las carnes necesitan reposar durante 5 minutos para completar la misma. Al asar durante tiempo prolongado se debería dejar reposar por unos 30 minutos.

## Guía de Conversión

Si el peso de la comida se expresa el libras y onzas, las onzas se deberán convertir a décimas (.1) de una libra.

Ounces	Libras
1-2	.1
3	.2
4-5	.3
6-7	.4
8	.5
9-10	.6
11	.7
12-13	.8
14-15	.9

Nota: Máximo de 6.0 libras.

## Descongelación con Temporizador

Le permite descongelar durante un período de tiempo seleccionado. Consulte los tiempos sugeridos en la **Guía de Descongelación** en la página 14 (la función **Weight Defrost (Descongelación por Tiempo)** se explica en la página 12.)

**Defrost  
Weight/Time**

1. Presione **DEFROST (Descongelar)** dos veces para activar **Time Defrost (Descongelación por Tiempo)**.
2. Ingrese tiempo de descongelación en minutos y segundos.
3. Presione **START (Iniciar)**.  
**La cocción se iniciará cuando la cuenta regresiva comience en la pantalla.**

Una vez transcurrido el tiempo de descongelación seleccionado, dé vuelta la comida y separe o reorganice los trozos de comida para una descongelación más pareja. Cubra cualquier área caliente con trozos pequeños de papel de aluminio. El horno continuará descongelando si no abre la puerta y da vuelta la comida.

Se podrán escuchar ruidos durante la descongelación. Esto es normal cuando el horno no está funcionando en el nivel de potencia **High (Alto)**.

### Consejos para la Descongelación

- Las comidas congeladas en papel o plástico se podrán descongelar en el paquete. Los paquetes cerrados se deberán cortar, perforar o ventilar LUEGO de que la comida se haya descongelado parcialmente. Los envases de plástico se deberán descubrir en forma parcial.
- Las comidas de tamaño familiar preempaquetadas se podrán descongelar y cocinar. Si la comida se encuentra en el envase de papel de aluminio, traslade la misma a un plato para uso seguro en el horno microondas.
- Las comidas que se echan a perder con facilidad no se deberán dejar reposar por más de una hora luego de la descongelación. La temperatura ambiente estimula el desarrollo de bacterias nocivas.
- Para una descongelación más pareja de comidas más grandes, tales como asado, use **Auto Defrost (Descongelación Automática)**. Asegúrese de que las carnes queden totalmente descongeladas antes de cocinar.
- Una vez descongelada, la comida debería estar fría pero ablandada en todas las áreas. Si aún está un poco congelada, vuelva a colocarla en el horno microondas muy brevemente, o deje reposar la misma por unos pocos minutos.

# Descongelación

## Guía de descongelación

<i>Alimento</i>	<i>Tiempo</i>	<i>Comentarios</i>
<b>Panes, pasteles</b> <i>Pan, panecillos o bollitos (1 unidad)</i> <i>Bollitos dulces (aprox. 12 oz.)</i>	<b>1/4 min.</b> <b>2 a 4 min.</b>	Vuelva a arreglar luego de la mitad del tiempo.
<b>Pescados y frutos de mar</b> <i>Filetes, congelados (1 lb.)</i> <i>Mariscos, piezas pequeñas (1 lb.)</i>	<b>6 a 9 min.</b> <b>3 a 7 min.</b>	Coloque el bloque en un recipiente. Gire y separe después de la mitad del tiempo.
<b>Fruta</b> <i>Bolsa plástica—1 o 2</i> (Paquete de 10 oz.)	<b>1 a 5 min.</b>	
<b>Carne</b> <i>Tocino (1 lb.)</i> <i>Salchichas (1 lb.)</i>	<b>2 a 5 min.</b> <b>2 a 5 min.</b>	Coloque el paquete sin abrir en el horno. Deje reposar por 5 minutos después de descongelar. Coloque el paquete sin abrir en el horno. Accione el microondas hasta que las salchichas puedan separarse. Deje reposar 5 minutos, si fuera necesario, para completar la descongelación.
<b>Carne molida (1 lb.)</b> <i>Asado: Res, cordero, ternera, cerdo</i> <i>Filetes, chuletas y cortes pequeños</i>	<b>4 a 6 min.</b> <b>9 a 13 min. por lb.</b> <b>4 a 8 min. por lb.</b>	Dé vuelta la carne después de la mitad del tiempo. Utilice el nivel de potencia 10. Coloque la carne en el recipiente de cocción. Dé vuelta después de la mitad del tiempo de cocción y cubra las áreas tibias con papel de aluminio. Luego de la segunda mitad del tiempo, separe los trozos con un cuchillo de mesa. Espere hasta que se complete la descongelación.
<b>Carne de ave</b> <i>Pollo, cortado para asadera-freidora (2 1/2 a 3 lbs.)</i>	<b>14 a 20 min.</b>	Coloque el pollo envuelto en un recipiente. Quite la envoltura y dé vuelta la carne después de la mitad del tiempo. Cuando haya terminado, separe las piezas y use el microondas 2-4 minutos más, si fuera necesario. Deje reposar para terminar la descongelación.
<b>Pollo, entero (2 1/2 a 3 lbs.)</b>	<b>20 a 25 min.</b>	Coloque el pollo envuelto en un recipiente. Después de la mitad del tiempo, quite la envoltura y gire. Cubra las áreas tibias con papel de aluminio. Termine de descongelar. Para completar la descongelación, haga correr agua fría en la cavidad hasta que las menudencias puedan quitarse.
<b>Gallina de Cornualles</b>	<b>7 a 13 min. por lb.</b>	Coloque la gallina sin envoltura en el horno con lapechuga hacia arriba. Dé vuelta después de la mitad del tiempo. Haga correr agua fría en la cavidad hasta que las menudencias puedan quitarse.
<b>Pechuga de pavo (4 a 6 lbs.)</b>	<b>3 a 8 min. por lb.</b>	Coloque la pechuga sin envoltorio sobre un recipiente con la pechuga hacia abajo. Dé vuelta después de la mitad del tiempo, gire y cubra las áreas tibias con papel de aluminio. Descongele durante la segunda mitad del tiempo. Deje reposar durante 1-2 horas en el refrigerador para completar la descongelación.



## Sobre las otras funciones

### Clock (Reloj)

Para cambiar la hora del día.

1. Presione el botón **Set Clock (Configuración del Reloj)**. (El horno microondas no debería estar en funcionamiento).
2. Ingrese la hora del día correcta. El reloj está en una escala de 12 horas.
3. Presione **Set Clock or Start (Configuración del Reloj o Iniciar)** para aceptar el horario.



### Pause (Pausar)

Además de iniciar muchas funciones, **START/ PAUSE (Iniciar/ Pausar)** le permite dejar de cocinar sin abrir la puerta ni reiniciar la pantalla y reiniciar la cocción más tarde.



### Cancel/Off (Cancelar/ Apagar)

Presione el botón **CANCEL/ OFF (Cancelar/ Apagar)** para detener y cancelar la cocción en cualquier momento.



### Bloqueo del Control

Puede bloquear el panel de control para evitar que el horno se inicie de forma accidental durante la limpieza o cuando sea usado por niños.

Para bloquear o desbloquear los controles, mantenga presionado el botón **CANCEL/ OFF (Cancelar/ Apagar)** durante tres segundos. Cuando el panel de control esté bloqueado, aparecerá **LOCKED (Bloqueado)** brevemente en cualquier momento en que un botón o dial sean presionados. Aparecerá la "L" en la pantalla.



### Luz Superficial

Presione **SURFACE LIGHT (Luz Superficial)** una vez para activar la luz brillante, dos veces para activar la luz nocturna o una tercera vez para apagar la luz.



### Timer (Temporizador)

**NOTA:** El indicador del Temporizador se iluminará mientras el temporizador esté funcionando.

El **temporizador** funciona como un temporizador por minutos y puede ser usado en cualquier momento, incluso cuando el horno está funcionando.

1. Presione el botón **TIMER (Temporizador)**.
2. Ingrese el tiempo.
3. Presione el botón **Timer or Start (Temporizador o Iniciar)** para dar inicio.

**Para cancelar, presione el botón Timer (Temporizador) o Cancel (Cancelar).**

**NOTA:** Si presione el botón **Cancel (Cancelar)** para cancelar el temporizador y está cocinando al mismo tiempo, esto también cancelará su selección de cocción.

Cuando el tiempo concluya, el temporizador emitirá una señal. Para apagar la señal del temporizador, presione **TIMER (Temporizador) o Cancel (Cancelar)**.





## Sobre las otras funciones

### Pantalla

Si el Temporizador está realizando el conteo y está usando Cook Time (Tiempo de Cocción) al mismo tiempo, podrá cambiar la pantalla para mostrar el conteo del temporizador o del tiempo de cocción.

Si la pantalla muestra el tiempo del Temporizador y desea ver el Tiempo de Cocción, presione el botón **COOK TIME (Tiempo de Cocción)**.



Si la pantalla muestra el conteo del Tiempo de Cocción y desea ver el Temporizador, presione el botón **TIMER (Temporizador)**.

### Plato Giratorio

**Para obtener mejores resultados en su cocción, deje el plato giratorio encendido.** Lo podrá apagar al usar platos más grandes

Presione la tecla **Turntable (Plato Giratorio)** una vez para apagar el mismo. Presione nuevamente si desea volver a activarlo.

A veces, es posible que el plato giratorio se caliente demasiado como para que se pueda tocar. Se deberá tener cuidado de no tocar el plato giratorio durante y luego de la cocción.

El plato giratorio puede ser apagado durante las funciones **Cook Time (Tiempo de Cocción)** o **Express Cook (Cocción Exprés)**, presionando la tecla **Turntable (Plato Giratorio)**. **Nota:** Al concluir las funciones Cook Time (Tiempo de Cocción) y Express Cook

(Cocción Exprés), el plato giratorio regresará a ON (Encendido) de forma automática.

Turntable

### Ventilación

El ventilador de la ventilación elimina el vapor y otros vapores de la cocción superficial.

Presione **VENT FAN (Ventilador)** una vez para activar el ventilador en velocidad alta, dos veces para activarlo en velocidad baja o tres veces para apagar el mismo.

### Ventilador Automático

La función de ventilador automático protege el horno microondas de una elevación de calor excesivo proveniente de la cocina debajo de éste. Se enciende de forma automática al sentir demasiado calor.

Si encendió el ventilador, es posible que observe que no lo puede apagar. El ventilador se apagará de forma automática una vez que las partes internas estén apagadas. Podrá permanecer encendido por 30 minutos o más luego de que los controles de la cocina o del horno microondas estén apagados.

Vent  
Fan

### Inserte el Recordatorio Completo

Un recordatorio le mostrará en la pantalla si el usuario intenta iniciar el ciclo de cocción sin colocar comida dentro del horno microondas dentro de los 5 minutos antes de iniciar el ciclo de cocción.

### Recordatorio de Cocción Completa

Para recordarle que colocó comida en el horno, este último mostrará "The food is ready" (la comida está preparada) y emitirá un pitido una vez por minuto hasta que abra el horno o presione el botón **CANCEL/ OFF (Cancelar/ Apagar)**.

# Cuidado y limpieza

## Consejos Útiles

Una limpieza completa de forma ocasional con una solución de bicarbonato y agua mantiene el interior fresco.

Asegúrese de que el cable de corriente esté desconectado antes de limpiar cualquier parte de este horno microondas.



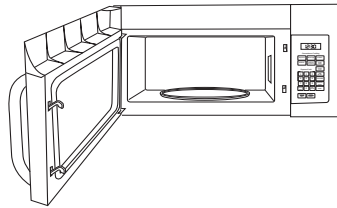
## Cómo Limpiar el Interior

### Paredes, Piso, Ventana Interior, Partes Metálicas y Plásticas de la Puerta

Algunas salpicaduras se pueden eliminar con una toalla de papel; otras pueden requerir una tela húmeda.

Elimine salpicaduras de grasa con una tela con jabón, y luego enjuague con una tela húmeda. No use limpiadores abrasivos ni utensilios puntiagudos sobre las paredes del horno.

**Nunca use un limpiador para hornos comerciales en ninguna parte de su horno microondas.**



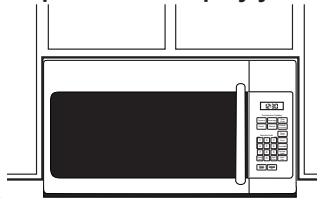
### Plato Giratorio y Soporte Giratorio Extraíbles

Para evitar roturas, no coloque el plato giratorio en agua luego de cocinar. Lave el mismo cuidadosamente con agua tibia y jabón o en el lavavajillas. El plato giratorio y el soporte se pueden romper en caso de caída. Recuerde no utilizar el horno en el modo de microondas sin el plato giratorio y el soporte ubicados en sus lugares correspondientes.



## Cómo Limpiar el Área Exterior

Recomendamos evitar el uso de limpiadores en spray y usar limpiadores con amoníaco o alcohol, ya que pueden dañar el aspecto del horno microondas. Si elige usar un limpiador hogareño común, primero aplique el limpiador directamente sobre una tecla seca, luego limpie el área que se encuentre sucia.



### Cubierta Superior

Limpie el área exterior del horno microondas con una tela con jabón. Enjuague y luego seque. Limpie la ventana con una tela húmeda.

### Panel de Control

Limpie con una tela húmeda. Seque totalmente. No use espráis limpiadores, grandes cantidades de agua y jabón, objetos abrasivos o puntiagudos sobre el panel, ya que lo pueden dañar. Algunas toallas de papel también pueden rayar el panel de control.

### Panel de la Puerta

Antes de limpiar el panel frontal de la puerta, asegúrese de saber qué tipo de panel posee. Consulte los ocho dígitos del número de modelo. "S" es para acero inoxidable, "B", "W" o "C" son para colores de plástico.

### Acero Inoxidable (en algunos modelos)

El panel de acero inoxidable se puede limpiar con Stainless Steel Magic (Acero Inoxidable Magic) o con un producto similar utilizando un paño suave y limpio. Aplique un limpiador de acero inoxidable con cuidado a fin de evitar las piezas plásticas que están alrededor. No use productos para electrodomésticos tales como cera, limpiametales, blanqueadores ni productos que contengan cloro sobre acabados de acero inoxidable.

### Paneles de Colores Plásticos

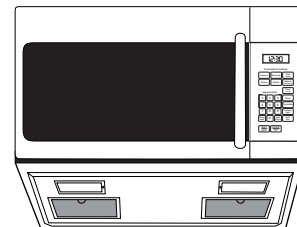
Use una tela limpia, suave y levemente húmeda para limpiar completamente.

### Sello de la Puerta

Es importante mantener el área limpia donde la puerta se selle contra el horno microondas. Use sólo detergentes suaves y no abrasivos con una esponja limpia o tela suave. Enjuague bien.

### Parte Inferior

Despeje la grasa y el polvo de la parte inferior con frecuencia. Use una solución de agua caliente y detergente.



# Cuidado y limpieza

## Retiro y Limpieza de los Filtros

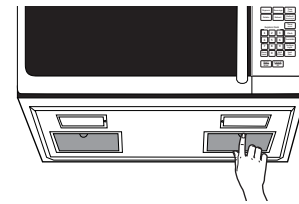
**Para retirar**, deslice los mismos sobre la parte trasera usando las lengüetas. Empuje hacia abajo y afuera

Para limpiar los filtros de la ventilación, moje los mismos y luego agite en agua caliente y detergente.

No use amoníaco ni productos de amoníaco, ya que oscurecerán el metal. Se podrá cepillar suavemente para retirar suciedad incrustada.

Enjuague, sacuda y deje secar antes de realizar el reemplazo..

**Para reemplazar**, deslice los filtros en las ranuras de la estructura en la parte trasera de cada abertura. Presione hacia arriba y hacia el frente para que queden bloqueados.



## Filtro de Carbón

**The charcoal filter cannot be cleaned. It must be replaced. Order Part No. WB02X11550 from your GE supplier.**

Si el modelo no tiene ventilación hacia afuera, el aire será recirculado a través de un filtro de carbón descartable que ayude a retirar el humo y los olores.

notoriamente sucio o descolorido (normalmente luego de entre 6 y 12 meses, dependiendo del uso).

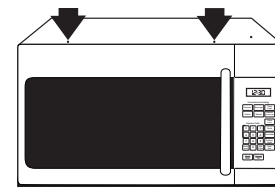
El filtro de carbón debería ser reemplazado cuando esté

## Para Retirar el Filtro de Carbón

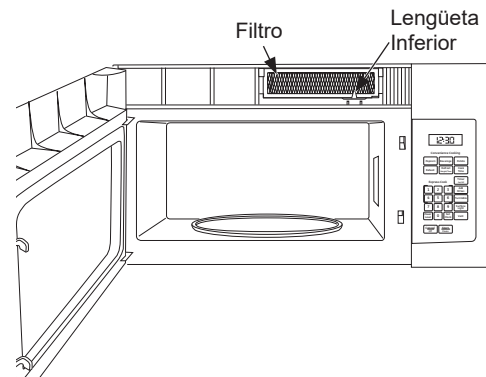
**Para retirar el filtro de carbón**, primero desconecte el encendido en el fusible principal o disyuntor, o empuje el cable. Retire la rejilla superior retirando sólo los dos tornillos que lo sostienen en su lugar, como se muestra.

Es posible que necesite abrir las puertas del gabinete para retirar los tornillos.

Vuelva a presionar la parte superior del filtro con ambas manos hasta que el filtro se apoye de forma casi horizontal. Levante el filtro en la parte inferior hasta que se libere de las lengüetas. Deslice el filtro hacia abajo y afuera.



**Retire los 2 tornillos de rejilla para retirar la rejilla.**



## Cómo reemplazar la luz de la cavidad

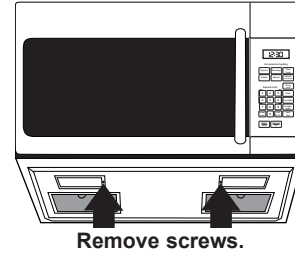
1. Desconecte la energía en el fusible principal o panel del interruptor automático.
2. Retire la parrilla superior, retire los dos tornillos que la sostienen en su lugar.
3. Retire el filtro de carbón, si lo tiene. **NOTA:** El filtro de carbón es un kit opcional, no es necesario tenerlo.
4. Retire el retén que sostiene el protector de la lámpara en su lugar.
5. Saque el protector de la lámpara. Desenrosque el bombillo afuera y cámbielo por una lámpara de horno de 120V130V, 30W. Ordene el bombillo WB25X10029 de su distribuidor GE.
6. Devuelva la regrese la lámpara y el protector y el filtro de carbón a su posición original..
7. Coloque la parrilla y los 2 tornillos. Reconecte la energía al horno.

# Cuidado y limpieza

## Luces de la Cocina/ Luces Nocturnas

Reemplace con lámparas incandescente de 120 voltios, 40 watts (máximo). Ordene WB25X10030 a su proveedor de GE.

1. Para reemplazar las luces de la cocina/ luces nocturnas, primero desconecte el encendido del fusible principal o del panel del disyuntor, o desenchufe el cable.
2. Un lado por vez, retire el tornillo del costado de la tapa del compartimiento de la luz y baje la tapa hasta que se detenga.
3. Asegúrese de que la lámpara se enfríe antes de retirar la misma. Rompa el sello adhesivo desenroscando la lámpara de forma suave.
4. Enrosque la nueva válvula, luego levante la tapa de la luz y reemplace el tornillo. Repita estos pasos con la otra luz. Conecte el cable de electricidad al horno.



## Ventilador

El ventilador cuenta con dos filtros metálicos de ventilación reusables.

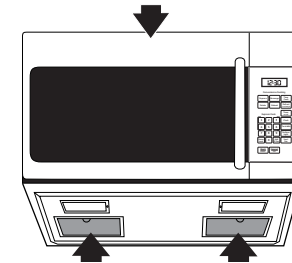
Los modelos que hacen recircular el aire nuevamente hacia la habitación también usan un filtro de carbón.

## Filtros de Ventilación Reusables

Los filtros de metal atrapan la grasa liberada por las comidas en la cocina. También evitan que las llamas de las comidas en la cocina dañen el interior del horno.

Por esta razón, los filtros siempre deben estar en el lugar correcto cuando se use la campana. Los filtros de ventilación deberían ser limpiados una vez por mes, o cuando sea necesario.

Filtro de carbón (en algunos modelos)

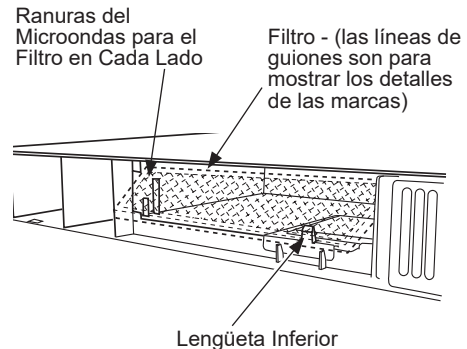


Filtros de ventilación reusables (en todos los modelos)

## Para Instalar el Filtro de Carbón

Para instalar el nuevo filtro de carbón, retire el plástico y otros envoltorios externos del nuevo filtro.

Inserte la parte superior del filtro arriba y dentro de las ranuras a ambos lados de la parte interior de la abertura superior. Una vez que haya despejado la lengüeta inferior, empuje la parte inferior del filtro hasta que esté correctamente colocada en forma vertical detrás de la lengüeta.

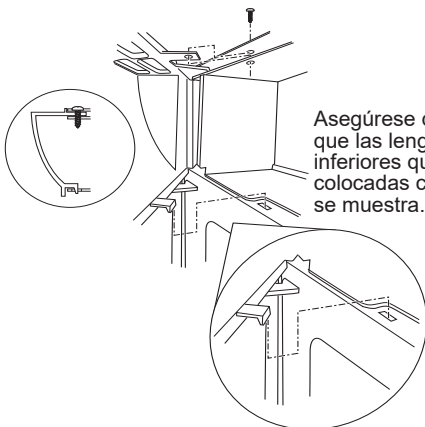


Para acceder a instrucciones sobre cómo instalar el filtro de carbón, consulte las instrucciones en video.

<http://www.geappliances.com/videos/microwave-troubleshooting-fix.htm>



Use la aplicación de su teléfono inteligente para escanear este código.



# Términos de su horno microondas

Término	Definición
Arco eléctrico	<p>El arco eléctrico es lo que, en la terminología de los microondas, describe las chispas en el horno. El arco eléctrico se produce cuando:</p> <ul style="list-style-type: none"><li>■ hay un metal o papel de aluminio tocando el lado del horno.</li><li>■ el papel de aluminio no está envolviendo bien a los alimentos (hay bordes doblados hacia arriba que actúan como antenas).</li><li>■ hay algún metal, como cintas de cierre con metal, pinchos de pollo o platos con decoración de oro.</li><li>■ toallas de papel reciclado que contengan pedazos de metal.</li><li>■ platos o vajillas con bordes metálicos o con una capa de brillo metálico.</li></ul>
Cubiertas	<p>Las cubiertas mantienen la humedad dentro, permitiendo un calentamiento más parejo y reduciendo el tiempo de cocción. Cuando se agujerea el envoltorio de plástico o se cubre con papel de cera se permite la salida del vapor.</p>
Resguardar	<p>En un horno convencional, se tapan o resguardan las pechugas de pollo o las comidas horneadas para que no se doren demasiado. Al usar el microondas, use pequeñas cintas de papel de aluminio para cubrir partes finas, como las puntas de las alas en las aves, que podrían cocinarse antes que las partes mayores.</p>
Tiempo de reposo	<p>Cuando cocina en hornos regulares, los alimentos como los asados o pasteles se dejan reposar para que acaben de cocinarse o se asienten. El tiempo de reposo es especialmente importante al cocinar con microondas. Tenga en cuenta que un pastel cocido en horno microondas no se coloca en un estante de enfriamiento.</p>
Ventilación	<p>Una vez que haya cubierto un plato con una envoltura plástica, ventile la envoltura plástica levantando una esquina para que el vapor pueda escapar.</p>

## Consejos para la Solución de Problemas

Problema	Causa Posible	Qué Hacer
El horno no se inicia	Es posible que un fusible de su hogar se haya quemado o que el disyuntor se haya desconectado.	• Reemplace el fusible o reinicie el disyuntor.
	Pico de tensión.	• Desenchufe el horno microondas; luego vuelva a enchufarlo.
	El enchufe no está totalmente insertado en el tomacorriente.	• Asegúrese de que el cable de 3 patas del horno esté completamente insertado en el tomacorriente.
	La puerta no está cerrada de forma segura.	• Abra la puerta y cierre la misma de forma segura.
El panel de control está iluminado, pero el horno aún no se inicia	La puerta no está cerrada de forma segura.	• Abra la puerta y cierre la misma de forma segura.
	La tecla <b>START/PAUSE</b> (Iniciar/ Pausar) no se presionó luego de ingresar la configuración de la cocción.	• Presione <b>START/PAUSE</b> (Iniciar/ Pausar).
	Otra selección ya ingresada en el horno y el botón <b>CLEAR/OFF</b> (Borrar/Apagar) no se presionaron para cancelar la misma.	• Presione <b>CANCEL/OFF</b> (Cancelar/ Apagar)
	El tiempo de cocción no se ingresó luego de presionar <b>COOK TIME</b> (Tiempo de Cocción).	• Asegúrese de haber ingresado el tiempo de cocción luego de presionar <b>COOK TIME</b> (Tiempo de Cocción).
CONTROL LOCKED (Bloqueo del Control) aparece en la pantalla	Se presionó <b>CANCEL/ OFF</b> (Cancelar/ Apagar) de forma accidental.	• Reinicie el programa de cocción y presione <b>START/ PAUSE</b> (Iniciar/ Pausar).
	El control fue bloqueado.	• Mantenga presionado <b>CANCEL/OFF</b> (Cancelar/ Apagar) por unos tres segundos para desbloquear el control.
El piso del horno está caliente incluso cuando el horno no fue usado.	La luz de la cocina está ubicada debajo del piso del horno. Cuando la luz está encendida, el calor que produce puede hacer que el piso del horno esté caliente.	• Esto es normal.
Escucha un atípico pitido en tono bajo	Intentó cambiar el nivel de potencia cuando no es permitido	• Muchas de las funciones del horno están preconfiguradas y no se pueden modificar.
El ventilador de la ventilación se activa de forma automática	El ventilador de la ventilación se enciende de forma automática al sentir demasiado calor proveniente de la cocina que se encuentra debajo.	• Esto es normal.

### Cosas que son Normales de su Horno Microondas

- Humedad en la puerta y las paredes del horno mientras cocina. Limpie la humedad con una toalla de papel o con una tela suave.
- Humedad entre los paneles de la puerta del horno al cocinar ciertas comidas. La humedad se debería disipar en breve una vez finalizada la cocción.
- Vapor que sale alrededor de la puerta.
- Reflejo de luz alrededor de la puerta o cubierta exterior.
- Luz del horno tenue y cambio del sonido del pitido en niveles de potencia que no son altos.
- Ruidos mientras el horno está funcionando.
- Se podrán observar interferencias de TV/ radio mientras usa el horno microondas. De forma similar a la interferencia causada por otros electrodomésticos pequeños, esto no indica que exista un problema con el horno microondas. Enchufe el horno microondas en un circuito eléctrico diferente, aleje la radio o la TV tanto como sea posible del horno microondas, o controle la posición y la señal de la antena de la TV/ radio.

# Garantía del Horno Microondas de GE Appliances

**WARRANTY**

Todo el servicio de garantía es provisto por nuestros Centros de Servicio de Fabricación, o un técnico autorizado de Servicio al Cliente (Customer Care®). Para programar una visita del servicio técnico a través de Internet, visítenos en [GEAppliances.com](http://GEAppliances.com), o comuníquese al 800.GE.CARES (800.432.2737). Cuando llame para solicitar el servicio, tenga los números de serie y modelo disponibles.

Abroche su recibo aquí. Para acceder al servicio técnico de acuerdo con la garantía deberá contar con la prueba de la fecha original de compra.

<b>Por el Período de:</b>	<b>GE Appliances Reemplazará o Brindará Servicio Técnico:</b>
Un año Desde la fecha de la compra original	<b>Si es necesario el servicio técnico, GE reemplazará cualquier parte del horno microondas</b> que falle debido a un defecto en los materiales o la fabricación. Durante esta <b>garantía limitada de un año</b> , GE también proveerá, sin costo, todo el trabajo y los costos del servicio relacionado con el reemplazo de la parte que presente defectos.

## Qué No Cubrirá GE Appliances:

- Viajes del técnico del servicio a su hogar para enseñarle sobre cómo usar el producto.
- Instalación, entrega o mantenimiento inadecuados. Si tiene un problema con la instalación, comuníquese con su vendedor o instalador. Usted es responsable de brindar instalaciones adecuadas de conexión eléctrica, escape u otras instalaciones de conexión.
- Falla del producto o daño sobre el producto si se produce un abuso, uso inadecuado (por ejemplo: arco eléctrico en una cavidad de la rejilla o metal/ papel de aluminio), o uso diferente para el cual fue diseñado o uso comercial.
- Reemplazo de fusibles de la casa o reinicio de disyuntores.
- Daños ocasionados sobre el producto por accidente, incendio, inundaciones o catástrofes naturales.
- Daños consecuentes o incidentales causados por posibles defectos sobre este producto.
- Daño causado después de la entrega.
- Producto no accesible para brindar el servicio requerido.
- Solicite el servicio técnico para reparar o reemplazar las lámparas, excepto las lámparas LED.
- Daños sobre el acabado, tales como óxido sobre la superficie, deslustres o manchas pequeñas no informadas dentro de las 48 horas luego de la entrega.

## EXCLUSIÓN DE GARANTÍAS IMPLÍCITAS

Su única y exclusiva alternativa es el cambio del producto, como se indica en la Garantía Limitada. Las garantías implícitas, incluyendo garantías implícitas de comerciabilidad o conveniencia sobre un propósito particular, se limitan a un año o al período más corto permitido por la ley.

Esta garantía se extiende al comprador original y a cualquier dueño subsiguiente de productos comprados para uso hogareño dentro de EE.UU. Si el producto se encuentra en un área donde no se encuentra disponible el servicio técnico de un Proveedor de Servicios de GE Autorizado, usted será responsable por el costo de un viaje o se podrá requerir que traiga el producto a una Ubicación del Servicio Técnico de GE Autorizado para recibir el servicio. En Alaska, la garantía excluye las llamadas del servicio a su hogar.

Algunos estados no permiten la exclusión o limitación de daños fortuitos o consecuentes. Esta garantía le da derechos legales específicos y es posible que tenga otros derechos legales que varían entre un estado y otro. Para conocer cuáles son sus derechos legales, consulte a la oficina de asuntos del consumidor local o estatal o al Fiscal de su estado.

**Garante: GE Appliances, a Haier company**



# Soporte para el Consumidor

---

## Sitio Web de GE Appliances

¿Desea realizar una consulta o necesita ayuda con su electrodoméstico? ¡Intente a través del Sitio Web de GE Appliances las 24 horas del día, cualquier día del año! Usted también puede comprar más electrodomésticos maravillosos de GE Appliances y aprovechar todos nuestros servicios de soporte a través de Internet, diseñados para su conveniencia.

En EE.UU.: [GEAppliances.com](http://GEAppliances.com)

---

## Registre su Electrodoméstico

¡Registre su electrodoméstico nuevo a través de Internet, según su conveniencia! Un registro puntual de su producto permitirá una mejor comunicación y un servicio más puntual de acuerdo con los términos de su garantía, en caso de surgir la necesidad. También puede enviar una carta en la tarjeta de inscripción preimpresa que se incluye con el material embalado.

En EE.UU.: [GEAppliances.com/register](http://GEAppliances.com/register)

---

## Servicio Programado

El servicio de reparación de expertos de GE Appliances está a sólo un paso de su puerta. Conéctese a través de Internet y programe su servicio a su conveniencia cualquier día del año. En EE.UU.: [GEAppliances.com/ge/service-and-support/service.htm](http://GEAppliances.com/ge/service-and-support/service.htm) o comuníquese al 800.432.2737 durante el horario de atención comercial.

---

## Garantías Extendidas

Adquiera una garantía extendida de GE Appliances y conozca los descuentos especiales que están disponibles mientras su garantía aún está vigente. La puede adquirir en cualquier momento a través de Internet. Los servicios de GE Appliances aún estarán allí cuando su garantía caduque.

En EE.UU.: [GEAppliances.com/ge/service-and-support/shop-for-extended-service-plans.htm](http://GEAppliances.com/ge/service-and-support/shop-for-extended-service-plans.htm)

o comuníquese al 800.626.2224 durante el horario de atención comercial.

---

## Conectividad Remota

Para solicitar asistencia para la conectividad de red inalámbrica (para modelos con acceso remoto), visite nuestro sitio web en [GEAppliances.com/ge/connected-appliances/](http://GEAppliances.com/ge/connected-appliances/) o comuníquese al 800.220.6899 en EE.UU.

---

## Piezas y Accesorios

Aquellos individuos calificados para realizar el servicio técnico de sus propios electrodomésticos podrán solicitar el envío de piezas o accesorios directamente a sus hogares (se aceptan las tarjetas VISA, MasterCard y Discover). Ordene hoy a través de Internet durante las 24 horas, todos los días. En EE.UU.: [GEApplianceparts.com](http://GEApplianceparts.com) o de forma telefónica al 877.959.8688 durante el horario de atención comercial.

**Las instrucciones que figuran en este manual cubren los procedimientos que serán realizados por cualquier usuario. Otros servicios técnicos generalmente deben ser derivados a personal calificado del servicio. Se deberá tener cuidado, ya que una reparación indebida podrá hacer que el funcionamiento no sea seguro.**

---

## Contáctenos

Si no se encuentra satisfecho con el servicio que recibió de GE Appliances, comuníquese con nosotros a través de nuestro sitio Web con todos los detalles, incluyendo su número telefónico, o escriba a:

En EE.UU.: General Manager, Customer Relations | GE Appliances, Appliance Park | Louisville, KY 40225

[GEAppliances.com/ge/service-and-support/contact.htm](http://GEAppliances.com/ge/service-and-support/contact.htm)