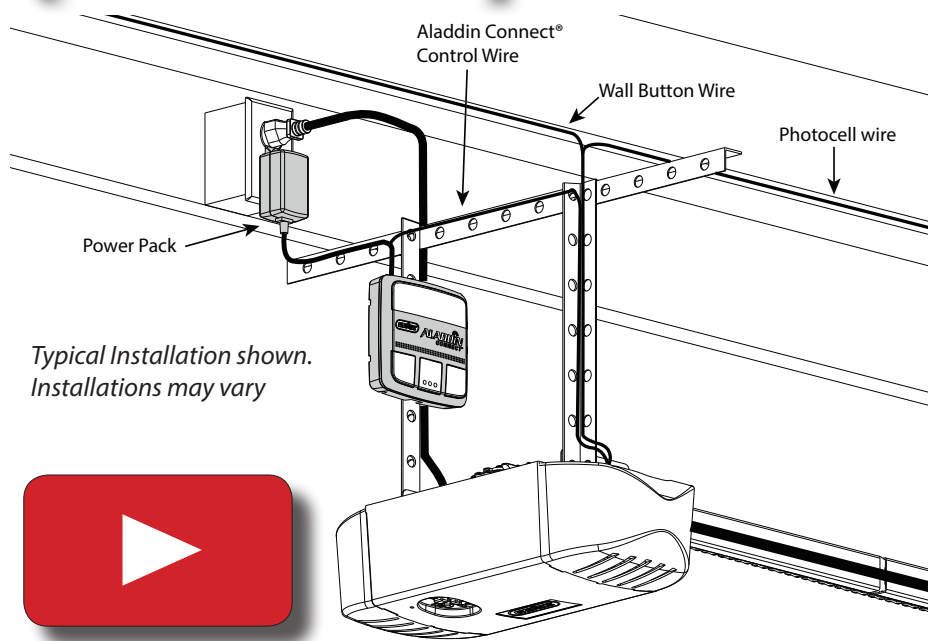




# Quick Set-up Guide



Typical Installation shown. Installations may vary



For a video of this installation, visit [www.GenieCompany.com/AladdinConnect/InstallationVideo](http://www.GenieCompany.com/AladdinConnect/InstallationVideo)

**Need help or have questions? Contact Aladdin Connect® Customer Service at 1-866-599-4995 Mon-Fri 9am -8pm EST, Sat 10am - 6pm EST.**

### Recommended Tools

- Drill & 3/32 Bit
- Small Common Screwdriver
- 5/16 Wrench or Nut Driver
- Phillips Head Screwdriver
- Wire Cutters/ Strippers
- Hammer

### Included Components

- DCM (Door Control Module)
- DPS (Door Position Sensor)
- Hardware Bag
- Power Pack
- Wire Spool
- Insulated Staple x30



Scan for the Aladdin Connect® installation video



Scan here for additional Aladdin Connect® information

### IMPORTANT SAFETY INSTRUCTIONS WARNING

**TO REDUCE THE RISK OF SEVERE INJURY OR DEATH, READ AND FOLLOW ALL INSTRUCTIONS.**

- NEVER let children operate or play with the door controls.
- Keep remote away from children.
- Locate the wall control button: A) Within sight of door. B) At a minimum height of 5 feet, so small children cannot reach it.
- Install the entrapment WARNING label next to the wall button or console, in a prominent location.
- NO ONE SHOULD CROSS THE PATH OF THE MOVING DOOR.
- NEVER GO UNDER A STOPPED, PARTIALLY OPEN DOOR.
- The Aladdin Connect® operating system is designed for unattended operation. The door could move unexpectedly.
- DO NOT install Aladdin Connect® on garage door openers manufactured prior to 1993 without photocell non-contact safety sensors.
- DO NOT install on one-piece doors
- Install DCM in a location where it can be seen and heard while standing in the door opening with the door in the open position.

**SAVE THESE INSTRUCTIONS**

### CONSIGNES DE SÉCURITÉ IMPORTANTES AVERTISSEMENT

**POUR RÉDUIRE LE RISQUE DE BLESSURES GRAVES VOIRE MORTELLES, LIRE ET COMPRENDRE TOUTES LES INSTRUCTIONS.**

- NE JAMAIS laisser les enfants utiliser ou jouer avec les commandes de l'ouvre-porte.
- Tenir les télécommandes hors de la portée des enfants.
- Localiser le bouton de la console murale : A) En vue de la porte. B) À une hauteur minimale de 1,5 m afin que les jeunes enfants ne puissent pas l'atteindre.
- Placer l'étiquette d'AVERTISSEMENT en cas de coinçage à proximité du bouton mural ou de la console murale de manière à ce qu'elle soit bien en évidence.
- NE JAMAIS PASSER SOUS LA PORTE EN MOUVEMENT.
- NE JAMAIS PASSER SOUS UNE PORTE À L'ARRÊT PARTIELLEMENT OUVERTE.
- Le système d'exploitation Aladdin Connect® a été conçu pour fonctionner sans surveillance. La porte peut se déplacer de façon inattendue.
- NE PAS installer Aladdin Connect® sur les ouvre-portes de garage fabriqués avant 1993, sans capteurs de sécurité photoélectrique sans contact.
- NE PAS installer sur les portes d'une seule pièce.
- Installez DCM dans un endroit où il peut être vu et entendu tout en se tenant dans l'ouverture de la porte avec la porte en position ouverte.

**CONSERVER CES INSTRUCTIONS**

### WARNING

**UNPLUG GARAGE DOOR OPENER PRIOR TO INSTALLING Aladdin Connect®**  
Door may operate unexpectedly.

### AVERTISSEMENT

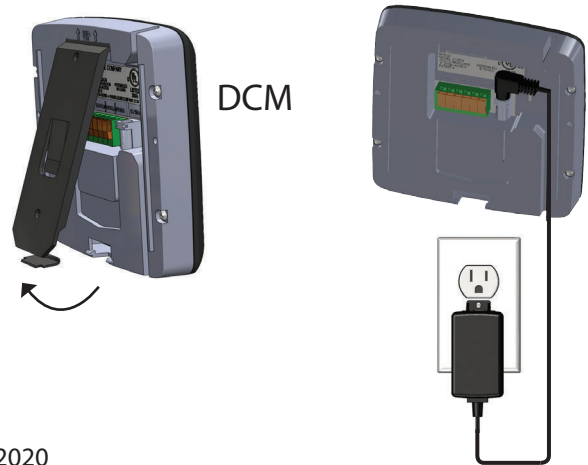
**DÉBRANCHER L'OUVRE-PORTE DE GARAGE AVANT D'INSTALLER Aladdin Connect®**  
La porte peut fonctionner de façon inattendue.

**STEP 1 - The door control module must be installed where it can be seen and heard while standing under the garage door when it is open.**

**Determine Mounting Location**  
There are 3 ways to mount the Door Control Module (DCM). The location must be within 5ft of a standard 110-volt AC power outlet.

- Mount next to opener near ceiling
- Mount next to existing wall console
- Mount in place of existing wall console

Once mounting location has been determined, remove the mounting bracket from the back of the DCM, plug in the powercord to the power outlet and connect the plug to the DCM.



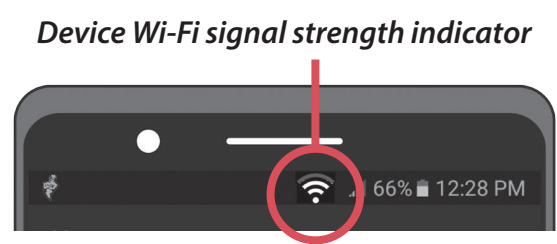
**STEP 2**  
**Check Wi-Fi coverage:**

Before beginning, please verify the Wi-Fi signal in the garage.

- Connect smartphone to the home Wi-Fi and walk into the garage.
- Place phone where the DCM will be mounted.
- The Wi-Fi signal strength at that location must be at least two bars.

If there are not at least two bars, try these steps to improve signal strength:

- Make sure that the Wi-Fi router is out in the open (not behind large electronics or in a cabinet).
- Move the Wi-Fi router closer to the garage.
- Purchase a Wi-Fi extender, available at most electronics stores.



**STEP 3**  
**Download the app.**

- Scan the QR code below or visit the devices app store to start the setup of the Aladdin Connect® device.  
**Search the app store for Aladdin Connect**
- Follow the instructions in the app to create an account and set up the device and Wi-Fi.

Scan for iOS app

Available on the App Store

Scan for Android app

GET IT ON Google play

Apple and the Apple logo are trademarks of Apple Inc., registered in the U.S. and other countries. App Store is a service mark of Apple Inc.



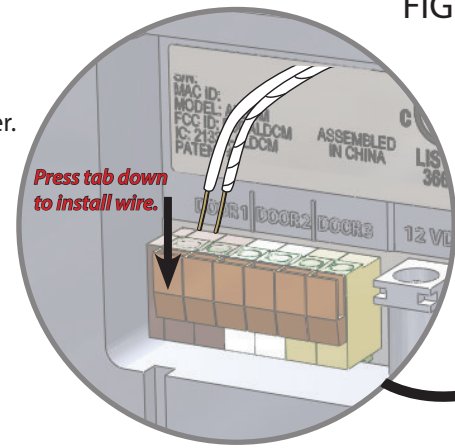
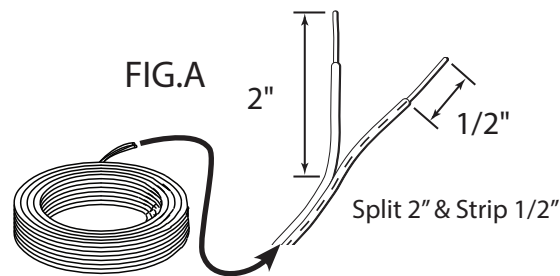
## STEP 4

### Wire Aladdin Connect®: (Single door install shown)

Aladdin Connect® will wire directly to the wall control connections at the powerhead or directly to the wall control. New Genie models shown.

Visit [www.GenieCompany.com/AladdinConnect](http://www.GenieCompany.com/AladdinConnect) for more information on older models and other brands of garage door openers.

1. Make sure garage door opener is unplugged.
  - Leave wire spool intact for this part of the install.
2. Split provided dual strand wire approximately 2 in. then strip 1/2 in. of insulation. FIG. A.
3. Press orange tabs down and insert both wires into connection points for DOOR 1 on the back of the DCM. FIG. B.
4. Trim and split the other end of the dual strand wire approximately 2 in. and then strip 1/2 in. of insulation. FIG. A.
5. Insert wire into wall control inputs either:
  - (OPTION A) Directly to the garage door opener.
  - OR
  - (OPTION B) To the Back of the wall control.



### Button & Connection Detail

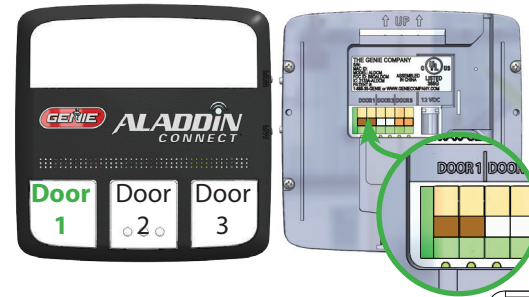
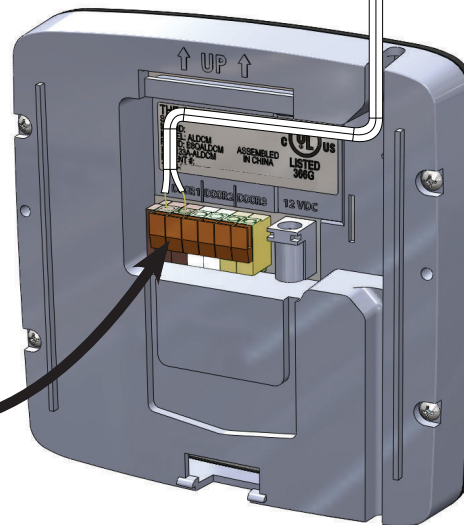


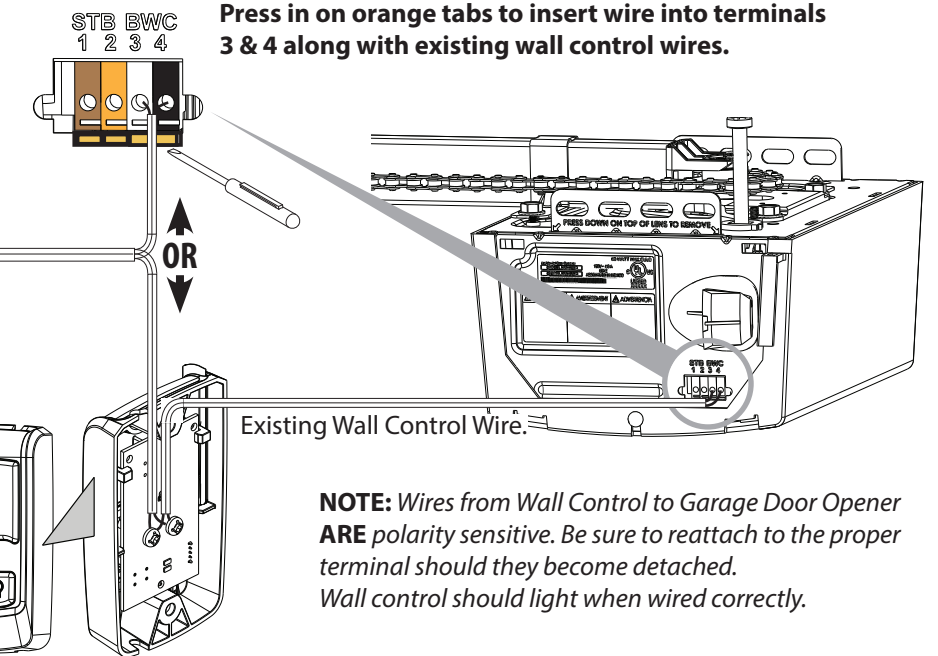
FIG. B



Current model Genie® Brand opener shown. \*See note for other models and brands.

**OPTION A**  
Wire DCM Directly to Garage Door Opener

**OPTION B**  
Back of Wall Control  
Connect wire along with existing wall control wires.



**NOTE:** Wires from Wall Control to Garage Door Opener ARE polarity sensitive. Be sure to reattach to the proper terminal should they become detached. Wall control should light when wired correctly.

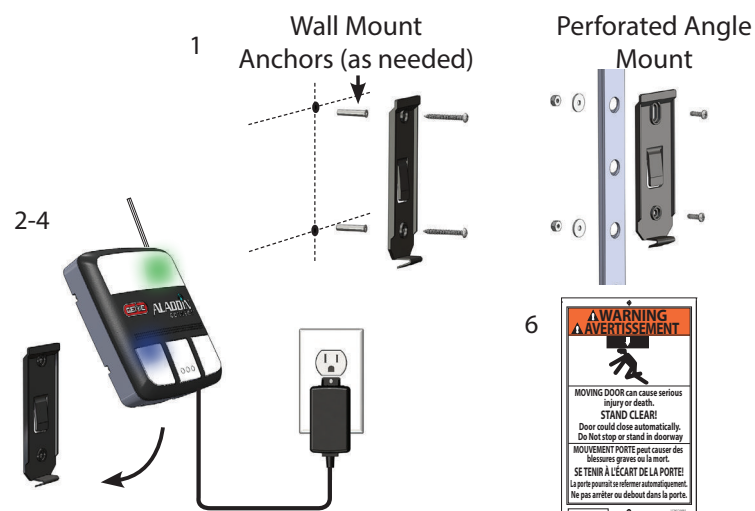
### \*Wiring methods for other garage door openers.

All Genie brand and most competitor brands of garage door openers will operate with Aladdin Connect®. Visit [www.GenieCompany.com/AladdinConnect](http://www.GenieCompany.com/AladdinConnect) to check compatibility with other manufacturer's controls or check your garage door opener's owners manual for wall control wiring instructions. Aladdin Connect® will operate up to 3 garage door openers.

## STEP 5

### Mount and Power Aladdin Connect®:

1. Using the DCM mounting bracket as a template at the optimal Wi-Fi location. Mark and drill 2-3/32" pilot holes and mount bracket to wall using supplied screws. If mounting to drywall, use anchors provided in kit or if mounting to perforated angle at opener location, use nuts, washers and screws provided.
  2. Plug Power Pack into wall outlet. An extended screw is provided to secure Power Pack to outlet if needed.
  3. Plug Power Pack into back of DCM as shown in **STEP 1**.
- NOTE:** LEDs on DCM will flash momentarily as it reacquires signals.
4. Snap DCM onto mounting bracket.
  5. Route wires and secure with supplied staples.
  6. Affix the warning placard next to wall control or DCM in plain sight to signify that the door will operate remotely.



## STEP 6

### Mount DPS Module to Garage Door:

DO NOT remove the battery "PULL TAB" from DPS until directed by the app. The DPS should be mounted on the **TOP door panel** only. Mount to steel reinforced end stile on the far left or right under the top hinge. DO NOT mount to unreinforced door panel.

1. Clean door where DPS will mount.
2. Install double sided tape to back of mounting bracket and affix to door.
3. Pre-drill 2 - 3/32 holes. DO NOT drill all the way through door.
4. Use included self tapping screws to mount DPS bracket to top door panel end stile.
5. Slide DPS down onto mounting bracket. DPS should snap onto bracket.

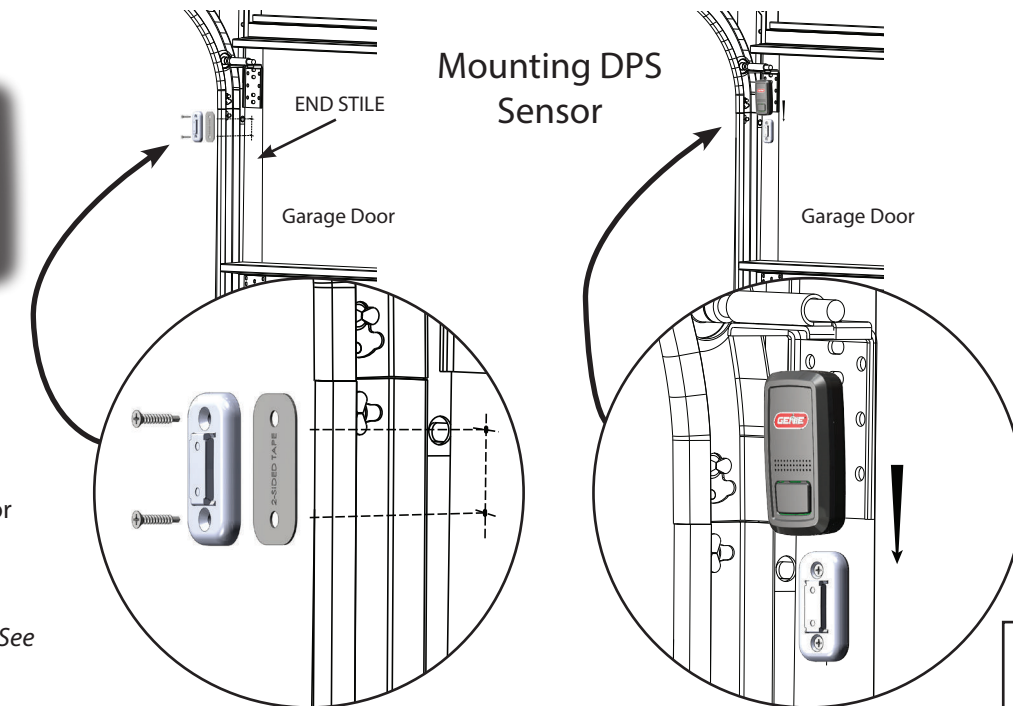
**NOTE:** Double sided tape is designed to hold bracket in place temporarily only. Not to be used for permanent mounting.

**NOTE:** The DPS included with this kit is already programmed to the DCM. See the NOTE under **STEP 7** regarding additional sensors (DPS).

## STEP 7

### Complete the Programming:

1. Restore power to the garage door opener.
  2. Operate the door with the wall control. Open the Aladdin Connect app and verify that the door position in the app is accurate.
- NOTE:** This kit includes one DPS for use with one door only. The DPS included is already programmed to the DCM. Additional sensors can be purchased separately from your local Genie retailer. To program additional sensors, first complete STEP 7 initial setups and programming, then go to "Add a Door Sensor" under the "Doors" tab inside the app or view the installation video at [www.GenieCompany.com/AladdinConnect/InstallationVideo](http://www.GenieCompany.com/AladdinConnect/InstallationVideo).
- NOTE:** A white light will flash and an audible beep will sound as an indication that the door is about to move when commanded by the Aladdin Connect® or other compatible app(s).



### Features:

If the garage door opener is operated by any means, the Genie Aladdin Connect® app will send an alert to your device indicating the status of the garage door. A log is also created to indicate when the door was operated and by what means. Visit [www.GenieCompany.com/AladdinConnect](http://www.GenieCompany.com/AladdinConnect) for more information.

**STOP DO NOT RETURN PRODUCT TO STORE.**

**For technical assistance, contact Aladdin Connect® Customer Service at: 1-866-599-4995 or watch the installation video at: [www.GenieCompany.com](http://www.GenieCompany.com)**