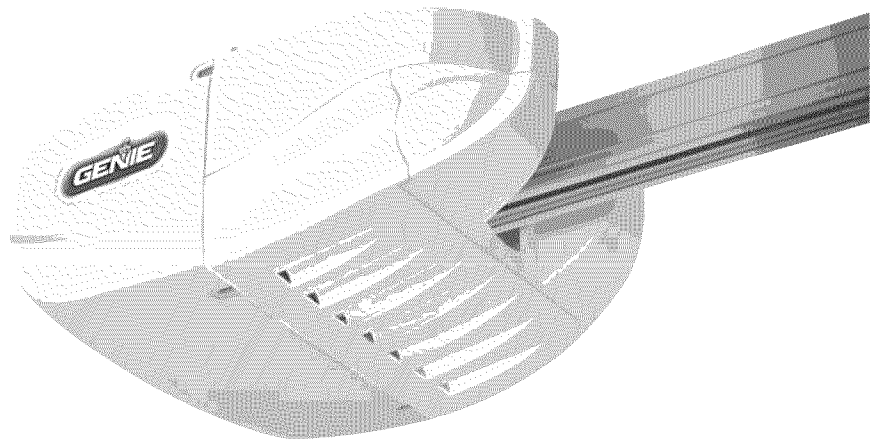


# Directlift 2060

# Directlift<sup>PLUS</sup> 3060

AC POWERED SCREW DRIVE OPENERS



## TABLE OF CONTENTS

Warranty Information .....	2
Your Documentation Package .....	3
Safety Information .....	4
Safety Features .....	4
Important Installation Instructions .....	4
Pre-Installation Checklist .....	5-8
Adjustments .....	9-10
Programming the Remote Control .....	11
Installing lightbulb and lens .....	12
Scheduled Maintenance .....	13
Troubleshooting Guide .....	14-15
Wiring Diagram .....	16
Parts Lists and Exploded Views .....	17-18
Accessories .....	19

## COMPLETE WITH INTELICODE REMOTE CONTROL AND SERIES II ELECTRONICS

For up to 7'-6" tall Doors. (Extension Kit available for 8' Doors)

**Included Wall Control MUST be installed prior to Operation of this Garage Door Operator.**

**Safe-T-Beam® Safety Reverse System Must be Installed and the Force Controls MUST be Properly Set to close door.**

**This Equipment meets or exceeds all Federal, State and UL 325 Safety Requirements.**

## Having Difficulty? Need Help?

Please call us: 1-800-35-GENIE (354-3643)  
[www.geniecompany.com](http://www.geniecompany.com)

Please have Model information  
ready when calling.

SAVE THIS MANUAL FOR  
FUTURE REFERENCE

# THE GENIE COMPANY LIMITED WARRANTY

## What is covered?

Any defect in material and product workmanship from personal, normal household use in accordance with the Owner's Manual.

## For how long?

MODEL 2060L ... 20 years on motor, 3 years all other parts.  
MODEL 3060L ... Lifetime\* on motor, 3 years all other parts.  
MODEL 3060C ... Lifetime\* on motor, 3 years all other parts.

\*Lifetime = For as long as you own your home.

## Who gets the warranty?

This warranty is limited to the consumer who originally purchased the product.

## Geographic scope:

This warranty applies only to units installed and operated within the country where they were purchased.

## Limitations:

IMPLIED WARRANTIES, INCLUDING THOSE OF FITNESS FOR A PARTICULAR PURPOSE AND MERCHANTABILITY (AN UNWRITTEN WARRANTY THAT THE PRODUCT IS FIT FOR ORDINARY USE), ARE LIMITED TO ONE YEAR FROM THE DATE OF PURCHASE. GENIE WILL NOT PAY FOR: LOSS OF TIME; INCONVENIENCE; LOSS OF USE OF YOUR GENIE PRODUCT OR PROPERTY DAMAGE CAUSED BY YOUR GENIE PRODUCT OR ITS FAILURE TO WORK; ANY SPECIAL, INCIDENTAL OR CONSEQUENTIAL DAMAGES; OR ANY DAMAGES RESULTING FROM MISUSE OR MODIFICATION OF YOUR GENIE PRODUCT.

Some states and provinces do not allow limitations on how long an implied warranty lasts or the exclusion of incidental or consequential damages, so the above limitations or exclusions may not apply to you.

This warranty is the only one we will give on your Genie product, and it sets forth all our responsibilities regarding your Genie product. There are no other express warranties.

State and province rights: This warranty gives you specific legal rights, and you may also have other rights which vary from state to state and province to province.

## How to get warranty service:

To obtain warranty service for your Genie product, you must provide proof of the date and place of purchase of the product.

## 1. Do-It-Yourself-Service.

Call the Genie Consumer Connection toll free at 1.800.354.3643 to speak in person to a trained Genie representative for assistance in diagnosing the problem and arranging to supply you with the required parts for do-it-yourself repairs. Trained service representatives are available Monday-Friday, 8:00 a.m. - 11:00 p.m., Eastern Time, and on Saturday, 10:00 a.m. to 8:00 p.m., Eastern Time (subject to holidays) You may also get the information you need at [www.geniecompany.com](http://www.geniecompany.com).

## 2. Service From Authorized Dealers.

You also may obtain warranty service from Genie authorized dealers by calling the Genie Customer Service at 1.800.354.3643 or by visiting [www.geniecompany.com](http://www.geniecompany.com) before scheduling warranty service. If warranty service is provided by an authorized dealer, Genie will provide all required parts under warranty at no charge to you, but the dealers are independent business people and may render a bench or service call charge for their services. Genie will not reimburse you or otherwise be responsible for those charges.

We suggest that you retain your original packing material in the event we choose to repair or replace your Genie Product and request that you ship it to us. Be sure to include your name, address, telephone number, proof of date and place of purchase and a description of the operating problem. After repairing or replacing, your Genie product, we will ship it to your home at no cost to you for parts and labor, but you will have to pay a minimum of \$5.00 for shipping and handling charges.

Your choice of either one of the above-described service options is your exclusive remedy under this warranty.

## What this warranty does not cover:

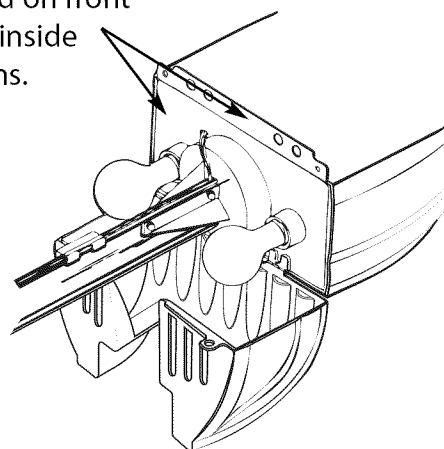
This warranty does not cover batteries (which are considered replaceable parts), installation, commercial use, defects resulting from accidents, damage while in transit to our service location or damage resulting from alterations, misuse or abuse, lack of proper maintenance, unauthorized repair or modification of the product, affixing of any attachment not provided with the product, programming of the Remote Control Devices, Safe-T-Beam® adjustment/cleaning, staples through wiring, pinched or broken wires, Carriage disengaged, Force Control adjustments, door out of balance, broken springs or cables, power outages, use of extension cords, missing or damaged parts on discounted, clearance, final sale or taped cartons, phantom operations (labor is not covered if Opener is functioning properly while technician is in garage), fire, flood, or acts of God, or other failure to follow the Owner's Manual.

**FOR ANSWERS: CALL 1.800.354.3643**

Please note the following information, so it is available if you need to call us.

Date Purchased \_\_\_\_\_ / \_\_\_\_\_ / \_\_\_\_\_  
Serial Number \_\_\_\_\_  
Operator Model \_\_\_\_\_  
Remote Control Model \_\_\_\_\_  
Dealer Name \_\_\_\_\_  
Dealer Address \_\_\_\_\_  
City \_\_\_\_\_  
State \_\_\_\_\_  
Zip \_\_\_\_\_

Model Number and Serial Number are located on front panel inside the lens.



## NOTE

Please keep original or photocopy of your sales receipt with this manual for future reference should service ever be required.

Visit Our Website at: [www.geniecompany.com](http://www.geniecompany.com)

SAVE THESE INSTRUCTIONS

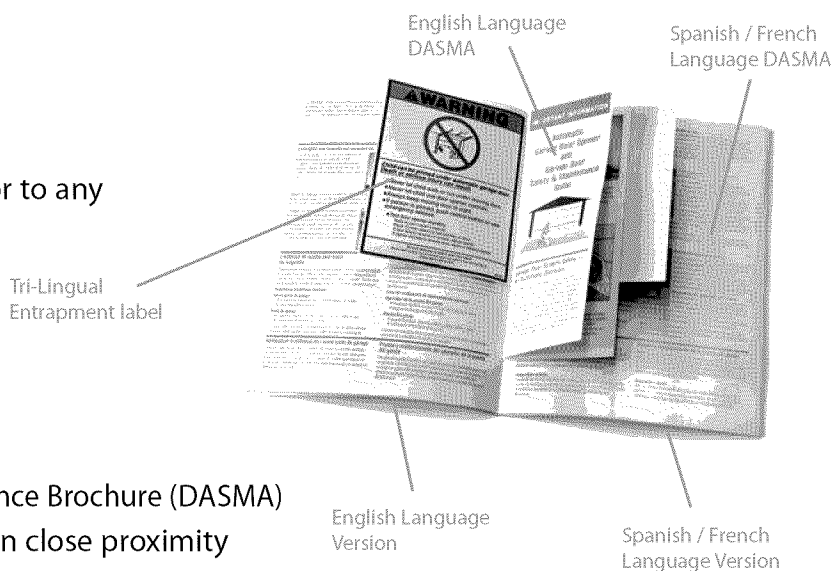
## YOUR GARAGE DOOR OPENER DOCUMENTATION PACKAGE

The documentation provided with your opener has been carefully designed and organized to make the assembly, operation, and continued maintenance of your product as easy and safe as possible. This material consists of two main items.

### Operation and Maintenance Manual

While it is recommended that all documents be retained for future reference, this manual should contain most of the information that you will need over the lifetime of your product. The manual is designed in a "flip-flop" configuration with the english version in one half of the book and the spanish / french version in the other half. The basic contents of this manual are:

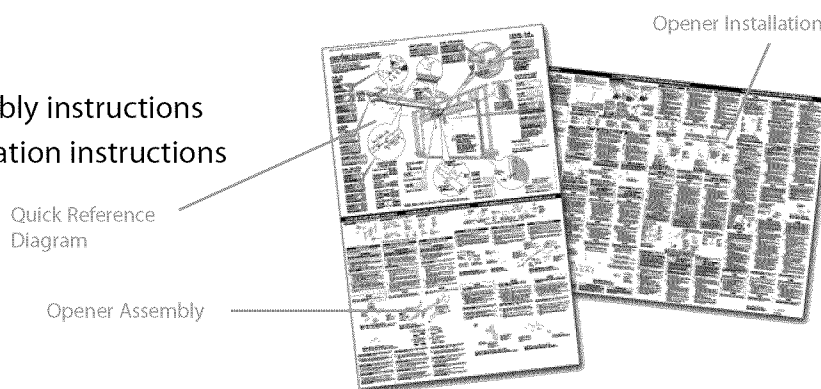
- Warranty Information
- Pre Installation Checklist to be reviewed prior to any assembly or installation
- Necessary Adjustments
- Programming Remote Devices
- Maintenance and Troubleshooting
- Parts Explosions
- Accessory Order Form
- Door Opener Association Safety and Maintenance Brochure (DASMA)
- Entrapment Warning Label - To be Adhered in close proximity to wall control



### Assembly and Installation Poster

This poster is intended to give a convenient lay flat media to be used at the site of assembly and installation. Color coding is used to highlight steps and other information as clearly as possible. This poster is Tri-Lingual with english instructions highlighted with a blue background. The basic contents of this Poster are:

- Quick Reference Poster
- Pictorial and step by step opener assembly instructions
- Pictorial and step by step opener installation instructions



**IT IS CRITICAL THAT ALL SAFETY WARNINGS MARKED CLEARLY IN BOTH THE MANUAL AND POSTER ARE READ, UNDERSTOOD AND FOLLOWED.**

The Genie Company is constantly striving to improve our products and the documentation that comes with them. If you have any suggestions or ideas for improving this product and it's documentation, please forward them to:

**The Genie Company**  
22790 Lake Park Blvd.  
Alliance, Ohio 44601-3498

## SAFETY INFORMATION

### OVERVIEW OF POTENTIAL HAZARDS

Overhead doors are large, heavy objects that move with the help of springs under high tension and electric motors. Since moving objects, springs under tension, and electric motors can cause injuries, your safety and the safety of others depend on you reading the information in this manual. If you have questions or do not understand the information presented, call The Genie Company, or your local Genie Distributor.




In this section, and those that follow, the words **Danger**, **Warning** and **Caution** are used to emphasize important safety information. The word:

**▲ DANGER:** indicates an imminently hazardous situation which, if not avoided, will result in death or serious injury.

**▲ WARNING:** indicates a potentially hazardous situation which, if not avoided, could result in death or serious injury.

**▲ CAUTION:** indicates a potentially hazardous situation which, if not avoided, may result in injury or property damage.

The word **NOTE** is used to indicate important steps to be followed or important considerations.

POTENTIAL HAZARD	EFFECT	PREVENTION
 <b>MOVING DOOR</b>	<b>WARNING:</b> Could result in death or serious injury.	<ul style="list-style-type: none"> <li>• Keep people clear of opening while door is moving.</li> <li>• <b>Do Not</b> allow children to play with the door operator.</li> <li>• <b>Do Not</b> operate a door that jams or one that has a broken spring.</li> </ul>
 <b>ELECTRICAL SHOCK</b>	<b>WARNING:</b> Could result in death or serious injury.	<ul style="list-style-type: none"> <li>• Turn off power before removing operator cover.</li> <li>• When replacing cover, make sure wires are not pinched or near moving parts.</li> <li>• Operator must be properly grounded.</li> </ul>
 <b>HIGH SPRING TENSION</b>	<b>WARNING:</b> Could result in death or serious injury.	<ul style="list-style-type: none"> <li>• <b>Do Not</b> try to remove, repair or adjust springs or anything to which door spring parts are fastened, such as, wood blocks, steel brackets, cables or other like items.</li> <li>• Repairs and adjustments must be made by a trained door system technician using proper tools and instructions.</li> </ul>

## IMPORTANT INSTALLATION INSTRUCTIONS

### ▲ WARNING:

**TO REDUCE THE RISK OF SEVERE INJURY OR DEATH:**

- 1** READ AND FOLLOW ALL SAFETY, INSTALLATION AND OPERATION INSTRUCTIONS. If you have any questions or do not understand an instruction, call your authorized Genie installation professional.
- 2** **Do Not** install operator on an improperly balanced door. An improperly balanced door could cause severe injury. Repairs and adjustments to cables, spring assembly, and other hardware must be made by a trained service person using proper tools and instructions.
- 3** Remove all ropes, and disable all locks connected to the door before installing operator.
- 4** Install door operator 7 feet or more above the floor. Mount the emergency release knob 6 feet above the floor.
- 5** **Do Not** connect the operator to the source of power until instructed to do so.
- 6** Locate the control button:
  - Within sight of door.
  - At a minimum height of 5 feet, so small children cannot reach it.
  - Away from all moving parts of the door.
- 7** Install the entrapment WARNING label next to the wall button or console. Install the emergency release tag on, or next to, the emergency release
- 8** The operator must reverse when the door contacts a 1-1/2 inch high object on the floor at the center of the doorway. This is about the size of a 2" x 4" board laid flat.

## SAFETY FEATURES

### **Safe-T-Beam® (STB) Non-Contact Reversing System**

Places an invisible beam across door opening, that reverses the door during down travel to the fully open position if anything passes through beam.

### **Safe-T-Reverse® Contact Reversing System**

Automatically stops and reverses a closing door within 2 seconds of contact with an object.

### **Safe-T-Stop® Timed Reversed System**

Automatically opens a closing door, if door does not close within 30 seconds.

### **ForceGuard® Control**

Used to set the force required for opening and closing door. For maximum safety, set the minimum force required to fully open and close door.

### **Automatic Lighting System**

Light bulbs up to 60 Watts max. , used for safer entries and exits. The lights turn on when door is activated and automatically turn off 4.5 minutes later.

### **Manual Emergency Release**

Allows the garage door to be opened or closed manually for emergencies or maintenance.

## PRE-INSTALLATION CHECKLIST

This Opener includes parts and supplies needed to install in **most** garages and connect to **most** garage doors. There are many variations of garages and garage doors. A few additional parts and supplies may be needed to install Opener into **your** garage and connect to **your** garage door. While checking items listed below, note any additional items you will need.

### Tools used in this section:

- 12'+ Tape Measure
- Pencil
- Ladder
- Level

Check following items before assembling Opener:

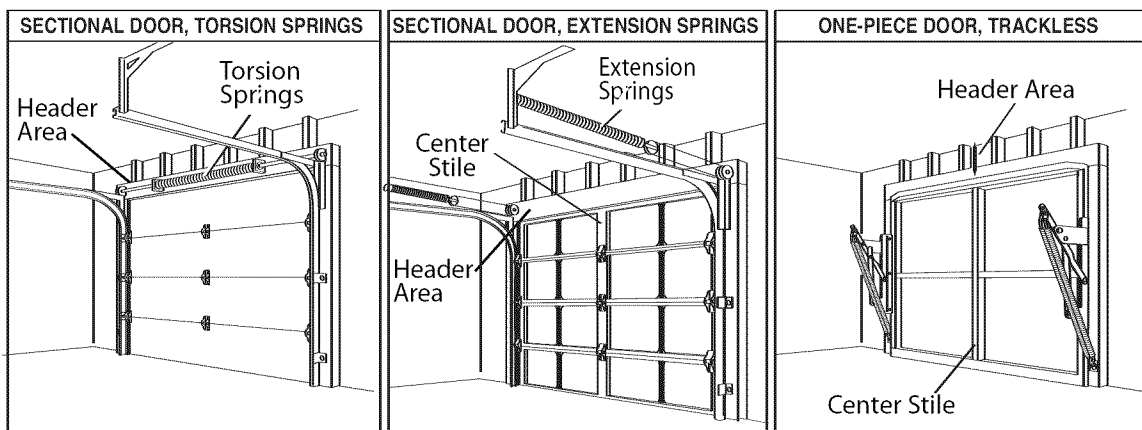
### Check Step 1: CHECK DOOR CONDITION AND THICKNESS

Check condition of vertical stile in center of door (**Figure 2**), and its connection to door's top and bottom beams.

- A** If door frame is nailed together and not a solid connection, door frame must be braced or reinforced before installing Opener.
- B** If door is "lightweight" (made with frame and skin - not solid), door (including door frame) must be braced or reinforced before installing Opener.
- C** A door opener reinforcement bracket may also be needed to connect garage door to Opener's Door Bracket. This Opener is designed for installation on a **properly braced** sectional door or **solidly braced** one-piece door.
- D** Contact your Genie Factory Authorized Dealer or dealer of your garage door for any necessary bracing and a door opener reinforcement bracket (if needed) before proceeding.
- E** If you have a wooden door, measure door's thickness. (1/4" x 2") Lag Screws are included for installing Door Bracket onto door. If your door is less than 2" thick, brace door or use shorter Door Bracket Lag Screws (1/4" x 1-1/4" - not included)

### Check Step 2: CHECK GARAGE DOOR ALIGNMENT, OPERATION, AND BALANCE

- A** Raise door, check alignment and see if it moves freely (**Figure 1**). If door appears out of alignment, binds, or does not move smoothly, contact a Genie Factory Authorized Dealer or dealer of your garage door for repairs and adjustments to door mechanism.
- B** Raise door to 3' - 4' above ground and carefully let go. Door should stay stationary. Slight movement is acceptable. More than slight movement means door is out of balance. Contact a Genie Factory Authorized Dealer or dealer of your garage door for repairs and adjustments to door mechanism.
- C** Check door type. Make a note of whether it is a sectional or a one-piece door (**Figure 2**).

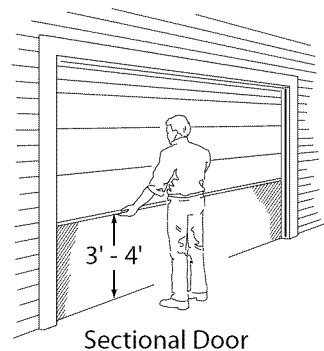


**Figure 2** Note Door Type

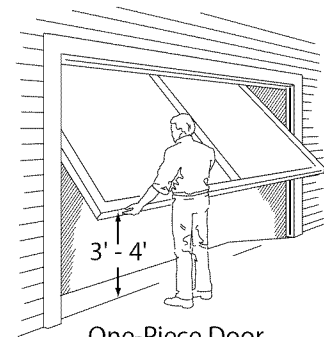
## ⚠ WARNING:

If your door sticks, binds, or is out of balance, have it adjusted by a Genie Factory Authorized Dealer. Door springs, cables, pulleys, brackets and associated hardware are under extreme tension and can cause serious injury or death.

KEEP FEET CLEAR OF DOOR



Sectional Door



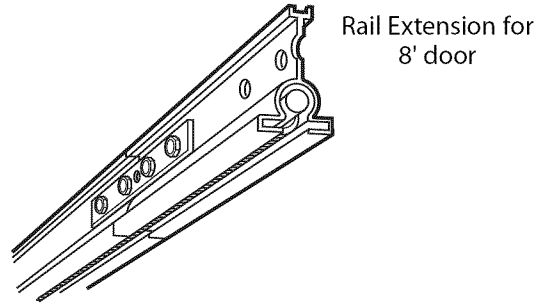
One-Piece Door

**Figure 1** Checking door balance

### Check Step 3: MEASURE GARAGE DOOR HEIGHT

Measure garage door height (7'-6", 8'-0", or taller) with tape measure.

- A** If door height is 7'-6" or less, continue with Check Step 4.
- B** If door height is 8'-0", you need a Rail Extension Kit. (**Figure 3**) (See Accessories Order Form, page 19).
- C** If door height is taller than 8'-0", you will require a different rail. Contact an Genie Customer Service Representative at **1-800-35-GENIE**.



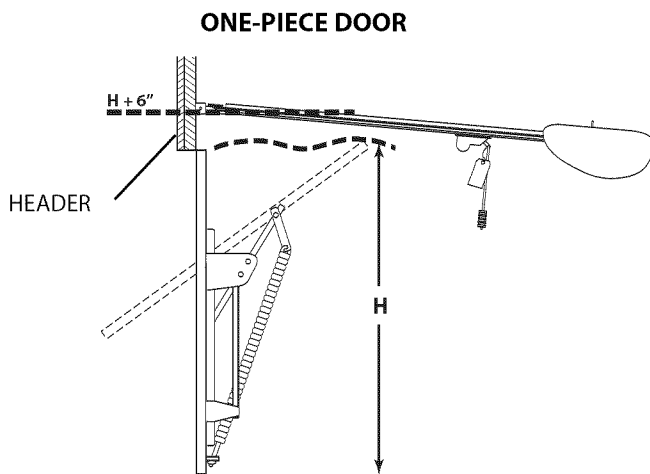
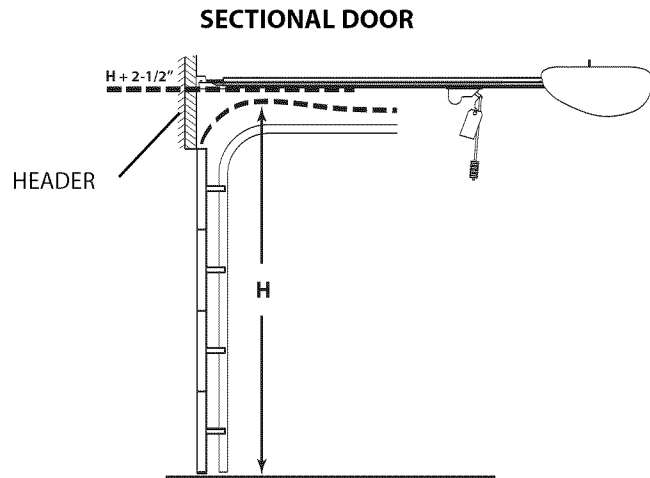
**Figure 3** Rail Extension Kit

### Check Step 4: CHECK DOOR HEADER AREA

#### NOTE

The header is a heavily reinforced section of the wall just above the top of the garage door opening.

- A** Find vertical center line of door and header:
  - Close door.
  - Measure door width at top.
  - Mark a point at center of door and on header directly above door. Draw a center line to connect points.
- B** Find Header Bracket mounting height (**Figure 4**): (Do not attach Header Bracket).
  - Raise door, watching top edge of door and stop door when its edge reaches its highest point.
  - Measure distance ("H") from top edge of door to floor.
    - For sectional doors, add 2-1/2" to "H". Mark a point on center line. Bottom of Header Bracket will be installed here.
    - For one-piece doors, add 6" to "H". Mark this point on center line. Bottom of Header Bracket will be installed here.



**Figure 4** Find Highest Point of Travel

#### NOTE

- For both types of doors:
  - If the ceiling in your garage is so low that there is not at least a 3" space above the Header Bracket mounting point, contact a Genie Factory Authorized Dealer.
- If a door spring is in the way, place the Header Bracket above the spring. **Do Not** move the door spring.

#### ⚠ WARNING:

Door springs are under extremely high tension and should be handled **ONLY** by a trained professional.

- C** Check wall for a stud or a solid header at your mark: (If checking a finished wall, a stud finder may be helpful).
  - If location is above Header, a 2" x 6" board must be screwed to studs beside your mark with at least two Lag Screws and Flat Washers (not provided).
  - Transfer your mark to new mounting board.

## Check Step 5: CHECK POWER HEAD MOUNTING AREA

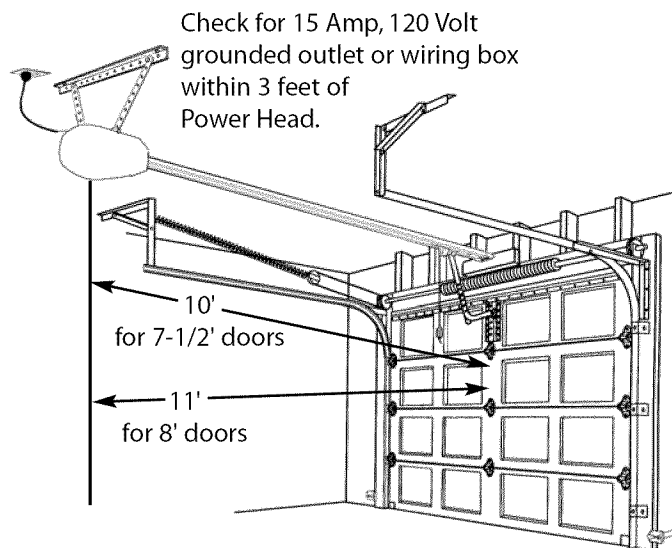
Check ceiling or space above where Opener Power Head will be mounted (**Figure 5**):

- A** Measure from garage door center line mark toward rear of garage:
- Approximately 10' back if garage has a 7' 6" door.
  - Approximately 11' back if garage has an 8' 0" door.

### NOTE

Since garage construction varies widely, there may be hardware required in addition to the mounting straps.

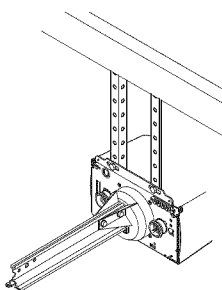
- B** Find location of ceiling joist or truss above where Opener Power Head will be and estimate type and quantity of materials needed for your installation (**Figure 6**).



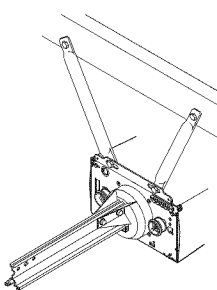
**Figure 5** Check Power Head location

### MOUNTING EXAMPLES

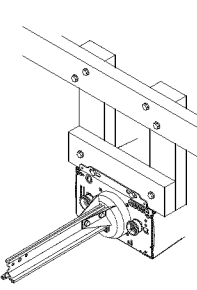
Perforated Angle Iron



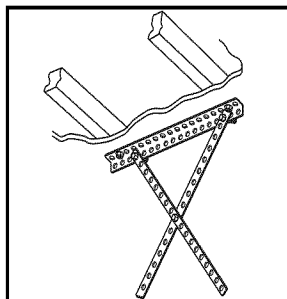
Conduit



Wood



Perforated Straps



### FINISHED CEILINGS

Locate ceiling joists or trusses using a stud finder or similar device.

Attach angle iron (not included) to joists or trusses through finish material using Lag Screws.

### OPEN CEILINGS

Straps and angle iron may attach directly to joists or trusses.

**Figure 6** Mounting methods for open beam or finished ceilings

## Check Step 6: CHECK CEILING FOR GROUNDED POWER SOURCE

- A** Check that there is a 15 Amp 120 Volt grounded electrical outlet or grounded permanent wiring box (per building code) within 3' of Opener Power Head:
- If not, an outlet or wiring box must be installed. Contact a licensed electrician for installation.
  - If building codes require permanent wiring, Power Head must be partially disassembled to install appropriate wiring in place of Power Cord (See Installation Poster).

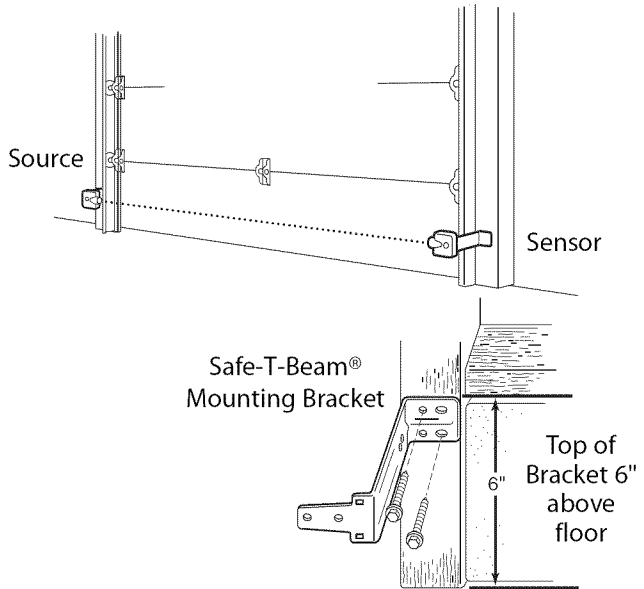
### NOTE

**Permanent wiring must be installed by a Licensed Electrician.** Not all Genie Factory Authorized Dealers are Licensed Electrician's. Contact someone who is a Licensed Electrician.

## Check Step 7: CHECK SAFE-T-BEAM® MOUNTING BRACKET LOCATION

Check for wood garage frame, jamb, or masonry at mounting location (6" above floor) with attachment tabs facing away from garage door (**Figure 7**).

- A** If you cannot mount Safe-T-Beam® Mounting Bracket to wood frame:
- Concrete screws and concrete anchors (not included) must be used to mount Brackets on masonry with attachment tabs facing away from garage door.
  - Safe-T-Beam® Mounting Bracket Extensions may be used (not included - available from a Genie Factory Authorized Dealer or through Accessories Order Form on page 19).



**Figure 7** Mounting Safe-T-Beam® Components

## Check Step 8: RECOMMENDED TOOLS

- A** Tools (**Figure 8**):
- B** Additional tools to make installation easier:
- Slotted and phillips screw-driver bits
  - Stud finder
  - Sheet-metal cutting snips

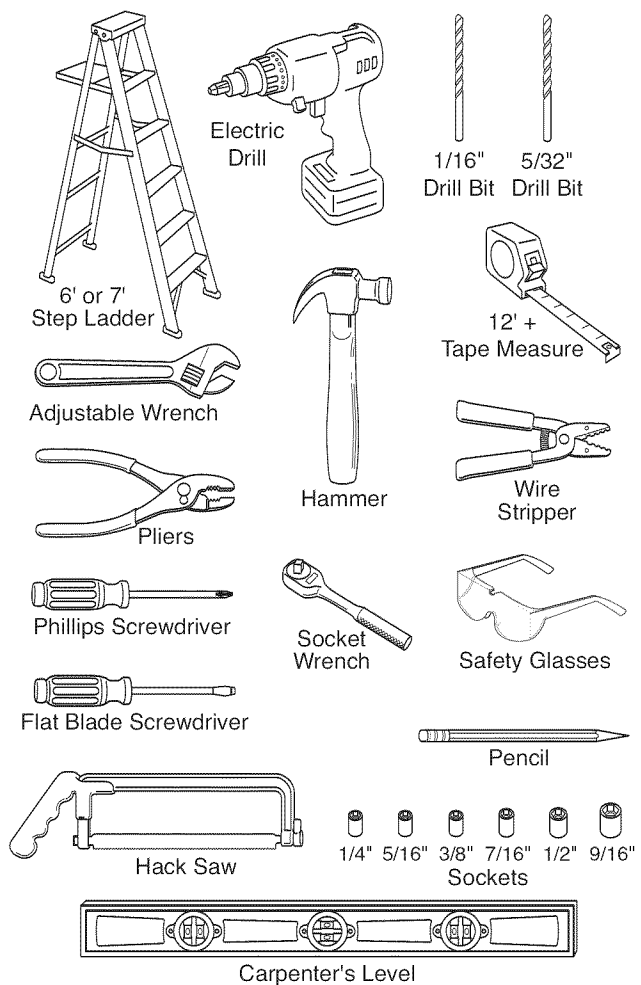
## Check Step 9: REMOVE EXISTING GARAGE DOOR LOCKS

Check that the garage door locks, rope, and T-Handles are removed from the garage door before starting the installation.

- A** If your garage does not have a separate entry door, it is highly recommended to install a Genie Emergency Release Kit (**GER-2**). Emergency Release Kit lets you open garage door from outside if there is a power failure. (Please see Accessories Order Form on page 19.)

**Before going further, get any items and tools needed for your installation**

- Safe-T-Beam® Sensor Mounting Bracket Extensions (dealer)
- Garage door opener reinforcement bracket (dealer)
- Garage door frame reinforcement brackets, screws, bracing or reinforcement kits (dealer)
- Lag Screws (1-1/4") for a wood door less than 2" thick (store)
- Electrical outlet and/or wiring (supplied by a licensed electrician)
- Sufficient angle iron or strapping for hanging Power Head (store)
- 60 Watt light bulbs (Rough service bulbs recommended)(store)
- GER-2 Emergency Release Kit for entry during power failure (store)
- Wood for header, ceiling, and/or door bracing reinforcement (if needed)
- Masonry fasteners for Safe-T-Beam® Bracket installation, (if needed)
- Masonry drill bit (if needed)
- Extension Kit (for 8' garage doors)



**Figure 8** Recommended Tools



## MAINTENANCE AND ADJUSTMENTS

### Adjustment 1:

### SET LIMIT SWITCHES AND FORCE CONTROLS

#### Rough Setting of Limit Switches

##### A Setting Close Limit Switch (Figure 9):

- Check that Carriage Assembly is disengaged.
- With garage door fully closed, slide Close Limit Switch toward Carriage until white lever is fully lifted.
- Tighten Set Screw. **Do Not** over-tighten.

##### B Setting Open Limit Switch:

- Manually open garage door to full open position.
- Slide Open Limit Switch toward Carriage until white lever is fully lifted.
- Tighten Set Screw. **Do not** over-tighten.
- Re-engage Carriage Assembly.

#### Setting Force Controls and Final Adjustment of Limit Switches

### WARNING

- The garage door opens rapidly, and can cause serious injury or death.
- Keep the path clear.
- Position the ladder to the side of the Power Head so it is clear of all moving parts of the Opener and the door.
- Set the door Opener to use the minimum force needed to open the door.

##### A CLOSE ADJUSTMENT

- On front panel of Power Head find adjusting screw marked "CLOSE" (Figure 9).
- Gently turn screw counterclockwise until it stops.
  - Very little force is required to turn adjusting screw.
- Press Wall Console to close garage door.
  - Observe if door stops at "CLOSE" limit switch. If door is fully closed—adjustment is finished. Go to "OPEN" Adjustment.
  - If door stops but is not fully closed,
    - a. Measure distance between bottom of door and floor.
    - b. Move "CLOSE" Limit Switch that same distance toward door.
  - If door stops and/or reverses before reaching the "CLOSE" Limit Switch
    - a. Slightly increase CLOSE Force setting (clockwise).
  - If door reverses after contacting floor, move Limit Switch toward Power Head.
  - If door fails to move, check Safe-T-Beam® System. See Troubleshooting Section, page 14.
- Tighten Limit Switch Set Screw. **Do not over-tighten (strip) Limit Switch Set Screw.**

Open adjustment next page.

### NOTE

- Little effort is required to turn the Force Adjusting Knobs.
- If the door stops moving while opening or closing, adjust the Open Force or Close Force Controls **slightly** clockwise (to **slightly** increase the force) and retry the step.
- The Open Force and Close Force Controls are to be set to the **minimum** force necessary to ensure the door smoothly opens and closes completely.
- Ensure the Carriage Assembly is engaged and is between the two Limit Switches before operating the Opener.

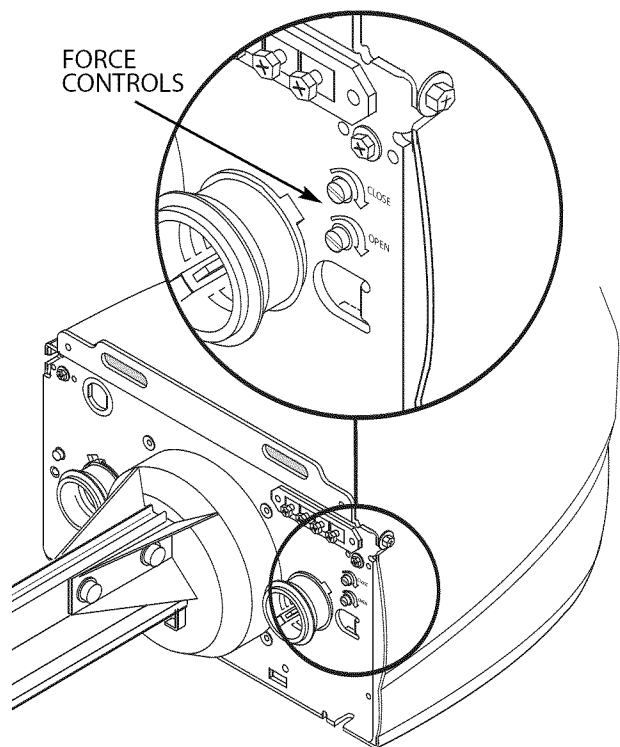


Figure 9 Making Force Adjustments

## Setting Force Controls and Final Adjustment of Limit Switches (continued)

### **WARNING**

- A moving garage door can cause serious injury or death.
- Keep the path clear.
- Position the ladder to the side of the Power Head so it is clear of all moving parts of the Opener and the door.
- Set the door Opener to use the minimum force needed to open the door.

### **B OPEN ADJUSTMENT**

- On front panel of Power Head find adjusting screw marked "OPEN" (**Figure 9**).
- Gently turn screw counterclockwise until it stops.
  - Very little force is required to turn adjusting screw.
- Press Wall Console to close garage door.
  - Observe if door stops at "OPEN" limit switch. If door is fully open—adjustment is finished.
  - If door stops but is not fully open,
    - a. Measure distance between bottom of door top of door opening.
    - b. Move "OPEN" Limit Switch that same distance toward Power Head.
  - If door stops before reaching the "OPEN" Limit Switch
    - a. Slightly increase OPEN Force setting (clockwise).
  - If door fails to move, see Troubleshooting Section, pages 15.

### **C Run Door Opener**

- Cycle opener a few times to double check settings. Repeat adjustment steps as necessary.

## Adjustment 2:

### SETTING CONTACT REVERSE FUNCTION

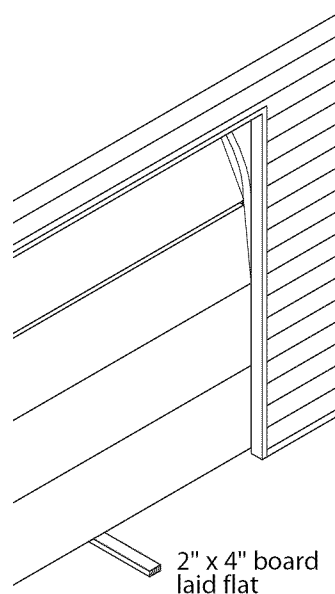
### **NOTE**

Limit Switch and Force Adjustments must be completed before checking the contact reverse function (**Figure 10** ).

- A** Open garage door using Wall Console.
- B** Lay a 2" x 4" board flat in center of doorway.
- C** Close door using Wall Console.
- D** Check that door stops and reverses within 2 seconds after it contacts board:
  - If door does not reverse, decrease Close Force until door reverses.
  - If door still does not reverse, move Limit Switch toward door.
- E** Check Safe-T-Beam® System operation:
  - If beam is blocked, door will not close.

### **NOTE**

The door must contact the 2" x 4" board before the Carriage activates the Close Limit Switch. If not, readjust the Close Limit Switch.



**Figure 10** Checking Contact Reverse

## ACCESSORIES

### Programming 1: PROGRAMMING THE REMOTE CONTROLS

#### NOTE

- Each Remote Control must be programmed separately.
- The Remote Controls will not cause the door Opener to close the garage door if the Safe-T-Beam® System is malfunctioning.
- When programming the Remote Controls, they must be at least 24" from the Antenna Wire.
- If the red Learn Indicator Light blinks approximately 4 times per second, programming has stopped. If programming has stopped, repeat the above steps.
- Each Button on a 2 or 3 Button Remote Control is for a different Opener. You cannot use more than one Button per Remote, per Opener.
- A maximum of seven Remote Controls or Wireless Keypads can be stored into the Receiver at one time. If a Remote Control becomes lost, or if you want to delete a Remote Control or Wireless Keypad, see "To Erase All Receiver Memory."

#### A To program one Button of a Remote Control (Figure 12):

- Locate Learn Button and Learn Indicator Light near Terminal Strip on Power Head (Figure 13).
- Press and release Learn Button. Red Learn Indicator Light will blink 2 times per second.
- Press Remote Control Button once within 30 seconds. Red Learn Indicator Light will stay lit.
- Press Remote Control Button again. Red Learn Indicator Light will go out, indicating that memory is stored.

#### B Program each additional Remote using step A above (up to seven).

#### To Erase All Remotes from Power Head Memory

- #### A
- Press and hold Learn Button on Power Head for 10 seconds or until Learn Indicator Light goes out. Memory is erased:
- Program Transmitter/Receiver again as needed.

#### To Replace Remote Control Battery

- #### A FOR NON-FLASHLIGHT MODELS
- Pop off the back of the transmitter.
    - Use coin, pen, screwdriver or any similar device.
    - Replace old Battery with new coin type battery.
  - Replace back of remote.
- #### B FOR FLASHLIGHT MODELS
- Slide open battery cover.
    - Replace old Battery with new AAA battery.
  - Replace battery cover.



## WARNING

A moving garage door may cause serious injury or death.

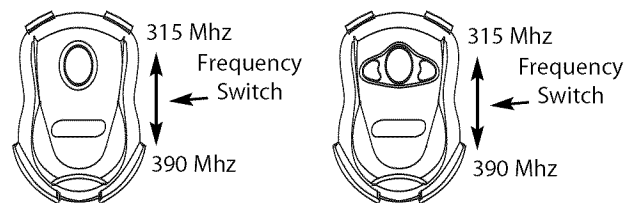
- Keep people clear of opening while door is moving.
- Do not allow children to play with the Remote Controls.

If the Safety Reverse does not work properly:

- Close the door and disconnect the Opener using the Emergency Release Cord.
- Do not use the door Opener, Remote Controls, or Wireless Keypad.
- Refer to the door and door Opener Owner's Manuals before attempting any repairs.

#### Remote Control Operation

- #### A
- Press Button on Remote Control. Garage door will move.
- 
- #### B
- Press Button again. Garage door will stop:
- The door automatically stops at the end of the open or close cycle.
- #### C
- Press Button again. Garage door will reverse.



1 Button Compact Remote w/Docking Station      3 Button Compact Remote w/Docking Station

Figure 12 Genie Remote Controls

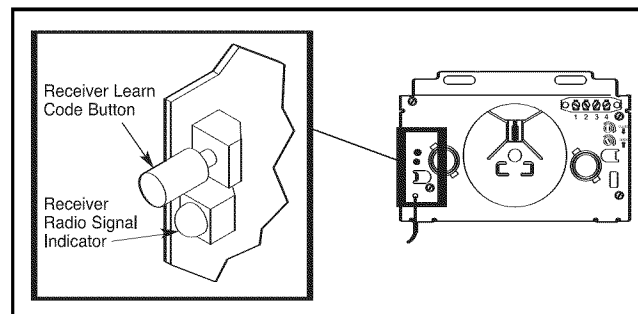


Figure 13 Learn Code Button and Indicator Light

- #### D
- Some Remote Controls are equipped with a flashlight. The logo is the button which operates the light. There is a backlight under the button. When it does not light, it indicates the battery needs replaced.

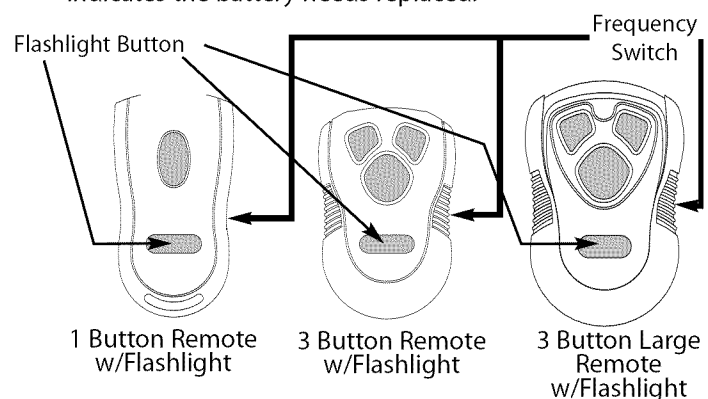


Figure 14 Genie Remote Controls

## ABOUT DUAL FREQUENCY REMOTE TRANSMITTERS

**Your garage door opener (GDO) features a unique dual frequency remote control system for reliable service in today's crowded airwaves. Overcrowded airwaves may intermittently interfere with GDO's remote control system. The dual frequency feature greatly reduces the possibility of unwanted interference.**

**The receiver in the GDO's powerhead can receive signals at 315 AND 390 MHz. The remote is factory set at 315 MHz. See Figure 12 on page 11 for frequency selector switch.**

### Switch your remote control frequency when:

- Remote does not have adequate range.
- Remote works inconsistently with fresh battery installed - LED feedback lights up when pressing button.
- Programming your car's HomeLink® system.

### To program a HomeLink® device:

*(This GDO is HomeLink® compatible.)*

- Use a small flat screwdriver to switch the frequency selector to 390 MHz.
- Follow the HomeLink® instructions in your car owner's manual.
- Reset the remote control frequency to 315 MHz for everyday use.

## Transmitter Compliance Statement

Transmitters comply with all United States and Canadian legal requirements as of the date of manufacture. No warranty is made that they comply with all legal requirements of any other jurisdiction. If transmitters are to be used in another country, the importer must determine compliance with any local laws and regulations which may differ from United States and Canadian requirements prior to use.

Los transmisores cumplen con todas las reglamentaciones legales de los Estados Unidos y del Canadá, en la fecha de fabricación. Ninguna garantía se da que cumplan con todas las reglamentaciones legales de ninguna otra jurisdicción. Si los transmisores se van a utilizar en otro país, el importador debe determinar si cumplen con las reglamentaciones y leyes locales que puedan ser diferentes a las reglamentaciones de los Estados Unidos y del Canadá, antes de usar los mismos.

Les émetteurs sont conformes à la réglementation américaine et canadienne à compter de leur date de fabrication. Aucune garantie n'est stipulée indiquant qu'ils sont conformes à toutes les prescriptions juridiques d'autres autorités. Si les émetteurs sont utilisés dans d'autres pays, il incombe à l'importateur d'en déterminer leur conformité aux lois et règles locales pouvant différer de celles des États-Unis et du Canada avant toute utilisation desdits émetteurs.

Sendegeräte entsprechen allen gesetzlichen Bestimmungen in den USA und Kanada zum Zeitpunkt der Herstellung. Wir übernehmen keine Gewährleistung für die Einhaltung aller gesetzlichen Bestimmungen in anderen Ländern. Sollen Sendegeräte in anderen Ländern eingesetzt werden, so muss der Importeur vor dem Gebrauch sicherstellen, dass die Sendegeräte auch solchen lokalen Bestimmungen entsprechen, welche von den Bestimmungen der USA und Kanadas abweichen.

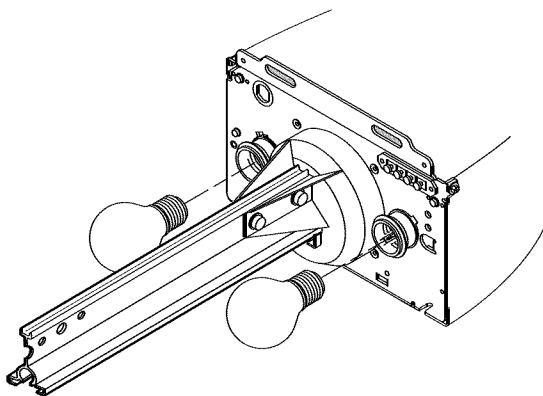
截止于制造日期,传动装置符合美国和加拿大的所有法律要求。不提供传动装置符合任何其他司法地区所有法律要求之担保。如果传动装置需在任何其他国家使用,进口商必须在使用之前确定装置符合与美国和加拿大要求不同之所有地方法规条例。

トランスミッターは、製造日付けのアメリカ合衆国及びカナダの法的条件に準拠します。しかしながら、トランスミッターがアメリカ合衆国及びカナダ以外の国の法的条件に準拠するかどうかは一切保証できません。トランスミッターがアメリカ合衆国及びカナダ以外の国で使用される場合、同製品の使用に先立つ法規制がこれらの国々と異なることがあるため、輸入者は同製品が輸入国の法規制に準拠することを確認しなければなりません。

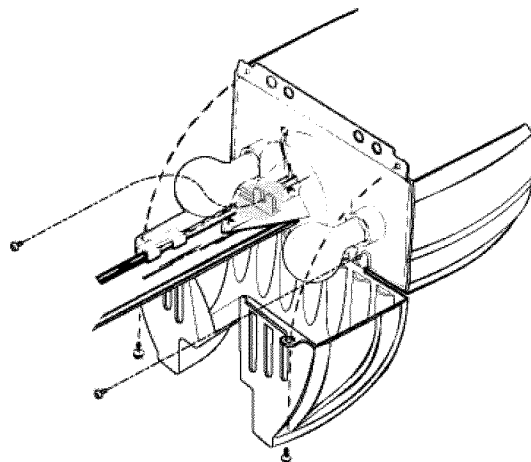
트랜스미터들은 미국과 캐나다 전역에서 제조 날짜를 명기해야 하는 요구사항에 따라야 합니다. 기타 다른 관할권의 모든 법적인 요구 사항에 따라야 하는 책임은 없습니다. 만일 트랜스미터들이 기타 다른 지역에서 사용될 경우 수입업자는 사용하기에 앞서 미국과 캐나다와의 요구사항과는 다를지도 모르는 그 지역의 법과 조례에 따라야 할지의 여부를 결정해야 합니다.

## INSTALL LIGHT BULBS AND LENS

- Install two 60 Watt light bulbs (not included) into Light Sockets (**Figure 13**):
  - Rough service, 130 Volt bulbs are recommended.
- Hold the lens, with the bottom hinges pointing up, against the power head metal front cover (**Figure 14**):
  - Insert (2) #8-32 x 3/8" Phillips Hex Head Screws through the Bottom hinges and into holes provided in metal front cover of Power Head (**Figure 14**). Tighten screws.
  - Flip Lens up and fasten with (2) #8-32 x 3/8" Phillips Pan Head Screws where indicated.



**Figure 13** Install Lightbulbs



**Figure 14** Attach Lens

## IMPORTANT SAFETY INSTRUCTIONS

### WARNING

### TO REDUCE THE RISK OF SEVERE INJURY OR DEATH

- 1 READ AND FOLLOW ALL INSTRUCTIONS.
- 2 Never let children operate or play with the Door Controls. Keep the Remote Control away from children.
- 3 Always keep the moving door in sight and away from people and objects until the door is completely closed. NO ONE SHOULD CROSS THE PATH OF THE MOVING DOOR.
- 4 NEVER GO UNDER A STOPPED, PARTIALLY OPEN DOOR.
- 5 Test Opener monthly. The door MUST reverse on contact with a 1-1/2" high object (or a 2" x 4" board laid flat) at the center of the doorway on the floor. After adjusting either the Force or the Limit of travel, retest the Door Opener. Failure to adjust the Opener properly may cause severe injury or death.
- 6 When possible use the Emergency Release only when the door is closed. Use caution when using this Release with the door open. Weak or broken springs are capable of increasing the rate of door closure and increasing the risk of severe injury or death.
- 7 KEEP GARAGE DOORS PROPERLY BALANCED. See garage door Owner's Manual. An improperly balanced door increases the risk of severe injury or death. Have a Genie Factory Authorized Dealer make repairs to cables, spring assemblies, and other hardware.
- 8 **SAVE THESE INSTRUCTIONS.**

### WARNING

Use the Wall Console included with Opener. Any other wall console can cause the Opener to operate unexpectedly and the light to stop working.

### MAINTENANCE

- A** Monthly:
- Door springs and door hardware:
    - Oil door roller, bearings, and hinges using silicone lubricant or light oil.

### WARNING

Do not operate door automatically or manually if springs are broken. Contact a Genie Factory Authorized Dealer for service or call Customer Service at **1-800-35-GENIE**.

- Balance Door.
  - Close door.
  - Release Carriage Assembly from Rail Assembly by pulling the Emergency Release Knob towards the door.
  - Raise door manually 3' - 4' and verify that door stays at that position. See Check Step 2 on page 5.

### NOTE

When the door is 3' - 4' above the ground, the door should stay open. Slight movement is acceptable. If the door moves too much, contact a Genie Factory Authorized Dealer for service or call Customer Service at **1-800-35-GENIE**.

- Reattach Carriage Assembly to Rail Assembly:
  - a. Pull the Emergency Release Knob toward Power Head.
  - b. Close door.
- Contact Reverse Test.
  - Perform Adjustment 2 on page 10.

### WARNING

If the door fails to reverse on contact with the board, adjust the Close Force Control as specified in Set Limit Switches and Force Controls on page 10. If the Opener still fails, contact a Genie Factory Authorized Dealer for service or call Customer Service at **1-800-35-GENIE**.

- B** Yearly:
- Wipe off old excess lubricant from Drive Screw.
  - Lubricate Drive Screw with Genie Lubricant (GLU-3)

### NOTE

Use **ONLY** Genie Lubricant (**GLU-3**). Other lubricants may damage the Opener.

GLU-3  
Lubricant



### FCC AND IC CERTIFIED

All devices comply with Part 15 of the FCC Rules. Operation is subject to the following two conditions: (1) this device may not cause harmful interference, and (2) this device must accept any interference received, including interference that may cause undesired operation.

- C** As needed
- Replace lightbulbs.

**TROUBLESHOOTING****Safe-T-Beam® System Self-Diagnostic Troubleshooting**

<b>Source (Red LED)</b>	<b>Sensor (Green LED)</b>	<b>Possible Problem</b>	<b>Solution</b>
ON	ON	Normal operation	None required
OFF	OFF	<ul style="list-style-type: none"> <li>• Power Head not powered</li> <li>• Wiring from Power Head bad</li> </ul>	<ul style="list-style-type: none"> <li>• Check breakers, fuses, plugs</li> <li>• Check wiring for obvious shorts</li> </ul>
OFF	ON	<ul style="list-style-type: none"> <li>• Wiring to Source missing or bad</li> <li>• Power has been interrupted</li> </ul>	<ul style="list-style-type: none"> <li>• Check wiring</li> <li>• Remove power and reapply</li> </ul>
<b>2 BLINKS</b> , Pause (Repeat)	ON	<ul style="list-style-type: none"> <li>• Beam not aligned</li> <li>• Beam obstructed</li> <li>• Sensor defective</li> </ul>	<ul style="list-style-type: none"> <li>• Check Source, Sensor alignment</li> <li>• Check for obstruction</li> <li>• Contact Customer Service</li> </ul>
<b>2 BLINKS</b> , Pause (Repeat)	OFF	<ul style="list-style-type: none"> <li>• Wire to Sensor missing or bad</li> <li>• Sensor defective</li> </ul>	<ul style="list-style-type: none"> <li>• Check wiring</li> <li>• Contact Customer Service</li> </ul>
<b>3 BLINKS</b> , Pause (Repeat)	ON	<ul style="list-style-type: none"> <li>• Sensor receiving interference</li> </ul>	<ul style="list-style-type: none"> <li>• Determine source of interference</li> <li>• Check for interference from sunlight or a source unit on an adjacent door</li> <li>• Contact Customer Service</li> </ul>
<b>4 BLINKS</b> , Pause (Repeat)	ON	<ul style="list-style-type: none"> <li>• Source not sending pulses</li> <li>• Source defective</li> </ul>	<ul style="list-style-type: none"> <li>• Contact Customer Service</li> <li>• Contact Customer Service</li> </ul>

## General Troubleshooting

Problem	What To Do
Opener does not run from Wall Control	<ol style="list-style-type: none"> <li>1. Check Lock switch on Wall Control (see Wall Console section on Installation Poster).</li> <li>2. Check Power Source: <ul style="list-style-type: none"> <li>• For Grounded Plug Connection. <ul style="list-style-type: none"> <li>– Plug a lamp into the electrical outlet used for the door opener. <ol style="list-style-type: none"> <li>a. If lamp lights, power source is good.</li> <li>b. If lamp does not light, check fuse or circuit breaker.</li> </ol> </li> </ul> </li> <li>• For Permanent Wiring Connection. <ul style="list-style-type: none"> <li>– Check fuse or circuit breaker.</li> </ul> </li> </ul> </li> <li>3. Check connections (see Wall Console section on Installation Poster): <ul style="list-style-type: none"> <li>• At Power Head Terminals and Wall Control.</li> </ul> </li> </ol>
Door Opener starts for no apparent reason	<ol style="list-style-type: none"> <li>1. Check Wires to ensure that they are not cut (Stapes can cut insulation and short Wires) Replace any shorting Staples and shorted Wires.</li> <li>2. Was Remote Control lost or stolen? If so, erase all Remote Control codes from Receiver's memory and reprogram for remaining remote controls. (See Erase All Receiver Memory on page 11).</li> <li>3. Ensure that no Buttons are stuck "pushed-in" on Wall Console or any Remote Controls.</li> </ol>
Door starts down, then stops before it is completely closed	<ol style="list-style-type: none"> <li>1. Check Close Limit Switch setting (page 9 and Installation Poster). Adjust as needed.</li> <li>2. Check Force Setting (page 9). Adjust as needed.</li> <li>3. Check for shorted wires.</li> </ol>
Door starts down, then stops and goes back up	<ol style="list-style-type: none"> <li>1. If a new installation, check Door Arm position.</li> <li>2. Check operation of Contact Reverse function.</li> <li>3. Check Safe-T-Beam® System for beam obstruction or misalignment of Lenses.</li> <li>4. Check Safe-T-Beam® System diagnostic code.</li> <li>5. Check Close Force adjustment (see Set Limit Switches and Force Controls on page 9). Adjust as needed.</li> <li>6. Check garage door for binding.</li> </ol>
Door will only run closed	<ol style="list-style-type: none"> <li>1. Check Open Limit Switch for a short circuit and for proper wiring.</li> <li>2. Check Open Force adjustment (see Set Limit Switches and Force Controls on page 9). Adjust as needed.</li> <li>3. Check condition of garage door and door spring(s).</li> <li>4. <b>WARNING: If you suspect a problem with the garage door hardware or springs, contact a Genie Factory Authorized Dealer for service, or contact Customer Service at 1-800-35-GENIE.</b></li> <li>5. Check position of Lock Switch on Console.</li> </ol>
Door will only run open	<ol style="list-style-type: none"> <li>1. Check Safe-T-Beam® System as detailed in the Safe-T-Beam® System Self-diagnostic Troubleshooting Chart (page 14).</li> <li>2. Check Close Limit Switch for a short circuit and for proper wiring.</li> <li>3. Check Close Force adjustment (see Set Limit Switches and Force Controls on page 9). Adjust as needed.</li> </ol>
Lights will not turn off	<ol style="list-style-type: none"> <li>1. Disconnect Wires connecting Wall Console to Power Head (see "Wall Console Installation"-on Installationposter). Check their condition and either replace or reconnect.</li> <li>2. Until a replacement Wall Console can be obtained, disconnect Wall Console and use only Remote Controls or Wireless Keypad to operate Opener.</li> <li>3. Check for non-compatible wall control.</li> </ol>
Door starts up, but stops before it is completely open	<ol style="list-style-type: none"> <li>1. Check (ensure) that garage door and Opener are in good repair, properly lubricated, and properly balanced as detailed in Maintenance Section.</li> <li>2. <b>WARNING: If you suspect a problem with the garage door hardware or springs, contact a Genie Factory Authorized Dealer for service, or contact Customer Service at 1-800-35-GENIE.</b></li> <li>3. Check Open Limit Switch for a short circuit and for proper wiring.</li> <li>4. Check Open Force adjustment (see Set Limit Switches and Force Controls on page 9). Adjust as needed.</li> </ol>
Operator runs, but door does not move	<ol style="list-style-type: none"> <li>1. Ensure Carriage Assembly is engaged to Rail Drive Screw (see Install Carriage Assembly -INSTALLATION POSTER).</li> <li>2. Check Force adjustment (see Set Limit Switches and Force Controls on page 9). Adjust as needed.</li> <li>3. Check that all sections of Rail Drive Screw are turning when Motor runs. If not: <ul style="list-style-type: none"> <li>• Check condition (not cracked, split, or broken) and placement of Coupler. Replace as needed.</li> <li>• Check condition (not cracked, split, or broken) and placement of Collar and Clip. Replace them as needed.</li> </ul> </li> </ol>
Wall Console Vacation Lock function does not work	<ol style="list-style-type: none"> <li>1. Ensure Carriage Assembly is in contact with Close Limit Switch.</li> <li>2. Check when door is fully closed, that Carriage activates Close Limit Switch. If not, adjust position of Close Limit Switch (See page 9).</li> </ol>
Noisy Operation	<ol style="list-style-type: none"> <li>1. Be sure all fasteners are tight.</li> <li>2. Check (ensure) that garage door and Opener are in good repair, properly lubricated, and properly balanced as described in Maintenance Section (page 13).</li> </ol>

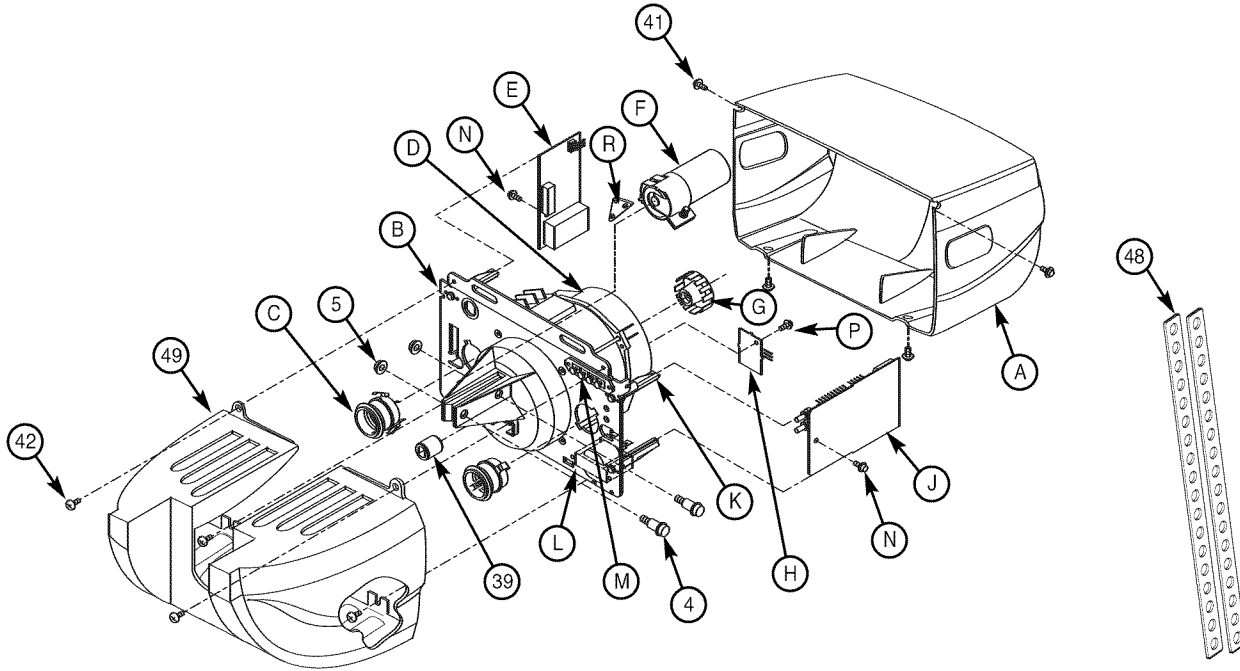




# PARTS IDENTIFICATION

## POWER HEAD

### [1] Power Head Assembly



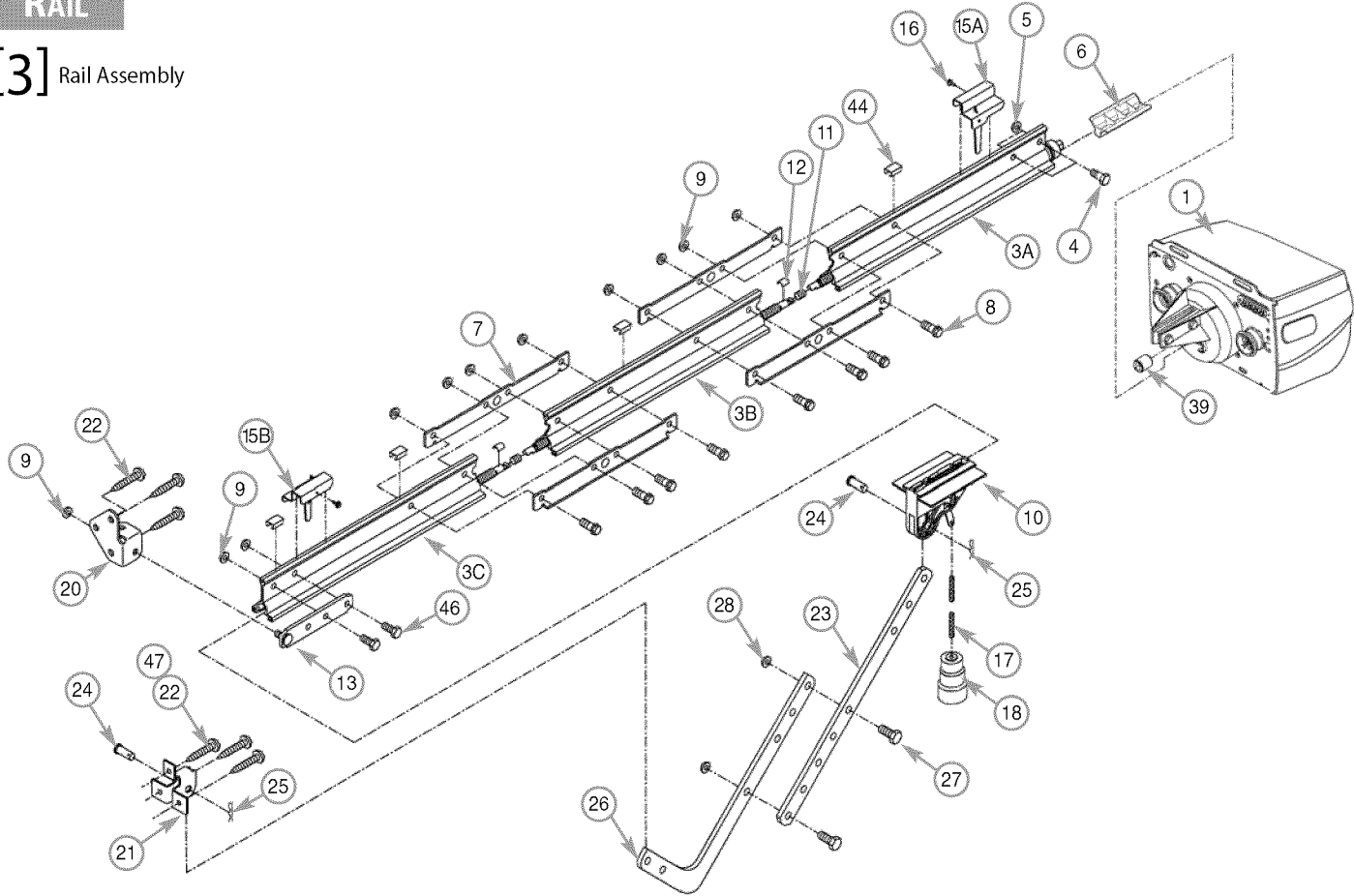
### Power Head Parts List

Item	Part Name	Number Included
1	Power Head Assembly	1
A	Cover (by Series Model)	1
B	Front Plate Assembly	1
C	Light Socket	2
D	Motor Parts	1
E	Receiver Assembly	1
F	Capacitor (By Series/Model)	1
G	Opto Wheel	1
H	Opto-Luctor Assembly	1
J	Sequencer Assembly	1
K	Circuit Board Bracket	4
L	Transformer	1
M	Terminal Strip	1
N	No. 8-32 x 1/2" Hex Head Screw w/Lockwasher	1
P	No. 8-32 x 3/8" Slot Hex Head Screw w/Lockwasher	1
R	Capacitor Isolator	1
4	1/4-20 Shoulder Bolt	2
5	1/4" Flange Nut	2
39	Coupler	1
41	No. 8-32 x 3/8" Phillips Hex Head Screw	4
42	No. 8-32 x 3/8" Phillips Pan Head Screw	2
48	Mounting Straps	2
49	Light Lens	1

# PARTS IDENTIFICATION

## RAIL

### [3] Rail Assembly



#### Parts List (cont')

Item	Part Name	Number Included
1	Power Head Assembly (see page 5)	1
3	Rail Assembly (3-piece)	1
3A	First Rail Section	1
3B	Middle Rail Section	1
3C	End Rail Section	1
4	1/4"-20 Hex Head Shoulder Bolt	2
5	1/4"-20 Hex Flange Nut	2
6	Carriage Stop	1
7	Rail Clamps	4
8	5/16" Hex Head Shoulder Bolt	8
9	5/16" Hex Flange Nut	13
10	Carriage Assembly	1
11	Collar	2
12	Retaining Clip	2
13	Rail Strap	1
15A	Open Limit Switch Assembly (grey)	1
15B	Close Limit Switch Assembly (brown)	1
16	#8-32 x 3/8" Hex Head Screw	2
17	Emergency Release Cord	1
18	Emergency Release Knob	1
19	Emergency Release Tag (not shown)	1
20	Header Bracket	1
21	Door Bracket	1
22	1/4" x 2" Lag Screw	8
23	Straight Door Arm	1
24	Clevis Pin	2
25	Cotter Pin	2
26	Curved Door Arm	1
27	3/8" x 7/8" Hex Head Bolt	2
28	3/8" Hex Flange Nut	2

#### Parts List (cont')

Item	Part Name	Number Included
29	Wire (not shown)	≈ 95 ft
30	Insulated Staples (not shown)	≈ 30
31	Wall Button (not shown)	varies
33	Wall Console (not shown)	varies
34	#6 x 1-1/4" Pan Head Screw	2
35	Entrapment WARNING Label (not shown)	1
36	Safe-T-Beam (STB) Sensor (green LED) (not shown)	1
37	Safe-T-Beam Source (red LED) (not shown)	1
38	Safe-T-Beam Bracket (not shown)	2
39	Coupler	1
40	#10 x 1-1/4" Phillips Hex Head Screw	4
41	#8 x 3/8" Hex Head Screw	4
42	#8 x 3/8" Pan Head Screw	2
43	Safety and Maintenance Guide (not shown)	1
44	Wire Clip	4
46	5/16" x 3/4" Hex Head Bolt	5
47	1/4"-20 x 3/4" Self-tapping Screw	3
48	Mounting Straps	2
49	Light Lens (see page 5)	1
50	Remote Control (not shown)	varies



**Garage Door Opener Accessories Order Form**

Formulario de pedido de accesorios para abridores de puertas de garaje  
 Formulaire de commande des accessoires pour ouvre-porte de garage

For additional accessories not shown, visit our website at [www.geniecompany.com](http://www.geniecompany.com)  
 Para accesorios adicionales no mostrados, visite nuestro sitio web en [www.geniecompany.com](http://www.geniecompany.com)  
 pour les accessoires supplémentaires pas montrés, visiter notre site web à [www.geniecompany.com](http://www.geniecompany.com)

How many?  
 ¿Cuántos?  
 Comment beaucoup?

**(GI CTD-1) 1-Button Compact Remote** - Allows remote operation of garage door.  
**Comprima el Mando de Distancia** - Proporcionar operación remoto de la puerta del garaje.  
**Télécommande compacte** - Permettre opération éloigné de porte de garage.  
 P/N 35674R \$36.50



**(GI F TD-1) 1-Button Flashlight Transmitter** - Remote Controller with a Flashlight.  
**1 abrocha transmisor de linterna** - Director remoto con una linterna.  
**1-boutonner l'émetteur de lampe de poche** - Le contrôleur éloigné avec de lampe de poche.  
 P/N 35657R \$45.00



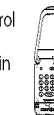
**(GI CTD-3) 3-Button Compact Remote** - Allows remote operation of 3 garage doors.  
**De 3 botones Comprima el Mando de Distancia** - Proporcionar operación remoto de tres las puertas del garaje.  
**3-boutonner la Télécommande compacte** - Permettre opération éloigné trois portes de garage.  
 P/N 35694S \$50.00



**(GWC-2W) Deluxe Wall Console** - Operates Garage Door. Independent light control. Security vacation lock.  
**Consola de lujo de pared** - Acciona la puerta del garaje. Control de luz independiente. Cerradura de seguridad para vacaciones.  
**La Console dse luxe de Mur** - Actionne la porte de garage. Commande d'éclairage indépendante.  
 Interrupteur de verrouillage de sécurité.  
 P/N 35661R \$35.00



**(GWKPD) Dual Frequency Wireless Keypad** - Operates Intellicode® Garage Door Openers without Remote Control or key.  
**Sistema de entrada por teclado numérico inalámbrico** - Acciona los abridores de puertas de garaje Intellicode® sin control remoto o llave.  
**Système d'ouvre-porte de garage à clavier sans fil** - Actionne les ouvre-porte de garage avec Intellicode® sans télécommande ni clé.  
 P/N 35691R \$50.00



**(GLU-3) 3/4 oz. Screw Drive Lubricant** - Ensures proper equipment wear protection.  
**3/4 once Lubricante de tornillo accionar** - Asegura componente correcto protección por deterioro.  
**La onza 3/4 Lubricant de la vis** - Garantir component exact par système défense vers user.  
 P/N 35218AS \$5.00



**(GW-2) Universal Wall Button** - Provides additional convenient inside operation of door.  
**Botón de pared universal** - Proporciona operación conveniente de la puerta desde el interior.  
**Bouton mural universel** - Actionne l'ouvre-porte de l'intérieur du garage.  
 P/N 35693R \$3.75



**(GPS-5) Perfect Stop®** - Ensures perfect parking.  
**Stop Perfecto®** - Asegura el estacionamiento perfecto.  
**Butoir Perfect Stop®** - Permet de stationner à la perfection dans le garage.  
 P/N 35677R \$4.00



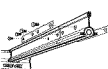
**(GABX8) QuietLift Extension Kit** - An Extension that increases the travel of an Opener to accommodate an eight foot door.  
**Juego de extensión de cadena deslizable** - Una extensión para aumentar la longitud de la baranda de Chain Glide, para acomodar una puerta de 8 pies (2,43 m).  
**Nécessaire de prolongement du coulisseau** - Rallonge de prolongeant la course de l'ouvre-porte Chain Glide pour une porte de 2,4 m (8 pi) de hauteur.  
 P/N 35663R \$32.00



**(LCGX-8) ChainLift Extension Kit** - An Extension that increases the travel of an Opener to accommodate an eight foot door.  
**Juego de extensión de cadena deslizable** - Una extensión para aumentar la longitud de la baranda de Chain Glide, para acomodar una puerta de 8 pies (2,43 m).  
**Nécessaire de prolongement du coulisseau** - Rallonge de prolongeant la course de l'ouvre-porte Chain Glide pour une porte de 2,4 m (8 pi) de hauteur.  
 P/N 35679R \$32.00



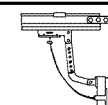
**(GSX-8) DirectLift Extension Kit** - An Extension to increase travel of an Operator to accommodate eight foot door.  
**Juego de extensión deslizante de Screw Drive** - Una extensión para aumentar la carrera de un abridor deslizable, para acomodar una puerta de 8 pies (2,43 m).  
**Nécessaire de rallonge du Screw Drive** - Rallonge de prolongeant la course de l'ouvre-porte pour une porte de 2,4 m (8 pi) de hauteur.(GIRU-1T)  
 P/N 35678R \$32.00



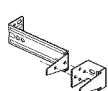
**(60 WATT) Enhanced/Rough Service Light Bulb** - Ensures proper equipment compatibility.  
**Bombilla de 60 Vatios** - Asegura componente correcto de sistema.  
**Éclairage de 60 WATT** - Garantir component exact par système.  
 P/N 26210A.S \$2.73



**(GER-2) Emergency Release Kit** - Provides access to garage from outside in the event of an electrical power failure.  
**Juego de pica-porte de pestillo** - Permittir entrada desde por fuera de garaje porque corte de eléctrico.  
**Nécessaires de Déclenchement de secours** - Le nécessaire de déclenchement de secours est conçu pour vous permettre d'accéder à votre garage depuis l'extérieur en cas de panne de courant et lorsqu'il.  
 P/N 35675R \$20.00



**STB Adapter Brackets (2)** - Used in conjunction with standard STB Brackets. They provide additional clearance and mounting options.  
**El adaptador pone entre paréntesis (2)** - Usado en unión con paréntesis uniformes de montar de STB, ellos proporcionan el espacio libre adicional junto con montar las opciones.  
**Crochets d'adaptateur (2)** - Utilisé conjointement avec STB standard monter les crochets, ils fournissent le dégagement supplémentaire avec monter d'options.  
 P/N 34439R.S \$4.37



**Ordering Instructions**

No C.O.D. shipments. Please include check or money order, made payable to The Genie Company. Do not send cash. Allow 3-4 weeks for delivery. 1-800-354-3643. Please have part number and credit card ready. Mail Order Form to: Genie Company, 22790 Lake Park Blvd, Alliance, Ohio 44601. We accept Visa or Mastercard on phone orders only.

Please add local sales tax if you reside in one of the states listed. California, Connecticut, Florida, Georgia, Illinois, Indiana, Maryland, Massachusetts, Michigan, New Jersey, New York, Ohio, Tennessee, Virginia, Wisconsin

TOTAL ORDER	\$
SHIPPING & HANDLING	\$ 5.00
STATE SALES TAX	\$
GRAND TOTAL	\$

**Las Instrucciones que Ordenan**

No se aceptan pedidos de pago contra entrega (COD). Sírvase incluir su cheque o giro postal, la cuenta pagadera hecha a The Genie Company. No envíe dinero en efectivo. Concedáanos 3 a 4 semanas para la entrega. 1-800-354-3643. Sírvase tener listos los números del modelo y de la tarjeta de crédito. Enviar hacer un pedido de mercancía a: Genie Company, 22790 Lake Park Blvd, Alliance, Ohio 44601. Aceptamos pedidos telefónicos de Visa o Mastercard.

Sírvase agregar el impuesto de ventas local si usted reside en uno de los siguientes estados:

California, Connecticut, Florida, Georgia, Illinois, Indiana, Maryland, Massachusetts, Michigan, New Jersey, New York, Ohio, Tennessee, Virginia, Wisconsin

TOTAL DEL PEDIDO	\$
FLETE Y MANEJO	\$ 5.00
IMPUESTO DE VENTAS ESTATAL	\$
GRAN TOTAL	\$

**Instructions Commandant**

Pas d'expédition contre remboursement. Veuillez inclure un chèque ou un mandat bancaire, le payable fait à The Genie Company. N'envoyez pas d'argent comptant. Accordez de 3 à 4 semaines pour la livraison. 1-800-354-3643. Ayez sous la main le numéro de la pièce et celui de la carte de crédit. Mettre à la poste le arrangement à: Genie Company, 22790 Lake Park Blvd, Alliance, Ohio 44601. Nous acceptons les commandes par téléphone avec paiement par carte de crédit Visa ou Mastercard.

Veuillez indiquer les taxes de vente locales si vous résidez dans l'un des états répertoriés ci-dessous.

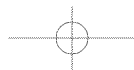
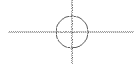
California, Connecticut, Florida, Georgia, Illinois, Indiana, Maryland, Massachusetts, Michigan, New Jersey, New York, Ohio, Tennessee, Virginia, Wisconsin

COMMANDE TOTALE	\$
MANUTENTION ET EXPÉDITION	\$ 5.00
TAXE DE VENTE	\$
TOTAL GLOBAL	\$

SHIP ORDER TO:  
 ENVIAR MERCANCIA CON:  
 EXPÉDIER MARCHANDISE POUR:

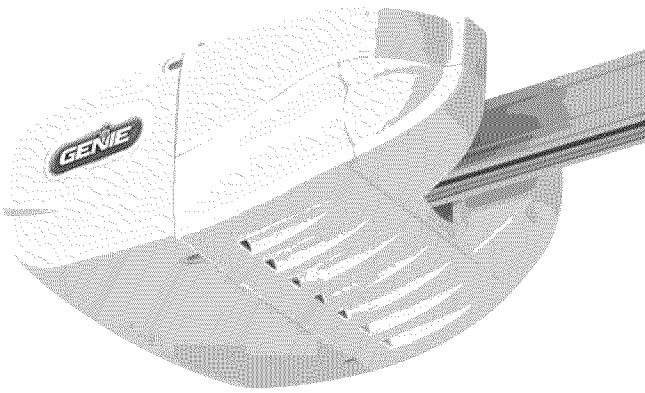
NAME / NOMBRE / NOM
ADDRESS / DIRECCIÓN / ADRESSE
CITY / CIUDAD / VILLE
STATE / ESTADO / ÉTAT
ZIP / CÓDIGO POSTAL / CODE POSTAL

(Prices subject to change without notice)  
 (Valoran el cambio con sujeción a sin nota)  
 (Les prix assujettissent pour changer sans la notification)



## Manual de Funcionamiento y Mantenimiento

### Guide de l'Utilisateur et de Maintenance



## COMPLETO CON CONTROL REMOTO INTELLICODE® Y ELECTRÓNICA DE SERIE II

Para puertas de 7' 6". Juego de extensión disponible para puertas de 8'. Incluye el control de pared que se DEBE instalar antes de hacer funcionar este operador de puertas de garaje.

El sistema Safe-T-Beam® Safety Reverse se debe instalar y los controles de fuerza se DEBEN fijar correctamente para cerrar la puerta.

Este equipo cumple o excede con todos los requisitos de seguridad federales, estatales y de UL325.

### ¿Teniendo dificultades? ¿Necesita ayuda?

Por favor llámenos al: 1-800-35-GENIE (354-3643)

[www.geniecompany.com](http://www.geniecompany.com)

Por favor tenga lista la información del modelo cuando llame.

## ÍNDICE

Información de garantía.....	2
Paquete de su documentación.....	3
Información de seguridad.....	4
Características de seguridad.....	4
Instrucciones de instalación importantes.....	4
Lista de verificación de preinstalación.....	5-8
Ajustes.....	9-10
Programación del control remoto.....	11
Instalación de la lente y bombilla.....	12
Mantenimiento programado.....	13
Guía de investigación de averías.....	14-16
Diagrama de conexiones.....	17
Listas de piezas y vistas aumentadas.....	18-20
Accesorios.....	19 (Engl)

Para ayuda llame al 1-800-35-GENIE o visite [www.geniecompany.com](http://www.geniecompany.com)

3559935907



## Directlift 2060

## Directlift PLUS 3060

UN AC ACCIONÓ ABRIDOOOR DE SCREWDRIVE  
UN AC ALIMENTÉ L'OUVRE-BÔTE DE SCREWDRIVE

## AVEC TÉLÉCOMMANDE INTELICODE® ET COMPOSANTS ÉLECTRONIQUES DE LA SERIE II

Pour les portes de 2,29 m. Kit d'extension disponible pour des portes de 2,44 m

La commande murale incluse DOIT être installée avant de faire fonctionner l'opérateur de la porte de garage.

Le système d'inversion de sécurité Safe-T-Beam® doit être installé et les commandes de force correctement réglées pour pouvoir fermer la porte.

Cet équipement satisfait voire dépasse les prescriptions de sécurité fédérale, régionale et UL 325.

### Vous éprouvez des difficultés ? Vous avez besoin d'assistance ?

Contactez-nous : 1-800-35-GENIE (354-3643)

[www.geniecompany.com](http://www.geniecompany.com)

Nous vous remercions de disposer des informations de votre modèle au moment de l'appel.

## TABLE DES MATIÈRES

Information relative à la garantie.....	2
Votre dossier de documentation.....	3
Information relative à la sécurité.....	4
Caractéristiques de sécurité.....	4
Instructions d'installation importantes.....	4
Liste de contrôle avant l'installation.....	5-8
Réglages.....	9-10
Programmation de la télécommande.....	11
Installation de l'ampoule et de la lentille.....	12
Maintenance périodique.....	13
Guide de dépannage.....	14-16
Schéma de câblage.....	17
Listes des pièces et vues éclatées.....	18-20
Accessoires.....	19 (Engl)

SAVE THIS MANUAL FOR  
FUTURE REFERENCE

## THE GENIE COMPANY GARANTÍA LIMITADA

### ¿Qué es lo que cubre?

Cualquier defecto de materiales y mano de obra del producto de uso personal, normal del hogar de acuerdo con el Manual del propietario.

### ¿Por cuánto tiempo?

MODELO 2060L ...20 año el motor, 3 año todas las otras piezas.  
 MODELO 3060L ...De por vida\* para el motor, 3 año todas las otras piezas.  
 MODELO 3060C ...De por vida\* para el motor, 3 año todas las otras piezas.

\* Garantía mientras usted se apropiado de su casa.

### ¿Quién obtiene la garantía?

Esta garantía está limitada al consumidor que compró originalmente el producto.

### Alcance geográfico:

Esta garantía se aplica sólo a las unidades instaladas y que funcionen en el país donde fueron compradas.

### Limitaciones:

LAS GARANTÍAS IMPLÍCITAS, INCLUYENDO AQUELLAS DE CONVENIENCIA PARA UN PROPÓSITO PARTICULAR Y COMERCIABILIDAD (GARANTÍA NO ESCRITA DE QUE EL PRODUCTO ES CONVENIENTE PARA USO ORDINARIO), ESTÁN LIMITADAS A UN AÑO A PARTIR DE LA FECHA DE COMPRA. GENIE NO PAGARÁ POR PÉRDIDA DE TIEMPO, INCONVENIENCIA, PÉRDIDA DEL USO DE SU PRODUCTO GENIE O POR DAÑOS A LA PROPIEDAD CAUSADOS POR SU PRODUCTO GENIE O POR LA FALLA DE QUE TRABAJE, POR NINGUNO DE LOS DAÑOS ESPECIALES, INCIDENTALES O DAÑOS EMERGENTES, O POR DAÑOS CUALESQUIERA RESULTANTES DEL MAL USO O MODIFICACIÓN DE SU PRODUCTO GENIE.

Algunos estados y provincias no permiten limitaciones de cuánto tiempo dura una garantía implícita o la exclusión de daños incidentales o emergentes, por lo tanto, las limitaciones o exclusiones de arriba puede que no se apliquen a usted.

Esta garantía es la única garantía que daremos de su producto Genie, y establece todas nuestras responsabilidades en relación con su producto Genie. No hay otras garantías expresas.

Derechos en el estado y provincia: Esta garantía le otorga derechos legales específicos, y puede que usted tenga otros derechos que pueden variar de un estado a otro o de una provincia a otra.

### Cómo obtener el servicio de garantía:

Para obtener el servicio de garantía para su producto Genie, usted debe proporcionar un comprobante con la fecha y lugar de compra del producto.

#### 1. Servicio de bricolaje (hacer uno mismo)

Llame gratis a la conexión del Consumidor Genie al: 1.800.354.3643 para hablar personalmente con representante de Genie para obtener asistencia en diagnosticar el problema y disponer el suministro de las piezas necesarias para las reparaciones que hará usted mismo. Representantes capacitados en servicio están disponibles de lunes a viernes de 8:00 a.m. - a - 11:00 p.m., hora del Este, y los sábados de 10:00 a.m. a 8:00 p.m., hora del Este (excepto los feriados). También, puede obtener la información que necesite de: [www.geniecompany.com](http://www.geniecompany.com).

#### 2. Servicio de agentes autorizados.

También usted puede obtener garantía de servicio de los agentes autorizados de Genie llamando a la conexión del Consumidor de Genie al 1.800.354.3643 o visitando: [www.geniecompany.com](http://www.geniecompany.com) antes de programar algún servicio de garantía. Si un agente autorizado provee servicio de garantía, Genie proveerá todas las piezas necesarias bajo la garantía, sin cargo para usted, pero los agentes son personas de negocios independientes y puede que presten servicios o cobren por las visitas de servicio que hagan. Genie no le reembolsará a usted ni será responsable de otro modo por esos cargos.

Sugerimos que usted retenga el material de empaquetado original para el evento que necesite reparar o reemplazar su producto Genie y sea necesario que nos envíe el mismo. Asegúrese de incluir su nombre, dirección, número de teléfono, comprobante con la fecha y lugar de compra y una descripción del problema de funcionamiento. Después de reparar o reemplazar su producto Genie, nosotros le enviaremos a su casa, sin costo para usted por las piezas y mano de obra, pero usted deberá pagar un mínimo de \$5.00 por cargos de envío y manejo.

Su selección de una de las opciones de servicio descritas arriba, es su solución exclusiva bajo esta garantía.

### Qué no cubre esta garantía:

Esta garantía no cubre las baterías (que se consideran piezas reemplazables), instalación, uso comercial, defectos resultantes de accidentes, daños estando en tránsito a nuestro lugar de servicio o daños resultantes de alteraciones, mal uso o abuso, falta de mantenimiento correcto, reparaciones no autorizadas o modificación del producto, adosados de cualquier adjunto no proporcionado con el producto, programación de los dispositivos de control remoto, ajuste / limpieza de Safe-T-Beam®, grapas a través del cableado, cables pinchados o rotos, desenganche del corredizo, ajustes del control de fuerza, puerta no equilibrada, resortes o cables rotos, apagones eléctricos, uso de cordones de extensión, piezas faltantes o dañadas en descuentos, liquidaciones, ventas finales o cartones con cintas, operaciones fantasmas (la mano de obra no está cubierta si el Abridor está funcionando correctamente estando el técnico en el garaje), incendios, inundaciones, actos de fuerza mayor o cualquier otro incumplimiento de seguir el Manual del propietario.

PARA RESPUESTAS: LLAME AL 1.800.354.3643

Visite nuestro Website en: [www.geniecompany.com](http://www.geniecompany.com)

GUARDE ESTAS INSTRUCCIONES

Por favor note la información siguiente, de modo que tenga disponible si necesita llamarnos.

Fecha de compra \_\_\_\_\_ / \_\_\_\_\_ / \_\_\_\_\_  
 Número de serie \_\_\_\_\_  
 Modelo del operador \_\_\_\_\_  
 Modelo del control remoto \_\_\_\_\_  
 Nombre del agente \_\_\_\_\_  
 Dirección del agente \_\_\_\_\_  
 Ciudad \_\_\_\_\_  
 Estado \_\_\_\_\_  
 Zona postal \_\_\_\_\_

## GARANTIE LIMITÉE DE THE GENIE COMPANY

### Que couvre la garantie couvrez?

L'out défaut en matériaux et main-d'œuvre du produit dans une utilisation normale en résidant conformément au Guide de l'utilisateur.

### Pendant combien de temps?

MODELE 2060L ...20 an pour le moteur et 3 an pour toutes les autres pièces.  
 MODELE 3060L ...À vie\* pour le moteur et 3 an pour toutes les autres pièces.  
 MODELE 3060C ...À vie\* pour le moteur et 3 an pour toutes les autres pièces.

\* Aussi longtemps que vous les autres pièces.

### Qui peut bénéficier de la garantie?

La présente garantie est limitée au consommateur d'origine qui a acheté le produit.

### Zone géographique :

La présente garantie ne couvre que les produits qui ont été installés et sont utilisés dans le pays où ils ont été achetés.

### Limites:

LES GARANTIES IMPLÍCITES, Y COMPRIS CELLE RELATIVES À L'ADAPTABILITÉ À DES FINS D'APPLICATION PARTICULIÈRE ET DE QUALITÉ MARCHANDE (UNE GARANTIE QUI NE SERAIT PAS PAR ÉCRIT INDIQUANT QUE LE PRODUIT EST CONÇU POUR UN USAGE ORDINAIRE) SONT LIMITÉES À UN AN À COMPTER DE LA DATE D'ACHAT. GENIE NE REMBOURSE PAS LES FRAIS DE PERTE DE TEMPS, LES INCONVENIENTS, DE PERTE D'USAGE DE VOTRE PRODUIT GENIE OU TOUT DOMMAGE SUBI PAR VOTRE PROPRIÉTÉ RÉSULTANT DU PRODUIT GENIE OU DE SON DYSFONCTIONNEMENT, TOUT DOMMAGE INDIRECT OU ACCESSOIRE ; TOUT DOMMAGE RÉSULTANT D'UNE UTILISATION ERRONÉE OU MODIFICATION DE VOTRE PRODUIT GENIE.

Certains états et provinces interdisent l'exclusion de la limitation des dommages indirects ou accessoires, ou de durée des garanties implicites ; il se peut donc que certains des restrictions et exclusions ci-dessus ne vous concernent pas.

Cette garantie est la seule que nous accordions à votre produit Genie, elle définit toutes nos responsabilités vis à vis de votre produit Genie. Il n'existe aucune autre garantie expresse.

Droits des Etats et des Provinces:

La présente garantie vous confère des droits spécifiques légaux mais vous pouvez en outre bénéficier de droits supplémentaires qui varient d'une province à l'autre ou d'un état à l'autre.

### Comment obtenir un service sous garantie:

Pour obtenir le service sous garantie pour votre produit Genie, vous devez fournir la preuve de la date et du lieu d'achat du produit.

#### 1. Service de réparation personnelle.

Contactez la connexion clientèle Genie au numéro gratuit 1-800-354-3643. Des représentants Genie qualifiés vous assisteront à diagnostiquer le problème et se chargeront de vous faire parvenir la pièce requise qui vous permettront d'effectuer vous-même la réparation. Des techniciens formés se tiennent à votre disposition du lundi au vendredi de 8h00 à 23h00 (Heure de New York) et le Samedi de 10h00 à 20h00 (heure de New York) (sauf jours fériés). Vous pouvez également obtenir des informations en visitant le site à l'adresse suivante: [www.geniecompany.com](http://www.geniecompany.com).

#### 2. Service assuré par des revendeurs agréés.

Vous pouvez également obtenir un service sous garantie auprès des revendeurs Genie agréés en contactant la connexion clientèle de Genie au 1.800.354.3643 ou en visitant [www.geniecompany.com](http://www.geniecompany.com) avant de programmer un service sous garantie. Si le service sous garantie est exécuté par un revendeur agréé, Genie se charge de fournir toutes les pièces requises sous garantie sans frais de votre part. Toutefois les revendeurs sont des agents indépendants qui peuvent effectuer les réparations contre remboursement. Genie ne peut en aucun cas être responsable de ces frais ou de toute autre charge facturés par ces revendeurs.

Nous vous recommandons de conserver l'emballage d'origine au cas où nous déciderions de faire réparer/remplacer votre produit Genie et que nous vous demandions de nous le renvoyer. Indiquez bien votre nom, adresse, numéro de téléphone, la preuve de la date et du lieu d'achat du produit avec la description du problème. Après réparation ou remplacement de votre produit Genie, nous vous expédierons à domicile et sans frais de votre part pour les pièces et la main-d'œuvre, mais vous devez régler un minimum de 5 00 dollars USD pour les frais d'expédition et de manutention.

Le choix de l'une des options de service décrites ci-dessus est votre seule solution selon les termes de cette garantie.

### Éléments non couverts par cette garantie:

La présente garantie ne couvre pas les piles (qui sont des pièces remplaçables), l'installation, l'usage commercial, les dommages résultant d'accidents, les dommages subis pendant le transport à notre emplacement de service ou résultant d'altérations, de mauvaise utilisation voire d'abus, de manque d'entretien, de réparation ou de modification du produit non-autorisée, d'ajout de pièces qui ne seraient pas fournies avec le produit, programmation de télécommandes, réglage et nettoyage de Safe-T-Beam®, fils endommagés par les agrafes, fils pincés ou rompus, chariot désengagé, ajustements de la commande de la puissance, portes déséquilibrées, ressorts et câbles brisés, coupure de courant, utilisation de rallonges, pièces manquantes ou endommagées dans des emballages d'unités en solde ou refermés par du scotch, mauvais fonctionnement imaginaire (les frais de main-d'œuvre ne sont pas couverts si l'ouvre-porte fonctionne correctement pendant que le technicien se trouve dans le garage), incendie, inondation, cas fortuit, ou négligence de consulter le manuel d'utilisateur.

ADRESSEZ VOS QUESTIONS AU 1.800.354.3643

CONSERVER CES INSTRUCTIONS

Prendre note des informations suivantes afin de les avoir à disposition lorsque vous nous contactez:

Date d'achat \_\_\_\_\_ / \_\_\_\_\_ / \_\_\_\_\_  
 Numéros de série \_\_\_\_\_  
 Modèle de l'opérateur \_\_\_\_\_  
 Modèle de la télécommande \_\_\_\_\_  
 Nom du revendeur \_\_\_\_\_  
 Adresse du revendeur \_\_\_\_\_  
 Ville \_\_\_\_\_  
 Etat/Province \_\_\_\_\_  
 Code postal \_\_\_\_\_

## PAQUETE DE SU DOCUMENTACIÓN DEL ABRIDOR DE PUERTAS DE GARAJE GENIE

La documentación proporcionada con su abridor ha sido organizada y diseñada cuidadosamente para que el montaje, funcionamiento y mantenimiento continuo de su producto sean tan fáciles como sea posible. Este material consiste de dos partes principales:

### Manual de funcionamiento y mantenimiento

Si bien se recomienda que todos los documentos se guarden para referencia futura, este manual debe contener la mayoría de la información que necesitará durante la vida útil de su producto. El manual está diseñado en una configuración basculante, con la versión en inglés en una mitad del libro y la de lengua española / francesa en la otra mitad. El contenido básico de este manuales:

- Información de garantía
- Lista de verificación de preinstalación a ser revisada antes de cualquier montaje o instalación
- Ajustes necesarios
- Programación de dispositivos remotos
- Mantenimiento e investigación de averías
- Vista aumentada de piezas
- Formulario de pedido de accesorios
- Folleto de mantenimiento y seguridad de la Asociación de abridores de puertas (DASMA)
- Etiqueta de Advertencia de atrapar – A ser puesta próxima al control de pared

### Afiche de montaje e instalación

El propósito de este afiche es dar un medio plano conveniente a usar en el sitio del montaje e instalación. Códigos de color se utilizan para los pasos y otra información tan claramente como sea posible. Este afiche está en tres lenguas con las instrucciones en inglés destacadas con fondo azul. El contenido básico de este afiche es:

- Afiche de referencia rápida
- Instrucciones de montaje del abridor con figura y paso a paso
- Instrucciones de instalación del abridor con figura y paso a paso

**ES CRÍTICO QUE SE LEAN, ENTIENDAN Y SIGAN TODAS LAS ADVERTENCIAS DE SEGURIDAD CLARAMENTE MARCADAS, TANTO EN EL MANUAL COMO EN EL AFICHE.**

The GENIE Company se esfuerza constantemente en mejorar sus productos y la documentación que les acompaña. Si usted tuviera alguna sugerencia o idea para mejorar este producto o la documentación, por favor envíe sus sugerencia a:

**The Genie Company**  
22790 Lake Park Blvd.  
Alliance, Ohio 44601-3498

## VOTRE DOSSIER DE DOCUMENTATION DE L'OUVRE-PORTE DE GARAGE GENIE

La documentation fournie avec votre ouvre-porte de garage a été soigneusement conçue et organisée pour faciliter le montage, l'utilisation et la maintenance de votre produit dans des conditions les plus sécuritaires possibles. Ce dossier se compose de deux parties essentielles.

### Guide de l'utilisateur et de maintenance

Bien qu'il soit recommandé que tous les documents soient conservés à titre de référence ultérieure, ce guide contient la majorité des informations dont vous aurez besoin pendant la vie utile de votre produit. Ce guide a été conçu avec la version anglaise d'un côté et de l'autre, les versions espagnole/française. Ce guide contient les éléments de base suivants:

- Information relative à la garantie
- Liste de contrôle avant l'installation à vérifier avant tout montage ou installation
- Réglages nécessaires
- Programmation des télécommandes
- Maintenance et dépannage
- Vues éclatées des pièces
- Formulaire pour commande d'accessoires
- Brochure de l'association des ouvre-portes sur la sécurité et la maintenance (DASMA)
- Étiquette d'avertissement en cas de coinçage – À placer près de la com mande murale

### Poster sur le montage et l'installation

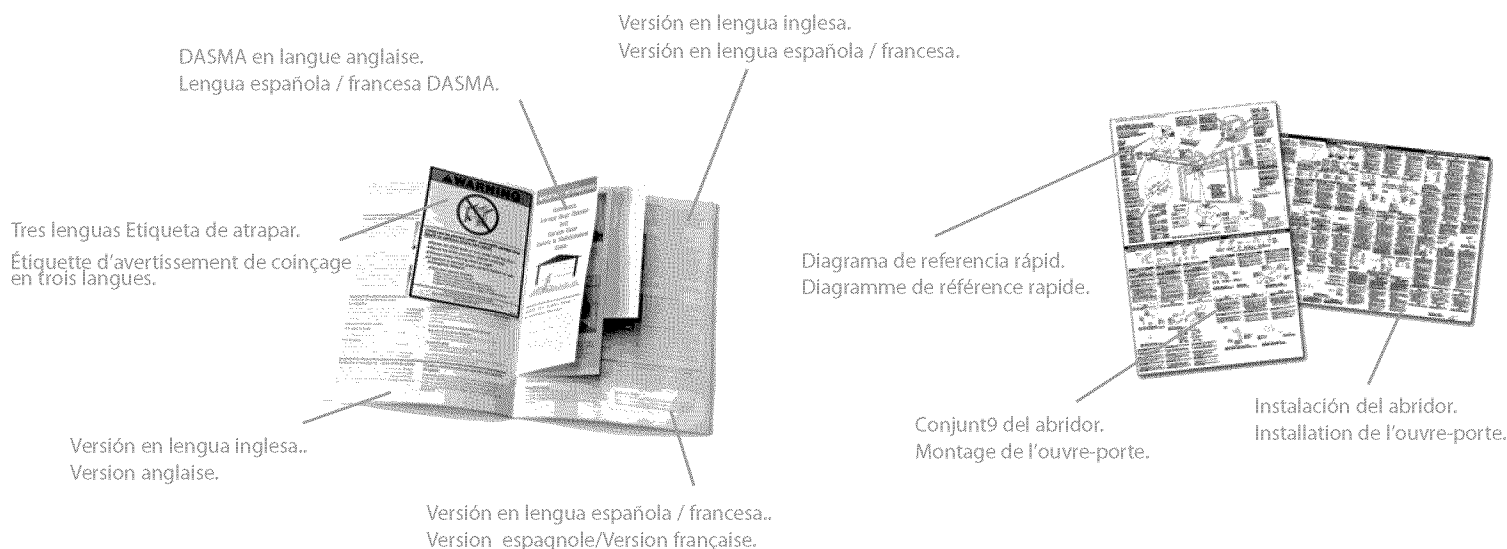
Ce poster permet de visualiser un plan plat pratique du montage et de l'installation. Le codage en couleurs utilisé pour démarquer clairement les étapes et autres informations. Ce poster est présenté en trois langues avec des instructions en anglais en relief sur fond bleu. Le contenu de base de ce poster est le suivant :

- Poster de référence rapide
- Instructions du montage de l'ouvre-porte graduelles avec illustrations
- Instructions de l'installation de l'ouvre-porte graduelles avec illustrations

**IL EST IMPÉRATIF QUE LES AVERTISSEMENTS RELATIFS À LA SÉCURITÉ CLAIEMENT INDIQUÉS DANS LE GUIDE ET SUR LE POSTE SOIENT LUS, COMPRIS ET RESPECTÉS.**

La société GENIE s'efforce systématiquement d'améliorer ses produits et la documentation qui les accompagne. Nous vous remercions de nous faire part de vos suggestions ou idées visant à améliorer davantage ce produit et sa documentation. Veuillez les envoyer à l'adresse suivante:

**The Genie Company**  
22790 Lake Park Blvd.  
Alliance, Ohio 44601-3498



## INFORMACIÓN DE SEGURIDAD

### PERSPECTIVA DE PELIGROS POTENCIALES

Las puertas de garaje son objetos grandes, pesados que se mueven con la ayuda de resortes bajo alta tensión y motores eléctricos. Puesto que los objetos en movimiento, resortes bajo tensión y motores eléctricos pueden causar lesiones, su seguridad y la seguridad de otros depende de que usted lea la información contenida en este manual. Si tuviera alguna pregunta o no entendiera la información presentada, llame al representante de servicio más cercano a usted.

En esta sección y las que siguen, las palabras Peligro, Advertencia y Precaución se usan para enfatizar la información de seguridad importante. La palabra:

**⚠ PELIGRO:** indica una situación de peligro inminente que, si no se evita, resultará en la muerte o lesión grave.


**⚠ ADVERTENCIA:** indica una situación de peligro potencial que, si no se evita, podría resultar en la muerte o lesión grave.

**⚠ PRECAUCIÓN:** indica una situación de peligro potencial, que si no se evita, puede resultar en lesión o daños a la propiedad.

La palabra **NOTA** se usa para indicar pasos importantes a seguirse o consideraciones importantes.

PELIGRO POTENCIAL	EFEECTO	PREVENCIÓN
 <b>PUERTA EN MOVIMIENTO</b>	<b>ADVERTENCIA:</b> Podría resultar en la muerte o lesión grave.	<ul style="list-style-type: none"> <li>Mantenga a la gente alejada del vano de la puerta en movimiento.</li> <li><b>No</b> deje que los niños jueguen con el abridor de puertas.</li> <li><b>No</b> haga funcionar una puerta que se trabo o tenga un resorte roto.</li> </ul>
 <b>CHOQUE ELÉCTRICO</b>	<b>ADVERTENCIA:</b> Podría resultar en la muerte o lesión grave.	<ul style="list-style-type: none"> <li>Apague la alimentación eléctrica antes de quitar la tapa del operador.</li> <li>Al reinstalar la tapa, asegúrese de que los alambres no se pinchen o estén cerca de piezas móviles.</li> <li>El operador se debe conectar a tierra correctamente.</li> </ul>
 <b>ALTA TENSIÓN DEL RESORTE</b>	<b>ADVERTENCIA:</b> Podría resultar en la muerte o lesión grave.	<ul style="list-style-type: none"> <li><b>No</b> trate de quitar, reparar o ajustar los resortes o cualquiera de las piezas a las que estén conectadas los resortes, tales como bloques de madera, soportes de acero, alambres u otras partes como esas.</li> <li>Las reparaciones y ajustes debe hacer un técnico capacitado en el servicio de puertas usando las herramientas e instrucciones apropiadas.</li> </ul>

### INSTRUCCIONES DE INSTALACIÓN IMPORTANTES

 <b>ADVERTENCIA</b>
<p><b>PARA DISMINUIR EL RIESGO DE LESIÓN GRAVE O LA MUERTE:</b></p> <ol style="list-style-type: none"> <li>LEA Y SIGA TODAS LAS INSTRUCCIONES DE SEGURIDAD, INSTALACIÓN Y FUNCIONAMIENTO. Si usted tuviera alguna pregunta o no entendiera alguna instrucción, llame al profesional de instalación autorizado de Genie más cercano.</li> <li>No instale el operador de puertas en una puerta equilibrada incorrectamente. Una puerta equilibrada incorrectamente puede causar lesiones graves. Las reparaciones de alambres, resortes y otros herrajes debe hacerlas una persona capacitada en servicio utilizando las herramientas e instrucciones apropiadas.</li> <li>Quite todas las cuerdas e inmovilice todos los cerraduras antes de instalar el operador.</li> <li>Instale el operador a 7 pies o más arriba del piso. Monte la perilla de desenganche de emergencia a 6 pies arriba del piso.</li> <li>No conecte el operador a la fuente de energía hasta que se le instruya hacerlo.</li> <li>Localice el botón de control.           <ul style="list-style-type: none"> <li>A la vista de la puerta.</li> <li>A un mínimo de 5 pies de altura, de manera que los niños pequeños no alcancen.</li> <li>Alejado de todas las piezas móviles de la puerta.</li> </ul> </li> <li>Instale la etiqueta de ADVERTENCIA de atrapar próxima al botón de pared o consola. Instale el rótulo de desenganche de emergencia, en o próximo al desenganche de emergencia.</li> <li>El operador debe invertir la marcha cuando la puerta toca un objeto de 1-1/2 pulgada de altura en el piso, en el centro del vano de la puerta. Este es del tamaño de un larguero de madera de 2" x 4" puesto de plano.</li> </ol>

### CARACTERÍSTICAS DE SEGURIDAD

#### Sistema de inversión sin contacto Safe-T-Beam® (STB)

Pone un haz luminoso invisible a través del vano de la puerta que invierte el recorrido durante el recorrido de la puerta a la posición toda abierta, si algo pasa a través del haz luminoso.

#### Sistema de inversión con contacto Safe-T-Beam® (STB)

Automáticamente para e invierte el recorrido de la puerta en movimiento dentro de 2 segundos después del contacto con un objeto.

#### Sistema de inversión temporizado Safe-T-Stop®

Automáticamente abre una puerta que esté cerrando, si no cierra dentro de 30 segundos.

#### Control de ForceGuard®

Se utiliza para fijar la fuerza necesaria para abrir y cerrar la puerta. Para máxima seguridad, fije la fuerza mínima necesaria para abrir y cerrar la puerta.

#### Sistema automático de iluminación

Bombilla de 100 vatios máximo, usada para entradas y salidas más seguras. La luz se enciende cuando se activa la puerta y automáticamente se apaga 4.5 minutos más tarde.

#### Desenganche de emergencia manual

Permite abrir o cerrar manualmente la puerta del garaje para emergencias o mantenimiento.

## INFORMATIONS RELATIVES À LA SÉCURITÉ

### SOMMAIRE DES DANGERS POTENTIELS

Les portes de garage à déplacement vertical sont de gros objets lourds qui fonctionnent à l'aide de ressorts soumis à une haute tension et de moteurs électriques. Dans la mesure où les objets en mouvement, les ressorts sous tension et les moteurs électriques peuvent entraîner des blessures, votre sécurité et celle des autres exigent que vous preniez connaissance des informations stipulées dans ce manuel. Si vous avez des questions ou si vous ne comprenez pas les informations ci-inclues, veuillez contacter le représentant de service le plus près.




Dans cette section et les suivantes, les mots Danger, Avertissement, et Mise en garde sont utilisés pour faire ressortir d'importantes informations relatives à la sécurité. Le mot:

**⚠ DANGER:** signale une situation dangereuse imminente qui, si elle n'est pas évitée, risque d'entraîner des blessures graves, voire mortelles.

**⚠ AVERTISSEMENT:** signale une situation potentiellement dangereuse qui, si elle n'est pas évitée, risque d'entraîner des blessures graves, voire mortelles.

**⚠ ATTENTION:** signale une situation potentiellement dangereuse qui, si elle n'est pas évitée, risque d'entraîner des blessures et des dommages matériels.

Le terme **REMARQUE** est utilisé pour signaler les étapes importantes à suivre ou d'importants éléments à prendre en considération.

DANGER POTENTIEL	RÉSULTAT	MESURE DE PRÉVENTION
 <b>PORTE EN MOUVEMENT</b>	<b>AVERTISSEMENT:</b> Cela risque d'entraîner la mort ou des blessures graves.	<ul style="list-style-type: none"> <li>Ne laisser personne se tenir dans l'ouverture de la porte pendant qu'elle est en mouvement.</li> <li>Ne pas permettre aux enfants de jouer avec l'opérateur de la porte.</li> <li>Ne pas faire fonctionner une porte qui bloque ou dont le ressort est cassé.</li> </ul>
 <b>CHOC ÉLECTRIQUE</b>	<b>AVERTISSEMENT:</b> Cela risque d'entraîner la mort ou des blessures graves.	<ul style="list-style-type: none"> <li>Mettre hors tension avant d'enlever le couvercle de l'opérateur.</li> <li>En refermant le couvercle, s'assurer que les fils ne sont ni coincés ni près des pièces mobiles.</li> <li>L'opérateur doit être correctement mis à la terre.</li> </ul>
 <b>TENSION ÉLEVÉE DU RESSORT</b>	<b>AVERTISSEMENT:</b> Cela risque d'entraîner la mort ou des blessures graves.	<ul style="list-style-type: none"> <li>Ne pas essayer d'enlever, réparer ou ajuster les ressorts ou toute autre pièce à laquelle le ressort de la porte est attaché, y compris blocs de bois, supports en acier, câbles ou autres articles semblables.</li> <li>Les réparations et les réglages doivent être effectués par un professionnel des systèmes de porte qui se sert d'outils appropriés et qui respecte les instructions.</li> </ul>

### IMPORTANTES INSTRUCTIONS D'INSTALLATION

 <b>AVERTISSEMENT:</b>
<p><b>POUR RÉDUIRE LES RISQUES DE BLESSURES GRAVES OU DE MORT, PROCÉDEZ COMME SUIT:</b></p> <ol style="list-style-type: none"> <li>LIRE ET SUIVRE ATTENTIVEMENT TOUTES LES INSTRUCTIONS D'INSTALLATION, DE FONCTIONNEMENT ET TOUTES LES CONSIGNES DE SÉCURITÉ. Si vous avez des questions ou si vous ne comprenez pas une instruction, contactez un professionnel en installation agréé par Genie.</li> <li><b>Ne pas</b> installer l'opérateur sur une porte mal équilibrée. Celle-ci pourrait entraîner de graves blessures. Les réparations et les réglages des câbles, ensembles de ressort ou tout autre article de quincaillerie doivent être effectués par un professionnel qui se sert d'outils appropriés et qui respecte les instructions.</li> <li>Enlever toutes les cordes et désactiver tous les verrous de la porte avant l'installation de l'opérateur.</li> <li>Installer l'opérateur de la porte à 2,1 m ou plus au-dessus du sol. Placer le bouton de déclenchement d'urgence à une hauteur de 1,8 m.</li> <li><b>Ne pas</b> raccorder l'opérateur à la source d'alimentation avant l'étape en donnant l'instruction.</li> <li>Placer le bouton de la commande :           <ul style="list-style-type: none"> <li>En vue de la porte.</li> <li>À une hauteur minimale de 1,5 m afin que les jeunes enfants ne puissent pas l'atteindre.</li> <li>loin de toutes pièces mobiles de la porte.</li> </ul> </li> <li>Placer l'étiquette d'AVERTISSEMENT en cas de coincage à proximité du bouton ou de la console murale. Installer l'étiquette de déclenchement d'urgence sur, ou à proximité du dispositif de déclenchement d'urgence.</li> <li>L'opérateur doit s'inverser lorsque la porte entre en contact avec un objet d'une hauteur de 3,8 cm placé sur le sol, au centre de l'ouverture de la porte. Ceci équivaut environ à une colombe de 2 par 4 po posée à plat sur le sol.</li> </ol>

### CARACTERÍSTICAS DE SEGURIDAD

#### Sistema de inversión sin contacto Safe-T-Beam® (STB)

Pone un haz luminoso invisible a través del vano de la puerta que invierte el recorrido durante el recorrido de la puerta a la posición toda abierta, si algo pasa a través del haz luminoso.

#### Sistema de inversión con contacto Safe-T-Beam® (STB)

Automáticamente para e invierte el recorrido de la puerta en movimiento dentro de 2 segundos después del contacto con un objeto.

#### Sistema de inversión temporizado Safe-T-Stop®

Automáticamente abre una puerta que esté cerrando, si no cierra dentro de 30 segundos.

#### Control de ForceGuard®

Se utiliza para fijar la fuerza necesaria para abrir y cerrar la puerta. Para máxima seguridad, fije la fuerza mínima necesaria para abrir y cerrar la puerta.

#### Sistema automático de iluminación

Bombilla de 100 vatios máximo, usada para entradas y salidas más seguras. La luz se enciende cuando se activa la puerta y automáticamente se apaga 4.5 minutos más tarde.

#### Desenganche de emergencia manual

Permite abrir o cerrar manualmente la puerta del garaje para emergencias o mantenimiento.



## LISTA DE VERIFICACION DE PREINSTALACION

Este abridor incluye piezas y suministros necesarios para instalarse en la **mayoría de los** garajes y conectar a la **mayoría de las puertas de** garajes. Hay muchas variaciones de garajes y de puertas de garajes. Unas pocas piezas y suministros adicionales puede que se necesiten para instalar el abridor en su garaje y conectar a su puerta de garaje. Mientras verifica los artículos de la lista de abajo, note cualquier artículo adicional que necesitará.

### Herramientas usadas en esta sección:

- Cinta métrica de más de 12' • Lápiz • Escalera • Nivel

Verifique los artículos siguientes antes de montar el abridor:

### Verificación del Paso 1: VERIFIQUE LA CONDICIÓN Y ESPESOR DE LA PUERTA

Verifique la condición del montante vertical en el centro de la puerta y su conexión a las vigas superior e inferior de la puerta.

- A** Si el marco de la puerta está clavado y no es una conexión sólida, el marco de la puerta se debe arriostrar o reforzar antes de instalar el abridor.
- B** Si la puerta es de "peso ligero" (hecha de un marco y revestida - no sólida), la puerta, (incluyendo el marco de la puerta) se debe arriostrar o reforzar antes de instalar el abridor.
- C** Un soporte de refuerzo del abridor de puertas también puede ser necesario para conectar la puerta del garaje al soporte del abridor de puertas. Este abridor está diseñado para instalación en una puerta seccional **propriadamente arriostrada** o en una puerta de una pieza **arriostrada sólidamente**.
- D** Comuníquese con el agente autorizado de la fábrica de Genie o el agente de la puerta de su garaje para cualquier ríostra necesaria y un refuerzo de soporte del abridor (si fuere necesario) antes de proseguir.
- E** Si usted tuviera una puerta de madera, mida el espesor de la puerta (1/4" x 2") Se incluyen los pijas para la instalación del soporte de la puerta en la puerta. Si su puerta tiene menos de 2" de espesor, arriostre la puerta o use pijas más cortas (1/4" x 1-1/4" - no se incluyen).

### Verificación del Paso 2: VERIFIQUE LA ALINEACIÓN, FUNCIONAMIENTO Y EQUILIBRIO DE LA PUERTA DEL GARAJE

- A** Levante la puerta, verifique la alineación y vea si se mueve libremente (Figura 1). Si la puerta parece que está fuera de alineación, trabada o no se mueve suave mente, comuníquese con el agente autorizado de Genie o el agente de su puerta de garaje para hacer las reparaciones y ajustar el mecanismo de su puerta.
- B** Levante la puerta 3' ó 4' arriba del piso y suelte cuidadosamente. La puerta debe quedar estacionaria. Un movimiento ligero es aceptable. Más de un ligero movimiento significa qu la puerta no está equilibrada. Comuníquese con un agente autorizado de fábrica de Genie o el agente de su puerta de garaje para hacer las reparaciones y ajustes al mecanismo.
- C** Verifique el tipo de puerta. Haga una nota si es una puerta en secciones o de una sola pieza. (Figura 2).

### ⚠ ADVERTENCIA:

Si su puerta se traba o está desequilibrada, mande ajustarla por un agente autorizado de fábrica de Genie. Los resortes, cables, poleas, apoyos y herrajes asociados están bajo tensión extrema y pueden causar lesiones graves o la muerte.

MANTENER LOS PIES FUERA DEL VANO DE LA PUERTA  
TENIR LES PIEDS À L'ÉCART DE LA PORTE

Puerta en secciones  
Porte à sections

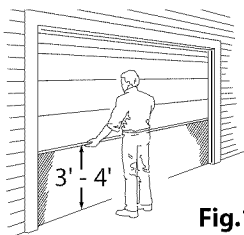
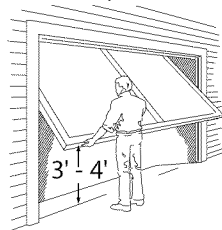


Fig.1

Puerta de una pieza  
Porte monopiece



Verifique el equilibrio de la puerta  
Vérification de l'équilibre de la porte

For Help, call 1-800-35-GENIE or visit [www.geniecompany.com](http://www.geniecompany.com)

## LISTE DE CONTRÔLE AVANT L'INSTALLATION

Cet ouvre-porte comprend des pièces et des fournitures nécessaires à l'installation dans la plupart des garages et peut se connecter à pratiquement toutes les portes de garage. Toutefois il existe plusieurs types de garage et toute une panoplie de portes de garage. Quelques pièces et des fournitures supplémentaires peuvent être requises à l'installation de l'ouvre-porte pour en garantir la compatibilité avec votre porte de garage. Lors de la vérification des éléments ci-dessous, ajouter ceux qui manquent.

### Outils utilisés dans cette section:

- Ruban à mesurer de 3,6 m • Crayon • Echelle • Niveau

Vérifiez les points suivants avant de procéder à l'assemblage de l'ouvre-porte:

### CONTRÔLE - Étape 1

### CONTRÔLE DE LA CONDITION ET DE L'ÉPAISSEUR DE LA PORTE

Vérifier l'état du montant au centre de la porte et sa liaison aux poutres inférieures et supérieures de la porte.

- A** Si l'encadrement de la porte est cloué ensemble et ne garantit pas une liaison solide, il faut le renforcer avant de procéder à l'installation de l'ouvre-porte.
- B** Si la porte est légère (fabriquée avec un encadrement et revêtement, pas solide), la porte (y compris l'encadrement) doivent être renforcés avant l'installation de l'ouvre-porte.
- C** Un renforcement d'ouvre-porte peut être nécessaire pour connecter la porte du garage au support de l'ouvre-porte. Cet ouvre-porte a été conçu pour l'installation sur une porte à sections ou une porte monopiece solidement renforcée.
- D** Contactez votre revendeur agréé Genie ou celui de votre porte de garage pour tout renforcement nécessaire et support d'ouvre-porte (le cas échéant) avant de procéder à l'installation.
- E** Pour les portes en bois, en mesurer l'épaisseur. Des vis tire-fond (14 x 2 po) sont incluses pour l'installation du support de porte sur la porte. Si l'épaisseur de la porte est inférieure à 5 cm, renforcer la porte ou utiliser des vis tire-fond plus courtes (1/4 x 1/4 po - pas incluses).

### Contrôle - Étape 2:

### CONTRÔLE DE L'ALIGNEMENT, DU FONCTIONNEMENT ET DE L'ÉQUILIBRE DE LA PORTE DE GARAGE

- A** Soulever la porte, vérifier l'alignement et observer qu'elle bouge librement (Figure 1). Si la porte ne semble pas alignée, coince ou ne se déplace pas librement, contactez un revendeur agréé Genie ou le revendeur de la porte pour toute réparation et ajustements au mécanisme de la porte.
- B** Soulever la porte entre 7,5 et 10 cm du sol et relâcher. La porte ne doit pas bouger. Un léger mouvement est acceptable. Toutefois un mouvement plus grand indique que la porte est déséquilibrée. Contactez votre revendeur agréé Genie ou celui de votre porte de garage pour toute réparation et ajustement au mécanisme de la porte.
- C** Contrôler le type de la porte. Indiquer s'il s'agit d'une porte à sections ou d'une porte monopiece (Figure 2).

### ⚠ AVERTISSEMENT:

Si la porte coince ou est déséquilibrée, contacter un revendeur agréé Genie. Les ressorts, les câbles, les poulies et les supports de la porte et la quincaillerie associée subissent des tensions extrêmes et peuvent entraîner des blessures voire la mort.

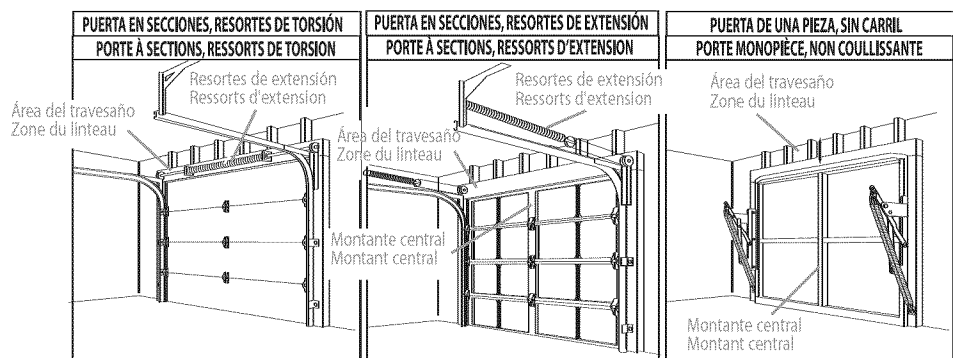


Figura 2 Note el tipo de puerta  
Prendre note du type de porte

### Verificación del Paso 3: MIDA LA ALTURA DE LA PUERTA DEL GARAJE

Mida la altura de la puerta del garaje (7'-6", 8'-0" o más alta) con un cinta métrica.

- A** Si la altura de la puerta es de 7'-6" o menos, continúe con Verifique el paso 4.
- B** Si la altura de la puerta es de 8'-0" usted necesita un kit de extensión del riel, (**Figura 3**) (Vea el formulario de pedido de accesorios, página 19).
- C** Si la altura de la puerta es mayor de 8'-0" usted necesita un riel diferente. Comuníquese con el representante de servicio al cliente de Genie, llamando al **1-800-35-GENIE**.

### Verificación del Paso 4: VERIFIQUE EL ÁREA DEL TRAVESAÑO DE LA PUERTA

#### NOTA

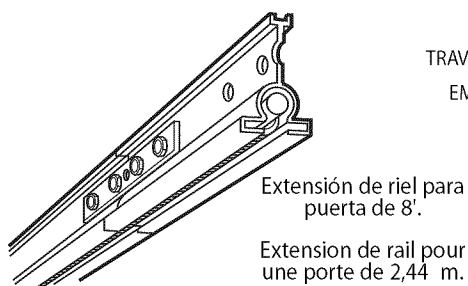
El travesaño es una sección fuertemente reforzada de la pared justo arriba del tope de la abertura de la puerta del garaje.

- A** Encuentre la línea central vertical de la puerta:
  - Cierre la puerta.
  - Mida el ancho de la puerta en la parte de arriba.
  - Marque un punto en el centro de la puerta y en el travesaño, directamente arriba de la puerta. Trace la línea central para conectar los puntos.
- B** Determine la altura de montaje del soporte del travesaño (Figura 4): (No acople el soporte del travesaño).
  - Levante la puerta, mirando el borde superior de la puerta y pararla cuando el borde alcance el punto más alto.
  - Mida la distancia ("H") desde el borde superior de la puerta al piso.
    - Para puertas en secciones sumar 2-1/2" a "H". Marque un punto en la línea central. La parte inferior del soporte del travesaño se instalará aquí.
    - Para puertas de una pieza sumar 6" a "H". Marque este punto en la línea central. La parte inferior del soporte del travesaño se instalará aquí.

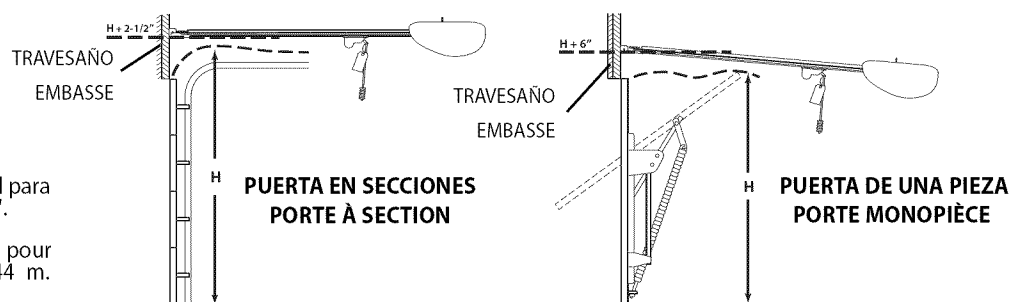
#### NOTA

- Para ambos tipos de puertas:
  - Si el cielo raso en su garaje es demasiado bajo que no tiene por lo menos un espacio de 3" arriba del soporte del travesaño, comuníquese con el agente autorizado de fábrica de Genie.
- Si un resorte de la puerta interfiere, colocar el soporte del travesaño arriba del resorte. No mueva el resorte de la puerta.

- C** Verifique que la pared tenga un pie derecho o travesaño sólido en su marca: (Si verifica una pared terminada, puede ser útil utilizar un buscador de montante).
  - Si el lugar está arriba del travesaño, un larguero de 2" x 6" se debe atornillar a los montantes cerca de su marca con dos pijas por lo menos y arandelas planas (no se proveen).
  - Transfiera su marca al nuevo larguero de montaje.



**Figura 3** Kit de extensión del riel  
**Figure 3** Kit d'extension du rail



**Figura 4** Encuentre el punto más alto del recorrido  
**Figure 4** Repérage du point de parcours le plus élevé

### Contrôle - Étape 3: Mesure DE LA HAUTEUR DE LA PORTE DE GARAGE

Mesurer la hauteur de la porte de garage (7 pi 6 po, 8 pi 0 po, ou plus) à l'aide d'un ruban.

- A** Si la porte mesure 7 pi 6 po ou moins, passer au contrôle de l'étape 4.
- B** Si la porte mesure de 2,44 m, le kit d'extension de rail est nécessaire (Figure 3) (Voir le formulaire de commandes d'accessoires, pages 19).
- C** Si la hauteur de la porte dépasse les 8 pi 0 po, un autre rail doit être utilisé. Contactez le service clientèle Genie au +1 (800) 35-GENIE.

### Contrôle - Étape 4: INSPECTION DE LE ZONE DU LINTEAU DE LA PORTE

#### REMARQUE

Le linteau est une section renforcée du mur située juste au-dessus de la partie supérieure de l'ouverture de la porte de garage.

- A** Repérer la ligne centrale verticale de la porte et le linteau:
  - Fermer la porte.
  - Mesurer la largeur de la porte en haut.
  - Tracer un point au centre de la porte et sur le linteau directement au-dessus de la porte. Tracer une ligne centrale pour la connexion des points.
- B** Repérer la hauteur d'installation du support de linteau (Figure 4): (Ne pas fixer le support du linteau).
  - Tout en soulevant la porte du garage, observer le bord supérieur de la porte et arrête le mouvement lorsque le bord atteint son point le plus élevé.
  - Mesurer la distance (H) du bord supérieur de la porte au sol.
    - Pour les portes à sections, ajouter 6,4 cm à H. Tracer un point sur la ligne centrale. La partie inférieure du support du linteau s'installe ici.
    - Pour les portes monopieces, ajouter 15 cm à H. Tracer ce point sur la ligne centrale. La partie inférieure du support du linteau s'installe ici.

#### REMARQUE

- Pour les deux types de porte :
  - Si le plafond du garage est bas et qu'il n'y a pas au moins 7,5 cm d'espace libre au-dessus du point de montage du support de linteau, contactez un revendeur Genie agréé.
- Si le ressort de la porte gêne, placer le support du linteau au-dessus du ressort. Ne pas déplacer le ressort de la porte.

- C** Inspecter le mur pour repérer un montant ou un linteau solide au niveau de votre repère: (Utiliser un localisateur de montant si besoin).
  - Si l'emplacement est au-dessus du linteau, une planche de 2 x 6 po doit être installée aux montants à côté de votre repère avec au moins deux vis tire-fond et des rondelles plates (non fournies).
  - Transférer votre marque sur une nouvelle planche de montage.

## Verificación del Paso 5: VERIFIQUE EL ÁREA DE MONTAJE DE LA CAJA DE CONTROL

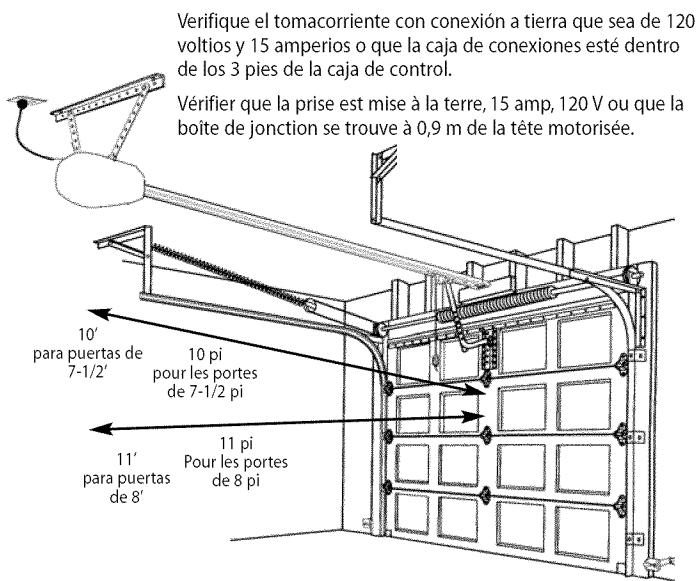
Verifique el cielo raso o el espacio arriba donde estará montada la caja de control del abridor (**Figura 5**).

- A** Mida desde la marca de la línea central de la puerta del garaje hacia la parte de atrás del garaje.
- Aproximadamente 10' atrás si el garaje tiene una puerta de 7'-6"
  - Aproximadamente 11' atrás si el garaje tiene una puerta de 8'-0"

### NOTA

Puesto que la construcción de garajes varía grandemente, puede que se necesite herraje adicional, además de las abrazaderas de montaje.

- B** Encuentre el lugar de la vigueta o entramado en el cielo raso, arriba donde estará la caja de control, y estime el tipo y cantidad de materiales necesarios para su instalación (**Figura 6**).



**Figura 5** Verifique el lugar de la caja de control

**Figure 5** Contrôle de la position de la tête motorisée

## Contrôle - Étape 5: CONTRÔLE DE LA ZONE D'INSTALLATION DE LA TÊTE MOTRICE

Inspecter le plafond ou l'espace au-dessus de la tête motorisée où l'ouvre-porte doit être installé (**Figure 5**) :

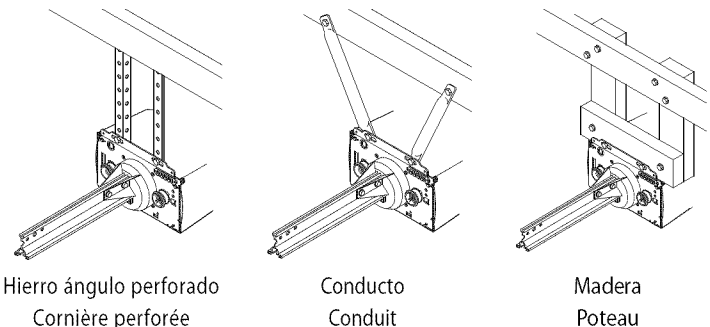
- A** Mesurer la distance du repère de la ligne médiane vers l'arrière du garage.
- À environ 10 pi à l'arrière si la porte du garage mesure 7 pi 6 po.
  - Environ 11 pi à l'arrière si la porte du garage mesure 8 pi.

### REMARQUE

Dans la mesure où les constructions de garage varient, de la quincaillerie supplémentaire peut être nécessaire en sus des brides de montage.

- B** Repérer l'emplacement de la solive de plafond ou de la ferme où la tête motorisée de l'ouvre-porte doit être installée et déterminer le type et la quantité des matériaux nécessaires à l'installation (**Figure 6**).

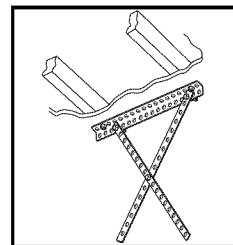
### EJEMPLOS DE MONTAJE EXEMPLES DE MONTAGE



Hierro ángulo perforado  
Cornière perforée

Conducto  
Conduit

Madera  
Poteau



Abrazaderas perforadas  
Bandes perforées

**CIELO RASOS TERMINADOS** Localice las viguetas del cielo raso o entramado usando un buscador de montantes o dispositivo similar. Acople un hierro ángulo (no se incluye) a las viguetas o entramado a través del material terminado usando pijas

**CIELO RASOS ABIERTOS** Las abrazaderas y el hierro ángulo pueden acoplarse directamente a las viguetas o al entramado.

**PLAFONDS FINIS** Localiser les solives et les fermes à l'aide d'un localisateur de montants ou dispositif de ce genre. Attacher la cornière (non fournie) aux solives ou fermes par les matériaux de finition à l'aide des vis tire-fond.

**PLAFONDS OUVERTS** Vous pouvez attacher des bandes et des cornières directement sur les solives.

**Figura 6** Métodos de montaje para cielo rasos terminados o de vigas abiertas

**Figure 6** Méthodes de montage pour des plafonds finis ou avec poutres visibles

## Verificación del Paso 6: VERIFIQUE EL CIELO RASO QUE LA FUENTE TENGA LA POTENCIA CONECTADA A TIERRA

- A** Verifique que haya un tomacorriente con conexión a tierra de 120 voltios y 15 amperios o una caja de conexiones con alambrado permanente (cumpliendo el código de construcción) dentro de los 3' de la caja de control del abridor de puertas.
- Si no hay uno, se debe instalar un tomacorriente o caja de conexiones. Comuníquese con un electricista licenciado para que haga esa instalación.
  - Si los códigos de construcción exigen que el alambrado sea permanente, la caja de control se debe desmontar parcialmente para instalar el alambrado apropiado en lugar del cordón de potencia (Vea la instrucción en el afiche).

### NOTA

**El alambrado permanente debe instalar un electricista licenciado.** No todos los agentes autorizados de fábrica de Genie son electricistas autorizados. Comuníquese con alguien que sea electricista licenciado.

## Contrôle - Étape 6: INSPECTION DU PLAFOND POUR REPÉRER LA SOURCE D'ALIMENTATION MISE À LA TERRE

- A** Vérifier la présence d'une prise électrique mise à la terre de 15 Amp 120 ou d'une boîte de jonction mise à la terre en permanence (selon le code du bâtiment) dans les 0,9 m de la tête motorisée de l'ouvre-porte.
- Si ce n'est pas le cas, installer une prise ou une boîte de jonction. Contacter un électricien agréé pour l'installation.
  - Si les codes du bâtiment requièrent un câblage permanent, la tête motorisée doit être démontée partiellement afin de pouvoir installer le câblage approprié à la place du cordon d'alimentation (voir le poster d'installation).

### REMARQUE

**Un électricien agréé doit se charger de l'installation permanente du câblage.** Les revendeurs agréés Genie ne sont pas nécessairement des électriciens agréés. Contactez un électricien agréé, si besoin.

## Verificación del Paso 7: VERIFIQUE EL LUGAR DEL APOYO DE MONTAJE DE SAFE-T-BEAM®

Verifique el armazón de madera del garaje, la jamba o la mampostería en el lugar de montaje (6" arriba del piso) con las orejas de acoplamiento mirando alejadas de la puerta del garaje (**Figura 7**).

- A** A Si usted no puede montar el soporte de montaje de Safe-T-Beam® al marco de madera:
- Se deben usar tornillos para concreto y tarugos para concreto (no incluidos) para montar los soportes en la mampostería con orejetas de acople mirando alejadas de la puerta del garaje.
  - Las extensiones de soportes de montaje de Safe-T-Beam® se pueden usar (no se incluyen – disponibles de un agente autorizado de fábrica de Genie o a través del Formulario de pedido de accesorios, de la página 20).

## Verificación del Paso 8: HERRAMIENTAS RECOMENDADAS

- A** Herramientas (**Figura 8**):
- B** Herramientas adicionales para facilitar la instalación:
- Destornilladores de berbiquí y ranurado
  - Busca montantes
  - Tijeras de hojalatero para cortar planchas metálicas

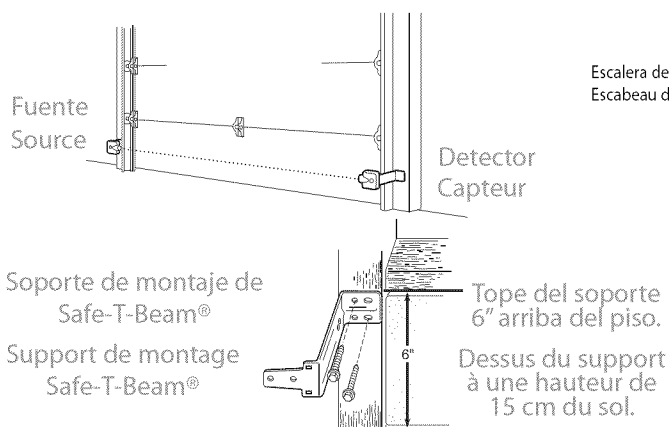
## Verificación del Paso 9: QUITA LAS CERRADURAS DE LA PUERTA EXISTENTE DEL GARAJE

Verifique que las cerraduras de la puerta existente, cuerda y mangos en T estén quitados de la puerta del garaje antes de comenzar la instalación.

- A** Si su garaje no tiene una puerta de entrada separada, se recomienda encarecidamente que instale el Juego de desenganche de emergencia Genie (GER-2). El juego de desenganche de emergencia le permite abrir la puerta del garaje desde fuera si hubiera un apagón. (Por favor vea el Formulario de pedido de accesorios en la página 20.)

Antes de proseguir, obtenga los artículos y herramientas necesarias para su instalación

- Ⓟ Extensiones de soporte de montaje detector (agente) de Safe-T-Beam®
- Ⓟ Soporte reforzado del abridor de puertas de garaje (agente)
- Ⓟ Soportes reforzados del armazón de la puerta del garaje, tornillos, riostras o juegos de refuerzo (agente)
- Ⓟ Pijas de (1-1/4") para una puerta de madera menos de 2" de espesor (almacén)
- Ⓟ Enchufe eléctrico y / o conexión (suministrado por un electricista licenciado)
- Ⓟ Ángulo de hierro apropiado o tiras para colgar la caja de control (almacén)
- Ⓟ Bombilla de 100 vatios (Se recomiendan bombillas reforzadas para servicio con vibraciones)(almacén)
- Ⓟ Juego de desenganche de emergencia GER-2, para entrada durante un apagón eléctrico.
- Ⓟ Madera para travesaño, cielo raso y / o refuerzo de riostras de la puerta (si se necesita)
- Ⓟ Herrajes para mampostería para la instalación del soporte de Safe-T-Beam® (si se necesita)
- Ⓟ Barrena o mecha de taladro para mampostería (si se necesita)
- Ⓟ Paquete de extensión (para puertas de garaje de 8')



**Figura 7** Componentes de montaje de Safe-T-Beam®

**Figure 7** Composants pour le montage du système Safe-T-Beam®

## Contrôle - Étape 7: CONTRÔLE DE L'EMPLACEMENT DU SUPPORT DE MONTAGE SAFE-T-BEAM®

A l'emplacement de l'installation, (15 cm au-dessus du sol), inspecter l'encadrement, l'huissierie ou la maçonnerie en bois du garage avec des languettes de fixation dirigées dans le sens opposé à la porte de garage (**Figure 7**).

- A** En cas de difficultés à installer le support de montage SAFE-T-BEAM® sur un encadrement en bois :
- Utiliser des vis et des ancrages pour le béton (non fournis) pour installer les supports sur la maçonnerie avec languettes de fixation dirigées dans le sens opposé à la porte de garage.
  - Utiliser éventuellement des extensions au support de montage SAFE-T-BEAM® (non fournis disponibles auprès d'un revendeur agréé Genie ou en les commandes via le formulaire des commandes d'accessoires en pages 20).

## Contrôle - Étape 8: OUTILS RECOMMANDÉS

- A** Outils (**Figure 8**):
- B** Outils additionnels pour faciliter l'installation:
- Embouts de tournevis à tête Phillips (cruiforme) et lames plates
  - Localisateur de montant
  - Cisailles pour tôle

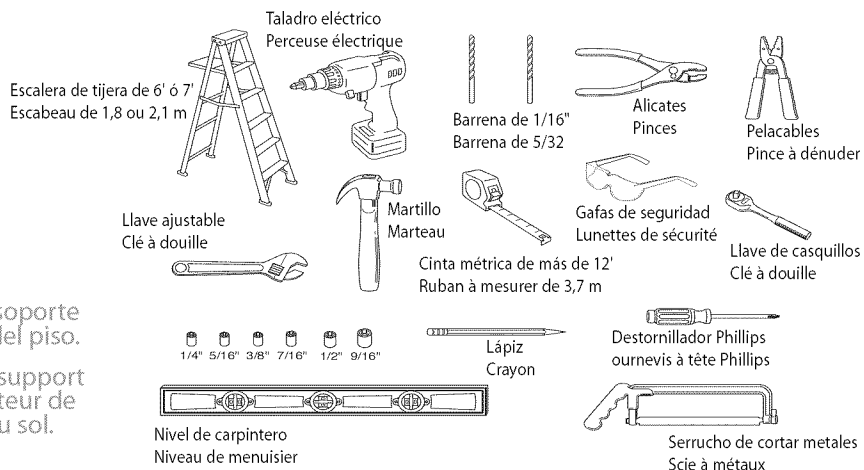
## Contrôle - Étape 9: DEMONTAGE DES VEROUS EXISTANTS DE LA PORTE DE GARAGE

Vérifier que les verrous de la porte de garage, la corde et les poignées en T sont enlevés de la porte de garage afin de procéder à l'installation.

- A** Si votre garage n'est pas doté d'une porte d'entrée distincte, il est recommandé d'installer un kit de déclenchement d'urgence Genie (GER-2). Le kit de déclenchement d'urgence permet d'ouvrir la porte de garage de l'extérieur en cas de coupure de courant. (Voir le formulaire de commandes d'accessoires, pages 20).

Avant de poursuivre l'installation, rassembler tous les éléments et outils pour l'installation

- Ⓟ Extension pour support de montage du capteur SAFE-T-BEAM® (revendeur)
- Ⓟ Support de renforcement pour l'ouvre-porte du garage (revendeur)
- Ⓟ Supports de renforcement pour l'encadrement de la porte de garage, vis, kits de renforcement (revendeur)
- Ⓟ Vis tire-fond (1-1/4 po) pour une porte en bois d'une épaisseur inférieure à 5 cm (magasin)
- Ⓟ Prise électrique et/ou câblage (fournis par un électricien agréé)
- Ⓟ Cornière ou sangles pour la suspension de la tête motorisée (magasin)
- Ⓟ Ampoules, 100 Watts max (Ampoules renforcées pour utilisation avec vibrations recommandées (magasin)
- Ⓟ Kit de déclenchement d'urgence GER-2 permettant l'ouverture en cas de panne de courant (magasin)
- Ⓟ Bois pour linteau, plafond et/ou renforcement de la porte (si besoin)
- Ⓟ Attaches à maçonnerie pour l'installation du support Safe-T-Beam® (si besoin)
- Ⓟ Foret à maçonnerie (si besoin)
- Ⓟ Kit d'extension pour des portes de 2,44 m



**Figura 8** Herramientas recomendadas  
**Figure 8** Outils recommandés

## MANTENIMIENTO Y AJUSTES

### AJUSTE 1: AJUSTE LOS INTERRUPTORES LIMITADORES Y LOS CONTROLES DE FUERZA

#### Ajuste aproximado de los interruptores limitadores

- A** A fijando el interruptor limitador de cerrar (**Figura 9**):
- Verifique que el conjunto del corredizo esté desenganchado.
  - Con la puerta del garaje totalmente cerrada, resbale el interruptor limitador de cerrar hacia el corredizo hasta que la palanca blanca esté totalmente levantada.
  - Apriete el tornillo opresor. No apriete excesivamente.
- B** Fijando el interruptor limitador de abrir:
- Manualmente abra la puerta del garaje a la posición totalmente abierta.
  - Resbale el interruptor limitador de abrir hacia el corredizo hasta que la palanca blanca esté totalmente levantada.
  - Apriete el tornillo opresor. No apriete excesivamente.
  - Vuelva a enganchar el conjunto del corredizo.

Fijando los controles de fuerza y el ajuste final de los interruptores limitadores

### ⚠ ADVERTENCIA

- La puerta del garaje se abre rápidamente y puede causar lesiones graves o la muerte.
- Mantenga libre el recorrido de la puerta.
- Coloque la escalera al costado de la caja de control de manera que esté libre de todas las piezas en movimiento de la puerta y del abridor.
- Fije el abridor de la puerta para usar la fuerza mínima necesaria para abrir la puerta.

#### A AJUSTE FINO

- En el panel frontal de la caja de control encuentre el tornillo de ajuste marcado "CERRAR" ("CLOSE") (Figura 9).
- Suavemente gire el tornillo en sentido sinistorso hasta que se pare.
  - Muy poca fuerza se necesita para girar el tornillo de ajuste.
- Oprima la consola de pared para cerrar la puerta del garaje.
  - Observe si la puerta se para en el interruptor limitador de "CERRAR". Si la puerta está totalmente cerrada – el ajuste está terminado. Vaya al ajuste de "ABRIR".
  - Si la puerta se para pero no está totalmente cerrada,
    - a. Mida la distancia entre la parte inferior de la puerta y el piso.
    - b. Mueva el interruptor limitador de "CERRAR" esa misma distancia hacia la puerta.
  - Si la puerta se para y / o invierte el recorrido antes de alcanzar el interruptor limitador de "CERRAR":
    - a. Ligeramente aumente el ajuste de la fuerza de CERRAR (en sentido dextrorso).
  - Si la puerta invierte el recorrido después de tocar el piso, mueva el interruptor limitador hacia la caja de control
  - Si la puerta falla en moverse, verifique el sistema Safe-T-Beam®. Vea la sección Investigación de averías, página 14.
- Apriete el tornillo opresor del interruptor limitador. **No apriete excesivamente el tornillo opresor del interruptor limitador.**

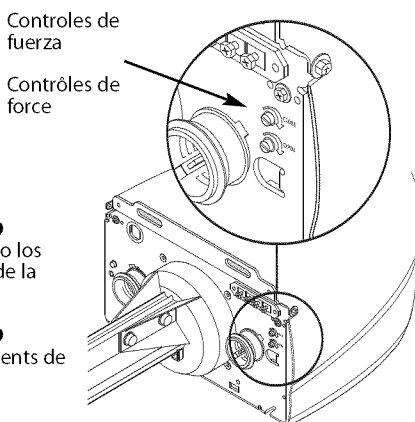
Ajuste de abrir en la página siguiente

### NOTA

- Poco esfuerzo se necesita para girar las perillas de ajuste de la fuerza.
- Si la puerta para el movimiento mientras abre o cierra, ajuste los controles de fuerza de abrir o de cerrar ligeramente en sentido dextrorso (para aumentar ligeramente la fuerza) y vuelva a tratar ese paso.
- Los controles de la fuerza de abrir o de cerrar se deben fijar a la fuerza mínima necesaria para asegurarse de que la puerta se abra suavemente y cierre totalmente.
- Asegúrese de que el conjunto del corredizo esté enganchado y estén tre los dos interruptores limitadores antes de hacer funcionar el abridor.

**Figura 9**  
Haciendo los ajustes de la fuerza

**Figure 9**  
Ajustements de la force



## MAINTENANCE ET RÉGLAGES

### RÉGLAGE 1: RÉGLAGE DES CONTACTS DE FN DE COURSE ET DES COMMANDES DE LA FORCE

#### Réglage approximatif des contacts de fin de course.

- A** Réglage du contact de fin de course de fermeture (Figure 9)
- Vérifier que le chariot est désengagé.
  - Avec la porte du garage totalement fermée, faire glisser le contact de fin de course de fermeture en direction du chariot jusqu'à ce que le levier blanc soit totalement soulevé.
  - Serrer la vis (Ne pas serrer avec excès).
- B** Réglage du contact de fin de course d'ouverture
- Ouvrir manuellement la porte de garage pour qu'elle soit totalement ouverte.
  - Faire glisser le contact de fin de course d'ouverture en direction du chariot jusqu'à ce que le levier blanc soit totalement soulevé.
  - Serrer la vis (ne pas serrer avec excès).
  - Ré-engager le chariot.

Réglage des commandes de force et ajustement final des contacts de fin de course

### ⚠ AVERTISSEMENT

- La porte du garage s'ouvre rapidement et peut entraîner de graves blessures voire la mort.
- Veiller à ce que la voie soit libre.
- Placer l'escabeau sur le côté de la tête motorisée afin de garantir qu'il n'entre en contact avec aucune partie mobile de l'ouvre-porte et de la porte.
- Placer l'escabeau sur le côté de la tête motorisée afin de garantir qu'il n'entre en contact avec aucune partie mobile de l'ouvre-porte et de la porte.

#### A RÉGLAGE DE FERMETURE

- Sur le panneau avant de la tête motorisée, repérer les vis de réglage de fermeture (Fermer) (Figure 9).
- Tourner la vis légèrement dans le sens inverse des aiguilles d'une montre jusqu'à ce qu'il se bloque.
  - Le réglage de la vis ne requiert pas de force excessive.
- Appuyer sur la console murale pour fermer la porte du garage.
  - Veiller à ce que la porte atteigne le contact de fin de course de fermeture (CLOSE) et s'arrête. Si la porte se ferme totalement, l'ajustement est terminé. Consulter maintenant l'ajustement d'ouverture.
  - Si la porte s'arrête mais n'est pas totalement fermée.
    - a. Mesurer la distance entre le bas de la porte et le sol.
    - b. Déplacer le contact de fin de course de fermeture à cette distance en direction de la porte.
  - Si la porte s'arrête et/ou s'inverse avant d'avoir atteint le contact de fin de course de fermeture
    - a. Augmenter légèrement la force de fermeture (dans le sens horaire).
  - Si la porte repart en arrière après avoir touché le sol, déplacer le contact de fin de course vers la tête motorisée.
  - Si la porte ne se déplace pas, vérifier le système Safe-T-Beam®. Voir la section de dépannage, page 14.
- Serrer la vis du contact de fin de course. **Ne pas serrer la vis du contact de fin de course avec excès.**

Ajustement d'ouverture en page suivante.

### REMARQUE:

- L'effort requis pour tourner les vis de réglage de la force est minime.
- Si la porte interrompt le mouvement pendant l'ouverture ou la fermeture, ajuster les commandes de force d'ouverture ou de fermeture légèrement dans le sens des aiguilles d'une montre (pour augmenter légèrement la force) et reprendre l'étape.
- Les commandes de force d'ouverture ou de fermeture doivent être réglées au minimum requis à une ouverture ou une fermeture complète.
- Veiller à ce que le chariot soit engagé et se trouve entre les deux contacts de fin de course avant de faire fonctionner l'ouvre-porte.

## Ajustando los controles de fuerza y el ajuste final de los interruptores limitadores (continuación)



### ADVERTENCIA

- Una puerta de garaje en movimiento puede causar lesiones graves o la muerte.
- Mantenga libre de obstrucciones el recorrido de la puerta.
- Coloque la escalera a un costado de la caja de control de manera que no interfiera con las piezas móviles del abridor y de la puerta.
- Ajuste el abridor de puertas para usar la fuerza mínima necesaria para abrir la puerta.

#### B AJUSTE DE ABRIR

- En el panel frontal de la caja de control encuentre el tornillo de ajuste marcado "ABRIR" ("OPEN") (**Figura 9**).
- Suavemente gire el tornillo en sentido sinistorso hasta que se pare.
  - Muy poca fuerza se necesita para girar el tornillo de ajuste.
- Oprima la consola de pared para cerrar la puerta del garaje.
  - Observe si la puerta se para en el interruptor limitador de "CERRAR". Si la puerta está totalmente cerrada – el ajuste está terminado.
  - Si la puerta se para pero no está totalmente abierta,
    - a. Mida la distancia entre la parte inferior del tope de la puerta y la abertura de la puerta.
    - b. Mueva el interruptor limitador de "ABRIR" esa misma distancia hacia la caja de control.
  - Si la puerta se para antes de alcanzar el interruptor limitador de "ABRIR":
    - a. Ligeramente aumente el ajuste de la fuerza de ABRIR (en sentido dextrorso).
  - Si la puerta falla en moverse, vea la sección Investigación de averías, página 15.

#### C HAGA FUNCIONAR EL ABRIDOR DE PUERTAS

- Haga funcionar varios ciclos el abridor para verificar otra vez los ajustes. Repita los pasos de ajuste si fuere necesario.

### AJUSTE 2:

#### AJUSTANDO LA FUNCIÓN DE CONTACTO INVERSO

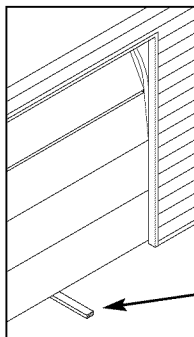
### NOTA

Los ajustes de la fuerza y del interruptor limitador se deben completar antes de verificar la función de contacto inverso (**Figura 10**).

- Abra la puerta del garaje usando la consola de pared.
- Ponga una madera de 2" x 4" de plano, en el centro del vano de la puerta.
- Cierre la puerta usando la consola de pared.
- Verifique que la puerta se detenga e invierta su recorrido dentro de los 2 segundos de haber entrado en contacto con la madera.
  - Si la puerta no invierte el recorrido, disminuya la fuerza de cerrar hasta que la puerta invierta su recorrido.
  - Si la puerta todavía no invierte, mueva el interruptor limitador hacia la puerta.
- Verifique el funcionamiento del sistema Safe-T-Beam®.
  - Si el haz luminoso está bloqueado, la puerta no va a cerrar.

### NOTA

La puerta debe entrar en contacto con la madera de 2" x 4" antes de que el corredizo active el interruptor limitador de cerrar. Si no es así, vuelva a ajustar el interruptor limitador de cerrar.



### RÉGLAGE 2:

#### RÉGLAGE DE LA FONCTION D'INVERSION AU CONTACT

### REMARQUE

Le réglage du contact de fin de course et de la force doit être effectué avant la vérification de l'inversion au contact (**Figure 10**).

- Ouvrir la porte de garage à l'aide de la console murale.
- Placer une colombe de 2 sur 4 po à plat au centre de l'ouverture de la porte de garage.
- Fermer la porte à l'aide de la console murale.
- La porte devrait s'arrêter et remonter (sens inverse) dans les 2 secondes après être entré en contact avec la colombe.
  - Si la porte ne s'inverse pas correctement, réduire la force de fermeture jusqu'à ce qu'elle s'inverse.
  - Si la porte ne s'inverse toujours pas, déplacer le contact de fin de course en direction de la porte.
- Vérifier du fonctionnement du système Safe-T-Beam® :
  - Si le faisceau est bloqué, la porte ne pourra pas se fermer.

### REMARQUE

La porte doit toucher la colombe de 2 sur 4 pour que le chariot active le contact de fin de course de fermeture. Si ce n'est pas le cas, régler le contact de fin de course de fermeture.

**Figura 10** Verificando el contacto inverso

**Figure 10** Vérifier l'inversion au contact

Madera de 2" x 4" puesta de plano  
Colombe 2 sur 4 po posée à plat

## ACCESORIOS

### PROGRAMACIÓN 1: PROGRAMACION DEL CONTROL REMOTO

- A** Para programar un botón de un control remoto (Figura 11,12):
- Localice el botón de programar y la luz indicadora de programar, cerca del bloque terminal en la caja de control (Figura 13).
  - Oprima y suelte el botón de programar. La luz indicadora de programar roja parpadeará 2 veces por segundo.
  - Oprima el botón de control remoto una vez dentro de los 30 segundos. La luz indicadora de programar roja permanecerá encendida.
  - Oprima otra vez el botón de control remoto. La luz indicadora de programar roja se apagará, indicando que está registrada en la memoria.
  - Oprima otra vez para activar la unidad.
- B** Programe cada remoto adicional usando el paso A de arriba.

#### Para borrar todos los remotos de la memoria de la caja de control

- A** Oprima y sostenga el botón de la caja de control durante 10 segundos o hasta que la luz indicadora de programar se apague. La memoria está borrada.
- Programe otra vez los remotos según se necesite.

#### Para cambiar la batería del control remoto

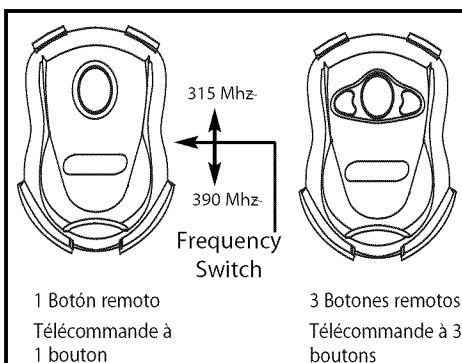
- A** Empuje en el retén de la tapa, en la base del control remoto.
- Use una moneda, pluma, destornillador o cualquier dispositivo similar.
    - La tapa se abre de golpe.
  - Cambie la batería vieja con una batería nueva de tipo compatible.
- B** Encaje cerrando de golpe la tapa de la batería.

## ⚠ ADVERTENCIA

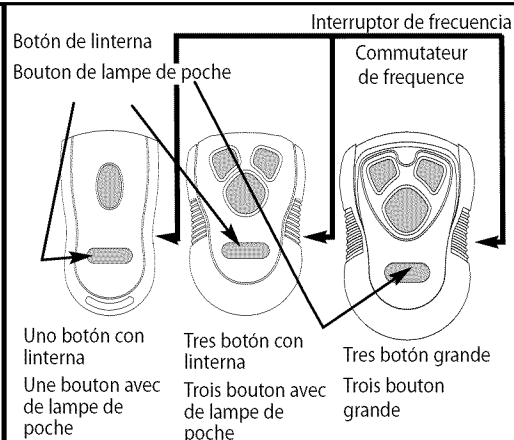
- Una puerta de garaje en movimiento puede causar lesiones graves o la muerte.
- Mantenga a la gente libre del recorrido de la puerta en movimiento.
  - No deje que los niños jueguen con los controles remotos. Si la seguridad de inversión del recorrido no funciona correctamente:
  - Cierre la puerta y desconecte el abridor usando el cordón de desenganche de emergencia.
  - No use el abridor de la puerta, los controles remotos o el teclado numérico inalámbrico.
  - Refiérase al manual del propietario del abridor de puertas y al manual de la puerta, antes de intentar las reparaciones.

### Funcionamiento de control remoto

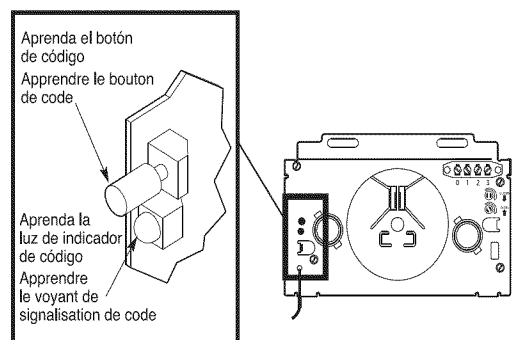
- A** Oprima el botón del control remoto. La puerta del garaje se moverá.
- B** Oprima otra vez el botón. La puerta del garaje se parará.
- La puerta se para automáticamente al fin del ciclo de abrir o de cerrar.
- C** Oprima otra vez el botón. La puerta del garaje invertirá la dirección de recorrido.
- D** Algunos mandos a distancia se equipan con luna linterna. El logo es el botón que opera la luz. Hay un alambra de fondo bajo el botón. Cuando no enciende, indica las necesidades de batería reemplacadas.



**Figura 11** Controles remotos Genie  
**Figure 11** Télécommandes Genie



**Figura 12** Controles remotos Genie  
**Figure 12** Télécommandes Genie



**Figura 13** Botón del código de control y luz indicadora

**Figure 13** Bouton/indicateur de programmation du code

## ACCESSOIRES

### PROGRAMMATION 1: PROGRAMMATION DE LA TELECOMMANDE

- A** Programmation d'un bouton de la télécommande (Figure 11,12):
- Localiser le bouton et l'indicateur de programmation du code près du bornier sur la tête motorisée (Figure 13).
  - Appuyer et relâcher le bouton de programmation du code. L'indicateur de programmation rouge clignote 2 fois en une seconde.
  - Appuyer 1 fois sur le bouton de la télécommande dans les 30 secondes. L'indicateur rouge reste allumé.
  - Appuyer à nouveau sur le bouton de la commande. L'indicateur rouge s'éteint ce qui signifie que l'information est enregistrée en mémoire.
  - Appuyer à nouveau pour activer l'unité.
- B** Programmer les autres boutons selon les instructions de l'étape A.

#### Effacer toutes les données de la mémoire de la tête motorisée

- A** Appuyer sur le bouton de programmation sur la tête motorisée pendant 10 secondes ou jusqu'à ce que la diode du code de programmation s'éteigne. La mémoire est effacée.
- Reprogrammer les télécommandes selon les besoins.

#### Remplacement de la pile de télécommande

- A** Enfoncer le loquet du couvercle du compartiment des piles dans la partie inférieure de la télécommande.
- Utiliser une pièce, un tournevis, un stylo à bille ou objet de ce type. Le couvercle s'ouvre.
  - Remplacer l'ancienne pile par une nouvelle pile compatible.
- B** Refermer le couvercle de la pile.

## ⚠ AVERTISSEMENT

Toute porte de garage en mouvement peut entraîner de graves blessures voire la mort.

- Ne laisser personne se tenir dans l'ouverture de la porte pendant qu'elle est en mouvement.
- Ne pas permettre aux enfants de jouer avec les télécommandes. Si le système d'inversion de sécurité ne fonctionne pas correctement, procéder comme suit:
- Fermer la porte et déconnecter l'ouvre-porte à l'aide du déclenchement d'urgence.
- Ne pas utiliser l'ouvre-porte, les télécommandes ni le pavé sans fil.
- Se reporter aux manuels d'utilisateur de l'ouvre-porte et de la porte avant de procéder à une réparation.

### Funcionnement de la télécommande

- A** Appuyer sur le bouton de la télécommande. La porte du garage bouge.
- B** Appuyer à nouveau sur le bouton. La porte du garage s'arrête.
- La porte s'arrête automatiquement à la fin d'un cycle d'ouverture ou de fermeture.
- C** Appuyer à nouveau sur le bouton. La porte du garage repart en arrière.
- D** Quw quelques télécommande sont équipées avec une lampe de poche. Le logo est le boton qui fonctionne la lumière. Il y a un rétroéclairage sous le bouton. Quand il n'allume pas, il indique les besoin de pile replacés



**ACERCA DE LA FRECUENCIA DOBLE  
TRANSMISORES REMOTOS**

**Su abrigo de la puerta del garaje representa un sistema doble extraordinario del mando a distancia de la frecuencia para el servicio segura en ondas hertzianas llenadas actuales. Ondas hertzianas atestadas pueden intervenir intermitentemente con su sistema del mando a distancia. La característica doble de la frecuencia reduce mucho la posibilidad de interferencia no deseada.**

**El receptor en el powerhead puede recibir las señales en 315 y 390 MHz. El telemando es el conjunto de la fábrica en 315 MHz. Vea la figura abajo para el interruptor de selector de frecuencia.**

**Cambe su frecuencia del mando a distancia cuando:**

- Remoto no tiene la gama adecuada.
- Trabajo remotos de forma contradictoria con batería fresca instalada - la reacción DIRIGIDA ilumina al apretar el botón.
- Programing su sistema de coche HomeLink®.

**Para programar un dispositivo de HomeLink® :**

- Use que un destornillador plano pequeño cambiar el selector de la frecuencia a 390 MHz.
- Sique las instrucciones de HomeLink® en su coche.
- Repone el frecuencia del mando a distancia a 315 MHz de diario.

**Transmitter Compliance Statement**

Transmitters comply with all United States and Canadian legal requirements as of the date of manufacture. No warranty is made that they comply with all legal requirements of any other jurisdiction. If transmitters are to be used in another country, the importer must determine compliance with any local laws and regulations which may differ from United States and Canadian requirements prior to use.

Los transmisores cumplen con todas las reglamentaciones legales de los Estados Unidos y del Canadá, en la fecha de fabricación. Ninguna garantía se da que cumplan con todas las reglamentaciones legales de ninguna otra jurisdicción. Si los transmisores se van a utilizar en otro país, el importador debe determinar si cumplen con las reglamentaciones y leyes locales que puedan ser diferentes a las reglamentaciones de los Estados Unidos y del Canadá, antes de usar los mismos.

Les émetteurs sont conformes à la réglementation américaine et canadienne à compter de leur date de fabrication. Aucune garantie n'est stipulée indiquant qu'ils sont conformes à toutes les prescriptions juridiques d'autres autorités. Si les émetteurs sont utilisés dans d'autres pays, il incombe à l'importateur d'en déterminer leur conformité aux lois et règles locales pouvant différer de celles des États-Unis et du Canada avant toute utilisation desdits émetteurs.

Sendegeräte entsprechen allen gesetzlichen Bestimmungen in den USA und Kanada zum Zeitpunkt der Herstellung. Wir übernehmen keine Gewährleistung für die Einhaltung aller gesetzlichen Bestimmungen in anderen Ländern. Sollen Sendegeräte in anderen Ländern eingesetzt werden, so muss der Importeur vor dem Gebrauch sicherstellen, dass die Sendegeräte auch solchen lokalen Bestimmungen entsprechen, welche von den Bestimmungen der USA und Kanadas abweichen.

截止于制造日期, 传动装置符合美国和加拿大的所有法律要求。不提供传动装置符合任何其他司法地区所有法律要求的担保。如果传动装置要在任何其他国家使用, 进口商必须在使用之前确定装置符合与美国和加拿大要求不同之所有地方法规条例。

トランスミッターは、製造日付けのアメリカ合衆国及びカナダの法的条件に準拠します。しかしながら、トランスミッターがアメリカ合衆国及びカナダ以外の国の法的条件に準拠するかどうかは一切保証できません。トランスミッターがアメリカ合衆国及びカナダ以外の国で使用される場合、同製品の使用に先立つ法規制がこれらの国々異なることがあるため、輸入者は同製品が輸入国の法規制に準拠することを確認しなければなりません。

트랜스미터들은 미국과 캐나다 전역에서 제조 날짜를 명기해야 하는 요구사항에 따라야 합니다. 기타 다른 관할권의 모든 법적인 요구 사항에 따라야 하는 책임은 없습니다. 만일 트랜스미터들이 기타 다른 지역에서 사용될 경우 수입업자는 사용하기에 앞서 미국과 캐나다와의 요구사항과는 다를지도 모르는 그 지역의 법과 조례에 따라야 할지의 여부를 결정해야 합니다.

**DE LA FRECUENCIA DOBLE EMETTEURS  
ELOIGNES**

**Votre ouvre-boîte de porte garage présente un système de télécommande de fréquence double unique pour le service fiable dans aujourd'hui s'ondes hertziennes bondées. Les ondes hertziennes surpeuplé peuvent interférer intermittemment avec votre système de télécommande. Overcrowded airwaves may intermittently interfere with GDO's remote control system. La caractéristique double de fréquence réduit fort la possibilité d'intervention superflue.**

**Le récepteur dans le powerhead peut recevoir des signaux à 315 et 390 MHz, L'éloigné est la série d'usine à 315 MHz, Voir la figure au dessous pour la commutateur de selector de fréquence.**

**Changer votre fréquence de télécommande quand:**

- Eloigné n'a pas la gamme suffisante..
- Travaux Eloignés en contradiction avec la pile fraîche installée - les réactions MENEES allument en haut en appuyant le bouton.
- Système du HomeLink® de votre voiture de programming.

**Pour programmer un appareil de HomeLink® :**

- Use qu'un petit tournevis plat pour changer le sélectionneur de fréquence à 390 MHz.
- Suivre les instructions de HomeLink® dans votre voiture.
- Remettre à l'état initial la fréquence de télécommande à 315 MHz pour l'usage de tous les jours.

**NOTA**

- Cada control remoto se debe programar separadamente.
- Los controles remotos no cerrarán el garaje si el sistema Safe-T-Beam® funciona mal.
- Programe los controles remotos estando por lo menos a 24" del alambre de antena.
- Si la luz indicadora de programar roja parpadea rápidamente, la programación se paró. Vuélva a empezar la programación.
- Cada botón en un control remoto de botones múltiples es para un abrigo diferente. No se puede usar más de un botón para el mismo abrigo.
- Un máximo de 7 controles remotos o teclados numéricos inalámbricos se pueden registrar en el receptor en un tiempo. Si el control remoto se pierde, o si desea borrar un control remoto o teclado numérico inalámbrico, vea "Para borrar toda la memoria del receptor."

**REMARQUE**

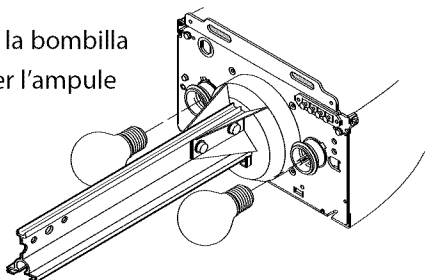
- Les télécommandes sont programmées individuellement.
- Les télécommandes ne fermeront pas la porte de garage si le système Safe-T-Beam® est défectueux.
- Programmer les télécommandes à une distance minimum de 60 cm de l'antenne.
- Si l'indicateur de programmation rouge clignote rapidement, la programmation s'est arrêtée. Recommencer la programmation.
- Chaque bouton de la télécommande à multi-boutons est destiné à un ouvre-porte différent. Vous ne pouvez utiliser qu'un bouton par ouvre-porte.
- Un total de 7 codes de télécommandes ou pavé sans fil peut être enregistré à la fois dans le récepteur. En cas de perte d'une télécommande ou pour effacer des données sur une télécommande ou un pavé sans fil, voir la section Effacement de la mémoire d'un récepteur.

**INSTALE LA LENTE Y LAS BOMBILLAS**

- A** Instale dos bombillas de 60 vatios (no se incluyen) en los casquillos (Figura 13):
- Se recomienda las bombillas reforzadas de 130 voltios.
- B** Tenga el lente, con las bisagras inferiores que señalan arriba, contra el metal de cabeza de poder la cubierta anterior (Figura 14).
- Meta (2) #8-32 x 3/8" Tornillos de cabeza de mal de ojo de Phillips por las bisagras y en los hoyos proporcionados en la metal la cubierta anterior (Figura 14). Apriete los tornillos.
  - Eche al aire lente arriba y abroche con (2) #8-32 x 3/8" tornillos de cabeza de carcerola de Phillips donde indicaron.

**Figura 13** Instale la bombilla

**Figure 13** Installer l'ampoule

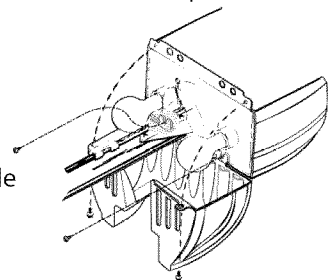


**INSTALLER LES AMPOULES ET LA LENTILLE**

- A** Installer deux ampoules de 60 Watts (no fournies) dans les douilles (Figure 13).
- Pour une utilisation intense, utiliser des ampoules de 130 V.
- B** Tenir la lentille, avec les gonds inférieurs indiquant en haut, contre la tête de pouvoir couverture de devant en métal (Figure 14).
- Insérer 2 (#8-32 x 3/8 po) vis de tête de sort à tête cruciforme par les gonds et dans les trous fournis dans la couverture de devant en métal (Figure 14).
  - La lentille de chiquenade et attache en haut avec 2 (#8-32 x 3/8 po) vis de tête de casserole à tête cruciforme où indique.

**Figura 14** Instale la lente

**Figure 14** Installer la lentille





**INSTRUCCIONES DE SEGURIDAD IMPORTANTES****⚠️ ADVERTENCIA****PARA REDUCIR EL RIESGO DE LESIONES GRAVES O LA MUERTE**

- 1 LEA Y SIGA TODAS LAS INSTRUCCIONES.
- 2 Nunca permita que los niños hagan funcionar o jueguen con los controles de la puerta. Mantenga el control remoto alejado de los niños.
- 3 Siempre mantenga a la vista la puerta en movimiento y alejada de personas y objetos hasta que la puerta esté totalmente cerrada. **NADIE DEBE CRUZAR LA TRAYECTORIA DE LA PUERTA EN MOVIMIENTO.**
- 4 **NUNCA VAYA DEBAJO DE UNA PUERTA PARADA, PARCIALMENTE ABIERTA.**
- 5 Pruebe mensualmente el abridor. La puerta **DEBE** invertir su recorrido al entrar en contacto con un objeto de 1-1/2" de altura (o un larguero de 2" x 4" puesto de plano) en el centro del vano de la puerta, sobre el piso. Después de ajustar la fuerza o el límite del recorrido, vuelva a probar el abridor de puertas. La falla de ajustar correctamente el abridor puede causar lesiones graves o la muerte.
- 6 Cuando sea posible use el desenganche de emergencia solamente cuando la puerta esté cerrada. Tenga cuidado cuando usa este desenganche con la puerta abierta. Los resortes rotos o débiles son capaces de aumentar la velocidad del cierre de la puerta y aumentan el riesgo de lesiones graves o la muerte.
- 7 **MANTENGA BIEN EQUILIBRADAS LAS PUERTAS DEL GARAJE.** Vea el manual del propietario. Una puerta mal equilibrada aumenta el riesgo de lesiones graves o la muerte. Tenga un agente autorizado de fábrica de Genie para hacer las reparaciones de cables, montajes de resortes y otros herrajes.
- 8 **GUARDE ESTAS INSTRUCCIONES.**

**⚠️ ADVERTENCIA**

Use la consola de pared que se incluye con el abridor. Cualquier otra consola de pared puede hacer que el abridor funcione inesperadamente y la luz deje de funcionar.

**MANTENIMIENTO PROGRAMADO**

- A Mensual:**
- Los resortes y herrajes de la puerta:
    - Aceite el rodillo de la puerta, cojinetes y bisagras usando lubricante de sílica o un aceite liviano.

**⚠️ ADVERTENCIA**

No haga funcionar la puerta automática o manualmente si los resortes están rotos. Comuníquese con el agente autorizado de fábrica de Genie para el servicio o llame al Servicio al cliente al 1-800-35-GENIE.

- Equilibre la puerta.
  - Cierre la puerta.
  - Desenganche el conjunto del corredizo del conjunto del riel estirando hacia debajo de la perilla de desenganche de emergencia.
  - Levante la puerta manualmente de 3' a 4' y verifique que la puerta se quede en esa posición. Vea la verificación del Paso 2 en la página 5.

**NOTA**

Cuando la puerta esté de 3' a 4' arriba del piso, la puerta debe permanecer abierta. Un movimiento ligero es aceptable. Si la puerta se mueve mucho, comuníquese con un agente autorizado de fábrica de Genie o llame al Servicio al cliente al 1-800-35-GENIE.

- Vuelva a acoplar el conjunto del corredizo al conjunto del riel.
  - a. Estire la perilla de desenganche de emergencia hacia la caja de control
  - b. Cierre la puerta.
- Prueba de inversión del recorrido.
  - Realice la instalación del Paso 2 en la página 10.

**⚠️ ADVERTENCIA**

Si la puerta falla en invertir el recorrido al entrar en contacto con el larguero, ajuste el control de fuerza de cerrar como se especifica en fijar los controles de interruptores limitadores y de fuerza, en la página 9. Si todavía el abridor falla al entrar en contacto con el larguero, comuníquese con un agente autorizado de fábrica de Genie para servicio o llame al Servicio al cliente al 1-800-35-GENIE.

**IMPORTANTES CONSIGNES DE SÉCURITÉ****⚠️ AVERTISSEMENT****POUR RÉDUIRE LES RISQUES DE BLESSURES GRAVES OU DE MORT**

- 1 LIRE ET RESPECTER TOUTES LES INSTRUCTIONS.
- 2 Ne jamais permettre aux enfants d'actionner ou de jouer avec les commandes de la porte. Garder les télécommandes hors de la portée des enfants.
- 3 Toujours garder en vue la porte en mouvement et tenir à l'écart toute personne ou objet jusqu'à ce que la porte soit totalement fermée. **NE JAMAIS PASSER SOUS LA PORTE EN MOUVEMENT.**
- 4 **NE JAMAIS PASSER SOUS UNE PORTE À L'ARRÊT PAR TIELLEMENT OUVERTE.**
- 5 Tester l'ouvre-porte tous les mois. La porte de garage **DOIT** inverser sa course au contact d'un objet de 4 cm (colombe de 2 sur 4) posé à plat sur le sol au centre de l'ouverture de la porte. Après avoir réglé la force ou la limite de la course, retester l'ouvre-porte de garage. Un mauvais réglage de l'ouvre-porte peut entraîner des blessures graves voire la mort.
- 6 Utiliser, dans la mesure du possible le déclenchement d'urgence uniquement lorsque la porte est fermée. Utiliser le déclenchement avec prudence lorsque la porte est ouverte. Des ressorts faibles ou brisés peuvent faire descendre la porte rapidement ce qui peut entraîner des blessures graves voire la mort.
- 7 **VEILLER À CE QUE LES PORTES SOIENT CORRECTEMENT ÉQUILIBRÉES.** Voir le Guide de l'utilisateur. Une porte déséquilibrée pourrait entraîner de graves blessures voire la mort. Demander à un revendeur agréé Genie de se charger des réparations des câbles, des ressorts et de toute autre quincaillerie.
- 8 **CONSERVER CES INSTRUCTIONS.**

**⚠️ AVERTISSEMENT**

Utiliser la console murale jointe à l'ouvre-porte. Toute autre console murale risque d'entraîner un fonctionnement inattendu de l'ouvre-porte et nuire au fonctionnement de l'éclairage.

**MAINTENANCE PÉRIODIQUE**

- A Mensuelle:**
- Ressorts et quincaillerie de la porte:
    - Graisser les rouleaux, roulements et charnières de la porte à l'aide d'un lubrifiant à la silicone ou huile légère.

**⚠️ AVERTISSEMENT**

Ne pas actionner la porte de garage automatiquement ou manuellement si les ressorts sont brisés. Contactez un revendeur agréé Genie ou le service clientèle Génie au 1-800-35-GENIE.

- Équilibrer la porte.
  - Fermer la porte.
  - Dégager le chariot du rail en tirant sur le bouton de déclenchement d'urgence.
  - Soulever la porte manuellement entre 7,5 et 10 cm et vérifier que la porte reste bien dans cette position. Voir l'étape 2 de la section des contrôles en page 5.

**REMARQUE**

Lorsque la porte se trouve à 7,5 et 10 cm au-dessus du sol, elle doit pouvoir rester ouverte. Un léger mouvement est acceptable. Si la porte se déplace de trop, contactez un revendeur agréé Genie ou le service clientèle Génie au 1-800-35-GENIE.

- Reconnecter le chariot au rail.
  - a. Tirer le bouton de déclenchement d'urgence vers la tête motorisée.
  - b. Fermer la porte.
- Test d'inversion au contact.
  - Exécuter l'étape 2 de réglage en page 10.

**⚠️ AVERTISSEMENT**

Si la porte ne repart pas en arrière au contact avec la planche, ajuster la commande de la force de fermeture selon les instructions stipulées en page 9. Si l'ajustement ne rectifie pas le problème, contactez un revendeur agréé Genie ou le service clientèle au 1-800-35-GENIE.

- B** Cada año.
- Quite el exceso de lubricante del tornillo de transmisión.
  - Lubrique el tornillo de transmisión con el lubricante (GLU-3).

- B** 1 fois par an.
- Nettoyer tout excès de lubrifiant de la vis d'entraînement.
  - Lubrifier la vis d'entraînement avec Lubricant (GLU-3).

### NOTA

Use ÚNICAMENTE el lubricante (GLU-3). Otros lubricantes pueden dañar el abrepuertas.

GLU-3 Lubrique



GLU-3 Lubrifiant

### NOTE

N'utiliser que Lubricant (GLU-3) pour la lubrification. D'autres marques risquent d'endommager l'ouvre-porte.

## CERTIFICACIÓN DE FCC Y DE IC

Todos los dispositivos cumplen con las Regulaciones de la FCC, Parte 15. El funcionamiento está sujeto a las dos condiciones siguientes: (1) este dispositivo puede no causar interferencia dañina y (2) este dispositivo debe aceptar cualquier interferencia recibida, incluyendo la interferencia que puede causar el funcionamiento indeseable.

- C** Según se necesite
- Cambie la bombilla

## CONFORME À LA RÉGLEMENTATION DE LA FCC ET DE L'IC

Les appareils sont conformes à la section 15 de la réglementation de la FCC. Son fonctionnement est sujet aux deux conditions suivantes : (1) cet équipement ne doit pas provoquer d'interférences néfastes, et (2) cet équipement doit accepter toutes les interférences reçues, y compris celles pouvant provoquer un fonctionnement non désiré.

- C** En fonction des besoins
- Remplacer l'ampoule

## GUÍA DE INVESTIGACIÓN DE AVERÍAS

### Investigación de averías de autodiagnóstico del sistema Safe-T-Beam®

Fuente (LED rojo)	Detector (LED verde)	Posible Problema	Solución
ENCENDIDA	ENCENDIDA	Operación normal	No requiere ninguna
APAGADA	APAGADO	<ul style="list-style-type: none"> <li>• Caja de control sin corriente eléctrica</li> <li>• Malo el cable de la caja de control</li> </ul>	<ul style="list-style-type: none"> <li>• Verifique los interruptores principales, fusibles, enchufes</li> <li>• Verifique los alambres si tienen corto circuitos</li> </ul>
APAGADA	ENCENDIDA	<ul style="list-style-type: none"> <li>• Cableado a la fuente falta o malo</li> <li>• La corriente ha sido interrumpida</li> </ul>	<ul style="list-style-type: none"> <li>• Verifique los alambres</li> <li>• Apague la electricidad y reaplique</li> </ul>
<b>2 PARPADEOS</b> , pausa (Repite)	ENCENDIDA	<ul style="list-style-type: none"> <li>• Haz luminoso no alineado</li> <li>• Haz luminoso obstruido</li> <li>• Detector defectuoso</li> </ul>	<ul style="list-style-type: none"> <li>• Verifique la fuente, alineación del detector</li> <li>• Verifique la obstrucción</li> <li>• Comuníquese con el Servicio al cliente</li> </ul>
<b>2 PARPADEOS</b> , pausa (Repite)	APAGADA	<ul style="list-style-type: none"> <li>• Alambre al detector falta o malo</li> <li>• Detector defectuoso</li> </ul>	<ul style="list-style-type: none"> <li>• Verifique los alambres</li> <li>• Comuníquese con el Servicio al cliente</li> </ul>
<b>3 PARPADEOS</b> , pausa (Repite)	ENCENDIDA	<ul style="list-style-type: none"> <li>• Detector recibe interferencia</li> </ul>	<ul style="list-style-type: none"> <li>• Determine la fuente de interferencia</li> <li>• Comuníquese con el Servicio al cliente</li> <li>• Verifique la luz solar u otro abridor en la puerta cercana</li> </ul>
<b>4 PARPADEOS</b> , pausa (Repite)	ENCENDIDA	<ul style="list-style-type: none"> <li>• La fuente no envía impulsos</li> <li>• Fuente defectuosa</li> </ul>	<ul style="list-style-type: none"> <li>• Comuníquese con el Servicio al cliente</li> <li>• Comuníquese con el Servicio al cliente</li> </ul>

## GUIDE DÉPANNAGE

### Dépannage auto-diagnostique du système Safe-T-Beam®

Source (diode rouge)	Détecteur (diode verte)	Problème possible	Solution
ALLUMÉ	ALLUMÉ	Fonctionnement normal	Aucune
ÉTEINTE	ÉTEINTE	<ul style="list-style-type: none"> <li>• Tête motorisée non alimentée</li> <li>• Mauvais câblage de la tête motorisée</li> </ul>	<ul style="list-style-type: none"> <li>• Inspecter le disjoncteur, les fusibles, les fiches</li> <li>• Inspecte le câblage pour détecter tout court-circuit</li> </ul>
ÉTEINTE	ALLUMÉE	<ul style="list-style-type: none"> <li>• Fil à la source absent ou mauvais</li> <li>• Alimentation coupée</li> </ul>	<ul style="list-style-type: none"> <li>• Inspecter le câblage</li> <li>• Couper le courant et remettre sous tension</li> </ul>
<b>2 CLIGNOTEMENTS</b> , pause et à nouveau	ALLUMÉE	<ul style="list-style-type: none"> <li>• Faisceau non-aligné</li> <li>• Faisceau obstrué</li> <li>• Détecteur défectueux</li> </ul>	<ul style="list-style-type: none"> <li>• Vérifier l'alignement source et détecteur</li> <li>• Vérifier la présence d'obstruction</li> <li>• Contacter le service clientèle</li> </ul>
<b>2 CLIGNOTEMENTS</b> , pause et à nouveau	ÉTEINTE	<ul style="list-style-type: none"> <li>• Fil au détecteur absent ou mauvais</li> <li>• Détecteur défectueux</li> </ul>	<ul style="list-style-type: none"> <li>• Inspecter le câblage</li> <li>• Contacter le service clientèle</li> </ul>
<b>3 CLIGNOTEMENTS</b> , pause et à nouveau	ALLUMÉE	<ul style="list-style-type: none"> <li>• Interférence captée par détecteur</li> </ul>	<ul style="list-style-type: none"> <li>• Déterminer la source d'interférence</li> <li>• Vérifier la lumière du jour ou la présence d'une autre ouvre-porte à proximité</li> <li>• Contacter le service clientèle</li> </ul>
<b>4 CLIGNOTEMENTS</b> , pause et à nouveau	ALLUMÉE	<ul style="list-style-type: none"> <li>• Source n'envoie pas d'impulsions</li> <li>• Source défectueuse</li> </ul>	<ul style="list-style-type: none"> <li>• Contacter le service clientèle</li> <li>• Contacter le service clientèle</li> </ul>

## Investigación de averías generales

Problema	Que debe hacer
El abridor no funciona desde el control de pared	<ol style="list-style-type: none"> <li>1. Verifique el conmutador de resorte en el afiche de instalación del control de pared.</li> <li>2. Verifique la fuente de corriente eléctrica: <ul style="list-style-type: none"> <li>• Si tiene conexión con enchufe a tierra. <ul style="list-style-type: none"> <li>– Enchufe una lámpara en el enchufe eléctrico usado para el abridor de puertas. <ol style="list-style-type: none"> <li>a. Si la lámpara se enciende, la fuente de corriente eléctrica es buena.</li> <li>b. Si la lámpara no se enciende, verifique el fusible o el interruptor principal.</li> </ol> </li> </ul> </li> <li>• Para la conexión de cableado permanente. <ul style="list-style-type: none"> <li>– Verifique el fusible o el interruptor principal.</li> </ul> </li> </ul> </li> <li>3. Verifique las conexiones (vea la instalación de la consola de pared en el afiche de instalación). <ul style="list-style-type: none"> <li>• En los terminales de la caja de control y del control de pared.</li> </ul> </li> </ol>
El abridor de puertas empieza sin razón aparente	<ol style="list-style-type: none"> <li>1. Verifique los alambres para asegurarse de que no estén cortados. (Las grapas pueden cortar el aislamiento y poner en cortocircuito los alambres). Cambie cualquier grapa en cortocircuito y los alambres afectados.</li> <li>2. ¿Se robó o perdió el control remoto? Si es afirmativo, borre todos los códigos de control remoto de la memoria del receptor y vuelva a programar para los controles remotos restantes. (Vea: Para borrar todos los remotos de la memoria de la caja de control, en la página 11).</li> <li>3. Asegúrese de que ninguno de los botones esté atascado "oprimido" en la consola de pared o en los controles remotos.</li> </ol>
La puerta empieza hacia abajo, luego se para antes de estar totalmente cerrada	<ol style="list-style-type: none"> <li>1. Verifique el ajuste del interruptor limitador de cerrar (la página 9 y el afiche). Ajuste según se requiera</li> <li>2. Verifique el ajuste de la fuerza (páginas 9 y 10). Ajuste según se requiera.</li> <li>3. Verifique si los alambres están en cortocircuito.</li> </ol>
La puerta empieza hacia abajo, luego se para y otra vez va arriba	<ol style="list-style-type: none"> <li>1. Si es una instalación nueva, verifique la posición del brazo de la puerta.</li> <li>2. Verifique el funcionamiento de la función de invertir el recorrido al entrar en contacto con un objeto.</li> <li>3. Verifique el sistema Safe-T-Beam® si el haz luminoso tiene obstrucción o mal alineados los lentes.</li> <li>4. Verifique el código diagnóstico del sistema Safe-T-Beam®</li> <li>5. Verifique el ajuste de la fuerza de cerrar (vea: Fije los interruptores limitadores y los controles de fuerza en las páginas 9 y 10). Ajuste según se requiera.</li> <li>6. Verifique la puerta del garaje si se traba.</li> </ol>
La puerta sólo funciona para cerrar	<ol style="list-style-type: none"> <li>1. Verifique el interruptor limitador de abrir si tiene cortocircuito y el alambre apropiado.</li> <li>2. Verifique el ajuste de la fuerza (vea Fije los interruptores limitadores y los controles de fuerza en las páginas 9 y 10). Ajuste según se requiera.</li> <li>3. Verifique la condición de la puerta del garaje y los resortes.</li> <li>4. <b>ADVERTENCIA: Si usted sospecha un problema con los resortes o el herraje de la puerta del garaje, comuníquese con el agente autorizado de fábrica Genie para el servicio, o comuníquese con el Servicio al cliente al 1-800-35-GENIE.</b></li> <li>5. Verifique la posición del interruptor de bloqueo en la consola.</li> </ol>
La puerta sólo funciona para abrir	<ol style="list-style-type: none"> <li>1. Verifique el sistema Safe-T-Beam® como se detalló en la Tabla de investigación de averías de autodiagnóstico del sistema Safe-T-Beam®, página 15. ¿?</li> <li>2. Verifique el interruptor limitador de cerrar si tiene cortocircuito y el alambre apropiado.</li> <li>3. Verifique el ajuste de la fuerza (vea Fije los interruptores limitadores y los controles de fuerza en las páginas 9 y 10). Ajuste según se requiera.</li> </ol>
Las luces no se encienden	<ol style="list-style-type: none"> <li>1. Desconecte los alambres que conectan el botón pulsador a la caja de control (vea el afiche de Instalación del botón pulsador). Verifique su condición y cambie o reconecte.</li> <li>2. Hasta que se pueda obtener otra consola de pared de reemplazo, desconecte la consola de pared y use solamente los controles remotos o el teclado numérico inalámbrico para hacer funcionar el abridor.</li> <li>3. Verifique la compatibilidad del control de pared.</li> </ol>
La puerta empieza a subir, pero se para antes de abrirse totalmente	<ol style="list-style-type: none"> <li>1. Verifique (asegúrese de) que la puerta del garaje y el abridor estén en buenas condiciones, bien lubricados y correctamente equilibrados como se detalló en la sección de mantenimiento.</li> <li>2. <b>ADVERTENCIA: Si usted sospecha un problema con los resortes o el herraje de la puerta del garaje, comuníquese con el agente autorizado de fábrica Genie para el servicio, o comuníquese con el Servicio al cliente al 1-800-35-GENIE.</b></li> <li>3. Verifique el interruptor limitador de abrir si tiene un cortocircuito y el alambre apropiado.</li> <li>4. Verifique el ajuste de la fuerza de abrir (vea: Fije los interruptores limitadores y los controles de fuerza en las páginas 9 y 10). Ajuste según se requiera.</li> </ol>
El operador funciona, pero la puerta no se mueve	<ol style="list-style-type: none"> <li>1. Asegúrese de que el conjunto de corredizo esté enganchado al deslizador del corredizo (vea la Instalación del conjunto del corredizo en los rieles en el afiche de instalación).</li> <li>2. Verifique el ajuste de la fuerza (vea: Fije los interruptores limitadores y los controles de fuerza en las páginas 9 y 10). Ajuste según se requiera.</li> </ol>
No funciona la función de la cerradura de seguridad para vacaciones	<ol style="list-style-type: none"> <li>1. Asegúrese de que el conjunto del corredizo esté en contacto con el interruptor limitador de cerrar.</li> <li>2. Verifique cuando la puerta esté totalmente cerrada, que el corredizo active el interruptor limitador de cerrar. Si no es así, ajuste la posición del interruptor limitador de cerrar (vea las páginas 9 y 10).</li> </ol>
Funcionamiento ruidoso	<ol style="list-style-type: none"> <li>1. Asegúrese de que todos los herrajes estén apretados.</li> <li>2. Verifique (asegúrese de) que la puerta del garaje y el abridor estén en buenas condiciones, lubricados apropiadamente y equilibrados correctamente como se describió en la sección de mantenimiento (página 13).</li> </ol>

## Résolutions des problèmes

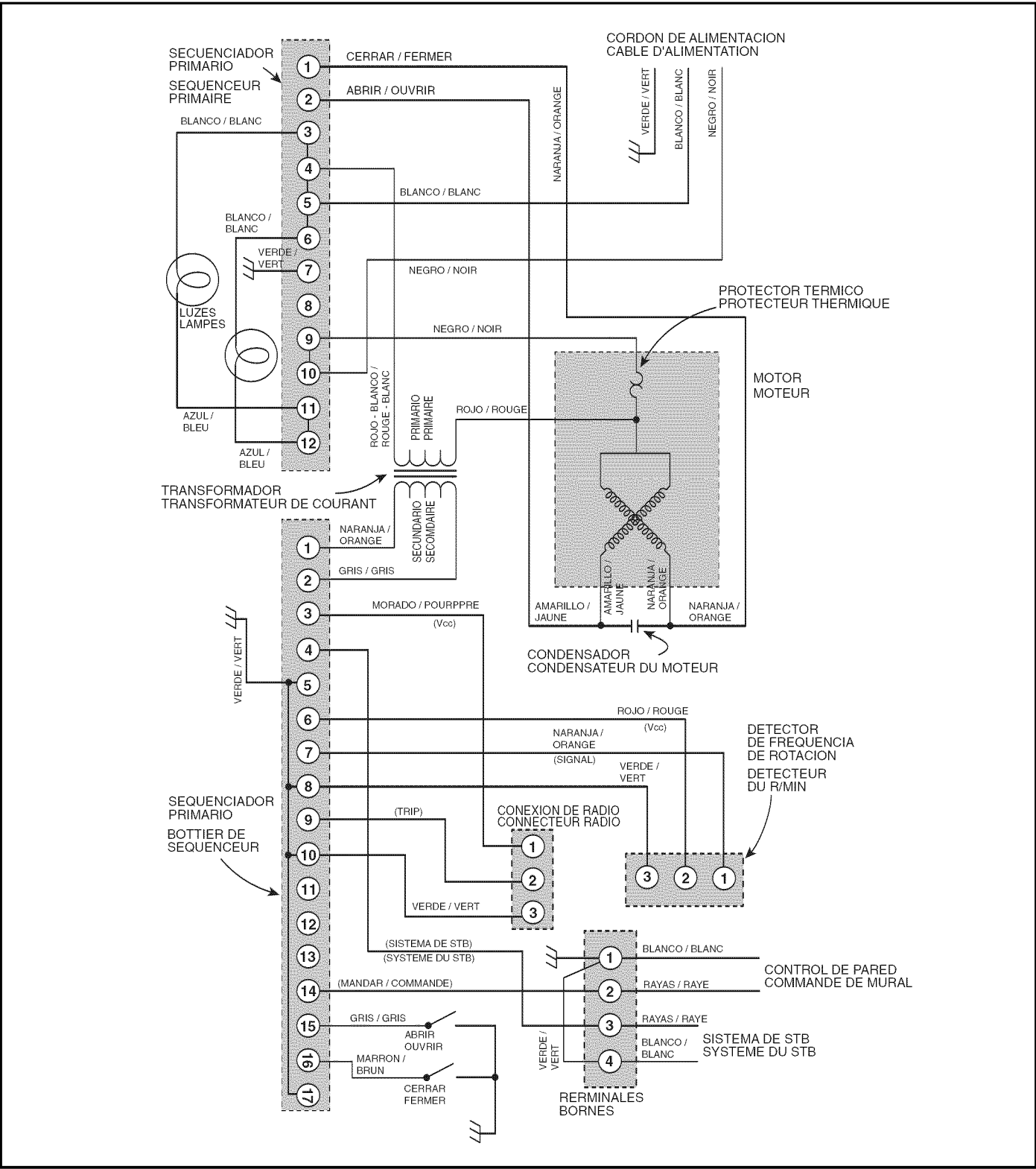
Problème	Que faut-il faire
L'ouvre-porte ne répond pas à la commande murale	<ol style="list-style-type: none"> <li>1. Vérifier l'interrupteur de blocage sur le poster d'installation de la commande murale.</li> <li>2. Vérifier la source d'alimentation: <ul style="list-style-type: none"> <li>• Connexion via la fiche mise à la terre. <ul style="list-style-type: none"> <li>– Brancher une lampe dans la prise utilisée pour l'ouvre-porte. <ol style="list-style-type: none"> <li>a. Si la lampe s'allume, il n'y a pas de problème d'alimentation.</li> <li>b. Dans le cas contraire, vérifier le fusible ou le disjoncteur.</li> </ol> </li> </ul> </li> <li>• Connexion via un câblage permanent. <ul style="list-style-type: none"> <li>– Vérifier le fusible ou le disjoncteur.</li> </ul> </li> </ul> </li> <li>3. Vérifier les connexions (voir l'installation de la commande murale sur le poster) <ul style="list-style-type: none"> <li>• Bornes de la tête motorisée et commande murale.</li> </ul> </li> </ol>
L'ouvre-porte s'actionne sans raison	<ol style="list-style-type: none"> <li>1. Vérifier que les fils ne sont pas coupés (les agrafes peuvent traverser l'isolant et court-circuiter les fils). Remplace les agrafes endommagées et les fils court-circuités.</li> <li>2. Une télécommande a-t-elle été perdue ou volée ? Si c'est le cas, effacer tous les codes de la télécommande enregistrés dans le récepteur et reprogrammer pour les autres télécommandes. (voir la section sur l'effacement des mémoires du récepteur en page 11).</li> <li>3. S'assurer qu'aucun bouton n'est coincé sur la console murale ou les télécommandes.</li> </ol>
La porte commence à descendre mais s'arrête avant d'être totalement fermée	<ol style="list-style-type: none"> <li>1. Vérifier le réglage du contact de fin de course de fermeture (page 9). Effectuer les ajustements nécessaires.</li> <li>2. Vérifier le réglage de la force (pages 9 et 10). Effectuer les ajustements nécessaires.</li> <li>3. Inspecter pour détecter tout court-circuit.</li> </ol>
La porte commence, s'arrête et remonte	<ol style="list-style-type: none"> <li>1. Dans le cas d'une nouvelle installation, vérifier la position du bras de la porte.</li> <li>2. Vérifier l'inversion au contact.</li> <li>3. Contrôler le fonctionnement du système Safe-T-Beam® pour détecter toute obstruction ou mauvais alignement des lentilles..</li> <li>4. Vérifier le système auto-diagnostique du Safe-T-Beam®.</li> <li>5. Vérifier le réglage de la force de fermeture (voir la section sur le réglage des contacts de fin de course et les commandes de force en pages 9 et 10). Effectuer les ajustements nécessaires.</li> <li>6. Vérifier si la porte coince.</li> </ol>
La porte se ferme seulement	<ol style="list-style-type: none"> <li>1. Vérifier le contact de fin de course Open afin de localiser tout fil court-circuité et garantir de bonnes connexions.</li> <li>2. Vérifier le réglage de la force d'ouverture (voir la section sur le réglage des contacts de fin de course et les commandes de force en pages 9 et 10). Effectuer les ajustements nécessaires.</li> <li>3. Vérifier l'état de la porte de garage et des ressorts de la porte.</li> <li>4. <b>AVERTISSEMENT: Si vous suspectez un problème avec la quincaillerie ou les ressorts de la porte du garage, contactez un revendeur agréé Genie ou le service clientèle Genie au 1-800-35-GENIE</b></li> <li>5. Vérifier la position de l'interrupteur de verrouillage sur la console.</li> </ol>
La porte s'ouvre seulement	<ol style="list-style-type: none"> <li>1. Inspecter le système Safe-T-Beam® System selon les instructions du tableau Dépannage auto-diagnostique de Safe-T-Beam® (voir page 15).</li> <li>2. Vérifier le contact de fin de course Close afin de localiser tout fil court-circuité et garantir de bonnes connexions.</li> <li>3. Vérifier le réglage de la force de fermeture (voir la section sur le réglage des contacts de fin de course et les commandes de force en pages 9 et 10). Effectuer les ajustements nécessaires.</li> </ol>
Les lumières ne s'éteignent pas	<ol style="list-style-type: none"> <li>1. Déconnecter les fils entre le bouton et la tête motorisée (voir la section sur l'installation des boutons sur le poster).</li> <li>2. Jusqu'à ce que la console murale soit remplacée, déconnecter la console et n'utilise que les télécommandes ou le pavé sans fil pour faire fonctionner l'ouvre-porte.</li> <li>3. Vérifier la compatibilité de la commande murale.</li> </ol>
La porte commence à monter mais s'arrête avant d'être complètement ouverte	<ol style="list-style-type: none"> <li>1. Veiller à ce que la porte et l'ouvre-porte soient en bon état, bien lubrifiés et que la porte est équilibrée (voir la section sur la maintenance).</li> <li>2. <b>AVERTISSEMENT: Si vous suspectez un problème avec la quincaillerie ou les ressorts de la porte du garage, contactez un revendeur agréé Genie ou le service clientèle Genie au 1-800-35-GENIE.</b></li> <li>3. Vérifier le contact de fin de course Open afin de localiser tout fil court-circuité et garantir de bonnes connexions.</li> <li>4. Vérifier le réglage de la force d'ouverture (voir la section sur le réglage des contacts de fin de course et les commandes de force en pages 9 et 10). Effectuer les ajustements nécessaires.</li> </ol>
L'opérateur fonctionne mais la porte ne bouge pas	<ol style="list-style-type: none"> <li>1. S'assurer que le chariot est engagé sur la glissière du chariot (voir la section Installation du chariot sur les rails sur le poster d'installation).</li> <li>2. Vérifier le réglage de la force (voir la section sur le réglage des contacts de fin de course et les commandes de force en pages 9 et 10). Effectuer les ajustements nécessaires.</li> </ol>
Le verrouillage de sécurité pour vacances sur la commande murale ne fonctionne pas	<ol style="list-style-type: none"> <li>1. S'assurer que le chariot touche le contact de fin de fin de course de fermeture.</li> <li>2. S'assurer avec la porte est totalement fermée, que le chariot active bien le contact de fin de course de fermeture. Dans le cas contraire, régler la position du contact de fin de course de fermeture (voir pages 9 et 10).</li> </ol>
Fonctionnement bruyant	<ol style="list-style-type: none"> <li>1. Veiller à ce que toutes les attaches soient bien serrées.</li> <li>2. Veiller à ce que la porte et l'ouvre-porte soient en bon état, bien lubrifiés et que la porte est équilibrée (voir la section sur la maintenance en page 13).</li> </ol>

# DIAGRAMA DE CONEXIONES

**! ADVERTENCIA** Al abrir la tapa pueden ocurrir choques eléctricos

# SCHEMA DE CABLAGE

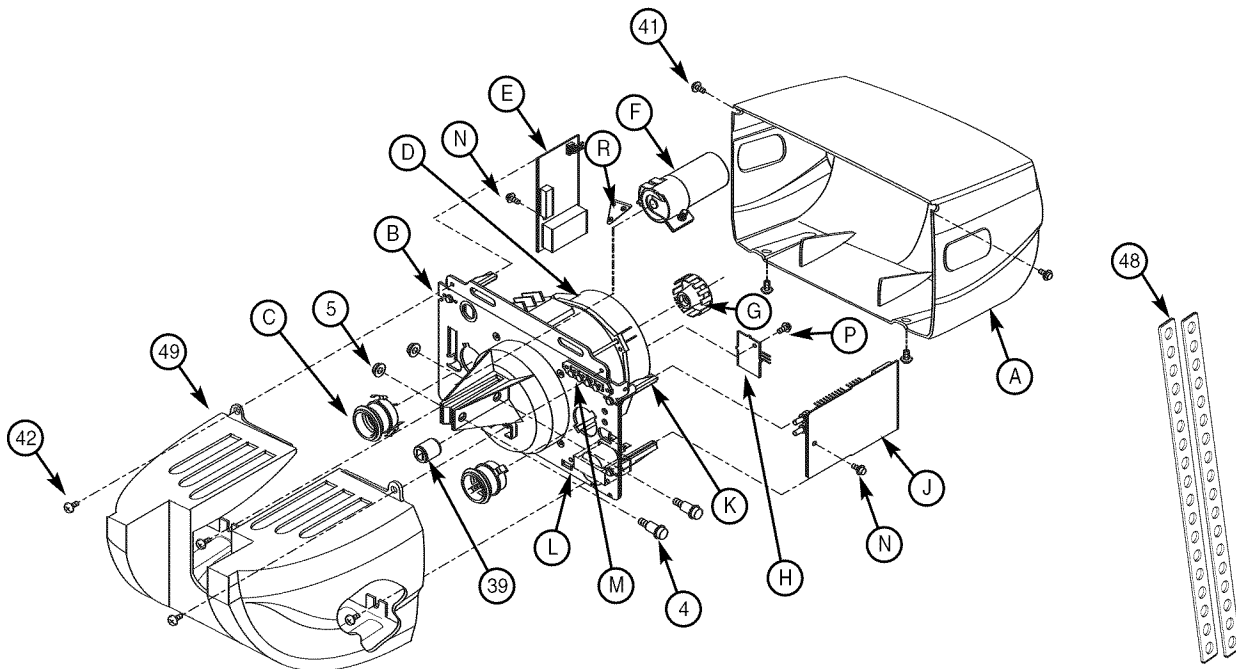
**! AVERTISSEMENT** L'ouverture du couvercle peut entraîner des chocs électriques.



# IDENTIFICACIÓN DE PIEZAS

## CAJA DE CONTOLE

[1] Conjunto de la caja de control



### Lista de piezas de la caja de control

Ítem	Nombre de la pieza	Número incluido
1	Conjunto de la caja de control	1
A	Tapa (por modelo de serie)	1
B	Conjunto de la placa frontal	1
C	Casquillo de la luz	2
D	Piezas del motor	1
E	Conjunto del receptor	1
F	Condensador (por modelo de serie)	1
G	Rueda aislada ópticamente	1
H	Conjunto Opto-Luctor	1
J	Conjunto secuenciador	1
K	Soporte del tablero de circuitos	4
L	Transformador	1
M	Regleta de terminales	1
N	Tornillo de cabeza hexagonal No. 8-32 x 1/2" con arandela de seguridad	1
P	Tornillo de cabeza hexagonal ranurada No. 8-32 x 3/8" con arandela de seguridad	1
R	Disyuntor del condensador	1
4	Perno de tope de 1/4-20	2
5	Tuerca de reborde de 1/4"	2
39	Acoplador	1
41	Tornillo de cabeza hexagonal Phillips No. 8-32 x 3/8"	4
42	Tornillo de cabeza troncocónica Phillips No. 8-32 x 3/8"	2
48	Correas o abrazaderas de montaje	2
49	Lente de luz	1

# IDENTIFICATION DES PIÈCES

## TÊTE MOTORISÉE

[1] Tête motorisée

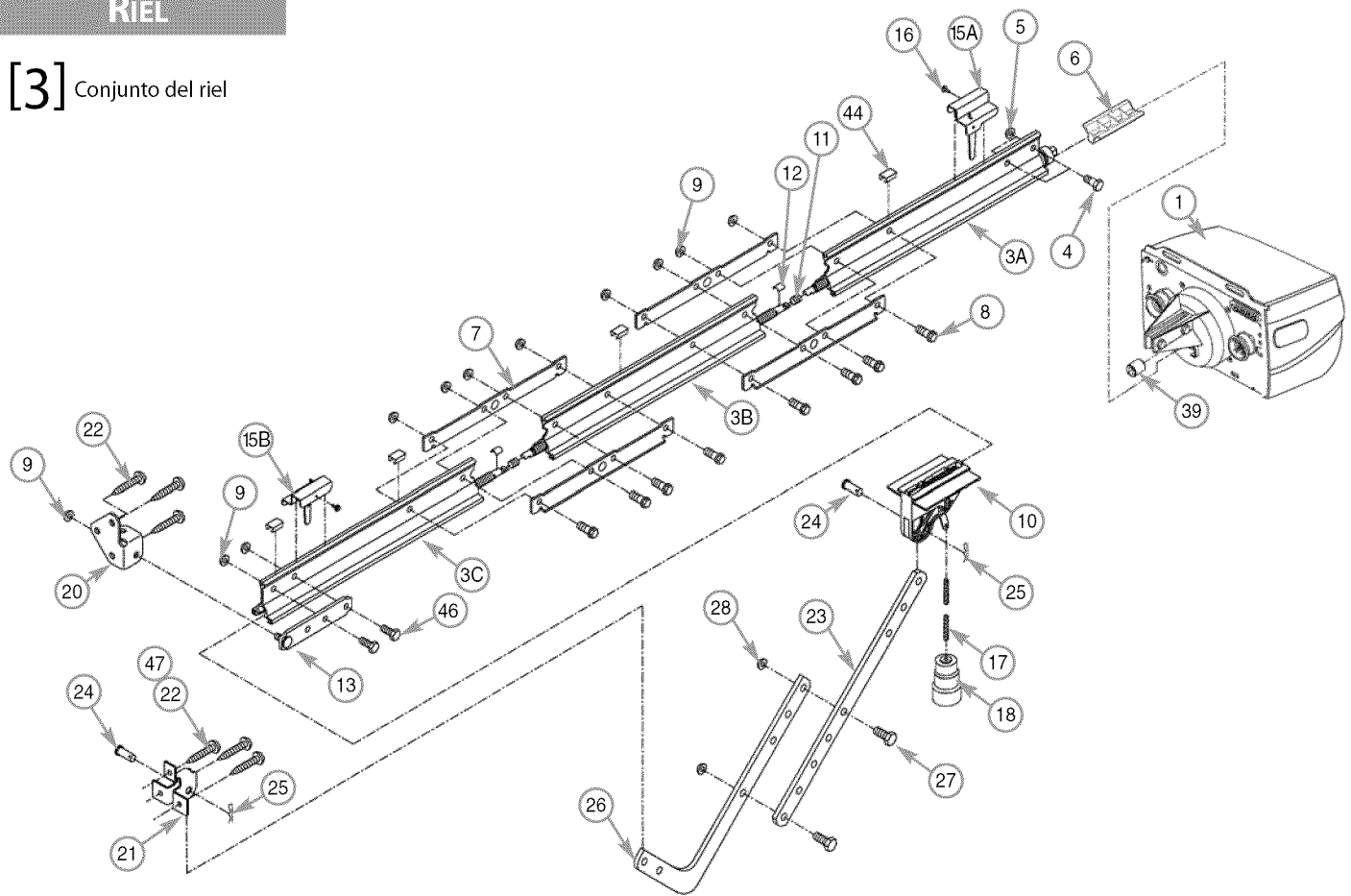
### Nomenclature des pièces de la tête motorisée

Élément	Nom de la pièce	Numéro inclus
1	Tête motorisée	1
A	Couvercle (par série/modèle)	1
B	Plaque avant	1
C	Douille	2
D	Pièces du moteur	1
E	Récepteur	1
F	Condensateur (par série/modèle)	1
G	Roue Opto	1
H	Opto-Luctor	1
J	Séquenceur	1
K	Support carte circuit imprimé	4
L	Transformateur	1
M	Bornier	1
N	Vis à tête hexagonale no 8-32 x 1/2 po a/c rondelle de blocage	1
P	Vis fendue à tête hexagonale no 8-32 x 3/8 po a/c rondelle de blocage	1
R	Isolateur du condensateur	1
4	Boulon à épaulement 1/4-20	2
5	Écrous à collet 1/4" po	2
39	Coupleur	1
41	Vis fendue à tête hexagonale Phillips 8-32 x 3/8 po	4
42	Brides de montage	2
48	Vis fendue à tête cylindrique Phillips 8-32 x 3/8 po	2
49	Lentille lumière	1

# IDENTIFICACIÓN DE PIEZAS

## RIEL

### [3] Conjunto del riel



### Lista de piezas

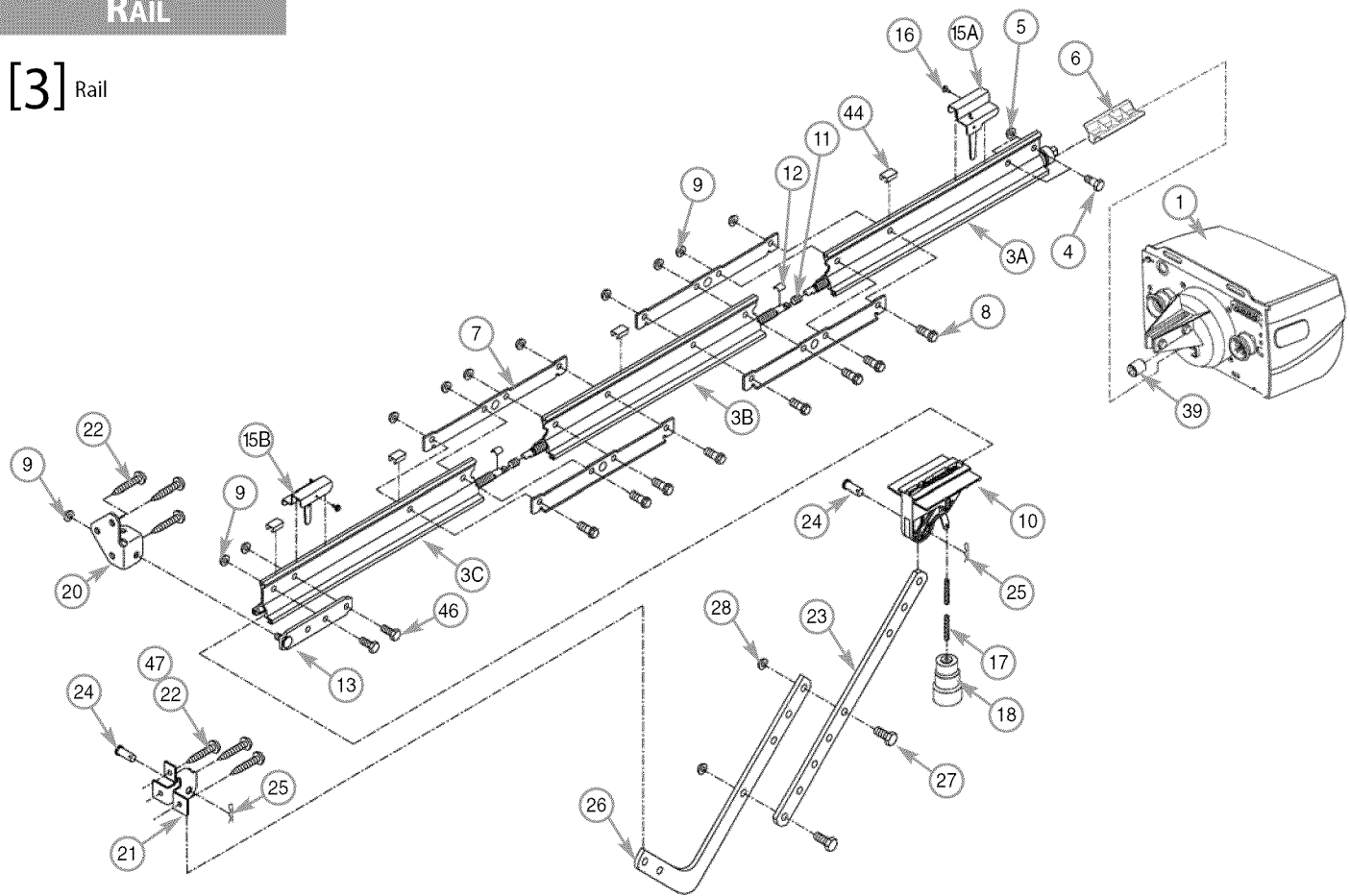
Ítem	Nombre de la pieza	Número incluido
1	Conjunto de la caja de control (vea la pág.5)	1
3	Conjunto del riel (3 piezas)	1
3A	Primera sección del riel	1
3B	Sección intermedia del riel	1
3C	Sección extrema del riel	1
4	Perno de tope de cabeza hexagonal de 1/4"-20	2
5	Tuerca de reborde hexagonal de 1/4"-20	2
6	Parada del corredizo	1
7	Abrazadera del riel	4
8	Perno de tope de cabeza hexagonal de 5/16"	8
9	Tuerca de reborde hexagonal de 5/16"	13
10	Conjunto del corredizo	1
11	Collar	2
12	Sujetador de retención	2
13	Correa del riel	1
15A	Conjunto del interruptor limitador de abrir (gris)	1
15B	Conjunto del interruptor limitador de cerrar (marrón)	1
16	Tornillo de cabeza hexagonal #8-32 x 3/8"	2
17	Cordón de desenganchar de emergencia	1
18	Perilla de desenganchar de emergencia	1
19	Etiqueta de desenganchar de emergencia (no se muestra)	1
20	Soporte del travesaño	1
21	Soporte de la puerta	1
22	Pija de 1/4"x 2"	8
23	Brazo recto de la puerta	1

Ítem	Nombre de la pieza	Número incluido
24	Pasador de horquilla	2
25	Chaveta de dos patas	2
26	Brazo curvo de la puerta	1
27	Perno de cabeza hexagonal de 3/8"x 7/8"	2
28	Tuerca de reborde hexagonal de 3/8"	2
29	Alambre (no se muestra)	± 95 pies
30	Grapas aislantes (no se muestra)	± 30
31	Botón de pared (no se muestra)	Varía
33	Consola de pared (no se muestra)	Varía
34	Tornillo de cabeza troncocónica #6 x 1-1/4"	2
35	Etiqueta de ADVERTENCIA de atrapar (no se muestra)	1
36	Detector de Safe-T-Beam (STB) (diodo luminiscente verde) (no se muestra)	1
37	Fuente de Safe-T-Beam (STB) (diodo luminiscente rojo) (no se muestra)	1
38	Soporte de Safe-T-Beam (no se muestra)	2
39	Acoplador	1
40	Tornillo de cabeza hexagonal Phillips #10 x 1-1/4"	4
41	Tornillo de cabeza hexagonal #8 x 3/8"	4
42	Tornillo de cabeza troncocónica #8 x 3/8"	2
43	Guía de seguridad y mantenimiento (no se muestra)	1
44	Grapa para alambre	4
46	Perno de cabeza hexagonal de 5/16"x 3/4"	5
47	Tornillo autorroscante de 1/4"-20 x 3/4"	3
48	Correas o abrazaderas de montaje	2
49	Lente de luz (vea la página 5)	1
50	Control remoto (no se muestra)	Varía

# IDENTIFICATION DES PIÈCES

## RAIL

### [3] Rail



### Liste des pièces

Élément	Nom de la pièce	Numéro Inclus
1	Tête motorisée (voir page 5)	1
3	Rail (3 pièces)	1
3A	Première section du rail	1
3B	Deuxième section du rail	1
3C	Troisième section du rail	1
4	Boulon à épaulement à tête hexagonale 1/4" po-20	2
5	Écrous à collet à tête hexagonale 1/4" po-20	2
6	Butée de chariot.	1
7	Pincés de rail	4
8	Boulons à épaulement à tête hexagonale 5/16 po	8
9	Ecrou à collet à tête hexagonale 5/16 po-18	13
10	Chariot	1
11	Collier	2
12	Agrafe de butée	2
13	Bride de rail	1
15A	Contact de fin de course d'ouverture (gris)	1
15B	Contact de fin de course de fermeture (marron)	1
16	Vis à tête hexagonale no 8 x 3/8 po	2
17	Cordon de déclenchement d'urgence	1
18	Bouton de déclenchement d'urgence	1
19	Étiquette de déclenchement d'urgence (pas illustrée)	1
20	Support de linteau	1
21	Support de porte	1
22	Vis tire-fond 1/4 x 2 po	8
23	Bras droit de la porte	1

Élément	Nom de la pièce	Numéro Inclus
24	Axe de chape	2
25	Goupille fondue	2
26	Bras courbé de la porte	1
27	Boulon à tête hexagonale 3/8 po x 7/8 po	2
28	Ecrou à collet à tête hexagonale 3/8 po	2
29	Fil (pas illustré)	± 95 pi
30	Agrafe isolée (pas illustrées)	± 30
31	Commande murale (pas illustrée)	varie
33	Console murale (pas illustrée)	varie
34	Console murale (pas illustrée)	2
35	Étiquette d'AVERTISSEMENT en cas de coinçage (pas illustrée)	1
36	Détecteur Safe-T-Beam® (STB) (diode verte) (pas illustré)	1
37	Source Safe-T-Beam® (diode rouge) (pas illustré)	1
38	Support Safe-T-Beam® (pas illustré)	2
39	Coupleur	1
40	Vis Phillips à tête hexagonale no 10 x 1-1/4 po	4
41	Vis à tête hexagonale no 8 x 3/8 po	4
42	Vis à tête cylindrique no 8 x 3/8 po	2
43	Guide d'entretien et de sécurité (pas illustré)	1
44	Attache métallique	4
46	Boulon à tête hexagonale 3/5 po x 3/4 po	5
47	Vis auto-taraudeuse de 1/4-20 x 3/4 po	3
48	Brides de montage	2
49	Lentille (voir page 5)	1
50	Télécommande (pas illustré)	varie