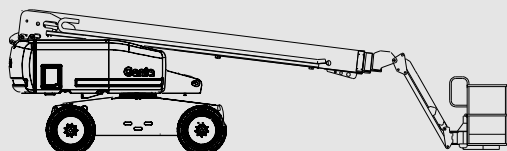
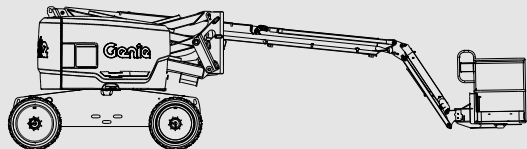


Maintenance Manual - Booms

S® Booms



Z® Booms



Refer to the inside cover for a list of models included in this manual.

This manual includes detailed procedures for each maintenance inspection.

For Repair procedures, Fault Codes, Electrical and Hydraulic Schematics, refer to the appropriate Service and Repair Manual for your machine.

Part No. 1268489GT
Rev J
May 2020

Introduction

Important

Read, understand and obey the safety rules and operating instructions in the appropriate Operator's Manual on your machine before attempting any maintenance procedure.

This manual provides detailed scheduled maintenance information for the machine owner and user.

Basic mechanical, hydraulic and electrical skills are required to perform most procedures. However, several procedures require specialized skills, tools, lifting equipment and a suitable workshop. In these instances, we strongly recommend that maintenance be performed at an authorized Genie dealer service center.

Compliance

Machine Classification

Group B/Type 3 as defined by ISO 16368

Machine Design Life

Unrestricted with proper operation, inspection and scheduled maintenance.

Technical Publications

Genie has endeavored to deliver the highest degree of accuracy possible. However, continuous improvement of our products is a Genie policy. Therefore, product specifications are subject to change without notice.

Readers are encouraged to notify Genie of errors and send in suggestions for improvement. All communications will be carefully considered for future printings of this and all other manuals.

Contact Us:

Internet: www.genielift.com

E-mail: awp.techpub@terex.com

Copyright © 2015 by Terex Corporation

1268489GT Rev J, May 2020

First Edition, Ninth Printing

Genie, "S" and "Z" are registered trademarks of Terex South Dakota, Inc. in the U.S.A. and many other countries.

"TraX" and "XC" are trademarks of Terex South Dakota, Inc.

Introduction

Models included in this manual

Use the following chart to identify the specific serial number for models included in this manual.

Models	Serial number
S-40, S-45, S-40HF, S-45HF, S-40XC, S-45XC	from S4015-20505 to S4016H-23499 from S4515-20505 to S4516H-23499 from S40H-23500 from S45H-23500 from S40XCH-101 from S45XCH-101
S-60, S-65, S-60HF, S-65HF, S-60J, S-60X, S-60XC, S-65XC	from S6013-26296 to S6016-31260 from S6016N-31261 to S6016N-35000 from S6016H-35001 to S6016H-36399 from S6014D-101 to S6016D-639 from S6016M-101 to S6016M-399 from S60X13-26296 to S60X16H-36399 from S60XC13-26296 to S60XC16H-36399 from S60HC13-26296 to S60HC15A-29544 from S60TX13-26296 to S60TX16H-36399 from S60TX14D-101 to S60TX16D-639 from S65TX13-26296 to S65TX16H-36399 from S65TX14D-101 to S65TX16D-639 from S60H/S60X/S60TX/S65TXH-36400 from S60XCH-36400 to S60XCH-45000 from S60XCH/S65XCH-45001 from S60/S60TX/S60XD-640 from S60JH-101 from S60M-400 from S65XCM-101 from S65TXM-101
S-80, S-85, S-80X, S-80XC, S-85XC, S-80HF, S-85HF	from S80/85/80X15-12264 to16H-13999 from S80/85/80X15D-101 to 16D-339 from S80/85/80XH-14000 from S80/85/80XD-340 from S80/85XCH-101
S-100, S-105	from S10015D-1001 to S10016D-1549 from S10515D-983 to S10516D-1549 from S100D-1550 from S105D-1550
S-120, S-125	from S12015D-1012 to S12016D-1549 from S12515D-984 to S12516D-1549 from S120D-1550 from S125D-1550
S-100HD, S-120HD	from S100HD14D-200 to S100HD16D-229 from S120HD14D-201 to S120HD16D-229 from S100/S120HDD-230

SX-105 XC	from SX105D-101
SX-125 XC	from SX125D-101
SX-135 XC	from SX135H-101
SX-150	from SX15015-100 to SX15016H-499 from SX150H-500
SX-180	from SX18014-101 to SX18016H-599 from SX180H-600

Introduction

Z-30/20N, Z-30/20N RJ	from Z30N14-15222 to Z30N16F-18899 from Z30N16D-104 to Z30N16D-199 from Z30NF-18900 from Z30ND-200
Z-33/18	from Z331815M-101 to Z331816M-1299 from Z3318M-1300
Z-34/22 DC	from Z3414-9686 to Z3416F-11999 from Z34F-12000
Z-34/22 N	from Z34N14-10984 to Z34N16F-13999 from Z34N15D-102 to Z34N16D-279 from Z34NF-14000 from Z34ND-280
Z-34/22 IC	from Z3406-4800 to Z3413-9460 from Z3413-9461 to Z3415-10688 from Z3416F-10689 to Z3416F-11999 from Z34F-12000
Z-34/22 BE	from Z3414-9686 to Z3416F-11999 from Z34F-12000
Z-40/23N RJ	from Z40N13-1902 to Z40N16N-4499 from Z40NN-4500
Z-45/25 DC, Z-45/25J DC	from Z452513A-48153 to Z452516N-57199 from Z452513B-3078 to Z452516M-6699 from Z452513D-101 to Z452516D-939 from Z4525D-940 from Z4525M-6700 from Z4525N-57200 to Z4525N-58604 from Z4525F-58605
Z-45/25 IC, Z-45/25J IC, Z-45HF, Z-45XC	from Z452513A-47001 to Z452516N-57199 from Z452514B-3301 to Z452516M-6699 from Z452513D-101 to Z452516D-939 from Z4525D-940 from Z4525M-6700 from Z4525N-57200 to Z4525N-58604 from Z4525F-58605 from Z4525XCF-101 from Z4525XCM-101

Z-45/25(J) BE	from Z452513A-48153 to Z452516N-57199 from Z4525N-57200 to Z4525N-58604 from Z4525F-58605 from Z4525M-6700
Z-45 DC, Z-45 FE	from Z45EM-101
Z-51/30J	from Z513014B-1201 to Z5130M-2000 from Z5130M-2000
Z-60/37 DC, Z-60/37 FE	from Z6016N-101 to Z6016N-599 from Z60N-600 to Z60N-700 from Z60H-701
Z-62/40	from Z6215A-101 to Z6216N-2999 from Z6216D-101 to Z6216D-149 from Z6216M-101 to Z6216M-399 from Z62D-150 from Z62H-3000 from Z62M-400
Z-80/60	from Z8013-4592 to Z8016H-6399 from Z80H-6400
Z-135/70	from Z13505-101 to Z13513-2000
ZX-135/70	from ZX13514-2533 to ZX13516H-3199 (includes 2463, 2469, 2531) from ZX135H-3200

Introduction

Identifying the Correct Procedure for your Model

Unless otherwise noted, each procedure will apply to all models. Procedures that only apply to specific models or options will include the information in the procedure title.

Examples of procedures that apply to specific models:

- Test the Engine Idle Select - **Engine Models**
- Test the Turntable Level Sensor - **Z-80/60**
- **ALC600 Models**, include the following models: S-40HF, S-45HF, S-40 XC, S-45 XC, S-60HF, S-65HF, S-60J, S-60 XC from S60XCH-45001, S-65 XC, S-80HF, S-85HF, S-80 XC and S-85 XC.
- **ALC1000 Models**, include the following models: S-100, S-100HD, S-105, S-120, S-120HD, S-125, SX-105 XC, SX-125 XC, SX-135 XC, SX-150, SX-180, Z-80/60, Z-135/70 and ZX-135/70.

Examples of procedures that apply to all models:

- Test the Drive Speed – Stowed Position
- Inspect the Tires, Wheels and Lug Nut Torque

Find additional Manuals for your Model

Go to <http://www.genielift.com>

Use the links to locate Service Manuals, Maintenance Manuals, Service and Repair Manuals, Parts Manuals and Operator's Manuals.

Introduction

Revision History

Revision	Date	Section	Procedure / Description
A	9/2015		Initial Release
A1	10/2015	Quarterly	Q-27 Test the Primary Angle Sensor
A2	11/2015	Specifications	Hydraulic and Drive Hub Capacities
A3	11/2015	Introduction	Updated Z-80/60 serial number for models included
A4	12/2015	Quarterly	Q-17 Inspect the Calibration Decal
A5	1/2016	Specifications	Performance Spec. Z62
B	3/2016	All Sections	Add Z-60 DC/FE
		Specifications	Add Kubota D1105-E4B, GM .998L, GM 3.0L. Update Deutz D2.9 L4 and Perkins 404F engine rpm's
B1	4/2016	Quarterly	Q-7 Check the Generator Belts, Pulleys and voltage - Bi-Energy Models
		Annual	A-3 Inspect for Turntable Bearing Wear
B2	6/2016	Specifications	Tires and Wheels, add Z60 DC/FE
B3	9/2016	Introduction	Models Included
C	11/2016	All Sections	Add SX-135 XC
C1	12/2016	Quarterly	Q-26 Test the Secondary Boom Angle Sensor
D	2/2017	Quarterly	Q-36 Inspect and Adjust Boom Cables
		Annual	A-3 Inspect Turntable Bearing Wear A-11, A-12, A-13 Inspect Boom Cables
		Programmed	P12-2 Remove and Inspect Boom Cables
E	3/2017	All Sections	Add SX-125 XC. Add Z-45 XC CE/AS Models
E1	3/2017	Programmed	Remove 10 year cable inspection
F	6/2017	All Sections	Add S80/85 XC, SX-105 XC
		Specifications	Add Deutz D436 L3i CN3 Engine
F1	4/2018	Specifications	Deutz TD2011 Engine Specifications
G	10/2018	All Sections	Add S60XC, S-65XC, S-80HF, S-85HF Models Add Perkins 404F-E22T, 404F-E22TA Engine
H	5/2019	All Sections	Add S60/S65/Z45XC ANSI/CSA, S60/65HF, S40/S45XC Models
		Quarterly	Q-17, Q-33
Reference Examples:			
Section – Specifications			Electronic Version Click on any content or procedure in the Table of Contents to view the update.
Section – Maintenance, (procedure)			

Introduction

Revision History (continued)

Revision	Date	Section	Procedure / Description
J	2/2020	All Sections	Add S40/45HF, S60J, Z45DC/FE, Z45HF models. Add Deutz TD/TCD 2.2 L3 engine
		Specifications	Hydraulic Specifications
		Annual	A-11, A-12, A-13
		Programmed	P0-6, P1-1
Reference Examples:			
Section – Specifications			Electronic Version Click on any content or procedure in the Table of Contents to view the update.
Section – Maintenance, (procedure)			



Safety Rules



Danger

Failure to obey the instructions and safety rules in this manual and the appropriate Operator's Manual on your machine will result in death or serious injury.

Many of the hazards identified in the operator's manual are also safety hazards when maintenance and repair procedures are performed.

Do Not Perform Maintenance Unless:

- You are trained and qualified to perform maintenance on this machine.
- You read, understand and obey:
 - manufacturer's instructions and safety rules
 - employer's safety rules and worksite regulations
 - applicable governmental regulations
- You have the appropriate tools, lifting equipment and a suitable workshop.

Safety Rules

Personal Safety

Any person working on or around a machine must be aware of all known safety hazards. Personal safety and the continued safe operation of the machine should be your top priority.



Read each procedure thoroughly. This manual and the decals on the machine, use signal words to identify the following:



Safety alert symbol—used to alert personnel to potential personal injury hazards. Obey all safety messages that follow this symbol to avoid possible injury or death.



Indicates a imminently hazardous situation which, if not avoided, will result in death or serious injury.



Indicates a potentially hazardous situation which, if not avoided, could result in death or serious injury.



Indicates a potentially hazardous situation which, if not avoided, may cause minor or moderate injury.



Indicates a potentially hazardous situation which, if not avoided, may result in property damage.



Be sure to wear protective eye wear and other protective clothing if the situation warrants it.



Be aware of potential crushing hazards such as moving parts, free swinging or unsecured components when lifting or placing loads. Always wear approved steel-toed shoes.

Workplace Safety

Any person working on or around a machine must be aware of all known safety hazards. Personal safety and the continued safe operation of the machine should be your top priority.



Be sure to keep sparks, flames and lighted tobacco away from flammable and combustible materials like battery gases and engine fuels. Always have an approved fire extinguisher within easy reach.



Be sure that all tools and working areas are properly maintained and ready for use. Keep work surfaces clean and free of debris that could get into machine components and cause damage.



Be sure any forklift, overhead crane or other lifting or supporting device is fully capable of supporting and stabilizing the weight to be lifted. Use only chains or straps that are in good condition and of ample capacity.



Be sure that fasteners intended for one time use (i.e., cotter pins and self-locking nuts) are not reused. These components may fail if they are used a second time.



Be sure to properly dispose of old oil or other fluids. Use an approved container. Please be environmentally safe.



Be sure that your workshop or work area is properly ventilated and well lit.

Table of Contents

Introduction	Introduction..... ii Important Information ii Models included in this manual..... iii Identifying the Correct Procedure for your Model v Find additional Manuals for your Model v Revision Historyvi
Section 1	Safety Rules viii General Safety Rules viii
Section 2	Performance Specifications 1 Function Speeds - S-100, S-105 and S-100HD 1 Function Speeds - S-120, S-125 and S-120HD 2 Function Speeds - All Other Models 3 Drive Speeds 9 Torque Specifications..... 12 Tires and Wheels 12 TraX Torque Specifications 14 Engine Specifications 15 Engine Operator and Maintenance Manuals 15 Deutz Engine Models 16 Perkins Engine Models..... 17 Ford Engine Models 19 Kubota Engine Models 20 GM Engine Models..... 21 Continental Engine Models..... 21 Cummins Engine Models 22 Hydraulic Specifications..... 23 Hydraulic Relief Valves 23 Hydraulic and Drive Hub Fluid Capacities 26 Hydraulic Oil Specifications 28 Hydraulic Hose and Fitting Torque Specifications 31 Torque Procedure 32

Table of Contents

Section 3	Maintenance Procedures	34
	Introduction	34
	Maintenance Schedule	36
	Pre-Delivery Preparation Report	37
	Scheduled Maintenance Inspection Report - Quarterly or Frequent.....	38
	Scheduled Maintenance Inspection Report - Annual	39
	Programmed Maintenance Inspection Report - Booms	40
	Commissioning Procedures	41
	C-1 Perform 50 Hour Service.....	41
	C-2 Perform Engine Maintenance – 50 Hours	41
	C-3 Perform 150 Hour Service.....	42



Table of Contents

Quarterly Maintenance Procedures.....	43
Q-1 Check for Open Bulletins and Owner Registration	43
Q-2 Battery inspection.....	44
Q-3 Inspect the Electrical Wiring	46
Q-4 Inspect the Electrical Contactors - DC / Bi-Energy Models	47
Q-5 Check the Exhaust System.....	48
Q-6 Inspect the Tires, Wheels and Lug Nut Torque	49
Q-7 Check the Generator Belts and Pulleys, Bi-Energy Models	49
Q-8 Check the Oscillate Directional Valve Linkage (if equipped)	51
Q-9 Visual Inspection of the Hydraulic Oil.....	51
Q-10 Inspect the Hydraulic Filters.....	52
Q-11 Check and Adjust the Engine RPM.....	53
Q-12 Test the Ground Control Override.....	59
Q-13 Test the Alarm Package (if equipped)	59
Q-14 Test the Emergency Power System.....	60
Q-15 Test the Engine Idle Select - Engine Models.....	61
Q-16 Test the Fuel Select Operation - Gasoline/LPG Models	62



Table of Contents

Q-17 Inspect the Calibration Decal - ALC1000 Models.....	63
Q-18 Test the Recovery Mode System - ALC-1000 Models.....	64
Q-19 Test the Platform Self-leveling	66
Q-20 Confirm the Proper Brake Configuration.....	66
Q-21 Test the Drive Brakes	67
Q-22 Test the Drive Speed – Stowed Position	67
Q-23 Test the Drive Speed - Raised or Extended Position	68
Q-24 Test the Drive Speed – Raised and Extended, ALC1000 Models.....	69
Q-25 Test the Turntable Level Sensor - Z-80/60, Z-135/70, ZX-135/70, SX-105XC, SX-125XC, SX-135XC, SX-150 and SX-180	70
Q-26 Test the Secondary Boom Angle Sensor - Z-135/70 and ZX-135/70.....	73
Q-27 Test the Primary Boom Angle Sensor - Z-135/70 and ZX-135/70.....	75
Q-28 Test the Primary Boom Angle Sensor - SX-105XC, SX-125XC, SX-135XC, SX-150 and SX-180	77
Q-29 Test the Safety Envelope Limit Switches - Z-135/70, ZX-135/70, SX-105XC, SX-125XC, SX-135XC, SX-150 and SX-180	82
Q-30 Test the Primary Boom Angle Sensor - Z-80/60	86
Q-31 Test the Safety Envelope and Circuits - Z-80/60.....	87
Q-32 Check the Safety Envelope Limit Switches and Angle Sensor - S-60X, S-80X, and S-60XC to S60XC-45000	89
Q-33 Test the Safety Envelope and Circuits - S-100, S-105, S-120 and S-125	91
Q-34 Test the Aircraft Protection System (if equipped)	97
Q-35 Test the Operator Protection Alarm (if equipped).....	99
Q-36 Inspect the Boom Extend/Retract Cables - All Models	99
Q-37 Test the Recovery Mode System - ALC-600 Models.....	100
Q-38 Test the Turntable Level Sensor - S-40HF, S-45HF, S-40XC, S-45XC, S- 60HF, S-65HF, S-60J, S-60XC from S60XCH-45001, S-65XC, S-80HF, S-85HF, S-80XC, S-85XC	101
Q-39 Test the Primary Boom Angle Sensor - S-40HF, S-45HF, S-40XC, S-45XC, S-60HF, S-65HF, S-60J, S-60XC from S60XCH-45001, S-65XC, S-80HF, S-85HF, S-80XC, S-85XC.....	103

Table of Contents

Annual Maintenance Procedures	105
A-1 Grease the Turntable Rotation Bearing and Rotate Gear	105
A-2 Check the Turntable Rotation Bearing Bolts	106
A-3 Inspect for Turntable Bearing Wear	108
A-4 Check the Extendable Axle - S-100, S-105, S-120 and S-125	109
A-5 Perform Maintenance- Jib Rotate Bearing	110
A-6 Test the Bypass/Recovery Key Switch - ALC1000 Models	111
A-7 Grease the Platform Overload Mechanism (if equipped)	113
A-8 Test the Platform Overload System - All Models, (excludes ALC1000, S-60HC, S-60 HF, S-65 HF, S-60XC, S-80HF, S-85HF, S-80XC, S-85XC and Z-45XC models)	114
A-9 Test the Platform Overload System - ALC1000 Models	116
A-10 Test the Platform Load Sense System - S-60 HC	117
A-11 Inspect the Boom Extend/Retract Cables and Sheaves - S-60/65 and S-80/85 Models	118
A-12 Inspect the Boom Extend/Retract Cables and Sheaves - S-100, S-105, S-120, S-125, SX-105XC and SX-125XC	120
A-13 Inspect the Boom Extend and Retract Cables and Sheaves - SX-135XC, SX-150 and SX-180	122
A-14 Check the Drive Hub Oil Level and Fastener Torque	126
A-15 Test the Dual Capacity and Platform Overload System - SX-105XC, SX-125XC and SX-135XC	130
A-16 Test the Dual Capacity and Platform Overload System - Z-45XC Models	132
A-17 Test the Dual Capacity and Platform Overload System - S-40XC, S-45XC, S-60HF, S-65HF, S-60XC from S60XCH-45001, S-65XC, S-80HF, S-85HF, S-80XC, S-85XC	133
A-18 Test the Platform Overload System - S-40HF, S-45HF, Z-45HF, Z-45 DC/FE from Z45EM-101	135
A-19 Perform Engine Maintenance	136
A-20 Perform Engine Maintenance	136

Table of Contents

Programmed Maintenance Procedures	137
P0-1 Check the Track Tension and Fastener Torque, TraX Models - S-60, S-65, S-60 XC, S-65 XC, Z-62 Models	137
P0-2 Check the Track Tension and Fastener Torque, TraX Models - S-40, S-45, S-40 XC, S-45 XC Models	138
P0-3 Grease the Extendable Axles - S-100, S-105, S-120 and S-125	140
P0-4 Continental Engine Maintenance – Under 1000 Hours	141
P0-5 Cummins Engine Maintenance – Under 1000 Hours	142
P0-6 Deutz Engine Maintenance – Under 1000 Hours	143
P0-7 Ford Engine Maintenance – Under 1000 Hours	144
P0-8 Kubota Engine Maintenance – Under 1000 Hours	145
P0-9 Perkins Engine Maintenance – Under 1000 Hours	147
P0-10 GM .998L Engine Maintenance – Under 1000 Hours	148
P0-11 GM 3.0L Engine Maintenance – Under 1000 Hours	149
P1-1 Perform Engine Maintenance – 1000 Hours	150
P1-2 Replace the Drive Hub Oil	152
P1-3 Perform Engine Maintenance – 1500 Hours	155
P2-1 Perform Engine Maintenance – 2000 Hours	155
P2-2 Test or Replace the Hydraulic Oil	157
P2-3 Replace the Hydraulic Filters	158
P2-4 Check the Free-wheel Configuration	160
P2-5 Check the Boom Wear Pads	162
P2-6 Check the Extendable Axle Wear Pads - S-100, S-105, S-120, S-125, S-100HD and S-120HD	165
P2-7 Check the Turntable Rotation Gear Backlash	165
P2-8 Grease the Steer Axle Wheel Bearings, All 2WD Models, Except S-60, S-65, Z-60 DC/FE and Z-62	166
P2-9 Grease the Steer Axle Wheel Bearings, 2WD Models - S-60, S-65, Z-60 DC/FE and Z-62	168

Table of Contents

P3-1 Perform Engine Maintenance – 3000 Hours	169
P4-1 Perform Engine Maintenance – 4000 Hours	171
P5-1 Perform Engine Maintenance – 5000 Hours	171
P6-1 Perform Engine Maintenance – 6000 Hours	172
P12-1 Perform Engine Maintenance – 12000 Hours	172
P12-2 Remove and Inspect the Boom Extend/Retract Cables	173
Cable Replacement Criteria	175

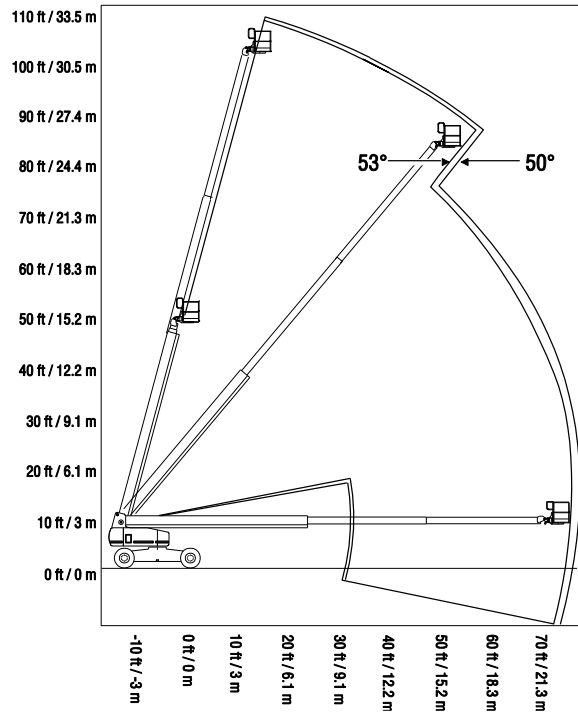


Performance Specifications

Function Speeds - S-100, S-105 and S-100HD Models

Note: Function speeds are maximum from platform controls with maximum rated load in platform. Function speeds are shown in seconds.

Primary boom up/down, (retracted)	80 - 88
Primary boom up/down, extended to >4 ft / >1.2 m (time from fully stowed to the fully raised position)	100 - 100
Primary boom up/down, extended to >80 ft / >24.4 m (time from 53° envelope limit to the fully raised position)	50 - 55
Primary boom extend, fully raised position (0 to 100 ft / 0 to 30.5 m)	120 - 140
Primary boom retract, fully raised position (100 to 0 ft / 30.5 to 0 m)	120 - 140
Jib boom up/down, (S-105 models)	28 - 32
Turntable rotate, 360° boom horizontal and fully retracted	170 - 190
Turntable rotate, boom horizontal and extended >0 ft / >0 m	63 - 70 drive enable to drive enable
Turntable rotate, boom fully raised and extended >80 ft / >24.4 m	109 - 120 drive enable to drive enable
Platform rotate	18 - 22
Platform level (10° range of motion)	ANSI/CSA 3 - 5 AS/CE 20 - 22

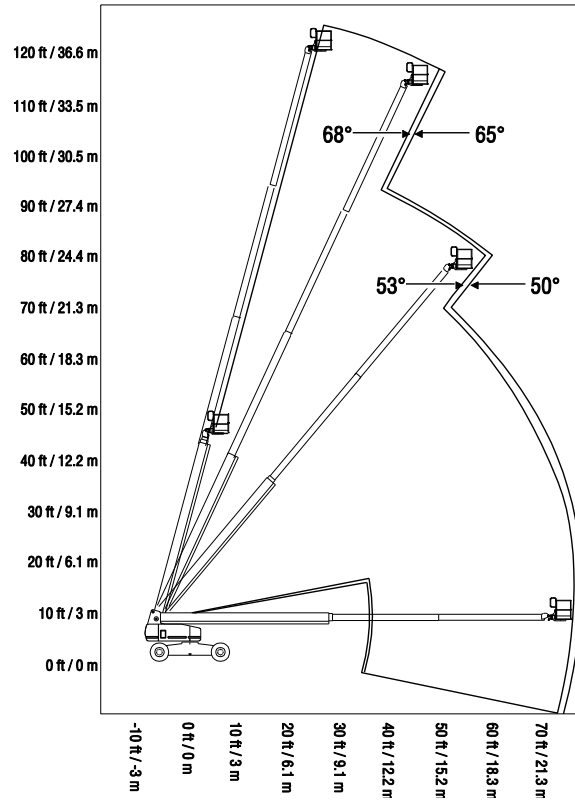


Performance Specifications

Function Speeds - S-120, S-125 and S-120HD Models

Note: Function speeds are maximum from platform controls with maximum rated load in platform. Function speeds are shown in seconds.

Primary boom up/down, (retracted)	80 - 88
Primary boom up/down, extended to >4 ft / >1.2 m (time from fully stowed to the fully raised position)	100 - 100
Primary boom up/down, extended to >80 ft / >24.4 m (time from 53° envelope limit to the fully raised position)	50 - 55
Primary boom up/down, extended to >100 ft / 30.5 m (time from 68° envelope limit to the fully raised position)	24 - 28
Primary boom extend, fully raised position (0 to 100 ft / 0 to 30.5 m)	170 - 190
Primary boom retract, fully raised position (100 to 0 ft / 30.5 to 0 m)	170 - 190
Jib boom up/down, (S-125 models)	28 - 32
Turntable rotate, 360° boom horizontal and fully retracted	170 - 190
Turntable rotate, boom horizontal and extended >0 ft / >0 m	63 - 70 drive enable to drive enable
Turntable rotate, boom fully raised and extended >80 ft / >24.4 m	109 - 120 drive enable to drive enable
Platform rotate	18 - 22
Platform level (10° range of motion)	ANSI/CSA 3 - 5 AS/CE 20 - 22



Performance Specifications

Function Speeds - All Other Models

Note: Function speeds are maximum from platform controls with maximum rated load in platform. Function speeds are shown in seconds.

Function	S-40, S-45, S-40HF, S-45HF, S-40XC, S-45XC (all models)	S-60, S-65, S-60HC, S-60X, S-60XC to 45000 (all models)	S-60HF, S-65HF, S-60XC from S60XCH-45001, S-65XC (all models)	S-60J	S-80, S-85, S-80X (ANSI/CSA models)	S-80, S-85 (AS/CE models)
Primary boom up	50 - 60	60 - 70	65 - 75	60 - 66	57 - 65	75 - 83
Primary boom down	50 - 60	60 - 70	65 - 75	60 - 66	61 - 69	75 - 83
Primary boom extend	30 - 60	58 - 66	58 - 66	30 - 33	59 - 67	59 - 67
Primary boom retract	15 - 35	53 - 62	53 - 62	30 - 33	57 - 65	57 - 65
Jib boom up	35 - 45 (S-45) 25 - 35 (S-45XC)	60 - 70 (S-65)	48 - 53 (S-65XC/HF)	25 - 35	25 - 35 (S-85)	25 - 35 (S-85)
Jib boom down	20 - 30 (S-45) 25 - 35 (S-45XC)	40 - 50 (S-65)	28 - 33 (S-65XC/HF)	15 - 25	15 - 25 (S-85)	15 - 25 (S-85)
Turntable rotate stowed	70 - 100	78 - 86	78 - 86	67 - 84	90 - 103	90 - 103
Turntable rotate extended	120 - 140	125 - 165	125 - 165	107 - 118	210 - 250	210 - 250
Platform rotate	6 - 10 (S-40/45) 8 - 12 (S-40/45XC)	8 - 12	5 - 15	18 - 22	8 - 12	8 - 12
Platform level (10° range of motion)	ANSI/CSA 3 - 5 AS/CE 20 - 22					



Performance Specifications

Note: Function speeds are maximum from platform controls with maximum rated load in platform. Function speeds are shown in seconds.

Function	S-80XC, S-85XC, S-80HF, S-85HF	Z-30N, Z-30N RJ	Z-34 BE	Z-34N, Z-34 (DC models)	Z-33
Primary boom up	75 - 83	14 - 22	14 - 22	16 - 22	36 - 40 (retracted) 48 - 52 (extended)
Primary boom down	110 - 115	12 - 20	12 - 20	13 - 20	46 - 50 (retracted) 55 - 59 (extended)
Primary boom extend	59 - 67	15 - 19	12 - 18	11 - 15	18 - 20
Primary boom retract	57 - 65	10 - 14	12 - 18	13 - 17	18 - 20
Secondary boom up	X	11 - 18	11 - 18	15 - 22	20 - 24
Secondary boom down	X	7 - 15	7 - 15	11 - 18	20 - 24
Jib boom up	25 - 35 (S-85XC/HF)	19 - 23	23 - 29	20 - 24	X
Jib boom down	15 - 25 (S-85XC/HF)	17 - 21	20 - 26	18 - 22	X
Jib boom rotate	X	13 - 17 (Z-30N RJ)	X	X	X
Turntable rotate stowed	95 - 103	62 - 72	62 - 72	62 - 72	62 - 65
Turntable rotate extended	210 - 250 Raised or extended	X	X	X	X
Platform rotate	40 - 50	5 - 11	5 - 11	5 - 11	X
Platform level (10° range of motion)	ANSI/CSA 3 - 5 AS/CE 20 - 22				10 - 12

Performance Specifications

Note: Function speeds are maximum from platform controls with maximum rated load in platform. Function speeds are shown in seconds.

Function	Z-34 IC	Z-40N, Z-40N RJ	Z-45/25, Z-45/25J (DC, BE models)	Z-45/25, Z-45/25J (IC models)	Z-45HF, Z-45XC
Primary boom up	15 - 21	26 - 30	32 - 40	26 - 30	26 - 30
Primary boom down	13 - 19	26 - 30	26 - 30	26 - 30	26 - 30
Primary boom extend	24 - 30	18 - 22	14 - 18	18 - 26	12 - 20
Primary boom retract	14 - 20	18 - 22	17 - 21	18 - 26	12 - 20
Secondary boom up	15 - 21	32 - 36	38 - 46	26 - 30	26 - 30
Secondary boom down	11 - 17	32 - 36	38 - 46	26 - 30	26 - 30
Jib boom up	24 - 30	16 - 20	32 - 40 (Z45J)	45 - 55	40 - 44
Jib boom down	15 - 21	16 - 20	26 - 30 (Z45J)	25 - 35	24 - 28
Jib boom rotate	X	16 - 20 (Z40N RJ)	X	X	X
Turntable rotate	62 - 72	62 - 68	95 - 125	62 - 68	67 - 73
Platform rotate	5 - 11	10 - 14	6 - 10	10 - 14	10 - 14
Platform level (10° range of motion)	ANSI/CSA 3 - 5 AS/CE 20 - 22				

Function	Z-45 (DC / FE)	Z-51	Z-60 (DC / FE)	Z-62 (all models)	Z-80
Primary boom up	26 - 30	36 - 40	60 - 70	60 - 65	60 - 70 (retracted) 80 - 96 (extended)
Primary boom down	26 - 30	36 - 40	60 - 70	65 - 70	75 - 85 (retracted) 80 - 96 (extended)
Primary boom extend	12 - 20	18 - 26	41 - 49	40 - 50	48 - 52
Primary boom retract	12 - 20	18 - 26	31 - 39	45 - 50	38 - 52
Secondary boom up	26 - 30	26 - 30	31 - 39	40 - 45	38 - 48
Secondary boom down	26 - 30	26 - 30	31 - 39	45 - 50	38 - 48
Jib boom up	13 - 17	45 - 55	13 - 17	68 - 73	23 - 33
Jib boom down	13 - 17	25 - 35	13 - 17	77 - 82	21 - 31
Turntable rotate	67 - 73	82 - 88	39 - 43 (stowed) 62 - 83 (extended)	120 - 125 (stowed) 240 - 245 (extended)	114 - 126 (retracted) 200 - 240 (extended)
Platform rotate	10 - 14	10 - 14	10 - 14	12 - 17	10 - 14
Platform level (10° range of motion)	6 - 7	ANSI/CSA 3 - 5 AS/CE 20 - 22			



Performance Specifications

Note: Function speeds are maximum from platform controls with maximum rated load in platform. Function speeds are shown in seconds.

Function	Z-135	ZX-135
Primary boom up/down	88 - 105	110 - 125
Primary boom extend/retract	38 - 42	35 - 48
Secondary boom up/down	80 - 95	80 - 95
Secondary boom extend/retract	88 - 98	88 - 98
Jib boom up/down	38 - 43	38 - 43
Jib boom extend/retract	27 - 38	27 - 38
Turntable rotate stowed	88 - 92	88 - 92
Turntable rotate (jib or primary boom extended)	160 - 180	160 - 180
Turntable rotate (jib and primary boom extended)	280 - 350	280 - 350
Platform rotate	20 - 25	20 - 25
Platform level (10° range of motion)	ANSI/CSA 3 - 5 AS/CE 20 - 22	



Performance Specifications

Note: Function speeds are maximum from platform controls with maximum rated load in platform. Function speeds are shown in seconds.

Function	SX-105 XC	SX-125 XC	SX-135 XC
Primary boom up/down, (stowed)	80 - 88 / 83°	80 - 88 / 83°	88 - 94 / 75°
Primary boom up/down	100 - 110 / 83° string pot = 120 in / 305cm	100 - 110 / 83° string pot = 120 in / 305cm	26 - 29 / 10° string pot = 138 in / 351cm
Primary boom up/down	33 - 38 / 20° string pot = 225 in / 571cm	33 - 38 / 20° string pot = 220 in / 559cm	24 - 27 / 10° string pot = 202 in / 513cm
Primary boom up/down	40 - 45 / 20° string pot = 285 in / 724cm	40 - 45 / 20° string pot = 300 in / 762cm	34 - 37 / 10° string pot = 268 in / 681cm
Primary boom up/down	18 - 23 / 5° string pot = 345 in / 876cm	18 - 23 / 5° string pot = 345 in / 876cm	21 - 24 / 5° string pot = 357 in / 907cm
Primary boom up/down	X	25 - 30 / 5° string pot = 582 in / 1478cm	X
Primary boom extend	120 - 140	170 - 190	30 - 33 0 - 100 in / 254cm
Primary boom retract	120 - 140	170 - 190	30 - 33 100 in / 254cm - 0
Jib boom up/down	28 - 32	28 - 32	60 - 65 (retracted) 122 - 130 (extended)
Jib boom extend/retract	X	X	50 - 60
Jib boom rotate	X	X	X
Turntable rotate, (stowed)	170 - 190	170 - 190	17 - 23 drive enable to drive enable, 30°
Turntable rotate	31 - 35 drive enable to drive enable, 30° string pot > 80 ft / 24m	31 - 35 drive enable to drive enable, 30° string pot = 12 in / 30.5cm	28 - 34 drive enable to drive enable, 30° string pot = 12 in / 30.5cm
Turntable rotate	54.5 - 60 drive enable to drive enable, 30° string pot > 256 in / 650cm	54.5 - 60 drive enable to drive enable, 30° string pot > 256 in / 650cm	48 - 54 drive enable to drive enable, 30° string pot = 137 in / 348cm
Platform rotate	37 - 47	37 - 47	20 - 24
Platform level (10° range of motion)	ANSI/CSA 3 - 5 AS/CE 20 - 22		

Performance Specifications

Note: Function speeds are maximum from platform controls with maximum rated load in platform. Function speeds are shown in seconds.

Function	SX-150	SX-180
Primary boom up/down, (stowed)	80 - 88 / 82°	80 - 88 / 82°
Primary boom up/down	100 - 110 / 82° string pot = 76 in / 193cm	100 - 110 / 82° string pot = 76 in / 193cm
Primary boom up/down	45 - 50 / 20° string pot = 158 in / 401cm	45 - 50 / 20° string pot = 158 in / 401cm
Primary boom up/down	71 - 80 / 20° string pot = 238 in / 605cm	71 - 80 / 20° string pot = 238 in / 605cm
Primary boom up/down	26 - 31 / 5° string pot = 370 in / 940cm	26 - 31 / 5° string pot = 370 in / 940cm
Primary boom up/down	X	34 39 / 5° string pot = 596 in / 1514cm
Primary boom extend 0 - 100 in / 254cm	30 - 33	30 - 33
Primary boom retract 100 in / 254cm - 0	30 - 33	30 - 33
Jib boom up/down	58 - 62	58 - 62
Jib boom rotate	28 - 32	28 - 32
Turntable rotate (stowed)	38 - 42 drive enable to drive enable	38 - 42 drive enable to drive enable
Turntable rotate	63 - 70 drive enable to drive enable, 80° string pot = 36 in / 91.4cm	63 - 70 drive enable to drive enable, 80° string pot = 36 in / 91.4
Turntable rotate	109 - 120 drive enable to drive enable, 80° string pot = 76 in / 193cm (above 75 ft / 22.8m)	109 - 120 drive enable to drive enable, 80° string pot = 75 ft / 22.8m (above 75 ft / 22.8m)
Turntable rotate	155 - 175 drive enable to drive enable, 80° string pot = 258 in / 655cm (above 125 ft / 38.1m)	155 - 175 drive enable to drive enable, 80° string pot = 258 in / 655cm (above 125 ft / 38.1m)
Platform rotate	20 - 24	20 - 24
Platform level (10° range of motion)	ANSI/CSA 3 - 5 AS/CE 20 - 22	

Performance Specifications

Drive Speeds

Note: Drive speeds are shown in seconds.

Function	S-40, S-45, S-40HF, S-45HF, S-40XC, S-45XC (all models)	S-60, S-65, S-60HC, S-60X, S-60XC to 45000 (all models)	S-60HF, S-65HF, S-60J, S-60XC from S60XCH-45001, S-65XC (all models)	S-80, S-85, S-80X	S-80HF, S-85HF, S-80XC, S-85XC
2WD models, Stowed position	5.2 - 5.9 40 ft / 12,2 m	6.1 - 7.8 40 ft / 12,2 m	X	7.9 - 8.5 40 ft / 12,2 m	X
4WD models, Stowed position	5.2 - 5.9 40 ft / 12,2 m (S-40/45) 6.8 - 7.4 40 ft / 12,2 m (S-40/45XC)	8 - 10.5 sec 40 ft / 12,2 m	8 - 10.5 sec 40 ft / 12,2 m	8 - 10.5 40 ft / 12,2 m	9 - 11 40 ft / 12,2 m
High flotation tires, Stowed position	X	X	8 - 10.5 sec 40 ft / 12,2 m	11 - 13 40 ft / 12,2 m	9 - 11 40 ft / 12,2 m
2WD or 4WD, Raised or extended	40 - 45 40 ft / 12,2 m	40 - 45 40 ft / 12,2 m	38 - 45 40 ft / 12,2 m	40 - 45 40 ft / 12,2 m	55 - 60 40 ft / 12,2 m
2WD or 4WD, Raised and extended	X	X	X	X	X
TraX models, Stowed position	9 - 11 40 ft / 12,2 m	10.7 - 13.6 40 ft / 12,2 m	10.7 - 13.6 40 ft / 12,2 m	X	X
TraX models, Raised or extended	40 - 45 40 ft / 12,2 m	55 - 62 40 ft / 12,2 m	55 - 62 40 ft / 12,2 m	X	X
Braking distance, high range on paved surface	3 - 4 ft 0,9 - 1,2 m	3 - 6 ft 0,9 - 1,8 m	3 - 6 ft 0,9 - 1,8 m	3 - 6 ft 0,9 - 1,8 m	3 - 6 ft 0,9 - 1,8 m

Performance Specifications

Note: Drive speeds are shown in seconds.

Function	S-100, S-105, S-120, S-125, S-100HD, S-120HD, SX-105XC, SX-125XC	SX-135XC, SX-150, SX-180	Z-30N, Z30N RJ	Z-33	Z-34N, Z34DC, Z-34BE
2WD models, Stowed position	X	X	6 - 8 40 ft / 12,2 m	8.5 - 10.5 40 ft / 12,2 m	6 - 8 40 ft / 12,2 m
4WD models, Stowed position	40 - 45 40 ft / 12,2 m	9 - 12 40 ft / 12,2 m (SX135XC) 9.8 - 11.8 40 ft / 12,2 m (SX-150/180)	X	X	X
2WD or 4WD, Raised or extended	72.4 - 81.3 40 ft / 12,2 m	67 - 70 40 ft / 12,2 m (SX-135XC) 68 - 75.5 40 ft / 12,2 m (SX-150/180)	42 - 48 40 ft / 12,2 m	50 - 55 40 ft / 12,2 m	42 - 48 40 ft / 12,2 m
2WD or 4WD, Raised and extended	X	275.5 - 293.3 40 ft / 12,2 m (SX-150/180)	X	190 - 195 40 ft / 12,2 m	X
Braking distance, high range on paved surface	4 - 6 ft 1,2 - 1,8 m	4 - 6 ft 1,2 - 1,8 m	2 - 4 ft 0,6 - 1,2 m	5 - 7 ft 1,5 - 2 m	2 - 4 ft 0,6 - 1,2 m

Performance Specifications

Note: Drive speeds are shown in seconds.

Function	Z-34 IC	Z-40N, Z-40N RJ	Z-45/25, Z-45/25J (DC and BE models)	Z-45/25 IC, Z-45/25J IC, Z-51, Z-45HF, Z-45XC, Z-45 DC/FE
2WD models, Stowed position	8.5 - 10.5 40 ft / 12,2 m	6.1 - 7.1 40 ft / 12,2 m (ANSI / CSA) 7.3 - 8.3 40 ft / 12,2 m AS / CE)	8 - 10 40 ft / 12,2 m	6 - 6.8 40 ft / 12,2 m
4WD models, Stowed position	8.5 - 10.5 40 ft / 12,2 m	X	X	6 - 6.8 40 ft / 12,2 m
High flotation tires, Stowed position	8.5 - 10.5 40 ft / 12,2 m	X	X	6 - 6.8 40 ft / 12,2 m
2WD or 4WD, Raised or extended	40 - 45 40 ft / 12,2 m	40 - 45 40 ft / 12,2 m	42 - 48 40 ft / 12,2 m	42 - 48 40 ft / 12,2 m 87 - 93 40 ft / 12,2 m (Z-45 DC/FE, Z-45XC)
Braking distance, high range on paved surface	3 - 4 ft 0,9 - 1,2 m	5 - 7 ft 1,5 - 2 m	5 - 7 ft 1,5 - 2 m	3 - 6 ft 0,9 - 1,8 m

Function	Z-60 (DC / FE)	Z-62 (all models)	Z-80	Z-135, ZX-135
2WD models, Stowed position	13.6 - 14.5 40 ft / 12,2 m	6.1 - 7.8 40 ft / 12,2 m	X	X
4WD models, Stowed position	13.6 - 14.5 40 ft / 12,2 m	8 - 10.5 40 ft / 12,2 m	8.7 - 9.3 40 ft / 12,2 m	8.9 - 9.6 40 ft / 12,2 m
High flotation tires, Stowed position	X	8 - 10.5 40 ft / 12,2 m	13.6 - 14.5 40 ft / 12,2 m	X
2WD or 4WD, Raised or extended	40 - 45 40 ft / 12,2 m (raised only)	40 - 45 40 ft / 12,2 m	RT Tires 40 - 45 40 ft / 12,2 m High flotation tires, 62 - 70 40 ft / 12,2 m	40 - 45 40 ft / 12,2 m
2WD or 4WD, Raised and extended	X	X	X	66 - 70 40 ft / 12,2 m Primary and secondary raised, and primary or jib extended
TraX models, Stowed position	X	10.7 - 13.6 40 ft / 12,2 m	X	X
TraX models, Raised or extended	X	55 - 62 40 ft / 12,2 m	X	X
Braking distance, high range on paved surface	X	3 - 6 ft 0,9 - 1,8 m	4 - 6 ft 1,2 - 1,8 m	4 - 6 ft 1,2 - 1,8 m



Torque Specifications

Tires and Wheels

Torque values are listed as dry. The retaining fasteners must be coated with a mineral based lubricant when removed. If a retaining fastener is removed, the torque value is reduced. Refer to the **Service and Repair Manual** that is appropriate for your machine.

Fastener description	ZP Color - yellow, gold or silver SHC Color - Black		ZAB Color - dull gray ZAG		
	Model	Lug nut torque	Drive hub torque	Tire pressure rough terrain	Tire pressure high flotation
S-40, S-45, S-40HF, S-45HF, S-40XC, S-45XC	240 ft-lbs 325 Nm	ZP - 210 ft-lbs 285 Nm ZAG - 180 ft-lbs 244 Nm	45 psi / 3,1 bar	38 psi / 2,6 bar	X
S-60, S-65, S-60HC, S-60X, S-60XC to 45000	240 ft-lbs 325 Nm	ZP - 210 ft-lbs 285 Nm ZAG - 180 ft-lbs 244 Nm	70 psi / 4,8 bar	60 psi / 4,1 bar	X
S-60HF, S-65HF, S-60J, S-60XC from S60XCH-45001, S-65XC	240 ft-lbs 325 Nm	ZAG - 180 ft-lbs 244 Nm	X	100 psi / 6,9 bar	X
S-80, S-85, S-80X	420 ft-lbs 569 Nm	ZP - 230 ft-lbs 313 Nm ZAB - 228 ft-lbs 310 Nm	X	70 psi / 4,8 bar	X
S-80XC, S-85XC, S-80HF, S-85HF	420 ft-lbs 569 Nm	ZAB - 228 ft-lbs 310 Nm	X	100 psi / 6,9 bar	X
S-100, S-100HD, S-105, S-120, S-120HD, S-125	420 ft-lbs 569 Nm	SHC - 230 ft-lbs 313 Nm	X	X	X
SX-105XC, SX-125XC, SX-135XC, SX-150, SX-180	320 ft-lbs 434 Nm	ZAB - 228 ft-lbs 310 Nm	X	X	X
Z-30N, Z-30N RJ	125 ft-lbs 169 Nm	SHC - 240 ft-lbs 325 Nm ZAB - 203 ft-lbs 275 Nm	X	X	X
Z-33	125 ft-lbs 169 Nm	SHC - 240 ft-lbs 325 Nm	X	X	X
Z-34N, Z-34DC, Z-34BE	125 ft-lbs 169 Nm	SHC - 240 ft-lbs 325 Nm ZAB - 203 ft-lbs 275 Nm	X	X	100 psi / 6,9 bar (Z-34DC / BE)
Z-34 IC	125 ft-lbs 169 Nm	SHC - 240 ft-lbs 325 Nm ZAB - 203 ft-lbs 275 Nm	45 psi / 3,1 bar	44 psi / 3,0 bar	100 psi / 6,9 bar

Torque Specifications

Tires and Wheels, continued

Torque values are listed as dry. The retaining fasteners must be coated with a mineral based lubricant when removed. If a retaining fastener is removed, the torque value is reduced. Refer to the *Service and Repair Manual* that is appropriate for your machine.

Model	Lug nut torque	Drive hub torque	Tire pressure rough terrain	Tire pressure high flotation	Tire pressure industrial
Z-40N, Z-40N RJ	125 ft-lbs 169 Nm	SHC - 240 ft-lbs 325 Nm ZAB - 203 ft-lbs 275 Nm	X	X	X
Model Z-45/25, Z-45/25J, Z-45 DC/FE (DC and BE models)	125 ft-lbs 169 Nm	SHC - 240 ft-lbs 325 Nm ZAB - 203 ft-lbs 275 Nm	X	X	X
Z-45/25 IC, Z-45/25J IC, Z-45HF, Z-45 XC, Z-51	125 ft-lbs 169 Nm	SHC - 240 ft-lbs 325 Nm ZAB - 203 ft-lbs 275 Nm	60 psi / 4,1 bar	38 psi / 2,6 bar	X
Z-60/37 DC/FE	240 ft-lbs 325 Nm	ZAB - 203 ft-lbs 275 Nm	X	X	X
Z-62	240 ft-lbs 325 Nm	ZP - 210 ft-lbs 285 Nm ZAG - 180 ft-lbs 244 Nm	70 psi / 4,8 bar	60 psi / 4,1 bar	X
Z-80	420 ft-lbs 569 Nm	ZP - 230 ft-lbs 313 Nm ZAB - 228 ft-lbs 310 Nm	X	X	X
Z-135	420 ft-lbs 569 Nm	SHC - 230 ft-lbs 313 Nm	X	X	X
ZX-135 to serial number ZX13515-2584	420 ft-lbs 569 Nm	SHC - 230 ft-lbs 313 Nm ZAB - 228 ft-lbs 310 Nm	X	X	X
ZX-135 from serial number ZX13515-2585	320 ft-lbs 434 Nm	SHC - 230 ft-lbs 313 Nm ZAB - 228 ft-lbs 310 Nm	X	X	X

Torque Specifications

TraX™ Torque Specifications

Sprocket to hub adapter fasteners

3/4-16 UNF nuts, dry	317 ft-lbs 430 Nm
3/4 -16 UNF nuts, lubricated	281 ft-lbs 381 Nm
1/2-13 FHS screws, dry	80 ft-lbs 108 Nm
1/2-13 FHS screws, lubricated	60 ft-lbs 81 Nm

Hub adapter to drive hub fasteners

S-60, S-65, Z-62, S-60XC from S60XCH-45001, S-65XC

Lug nut torque, dry	240 ft-lbs 325 Nm
Lug nut torque, lubricated	180 ft-lbs 244 Nm

S-40, S-45, S-40XC, S-45XC

Lug nut torque, dry	240 ft-lbs 325 Nm
Lug nut torque, lubricated	180 ft-lbs 244 Nm

Sprocket bearing hub fasteners

1-14 bolts, GR 8, dry	650 ft-lbs 881 Nm
1-14 bolts, GR 8, lubricated	488 ft-lbs 662 Nm

Idler and bogey wheel fasteners

3/4-10 bolts, GR 8, dry	375 ft-lbs 508 Nm
3/4-10 bolts, GR 8, lubricated	281 ft-lbs 381 Nm

Engine Specifications

Engine Operator and Maintenance Manuals

Deutz D2011L03i and TD2011L04i

Genie part number 139320GT

Deutz TD 2.2 L3 and TCD 2.2 L3

Genie part number 1295607GT

Deutz D 2.9 L4 and TD 2.9 L4

Genie part number 1251561GT

Perkins 403D-11

Genie part number 131661GT

Perkins 403F-11

Genie part number 1262169GT

Perkins 404D-22 and 404D-22T

Genie part number 94890GT

Perkins 404F-22 and 404F-22T

Genie part number 1251562GT

Perkins 404F-E22T and 404F-E22TA

Genie part number 1289513GT

Perkins 804D-33

Genie part number 111332GT

Perkins 854F-E34T

Genie part number 1263971GT

Perkins 1104D-44T

Genie part number 107526GT

Ford DSG-423

Genie part number 119488GT

Diagnostic Manual

Genie part number 119494GT

Ford MSG-425

Genie part number 215322GT

Diagnostic Manual

Genie part number 162067GT

Kubota D1105-E3B

Genie part number 229761GT

Kubota D1105-E4B

Genie part number 1273089GT

Kubota WG-972

Genie part number 227584GT

Kubota Z482-E

Genie part number 139420GT

Continental TME27

Genie part number 111901GT

Cummins B3.3T

Genie part number 139324GT

GM 3.0L

Genie part number 1273154GT

Engine Specifications

Deutz Engine Models

D2011 L03i • D436 L3i CN3

Low idle	1500 rpm 313 Hz
High idle	2500 rpm 521.7 Hz
Oil capacity (including filter)	9.5 quarts 9 liters
Fan belt deflection	0.375 to 0.5 inches 9 to 12 mm

TD2011 L04i

Low idle (S-60/65 TraX, S-80/85/80X with generator, S-80/85HF, S-80/85XC, S-100/105/120/125/100HD/120HD, Z-62, Z-80, Z-135, ZX-135 to serial number 2530)	1500 rpm 450 Hz
Low idle (S-80/85/80X without generator, SX-105/125/135XC, SX-150/180, ZX-135 from serial number 2531)	1300 rpm 390 Hz
High idle (SX-105/125/135 XC, SX-150/180)	2450 rpm 735 Hz
High idle (S-60/65 TraX, S-80/85/80X, S-80/85HF, S-80/85XC, S-100/105/120/125/100HD/120HD, Z-62, Z-80, Z-135, ZX-135)	2350 rpm 705 Hz
Oil capacity (including filter)	12.8 quarts 12,1 liters
Fan belt deflection	0.375 to 0.5 inches 9 to 12 mm

TD 2.2 L3

Low idle, standby	1000 rpm 1000 Hz
Low idle, function enable	1500 rpm 1500 Hz
High idle	2500 rpm 2500 Hz
Oil capacity (including filter)	8 quarts 7,6 liters
Engine coolant capacity	2.2 gallons 8,3 liters
Fan belt deflection	Automatic tensioning

TCD 2.2 L3

Low idle, standby	1000 rpm 1000 Hz
Low idle, function enable	1500 rpm 1500 Hz
High idle	2500 rpm 2500 Hz
Oil capacity (including filter)	8 quarts 7,6 liters
Engine coolant capacity	2.5 gallons 9,5 liters
Fan belt deflection	Automatic tensioning

Engine Specifications

D 2.9 L4

Low idle, standby	1000 rpm 1000 Hz
Low idle, function enable	1500 rpm 1500 Hz
High idle	2500 rpm 2500 Hz
Oil capacity (including filter)	9.4 quarts 9 liters
Engine coolant capacity	2.5 gallons 9,5 liters
Fan belt deflection	0.375 to 0.5 inches 9 to 12 mm

TD 2.9 L4

Low idle, standby (S-80/85XC, SX-105/125/135XC, SX-125 XC, SX-150/180, Z-135, ZX-135) (S- 100/105/120/125/100HD/120HD)	1000 rpm 1000 Hz
Low idle, function enable (S-80/85HF, S-80/85XC, SX- 105/125/135XC, SX-150/180, Z- 135, ZX-135) (S- 100/105/120/125/100HD/120HD)	1500 rpm 1500 Hz
Low idle (all other models)	1000 rpm 1000 Hz
High idle	2500 rpm 2500 Hz
Oil capacity (including filter)	9.4 quarts 9 liters
Engine coolant capacity	2.8 gallons 10,6 liters
Fan belt deflection	0.375 to 0.5 inches 9 to 12 mm

Unit ships with 15W-40. Extreme operating temperatures may require the use of alternative engine oils. For oil requirements, refer to the Engine Operator Manual for your engine.

Unit ships with Ethylene Glycol engine coolant. Consult your local supplier for compatibility before mixing alternative engine coolants.

Perkins Engine Models

403D-11

Low idle	1500 rpm 150 Hz
High idle	2800 rpm 280 Hz
Oil capacity (including filter)	4.3 quarts 4,1 liters
Engine coolant capacity	3.3 quarts 3,1 liters
Fan belt deflection	0.312 inches 8 mm

403F-11

Low idle	1500 rpm 150 Hz
High idle	2800 rpm 280 Hz
Oil capacity (including filter)	4.6 quarts 4,4 liters
Engine coolant capacity	3.3 quarts 3,1 liters
Fan belt deflection	0.187 inches 5 mm

404D-22

Low idle (Z-45/25 and Z-45/25 J)	1500 rpm 265 Hz
Low idle (all other models)	1300 rpm 229.7 Hz
High idle	2500 rpm 441.7 Hz
Oil capacity (including filter)	9.4 to 11.2 quarts 8,9 to 10,6 liters
Engine coolant capacity	13.3 quarts 12,6 liters
Fan belt deflection	0.375 to 0.5 inches 9 to 12 mm

Engine Specifications

404D-22T

Low idle (standby)	1000 rpm 500 Hz
Low idle (with function enable)	1500 rpm 750 Hz
High idle	2500 rpm 1250 Hz
Oil capacity (including filter)	9.4 to 11.2 quarts 8,9 to 10,6 liters
Engine coolant capacity	13.3 quarts 12,6 liters
Fan belt deflection	0.375 to 0.5 inches 9 to 12 mm

404F-22

Low idle (standby)	1000 rpm 500 Hz
Low idle (with function enable)	1500 rpm 750 Hz
High idle	2500 rpm 1250 Hz
Oil capacity (including filter)	9.4 to 11.2 quarts 8,9 to 10,6 liters
Engine coolant capacity	13.3 quarts 12,6 liters
Fan belt deflection	0.375 to 0.5 inches 9 to 12 mm

404F-22T

Low idle	1300 rpm 650 Hz
High idle	2300 rpm 1150 Hz
Oil capacity (including filter)	9.4 to 11.2 quarts 8,9 to 10,6 liters
Engine coolant capacity	13.3 quarts 12,6 liters
Fan belt deflection	0.375 to 0.5 inches 9 to 12 mm

404F-E22T

Low idle (standby)	1000 500 Hz
Low idle (with function enable)	1500 rpm 750 Hz
High idle	2500 rpm 1250 Hz
Oil capacity (including filter)	9.2 to 11.2 quarts 8,9 to 10,6 liters
Engine coolant capacity	8.8 quarts 8,3 liters
Fan belt deflection	0.375 to 0.5 inches 9 to 12 mm

404F-E22TA

Low idle (standby)	1000 500 Hz
Low idle (with function enable)	1500 rpm 750 Hz
High idle	2500 rpm 1250 Hz
Oil capacity (including filter)	9.2 to 11.2 quarts 8,9 to 10,6 liters
Engine coolant capacity	9.8 quarts 9,3 liters
Fan belt deflection	0.375 to 0.5 inches 9 to 12 mm

804D-33

Low idle (with generator)	1400 rpm 284.7 Hz
Low idle (without generator)	1650 rpm 335.5 Hz
High idle	2300 rpm 467.7 Hz
Oil capacity (including filter)	10.6 quarts 10 liters
Engine coolant capacity	12.5 quarts 11,8 liters
Fan belt deflection	0.375 to 0.5 inches 9 to 12 mm

Engine Specifications

854F-E34T

Low idle (standby) (SX-105 XC, SX-125 XC, SX-135 XC, SX-150, SX-180, Z-135, ZX-135) (S-100/105/120/125/100HD/120HD)	1000 rpm 500 Hz
---	--------------------

Low idle (with function enable) (SX-105 XC, SX-125 XC, SX-135 XC, SX-150, SX-180, Z-135, ZX-135) (S-100/105/120/125/100HD/120HD)	1500 rpm 750 Hz
--	--------------------

High idle	2500 rpm 1250 Hz
-----------	---------------------

Oil capacity (including filter)	7.7 quarts 7,3 liters
---------------------------------	--------------------------

Engine coolant capacity	16.5 quarts 15,6 liters
-------------------------	----------------------------

Fan belt deflection	0.375 to 0.5 inches 9 to 12 mm
---------------------	-----------------------------------

1104D-44T

Low idle	1300 rpm 314.2 Hz
----------	----------------------

High idle (SX-135 XC, SX-150 and SX-180)	2450 rpm 592 Hz
---	--------------------

High idle (all other models)	2350 rpm 568 Hz
------------------------------	--------------------

Oil capacity (including filter)	10.4 quarts 9,8 liters
---------------------------------	---------------------------

Engine coolant capacity	9.5 quarts 9 liters
-------------------------	------------------------

Fan belt deflection	0.375 to 0.5 inches 9 to 12 mm
---------------------	-----------------------------------

Unit ships with 15W-40. Extreme operating temperatures may require the use of alternative engine oils. For oil requirements, refer to the Engine Operator Manual for your engine.

Unit ships with Ethylene Glycol engine coolant. Consult your local supplier for compatibility before mixing alternative engine coolants.

Ford Engine Models

DSG-423

Low idle	1600 rpm 53.3 Hz
----------	---------------------

High idle	2500 rpm 83.3 Hz
-----------	---------------------

Oil capacity (including filter)	4 quarts 3,8 liters
---------------------------------	------------------------

Engine coolant capacity	10 quarts 9,5 liters
-------------------------	-------------------------

Spark plug gap	0.049 to 0.053 inches 1,25 to 1,35 mm
----------------	--

Fan belt deflection	0.375 to 0.5 inches 9 to 12 mm
---------------------	-----------------------------------

MSG-425

Low idle	1500 rpm 50 Hz
----------	-------------------

High idle	2500 rpm 83.3 Hz
-----------	---------------------

Oil capacity (including filter)	6.7 quarts 6,4 liters
---------------------------------	--------------------------

Engine coolant capacity	10 quarts 9,5 liters
-------------------------	-------------------------

Spark plug gap	0.049 to 0.053 inches 1,25 to 1,35 mm
----------------	--

Fan belt deflection	0.375 to 0.5 inches 9 to 12 mm
---------------------	-----------------------------------

Unit ships with 15W-40. Extreme operating temperatures may require the use of alternative engine oils. For oil requirements, refer to the Engine Operator Manual for your engine.

Unit ships with Ethylene Glycol engine coolant. Consult your local supplier for compatibility before mixing alternative engine coolants.

Engine Specifications

Kubota Engine Models

D1105-E3B

Low idle	1250 rpm 208.3 Hz
High idle	3000 rpm 500 Hz
Oil capacity (including filter)	5.4 quarts 5,1 liters
Engine coolant capacity	3.3 quarts 3,1 liters
Fan belt deflection	0.312 inches 8 mm

D1105-E4B

Low idle (Z34 IC)	1250 rpm 208.3 Hz
Low idle (Z60 FE)	2150 rpm 358.3 Hz
High idle	3000 rpm 500 Hz
Oil capacity (including filter)	5.4 quarts 5,1 liters
Engine coolant capacity	3.3 quarts 3,1 liters
Fan belt deflection	0.312 inches 8 mm

D1803-CR-TIE4

Low idle, standby	1200 rpm 200 Hz
Low idle, function enable	1500 rpm 250 Hz
High idle	2700 rpm 450 Hz
Oil capacity (including filter)	8.6 quarts 8,1 liters
Engine coolant capacity	10 quarts 9,5 liters
Fan belt deflection	0.437 inches 11 mm

WG-972

Low idle	1600 rpm 266.7 Hz
High idle	3000 rpm 500 Hz
Oil capacity (including filter)	3 quarts 2,8 liters
Engine coolant capacity	0.61 quarts 2,36 liters
Spark plug gap	0.024 to 0.028 inches 0,6 to 0,7 mm
Fan belt deflection	0.312 inches 8 mm

Z482-E

Low idle	2000 rpm 333.3 Hz
High idle	3000 rpm 500 Hz
Oil capacity (including filter)	2.64 quarts 2,5 liters
Engine coolant capacity	3 quarts 2,8 liters
Fan belt deflection	0.312 inches 8 mm

Unit ships with 15W-40. Extreme operating temperatures may require the use of alternative engine oils. For oil requirements, refer to the Engine Operator Manual for your engine.

Unit ships with Ethylene Glycol engine coolant. Consult your local supplier for compatibility before mixing alternative engine coolants.

Engine Specifications

GM Engine Models

.998L	
Low idle	1100 rpm 36.6 Hz
High idle	3000 rpm 100 Hz
Oil capacity (including filter)	3.2 quarts 3 liters
Engine coolant capacity	5 quarts 4,7 liters
Spark plug gap	0.039 to 0.047 inches 1 to 1,2 mm
3.0L	
Low idle (standby)	1000 rpm 33.3 Hz
Low idle (with function enable)	1500 rpm 50 Hz
High idle	2500 rpm 83.3 Hz
Oil capacity (including filter)	5 quarts 4,7 liters
Engine coolant capacity	12 quarts 11,4 liters
Spark plug gap	0.035 inches 0,89 mm

Unit ships with 15W-40. Extreme operating temperatures may require the use of alternative engine oils. For oil requirements, refer to the Engine Operator Manual for your engine.

Unit ships with Ethylene Glycol engine coolant. Consult your local supplier for compatibility before mixing alternative engine coolants.

Continental Engine Models

TME27	
Low idle	1600 rpm 53.3 Hz
High idle	2500 rpm 83.3 Hz
Oil capacity (including filter)	7 quarts 6,6 liters
Engine coolant capacity	10.7 quarts 10,1 liters
Spark plug gap	0.032 inches 0,8 mm
Fan belt deflection	0.5 inches 12 mm

Unit ships with 15W-40. Extreme operating temperatures may require the use of alternative engine oils. For oil requirements, refer to the Engine Operator Manual for your engine.

Unit ships with Ethylene Glycol engine coolant. Consult your local supplier for compatibility before mixing alternative engine coolants.

Engine Specifications

Cummins Engine Models

B3.3T

Low idle	1300 rpm 229.7 Hz
High idle	2350 rpm 415 Hz
Oil capacity (including filter)	9 quarts 8,5 liters
Engine coolant capacity	9.1 quarts 10,1 liters
Fan belt deflection	0.375 to 0.5 inches 9 to 12 mm

Unit ships with 15W-40. Extreme operating temperatures may require the use of alternative engine oils. For oil requirements, refer to the Engine Operator Manual for your engine.

Unit ships with Ethylene Glycol engine coolant. Consult your local supplier for compatibility before mixing alternative engine coolants.

Hydraulic Specifications

Hydraulic Relief Valve Pressure

Function Manifold Relief Valve Pressure / Bar									
Model	System relief	Primary boom down	Secondary boom down	Secondary boom up	Primary boom extend	Secondary boom extend	Turntable rotate	Proportional relief	Platform level
S-40 (all models)	2600 psi 179 bar	2200 psi 152 bar	X	X	1950 psi 134 bar	X	X	X	X
S-45 (all models)	2900 psi 200 bar	2200 psi 152 bar	X	X	1950 psi 134 bar	X	X	X	X
S-40HF, S-45HF, S-40XC, S-45XC	3200 psi 221 bar	X	X	X	1950 psi 134 bar	X	X	X	3500 psi 241 bar
S-60, S-65, S-60HC, S-60X S-60XC to 45000 (all models)	3000 psi 207 bar	X	X	X	X	X	X	X	X
S-60HF, S-65HF, S-60XC from S60XCH-45001, S-65XC (all models)	3200 psi 221 bar	X	X	X	2300 psi 159 bar	X	X	X	3500 psi 241 bar
S-60J	3200 psi 221 bar	X	X	X	2000 psi 138 bar	X	X	X	3000 psi 207 bar
S-80, S-85, S-80X	3200 psi 221 bar	2400 psi 165 bar	X	X	2400 psi 165 bar	X	X	X	X
S-80HF, S-85HF, S-80XC, S-85XC	3200 psi 221 bar	2600 psi 179 bar	X	X	2400 psi 165 bar	X	X	X	X
S-100, S-100HD, S-105, S-120, S-120HD, S-125	2600 psi 179.3 bar	X	X	X	X	X	X	X	3000 psi 207 bar
SX-105 XC, SX-125 XC	3200 psi 221 bar	X	X	X	1950 psi 134 bar	X	X	X	X
SX-135 XC	3200 psi 221 bar	X	X	X	2350 psi 162 bar	X	X	X	X
SX-150, SX-180	3200 psi 221 bar	X	X	X	2500 psi 172 bar	X	X	X	X

Hydraulic Specifications

Model	System relief	Primary boom down	Secondary boom down	Secondary boom up	Primary boom extend	Secondary boom extend	Turntable rotate	Proportional relief	Platform level
Z-30N, Z-30N RJ	3000 psi 207 bar	1600 psi 110 bar	1600 psi 110 bar	X	1800 psi 124 bar	X	1100 psi 76 bar	X	X
Z-33	X	1885 psi 130 bar	1885 psi 130 bar		X	X	X	50 - 3000 psi 3,4 - 207 bar	X
Z-34N, Z-34 DC	3200 psi 221 bar	1600 psi 110 bar	1600 psi 110 bar	X	1800 psi 124 bar	X	1100 psi 76 bar	X	X
Z-34 BE	3200 psi 221 bar	1400 psi 96.5 bar	1600 psi 110 bar	X	1800 psi 124 bar	X	1100 psi 76 bar	X	X
Z-34 IC	3200 psi 221 bar	1600 psi 110 bar	1600 psi 110 bar	X	X	X	X	X	X
Z-40N, Z-40N RJ	X	2100 psi 145 bar	X	X	X	X	1800 psi 124 bar	50 - 3000 psi 3,4 - 207 bar	2500 psi 172 bar
Z-45/25, Z-45/25J (DC and BE models)	3200 psi 221 bar	X	2100 psi 145 bar	X	X	X	X	X	X
Z-45/25 IC, Z-45/25J IC, Z-45HF, Z-45 XC	3200 psi 221 bar	X	2100 psi 145 bar	X	X	X	X	X	ANSI / CSA 3500 psi 241 bar CE 3000 psi 207 bar
Z-45 DC/FE	X	X	2100 psi 145 bar	X	X	X	X	50 - 3200 psi 3,4 - 221 bar	3500 psi 241 bar
Z-51	3200 psi 221 bar	X	2100 psi 145 bar	X	X	X	X	X	2500 psi 172 bar
Z-60 DC / FE	X	X	X	X	1250 psi 86 bar	X	X	50 - 3000 psi 3,4 - 207 bar	2800 psi 193 bar
Z-62 (all models)	3000 psi 207 bar	X	X	X	X	X	X	X	2800 psi 193 bar
Z-80	3200 psi 221 bar	1300 psi 89,6 bar	2500 psi 172 bar	2500 psi 172 bar	1300 psi 89,6 bar	2600 psi 179 bar	X	X	3000 psi 207 bar
Z-135, ZX-135	3100 psi 213,7 bar	X	X	X	2600 psi 179 bar	X	X	X	X

Hydraulic Specifications

Traction and Steer/Axle Manifolds, and Oscillate Relief Valve Pressure / Bar			
Model	Hot oil relief valve pressure	Oscillate relief	Axle extend
S-40, S-45 (all models)	280 psi 19,3 bar	950 psi 66 bar	X
S-40HF, S-45HF, S-40XC, S-45XC (all models)	280 psi 19,3 bar	850 psi 58,6 bar	
S-60, S-65, S-60HC, S-60X S-60XC to 45000 (all models)	280 psi 19,3 bar	800 psi 55 bar	X
S-60HF, S-65HF, S-60XC from S60XCH-45001, S-65XC (all models)	280 psi 19,3 bar	600 psi 41,4 bar	X
S-60J	280 psi 19,3 bar	650 psi 45 bar	X
S-80, S-85, S-80HF, S-85HF, S-80X, S-80XC, S-85XC	280 psi 19,3 bar	950 psi 66 bar	X
S-100, S-100HD, S-105, S-120, S-120HD, S-125	280 psi 19,3 bar	X	1800 psi 124 bar
SX-105 XC, SX-125 XC, SX-135 XC	240 psi 16,5 bar	X	2400 psi 165 bar
SX-150, SX-180	250 psi 17,2 bar	X	2400 psi 165 bar
Z-34 IC	2WD - 170 psi 11,7 bar 4WD - 150 psi 10,3 bar	X	X
Z-45/25 IC, Z-45/25J IC, Z-45HF, Z-45XC, Z-51	250 psi 17,2 bar	X	X
Z-45 DC/FE	X	500 psi 34,5 bar	X
Z-60 DC / FE	X	400 psi 28 bar	X
Z-62 (all models)	280 psi 19,3 bar	650 psi 45 bar	X
Z-80	280 psi 19,3 bar	800 psi 55 bar	X
Z-135, ZX-135	250 psi 17,2 bar	X	2400 psi 165 bar

Hydraulic Specifications

Hydraulic and Drive Hub Fluid Capacities

Drive hub oil type: SAE 90 multipurpose hypoid gear oil API service classification GL5

Model	2WD Drive hub	4WD Drive hub	Turntable rotation drive hub	Hydraulic tank	Hydraulic system (including tank)
S-40, S-45 (all models)	20 fl oz 591 cc	20 fl oz 591 cc	8 fl oz 237 cc	45 gallons 170 liters	55 gallons 208 liters
S-40HF, S-45HF, S-40XC, S-45XC (all models)	20 fl oz 591 cc	20 fl oz 591 cc	8 fl oz 237 cc	38 gallons 144 liters	50 gallons 189 liters
S-60, S-65, S-60HC, S-60X S-60XC to 45000 (all models)	20 fl oz 591 cc	20 fl oz 591 cc	43 fl oz 1262 cc	45 gallons 170 liters	55 gallons 208 liters
S-60HF, S-65HF, S-60XCH from S60XCH-45001, S-65XC (all models)	20 fl oz 591 cc	20 fl oz 591 cc	43 fl oz 1262 cc	40 gallons 151 liters	57 gallons 216 liters
S-60J	24.5 fl oz 725 cc	24.5 fl oz 725 cc	8 fl oz 237 cc	21 gallons 80 liters	25 gallons 95 liters
S-80, S-85, S-80X	23 fl oz 680 cc	30.5 fl oz 902 cc	43 fl oz 1262 cc	40 gallons 151 liters	50 gallons 189 liters
S-80HF, S-85HF, S-80XC, S-85XC	X	30.5 fl oz 902 cc	43 fl oz 1262 cc	40 gallons 151 liters	64 gallons 242 liters
S-100, S-105, S-120, S-125, S- 100HD, S-120HD	X	47 fl oz 1390 cc	93 fl oz 2750 cc	55 gallons 208 liters	80 gallons 303 liters
SX-105XC, SX-125XC, SX-135XC	X	67 fl oz 1981 cc	43 fl oz 1262 cc	60 gallons 227 liters	138 gallons 522 liters
SX-150	X	67 fl oz 1981 cc	43 fl oz 1262 cc	110 gallons 416 liters	175 gallons 662 liters
SX-180	X	67 fl oz 1981 cc	43 fl oz 1262 cc	110 gallons 416 liters	225 gallons 852 liters
Z-30N, Z-30N RJ	24.5 fl oz 725 cc	X	X	4 gallons 15 liters	6 gallons 23 liters
Z-33	23 fl oz 680 cc	X	X	6 gallons 23 liters	8 gallons 30 liters
Z-34N, Z-34DC	24.5 fl oz 725 cc	X	X	4 gallons 15 liters	6 gallons 23 liters
Z-34BE	17.5 fl oz 518 cc	X	X	4 gallons 15 liters	6 gallons 23 liters
Z-34 IC	17 fl oz 503 cc	17 fl oz 503 cc	X	19 gallons 72 liters	22 gallons 83 liters
Z-40N, Z-40N RJ	23 fl oz 680 cc	X	5 fl oz 148 cc	8 gallons 30 liters	11 gallons 41 liters

Hydraulic Specifications

Hydraulic and Drive Hub Fluid Capacities, continued

Model	2WD Drive hub	4WD Drive hub	Turntable rotation drive hub	Hydraulic tank	Hydraulic system (including tank)
Z-45/25, Z-45/25J (DC and BE models)	EW1 type 17 fl oz 503 cc W1 type 23 fl oz 680 cc	X	25.5 fl oz 750 cc	8 gallons 30 liters	11 gallons 41 liters
Z-45/25 IC, Z-45/25J IC, Z-45HF, Z-45 XC	24 fl oz 710 cc	24 fl oz 710 cc	25.5 fl oz 750 cc	22 gallons 83 liters	28 gallons 106 liters
Z-45 DC/FE	X	24 fl oz 710 cc	25.5 fl oz 750 cc	10.5 gallons 40 liters	17 gallons 65 liters
Z-51	X	steer end 17 fl oz 503 cc non-steer end 42 fl oz 1242 cc	25.5 fl oz 750 cc	22 gallons 83 liters	28 gallons 106 liters
Z-60 (DC / FE)	24 fl oz 710 cc	24 fl oz 710 cc	43 fl oz 1262 cc	18 gallons 68 liters	21 gallons 80 liters
Z-62 (all models)	20 fl oz 591 cc	20 fl oz 591 cc	43 fl oz 1262 cc	35 gallons 132 liters	45 gallons 170 liters
Z-80	X	30.5 fl oz 902 cc	40 fl oz 1183 cc	45 gallons 170 liters	80 gallons 208 liters
Z-135, ZX-135	X	47 fl oz 1390 cc	40 fl oz 1183 cc	65 gallons 246 liters	123 gallons 465 liters

Hydraulic Specifications

Hydraulic Oil Specifications

Hydraulic Fluid Specifications

Genie specifications require hydraulic oils which are designed to give maximum protection to hydraulic systems, have the ability to perform over a wide temperature range, and the viscosity index should exceed 140. They should provide excellent antiwear, oxidation prevention, corrosion inhibition, seal conditioning, and foam and aeration suppression properties.

Cleanliness level, minimum	ISO 15/13
Water content, maximum	250 ppm

Recommended Hydraulic Fluid

Hydraulic oil type	Chevron Rando HD Premium
Viscosity grade	32
Viscosity index	200

Optional Hydraulic Fluids

Mineral based	Shell Tellus S2 V 32
	Shell Tellus S2 V 46
	Shell Tellus S4 VX 32 Shell
	Shell Donax TG (Dexron III) Chevron 5606A
Biodegradable	Petro Canada Environ MV 46
Fire resistant	UCON Hydrolube HP-5046

Note: Genie specifications require additional equipment and special installation instructions for the approved optional fluids. Consult Genie Product Support before use.

NOTICE Optional fluids may not have the same hydraulic lifespan and may result in component damage.

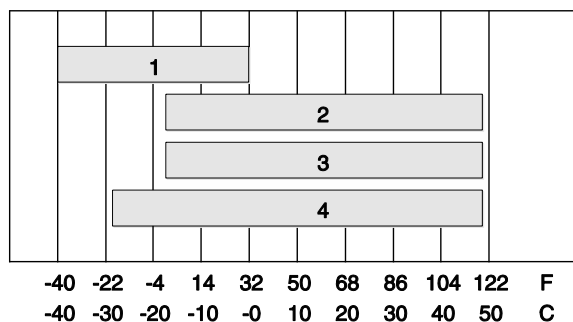
Note: Extended machine operation can cause the hydraulic fluid temperature to increase beyond its maximum allowable range. If the hydraulic fluid temperature consistently exceeds 200°F / 90°C an optional oil cooler may be required.

NOTICE

Do not top off with incompatible hydraulic fluids. Hydraulic fluids may be incompatible due to the differences in base additive chemistry. When incompatible fluids are mixed, insoluble materials may form and deposit in the hydraulic system, plugging hydraulic lines, filters, control valves and may result in component damage.

Note: Do not operate the machine when the ambient air temperature is consistently above 120°F / 49°C.

Hydraulic Fluid Temperature Range



Ambient air temperature

- 1 Chevron hydraulic oil 5606A
- 2 Petro-Canada Environ MV 46
- 3 UCON Hydrolube HP-5046D
- 4 Chevron Rando HD premium oil MV

Hydraulic Specifications

Chevron Rando HD Premium Oil MV Fluid Properties

ISO Grade	32
Viscosity index	200
Kinematic Viscosity cSt @ 200°F / 100°C	7.5
cSt @ 104°F / 40°C	33.5
Brookfield Viscosity cP @ -4°F / -20°C	1040
cP @ -22°F / -30°C	3310
Flash point	375°F / 190°C
Pour point	-58°F / -50°C
Maximum continuous operating temperature	171°F / 77°C

Note: A hydraulic oil heating system is recommended when the ambient temperature is consistently below 0°F / -18°C.

Note: Do not operate the machine when the ambient temperature is below -20°F / -29°C with Rando HD Premium MV.

Chevron 5606A Hydraulic Oil Fluid Properties

ISO Grade	15
Viscosity index	300
Kinematic Viscosity cSt @ 200°F / 100°C	5.5
cSt @ 104°F / 40°C	15.0
cSt @ -40°F / -40°C	510
Flash point	180°F / 82°C
Pour point	-81°F / -63°C
Maximum continuous operating temperature	124°F / 51°C

Note: Use of Chevron 5606A hydraulic fluid, or equivalent, is required when ambient temperatures are consistently below 0°F / -17°C unless an oil heating system is used.

NOTICE

Continued use of Chevron 5606A hydraulic fluid, or equivalent, when ambient temperatures are consistently above 32°F / 0°C may result in component damage

Hydraulic Specifications

Petro-Canada Environ MV 46 Fluid Properties

ISO Grade	46
Viscosity index	154
Kinematic Viscosity cSt @ 200°F / 100°C	8.0
cSt @ 104°F / 40°C	44.4
Flash point	482°F / 250°C
Pour point	-49°F / -45°C
Maximum continuous operating temperature	180°F / 82°C

Shell Tellus S4 VX Fluid Properties

ISO Grade	32
Viscosity index	300
Kinematic Viscosity cSt @ 200°F / 100°C	9
cSt @ 104°F / 40°C	33.8
Brookfield Viscosity cSt @ -4°F / -20°C	481
cSt @ -13°F / -25°C	702.4
cSt @ -40°F / -40°C	2624
Flash point	>100
Pour point	-76°F / -60°C
Maximum continuous operating temperature	103°F / 75°C

UCON Hydrolube HP-5046 Fluid Properties

ISO Grade	46
Viscosity index	192
Kinematic Viscosity cSt @ 149°F / 65°C	22
cSt @ 104°F / 40°C	46
cSt @ 0°F / -18°C	1300
Flash point	None
Pour point	-81°F / -63°C
Maximum continuous operating temperature	189°F / 87°C

Hydraulic Specifications

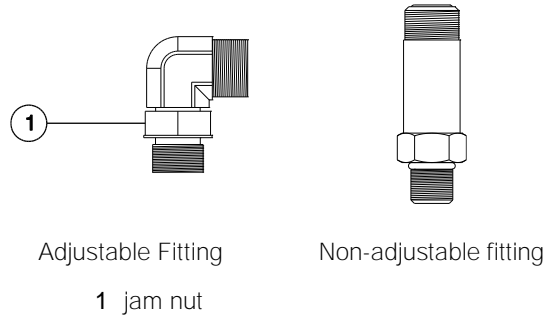
Hydraulic Hose and Fitting Torque Specifications

Your machine is equipped with Parker Seal-Lok™ ORFS or 37° JIC fittings and hose ends. Genie specifications require that fittings and hose ends be torqued to specification when they are removed and installed or when new hoses or fittings are installed.

Seal-Lok™ Fittings (hose end - ORFS)	
SAE Dash Size	Torque
-4	18 ft-lbs / 25 Nm
-6	30 ft-lbs / 41 Nm
-8	40 ft-lbs / 55 Nm
-10	60 ft-lbs / 81 Nm
-12	85 ft-lbs / 115 Nm
-16	110 ft-lbs / 150 Nm
-20	150 ft-lbs / 205 Nm
-24	230 ft-lbs / 315 Nm

JIC 37° Fittings (swivel nut or hose connection)		
SAE Dash Size	Thread Size	Flats
-4	7/16-20	2
-6	9/16-18	1 1/2
-8	3/4-16	1 1/2
-10	7/8-14	1 1/2
-12	1 1/16-12	1 1/4
-16	1 5/16-12	1
-20	1 5/8-12	1
-24	1 7/8-12	1

SAE O-ring Boss Port (tube fitting - installed into Aluminum) (all types)	
SAE Dash Size	Torque
-4	14 ft-lbs / 19 Nm
-6	23 ft-lbs / 31,2 Nm
-8	36 ft-lbs / 54,2 Nm
-10	62 ft-lbs / 84 Nm
-12	84 ft-lbs / 114 Nm
-16	125 ft-lbs / 169,5 Nm
-20	151 ft-lbs / 204,7 Nm
-24	184 ft-lbs / 249,5 Nm



SAE O-ring Boss Port (tube fitting - installed into Steel)		
SAE Dash Size		Torque
-4	ORFS / 37° (Adj)	15 ft-lbs / 20,3 Nm
	ORFS (Non-adj)	26 ft-lbs / 35,3 Nm
	37° (Non-adj)	22 ft-lbs / 30 Nm
-6	ORFS (Adj / Non-adj)	35 ft-lbs / 47,5 Nm
	37° (Adj / Non-adj)	29 ft-lbs / 39,3 Nm
-8	ORFS (Adj / Non-adj)	60 ft-lbs / 81,3 Nm
	37° (Adj / Non-adj)	52 ft-lbs / 70,5 Nm
-10	ORFS (Adj / Non-adj)	100 ft-lbs / 135,6 Nm
	37° (Adj / Non-adj)	85 ft-lbs / 115,3 Nm
-12	(All types)	135 ft-lbs / 183 Nm
-16	(All types)	200 ft-lbs / 271,2 Nm
-20	(All types)	250 ft-lbs / 339 Nm
-24	(All types)	305 ft-lbs / 413,5 Nm



Hydraulic Specifications

Torque Procedure

Seal-Lok™ fittings

- 1 Replace the O-ring. The O-ring must be replaced anytime the seal has been broken. The O-ring cannot be re-used if the fitting or hose end has been tightened beyond finger tight.

Note: The O-ring in Parker Seal Lok™ fittings and hose end are custom-size O-rings. They are not standard size O-rings. They are available in the O-ring field service kit (Genie part number 49612).

- 2 Lubricate the O-ring before installation.
- 3 Be sure the O-ring face seal is seated and retained properly.
- 4 Position the tube and nut squarely on the face seal end of the fitting, and tighten the nut finger tight.
- 5 Tighten the nut or fitting to the appropriate torque. Refer to the appropriate torque chart in this section.
- 6 Operate all machine functions and inspect the hose, fittings and related components to confirm there are no leaks.

JIC 37° fittings

- 1 Align the tube flare (hex nut) against the nose of the fitting body (body hex fitting) and tighten the hex nut to the body hex fitting to hand tight, approximately 30 in-lbs / 3.4 Nm.
- 2 Using a permanent ink marker, make a reference mark on one the flats of the hex nut and continue the mark onto the body of the fitting. Refer to Illustration 1.

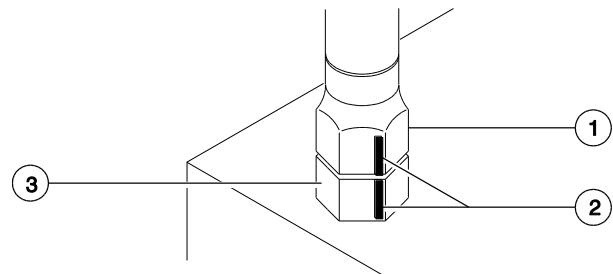


Illustration 1

- 1 hex nut
- 2 reference mark
- 3 body hex fitting

Hydraulic Specifications

- 3 Working clockwise on the body hex fitting, make a second mark with a permanent ink marker to indicate the proper tightening position. Refer to Illustration 2.

Note: Use the JIC 37° Fitting table in this section to determine the correct number of flats, for the proper tightening position.

Note: The marks indicate the correct tightening positions have been determined. Use the second mark on the body hex fitting to properly tighten the joint after it has been loosened.

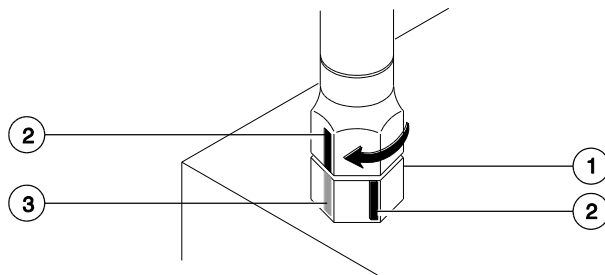


Illustration 2

- 1 body hex fitting
 - 2 reference mark
 - 3 second mark
- 4 Tighten the hex nut until the mark on the hex nut is aligned with the second mark on the body hex fitting.
 - 5 Operate all machine functions and inspect the hose, fittings and related components to confirm there are no leaks.

Maintenance Procedures



Observe and Obey:

- ☑ Maintenance inspections shall be completed by a person trained and qualified on the maintenance of this machine.
- ☑ Scheduled maintenance inspections shall be completed as specified on the *Maintenance Inspection Reports*. The frequency and extent of periodic examinations and tests may also depend on national regulations.

⚠ WARNING

Failure to perform each procedure as presented and scheduled may cause death, serious injury or substantial damage.

- ☑ Immediately tag and remove from service a damaged or malfunctioning machine.
- ☑ Repair any machine damage or malfunction before operating the machine.
- ☑ Use only Genie approved replacement parts.
- ☑ Machines that have been out of service for a period longer than 3 months must complete the quarterly inspection.

Machine Configuration:

- ☑ Unless otherwise specified, perform each procedure with the machine in the following configuration:
 - Machine parked on a firm, level surface
 - Key switch in the off position with the key removed
 - The red Emergency Stop button in the off position at both the ground and platform controls
 - Wheels chocked
 - All external AC power supply disconnected from the machine
 - Machine in the stowed position
 - Turntable secured with the turntable rotation lock

Maintenance Procedures

About This Section

This section contains detailed procedures for each scheduled maintenance inspection.

Each procedure includes a description, safety warnings and step-by-step instructions.

Symbols Legend



Safety alert symbol—used to alert personnel to potential personal injury hazards. Obey all safety messages that follow this symbol to avoid possible injury or death.



Indicates a imminently hazardous situation which, if not avoided, will result in death or serious injury.



Indicates a potentially hazardous situation which, if not avoided, could result in death or serious injury.



Indicates a potentially hazardous situation which, if not avoided, may cause minor or moderate injury.



Indicates a potentially hazardous situation which, if not avoided, may result in property damage.

- ⦿ Indicates that a specific result is expected after performing a series of steps.
- ⊗ Indicates that an incorrect result has occurred after performing a series of steps.

Maintenance Symbols Legend

Note: The following symbols have been used in this manual to help communicate the intent of the instructions. When one or more of the symbols appear at the beginning of a maintenance procedure, it conveys the meaning below.



Indicates that tools will be required to perform this procedure.



Indicates that new parts will be required to perform this procedure.



Indicates that dealer service will be required to perform this procedure.



Indicates that a cold motor/pump or engine will be required to perform this procedure.



Indicates that a warm engine will be required to perform this procedure.

Maintenance Procedures

Maintenance Schedule

The maintenance procedures have been divided into subsections that include: Commissioning, Quarterly, Annually and Programmed maintenance intervals. The maintenance inspection report has been divided into general areas of the machine that include: Drive Chassis, Booms and Platform, Functions and Controls, Engine and Turntable.

Failure to perform these procedures may result in poor performance, component damage and unsafe operating conditions. They are essential to safe operation, machine performance and service life.

Commissioning: A series of required one time maintenance procedures to be performed at 50 and 150 hour intervals.

Quarterly and Annually: A series of maintenance procedures to be performed quarterly or annually.

Programmed: A series of maintenance procedures to be performed during a Pre-Delivery Preparation or based on machine operating hours.







Maintenance Inspection Report

The maintenance inspection report contains checklists for each type of scheduled inspection.







Make copies of the *Maintenance Inspection Report* to use for each inspection. Maintain completed forms for a minimum of 4 years or in compliance with your employer, jobsite and governmental regulations and requirements.

Instruction Examples


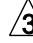



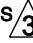


Commissioning Example:

Commissioning		 50	 150
 Engine - all models	 PO-1		





Quarterly and Annually Example:

 Drive Chassis	 Intervals	Q	A
 Inspect the tires, wheels and Lug Nut Torque	 Q-4		 \emptyset

Programmed Example (under 1000 HRS):








Programmed Maintenance - Under 1000 HRS		Status	Enter Hours
 Check Track Tension/Fastener Torque	 PO-1		 50
 Engines - Deutz Under 1000 HRS	 PO-2		

Programmed Example:

Programmed Maintenance	 Hours are in thousands					
All models	1	2	3	4	6	12
 Engine - all models, 1000 hrs	 P1-1		\emptyset	\emptyset	\emptyset	\emptyset

Instructions Legend

Use the following detailed descriptions to identify the intended use of the maintenance inspection reports.

-  Specific Interval: blank box is the interval to be completed and the \emptyset marks the interval as not required.
-  The description of the procedure or checklist to be completed.
-  The procedure number or checklist to be completed.
-  Check box to indicate status of inspection.
-  Specific interval is not required for this procedure.
-  General area of the machine to complete the procedure.
-  If this box has a designated time interval: this is the specific time interval to complete the procedure or checklist.

If this box is empty: the maintenance checklist will include multiple time intervals, use this box to write in the specific interval for the inspection completed.

Pre-Delivery Preparation Report

Fundamentals

It is the responsibility of the owner or dealer to perform the Pre-delivery Preparation.

The Pre-delivery Preparation is performed prior to each delivery. The inspection is designed to discover if anything is apparently wrong with a machine before it is put into service.

A damaged or modified machine must never be used. If damage or any variation from factory delivered condition is discovered, the machine must be tagged and removed from service.

Repairs to the machine may only be made by a qualified service technician, according to the manufacturer's specifications.

Scheduled maintenance inspections shall be performed by qualified service technicians, according to the manufacturer's specifications and the requirements listed in the responsibilities manual.

Instructions

Use the operator's manual on your machine.

The Pre-delivery Preparation consists of completing the Pre-operation Inspection, the Maintenance items and the Function Tests.

Use this form to record the results. Place a check in the appropriate box after each part is **completed. Follow the instructions in the operator's manual.**

If any inspection receives an N, remove the machine from service, repair and re-inspect it. After repair, place a check in the R box.

Legend

- Y = yes, acceptable
- N = no, remove from service
- R = repaired

Comments

Pre-delivery Preparation	Y	N	R
Pre-operation inspection completed			
Maintenance items completed			
Function tests completed			



A TEREX BRAND

Terex South Dakota, Inc USA
 500 Oak Wood Road
 PO Box 1150
 Watertown, SD 57201-6150
 (605) 882-4000

Genie UK
 The Maltings, Wharf Road
 Grantham, Lincolnshire
 NG31- 6BH England
 (44) 1476-584333

Model _____

Serial number _____

Date _____

Machine owner _____

Inspected by (print) _____

Inspector signature _____

Inspector title _____

Inspector company _____

Model	Hour meter	Date
Serial number	Inspector company	Machine owner
Inspected by (print)	Inspector signature	
Inspection Type Q = quarterly or frequent inspections	Legend Y = yes, acceptable R = repaired	N = no, remove from service Ø = not applicable Make copies of this report to use for each inspection. Select the appropriate procedures for the type of inspection(s) to perform.
If any inspection receives an "N," tag and remove the machine from service, repair and re-inspect it. After repair, place a "R" in the box.		

Drive Chassis	✓
Inspect the Tires, Wheels and Lug Nut Torque	Q-6
Check the Oscillate Valve Linkage (if equipped)	Q-8
Confirm the Proper Brake Configuration	Q-20
Turntable Mechanicals and Hydraulics	
Visual Inspection of the Hydraulic Oil	Q-9
Inspect the Hydraulic Filters	Q-10
Electrical	
Inspect Electrical Contactors - DC / Bi-Energy Models	Q-4
Battery Inspection	Q-2
Inspect the Electrical Wiring	Q-3
Engine	
Check the Exhaust System	Q-5
Check Generator Belts/Pulleys - Bi-Energy Models	Q-7
Check and Adjust the Engine RPM	Q-11
Boom(s) and Platform	
Inspect and Adjust Boom Cables - All Models (for first 12 months of ownership)	Q-36
Functions and Controls	
✓	
Check for Open Bulletins and Owner Registration	Q-1
Test the Ground Control Override	Q-12
Test the Alarm Package (if equipped)	Q-13
Test the Emergency Power System	Q-14
Test the Engine Idle Select Operation	Q-15
Test Fuel Select Operation - Gas/LPG Models	Q-16
Inspect the Calibration Decal - ALC1000 Models	Q-17
Test the Recovery System - ALC-1000 Models	Q-18
Test the Platform Self-leveling	Q-19

Functions and Controls, continued	✓
Test the Drive Brakes	Q-21
Test the Drive Speed – Stowed Position	Q-22
Test the Drive Speed – Raised or Extended Position	Q-23
Test the Drive Speed – Raised and Extended Position - ALC1000 Models	Q-24
Test the Turntable Level Sensor - Z-135/70, ZX-135/70, SX-105XC, SX-125XC, SX-135XC, SX-150, SX-180	Q-25
Test the Secondary Boom Angle Sensor - Z-135/70, ZX-135/70	Q-26
Test the Primary Boom Angle Sensor - Z-135/70 and ZX-135/70	Q-27
Test the Primary Boom Angle Sensor - SX-105XC, SX-125XC, SX-135XC, SX-150, SX-180	Q-28
Test the Safety Envelope Limit Switches - Z-135/70, ZX-135/70, SX-105XC, SX-125XC, SX-135XC, SX-150, SX-180	Q-29
Test the Primary Boom Angle Sensor - Z-80/60	Q-30
Test the Safety Envelope and Circuits - Z-80/60	Q-31
Check the Safety Envelope Limit Switches and Angle Sensor - S-60X, S-80X, to S60XCH-45000	Q-32
Test the Safety Envelope and Circuits - S-100, S-105, S-120, S-125	Q-33
Test the Aircraft Protection System (if equipped)	Q-34
Test the Operator Protection Alarm (if equipped)	Q-35
Test the Recovery System - ALC600 models	Q-37
Test the Turntable Level Sensor - S-40HF, S-45HF, S-40XC, S-45XC, S-60HF, S-65HF, S-60J, S-60XC from S60XCH-45001, S-65XC, S-80HF, S-85HF, S-80XC, S-85XC	Q-38
Test the Primary Boom Angle Sensor - S-40HF, S-45HF, S-40XC, S-45XC, S-60HF, S-65HF, S-60J, S-60XC from S60XCH-45001, S-65XC, S-80HF, S-85HF, S-80XC, S-85XC	Q-39

Model	Hour meter	Date
Serial number	Inspector company	Machine owner
Inspected by (print)	Inspector signature	
Inspection Type A = annual inspections	Legend Y = yes, acceptable R = repaired N = no, remove from service Ø = not applicable	Make copies of this report to use for each inspection. Select the appropriate procedures for the type of inspection(s) to perform.
If any inspection receives an "N," tag and remove the machine from service, repair and re-inspect it. After repair, place a "R" in the box.		

⚠ Confirm all applicable quarterly maintenance procedures have been included and completed with the annual inspection.	
Drive Chassis	<input checked="" type="checkbox"/>
Extendable Axle Wear Pads (if equipped)	A-4
Check Drive Hub Oil Level and Fastener Torque	A-14
Turntable Mechanicals and Hydraulics	
Grease the Turntable Rotation Bearing	A-1
Check Turntable Bearing Bolts	A-2
Inspect for Turntable Bearing Wear	A-3
Boom(s) and Platform	
Jib Rotate Bearing (if equipped)	A-5
Grease the Platform Overload Mechanism	A-7
Test Platform Overload - All Models, Except ALC1000 and S-60HC Models	A-8
Test Platform Overload - (ALC1000 models)	A-9
Test Platform Overload - (S-60 HC models)	A-10
Test Platform Overload - S-40HF, S-45HF, S-60J, Z-45HF, Z-45 DC/FE from Z45EM-101	A-18
Test Dual Capacity / Overload - SX-105XC, SX-125XC, SX-135 XC	A-15
Test Dual Capacity / Overload - Z-45XC	A-16
Test Dual Capacity / Overload - S-40XC, S-45XC, S-60HF, S-65HF, S-60XC from S60XCH-45001, S-65XC, S-80HF, S-85HF, S-80XC, S-85XC	A-17
Inspect Boom Cables - All S-60, S-80 Models	A-11
Inspect Boom Cables - S-100 to S-125, S-100HD, S-120HD, SX-105XC, SX-125XC	A-12
Inspect Boom Cables - SX-135XC, SX-150, SX-180	A-13
Functions and Controls	
Test the Bypass/Recovery Key Switch	A-6
Engines	
Perform Engine Maintenance - Kubota D1803	A-19

⚠ Confirm all applicable quarterly and annual maintenance procedures have been included and completed with the 2 year inspection.	
Perform Every 2 Years	
Engines	<input checked="" type="checkbox"/>
Perform Engine Maintenance - Kubota D1803	A-20

Model	Hour meter	Date
Serial number	Inspector company	Machine owner
Inspected by (print)	Inspector signature	
Programmed maintenance will be completed based on machine hours. This program includes the onetime or commissioning procedures for new products. The onetime procedures will be completed at 50 or 150 hours.		Legend Y = yes, acceptable N = no, remove from service R = repaired Ø = not applicable
Make copies of this report to use for each inspection. Select the appropriate procedures for the type of inspection(s) to perform.		
If any inspection receives an "N," tag and remove the machine from service, repair and re-inspect it. After repair, place a "R" in the box.		

Commissioning	50	150
50 Hour Service - all models C-1		Ø
Engines - Ford, Kubota, Perkins Models C-2		Ø
Perform 150 Hour Service C-3	Ø	

Programmed Maintenance	Hours are in thousands								
	All models	Perform every:	1	2	3	4	5	6	12
Engines - all models, 1000 Hours P1-1			Ø	Ø	Ø	Ø	Ø	Ø	Ø
Replace the Drive Hub Oil P1-2			Ø	Ø	Ø	Ø	Ø	Ø	Ø
Engines - Kubota D1803, 1500 Hours P1-3			Ø	Ø	Ø	Ø	Ø	Ø	Ø
Engines - all models, 2000 Hours P2-1			Ø	Ø	Ø	Ø	Ø	Ø	Ø
Test or Replace the Hydraulic Oil P2-2			Ø	Ø	Ø	Ø	Ø	Ø	Ø
Replace the Hydraulic Filters P2-3			Ø	Ø	Ø	Ø	Ø	Ø	Ø
Check the Free-wheel Configuration P2-4			Ø	Ø	Ø	Ø	Ø	Ø	Ø
Check the Boom Wear Pads P2-5			Ø	Ø	Ø	Ø	Ø	Ø	Ø
Check the Extendable Axle Wear Pads P2-6			Ø	Ø	Ø	Ø	Ø	Ø	Ø
Check Turntable Gear Backlash - ALC1000 Models P2-7			Ø	Ø	Ø	Ø	Ø	Ø	Ø
Grease the Steer Axle Wheel Bearings, 2WD Models (except Z-62, S-60, S-65) P2-8			Ø	Ø	Ø	Ø	Ø	Ø	Ø
Grease the Steer Axle Wheel Bearings, 2WD Models - Z-62, S-60, S-65 P2-9			Ø	Ø	Ø	Ø	Ø	Ø	Ø
Engines - all models, 3000 Hours P3-1			Ø	Ø	Ø	Ø	Ø	Ø	Ø
Engines - Perkins models, 4000 Hours P4-1			Ø	Ø	Ø	Ø	Ø	Ø	Ø
Engines - GM models, 5000 Hours P5-1			Ø	Ø	Ø	Ø	Ø	Ø	Ø
Engines - Perkins models, 6000 Hours P6-1			Ø	Ø	Ø	Ø	Ø	Ø	Ø
Engines - Perkins models, 12000 Hours P12-1			Ø	Ø	Ø	Ø	Ø	Ø	Ø
Remove and Inspect Boom cables P12-2			every 12 years or every 3 years after first 12 years if not replaced						

Programmed Maintenance - Under 1000 HRS	Status	Enter Hours
Check the Track Tension and Fastener Torque - S-60, S-65 and Z-62 Models P0-1		50
Check the Track Tension and Fastener Torque - S-40 and S-45 Models P0-2		50
Grease the Extendable Axles - (if equipped) P0-3		50
Engines - Continental Under 1000 HRS P0-4		
Engines - Cummins Under 1000 HRS P0-5		
Engines - Deutz Under 1000 HRS P0-6		
Engines - Ford Under 1000 HRS P0-7		
Engines - Kubota Under 1000 HRS P0-8		
Engines - Perkins Under 1000 HRS P0-9		
Engines - GM .998L Under 1000 HRS P0-10		
Engines - GM 3.0L Under 1000 HRS P0-11		

Commissioning Procedures

C-1 Perform 50 Hour Service



The 50 hour maintenance procedure is a one time sequence of procedures to be performed after the first 50 hours of usage. After this interval, refer to the maintenance inspection report for continued scheduled maintenance.

- 1 Perform the following maintenance procedures:

All Models:

- Q-6 Inspect the Tires, Wheels and Lug Nut Torque
- A-1 Grease the Turntable Rotation Bearing and Rotate Gear
- A-2 Check the Turntable Rotation Bearing Bolts
- A-5 Check the Jib Rotator Fastener Torque (SX-150 and SX-180 models)
- P1-2 Replace the Drive Hub Oil
- P2-3 Replace the Hydraulic Filters

C-2 Perform Engine Maintenance - 50 Hours



The 50 hour maintenance procedure is a one time sequence of procedures to be performed after the first 50 hours of usage. After this interval, refer to the maintenance inspection report for continued scheduled maintenance.

Ford Models

- Oil, coolant, fuel, exhaust and vacuum hoses - check for leaks, damage or deterioration
- Electrical wiring - check for chafing or damage

Kubota Models:

- Engine oil - replace
- Oil filter - replace

GM .998L

- Cylinder head bolts - torque (40.5 ft-lbs / 55 Nm)
- Valve clearance - check/adjust

Perkins 404F-E22T, 404F-E22TA

- Fan clearance - check

Required maintenance procedures and additional engine information are available in the manufacturer's manuals. Refer to Specifications, *Engine Operator and Maintenance Manuals*.

Commissioning Procedures

C-3

Perform 150 Hour Service



The 150 hour maintenance procedure is a one time sequence of procedures to be performed after the first 150 hours of usage. After this interval, refer to the maintenance tables for continued scheduled maintenance.

1 Perform the following maintenance procedures:

Q-9 Visual Inspection of the Hydraulic Oil

Q-10 Inspect the Hydraulic Filters

Quarterly Maintenance Procedures

Q-1 Check for Open Bulletins and Owner Registration



Genie specifications require that this procedure be performed quarterly.

Completing required bulletins is essential to safe machine operation. An important way to ensure your machine has no open bulletins is to frequently check the serial number of your Genie machine against our bulletin database. Using the links below you can view any open bulletins for your machine(s) that require mandatory and immediate work to be completed.

Note: If you are unable to access this information on our websites, please contact your local Genie representative using the contact information provided on the back cover of this manual.

- 1 Locate the serial number plate or label on your machine and document your Genie machine serial number (exactly as its displayed on the serial plate or label).
- 2 Confirm that Genie has the current machine owner information on file by contacting our warranty department at 1-800-536-1800 or use the link included in this procedure to download and complete a New Owner Registration Form.
- 3 Using the link provided, check for current bulletins for your machine(s).

Machines purchased in Australia:

Go to [Australia Bulletins](http://genielift.com.au/contact)
(<http://genielift.com.au/contact>)

- 1 Contact any one of the Genie Service centers around Australia to arrange for factory trained technicians to attend to your equipment needs.

Machines purchased in ASIA, North America and Latin America:

Go to [ASIA, North America and Latin America Bulletins](https://www.gogenielift.com/) (<https://www.gogenielift.com/>)



- 1 Select "Customer Login" to login or select "Request New Access" to create a new account.
- 2 At the homepage, select "Unit Configuration" and enter your machine serial number.
- 3 Press the "Lookup" button to view your machine configuration and to check for open bulletins.
- 4 Complete all required bulletins shown for your specific machine serial number.

Machines purchased in Europe, Middle East, Africa, and Russia:

Go to [EMEAR Bulletins](http://www.genielift.co.uk/en/sales-and-support/bulletin-campaigns/index.htm)
(<http://www.genielift.co.uk/en/sales-and-support/bulletin-campaigns/index.htm>)



- 1 Enter your machine serial number and press search to check for open bulletins.
- 2 Complete all required bulletins shown for your specific machine serial number.

Quarterly Maintenance Procedures

Q-2 Battery Inspection



Genie specifications require that this procedure be performed quarterly.

Proper battery condition is essential to good engine and machine performance and operational safety. Improper fluid levels or damaged cables and connections can result in engine and component damage and hazardous conditions.

⚠ WARNING Electrocution/burn hazard. Contact with electrically charged circuits could result in death or serious injury. Remove all rings, watches and other jewelry.

⚠ WARNING Bodily injury hazard. Batteries contain acid. Avoid spilling or contacting battery acid. Neutralize battery acid spills with baking soda and water.

Note: Fully charge the batteries and allow the batteries to rest 24 hours before performing this procedure to allow the battery cells to equalize.

- 1 Open the side covers.
- 2 Be sure that the battery cable connections are free of corrosion.

Note: Adding terminal protectors and a corrosion preventative sealant will help eliminate corrosion on the battery terminals and cables.

- 3 Be sure that the battery retainers and cable connections are tight.
- 4 Be sure that the battery separator wire connections are tight (if equipped).

Models without maintenance-free or sealed batteries:

- 5 Put on protective clothing and eye wear.
- 6 Remove the battery vent caps and check the specific gravity of each battery cell with a hydrometer. Note the results.
- 7 Check the ambient air temperature and adjust the specific gravity reading for each cell as follows:
 - Add 0.004 to the reading of each cell for every 10° F / 5.5° C above 80° F / 26.7° C.
 - Subtract 0.004 from the reading of each cell for every 10° F / 5.5° C below 80° F / 26.7° C.
- ⊙ Result: All battery cells display an adjusted specific gravity of 1.277 or higher. The battery is fully charged. Proceed to step 11.
- ⊗ Result: One or more battery cells display a specific gravity of 1.276 or below. Proceed to step 8.

Quarterly Maintenance Procedures

- 8 Perform an equalizing charge OR fully charge the battery(s) and allow the battery(s) to rest at least 6 hours.
- 9 Remove the battery vent caps and check the specific gravity of each battery cell with a hydrometer. Note the results.
- 10 Check the ambient air temperature and adjust the specific gravity reading for each cell as follows:
 - Add 0.004 to the reading of each cell for every 10° F / 5.5° C above 80° F / 26.7° C.
 - Subtract 0.004 from the reading of each cell for every 10° F / 5.5° C below 80° F / 26.7° C.
- ⊙ Result: All battery cells display a specific gravity of 1.277 or greater. The battery is fully charged. Proceed to step 11.
- ⊗ Result: One or more battery cells display a specific gravity from 1.218 to 1.269. The battery is still usable, but at a lower performance. The battery will need to be recharged more often. Proceed to step 11.
- ⊗ Result: One or more battery cells display a specific gravity from 1.217 to 1.173. The battery is approaching the end of its life. Proceed to step 11.
- ⊗ Result: The difference in specific gravity readings between cells is greater than 0.1 OR the specific gravity of one or more cells is less than 1.177. Replace the battery.
- 11 Check the battery acid level. If needed, replenish with distilled water to 1/8 inch / 3 mm below the bottom of the battery fill tube. Do not overfill.
- 12 Install the vent caps and neutralize any electrolyte that may have spilled.

Quarterly Maintenance Procedures

Q-3

Inspect the Electrical Wiring



Genie specifications require that this procedure be performed quarterly.

Maintaining electrical wiring in good condition is essential to safe operation and good machine performance. Failure to find and replace burnt, chafed, corroded or pinched wires could result in unsafe operating conditions and may cause component damage.

⚠ WARNING

Electrocution/burn hazard. Contact with electrically charged circuits could result in death or serious injury. Remove all rings, watches and other jewelry.

- 1 Inspect the following areas for burnt, chafed, corroded pinched and loose wires:

Note: Inspection areas will vary by model.

- Engine wiring harness
- Engine relay block
- Hydraulic manifold wiring
- All wire harness connectors to ground control box
- Inside of the ground control box
- Turntable area

- Cable tracks
- Cables on the primary, secondary and jib booms
- Jib boom/platform rotate manifold
- Inside of the platform control box
- All wire harness connectors to platform control box
- Battery compartment
- Battery separator
- Battery charger
- Contactor
- Motor controller
- Electric motor
- Pump motor
- Limit switches
- Rotary sensors

- 2 Inspect for a lite, even coating of dielectric grease on all harness connections.

Note: Do not apply excessive amounts of dielectric grease to harness connectors, pins or sockets.

Note: Do not apply dielectric grease to a engine ECU/ECM or engine harness connectors.

Quarterly Maintenance Procedures

Q-4 Inspect the Electrical Contactors - DC / Bi-Energy Models



Genie specifications require that this procedure be performed quarterly.

Maintaining the electrical contactor in good condition is essential to safe machine performance. Failure to locate a worn or damaged contactor could result in unsafe operating conditions and may cause component damage.

Z-30N, Z-33, Z-34, Z-40 and Z-45 models:

- 1 Remove the drive chassis cover from the non-steer end of the machine and locate the electrical contactor(s).
- 2 Locate the electrical contactor mounted on the fuse bracket.
- 3 Visually inspect the contact points of the contactor for the following items:
 - Excessive burns
 - Excessive arcs
 - Excessive pitting

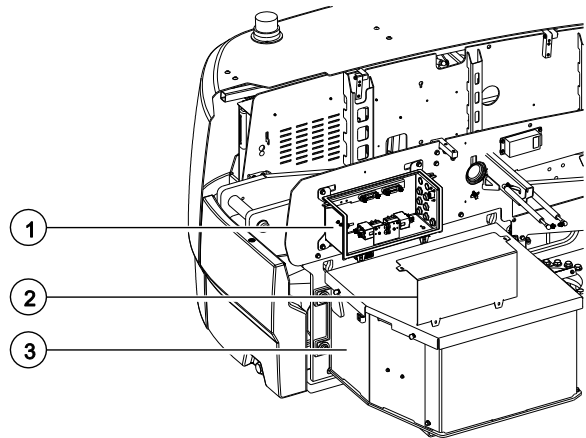
⚠ WARNING

Electrocution/burn hazard. Contact with electrically charged circuits could result in death or serious injury. Remove all rings, watches and other jewelry.

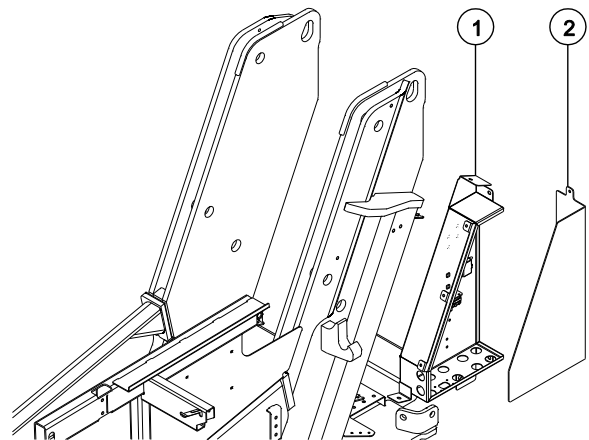
Note: Replace the contactor if any damage is found.

From serial numbers	
Z-45 DC / FE models	Z45EM-101
Z-60 DC / FE models	Z6016N-101 Z60H-701 Z60M-101

- 1 Open the turntable cover and remove the fuse box cover.



Z-45 DC / FE



Z-60 DC / FE

- 1 fuse box
- 2 fuse box cover
- 3 battery box

Quarterly Maintenance Procedures

2 Visually inspect the contact points of the contactor for the following items:

- Excessive burns
- Excessive arcs
- Excessive pitting

⚠ WARNING Electrocution/burn hazard. Contact with electrically charged circuits could result in death or serious injury. Remove all rings, watches and other jewelry.

Note: Replace the contactor if any damage is found.

Q-5

Check the Exhaust System

Genie specifications require that this procedure be performed quarterly.

Maintaining the exhaust system is essential to good engine performance and service life. Operating the engine with a damaged or leaking exhaust system can cause component damage and unsafe operating conditions.

⚠ WARNING Bodily injury hazard. Do not inspect while the engine is running. Remove the key to secure from operation.

⚠ CAUTION Burn hazard. Beware of hot engine components. Contact with hot engine components may result in severe burns.

- 1 Be sure that all nuts and bolts are tight.
- 2 Inspect all welds for cracks.
- 3 Inspect for exhaust leaks; i.e., carbon buildup around seams and joints.

Quarterly Maintenance Procedures

Q-6 Inspect the Tires, Wheels and Lug Nut Torque



Genie specifications require that this procedure be performed quarterly.

Maintaining the tires and wheels, including proper wheel fastener torque, is essential to safe operation and good performance. Tire and/or wheel failure could result in a machine tip-over. Component damage may also result if problems are not discovered and repaired in a timely fashion.

▲ WARNING Bodily injury hazard. An over-inflated tire can explode and could cause death or serious injury.

▲ WARNING Tip-over hazard. Do not use temporary flat tire repair products.

Note: The tires on some machines are foam-filled or solid rubber and do not need air added to them.

Note: Refer to Specifications. *Torque Specifications, Tires and Wheels.*

- 1 Check all tire treads and sidewalls for cuts, cracks, punctures and unusual wear.
- 2 Check each wheel for damage, bends and cracked welds.
- 3 Check each lug nut for proper torque.
- 4 Check the pressure in each air-filled tire.

Q-7 Check the Generator Belts, Pulleys and voltage - Bi-Energy Models

Genie specifications require that this procedure be performed quarterly.

Maintaining the generator belts and the pulleys is essential to good generator performance and service life. The generator will not operate properly with loose or defective belts and continued use may cause component damage.

▲ WARNING Bodily injury hazard. Do not inspect while the engine is running. Remove the key to secure from operation.

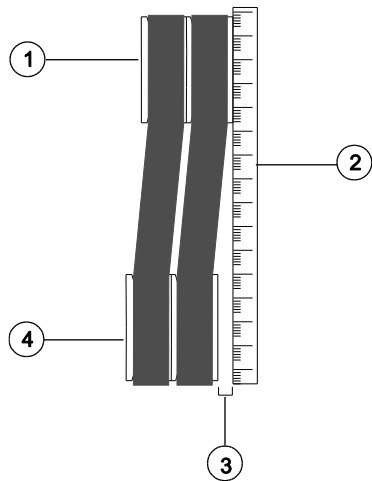
▲ CAUTION Bodily injury hazard. Beware of hot engine components. Contact with hot engine components may cause severe burns.

Note: Charging the batteries with the engine does not fully charge the batteries. Periodically, use the AC battery charger to fully charge the batteries.

- 1 Be sure that all fasteners and cables on the generator are tight.
- 2 Remove the engine flywheel cover mounting fasteners, then remove the cover.
- 3 Be sure that the pulley mounting fasteners are tight and that the pulleys show no signs of damage or unusual wear.

Quarterly Maintenance Procedures

- 4 Check to be sure the engine pulley and the generator pulley are aligned within specification using a straightedge.



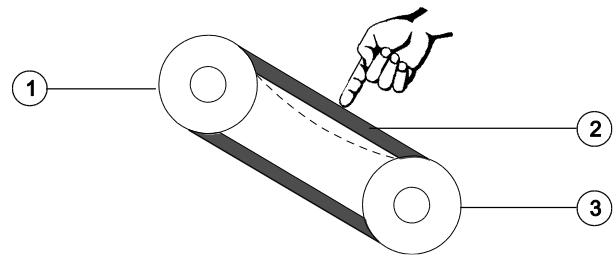
- 1 engine pulley
- 2 straightedge
- 3 maximum pulley offset
- 4 generator pulley

Note: If alignment does not meet specification, Refer to Repair Procedure in the appropriate Service and Repair Manual for your machine, *How to Install the Engine Drive Pulley* to adjust the pulley alignment.

Pulley alignment, maximum offset	0.0625 inch 1.58 mm
---	------------------------

- 5 Inspect the generator belts for:
- Cracking
 - Glazing
 - Separation
 - Breaks
- 6 Replace both belts if any damage is found.

- 7 Check the generator belts for proper tension. If the belt deflection is not within specification, Refer to Repair Procedure in the appropriate Service and Repair Manual for your machine, *How to Adjust the Generator Belts*.



- 1 engine pulley
- 2 generator belts
- 3 generator pulley

Belt deflection, maximum allowable	1/4 inch 6.5 mm
---	--------------------

- 8 Check the torque of the pulley retaining nut on the generator.

Generator pulley retaining nut torque	80-90 ft-lbs 108-122 Nm
--	----------------------------

Engine pulley retaining bolts	108 in-lbs 12.2 Nm
--------------------------------------	-----------------------

- 9 Connect the positive lead of a multi meter to the positive post on the back of the alternator. Connect the negative lead to the negative post. Set the meter to DC voltage.
- 10 Start the engine from the ground controls.
- ⦿ Result: The voltage does not exceed 54V DC.

Note: To adjust the voltage regulator, Refer to Repair Procedure in the appropriate Service and Repair Manual for your machine, *How to Adjust the Generator Voltage Regulator*.

Quarterly Maintenance Procedures

Q-8 Check the Oscillate Directional Valve Linkage (if equipped)



Genie specifications require that this procedure be performed quarterly.

Note: Perform this test only on models equipped with an oscillating axle.

Proper axle oscillation is essential to safe machine operation. If the oscillate directional valve linkage is not operating correctly, the stability of the machine is compromised and it may tip over.

- 1 Remove the drive chassis cover and the axle covers from the non-steer end of the drive chassis.
- 2 Locate the oscillate directional valve inside of the non-steer axle and inspect the linkage for the following:
 - Lock nut is tight against yoke
 - Yoke clevis pins are installed
 - Cotter pins are installed through clevis pins
 - Linkage is properly attached to directional valve

Q-9 Visual Inspection of the Hydraulic Oil



Genie specifications require that this procedure be performed quarterly.

Replacement or testing of the hydraulic oil is essential for good machine performance and service life. Dirty oil and a clogged suction strainer may cause the machine to perform poorly and continued use may cause component damage. Extremely dirty conditions may require oil changes to be performed more often. For hydraulic oil specifications, Refer to Specifications, *Hydraulic Specifications*.

Note: Before replacing the hydraulic oil, the oil may be tested by an oil distributor for specific levels of contamination to verify that changing the oil is necessary. Replace the oil when it fails the test. Refer to Maintenance Procedure, *Test or Replace the Hydraulic Oil*.

Quarterly Maintenance Procedures

- 1 Collect a sample of hydraulic oil and place in a clear container. Visually inspect the hydraulic oil for the following:
 - Color: oil should be a clear, light-honey colored
 - Appearance, oil should be clear and not cloudy or visibly distorts the view through the sight glass or container
 - Contains no particles, foreign objects, or other contamination
 - The hydraulic oil can be inspected by smell (**can smell “hot” but not “burnt”**) or rubbing between fingers (should feel viscous and free of any rough feel due to particles)
- ⦿ If the hydraulic oil passes all of the above inspections, continue the scheduled maintenance intervals.
- ⊗ If the hydraulic oil fails any of the above inspections, the hydraulic oil must be tested by an oil distributor or replaced.

Note: If the hydraulic oil was not replaced at or before the 2000 hour maintenance interval, the oil must be tested every quarter by an oil distributor until the oil fails the test and is replaced. After the oil has been replaced, continue the scheduled quarterly maintenance inspection.

Note: When replacing the hydraulic oil, it is recommended that all hydraulic filters be replaced at the same time.

Q-10

Inspect the Hydraulic Filters

Genie specifications require that this procedure be performed quarterly.

Maintaining the hydraulic filter in good condition is essential to good system performance and safe machine operation. The filter condition indicator will show when the hydraulic flow is bypassing a clogged filter. If the filter is not frequently checked and replaced, impurities will remain in the hydraulic system and cause component damage.

Note: There are four types of hydraulic filters: tank return filter, medium pressure filter, high pressure filter and drive motor case drain filter. The quantity and type of filter(s) may vary by model.

Models with Filter Condition Indicator:

- 1 Start the engine from the ground controls.
 - 2 Set the engine idle to high rpm (rabbit symbol).
 - 3 Visually inspect the filter condition indicator.
- ⦿ Result: The filter condition indicator is operating in the green area.
 - ⊗ Result: The filter condition indicator is operating in the red area. This indicates that the hydraulic filter is being bypassed and the filter should be replaced. Refer to Maintenance Procedure, **Replace the Hydraulic Filters**.

Quarterly Maintenance Procedures

Models without Filter Condition Indicator:

Note: Models without a filter condition indicator cannot be inspected. At the required maintenance interval, replace the filters.

Hydraulic Tank Cap (if equipped):

- 1 Remove the breather cap from the hydraulic tank.
- 2 Check for proper venting.
 - ⦿ Result: Air passes through the breather cap. Proceed to step 4.
 - ⊗ Result: If air does not pass through the cap, clean or replace the cap. Proceed to step 3.

Note: When checking for positive tank cap venting, air should pass freely through the cap.

- 3 Using a mild solvent, carefully wash the cap venting system. Dry using low pressure compressed air. Repeat this procedure beginning with step 2.
- 4 Install the breather cap onto the hydraulic tank.

Q-11

Check and Adjust the Engine RPM



Engine specifications require that this procedure be performed quarterly.

Maintaining the engine rpm at the proper setting for both low and high idle is essential to good engine performance and service life. The machine will not operate properly if the rpm is incorrect and continued use may cause component damage.

Note: These procedures do not apply to the following engine models. The engine RPM is controlled by the ECM and can only be adjusted by re-programming the ECM. If RPM or service is required, please contact Genie Product Support.

GM Models: .998L • 3.0L

Continental Models: TME27

Kubota Models: D1803-CR-TIE4

Ford Models: DSG-423 • MSG-425

Deutz Models: TD 2.2 L3 • TCD 2.2 L3 • D 2.9 L4 • TD 2.9 L4 • D436 L3i CN3

Perkins Models: 403F-11 • 404D-22T • 404F-22 • 404F-22T • 404F-E22T • 404F-E22TA • 854F-34T

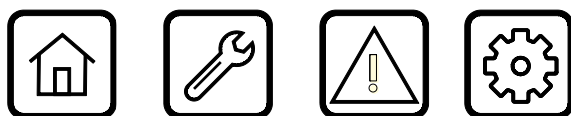
Note: Some procedures may require two people.

Note: For engine RPM information refer to Specifications, *Engine Specifications* for your engine model.

Quarterly Maintenance Procedures

Models with ALC-600 operating system:

Note: Use the following chart to identify the description of each LCD screen control button used in this procedure.



Home Maintenance Faults Settings



Low idle High idle Gauges

- 1 Start the engine from the ground controls.
- 2 Press the **Home** button on the display. Press button 2 under the engine idle icon and select low idle.
- 3 Press button 1 under the gauges icon. Scroll down to **RPM** and press **Ok**.
- Result: Low idle rpm is correct. Continue with step 4.
- ☒ Result: Low idle rpm is not correct. Follow the low rpm idle procedure for your engine model.
- 4 Press button 2 under the engine idle icon and select high idle.
- Result: High idle rpm is correct.
- ☒ Result: High idle rpm is not correct. Follow the high rpm idle procedure for your engine model.

Models with ALC-1000 operating system:

Note: Use the following chart to identify the description of each LCD screen control button used in this procedure.



Plus Minus Previous Enter

- 1 Start the engine from the ground controls.
- 2 Press the **enter** or **previous** button on the LCD screen until engine rpm is displayed.
- Result: Low idle rpm is correct. Continue with step 3.
- ☒ Result: Low idle rpm is not correct. Follow the low rpm idle procedure for your engine model.
- 3 Press and hold the function enable/high speed button. Note the engine rpm on the display.
- Result: High idle rpm is correct.
- ☒ Result: High idle rpm is not correct. Follow the high rpm idle procedure for your engine model.

All other models:

- 1 Connect a tachometer to the engine. Start the engine from the ground controls and check the rpm.
- Result: Low idle rpm is correct. Continue with step 2.
- ☒ Result: Low idle rpm is not correct. Follow the low rpm idle procedure for your engine model.
- 2 Move the function enable toggle switch to the high idle (rabbit symbol) position and check the rpm.
- Result: High idle rpm is correct.
- ☒ Result: High idle rpm is not correct. Follow the high rpm idle procedure for your engine model.

Quarterly Maintenance Procedures

Kubota WG-972:

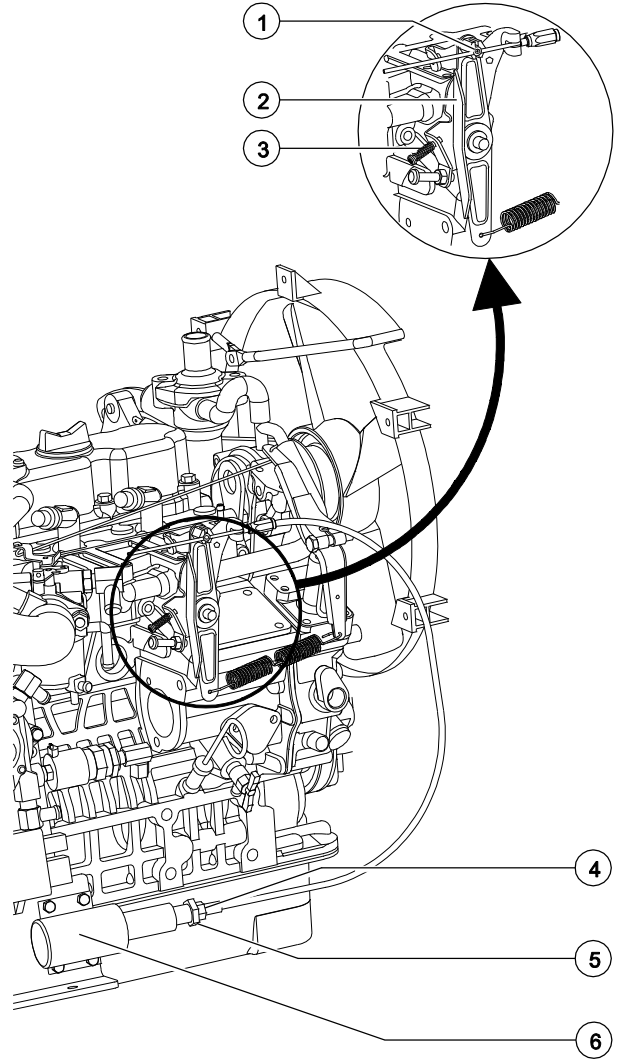
Low rpm idle adjustment:

- 1 Loosen the core clamp screw so the cable moves freely.
- 2 Hold the throttle lever against the low idle adjustment screw.
- 3 Turn the adjustment screw clockwise to increase low rpm or counterclockwise to decrease low rpm.
- 4 While holding the throttle lever against the low idle adjustment screw, tighten the core clamp screw.

High rpm idle adjustment:

- 1 Loosen the lock nut on the high idle adjustment nut.
- 2 Turn the high idle adjustment nut clockwise to increase the high rpm or counterclockwise to decrease high rpm.

- 3 Tighten the lock nut.



- 1 core clamp screw
- 2 throttle lever
- 3 low idle adjustment screw
- 4 lock nut
- 5 high idle adjustment nut
- 6 high idle solenoid

Quarterly Maintenance Procedures

All other engine models:

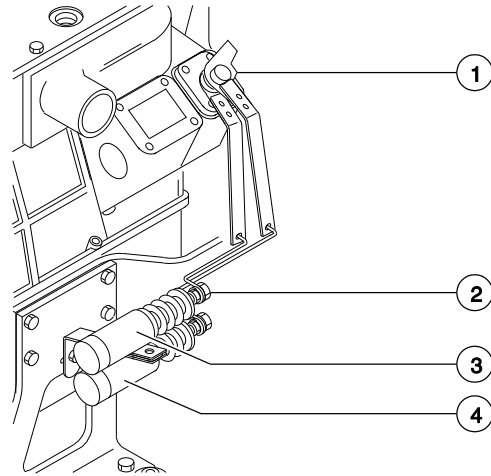
Low rpm idle adjustment:

- 1 Loosen the lock nut on the low idle adjustment screw.
- 2 Turn the adjustment screw clockwise to increase low rpm or counterclockwise to decrease low rpm.
- 3 Tighten the lock nut.

High rpm idle adjustment:

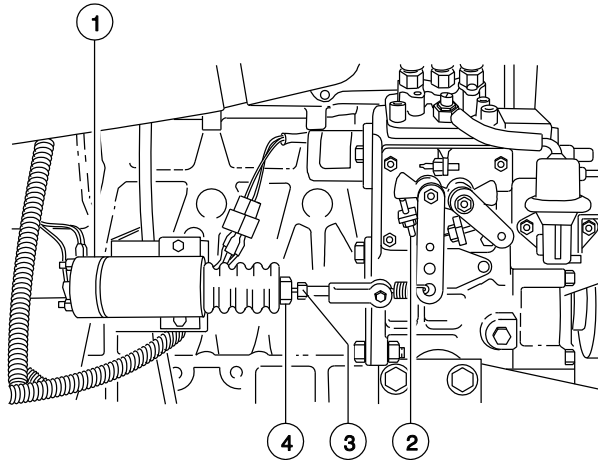
- 1 Loosen the lock nut on the high idle adjustment nut.
- 2 Turn the high idle adjustment nut counterclockwise to increase the rpm or clockwise to decrease the rpm.
- 3 Tighten the lock nut.

Kubota Z482-E



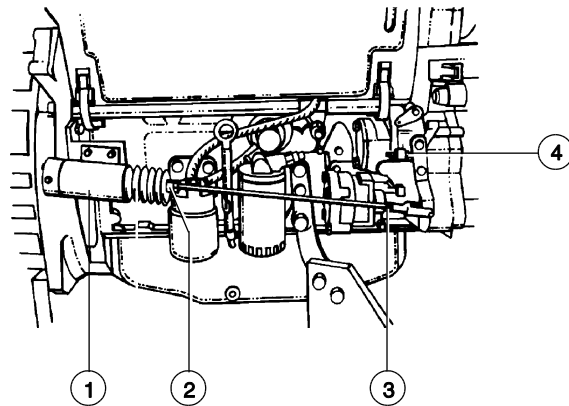
- 1 low idle adjustment screw (not shown)
- 2 high idle adjustment nut
- 3 high idle solenoid
- 4 fuel shut off solenoid

Kubota D1105-E3B, D1105-E4B



- 1 high idle solenoid
- 2 low idle adjustment screw
- 3 lock nut
- 4 high idle adjustment nut

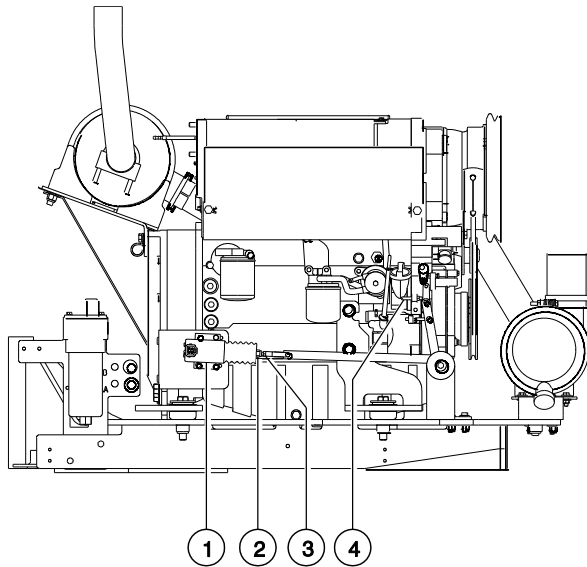
Deutz D2011L03i



- 1 high idle solenoid
- 2 high idle adjustment nut
- 3 lock nut
- 4 low idle adjustment screw

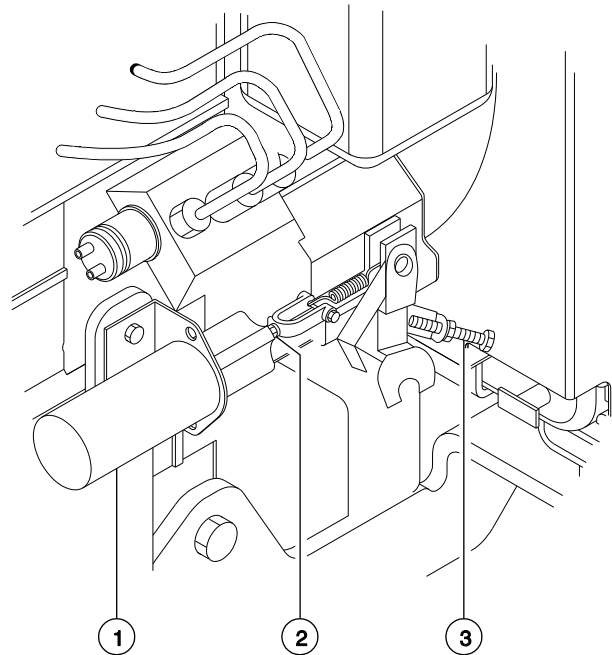
Quarterly Maintenance Procedures

Deutz TD2011L04i



- 1 high idle solenoid
- 2 high idle adjustment nut
- 3 lock nut
- 4 low idle adjustment screw

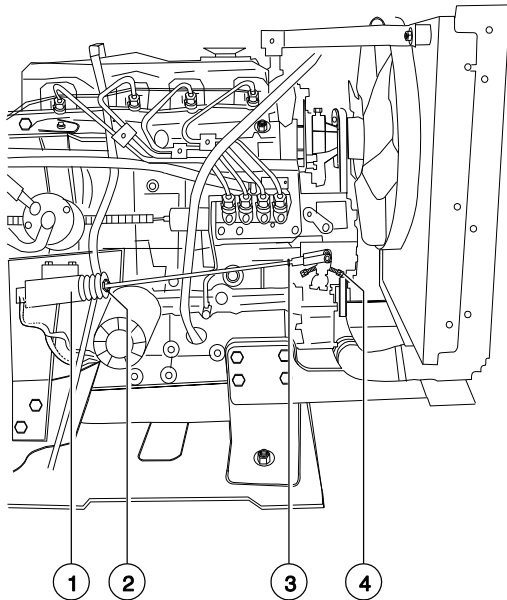
Perkins 403D-11



- 1 high idle solenoid
- 2 high idle adjustment nut
- 3 low idle adjustment screw

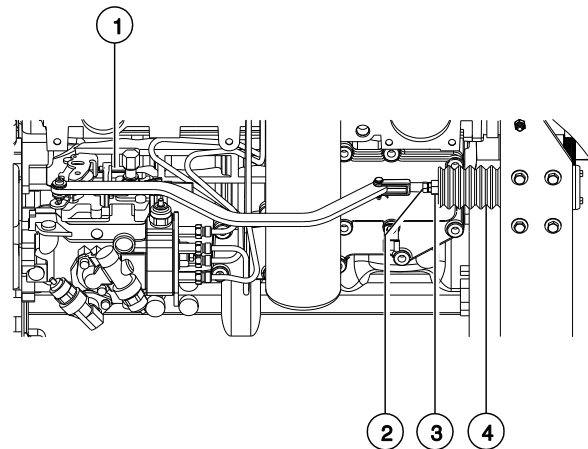
Quarterly Maintenance Procedures

Perkins 404D-22



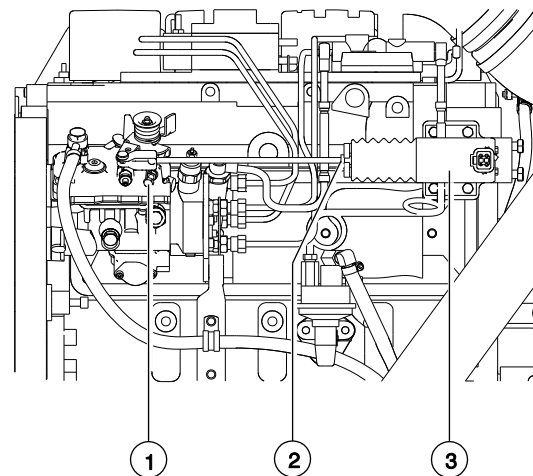
- 1 high idle solenoid
- 2 high idle adjustment nut
- 3 lock nut
- 4 low idle adjustment screw

Perkins 1104D-44T



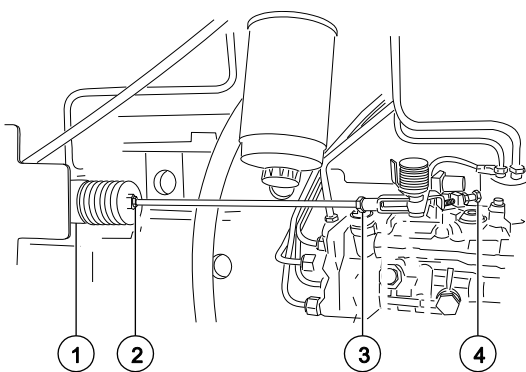
- 1 low idle adjustment screw
- 2 lock nut
- 3 high idle adjustment screw
- 4 high idle solenoid

Cummins B3.3T



- 1 low idle adjustment screw
- 2 high idle adjustment nut
- 3 high idle solenoid

Perkins 804D-33



- 1 high idle solenoid
- 2 high idle adjustment nut
- 3 lock nut
- 4 low idle adjustment screw

Quarterly Maintenance Procedures

Q-12

Test the Ground Control Override

Genie specifications require that this procedure be performed quarterly.

A properly functioning ground control override is essential to safe machine operation. The ground control override function is intended to allow ground personnel to operate the machine from the ground controls whether or not the Emergency Stop button on the platform controls is in the on or off position. This function is particularly useful if the operator at the platform controls cannot return the boom to the stowed position.

- 1 Push in the platform red Emergency Stop button to the off position.
- 2 Turn the key switch to ground controls.
- 3 Pull out the red Emergency Stop button to the on position at the ground controls.
- 4 From the ground controls, operate each boom function through a partial cycle.
- ⊙ Result: All boom functions should operate.
- 5 From the platform, activate the foot switch and operate each boom function.
- ⊙ Result: No boom functions operate.
- 6 Pull out the red Emergency stop button to the on position at the platform controls.
- 7 Activate the foot switch and operate each boom function.
- ⊙ Result: No boom functions operate.

Q-13

Test the Alarm Package (if equipped)

Genie specifications require that this procedure be performed quarterly.

The alarm package includes:

- Travel alarm
- Descent alarm
- Flashing beacon

Alarms and a beacon are installed to alert operators and ground personnel of machine proximity and motion. The alarm package is installed on the turntable covers.

Note: The alarms and beacon will operate with the engine running or not running.

- 1 Turn the key switch to ground control and pull out the red Emergency Stop button to the on position at both ground and platform controls.

S-40HF, S-45HF, S-60HF, S-65HF, S60J, S-60XC from S60XCH-45001 and S60XCM-101, S-65XC, S-80HF, S-85HF, S-80XC, S-85XC, S-100, S-105, S-120, S-125, S-100HD, S-120HD, SX-105XC, SX-125XC, SX-135XC, SX-150, SX-180, Z-80/60, Z-135/70 and ZX-135/70 Models:

- ⊙ Result: The alarm should sound twice. The flashing beacon should be on and flashing.

All other models:

- ⊙ Result: The flashing beacon should be on and flashing.

Quarterly Maintenance Procedures

All Models:

- 2 Activate the boom down function, hold for a moment and then release it.
 - ⦿ Result: The descent alarm should sound when the down function is activated.

Complete this step for each boom that applies: Primary, Secondary and Jib Booms.
- 3 Turn the key switch to platform controls.
 - ⦿ Result: The flashing beacon should be on and flashing.
- 4 Press down the foot switch. Activate the boom down function, hold for a moment and then release it.
 - ⦿ Result: The descent alarm should sound when the down function is activated.

Complete this step for each boom that applies: Primary, Secondary and Jib Booms.
- 5 Press down the foot switch. Move the drive control handle off center, hold for a moment and then release it. Move the drive control handle off center in the opposite direction, hold for a moment and then release it.
 - ⦿ Result: The travel alarm should sound when the drive control handle is moved off center in either direction.

Q-14

Test the Emergency Power System (excludes ALC-600 and ALC-1000 Models)



Genie specifications require that this procedure be performed quarterly.

Testing the emergency power system regularly is essential to safe machine operation if the primary power source fails.

- 1 Turn the key switch to ground control and pull out the red Emergency Stop button to the on position at both the ground and platform controls.
- 2 At the ground controls, break the security tie and lift the emergency power switch cover (if equipped).
- 3 Simultaneously hold the emergency power switch on and operate each boom function through a partial cycle.
 - ⦿ Result: All boom functions operate.
- 4 Close the emergency power switch cover and secure the cover with a security tie (if equipped).
- 5 Turn the key switch to platform controls.
- 6 At the platform controls, break the security tie and lift the emergency power switch cover (if equipped).
- 7 Press down on the foot switch and simultaneously hold the emergency power switch on and operate each boom function through a partial cycle.
 - ⦿ Result: All boom functions operate.
- 8 Close the emergency power switch cover and secure the cover with a security tie (if equipped).

Quarterly Maintenance Procedures

Q-15 Test the Engine Idle Select Operation - Engine Models

Genie specifications require that this procedure be performed quarterly.

A properly operating engine idle select function is essential to good engine performance and safe machine operation. There are two settings.

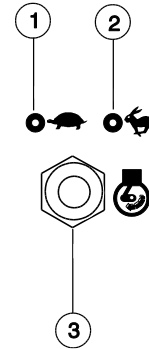
Low idle (turtle symbol) allows the operator to control individual boom functions. Drive functions will operate at low idle on most models, but at reduced performance.

High idle (rabbit symbol) should be used for normal machine operation.

S-40HF, S-45HF, S-40XC, S-45XC, S-60HF, S-65HF, S-60J, S-60XC from S60XCH-45001 and S60XCM-101, S-65XC, S-80HF, S-85HF, S-80XC, S-85XC, S-100, S-105, S-120, S-125, S-100HD, S-120HD, SX-105XC, SX-125XC, SX-135XC, SX-150, SX-180, Z-80/60, Z-135/70 and ZX-135/70 Models:

- 1 Turn the key switch to ground controls.
 - 2 Pull out the red Emergency Stop button to the on position at both the ground and platform controls.
 - 3 Start the engine from the ground controls.
 - 4 Push and release the rpm select button until high rpm is selected (rabbit symbol).
- ⦿ Result: The engine should change to high idle.

- 5 Push and release the rpm select button until low rpm is selected (turtle symbol).
- ⦿ Result: The engine should return to low idle.



- 1 low idle indicator light
- 2 foot switch activated high idle indicator light
- 3 engine rpm select button

- 6 Turn the key switch to platform controls.
 - 7 Push the engine rpm select switch until low idle (turtle symbol) is selected.
- ⦿ Result: The engine should remain at low idle.
- 8 Press down the foot switch.
- ⦿ Result: The engine should remain at low idle.
- 9 Push the engine idle select switch until high idle (rabbit symbol) is selected.
- ⦿ Result: The engine should remain at low idle.
- 10 Press down the foot switch.
- ⦿ Result: The engine should change to high idle.

Quarterly Maintenance Procedures

All other models:

- 1 Pull out the red Emergency Stop button to the on position at both the ground and platform controls.
- 2 Start the engine from the ground controls.
- 3 Move the rpm select toggle switch to the high idle (rabbit symbol) position and activate function enable.
 - ⦿ Result: The engine should change to high idle.
- 4 Release function enable.
 - ⦿ Result: The engine should return to low idle.
- 5 Turn the key switch to platform controls.
- 6 Move the engine idle select switch to foot switch activated high idle (rabbit and foot switch symbol).
 - ⦿ Result: The engine should not change to high idle.
- 7 Press down the foot switch.
 - ⦿ Result: The engine should change to high idle.
- 8 Move the engine rpm select switch to foot switch activated low idle (turtle symbol).
 - ⦿ Result: The engine should change to low idle.

Q-16

Test the Fuel Select Operation - Gasoline/LPG Models



Genie specifications require that this procedure be performed quarterly.

The ability to select and switch between gasoline and LPG fuels as needed is essential to safe machine operation. A fuel selection can be made when the engine is running or not. Switching malfunctions and/or the failure of the engine to start and run properly in both fuel modes and through all idle speeds can indicate fuel system problems that could develop into a hazardous situation.

Note: Perform this test after checking the gasoline and LPG fuel levels, and warming the engine to normal operating temperature.

- 1 At the platform controls, move the fuel select switch to gasoline and then move the engine idle control switch to foot switch activated high idle (rabbit and foot switch symbol).
- 2 Start the engine from the platform controls and allow it to run at low idle.
- 3 Press down the foot switch to allow the engine to run at high idle.
 - ⦿ Result: The engine should start promptly and operate smoothly in low and high idle.
- 4 Release the foot switch and shut the engine off by pushing in the red Emergency Stop button in to the off position.

Quarterly Maintenance Procedures

- 5 Move the fuel select switch to LPG.
 - 6 Restart the engine and allow it to run at low idle.
 - 7 Press down the foot switch to allow the engine to run at high idle.
- ⦿ Result: The engine should start promptly and operate smoothly in low and high idle.

Note: The engine may hesitate momentarily and then continue to run on the selected fuel if the fuel source is switched while the engine is running.

Q-17

Inspect the Calibration Decal - ALC-1000 Models

Genie specifications require that this procedure be performed quarterly.

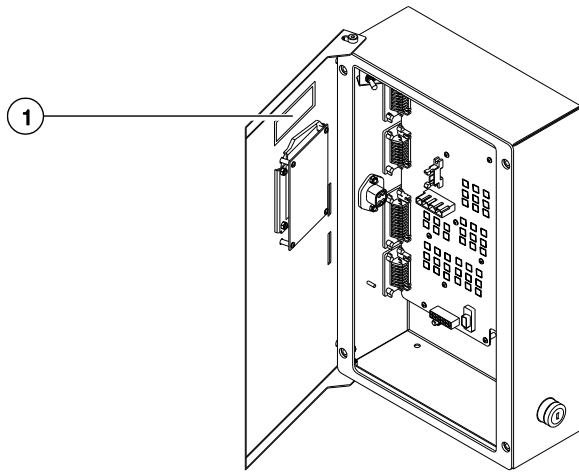
Maintaining the safety decal in good condition is mandatory for safe machine operation. Decals alert operators and personnel to the many possible hazards associated with using this machine. They also provide users with operation and maintenance information. An illegible decal will fail to alert personnel of a procedure or hazard and could result in unsafe operating conditions.

This maintenance procedure applies to the following models: **SX-105XC, SX-125XC, SX-135XC, SX-150, SX-180, Z-135/70 and ZX-135/70.**

- 1 Turn the key switch to the off position and push in the red Emergency Stop button to the off position at the ground controls.
 - 2 Open the turntable cover on the ground controls side of the machine.
 - 3 Open the ground control box.
 - 4 Verify the ground control panel is equipped with the required calibration decal.
- ⦿ Result: The control box is equipped with the required decal and is legible and in good condition.
- ⊗ Result: The control box is not equipped with the required decal, or is illegible or in poor condition. Remove the machine from service until the decal is replaced.

Note: Contact your authorized Genie distributor or Genie if a replacement is required.

Quarterly Maintenance Procedures



1 calibration decal

Q-18 Test the Recovery System - ALC-1000 Models

Genie specifications require that this procedure be performed quarterly.

A properly functioning recovery system is essential to safe machine operation. The Recovery mode allows the platform to be lowered in the event the operator in the platform is unable to lower the platform using the platform controls, system failure or emergency situations.

This maintenance procedure applies to the following models: **S-100, S-105, S-120, S-125, S-100HD, S-120HD, SX-105XC, SX-125XC, SX-135XC, SX-150, SX-180, Z-80/60, Z-135/70 and ZX-135/70.**

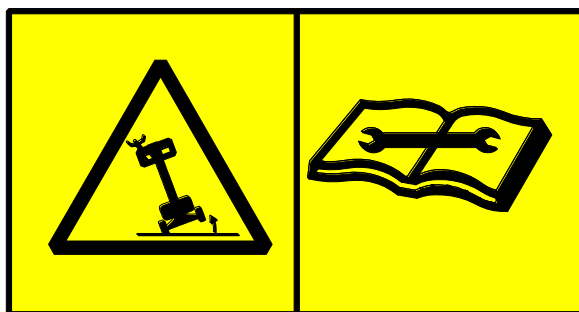
Note: Perform this procedure with the machine on a firm, level surface with the axles extended.

Note: Perform this procedure with all weight, tools, equipment and personnel removed from the platform.

Note: If any boom safety limit switches are faulty, the primary boom will only retract and not lower.

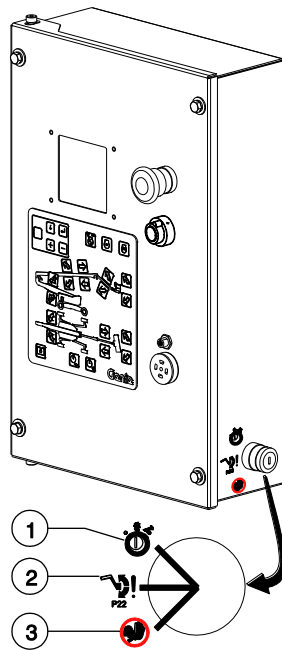


ANSI / CSA



CE / AUS

Quarterly Maintenance Procedures



- 1 Run
- 2 Bypass
- 3 Recovery

- 1 Turn the key switch to the ground control and pull out the red Emergency Stop button to the on position. Start the engine.

Z-80, Z-135 and ZX-135 models:

- 2 Fully raise the secondary boom then extend it approximately 4 ft / 1.2 m.

All models:

- 3 Raise the primary boom approximately 15° then extend it approximately 4 ft / 1.2 m.
- 4 Turn the key switch to the off position to turn off the engine. Turn the key switch back to ground controls.

Note: If this procedure is performed with the main key switch in the off position an active latched safety fault will be set and will have to be cleared.

- 5 Remove the key from the main key switch and insert the key into the bypass/recovery key switch.

Note: The bypass/recovery key switch is located on the front panel in the lower right corner on Z-80 before serial number Z8013-3911 and Z-135 before serial number Z13512-1712.

- 6 Turn and hold the bypass/recovery key switch to the recovery position. The switch must be held in the recovery position.
- ⦿ Result: The emergency power unit will turn on and the boom will begin the following recovery sequence.

SX-105XC, SX-125XC, SX-135XC, SX-150, SX-180, S-100/105/120/125, S-100/120HD:

- The primary boom will retract
- The primary boom will lower

Z-135 and ZX-135:

- The primary boom will retract
- The secondary boom will retract
- The primary boom will lower

Note: It is not necessary to fully lower the primary boom.

Z-80/60:

- The primary boom will retract
 - The primary boom will lower
 - The secondary boom will retract
- 7 Turn the bypass/recovery key switch to the run position.
 - 8 Remove the key from the bypass/recovery key switch and insert the key into the main key switch.
 - 9 Start the engine and return the boom to the stowed position.

Quarterly Maintenance Procedures

Q-19 Test the Platform Self-leveling



Genie specifications require that this procedure be performed quarterly.

ALC-1000 Models:

Automatic platform self-leveling throughout the full cycle of primary boom raising and lowering is essential for safe machine operation. The platform is maintained level by the communication between the platform level sensor and the turntable level sensor. If the platform becomes out of level, the computer at the platform controls will open the appropriate solenoid valve(s) at the platform manifold to maintain a level platform.

All other models:

Automatic platform self-leveling throughout the full cycle of boom raising and lowering is essential for safe machine operation. The platform is maintained at level by the platform leveling slave cylinder which operates in a closed loop hydraulic circuit with the master cylinder located at the base of the boom. A platform self-leveling failure creates an unsafe working condition for platform and ground personnel.

- 1 At the ground controls, lower the boom to the stowed position.
 - 2 Activate function enable and adjust the platform to a level position.
 - 3 Raise and lower the primary boom through a full cycle.
- ⊙ Result: The platform should remain level at all times to within ± 5 degrees.

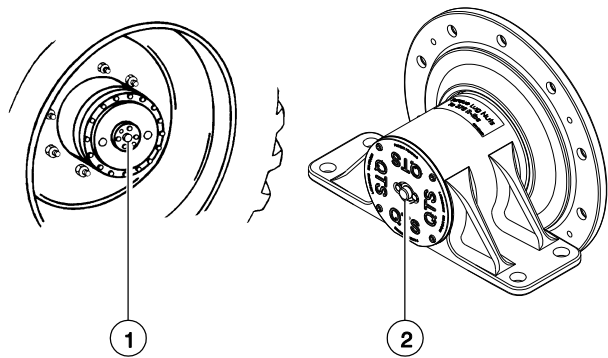
Q-20 Confirm the Proper Brake Configuration



Genie specifications require that this procedure be performed quarterly.

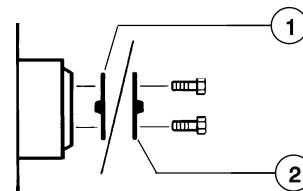
Proper brake configuration is essential to safe operation and good machine performance. Hydrostatic brakes, hydraulically and electrically released, spring-applied individual wheel brakes can appear to operate normally when they are actually not fully operational.

- 1 Locate the drive hub disconnect cap.



- 1 models with tires
- 2 models with TRAX

- 2 Check each drive hub disconnect cap to be sure it is in the engaged position.



- 1 brake disengaged position
- 2 brake engaged position

Quarterly Maintenance Procedures

Q-21

Test the Drive Brakes



Genie specifications require that this procedure be performed quarterly.

Proper brake action is essential to safe machine operation. The drive brake function should operate smoothly, free of hesitation, jerking and unusual noise. Hydraulically and electrically released, spring applied individual wheel brakes can appear to operate normally when they are actually not fully operational.

⚠ WARNING

Collision hazard. Be sure that the machine is not in free-wheel or partial free-wheel configuration. Refer to maintenance procedure, ***Confirm the Proper Brake Configuration.***

Note: Select a test area that is firm, level and free of obstructions.

- 1 Mark a test line on the ground for reference.
- 2 Choose a point on the machine (i.e., contact patch of a tire) as a visual reference for use when crossing the test line.
- 3 Bring the machine to top drive speed before reaching the test line. Release the drive joystick when your reference point on the machine crosses the test line.
- 4 Measure the distance between the test line and your machine reference point. Refer to Specifications, ***Performance Specifications.***

Note: The brakes must be able to hold the machine on any slope it is able to climb.

Q-22

Test the Drive Speed – Stowed Position



Genie specifications require that this procedure be performed quarterly.

Proper drive function is essential to safe machine operation. The drive function should respond quickly and smoothly to operator control. Drive performance should also be free of hesitation, jerking and unusual noise over the entire proportionally controlled speed range.

Note: Perform this procedure with the machine on a firm, level surface that is free of obstructions.

Note: Perform this procedure with the machine in the stowed position.

- 1 Create start and finish lines by marking two lines on the ground 40 feet / 12.2 m apart.
- 2 Choose a point on the machine (i.e., contact patch of a tire) as a visual reference for use when crossing the start and finish lines.
- 3 Bring the machine to top drive speed before reaching the start line. Begin timing when your reference point on the machine crosses the start line.
- 4 Continue at full speed and note the time when the machine reference point crosses the finish line. Refer to Specifications, ***Drive Speed Specifications.***

Quarterly Maintenance Procedures

Q-23

Test the Drive Speed – Raised or Extended Position



Genie specifications require that this procedure be performed quarterly.

Proper drive function is essential to safe machine operation. The drive function should respond quickly and smoothly to operator control. Drive performance should also be free of hesitation, jerking and unusual noise over the entire proportionally controlled speed range. Note: Select a test area that is firm, level and free of obstructions.

- 1 Create start and finish lines by marking two lines on the ground 40 feet / 12.2 m apart.
- 2 Press down the foot switch and raise the primary boom greater than 10 degrees above horizontal.
- 3 Choose a point on the machine (i.e., contact patch of a tire) as a visual reference for use when crossing the start and finish lines.
- 4 Bring the machine to top drive speed before reaching the start line. Begin timing when your reference point on the machine crosses the start line.
- 5 Continue at full speed and note the time when the machine reference point crosses the finish line. Refer to Specifications, *Drive Speed Specifications*.
- 6 Lower the boom to the stowed position and extend the primary boom 4 feet / 1.2 m.
- 7 Choose a point on the machine (i.e., contact patch of a tire) as a visual reference for use when crossing the start and finish lines.
- 8 Bring the machine to top drive speed before reaching the start line. Begin timing when your reference point on the machine crosses the start line.
- 9 Continue at full speed and note the time when the machine reference point crosses the finish line. Refer to Specifications, *Drive Speed Specifications*.

Quarterly Maintenance Procedures

Q-24

Test the Drive Speed – Raised and Extended Position, ALC1000 Models



Genie specifications require that this procedure be performed quarterly.

Proper drive function is essential to safe machine operation. The drive function should respond quickly and smoothly to operator control. Drive performance should also be free of hesitation, jerking and unusual noise over the entire proportionally controlled speed range.

This maintenance procedure applies to the following models: **S-100, S-105, S-120, S-125, SX-105XC, SX-125XC, SX-135XC, S-100HD, S-120HD, SX-150, SX-180, Z-80/60, Z-135/70 and ZX-135/70.**

Note: Perform this procedure with the machine on a firm, level surface that is free of obstructions.

S-100, S-105, S-120, S-125, SX-105XC, SX-125XC, SX-135XC, S-100HD and S-120HD

- 1 Create start and finish lines by marking two lines on the ground 40 feet / 12.2 m apart.
- 2 Raise the boom to a horizontal position.
- 3 Extend the primary boom until the envelope alarm and LED are activated.
- 4 Choose a point on the machine (i.e., contact patch of a tire) as a visual reference for use when crossing the start and finish lines.
- 5 Bring the machine to top drive speed before reaching the start line. Begin timing when your reference point on the machine crosses the start line.
- 6 Continue at full speed and note the time when the machine reference point crosses the finish line. Refer to Specifications, *Drive Speed Specifications*.

SX-150 and SX-180

Note: This procedure will require 2 people to perform.

- 1 Create start and finish lines by marking two lines on the ground 40 feet / 12.2 m apart.
- 2 Access the MACHINE STATUS menu on the ground control box and scroll down until LENGTH SENSOR EXTENSION is displayed.
- 3 Raise and extend the primary boom until the displays reads at least 258 in / 656 cm. The boom will be extended approximately 120 ft / 36.6 m.
- 4 Choose a point on the machine (i.e., contact patch of a tire) as a visual reference for use when crossing the start and finish lines.
- 5 Bring the machine to top drive speed before reaching the start line. Begin timing when your reference point on the machine crosses the start line.
- 6 Continue at full speed and note the time when the machine reference point crosses the finish line. Refer to Specifications, *Drive Speed Specifications*.

Quarterly Maintenance Procedures

Z-80/60, Z-135/70 and ZX-135/70

- 1 Create start and finish lines by marking two lines on the ground 40 feet / 12.2 m apart.
- 2 Press down the foot switch and raise the primary boom greater than 10 degrees and the secondary boom greater than 20 degrees.
- 3 **Z-80/60:** Extend the primary boom 12 inches / 0.3 m.
Z-135/70 and ZX-135/70: Extend the primary boom 12 inches / 0.3 m and the jib boom 12 inches / 0.3 m.
- 4 Choose a point on the machine (i.e., contact patch of a tire) as a visual reference for use when crossing the start and finish lines.
- 5 Bring the machine to top drive speed before reaching the start line. Begin timing when your reference point on the machine crosses the start line.
- 6 Continue at full speed and note the time when the machine reference point crosses the finish line. Refer to Specifications, *Drive Speed Specifications*.

Q-25

Test the Turntable Level Sensor - Z-80/60, Z-135/70, ZX-135/70, SX-105XC, SX-125XC, SX-135XC, SX-150 and SX-180

Genie specifications require that this procedure be performed quarterly.

A properly functioning level sensor (SCON) is essential to safe machine operation. The ECM at the ground controls (TCON) monitors the position and angle of the machine using the signal from the level sensor. The level sensor signal is used to control the maximum working height of the primary and secondary booms.

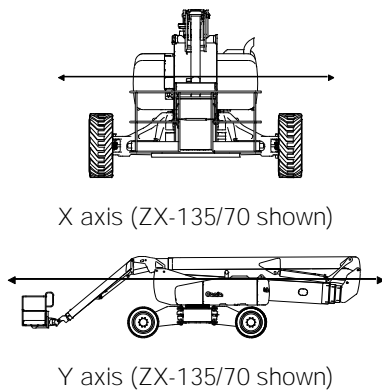
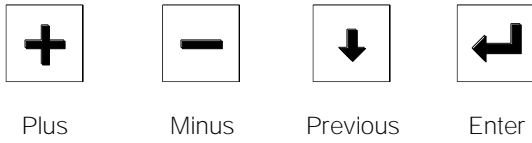
Note: A digital level will be required to perform this procedure.

Note: A kit is available through Genie Product Support (Genie part number 58351GT). This kit includes a digital level with a magnetic base and cable harnesses.

Note: A properly calibrated digital level is essential to proper machine calibration. Refer to the manufacturer's calibration information.

Quarterly Maintenance Procedures

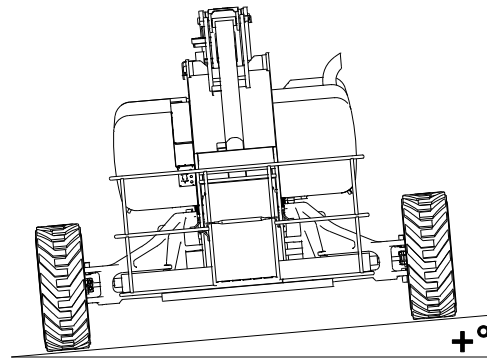
Note: Use the following chart to identify the description of each LCD screen control button used in this procedure.



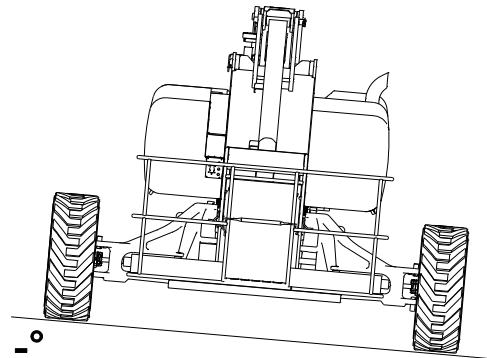
Note: Perform this procedure with the booms in the fully stowed position and the axles fully extended.

- 1 Place the machine on a firm surface that has a side slope greater than 2° (6.5 inches / 16.5 cm) but less than 5° (16 inches / 40.6 cm).
- 2 Place a digital level that has been calibrated to gravity on the X axis of the turntable.

Note: Illustrations are shown from the platform end of the machine.



positive degree side slope (ZX-135/70 shown)



negative degree side slope (ZX-135/70 shown)

Quarterly Maintenance Procedures

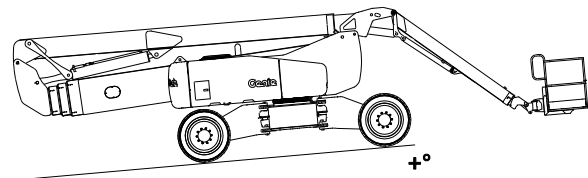
- 3 Turn the key switch to ground control and pull out the red Emergency Stop button to the on position at both ground and platform controls.
- 4 Press the **enter** or **previous** button on the LCD screen until TURNTABLE LEVEL SENSOR X-DIRECTION is displayed.
- Result: The reading at the display and digital level is within $\pm 1^\circ$ of each other.
- ⊗ Result: The reading at the display and digital level is greater than $\pm 1^\circ$ of each other. The level sensor must be calibrated. Refer to Repair Procedure in the appropriate Service and Repair Manual for your machine, *How to Calibrate the Level Sensor*.

⚠ DANGER

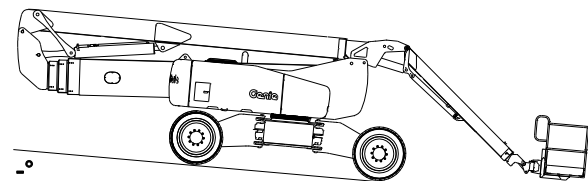
Tip-over hazard. If the X axis is not within $\pm 1^\circ$, failure to properly calibrate the level sensor could cause the machine to tip over resulting in death or serious injury. Refer to Repair Procedure in the appropriate Service and Repair Manual for your machine, *How to Calibrate the Level Sensor*.

- 5 Place the machine on a firm surface that has an uphill or downhill slope greater than 2° (6.5 inches / 16.5 cm) but less than 5° (16 inches / 40.6 cm).
- 6 Press the **enter** or **previous** button on the LCD screen until TURNTABLE LEVEL SENSOR Y-DIRECTION is displayed.

- 7 Place a digital level that has been calibrated to gravity on the Y axis of the turntable.
- Result: The reading at the display and digital level is within $\pm 1^\circ$ of each other.
- ⊗ Result: The reading at the display and digital level is greater than $\pm 1^\circ$ of each other. The level sensor must be calibrated. Refer to Repair Procedure in the appropriate Service and Repair Manual for your machine, *How to Calibrate the Level Sensor*.



positive degree downhill slope (ZX-135/70 shown)



negative degree uphill slope (ZX-135/70 shown)

⚠ DANGER

Tip-over hazard. If the Y axis is not within $\pm 1^\circ$, failure to calibrate the level sensor could cause the machine to tip over resulting in death or serious injury. Refer to Repair Procedure in the appropriate Service and Repair Manual for your machine, *How to Calibrate the Level Sensor*.

Quarterly Maintenance Procedures

Q-26 Test the Secondary Boom Angle Sensor - Z-135/70 and ZX-135/70

Genie specifications require that this procedure be performed quarterly.

A properly functioning secondary boom angle sensor is essential to safe machine operation. The ECM at the ground controls (TCON) monitors the position and angle of the secondary boom using the signal from the secondary boom angle sensor. The secondary boom angle sensor signal is used to control the ramping of the secondary boom.

Note: The turntable level sensor must be tested before starting this procedure. Refer to Maintenance Procedure, *Test the Turntable Level Sensor*.

Note: A digital level will be required to perform this procedure.

Note: A kit is available through Genie Product Support (Genie part number 58351GT). This kit includes a digital level with a magnetic base and cable harnesses.

Note: A properly calibrated digital level is essential to proper machine calibration. Refer to the manufacturer's calibration information.

Note: Use the following chart to identify the description of each LCD screen control button used in this procedure.



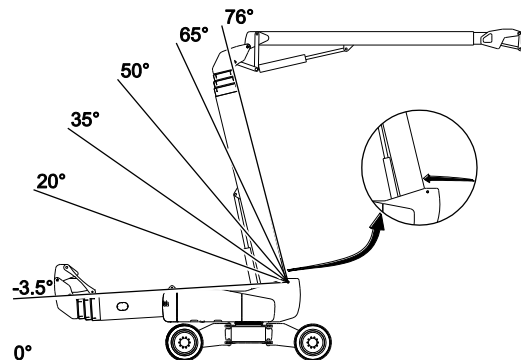
Plus Minus Previous Enter

- 1 Turn the key switch to ground control and pull out the red Emergency Stop button to the on position at both ground and platform controls.
- 2 Start the engine from the ground controls.

- 3 Press the **plus** and **minus** buttons at the same time on the LCD screen to enter the MACHINE STATUS screen. Press the **enter** or **previous** button until SECONDARY BOOM ANGLE is displayed.
 - 4 Raise the secondary boom until it is fully elevated and it just starts to extend. Do not continue to extend the boom.
 - 5 Zero a digital level to the Y axis of the turntable. Refer to Maintenance Procedure, *Test the Turntable Level Sensor*.
 - 6 Place the digital level on top of the secondary boom close to the pivot end of the secondary boom.
- Result: The reading at the display and digital level is equal to or greater than 75.5°.
 - ⊗ Result: The reading at the display and digital level is less than 75.5°. The secondary boom angle sensor must be calibrated. Refer to Repair Procedure in the appropriate Service and Repair Manual for your machine, *How to Calibrate the Secondary Boom Angle Sensor*.

⚠ DANGER

Tip-over hazard. If the boom is not equal to or greater than 75.5°, immediately lower the secondary boom. Failure to lower the boom could cause the machine to tip over resulting in death or serious injury. Refer to Repair Procedure in the appropriate Service and Repair Manual for your machine, *How to Calibrate the Secondary Boom Angle Sensor*.



Quarterly Maintenance Procedures

- 7 Lower the secondary boom to 65°.
- ⦿ Result: The reading at the display and digital level is within $\pm 2^\circ$ of each other and of 65°.
 - ⊗ Result: The reading at the display and digital level is greater than $\pm 2^\circ$ of each other and of 65°. The secondary boom angle sensor must be calibrated. Refer to Repair Procedure in the appropriate Service and Repair Manual for your machine, *How to Calibrate the Secondary Boom Angle Sensor*.
- 8 Lower the secondary boom to 50°.
- ⦿ Result: The reading at the display and digital level is within $\pm 2^\circ$ of each other and of 50°.
 - ⊗ Result: The reading at the display and digital level is greater than $\pm 2^\circ$ of each other and of 50°. The secondary boom angle sensor must be calibrated. Refer to Repair Procedure in the appropriate Service and Repair Manual for your machine, *How to Calibrate the Secondary Boom Angle Sensor*.
- 9 Lower the secondary boom to 35°.
- ⦿ Result: The reading at the display and digital level is within $\pm 2^\circ$ of each other and of 35°.
 - ⊗ Result: The reading at the display and digital level is greater than $\pm 2^\circ$ of each other and of 35°. The secondary boom angle sensor must be calibrated. Refer to Repair Procedure in the appropriate Service and Repair Manual for your machine, *How to Calibrate the Secondary Boom Angle Sensor*.
- 10 Lower the secondary boom to 20°.
- ⦿ Result: The reading at the display and digital level is within $\pm 2^\circ$ of each other and of 20°.
 - ⊗ Result: The reading at the display and digital level is greater than $\pm 2^\circ$ of each other and of 20°. The secondary boom angle sensor must be calibrated. Refer to Repair Procedure in the appropriate Service and Repair Manual for your machine, *How to Calibrate the Secondary Boom Angle Sensor*.
- 11 Fully lower the secondary boom until it stops at approximately -3.5°.
- ⦿ Result: The reading at the display and digital level is within $\pm 2^\circ$ of each other and of -3.5°.
 - ⊗ Result: The reading at the display and digital level is greater than $\pm 2^\circ$ of each other and of -3.5°. The secondary boom angle sensor must be calibrated. Refer to Repair Procedure in the appropriate Service and Repair Manual for your machine, *How to Calibrate the Secondary Boom Angle Sensor*.

Quarterly Maintenance Procedures

Q-27 Test the Primary Boom Angle Sensor - Z-135/70 and ZX-135/70

Genie specifications require that this procedure be performed quarterly.

A properly functioning primary boom angle sensor is essential to safe machine operation. The ECM at the ground controls (TCON) monitors the position and angle of the primary boom using the signal from the primary boom angle sensor. The primary boom angle sensor signal is used to control the ramping of the primary boom, limiting the speed of the primary boom to 2.3 feet / 0.7 meters per second.

Note: The turntable level sensor and secondary boom angle sensor must be tested before starting this procedure. Refer to Maintenance Procedures, *Test the Turntable Level Sensor* and *Test the Secondary Boom Angle Sensor*.

Note: A digital level will be required to perform this procedure.

Note: A kit is available through Genie Product Support (Genie part number 58351GT). This kit includes a digital level with a magnetic base and cable harnesses.

Note: A properly calibrated digital level is essential to proper machine calibration. Refer to the manufacturer's calibration information.

Note: Use the following chart to identify the description of each LCD screen control button used in this procedure.



Plus



Minus



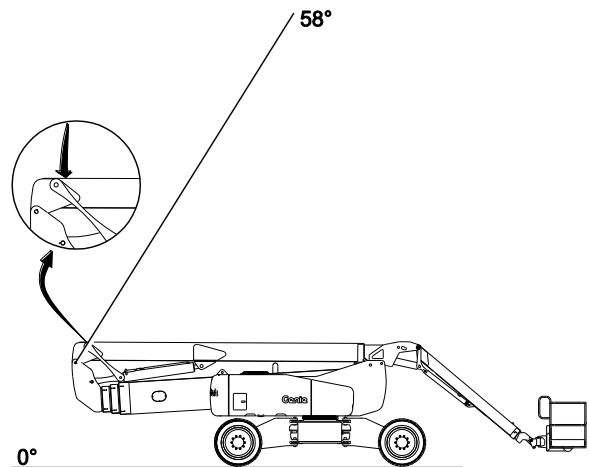
Previous



Enter

Note: Perform this procedure with the machine on a firm, level surface with the booms in the fully stowed position and the axles fully extended.

- 1 Turn the key switch to ground control and pull out the red Emergency Stop button to the on position at both ground and platform controls.
- 2 Start the engine from the ground controls.
- 3 Press the **enter** or **previous** button on the LCD screen until PRIMARY BOOM ANGLE TO GRAVITY DEGREES is displayed.
- 4 Place a digital level that has been calibrated to gravity on top of the primary boom.



Quarterly Maintenance Procedures

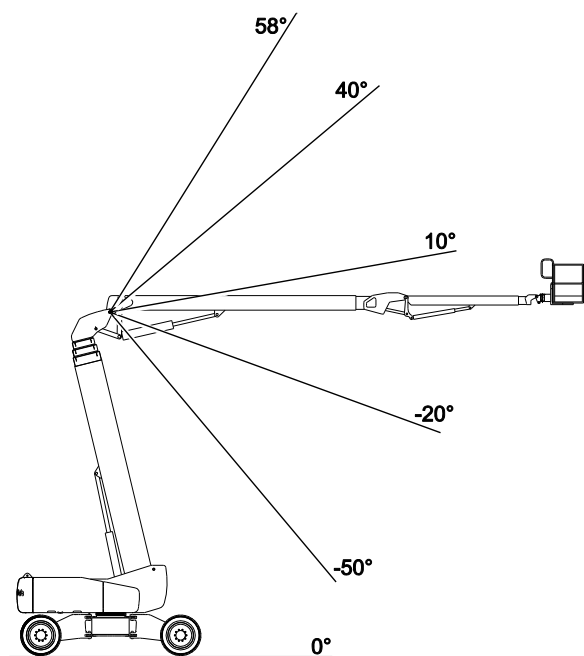
- 5 Raise the primary boom while watching the display screen.
- 6 Continue to raise the primary boom until it stops at approximately 58°.
 - ⦿ Result: The reading at the display and digital level is within $\pm 2^\circ$ of each other and of 58°.
 - ⊗ Result: The reading at the display and digital level is greater than $\pm 2^\circ$ of each other and of 58°. The primary boom angle sensor must be calibrated. Refer to Repair Procedure in the appropriate Service and Repair Manual for your machine, *How to Calibrate the Primary Boom Angle Sensor*.

⚠ DANGER

Tip-over hazard. If the boom is not within $\pm 2^\circ$ of 58°, immediately lower the primary boom. Failure to lower the boom could cause the machine to tip over resulting in death or serious injury. Refer to Repair Procedure in the appropriate Service and Repair Manual for your machine, *How to Calibrate the Primary Boom Angle Sensor*.

- 7 Fully raise the secondary boom. The boom is fully raised when the cylinder is fully extended and the boom stops moving.

- 8 Lower the primary boom to -50°.
 - ⦿ Result: The reading at the display and digital level is within $\pm 2^\circ$ of each other and of -50°.
 - ⊗ Result: The reading at the display and digital level is greater than $\pm 2^\circ$ of each other and of -50°. The primary boom angle sensor must be calibrated. Refer to Repair Procedure in the appropriate Service and Repair Manual for your machine, *How to Calibrate the Primary Boom Angle Sensor*.



- 9 Raise the primary boom to -20°.
 - ⦿ Result: The reading at the display and digital level is within $\pm 2^\circ$ of each other and of -20°.
 - ⊗ Result: The reading at the display and digital level is greater than $\pm 2^\circ$ of each other and of -20°. The primary boom angle sensor must be calibrated. Refer to Repair Procedure in the appropriate Service and Repair Manual for your machine, *How to Calibrate the Primary Boom Angle Sensor*.

Quarterly Maintenance Procedures

- 10 Raise the primary boom to 10°.
- ⦿ Result: The reading at the display and digital level is within $\pm 2^\circ$ of each other and of 10°.
 - ⊗ Result: The reading at the display and digital level is greater than $\pm 2^\circ$ of each other and of 10°. The primary boom angle sensor must be calibrated. Refer to Repair Procedure in the appropriate Service and Repair Manual for your machine, *How to Calibrate the Primary Boom Angle Sensor*.
- 11 Raise the primary boom to 40°.
- ⦿ Result: The reading at the display and digital level is within $\pm 2^\circ$ of each other and of 40°.
 - ⊗ Result: The reading at the display and digital level is greater than $\pm 2^\circ$ of each other and of 40°. The primary boom angle sensor must be calibrated. Refer to Repair Procedure in the appropriate Service and Repair Manual for your machine, *How to Calibrate the Primary Boom Angle Sensor*.
- 12 Fully raise the primary boom until it stops at approximately 58°.
- ⦿ Result: The reading at the display and digital level is within $\pm 2^\circ$ of each other and of 58°.
 - ⊗ Result: The reading at the display and digital level is greater than $\pm 2^\circ$ of each other and of 58°. The primary boom angle sensor must be calibrated. Refer to Repair Procedure in the appropriate Service and Repair Manual for your machine, *How to Calibrate the Primary Boom Angle Sensor*.

Q-28

Test the Primary Boom Angle Sensor - SX-105XC, SX-125XC, SX-135XC, SX-150 and SX-180

Genie specifications require that this procedure be performed quarterly.

A properly functioning primary boom angle sensor is essential to safe machine operation. The ECM at the ground controls (TCON) monitors the position and angle of the primary boom using the signal from the primary boom angle sensor. The primary boom angle sensor signal is used to control the ramping of the primary boom, limiting the speed of the primary boom to 2.3 feet / 0.7 meters per second.

Note: The turntable level sensor must be tested before starting this procedure. Refer to Maintenance Procedures, *Test the Turntable Level Sensor*.

Note: A digital level will be required to perform this procedure.

Note: A kit is available through Genie Product Support (Genie part number 58351GT). This kit includes a digital level with a magnetic base and cable harnesses.

Note: A properly calibrated digital level is essential to proper machine calibration. Refer to the manufactures calibration information.

Note: Use the following chart to identify the description of each LCD screen control button used in this procedure.



Plus



Minus



Previous



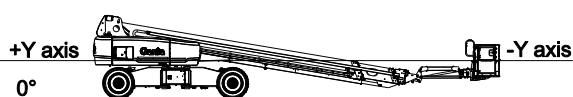
Enter

Note: Perform this procedure with the booms in the fully stowed position and the axles fully extended.

Quarterly Maintenance Procedures

SX-105XC and SX-125XC

- 1 Turn the key switch to ground control and pull out the red Emergency Stop button to the on position at both ground and platform controls.
- 2 Start the engine from the ground controls.
- 3 Press the **enter** or **previous** button on the LCD screen until PRIMARY BOOM ANGLE TO GRAVITY DEGREES is displayed.
- 4 Place a digital level that has been calibrated to gravity on top of the primary boom.

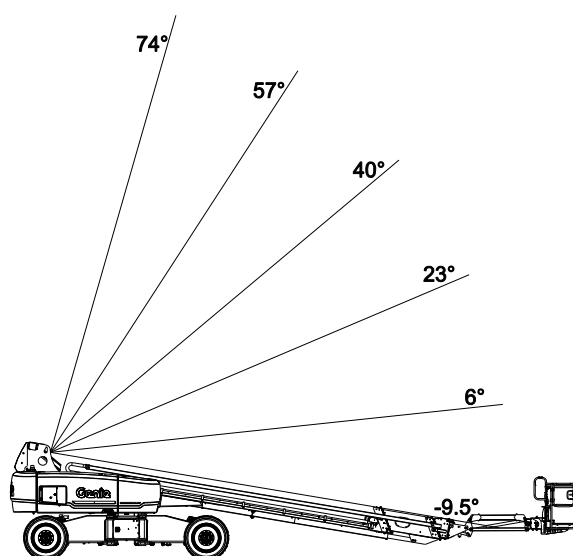


- 5 Raise the primary boom while watching the display screen.
- 6 Continue to raise the primary boom until it stops at approximately 74°.
 - Result: The reading at the display and digital level is within $\pm 2^\circ$ of each other and of 74°.
 - ⊗ Result: The reading at the display and digital level is greater than $\pm 2^\circ$ of each other and of 74°. The primary boom angle sensor must be calibrated. Refer to Repair Procedure in the appropriate Service and Repair Manual for your machine, *How to Calibrate the Primary Boom Angle Sensor*.

⚠ DANGER

Tip-over hazard. If the boom is not within $\pm 2^\circ$ of 74°, immediately lower the primary boom. Failure to lower the boom could cause the machine to tip over resulting in death or serious injury. Refer to Repair Procedure in the appropriate Service and Repair Manual for your machine, *How to Calibrate the Primary Boom Angle Sensor*.

- 7 Lower the primary boom to 57°.
 - Result: The reading at the display and digital level is within $\pm 2^\circ$ of each other and of 57°.
 - ⊗ Result: The reading at the display and digital level is greater than $\pm 2^\circ$ of each other and of 57°. The primary boom angle sensor must be calibrated. Refer to Repair Procedure in the appropriate Service and Repair Manual for your machine, *How to Calibrate the Primary Boom Angle Sensor*.



- 8 Lower the primary boom to 40°.
 - Result: The reading at the display and digital level is within $\pm 2^\circ$ of each other and of 40°.
 - ⊗ Result: The reading at the display and digital level is greater than $\pm 2^\circ$ of each other and of 40°. The primary boom angle sensor must be calibrated. Refer to Repair Procedure in the appropriate Service and Repair Manual for your machine, *How to Calibrate the Primary Boom Angle Sensor*.

Quarterly Maintenance Procedures

- 9 Lower the primary boom to 23°.
- ⦿ Result: The reading at the display and digital level is within $\pm 2^\circ$ of each other and of 23°.
 - ✘ Result: The reading at the display and digital level is greater than $\pm 2^\circ$ of each other and of 23°. The primary boom angle sensor must be calibrated. Refer to Repair Procedure in the appropriate Service and Repair Manual for your machine, *How to Calibrate the Primary Boom Angle Sensor*.
- 10 Lower the primary boom to 6°.
- ⦿ Result: The reading at the display and digital level is within $\pm 2^\circ$ of each other and of 6°.
 - ✘ Result: The reading at the display and digital level is greater than $\pm 2^\circ$ of each other and of 6°. The primary boom angle sensor must be calibrated. Refer to Repair Procedure in the appropriate Service and Repair Manual for your machine, *How to Calibrate the Primary Boom Angle Sensor*.
- 11 Fully lower the primary boom until it stops at approximately -9.5°.
- ⦿ Result: The reading at the display and digital level is within $\pm 2^\circ$ of each other and of -9.5°.

Result: The reading at the display and digital level is greater than $\pm 2^\circ$ of each other and of -9.5°. The primary boom angle sensor must be calibrated. Refer to Repair Procedure in the appropriate Service and Repair Manual for your machine, *How to Calibrate the Primary Boom Angle Sensor*.

SX-135XC

- 1 Turn the key switch to ground control and pull out the red Emergency Stop button to the on position at both ground and platform controls.
- 2 Start the engine from the ground controls.
- 3 Press the **enter** or **previous** button on the LCD screen until PRIMARY BOOM ANGLE TO GRAVITY DEGREES is displayed.
- 4 Place a digital level that has been calibrated to gravity on top of the primary boom.



- 5 Raise the primary boom while watching the display screen.
- 6 Continue to raise the primary boom until it stops at approximately 75°.
- ⦿ Result: The reading at the display and digital level is within $\pm 2^\circ$ of each other and of 75°.
- ✘ Result: The reading at the display and digital level is greater than $\pm 2^\circ$ of each other and of 75°. The primary boom angle sensor must be calibrated. Refer to Repair Procedure in the appropriate Service and Repair Manual for your machine, *How to Calibrate the Primary Boom Angle Sensor*.

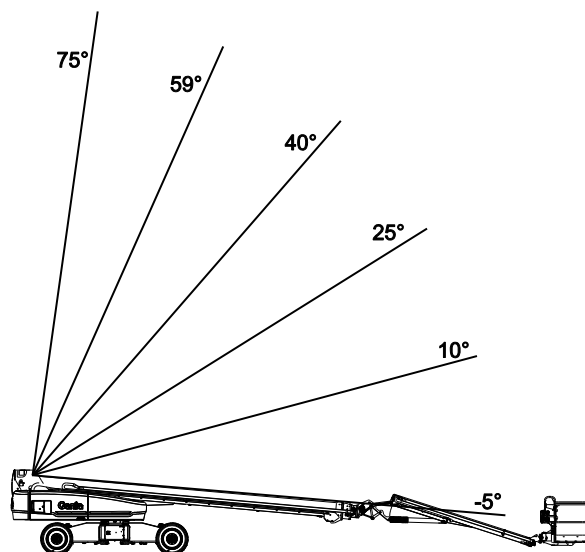
⚠ DANGER

Tip-over hazard. If the boom is not within $\pm 2^\circ$ of 75°, immediately lower the primary boom. Failure to lower the boom could cause the machine to tip over resulting in death or serious injury. Refer to Repair Procedure in the appropriate Service and Repair Manual for your machine, *How to Calibrate the Primary Boom Angle Sensor*.

Quarterly Maintenance Procedures

7 Lower the primary boom to 59°.

- ⦿ Result: The reading at the display and digital level is within $\pm 2^\circ$ of each other and of 59°.
- ⊗ Result: The reading at the display and digital level is greater than $\pm 2^\circ$ of each other and of 59°. The primary boom angle sensor must be calibrated. Refer to Repair Procedure in the appropriate Service and Repair Manual for your machine, *How to Calibrate the Primary Boom Angle Sensor*.



8 Lower the primary boom to 40°.

- ⦿ Result: The reading at the display and digital level is within $\pm 2^\circ$ of each other and of 40°.
- ⊗ Result: The reading at the display and digital level is greater than $\pm 2^\circ$ of each other and of 40°. The primary boom angle sensor must be calibrated. Refer to Repair Procedure in the appropriate Service and Repair Manual for your machine, *How to Calibrate the Primary Boom Angle Sensor*.

9 Lower the primary boom to 25°.

- ⦿ Result: The reading at the display and digital level is within $\pm 2^\circ$ of each other and of 25°.
- ⊗ Result: The reading at the display and digital level is greater than $\pm 2^\circ$ of each other and of 25°. The primary boom angle sensor must be calibrated. Refer to Repair Procedure in the appropriate Service and Repair Manual for your machine, *How to Calibrate the Primary Boom Angle Sensor*.

10 Lower the primary boom to 10°.

- ⦿ Result: The reading at the display and digital level is within $\pm 2^\circ$ of each other and of 10°.
- ⊗ Result: The reading at the display and digital level is greater than $\pm 2^\circ$ of each other and of 10°. The primary boom angle sensor must be calibrated. Refer to Repair Procedure in the appropriate Service and Repair Manual for your machine, *How to Calibrate the Primary Boom Angle Sensor*.

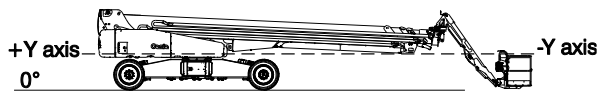
11 Fully lower the primary boom until it stops at approximately -5°.

- ⦿ Result: The reading at the display and digital level is within $\pm 2^\circ$ of each other and of -5°.
- ⊗ Result: The reading at the display and digital level is greater than $\pm 2^\circ$ of each other and of -5°. The primary boom angle sensor must be calibrated. Refer to Repair Procedure in the appropriate Service and Repair Manual for your machine, *How to Calibrate the Primary Boom Angle Sensor*.

Quarterly Maintenance Procedures

SX-150 and SX-180

- 1 Turn the key switch to ground control and pull out the red Emergency Stop button to the on position at both ground and platform controls.
- 2 Start the engine from the ground controls.
- 3 Press the **enter** or **previous** button on the LCD screen until PRIMARY BOOM ANGLE TO GRAVITY DEGREES is displayed.
- 4 Place a digital level that has been calibrated to gravity on top of the primary boom.

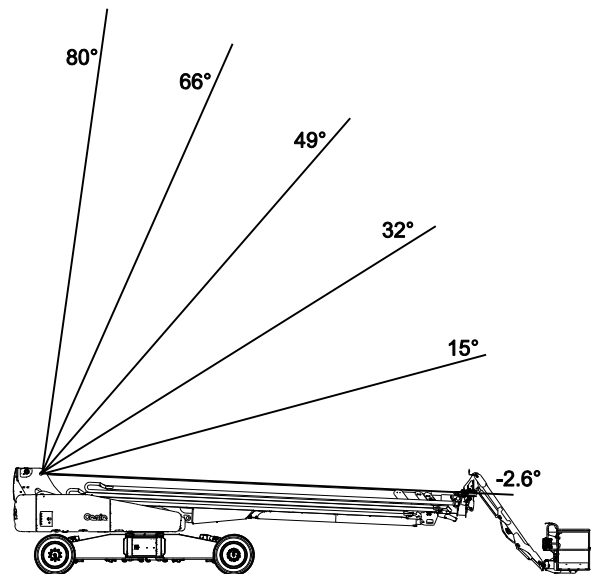


- 5 Raise the primary boom while watching the display screen.
 - 6 Continue to raise the primary boom until it stops at approximately 80°.
- Result: The reading at the display and digital level is within $\pm 2^\circ$ of each other and of 80°.
 - ✗ Result: The reading at the display and digital level is greater than $\pm 2^\circ$ of each other and of 80°. The primary boom angle sensor must be calibrated. Refer to Repair Procedure in the appropriate Service and Repair Manual for your machine, *How to Calibrate the Primary Boom Angle Sensor*.

⚠ DANGER

Tip-over hazard. If the boom is not within $\pm 2^\circ$ of 80°, immediately lower the primary boom. Failure to lower the boom could cause the machine to tip over resulting in death or serious injury. Refer to Repair Procedure in the appropriate Service and Repair Manual for your machine, *How to Calibrate the Primary Boom Angle Sensor*.

- 7 Lower the primary boom to 66°.
- Result: The reading at the display and digital level is within $\pm 2^\circ$ of each other and of 66°.
 - ✗ Result: The reading at the display and digital level is greater than $\pm 2^\circ$ of each other and of 66°. The primary boom angle sensor must be calibrated. Refer to Repair Procedure in the appropriate Service and Repair Manual for your machine, *How to Calibrate the Primary Boom Angle Sensor*.



- 8 Lower the primary boom to 49°.
- Result: The reading at the display and digital level is within $\pm 2^\circ$ of each other and of 49°.
 - ✗ Result: The reading at the display and digital level is greater than $\pm 2^\circ$ of each other and of 49°. The primary boom angle sensor must be calibrated. Refer to Repair Procedure in the appropriate Service and Repair Manual for your machine, *How to Calibrate the Primary Boom Angle Sensor*.

Quarterly Maintenance Procedures

- 9 Lower the primary boom to 32°.
- ⦿ Result: The reading at the display and digital level is within $\pm 2^\circ$ of each other and of 32°.
 - ⊗ Result: The reading at the display and digital level is greater than $\pm 2^\circ$ of each other and of 32°. The primary boom angle sensor must be calibrated. Refer to Repair Procedure in the appropriate Service and Repair Manual for your machine, *How to Calibrate the Primary Boom Angle Sensor*.
- 10 Lower the primary boom to 15°.
- ⦿ Result: The reading at the display and digital level is within $\pm 2^\circ$ of each other and of 15°.
 - ⊗ Result: The reading at the display and digital level is greater than $\pm 2^\circ$ of each other and of 15°. The primary boom angle sensor must be calibrated. Refer to Repair Procedure in the appropriate Service and Repair Manual for your machine, *How to Calibrate the Primary Boom Angle Sensor*.
- 11 Fully lower the primary boom until it stops at approximately -2.6°.
- ⦿ Result: The reading at the display and digital level is within $\pm 2^\circ$ of each other and of -2.6°.
 - ⊗ Result: The reading at the display and digital level is greater than $\pm 2^\circ$ of each other and of -2.6°. The primary boom angle sensor must be calibrated. Refer to Repair Procedure in the appropriate Service and Repair Manual for your machine, *How to Calibrate the Primary Boom Angle Sensor*.

Q-29

Test the Safety Envelope Limit Switches, Z-135/70, ZX-135/70, SX-105XC, SX-125XC, SX-135XC, SX-150 and SX-180 Models

Genie specifications require that this procedure be performed quarterly.

Testing the machine envelope safety limit switches is critical to safe machine operation. If the boom is allowed to operate when a safety switch is not functioning correctly, the machine stability could be compromised and may tip over.

Note: Perform this procedure with the boom in the stowed position.

Note: Perform this procedure with the axles extended.

Note: Two people will be required to perform this procedure.

Note: Use the following chart to identify the description of each LCD screen control button used in this procedure.



Plus



Minus



Previous



Enter

Quarterly Maintenance Procedures

Z-135/70 and ZX-135/70 Models:

Secondary Boom #1 Retracted Safety Limit Switch, LSS1RS

- 1 Working at the platform end of the turntable, support and secure the lower turntable riser end cover to a suitable lifting device.
- 2 Remove the lower cover retaining fasteners and remove the lower cover from turntable.

⚠ WARNING Crushing hazard. The turntable riser lower cover could become unbalanced and fall when removed from the turntable if not properly supported and secured to the lifting device.

- 3 Support and secure the upper turntable riser end cover to a suitable lifting device.
- 4 Remove the upper cover retaining fasteners and remove the upper cover from turntable.

⚠ WARNING Crushing hazard. The turntable riser upper cover could become unbalanced and fall when removed from the turntable if not properly supported and secured to the lifting device.

- 5 Locate the secondary boom #1 retracted safety limit switch (LSS1RS) inside the secondary boom tube.

Note: The secondary boom #1 retracted safety limit switch (LSS1RS) is attached to the number 1 boom tube and can easily be identified by the blue and red tie wraps attached to the limit switch cable.

- 6 Start the engine from the ground controls.
- 7 Fully raise the secondary boom. Do not extend the boom. Turn the machine off.
- 8 Locate and disconnect the Deutsch connector to LSS1RS.

- 9 Connect the leads from a multimeter with continuity checking capability to pins 1 and 2 at the Deutsch connector of the limit switch cable.

- Result: The limit switch should not have continuity.
- ⊗ Result: The limit switch does have continuity. The limit switch is faulty and needs to be replaced.

- 10 Remove the multimeter leads and connect the Deutsch connector to the limit switch.

- 11 Start the engine from the ground controls.

- 12 Extend the secondary boom while visually inspecting the roller arm of the limit switch. Continue to extend the boom until the limit switch arm is released by the limit switch ramp bracket.

- Result: The roller arm of the limit switch remains centered with the limit switch ramp bracket through the entire length of travel.
- ⊗ Result: The roller arm of the limit switch does not remain centered with the limit switch ramp bracket through the entire length of travel. Adjust or replace the limit switch ramp bracket to ensure the limit switch roller arm remains centered with the limit switch ramp bracket through the entire length of travel.
- ⊗ Result: The roller arm of the limit switch is damaged. Replace the limit switch roller arm or limit switch.

Note: The limit switch ramp bracket is attached to the number 4 boom tube.

Quarterly Maintenance Procedures

13 Locate and disconnect the Deutsch connector to LSS1RS.

- ⦿ Result: The alarm should sound.
- ⦿ Result: The LCD screen should display the message SEC BOOM RETRACTED SAFETY SWITCH DISCONNECTED FAULT.
- ⊗ Result: The alarm doesn't sound and the LCD screen doesn't display a Fault message. The limit switch is faulty and needs to be replaced.

Note: A P30 Power Fault and a P11 Power Fault will also display as a result of this test.

14 Re-connect the Deutsch connector to LSS1RS.

- ⦿ Result: The LCD screen displays SEC LSS1RS FAULT.
- ⊗ Result: The LCD screen doesn't display the Fault message. The limit switch is faulty and needs to be replaced.

15 Turn the engine off.

16 With the key switch off, press and hold the **enter** button and turn the key switch to the on position. Release the **enter** button after five seconds and press the **(minus)(minus)(previous)(previous)** buttons in that order.

17 Press the **previous** button until clear all safety switch faults appears.

18 Select YES, then press the **enter** button.

19 Press the **previous** button until EXIT appears.

20 Select YES, then press the **enter** button.

21 Install the secondary boom end covers.

Z-135/70, ZX-135/70, SX-105XC, SX-125XC, SX-135XC, SX-150 and SX-180 Models

Turntable Rotate Safety Limit Switch, LST1S

1 Locate the turntable rotate safety limit switch (LST1S) at the center of the turntable.

Note: The turntable rotate safety limit switch (LST1S) is located between the two operational turntable rotate limit switches. It can easily be identified by the orange and red tie wraps attached to the limit switch cable.

2 Locate and disconnect the deutsch connector to LST1S.

3 Connect the leads from a multimeter with continuity checking capability to pins 1 and 2 at the Deutsch connector of the limit switch cable.

- ⦿ Result: The limit switch should have continuity.

⊗ Result: The limit switch does not have continuity. The limit switch is faulty and needs to be replaced.

4 Remove the multimeter leads and connect the Deutsch connector to the limit switch.

5 Start the engine and rotate the turntable more than 15°. Turn the engine off

6 Locate and disconnect the Deutsch connector to LST1S.

7 Connect the leads from a multimeter with continuity checking capability to pins 1 and 2 at the Deutsch connector of the limit switch cable.

- ⦿ Result: The limit switch should not have continuity.

⊗ Result: The limit switch does have continuity. The limit switch is faulty and needs to be replaced OR the mounting position of the limit switch needs to be adjusted until it activates when the turntable is rotated more than 15°.

8 Remove the multimeter leads and connect the Deutsch connector to LST1S.

Quarterly Maintenance Procedures

Z-135/70, ZX-135/70, SX-105XC, SX-125XC, SX-135XC, SX-150 and SX-180 Models

Axle Extended Safety Limit Switches, LSFA1ES and LSRA1ES

- 1 Start the engine from the ground controls and lower the boom to the stowed position.
- 2 Turn the key switch to platform controls.
- 3 From the platform controls, drive the machine in either direction and fully retract the axles. Turn the machine off.
- 4 Choose an axle extend safety limit switch to test.
- 5 Locate and disconnect the deutsch connector to the axle extend limit switch.
- 6 Connect the leads from a multimeter with continuity checking capability to pins 1 and 2 at the Deutsch connector of the limit switch cable.
 - ⦿ Result: The limit switch should not have continuity.
 - ⊗ Result: The limit switch does have continuity. The limit switch is faulty and needs to be replaced.
- 7 Remove the multimeter leads and connect the Deutsch connector to the limit switch.
- 8 Repeat steps 5 through 7 for the other axle extend safety limit switch.
- 9 Start the engine from the platform controls and fully extend the axles. Turn the machine off.
- 10 Choose an axle extend safety limit switch to test.
- 11 Locate and disconnect the Deutsch connector to the axle extend limit switch.
- 12 Connect the leads from a multimeter with continuity checking capability to pins 1 and 2 at the Deutsch connector of the limit switch cable.
 - ⦿ Result: The limit switch should have continuity.
 - ⊗ Result: The limit switch does not have continuity. The limit switch is faulty and needs to be replaced.
- 13 Remove the multimeter leads and connect the Deutsch connector to the limit switch.
- 14 Repeat steps 11 through 13 for the other axle extend safety limit switch.

Quarterly Maintenance Procedures

Q-30 Test the Primary Boom Angle Sensor - Z-80/60

Genie specifications require that this procedure be performed quarterly.

A properly functioning primary boom angle sensor (PBAS) is essential to safe machine operation. The primary boom angle sensor is used to limit the angle of the primary boom relative to the angle of the secondary boom and gravity. The ECM at the ground controls (TCON) monitors the position and angle of the primary boom using the signal from PBAS. The PBAS signal is used to control the ramping of the primary boom as well as velocity control, limiting the speed of the primary boom to 1.3 feet / 0.4 meters per second.

Note: Perform this procedure with the machine on a firm, level surface.

Note: Use the following chart to identify the description of each LCD screen control button used in this procedure.



Plus



Minus



Previous



Enter

- 1 Turn the key switch to ground control and pull out the red Emergency Stop button to the on position at both ground and platform controls.
- 2 Press the **enter** or **previous** button on the LCD screen until primary boom angle is displayed.

- 3 Start the engine from the ground controls.
 - 4 Raise the primary boom. The display will begin showing a boom angle of 40°.
 - 5 Continue raising the primary boom until the display shows 65°.
- ⦿ Result: The primary boom stops.

Result: The primary boom does not stop. Immediately release the function enable button and lower the boom. Calibrate the angle sensor. Refer to Repair Procedure in the appropriate Service and Repair Manual for your machine, *How to Calibrate the Primary Boom Angle Sensor*.

⚠ DANGER

Tip-over hazard. If the boom does not stop at 65°, immediately release the function enable button and lower the primary boom. Failure to lower the boom could cause the machine to tip over resulting in death or serious injury.

Quarterly Maintenance Procedures

Q-31 Test the Safety Envelope and Circuits - Z-80/60

Genie specifications require that this procedure be performed quarterly.

Testing the machine safety envelope is critical to safe machine operation. If the boom is allowed to operate when a safety switch is not functioning correctly, the machine stability is compromised and may tip over. For limit switch and angle sensor information, Refer to appropriate Service and Repair Manual for your machine.

Note: Use the following chart to identify the description of each LCD screen control button used in this procedure.



Plus

Minus

Previous

Enter

Secondary Boom #1 Angle Safety Limit Switch, LSS2AS

- 1 Turn the key switch to ground control and pull out the red Emergency Stop button to the on position at both ground and platform controls.
- 2 Start the engine from the ground controls.
- 3 Press the **(plus)(minus)** buttons on the LCD screen to activate status mode.
- 4 Press the **enter** or **previous** button on the LCD screen until secondary boom length is displayed.
- 5 Fully raise the secondary boom and extend the secondary boom approximately 2 feet / 61 cm.
- 6 Remove the fasteners from the turntable riser cover at the platform end of the secondary boom. Remove the cover.

- 7 Locate the Deutsch connectors from the secondary safety retract switch (LSS1RS) near the chassis at the platform end of the secondary boom. The connection will be marked with yellow zip ties on the wire assembly. Disconnect the connectors.
- 8 Locate the Deutsch connectors from the secondary boom #1 retract operational limit switch (LSS1RO) at the end of the secondary boom. The connection will be marked with red zip ties on the wire assembly. Disconnect the connectors.
- 9 Install a wire jumper between pin 1 and pin 2 of the Deutsch connector on the wire harness removed in step 8.
- 10 Install a second wire jumper between pin 3 and pin 4 of the Deutsch connector on the wire harness.
- ⦿ Result: The display should show = 0FT.
- 11 Press and hold the high speed function enable button and lower the secondary boom.
- ⦿ Result: The secondary boom should lower to 60° and the engine should stop.
- ⊗ Result: If the engine does not stop at 60° and the secondary boom continues to lower, the secondary boom #2 angle safety limit switch (LSS2AS) is out of adjustment or the wiring circuit is faulty and will need to be replaced or repaired. Immediately remove the machine from service until repairs are made.

⚠ DANGER

Bodily injury hazard. If the secondary boom lowers to less than 60° without stopping the engine, stop immediately and raise the secondary boom above 60°. Failure to raise the secondary boom could result in death or serious injury.

Quarterly Maintenance Procedures

- 12 Remove the key from the main key switch, insert it into the bypass/recovery key switch, turn the key to Bypass mode and raise the secondary boom above 60° using emergency power.
 - 13 Remove the wire jumpers installed in steps 9 and 10 and connect the wire harness to LSS1RO removed in step 8.
 - 14 Fully raise the secondary boom and extend the secondary boom approximately 1 foot / 30.5 cm.
 - 15 Turn the bypass/recovery key switch back to run, return the key to the main key switch and start the engine from the ground controls.
 - 16 Re-connect the Deutsch connector from the secondary safety retract switch (LSS1RS) removed in step 7.
- Secondary Boom #1 Retracted Safety Limit Switch, LSS1RS**
- 17 Press the **(plus)(minus)** buttons on the LCD screen to activate status mode.
 - 18 Press the **enter** or **previous** button on the LCD screen until secondary boom length is displayed.
 - 19 Raise the secondary boom until the display shows ≥ 35 DEGREES.
 - 20 Locate the Deutsch connectors from the secondary boom #2 angle safety limit switch (LSS2AS) on the inside of the turntable riser. The connection will be marked with purple zip ties on the wire assembly. Disconnect the connectors.
 - 21 Locate the Deutsch connectors from the secondary boom #2 angle operational limit switch (LSS2AO) on the inside of the turntable riser. The connection will be marked with green zip ties on the wire assembly. Disconnect the connectors.
 - 22 Install a wire jumper between pins 1 and 2 of the Deutsch connector on the wire harness removed in step 21.
 - ⦿ Result: The display should show at 65 DEGREES.
 - 23 Press and hold the low speed function enable button and extend the secondary boom.
 - ⦿ Result: The secondary boom should extend no more than 12 inches / 30.5 cm and stop. The engine should stop and the display will show P9B SAFETY FAULT and P11 SAFETY FAULT.
 - ⊗ Result: If the engine does not stop and the secondary boom continues to extend, the secondary boom #1 retracted safety limit switch (LSS1RS) is out of adjustment or the wiring circuit is faulty and will need to be replaced or repaired.
- ⚠ DANGER** Bodily injury hazard. If the secondary boom continues to extend without stopping the engine, stop immediately and retract the secondary boom. Failure to retract the secondary boom could result in death or serious injury.
- 24 Remove the wire jumpers installed in step 22 and connect the wire harness to LSS2AO.
 - 25 Re-connect the Deutsch connector from the secondary boom #2 angle safety limit switch (LSS2AS) removed in step 20.

Quarterly Maintenance Procedures

Q-32

Check the Safety Envelope Limit Switches and Angle Sensor - S-60X, S-80X, and S-60XC to S60XCH-45000



Genie specifications require that this procedure be performed quarterly.

Testing the safety envelope system regularly is essential to safe machine operation. Continued use of an improperly operating safety envelope could result in the system not restricting the range of motion. Machine stability could be compromised resulting in the machine tipping over.

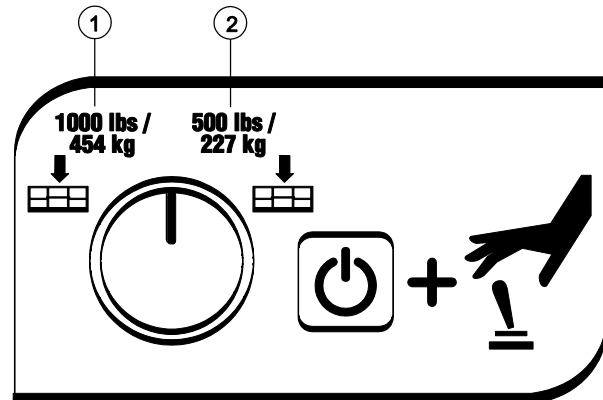
Note: Perform this procedure with the machine on a firm, level surface with all weight, tools and equipment removed from the platform.

Note: Start this procedure with the boom fully retracted and in the stowed position.

Ground controls:

- 1 Turn the key switch to ground control and pull out the red Emergency Stop button to the on position.
- 2 Start the engine from the ground controls.

- 3 Turn and hold the function enable switch to the restricted maximum platform capacity and raise the primary boom until it is fully elevated.



- 1 restricted maximum platform capacity
 - 2 unrestricted maximum platform capacity
- 4 Extend the primary boom until it is fully extended.
 - 5 Lower the primary boom until it stops.
 - ⦿ Result: The boom will automatically stop after 10 degrees.
 - ⊗ Result: The primary boom does not stop after 10 degrees. Check limit switches LST3O and LST3S.
 - 6 Turn the key switch to the off position and push in the red Emergency Stop button to the off position at the ground controls.

Note: The following step can be done using a measuring tape or a digital protractor (Genie part number 58377).

Quarterly Maintenance Procedures

7 Measuring Tape:

S-60X and S-60XC Models:

Measure the distance between the center of the pivot pins as shown. The distance should be 171 inches / 434 cm \pm 2.0 inch / 5 cm.

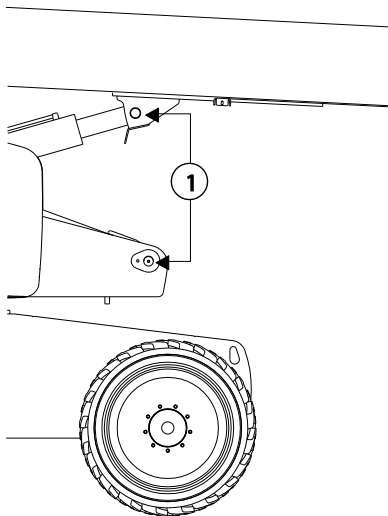
S-80X Models:

Measure the distance between the center of the pivot pins as shown. The distance should be 201.75 inches / 512 cm \pm 2.0 inch / 5 cm.

Digital Protractor:

Place the digital protractor on the turntable chassis and reset the protractor to 0°. Place the protractor on top of the primary boom. The protractor should display 58° \pm 2°.

- ☒ Result: The primary boom angle is not within specifications. Consult Genie Product Support.

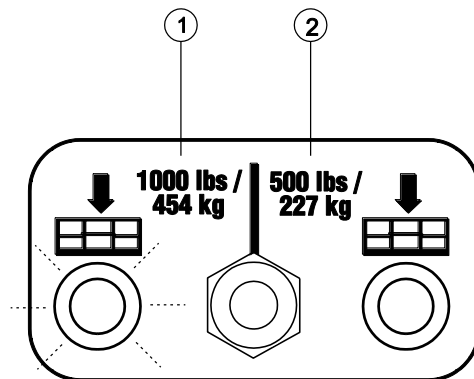


- 1 Measure between the centers of these pivot pins

Platform controls:

Note: Start this procedure with the boom fully retracted and in the stowed position.

- 1 Pull out the red Emergency Stop button to the on position and start the engine.
- 2 Select the restricted maximum platform capacity with the toggle switch.



- 1 restricted maximum platform capacity
 - 2 unrestricted maximum platform capacity
- 3 Raise the primary boom until it is fully elevated.
 - 4 Extend the primary boom until it is fully extended.
 - 5 Lower the primary boom until it stops.
 - ⦿ Result: The boom will automatically stop after 10 degrees and the unrestricted platform capacity light will flash.
 - ☒ Result: The primary boom does not stop after 10 degrees. Calibrate the boom angle sensor. Refer to Repair Procedure in the appropriate Service and Repair Manual for your machine, *How to Calibrate the Boom angle Sensor*.

Quarterly Maintenance Procedures

- 6 Move the primary boom down joystick off center and retract the primary boom until the unrestricted platform capacity light stops flashing.
 - ⦿ Result: Primary boom down should return to normal operation.
- 7 Lower the primary boom 5 feet / 1.5 m and activate primary boom extend.
 - ⦿ Result: Primary boom extend will stop and the unrestricted platform capacity light will start flashing.
- 8 Activate primary boom extend and raise the primary boom until the unrestricted platform capacity light stops flashing.
 - ⦿ Result: Primary boom extend should return to normal operation.
- 9 Return the machine to the fully stowed position.

Q-33

Test the Safety Envelope and Circuits - S-100, S-105, S-120, S-125, S-100HD and S-120HD

Genie specifications require that this procedure be performed quarterly.

Testing the machine safety envelope is critical to safe machine operation. If the boom is allowed to operate when a safety switch is not functioning correctly, the machine stability is compromised and may tip over.

Note: Use the following chart to identify the description of each LCD screen control button used in this procedure.



Plus



Minus



Previous



Enter

- 1 Start the engine from the ground controls.
- 2 Raise the boom to approximately 60°.

S-100, S-105 and S-100HD Models: Proceed to step 28.

101 feet / 30.8 m Length Safety Switch, LSB2RS:

- 3 Extend the boom to more than 80 feet / 24.4 m.
- 4 Push in the red Emergency Stop button to the off position.
- 5 Plug in the LSB2RS test jumper between the lower limit switch and the function manifold (J2 and J4 connectors on the ground control box).
- 6 Pull out the red Emergency Stop button to the on position and start the engine.

Quarterly Maintenance Procedures

- 7 Disconnect the 68° proximity switch LSB14AO and install a wire jumper between pin 3 and pin 4 of the Deutsch connector.
 - ⦿ Result: The display will show ">68 deg" at the ground controls.
- 8 Activate the function enable/high RPM button and extend the boom to 101 feet / 30.8 m.
 - ⦿ Result: The engine should stop and the boom extend function should be disabled.
 - ⊗ Result: If the engine does not stop and the boom continues to extend, the LSB2RS switch is out of adjustment or the wiring circuit is faulty and will need to be replaced or repaired.

⚠ WARNING

Bodily injury hazard. If the boom extends to more than 101 feet / 30.8 m without stopping the engine, stop immediately and retract the boom until the boom is extended to less than 100 feet / 30.5 m. Failure to retract the boom could result in death or serious injury.

- 9 Using emergency power, retract the boom until the boom is extended to approximately 95 feet / 29 m.
- 10 Remove the wire jumper installed in step 7 and connect the Deutsch connector to LSB14AO.
- 11 Push in the red Emergency Stop button to the off position.
- 12 Remove the LSB2RS test jumper between the lower limit switch and the function manifold (J2 and J4 connectors on the ground control box).
- 13 Pull out the red Emergency Stop button to the on position and start the engine.

65° Angle Safety Switch, LSB9AS:

- 14 Raise the boom to the maximum angle.
- 15 Fully extend the boom.
- 16 Disconnect the 68° proximity switch LSB14AO and install a wire jumper between pin 3 and pin 4 of the Deutsch connector.
- 17 Activate the function enable/high RPM button and lower the boom to 65°.
 - ⦿ Result: The engine should stop and the boom down function should be disabled.
 - ⊗ Result: If the engine does not stop and the boom continues to lower to less than 65°, the LSB9AS switch is out of adjustment or the wiring is faulty and will need to be replaced or repaired.

⚠ WARNING

Bodily injury hazard. If the boom lowers to less than 65° without stopping the engine, stop immediately and raise the boom until the boom is elevated to greater than 68°. Failure to raise the boom could result in death or serious injury.

- 18 Measure the angle of the boom.
 - ⦿ Result: The angle of the boom should be greater than 65°.
- 19 Using emergency power, raise the boom until the boom angle is greater than 68°.
- 20 Remove the wire jumper installed in step 16 and connect the Deutsch connector to LSB14AO.

Quarterly Maintenance Procedures

- 21 With the key switch off, press and hold the **enter** button and turn the key switch to the on position. Release the **enter** button after five seconds and press the **(minus)(minus)(previous)(previous)** buttons.
- 22 Press the **previous** button until clear all safety switch faults appears.
- 23 Select YES, then press the **enter** button.
- 24 Press the **previous** button until exit appears.
- 25 Select YES, then press the **enter** button.
- 26 Start the engine.
- 50° Angle Safety Switch, LSB8AS:**
- 27 Lower the boom to approximately 60°.
- 28 Extend the boom to approximately 95 feet / 28.96 m.
- 29 Disconnect the 53° proximity switch LSB13AO and install a wire jumper between pin 3 and pin 4 of the Deutsch connector.
- 30 Activate the function enable/high RPM button and lower the boom to 50°.
 - ⦿ Result: The engine should stop and the boom down function should be disabled.
 - ⊗ Result: If the engine does not stop and the boom continues to lower to less than 50°, the LSB8AS switch is out of adjustment or the wiring circuit is faulty and will need to be replaced or repaired.
- 31 Measure the angle of the boom.
 - ⦿ Result: the angle of the boom should be greater than 50°.
- 32 Using emergency power, raise the boom until the boom angle is greater than 53°.
- 33 Remove the wire jumper installed in step 29 and connect the Deutsch connector to LSB13AO.
- 34 With the key switch off, press and hold the **enter** button and turn the key switch to the on position. Release the **enter** button after five seconds and press the **(minus)(minus)(previous)(previous)** buttons.
- 35 Press the **previous** button until clear all safety switch faults appears.
- 36 Select YES, then press the **enter** button.
- 37 Press the **previous** button until exit appears.
- 38 Select YES, then press the **enter** button.
- 39 Restart the engine, retract the boom so it is extended less than 75 feet / 22.9 m and then lower the boom sufficient to gain access to LSB3EO.

Note: LSB3EO is located on top of boom tube number 2 at the platform end of the machine.

⚠ WARNING Bodily injury hazard. If the boom lowers to less than 50° without stopping the engine, stop immediately and raise the boom until the boom is elevated to greater than 53°. Failure to raise the boom could result in death or serious injury.

Quarterly Maintenance Procedures

76 feet / 23.2 m Length Safety Switch, LSB4ES:

- 40 Disconnect the 75 feet / 22.9 m safety switch LSB3EO.
- 41 Start the engine and activate the function enable/high RPM button and extend the boom to 76 feet / 23.2 m.
 - ⦿ Result: The engine should stop and the boom extend function should be disabled.
 - ⊗ Result: If the engine does not stop and the boom continues to extend, the LSB4ES switch is out of adjustment or the wiring circuit is faulty and will need to be replaced or repaired.

⚠ WARNING Bodily injury hazard. If the boom extends to more than 76 feet / 23.2 m without stopping the engine, stop immediately and retract the boom until the boom is extended to less than 75 feet / 22.9 m. Failure to retract the boom could result in death or serious injury.

- 42 Using emergency power, retract the boom until the boom is extended to less than 75 feet / 22.9 m.
- 43 Re-connect the harness plug to LSB3EO.
- 44 With the key switch off, press and hold the **enter** button and turn the key switch to the on position. Release the **enter** button after five seconds and press the **(minus)(minus)(previous)(previous)** buttons.
- 45 Press the **previous** button until clear all safety switch faults appears.
- 46 Select YES, then press the **enter** button.
- 47 Press the **previous** button until exit appears.
- 48 Select YES, then press the **enter** button.

Cable Break Safety Switch, LSB6S:

- 49 Start the engine and activate the function enable/high RPM button and retract the boom until the boom is extended to less than 2 feet / 0.6 m.
- 50 Remove the boom end cover from the pivot end of the boom.
- 51 Remove the arm from the cable break limit switch LSB6S.

Note: LSB6S is located at the end of the boom tubes at the pivot end of the boom.

- 52 Place the arm removed in step 51 back on the LSB6S switch 180° opposite its original position. Rotate the head of the switch 45° clockwise and activate the function enable/high RPM button and attempt to extend the boom.
 - ⦿ Result: The boom extend function should be disabled.
 - ⊗ Result: If the boom extends, the LSB6S switch or wiring circuit is faulty and will need to be replaced or repaired.

⚠ WARNING Bodily injury hazard. If the boom extends at all, stop immediately and retract the boom until the boom is extended to less than 2 feet / 0.6 m. Failure to retract the boom could result in death or serious injury.

- 53 Activate the function enable/high RPM button and attempt to retract the boom.
 - ⦿ Result: The boom retract function should be enabled.
 - ⦿ Result: If the boom does not retract, the LSB6S switch or wiring circuit is faulty and will need to be replaced or repaired.

Quarterly Maintenance Procedures

- 54 Allow the switch to return to its neutral position, then rotate the head of the switch 45° counter clockwise and activate the function enable/high RPM button and attempt to extend the boom.

- ⦿ Result: The boom extend function should be disabled.
- ⊗ Result: If the boom extends, the LSB6S switch or wiring circuit is faulty and will need to be replaced or repaired.

⚠ WARNING Bodily injury hazard. If the boom extends at all, stop immediately and retract the boom until the boom is extended to less than 2 feet (0.6 m). Failure to retract the boom could result in death or serious injury.

- 55 Reinstall the arm onto LSB6S in its original position.

Axle Extend Safety Switch, LSAX1ES and LSAX2ES and

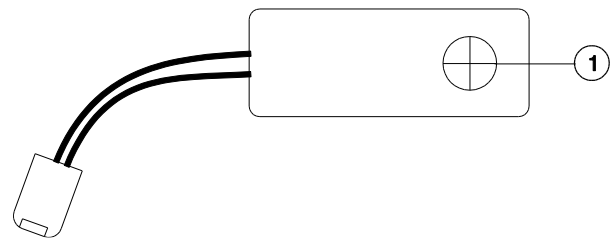
3 feet / 0.9 m Safety Switch, LSB3RS and

11° Angle Safety Switch, LSB7DS:

- 56 Fully retract and lower the boom to the stowed position.
- 57 Retract both axles approximately 1 foot / 0.3 m.
- 58 Remove the access cover from each axle.
- 59 Disconnect the square-end axle extend safety switch LSAX1ES and install a wire jumper between pin 3 and pin 4 of the deutsch connector.

- 60 Place a metal washer over the target area of the axle extend proximity switch LSAX1EO and place a metal washer over the target area of the axle extend proximity switch LSAX2EO to close the contacts.

- ⦿ Result: The axle extend indicator light at the ground and platform controls should be illuminated.



Proximity switch

1 target area

- 61 Activate the function enable/high RPM button and attempt to extend the boom.

- ⦿ Result: The boom should not extend to more than 3 feet / 0.9 m.
- ⊗ Result: If the boom extends to more than 3 feet / 0.9 m, the LSAX1ES or LSAX2ES switch are out of adjustment or the wiring circuit is faulty and will need to be replaced or repaired.

⚠ WARNING Bodily injury hazard. If the boom extends to more than 3 feet / 0.9 m, stop immediately and retract the boom until the boom is extended to less than 2 feet / 0.6 m. Failure to retract the boom could result in death or serious injury.

- 62 Remove the wire jumper installed in step 59 and connect the Deutsch connector to LSAX1ES.

Quarterly Maintenance Procedures

- 63 Disconnect the circle-end axle extend safety switch LSAX1ES and install a wire jumper between pin 1 and pin 2 of the Deutsch connector.
- 64 Activate the function enable/high RPM button and attempt to extend the boom.
- ⦿ Result: The boom should not raise to more than 11°.
 - ⦿ Result: If the boom continues to raise, the LSAX1ES or LSAX2ES switch are out of adjustment or the wiring circuit is faulty and will need to be replaced or repaired.

⚠ WARNING Bodily injury hazard. If the boom raises to more than 11°, stop immediately and lower the boom until the boom is less than 11°. Failure to lower the boom could result in death or serious injury.

- 65 Remove the wire jumper installed in step 63 and connect the Deutsch connector to LSAX1ES.
- 66 Disconnect the circle-end axle extend safety switch LSAX2ES and install a wire jumper between pin 3 and pin 4 of the Deutsch connector.
- 67 Activate the function enable/high RPM button and attempt to extend the boom.
- ⦿ Result: The boom should not extend to more than 3 feet / 0.9 m.
 - ⊗ Result: If the boom extends to more than 3 feet / 0.9 m, the LSAX1ES or LSAX2ES switch are out of adjustment or the wiring circuit is faulty and will need to be replaced or repaired.

⚠ WARNING Bodily injury hazard. If the boom extends to more than 3 feet/ 0.9 m, stop immediately and retract the boom until the boom is extended to less than 2 feet/ 0.6 m. Failure to retract the boom could result in death or serious injury.

- 68 Remove the wire jumper installed in step 63 and connect the Deutsch connector to LSAX2ES.
- 69 Disconnect the circle-end axle extend safety switch LSAX2ES and install a wire jumper between pin 1 and pin 2 of the Deutsch connector.
- 70 Activate the function enable/high RPM button and attempt to raise the boom.
- ⦿ Result: The boom should not raise to more than 11°.
 - ⊗ Result: If the boom continues to raise, the LSAX1ES or LSAX2ES switch are out of adjustment or the wiring circuit is faulty and will need to be replaced or repaired.

⚠ WARNING Bodily injury hazard. If the boom raises to more than 11°, stop immediately and lower the boom until the boom is less than 11°. Failure to lower the boom could result in death or serious injury.

- 71 Remove the wire jumper installed in step 69 and connect the Deutsch connector to LSAX2ES.

Quarterly Maintenance Procedures

Q-34 Test the Aircraft Protection System (if equipped)

Genie specifications require that this procedure be performed quarterly.

Testing the machine aircraft protection system is critical to safe machine operation. If the boom is allowed to operate when the proximity switch is not functioning correctly it could result in machine and property damage.

Note: Start this procedure with the machine in the fully stowed position.

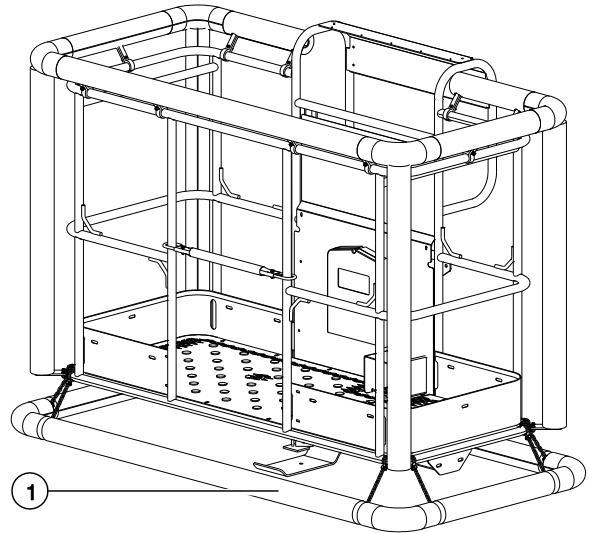
- 1 Turn the key switch to platform control and pull out the red Emergency Stop button to the on position at both the ground and platform controls.

Engine powered models:

- 2 Start the engine from the platform controls.

All Models:

- 3 Move the yellow bumper at the bottom of the platform 4 inches/10 cm in any direction.



1 yellow bumper

- 4 Activate each function control handle or toggle switch.
 - ⊙ Result: All boom, drive and steer functions operate.
- 5 Extend the primary boom approximately 3 ft / 1 m.
- 6 Move the yellow bumper at the bottom of the platform 4 inches/10 cm in any direction.
- 7 Activate each function control handle or toggle switch.
 - ⊙ Result: No boom, drive or steer functions operate.

Quarterly Maintenance Procedures

- 8 Activate and hold the aircraft protection override switch.
 - 9 Activate each function control handle or toggle switch.
 - ⦿ Result: All boom, drive and steer functions operate.
 - 10 Fully retract the primary boom.
 - 11 Raise the primary boom to 5° above horizontal.
 - 12 Move the yellow bumper at the bottom of the platform 4 inches/10 cm in any direction.
 - 13 Activate each function control handle or toggle switch.
 - ⦿ Result: No boom, drive or steer functions operate.
 - 14 Activate and hold the aircraft protection override switch.
 - 15 Activate each function control handle or toggle switch.
 - ⦿ Result: All boom, drive and steer functions operate.
 - 16 Lower the primary boom to the stowed position.
- Articulated (Z) Booms:**
- 17 Raise the secondary boom approximately 3 ft / 1 m.
 - 18 Move the yellow bumper at the bottom of the platform 4 inches/10 cm in any direction.
 - 19 Activate each function control handle or toggle switch.
 - ⦿ Result: No boom, drive or steer functions operate.
 - 20 Activate and hold the aircraft protection override switch.
 - 21 Activate each function control handle or toggle switch.
 - ⦿ Result: All boom, drive and steer functions operate.
 - 22 Lower the secondary boom to the stowed position.

Quarterly Maintenance Procedures

Q-35 Test the Operator Protection Alarm (if equipped)

Genie specifications require that this procedure be performed quarterly.

Testing the operator protection alarm (OPA) is important for proper operation.

- 1 Turn the key switch to platform control and pull out the red Emergency Stop button to the on position at both the ground and platform controls.

Engine powered models:

- 2 Start the engine from the platform controls.

All Models:

- 3 Do not activate the foot switch. Press down on the operator protection activation strip.
 - ⊙ Result: There is no audible alarm or flashing beacon. The engine does not shut down (engine models).
- 4 Activate the foot switch. Press down on the operator protection activation bar for longer than 0.4 seconds and release.
 - ⊙ Result: An intermittent audible alarm will sound and the beacon will flash. Boom functions are disabled and the engine will shut down (engine models). After 10 seconds a continuous audible alarm will sound.
- 5 Press the reset button.
 - ⊙ Result: The audible alarm and flashing beacon turn off. Engine can be started (engine models). Boom functions operate.

Q-36 Inspect and Adjust the Boom Extend/Retract Cables - All Models



Genie specifications require that this procedure be performed quarterly for the first year of ownership or after the boom extend or retract cables have been replaced.

After the first year this quarterly inspection is not required. Refer to the Annual Inspection procedure appropriate for your machine.

Manufacturers specifications require that this procedure be performed by personnel that are competent in cable / wire rope inspection.

Note: Additional or more frequent inspections may be required due to the following:

- exposed to hostile or corrosive environmental conditions.
- boom is overloaded
- sustains a shock load
- electrical arcing
- unused for extended periods

The boom extend/retract cables are responsible for the extension and retraction of the boom tubes. Inspecting for foreign objects, damage and/or improper adjustment of the boom extend/retract cables and related components on a regular basis is essential to good machine performance and safe machine operation. The boom extend and retract functions should operate smoothly and be free of hesitation, jerking and unusual noise.

- 1 Refer to the appropriate procedure for your model:

A-11	All S-60, S-65, S-80 and S-85
A-12	S-100/105/120/125, S-100HD, S-120HD, SX-105XC and SX-125XC
A-13	SX-135XC, SX-150 and SX-180

Quarterly Maintenance Procedures

Q-37

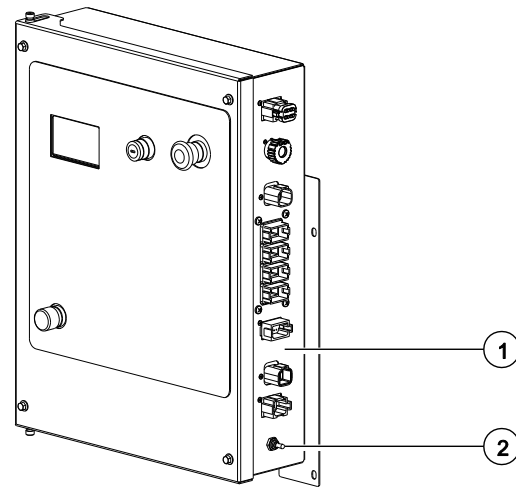
Test the Recovery System - ALC-600 Models

Genie specifications require that this procedure be performed quarterly.

A properly functioning recovery system is essential to safe machine operation. The Recovery mode allows the platform to be lowered in the event the operator in the platform is unable to lower the platform using the platform controls, system failure or emergency situations.

This maintenance procedure applies to the following models: **S-40HF, S-45HF, S-40XC, S-45XC, S-60HF, S-65HF, S-60J, S-60XC from S60XCH-45001, S-65XC, S-80HF, S-85HF, S-80XC and S-85XC.**

Note: Perform this procedure with all weight, tools, equipment and personnel removed from the platform.



- 1 ground controls
- 2 recovery switch

- 1 Turn the key switch to ground control and pull out the red Emergency Stop button to the on position.
 - 2 Start the engine and raise the primary boom to the horizontal position and extend it approximately 4 ft / 1.2 m.
 - 3 Push in the red Emergency Stop button to the off position to turn the engine off and pull it back out to the on position.
 - 4 Press the function enable button and activate the recovery switch.
- ⊙ Result: The auxiliary power unit will turn on and the boom will begin the following recovery sequence.
- The primary boom will retract.
 - The primary boom will lower.

Quarterly Maintenance Procedures

Q-38 Test the Turntable Level Sensor - S-40HF, S-45HF, S-40XC, S-45XC, S-60HF, S-65HF, S-60J, S-60XC from S60XCH-45001, S-65XC, S- 80HF, S-85HF, S-80XC, S-85XC.

Genie specifications require that this procedure be performed quarterly.

A properly functioning level sensor is essential to safe machine operation. The ECU at the turntable controls (TCON) monitors the position and angle of the machine using the signal from the level sensor. The level sensor signal is used to control the maximum working height of the primary boom.

Note: A digital level will be required to perform this procedure.

Note: A kit is available through Genie Product Support (Genie part number 58351GT). This kit includes a digital level with a magnetic base and cable harnesses.

Note: A properly calibrated digital level is essential to proper machine calibration. Refer to the manufactures calibration information.

Note: Use the following chart to identify the description of each LCD screen control button used in this procedure.



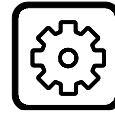
Home



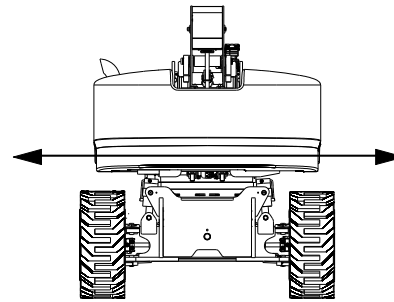
Maintenance



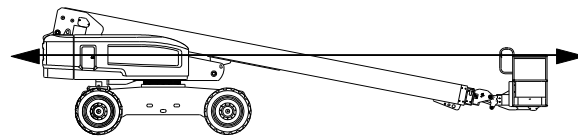
Faults



Settings



X axis (roll)

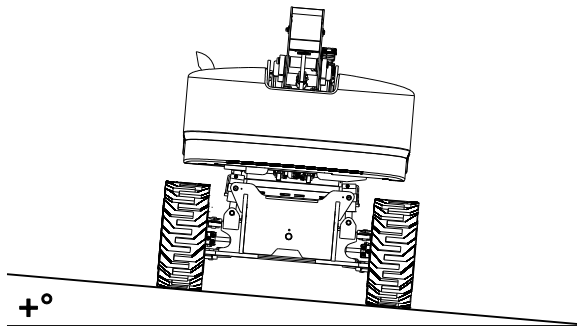


Y axis (pitch)

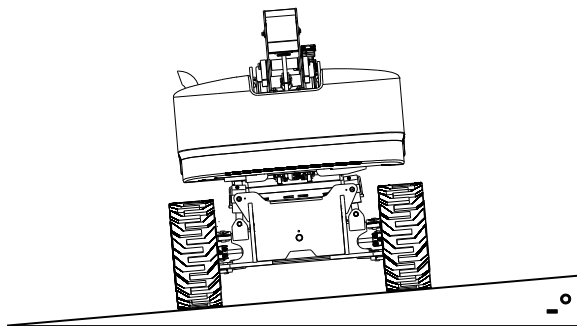
Quarterly Maintenance Procedures

Note: Perform this procedure on a firm, level surface with the machine in the stowed position.

- 1 Place the machine on a firm surface that has a side slope greater than 2° (6.5 inches / 16.5 cm) but less than 5° (16 inches / 40.6 cm).
- 2 Place a digital level that has been calibrated to gravity on the X axis of the turntable.



positive degree side slope



negative degree side slope

- 3 Turn the key switch to ground control and pull out the red Emergency Stop button to the on position at both ground and platform controls.
- 4 Press the **Maintenance** button and select **Real Time Data**. Navigate to the **Turntable Tilt Roll Data**.
 - Result: The reading at the display and digital level is within $\pm 1^\circ$ of each other.
 - ⊗ Result: The reading at the display and digital level is greater than $\pm 1^\circ$ of each other. The level sensor must be calibrated. Refer to Repair Procedure in the appropriate Service and Repair Manual for your machine, **How to Calibrate the Turntable Level Sensor**.

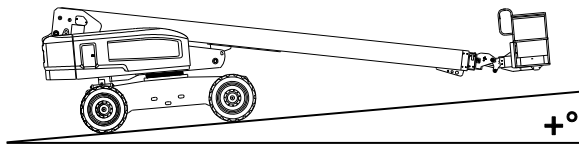
⚠ DANGER

Tip-over hazard. If the X axis is not within $\pm 1^\circ$, failure to properly calibrate the level sensor could cause the machine to tip over resulting in death or serious injury. Refer to Repair Procedure in the appropriate Service and Repair Manual for your machine, **How to Calibrate the Turntable Level Sensor**.

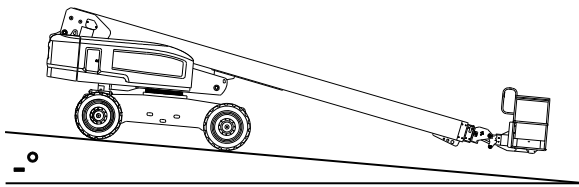
- 5 Place the machine on a firm surface that has an uphill or downhill slope greater than 2° (6.5 inches / 16.5 cm) but less than 5° (16 inches / 40.6 cm).
- 6 Navigate to the **Turntable Tilt Pitch** screen.

Quarterly Maintenance Procedures

- 7 Place a digital level that has been calibrated to gravity on the Y axis of the turntable.
- ⦿ Result: The reading at the display and digital level is within $\pm 1^\circ$ of each other.
 - ⊗ Result: The reading at the display and digital level is greater than $\pm 1^\circ$ of each other. The level sensor must be calibrated. Refer to Repair Procedure in the appropriate Service and Repair Manual for your machine, *How to Calibrate the Turntable Level Sensor*.



positive degree downhill slope



negative degree uphill slope

⚠ DANGER

Tip-over hazard. If the Y axis is not within $\pm 1^\circ$, failure to calibrate the level sensor could cause the machine to tip over resulting in death or serious injury. Refer to Repair Procedure in the appropriate Service and Repair Manual for your machine, *How to Calibrate the Turntable Level Sensor*.

Q-39

Test the Primary Boom Angle Sensor - S-40HF, S-45HF, S-40XC, S-45XC, S-60HF, S-65HF, S-60J, S-60XC from S60XCH-45001, S-65XC, S-80HF, S-85HF, S-80XC, S-85XC.

Genie specifications require that this procedure be performed quarterly.

A properly functioning primary boom angle sensor is essential to safe machine operation. The ECM at the ground controls (GCON) monitors the position and angle of the primary boom using the signal from the primary boom angle sensor.

Note: The turntable level sensor must be tested before starting this procedure. Refer to Maintenance Procedures, *Test the Turntable Level Sensor*.

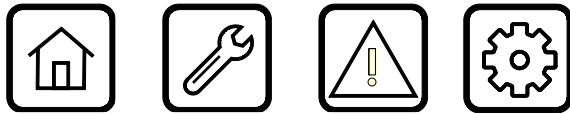
Note: A digital level will be required to perform this procedure.

Note: A kit is available through Genie Product Support (Genie part number 58351GT). This kit includes a digital level with a magnetic base and cable harnesses.

Note: A properly calibrated digital level is essential to proper machine calibration. Refer to the manufacturer's calibration information.

Quarterly Maintenance Procedures

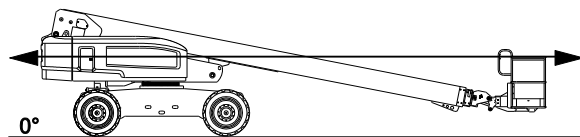
Note: Use the following chart to identify the description of each LCD screen control button used in this procedure.



Home Maintenance Faults Settings

Note: Perform this procedure on a firm, level surface with the machine in the stowed position.

- 1 Place the digital level along the Y axis of the turntable.



Y axis (pitch)

- 2 Zero the digital level to the turntable.
 - 3 Place a digital level on top of the pivot end of the primary boom.
 - 4 Turn the key switch to ground control and pull out the red Emergency Stop button to the on position at both ground and platform controls.
 - 5 Start the engine from the ground controls.
 - 6 Press the **Maintenance** button on the LCD screen, select **Real-time Data** and press **OK**, scroll down to **BOOM ANGLE** and press **OK**.
- ⦿ Result: The reading at the display and digital level is within $\pm 2^\circ$ of each other and of -10° .
 - ⊗ Result: The reading at the display and digital level is greater than $\pm 2^\circ$ of each other and of -10° . The primary boom angle sensor must be calibrated. Refer to Repair Procedure in the appropriate Service and Repair Manual for your machine, *How to Calibrate the Primary Boom Angle Sensor*.

- 7 Raise the primary boom to the fully elevated position while watching the display screen.
- ⦿ Result: The reading at the display and digital level is within $\pm 2^\circ$ of each other and of 69° .
 - ⊗ Result: The reading at the display and digital level is greater than $\pm 2^\circ$ of each other and of 69° . The primary boom angle sensor must be calibrated. Refer to Repair Procedure in the appropriate Service and Repair Manual for your machine, *How to Calibrate the Primary Boom Angle Sensor*.

⚠ DANGER

Tip-over hazard. If the boom is not within $\pm 2^\circ$ of 69° , immediately lower the primary boom. Failure to lower the boom could cause the machine to tip over resulting in death or serious injury. Refer to Repair Procedure in the appropriate Service and Repair Manual for your machine, *How to Calibrate the Primary Boom Angle Sensor*.

Annual Maintenance Procedures

A-1 Grease the Turntable Rotation Bearing and Rotate Gear

Genie specifications require that this procedure be performed annually.

Perform this procedure more often if dusty conditions exist and when operating the machine in high temperature environments.

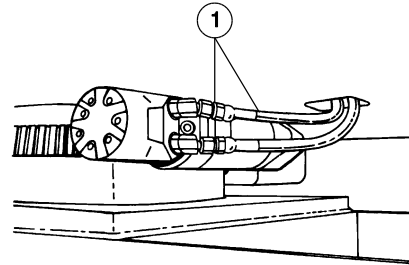
Frequent application of lubrication to the turntable bearing and rotate gear is essential to good machine performance and service life. Continued use of an improperly greased bearing and gear will result in component damage.

- 1 Locate the grease fitting for the turntable rotate bearing.
- 2 Pump grease into the turntable rotation bearing. Rotate the turntable in increments of 4 to 5 inches / 10 to 13 cm at a time and repeat this step until the entire bearing has been greased.
- 3 **Models with Drive Gear:** Apply grease to each tooth of the drive gear, located under the turntable.

Models with Worm Drive Gear: Grease each tooth on the outside of the turntable rotation bearing.

Models with Worm Drive Gear:

- 1 Locate the 2 grease fittings on top of the worm drive housing.



1 grease fittings

- 2 Pump grease into the gear until you see it coming out of the side of the gear housing.

Grease Specification

Chevron Ultra-duty grease, EP NLGI 1 (lithium based) or equivalent

Annual Maintenance Procedures

A-2 Check the Turntable Rotation Bearing Bolts



Genie specifications require that this procedure be performed annually.

Maintaining proper torque on the turntable bearing bolts is essential to safe machine operation. Improper bolt torque could result in an unsafe operating condition and component damage.

Note: Access to the upper and lower turntable bearing bolts will vary depending on model.

- S Booms, Z-45 DC/FE, Z-45XC and Z-45/25 (J) IC, DC, Bi-Energy:** Raise the (primary) boom and place a safety chock on the lift cylinder rod. Carefully lower the boom until it is 1 inch / 2,5 cm from the lift cylinder safety chock OR support the boom assembly with a suitable lifting device.

All other Z Booms: Raise the secondary boom and place a safety chock on the lift cylinder rods. Carefully lower the boom until it is 1 inch / 2,5 cm from the lift cylinder safety chock OR support the boom assembly with a suitable lifting device.

⚠ WARNING Crushing hazard. Keep hands away from the cylinder and all moving parts when lowering the boom.

NOTICE Component damage hazard. Do not apply excessive force to the safety chock or damage may occur.

Note: Contact Genie Aftermarket Parts to inquire about Safety Chock availability for your model.

- Turn the key switch to the off position.
- Using a star pattern, confirm that each turntable mounting bolt is torqued in sequence to specification.

- Raise the boom and remove the safety chock OR lifting device.
- Lower the boom to the stowed position.
- Using a star pattern, confirm that each lower bearing mounting bolt is torqued in sequence to specification.

Torque values are listed as dry. The retaining fasteners must be coated with a mineral based lubricant when removed. If a retaining fastener is removed, the torque value is reduced. Refer to the *Service and Repair Manual* that is appropriate for your machine.

Model and Serial Range	Torque ft-lbs / Nm
S-40, S-40HF, S-40XC, S-45, S-45HF, S-45XC (includes TraX™ models)	
to S4015-21540 to S4515-21540	238 / 322
from S4015-21541 from S4515-21541 from S40XC/45XCH-101	180 / 244
S-60, S-60HF, S-60J, S-60X, S-60XC, S-65, S-65HF, S-65XC (includes TraX™ models)	
to S60/60X/60XC/60TX/65TX 14A-29212 to S6014D-396	238 / 322
from S60/60X/60XC/60TX/65TX 14A-29213 from S6014D-397 from S60TXD-651 from S60H-36400 from S60JH-101 from S60XC/65XC H-45001 from S60M/65TX/65XC M-101	180 / 244
S-80, S-80HF, S-80X, S-80XC, S-85, S-85HF, S-85XC	
to S80/80X/S85 H-14097 to S8016D-235	238 / 322
from S80/80X/85 H-14098 from S80XC/85XC H-101 from S8016D-236	203 / 275
S-100, S-105, S-120, S-125, S-100HD, S-120HD	
from S100/105/120/125 15D-983 from S1100HD/120HD 14D-200	238 / 322
SX-105XC, SX-125XC, SX-135XC	
from SX105/125 D-101 from SX135H-101	(top) 359 / 486 (bottom) 203 / 275
SX-150, SX-180	
from SX15015H-101 from SX18014-101	515 / 698

Annual Maintenance Procedures

Model and Serial Range	Torque ft-lbs / Nm
Z-30N, Z-30N RJ	
to Z30N16F-17573 to Z30ND-329	210 / 285
from Z30N16F-17574 from Z30ND-330	180 / 244
Z-33	
from Z331815M-101	230 / 313
Z-34BE, Z-34DC, Z-34IC, Z-34N	
to Z3416F-10791 to Z34N16F-12688	210 / 285
from Z3416F-10792 from Z34N16F-12689 from Z34ND-200	180 / 244
Z-40N, Z-40N RJ	
to Z40N16N-3999	210 / 285
from Z40N16N-4000 from Z40NF-4916	180 / 244
Z-45BE, Z-45DC, Z-45FE, Z-45HF, Z-45IC, Z-45XC	
to Z4525A-55298 to Z4525B-5452 to Z452516M-6699 to Z452516N-56105 to Z4525D-1646	210 / 285
from Z4525F-1517 from Z4525M-6700 from Z452516N-56106 from Z4525D-1647 from Z45EM-101	180 / 244
Z-51	
to Z513016B-1517 to Z5130M-2035	210 / 285
from Z5230M-2036	180 / 244

Model and Serial Range	Torque ft-lbs / Nm
Z-60DC, Z-60FE	
from Z60M-101 from Z6016N-101 from Z60H-701	180 / 244
Z-62 (includes TraX™ models)	
from Z6215A-101 from Z6216D-101 from Z6216M-101 from Z62H-3000	180 / 244
Z-80	
to Z80H-7147	238 / 322
from Z80H-7148	203 / 275
Z-135	
from Z13505-101	(top) 423 / 573 (bottom) 238 / 322
ZX-135	
to ZX13515-2584	(top) 423 / 573 (bottom) 238 / 322
from ZX13515-2585	(top) 359 / 486 (bottom) 203 / 275

Annual Maintenance Procedures

A-3 Inspect for Turntable Bearing Wear



Genie specifications require that this procedure be performed annually.

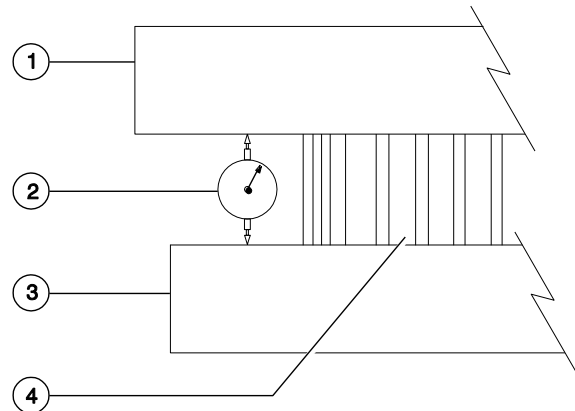
Periodic inspection of turntable bearing wear is essential to safe machine operation, good machine performance and service life. Continued use of a worn turntable bearing could create an unsafe operating condition, resulting in death or serious injury and component damage.

Note: Perform this procedure with the machine on a firm, level surface with the boom in the stowed position.

- 1 Grease the turntable bearing. Refer to Maintenance Procedure, *Grease the Turntable Bearing and Rotate Gear*.
- 2 Torque the turntable bearing bolts to specification. Refer to Maintenance Procedure, *Check the Turntable Rotation Bearing Bolts*.
- 3 **S/SX-Booms:** Using the ground controls, raise the boom to full height. Do not extend the boom.
Z-Booms: Using the ground controls, raise the primary and secondary booms to full height. Do not extend the primary boom.
Z-80/60, Z-135/70 and ZX-135/70: Using the ground controls, fully raise, but do not extend, the primary boom and jib. The secondary riser should remain in its stowed position.

- 4 Place a dial indicator between the drive chassis and the turntable at a point that is directly under, or inline with, the boom and no more than 1 inch / 2.5 cm from the bearing.

Note: To obtain an accurate measurement, place the dial indicator no more than 1 inch / 2.5 cm from the turntable rotation bearing.



- 1 turntable
- 2 dial indicator
- 3 drive chassis
- 4 turntable rotation bearing

- 5 Adjust the dial indicator needle to the "zero" position.
- 6 **S/SX-Booms:** Lower the boom to a horizontal position and fully extend the boom.
Z-Booms: Lower the secondary boom to the stowed position and lower the primary boom to a horizontal position. Fully extend the primary boom.
Z-80/60, Z-135/70 and ZX-135/70: Raise the secondary riser, but do not extend it. Move the primary boom and jib to horizontal and fully extend.

Annual Maintenance Procedures

- 7 Note the reading on the dial indicator.
- ☉ Result: The measurement is less than specification. The bearing is good.
 - ☒ Result: The measurement is more than specification. The bearing is worn and needs to be replaced.

Models	Measurement
S-40/45, S-40/45HF, S-40/45XC, S-60/65, S-60/65HF, S-60J, S-60/65XC, Z-60 DC/FE, Z-62/40 (includes TraX™ models)	0.063 inch 1.6 mm
Z-30/20N, Z-34/22 (all), Z-40/23, Z-45/25 (all), Z-45 DC/FE, Z-45HF, Z-45XC, Z-51/30	0.055 inch 1.4 mm
Z-33/18	0.043 inch 1.1 mm
SX-105 XC, SX-125 XC, SX-135 XC	0.094 inch 2.4 mm
SX-150, SX-180	0.150 inch 3.8 mm
S-80/85, S-80X, S-80/85HF, S-80/85XC, S-100, S-100HD, S-105, S-120, S-120HD, S-125, Z-80, Z-135/70, ZX-135/70	0.118 inch 3.0 mm

- 8 Move the boom(s) to the positions indicated in step 3. Visually inspect the dial indicator to be sure the needle returns to the "zero" position.
- 9 Remove the dial indicator and rotate the turntable 90°.
- 10 Repeat steps 4 through 9 until the rotation bearing has been checked in at least four equally spaced areas 90° apart.
- 11 Lower the boom(s) to the stowed position and turn the machine off.
- 12 Remove the dial indicator from the machine.

A-4

Check the Extendable Axle - S-100, S-100HD, S-105, S-120, S-120HD and S-125



Genie specifications require that this procedure be performed annually.

Maintaining the axle wear pads in good condition is essential to safe machine operation. Wear pads are placed on axle tube surfaces to provide a low friction, replaceable wear pad between moving parts. Improperly shimmed wear pads or continued use of worn out wear pads may result in component damage and unsafe operating conditions.

- 1 Start the engine from the platform controls and extend the axles.
- 2 Measure each axle wear pad.
- 3 Replace any wear pad if it is less than specification. If a wear pad is not less than specification, shim as necessary to obtain minimum clearance and no drag.
- 4 Extend and retract the axles through the entire range of motion to check for tight spots that may cause binding or scraping of the axle tubes.

Note: Always maintain squareness between the outer and inner axle tubes.

Wear pad specifications	Minimum
Extendable axle wear pad	0.4375 inch 11.11 mm

Annual Maintenance Procedures

A-5 Perform Maintenance – Jib Rotate Bearing, SX-150 and SX-180



Jib rotate bearing specifications require that these procedures be performed annually.

Periodic inspection of jib bearing wear is essential to safe machine operation, good machine performance and service life. Continued use of a worn jib bearing could create an unsafe operating condition, resulting in death or serious injury and component damage.

Note: Perform this procedure with the boom fully retracted and in the stowed position and with the machine on a firm, level surface.

Check the Jib Rotator Fastener torque

- 1 Using a star pattern, confirm that each jib rotator outer mounting bolt is torqued in sequence to specification.
- 2 Repeat the procedure for the inner mounting bolts.

Jib boom rotate bearing bolts	230 ft-lbs 311 Nm
--------------------------------------	----------------------

Grease the Jib Rotator

- 3 While rotating the jib, pump grease into each bearing lubricating grease fitting until fresh grease is visible at the outer seal.

- 4 While rotating the jib, pump grease into the worm gear grease fitting until fresh grease is visible at one sealing lip or bearing cap.

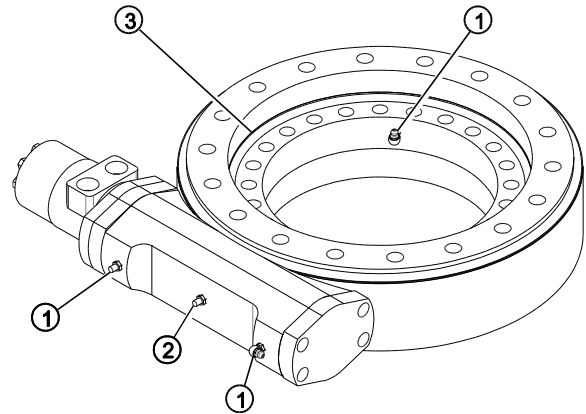


Illustration 1

- 1 bearing lubrication fitting
- 2 worm gear lubrication fitting
- 3 sealing lip

Jib Rotator Bearing Wear

- 5 Place a 750 lb / 340 kg weight in the platform and raise the jib until it is horizontal and parallel with the boom.
- 6 Place the dial indicator on the side of the rotator bearing housing and measure the bearing as shown in illustration 2.
- 7 Using a forklift, raise the platform and jib components so there is no weight on the rotator bearing.
- 8 Adjust the dial indicator needle to the "zero" position.
- 9 Lower the forklift, allowing the platform and jib assembly to settle.

Annual Maintenance Procedures

- 10 Note the reading on the dial indicator.
- ⦿ Result: The measurement is less than 0.063 inch / 1,6 mm. The bearing is good.
- ⊗ Result: The measurement is more than 0.063 inch / 1,6 mm. The bearing is worn and needs to be replaced.
- 11 Lower the platform and remove the weight.
- 12 Remove the dial indicator from the machine.

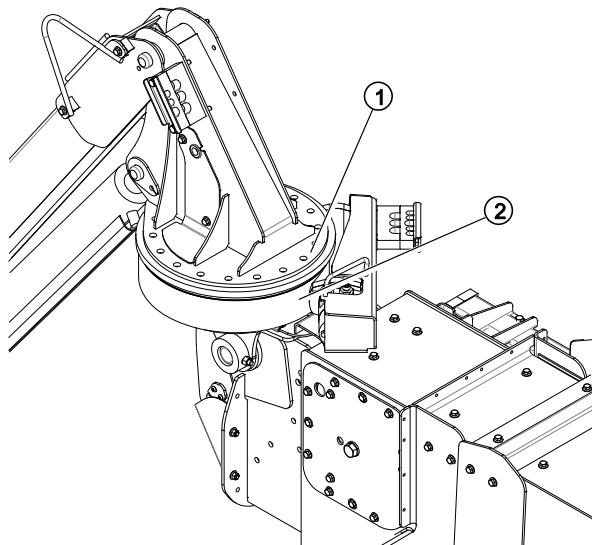


Illustration 2

- 1 measuring surface
- 2 dial indicator mounting surface

A-6

Test the Key Switches - ALC1000 Models

Genie specifications require that this procedure be performed annually.

Proper key switch action and response is essential to safe machine operation. Failure of either key switch to function properly could cause a hazardous operating situation.

This maintenance procedure applies to the following models: **S-100, S-100HD, S-105, S-120, S-120HD, S-125, SX-105XC, SX-125XC, SX-135XC, SX-150, SX-180, Z-80/60, Z-135/70 and ZX-135/70.**

There are two key switches on the machine - the Main key switch and the Bypass/Recovery key switch.

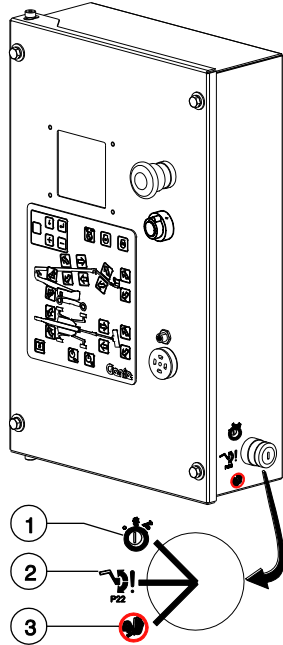
The Main key switch controls machine operation from the ground or platform controls.

When the Bypass/Recovery key switch is turned to the bypass position, the primary boom can be elevated with the axles retracted (if equipped with retractable axles). This feature of the machine is especially helpful for storage purposes or when loading the machine for transport.

When the Bypass/Recovery key switch is turned and held to the recovery position, the emergency power unit turns on and starts a sequence to lower the platform. This feature of the machine is especially helpful if the operator in the platform cannot lower the boom, if the platform controls become inoperative or for returning the machine to

Annual Maintenance Procedures

a safe position when the safety switches have been tripped.



- 1 Run
- 2 Bypass
- 3 Recovery

Note: Perform this procedure on a firm, level surface with the machine in the stowed position.

- 1 Open the ground controls side turntable side cover.
- 2 Pull out the red Emergency Stop button to the on position at both the ground and platform controls.
- 3 At the ground controls, turn the bypass/recovery key switch to the run position.
- 4 Turn the main key switch to ground control, start the engine and then turn the key switch to platform control.
- 5 Check any machine function from the ground controls.
 - ⦿ Result: The machine functions should not operate.
- 6 Turn the main key switch to ground control.
- 7 Check any machine function from the platform controls.
 - ⦿ Result: The machine functions should not operate.
- 8 Turn the main key switch to the off position.
 - ⦿ Result: The engine should stop and no functions should operate.
- 9 Turn the main key switch to ground control and start the engine.
- 10 Remove the key from the main key switch. Insert the key into the bypass/recovery key switch and turn it to the bypass position.

Note: The main key switch must remain in the ground control position.

Annual Maintenance Procedures

- 11 Raise the primary boom 3 ft / 1 m.
 - ⦿ Result: The primary boom should raise.
- 12 Remove the key from the bypass/recovery key switch and insert the key into the main key switch.
- 13 Turn the main key switch to the off position.
- 14 Remove the key from the main key switch and insert the key into the bypass/recovery key switch.
- 15 Turn and hold the bypass/recovery key switch to the recovery position. The switch must be held in the recovery position.
 - ⦿ Result: The primary boom lowers to the stowed position.
- 16 Turn the bypass/recovery key switch to the run position.
- 17 Remove the key from the bypass/recovery key switch and insert the key into the main key switch.
 - ⦿ Close the turntable side cover.

A-7

Grease the Platform Overload Mechanism (if equipped)



Genie specifications require that this procedure be performed annually.

Perform this procedure more often if dusty conditions exist.

Application of lubrication to the platform overload mechanism is essential to safe machine operation. Continued use of an improperly greased platform overload mechanism could result in the system not sensing an overloaded platform condition and will result in component damage.

This maintenance procedure does not apply to the following models: **S-40HF, S-45HF, S-40XC, S-45XC, S-60HF, S-65HF, S-60J, S-60XC, S-65XC, S-80HF, S-85HF, S-80XC, S-85XC, SX-125XC, SX-135XC, Z-45XC, Z-45 DC/FE from Z45EM-101.**

- 1 Locate the grease fittings on each pivot pin of the platform overload assembly.
- 2 Thoroughly pump grease into each grease fitting.

Grease Specification

Chevron Ultra-duty grease, EP NLGI 1 (lithium based) or equivalent

Annual Maintenance Procedures

A-8

Test the Platform Overload System - All Models (if equipped), (excludes ALC1000, S-40HF, S-45HF, S-40XC, S-45XC, S-60HC, S-60HF, S-65HF, S-60J, S-60 XC, S-5 XC, S-80HF, S-85HF, S-80XC, S-85XC, Z-45HF, Z-45XC, Z45 DC/FE from Z45EM-101)



Genie specifications require that this procedure be performed annually OR when the machine fails to lift the maximum rated load.

Testing the platform overload system regularly is essential to safe machine operation. Continued use of an improperly operating platform overload system could result in the system not sensing an overloaded platform condition. Machine stability could be compromised resulting in the machine tipping over.

This maintenance procedure applies to the following models: **S-40, S-45, S-60, S-65, S-80, S-85, Z-45/25 (J), Z-51/30J, Z-30/20N (RJ), Z-34/22, Z-34/22 (N), Z-34/22 IC, Z-40/23N (RJ), Z-45/25 (J) DC, Z-45/25 (J) Bi-Energy, Z-60 DC/FE, Z-62/40 and models equipped with the 340 kg capacity option**

Note: Perform this procedure with the boom fully retracted and in the stowed position and with the machine on a firm, level surface.

- 1 Remove all weight, tools, accessories and equipment from the platform.

Note: Failure to remove all weight, tools and accessories from the platform will result in an inaccurate test.

- 2 **Engine Models:** Turn the key switch to ground control and pull out the red Emergency Stop button to the on position at both the ground and platform controls. Start the engine from the ground controls and level the platform. Do not turn the engine off.

DC Models: Turn the key switch to ground controls and pull out the red Emergency Stop button to the on position at both the ground and platform controls. Level the platform.
 - 3 Determine the maximum platform capacity. Refer to the machine serial plate.
 - 4 Using a suitable lifting device, place a test weight equal to that of the available capacity in one of the locations shown. Refer to Illustration 1.
- Result: The platform overload indicator lights should be off at both the ground and platform controls, the alarm should not sound and the engine should continue to run.

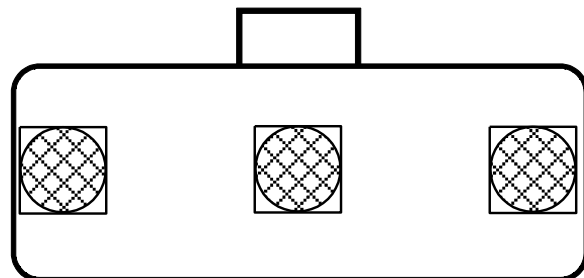


illustration 1

Annual Maintenance Procedures

- 5 Carefully move the test weights to each remaining location on the platform. Refer to Illustration 1.
- ⊙ **Engine Models:** Result: The platform overload indicator lights should be off at both the ground and platform controls, the alarm should not sound and the engine should continue to run.
 - ⊙ **DC Models:** Result: The platform overload indicator lights should be off at both the ground and platform controls and the alarm should not sound.
- 6 Add additional weight to the platform that is equal to, but does not exceed 15% of the maximum rated load. Secure the additional weight. Refer to the machine serial plate.
- ⊙ **Engine Models:** Result: The platform overload indicator lights should be flashing at both the ground and platform controls, the alarm should sound and the engine should turn off.
 - ⊙ **DC Models:** Result: The platform overload indicator lights should be flashing at both the ground and platform controls and the alarm should sound.

Note: There may be a 2 second delay before the overload indicator lights flash and the alarm sounds.

- 7 Carefully move the test weights to each remaining location on the platform. Refer to Illustration 1.
- ⊙ **Engine Models:** Result: The platform overload indicator lights should be flashing at both the ground and platform controls, the alarm should sound and the engine should not start and run.
 - ⊙ **DC Models:** Result: The platform overload indicator lights should be flashing at both the ground and platform controls and the alarm should sound.

Note: There may be a 2 second delay before the overload indicator lights flash and the alarm sounds.

- 8 Using emergency power, test all machine functions from the ground controls.
- ⊙ Result: All ground control functions should operate normally.
- 9 Using emergency power, test all machine functions from the platform controls.
- ⊙ Result: All platform control functions should operate normally.
- 10 Using a suitable lifting device, lift the additional test weight from the platform.
- ⊙ Result: The platform overload indicator lights should turn off at both the ground and platform controls and the alarm should not sound.

Note: There may be an 2 second delay before the overload indicator lights and alarm turn off.

- 11 **Engine Models:** Start the engine and test all machine functions from the ground controls.
- DC Models:** Test all machine functions from the ground controls.
- ⊙ Result: All ground control functions should operate normally.
- 12 Using a suitable lifting device, remove all test weights from the platform.

Annual Maintenance Procedures

A-9

Test the Platform Overload System - ALC1000 Models



Genie specifications require that this procedure be performed annually OR when the machine fails to lift the maximum rated load.

Testing the platform overload system regularly is essential to safe machine operation. Continued use of an improperly operating platform overload system could result in the system not sensing an overloaded platform condition. Machine stability could be compromised resulting in the machine tipping over.

This maintenance procedure applies to the following models: **S-100, S-105, S-120, S-125, S-100HD, S-120HD, SX-150, SX-180, Z-80/60, Z-135/70 and ZX-135/70.**

Note: Perform this procedure with the boom fully retracted and in the stowed position and with the machine on a firm, level surface.

- 1 Remove all weight, tools, accessories and equipment from the platform.

Note: Failure to remove all weight, tools and accessories from the platform will result in an inaccurate test.

- 2 Turn the key switch to ground control and pull out the red Emergency Stop button to the on position at both the ground and platform controls. Start the engine from the ground controls and level the platform. Do not turn the engine off.
- 3 Determine the maximum platform capacity. Refer to the machine serial plate.

- 4 Using a suitable lifting device, place a test weight equal to that of the available capacity in one of the locations shown. Refer to Illustration 1.
 - ⦿ Result: The platform overload indicator light should be off at platform controls and there should be no error message displayed at the ground control LCD screen. The alarm should not sound and the engine should continue to run.

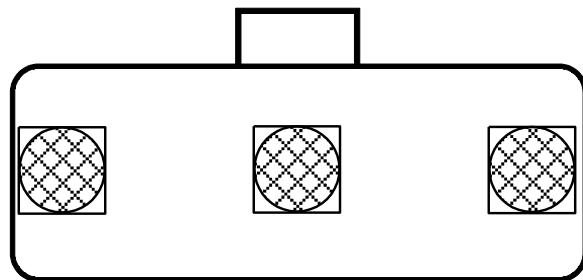


illustration 1

- 5 Carefully move the test weights to each remaining location on the platform. Refer to Illustration 1.
 - ⦿ Result: The platform overload indicator light should be off at platform controls and there should be no error message displayed at the ground control LCD screen. The alarm should not sound and the engine should continue to run.
- 6 Add additional weight to the platform that is equal to, but does not exceed 15% of the maximum rated load. Secure the additional weight. Refer to the machine serial plate.
 - ⦿ Result: The platform overload indicator light is on at the platform and PLATFORM OVERLOAD is displayed at the ground control LCD screen. The alarm is sounding and the engine should not start and run.

Note: There may be a 2 second delay before the overload indicator lights flash and the alarm sounds.

Annual Maintenance Procedures

- 7 Carefully move the test weights to each remaining location on the platform. Refer to Illustration 1.
- ⦿ Result: The platform overload indicator light is on at the platform and PLATFORM OVERLOAD is displayed at the ground control LCD screen. The alarm is sounding and the engine should not start and run.

Note: There may be a 2 second delay before the overload indicator lights flash and the alarm sounds.

- 8 Using emergency power, test all machine functions from the ground controls.
- ⦿ Result: All ground control functions should not operate.

Note: Z-135 models before serial number 471 and with software revision 1.00 will not function using the auxiliary pump.

Note: Z-80 and Z-135 models, all functions should operate except for primary boom extend.

- 9 Using a suitable lifting device, lift the additional test weight from the platform.
- ⦿ Result: The platform overload indicator light should turn off at platform controls, there should be no error message displayed at the ground control LCD screen and the alarm should not sound.

Note: There may be a 2 second delay before the overload indicator lights and alarm turn off.

- 10 Start the engine and test all machine functions from the ground controls.
- ⦿ Result: All ground control functions should operate normally.
- 11 Using a suitable lifting device, remove all test weights from the platform.

A-10 Test the Platform Load Sense System - S-60 HC



Genie specifications require that this procedure be performed annually OR when the machine fails to lift the maximum rated load.

Testing the platform overload system regularly is essential to safe machine operation. Continued use of an improperly operating platform overload system could result in the system not sensing an overloaded platform condition. Machine stability could be compromised resulting in the machine tipping over.

Note: Be sure that no load sense system faults exist prior to performing this procedure.

Note: On a properly functioning machine, the LEDs on both control modules, located next to the ground control box, should be off.

- 1 Remove all weight, tools, accessories and equipment from the platform.

Note: Failure to remove all weight, tools and accessories from the platform will result in an inaccurate test.

- 2 Turn the key switch to ground control and pull out the red Emergency Stop button to the on position at both ground and platform controls.

Annual Maintenance Procedures

- 3 Start the engine from the ground controls.
- 4 Using a suitable lifting device, place an appropriate test weight equal to 340,2 kg on to the center of the platform floor.
 - ⦿ Result: The amber restricted range of motion LED at the platform controls should come on and the engine should continue to run.
- 5 Using a suitable lifting device, place an additional appropriate test weight equal to 227,2 to 231,3 kg on to the center of the platform floor. The total weight in the platform must equal 567,4 to 571,5 kg.
 - ⦿ Result: The alarm should sound and the engine should turn off. The platform overload indicator light should be on at both the ground and platform controls.
- 6 Using a suitable lifting device, remove all test weights from the platform.
- 7 Push in the ground controls red Emergency Stop button to the off position, then pull the red Emergency Stop button out to the on position to reset the control system.

A-11

Inspect the Boom Extend/Retract Cables and Sheaves - S-60/65 and S-80/85 (includes HF, X, XC and TraX models)



Genie specifications require that this procedure be performed annually.

Manufacturers specifications require that this procedure be performed by personnel that are competent in cable / wire rope and sheave inspection.

Note: Additional or more frequent inspections may be required due to the following:

- exposed to hostile or corrosive environmental conditions.
- boom is overloaded
- sustains a shock load
- electrical arcing
- unused for extended periods

The boom extend/retract cables and sheaves are responsible for the extension and retraction of the boom tubes. Inspecting for foreign objects, damage and/or improper adjustment of the boom extend/retract cables and related components on a regular basis is essential to good machine performance and safe machine operation. The boom extend and retract functions should operate smoothly and be free of hesitation, jerking and unusual noise.

Annual Maintenance Procedures

This maintenance procedure applies to the following models: **S-60, S-65, S-60 TraX, S-65 TraX, S-60HC, S-60HF, S-65HF, S-60X, S-60XC, S-65XC, S-80, S-85, S-80X, S-80HF, S-85HF, S-80XC, S-85XC**

- 1 Raise the boom to the horizontal position and fully extend the boom.
- 2 After the boom is fully extended, lower the boom until the platform is at chest height. Turn the machine off.
- 3 **S-60, S-65, S-60HF, S-65HF, S-60X, S-60XC, S-65XC, S-60 TraX, S-65 TraX, S-80, S-85, S-80X, S-80HF, S-85HF, S-80XC, S-85XC:** Remove the boom end cover from the pivot end of the boom and set aside.

Note: S-60HF, S-65HF, S-60XC from S60XCH-45001 and S60XCM-101, S-65XC, S-80HF, S-85HF, S-80XC and S-85XC models. The cable from the length transducer can become damaged if it is kinked or pinched.

S-60HC: Remove the boom end cover from the pivot end of the boom while guiding the small cable from the string potentiometer out of the slot of the cover. Rest the cover and string potentiometer on the counterweight.

NOTICE

Component damage hazard. The cable from the string potentiometer can become damaged if it is kinked or pinched.

- 4 Remove the retaining fasteners from the access covers located on the side of the boom at the platform end of the machine. Remove the covers.

- 5 Visually inspect the cables, sheaves and related components through the inspection holes for the following:
 - Frayed or broken wire strands
 - Kinks in the cables
 - Corrosion
 - Paint or foreign materials on the cable
 - Split or cracked cable ends
 - Cables are on all sheaves
 - Extend cable break limit switch arm is centered in the pivot plate
 - Cables have equal tension
 - Cables at end of adjustment range
 - Broken or damaged sheaves
 - Unusual or excessive wear
 - All fasteners in place and secure
 - **S-60HC:** String potentiometer cable break limit switch arm is securely attached to end of cable

Note: A flashlight and inspection mirror may be necessary to thoroughly inspect the above items, or an endoscope inspection camera.

Note: Refer to Maintenance Procedure P12-2, *Cable Replacement Criteria*.

Note: If required, the extend or retract cables must be replaced as a set.

Note: If the boom extend or retract cables are replaced, quarterly maintenance inspections must be performed for the first year.

Annual Maintenance Procedures

- 6 **S-60, S-65, S-60HF, S-65HF, S-60X, S-60XC, S-65XC, S-60 TraX and S-65 TraX, S-80, S-85, S-80X, S-80HF, S-85HF, S-80XC, S-85XC:** Install the cover at the pivot end of the boom.

S-60HC: Install the boom end cover at the pivot end of the boom while guiding the small cable from the string potentiometer into the slot of the cover.

NOTICE

Component damage hazard. The cable from the string potentiometer can become damaged if it is kinked or pinched.

Note: Be sure the cable from the string potentiometer is correctly routed around the small pulley before installing the boom end cover.

- 7 Install the access panels on the sides of the boom.
 - 8 Start the engine from the ground controls and fully retract and lower the boom to the stowed position.
 - 9 Turn the key switch to platform controls.
 - 10 Extend the boom approximately 2 feet / 0.6 m.
 - 11 Retract the boom. While retracting the boom, visually inspect the number 2 and number 3 boom tubes.
- ⦿ Result: The number 2 boom tube should not move more than 1/2 inch / 13 mm before the number 3 boom tube begins to retract.

Note: If the number 2 boom tube moves more than 1/2 inch / 13 mm before the number 3 boom tube begins to retract, the boom extend/retract cables need to be adjusted. Refer to Repair Procedure in the appropriate Service and Repair Manual for your machine, *How to Adjust the Boom Extend/Retract Cables*.

A-12

Inspect the Boom Extend/Retract Cables and Sheaves - S-100, S-105, S-120, S-125, S-100HD, S-120HD, SX-105XC and SX-125XC Models



Genie specifications require that this procedure be performed annually.

Manufacturers specifications require that this procedure be performed by personnel that are competent in cable / wire rope and sheave inspection.

Note: Additional or more frequent inspections may be required due to the following:

- exposed to hostile or corrosive environmental conditions.
- boom is overloaded
- sustains a shock load
- electrical arcing
- unused for extended periods

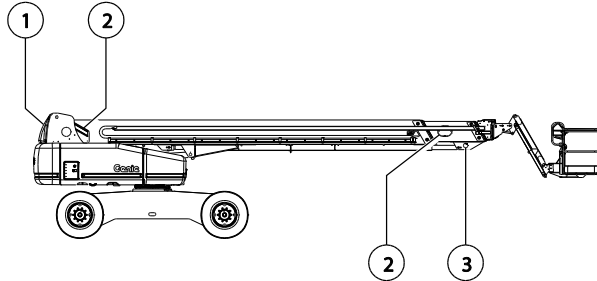
The boom extend/retract cables and sheaves are responsible for the extension and retraction of the number 3 boom tube on the S-100, S-105, SX-105XC and S-100HD and the number 2 and 3 boom tubes on the S-120, S-125, S-120HD and SX-125XC. Inspecting for foreign objects, damage and/or improper adjustment of the boom extend/retract cables on a regular basis is essential to good machine performance and safe machine operation. The boom extend and retract functions should operate smoothly and be free of hesitation, jerking and unusual noise.

Note: Perform this procedure with the boom in the stowed position.

Note: Perform this procedure with the engine off.

Annual Maintenance Procedures

- 1 Remove the boom end cover from the pivot end of the boom.



- 1 boom end cover
2 side access covers
3 cable ends (located underneath the boom)

- 2 Remove the retaining fasteners from the access covers located on the side of the boom at the platform end of the machine. Remove the covers.

- 3 Visually inspect the cables, sheaves and related components through the inspection holes for the following:

- Frayed or broken wire strands
- Kinks or crushed cables
- Corrosion
- Paint or foreign materials on the cable
- Split or cracked cable ends
- Cables are on all sheaves
- Cables have equal tension
- Cables at end of adjustment range
- Broken or damaged sheaves
- Unusual or excessive wear
- All fasteners in place and secure

Note: A flashlight and inspection mirror may be necessary to thoroughly inspect the above items, or an endoscope inspection camera.

Note: Refer to Maintenance Procedure P12-2, **Cable Replacement Criteria**.

Note: If required, the extend or retract cables must be replaced as a set.

Note: If the boom extend or retract cables are replaced, quarterly maintenance inspections must be performed for the first year.

- 4 At the pivot end of the boom, visually inspect for the following:
- The red locking bracket is securely installed over the cable adjustment bolts.

Annual Maintenance Procedures

- 5 Install the plastic cover at the pivot end of the boom and access panels on the sides of the boom.
 - 6 Start the engine from the platform controls.
 - 7 Extend the boom approximately 2 feet / 0.6 m.
 - 8 Retract the boom. While retracting the boom, visually inspect the number 2 and number 3 boom tubes.
- ⦿ Result: The number 2 boom tube should not move more than 1/2 inch / 13 mm before the number 3 boom tube begins to retract.

Note: If the number 2 boom tube moves more than 1/2 inch / 13 mm before the number 3 boom tube begins to retract, the boom extend/retract cables need to be adjusted. Refer to Repair Procedure in the appropriate Service and Repair Manual for your machine, *How to Adjust the Boom Extend/Retract Cables*.

A-13

Inspect the Boom Extend/Retract Cables and Sheaves - SX-135XC, SX-150 and SX-180 Models



Genie specifications require that this procedure be performed annually.

Manufacturers specifications require that this procedure be performed by personnel that are competent in cable / wire rope and sheave inspection.

Note: Additional or more frequent inspections may be required due to the following:

- exposed to hostile or corrosive environmental conditions.
- boom is overloaded
- sustains a shock load
- electrical arcing
- unused for extended periods

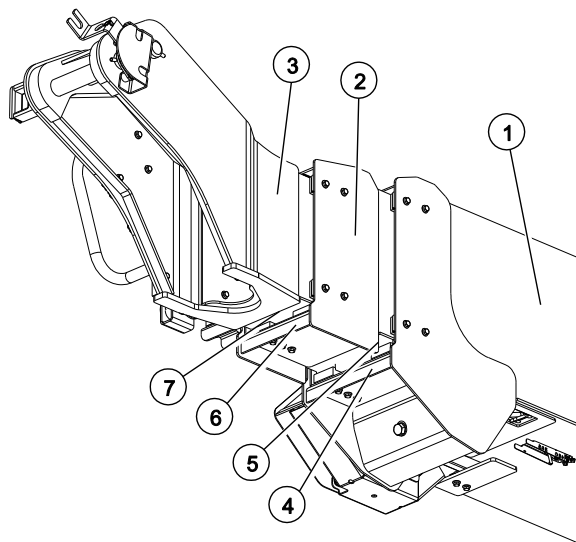
The boom extend/retract cables and sheaves are responsible for the extension and retraction of the boom tubes. Inspecting for foreign objects, damage and/or improper adjustment of the boom extend/retract cables and related components on a regular basis is essential to good machine performance and safe machine operation. The boom extend and retract functions should operate smoothly and be free of hesitation, jerking and unusual noise.

Annual Maintenance Procedures

SX-135XC models:

Note: Properly adjusted extend/retract cables will maintain a relationship of the gap between boom tubes #2 and #3.

- 1 Start the engine from the ground controls.
- 2 Fully raise the boom then extend the boom approximately 15 ft / 4.6 m.
- 3 Fully retract the boom and lower to the horizontal position.
- 4 Stop the engine.
- 5 Measure and record the distance between boom tubes #1 and #2, measuring from the points identified as (4) and (5) in the illustration. This is dimension "A".



- 1 Boom tube #1
- 2 Boom tube #2
- 3 Boom tube #3
- 4 Boom #1 measuring surface
- 5 Boom #2 measuring edge
- 6 Boom #2 measuring surface
- 7 Boom #3 measuring edge

- 6 Measure the distance between boom tubes #2 and #3 using points (6) and (7) in the illustration. The gap should be 1 in / 2.6 cm to 1.5 in / 3.9 cm greater than dimension "A".

Note: As an example, if the dimension "A" is 1.25 in / 3.2 cm, then the gap between boom tubes #2 and #3 should be between 2.25 in / 5.7 cm and 2.75 in / 7.1 cm.

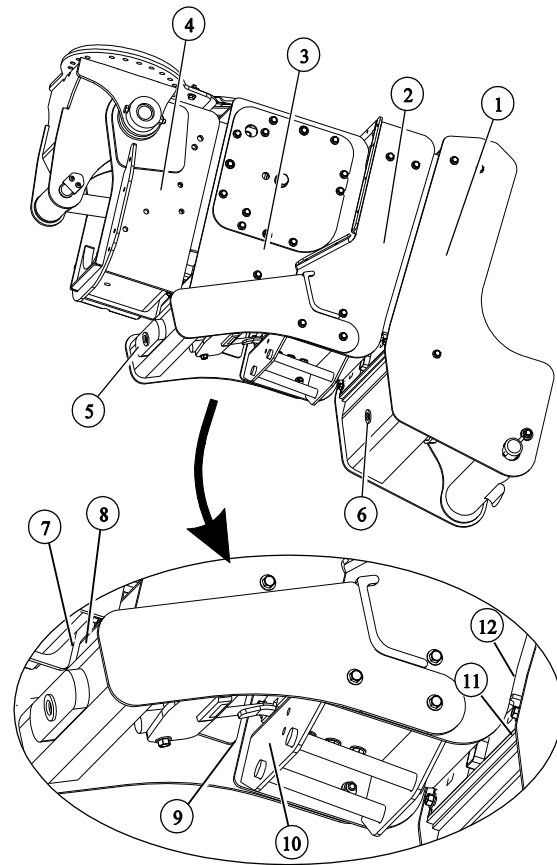
- ⊙ Result: The distance between boom tubes #2 and #3 is 1 in / 2.6 cm to 1.5 in / 3.9 cm greater than dimension A. The boom tube is in tolerance.
- ⊗ Result: The distance between boom tubes #2 and #3 is less than 1 in / 2.6 cm or more than 1.5 in / 3.8 cm greater than dimension "A". The boom tubes need to be adjusted. Refer to Repair Procedure in the appropriate Service and Repair Manual for your machine, *How to Adjust the Boom Extend/Retract Cables*.

Annual Maintenance Procedures

SX-150 and SX-180 models:

Note: Properly adjusted extend/retract cables will maintain a relationship of the gap between boom tubes #2 and #3 and boom tubes #3 and #4.

- 1 Start the engine from the ground controls.
- 2 Fully raise the boom then extend the boom approximately 15 ft / 4.6 m.
- 3 Fully retract the boom and lower to the horizontal position.
- 4 Stop the engine.
- 5 Measure and record the distance between boom tubes #1 and #2, measuring from the points identified as (11) and (12) in the illustration. This is dimension "A".



- 1 Boom tube #1
- 2 Boom tube #2
- 3 Boom tube #3
- 4 Boom tube #4
- 5 Boom #4 retract bolt
- 6 Boom #3 retract bolt
- 7 Boom #4 measuring edge
- 8 Boom #3 measuring surface
- 9 Boom #3 measuring edge
- 10 Boom #2 measuring surface
- 11 Boom #1 measuring edge
- 12 Boom #2 measuring edge

Annual Maintenance Procedures

- 6 Measure the distance between boom tubes #2 and #3 using points (9) and (10) in the illustration. The gap should be 1 in / 2.6 cm to 1.5 in / 3.9 cm greater than dimension "A"

Note: As an example, if the dimension "A" is 1.25 in / 3.2 cm, then the gap between boom tubes #2 and #3 should be between 2.25 in / 5.7 cm and 2.75 in / 7.1 cm.

- ⦿ Result: The distance between boom tubes #2 and #3 is 1 in / 2.6 cm to 1.5 in / 3.9 cm greater than dimension A. The boom tube is in tolerance. Proceed to step 7.
 - ✗ Result: The distance between boom tubes #2 and #3 is less than 1 in / 2.6 cm or more than 1.5 in / 3.8 cm greater than dimension "A". The boom tubes need to be adjusted. Refer to Repair Procedure in the appropriate Service and Repair Manual for your machine, *How to Adjust the Boom Extend/Retract Cables*.
- 7 Measure the distance between boom tubes #3 and #4 using points 7 and 8 as shown in the illustration.
- ⦿ Result: The distance between boom tubes #3 and #4 is 1 in / 2.6 cm to 1.5 in / 3.9 cm greater than dimension A. The boom tube is in tolerance.
 - ✗ Result: The distance between boom tubes #3 and #4 is less than 1 in / 2.6 cm or more than 1.5 in / 3.8 cm greater than dimension "A". The boom tubes need to be adjusted. Refer to Repair Procedure in the appropriate Service and Repair Manual for your machine, *How to Adjust the Boom Extend/Retract Cables*.

All models:

Note: This procedure will require the use of an aerial work platform.

- 1 Remove the cover from the pivot end of the boom.
- 2 From the ground controls, raise the boom to the horizontal position and fully extend the boom.

- 3 Raise and extend the boom until all the inspection holes are visible.

Note: The inspection holes are covered with a black oval decal.

- 4 Remove the black oval decal from the inspection holes and discard.
- 5 Visually inspect the cables, sheaves and related components through the inspection holes for the following:

- Frayed or broken wire strands
- Kinks or crushed cables
- Corrosion
- Paint or foreign materials on the cable
- Split or cracked cable ends
- Cables are on all sheaves
- Cables at end of adjustment range
- Broken or damaged sheaves
- Unusual or excessive wear
- All fasteners in place and secure

Note: A flashlight and inspection mirror may be necessary to thoroughly inspect the above items, or an endoscope inspection camera.

Note: Refer to Maintenance Procedure P12-2, *Cable Replacement Criteria*.

Note: If required, the extend or retract cables must be replaced as a set.

Note: If the boom extend or retract cables are replaced, quarterly maintenance inspections must be performed for the first year.

Annual Maintenance Procedures

A-14

Check the Drive Hub Oil Level and Fastener Torque

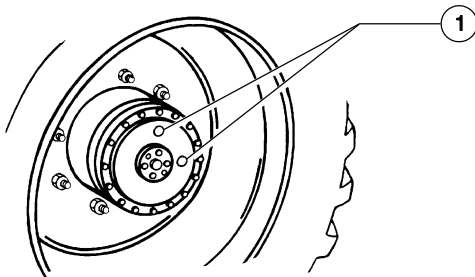


Genie specifications require that this procedure be performed annually.

Failure to maintain proper drive hub oil levels may cause the machine to perform poorly and continued use may cause component damage.

Models with tires:

- 1 Drive the machine to rotate the hub until the plugs are located one on top and the other at 90 degrees.



1 drive hub plugs

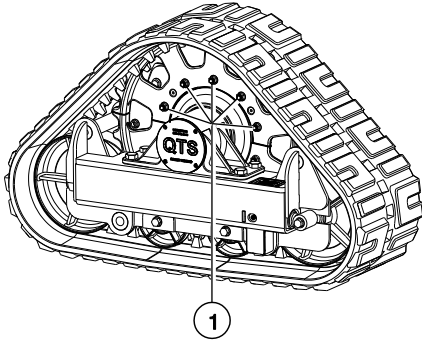
- 2 Remove the plug located at 90 degrees and check the oil level.
 - ⦿ Result: The oil level should be even with the bottom of the plug hole.
- 3 If necessary, remove the top plug and add oil until the oil level is even with the bottom of the side plug hole.

- 4 Install the plug(s) into the drive hub.
- 5 Check the torque of the drive hub mounting fasteners. Refer to Torque Specifications, *Tires and Wheels*.
- 6 Repeat this procedure for each drive hub.

Annual Maintenance Procedures

Models with TraX:

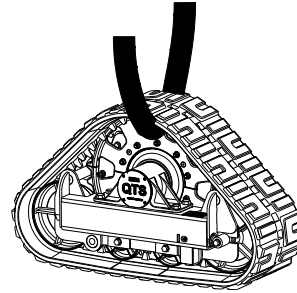
- 1 Select the drive hub to be serviced. Loosen and remove as many sprocket retaining fasteners as possible from the hub adapter.



1 sprocket retaining fasteners

- 2 Drive the machine in either direction just enough to access the remaining fasteners. Do not remove the the retaining fasteners.
- 3 Chock the tracks at the opposite end of the machine to prevent the machine from rolling.
- 4 Center a lifting jack of ample capacity (20,000 lbs / 10,000 kg) under the drive chassis between the tracks.
- 5 Lift the machine until the tracks are off the ground and place jack stands under the drive chassis for support.

- 6 Attach a lifting strap from an overhead crane (2000 lbs / 1000 kg) to the center-point of the track assembly, above the sprocket.

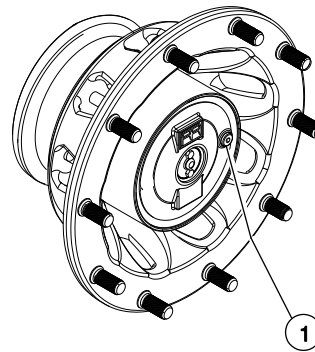


- 7 Remove the remaining sprocket retaining fasteners from the hub adapter.
- 8 Carefully remove the track assembly from the drive hub and set aside.

CAUTION

Crushing hazard. The track assembly could become unbalanced and fall when removed from the machine if not properly supported by the overhead crane.

- 9 Locate the hub disconnect pin in the center of the drive hub. Manually depress the pin and rotate the drive hub until the plugs are one on top and the other at 90 degrees.



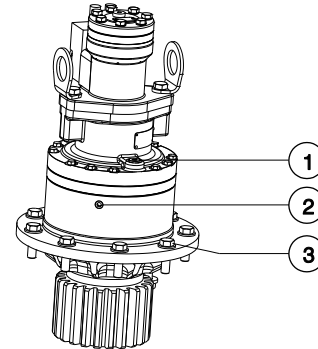
1 drive hub plugs

Annual Maintenance Procedures

- 10 Remove the plug located at 90 degrees and check the oil level.
- ⦿ Result: The oil level should be even with the bottom of the plug hole.
- 11 If necessary, remove the top plug and add oil until the oil level is even with the bottom of the side plug hole.
- 12 Install the plug(s) into the drive hub.
- 13 Check the torque of the drive hub mounting fasteners. Refer to Torque Specifications, *Tires and Wheels*.
- 14 Attach a lifting strap from an overhead crane to the center-point of the track assembly, above the sprocket.
- 15 Install the track assembly onto the drive hub adapter while guiding the hub adapter studs into the sprocket of the track assembly. Install as many sprocket retaining fasteners as possible to the hub adapter and torque to specification. Refer to Torque Specifications, *TraX Torque Specifications*.
- 16 Raise the machine, remove the jack stands lower the machine.
- 17 Drive the machine in either direction just until the remaining sprocket retaining fasteners can be installed onto the drive hub adapter. Turn the machine off.
- 18 Install the remaining sprocket retaining fasteners to the drive hub adapter and torque to specification. Refer to Torque Specifications, *TraX Torque Specifications*.
- 19 Repeat this procedure for each drive hub.

Turntable rotate drive hub:

- 1 Remove the plug located on the side of the hub and check the oil level and check the oil level.
- ⦿ Result: The oil level should be even with the bottom of the side hole.



- 1 fill plug
- 2 drain plug
- 3 mounting fasteners

- 2 If necessary, remove the fill plug and add oil until the oil level is even with the bottom of the drain plug.
- 3 Apply pipe thread sealant to the plug (s), and install the plug (s) in the drive hub.
- 4 Check the torque of the turntable drive hub mounting fasteners.

Annual Maintenance Procedures

Torque values are listed as dry. The retaining fasteners must be coated with a mineral based lubricant when removed. If a retaining fastener is removed, the torque value is reduced. Refer to the *Service and Repair Manual* that is appropriate for your machine.

Model and Serial Range	Torque ft-lbs / Nm
S-40, S-45, S-40XC, S-45XC (includes TraX™ models)	
to S4015-21540	210 / 285
from S4015-21541 from S40XC/45XC H-101	244 / 330
S-60, S-60HF, S-60J, S-60X, S-60XC, S-65, S-65HF, S-65XC (includes TraX™ models)	
to S60/60X/60XC/60TX/65TX 14A-29212 to S6014D-396	110 / 149
from S60/60X/60XC/60TX/65TX 14A-29213 from S6014D-397 from S60TXD-651 from S60H-36400 from S60JH-101 from S60M/65TX/65XC M-101	90 / 122

Model and Serial Range	Torque ft-lbs / Nm
S-80, S-80HF, S-80X, S-80XC, S-85, S-85HF, S-85XC	
to S80/80X/85 H-14097 to S8016D-235	110 / 149
from S80/80X/85 H-14098 from S80XC/85XC H-101 from S8016D-236	122 / 165
S-100, S-105, S-120, S-125, S-100HD, S-120HD	
from S100/105/120/125 15D-983 from S100HD/120HD 14D-200	380 / 515
SX-105XC, SX--125XC, SX-135XC	
from SX105/125 D-101 from SX135H-101	122 / 165
SX-150, SX-180	
from SX15015H-101 from SX18014-101	106 / 144
Z-33	
from Z331815M-101	108 / 147
Z-40N, Z-40N RJ	
to Z40N16N-3999	210 / 284
from Z40N16N-4000 from Z40NF-4916	180 / 244
Z-45BE, Z-45DC, Z-45FE, Z-45IC, Z-45XC	
to Z4525A-55298 to Z4525B-5452 to Z452516M-6699 to Z452516N-56105 to Z4525D-1894	113 / 153
from Z45EM-101 from Z4525F-58605 from Z4525M-6700 from Z452516N-56106 from Z452516D-1895	106 / 143



Annual Maintenance Procedures

Model and Serial Range	Torque ft-lbs / Nm
Z-51	
to Z513014B-1517 to Z5130M-2035	113 / 153
from Z5130M-2036	106 / 143
Z-60DC, Z-60FE	
from Z6016N-101	90 / 122
Z-62	
from Z6215A-101 from Z6216D-101 from Z6216M-101 from Z62H-3000	90 / 122
Z-80	
to Z80H-7147	124 / 168
from Z80H-7148	106 / 143
Z-135	
from Z13505-101	110 / 149
ZX-135	
to ZX13515-2584	110 / 149
from ZX13515-2585	122 / 165

A-15

Test the Dual Capacity and Platform Overload System - SX-105XC, SX-125XC and SX-135XC Models



Genie specifications require that this procedure be performed annually OR when the machine fails to lift the maximum rated load.

Testing the platform overload system regularly is essential to safe machine operation. Continued use of an improperly operating platform overload system could result in the system not sensing an overloaded platform condition. Machine stability could be compromised resulting in the machine tipping over.

Note: Perform this procedure with the boom fully retracted and in the stowed position and with the machine on a firm, level surface.

- 1 Remove all weight, tools, accessories and equipment from the platform.

Note: Failure to remove all weight, tools and accessories from the platform will result in an inaccurate test.

- 2 Turn the key switch to ground control and pull out the red Emergency Stop button to the on position at both ground and platform controls.

Annual Maintenance Procedures

- 3 Using a suitable lifting device, place a test weight of 550 lbs / 250 kg in the center of the platform. Secure the weight to the platform.

Note: The test weight may be within -0% / +5%.

- ⦿ Result: The unrestricted range of motion indicator light is on at ground controls.
- ⊗ Result: The restricted range of motion light is on at the ground controls. Calibrate the overload system. Refer to Repair Procedure in the appropriate Service and Repair Manual for your machine, ***How to Calibrate the Platform Overload System***.

- 4 Start the engine and extend the jib.

- ⦿ Result: The jib should fully extend and retract.

- 5 Add an additional 150 lbs / 68 kg to the platform.

- ⦿ Result: The restricted range of motion indicator light is on at the ground controls.
- ⊗ Result: The unrestricted range of motion indicator light is on. Calibrate the overload system. Refer to Repair Procedure in the appropriate Service and Repair Manual for your machine, ***How to Calibrate the Platform Overload System***.

Note: There may be a 2 second delay before the overload indicator lights flash and the alarm sounds.

- 6 Extend the jib.

- ⦿ Result: The jib does not extend.

- 7 Add an additional 320 lbs / 145 kg to the platform.

- ⦿ Result: There is an audible alarm. Platform overload is displayed on the LCD screen at the ground controls. Platform indicator light is flashing at the platform controls.

- ⦿ Result: Engine does not start and run. Limited APU functionality. Primary boom up/extend and jib extend does not operate.

- ⊗ Result: There is no audible alarm. Platform overload is not displayed on the LCD screen at the ground controls. Calibrate the overload system. Refer to Repair Procedure in the appropriate Service and Repair Manual for your machine, ***How to Calibrate the Platform Overload System***.

- 8 Using a suitable lifting device, remove all test weights from the platform.

- ⦿ Result: The platform overload indicator light is off at platform controls, there is no error message displayed at the ground control LCD screen and the alarm does not sound.

Note: There may be a 2 second delay before the overload indicator lights and alarm turn off.

- 9 Start the engine and test all machine functions from the ground controls.

- ⦿ Result: All ground control functions should operate normally.

Annual Maintenance Procedures

A-16

Test the Dual Capacity and Platform Overload System - Z-45XC Models



Genie specifications require that this procedure be performed annually OR when the machine fails to lift the maximum rated load.

Testing the platform overload system regularly is essential to safe machine operation. Continued use of an improperly operating platform overload system could result in the system not sensing an overloaded platform condition. Machine stability could be compromised resulting in the machine tipping over.

Note: Perform this procedure with the boom fully retracted and in the stowed position and with the machine on a firm, level surface.

- 1 Remove all weight, tools, accessories and equipment from the platform.

Note: Failure to remove all weight, tools and accessories from the platform will result in an inaccurate test.

- 2 Turn the key switch to ground control and pull out the red Emergency Stop button to the on position at both ground and platform controls.
- 3 Using a suitable lifting device, place a test weight of 550 lbs / 250 kg in the center of the platform. Secure the weight to the platform.

Note: The test weight may be within -0% / +5%.

- ⦿ Result: The unrestricted range of motion indicator light is on at ground controls.
- ⊗ Result: The restricted range of motion light is on at the ground controls. Calibrate the overload system. Refer to Repair Procedure in the appropriate Service and Repair Manual for your machine, *How to Calibrate the Platform Overload System*.

- 4 Start the engine and extend the primary boom.
 - ⦿ Result: The primary boom should fully extend and retract.
- 5 Add an additional 150 lbs / 68 kg to the platform.
 - ⦿ Result: The restricted range of motion indicator light is on at the ground controls.
 - ⊗ Result: The unrestricted range of motion indicator light is on. Calibrate the overload system. Refer to Repair Procedure in the appropriate Service and Repair Manual for your machine, *How to Calibrate the Platform Overload System*.

Note: There may be a 2 second delay before the overload indicator lights flash and the alarm sounds.

- 6 Extend the primary boom.
 - ⦿ Result: The primary boom does not extend.
- 7 Add an additional 320 lbs / 145 kg to the platform.
 - ⦿ Result: There is an audible alarm. Platform overload indicator light is on at the ground controls.
 - ⦿ Result: Engine does not start and run. Limited APU functionality. Primary boom extend does not operate.
 - ⊗ Result: There is no audible alarm. Platform overload indicator light is not on at the ground controls. Calibrate the overload system. Refer to Repair Procedure in the appropriate Service and Repair Manual for your machine, *How to Calibrate the Platform Overload System*.

Annual Maintenance Procedures

8 Using a suitable lifting device, remove all test weights from the platform.

- ⦿ Result: There is no audible alarm. The platform overload indicator light should turn off at the ground controls.

Note: There may be an 2 second delay before the overload indicator lights and alarm turn off.

9 Start the engine and test all machine functions from the ground controls.

- ⦿ Result: All ground control functions should operate normally.

A-17

Test the Dual Capacity and Platform Overload System - S-40XC, S-45XC, S-60HF, S-65HF, S-60XC from S60XCH-45001, S-65XC, S-80HF, S-85HF, S-80XC, S-85XC.



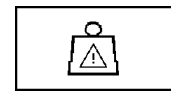
Genie specifications require that this procedure be performed annually OR when the machine fails to lift the maximum rated load.

Testing the platform overload system regularly is essential to safe machine operation. Continued use of an improperly operating platform overload system could result in the system not sensing an overloaded platform condition. Machine stability could be compromised resulting in the machine tipping over.

Note: Perform this procedure with the boom fully retracted and in the stowed position and with the machine on a firm, level surface.



Restricted



Platform Overload

Annual Maintenance Procedures

- 1 Remove all weight, tools, accessories and equipment from the platform.

Note: Failure to remove all weight, tools and accessories from the platform will result in an inaccurate test.

- 2 Turn the key switch to ground control and pull out the red Emergency Stop button to the on position at both ground and platform controls.
- 3 Using a suitable lifting device, place a test weight of 550 lbs / 250 kg in the center of the platform. Secure the weight to the platform.

Note: The test weight may be within -0% / +5%.

- ⦿ Result: Restricted range of motion icon is not displayed on the LCD screen at the ground controls.
 - ⊗ Result: Restricted range of motion icon is displayed on the LCD screen at the ground controls. Calibrate the overload system. Refer to Repair Procedure in the appropriate Service and Repair Manual for your machine, *How to Calibrate the Platform Overload System*.
- 4 Add additional weight to the platform.
S-80HF, S-85HF models: 100 lbs / 45 kg.
All other models: 150 lbs / 68 kg.
- ⦿ Result: Restricted range of motion icon is displayed on the LCD screen at the ground controls.
 - ⊗ Result: Restricted range of motion icon is not displayed on the LCD screen at the ground controls. Calibrate the overload system. Refer to Repair Procedure in the appropriate Service and Repair Manual for your machine, *How to Calibrate the Platform Overload System*.

- 5 Add additional weight to the platform.

S-80HF, S-85HF models: 370 lbs / 168 kg.

All other models: 320 lbs / 145 kg.

- ⦿ Result: There is an audible alarm. Platform overload icon is displayed on the LCD screen at the ground controls. Platform indicator light is flashing at the platform controls.
 - ⦿ Result: Engine does not start and run. Limited APU functionality. Primary boom up and extend does not operate.
 - ⊗ Result: There is no audible alarm. Platform overload icon is not displayed on the LCD screen at the ground controls. Calibrate the overload system. Refer to Repair Procedure in the appropriate Service and Repair Manual for your machine, *How to Calibrate the Platform Overload System*.
- 6 Using a suitable lifting device, remove all test weights from the platform.
- ⦿ Result: The platform overload indicator light is off at platform controls, platform overload icon is not displayed on the LCD screen at the ground controls and the alarm does not sound.
- 7 Start the engine and test all machine functions from the ground controls.
- ⦿ Result: All ground control functions should operate normally.

Annual Maintenance Procedures

A-18

Test the Platform Overload System - S-40HF, S-45HF, S-60J, Z-45HF, Z-45 DC/FE from Z45EM-101



Genie specifications require that this procedure be performed annually OR when the machine fails to lift the maximum rated load.

Testing the platform overload system regularly is essential to safe machine operation. Continued use of an improperly operating platform overload system could result in the system not sensing an overloaded platform condition. Machine stability could be compromised resulting in the machine tipping over.

Note: Perform this procedure with the boom fully retracted and in the stowed position and with the machine on a firm, level surface.

- 1 Remove all weight, tools, accessories and equipment from the platform.

Note: Failure to remove all weight, tools and accessories from the platform will result in an inaccurate test.

- 2 Turn the key switch to ground control and pull out the red Emergency Stop button to the on position at both ground and platform controls.

- 3 Using a suitable lifting device, place an appropriate test weight equal to that of the maximum platform capacity at the center of the platform floor.

Note: The test weight may be within -0% / +5%.

S-40HF, S-45HF, Z-45HF	600 lbs / 272 kg
S-60J, Z-45 DC/FE	660 lbs / 300 kg

- ⦿ Result: All boom, drive and steer functions operate.
 - ⊗ Result: There is an audible alarm and the Platform Overload indicator light is on at the ground controls. Calibrate the overload system. Refer to Repair Procedure in the appropriate Service and Repair Manual for your machine, *How to Calibrate the Platform Overload System*.
- 4 Add an additional 50 pounds / 22.7 kg to the platform.
 - ⦿ Result: There is an audible alarm and the Platform Overload indicator light is on at the ground controls.
 - ⦿ Result: The machine does not drive and there is limited APU functionality.
 - ⊗ Result: There is no audible alarm and the Platform Overload indicator light is not on at the ground controls. Calibrate the overload system. Refer to Repair Procedure in the appropriate Service and Repair Manual for your machine, *How to Calibrate the Platform Overload System*.

Note: There may be a 2 second delay before the overload indicator lights flash and the alarm sounds.

- 5 Using a suitable lifting device, remove all test weights from the platform.
 - ⦿ Result: There is no audible alarm and the Platform Overload indicator light turns off at the ground controls.
 - ⦿ Result: All boom, drive and steer functions operate.

Note: There may be a 2 second delay before the overload indicator lights and alarm turn off.

Annual Maintenance Procedures

A-19 Perform Engine Maintenance



Engine specifications require that this procedure be performed annually.

Required maintenance procedures and additional engine information are available in the manufacturer's manuals. Refer to Specifications, *Engine Operator and Maintenance Manuals*.

Kubota Models

D1803

- DPF piping - check
- EGR piping - check
- Exhaust manifold - check

A-20 Perform Engine Maintenance



Engine specifications require that this procedure be performed every two years.

Required maintenance procedures and additional engine information are available in the manufacturer's manuals. Refer to Specifications, *Engine Operator and Maintenance Manuals*.

Kubota Models

D1803

- Intake air line - replace
- Fuel pipes and clamp bands - replace
- Radiator hoses and clamp bands - replace
- Radiator coolant (L.L.C.) - replace

Replace all rubber related piping on the following:

- Oil separator
- DPF
- Intake airline and suction air pressure takeout
- Boost sensor pressure
- EGR cooler
- Water
- Lubricant

Programmed Maintenance Procedures

P0-1 Check the Track Tension and Fastener Torque, TraX Models - S-60, S-65, S-60XC, S-65XC and Z-62 Models

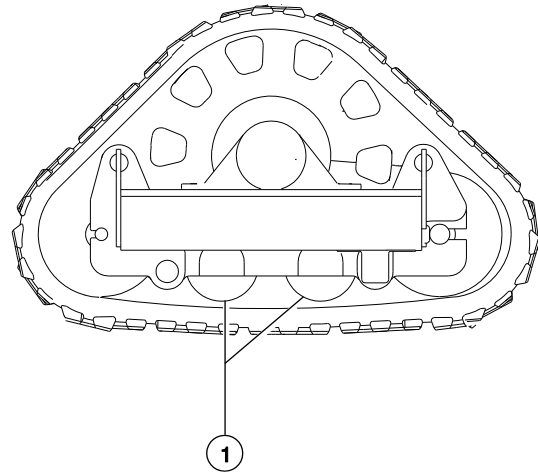


Manufacturer specifications require that this procedure be performed every 50 hours.

Maintaining proper track tension and properly torqued fasteners is essential to good machine performance and service life. The machine will not operate properly with a track that is incorrectly tensioned. Continued use of a machine with incorrectly tensioned tracks may cause component damage.

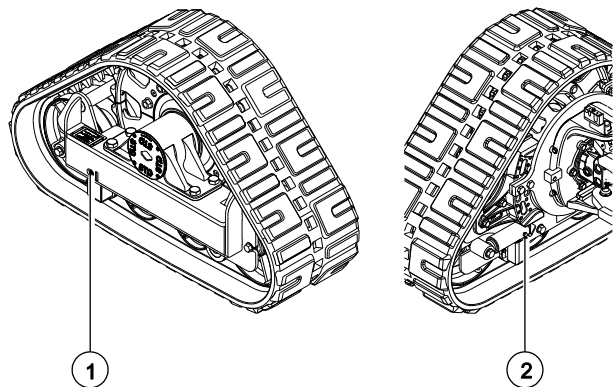
- 1 Thoroughly clean the track assembly of any dirt, rocks, clay, etc.
- 2 Chock the tracks at one end of the machine to prevent the machine from rolling.
- 3 Center a lifting jack of ample capacity (20,000 lbs / 10,000 kg) under the drive chassis between the tracks at the other end of the machine.
- 4 Lift the machine until the tracks are off the ground and then place jack stands under the drive chassis for support.

- 5 Visually inspect the section of track under the bogey wheels.
 - Result: There is less than 1 inch / 2,5 cm of gap between the bogey wheels and the inside surface of the track. Proceed to step 12.
 - ⊗ Result: There is 1 inch / 2,5 cm or more of gap between the bogey wheels and the inside surface of the track. Proceed to step 6.



1 bogey wheels

- 6 Locate the grease plug on the track tension cylinder. Loosen the plug, but do not remove it.



1 grease zerk
2 grease plug

Programmed Maintenance Procedures

- 7 Locate the grease zerk fitting on the other side of the track tension cylinder.
- 8 Pump grease into the grease zerk fitting of the tension cylinder until grease, free from air, comes out of the grease plug. Securely tighten the grease plug. Do not overtighten.
- 9 Continue to pump grease into the grease zerk fitting just until the idler wheel moves. Check the track tension.
- 10 If necessary, continue to pump grease into the cylinder until the track has proper tension.

NOTICE

Component damage hazard. Do not over tighten the track. Over tightening the track will cause the machine to lose power during operation.

Note: If the track becomes too tight, loosen the grease plug on the cylinder to remove grease and loosen the track.

- 11 Clean up any grease that may have spilled.
- 12 Check the torque of the track assembly fasteners. Refer to Specifications, *TraX Torque Specifications*.
- 13 Raise the machine, remove the jack stands and lower the machine.
- 14 Repeat this procedure for each track assembly.

Grease Specification

Chevron Ultra-duty grease, EP NLGI 1 (lithium based) or equivalent

P0-2

Check the Track Tension and Fastener Torque, TraX Models - S-40, S-45, S-40XC, S-45XC Models



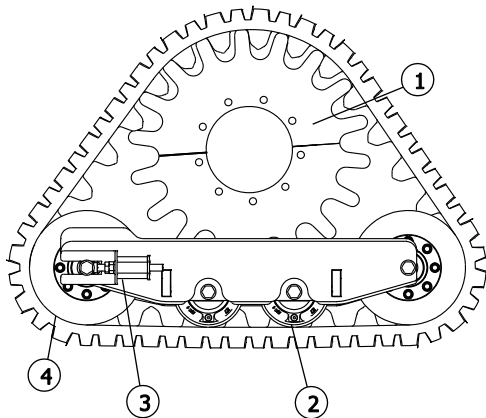
Manufacturer specifications require that this procedure be performed every 50 hours.

Maintaining proper track tension and properly torqued fasteners is essential to good machine performance and service life. The machine will not operate properly with a track that is incorrectly tensioned. Continued use of a machine with incorrectly tensioned tracks may cause component damage.

- 1 Thoroughly clean the track assembly of any dirt, rocks, clay, etc.
- 2 Chock the tracks at one end of the machine to prevent the machine from rolling.
- 3 Center a lifting jack of ample capacity (20,000 lbs / 10,000 kg) under the drive chassis between the tracks at the other end of the machine.
- 4 Lift the machine until the tracks are off the ground and then place jack stands under the drive chassis for support.

Programmed Maintenance Procedures

- 5 Visually inspect the section of track under the bogey wheels.
- ⦿ Result: There is less than 1 inch / 2,5 cm of gap between the bogey wheels and the inside surface of the track. Proceed to step 7.
- ⊗ Result: There is 1 inch / 2,5 cm or more of gap between the bogey wheels and the inside surface of the track. Proceed to step 6.



- 1 half sprocket
 2 bogey wheels
 3 tensioner assembly
 4 idler wheel

- 6 Loosen the tensioner jam nut and idler axle bolts on both sides of the tensioner wheel and tighten the tensioner nut until there is between 0.75 - 1 inch / 1,9 - 2,5 cm of gap between the bogey wheels and the inside surface of the track.

NOTICE

Component damage hazard.
 Do not over tighten the track.
 Over tightening the track will cause the machine to lose power during operation.

- 7 Tighten the jam nut.
- 8 Check the torque of the track assembly fasteners. Refer to Specifications, *TraX Torque Specifications*.
- 9 Raise the machine, remove the jack stands and lower the machine.
- 10 Repeat this procedure for each track assembly.

Programmed Maintenance Procedures

P0-3

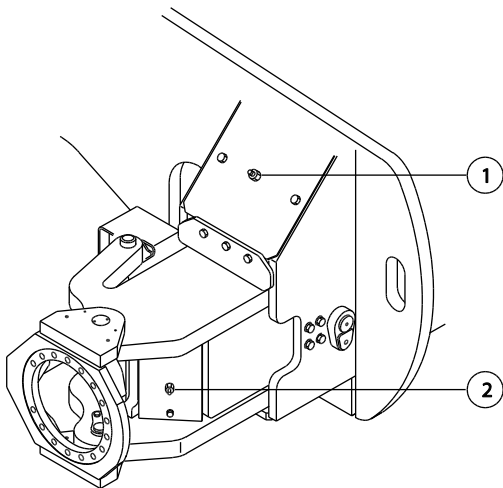
Grease the Extendable Axles - S-100, S-105, S-120, S-125, S100HD and S-120HD



Manufacturer specifications require that this procedure be performed every 50 hours.

Lubricating the front and rear axles helps to ensure the smooth operation of the axles over the lifetime of the product. Two fittings on each axle are provided to apply grease to the top and bottom sliding wear pads.

- 1 Locate the grease fittings on the extendable axles covers.



- 1 Top wear pad grease fitting
- 2 Side wear pad grease fitting

- 2 Thoroughly pump grease into each grease fitting. When grease is pumped into each fitting, a hose directs this lubrication to the top or bottom wear pad.
- 3 Cycle the extending axles in and out.

Note: Genie recommends that the extending axles be cycled in and out at least once a week.

Programmed Maintenance Procedures

P0-4

Continental Engine Maintenance – Under 1000 Hours

Additional engine maintenance is required. Refer to the *Programmed Maintenance Inspection Report* for the specific intervals that apply.

Required maintenance procedures and additional engine information are available in the manufacturer's manuals. Refer to Specifications, *Engine Operator and Maintenance Manuals*.

Continental TME27		Hour Intervals				
Procedure	∅ = Not required	Daily	50	100	250	500
Visual inspection of engine			∅	∅	∅	∅
Oil level - check			∅	∅	∅	∅
Air cleaner - check			∅	∅	∅	∅
PCV system - check			∅	∅	∅	∅
Coolant level - check			∅	∅	∅	∅
Oil, fuel and coolant systems - check for leaks			∅	∅	∅	∅
Air filter discharge valve - clean			∅	∅	∅	∅
Fan belt tension - check		∅		∅	∅	∅
Battery - check		∅		∅	∅	∅
Engine oil - replace		∅	∅		∅	∅
Oil filter - replace		∅	∅		∅	∅
Harness connections - check		∅	∅	∅		∅
Cooling system - check		∅	∅	∅		∅
Air filter - replace		∅	∅	∅		∅
PCV valve - check		∅	∅	∅	∅	
Valve tappet clearance - adjust		∅	∅	∅	∅	
Fuel system - check		∅	∅	∅	∅	
Fuel pump - check		∅	∅	∅	∅	
Fuel filter - replace		∅	∅	∅	∅	

Programmed Maintenance Procedures

P0-5

Cummins Engine Maintenance – Under 1000 Hours

Additional engine maintenance is required. Refer to the *Programmed Maintenance Inspection Report* for the specific intervals that apply.

Required maintenance procedures and additional engine information are available in the manufacturer's manuals. Refer to Specifications, *Engine Operator and Maintenance Manuals*.

Cummins B3.3T		Hour Intervals		
Procedure	∅ = Not required	∅	∅	∅
		Daily	250	500
Oil, fuel and coolant systems - check for leaks			∅	∅
Fuel-water separator - drain			∅	∅
Oil level - check			∅	∅
Coolant level - check			∅	∅
Drive belt - inspect			∅	∅
Cooling fan - inspect			∅	∅
Engine oil - replace		∅		∅
Oil filter - replace		∅		∅
Valve lash clearance - adjust (initial, one-time interval with oil change)		∅		∅
Air intake system - inspect		∅		∅
Air cleaner restriction - check		∅		∅
Fuel filter - replace		∅	∅	
Fuel supply lines - vent		∅	∅	
Injection pump - vent		∅	∅	
Cooling system - check		∅	∅	

Programmed Maintenance Procedures

P0-6 Deutz Engine Maintenance – Under 1000 Hours

Additional engine maintenance is required. Refer to the *Programmed Maintenance Inspection Report* for the specific intervals that apply.

Required maintenance procedures and additional engine information are available in the manufacturer's manuals. Refer to Specifications, *Engine Operator and Maintenance Manuals*.

This maintenance schedule applies to the following Deutz Engines:

D2011 L03i TD2011 L04i TD 2.2 L3 TCD 2.2 L3 D 2.9 L4 TD 2.9 L4 D436 L3i CN3

Deutz Engines		Hour Intervals		
		Daily	250	500
Procedure	∅ = Not required			
Oil level - check			∅	∅
Coolant level - check			∅	∅
Oil, fuel and coolant systems - check for leaks			∅	∅
Fuel system filter/water separator – inspect/drain			∅	∅
Air filter discharge valve - clean			∅	∅
Exhaust system - inspect			∅	∅
Check / clean the oil cooler and cooling fins - D436, D2011, TD2011 models		∅		∅
Engine oil and filter – replace, TD2011, TD 2.2, TCD 2.2, TD 2.9 models		∅	∅	
Air filter - replace		∅	∅	
Valve clearance - check/adjust		∅	∅	
Engine coolant - test/add		∅	∅	
Air intake pipes - inspect		∅	∅	
V-belts - inspect		∅	∅	
Fuel filter / separator - replace		∅	∅	

Programmed Maintenance Procedures

P0-7

Ford Engine Maintenance – Under 1000 Hours

Additional engine maintenance is required. Refer to the *Programmed Maintenance Inspection Report* for the specific intervals that apply.

Required maintenance procedures and additional engine information are available in the manufacturer's manuals. Refer to Specifications, *Engine Operator and Maintenance Manuals*.

This maintenance schedule applies to the following Ford Engines:

Ford MSG 425

Ford DSG 423

Ford Engines		Hour Intervals				
Procedure	∅ = Not required	Daily	100	200	400	800
Oil level - check			∅	∅	∅	∅
Coolant level - check			∅	∅	∅	∅
Oil, fuel and coolant systems - check for leaks			∅	∅	∅	∅
Oil, coolant, fuel, exhaust and vacuum hoses - check for leaks, damage or deterioration		∅		∅	∅	∅
Electrical wiring - check for chafing or damage		∅		∅	∅	∅
Engine belts - check/adjust		∅	∅		∅	∅
Fuel filters - check/replace		∅	∅		∅	∅
Engine oil - replace		∅	∅	∅		∅
Oil filter - replace		∅	∅	∅		∅
Air filter - replace		∅	∅	∅		∅
Spark plugs - clean/adjust/replace		∅	∅	∅		∅
Loose or missing fasteners - tighten/replace		∅	∅	∅		∅
PCV valve - check		∅	∅	∅	∅	
PCV hoses, tubes and fittings - clean		∅	∅	∅	∅	

Programmed Maintenance Procedures

P0-8

Kubota Engine Maintenance – Under 1000 Hours

Additional engine maintenance is required. Refer to the *Programmed Maintenance Inspection Report* for the specific intervals that apply.

Required maintenance procedures and additional engine information are available in the manufacturer's manuals. Refer to Specifications, *Engine Operator and Maintenance Manuals*.

This maintenance schedule applies to the following Kubota Engines:

D-1105-E3B

D1105-E4B

D1803-CR-TIE4

WG972

Z482-E

Kubota Engines		Hour Intervals								
Procedure	∅ = Not required	Daily	50	75	100	150	200	400	500	800
Coolant level - check			∅	∅	∅	∅	∅	∅	∅	∅
Oil level - check			∅	∅	∅	∅	∅	∅	∅	∅
Fuel hoses and clamp bands - check		∅		∅	∅	∅	∅	∅	∅	∅
Water separator - drain		∅		∅	∅	∅	∅	∅	∅	∅
Engine oil - replace, Z482		∅	∅		∅	∅	∅	∅	∅	∅
Fan belt tension and damage - check		∅	∅	∅		∅	∅	∅	∅	∅
Battery electrolyte level - check		∅	∅	∅		∅	∅	∅	∅	∅
Spark plug - check		∅	∅	∅		∅	∅	∅	∅	∅
Air cleaner element - clean (Replace the element after 6 times cleaning)		∅	∅	∅		∅	∅	∅	∅	∅
Fuel filter (element type) - clean		∅	∅	∅		∅	∅	∅	∅	∅
Oil filter cartridge - replace, Z482		∅	∅	∅	∅		∅	∅	∅	∅
Oil filter cartridge - replace, D1105, WG972		∅	∅	∅	∅	∅		∅	∅	∅
Engine oil - replace, D1105, WG972		∅	∅	∅	∅	∅		∅	∅	∅
Radiator hoses and clamps - check		∅	∅	∅	∅	∅		∅	∅	∅
Intake air line - check		∅	∅	∅	∅	∅		∅	∅	∅
Engine oil - replace, D1803		∅	∅	∅	∅	∅	∅		∅	∅
Oil filter cartridge - replace, D1803		∅	∅	∅	∅	∅	∅		∅	∅
Fuel filter cartridge - replace		∅	∅	∅	∅	∅	∅		∅	∅

Programmed Maintenance Procedures

Kubota Engines, continued		Hour Intervals								
Procedure	∅ = Not required	Daily	50	75	100	150	200	400	500	800
Fuel/Water separator - replace, D1803		∅	∅	∅	∅	∅	∅	∅		∅
Air cleaner element - replace		∅	∅	∅	∅	∅	∅	∅		∅
Fan belt - replace		∅	∅	∅	∅	∅	∅	∅		∅
Cleaning of water jacket (radiator interior)		∅	∅	∅	∅	∅	∅	∅		∅
Removal of sediment in fuel tank		∅	∅	∅	∅	∅	∅	∅		∅
Recharging battery		∅	∅	∅	∅	∅	∅	∅		∅
Damage in electric wiring and loose connections - check		∅	∅	∅	∅	∅	∅	∅		∅
Valve clearance - check, D1105, WG972, Z482		∅	∅	∅	∅	∅	∅	∅	∅	

Programmed Maintenance Procedures

P0-9

Perkins Engine Maintenance – Under 1000 Hours

Additional engine maintenance is required. Refer to the *Programmed Maintenance Inspection Report* for the specific intervals that apply.

Required maintenance procedures and additional engine information are available in the manufacturer's manuals. Refer to Specifications, *Engine Operator and Maintenance Manuals*.

This maintenance schedule applies to the following Perkins Engines:

- | | | | |
|------------------------|-------------------------|--------------------------|---------------------------|
| Perkins 403D-11 | Perkins 403F-11 | Perkins 404D-22 | Perkins 404D-22T |
| Perkins 404F-22 | Perkins 404F-22T | Perkins 404F-E22T | Perkins 404F-E22TA |
| Perkins 804D-33 | Perkins 854F-34T | Perkins 1104D-44T | |

Perkins Engine		Hour Intervals		
Procedure	∅ = Not required	Daily	50	500
Air filter discharge valve - clean			∅	∅
Oil, fuel and coolant systems - check for leaks			∅	∅
Alternator belt - inspect/adjust/replace			∅	∅
Coolant level – check/add			∅	∅
Oil level - check			∅	∅
Fuel system filter/water separator – drain			∅	∅
Engine air precleaner - check/drain			∅	∅
Fuel tank water/sediment - drain		∅		∅
Hoses and clamps – inspect/replace		∅		∅
Battery electrolyte level - check		∅	∅	
Cooling system supplement additive - test/add		∅	∅	
Engine oil and filter – replace		∅	∅	
Fuel system filter(s) - replace		∅	∅	
Radiator – clean		∅	∅	
Air cleaner element - clean/replace		∅	∅	
Fan clearance - check		∅	∅	



Programmed Maintenance Procedures

P0-10

GM .998L Engine Maintenance – Under 1000 Hours

Additional engine maintenance is required. Refer to the *Programmed Maintenance Inspection Report* for the specific intervals that apply.

Required maintenance procedures and additional engine information are available in the manufacturer's manuals. Refer to Specifications, *Engine Operator and Maintenance Manuals*.

GM .998L Engine		Hour Intervals					
Procedure	∅ = Not required	Daily	100	150	200	400	800
Coolant level - check			∅	∅	∅	∅	∅
Oil level - check			∅	∅	∅	∅	∅
Oil, fuel and coolant systems - check for leaks			∅	∅	∅	∅	∅
Fan belt tension and damage - check		∅		∅	∅	∅	∅
Radiator hoses and clamps - check		∅		∅	∅	∅	∅
Intake manifold - check for vacuum leaks		∅		∅	∅	∅	∅
LPG system - check for leaks		∅		∅	∅	∅	∅
Radiator – clean • Radiator hoses and clamps - check		∅		∅	∅	∅	∅
Engine oil and filter – replace		∅	∅		∅	∅	∅
LPG Vaporizer - drain/clean		∅	∅		∅	∅	∅
PCV valve - check		∅	∅	∅		∅	∅
Air cleaner element - clean/replace		∅	∅	∅		∅	∅
Timing belt - check		∅	∅	∅		∅	∅
Electrical wiring - check for chafing or damage		∅	∅	∅	∅		∅
Vacuum lines and fittings - check		∅	∅	∅	∅		∅
Fuel filter - replace		∅	∅	∅	∅		∅
Fuel lines and clamps - check for leaks		∅	∅	∅	∅		∅
Air intake system - inspect for leaks		∅	∅	∅	∅		∅
Cylinder head bolts - torque (40.5 ft-lbs / 55 Nm)		∅	∅	∅	∅		∅
Valve clearance - check/adjust		∅	∅	∅	∅		∅
PCV valve - replace		∅	∅	∅	∅	∅	
Cooling system coolant - replace		∅	∅	∅	∅	∅	
Spark plugs - replace		∅	∅	∅	∅	∅	
Spark plug wires - check/replace		∅	∅	∅	∅	∅	

Programmed Maintenance Procedures

P0-11

GM 3.0L Engine Maintenance – Under 1000 Hours

Additional engine maintenance is required. Refer to the *Programmed Maintenance Inspection Report* for the specific intervals that apply.

Required maintenance procedures and additional engine information are available in the manufacturer's manuals. Refer to Specifications, *Engine Operator and Maintenance Manuals*.

GM 3.0L Engine		Hour Intervals						
Procedure	∅ = Not required	Daily	100	150	200	250	400	800
Coolant level - check			∅	∅	∅	∅	∅	∅
Oil level - check			∅	∅	∅	∅	∅	∅
Oil, fuel and coolant systems - check for leaks			∅	∅	∅	∅	∅	∅
Radiator – clean		∅		∅	∅	∅	∅	∅
LPG Vaporizer - drain/clean		∅	∅		∅	∅	∅	∅
Air cleaner element - clean/replace		∅	∅	∅		∅	∅	∅
Engine oil and filter – replace		∅	∅	∅	∅		∅	∅
Fuel filter - replace		∅	∅	∅	∅	∅		∅
Air filter - replace		∅	∅	∅	∅	∅		∅
Distributor cap - replace		∅	∅	∅	∅	∅	∅	
Spark plug wires - replace		∅	∅	∅	∅	∅	∅	

Programmed Maintenance Procedures

P1-1

Perform Engine Maintenance – 1000 Hours



Engine specifications require that this procedure be performed every 1000 hours.

Required maintenance procedures and additional engine information are available in the manufacturer's manuals. Refer to Specifications, *Engine Operator and Maintenance Manuals*.

Continental TME27

- Spark plugs - replace
- O2 sensors - replace

Cummins Models

- Drive belt tension - measure
- Drive belt - inspect

GM 3.0L

- Fan belt - inspect/replace
- Radiator hoses and clamps - check
- PCV system - check

Deutz Models

All Models:

- Fuel system primary filter (water separator) element – replace
- Fuel system secondary filter – replace
- Hoses and clamps – inspect/replace
- By-pass oil filter - replace
- Engine mounts - inspect
- Glow plugs - check
- V-belts - re-tension/renew
- Cold starting device (if equipped) - check
- Battery and cable connectors - check
- Engine valve lash – inspect/adjust

D436 L3i, D2011, D 2.9 L4

- Engine oil and filter – replace

D 2.9 L4, TD 2.9 L4

- Coolant (additive concentration) - check

Programmed Maintenance Procedures

Perkins Models

All Models:

- Alternator and fan belts - replace
- Engine valve lash – inspect/adjust
- Engine crankcase breather - replace

403D-11, 404F-22

- Turbocharger - inspect

804D-33

- Alternator - inspect
- Starting motor - inspect
- Turbocharger - inspect

854F

- Water pump - inspect
- Engine crankcase breather - replace

Kubota Models

D1803

- Valve clearance - check

WG972

- Spark plugs - replace
- Coolant and vacuum lock hose of LPG vaporizer - replace
- Radiator coolant (L.L.C.) - replace
- Cleaning water jacket and radiator interior
- Valve clearance - check
- Cleaning cylinder head
- Valve seats - check
- Air cleaner element - replace
- Gasoline fuel hose and clamp bands - replace
- Carburetor and fuel tank inside - clean

Z482-E, D-1105

- Fuel injection nozzle injection pressure - check

Programmed Maintenance Procedures

P1-2

Replace the Drive Hub Oil



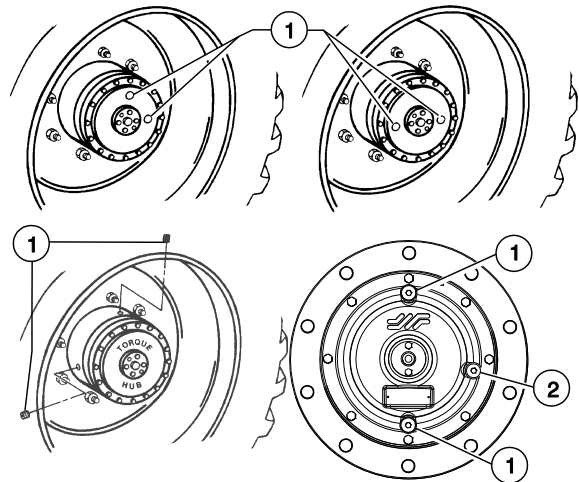
Drive hub specifications require that this procedure be performed after the first 50 hours of operation. After the initial oil replacement, specifications require that this procedure be performed every 1000 hours.

Replacing the drive hub oil is essential for good machine performance and service life. Failure to replace the drive hub oil may cause the machine to perform poorly and continued use may cause component damage.

Drive Hubs:

- 1 Select the drive hub to be serviced. Drive the machine until one of the two plugs is at the lowest point.
- 2 Remove the plugs and drain the oil into a suitable container.

- 3 Drive the machine until one of the two plugs is at the highest point.



- 4 **Drive hubs with 2 plugs:** Fill the hub until the oil level is even with the bottom of the lowest plug hole. Refer to Specifications, *Hydraulic Specifications*.
- Drive hubs with 3 plugs:** Fill the hub until the oil level is even with the bottom of the middle plug hole. Refer to Specifications, *Hydraulic Specifications*.
- 5 Install the plugs into the drive hub.
- 6 Repeat this procedure for each drive hub.

Programmed Maintenance Procedures

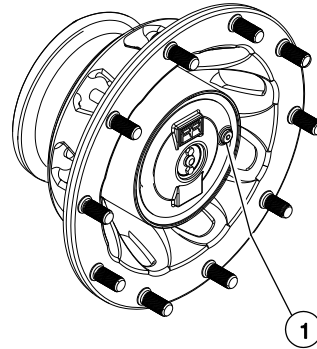
Models with TraX:

- 1 Select the drive hub to be serviced. Loosen and remove as many sprocket retaining fasteners as possible from the hub adapter.
- 2 Drive the machine in either direction just enough to access the remaining fasteners. Do not remove the the retaining fasteners.
- 3 Chock the tracks at the opposite end of the machine to prevent the machine from rolling.
- 4 Center a lifting jack of ample capacity (20,000 lbs / 10,000 kg) under the drive chassis between the tracks.
- 5 Lift the machine until the tracks are off the ground and place jack stands under the drive chassis for support.
- 6 Attach a lifting strap from an overhead crane (2000 lbs / 1000 kg) to the center-point of the track assembly, above the sprocket.
- 7 Remove the remaining sprocket retaining fasteners from the hub adapter.
- 8 Carefully remove the track assembly from the drive hub and set aside.

⚠ CAUTION

Crushing hazard. The track assembly could become unbalanced and fall when removed from the machine if not properly supported by the overhead crane.

- 9 Locate the hub disconnect pin in the center of the drive hub. Manually depress the pin and rotate the drive hub until one of the two plugs is at the lowest point.



1 drive hub plug

- 10 Remove the plugs and drain the oil into a suitable container.
- 11 Manually depress the hub disconnect pin and rotate the drive hub until the plugs are one on top and the other at 90 degrees.
- 12 Fill the hub until the oil level is even with the bottom of the side plug hole. Refer to Specifications, *Hydraulic Specifications*.
- 13 Install the plugs into the drive hub.
- 14 Attach a lifting strap from an overhead crane to the center-point of the track assembly, above the sprocket.
- 15 Install the track assembly onto the drive hub adapter while guiding the hub adapter studs into the sprocket of the track assembly. Install as many sprocket retaining fasteners as possible to the hub adapter and torque to specification. Refer to Torque Specifications, *TraX Torque Specifications*.

Programmed Maintenance Procedures

- 16 Raise the machine, remove the jack stands lower the machine.
- 17 Drive the machine in either direction just until the remaining sprocket retaining fasteners can be installed onto the drive hub adapter. Turn the machine off.
- 18 Install the remaining sprocket retaining fasteners to the drive hub adapter and torque to specification. Refer to Torque Specifications, *TraX Torque Specifications*.
- 19 Repeat this procedure for each drive hub.

Turntable Rotate Drive Hub:

- 1 Secure the turntable from rotating with the turntable rotation lock pin.
- 2 Tag, disconnect and plug the hydraulic hoses to the drive hub drive motor and brake.

⚠ WARNING Bodily injury hazard. Spraying hydraulic oil can penetrate and burn skin. Loosen hydraulic connections very slowly to allow the oil pressure to dissipate gradually. Do not allow oil to squirt or spray.

- 3 Attach a suitable lifting device to the lifting eye of one turntable rotate drive hub assembly.

- 4 Remove the drive hub mounting bolts from the drive hub assembly. Carefully remove the turntable rotate drive hub assembly from the machine.

Note: If equipped with two turntable rotation drive hub assemblies, do not remove them both at the same time.

⚠ WARNING Crushing hazard. The turntable rotate drive hub assembly could become unbalanced and fall when removed from the machine if not properly supported by the lifting device.

- 5 Remove the plug from the side of the drive hub. Drain the oil from the hub into a suitable container.
- 6 Install the drive hub assembly onto the machine. Lubricate and torque the drive hub mounting bolts to specification. Refer to Specifications, *Machine Torque Specifications*.
- 7 Fill the drive hub with oil. Apply pipe thread sealant to the plug. Install the plug. Refer to Specifications, *Hydraulic Specifications*.
- 8 If equipped with two turntable rotation drive hub assemblies, repeat steps 2 through 7 for the other turntable rotate drive hub assembly.
- 9 Adjust turntable rotation gear backlash. Refer to Repair Procedure in the appropriate Service and Repair Manual for your machine, *How to Adjust the Turntable Rotation Gear Backlash*.

P1-3 Perform Engine Maintenance – 1500 Hours



Engine specifications require that this procedure be performed every 1500 hours.

Required maintenance procedures and additional engine information are available in the manufacturer's manuals. Refer to Specifications, *Engine Operator and Maintenance Manuals*.

Kubota Models

D1803

- Fuel injection nozzle - check
- EGR cooler - check
- Oil separator element - change

P2-1 Perform Engine Maintenance – 2000 Hours



Engine specifications require that this procedure be performed every 2000 hours.

Required maintenance procedures and additional engine information are available in the manufacturer's manuals. Refer to Specifications, *Engine Operator and Maintenance Manuals*.

Cummins Models

- Cooling system - flush
- Valve clearance - check/adjust

GM .998L

- Spark plug wires - replace
- Timing belt - replace
- Bolts, nuts and fasteners - check/tighten

GM 3.0L

- Electrical wiring - check for chafing or damage
- Vacuum lines and fittings - check
- Spark plugs - replace
- LPG fuel lock-off valve - check for leaks
- Fuel lines and clamps - check for leaks
- Air intake system - inspect for leaks
- Intake manifold - check for vacuum leaks
- Exhaust manifold - check for leaks
- Exhaust system – check for leaks
- HEGO sensor - check for damage
- Catalyst - Inspect

Deutz Models**All Models:**

- V-Belts - replace

D436 L3i, D2011, TD2011

- Glow plugs - replace

TD 2.2 L3, TCD 2.2 L3, D 2.9 L4, TD 2.9 L4

- Cooling system coolant - replace
- Extended life coolant (ELC) - replace

Perkins Models**All Models:**

- Alternator - inspect
- Engine mounts - inspect
- Starting motor - inspect

Perkins 854F-34T

- Water pump - inspect
- Turbocharger - inspect
- Aftercooler core - inspect

Perkins 1104D-44T

- Aftercooler core - inspect
- Turbocharger - inspect
- Water pump - inspect
- Cooling system coolant - replace

Kubota Models**Z482-E, D1105, WG972**

- Radiator coolant (L.L.C.) - replace
- Battery - replace
- Radiator hoses and clamp bands - replace
- Fuel pipes and clamp bands - replace
- Intake air line - replace

WG972

- Fuel filter - replace
- LPG fuel hose and clamp bands - replace
- Coolant and vacuum lock hose of LPG vaporizer - replace

P2-2 Test or Replace the Hydraulic Oil



Genie requires that this procedure be performed every 2000 hours.

Replacement or testing of the hydraulic oil is essential for good machine performance and service life. Dirty oil and a clogged suction strainer or hydraulic filters may cause the machine to perform poorly and continued use may cause component damage. Extremely dirty conditions may require oil changes to be performed more frequently.

Note: Before replacing the hydraulic oil, the oil may be tested by an oil distributor for specific levels of contamination to verify that changing the oil is necessary. If the hydraulic oil is not replaced at the 2000 hour inspection, test the oil quarterly. Replace the oil when it fails the test.

Note: When removing a hose assembly or fitting, the O-ring (if equipped) on the fitting and/or hose end must be replaced. All connections must be torqued to specification during installation. Refer to Specifications, *Hydraulic Hose and Fitting Torque Specifications*.

Testing the oil:

- 1 Complete the hydraulic oil testing with an oil distributor.
- ⦿ If the hydraulic oil passes testing at the 2000 hour maintenance interval, the oil must be tested every quarter by an oil distributor until the oil fails the test and is replaced.
- ⊗ If the hydraulic oil fails testing at the 2000 hour maintenance interval, the oil must be replaced. After the oil has been replaced, continue the scheduled quarterly maintenance inspection.

Replacing the hydraulic oil:

- 1 Remove the drain plug from the hydraulic tank and completely drain the tank into a container of suitable capacity. Refer to Specifications, *Hydraulic Fluid Capacities Specifications*.
- 2 Fill the tank with the proper hydraulic oil for your machine. Refer to Specifications, *Hydraulic Specifications*.
- 3 **Engine Models:** Prime the pump. Refer to Repair Procedure in the appropriate Service and Repair Manual for your machine, *How to Prime the Pump*.
- 4 Clean up and properly dispose of any oil that may have spilled.

Note: When replacing the hydraulic oil, it is recommended that the hydraulic tank be cleaned using a mild solvent and all hydraulic filters and strainers be replaced.

Note: Always use pipe thread sealant when installing the suction hose fittings and the drain plug.

Note: After the oil has been replaced, continue the scheduled quarterly maintenance inspection.

P2-3 Replace the Hydraulic Filters



Genie requires that this procedure be performed every 2000 hours.

Perform this procedure more often if dusty conditions exist.

Replacement of the hydraulic filters is essential for good machine performance and service life. A dirty or clogged filter may cause the machine to perform poorly and continued use may cause component damage. Extremely dirty conditions may require that the filter be replaced more often.

Note: There are four types of hydraulic filters: tank return filter, medium pressure filter, high pressure filter and drive motor case drain filter. The quantity and type of filter(s) may vary by model.

CAUTION Bodily injury hazard. Beware of hot oil. Contact with hot oil may cause severe burns.

Note: Perform this procedure with the engine off.

Hydraulic return filter

Note: The return filter may be mounted in the top of the hydraulic tank (internally) or outside of the tank (externally).

Internal:

- 1 Locate the hydraulic return filter housing on top of the hydraulic tank.
- 2 Remove the cap from the filter housing.
- 3 Lift the handle on the filter element and rotate the element counterclockwise to release the element from the housing.
- 4 Remove the filter element from the housing.
- 5 Install the new filter element into the filter housing.

- 6 Push the filter element down to be sure the O-ring on the element is fully seated into the housing.
- 7 Rotate the filter element clockwise to lock it in place.
- 8 Install the filter housing cap.
- 9 Use a permanent ink marker to write the date and number of hours from the hour meter on the oil filter housing.
- 10 Inspect the filter housings and related components to be sure that there are no leaks.

External:

- 1 Locate the hydraulic return filter.
- 2 Place a suitable container under the filter(s).
- 3 Remove the filter with an oil filter wrench.
- 4 Apply a thin layer of fresh oil to the gasket of the new oil filter.
- 5 Install the new hydraulic return filter element and tighten it securely by hand.
- 6 Clean up and properly dispose of any oil that may have spilled during the installation procedure.
- 7 Use a permanent ink marker to write the date and number of hours from the hour meter on the oil filter.
- 8 Inspect the filter housings and related components to be sure that there are no leaks.

Medium and high pressure filters

Note: The medium pressure filter is for the charge pump and the high pressure filter is for all machine functions except the drive circuit and oscillating axle circuit.

- 1 Locate the medium and high pressure filters.
- 2 Place a suitable container under each filter.
- 3 Remove the filter housings by using a wrench on the nut provided on the bottom of the housings.
- 4 Remove the filter elements from the housings.
- 5 Inspect the housing seals and replace them if necessary.
- 6 Install the new filter elements into the housings and tighten them securely.
- 7 Clean up and properly dispose of any oil that may have spilled during the installation procedure.
- 8 Use a permanent ink marker to write the date and number of hours from the hour meter on the oil filter.
- 9 Inspect the filter housings and related components to be sure that there are no leaks.

Case drain filter:

Note: The case drain filter is for the charge pump.

- 1 Open the engine side turntable cover and locate the case drain filter mounted to the engine tray near the hydraulic pumps.
- 2 Place a suitable container under the filter(s).
- 3 Remove the case drain filter housing by using a wrench on the nut provided on the bottom of the housing.
- 4 Remove the case drain element from the housing.
- 5 Inspect the housing seal and replace it if necessary.
- 6 Install the new case drain filter element into the housing. Install the filter housing onto the filter head and tighten it securely.
- 7 Clean up and properly dispose of any oil that may have spilled during the installation procedure.
- 8 Use a permanent ink marker to write the date and number of hours from the hour meter on the oil filter.
- 9 Start the engine from the ground controls.
- 10 Inspect the all of the filter housings and related components to be sure that there are no leaks.

Tank breather filter (if equipped):

- 1 Locate the breather filter on top of the hydraulic tank.
- 2 Remove the filter and install the new hydraulic tank breather filter. Tighten securely by hand.

P2-4 Check the Free-wheel Configuration



Genie requires that this procedure be performed every 2000 hours.

Proper use of the free-wheel configuration is essential to safe machine operation. The free-wheel configuration is used primarily for towing. A machine configured to free-wheel without operator knowledge may cause death or serious injury and property damage.

Models with 2 wheel steer will be referenced with Non-steer and steer wheels.

Models with 4 wheel steer will be referenced with Circle-end and Square-end wheels.

⚠ WARNING Collision hazard. Select a work site that is firm and level.

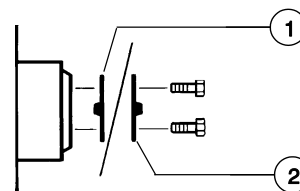
NOTICE Component damage hazard. If the machine must be towed, do not exceed 2 mph / 3.2 km/h.

Non-steer or Circle-end wheels:

- 1 Chock the steer/square-end wheels to prevent the machine from rolling.
- 2 **Models with 2 wheel steer:** Center a lifting jack of ample capacity (20,000 lbs / 10,000 kg) under the drive chassis between the non-steer tires or tracks.

Models with 4 wheel steer: Place a lifting jack of ample capacity (35,000 lbs / 16000 kg) under each of the steer yokes at the circle-end of the machine.

- 3 Lift the wheels or tracks off the ground and then place jack stands under the drive chassis for support.
- 4 Disengage the drive hubs by turning over the drive hub disconnect caps on each non-steer / circle-end wheel hub.



- 1 brake disengaged position
- 2 brake engaged position

- 5 Manually rotate each non-steer / circle-end wheel.
- ⊙ Result: Each non-steer / circle-end wheel should rotate with minimum effort.

Note: **TraX Models:** Due to the additional components of the track system, which increase rotational friction, the track may not be able to be rotated manually.

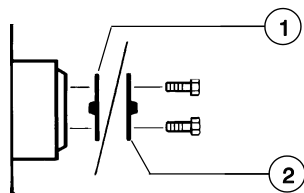
- 6 Re-engage the drive hubs by turning over the hub disconnect caps. Rotate each wheel or track to check for engagement. Lift the machine and remove the jack stands.

⚠ WARNING Collision hazard. Failure to re-engage the drive hubs could result in death or serious injury and property damage.

Steer or Square-end wheels: 4WD Models

- 7 Chock the non-steer / circle-end wheels or tracks to prevent the machine from rolling.
- 8 **Models with 2 wheel steer:** Center a lifting jack of ample capacity (20,000 lbs / 10,000 kg) under the drive chassis between the steer tires.

Models with 4 wheel steer: Place a lifting jack of ample capacity (35,000 lbs / 16000 kg) under each of the steer yokes at the square-end of the machine.
- 9 Lift the wheels or tracks off the ground and then place jack stands under the drive chassis for support.
- 10 Disengage the drive hubs by turning over the drive hub disconnect caps on each steer / square-end wheel hub.



- 1 brake disengaged position
- 2 brake engaged position

- 11 Manually rotate each steer / square-end wheel or track.
- ⦿ Result: Each steer / square-end wheel or track should rotate with minimum effort.

Note: **TraX Models:** Due to the additional components of the track system, which increase rotational friction, the track may not be able to be rotated manually.

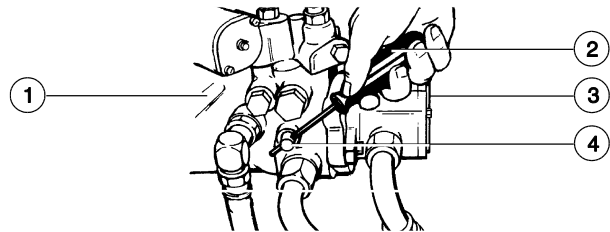
- 12 Re-engage the drive hubs by turning over the hub disconnect caps. Rotate each wheel or track to check for engagement. Raise the machine, remove the jack stands and lower the machine.

WARNING Collision hazard. Failure to re-engage the drive hubs could result in death or serious injury and property damage.

Models with Hydraulic Pump free-wheel valve:

- 13 Be sure the free-wheel valve on the drive pump is closed (clockwise).

Note: The free-wheel valve should always remain closed.



- 1 drive pump
- 2 screwdriver
- 3 lift pump
- 4 free-wheel valve

Note: The location of the free-wheel valve may vary by model.

P2-5 Check the Boom Wear Pads



Genie requires that this procedure be performed every 2000 hours.

Maintaining the boom wear pads in good condition is essential to safe machine operation. Wear pads are placed on boom tube surfaces to provide a low friction, replaceable wear pad between moving parts. Improperly shimmed wear pads or continued use of extremely worn wear pads may result in component damage and unsafe operating conditions.

- 1 Measure each wear pad. Replace the wear pad once it reaches the minimum allowable thickness. If the wear pad is still within specification, shim as necessary to obtain minimum clearance with zero binding.
- 2 Extend and retract the boom through the entire range of motion to check for tight spots that may cause binding or scraping of the boom.

Note: Always maintain squareness between the outer and inner boom tubes.

S-40, S-45, S-40HF, S-45HF, S-40XC, S45XC, S-60, S-65, S-60HF, S-65HF, S-60J, S-60X, S-60XC, S-65XC

Boom wear pad specifications	Minimum
Top and side wear pads (platform end of boom)	0.50 inch 12,7 mm
Bottom wear pads (platform end of boom)	0.625 inch 15,9 mm
Top and side wear pads (pivot end of boom)	0.50 inch 12,7 mm
Bottom wear pads (pivot end of boom)	0.625 inch 15,9 mm

S-80, S-85, S-80HF, S-85HF, S-80X, S-80XC, S-85XC

Boom wear pad specifications	
Boom number one	Minimum
Bottom wear pads (extension end of boom)	0.50 inch 12,7 mm
Top and side wear pads (extension end of boom)	0.625 inch 15,9 mm
Boom number two	
Top, bottom and side wear pads (extension end of boom)	0.50 inch 12,7 mm
Bottom wear pads (pivot end of boom)	0.50 inch 12,7 mm
Top and side wear pads (pivot end of boom)	0.625 inch 15,9 mm
Boom number three	
Top, bottom and side wear pads (pivot end of boom)	0.50 inch 12,7 mm

S-100, S-105, S-120, S-125, S-100HD, S-120HD

Boom wear pad specifications	Minimum
	0.50 inch 12,7 mm

SX-105XC, SX-125XC, SX-135XC, SX-150, SX-180

Primary boom wear pad specifications	Minimum
Platform end	
Bottom and side wear pads	0.63 in 16 mm
Top wear pads (SX105XC, SX125XC, SX135XC #1 to #2) (SX150, SX180 #1 to #2; #2 to #3) (SX125XC, SX180 #0 to #1)	0.35 in 9 mm
Top wear pads (SX105XC, SX125XC, SX135XC #2 to #3)	0.63 in 16 mm
Top wear pads (SX150, SX180 #3 to #4)	0.47 in 12 mm
Pivot end	
Top wear pads	0.63 in 16 mm
Side wear pads	0.47 in 12 mm

Z-30/20N (RJ), Z-34/22N, Z-34/22DC

Models without rotating jib boom	
Primary boom wear pad specifications	Minimum
Top, bottom and side wear pads (extension end of boom)	0.625 inch 15,9 mm
Bottom and side wear pads (pivot end of boom)	0.625 inch 15,9 mm
Top wear pads (pivot end of boom)	0.375 inch 9,5 mm
Models with rotating jib boom	
All wear pads	0.375 inch 9,5 mm

Z-33/18

Primary boom wear pad specifications	Minimum
Top wear pads (platform end of boom)	0.6875 inch 17,46 mm
Side wear pads (platform end of boom)	0.5625 inch 14,29 mm
Bottom wear pads (platform end of boom)	0.625 inch 15,9 mm
Top and side wear pads (pivot end of boom)	0.69 inch 17,46 mm
Bottom wear pads (pivot end of boom)	0.81 inch 20,64 mm

Z-34/22 IC, Z-34/22 Bi-Energy

Primary boom wear pad specifications	Minimum
Top, bottom and side wear pads (platform end of boom)	0.625 inch 15,9 mm
Bottom wear pads (pivot end of boom)	0.50 inch 12,7 mm
Top wear pads (pivot end of boom)	0.625 inch 15,9 mm
Side wear pads (pivot end of boom)	0.375 inch 9,5 mm

Z-40/23N (RJ)

Primary boom wear pad specifications	Minimum
Top and side wear pads (platform end of boom)	0.625 inch 15,9 mm
Bottom wear pads (platform end of boom)	0.375 inch 9,5 mm
Top, bottom and side wear pads (platform end of boom)	0.375 inch 9,5 mm

Z-45/25 (J) IC, BE, DC, Z-45 DC/FE, Z-45XC, Z-51/30J

Primary boom wear pad specifications	Minimum
Top, bottom and side wear pads (platform end of boom)	0.625 inch 15,9 mm
Bottom and side wear pads (pivot end of boom)	0.50 inch 12,7 mm
Top wear pads (pivot end of boom)	0.625 inch 15,9 mm

Z-60 DC/FE, Z-62

Primary boom wear pad specifications	Minimum
Top and side wear pads	0.486 inch 12,3 mm
Side wear pads	0.519 inch 13,2 mm

Z-80/60

Boom wear pad specifications	Minimum
Primary Boom	
Top, bottom and side wear pads	0.625 inch 15,9 mm
Primary and secondary extension boom	
Top wear pads	0.625 inch 15,9 mm
Side wear pads	0.50 inch 12,7 mm
Secondary Boom	
Top wear pads	0.50 inch 12,7 mm
Bottom and side wear pads	0.875 inch 22,22 mm

Z-135/70, ZX-135/70

Note: The minimum shim clearance for the secondary boom wear pads is 0.070 inch / 1,8 mm and the maximum allowable shim clearance is 0.25 inch / 6,4 mm.

Note: The minimum shim clearance for the jib boom and primary boom wear pads is 0.070 inch / 1,8 mm and the maximum allowable shim clearance is 0.188 inch / 4,8 mm.

Primary boom wear pad specifications	Minimum
Top, bottom and side wear pads (platform end of boom)	0.625 inch 15,9 mm
Top and side wear pads (pivot end of boom)	0.50 inch 12,7 mm
Side wear pads (pivot end of boom)	0.375 inch 9,5 mm
Secondary boom wear pad specifications	
Top wear pads (extension end of boom)	0.375 inch 9,5 mm
Side wear pads (extension end of boom)	0.50 inch 12,7 mm
Bottom wear pads (extension end of boom)	7/8 inch 22 mm
Top and bottom wear pads (pivot end of boom)	0.625 inch 15,9 mm
Side wear pads (pivot end of boom)	0.50 inch 12,7 mm
Jib boom wear pad specifications	
Bottom and side wear pads (platform end of boom)	0.625 inch 15,9 mm
Top wear pads (platform end of boom)	0.50 inch 12,7 mm
Top and side wear pads (pivot end of boom)	0.375 inch 9,5 mm
Bottom wear pads (pivot end of boom)	0.625 inch 15,9 mm

P2-6 Check the Extendable Axle Wear Pads - S-100, S-105, S-120, S-125, S-100HD and S-120HD



Genie requires that this procedure be performed every 2000 hours.

Maintaining the axle wear pads in good condition is essential to safe machine operation. Wear pads are placed on axle tube surfaces to provide a low friction, replaceable wear pad between moving parts. Improperly shimmed wear pads or continued use of worn out wear pads may result in component damage and unsafe operating conditions.

Note: Be sure that the axles are fully extended before attempting this procedure.

- 1 Measure each wear pad.

Wear pad specifications	Minimum
Top, side and bottom wear pads	0.437 inch 1,12 mm

- 2 Replace any wear pad if it is less than specification. If a wear pad is not less than specification, shim as necessary to obtain minimum clearance and no drag.

Note: If the wear pads are still within specification. Refer to Repair Procedure in the appropriate Service and Repair Manual for your machine, *How to Shim the Extendable Axles*.

Note: If any wear pads are replaced, refer to Repair Procedure in the appropriate Service and Repair Manual for your machine, *Grease the Extendable Axles*.

- 3 Extend and retract the axles through the entire range of motion to check for tight spots that may cause binding or scraping of the axle tubes.

Note: Always maintain squareness between the outer and inner axle tubes.

P2-7 Check the Turntable Rotation Gear Backlash - ALC1000 Models

Genie requires that this procedure be performed every 2000 hours.

Properly adjusted turntable rotation gear backlash is essential for good machine performance and service life. Improperly adjusted turntable rotation gear backlash will cause the machine to perform poorly and continued use will cause component damage. The turntable rotation drive hubs are mounted on an adjustable plate on the swing chassis behind the fixed side cover at the ground controls side of the machine.

This procedure does not apply to the Z-60/80 models.

Note: Perform this procedure with the machine fully stowed and the counterweight at the square end of the machine.

Note: Perform this procedure with the machine on a firm, level surface that is free of obstructions.

- 1 Rotate the turntable until the boom is centered between the circle end wheels.
- 2 Apply approximately 20 lbs / 89 N of side force to the platform, moving the platform to one side as far as it will go.
- 3 Using a feeler gauge, measure the gap between the swing hub pinion gear and the turntable rotation bearing at the center tooth on one of the drive hubs. The gap should be measured on one side of the pinion gear on the center tooth.

Note: The pinion gear can be accessed on the outside of the chassis under the pinion gear guard.

S-100, S-100HD, S-105, S-120, S-120HD and S-125

- ⦿ Result: The gap is between 0.010 inch / 0,254 mm and 0.022 inch / 0,559 mm. The backlash is within tolerance.
- ⊗ Result: The gap is less than 0.010 inch / 0,254 mm or more than 0.022 inch / 0,559 mm. The backlash needs to be adjusted. Refer to Repair Procedure in the appropriate Service and Repair Manual for your machine, *How to Adjust the Turntable Rotation Gear Backlash*.

SX-150 and SX-180

- ⦿ Result: The gap is between 0.016 inch / 0,406 mm and 0.024 inch / 0,62 mm. The backlash is within tolerance.
- ⊗ Result: The gap is less than 0.016 inch / 0,406 mm or more than 0.024 inch / 0,62 mm. The backlash needs to be adjusted. Refer to Repair Procedure in the appropriate Service and Repair Manual for your machine, *How to Adjust the Turntable Rotation Gear Backlash*.

SX-105 XC, SX-125 XC, SX-135XC, Z-135/70 and ZX-135/70

- ⦿ Result: The gap is between 0.013 inch / 0,33 mm and 0.023 inch / 0,58 mm. The backlash is within tolerance.
 - ⊗ Result: The gap is less than 0.013 inch / 0,33 mm or more than 0.023 inch / 0,58 mm. The backlash needs to be adjusted. Refer to Repair Procedure in the appropriate Service and Repair Manual for your machine, *How to Adjust the Turntable Rotation Gear Backlash*.
- 4 Repeat the procedure for the other turntable rotation hub.

P2-8**Grease the Steer Axle Wheel Bearings, All 2WD Models (except S-60, S-65, Z-60 DC/FE and Z-62)**

Genie requires that this procedure be performed every 2000 hours.

Perform this procedure more often if dusty conditions exist.

Maintaining the steer axle wheel bearings is essential for safe machine operation and service life. Operating the machine with loose or worn wheel bearings may cause an unsafe operating condition and continued use may result in component damage. Extremely wet or dirty conditions or regular steam cleaning and pressure washing of the machine may require that this procedure be performed more often.

- 1 Loosen the wheel lug nuts. Do not remove them.
 - 2 Block the non-steer wheels, then center a lifting jack under the steer axle.
 - 3 Raise the machine 6 inches / 15 cm and place blocks under the drive chassis for support.
 - 4 Remove the lug nuts. Remove the tire and wheel assembly.
 - 5 Check for wheel bearing wear by attempting to move the wheel hub side to side, then up and down.
- ⦿ Result: There should be no side to side or up and down movement.

Skip to step 10 if there is no movement.

6 Remove the dust cap from the hub.
Remove the cotter pin from the castle nut.

7 Tighten the castle nut to specification, to seat the bearings.

S-40, S-45, Z-45/25 IC, Z-30/20N, Z-34/22N, Z-33/18, Z-34/22 IC	35 ft-lbs 47 Nm
--	----------------------------

Z-34/22 BE, Z-40/23, Z-45/25 DC, Z-45/25 BE	158 ft lbs 214 Nm
--	------------------------------

8 Loosen the castle nut and re-tighten to specification.

S-40, S-45, Z-45/25 IC, Z-30/20N, Z-34/22N, Z-33/18, Z-34/22 IC	8 ft-lbs 11 Nm
--	---------------------------

Z-34/22 BE, Z-40/23, Z-45/25 DC, Z-45/25 BE	35 ft lbs 47 Nm
--	----------------------------

9 Check for wheel bearing wear by attempting to move the wheel hub side to side, then up and down.

⦿ Result: If there is no side to side or up and down movement, continue with step 11 and grease the wheel bearings.

⊗ Result: If there is side to side or up and down movement, continue to step 11 and replace the wheel bearings with new ones.

Note: When replacing a wheel bearing, both the inner and outer bearings, including the pressed-in races, must be replaced.

10 Remove the dust cap from the hub.
Remove the cotter pin from the castle nut.

11 Remove the castle nut.

12 Pull the hub off of the spindle. The washer and outer bearing should fall loose from the hub.

13 Place the hub on a flat surface and gently pry the bearing seal out of the hub. Remove the rear bearing.

14 Pack both bearings with clean, fresh grease.

15 Place the large inner bearing into the rear of the hub.

16 Install a new bearing grease seal into the hub by pressing it evenly into the hub until it is flush.

17 Slide the hub onto the yoke spindle.

NOTICE Component damage hazard.
Do not apply excessive force or damage to the lip of the seal may occur.

18 Place the outer bearing into the hub.

19 Install the washer and castle nut.

20 Tighten the slotted nut to specification, to seat the bearings.

S-40, S-45, Z-45/25 IC, Z-30/20N, Z-34/22N, Z-33/18, Z-34/22 IC	35 ft-lbs 47 Nm
--	----------------------------

Z-34/22 BE, Z-40/23, Z-45/25 DC, Z-45/25 BE	158 ft lbs 214 Nm
--	------------------------------

21 Loosen the castle nut and re-tighten to specification.

S-40, S-45, Z-45/25 IC, Z-30/20N, Z-34/22N, Z-33/18, Z-34/22 IC	8 ft-lbs 11 Nm
--	---------------------------

Z-34/22 BE, Z-40/23, Z-45/25 DC, Z-45/25 BE	35 ft lbs 47 Nm
--	----------------------------

22 Install a new cotter pin. Bend the cotter pin to lock it in.

Note: Always replace the cotter pin with a new one when removing the castle nut or when checking the torque of the castle nut.

23 Install the dust cap, then the tire and wheel assembly. Torque the wheel lug nuts to specification. Refer to Specifications, *Tires and Wheels Specifications*.

P2-9 Grease the Steer Axle Wheel Bearings, 2WD Models - S-60, S-65, Z-60 DC/FE and Z-62



Genie requires that this procedure be performed every 2000 hours.

Perform this procedure more often if dusty conditions exist.

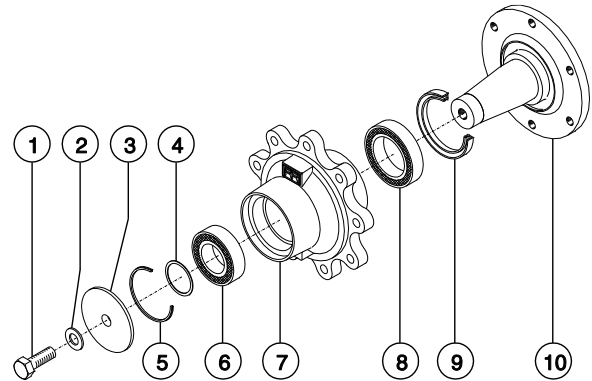
Maintaining the steer axle wheel bearings is essential for safe machine operation and service life. Operating the machine with loose or worn wheel bearings may cause an unsafe operating condition and continued use may result in component damage. Extremely wet or dirty conditions or regular steam cleaning and pressure washing of the machine may require that this procedure be performed more often.

- 1 Loosen the wheel lug nuts. Do not remove them.
- 2 Block the non-steer wheels, then center a lifting jack under the steer axle.
- 3 Raise the machine 6 inches / 15 cm and place blocks under the drive chassis for support.
- 4 Remove the lug nuts. Remove the tire and wheel assembly.

- 5 Check for wheel bearing wear by attempting to move the wheel hub side to side, then up and down.
 - ⦿ Result: If there is no side to side or up and down movement, continue with step 10 and grease the wheel bearings.
 - ⦿ Result: If there is side to side or up and down movement, continue to step 10 and replace the wheel bearings with new ones.

Note: When replacing a wheel bearing, both the inner and outer bearings, including the pressed-in races, must be replaced.

- 6 Remove the cover from the hub.



- 1 retaining fastener
- 2 washer
- 3 cover
- 4 shim
- 5 outer ring
- 6 outer bearing
- 7 hub
- 8 inner bearing
- 9 inner seal
- 10 spindle

- 7 Remove the shims.
- 8 Gently pry the outer ring out of the hub.
- 9 Pull the hub off of the spindle. The outer bearing should fall loose from the hub.
- 10 Place the hub on a flat surface and gently pry the inner oil seal out of the hub. Remove the inner bearing.
- 11 Pack both bearings with clean, fresh grease.
- 12 Place the large inner bearing into the rear of the hub.
- 13 Install a new inner oil seal into the hub by pressing it evenly into the hub until it is flush.
- 14 Slide the hub onto the spindle.

NOTICE Component damage hazard. Do not apply excessive force or damage to the lip of the seal may occur.

- 15 Place the outer bearing into the hub.
- 16 Install the outer ring.
- 17 Install the shims.
- 18 Install the cover and torque the retaining fastener to 383 ft-lbs / 519 Nm.
- 19 Install the tire and wheel assembly. Torque the wheel lug nuts to specification. Refer to Specifications, *Machine Specifications*.

P3-1 Perform Engine Maintenance – 3000 Hours



Engine specifications require that this procedure be performed every 3000 hours.

Required maintenance procedures and additional engine information are available in the manufacturer's manuals. Refer to Specifications, *Engine Operator and Maintenance Manuals*.

Deutz Models

D 2011, TD 2011

- Toothed belt - replace
- Injection valve- replace
- Charge air cooler - clean
- Turbocharger compressor outlet- clean
- V-belt and tensioning pulley - replace

TD 2.2 L3, TCD 2.2 L3, D 2.9 L4, TD 2.9 L4

- V-belt and tensioning pulley - replace

Ford Models

- Coolant filler cap - clean/replace

Perkins Models**403D-11, 403F-11, 404D-22, 404F-22,
404F-22T, 804D, 1104D-44T**

- Water pump - inspect
- Fuel Injector - test/change
- Cooling system coolant (Heavy Duty) - change

403F-11

- Coolant temperature regulator - replace

404F-22, 404F-22T

- Coolant temperature regulator - replace
- Diesel particulate filter - clean
- Glow plugs (ARD combustion) - replace
- Radiator cap - inspect/replace

404F-E22T, 404F-E22TA

- Coolant temperature regulator - replace
- Exhaust gas recirculation valve - clean
- Water pump - inspect
- Cooling system coolant (Heavy Duty) - change

854F-34T

- Alternator - inspect
- Alternator and fan belts - replace
- Diesel particulate filter - clean
- Radiator cap - inspect/replace

Kubota Models**Z482-E, D1105**

- Turbocharger - inspect
- Injection pump - check
- Fuel injection timing - check

D1803

- Turbocharger - inspect
- DPF - clean
- EGR system - check

P4-1 Perform Engine Maintenance – 4000 Hours



Engine specifications require that this procedure be performed every 4000 hours.

Required maintenance procedures and additional engine information are available in the manufacturer's manuals. Refer to Specifications, *Engine Operator and Maintenance Manuals*.

Perkins Models

**404F-E22T, 404F-E22TA, 854F-34T,
1104D-44T**

- Aftercooler core - clean/test

P5-1 Perform Engine Maintenance – 5000 Hours



Engine specifications require that this procedure be performed every 6,000 hours.

Required maintenance procedures and additional engine information are available in the manufacturer's manuals. Refer to Specifications, *Engine Operator and Maintenance Manuals*.

GM 3.0L

- Cooling system coolant - replace

P6-1 Perform Engine Maintenance – 6000 Hours



Engine specifications require that this procedure be performed every 6,000 hours.

Required maintenance procedures and additional engine information are available in the manufacturer's manuals. Refer to Specifications, *Engine Operator and Maintenance Manuals*.

Perkins models

404F-E22T, 404F-E22TA, 1104D-44T

- Cooling system coolant extender (ELC) - add

P12-1 Perform Engine Maintenance – 12000 Hours



Engine specifications require that this procedure be performed every 12000 hours.

Required maintenance procedures and additional engine information are available in the manufacturer's manuals. Refer to Specifications, *Engine Operator and Maintenance Manuals*.

Perkins Models

- Cooling system coolant (ELC) - change

P12-2 Remove and Inspect the Boom Extend/Retract Cables



Genie specifications require that this procedure be performed after 12 years.

Manufacturers specifications require that this procedure be performed by personnel that are competent in cable / wire rope inspection.

Note: If the cables pass inspection and are not replaced, the cables must be removed and inspected every 3 years until all boom cables have been replaced.

Note: Additional or more frequent inspections may be required due to the following:

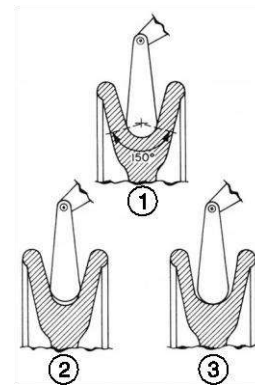
- exposed to hostile or corrosive environmental conditions.
- boom is overloaded
- sustains a shock load
- electrical arcing
- unused for extended periods

The boom extend and retract cables are responsible for the extension and retraction of the boom tubes. Inspection and replacement of the boom extend and retract cables, when required, is essential to good machine performance and safe machine operation. The boom extend and retract functions should operate smoothly and be free of hesitation, jerking and unusual noise.

- 1 Remove the boom extend and retract cables. Refer to the appropriate Service and Repair Manual for repair procedure, *How to Replace the Boom Extend/Retract Cables*.
- 2 Inspect the sheaves for the following:
 - Broken or damaged sheaves
 - Unusual or excessive wear
 - All fasteners in place and secure
 - Bearings are secure
 - Bearings, excessive wear

Note: A groove gauge should be used to check the condition of the sheaves.

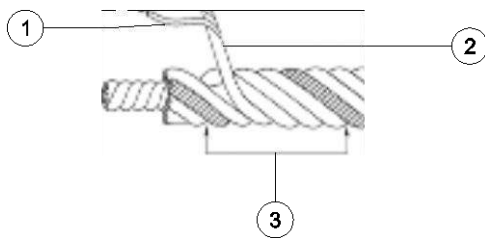
Note: If one or more sheaves require replacement, the sheaves must be replaced as a set.



- 1 good condition
- 2 too tight - replace
- 3 too loose - replace

- 3 Inspect the cables for the following:
- Frayed or broken wire strands
 - Kinks or crushed cables
 - Corrosion
 - Paint or foreign materials on the cable
 - Split or cracked cable ends

Number of broken wires in one rope lay- Replace	
All strands of one rope lay	6
One strand in one rope lay	3

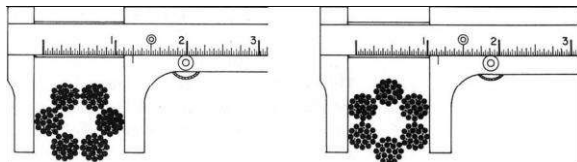


- 1 wire
- 2 strand
- 3 one rope lay

Note: Refer to **Cable Replacement Criteria**.

- Result: The cables are not damaged or show excessive wear. Install the cables and continue use.
 - ☒ Result: The cables are damaged or show excessive wear, the cables must be replaced as a set.
- 4 Inspect the cable diameter. Measure the diameter in multiple locations along the cable.

Note: Calipers will be required to perform this procedure.



correct incorrect

Cable Diameter Specifications		
Model	Nominal Diameter	Minimum Diameter

S-60, S-65, S-60HF, S-65HF, S-60X, S-60XC, S-65XC, S-80, S-85 and S-80X (includes TraX™ models)

Extend	.438 inches 11.13 mm	.416 inches 10.5 mm
Retract	.438 inches 11.13 mm	.416 inches 10.5 mm

S-80HF, S-85HF, S-80XC and S-85XC

Extend	.50 inches 12.7 mm	.475 inches 12 mm
Retract	.438 inches 11.13 mm	.416 inches 10.5 mm

S-100 / 105 / 120 / 125 and SX-125 XC

Extend	.625 inches 15.875 mm	.594 inches 15 mm
Retract	.375 inches 9.5 mm	.357 inches 9 mm

SX-135 XC

Extend	.625 inches 15.875 mm	.594 inches 15 mm
Retract	.50 inches 12.7 mm	.475 inches 12 mm

SX-150 and SX-180

Extend - Boom 3	.625 inches 15.875 mm	.594 inches 15 mm
Retract - Boom 3	.625 inches 15.875 mm	.594 inches 15 mm
Extend - Boom 4	.50 inches 12.7 mm	.475 inches 12 mm
Retract - Boom 4	.50 inches 12.7 mm	.475 inches 12 mm

Note: If any section of the cable is below the minimum diameter, the cables must be replaced as a set.

Cable Replacement Criteria

Note: The cables must be replaced if any condition shown below is observed other than normal wear.

Note The cables must be replaced as a set.



normal wear



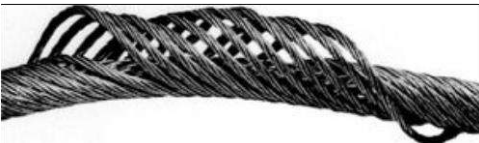
abrasion



broken wires



rust



birdcaging

California Proposition 65



Operating, servicing and maintaining this equipment can expose you to chemicals including engine exhaust, carbon monoxide, phthalates, and lead, which are known to the State of California to cause cancer and birth defects or other reproductive harm. These chemicals can be emitted from or contained in other various parts and systems, fluids and some component wear by-products. To minimize exposure, avoid breathing exhaust, do not idle the engine except as necessary, service your equipment and vehicle in a well-ventilated area and wear gloves or wash your hands frequently when servicing your equipment or vehicle and after operation. For more information go to www.P65Warnings.ca.gov/passenger-vehicle.

Breathing diesel engine exhaust exposes you to chemicals known to the State of California to cause cancer and birth defects or other reproductive harm.

- Always start and operate the engine in a well-ventilated area.
- If in an enclosed area, vent the exhaust to the outside.
- Do not modify or tamper with the exhaust system.
- Do not idle the engine except as necessary.

For more information go to www.P65warnings.ca.gov/diesel.