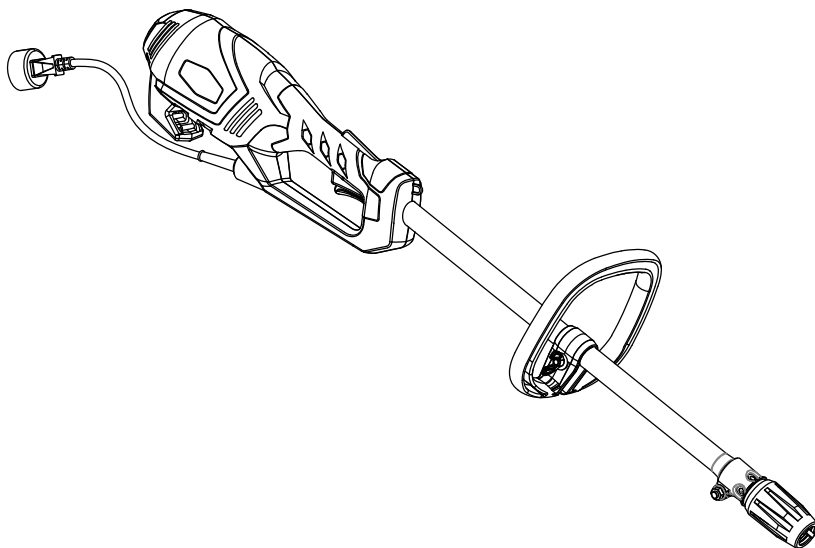

The logo for Greenworks, featuring the brand name in a bold, lowercase, sans-serif font. The text is white and is set against a dark, rounded hexagonal background.

10A ELECTRIC POWER HEAD 21142



Owner's Manual

TOLL-FREE HELPLINE: 1-888-90WORKS (888.909.6757)

 Read all safety rules and instructions carefully before operating this tool.

CONTENTS

Introduction..... 2
General Safety Instruction..... 3-5
Symbols..... 6-7
Electrical..... 8
Features..... 8-9
Assembly..... 9-12
Operation..... 12-16
Maintenance..... 16-17
Troubleshooting..... 17
Warranty..... 18
Exploded view and Part list..... 19-20

SPECIFICATIONS

10A ELECTRIC POWER HEAD

Input.....120V, AC only, 60Hz, 10Amps
Weight 9.9lbs(4.5kg)



GENERAL SAFETY INSTRUCTIONS

WARNING

Read and understand all instructions before using this product. Failure to follow all instructions listed below may result in electric shock, fire and/or serious personal injury. Do not use without guard and handle in place.

READ ALL INSTRUCTIONS

- For safe operation, read and understand all instructions before using this product. Follow all safety instructions. Failure to follow all safety instructions listed below, can result in serious personal injury
 - Do not allow children or untrained individuals to use this unit.
 - Check the work area before each use. Remove all objects such as rocks, broken glass, nails, wire, or string which can be thrown or become entangled in the machine.
 - Use Safety Glasses – Always wear eye protection with side shields marked to comply with ANSI Z87.1. Failure to do so could result in objects being thrown into your eyes, resulting in possible serious injury.
 - Always wear safety glasses with side shields. Everyday glasses have only impact resistant lenses. They are NOT safety glasses. Following this rule will reduce the risk of eye injury. Use face mask if operation is dusty
 - Dress Properly – Use rubber gloves and substantial footwear is recommended when working outdoors. Wear heavy long pants, long sleeves, boots, and gloves. Do not wear loose-fitting clothing, short pants, sandals, jewelry of any kind, or go barefoot.
 - Secure long hair above shoulder level to prevent entanglement in moving parts.
 - Keep children away – Keep all bystanders, children, and pets at least 50 ft. away.
 - Stay alert – Do not operate this unit when you are tired, ill, or under the influence of alcohol, drugs, or medication.
 - Do not operate in poor lighting.
 - Keep all parts of your body away from any moving part.
 - Do not operate power tools in explosive atmospheres, such as in the presence of flammable liquids, gases, or dust. Power tools create sparks which may ignite the dust or fumes.
 - To reduce the risk of electric shock, this tool has a polarized plug (one blade is wider than the other) and will require the use of a polarized extension cord. The plug will fit into a polarized extension cord only one way. If the plug does not fit fully into the extension cord, reverse the plug. If the plug still does not fit, obtain a correct polarized extension cord. A polarized extension cord will require the use of a polarized wall outlet. This plug will fit into the polarized wall outlet only one way. If the plug does not fit fully into the wall outlet, reverse the plug. If the plug still does not fit, contact a qualified electrician to install the proper wall outlet. Do not change the equipment plug, extension cord receptacle, or extension cord plug in any way.
 - Avoid body contact with grounded surfaces such as pipes, radiators, ranges, and refrigerators. There is an increased risk of electric shock if your body is grounded.
 - Avoid Dangerous Environments – Don't expose power tools to rain or wet conditions. Water entering a power tool will increase the risk of electric shock.
-

GENERAL SAFETY INSTRUCTIONS

- Warning – To reduce the risk of electric shock - Use outdoor extension cords marked W-A, W, SW-A, SOW-A, STW-A, STOW-A, SJW-A, SJTW-A, or SJTOW-A. These cords are rated for outdoor use and reduce the risk of electric shock.
- Ground Fault Circuit Interrupter (GFCI) protection should be provided on the circuit(s) or outlet(s) to be used for the gardening appliance. Receptacles are available having built-in GFCI protection and may be used for this measure of safety.
- Use Right Appliance - Do not force tool. Use the correct tool for your application. The correct tool will do the job better and safer at the rate for which it is designed.
- Do not operate the equipment while barefoot or when wearing sandals or similar lightweight footwear. Wear protective footwear that will protect your feet and improve your footing on slippery surfaces.
- Do not use on a ladder or unstable support. Stable footing on a solid surface enables better control of the unit in unexpected situations.
- Do Not Overreach – Keep firm footing and balance. Overreaching can result in loss of balance.
- Avoid Unintentional Starting – Do not carry plugged in appliance with finger on trigger. Be sure the switch trigger is not engaged before plugging in.
- Do not use tool if switch trigger does not turn it on or off. Any tool that cannot be controlled with the switch trigger is dangerous and must be repaired.
- Disconnect Appliance – Remove appliance from power source before storing, servicing, changing accessories such as cutting line. Such preventive safety measures reduce the risk of starting the tool accidentally.
- Use only identical manufacturer's replacement parts and accessories. Use of any other parts may create a hazard or cause product damage.
- Maintain appliance with care – Replace string head if cracked, chipped, or damaged in any way. Be sure the string head is properly installed and securely fastened. Keep cutting edge sharp and clean for best performance and to reduce the risk of injury. Follow instructions for lubricating and changing accessories. Inspect appliance cord periodically, and if damaged, have it repaired by an authorized service facility. Inspect extension cords periodically and replace if damaged. Keep handles dry, clean, and free from oil and grease. Failure to do so can cause serious injury.
- Make sure all guards, straps, deflectors and handles are properly and securely attached.
- Never use flailing devices, wire, or rope on any attachment.
- Use only the manufacturer's replacement string in the cutting head when using a string trimmer attachment. Do not use any other cutting attachment, for example, metal wire, rope, or the like. To install any other brand of cutting head to the string trimmer can result in serious personal injury.
- Never operate unit without the grass deflector in place and in good condition.
- Check damaged parts – Before further use of the tool, a guard or other part that is damaged should be carefully checked to determine that it will operate properly and perform its intended function. Check for alignment of moving parts, binding of moving parts, breakage of parts, mounting and any other conditions that may affect its operation. A guard or other part that is damaged must be properly repaired or replaced by an authorized service center to avoid risk




GENERAL SAFETY INSTRUCTIONS

of personal injury.










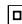
- Maintain a firm grip on both handles while trimming. Keep string head below waist level. Never cut with the string head located over 30 in. or more above the ground.
- Store idle appliances - When not in use, power head should be stored indoors in a dry, locked place out of the reach of children. Do not allow appliance to be used as a toy. Close attention is necessary when used near children.
- Extension Cord - Make sure your extension cord is in good condition. When using an extension cord, be sure to use one heavy enough to carry the current your product will draw. A wire gauge size (A.W.G.) of at least 14 is recommended for an extension cord 50 feet or less in length. A cord exceeding 100 feet is not recommended. If in doubt, use the next heavier gauge. The smaller the gauge number, the heavier the cord. An undersized cord will cause a drop in line voltage resulting in loss of power and overheating.
- Turn off controls before unplugging.
- Keep the air vents clean and free of debris to avoid overheating the motor. Clean after each use.
- Stop the unit and disconnect the power source when not in use. Carry the unit with the motor stopped.
- Store unplugged and out of the reach of children when not in use.
- Do not hang unit so that the switch trigger is depressed.
- Do not use multiple cords.
- Do not abuse the cord – Never carry the unit by the extension cord or yank extension cord to disconnect unit. Keep the cord clear of operator and obstacles at all times. Do not expose cords to heat, oil, water, or sharp edges. Do not handle plug with wet hands.
- If the power supply cord is damaged, it must be replaced only by the manufacturer or by an authorized service center to avoid risk.
- If appliance is not working as it should, has been dropped, damaged, dropped into water, return it to service center.
- Don't grasp the exposed cutting blades or cutting edges when picking up or holding the appliance.
- Don't Force Appliance – It will do the job better and with less likelihood of a risk of injury at the rate for which it was designed.
- When operating the trimmer keep extension cord behind trimmer.
- Do not put any objects into openings. Do not use with any openings blocked, keep free of dust, lint, hair and anything that may reduce air flow.
- Save these instructions. Refer to them frequently and use them to instruct others who may use this power tool. If you loan someone this power tool, loan them these instructions also.

SYMBOLS

The following signal words and meanings are intended to explain the levels of risk associated with this product.

SYMBOL	SIGNAL	MEANING
	DANGER:	Indicates an imminently hazardous situation, which if not avoided, will result in death or serious injury.
	WARNING:	Indicates a potentially hazardous situation, which, if not avoided, could result in death or serious injury.
	CAUTION:	Indicates a potentially hazardous situation, which, if not avoided, may result in minor or moderate injury.
	CAUTION:	(Without Safety Alert Symbol) Indicates a situation that may result in property damage.

Some of the following symbols may be used on this product. Please study them and learn their meaning. Proper interpretation of these symbols will allow you to operate the product better and safer.

SYMBOL	NAME	DESIGNATION/EXPLANATION
	Safety Alert	Indicates a potential personal injury hazard.
	Read The Operator's Manual	To reduce the risk of injury, user must read and understand operator's manual before using this product.
	Head and eye Protection	Always wear eye protection with side shields marked to comply with ANSI Z87.1. Hearing and/or head protection may also be required depending in the attachment's Operator's Manual.
	Wet Conditions Alert	Do not expose to rain or use in damp locations.
	Keep Bystanders Away	Keep all bystanders at least 50 ft. away.
	Ricochet	Thrown objects can ricochet and result in personal injury or property damage.
	No Blade	Do not install or use any type of blade on a product displaying this symbol.
	Alternating Current	Type of current
	Direct Current	Type or a characteristic of current
	Class II Construction	Double-insulated construction

SYMBOLS

Some of the following symbols may be used on this product. Please study them and learn their meaning. Proper interpretation of these symbols will allow you to operate the product better and safer.

SYMBOL	NAME	DESIGNATION/EXPLANATION
V	Volts	Voltage
A	Amperes	Current
Hz	Hertz	Frequency (cycles per second)
W	Watt	Power
min	Minutes	Time

SERVICE

Servicing requires extreme care and knowledge and should be performed only by a qualified service technician. For service we suggest you return the product to your nearest AUTHORIZED SERVICE CENTER for repair. When servicing, use only identical replacement parts.

WARNING

To avoid serious personal injury, do not attempt to use this product until you read thoroughly and understand completely the operator's manual. If you do not understand the warnings and instructions in the operator's manual, do not use this product. Call GREENWORKS customer service for assistance.

WARNING

The operation of any power tool can result in foreign objects being thrown into your eyes, which can result in severe eye damage. Before beginning power tool operation, always wear safety goggles or safety glasses with side shields and, when needed, a full face shield. We recommend Wide Vision Safety Mask for use over eyeglasses or standard safety glasses with side shields. Always use eye protection which is marked to comply with ANSI Z87.1.

SAVE THESE INSTRUCTIONS

ELECTRICAL

EXTENSION CORDS

When using a power tool at a considerable distance from a power source, be sure to use an extension cord that has the capacity to handle the current the product will draw. An undersized cord will cause a drop in line voltage, resulting in overheating and loss of power. Use the chart to determine the minimum wire size required in an extension cord. Only round jacketed cords listed by Underwriter's Laboratories (UL) should be used.

When working outdoors with a product, use an extension cord that is designed for outside use. This type of cord is designated with "W-A" or "W" on the cord's jacket. Before using any extension cord, inspect it for loose or exposed wires and cut or worn insulation.

**Ampere rating (on product data plate)

0-2.0 2.1-3.4 3.5-5.0 5.1-7.0 7.1-12.0 12.1-16.0

Cord Length	Wire Size (A.W.G.)					
	0-2.0	2.1-3.4	3.5-5.0	5.1-7.0	7.1-12.0	12.1-16.0
25'	16	16	16	16	14	14
50'	16	16	16	14	14	12
100'	16	16	14	12	10	—

**Used on 12 gauge - 20 amp circuit.

NOTE: AWG = American Wire Gauge

WARNING

Keep the extension cord clear of the working area. Position the cord so that it will not get caught on lumber, tools, or other obstructions while you are working with a power tool. Failure to do so can result in serious personal injury.

WARNING

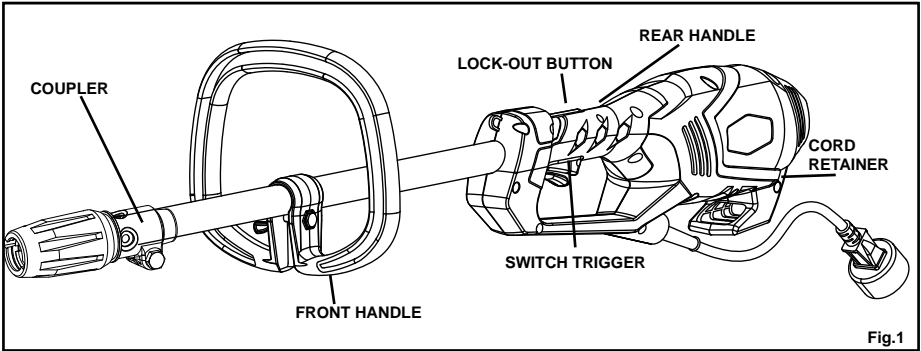
Check extension cords before each use. If damaged replace immediately. Never use the product with a damaged cord since touching the damaged area could cause electrical shock resulting in serious injury.

FEATURES

KNOW YOUR PRODUCT (See Figure 1.)

The safe use of this product requires an understanding of the information on the tool and in this operator's manual as well as a knowledge of the project you are attempting. Before use of this product, familiarize yourself with all operating features and safety rules, in both this manual and the operator's manuals for all attachments that you are using with this power head.

FEATURES



CORD RETAINER

The cord retainer helps prevent accidental unplugging of the extension cord.

LOCK-OUT BUTTON

The lock-out button reduces the possibility of accidental starting.

FRONT HANDLE

The power head is equipped with a front handle assembly for ease of operation and to prevent loss of control.

ASSEMBLY

UNPACKING

This product requires assembly.

- Carefully remove the product and any accessories from the box. Make sure that all items listed in the packing list are included.
- Inspect the product carefully to make sure no breakage or damage occurred during shipping.
- Do not discard the packing material until you have carefully inspected and satisfactorily operated the product.
- If any parts are damaged or missing, please call 1-888-90WORKS for assistance.

⚠ WARNING

Do not use this product if any parts on the packing list are already assembled to your product when you unpack it. Parts on this list are not assembled to the product by the manufacturer and require customer installation. Use of a product that may have been improperly assembled could result in serious personal injury.

ASSEMBLY

PACKING LIST

- Power Head
 - Front Handle with Hardware
 - Operator's Manual
-

WARNING

If any parts are damaged or missing do not operate this product until the parts are replaced. Use of this product with damaged or missing parts could result in serious personal injury.

WARNING

Do not attempt to modify this product or create accessories not recommended for use with this product. Any such alteration or modification is misuse and could result in a hazardous condition leading to possible serious personal injury.

WARNING

Do not connect to power supply until assembly is complete. Failure to comply could result in accidental starting and possible serious personal injury.

INSTALLING AN ATTACHMENT TO THE POWER HEAD(See Figure 2.)

WARNING

Read and understand entire Operator's Manual for each optional attachment used on this power head and follow all warnings and instructions. Failure to follow all instructions may result in electric shock, fire and/or serious personal injury.

WARNING

This electric power head is designed to be only used with the attachment models that are specified in this Operator's Manual. It is not designed to be used with brush cutters or other attachment models. Use of other attachments could cause serious personal injuries or property damage.

WARNING

Never install, remove, or adjust any attachment while power head is running. Failure to stop the motor can cause serious personal injury. Never operate power head without an attachment.

ASSEMBLY

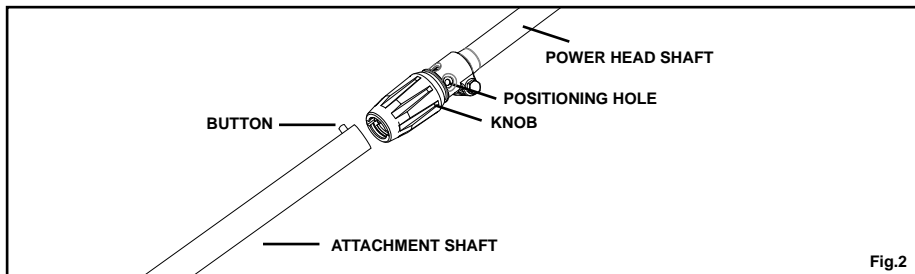


Fig.2

This electric power head may be used with only the following Greenworks, and Ryobi Expand-it attachments.

GW 29402 Straight Shaft String Trimmer, 29017 Hedge Trimmer, 29027 Pole Saw, 29047 Tiller, 29057 brush Cutter, 29067 Blower

RY15518 Edger RY15520 Pruner RY15523 Straight Shaft String Trimmer RY15525 Curved Shaft String Trimmer RY15550 Tiller RY15519 Blower

NOTE: When using string trimmer attachments, use only .080 in. diameter line.

The attachment connects to the power head by means of a coupler device.

- Unplug the power head.
 - Loosen the knob on the coupler and remove the hanger cap from the attachment.
 - Push in the button located on the attachment shaft. Align the button with the guide recess on the power head coupler and slide the two shafts together. Rotate the attachment shaft until the button locks into the positioning hole.
- NOTE:** If the button does not release completely in the positioning hole, the shafts are not locked into place. Slightly rotate from side to side until the button is locked into place.
- Tighten the knob securely.

⚠ WARNING

Be certain the knob is fully tightened before operating equipment; check it periodically for tightness during use to avoid serious personal injury.

ATTACHING THE FRONT HANDLE (See Figure 3.)

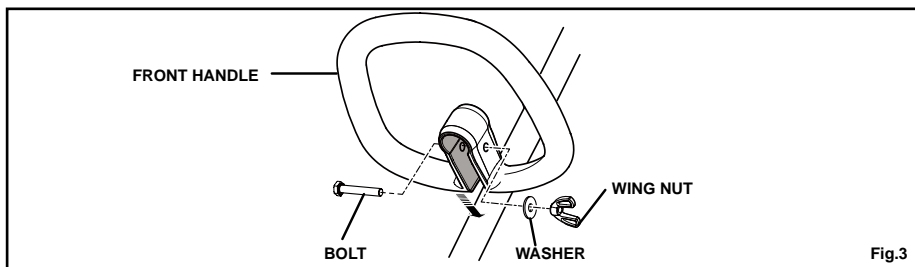


Fig.3

ASSEMBLY

- Unplug the power head.
- Press the front handle onto the power head shaft so that the handle is angled toward the rear handle.
- Place the front handle along the power head shaft to a position that allows for comfortable operation.
- Slide the bolt through the holes in the front handle.
- Slide the washer onto the bolt.
- Place the wing nut onto the bolt and tighten the wing nut securely.

OPERATION

WARNING

Read and understand entire Operator's Manual for each optional attachment used on this power head and follow all warnings and instructions. Failure to follow all instructions may result in electric shock, fire and/or serious personal injury.

WARNING

Do not allow familiarity with product to make you careless. Remember that a careless fraction of a second is sufficient to inflict serious injury.

WARNING

Always wear eye protection with side shields marked to comply with ANSI Z87.1. Hearing and/or head protection may also be required depending on the type of attachment used and as prescribed in the attachment's Operator's Manual. Failure to do so could result in objects being thrown into your eyes and other possible serious injuries.

WARNING

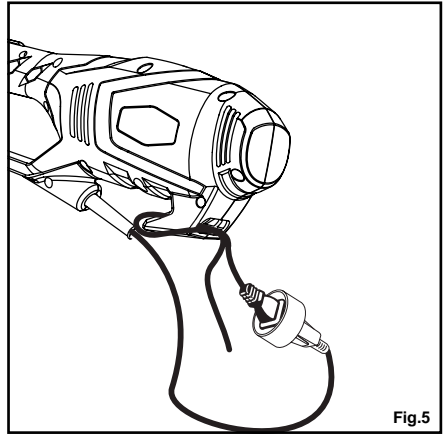
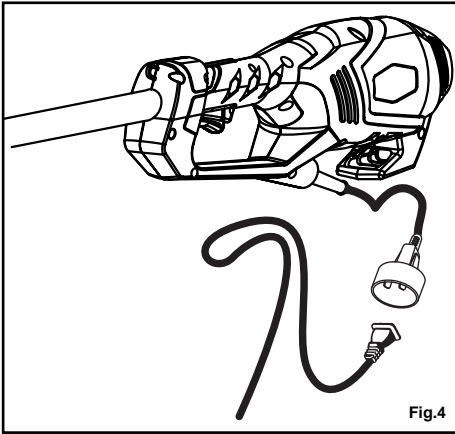
Do not use any attachments or accessories not recommended by the manufacturer of this product. The use of attachments or accessories not recommended can result in serious personal injury.

CONNECTING TO POWER SUPPLY (See Figure 4 -5.)

The power head is designed with a cord retainer that prevents the extension cord from being pulled loose while using.

- Form a loop with the end of the extension cord.
 - Insert loop portion of extension cord through opening in the bottom of the rear handle and place over cord retainer.
 - Slowly pull loop against cord retainer until the slack is removed.
 - Plug power head into extension cord.
-

OPERATION



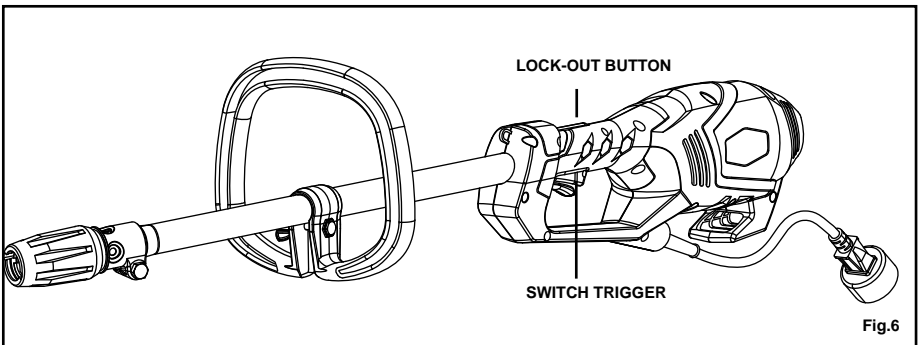
NOTE: Failure to remove all excess cord slack from extension cord retainer could result in plug loosening from receptacle.

LOCK-OUT BUTTON(See Figure 6.)

The lock-out button reduces the possibility of accidental starting. The lock-out button is located on the handle above the switch trigger. The lock-out button must be depressed before you pull the switch trigger. The lock resets each time the trigger is released.

STARTING AND STOPPING THE POWER HEAD(See Figure 6.)

- To start the power head: Depress the lock-out button and squeeze the switch trigger.
- To stop the power head: Release the switch trigger.



OPERATION

OPERATING THE POWER HEAD *(See Figures 7)*

W A R N I N G

Motor housing may become hot during operation. Do not rest or place your arm, hand, or any body part against the motor housing during operation. Only hold the unit as shown in figures 7 - 13 (depending on attachment used) during trimmer operation with all body parts clear of motor housing (or as shown in the applicable attachment Operator's Manual). Extended contact with the motor housing may result in burns or other injuries.

W A R N I N G

Always position the unit on the operator's right side. The use of the unit on the operator's left side will expose the user to hot surfaces and can result in possible burn injury.

W A R N I N G

To avoid burns from hot surfaces, never operate unit with the bottom of the motor above waist level..

Hold the power head with your right hand on the rear handle and your left hand on the front handle. Keep a firm grip with both hands while in operation. Power head should be held at a comfortable position with the rear handle about hip height.

Always operate power head at full throttle. If debris becomes wrapped around the attachment, **RELEASE THE SWITCH TRIGGER**, unplug the unit, and remove the debris.

OPERATION



USE WITH 29402

▲ WARNING

Always hold the power head away from the body keeping clearance between the body and the product. Any contact with the attachment cutting head can result in burns and/or other serious personal injury..

OPERATION

WARNING

Extreme care must be taken when using a blade attachment to ensure safe operation. Read the safety information for safe operation when using a blade attachment and refer to the safety rules and instructions in your attachment manual. Never use a brush cutter attachment with this electric power head. Improper operation of a blade or any attachment could result in serious injury.

MAINTENANCE

WARNING

When servicing, use only identical replacement parts. Use of any other parts may create a hazard or cause product damage.

WARNING

Always wear eye protection with side shields marked to comply with ANSI Z87.1, along with hearing protection. Head protection may also be required depending on the type of attachment used and as prescribed in the attachment's Operator's Manual. Failure to do so could result in objects being thrown into your eyes and other possible serious injuries.

WARNING

Before inspecting, cleaning, or servicing the machine, shut off motor, wait for all moving parts to stop, and disconnect extension cord. Failure to follow these instructions can result in serious personal injury or property damage.

GENERAL MAINTENANCE

Avoid using solvents when cleaning plastic parts. Most plastics are susceptible to damage from various types of commercial solvents and may be damaged by their use. Use clean cloths to remove dirt, dust, lubricant, grease, etc.

WARNING

Do not at any time let brake fluids, gasoline, petroleum-based products, penetrating lubricants, etc., come in contact with plastic parts. Chemicals can damage, weaken or destroy plastic which may result in serious personal injury.

You can often make adjustments and repairs described here. For other repairs, have the power head serviced by an authorized service dealer.

CLEANING THE POWER HEAD

- Stop the motor and disconnect from power supply.
 - Clean dirt and debris from the power head using a damp cloth with a mild detergent.
-

MAINTENANCE

NOTE: Do not use any strong detergents on the plastic housing or the handle. They can be damaged by certain aromatic oils such as pine and lemon, and by solvents such as kerosene.

STORING THE POWER HEAD

- Clean all foreign material from the product.
- Store it in a well-ventilated place that is inaccessible to children.
- Keep away from corrosive agents such as garden chemicals and de-icing salts.

TROUBLESHOOTING

PROBLEM	CAUSE	SOLUTION
Motor fails to start when switch trigger is depressed.	Power cord is not plugged in or connection is loose. Household circuit breaker is tripped.	Plug in the power cord. Check circuit breaker.

LIMITED FOUR-YEAR WARRANTY



GREENWORKS™ hereby warrants this product, to the original purchaser with **proof of purchase**, for a period of four (4) years against defects in materials, parts or workmanship. GREENWORKS™, at its own discretion will repair or replace any and all parts found to be defective, through normal use, free of charge to the customer. This warranty is valid only for units which have been used for personal use that have not been hired or rented for industrial/commercial use, and that have been maintained in accordance with the instructions in the owners' manual supplied with the product from new.

ITEMS NOT COVERED BY WARRANTY:

1. Any part that has become inoperative due to misuse, commercial use, abuse, neglect, accident, improper maintenance, or alteration; or
2. The unit, if it has not been operated and/or maintained in accordance with the owner's manual; or
3. Normal wear, except as noted below;
4. Routine maintenance items such as lubricants, blade sharpening;
5. Normal deterioration of the exterior finish due to use or exposure

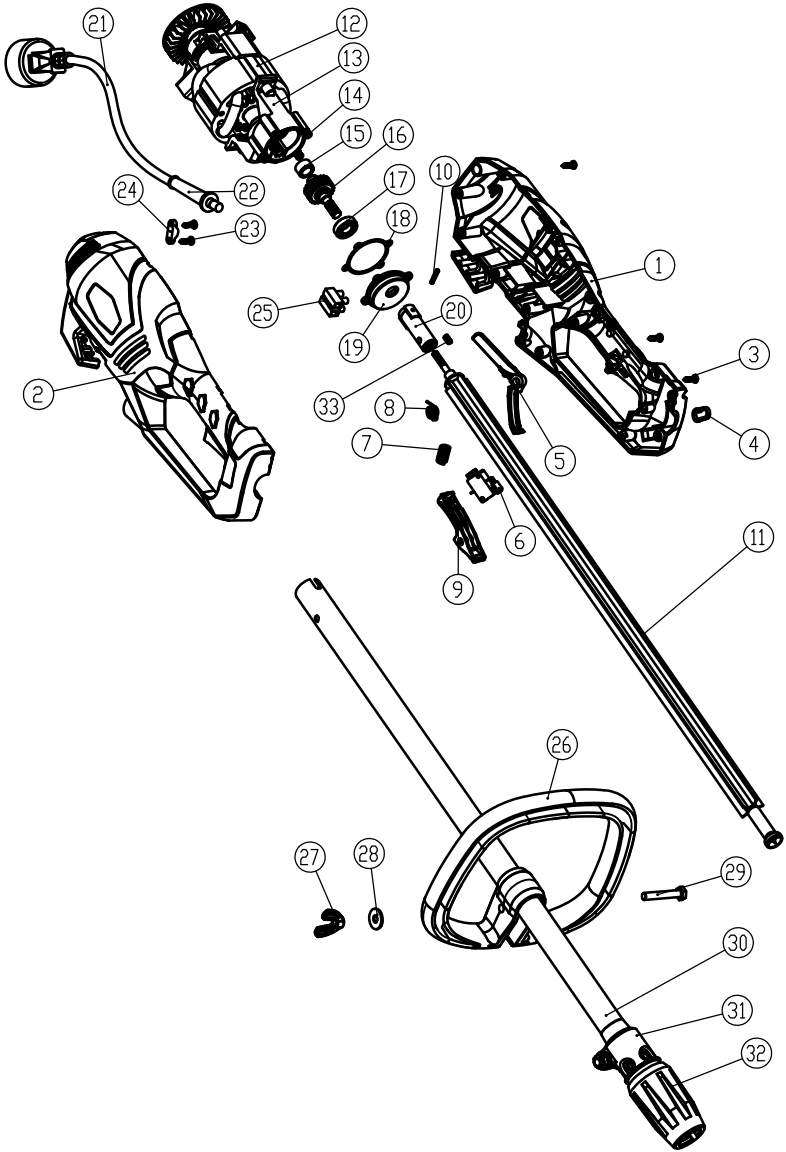
GREENWORKS HELPLINE (1-888-90WORKS):

Warranty service is available by calling our toll-free helpline, 9am to 5pm EST. Monday – Friday at 1-888-909-6757 (1-888-90WORKS).

TRANSPORTATION CHARGES:

Transportation charges for the movement of any power equipment unit or attachment are the responsibility of the purchaser. It is the purchaser's responsibility to pay transportation charges for any part submitted for replacement under this warranty unless such return is requested in writing by GREENWORKS.

EXPLODED VIEW



PART LIST

PartsNum.	Model Num.	Description.	Q'ty.
1	31301524L	Left motor housing	1
2	31301524R	Right motor housing	1
3	3220313	Screw	13
4	33301511	Hook	1
5	34101524	Switch knob	1
6	36301511	Switch	1
7	33904524	Spring	1
8	33901524	Spring	1
9	34102524	Trigger	1
10	33204511	Pin	1
11	33101511	Soft shaft assb.	1
12	36101511B	Motor	1
13	33103511-2	Bracket	1
14	3220205	Screw	4
15	32101511	Bearing	1
16	33201511	Shaft	1
17	3210852	Bearing	1
18	34201511	Gear box sealing cushion	1
19	33104511	Gear box cap	1
20	33102511	Connector	1
21	36401511	AC cable	1
22	34209402	Cord sleeve	1
23	32205302A	Screw	1
24	3410801	Cord clamp	1
25	36404167	Terminal block	1
26	34103511	Assistant handle	1
27	34104511	Cap	1
28	3290608	Washer	1
29	32200178	Bolt	1
30	33109524	Pipe	1
31	34104524	Chuck	1
32	34105524	Collar	1
33	33902511	Spring	1


NOTES

NOTES



TOLL-FREE HELPLINE: 1-888-90WORKS (888.909.6757)

Rev: 00 (07-30-11)

 Printed in China on 100% Recycled Paper