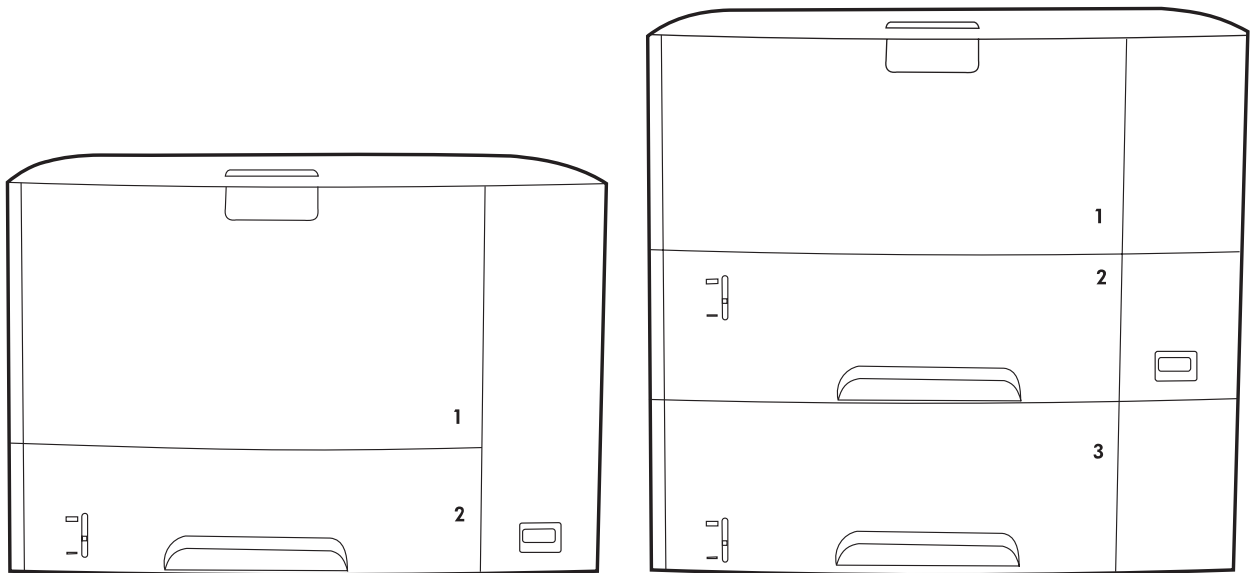


HP LaserJet P3005 Series printers

User Guide



HP LaserJet P3005 Series printers

User Guide



Copyright and License

© 2006 Copyright Hewlett-Packard Development Company, L.P.

Reproduction, adaptation, or translation without prior written permission is prohibited, except as allowed under the copyright laws.

The information contained herein is subject to change without notice.

The only warranties for HP products and services are set forth in the express warranty statements accompanying such products and services. Nothing herein should be construed as constituting an additional warranty. HP shall not be liable for technical or editorial errors or omissions contained herein.

Part number: Q7812-90911

Edition 1, 10/2006

Trademark Credits

Adobe®, Acrobat®, and PostScript® are trademarks of Adobe Systems Incorporated.

Linux is a U.S. registered trademark of Linus Torvalds.

Microsoft®, Windows®, and Windows NT® are U.S. registered trademarks of Microsoft Corporation.

UNIX® is a registered trademark of The Open Group.

ENERGY STAR® and the ENERGY STAR logo® are U.S. registered marks of the United States Environmental Protection Agency.



Table of contents

1 Device basics

Device comparison	2
Features comparison	3
Walkaround	5
Device parts	5
Interface ports	6
Device software	7
Supported operating systems	7
Supported printer drivers	7
Select the correct printer driver	7
Driver Autoconfiguration	8
Update Now	8
HP Driver Preconfiguration	8
Priority for print settings	8
Open the printer drivers	9
Software for Macintosh computers	9
Remove software from Macintosh operating systems	10
Utilities	10
HP Web Jetadmin	10
Embedded Web server	10
HP Easy Printer Care software	11
Supported operating systems	11
Supported browsers	11
Other components and utilities	11

2 Control panel

Overview	14
Control-panel layout	15
Use the control-panel menus	17
Use the menus	17
Show Me How menu	18
Retrieve Job menu	19
Information menu	20
Paper Handling menu	21
Configure Device menu	22
Print submenu	22
Print Quality submenu	24
System Setup submenu	27
I/O submenu	31

Resets submenu	32
Diagnostics menu	33
Service menu	33
Change device-control-panel configuration settings	34
Change control-panel settings	34
Change a control-panel setting	34
Show address	34
Tray-behavior options	35
Sleep Delay	35
Personality	36
Clearable warnings	37
Auto continue	37
Cartridge low	37
Cartridge-out response	38
Jam recovery	38
RAM disk	39
Language	39

3 Input/output (I/O) configuration

Parallel configuration	42
USB configuration	43
Connect the USB cable	43
Network configuration	44
Manually configure TCP/IP parameters from the control panel	44
Set an IPv4 address	44
Set the subnet mask	44
Set the default gateway	45
Disable network protocols (optional)	45
Disable IPX/SPX	46
Disable AppleTalk	46
Disable DLC/LLC	46
Enhanced I/O (EIO) configuration	47
HP Jetdirect EIO print servers	47

4 Media and trays

General guidelines for media	50
Paper to avoid	50
Paper that can damage the device	50
General media specifications	51
Media considerations	52
Envelopes	52
Envelopes with double side seams	52
Envelopes with adhesive strips or flaps	53
Envelope margins	53
Envelope storage	53
Labels	53
Label construction	54
Transparencies	54
Card stock and heavy media	54
Card stock construction	55

Card stock guidelines	55
Letterhead and preprinted forms	55
Select print media	57
Supported media sizes	57
Supported media types	58
Printing and paper-storage environment	59
Load media	60
Load tray 1 (multipurpose tray)	60
Customize tray 1 operation	62
Load tray 2 and optional tray 3	62
Load special media	64
Control print jobs	66
Source	66
Type and Size	66
Select output bins	68
Print to the top output bin	68
Print to the rear output bin	69

5 Print

Use features in the Windows device driver	72
Create and use quick sets	72
Use watermarks	73
Resize documents	73
Set a custom paper size from the printer driver	73
Use different paper and printing covers	74
Print a blank first page	74
Print multiple pages on one sheet of paper	74
Print on both sides of the paper	75
Use automatic duplex printing	76
Print on both sides manually	76
Layout options for printing on both sides	76
Use the Services tab	77
Use features in the Macintosh device driver	78
Create and use presets	78
Print a cover page	78
Print multiple pages on one sheet of paper	79
Print on both sides of the paper	79
Cancel a print job	81
Stop the current print job from the printer control panel	81
Stop the current print job from the software program	81
Manage stored jobs	82

6 Manage and maintain the device

Use information pages	84
Configure e-mail alerts	86
Use the HP Easy Printer Care software	87
Open the HP Easy Printer Care software	87
HP Easy Printer Care software sections	87
Use the embedded Web server	89
Open the embedded Web server by using a network connection	89

Embedded Web server sections	89
Use HP Web Jetadmin software	92
Use the HP Printer Utility for Macintosh	93
Open the HP Printer Utility	93
HP Printer Utility features	93
Manage supplies	95
Supplies life	95
Approximate print-cartridge replacement intervals	95
Manage the print cartridge	95
Print-cartridge storage	95
Use genuine HP print cartridges	95
HP policy on non-HP print cartridges	95
Print-cartridge authentication	96
HP fraud hotline and Web site	96
Replace supplies and parts	97
Supply replacement guidelines	97
Change the print cartridge	97
Clean the device	100
Clean the exterior	100
Clean the paper path	100

7 Problem solving

Problem-solving checklist	102
Factors that affect device performance	102
Problem-solving flowchart	103
Step 1: Does READY appear on the control-panel display?	103
Step 2: Can you print a configuration page?	103
Step 3: Can you print from a program?	104
Step 4: Does the job print as expected?	105
Step 5: Does the device select the trays?	106
Solve general print problems	108
Control-panel message types	111
Control-panel messages	112
Common causes of jams	127
Jam locations	128
Jam recovery	128
Clear jams	129
Clear jams from the input-tray areas	129
Clear jams from the print-cartridge area	130
Clear jams from the output-bin areas	131
Clear jams from the optional duplexer	133
Solve repeated jams	134
Solve print-quality problems	136
Print-quality problems associated with media	136
Print-quality problems associated with the environment	136
Print-quality problems associated with jams	136
Image defect examples	136
Light print (partial page)	138
Light print (entire page)	138
Specks	138

Dropouts	139
Lines	139
Gray background	140
Toner smear	140
Loose toner	141
Repeat defects	141
Repeat image	142
Misformed characters	142
Page skew	142
Curl or wave	143
Wrinkles or creases	143
Vertical white lines	144
Tire tracks	144
White spots on black	145
Scattered lines	145
Blurred print	146
Random image repetition	146
Solve network print problems	148
Solve common Windows problems	149
Solve common Macintosh problems	150
Solve Linux problems	152
Solve common PostScript problems	153
General problems	153

Appendix A Supplies and accessories

Order parts, accessories, and supplies	156
Order directly from HP	156
Order through service or support providers	156
Order directly through the embedded Web server (for devices that are connected to a network)	156
Order through the embedded Web server	156
Order directly through the HP Easy Printer Care software (for devices that are directly connected to a computer)	156
Part numbers	157
Paper-handling accessories	157
Print cartridge	157
Memory	157
Cables and interfaces	157
Print media	158

Appendix B Service and support

Hewlett-Packard limited warranty statement	161
Print cartridge limited warranty statement	162
HP Customer Care	163
Online Services	163
Telephone support	163
Software utilities, drivers, and electronic information	163
HP direct ordering for accessories or supplies	163
HP service information	163
HP service agreements	163

HP Easy Printer Care software	164
HP support and information for Macintosh computers	164
HP maintenance agreements	165
On-site service agreements	165
Next-day on-site service	165
Weekly (volume) on-site service	165
Repacking the device	165
Extended warranty	166

Appendix C Specifications

Physical specifications	168
Electrical specifications	169
Acoustic specifications	169
Operating environment	170

Appendix D Regulatory information

FCC regulations	172
Environmental product stewardship program	173
Protecting the environment	173
Ozone production	173
Power consumption	173
Toner consumption	173
Paper use	173
Plastics	173
HP LaserJet print supplies	173
HP print supplies returns and recycling program information	174
Paper	174
Material restrictions	174
Disposal of waste equipment by users in private households in the European Union	175
Material Safety Data Sheet (MSDS)	175
For more information	175
Declaration of conformity	177
Declaration of conformity	177
Safety statements	178
Laser safety	178
Canadian DOC regulations	178
VCCI statement (Japan)	178
Power cord statement (Japan)	178
EMI statement (Korea)	178
Laser statement for Finland	178

Appendix E Work with memory and print server cards

Overview	182
Install memory	183
Install device memory	183
Check DIMM installation	187
Save resources (permanent resources)	188
Enable memory for Windows	189

Use HP Jetdirect print server cards	190
Install an HP Jetdirect print server card	190
Remove an HP Jetdirect print server card	191

Glossary	193
-----------------------	------------

Index	195
--------------------	------------

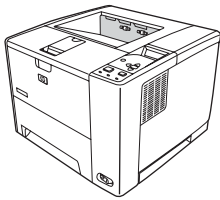
1 Device basics

Now that the device is set up and ready to use, take a few moments to familiarize yourself with the device. This chapter contains basic information about the device features:

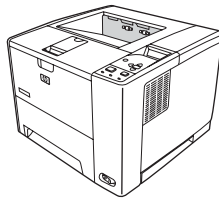
- [Device comparison](#)
- [Features comparison](#)
- [Walkaround](#)
- [Device software](#)

Device comparison

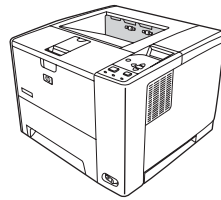
HP LaserJet P3005



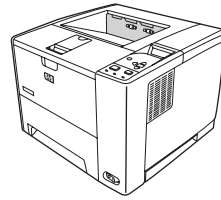
HP LaserJet P3005d



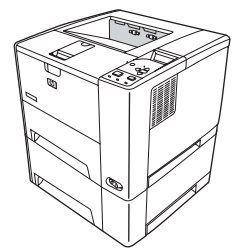
HP LaserJet P3005n



HP LaserJet P3005dn



HP LaserJet P3005x



- Prints up to 35 pages-per-minute (ppm) on letter-sized media, and up to 33 ppm on A4-sized media
- 48 megabytes (MB) total of random access memory (RAM)
- 100-sheet multipurpose tray (tray 1), 500-sheet input tray (tray 2), and 250-sheet output bin
- Hi-Speed universal serial bus (USB) 2.0 port
- One open dual inline memory module (DIMM) slot
- Enhanced input/output (EIO) slot
- IEEE 1284B-compliant parallel connection port (not available on network-connected models)

HP LaserJet P3005, plus:

- Automatic two-sided printing accessory
- 64 MB total RAM
- IEEE 1284B-compliant parallel connection port

HP LaserJet P3005, plus:

- HP Jetdirect full-featured embedded print server to connect to 10Base-T/100Base-TX networks
- 80 MB total RAM

HP LaserJet P3005, plus:

- Automatic two-sided printing accessory
- HP Jetdirect full-featured embedded print server to connect to 10Base-T/100Base-TX networks
- 80 MB total RAM

HP LaserJet P3005, plus:

- 500-sheet input tray (tray 3)
- Automatic two-sided printing accessory
- HP Jetdirect full-featured embedded print server to connect to 10Base-T/100Base-TX networks
- 80 MB total RAM

Features comparison

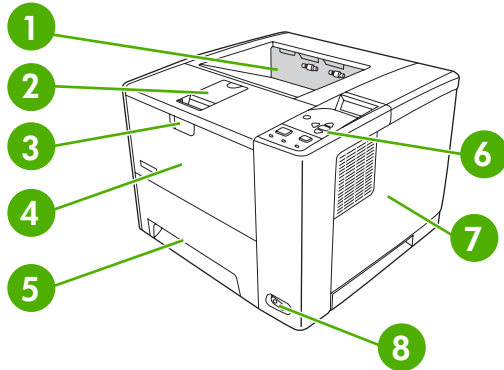
Feature	Description
Performance	<ul style="list-style-type: none"> 400 MHz processor
User interface	<ul style="list-style-type: none"> Control-panel help HP Easy Printer Care software (a Web-based status and problem-solving tool) Windows® and Macintosh printer drivers Embedded Web server to access support and order supplies (for network-connected models only)
Printer drivers	<ul style="list-style-type: none"> HP PCL 5 HP PCL 6 HP postscript level 3 emulation
Resolution	<ul style="list-style-type: none"> FastRes 1200—produces 1200-dots-per-inch (dpi) print quality for fast, high-quality printing of business text and graphics ProRes 1200—produces 1200-dpi printing for the best quality in line art and graphic images
Storage features	<ul style="list-style-type: none"> Fonts, forms, and other macros Job retention
Fonts	<ul style="list-style-type: none"> 93 internal scalable fonts available for PCL and HP postscript 3 emulation 80 device-matching screen fonts in TrueType format available with the software solution Additional fonts can be added through the host USB ports
Accessories	<ul style="list-style-type: none"> Optional 500-sheet input tray (tray 3) (available for all models except HP LaserJet P3005x) Automatic duplexer (available only on models HP LaserJet P3005d, HP LaserJet P3005dn, and HP LaserJet P3005x) 144-pin 133 MHz dual inline memory module (DIMM)
Connectivity	<ul style="list-style-type: none"> Hi-Speed USB 2.0 connection HP Jetdirect full-featured embedded print server (available only on models HP LaserJet P3005n, HP LaserJet P3005dn, and HP LaserJet P3005x) IEEE-1284 compliant parallel port (available only on models HP LaserJet P3005 and HP LaserJet P3005d) HP Web Jetadmin software Enhanced input/output (EIO) slot
Environmental features	<ul style="list-style-type: none"> Sleep mode ENERGY STAR® qualified

Feature	Description
Supplies	<ul style="list-style-type: none"><li data-bbox="512 224 1430 275">● The supplies status page contains information about toner level, page count, and estimated pages remaining.<li data-bbox="512 302 1203 325">● The device checks for an authentic HP print cartridge at installation.<li data-bbox="512 352 1353 380">● Internet-enabled supply-ordering capabilities (using HP Easy Printer Care software)
Accessibility	<ul style="list-style-type: none"><li data-bbox="512 401 1139 424">● The online user guide is compatible with text screen-readers.<li data-bbox="512 451 1209 474">● The print cartridge can be installed and removed by using one hand.<li data-bbox="512 501 1090 525">● All doors and covers can be opened by using one hand.<li data-bbox="512 552 1027 577">● Media can be loaded in tray 1 by using one hand.

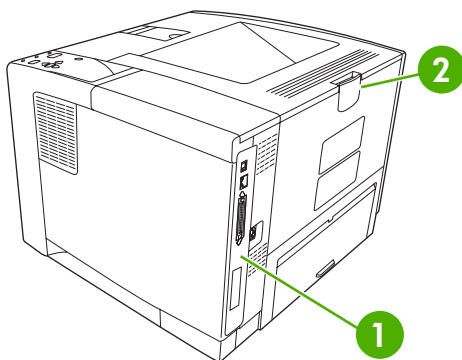
Walkaround

Device parts

Before using the device, familiarize yourself with the parts of the device.



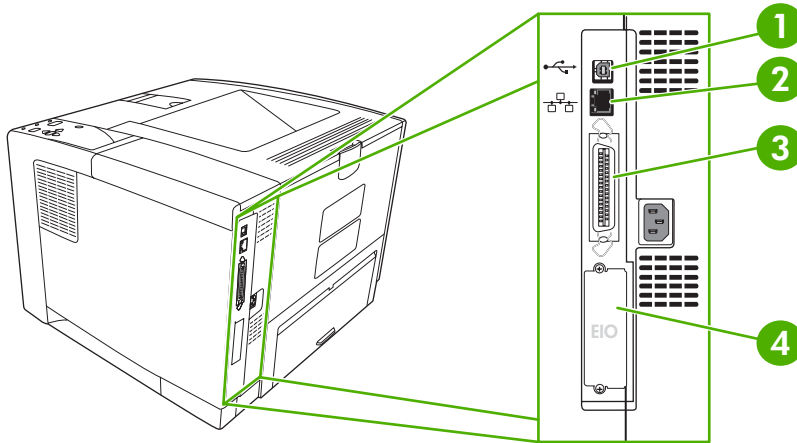
1	Top output bin
2	Long-media extension
3	Latch to open the front cover (provides access to the print cartridge)
4	Tray 1 (pull to open)
5	Tray 2
6	Control panel
7	Right-side cover (provides access to DIMMs)
8	On/off switch



1	Interface ports (see Interface ports)
2	Rear output bin (pull to open)

Interface ports

The device has one EIO slot and three ports for connecting to a computer or a network.



- | | |
|---|--|
| 1 | Type B Hi-Speed USB 2.0 connection |
| 2 | RJ.45 Network connection (available only on models P3005n, P3005dn, and P3005x) |
| 3 | IEEE 1284B-compliant parallel connection (available only on models P3005 and P3005d) |
| 4 | EIO slot |

Device software

The printing-system software is included with the device. See the getting started guide for installation instructions.

The printing system includes software for end users and network administrators, and printer drivers for access to the device features and communication with the computer.



NOTE For a list of printer drivers and updated HP device software, go to www.hp.com/go/LJP3005_software.

Supported operating systems

The device supports the following operating systems:

Full software installation

- Windows XP (32-bit)
- Windows 2000
- Mac OS X V10.2 and later

Printer driver only

- Windows 98 SE
- Windows Millennium Edition (Me)
- Windows Server 2003
- Windows XP (64-bit)
- Linux

Supported printer drivers

Operating system ¹	PCL 5	PCL 6	PS level 3 emulation
Windows ^{2,3}	✓	✓	✓
Mac OS X V10.2 and later			✓
Linux ⁴			✓

¹ Not all device features are available from all drivers or operating systems.

² For Windows 2000 and Windows XP (32-bit and 64-bit), download the PCL 5 driver from www.hp.com/go/LJP3005_software.

³ For Windows XP (64-bit), download the PCL 6 driver from www.hp.com/go/LJP3005_software.

⁴ For Linux, download the postscript level 3 emulation driver from www.hp.com/go/linuxprinting.

The printer drivers include online Help that has instructions for common printing tasks and also describes the buttons, checkboxes, and drop-down lists that are in the printer driver.

Select the correct printer driver

Printer drivers allow you to gain access to the device features and allow the computer to communicate with the device (using a device language). Check the installation notes and readme files on the device CD for additional software and languages.

The HP LaserJet P3005 printer uses the PCL 5, PCL 6, and HP postscript level 3 emulation printer description language (PDL) drivers.

- Use the PCL 6 printer driver for the best overall performance.
- Use the PCL 5 printer driver for general office printing.
- Use the PS driver for printing from HP postscript-based programs, for compatibility with HP postscript Level 3 needs, or for PS flash font support.

Driver Autoconfiguration

The HP LaserJet PCL 5, PCL 6, and PS level 3 emulation drivers for Windows 2000 and Windows XP feature automatic discovery and driver configuration for device accessories at the time of installation. Some accessories that the Driver Autoconfiguration supports are the duplexing unit, optional paper trays, and dual inline memory modules (DIMMs).

Update Now

If you have modified the device configuration since installation, the driver can be automatically updated with the new configuration. In the **Properties** dialog box (see [Open the printer drivers](#)), on the **Device Settings** tab, click the **Update Now** button to update the driver.

HP Driver Preconfiguration

HP Driver Preconfiguration is a software architecture and set of tools that you can use to customize and distribute HP software in managed corporate printing environments. Using HP Driver Preconfiguration, information technology (IT) administrators can preconfigure the printing and default settings for HP printer drivers before installing the drivers in the network environment. For more information, see the *HP Driver Preconfiguration Support Guide*, which is available at www.hp.com/go/hpdpc_sw.

Priority for print settings

Changes to print settings are prioritized depending on where the changes are made:



NOTE The names of commands and dialog boxes might vary depending on your software program.

- **Page Setup dialog box:** Click **Page Setup** or a similar command on the **File** menu of the program you are working in to open this dialog box. Settings changed here override settings changed anywhere else.
- **Print dialog box:** Click **Print**, **Print Setup**, or a similar command on the **File** menu of the program you are working in to open this dialog box. Settings changed in the **Print** dialog box have a lower priority and do *not* override changes made in the **Page Setup** dialog box.
- **Printer Properties dialog box (printer driver):** Click **Properties** in the **Print** dialog box to open the printer driver. Settings changed in the **Printer Properties** dialog box do not override settings anywhere else in the printing software.
- **Default printer driver settings:** The default printer driver settings determine the settings used in all print jobs, *unless* settings are changed in the **Page Setup**, **Print**, or **Printer Properties** dialog boxes.
- **Printer control panel settings:** Settings changed at the printer control panel have a lower priority than changes made anywhere else.

Open the printer drivers

Operating System	To change the settings for all print jobs until the software program is closed	To change the default settings for all print jobs	To change the product configuration settings
Windows 98 and Me	<ol style="list-style-type: none"> 1. On the File menu in the software program, click Print. 2. Select the driver, and then click Properties. <p>The steps can vary; this procedure is most common.</p>	<ol style="list-style-type: none"> 1. Click Start, Settings, and then Printers. 2. Right-click the driver icon, and then select Properties. 	<ol style="list-style-type: none"> 1. Click Start, Settings, and then Printers. 2. Right-click the driver icon, and then select Properties. 3. Click the Configure tab.
Windows 2000, XP, and Server 2003	<ol style="list-style-type: none"> 1. On the File menu in the software program, click Print. 2. Select the driver, and then click Properties or Preferences. <p>The steps can vary; this procedure is most common.</p>	<ol style="list-style-type: none"> 1. Click Start, Settings, and then Printers or Printers and Faxes. 2. Right-click the driver icon, and then select Printing Preferences. 	<ol style="list-style-type: none"> 1. Click Start, Settings, and then Printers or Printers and Faxes. 2. Right-click the driver icon, and then select Properties. 3. Click the Device Settings tab.
Mac OS X V10.2 or later	<ol style="list-style-type: none"> 1. On the File menu, click Print. 2. Change the settings that you want on the various pop-up menus. 	<ol style="list-style-type: none"> 1. On the File menu, click Print. 2. Change the settings that you want on the various pop-up menus. 3. On the Presets pop-up menu, click Save as and type a name for the preset. <p>These settings are saved in the Presets menu. To use the new settings, you must select the saved preset option every time you open a program and print.</p>	<ol style="list-style-type: none"> 1. In the Finder, on the Go menu, click Applications. 2. Open Utilities, and then open Print Center (Mac OS X V10.2) or Printer Setup Utility (Mac OS X V10.3 or Mac OS X V10.4). 3. Click the print queue. 4. On the Printers menu, click Show Info. 5. Click the Installable Options menu.



NOTE Configuration settings might not be available in Classic mode.

Software for Macintosh computers

The HP installer provides PostScript® Printer Description (PPD) files, Printer Dialog Extensions (PDEs), and the HP Printer Utility for use with Macintosh computers.

For network connections, use the embedded Web server (EWS) to configure the device. See [Use the embedded Web server](#).

The printing system software includes the following components:

- **PostScript Printer Description (PPD) files**

The PPDs, in combination with the Apple PostScript printer drivers, provide access to device features. Use the Apple PostScript printer driver that comes with the computer.

- **HP Printer Utility**

Use the HP Printer Utility to set up device features that are not available in the printer driver:

- Name the device.
- Assign the device to a zone on the network.
- Assign an internet protocol (IP) address to the device.
- Download files and fonts.
- Configure the device for IP or AppleTalk printing.

You can use the HP Printer Utility when your device uses a universal serial bus (USB) cable or is connected to a TCP/IP-based network. For more information, see [Use the HP Printer Utility for Macintosh](#).



NOTE The HP Printer Utility is supported for Mac OS X V10.2 or later.

Remove software from Macintosh operating systems

To remove the software from a Macintosh computer, drag the PPD files to the trash can.

Utilities

The device is equipped with several utilities that make it easy to monitor and manage the device on a network.

HP Web Jetadmin

HP Web Jetadmin is a browser-based management tool for HP Jetdirect-connected printers within your intranet, and it should be installed only on the network administrator's computer.

To download a current version of HP Web Jetadmin and for the latest list of supported host systems, visit www.hp.com/go/webjetadmin.

When installed on a host server, any client can gain access to HP Web Jetadmin by using a supported Web browser (such as Microsoft® Internet Explorer 4.x or Netscape Navigator 4.x or later) by navigating to the HP Web Jetadmin host.

Embedded Web server

The device is equipped with an embedded Web server, which provides access to information about device and network activities. This information appears in a Web browser, such as Microsoft Internet Explorer or Netscape Navigator.

The embedded Web server resides on the device. It is not loaded on a network server.

The embedded Web server provides an interface to the device that anyone who has a network-connected computer and a standard Web browser can use. No special software is installed or configured, but you must have a supported Web browser on your computer. To gain access to the embedded Web server, type the IP address for the device in the address line of the browser. (To find the IP address, print a configuration page. For more information about printing a configuration page, see [Use information pages.](#))

For a complete explanation of the features and functionality of the embedded Web server, see [Use the embedded Web server.](#)

HP Easy Printer Care software

The HP Easy Printer Care software is a program that you can use for the following tasks:

- Checking the device status
- Checking the supplies status
- Setting up alerts
- Viewing device documentation
- Gaining access to troubleshooting and maintenance tools

You can view the HP Easy Printer Care software when the device is directly connected to your computer or when it is connected to a network. To download the HP Easy Printer Care software, go to www.hp.com/go/easyprintercare.

Supported operating systems

For information about supported operating systems, go to www.hp.com/go/easyprintercare.

Supported browsers

To use the HP Easy Printer Care software, you must have one of the following browsers:

- Microsoft Internet Explorer 5.5 or later
- Netscape Navigator 7.0 or later
- Opera Software ASA Opera 6.05 or later

All pages can be printed from the browser.

Other components and utilities

Windows	Macintosh OS
<ul style="list-style-type: none">● Software installer — automates the printing system installation● Online Web registration	<ul style="list-style-type: none">● PostScript Printer Description files (PPDs) — use with the Apple PostScript drivers that come with the Mac OS● The HP Printer Utility — change device settings, view status, and set up printer-event notification from a Mac. This utility is supported for Mac OS X V10.2 and later.

2 Control panel

This section explains the device control panel and menus:

- [Overview](#)
- [Control-panel layout](#)
- [Use the control-panel menus](#)
- [Show Me How menu](#)
- [Retrieve Job menu](#)
- [Information menu](#)
- [Paper Handling menu](#)
- [Configure Device menu](#)
- [Diagnostics menu](#)
- [Service menu](#)
- [Change device-control-panel configuration settings](#)

Overview

You can perform most routine printing tasks from the computer by using the program or printer driver. These two methods are the most convenient way to control the device, and they will override the device-control-panel settings. See the Help file for your program, or, for more information about gaining access to the printer driver, see [Open the printer drivers](#).

You can also control the device by changing settings at the device control panel. Use the control panel to gain access to device features that the program or printer driver do not support.

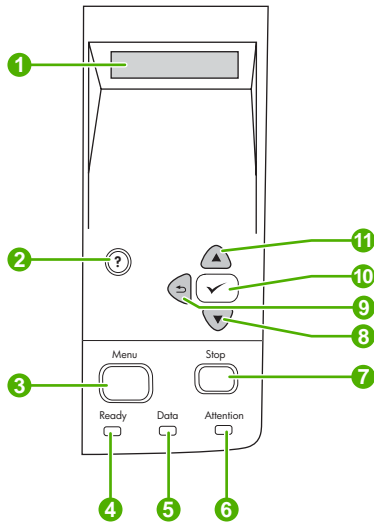
You can print a menu map at the device control panel that shows the settings with the currently selected values (see [Open the printer drivers](#)).

Some menus or menu items appear only if certain options are installed in the device.


Control-panel layout

The control-panel display gives you complete, timely information about the device and print jobs. Menus provide access to device functions and detailed information.

The message and prompt areas of the display alert you to the state of the device and tell you how to respond.



Number	Button or light	Function
1	Control-panel display	<ul style="list-style-type: none"> Shows status information, menus, help information, and error messages.
2	Help (?) button	<ul style="list-style-type: none"> Provides information about the message on the control-panel display.
3	Menu button	<ul style="list-style-type: none"> Opens and closes the menus.
4	Ready light	<ul style="list-style-type: none"> On: The device is online and ready to accept data to print. Off: The device cannot accept data because it is offline (paused) or has experienced an error. Blinking: The device is going offline. The device stops processing the current print job and expels all of the active pages from the paper path.
5	Data light	<ul style="list-style-type: none"> On: The device has data to print, but is waiting to receive all of the data. Off: The device has no data to print. Blinking: The device is processing or printing the data.
6	Attention light	<ul style="list-style-type: none"> On: The device has experienced a problem. Make note of the message on the control-panel display, and then turn the device off and on. See Control-panel messages for help in resolving problems. Off: The device is functioning without error. Blinking: Action is required. See the control-panel display.
7	Stop button	<ul style="list-style-type: none"> Cancels the current print job and clears the pages from the device. The time this takes depends on the size of the print job. (Press the button

Number	Button or light	Function
		<p>only once.) Also clears continuable errors that are associated with the canceled job.</p> <hr/> <p> NOTE The control-panel lights cycle while the print job is cleared from both the device and the computer, and then the device returns to the Ready state.</p> <hr/>
8	Down (▼) button	<ul style="list-style-type: none"> • Navigates to the next item in the list, or decreases the value of numeric items
9	Back (↶) button	<ul style="list-style-type: none"> • Backs up one level in the menu tree or backs up one numeric entry • Closes menus if held down for more than 1 second
10	Select (✓) button	<ul style="list-style-type: none"> • Clears an error condition when the condition is clearable • Saves the selected value for an item • Performs the action that is associated with the item that is highlighted on the control-panel display
11	Up (▲) button	<ul style="list-style-type: none"> • Navigates to the previous item in the list, or increases the value of numeric items

Use the control-panel menus

To gain access to the control-panel menus, complete the steps below.

Use the menus

1. Press **Menu**.
2. Press ▲ or ▼ to navigate the listings.
3. Press ✓ to select the appropriate option.
4. Press ↶ to return to the previous level.
5. Press **Menu** to exit the menu.
6. Press ? to see additional information about a menu.

The following are the main menus.

Main menus	SHOW ME HOW
	RETRIEVE JOB
	INFORMATION
	PAPER HANDLING
	CONFIGURE DEVICE
	DIAGNOSTICS
	SERVICE

Show Me How menu

Each choice in the **SHOW ME HOW** menu prints a page that provides more information.

Item	Explanation
CLEAR JAMS	Prints a page that shows how to clear media jams.
LOAD TRAYS	Prints a page that shows how to load the device input trays.
LOAD SPECIAL MEDIA	Prints a page that shows how to load special media, such as envelopes and transparencies.
PRINT ON BOTH SIDES	Prints a page that shows how to use the two-sided (duplex) printing function.
SUPPORTED PAPER	Prints a page that shows supported media weights and sizes for the device.
MORE HELP	Prints a page that shows links to additional help on the Web.

Retrieve Job menu

This menu provides a list of the stored jobs in the device and access to all the job storage features. You can print or delete these jobs at the device control panel. This menu appears when the device has 80 MB of base memory. See [Manage stored jobs](#) for more information about using this menu.



NOTE If you turn the device power off, all stored jobs are deleted.

Item	Values	Explanation
USER [X]	[JOBNAME]	USER [X]: The name of the person who sent the job.
	ALL PRIVATE JOBS	[JOBNAME]: The name of the job stored in the device. Select one of your jobs or all of your private jobs that were assigned a personal identification number (PIN) in the printer driver.
	NO STORED JOBS	<ul style="list-style-type: none">● PRINT: Prints the selected job. PIN REQUIRED TO PRINT: A prompt that appears for jobs that were assigned a PIN in the printer driver. You must enter the PIN to print the job. COPIES: You can select the number of copies that you want to print (1 to 32000).● DELETE: Deletes the selected job from the device. PIN REQUIRED TO DELETE: A prompt that appears for jobs that were assigned a PIN in the printer driver. You must enter the PIN to delete the job. <p>ALL PRIVATE JOBS: Appears if two or more private jobs are stored in the device. Selecting this item prints all of the private jobs that are stored in the device for that user, after the correct PIN is entered.</p> <p>NO STORED JOBS: Indicates that no stored jobs are available to print or delete.</p>

Information menu

The **INFORMATION** menu contains device information pages that give details about the device and its configuration. Scroll to the information page that you want, and then press \checkmark .

For more information about any of the device information pages, see [Use information pages](#).

Item	Explanation
PRINT MENU MAP	Prints the control panel menu map that shows the layout and current settings for the device control-panel menu items.
PRINT CONFIGURATION	Prints the current device configuration. If an HP Jetdirect print server is installed, an HP Jetdirect configuration page will print out as well.
PRINT SUPPLIES STATUS PAGE	Prints a supplies status page that shows the supplies levels for the device, an approximate number of pages remaining, cartridge-usage information, the serial number, a page count, and ordering information. This page is available only if you are using genuine HP supplies.
PRINT USAGE PAGE	Prints a page that shows a count of all paper sizes that have passed through the device, lists whether they were one-sided or two-sided, and shows a page count.
PRINT FILE DIRECTORY	Prints a file directory that shows information for all installed mass-storage devices. This item appears only if a mass-storage device that contains a recognized file system is installed in the device. For more information, see Install memory .
PRINT PCL FONT LIST	Prints a PCL font list that shows all the PCL fonts that are currently available to the device.
PRINT PS FONT LIST	Prints a PS font list that shows all the PS fonts that are currently available to the device.

Paper Handling menu

If paper-handling settings are correctly configured at the device control panel, you can print by selecting the type and size of media in the program or the printer driver. For more information about configuring for media types and sizes, see [Control print jobs](#). For more information about supported media types and sizes, see [Supported media sizes](#) and [Media considerations](#).

Some items on this menu (such as duplex and manual feed) are available in the program or the printer driver (if the appropriate driver is installed). Program and device-driver settings override control-panel settings. For more information, see [Select the correct printer driver](#).


Item	Values	Explanation
TRAY 1 SIZE	List of available media sizes for tray 1	<p>Use this item to set the value to correspond with the media size that is currently loaded in tray 1. See Supported media sizes for a list of available sizes. The default setting is ANY SIZE.</p> <p>ANY SIZE: If both the type and size for tray 1 are set to ANY, the device will pull media from tray 1 first if media is loaded in the tray.</p> <p>A size other than ANY SIZE: The device does not pull from this tray unless the type or size of the print job matches the type and size that is loaded in this tray.</p>
TRAY 1 TYPE	List of available media types for tray 1	<p>Use this item to set the value to correspond with the type of media that is currently loaded in tray 1. See Supported media sizes for a list of available types. The default setting is ANY TYPE.</p> <p>ANY TYPE: If both the type and size for tray 1 are set to ANY, the device will pull media from tray 1 first if the media is loaded in the tray.</p> <p>A type other than ANY TYPE: The device does not pull from this tray.</p>
TRAY [N] SIZE	List of available media sizes for tray 2 or optional tray 3	The tray automatically detects the media size based on the media-size wheel setting in the tray. The default setting is either LTR (letter) for 110 V engines or A4 for 220 V engines.
TRAY [N] TYPE	List of available media types for tray 2 or optional tray 3	Sets the value to correspond with the media type that is currently loaded in tray 2 or optional tray 3. The default setting is ANY TYPE .
TRAY [N] CUSTOM	<p>UNIT OF MEASURE</p> <p>X DIMENSION</p> <p>Y DIMENSION</p>	<p>This item appears only if a tray is set to a custom size.</p> <p>UNIT OF MEASURE: Use this option to select the unit of measure (INCHES or MILLIMETERS) to use when you set custom paper sizes for the specified tray.</p> <p>X DIMENSION: Use this item to set the measurement of the width of the paper (measurement from side to side in the tray). The options are 3.0 to 8.50 INCHES or 76 to 216 MM.</p> <p>Y DIMENSION: Use this item to set the measurement of the length of the paper (measurement from front to back in the tray). The options are 5.0 to 14.0 INCHES or 127 to 356 MM.</p> <p>After the Y DIMENSION value is selected, a summary screen appears. This screen contains feedback that summarizes all of the information that was specified on the previous three screens, such as TRAY 1 SIZE= 8 x 14 INCHES, Setting saved.</p>

Configure Device menu


This menu contains administrative functions. The **CONFIGURE DEVICE** menu allows the user to change the default printing settings, adjust the print quality, and change the system configuration and I/O options.

Print submenu

Some items on this menu are available in the program or printer driver (if the appropriate driver is installed). Program and device-driver settings override control-panel settings. In general, it is better to change these settings in the printer driver, if applicable.

Item	Values	Explanation
COPIES	1 to 32000	<p>Sets the default number of copies by selecting any number from 1 to 32000. Use ▲ or ▼ to select the number of copies. This setting applies only to print jobs that do not have the number of copies specified in the program or printer driver, such as a UNIX or Linux program.</p> <p>The default setting is 1.</p>
		<p> NOTE It is best to set the number of copies in the program or printer driver. (Program and device-driver settings override control-panel settings.)</p>
DEFAULT PAPER SIZE	Displays a list of available media sizes.	Sets the default image size for paper and envelopes. This setting applies to the print jobs that do not have a paper size specified in the program or printer driver. The default setting is LETTER .
DEFAULT CUSTOM PAPER SIZE	UNIT OF MEASURE X DIMENSION Y DIMENSION	<p>Sets the default custom paper size for tray 1. This menu appears only if the media-size switch in the selected tray is set to CUSTOM.</p> <p>UNIT OF MEASURE: Use this option to select the unit of measure (INCHES or MILLIMETERS) to use when you set customer paper sizes for the tray 1.</p> <p>X DIMENSION: Use this item to set the measurement of the width of the paper (measurement from side to side in the tray). The options are 3.0 to 8.50 INCHES or 76 to 216 MM.</p> <p>Y DIMENSION: Use this item to set the measurement of the length of the paper (measurement from front to back in the tray). The options are 5.0 to 14.0 INCHES or 127 to 356 MM.</p>
DUPLEX	OFF ON	<p>Appears only for devices that include a built-in duplexer. Set the value to ON to print on both sides (duplex) or OFF to print on one side (simplex) of a sheet of paper.</p> <p>The default setting is OFF.</p>
DUPLEX BINDING	LONG EDGE SHORT EDGE	<p>Changes the binding edge for duplex printing. The menu item appears only if the device includes a built-in duplexer and DUPLEX=ON.</p> <p>The default setting is LONG EDGE.</p>
OVERRIDE A4/LETTER	NO YES	<p>Allows the device to print an A4-size job on letter-size paper if A4-size paper is not loaded in the device (or vice versa).</p> <p>The default setting is YES.</p>


Item	Values	Explanation
MANUAL FEED	OFF	<p>Feeds the paper manually from tray 1, rather than automatically from a tray. If MANUAL FEED=ON and tray 1 is empty, the device goes offline when it receives a print job. MANUALLY FEED [PAPER SIZE] appears on the device control-panel display.</p> <p>The default setting is OFF.</p>
	ON	
COURIER FONT	REGULAR	<p>Selects the version of Courier font to use:</p> <p>REGULAR: The internal Courier font that is available on the HP LaserJet 4 series devices.</p> <p>DARK: The internal Courier font that is available on the HP LaserJet III series devices.</p> <p>The default setting is REGULAR.</p>
	DARK	
WIDE A4	NO	<p>Changes the number of characters that can be printed on a single line of A4-size paper.</p> <p>NO: Up to 78 10-pitch characters can be printed on one line.</p> <p>YES: Up to 80 10-pitch characters can be printed on one line.</p> <p>The default setting is NO.</p>
	YES	
PRINT PS ERRORS	OFF	<p>Determines whether a PS error page prints or not.</p> <p>OFF: PS error page never prints.</p> <p>ON: PS error page prints when PS errors occur.</p> <p>The default setting is OFF.</p>
	ON	
PRINT PDF ERRORS	OFF	<p>Determines whether a PDF error page prints or not.</p> <p>OFF: PDF error page never prints.</p> <p>ON: PDF error page prints when PDF errors occur.</p> <p>The default setting is OFF.</p>
	ON	




Item	Values	Explanation
PCL SUBMENU	FORM LENGTH	FORM LENGTH: Sets vertical spacing from 5 to 128 lines for default paper size.
	ORIENTATION	ORIENTATION: Allows you to select default page orientation as LANDSCAPE or PORTRAIT .  NOTE It is best to set the page orientation in the program or printer driver. (Program and device-driver settings override control-panel settings.)
	FONT SOURCE	FONT SOURCE: Allows you to select the font source as INTERNAL , CARD SLOT 1 , or EIO DISK .
	FONT NUMBER	FONT NUMBER: The device assigns a number to each font and lists the numbers on the PCL Font List. The font number appears in the Font # column of the printout. The range is 0 to 999.
	FONT PITCH	FONT PITCH: Selects the font pitch. This item might not appear, depending on the font selected. The range is 0.44 to 99.99.
	SYMBOL SET	SYMBOL SET: Selects any one of several available symbol sets at the device control panel. A symbol set is a unique grouping of all the characters in a font. PC-8 or PC-850 is recommended for line-draw characters.
	APPEND CR TO LF	APPEND CR TO LF: Select YES to append a carriage return to each line feed that the device encountered in backward-compatible PCL jobs (pure text, no job control). Some environments, such as UNIX, indicate a new line using only the line feed control code. Use this option to append the required carriage return to each line feed.
	SUPPRESS BLANK PAGES	SUPPRESS BLANK PAGES: When generating your own PCL, extra form feeds are included that would cause one or more blank pages to be printed. Select YES for form feeds to be ignored if the page is blank.
	MEDIA SOURCE MAPPING	MEDIA SOURCE MAPPING: Allows you to select and maintain trays by number when you are not using the printer driver or when the software program has no option for tray selection. CLASSIC: Tray numbering is based on LaserJet 4 and older models. STANDARD: Tray numbering is based on newer LaserJet models.

Print Quality submenu

Some items on this menu are available in the program or printer driver (if the appropriate driver is installed). Program and device-driver settings override control-panel settings. For more information, see [Select the correct printer driver](#). In general, it is best to change these settings in the printer driver, if applicable.

Item	Values	Explanation
SET REGISTRATION	PRINT TEST PAGE	Shifts the margin alignment to center the image on the page from top to bottom, and left to right. You can also align the image that is printed on the front with the image that is printed on the back. Allows for one-sided and two-sided printing alignment.
	SOURCE	
	ADJUST TRAY [N]	

Item	Values	Explanation
		<p>PRINT TEST PAGE: Prints a test page that shows the current registration settings.</p> <p>SOURCE: Selects the tray for which you want to print the test page.</p> <p>ADJUST TRAY [N]: Sets the registration for the specified tray, where [N] is the number of the tray. A selection appears for each tray that is installed, and registration must be set for each tray.</p> <ul style="list-style-type: none"> ● X1 SHIFT: Registration of the image on the paper from side to side, as the paper lies in the tray. For duplexing, this side is the second side (back) of the paper. ● X2 SHIFT: Registration of the image on the paper from side to side, as the paper lies in the tray, for the first side (front) of a duplexed page. This item appears only if the device includes a built-in duplexer and DUPLEX is ON. Set the X1 SHIFT first. ● Y SHIFT: Registration of the image on the paper from top to bottom as the paper lies in the tray. <p>The default setting for SOURCE is TRAY 2. The default setting for ADJUST TRAY 1 and ADJUST TRAY 2 is 0.</p>
FUSER MODES	List of available fuser modes	<p>Configures the fuser mode associated with each media type.</p> <p>Change the fuser mode only if you are experiencing problems printing on certain media types. After you select a type of media, you can select a fuser mode that is available for that type. The device supports the following modes:</p> <p>NORMAL: Used for most types of paper.</p> <p>HIGH2: Used for paper that has a special or rough finish.</p> <p>HIGH1: Used for rough paper.</p> <p>LOW3: Used for transparencies.</p> <p>LOW2: Used for lightweight media. Use this mode if you are having problems with curled paper.</p> <p>LOW1: Use this mode if you are experiencing wrinkled media.</p> <p>The default fuser mode is NORMAL for all print media types except transparencies (LOW3) and rough paper (HIGH1).</p> <p> CAUTION Do not change the fuser mode for transparencies. Failure to use the LOW3 setting while printing transparencies can result in permanent damage to the device and fuser. Always select Transparencies as the type in the printer driver and set the tray type at the device control panel to TRANSPARENCY.</p> <p>When selected, RESTORE MODES resets the fuser mode for each media type back to its default setting.</p>
OPTIMIZE	List of parameters	Optimizes certain parameters for all jobs rather than (or in addition to) optimizing by paper type.

Item	Values	Explanation
RESOLUTION	300	Selects the resolution. All values print at the same speed.
	600	300: Produces draft print quality and can be used for compatibility with the HP LaserJet III family of devices.
	FASTRES 1200	600: Produces high print quality for text and can be used for compatibility with the HP LaserJet 4 family of devices.
	PRORES 1200	FASTRES 1200: Produces 1200-dpi print quality for fast, high-quality printing of business text and graphics. PRORES 1200: Produces 1200-dpi print quality for fast, high-quality printing of line art and graphic images.
		 NOTE It is best to change the resolution in the program or printer driver. (Program and device-driver settings override control-panel settings.)
		The default setting is FASTRES 1200 .
RET	OFF	Use the Resolution Enhancement technology (REt) setting to produce print with smooth angles, curves, and edges.
	LIGHT	REt does not affect print quality if the print resolution is set to FastRes 1200 or ProRes 1200. All other print resolutions benefit from REt.
	MEDIUM	
	DARK	
		 NOTE It is best to change the REt setting in the program or printer driver. (Program and device-driver settings override control-panel settings.)
		The default setting is MEDIUM .
ECONOMODE	ON	EconoMode is a feature that allows the printer to use less toner per page. Selecting this option will extend the life of the toner supply and may reduce cost per page. However, it will also reduce print quality. The printed page is lighter, but it is adequate for printing drafts or proofs.
	OFF	HP does not recommend full-time use of EconoMode. If EconoMode is used full-time, the toner supply might outlast the mechanical parts in the print cartridge. If print quality begins to degrade under these circumstances, you will need to install a new print cartridge, even if there is toner supply remaining in the cartridge.
		 NOTE It is best to turn EconoMode on or off in the program or printer driver. (Program and device-driver settings override control-panel settings.)
		The default setting is OFF .
TONER DENSITY	1 to 5	Lighten or darken the print on the page by setting the toner density. Select a setting ranging from 1 (light) to 5 (dark). The default setting of 3 usually produces the best results.

Item	Values	Explanation
CREATE CLEANING PAGE	There is no value to select.	Press ✓ to print a cleaning page (for cleaning toner from the fuser). Follow the instructions on the cleaning page. For more information, see Clean the device .
PROCESS CLEANING PAGE	There is no value to select.	This item is available only after a cleaning page has been created. Follow the instructions that are printed on the cleaning page. The cleaning process might take up to 2.5 minutes.


System Setup submenu

Items on this menu affect device behavior. Configure the device according to your printing needs.

Item	Values	Explanation
DATE/TIME	DATE DATE FORMAT TIME TIME FORMAT	Sets the date and time settings.
JOB STORAGE LIMIT	1 to 100	Specifies the number of quick copy jobs that can be stored on the device. The default setting is 32 .
JOB HELD TIMEOUT	OFF 1 HOUR 4 HOURS 1 DAY 1 WEEK	Sets the amount of time that held jobs are kept before being automatically deleted from the queue. The default setting is OFF .
SHOW ADDRESS	AUTO OFF	Defines whether or not the IP address will be shown on the display if the device is connected to a network. If AUTO is selected the IP Address of the device appears with the Ready message. The default setting is AUTO .
TRAY BEHAVIOR	USE REQUESTED TRAY MANUALLY FEED PROMPT PS DEFER MEDIA SIZE/TYPE PROMPT	USE REQUESTED TRAY: Determines whether the device tries to pull media from a different tray than the one that you selected in the printer driver. <ul style="list-style-type: none"> ● EXCLUSIVELY: Sets the device to pull from the tray that you selected and not pull from another tray, even if the tray that you selected is empty. ● FIRST: Sets the device to pull from the tray that you selected first, but allows the device to pull from another tray automatically if the tray that you selected is empty.

Item	Values	Explanation
		<p>MANUALLY FEED PROMPT: Determines when the device shows a prompt regarding pulling from tray 1 if your print job does not match the type or size that is loaded in any other tray.</p> <ul style="list-style-type: none"> ● ALWAYS: Select this option if you always want to be prompted before the device pulls from tray 1. ● UNLESS LOADED: Prompts you only if tray 1 is empty. <p>PS DEFER MEDIA: Controls whether the PostScript (PS) or HP paper-handling model is used to print jobs. ENABLED causes PS to defer to the HP paper-handling model. DISABLED uses the PS paper-handling model.</p> <p>SIZE/TYPE PROMPT: Use this menu item to control whether the tray configuration message and its prompts are shown whenever a tray is opened and closed. These prompts instruct you to set the type or size if the tray is configured for a type or size other than the type or size that is loaded in the tray.</p>
SLEEP DELAY	1 MINUTE 15 MINUTES 30 MINUTES 45 MINUTES 60 MINUTES 90 MINUTES 2 HOURS 4 HOURS	<p>Sets how long the device remains idle before it enters Sleep mode.</p> <p>Sleep mode does the following:</p> <ul style="list-style-type: none"> ● Minimizes the amount of power that the device consumes when it is idle. ● Reduces wear on electronic components in the device (turns off the display backlight, but the display is still readable). <p>The device automatically comes out of Sleep mode when you send a print job, press a device control-panel button, open a tray, or open the top cover.</p> <p>The default setting is 30 MINUTES.</p>
WAKE TIME	MONDAY TUESDAY WEDNESDAY THURSDAY FRIDAY SATURDAY SUNDAY	<p>Sets a “wake-up” time for the device to warm up and calibrate each day. The default for each day is OFF. If you set a wake time, HP recommends setting an extended sleep delay time period, so that the device will not return to sleep mode soon after waking.</p>
PERSONALITY	AUTO PDF PS PCL	<p>Selects the default device language (personality). The possible values are determined by which valid languages are installed in the device.</p> <p>Normally, you should not change the device language. If you change it to a specific device language, the device will not switch automatically from one language to another unless specific software commands are sent to the device.</p> <p>The default setting is AUTO.</p>
CLEARABLE WARNINGS	JOB	<p>Sets the amount of time that a clearable warning appears on the device control-panel display.</p>

Item	Values	Explanation
	ON	<p>JOB: The clearable warning message appears until the end of the job that generated the message.</p> <p>ON: The clearable warning message appears until you press ✓.</p> <p>The default setting is JOB.</p>
AUTO CONTINUE	OFF ON	<p>Determines how the device reacts to errors. If the device is on a network, you probably want to turn AUTO CONTINUE to ON.</p> <p>ON: If an error occurs that prevents printing, the message appears on the device control-panel display, and the device goes offline for 10 seconds before returning online.</p> <p>OFF: If an error occurs that prevents printing, the message remains on the device control-panel display, and the device remains offline until you press ✓.</p> <p>The default setting is ON.</p>
CARTRIDGE LOW	STOP CONTINUE	<p>Determines how the device behaves if the print cartridge is low. Print quality is not guaranteed if you print after receiving this message.</p> <p>STOP: The device pauses printing until you replace the print cartridge or press ✓ each time you turn the device on. The message appears until you replace the print cartridge.</p> <p>CONTINUE: The device continues to print, and the message appears until you replace the print cartridge.</p> <p>The default setting is CONTINUE.</p>
CARTRIDGE OUT	STOP CONTINUE	<p>Determines how the device reacts if the print cartridge is empty.</p> <p>STOP: The device stops printing until you replace the print cartridge.</p> <p>CONTINUE: The device continues to print, and the REPLACE CARTRIDGE message appears until you replace the print cartridge. HP does not guarantee print quality if you select CONTINUE after a REPLACE CARTRIDGE condition. Replace the print cartridge as soon as possible to ensure good print quality.</p> <p>If the end of drum life is reached, the device stops, regardless of the CARTRIDGE OUT setting.</p> <p>The default setting is CONTINUE.</p>
JAM RECOVERY	AUTO OFF ON	<p>Determines how the device behaves if a jam occurs.</p> <p>AUTO: The device automatically selects the best mode for device jam recovery (usually ON).</p> <p>OFF: The device does not reprint pages following a jam. Printing performance might be increased with this setting.</p> <p>ON: The device automatically reprints pages after a jam is cleared.</p>

Item	Values	Explanation
		The default setting is AUTO .
RAM DISK	AUTO	Determines how the RAM disk is configured.
	OFF	<p>AUTO: Allows the device to determine the optimal RAM-disk size based on the amount of available memory.</p> <p>OFF: The RAM is disabled.</p> <hr/> <p> NOTE If you change the setting from OFF to AUTO, the device automatically reinitializes when it becomes idle.</p> <hr/>
		The default setting is AUTO .
LANGUAGE	(DEFAULT)	Selects the language for the messages that appear on the device control-panel display.
	Several	The default setting is determined by the country/region in which the device is purchased.


I/O submenu

Items on the I/O (input/output) menu affect the communication between the device and the computer. If the device contains an HP Jetdirect print server, you can configure basic networking parameters by using the submenu. These and other parameters can also be configured through HP Web Jetadmin (see [Use HP Web Jetadmin software](#)) or other network configuration tools, such as the embedded Web server (see [Use the embedded Web server](#)).

Item	Values	Explanation
I/O TIMEOUT	5 to 300	<p>Select the I/O timeout period in seconds.</p> <p>Use this setting to adjust timeout for the best performance. If data from other ports appears in the middle of your print job, increase the timeout value.</p> <p>The default setting is 15.</p>
PARALLEL INPUT	<p>HIGH SPEED</p> <p>ADVANCED FUNCTIONS</p>	<p>HIGH SPEED: Select YES to enable the device to accept the faster parallel communications that are used for connections with newer computers.</p> <p>ADVANCED FUNCTIONS: Turn the bidirectional parallel communication on or off. The default is set for a bidirectional parallel port (IEEE-1284).</p> <p>The device uses this setting to send status messages to the computer. Turning the parallel advanced functions on might slow language switching.</p>
EMBEDDED JETDIRECT	<p>TCP/IP</p> <p>IPX/SPX</p> <p>APPLETALK</p> <p>DLC/LLC</p> <p>SECURITY</p> <p>DIAGNOSTICS</p> <p>LINK SPEED</p> <p>PRINT PROTOCOLS</p>	<p>TCP/IP: Select whether the TCP/IP protocol stack is enabled or disabled. You can set several TCP/IP parameters.</p> <p>In addition, select TCP/IP to configure IPv4, IPv6, and other TCP/IP settings.</p> <p>IPX/SPX: Select whether the IPX/SPX protocol stack (in Novell NetWare networks, for example) is enabled or disabled.</p> <p>APPLETALK: Enable or disable an AppleTalk network.</p> <p>DLC/LLC: Select whether the DLC/LLC protocol stack is enabled or disabled.</p> <p>SECURITY: Print or manage network security settings.</p> <p>DIAGNOSTICS: Use tests to help diagnose network hardware or TCP/IP network connection problems.</p> <p>LINK SPEED: Select the network link speed and communications mode for the 10/100T print server. To ensure proper communication, the Jetdirect settings must match those of the network.</p> <p>PRINT PROTOCOLS: Prints the settings for IPX/SPX, Novell Netware, AppleTalk, and DLC/LLC protocols.</p>

Resets submenu

Items on the Resets submenu relate to returning settings to the defaults and changing settings such as Sleep mode.

Item	Values	Explanation
RESTORE FACTORY SETTINGS	There is no value to select.	<p>Performs a simple reset and restores most of the factory (default) and network settings. This item also clears the input buffer for the active I/O.</p> <hr/> <p> CAUTION Restoring factory settings during a print job cancels the print job.</p> <hr/>
SLEEP MODE	ON OFF	<p>Turns Sleep mode on or off. Using Sleep mode offers the following advantages:</p> <ul style="list-style-type: none">• Minimizes the amount of power that the device consumes when it is idle• Reduces wear on electronic components in the device (turns off the display backlight, but the display is still readable) <p>The device automatically comes out of Sleep mode when you send a print job, press a device control panel button, open a tray, or open the top cover.</p> <p>You can set how long the device remains idle before it enters Sleep mode.</p> <p>The default setting is ON.</p> <hr/>

Diagnostics menu

Administrators can use this submenu to isolate parts and to troubleshoot jam and print-quality issues.

Item	Values	Explanation
PRINT EVENT LOG	There is no value to select.	Press ✓ to generate a list of the 50 most recent entries in the event log. The printed event log shows error number, page count, error code, and description or personality.
SHOW EVENT LOG	There is no value to select.	Press ✓ to scroll through the contents of the event log at the device control panel, which lists up to the 50 most recent events. Use ▲ or ▼ to scroll through the event log contents.
PAPER PATH TEST	PRINT TEST PAGE SOURCE DUPLEX COPIES	<p>Generates a test page that is useful for testing the paper-handling features of the device.</p> <p>PRINT TEST PAGE: Press ✓ to start the paper-path test using the source (tray), destination (output bin), duplex, and number of copies settings that you set in the other items on the Paper Path Test menu. Set the other items before selecting PRINT TEST PAGE.</p> <p>SOURCE: Select the tray that uses the paper path that you want to test. You can select any tray that is installed. Select ALL TRAYS to test all paper paths. (Paper must be loaded in the selected trays.)</p> <p>DUPLEX: Determine whether the paper goes through the duplexer during the paper-path test. The menu item appears only if the device includes a built-in duplexer .</p> <p>COPIES: Set how many sheets of paper are used from each tray during the paper-path test.</p>

Service menu

The **SERVICE** menu is locked and requires a PIN for access. This menu is intended for use by authorized service personnel.

Change device-control-panel configuration settings

By using the device control panel, you can make changes to general device configuration default settings such as tray size and type, sleep delay, device personality (language), and jam recovery.

The device-control-panel settings can also be changed from a computer by using the setting page of the embedded Web server. The computer shows the same information that the control panel shows. For more information, see [Use the embedded Web server](#).



CAUTION Configuration settings seldom need to be changed. Hewlett-Packard Company recommends that only the system administrator change configuration settings.

Change control-panel settings

For a complete list of menu items and possible values, see [Use the control-panel menus](#). Certain menu options appear only if the associated tray or accessory is installed. For example, the **EIO** menu appears only if an EIO card is installed.

Change a control-panel setting

1. Press **Menu** to open the menus.
2. Use ▲ or ▼ to scroll to the menu that you want, and then press ✓.
3. Some menus might have several submenus. Use ▲ or ▼ to scroll to the submenu item that you want, and then press ✓.
4. Use ▲ or ▼ to scroll to the setting, and then press ✓.
5. Use ▲ or ▼ to change the setting. Some settings change rapidly if ▲ or ▼ is held down.
6. Press ✓ to save the setting. An asterisk (*) appears next to the selection on the display, indicating that it is now the default.
7. Press **Menu** to exit the menu.



NOTE Device-driver settings override control-panel settings. Software program settings override both device-driver settings and control-panel settings. If you cannot gain access to a menu or item, it is either not an option for the device or you have not turned on the associated higher-level option. See your network administrator if a function has been locked (**Access denied** **menus locked** appears on the device control-panel display).

Show address

This item determines whether the device IP address appears on the display with the **Ready** message.

Show the IP address

1. Press **Menu** to open the menus.
2. Press ▼ to highlight **CONFIGURE DEVICE**, and then press ✓.
3. Press ▼ to highlight **SYSTEM SETUP**, and then press ✓.
4. Press ▼ to highlight **SHOW ADDRESS**, and then press ✓.

5. Press ▲ or ▼ to select the desired option, and then press ✓.
6. Press **Menu** to exit the menu.

Tray-behavior options

Four user-defined options are available for tray behavior:

- **USE REQUESTED TRAY.** Selecting **EXCLUSIVELY** ensures that the device does not automatically select another tray when you indicate that a specific tray should be used. Selecting **FIRST** allows the device to pull from a second tray if the specified tray is empty. **EXCLUSIVELY** is the default setting.
- **MANUALLY FEED PROMPT.** If you select **ALWAYS** (the default value), the system always shows a prompt before pulling from the multipurpose tray. If you select **UNLESS LOADED**, the system displays the prompt only if the multipurpose tray is empty.
- **PS DEFER MEDIA.** This setting affects how non-HP PostScript drivers behave with the device. You do not need to change this setting if you use the drivers that HP supplies. If set to **ENABLED**, non-HP PostScript drivers use the same HP tray selection method as the HP drivers. If set to **DISABLED**, some non-HP PostScript drivers use the PostScript tray selection method instead of the HP method.
- **SIZE/TYPE PROMPT.** Use this item to control whether the tray configuration message and its corresponding prompts are shown whenever a tray is opened and closed. These prompts instruct you to change the type or size if the tray is configured for a different type or size than is loaded in the tray.

Set tray behavior option

1. Press **Menu** to open the menus.
2. Press ▼ to highlight **CONFIGURE DEVICE**, and then press ✓.
3. Press ▼ to highlight **SYSTEM SETUP**, and then press ✓.
4. Press ▼ to highlight **TRAY BEHAVIOR**, and then press ✓.
5. Press ✓ to select the tray behavior option.
6. Press ▲ or ▼ to select the desired option, and then press ✓.
7. Press **Menu** to exit the menu.

Sleep Delay

The adjustable Sleep Delay feature reduces power consumption when the device has been inactive for an extended period. Use this menu item to set the length of time before the device goes into Sleep mode. The default setting is **30 MINUTES**.



NOTE The device control-panel display dims when the device is in Sleep mode. Sleep mode does not affect device warm-up time unless the device was in Sleep mode for more than 8 hours.

Set the Sleep Delay

1. Press **Menu** to open the menus.
2. Press **▼** to highlight **CONFIGURE DEVICE**, and then press **✓**.
3. Press **▼** to highlight **SYSTEM SETUP**, and then press **✓**.
4. Press **▼** to highlight **SLEEP DELAY**, and then press **✓**.
5. Press **▲** or **▼** to select the appropriate time period, and then press **✓**.
6. Press **Menu** to exit the menu.

Turn the Sleep mode on or off

1. Press **Menu** to open the menus.
2. Press **▼** to highlight **CONFIGURE DEVICE**, and then press **✓**.
3. Press **▼** to highlight **RESETS**, and then press **✓**.
4. Press **▼** to highlight **SLEEP MODE**, and then press **✓**.
5. Press **▲** or **▼** to select **ON** or **OFF**, and then press **✓**.
6. Press **Menu** to exit the menu.

Personality

This device features automatic personality (printer-language) switching.

- **AUTO**: Configures the device to automatically detect the type of print job and configure its personality to accommodate that job.
- **PCL**: Configures the device to use Printer Control Language.
- **PDF**: Configures the device to use portable document format.
- **PS**: Configures the device to use PostScript emulation.

Set the personality

1. Press **Menu** to open the menus.
2. Press **▼** to highlight **CONFIGURE DEVICE**, and then press **✓**.
3. Press **▼** to highlight **SYSTEM SETUP**, and then press **✓**.
4. Press **▼** to highlight **PERSONALITY**, and then press **✓**.
5. Press **▲** or **▼** to select the appropriate personality, and then press **✓**.
6. Press **Menu** to exit the menu.

Clearable warnings

Use this feature to determine the display time of control-panel clearable warnings by selecting **ON** or **JOB**. The default value is **JOB**.

- **ON**: Clearable warnings appear until you press ✓.
- **JOB**: Clearable warnings appear until the end of the job for which they were generated.

Set the clearable warnings

1. Press **Menu** to open the menus.
2. Press ▼ to highlight **CONFIGURE DEVICE**, and then press ✓.
3. Press ▼ to highlight **SYSTEM SETUP**, and then press ✓.
4. Press ▼ to highlight **CLEARABLE WARNINGS**, and then press ✓.
5. Press ▲ or ▼ to select the appropriate setting, and then press ✓.
6. Press **Menu** to exit the menu.

Auto continue

You can determine device behavior when the system generates an auto-continuable error. **ON** is the default setting.

- Select **ON** if you want an error message to appear for 10 seconds before the device automatically continues to print.
- Select **OFF** to pause printing any time an error message appears and until you press ✓.

Set auto continue

1. Press **Menu** to open the menus.
2. Press ▼ to highlight **CONFIGURE DEVICE**, and then press ✓.
3. Press ▼ to highlight **SYSTEM SETUP**, and then press ✓.
4. Press ▼ to highlight **AUTO CONTINUE**, and then press ✓.
5. Press ▲ or ▼ to select the appropriate setting, and then press ✓.
6. Press **Menu** to exit the menu.

Cartridge low

The device has two options for reporting that print-cartridge life is low: **CONTINUE** is the default value.

- Select **CONTINUE** to allow the device to continue printing while a warning appears and until the print cartridge is replaced.
- Select **STOP** if you want the device to pause printing until you replace the used print cartridge or press ✓, which allows the device to print while the warning appears.

Set supplies-low reporting

1. Press **Menu** to open the menus.
2. Press **▼** to highlight **CONFIGURE DEVICE**, and then press **✓**.
3. Press **▼** to highlight **SYSTEM SETUP**, and then press **✓**.
4. Press **▼** to highlight **CARTRIDGE LOW**, and then press **✓**.
5. Press **▲** or **▼** to select the appropriate setting, and then press **✓**.
6. Press **Menu** to exit the menu.

Cartridge-out response

The device has two options for this menu item.

- Select **CONTINUE** to allow the device to continue printing. A **REPLACE CARTRIDGE** warning message appears until the print cartridge is replaced. Printing in this mode can continue only for a specific number of pages. After that, the device stops printing until you replace the empty print cartridge. This is the default setting.
- Select **STOP** if you want the device to stop printing until the empty print cartridge is replaced.

Set the cartridge-out response

1. Press **Menu** to open the menus.
2. Press **▼** to highlight **CONFIGURE DEVICE**, and then press **✓**.
3. Press **▼** to highlight **SYSTEM SETUP**, and then press **✓**.
4. Press **▼** to highlight **CARTRIDGE OUT**, and then press **✓**.
5. Press **▲** or **▼** to select the appropriate setting, and then press **✓**.
6. Press **Menu** to exit the menu.

Jam recovery

Use this option to configure the device response to jams, including how the device handles the pages involved. **AUTO** is the default value.

- **AUTO**: The device automatically turns jam recovery on when sufficient memory is available.
- **ON**: The device reprints any page that is involved in a jam. Additional memory is allocated to store the last few pages that were printed, and this might cause overall device performance to suffer.
- **OFF**: The device does not reprint any page that was involved in a jam. Because no memory is used to store the most recent pages, overall device performance might be optimized.

Set the jam-recovery response

1. Press **Menu** to open the menus.
2. Press **▼** to highlight **CONFIGURE DEVICE**, and then press **✓**.
3. Press **▼** to highlight **SYSTEM SETUP**, and then press **✓**.

4. Press ▼ to highlight **JAM RECOVERY**, and then press ✓.
5. Press ▲ or ▼ to select the appropriate setting, and then press ✓.
6. Press **Menu** to exit the menu.

RAM disk

This option determines how the RAM disk feature is configured. This option is available only if the device has at least 8 MB of free memory. The default is **AUTO**.

- **AUTO**: The device determines the optimal RAM disk size based on the amount of available memory.
- **OFF**: The RAM disk is disabled, but a minimal RAM disk is still active (sufficient to scan one page).

Set the RAM disk

1. Press **Menu** to open the menus.
2. Press ▼ to highlight **CONFIGURE DEVICE**, and then press ✓.
3. Press ▼ to highlight **SYSTEM SETUP**, and then press ✓.
4. Press ▼ to highlight **RAM DISK**, and then press ✓.
5. Press ▲ or ▼ to select the appropriate setting, and then press ✓.
6. Press **Menu** to exit the menu.

Language

If **LANGUAGE** appears in English on the control panel, use the following procedure. Otherwise, turn the device off and then on again. When **XXX MB** appears, press and hold ✓. When all three control panel lights are lit, release ✓ and use the following procedure to set the language.

Select the language during initial installation

1. Turn on the device.
2. When **LANGUAGE** appears on the control-panel display in the default language, press ▼ to highlight the preferred language, and then press ✓.

Change the language after the initial configuration

After the initial installation, you can change the control-panel display language from the control panel.

1. Press **Menu**.
2. Use ▼ to highlight **CONFIGURE DEVICE**, and then press ✓.
3. Use ▼ to highlight **SYSTEM SETUP**, and then press ✓.
4. Use ▼ to highlight **LANGUAGE**, and then press ✓.
5. Use ▼ or ▲ to highlight the appropriate language, and then press ✓.
6. Press **Menu** to exit the menu.

3 Input/output (I/O) configuration

This chapter describes how to configure certain network parameters on the printer:

- [Parallel configuration](#)
- [USB configuration](#)
- [Network configuration](#)

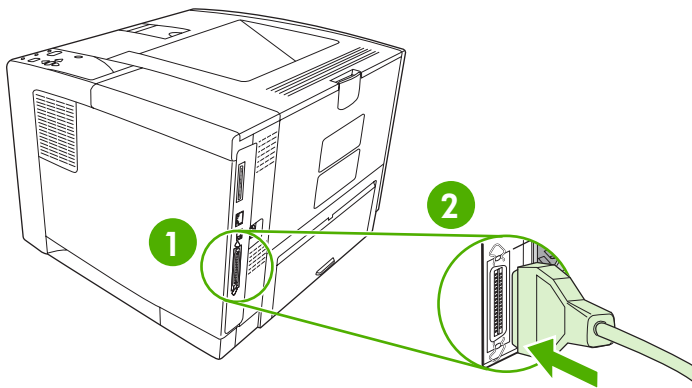
Parallel configuration



NOTE The information in this section applies only to models HP LaserJet P3005 and HP LaserJet P3005d.

A parallel connection is made by connecting the printer to the computer using a bidirectional parallel cable (IEEE-1284 compliant) with a connector plugged into the printer parallel port. The cable can be a maximum of 10 meters (30 feet) long.

When used to describe a parallel interface, the term bidirectional indicates that the printer is able to both receive data from the computer and send data to the computer through the parallel port. While the parallel interface provides backwards compatibility, a USB or network connection is recommended to optimize performance.



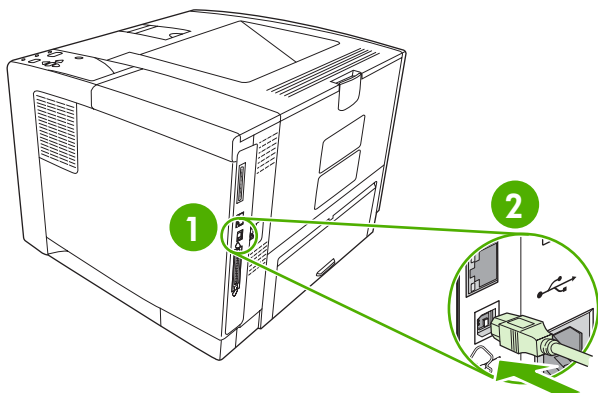
1	Parallel port
2	Parallel connector

USB configuration

The printer supports a Hi-Speed USB 2.0 port. The USB cable can be a maximum of 5 meters (15 feet) long.

Connect the USB cable

Plug the USB cable into the printer. Plug the other end of the USB cable into the computer.



- | | |
|---|----------------------|
| 1 | Type B USB port |
| 2 | Type B USB connector |

Network configuration



NOTE The information in this section applies only to models HP LaserJet P3005n, HP LaserJet P3005dn, and HP LaserJet P3005x.

You might need to configure certain network parameters on the printer. You can configure these parameters from the printer control panel, the embedded Web server, or for most networks, from the HP Web Jetadmin software.



NOTE For more information about using the embedded Web server, see [Use the embedded Web server](#).

For a complete list of supported networks and for instructions on configuring network parameters from software, see the *HP Jetdirect Embedded Print Server Administrator's Guide*. The guide comes with printers in which an HP Jetdirect embedded print server is installed.

Manually configure TCP/IP parameters from the control panel

Use manual configuration to set an IPv4 address, subnet mask, and default gateway.

Set an IPv4 address

1. Press **Menu**.
2. Press **▼** to highlight **CONFIGURE DEVICE**, and then press **✓**.
3. Press **▼** to highlight **I/O**, and then press **✓**.
4. Press **▼** to highlight **EMBEDDED JETDIRECT**, and then press **✓**.
5. Press **▼** to highlight **TCP/IP**, and then press **✓**.
6. Press **▼** to highlight **IPv4 SETTINGS**, and then press **✓**.
7. Press **▼** to highlight **CONFIG METHOD**, and then press **✓**.
8. Press **▼** to highlight **MANUAL SETTINGS**, and then press **✓**.
9. Press **▼** to highlight **IP ADDRESS**, and then press **✓**.
10. Press the **▲** or **▼** arrow to increase or decrease the number for the first byte of the IP address.
11. Press **✓** to move to the next set of numbers. (Press **↶** to move to the previous set of numbers.)



NOTE To cycle through the numbers more quickly, hold down the arrow button.

12. Repeat steps 10 and 11 until the correct IP address is complete, and then press **✓** to save the setting.
13. Press **Menu** to return to the **Ready** state.

Set the subnet mask

1. Press **Menu**.
2. Press **▼** to highlight **CONFIGURE DEVICE**, and then press **✓**.

3. Press ▼ to highlight **I/O**, and then press ✓.
4. Press ▼ to highlight **EMBEDDED JETDIRECT**, and then press ✓.
5. Press ▼ to highlight **TCP/IP**, and then press ✓.
6. Press ▼ to highlight **IPv4 SETTINGS**, and then press ✓.
7. Press ▼ to highlight **CONFIG METHOD**, and then press ✓.
8. Press ▼ to highlight **MANUAL SETTINGS**, and then press ✓.
9. Press ▼ to highlight **SUBNET MASK**, and then press ✓.
10. Press the ▲ or ▼ arrow to increase or decrease the number for the first byte of the subnet mask.
11. Press ✓ to move to the next set of numbers. (Press ⇐ to move to the previous set of numbers.)
12. Repeat steps 10 and 11 until the correct subnet mask is complete, and then press ✓ to save the subnet mask.
13. Press **Menu** to return to the **Ready** state.

Set the default gateway

1. Press **Menu**.
2. Press ▼ to highlight **CONFIGURE DEVICE**, and then press ✓.
3. Press ▼ to highlight **I/O**, and then press ✓.
4. Press ▼ to highlight **EMBEDDED JETDIRECT**, and then press ✓.
5. Press ▼ to highlight **TCP/IP**, and then press ✓.
6. Press ▼ to highlight **IPv4 SETTINGS**, and then press ✓.
7. Press ▼ to highlight **CONFIG METHOD**, and then press ✓.
8. Press ▼ to highlight **MANUAL SETTINGS**, and then press ✓.
9. Press ▼ to highlight **DEFAULT GATEWAY**, and then press ✓.
10. Press the ▲ or ▼ arrow to increase or decrease the number for the first byte of the default gateway.
11. Press ✓ to move to the next set of numbers. (Press ⇐ to move to the previous set of numbers.)
12. Repeat steps 10 and 11 until the correct default gateway is complete, and then press ✓ to save the default gateway.
13. Press **Menu** to return to the **Ready** state.

Disable network protocols (optional)

By factory default, all supported network protocols are enabled. Disabling unused protocols has the following benefits:

- Decreases printer-generated network traffic
- Prevents unauthorized users from printing to the printer

- Provides only pertinent information on the configuration page
- Allows the printer control panel to display protocol-specific error and warning messages

Disable IPX/SPX



NOTE Do not disable this protocol in Windows-based systems that print to the printer through IPX/SPX.

1. Press **Menu**.
2. Press ▼ to highlight **CONFIGURE DEVICE**, and then press ✓.
3. Press ▼ to highlight **I/O**, and then press ✓.
4. Press ▼ to highlight **EMBEDDED JETDIRECT**, and then press ✓.
5. Press ▼ to highlight **IPX/SPX**, and then press ✓.
6. Press ✓ to select **ENABLE**.
7. Press ▼ to highlight **OFF**, and then press ✓.
8. Press **Menu** to return to the **Ready** state.

Disable AppleTalk

1. Press **Menu**.
2. Press ▼ to highlight **CONFIGURE DEVICE**, and then press ✓.
3. Press ▼ to highlight **I/O**, and then press ✓.
4. Press ▼ to highlight **EMBEDDED JETDIRECT**, and then press ✓.
5. Press ▼ to highlight **APPLETALK**, and then press ✓.
6. Press ✓ to select **ENABLE**.
7. Press ▼ to highlight **OFF**, and then press ✓.
8. Press **Menu** to return to the **Ready** state.

Disable DLC/LLC

1. Press **Menu**.
2. Press ▼ to highlight **CONFIGURE DEVICE**, and then press ✓.
3. Press ▼ to highlight **I/O**, and then press ✓.
4. Press ▼ to highlight **EMBEDDED JETDIRECT**, and then press ✓.
5. Press ▼ to highlight **DLC/LLC**, and then press ✓.
6. Press ✓ to select **ENABLE**.
7. Press ▼ to highlight **OFF**, and then press ✓.
8. Press **Menu** to return to the **Ready** state.

Enhanced I/O (EIO) configuration



NOTE If you are adding a print server to the base model, additional printer memory might be required.

The enhanced input/output (EIO) slot holds compatible accessory devices, such as the HP Jetdirect print server network cards or other devices. Plugging an EIO network card into the slot increases the number of network interfaces available to the printer.

HP Jetdirect EIO print servers

HP Jetdirect print servers (network cards) can be installed in EIO slots. These cards support multiple network protocols and operating systems. HP Jetdirect print servers facilitate network management by allowing you to connect a printer directly to your network at any location. HP Jetdirect print servers also support the Simple Network Management Protocol (SNMP), which provides network managers with remote printer management and troubleshooting through the HP Web Jetadmin software.



NOTE Configure the card either through the control panel, the printer installation software, or with HP Web Jetadmin software. Refer to the HP Jetdirect print server documentation for more information.

4 Media and trays

This chapter describes how to use some basic device features:

- [General guidelines for media](#)
- [Media considerations](#)
- [Select print media](#)
- [Printing and paper-storage environment](#)
- [Load media](#)
- [Control print jobs](#)
- [Select output bins](#)

General guidelines for media

Before purchasing any paper or specialized forms in quantity, verify that your paper supplier has obtained and understands the print-media requirements that are specified in the *HP LaserJet Printer Family Print Media Specification Guide*.

See [HP Customer Care](#) to order the *HP LaserJet Printer Family Print Media Guide*. To download a copy of the guide, go to www.hp.com/support/ljpaperguide.

It is possible that paper could meet all of the guidelines in this chapter or the *HP LaserJet Printer Family Print Media Specification Guide* and still not print satisfactorily. This can result from abnormal characteristics of the printing environment or other variables over which HP has no control (for example, extremes in temperature and humidity).

Hewlett-Packard Company recommends testing any paper before buying it in large quantities.



CAUTION Using paper that does not conform to the specifications listed here or in the print media guide can cause problems that require service. This service is not covered by the Hewlett-Packard warranty or service agreements.

Paper to avoid

The product can handle many types of paper. Using paper that does not meet specifications will cause lower print quality and increase the chance of jams.

- Do not use paper that is too rough. Use paper with a tested smoothness rating of 100–250 Sheffield.
- Do not use paper, other than standard 3-hole punched paper, that contains cutouts or perforations.
- Do not use multipart forms.
- Do not use paper that has already been printed on, or that has been fed through a photocopier.
- Do not use paper that contains a watermark if you are printing solid patterns.
- Do not use heavily embossed or raised-letterhead papers.
- Do not use papers that have heavily textured surfaces.
- Do not use offset powders or other materials that prevent printed forms from sticking together.
- Do not use paper that has a colored coating that was added after the paper was produced.

Paper that can damage the device

In rare circumstances, paper can damage the device. The following paper must be avoided to prevent possible damage to the device:

- Do not use paper with staples attached.
- Do not use transparencies, labels, or photo or glossy paper designed for Inkjet printers or other low temperature printers. Use only media that is specified for use with HP LaserJet printers.

- Do not use any media that produces hazardous emissions, or that melts, offsets, or discolors when exposed to the temperature of the fuser.
- Do not use paper that is embossed or coated, or any media that is not designed to withstand the fusing temperature of the device. Do not use letterhead paper or preprinted forms that are made with dyes or inks that cannot withstand the heat of the fuser.

To order HP LaserJet printing supplies, see [Order parts, accessories, and supplies](#).

General media specifications

For complete paper specifications for all HP LaserJet devices, see the *HP LaserJet Printer Family Print Media Guide* (available at www.hp.com/support/ljpaperguide).

Category	Specifications
Acid content	5.5 pH to 8.0 pH
Caliper	0.094 to 0.18 mm (3.0 to 7.0 mils)
Curl in ream	Flat within 5 mm (0.02 in)
Cut edge conditions	Cut with sharp blades with no visible fray.
Fusing compatibility	Must not scorch, melt, offset, or release hazardous emissions when heated to 200° C (392°F) for 0.1 second.
Grain	Long grain
Moisture content	4% to 6% by weight
Smoothness	100 to 250 Sheffield

Media considerations

For complete paper specifications for all HP LaserJet devices, see the *HP LaserJet Printer Family Print Media Guide* (available at www.hp.com/support/ljpaperguide).

Envelopes

Envelope construction is critical. Envelope fold lines can vary considerably, not only between manufacturers, but also within a box from the same manufacturer. Successful printing on envelopes depends upon the quality of the envelopes. When selecting envelopes, consider the following components:

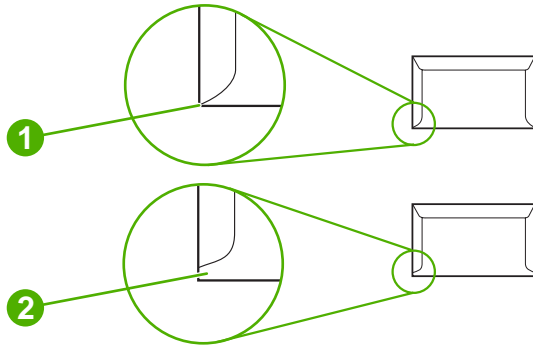
- **Weight:** The weight of the envelope paper should not exceed 105 g/m² (28 lb) or jamming might occur.
- **Construction:** Prior to printing, envelopes should lie flat with less than 5 mm (0.2 in) curl, and should not contain air.
- **Condition:** Envelopes should not be wrinkled, nicked, or otherwise damaged.
- **Temperature:** You should use envelopes that are compatible with the heat and pressure of the product.
- **Size:** You should use only envelopes within the following size ranges.
 - **Minimum:** 76 x 127 mm (3 x 5 in)
 - **Maximum:** 216 x 356 mm (8.5 x 14 in)



CAUTION To avoid damaging the device, use only envelopes recommended for laser printers. To prevent serious jams, always use tray 1 to print envelopes and always use the rear output bin. Never print on the same envelope more than once.

Envelopes with double side seams

Double side-seam construction has vertical seams at both ends of the envelope rather than diagonal seams. This style might be more likely to wrinkle. Be sure the seam extends all the way to the corner of the envelope as illustrated below.



- 1 Acceptable envelope construction
- 2 Unacceptable envelope construction

Envelopes with adhesive strips or flaps

Envelopes with a peel-off adhesive strip or with more than one flap that folds over to seal must use adhesives compatible with the heat and pressure in the product. The extra flaps and strips might cause wrinkling, creasing, or even jams and might even damage the fuser.

Envelope margins

The following gives typical address margins for a commercial #10 or DL envelope.

Type of address	Top margin	Left margin
Return address	15 mm (0.6 in)	15 mm (0.6 in)
Delivery address	51 mm (2 in)	89 mm (3.5 in)



NOTE For the best print quality, position margins no closer than 15 mm (0.6 in) from the edges of the envelope. Avoid printing over the area where the envelope seams meet.

Envelope storage

Proper storage of envelopes helps contribute to print quality. Envelopes should be stored flat. If air is trapped in an envelope, creating an air bubble, then the envelope might wrinkle during printing.

Labels



CAUTION To avoid damaging the device, use only labels recommended for laser printers. To prevent serious jams, always use tray 1 to print labels and always use the rear output bin. Never print on the same sheet of labels more than once or print on a partial sheet of labels.

Label construction

When selecting labels, consider the quality of each component:

- **Adhesives:** The adhesive material should be stable at 200°C (392°F), which is the product fusing temperature.
- **Arrangement:** Only use labels with no exposed backing between them. Labels can peel off sheets with spaces between the labels, causing serious jams.
- **Curl:** Prior to printing, labels must lie flat with no more than 5 mm (0.2 in) of curl in any direction.
- **Condition:** Do not use labels with wrinkles, bubbles, or other indications of separation.



NOTE Choose labels in the printer driver (see [Open the printer drivers](#)).

Transparencies

Transparencies used in the product must be able to withstand 200°C (392°F), which is the product fusing temperature.



CAUTION To avoid damaging the product, use only transparencies recommended for laser printers. To prevent serious jams, always use tray 1 to print transparencies and always use the rear output bin. Never print on the same transparency more than once or print on a partial transparency.



NOTE Choose transparencies in the printer driver. See [Open the printer drivers](#).

Card stock and heavy media

You can print many types of card stock from the input tray, including index cards and postcards. Some card stock performs better than others because its construction is better suited for feeding through a laser printer.

For optimum performance, do not use paper heavier than 199 g/m² (53 lb). Paper that is too heavy might cause misfeeds, stacking problems, jams, poor toner fusing, poor print quality, or excessive mechanical wear.



NOTE You might be able to print on heavier paper if you do not fill the input tray to capacity and if you use paper with a smoothness rating of 100-180 Sheffield.

In either the software program or the printer driver, select **Heavy** (106 g/m² to 163 g/m²; 28- to 43-lb bond) or **Cardstock** (135 g/m² to 216 g/m²; 50- to 80-lb cover) as the media type, or print from a tray that is configured for heavy paper. Because this setting affects all print jobs, it is important to return the product back to its original settings after the job has printed.

Card stock construction

- **Smoothness:** 135-157 g/m² (36-42 lb) card stock should have a smoothness rating of 100-180 Sheffield. 60-135 g/m² (16-36 lb) card stock should have a smoothness rating of 100-250 Sheffield.
- **Construction:** Card stock should lie flat with less than 5 mm (0.2 inch) of curl.
- **Condition:** Make sure that the card stock is not wrinkled, nicked, or otherwise damaged.

Card stock guidelines

- Set margins at least 2 mm (0.08 inch) away from the edges.
- Use tray 1 for card stock (135 g/m² to 216 g/m²; 50- to 80-lb cover).



CAUTION To avoid damaging the device, use only card stock recommended for laser printers. To prevent serious jams, always use tray 1 to print on card stock and always use the rear output bin.

Letterhead and preprinted forms

Letterhead is premium paper that often has a watermark, sometimes uses cotton fiber, and is available in a wide range of colors and finishes with matching envelopes. Preprinted forms can be made of a broad spectrum of paper types ranging from recycled to premium.

Many manufacturers now design these grades of paper with properties optimized for laser printing and advertise the paper as laser compatible or laser guaranteed. Some of the rougher surface finishes, such as cockle, laid, or linen, might require the special fuser modes that are available on some printer models to achieve adequate toner adhesion.



NOTE Some page-to-page variation is normal when printing with laser printers. This variation cannot be observed when printing on plain paper. However, this variation is obvious when printing on preprinted forms because the lines and boxes are already placed on the page.

To avoid problems when using preprinted forms, embossed paper, and letterhead, observe the following guidelines:

- Avoid using low-temperature inks (the kind used with some types of thermography).
- Use preprinted forms and letterhead paper that have been printed by offset lithography or engraving.
- Use forms that have been created with heat-resistant inks that will not melt, vaporize, or release emissions when heated to 200°C (392°F) for 0.1 second. Typically, oxidation-set or oil-based inks meet this requirement.
- When the form is preprinted, be careful not to change the moisture content of the paper, and do not use materials that change the paper's electrical or handling properties. Seal the forms in moisture-proof wrap to prevent moisture changes during storage.
- Avoid processing preprinted forms that have a finish or coating.
- Avoid using heavily embossed or raised-letterhead papers.

- Avoid papers that have heavily textured surfaces.
- Avoid using offset powders or other materials that prevent printed forms from sticking together.



NOTE To print a single-page cover letter on letterhead, followed by a multiple-page document, feed the letterhead face up in tray 1, and load the standard paper in tray 2. The device automatically prints from tray 1 first.

Select print media

This device accepts a variety of media, such as cut-sheet paper, including up to 100% recycled fiber content paper; envelopes; labels; transparencies; and custom-size paper. Properties such as weight, composition, grain, and moisture content are important factors that affect device performance and output quality. Paper that does not meet the guidelines that are outlined in this manual can cause the following problems:

- Poor print quality
- Increased jams
- Premature wear on the device, requiring repair



NOTE Some paper might meet all of the guidelines in this manual and still not produce satisfactory results. This might be the result of improper handling, unacceptable temperature and humidity levels, or other variables over which Hewlett-Packard has no control. Before purchasing large quantities of media, make sure that it meets the requirements that are specified in this user guide and in the *HP LaserJet Printer Family Print Media Guide*, which is available for download at www.hp.com/support/ljpaperguide. Always test paper before buying large quantities.



CAUTION Using media that does not meet HP specifications can cause problems for the device, requiring repair. This repair is not covered by the HP warranty or service agreements.

Supported media sizes

Table 4-1 Supported media sizes

Input tray	Letter	Legal	A4	A5	Executive (JIS)	B5 (JIS)	16K	Custom	Statement	S Postcard (JIS)	Envelope ¹
Tray 1	✓	✓	✓	✓	✓	✓	✓	✓	✓	✓	✓
Tray 2, tray 3	✓	✓	✓	✓	✓	✓					

¹ Supported envelope sizes are #10, Monarch, C5, DL, and B5.

Table 4-2 Automatic 2-sided printing ¹

Media size	Dimensions	Weight and thickness
Letter	216 x 279 mm (8.5 x 11 in)	60 to 199 g/m ² (16 to 53 lb bond)
Legal	216 x 356 mm (8.5 x 14 in)	
A4	211 x 297 mm (8.3 x 11.7 in)	
JIS	216 x 330 mm (8.5 x 13 in)	

¹ Automatic 2-sided printing on weights heavier than those shown can produce unexpected results.



NOTE Automatic 2-sided (duplex) printing is available with the HP LaserJet P3005d, HP LaserJet P3005dn, and HP LaserJet P3005x models.

Manual 2-sided printing. Most of the supported media sizes and types listed for printing from tray 1 can be manually duplexed. See [Print](#) for more information.

Supported media types

Table 4-3 Tray 1 media types

Type	Dimensions	Weight or thickness	Capacity ¹
Plain	Minimum: 76 x 127 mm (3 x 5 in)	60 to 199 g/m ² (16 to 53 lb)	100 sheets
Preprinted	Maximum: 216 x 356 mm (8.5 x 14 in)	60 to 120 g/m ² (16 to 32 lb)	100 sheets
Letterhead		60 to 120 g/m ² (16 to 32 lb)	100 sheets
Prepunched		60 to 120 g/m ² (16 to 32 lb)	100 sheets
Bond		60 to 120 g/m ² (16 to 32 lb bond)	100 sheets
Recycled		60 to 120 g/m ² (16 to 32 lb)	100 sheets
Colored paper		60 to 120 g/m ² (16 to 32 lb)	100 sheets
Rough		60 to 199 g/m ² (16 to 53 lb)	Up to 100 sheets
Light		60 to 75 g/m ² (16 to 20 lb)	100 sheets
Custom		60 to 199 g/m ² (16 to 53 lb)	Up to 100 sheets
Transparencies ²		0.10 to 0.14 mm thick (4.7 to 5 mils thick)	Up to 60 sheets
Envelopes		75 to 90 g/m ² (20 to 24 lb)	10 envelopes
Labels		0.10 to 0.14 mm thick (4.7 to 5 mils thick)	Up to 60 sheets
Cardstock		Greater than 163 g/m ² (greater than 43 lb)	Up to 100 sheets

¹ Capacity can vary depending on media weight and thickness and environmental conditions. Smoothness should be 100 to 250 (Sheffield). For ordering information, see [Supplies and accessories](#).

² Use only transparencies that are designed for use with HP LaserJet printers. This printer can detect transparencies that were not designed for use with HP LaserJet printers. For more information, see [Print Quality submenu](#).

Table 4-4 Tray 2 and tray 3 media types

Type	Dimensions	Weight or thickness	Capacity ¹
Plain	Minimum: 140 x 216 mm (5.5 x 8.5 in)	60 to 120 g/m ² (16 to 32 lb)	Up to 500 sheets
Preprinted	Maximum: 216 x 356 mm (8.5 x 14 in)	60 to 120 g/m ² (16 to 32 lb)	Up to 500 sheets
Letterhead		60 to 120 g/m ² (16 to 32 lb)	Up to 500 sheets
Prepunched		60 to 120 g/m ² (16 to 32 lb bond)	Up to 500 sheets
Bond		60 to 120 g/m ² (16 to 32 lb)	Up to 500 sheets
Recycled		60 to 120 g/m ² (16 to 32 lb)	Up to 500 sheets
Colored paper		60 to 120 g/m ² (16 to 32 lb)	Up to 500 sheets

¹ The printer supports a wide range of standard and custom sizes of print media. Capacity can vary depending on media weight and thickness and environmental conditions. Smoothness should be 100 to 250 (Sheffield). For ordering information, see [Supplies and accessories](#).

Printing and paper-storage environment

Ideally, the printing and paper-storage environment should be at or near room temperature, and not too dry or too humid. Remember paper is hygroscopic; it absorbs and loses moisture rapidly.

Heat works with humidity to damage paper. Heat causes the moisture in paper to evaporate, while cold causes it to condense on the sheets. Heating systems and air conditioners remove most of the humidity from a room. As paper is opened and used, it loses moisture, causing streaks and smudging. Humid weather or water coolers can cause the humidity to increase in a room. As paper is opened and used it absorbs any excess moisture, causing light print and dropouts. Also, as paper loses and gains moisture it can distort. This can cause jams.

As a result, paper storage and handling are as important as the paper-making process itself. Paper storage environmental conditions directly affect the feed operation.

Care should be taken not to purchase more paper than can be easily used in a short time (about 3 months). Paper stored for long periods might experience heat and moisture extremes, which can cause damage. Planning is important to prevent damage to a large supply of paper.

Unopened paper in sealed reams can remain stable for several months before use. Opened packages of paper have more potential for environmental damage, especially if they are not wrapped with a moisture-proof barrier.

The paper-storage environment should be properly maintained to ensure optimum product performance. The required condition is 20° to 24°C (68° to 75°F), with a relative humidity of 45% to 55%. The following guidelines should be helpful when evaluating the paper's storage environment:

- Paper should be stored at or near room temperature.
- The air should not be too dry or too humid (due to the hygroscopic properties of paper).
- The best way to store an opened ream of paper is to rewrap it tightly in its moisture-proof wrapping. If the product environment is subject to extremes, unwrap only the amount of paper to be used during the day's operation to prevent unwanted moisture changes.
- Proper storage of envelopes helps contribute to print quality. Envelopes should be stored flat. If air is trapped in an envelope, creating an air bubble, then the envelope might wrinkle during printing.

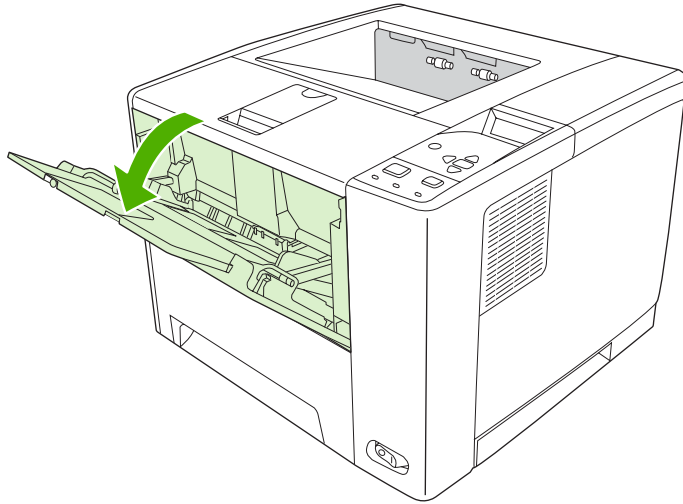
Load media

Load special print media, such as envelopes, labels, and transparencies, in tray 1 only. Load only paper in tray 2 or optional tray 3.

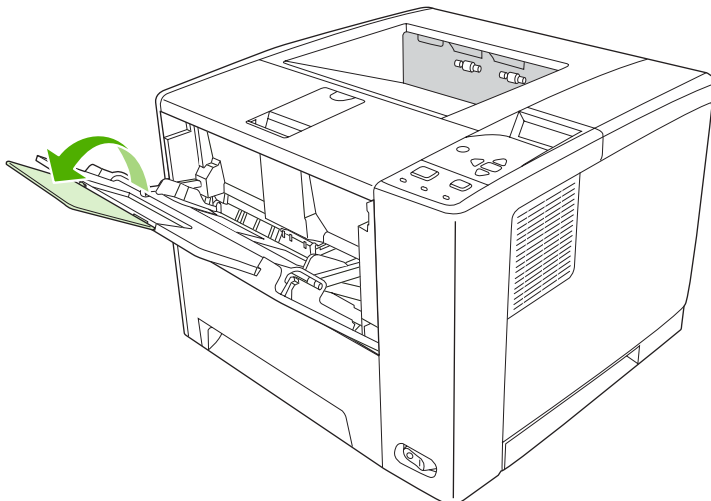
Load tray 1 (multipurpose tray)

Tray 1 holds up to 100 sheets of paper, up to 75 transparencies, up to 50 sheets of labels, or up to 10 envelopes. For information about loading special media, see [Load special media](#).

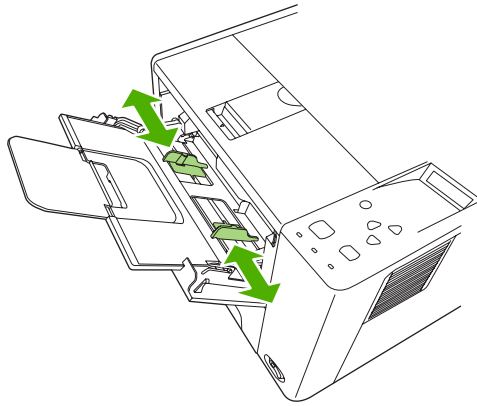
1. Open tray 1 by pulling the front cover down.



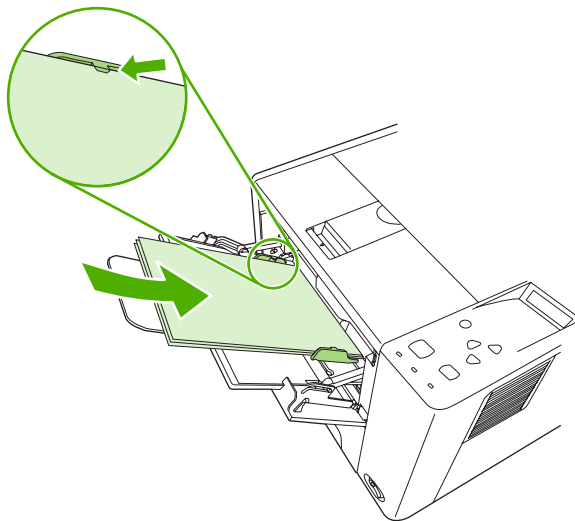
2. Slide out the plastic tray extender. If the media that is being loaded is longer than 229 mm (9 in), also flip open the additional tray extender.



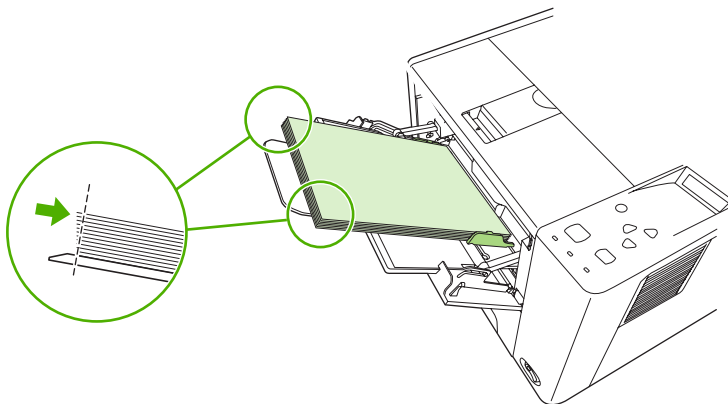
3. Slide the media-width guides slightly wider than the media.



4. Place media into the tray (short-edge in, print-side up). The media should be centered between the media-width guides and under the tabs on the media-width guides.



5. Slide the media-width guides inward until they lightly touch the media stack on both sides without bending it. Make sure that the media fits under the tabs on the media-width guides.





NOTE Do not add media to tray 1 while the device is printing. This could cause a jam. Do not close the front door when the device is printing.

Customize tray 1 operation

The device can be set to print from tray 1 if it is loaded, or to print only from tray 1 if the type of media that is loaded is specifically requested. See [Paper Handling menu](#).

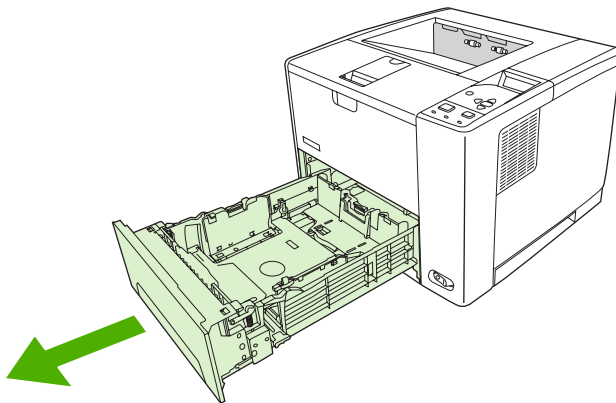
Setting	Explanation
TRAY 1 TYPE=ANY TRAY 1 SIZE=ANY	The device usually pulls media from tray 1 first unless it is empty or closed. If you do not keep media in tray 1 all the time, or if you use tray 1 only to manually feed media, keep the default setting of TRAY 1 TYPE=ANY and TRAY 1 SIZE=ANY on the Paper Handling menu.
TRAY 1 TYPE= or TRAY 1 SIZE= a type other than ANY	The device treats tray 1 like the other trays. Instead of looking for media in tray 1 first, the device pulls media from the tray that matches type and size settings that are selected in the software. In the printer driver, you can select media from any tray (including tray 1) by type, size, or source. To print by type and size of paper, see Type and Size .

You can also determine whether the device shows a prompt to ask if it can pull media from tray 1 if it cannot find the type and size that you requested in another tray. You can set the device to always prompt you before pulling from tray 1 or only prompt you if tray 1 is empty. Set the **USE REQUESTED TRAY** setting on the **System Setup** submenu of the **Configure Device** menu.

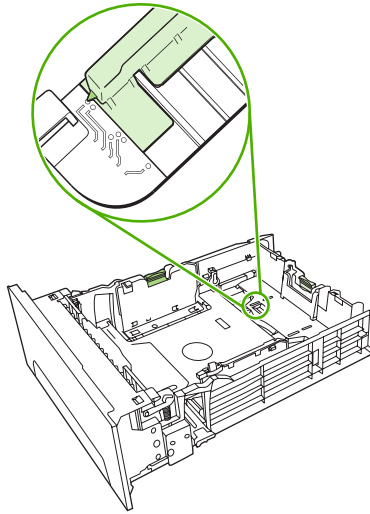
Load tray 2 and optional tray 3

Trays 2 and 3 support only paper. For supported paper sizes, see [Select print media](#).

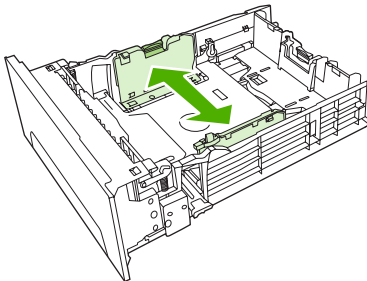
1. Pull the tray out of the device and remove any paper.



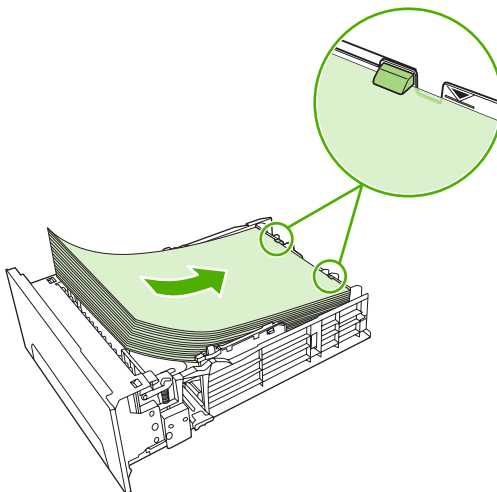
2. On the rear paper-length guide, press the tab and slide it so that the pointer matches the paper size that you are loading. Make sure that the guide clicks into place.



3. Adjust the side media-width guides outward so that the pointer matches the paper size that you are loading.

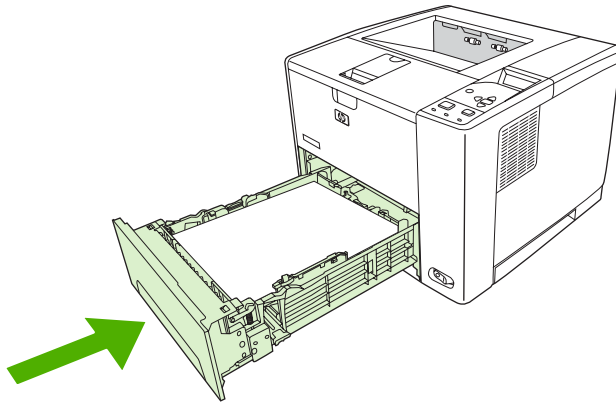


4. Place the paper in the tray and make sure that it is flat at all four corners. Keep the paper below the height tabs on the paper-length guide in the rear of the tray.



5. Push down on the paper to lock the metal paper-lift plate in place.

- Slide the tray into the device.



Load special media

The following table provides guidelines for loading special media and configuring the printer driver. Use the correct media-type setting in the printer driver to obtain the best print quality. For some types of media, the product reduces the print speed.



NOTE In the Windows printer driver, adjust the media type on the **Paper** tab in the **Type is** drop-down list.

In the Macintosh printer driver, adjust the media type on the **Printer features** pop-up menu in the **Media type** drop-down list.

Media type	Maximum amount that can be loaded into tray 2 or optional tray 3	Printer-driver setting	Tray 1 media orientation	Tray 2 or tray 3 media orientation
Normal	Up to 500 sheets	Plain or unspecified	Side to be printed facing up	Side to be printed facing down
Envelopes	Zero. Envelopes should be used only in tray 1	Envelope	Side to be printed facing up, stamp area closest to the product, short edge toward the product	Do not print envelopes from tray 2 or optional tray 3.
Heavy envelopes	Zero. Envelopes should be used only in tray 1	Heavy envelope	Side to be printed facing up, stamp area closest to the product, short edge toward the product	Do not print heavy envelopes from tray 2 or optional tray 3.
Labels	Zero. Labels should be used only in tray 1	Labels	Side to be printed facing up, with top edge to the front of the product	Do not print labels from tray 2 or optional tray 3.
Transparencies	Zero. Transparencies should be used only in tray 1	Transparencies	Side to be printed facing up	Do not print transparencies from tray 2 or optional tray 3.

Media type	Maximum amount that can be loaded into tray 2 or optional tray 3	Printer-driver setting	Tray 1 media orientation	Tray 2 or tray 3 media orientation
Letterhead (single-sided printing)	Up to 500 sheets	Letterhead	Side to be printed facing up, top edge toward the product	Side to be printed facing down, top edge at the front of the tray
Letterhead (2-sided printing)	Up to 500 sheets	Letterhead	Side to be printed facing down, top edge away from the product	Side to be printed facing up, top edge at the back of the tray
Cardstock	Zero. Card stock should be used only in tray 1	Cardstock or heavy	Side to be printed facing up	Do not print cardstock from tray 2 or optional tray 3.
Rough	Up to 50 mm (1.97 in) stack height	Rough	Side to be printed facing up	Side to be printed facing down

Control print jobs

In Windows, three settings affect how the printer driver pulls media when you send a print job. The **Source**, **Type**, and **Size** settings appear in the **Page Setup**, **Print**, or **Print Properties** dialog boxes in most software programs. If you do not change these settings, the device automatically uses the default device settings to select a tray.



CAUTION Make device setup changes through the software program or the printer driver whenever possible, because changes that you make at the control panel become default settings for subsequent print jobs. Settings selected in the software or the printer driver override control-panel settings.

Source

Print by **Source** to specify a tray from which the device will pull media. The device tries to print from this tray, no matter what type or size is loaded in it. If you select a tray that is configured for a type or size that does not match your print job, the job does not proceed until you load the tray with the correct type or size. If you load the tray correctly, the device begins printing. If you press ✓, you can select another tray.



NOTE If you have difficulties printing by **Source**, see [Priority for print settings](#).

Type and Size

Print by **Type** or **Size** when you want to pull media from the first tray that is loaded with the type or size that you select. Selecting media by type rather than source is similar to locking out trays and helps protect special media from accidental use. For example, if a tray is configured for letterhead, and you specify that the driver print on plain paper, the device will not pull media from that tray, but will pull paper from a tray that has plain paper loaded and is configured for plain paper.



NOTE Selecting the **Any** setting negates the tray lock-out function.

Selecting media by type and size results in significantly better print quality for heavy paper, glossy paper, and overhead transparencies. Using the wrong setting can result in unsatisfactory print quality. Always print by **Type** for special print media, such as labels or transparencies. Always print by **Size** for envelopes.

- If you want to print by **Type** or **Size** and the trays have not been configured for a certain type or size, load the media into tray 1. Then, in the printer driver, select the **Type** or **Size** in the **Page Setup**, **Print**, or **Print Properties** dialog box.
- If you often print on a certain type or size of media, the device administrator (for a network device) or you (for a local device) can configure a tray for that type or size. Then, when you select that type or size as you print a job, the device pulls from the tray configured for that type or size.
- When you close tray 2 or optional tray 3, a message might appear prompting you to select a **Type** or **Size** for the tray. If the tray is already configured correctly, press ↵ to return to the **Ready** state.



NOTE If all of the tray type settings are set to **ANY**, and if you do not select a specific tray (source) in the printer driver, the device pulls media from the lowest tray. For example, if you have an optional tray 3 installed, the device pulls media from that tray first. However, if the tray 1 size and type settings are set to **ANY** and if media is loaded in the tray, then the device prints from tray 1 first. If tray 1 is closed, the device prints from the lowest tray.

Select output bins

The device has two output bins into which it places finished print jobs:

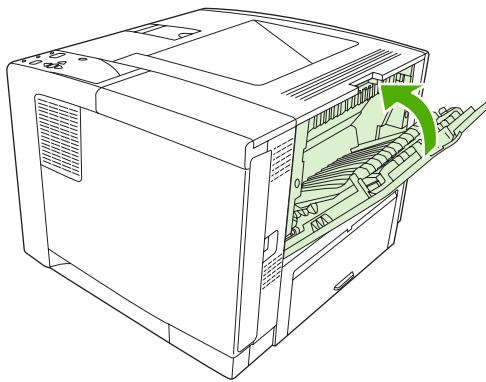
- Top (face-down) output bin: This is the default output bin at the top of the device. Print jobs exit the device face-down into this bin.
- Rear (face-up) output bin: Print jobs exit the device face-up into this bin at the rear of the device.



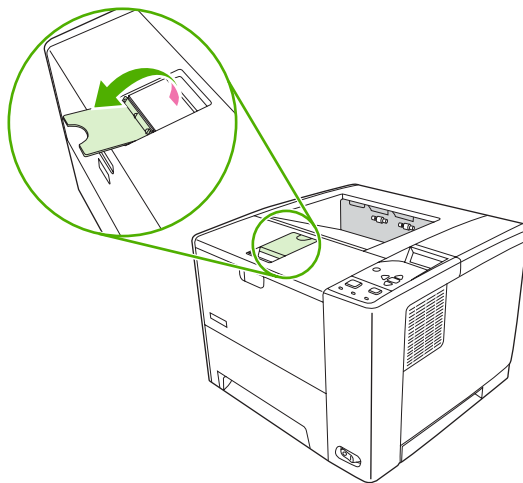
NOTE You cannot use automatic duplex printing when printing to the rear output bin.

Print to the top output bin

1. Make sure that the rear output bin is closed. If the rear output bin is open, the device will deliver the print job to that bin.



2. If you are printing on long media, open the top output bin support.



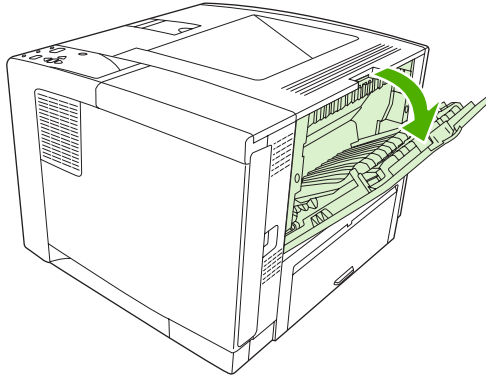
3. From your computer, send the print job to the device.

Print to the rear output bin

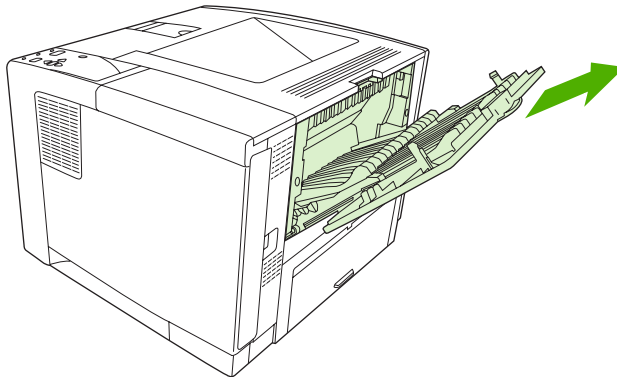


NOTE When tray 1 and the rear output bin are used together, they provide a straight-through paper path for your print job. Using a straight-through paper path can reduce curling.

1. Open the rear output bin.



2. If you are printing on long media, pull out the bin extension.



3. From your computer, send the print job to the device.

5 Print

This chapter describes how to perform basic printing tasks:

- [Use features in the Windows device driver](#)
- [Use features in the Macintosh device driver](#)
- [Cancel a print job](#)
- [Manage stored jobs](#)

Use features in the Windows device driver

When you print from a software program, many of the product features are available from the device driver. For complete information about the features that are available in the device driver, see the device-driver Help. The following features are described in this section:

- [Create and use quick sets](#)
- [Use watermarks](#)
- [Resize documents](#)
- [Set a custom paper size from the printer driver](#)
- [Use different paper and printing covers](#)
- [Print a blank first page](#)
- [Print multiple pages on one sheet of paper](#)
- [Print on both sides of the paper](#)
- [Use the Services tab](#)



NOTE Settings in the device driver and software program generally override control-panel settings. Software-program settings generally override device-driver settings.

Create and use quick sets

Use quick sets to save the current driver settings for reuse. Quick sets are available on most printer-driver tabs. You can save up to 25 Print Task Quick Sets.

Create a quick set

1. Open the printer driver (see [Open the printer drivers](#)).
2. Select the print settings that you want to use.
3. In the **Print Task Quick Sets** box, type a name for the quick set.
4. Click **Save**.

Use quick sets

1. Open the printer driver (see [Open the printer drivers](#)).
2. Select the quick set that you want to use from the **Print Task Quick Sets** drop-down list.
3. Click **OK**.



NOTE To use printer-driver default settings, select **Default Print Settings** from the **Print Task Quick Sets** drop-down list.

Use watermarks

A watermark is a notice, such as "Confidential," that is printed in the background of each page of a document.

1. On the **File** menu in the software program, click **Print**.
2. Select the driver, and then click **Properties** or **Preferences**.
3. From the **Effects** tab, click the **Watermarks** drop-down list.
4. Click the watermark that you want to use. To create a new watermark, click **Edit**.
5. If you want the watermark to appear only on the first page of the document, click **First Page Only**.
6. Click **OK**.

To remove the watermark, click **(none)** in the **Watermarks** drop-down list.

Resize documents

Use the document resizing options to scale a document to a percentage of its normal size. You can also choose to print a document on a different size paper, with or without scaling.

Reduce or enlarge a document

1. On the **File** menu in the software program, click **Print**.
2. Select the driver, and then click **Properties** or **Preferences**.
3. On the **Effects** tab, next to **% of Normal Size**, type the percentage by which you want to reduce or enlarge your document.

You can also use the scroll bar to adjust the percentage.

4. Click **OK**.

Print a document onto a different paper size

1. On the **File** menu in the software program, click **Print**.
2. Select the driver, and then click **Properties** or **Preferences**.
3. On the **Effects** tab, click **Print Document On**.
4. Select the paper size to print on.
5. To print the document without scaling it to fit, make sure that the **Scale to Fit** option is *not* selected.
6. Click **OK**.

Set a custom paper size from the printer driver

1. On the **File** menu in the software program, click **Print**.
2. Select the driver, and then click **Properties** or **Preferences**.
3. On the **Paper** or **Paper/Quality** tab, click **Custom**.

4. On the **Custom Paper Size** window, type the name of the custom paper size.
5. Type the paper-size length and width. If you type a size that is too small or too large, the driver adjusts the size to the minimum or maximum size that is allowed.
6. If necessary, click the button to change the unit of measure between millimeters and inches.
7. Click **Save**.
8. Click **Close**. The name that you saved appears in the paper-size list for future use.

Use different paper and printing covers

Follow these instructions for printing a first page that is different from other pages in the print job.

1. Open the printer driver (see [Open the printer drivers](#)).
2. On the **Paper** or **Paper/Quality** tab, select the appropriate paper for the first page of the print job.
3. Click **Use Different Paper/Covers**.
4. In the list box, click the pages or covers that you want to print on different paper.
5. To print front or back covers, you must also select **Add Blank or Preprinted Cover**.
6. In the **Source is** and **Type is** list boxes, select the appropriate paper type or source for the other pages of the print job.



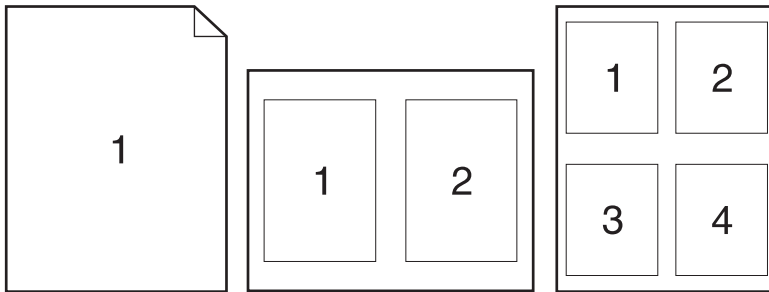
NOTE The paper size must be the same for all pages of the print job.

Print a blank first page

1. Open the printer driver (see [Open the printer drivers](#)).
2. On the **Paper** or **Paper/Quality** tab, click **Use Different Paper/Covers**.
3. In the list box, click **Front Cover**.
4. Click **Add Blank or Preprinted Cover**.

Print multiple pages on one sheet of paper

You can print more than one page on a single sheet of paper.



1. On the **File** menu in the software program, click **Print**.
2. Select the driver, and then click **Properties** or **Preferences**.
3. Click the **Finishing** tab.
4. In the section for **Document Options**, select the number of pages that you want to print on each sheet (1, 2, 4, 6, 9, or 16).
5. If the number of pages is greater than 1, select the correct options for **Print Page Borders** and **Page Order**.
 - If you need to change the page orientation, click the **Finishing** tab, and then click **Portrait** or **Landscape**.
6. Click **OK**. The product is now set to print the number of pages per sheet that you have selected.

Print on both sides of the paper

When duplex printing is available, you can automatically print on both sides of a page. If duplex printing is not available, you can manually print on both sides of a page by feeding the paper through the product a second time.



NOTE In the device driver, **Print on Both Sides (manually)** is available only when duplex printing is not available or when duplex printing does not support the type of print media being used.

To configure the product for automatic or manual duplex printing, open the printer-driver properties, click the **Device Settings** tab, and then select the appropriate settings under **Installable Options**.



NOTE The **Configure** tab is not available from within software programs.

NOTE The procedure to open the device-driver properties depends on the operating system that you are using. For information about opening the device-driver properties for your operating system, see [Open the printer drivers](#). Look for the column titled "To change the device configuration settings".

Use automatic duplex printing

1. Insert enough paper into one of the trays to accommodate the print job. If you are loading special paper such as letterhead, load it in one of the following ways:
 - For tray 1, load the letterhead paper with the front side up, bottom-edge first.
 - For all other trays, load the letterhead paper with front side down, and the top edge at the back of the tray.



CAUTION To avoid jams, do not load paper that is heavier than 105 g/m² (28 lb bond).

2. Open the printer driver (see [Open the printer drivers](#)).
3. On the **Finishing** tab, click **Print on Both Sides**.
 - If necessary, select **Flip Pages Up** to change the manner in which pages are turned, or select a binding option in the **Booklet Layout** list box.
4. Click **OK**.

Print on both sides manually

1. Insert enough paper into one of the trays to accommodate the print job. If you are loading special paper such as letterhead, load it in one of the following ways:
 - For tray 1, load the letterhead paper with the front side up, bottom-edge first.
 - For all other trays, load letterhead paper with front side down, and the top edge at the back of the tray.

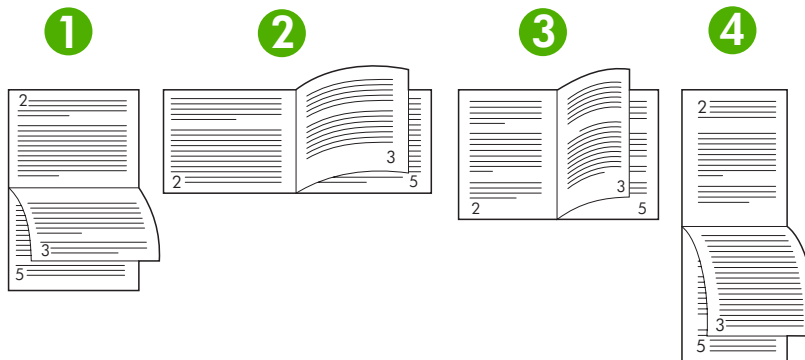


CAUTION To avoid jams, do not load paper that is heavier than 105 g/m² (28 lb bond).

2. Open the printer driver (see [Open the printer drivers](#)).
3. On the **Finishing** tab, select **Print on Both Sides (manually)**.
4. Click **OK**.
5. Send the print job to the product. Follow the instructions in the pop-up window that appears before feeding the output stack into tray 1 for printing the second half.
6. Go to the product. Remove any blank paper that is in tray 1. Insert the printed stack with the printed side up, and the bottom-edge feeding into the product first. You must print the second side from tray 1.
7. If prompted, press a control-panel button to continue.

Layout options for printing on both sides

The four duplex orientation options are shown here. To select option 1 or 4, select **Flip Pages Up** in the printer driver.



1. Long-edge landscape	Every other printed image is oriented upside-down. Facing pages are read continuously from top to bottom.
2. Short-edge landscape	Every printed image is oriented right-side-up. Facing pages are read from top to bottom.
3. Long-edge portrait	This is the default setting, and the most common layout used. Every printed image is oriented right-side-up. Facing pages are read from top to bottom.
4. Short-edge portrait	Every other printed image is oriented upside-down. Facing pages are read continuously from top to bottom.

Use the Services tab

If the product is connected to a network, use the **Services** tab to obtain product and supply-status information. Click the **Device and Supplies status icon** to open the **Device Status** page of the HP Embedded Web Server. This page shows the current status of the product, the percentage of life remaining for each supply, and information for ordering supplies. For more information, see [Use the embedded Web server](#).

Use features in the Macintosh device driver

When you print from a software program, many of the device features are available from the device driver. For complete information about the features that are available in the device driver, see the device-driver Help. The following features are described in this section:

- [Create and use presets](#)
- [Print a cover page](#)
- [Print multiple pages on one sheet of paper](#)
- [Print on both sides of the paper](#)



NOTE Settings in the device driver and software program generally override control-panel settings. Software-program settings generally override device-driver settings.

Create and use presets

Use presets to save the current printer driver settings for reuse.

Create a preset

1. Open the printer driver (see [Open the printer drivers](#)).
2. Select the print settings.
3. In the **Presets** box, click **Save As...**, and type a name for the preset.
4. Click **OK**.

Use presets

1. Open the printer driver (see [Open the printer drivers](#)).
2. In the **Presets** menu, select the preset that you want to use.



NOTE To use printer-driver default settings, select the **Standard** preset.

Print a cover page

You can print a separate cover page for your document that includes a message (such as “Confidential”).

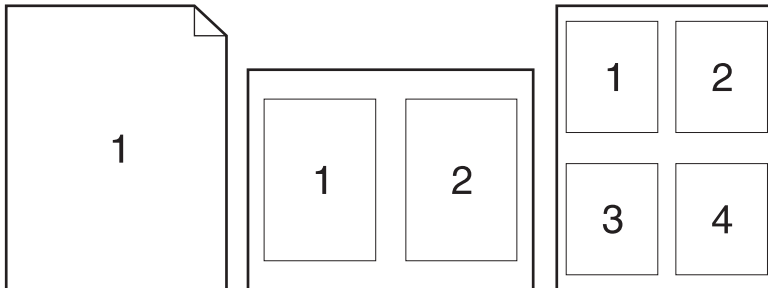
1. Open the printer driver (see [Open the printer drivers](#)).
2. On the **Cover Page** or **Paper/Quality** pop-up menu, select whether to print the cover page **Before Document** or **After Document**.
3. In the **Cover Page Type** pop-up menu, select the message that you want to print on the cover page.



NOTE To print a blank cover page, select **Standard** as the **Cover Page Type**.

Print multiple pages on one sheet of paper

You can print more than one page on a single sheet of paper. This feature provides a cost-effective way to print draft pages.



1. Open the printer driver (see [Open the printer drivers](#)).
2. Click the **Layout** pop-up menu.
3. Next to **Pages per Sheet**, select the number of pages that you want to print on each sheet (1, 2, 4, 6, 9, or 16).
4. Next to **Layout Direction**, select the order and placement of the pages on the sheet.
5. Next to **Borders**, select the type of border to print around each page on the sheet.

Print on both sides of the paper

When duplex printing is available, you can automatically print on both sides of a page. Otherwise, you can manually print on both sides of a page by feeding the paper through the device a second time.



CAUTION To avoid jams, do not load paper that is heavier than 105 g/m² (28-lb bond).

Use automatic duplex printing

1. Insert enough paper into one of the trays to accommodate the print job. If you are loading special paper such as letterhead, load it in one of the following ways:
 - For tray 1, load the letterhead paper face-up with the bottom edge feeding into the printer first.
 - For all other trays, load the letterhead paper face-down with the top edge at the back of the tray.
2. Open the printer driver (see [Open the printer drivers](#)).
3. Open the **Layout** pop-up menu.
4. Next to **Two Sided Printing**, select either **Long-Edge Binding** or **Short-Edge Binding**.
5. Click **Print**.

Print on both sides manually

1. Insert enough paper into one of the trays to accommodate the print job. If you are loading special paper such as letterhead, load it in one of the following ways:
 - For tray 1, load the letterhead paper face-up with the bottom edge feeding into the printer first.
 - For all other trays, load the letterhead paper face-down with the top edge at the back of the tray.



CAUTION To avoid jams, do not load paper that is heavier than 105 g/m² (28-lb bond).

2. Open the printer driver (see [Open the printer drivers](#)).
3. On the **Finishing** pop-up menu, select the **Manual Duplex** option.



NOTE If the **Manual Duplex** option is not enabled, select **Manually Print on 2nd Side**.

4. Click **Print**. Follow the instructions in the pop-up window that appears on the computer screen before replacing the output stack in tray 1 for printing the second half.
5. Go to the printer, and remove any blank paper that is in tray 1.
6. Insert the printed stack face-up with the bottom edge feeding into the printer first in tray 1. You *must* print the second side from tray 1.
7. If prompted, press the appropriate control-panel button to continue.

Cancel a print job

You can stop a print request by using the device control panel or using your software program. For instructions on how to stop a print request from a computer on a network, see the online Help for the specific network software.



NOTE It can take some time for all printing to clear after you have canceled a print job.

Stop the current print job from the printer control panel

1. Press **Stop** on the printer control panel.
2. Press **▼** to highlight **CANCEL CURRENT JOB**, and then press **✓** to cancel the job.



NOTE If the print job is too far into the printing process, you might not have the option to cancel it.

Stop the current print job from the software program

A dialog box will appear briefly on the screen, giving you the option to cancel the print job.

If several requests have been sent to the printer through your software, they might be waiting in a print queue (for example, in Windows Print Manager). See the software documentation for specific instructions about canceling a print request from the computer.

If a print job is waiting in a print queue (computer memory) or print spooler (Windows 98, Windows 2000, Windows XP, or Windows Me), delete the print job there.

For Windows 98 or Windows Me, click **Start**, click **Settings**, and then click **Printers**. For Windows 2000 and Windows XP, click **Start**, and then click **Printers**. Double-click the device icon to open the print spooler. Select the print job that you want to cancel, and then press **Delete**. If the print job is not cancelled, you might need to shut down and restart the computer.

Manage stored jobs



NOTE This feature is available only for devices that have installed hard drives.

To store print jobs on the device, use the **Job Storage** tab in the device driver **Properties** dialog box. After a job is stored, you can print it or delete it from the device control panel.

Print a stored job

1. Press **Menu**.
2. Press ▼ to highlight **RETRIEVE JOB**, and then press ✓.
A list of users appears. If no jobs are stored, then the message **NO STORED JOBS** appears.
3. Press ▼ to highlight your user name, and then press ✓.
 - If you have more than one stored job that is protected by a personal identification number (PIN), the **ALL PRIVATE JOBS** menu item appears. If you want to print one of the PIN-protected jobs, highlight **ALL PRIVATE JOBS**, and then press ✓.
4. Press ▼ to highlight the correct print job, and then press ✓.
5. Press ▼ to highlight **PRINT**, and then press ✓.
 - If the job is *not* PIN-protected, go to step 7.
6. If prompted, provide a PIN by pressing ▲ or ▼ to change the number. Press ✓ after you have specified each number of the four-digit PIN.
7. Press ▲ and ▼ to specify the number of copies, and then press ✓ to print the job.

Delete a stored job

1. Press **Menu**.
2. Press ▼ to highlight **RETRIEVE JOB**, and then press ✓.
A list of users appears. If there are no stored jobs, then the message **NO STORED JOBS** appears.
3. Press ▼ to highlight your user name, and then press ✓.
 - If you have more than one stored job that is PIN-protected, the **ALL PRIVATE JOBS** menu item appears. If you want to delete one of the PIN-protected jobs, highlight **ALL PRIVATE JOBS**, and then press ✓.
4. Press ▼ to highlight the correct print job, and then press ✓.
5. Press ▼ to highlight **DELETE**, and then press ✓.
If the job is *not* PIN-protected, the device deletes the job.
6. If prompted, provide a PIN by pressing ▲ or ▼ to change the number. Press ✓ after you have specified each number of the four-digit PIN.
The device deletes the job after you set the fourth PIN digit and press ✓.


6 Manage and maintain the device



This chapter describes how to manage the device:

- [Use information pages](#)
- [Configure e-mail alerts](#)
- [Use the HP Easy Printer Care software](#)
- [Use the embedded Web server](#)
- [Use HP Web Jetadmin software](#)
- [Use the HP Printer Utility for Macintosh](#)
- [Manage supplies](#)
- [Replace supplies and parts](#)
- [Clean the device](#)

Use information pages

From the device control panel, you can print pages that give details about the device and its current configuration. The table below provides the procedures for printing the information pages.

Page description	How to print the page
Menu map Shows the control-panel menus and available settings.	<ol style="list-style-type: none">1. Press Menu.2. Press ▼ to highlight INFORMATION, and then press ✓.3. If PRINT MENU MAP is not highlighted, press ▲ or ▼ until it is highlighted, and then press ✓. <p>The content of the menu map varies, depending on the options currently installed in the device.</p> <p>For a complete list of control panel menus and possible values, see Use the control-panel menus.</p>
Configuration page Shows device settings and installed accessories.	<ol style="list-style-type: none">1. Press Menu.2. Press ▼ to highlight INFORMATION, and then press ✓.3. Press ▼ to highlight PRINT CONFIGURATION, and then press ✓. <p> NOTE If the device contains an HP Jetdirect print server or an optional hard disk drive, an additional configuration page prints that provides information about those devices.</p>
Supplies status page Shows print-cartridge toner levels.	<ol style="list-style-type: none">1. Press Menu.2. Press ▼ to highlight INFORMATION, and then press ✓.3. Press ▼ to highlight PRINT SUPPLIES STATUS PAGE, and then press ✓. <p> NOTE If you are using non-HP supplies, the supplies status page might not show the remaining life for those supplies. For more information, see HP policy on non-HP print cartridges.</p>
Usage page Shows a page count for each size of paper printed, the number of one-sided (simplex) or two-sided (duplexed) pages, and the average percentage of coverage.	<ol style="list-style-type: none">1. Press Menu.2. Press ▼ to highlight INFORMATION, and then press ✓.3. Press ▼ to highlight PRINT USAGE PAGE, and then press ✓.

Page description	How to print the page
<p>File directory</p> <p>Shows information for all installed mass storage devices.</p>	<ol style="list-style-type: none"> 1. Press Menu. 2. Press ▼ to highlight INFORMATION, and then press ✓. 3. Press ▼ to highlight PRINT FILE DIRECTORY, and then press ✓. <hr/> <p> NOTE This option does not appear if no mass storage devices are installed.</p>
<p>PCL or PS font list</p> <p>Shows which fonts are currently installed in the device.</p>	<ol style="list-style-type: none"> 1. Press Menu. 2. Press ▼ to highlight INFORMATION, and then press ✓. 3. Press ▼ to highlight PRINT PCL FONT LIST or PRINT PS FONT LIST, and then press ✓. <hr/> <p> NOTE The font lists also show which fonts are resident on an optional hard disk accessory or flash DIMM.</p>

Configure e-mail alerts



NOTE If your company does not have e-mail, this feature might not be available.

You can use HP Web Jetadmin or the embedded Web server to configure the system to alert you of problems with the device. The alerts take the form of e-mail messages to the e-mail account(s) that you specify.

You can configure the following:

- The device(s) you want to monitor
- The alerts you want to receive (for example, alerts for paper jams, paper out, supplies status, and cover open)
- The e-mail account(s) to which the alerts should be forwarded

Software	Information location
HP Web Jetadmin	See Use HP Web Jetadmin software for general information about HP Web Jetadmin. See the HP Web Jetadmin Help system for details about alerts and how to set them up.
Embedded Web server	See Use the embedded Web server for general information about the embedded Web server. See the embedded Web server Help system for details about alerts and how to set them up.

Use the HP Easy Printer Care software

The HP Easy Printer Care software is a program that you can use for the following tasks:

- Check the device status.
- Check supplies status.
- Set up alerts.
- Gain access to problem-solving and maintenance tools.

You can use the HP Easy Printer Care software when the device is directly connected to your computer or when it is connected to a network. You must perform a complete software installation to use the HP Easy Printer Care software.



NOTE You do not have to have Internet access to open and use the HP Easy Printer Care software. However, if you click a Web-based link, you must have Internet access to go to the site associated with the link.


Open the HP Easy Printer Care software

Use one of the following methods to open HP Easy Printer Care software:

- On the **Start** menu, select **Programs**, select **Hewlett-Packard**, and then select **HP Easy Printer Care software**.
- In the Windows system tray (in the lower-right corner of the desktop), double-click the HP Easy Printer Care software icon.
- Double-click the desktop icon.

HP Easy Printer Care software sections

Section	Options
Device List tab	<ul style="list-style-type: none">● Device information, including printer name, make, and model
Shows information about each device in the Devices list	<ul style="list-style-type: none">● An icon (if the View as drop-down box is set to Tiles, which is the default setting)● Any current alerts for the device <p>If you click a device in the list, the HP Easy Printer Care software opens the Overview tab for that device.</p>
Support tab	<ul style="list-style-type: none">● Provides device information, including alerts for items needing attention.
Provides help information and links	<ul style="list-style-type: none">● Provides links to troubleshooting and maintenance tools.
Supplies Ordering window	<ul style="list-style-type: none">● Ordering list: Shows the supplies that you can order for each device. If you want to order a certain item, click the Order check box for that item in the supplies list.
Provides access to online or e-mail supplies ordering	<ul style="list-style-type: none">● Shop Online for Supplies button: Opens the HP SureSupply Web site in a new browser window. If you have checked the Order check box for any items, the information about those items can be transferred to the Web site, where you will receive information on options for purchasing your selected supplies.● Print Shopping List button: Prints the information for the supplies that have the Order check box selected.

Section	Options
<p>Alert Settings window</p> <p>Allows you to configure the device to automatically notify you of device issues</p>	<ul style="list-style-type: none"> Alerts on or off: Activates or deactivates the alerts feature. When alerts appear: Sets when you want alerts to appear—either when you are printing to that particular device, or anytime there is a device event. Alert event type: Sets whether you want alerts for only critical errors, or for any error, including continuable errors. Notification method: Sets what type of alert should appear (pop-up message or desktop alert).
<p>Overview tab</p> <p>Contains basic status information for the device</p>	<ul style="list-style-type: none"> Devices list: Shows the devices that you can select. Device Status section: Shows device status information. This section will indicate device alert conditions, such as an empty print cartridge. It also shows device-identification information, control-panel messages, and print-cartridge levels. After you correct a problem with the device, click the  button to update the section. Supplies Status section: Shows detailed supplies status, such as the percentage of toner remaining in the print cartridge and the status of the media that is loaded in each tray. Supplies Details link: Opens the supplies status page to view more detailed information about device supplies, ordering information, and recycling information.
<p>Find Other Printers window</p> <p>Allows you to add more printers to your printer list</p>	<p>Clicking the Find Other Printers link in the Devices list opens the Find Other Printers window. The Find Other Printers window provides a utility that detects other network printers so that you can add them to the Devices list and then monitor those devices from your computer.</p>

Use the embedded Web server



NOTE When the device is directly connected to a computer, use the HP Easy Printer Care software to view the device status.

- View device control status information
- Set the type of paper loaded in each tray
- Determine the remaining life on all supplies and order new ones
- View and change tray configurations
- View and change the device control panel menu configuration
- View and print internal pages
- Receive notification of device and supplies events
- View and change network configuration
- View support content that is specific to the current state of the device

When the device is connected to the network, the embedded Web server is automatically available.

To use the embedded Web server, you must have Microsoft Internet Explorer 4 and later or Netscape Navigator 4 and later. The embedded Web server works when the device is connected to an IP-based network. The embedded Web server does not support IPX-based or AppleTalk device connections. You do not need Internet access to open and use the embedded Web server.

Open the embedded Web server by using a network connection

1. In a supported Web browser on your computer, type the device IP address or host name in the address/URL field. To find the IP address or host name, print a configuration page. See [Use information pages](#).




NOTE After you open the URL, you can bookmark it so that you can return to it quickly in the future.



2. The embedded Web server has three tabs that contain settings and information about the device: the **Information** tab, the **Settings** tab, and the **Networking** tab. Click the tab that you want to view.

See [Embedded Web server sections](#) for more information about each tab.

Embedded Web server sections

Tab or section	Options
Information tab Provides device, status, and configuration information	<ul style="list-style-type: none">• Device Status: Shows the device status and shows the life remaining of HP supplies, with 0% indicating that a supply is empty. The page also shows the type and size of print paper set for each tray. To change the default settings, click Change Settings.• Configuration Page: Shows the information found on the configuration page.• Supplies Status: Shows the life remaining of HP supplies, with 0 percent indicating that a supply is empty. This page also provides supplies part numbers. To order new supplies, click Order Supplies in the Other Links area on the left side of the window.

Tab or section	Options
	<ul style="list-style-type: none"> ● Event log: Shows a list of all device events and errors. ● Usage page: Shows a summary of the number of pages the device has printed, grouped by size and type. ● Device Information: Shows the device network name, address, and model information. To change these entries, click Device Information on the Settings tab. ● Control Panel: Shows messages from the device control panel, such as Ready or Sleep mode on. ● Print: Allows you to send print jobs to the device.
<p>Settings tab</p> <p>Provides the ability to configure the device from your computer</p>	<ul style="list-style-type: none"> ● Configure Device: Allows you to configure device settings. This page contains the traditional menus found on devices using a control-panel display. ● E-mail Server: Network only. Used in conjunction with the Alerts page to set up incoming and outgoing e-mail, as well as to set e-mail alerts. ● Alerts: Network only. Allows you to set up to receive e-mail alerts for various device and supplies events. ● AutoSend: Allows you to configure the device to send automated e-mails regarding device configuration and supplies to specific e-mail addresses. ● Security: Allows you to set a password that must be entered to gain access to the Settings and Networking tabs. Enable and disable certain features of the embedded Web server. ● Edit Other Links: Allows you to add or customize a link to another Web site. This link is displayed in the Other Links area on all embedded Web server pages. ● Device Information: Allows you to name the device and assign an asset number to it. Enter the name and e-mail address for the primary contact who will receive information about the device. ● Language: Allows you to determine the language in which to display the embedded Web server information. ● Date & Time: Allows time synchronization with a network time server. ● Wake Time: Allows you to set or edit a wake time for the device.
	<div style="display: flex; align-items: flex-start;"> <div style="margin-right: 10px;">  </div> <div> <p>NOTE The Settings tab can be password-protected. If this device is on a network, always consult with the system administrator before changing settings on this tab.</p> </div> </div>

Tab or section	Options
<p>Networking tab</p> <p>Provides the ability to change network settings from your computer</p>	<p>Network administrators can use this tab to control network-related settings for the device when it is connected to an IP-based network. This tab does not appear if the device is directly connected to a computer, or if the device is connected to a network using anything other than an HP Jetdirect print server.</p> <hr/> <p> NOTE The Networking tab can be password-protected.</p>
<p>Other links</p> <p>Contains links that connect you to the Internet</p>	<ul style="list-style-type: none"> ● HP Instant Support™: Connects you to the HP Web site to help you find solutions. This service analyzes your device error log and configuration information to provide diagnostic and support information specific to your device. ● Order Supplies: Connects to the HP SureSupply Web site, where you will receive information on options for purchasing original HP supplies, such as print cartridges and paper. ● Product Support: Connects to the support site for the device, from which you can search for help regarding general topics. <hr/> <p> NOTE You must have Internet access in order to use any of these links. If you use a dial-up connection and did not connect when you first opened the embedded Web server, you must connect before you can visit these Web sites. Connecting might require that you close the embedded Web server and reopen it.</p>

Use HP Web Jetadmin software

HP Web Jetadmin is a Web-based software solution for remotely installing, monitoring, and troubleshooting network-connected peripherals. The intuitive browser interface simplifies cross-platform management of a wide range of devices, including HP and non-HP devices. Management is proactive, allowing network administrators the ability to resolve issues before users are affected. Download this free, enhanced-management software at www.hp.com/go/webjetadmin_software.

To obtain plug-ins to HP Web Jetadmin, click **plug-ins**, and then click the **download** link that is next to the name of the plug-in that you want. The HP Web Jetadmin software can automatically notify you when new plug-ins are available. On the **Product Update** page, follow the directions to automatically connect to the HP Web site.

If installed on a host server, HP Web Jetadmin is available to any client through a supported Web browser, such as Microsoft Internet Explorer 6.0 for Windows or Netscape Navigator 7.1 for Linux. Browse to the HP Web Jetadmin host.



NOTE Browsers must be Java-enabled. Browsing from an Apple PC is not supported.

Use the HP Printer Utility for Macintosh

Use the HP Printer Utility to configure and maintain a device from a Mac OS X computer.

Open the HP Printer Utility

Open the HP Printer Utility in Mac OS X V10.2

1. Open the Finder, and then click **Applications**.
2. Click **Library**, and then click **Printers**.
3. Click **hp**, and then click **Utilities**.
4. Double-click **HP Printer Selector** to open the HP Printer Selector.
5. Select the device that you want to configure, and then click **Utility**.

Open the HP Printer Utility in Mac OS X V10.3 or V10.4

1. In the Dock, click the **Printer Setup Utility** icon.



NOTE If the **Printer Setup Utility** icon does not appear in the Dock, open the Finder, click **Applications**, click **Utilities**, and then double-click **Printer Setup Utility**.

2. Select the device that you want to configure, and then click **Utility**.

HP Printer Utility features

The HP Printer Utility consists of pages that you open by clicking in the **Configuration Settings** list. The following table describes the tasks that you can perform from these pages.

Item	Description
Configuration Page	Prints a configuration page.
Supplies Status	Shows the device supplies status and provides links for online supplies-ordering.
HP Support	Provides access to technical assistance, online supplies ordering, online registration, and recycling and return information.
File Upload	Transfers files from the computer to the device.
Upload Fonts	Transfers font files from the computer to the device.
Firmware Update	Transfers updated firmware files from the computer to the device.
Duplex Mode	Turns on the automatic two-sided printing mode.
Economode & Toner Density	Turns on the Economode setting to conserve toner, or adjusts toner density.
Resolution	Changes the resolution settings, including the REt setting.
Lock Resources	Locks or unlocks storage products, such as a hard disk.
Stored Jobs	Manages print jobs that are stored on the device hard disk.
Trays Configuration	Changes the default tray settings.
IP Settings	Changes the device network settings and provides access to the embedded Web server.

Item	Description
Bonjour Settings	Provides the ability to turn on or off Bonjour support or change the device service name that is listed on a network.
Additional Settings	Provides access to the embedded Web server.
E-mail Alerts	Configures the device to send e-mail notices for certain events.

Manage supplies

Using, storing, and monitoring the print cartridge can help ensure high-quality output.

Supplies life

The average cartridge yield is 6,500 pages (for the Q7551A cartridge) or 13,000 pages (for the Q7551X cartridge), in accordance with ISO/IEC 19752. Actual cartridge yield depends on specific use.



CAUTION EconoMode is a feature that allows the device to use less toner per page. Selecting this option may extend the life of the toner supply and may reduce cost per page. However, it will also reduce print quality. The printed image is lighter, but it is adequate for printing drafts or proofs. HP does not recommend full-time use of EconoMode. If EconoMode is used full-time, it is possible that the toner supply will outlast the mechanical parts in the print cartridge. If print quality begins to degrade under these circumstances, you will need to install a new print cartridge, even if there may be toner supply remaining in the cartridge.

Approximate print-cartridge replacement intervals

Print cartridge	Page count	Approximate time period ¹
Black (Q7551A)	6,500 pages ¹	3 months
Black (Q7551X)	13,000 pages	6 months

¹ Approximate life is based on 2,000 pages per month.

To order supplies online, go to www.hp.com/support/LJP3005.

Manage the print cartridge

Print-cartridge storage

Do not remove the print cartridge from its package until you are ready to use it.



CAUTION To prevent damage to the print cartridge, do not expose it to light for more than a few minutes.

Use genuine HP print cartridges

When you use a genuine new HP print cartridge, you can obtain the following supplies information:

- Percentage of supplies remaining
- Estimated number of pages remaining
- Number of pages printed

HP policy on non-HP print cartridges

Hewlett-Packard Company cannot recommend the use of non-HP print cartridges, either new or remanufactured. Because they are not HP products, HP cannot influence their design or control their quality.



NOTE Any damage caused by a non-HP print cartridge is not covered under the HP warranty and service agreements.

To install a new HP print cartridge, see [Change the print cartridge](#). To recycle the used cartridge, follow the instructions included with the new cartridge.

Print-cartridge authentication

The device automatically authenticates the print cartridge when it is inserted into the device. During authentication, the device notifies you whether a cartridge is a genuine HP print cartridge.

If the device control-panel message states that this is not a genuine HP print cartridge and you believe you purchased an HP print cartridge, see [HP fraud hotline and Web site](#).

HP fraud hotline and Web site

Call the HP fraud hotline (1-877-219-3183, toll-free in North America) or go to www.hp.com/go/anticounterfeit when you install an HP print cartridge and the control-panel message says the cartridge is non-HP. HP will help determine if the cartridge is genuine and take steps to resolve the problem.

Your print cartridge might not be a genuine HP print cartridge if you notice the following:

- You are experiencing a high number of problems with the print cartridge.
- The cartridge does not look like it usually does (for example, the orange pull tab is missing, or the packaging differs from HP packaging).

Replace supplies and parts

Carefully follow the guidelines in this section when replacing device supplies.

Supply replacement guidelines

To facilitate the replacement of supplies, keep the following guidelines in mind when setting up the device.

- Sufficient space is required above and in the front of the device for removing supplies.
- The device should be located on a flat, sturdy surface.

For instructions on installing supplies, see the installation guides provided with each supply item or see more information at www.hp.com/support/LJP3005.

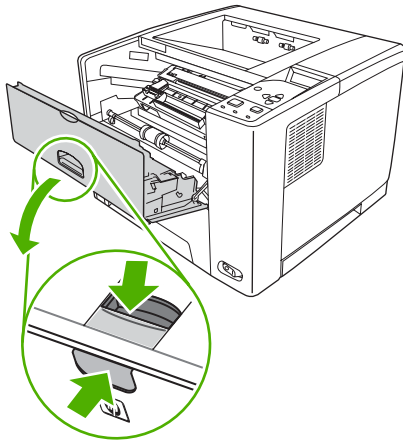


NOTE Hewlett-Packard recommends the use of HP products in this device. Use of non-HP products may cause problems requiring service that is not covered by the HP warranty or service agreements.

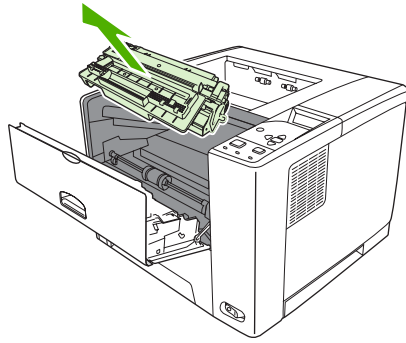
Change the print cartridge

When a print cartridge approaches the end of useful life, a message appears on the control panel recommending that you order a replacement. The device can continue to print using the current print cartridge until a message appears instructing you to replace the cartridge.

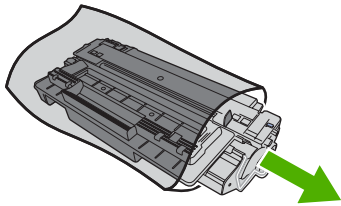
1. Open the front cover.




2. Remove the used print cartridge from the device.

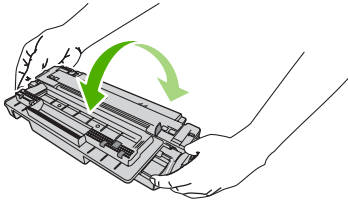


3. Remove the new print cartridge from the bag. Place the used print cartridge in the bag for recycling.

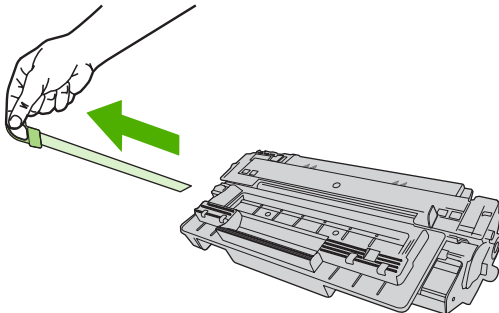


4. Grasp both sides of the print cartridge and distribute the toner by gently rocking the print cartridge.

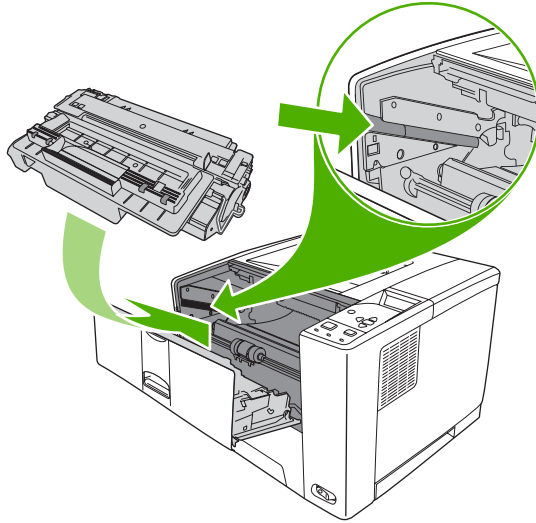
 **CAUTION** Do not touch the shutter or the surface of the roller.



5. Remove the shipping tape from the new print cartridge. Discard the shipping tape according to local regulations.



6. Align the print cartridge with the tracks inside the device, and, using the handle, insert the print cartridge until it is firmly seated, and then close the front door.



After a short time, the control panel should display **Ready**.

7. Installation is complete. Place the used print cartridge in the box in which the new cartridge arrived. See the enclosed recycling guide for recycling instructions.
8. If you are using a non-HP print cartridge, check the device control panel for further instructions.

For additional help, go to www.hp.com/support/LJP3005.

Clean the device

During the printing process, paper, toner, and dust particles can accumulate inside the device. Over time, this buildup can cause print-quality problems, such as toner specks or smearing (see [Solve print-quality problems](#)).

Clean the exterior

Use a soft, damp, lint-free cloth to wipe dust, smudges, and stains off of the exterior of the device.

Clean the paper path

1. Press **Menu**.
2. Press ▼ to highlight **CONFIGURE DEVICE**, and then press ✓.
3. Press ▼ to highlight **PRINT QUALITY**, and then press ✓.



NOTE If your device has an automatic duplexer, go to step 7.

4. Press ▼ to highlight **CREATE CLEANING PAGE**, and then press ✓.
5. Remove all paper from tray 1.
6. Remove the cleaning page and load it face-down in tray 1.



NOTE If you are not in the menus, navigate to **PRINT QUALITY** by using the previous instructions.

7. At the device control panel, press ▼ to highlight **PROCESS CLEANING PAGE**, and then press ✓.

7 Problem solving

This problem-solving information is organized to help you resolve printing problems. Choose the general topic or type of problem from the following list.

- [Problem-solving checklist](#)
- [Problem-solving flowchart](#)
- [Solve general print problems](#)
- [Control-panel message types](#)
- [Control-panel messages](#)
- [Common causes of jams](#)
- [Jam locations](#)
- [Clear jams](#)
- [Solve print-quality problems](#)
- [Solve network print problems](#)
- [Solve common Windows problems](#)
- [Solve common Macintosh problems](#)
- [Solve Linux problems](#)
- [Solve common PostScript problems](#)

Problem-solving checklist

If you are experiencing problems with the device, use the following checklist to identify the cause of the problem:

- Is the device connected to power?
- Is the device on?
- Is the device in the **Ready** state?
- Are all necessary cables connected?
- Do any messages appear on the control panel?
- Are genuine HP supplies installed?
- Was a recently replaced print cartridge installed correctly, and was the pull tab on the cartridge removed?

For additional information about installation and setup, see the device getting started guide.

If you cannot find solutions to device problems in this guide, go to www.hp.com/support/LJP3005.

Factors that affect device performance

Several factors affect the time it takes to print a job:

- Maximum device speed, measured in pages per minute (ppm)
- The use of special paper (such as transparencies, heavy paper, and custom-size paper)
- Device processing and download time
- The complexity and size of graphics
- The speed of the computer you are using
- The USB connection
- The device I/O configuration
- The amount of device memory installed
- The network operating system and configuration (if applicable)
- Device personality (PCL or PS)



NOTE Although additional device memory can resolve memory problems, improve how the device handles complex graphics, and improve download times, it will not increase maximum device speed (ppm).

Problem-solving flowchart

If the device is not responding correctly, use the flowchart to determine the problem. If the device does not pass a step, follow the corresponding problem-solving suggestions.

If you cannot resolve the problem after following the suggestions in this guide, contact an HP-authorized service or support provider.



NOTE Macintosh users: For more problem-solving information, see [Solve common Macintosh problems](#).

Step 1: Does READY appear on the control-panel display?

YES ▲					Go to step 2.				
NO ▼									
The display is blank, and the device fan is off.		The display is blank, but the device fan is on.		The display is in the wrong language.		The display shows garbled or unfamiliar characters.		A message other than READY appears on the control-panel display.	
<ul style="list-style-type: none"> Turn the device off and then on. Check the power cord connections and the power switch. Plug the device into a different outlet. Check that the power supplied to the device is steady, and meets device specifications. (See Environmental product stewardship program.) 		<ul style="list-style-type: none"> Press a device control-panel button to see if the device responds. Turn the device off and then on. 		<ul style="list-style-type: none"> Turn the device off and then on. When XXX MB appears on the control-panel display, press and hold down ✓ until all three lights stay on. This could take up to 10 seconds. Then, release ✓ Press ▼ to scroll through the available languages. Press ✓ to save the appropriate language as the new default. 		<ul style="list-style-type: none"> Make sure that the appropriate language is selected at the device control panel. Turn the device off and then on. 		<ul style="list-style-type: none"> Go to Control-panel messages. 	

Step 2: Can you print a configuration page?

(See [Use information pages](#).)

YES ▲		Go to step 3.	
NO ▼			

A configuration page does not print.

- Check that all trays are correctly loaded, adjusted, and installed in the device.
- Using the computer, check the print queue or print spooler to see if the device has been paused. If there are problems with the current print job, or if the device is paused, a configuration page will not print. (Press **Stop** and try step 2 in the problem-solving flowchart again.)

A blank page prints.

- Check that the sealing tape does not remain on the print cartridge. (See the getting started guide or the instructions that came with the print cartridge.)
- The print cartridge might be empty. Install a new print cartridge.

A message other than READY or PRINTING CONFIGURATION appears on the control-panel display.

- Go to [Control-panel messages](#).
-

Step 3: Can you print from a program?

YES ▲

Go to step 4.

NO ▼

The job will not print.

- If the job will not print, and a message appears on the device control-panel display, see [Control-panel messages](#).
- Using the computer, check to see if the device has been paused. Press **Stop** to continue.
- If the device is on a network, check that you are printing to the correct device. To verify that it is not a network problem, connect the computer directly to the device with a parallel or USB cable, change the port to LPT1, and try to print.
- Check the interface cable connections. Disconnect and reconnect the cable at the computer and the device.
- Test the cable by trying it on another computer.
- If you are using a parallel connection, make sure that the cable is IEEE-1284 compliant.
- If the device is on a network, print a configuration page. (See [Control-panel messages](#).) If an HP Jetdirect print server is installed, a Jetdirect page also prints. Check the Jetdirect configuration page to verify that the network protocol status and settings are correct for the device.
- To verify that it is not a computer problem, print from another computer (if possible).
- Make sure that the print job is being sent to the correct port (LPT1 or network device port, for example).
- Check that you are using the correct device driver. (See [Select the correct printer driver](#))
- Reinstall the device driver. (See the getting started guide.)
- Check that the computer port is configured and working correctly. (Try connecting another device to that port and printing.)

A PS error page or list of commands prints.

- The device might have received a nonstandard PS code. On the **SYSTEM SETUP** submenu (on the **CONFIGURE DEVICE** menu) at the device control panel, set **PERSONALITY=PS** for this print job only. After the job has printed, return the setting to **AUTO**.
 - Make sure that the print job is a PS job, and that you are using the PS driver.
 - The device might have received PS code although it is set to PCL. On the **SYSTEM SETUP** submenu (on the **CONFIGURE DEVICE** menu), set **PERSONALITY=AUTO**.
-

- If printing with the PS driver, on the **PRINTING** submenu (on the **CONFIGURE DEVICE** menu) at the device control panel, set **PRINT PS ERRORS=ON**, and then print the job again. If an error page prints, see the instructions in the next column.
- On the **SYSTEM SETUP** submenu (on the **CONFIGURE DEVICE** menu) at the device control panel, make sure that **PERSONALITY=AUTO**.
- You might be missing a device message that could help you solve the problem. On the **SYSTEM SETUP** submenu (on the **CONFIGURE DEVICE** menu) at the device control panel, temporarily turn off the **CLEARABLE WARNINGS** and **AUTO-CONTINUE** settings. Then, print the job again.

Step 4: Does the job print as expected?

YES ▲	Go to step 5.		
NO ▼			
Print is garbled, or only a portion of the page prints.	Printing stops in the middle of the job.	Print speed is slower than expected.	A device control panel setting is not taking effect.
<ul style="list-style-type: none"> ● Check that you are using the correct device driver. (See Select the correct printer driver.) ● The data file sent to the device might be corrupt. To test, try printing it on another device (if possible), or try a different file. ● Check the interface cable connections. Test the cable by trying it on another computer (if possible). ● Replace the interface cable with a high-quality cable (see Part numbers). ● Simplify the print job, print at a lower resolution, or install more device memory. (See Install memory.) ● You might be missing a device message that could help you solve the problem. On the SYSTEM SETUP submenu (on the CONFIGURE DEVICE menu) at the device control panel, temporarily turn the 	<ul style="list-style-type: none"> ● You might have pressed Stop. ● Check that the power supplied to the device is steady, and that it meets device specifications. (See Electrical specifications.) 	<ul style="list-style-type: none"> ● Simplify the print job. ● Add more memory to the device. (See Install memory) ● Turn banner pages off. (See your network administrator.) ● Note that slower speeds should be expected if you are printing narrow paper, printing from tray 1, using the HIGH 2 fuser mode, or have set Small Paper Speed to SLOW. 	<ul style="list-style-type: none"> ● Check settings in the device driver or program. (The device driver and program settings override device control-panel settings.)

CLEARABLE WARNINGS and **AUTO CONTINUE** settings off. Then print the job again.

The print job is not formatted correctly.

- Check that you are using the correct device driver. (See [Select the correct printer driver](#))
- Check the program settings. (See the program online Help.)
- Try a different font.
- Downloaded resources might have been lost. You might need to download them again.

Paper is not fed correctly or is damaged.

- Make sure that the paper is loaded correctly and that the guides are not too tight or too loose against the stack.
- If you are having problems printing custom-size paper, see [Print](#)
- If pages are wrinkled or curled, or if the image is skewed on the page, see [Solve print-quality problems](#).

There are print-quality problems.

- Adjust the print resolution. (See [Print Quality submenu](#))
- Check that REt is on. (See [Print Quality submenu](#))
- Go to [Solve print-quality problems](#)

Step 5: Does the device select the trays?

YES ▲

For other problems, check the Contents, the Index, or the device driver online Help.

NO ▼

The device pulls paper from the wrong tray.

- Make sure that you have selected the correct tray. (See [Source](#))
- Make sure that trays are correctly configured for paper size and type. (See [Load media](#)) Print a configuration page to see current tray settings. (See [Use information pages](#)) Ensure that the media-size window on the front of the tray matches the size setting on the control panel.
- Make sure that the tray selection (Source) or Type in the device driver or program is set correctly. (The device driver and program settings override the device control panel settings.)
- By default, paper loaded in tray 1 will be printed first. If you do not want to print from tray 1, remove any paper loaded in the tray or change the **USE REQUESTED TRAY** setting. (See [Use information pages](#)) Change **TRAY**

An optional tray is not working correctly.

- Print a configuration page to verify that the tray is installed correctly and is functional. (See [Use information pages](#))
- Configure the device driver to recognize the installed tray. (See the device driver online Help.)
- Turn the device off and then on.
- Verify that you are using the correct optional tray for the device.

A message other than READY appears on the device control panel display.

- Go to [Control-panel messages](#)

1 SIZE and **TRAY 1 TYPE** to a setting other than **ANY**.

- If you want to print from tray 1, but cannot select the tray in a program, see [Customize tray 1 operation](#)
-

Solve general print problems

Device selects media from the wrong tray.

Cause	Solution
The tray selection in the software program might be incorrect.	For many software programs, the paper tray selection is found on the Page Setup menu within the program. Remove any media in other trays to make the device select from the correct tray. For Macintosh computers, use the HP Printer Utility to change the priority of the tray.
The configured size does not match the size of the media that is loaded in the tray.	Through the control panel, change the configured size to match the size of the media that is loaded in the tray.

Device does not pull paper from tray.

Cause	Solution
The tray is empty.	Load paper in the tray.
The paper guides are set incorrectly.	To set the guides correctly, see Load media . For tray 2 and tray 3, make sure that the leading edge of the paper stack is even. An uneven edge can prevent the lift plate from rising.

Paper curls when it exits the device.

Cause	Solution
The paper curls when it exits to the top output bin.	Open the rear output bin to allow the paper to exit in a straight path through the device. Turn over the paper that you are printing on. Reduce the fusing temperature to reduce the curling. (See Print Quality submenu)

Print job is extremely slow.

Cause	Solution
The job might be very complex. The maximum speed of the device cannot be exceeded even when more memory is added. Printing speeds might be automatically reduced when printing on custom-sized media. Note: Slower speeds are expected when printing on narrow paper, when printing from tray 1, or when using the HIGH 2 fuser mode.	Reduce the complexity of the page or try adjusting the print-quality settings. If this problem occurs frequently, add memory to the device.
You are printing a PDF or PostScript (PS) file but are using a PCL device driver.	Try using the PS device driver rather than the PCL device driver. (You can usually do this from a software program.)

Print job prints on both sides of the paper.

Cause	Solution
The device is set for duplexing.	See Open the printer drivers to change the setting, or see the online Help.

Print job contains only one page but the device processes the back side of the page as well (the page comes part of the way out, and then goes back into the device).

Cause	Solution
The device is set for duplexing. Even if the print job contains only one page, the device also processes the back side.	See Open the printer drivers to change the setting, or see the online Help. Do not try to pull the page out of the device before duplexing is complete. Jamming might result.

Pages print, but are totally blank.

Cause	Solution
The sealing tape might still be on the print cartridge.	Remove the print cartridge and pull out the sealing tape. Reinstall the print cartridge.
The file might have blank pages.	Check the file to make sure that it does not contain blank pages.

The device prints, but the text is wrong, garbled, or incomplete.

Cause	Solution
The device cable is loose or defective.	Disconnect the device cable and reconnect it. Try a print job that you know works. If possible, attach the cable and device to another computer and try a print job that you know works. Finally, try a new cable.

The device prints, but the text is wrong, garbled, or incomplete.


Cause	Solution
The wrong driver was selected in the software.	Check the software device selection menu to make sure that an HP LaserJet P3005 device is selected.
The software program is malfunctioning.	Try printing a job from another program.

The device does not respond when you select Print in the software.

Cause	Solution
The device is out of media.	Add media.
The device might be in the manual-feed mode.	Change the device from manual-feed mode.
The cable between the computer and the device is not connected correctly.	Disconnect and reconnect the cable.
The device cable is defective.	If possible, attach the cable to another computer and print a job that you know works. You might also try using a different cable.
The wrong device was selected in the software.	Check the software device selection menu to make sure that an HP LaserJet P3005 device is selected.
The device might have a jam.	Clear any jams, paying careful attention to the duplexer area (if your model has a duplexer). See Clear jams .
The software for the device is not configured for the device port.	Check the software device selection menu to make sure that it is using the correct port. If the computer has more than one port, make sure that the device is attached to the correct one.
The device is on a network and is not receiving a signal.	Check cable connections. Reinstall the printing software. Print a job that you know works. Clear any stopped jobs from the print queue.
The device is not receiving power.	If no lights are on, check the power cord connections. Check the power switch. Check the power source.
The device is malfunctioning.	Check the control-panel display for messages and lights to determine if the device is indicating an error. Note any message and see Control-panel messages .

Control-panel message types

Four types of control-panel messages can indicate the status of or problems with the device.







Message type	Description
Status messages	Status messages reflect the current state of the device. They inform you of normal device operation and require no interaction to clear them. They change as the state of the device changes. Whenever the device is ready, not busy, and has no pending warning messages, the status message Ready appears if the device is online.
Warning messages	Warning messages inform you of data and print errors. These messages typically alternate with the Ready or status messages and remain until the ✓ button is pressed. Some warning messages are clearable. If CLEARABLE WARNINGS is set to JOB on the device CONFIGURE DEVICE menu, the next print job clears these messages.
Error messages	<p>Error messages communicate that some action must be performed, such as adding paper or clearing a jam.</p> <p>Some error messages are auto-continuable. If AUTO-CONTINUE is set on the menus, the device will continue normal operation after an auto-continuable error message appears for 10 seconds.</p> <p> NOTE Pressing any button during the 10-second auto-continuable error message overrides the auto-continue feature, and the button function takes precedence. For example, pressing the Stop button pauses printing and offers the option to cancel the print job.</p>
Critical-error messages	Critical error messages inform you of a device failure. Some of these messages can be cleared by turning the device off and then on. These messages are not affected by the AUTO-CONTINUE setting. If a critical error persists, service is required.

Control-panel messages

Control panel message	Description	Recommended action
Install supply		
10.32.YY UNAUTHORIZED SUPPLY Unauthorized supply in use alternates with For help press ↶	A new, non-HP supply has been installed. This message appears until an HP supply is installed or you press ✓.	If you believe you purchased an HP supply, please go to www.hp.com/go/anticounterfeit . Service or repairs required as a result of using non-HP supplies are not covered under HP warranty. To continue printing, press ✓. The first pending print job will be cancelled.
10.XX.YY SUPPLY MEMORY ERROR For help press ↶	The device cannot read or write to the print-cartridge memory tag, or the memory tag is missing.	<ul style="list-style-type: none"> ● Open the front door. ● Remove the print cartridge, and then reinstall it. ● Close the front door. ● Turn the device off and then on. ● If the error persists, contact HP Support.
11.XX INTERNAL CLOCK ERROR alternates with To continue press ✓	The device internal clock is not working correctly. Printing can continue, but you are prompted to set the date and time each time you turn the device on.	Contact HP support.
13.XX.YY FUSER JAM INSIDE TOP COVER alternates with For help press ↶	A jam has occurred in the fuser area.	<ul style="list-style-type: none"> ● Press ▼ to see step-by-step information. ● Open the top cover, and then remove the print cartridge. ● Remove all media found. ● Lift the metal flap, and then remove any media remaining. ● Reinstall the print cartridge, and then close the top cover. ● To exit, press ↶
13.XX.YY JAM IN TRAY 1 alternates with Clear jam then press ✓	A page is jammed in the multipurpose tray.	<ul style="list-style-type: none"> ● Press ▼ to see step-by-step information. ● Remove media from tray 1, and then remove any media in the device. ● Confirm that the media guides and dial are in the correct position and match the media that is loaded in the tray. ● Reload media in tray 1. Do not load media above the fill tabs on the media

Control panel message	Description	Recommended action
		<p>width guides, and confirm that the guides are in the correct position.</p> <ul style="list-style-type: none"> To continue printing, press ↵ to clear the message, and then press ✓
13.XX.YY JAM IN TRAY 2	A page is jammed in tray 2.	<p>Remove tray 2, clear the jam, and then reinstall tray 2.</p> <p>See Clear jams from the input-tray areas.</p> <p>If the message persists after clearing all pages, contact HP Support.</p>
<p>13.XX.YY JAM IN TRAY X</p> <p>alternates with</p> <p>Clear jam then press ✓</p>	A page is jammed in the tray indicated.	<ul style="list-style-type: none"> Press ▼ to see step-by-step information. Remove the tray indicated. Confirm that the media guides and dial are in the correct position and match the media that is loaded in the tray. Remove all media found in the device, and then reinstall the tray. To exit, press ↵.
		<p> NOTE To avoid jams with heavier media, use tray 1 and the rear output bin.</p>
<p>13.XX.YY JAM INSIDE DUPLEXER</p> <p>alternates with</p> <p>For help press ↵</p>	A jam has occurred inside the duplexer.	<ul style="list-style-type: none"> Press ▼ to see step-by-step information. Remove the duplexer from the rear of the device. Look inside the device duplex area and remove any media. Remove any media from the duplexer. Reinstall the duplexer. To exit, press ↵
<p>13.XX.YY JAM INSIDE FRONT DOOR</p> <p>alternates with</p> <p>For help press ↵</p>	A jam has occurred inside the front door.	<p>Press ↵ for help.</p> <p>or</p> <p>See Clear jams from the input-tray areas</p> <p>If the message persists after clearing all pages and exiting Help, contact HP Support.</p>
<p>13.XX.YY JAM INSIDE REAR DOOR</p> <p>alternates with</p> <p>Clear jam then press ✓</p>	A jam has occurred in the duplex reversing area.	<ul style="list-style-type: none"> Press ▼ to see step-by-step information. Open rear door, and then remove all media found.

Control panel message	Description	Recommended action
<p>13.XX.YY JAM INSIDE REAR DOOR</p> <p>alternates with</p> <p>For help press ↶</p>	<p>A jam has occurred in the rear door area.</p>	<ul style="list-style-type: none"> ● Close the rear door. ● To exit, press ↶. ● Press ▼ to see step-by-step information. ● Pull the duplexer half-way out of the device. ● Open the rear door, and then remove the duplexer. ● Release the four tabs in the center of the black paper guide inside the lower rear door. ● Lower rear door completely, and then remove all media found. ● Close the rear door. The four tabs in the paper guide will automatically reattach to the door. ● Reinstall the duplexer. ● To exit, press ↶
<p>13.XX.YY JAM INSIDE TOP COVER</p> <p>alternates with</p> <p>Remove print cartridge</p>	<p>A jam has occurred in the registration assembly area.</p>	<ul style="list-style-type: none"> ● Press the ▼ to see step-by-step information. ● Open the top cover, and then remove the print cartridge. ● Remove all media found. ● Lift the metal flap, and then remove any media remaining. ● Verify that the media size matches the tray settings and the dial on the tray. ● Reinstall the print cartridge, and then close the top cover. ● To exit, press ↶
<p>20-INSUFFICIENT MEMORY</p> <p>alternates with</p> <p>For help press ↶</p> <p>To continue press ✓</p>	<p>The device has received more data from the computer than fits in available memory.</p>	<ul style="list-style-type: none"> ● Press ✓ to continue printing. <div style="border: 1px solid black; padding: 5px; margin: 5px 0;">  <p>NOTE Data will be lost.</p> </div> <ul style="list-style-type: none"> ● Reduce the complexity of the print job to avoid this error. ● Adding memory to the device may allow printing of more complex pages.

Control panel message	Description	Recommended action
21 PAGE TOO COMPLEX alternates with To continue press ✓	The page-compression process is too slow for the device. Some data may be lost on the page.	<ul style="list-style-type: none"> Press ▼ to see step-by-step information. To print the job with some data loss, press ↵ to exit the message, and then press ✓. If data is lost, simplify the page content to reduce its complexity. To exit, press ↵.
22-EIO X BUFFER OVERFLOW alternates with To continue press ✓	For devices with an EIO device only. The device EIO card in slot X has overflowed its I/O buffer during a busy state.	<ul style="list-style-type: none"> Press ✓ to continue printing.  NOTE Data will be lost. <ul style="list-style-type: none"> If the message persists, contact HP Support.
22-EMBEDDED I/O BUFFER OVERFLOW	The embedded HP Jetdirect print server buffer has overflowed during a busy state.	<ul style="list-style-type: none"> Press ✓ to continue printing.  NOTE A loss of data will occur. <ul style="list-style-type: none"> If the message persists, contact HP Support.
22-PARALLEL I/O BUFFER OVERFLOW alternates with To continue press ✓	The device parallel buffer has overflowed during a busy state.	<ul style="list-style-type: none"> Press ✓ to continue printing.  NOTE Data will be lost. <ul style="list-style-type: none"> If the message persists after exiting Help, contact HP Support.
22-SERIAL I/O BUFFER OVERFLOW alternates with To continue press ✓	The device serial buffer has overflowed during a busy state.	<ul style="list-style-type: none"> Press ✓ to continue printing.  NOTE Data will be lost. <ul style="list-style-type: none"> If the message persists, contact HP Support.
22-USB I/O BUFFER OVERFLOW alternates with To continue press ✓	The device's USB buffer has overflowed during a busy state.	<ul style="list-style-type: none"> Press ✓ to continue printing.  NOTE Data will be lost. <ul style="list-style-type: none"> If the message persists, contact HP Support.
40 BAD SERIAL TRANSMISSION alternates with To continue press ✓	A serial data error (parity, framing, or line overrun) has occurred while the device was receiving data.	<ul style="list-style-type: none"> Press ✓ to continue printing.  NOTE Data will be lost. <ul style="list-style-type: none"> If the message persists, contact HP Support.

Control panel message	Description	Recommended action
40 EIO X BAD TRANSMISSION alternates with To continue press ✓	A connection with the card in the EIO slot has broken.	<ul style="list-style-type: none"> Press ✓ to continue printing.  <p>NOTE Data will be lost.</p> <ul style="list-style-type: none"> If the message persists, contact HP Support.
40 EMBEDDED I/O BAD TRANSMISSION alternates with To continue press ✓	The connection with the HP Jetdirect embedded print server has broken.	<ul style="list-style-type: none"> Press ✓ to continue printing.  <p>NOTE Data will be lost.</p> <ul style="list-style-type: none"> If the message persists, contact HP Support. <p>Press ✓ to continue printing.</p>
41.3 UNEXPECTED SIZE IN TRAY alternates with LOAD TRAY X	Media is loaded that is longer or shorter in the feed direction than the size configured for the tray.	<ul style="list-style-type: none"> Press ✓ to print from a different tray. To print from the current tray, load the tray with the size and type indicated. <p>Ensure that all trays are configured correctly before printing again. See Load media for more information.</p>
41.5 UNEXPECTED TYPE IN TRAY X alternates with LOAD TRAY X	The device senses a different media type than what is configured in the tray.	<ul style="list-style-type: none"> Press ✓ to print from a different tray. To print from the current tray, load the tray with the size and type indicated. <p>Ensure that all trays are configured correctly before printing again. See Load media for more information.</p>
41.X ERROR alternates with To continue press ✓	A device error has occurred.	<ul style="list-style-type: none"> Press ✓ to continue or press ↶ for more information. If the message persists after exiting help, turn the device off and then on. If the message persists, contact HP Support.
49.XXXXX ERROR alternates with To continue turn off then on	A critical firmware error has occurred.	<ul style="list-style-type: none"> Turn the device off and then on. If the message persists, contact HP Support.
50.X FUSER ERROR For help press ↶	A fuser error has occurred.	<ul style="list-style-type: none"> Turn the device off. Turn on the device. If the message persists, contact HP Support.

Control panel message	Description	Recommended action
51.XY ERROR alternates with To continue turn off then on	A device error has occurred.	<ul style="list-style-type: none"> ● Press ✓ to continue. ● If the message persists, turn the device off and then on. ● If the message persists, contact HP Support.
52 XY ERROR alternates with To continue turn off then on	A device error has occurred.	<ul style="list-style-type: none"> ● Press ✓ to continue. ● If the message persists, turn the device off and then on. ● If the message persists, contact HP Support.
53.10.01 ERROR UNSUPPORTED RAM	The memory DIMM is not a supported DIMM.	Install a supported DIMM. See Install memory .
54.XX ERROR alternates with To continue turn off then on	A device command error has occurred.	<ul style="list-style-type: none"> ● Turn the device off and then on. ● If the message persists, contact HP support.
55.XX.YY DC CONTROLLER ERROR alternates with To continue turn off then on	The engine is not communicating with the formatter.	<ul style="list-style-type: none"> ● Turn the device off and then on. ● If the message persists, contact HP Support.
56.XX ERROR alternates with To continue turn off then on	An error has occurred.	<ul style="list-style-type: none"> ● Turn the device off and then on. ● If the message persists, contact HP Support.
57.XX PRINTER ERROR alternates with To continue turn off then on	A device fan error has occurred.	<ul style="list-style-type: none"> ● Turn the device off and then on. ● If the message persists, contact HP Support.
58.XX ERROR alternates with To continue turn off then on	An error has occurred in which a memory tag CPU was detected.	<ul style="list-style-type: none"> ● Press ▼ to view step-by-step information. ● Turn the device off and then on. ● If the message persists, contact HP Support. ● To exit, press ↩
59.XY ERROR alternates with To continue turn off then on	A device motor error has occurred.	<ul style="list-style-type: none"> ● Turn the device off and then on. ● If the message persists, contact HP Support.
62 NO SYSTEM alternates with To continue turn off then on	No system was found.	<ul style="list-style-type: none"> ● Turn the device off and then on. ● If the message persists, contact HP Support.

Control panel message	Description	Recommended action
64 ERROR For help press ↩ alternates with To continue turn off then on	A scan buffer error has occurred.	<ul style="list-style-type: none"> Turn the device off and then on. If the message persists, contact HP Support.
68.X PERMANENT STORAGE FULL alternates with To continue press ✓	A non-volatile storage device is full. Press ✓ to clear the message. Printing can continue, but unexpected behavior could result. X Description 0 Onboard NVRAM 1 Removable disk (flash or hard)	<ul style="list-style-type: none"> Press ✓ to continue. For 68.0 errors, turn the device off and then on. If a 68.0 error persists, contact HP Support. For 68.1 errors, use the HP Web Jetadmin software to delete files from the disk drive. For 68.1 errors that persist, contact HP Support.
68.X PERMANENT STORAGE WRITE FAIL alternates with To continue press ✓	A non-volatile storage device is full. Press ✓ to clear the message. Printing can continue, but unexpected behavior could result. X Description 0 Onboard NVRAM 1 Removable disk	<ul style="list-style-type: none"> Press ✓ to continue. If the problem persists, contact HP Support.
68.X STORAGE ERROR SETTINGS CHANGED alternates with To continue press ✓	A non-volatile storage device is full. Press ✓ to clear the message. Printing can continue, but unexpected behavior could result. X Description 0 Onboard NVRAM 1 Removable disk	<ul style="list-style-type: none"> Press ▼ to view step-by-step information. To clear the error, press ↩ to exit the message, and then press ✓ to continue. If the problem persists, turn the device off and then on. If the message persists, contact HP Support. To exit, press ↩
79.XXXX alternates with To continue turn off then on	A critical hardware error has occurred.	<ul style="list-style-type: none"> Turn the device off and then on. If the problem persists, contact HP Support.
8X.YYYY EIO ERROR	The EIO accessory card has encountered a critical error.	<ul style="list-style-type: none"> Turn the device off and then on. Upgrade the Jetdirect firmware. Try to determine whether the error occurs intermittently, while printing, or when turning on the device.

Control panel message	Description	Recommended action
		<ul style="list-style-type: none"> • If the error appears while printing, determine whether it occurs when printing from a specific computer, a specific application, or a specific file. If all other computers, applications, or files can print without the error, then the problem may be only within one print job or computer. Make sure the computer has the most current printer drivers, or use a generic printer driver. • If the error occurs when the device is first turned on, turn off the device, disconnect the LAN cable, and then turn on the device. This process will determine if errors occur from the network connection. If errors do not appear when the LAN cable is unplugged, it is possible traffic or signal on the network might be causing the error. Make sure to try all solutions suggested, especially upgrading the Jetdirect firmware. • Disable the print server. <ul style="list-style-type: none"> • For EIO print servers, remove the card. • For embedded print servers, use the Service menu. • If the problem persists, contact HP Support.
8X.YYYY EMBEDDED JETDIRECT ERROR	The HP Jetdirect embedded print server has encountered a critical error.	<ul style="list-style-type: none"> • Turn the device off and then on. • If the problem persists, contact HP Support.
<p><Date> <Time></p> <p>To change press ✓</p> <p>To skip, press STOP</p>	The device has an internal clock that tracks the date and time. You are prompted to set the correct date and time the first time you turn on the device.	<p>Press ✓ to change the date and time.</p> <p>Press Stop to skip this step. You can set the date and time later by using the SYSTEM SETUP menu.</p> <p>If the prompt appears each time you turn on the device, the clock is not working correctly. Contact HP support.</p>
Access Denied MENUS LOCKED	The device administrator has enabled the control-panel security mechanism. You cannot modify control-panel settings in this circumstance. The message disappears after a few seconds, and the device returns to Ready or BUSY state.	Contact the device administrator to change settings.
<p>ACTION NOT CURRENTLY AVAILABLE ON TRAY X</p> <p>alternates with</p> <p>Tray size cannot be ANY SIZE/ANY CUSTOM</p>	You are trying to set duplex registration for a tray that is configured for ANY SIZE or ANY CUSTOM . Duplex registration is not available when the tray size is set to either of these settings.	Change the size setting for the tray.

Control panel message	Description	Recommended action
Canceling... <JOB NAME>	The device is in the process of canceling a job. The message appears while the job is stopped, the paper path is flushed, and any remaining incoming data on the active data channel is received and discarded.	No action necessary.
Checking paper path	The engine is turning the rollers to check for possible jams.	No action necessary.
Checking printer	The engine is performing an internal test.	No action necessary.
CHOSEN PERSONALITY NOT AVAILABLE alternates with To continue press ✓	The device encountered a request for a personality that did not exist in the device. The job is cancelled and no pages are printed.	<ul style="list-style-type: none"> ● Press ✓ to continue. ● Try a different driver.
CLEANING DISK X% COMPLETE alternates with DO NOT POWER OFF	The memory disk is being cleaned. This process might take up to an hour. During this time, no jobs can be printed.	<p>Do not turn off the device. Wait for the process to complete.</p> <p>The device automatically restarts at the end of the cleaning process.</p>
Cleaning...	The device is processing the cleaning page.	No action necessary.
Clearing event log	This message appears while the event log is cleared. The device then returns to the SERVICE menu.	No action necessary.
Clearing paper path	The device jammed or detected misplaced media. The device is attempting to eject these pages automatically.	No action necessary.
CLOSE TOP COVER AND FRONT DOOR	The top cover and front door need to be closed.	Close the top cover and front door.
CODE CRC ERROR	An error has occurred during a firmware upgrade.	<ul style="list-style-type: none"> ● Reinstall the firmware. ● If the problem persists, contact HP Support.
Creating...CLEANING PAGE	The device is generating a cleaning page. The device returns to the Ready state after the cleaning page is printed.	<ul style="list-style-type: none"> ● Load the cleaning page into tray 1. ● Press Menu. ● Select PRINT QUALITY, and then press ✓ ● Select PROCESS CLEANING PAGE, and then press ✓
DATA RECEIVED alternates with Ready	The device received data and is waiting for a form feed. When the device receives another file, the message disappears. The device is paused.	<p>If the device is waiting for a form feed, press ✓ to continue.</p> <p>If the device is paused, press Stop to continue.</p>
Event Log Empty	SHOW EVENT LOG was selected from the control panel, and the event log is empty.	No action necessary.
GENUINE HP SUPPLIES DESIGNED FOR <PROD> alternates with	This genuine HP supply was not designed for this device and is not supported. The device can print with this supply, but print quality might be affected.	Replace this supply with a genuine HP supply that is designed for this device.

Control panel message	Description	Recommended action
Ready		
Genuine HP supplies installed	A new HP cartridge has been installed. The device returns to the Ready state after approximately 10 seconds.	No action necessary.
Incorrect	The PIN number is incorrect.	Contact the network administrator.
INFLATE FAILURE	An error has occurred during a firmware upgrade.	<ul style="list-style-type: none"> Reinstall the firmware. If the problem persists, contact HP Support.
Initializing	This message appears when the device is turned on and begins initialization.	No action necessary.
Initializing permanent storage	This message appears when the device is turned on to show that permanent storage is being initialized.	No action necessary.
INSERT OR CLOSE TRAY XX	A tray is open and the device is trying to print from another tray.	Close the tray indicated so that printing can continue.
INSTALL FUSER For help press ↵	The fuser is either not installed or not correctly installed in the device.	Press ↵ for help. or Contact HP Customer Support or your authorized HP service provider.
Install supply alternates with For status press ✓	The print cartridge is missing.	Install the missing cartridge. For more information, see Change the print cartridge .
INSUFFICIENT MEMORY TO LOAD FONTS/DATA	This message alternates with the name of the storage device. The storage device does not have enough memory to load the fonts or other data.	Press ✓ to continue printing without using the data. To solve the problem, increase the amount of memory for the device. Press ↵ for more information.
LOAD TRAY X <TYPE> <SIZE> alternates with For help press ↵	Tray X is either empty or configured for a type and size other than that specified in the job. No other tray is available.	Press ↵ for help. or See Load media for more information.
LOAD TRAY X <TYPE> <SIZE> alternates with To use another tray press ✓	Tray X is either empty or configured for a type and size other than that specified in the job.	Press ↵ for help. or Press ✓ to print from another tray. See Load media for more information.
Loading program X alternates with DO NOT POWER OFF	Programs and fonts can be stored on the device file system and are loaded into RAM when the device is turned on. The number X specifies a sequence number indicating the current program being loaded.	No action necessary.
MANUALLY FEED <TYPE> <SIZE> alternates with	Tray 1 is empty and no other tray is available.	Load media into tray 1, and press ✓ to continue.

Control panel message	Description	Recommended action
For help press ↶		Press ↶ for help. or See Load media for more information.
MANUALLY FEED <TYPE> <SIZE> alternates with To continue press ✓	Media is in tray 1, but the print job requires a specific type and size that is not currently available.	Press ✓ to print from the tray. or Press ↶ for help. or See Load media for more information.
MANUALLY FEED <TYPE> <SIZE> alternates with To use another tray press ✓	No media is in tray 1, and a print job requires a specific type and size that is available in another tray.	Press ✓ to print from another tray. See Load media for more information. or Press ↶ for help.
MANUALLY FEED OUTPUT STACK alternates with Then press ✓ to print second sides	The first side of a manual two-sided print job has been printed and the device is paused until for the output stack is reinserted.	Take the printed stack out of the output bin and reinsert it in tray 1 to print the second side of the two-sided print job. Press ✓ to continue. See Print for more information.
MEM TEST FAILURE REPLACE DIMM 1	The memory DIMM has failed.	Install a supported memory DIMM. See Install memory .
NON HP SUPPLY IN USE alternates with Ready	The device has detected that a non-HP supply is currently installed but ✓ was pressed to override the message.	If you believe you purchased an HP supply, go to www.hp.com/go/anticounterfeit . Service or repairs that are required as a result of using non-HP supplies are not covered under HP warranty.
NON HP SUPPLY INSTALLED alternates with For help press For help press ↶	A new, non-HP supply has been installed. This message appears until an HP supply is installed or you press ✓.	If you believe you purchased an HP supply, go to www.hp.com/go/anticounterfeit . Service or repairs that are required as a result of using non-HP supplies are not covered under HP warranty. To continue printing, press ✓.
PAPER PATH JAM FRONT DOOR alternates with For help press ↶	A page is jammed in the paper path.	Open the front door and remove any jammed media.
Paused alternates with To return to Ready press the STOP key	The device has paused.	Press Stop to resume printing.
Performing upgrade	A firmware upgrade is in process.	No action necessary. Do not turn off the device.
Performing... PAPER PATH TEST	The device is performing a paper-path test.	No action necessary.

Control panel message	Description	Recommended action
PRINTING STOPPED To continue press ✓	This message appears when a Print/Stop test runs and the time expires.	Press ✓ to continue printing.
PROCESSING DUPLEX JOB alternates with Do not grab paper until job completes	During duplex printing, the paper emerges for a short time before it is pulled back into the device.	Do not pick up pages until they come to rest in the output bin.
RAM DISK DEVICE FAILURE alternates with Ready To clear press ✓	The RAM disk has failed.	<ul style="list-style-type: none"> Printing can continue for jobs that do not require the RAM disk. To remove this message from the display, press ✓.
RAM DISK FILE OPERATION FAILED alternates with Ready To clear press ✓	The device received a PJL file system command that attempted to perform an illogical operation (for example, to download a file to a non-existent directory).	<ul style="list-style-type: none"> Printing can continue. To remove this message from the display, press ✓. If the message reappears, there might be a problem with the software program.
RAM DISK FILE SYSTEM IS FULL alternates with Ready To clear press ✓	The device received a PJL file system command to store something on the file system, but the file system is full.	<ul style="list-style-type: none"> Use HP Web Jetadmin software to delete files from the RAM disk memory and try again. To remove this message from the display, press ✓.
RAM DISK IS WRITE PROTECTED alternates with Ready To clear press ✓	The file system is protected and no new files can be written to it.	<ul style="list-style-type: none"> To enable writing to the RAM disk memory, use HP Web Jetadmin to turn off write protection. To remove this message from the display, press ✓.
RAM DISK X Initializing alternates with DO NOT POWER OFF	The new RAM disk installed in slot X is initializing.	No action necessary.
Receiving upgrade	A firmware upgrade is in progress.	Do not turn the device off until the device returns to Ready .
Replace supply alternates with For status press ✓	The print cartridge is out and needs to be replaced.	Install a new cartridge. For more information, see Change the print cartridge .
Request accepted please wait	The device has accepted a request to print an internal page, but the current job must finish printing before the internal page will print.	No action necessary.
Resend upgrade	The firmware upgrade was not successful.	Attempt the upgrade again.
Restoring	The device is restoring settings.	No action necessary.


Control panel message	Description	Recommended action
Restoring factory settings	The device is restoring factory settings.	No action necessary.
RFU LOAD ERROR	An error has occurred during a firmware upgrade.	<ul style="list-style-type: none"> Reinstall the firmware. If the problem persists, contact HP Support.
SANITIZING DISK X% COMPLETE alternates with DO NOT POWER OFF	The memory disk is being sanitized. This process might take up to an hour. During this time, no jobs can be printed.	Do not turn off the device. Wait for the process to complete. The device automatically restarts at the end of the sanitation process.
Setting saved	A menu selection has been saved.	No action necessary.
SIZE MISMATCH IN TRAY XX alternates with Ready	The tray is loaded with a media size that is different than the size for which the tray is configured. Printing can continue from other trays, but not from this one.	<ul style="list-style-type: none"> Make sure the media guides are adjusted correctly. In the PAPER HANDLING menu, configure the tray for the correct size.
Sleep mode on	The device is in the sleep mode. Any button press or the receipt of data clears sleep mode.	No action necessary. The device automatically exits sleep mode.
STANDARD TOP BIN FULL alternates with Remove all paper from bin	The output bin is full. Printing cannot continue.	Empty the output bin. Printing resumes automatically.
Tray X <TYPE> <SIZE> alternates with To change size or type press ✓	The device is reporting the current configuration of tray X.	<p>No action necessary.</p> <p>Press ↶ to clear the message.</p> <p>Press ✓ to change the type or size.</p> <p>See Load media for more information.</p>
TRAY XX EMPTY <TYPE> <SIZE> alternates with Ready	The tray is empty, but the current print job does not require this tray.	Fill the tray. The message indicates the type and size of media for which the tray is currently configured.
TRAY XX OPEN For help press ↶ alternates with Ready	The tray is open, but printing can continue.	Close the tray.
TRAY XX OPEN OR EMPTY alternates with Ready	The tray is open or empty, but the current print job does not require this tray.	Close or fill the tray.
TYPE MISMATCH IN TRAY XX alternates with Ready	The tray is loaded with a media type that is different than the type for which the tray is configured. Printing can continue from other trays, but not from this one.	In the PAPER HANDLING menu, configure the tray for the correct type.

Control panel message	Description	Recommended action
Unauthorized supply in use alternates with Ready	The device has detected that a non-HP supply is currently installed and ✓ (override) was pressed.	<p>If you believe you purchased an HP supply, go to www.hp.com/go/anticounterfeit.</p> <p>Service or repairs required as a result of using non-HP supplies are not covered under HP warranty.</p>
USB ACCESSORY ERROR	The device has detected too much current on the USB storage accessory.	<ul style="list-style-type: none"> • Turn the device off. • Remove the USB storage accessory. • Replace the USB storage accessory. • Turn the device on.
USB Storage <X> initializing	The USB storage device is initializing.	No action necessary.
USB Storage <X> not functional	The USB storage device is not working.	Replace the USB storage device.
USB STORAGE DEVICE FAILURE alternates with Ready To clear press ✓	The USB storage device has failed.	<ul style="list-style-type: none"> • Printing can continue for jobs that do not require the storage device. • To remove this message from the display, press ✓. • If the message persists, turn the device off, remove and re-install the storage device, and then turn the device on. • If the message persists, replace the storage device.
USB STORAGE FILE OPERATION FAILED alternates with Ready To clear press ✓	The device received a PJL file system command that attempted to perform an illogical operation (for example, to download a file to a nonexistent directory).	<ul style="list-style-type: none"> • Printing can continue. • To remove this message from the display, press ✓. • If the message reappears, a problem might exist in the software program.
USB STORAGE FILE SYSTEM IS FULL alternates with Ready To clear press ✓	The device received a PJL file system command that attempted to store something on the file system but was unsuccessful because the file system is full.	<ul style="list-style-type: none"> • Use HP Web Jetadmin software to delete files from the storage device, and then try again. • To remove this message from the display, press ✓.
USB STORAGE IS WRITE PROTECTED alternates with Ready To clear press ✓	The file system is protected and no new files can be written to it.	<ul style="list-style-type: none"> • To enable writing to the storage device, use HP Web Jetadmin to turn off write protection. • To remove this message from the display, turn the device off and then on.

Control panel message	Description	Recommended action
USB STORAGE X REMOVED	The USB storage accessory was removed while the device was turned on.	<ul style="list-style-type: none"> • Turn the device off. • To continue using the USB storage accessory, reinstall it. • Turn the device on.
USE TRAY X <TYPE> <SIZE>trays	The device is offering a selection of alternate media to use for the print job.	<ul style="list-style-type: none"> • Use ▲ and ▼ to highlight a different size or type, and then press ✓ to select the size or type. • Press ↶ to return to the previous size or type. <p>See Load media for more information.</p>

Common causes of jams

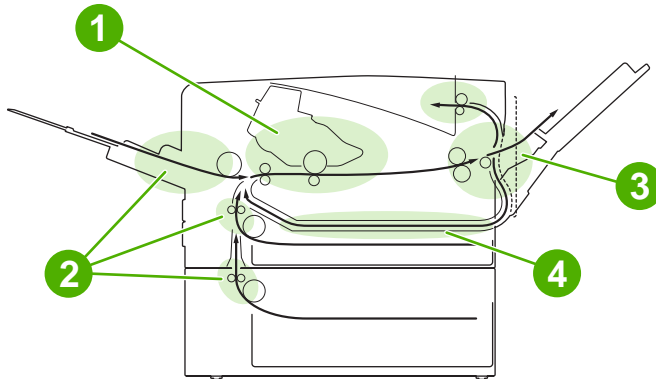
The device is jammed.¹

Cause	Solution
The media does not meet specifications.	Use only media that meets HP specifications. See Media considerations .
A component is installed incorrectly.	Verify that all print cartridges, the transfer unit, and the fuser are correctly installed.
You are using media that has already passed through a device or copier.	Do not use media that has been previously printed on or copied.
An input tray is loaded incorrectly.	Remove any excess media from the input tray. Make sure that the stack is below the maximum stack height mark in the tray. See Load media .
The media is skewed.	The input-tray guides are not adjusted correctly. Adjust them so they hold the stack firmly in place without bending it.
The media is binding or sticking together.	Remove the media, flex it, rotate it 180°, or flip it over. Reload the media into the input tray.
	 NOTE Do not fan paper. Fanning can create static electricity, which can cause paper to stick together.
The media is removed before it settles into the output bin.	Reset the device. Wait until the page completely settles in the output bin before removing it.
During two-sided printing, you removed the paper before the second side of the document was printed.	Reset the device and print the document again. Wait until the page completely settles in the output bin before removing it.
The media is in poor condition.	Replace the media.
The internal rollers from tray 2 or tray 3 are not picking up the media.	Remove the top sheet of media. If the media is heavier than 163 g/m ² (43 lb), it might not be picked from the tray.
The media has rough or jagged edges.	Replace the media.
The media is perforated or embossed.	Perforated or embossed media does not separate easily. Feed single sheets from tray 1.
Device supply items have reached the end of their useful life.	Check the device control panel for messages prompting you to replace supplies, or print a supplies status page to verify the remaining life of the supplies. See Use information pages .
Paper was not stored correctly.	Replace the paper in the trays. Paper should be stored in the original packaging in a controlled environment.

¹ If the device still continues to jam, contact HP Customer Support or your authorized HP service provider.

Jam locations

Use this illustration to resolve jams in the device. For instructions about clearing jams, see [Clear jams](#)



1	Print cartridge
2	Input trays
3	Output bins
4	Duplex path (for two-sided printing)

Jam recovery

This device automatically provides jam recovery, a feature that you can use to set whether the device should attempt to automatically reprint jammed pages.

- **AUTO** instructs the device to attempt to reprint jammed pages.
- **OFF** instructs the device not to attempt to reprint jammed pages.



NOTE During the recovery process, the device might reprint pages that were printed before the jam occurred. Be sure to remove any duplicated pages.

To improve print speed and increase memory resources, you might want to disable the jam recovery.

Turn off jam recovery

1. Press **Menu**.
2. Press ▼ to highlight **CONFIGURE DEVICE**, and then press ✓.
3. Press ▼ to highlight **SYSTEM SETUP**, and then press ✓.
4. Press ▼ to highlight **JAM RECOVERY**, and then press ✓.
5. Press ▼ to highlight **OFF**, and then press ✓.
6. Press **Menu** to return to the **Ready** state.

Clear jams

When clearing jams, be very careful not to tear the media. If a small piece of media remains in the device, it could cause additional jams.

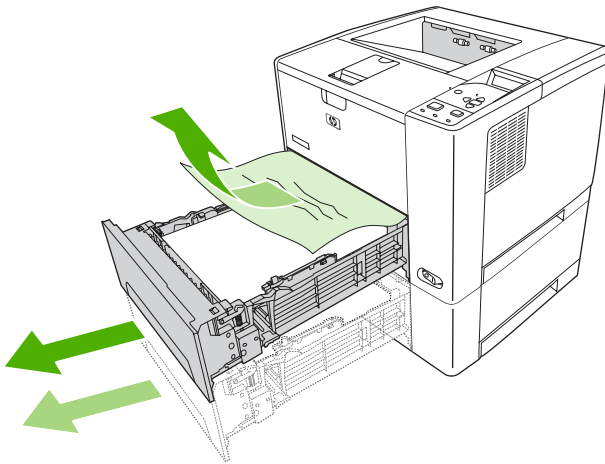
The **SHOW ME HOW** control-panel menu includes a page that shows how to clear jams. See [Show Me How menu](#).

Clear jams from the input-tray areas

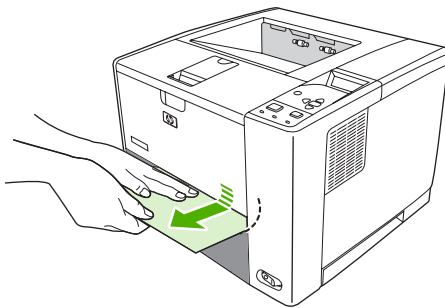


NOTE To remove media from the tray 1 area, slowly pull the media out of the device. For all other trays, complete the following procedure.

1. Slide the tray out of the device, and remove any damaged paper from the tray.

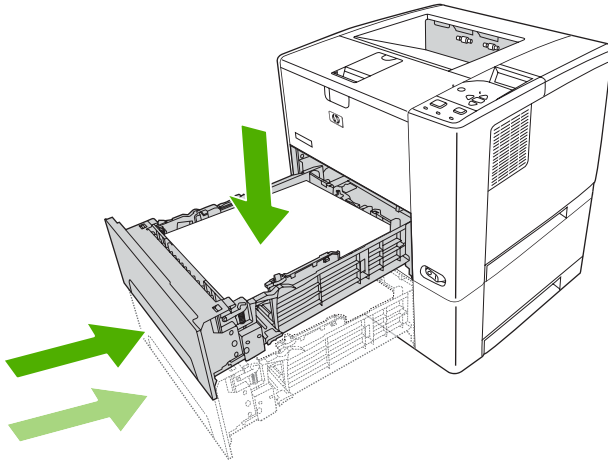


2. If the edge of the paper is visible in the feed area, slowly pull the paper down and out of the device. If the paper is not visible, look in the top cover area.



NOTE Do not force the paper if it will not move easily. If the paper is stuck in a tray, try removing it through the tray above (if applicable) or through the top-cover area.

3. Before replacing the tray, make sure the paper is flat in the tray at all four corners and below the tabs on the guides.

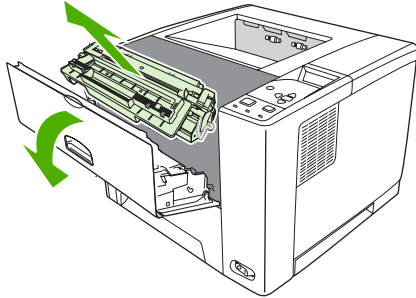


4. Open and close the top cover to clear the jam message.

If a jam message persists, there is still media in the device. Look for media in other locations.

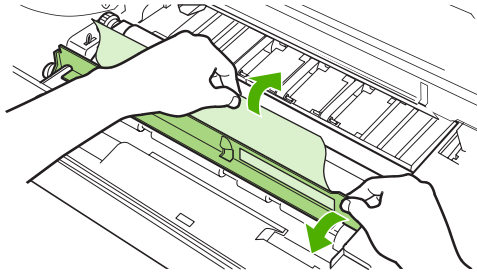
Clear jams from the print-cartridge area

1. Open the top cover and remove the print cartridge.



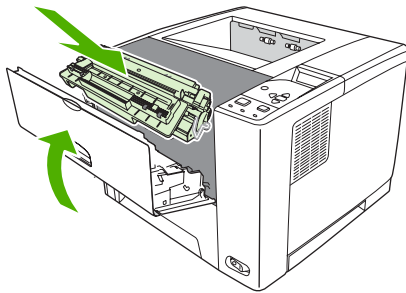
CAUTION To prevent damage to the print cartridge, do not expose it to light for more than a few minutes.

2. Slowly pull the media out of the device. Be careful to not tear the media.



CAUTION Avoid spilling loose toner. Use a dry, lint-free cloth, to clean any toner that might have fallen into the device. If loose toner falls into the device, it might cause temporary problems with print quality. Loose toner should clear from the paper path after a few pages are printed. If toner gets on your clothing, wipe it off with a dry cloth and wash clothing in cold water. (Hot water sets toner into fabric.)

3. Replace the print cartridge, and then close the top cover.



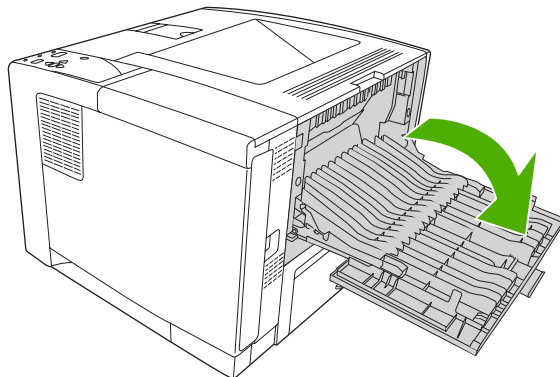
If a jam message persists, there is still media in the device. Look for media in other locations.

Clear jams from the output-bin areas

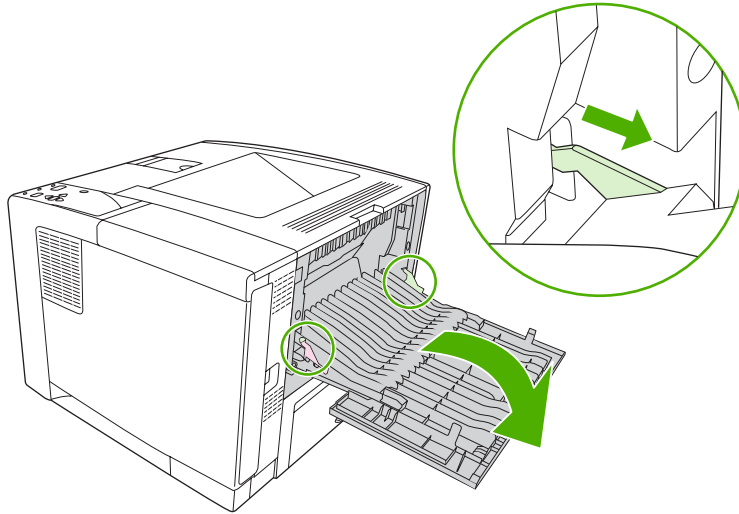


NOTE If media is jammed in the top output area, but most of the media is still inside the device, it is best to remove it through the rear door.

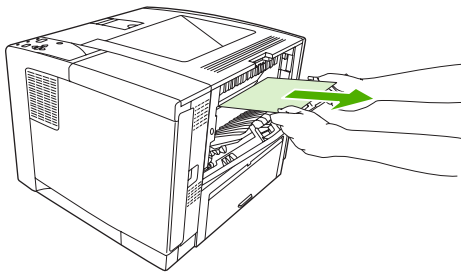
1. Open the rear door.



2. Slightly lift up the rear door, and then, on the inside of the door, lift up on the middle portion of the black assembly to release the clips. Let the rear door drop completely open.

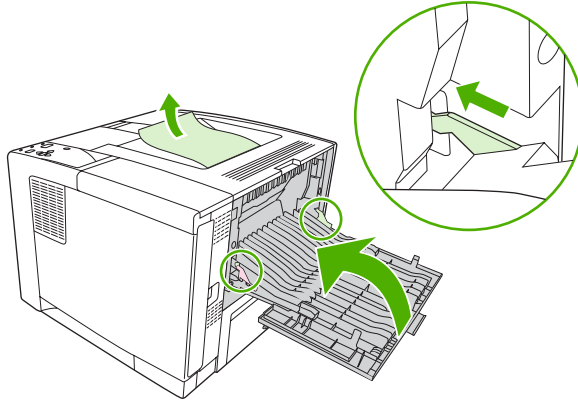


3. Grasp both sides of the media, and slowly pull the media out of the device. (There might be loose toner on the media. Be careful not to spill it on yourself or into the device.)



NOTE If media is difficult to remove, try opening the top cover and removing the print cartridge to release pressure on the media.

4. Close the rear door. (The clips automatically return to their original positions when the rear door is closed.)

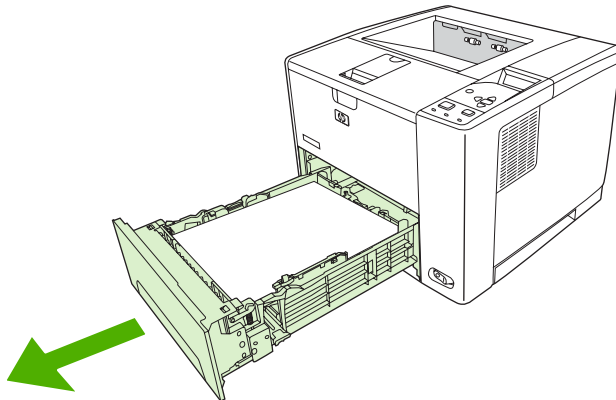


5. Open and close the top cover to clear the jam message.

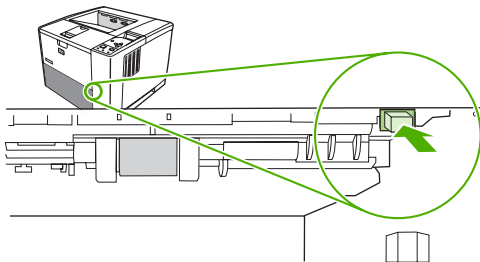
If a jam message persists, there is still media in the device. Look for media in other locations.

Clear jams from the optional duplexer

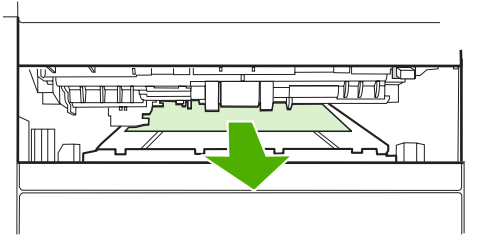
1. Remove tray 2 from the device.



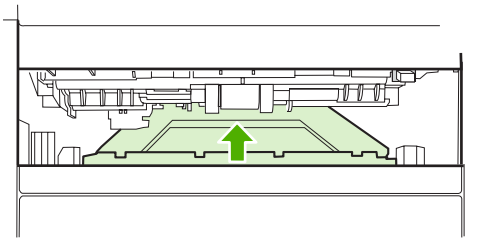
2. Push the green button on the top right front of the tray 2 opening to access the duplex paper path.



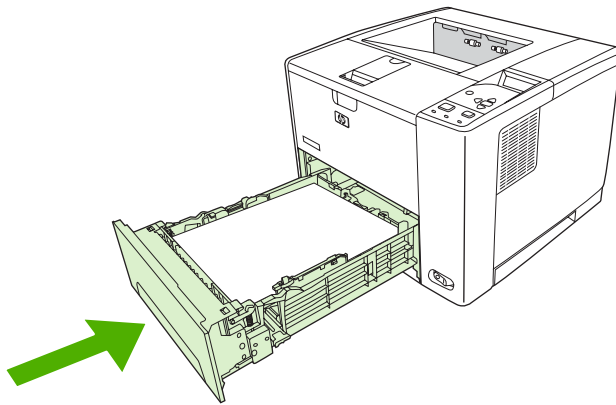
3. Reach in and pull out the jammed paper.



4. Push the bottom of the duplex access plate back up until it clicks into place on both sides (both sides need to be engaged).



5. Reinstall tray 2.



Solve repeated jams

If jams occur frequently, try the following actions:

- Check all the jam locations. A piece of media might be stuck somewhere in the device.
- Check that media is correctly loaded in the trays, that the trays are correctly adjusted for the loaded media size, and that the trays are not overfilled.
- Check that all trays and paper-handling accessories are completely inserted into the device. (If a tray is open during a print job, a jam might occur.)
- Check that all covers and doors are closed. (If a cover or door is open during a print job, a jam might occur.)

- Try printing to a different output bin.
- The sheets might be sticking together. Try bending the stack to separate each sheet. Do not fan the stack.
- If you are printing from tray 1, try feeding fewer sheets of media at a time.
- If you are printing small sizes (such as index cards), make sure that the media is oriented correctly in the tray.
- Turn over the media stack in the tray. Also, try rotating the stack 180°.
- Try rotating media to feed through the device from a different orientation.
- Check the media quality. Do *not* use damaged or irregular media.
- Use only media that meets HP specifications. See [Media considerations](#).
- Do not use media that has already been used in a device or copier. Do not print on both sides of envelopes, transparencies, vellum, or labels.
- Do not use media with staples or media that has had the staple removed. Staples can damage the device and can void warranty.
- Make sure that the power supplied to the device is steady and meets device specifications. See [Specifications](#).
- Clean the device. See [Clean the device](#).
- Contact an HP-authorized service or support provider to perform routine device maintenance. See the support flyer that was included with the device, or see www.hp.com/support/LJP3005.

Solve print-quality problems

This section helps you define print-quality problems and what to do to correct them. Often print-quality problems can be handled easily by making sure that the device is correctly maintained, using print media that meets HP specifications, or running a cleaning page.

Print-quality problems associated with media

Some print-quality problems arise from the use of inappropriate media.

- Use media that meets HP specifications. See [Media considerations](#).
- The surface of the media is too smooth. Use media that meets HP specifications. See [Media considerations](#).
- The moisture content is uneven, too high, or too low. Use media from a different source or from an unopened ream.
- Some areas of the media reject toner. Use media from a different source or from an unopened ream.
- The letterhead you are using is printed on rough media. Use a smoother, xerographic media. If this solves your problem, ask the supplier of your letterhead to use media that meets the specifications for this device. See [Media considerations](#).
- The media is excessively rough. Use a smoother, xerographic media.
- The driver setting is incorrect. To change the media type setting, see [Control print jobs](#).
- The media that you are using is too heavy for the media type setting that you selected, and the toner is not fusing to the media.

Print-quality problems associated with the environment

If the device is operating in excessively humid or dry conditions, verify that the printing environment is within specifications. See the device getting started guide for operating-environment specifications.

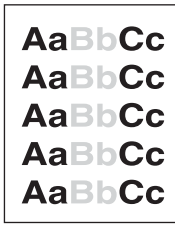
Print-quality problems associated with jams

Make sure that all sheets are cleared from the paper path. See [Jam recovery](#).

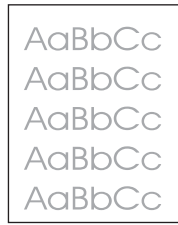
- If the device recently jammed, print two to three pages to clean the device.
- If the sheets do not pass through the fuser and cause image defects on subsequent documents, print three pages to clean the device. If the problem persists, print and process a cleaning page. See [Clean the device](#).

Image defect examples

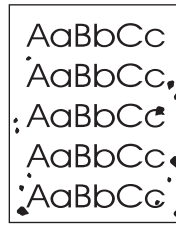
Use the examples in this image-defect table to determine which print-quality problem you are experiencing, and then see the corresponding reference pages to troubleshoot. These examples identify the most common print-quality problems. If you still have problems after trying the suggested remedies, contact HP Customer Support.



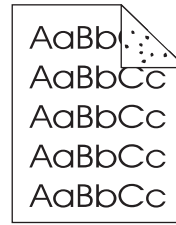
See [Light print \(partial page\)](#)



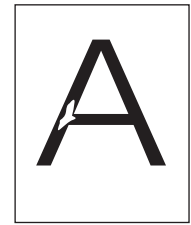
See [Light print \(entire page\)](#)



See [Specks](#)



See [Specks](#)



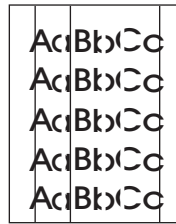
See [Dropouts](#)



See [Dropouts](#)



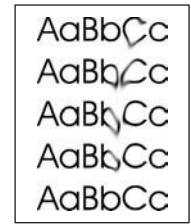
See [Dropouts](#)



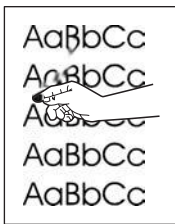
See [Lines](#)



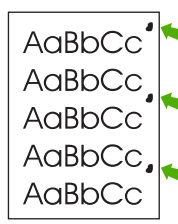
See [Gray background](#)



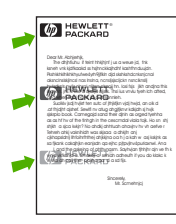
See [Toner smear](#)



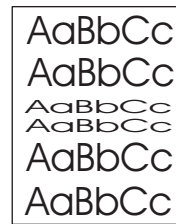
See [Loose toner](#)



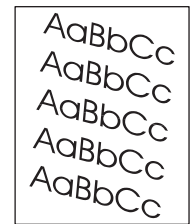
See [Repeat defects](#)



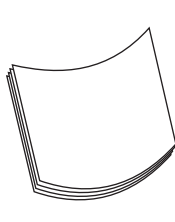
See [Repeat image](#)



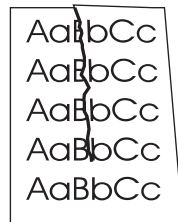
See [Misformed characters](#)



See [Page skew](#)



See [Curl or wave](#)



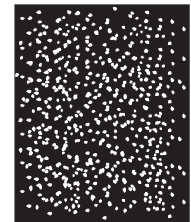
See [Wrinkles or creases](#)



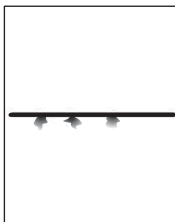
See [Vertical white lines](#)



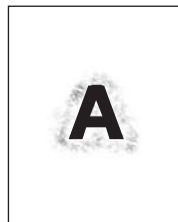
See [Tire tracks](#)



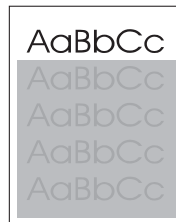
See [White spots on black](#)



See [Scattered lines](#)



See [Blurred print](#)



See [Random image repetition \(dark\)](#)

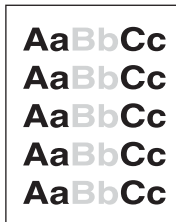


See [Random image repetition \(light\)](#)



NOTE These examples depict letter-size media that has passed through the device.

Light print (partial page)



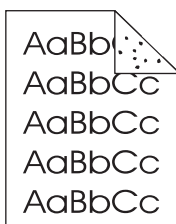
1. Make sure that the print cartridge is fully installed.
2. The toner level in the print cartridge might be low. Replace the print cartridge.
3. The media might not meet HP specifications (for example, the media is too moist or too rough). See [Media considerations](#).

Light print (entire page)



1. Make sure that the print cartridge is fully installed.
2. Make sure that the **ECONOMODE** setting is turned off at the control panel and in the device driver.
3. Open the menu at the device control panel. Open the **PRINT QUALITY** submenu and increase the **TONER DENSITY** setting. See [Print Quality submenu](#).
4. Try using a different type of media.
5. The print cartridge might be almost empty. Replace the print cartridge.

Specks



Specks might appear on a page after a jam has been cleared.

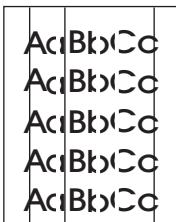
1. Print a few more pages to see if the problem corrects itself.
2. Clean the inside of the device and run a cleaning page to clean the fuser. (See [Clean the paper path.](#))
3. Try using a different type of media.
4. Check the print cartridge for leaks. If the print cartridge is leaking, replace it.

Dropouts



1. Make sure that the environmental specifications for the device are being met. (See [Operating environment.](#))
2. If the media is rough, and the toner easily rubs off, open the **CONFIGURE DEVICE** menu at the device control panel. Open the **PRINT QUALITY** submenu, select **FUSER MODES**, and then select the media type you are using. Change the setting to **HIGH1** or **HIGH2**, which helps the toner fuse more completely onto the media. (See [Print Quality submenu.](#))
3. Try using a smoother media.

Lines



1. Print a few more pages to see if the problem corrects itself.
2. Clean the inside of the device and run a cleaning page to clean the fuser. (See [Clean the device.](#))
3. Replace the print cartridge.

Gray background



1. Do not use media that has already been run through the device.
2. Try using a different type of media.
3. Print a few more pages to see if the problem corrects itself.
4. Turn over the media in the tray. Also, try rotating the media 180°.
5. Open the **CONFIGURE DEVICE** menu at the device control panel. On the **PRINT QUALITY** submenu, increase the **TONER DENSITY** setting. See [Print Quality submenu](#).
6. Make sure that the environmental specifications for the device are being met. (See [Operating environment](#).)
7. Replace the print cartridge.

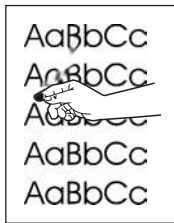
Toner smear



1. Print a few more pages to see if the problem corrects itself.
2. Try using a different type of media.
3. Make sure that the environmental specifications for the device are being met. (See [Operating environment](#).)
4. Clean the inside of the device and run a cleaning page to clean the fuser. (See [Clean the device](#).)
5. Replace the print cartridge.

Also see [Loose toner](#).

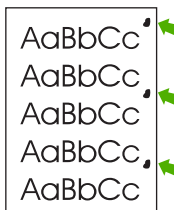
Loose toner



Loose toner, in this context, is defined as toner that can be rubbed off the page.

1. If media is heavy or rough, open the **CONFIGURE DEVICE** menu at the device control panel. On the **PRINT QUALITY** submenu, select **FUSER MODES**, and then select the media type you are using. Change the setting to **HIGH1** or **HIGH2**, which helps the toner fuse more completely onto the media. (See [Print Quality submenu](#).) You must also set the type of media for the tray you are using. (See [Control print jobs](#).)
2. If you have observed a rougher texture on one side of your media, try printing on the smoother side.
3. Make sure that the environmental specifications for the device are being met. (See [Operating environment](#).)
4. Make sure that type and quality of the media you are using meet HP specifications. (See [Media considerations](#).)

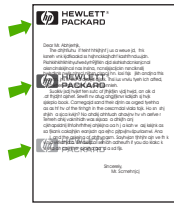
Repeat defects



1. Print a few more pages to see if the problem corrects itself.
2. If the distance between defects is 47 mm (1.85 in), 62 mm (2.44 in), or 96 mm (3.78 in), the print cartridge might need to be replaced.
3. Clean the inside of the device and run a cleaning page to clean the fuser. (See [Clean the device](#).)

Also see [Repeat image](#).

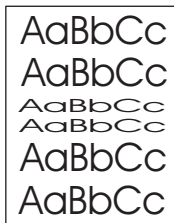
Repeat image



This type of defect might occur when using preprinted forms or a large quantity of narrow media.

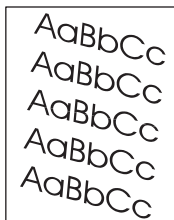
1. Print a few more pages to see if the problem corrects itself.
2. Make sure that type and quality of the media you are using meet HP specifications. (See [Media considerations](#).)
3. If the distance between defects is 47 mm (1.85 in), 62 mm (2.44 in), or 96 mm (3.78 in), the print cartridge might need to be replaced.

Misformed characters



1. Print a few more pages to see if the problem corrects itself.
2. Make sure that the environmental specifications for the device are being met. (See [Operating environment](#).)

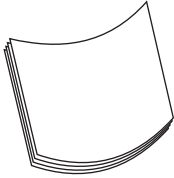
Page skew



1. Print a few more pages to see if the problem corrects itself.
2. Verify that no torn pieces of media are inside the device.
3. Make sure that media is loaded correctly and that all adjustments have been made. (See [Load media](#).) Make sure that the guides in the tray are not too tight or too loose against the media.
4. Turn over the media in the tray. Also, try rotating the media 180°.

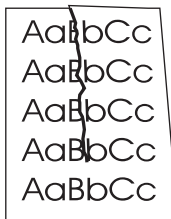
5. Make sure that the type and quality of the media you are using meet HP specifications. (See [Media considerations.](#))
6. Make sure that the environmental specifications for the device are being met. (See [Operating environment.](#))

Curl or wave



1. Turn over the media in the tray. Also, try rotating the media 180°.
2. Make sure that the type and quality of the media you are using meet HP specifications. (See [Media considerations.](#))
3. Make sure that the environmental specifications for the device are being met. (See [Operating environment.](#))
4. Try printing to a different output bin.
5. If media is lightweight and smooth, open the **CONFIGURE DEVICE** menu at the device control panel. On the **PRINT QUALITY** submenu, select **FUSER MODES**, and then select the media type you are using. Change the setting to **LOW**, which helps reduce the heat in the fusing process. (See [Print Quality submenu.](#)) You must also set the type of media for the tray you are using. (See [Control print jobs.](#))

Wrinkles or creases

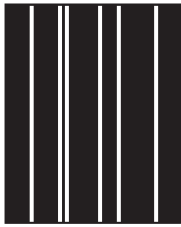


1. Print a few more pages to see if the problem corrects itself.
2. Make sure that the environmental specifications for the device are being met. (See [Operating environment.](#))
3. Turn over the media in the tray. Also, try rotating the media 180°.
4. Make sure that media is loaded correctly and all adjustments have been made. (See [Load media.](#))
5. Make sure that the type and quality of the media you are using meet HP specifications. (See [Media considerations.](#))
6. If envelopes are creasing, try storing envelopes so that they lie flat.

If the above actions do not improve wrinkles or creases, change your fuser mode from **NORMAL** to **LOW1**.

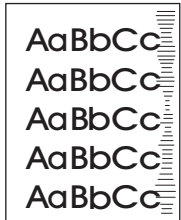
1. On the control panel, press **Menu**.
2. Use ▼ to highlight **CONFIGURE DEVICE**, and then press ✓.
3. Use ▼ to highlight **PRINT QUALITY**, and then press ✓.
4. Use ▼ to highlight **FUSER MODES**, and then press ✓.
5. Use ▼ to highlight **LOW1**, and then press ✓.

Vertical white lines



1. Print a few more pages to see if the problem corrects itself.
2. Make sure that the type and quality of the media you are using meet HP specifications. (See [Media considerations](#).)
3. Replace the print cartridge.

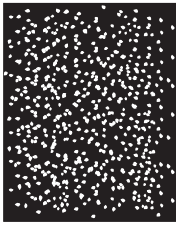
Tire tracks



This defect typically occurs when the print cartridge has far exceeded its rated life. For example, if you are printing a very large quantity of pages with very little toner coverage.

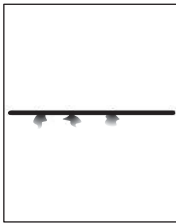
1. Replace the print cartridge.
2. Reduce the number of pages that you print with very low toner coverage.

White spots on black



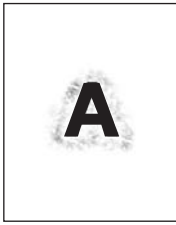
1. Print a few more pages to see if the problem corrects itself.
2. Make sure that the type and quality of the media you are using meet HP specifications. (See [Media considerations.](#))
3. Make sure that the environmental specifications for the device are being met. (See [Operating environment.](#))
4. Replace the print cartridge.

Scattered lines



1. Make sure that the type and quality of the media you are using meet HP specifications. (See [Media considerations.](#))
2. Make sure that the environmental specifications for the device are being met. (See [Operating environment.](#))
3. Turn over the media in the tray. Also, try rotating the media 180°.
4. Open the **CONFIGURE DEVICE** menu at the device control panel. Open the **PRINT QUALITY** submenu and change the **TONER DENSITY** setting. (See [Print Quality submenu.](#))
5. Open the **CONFIGURE DEVICE** menu at the device control panel. On the **PRINT QUALITY** submenu, open **OPTIMIZE** and set **LINE DETAIL=ON**.

Blurred print



1. Make sure that the type and quality of the media you are using meet HP specifications. (See [Media considerations](#).)
2. Make sure that the environmental specifications for the device are being met. (See [Operating environment](#).)
3. Turn over the media in the tray. Also, try rotating the media 180°.
4. Do not use media that already has been run through the device.
5. Decrease the toner density. Open the **CONFIGURE DEVICE** menu at the device control panel. Open the **PRINT QUALITY** submenu and change the **TONER DENSITY** setting. (See [Print Quality submenu](#).)
6. Open the **CONFIGURE DEVICE** menu at the device control panel. On the **PRINT QUALITY** submenu, open **OPTIMIZE** and set **HIGH TRANSFER=ON**. (See [Print Quality submenu](#).)

Random image repetition



If an image that appears at the top of the page (in solid black) repeats further down the page (in a gray field), the toner might not have been completely erased from the last job. (The repeated image might be lighter or darker than the field it appears in.)

- Change the tone (darkness) of the field that the repeated image appears in.
- Change the order in which the images are printed. For example, have the lighter image at the top of the page, and the darker image farther down the page.

- From your software program, rotate the whole page 180° to print the lighter image first.
- If the defect occurs later in a print job, turn the device off for 10 minutes, and then turn it on to restart the print job.

Solve network print problems



NOTE HP recommends that you use the device CD to install and set up the device on a network.

- Print a configuration page (see [Use information pages](#)). If an HP Jetdirect print server is installed, printing a configuration page also prints a second page that shows the network settings and status.
- See the *HP Jetdirect Embedded Print Server Administrator's Guide* on the device CD for help and for more information about the Jetdirect configuration page. To open the guide, run the CD, click **Printer Documentation**, click **HP Jetdirect Guide**, and then click **problem-solving the HP Jetdirect Print Server**.
- Try printing the job from another computer.
- To verify that a device works with a computer, use a parallel or USB cable to connect it directly to a computer. You will have to reinstall the printing software. Print a document from a program that has printed correctly in the past. If this works, a problem with the network might exist.
- Contact your network administrator for assistance.

Solve common Windows problems

Error message:

"Error Writing to LPTx" in Windows 9x.

Cause	Solution
Media is not loaded.	Make sure that paper or other print media is loaded in the trays.
The cable is defective or loose.	Make sure that the cables are connected correctly, the device is on, and the Ready light is on.
The device is plugged into a power strip and is not receiving enough power.	Unplug the power cord from the power strip and plug it into another electrical outlet.
The input/output setting is incorrect.	Click Start , click Settings , and then click Printers . Right-click the HP LaserJet P3005 device driver and select Properties . Click Details and then click Port Settings . Click to clear the check mark from the Check Port State before Printing box. Click OK . Click Spool Setting and then click Print Directly to Printer . Click OK .

Error message:

"General Protection FaultException OE"

"Spool32"

"Illegal Operation"

Cause	Solution
	Close all software programs, restart Windows, and try again.
	Select a different device driver. If the HP LaserJet P3005 PCL 6 driver is selected, switch to a PCL 5e or PS driver. You can usually do this from a software program.
	Delete all temp files from the Temp subdirectory. You can determine the name of the directory by editing the AUTOEXEC.BAT file and looking for the statement "Set Temp =". The name after this statement is the temp directory. It is usually C:\TEMP by default, but can be redefined.
	See the Microsoft Windows documentation that came with your computer for more information about Windows error messages.

Solve common Macintosh problems

In addition to the problems that are listed in [Solve print-quality problems](#), this section lists problems that can occur when using a Mac computer.



NOTE Setup for USB and IP printing is performed through the Desktop Printer Utility. The device will *not* appear in the Chooser.

The device driver is not listed in Print Center.

Cause	Solution
The device software might not have been installed or was installed incorrectly.	Make sure that the HP LaserJet P3005 PPD is in the following hard drive folder: <code>Library/Printers/PPDs/Contents/Resources/<lang>.lproj</code> , where “<lang>” represents the two-letter language code for the language that you are using. If necessary, reinstall the software. See the getting started guide for instructions.
The Postscript Printer Description (PPD) file is corrupt.	Delete the PPD file from the following hard drive folder: <code>Library/Printers/PPDs/Contents/Resources/<lang>.lproj</code> , where “<lang>” represents the two-letter language code for the language that you are using. Reinstall the software. See the getting started guide for instructions.

The device name, IP address, or Rendezvous host name does not appear in the device list box in the print center.

Cause	Solution
The device might not be ready.	Make sure that the cables are connected correctly, the device is on, and the ready light is on. If you are connecting through a USB or Ethernet hub, try connecting directly to the computer or use a different port.
The wrong connection type might be selected.	Make sure that USB, IP Printing, or Rendezvous is selected, depending on the type of connection that exists between the device and the computer.
The wrong device name, IP address, or Rendezvous host name is being used.	Check the device name, IP address, or Rendezvous host name by printing a configuration page. See Use information pages . Verify that the name, IP address, or Rendezvous host name on the configuration page matches the device name, IP address, or Rendezvous host name in the Print Center.
The interface cable might be defective or of poor quality.	Replace the interface cable. Make sure to use a high-quality cable.

The device driver does not automatically set up your selected device in Print Center.

Cause	Solution
The device might not be ready.	Make sure that the cables are connected correctly, the device is on, and the ready light is on. If you are connecting through a USB or Ethernet hub, try connecting directly to the computer or use a different port.
The device software might not have been installed or was installed incorrectly.	Make sure that the HP LaserJet P3005 PPD is in the following hard drive folder: <code>Library/Printers/PPDs/Contents/</code>

The device driver does not automatically set up your selected device in Print Center.

Cause	Solution
	Resources/<lang>.lproj, where “<lang>” represents the two-letter language code for the language that you are using. If necessary, reinstall the software. See the getting started guide for instructions.
The Postscript Printer Description (PPD) file is corrupt.	Delete the PPD file from the following hard drive folder: Library/Printers/PPDs/Contents/Resources/<lang>.lproj, where “<lang>” represents the two-letter language code for the language that you are using. Reinstall the software. See the getting started guide for instructions.
The device might not be ready.	Make sure that the cables are connected correctly, the device is on, and the ready light is on. If you are connecting through a USB or Ethernet hub, try connecting directly to the computer or use a different port.
The interface cable might be defective or of poor quality.	Replace the interface cable. Make sure to use a high-quality cable.

A print job was not sent to the device that you wanted.

Cause	Solution
The print queue might be stopped.	Restart the print queue. Open print monitor and select Start Jobs .
The wrong device name or IP address is being used. Another device with the same or similar name, IP address, or Rendezvous host name might have received your print job.	Check the device name, IP address, or Rendezvous host name by printing a configuration page. See Use information pages . Verify that the name, IP address, or Rendezvous host name on the configuration page matches the device name, IP address, or Rendezvous host name in the Print Center.


An encapsulated PostScript (EPS) file does not print with the correct fonts.

Cause	Solution
This problem occurs with some programs.	<ul style="list-style-type: none">Try downloading the fonts that are contained in the EPS file to the device before printing.Send the file in ASCII format instead of binary encoding.

You are unable to print from a third-party USB card.

Cause	Solution
This error occurs when the software for USB devices is not installed.	When adding a third-party USB card, you might need the Apple USB Adapter Card Support software. The most current version of this software is available from the Apple Web site.

When connected with a USB cable, the device does not appear in the Macintosh Print Center after the driver is selected.

Cause	Solution
This problem is caused by either a software or a hardware component.	<p data-bbox="855 275 1118 302">Software problem-solving</p> <ul data-bbox="855 325 1437 506" style="list-style-type: none"><li data-bbox="855 325 1302 352">● Check that your Macintosh supports USB.<li data-bbox="855 375 1437 428">● Verify that your Macintosh operating system is Mac OS X V10.1 or later.<li data-bbox="855 451 1406 506">● Ensure that your Macintosh has the appropriate USB software from Apple. <p data-bbox="855 529 1126 556">Hardware problem-solving</p> <ul data-bbox="855 579 1437 993" style="list-style-type: none"><li data-bbox="855 579 1235 606">● Check that the device is turned on.<li data-bbox="855 630 1362 657">● Verify that the USB cable is connected correctly.<li data-bbox="855 680 1437 735">● Check that you are using the appropriate high-speed USB cable.<li data-bbox="855 758 1437 863">● Ensure that you do not have too many USB devices drawing power from the chain. Disconnect all of the devices from the chain, and connect the cable directly to the USB port on the host computer.<li data-bbox="855 886 1437 993">● Check to see if more than two nonpowered USB hubs are connected in a row on the chain. Disconnect all of the devices from the chain and connect the cable directly to the USB port on the host computer. <p data-bbox="903 1016 959 1077"></p> <p data-bbox="983 1026 1414 1079">NOTE The iMac keyboard is a nonpowered USB hub.</p>

Solve Linux problems

For information about Linux problem solving, go to the HP Linux support Web site: hp.sourceforge.net/.

Solve common PostScript problems

The following situations are specific to the PostScript (PS) language and might occur when several device languages are being used. Check the control-panel display for messages that might help resolve problems.



NOTE To receive a printed or screen message when PS errors occur, open the **Print Options** dialog box and click the selection next to the PS Errors section that you want.

General problems

The job prints in Courier (the device default typeface) instead of the typeface that you requested.

Cause	Solution
The requested typeface is not downloaded.	Download the font that you want and send the print job again. Verify the type and location of the font. Download the font to the device if applicable. Check the software documentation for more information.

A legal page prints with clipped margins.

Cause	Solution
The print job was too complex.	You might need to print your job at 600 dpi, reduce the complexity of the page, or install more memory.

A PS error page prints.

Cause	Solution
The print job might not be PS.	Make sure that the print job is a PS job. Check to see whether the software program expected a setup or PS header file to be sent to the device.

A Supplies and accessories

This section provides information about ordering parts, supplies, and accessories. Use only parts and accessories that are specifically designed for this device.

- [Order parts, accessories, and supplies](#)
- [Part numbers](#)

Order parts, accessories, and supplies

Several methods are available for ordering parts, supplies, and accessories:

Order directly from HP

You can obtain the following items directly from HP:

- **Replacement parts** To order replacement parts in the U.S. see www.hp.com/go/hpparts/. Outside the United States, order parts by contacting your local authorized HP service center.
- **Supplies and accessories** To order supplies in the U.S., see www.hp.com/go/ljsupplies. To order supplies worldwide, see www.hp.com/ghp/buyonline.html. To order accessories, see www.hp.com/support/LJP3005.

Order through service or support providers

To order a part or accessory, contact an HP-authorized service or support provider. See [HP Customer Care](#).

Order directly through the embedded Web server (for devices that are connected to a network)

Use the following steps to order printing supplies directly through the embedded Web server. See [Use the embedded Web server](#) for an explanation of this feature.

Order through the embedded Web server

1. In the Web browser on the computer, type the IP address for the device. The device status window appears.
2. Select the **Setting** tab at the top of the window.
3. If asked to provide a password, type the password.
4. On the left side of the Device Configuration window, double-click **Order Supplies**. This provides a URL from which to purchase consumables. Supplies information with part numbers and device information is provided.
5. Select the part numbers that you want to order and follow the instructions on the screen.

Order directly through the HP Easy Printer Care software (for devices that are directly connected to a computer)

Use the HP Easy Printer Care software to order supplies and accessories directly from the computer. Click **Supplies Ordering**, and then click **Shop Online for Supplies**.

Part numbers

The following list of accessories was current at the time of printing. Ordering information and availability of the accessories might change during the life of the device.

Paper-handling accessories

Item	Description	Part number
Optional 500-sheet tray and feeder unit (tray 3)	Optional tray to increase paper capacity. Holds Letter, A4, Legal, A5, B5 (JIS), Executive, and 8.5 x 13 paper sizes. Note: This tray is included with the HP LaserJet P3005x model.	Q7817A

Print cartridge

Item	Description	Part number
HP LaserJet print cartridge	6,500-page cartridge	Q7551A
HP LaserJet print cartridge	13,000-page cartridge	Q7551X

Memory

Item	Description	Part number
144-pin 133MHz DDR DIMM	32 MB	Q7713A
Boosts the ability of the device to handle large or complex print jobs.	48 MB	Q7714A
	64 MB	Q7715A
	128 MB	Q7718A
	256 MB	Q7719A

Cables and interfaces

Item	Description	Part number
Enhanced I/O (EIO) cards	HP Jetdirect 620n Fast Ethernet (10/100Base-TX) print server	J7934A
HP Jetdirect print server multi-protocol EIO network cards:	HP Jetdirect 625n Gigabit Ethernet (10/100/1000T) print server	J7960A
	HP Jetdirect 635n IPv6/IPsec print server	J7961A
	HP Jetdirect 680n 802.11b wireless internal print server	J6058A
	HP bt1300 Bluetooth wireless printer adapter	J6072A

Item	Description	Part number
Parallel cables	2-meter IEEE 1284-B cable	C2950A
	3-meter IEEE 1284-B cable	C2951A
USB cable	2-meter A to B cable	C6518A

Print media

For more information about media supplies, go to <http://www.hp.com/go/ljsupplies>.

Item	Description	Part number
HP Soft Gloss laser paper	Letter (220 x 280 mm), 50 sheets/box	C4179A/Asia-Pacific countries/regions
For use with HP LaserJet devices. This is coated paper, good for business documents with high impact, such as brochures, sales material, and documents with graphics and photographic images. Specifications: 32 lb (120 g/m ²).	A4 (210 x 297 mm), 50 sheets/box	C4179B/Asia-Pacific countries/regions and Europe
HP LaserJet tough paper	Letter (8.5 x 11 in), 50 sheets to a carton	Q1298A/North America
For use with HP LaserJet devices. This satin-finish paper is waterproof and tear-proof, yet doesn't compromise on print quality or performance. Use it for signs, maps, menus, and other business applications.	A4 (210 x 297 mm), 50 sheets to a carton	Q1298B/Asia-Pacific countries/regions and Europe
HP Premium Choice LaserJet paper HP's brightest LaserJet paper. Expect spectacular color and crisp black from this paper that is extra smooth and brilliantly white. This is ideal for presentations, business plans, external correspondence and other high-value documents Specifications: 98 bright, 32 lb. (75 g/m ²).	Letter (8.5 x 11 in), 500 sheets/ream, 10-ream carton	HPU1132/North America
	Letter (8.5 x 11 in), 250 sheets/ream, 6-ream carton	HPU1732 North America
	A4 (210 x 297 mm), 5-ream carton	Q2397A/Asia-Pacific countries/regions
	A4 (210 x 297 mm), 250 sheet/ream, 5-ream carton	CHP412/Europe
	A4 (210 x 297 mm), 500 sheet/ream, 5-ream carton	CHP410/Europe
HP LaserJet paper For use with HP LaserJet devices. This is good for letterhead, high-value memos, legal documents, direct mail, and correspondence. Specifications: 96 bright, 24 lb (90 g/m ²).	Letter (8.5 x 11 in), 500 sheets/ream, 10-ream carton	HPJ1124/North America
	Legal (8.5 x 14 in), 500 sheets/ream, 10-ream carton	HPJ1424/North America
	Letter (220 x 280 mm), 500 sheets/ream, 5-ream carton	Q2398A/Asia-Pacific countries/regions
	A4 (210 x 297 mm), 500 sheets/ream, 5-ream carton	Q2400A/Asia-Pacific countries/regions
	A4 (210 x 297 mm), 500 sheets/ream	CHP310/Europe

Item	Description	Part number
<p>HP Printing paper</p> <p>For use with HP LaserJet and inkjet devices. This has been created especially for small and home offices. It is heavier and brighter than copier paper.</p> <p>Specifications: 92 bright, 22 lb.</p>	Letter (8.5 x 11 in), 500 sheets/ream, 10-ream carton	HPP1122/North America and Mexico
	Letter (8.5 x 11 in), 500 sheets/ream, 3-ream carton	HPP113R/North America
	A4 (210 x 297 mm), 500 sheets/ream, 5-ream carton	CHP210/Europe
	A4 (210 x 297 mm), 300 sheets/ream, 5-ream carton	CHP213/Europe
<p>HP Multipurpose paper</p> <p>For use with all office equipment-laser and inkjet devices, copiers, and fax machines. This has been created for businesses that want one paper for all their office needs. It is brighter and smoother than other office papers.</p> <p>Specifications: 90 bright, 20 lb (75 g/m²).</p>	Letter (8.5 x 11 in), 500 sheets/ream, 10-ream carton	HPM1120/North America
	Letter (8.5 x 11 in), 500 sheets/ream, 5-ream carton	HPM115R/North America HP25011/North America
	Letter (8.5 x 11 in), 250 sheets/ream, 12-ream carton	HPM113H/North America HPM1420/North America
	Letter (8.5 x 11 in), 3-hole, 500 sheets/ream, 10-ream carton	
	Legal (8.5 x 14 in), 500 sheets/ream, 10-ream carton	
<p>HP Office paper</p> <p>For use with all office equipment-laser and inkjet devices, copiers, and fax machines. This is good for high-volume printing.</p> <p>Specifications: 84 bright, 20 lb (75 g/m²).</p>	Letter (8.5 x 11 in), 500 sheets/ream, 10-ream carton	HPC8511/North America and Mexico
	Letter (8.5 x 11 in), 3-hole, 500 sheets/ream, 10-ream carton	HPC3HP/North America
	Legal (8.5 x 14 in), 500 sheets/ream, 10-ream carton	HPC8514/North America
	Letter (8.5 x 11 in), Quick Pack; 2,500-sheet carton	HP2500S/North America and Mexico
	Letter (8.5 x 11 in), Quick Pack 3-hole; 2,500-sheet carton	HP2500P/North America
	Letter (220 x 280 mm), 500 sheets/ream, 5-ream carton	Q2408A/Asia-Pacific countries/regions
	A4 (210 x 297 mm), 500 sheets/ream, 5-ream carton	Q2407A/Asia-Pacific countries/regions
	A4 (210 x 297 mm), 500 sheets/ream, 5-ream carton	CHP110/Europe
A4 (210 x 297 mm), Quick Pack; 2500 sheets/ream, 5-ream carton	CHP113/Europe	

Item	Description	Part number
HP Office recycled paper	Letter (8.5 x 11 in), 500 sheets/ream, 10-ream carton	HPE1120/North America
For use with all office equipment-laser and inkjet devices, copiers, and fax machines. This is good for high-volume printing.	Letter (8.5 x 11 in), 3-hole, 500 sheets/ream, 10-ream carton	HPE113H/North America
	Legal (8.5 x 14 in), 500 sheets/ream, 10-ream carton	HPE1420/North America
Satisfies U.S. Executive Order 13101 for environmentally preferable products.		
Specifications: 84 bright, 20 lb, 30% post-consumer content.		
HP LaserJet transparencies	Letter (8.5 x 11 in), 50 sheets to a carton	92296T/North America, Asia-Pacific countries/regions, and Europe
For use only with HP LaserJet monochrome devices. For crisp, sharp text and graphics, rely on the only transparencies specifically designed and tested to work with monochrome HP LaserJet devices.	A4 (210 x 297 mm), 50 sheets to a carton	922296U/Asia-Pacific countries/regions and Europe
Specifications: 4.3-mil thickness.		

B Service and support

Hewlett-Packard limited warranty statement

HP PRODUCT

DURATION OF LIMITED WARRANTY

HP LaserJet P3005, P3005d, P3005n, P3005dn, and P3005x printers One-year limited warranty

HP warrants to you, the end-user customer, that HP hardware and accessories will be free from defects in materials and workmanship after the date of purchase, for the period specified above. If HP receives notice of such defects during the warranty period, HP will, at its option, either repair or replace products which prove to be defective. Replacement products may be either new or equivalent in performance to new.

HP warrants to you that HP software will not fail to execute its programming instructions after the date of purchase, for the period specified above, due to defects in material and workmanship when properly installed and used. If HP receives notice of such defects during the warranty period, HP will replace software which does not execute its programming instructions due to such defects.

HP does not warrant that the operation of HP products will be uninterrupted or error free. If HP is unable, within a reasonable time, to repair or replace any product to a condition as warranted, you will be entitled to a refund of the purchase price upon prompt return of the product.

HP products may contain remanufactured parts equivalent to new in performance or may have been subject to incidental use.

Warranty does not apply to defects resulting from (a) improper or inadequate maintenance or calibration, (b) software, interfacing, parts or supplies not supplied by HP, (c) unauthorized modification or misuse, (d) operation outside of the published environmental specifications for the product, or (e) improper site preparation or maintenance.

TO THE EXTENT ALLOWED BY LOCAL LAW, THE ABOVE WARRANTIES ARE EXCLUSIVE AND NO OTHER WARRANTY OR CONDITION, WHETHER WRITTEN OR ORAL, IS EXPRESSED OR IMPLIED AND HP SPECIFICALLY DISCLAIMS ANY IMPLIED WARRANTIES OR CONDITIONS OF MERCHANTABILITY, SATISFACTORY QUALITY, AND FITNESS FOR A PARTICULAR PURPOSE. Some countries/regions, states or provinces do not allow limitations on the duration of an implied warranty, so the above limitation or exclusion might not apply to you. This warranty gives you specific legal rights and you might also have other rights that vary from country/region to country/region, state to state, or province to province. HP's limited warranty is valid in any country/region or locality where HP has a support presence for this product and where HP has marketed this product. The level of warranty service you receive may vary according to local standards. HP will not alter form, fit or function of the product to make it operate in a country/region for which it was never intended to function for legal or regulatory reasons.

TO THE EXTENT ALLOWED BY LOCAL LAW, THE REMEDIES IN THIS WARRANTY STATEMENT ARE YOUR SOLE AND EXCLUSIVE REMEDIES. EXCEPT AS INDICATED ABOVE, IN NO EVENT WILL HP OR ITS SUPPLIERS BE LIABLE FOR LOSS OF DATA OR FOR DIRECT, SPECIAL, INCIDENTAL, CONSEQUENTIAL

(INCLUDING LOST PROFIT OR DATA), OR OTHER DAMAGE, WHETHER BASED IN CONTRACT, TORT, OR OTHERWISE. Some countries/regions, states or provinces do not allow the exclusion or limitation of incidental or consequential damages, so the above limitation or exclusion may not apply to you.

THE WARRANTY TERMS CONTAINED IN THIS STATEMENT, EXCEPT TO THE EXTENT LAWFULLY PERMITTED, DO NOT EXCLUDE, RESTRICT OR MODIFY AND ARE IN ADDITION TO THE MANDATORY STATUTORY RIGHTS APPLICABLE TO THE SALE OF THIS PRODUCT TO YOU.

Print cartridge limited warranty statement

This HP product is warranted to be free from defects in materials and workmanship.

This warranty does not apply to products that (a) have been refilled, refurbished, remanufactured or tampered with in any way, (b) experience problems resulting from misuse, improper storage, or operation outside of the published environmental specifications for the device product or (c) exhibit wear from ordinary use.

To obtain warranty service, please return the product to place of purchase (with a written description of the problem and print samples) or contact HP customer support. At HP's option, HP will either replace products that prove to be defective or refund your purchase price.

TO THE EXTENT ALLOWED BY LOCAL LAW, THE ABOVE WARRANTY IS EXCLUSIVE AND NO OTHER WARRANTY OR CONDITION, WHETHER WRITTEN OR ORAL, IS EXPRESSED OR IMPLIED AND HP SPECIFICALLY DISCLAIMS ANY IMPLIED WARRANTIES OR CONDITIONS OF MERCHANTABILITY, SATISFACTORY QUALITY, AND FITNESS FOR A PARTICULAR PURPOSE.

TO THE EXTENT ALLOWED BY LOCAL LAW, IN NO EVENT WILL HP OR ITS SUPPLIERS BE LIABLE FOR DIRECT, SPECIAL, INCIDENTAL, CONSEQUENTIAL (INCLUDING LOST PROFIT OR DATA), OR OTHER DAMAGE, WHETHER BASED IN CONTRACT, TORT, OR OTHERWISE.

THE WARRANTY TERMS CONTAINED IN THIS STATEMENT, EXCEPT TO THE EXTENT LAWFULLY PERMITTED, DO NOT EXCLUDE, RESTRICT OR MODIFY AND ARE IN ADDITION TO THE MANDATORY STATUTORY RIGHTS APPLICABLE TO THE SALE OF THIS PRODUCT TO YOU.

HP Customer Care

Online Services

For 24-hour access to updated HP device-specific software, product information, and support information through an Internet connection, go to the Web site: www.hp.com/support/LJP3005.

Go to www.hp.com/support/net_printing for information about the HP Jetdirect external print server.

HP Instant Support Professional Edition (ISPE) is a suite of Web-based troubleshooting tools for desktop computing and printing products. Go to instantsupport.hp.com.

Telephone support

HP provides free telephone support during the warranty period. For the telephone number for your country/region, see the flyer that shipped with the device, or visit www.hp.com/support/. Before calling HP, have the following information ready: the product name and serial number, the date of purchase, and a description of the problem.

Software utilities, drivers, and electronic information

www.hp.com/go/LJP3005_software

The Web page for the drivers is in English, but you can download the drivers themselves in several languages.

HP direct ordering for accessories or supplies

- United States: www.hp.com/sbso/product/supplies.
- Canada: www.hp.ca/catalog/supplies
- Europe: www.hp.com/supplies
- Asia-Pacific: www.hp.com/paper/

To order genuine HP parts or accessories, go to the HP Parts Store at www.hp.com/buy/parts (U.S. and Canada only), or call 1-800-538-8787 (U.S.) or 1-800-387-3154 (Canada).

HP service information

To locate HP-Authorized Dealers, call 1-800-243-9816 (U.S.) or 1-800-387-3867 (Canada).

Outside the United States and Canada, call the customer support number for your country/region. See the flyer that shipped in the box with the device.

HP service agreements

Call 1-800-HPINVENT (1-800-474-6836 (U.S.)) or 1-800-268-1221 (Canada). Or, go to the HP SupportPack and Carepaq™ Services Web site at www.hpexpress-services.com/10467a.

For extended service, call 1-800-446-0522.

HP Easy Printer Care software

To check the device status and settings and view troubleshooting information and online documentation, use the HP Easy Printer Care software. You must have performed a full software installation in order to use the HP Easy Printer Care software. See [Use the embedded Web server](#).

HP support and information for Macintosh computers

Go to www.hp.com/go/macosex for Macintosh OS X support information and HP subscription service for driver updates.

Go to www.hp.com/go/mac-connect for products that are designed specifically for the Macintosh user.

HP maintenance agreements

HP has several types of maintenance agreements that meet a wide range of support needs. Maintenance agreements are not part of the standard warranty. Support services may vary by area. Check with your local HP dealer to determine the services available to you.

On-site service agreements

To provide you with the level of support best suited to your needs, HP has on-site service agreements with a selection of response times.

Next-day on-site service

This agreement provides support by the next working day following a service request. Extended coverage hours and extended travel beyond HP's designated service zones are available on most on-site agreements (for additional charges).

Weekly (volume) on-site service

This agreement provides scheduled weekly on-site visits for organizations with many HP products. This agreement is designated for sites using 25 or more workstation products, including devices, plotters, computers, and disk drives.

Repacking the device

If HP Customer Care determines that your device needs to be returned to HP for repair, follow the steps below to repack the device before shipping it.



CAUTION Shipping damage as a result of inadequate packing is the customer's responsibility.

To repack the device

1. Remove and retain any DIMMs cards that you have purchased and installed in the device. Do not remove the DIMM that came with the device.



CAUTION Static electricity can damage DIMMs. When handling DIMMs, either wear an antistatic wrist strap, or frequently touch the surface of the DIMM antistatic package and then touch bare metal on the device. To remove the DIMMs, see [Install memory](#).

2. Remove and retain the print cartridge.



CAUTION It is *extremely important* to remove the print cartridge before shipping the device. A print cartridge that remains in the device during shipping will leak and entirely cover the device engine and other parts with toner.

To prevent damage to the print cartridge, avoid touching the roller on it, and store the print cartridge in its original packing material or so that it is not exposed to light.

3. Remove and retain the power cable, interface cable, and optional accessories.

4. If possible, include print samples and 50 to 100 sheets of paper or other print media that did not print correctly.
5. In the U.S., call HP Customer Care to request new packing material. In other areas, use the original packing material, if possible. Hewlett-Packard recommends insuring the equipment for shipment.

Extended warranty

HP Support provides coverage for the HP hardware product and all HP-supplied internal components. The hardware maintenance covers a 1- to 3-year period from date of the HP product purchase. The customer must purchase HP Support within the stated factory warranty. For more information, contact the HP Customer Care Service and Support group.

C Specifications

- [Physical specifications](#)
- [Electrical specifications](#)
- [Acoustic specifications](#)
- [Operating environment](#)

Physical specifications

Table C-1 device dimensions

device model	Height	Depth	Width	Weight ¹
HP LaserJet P3005, P3005d, P3005n, and P3005dn	275 mm (10.8 in)	535 mm (21 in)	490 mm (19.3 in)	20.2 kg (44.5 lb)
HP LaserJet P3005x	404 mm (15.9 in)	535 mm (21 in)	490 mm (19.3 in)	5200tn: 30.2 kg (66.5 lb) 5200dtn: 33.1 kg (73 lb)
Optional 500-sheet feeder	130 mm (5.1 in)	535 mm (21 in)	490 mm (19.3 in)	9 kg (20 lb)

¹ Without print cartridge

Table C-2 Device dimensions with all doors and trays fully opened

device model	Height	Depth	Width
HP LaserJet P3005, P3005d, P3005n, and P3005dn	275 mm (10.8 in)	980 mm (38.6 in)	490 mm (19.3 in)
HP LaserJet P3005x	404 mm (15.9 in)	1090 mm (42.9 in)	490 mm (19.3 in)

Electrical specifications



WARNING! Power requirements are based on the country/region where the device is sold. Do not convert operating voltages. This can damage the device and void the product warranty.

Table C-3 Power requirements

Specification	110-volt models	220-volt models
Power requirements	110 to 127 volts ($\pm 10\%$)	220 to 240 volts ($\pm 10\%$)
	50/60 Hz (± 2 Hz)	50/60 Hz (± 2 Hz)
Rated current	7.0 Amps	4.0 Amps

Table C-4 Power consumption (average, in watts)

Device model	Printing	Ready	Sleep	Off
HP LaserJet P3005	600 W	9 W	8.5 W	0.2 W
HP LaserJet P3005d	600 W	9 W	8.5 W	0.2 W
HP LaserJet P3005n	600 W	9 W	8.5 W	0.2 W
HP LaserJet P3005dn	600 W	9 W	8.5 W	0.2 W
HP LaserJet P3005x	600 W	9 W	8.5 W	0.2 W

- ¹ Values subject to change. See www.hp.com/support/LJP3005 for current information.
- ² Power numbers are the highest values measured using all standard voltages.
- ³ Default time from Ready mode to Sleep = 30 minutes.
- ⁴ Heat dissipation in Ready mode = 35 BTU/hour.
- ⁵ Recovery time from Sleep to start of printing = less than 8.5 seconds.
- ⁶ Print speed is 35 ppm.

Acoustic specifications

Table C-5 Sound power and pressure level

Sound power level	Declared per ISO 9296
Printing	$L_{WA_d} = 6.5$ Bels (A) [65 dB(A)]
Ready	Essentially Inaudible
Sound pressure level	Declared per ISO 9296
Printing	$L_{pAm} = 51$ dB (A)
Ready	Essentially Inaudible

- ¹ Values subject to change. See www.hp.com/support/LJP3005 for current information.
- ² Configuration tested: base device, simplex printing with A4 paper size.
- ³ Print speed is 35 ppm.

Operating environment

Table C-6 Necessary conditions

Environmental condition	Printing	Storage/standby
Temperature (device and print cartridge)	15° to 32.5°C (59° to 89°F)	-20° to 40°C (-4° to 104°F)
Relative humidity	10% to 80%	10% to 90%

D Regulatory information

This section contains the following regulatory information:

- [FCC regulations](#)
- [Environmental product stewardship program](#)
- [Declaration of conformity](#)
- [Safety statements](#)

FCC regulations

This equipment has been tested and found to comply with the limits for a Class B digital device, pursuant to Part 15 of the FCC rules. These limits are designed to provide reasonable protection against harmful interference in a residential installation. This equipment generates, uses, and can radiate radio frequency energy. If this equipment is not installed and used in accordance with the instructions, it may cause harmful interference to radio communications. However, there is no guarantee that interference will not occur in a particular installation. If this equipment does cause harmful interference to radio or television reception, which can be determined by turning the equipment off and on, the user is encouraged to try to correct the interference by one or more of the following measures:

- Reorient or relocate the receiving antenna.
- Increase separation between equipment and receiver.
- Connect equipment to an outlet on a circuit different from that to which the receiver is located.
- Consult your dealer or an experienced radio/TV technician.



NOTE Any changes or modifications to the printer that are not expressly approved by HP could void the user's authority to operate this equipment.

Use of a shielded interface cable is required to comply with the Class B limits of Part 15 of FCC rules.

Environmental product stewardship program

Protecting the environment

Hewlett-Packard Company is committed to providing quality products in an environmentally sound manner. This product has been designed with several attributes to minimize impacts on our environment.

Ozone production

This product generates no appreciable ozone gas (O₃).

Power consumption

Power usage drops significantly while in Ready and Sleep modes, which saves natural resources and saves money without affecting the high performance of this product. This product qualifies for ENERGY STAR® (Version 3.0), which is a voluntary program to encourage the development of energy-efficient office products.



ENERGY STAR® and the ENERGY STAR mark are U.S. registered marks. As an ENERGY STAR partner, Hewlett-Packard Company has determined that this product meets ENERGY STAR Guidelines for energy efficiency. For more information, see www.energystar.gov.

Toner consumption

Economode uses significantly less toner, which might extend the life of the print cartridge.

Paper use

This product's manual/optional automatic duplex feature (two-sided printing, see [Print on both sides of the paper](#) (Windows) or [Print on both sides of the paper](#) (Mac)) and N-up printing (multiple pages printed on one page) capability can reduce paper usage and the resulting demands on natural resources.

Plastics

Plastic parts over 25 grams are marked according to international standards that enhance the ability to identify plastics for recycling purposes at the end of the product's life.

HP LaserJet print supplies

It's easy to return and recycle your empty HP LaserJet print cartridges—free of charge—with HP Planet Partners. HP is committed to providing inventive, high-quality products and services that are environmentally sound, from product design and manufacturing to distribution, operation and recycling processes. We ensure your returned HP LaserJet print cartridges are recycled properly, processing them to recover valuable plastics and metals for new products and diverting millions of tons of waste from landfills. Since this cartridge is being recycled and used in new materials, it will not be returned to

you. Your empty HP LaserJet print cartridges are recycled responsibly when you participate in the HP Planet Partners program. Thank you for being environmentally responsible!

In many countries/regions, this product's printing supplies (for example, print cartridges) can be returned to HP through the HP Printing Supplies Returns and Recycling Program. An easy-to-use and free take back program is available in more than 35 countries/regions. Multilingual program information and instructions are included in every new HP LaserJet print cartridge and supplies package.

HP print supplies returns and recycling program information

Since 1992, HP has offered HP LaserJet supplies return and recycling free of charge. In 2004, HP Planet Partners for LaserJet Supplies was available in 85% of the world market where HP LaserJet supplies are sold. Postage-paid and pre-addressed labels are included within the instruction guide in most HP LaserJet print cartridge boxes. Labels and bulk boxes are also available through the Web site: www.hp.com/recycle.

Use the label to return empty, original HP LaserJet print cartridges only. Please do not use this label for non-HP cartridges, refilled or remanufactured cartridges, or warranty returns. Printing supplies or other objects inadvertently sent to the HP Planet Partners program cannot be returned.

More than 10 million HP LaserJet print cartridges were recycled globally in 2004 through the HP Planet Partners supplies recycling program. This record number represents 26 million pounds of print cartridge materials diverted from landfills. Worldwide, in 2004, HP recycled an average of 59% of the print cartridge by weight consisting primarily of plastic and metals. Plastics and metals are used to make new products such as HP products, plastic trays, and spools. The remaining materials are disposed of in an environmentally responsible manner.

- **U.S. returns.** For a more environmentally responsible return of used cartridges and supplies, HP encourages the use of bulk returns. Simply bundle two or more cartridges together and use the single, pre-paid, pre-addressed UPS label that is supplied in the package. For more information in the U.S., call 1-800-340-2445 or visit the HP Web site at www.hp.com/recycle.
- **Non-U.S. returns.** Non-U.S. customers should visit the www.hp.com/recycle Web site for further information regarding availability of the HP Supplies Returns and Recycling Program.

Paper

This product is capable of using recycled papers when the paper meets the guidelines outlined in the *HP LaserJet Printer Family Print Media Guide*. This product is suitable for the use of recycled paper according to EN12281:2002.

Material restrictions

This HP product does not contain added mercury.

This HP product contains a battery that might require special handling at end-of-life. The batteries contained in or supplied by Hewlett-Packard for this product include the following:

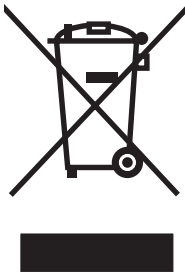
HP LaserJet P3005 device	
Type	Carbon monofluoride lithium battery BR1632
Weight	(1.5 g)
Location	On formatter board
User-removable	No



廢電池請回收

For recycling information, you can go to www.hp.com/recycle, or contact your local authorities or the Electronics Industries Alliance: www.eiae.org.

Disposal of waste equipment by users in private households in the European Union



This symbol on the product or on its packaging indicates that this product must not be disposed of with your other household waste. Instead, it is your responsibility to dispose of your waste equipment by handing it over to a designated collection point for the recycling of waste electrical and electronic equipment. The separate collection and recycling of your waste equipment at the time of disposal will help to conserve natural resources and ensure that it is recycled in a manner that protects human health and the environment. For more information about where you can drop off your waste equipment for recycling, please contact your local city office, your household waste disposal service or the shop where you purchased the product.

Material Safety Data Sheet (MSDS)

Material Safety Data Sheets (MSDS) for supplies containing chemical substances (for example, toner) can be obtained by contacting the HP Web site at www.hp.com/go/msds or www.hp.com/hpinfo/community/environment/productinfo/safety.

For more information

To obtain information about these environmental topics:

- Product environmental profile sheet for this and many related HP products
- HP's commitment to the environment
- HP's environmental management system
- HP's end-of-life product return and recycling program
- Material Safety Data Sheets

Visit <http://www.hp.com/go/environment> or <http://www.hp.com/hpinfo/community/environment/productinfo/safety>.

Declaration of conformity

Declaration of Conformity

according to ISO/IEC 17050-1 and EN 17050-1

Manufacturer's Name: Hewlett-Packard Company
Manufacturer's Address: 11311 Chinden Boulevard,
Boise, Idaho 83714-1021, USA

declares, that the product

Product Name: HP LaserJet P3005 Series
Including: Optional 500-Sheet Input Tray Q7817A

Regulatory Model Number³⁾: BOISB-0406-02

Product Options: ALL

Print Cartridges: Q7551A / Q7551X

conforms to the following Product Specifications:

Safety: IEC 60950-1:2001 / EN60950-1: 2001 +A11
IEC 60825-1:1993 +A1 +A2 / EN 60825-1:1994 +A1 +A2 (Class 1 Laser/LED Product)
GB4943-2001

EMC: CISPR22:1993 +A1 +A2 / EN 55022:1994 +A1 +A2 - Class B¹⁾
EN 61000-3-2:2000
EN 61000-3-3:1995 +A1
EN 55024:1998 +A1 +A2
FCC Title 47 CFR, Part 15 Class B²⁾ / ICES-003, Issue 4
GB9254-1998, GB17625.1-2003

Supplementary Information:

The product herewith complies with the requirements of the EMC Directive 89/336/EEC and the Low Voltage Directive 73/23/EEC, and carries the CE-Marking accordingly.

- 1) The product was tested in a typical configuration with Hewlett-Packard Personal Computer Systems.
- 2) This Device complies with Part 15 of the FCC Rules. Operation is subject to the following two conditions: (1) this device may not cause harmful interference, and (2) this device must accept any interference received, including interference that may cause undesired operation.
- 3) For regulatory purposes, this product is assigned a Regulatory model number. This number should not be confused with the marketing name or the product number(s).

Boise, Idaho, USA

June 7, 2006

For regulatory topics only:

Australia Contact: Product Regulations Manager, Hewlett-Packard Australia Ltd., 31-41 Joseph Street, Blackburn, Victoria 3130, Australia

European Contact: Your Local Hewlett-Packard Sales and Service Office or Hewlett-Packard GmbH, Department HQ-TRE / Standards Europe, Herrenberger Strasse 140, D-71034, Böblingen (FAX: +49-7031-14-3143)

USA Contact: Product Regulations Manager, Hewlett-Packard Company, PO Box 15, Mail Stop 160, Boise, ID 83707-0015 (Phone: 208-396-6000)

Safety statements

Laser safety

The Center for Devices and Radiological Health (CDRH) of the U.S. Food and Drug Administration has implemented regulations for laser products manufactured since August 1, 1976. Compliance is mandatory for products marketed in the United States. The device is certified as a “Class 1” laser product under the U.S. Department of Health and Human Services (DHHS) Radiation Performance Standard according to the Radiation Control for Health and Safety Act of 1968. Since radiation emitted inside the device is completely confined within protective housings and external covers, the laser beam cannot escape during any phase of normal user operation.



WARNING! Using controls, making adjustments, or performing procedures other than those specified in this user guide may result in exposure to hazardous radiation.

Canadian DOC regulations

Complies with Canadian EMC Class B requirements.

« Conforme à la classe B des normes canadiennes de compatibilité électromagnétiques. « CEM ». »

VCCI statement (Japan)

この装置は、情報処理装置等電波障害自主規制協議会（VCCI）の基準に基づくクラスB情報技術装置です。この装置は、家庭環境で使用することを目的としていますが、この装置がラジオやテレビジョン受信機に近接して使用されると、受信障害を引き起こすことがあります。
取扱説明書に従って正しい取り扱いをして下さい。

Power cord statement (Japan)

製品には、同梱された電源コードをお使い下さい。
同梱された電源コードは、他の製品では使用出来ません。

EMI statement (Korea)

B급 기기 (가정용 정보통신기기)

이 기기는 가정용으로 전자파적합등록을 한 기기로서
주거지역에서는 물론 모든지역에서 사용할 수 있습니다.

Laser statement for Finland

Luokan 1 laserlaite

Klass 1 Laser Apparat

HP LaserJet P3005, P3005d, P3005n, P3005dn, P3005x, laserkirjoitin on käyttäjän kannalta turvallinen luokan 1 laserlaite. Normaalisissa käytössä kirjoittimen suojakotelointi estää lasersäteiden pääsyn laitteen ulkopuolelle. Laitteen turvallisuusluokka on määritetty standardin EN 60825-1 (1994) mukaisesti.

VAROITUS !

Laitteen käyttäminen muulla kuin käyttöohjeessa mainitulla tavalla saattaa altistaa käyttäjän turvallisuusluokan 1 ylittävälle näkymättömälle lasersäteilylle.

WARNING !

Om apparaten används på annat sätt än i bruksanvisning specificerats, kan användaren utsättas för osynlig laserstrålning, som överskrider gränsen för laserklass 1.

HUOLTO

HP LaserJet P3005, P3005d, P3005n, P3005dn, P3005x - kirjoittimen sisällä ei ole käyttäjän huollettavissa olevia kohteita. Laitteen saa avata ja huoltaa ainoastaan sen huoltamiseen koulutettu henkilö. Tällaiseksi huoltotoimenpiteeksi ei katsota väriainekasetin vaihtamista, paperiradan puhdistusta tai muita käyttäjän käsikirjassa lueteltuja, käyttäjän tehtäväksi tarkoitettuja ylläpitotoimia, jotka voidaan suorittaa ilman erikoistyökaluja.

VARO !

Mikäli kirjoittimen suojakotelo avataan, olet alttiina näkymättömälle lasersäteilylle laitteen ollessa toiminnassa. Älä katso säteeseen.

WARNING !

Om laserprinterns skyddshölje öppnas då apparaten är i funktion, utsättas användaren för osynlig laserstrålning. Betrakta ej strålen. Tiedot laitteessa käytettävän laseriodin säteilyominaisuuksista: Aallonpituus 775-795 nm Teho 5 m W Luokan 3B laser.

E Work with memory and print server cards

This section explains the memory features of the device and provides steps for expansion.

- [Overview](#)
- [Install memory](#)
- [Check DIMM installation](#)
- [Save resources \(permanent resources\)](#)
- [Enable memory for Windows](#)
- [Use HP Jetdirect print server cards](#)

Overview

One dual inline memory module (DIMM) slot is available for upgrading the device with the following items:

- More device memory—DIMMs—is available in 32, 48, 64, 128, and 256 MB.
- Other DIMM-based device languages and device options.

For ordering information, see [Order parts, accessories, and supplies](#).



NOTE Single inline memory modules (SIMMs) used in previous HP LaserJet devices are not compatible with the device.

The device also has one EIO slot for expanding the device networking capabilities. The EIO slot can be used to upgrade the device with an additional network connection, such as a wireless print server, network card, or a connectivity card for a serial or AppleTalk connection.



NOTE Some HP LaserJet P3005 series devices come with a network device already installed. The EIO slot may be used to provide networking capabilities in addition to those already built into the device.

To find out how much memory is installed in the device, or to find out what is installed in the EIO slots, print a configuration page. See [Use information pages](#).

Install memory

You might want to add more memory to the device if you often print complex graphics, print PostScript (PS) documents, or use many downloaded fonts. Added memory also gives you more flexibility in supporting job-storage features, such as quick copying.

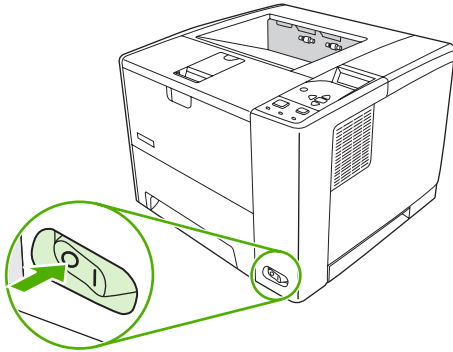
Install device memory

CAUTION Static electricity can damage DIMMs. When handling DIMMs, either wear an antistatic wrist strap or frequently touch the surface of the DIMM antistatic package, then touch bare metal on the device.

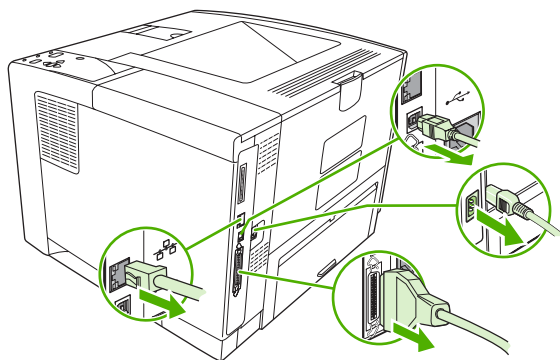
The HP LaserJet P3005 devices come with one DIMM slot. If desired, you can replace a DIMM installed in the slot with a higher memory DIMM.

If you have not already done so, print a configuration page to find out how much memory is installed in the device before adding more memory. See [Use information pages](#).

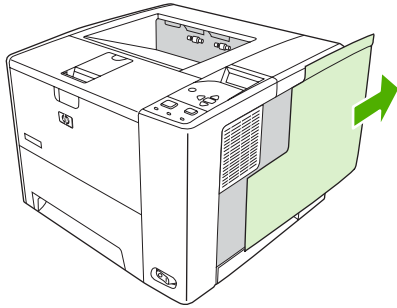
1. After the configuration page has printed, turn the device off and disconnect the power cord.



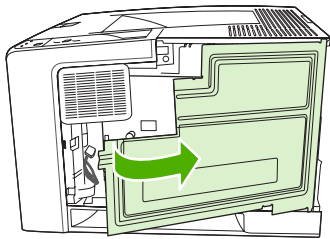
2. Disconnect all interface cables.



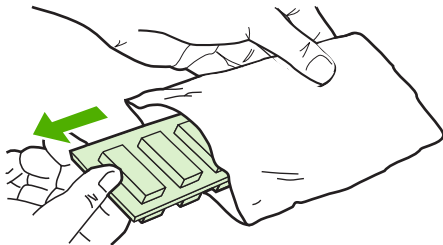
3. Remove the right side panel by sliding it towards the rear of the device until the side slides from the device.



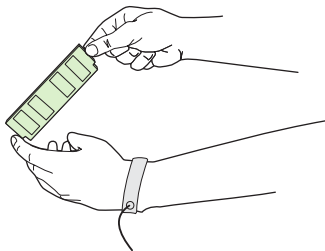
4. Open the access door by pulling on the metal tab.



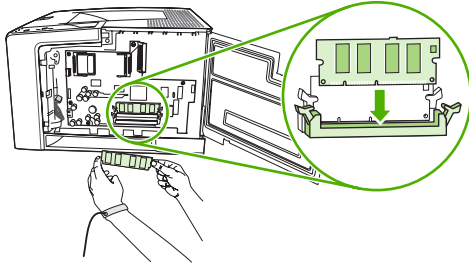
5. Remove the DIMM from the antistatic package.



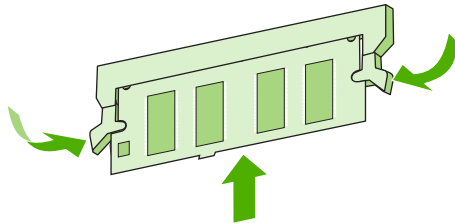
⚠ CAUTION To reduce the possibility of damage caused by static electricity, always wear an electrostatic discharge (ESD) wrist strap or touch the surface of the antistatic package before handling DIMMs.



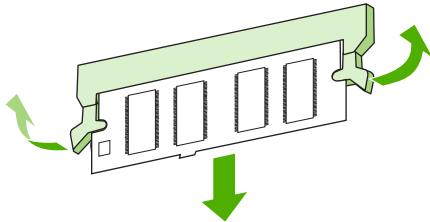
6. Hold the DIMM by the edges, and align the notches on the DIMM with the DIMM slot. (Check that the locks on each side of the DIMM slot are open.)



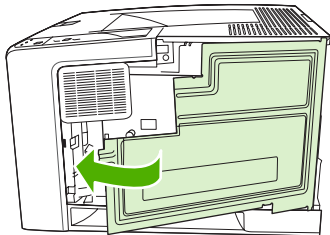
7. Press the DIMM straight into the slot, and press firmly. Make sure the locks on each side of the DIMM snap into place.



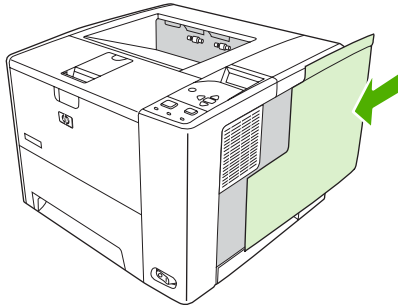
NOTE To remove a DIMM, first release the locks.



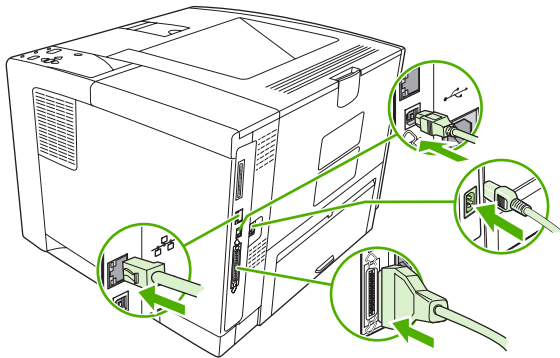
8. Close the access door, and press firmly until it snaps into place.



9. To replace the right side panel, line up the alignment arrows and slide the panel toward the front of the device until it latches into place.



10. Reconnect the interface cable(s) and the power cord.



11. Turn the device on.

Check DIMM installation

After installing the DIMM, make sure that the installation was successful.

Verify that DIMM is installed correctly

1. Turn the device on. Check that the Ready light is illuminated after the device has gone through the startup sequence. If an error message appears, a DIMM might have been incorrectly installed. See [Control-panel messages](#).
2. Print a configuration page (see [Use information pages](#)).
3. Check the memory section on the configuration page and compare it to the configuration page that was printed before the memory installation. If the amount of memory has not increased, the DIMM might not be installed correctly, or the DIMM might be defective. Repeat the installation procedure. If necessary, install a different DIMM.



NOTE If you installed a device language (personality), check the "Installed Personalities and Options" section on the configuration page. This area should list the new device language.

Save resources (permanent resources)

Utilities or jobs that you download to the device sometimes include resources (for example, fonts, macros, or patterns). Resources that are internally marked as permanent remain in the device memory until you turn the device power off.

Use the following guidelines if you use the page description language (PDL) ability to mark resources as permanent. For technical details, see an appropriate PDL reference for PCL or PS.

- Mark resources as permanent only when it is absolutely necessary that they remain in memory while the device power is turned on.
- Send permanent resources to the device only at the beginning of a print job and not while the device is printing.



NOTE Overusing permanent resources or downloading them while the device is printing might affect device performance or the ability to print complex pages.

Enable memory for Windows

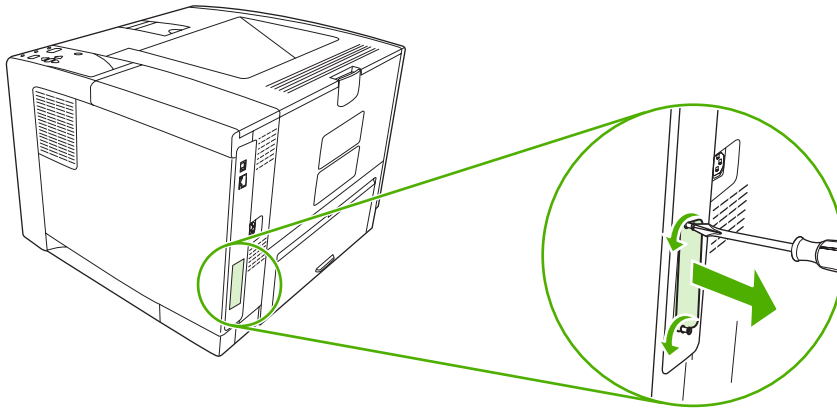
1. On the **Start** menu, **Settings**, and **Printers** or **Printers and Faxes**.
2. Select this device and select **Properties**.
3. On the **Configure** tab, click **More**.
4. In the **Total Memory** field, type or select the total amount of memory that is now installed.
5. Click **OK**.
6. Go to [Check DIMM installation](#).

Use HP Jetdirect print server cards

Follow these procedures to install or remove an EIO card.

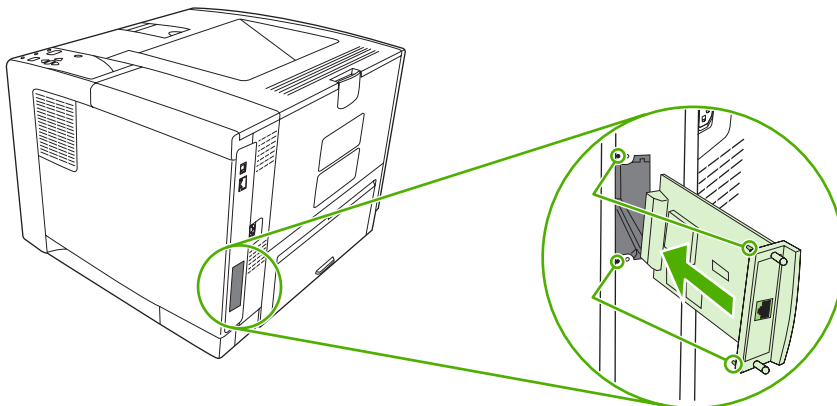
Install an HP Jetdirect print server card

1. Turn off the device.
2. Remove the two screws and cover plate from the EIO slot on the back of the device.

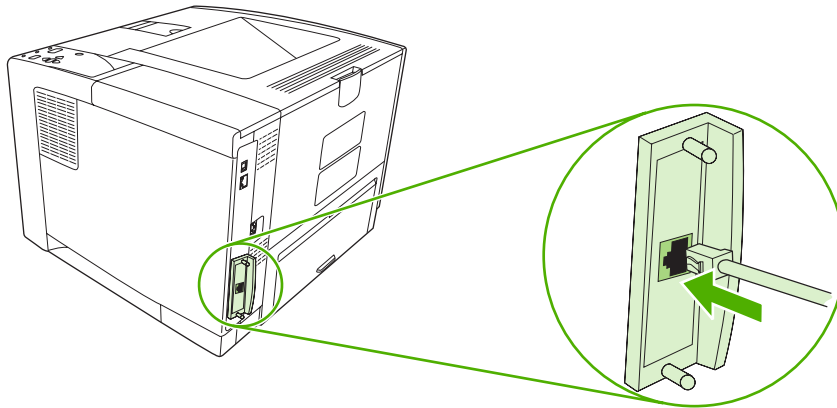


NOTE Do not discard the screws or the cover plate. Save them for future use if you remove the EIO card.

3. Install the EIO card in the EIO slot and tighten the screws.



4. Connect the network cable to the EIO card.



5. Turn on the device, and then print a configuration page to verify that the new EIO device is recognized. See [Use information pages](#).



NOTE When you print a configuration page, an HP Jetdirect configuration page that contains network configuration and status information also prints.

Remove an HP Jetdirect print server card

1. Turn off the device.
2. Disconnect the network cable from the EIO card.
3. Loosen the two screws from the EIO card, and then remove the EIO card from the EIO slot.
4. Place the cover plate from the EIO slot onto the back of the device. Insert and tighten the two screws.
5. Turn on the device.

Glossary

bidirectional communication Two-way data transmission.

bin A receptacle for holding printed pages.

BOOTP Abbreviation for “Bootstrap Protocol,” an Internet protocol that a computer uses to find its IP address.

calibration The process in which the device makes internal adjustments to produce the best print quality.

chooser A Macintosh accessory that you use to select a device.

control panel The area on the device that contains buttons and a display screen. Use the control panel to set device settings and to get information about the device status.

default The normal or standard setting for hardware or software.

device driver A software program that a computer uses to gain access to device features.

DHCP Abbreviation for “dynamic host configuration protocol.” Individual computers or peripherals that are connected to a network use DHCP to find their own configuration information, including the IP address.

DIMM Abbreviation for “dual inline memory module.” A small circuit board that holds memory chips.

duplex A feature that accommodates printing on both sides of a sheet of paper. Also called “two-sided printing.”

EIO Abbreviation for “enhanced input/output.” A hardware interface that is used to add a print server, network adaptor, hard disk, or other plug-in item for HP devices.

Emulated PostScript Software that emulates Adobe PostScript, a programming language that describes the appearance of the printed page. This device language appears as “PS” in many menus.

firmware Programming instructions that are stored in a read-only memory unit inside the device.

font A complete set of letters, numerals, and symbols in a typeface.

fuser The assembly that uses heat to fuse the toner onto the print media.

grayscale Various shades of gray.

halftone pattern A halftone pattern uses differing sizes of ink dots to produce a continuous-tone image such as a photograph.

HP Easy Printer Care software Software that provides the ability to track and maintain devices from your computer desktop.

HP Jetdirect An HP product for network printing.

HP Web Jetadmin An HP-trademarked Web-based device control software that you can use on a computer to manage any peripheral that is connected to an HP Jetdirect print server.

I/O Abbreviation for “input/output,” refers to computer-port settings.

IP address The unique number assigned to a computer device that is connected to a network.

IPX/SPX Abbreviation for “internetwork packet exchange/sequenced packet exchange.”

media The paper, labels, transparencies, or other material on which the device prints the image.

memory tag A memory partition that has a specific address.

monochrome Black and white. Devoid of color.

network A system of computers interconnected by telephone wires or other means in order to share information.

network administrator A person who manages a network.

page buffer Temporary device memory used to hold page data while the device creates an image of the page.

PCL Abbreviation for “Printer Control Language.”

peripheral An auxiliary device, such as a device, modem, or storage system, that works in conjunction with a computer.

personality Distinctive features or characteristics of a device or device language.

pixel Abbreviation for “picture element,” the smallest unit of area in an image displayed on a screen.

PJL Abbreviation for “device job language.”

PostScript A trademarked page-description language.

PPD Abbreviation for “PostScript device description.”

RAM Abbreviation for “random access memory,” a type of computer memory that stores data that can change.

raster image An image composed of dots.

render The process of producing text or graphics.

ROM Abbreviation for “read-only memory,” a type of computer memory that stores data that should not change.

supplies Materials that the device uses and that must be replaced. The supply item for this device is the print cartridge.

TCP/IP An internet protocol that has become the global standard for communications.

toner The fine black or colored powder that forms the image on the printed media.

transfer unit The black plastic belt that transports media inside the device and transfers toner from the print cartridge onto the media.

tray The receptacle that holds blank media.

Index

Symbols/Numerics

500-sheet tray. *See* tray 3

A

A4

sizes supported 57

A4 paper settings 22, 23

A5

sizes supported 57

access denied 119

accessibility features 4

accessories

available 3

ordering 156

part numbers 157

acoustic specifications 169

adhesive labels. *See* labels

Alert Settings window, HP

Toolbox 88

alerts, e-mail 86, 94

anticounterfeit supplies 96

AppleTalk setting 31, 46

Attention light 15

authorized dealers 163

auto continue setting 29, 37

autoconfiguration, drivers 8

B

B5

sizes supported 57

bad transmission errors 115

batteries included 174

bidirectional communication

settings 31

binding edge settings 22

bins, output

full message 124

jams, clearing 131

locating 5

paper curl, problem-solving 108

paper path test 33

selecting 68

blank control panel 103

blank pages

printing 74

problem-solving 109

suppressing 24

blurred print, problem-solving 146

Bonjour Settings 94

both sides, printing on

binding edge settings 22

instructions for 75

loading paper 79

Macintosh settings 93

problem-solving 109

Show Me How menu 18

usage page 20

browsers supported, HP

Toolbox 11

buffer overflow errors 115

buttons, control panel 15

C

cables

parallel, connecting 42

part numbers 158

USB, connecting 43

Canadian DOC regulations 178

card stock

fuser modes 25

guidelines for using 54

cardstock

loading 64

sizes supported 58

carriage returns, settings 24

cartridges

authentication 96

density settings 26

EconoMode 26, 95

features 4

genuine HP 95

jams, clearing 130

low 29, 37

non-HP 95

ordering through embedded

Web server 91

out 29, 38

part numbers 157

recycling 173

replacement intervals 95

replacing 97

status messages 15

status, viewing with HP

Toolbox 87

storage 95

warranty 162

characters, malformed 142

cleaning

exterior 100

cleaning page 27

clearable warnings setting 28,

37

clock errors 112

code CRC errors 120

communications settings 31

configuration page

Macintosh 93

printing 84

problem-solving 103

Configure Device menu 22

contacting HP 163

control panel

access denied 119

buttons 15

cleaning page, printing 100

clearable warning settings 28

Configure Device menu 22

- date/time settings 27
- Diagnostics menu 33
- display 15
- I/O menu 31
- Information menu 20
- language, selecting 30, 39
- lights 15
- locating 5
- menus 17
- messages, alphabetical list 119
- messages, numerical list 112
- messages, types of 111
- Paper Handling menu 21
- Print Quality menu 24
- Printing menu 22
- problem-solving 103
- Resets menu 32
- Retrieve Job menu 19
- settings 8, 14, 34
- Show Me How menu 18
- System Setup menu 27
- copies, default number of 22
- counterfeit supplies 96
- Courier font settings 23
- cover pages 74, 78
- creased paper, problem-solving 143
- crooked pages 142
- curled paper, problem-solving 143
- curly paper, problem-solving 108
- custom
 - sizes supported 57
- custom-size paper
 - driver settings 73
 - settings 21
 - tray settings 22
- customer support
 - embedded Web server links 91
 - HP Printer Utility pages 93
 - Linux 152
 - online 163
 - repacking device 165

D

- darkness, setting 26
- Data light 15
- data transmission settings 31

- date, setting 27, 119
- DC controller errors 117
- declaration of conformity 177
- default gateway, setting 45
- default settings, restoring 32
- density
 - problem-solving 138
 - settings 26, 93
- device comparison 2
- device languages
 - automatic switching 36
 - errors 120
 - settings 28
- Device List, HP Toolbox 87
- Device Status, HP Toolbox 88
- Diagnostics menu 33
- DIMMs
 - accessing 5
 - installing 183
 - part numbers 157
 - types available 182
 - unsupported errors 117
 - verifying installation 187
- disabling
 - AppleTalk 46
 - DLC/LLC 46
 - IPX/SPX 46
 - network protocols 45
- disk
 - EIO slots 182
 - file directory, printing 20
 - installing 190
 - removing 191
- disposal, end-of-life 174
- DLC/LLC setting 31, 46
- dots, problem-solving 138, 145
- double-sided printing
 - binding edge settings 22
 - instructions for 75
 - loading paper 79
 - Macintosh settings 93
 - problem-solving 109
 - Show Me How menu 18
 - usage page 20
- downloading software 7
- dpi, settings 26, 93
- draft quality printing 26
- drivers
 - included 3
 - Macintosh settings 78

- Macintosh, problem-solving 150
- operating systems supported 7
- preconfiguration 8
- presets (Macintosh) 78
- quick sets (Windows) 72
- Services tab 77
- settings 8, 9, 34
- supported 7
- Update Now 8
- Windows settings 72
- dropouts, problem-solving 139
- duplexer
 - jams, clearing 133
 - Macintosh settings 93
 - paper path test 33
 - printing with 79
 - problem-solving 109
 - settings 22
 - Show Me How menu 18
 - usage page 20
 - using 75
- duplexing 57

E

- e-mail alerts 86, 94
- Easy Printer Care software 11, 87
- EconoMode setting 26, 95
- EIO cards
 - bad transmission error 116
 - buffer overflow errors 115
 - installing 190
 - part numbers 157
 - removing 191
 - settings 31
 - slots 182
- electrical specifications 169
- embedded I/O buffer overflow errors 115
- embedded I/O transmission errors 116
- embedded Web server 10, 89
- end-of-life disposal 174
- energy specifications 169
- Energy Star compliance 3
- enlarging documents 73
- envelope
 - sizes supported 57

- envelopes
 - default size, setting 22
 - loading 64
 - margins 53
 - specifications 52
 - storing 53, 59
 - types supported 58
 - wrinkled, problem-solving 143
- environment for device
 - problem-solving 136
 - specifications 170
- environmental stewardship
 - program 173
- EPS files, problem-solving 151
- error messages
 - Alert Settings, HP Toolbox 88
 - alphabetical list 119
 - e-mail alerts 86, 94
 - event log 33
 - lights, control panel 15
 - numerical list 112
 - settings 28, 37
 - types of 111
 - Windows 149
- Ethernet cards, part numbers 157
- European Union, waste disposal 175
- event log 33
- executive
 - sizes supported 57
- extended warranty 166
- F**
 - factory defaults, restoring 32
 - FastRes 3, 26
 - features 2, 3
 - file directory, printing 20, 85
 - File Upload, Macintosh 93
 - Find Other Printers window, HP Toolbox 88
 - Finnish laser safety statement 178
 - Firmware Update, Macintosh 93
 - firmware upgrade errors 120, 121, 124
 - first page
 - blank 74
 - use different paper 74, 78
- fonts
 - Courier 23
 - EPS files, problem-solving 151
 - included 3
 - list, printing 20, 85
 - permanent resources 188
 - problem-solving 153
 - settings 24
 - Upload Macintosh 93
- fraud hotline 96
- fuser
 - errors 116
 - install message 121
 - modes 25
 - warranty 162
- G**
 - gateway, setting default 45
 - General Protection FaultException OE 149
 - glossary 193
 - glossy paper
 - loading 64
 - types supported 58
 - gray background, problem-solving 140
- H**
 - heavy paper
 - fuser modes 25
 - guidelines for using 54
 - loading 64
 - types supported 58
 - held jobs
 - deleting 82
 - printing 82
 - Retrieve Job control panel menu 19
 - settings 27
 - Help button, control panel 15
 - help, Show Me How menu 18
 - HP Customer Care 163
 - HP Driver Preconfiguration 8
 - HP Easy Printer Care software 11, 87
 - HP fraud hotline 96
 - HP Instant Support Professional Edition (ISPE) 163
- HP Jetdirect print server
 - configuring 47
 - errors 119
 - installing 190
 - models including 2
 - part numbers 157
 - removing 191
 - settings 31
- HP media, ordering 158
- HP Printer Utility 93
- HP Printer Utility, Macintosh 10, 93
- HP SupportPack 166
- HP Toolbox
 - browsers supported 11
 - opening 87
 - options 87
- HP Web Jetadmin 10, 92
- HP-Authorized Dealers 163
- humidity
 - problem-solving 136
 - specifications 170
- I**
 - I/O buffer overflow errors 115
 - I/O menu 31
 - Illegal Operation errors 149
 - image defects, problem-solving 136
 - image repetition, problem-solving 146
 - inflate failure 121
 - Information menu 20
 - information pages 84
 - Information tab, embedded Web server 89
 - input trays. See trays
 - insert or close tray message 121
 - installers, Windows 11
 - installing
 - EIO cards 190
 - memory (DIMMs) 183
 - Instant Support Professional Edition (ISPE) 163
 - internal clock errors 112
 - IP address
 - displaying 27, 34
 - Macintosh, problem-solving 150
 - IPX/SPX setting 31, 46

- J**
- jams
 - common causes of 127
 - duplexer, clearing 133
 - e-mail alerts 86
 - error messages 113
 - frequent 134
 - locations 128
 - output-bin, clearing 131
 - print quality after 136
 - print-cartridge area, clearing 130
 - recovery 128
 - recovery setting 29, 38
 - Show Me How menu 18
 - trays, clearing 129
- Japanese VCCI statement 178
- Jetadmin, HP Web 10, 92
- Jetdirect print server
 - configuring 47
 - errors 119
 - installing 190
 - models including 2
 - part numbers 157
 - removing 191
 - settings 31
- jobs
 - deleting stored 82
 - formatted incorrectly 106
 - Macintosh settings 93
 - not printing, problem-solving 104
 - printing stored 82
 - Retrieve Job menu 19
 - stopped, problem-solving 105
- K**
- keys, control panel 15
- Korean EMI statement 178
- L**
- labels
 - fuser modes 25
 - loading 64
 - specifications 53
 - types supported 58
- landscape orientation
 - setting as default 24
- language, control panel 30, 39
- languages, device
 - automatic switching 36
 - errors 120
 - settings 28
- laser safety statements 178
- legal
 - sizes supported 57
- legal paper, clipped margins 153
- letter
 - sizes supported 57
- letter paper, override A4
 - settings 22
- letterhead
 - fuser modes 25
 - loading 64
- light print
 - problem-solving 138
 - setting toner density 26
- lights, control panel 15
- line spacing, setting default 24
- lines, problem-solving 139, 144, 145
- Linux drivers 7, 152
- load tray message 121
- loading
 - Show Me How menu 18
 - tray 1 60
 - tray 2 62
 - unexpected size or type errors 116
- loading media
 - special 64
- Lock Resources, Macintosh 93
- locked menus 119
- loose toner, problem-solving 141
- low toner 29, 37
- LPT error messages 149
- M**
- Macintosh
 - AppleTalk 46
 - AppleTalk settings 31
 - driver settings 9, 78
 - drivers supported 7
 - drivers, problem-solving 150
 - HP Printer Utility 93
 - problems, problem-solving 150
 - removing software 10
 - software 9
- software components 11
- support 164
- supported operating systems 7
- USB card, problem-solving 151
- maintenance agreements 165
- manual feed
 - messages 122
 - settings 23, 27
- margins
 - envelopes 53
 - legal paper, problem-solving 153
 - settings 24
- material restrictions 174
- Material Safety Data Sheet (MSDS) 175
- media
 - A4 settings 22, 23
 - curled 108, 143
 - custom-size 22, 73
 - default size, setting 22
 - document size, selecting 73
 - first page 74, 78
 - HP, ordering 158
 - loading tray 1 60
 - loading tray 2 62
 - pages per sheet 74, 79
 - problem-solving 136
 - problem-solving trays 108
 - selecting 50
 - Show Me How menu 18
 - sizes supported 57
 - skewed 142
 - special, loading 64
 - specifications 51, 52, 57
 - storing 59
 - tray selection 27, 35, 66
 - tray settings 21
 - two-sided printing 57
 - types supported 58
 - unexpected size or type errors 116
 - usage page 20
 - wrinkled 143
- memory
 - autoconfiguration 8
 - included 2, 9
 - installing DIMMs 183

- insufficient 114, 121
 - part numbers 157
 - permanent resources 188
 - RAM disk errors 123
 - RAM disk settings 30, 39
 - sanitizing disk 124
 - supply errors 112
 - unsupported RAM errors 117
 - upgrading 182
 - verifying installation 187
 - menu map 20
 - menu map, printing 84
 - menus, control panel
 - access denied 119
 - accessing 15, 17
 - Configure Device 22
 - Diagnostics 33
 - I/O 31
 - Information 20
 - Paper Handling 21
 - Print Quality 24
 - Printing 22
 - Resets 32
 - Retrieve Job 19
 - Show Me How 18
 - System Setup 27
 - mercury-free product 174
 - messages
 - Alert Settings, HP Toolbox 88
 - alphabetical list 119
 - e-mail alerts 86, 94
 - event log 33
 - lights, control panel 15
 - numerical list 112
 - settings 28, 37
 - types of 111
 - Windows 149
 - misformed characters, problem-solving 142
 - models, feature comparison 2
 - multiple pages per sheet 74, 79
 - multipurpose tray. *See* tray 1
- N**
- n-up printing 74, 79
 - Networking tab, embedded Web server 91
 - networks
 - AppleTalk 46
 - configuring 44
 - default gateway 45
 - disabling protocols 45
 - HP Jetdirect print servers, models including 2
 - HP Web Jetadmin 92
 - IP address 44
 - Macintosh settings 94
 - port, locating 6
 - problem-solving printing 148
 - settings 31
 - subnet mask 44
 - next-day on-site service 165
 - No System error 117
 - noise specifications 169
 - non-HP supplies 95, 112, 122
 - not responding, problem-solving 110
 - number of copies, setting default 22
- O**
- on-site service agreements 165
 - on/off switch, locating 5
 - online support 163
 - operating environment specifications 170
 - operating systems supported 7
 - ordering
 - media, HP 158
 - part numbers for 157
 - supplies through embedded Web server 91
 - supplies with HP Toolbox 87
 - orientation, page default, setting 24
 - out of toner 29, 38
 - output bins. *See* bins
 - output quality. *See* print quality
 - override A4/letter 22
- P**
- packaging device 165
 - page orientation default, setting 24
 - page too complex error 115
 - pages per minute 2
 - pages per sheet 74, 79
 - paper
 - A4 settings 22, 23
 - curled 108, 143
 - custom-size 22, 73
 - default size, setting 22
 - document size, selecting 73
 - first page 74, 78
 - fuser modes 25
 - HP, ordering 158
 - loading tray 1 60
 - loading tray 2 62
 - pages per sheet 74, 79
 - problem-solving 136
 - problem-solving trays 108
 - selecting 50
 - Show Me How menu 18
 - sizes supported 57
 - skewed 142
 - special media, loading 64
 - specifications 51, 52, 57
 - storing 59
 - tray selection 27, 35, 66
 - tray settings 21
 - two-sided printing 57
 - types supported 58
 - unexpected size or type errors 116
 - usage page 20
 - wrinkled 143
 - Paper Handling menu 21
 - paper path test 33
 - parallel buffer overflow errors 115
 - parallel cable
 - length, maximum 42
 - part numbers 158
 - parallel communications, settings 31
 - parallel port
 - connecting 42
 - included 2
 - locating 6
 - part numbers
 - accessories 157
 - cables 157
 - EIO cards 157
 - media, HP 158
 - memory 157
 - print cartridges 157
 - parts, ordering 156
 - PCL drivers 7
 - PCL font list, printing 20

- PCL, setting as device
 - language 28
- PDF error pages 23
- permanent resources 188
- permanent storage errors 118
- personalities
 - automatic switching 36
 - errors 120
 - settings 28
- physical specifications 168
- portrait orientation
 - setting as default 24
- ports
 - included 2
 - locating 6
 - LPT error messages 149
 - parallel 42
 - problem-solving
 - Macintosh 151
 - supported 3
 - USB 43
- PostScript
 - problem-solving 153
 - setting as device language 28
- PostScript error pages
 - problem-solving 104
 - settings 23
- PostScript Printer Description (PPD) files
 - included 9
 - problem-solving 150
- power specifications 169
- power switch, locating 5
- PPDs
 - included 9
 - problem-solving 150
- preconfiguration, driver 8
- preprinted paper
 - fuser modes 25
- prepunched paper
 - fuser modes 25
- presets (Macintosh) 78
- print cartridges
 - authentication 96
 - density settings 26
 - EconoMode 26, 95
 - features 4
 - genuine HP 95
 - jams, clearing 130
 - low 29, 37
 - non-HP 95
 - ordering through embedded
 - Web server 91
 - out 29, 38
 - part numbers 157
 - recycling 173
 - replacement intervals 95
 - replacing 97
 - status messages 15
 - status, viewing with HP
 - Toolbox 87
 - storage 95
 - warranty 162
- Print Document On 73
- print jobs
 - formatted incorrectly 106
 - not printing, problem-solving 104
 - retention 27
 - stopped, problem-solving 105
- print quality
 - blurred 146
 - dropouts 139
 - environment 136
 - gray background 140
 - image defects 136
 - jams, after 136
 - light print 138
 - lines 139
 - loose toner 141
 - media 136
 - misformed characters 142
 - problem-solving 136
 - repeating defects 141
 - repetitive images 146
 - scattered lines 145
 - settings 26
 - smearred toner 140
 - specks 138
 - tire tracks 144
 - white lines 144
 - white spots 145
- Print Quality menu 24
- printer drivers. *See* drivers
- printer languages
 - automatic switching 36
 - errors 120
 - settings 28
- printer models, feature
 - comparison 2
- Printing menu 22
- printing stopped 105, 123
- priority, settings 8
- problem-solving
 - blank pages 109
 - blurred print 146
 - checklist 102
 - configuration page
 - printing 103
 - control panel display 103
 - control panel messages,
 - alphabetical 119
 - control panel messages,
 - numerical 112
 - curled paper 108, 143
 - dropouts 139
 - duplexing 109
 - e-mail alerts 86, 94
 - environment 136
 - EPS files 151
 - event log 33
 - fonts 153
 - gray background 140
 - image defects 136
 - jams 128, 134
 - legal paper 153
 - light print 138
 - lines 139, 144
 - Linux 152
 - Macintosh problems 150
 - media 136
 - messages, types of 111
 - network printing 148
 - output quality 136
 - PostScript problems 153
 - printing 104, 105, 110
 - PS errors 104
 - repeating defects 141
 - repetitive images 146
 - scattered lines 145
 - Show Me How menu 18
 - skewed pages 142
 - slow printing 105, 109
 - smearred toner 140
 - specks 138
 - speed 102
 - text 109
 - text quality 142, 146
 - tire tracks 144
 - tray selection 106

- trays 108
 - white spots 145
 - Windows error messages 149
 - wrinkled paper 143
 - processor speed 3
 - ProRes 3
 - PS Emulation drivers 7
 - PS error pages
 - problem-solving 104
 - settings 23
 - PS font list, printing 20
 - PS, setting as device
 - language 28
 - punched paper
 - fuser modes 25
- Q**
- quality. See print quality
 - quick copy jobs 27
 - quick sets 72
- R**
- RAM disk
 - errors 123
 - settings 30, 39
 - Ready light 15
 - rear output bin
 - locating 5
 - printing to 69
 - recovery, jam 29, 38, 128
 - recycling 173
 - reducing documents 73
 - registration settings 24
 - removing Macintosh software 10
 - repacking device 165
 - repeating defects, problem-solving 141, 146
 - replacing printing cartridges 97
 - Resets menu 32
 - resizing documents 73
 - resolution
 - features 3
 - problem-solving quality 136
 - settings 26, 93
 - Resolution Enhancement technology (REt) 26, 93
 - resource saving 188
 - restoring default settings 32
 - REt (Resolution Enhancement technology) 26, 93
 - retention, job
 - deleting 82
 - printing 82
 - Retrieve Job menu 19
 - settings 27
 - Retrieve Job menu 19
 - RFU load errors 124
 - right-side panel, locating 5
 - rough paper 25
- S**
- safety statements 178
 - sanitizing disk 124
 - saving resources, memory 188
 - scaling documents 73
 - serial buffer overflow errors 115
 - serial data errors 115
 - service
 - HP-Authorized Dealers 163
 - repacking device 165
 - service agreements 165
 - Services tab 77
 - settings
 - control panel 14, 34
 - driver presets (Macintosh) 78
 - drivers 9
 - priority 8
 - quick sets (Windows) 72
 - restoring defaults 32
 - Settings tab, embedded Web server 90
 - shipping device 165
 - Show Me How menu 18
 - SIMMs, incompatibility 182
 - size mismatch errors 124
 - skewed pages 142
 - Sleep mode
 - delay, setting 28, 35
 - power specifications 169
 - turning on or off 32, 36
 - slow printing, problem-solving 105, 109
 - smearred toner, problem-solving 140
 - software
 - drivers 7
 - embedded Web server 10
 - HP Easy Printer Care 11
 - HP Printer Utility 93
 - HP Toolbox 87
 - HP Web Jetadmin 10
 - Macintosh 9, 11
 - settings 8, 34
 - supported operating systems 7
 - uninstalling Macintosh 10
 - Web sites 7
 - Windows 11
- specifications
- acoustic 169
 - electrical 169
 - envelopes 52
 - features 3
 - labels 53
 - media 57
 - media sizes supported 57
 - operating environment 170
 - paper 51, 52
 - paper types 50
 - paper types supported 58
 - physical 168
 - transparencies 54
- specks, problem-solving 138, 145
- speed
- data transmission settings 31
 - pages per minute 2
 - problem-solving 102, 105, 109
 - resolution settings 26
- Spool32 errors 149
- spots, problem-solving 138, 145
- statement
- sizes supported 57
- status
- e-mail alerts 86
 - embedded Web server 89
 - HP Printer Utility, Macintosh 93
 - HP Toolbox software 87
 - messages, types of 111
 - supplies page, printing 20
- status, supplies
- control panel messages 15
- Stop button 15
- stopped printing, problem-solving 105, 123
- storage, job
- deleting 82
 - Macintosh settings 93

- printing 82
 - Retrieve Job menu 19
 - settings 27
 - storing
 - envelopes 53, 59
 - paper 59
 - print cartridges 95
 - straight-through paper path 69
 - subnet mask 44
 - supplies
 - authentication 96
 - counterfeit 96
 - e-mail alerts 86
 - memory errors 112
 - non-HP 95, 112, 122
 - ordering 156
 - ordering through embedded
 - Web server 91
 - ordering with HP Toolbox 87
 - recycling 173
 - replacement intervals 95
 - replacing print cartridges 97
 - status page, printing 20, 84
 - status, viewing with embedded
 - Web server 89
 - status, viewing with HP Printer
 - Utility 93
 - status, viewing with HP
 - Toolbox 87
 - supplies status
 - control panel messages 15
 - support
 - embedded Web server
 - links 91
 - HP Printer Utility pages 93
 - Linux 152
 - online 163
 - repacking device 165
 - Support tab, HP Toolbox 87
 - SupportPack, HP 166
 - symbol sets 24
 - System Setup menu 27
- T**
- TCP/IP parameters, manual
 - configuration 44
 - technical support
 - Linux 152
 - online 163
 - repacking device 165
 - temperature specifications 170
 - tests 33
 - text, problem-solving
 - blurred 146
 - garbled 109
 - misformed characters 142
 - three-hole punched paper
 - fuser modes 25
 - time, setting 27, 119
 - timeout settings
 - held jobs 27
 - I/O 31
 - Sleep mode 28, 35
 - tire tracks, problem-solving 144
 - toner
 - density setting 26, 93
 - EconoMode 26, 95
 - low 29, 37
 - out of 29, 38
 - output quality, problem-solving 140
 - Toolbox. *See* HP Toolbox
 - top output bin
 - full message 124
 - locating 5
 - printing to 68
 - transfer unit warranty 162
 - transmission errors 115
 - transparencies
 - fuser modes 25
 - HP, ordering 160
 - loading 64
 - sizes supported 58
 - specifications 54
 - tray 1
 - custom-size settings 22
 - jams, clearing 129
 - loading 60
 - locating 5
 - manual feed settings 23
 - printing from 27, 35, 62, 66
 - problem-solving 106, 108
 - settings 21
 - tray 2
 - jams, clearing 129
 - loading 62
 - locating 5
 - printing from 27, 35, 66
 - problem-solving 106, 108
 - settings 21
 - tray 3
 - jams, clearing 129
 - part number 157
 - physical specifications 168
 - printing from 27, 35, 66
 - problem-solving 106, 108
 - settings 21
 - trays
 - action not available error 119
 - custom-size settings 22
 - double-sided printing 76, 80
 - empty 124
 - included 2
 - insert or close message 121
 - jams, clearing 129
 - load message 121
 - loading paper 60
 - locating 5
 - Macintosh settings 93
 - manual feed settings 23
 - open 124
 - paper path test 33
 - paper sizes supported 57
 - paper types supported 58
 - problem-solving 106, 108
 - registration settings 24
 - selecting 27, 35, 66
 - settings 21
 - Show Me How menu 18
 - size mismatch errors 124
 - status, viewing with HP
 - Toolbox 87
 - type and size message 124
 - type mismatch message 124
 - unexpected size or type
 - errors 116
 - use message 126
 - troubleshooting
 - Alert Settings window, HP
 - Toolbox 88
 - two-sided printing
 - binding edge settings 22
 - instructions for 75
 - loading paper 79
 - Macintosh settings 93
 - problem-solving 109
 - Show Me How menu 18
 - usage page 20
 - type mismatch message 124

U

- unexpected size or type errors 116
- uninstalling Macintosh software 10
- UNIX
 - carriage return settings 24
- Update Now feature, drivers 8
- upgrading memory 182
- usage page 20
- usage page, printing 84
- USB buffer overflow errors 115
- USB cable, part number 158
- USB port
 - connecting 43
 - included 2
 - locating 6
 - problem-solving
 - Macintosh 151
 - supported 3
- USB storage device errors 125
- Use Different Paper/Covers 74

V

- vertical spacing, setting
 - default 24
- voltage specifications 169

W

- wake time, setting 28
- warnings setting 28
- warranty
 - extended 166
 - print cartridge 162
 - product 161
 - transfer unit and fuser 162
- watermarks 73
- wavy paper, problem-solving 108, 143
- Web sites
 - customer support 163
 - fraud reports 96
 - HP Easy Printer Care 11
 - HP Web Jetadmin,
 - downloading 92
 - Linux support 7, 152
 - Macintosh customer support 164
 - Material Safety Data Sheet (MSDS) 175

- ordering supplies 156
- paper specifications 51, 52
- software, downloading 7
- weekly on-site service 165
- white lines or spots, problem-solving 144
- Wide A4 settings 23
- Windows
 - driver settings 9, 72
 - drivers supported 7
 - error messages, problem-solving 149
 - software components 11
 - supported operating systems 7
- wrinkled paper, problem-solving 143

© 2006 Hewlett-Packard Development Company, L.P.

www.hp.com



Q7812-90911