



HONEYWELL EASY TO CARE TOP FILL EVAPORATIVE HUMIDIFIER

MODEL HCM-750 Series

IMPORTANT SAFETY INSTRUCTIONS

READ AND SAVE THESE SAFETY INSTRUCTIONS BEFORE USING THIS HUMIDIFIER

When using electrical appliances, basic precautions should always be followed to reduce the risk of fire, electric shock, and injury to persons, including the following

1. Always place this humidifier on a firm, flat and level surface. This humidifier may not work properly on an uneven surface.
2. Place this humidifier in an area where it is not accessible to children.
3. Do not place the humidifier near any heat sources such as stoves, radiators, and heaters.
4. Do not use the humidifier outdoors.
5. Before using the humidifier, check the power cord for any signs of damage. If the cord is found to be damaged, **DO NOT USE** and return the humidifier to the manufacturer under the warranty agreement for repair.
6. This appliance has a polarized plug (one blade is wider than the other). To reduce the risk of shock, this plug is intended to fit only one way in a polarized outlet. If the plug does not fit securely in the outlet, reverse the plug. If it still does not fit, contact a qualified electrician. **DO NOT** attempt to defeat this safety feature.
7. To disconnect the humidifier, first turn controls to the OFF position, then grip the plug and pull it from the wall outlet. Never pull by the cord.
8. A loose fit between the AC outlet (receptacle) and plug may cause overheating and a distortion of the plug. Contact a qualified electrician to replace loose or worn outlet.
9. The humidifier should always be unplugged and emptied when not in operation or while being serviced or cleaned.
10. Never tilt or attempt to move the humidifier while it is operating or filled with water. **UNPLUG** the humidifier before moving.
11. This humidifier requires regular cleaning. Refer to the **CLEANING** instructions provided. Never clean the humidifier in any manner other than as instructed in this manual.
12. Do not direct moisture flow directly at individuals, walls or furniture.
13. When a humidifier is used in a closed room or small rooms, check periodically for proper ventilation, as excessive humidity can cause condensation stains on walls.
14. Turn the humidifier OFF if you notice moisture on the inside of your windows. For proper humidity reading use a hygrometer, which is available in many hardware and department stores, or by ordering one from the manufacturer.
15. **This product is intended for residential use only.**

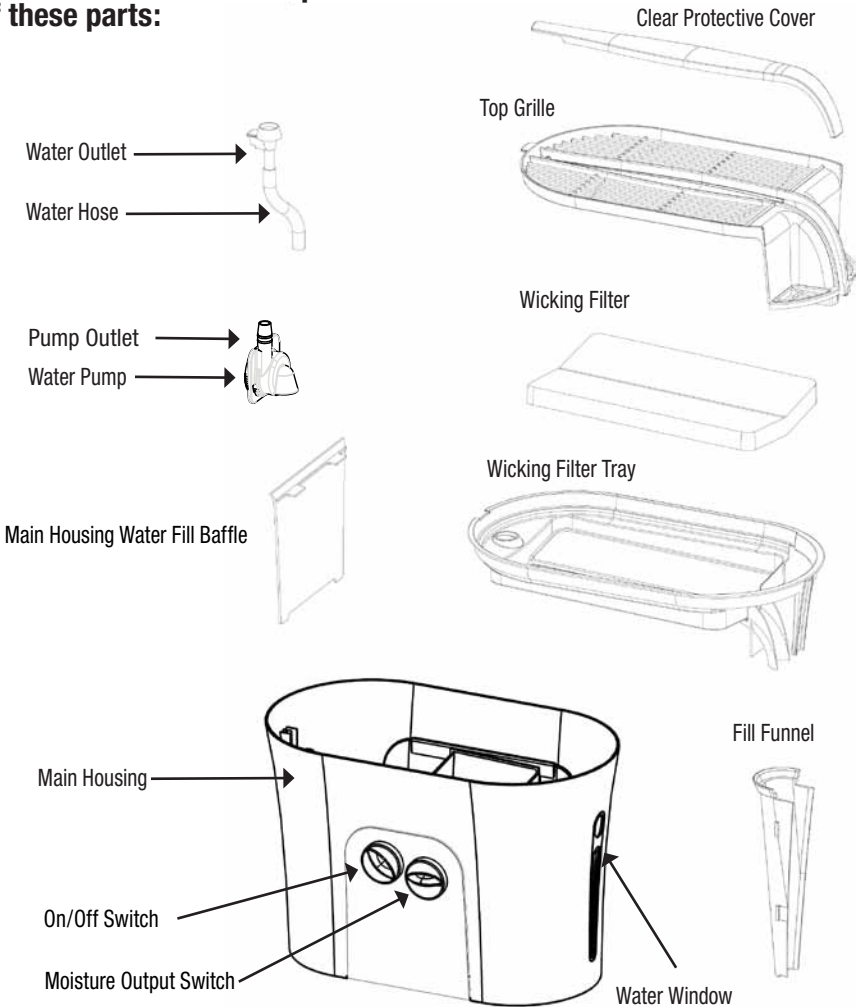
INTRODUCTION

How it Works:

The Easy to Care Evaporative Humidifier is designed to quietly provide invisible cool moisture. Water is pumped from the water reservoir through the water flow channel. Water is dispersed from water flow channel into the wicking filter which helps remove minerals and impurities from the water. A fan quietly pushes moisture out of the wick and into the air in the form of an ultra fine invisible mist.

The unique top fill design makes filling as easy as watering a plant. This unit is also equipped with a water circulating feature which helps indicate when refilling is needed.

Your humidifier is made up of these parts:



SETTING UP YOUR HUMIDIFIER

Remove from box

Remove packaging material. Remove and set aside instruction manual. Recycle box and packaging materials or save box for end of season storage.

To prevent water pump from shifting during transportation it has been taped to the inside of your humidifier. Remove grille and filter tray and locate the water pump on the bottom of the main housing. Remove shipping tape located on water pump and place water pump back in slot. Replace filter tray and grille on top of main housing.

Make sure it is securely in place and hose is not bent or crimped or unit will not operate.

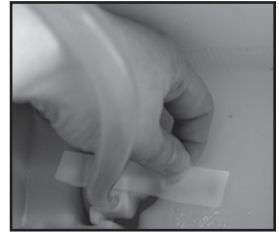


Figure 1

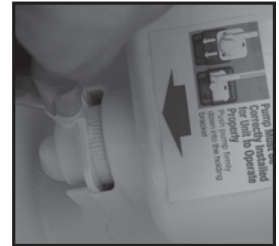


Figure 2

Placement

Select a firm, level location at least 6" (15cm) from any walls for proper airflow. Place the humidifier on a water-resistant surface, as water can damage furniture and some flooring.

Kaz will not accept responsibility for property damage caused by water spillage.



Filling



Fill pitcher or jug with up to 1.5 gallon of cool water.

Note: You can fill this humidifier with as much as 1.5 gallon of water or as little as a cup of water.



Pour water into the fill funnel area located on the top of the unit.

Indications that your humidifier needs to be refilled are:

- Water will stop circulating through the water channel.
- Your humidifier will start to sound louder.
- Water level is not visible in water window or below the refill line

OPERATING: HCM-750 Series

On/Off



With the power switch in the OFF position, plug the filled humidifier into a polarized 120V outlet. DO NOT FORCE THE POLARIZED PLUG INTO THE OUTLET; It will only fit one way.

DO NOT plug in humidifier with wet hands to avoid electric shock.

Power



Turn the power knob to the On position.

Output Controls



Set your output control to:

- 🔥 **High:** Maximum Moisture for Larger Rooms
- 🔥 **Medium:** Moisture Maintenance
- 🔥 **Low:** Sound Sleep or Small Rooms

NOTE: DO NOT OPERATE WITH TOP COVER REMOVED.
Doing so could result in water spilling from humidifier.

REPLACING YOUR WICKING FILTER

It is recommended that you change your wicking filter every 1-2 months depending on water quality and usage. To extend filter life remove filter from unit when not in use and allow to dry in a well ventilated area.

NOTE: Wicking Filter performance will diminish depending on the mineral content of the water and the amount of airborne dust in the environment.

IMPORTANT: CHECK WICKING FILTER REGULARLY.

Any of the following conditions indicate that it is time to replace the Wicking Filter.

- A buildup of impurities and minerals on the Wicking Filter (evidenced by discoloration of the Wicking Filter)
- An appreciable decrease in Humidifier output. Please keep in mind if your relative humidity is high your humidifier will put out less moisture.
- The top surface of the Wicking Filter is not moist to the touch
- The Wicking Filter has large holes or tears

The Wicking Filter should be replaced at least one or two times during the season, depending on usage, mineral content of the water and the environment. We encourage you to only use a **Honeywell HAC-700 Replacement Wicking Filter**. The use of other Wicking Filters may lead to sub-standard performance.

REPLACING YOUR WICKING FILTER (Continued)

STEP 1



Replacement Wicking Filter HAC-700 or Filter B.

STEP 2



With dry hands unplug humidifier and carry to kitchen or bathroom.

STEP 3



Remove top grille and set aside.

STEP 4



Remove the wicking filters from the filter tray. Discard the old wicking filters.

STEP 5



Soak new filters in cool water.

STEP 6



DO NOT wring filters.

STEP 7



Place new filters in the filter tray.

STEP 8



Replace top grille.

CLEANING: HCM-750 Series

NOTE: It is recommended that all maintenance be done in the kitchen or bathroom on a water resistant surface.

Weekly Cleaning: To properly clean your humidifier we recommend the process of scale removal and disinfecting.



Dishwasher Safe: The following parts are **TOP RACK** dishwasher safe for residential dishwashers operating at temperatures below 70°C/158°F. It is recommended that you run the dishwasher on the light duty or normal cycle. Do not wash humidifier parts with soiled articles/dishes.

DO NOT USE DETERGENTS. If you use your dishwasher to clean the following parts you will **not** need to follow the disinfecting and scaling procedure. **Please Note: Do not place parts on lower rack of dishwasher. Using the lower rack could cause damage to the humidifier parts and dishwasher.**



Protective Clear Cover

Water Hose



Top Grille



Pump



Wicking Filter Tray



Fill Funnel



Water Fill Baffle

CLEANING: HCM-750 Series (continued)



Main Housing



Wicking Filters

The main housing and wicking filters are **NOT DISHWASHER SAFE**.

Placing these parts in the dishwasher will damage your humidifier and render it unable to operate properly.

Scale Removal directions:

STEP 1



Remove top grille, filters, filter tray, water pump, water hose, fill baffle, clear protective cover and water fill funnel and set aside.

STEP 2



Set Wicking Filters aside.

Note: Wicking filters cannot be de-scaled or disinfected. Doing so will damage filters and unit will not operate properly.

STEP 3



Empty water from the humidifier by pouring out in the direction of the control panel. Follow the indicator arrows located inside the main housing. Fill water reservoir of main housing with 2 cups vinegar.

STEP 4



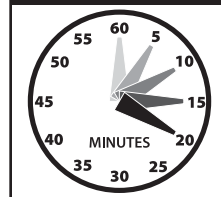
Place water pump, water hose, water fill baffle, protective clear cover and fill funnel inside main housing to soak in vinegar.

STEP 5



Gently wipe grille and filter tray with undiluted vinegar if you choose not to use the dishwasher option.

STEP 6



Soak for 20 minutes. Rinse main housing and parts not put in dishwasher until vinegar smell is gone.

With your unit un-assembled, proceed to the disinfecting instructions.

CLEANING: HCM-750 Series (continued)

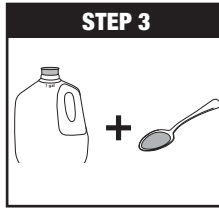
Disinfecting directions: Disinfect following scale removal



DO NOT DISINFECT the Wicking Filters.



Set aside top grille, protective clear cover, filter tray, water pump, water hose, water fill baffle and fill funnel.

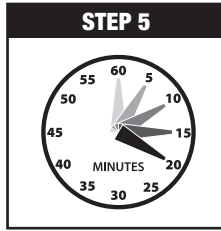


Add 1 TB of bleach to 1 gallon water. Add 1 gallon of water/bleach solution to water reservoir of the main housing. Using this mixture wipe the walls of the main housing.

NOTE: USING MORE THAN 1 TB OF BLEACH PER GALLON OF WATER WILL RESULT IN DAMAGE TO YOUR HUMIDIFIER.



Soak water hose, water pump, water fill baffle, fill funnel and protective clear cover in water reservoir of the main housing if these parts were not cleaned on the top rack of dishwasher.



Soak for 15-20 minutes. Wipe top grille and filter tray with the water - bleach solution if these parts were not placed in dishwasher. Thoroughly rinse main housing and any parts not placed in dishwasher until the smell of bleach is gone.

Note: Please be careful of clothing, rugs and other non bleach resistant materials when disinfecting. Spilling bleach on clothing, rugs and certain surfaces may cause damage.

RE-ASSEMBLING: HCM-750 Series

STEP 1



Insert pump outlet into hose opening and gently press into place until water pump outlet will not sit any further inside water tube.

STEP 2



Insert water pump/hose assembly into slot in main housing.
Note: The pump will only fit one way.

STEP 3



Affix water hose to main housing by gently inserting water hose onto the water outlet.

STEP 4



Line up the fill funnel with the slots behind the water window. Gently insert into place.

STEP 5



Re-insert the water fill baffle into the water reservoir of the main housing by lining up with the guides and gently pushing down to insert.

STEP 6



Place filter tray onto main housing. Then replace the filters back onto the filter tray.

STEP 7



Replace the top grille and protective clear cover.

END-OF-SEASON CARE AND STORAGE

Follow the **CLEANING** instructions when the humidifier will not be used for at least one week or more, or at the end of the season.

NOTE: Discard old filters and start with new filters next season.

Dry the humidifier completely before storing.

DO NOT store with water inside the main housing water reservoir or water tube.

Pack unit in original carton and store in a cool, dry location.

CONSUMER RELATIONS

Mail questions or comments to:

Kaz, Inc.
Consumer Relations Dept.
250 Turnpike Road, Southborough, MA
01772

Please be sure to specify model number.

Call us toll-free at: **1-800-477-0457**
E-mail: **consumerrelations@kaz.com**
Or visit our website at: **www.kaz.com**

TO ORDER REPLACEMENT PARTS

HAC-700 Replacement Wicking Filter
HCM-750 Grille (Top Grille)
HCM-750 Filter Tray (Wicking Filter Tray)
HCM-750 Cover (Clear Protective Cover)
HCM-750 Level (Fill Funnel)
HCM-750 Fill Wall (Water Fill Baffle)
750/200 Pump (Water Pump)
HCM-750 Hose (Water Hose)
PC-2 Protec™ Antimicrobial Cleaning Cartridge

ELECTRICAL RATINGS

The Honeywell HCM-750 Series models are rated at 120V, 60 Hz.

NOTE: IF YOU EXPERIENCE A PROBLEM, PLEASE CONTACT CONSUMER RELATIONS FIRST OR SEE YOUR WARRANTY. DO NOT RETURN THE HUMIDIFIER TO THE ORIGINAL PLACE OF PURCHASE. DO NOT ATTEMPT TO OPEN THE MOTOR HOUSING OR TAMPER WITH INTER-LOCK SWITCH YOURSELF, DOING SO MAY VOID YOUR WARRANTY AND CAUSE DAMAGE TO THE PRODUCT OR PERSONAL INJURY.

FREQUENTLY ASKED QUESTIONS

Cleaning

Question	Answer
How do I clean inside the water pump?	You can clean the inside of the pump by turning the cover counter-clockwise. Remove the cover and you can clean the housing and disk.
What parts are dishwasher safe?	The water hose, water pump, protective clear cover, top grille, filter tray, water fill baffle and water funnel.
How do I assemble my humidifier after cleaning?	See page 8 of your owners manual.
Can I use dish soap to clean my humidifier?	It is not recommended that you use dish soap to clean your humidifier as it is very hard to remove all the soap and this could cause damage to your humidifier. It is important that if you are using your dishwasher to clean these parts that detergent is NOT used.

FREQUENTLY ASKED QUESTIONS (Continued)

Cleaning (Continued)

Question	Answer
Can I add water treatments to this humidifier?	You should only add water treatments to your humidifier that are specifically made for evaporative humidifiers such as the Protec™ Anti-microbial Cleaning Cartridge, model PC-1 or PC-2. Using water treatments that are not recommended for evaporative humidifiers could damage your humidifier. If you are concerned about hard water it is recommended you use distilled water in your humidifier.

Operation

Question	Answer
What setting should I put my humidifier on?	You should run your humidifier on the highest setting if your room is very dry. Once you are at a more comfortable humidity you can turn your output setting to a lower setting.
I ran my humidifier overnight in a very dry room and the humidity barely changed but my water level decreased quite a bit.	It may take a few days for your humidity to increase. Wood, rugs and other objects in your room will absorb moisture before before you can feel the effects if it is extremely dry.
Can I run my humidifier without filters?	No, your humidifier will not operate properly without filters. The filters absorb the moisture distributed by the water flow channel. A quiet fan then blows through the filters distributing moisture into the air.
How often should I change my wicking filters?	In general the wicking filters will last 1-2 month depending on water quality and usage. See Filter Replacement section for information on how to determine when it is time to change the filters.
How do I know my humidifier is operating properly	You will see water flowing through the water flow channel on the top of the humidifier. You will also notice a decrease in the water level after 8 hrs of use.
I cannot see any mist coming out of my humidifier.	Your humidifier uses the process of evaporative. This produces an ultra fine invisible moisture. You will see your water level decrease and this is an indication your humidifier is operating properly. See Troubleshooting Guide for more.

FREQUENTLY ASKED QUESTIONS (Continued)

Operation (Continued)

Question	Answer
There is no water running through the water flow area on the top housing.	First check to make sure there is water in your humidifier. If yes, check your water pump to make sure it is properly seated in the holding area. Next check to make sure the water hose is firmly attached to both the water pump and the water outlet. Last, make sure there is nothing obstructing the water flow area on the top grille or water hose. If these steps do not help, please see our Troubleshooting Guide or contact our customer service department at 1-800-477-0457.
Why did my humidifier suddenly start sounding loud?	Check your water level. If your humidifier starts sounding louder it is an indication that you need to refill your humidifier.
How much water does my humidifier hold?	Your humidifier can hold up to 1.5 Gallons of water.
How long will my humidifier run when full?	Your humidifier will run up to 17 hrs on high and 48 hrs on low.

TROUBLESHOOTING

1. Water is not flowing

- a. Check to be sure there is water in the tank and it is covering the pump
- b. Check water hose to be sure there are no kinks. Water hose should be pushed fully onto both the water outlet and pump
- c. Make sure pump is fully seated in slot at bottom of main housing
- d. Turn unit off, then back on to help clear any air in the system
- e. If water still is not flowing, remove pump, disassemble and make sure pump impeller can spin freely and there is nothing blocking pump inlet or other water passages
- f. Make sure the grille is fully seated and can accept water from the supply funnel

2. Unit flows water but does not produce mist

- a. This unit does not produce visible mist

3. Unit flows water but filter is not moist

- a. Check to be sure the holes in the water feature are not blocked and can drip water onto the filters

4. Pump makes a swishing sound

- a. The pump may have sucked in air. Be sure there is enough water in the tank to cover the pump.
- b. After filling, turn the unit off for a few seconds, then turn it back on to clear the system of air.

5. Pump makes a whirring sound

- a. The pump may not be properly seated. Be sure to push pump fully into slot in main housing. After seating the pump properly, turn the unit off for a few seconds, then turn it back on. This will allow the pump to synchronize with the drive magnet.

6. Unit has poor output

- a. Make sure the filters are moist and you can feel airflow coming through the filters.
- b. Make sure the water fill baffle and grille are properly seated.
- c. If both a and b are OK, the relative humidity in your home could be high. The unit will automatically regulate the output based on the amount of humidity already in the air.

7. Unit makes dripping or trickling sound

- a. Make sure the fill funnel is properly assembled and mounted in the tank behind the water window.
- b. Make sure the grille is properly seated and the fill funnel can accept water.
- c. Make sure the mesh supporting the filter is not damaged.

3 YEAR LIMITED WARRANTY

You should first read all instructions before attempting to use this product.

- A.** This 3 year limited warranty applies to repair or replacement of product found to be defective in material or workmanship. This warranty does not apply to damage resulting from commercial, abusive, unreasonable use or supplemental damage. It also does not apply to the filter or Protec™ Antimicrobial Cartridge. Defects that are the result of normal wear and tear will not be considered manufacturing defects under this warranty.

KAZ IS NOT LIABLE FOR INCIDENTAL OR CONSEQUENTIAL DAMAGES OF ANY NATURE. ANY IMPLIED WARRANTY OF MERCHANTABILITY OR FITNESS FOR A PARTICULAR PURPOSE ON THIS PRODUCT IS LIMITED IN DURATION TO THE DURATION OF THIS WARRANTY.

Some jurisdictions do not allow the exclusion or limitation of incidental or consequential damages or limitations on how long an implied warranty lasts, so the above limitations or exclusions may not apply to you. This warranty gives you specific legal rights, and you also may have other rights which vary from jurisdiction to jurisdiction. This warranty applies only to the original purchaser of this product from the original date of purchase.

- B.** At its option, Kaz will repair or replace this product if it is found to be defective in material or workmanship.

- C.** This warranty does not cover damage resulting from any unauthorized attempts to repair or from any use not in accordance with the instruction manual.
- D.** Return defective product to Kaz, Incorporated with a brief description of the problem. Include proof of purchase and a \$10 US/\$15.50 CAN check or money order for handling, return packing and shipping charges. Please include your name, address and a daytime phone number.

You must prepay shipping charges.

We suggest having tracking or delivery confirmation. Send to:

In U.S.A.:

Kaz, Incorporated
Attn: Returns Department
4755 Southpoint Drive
Memphis, TN 38118
USA

In Canada:

Kaz Canada, Inc.
Attn: Returns Department
510 Bronte Street South
Milton, ON L9T 2X6
Canada

Please go to **www.kaz.com** and register your product under the Customer Care Center and receive product information updates and new promotional offers.



HONEYWELL HUMIDIFICADOR EVAPORATIVO DE FÁCIL CUIDADO, LLENADO POR ARRIBA

MODELO de la Serie HCM-750

INSTRUCCIONES IMPORTANTES DE SEGURIDAD

LEA Y GUARDE ESTAS INSTRUCCIONES DE SEGURIDAD ANTES DE USAR ESTE HUMIDIFICADOR

Siempre se deben tomar las precauciones básicas cuando se usen artefactos eléctricos para reducir el riesgo de incendio, choque eléctrico y lesiones personales, incluyendo lo siguiente:

1. Siempre coloque este humidificador sobre una superficie firme, plana y nivelada. Es posible que este humidificador no funcione debidamente sobre una superficie desnivelada.
2. Coloque este humidificador en un lugar fuera del alcance de los niños.
3. No coloque el humidificador cerca de ninguna fuente térmica como estufas, radiadores y calentadores.
4. No use el humidificador al aire libre.
5. Antes de usar el humidificador, verifique que el cordón eléctrico no tenga señales de avería. Si considera que el cordón está estropeado, **NO LO USE** y devuelva el humidificador al fabricante conforme al acuerdo de garantía para su reparación.
6. Este artefacto tiene un enchufe polarizado (una punta es más ancha que la otra). Para reducir el riesgo de choque, este enchufe ha sido diseñado para que encaje de una forma solamente en un tomacorriente polarizado. Si el enchufe no encaja completamente en el tomacorriente, inviértalo. Si aún no encaja, comuníquese con un electricista competente. **NO** trate de ir en contra de esta característica de seguridad.
7. Para desconectar el humidificador, primero coloque los controles en la posición apagada (OFF), luego sujete el enchufe y sáquelo del tomacorriente. Nunca tire del cordón.
8. Una conexión floja entre la toma de corriente alterna (tomacorriente o receptáculo) y el enchufe puede hacer que el enchufe se recaliente y se deforme. Comuníquese con un electricista competente para cambiar un tomacorriente flojo o gastado.
9. Se debe desenchufar y vaciar el humidificador siempre que no esté funcionando o durante su reparación o limpieza.
10. Nunca incline ni trate de mover el humidificador mientras esté funcionando o esté lleno de agua. **DESENCHÚFELO** antes de moverlo.
11. El humidificador se debe limpiar con regularidad. Consulte las instrucciones de LIMPIEZA provistas. Nunca limpie el humidificador de ninguna otra manera que no sea conforme con las instrucciones de este manual.
12. Nunca oriente el vapor directamente hacia personas, paredes o muebles.
13. Si usa el humidificador en una habitación cerrada o en una habitación pequeña, debe comprobar periódicamente que haya la adecuada aireación ya que un nivel de humedad demasiado elevado provocará manchas de condensación en las paredes.
14. Apague el humidificador si se forma condensación en el interior de las ventanas. Para obtener el nivel de humedad exacto, use un higrómetro que puede conseguir en una ferretería o en un gran almacén. También puede hacer un pedido al fabricante.
15. **Este producto está fabricado solo para uso residencial.**

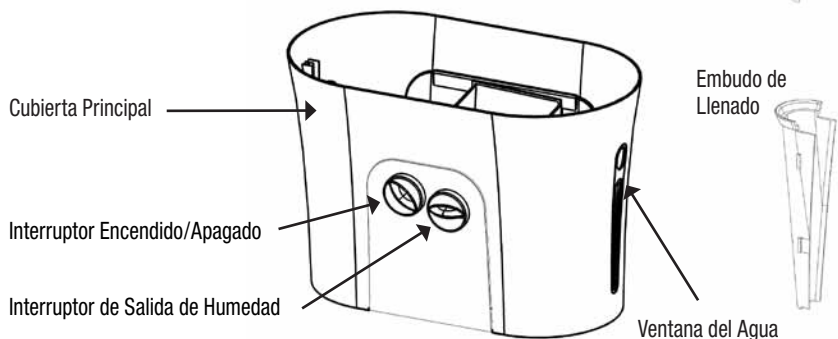
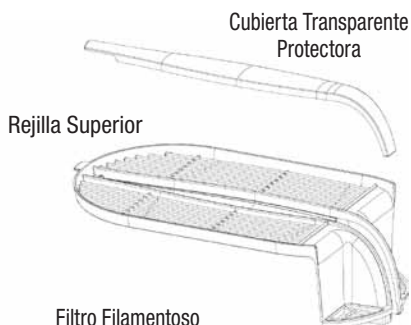
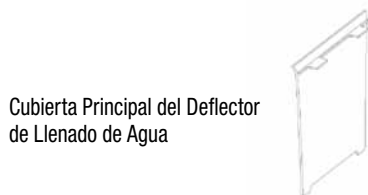
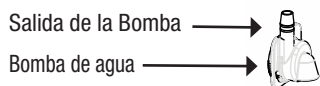
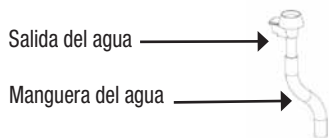
INTRODUCCIÓN

Cómo Funciona:

El humidificador Ultrasonico de Cuidado Fácil está diseñado para proveer silenciosamente vapor frío invisible. El agua se bombea desde el depósito de agua a través del canal de flujo de agua. El agua es dispersada del canal de flujo de agua al filtro filamentosos, el cual ayuda a capturar los minerales y las impurezas del agua. Un ventilador silencioso empuja el vapor fuera del filtro al aire en forma de un vapor invisible ultra fino.

El diseño único de llenado por arriba hace que sea tan fácil como vertir agua a una planta. Esta unidad está equipada con una característica de circulación de agua la cual ayuda a indicar cuando se necesita rellenar.

Su humidificador consta de las siguientes partes:



INSTALAR SU HUMIDIFICADOR

Saque de la caja

Retire el material de empaque. Retire y coloque a un lado el manual de instrucciones. Recicle la caja y el material de empaque o guarde la caja para almacenar al final de la temporada.

Para prevenir que la bomba de agua se mueva al transportarla se ha pegado al interior de su humidificador. Retire la rejilla y la bandeja del filtro y localice la bomba de agua en el fondo de la cubierta principal. Retire la cinta para transporte de la bomba de agua y ponga la bomba de agua en la ranura. Vuelva a colocar la bandeja del filtro y la rejilla en la parte superior de la cubierta principal.

Asegúrese que esté segura en su lugar y que la manguera no esté doblada o presionada o la unidad no funcionará.

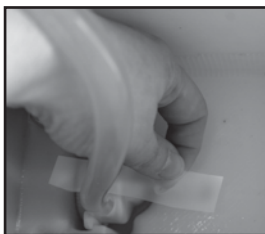


Figura 1

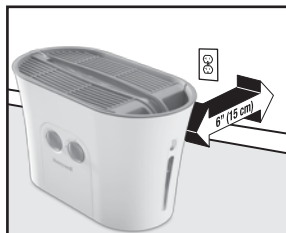


Figura 2

Colocación

Seleccione una ubicación firme y nivelada retirada por lo menos 15 cm (6") de cualquier pared para un flujo de aire apropiado. Coloque el humidificador en una superficie resistente al agua, ya que el agua puede dañar algunos muebles o pisos.

Kaz no aceptará responsabilidad alguna por daños causados por derramamiento de agua.



Llenado



Llene una jarra con hasta 1.5 galones de agua fría.

Nota: Usted puede llenar este humidificador con hasta 1.5 galones de agua ó con tan sólo una taza de agua.



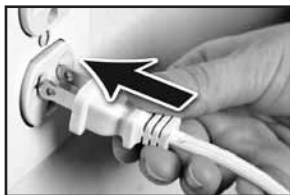
Vierta el agua en el área del embudo de llenado localizado en la parte superior de la unidad.

Indicaciones de que su humidificador necesita ser rellenado:

- El agua deja de circular a través del canal de agua.
- Su humidificador hace un ruido más fuerte.
- El nivel del agua no es visible en la ventana del agua o debajo de la línea de rellenado.

OPERACIÓN: Series HCM-750

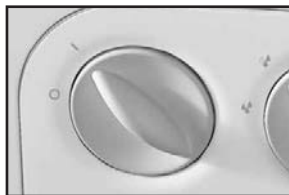
Encendido/Apagado



Con el interruptor de Encendido en posición de APAGADO, conecte el humidificador lleno a un tomacorriente polarizado de 120V~. NO FORCE EL ENCHUFE POLARIZADO EN EL TOMACORRIENTE; es unidireccional.

NO conecte el humidificador con las manos mojadas para evitar descarga eléctrica.

Potencia



Gire la perilla de la potencia a la posición de ENCENDIDO.

Controles de Salida



Ajuste su control de salida en:

- ♦ **Alto:** Humedad Máxima para Habitaciones más Grandes
- ♦ **Medio:** Conservación de la Humedad
- ♦ **Bajo:** Sueño Profundo o Habitaciones Pequeñas

NOTA: NO OPERE SIN LA CUBIERTA SUPERIOR.

El hacerlo podría resultar en derramamiento de agua del humidificador.

REEMPLAZAR SU FILTRO FILAMENTOSO

Es recomendable cambiar su filtro filamentosos cada 1-2 meses dependiendo de la calidad del agua y el uso. Para aumentar la vida útil del filtro retire el filtro de la unidad cuando no esté en uso y permita que seque en un área ventilada.

NOTA: El desempeño del Filtro Filamentosos disminuirá dependiendo del contenido mineral del agua y de la cantidad de polvo aerotransportado en el medio ambiente.

IMPORTANTE: REVISE REGULARMENTE EL FILTRO FILAMENTOSO.

Cualquiera de las siguientes condiciones indican que es momento de cambiar su Filtro Filamentosos.

- Acumulación de impurezas y minerales en el Filtro Filamentosos (evidenciado por la decoloración del Filtro Filamentosos)
- Disminución notoria de la salida del Humidificador. Por favor recuerde que si la humedad relativa es alta su humidificador producirá menos humedad.
- La cubierta superior del Filtro Filamentosos no se siente húmeda al tacto.
- El Filtro Filamentosos tiene agujeros y rasgaduras grandes.

El Filtro Filamentosos deber cambiarse al menos una o dos veces durante la temporada, dependiendo del uso, contenido mineral en el agua y el medio ambiente. Lo invitamos a utilizar sólo el **Reemplazo del Filtro Filamentosos Honeywell HAC-700**. El uso de otros Filtros Filamentosos puede resultar en un desempeño por debajo de lo normal

REEMPLAZAR SU FILTRO FILAMENTOSO (Continuación)

PASO 1



Reemplazo del Filtro Filamentoso HAC-700 ó Filtro B.

PASO 2



Con las manos secas desconecte el humidificador y llévelo al baño o cocina.

PASO 3



Quite la rejilla superior y colóquela a un lado.

PASO 4



Retire los filtros filamentosos de la bandeja del filtro. Deseche los filtros filamentosos usados.

PASO 5



Sumerja los nuevos filtros en agua fría.

PASO 6



NO exprima los filtros.

PASO 7



Coloque los nuevos filtros en la bandeja del filtro.

PASO 8



Vuelva a colocar la rejilla superior.

LIMPIEZA: Series HCM-750

NOTA: Es recomendable que todos los mantenimientos sean realizados en la cocina o baño en una superficie resistente al agua.

Limpieza Semanal: Para limpiar adecuadamente su humidificador le recomendamos el proceso de eliminación de sarro y desinfección.



Seguro para Lavavajillas: Las siguientes partes son seguras para la **CANASTILLA SUPERIOR** del lavavajillas, para lavavajillas de uso residencial operando a temperaturas menores a los 70°C/158°F. Es recomendable que opere su lavavajillas en el ciclo suave o normal. No lave el humidificador con artículos/platos sucios.

NO UTILICE DETERGENTES. Si utiliza su lavavajillas para lavar las siguientes partes necesitará seguir el procedimiento de eliminación de sarro y desinfección.

Por favor Note: No coloque las partes en la canastilla inferior del lavavajillas. El hacerlo puede causar daño en las partes del humidificador y en el lavavajillas.



Cubierta Transparente Protectora

Manguera del Agua



Rejilla Superior



Bomba de agua



Bandeja del Filtro Filamentoso



Embudo de Llenado



Deflector de Llenado de Agua

LIMPIEZA: Series HCM-750 (continuación)



Cubierta Principal



Filtros Filamentosos

La cubierta principal y los filtros filamentosos NO SON SEGUROS PARA EL LAVAVAJILLAS.

El colocar estas partes en el lavavajillas dañará su humidificador y lo hará incapaz de funcionar adecuadamente.

Instrucciones para Eliminar el Sarro:

PASO 1



Retire la rejilla superior, los filtros, la bandeja del filtro, la bomba del agua, la manguera del agua, el deflector de llenado, la cubierta transparente protectora y el embudo de llenado de agua y póngalos a un lado.

PASO 2



Coloque los Filtros Filamentosos a un lado.

Nota: Los filtros filamentosos no pueden someterse a la eliminación de sarro o desinfección. El hacerlo dañará los filtros y la unidad no operará adecuadamente.

PASO 3



Vacíe el agua del humidificador vertiéndola en la dirección del panel de control. Siga las flechas indicadoras ubicadas en el interior de la cubierta principal. Llene el depósito de agua de la cubierta principal con 2 tazas de vinagre.

PASO 4



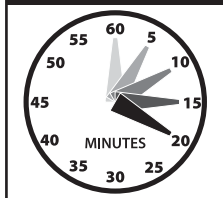
Coloque la bomba de agua, la manguera del agua, el deflector de llenado de agua, la cubierta transparente protectora y el embudo de llenado dentro de la cubierta principal y remójelos en vinagre.

PASO 5



Gentilmente limpie la rejilla y la bandeja del filtro con vinagre sin diluir si decide no utilizar la opción del lavavajillas.

PASO 6



Sumerja durante 20 minutos. Enjuague la cubierta principal y las partes, no coloque en el lavavajillas hasta que el olor a vinagre haya desaparecido.

Con la unidad desarmada, proceda con las instrucciones de desinfección.

LIMPIEZA: Series HCM-750 (continuación)

Instrucciones de Desinfección: Desinfecte después de eliminar el sarro

PASO 1



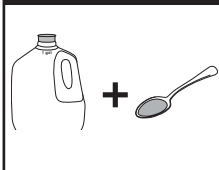
NO DESINFECTE los Filtros Filamentosos.

PASO 2



Deje a un lado la rejilla superior, la cubierta transparente protectora, la bandeja del filtro, la bomba del agua, la manguera del agua, el deflector de llenado de agua y el embudo de llenado.

PASO 3



Agregue 1 CUCH de cloro a 1 galón de agua. Agregue 1 galón de la solución de agua/vinagre al depósito de agua de la cubierta principal. Utilizando esta mezcla limpie las paredes de la cubierta principal.

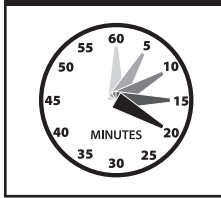
NOTA: UTILIZAR MÁS DE 1 CUCH DE CLORO POR GALÓN DE AGUA PUEDE PROVOCAR DAÑO EN SU HUMIDIFICADOR.

PASO 4



Remoje la manguera del agua, la bomba del agua, el deflector de llenado de agua, el embudo de llenado y la cubierta transparente protectora en el depósito de agua de la cubierta principal si estas partes no fueron lavadas en la canastilla superior del lavavajillas.

PASO 5



Sumerja durante 15-20 minutos.

Limpie la rejilla superior y la bandeja del filtro con la solución de agua/vinagre si estas partes no fueron lavadas en el lavavajillas.

Enjuague a fondo la cubierta principal y cualquier otra parte no colocada en el lavavajillas hasta que el olor a cloro desaparezca.

Note: Por favor cuide la ropa, tapetes, y otros materiales no resistentes al cloro cuando esté desinfectando. El derramar cloro en la ropa, tapetes y ciertas superficies puede causar daños.

REENSAMBLAJE: Series HCM-750

PASO 1



Inserte la salida de la bomba a la abertura de la manguera y presione gentilmente hasta que ya no avance más dentro del tubo de agua.

PASO 2



Inserte el ensamblaje de la bomba/manguera del agua dentro de la ranura en la cubierta principal.

Nota: la bomba entra solo en un sentido.

PASO 3



Coloque la manguera del agua en la cubierta principal insertando con gentileza la manguera del agua en la salida del agua.

PASO 4



Alinee el embudo de llenado con las ranuras ubicadas detrás de la ventana del agua.

Inserte con gentileza en su lugar.

PASO 5



Vuelva a insertar el deflector de llenado de agua al depósito de agua de la cubierta principal, alineando con las guías y empujando con cuidado hacia abajo para encajar.

PASO 6



Coloque la bandeja de los filtros en la cubierta principal. Después vuelva a colocar los filtros en la bandeja de los filtros.

PASO 7



Vuelva a colocar la rejilla superior y la cubierta transparente protectora.

CUIDADO Y ALMACENAJE DE FIN DE TEMPORADA

Siga las instrucciones de LIMPIEZA cuando el humidificador no esté en uso por al menos una semana o más, o al final de la temporada.

NOTA: Deseche los filtros usando y empiece con nuevo filtros la siguiente temporada.

Seque completamente el humidificador antes de almacenarlo.

NO almacene con agua en el depósito de agua de la cubierta principal o en el tubo de agua.

Empaque la unidad en la caja original y guarde en un lugar fresco y seco.

SERVICIO AL CONSUMIDOR

Envíe sus preguntas o comentarios a:

Kaz, Incorporated
Consumer Relations Dept.
250 Turnpike Road
Southborough, MA 01772 USA

Por favor especifique el número del modelo.

Llámenos al número de teléfono de llamada gratis de larga distancia: **1-800-477-0457**
e-mail: **consumerrelations@kaz.com**
O visítenos en nuestro sitio web: **www.kaz.com**

PARA ORDENAR PARTES DE REEMPLAZO

HAC-700 Reemplazo de Filtro Filamentoso
HCM-750 Rejilla (Rejilla Superior)
HCM-750 Bandeja del Filtro (Bandeja del Filtro Filamentoso)
HCM-750 Cubierta (Cubierta Transparente Protectora)
HCM-750 Nivel (Embudo de Llenado)
HCM-750 Pared de Llenado (Deflector de Llenado de Agua)
750/200 Bomba (Bomba de agua)
HCM-750 Manguera (Manguera del Agua)
PC-2 Cartucho de Limpieza Antimicrobiana Protec^{MR}

PREGUNTAS FRECUENTES

Limpieza

Pregunta	Respuesta
¿Cómo limpio el interior de la bomba de agua?	Puede limpiar el interior de la bomba girando la cubierta hacia la izquierda. Retire la cubierta para limpiarla junto con el filtro.
¿Qué partes son seguras para el lavavajillas?	La manguera del agua, la bomba del agua, la cubierta transparente protectora, la rejilla superior, la bandeja del filtro, el deflector de llenado de agua y el embudo del agua.
¿Cómo ensambló mi humidificador después de limpiarlo?	Vea la página 34 de su manual de usuario.
¿Puedo utilizar detergente para platos para limpiar mi humidificador?	No es recomendable que utilice detergente para platos para limpiar su humidificador, ya que es muy difícil remover todo el detergente y puede causar daño a su humidificador. Es importante que NO utilice detergente si está utilizando su lavavajillas para limpiar estas partes.

PREGUNTAS FRECUENTES (Continuación)

Limpieza (Continuación)

Pregunta	Respuesta
¿Puedo agregar tratamientos de agua a este humidificador?	Sólo debe agregar a su humidificador los tratamientos de agua que son fabricados especialmente para humidificadores evaporativos tales como el Cartucho de Limpieza Antimicrobiana Protect ^{MR} , modelo PC-1 ó PC-2. Utilizar tratamientos de agua que no son recomendados para humidificadores evaporativos puede dañar su humidificador. Si le preocupa la dureza del agua le recomendamos que utilice agua destilada en su humidificador.

Operación

Pregunta	Respuesta
¿En qué ajuste puedo colocar mi humidificador?	Usted debe operar su humidificador en el ajuste más alto si su habitación está muy seca. Una vez que tenga una humedad más cómoda usted puede cambiar el nivel de salida a un ajuste más bajo.
Utilicé mi humidificador toda la noche en una habitación muy seca y la humedad casi no cambió pero el nivel del agua disminuyó.	Puede tardar varios días en aumentar el nivel de humedad. Si está extremadamente seco, la madera, alfombras y otros objetos en su habitación pueden absorber la humedad antes que pueda sentir los efectos.
¿Puedo operar mi humidificador sin los filtros?	No, su humidificador no puede operar adecuadamente sin los filtros. Los filtros absorben la humedad distribuida por el canal del flujo del agua. Después un ventilador silencioso soplará a través de los filtros distribuyendo la humedad en el aire.
¿Qué tan frecuente debo cambiar mis filtros filamentosos?	En general los filtros filamentosos pueden durar de 1 - 2 meses dependiendo de la calidad de agua y el uso. Consulte la sección de Cambio de Filtro para información de cómo determinar cuando es tiempo de cambiar los filtros.
¿Cómo se que mi humidificador está operando correctamente?	Usted notará que el agua fluye a través del canal de flujo de agua en la parte superior del humidificador. También notará una disminución en el nivel de agua después de 8 horas de uso.
No puedo ver vapor saliendo de mi humidificador.	Su humidificador utiliza el proceso de evaporación. Esto produce una humedad invisible ultra fina. Observará que su nivel de agua disminuye y esto es un indicador que su humidificador está operando correctamente. Vea la Guía de Solución de Problemas para mayor información.

PREGUNTAS FRECUENTES (Continuación)

Operación (Continuación)

Pregunta	Respuesta
No hay agua circulando en el área de circulación de agua en la cubierta superior.	Primero asegúrese que su humidificador tenga agua. Si es así, revise su bomba de agua para asegurarse que esté colocada correctamente en el área de soporte. Luego revise para asegurarse que la manguera del agua esté conectada firmemente a la bomba y a la salida del agua. Por último, asegúrese que nada obstruya el área del flujo del agua en la rejilla superior o en la manguera del agua. Si estos pasos no ayudan, por favor consulte nuestra Guía de Solución de Problemas o contacte nuestro departamento de servicio al consumidor al 1-800-477-0457
¿Por qué mi humidificador repentinamente empezó a hacer un ruido fuerte?	Revise su nivel de agua. Si su humidificador empieza a hacer un ruido fuerte es un indicador que necesita rellenar su humidificador.
¿Cuánta agua cabe en mi humidificador?	Su humidificador puede contener hasta 1.5 Gallones de agua.
¿Cuánto tiempo funcionará mi humidificador cuando esté lleno?	Su humidificador operará hasta 17 horas en el ajuste alto y 48 horas en el ajuste bajo.

1. No está fluyendo el agua

- a. Revise para asegurarse que el tanque tenga agua y que esta cubra la bomba.
- b. Revise la manguera del agua y asegúrese que no esté torcida. La manguera debe conectarse completamente en la salida del agua y en la bomba.
- c. Asegúrese que la bomba esté colocada correctamente en la ranura en el fondo de la cubierta principal.
- d. Apague la unidad y después vuélvala a encender para ayudar a eliminar algún aire en el sistema.
- e. Si todavía no circula el agua, saque la bomba, desármela y asegúrese que la rueda de la bomba gire libremente y que las entradas de la bomba u otros pasajes de agua no tengan obstrucciones.
- f. Asegúrese que la rejilla esté bien colocada y pueda aceptar agua del embudo.

2. La unidad circula el agua pero no produce vapor

- a. Esta unidad no produce vapor visible.

3. La unidad circula el agua pero el filtro no está humedo

- a. Revise para asegurarse que los agujeros de la característica de agua no estén bloqueados y puedan gotear agua en los filtros.

4. La bomba hace un sonido siseante

- a. La bomba puede haber succionado aire. Asegúrese que haya suficiente agua en el tanque para que cubra la bomba.
- b. Después de llenar, apague la unidad por unos segundos, después enciéndala de nuevo para eliminar el aire en el sistema.

5. La bomba tiene un zumbido

- a. La bomba puede no estar colocada correctamente. Asegúrese de empujar completamente la bomba en la ranura en la cubierta principal. Después de colocar la bomba correctamente, apague la unidad por unos segundos, después vuélvala a encender. Esto permitirá que la bomba se sincronice con el imán impulsor.

6. La unidad tiene poca salida

- a. Asegúrese que los filtros estén húmedos y pueda sentir circulación de aire saliendo del filtro.
- b. Asegúrese que el deflector de llenado de agua y la rejilla estén colocados correctamente.
- c. Si ambos a y b están BIEN, la humedad relativa de su hogar debe estar alta. La unidad regulará automáticamente la salida basada en la cantidad de humedad que esté en el aire.

7. La unidad hace un sonido de goteo o escurrimiento

- a. Asegúrese que el embudo de llenado esté correctamente armado y montado en el tanque detrás de la ventana del agua.
- b. Asegúrese que la rejilla esté colocada correctamente y que el embudo de llenado pueda aceptar agua.
- c. Asegúrese que la malla que soporta al filtro no esté dañada.

3 AÑOS DE GARANTÍA LIMITADA

Usted debe leer primero todas las instrucciones antes de intentar utilizar este producto.

- A.** La presente garantía limitada de 5 años cubre la reparación o remplazo del producto si éste presenta un defecto de fábrica o de mano de obra. Esta garantía excluye todo daño resultante del uso comercial, abusivo o inadecuado del producto, o de daños asociados. De igual manera no aplica al filtro o Cartucho Antimicrobiano Protect^{MR}. Los defectos resultantes del desgaste normal no se consideran defectos de fábrica en virtud de la presente garantía.

KAZ QUEDA EXENTA DE TODA RESPONSABILIDAD POR LOS DAÑOS FORTUITOS O INDIRECTOS DE CUALQUIER CLASE. CUALQUIER GARANTÍA IMPLÍCITA DE CALIDAD COMERCIAL O DE CONVENIENCIA RELACIONADA CON ESTE PRODUCTO, TENDRÁ LA MISMA VIGENCIA QUE LA PRESENTE GARANTÍA.

En ciertos lugares, no se permite la exclusión o limitación de daños fortuitos o indirectos, ni los límites de duración aplicables a una garantía implícita. Por consiguiente, es posible que estas limitaciones o exclusiones no se apliquen en su caso. Esta garantía le otorga derechos legales específicos y usted puede que tenga otros, que varían de un lugar a otro. La presente garantía sólo es válida para el comprador original del producto a partir de la fecha de compra.

- B.** A su juicio, Kaz reparará o reemplazará este producto si se considera que sus materiales o su mano de obra son defectuosos dentro del periodo de garantía.

- C.** Esta garantía no cubre daños ocasionados por tentativas no autorizadas de reparar el producto o del uso del mismo en contravención de las indicaciones que aparecen en el manual de instrucciones.
- D.** Devuelva el producto defectuoso, con flete pagado y prueba de compra, junto con cheque o giro postal por \$10.00 US/\$15.50 CAN para cubrir gastos de administración, empaque de regreso y envío. Por favor incluya su nombre, dirección y un número de teléfono para comunicarse durante el día.

Los gastos de envío deben pagarse por adelantado. Le sugerimos que pida confirmación del seguimiento o de la entrega. Mande el envío a:

En los Estados Unidos:

Kaz, Incorporated
Attn: Returns Department
4755 Southpoint Drive
Memphis, TN 38118
USA

En Canada:

Kaz Canada, Inc.
Attn: Returns Department
510 Bronte Street South
Milton, ON L9T 2X6
Canada

Por favor visite **www.kaz.com** y registre su producto en el Centro de Atención al Cliente y reciba información y actualizaciones de sus productos y nuevas ofertas promocionales.

