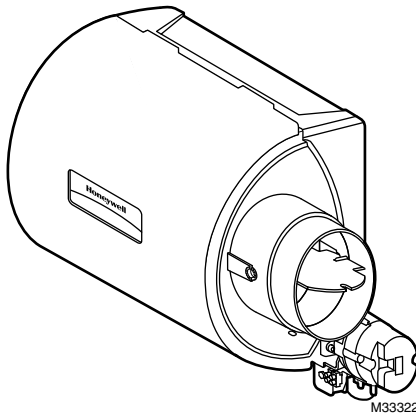


Honeywell

HE240, HE280 Humidifier and Installation Kit

INSTALLATION GUIDE/OWNER'S MANUAL



**SAVE THIS DOCUMENT
FOR FUTURE REFERENCE**



69-2685ES-01

Safety Definitions

These safety terms identify information you must read prior to installing or operating the humidifier.



WARNING

Indicates a hazardous situation which, if not avoided, could result in death or serious injury.



CAUTION

Indicates a hazardous situation which, if not avoided, could cause bodily injury or property damage.

Safety Precautions

Make sure you read and understand the following safety hazards before installing, using, or working with the humidifier:



WARNING

Serious Personal Injury Hazard.

Can cause electrical shock and injury from moving parts.

Disconnect power and shut off water supply before removing cover.



WARNING

Hazardous Voltage

Can cause personal injury or equipment damage.

Do not cut or drill into any air conditioning or electrical accessory.



CAUTION

Chemical Hazard.

Can cause personal injury or equipment damage.

Do not use any line connected to an air conditioner.

Do not use gas line.



CAUTION

Temperature and Static Pressure Hazard.

Can cause property or equipment damage.

Locate humidifier where ambient temperature is between 32 and 120 °F (0 to 49 °C).

Do not install humidifier where freezing temperatures could occur.

Be sure supply plenum static pressure is no greater than 0.4 in. wc and water pressure is no greater than 120 psi.



CAUTION

Sharp Edges Installation Hazard.

Can cause personal injury.

Wear gloves and safety glasses.

IMPORTANT

Read and save these instructions.

WELCOME

Congratulations on your purchase of a Honeywell whole-house humidifier. Proper use of a Honeywell humidifier has numerous benefits related to your family's health and comfort, as well as helping to safeguard and protect your home.

How Your Humidifier Works

Your Honeywell humidifier uses the principle that vapor (evaporated water) is created when warm air blows over a water-soaked area. As the vapor circulates, the relative humidity rises.

Your humidity control monitors the relative humidity and activates the humidifier accordingly. The humidifier has a water supply that dispenses water evenly over a humidifier pad. The warm dry air from the furnace passes over the humidifier pad and picks up the moist air to circulate it throughout your home.

Humidified air feels warmer and more comfortable so you may be able to lower your thermostat heating setpoint, which saves money on your heating fuel bills. The end result is that your humidifier gives you a comfortable environment that is also energy efficient.

Model Specific Features

The HE280 humidifier has water savings technology built in that could save up to 30% versus leading brands. This translates to up to 20 gallons of water saved per day!

APPLICATION

This kit contains your new Honeywell HE240 or HE280 Humidifier, H8908 Humidistat and all the accessories required for installation.

PREPARING FOR THE INSTALLATION

Be sure to identify all the required (Table 1) accessories (included) and make sure the appropriate tools are available before beginning the installation.

Included Accessories

Table 1. Included Accessories.

Quantity	Accessory
48 in. (1.22 m)	Bypass ducting including: 6 in. (155 mm) diameter flexible duct
20 ft (6.2 m)	18 gauge, two-strand thermostat wire
20 ft (6.2 m)	1/4 in. (6.35 mm) OD feed water tubing
10 ft (3.1 m)	1/2 in. (12.7 mm) ID drain tubing
1 bag	Connecting and mounting hardware: 4 mounting screws 1 drain tube clamp
1	H8908 Humidistat
1 bag	Saddle Valve Assembly: 1 saddle valve and top clamp 1 threaded bottom clamp 2 bolts 1 rubber gasket 1 brass insert 1 plastic bushing 1 eyelet
1	Plug-in transformer
1	Foil tape roll
1 bag	1 plastic elbow 1 grommet 1 connector strap 1 PVC tubing 1 wire nut
1	Mounting template

Required Tools

Tools required for installation include:

- Tin snip
- Screwdriver
- Pliers
- Adjustable or open-end wrench
- Drill
- Level
- 3/4 in. (19 mm) sheet metal drill bit

Determining Best Location for Humidifier

- Select a location for the humidifier on the supply (warm air stream) duct. See Fig. 1 for examples. Return duct mounting is acceptable if there are space restrictions on the supply duct. If you are mounting the humidifier on the return duct, simply swap “return duct” for “supply duct” throughout these instructions.
- Select a location that cannot damage the air conditioner A-coil during installation.
- Do not locate the humidifier on the furnace body.
- Mount the humidifier in a conditioned space to prevent freezing.
- Mount the humidifier at least 3 in. (78 mm) above the furnace body to allow adequate space for the solenoid valve and drain line.

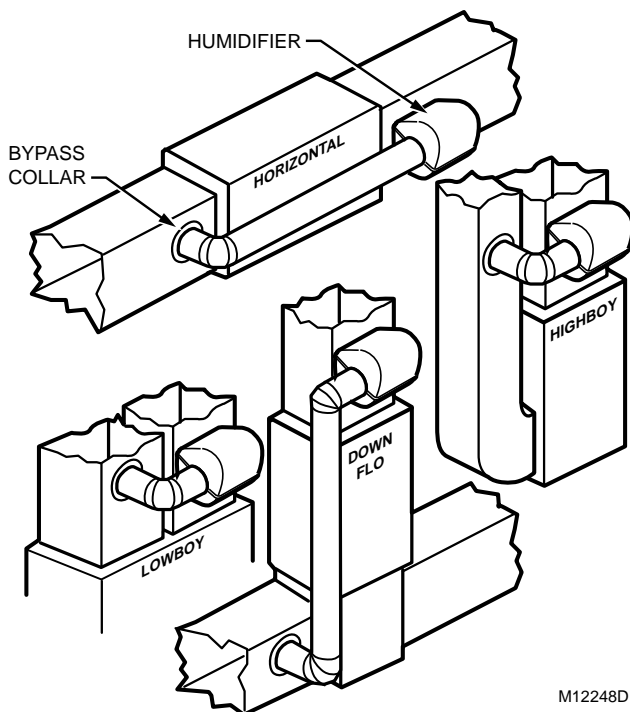
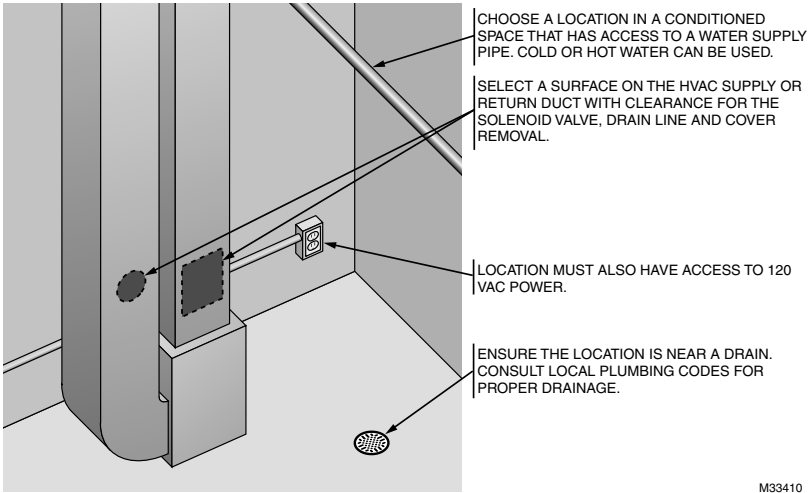


Fig. 1. Typical humidifier installation locations.



M39410

Fig. 2. Typical humidifier installation locations.

Selecting Location for Humidistat

- Select a location for the humidistat on the return plenum or on the wall in the living space.
- Mounting on the return plenum is the easiest installation for the control wiring circuit.

IMPORTANT

The humidistat must be mounted upstream from the humidifier or bypass duct to ensure it is properly sensing the relative humidity of the living space. Locate the control at least 8 in. (203 mm) upstream from the humidifier in the return air duct. (See Fig. 3.)

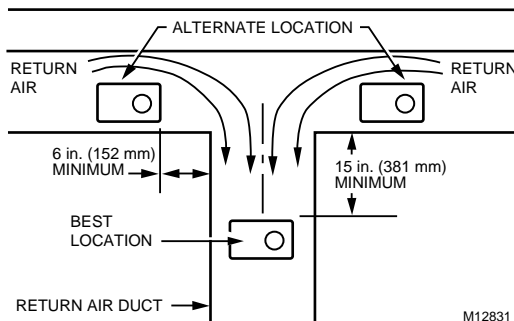


Fig. 3. Selecting duct location for humidistat.

Locating Closest 120 V Electrical Outlet

- Select location with access to an outlet. If not available, contact an electrician to have one installed.
- Make sure that the 20 ft (6.2 m) of thermostat wire is adequate to reach from the humidifier to the humidistat, and also from the humidifier to the transformer. Please note that the thermostat wire will need to be cut into the 2 correct lengths. See “Wiring” on page 14 for more information.

INSTALLATION

1. Turn off power to the air handling system at the circuit breaker.
2. Draw a level line on the plenum in the selected location.

IMPORTANT

To ensure optimal product performance, be sure the mounting template is level before marking. Use of a small level is recommended.

3. Locate the template (form number 69-2710 included in the box). For the HE240 model, cut out the template along the dotted line.
4. Tape the template in position and trace around the template.
5. Remove the template and carefully cut the rectangular opening using tin snips.
6. Disassemble the humidifier; remove the cover and take out the humidifier pad assembly. See Fig. 4.

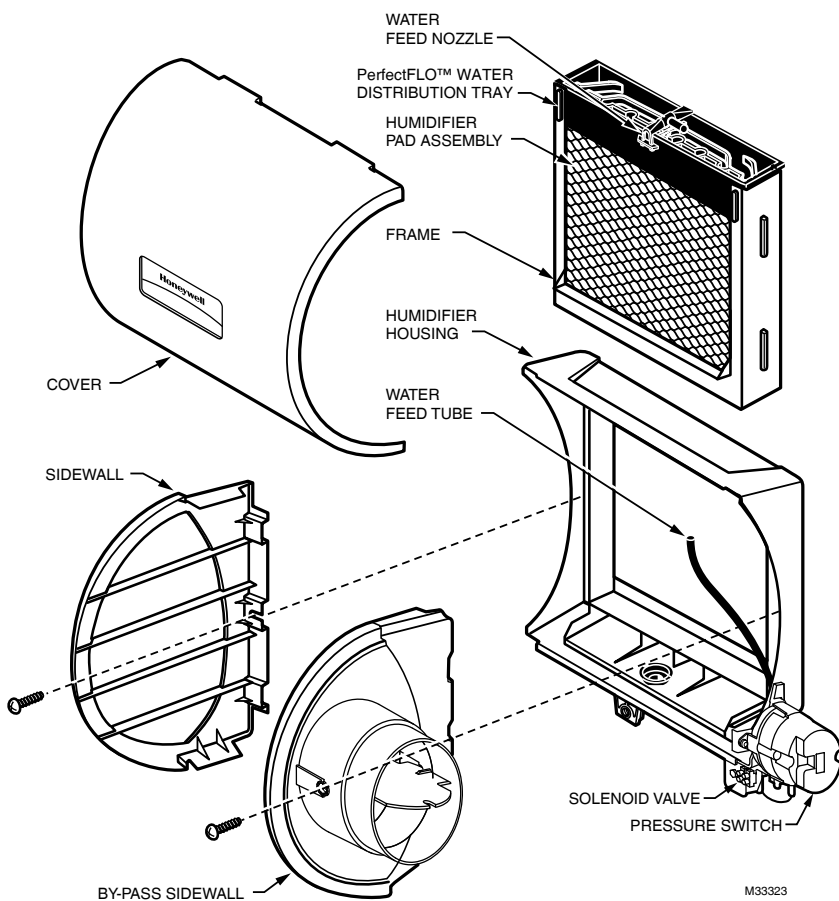


Fig. 4. Disassembling humidifier.

HE240, HE280 HUMIDIFIER AND INSTALLATION KIT

7. Make sure the humidifier housing is level, then position it in the opening so the plastic tabs are in place on the *lower sheet metal edge* of the opening. Use pliers, as necessary, to flatten cut edges. See Fig. 5.
8. Secure the humidifier housing to the opening at the top and bottom using sheet metal screws.
9. Use the 6 in. (155 mm) starter collar as a template to mark the opening for the bypass. The starter collar end can be identified by the pliable metal tabs.

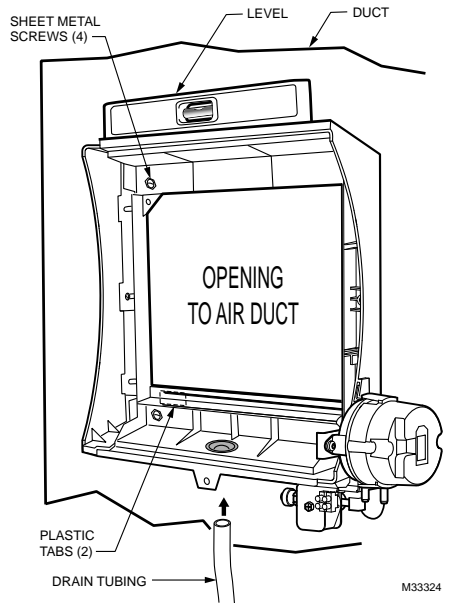


Fig. 5. Installing humidifier on duct.

10. Carefully cut the opening for the 6 in. (155 mm) starter collar end of the 48 in. (1.22 m) flex duct. See Fig. 6. Use a drill to start the cut in the middle of the circle. Cut in an outward spiral to assist in controlling the cut.

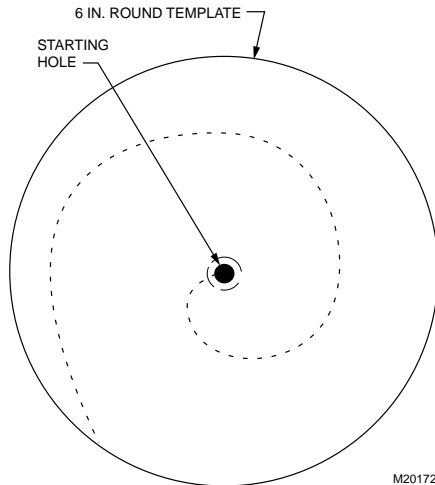


Fig. 6. Cutting bypass opening.

11. Reassemble humidifier side plates to customize the orientation for your specific install. The side plate with the humidifier port needs to be on the side of the humidifier that is closest to the 6 in. (155mm) hole cut in Step 10.
12. Insert flex duct with starter collar into the 6" (155mm) hole that was cut in Step 10. Reach into hole THROUGH THE FLEX DUCT so that the pliable metal tabs can be bent outwards into the hole. These tabs, when bent outwards, will help secure the flex duct into your home's duct work.
13. Slide remaining loose end of flex duct over the humidifier port on the HE240/HE280, making sure that the flex duct advances past the raised plastic tabs on the port. These tabs will help to hold the flex duct in place. Verify that the damper blade has adequate clearance to move back and forth between the summer and winter positions. Secure the flex duct in place with the plastic connector strap.
14. Seal the duct connections with foil tape. Seal both
 - 1) the connection between the starter collar end of the flex duct and the home's duct work and
 - 2) the end of the flex duct to the humidifier over the top of the connector strap.
15. Reinstall the humidifier pad assembly in the humidifier housing.
16. Hinge the cover in place and secure with the thumbscrew located at the bottom of the cover.

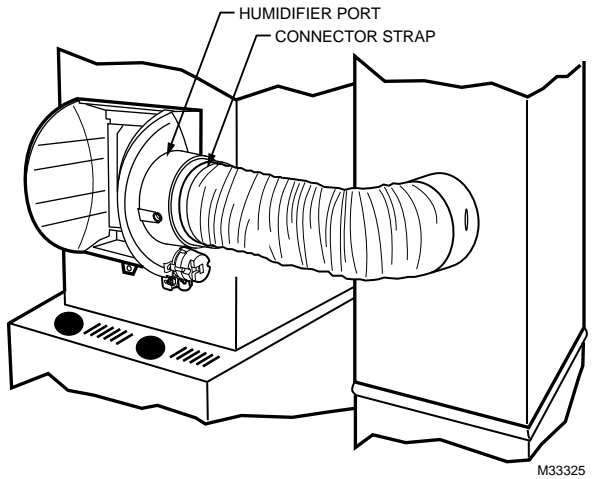


Fig. 7. Connecting bypass ducting.

Connecting the Plumbing

Use hot or cold water and either hard or softened water in the humidifier.

NOTE: Using hot water will increase operating costs, but may provide a small increase in the amount of humidity delivered.

IMPORTANT

Please consult local plumbing code for proper plumbing regulations before beginning. Use of a manual shutoff valve may be required to meet code in your area.

1. Shut off the water.
2. Use the self-piercing saddle valve (included) to tap into the water supply line at the location selected. Turn the handle on the top of the saddle valve to the right (clockwise) until the needle pierces the water supply line. Leave the needle in this position until the humidifier is fully installed to prevent leaking (even though the water supply is turned off, there can still be water in the line that will leak as soon as the needle is backed out). See Fig. 8. If tapping into galvanized pipe, drain the line and pre-drill 3/16 in. tap for the saddle valve.

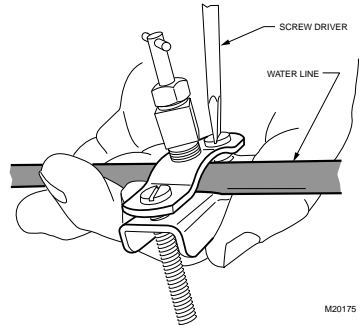


Fig. 8. Installing the saddle valve.

NOTE: The saddle valve is not designed to regulate water flow. The valve is either open or closed.

IMPORTANT

To prevent debris from clogging the solenoid in-line filter, be sure to install the saddle valve handle pointing toward the ceiling.

3. Use 1/4 in. (6 mm) OD tubing and connect the saddle valve to the inlet side of the solenoid valve on the humidifier (see Fig. 9).
 - a. Place the brass compression nut over the tubing.
 - b. Slide the plastic compression ring over the tubing. (Discard copper compression ring provided with valve.)
 - c. Install brass insert into end of tubing.

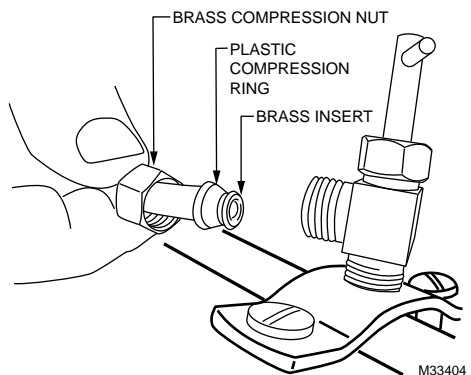
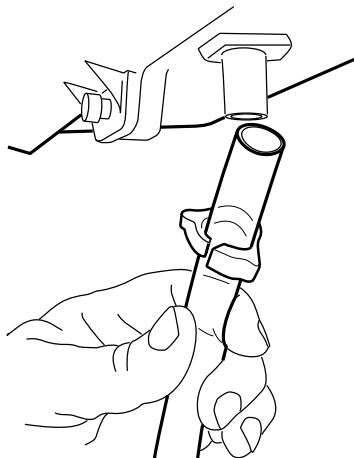


Fig. 9. Installing feed tubing.

NOTE: To prevent leaking, use plastic (Delrin) compression rings with plastic tubing. Use copper sleeve rings only with copper tubing.

- d. Insert the tubing into the saddle valve fitting and support the valve while tightening the compression nut.
 - e. Insert plastic supply tubing into quick connect fitting. Insert fully, and apply modest pull pressure to ensure a tight fit.
4. Use the following steps to install a 1/2 in. (13 mm) drain tube between the humidifier and the floor drain (see Fig. 10).
 - a. Slide the drain clamp over the tubing.
 - b. Push the tubing over the drain nipple on the humidifier.
 - c. Hand-tighten the clamp around the tubing to secure it to the humidifier drain. The clamp is tightened by compressing the two sides together so that one side fits into the ridged groove on the other side.
 - d. Secure the tubing (can use foil tape) along the route to prevent movement and ensure downward slope for correct drainage.



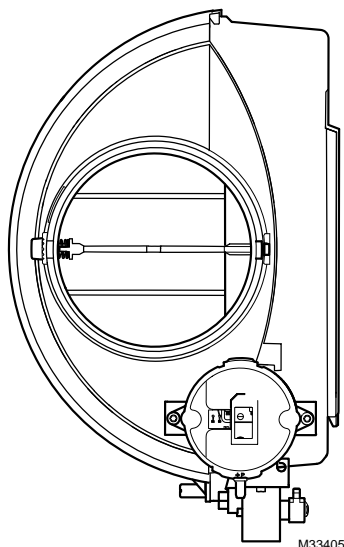
M20177

Fig. 10. Installing the drain tubing.

NOTE: Cut tubing to correct length so the tubing terminates at the drain.

Connecting the Pressure Switch

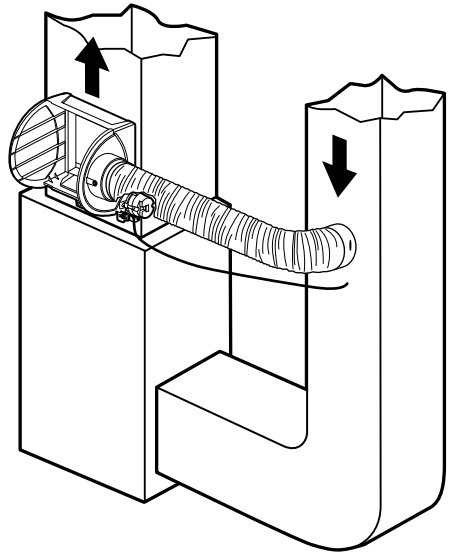
1. If the humidifier is installed on the supply duct (as is recommended), the pressure switch needs to have the tubing fed to the return duct. If the humidifier is installed on the return duct, the pressure switch needs to have the tubing fed to the supply duct.
2. Drill a 3/4-in. (19 mm) diameter hole in the duct within 10 ft. (3 m) of the switch to ensure the provided tubing reaches the pressure tap elbow.



M33405

Fig. 11. Pressure switch.

3. Insert the black rubber grommet into the duct hole.
4. Connect the tubing to the tubing fitting elbow and insert the tubing fitting elbow into the black rubber grommet.
5. Connect the other end of the tubing to the applicable pressure connection on the switch.
 - a. If the humidifier is installed on the supply duct (as is recommended), the tube that inserts into the humidifier needs to be attached to the black port, and the tube that runs to the return duct needs to be attached to the gray port.
 - b. If the humidifier is installed on the return duct, the tube that inserts into the humidifier needs to be attached to the gray port, and the tube that runs to the supply duct needs to be attached to the black port.



M33326

Fig. 12. Installing the pressure switch tubing.

6. You may cut the tubing to fit the connection length between the elbow fitting and switch. It is also recommended to secure the hose to existing structures to avoid accidental disconnection.

Installing the Humidistat

1. Find the mounting template included in the H8908 Humidistat Installation Instructions.
2. Apply the template to the return duct (see Fig. 3 on page 6). Make sure the template is level before drilling. (Use of a small level is recommended.)
3. Remove base bracket from the H8908.
4. Slide the foam gasket onto the base. (See Fig. 14.)
5. Position the base bracket on the duct with the arrow up.
6. Secure the base bracket to the duct using the four 1 in. (25 mm) mounting screws provided with the humidistat. (See Fig. 15.)

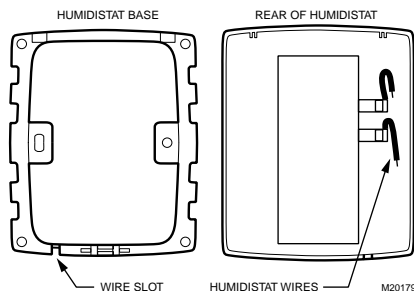


Fig. 13. Humidistat base and rear view.

7. Connect the low-voltage wires to the leads and replace the H8908 case. See Fig. 16.

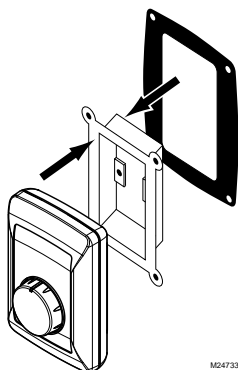


Fig. 14. Slide the foam gasket onto the base.

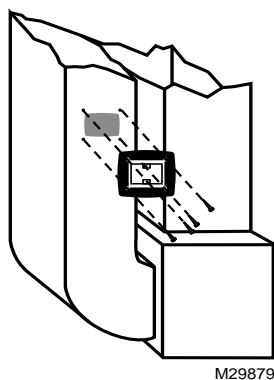


Fig. 15. Secure the base bracket to the duct.

NOTE: For wall mounting instructions, see the H8908 Installation Instructions.

WIRING



CAUTION

Hazardous Voltage.

Can cause personal injury or equipment damage.

Disconnect power supply before installing or servicing equipment.

IMPORTANT

All wiring must comply with applicable local code, ordinances and regulations.

Wire the humidifier solenoid valve, humidistat and transformer. See Fig. 16.

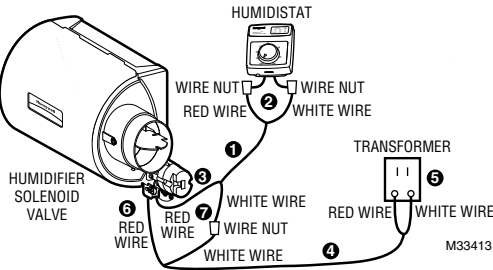


Fig. 16. Wiring the controls and the HE240.

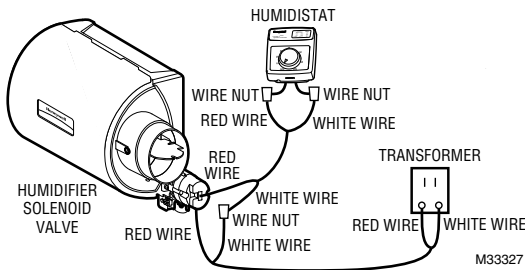


Fig. 17. Wiring the controls and the HE280.

1. Determine the length of wire necessary to run from the humidifier to the humidistat. Cut to length and strip the ends appropriately.
2. Connect the red and white wires on the humidistat per the wiring diagram. Use the provided wire nuts to secure the connections.
3. Taking the opposite end of the wire, connect RED WIRE to one terminal on the humidifier. Leave the white wire loose at this point.
4. Using remaining wire, determine length needed to run from humidifier to the transformer. Cut to length and strip the ends appropriately.
5. Unplug the transformer. Connect the red and white wires to the transformer by loosening the screws on the transformer, wrap wire around screw post and then re-tighten the screws.
6. Taking the opposite end of the wire, connect the RED WIRE to the open remaining loose terminal on the humidifier.
7. Connect the remaining two white wires together using the provided wire nut.

TESTING HUMIDIFIER OPERATION

Checklist

- Humidifier is level.
- Control wiring was reviewed using circuit diagram.
- Humidifier is plugged in.
- Feed line has no kinks.
- Drain line slopes continuously down and ends at floor drain.
- Water hose inside humidifier is connected to PerfectFLO™ water distribution tray.
- Tubing from pressure switch is not kinked or pinched.

After installation use the following steps to check the humidifier operation:

1. Turn on the power and the water supply
2. Ensure the saddle valve is fully opened by turning the handle to the left (counter clockwise) until there is resistance.
3. Turn the H8908 Humidistat to On and turn on the heat by setting the thermostat to 10 °F (6 °C) above room temperature.

IMPORTANT

The furnace blower must be on to activate the humidifier.

4. Make sure that water is flowing out of the drain hose. If water does not flow, see Troubleshooting Your Humidifier section.
5. Check for leaks.
6. Reset the thermostat and H8908 Humidistat to a comfortable setting for automatic operation. (35% relative humidity is recommended.)

OPERATION

Controlling Your Humidity Settings

Your H8908 Humidistat controls your humidifier.

- Choose the humidity control setting using the combination of relative humidity/ outdoor temperature setting scale on your humidity control dial.
- Match the dial setting to the outdoor temperature to optimize the humidity level while reducing the moisture condensation on your windows. See Table 2 on page 16 to adjust the humidity control to the recommended setting.

NOTE: As the outside temperature drops, a lower humidity setting is recommended to accommodate dewpoint effects. These settings should reduce the accumulation of moisture and ice on windows and other areas of the home.

- Adjust the humidity control setting to adjust for indoor activities such as cooking, showering and clothes drying, which can cause excessive levels of humidity that can accumulate moisture on your windows.

NOTE: If these activities persist for more than a few hours, set the humidity control to the lowest setting to turn off the humidifier. If the condition does not improve, ventilate your home to remove the moisture.

Table 2. Setting Your Humidistat.

When Outside Temperature is:	Use This Control Setting:
-20 °F (-29 °C)	15
-10 °F (-23 °C)	20
0 °F (-18 °C)	25
+10 °F (-12 °C)	30
+20 °F (-7 °C)	35
Above 20 °F (-7 °C)	40

MAINTAINING YOUR HUMIDIFIER

A regular maintenance program prolongs the life of your humidifier and makes your home more comfortable. The frequency of cleaning depends on the condition of your water.

You can use either hard or soft water in your humidifier, but hard water mineral deposits are more difficult to clean than soft water deposits.

Use the following procedure to clean your Honeywell humidifier.

IMPORTANT

Never oil any part of the humidifier.

Once per year, depending on water quality

(either at the beginning or the end of the humidification season)

1. Disconnect the power by unplugging the transformer from the outlet and turn off the humidifier's water supply by turning the handle to the right (clockwise) until the water stops flowing and/or there is resistance.
2. Remove the humidifier cover. See Fig. 18 on page 17.
3. Remove the humidifier pad assembly from the humidifier by grasping the top of the tray and pulling it toward you.
4. Pull one side of the humidifier pad assembly frame toward you and remove the tray from the frame.
5. Gently pinch the water nozzle prongs (a pair of prongs is located on each side of the PerfectFLO™ water distribution tray) inward until you can lift the water nozzle off the tray.
6. Slide the humidifier pad out of the frame and discard the pad. Honeywell recommends replacing the humidifier pad on an annual basis. However, if your home has hard water, the pad may need to be replaced more frequently.
7. Carefully remove any mineral deposits from the tray and frame. Be sure the frame drain hole has nothing blocking it.
8. Disconnect the drain hose from the drain fitting on the bottom of the humidifier housing.

9. Clean the drain fitting, if necessary.
10. Bend the drain hose to loosen any mineral deposits.
11. Flush the drain hose with pressurized water (a running tap) to clean the hose.
12. Reattach the drain hose to the drain fitting.
13. Slide a new Honeywell humidifier pad back into the frame.
14. Snap the water nozzle back on the tray.
15. Reattach the tray to the frame.
16. Place the humidifier pad assembly in the humidifier housing and press until the assembly is completely seated. Be careful not to pinch or kink the water feed tube.
17. Replace the humidifier cover.
18. Verify the humidifier operation by following the steps in the Checking Your Humidifier for Correct Operation section.

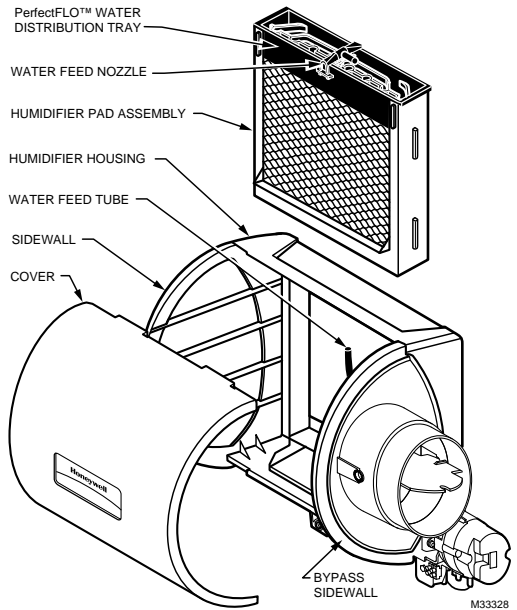


Fig. 18. Cleaning your humidifier.

End of Humidification Season

- Clean the humidifier and shut it off at the end of the heating season.
- Turn the water off at the saddle valve by turning the handle to the right (clockwise) until the water stops flowing and/or there is resistance.
- Unplug the humidifier at the wall outlet
- Turn the damper blade to the "summer" position.

IMPORTANT

Be sure the humidifier power is off.

Replacement Humidifier Pads

Honeywell recommends replacing the humidifier pad on an annual basis. However, if your home has hard water, the pad may need to be replaced more frequently because of the buildup of minerals diminishing its ability to operate normally. If there is access to a water softener, it is recommended to use softened water.

Table 3. Replacement pad part numbers.

Humidifier Model	Replacement Pad
HE240	HC22P
HE280	HC26P

Vacation

- When leaving on vacation, turn off the humidifier water supply and your humidistat.
- When you return, turn on the humidifier water supply and reset your humidistat.

Start of the Humidification Season

Use the following steps to bring the humidifier back to normal (winter) operation:

1. Turn damper blade to "winter" position.
2. Plug the humidifier transformer back into wall outlet and turn water supply to the humidifier back on by turning the handle on the saddle valve to the left (counter clockwise) until there is resistance.
3. Turn the humidistat to its highest setting and set the thermostat to 10 °F (6 °C) above the room temperature.
4. Observe that water is flowing out of the drain hose.

NOTE: The furnace blower must be running to activate the humidifier.

5. Reset the thermostat and humidistat to a comfortable setting for automatic operation. (35% relative humidity is recommended.)

TROUBLESHOOTING YOUR HUMIDIFIER

Table 4. Troubleshooting Humidifier.

Problem	What to look for	What to do
Water leakage	Leaking joints.	Shut off water and tighten connections.
	Brass tubing inserts	Verify that brass tubing inserts are used.
	Saddle valve leaking.	Verify rubber pad is installed on saddle valve.
No water to drain.	Electrical	Verify control circuit wiring. Check all connections.
	Humidistat	Turn humidistat up and down and listen for contact to click.
	Humidifier power	Verify that outlet has power.
	Solenoid	After verifying other wiring components, turn on furnace fan, turn humidistat up and down, and listen for solenoid to click.
	Plumbing	Verify plumbing connections. Check for kinks.
	Saddle valve	Verify that needle pierces water line and then backs out needle to open valve.
	Humidifier	Remove cover and verify that water flows into distribution tray.
	Drain tubing	Verify no obstructions.
Air leakage	Check duct joints	Seal with foil tape.

Table 4. Troubleshooting Humidifier. (Continued)

Low humidity	Furnace blower not operating.	<ul style="list-style-type: none"> • Reset circuit breaker or check for blown fuse. • Check that the furnace power is on. • Check all external wiring connections. • Check the humidity control setting. • Verify that pressure switch tubing isn't pinched or obstructed. • Call a professional heating contractor.
	Rapid air changes. Drafts (cold air is dry and is an added load to the humidifier).	<ul style="list-style-type: none"> • Keep doors and windows closed. • Close fireplace damper when not in use. • Keep exhaust fan running time to a minimum. • Seal around doors and windows.
	Damper in "summer" position	<ul style="list-style-type: none"> • Set damper blade to "winter" position to allow humidification.
High humidity	Condensation on walls.	<ul style="list-style-type: none"> • Turn off humidity control and water until condensation is completely evaporated.
	Heavy condensation on windows.	<ul style="list-style-type: none"> • Turn humidity control down low enough to eliminate condensation caused by moisture from bathing, mopping, cooking, etc. If moisture persists, more ventilation is needed.

LIMITED ONE-YEAR WARRANTY

Honeywell warrants this product, excluding humidifier pad, to be free from defects in the workmanship or materials, under normal use and service, for a period of one (1) year from the date of purchase by the consumer. If, at any time during the warranty period, the product is defective or malfunctions, Honeywell shall repair or replace it (at Honeywell's option) within a reasonable period of time.

If the product is defective, return it, with a bill of sale or other dated proof of purchase, to the retailer where you purchased it.

This warranty does not cover removal or reinstallation costs. This warranty shall not apply if it is shown by Honeywell that the defect or malfunction was caused by damage which occurred while the product was in the possession of a consumer.

Honeywell's sole responsibility shall be to repair or replace the product within the terms stated above. HONEYWELL SHALL NOT BE LIABLE FOR ANY LOSS OR DAMAGE OF ANY KIND, INCLUDING ANY INCIDENTAL OR CONSEQUENTIAL DAMAGES RESULTING, DIRECTLY OR INDIRECTLY, FROM ANY BREACH OF ANY WARRANTY, EXPRESS OR IMPLIED, OR ANY OTHER FAILURE OF THIS PRODUCT. Some states do not allow the exclusion or limitation of incidental or consequential damages, so this limitation may not apply to you.

THIS WARRANTY IS THE ONLY EXPRESS WARRANTY HONEYWELL MAKES ON THIS PRODUCT. THE DURATION OF ANY IMPLIED WARRANTIES, INCLUDING THE WARRANTIES OF MERCHANTABILITY AND FITNESS FOR A PARTICULAR PURPOSE, IS HEREBY LIMITED TO THE ONE YEAR DURATION OF THIS WARRANTY. Some states do not allow limitations on how long an implied warranty lasts, so the above limitation may not apply to you.

This warranty gives you specific legal rights, and you may have other rights which vary from state to state.

If you have any questions concerning this warranty, please write to Honeywell Customer Care, 1985 Douglas Drive, Minneapolis, MN55422.

Automation and Control Solutions

Honeywell International Inc.

1985 Douglas Drive North

Golden Valley, MN 55422

customer.honeywell.com

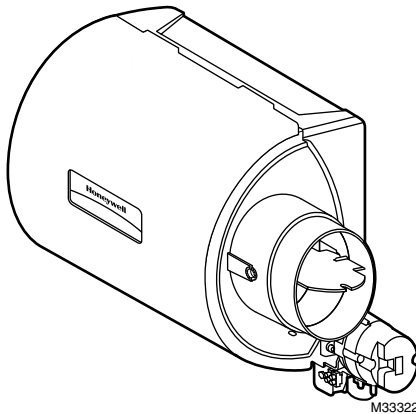
Honeywell

© U.S. Registered Trademark
© 2012 Honeywell International Inc.
69-2685ES—01 M.S. 03-12
Printed in United States

Honeywell

Humidificadores HE240 o HE280 y kit de instalación

GUÍA DE INSTALACIÓN/MANUAL DEL PROPIETARIO



**GUARDE ESTE DOCUMENTO
PARA REFERENCIA FUTURA**

Definiciones de seguridad

Estos términos de seguridad identifican la información que deberá leer antes de instalar o utilizar el humidificador.



ADVERTENCIA

Indica una situación peligrosa que, si no se evita, podría ocasionar la muerte o lesiones graves.



PRECAUCIÓN

Indica una situación peligrosa que, si no se evita, podría ocasionar lesiones físicas o daño a la propiedad.

Precauciones de seguridad

Lea y comprenda los siguientes peligros que amenazan la seguridad antes de instalar, utilizar o trabajar con el humidificador:



ADVERTENCIA

Peligro de lesiones personales graves.

Puede causar descarga eléctrica y lesiones provenientes de las partes en movimiento.

Desconecte la electricidad y corte el suministro de agua antes de retirar la tapa.



ADVERTENCIA

Voltaje peligroso

Puede causar lesiones personales o daño al equipo.

No corte ni taladre en ningún accesorio de aire acondicionado o de electricidad.



PRECAUCIÓN

Peligro de sustancias químicas.

Puede causar lesiones personales o daño al equipo.

No utilice ninguna tubería conectada a un equipo de aire acondicionado.

No utilice tubería de gas.



PRECAUCIÓN

Peligro por temperatura y presión estática.

Puede dañar la propiedad o el equipo.

Ubique el humidificador donde la temperatura ambiente esté entre 32 y 120 °F (0 a 49 °C).

No instale el humidificador donde pudiesen ocurrir temperaturas de congelamiento.

Cerciórese de que la presión estática del plenum de alimentación no sea mayor de 0.4 in en la columna de agua y que la presión de agua no sea mayor de 120 psi.



PRECAUCIÓN

Riesgo de bordes afilados en la instalación.

Puede ocasionar lesiones personales.

Utilice guantes y gafas de seguridad.

IMPORTANTE

Lea estas instrucciones y consérvelas para consulta posterior.

BIENVENIDO

Felicitaciones por la compra de su nuevo humidificador Honeywell para toda la vivienda. El uso adecuado de un humidificador Honeywell tiene numerosos beneficios relacionados con la salud y el confort de su familia y también contribuye a salvaguardar y proteger su hogar.

Cómo trabaja su humidificador

Su humidificador Honeywell utiliza el principio de que el vapor (agua evaporada) se crea cuando el aire cálido sopla sobre un área empapada con agua. A medida que circula el vapor, la humedad relativa se eleva.

Su control de humedad monitoriza la humedad relativa y activa el humidificador cuando sea necesario. El humidificador tiene un suministro de agua que dispensa agua uniformemente sobre una almohadilla del humidificador. El aire seco cálido del sistema de calefacción pasa sobre la almohadilla del humidificador y recoge el aire húmedo para que circule por toda su casa.

El aire humidificado se siente más cálido y más confortable de modo que puede bajar el punto de ajuste del termostato, lo cual le ahorra dinero en sus facturas de calefacción. El resultado final es que su humidificador le brinda un ambiente confortable que también le ahorra energía.

Características específicas del modelo

El humidificador HE280 posee tecnología integrada para el ahorro de agua que podría ahorrar hasta 30% en comparación con otras marcas destacadas. ¡Esto significa un ahorro de hasta 20 galones (75.7 l) de agua al día!

APLICACIÓN

Este kit contiene su nuevo humidificador Honeywell HE240 o HE280, el humidistato H8908 y todos los accesorios necesarios para la instalación.

PREPARACIÓN PARA LA INSTALACIÓN

Cerciórese de identificar todos los accesorios necesarios que se incluyen (Tabla 1) y tener disponibles los implementos adecuados antes de comenzar la instalación.

Accesorios incluidos

Tabla 1. Accesorios incluidos.

Cantidad	Accesorio
48 in. (1.22 m)	Conductos de derivación que incluyen: Conducto flexible de 6 in (155 mm) de diámetro
20 ft (6.1 m)	Cable calibre 18 de dos conductores para termostato
20 ft (6.1 m)	Tubería de alimentación de agua de 1/4 in (6.35 mm) de diámetro interno
10 ft (3.1 m)	Tubería de drenaje 1/2 in (12.7 mm) de diámetro interno
1 bolsa	Accesorios para conexión y montaje: 4 tornillos de montaje 1 abrazadera para el tubo de drenaje
1	Humidistato H8908
1 bolsa	Ensamblaje de válvula de asiento: 1 válvula de asiento y abrazadera superior 1 abrazadera inferior roscada 2 pernos 1 junta de goma 1 inserto de latón 1 cojinete plástico 1 armella
1	Transformador enchufable
1	Rollo de cinta metálica
1 bolsa	1 codo plástico 1 arandela aislante 1 banda del conector 1 tubería de PVC 1 empalme para cables
1	Plantilla de montaje

Herramientas necesarias

Las herramientas necesarias para la instalación incluyen:

- Tijera de hojalata.
- Destornillador.
- Alicata
- Llave ajustable o de extremo abierto
- Taladro
- Nivel
- Broca para taladrar lámina de metal de 3/4 in (19 mm)

Cómo determinar la mejor ubicación para el humidificador

- Elija un lugar para el humidificador en el conducto de alimentación (corriente de aire cálido). Consulte la Fig. 1 para ver los ejemplos. El montaje en el conducto de retorno es aceptable si existen restricciones de espacio en el conducto de suministro. Si monta el humidificador en el conducto de retorno, simplemente sustituya "conducto de retorno" por "conducto de alimentación" en estas instrucciones.
- Elija un lugar que no pueda dañar el serpentín A del aire acondicionado durante la instalación.
- No ubique el humidificador en la estructura del sistema de calefacción.
- Monte el humidificador en un espacio acondicionado para evitar el congelamiento.
- Monte el humidificador al menos 3 in (78 mm) por encima del sistema de calefacción para permitir suficiente espacio para la válvula solenoide y la tubería de drenaje.

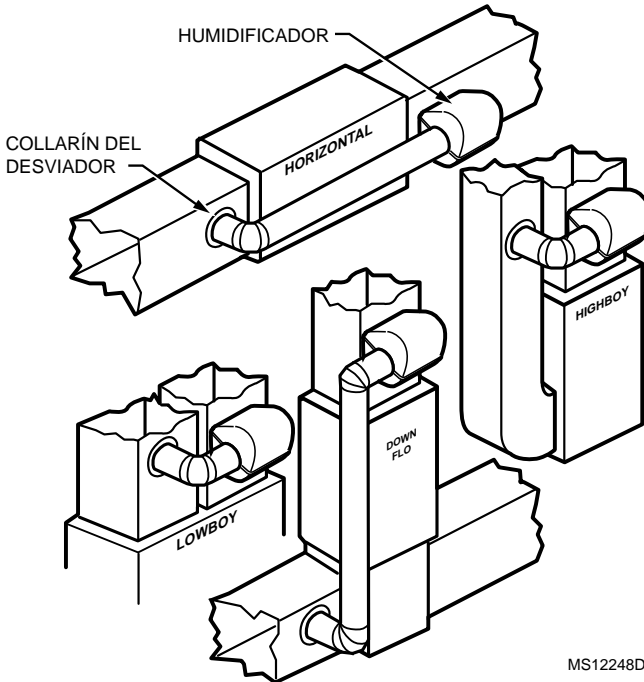
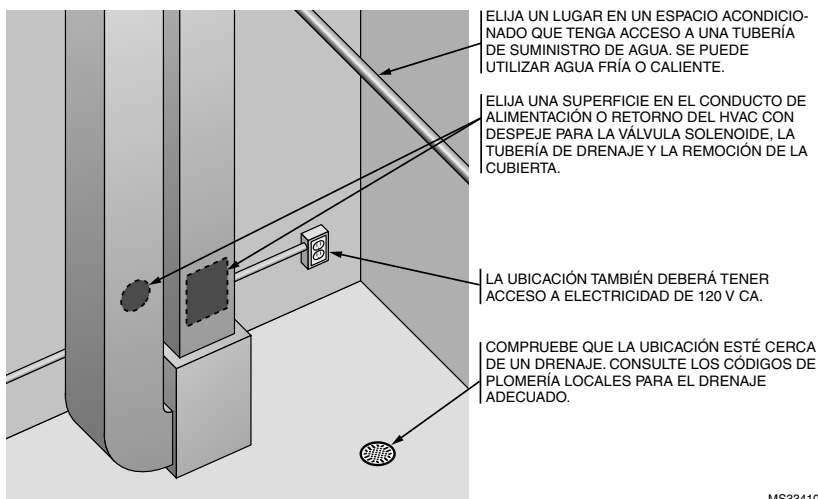


Fig. 1. Ubicaciones de instalación típicas para el humidificador.



MS33410

Fig. 2. Ubicaciones de instalación típicas para el humidificador.

Elección de la ubicación del humidistato

- Elija una ubicación para el humidistato en el plenum de retorno o en la pared del espacio habitable.
- El montaje en el plenum de retorno es la instalación más fácil para el circuito de cableado de control.

IMPORTANTE

El humidistato deberá estar montado por encima del humidificador o del conducto de derivación para lograr que detecte adecuadamente la humedad relativa del espacio habitable. Ubique el control al menos 8 in (203 mm) por encima del humidificador en el conducto de aire de retorno. (Consulte la Fig. 3.)

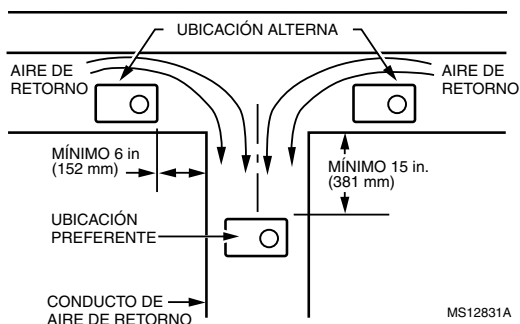


Fig. 3. Elección de la ubicación del conducto para el humidistato.

Ubicación más cercana a un tomacorriente de 120 V

- Elija la ubicación con acceso a un tomacorriente. Si no está disponible, contacte a un electricista para que instale un tomacorriente.
- Cerciórese de que el cable de 20 ft (6.1 m) del termostato sea adecuado para llegar desde el humidificador hasta el humidistato y también desde el humidificador hasta el transformador. Tenga en cuenta que el cable del termostato deberá cortarse en 2 largos adecuados. Consulte la sección "Cableado" en la página 16 para más información.

INSTALACIÓN

1. Desconecte el suministro eléctrico del sistema de manejo de aire en el interruptor de circuito.
2. Trace una línea nivelada en el plenum en la ubicación elegida.

IMPORTANTE

Para lograr un óptimo rendimiento del producto, cerciórese de que la plantilla de montaje esté a nivel antes de marcar. Se recomienda el uso de un nivel pequeño.

3. Ubique la plantilla (forma número 69-2710 que se incluye en la caja). Para el modelo HE240, corte la plantilla por la línea punteada.
4. Enciente la plantilla en su posición y trace alrededor de la plantilla.
5. Retire la plantilla y corte cuidadosamente la abertura rectangular utilizando una tijera de hojalata.
6. Desensamble el humidificador; retire la cubierta y saque el ensamble de la almohadilla del humidificador. Consulte la Fig. 4.

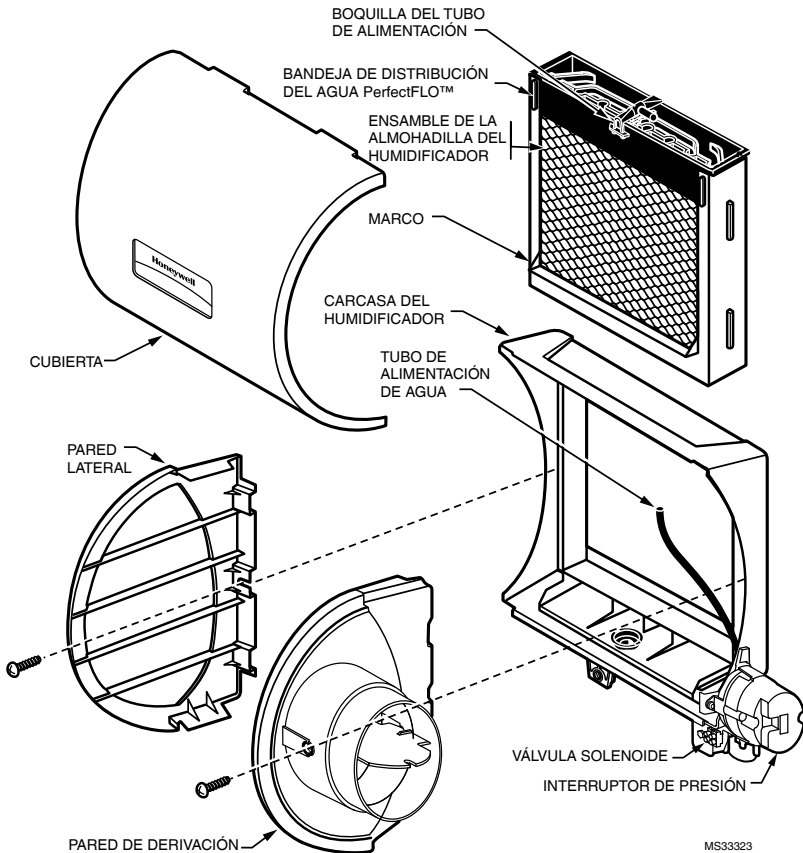


Fig. 4. Desensamblaje del humidificador.

HUMIDIFICADORES HE240 O HE280 Y KIT DE INSTALACIÓN

7. Cerciórese de que la carcasa del humidificador esté a nivel y seguidamente colóquela en la abertura de modo que las pestañas plásticas queden en su lugar en el *borde inferior de la lámina metálica* de la abertura. Use un alicate según sea necesario, para aplanar los bordes cortados. Consulte la Fig. 5.
8. Fije la carcasa del humidificador en la abertura de la parte superior e inferior utilizando tornillos para lámina metálica.
9. Utilice el collarín de arranque de 6 in (155 mm) como plantilla para marcar la abertura del desviador. El collarín de arranque puede identificarse mediante las lengüetas metálicas maleables.

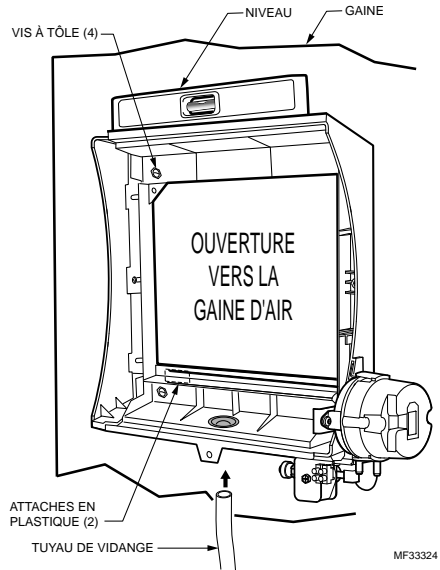


Fig. 5. Instalación del humidificador en un conducto.

10. Corte cuidadosamente la abertura para el extremo del collarín de arranque de 6 in (155 mm) del conducto flexible de 48 in (1.22 m). Consulte la Fig. 6. Utilice un taladro para iniciar el corte en la mitad del círculo. Corte en forma de espiral hacia afuera para permitir el control del corte.

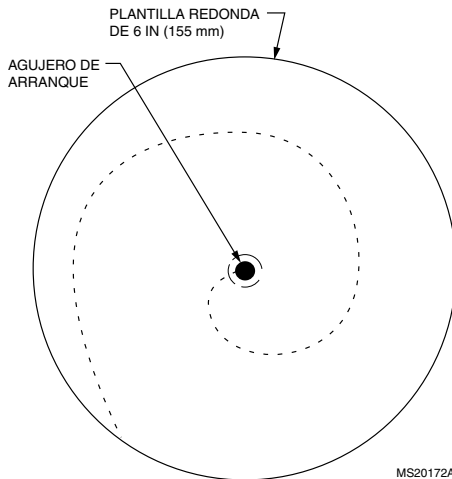


Fig. 6. Corte para la abertura del desviador.

11. Vuelva a ensamblar las placas laterales del humidificador para personalizar la orientación de su instalación específica. La placa lateral con el puerto del humidificador debe estar en el lado del humidificador más cercano al agujero de 6 in (155 mm) que se cortó en el paso 10.
12. Inserte el conducto flexible con el collarín de arranque en el agujero de 6 in (155 mm) que se cortó en el paso 10. Introduzca la mano en el agujero A TRAVÉS DEL CONDUCTO FLEXIBLE de modo que las lengüetas de metal maleable puedan doblarse hacia afuera dentro del agujero. Estas lengüetas, cuando se doblan hacia afuera, contribuirán a fijar el conducto flexible en el sistema de conductos de su hogar.
13. Coloque el extremo suelto restante del conducto flexible sobre el puerto del humidificador en el HE240/HE280 y compruebe que el conducto flexible se prolonga más allá de las lengüetas plásticas elevadas del puerto. Estas lengüetas contribuirán a retener el conducto flexible en su lugar. Verifique que la hoja del regulador tenga el despeje adecuado para moverla hacia atrás y hacia adelante en las posiciones de verano o invierno. Fije el conducto flexible en su lugar con la banda plástica del conector.
14. Selle las conexiones del conducto con cinta metálica. Selle tanto la conexión entre el extremo del collarín de arranque del conducto flexible y el sistema de conductos de la vivienda y 2) el extremo del conducto flexible hacia el humidificador sobre la parte superior de la banda del conector.
15. Vuelva a instalar el ensamblaje de la almohadilla del humidificador en la carcasa del mismo.

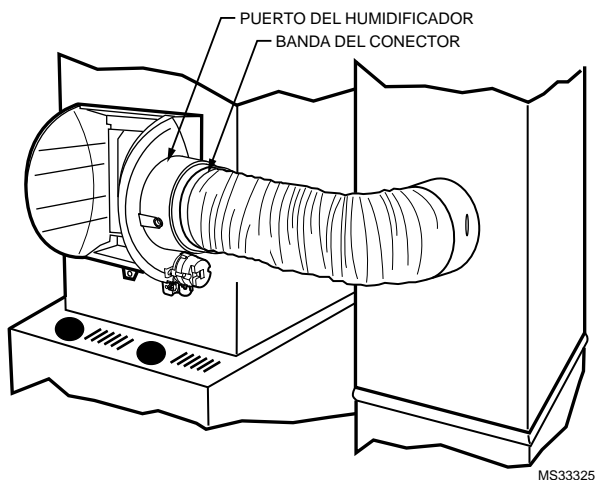


Fig. 7. Conexión del conducto de derivación.

16. Coloque la cubierta en su lugar y asegure con los tornillos de pulgar ubicados en la parte inferior de la cubierta.

Conexión de plomería

Utilice agua caliente o fría y dura o suave en el humidificador.

NOTA: Utilizar agua caliente aumentará los costos de funcionamiento, pero puede proporcionararle un pequeño aumento en la cantidad de humedad que se proporciona.

IMPORTANTE

Consulte la normativa local de plomería sobre las regulaciones pertinentes antes de comenzar. Es posible que sea necesario utilizar una válvula de corte manual para cumplir con la normativa en su área.

1. Corte el suministro de agua.
2. Utilice la válvula de asiento autopercutor que se incluye para insertar en la tubería de suministro de agua en la ubicación elegida. Gire la manija de la parte superior de la válvula de asiento hacia la derecha (en el sentido horario) hasta que la aguja perfora la tubería de suministro de agua. Deje la aguja en esta posición hasta que el humidificador esté totalmente instalado para evitar fugas (incluso si el suministro de agua está cerrado, puede haber agua en la tubería, la cual goteará tan pronto como la aguja se retire). Consulte la Fig. 8. Si utiliza un tubo galvanizado, purgue la tubería y pretaladre 3/16 in (4.4 mm) para la válvula de asiento.

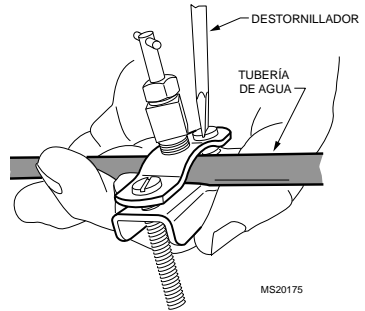


Fig. 8. Instalación de la válvula de asiento.

NOTA: La válvula de asiento no está diseñada para regular el flujo de agua. La válvula está abierta o cerrada.

IMPORTANTE

Para evitar que los desechos obstruyan el filtro de la tubería del solenoide, instale la manija de la válvula de asiento orientada hacia el techo.

3. Utilice tubería de 1/4 in (6 mm) de diámetro externo y conecte la válvula de asiento al lado de la toma de la válvula del solenoide del humidificador (consulte la Fig. c).
 - a. Coloque la tuerca de compresión de latón sobre la tubería.
 - b. Coloque el aro de compresión plástico sobre la tubería. (Deseche el aro de compresión de cobre que se suministra con la válvula).
 - c. Instale el inserto de latón en el extremo de la tubería.

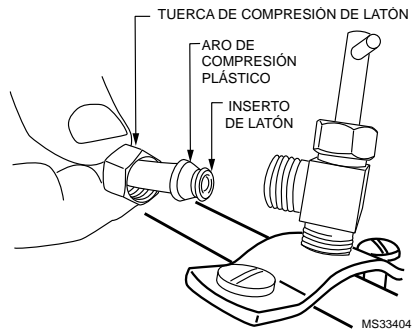
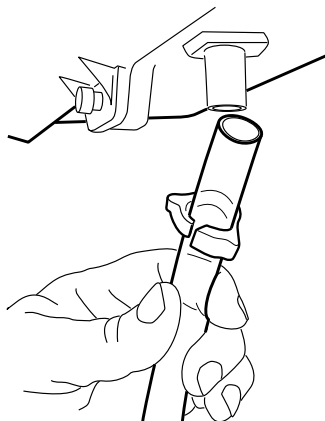


Fig. 9. Instalación de la tubería de alimentación.

NOTE: Para evitar fugas, utilice aros de compresión plásticos (Delrin) con tubería plástica. Utilice aros de cobre únicamente con tubería de cobre.

- d. Inserte la tubería en el acople de la válvula de asiento y soporte la válvula mientras aprieta la tuerca de compresión.
 - e. Inserte la tubería plástica de suministro en el acople de conexión rápida. Inserte completamente y aplique una presión moderada para lograr un ajuste ceñido.
4. Ejecute los siguientes pasos para instalar un tubo de drenaje de 1/2 in (13 mm) entre el humidificador y el drenaje de piso (consulte la Fig. 10).
- a. Coloque la abrazadera del drenaje sobre la tubería.
 - b. Empuje la tubería sobre la boquilla de drenaje del humidificador.
 - c. Apriete a mano la abrazadera alrededor de la tubería para asegurar el drenaje del humidificador. La abrazadera se aprieta comprimiendo los dos lados juntos para que uno de los lados encaje en la ranura estriada del otro lado.
 - d. Fije la tubería de drenaje (puede utilizar cinta metálica) por toda la ruta para evitar el movimiento y lograr una pendiente descendente para el drenaje.



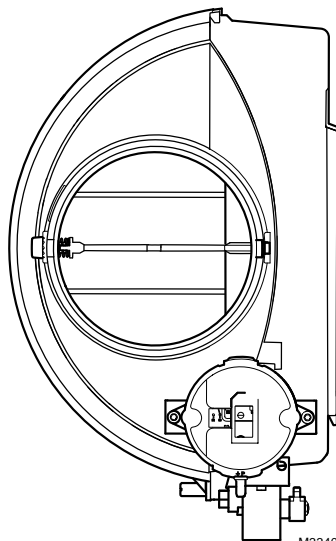
M20177

Fig. 10. Instalación de la tubería de drenaje.

NOTA: corte la tubería al largo adecuado de modo que finalice en el drenaje.

Cómo conectar el interruptor de presión

1. Si el humidificador está instalado en el conducto de alimentación (como se recomienda), el interruptor de presión debe tener la tubería conectada al conducto de retorno. Si el humidificador está instalado en el conducto de retorno, el interruptor de presión debe tener la tubería conectada al conducto de alimentación.
2. Taladre un agujero de 3/4 in (19 mm) de diámetro en el conducto en el trayecto de 10 ft (3 m) desde el interruptor para lograr que la tubería que se suministra alcance el codo de la toma de presión.

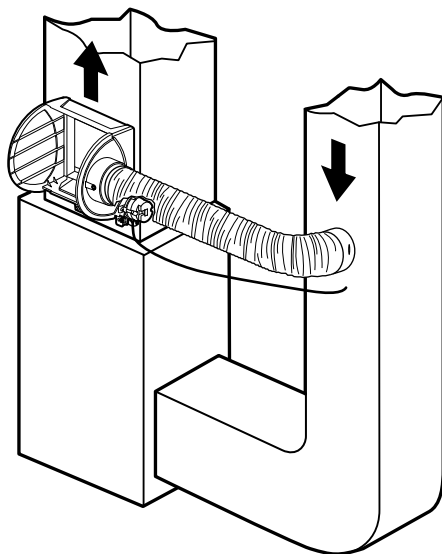


M33405

Fig. 11. Interruptor de presión.

HUMIDIFICADORES HE240 O HE280 Y KIT DE INSTALACIÓN

3. Inserte la arandela aislante negra en el agujero del conducto.
4. Conecte la tubería al codo de acople de la tubería e inserte este en la arandela aislante negra.
5. Conecte el otro extremo de la tubería a la conexión de presión pertinente en el interruptor.
 - a. Si el humidificador está instalado en el conducto de alimentación (como se recomienda), el tubo que se inserta en el humidificador debe estar fijado en el puerto negro y el tubo que va al conducto de retorno debe estar fijado al puerto gris.
 - b. Si el humidificador está instalado en el conducto de retorno, el tubo que se inserta en el humidificador debe estar fijado en el puerto gris y el tubo que va al conducto de suministro debe estar fijado en puerto negro.



M33326

Fig. 12. Instalación de la tubería del interruptor de presión.

6. Puede cortar la tubería para adecuar el largo de la conexión entre el codo de acople y el interruptor. También se recomienda fijar la manguera a las estructuras existentes para evitar la desconexión accidental.

Instalación del humidistato

1. La plantilla de montaje se incluye con las instrucciones de instalación del humidistato.
2. Aplique la plantilla al conducto de retorno (consulte la Fig. 3 en la página 6). Compruebe que la plantilla esté nivelada antes de perforar los agujeros. (Se recomienda el uso de un nivel pequeño).
3. Retire el soporte de base del H8908.
4. Deslice la junta de espuma sobre la base. (Consulte la Fig. 14.)
5. Coloque el soporte de base en el conducto con la flecha hacia arriba.
6. Fije el soporte de base al conducto utilizando los cuatro tornillos de montaje de 1 in (25 mm) que se proporcionan con el humidistato. (Consulte la Fig. 15.)

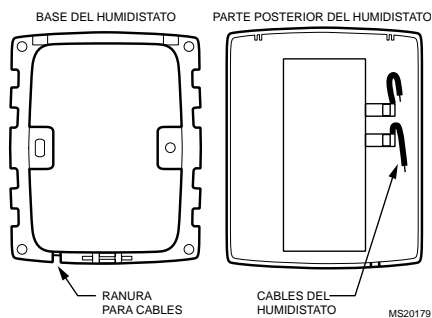


Fig. 13. Base del humidistato y vista posterior.

7. Conecte los cables de bajo voltaje a los cables conductores y reemplace la caja del H8908. Consulte la Fig. 16.

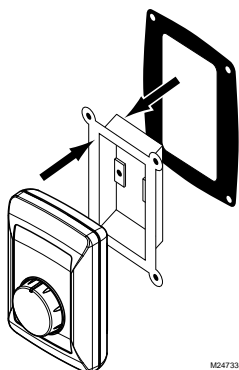


Fig. 14. Coloque la junta de espuma sobre la base.

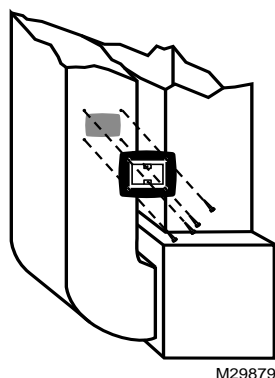


Fig. 15. Fije el soporte de base al conducto.

NOTA: Para las instrucciones de montaje en pared, refiérase a las instrucciones de instalación del H8908.

CABLEADO



PRECAUCIÓN

Voltaje peligroso. Puede causar lesiones personales o daño al equipo.
Desconecte el suministro eléctrico antes de instalar o prestar servicio al equipo.

IMPORTANTE

Todo el cableado debe cumplir con la normativa, ordenanzas y regulaciones locales pertinentes.

Cablee la válvula del solenoide del humidificador, el humidistato y el transformador. Consulte la Fig. 16.

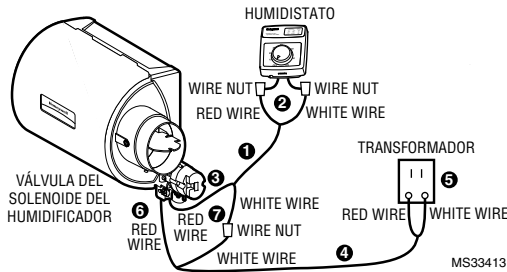


Fig. 16. Cableado de los controles y el HE240.

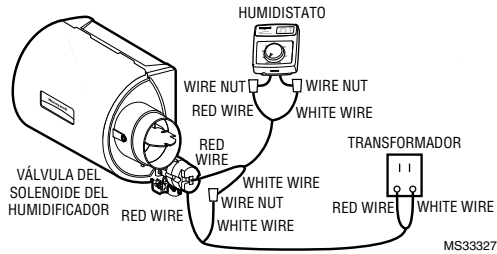


Fig. 17. Cableado de los controles y el HE280.

1. Determine la longitud de cable necesaria para llegar desde el humidificador hasta el humidistato. Corte al largo y pele los extremos adecuadamente.
2. Conecte los cables rojo y blanco a los cables conductores del humidistato de acuerdo con el diagrama de cableado. Use los empalmes para cables que se suministran para fijar las conexiones.
3. Tomando el extremo opuesto del cable, conecte el CABLE ROJO a un terminal del humidificador. Deje el cable blanco suelto en este punto.
4. Utilizando el cable restante, determine el largo necesario para llegar desde el humidificador hasta el transformador. Corte al largo y pele los extremos adecuadamente.
5. Desenchufe el transformador. Conecte los cables rojo y blanco al transformador aflojando los tornillos del transformador, enrolle el cable alrededor del poste del tornillo y vuelva a apretar los tornillos.
6. Tomando el extremo opuesto del cable, conecte el CABLE ROJO al terminal suelto restante del humidificador.
7. Conecte los dos cables blancos restantes juntos utilizando el empalme para cables que se suministra.

PRUEBA DE FUNCIONAMIENTO DEL HUMIDIFICADOR

Checklist

- El humidificador está nivelado.
- El cableado de control ha sido revisado utilizando el diagrama de circuito.
- El humidificador está enchufado.
- La tubería de alimentación no tiene torceduras.
- La tubería de drenaje desciende continuamente y termina en el drenaje de piso.
- La manguera de agua dentro del humidificador está conectada a la bandeja de distribución de agua PerfectFLO™.
- La tubería del interruptor de presión no está torcida ni comprimida.

Después de la instalación siga estos pasos para revisar el funcionamiento del humidificador:

1. Active el suministro de electricidad y de agua.
2. Compruebe que la válvula de asiento esté completamente abierta girando la manija hacia la izquierda (sentido antihorario) hasta que encuentre resistencia.
3. Encienda el humidistato H8908 y la calefacción colocando el termostato 10 °F (6 °C) por encima de la temperatura de la habitación.

IMPORTANTE

El soplador del sistema de calefacción deberá estar encendido para activar el humidificador.

4. Cerciórese de que el agua fluya hacia afuera en la manguera de drenaje. Si el agua no fluye, refiérase a la sección de Localización y solución de problemas de su humidificador.
5. Revise si hay fugas.
6. Reinicie el termostato y el humidistato H8908 a una graduación confortable para el funcionamiento automático. (Se recomienda un 35% de humedad relativa.)

FUNCIONAMIENTO

Control de la configuración de humedad

Su humidistato H8908 controla su humidificador.

- Elija la configuración de control de humedad utilizando la escala de combinación de configuración de humedad relativa/temperatura en exteriores de su selector de control de humedad.
- Haga coincidir la configuración del selector con la temperatura exterior para optimizar el nivel de humedad mientras disminuye la condensación de humedad en sus ventanas. Consulte la Tabla 2 en la página 18 para ajustar el control de humedad con la configuración recomendada.

NOTA: a medida que la temperatura exterior descienda, se recomienda una configuración de humedad más baja para lograr la adecuación al punto de condensación. Estas configuraciones deben disminuir la acumulación de humedad y hielo en las ventanas y otras áreas de la casa.

- Regule la configuración del control de humedad para actividades en interiores tales como cocinar, ducharse y secar la ropa, lo cual puede ocasionar niveles excesivos de humedad que pueden acumular condensación en sus ventanas.

NOTA: si estas actividades persisten por más de algunas horas, coloque el control de humedad en la graduación más baja para apagar el humidificador. Si la situación no mejora, ventile su hogar para eliminar la humedad.

Tabla 2. Configuración del humidistato.

Cuando la temperatura externa sea:	Coloque el control en esta configuración:
-20 °F (-29 °C)	15
-10 °F (-23 °C)	20
0 °F (-18 °C)	25
+10 °F (-12 °C)	30
+20 °F (-7 °C)	35
Superior a 20 °F (-7 °C)	40

MANTENIMIENTO DE SU HUMIDIFICADOR

Un programa regular de mantenimiento prolonga la vida de su humidificador y hace que su casa sea más confortable. La frecuencia de limpieza depende de la calidad del agua.

Puede utilizar agua dura o suave en su humidificador, pero los depósitos minerales del agua dura son más difíciles de limpiar que los depósitos del agua suave.

Emplee el siguiente procedimiento para limpiar su humidificador Honeywell.

IMPORTANTE

Nunca aceite ninguna parte del humidificador.

Una vez al año, dependiendo de la calidad del agua (bien al comienzo o al final de la estación de humidificación)

1. Desconecte de la electricidad desenchufando el transformador del tomacorriente y cierre el suministro de agua del humidificador girando la manija hacia la derecha (sentido horario) hasta que el agua deje de salir o encuentre resistencia.
2. Retire la cubierta del humidificador. Consulte la Fig. 18 en la página 19.
3. Retire el ensamble de la almohadilla del humidificador tomando la parte superior de la bandeja y halándola hacia usted.
4. Hale un lado del ensamble de la almohadilla del humidificador hacia usted y retire la bandeja del marco.

5. Comprima suavemente los retenedores de la boquilla del agua (hay un par de retenedores en cada lado de la bandeja de distribución de agua PerfectFLO™) hacia adentro hasta que pueda extraer la boquilla del agua de la bandeja.
6. Deslice la almohadilla del humidificador hacia afuera para retirarla del marco y deséchela. Honeywell recomienda reemplazar la almohadilla del humidificador anualmente. Sin embargo, si el agua de su vivienda tiene una alta concentración de minerales, es posible que la almohadilla deba cambiarse con mayor frecuencia.
7. Retire cuidadosamente cualquier depósito de minerales de la bandeja y del marco. Cerciórese de que el agujero de drenaje del marco no tenga un obstáculo que lo bloquee.
8. Desconecte la manguera de drenaje del acople de drenaje en la parte inferior de la carcasa del humidificador.
9. Limpie el acople de drenaje, si fuese necesario.
10. Doble la manguera de drenaje para aflojar los depósitos minerales.
11. Enjuague la manguera de drenaje con agua presurizada (de un grifo de agua corriente) para limpiar la manguera.
12. Vuelva a fijar la manguera de drenaje en el acople de drenaje.
13. Coloque una nueva almohadilla de humidificador Honeywell en el marco.
14. Coloque a presión la boquilla del tubo de alimentación del agua nuevamente en la bandeja.
15. Vuelva a fijar la bandeja al marco.
16. Coloque el ensamble de la almohadilla del humidificador en la carcasa del mismo y presione hasta que el ensamble esté completamente asentado. Tenga cuidado de no pellizcar o torcer el tubo de alimentación.
17. Vuelva a colocar la cubierta del humidificador.
18. Verifique el funcionamiento del humidificador siguiendo los pasos de la sección Revisión de su humidificador para lograr el funcionamiento adecuado.

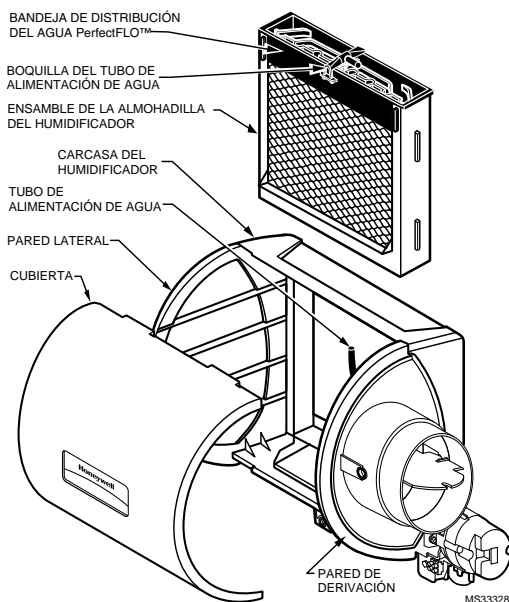


Fig. 18. Limpieza del humidificador.

Fin de la temporada de humidificación

- Limpie el humidificador y desconéctelo al final de la temporada de uso de la calefacción.
- Cierre el suministro de agua en la válvula de asiento girando la manija hacia la derecha (sentido horario) hasta que el agua deje de salir o encuentre resistencia.
- Desenchufe el humidificador del tomacorriente de pared.
- Coloque la hoja del regulador en la posición "summer" (verano).

IMPORTANTE

Cerciórese de que la electricidad que alimenta el humidificador esté desconectada.

Reemplazo de las almohadillas del humidificador

Honeywell recomienda reemplazar la almohadilla del humidificador anualmente. Sin embargo, si el agua de su vivienda tiene una alta concentración de minerales, es posible que la almohadilla deba cambiarse con mayor frecuencia porque la acumulación de minerales disminuye su capacidad de funcionar normalmente. Si hay acceso a un suavizador de agua, se recomienda el uso de agua suavizada.

Tabla 3. Número de pieza de las almohadillas de reemplazo.

Modelo del humidificador	Almohadilla de reemplazo
HE240	HC22P
HE280	HC26P

De vacaciones

- Desconecte la electricidad cuando esté de vacaciones y cierre el suministro de agua del humidificador y del humidistato.
- Cuando regrese, active el suministro de agua al humidificador y reinicie el humidistato.

Comienzo de la temporada de humidificación

Siga los siguientes pasos para que el humidificador regrese a su funcionamiento normal (invierno):

1. Coloque la hoja del regulador en la posición "winter" (invierno).
2. Enchufe el transformador del humidificador nuevamente en el tomacorriente de pared y abra el suministro de agua al humidificador girando la manija de la válvula de asiento hacia la izquierda (sentido antihorario) hasta que encuentre resistencia.
3. Gire el humidistato a su graduación más alta y coloque el termostato 10 °F (6 °C) por encima de la temperatura de la habitación.
4. Observe si el agua fluye hacia afuera de la manguera de drenaje.

NOTA: el soplador del sistema de calefacción deberá estar encendido para activar el humidificador.

5. Reinicie el termostato y el humidistato a una graduación confortable para el funcionamiento automático. (Se recomienda un 35% de humedad relativa.)

LOCALIZACIÓN Y SOLUCIÓN DE PROBLEMAS

Tabla 4. Localización y solución de problemas.

Problema	Lo que debe buscar	Cómo resolverlo
Fuga de agua	Juntas que goteen.	Corte el suministro de agua. Apriete las conexiones.
	Insertos de latón para tubería	Verifique que los insertos de latón para tubería se hayan utilizado.
	Fugas en la válvula de asiento	Verifique que la almohadilla de goma se haya instalado en la válvula de asiento.
No hay agua en el drenaje.	Electricidad	Verifique el cableado del circuito de control. Revise todas las conexiones.
	Humidistato	Gire el humidistato hacia arriba y hacia abajo y escuche que el contacto haga clic.
	Electricidad en el humidificador	Verifique que el tomacorriente tenga electricidad.
	Solenoide	Después de verificar otros componentes del cableado, encienda el ventilador del sistema de calefacción, gire el humidistato hacia arriba y hacia abajo y escuche que el solenoide haga clic.
	Plomería	Verifique las conexiones de plomería. Revise si hay torceduras.
	Válvula de asiento	Verifique que la aguja atraviesa la tubería de agua y luego se retira hacia la válvula abierta.
	Humidificador	Retire la cubierta y verifique que el agua fluye hacia la bandeja de distribución.
Tubería de drenaje	Verifique que no existan obstrucciones.	
Fuga de aire	Revise todas las uniones del conducto	Cinta adhesiva para conductos.
Humedad alta	Condensación en las paredes.	<ul style="list-style-type: none"> Apague el control de humedad y cierre el suministro de agua hasta que la condensación se haya evaporado completamente.
	Mucha condensación en las ventanas.	<ul style="list-style-type: none"> Disminuya el control de humedad lo suficiente como para eliminar la condensación provocada por la humedad en el baño, por la limpieza con trapeador, por la actividad en la cocina, etc. Si persiste la humedad, es necesario aumentar la ventilación.

Tabla 4. Localización y solución de problemas. (Continued)

Humedad baja	El soplador del sistema de calefacción no está funcionando.	<ul style="list-style-type: none"> • Reinicie el interruptor de circuito o verifique si hay algún fusible quemado. • Verifique que haya energía en los sistemas de calefacción. • Revise todas las conexiones de cableado externo. • Revise la configuración del control de humedad. • Verifique que el interruptor de presión no esté comprimido u obstruido. • Llame a un contratista de calefacción profesional.
	Cambios rápidos de aire. Corrientes de aire (el aire frío está seco y es una carga añadida al humidificador).	<ul style="list-style-type: none"> • Mantenga las puertas y las ventanas cerradas. • Cierre el regulador de la chimenea cuando no la utilice. • Mantenga el ventilador extractor funcionando al mínimo. • Selle todos los espacios alrededor de las puertas y de las ventanas.
	El regulador está en la posición "summer" (verano)	<ul style="list-style-type: none"> • Coloque la hoja del regulador en la posición "winter" (invierno) para permitir la humidificación.

LIMITED ONE-YEAR WARRANTY

GARANTÍA LIMITADA DE UN AÑO

Honeywell garantiza por el periodo de un (1) año a partir de la fecha de compra por parte del consumidor, que este producto, sin incluir la almohadilla del humidificador, no presentará defectos en los materiales ni en la mano de obra, en condiciones normales de uso y de servicio. Si en cualquier momento, durante el período de vigencia de la garantía, se determina que el producto está defectuoso o no funciona adecuadamente, Honeywell lo reparará o lo reemplazará (a elección de Honeywell) en un período razonable.

Si el producto está defectuoso, devuélvalo con la factura de venta u otra prueba de compra con la fecha, al distribuidor donde lo adquirió.

Esta garantía no cubre los gastos de remoción ni de reinstalación. Esta garantía no se aplicará si Honeywell demuestra que el defecto o funcionamiento inadecuado fueron causados por daños que se produjeron mientras el producto estaba en posesión de un consumidor.

La única responsabilidad de Honeywell será la de reparar o reemplazar el producto dentro de los términos mencionados anteriormente. HONEYWELL NO SERÁ RESPONSABLE DE LA PÉRDIDA NI DAÑO DE NINGÚN TIPO, QUE INCLUYE CUALQUIER DAÑO INCIDENTAL O CONSECUENTE QUE RESULTE, DIRECTA O INDIRECTAMENTE, DE CUALQUIER INCUMPLIMIENTO DE CUALQUIER GARANTÍA, EXPRESA O IMPLÍCITA, O DE CUALQUIER OTRA FALLA DE ESTE PRODUCTO. Algunos estados no permiten la exclusión o limitación de los daños incidentales o consecuentes, por lo que esta limitación podría no aplicarse en su caso.

ESTA GARANTÍA ES LA ÚNICA GARANTÍA EXPRESA QUE HONEYWELL OTORGA SOBRE ESTE PRODUCTO. LA DURACIÓN DE CUALQUIERA DE LAS GARANTÍAS IMPLÍCITAS, INCLUIDAS LAS GARANTÍAS DE APTITUD E IDONEIDAD PARA UN FIN DETERMINADO, QUEDA, POR EL PRESENTE, LIMITADA A LA DURACIÓN DE UN AÑO DE ESTA GARANTÍA. Algunos estados no permiten limitaciones en relación a la duración de una garantía implícita, de manera tal que la limitación anterior puede no aplicarse en su caso.

Esta garantía le otorga derechos legales específicos, pero es posible que usted goce de otros derechos que varían de un estado a otro.

Si tiene preguntas acerca de esta garantía, escriba a Honeywell Customer Care, 1985 Douglas Drive, Minneapolis, MN55422.

Automatización y control desenlace

Honeywell International Inc.

1985 Douglas Drive North

Golden Valley, MN 55422

customer.honeywell.com

Honeywell

© Marca Registrada en los Estados Unidos

© 2012 Honeywell International Inc. todos

Los Derechos Reservados

69-2685ES—01 M.S. 03-12

Impreso en Estados Unidos