

## TH8320U and TH8321U Touch Screen Programmable Thermostats

### INSTALLATION INSTRUCTIONS

### APPLICATION

The TH8320U and TH8321U Touch Screen Universal Programmable Thermostats provide electronic control of 24 Vac heating and cooling systems or 750 mV heating system. See Table 1 for a general description.

**Table 1. TH832 Thermostats Description.**

Model	Power Method	Changeover	System Selection	Fan Selection	Comments
TH8320U	Batteries or common wire	Automatic or manual selectable	Heat-Off-Cool-Auto (Em. Heat for heat pumps)	On-Auto-Circ	System and Fan selection vary based on system type
TH8321U					System and Fan selection vary based on System type. Humidity sensor to control dehumidification.



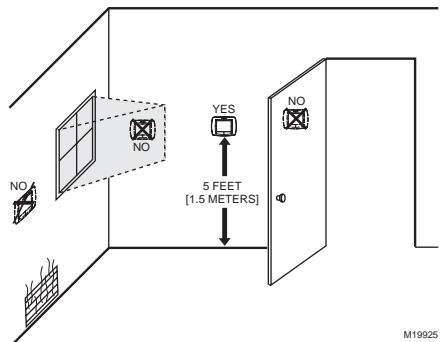
### MERCURY NOTICE

If this control is replacing a control that contains mercury in a sealed tube, do not place your old control in the trash. Dispose of properly.

Contact your local waste management authority for instructions regarding recycling and the proper disposal of the old control.

### Selecting Location

Install the thermostat about 5 ft. (1.5m) above the floor in an area with good air circulation at average temperature. See Fig. 1.



**Fig. 1. Selecting thermostat location.**

### INSTALLATION

#### When Installing this Product...

1. Read these instructions carefully. Failure to follow the instructions can damage the product or cause a hazardous condition.
2. Check the ratings given in the instructions to make sure the product is suitable for your application.
3. Installer must be a trained, experienced service technician.
4. After completing installation, use these instructions to check out the product operation.



- Do not install the thermostat where it can be affected by:
- Drafts or dead spots behind doors and in corners.
  - Hot or cold air from ducts.
  - Radiant heat from sun or appliances.
  - Concealed pipes and chimneys.
  - Unheated (uncooled) areas such as an outside wall behind the thermostat.

3. Securely tighten each screw.
4. Push excess wire back into the hole.
5. Plug the hole with nonflammable insulation to prevent drafts from affecting the thermostat.

## Installing Wallplate

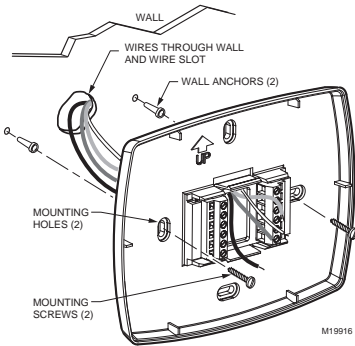


### CAUTION

**Electrical Hazard.**  
**Can cause electrical shock or equipment damage.**  
 Disconnect power before wiring.

The thermostat can be mounted horizontally on the wall or on a 4 in. x 2 in. (101.6 mm x 50.8 mm) wiring box.

1. Position and level the wallplate (for appearance only).
2. Use a pencil to mark the mounting holes.



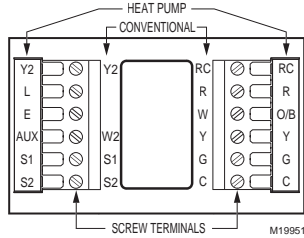
**Fig. 2. Mounting wallplate.**

3. Remove the wallplate from the wall and, if drywall, drill two 3/16-in. holes in the wall, as marked. For firmer material such as plaster, drill two 7/32-in. holes. Gently tap anchors (provided) into the drilled holes until flush with the wall.
4. Position the wallplate over the holes, pulling wires through the wiring opening. See Fig. 2.
5. Insert the mounting screws into the holes and tighten.

## WIRING (FIG. 5-16)

All wiring must comply with local electrical codes and ordinances.

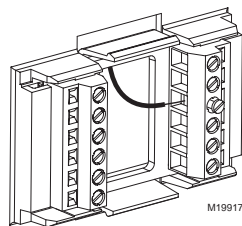
1. Select set of terminal identifications (Table 2) that corresponds with system type (conventional or heat pump in Fig. 3).
2. Loosen the screws for the appropriate system type selected; see Table 2. Insert wires in the terminal block under the loosened screw. See Fig. 4.



**Fig. 3. Selecting terminal identifications for system type.**

**Table 2. Selecting Terminal Identifications for System Type.**

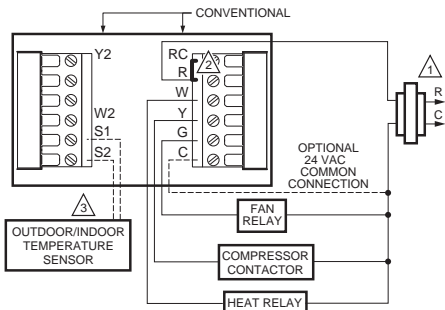
System Type	Wallplate Terminal Identifications	Wiring Diagram Reference
Standard Heat/Cool	Conventional	5, 6
Heat Only	Conventional	7
Heat Only with Fan	Conventional	8
Heat Only Series 20	Conventional	9
Cool Only	Conventional	10
Standard Multistage up to 2 Heat/2 Cool	Conventional	11, 12
Heat Pump with No Auxiliary Heat	Heat Pump	13, 14
Heat Pump with Auxiliary Heat	Heat Pump	15, 16



**Fig. 4. Inserting wires in terminal block.**

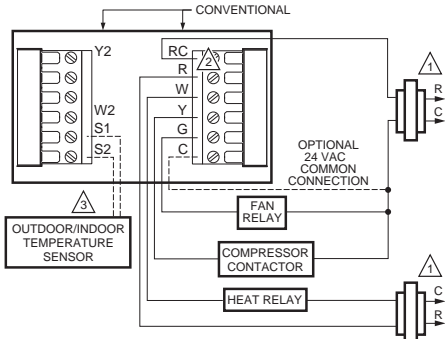
### IMPORTANT

Use 18 gauge thermostat wire.



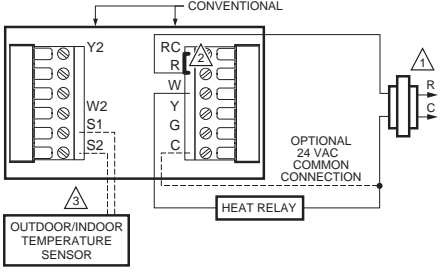
- 1 POWER SUPPLY. PROVIDE DISCONNECT MEANS AND OVERLOAD PROTECTION AS REQUIRED.
  - 2 FACTORY INSTALLED JUMPER.
  - 3 OPTIONAL OUTDOOR OR INDOOR REMOTE SENSOR. AVAILABLE ON SELECT MODELS. WIRES MUST HAVE A CABLE SEPARATE FROM THE THERMOSTAT CABLE.
- M19895

**Fig. 5. Typical hookup of conventional single-stage heat and cool system with single transformer (1H/1C conventional).**



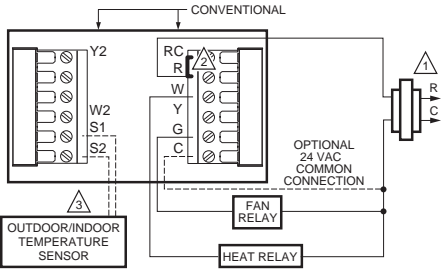
- 1 POWER SUPPLY. PROVIDE DISCONNECT MEANS AND OVERLOAD PROTECTION AS REQUIRED.
  - 2 REMOVE FACTORY INSTALLED JUMPER.
  - 3 OPTIONAL OUTDOOR OR INDOOR REMOTE SENSOR. AVAILABLE ON SELECT MODELS. WIRES MUST HAVE A CABLE SEPARATE FROM THE THERMOSTAT CABLE.
- M19896

**Fig. 6. Typical hookup of conventional single-stage heat and cool system with two transformers (1H/1C conventional).**



- 1 POWER SUPPLY. PROVIDE DISCONNECT MEANS AND OVERLOAD PROTECTION AS REQUIRED.
  - 2 FACTORY INSTALLED JUMPER.
  - 3 OPTIONAL OUTDOOR OR INDOOR REMOTE SENSOR. AVAILABLE ON SELECT MODELS. WIRES MUST HAVE A CABLE SEPARATE FROM THE THERMOSTAT CABLE.
- M19897

**Fig. 7. Typical hookup of heat-only system (1H conventional).**



- 1 POWER SUPPLY. PROVIDE DISCONNECT MEANS AND OVERLOAD PROTECTION AS REQUIRED.
  - 2 FACTORY INSTALLED JUMPER.
  - 3 OPTIONAL OUTDOOR OR INDOOR REMOTE SENSOR. AVAILABLE ON SELECT MODELS. WIRES MUST HAVE A CABLE SEPARATE FROM THE THERMOSTAT CABLE.
- M19898

**Fig. 8. Typical hookup of heat only system with fan (1H conventional).**

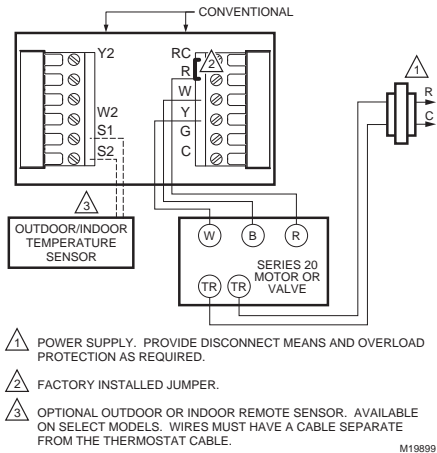


Fig. 9. Typical hookup of heat only Series 20 system.

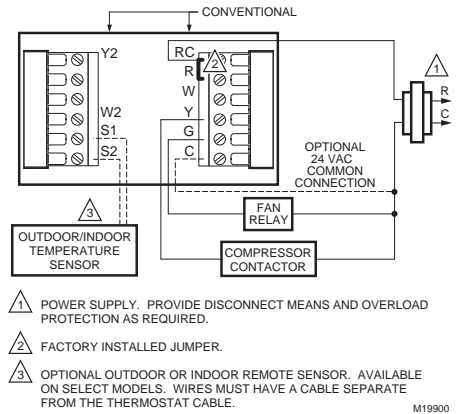


Fig. 10. Typical hookup of cool only system (1C conventional).

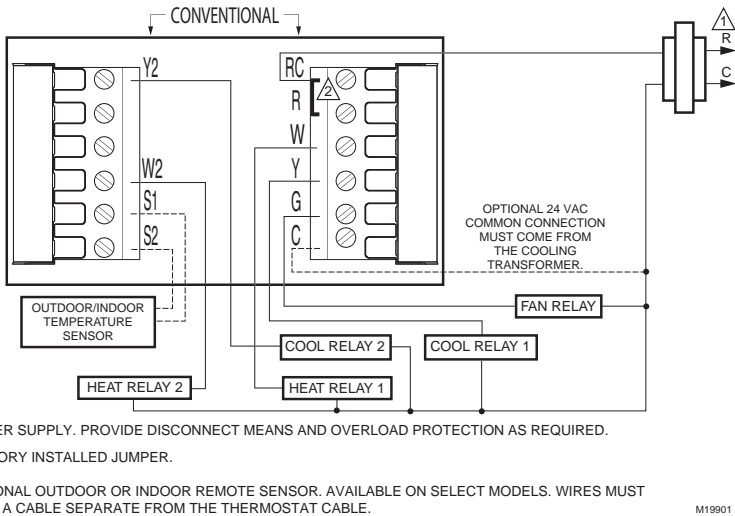
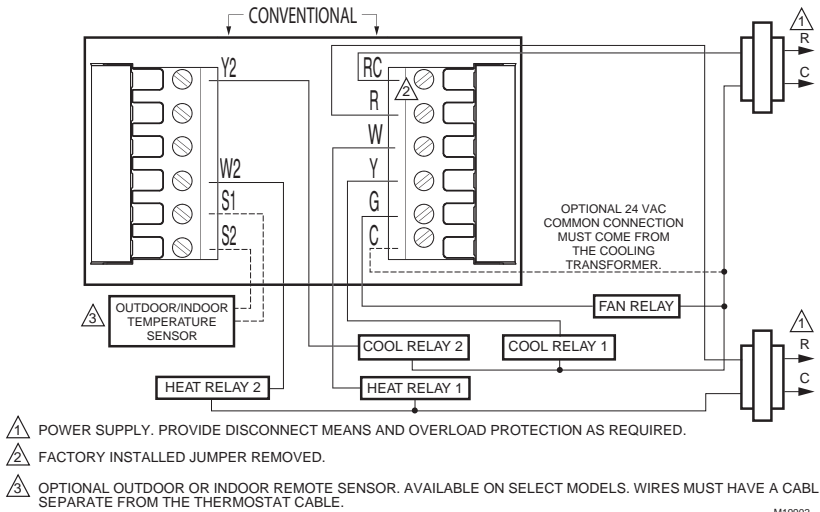
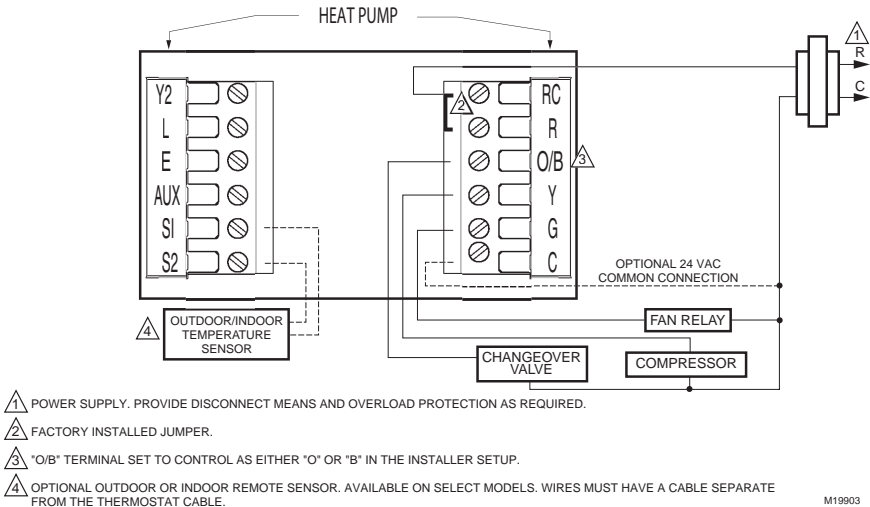


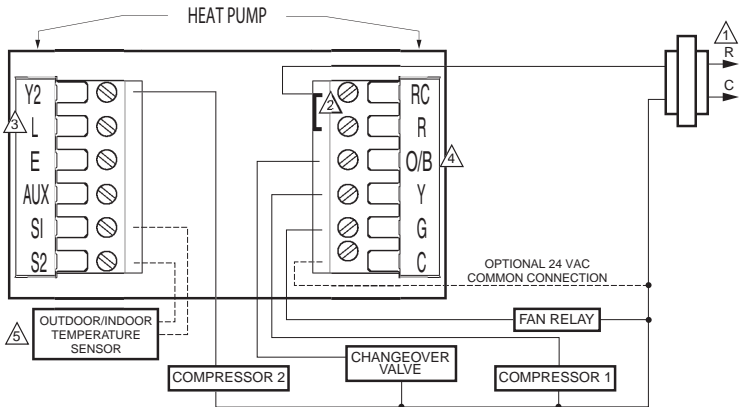
Fig. 11. Typical hookup of conventional multistage two-stage heating and two-stage cooling in a single transformer system (2H/2C or 2H/1C or 1H/2C conventional).



**Fig. 12. Typical hookup of conventional multistage two-stage heating and two-stage cooling in a two-transformer system (2H/2C or 2H/1C or 1H/2C conventional).**



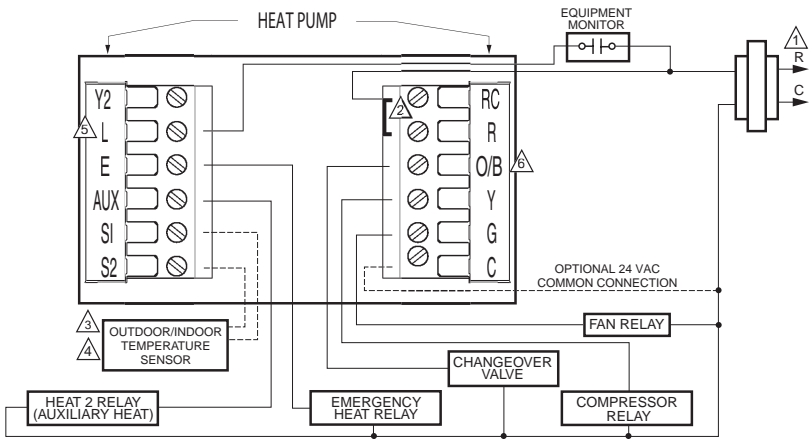
**Fig. 13. Typical hookup of single-stage heat pump with no auxiliary/backup heat (1H/1C heat pump).**



- 1 POWER SUPPLY. PROVIDE DISCONNECT MEANS AND OVERLOAD PROTECTION AS REQUIRED.
- 2 FACTORY INSTALLED JUMPER.
- 3 MUST CONNECT THE 24 VAC COMMON WHEN USING L. THE TERMINAL IS SHOWN AS EQUIPMENT MONITOR, CAN ALSO BE USED AS A 24 VAC OUTPUT. SEE "L TERMINAL" SECTION FOR MORE INFORMATION.
- 4 "O/B" TERMINAL SET TO CONTROL AS EITHER "O" OR "B" IN THE INSTALLER SETUP.
- 5 OPTIONAL OUTDOOR OR INDOOR REMOTE SENSOR. AVAILABLE ON SELECT MODELS. WIRES MUST HAVE A CABLE SEPARATE FROM THE THERMOSTAT CABLE.

M19904

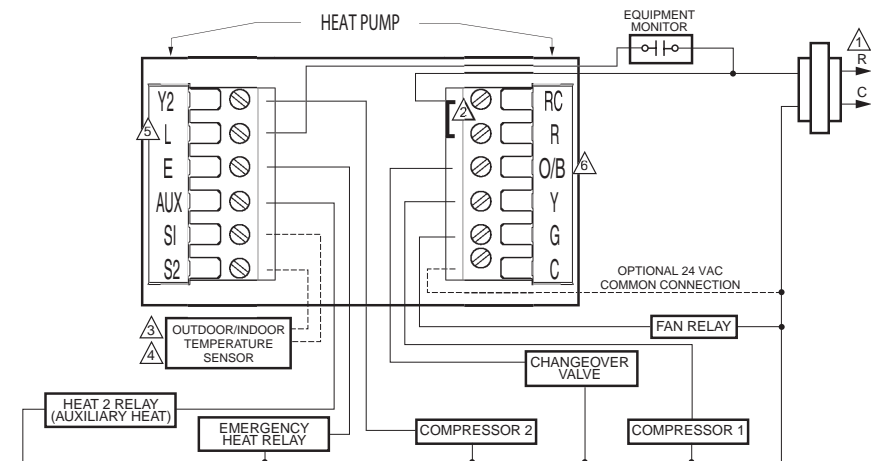
Fig. 14. Typical hookup of multistage heat pump with no auxiliary/backup heat (2H/2C heat pump).



- 1 POWER SUPPLY. PROVIDE DISCONNECT MEANS AND OVERLOAD PROTECTION AS REQUIRED.
- 2 FACTORY INSTALLED JUMPER.
- 3 OUTDOOR SENSOR REQUIRED IN SYSTEM WITH FOSSIL FUEL BACKUP HEAT THAT IS NOT USING AN EXTERNAL FOSSIL FUEL KIT.
- 4 OPTIONAL OUTDOOR OR INDOOR REMOTE SENSOR. AVAILABLE ON SELECT MODELS. WIRES MUST HAVE A CABLE SEPARATE FROM THE THERMOSTAT CABLE.
- 5 MUST CONNECT THE 24 VAC COMMON WHEN USING L. THE TERMINAL IS SHOWN AS EQUIPMENT MONITOR, CAN ALSO BE USED AS A 24 VAC OUTPUT. SEE "L TERMINAL" SECTION FOR MORE INFORMATION.
- 6 "O/B" TERMINAL SET TO CONTROL AS EITHER "O" OR "B" IN THE INSTALLER SETUP.

M19905

Fig. 15. Typical hookup of single-stage heat pump with auxiliary/backup heat (2H/1C heat pump).



- ⚠ 1 POWER SUPPLY. PROVIDE DISCONNECT MEANS AND OVERLOAD PROTECTION AS REQUIRED.
- ⚠ 2 FACTORY INSTALLED JUMPER.
- ⚠ 3 OUTDOOR SENSOR REQUIRED IN SYSTEM WITH FOSSIL FUEL BACKUP HEAT THAT IS NOT USING AN EXTERNAL FOSSIL FUEL KIT.
- ⚠ 4 OPTIONAL OUTDOOR OR INDOOR REMOTE SENSOR. AVAILABLE ON SELECT MODELS. WIRES MUST HAVE A CABLE SEPARATE FROM THE THERMOSTAT CABLE.
- ⚠ 5 MUST CONNECT THE 24 VAC COMMON WHEN USING L. THE TERMINAL IS SHOWN AS EQUIPMENT MONITOR, CAN ALSO BE USED AS A 24 VAC OUTPUT. SEE "L TERMINAL" SECTION FOR MORE INFORMATION.
- ⚠ 6 "O/B" TERMINAL SET TO CONTROL AS EITHER "O" OR "B" IN THE INSTALLER SETUP.

M19906

Fig. 16. Typical hookup of multistage heat pump with auxiliary/backup heat (3H/2C heat pump).

### Powering the Thermostat

There are two different ways to power the thermostat:

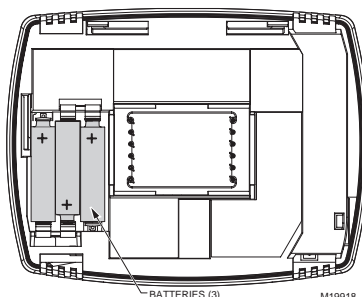
- Batteries (three AAA alkaline).
- 24 Vac Common wire.

### Wiring 24 Vac Common

Wire the common side of the transformer to the C screw of the thermostat wallplate. When installing in a single transformer system, keep jumper wire between the R and Rc screws. When installed in a two-transformer system, use the common from the cooling transformer to connect to C screw and remove the jumper wire between the R and Rc screws.

### Inserting Batteries (Optional)

If not using a 24 Vac Common to power the thermostat, install three AAA alkaline batteries (included) in the back of the thermostat. Make sure the positive and negative terminals are oriented correctly, as marked on the device. See Fig.17.



M19918

Fig. 17. Installing batteries on thermostat back.

### Mounting the Thermostat

1. Align the terminal screw blocks with the pins on the back of the thermostat.
2. Push the thermostat straight onto the wallplate. See Fig. 18.

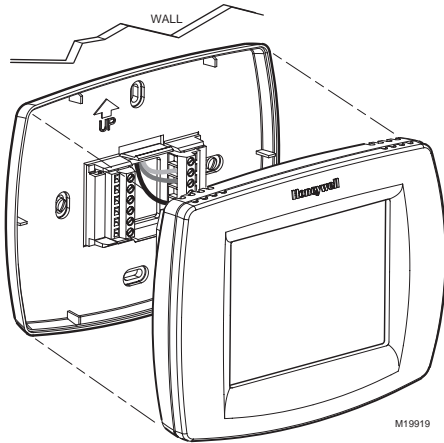


Fig. 18. Mounting thermostat on wallplate.

## Adjusting Real-Time Clock

### Setting Calendar and Time

Locate and remove the tab labeled *Remove* in the lower left corner on the thermostat back. The tab must be removed to activate the real-time clock. See Fig. 19.

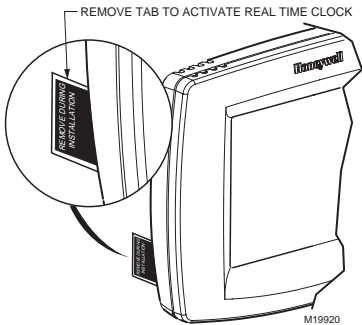


Fig. 19. Removing tab to activate real-time clock.

This thermostat is designed to automatically keep the current time and day in memory for up to ten years under normal use once the calendar is set. When the thermostat is first powered, the display is ready for the calendar date to be entered. See Fig. 20.

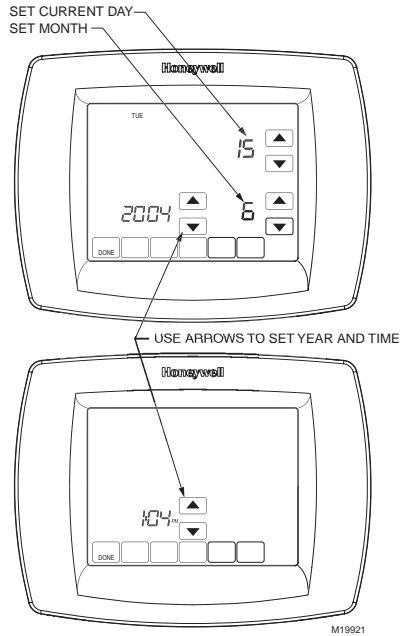


Fig. 20. Setting calendar and time after initial powerup.

### IMPORTANT

*The tab on the back of the thermostat in the lower left corner must be removed for this feature to be active.*

## Using the Thermostat

The thermostat has a touch screen interface. Words or symbols appear, highlighting the keys, as necessary, to complete tasks. Always press the keys with your fingertips. Sharp instruments like a pen or pencil point can damage the thermostat.

1. Use the arrow keys to set the Year, Month and Day, as shown in Fig. 20.
2. Press the Done key.
3. Use the arrow keys to set the current time. See Fig. 20.
4. Press the Done key.



## OPERATION

### System and Fan Settings

The System default setting is Heat and the Fan default setting is Auto.

#### SYSTEM SETTINGS

Heat: Thermostat controls heating system.

Off: Both heating and cooling are off.

Cool: Thermostat controls cooling system.

Auto: Thermostat automatically changes between heating and cooling systems, depending on indoor temperature. (See Installer Setup section.)

Em Heat: Emergency heat cycles to maintain temperature. Compressor is locked out. (Used only for heat pump systems with backup heat.)

#### FAN SETTINGS

The Fan setting can be programmed into the thermostat schedule for each period (Wake, Leave, Return, Sleep). See the Owners' Guide for additional information.

### LED Indication (Requires 24 Vac Common Connection)

An LED indicator is located in the upper right corner of the thermostat. It is only visible when lighted:

- It indicates when the thermostat is in the Emergency Heat mode. When in Em. Ht. mode, the L terminal is continuously energized and the LED is on.
- When the L terminal is wired to an equipment monitor, the LED signals when a check or fail signal is sent to the thermostat from the system. See Fig. 21. (This can occur only when the thermostat is not in Em. Ht. mode.)

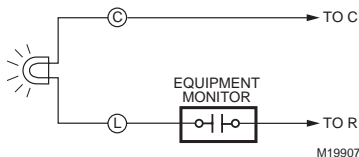


Fig. 21. L terminal switch to R (power) side of system transformer.

### Preprogrammed Settings

Table 3 shows the default program settings. See Owners' Guide for complete instructions on changing the program.

Table 3. Default Program Settings.

Schedule Period	Time	Setpoints		Fan Setting
		Heat	Cool	
Wake	6:00AM	70°F (21°C)	78°F (25.5°C)	Auto
Leave	8:00AM	62°F (16.5°C)	85°F (29.5°C)	Auto
Return	6:00PM	70°F (21°C)	78°F (25.5°C)	Auto
Sleep	10:00PM	62°F (16.5°C)	82°F (28°C)	Auto

## INSTALLER SETUP

This Universal Thermostat works with many different system types. To operate correctly, the thermostat must be set up to operate the installed heating and/or cooling system.

### Installer Setup Menus

**Main Menu:** Offers the most commonly used options. **It is necessary to enter this menu to set the thermostat to the type of system it is operating. Many applications use only the Main Menu.**

**Regional Menu:** Offers choices often changed due to a particular area or region. For example, temperature display in Fahrenheit or Celsius is offered in this menu.

**Advanced Settings Menu:** Offers more settings to fully customize the thermostat. Many of these settings do not require changing from the factory settings.

### Entering Installer Setup

1. Thermostat must be powered either with Alkaline AAA batteries or with 24 Vac Common wire.
2. From the home screen, press System key. (Press Done or Cancel key to return to home screen.)
3. Five blank touch keys show on the bottom of the screen between the Done and Cancel keys. Press and hold the two blank keys on either side of the center blank key for approximately five seconds until screen changes. See Fig. 22.

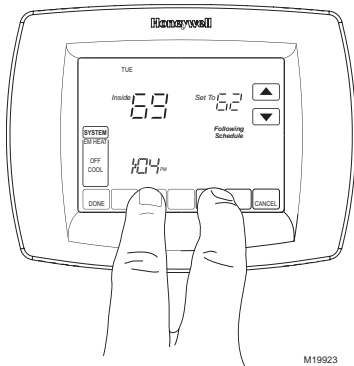
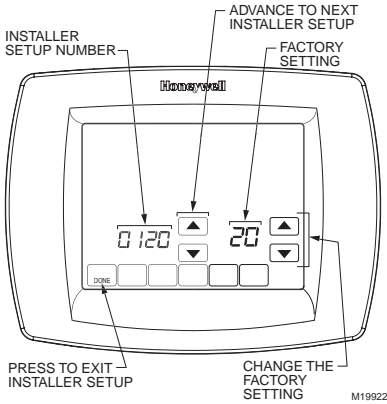


Fig. 22. Entering Installer Setup.

- The Installer Setup Number is displayed in the lower left. It is a four-digit code beginning with zero. The factory setting or other choice selection is displayed in the lower right. See Fig. 23. This is a two-digit code shown in the Option column of Table 4.



### Changing Installer Setup Selections

- Advance to the next Installer Setup Number by pressing the up and down arrow keys to the right of the four-digit Installer Setup Number. See Fig. 23.
- Change the factory Setting Options by pressing the up and down arrow keys to the right of the two-digit code selection. See Fig. 23.

### Exiting Installer Setup

- Press the Done key to exit the Installer Setup screen.

#### IMPORTANT

The three Installer Setup Menus (Tables 4-6) show all the available options. These options customize themselves as you make selections to the Installer Setup. Therefore, not all Installer Setup Selections are shown or are available to change.

**Fig. 23. Installer Setup Number and factory setting selection locations.**

**Table 4. Main Installer Setup Menu.**

Select	Installer Setup Number	Factory Setting		Other Choices		Comments
		Option	Description	Options	Description	
Not used.	1 thru 0099	—	—	—	—	—
Date (Year Upper)	0120	20	Set first two digits of current calendar year (20 for year 2005, etc)	21	21 —first two digits of current calendar year (21xx)	2000 -2178 available
Date (Year Lower)	0130	04	Represents last two digits of current calendar year (2004).	00 -99	Select last two digits of current calendar year.	2001-2178 available
Date (Month)	0140	6	Digit(s) represents current calendar month.	1-12	Select number that represents current calendar month.	—
Date (Day)	0150	15	Digit(s) represents current calendar date.	1-31	Select number that represents current calendar date.	—
Schedule Options	0160	4	7-day programming	0	0 —nonprogrammable	—

Table 4. Main Installer Setup Menu. (Continued)

Select	Installer Setup Number	Factory Setting		Other Choices		Comments
		Option	Description	Options	Description	
System Type Selection	0170	1	1 Heat/1Cool	1-12	<p>1—1heat/1cool</p> <p>2—single-stage heat pump (no aux. heat)</p> <p>3—heatonly (no fan)</p> <p>4—heatonly (with fan)</p> <p>5—hot water Series 20 (3-wire or normally open zone valves)</p> <p>6—cool only</p> <p>7—2 heat/1cool heat pump</p> <p>8—2 heat/2 cool multistage conventional</p> <p>9—2 heat/1cool multistage conventional</p> <p>10—1 heat/2 cool multistage conventional</p> <p>11—2 heat/2 cool heat pump (with no auxiliary heat)</p> <p>12—3 heat/2 cool heat pump (with auxiliary heat)</p>	Available options and defaults vary by thermostat. System selection automatically modifies some default settings and/or hides other Installer Setup options.
Fan Operation	0180	0	Conventional applications where equipment controls fan operation in heat mode.	1	Heat pump or electric heat applications where thermostat controls fan operation in heat mode.	Only shown if conventional system is selected. If heat pump is chosen, fan defaults to electric.
Reversing Valve (O/B) Operation	0190	0	O/B terminal is energized for reversing valve in cooling	1	O/B terminal is energized for reversing valve in heating	Only shown if heat pump system is chosen.
Backup Heat Source (Auxiliary Heat)	0200	0	Heat pump backup heat source is electric.	1	Heat pump backup heat source is fossil fuel.	Only shown if 2 heat/1 cool or 3 heat/2 cool heat pump is chosen.
External Fossil Fuel Kit	0210	1	External fossil fuel kit is controlling heat pump backup heat	0	No external fossil fuel kit is controlling heat pump backup heat. This thermostat controls the backup fossil fuel heat with outdoor sensor (C7089U).	Only shown if fossil fuel is chosen as backup heat source.
Cycles per hour (cph) for 1st Stage Compressor	0220	3	Compressor Stage 1 cycles per hour (cph)	1-6	1-6 available; 3 is recommended.	—
Cycles per hour (cph) for 2nd Stage Compressor	0230	3	Compressor Stage 2 cycles per hour (cph)	1-6	1-6 available; 3 is recommended.	Only shown if two stages of cool are selected.

**Table 4. Main Installer Setup Menu. (Continued)**

Select	Installer Setup Number	Factory Setting		Other Choices		Comments
		Option	Description	Options	Description	
Cycles per hour (cph) for 1st Stage Conventional Heat	0240	5	Conventional Heat Stage 1 cycles per hour (cph)	1-12	1-12 available; typical settings: <b>1</b> —1 cph used for steam or gravity system. <b>3</b> —3 cph used for hot water systems or high efficiency (90% or better) fossil fuel forced air systems. <b>5</b> —5 cph used for standard fossil fuel forced air systems. <b>9</b> —9 cph used for electric forced air heat systems.	Not shown if system selection is heat pump. Selection in this stage changes default cph for 2nd stage heat.
Cycles per hour (cph) for 2nd Stage Heat	0250	5	Cycles per hour (cph) for 2nd Stage Conventional Heat or Auxiliary Heat for 2 H/1C Heat Pump Systems	1-12	1-12 available; typical settings: <b>1</b> —1 cph used for steam or gravity system. <b>3</b> —3 cph for hot water systems or high efficiency (90% or better) fossil fuel forced air systems. <b>5</b> —5 cph for standard fossil fuel forced air systems. <b>9</b> —9 cph used for electric forced air heat systems (electric auxiliary heat for heat pump systems).	Only shown if two stages of heat are selected.

Table 4. Main Installer Setup Menu. (Continued)

Select	Installer Setup Number	Factory Setting		Other Choices		Comments
		Option	Description	Options	Description	
Cycles per hour (cph) for 3rd Stage Heat	0260	9	Cycles per hour (cph) for Auxiliary Heat in 3H/2C Heat Pump Systems	1-12	1-12 available; typical settings: <b>1</b> —1cph for steam or gravity system. <b>3</b> —3 cph for hot water systems or high efficiency (90% or better) fossil fuel forced air systems. <b>5</b> —5 cph for standard fossil fuel forced air systems. <b>9</b> —9 cph for electric forced air heat systems. (electric auxiliary heat for heat pump systems).	Only shown if 3H/2C heat pump system is selected.
Cycles per hour (cph) for Em Heat	0270	9	Cycles per hour (cph) for Emergency Heat	1-12	1-12 is available; typical settings: <b>3</b> —3 cph for hot water systems or high efficiency (90% or better) fossil fuel forced air systems. <b>5</b> —5 cph for standard fossil fuel forced air systems. <b>9</b> —9 cph for electric heat systems.	Only shown if 2 heat/1 cool or 3 heat/2 cool heat pump is selected.
Continuous Backlight	0280	0	Backlight not on continuously. Thermostat backlight comes on with each key press.	1	Backlight is on continuously (thermostat must have a common wire attached for this function).	Option is always shown; however, continuously on backlight works only if thermostat is wired with 24 vac Common.
Additional Menu Choices	0290	0	Only main menu options are shown. Installer Test Options shown next (Table 7).	1,2	<b>1</b> —Main Menu and Regional Settings are shown plus Installer Test (Tables 5 and 7 only). <b>2</b> —All remaining Menu/Options shown plus Installer Test (Tables 5, 6 and 7).	The majority of application require only the Main Menu Options.

**Table 5. Regional Settings Menu.**

Select	Installer Setup Number	Factory Setting		Other Choices		Comments
		Option	Description	Options	Description	
Changeover	0300	0	Manual changeover	1	1—auto changeover	—
Deadband	0310	3	Heating and cooling setpoints can be set no closer than 3°F (1.5°C)	2 thru 9	Heating and cooling setpoints can be set no closer than chosen value: 2—2°F (1°C) 3—3°F (2°C) 4—4°F (2.5°C) 5—5°F (3°C) 6—6°F (3.5°C) 7—7°F (4°C) 8—8°F (4.5°C) 9—9°F (5°C)	Shown only if automatic changeover is selected.
Temperature Indication Scale	0320	0	Temperature is displayed in °F.	1	Temperature is displayed in °C.	—
Daylight Savings	0330	1	Daylight savings enabled (United States).	0	0—daylight savings is disabled.	Set to 0 in areas that do not follow daylight savings.

Table 5. Regional Settings Menu. (Continued)

Select	Installer Setup Number	Factory Setting		Other Choices		Comments
		Option	Description	Options	Description	
Remote Temperature Sensor (Outdoor or Indoor)	0340	0	No remote temperature sensor	1-3	1—outdoor temperature sensor for display only. 2—outdoor temperature sensor for control. Used for select heat pump systems. (See Special Heat Pump Features section for more details.) 3—indoor temperature sensor	Defaults and Options depend on System Type selection. Indoor Temperature Sensor uses an averaging network and does not include on-board sensor.  When number 0210 is set to zero, this item is automatically selected to number 2 and not shown.
Heat Pump Compressor Lockout or (Balance Point)	0350	0	No compressor lockout.	15, 20, 25, 30, 35, 40, 45	No lockout. 15°F (-9.5°C) 20°F (-6.5°C) 25°F (-4°C) 30°F (-1°C) 35°F (1.5°C) 40°F (4.5°C) 45°F (7°C)	Default depends on other selections. Shown if Outdoor Temperature for control is selected. (See Advanced Features section for more information.)
Heat Pump Auxiliary Lockout	0360	0	No heat pump auxiliary lockout	40, 45, 50, 55, 60	No lockout. 40°F (4.5°C) 45°F (7°C) 50°F (10°C) 55°F (13°C) 60°F (15.5°C)	Shown if electric is chosen for backup heat source and outdoor temperature sensor for control is selected. (See Advanced Features section for more information.)
Indoor Dehumidification Control	0380	0	No indoor dehumidification control	1	1—dehumidification droop control. (See Advanced Features section for more information.)	Available on models with humidity sensor.

**Table 6. Advanced Settings Menu.**

Select	Installer Setup Number	Factory Setting		Other Choices		Comments
		Option	Description	Options	Description	
Furnace Filter Change Reminder	0500	0	Furnace filter change reminder off	1-6	1—10 run time days 2—30 run time days 3—60 run time days 4—90 run time days 5—120 run time days 6—365 run time days	Run time based on call for fan.
Humidifier Pad Replacement Reminder	0510	0	Humidifier pad replacement reminder off	1-3	1—90 calendar days 2—180 calendar days 3—365 calendar days	—
UV Lamp Replacement Reminder	0520	0	UV Lamp replacement reminder off	1	1—365 calendar days	—
Adaptive Intelligent Recovery™	0530	1	Adaptive Intelligent Recovery™ control is activated (system starts early so setpoint is reached by start of program period).	0	0—conventional recovery (system starts recovery at programmed time)	—
Number of Periods	0540	4	Four periods available (Wake, Leave, Return, Sleep)	2	Two periods available (Wake and Sleep)	Not shown if non-programmable is selected. 2 or 4 applies to all days of the week.
Minimum Compressor Off Time	0580	5	Five minute minimum off time for compressor	0, 2, 3, 4	Minimum number of minutes compressor is off between calls for compressor	—
Heat Temperature Range Stop	0600	90	Highest heating setpoint.	40 to 89	Temperature range (1°F increments) of heating setpoint.	Shown in 1/2 °C.
Cool Temperature Range Stop	0610	50	Lowest cooling setpoint.	51 to 99	Temperature range (1°F increments) of cooling setpoint.	Shown in 1/2 °C.
Clock Format	0640	12	12-hour clock format	24	24-hour clock format	—
Extended Fan on time Heat	0650	0	No extended fan operation after call for heat ends	90	Fan operation is extended 90 seconds after call for heat ends.	Not shown if fan operation is set to fossil fuel or in Cool Only Systems
Extended Fan on time Cool	0660	0	No extended fan operation after call for cool ends	90	Fan operation is extended 90 seconds after call for cool ends.	Not shown in Heat Only Systems.



Table 6. Advanced Settings Menu. (Continued)

Select	Installer Setup Number	Factory Setting		Other Choices		Comments
		Option	Description	Options	Description	
Keypad Lockout	0670	0	Unlocked keypad	1, 2	1—partially locked keypad 2—fully locked keypad	Unlocked—all functions are available. Partially locked—only temperature up and down keys and ability to enter and modify Installer Setup mode are available. Fully locked—only ability to enter and modify Installer Setup mode are available.
Temperature Control in Heat	0680	2	Standard temperature control in heating	1, 3	1—less aggressive temperature control (could cause temperature undershoot) 3—more aggressive temperature control (could cause temperature overshoot)	Applies to recovery ramp and use of auxiliary heat during recovery.  Choose 1 if getting temperature overshoot.  Choose 3 if getting temperature undershoot.
Temperature Control in Cool	0690	2	Standard temperature control in cooling	1, 3	1—less aggressive temperature control (could cause temperature undershoot) 3—more aggressive temperature control (could cause temperature overshoot)	Applies to recovery ramp.  Choose 1 if getting temperature overshoot.  Choose 3 if getting temperature undershoot.
Temperature Display Offset	0700	0	No difference in displayed temperature and actual room temperature	-3, -2, -1, 0, 1, 2, 3	-3°F (-1.5°C) -2°F (-1°C) -1°F (-.5°C) 0F (0.°C) 1°F (.5°C) 2°F (1°C) 3°F (1.5°C)	—
Reset Thermostat	0710	0	No thermostat reset.	1	Resets all Installer Setup Options to default values and resets schedule to default setting.	Only calendar settings and time are retained.

## SYSTEM CHECKOUT

### Installer System Test

The Installer System Test mode is used to test the HVAC system(s). See Table 7. While in System Test mode, minimum off-time for compressors is bypassed.

The Installer Test is part of the Installer Setup options. Entering the Installer Setup screen and pressing the down arrow key to bring up the test selection(s) accesses it quickly. See Fig. 22.



### CAUTION

**Equipment Damage Hazard.**  
**Minimum compressor off-time is bypassed during Installer System Test.**  
 Avoid cycling compressor quickly.

Table 7. System Test(s).

Select	Installer Setup Number	Factory Setting		Other Choices		Comments
		Options	Description	Options	Description	
Installer Test Cool	Test 1	0	Cool is off	1,2	0—cool off 1—cool stage 1 turns on 2—cool stages 1 and 2 on	System selection determines which tests are available and the number of stages shown.
Installer Test Fan	Test 2	0	Fan is off	1	0—fan off 1—fan turns on	
Installer Test Heat	Test 3	0	Heat is off	1-3	0—heat off 1—stage 1 heat on 2—stages 1 and 2 heat on 3—stages 1, 2 and 3 (Aux Ht) on	
Installer Test Em Ht	Test 4	0	Emergency heat is off	1	0—emergency heat off 1—emergency heat on	Available only if heat pump with auxiliary heat is selected.

## ADVANCED FEATURES

### Outdoor or Indoor Temperature Sensor

Allow outdoor or indoor temperature sensor to absorb the air for a minimum of five minutes before taking a reading. See the Sensor instructions for more information.

### Special Heat Pump Features

#### Heat Pump with Fossil Fuel Auxiliary Heat (Dual Fuel) and Outdoor Temperature Sensor

In this operation, there is no external fossil fuel kit (dual fuel kit) installed; the thermostat controls this function.

1. Choose correct heat pump application in Installer Setup Number 0170.
2. Choose **Fossil Fuel Option** as the backup heat source in Installer Setup Number 0200.
3. Choose **No External Fossil Fuel Kit Option** is controlling back up heat in Installer Setup Number 0210.
4. **Outdoor Temperature Sensor for Control Option** is automatically chosen in Installer Setup Number 0340 (0340 is not shown).
5. Choose appropriate **Balance Point Temperature** in Installer Setup Number 0350.

#### OPERATION IN HEAT MODE ABOVE BALANCE POINT (OUTDOOR TEMPERATURE)

When the outdoor temperature is above the selected Balance Point Temperature (ISU 0350), only the compressor operates and the fan (G terminal) energizes when the thermostat calls for heat.

#### OPERATION IN HEAT MODE BELOW BALANCE POINT (OUTDOOR TEMPERATURE)

When the outdoor temperature is below the selected Balance Point Temperature (ISU 0350), only the Fossil Fuel (auxiliary heat) operates and the fan (G terminal) does not energize when the thermostat calls for heat.

#### OPERATION IN EMERGENCY HEAT MODE

The balance point (outside) temperature is not used in the Emergency heat mode. When the thermostat is moved to the Emergency Heat position, the compressor is locked out. The first stage of heat is whatever is connected to the E terminal. The second stage of heat is what is connected to the Aux. terminal. Often there is only one source of non-compressor heat and the E terminal is jumped to the Aux. terminal.

#### Heat Pump with Electric Auxiliary (Backup) Heat and Outdoor Temperature Sensor

1. Choose correct heat pump application in Installer Setup Number 0170.
2. Choose Electric as **Auxiliary (Backup) Heat Source** in Installer Setup Number 0200.
3. Choose **Outdoor Temperature Sensor for Control Option** in Installer Setup Number 0340.

4. Choose **Compressor Lockout Temperature** in Installer Setup Number 0350.
5. Choose **Auxiliary Lockout Temperature** in Installer Setup Number 0360.

NOTE: There is a 5°F deadband between the Compressor and Auxiliary Heat Lockout Temperatures

#### Operation in Heat Mode

When the outdoor temperature is below the Compressor Lockout Temperature, only the Auxiliary Heat operates.

When the outdoor temperature is above the Auxiliary Lockout Temperature, only the Compressor operates. See Fig. 24.

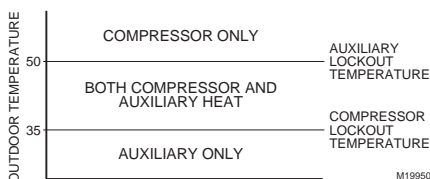


Fig. 24. Heat Pump Operation with Lockout Temperatures Set.

When the outdoor temperature is between the two temperatures, both the Compressor and Auxiliary Heat operate.

#### Operation in the Emergency Heat Mode

Once the thermostat is placed into the Emergency Heat mode, the compressor and auxiliary lockout features are turned off. In the Emergency heat mode, the compressor is locked out. The first stage of heat is whatever is connected to the E terminal. The second stage of heat is connected to the Aux. terminal. Usually the emergency and auxiliary heat sources are electric strip heat in these cases.

#### Dehumidification Droop Control

The dehumidification control attempts to control to the user's humidity setpoint by turning on the air conditioner. In extremely high humidity conditions, the thermostat keeps the air conditioner running for up to 3°F below the temperature setpoint. It does this while trying to achieve the desired humidity setpoint and balancing that with the temperature setpoint.

## TROUBLESHOOTING (SEE TABLE 8)

**Table 8. Troubleshooting.**

Symptom	Possible Cause	Action
Display does not come on.	Thermostat is not being powered.	Check for 24 Vac between C and Rc. Check that AAA batteries are installed correctly and are good.
Temperature settings do not change.	The upper or lower temperature limits were reached.	Check temperature setpoints. Check Installer Setup Numbers 0600 and 0610; modify as needed.
	The keypad is fully locked.	Check Installer Setup Number 0670 to change keypad locked options.
Heating or cooling does not come on.	Thermostat minimum off-time is activated.	Wait up to five minutes for the system to respond.
	System selection is not set to Heat or Cool.	Set system Selection to correct position.
	O/B terminal is not set correctly (Heat Pumps only).	Check Installer Setup Number 0190 and set correctly.
	System type Selection is incorrect.	Check Installer Setup Number 0170 and make sure correct System type is chosen.
Thermostat is calling for Heat (Heat on) or Cool (Cool on) but no heating or cooling is running.	Heating or cooling equipment is not operating.	Check wiring. Check Installer Setup Number 0170 and make sure correct system type is chosen. Verify operation of equipment in System Test mode.
Thermostat does not respond when touch areas are pressed.	The keypad is locked.	Check Installer Setup Number 0670 to change keypad locked options.

**Honeywell**

**Automation and Control Solutions**

Honeywell International Inc.  
1985 Douglas Drive North  
Golden Valley, MN 55422

Honeywell Limited-Honeywell Limitée  
35 Dynamic Drive  
Scarborough, Ontario  
M1V 4Z9

