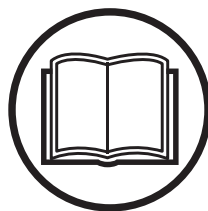


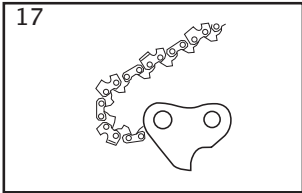
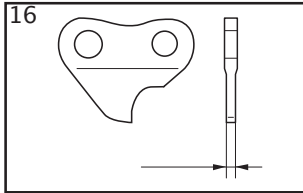
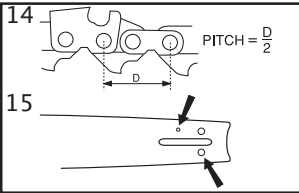
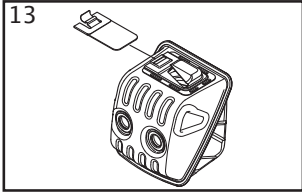
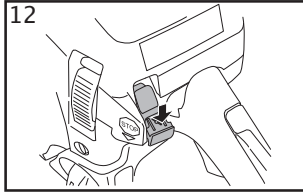
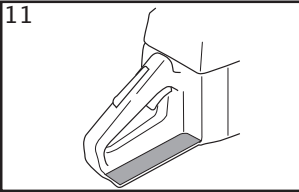
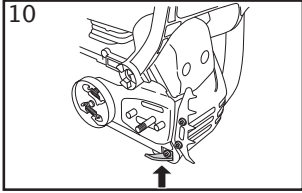
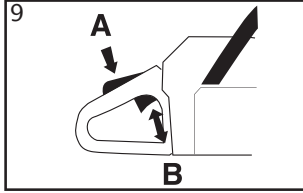
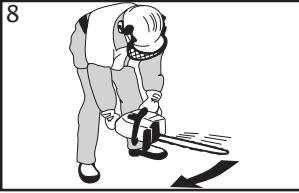
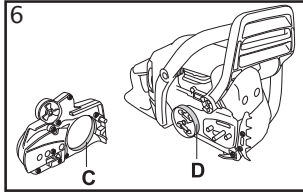
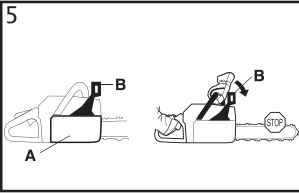
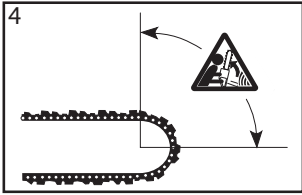
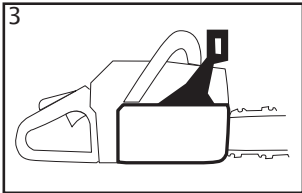
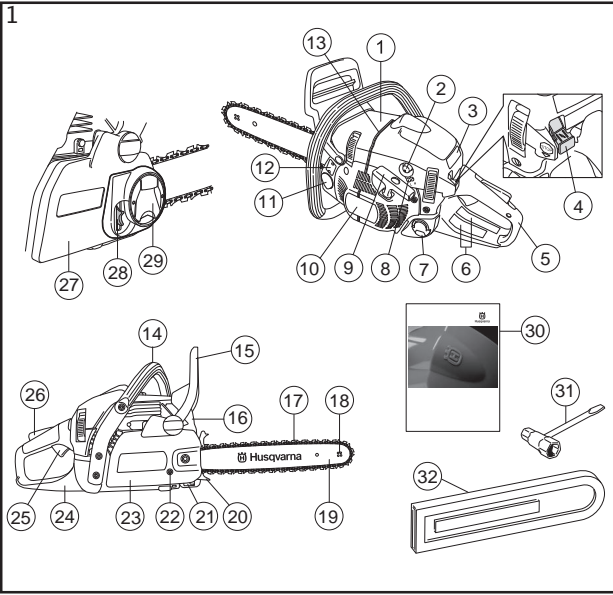
EN Operator's Manual, 7-31
HU Használati utasítás, 32-56
PL Instrukcja obsługi, 57-84
CZ Návod k použití, 85-109
SK Operátorská príručka, 110-134
RS Priručnik, 135-159
BA Uputstvo o upotrebi, 160-184
HR Priručnik, 185-209

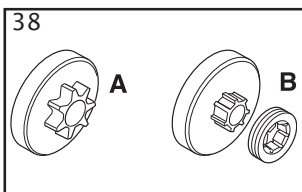
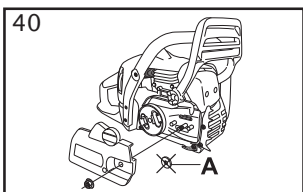
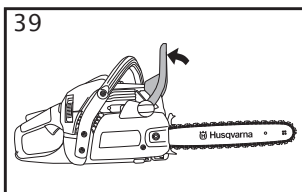
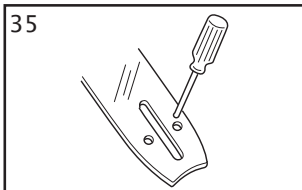
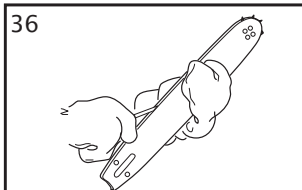
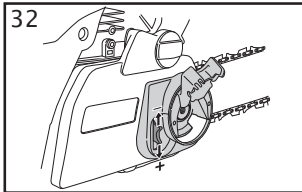
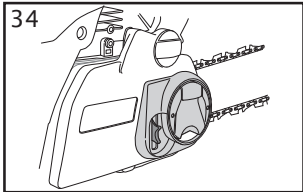
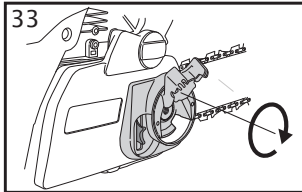
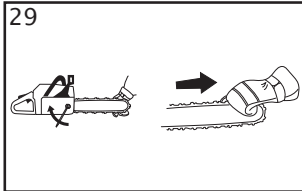
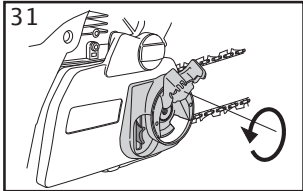
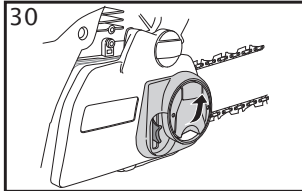
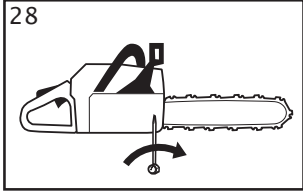
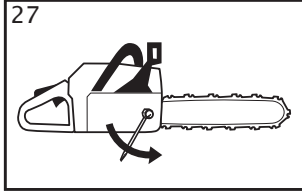
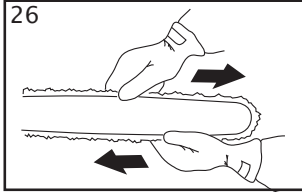
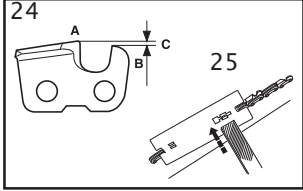
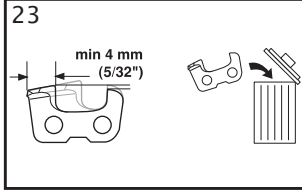
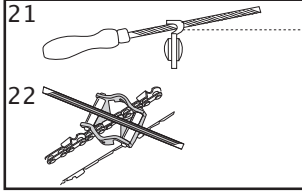
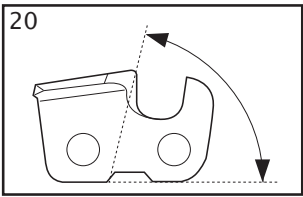
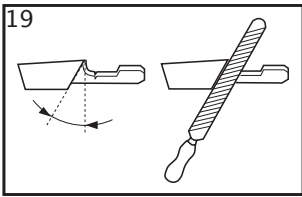
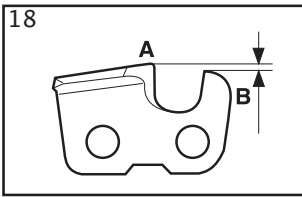
RU Руководство по
эксплуатации, 210-242
BG Ръководство за
експлоатация, 243-275
UA Посібник користувача, 276-305
RO Instrucțiuni de utilizare, 306-330
GR Εγχειρίδιο Χρήσης, 331-360
TR Kullanım kılavuzu, 361-385

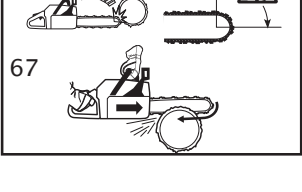
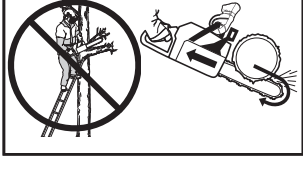
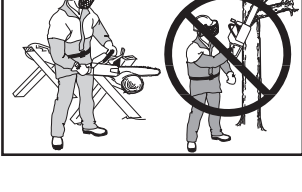
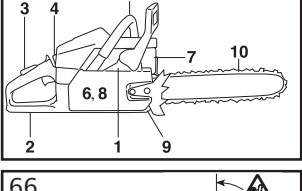
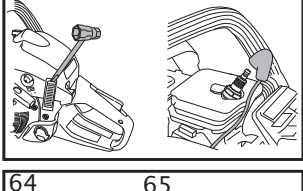
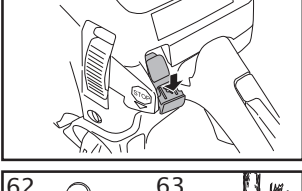
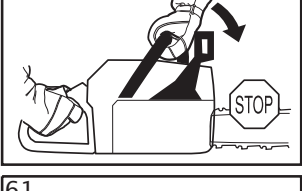
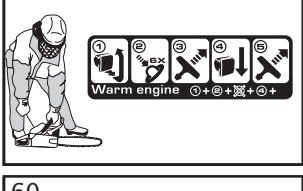
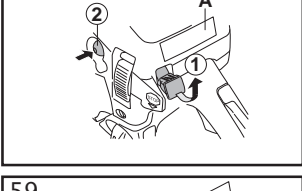
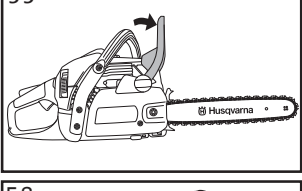
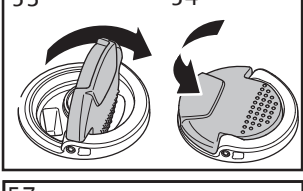
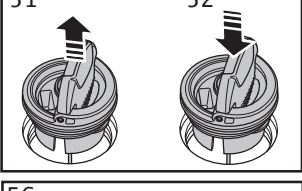
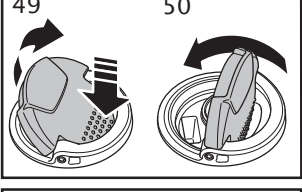
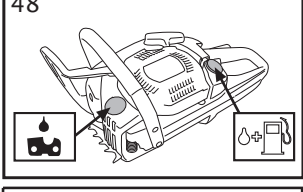
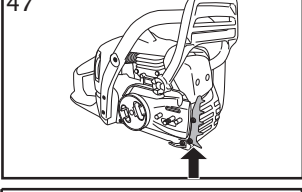
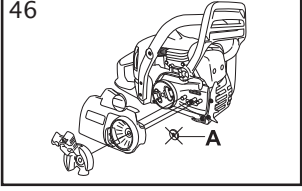
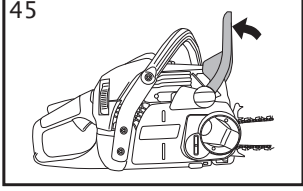
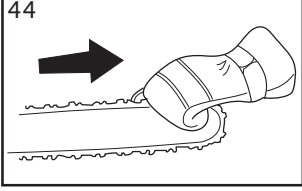
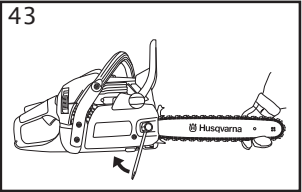
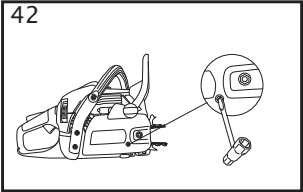
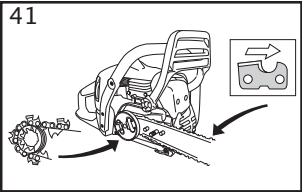


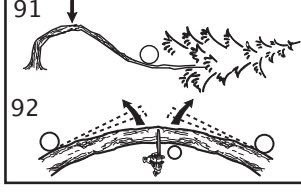
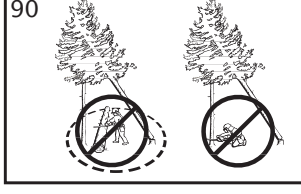
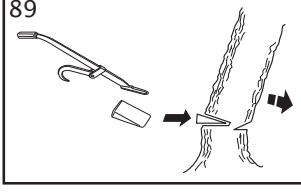
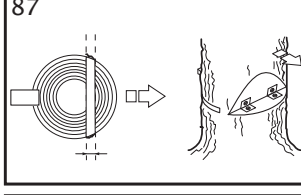
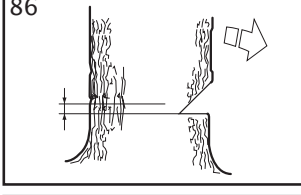
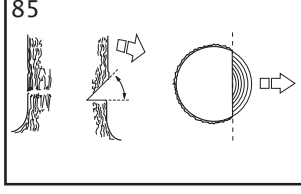
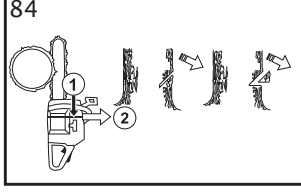
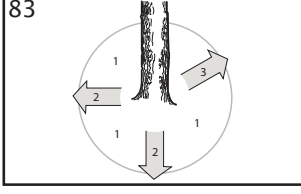
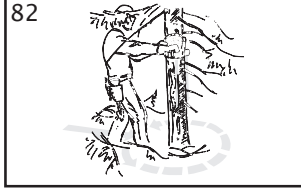
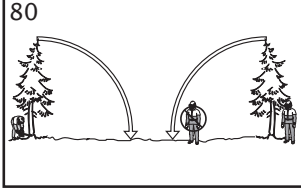
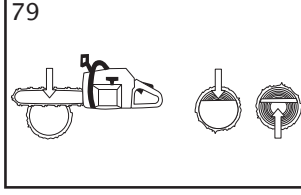
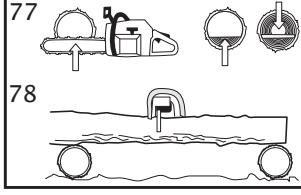
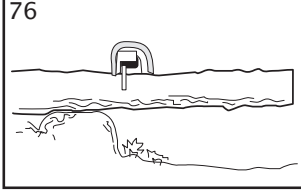
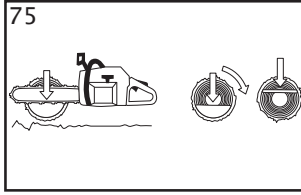
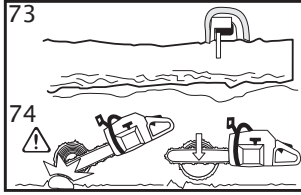
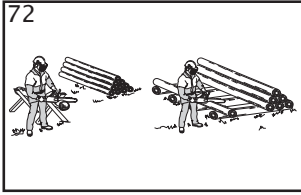
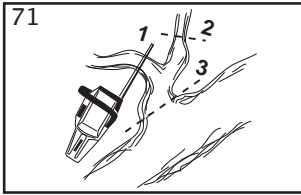
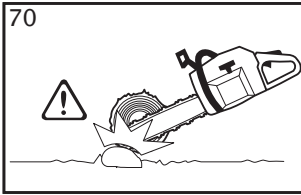
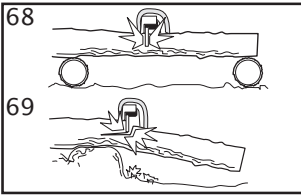
435 II, 435e II
440 II, 440e II

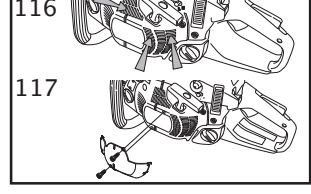
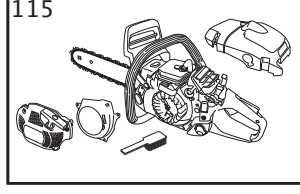
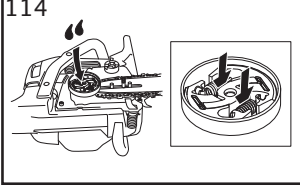
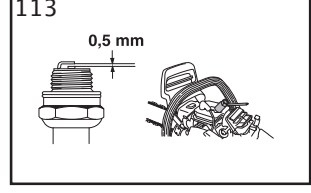
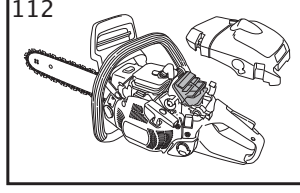
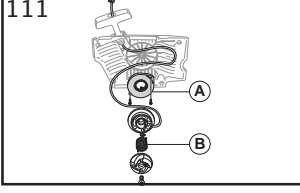
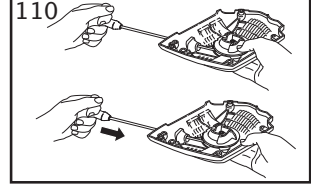
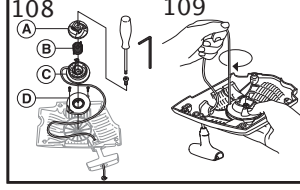
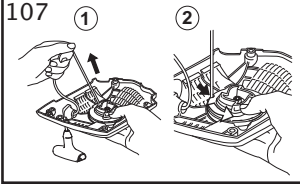
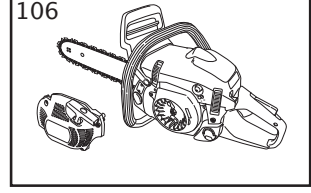
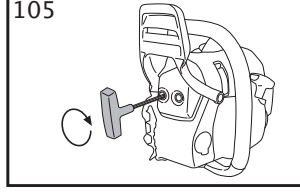
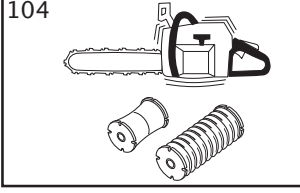
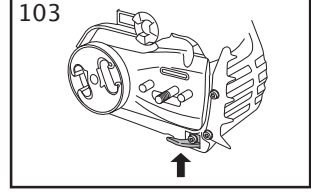
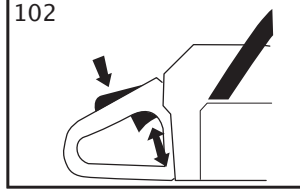
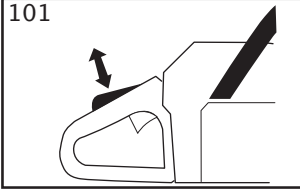
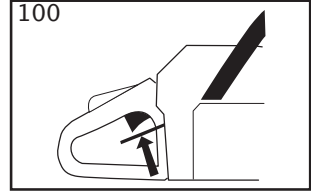
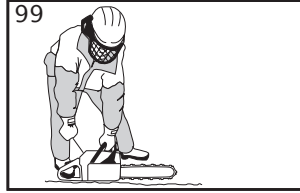
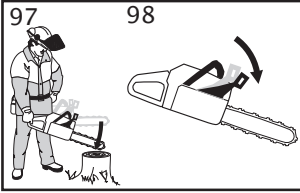
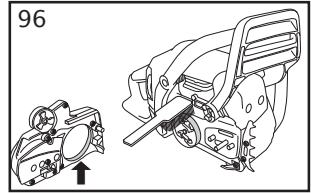
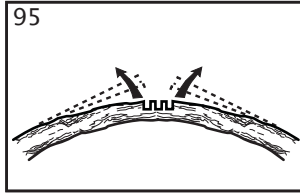
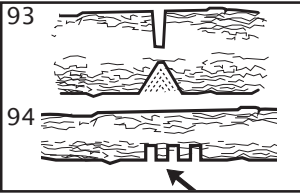
EAC











KEY TO SYMBOLS

Symbols on the machine:

WARNING! Chain saws can be dangerous! Careless or incorrect use can result in serious or fatal injury to the operator or others.

Please read the operator's manual carefully and make sure you understand the instructions before using the machine.

Always wear:

- Approved protective helmet
- Approved hearing protection
- Protective goggles or a visor

This product is in accordance with applicable EC directives.

Noise emission to the environment according to the European Community's Directive. The machine's emission is specified in the Technical data chapter and on the label.

Ignition; choke: Set the choke control in the choke position. This should automatically set the stop switch to the start position.

Refuelling.

Chain oil fill.

Air purge

Adjustment of the oil pump.

Chain brake, activated (right) Chain brake, not activated (left)



Symbols in the operator's manual:

Switch off the engine before carrying out any checks or maintenance.

CAUTION! The start/stop switch automatically returns to run position.

In order to prevent unintentional starting, the spark plug cap must be removed from the spark plug when assembling, checking and/or performing maintenance.



Always wear approved protective gloves.



Regular cleaning is required.



Visual check.



Protective goggles or a visor must be worn.



Refuelling.



Filling with oil and adjusting oil flow.



The chain brake must be engaged when the chain saw is started.



WARNING! Kickback may occur when the nose or tip of the guide bar touches an object, and cause a lightning fast reverse reaction, kicking the guide bar up and towards the operator. May cause serious personal injury.



CONTENTS

Contents

KEY TO SYMBOLS

Symbols on the machine: 7

Symbols in the operator's manual: 7

CONTENTS

Contents 8

INTRODUCTION

Dear Customer, 9

WHAT IS WHAT?

What is what on the chain saw? 9

GENERAL SAFETY PRECAUTIONS

Before using a new chain saw 10

Important 10

Always use common sense 11

Personal protective equipment 11

Machine's safety equipment 11

Cutting equipment 13

ASSEMBLY

Fitting the bar and chain 17

FUEL HANDLING

Fuel 18

Fueling 19

Fuel safety 19

STARTING AND STOPPING

Starting and stopping 20

WORKING TECHNIQUES

Before use: 21

General working instructions 21

How to avoid kickback 24

MAINTENANCE

General 25

Carburettor adjustment 25

Checking, maintaining and servicing chain saw
safety equipment 25

Muffler 26

Starter 26

Air filter 27

Spark plug 27

Needle bearing lubrication 27

Cooling system 27

"Air Injection" centrifugal cleaning 28

Winter use 28

Maintenance schedule 29

TECHNICAL DATA

Technical data 30

Guide bar and saw chain combinations 31

Saw chain filing and file gauges 31

EC Declaration of Conformity 31

INTRODUCTION

Dear Customer,

Congratulations on your choice to buy a Husqvarna product! Husqvarna is based on a tradition that dates back to 1689, when the Swedish King Karl XI ordered the construction of a factory on the banks of the Husqvarna River, for production of muskets. The location was logical, since water power was harnessed from the Husqvarna River to create the water-powered plant. During the more than 300 years in existence, the Husqvarna factory has produced a lot of different products, from wood stoves to modern kitchen appliances, sewing machines, bicycles, motorcycles etc. In 1956, the first motor driven lawn mowers appeared, followed by chain saws in 1959, and it is within this area Husqvarna is working today.

Today Husqvarna is one of the leading manufacturers in the world of forest and garden products, with quality as our highest priority. The business concept is to develop, manufacture and market motor-driven products for forestry and gardening, as well as for the building and construction industry. Husqvarna's aim is also to be at the front edge for ergonomics, usability, security and environmental protection. That is the reason why we have developed many different features to add to our products within these areas.

We are convinced that you will appreciate with great satisfaction the quality and performance of our product for a very long time to come. The purchase of one of our products gives you access to professional help with repairs and service whenever this may be necessary. If the retailer who sells your machine is not one of our authorised dealers, ask for the address of your nearest service workshop.

It is our wish that you will be satisfied with your product and that it will be your companion for a long time. Think of this operator's manual as a valuable document. By following its content (usage, service, maintenance, etc), the life span and the second-hand value of the machine can be extended. If you sell this machine, make sure that the operator's manual is passed on to the buyer.

Thank you for using a Husqvarna product.

Husqvarna AB has a policy of continuous product development and therefore reserves the right to modify the design and appearance of products without prior notice.

What is what on the chain saw? (1)

- 1 Cylinder cover
- 2 Air purge
- 3 Start reminder
- 4 Combined start and stop switch
- 5 Rear handle
- 6 Information and warning decal
- 7 Fuel tank
- 8 Adjuster screws carburettor
- 9 Starter handle
- 10 Starter
- 11 Chain oil tank
- 12 Product and serial number plate
- 13 Felling direction mark
- 14 Front handle
- 15 Front hand guard
- 16 Muffler
- 17 Saw chain
- 18 Bar tip sprocket
- 19 Guide bar
- 20 Spike bumper
- 21 Chain catcher
- 22 Chain tensioning screw (435 II, 440 II)
- 23 Clutch cover (435 II, 440 II)
- 24 Right hand guard
- 25 Throttle trigger
- 26 Throttle lockout
- 27 Clutch cover (435e II, 440e II)
- 28 Chain tensioner wheel
- 29 Knob
- 30 Operator's manual
- 31 Combination spanner
- 32 Guide bar cover

GENERAL SAFETY PRECAUTIONS

Before using a new chain saw

- Please read this manual carefully.
- (1) - (117) refer to figures on p. 2-6.
- Check that the cutting equipment is correctly fitted and adjusted. See instructions under the heading Assembly.
- Refuel and start the chain saw. See the instructions under the headings Fuel Handling and Starting and Stopping.
- Do not use the chain saw until sufficient chain oil has reached the chain. See instructions under the heading Cutting equipment.
- Long-term exposure to noise can result in permanent hearing impairment. So always use approved hearing protection.



WARNING! Under no circumstances may the design of the machine be modified without the permission of the manufacturer. Always use original accessories. Non-authorized modifications and/or accessories can result in serious personal injury or the death of the operator or others.



WARNING! A chain saw is a dangerous tool if used carelessly or incorrectly and can cause serious, even fatal injuries. It is very important that you read and understand the contents of this operator's manual.



WARNING! The inside of the muffler contain chemicals that may be carcinogenic. Avoid contact with these elements in the event of a damaged muffler.



WARNING! Long term inhalation of the engine's exhaust fumes, chain oil mist and dust from sawdust can represent a health risk.



WARNING! This machine produces an electromagnetic field during operation. This field may under some circumstances interfere with active or passive medical implants. To reduce the risk of serious or fatal injury, we recommend persons with medical implants to consult their physician and the medical implant manufacturer before operating this machine.



WARNING! Never allow children to use or be in the vicinity of the machine. As the machine is equipped with a spring-loaded stop switch and can be started by low speed and force on the starter handle, even small children under some circumstances can produce the force necessary to start the machine. This can mean a risk of serious personal injury. Therefore remove the spark plug cap when the machine is not under close supervision.

Important

IMPORTANT!

This chain saw for forest service is designed for forest work such as felling, limbing and cutting.

National regulation can restrict the use of the machine.

You should only use the saw with the bar and chain combinations we recommend in the chapter Technical data.

Never use the machine if you are fatigued, while under the influence of alcohol or drugs, medication or anything that could affect your vision, alertness, coordination or judgement.

Wear personal protective equipment. See instructions under the "Personal protective equipment" heading.

Do not modify this product or use it if it appears to have been modified by others.

Never use a machine that is faulty. Carry out the safety checks, maintenance and service instructions described in this manual. Some maintenance and service measures must be carried out by trained and qualified specialists. See instructions under the Maintenance heading.

Never use any accessories other than those recommended in this manual. See instructions under the headings Cutting equipment and Technical data.

CAUTION! Always wear protective glasses or a face visor to reduce the risk of injury from thrown objects. A chain saw is capable of throwing objects, such as wood chips, small pieces of wood, etc, at great force. This can result in serious injury, especially to the eyes.



WARNING! Running an engine in a confined or badly ventilated area can result in death due to asphyxiation or carbon monoxide poisoning.



WARNING! Faulty cutting equipment or the wrong combination of bar and saw chain increases the risk of kickback! Only use the bar/saw chain combinations we recommend, and follow the filing instructions. See instructions under the heading Technical data.

GENERAL SAFETY PRECAUTIONS

Always use common sense (2)

It is not possible to cover every conceivable situation you can face when using a chain saw. Always exercise care and use your common sense. Avoid all situations which you consider to be beyond your capability. If you still feel uncertain about operating procedures after reading these instructions, you should consult an expert before continuing. Do not hesitate to contact your dealer or us if you have any questions about the use of the chain saw. We will willingly be of service and provide you with advice as well as help you to use your chain saw both efficiently and safely. Attend a training course in chain saw usage if possible. Your dealer, forestry school or your library can provide information about which training materials and courses are available. Work is constantly in progress to improve the design and technology - improvements that increase your safety and efficiency. Visit your dealer regularly to see whether you can benefit from new features that have been introduced.

Personal protective equipment



WARNING! Most chain saw accidents happen when the chain touches the operator. You must use approved personal protective equipment whenever you use the machine. Personal protective equipment cannot eliminate the risk of injury but it will reduce the degree of injury if an accident does happen. Ask your dealer for help in choosing the right equipment.

- Approved protective helmet
- Hearing protection
- Protective goggles or a visor
- Gloves with saw protection
- Trousers with saw protection
- Boots with saw protection, steel toe-cap and non-slip sole
- Always have a first aid kit nearby.
- Fire Extinguisher and Shovel

Generally clothes should be close-fitting without restricting your freedom of movement.

IMPORTANT! Sparks can come from the muffler, the bar and chain or other sources. Always have fire extinguishing tools available if you should need them. Help prevent forest fires.

Machine's safety equipment

In this section the machine's safety features and their function are explained. For inspection and maintenance see instructions under the heading Checking, maintaining and servicing chain saw safety equipment. See instructions under the heading, What is what?, to find where these parts are located on your machine.

The life span of the machine can be reduced and the risk of accidents can increase if machine maintenance is not carried out correctly and if service and/or repairs are not carried out professionally. If you need further information please contact your nearest service workshop.



WARNING! Never use a machine with defective safety components. Safety equipment must be inspected and maintained. See instructions under the heading Checking, maintaining and servicing chain saw safety equipment. If your machine does not pass all the checks, take the saw to a servicing dealer for repair.

Chain brake and front hand guard

Your chain saw is equipped with a chain brake that is designed to stop the chain if you get a kickback. The chain brake reduces the risk of accidents, but only you can prevent them. (3)

Take care when using your saw and make sure the kickback zone of the bar never touches any object. (4)

- The chain brake (A) can either be activated manually (by your left hand) or automatically by the inertia release mechanism. (5)
- The brake is applied when the front hand guard (B) is pushed forwards. (5)
- This movement activates a spring-loaded mechanism that tightens the brake band (C) around the engine drive system (D) (clutch drum). (6)
- The front hand guard is not designed solely to activate the chain brake. Another important feature is that it reduces the risk of your left hand hitting the chain if you lose grip of the front handle.
- The chain brake must be engaged when the chain saw is started to prevent the saw chain from rotating. (55)
- Use the chain brake as a "parking brake" when starting and when moving over short distances, to reduce the risk of moving chain accidentally hitting your leg or anyone or anything close by. Do not leave the chain saw switched on with the chain brake activated for long periods. The chain saw can become very hot.
- The chain brake is released by moving the front hand guard marked "PULL BACK TO RESET" back, towards the front handle.
- Kickback can be very sudden and violent. Most kickbacks are minor and do not always activate the chain brake. If this happens you should hold the chain saw firmly and not let go.
- The way the chain brake is activated, either manually or automatically by the inertia release mechanism, depends on the force of the kickback and the position of the chain saw in relation to the object that the kickback zone of the bar strikes.

GENERAL SAFETY PRECAUTIONS

If you get a violent kickback while the kickback zone of the bar is farthest away from you the chain brake is designed to be activated by the inertia in the kickback direction. (7)

If the kickback is less violent or the kickback zone of the bar is closer to you the chain brake will be activated manually by the movement of your left hand.

- In the felling position the left hand is in a position that makes manual activation of the chain brake impossible. With this type of grip, that is when the left hand is placed so that it cannot affect the movement of the front hand guard, the chain brake can only be activated by the inertia action. (8)

Will my hand always activate the chain brake during a kickback?

No. It takes a certain force to move the hand guard forward. If your hand only lightly touches the front guard or slips over it, the force may not be enough to trigger the chain brake. You should also maintain a firm grip of the chain saw handles while working. If you do and experience a kickback, your hand may never leave the front handle and will not activate the chain brake, or the chain brake will only activate after the saw has swung around a considerable distance. In such instances, the chain brake might not have enough time to stop the saw chain before it touches you.

There are also certain positions in which your hand cannot reach the front hand guard to activate the chain brake; for example, when the saw chain is held in felling position.

Will my inertia activated chain brake always activate during kickback in the event of a kickback?

No. First your brake must be in working order. Testing the brake is simple, see instructions under the heading Checking, maintaining and servicing chain saw safety equipment. We recommend you do before you begin each work session. Second the kickback must be strong enough to activate the chain brake. If the chain brake is too sensitive it would activate all the time which would be a nuisance.

Will my chain brake always protect me from injury in the event of a kickback?

No. First, the chain brake must be in working order to provide the intended protection. Second, it must be activated during the kickback as described above to stop the saw chain. Third, the chain brake may be activated but if the bar is too close to you the brake might not have enough time to slow down and stop the chain before the chain saw hits you.

Only you and proper working technique can eliminate kickback and its danger.

Throttle lockout

The throttle lockout is designed to prevent accidental operation of the throttle control. When you press the lock (A) (i.e. when you grasp the handle) it releases the throttle control (B). When you release the handle the throttle control and the throttle lockout both move back to their original positions. This arrangement means that the throttle control is automatically locked at the idle setting. (9)

Chain catcher

The chain catcher is designed to catch the chain if it snaps or jumps off. This should not happen if the chain is properly tensioned (see instructions under the heading Assembly) and if the bar and chain are properly serviced and maintained (see instructions under the heading General working instructions). (10)

Right hand guard

Apart from protecting your hand if the chain jumps or snaps, the right hand guard stops branches and twigs from interfering with your grip on the rear handle. (11)

Vibration damping system

Your machine is equipped with a vibration damping system that is designed to minimize vibration and make operation easier.

The machine's vibration damping system reduces the transfer of vibration between the engine unit/cutting equipment and the machine's handle unit. The body of the chain saw, including the cutting equipment, is insulated from the handles by vibration damping units.

Cutting hardwoods (most broadleaf trees) creates more vibration than cutting softwoods (most conifers). Cutting with cutting equipment that is blunt or faulty (wrong type or badly sharpened) will increase the vibration level.



WARNING! Overexposure to vibration can lead to circulatory damage or nerve damage in people who have impaired circulation. Contact your doctor if you experience symptoms of overexposure to vibration. Such symptoms include numbness, loss of feeling, tingling, pricking, pain, loss of strength, changes in skin colour or condition. These symptoms normally appear in the fingers, hands or wrists. These symptoms may be increased in cold temperatures.

Stop switch

Use the stop switch to switch off the engine. (12)

GENERAL SAFETY PRECAUTIONS

Muffler

The muffler is designed to keep noise levels to a minimum and to direct exhaust fumes away from the user.



WARNING! The exhaust fumes from the engine are hot and may contain sparks which can start a fire. Never start the machine indoors or near combustible material!

In areas with a hot, dry climate there is a high risk of fires. These areas are sometimes subject to government rules requiring among other things the muffler must be equipped with an approved type of spark arrestor mesh. (13)

When fitting the mesh, make sure that the mesh is inserted in the right position. If necessary, use the combination spanner to insert or remove the mesh.

CAUTION! The muffler gets very hot during and after use. This also applies during idling. Be aware of the fire hazard, especially when working near flammable substances and/or vapours.



WARNING! Never use a saw without a muffler, or with a damaged muffler. A damaged muffler may substantially increase the noise level and the fire hazard. Keep fire fighting equipment handy. If a spark arrestor screen is required in your area, never use the saw without or with a broken spark arrestor screen.

Cutting equipment

This section describes how to choose and maintain your cutting equipment in order to:

- Reduce the risk of kickback.
- Reduce the risk of the saw chain breaking or jumping off the bar.
- Obtain optimal cutting performance.
- Extend the life of cutting equipment.
- Avoid increasing vibration levels.

General rules

- **Only use cutting equipment recommended by us!** See instructions under the heading Technical data.
- **Keep the chain's cutting teeth properly sharpened! Follow our instructions and use the recommended file gauge.** A damaged or badly sharpened chain increases the risk of accidents.
- **Maintain the correct depth gauge setting! Follow our instructions and use the recommended depth gauge clearance.** Too large a clearance increases the risk of kickback.
- **Keep the chain properly tensioned!** If the chain is slack it is more likely to jump off and lead to increased wear on the bar, chain and drive sprocket.

- **Keep cutting equipment well lubricated and properly maintained!** A poorly lubricated chain is more likely to break and lead to increased wear on the bar, chain and drive sprocket.

Cutting equipment designed to reduce kickback



WARNING! Faulty cutting equipment or the wrong combination of bar and saw chain increases the risk of kickback! Only use the bar/saw chain combinations we recommend, and follow the filing instructions. See instructions under the heading Technical data.

The only way to avoid kickback is to make sure that the kickback zone of the bar never touches anything.

By using cutting equipment with "built-in" kickback reduction and keeping the chain sharp and well-maintained you can reduce the effects of kickback.

Guide bar

The smaller the tip radius the lower the chance of kickback.

Saw chain

A chain is made up of a number of links, which are available in standard and low-kickback versions.

IMPORTANT! No saw chain design eliminates the danger of kickback.



WARNING! Any contact with a rotating saw chain can cause extremely serious injuries.

Some terms that describe the bar and chain

To maintain the safety features of the cutting equipment, you should replace a worn or damaged bar or chain with a bar and chain combinations recommended by Husqvarna. See instructions under the heading Technical Data for a list of replacement bar and chain combinations we recommend.

Guide bar

- Length (inches/cm)
- Number of teeth on bar tip sprocket (T).
- Chain pitch (inches). The spacing between the drive links of the chain must match the spacing of the teeth on the bar tip sprocket and drive sprocket. (14)
- Number of drive links. The number of drive links is determined by the length of the bar, the chain pitch and the number of teeth on the bar tip sprocket.
- Bar groove width (inches/mm). The groove in the bar must match the width of the chain drive links.
- Chain oil hole and hole for chain tensioner. The bar must be matched to the chain saw design. (15)

GENERAL SAFETY PRECAUTIONS

Saw chain

- Chain pitch (inches) **(14)**
- Drive link width (mm/inches) **(16)**
- Number of drive links. **(17)**

Sharpening your chain and adjusting depth gauge setting

General information on sharpening cutting teeth

- Never use a blunt chain. When the chain is blunt you have to exert more pressure to force the bar through the wood and the chips will be very small. If the chain is very blunt it will produce wood powder and no chips or shavings.
- A sharp chain eats its way through the wood and produces long, thick chips or shavings.
- The cutting part of the chain is called the cutter and consists of a cutting tooth (A) and the depth gauge (B). The cutters cutting depth is determined by the difference in height between the two (depth gauge setting). **(18)**

When you sharpen a cutting tooth there are four important factors to remember.

- 1 Filing angle **(19)**
- 2 Cutting angle **(20)**
- 3 File position **(21)**
- 4 Round file diameter

It is very difficult to sharpen a chain correctly without the right equipment. We recommend that you use our file gauge. This will help you obtain the maximum kickback reduction and cutting performance from your chain. **(22)**

See instructions under the heading Technical data for information about sharpening your chain.



WARNING! Departure from the sharpening instructions considerably increases the risk of kickback.

Sharpening cutting teeth



To sharpen cutting teeth you will need a round file and a file gauge. See instructions under the heading Technical data for information on the size of file and gauge that are recommended for the chain fitted to your chain saw.

- Check that the chain is correctly tensioned. A slack chain will move sideways, making it more difficult to sharpen correctly.
- Always file cutting teeth from the inside face. Reduce the pressure on the return stroke. File all the teeth on one side first, then turn the chain saw over and file the teeth on the other side.
- File all the teeth to the same length. When the length of the cutting teeth is reduced to 4 mm (5/32") the chain is worn out and should be replaced. **(23)**

General advice on adjusting depth gauge setting

- When you sharpen the cutting tooth (A) the depth gauge setting (C) will decrease. To maintain optimal cutting performance the depth gauge (B) has to be filed down to achieve the recommended depth gauge setting. See instructions under the heading Technical data to find the correct depth gauge setting for your particular chain. **(24)**



WARNING! The risk of kickback is increased if the depth gauge setting is too large!

Adjustment of depth gauge setting



- The cutting teeth should be newly sharpened before adjusting the depth gauge setting. We recommend that you adjust the depth gauge setting every third time you sharpen the cutting teeth. **NOTE!** This recommendation assumes that the length of the cutting teeth is not reduced excessively.
- You will need a flat file and a depth gauge tool. We recommend that you use our depth gauge tool to achieve the correct depth gauge setting and bevel for the depth gauge.
- Place the depth gauge tool over the chain. Detailed information regarding the use of the depth gauge tool, will be found on the package for the depth gauge tool. Use the flat file to file off the tip of the depth gauge that protrudes through the depth gauge tool. The depth gauge setting is correct when you no longer feel resistance as you draw the file along the depth gauge tool. **(25)**

Tensioning the chain



WARNING! A slack chain may jump off and cause serious or even fatal injury.

The more you use a chain the longer it becomes. It is therefore important to adjust the chain regularly to take up the slack.

Check the chain tension every time you refuel. **NOTE!** A new chain has a running-in period during which you should check the tension more frequently.

Tension the chain as tightly as possible, but not so tight that you cannot pull it round freely by hand. **(26)**

GENERAL SAFETY PRECAUTIONS

435 II, 440 II



- Loosen the bar nut that holds the clutch cover and chain brake. Use the combination spanner. Then retighten the bar nut as tightly as you can by hand. **(27)**
- Raise the tip of the bar and stretch the chain by tightening the chain tensioning screw using the combination spanner. Tighten the chain until it does not sag from the underside of the bar. **(28)**
- Use the combination spanner to tighten the bar nut while holding up the tip of the bar. Check that you can pull the saw chain round freely by hand, and that there is no slack on the underside of the bar. **(29)**

The position of the chain tensioning screw on our chain saws varies from model to model. See instructions under the heading What is what? to find out where it is on your model.

435e II, 440e II



- Release the knob by folding it out. **(30)**
- Turn the knob anti clockwise to loosen the bar cover. **(31)**
- Adjust the tension on the chain by turning the wheel down (+) for tighter tension and up (-) to loosen the tension. **(32)**
- Tighten the bar clutch by turning the knob clockwise. **(33)**
- Fold the knob back in to lock the tensioning. **(34)**

Lubricating cutting equipment



WARNING! Poor lubrication of cutting equipment may cause the chain to snap, which could lead to serious, even fatal injuries.

Chain oil

Chain oil must demonstrate good adhesion to the chain and also maintain its flow characteristics regardless of whether it is warm summer or cold winter weather.

As a chain saw manufacturer we have developed an optimal chain oil which, with its vegetable oil base, is also biodegradable. We recommend the use of our own oil for both maximum chain life and to minimise environmental damage. If our own chain oil is not available, standard chain oil is recommended.

Never use waste oil! Using waste oil can be dangerous to you and damage the machine and environment.

IMPORTANT! When using vegetable based saw chain oil, dismantle and clean the groove in the bar and saw chain before long-term storage. Otherwise there is a risk of the saw chain oil oxidizing, which will result in the saw chain becoming stiff and the bar tip sprocket jamming.

Filling with chain oil

- All our chain saws have an automatic chain lubrication system. On some models the oil flow is also adjustable.
- The saw chain oil tank and the fuel tank are designed so that the fuel runs out before the saw chain oil.

However, this safety feature requires that you use the right sort of chain oil (if the oil is too thin it will run out before the fuel), and that you adjust the carburetor as recommended (a lean mixture may mean that the fuel lasts longer than the oil) and that you also use the recommended cutting equipment (a bar that is too long will use more chain oil).

Checking chain lubrication

- Check the chain lubrication each time you refuel. Aim the tip of the bar at a light coloured surface about 20 cm (8 inches) away. After 1 minute running at 3/4 throttle you should see a distinct line of oil on the light surface.

If the chain lubrication is not working:

- Check that the oil channel in the bar is not obstructed. Clean if necessary. **(35)**
- Check that the groove in the edge of the bar is clean. Clean if necessary. **(36)**
- Check that the bar tip sprocket turns freely and that the lubricating hole in the tip sprocket is not blocked. Clean and lubricate if necessary. **(37)**

If the chain lubrication system is still not working after carrying out the above checks and associated measures you should contact your service agent.

Chain drive sprocket



The clutch drum is fitted with one of the following drive sprockets:

- A Spur sprocket (the chain sprocket is welded on the drum)
- B Rim sprocket (replaceable) **(38)**

Regularly check the degree of wear on the drive sprocket. Replace if wear is excessive. Replace the drive sprocket whenever you replace the chain.

GENERAL SAFETY PRECAUTIONS

Needle bearing lubrication



Both versions of sprockets have a needle bearing on the drive shaft, which has to be greased regularly (once a week). CAUTION! Use a high-quality bearing grease or engine oil.

See instructions under the heading Maintenance, Needle bearing lubrication.

Checking wear on cutting equipment



Check the chain daily for:

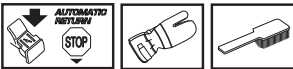
- Visible cracks in rivets and links.
- Whether the chain is stiff.
- Whether rivets and links are badly worn.

Replace the saw chain if it exhibits any of the points above.

We recommend you compare the existing chain with a new chain to decide how badly the existing chain is worn.

File all the teeth to the same length. When the length of the cutting teeth is reduced to 4 mm (5/32") the chain is worn out and should be replaced. **(23)**

Guide bar



Check regularly:

- Whether there are burrs on the edges of the bar. Remove these with a file if necessary.
- Whether the groove in the bar has become badly worn. Replace the bar if necessary.
- Whether the tip of the bar is uneven or badly worn. If a hollow forms on the underside of the bar tip this is due to running with a slack chain.
- To prolong the life of the bar you should turn it over regularly.



WARNING! Most chain saw accidents happen when the chain touches the operator.

Wear personal protective equipment. See instructions under the "Personal protective equipment" heading.

Do not tackle any job that you feel you are not adequately trained for. See instructions under the headings Personal protective equipment, How to avoid kickback, Cutting equipment and General working instructions.

Avoid situations where there is a risk of kickback. See instructions under the heading Machine's safety equipment.

Use the recommended protective equipment and check its condition. See instructions under the heading General working instructions.

Check that all the chain saw safety features are working. See instructions under the headings General working instructions and General safety precautions.

ASSEMBLY

Fitting the bar and chain



WARNING! Always wear gloves, when working with the chain.

435 II, 440 II

- **Check that the chain brake is in disengaged position by moving the front hand guard towards the front handle. (39)**
- Unscrew the bar nut and remove the clutch cover (chain brake). Take off the transportation ring (A). **(40)**
- Fit the bar over the bar bolt. Place the bar in its rearmost position. Place the chain over the drive sprocket and in the groove on the bar. Begin on the top side of the bar. **(41)**
- Make sure that the edges of the cutting links are facing forward on the top edge of the bar.
- Mount the clutch cover and remember to fit the chain adjuster pin in the hole in the bar. Check that the drive links of the chain fit correctly over the drive sprocket and that the chain is correctly located in the groove in the bar. Tighten the bar nut with your fingers.
- Tension the chain by turning the chain tensioning screw clockwise using the combination spanner. The chain should be tensioned until it does not sag from the underside of the bar. **(42)**
- The chain is correctly tensioned when there is no slack on the underside of the bar, and it can still be turned easily by hand. Tighten the bar nut with the combination spanner while holding up the tip of the bar. **(43)**
- When fitting a new chain, the chain tension has to be checked frequently until the chain is run-in. Check the chain tension regularly. A correctly tensioned chain ensures good cutting performance and long life. **(44)**

435e II, 440e II

- **Check that the chain brake is in disengaged position by moving the front hand guard towards the front handle. (45)**
- Loosen the chain tensioner wheel and remove the clutch cover (chain brake). Remove the transport guard. (A) **(46)**
- Fit the bar over the bar bolts. Place the bar in its rearmost position. Place the chain over the drive sprocket locate it in the groove on the bar. Begin on the top edge of the bar. **(41)**
- Make sure that the edges of the cutting links are facing forward on the top edge of the bar.
- Mount the clutch cover and remember to fit the chain adjuster pin in the hole in the bar. Check that the drive

links of the chain fit correctly over the drive sprocket and that the chain is correctly located in the groove in the bar.

- Tension the chain by turning the wheel down (+). The chain should be tensioned until it does not sag from the underside of the bar. **(32)**
- The chain is correctly tensioned when it does not sag from the underside of the bar, but can still be turned easily by hand. Hold up the bar tip and tighten the bar knob by turning the knob clockwise. **(33)**
- When fitting a new chain, the chain tension has to be checked frequently until the chain is run-in. Check the chain tension regularly. A correctly tensioned chain ensures good cutting performance and long life. **(44)**

Fitting a spike bumper

To fit a spike bumper – contact your service agent. **(47)**

FUEL HANDLING

Fuel

Note! The machine is equipped with a two-stroke engine and must always be run using a mixture of petrol and two-stroke oil. It is important to accurately measure the amount of oil to be mixed to ensure that the correct mixture is obtained. When mixing small amounts of fuel, even small inaccuracies can drastically affect the ratio of the mixture.



Petrol



- Use good quality unleaded or leaded petrol.
- The lowest recommended octane grade is 90 (RON). If you run the engine on a lower octane grade than 90 so-called knocking can occur. This gives rise to a high engine temperature and increased bearing load, which can result in serious engine damage.
- When working with continuous high revs (e.g. limbing) a higher octane is recommended.

Environment fuel

HUSQVARNA recommends the use of alkylate fuel, either Aspen two-stroke fuel or environmental fuel for four-stroke engines blended with two-stroke oil as set out below. Note that carburettor adjustment may be necessary when changing the type of fuel (see the instructions under the heading Carburettor).

Ethanol fuel

HUSQVARNA recommends commercial available fuel with maximum 10% ethanol content.

Running-in

Avoid running at a too high speed for extended periods during the first 10 hours.

Two-stroke oil

- For best results and performance use HUSQVARNA two-stroke engine oil, which is specially formulated for our air-cooled two-stroke engines.
- Never use two-stroke oil intended for water-cooled engines, sometimes referred to as outboard oil (rated TCW).
- Never use oil intended for four-stroke engines.
- A poor oil quality and/or too high oil/fuel ratio may jeopardise function and decrease the life time of catalytic converters.

Mixing ratio

1:50 (2%) with HUSQVARNA two-stroke oil.

1:33 (3%) with oils class JASO FB or ISO EGB formulated for air-cooled, two-stroke engines.

Petrol, litre	Two-stroke oil, litre	
	2% (1:50)	3% (1:33)
5	0,10	0,15
10	0,20	0,30
15	0,30	0,45
20	0,40	0,60

Mixing

- Always mix the petrol and oil in a clean container intended for fuel.
- Always start by filling half the amount of the petrol to be used. Then add the entire amount of oil. Mix (shake) the fuel mixture. Add the remaining amount of petrol.
- Mix (shake) the fuel mixture thoroughly before filling the machine's fuel tank.
- Do not mix more than one month's supply of fuel at a time.
- If the machine is not used for some time the fuel tank should be emptied and cleaned.

Chain oil

- We recommend the use of special oil (chain oil) with good adhesion characteristics. **(48)**
- Never use waste oil. This results in damage to the oil pump, the bar and the chain.
- It is important to use oil of the right grade (suitable viscosity range) to suit the air temperature.
- In temperatures below 0°C (32°F) some oils become too viscous. This can overload the oil pump and result in damage to the oil pump components.
- Contact your service agent when choosing chain oil.

FUEL HANDLING

Fueling



WARNING! Taking the following precautions, will lessen the risk of fire:

Do not smoke and do not place any hot objects in the vicinity of fuel.

Always stop the engine and let it cool for a few minutes before refuelling.

When refuelling, open the fuel cap slowly so that any excess pressure is released gently.

Tighten the fuel cap carefully after refuelling.

Always move the machine away from the refuelling area and source before starting.

Clean the area around the fuel cap. Clean the fuel and chain oil tanks regularly. The fuel filter must be replaced at least once a year. Contamination in the tanks causes malfunction. Make sure the fuel is well mixed by shaking the container before refuelling. The capacities of the chain oil tank and fuel tank are carefully matched. You should therefore always fill the chain oil tank and fuel tank at the same time. (48)



WARNING! Fuel and fuel vapour are highly flammable. Take care when handling fuel and chain oil. Be aware of the risks of fire, explosion and those associated with inhalation.

Removing fuel cap and chain oil cap

- Press down on the textured area of the flip lever and lift to an upright position. (49)
- Loosen the cap by turning it counterclockwise. (50)
- Remove the cap. (51)

Replacing fuel cap and chain oil cap

- Insert the cap with the flip lever in an upright position. (52)
- Tighten the cap securely by turning it clockwise. (53)
- Fold the flip lever down. (54)

IMPORTANT! Always replace a damaged cap.

Fuel safety

- Never refuel the machine while the engine is running.
- Make sure there is plenty of ventilation when refuelling or mixing fuel (petrol and 2-stroke oil).
- Move the machine at least 3 m from the refuelling point before starting it.
- Never start the machine:
 - 1 If you have spilt fuel or chain oil on the machine. Wipe off the spillage and allow remaining fuel to evaporate.
 - 2 If you have spilt fuel on yourself or your clothes, change your clothes. Wash any part of your body that has come in contact with fuel. Use soap and water.
 - 3 If the machine is leaking fuel. Check regularly for leaks from the fuel cap and fuel lines.



WARNING! Never use a machine with visible damage to the spark plug guard and ignition cable. A risk of sparking arises, which can cause a fire.

Transport and storage

- Always store the chain saw and fuel so that there is no risk of leakages or fumes coming into contact with sparks or naked flames from electrical equipment, electric motors, relays/switches, boilers and the like.
- Always store fuel in an approved container designed for that purpose.
- For longer periods of storage or for transport of the chain saw, the fuel and chain oil tanks should be emptied. Ask where you can dispose of waste fuel and chain oil at your local petrol station.
- The guide bar cover must always be fitted to the cutting attachment when the machine is being transported or in storage, in order to prevent accident contact with the sharp chain. Even a non-moving chain can cause serious cuts to yourself or persons you bump into with an exposed chain.
- Remove the spark plug cap from the spark plug. Activate the chain brake.
- Secure the machine during transport.

Long-term storage

Empty the fuel/oil tanks in a well ventilated area. Store the fuel in approved cans in a safe place. Fit the guide bar cover. Clean the machine. See instructions under the heading Maintenance schedule.

Ensure the machine is cleaned and that a complete service is carried out before long-term storage.

STARTING AND STOPPING

Starting and stopping



WARNING! Note the following before starting:

The chain brake must be engaged when the chain saw is started to reduce the chance of contact with the moving chain during starting.

Never start a chain saw unless the bar, chain and all covers are fitted correctly. Otherwise the clutch can come loose and cause personal injuries.

Place the machine on firm ground. Make sure you have a secure footing and that the chain cannot touch anything.

Keep people and animals well away from the working area.

Never twist the starter cord around your hand.

Starting

The chain brake must be engaged when the chain saw is started. Activate the brake by moving the front hand guard forwards. (55)

Cold engine

Start position, 1: Set the start/stop switch in the choke position by pulling the red control outward - upward. (56)

Air purge (2): Press the air purge diaphragm repeatedly until fuel fills the diaphragm (at least 6 times). The diaphragm need not be completely filled. (56)

Grip the front handle with your left hand. Hold the chain saw on the ground by placing your right foot through the rear handle. (57)

Pull the starter handle, 3: Pull the starter handle with your right hand and pull out the starter cord slowly until you feel a resistance (as the starter pawls engage) then pull firmly and rapidly until the engine fires.

Push down the red choke control, 4: As soon as the engine fires which can be heard through a "puff" sound, push down on the red choke control.

Pull the starter handle (5): Keep on pulling the cord powerfully until the engine starts.

Warm engine

Start position, 1: The correct choke/start throttle setting for warm starting is obtained by initially moving the choke control by pulling the red control outward - upwards. (56)

Air purge (2): Press the air purge diaphragm repeatedly until fuel fills the diaphragm (at least 6 times). The diaphragm need not be completely filled. (56)

Push down the red choke control, 3: This inactivates the choke, which is not needed when starting a warm chain saw. However the movement of the start/stop switch will have engaged a high idle, making warm starting easier.

Pull the starter handle, 4: Grip the front handle with your left hand. Hold the chain saw on the ground by placing your right foot through the rear handle. (57)

Pull the starter handle with your right hand and pull out the starter cord slowly until you feel a resistance (as the starter pawls engage) then pull firmly and rapidly until the engine starts.

As the chain brake is still engaged the speed of the engine must be set to idling as soon as possible, this is achieved by disengaging the throttle lock. Disengagement is done by gently touching on the throttle trigger. This prevents unnecessary wear to the clutch, clutch drum and brake band. Allow the machine to idle a few seconds before giving full throttle.

There is a simplified start reminder with illustrations to describe each step on the rear edge of the saw (A). (57)

CAUTION! Do not pull the starter cord all the way out and do not let go of the starter handle when the cord is fully extended. This can damage the machine.

Note! Pull the front hand guard towards the front handle. The chain brake is now disengaged. Your chain saw is now ready for use.



WARNING! Long term inhalation of the engine's exhaust fumes, chain oil mist and dust from sawdust can represent a health risk.

- Never start a chain saw unless the bar, chain and all covers are fitted correctly. See instructions under the heading Assembly. Without a bar and chain attached to the chain saw the clutch can come loose and cause serious injury.
- The chain brake should be activated when starting. See instructions under the heading Start and stop. Do not drop start. This method is very dangerous because you may lose control of the saw. (55)
- Never start the machine indoors. Exhaust fumes can be dangerous if inhaled.
- Observe your surroundings and make sure that there is no risk of people or animals coming into contact with the cutting equipment.
- Always hold the saw with both hands. The right hand should be on the rear handle, and the left hand on the front handle. All people, whether right or left handed, should use this grip. Use a firm grip with thumbs and fingers encircling the chain saw handles.

Stopping

Stop the engine by pushing the start/stop switch down. (59)

CAUTION! The start/stop switch automatically returns to run position. To avoid involuntary start up, the spark plug cap must always be removed from the spark plug when the machine is unsupervised. (60)

WORKING TECHNIQUES

Before use: (61)

- 1 Check that the chain brake works correctly and is not damaged.
- 2 Check that the rear right hand guard is not damaged.
- 3 Check that the throttle lockout works correctly and is not damaged.
- 4 Check that the stop switch works correctly and is not damaged.
- 5 Check that all handles are free from oil.
- 6 Check that the anti vibration system works and is not damaged.
- 7 Check that the muffler is securely attached and not damaged.
- 8 Check that all parts of the chain saw are tightened correctly and that they are not damaged or missing.
- 9 Check that the chain catcher is in place and not damaged.
- 10 Check the chain tension.

General working instructions

IMPORTANT!

This section describes basic safety rules for using a chain saw. This information is never a substitute for professional skills and experience. If you get into a situation where you feel unsafe, stop and seek expert advice. Contact your chain saw dealer, service agent or an experienced chain saw user. Do not attempt any task that you feel unsure of!

Before using a chain saw you must understand the effects of kickback and how to avoid them. See instructions under the heading How to avoid kickback.

Before using a chain saw you must understand the difference between cutting with the top and bottom edges of the bar. See instructions under the headings How to avoid kickback and Machine's safety equipment.

Wear personal protective equipment. See instructions under the "Personal protective equipment" heading.

Basic safety rules

- 1 Look around you:
 - To ensure that people, animals or other things cannot affect your control of the machine.
 - To make sure that none of the above might come within reach of your saw or be injured by falling trees.

CAUTION! Follow the instructions above, but do not use a chain saw in a situation where you cannot call for help in case of an accident.

- 2 Do not use the machine in bad weather, such as dense fog, heavy rain, strong wind, intense cold, etc. Working in bad weather is tiring and often brings added risks, such as icy ground, unpredictable felling direction, etc.

- 3 Take great care when removing small branches and avoid cutting bushes (i.e. cutting many small branches at the same time). Small branches can be grabbed by the chain and thrown back at you, causing serious injury.
- 4 Make sure you can move and stand safely. Check the area around you for possible obstacles (roots, rocks, branches, ditches, etc.) in case you have to move suddenly. Take great care when working on sloping ground.
- 5 Take great care when cutting a tree that is in tension. A tree that is in tension may spring back to its normal position before or after being cut. If you position yourself incorrectly or make the cut in the wrong place the tree may hit you or the machine and cause you to lose control. Both situations can cause serious personal injury.



- 6 Before moving your chain saw switch off the engine and lock the chain using the chain brake. Carry the chain saw with the bar and chain pointing backwards. Fit a guard to the bar before transporting the chain saw or carrying it for any distance.
- 7 When you put the chain saw on the ground, lock the saw chain using the chain brake and ensure you have a constant view of the machine. Switch the engine off before leaving your chain saw for any length of time.



WARNING! Sometimes chips get stuck in the clutch cover causing the chain to jam. Always stop the engine before cleaning.

General rules

- 1 If you understand what kickback is and how it happens then you can reduce or eliminate the element of surprise. By being prepared you reduce the risk. Kickback is usually quite mild, but it can sometimes be very sudden and violent.
- 2 Always hold the chain saw firmly with your right hand on the rear handle and your left hand on the front handle. Wrap your fingers and thumbs around the handles. You should use this grip whether you are right-handed or left-handed. This grip minimises the effect of kickback and lets you keep the chain saw under control. **Do not let go of the handles!**
- 3 Most kickback accidents happen during limbing. Make sure you are standing firmly and that there is nothing in the way that might make you trip or lose your balance.

Lack of concentration can lead to kickback if the kickback zone of the bar accidentally touches a branch, nearby tree or some other object.

Have control over the workpiece. If the pieces you intend to cut are small and light, they can jam in the

WORKING TECHNIQUES

saw chain and be thrown towards you. Even if this does not need to be a danger, you may be surprised and lose control of the saw. Never saw stacked logs or branches without first separating them. Only saw one log or one piece at a time. Remove the cut pieces to keep your working area safe. (62)

4 **Never use the chain saw above shoulder height and try not to cut with the tip of the bar. Never use the chain saw one-handed! (63)**

5 You must have a steady stance in order to have full control over the chain saw. Never work standing on a ladder, in a tree or where you do not have firm ground to stand on. (64)

6 Always use a fast cutting speed, i.e. full throttle.

7 Take great care when you cut with the top edge of the bar, i.e. when cutting from the underside of the object. This is known as cutting on the push stroke. The chain tries to push the chain saw back towards the user. If the saw chain is jamming, the saw may be pushed back at you. (65)

8 Unless the user resists this pushing force there is a risk that the chain saw will move so far backwards that only the kickback zone of the bar is in contact with the tree, which will lead to a kickback. (66)

Cutting with the bottom edge of the bar, i.e. from the top of the object downwards, is known as cutting on the pull stroke. In this case the chain saw pulls itself towards the tree and the front edge of the chain saw body rests naturally on the trunk when cutting. Cutting on the pull stroke gives the operator better control over the chain saw and the position of the kickback zone. (67)

9 Follow the instructions on sharpening and maintaining your bar and chain. When you replace the bar and chain use only combinations that are recommended by us. See instructions under the headings Cutting equipment and Technical data.

Basic cutting technique



WARNING! Never use a chain saw by holding it with one hand. A chain saw is not safely controlled with one hand. Always have a secure, firm grip around the handles with both hands.

General

- Always use full throttle when cutting!
- Reduce the speed to idle after every cut (running the engine for too long at full throttle without any load, i.e. without any resistance from the chain during cutting, can lead to serious engine damage).
- Cutting from above = Cutting on the pull stroke.
- Cutting from below = Cutting on the push stroke.

Cutting on the push stroke increases the risk of kickback. See instructions under the heading How to avoid kickback.

Terms

Cutting = General term for cutting through wood.

Limbing = Cutting branches off a felled tree.

Splitting = When the object you are cutting breaks off before the cut is complete.

There are five important factors you should consider before making a cut:

- 1 Make sure the cutting equipment will not jam in the cut. (68)
- 2 Make sure the object you are cutting will not split. (69)
- 3 Make sure the chain will not strike the ground or any other object during or after cutting. (70)
- 4 Is there a risk of kickback? (4)
- 5 Do the conditions and surrounding terrain affect how safely you can stand and move about?

Two factors decide whether the chain will jam or the object that you are cutting will split: the first is how the object is supported before and after cutting, and the second is whether it is in tension.

In most cases you can avoid these problems by cutting in two stages; from the top and from the bottom. You need to support the object so that it will not trap the chain or split during cutting.

IMPORTANT! If the chain jams in the cut: stop the engine! Don't try to pull the chain saw free. If you do you may be injured by the chain when the chain saw suddenly breaks free. Use a lever to open up the cut and free the chain saw.

The following instructions describe how to handle the commonest situations you are likely to encounter when using a chain saw.

Limbing

When limbing thick branches you should use the same approach as for cutting.

Cut difficult branches piece by piece. (71)

Cutting



WARNING! Never attempt to cut logs while they are in a pile or when a couple of logs are lying together. Such procedures drastically increase the risk of kickback which can result in a serious or fatal injury.

If you have a pile of logs, each log you attempt to cut should be removed from the pile, placed on a saw horse or runners and cut individually.

Remove the cut pieces from the cutting area. By leaving them in the cutting area, you increase the risk for inadvertently getting a kickback, as well as increasing the risk of losing your balance while working. (72)

The log is lying on the ground. There is little risk of the chain jamming or the object splitting. However there is a

WORKING TECHNIQUES

risk that the chain will touch the ground when you finish the cut. **(73)**

Cut all the way through the log from above. Avoid letting the chain touch the ground as you finish the cut. Maintain full throttle but be prepared for what might happen. **(74)**

If it is possible (can you turn the log?) stop cutting about 2/3 of the way through the log.

Turn the log and finish the cut from the opposite side. **(75)**

The log is supported at one end. There is a high risk that it will split. **(76)**

Start by cutting from below (about 1/3 of the way through).

Finish by cutting from above so that the two cuts meet. **(77)**

The log is supported at both ends. There is a high risk that the chain will jam. **(78)**

Start by cutting from above (about 1/3 of the way through).

Finish by cutting from below so that the two cuts meet. **(79)**

Tree felling technique

IMPORTANT! It takes a lot of experience to fell a tree. Inexperienced users of chain saws should not fell trees. Do not attempt any task that you feel unsure of!

Safe distance

The safe distance between a tree that is to be felled and anyone else working nearby is at least 2 1/2 tree lengths. Make sure that no-one else is in this "risk zone" before or during felling. **(80)**

Felling direction

The aim is to fell the tree in a position where you can limb and cross-cut the log as easily as possible. You want it to fall in a location where you can stand and move about safely.

Once you have decided which way you want the tree to fall you must judge which way the tree would fall naturally.

Several factors affect this:

- Lean of the tree
- Bend
- Wind direction
- Arrangement of branches
- Weight of snow
- Obstacles within the reach of the tree: for example, other trees, power lines, roads and buildings.
- Look for signs of damage and rot in the stem, this makes it more probably that the tree will break and start to fall before you expect it to.

You may find you are forced to let the tree fall in its natural direction because it is impossible or dangerous to try to make it fall in the direction you first intended.

Another very important factor, which does not affect the felling direction but does affect your safety, is to make sure

the tree has no damaged or dead branches that might break off and hit you during felling.

The main point to avoid is letting the tree fall onto another tree. It is very dangerous to remove a trapped tree and there is high accident risk. See instructions under the heading Freeing a tree that has fallen badly. **(81)**

IMPORTANT! During critical felling operations, hearing protectors should be lifted immediately when sawing is completed so that sounds and warning signals can be heard.

Clearing the trunk and preparing your retreat

Delimb the stem up to shoulder height. It is safer to work from the top down and to have the tree between you and the saw. **(82)**

Remove any undergrowth from the base of the tree and check the area for obstacles (stones, branches, holes, etc.) so that you have a clear path of retreat when the tree starts to fall. Your path of retreat should be roughly 135 degrees away from the intended felling direction. **(83)**

- 1 Danger zone
- 2 Retreat path
- 3 Felling direction

Felling



WARNING! Unless you have special training we advise you not to fell trees with a diameter larger than the bar length of your saw!

Felling is done using three cuts. First you make the directional cuts, which consist of the top cut and the bottom cut, then you finish with the felling cut. By placing these cuts correctly you can control the felling direction very accurately.

Directional cuts

To make the directional cut you begin with the top cut. Aim using the saw's felling direction mark (1) toward a goal further forward in the terrain, where you would like the tree to fall (2). Stand on the right-hand side of the tree, behind the saw, and cut with a pull stroke.

Next make the bottom cut so that it finishes exactly at the end of the top cut. **(84)**

The directional cuts should run 1/4 of the diameter through the trunk and the angle between the top cut and bottom cut should be 45°.

The line where the two cuts meet is called the directional cut line. This line should be perfectly horizontal and at right angles (90°) to the chosen felling direction. **(85)**

Felling cut

The felling cut is made from the opposite side of the tree and it must be perfectly horizontal. Stand on the left side of the tree and cut on the pull stroke.

Make the felling cut about 3-5 cm (1.5-2 inches) above the bottom directional cut. **(86)**

WORKING TECHNIQUES

Set the spike bumper (if one is fitted) just behind the felling hinge. Use full throttle and advance the chain/bar slowly into the tree. Make sure the tree does not start to move in the opposite direction to your intended felling direction. Drive a wedge or breaking bar into the cut as soon as it is deep enough.

Finish the felling cut parallel with the directional cut line so that the distance between them is at least 1/10 of the trunk diameter. The uncut section of the trunk is called the felling hinge.

The felling hinge controls the direction that the tree falls in. (87)

All control over the felling direction is lost if the felling hinge is too narrow or non-existent, or if the directional cuts and felling cut are badly placed. (88)

When the felling cut and directional cut are complete the tree should start to fall by itself or with the aid of a felling wedge or breaking bar. (89)

We recommend that you use a bar that is longer than the diameter of the tree, so that you can make the felling cut and directional cuts with single cutting strokes. See instructions under the heading Technical data section to find out which lengths of bar are recommended for your saw.

There are methods for felling trees with a diameter larger than the bar length. However these methods involve a much greater risk that the kickback zone of the bar will come into contact with the tree. (4)

Freeing a tree that has fallen badly

Freeing a "trapped tree"

It is very dangerous to remove a trapped tree and there is high accident risk.

Never try to fell the tree that is trapped.

Never work in the risk zone of the hanging trapped tree. (90)

The safest method is to use a winch.

- Tractor-mounted
- Portable

Cutting trees and branches that are in tension

Preparations: Work out which side is in tension and where the point of maximum tension is (i.e. where it would break if it was bent even more). (91)

Decide which is the safest way to release the tension and whether you are able to do it safely. In complicated situations the only safe method is to put aside your chain saw and use a winch.

General advice:

Position yourself so that you will be clear of the tree or branch when the tension is released. (92)

Make one or more cuts at or near the point of maximum tension. Make as many cuts of sufficient depth as necessary to reduce the tension and make the tree or branch break at the point of maximum tension. (93)

Never cut straight through a tree or branch that is in tension!

If you must cut across tree/limb, make two to three cuts, one inch apart, one to two inches deep. (94)

Continue to cut deeper until tree/limb bends and tension is released. (95)

Cut tree/limb from outside the bend, after tension has been released.

How to avoid kickback



WARNING! Kickback can happen very suddenly and violently; kicking the chain saw, bar and chain back at the user. If this happens when the chain is moving it can cause very serious, even fatal injuries. It is vital you understand what causes kickback and that you can avoid it by taking care and using the right working technique.

What is kickback?

The word kickback is used to describe the sudden reaction that causes the chain saw and bar to jump off an object when the upper quadrant of the tip of the bar, known as the kickback zone, touches an object. (66)

Kickback always occurs in the cutting plane of the bar. Normally the chain saw and bar are thrown backwards and upwards towards the user. However, the chain saw may move in a different direction depending on the way it was being used when the kickback zone of the bar touched the object. (7)

Kickback only occurs if the kickback zone of the bar touches an object. (4)

Limbing



WARNING! A majority of kickback accidents occur during limbing. Do not use the kickback zone of the guide bar. Be extremely cautious and avoid contacting the log, other limbs or objects with the nose of the guide bar. Be extremely cautious of limbs under tension. They can spring back toward you and cause loss of control resulting in injury.

Make sure that you can stand and move about safely. Work on the left side of the trunk. Work as close as possible to the chain saw for maximum control. If possible, let the weight of the chain saw rest on the trunk.

Keep the trunk between you and the chain saw as you move along the trunk.

Cutting the trunk into logs

See instructions under the heading Basic cutting technique.

MAINTENANCE

General

The user must only carry out the maintenance and service work described in this Operator's Manual. More extensive work must be carried out by an authorized service workshop.

Carburettor adjustment

Your Husqvarna product has been designed and manufactured to specifications that reduce harmful emissions.

Function

- The carburettor governs the engine's speed via the throttle control. Air and fuel are mixed in the carburettor. The air/fuel mixture is adjustable. Correct adjustment is essential to get the best performance from the machine.
- The T-screw regulates the throttle setting at idle speed. If the T-screw is turned clockwise this gives a higher idle speed; turning it anti-clockwise gives a lower idle speed.

Basic settings and running in

The basic carburettor settings are adjusted during testing at the factory. Fine adjustment should be carried out by a skilled technician.

Rec. idle speed: See the Technical data section.

Fine adjustment of the idle speed T

Adjust the idle speed with the T-screw. If it is necessary to re-adjust, turn the T-screw clockwise while the engine is running, until the chain starts to rotate. Then turn anti-clockwise until the chain stops. When the idle speed is correctly adjusted the engine should run smoothly in every position and the engine speed should be safely below the speed at which the chain starts to rotate.



WARNING! Contact your servicing dealer, if the idle speed setting cannot be adjusted so that the chain stops. Do not use the chain saw until it has been properly adjusted or repaired.

Correctly adjusted carburettor

When the carburettor is correctly adjusted the machine accelerates without hesitation and 4-cycles a little at full throttle. It is also important that the chain does not rotate at idle. If the L-jet is set too lean it may cause starting difficulties and poor acceleration. If the H-jet is set too lean the machine will have less power, poor acceleration and could suffer damage to the engine.

Checking, maintaining and servicing chain saw safety equipment

Note! All service and repair work on the machine demands special training. This is especially true of the machine's safety equipment. If your machine fails any of the checks described below we recommend that you take it to your service workshop.

Chain brake and front hand guard

Checking brake band wear



Brush off any wood dust, resin and dirt from the chain brake and clutch drum. Dirt and wear can impair operation of the brake. (96)

Regularly check that the brake band is at least 0,6 mm thick at its thinnest point.

Checking the front hand guard



Make sure the front hand guard is not damaged and that there are no visible defects such as cracks.

Move the front hand guard forwards and back to make sure it moves freely and that it is securely anchored to the clutch cover.

Checking the inertia brake release



Place the chain saw, with the engine switched off, on a stump or other stable surface. Release the front handle and let the saw fall by its own weight, rotating around the rear handle towards the stump. (97)

When the bar hits the stump the brake should be activated. (98)

Checking the brake trigger

Place the chain saw on firm ground and start it. Make sure the chain does not touch the ground or any other object. See the instructions under the heading Start and stop. (99)

Grasp the chain saw firmly, wrapping your fingers and thumbs around the handles.

Apply full throttle and activate the chain brake by tilting your left wrist forward onto the front hand guard. Do not let go of the front handle. **The chain should stop immediately. (58)**

MAINTENANCE

Throttle lockout



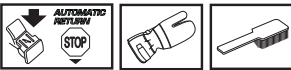
- Make sure the throttle control is locked at the idle setting when the throttle lockout is released. **(100)**
- Press the throttle lockout and make sure it returns to its original position when you release it. **(101)**
- Check that the throttle trigger and throttle lockout move freely and that the return springs work properly. **(102)**
- Start the chain saw and apply full throttle. Release the throttle control and check that the chain stops and remains stationary. If the chain rotates when the throttle control is in the idle position you should check the carburettor idle adjustment.

Chain catcher



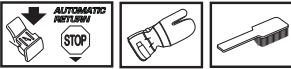
Check that the chain catcher is not damaged and is firmly attached to the body of the chain saw. **(103)**

Right hand guard



Check that the right hand guard is not damaged and that there are no visible defects, such as cracks. **(11)**

Vibration damping system



Regularly check the vibration damping units for cracks or deformation. Make sure the vibration damping units are securely attached to the engine unit and handle unit. **(104)**

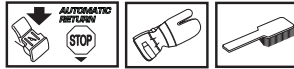
Stop switch



Start the engine and make sure the engine stops when you move the stop switch to the stop setting. **(59)**

CAUTION! The start/stop switch automatically returns to run position. In order to prevent unintentional starting, the spark plug cap must be removed from the spark plug when assembling, checking and/or performing maintenance.

Muffler



Never use a machine that has a faulty muffler.

Regularly check that the muffler is securely attached to the machine. **(105)**

Some mufflers are equipped with a special spark arrestor mesh. If your machine has this type of muffler, you should clean the mesh at least once a week. This is best done with a wire brush. A blocked mesh will cause the engine to overheat and may lead to serious damage.

Note! The mesh must be replaced if it is damaged. If the mesh is blocked the machine will overheat and this will cause damage to the cylinder and piston. Never use a machine with a muffler that is in poor condition. **Never use a muffler if the spark arrestor mesh is missing or defective. (13)**

The muffler is designed to reduce the noise level and to direct the exhaust gases away from the operator. The exhaust gases are hot and can contain sparks, which may cause fire if directed against dry and combustible material.

Starter



WARNING! When the recoil spring is wound up in the starter housing it is under tension and can, if handled carelessly, pop out and cause personal injury.

Care must be exercised when replacing the return spring or the starter cord. Wear protective glasses and protective gloves.

Replacing the starter cord



- Loosen the screws that hold the starter against the crankcase and remove the starter. **(106)**
- Pull out the cord approx. 30 cm and hook it into the notch in the rim of the pulley. Release the recoil spring by letting the pulley rotate slowly backwards. **(107)**
- Undo the bolt in the centre of the pulley and remove the drive disc (A), drive disc spring (B) and the pulley (C). Insert and secure a new starter cord in the starter pulley. Wind approx. 3 turns of the starter cord on the starter pulley. Fit the starter pulley so that the end of the recoil spring (D) hooks into the starter pulley. Now assemble the drive disc spring, drive disc and the bolt in the centre of the pulley. Carry the starter cord through the hole in the starter housing and the starter handle. Tie a good knot on the starter cord. **(108)**

MAINTENANCE

Tensioning the recoil spring

- Hook the starter cord in the notch in the pulley and turn the starter pulley about 2 turns clockwise.
Note! Check that the pulley can be turned at least a further 1/2 turn when the starter cord is pulled all the way out. (109)

Stretch the line with the handle. Move your thumb and release the line. See the figure below. (110)

Replacing the return and drive springs



Recoil spring (A)

- Lift up the starter pulley. See instructions under the heading Changing a broken or worn starter cord. Remember that the recoil spring is coiled under tension in the starter housing.
- Remove the cassette with the recoil spring from the starter.
- Lubricate the recoil spring with light oil. Fit the cassette with recoil spring in the starter. Fit the starter pulley and tension the recoil spring.

Drive disc spring (B)

- Undo the bolt in the centre of the pulley and remove the drive disc and the drive disc spring.
- Replace the drive disc spring and fit the drive disc above the spring. (111)

Fitting the starter

- To fit the starter, first pull out the starter cord and place the starter in position against the crankcase. Then slowly release the starter cord so that the pulley engages with the pawls.
- Fit and tighten the screws that hold the starter.

Air filter



The air filter must be regularly cleaned to remove dust and dirt in order to avoid:

- Carburettor malfunctions
- Starting problems
- Loss of engine power
- Unnecessary wear to engine parts.
- Excessive fuel consumption.
- Remove the air filter after taking off the air filter cover. When refitting make sure that the air filter seals tightly against the filter holder. Clean the filter by brushing or shaking it. (112)

The filter can be cleaned more thoroughly by washing it in water and detergent.

An air filter that has been in use for a long time cannot be cleaned completely. The filter must therefore be replaced with a new one at regular intervals. **A damaged air filter must always be replaced.**

A HUSQVARNA chain saw can be equipped with different types of air filter according to working conditions, weather, season, etc. Contact your dealer for advice.

Spark plug



The spark plug condition is influenced by:

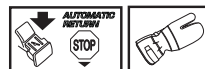
- Incorrect carburettor adjustment.
- An incorrect fuel mixture (too much or incorrect type of oil).
- A dirty air filter.

These factors cause deposits on the spark plug electrodes, which may result in operating problems and starting difficulties.

If the machine is low on power, difficult to start or runs poorly at idle speed: always check the spark plug first before taking any further action. If the spark plug is dirty, clean it and check that the electrode gap is 0,5 mm. The spark plug should be replaced after about a month in operation or earlier if necessary. (113)

Note! Always use the recommended spark plug type! Use of the wrong spark plug can damage the piston/cylinder. Check that the spark plug is fitted with a suppressor.

Needle bearing lubrication



The clutch drum has a needle bearing on the output shaft. This needle bearing must be lubricated regularly.

When lubricating, remove the clutch cover by loosening the two bar nuts. Lay the saw on its side with the clutch drum upwards.

Lubrication involves engine oil dripping into the centre of the clutch drum as it rotates. (114)

Cooling system



To keep the working temperature as low as possible the machine is equipped with a cooling system.

The cooling system consists of:

- 1 Air intake on the starter.
- 2 Air guide plate.
- 3 Fins on the flywheel.
- 4 Cooling fins on the cylinder.
- 5 Cylinder cover (directs cold air over the cylinder). (115)

MAINTENANCE

Clean the cooling system with a brush once a week, more often in demanding conditions. A dirty or blocked cooling system results in the machine overheating which causes damage to the piston and cylinder.

”Air Injection” centrifugal cleaning

Centrifugal cleaning means the following: All air to the carburettor passes through the starter. Dirt and dust is centrifuged out by the cooling fan. **(116)**

IMPORTANT! In order to maintain operation of the centrifugal cleaning system it must be regularly maintained. Clean the air intake to the starter, the fins on the flywheel, the space around the flywheel, inlet pipe and carburettor compartment.

Winter use

Running problems can occur when using the machine in the cold and snowy conditions caused by:

- Too low engine temperature.
- Icing of the air filter and carburettor.

Special measures are therefore often required:

- Partly mask the air inlet on the starter to increase the working temperature of the engine.

Temperature -5°C or colder:



For running the machine in cold weather or powder snow, a special cover is available, which is mounted on the starter housing. This reduces the intake of cold air and prevents large amounts of snow from being sucked in. **(117)**

CAUTION! If the special winterising kit has been fitted or any measures have been taken to increase the temperature these changes must be reversed before the machine is used in normal temperature conditions. Otherwise there is a risk of overheating, resulting in severe damage to the engine.

IMPORTANT! Any maintenance other than that described in this manual must be carried out by your servicing dealer (retailer).

MAINTENANCE

Maintenance schedule

The following is a list of the maintenance steps that must be performed on the machine. Most of the items are described in the Maintenance section.

Daily maintenance	Weekly maintenance	Monthly maintenance
Clean the outside of the machine.	Check the cooling system weekly.	Check the brake band on the chain brake for wear. Replace when less than 0.6 mm (0,024 inch) remains at the most worn point.
Check that the components of the throttle control work safely. (Throttle lockout and throttle control.)	Check the starter, starter cord and return spring.	Check the clutch centre, clutch drum and clutch spring for wear.
Clean the chain brake and check that it operates safely. Make sure that the chain catcher is undamaged, and replace it if necessary.	Check that the vibration damping elements are not damaged.	Clean the spark plug. Check that the electrode gap is 0.5 mm.
The bar should be turned regularly for more even wear. Check the lubrication hole in the bar, to be sure it is not clogged. Clean the bar groove.	Lubricate the clutch drum bearing.	Clean the outside of the carburettor.
Check that the bar and chain are getting sufficient oil.	File off any burrs from the edges of the bar.	Check the fuel filter and the fuel hose. Replace if necessary.
Check the saw chain with regard to visible cracks in the rivets and links, whether the saw chain is stiff or whether the rivets and links are abnormally worn. Replace if necessary.	Clean or replace the spark arrestor mesh on the muffler.	Empty the fuel tank and clean the inside.
Sharpen the chain and check its tension and condition. Check the drive sprocket for excessive wear and replace if necessary.	Clean the carburettor compartment.	Empty the oil tank and clean the inside.
Clean the starter units air intake.	Clean the air filter. Replace if necessary.	Check all cables and connections.
Check that nuts and screws are tight.		
Check that the stop switch works correctly.		
Check that there are no fuel leaks from the engine, tank or fuel lines.		
Check that the chain does not rotate when the engine is idling.		

TECHNICAL DATA

Technical data

	435 II	435e II	440 II	440e II
Engine				
Cylinder displacement, cm ³	40,9	40,9	40,9	40,9
Cylinder bore, mm	41	41	41	41
Stroke, mm	31	31	31	31
Idle speed, rpm	2900	2900	2900	2900
Power, kW/ rpm	1,6/9000	1,6/9000	1,8/9000	1,8/9000
Ignition system				
Spark plug	NGK BPMR 7A/ Champion RCJ 7Y	NGK BPMR 7A/ Champion RCJ 7Y	NGK BPMR 7A/ Champion RCJ 7Y	NGK BPMR 7A/ Champion RCJ 7Y
Electrode gap, mm	0,5	0,5	0,5	0,5
Fuel and lubrication system				
Fuel tank capacity, litre	0,37	0,37	0,37	0,37
Oil pump capacity at 9,000 rpm, ml/min	13	13	13	13
Oil tank capacity, litre	0,25	0,25	0,25	0,25
Type of oil pump	Automatic	Automatic	Automatic	Automatic
Weight				
Chain saw without bar or chain, empty tanks, kg	4,2	4,4	4,2	4,4
Noise emissions (see note 1)				
Sound power level, measured dB (A)	112	112	113	113
Sound power level, guaranteed L _{WA} dB (A)	114	114	114	114
Sound levels (see note 2)				
Equivalent sound pressure level at the operator's ear, dB(A)	102	102	102	102
Equivalent vibration levels, a_{hveq} (see note 3)				
Front handle, m/s ²	2,5	2,5	2,5	2,5
Rear handle, m/s ²	3,2	3,2	3,2	3,2
Chain/bar				
Standard bar length, inch/cm	13"/33	13"/33	13/33	13"/33
Recommended bar lengths, inch/cm	13-18/33-45	13-18/33-45	13-18/33-45	13-18/33-45
Usable cutting length, inch/cm	12-17/31-43	12-17/31-43	12-17/31-43	12-17/31-43
Pitch, inch/mm	0,325/8,25	0,325/8,25	0,325/8,25	0,325/8,25
Thickness of drive links, inch/mm	0,050/1,3	0,050/1,3	0,050/1,3	0,050/1,3
Type of drive sprocket/number of teeth	Spur/7	Spur/7	Spur/7	Spur/7
Chain speed at 133% of maximum engine power speed, m/s.	23,1	23,1	23,1	23,1

Note 1: Noise emissions in the environment measured as sound power (L_{WA}) in conformity with EC directive 2000/14/EC.

Note 2: Equivalent sound pressure level, according to ISO 22868, is calculated as the time-weighted energy total for different sound pressure levels under various working conditions. Typical statistical dispersion for equivalent sound pressure level is a standard deviation of 1 dB (A).

Note 3: Equivalent vibration level, according to ISO 22867, is calculated as the time-weighted energy total for vibration levels under various working conditions. Reported data for equivalent vibration level has a typical statistical dispersion (standard deviation) of 1 m/s².


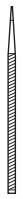




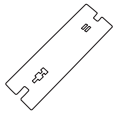
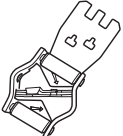
TECHNICAL DATA

Guide bar and saw chain combinations

The following cutting attachments are approved for the models Husqvarna 435 II, 435e II, 440 II and 440e II.

Guide bar				Saw chain	
Length, inch	Pitch, inch	Gauge, mm	Max. nose radius	Type	Length, drive links (no.)
13	0,325	1,3	10T	Husqvarna H30	56
15					64
16					66
18					72

Saw chain filing and file gauges

							
	inch/mm				inch/mm		
H30	3/16 / 4,8	85°	30°	10°	0,025 / 0,65	5056981-00	5056981-08

EC Declaration of Conformity

(Applies to Europe only)

Husqvarna AB, SE-561 82 Huskvarna, Sweden, tel: +46-36-146500, declares under sole responsibility that the chain saws for forest service **Husqvarna 435 II, 435e II, 440 II and 440e II** from 2013's serial numbers and onwards (the year is clearly stated in plain text on the type plate with subsequent serial number), are in conformity with the requirements of the COUNCIL'S DIRECTIVES:

- of May 17, 2006 "relating to machinery" **2006/42/EC**.
- of December 15, 2004 "relating to electromagnetic compatibility" **2004/108/EC**.
- of May 8, 2000 "relating to the noise emissions in the environment" **2000/14/EC**.

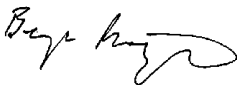
For information relating to noise emissions, see the Technical data chapter. The following standards have been applied: **EN ISO 12100:2010, ISO 14982:2009, EN ISO 11681-1:2011**

Notified body: **0404, SMP Svensk Maskinprovning AB**, Box 7035, SE-750 07 Uppsala, Sweden, has carried out EC type examination in accordance with the machinery directive's (2006/42/EC) article 12, point 3b. The certificates for EC type examination in accordance with annex IX, have the numbers: **0404/09/2012** - 435 II, 435e II, 440 II, 440e II.

In addition, SMP, Svensk Maskinprovning AB, Box 7035, SE-750 07 Uppsala, Sweden, has certified conformity with annex V of the Council's Directive of May 8, 2000 "relating to the noise emissions in the environment" 2000/14/EC. The certificates have the numbers: **01/161/075** - 435 II, 435e II, **01/161/074** - 440 II, 440e II.

The supplied chain saw conforms to the example that underwent EC type examination.

Huskvarna 8 April 2013



Bengt Frögelius, Development director chainsaw R&D (Authorized representative for Husqvarna AB and responsible for technical documentation.)

A SZIMBÓLUMOK MAGYARÁZATA

A gépen látható szimbólumok:

VIGYÁZAT! A motorfűrészek veszélyesek lehetnek! Óvatlan vagy helytelen használatuk a kezelő vagy más személyek súlyos sérülését illetve halálos balesetét is okozhatja.

Olvassa el figyelmesen a használati utasítást, és győződjön meg róla, hogy megértette azt, mielőtt a gépet használatba veszi.

Viseljen mindig:

- Jávahagyott védősisakot
- Jávahagyott hallásvédőt
- Védőszemüveg vagy arcvédő maszk

Ez a termék megfelel a CE-normák követelményeinek.

A környezet zajszenyezése az Európai Gazdasági Közösség direktívája szerint. A gép zajkibocsátása a Műszaki adatok című fejezetben és a címkén szerepel.

Gyűjtás; szivató: Állítsa a szivatógombot szivátásra. A stoppgomb így automatikusan indítóállásba kerül.

Üzemanyagfeltöltés.

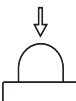
Láncolajbetöltő.

Üzemanyagpumpa.

Az olajpumpa szabályozása.

Láncfék, aktiválva (jobb) Láncfék, nem aktiválva (bal)

A gépen szereplő többi jel/címke egyes piacok specifikus vizsgáztatási követelményeire vonatkozik.



A használati utasításban található szimbólumok:

Bármilyen ellenőrzési vagy karbantartási művelet végrehajtása előtt állítsa le a motort. **FIGYELEM!** Az indítás/leállítás kapcsoló automatikusan visszatér a működési helyzetbe. A szándékolatlan elindítás megelőzése érdekében szerelésekor, ellenőrzés és/vagy karbantartás végzésekor a gyertyasapkát el kell távolítani a gyújtógyertyáról.



Használjon mindig megfelelő védőkesztyűt.



Rendszeres tisztítás szükséges.



Szemrevételezés.



Védőszemüveg vagy arcvédő maszk használata kötelező.



Üzemanyagfeltöltés.



Olajfeltöltés és az olajadagolás szabályozása.



A láncféknek a motorfűrész beindításakor bekapcsolt állapotban kell lennie.



VIGYÁZAT! Ha a vezetőlemez csúcsa egy másik tárgygal kerül érintkezésbe, visszacsapódás következhet be, amely a vezetőlemez felfelé, és a gépkezelő irányába visszafelé löki. Ennek az eredménye súlyos személyi sérülés lehet.



TARTALOMJEGYZÉK

Tartalomjegyzék

A SZIMBÓLUMOK MAGYARÁZATA

A gépen látható szimbólumok:	32
A használati utasításban található szimbólumok:	32

TARTALOMJEGYZÉK

Tartalomjegyzék	33
-----------------------	----

BEVEZETÉS

Tisztelt vásárlónk!	34
---------------------------	----

MI MICSODA?

Mi micsoda a motorfűrészen?	34
-----------------------------------	----

ÁLTALÁNOS BIZTONSÁGI INTÉZKEDÉSEK

Az új fűrészt használatbavétele előtti teendők	35
Fontos	36
Mindig próbáljon előrelátóan gondolkodni.	36
Személyi védőfelszerelés	36
A gép biztonsági felszerelése	36
Vágószerkezet	38

ÖSSZESZERELÉS

A vezetőlemez és a lánc felszerelése	42
--	----

ÜZEMANYAGKEZELÉS

Üzemanyagkeverék	43
Tankolás	44
Üzemanyagbiztonság	44

BEINDÍTÁS ÉS LEÁLLÍTÁS

Beindítás és leállítás	45
------------------------------	----

MUNKATECHNIKA

Használat előtt:	46
Általános munkavédelmi utasítások	46
Hogyan kerüljük el a visszarúgást	49

KARBANTARTÁS

Általános tudnivalók	50
A porlasztó beállítása	50
A motorfűrészt biztonsági felszerelésének vizsgálata, karbantartása és szervizelése	50
Kipufogódob	51
Indítószervezet	51
Levegőszűrő	52
Gyújtógyertya	52
A tégőrgős csapágy karbantartása	52
A hűtőrendszer	53
"Air Injection" centrifugális tisztítás	53
Téli használat	53
Karbantartási séma	54

MŰSZAKI ADATOK

Műszaki adatok	55
Vezetőlemez és lánc kombinációk	56
Fűrészlánc reszelése és élezősablonok	56
Termékazonossági EGK-bizonyítvány	56

Tisztelt vásárlónk!

Gratulálunk most vásárolt Husqvarna-termékéhez! A Husqvarna története egészen 1689-ra nyúlik vissza, amikor XI. Karl király a Husqvarna folyó partján gyárat építtetett muskétagyártás céljából. A gyárat a Husqvarna folyó partján elhelyezni logikus volt, mivel a folyót vízenergia termelésre használták és ennek következtében vízerőműként működött. A Husqvarna gyár több mint 300 éves fennállása során számtalan termék készült, a fafűtéses tűzhelyektől kezdve modern konyhaberendezésekig, varrógépekig, kerékpárokig, motorkerékpárokig, stb. 1956-ban készült el az első motoros fűnyíró, amelyet 1959-ben a motorfűrész követett. A Husqvarna ma ezen a területen működik.

A Husqvarna ma a világ egyik vezető, a minőséget és a teljesítményt előtérbe helyező gyártója az erdészeti és kerti termékek területén. A vállalat üzleti célkitűzése motor meghajtású termékek kifejlesztése, gyártása és marketingje az erdészeti és kerti felhasználás, valamint az építőipar számára. A Husqvarna célja továbbá, hogy ergonómia, felhasználóbarátság, biztonság és környezetvédelem szempontjából is elől járjon – ezért több részletet kifinomítva, tovább fejleszti termékeit ezeken a területeken.

Meggyőződésünk, hogy Ön sokáig elégedett lesz termékünk minőségével és teljesítményével. Azáltal, hogy nálunk vásárol, Ön szükség esetén professzionális javítási és szerviz-segítséget kap. Ha a vásárlás nem elismert viszonteladónál történt, forduljon a legközelebbi szervizműhelyhez.

Reméljük, elégedett lesz gépével, és hogy az sokáig segítőtársa lesz a munkában. Gondoljon arra, hogy ez a használati utasítás egy értékpapír. Tartalmát követve (használat, szerviz, karbantartás stb.) a gép élettartama, sőt másodkezes, használt értéke is jelentősen megnövelhető. Ha Ön eladja gépét, a használati utasítást is adja át az új tulajdonosnak.

Köszönjük, hogy Husqvarna terméket használ!

A Husqvarna AB folyamatosan dolgozik termékei továbbfejlesztésén, és ezért fenntartja a jogot arra, hogy többek között a termékek formáján és külsején előzetes tájékoztatás nélkül változtasson.

Mi micsoda a motorfűrész? (1)

- 1 Motorházfedél
- 2 Üzemanyagpumpa.
- 3 Indítási emlékeztető
- 4 Kombinált indítás és leállítás kapcsoló
- 5 Hátsó fogantyú
- 6 Tájékoztató és figyelmeztető címke
- 7 Üzemanyagtartály
- 8 Porlasztó beállító csavar
- 9 Indítófogantyú
- 10 Indítószerkezet
- 11 Lánclajtartály
- 12 Termék- és gyártási számot tartalmazó címke
- 13 Döntési irány jelzése
- 14 Első fogantyú
- 15 Biztonsági fékkar
- 16 Kipufogódob
- 17 Fűrészlánc
- 18 Orrkerék
- 19 Vezetőlemez
- 20 Támasztóköröm
- 21 Láncfogó
- 22 Láncfeszítő csavar (435 II, 440 II)
- 23 Kuplungfedél (435 II, 440 II)
- 24 Jobbkézvédő
- 25 Gázadagológomb
- 26 Gázadagoló-retesz
- 27 Kuplungfedél (435e II, 440e II)
- 28 Láncfeszítő kerék
- 29 Szárnyas anya
- 30 Használati utasítás
- 31 Kombinált kulcs
- 32 Láncvédő tok

ÁLTALÁNOS BIZTONSÁGI INTÉZKEDÉSEK

Az új fűrész használatbavétele előtti teendők

- Olvassa el figyelmesen a használati utasítást.
- **(1) – (117)** a 2–6. oldalon található adatokra vonatkoznak.
- Ellenőrizze a vágószerkezet felszerelését és beállítását. Lásd az Összeszerelés című fejezetben szereplő utasításokat.
- Töltse fel és indítsa be a láncfűrészt. Lásd az "Üzemanyag-kezelés" és az "Indítás és leállítás" című alatti útmutatást.
- Ne használja a motorfűrészt, mielőtt a fűrészlánc elegendő láncfenő olajat nem kapott. Lásd a Vágószerkezet című fejezetben szereplő utasításokat.
- Hosszú távon a tartós zajártalom maradandó halláskárosodást okozhat. Ezért mindig használjon megfelelő zaj elleni fülvédőt.



VIGYÁZAT! A gép eredeti kivitelezésén a gyártó cég engedélye nélkül semmilyen módosítást sem szabad végezni. Használjon mindig eredeti pótalkatrészeket. Nem engedélyezett módosítások és/vagy pótalkatrészek komoly sérülésekhez vagy halálos balesetekhez vezethetnek.



VIGYÁZAT! A motorfűrészt vigyázatlan vagy helytelen használat esetén veszélyes szerszám lehet, amely komoly, sőt halálos sérüléseket is okozhat. Nagyon fontos, hogy elolvassa és megértse e használati utasítás tartalmát.



VIGYÁZAT! A hangtompító belsejében rákkeltő vegyi anyagok is lehetnek. Ügyeljen arra, hogy a hangtompító esetleges sérülésekor ne érintse meg ezeket az anyagokat.



VIGYÁZAT! A láncolajjzók, a fűrészpor és a motor kipufogógázainak hosszas belégzése veszélyeztetheti az egészséget.



VIGYÁZAT! A gép működés közben elektromágneses mezőt hoz létre. Ez bizonyos körülmények esetén hatással lehet az aktív vagy passzív orvosi implantátumokra. A súlyos vagy halálos sérülés kockázatának csökkentése érdekében azt javasoljuk, hogy az orvosi implantátumot használó személyek a gép alkalmazása előtt kérjék ki orvosuk vagy az orvosi implantátum gyártójának tanácsát.



VIGYÁZAT! Soha ne engedje, hogy gyermekek használják a gépet, vagy a gép közelében tartózkodjanak. Mivel a gép rugós stop kapcsolóval van felszerelve, és enyhe mozdítással vagy az indítókarra kifejtett kis erővel is beindítható, bizonyos körülmények között kisgyermekek is elegendő erőt tudnak kifejteni a gép elindításához. Ez súlyos személyi sérüléshez vezethet. Ezért a gyertyapipát mindig húzza le a gyújtógyertyáról, ha nem tud folyamatosan felügyelni a gépre.

ÁLTALÁNOS BIZTONSÁGI INTÉZKEDÉSEK

Fontos

FONTOS!

Ez az erdészeti láncfűrész erdőgazdálkodási munkákhoz, például fadóntéshez, gallyazáshoz, vágáshoz készült.

A gép használatát nemzeti jogszabályok korlátozhatják.

Csak a "Műszaki adatok" fejezetben ajánlott vezetőlemez–fűrészlánc-kombinációkat használja.

Soha ne használja a gépet, ha fáradt, ha alkoholt fogyasztott, vagy ha látását, ítéloképességét vagy mozgáskoordinációját befolyásoló gyógyszert vett be.

Viseljen személyi védőfelszerelést. Lásd a Személyi védőfelszerelés című fejezetben szereplő utasításokat.

Ne változtassa meg a gép eredeti kivitelét, és ne használja a gépet, ha láthatóan valaki más módosításokat hajtott végre rajta.

Soha ne használjon olyan gépet, amely hibás. Végezze el az ebben a használati utasításban előírt ellenőrzési, karbantartási és szervizmunkákat. Bizonyos karbantartási és szervizmunkákat szakképzett szerelőknek kell elvégeznie. Lásd a Karbantartás című fejezetben leírtakat.

Soha ne használjon más tartozékokat, mint az ebben a használati utasításban javasoltakat. Lásd a Vágószerkezet és a Műszaki adatok című fejezetekben szereplő utasításokat.

FIGYELEM! A repülő tárgyak által okozott sérülések elkerülése érdekében mindig viseljen védőszemüveget vagy –maszkot. A láncfűrészek nagy erővel képesek elrepíteni tárgyakat, például faszilánkokat vagy kisebb fadarabokat. Ennek az eredménye súlyos sérülés, főleg szemsérülés lehet.



VIGYÁZAT! A motor zárt, illetve nem megfelelő szellőzésű helyiségben történő járataa fulladáshoz illetve szén-monoxid mérgezéshez vezethet és halálos kimenetelű lehet.



VIGYÁZAT! A hibás vágóberendezés vagy a helytelen vezetőlemez–lánc-kombináció növeli a visszacsapódás kockázatát! Csak az ajánlott vezetőlemez–lánc-kombinációkat használja, és tartsa be a feltöltésre vonatkozó utasításokat. Lásd a "Műszaki adatok" című fejezetben található útmutatást.

Mindig próbáljon előrelátóan gondolkodni. (2)

Lehetetlen a láncfűrész használatakor előforduló összes elképzelhető helyzetet ismertetni. Mindig megfontoltan és előrelátóan tevékenykedjen. Kerülje az olyan helyzeteket, amelyek saját megítélése szerint meghaladják a képességeit. Ha a jelen útmutató elolvasása után is bizonytalanok érzik

magát az üzemeltetési eljárásokkal kapcsolatban, a folytatás előtt kérje ki szakértő véleményét. Ha a fűrész használatáról kérdései vannak, nyugodtan forduljon a kereskedőhöz vagy hozzánk. Szívesen állunk rendelkezésére, hogy tanácsot és segítséget nyújtsunk a fűrész hatékony és biztonságos használatához. Ha lehet, végezzen el egy, a láncfűrész használatával kapcsolatos tanfolyamot. Az oktatási anyagokról és tanfolyamokról a kereskedő, az erdészeti iskolák vagy a könyvtárak tudnak tájékoztatást adni. Folyamatosan dolgozunk a berendezések és a technológia fejlesztésén – a fejlesztések fokozzák a biztonságot és a hatékonyságot. Érdeklődjön rendszeresen a kereskedőnél, hogy megtudhassa, milyen előnyöket nyújthatnak az Ön számára az időközben megvalósított új funkciók.

Személyi védőfelszerelés



VIGYÁZAT! A legtöbb baleset úgy történik a motorfűrészszel, hogy a lánc megsérti a kezelőt. Amikor a gépet használja, viseljen mindig jóváhagyott személyi biztonsági felszerelést. A személyi biztonsági felszerelés nem küszöböli ki a sérülések kockázatát, de csökkenti a sérülés mértékét, ha bekövetkezik a baleset. A megfelelő felszerelés kiválasztásához kérje kereskedő segítségét.

- Jóváhagyott védősisakot
- Hallásvédő
- Védőszemüveg vagy arcvédő maszk
- Védőbetétes kesztyű
- Vágásbiztos nadrág
- Védőbetétes csizma, acéllemez lábujjvédővel és csúszásgátló talppal
- Mindig legyen a közelben elsősegélykészlet.
- Tűzoltókészülék és lapát

A ruháknak általában testhezállónak kell lenniük, anélkül, hogy akadályoznák a mozgást.

FONTOS! A hangfogóból, a pengéről, a láncról vagy más helyekről szikrák pattanhatnak ki. Szükség esetére mindig tartsa a keze ügyében tűzoltó–felszerelést. Így segíthet az erdőtűzek megelőzésében.

A gép biztonsági felszerelése

Ez a szakasz a gép biztonsági funkcióit és azok működését ismerteti. Az ellenőrzésről és a karbantartásról a "Láncfűrész biztonsági berendezéseinek ellenőrzése, karbantartása és szervizelése" című fejezet tartalmaz tudnivalókat. A gép részegységeinek helyét lásd a "Mi micsoda?" című fejezetben.

Ha a gép karbantartását nem megfelelően végzik, illetve a javítási és szervizmunkákat nem képzett szakemberrel végeztetik el, a gép balesetveszélyessége válhat és várható élettartama is csökkenhet. További információért forduljon a legközelebbi szakszerviz munkatársaihoz.

ÁLTALÁNOS BIZTONSÁGI INTÉZKEDÉSEK



VIGYÁZAT! Soha ne használja a gépet hibás biztonsági felszerelésekkel. A biztonsági felszerelések ellenőrzését és karbantartást igényelnek. Lásd az útmutatást a "Láncfűrész biztonsági berendezéseinek ellenőrzése, karbantartása és szervizelése" című fejezetben. Ha a gép nem felel meg az összes ellenőrzésen, vigye el javításra szervizbe.

Láncfék és biztonsági fékkar

A láncfűrésznek láncfék van, amelynek feladata a lánc megállítása visszacsapódás esetén. A láncfék ugyan csökkenti a balesetek kockázatát, megakadályozni azonban csak Ön tudja azokat. (3)

Használja elővigyázattal a láncfűrész, és gondoskodjon arról, hogy a vezetőlemez visszarugási zónájába ne kerüljenek tárgyak. (4)

- A láncfék (A) vagy manuálisan (bal kézzel), vagy a tehetetlenségi kioldómechanizmus útján lép működésbe. (5)
- Ha a biztonsági fékkart (B) előretoljuk, a fék működésbe lép. (5)
- Ez a mozdulat egy rugós szerkezetet hoz működésbe, amely a fékszalagot (C) ráfeszíti a motor láncvezérlő rendszerére (kapcsolódob) (D). (6)
- A biztonsági fékkart nemcsak arra tervezték, hogy működésbe hozza a láncfékét. Egy másik fontos biztonsági feladata megakadályozni azt, hogy a lánc a bal kézhez érjen, ha az első fogantyú kicsúszna a kezéből.
- A láncfűrész indításakor működésbe kell hozni a láncfékét, hogy a lánc ne kezdjen fogorni. (55)
- A láncfékét indításakor, illetve kisebb távolságokon történő áthelyezéskor "parkolófékként" használhatja, így megakadályozhatja a baleseteket, ha fennáll annak kockázata, hogy a lánc egy közelben levő személyt vagy tárgyat talál el. Ne hagyja huzamosabb ideig bekapcsolva a láncfűrész, az aktivált láncfékkel. A láncfűrész erőteljesen felmelegedhet.
- A láncfék kioldásához tolja az elülső, „PULL BACK TO RESET” (HÚZZA HÁTRA A VISSZAÁLLÍTÁSHOZ) feliratú kézvédőt az elülső markolat fele.
- A visszarugás nagyon hirtelen és heves lehet. A legtöbb visszarugás azonban enyhébb jellegű, és nem mindig hozza működésbe a láncfékét. Ilyenkor határozottan kell tartani a láncfűrész és nem kiengedni azt a kézből.
- A láncfék kézi vagy automatikus működésbe hozatala a visszarugás erejétől függ, valamint attól, hogy a fűrész milyen helyzetben van ahhoz a tárgyhöz képest, amely a vezetőlemez visszarugási zónájába ér.

Ha erős visszacsapódás történik, amikor a vezetőlemez visszacsapódási zónája a kezelőtől a legtávolabbra esik, a láncfék működésbe lép az ellensúlynak a visszacsapódás irányába történő elmozdulása hatására (a tehetetlenség miatt). (7)

Ha a visszarugás kevésbé heves, és a vezetőlemez visszarugási zónája közelebb van a kezelőhöz, akkor a féket a bal kéz elmozdulása fogja működésbe hozni.

- A fa döntésekor a bal kéz olyan helyzetben van, amely nem teszi lehetővé a láncfék manuális működésbe hozását. Ilyen fogásnál, amikor a bal kéz úgy helyezkedik el, hogy ne befolyásolhassa az első kézvédő mozgását, a láncfék csak a tehetetlenségi erő tudja működésbe hozni. (8)

A kezem mindig működésbe hozza a láncfékét visszacsapódás esetén?

Nem. A visszacsapódás-védő előre történő elmozdításához kifejezetten erőt kell kifejteni. Ha a kéz csak könnyedén érinti a visszacsapódás-védőt, vagy ha csak csúszik rajta, előfordulhat, hogy az erő nem elég a láncfék kioldásához. Munka közben mindenképpen fogja erősen a láncfűrész fogantyúját. Ha így használja, és visszacsapódás történik, előfordulhat, hogy Ön egyáltalán nem enged el az első fogantyút, és nem hozza működésbe a láncfékét, vagy esetleg a láncfék addig nem lép működésbe, amíg a fűrész jelentős mértékben ki nem mozdul. Ilyen helyzetben előfordulhat, hogy a láncfék nem tudja leállítani a láncot, mielőtt az etalálná Önt.

Munka közben bizonyos helyzeteknél előfordulhat, hogy a kéz nem éri el a visszacsapódás-védőt a láncfék működésbe hozásához, például amikor a fűrész fadöntési helyzetben van.

A láncfék tehetetlenségi mechanizmusa minden esetben működésbe lép visszacsapódásnál?

Nem. Mindenelőtt a féknek működőképesnek kell lennie. A fék ellenőrzése nem bonyolult dolog. Lásd a "Láncfűrész biztonsági berendezéseinek ellenőrzése, karbantartása és szervizelése" című fejezetben levő tudnivalókat. Javasoljuk, hogy munkakezdés előtt mindig végezze el ezt az ellenőrzést. Másrészt, a visszacsapódásnak elég erősnek kell lenni ahhoz, hogy működésbe hozza a láncfékét. Ha a láncfék túl érzékeny lenne, minden esetben működésbe lépne, és az zavarná a munkavégzést.

A láncfűrész mindig megvéd a sérülésektől, ha visszacsapódás történik?

Nem. Egyrészt, a féknek mindenelőtt működőképesnek kell lennie ahhoz, hogy a kívánt védelmet tudja nyújtani. Másrészt, a fent leírtaknak megfelelően működésbe kell hozni, hogy visszacsapódás esetén leállítsa a fűrészláncot. Harmadrészt, a láncfék működésbe lehet hozni, de ha a vezetőlemez túl közel van a kezelőhöz, előfordulhat, hogy a féknek nem sikerül lelassítania és leállítania a láncot, mielőtt az etalálja Önt.

Csak a kezelő és a helyes munkamódszerek különbözhetnek ki a visszacsapódást és az azzal járó kockázatokat.

Gázdagoló-retesz

A gázszabályozó zárja úgy van kialakítva, hogy megakadályozza a véletlen gázadást. Amikor megnyomja a zárat (A) (azaz megfogja a fogantyút), az kinyitja a gázszabályozót (B). Amikor elengedi a fogantyút, a gázszabályozó és a zár egyaránt visszaáll az eredeti állásába. Ez a kialakítás azt jelenti, hogy a gép alapjárata esetén a gáz automatikusan elzáródik. (9)

ÁLTALÁNOS BIZTONSÁGI INTÉZKEDÉSEK

Láncfogó

A láncfogót arra a célra tervezték, hogy felfogja a láncot, ha az elszakad vagy leugrik. Ez nem történhet meg, ha a láncfeszesség megfelelő (lásd az Összeszerelés című fejezetben szereplő utasításokat), valamint ha a vezetőlemezzel és a lánc szervező és karbantartása is megfelelő (lásd az Általános munkavédelmi utasítások című fejezetben szereplő utasításokat). (10)

Jobbkézvédő

Azon kívül, hogy a kezét az elszakadó vagy leugró lánctól védi, a jobbkézvédő azt is megakadályozza, hogy az ágak és a gallyak zavarják a hátsó fogantyút fogó jobb kezét. (11)

Rezgéscsillapító rendszer

Az Ön gépe rezgéscsillapító rendszerrel van ellátva, amelyet úgy konstruáltak, hogy csökkentse a vibrációkat, és könnyebbé tegye a használatot.

A gép rezgéscsillapító rendszere csökkenti a motorblokk/vágószerkezet rezgéseinek a gép fogantyúja felé történő terjedését. A motorfűrésztest, a vágószerkezettel együtt, a fogantyúegységen függ ún. rezgéscsökkentő egységeken át.

Keményfa vágásakor (a legtöbb lombhullató fa ilyen) több rezgés keletkezik, mint puhafa vágásakor (a tüleveleűk vagy része). Életlen vagy nem megfelelő lánc (nem megfelelő típusú vagy helytelenül élezett) növeli a vibrációs szintet.



VIGYÁZAT! Az erős rezgés miatt a vérkeringési zavarokban szenvedő személyeknél ér- vagy idegsérülések léphetnek fel. Forduljon orvoshoz, ha olyan tüneteket tapasztal, amelyek az erős rezgés hatására jöhetnek létre. Ezek a tünetek többek között zibbadás, érzéskiesés, bizsergés, szúró érzés, fájdalom, erőtlenség, a bőr színének vagy felületének megváltozása. A tünetek többnyire az ujjakban, a kézben vagy a csuklóban jelentkeznek. Az alacsony külső hőmérséklet súlyosbíthatja a tüneteket.

Leállító kapcsoló

Használja a leállító kapcsolót a motor leállítására. (12)

Kipufogódob

A kipufogódobot arra a feladatra tervezték, hogy a zajszintet minimálisra csökkentse, és hogy a kipufogógázokat a kezelő közeléből elvezesse.



VIGYÁZAT! A motor kipufogógázai forróak, és lehet bennük szikra, mely tüzet okozhat. Soha ne indítsa be a gépet zárt helyiségben vagy gyúlékony anyagok közelében!

Meleg, száraz klímájú országokban nagyobb az erdőtüzek veszélye. Előfordulhat, hogy ezekben az országokban a jogszabályok előírásai és a kereskedelmi igények miatt a hangfogót "szikrafogó hálóval" látjuk el. (13)

Ügyeljen rá, hogy a rácsot a megfelelő helyzetben erősítse fel. Szükség esetén használjon kombinált kulcsot a rács felhelyezéséhez vagy eltávolításához.



FIGYELEM! A hangfogó a használat során és után erősen felhevül. Ez az alapjárat esetében is így van. Legyen tudatában a tűzveszélynek, különösen ha gyúlékony anyag és/vagy gáz közelében dolgozik.



VIGYÁZAT! Semmiképpen ne használjon olyan láncfűrésztestet, amelyiken nincs vagy hibás a hangfogó. A hibás hangfogó jelentős mértékben növeli a zajszintet és a tűzveszélyt. Legyen kéznél tűzoltó-felszerelés. Semmiképpen ne használjon olyan láncfűrésztestet, amelyiken hiányzik vagy hibás a szikrafogó háló, amennyiben annak használata kötelező az adott munkaterületen.

Vágószerkezet

Ez a fejezet leírja, hogy hogyan válassza ki és tartsa karban a vágószerkezetet, ahhoz, hogy:

- Csökkentse a visszarúgás veszélyét.
- Csökkentse a fűrészléc szakadásának vagy megugrásának veszélyét.
- Értse el optimális vágási teljesítményt.
- Növelje a vágószerkezet élettartamát.
- Kerülje el a rezgésszint növekedését.

Általános szabályok

- **Csak az általunk javasolt vágószerkezetet használja!** Lásd a "Műszaki adatok" című fejezetben található útmutatót.
- **Tartsa a lánc fogait éles állapotban. Kövesse utasításainkat, és használja az általunk javasolt reszelősablonot.** Megsérült vagy hibásan kiélezett lánc növeli a baleset veszélyét.
- **Állítsa be a mélységhatároló megfelelő távolságát! Tartsa be az útmutatásokat, és használja a javasolt mélységhatároló sablonot.** A túl nagyra beállított távolság növeli a visszacsapódás kockázatát.
- **Tartsa a láncot feszesen!** A nem megfelelő feszességű lánc könnyebben leugrik, és a vezetőlemez, a lánc és a csillagkerék túlzott kopásához is vezet.
- **Tartsa a vágószerkezetet jól megkent és megfelelően karbantartott állapotban!** Egy elégtelenül olajozott lánc hajlamosabb a szakadásra és a leugrásra, és a vezetőlemez, a lánc és a csillagkerék túlzott kopásához is vezet.

ÁLTALÁNOS BIZTONSÁGI INTÉZKEDÉSEK

A visszacsapódás minimálisra csökkentésére tervezett berendezés



VIGYÁZAT! A hibás vágóberendezés vagy a helytelen vezetőlemez–lánc-kombináció növeli a visszacsapódás kockázatát! Csak az ajánlott vezetőlemez–lánc-kombinációkat használja, és tartsa be a feltöltésre vonatkozó utasításokat. Lásd a "Műszaki adatok" című fejezetben található útmutatást.

A visszarúgás elkerülésének egyetlen módja az, ha vigyázunk arra, hogy a vezetőlemez visszarúgási zónájába soha ne kerüljön tárgy.

Azáltal, hogy "beépített" visszarúgásvédelemmel rendelkező láncot használunk, és hogy a láncot éles és jól karbantartott állapotban tartjuk, csökkenthetjük a visszarúgás hatását.

Vezetőlemez

Minél kisebb a vezetőlemez csúcának sugara, annál kisebb a visszacsapódás kockázata.

Fűrészlánc

A fűrészlánc egy bizonyos számú láncszemből áll, amelyeket standard és kis visszarúgású változatban lehet kapni.

FONTOS! Egyetlen láncfűrész sem küszöböli ki teljesen a visszacsapódás veszélyét.



VIGYÁZAT! A forgó fűrészlánc megérintése rendkívül súlyos sérüléseket okozhat.

Néhány, a vezetőlemezt és a láncot meghatározó jellemző

A láncberendezés összes biztonsági funkciója működésének fenntartása érdekében a kopott és sérült vezetőlemez–lánc-kombinációkat cserélje le a Husqvarna által ajánlott pengére és láncra. Az általunk ajánlott vezetőlemez–lánc-kombinációkkal kapcsolatos tudnivalókat a "Műszaki adatok" című fejezetben találja.

Vezetőlemez

- Hossz (tum/cm)
- Az orrkerék fogainak száma (T).
- Fűrészláncosztás (=pitch) (tum). A vezetőlemez orrkereke és a hajtókerék fogai közötti távolságnak igazodnia kell a meghajtószemek közötti távolsághoz. **(14)**
- A meghajtószemek száma (db). A meghajtószemek számát a vezetőlemez hossza, a láncosztás és az orrkerék fogainak száma határozza meg.
- A vezetőlemez nyomszélessége (tum/mm). A vezetőlemez nyomszélességének igazodnia kell a meghajtószemek vastagságához.
- Olajozónylás és a láncfeszítő csapszeg nyílása. A vezetőlemeznek igazodnia kell a motorfűrész kivitelezési változatához. **(15)**

1155355-93 Rev.4 2014-11-24

Fűrészlánc

- Fűrészláncosztás (=pitch) (tum) **(14)**
- A meghajtószem vastagsága (mm/tum) **(16)**
- A meghajtószemek száma (db) **(17)**

A lánc élezése és a mélységátároló távolságának állítása

Általános tudnivalók a vágófogak kiélezéséről

- Soha ne használjon életlen láncot. Ha a lánc életlen, nagyobb nyomást kell kifejeíteni a pengére, hogy átvágja a fát, és a vágások is nagyon kicsik lesznek. Ha nagyon életlen a fűrészlánc, akkor a gép nem is tud vágni. Ilyenkor csak fűrészpor termelődik.
- Az éles lánc könnyen behatol a fába, és hosszú, vastag vágásokat készít.
- A lánc vágórészét vágószemnek nevezik, ez a vágófogból (A) és a mélységátárolóból (B) áll. A vágásmélységet e két részegység magasságkülönbsége határozza meg. **(18)**

A vágófogok élezésekor négy fontos tényezőt kell szem előtt tartani.

- 1 Élezési szög **(19)**
- 2 Vágószög **(20)**
- 3 A reszelő állása **(21)**
- 4 A kórszelvényű reszelő átmérője

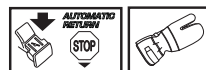
A megfelelő felszerelés nélkül nagyon nehéz az élezés. Javasoljuk mélységátároló sablonunk használatát. Ez segítséget nyújt ahhoz, hogy a visszacsapódást a legnagyobb mértékben csökkentse, és a láncsal a legjobb vágási teljesítményt érje el. **(22)**

A lánc élezésével kapcsolatos tudnivalókat a "Műszaki adatok" című fejezetben találja.



VIGYÁZAT! Az élezésre vonatkozó utasításoktól való eltérés nagyban növeli a visszacsapódás kockázatát.

A vágófogak élezése



A vágófogok élezéséhez hengeres és laposreszelő szükséges. A láncfűrészhez ajánlott reszelő és sablon méretével kapcsolatos tudnivalókat a "Műszaki adatok" című fejezetben levő útmutatás tartalmazza.

- Ellenőrizze, hogy a lánc feszes-e. A lazaság oldalirányban instabillá teszi a láncot, amely megnehezíti a megfelelő élezést.
- A vágófogat mindig belülről kifelé haladva élezze, csökkentve a nyomást a reszelő visszahúzásakor. Először élezze ki az egyik oldalról a fogakat, azután pedig fordítsa meg a motorfűrész és élezze ki a fogakat a másik oldalról.
- Reszelje a fogakat egyforma méretűre. Amikor a vágófogok hosszanti mérete 4 mm-re (5/32") csökken, akkor a lánc elhasználódott és ki kell cserélni. **(23)**

ÁLTALÁNOS BIZTONSÁGI INTÉZKEDÉSEK

Általános tudnivalók a mélységátaroló távolságának beállításáról

- A vágófog élezésekor csökken a mélységátaroló távolsága (a vágásmélység). A vágási teljesítmény fenntartásához a mélységátarólót az ajánlott magasságig vissza kell reszelni. A mélységátaroló távolságával kapcsolatban az adott láncfűrészre vonatkozó tudnivalókat a "Műszaki adatok" című fejezetben találja. (24)



VIGYÁZAT! A visszacsapódás kockázata megnő, ha a mélységátaroló távolsága túl nagy!

A mélységátaroló távolságának beállítása



- Közvetlenül a mélységátaroló távolságának beállítása előtt a vágófogakat meg kell élezni. Azt javasoljuk, hogy a mélységátaroló távolságát minden harmadik láncélezés után állítsa be. FIGYELEM! Ez a javaslat feltételezi, hogy a vágófogak hossza nem csökken túlzott mértékben.
- A mélységátaroló távolságállításához laposreszelőre és mélységátaroló sablonra van szükség. Javasoljuk, hogy a mélységátaroló beállításához használja a sablont, hogy a távolságot pontosan tudja mérni, és a helyes oldalszöget tudja elérni.
- Helyezze a reszelőablont a fűrészlánca. A reszelőablont használatával kapcsolatos tudnivalókat a csomagoláson találja. A laposreszelő használatával reszelje le a mélységátaroló kiálló részéről a felesleget. A mélységátaroló távolsága akkor helyes, ha nem érez ellenállást, amikor a reszelőt végighúzza a sablonon. (25)

A lánc megfeszítése



VIGYÁZAT! Egy laza lánc leugorhat, és súlyos, sőt életveszélyes sérüléseket is okozhat.

Minél többet használja a láncot, az annál hosszabb lesz. Ezért fontos, hogy a lazaságot a lánc rendszeres utánafeszítésével megszüntesse.

Minden tankoláskor ellenőrizze a lánc feszességét. FIGYELEM! Minden új láncnak van egy bejáratási ideje, ami alatt gyakrabban kell a láncfeszességet ellenőrizni.

Feszítse meg a láncot, amennyire csak lehet, de nem jobban, mint hogy kézzel szabadon körbe lehessen húzni. (26)

435 II, 440 II



- Lazítsa meg a vezetőlap csavaranyáját, amely a kuplungfedelet és a láncfékét rögzíti. Ehhez használja a

kombinált csavar kulcsot. Ezt követően húzza meg újra a vezetőlap csavaranyáját kézzel, amilyen erősen csak tudja. (27)

- Emelje meg a vezetőlemez csúcsát és feszítse meg a láncot úgy, hogy a láncfeszítő csavart meghúzza a kombinált kulccsal. Addig feszítse a láncot, amíg az már nem lóg lazán a vezetőlemez alatt. (28)
- Kombinált kulcs segítségével szorítsa meg a láncvezető anyáját, megtámasztva közben a láncvezető végét. Ellenőrizze, hogy kézzel húzva szabadon forgatható-e a fűrészlánc, és hogy az nem laza-e a láncvezető alsó részén. (29)

A láncfeszítő csavar helye a különböző láncfűrésztípusokon eltérő. Helyét az adott típuson lásd a "Mi micsoda?" című fejezetben.

435e II, 440e II



- Oldja ki a szárnyas anyát oly módon, hogy kihajtja azt. (30)
- Forgassa a szárnyas anyát balra a rúdfedél megfogásához. (31)
- Állítsa be a lánc feszességét: a keréket lefelé forgatva (+) feszíti, felfelé forgatva (-) lazítja a láncot. (32)
- Feszítse meg a tengelykapcsolót a szárnyacsavar jobbra forgatásával. (33)
- A feszesség rögzítéséhez hajtsa be a helyére a szárnyas anyát. (34)

A vágószerkezet kenése



VIGYÁZAT! A vágószerkezet elégtelen kenése láncszakadást okozhat, amely súlyos, sőt életveszélyes sérülésekhez is vezethet.

Láncolaj

Az olajnak a fűrész láncán kell maradnia, és ugyanakkor meg kell őriznie folyékonyságát mind meleg időben, mind a téli hidegekben.

Mi, a láncfűrész gyártói kidolgoztuk és gyártjuk az optimális láncolajat, mely növényi alapja miatt biológiailag lebomlik. Javasoljuk, hogy használja a mi olajunkat mind a környezet kímélése, mind a élettartamának maximális meghosszabbítása céljából. Amennyiben a mi olajunk nem elérhető, használjon szabványos láncolajat.

Soha ne használja ugyanazt az olajat kétszer! Ez veszélyes a kezelőre, a gépre és a környezetre nézve egyaránt.

FONTOS! Növényi láncolaj használata esetén hosszabb idejű tárolás előtt szerelje le a vezetőlemezt, tisztítsa meg rajta a hornyot és a fűrészláncot. Ellenkező esetben a láncolaj oxidálódhat, amitől a fűrészlánc merevvé válhat és a vezetőlemezen beragadhat az orrkerék.

ÁLTALÁNOS BIZTONSÁGI INTÉZKEDÉSEK

A láncolat utánatöltése

- Minden motorfűrészmodellünk automata lánckenő rendszerrel rendelkezik. Bizonyos modelleknél az olaj hozama is szabályozható.
- A fűrészléc olajtartálya és az üzemanyagtartály úgy van kialakítva, hogy előbb fogjon el az üzemanyag, mint a fűrészlécet kenő olaj.

Ez a biztonsági funkció azonban megköveteli a megfelelő lánccolat használatát (ha az olaj túl viszkózus, hamarabb kifogy, mint az üzemanyag), valamint a karburátor előírás szerinti beállítását (ha gyenge a keverék, előfordulhat, hogy az üzemanyag tovább tart ki, mint a kenőolaj). Továbbá az ajánlott vágóeszközöket kell használnia (a túlságosan hosszú vezetőlap több lánccolatot fogyaszt).

A lánccsúcs ellenőrzése

- Minden tankolásnál ellenőrizze a lánccsúcsát.

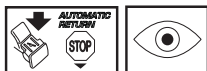
Tartsa a vezetőlemez csúcsát egy világos felület irányába, attól kb. 20 cm-re (8 tum). Háromnegyed gázzal történő, egy percnyi működtetés után a világos felületen egy jól kivehető olajcsíkot kell látnia.

Ha a lánccsúcs nem működik:

- Ellenőrizze, hogy a vezetőlemez olajcsatornája nincs-e eldugulva. Tisztítsa ki, ha szükséges. **(35)**
- Ellenőrizze, hogy a vezetőlemezen tiszta-e a vezetőhorony. Tisztítsa ki, ha szükséges. **(36)**
- Ellenőrizze, hogy az orrkerék szabadon forog-e, és hogy a csúcson lévő kenőnyílás nincs-e eldugulva. Tisztítsa meg és kenje meg, ha szükséges. **(37)**

Ha a fentieket elvégezte és a lánccsúcs rendszer mégsem működik, akkor szervizműhelyhez kell fordulnia.

A lánccsúcs meghajtókereke



A tengelykapcsolódobra az alábbi meghajtókerekek valamelyike van szerelve:

A Spur-meghajtókérék (a lánccsúcs egybe van építve a dobbal)

B Rim-meghajtókérék (cserélhető) **(38)**

Ellenőrizze rendszeresen a meghajtókérék kopásának mértékét. Túlzott kopás esetén cserélje ki azt. Amikor lánccsúcs cserél, mindig cserélje ki a meghajtókereket is.

A tégelycsapág karbantartása



Mindkét típusú orrkeréken a kimenő tengelynél tégelycsapág van, amelyet rendszeresen (hetenként egyszer) kenni kell. FIGYELEM! Használjon jó minőségű csapág- vagy motorolajat.

Lásd a "Tégelycsapág kenése" című fejezetben levő útmutatást.

A vágószerszám kopásának ellenőrzése



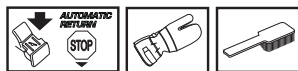
Naponta ellenőrizze a fűrészlécet, hogy:

- Vannak-e látható repedések a csapszegeken és a lánccsúcsokon.
- Nem merev-e a lánccsúcs.
- A csapszegek és a lánccsúcsok nem túlzottan kopottak-e.

Ha a fentiek bármelyikét tapasztalja, cserélje ki a fűrészlécet. Javasoljuk, hogy hasonlítsa össze a használatban lévő lánccsúcsot egy újjal, és így döntse el a kopás mértékét.

Reszelje a fogakat egyforma méretűre. Amikor a vágófogak hosszanti mérete 4 mm-re (5/32") csökken, akkor a lánccsúcs elhasználódott és ki kell cserélni. **(23)**

Vezetőlemez



Ellenőrizze rendszeresen, hogy:

- A vezetőlemez élén képződött-e sorja. Ha szükséges, reszelje le azt.
- A vezetőlemez hornya nem túlzottan kopott-e. Ha szükséges, cserélje ki a vezetőlemezt.
- Hogy a vezetőlemez csúcsa nem túlzottan vagy egyenlőtlenül kopott-e. Ha a csúcs közelében, a vezetőlemez egyik élén mélyedés képződött, az laza lánccsúcs következménye.
- A vezetőlapot – élettartamának növelése érdekében – rendszeresen fordítsa meg.



VIGYÁZAT! A legtöbb baleset úgy történik a motorfűrészrel, hogy a lánccsúcs megsérti a kezelőt.

Viseljen személyi védőfelszerelést. Lásd a Személyi védőfelszerelés című fejezetben szereplő utasításokat.

Nem vállaljon olyan munkát, amely előtt bizonytalannak érzi magát. Lásd a Személyi védőfelszerelés, Hogyan kerüljük el a visszarúgást, Vágószerszám és Általános munkavédelmi utasítások című fejezetekben szereplő utasításokat.

Kerülje el a visszarúgás kockázatával járó helyzeteket. Lásd a gép biztonsági felszerelése című fejezetben szereplő utasításokat.

Használja a javasolt biztonsági felszerelést és ellenőrizze annak állapotát. Lásd az Általános munkavédelmi utasítások című fejezetben szereplő utasításokat.

Ellenőrizze, hogy működőképes-e minden biztonsági felszerelés. Lásd az Általános munkavédelmi utasítások és Általános biztonsági intézkedések című fejezetekben szereplő utasításokat.

A vezetőlemez és a lánc felszerelése



VIGYÁZAT! Viseljen mindig kesztyűt amikor a láncsal dolgozik, hogy védje a kezét a sérülésektől.

435 II, 440 II

- Ellenőrizze, hogy a láncfék kilázított állapotban van, azáltal, hogy a biztonsági fékkart az első fogantyú felé húzza. (39)
- Csavarja le a láncvezető anyáját, és távolítsa el a tengelykapcsoló-fedelet (láncfék). Vegye le a szállítógyűrűt (A). (40)
- Illessze a vezetőlemezt a rögzítőanya fölé. Helyezze a vezetőlemezt a leghátsó helyzetébe. Illessze a láncot a hajtókerékre és a vezetőlemez bevágásába. Az illesztést a vezetőlemez tetején kezdje. (41)
- Ellenőrizze, hogy a vágószemek fogai a vezetőlemez felső felén előre mutatnak-e.
- Erősítse fel a tengelykapcsoló-fedelet, és ne felejtse a láncvezető nyílásába illeszteni a láncigazító csapot. Ellenőrizze, hogy a lánc vezetőszelei megfelelően illeszkednek-e a lánckerékre, és hogy a lánc jól illeszkedik-e a láncvezető horonyba. Szorítsa meg kézzel a láncvezető anyáját.
- Feszítse meg a láncot a kombinált kulcs segítségével. Csavarja a beállító csavart az óramutató járásával megegyező irányba. A lánc feszessége akkor megfelelő, ha az nem lóg lazán a vezetőlemez alsó élénél. (42)
- A lánc feszessége akkor megfelelő, ha a lánc nem laza a láncvezető alján, viszont kézzel könnyen körbeforgatható. Kombinált kulcs segítségével szorítsa meg a láncvezető anyáját, megtámasztva közben a láncvezető végét. (43)
- Egy új lánc feszességét gyakran kell ellenőrizni, amíg azt be nem járátjuk. Ellenőrizze rendszeresen a láncfeszességet. Egy megfelelően megfeszített lánc jó vágóteljesítményt nyújt, és hosszú élettartamú lesz. (44)

435e II, 440e II

- Ellenőrizze, hogy a láncfék kilázított állapotban van, azáltal, hogy a biztonsági fékkart az első fogantyú felé húzza. (45)
- Lazítsa meg a láncfeszítő kereket, és távolítsa el a kuplungfedeleket (láncfék). Távolítsa el a lánc védőborítását. (A) (46)
- Tegye fel a vezetőlemezt a rögzítőcsavarokra. Tolja a vezetőlemezt a leghátsó helyzetbe. Tegye fel a láncot a meghajtókerékre és a vezetőlemez vajatába. Kezdje a vezetőlemez felső élén. (41)
- Ellenőrizze, hogy a vágószemek fogai a vezetőlemez felső felén előre mutatnak-e.

- Erősítse fel a tengelykapcsoló-fedelet, és ne felejtse a láncvezető nyílásába illeszteni a láncigazító csapot. Ellenőrizze, hogy a lánc vezetőszelei megfelelően illeszkednek-e a lánckerékre, és hogy a lánc jól illeszkedik-e a láncvezető horonyba.
- Feszítse meg a láncot a kerék lefelé forgatásával (+).— A láncot addig kell feszíteni amíg már nem válik el a rúd alsó részéről. (32)
- A lánc akkor kellően feszes, ha nem válik el a rúd alsó részéről, de kézzel még könnyen mozgatható. Tartsa felfelé a rúd végét és feszítse meg a tengelykapcsolót a szárnyacsavar jobbra forgatásával. (33)
- Egy új lánc feszességét gyakran kell ellenőrizni, amíg azt be nem járátjuk. Ellenőrizze rendszeresen a láncfeszességet. Egy megfelelően megfeszített lánc jó vágóteljesítményt nyújt, és hosszú élettartamú lesz. (44)

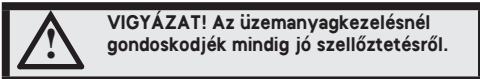
A kéregtámasz felszerelése

A kéregtámasz felszereléséhez vegye fel a kapcsolatot szervizműhelyével. (47)

ÜZEMANYAGKEZELÉS

Üzemanyagkeverék

Megjegyzés A gép kétütemű motorral van felszerelve, ezért mindig benzin és kétütemű olaj keverékével kell használni. A helyes keverési arány érdekében fontos a keverékhez adagolandó olaj mennyiségének pontos mérése. Kisebb mennyiségű üzemanyag keverések már a kisebb pontatlanságok is jelentősen befolyásolják a keverési arányt.



Benzin



- Használjon jó minőségű ólommentes vagy ólomtartalmú benzint.
- A javasolt legalacsonyabb oktánszám 90 (RON). Ha a motort 90-nél alacsonyabb oktánszámú benzinnel járattja, úgynevezett kopogás léphet fel. Ez a motor felhevüléséhez és túlzott csapágyterheléshez vezet, amely súlyos motorsérüléseket okozhat.
- Ha folyamatosan magas fordulatszámmal dolgozik (például gallyazásnál), akkor magasabb oktánszámot javasolunk.

Környezetkímélő üzemanyag

A HUSQVARNA környezetbarát benzin (úgynevezett alkilezett benzin) használatát javasolja, illetve az előre kevert, kétütemű motorokhoz használható Aspen üzemanyagot, vagy a négyütemű motorokhoz készített környezetbarát benzint az alábbiak szerint kétütemű olajjal keverve. Ne felejtse el, hogy más típusú üzemanyagra való átállás esetén a karburátoron esetleg állítani kell (a tudnivalókat lásd a "Karburátor" című fejezetben).

Etanol-üzemanyag

A HUSQVARNA a kereskedelmi forgalomban kapható üzemanyagok használatát javasolja legfeljebb 10% etanoltartalommal.

Bejáratás

Az első 10 órában ne használja hosszú ideig túl nagy sebességen.

Kétütemű olaj

- A legjobb eredmény és teljesítmény elérése érdekében használjon HUSQVARNA kétütemű motorolajat, amely kifejezetten léghűtéses, kétütemű motorokhoz készül.
- Soha ne használjon vízhűtéses, kívül szerelt motorokhoz készült kétütemű (más néven TCW vagy "outboard" olajat).
- Soha ne használjon négyütemű motorokhoz használatos olajat.
- A gyenge minőségű olaj vagy a túlságosan erős olaj-üzemanyag keverék veszélyeztetheti a katalizátor működését, és csökkenti annak élettartamát.

Keverékarány

1:50 (2%) HUSQVARNA kétütemű olajjal.

1:33 arány (3%) más, léghűtéses, kétütemű motorokhoz tervezett olajjal, amely megfelel a JASO FB/ISO EGB.

Benzin, liter	Kétütemű olaj, liter	
	2% (1:50)	3% (1:33)
5	0,10	0,15
10	0,20	0,30
15	0,30	0,45
20	0,40	0,60

Keverék

- A benzint és az olajat mindig tiszta, benzin számára jóváhagyott tartályban keverje.
- Kezdje mindig a szükséges benzinmennyiség felével. Töltse ehhez hozzá a teljes olajmennyiséget. Keverje (rázza) össze az üzemanyagkeveréket. Töltse hozzá a benzin hátralevő részét.
- Alaposan keverje (rázza) össze az üzemanyagkeveréket, mielőtt azt a gép üzemanyagtartályába töltene.
- Ne tartalékolja egy hónapnál tovább az üzemanyagot!
- Ha a gépet hosszabb ideig nem használja, akkor ki kell üríteni és kitisztítani az üzemanyagtartályt.

Láncolaj

- Kenőanyagként jó tapadási jellemzőkkel rendelkező különleges olaj (lánckenő olaj) használatát javasoljuk. **(48)**
- Soha ne használjon fáradt olajat. Az károsítja az olajszivattyút, a vezetőlemezt és a láncot.
- Fontos, hogy a levegő hőmérsékletének megfelelő olajat használjunk (megfelelő viszkozitását).
- 0 °C alatti hőmérsékleten bizonyos olajok besűrűsödnek. Ez az olajszivattyú túlterhelését okozhatja, ami a szivattyú alkatrészeinek károsodását vonja maga után.
- A lánckenőolaj kiválasztásánál forduljon szervizműhelyhez.

Tankolás



VIGYÁZAT! A következő óvintézkedések csökkentik a tűzveszélyt:

Üzemanyag közelében ne dohányozzon és ne helyezzen el forró tárgyakat.

Feltöltés előtt kapcsolja ki a motort, és hagyja hűlni néhány percig.

A tanksapkát óvatosan nyissa ki, hogy az esetleges túlnyomás lassan kiegyenlítődhessen.

Szorítsa rá alaposan a tanksapkát tankolás után.

Mindig vigye el a gépet a tankolás helyétől és forrásától, mielőtt beindítaná.

Tartsa tisztán a tanksapka környékét. Tisztítsa ki rendszeresen az üzemanyag- és a láncolajtartályt. Az üzemanyagszűrőt évente legalább egyszer ki kell cserélni. Az üzemanyagtartályba került szennyeződések üzemzavart okoznak. Győződjön meg arról, hogy a betöltendő üzemanyag jól össze van keverve. Rázza meg a tartályt tankolás előtt. Az üzemanyagtartály és a láncolajtartály úrtartalma jól egymáshoz van igazítva. Ezért mindig töltsse egyidejűleg fel az olajat és az üzemanyagot. **(48)**



VIGYÁZAT! Az üzemanyag és az üzemanyagpára rendkívül gyúlékony. Az üzemanyag és a láncolaj kezelésekor legyen elővigyázatos. Ne menjen nyílt láng közelébe, és ne lélegezze be az üzemanyaggőzöket.

A tanksapka és a láncolajsapka eltávolítása

- Nyomja le a kart a strukturált felületű részén, majd hajtsa függőleges állásba. **(49)**
- Lazítsa meg a sapkát az óramutató járásával ellentétes irányba forgatva. **(50)**
- Vegye le a sapkát. **(51)**

A tanksapka és a láncolajsapka visszahelyezése

- Illessze a helyére a sapkát, függőleges helyzetben álló karral. **(52)**
- Szilárdan húzza meg a sapkát az óramutató járásával egyező irányban. **(53)**
- Hajtsa le a kart. **(54)**

FONTOS! A sérült sapkát cserélni kell.

Üzemanyagbiztonság

- Soha ne próbálja a gépet működés közben megtankolni.
- Gondoskodjon bőséges szellőztetésről tankoláskor és üzemanyagkeveréskor (kétütemű motorok számára).
- Vigye el a gépet legalább 3 méterre a tankolás helyétől, mielőtt beindítaná.
- Soha ne kapcsolja be a gépet:
 - 1 Ha üzemanyag vagy láncolaj került a gépre. Törölje le az üzemanyagot, illetve olajat, és várja meg, míg elpárolog teljesen.
 - 2 Ha az üzemanyag ráfolyt Önre illetve a ruhájára, azonnal öltözzön át. Öblítse le azokat a testrészeket, amelyek kapcsolatba kerültek az üzemanyaggal. Használjon szappant és vizet.
 - 3 Ha a gépből üzemanyag szívárog. Ellenőrizze rendszeresen, nincs-e szivárgás az üzemanyagtartály kupakjánál és az üzemanyagvezetéseken.



VIGYÁZAT! Soha ne használjon olyan gépet, amelyiken a gyújtógyertya-pipa vagy a gyújtáskábel láthatóan sérült. Szikrakepeződés veszélye alakul ki, amely tüzet okozhat.

Szállítás és tárolás

- Mindig tárolja a motorfűrész és az üzemanyagot szikráktól és nyílt tűztől, például gépektől, villanymotoroktól, jelfogóktól, kapcsolóktól, kazánoktól, stb. távol.
- Mindig tárolja az üzemanyagot erre a célra jóváhagyott tartályban.
- A motorfűrész tárolásakor vagy szállításakor az üzemanyagtartálynak és a láncolajtartálynak üresnek kell lennie. Kérdezze meg a helyi benzinállomásnál, hogy hová öntheti a maradék üzemanyagot és láncolajat.
- Szállításkor vagy tároláskor a gépre védőborítást kell szerelni, hogy az éles lánchoz ne érhesseken véletlenül hozzá személyek vagy tárgyak. Még a nem mozgó lánc is súlyos sérülést okozhat a felhasználónak, illetve a lánchoz hozzáférő más személyeknek.
- Távolítsa el a gyújtógyertya fedelét a gyertyáról. Aktiválja a láncféket.
- Szállításkor rögzítse a gépet.

Hosszú távú tárolás

Az üzemanyag- és kenőolajtartályokat jól szellőző helyen ürítse ki. Az üzemanyagot ilyen célra engedélyezetten használható kannában, biztonságos helyen tárolja. Helyezze fel a láncvédőt. Tisztítsa meg a gépet. Lásd a "Karbantartási ütemezés" című fejezetben található útmutatást.

Mielőtt a gépet hosszabb időre használaton kívül helyezné, tisztítsa meg alaposan, és végeztesse el teljes szervizét.

BEINDÍTÁS ÉS LEÁLLÍTÁS

Beindítás és leállítás



VIGYÁZAT! Indítás előtt a következőkre ügyeljen:

A láncfűrész indításakor működésbe kell hozni a láncfékét, hogy csökkenjen a forgó lánchoz való hozzáérés veszélye.

Ne indítsa be a motorfűrész, amíg a vezetőlemez, fűrészlánc és a borítások nincsenek helyesen felszerelve. A tengelykapcsoló kilazulhat és személyi sérüléseket okozhat.

Tegye le a gépet szilárd talajra. Győződjön meg róla, hogy a lánc semmihez sem ér hozzá.

Tartson minden személyt és állatot távol a munkavégzés helyétől.

Soha ne tekerje rá a kezére az indítózsinórt.

Beindítás

A motorfűrész beindításakor a láncféknek bekapcsolt állapotban kell lennie. A fék a visszarúgás elleni védelem előremozdításával kapcsolható be. (55)

Hideg motor

Indítási állás, 1: Állítsa a start/stop kapcsolót szivató állásba a piros vezérlőt kifelé és felfelé húzva. (56)

Üzemanyagpumpa (2): Ismételten nyomja meg a légtelenítő membránt, amíg az üzemanyaggal meg nem telik (legalább 6 alkalommal). Nem szükséges teljesen feltölteni a membránt. (56)

Fogja meg az első fogantyút bal kézzel. Helyezze jobb lábát a hátsó fogantyú alsó részére és nyomja a motorfűrész talajhoz. (57)

Húzza meg az indítófogantyút, 3: Fogja meg az indítófogantyút, húzza ki lassan jobb kézzel az indítózsinórt, amíg ellenállást nem érez (az indítófogak beakadnak), majd húzza meg erősen és gyorsan, hogy a motor begyulladjon.

Nyomja le a piros szivatószabályozót, 4: Amint a motor begyújt (pöfögés hallható), nyomja le a piros szivatószabályozót.

Húzza meg az indítófogantyút (5): Amíg a motor be nem indul, húzza erősen a zsinórt.

Meleg motor

Indítási állás, 1: Melegindításhoz úgy hozunk létre megfelelő szivató-indítógáz állást, hogy előbb kifelé és felfelé húzzuk a piros vezérlőt. (56)

Üzemanyagpumpa (2): Ismételten nyomja meg a légtelenítő membránt, amíg az üzemanyaggal meg nem telik (legalább 6 alkalommal). Nem szükséges teljesen feltölteni a membránt. (56)

Nyomja le a piros szivatószabályozót, 3: Ezzel deaktiváljuk a szivatót, amelyre a meleg láncfűrész beindításához nincs szükség. Az indító/leállító kapcsoló

mozgására viszont bekapcsol a nagy fordulatszámú üresjárat, és ez megkönnyíti a megindítást.

Húzza meg az indítófogantyút, 4: Fogja meg az első fogantyút bal kézzel. Helyezze jobb lábát a hátsó fogantyú alsó részére és nyomja a motorfűrész talajhoz. (57)

Fogja meg az indítófogantyút, húzza ki lassan jobb kézzel az indítózsinórt, amíg ellenállást nem érez (az indítófogak beakadnak), majd húzza meg erősen és gyorsan, hogy a motor begyulladjon.

Mivel a láncfék még mindig be van kapcsolva, a motort a lehető leghamarabb üresjáratú fordulatszámra kell állítani a fojtószelepretes kioldásával. A kioldáshoz finoman érintse meg a gázszabályozót. Ezáltal elkerülhető a tengelykapcsoló, a tengelykapcsolódob és a fékszalag szűkségtelen kopása. Teljes gázadás előtt engedje a gépet néhány másodperci üresjáratban működni.

A fűrész hátsó élén (A) egyszerűsített indítási emlékeztető található, amely ábrák segítségével bemutatja az egyes lépéseket. (57)

FIGYELEM! Ne húzza ki az indítózsinórt teljesen, és ne engedje el az indítófogantyút, ha a zsinórt teljesen kihúzott állapotban van. Ez a gép károsodását okozhatja.

Megjegyzés Állítsa vissza a láncfékét a visszarúgás elleni védelem fogantyúkéngyel felé való elmozdításával. A motorfűrész készen áll a használatra.



VIGYÁZAT! A láncolajgőzök, a fűrészpor és a motor kipufogógázainak hosszas belégzése veszélyeztetheti az egészséget.

- Soha ne indítsa be a motorfűrész, amíg a vezetőlemez, fűrészlánc és a borítások nincsenek helyesen felszerelve. Lásd az Összeszerelés című fejezetben szereplő utasításokat. Ha a vezetőlemez és a lánc nincs felszerelve a láncfűrészre, a kuplung kilazulhat, és súlyos sérülést okozhat.
- A láncfűrész indításakor működésbe kell hozni a láncfékét. Lásd az "Indítás és leállítás" című fejezetben található útmutatást. Soha ne indítsa a láncfűrész fél kézzel elrántva. Ez a módszer rendkívül veszélyes, mert könnyen elveszítheti az uralmat a láncfűrész felett. (55)
- Soha ne indítsa be a gépet házon belül. A kipufogógázok veszélyesek lehetnek.
- Figyelje a környezetet és győződjön meg róla, hogy nem áll fenn annak a veszélye, hogy személyek vagy állatok a vágószerszert közelébe kerülhetnek.
- A láncfűrész mindig két kézzel fogja. Jobb kezét tartsa a hátsó markolaton, bal kezét az elülső markolaton. **Ezt a fogást kell alkalmaznia minden felhasználónak, jobb- és balkezeseknek egyaránt.** Tartsa erősen a fogantyút úgy, hogy hüvelykujja és többi ujjá ráfeküdjön a láncfűrész fogantyújára.

Leállítás

Az indítás/leállítás kapcsoló lenyomásával állítsa le a motort. (59)

FIGYELEM! Az indítás/leállítás kapcsoló automatikusan visszatér a működési helyzetbe. A szándékolatlan elindítás megelőzése érdekében a gép felügyelet nélküli hagyása esetén a gyertyaspáktól mindig el kell távolítani a gyújtógyertyáról. (60)

Használat előtt: (61)

- 1 Ellenőrizze, hogy láncfék megfelelően működik-e, és sértetlen-e.
- 2 Ellenőrizze, hogy a hátsó jobbkézvédő nem sérült-e.
- 3 Ellenőrizze, hogy a gázzabályozó zár megfelelően működik-e és nem sérült-e.
- 4 Ellenőrizze, hogy a leállító kapcsoló megfelelően működik és nem sérült-e.
- 5 Ellenőrizze, hogy minden fogantyú zsrítalan-e.
- 6 Ellenőrizze, hogy a rezgéscsillapító rendszer működik-e és nem sérült-e.
- 7 Ellenőrizze, hogy a hangtompító megfelelően van-e rögzítve és nem sérült-e.
- 8 Ellenőrizze, hogy a motorfűrésznek minden része meg van-e húzva és hogy azokon nincs-e sérülés, illetve hogy nem hiányoznak-e.
- 9 Ellenőrizze, hogy a láncfogó a helyén van-e és sértetlen-e.
- 10 Ellenőrizze a lánc feszességét.

Általános munkavédelmi utasítások

FONTOS!

Ez a fejezet a motorfűrésszel végzett munkára vonatkozó alapvető munkavédelmi szabályokat tárgyalja. Ez a tájékoztató nem helyettesítheti a szakmai ügyességet és tapasztalatot. Ha olyan helyzetbe kerül, amelyben bizonytalannak érzi magát, álljon le a munkával és kérjen útbaigazítást egy szakértőtől. Forduljon motorfűrészt-szaküzlethez, márkaszervizhez vagy egy tapasztalt motorfűrészt-használóhoz. Ne próbálkozzon olyan munkával, amelyhez úgy véli, nincs elegendő szaktudása!

A motorfűrészt használatba vétele előtt meg kell értenie, hogy mi a visszarúgás, és hogyan kerülhető el. Lásd a Hogyan kerüljük el a visszarúgást című fejezetben szereplő utasításokat.

Mielőtt a fűrészt használatba venné, meg kell értenie a vágószerszeggel felső és alsó élével végzett vágás közötti különbséget. Lásd az útmutatást "A visszacsapódás elkerülése" és "A gép biztonsági berendezései" című fejezetben.

Viseljen személyi védőfelszerelést. Lásd a Személyi védőfelszerelés című fejezetben szereplő utasításokat.

Alapvető munkavédelmi szabályok

- 1 Figyelje környezetét:
 - Hogy meggyőződjön arról, hogy nincsenek személyek, állatok, vagy olyan tárgyak a közelben, amelyek befolyásolhatják a gép fölötti uralmát.
 - Hogy meggyőződjön arról, hogy a fentiek nem kerülhetnek a fűrészlánc hatósugarába, és a ledőlő fák által sem sérülhetnek meg.

FIGYELEM! Kövesse a fenti utasításokat, de ne használjon motorfűrészt olyan helyzetben, ahol nincs alkalma segítséget hívni, ha baleset történik.

- 2 Ne használja a fűrészt rossz időben, például sűrű ködben, erősen zuhogó esőben, erős szélben vagy nagy hidegben, stb. A hideg időben végzett munka fárasztó, és gyakran kockázatokkal jár, például jeges talaj, előre ki nem számítható dőlési irány, stb.
- 3 Legyen nagyon elővigyázatos vékony ágak vágásakor, és kerülje a bokrok (azaz sok kis ág egyidejűleg történő) vágását. A lánc a vékony ágakat bekaphatja és a kezelő felé doborhatja, ezzel súlyos személyi sérüléseket okozva.
- 4 Gondoskodjon róla, hogy stabilan álljon, és járása biztos legyen. Nézzon körül és ellenőrizze lehetséges akadályok (például gyökerek, kövek, gödrök, árkok, stb.) jelenlétét, arra az esetre, ha hirtelen el kellene mozdulnia. Lejtős helyeken nagy elővigyázás.
- 5 Legyen rendkívül óvatos a feszített törzsek fűrészelésekor. Egy feszített törzs fűrészelés közben és után is visszagergorhat eredeti helyzetébe. Ha Ön helytelenül helyezkedik el, illetve nem jó helyen kezdi a fűrészelést, a fa Önre vagy a gépre zuhanhat, és Ön elveszítheti a kontrollt. Mindkét eset súlyos személyi sérüléseket okozhat.



- 6 Mielőtt arrébb viszi a láncfűrészt, állítsa le a motort és rögzítse le a fékkarral a láncot. A fűrészt úgy vigye, hogy a vezetőlemez és a lánc hátrafelé mutasson. Tegye rá a láncvédőt a vágószerszetre, ha a fűrészt szállítja illetve hosszabb távolságra v
- 7 Amikor a láncfűrészt leteszi a földre, reteszelve a láncfék használatával, és mindenképpen folyamatosan tartsa szemmel a gépet. Ha bármilyen hosszú időre magára hagyja a láncfűrészt, kapcsolja ki a motort.



VIGYÁZAT! Néha faforgács szorul a tengelykapcsoló fedele alá, és ezért a lánc elakad. Tisztítás előtt mindig állítsa le a motort.

Általános szabályok

- 1 Ha megérti azt, hogy mi a visszarúgás, és hogyan történik, akkor csökkentheti vagy kiküszöbölheti a meglepetést. A visszarúgás rendszerint eléggé enyhe, de néha nagyon hirtelen és heves is lehet.
- 2 Mindig fogja szilárdan a motorfűrészt, a jobb kézzel a hátsó, bal kézzel az első fogantyút. Fogja körül az ujjával és a hüvelykujjával a fogantyút. Alkalmazza ezt a fogást, akár jobbkézes, akár pedig balkezese. Ez a fogás csökkenti a visszarúgás hatását és lehetővé teszi, hogy megőrizze uralmát a motorfűrészt fölött. **Ne engedje el a fogantyúkat!**
- 3 A legtöbb visszadobódási baleset gallyazáskor történik. Gondoskodjon róla hogy szilárdan álljon, és hogy semmi se legyen az útjában, amin megcsúszhat vagy amin elveszítheti az egyensúlyát.

Figyelmetlenség visszarúgáshoz vezethet, ha a vágószerszék visszarúgási zónája véletlenül egy ághoz, egy közeli fához vagy valamilyen más tárgyhoz ér.

Folyamatosan figyeljen a munkadarabra. Ha a vágni kívánt darabok kisméretűek és könnyűek, beragadhatnak a fűrészláncba, és a kezelő felé repülhetnek. Bár ez nem feltétlenül jelent veszélyt, mégis előfordulhat, hogy a váratlan helyzetben a kezelő elveszti uralmát a fűrész felett. A halomba rakott rönköket vagy ágakat mindig úgy fűrészlje, hogy azokat előbb szétválasztja egymástól. Egyszerre csak egy rönköt vagy fadarabot fűrészljen. A lefűrészelt darabokat a munkaterület biztonsága érdekében távolítsa el. **(62)**

- 4 **Soha ne használja a motorfűrész vállmagasság fölött, és próbálja elkerülni azt, hogy a vágószerkezet csúcsával vágjon. Soha ne használja a motorfűrész egy kézzel! (63)**
- 5 Hogy ne veszítse el uralmát a motor fűrész fölött, álljon stabilan. Soha ne dolgozzon létrán állva, fa tetején, illetve olyan helyen, ahol nem stabil a talaj. **(64)**
- 6 Használjon mindig nagy vágósebességet, azaz teljes gázt.
- 7 Legyen nagyon elővigyázatos, amikor a vágószerkezet felső oldalával vág, azaz alulról felfelé. Ezt toló vágásnak nevezzük. A lánc megpróbálja hátrálni a motorfűrész, a kezelő irányába. Ha a lánc beragad, előfordulhat, hogy a láncfűrész a kezelő felé lendül. **(65)**
- 8 Ha a kezelő nem tart ellent ennek a nyomásnak, fennáll annak a veszélye, hogy a motorfűrész annyira hátramozdul, hogy a visszarúgási zóna kapcsolatba kerül a vágási felülettel. Ez visszarúgást okoz. **(66)**
A vágószerkezet alsó részével történő vágást, azaz a felülről lefelé történő vágást húzó vágásnak nevezzük. Ebben az esetben a motorfűrész a fa irányába húzza önmagát, és vágás közben a motorfűrésztest elülső része természetes támaszkodási pontot képez. A húzó irányú vágás jobb ellenőrzést biztosít a motorfűrész és a visszarúgási zóna felett. **(67)**
- 9 Tartsa be a vezetőlemez és a lánc élezésére és karbantartására vonatkozó utasításokat. Vezetőlemez- és lánccsere esetén csak az általunk javasolt kombinációt használja. Lásd a Vágószerkezet és a Műszaki adatok című fejezetekben szereplő utasításokat.

Alapvető vágástechnika



VIGYÁZAT! Soha ne használja a láncfűrész egy kézzel tartva. A láncfűrész egy kézzel tartva nem lehet biztonságosan irányítani. Mindig mindkét kéz használatával, erősen és szilárdan fogja a fogantyúkat.

Általános tudnivalók

- Vágáskor mindig használjon teljes gázadagolást!
- Minden egyes vágás után csökkentse a gázadagolást üresjárat szintre (a motor komoly károsodásához vezet, ha túl hosszú ideig működik megterhelés nélkül, teljes gázzal).
- Felülről történő vágás = Húzó vágás
- Alulról történő vágás = Toló vágás

A toló vágás nagyobb visszarúgási veszéllyel jár. Lásd a Hogyan kerüljük el a visszarúgást című fejezetben szereplő utasításokat.

Kifejezések

Vágás = Általános kifejezés a fa keresztvágására.

Gallyzás = A ledöntött fa ágainak levágása.

Hasadás = Amikor a vágás tárgya a vágás befejezése előtt letörik.

A vágás megkezdése előtt öt fontos tényezőt kell figyelembe venni:

- 1 A vágószerkezet nem szorulhat be a vágásba. **(68)**
- 2 A farönk nem repedhet szét. **(69)**
- 3 A lánc a vágás alatt vagy után nem érhet hozzá a talajhoz vagy valamilyen tárgyhoz. **(70)**
- 4 Fennáll-e a visszarúgás veszélye? **(4)**
- 5 A feltételek és a környező terep befolyásolja-e, hogy Ön mennyire stabilan és biztosan járhat illetve állhat?

Két tényező határozza meg azt, hogy a fűrészlánc beszorul-e vagy a farönk elreped-e: Hol támaszkodik fel a rönk, és hogy feszített állapotban van-e.

Két lépésben, úgy felülről, mint alulról történő vágás útján az esetek többségében ezek a problémák elkerülhetők. A rönköt úgy kell alátámasztani, hogy a vágás alatt ne szorítsa be a láncot, és ne is repedjen szét.

FONTOS! Ha a lánc beszorul a vágásba: állítsa le a motort! Ne próbálja meg kirántani a fűrész. Ha ezzel próbálkozik, megsérülheti magát a láncsal, amikor a fűrész hirtelen kiszabadul. Használjon emelőrudat a vágás szétnyitására és a vezetőlemez kiszabadítására.

Az alábbiakban leírjuk, hogy hogyan kezelje a legtöbb olyan helyzetet, amely a motorfűrész használata közben adódik.

Gallyzás

Vastagabb ágak levágásakor ugyanazokat az eljárásokat kell alkalmazni, mint a rönköknél.

A nehezebben kezelhető ágakat darabonként vágja le. **(71)**

Vágás



VIGYÁZAT! Soha ne próbáljon rönköt fűrészelni, amikor a rönkök halomba vannak rakva vagy egymás közelében fekszenek. Az ilyen eljárás rendkívüli mértékben növeli a visszacsapódás veszélyét, és az súlyos vagy halálos sérüléssel járhat.

Ha rönkhalommal kell dolgoznia, a vágni kívánt egyes rönköket vegye ki a halomból, és helyezze fűrészállványra vagy támasztékra, és egyenként darabolja őket.

A lefűrészelt darabokat távolítsa el a munkaterületről. Ha a munkaterületen hagyja őket, növekszik a véletlen visszacsapódás veszélye, illetve nagyobb a veszélye annak, hogy Ön munka közben egyensúlyát veszti. **(72)**

A rönk a talajon nyugszik. A láncszorulás vagy a rönk szétrepedésének veszélye kicsi. Fennáll ellenben annak a veszélye, hogy a lánc a vágás befejezésekor hozzáér a talajhoz. **(73)**

Vágja át teljesen a rönköt felülről. Próbálja meg elkerülni, hogy a vágás befejezésekor a talajt érintse. Tartsa meg a teljes gázadagolást, de készüljön fel arra, ami bekövetkezhet. **(74)**
Ha van lehetőség (= a farönk átfordítására?), akkor a vágás 2/3-ánál álljon meg.

Fordítsa át a rönköt és fejezze be a vágást az ellenkező oldalról. **(75)**

A rönk az egyik végén támaszkodik. Nagy annak a veszélye, hogy szétreped. **(76)**

Kezdje el a vágást alulról (kb. az átmérő 1/3-áig).

Végezze be a vágást felülről úgy, hogy a két vágás találkozzék. **(77)**

A rönk mind a két végén támaszkodik. Nagy a lánc megszorulásának veszélye. **(78)**

Kezdje el a vágást felülről (kb. az átmérő 1/3-áig).

Fejezze be a vágást alulról, úgy, hogy a két vágás találkozzék. **(79)**

A fadöntés technikája

FONTOS! Egy fa kidöntéséhez nagy tapasztalatra van szükség. Tapasztalattal nem rendelkező motorfűrészelők tartózkodjanak a fadöntéstől. Soha ne próbálkozzék olyan munkával, amely előtt bizonytalanok érzik magukat!

Biztonsági távolság

A ledöntésre váró fa és a közelben dolgozók közötti biztonsági távolság a fa magasságának 2 1/2-szeresének kell lennie. Gondoskodjon róla, hogy ebben a "veszélyességi zónában" a fa ledöntése előtt és közben senki sem tartózkodik. **(80)**

A döntés iránya

Fadöntésnél az a cél, hogy a fát a későbbi gallyazás és feldarabolás szempontjából a legelőnyösebb irányba döntsük. A fának olyan helyre kell dőlnie, ahol biztonságosan lehet körülötte mozogni.

Miután meghatározta a fa kívánt dőlési irányát, fel kell mérnie, hogy melyik lenne a fa természetes dőlési iránya.

Több tényező befolyásolja ezt:

- A fa ferdesége
- Görbület
- Szélirány
- Az ágak elhelyezkedése
- Az esetleges hó súlya
- A fa által elérhető akadályok: például más fák, villanyvezetékek, utak és épületek.
- A fa tövénél nézze meg, hogy nem látja-e sérülés vagy korhadás nyomait, így nagyobb a valószínűsége, hogy a fa a vártnál hamarabb eltörik és kidől.

Meglehet, hogy úgy találja, hogy kénytelen hagyni a fát természetes irányba dőlni, mert vagy lehetetlen, vagy pedig veszélyes az először eltervezett irányba dönteni azt.

Egy másik nagyon fontos tényező, amely a fa döntési irányát nem befolyásolja, ám az Ön személyi biztonságát igen, hogy

van-e a fának sérült vagy elhalt ága, amely a döntés alatt letörhet és sérüléseket okozhat.

Azt kell legfőképpen kikerülni, hogy a dőlő fa egy másik fába beleakadjon. Egy ilyen helyzetben fennakadó fát elmozdítani nagyon veszélyes; igen nagy a balesetveszély. Lásd A rosszul dőlt fa kiszabadítása című fejezetben szereplő utasításokat. **(81)**

FONTOS! Fairtáskor a legnehezebb döntési mozzanatoknál, ahogy befejeződött a fűrészelés, azonnal vegye le a hallásvédőt, hogy hallhassa a munkazajt és a figyelmeztető utasításokat.

Letisztítás és a visszavonulási út

Vállmagasságig távolítsa el az ágakat a törzsről. Biztonságosabb a munka, ha felülről lefelé halad, a fát önmaga és a fűrész között tartva. **(82)**

Tisztítsa el az aljnővényzetet a fa tövéből és ellenőrizze a terepet akadályok (kövek, ágak, gödrök, stb.) szempontjából, hogy könnyen járható visszavonulási útja legyen, amikor a fa dőlni kezd. A visszavonulási útnak kb. 135°-os szögben kell elhelyezkednie **(83)**

- 1 Kockázati zóna
- 2 Visszatérési útvonal
- 3 A döntés iránya

A fadöntés



VIGYÁZAT! Azt javasoljuk, hogy speciális gyakorlat nélkül ne fogjon bele a vágóeszköz hosszánál nagyobb átmérőjű fák döntésébe!

A döntés három vágás segítségével történik. Először kialakítja a döntőhajtót amely a hajtktetőből és a hajklapból áll; ezt a döntővágás követi. Ezeknek a vágásoknak megfelelő elhelyezésével a dőlés irányát nagyon pontosan ellenőrizni tudja.

Döntőhajtó

A hajk elkészítését a felső bevágással kell kezdeni. A fűrészlen lévő döntési irányjelzés (1) segítségével határozza meg a terepen lévő távolabbi célpontot, ahová a fának dőlnie kell (2). Álljon a fa jobb oldalára, a fűrész mögé, és egy húzómozdulattal végezze el a bevágást.

Ezután a hajklap következik, amely a hajtktető tövével végződik. **(84)**

A hajknak a fatörzs 1/4-éig kell behatolnia, a hajtktető és a hajklap közötti szögnek pedig legalább 45°-osnak kell lennie.

A két vágás találkozási vonala a hajkvonalon. Ennek a vonalnak tökéletesen vízszintesnek és a tervezett dőlési irányra merőlegesnek kell lennie (90°-os). **(85)**

Döntővágás

A döntővágást a fatörzs ellenkező oldaláról kell elvégezni, és tökéletesen vízszintesnek kell lennie. Álljon a fa bal oldalára és vágjon a fűrész alsó élével.

A döntővágást a hajkvonalon felett kb. 3–5 cm-re (1,5–2 tum) kell elvégezni. **(86)**

Illessze be a kéregtámaszt (ha fel van szerelve) a törési léc mögé. Hatoljon a vágószerkezettel óvatosan a fatörzsbe, teljes gázadás mellett. Győződjön meg arról, hogy a fa nem kezd el a tervezett iránnyal ellentétes irányba mozdulni. Helyezzen a vágásba döntőéket vagy döntőemelőt, amint a vágás elég mély.

Fejesse be a döntővágást a hajkvonallal párhuzamosan úgy, hogy a közöttük levő távolság a fatörzs átmérőjének legalább 1/10-e legyen. A fatörzs el nem vágott része alkotja a törési lécet.

A törési léc sarokvasként irányítja a fa dőlését megfelelő irányba. **(87)**

A dőlési irány feletti minden ellenőrzés megszűnik, ha a törési léc túl vékony, vagy ha a döntővágást rosszul helyezték el. **(88)**

Amikor a döntőhajak és a döntővágás elkészült, a fának saját súlyától, vagy pedig a döntőék vagy a döntőemelő segítségével el kell dőlnie. **(89)**

Olyan vezetőlemez használatát javasoljuk, amely hosszabb, mint a fa átmérője, hogy a döntővágást és a hajkot "egyetlen vágásmozdulattal" készíthesse el. Az adott láncfűrész-típusához ajánlott vezetőlemez-hosszúságokkal kapcsolatos tudnivalókat a "Műszaki adatok" című fejezetben találja.

Vannak módszerek a vágószerkezet hosszánál nagyobb átmérőjű fák kivágására is. Ezek a módszerek azonban jóval nagyobb kockázatot jelentenek, mivel a vágószerkezet visszarángási zónája érintkezik a fával. **(4)**

A rosszul dőlő fa kiszabadítása

A "beszorult" fa kiszabadítása

Egy ilyen helyzetben fennakadó fát elmozdítani nagyon veszélyes; igen nagy a balesetveszély.

Soha ne próbáljon olyan fát kivágni, amelyre másik fa dől rá.

Soha ne dolgozzon fennakadt, beszorult fa veszélyzónájában. **(90)**

A legbiztonságosabb módszer egy csőrő használata.

- Traktorra szerelt
- Hordozható

Feszített állapotban levő fák és ágak vágása

Előkészületek: Gondolja át, hogy milyen módon mozdul el a fa vagy az ág, ha a feszültség alól felszabadul, és hogy hol van a természetes "törési pontja" (azaz hol törne el, ha még jobban meg lenne feszítve). **(91)**

Döntse el, hogy melyik a feszültség alól való feloldás legbiztosabb módja, és hogy Ön ezt meg tudja-e biztonságosan oldani. A különösen bonyolult esetekben a legbiztosabb módszer a motorfűrész féltreenni és inkább csőrőt használni.

Általános tanácsok:

Helyezkedjen úgy, hogy ne találhassa el a fa vagy az ág amikor kiszabadul. **(92)**

Ejtsen egy vagy több vágást a törési ponton vagy ahhoz közel. Fűrészljen olyan mélyen és annyi vágással, amennyi a feszültség csökkentéséhez és ahhoz szükséges, hogy a fa vagy az ág eltörjön a törési ponton. **(93)**

1155355-93 Rev.4 2014-11-24

Soha ne fűrészljen át teljesen egy feszített állapotban levő fát vagy ágat!

Amikor fát vagy ágat kell keresztülfűrészelnie, két-három vágást készítsen egymástól 3 cm távolságra, 3–5 cm mélységgel. **(94)**

Addig folytassa a vágást, amíg a fa vagy ág hajlása és feszültsége meg nem szűnik. **(95)**

A feszültség megszüntetése után a fát vagy ágat az ellenkező oldalról vágja át.

Hogyan kerüljük el a visszarángást



VIGYÁZAT! A visszarángás nagyon hirtelen és hevesen történhet; a motorfűrész, a vezetőlemez és a lánc a kezelő felé dobódik vissza. Ha eközben a lánc mozog, az nagyon komoly, sőt életveszélyes sérüléseket is okozhat. Életfontosságú az, hogy megértse a visszarángás okait, és, hogy azt elővigyázattal és helyes vágási technika alkalmazásával megelőzheti.

Mi a visszarángás?

A visszarángás kifejezést annak a hirtelen reakciónak a leírására alkalmazzuk, amikor a vágószerkezet csúcsának felső negyede, az ún. visszarángási zóna hozzáér valamihez, és ez a motorfűrész hátradobódását eredményezi. **(66)**

A visszarángás mindig a vezetőlemez síkjában történik. Leggyakoribb az, hogy a motorfűrész vissza- és felfelé, a kezelő irányába dobódik. Más irányú elmozdulás is előfordulhat attól függően, hogy hogyan használták a motorfűrész, amikor a visszarángási zóna valamihez hozzáért. **(7)**

Visszarángásra csak akkor kerül sor, ha a visszarángási zóna hozzáér egy tárgyhoz. **(4)**

Gallyazás



VIGYÁZAT! A legtöbb visszacsapódási baleset gallyazásnál történik. Ne használja a vezetőlemez visszacsapódási zónáját. Rendkívüli gondossággal járjon el, és ügyeljen arra, hogy a vezetőlemez csúcsa ne érhesen a rönkhöz, más ágakhoz vagy tárgyakhoz. Rendkívüli gondossággal járjon el feszültséget mutató ágak esetén. Az ilyen ágak visszacsapódhatnak a kezelő felé, aki ennek hatására elveszítheti a helyzet feletti uralmát, és sérülést szenvedhet.

Győződjön meg arról, hogy nincsenek akadályok az útjában. Dolgozzon a fatörzs bal oldalán. Tartsa közel magához a fűrész, a maximális ellenőrzés végett. Ha az lehetséges, hagyja a fűrész súlyát a fatörzsön nyugodni.

Csak akkor haladjon, ha a fa Ön és a motorfűrész között helyezkedik el.

A fatörzs rönkökre való feldarabolása

Lásd az Alapvető vágástechnika című fejezetben szereplő utasításokat.

Általános tudnivalók

A felhasználó kizárólag olyan karbantartási és szervizmunkákat végezhet, amelyek ebben a használati utasításban szerepelnek. Komolyabb beavatkozásokat csak elismert szervizműhely végezhet.

A porlasztó beállítása

Az Ön Husqvarna-terméke a káros kipufogógázok csökkentését előlő speciifikációk szerint készült.

Működés

- A porlasztó a gázadagolón keresztül szabályozza a motor fordulatszámát. Az üzemanyag-levegő keverék összetétele aránya szabályozható. Ahhoz, hogy kihasználjuk a motor maximális teljesítményét, a beszabályozásnak helyesnek kell lennie.
- A T csavar szabályozza az üresjáratú fordulatszámot. Az óra járásával megegyező irányba csavarva magasabb, ellenkező irányba csavarva pedig alacsonyabb lesz az üresjáratú fordulatszám.

Alapbeállítás és bejratás

A porlasztón az alapbeállítást a gyári próba során már elvégezték. A finombeállítást szakembernek kell elvégeznie.

Javasolt alapjáratú fordulatszám: Lásd a Műszaki adatok című fejezetet.

A T üresjáratú finombeállítása

Állítsa be az üresjáratú fordulatszámot a T csavarral. Ha szükség van újrabállításra, csavarja először a T csavart az óra járásával megegyező irányba, amíg a lánc forogni nem kezd. Azután csavarja ellenkező irányba, amíg a lánc meg nem áll. Akkor helyes az üresjáratú fordulatszám beállítása, ha a motor minden helyzetben egyenletesen jár. Ezenkívül megnyugtató távolságra kell lenni attól a fordulatszámától, ahol a lánc elkezd forogni.



VIGYÁZAT! Ha nem lehet úgy beállítani az üresjáratot, hogy a lánc mozdulatlan maradjon, akkor forduljon egy szervizműhelyhez. Ne használja a motorfűrészét addig, amíg az nincs rendesen beállítva vagy megjavítva.

Helyesen beállított porlasztó

Egy helyesen beállított porlasztó azt jelenti, hogy a gép gyorsulása azonnali és, hogy teljes fordulatszámánál finom, 4-üteműre emlékeztető hangot ad. Ezenkívül, a láncnak nem szabad üresjáraton forogni. Túl szegényre beállított alacsony fordulatszámú L-fűvóka beindítási problémákat okozhat, és rossz gyorsulást. Túl szegényre állított nagy fordulatszámú H-fűvóka kisebb erőt = alacsonyabb teljesítőképességet eredményez, valamint rossz gyorsulást és/vagy motorkárosodást.

A motorfűrész biztonsági felszerelésének vizsgálata, karbantartása és szervizelése

Megjegyzés A gépen végzett minden szerviz- és javítási tevékenység szakképzettséget igényel. Ez különösen érvényes a gép biztonsági berendezéseire. Ha a gép nem felel meg az alábbiakban ismertetett ellenőrzések bármelyikének, ajánlatos szervizbe vinni.

Láncfék és biztonsági fékkar

A fékszalag kopásának ellenőrzése



Kefélje le a fűrészpopt, gyantát és piszkot a láncfékről és a tengelykapcsoló-dobról. A piszkos és a kopás befolyásolja a fék működését. (96)

Rendszeresen ellenőrizze, hogy a fékszalag a legvékonyabb ponton is legalább 0,6 mm vastag-e.

A biztonsági fékkar ellenőrzése



Győződjön meg arról, hogy a biztonsági fékkar nem sérült, és hogy látható hibáktól, például repedésektől mentes.

Mozgassa a biztonsági fékkart előre-hátra, és győződjön meg arról, hogy szabadon mozog, valamint, hogy szilárdan kapcsolódik a tengelykapcsoló fedeléhez.

Az automata fék ellenőrzése



Helyezze a láncfűrészét kikapcsolt motorral fatuskóra vagy más szilárd felületre. Engedje el az első fogantyút, és hagyja, hogy a fűrész saját súlyánál fogva előredőljön a tuskó felé a hátsó fogantyún átfordulva. (97)

Amikor a vezetőlemez csúcsa nekiütöközik a tuskónak, a féknek be kell húznia. (98)

A fékhatás ellenőrzése

Helyezze a motorfűrészét szilárd alapra, és indítsa be. Gondoskodjon arról, hogy a lánc se a talajhoz, se egyéb tárgyakhoz ne érjen hozzá. Lásd a Beindítás és leállítás című fejezetben szereplő utasításokat. (99)

Fogja meg keményen a motorfűrészét, a hüvelykujakat és az ujjakat a fogantyúk köré zárva.

Adjon teljes gázt, és helyezze üzembe a láncfékkel bal csuklója előrehajlításával, anélkül, hogy a fogantyút elengedné. **A láncnak azonnal meg kell állnia. (58)**

Gázadagoló-retesz



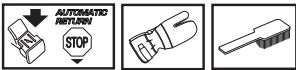
- Győződjön meg arról, hogy felengedett reteszgombbal a gázadagológomb üresjárati helyzetben rögzített. **(100)**
- Nyomja le a reteszgombot, és győződjön meg arról, hogy az visszatér az eredeti állásába miután felengedi. **(101)**
- Ellenőrizze, hogy a gázadagológomb és a reteszgomb szabadon mozog, és, hogy a nyomórúgók megfelelően működnek. **(102)**
- Indítsa be a motorfűrészt és adjon teljes gázt. Engedje ki a gázadagológombot, és ellenőrizze, hogy a lánc megáll és mozdulatlan marad. Ha a lánc üresjárati helyzetben lévő gázadagológombbal is körbejár, akkor ellenőriznie kell a porlasztó üresjárati beál

Láncfogó



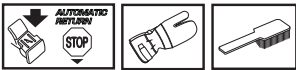
Ellenőrizze, hogy a láncfogó nem sérült-e, és hogy szilárdan kapcsolódik-e a motorfűrésztesthez. **(103)**

Jobbkézvédő



Ellenőrizze, hogy a jobbkézvédő nem sérült, és nincsenek-e rajta látható hibák, például repedések. **(11)**

Rezgéscsillapító rendszer



Ellenőrizze rendszeresen a rezgéscsillapító elemeket, repedések és torzulások szempontjából. Győződjön meg arról, hogy a rezgéscsillapító elemek szilárdan kapcsolódnak a motortesthez és a fogantyúkhöz. **(104)**

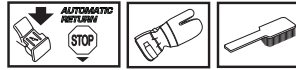
Leállító kapcsoló



Indítsa be a motort, és győződjön meg arról, hogy az leáll, ha a leállítókapcsolót stopállásba helyezi. **(59)**

FIGYELEM! Az indítás/leállítás kapcsoló automatikusan visszatér a működési helyzetbe. A szándékolatlan elindítás megelőzése érdekében szerelkosk, ellenőrzés és/vagy karbantartás végzésekor a gyertyasapkát el kell távolítani a gyújtógyertyáról.

Kipufogódob



Soha ne használjon olyan gépet, amelynek hibás a kipufogódobja.

Rendszeresen ellenőrizze, hogy a kipufogódob biztonságosan hozzá van rögzítve a géphez. **(105)**

Bizonyos kipufogódobok speciális szikrafogó hálóval vannak ellátva. Ha az Ön gépén van ilyen háló, akkor azt hetente legalább egyszer meg kell tisztítania. Ezt drótkéfével lehet a legjobban elvégezni. Ha eltömődött a szikrafogó háló, a motor túlmelegedhet, és ez súlyos károsodáshoz vezethet.

Megjegyzés Ha a háló megsérült, akkor ki kell cserélni. A motor túlmelegszik, ha a háló eltömődött. Ez a henger vagy a dugattyú károsodását eredményezi. Soha ne használja a gépet meghibásodott, vagy eltömődött hálóval. **Soha ne használja a kipufogódobot, ha a szikrafogó háló hiányzik vagy hibás. (13)**

A kipufogódobot arra a feladatra tervezték, hogy csökkentse a zajszintet, és, hogy a kipufogógázokat a kezelőtől elvezesse. A kipufogógázok forróak, és szikrákat tartalmazhatnak, amelyek tüzet okozhatnak, ha száraz és gyúlékony anyaggal érintkeznek.

Indítószervezet



VIGYÁZAT! A visszahúzórugó előfeszített állapotban van az indítószervezet-házba beszerelve, elővigyázat nélküli kezelés esetén kiugorhat és sérüléseket okozhat.

Óvatosan kell eljárni a berántózsínór visszahúzó rugójának cseréjekor. Viseljen védőszemüveget és -kesztyűt.

A berántózsínór cseréje



- Lazítsa meg az indítószervezetet a forgatónyűshöz rögzítő csavarokat és vegye le az indítószervezetet. **(106)**
- Húzza ki kb. 30 cm-re az indítózsínórt és helyezze be azt a tárcsa peremén levő bevágásba. Engedje a tárcsát lassan visszapörögni, amíg a visszahúzórugó előfeszítése nullára nem csökken. **(107)**
- Távolítsa el a szalagdob közepén található csavart, majd vegye le a hajtás tárcsáját (A), annak rugóját (B) és a szalagdobot (C). Helyezze be és rögzítse az új berántózsínórt a dobba. Tekerjen fel kb. 3 fordulatnyit a zsinóról az indítódobra. Helyezze vissza az indítódobot úgy, hogy a visszatérítő rugó vége (D) beleakadjon az indítódobba. Ezt követően szerelje össze a hajtás tárcsájának rugóját, a tárcsát, majd csavarja vissza a dob közepébe a csavart. Vezesse át a berántózsínórt az indító tokozásának nyílásán és az indító fogantyúján. Kössön megfelelő csomót a berántózsínóra. **(108)**

KARBANTARTÁS

A visszahúzórugó előfeszítése

- Emelje ki az indítózsinórt a tárcsa peremén levő bevágáson keresztül és fordítsa a tárcsán 2 fordulatnyit az óra járásával megegyező irányba.

Megjegyzés Ellenőrizze, hogy a tárcsát még legalább egy fél fordulatnyit el lehet fordítani miután az indítózsinór teljesen ki van húzva. (109)

Húzza a zsinórt a fogantyú segítségével. Mozdítsa el a hüvelykujját, és engedje el a zsinórt. (Lásd az alábbi ábrát.) (110)

A visszatérítő rugó és a hajtás rugójának cseréje



Visszahúzó rugó (A)

- Emelje fel a zsinórtárcsát. Lásd az Elszakadt vagy elkopott indítózsinór cseréje című fejezetben szereplő utasításokat. Gondoljon rá, hogy a visszahúzó rugó kifeszített állapotban helyezkedik el az indítószervezet házában.
- Szerelje ki a visszahúzó rugót tartalmazó kazettát az indítószervezetből.
- Olajozza meg a visszahúzó rugót híg olajjal. Szerelje be a visszahúzó rugót tartalmazó kazettát az indítószervezetbe. Szerelje fel a zsinórtárcsát és feszítse meg a visszahúzó rugót.

Vezetőlemez-rugó (B)

- Csavarja ki az anyát a csiga középpontjából, és vegye le a vezetőlemezt és a vezetőlemez rugóját.
- Cserélje ki a vezetőlemez rugóját és helyezze a vezetőlemezt a rugó fölé. (111)

Az indítószervezet visszaszerelése

- Húzza ki először az indítózsinórt, majd helyezze fel az indítószervezetet a forgattyúházra. Engedje vissza lassan az indítózsinórt úgy, hogy a tárcsa ráakadjon a tengely indítófogaira.
- Csavarja be és húzza meg az indítószervezet rögzítőcsavarjait.

Levegőszűrő



A levegőszűrőt rendszeresen tisztítani kell a portól és a szennyeződésektől, hogy elkerüljük a következőket:

- A porlasztó üzembzavarai
- Indítási problémák
- A motor teljesítményének csökkenése
- A motor részeinek fölösleges kopása
- Szokatlanul nagy üzemanyagfogyasztás.

- Szerelje ki a levegőszűrőt a motorházfedél levétele után. Visszaszereléskor győződjön meg arról, hogy a szűrő szorosan illeszkedik a szűrőtartóba. Keféléssel vagy rázással tisztítsa meg a szűrőt. (112)

Alaposabban meg lehet tisztítani a szűrőt szappanos vízben való mosással.

Egy bizonyos időn túl használt levegőszűrőt nem lehet teljesen megtisztítani. Ezért rendszeres időközönként új levegőszűrőre kell azt kicserélni. **Egy megrongálódott levegőszűrőt mindig ki kell cserélni.**

A HUSQVARNA motorfűrész különböző típusú levegőszűrőkkel lehet ellátni, a munkahelyi és időjárás körülményektől, az évszaktól, stb. függően. Tanácsért forduljon szakkereskedőhöz.

Gyújtógyertya



A gyújtógyertya műszaki állapotát befolyásolja:

- Helytelen porlasztóbeállítás.
- Nem megfelelő a kenőanyag (túl sok az olaj, vagy rossz a minősége).
- Elszennyeződött levegőszűrő.

Ezek a tényezők lerakódásokat okozhatnak a gyújtógyertya elektródáin, ami üzembzavarokhoz és indítási problémákhoz vezethet.

Ha a gép erőtlen, nehéz beindítani, vagy egyenlőtlen az üresjárata, akkor mindig ellenőrizze először a gyújtógyertyát.

Ha a gyújtógyertya elszennyeződött, tisztítsa meg azt és ellenőrizze a szikraközt. A helyes szikraköz 0,5 mm. A gyújtógyertyát kb. egy hónapi üzemelés után ki kell cserélni, vagy korábban, ha az elektródák nagyon elhasználódtak. (113)

Megjegyzés Használja mindig az előírt típusú gyújtógyertyát! Nem megfelelő gyújtógyertya komolyan károsíthatja a hengert és a dugattyút. A gyújtógyertya olyan legyen, amely a rádióadást nem zavarja.

A tégörgős csapágy karbantartása



A kuplungdob kimeneti tengelyén tűcsapágy van. Ezt a tűcsapagyat rendszeresen kenni kell.

Kenéshez szerelje le a tengelykapcsoló fedelét a két rögzítőanya kilazításával. A fűrész úgy helyezze el, hogy az az oldalán feküdjön, és tengelykapcsoló dob felfelé nézzen.

Kenés: a tengelykapcsoló dob középső részéhez motorolajat csepegtetve forgassa a tengelykapcsoló dobot. (114)

A hűtőrendszer



A lehető legalacsonyabb üzemi hőmérséklet megtartása érdekében a gép hűtőrendszerrel van felszerelve.

A hűtőrendszer a következőkből áll:

- 1 Az indítószerkezeten található levegőbeszívó nyílás
- 2 Levegőterelőlemez
- 3 Ventilátorlemezek a lendkeréken
- 4 Hűtőbordák a hengeren
- 5 Motorházfedél (a hűtőlevegőt a henger felé tereli) **(115)**

Tisztítsa meg kefével a hűtőrendszert hetente egyszer, erős igénybevétel esetén gyakrabban is. Szennyezett vagy eltömődött hűtőrendszernek a gép túlmelegedése az eredménye, ami a dugattyú és a henger károsodását okozza.

"Air Injection" centrifugális tisztítás

A centrifugális tisztítás a következőket jelenti. A porlasztóba a teljes levegőmennyiség az indítószerkezeten keresztül jut el. A hűtőventilátor kicentrifugázza levegőből a port és a szennyeződéseket. **(116)**

FONTOS! A centrifugális tisztítás működőképességének megőrzéséhez folyamatos karbantásra és tisztításra van szükség. Tisztítsa meg az indítókészülék levegőnyílásait, a lendkerék ventilátorlemezeit, a lendkerék környezetét, a beszívócsatornát és a porlasztótérletet.

Téli használat

A gép hideg és havas körülmények között történő használatára esetén üzemzavar következhet be, melynek okai:

- Túl alacsony motorhőmérséklet.
- A levegőszűrő és a porlasztó eljégesezése.

Ezért gyakran különleges intézkedésekre van szükség, mint:

- Részlegesen csökkenteni az indítókészülék levegőnyílásainak felületét, és ezáltal növelni a motor hőmérsékletét.

Mínusz 5°C vagy annál hidegebb hőmérséklet:



A gép hideg időben vagy porhóban történő használatához kapható egy speciális fedél, amelyet az indítószerkezet házára lehet felszerelni. Ez csökkenti a levegőhozámot, és megakadályozza nagyobb mennyiségű hó beszívását. **(117)**

FIGYELEM! Ha speciális téli tartozékokat szereltek fel, vagy a motor hőmérsékletét növelő változtatásokat eszközöltek, akkor a megszokott körülmények közötti üzemeltetéshez vissza kell állítani a gépet eredeti állapotába. Ellenkező esetben túlmelegedés veszélye áll fenn, ami komoly károsodásokat okozhat a motorban.

FONTOS! Minden olyan karbantartást, ami ebben az útmutatóban nincs leírva, szakosított szervizműhellyel (szakkereskedő) kell elvégeztetni.

KARBANTARTÁS

Karbantartási séma

Alább következik egy lista a gép karbantartásának pontjaival. A legtöbb pontot a Karbantartás című fejezet írja le.

Napi karbantartás	Heti karbantartás	Havi karbantartás
Tisztítsa meg a gépet kívülről.	A hűtőrendszert hetente ellenőrizze.	Ellenőrizze, hogy nem kopott-e el a láncfék fékszalagja. Ha a legkopottabb részen 0,6 mm-nél kevesebb maradt, cserélje ki a szalagot.
Ellenőrizze, hogy a gázadagoló részei biztonságosan működnek-e (gázadagoló-retesz és gázadagoló).	Ellenőrizze az indítóegységet, a berántózsínórt és a visszahúzó rugót.	Ellenőrizze a tengelykapcsolófejt, -dob és -rugó kopását.
Tisztítsa meg a láncfékét és ellenőrizze annak működését az utasításoknak megfelelően. Győződjön meg arról, hogy a láncfogó sértetlen. Ellenkező esetben azonnal cserélje ki azt.	Ellenőrizze, hogy nem sérültek-e a rezgécscillapító elemek.	Ellenőrizze a gyújtógyertyát és a szikraközt. A helyes szikraköz 0,5 mm.
A vezetőlapot – egyenletesebb kopása érdekében – rendszeresen meg kell fordítani. Bizonyosodjon meg arról, hogy a vezetőlapon található kenési lyuk nincs eltömődve. Tisztítsa meg a vezetőlap hornyát.	Zsírozza meg a tengelykapcsolódob csapágóját.	Tisztítsa meg kívülről a porlasztót.
Ellenőrizze, hogy a vezetőlemez és a lánc elégséges olajmennyiséget kap-e.	Reszelje le az esetleges sorját a vezetőlemezről.	Ellenőrizze az üzemanyagszűrőt. Ha szükséges, cserélje ki.
Ellenőrizze a fűrészláncot, hogy nem látható-e a szegecseken és a szemeken repedés, hogy a fűrészlánc nem merev-e, vagy hogy nem tapasztalható-e abnormális kopás a szegecseken és a szemeken. Ha szükséges, cserélje ki a hibás alkatrészeket.	Tisztítsa meg illetve cserélje ki a hangtompító szikrafoghálóját.	Üritse ki az üzemanyagtartályt, és tisztítsa ki a belsejét.
Élezze ki a láncot és ellenőrizze annak feszességét és állapotát. Ellenőrizze, hogy a meghajtókerék nem túlságosan kopott-e. Ha szükséges, cserélje ki.	Tisztítsa meg a porlasztótestet és a porlasztóteret.	Üritse ki a kenőolaj-tartályt, és tisztítsa ki a belsejét.
Tisztítsa meg az indítóegység levegőbeömlő nyílását.	Tisztítsa meg a levegőszűrőt. Ha szükséges, cserélje ki.	Ellenőrizze az összes villamos vezetékét és csatlakozást.
Ellenőrizze, hogy a csavarok és csavaranyák megfelelően meg vannak húzva.		
Ellenőrizze, hogy a leállító kapcsoló működik-e.		
Ellenőrizze, hogy nincs-e üzemanyagszivárgás a motortól, üzemanyagtartálytól illetve üzemanyagvezetésektől.		
Győződjön meg róla, hogy alapjáraton működő motor mellett a lánc nem mozog.		

MŰSZAKI ADATOK

Műszaki adatok

	435 II	435e II	440 II	440e II
Motor				
Hengerűrtartalom, cm ³	40,9	40,9	40,9	40,9
Hengerátmérő, mm	41	41	41	41
Löket, mm	31	31	31	31
Fordulatszám alapjáraton, ford/perc	2900	2900	2900	2900
Teljesítmény, kW/ford/perc	1,6/9000	1,6/9000	1,8/9000	1,8/9000
Gyújtásrendszer				
Gyújtógyertya	NGK BPMR 7A/ Champion RCJ 7Y	NGK BPMR 7A/ Champion RCJ 7Y	NGK BPMR 7A/ Champion RCJ 7Y	NGK BPMR 7A/ Champion RCJ 7Y
Elektródátávolság, mm	0,5	0,5	0,5	0,5
Üzemanyag-/kenőrendszer				
Benzintartály űrtartalma	0,37	0,37	0,37	0,37
Olajszivattyú-kapacitás 9 000 ford/ percnél, ml/perc	13	13	13	13
Olajtartály űrtartalma, liter	0,25	0,25	0,25	0,25
Szivattyútípus	Automatic	Automatic	Automatic	Automatic
Tömeg				
Motorfűrész vezetőlemez és lánc nélkül, üres üzemanyagtartállyal, kg	4,2	4,4	4,2	4,4
Zajkibocsátás (1.sz. jegyzet)				
Zajsint, mért, dB(A)	112	112	113	113
Zajsint, garantált L _{WA} dB(A)	114	114	114	114
Zajszintek (2.sz. jegyzet)				
A kezelő fülénél mért ekvivalens zajnyomásszint, dB(A)	102	102	102	102
Ekvivalens rezgésszintek, a_{hveq} (lásd 3. megjegyzés)				
Első fogantyú, m/s ²	2,5	2,5	2,5	2,5
Hátsó fogantyú, m/s ²	3,2	3,2	3,2	3,2
Lánc/vezetőlemez				
Standard vezetőlemez-hossz, tum/cm	13"/33	13"/33	13"/33	13"/33
Javasolt vezetőlemez-hosszak, tum/cm	13-18/33-45	13-18/33-45	13-18/33-45	13-18/33-45
Hasznos vágási hossz, tum/cm	12-17/31-43	12-17/31-43	12-17/31-43	12-17/31-43
Láncosztás, tum/mm	0,325/8,25	0,325/8,25	0,325/8,25	0,325/8,25
Meghajtószem vastagsága, tum/mm	0,050/1,3	0,050/1,3	0,050/1,3	0,050/1,3
Orrkerék típusa/fogak száma	Spur/7	Spur/7	Spur/7	Spur/7
A lánc sebessége m/s-ban, a maximális motorsebesség 133%-a esetén.	23,1	23,1	23,1	23,1

1. sz. megjegyzés: A környezet zajszennyezése zajteljesítményszintként (L_{WA}) mérve a 2000/14/EGK EKG-direktíva szerint.

2. megjegyzés: Az ekvivalens hangnyomásszintet az ISO 22868 értelmében a különböző hangnyomásszintek időhöz viszonyított összenergiájaként számítják ki, változó munkakörülmények között. Az ekvivalens hangnyomásszint tipikus statisztikus ingadozása az 1 dB (A) szórása.

3. megjegyzés: Az ekvivalens rezgésszintet az ISO 22867 értelmében a rezgésszintek időhöz viszonyított összenergiájaként számítják ki, változó munkakörülmények között. Az ekvivalens rezgésszintre vonatkozó jelentési adatok az 1 m/s² tipikus statisztikus ingadozásával (szórásával) rendelkeznek.



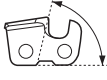
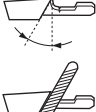

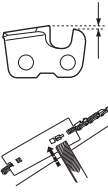
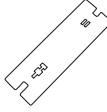
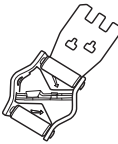
MŰSZAKI ADATOK

Vezetőlemez és lánc kombinációk

A Husqvarna 435 II, 435e II, 440 II és 440e II modellhez a következő vágófelszerelések vannak jóváhagyva.

Vezetőlemez				Fűrészlánc	
Hossz, tum	Láncosztás, tum	Vezetőhoron y szélessége, mm	Fogak maximális száma a vezetőlemez orrkerekén	Típus	Hossz, vezetőszemek (db)
13	0,325	1,3	10T	Husqvarna H30	56
15					64
16					66
18					72

Fűrészlánc reszelése és élézősablonok

							
H30	3/16 / 4,8	85°	30°	10°	0,025 / 0,65	5056981-00	5056981-08

Termékazonossági EGK-bizonyítvány

(Kizárólag Európára vonatkozik)

A **Husqvarna AB**, SE-561 82 Huskvarna, Svédország, tel.+46-36-146500, ezennel igazolja, hogy a **Husqvarna 435 II, 435e II, 440 II és 440e II** erdészeti motorfűrészek a 2013. évi sorozatszámától kezdve és azután (az évszám, és azt követően a sorozatszám a típusablán szerepelnek) megfelelnek a BIZOTTSÁG DIREKTÍVÁJÁ-ban előírtaknak:

- Gépekről szóló **2006/42/EGK** irányelv (2006. május 17.)
- 2004 december 15. "az elektromágneses kompatibilitást illetően" **2004/108/EEC**.
- 2000 május 8, "a környezet zajszenyezését illetően", **2000/14/EGK**.

A zajszenyezését illetően lásd a Műszaki adatok című fejezetet. Alkalmazott szabványok:

EN ISO 12100:2010, ISO 14982:2009, EN ISO 11681-1:2011

Bejelentett szerv: **0404, SMP Svensk Maskinprovning AB**, Box 7035, SE-750 07 Uppsala, Svédország. EGK-típusellenőrzést végzett a (2006/42/EGK) gépdirektíva, 12. cikk, 3b pont szerint. Az EGK-típusellenőrzési bizonyítványok számai a IX. Sz. melléklet szerint: **0404/09/2012** - 435 II, 435e II, 440 II, 440e II.

Az SMP, Svensk Maskinprovning AB, Box 7035, SE-750 07 Uppsala, Svédország, igazolja továbbá a bizottság 2000 május 8-i direktívájának, 2000/14/EGK, "a környezet zajszenyezését illetően" az V. sz. mellékletével való megegyezést. A bizonyítványok számai: **01/161/075** - 435 II, 435e II, **01/161/074** - 440 II, 440e II.

A szállított motorfűrész azonos az EGK-típusellenőrzött géppel.

Husqvarna, 2013 április 8



Bengt Frögelius, Fejlesztési igazgató láncfűrész ágazat (A Husqvarna AB technikai dokumentációért felelős hivatalos képviselője.)

ZNACZENIE SYMBOLI

Oznakowanie maszyny:

OSTRZEŻENIE! Pilarka może się stać niebezpiecznym narzędziem! Nieuważne oraz nieprawidłowe posługiwanie się pilarką może być przyczyną poważnych obrażeń lub śmierci obsługującego urządzenie bądź innych osób.

Przed przystąpieniem do pracy maszyną prosimy dokładnie i ze zrozumieniem zapoznać się z treścią niniejszej instrukcji.

Zawsze należy stosować:

- Zatwierdzony kask ochronny
- Zatwierdzone ochronniki słuchu
- Okulary ochronne lub siatka ochronna na twarz

Niniejszy produkt zgodny jest z obowiązującymi dyrektywami CE.

Emisja hałasu do otoczenia zgodna z dyrektywą Wspólnoty Europejskiej. Wartość emisji dla maszyny podana została w rozdziale Dane techniczne oraz na naklejce.

Zapłon; ssanie: Wyciągnij dźwignię ssania do położenia włączania. Wylłącznik powinien zostać automatycznie ustawiony w położeniu rozruchowym.

Uzupełnianie paliwa.

Napełnianie oleju do smarowania łańcucha

Pompa paliwowa.

Regulacja pompy oleju.

Hamulec łańcucha aktywowany (po prawej) / Hamulec łańcucha nieaktywowany (po lewej)

Pozostałe symbole/naklejki samoprzylepne umieszczone na maszynie dotyczą specjalnych wymogów, związanych z certyfikatami w poszczególnych krajach.



Symbole występujące w instrukcji obsługi:

Przed rozpoczęciem sprawdzania działania lub wykonaniem prac konserwacyjnych należy wyłączyć silnik. **UWAGA!** Włącznik Start/Stop powraca automatycznie do pozycji pracy. Dlatego przed przystąpieniem do montażu, kontroli oraz/lub konserwacji należy zawsze zdejmować nasadkę ze świecy zapłonowej w celu zapobieżenia niezamierzonemu uruchomieniu silnika.

Zawsze używaj zatwierdzonych rękawic ochronnych.

Wykonuj regularnie czyszczenie.

Kontrola wzrokowa.

Konieczne jest stosowanie okularów ochronnych lub siatki ochronnej na twarz.

Uzupełnianie paliwa.

Uzupełnianie oleju i regulacja dopływu oleju.

Podczas uruchamiania pilarki musi być włączony hamulec łańcucha.

OSTRZEŻENIE! Odbicie może nastąpić, gdy wierzchołek prowadnicy dotknie do jakiegoś przedmiotu powodując odrzucenie jej w górę i w tył, w kierunku operatora. Może to doprowadzić do poważnych obrażeń.



SPIS TREŚCI

Spis treści

ZNACZENIE SYMBOLI

Oznakowanie maszyny:	57
Symbole występujące w instrukcji obsługi:	57

SPIS TREŚCI

Spis treści	58
-------------------	----

WSTĘP

Szanowny Kliencie!	59
--------------------------	----

CO JEST CO?

Co jest co w pilarence?	59
-------------------------------	----

OGÓLNE ZASADY BEZPIECZEŃSTWA

Czynności które należy wykonać przed przystąpieniem do użytkowania nowej pilarki	60
Ważne	61
Kieruj się zawsze zdrowym rozsądkiem	61
Środki ochrony osobistej	61
Zespoły zabezpieczające maszyny	62
Osprzet tnący	64

MONTAŻ

Montaż prowadnicy i łańcucha	68
------------------------------------	----

PRZYGOTOWYWANIE I OBCHODZENIE SIĘ Z PALIWEM

Paliwo	69
Tankowanie	70
Zasady bezpieczeństwa – paliwo	70

URUCHAMIANIE I WYŁĄCZANIE

Uruchamianie i wyłączanie	71
---------------------------------	----

TECHNIKA PRACY

Zawsze przed użytkowaniem:	73
Ogólne zasady pracy maszyną	73
Czynności w celu uniknięcia odbicia	76

KONSERWACJA

Uwagi ogólne	78
Regulacja gaźnika	78
Przegląd, konserwacja i obsługa zespołów zabezpieczających pilarki	78
Tłumik	79
Rozrusznik	79
Filtr powietrza	80
Świeca zapłonowa	80
Smarowanie łożyska igłowego	80
Układ chłodzenia	81
System odśrodkowego oczyszczania powietrza "Air Injection"	81
Eksploatacja w okresie zimowym	81
Plan konserwacji	82

DANE TECHNICZNE

Dane techniczne	83
Zestawy prowadnica/łańcuch	84
Ostrzenie łańcucha tnącego i szablony	84
Zapewnienie o zgodności z normami WE	84

Szanowny Kliencie!

Gratulujemy wyboru produktu Husqvarna! Tradycje firmy Husqvarna sięgają roku 1689, kiedy to król Karl XI nakazał wybudować fabrykę muszkietów na brzegu rzeki Huskvarna. Lokalizacja fabryki była trafna, gdyż umożliwiała wykorzystywanie energii wodnej. Przez ponad 300 lat istnienia, w fabryce Husqvarna produkowano wiele różnych produktów – od opalanych drewnem pieców kuchennych po nowoczesne maszyny kuchenne, maszyny do szycia, rowery, motocykle i in. W 1956 roku wypuszczono pierwsze kosiarki silnikowe, a w 1959 przyszła kolej na pilarki łańcuchowe. Produkty te do dziś stanowią podstawowy asortyment Husqvarny.

Husqvarna jest obecnie światowym liderem w zakresie produkcji sprzętu do pracy w lesie i w ogrodzie. Najwyższym priorytetem objęta jest wydajność i jakość produktów. Ideą biznesową jest udoskonalanie, produkcja i marketing maszyn o napędzie silnikowym, przeznaczonych do użytku w leśnictwie, ogrodnictwie i budownictwie. Celem Husqvarny jest również zajmowanie czołowej pozycji pod względem ergonomii, łatwości w użytku oraz bezpieczeństwa produktów, a także pod względem troski o środowisko. Dlatego opracowano wiele finiszji technicznych, które mają na celu udoskonalenie produktów we wspomnianym zakresie.

Jesteśmy przekonani, że przez długi czas będą Państwo zadowoleni z jakości i wydajności naszych produktów. Zakup jakiegokolwiek z naszych produktów daje możliwość korzystania z profesjonalnej pomocy i obsługi technicznej, w razie konieczności przeprowadzenia naprawy lub serwisu. Jeżeli maszyna nie została kupiona w autoryzowanym punkcie sprzedaży, prosimy zapytać o najbliższy warsztat serwisowy.

Mamy nadzieję, że będą Państwo zadowoleni ze swojej maszyny i że będzie ona Państwu służyć przez długie lata. Prosimy pamiętać, że niniejsza instrukcja obsługi jest ważnym dokumentem, dzięki któremu maszyna zyskuje większą wartość. Stosując się do zawartych w niej wskazówek (na temat użytkowania, obsługi technicznej, konserwacji itd.) można znacznie przedłużyć okres użytkowy maszyny, a także zwiększyć jej wartość w przypadku sprzedaży. W razie sprzedaży maszyny należy przekazać nowemu użytkownikowi także instrukcję obsługi.

Dziękujemy za wybór produktu Husqvarna!

Husqvarna AB nieustannie modernizuje swoje wyroby, w związku z czym zastrzega sobie prawo do wprowadzania zmian dotyczących m.in. wyglądu produktów bez uprzedzenia.

Co jest co w pilarce? (1)

- 1 Osłona cylindra
- 2 Pompa paliwowa.
- 3 Uproszczona instrukcja uruchamiania
- 4 Kombinowany włącznik rozruchu i wyłącznik zatrzymania
- 5 Uchwyt tylny.
- 6 Naklejki informacyjne i ostrzegawcze
- 7 Zbiornik paliwa
- 8 Śruby regulacyjne, gaźnik
- 9 Uchwyt rozrusznika
- 10 Rozrusznik
- 11 Zbiornik oleju do smarowania łańcucha
- 12 Tabliczka z numerem produktu i numerem seryjnym
- 13 Znacznik kierunku obalania
- 14 Uchwyt przedni
- 15 Zabezpieczenie przed odbiciem
- 16 Tłumik
- 17 Łańcuch pilarki
- 18 Końcówka prowadnicy
- 19 Prowadnica
- 20 Zderzak.
- 21 Wychwytnik łańcucha
- 22 Śruba regulująca napięcie łańcucha (435 II, 440 II)
- 23 Osłona sprzęgła (435 II, 440 II)
- 24 Osłona prawej ręki
- 25 Dźwignia gazu
- 26 Blokada dźwigni gazu
- 27 Osłona sprzęgła (435e II, 440e II)
- 28 Kółko do napinania łańcucha
- 29 Pokrętło
- 30 Instrukcja obsługi
- 31 Klucz kombinowany
- 32 Osłona prowadnicy

OGÓLNE ZASADY BEZPIECZEŃSTWA

Czynności które należy wykonać przed przystąpieniem do użytkowania nowej pilarki

- Przeczytaj dokładnie instrukcję obsługi.
- (1) – (117) patrz ilustracje na str. 2–6.
- Sprawdź prawidłowość zamontowania i regulacji mechanizmu tnącego. Patrz wskazówki podane pod rubryką Montaż.
- Zatankuj i uruchom pilarkę. Patrz wskazówki pod nagłówkami "Postępowanie z paliwem" oraz "Uruchamianie i zatrzymywanie".
- Nie używaj pilarki zanim wystarczająca ilość oleju łańcuchowego nie dotrze do jej łańcucha. Patrz wskazówki podane pod rubryką Osprzet tnący.
- Długotrwałe przebywanie w halasie może doprowadzić do trwałej utraty słuchu. Dlatego należy zawsze stosować atestowane ochronniki słuchu.



OSTRZEŻENIE! Pod żadnym pozorem nie wolno zmieniać ani modyfikować fabrycznej konstrukcji maszyny bez zezwolenia wydanego przez producenta. Zawsze należy używać wyłącznie oryginalnych części zamiennych. Samowolne wprowadzanie zmian oraz/ lub montowanie wyposażenia nie zatwierdzonego przez producenta może stać się przyczyną groźnych obrażeń lub śmierci obsługującego urządzenie bądź innych osób.



OSTRZEŻENIE! Nieprawidłowo lub nieostrożnie używana pilarka może stać się niebezpiecznym narzędziem, mogąym być przyczyną groźnych obrażeń, nawet zagrażających życiu. Dlatego bardzo ważne jest, aby dokładnie i ze zrozumieniem zapoznać się z treścią niniejszej instrukcji



OSTRZEŻENIE! Wewnątrz tłumika znajdują się substancje chemiczne mogące wywoływać choroby nowotworowe. W razie uszkodzenia tłumika unikaj styczności z tymi elementami.



OSTRZEŻENIE! Długotrwałe wdychanie spalin silnikowych, zawiesiny oleju łańcuchowego w powietrzu oraz pyłu towarzyszącego powstawaniu wiórów może być szkodliwe dla zdrowia.



OSTRZEŻENIE! Podczas pracy urządzenie niniejsze wytwarza pole elektromagnetyczne. W pewnych okolicznościach pole to może zakłócać pracę aktywnych lub pasywnych implantów medycznych. Przed przystąpieniem do pracy z maszyną w celu ograniczenia ryzyka poważnych lub śmiertelnych obrażeń, osoby posiadające implanty medyczne powinny skonsultować się z lekarzem oraz ich producentem.



OSTRZEŻENIE! Nigdy nie pozwalaj dzieciom na użytkowanie lub przebywanie w pobliżu maszyny. Ponieważ maszyna wyposażona jest w sprężynujący wyłącznik i może zostać uruchomiona nawet przez powolne i słabe oddziaływanie na rączkę rozrusznika, nawet małe dzieci w pewnych okolicznościach mogą być w stanie uruchomić maszynę. Oznacza to ryzyko poważnych obrażeń. Dlatego należy zdejmować nasadkę świecy zapłonowej, gdy maszyna nie jest pod nadzorem.

OGÓLNE ZASADY BEZPIECZEŃSTWA

Ważne

WAŻNE!

Niniejsza pilarka łańcuchowa przeznaczona jest dla prac leśnych takich jak ścinka, okrzesywanie oraz przecinanie.

Przepisy krajowe mogą ograniczać użycie niniejszej maszyny.

Należy stosować wyłącznie zestawy prowadnica/łańcuch tnący zalecane w rozdziale "Dane techniczne".

Nigdy nie używaj maszyny, gdy jesteś zmęczony bądź znajdujesz się pod wpływem alkoholu lub leków, które mogą wpływać ujemnie na wzrok, zdolność oceny sytuacji i panowanie nad wykonywanymi ruchami.

Stosuj środki ochrony osobistej. Patrz wskazówki podane pod rubryką Środki ochrony osobistej.

Nie wolno dokonywać w maszynie zmian stanowiących modyfikację jej oryginalnej wersji. Nie używaj maszyny, jeżeli podejrzewasz, że ktoś inny wprowadził w niej zmiany.

Nie wolno pracować maszyną uszkodzoną. Stosuj się do instrukcji dotyczących konserwacji, kontroli bezpieczeństwa i obsługi technicznej podanych w niniejszej instrukcji obsługi. Niektóre czynności konserwacyjne i obsługowe muszą być wykonane przez przeszkolonego i wykwalifikowanego specjalistę. Patrz wskazówki pod rubryką konserwacja.

Nigdy nie używaj innych akcesoriów niż zalecane w niniejszej instrukcji obsługi. Patrz wskazówki podane pod rubrykami Osprzęt tnący i Dane techniczne.

UWAGA! Stosuj zawsze okulary ochronne lub siatkę ochronną twarzy, by ograniczyć ryzyko obrażeń w wyniku uderzenia przedmiotem odrzuconym spod maszyny. Spod pilarki mogą być odrzucane z dużą siłą takie przedmioty jak wióry, małe kawałki drewna etc. Może to spowodować poważne obrażenia, szczególnie w razie uderzenia w oko.



OSTRZEŻENIE! Włączanie silnika w zamkniętych lub źle wentylowanych pomieszczeniach może być przyczyną śmierci wskutek uduszenia lub zatrucia tlenkiem węgla.



OSTRZEŻENIE! Stosowanie niewłaściwego osprzętu tnącego lub zestawu prowadnica/łańcuch tnący zwiększa ryzyko odbicia! Stosuj wyłącznie zalecane przez nas zestawy prowadnica/łańcuch tnący i przestrzegaj instrukcji ostrzeżenia łańcucha. Patrz wskazówki pod nagłówkiem "Dane techniczne".

Kieruj się zawsze zdrowym rozsądkiem (2)

Nie jest możliwe omówienie wszystkich sytuacji, w jakich potencjalnie możesz się znaleźć podczas pracy pilarką. Zachowuj zawsze ostrożność i kieruj się zdrowym

rozsądkiem. Nie podejmuj się prac, jeżeli uważasz, że przekraczają one Twoje kwalifikacje! Jeżeli po przeczytaniu niniejszej instrukcji nadal nie masz pewności co do sposobów postępowania, nie kontynuuj pracy zanim nie zwrócisz się o poradę do eksperta. Jeżeli masz pytania dotyczące korzystania z pilarki, nie wahaj się skontaktować z punktem sprzedaży lub z nami. Chętnie służymy ci pomocą i radą, byś mógł korzystać ze swojej pilarki w lepszy i bardziej bezpieczny sposób. Dobrze jest przejść szkolenie w zakresie posługiwania się pilarką. Informacje o dostępnych materiałach szkoleniowych i kursach możesz otrzymać w punkcie sprzedaży, w szkółce leśnej lub w bibliotece. Nieustannie prowadzone są prace w celu udoskonalenia konstrukcji maszyny. Udoskonalenia takie mają na celu zapewnienie większego bezpieczeństwa i efektywności pracy. Odwiedzaj regularnie punkt sprzedaży, by dowiadywać się jaką korzyść możesz odnieść w wyniku wprowadzanych nowości.

Środki ochrony osobistej



OSTRZEŻENIE! Przyczyną większości wypadków z udziałem pilarek jest zetknięcie się łańcucha z operatorem. Podczas używania maszyny należy zawsze mieć na sobie zatwierdzone przez odpowiednie władze środki ochrony osobistej. Środki ochrony osobistej nie eliminują ryzyka odniesienia obrażeń, natomiast ograniczają ich rozmiar w razie zaistnienia wypadku. Poproś swojego dealera o pomoc w wyborze środków ochrony osobistej.

- Zatwierdzony kask ochronny
- Ochronniki słuchu
- Okulary ochronne lub siatka ochronna na twarz
- Rękawice ochronne z zabezpieczeniem przed przecięciem pilarką
- Spodnie z wkładką zabezpieczającą przed okaleczeniem łańcuchem pilarki
- Obuwie wysokie z zabezpieczeniem przed przecięciem pilarką, z podnoskami stalowymi i przeciwpoślizgowymi podeszwami
- Apteczka pierwszej pomocy powinna znajdować się zawsze w pobliżu.
- Gaśnica i łopata

Ubranie powinno być dopasowane lecz nie powinno ograniczać swobody ruchów operatora.

WAŻNE! Mogą powstawać iskry wydostające się z tłumika, prowadnicy, łańcucha lub innego źródła. Miej zawsze w pobliżu sprzęt gaśniczy, gdyż możesz go potrzebować. W ten sposób przyczyniasz się do zapobiegania pożarom lasów.

Zespoły zabezpieczające maszyny

W niniejszym rozdziale omówiono zespoły zabezpieczające maszyny i ich działanie. Odnośnie kontroli i konserwacji patrz wskazówki pod nagłówkiem "Kontrola, konserwacja i obsługa techniczna zespołów zabezpieczających pilarki". Patrz wskazówki pod nagłówkiem "Opis maszyny", by sprawdzić, gdzie w twojej maszynie umieszczone są te zespoły.

Jeżeli maszyna nie jest prawidłowo konserwowana i nie jest poddawana profesjonalnie wykonywanym naprawom oraz/lub obsługom technicznym, jej okres użytkowy jest krótszy oraz większe jest ryzyko wypadków. Jeżeli potrzebujesz więcej informacji, skontaktuj się z najbliższym warsztatem serwisowym.



OSTRZEŻENIE! Nie wolno używać maszyny, której zespoły zabezpieczające są uszkodzone. Zespoły zabezpieczające i wyposażenie ochronne należy kontrolować i konserwować. Patrz wskazówki pod nagłówkiem "Kontrola, konserwacja i obsługa techniczna zespołów zabezpieczających pilarki". Jeżeli posiadana maszyna nie spełnia wszystkich warunków objętych czynnościami kontrolnymi, należy oddać ją do warsztatu serwisowego w celu naprawy.

Hamulec łańcucha i zabezpieczenie przed odbiciem

Twoja pilarka wyposażona jest w hamulec łańcucha, którego zadaniem jest zatrzymywanie łańcucha tnącego w razie odbicia. Hamulec łańcucha zmniejsza ryzyko wypadku, lecz tylko Ty, jako operator pilarki, możesz mu ostatecznie zapobiec. (3)

Podczas pracy maszyną zachowuj ostrożność i zapewnij, aby strefa odbicia prowadnicy nigdy nie dotykała do żadnego przedmiotu. (4)

- Hamulec łańcucha (A) włączany jest bądź manualnie (lewą ręką), bądź automatycznie za pomocą mechanizmu bezwładnościowego. (5)
- Włączenie następuje przez przesunięcie dźwigni mechanizmu zabezpieczającego orzed odbiciem (B) do przodu. (5)
- Ruch ten uruchamia mechanizm sprężynowy zaciskający taśmę hamulca (C) wokół silnikowego układu napędowego łańcucha (D) (bębna sprężęła). (6)
- Zabezpieczenie przed odbiciem nie tylko uruchamia hamulec łańcucha. Inną ważną jego funkcją jest zmniejszanie ryzyka dotknięcia dłonią do łańcucha w razie ześlizgnięcia się jej z uchwytu przedniego.
- W chwili uruchamiania pilarki hamulec łańcucha powinien być włączony, aby łańcuch nie mógł się obracać. (55)
- Używaj hamulca łańcucha jako "hamulca postojowego" przy uruchamianiu i przenoszeniu pilarki na krótkie

odległości, by zapobiegać wypadkom w wyniku przypadkowego dotknięcia przez operatora lub inne osoby do łańcucha znajdującego się w ruchu. Nie należy zostawiać piły łańcuchowej włączonej przez dłuższy czas, gdy włączony jest ciągnio ssania. Piła może być bardzo nagrzana.

- Hamulec łańcucha zwalniany jest przesuwając przednią osłonę oznaczoną "PULL BACK TO RESET" (Odciągnij, żeby zresetować) do tyłu, w stronę uchwytu przedniego.

- Odbicie może być gwałtowne i wystąpić nagle. W większości przypadków odbicia są niewielkie i nie zawsze powodują włączenie się hamulca łańcucha. W razie występowania takich odbić należy pewnie trzymać pilarkę i nie puszczać uchwytów.

- Hamulec włączany jest ręcznie lub za pomocą mechanizmu bezwładnościowego, w zależności od siły odbicia i położenia pilarki w stosunku do przedmiotu, z którym zetknęła się strefa odbicia prowadnicy.

Hamulec łańcucha jest tak skonstruowany, że w razie silnego odbicia, gdy strefa odbicia prowadnicy znajduje się możliwie najdalej od operatora, włącza się on wskutek działania przeciwcieżaru (masy bezwładnościowej) w kierunku odbicia. (7)

Jeżeli odbicie jest słabe lub strefa odbicia prowadnicy znajduje się blisko operatora, hamulec łańcucha włącza się ręcznie, lewą dłonią.

- Podczas ścinki lewa ręka znajduje się w pozycji, która uniemożliwia manualne włączenie hamulca łańcucha. Trzymając pilarkę w ten sposób, tzn. gdy lewa ręka znajduje się w takiej pozycji, że nie może wpłynąć na ruch osłony zabezpieczającej przed odbiciem, hamulec łańcucha może zostać włączony jedynie wskutek działania mechanizmu bezwładnościowego. (8)

Czy zawsze można włączyć hamulce łańcucha ręką w razie odbicia?

Nie. By osłonę zabezpieczającą przed odbiciem przesunąć do przodu wymagane jest użycie pewnej siły. Jeżeli tylko lekko dotkniesz osłony lub zawadzisz o nią ręką, działająca siła może okazać się niewystarczająca, by spowodować włączenie hamulca łańcucha. Podczas pracy musisz także mocno trzymać uchwyt pilarki. Jeśli w takim przypadku nastąpi odbicie, prawdopodobnie nigdy nie puścisz ręką przedniego uchwytu i nie włączysz hamulca łańcucha, lub hamulec ten włączy się dopiero wtedy, gdy pilarka zdąży dobrze się zatoczyć. W takiej sytuacji może się zdarzyć, że hamulec nie zdąży zatrzymać łańcucha, zanim cię on uderzy.

Zdarza się także, że w pewnych pozycjach przy pracy nie można osiągnąć ręką do osłony zabezpieczającej przed odbiciem i włączyć hamulca łańcucha, np. trzymając pilarkę w pozycji do ścinki.

Czy mechanizm bezwładnościowy zawsze włącza hamulec łańcucha w razie odbicia?

Nie. Po pierwsze hamulec musi być sprawny. Hamulce łatwo jest sprawdzić – patrz wskazówki pod nagłówkiem "Kontrola,

OGÓLNE ZASADY BEZPIECZEŃSTWA

konserwacja i obsługa techniczna zespołów zabezpieczających pilarki". Zalecamy wykonywanie tego zawsze przed rozpoczęciem pracy na nowej zmianie. Po drugie odbicie musi być odpowiednio silne, by hamulec łańcucha został włączony. Jeśli hamulec łańcucha byłby zbyt czuły, włączyłby się bez przerwy, co byłoby kłopotliwe.

Czy hamulec łańcucha zawsze zabezpiecza przed obrażeniami w razie odbicia?

Nie. Po pierwsze hamulec musi być sprawny, by móc zapewnić ochronę. Po drugie musi zostać włączony w opisany powyżej sposób, by móc zatrzymać łańcuch w razie odbicia. Po trzecie, nawet gdy hamulec zostanie włączony, prowadnica może znajdować się tak blisko ciebie, że hamulec nie zdąży wyhamować i zatrzymać łańcucha, zanim on cię uderzy.

Tylko Ty sam przez stosowanie prawidłowych metod pracy możesz wyeliminować odbicia i ryzyko ich powstawania.

Blokada dźwigni gazu

Blokada dźwigni gazu zabezpiecza przed przypadkowym naciśnięciem dźwigni gazu. Nacisk na dźwignię blokady (A) w momencie ujęcia uchwytu zwalnia dźwignię gazu (B). Po zwolnieniu uchwytu dźwigni gazu i dźwigni blokady powracają do swoich pozycji wyjściowych. Położenie to oznacza, że dźwignia gazu zostaje automatycznie zablokowana na biegu jałowym. (9)

Wychwytnik łańcucha

Wychwytnik łańcucha jest przeznaczony do zatrzymywania łańcucha, gdy pęknie lub spadnie z prowadnicy. Nie powinno się to zdarzyć, gdy łańcuch jest prawidłowo naciągnięty (patrz wskazówki podane pod rubryką Montaż) i gdy prowadnica i łańcuch są odpowiednio konserwowane i obsługiwane (patrz wskazówki podane pod rubryką Ogólne zasady pracy maszyną). (10)

Oslona prawej ręki

Oprócz zabezpieczenia prawej ręki przed spadającym lub pękniętym łańcuchem, osłona chroni także przed puszczaniem dłoni tylnego uchwytu w skutek uderzenia o gałąź. (11)

System tłumienia wibracji

Twoja maszyna jest wyposażona w system tłumienia wibracji, którego zadaniem jest ograniczenie wibracji do minimum i zapewnienie jak największego komfortu podczas pracy maszyną.

System tłumienia wibracji, w który wyposażona jest maszyna, obniża poziom wibracji przekazywanych na uchwyt z silnika/osprzętu tnącego. Korpus pilarki, włącznie z osprzętem tnącym, odizolowany jest od uchwytów za pomocą tzw. elementów amortyzujących.

Piłowanie twardych gatunków drzew (głównie drzew liściastych) wywołuje większe wibracje niż piłowanie gatunków miękkich (większości drzew iglastych). Stosowanie

tego lub uszkodzonego osprzętu tnącego (niewłaściwego lub źle naostrzonego).



OSTRZEŻENIE! Nadmierne wibracje mogą spowodować uszkodzenia naczyń krwionośnych lub nerwów u osób mających problemy z krążeniem. Zgłoś się do lekarza, jeżeli wystąpią objawy fizyczne, które mogą być związane z nadmiernymi wibracjami. Przykładem takich objawów jest drętwienie, brak czucia, „łaskotanie”, „klucie”, ból, całkowita lub częściowa utrata siły, zmiany koloru skóry lub naskórka. Objawy te występują najczęściej w palcach, dłoniach lub nadgarstkach. Mogą one się nasilać w niskich temperaturach.

Wyłącznik

Silnik należy wyłączać za pomocą wyłącznika. (12)

Tłumik

Zadaniem tłumika jest ograniczenie do minimum poziomu hałasu i odrzucanie spalin poza strefę pracy operatora.



OSTRZEŻENIE! Spaliny silnikowe mają wysoką temperaturę, mogą zawierać iskry, które mogą się stać przyczyną pożaru. Nigdy nie włączaj maszyny w pomieszczeniach zamkniętych lub w pobliżu materiałów łatwopalnych!

Na obszarach o ciepłym i suchym klimacie niebezpieczeństwo pożaru może być znaczne. Zdarza się, że na obszarach tych obowiązuje ustawodawstwo wymagające, by tłumik wyposażony był m.in. w atestowaną siatkę przeciwiskrową. (13)

Podczas zakładania siatki, upewnij się że jest ona wkładana we właściwy sposób. Jeżeli to konieczne, do założenia lub zdjęcia siatki użyj klucza kombinowanego.



UWAGA! Podczas pracy maszyną oraz po jej wyłączeniu tłumik jest bardzo gorący. Dotyczy to także pracy na biegu jałowym. Pamiętaj o niebezpieczeństwie pożaru, szczególnie gdy w pobliżu znajdują się łatwo palne materiały oraz/lub gazy.



OSTRZEŻENIE! Nigdy nie używaj pilarki z uszkodzonym tłumikiem. Uszkodzony tłumik znacznie zwiększa hałas i niebezpieczeństwo pożaru. Miej zawsze w pobliżu sprzęt gaśniczy. Nigdy nie używaj pilarki bez siatki przeciwiskrowej lub z uszkodzoną siatką przeciwiskrową, jeżeli taka siatka wymagana jest na terenie, na którym pracujesz.

OGÓLNE ZASADY BEZPIECZEŃSTWA

Osprzęt tnący

W niniejszym rozdziale omówiono, jak dzięki stosowaniu właściwego osprzętu tnącego i prawidłowej jego konserwacji można:

- Zmniejszyć tendencje maszyny do odbijania
- Ograniczyć częstotliwość spadania i pęknięcia łańcucha.
- Zapewnić optymalne cięcie.
- Przedłużyć żywotność osprzętu tnącego
- Zapobiegać narastaniu wibracji.

Zasady ogólne

- **Używaj wyłącznie zalecany przez nas osprzęt tnący.** Patrz wskazówki pod nagłówkiem "Dane techniczne".
- **Zęby tnące łańcucha powinny być odpowiednio naostrzone! Stosuj się do instrukcji i używaj szablonu do pilników.** Uszkodzony lub źle naostrzony łańcuch zwiększa ryzyko wypadku.
- **Utrzymuj prawidłową szczelinę nacięcia łańcucha! Przestrzegaj naszych instrukcji i używaj zalecane szablonu do ograniczników głębokości.** Zbyt duża szczelina łańcucha zwiększa ryzyko odbicia.
- **Łańcuch powinien być odpowiednio napięty!** Zbyt luźny łańcuch może spaść z prowadnicy, co prowadzi do szybszego zużycia prowadnicy, łańcucha i zębátki napędowej łańcucha.
- **Osprzęt tnący powinien być dobrze nasmarowany i odpowiednio konserwowany!** Niewystarczające smarowanie łańcucha powoduje jego pęknięcie i prowadzi do szybszego zużycia prowadnicy, łańcucha i zębátki napędowej łańcucha.

Osprzęt tnący ograniczający ryzyko powstania odbicia



OSTRZEŻENIE! Stosowanie niewłaściwego osprzętu tnącego lub zestawu prowadnica/łańcuch tnący zwiększa ryzyko odbicia! Stosuj wyłącznie zalecane przez nas zestawy prowadnica/łańcuch tnący i przestrzegaj instrukcji ostrzenia łańcucha. Patrz wskazówki pod nagłówkiem "Dane techniczne".

Jedynym sposobem uniknięcia odbicia jest zadbanie przez użytkownika, aby strefa odbicia prowadnicy nigdy nie dotykała do żadnego przedmiotu.

Stosowanie osprzętu tnącego z "wbudowaną" ochroną przed odbiciem oraz ostrego i dobrze konserwowanego łańcucha powoduje zmniejszenie skutków odbicia.

Prowadnica

Im mniejszy promień końcówki prowadnicy, tym mniejsze prawdopodobieństwo powstawania odbić.

Łańcuch pilarki

Łańcuch pilarki składa się z licznych ogniw dostępnych w wersji standardowej i w wersji obniżającej odbicie.

WAŻNE! Zaden łańcuch tnący nie jest w stanie wyeliminować ryzyka odbicia.



OSTRZEŻENIE! Jakikolwiek kontakt z wirującym łańcuchem tnącym może być przyczyną poważnych obrażeń.

Pojęcia opisujące prowadnicę i łańcuch

By zachować wszystkie elementy zabezpieczające osprzętu tnącego, należy wymienić zużyty lub uszkodzony zestaw prowadnica/łańcuch na prowadnicę i łańcuch zalecane przez Husqvarna. W celu uzyskania informacji na temat zalecanych przez nas zestawów prowadnica/łańcuch patrz wskazówki pod nagłówkiem "Dane techniczne".

Prowadnica

- Długość (cale/cm)
- Ilość zębów na zębátce końcówki prowadnicy (T).
- Podziałka łańcucha (=pitch) (cale). Kończówka prowadnicy i zębátka napędowa łańcucha pilarki muszą być dostosowane do odległości między ogniwami prowadzącymi. **(14)**
- Ilość ogniw prowadzących (szt.). Ilość ogniw prowadzących zależy od długości prowadnicy, podziałki łańcucha i ilości zębów zębátki końcówki prowadnicy.
- Szerokość rowka prowadnicy (cale/mm). Szerokość rowka prowadnicy musi odpowiadać szerokości ogniw prowadzących.
- Otwór smarujący łańcucha i otwór napinacza łańcucha. Prowadnica musi być dostosowana do konstrukcji pilarki. **(15)**

Łańcuch pilarki

- Podziałka łańcucha pilarki (=pitch) (cale) **(14)**
- Szerokość ognia prowadzącego (mm/cale) **(16)**
- Ilość ogniw prowadzących (szt.) **(17)**

Ostrzenie łańcucha i ustalanie szczeliny łańcucha

Ogólne zasady ostrzenia zębów tnących

- Nigdy nie tnij tępym łańcuchem. O tym, że łańcuch jest tępy, świadczy konieczność wywierania dodatkowego nacisku na pilarkę oraz powstawanie drobnych trocin. Spód bardzo tępego łańcucha nie wylatują w ogóle trociny. Powstaje jedynie pył.
- Ostry łańcuch łatwo wchodzi w drewno i wylatują spod niego duże i długie trociny.
- Tnąca część łańcucha pilarki to ogniwo tnące, które składa się z zęba tnącego (A) i ogranicznika głębokości (B). Różnica wysokości ognia tnącego i ogranicznika określa głębokość cięcia. **(18)**

OGÓLNE ZASADY BEZPIECZEŃSTWA

Podczas ostrzenia zęba tnącego należy zwracać uwagę na cztery wymiary.

- 1 Kącie zaostrenia (19)
- 2 Kącie ostrza (20)
- 3 Kącie pozycji pilnika (kącie czołowym) (21)
- 4 Średnicy pilnika okrągłego

Bardzo trudno jest naostrzyć łańcuch tnący bez narzędzi pomocniczych. Dlatego zalecamy posługiwanie się oferowanym przez nas przewodnikiem pilnika z szablonek do ograniczników. Zapewnia on prawidłowe naostrzenie łańcucha, tzn. takie, by optymalna była redukcja odbić i zdolność cięcia. (22)

Odnosnie danych obowiązujących dla ostrzenia łańcucha tnącego posiadanej pilarki patrz wskazówki pod nagłówkiem "Dane techniczne".



OSTRZEŻENIE! Odstępstwa od instrukcji ostrzenia łańcucha prowadzą do znacznego zwiększenia tendencji do odbić.

Ostrzenie zębów tnących



Do naostrzenia zęba tnącego potrzebny jest pilnik okrągły i prowadnik pilnika z szablonek do ograniczników. Patrz wskazówki pod nagłówkiem "Dane techniczne" odnośnie informacji na temat zalecanego średnicy pilnika okrągłego i zalecanego do twojej pilarki prowadnika pilnika z szablonek do ograniczników.

- Sprawdź, czy łańcuch jest dobrze napięty. W razie niewystarczającego napięcia łańcucha powstają odchylenia boczne utrudniające jego prawidłowe naostrzenie.
- Zęby tnące należy ostrzyć w jedną stronę, od strony wewnętrznej na zewnątrz. Nie naciskaj na pilnik przy ruchu powrotnym. Naostrz zęby po jednej stronie łańcucha, obróć pilarkę i naostrz zęby po drugiej stronie.
- Zęby należy ostrzyć tak, aby miały jednakową długość. Długość zębów tnących poniżej 4 mm (5/32") świadczy o zużyciu łańcucha i konieczności jego wymiany. (23)

Ogólnie o ustawieniu szczeliny łańcucha

- Wskutek ostrzenia zęba tnącego zmniejsza się szczelina łańcucha (= głębokość cięcia). Aby łańcuch mógł zachować maksymalną zdolność cięcia konieczne jest obniżenie ogranicznika głębokości do zalecanego poziomu. Patrz wskazówki pod nagłówkiem "Dane techniczne" odnośnie informacji na temat wielkości szczeliny łańcucha posiadanej pilarki. (24)



OSTRZEŻENIE! Zbyt duża szczelina łańcucha zwiększa jego tendencje do odbić!

Ustalanie szczeliny łańcucha



- W chwili ustalania szczeliny łańcucha zęby tnące muszą być nowo naostrzone. Zalecamy ustalanie szczeliny co trzeci raz przy okazji ostrzenia łańcucha. **UWAGA!** Wychodzimy przy tym z założenia, że zęby tnące nie zostały na długość spilowane więcej niż potrzeba.
- Do ustalania szczeliny łańcucha potrzebny jest pilnik płaski i szablonek do ograniczników. Zalecamy używanie naszego prowadnika pilnika z szablonek do ograniczników, by zapewnić prawidłowy wymiar szczeliny łańcucha i prawidłowy kąt ogranicznika.
- Umieść szablonek na łańcuchu tnącym. Instrukcja stosowania szablonek znajduje się w opakowaniu. Spiluj nadmiar wystającej części ogranicznika za pomocą pilnika płaskiego. Szczelina łańcucha jest prawidłowa, gdy podczas wykonywania ruchów pilnikiem w szablonek nie występuje opór. (25)

Napinanie łańcucha pilarki



OSTRZEŻENIE! Zbyt luźny łańcuch może spaść z prowadnicy i spowodować poważne obrażenia, nawet zagrażające życiu.

Łańcuch ulega wydłużaniu w trakcie używania. Ważne jest, aby po zmianie długości przez łańcuch wyregulować osprzęt tnący.

Sprawdź napięcie łańcucha podczas każdego tankowania. **UWAGA!** Nowy łańcuch wymaga pewnego czasu na "dotarcie", podczas którego napięcie łańcucha należy sprawdzać częściej.

Ogólną zasadą jest, aby łańcuch był napięty możliwie najmocniej, jednak nie więcej niż tak, by można go było łatwo przesuwać ręką po prowadnicy. (26)

435 II, 440 II



- Obluź nakrętkę pręta, za pomocą którego są zamocowane pokrywa sprzęgła i hamulec łańcucha. Użyj klucza kombinowanego. Następnie ponownie dokręć ręcznie nakrętkę pręta tak ściśle, jak to możliwe. (27)
- Podnieś końcówkę prowadnicy i naciągnij łańcuch, dokręcając śrubę napinacza kluczem kombinowanym. Łańcuch należy napiąć tak, aby przylegał do dolnej części prowadnicy. (28)
- Posługując się kluczem kombinowanym dokręć prowadnicę, podtrzymując jednocześnie końcówkę

OGÓLNE ZASADY BEZPIECZEŃSTWA

przewodnicy. Sprawdź, czy łańcuch pilarki można łatwo obracać ręką wokół przewodnicy i czy nie zwisa on po spodniej stronie przewodnicy. (29)

Śruba do napinania łańcucha umieszczona jest w różnych miejscach w różnych modelach naszych pilarek. W celu sprawdzenia gdzie jest ona umieszczona w posiadanym modelu patrz wskazówki pod nagłówkiem "Opis pilarki".

435e II, 440e II



- Zwolnij pokrętło odchylając je na zewnątrz (30)
- Obracaj pokrętłem w kierunku przeciwnym do ruchu wskazówek zegara w celu poluzowania osłony przewodnicy. (31)
- Wyreguluj napięcie łańcucha obracając kółkiem do dołu (+) w celu napięcia łańcucha lub do góry (-) w celu jego poluzowania. (32)
- Napnij sprężelko przewodnicy obracając pokrętłem w kierunku zgodnym z ruchem wskazówek zegara. (33)
- Wsuń pokrętło z powrotem na miejsce w celu zabezpieczenia napięcia. (34)

Smarowanie osprzętu tnącego



OSTRZEŻENIE! Niewystarczające smarowanie osprzętu tnącego może spowodować pęknięcie łańcucha i być przyczyną poważnych obrażeń, nawet zagrażających życiu.

Olej do smarowania łańcucha

Olej do smarowania łańcucha powinien charakteryzować się odpowiednią lepkością oraz dobrą płynnością zarówno podczas upalnego lata, jak i mroźnej zimy.

Jako producenci pilarek opracowaliśmy wysokiej jakości olej roślinny ulegający całkowitemu rozkładowi biologicznemu. Zalecamy korzystanie z tego oleju w celu wydłużenia okresu użytkowania łańcucha oraz ochrony środowiska. Gdy nasz olej nie jest dostępny, zalecamy stosowanie zwykłego oleju do łańcuchów.

Nigdy nie stosuj zużytego oleju! Jest on szkodliwy dla ciebie, maszyny i środowiska naturalnego.

WAŻNE! W razie stosowania roślinnego oleju łańcuchowego, przed złożeniem pilarki na dłuższe przechowanie zdejmij i oczyść rowek przewodnicy oraz łańcuch tnący. W przeciwnym razie istnieje ryzyko utleniania się oleju łańcuchowego, przez co łańcuch zaczyna być sztywny i zacina się zębataka przewodnicy.

Uzupełnianie oleju do smarowania łańcucha

- Wszystkie nasze modele pilarek posiadają automatyczny system smarowania łańcucha. Niektóre modele dostępne są także w wersji z regulacją przepływu oleju.

- Zbiornik oleju łańcuchowego i zbiornik paliwa są tak dobrane pod względem pojemności, by paliwo kończyło się zanim skończy się olej.

To zabezpieczenie zakłada jednak, że stosowany jest prawidłowy olej łańcuchowy (zbyt rzadki olej kończy się w zbiorniku wcześniej niż paliwo), że przestrzegane są nasze zalecenia dotyczące ustawienia gaźnika (ustawienie na zbyt "ubogą" mieszankę powoduje, że paliwo starcza na dłużej niż olej łańcuchowy) oraz że przestrzegane są nasze zalecenia dotyczące osprzętu tnącego (zbyt długa przewodnica wymaga więcej oleju łańcuchowego).

Sprawdzanie smarowania łańcucha

- Smarowanie łańcucha sprawdzaj przy każdym tankowaniu.

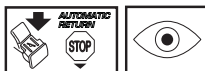
Kieruj końcówkę przewodnicy na jasną powierzchnię z odległości ok. 20 cm (8 cali). Ustaw obroty na ok. 3/4 otwarcia przepustnicy i utrzymuj je przez 1 minutę, po czym na jasnej powierzchni powinieneś zauważyć wyraźną smugę wyrzucanego oleju.

Jeśli smarowanie łańcucha nie funkcjonuje należy:

- Sprawdzić, czy kanał olejowy przewodnicy nie jest zatkany. W razie potrzeby oczyść go. (35)
- Sprawdzić, czy rowek przewodnicy jest czysty. W razie potrzeby oczyść go. (36)
- Sprawdzić, czy zębataka końcówki przewodnicy łatwo obraca się i czy otwór smarujący nie jest zatkany. W razie potrzeby oczyść go i nasmaruj końcówkę. (37)

Jeśli po wykonaniu w/w czynności układ smarowania łańcucha nadal nie funkcjonuje, należy zwrócić się do warsztatu obsługi technicznej.

Zębataka napędowa łańcucha



Bęben sprężelko wyposażony jest w jedną z następujących zębatek napędowych:

- A Zębataka napędowa Spur (zębataka napędowa łańcucha osadzona na bębnie)
- B Zębataka napędowa Rim (wymierna) (38)

Sprawdzaj regularnie stopień zużycia zębataki napędowej łańcucha. Wymień ją, jeśli jest znacznie zużyta. Zębatakę napędową łańcucha należy wymieniać przy każdej wymianie łańcucha pilarki.

Smarowanie łożyska igłowego



Oba typy zębataki napędowej łańcucha mają przy wałku zdawczym łożysko igłkowe, które należy regularnie smarować (raz na tydzień). UWAGA! Stosuj dobrej jakości smary do łożysk tocznych lub olej silnikowy.

Patrz wskazówki pod nagłówkiem „Konserwacja, Smarowanie łożyska igłkowego”.

OGÓLNE ZASADY BEZPIECZEŃSTWA

Kontrola zużycia osprzętu tnącego



Sprawdźaj codziennie łańcuch pilarki w celu ustalenia:

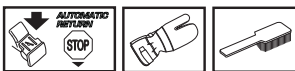
- Czy nie ma widocznych pęknięć główek nitów i ogniwi.
- Czy łańcuch jest sztywny.
- Czy główki nitów i ogniwa nie są znacznie zniszczone.

Łańcuch tnący, który wykazuje cechy podane w powyższych punktach, należy oddać do kasacji.

W celu ustalenia stopnia zużycia łańcucha zalecamy porównanie go z całkiem nowym łańcuchem.

Zęby należy ostrzyć tak, aby miały jednakową długość. Długość zębów tnących poniżej 4 mm (5/32") świadczy o zużyciu łańcucha i konieczności jego wymiany. **(23)**

Prowadnica



Sprawdźaj regularnie:

- Czy na krawędziach prowadnicy występuje drut. W razie potrzeby usuń go za pomocą pilnika.
- Czy rowek prowadnicy jest wyrobiony. W razie potrzeby wymień prowadnicę.
- Czy końcówka prowadnicy nie jest nierówno lub mocno zużyta. Jeśli po jednej stronie końcówki, w miejscu gdzie jej promień styka się z dolną krawędzią prowadnicy, tworzy się wgłębienie, oznacza to, że łańcuch nie był wystarczająco napięty.
- Aby wydłużyć czas eksploatacji pręta, należy regularnie go obracać.



OSTRZEŻENIE! Przyczyną większości wypadków z udziałem pilarek jest zetknięcie się łańcucha z operatorem.

Stosuj środki ochrony osobistej. Patrz wskazówki podane pod rubryką Środki ochrony osobistej.

Nie podejmuj się pracy przekraczającej Twoje możliwości. Patrz wskazówki podane pod rubryką Środki ochrony osobistej, Czynności w celu uniknięcia odbicia, Osprzęt tnący i Ogólne zasady pracy maszyną.

Unikaj sytuacji, w których zachodzi ryzyko odbicia. Patrz wskazówki podane pod rubryką Zespoły zabezpieczające maszyną.

Stosuj zalecany osprzęt tnący i sprawdzaj jego stan. Patrz wskazówki podane pod rubryką Ogólne zasady pracy maszyną.

Sprawdź, czy wszystkie zespoły zabezpieczające są sprawne. Patrz wskazówki podane pod rubrykami Ogólne zasady pracy maszyną oraz Ogólne zasady bezpieczeństwa.

Montaż prowadnicy i łańcucha



OSTRZEŻENIE! Podczas obchodzenia się z łańcuchem należy używać rękawic ochronnych.

435 II, 440 II

- **Sprawdź, czy hamulec łańcucha nie znajduje się w położeniu włączonym przesuwając w tym celu zabezpieczenie przed odbiciem (dźwignię hamulca łańcucha) do uchwytu przedniego. (39)**
- Odkręć nakrętkę prowadnicy i zdejmij pokrywę sprzęgła (hamulec łańcucha). Zdejmij zabezpieczenie transportowe (A). **(40)**
- Nałóż prowadnicę na śrubę prowadnicy. Ustaw prowadnicę w tylnym skrajnym położeniu. Załóż łańcuch na zębatkę napędową łańcucha i umieść go w rowku prowadnicy. Zaczynij od górnej strony prowadnicy. **(41)**
- Upewnij się, czy krawędzie ogniw tnących na górnej stronie prowadnicy są zwrócone do przodu, w kierunku końcówki.
- Zamontuj osłonę sprzęgła pamiętając o wprowadzeniu kołka napinacza łańcucha do otworu znajdującego się w prowadnicy. Sprawdź, czy ogniwa prowadzące łańcucha są ułożone prawidłowo na zębatce napędowej i w rowku prowadnicy. Dokręć palcami nakrętkę motylkową.
- Napnij łańcuch tnący, obracając kluczem kombinowanym śrubę napinacza zgodnie z ruchem wskazówek zegara. Łańcuch należy napiąć tak, aby przylegał ściśle do dolnej części prowadnicy. **(42)**
- Łańcuch jest prawidłowo napięty, gdy nie zwisa luźno w dolnej części prowadnicy, a mimo to bez trudności daje się przesuwac ręką dookoła. Dokręć nakrętkę prowadnicy kluczem kombinowanym podtrzymując jednocześnie koniec prowadnicy. **(43)**
- Sprawdzaj często napięcie nowozamontowanego łańcucha, aż do czasu, gdy będzie on dotarty. Napięcie łańcucha należy kontrolować regularnie. Właściwy łańcuch zapewnia dobrą wydajność skrawania i posiada długą żywotność. **(44)**

435e II, 440e II

- **Sprawdź, czy hamulec łańcucha nie znajduje się w położeniu włączonym przesuwając w tym celu zabezpieczenie przed odbiciem (dźwignię hamulca łańcucha) do uchwytu przedniego. (45)**
- Obluzuj kółko do napinania łańcucha i zdejmij pokrywę sprzęgła (hamulec łańcucha). Zdejmij osłonę transportową. (A) **(46)**
- Nałóż prowadnicę na śruby. Przesuń ją w tylne skrajne położenie. Załóż łańcuch na zębatkę napędową łańcucha,

a następnie włóż go w rowek prowadnicy. Zaczynij od górnej strony prowadnicy. **(41)**

- Upewnij się, czy krawędzie ogniw tnących na górnej stronie prowadnicy są zwrócone do przodu, w kierunku końcówki.
- Zamontuj osłonę sprzęgła pamiętając o wprowadzeniu kołka napinacza łańcucha do otworu znajdującego się w prowadnicy. Sprawdź, czy ogniwa prowadzące łańcucha są ułożone prawidłowo na zębatce napędowej i w rowku prowadnicy.
- Napnij łańcuch obracając kółkiem w dół (+). Łańcuch należy napinać aż do chwili, gdy nie będzie zwisał u dołu prowadnicy. **(32)**
- Łańcuch jest prawidłowo napięty, gdy nie zwisa u dołu prowadnicy, przy czym nadal można go swobodnie obracać ręką. Przytrzymaj koniec prowadnicy i napnij sprzęgło prowadnicy obracając pokrętkiem w kierunku zgodnym z ruchem wskazówek zegara. **(33)**
- Sprawdzaj często napięcie nowozamontowanego łańcucha, aż do czasu, gdy będzie on dotarty. Napięcie łańcucha należy kontrolować regularnie. Właściwy łańcuch zapewnia dobrą wydajność skrawania i posiada długą żywotność. **(44)**

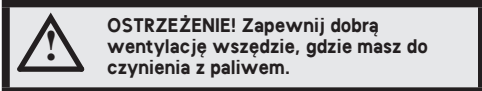
Montaż zderzaka

W celu zamontowania zderzaka należy zwrócić się do warsztatu obsługi technicznej. **(47)**

PRZYGOTOWYWANIE I OBCHODZENIE SIĘ Z PALIWEM

Paliwo

Zauważ! Maszyna wyposażona jest w silnik dwusuwowy. Jako paliwo można stosować wyłącznie mieszankę benzyny z olejem do dwusuwów. Aby zapewnić prawidłową proporcję mieszanki, należy dokładnie odmierzyć tę ilość oleju, która ma zostać zmieszana z benzyną. W przypadku sporządzania małej ilości mieszanki, nawet niewielkie zachwianie proporcji może znacznie wpłynąć na jej skład.



Benzyna



- Stosuj benzynę bezołowiową lub ołowiową wysokiej jakości.
- Zaleca się stosować benzynę o liczbie oktanowej (RON) nie mniejszej niż 90. W razie stosowania benzyny o liczbie oktanowej mniejszej niż 90 może występować tzw. stukanie. Prowadzi to do większej temperatury silnika i większego obciążenia łożysk, co może stać się przyczyną poważnej awarii silnika.
- Praca silnika na stałe wysokich obrotach (np. przy okrzesywaniu) wymaga stosowania benzyny o liczbie oktanowej powyżej 90.

Paliwo ekologiczne

HUSQVARNA zaleca stosowanie benzyny proekologicznej (tzw. paliwa alkilatowego) – bądź gotowej mieszanki Aspen do dwusuwów, bądź proekologicznej benzyny do silników czterosuwowych zmieszanej z olejem do silników dwusuwowych zgodnie z tym, co podano poniżej. Prosimy zauważyć, że w razie zmiany rodzaju paliwa może być wymagana regulacja gaźnika (patrz wskazówki pod nagłówkiem "Gaźnik").

Paliwo Etanol

HUSQVARNA zaleca stosowanie paliwa dostępnego na stacjach, z maksymalną zawartością etanolu 10%.

Docieranie

W ciągu pierwszych dziesięciu godzin należy unikać dłuższych momentów pracy na zbyt wysokich obrotach.

Olej do silników dwusuwowych

- W celu zapewnienia najlepszego rezultatu i najlepszych osiągnięć stosuj olej HUSQVARNA do silników dwusuwowych, który jest specjalnie dostosowany do naszych silników dwusuwowych, chłodzonych powietrzem.
- Nigdy nie używaj oleju do dwusuwów przeznaczonych do chłodzonych wodą, przyczepnych silników do łodzi, czyli tzw. oleju do silników przyczepnych (oznaczonego TCW).

- Nigdy nie używaj oleju przeznaczonego do silników czterosuwowych.
- Niska jakość oleju lub zbyt bogata mieszanka benzyny z olejem może mieć negatywny wpływ na działanie katalizatora i na jego okres użytkowania.

Olej taki stosuje się w proporcji

1:50 (2%) z olejem HUSQVARNA do silników dwusuwowych.

1:33 (3%) z innymi olejami do chłodzonych powietrzem silników dwusuwowych, sklasyfikowanymi jako JASO FB/ISO EGB.

Benzyna, w litrach	Olej do silników dwusuwowych, w litrach	
	2% (1:50)	3% (1:33)
5	0,10	0,15
10	0,20	0,30
15	0,30	0,45
20	0,40	0,60

Sporządzanie mieszanki

- Mieszankę sporządzaj w czystym pojemniku, zatwierdzonym jako odpowiedni do przechowywania benzyny.
- Do naczynia nalej najpierw połowę benzyny przeznaczonej do sporządzenia mieszanki. Następnie dodaj do niej całą dawkę oleju. Wymieszaj dokładnie paliwo z olejem potrząsając pojemnikiem. Dolej pozostałą ilość benzyny.
- Przed każdorazowym nalaniem paliwa do zbiornika maszyny wymieszaj je dokładnie potrząsając kanistrem.
- Nie sporządzaj mieszanki w ilości większej niż to jest potrzebne do 1 miesięcznego użycia.
- Zbiornik paliwa nieużywanej przez dłuższy czas maszyny należy opróżnić i oczyścić.

Olej do smarowania łańcucha

- Jako środek smarujący zaleca się stosować specjalny olej (do smarowania łańcucha) o dobrej zdolności przylegania. **(48)**
- Nie wolno stosować olejów przepracowanych. Niszczą one pompę olejową, prowadnicę i łańcuch pilarki.
- Ważne jest, aby rodzaj oleju dostosowany był do temperatury otoczenia (odpowiednia lepkość oleju).
- Niektóre rodzaje olejów w temperaturze poniżej 0°C stają się bardziej lepkie. Może to spowodować przeciążenie pompy olejowej i jej uszkodzenie.
- W celu wybrania odpowiedniego oleju do smarowania łańcucha skontaktuj się ze swoim warsztatem obsługi technicznej.

PRZYGOTOWYWANIE I OBCHODZENIE SIĘ Z PALIWEM

Tankowanie



OSTRZEŻENIE! Podczas tankowania przestrzegaj następujących zasad, które zmniejszają ryzyko pożaru:

Nie pal tytoniu i nie pozostawiaj gorących przedmiotów w pobliżu paliwa.

Przed przystąpieniem do tankowania, wyłącz silnik i odczekaj kilka minut aż ostygnie.

Korek wlewowy otwieraj ostrożnie, ponieważ wewnątrz zbiornika może panować nadciśnienie.

Po zatankowaniu dokładnie zakręć korek wlewowy.

Przed uruchomieniem maszyny przenieść ją na bezpieczną odległość od miejsca tankowania.

Przed nalaniem paliwa oczyść korek wlewowy i powierzchnię wokół niego. Czyść regularnie zbiornik paliwa i zbiornik oleju do smarowania łańcucha. Filtr paliwowy należy wymieniać co najmniej raz do roku. Zanieczyszczenia dostające się do zbiornika mogą być przyczyną zakłóceń w pracy silnika. Zadbaj o to, aby paliwo było dobrze zmieszane potrząsając kanistrem przed zatankowaniem. Zbiornik paliwa i zbiornik oleju do smarowania łańcucha mają wzajemnie dopasowaną pojemność. Dlatego paliwo i olej do smarowania łańcucha należy zawsze uzupełniać jednocześnie. (48)



OSTRZEŻENIE! Paliwo i jego opary są niezwykle łatwopalne. Zachowuj ostrożność podczas obchodzenia się z paliwem i olejem do smarowania łańcucha. Pamiętaj o niebezpieczeństwie pożaru i eksplozji oraz o ryzyku wdychania oparów i związanej z tym szkodliwości dla zdrowia.

Zdejmowanie korka wlewu paliwa oraz oleju do smarowania łańcucha

- Wcisnąć w dół obszar z teksturą dźwigni przechyłania oraz podnieść ją do położenia wyprostowanego. (49)
- Poluzować korek obracając go w kierunku przeciwnym do ruchu wskazówek zegara. (50)
- Zdjąć korek. (51)

Zakładanie korka wlewu paliwa oraz oleju do smarowania łańcucha

- Włożyć korek z dźwigną przechyłania ustawioną w położeniu wyprostowanym. (52)
- Dokręcić korek dokładnie obracając go w kierunku zgodnym z ruchem wskazówek zegara. (53)
- Złożyć dźwignię przechyłania w dół. (54)

WAŻNE! Należy zawsze wymieniać zużyty lub uszkodzony korek.

Zasady bezpieczeństwa – paliwo

- Nigdy nie tankuj paliwa do maszyny, gdy uruchomiony jest silnik.
- Zapewnij dobrą wentylację w miejscach, gdzie tankujesz lub przygotujesz mieszankę paliwa do silników dwusuwowych (benzyna i olej do dwusuwów).
- Przed uruchomieniem przenieś maszynę na odległość co najmniej 3 m od miejsca tankowania.
- Nigdy nie uruchamiaj maszyny, gdy:
 - 1 Rozlałeś na maszynę paliwo lub olej do smarowania łańcucha. Wytrzyj ją i poczekaj, aż wyschną resztki benzyny.
 - 2 Jeżeli oblałeś paliwem siebie lub swoje ubranie, zmień ubranie. Przemyj te części ciała, które miały styczność z paliwem. Użyj wody i mydła.
 - 3 Paliwo wycieka z maszyny. Regularnie sprawdzaj szczelność korka wlewowego i przewodów paliwowych.



OSTRZEŻENIE! Nigdy nie używaj maszyny, w której nasadka świecy zapłonowej i przewód zapłonowy mają widoczne uszkodzenia. Zachodzi wówczas ryzyko iskrzenia, co może być przyczyną pożaru.

Transport i przechowywanie

- Paliwo i paliwo należy przechowywać w taki sposób, aby ewentualne wycieki i opary paliwa nie mogły zetknąć się z iskrą lub otwartym płomieniem. Oznacza to, że należy je przechowywać z dale od np. maszyn elektrycznych, silników elektrycznych, kontaktów/pr
- Paliwo przechowuj w specjalnie do tego celu przeznaczonym i zatwierdzonym zbiorniku.
- W przypadku dłuższego okresu przechowywania pilarki lub w czasie jej transportu, należy opróżnić zbiorniki paliwa i oleju do smarowania łańcucha. Jeżeli masz w zbiorniku lub w kanistrze paliwo nie nadające się do użytku, zgłoś się do najbliższej stacji CP
- Podczas transportu lub przechowywania na osprzęt tnący zawsze musi być założona osłona transportowa, chroniąca przed niezamierzonym dotknięciem do ostrego łańcucha. Nawet łańcuch nie będący w ruchu może spowodować poważne obrażenia operatora lub innych osób, które się z nim zetkną.
- Zdejmij kapturek świecy zapłonowej ze świecy zapłonowej. Włącz ciągnio ssania.
- Na czas transportu maszynę należy zabezpieczyć.

Dłuższe przechowywanie

Opróżnij zbiornik paliwa u zbiornik oleju w miejscu o dobrej wentylacji. Przechowuj paliwo w atestowanych kanistrach, w bezpiecznym miejscu. Załóż osłonę prowadnicy. Oczyść maszynę. Patrz wskazówki pod nagłówkiem "Plan obsługi technicznej".

Przed odstawieniem maszyny na dłuższe przechowanie należy ją dokładnie oczyścić i przeprowadzić kompletny serwis.

URUCHAMIANIE I WYŁĄCZANIE

Uruchamianie i wyłączanie



OSTRZEŻENIE! Przystępując do uruchomienia należy pamiętać o przestrzeganiu następujących zasad:

Podczas uruchamiania maszyny hamulec łańcucha musi być włączony, aby zmniejszyć ryzyko dotknięcia do wirującego łańcucha.

Nigdy nie uruchamiaj pilarki, gdy prowadnica, łańcuch pilarki i wszystkie osłony nie są zamontowane. W przeciwnym razie może obluźzać się sprzęgło i spowodować obrażenia.

Ustaw maszynę na twardym podłożu. Przyjmij stabilną pozycję i upewnij się, że łańcuch nie dotyka do żadnego przedmiotu.

Upewnij się, czy w pobliżu miejsca pracy nie ma osób nieupoważnionych.

Nigdy nie owijaj linki rozrusznika wokół dłoni.

Uruchamianie

Podczas uruchamiania pilarki musi być włączony hamulec łańcucha. Włącz hamulec przesuwając do przodu zabezpieczenie przed odbiciem. (55)

Zimny silnik

Pozycja rozruchu, 1: Ustawić przełącznik start/stop w pozycji ssania, pociągając czerwony element sterowania w górę/na zewnątrz. (56)

Pompa paliwowa (2): Kilkakrotnie podpompuj gruszką pompy paliwowej na przewodzie paliwowym, aż do napłynięcia paliwa do gruszki (przynajmniej 6 razy). Gruszka nie musi być napełniona całkowicie. (56)

Uchwyć pewnie lewą ręką uchwyt przedni. Ustaw lewą stopę na dolnej części tylnego uchwytu przyciskając w ten sposób pilarkę do ziemi. (57)

Pociągnij uchwyt rozrusznika, 3: Ujmij prawą ręką uchwyt rozrusznika i pociągnij go wolno do oporu (do momentu zalapania trybów rozrusznika), a następnie pociągaj mocno i szybko do momentu uruchomienia silnika.

Wciśnij czerwoną dźwignię ssania, 4: Jak tylko silnik zostanie uruchomiony, czego sygnałem będzie słyszalny dźwięk „puff”, wciśnij czerwoną dźwignię ssania.

Pociągnij uchwyt rozrusznika (5): Powtarzaj silne pociąganie linki do momentu uruchomienia silnika.

Ciepły silnik

Pozycja rozruchu, 1: Prawidłowa kombinacja ssanie/obrotów rozruchowe dla uruchomienia ciepłego silnika, ustawiana jest przez wcześniejsze przesunięcie czerwonej dźwigni ssania do położenia na zewnątrz – do góry. (56)

Pompa paliwowa (2): Kilkakrotnie podpompuj gruszką pompy paliwowej na przewodzie paliwowym, aż do

napłynięcia paliwa do gruszki (przynajmniej 6 razy). Gruszka nie musi być napełniona całkowicie. (56)

Wciśnij czerwoną dźwignię ssania, 3: Spowoduje to wyłączenie ssania, które nie będzie potrzebne do uruchomienia rozgrzanej pilarki. Jednakże przesunięcie przełącznika start/stop spowoduje uruchomienie wysokich obrotów, co w konsekwencji ułatwia start ciepłego silnika.

Pociągnij uchwyt rozrusznika, 4: Uchwyć pewnie lewą ręką uchwyt przedni. Ustaw lewą stopę na dolnej części tylnego uchwytu przyciskając w ten sposób pilarkę do ziemi. (57)

Ujmij prawą ręką uchwyt rozrusznika i pociągnij go wolno do oporu (do momentu zalapania trybów rozrusznika), a następnie pociągaj mocno i szybko do momentu uruchomienia silnika

Ponieważ hamulec łańcucha nadal jest włączony, obroty silnika należy jak najszybciej zmniejszyć do obrotów biegu jałowego, co można osiągnąć wyłączając blokadę gazu. Rozłączenie odbywa się przez nieznaczne przyspieszenie po naciśnięciu języka gazu. W ten sposób zapobiega się nadmiernemu zużyciu sprzęgła, bębna sprzęgła oraz pasa hamulca. Pozwól, by maszyna kilka sekund pracowała na wolnych obrotach przed całkowitym otwarciem przepustnicy.

Na tylnym panelu piły (A) znajduje się uproszczona instrukcja uruchamiania urządzenia. (57)

UWAGA! Nie wyciągaj linki rozrusznika całkowicie i nie puszczaj jej nagle, gdy jest wyciągnięta. Może to spowodować uszkodzenie maszyny.

Zauważ! Wyłącz hamulec przesuwając zabezpieczenie przed odbiciem do pałaka uchwytu. Pilarka jest teraz gotowa do pracy.



OSTRZEŻENIE! Długotrwałe wdychanie spalin silnikowych, zawiesiny oleju łańcuchowego w powietrzu oraz pyłu towarzyszącego powstawaniu wirów może być szkodliwe dla zdrowia.

- Nigdy nie uruchamiaj pilarki, gdy prowadnica, łańcuch pilarki i wszystkie osłony nie są prawidłowo zamontowane. Patrz wskazówki podane pod rubryką Montaż. Gdy prowadnica i łańcuch nie są zamontowane do pilarki, sprzęgło może obluźzać się i spowodować poważne obrażenia.
 - Podczas uruchamiania maszyny hamulec łańcucha musi być włączony. Patrz wskazówki pod nagłówkiem "Uruchamianie i zatrzymywanie". Nigdy nie uruchamiaj pilarki trzymając za rączkę rozrusznika i puszczając pilarkę do ziemi. Jest to bardzo niebezpieczny sposób, gdyż łatwo jest utracić kontrolę nad pilarką. (55)
 - Nigdy nie uruchamiaj maszyny w pomieszczeniach. Pamiętaj o tym, że wdychanie spalin silnikowych jest niebezpieczne.
 - Obserwuj, co dzieje się w otoczeniu i upewnij się, czy nie zachodzi ryzyko, że ludzie lub zwierzęta mogą zetknąć się z osprzętem tnącym.
 - Trzymaj zawsze pilarkę dwoma rękoma. Prawą ręką trzymaj za uchwyt tylny, a lewą za uchwyt przedni.
- Operator, bez względu na to czy jest prawo- czy leworęczny, musi trzymać w ten sposób.** Trzymaj mocno, tak by kciuki i palce obejmowały uchwyty pilarki.

URUCHAMIANIE I WYŁĄCZANIE

Wyłączenie silnika

Zatrzymanie silnika następuje poprzez wciśnięcie włącznika start/wyłącznika stop. **(59)**

UWAGA! Włącznik Start/Stop powraca automatycznie do pozycji pracy. Dlatego, gdy maszyna nie znajduje się pod dozorem, należy zawsze zdejmować nasadkę ze świecy zapłonowej w celu zapobieżenia niezamierzonemu uruchomieniu silnika. **(60)**

Zawsze przed użytkowaniem: (61)

- 1 Sprawdź, czy hamulec łańcucha działa bez zarzutu i czy nie jest uszkodzony.
- 2 Sprawdź, czy tylna osłona prawej ręki nie jest uszkodzona.
- 3 Sprawdź, czy blokada dźwigni gazu działa bez zarzutu i czy nie jest uszkodzona.
- 4 Sprawdź, czy wyłącznik działa prawidłowo i czy nie jest uszkodzony.
- 5 Sprawdź, czy żaden uchwyt nie jest zaolejony.
- 6 Sprawdź, czy system tłumienia wibracji działa i czy nie jest uszkodzony.
- 7 Sprawdź, czy tłumik jest dobrze zamontowany i czy nie jest uszkodzony.
- 8 Sprawdź, czy wszystkie elementy pilarki są dobrze dokręcone, czy nie są uszkodzone lub czy nie jest ich brak.
- 9 Sprawdź, czy wychwytnik łańcucha znajduje się na swoim miejscu i czy nie jest uszkodzony.
- 10 Sprawdź napięcie łańcucha.

Ogólne zasady pracy maszyną

WAŻNE!

Rozdział ten poświęcono podstawowym zasadom bezpieczeństwa, które należy zachować podczas pracy pilarką. Nic nie zastąpi jednak doświadczenia i profesjonalnych umiejętności. W razie niepewności zasięgnij porady eksperta. Zwróć się do punktu sprzedaży pilarek, warsztatu obsługi technicznej lub doświadczonego użytkownika pilarki. Nigdy nie podejmuj się zadań przekraczających Twoje siły i umiejętności!

Przed przystąpieniem do pracy pilarką należy zapoznać się z przyczynami i skutkami odbicia oraz ze sposobami unikania odbicia. Patrz wskazówki podane pod rubryką Czynności w celu uniknięcia odbicia.

Przed przystąpieniem do pracy pilarką należy zapoznać się z różnicą w cięciu górną i dolną krawędzią prowadnicy. Patrz wskazówki pod nagłówkiem "Czynności zapobiegające odbiciom i zespoły zabezpieczające maszyny".

Stosuj środki ochrony osobistej. Patrz wskazówki podane pod rubryką Środki ochrony osobistej.

Podstawowe zasady bezpieczeństwa

- 1 Rozglądnij się, aby:
 - Upewnić się, że w pobliżu nie znajdują się ludzie, zwierzęta lub przedmioty mogące mieć wpływ na sprawowanie przez Ciebie kontroli nad maszyną.
 - Upewnić się, że ludzie lub zwierzęta nie znajdują się w zasięgu maszyny i nie ryzykują dotknięcia do łańcucha pilarki lub nie zagrażają im obalane drzewa.

UWAGA! Przestrzegaj powyższych zasad, lecz nigdy nie używaj pilarki, gdy w razie wypadku nikt nie mógłby Ci przyjść z pomocą.

- 2 Nie należy używać maszyny w złych warunkach atmosferycznych. Np. w czasie gęstej mgły, dużych opadów, silnego wiatru, dużego mrozu itp. Praca przy zleję

podgodzie jest męcząca i niesie ze sobą dodatkowe zagrożenia np. śliski grunt, niemożliwy do przewidzenia kierunek obalania drzew itp.

- 3 Zachowuj szczególną ostrożność podczas ścinania małych gałęzi i unikaj ścinania krzewów (tzn. jednoczesnego ścinania wielu małych gałęzi). Dostają się one do łańcucha i są wyrzucane w Twoim kierunku, mogą spowodować poważne obrażenia.
- 4 Zapewnij sobie bezpieczne poruszanie i pozycję przy pracy. Przy poruszaniu się po powierzchni roboczej należy uważać na ewentualne przeszkody (korzenie, gałęzie, doły, rowy itp.). Szczególną ostrożność należy zachować podczas pracy na terenie pochy
- 5 Zachowaj szczególną ostrożność podczas cięcia naprężonych drzew. Naprężone drzewo może zarówno przed, jak i po przecięciu sprężynować powracając do swojego normalnego położenia. W razie nieprawidłowego ustawienia się przy drzewie lub niewłaściwego umiejscowienia rządu drzewo może uderzyć w Ciebie lub w maszynę, w wyniku czego możesz stracić kontrolę. Obie okoliczności mogą doprowadzić do poważnych obrażeń ciała.



- 6 W razie potrzeby przeniesienia pilarki należy wyłączyć silnik i zablokować łańcuch za pomocą hamulca łańcucha. Pilarkę należy przenosić z prowadnicą skierowaną do tyłu. W razie przenoszenia pilarki na dłuższą odległość lub konieczności jej przetransportowania
- 7 Stawiając pilarkę na ziemi należy zabezpieczać łańcuch tnący za pomocą hamulca łańcucha i mieć maszynę pod nadzorem. W razie odstawienia maszyny na dłuższy czas należy wyłączyć silnik.



OSTRZEŻENIE! Może zdarzyć się, że trociny wejdą w osłonę sprzęgła powodując zablokowanie się łańcucha. Zawsze wyłączaj silnik, zanim przystąpisz do czyszczenia.

Zasady ogólne

- 1 Poznając przyczyny powstania odbicia można zmniejszyć lub wyeliminować element zaskoczenia występujący w momencie jego powstania. Zaskoczenie zwiększa ryzyko wypadku. Odbicie jest zazwyczaj łagodne, lecz czasami może być szybkie i gwałtowne.
- 2 Pracując pilarką należy zawsze trzymać ją mocno oburącz, prawą ręką za uchwyt tylny, lewą za uchwyt przedni. Palce powinny dokładnie obejmować uchwyty. Pilarkę należy zawsze trzymać w ten sposób, bez względu na to, czy operator jest prawo- czy leworęczny. Pewne utrzymywanie pilarki w podany sposób zmniejsza skutki odbicia i pozwala na zachowanie kontroli nad pilarką. **Nie puszczaj uchwytów!**
- 3 Najwięcej wypadków powodowanych odbiciem ma miejsce podczas okrzesywania. Upewnij się, że stoisz na stabilnym podłożu pozbawionym przeszkód, o które mógłbyś się potknąć i stracić równowagę.

TECHNIKA PRACY

W przypadku braku ostrożności strefa odbicia prowadnicy może przypadkowo zetknąć się z gałęzią, pobliskim drzewem lub innym przedmiotem i spowodować odbicie. Musisz mieć cięty przedmiot pod kontrolą. Jeżeli cięte przedmioty są małe i lekkie, mogą zaczeplić się o łańcuch i zostać odrzucone w twoim kierunku. Nawet jeśli nie musi to być groźne, może cię to zaskoczyć i możesz stracić panowanie nad pilarką. Nigdy nie tnij kłód lub gałęzi ułożonych jedne na drugich, tylko je najpierw rozdziel. Nie tnij jednocześnie więcej niż jednej kłody lub jednego przedmiotu. Usuwać odcięte kawałki, by utrzymywać w miejscu pracy bezpieczne warunki. **(62)**

4 Nigdy nie pracuj pilarką ponad poziomem ramion i staraj się nie ciąć końcówką prowadnicy. Nigdy nie pracuj pilarką trzymając ją jedną ręką! **(63)**

5 Warunkiem sprawowania pełnej kontroli nad pilarką jest stabilna pozycja przy pracy. Nigdy nie należy pracować stojąc na drabinie, znajdując się na drzewie lub nie mając stabilnego podłoża pod nogami. **(64)**

6 Podczas pracy pilarką należy utrzymywać wysokie obroty silnika, tzn. pełen gaz.

7 Zachowuj jak największą ostrożność podczas cięcia górną krawędzią prowadnicy, tzn. podczas cięcia przedmiotu od dołu. Ten rodzaj cięcia określane są czasami jako cięcie przy odpychającym ruchu łańcucha. Łańcuch ma wówczas tendencję do popychania pilarki. W razie zakleszczenia się łańcucha tnącego, pilarka może zostać odrzucona do tyłu, w twoją stronę. **(65)**

8 Jeżeli użytkownik nie kontroluje wystarczająco tendencji pilarki do przesuwania się wstecz, zachodzi ryzyko, że przesunie się ona tak daleko do tyłu, iż tylko strefa odbicia prowadnicy będzie miała kontakt z pilowanym przedmiotem, co prowadzi do odbicia. **(66)**

Praca dolną krawędzią prowadnicy, tzn. podczas cięcia przedmiotu od góry, jest czasem określaną jako praca przy ciągnącym ruchu łańcucha. W tym przypadku następuje przyciąganie pilarki w kierunku ciętego drewna, przy czym przednia krawędź korpusu pilarki stanowi dla jej naturalne oparcie w stosunku do kłody. Praca dolną krawędzią prowadnicy ułatwia użytkownikowi kontrolę nad pilarką i położeniem strefy odbicia prowadnicy. **(67)**

9 Przestrzegaj zasad ostrzenia i konserwacji prowadnicy i łańcucha pilarki. Wymieniając prowadnicę i łańcuch pilarki należy stosować wyłącznie zalecane przez nas zestawy. Patrz wskazówki podane pod rubrykami Osprzęt tnący i Dane techniczne.

Podstawowa technika ścinki



OSTRZEŻENIE! Nigdy nie posługuj się pilarką trzymając ją tylko jedną ręką. Trzymanie pilarki jedną ręką nie zapewnia bezpiecznego panowania nad nią. Trzymaj zawsze pilarkę mocno, dwoma rękoma za uchwyt.

Uwagi ogólne

- Podczas ścinki silnik powinien pracować na pełny gaz!
- Po każdej operacji zredukuj obroty do obrotów biegu jałowego (zbyt długo trwająca praca silnika bez obciążenia przy pełnym otwarciu przepustnicy może prowadzić do poważnego uszkodzenia silnika).

- Przecinanie od góry = Praca przy "ciągnącym" ruchu łańcucha.
- Przecinanie od dołu = Praca przy "odpychającym" ruchu łańcucha.

Praca przy "odpychającym" ruchu łańcucha wiąże się z większym ryzykiem odbicia. Patrz wskazówki podane pod rubryką Czynnności w celu uniknięcia odbicia.

Pojęcia

Przerzynka = Pojęcie ogólne oznaczające przecinanie drewna w poprzek włókien.

Okrzesywanie = Odcinanie gałęzi z leżącego drzewa.

Rozłupanie = Gdy przecinane drewno pęka podłużnie przed zakończeniem operacji cięcia.

Pięć bardzo ważnych czynników, które należy wziąć pod uwagę przed przystąpieniem do przecinania:

- 1 Upewnij się, czy prowadnica nie zakleszczy się w rzazie. **(68)**
- 2 Upewnij się, czy kłoda nie ulegnie rozłupaniu. **(69)**
- 3 Upewnij się, czy łańcuch nie uderzy o podłoże lub inny przedmiot w czasie lub po cięciu. **(70)**
- 4 Sprawdź, czy istnieje ryzyko powstania odbicia. **(4)**
- 5 Czy warunki zewnętrzne i terenowe wpływają na pozycję i możliwość bezpiecznego poruszania się podczas pracy?

O tym, czy łańcuch zakleszczy się lub czy kłoda rozszepi się decydują dwa czynniki, mianowicie sposób podparcia kłody przed i po cięciu oraz jej naprężenie.

W większości przypadków można uniknąć kłopotów stosując cięcie dwustopniowe : rzaz od góry i od dołu kłody. Kłode należy podczas przecinania podeprzeć w celu uniknięcia zakleszczenia się łańcucha lub rozszepienia się kłody.

WAŻNE! Jeżeli łańcuch zakleszczy się w rzazie: zatrzymaj silnik! Nie wyszarpuj pilarki z rzazu. Możesz skaleczyć się o łańcuch, gdy pilarka nagle zostanie wyszarpięta z rzazu. W celu uwolnienia pilarki użyj dźwigni.

Podane poniżej instrukcje opisują sposób postępowania w sytuacjach najczęściej przytrafiających się podczas pracy pilarką.

Okrzesywanie

Przy okrzyszaniu grubych gałęzi stosuj te same zasady, co przy przerzynce kłód.

Gałęzie o skomplikowanym kształcie należy odcinać po kawałku. **(71)**

Przerzynka



OSTRZEŻENIE! Nigdy nie próbuj ciąć kłód ułożonych w stos lub blisko siebie. Takie postępowanie drastycznie zwiększa ryzyko odbicia, które może być przyczyną poważnych obrażeń, nawet zagrażających życiu.

Jeżeli kłody ułożone są w stos, każdą z nich należy przed cięciem zdjąć ze stosu, ułożyć na podporcie lub w przyrzni i ciąć pojedynczo.

Odcięte kawałki należy usuwać z miejsca pracy. Pozostawiając je, zwiększasz zarówno ryzyko przypadkowego odbicia, jak i ryzyko potknięcia się o nie i utraty równowagi podczas pracy. **(72)**

Kłoda leży na ziemi. Nie zachodzi ryzyko zakleszczenia się łańcucha lub rozszczępienia się kłody. Istnieje jednak ryzyko zetknięcia się łańcucha z podłożem, po zakończeniu przerzynki. **(73)**

Wykonaj przerzynkę od góry, przez całą grubość kłody. Zachowaj ostrożność przy zakończeniu rzażu, aby nie dotknąć prowadnicą do ziemi. Pracuj pilarką przy całkowicie otwartej przepustnicy, lecz bądź przygotowany na nieprzewidziane zdarzenia. **(74)**

Jeśli istnieje możliwość obrócenia kłody, nie przecinaj jej głębiej niż na 2/3 grubości.

Obróć kłodę tak, aby zakończyć cięcie od góry na pozostawionej do przecięcia 1/3 grubości kłody. **(75)**

Kłoda jest podparta z jednej strony. Ryzyko jej rozszczępienia się jest duże. **(76)**

Rozpocznij od wykonania rzażu od dołu (na ok. 1/3 średnicy kłody).

Dokończ przerzynkę razem od góry tak, aby oba rzaży zeszły się. **(77)**

Kłoda jest podparta z obu stron. Istnieje duże ryzyko zakleszczenia się łańcucha pilarki. **(78)**

Rozpocznij od wykonania rzażu od góry (na ok. 1/3 średnicy kłody).

Dokończ przerzynkę razem od dołu tak, aby oba rzaży zeszły się. **(79)**

Technika ścinania drzew

WAŻNE! Ścinka drzew wymaga dużego doświadczenia. Niedoświadczeni użytkownicy pilarek nie powinni ścinać drzew. Nigdy nie podejmuj się zadań przekraczających Twoje siły i umiejętności!

Bezpieczna odległość

Bezpieczna odległość od ścinanego drzewa od pracującej w pobliżu osoby powinna wynosić co najmniej 2,5 długości drzewa. Upewnij się, czy w "strefie zagrożenia" przed i w trakcie ścinania nie przebywają ludzie. **(80)**

Kierunek obalania

Podczas wyboru kierunku obalania należy wziąć pod uwagę dogodność terenu i najlepsze warunki do okrzesywania i przerzynki obalonego drzewa. Operator powinien mieć zapewnioną bezpieczną pozycję przy pracy i możliwość bezpiecznego poruszania się wokół drzewa.

Po wyborze kierunku obalania drzewa, określ naturalny kierunek jego spadania.

Wpływają nań następujące czynniki:

- Pochylenie drzewa
- Wygięcie
- Kierunek wiatru
- Ułożenie gałęzi

- Ciężar śniegu
- Przeszkody w pobliżu drzewa: np. inne drzewa, linie energetyczne, ściany i budynki.
- Sprawdź, czy pień nie jest uszkodzony lub zbutwiał, co pozwalałoby przypuszczać, że drzewo przełamie się i znacznie obalać się wcześniej, niż się spodziewasz.

Może się okazać, że mimo podjętej wcześniej decyzji o kierunku obalania drzewa, ze względu na trudności lub zbyt duże ryzyko, będziesz zmuszony obalić je w naturalnym kierunku jego spadania.

Innym ważnym czynnikiem nie mającym wpływu na kierunek obalania lecz decydującym o bezpieczeństwie operatora, jest upewnienie się, czy drzewo nie posiada uszkodzonych lub obumarłych gałęzi, które podczas obalania mogłyby się odłamać i zranić go.

Przed wszystkim należy zadbać, aby obalane drzewo nie spadło na inne drzewo i nie zahaczyło się o nie. Obalanie na ziemię zawieszono drzewa jest bardzo niebezpieczne ó istnieje duże ryzyko powstania wypadku. Patrz wskazówki podane pod rubryką Usuwanie drzewa źle obalonego. **(81)**

WAŻNE! W krytycznych momentach obalania drzew ochronniki uszu powinny być podniesione zaraz po zakończeniu ścinania, aby łatwiej szłyszeć ewentualne sygnały lub dźwięki ostrzegawcze.

Przygotowanie drzewa do ścinki i drogi oddalania dla operatora

Okrzesaj pień z gałęzi do poziomu ramion. Najbezpieczniej jest pracować od góry do dołu stojąc tak, by pień znajdował się między tobą i pilarką. **(82)**

Usuń podszyt u podstawy drzewa i sprawdź, czy w pobliżu nie występują przeszkody (gałęzie, gałęzie, doły itp.) utrudniające oddalenie się operatora od padającego drzewa. Droga ewakuacyjna powinna prowadzić ukośnie w tył, wzdłuż prostej tworzącej kąt 135° z **(83)**

- 1 Obszar zagrożenia
- 2 Droga odwrotu
- 3 Kierunek obalania

Ścinka



OSTRZEŻENIE! Jeśli nie przeszedłeś specjalnego szkolenia nie wykonuj ścinki drzew o średnicy pnia większej niż długość prowadnicy!

Na ścinkę składają się trzy rzaży. Ścinkę rozpoczyna się od wykonania rzażów podcinających – górnego i dolnego, po czym wykonuje się rzaż ścinający. Prawidłowe położenie rzażów umożliwiła bardzo dokładną kontrolę kierunku obalania.

Rzaż podcinający

Przy wykonywaniu rzażu podcinającego należy rozpocząć od cięcia ukośnego. Należy celować znacznikami kierunku obalania na pile (1) w obiekt w terenie, w kierunku którego ma upaść drzewo (2). Stać z prawej strony drzewa, za pilą i wykonywać cięcie ciągnącym łańcuchem.

TECHNIKA PRACY

Następnie wykonaj dolny rżaz podcinający tak, aby spotkał się z górnym rżazem. (84)

Rżaz podcinający powinien wchodzić w drzewo na głębokość równą 1/4 średnicy pnia, a kąt utworzony między rżazem górnym i dolnym powinien wynosić co najmniej 45°.

Prosta, na której dwa rżazy spotykają się nosi nazwę dna rżazu podcinającego. Powinna ona być idealnie pozioma i prostopadła (90°) do zamierzonego kierunku obalania. (85)

Rżaz ścinający

Rżaz ścinający wykonuje się od strony przeciwnej w stosunku do rżazu podcinającego i ma on być idealnie poziomy. Ustaw się z lewej strony drzewa i tnij dolną krawędzią prowadnicy, tzn. przy ciągnącym ruchu łańcucha.

Rżaz ścinający wykonuje się ok. 3–5 cm (1,5–2 cali) powyżej dolnej, poziomej płaszczyzny rżazu podcinającego. (86)

Ustaw zderzak (jeżeli takowy jest zamontowany) tuż za zawiasą. Podczas ścinki pilarka powinna pracować przy całkowicie otwartej przepustnicy. Powoli wprowadzaj łańcuch/prowadnicę w drzewo. Upewnij się, czy drzewo nie przechyliło się w kierunku przeciwnym do zamierzonego kierunku obalania. W odpowiednio głęboki rżaz włóż klin lub dźwignię-obracak.

Rżaz ścinający należy zakończyć równoległe do dna rżazu podcinającego tak, aby odległość między nimi wynosiła co najmniej 1/10 średnicy pnia. Nieprzecięta część pnia nazywana jest zawiasą.

Zawiasa prowadzi obalające się drzewo, tzn. nadaje mu kierunek podczas obalania. (87)

W przypadku za wąskiej zawiasy lub nieprawidłowego położenia rżazu podcinającego i ścinającego kontrola kierunku obalania jest niemożliwa. (88)

Gdy rżaz ścinający i podcinający są gotowe, drzewo zaczyna obalać się pod wpływem własnego ciężaru lub za pomocą klina lub dźwigni-obracaka. (89)

Zalecamy stosowanie prowadnic o długości przekraczającej średnicę pnia drzewa, by rżaz ścinający i podcinający można było wykonać tzw. "jednym cięciem". Odnośnie informacji dotyczących długości prowadnic zalecanych do posiadanego modelu pilarki patrz wskazówki pod nagłówkiem "Dane techniczne".

Istnieją metody ścinki drzew o średnicy pnia większej niż długość prowadnicy. Niosą one jednak ze sobą duże ryzyko powstania odbicia wskutek dotknięcia strefy odbicia prowadnicy do drzewa. (4)

Usuwanie drzewa źle obalonego

Ściąganie drzewa zawieszzonego

Obalanie na ziemię zawieszzonego drzewa jest bardzo niebezpieczne ó istnieje duże ryzyko powstania wypadku.

Nigdy nie próbuj ścinać przywalonego drzewa.

Nigdy nie pracuj w strefie zagrożenia spowodowanego przez ścięte drzewo, które zawisło. (90)

Najbardziej bezpieczną metodą jest użycie wciągarki.

- Zamontowana na traktorze

- Przenośna

Przerzynka naprężonych drzew i gałęzi

Przygotowania: Przed przystąpieniem do cięcia staraj się przewidzieć kierunek ruchu drzewa lub gałęzi po zwolnieniu naprężenia i ustal położenie naturalnego punktu przelamania (tzn. miejsca złamania, gdyby drzewo lub gałąź wygiąć mocno). (91)

Określ najbardziej bezpieczny sposób zwolnienia naprężenia i oceń czy jesteś w stanie to wykonać. W bardzo skomplikowanych sytuacjach najbezpieczniej jest zrezygnować z pracy pilarką i użyć wciągarki.

Rady ogólne:

Ustaw się tak, aby sprężynujące po uwolnieniu naprężenia drzewo/gałąź nie dosięgły Cię. (92)

Wykonaj jeden lub kilka rżazów w punkcie przelamania lub w jego pobliżu. Wykonaj niezbędną ilość rżazów o odpowiedniej głębokości w celu zredukowania naprężenia i spowoduj przelamanie drzewa/gałęzi w punkcie przelamania. (93)

Naprężonych gałęzi lub drzew nie wolno przecinać jednym rżazem!

Jeżeli musisz przepiłować drzewo/gałąź, wykonaj 2–3 rżazy w odstępach co 3 cm i o głębokości 3–5 cm. (94)

Następnie piluj głębiej, aż naprężenie drzewa/gałęzi ustąpi. (95)

Po ustąpieniu naprężenia piluj drzewo/gałąź z przeciwnej strony.

Czynności w celu uniknięcia odbicia



OSTRZEŻENIE! Odbicie może powstać nagle, jest zwykle gwałtowne i polega zazwyczaj na odrzuceniu pilarki wraz z prowadnicą i łańcuchem do tyłu, w kierunku operatora. Jeśli znajdujący się w ruchu łańcuch dotknie do operatora, może to spowodować poważne obrażenia, nawet zagrażające życiu. Dlatego niezmiernie istotne jest zrozumienie przyczyn powstawania odbicia, umożliwiające operatorowi podjęcie kroków zapobiegawczych mu poprzez zachowywanie ostrożności i stosowanie prawidłowej techniki pracy.

Co to jest odbicie?

Odbicie jest to zjawisko powstające w chwili, gdy górna ćwiartka końcówki prowadnicy, tzw. strefa odbicia, natrafia na twardy przedmiot i pilarka wraz z prowadnicą zostaje nagle odrzucona do tyłu. (66)

Odbicie powstaje zawsze w płaszczyźnie tnącej prowadnicę. Zazwyczaj pilarka i prowadnica zostają odrzucone do tyłu i do góry, w kierunku operatora. Pilarka może zostać odrzucona w kierunku zależnym od swego położenia w momencie, gdy strefa odbicia natrafia na twardy przedmiot. (7)

Odbicie powstaje wyłącznie w momencie zetknięcia się strefy odbicia prowadnicy z twardym przedmiotem. (4)

Okrzesywanie



OSTRZEŻENIE! Większość wypadków wskutek odbicia zdarza się podczas okrzyszowania. Nie pracuj strefą odbicia prowadnicy. Zachowuj jak największą ostrożność i staraj się nie dotykać wierzchołkiem prowadnicy do kłody, gałęzi i innych przedmiotów. Zachowuj jak największą ostrożność mając do czynienia z gałęziami, które są naprężone. Sprężynując mogą one uderzyć cię tak, że stracisz panowanie, co może być przyczyną obrażeń.

Zapewnij sobie bezpieczną pozycję i możliwość bezpiecznego poruszania się podczas pracy. W trakcie okrzyszowania należy stać po lewej stronie leżącego drzewa. Trzymaj pilarkę blisko ciała, aby mieć nad nią pełną kontrolę. Jeśli to możliwe pozwól, aby cięża

Podczas poruszania się operatora wzdłuż drzewa powinno się ono znajdować między nim i pilarką.

Przecinanie pnia na kłody

Patrz wskazówki podane pod rubryką Podstawowa technika ścinki.

Uwagi ogólne

Użytkownikowi wolno wykonywać tylko te czynności konserwacyjne i serwisowe, które są opisane w niniejszej instrukcji obsługi. Większe i bardziej skomplikowane prace powinny być wykonywane w autoryzowanym warsztacie serwisowym.

Regulacja gaźnika

Posiadany produkt Husqvarna został zaprojektowany i wyprodukowany zgodnie ze specyfikacjami ograniczającymi zawartość substancji szkodliwych w spalinach.

Działanie

- Gaźnik służy do regulacji obrotów silnika i jest sterowany za pomocą dźwigni gazu. W gaźniku powstaje mieszanka paliwowo-powietrzna o zmiennym składzie, możliwym do regulacji. W celu uzyskania maksymalnej mocy silnika maszyny skład mieszanki musi być dobr
- Śruba regulacyjna T umożliwia regulację obrotów biegu jałowego. Wkręcanie śruby powoduje zwiększenie obrotów, a wykręcanie ich zmniejszenie.

Regulacja podstawowa i docieranie

Gaźnik jest wstępnie naregulowany przez producenta podczas kontroli technicznej. Ustawienia powinny być dostosowywać przeszkolony technik.

Zalecana prędkość obrotowa na biegu jałowym: Patrz rozdział Dane techniczne.

Ostateczne ustawianie obrotów jałowych śrubą regulacyjną T

Ustaw obroty biegu jałowego śrubą regulacyjną T. Jeśli regulacja jest potrzebna, obracaj śrubę T w prawo, aż łańcuch zacznie poruszać się po prowadnicy. Następnie odkręć śrubę regulacyjną nieco w lewo, aż łańcuch się zatrzyma. Obroty jałowe są ustawione prawidłowo, jeśli po zwolnieniu dźwigni gazu łańcuch przestaje się poruszać, a silnik maszyny pracuje płynnie we wszystkich położeniach i zachowuje pewien margines obrotów, tak aby łańcuch nie był uruchamiany natychmiast po naciśnięciu dźwigni gazu.



OSTRZEŻENIE! Jeśli nie możesz ustawić obrotów jałowych, tak żeby łańcuch nie zatrzymywał się po zwolnieniu dźwigni gazu, zwróć się do swojego warsztatu obsługi technicznej. Nie używaj pilarki zanim nie zostanie prawidłowo wyregulowana lub naprawiona.

Prawidłowo wyregulowany gaźnik

Prawidłowo ustawiony gaźnik pozwala na płynne wprowadzanie silnika na pełne obroty i uzyskiwanie charakterystycznego, lekkiego czterotaktowania przy pełnym otwarciu przepustnicy. Ponadto łańcuch nie obraca się na wolnych obrotach. Zbyt uboga mieszanka ustawiona śrubą niskich obrotów L utrudnia rozruch i wchodzenie silnika na wysokie obroty. Za uboga mieszanka na wysokich obrotach powstająca w wyniku zbyt dużego dokręcenia śruby H zmniejsza moc silnika, utrudnia wchodzenie na wysokie obroty i może być przyczyną uszkodzenia silnika.

Przegląd, konserwacja i obsługa zespołów zabezpieczających pilarki

Zauważ! Wykonywanie przy maszynie jakichkolwiek czynności serwisowych i napraw wymaga specjalnego przeszkolenia. Szczególnie dotyczy to zespołów zabezpieczających maszyny. Jeżeli maszyna nie spełnia któregoś z warunków objętych czynnościami kontrolnymi wyszczególnionymi poniżej, zalecamy oddać ją do warsztatu serwisowego.

Hamulec łańcucha i zabezpieczenie przed odbiciem

Kontrola zużycia taśmy hamulca



Usuń z hamulca łańcucha i bębna sprzęgła trociny, żywicę i brud. Zanieczyszczenia i zużycie części mogą zmniejszyć efektywność działania hamulca. (96)

Sprawdź regularnie, czy taśma hamulca nie jest cieńsza niż 0,6 mm w najbardziej zużytej części.

Kontrola zabezpieczenia przed odbiciem



Upewnij się, czy zabezpieczenie przed odbiciem jest całe i czy nie występują na nim widoczne uszkodzenia, np. pęknięcia.

Przesuń urządzenie zabezpieczające przed odbiciem do przodu i z powrotem, aby sprawdzić, czy działa płynnie i czy jest bezpiecznie zamocowane do przegubu na osłonie sprzęgła.

Kontrola mechanizmu bezwładnościowego



Trzymaj pilarkę z wyłączonym silnikiem nad pierkiem lub nad innym stabilnym przedmiotem. Nie puszczając przedniego uchwytu pozwól pilarcie opaść pod własnym ciężarem na pieriek, obracając się wokół tylnego uchwytu. (97)

Po uderzeniu końcówki prowadnicy w pniak, hamulec powinien się włączyć. (98)

Kontrola działania hamulca

Ustaw pilarkę na twardym podłożu i uruchom ją. Sprawdź, czy łańcuch pilarki nie dotyka podłoża lub innego przedmiotu. Patrz wskaźówki znajdujące się pod rubryką Uruchamianie i wyłączanie. (99)

Trzymaj pilarkę mocno oburącz, tak aby palce dokładnie obejmowały uchwyty.

Wciśnij dźwignię gazu do oporu i włącz hamulec łańcucha obracając nadgarstek lewej ręki w kierunku zabezpieczenia przed odbiciem. Nie zdejmuj dłoni z uchwytu przedniego. **Łańcuch powinien zatrzymać się natychmiast. (58)**

Blokada dźwigni gazu



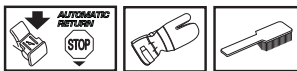
- Sprawdź, czy dźwignia gazu jest zablokowana w położeniu biegu jałowego, gdy blokada dźwigni gazu znajduje się w położeniu wyjściowym. (100)
- Wciśnij blokadę dźwigni gazu i sprawdź, czy po zwolnieniu nacisku powraca ona do położenia wyjściowego. (101)
- Sprawdź, czy dźwignia gazu i jej blokada poruszają się płynnie i czy sprężyny powrotnie działają prawidłowo. (102)
- Uruchom pilarkę i wciśnij do oporu dźwignię gazu. Zwolnij ją i sprawdź, czy łańcuch zatrzymał się. Jeśli łańcuch porusza się, gdy dźwignia gazu znajduje się w położeniu biegu jałowego, należy sprawdzić ustawienie obrotów biegu jałowego w gaźniku.

Wychwytnik łańcucha



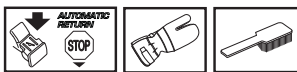
Sprawdź, czy wychwytnik łańcucha nie jest uszkodzony i czy jest prawidłowo zamocowany do korpusu pilarki. (103)

Osłona prawej ręki



Sprawdź, czy osłona prawej ręki nie jest uszkodzona lub pęknięta. (11)

System tłumienia wibracji



Sprawdzaj regularnie, czy elementy amortyzujące nie są pęknięte lub czy nie uległy deformacji. Upewnij się, czy elementy amortyzujące są dokładnie przymocowane do silnika i uchwytów. (104)

Wyłącznik



Włącz silnik i sprawdź, czy po przesunięciu wyłącznika w położenie stop silnik zatrzyma się. (59)

UWAGA! Wyłącznik Start/Stop powraca automatycznie do pozycji pracy. Dlatego przed przystąpieniem do montażu, kontroli oraz/lub konserwacji należy zawsze zdejmować nasadkę ze świecy zapłonowej w celu zapobieżenia niezamierzonemu uruchomieniu silnika.

Tłumik



Nigdy nie używaj maszyny z uszkodzonym tłumikiem.

Sprawdzaj regularnie, czy tłumik jest dokładnie przymocowany do maszyny. (105)

Niektóre typy tłumików są wyposażone w siatkę przeciwwiskrową. Jeżeli w Twojej maszynie występuje taki typ tłumika, siatkę należy czyścić co najmniej raz w tygodniu. Najlepiej jest to robić szczotką drucianą. Zanieczyszczona siatka jest przyczyną nagrzewania się silnika, co może spowodować jego poważne uszkodzenie.

Zauważ! Uszkodzoną siatkę należy wymienić na nową. Zanieczyszczona siatka powoduje przegrzewanie się silnika maszyny, co może doprowadzić do uszkodzenia cylindra i tłoka. Nigdy nie używaj maszyny, której tłumik jest w złym stanie. **Nigdy nie używaj maszyny z tłumikiem bez siatki przeciwwiskrowej lub z uszkodzoną siatką przeciwwiskrową.** (13)

Tłumik przeznaczony jest do tłumienia hałasu i odrzucania gazów spalinyowych poza strefę pracy operatora. Gazy spalinyowe mają wysoką temperaturę, a znajdujące się w nich iskry mogą spowodować pożar, jeżeli skierowane zostaną w stronę materiałów suchych i łatwopalnych.

Rozrusznik



OSTRZEŻENIE! Sprężyna powrotna wmontowana jest do obudowy rozrusznika w stanie napiętym i przy nieostrożnym demontażu może wyskoczyć i spowodować groźne obrażenia.

Podczas wymiany sprężyny rozrusznika lub linki rozrusznika należy zachowywać ostrożność. Używaj okularów ochronnych i rękawic ochronnych.

Wymiana linki rozrusznika



- Odkręć śruby mocujące obudowę rozrusznika do skrzyni korbowej i zdejmij rozrusznik. (106)
- Wyciągnij ok. 30 cm linki i wprowadź ją do wycięcia na brzegu kółka linowego. Zwolnij napięcie sprężyny powrotnej poprzez powolne obracanie kółka linowego wstecz. (107)
- Odkręć śrubę znajdującą się pośrodku koła pasowego i usuń tarczę napędową (A), resor tarczy napędowej (B) oraz koło pasowe (C). Umieść nową linkę rozrusznika w rozruchowym kole pasowym i zabezpiecz ją. Owiń linkę wokół rozruchowego koła pasowego około 3 razy. Zamocuj rozruchowe koło pasowe tak, aby koniec sprężyny opornika (D) został zaczepiony o koło. Teraz

KONSERWACJA

zamocuj sprężynę tarczy napędowej, tarczę napędową oraz śrubę w środku koła pasowego. Przeciągnij linkę rozrusznika przez otwór w obudowie rozrusznika oraz uchwyt rozrusznika. Dokładnie zawiąż linkę. (108)

Napinanie sprężyny rozrusznika

- Wprowadź linkę do wycięcia na brzegu kółka linowego i obróć kółko o 2 obroty zgodnie z ruchem wskazówek zegara.
- Zauważ! Sprawdź, czy kółko rozrusznika daje się obrócić o co najmniej 1/2 obrotu, po całkowitym wyciągnięciu linki z obudowy rozrusznika. (109)

Rozciągnij linkę za pomocą uchwytu. Zwolnij linkę. Spójrz na ilustrację poniżej. (110)

Wymiana sprężyny powrotnej i sprężyny napędowej



Sprężyna powrotna (A)

- Wymontuj kółko linowe. Patrz wskazówki podane pod rubryką Wymiana pękniętej lub zużytej linki rozrusznika. Pamiętaj o tym, że sprężyna powrotna znajdująca się w obudowie rozrusznika jest naprężona.
- Wymontuj kasetę ze sprężyną powrotną z rozrusznika.
- Nasmaruj sprężynę rzadkim olejem. Zamontuj kasetę ze sprężyną powrotną w rozruszniku. Zamontuj kółko linowe i napnij sprężynę powrotną.

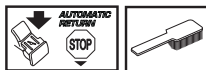
Sprężyna zabieraka (B)

- Odkręć śrubę znajdującą się pośrodku kółka linowego i zdejmij kółko zabieraka i sprężynę zabieraka.
- Wymierną sprężynę zabieraka i zamontuj kółko zabieraka na górze sprężyny. (111)

Montaż rozrusznika

- Montaż rozrusznika zacznij od wyciągnięcia linki, a następnie ustaw go naprzeciw skrzyni korbowej. Luźną powoli linkę umieść rozrusznik na swoim miejscu, tak aby kołki montażowe znalazły się w gniazdach.
- Zalóż i dokręć śruby mocujące rozrusznik.

Filtr powietrza



Filtr powietrza należy regularnie czyścić z pyłu i zanieczyszczeń, aby nie dopuścić do:

- Złej pracy gaźnika
- Trudności w uruchamianiu silnika
- Zmniejszenia mocy silnika
- Przedwczesnego zużycia części silnika
- Zwiększenia zużycia paliwa

- W celu zdemontowania filtra powietrza należy zdjąć jego osłonę. Podczas ponownego montażu sprawdź, czy filtr przylega ściśle do podstawy. Filtr można oczyścić szorstką lub wytrzeć go potrząsając nim energicznie. (112)

Dokładniejsze zczyszczenie filtra wymaga wymycia go w wodzie z mydłem.

Całkowite oczyszczenie filtra po pewnym okresie użytkowania nie jest możliwe. Dlatego też filtr należy regularnie (w stałych odstępach czasu) wymieniać na nowy. **Uszkodzony filtr powietrza należy natychmiast wymienić na nowy.**

Pilarkę HUSQVARNA można wyposażać w różnego rodzaju filtry powietrza w zależności od warunków pracy, warunków atmosferycznych, pory roku itp. Skontaktuj się ze swoim dealerem w celu uzyskania porady.

Świeca zapłonowa



Na stan świecy zapłonowej wpływa:

- Zła regulacja gaźnika.
- Złe proporcje składników mieszanki paliwowej (za duży olej lub niewłaściwy olej).
- Zanieczyszczony filtr powietrza.

Powyższe czynniki powodują osadzanie się nagaru na elektrodach świecy, co powoduje zakłócenia pracy silnika i trudności w jego uruchamianiu.

Jeżeli silnik maszyny nie osiąga właściwej mocy, występują trudności z jego uruchomieniem lub utrzymaniem wolnych obrotów, sprawdź najpierw stan świecy zapłonowej. Jeżeli elektrody świecy są zanieczyszczone, oczyść je i sprawdź, czy odstęp między nimi wynosi 0,5 mm. świecę należy wymienić po ok. miesiącu pracy lub w razie potrzeby – wcześniej. (113)

Zauważ! Stosuj wyłącznie świece zalecane przez producenta. Niewłaściwa świeca może być przyczyną zatarcia tłoka/cylindra. Dopilnuj, aby świeca zapłonowa była wyposażona w tzw. eliminator zakłóceń radiowych.

Smarowanie łożyska igłowego



Bęben sprzęgła wyposażony jest w łożysko igielkowe, umieszczone przy wałku zdawczym. Łożysko igielkowe należy regularnie smarować.

W celu nasmarowania należy zdemontować pokrywę sprzęgła odkręcając dwie nakrętki przewodnicy łańcucha. Połóż pilarkę na boku, tak by bęben sprzęgła skierowany był w górę.

Smarowanie polega na wpuszczaniu po kilka kropel oleju silnikowego pośrodku bębna sprzęgła i obracaniu przy tym bębniem. (114)

Układ chłodzenia



W celu uzyskania możliwie najniższej temperatury pracy maszyna wyposażona jest w układ chłodzenia.

W skład układu chłodzenia wchodzi:

- 1 Wlot powietrza umieszczony w obudowie rozrusznika.
- 2 Podkładka wiodąca.
- 3 Skrzydełka wentylatora.
- 4 Żeberka chłodzące cylindra.
- 5 Osłona cylindra (doprowadza zimne powietrze do cylindra). **(115)**

Elementy układu chłodzenia należy czyścić szczotką raz w tygodniu, lub gdy zachodzi potrzeba – częściej. Zanieczyszczony lub zatkany układ chłodzenia powoduje przegrzanie silnika maszyny, w konsekwencji czego następuje uszkodzenie cylindra i tłoka.

System odśrodkowego oczyszczania powietrza "Air Injection"

System odśrodkowego oczyszczania powietrza oznacza, że: Powietrze zasilające gaźnik dostaje się do niego poprzez otwory wlotowe znajdujące się w obudowie rozrusznika. Zanieczyszczenia mechaniczne są odrzucane przez łopatki wentylatora i usuwane razem z po **(116)**

WAŻNE! W celu zapewnienia prawidłowego działania systemu odśrodkowego oczyszczania powietrza konieczna jest stała jego obsługa. Należy regularnie czyścić wlot powietrza w obudowie rozrusznika, skrzydełka wentylatora, przestrzeń wokół koła zamachowego oraz przewód powietrza łączący wentylator z komorą gaźnikową.

Eksploatacja w okresie zimowym

Podczas użytkowania maszyny na śniegu i mrozie mogą występować zakłócenia w pracy maszyny spowodowane:

- Zbyt niską temperaturę silnika.
- Obłódzenie filtra powietrza i tworzenie się lodu w gaźniku.

W tych warunkach należy:

- Częściowo zmniejszyć wlot powietrza tym samym podwyższając temperaturę silnika.

Temperatura -5°C lub poniżej:



Praca maszyną przy niskich temperaturach lub opadach śniegu wymaga zamontowania na obudowie rozrusznika specjalnej osłony. Ogranicza ona wlot zimnego powietrza i chroni wnętrze piły przed śniegiem. **(117)**

UWAGA! Jeżeli zamontowany został specjalny zestaw zimowy lub podjęte inne zabiegi w celu zwiększenia temperatury silnika, należy usunąć te zmiany, gdy tylko maszyna używana będzie w normalnej temperaturze. W przeciwnym razie istnieje ryzyko przegrzania silnika i jego poważnego uszkodzenia.

WAŻNE! Zabiegi konserwacyjne i obsługa wykraczające poza czynności opisane w niniejszej broszurze powinny być wykonane w prowadzącej usługi serwisowe sieci handlu specjalistycznego (punkcie dealerskim).

KONSERWACJA

Plan konserwacji

Poniżej zamieszczono listę czynności konserwacyjnych, które należy wykonywać przy maszynie. Większość punktów omówiona została w rozdziale Konserwacja.

Przegląd codzienny	Przegląd cotygodniowy	Przegląd miesięczny
Oczyść zewnętrzne powierzchnie maszyny.	Sprawdź system chłodzący raz w tygodniu.	Sprawdź stan taśmy hamulca łańcucha pod względem zużycia. Wymień ją, jeżeli w najbardziej zużytym miejscu grubość jej wynosi 0,6 mm.
Sprawdź, czy poszczególne części dźwigni gazu działają prawidłowo z uwagi na bezpieczeństwo. (Blokada dźwigni gazu i dźwignia gazu.)	Sprawdź stan rozrusznika, linki rozrusznika i sprężyny powrotnej.	Sprawdź stan zużycia tarczy, bębna i sprężyny sprężła.
Oczyść hamulec łańcucha i sprawdź jego działanie z uwagi na bezpieczeństwo. Sprawdź, czy wychwytnik łańcucha nie jest uszkodzony, a w razie potrzeby wymień go na nowy.	Sprawdź, czy nie są uszkodzone elementy antywibracyjne.	Oczyść świecę zapłonową. Sprawdź, czy przerwa między elektrodami wynosi 0,5 mm.
Pręt należy regularnie obracać tak, aby był równomiernie zużywany. Sprawdź otwór smarowania w pręcie i upewnij się, że nie jest zablokowany. Oczyść rowek pręta.	Nasmaruj łożysko bębna sprężła.	Oczyść gaźnik z zewnątrz.
Sprawdź, czy do prowadnicy i łańcucha dochodzi wystarczająca ilość oleju.	Wyrównaj płaskim pilnikiem brzożę prowadnicy, aby zlikwidować powstający drut.	Sprawdź stan filtra paliwa i przewodu paliwowego. W razie potrzeby wymień je na nowe.
Sprawdź, czy na nitach i ogniwach łańcucha tnącego nie występują widoczne pęknięcia, czy łańcuch nie jest sztywny i czy nity i ogniwa nie są nadmiernie zużyte. Wymień w razie potrzeby.	Oczyść lub wymień siatkę przeciwiskrową tłumika.	Opróżnij zbiornik paliwa i oczyść go w środku.
Naostrz łańcuch, sprawdź jego napięcie i stan, w jakim się znajduje. Sprawdź, czy kółko napędowe łańcucha nie jest nadmiernie zużyte, a jeśli to konieczne, wymień je na nowe.	Oczyść korpus gaźnika i komorę gaźnikową.	Opróżnij zbiornik oleju i oczyść go w środku.
Oczyść wlot powietrza do rozrusznika.	Oczyść filtr powietrza. W razie potrzeby wymień go na nowy.	Sprawdź stan wszystkich przewodów elektrycznych i końcówek podłączeniowych.
Sprawdź, czy śruby i nakrętki są dokręcone.		
Sprawdź, czy wyłącznik działa prawidłowo.		
Sprawdź, czy nie ma wycieków paliwa z silnika, zbiornika paliwa lub przewodów paliwowych.		
Sprawdź, czy łańcuch pilarki nie obraca się na biegu jałowym.		

DANE TECHNICZNE

Dane techniczne

	435 II	435e II	440 II	440e II
Silnik				
Pojemność cylindra, cm ³	40,9	40,9	40,9	40,9
Średnica cylindra, mm	41	41	41	41
Skok tłoka, mm	31	31	31	31
Obroty na biegu jałowym, obr./min	2900	2900	2900	2900
Moc, kW / obr./min	1,6/9000	1,6/9000	1,8/9000	1,8/9000
Układ zapłonowy				
Świeca zapłonowa	NGK BPMR 7A/ Champion RCJ 7Y	NGK BPMR 7A/ Champion RCJ 7Y	NGK BPMR 7A/ Champion RCJ 7Y	NGK BPMR 7A/ Champion RCJ 7Y
Odstęp między elektrodami świecy, mm	0,5	0,5	0,5	0,5
Układ zasilania/smarowania				
Pojemność zbiornika paliwa, litry	0,37	0,37	0,37	0,37
Wydajność pompy olejowej przy 9000 obr./min, ml/min	13	13	13	13
Pojemność zbiornika oleju, w litrach	0,25	0,25	0,25	0,25
Typ pompy olejowej	Automatyczna	Automatyczna	Automatyczna	Automatyczna
Masa				
Pilarka bez prowadnicy, łańcucha i z opróżnionymi zbiornikami, kg	4,2	4,4	4,2	4,4
Emisje hałasu (Patrz ad. 1)				
Poziom mocy akustycznej, mierzony dB(A)	112	112	113	113
Poziom mocy akustycznej, gwarantowany L _{WA} dB(A)	114	114	114	114
Poziomy głośności (patrz ad. 2)				
Równoważny poziom ciśnienia akustycznego przy uchu operatora dB(A)	102	102	102	102
Równoważne poziomy wibracji a_{hveq} (patrz uwaga 3)				
Uchwyt przedni m/s ²	2,5	2,5	2,5	2,5
Uchwyt tylny m/s ²	3,2	3,2	3,2	3,2
Łańcuch/prowadnica				
Standardowa dł. prowadnicy, cale/cm	13"/33	13"/33	13"/33	13"/33
Zalecana dł. prowadnicy, cale/cm	13-18/33-45	13-18/33-45	13-18/33-45	13-18/33-45
Użytkowa dł. prowadnicy, cale/cm	12-17/31-43	12-17/31-43	12-17/31-43	12-17/31-43
Podziałka, cale/mm	0,325/8,25	0,325/8,25	0,325/8,25	0,325/8,25
Szerokość ogniwa prowadzącego, cale/mm	0,050/1,3	0,050/1,3	0,050/1,3	0,050/1,3
Typ zębaki napędowej/ilość zębów	Spur/7	Spur/7	Spur/7	Spur/7
Prędkość obrotowa łańcucha przy 133% mocy prędkości obrotowej silnika, m/s	23,1	23,1	23,1	23,1

Ad. 1: Emisję hałasu do otoczenia zmierzono jako moc akustyczną (L_{WA}), zgodnie z dyrektywą WE 2000/14/WE.

Uwaga 2: Równoważny poziom ciśnienia akustycznego, zgodny z ISO 22868, obliczany jest jako całkowita, czasowo wyważona energia dla różnych poziomów dźwięku w różnych warunkach pracy. Typowe rozproszenie statystyczne dla równoważnego poziomu ciśnienia akustycznego to odchylenie standardowe w wysokości 1 dB (A).

Uwaga 3: Równoważny poziom wibracji, zgodny z ISO 22867, obliczany jest jako całkowita, czasowo wyważona energia całkowita dla poziomów drgań w różnych warunkach pracy. Odnotowane dane dla równoważnego poziomu wibracji mają typowe rozproszenie statystyczne (odchylenie standardowe) w wysokości 1 m/s².






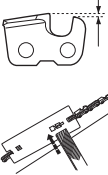
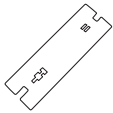
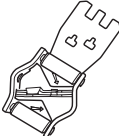
DANE TECHNICZNE

Zestawy prowadnica/łańcuch

Poniższe osprzęty tnące zatwierdzone są dla modeli Husqvarna 435 II, 435e II, 440 II oraz 440e II.

Prowadnica				Łańcuch pilarki	
Długość, cale	Podziałka, cale	Szerokość rowka, mm	Maks. ilość zębów na zębatce	Typ	Długość, ogniwa prowadzące (szt.)
13	0,325	1,3	10T	Husqvarna H30	56
15					64
16					66
18					72

Ostrzenie łańcucha tnącego i szablony

							
H30	3/16 / 4,8	85°	30°	10°	0,025 / 0,65	5056981-00	5056981-08

Zapewnienie o zgodności z normami WE (Dotyczy tylko Europy)

Husqvarna AB, SE-561 82 Huskvarna, Szwecja, telefon +46-36-146500, zapewnia niniejszym, że pilarki do prac leśnych **Husqvarna 435 II, 435e II, 440 II i 440e II**, począwszy od maszyn z numerami seryjnymi wypuszczanymi od roku 2013 (rok, po którym następuje numer seryjny, podany jest wyraźnie na tabliczce znamionowej), są zgodne z przepisami zawartymi w DYREKTYWIE RADY:

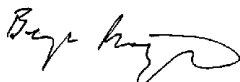
- z 17 maja, 2006 „dotycząca maszyn” **2006/42/WE**.
- dyrektywie **2004/108/EEC** z dn. 15 grudnia 2004 r., "dotyczącej kompatybilności elektromagnetycznej".
- dyrektywie **2000/14/WE** z dn. 8 maja 2000 r., "dotyczącej emisji hałasu do otoczenia".

Odnosnie informacji dotyczących emisji hałasu patrz rozdział Dane techniczne. Zastosowano następujące normy: **EN ISO 12100:2010, ISO 14982:2009, EN ISO 11681-1:2011**

Zgłoszony organ: **0404, SMP Svensk Maskinprovning AB**, Box 7035, SE-750 07 Uppsala, Szwecja, przeprowadził próbę homologacyjną dot. zgodności z normami WE, zgodnie z dyrektywą dot. maszyn (2006/42/WE), art. 12 punkt 3b. Zaświadczenia o próbach homologacyjnych dot. zgodności z normami WE, wg aneksu IX, opatrzone są numerami: **0404/09/2012** – 435 II, 435e II, 440 II, 440e II.

Ponadto SMP Svensk Maskinprovning AB, Box 7035, SE-750 07 Uppsala, Szwecja, zapewnił o zgodności z aneksem V do dyrektywy rady 2000/14/WE z dn. 8 maja 2000 r., "dotyczącej emisji hałasu do otoczenia". Certyfikaty opatrzone są numerami: **01/161/075** – 435 II, 435e II, **01/161/074** – 440 II, 440e II.

Dostarczona pilarka jest identyczna z egzemplarzem poddanym próbie homologacyjnej, dot. zgodności z normami WE. Huskvarna 8 kwietnia 2013r.



Bengt Frögelius, Szef ds. Rozwoju Produkcji Pilarki (Autoryzowany przedstawiciel Husqvarna AB oraz osoba odpowiedzialna za dokumentację techniczną.)

VYSVĚTLENÍ SYMBOLŮ

Symbole vyobrazené na tělese stroje:

VÝSTRAHA! Motorové pily mohou být nebezpečné! Neopatrné či nesprávné používání může vést k vážnému nebo smrtelnému zranění obsluhy nebo jiných osob.

Než začnete stroj používat, prostudujte si, prosím, pečlivě návod k použití a ubezpečte se, že jste dokonale pochopili pokyny v něm uvedené.

Vždy používejte:

- Schválenou ochrannou přilbu
- Schválenou ochranu sluchu
- Ochranné brýle či štít

Tento výrobek vyhovuje platným předpisům CE.

Emise hluku do okolí dle direktivy Evropského společenství. Emise stroje je udána v kapitole Technické údaje a na nálepce.

Zapalování; sytič: Nastavte páčku sytiče do zapnuté polohy. Tím by se měl automaticky nastavit vypínací spínač do startovací polohy.

Doplňování paliva.

Plnění oleje na mazání řetězu.

Benzínové čerpadlo.

Nastavení čerpadla oleje.

Brzda řetězu, zapnuta (doprava) Brzda řetězu, vypnuta (doleva)



Symbole v návodu k použití:

Před prováděním kontroly či údržby vypněte motor. **VAROVÁNÍ!** Spínač spuštění / zastavení se automaticky vrátí do polohy běhu. Pro zamezení neúmyslného spuštění musí být koncovka kabelu zapalovací svíčky při montáži, kontrole a/nebo provádění údržby ze zapalovací svíčky odstraněna.

Vždy používejte schválené ochranné rukavice.

Pro zajištění správné funkce je nutné zařízení pravidelně čistit.

Vizuální kontrola.

Je nutno používat ochranné brýle či štít.

Doplňování paliva.

Doplňování oleje a seřízení průtoku oleje.

Při startování je nutné, aby brzda řetězu byla zapojena.

VÝSTRAHA! Když se hrot lišty dotkne nějakého předmětu, může dojít ke zpětnému odrazu, což způsobí reakci, která vyhodí lištu nahoru a dozadu proti uživateli. To může mít za následek vážné poranění osob.



Obsah**VYSVĚTLENÍ SYMBOLŮ**

Symboly vyobrazené na tělese stroje:	85
Symboly v návodu k použití:	85

OBSAH

Obsah	86
-------------	----

ÚVOD

Vážený zákazník,	87
------------------------	----

CO JE CO?

Co je co na motorové pile?	87
----------------------------------	----

OBECNÁ BEZPEČNOSTNÍ OPATŘENÍ

Před zahájením práce s novou motorovou pilou	88
Upozornění	88
Vždy používejte zdravý rozum	89
Osobní ochranné pomůcky	89
Bezpečnostní vybavení stroje	89
Řezný mechanismus	91

MONTÁŽ

Montáž řezné lišty a řetězu	95
-----------------------------------	----

MANIPULACE S PALIVEM

Palivo	96
Plnění paliva	97
Bezpečnost při manipulaci s palivem	97

STARTOVÁNÍ A VYPÍNÁNÍ

Startování a vypínání	98
-----------------------------	----

PRACOVNÍ POSTUP

Před každým použitím:	99
Obecné pracovní pokyny	99
Jak zabránit zpětnému rázu	102

ÚDRŽBA

Všeobecně	103
Nastavení karburátoru	103
Kontrola a údržba bezpečnostního vybavení motorové pily	103
Tlumič výfuku	104
Startér	104
Vzduchový filtr	105
Zapalovací svíčka	105
Mazání jehlového ložiska	105
Chladicí systém	105
Odstředivé čištění "Air Injection"	106
Používání v zimě	106
Schema technické údržby	107

TECHNICKÉ ÚDAJE

Technické údaje	108
Kombinace lišty a řetězu	109
Pilování řetězu pily a vodítka pilníku	109
ES Prohlášení o shodě	109

Vážený zákazníku,

Gratulujeme k vaší koupi výrobku firmy Husqvarna! Minulost firmy Husqvarna zasahuje až do roku 1689, kdy král Karl XI nechal na břehu potoka Husqvarna postavit továrnu na výrobu mušket. Umístění u potoka Husqvarna bylo logické, neboť byl potok používán k výrobě vodní síly a tím fungoval jako výrobní vodní síly. Během těch více než 300 let existence továrny Husqvarna v ní bylo vyráběno mnoho výrobků, od kamen na dřevo až k moderním kuchyňským spotřebičům, šicím strojům, jízdním kolům, motocyklům a jiné. V roce 1956 byla uvedena na trh první motorová sekačka na trávu, po ní následovala motorová pila v roce 1959 a to je v tomto oboru dnes firma Husqvarna působí.

Husqvarna je dnes jedním z nejpřednějších světových výrobců lesních a parkových výrobků s kvalitou a výkonností jako nejvyšší prioritou. Obchodní ideou je vyvíjet, vyrábět a uvádět na trh motorem poháněné výrobky k práci v lese a parcích/zahradách a v oboru stavebním a inženýrských sítí. Cílem firmy Husqvarna je také být přední co do ergonomie, příjemného používání, bezpečnosti a úspory životního prostředí, proto jsme vyvinuli různé finesy ke zlepšení výrobků v těchto oborech.

Jsmo přesvědčeni o tom, že budete spokojeni a oceníte kvalitu a výkonnost našich výrobků po dlouhou dobu. Koupě některého z našich výrobků vám v případě potřeby dává přístup k profesionální pomoci ohledně oprav a servisu. Kdybyste zakoupili váš stroj jinde než u našich autorizovaných prodejců, zeptejte se jich na nejbližší autorizovanou servisní dílnu.

Doufáme, že budete s naším strojem spokojeni a že s ním budete pracovat nerozlučně po dlouhou dobu. Myslete na to, že tento návod k použití je cenný doklad. Tím, že budete sledovat jeho obsah (použití, servis, údržbu atd.), můžete značně prodloužit životnost stroje a jeho hodnotu při dalším prodeji. Budete-li váš stroj prodávat, pamatujte i na to, abyste předali novému vlastníkovi i návod k použití.

Děkujeme Vám, že vždy používáte výrobky Husqvarna!

Společnost Husqvarna AB se řídí strategií neustálého vývoje výrobku a proto si vyhrazuje právo měnit konstrukci a vzhled výrobků bez předchozího upozornění.

Co je co na motorové pile? (1)

- 1 Kryt válce
- 2 Benzínové čerpadlo.
- 3 Naváděcí pomůcka ke startování
- 4 Kombinovaný spínač spuštění/zastavení
- 5 Zadní rukojeť
- 6 Informační a výstražný štítek
- 7 Palivová nádrž
- 8 Seřizovací šrouby, karburátor
- 9 Startovací madlo
- 10 Startér
- 11 Nádrž oleje na mazání řetězu
- 12 Štítek s výrobním číslem
- 13 Značka směru kácení
- 14 Přední rukojeť
- 15 Chránič levé ruky
- 16 Tlumič výfuku
- 17 Řetěz
- 18 Řetězové kolečko špičky lišty
- 19 Lišta
- 20 Zubová opěrka
- 21 Zachycovač řetězu
- 22 Napínací šroub řetězu (435 II, 440 II)
- 23 Kryt spojky (435 II, 440 II)
- 24 Chránič pravé ruky
- 25 Páčka plynu
- 26 Pojistka páčky plynu
- 27 Kryt spojky (435e II, 440e II)
- 28 Kolo napínání řetězu
- 29 Knoflík
- 30 Návod k použití
- 31 Kombinovaný klíč
- 32 Kryt řezné lišty

OBCENÁ BEZPEČNOSTNÍ OPATŘENÍ

Před zahájením práce s novou motorovou pilou

- Pečlivě si přečtěte tento návod k použití.
- (1) – (117) viz obrázky na str. 2–6.
- Zkontrolujte, zda řezný mechanismus je správně upevněn a seřízen. Viz pokyny v části Montáž
- Naplňte a nastartujte motorovou řetězovou pilu. Viz pokyny v kapitolách Manipulace s palivem a Spouštění a zastavování.
- Nepoužívejte motorovou pilu, dokud na řetěz neproniklo dostatečné množství oleje. Viz pokyny v části Řezný mechanismus.
- Dlouhodobé vystavování působení hluku může vést k trvalému poškození sluchu. Proto vždy používejte schválenou ochranu sluchu.



VÝSTRAHA! Konstrukce zařízení nesmí být za žádných okolností upravována bez svolení výrobce. Vždy používejte originální příslušenství. Nepovolené úpravy a/nebo příslušenství může vést k vážnému nebo smrtelnému zranění obsluhy nebo jiných osob.



VÝSTRAHA! Motorová pila je nebezpečný nástroj, pokud je používána neopatrně či nesprávně, v takovém případě může způsobit vážná nebo i smrtelná zranění. Je velmi důležité, abyste si prostudovali tento návod k použití a abyste porozuměli jeho obsahu.



VÝSTRAHA! Vnitřní prostor tlumiče výfuku obsahuje chemikálie, které mohou způsobit rakovinu. V případě poškození tlumiče výfuku se vyvarujte se kontaktu s těmito částmi.



VÝSTRAHA! Dlouhodobé vdechování výfuků motoru, mlha od řetězového oleje a pilinový prach mohou mít nepříznivý vliv na zdraví.



VÝSTRAHA! Tento stroj vytváří během provozu elektromagnetické pole. Toto pole může za určitých okolností narušovat funkci aktivních či pasivních implantovaných lékařských přístrojů. Pro snížení rizika vážného či smrtelného poranění doporučujeme osobám s implantovanými lékařskými přístroji poradit se před použitím stroje s lékařem a s výrobcem implantovaného lékařského přístroje.



VÝSTRAHA! Nenechte nikdy děti používat stroj nebo se zdržovat v jeho blízkosti. Jelikož je stroj vybaven vypínačem se zpětným pérováním a k jeho nastartování je třeba nízká rychlost a malý tlak na startovací rukovět mohou i děti za určitých okolností mít tu sílu, které je třeba k nastartování stroje. Tím může dojít k nebezpečí vážného úrazu. Proto vždy sejměte rozbušku není-li stroj pod dohledem.

Upozornění

UPOZORNĚNÍ!

Tato řetězová pila pro lesní hospodářství je určena pro lesní práce, např. pro kácení, odvětvování a řezání.

Použití stroje může být omezeno národními předpisy.

Používejte pouze takové kombinace lišty a pilového řetězu, které doporučujeme v kapitole Technické údaje.

Nikdy stroj nepoužívejte, když jste unaveni, po požití alkoholu nebo když užíváte léky, které mohou ovlivnit váš zrak, odhad nebo koordinaci pohybů.

Používejte osobní ochranné pomůcky. Viz pokyny v části Osobní ochranné pomůcky.

Nikdy neupravujte stroj tak, že byste změnili trvale jeho původní konstrukci, a nepoužívejte jej ani v případě, kdy se vám bude zdát, že ji upravil někdo jiný.

Nikdy nepoužívejte stroj, který není zcela v pořádku. Dodržujte pokyny pro kontroly, údržbu a servis popsané v této příručce. Některé úkony údržby a opravy mohou provádět pouze vyškolení a kvalifikovaní odborníci. Viz pokyny v části Údržba.

Nikdy nepoužívejte žádné příslušenství, které není doporučeno výrobcem v této příručce. Viz pokyny v části Řezný mechanismus a Technické údaje.

VAROVÁNÍ! Vždy používejte ochranné brýle nebo ochranný štít na obličej, abyste snížili nebezpečí zranění vymrštnými předměty. Motorová řetězová pila je schopna vymrštit různé předměty, jako např. dřevěné štěpky, malé kousky dřeva atd., velkou silou. To může způsobit vážné zranění, především očí.



VÝSTRAHA! Provoz motoru v uzavřených nebo špatně větraných prostorách může způsobit smrt udušením nebo otravu kyslíčikem uhelnatým.



VÝSTRAHA! Vadné řezací zařízení nebo špatná kombinace lišty a pilového řetězu zvyšují nebezpečí zpětného odrazu! Používejte pouze takové kombinace lišty a pilového řetězu, které doporučujeme, a dodržujte pokyny pro pilování. Viz pokyny v kapitole Technické údaje.

OBEČNÁ BEZPEČNOSTNÍ OPATŘENÍ

Vždy používejte zdravý rozum (2)

Není možné zde popsat každou případnou situaci, se kterou byste se mohli při používání řetězové pily setkat. Vždy dávejte pozor a používejte zdravý rozum. Vyvarujte se veškerých situací, kdy se domníváte, že práce s pilou je nad vaše schopnosti. Pokud si ani po přečtení tohoto návodu nebudete jisti, jak pilu správně používat, kontaktujte před dalším postupem odborníka. Budete-li mít nějaké dotazy ohledně používání této motorové řetězové pily, kontaktujte vašeho prodejce nebo nás. Velmi rádi vám poskytneme naše služby a pomoc a také vám poradíme, jak vaši motorovou pilu používat efektivně a bezpečně. Pokud je to možné, absolvujte školicí kurz používání motorové řetězové pily. Váš prodejce, lesnická škola nebo knihovna ve vaší obci vám mohou poskytnout informace o tom, jaké školicí materiály a kurzy jsou k dispozici. Konstrukce a technologie jsou neustále vylepšovány, aby se zvýšila vaše bezpečnost a efektivita stroje. Navštěvujte pravidelně vašeho prodejce, abyste byli informováni, zda nemůžete využít nějakých nových vlastností nebo funkcí, které byly mezitím zavedeny.

Osobní ochranné pomůcky



VÝSTRAHA! K většině nehod při použití řetězové pily dochází tehdy, když se obsluha dostane do kontaktu s řetězem. Při každém použití stroje je nutné používat schválené osobní ochranné pomůcky. Osobní ochranné pomůcky nemohou vyloučit nebezpečí úrazu, ale sníží míru poranění v případě, že dojde k nehodě. Požádejte svého prodejce o pomoc při výběru správného vybavení.

- Schválenou ochrannou přilbu
- Ochrana sluchu
- Ochranné brýle či štít
- Rukavice s ochranou proti proříznutí
- Kalhoty s ochranou proti říznutí
- Holiny s ochranou proti proříznutí, ocelovou špičkou a nesmekavou podrážkou
- Vždy mějte po ruce soupravu pro poskytování první pomoci.
- Hasicí přístroj a lopata

Obecně by měl být oděv přiléhavý, aniž by omezoval volnost pohybu.

UPOZORNĚNÍ! Jiskry mohou vylétávat z tlumiče výfuku, od lišty a řetězu nebo z jiného zdroje. Vždy mějte hasicí vybavení po ruce pro případ, že byste je potřebovali. Můžete tím pomoci zabránit lesnímu požáru.

Bezpečnostní vybavení stroje

V této části jsou vysvětleny bezpečnostní prvky stroje a jejich funkce. Informace o prohlídkách a údržbě najdete v kapitole Kontrola, údržba a servis bezpečnostního vybavení motorové pily. Umístění těchto komponentů na stroji naleznete v pokynech v kapitole "Co je co?".

Životnost stroje se může zkracovat a riziko úrazů zvyšovat, jestliže se údržba stroje neprovádí správně anebo se opravy neprovádějí odborně. Pokud potřebujete další informace, obraťte se na nejbližší servisní dílnu.



VÝSTRAHA! Nikdy stroj nepoužívejte s vadnými bezpečnostními součástmi. Bezpečnostní zařízení je nutno kontrolovat a udržovat. Viz pokyny v kapitole Kontrola, údržba a servis bezpečnostního vybavení motorové pily. Pokud váš stroj nevyhoví všem kontrolám, odneste jej do servisní dílny k opravě.

Brzda řetězu a chránič levé ruky

Vaše motorová řetězová pila je vybavena brzdou řetězu, která je určena k zastavení řetězu v případě, že dojde ke zpětnému odrazu. Tato brzda snižuje nebezpečí nehod, ale pouze vy jim můžete zabránit. (3)

Při práci dbejte nejvyšší opatrnosti, zvláště zabezpečte, aby se řezný mechanismus v případě zpětného rázu nikdy nemohl dotknout žádného předmětu. (4)

- Brzda řetězu (A) může být aktivována buď ručně (vaší levou rukou) nebo setrvačkovým rozpojovacím mechanismem. (5)
- Brzda se uvádí v činnost tehdy, když je chránič levé ruky (B) zatlačen dopředu. (5)
- Tento pohyb uvolní pružinu mechanismu, který stáhne pásek brzdy (C) kolem hnacího systému motoru (D) (buben spojky). (6)
- Spouštění brzdy řetězu není jediný účel, pro který je chránič ruky konstruován. Další jeho důležitou bezpečnostní funkcí je snížení nebezpečí zasažení levé ruky řetězem, kdyby uživatelí vyklouzla z ruky přední rukojeť.
- Brzda řetězu musí být při startování motorové pily aktivovaná, aby se zabránilo otáčení řetězu. (55)
- Při startování a při přesunu na krátké vzdálenosti použijte řetězovou brzdou jako "parkovací brzdou", abyste předešli nehodám, pokud existuje nebezpečí, že by řetěz mohl náhodně zasáhnout někoho nebo něco v blízkosti vás. Nenechávejte řetězovou pilu delší dobu spuštěnou s aktivovanou brzdou řetězu. Mohlo by dojít ke značnému zahřátí řetězové pily.
- Brzda řetězu se uvolňuje posunutím krytu ruky proti zpětnému odrazu s nápisem „PULL BACK TO RESET“ dozadu, směrem k držadlu rukojeti.
- Zpětný ráz může být zcela nečekaný a velmi prudký. Většina zpětných rázů je však slabších a neuvede vždy brzdou řetězu v činnost. Pokud k takovému zpětnému rázu dojde, musí uživatel držet motorovou pilu tak pevně, aby mu nevyklouzla.
- Způsob spuštění brzdy řetězu, ať již ručně nebo automaticky mechanismem uvolňovaným působením setrvačnosti, závisí na síle zpětného rázu a poloze motorové pily vzhledem k předmětu, o který oblast zpětného rázu zavádí.

OBECNÁ BEZPEČNOSTNÍ OPATŘENÍ

Když dojde k silnému zpětnému odrazu, zatímco je zóna zpětného odrazu lišty nejdále od vás, brzda řetězu je konstruována tak, že se aktivuje pohybem protizávaží (je aktivována setrvačností) ve směru zpětného odrazu. (7)

Jestliže není zpětný ráz tak prudký nebo pokud je oblast zpětného rázu lišty blíže k uživateli, bude brzda řetězu uvedena v činnost ručně pohybem levé ruky uživatele.

- Při kácení stromu je levá ruka v takové poloze, že není možné aktivovat brzdou řetězu ručně. Při tomto druhu uchopení, kdy levá ruka je umístěna tak, že nemůže ovlivnit pohyb předního krytu ruky, může být brzda řetězu aktivována pouze setrvačností. (8)

Bude moje ruka aktivovat brzdou řetězu vždy v případě zpětného odrazu?

Ne. K posunutí ochranného prvku zpětného odrazu dopředu je zapotřebí určité síly. Pokud se vaše ruka ochranného prvku zpětného odrazu pouze lehce dotkne nebo po něm pouze sklouzne, může se stát, že síla nebude dostatečně velká, aby uvolnila brzdou řetězu. Při práci byste také měli pevně držet držadlo vaší motorové řetězové pily. Pokud tak činíte a dojde k zpětnému odrazu, možná ani neuvolníte ruku z přední rukojeti a nebudete aktivovat brzdou řetězu, nebo se možná brzda řetězu bude aktivovat až poté, co už pila udělá docela velký skok. V takových situacích se může stát, že brzda řetězu nezvládne řetěz zastavit dříve, než vás řetěz zasáhne.

V některých pracovních polohách se může stát, že vaše ruka nemůže dosáhnout na ochranný prvek zpětného odrazu, aby aktivovala brzdou řetězu; například když je pila držena v poloze pro kácení.

Spustí se aktivace brzdou řetězu setrvačností vždy, když dojde ke zpětnému odrazu?

Ne. Za prvé musí vaše brzda fungovat. Testování brzdou je jednoduché, viz pokyny v kapitole Kontrola, údržba a servis bezpečnostního vybavení motorové pily. Doporučujeme vám, abyste jej prováděli před začátkem každé směny. Za druhé musí být zpětný odraz dostatečně silný, aby aktivoval brzdou řetězu. Pokud by brzda řetězu byla příliš citlivá, byla by aktivována neustále, což by bylo nepříjemné.

Ochrání mě brzda řetězu v případě zpětného odrazu vždy před zraněním?

Ne. Za prvé a především musí vaše brzda fungovat, aby vám zajistila zamýšlenou ochranu. Za druhé musí být aktivována podle výše uvedeného popisu, aby v případě zpětného odrazu zastavila pilový řetěz. A za třetí, brzda řetězu může být aktivována, ale když je lišta příliš blízko vás, může se stát, že brzda nestihne zpomalit a zastavit řetěz dříve, než vás motorová pila zasáhne.

Pouze vy a správná pracovní technika mohou eliminovat zpětný odraz a jeho nebezpečí.

Pojistka páčky plynu

Pojistka plynové páčky má za úkol zabránit neúmyslné manipulaci s ovládáním škrtků klapky. Když stisknete pojistku (A) (tzn. když uchopíte rukojeť), uvolní se ovládací škrtky

klapky (B). Pustíte-li rukojeť, jak ovládání škrtků klapky, tak pojistka plynové páčky se přesunou zpět do své původní polohy. Toto opatření znamená, že škrtky klapka je při volnoběhu automaticky zablokována. (9)

Zachycovač řetězu

Účelem zachycovače řetězu je zachytit řetěz v případě, že se přetrhne nebo sesmekne z lišty. To by se nemělo stát, pokud je řetěz správně napnut (viz pokyny v části Montáž) a jestliže uživatel řádně provádí kontrolu a údržbu lišty a řetězu (viz text v části Obecné pracovní pokyny). (10)

Chránič pravé ruky

Kromě ochrany ruky v případě přetržení řetězu nebo jeho sesmeknutí z lišty zabezpečuje chránič pravé ruky, že větve nebudou překážet bezpečnému uchopení zadní rukojeti. (11)

Antivibrační systém

Stroj je vybaven antivibračním systémem, který je konstruován tak, aby minimalizoval vibrace a usnadňoval práci se strojem.

Antivibrační systém stroje snižuje přenos chvění mezi jednotkou motoru/řezným mechanismem a rukojetí stroje. Tělo motorové pily, včetně řezného mechanismu, je izolováno od rukojeti pomocí antivibračních bloků.

Při řezání tvrdého dřeva (většina listnatých stromů) vznikají silnější vibrace než při řezání měkkého dřeva (většina jehličnatých dřevin). Řezání s tupým či špatným řetězem (nevhodný typ či nesprávně nabroušený) zvýší úroveň vibrací.



VÝSTRAHA! Nadměrné vystavení vibracím může u osob se zhoršenou funkcí krevního oběhu vést k poruchám oběhového nebo nervového systému. V případě, že byste pocítili příznaky obtížů způsobených nadměrným vystavením vibracím, spojte se se svým lékařem. Mezi tyto příznaky patří ztrnulost končetin, ztráta citu, mravenčení, píchání, bolest, zeslábnutí, změna barvy nebo vzhledu pokožky. Tyto příznaky se obvykle objevují v prstech, na ruce nebo v zápěstí. Tyto příznaky se mohou zhoršit při nízkých teplotách.

Stop spínač (vypínač zapalování)

Pomocí vypínače zapalování se vypíná motor. (12)

Tlumič výfuku

Tlumič výfuku je určen k omezení úrovně hluku na minimum a k usměrnění výfukových plynů směrem od uživatele.



VÝSTRAHA! Výfukové plyny z motoru jsou horké a mohou obsahovat jiskry, které by mohly zažehnout požár. Nikdy nesparkujte zařízení uvnitř budovy nebo v blízkosti hořlavých materiálů!

V zemích s teplem a suchým podnebím hrozí velké nebezpečí vzniku lesních požárů. Může se stát, že legislativa v těchto

OBCENÁ BEZPEČOSTNÍ OPATŘENÍ

zemích vyžaduje, že tlumič výfuku musí být, kromě jiného, vybaven lapačem jisker v podobě sítky. (13)

Při montáži sítky se ujistěte, že je správně vložena. V případě potřeby použijte ke vložení nebo vyjmutí sítky kombinované kleště.

VAROVÁNÍ! Tlumič výfuku je během provozu i po zastavení velmi horký. To platí i při volnoběhu. Dejte pozor na nebezpečí požáru, zvláště při manipulaci v blízkosti hořlavých látek nebo plynů.



VÝSTRAHA! Nikdy motorovou řetězovou pilu nepoužívejte, když je tlumič vadný nebo chybí. Vadný tlumič může značně zvýšit hladinu hluku a nebezpečí požáru. Vždy mějte protipožární vybavení blízko po ruce. Nikdy motorovou pilu nepoužívejte, když je sítkový lapač jisker vadný nebo úplně chybí, je-li použit lapač jisker ve vašem pracovním prostoru povinné.

Řezný mechanismus

Tato část popisuje způsob volby řezného mechanismu a jeho údržby s těmito cíli:

- Snížit nebezpečí zpětného rázu.
- Redukujte nebezpečí přetržení nebo vyskočení řetězu pily.
- Dosáhněte optimálního řezacího výkonu.
- Prodloužit životnost řezného mechanismu.
- Zabraňte zvyšování úrovně vibrací.

Obecná pravidla

- **Používejte pouze řezný mechanismus doporučený výrobcem!** Viz pokyny v kapitole Technické údaje.
- **Udržujte řezací zuby řetězu řádně nabroušené! Postupujte podle našich pokynů a používejte doporučené vodítko pilníku.** Poškozený nebo špatně nabroušený řetěz zvyšuje nebezpečí nehody.
- **Udržujte správnou vůli omezovacích zubů!** **Dodržujte naše pokyny a používejte doporučenou měrku omezovacích zubů.** Příliš velká vůle zvyšuje nebezpečí zpětného odrazu.
- **Udržujte správné napnutí řetězu!** V případě, že je řetěz povolný, je pravděpodobnější jeho sesmeknutí, kromě toho to vede ke zvýšenému opotřebení lišty, řetězu a hnacího řetězového kolečka.
- **Udržujte řezný mechanismus řádně namazaný a v dobrém stavu!** U špatně namazaného řetězu je pravděpodobnější jeho přetržení a kromě toho to vede ke zvýšenému opotřebení lišty, řetězu a hnacího řetězového kolečka.

Řezací zařízení určené pro minimalizaci zpětného odrazu



VÝSTRAHA! Vadné řezací zařízení nebo špatná kombinace lišty a pilového řetězu zvyšují nebezpečí zpětného odrazu! Používejte pouze takové kombinace lišty a pilového řetězu, které doporučujeme, a dodržujte pokyny pro pilování. Viz pokyny v kapitole Technické údaje.

Jediný způsob, jak zcela zabránit zpětnému rázu, je zabezpečit, aby se oblast zpětného rázu lišty nikdy ničeho nedotkla.

Účinky zpětného rázu můžete snížit použitím řezného mechanismu se zabudovanou redukcí zpětného rázu a používáním nabroušeného a dobře udržovaného řetězu.

Lišta

Čím je poloměr hrotu menší, tím je menší i nebezpečí zpětného odrazu.

Řetěz

Řetěz se skládá z určitého počtu článků, které se dodávají ve standardní verzi i ve verzi se sníženým rizikem zpětného rázu.

UPOZORNĚNÍ! Žádný pilový řetěz nesnižuje nebezpečí zpětného odrazu.



VÝSTRAHA! Jakýkoliv kontakt s rotujícím pilovým řetězem může způsobit velmi vážná zranění.

Některé výrazy, které popisují lištu a řetěz

Aby byla udržena bezpečnostní funkce řetězového zařízení, musíte vyměňovat opotřeбенé a poškozené kombinace lišty a řetězu za lištu a řetěz doporučený společností Husqvarna. Informace o doporučených kombinacích lišty a řetězu naleznete v části Technické údaje.

Lišta

- Délka (palce/cm)
- Počet zubů na řetězovém kolečku špičky lišty (T).
- Rozteč řetězu (=pitch) (v palcích). Vzdálenost mezi unášecími články řetězu musí odpovídat vzdálenostem mezi zuby na řetězovém kolečku špičky lišty i na hnacím řetězovém kolečku. (14)
- Počet unášecích článků (ks). Počet unášecích článků je určen délkou lišty, roztečí řetězu a počtem zubů řetězového kolečka špičky lišty.
- Šířka drážky lišty (palce/mm). Šířka drážky lišty musí odpovídat tloušťce unášecích článků řetězu.
- Otvor pro mazání řetězu a otvor pro napínač řetězu. Lišta musí odpovídat konstrukci řetězové pily. (15)

Řetěz

- Rozteč řetězu (=pitch) (v palcích) (14)
- Tloušťka unášecího článku (mm/palce) (16)
- Počet unášecích článků (ks). (17)

OBCENÁ BEZPEČNOSTNÍ OPATŘENÍ

Ostření řetězu a nastavování vůle omezovacích zubů

Obecné informace o broušení řezacích zubů

- Nikdy nepoužívejte tupý řetěz. Když je řetěz tupý, musíte vyvinout mnohem větší sílu, abyste protlačili lištu skrz dřevo a braní třísky bude velmi malé. Velmi tupý pilový řetěz nebere třísky vůbec. Jediným výsledkem bude dřevěný prach.
- Ostrý řetěz si dobře prořízne cestu dřevem a produkuje dlouhé silné třísky.
- Řezná část řetězu se nazývá řezací článek a skládá se z řezacího zubu (A) a bříty omezovacího zubu (B). Hloubka řezu je určena rozdílem výšek těchto dvou součástí. (18)

Při broušení řezacího zubu musíte mít na paměti čtyři důležité faktory.

- Úhel broušení (19)
- Úhel bříty (20)
- Poloha pilníku (21)
- Průměr pilníku

Bez správného vybavení je velice těžké řetěz správně nabrousit. Doporučujeme vám, abyste používali naše vodítka pilníku. To vám pomůže u vašeho řetězu dosáhnout snížení zpětného odrazu a maximální řezací výkon. (22)

Informace o ostření řetězu naleznete v části Technické údaje.



VÝSTRAHA! Odchýlení od pokynů k ostření výrazně zvyšuje nebezpečí zpětného odrazu.

Broušení řezacích zubů



K broušení řezacích zubů budete potřebovat kruhový pilník a vodítko pilníku. Informace o velikostech pilníku a vodítka, které jsou doporučeny pro váš pilový řetěz, naleznete v části Technické údaje.

- Zkontrolujte, zda je řetěz správně napnutý. Uvolněný řetěz se uhybá do stran, což znesnadňuje jeho správné nabroušení.
- Řezací zuby vždy bruste zevnitř směrem ven a při zpětném tahu snižte tlak na pilník. Všechny zuby nabruste nejprve na jedné straně, potom otočte pilu a nabruste zuby na druhé straně.
- Nabruste všechny zuby na stejnou délku. Když je délka řezacích zubů menší než 4 mm (5/32 palce), řetěz je opotřebovaný a je nutno jej vyměnit. (23)

Obecné informace o nastavování vůle omezovacích zubů

- Při ostření řezacích zubů zmenšujete vůli omezovacích zubů (hloubku řezu). Abyste udrželi řezný výkon musíte vypilovat omezovací zuby na doporučenou výšku.

Informace o vůli omezovacích zubů pro váš konkrétní řetěz naleznete v části Technické údaje. (24)



VÝSTRAHA! Nebezpečí zpětného odrazu se zvyšuje, jestliže je vůle omezovacích zubů příliš velká!

Seřízení vůle omezovacích zubů



- Před seřízením vůle omezovacích zubů je nutno nově naostřit řezací zuby. Doporučujeme, abyste vůli omezovacích zubů seřizovali při každém třetím ostření řetězu. UPOZORNĚNÍ! Toto doporučení předpokládá, že délka řezacích zubů není nadměrně zmenšena.
- K seřízení vůle omezovacích zubů budete potřebovat plochý pilník a měrku omezovacích zubů. Doporučujeme, abyste pro vůli omezovacích zubů používali naše vodítka pilníku, abyste získali správnou hodnotu vůle omezovacích zubů a správný úhel bříty omezovacích zubů.
- Nasaďte vodítko pilníku na řetěz pily. Informace o používání vodítka pilníku naleznete na obalu. Pomocí plochého pilníku odpilujte nadměrně přesahující část bříty omezovacích zubů. Vůle omezovacích zubů je správná, když při protahování pilníku přes vodítko nebudete cítit žádný odpor. (25)

Napínání řetězu



VÝSTRAHA! Uvolněný řetěz se může sesmeknout a způsobit vážné nebo dokonce smrtelné zranění.

Čím déle se řetěz používá, tím více se zvětšuje jeho délka. Proto je důležité pravidelně řetěz napínat a vymezovat vůli.

Napnutí řetězu kontrolujte při každém doplňování paliva. UPOZORNĚNÍ! Během doby záběhu nového řetězu by se mělo jeho napnutí kontrolovat častěji.

Napněte řetěz co možná nejvíce, ale tak, aby bylo ještě možno jej rukou volně posouvat po liště. (26)

435 II, 440 II



- Uvolněte matici lišty, která přidržuje kryt spojky a brzdu řetězu. Použijte kombinovaný klíč. Poté dotáhněte matici lišty rukou tak pevně, jak dokážete. (27)
- Nadzvedněte špičku lišty a řetěz napínejte utahováním napínacího šroubu pomocí kombinovaného klíče. Napínejte řetěz, dokud neodstraníte průvěs na spodní straně lišty. (28)

OBEČNÁ BEZPEČNOSTNÍ OPATŘENÍ

- Pro dotažení matice lišty použijte kombinovaný klíč a přidržujte přitom konec lišty. Rukou potáhněte za řetěz a zkontrolujte tak, že se volně otáčí a že není prověšený ve spodní části lišty. **(29)**

Poloha napínacího šroubu řetězu se liší podle modelu motorové řetězové pily. Informace o tom, kde jsou šrouby na vašem modelu, najdete v části Co je co.

435e II, 440e II



- Uvolníte knoflík jeho vytažením. **(30)**
- Pro uvolnění krytu lišty otočte knoflíkem proti směru hodinových ručiček. **(31)**
- Nastavte napnutí řetězu otočením kola směrem dolů (+) pro zvýšení napnutí a nahoru (-) pro snížení napnutí. **(32)**
- Utáhněte spojku lišty otočením knoflíku ve směru hodinových ručiček. **(33)**
- Pro zajištění napnutí zastrčte knoflík zpět. **(34)**

Mazání řezného mechanismu



VÝSTRAHA! Špatné mazání řezného mechanismu může způsobit přetřetí řetězu, což by mohlo vést k vážným nebo dokonce smrtelným zraněním.

Olej na mazání řetězu

Olej na mazání řetězu musí mít dobrou přilnavost k řetězu a musí si uchovávat viskozitu bez ohledu na to, zda je horké léto či chladná zima.

V rámci vývoje a výroby motorových pil jsme vyvinuli optimální olej na mazání řetězu, který je založen na rostlinném oleji a je díky tomu biologicky snadno rozložitelný. Doporučujeme používat tento olej, který zabezpečuje maximální životnost řetězu a zá V případě, že náš olej na mazání řetězů není k dispozici, doporučujeme standardní olej na řetězy.

Nikdy nepoužívejte vyjetý olej! Je to nebezpečné pro vás, pro stroj i pro životní prostředí.

UPOZORNĚNÍ! Pokud mažete pilový řetěz rostlinným olejem, před dlouhodobým uskladněním rozeberte a vyčistěte drážku lišty a pilový řetěz. Jinak hrozí nebezpečí, že olej pro mazání řetězu zoxiduje, což by mělo za následek, že pilový řetěz zatuhne a řetězka na hrotu lišty se zadře.

Plnění oleje na mazání řetězů

- Všechny námi vyráběné motorové pily jsou vybaveny systémem automatického mazání řetězu. U některých modelů je rovněž nastavitelný průtok oleje.
- Nádržka oleje pro mazání řetězu a nádržka s palivem jsou konstruovány tak, že palivo vytéká před olejem pro mazání řetězu.

Tato bezpečnostní funkce ale vyžaduje, abyste používali správný typ oleje pro mazání řetězu (kdyby byl olej příliš řídký, vytékal by před palivem), a abyste seřídili karburátor podle doporučení (slabá směs může znamenat, že palivo vydrží déle než olej). Také musíte používat doporučené řezací vybavení (lišta, která je příliš dlouhá, bude potřebovat více oleje pro mazání řetězu).

Kontrola mazání řetězu

- Kontrolujte mazání řetězu při každém doplňování paliva. V

Ze vzdálenosti asi 20 cm (8 palců) namířte špičku řezné lišty na světlou plochu. Po 1 minutě běhu pily při úrovni plynu na 3/4 by se měla na této ploše objevit zřetelná stopa nastříkaného oleje.

Pokud mazání řetězu nefunguje:

- Zkontrolujte, zda není upcovaný mazací kanálek lišty. V případě potřeby jej vyčistěte. **(35)**
- Zkontrolujte, zda je drážka řezné lišty čistá. V případě potřeby ji vyčistěte. **(36)**
- Zkontrolujte, zda se řetězové kolečko špičky lišty volně otáčí a zda není mazací otvor v řetězovém kolečku upcovaný. V případě potřeby kolečko namažte a otvor vyčistěte. **(37)**

V případě, že ani po provedení výše uvedených kontrol a příslušných opatření systém mazání řetězu stále nefunguje, je nutno vyhledat servisní opravnu.

Hnací kolečko řetězu



Buben spojky je vybaven jedním z následujících hnacích řetězových koleček:

A Spur – pastorek (řetězové kolečko je přivařeno k bubnu) nebo

B Rim – hnací kroužek (výměnný) **(38)**

Pravidelně kontrolujte úroveň opotřebení hnacího řetězového kolečka. Vyměňte jej, pokud je nadměrně opotřebené.

Vyměňte hnací řetězové kolečko při každé výměně řetězu.

Mazání jehlového ložiska



Oba typy hnací řetězky mají na výstupním hřídeli jehlové ložisko, které musí být pravidelně mazáno (jednou týdně). **VAROVÁNÍ!** Používejte pouze kvalitní ložiskový mazací tuk nebo motorový olej.

Viz pokyny v kapitole Mazání jehlového ložiska.

OBEČNÁ BEZPEČNOSTNÍ OPATŘENÍ

Kontrola opotřebenění řezného mechanismu



Denně provádějte kontrolu řetězu, přičemž se zaměřte na:

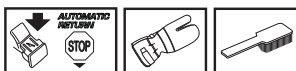
- Viditelné praskliny nýtů a článků.
- Zda není řetěz zatuhlý.
- Zda nejsou nýty a články silně opotřebené.

Vyměňte pilový řetěz, pokud vykazuje některý z výše uvedených bodů.

Výrobce doporučuje porovnávat stávající řetěz s novým řetězem a tak zjistit, jak je stávající řetěz opotřebený.

Nabruse všechny zuby na stejnou délku. Když je délka řezacích zubů menší než 4 mm (5/32 palce), řetěz je opotřebený a je nutno jej vyměnit. **(23)**

Lišta



Pravidelně kontrolujte:

- Zda se na hranách řezné lišty netvoří otřepy. V případě potřeby tyto otřepy obruste pilníkem.
- Zda není drážka lišty silně opotřebená. V případě potřeby lištu vyměňte.
- Zda není špička lišty nerovnoměrně či silně opotřebená. Pokud se na spodní straně špičky lišty vytvářejí prohlubně, znamená to, že je řetěz příliš volný.
- Abyste prodloužili životnost lišty, měli byste ji pravidelně převracet.



VÝSTRAHA! K většině nehod při použití řetězové pily dochází tehdy, když se obsluha dostane do kontaktu s řetězem.

Používejte osobní ochranné pomůcky. Viz pokyny v části Osobní ochranné pomůcky.

Nepouštějte se do žádné práce, na niž nejste podle svého mínění náležitě zacvičení. Prostudujte si pokyny v částech Osobní ochranné pomůcky, Jak zabránit zpětnému rázu, Řezný mechanismus a Obecné bezpečnostní pokyny.

Vyvarujte se situací, kde hrozí nebezpečí zpětného rázu. Viz pokyny v části Bezpečnostní vybavení zařízení.

Používejte doporučené ochranné pomůcky a pravidelně kontrolujte jejich stav. Prostudujte si pokyny uvedené v části Obecné pracovní pokyny.

Zkontrolujte, zda všechny bezpečnostní funkce řetězové pily fungují. Prostudujte si pokyny v částech Obecné pracovní pokyny a Obecná bezpečnostní opatření.

Montáž řezné lišty a řetězu



VÝSTRAHA! Při práci s řetězem vždy používejte ochranné rukavice.

435 II, 440 II

- **Zkontrolujte, zda je brzda řetězu v neaktivované poloze přesunutím chrániče levé ruky k přední rukojeti. (39)**
- Odšroubujte matici lišty a vyjměte kryt spojky (brzdu řetězu). Sejměte dopravní kroužek (A). **(40)**
- Lištu nasadte na šroub lišty. Lištu ustavte do její nejzadnější polohy. Řetěz nasadte na hnací řetězové kolečko a do drážky na liště. Začněte v horní části lišty. **(41)**
- Zkontrolujte, zda bříty řezacích článků směřují na horní hraně lišty dopředu.
- Namontujte kryt spojky a nezapomeňte vložit kolík pro napínání řetězu do otvoru v liště. Zkontrolujte, zda unášecí články řetězu správně zapadají do vybraní hnacího řetězového kolečka a zda je řetěz správně usazen v drážce lišty. Utáhněte prsty matici lišty.
- Napínejte řetěz otáčením napínacího šroubu řetězu kombinovaným klíčem po směru hodinových ručiček. V napínání řetězu pokračujte do té doby, dokud neodstraníte průvės na spodní straně lišty. **(42)**
- Řetěz je správně napnut, když není prověšen na spodní straně lišty a přitom je možné jej rukou volně posouvat. Dotáhněte matici lišty pomocí kombinovaného klíče a přidržte přitom konec lišty. **(43)**
- Během doby záběhu po nasazení nového řetězu je zapotřebí často kontrolovat jeho napětí. Kontrolujte napětí řetězu pravidelně. Správně napnutý řetěz zaručuje dobrý řezný výkon a dlouhou životnost. **(44)**

435e II, 440e II

- **Zkontrolujte, zda je brzda řetězu v neaktivované poloze přesunutím chrániče levé ruky k přední rukojeti. (45)**
- Uvolněte kolo napínání řetězu a vyjměte kryt spojky (brzdu řetězu). Vyjměte přepravní kryt. (A) **(46)**
- Nasadte lištu na upevňovací šrouby. Zasuňte ji co nejvíce dozadu. Převlékněte řetěz přes hnací řetězové kolečko a usadte jej do drážky v liště. Začněte na horní straně lišty. **(41)**
- Zkontrolujte, zda bříty řezacích článků směřují na horní hraně lišty dopředu.
- Namontujte kryt spojky a nezapomeňte vložit kolík pro napínání řetězu do otvoru v liště. Zkontrolujte, zda unášecí články řetězu správně zapadají do vybraní hnacího

řetězového kolečka a zda je řetěz správně usazen v drážce lišty.

- Napněte řetěz otočením kola směrem dolů (+). Řetěz by měl být napnutý tak, aby nebyl prověšený pod spodní částí lišty. **(32)**
- Řetěz je správně napnutý tehdy, když není prověšený pod spodní částí lišty, ale přesto jím lze lehce otočit rukou. Přidržte hrot lišty a otočením knoflíku ve směru hodinových ručiček upevněte spojku lišty. **(33)**
- Během doby záběhu po nasazení nového řetězu je zapotřebí často kontrolovat jeho napětí. Kontrolujte napětí řetězu pravidelně. Správně napnutý řetěz zaručuje dobrý řezný výkon a dlouhou životnost. **(44)**

Montáž zubové opěrky

Pokud chcete namontovat zubovou opěrku, obraťte se na servisní opravnu. **(47)**

MANIPULACE S PALIVEM

Palivo

Pamatujte si! Stroj je vybaven dvoudobým motorem a při jeho provozu se musí vždy použít směs benzínu a oleje pro dvoudobé motory. Je důležité přesně odměřit množství přimíchávaného oleje, aby se zaručilo, že se dosáhne správné směsi. Když smícháváte malá množství paliva s olejem, i velmi malé nepřesnosti mohou výrazně ovlivnit poměr složek směsi.



VÝSTRAHA! Při manipulaci s palivem vždy zajistěte dostatečné větrání.

Benzín



- Používejte vždy kvalitní olivnatý či bezolivnatý benzín.
- Doporučený nejnižší počet oktanů je 90 (RON). Provozujete-li motor na benzin s nižším počtem oktanů než 90, může dojít k tlučení v motoru. Toto vede ke zvýšené teplotě motoru a zvýšenému zatížení ložisek, což může způsobit těžké havárie motoru.
- Při souvislé práci při vysokých otáčkách (např. odvětvování) se doporučuje vyšší oktanové číslo.

Ekologické palivo

Společnost HUSQVARNA doporučuje používat ekologicky šetrný benzín (také nazývaný alkylátový benzín), a to buď předem smíchaný benzín Aspen pro dvoudobé motory nebo ekologicky šetrný benzín pro čtyřdobé motory smíchaný s olejem pro dvoudobé motory podle níže uvedeného návodu. Pamatujte si, že při změně typu paliva může být nutné seřídit karburátor (viz pokyny v kapitole Karburátor).

Etanolové palivo

Společnost HUSQVARNA doporučuje používat komerčně dostupné palivo s max. 10% obsahem etanolu.

Zajždění

Během prvních 10 hodin se vyhněte chodu na příliš vysoké otáčky.

Olej pro dvoudobé motory

- Abyste dosáhli co nejlepších výsledků a výkonu, používejte olej pro dvoudobé motory HUSQVARNA, který je vyráběn speciálně pro naše vzduchem chlazené dvoudobé motory.
- Nikdy nepoužívejte olej pro dvoudobé motory chlazené vodou, někdy také nazývaný olej pro lodní motory (tzv. TCW).
- Nikdy nepoužívejte olej určený pro čtyřdobé motory.
- Olej nízké kvality nebo příliš bohatá směs oleje a paliva může ohrozit funkčnost katalyzátoru a zkrátit jeho životnost.

Poměr směsi

1:50 (2%) s olejem pro dvoudobé motory HUSQVARNA.

1:33 (3%) s ostatními oleji určenými pro dvoudobé motory chlazené vzduchem, klasifikovanými pro JASO FB/ISO EGB.

Benzín, litrů	Olej pro dvoudobé motory, litrů	
	2% (1:50)	3% (1:33)
5	0,10	0,15
10	0,20	0,30
15	0,30	0,45
20	0,40	0,60

Míchání směsi

- Vždy míchejte benzín a olej v čisté nádobě určené na pohonné hmoty.
- Míchání začněte vždy nalitím poloviny dávky benzínu. Potom přidejte celou dávku oleje. Směs paliva dobře promíchejte (protřepejte). Přidejte zbývající polovinu dávky benzínu.
- Směs paliva před nalitím do palivové nádrže zařízení důkladně promíchejte (protřepejte).
- Nemíchejte větší dávku paliva než na jeden měsíc dopředu.
- Pokud po delší dobu stroj nepoužíváte, vyprázdněte a vyčistěte palivovou nádrž.

Olej na mazání řetězu

- Jako mazivo doporučujeme používat speciální olej (řetězový olej) s dobrými adhezivními vlastnostmi. **(48)**
- Nikdy nepoužívejte vyjetý olej. To by mělo za následek poškození olejového čerpadla, lišty a řetězu.
- Je důležité používat olej správné třídy (s vhodným rozsahem viskozity), který odpovídá teplotě vzduchu.
- Za teplot pod 0 °C (32 °F) se u některých olejů zvyšuje nadměrně viskozita (tuhnou). To může přetěžovat olejové čerpadlo a vést k poškození jeho některých součástí.
- Při výběru oleje na mazání řetězu se obraťte na nejbližší servisní opravnu.

MANIPULACE S PALIVEM

Plnění paliva



VÝSTRAHA! Při této činnosti hrozí nebezpečí požáru, které můžete snížit, když budete dodržovat následující opatření:

V blízkosti paliva nekuřte ani neumísťte žádné horké předměty.

Před doplněním paliva motor vypněte a nechte jej po několik minut vychladnout.

Před doplňováním paliva otvírejte uzávěr nádrže pomalu, aby se mohl zvolna uvolnit přetlak.

Po doplnění paliva pečlivě uzavřete uzávěr palivové nádrže.

Nikdy nestartujte motor stroje v prostoru doplňování a zdroje paliva.

Očistěte plochu kolem uzávěru palivové nádrže. Pravidelně čistěte nádržky paliva a oleje na mazání řetězu. Filtr paliva je nutno vyměňovat alespoň jednou za rok. Znečištění v nádržkách způsobuje poruchy. Před doplňováním paliva zajistěte dobré promíchání směsi protřepáním nádoby. Obsah nádržek paliva a oleje na mazání řetězu je pečlivě sladěn. Nádržky paliva a oleje na mazání řetězu by se proto měly vždy pinit zároveň. (48)



VÝSTRAHA! Palivo a jeho výpary jsou velmi vznětlivé. Při manipulaci s palivem a olejem na mazání řetězu dbejte nejvyšší opatrnosti. Nezapomínejte na nebezpečí požáru, výbuchu a nadýchání výparů.

Odstranění víčka benzínové nádrže a víčka oleje na mazání řetězu

- Zatláče na strukturovanou část zvedací páčky a zvedněte ji do vzpřímené polohy. (49)
- Povolte víčko otočením proti směru chodu hodinových ručiček. (50)
- Odstraňte víčko. (51)

Nasazení víčka benzínové nádrže a víčka oleje na mazání řetězu

- Zvedněte páčku do vzpřímené polohy a nasadte víčko. (52)
- Víčko pevně utáhněte otočením po směru chodu hodinových ručiček. (53)
- Sklopte dolů zvedací páčku. (54)

UPOZORNĚNÍ! Poškozené víčko vždy vyměňte.

Bezpečnost při manipulaci s palivem

- Nikdy nedoplňujte palivo do stroje za chodu motoru.
- Při doplňování paliva či míchání směsi (benzín a olej pro dvoudobé motory) zajistěte dostatečné větrání.
- Před zahájením startování se s motorovým foukačem přemístěte alespoň 3 m od místa, kde jste doplňovali palivo.
- Stroj nikdy nestartujte:
 - 1 Jestliže vám na zařízení přeteklo palivo nebo olej na mazání řetězu. Důkladně oťete vylitou kapalinu a nechte zařízení oschnout.
 - 2 Jestliže jste potřísnili palivem sebe nebo oděv, převlékněte se. Omyjte ty části těla, které byly v kontaktu s palivem. Použijte mýdlo a vodu.
 - 3 Jestliže ze stroje uniká palivo. Pravidelně kontrolujte těsnost uzávěru palivové nádrže a přívodů paliva.



VÝSTRAHA! Nikdy nepoužívejte stroj, který má viditelně poškozený kryt zapalovacích svíček a zapalovací kabel. Zvyšuje se zde nebezpečí jiskření, které může způsobit požár.

Přeprava a přechovávání

- Motorovou pilu a palivo vždy uchovávejte tak, aby nehrozilo nebezpečí, že případné úniky nebo výpary přijdou do styku s jiskrami či otevřeným ohněm z elektrických zařízení, elektromotorů, relé/spínačů, bojlerů a podobně.
- Palivo vždy skladujte ve schválených nádobách určených k tomuto účelu.
- Při skladování po delší dobu nebo při přepravě motorové pily je nutné nádrže paliva a mazacího oleje vyprázdnit. Informace o likvidaci paliva a oleje na mazání řetězu získáte u nejbližší benzínové pumpy.
- Při přepravě nebo skladování stroje musí být přepravní kryt vždy nasazen na řezací zařízení, aby se zabránilo neúmyslnému kontaktu s ostrým řetězem. I řetěz, který se nepohybuje, může způsobit vážné poranění uživateli nebo jiným osobám, které mají přístup k řetězu.
- Od zapalovací svíčky odpojte koncovku zapalovacího kabelu. Aktivujte řetězovou brzdu.
- Zajistěte stroj během přepravy.

Dlouhodobé uskladnění

V dobře větraném prostoru vyprázdněte nádržky s benzinem a olejem. Skladujte palivo ve schválených nádobách na bezpečném místě. Nasadte kryt lišty. Očistěte stroj. Viz pokyny v kapitole Časový plán údržby.

Před odstavením na delší dobu se ujistěte, že je stroj čistý a je zajištěn kompletním servisem.

STARTOVÁNÍ A VYPÍNÁNÍ

Startování a vypínání



VÝSTRAHA! Před startováním nezapomínejte na následující:

Brzda řetězu musí být při startování motorové pily aktivovaná, aby se snížilo nebezpečí kontaktu s rotujícím řetězem.

Nikdy nespustíte motorovou pilu aniž by byla lišta, řetěz a všechny kryty správně namontovány. Spojka se jinak může uvolnit a zavinit úraz.

Postavte stroj na pevnou podložku. Ujistěte se, že stojíte bezpečně a že se řetěz nemůže ničeho dotknout.

Zajistěte, aby se v pracovní oblasti a jejím okolí nezdržovaly nepovolané osoby či zvířata.

Nikdy nemotejte startovací lanko kolem ruky.

Startování

Při startování je nutné, aby brzda řetězu byla zapojena. Aktivujte brzdu posunutím krytu ruky proti zpětnému odrazu vpřed. (55)

Studený motor

Startovací poloha, 1: Nastavte hlavní vypínač do polohy sytiče vytažením červeného tlačítka ven – nahoru. (56)

Benzínové čerpadlo (2): Opakovaně mačkejte membránu proplachování vzduchem, dokud se membrána nenaplní palivem (alespoň šestkrát). Membrána nemusí být úplně plná. (56)

Levou rukou uchopte přední rukojeť. Pravou nohu zasuňte do zadní rukojeti a přišlápněte motorovou pilu pevně k zemi. (57)

Zatáhněte za startovací rukojeť, 3: Uchopte pravou rukou startovací rukojeť a pomalu vytáhněte startovací lanko až pocítíte odpor (v této chvíli došlo k zaskočení západek ve startovacím mechanismu) a potom silně a rychle a zatáhněte, až motor naskočí.

Zamáčkněte červené tlačítko sytiče, 4: Jakmile motor naskočí (uslyšíte „bafnutí“), zamáčkněte červené tlačítko sytiče.

Zatáhněte za startovací rukojeť (5): Silně tahejte za startovací lanko, dokud motor nenastartuje.

Teplý motor

Startovací poloha, 1: Ke správnému nastavení sytiče/plynu na startovací pozici je potřeba napřed vytáhnout červenou páčku sytiče ven a nahoru. (56)

Benzínové čerpadlo (2): Opakovaně mačkejte membránu proplachování vzduchem, dokud se membrána nenaplní palivem (alespoň šestkrát). Membrána nemusí být úplně plná. (56)

Zamáčkněte červené tlačítko sytiče, 3: Tím vypnete sytič, který není při startování zahřáté motorové pily zapotřebí. Nicméně pohybem vypínače zapnete vysoké volnoběžné otáčky, což usnadní start zahřátého motoru.

Zatáhněte za startovací rukojeť, 4: Levou rukou uchopte přední rukojeť. Pravou nohu zasuňte do zadní rukojeti a přišlápněte motorovou pilu pevně k zemi. (57)

Uchopte pravou rukou startovací rukojeť a pomalu vytáhněte startovací lanko až pocítíte odpor (v této chvíli došlo k zaskočení západek ve startovacím mechanismu) a potom silně a rychle a zatáhněte, až motor naskočí.

Jelikož je brzda řetězu stále ještě zapojena, je nutno co nejdříve snížit počet otáček motoru na volnoběh, čehož dosáhnete tím, že vypojíte držák škrťací klapky plynu. Odpojení se provádí lehkým dotykem spouště škrťací klapky plynu. Tím se vyhnete zbytečnému opotřebenosti spojky, bubnu spojky a brzdného pásu. Před přechodem na maximální otáčky nechejte stroj na několik vteřin běžet naprázdno.

Na zadním okraji pily je zjednodušená naváděcí pomůcka ke startování s obrázky popisujícími jednotlivé kroky (A). (57)

VAROVÁNÍ! Nevytahujte celou délku lanka startéru, nepouštějte startovací madlo a nenechávejte plně vytažené lanko samovolně navíjet. To by mohlo stroj poškodit.

Pamatujte si! Vraťte brzdu řetězu do původní polohy posunutím krytu ruky proti zpětnému odrazu směrem k držadlu rukojeti. Motorová pila je tím připravena k použití.



VÝSTRAHA! Dlouhodobé vdechování výfuků motoru, mlha od řetězového oleje a pilinový prach mohou mít nepříznivý vliv na zdraví.

- Nikdy nespustíte motorovou pilu aniž by byla lišta, řetěz a všechny kryty správně namontovány. Viz pokyny v části Montáž Když není na motorové pile namontována lišta ani řetěz, spojka může volně fungovat a způsobit vážné zranění.
- Brzda řetězu musí být při startování motorové pily aktivovaná. Viz pokyny v kapitole Spuštění a zastavení. Nikdy motorovou řetězovou pilu nespustíte tak, že byste ji pustili na zem. Tato metoda je extrémně nebezpečná, protože můžete nad motorovou pilou lehce ztratit kontrolu. (55)
- Nikdy nespustíte stroj v uzavřeném prostoru. Vdechování výfukových zplodin je nebezpečné.
- Sledujte své okolí a přesvědčte se, že nehrozí žádné nebezpečí, že by mohly nějaké osoby nebo zvířata přijít do styku s řezným mechanismem.
- Vždy držte motorovou pilu oběma rukama. Pravou rukou mějte na zadní rukojeti a levou ruku na přední rukojeti. **Toto uchycení musí používat všichni uživatelé – praváci i leváci.** Rukojeť držte pevně tak, že palce a ostatní prsty obtočíte okolo rukojeti motorové řetězové pily.

Vypínání

Zastavte motor stisknutím spínače spuštění/zastavení směrem dolů. (59)

VAROVÁNÍ! Spínač spuštění/zastavení se automaticky vrátí do polohy běhu. Abyste zabránili nechtěnému spuštění, musí být koncovka kabelu zapalovací svíčky ze zapalovací svíčky vždy odstraněna, když je stroj bez dozoru. (60)

PRACOVNÍ POSTUP

Před každým použitím: (61)

- 1 Zkontrolujte, zda brzda řetězu řádně funguje a není poškozená.
- 2 Zkontrolujte, zda zadní kryt pravé ruky není poškozen.
- 3 Zkontrolujte, zda držák škrťací klapy plynu řádně funguje a není poškozen.
- 4 Zkontrolujte, zda vypínač funguje správně a zda není poškozen.
- 5 Zkontrolujte, zda není některá z rukojetí znečištěna olejem.
- 6 Zkontrolujte, zda systém tlumení vibrací řádně funguje a není poškozen.
- 7 Zkontrolujte, zda je tlumič zvuku řádně připevněn a není poškozen.
- 8 Zkontrolujte, zda jsou všechny díly na motorové pile dotaženy a nejsou poškozeny nebo chybí.
- 9 Zkontrolujte, zda je lapač řetězu na svém místě a není poškozen.
- 10 Zkontrolujte napnutí řetězu

Obecné pracovní pokyny

UPOZORNĚNÍ!

Tato část popisuje základní bezpečnostní pravidla při použití motorové pily. Tyto informace nikdy nemožno nahradit profesionální zručností a zkušeností. V případě, že se dostanete do situace, kdy se necítíte bezpečně, ukončete práci a požádejte o radu odborníka. Můžete se obrátit na prodejce motorových pil, servisní opravnu nebo na zkušeného uživatele motorových pil. Nepouštějte se do žádné práce, na kterou se cítíte nedostatečně kvalifikováni!

Před zahájením práce s motorovou pilou je nutné pochopit princip a účinky zpětného rázu a to, jak mu předcházet. Viz pokyny v části Jak zabránit zpětnému rázu.

Před zahájením práce s motorovou pilou musíte pochopit rozdíl mezi řezáním horní a spodní stranou lišty. Viz pokyny v kapitolách Jak zabránit zpětnému odrazu pily a Bezpečnostní zařízení stroje.

Používejte osobní ochranné pomůcky. Viz pokyny v části Osobní ochranné pomůcky.

Základní bezpečnostní pravidla

- 1 Sledujte své okolí:

 - Abyste zabezpečili, že žádní lidé, zvířata ani nic jiného nemůže ovlivnit vaši kontrolu nad strojem.
 - Abyste se ujistili, že cokoli v výšce uvedeného je mimo dosah pily a že nikdo nemůže být zraněn padajícím stromem.

VAROVÁNÍ! Dodržujte výšce uvedené pokyny, ale nepoužívejte motorovou pilu v takových situacích, kde byste se nemohli dovolat pomoci v případě nehody.

- 2 Nepoužívejte motorový foukač za špatného počasí, jako např. v husté mlze, prudkém dešti, silném větru, silném mrazu apod. Práce za chladného počasí je únavná a často

s sebou nese zvýšené nebezpečí, jako např. kluzkou půdu, nepředvídatelný směr pádu poraženého stromu apod.

- 3 Zvláštní opatnosti dbejte při odstraňování malých větví, vyvarujte se řezání křoví (tj. řezání mnoha malých větviček najednou). Malé větvičky se mohou zachytit do řetězu, který je potom může vymrštit proti uživateli a způsobit mu vážné zranění.
- 4 Ujistěte se, že se můžete volně pohybovat a bezpečně stát. Zkontrolujte, zda ve vašem bezprostředním okolí nejsou nějaké překážky (kořeny, kameny, větve, jámy, příkopy apod.), pro případ, že by bylo nutné se rychle přesunout. Zvláštní pozornost věnujte práci ve svažitém terénu.
- 5 Počítejte si obzvláště opatrně při řezání napnutých kmenů. Napnutý kmen může nečekaně odpružit a navrátit se do své přirozené polohy, jak před tak i po řezání. Nesprávná poloha vás nebo řezu může vést k tomu, že strom udeří vás nebo stroj a vy ztratíte kontrolu. Obě okolnosti mohou způsobit vážnou nehodu.



- 6 Při přenášení motorové pily vypněte motor a zajistěte řetěz pomocí brzdy řetězu. Pilu vždy přenášejte tak, aby lišta a řetěz směřovaly dozadu. Pokud pilu přepravujete či přenášíte na delší vzdálenost, nasadte na řeznou lištu ochranný kryt.
- 7 Když položíte motorovou řetězovou pilu na zem, zablokujte pilový řetěz pomocí brzdy řetězu a zajistěte, abyste na stroj neustále viděli. Když od vaší motorové pily odejdete na jakkoliv dlouhou dobu, vypněte motor.



VÝSTRAHA! Někdy trísiky uvíznou v krytu zapekají zapekají řetězu. Před čištěním vždy vypněte motor.

Obecná pravidla

- 1 Když pochopíte, co zpětný ráz je a jak k němu dochází, můžete omezit nebo vyloučit moment překvapení. Tím, že se budete na jeho možnost připraveni, snížíte jeho riziko. Zpětný ráz je obvykle poměrně slabý, ale někdy může být velmi nečekaný a velmi prudký.
- 2 Je zapotřebí pilu vždy držet pevně pravou rukou za zadní rukojeť a levou rukou za přední rukojeť. Správné uchopení je takové, že palce a prsty obemknou rukojeti. Takto by měl uchopit rukojeti každý uživatel, ať je pravák nebo levák. Toto držení minimalizuje účinek zpětného rázu a pomáhá udržet motorovou pilu pod kontrolou. **Rukojeti nepouštějte!**
- 3 Většina úrazů vyplývajících ze zpětného rázu vzniká při odvětřování. Uživatel musí stát pevně oběma nohama na pevném podkladu a musí zabezpečit, aby se v jeho bezprostředním okolí nenacházelo nic, co by mohlo způsobit klouptnutí či ztrátu rovnováhy. Ke zpětnému rázu velmi často dochází tehdy, když v okamžiku momentálního nesoustředění uživatele oblast zpětného rázu lišty zavadí o větev, blízký kmen nebo jiný předmět.

PRACOVNÍ POSTUP

Mějte neustále přehled o řezaném předmětu. Pokud jsou předměty, které chcete řezat, malé a lehké, mohou se zaklínit do řetězu pily a být vymrštnuty směrem k vám. I když to pro vás nemusí být nebezpečné, mohlo by vás to překvapit a mohli byste ztratit kontrolu nad pilou. Nikdy pilou neřezejte na sobě narovnané klády nebo větve, aniž byste je nejprve od sebe oddělili. Vždy řezejte pouze jednu kládu nebo jeden kus. Odkládejte nařezané kusy pryč, aby byl váš pracovní prostor stále bezpečný. (62)

- 4 Uživatel by nikdy neměl pracovat s motorovou pilou nad úrovní ramen a řezat pouze špičkou lišty. Pilu při práci nikdy nedržte pouze jednou rukou! (63)**
- 5 K tomu, abyste měli plnou kontrolu nad motorovou pilou, je nutno stát pevně. Nikdy nepracujte ve stoje na žebříku, na stromě nebo tam, kde nemáte pod nohama pevnou půdu. (64)
- 6 Při řezání vždy využívejte vysokou rychlost, tzn. plný plyn.
- 7 Dbejte velké opatrnosti při řezání horní stranou lišty, tj. když řežete kmen zespodu. To se označuje jako řezání odbíhajícím řetězem. Řetěz se snaží tlačit pilu dozadu směrem k uživateli. Pokud se řetěz zaklíní, motorová řetězová pila se může vymrštit dozadu směrem k vám. (65)
- 8 Pokud uživatel neklade této tlačné síle odpor, je nebezpečí, že se pila posune tak daleko dozadu, že ve styku s řezaným kmenem zůstane pouze špička lišty a dojde ke zpětnému rázu. (66)
Řezání spodní stranou lišty, tzn. shora dolů, se označuje jako řezání nabíhajícím řetězem. V tomto případě řetěz přitahuje pilu směrem ke stromu a přední část těla pily se při řezání bezprostředně opírá o kmen. Řezání nabíhajícím řetězem poskytuje uživateli lepší kontrolu nad motorovou pilou a polohou oblasti zpětného rázu. (67)
- 9 Broušení a údržbu řetězu a lišty provádějte vždy podle příslušných pokynů. Při výměně lišty a řetězu používejte výhradně kombinace doporučené výrobcem. Prostudujte si pokyny v části „ezny mechanismus a Technické údaje.

Základní techniky řezání



VÝSTRAHA! Nikdy pilu při práci nedržte pouze jednou rukou. Motorovou řetězovou pilu není možné bezpečně ovládat, je-li držena pouze jednou rukou. Vždy držte motorovou pilu pevně oběma rukama za rukojeti.

Všeobecně

- Při řezání vždy používejte maximálních otáček!
- Po každém řezu nechte otáčky motorové pily klesnout na volnoběžné (příliš dlouhý běh motoru na plný plyn bez zatížení, tzn. aniž by pohyb řetězu při řezání něco kladlo odpor, může mít za následek vážné poškození motoru).
- Řezání seshora = řezání nabíhajícím řetězem.
- Řezání zespoda = řezání odbíhajícím řetězem.

Řezání odbíhajícím řetězem zvyšuje riziko zpětného rázu. Viz pokyny v části Jak zabránit zpětnému rázu.

Terminologie

Řezání = obecný výraz pro řezání dřeva.

Odvětvování = odřezávání větví z poraženého stromu.

Rozlomení = případ, kdy kmen, který řežete, praskne ještě před dokončením řezu.

Je pět důležitých faktorů, které by měl uživatel provést předtím, než začne řezat:

- 1 Ujistit se, že nedojde k sevření řezného mechanismu v řezu. (68)
- 2 Ujistit se, že se řezaný předmět nerozlomí. (69)
- 3 Ujistit se, že řetěz během řezání či po něm neškrtně o zem nebo nějaký jiný předmět. (70)
- 4 Zvážit, zda nehrozí nebezpečí zpětného rázu. (4)
- 5 Zvážit, zda podmínky a okolní prostředí neovlivní bezpečnost pohybu či stabilitu.

Dva faktory rozhodují o tom, zda nedojde k sevření řetězu nebo zda se řezaný kmen nerozlomí: první je způsob, kterým je kmen podepřen před a za řezem, druhý je to, zda je či není tento předmět napružen tlakem.

Ve většině případů můžete zabránit těmto nežádáným problémům řezáním ve dvou etapách; seshora a zespoda. Je zapotřebí podepřít kmen tak, aby během řezání nesevřel řetěz ani se nezlomil.

UPOZORNĚNÍ! Jestliže dojde k sevření řetězu v řezu:

Vypněte motor! Nepokoušejte se vytáhnout motorovou pilu z řezu. Pokud byste se snažili pilu násilím vytrhnout, mohli byste se o ni zranit, kdyby se náhle uvolnila. Pilu můžete vyprostit tak, že pomocí páky rozevřete

Následující pokyny popisují, jak postupovat v neobvyklejších situacích, do kterých se při práci s motorovou pilou může uživatel dostat.

Odvětvování

Při odřezávání silných větví by uživatel měl postupovat stejně jako při řezání.

Větve, u kterých hrozí nějaké nebezpečí, odřezávejte kus po kuse. (71)

Řezání



VÝSTRAHA! Nikdy nezkoušejte klády řezat, když jsou narovnané na sobě nebo když dvě klády leží blízko sebe. Tento způsob práce dramatičtě zvyšuje nebezpečí zpětného odrazu, který může mít za následek těžké nebo smrtelné zranění.

Pokud máte hromadu klád, musíte každou kládu, kterou chcete řezat, z této hromady vytáhnout, položit na kozu nebo na opěru a řezat ji samostatně.

Odkládejte nařezané kusy z pracovního prostoru. Pokud byste je ponechali v pracovním prostoru, zvyšuje se nebezpečí, že by z důvodu chyby mohlo dojít ke zpětnému odrazu, a nebezpečí, že ztratíte při práci rovnováhu. (72)

PRACOVNÍ POSTUP

Kmen leží na zemi. Nehrozí příliš velké nebezpečí sevření řetězu a zlomení kmene. Hrozí však nebezpečí, že se řetěz dotkne země při dokončování řezu. **(73)**

Prořízněte celý kmen seshora. Při dokončování řezu se vyvarujte dotyku řetězu se zemí. Udržujte plně otáčky, ale buďte připraveni na to, co se může stát. **(74)**

V případě, že je možné kmen obrátit, prořízněte kmen přibližně do 2/3 průměru.

Obratíte kmen a dokončete řez z opačné strany. **(75)**

Kmen je podepřen na jednom konci. Hrozí velké nebezpečí zlomení kmene. **(76)**

Začněte řezat zespoda (přibližně do 1/3 průměru).

Dokončete řez seshora, tak, aby se oba řezy setkaly. **(77)**

Kmen je podepřen na obou koncích. Hrozí velké nebezpečí sevření řetězu. **(78)**

Začněte řezat seshora (přibližně do 1/3 průměru).

Dokončete řez zespoda, tak, aby se oba řezy setkaly. **(79)**

Postup při kácení stromů

UPOZORNĚNÍ! Porážení stromů vyžaduje velkou zkušenost. Nezkušený uživatel motorové pily by neměli porážet stromy. Nepouštějte se do žádné práce, při níž si nejste jisti!

Bezpečná vzdálenost

Bezpečná vzdálenost mezi stromem, který se má kácet, a jakoukoli osobou, která pracuje poblíž, je alespoň 2 1/2 délky tohoto stromu. Před kácením i během něj kontrolujte, že v této rizikové zóně není žádná jiná osoba. **(80)**

Směr kácení

Cílem je porazit strom do takového místa, kde by jeho kmen mohl být co nejsnadněji odvětvěn a rozřezán. Terén na tomto místě by rovněž měl být takový, aby se zde dalo bezpečně stát a pohybovat.

Jakmile se rozhodnete, kterým směrem chcete strom porazit, musíte posoudit, kterým směrem by tento strom padl přirozeně.

Toto ovlivňuje několik faktorů:

- Náklon stromu
- Zakřivení
- Směr větru
- Uspořádání větví
- Hmotnost eventuálního sněhu
- Překážky v dosahu stromu: například ostatní stromy, elektrické vedení, silnice a budovy.
- Podívejte se, zda na kmeni nenajdete známky poškození a hniloby, které způsobují, že je mnohem pravděpodobnější, že se strom zlomí a začne padat dříve než to budete čekat.

Možná zjistíte, že budete nuceni porazit strom do směru jeho přirozeného pádu, protože je nemožné nebo nebezpečné pokoušet se porazit jej do směru, který si přejete.

Dalším velmi důležitým faktorem, který neovlivňuje směr kácení, ale má vliv na vaši bezpečnost, je stav jeho větví, protože poškozené nebo suché větve by se mohly během kácení odломit a zranit vás.

Při kácení stromu se snažte předejít tomu, aby se jeho kmen opřel o jiný strom. Vyprošťování uvězněného stromu je velmi nebezpečné a představuje vysoké riziko úrazu. Viz pokyny v části Vyprošťování stromu, který padl špatně. **(81)**

UPOZORNĚNÍ! Při některých nebezpečných situacích během kácení by měl uživatel bezprostředně po vypnutí motoru pily sejmut ochráníče sluchu, aby slyšel všechny zvuky a případné varovné signály.

Čištění kmene a příprava ústupové cesty

Odstraňte z kmene větve do výšky ramen. Je bezpečnější pracovat shora dolů a mít strom mezi vámi a pilou. **(82)**

Kolem kořene stromu odstraňte všechnen porost a zkontrolujte, zda ve vašem bezprostředním okolí nejsou nějaké překážky (kameny, větve, jámy apod.), tak, abyste měli vyklizenou ústupovou cestu pro okamžik, až strom začne padat. Tato ústupová cesta by měla s **(83)**

- 1 Oblast rizik
- 2 Úniková cesta
- 3 Směr kácení

Kácení



VÝSTRAHA! Pokud jste nebyli speciálně zaškoleni, doporučujeme vám, abyste nekáceli stromy o průměru větším, než je délka lišty vaší pily!

Kácení se provádí třemi řezy. Nejprve provedete směrový zářez, který sestává z horního řezu a spodního řezu, potom kácení dokončíte hlavním řezem Správným umístěním těchto řezů můžete velmi přesně určit směr pádu stromu.

Směrový zářez

Pro směrový řez začněte vrchním zářezem. Zamířte pomocí značky směru kácení na pile (1) na cíl dále v terénu, kde chcete, aby strom spadl (2). Stůjte na pravé straně stromu za pilou a řezteje s tažným zdvihem.

Jako další provedte spodní řez, a to tak, aby se přesně setkal s koncem horního řezu. **(84)**

Směrový zářez by měl být veden do hloubky 1/4 průměru kmene a úhel mezi horním a spodním řezem by měl být nejméně 45°.

Průsečík obou řezů se označuje jako hrana směrového zářezu. Její linie by měla být dokonale vodorovná a měla by být kolmá (90°) ke zvolenému směru pádu. **(85)**

Hlavní řez

Hlavní řez se provádí z opačné strany stromu a musí být dokonale vodorovný. Stůjte přítom na levé straně stromu a řezte nabíhajícími řetězem.

Hlavní řez provedte přibližně 3–5 cm (1,5–2 palce) nad spodním směrovým řezem. **(86)**

PRACOVNÍ POSTUP

Nasaďte zubovou opěrku (pokud je jí pila vybavena) těsně za "dřevorubecký kloub" (viz dále). Rozběhněte motor na plný plyn a zařezávejte řetěz/lištu pomalu do stromu. Kontrolujte, zda se strom nezačne sklánět opačným směrem, než je zamýšlený směr kácení. Jakmile je řez dostatečně hluboký, zarazte do něj klín nebo páčidlo.

Dokončete hlavní řez rovnoběžně s hranou směrového zářezu, ale tak, aby mezi nimi zůstal nedořez o tloušťce alespoň 1/10 průměru kmene. Tento nedořez kmene bývá označován jako dřevorubecký kloub.

Dřevorubecký kloub určuje směr, kterým bude strom padat. **(87)**

V případě, že by byl dřevorubecký kloub příliš úzký, že byste přerázli kmen úplně nebo že by směrový zářez a hlavní řez byly špatně umístěny, ztratíte kontrolu nad směrem kácení. **(88)**

Po dokončení směrového zářezu a hlavního řezu by se strom měl začít kácet samovolně nebo pomocí dřevorubeckého klínu či páčidla. **(89)**

Doporučujeme, abyste používali lištu, která bude delší než je průměr stromu, abyste mohli provést hlavní řez a směrové řezy "jedním řezným zdvihem". Informace o tom, jaké délky lišty jsou doporučeny pro váš model motorové řetězové pily, naleznete v části Technické údaje.

I pro kácení stromů o průměru větším než je délka lišty existují určité metody. Tyto metody však představují mnohem větší nebezpečí kontaktu oblastí zpětného rázu lišty se stromem. **(4)**

Vyprošťování stromu, který padl špatně

Vyprošťování "uvězněného stromu"

Vyprošťování uvězněného stromu je velmi nebezpečné a představuje vysoké riziko úrazu.

Nikdy nezkoušejte řezat strom, na který spadnul jiný strom.

Nikdy nepřpracujte v nebezpečné zóně u visícího zachyceného stromu. **(90)**

Nejbezpečnější metoda je použít naviják.

- Namontovaný na traktor
- Přenosný

Řezání stromů a větví, které jsou napružené pod tlakem

Příprava: Uvažte, která oblast je napružená tlakem a kde je místo maximálního napětí. (tzn. kde by se kmen zlomil, kdyby byl ohnut ještě více). **(91)**

Rozhodněte, jaký je nejbezpečnější způsob uvolnění napětí a zda je možné to provést bezpečně. Ve složitých situacích je jedinou bezpečnou metodou odložit pilu a použít naviják.

Obecná rada:

Postavte se na místo, kde by vás neohrozil strom nebo větev při uvolnění napětí. **(92)**

Provedte jeden nebo více řezů v bodě maximálního napětí nebo v jeho blízkosti. Počet a hloubka provedených zářezů by měly být dostatečné na snížení napětí a zlomení stromu nebo větve v bodě maximálního napětí. **(93)**

Nikdy se nepokoušejte přeříznout najednou větev nebo strom, který je napružen tlakem!

Když se musíte přeřezat skrz stromy (větvě), udělejte dva nebo tři řezy o hloubce 3–5 cm ve vzdálenosti 3 cm od sebe. **(94)**

Pokračujte v řezání, dokud se neuvolní napětí a ohnutí stromu a větví. **(95)**

Jakmile se napětí uvolní, řezejte strom a větev z druhé strany.

Jak zabránit zpětnému rázu



VÝSTRAHA! Ke zpětnému rázu může dojít velmi nečekaně a prudce; pila, lišta a řetěz se při něm vymrští dozadu směrem k uživateli. Pokud se tak stane v době, když se řetěz pohybuje, může způsobit velmi vážné nebo i smrtelné zranění. Je zásadně důležité, abyste pochopili, co zpětný ráz způsobuje a že mu můžete předejít opatrností a používáním správných pracovních postupů.

Co je to zpětný ráz?

Výraz zpětný ráz se používá pro popis náhle reakce, která způsobí, že motorová pila a lišta odskočí od předmětu, kterého se dotkl horní čtvrtkrh špičky lišty, známý jako oblast zpětného rázu. **(66)**

Ke zpětnému rázu vždy dochází v řezné rovině lišty. Nejčastěji je pila s lištou vržena dozadu a vzhůru směrem k uživateli. Pohyb motorové pily však může mít i jiný směr, v závislosti na způsobu, kterým se s ní pracovalo v okamžiku, kdy se oblast zpětného rázu dotkla příslušného předmětu. **(7)**

Ke zpětnému rázu dochází pouze tehdy, když se oblast zpětného rázu lišty dotkne nějakého předmětu. **(4)**

Odvětvování



VÝSTRAHA! Většina nehod se zpětným odrazem se stane při odvětvování. Nepoužívejte zónu zpětného odrazu lišty. Dejte velký pozor, aby hrot vodicí lišty nepřišel do styku s kladou, dalšími větvemi nebo předměty. Dejte velký pozor u větví, které jsou napružené. Mohou se vymrští směrem k vám a způsobit ztrátu kontroly, což by mohlo mít za následek zranění.

Ujistěte se, zda můžete bezpečně stát a zda nic nebrání vašemu pohybu! Pracujte na levé straně kmene. Maximální kontrolu nad pilou si udržíte jen tehdy, když ji budete co nejlíže. Pokud je to možné, nechte ji spočívat svou vahou na kmenech.

Při přesouvání podél kmene dbejte na to, aby tento kmen byl stále mezi vámi a pilou.

Rozřezávání kmene na polena

Viz pokyny v části Základní techniky řezání.

Všeobecně

Uživatel smí provádět pouze takové údržbářské a servisní úkony, které jsou popsány v tomto návodu k použití. Rozsáhlejší zásahy je nutno nechat provést autorizované servisní dílně.

Nastavení karburátoru

Veškeré výrobky Husqvarna jsou konstruovány a vyrobeny dle specifikací, které snižují obsah škodlivin ve výfukových plynech.

Funkce

- Otáčky motoru jsou řízeny páčkou plynu prostřednictvím karburátoru. V karburátoru se mísí palivo se vzduchem. Poměr palivo/vzduch ve směsi je nastavitelný. Správné seřízení je zásadně důležité pro dosažení maximálního výkonu stroje.
- Šroubem T se seřizuje nastavení škrticí klapky při volnoběžných otáčkách. Otáčením šroubu T po směru hodinových ručiček se volnoběžné otáčky zvyšují; jeho otáčením proti směru hodinových ručiček se dosahuje nižších volnoběžných otáček.

Základní nastavení hodnot a záběh

Základní hodnoty karburátoru jsou nastaveny během zkoušek ve výrobě. Jemné nastavení by měl provádět odborně kvalifikovaný mechanik.

Doporučený počet otáček při volnoběhu je: Viz část Technické údaje.

Jemné seřízení volnoběžných otáček T

Volnoběžné otáčky se seřizují pomocí šroubu T. V případě, že je nutné je znovu seřadit, za běhu motoru otáčejte šroubem T po směru hodinových ručiček, dokud se řetěz nezačne pohybovat. Potom šroubem otáčejte proti směru hodinových ručiček, dokud se řetěz nezastaví. Po správném seřízení by měl motor běžet hladce v každé poloze a otáčky motoru by měly zůstat bezpečně nižší než jsou otáčky, při nichž začíná obíhat řetěz.



VÝSTRAHA! V případě, že nelze nastavit takovou hodnotu volnoběžných otáček, při které by byl řetěz v klidu, vyhledejte servisní opravnu. Nepoužívejte motorovou pilu, dokud nebyla správně seřizena nebo opravena.

Správně seřízený karburátor

Když je karburátor seřízen správně, zařízení by se mělo rozbíhat bez zpoždění a při vysokých otáčkách by mělo trochu bublat. Důležité je také to, aby při volnoběžných otáčkách řetěz zůstal v klidu. Jestliže je tryska L nastavena na příliš chudou směs, může docházet k potížím při startování a rovněž akcelerace je příliš nízká. Jestliže je tryska H nastavena na příliš chudou směs, zařízení bude mít nižší výkon, pomalou akceleraci a může dojít k poškození motoru.

Kontrola a údržba bezpečnostního vybavení motorové pily

Pamatujte si! Všechny servisní práce a opravy na stroji vyžadují speciální školení. To platí zvláště u bezpečnostního zařízení stroje. Pokud váš stroj nevyhoví kterékoli z níže popsanych kontrol, doporučujeme, aby jej odnesli do servisu.

Brzda řetězu a chránič levé ruky

Kontrola opotřebení pásku brzdy



Očistěte brzdou řetězu a buben spojky od veškerých pilin, pryskyřice a nečistot. Nečistoty a opotřebení sníží účinnost brzdy. (96)

Pravidelně kontrolujte, zda je tloušťka pásku brzdy v nejslabším místě alespoň 0,6 mm.

Kontrola chrániče levé ruky



Zkontrolujte, zda není chránič levé ruky poškozen a zda se na něm neobjevují viditelné vady, jako např. trhliny.

Přesuňte chránič levé ruky dopředu a zpět, abyste zjistili, zda se volně pohybuje a zda je bezpečně upevněn na krytu spojky.

Kontrola aktivace brzdy vlivem setrvačnosti



Položte motorovou řetězovou pilu s vypnutým motorem na pařez nebo na jinou stabilní plochu. Uvolněte přední rukojeť a nechejte pilu spadnout vlastní vahou, otáčeje se okolo zadní rukojeti směrem k pařezu. (97)

Při dopadu lišty na pařez by se měla brzda uvést v činnost. (98)

Kontrola spouštění brzdy

Postavte motorovou pilu na pevnou podložku a nastartujte ji. Zajistěte, aby se řetěz nedotýkal země nebo jakéhokoli předmětu. Viz pokyny pod rubrikou Startování a vypínání. (99)

Pevně motorovou pilu uchopte tak, aby palce a prsty obemrkly obě rukojeti.

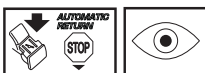
Přidejte plyn, až motorová pila dosáhne plných otáček, a uveďte v činnost brzdou řetězu tlakem levého zápěstí dopředu na chránič ruky. Nepouštějte přední rukojeť. **Řetěz by se měl okamžitě zastavit. (58)**

Pojistka páčky plynu



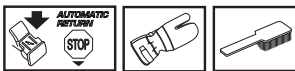
- Zkontrolujte, zda při uvolnění pojistky páčky plynu zapadne páčka plynu do polohy, při které je motor ve volnoběžných otáčkách. (100)
- Stiskněte pojistku páčky plynu a zkontrolujte, zda se po uvolnění vrátí do své výchozí polohy. (101)
- Zkontrolujte, zda se páčka plynu a její pojistka volně pohybují a zda jejich vratné pružiny fungují správně. (102)
- Nastartujte motorovou pilu a přidejte plyn, až pila dosáhne plných otáček. Uvolněte páčku plynu a zkontrolujte, zda se řetěz zastaví a zůstane nehybný. Pokud se po uvolnění páčky plynu do volnoběžné polohy řetěz pohybuje, měli byste zkontrolovat nastavení

Zachycovač řetězu



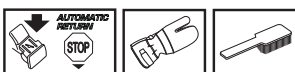
Zkontrolujte, zda není zachycovač poškozen a zda je pevně upevněn k tělu motorové pily. (103)

Chránič pravé ruky



Zkontrolujte, zda není chránič pravé ruky poškozen a zda se na něm neobjevují viditelné vady, jako např. trhliny. (11)

Antivibrační systém



Pravidelně kontrolujte, zda se na blocích antivibračního systému neobjevují trhliny či deformace. Zkontrolujte, zda jsou antivibrační bloky pevně uchyceny k jednotce motoru i k rukojetím. (104)

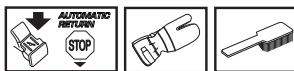
Stop spínač (vypínač zapalování)



Nastartujte motor a zkontrolujte, zda se motor zastaví při přesunutí vypínače zapalování do vypnuté polohy. (59)

VAROVÁNÍ! Spínač spuštění/zastavení se automaticky vrátí do polohy běhu. Pro zamezení neúmyslného spuštění musí být koncovka kabelu zapalovací svíčky při montáži, kontrole a/ nebo provádění údržby ze zapalovací svíčky odstraněna.

Tlumič výfuku



Nikdy nepoužívejte stroj, který má poškozený tlumič výfuku.

Pravidelně kontrolujte, zda je tlumič výfuku bezpečně upevněn k zařízení. (105)

Některé tlumiče výfuku jsou vybaveny speciálním sítkovým lapačem jisker. Pokud vaše zařízení je opatřeno takovým typem tlumiče výfuku, měli byste jeho sítko čistit alespoň jednou za týden. Toto sítko vyčistíte nejlépe ocelovým kartáčem. Ucpaná sítko způsobí přehřátí motoru a může vést k vážnému poškození.

Pamatujte si! Poškozené sítko se musí vyměnit. Jestliže je sítko ucpané, stroj se bude přehřívat, což vede k poškození válce a pístu. Nikdy nepoužívejte stroj, jestliže je tlumič výfuku ve špatném stavu. **Nikdy nepoužívejte tlumič výfuku, jestliže sítko lapače jisker chybí nebo je vadné.** (13)

Tlumič výfuku je určen ke snížení úrovně hluku a k usměrnění výfukových plynů směrem od uživatele. Výfukové plyny jsou horké a mohou obsahovat jiskry, které by mohly způsobit požár, pokud by byly nasměrovány proti suchému a hořlavému materiálu.

Startér



VÝSTRAHA! Vratná pružina je uložena v pouzdru startéru stočená a napružená a v případě neopatrného zacházení se může vymrštit a způsobit zranění.

Při výměně vratné pružiny nebo startovací šňůry buďte opatrní. Používejte ochranné brýle a ochranné rukavice.

Výměna startovací šňůry



- Povolte šrouby, které upevňují startér ke klikové skříni a vyjměte startér. (106)
- Vytáhněte přibližně 30 cm lanka a zahákněte jej do zářezu v obvodu řemenice startéru. Uvolněte vratnou pružinu tak, že řemenici nechte pomalu otáčet zpět. (107)
- Povolte šroub umístěný uprostřed cívky a vyjměte hnací kotouč (A), pero hnacího kotouče (B) a kladku (C). Vložte a zajistěte novou startovací šňůru v kladce startování. Navívejte startovací šňůru na kladku startování přibližně třikrát kolem. Upevněte kladku startování tak, aby byl konec vratné pružiny (D) zavěšen na kladku startování. Nyní nasadte pero hnacího kotouče, hnací kotouč a šroub do středu kladky. Navlékněte šňůru spouštěcího zařízení do otvoru ve skříni spouštěcího zařízení a v rukojeti spouštěcího zařízení. Na startovací šňůře uvažte pevný uzel. (108)

Napínání vratné pružiny

- Zahákněte lanko startéru do zářezu v obvodu řemenice startéru a otočte řemenici startéru přibližně o dvě otáčky po směru hodinových ručiček.

Pamatujte si! Zkontrolujte, zda je možné řemenici otočit o další 1/2 otáčky, když je lanko startéru plně vytaženo. (109)

Napněte ji pomocí rukojeti. Pohněte palcem a uvolněte šňůru. Viz obrázek níže. (110)

Výměna vratné pružiny a hnacího pera



Vratná pružina (A)

- Vyjmzte řemenici startéru. Přečtete si pokyny v části Význam přetrženého nebo opotřebeného lanka startéru. Uvzdorněte si, že vratná pružina je v pouzdru startéru umístěna ve stlačeném stavu.
- Vyjmzte kazetu s vratnou pružinou ze startéru.
- Namažte vratnou pružinu řídkým olejem. Upevnzte kazetu s vratnou pružinou do startéru. Namontujte řemenici startéru a napněte vratnou pružinu.

Pero hnacího kotouče (B)

- Povolte šroub umístěný uprostřed cívký a vyjměte hnací kotouč a pero hnacího kotouče.
- Nasaďte nové pero hnacího kotouče a hnací kotouč nasadte na pero. (111)

Montáž startéru

- Před montáží startéru nejprve vytáhněte lanko startéru a přiložte startér na příslušné místo na klikové skříni. Potom pomalu uvolněte lanko startéru tak, aby zaskočily západky řemenice.
- Našroubujte a utáhněte šrouby, které upevňují startér.

Vzduchový filtr



Vzduchový filtr je nutno pravidelně čistit od prachu a nečistot, jedině tak je možno odstranit:

- Poruchy karburátoru,
- Problémy při startování,
- Snížení výkonu motoru
- Zbytečné opotřebení součástí motoru,
- Nadměrnou spotřebu paliva.
- Před demontáží vzduchového filtru je třeba sejmout jeho kryt. Při zpětné montáži zkontrolujte, zda filtr dosedl do držáku dostatečně těsně. Vyčistěte filtr vykartáčováním nebo vyklepáním nečistot. (112)

Důkladnějšího vyčištění filtru dosáhnete jeho vypráním ve vodě se saponátem.

Vzduchový filtr, který byl používán po delší dobu, již nelze dokonale vyčistit. Filtr se proto musí v pravidelných intervalech měnit za nový. **Rovněž poškozený filtr je nutno vždy vyměnit.**

Motorová pila HUSQVARNA může být vybavena různými typy vzduchových filtrů vhodných pro různé pracovní podmínky, počasí, roční období atd. Další informace získáte u prodejce.

Zapalovací svíčka



Na stav zapalovací svíčky má nepříznivý vliv:

- Nesprávné seřízení karburátoru.
- Nesprávná palivová směs (příliš mnoho nebo špatný olej).
- Znečištěný vzduchový filtr.

Tyto faktory přispívají k tvorbě usazenin na elektrodách zapalovací svíčky, které mohou následně vést k provozním problémům a obtížím při startování.

Pokud se snižuje výkon zařízení, je obtížné jej nastartovat či dochází k problémům při volnoběžných otáčkách, vždy, než přikročíte k dalším opatřením, nejprve zkontrolujte stav zapalovací svíčky. Jestliže je zapalovací svíčka znečištěná, vyčistěte ji a zkontrolujte, zda je vzdálenost elektrod zapalovací svíčky 0,5 mm. Zapalovací svíčka by se měla vyměňovat po jednom měsíci provozu nebo i častěji, pokud je to nutné. (113)

Pamatujte si! Vždy používejte doporučený typ zapalovacích svíček! Použití jiného typu zapalovacích svíček by mohlo poškodit píst či válec. Dbejte na to, aby svíčka měla tzv. radiové odrušení.

Mazání jehlového ložiska



Buben spojky má na výstupním hřídeli jehlové ložisko. Toto jehlové ložisko musí být pravidelně mazáno.

Při mazání demontujte kryt spojky uvolněním dvou matic. Pílu položte na bok spojkovým bubnem vzhůru.

Mazání provádějte nakapáním motorového oleje vedle středu spojkového bubnu při současném otáčení spojkového bubnu. (114)

Chladicí systém



Zařízení je vybaveno chladicím systémem, který zajišťuje udržení co nejnižší provozní teploty.

Chladicí systém se skládá z následujících součástí:

- Sání vzduchu v krytu startéru,
- Vodící deska vstupu vzduchu,
- Lopatky ventilátoru,

- 4 Chladicí žebra na válci,
- 5 Kryt válce (usměrňuje průběh chladného vzduchu podél válce). **(115)**

Chladicí systém je zapotřebí čistit kartáčem jednou za týden, v případě náročných podmínek ještě častěji. Znečištěný nebo ucpaný chladicí systém má za následek přehřívání zařízení, což vede k poškození válce a pístu.

Odstředivé čištění "Air Injection"

Odstředivé čištění je založeno na následujícím principu: Všechny vzduch přiváděný do karburátoru prochází startérem. Prach a nečistoty se působením rotace chladicího ventilátoru odstředí ven. **(116)**

UPOZORNĚNÍ! Aby se zachovala správná funkce odstředivého čistícího systému, je nutno pravidelně provádět jeho údržbu. Tato údržba spočívá v čištění sání vzduchu do startéru, lopatek ventilátoru, prostoru kolem oběžného kola ventilátoru, vstupního potrubí a komory karburátoru.

Používání v zimě

Při používání stroje v chladu a sněhu může dojít k poruchám provozu, způsobeným následujícím:

- Příliš nízké teploty motoru,
- Tvorba námrazy na vzduchovém filtru a karburátoru.

Proto je často zapotřebí zvláštních opatření:

- Částečně zakryjte sání vzduchu na startéru, abyste zvýšili provozní teplotu motoru.

Teplota -5°C nebo chlaději:



Pro práci se zařízením za chladného počasí nebo hustého sněžení je možno objednat speciální kryt, který se montuje na plášť startéru. Ten zmenšuje průřez vstupu chladného vzduchu a zabraňuje nasávání velkého množství sněhu. **(117)**

VAROVÁNÍ! Jestliže použijete tuto speciální zimní výbavu nebo podniknete jakákoli opatření ke zvýšení teploty, tyto úpravy musí být odstraněny předtím, než bude zařízení použito za normálních teplotních podmínek. V opačném případě hrozí nebezpečí přehřátí, které by mělo za následek vážné poškození motoru.

UPOZORNĚNÍ! Jakoukoli další údržbu, která není popsána v této příručce, musí provádět pracovník servisní opravy (prodejce).

ÚDRŽBA

Schema technické údržby

Níže je uveden seznam těch úkolů údržby, které je nutno provést na stroji. Většina bodů je popsána v kapitole Údržba.

Denní údržba	Týdenní údržba	Měsíční údržba
Očistěte stroj zvenku.	Jednou týdně zkontrolujte chladicí systém.	Zkontrolujte brzdový pás na brzdě řetězu, zda není opotřebený. Vyměňte jej, jestliže v nejvíce opotřebeném bodě je jeho tloušťka menší než 0,6 mm.
Zkontrolujte, zda součásti ovládání plynu fungují bezpečně. (Pojistka páčky plynu a páčka plynu.)	Zkontrolujte startér, startovací šňůru a vratnou pružinu.	Zkontrolujte opotřebení hřídele spojky, bubnu spojky a pružiny spojky.
Vyčistěte brzdu řetězu a zkontrolujte, zda bezpečně pracuje. Ujistěte se, že zachycovač řetězu je nepoškozený, a v případě potřeby ho vyměňte.	Zkontrolujte antivibrační prvky, zda nejsou poškozené.	Vyčistěte zapalovací svíčku. Ověřte, zda je vzdálenost elektrod zapalovací svíčky 0,5 mm.
Lištu byste měli pravidelně převracet, abyste snížili její opotřebení. Zkontrolujte, zda není mazací otvor v liště zanesený. Vyčistěte drážku lišty.	Namažte ložiska bubny spojky	Očistěte vnější povrch karburátoru.
Proveďte, zda lišta a řetěz jsou mazány dostatečným množstvím oleje.	Opilujte všechny eventuální otřepty na hranách lišty.	Zkontrolujte stav filtru paliva a hadice přívodu paliva. V případě potřeby je vyměňte.
Zkontrolujte pilový řetěz, zda na nýtech a člácích nejsou viditelné praskliny, zda pilový řetěz není ztuhlý nebo zda nýty a články nejsou nadměrně opotřebené. V případě potřeby je vyměňte.	Očistěte nebo vyměňte sítku lapače jisker na tlumiči zvuku.	Vyprázdněte palivovou nádržku a vyčistěte ji uvnitř.
Nabruste řetěz a zkontrolujte jeho napnutí a stav. Ověřte, zda není hnací řetězové kolečko nadměrně opotřebené, v případě potřeby ho vyměňte.	Vyčistěte komoru karburátoru.	Vyprázdněte olejovou nádržku a vyčistěte ji uvnitř.
Očistěte sání vzduchu startovací jednotky.	Vyčistěte vzduchový filtr. V případě potřeby ho vyměňte.	Překontrolujte všechny elektrické kabely a konektory.
Přesvědčte se, zda jsou matice a šrouby utažené.		
Proveďte činnost vypínače.		
Zkontrolujte, zda neuniká palivo z motoru, nádrže nebo palivových hadiček.		
Zkontrolujte, zda se řetěz neotáčí, když motor běží na volnoběh.		

TECHNICKÉ ÚDAJE

Technické údaje

	435 II	435e II	440 II	440e II
Motor				
Obsah válce, cm ³	40,9	40,9	40,9	40,9
Vrtání válce, mm	41	41	41	41
Zdvih, mm	31	31	31	31
Otáčky chodu naprázdno, ot./min	2900	2900	2900	2900
Výkon, kW/ot./min	1,6/9000	1,6/9000	1,8/9000	1,8/9000
Systém zapalování				
Zapalovací svíčka	NGK BPMR 7A/ Champion RCJ 7Y	NGK BPMR 7A/ Champion RCJ 7Y	NGK BPMR 7A/ Champion RCJ 7Y	NGK BPMR 7A/ Champion RCJ 7Y
Vzdálenost elektrod, mm	0,5	0,5	0,5	0,5
Palivový a mazací systém				
Objem palivové nádrže, litr	0,37	0,37	0,37	0,37
Kapacita olejového čerpadla při 9000 ot./min, ml/min	13	13	13	13
Objem nádrže oleje, litrů	0,25	0,25	0,25	0,25
Typ olejového čerpadla	Automatika	Automatika	Automatika	Automatika
Hmotnost				
Řetězová pila bez lišty a řetězu, prázdné nádrže, kg	4,2	4,4	4,2	4,4
Emise hluku (viz poznámka 1)				
Hladina akustického výkonu, změřená dB(A)	112	112	113	113
Hladina akustického výkonu, zaručená L _{WA} dB(A)	114	114	114	114
Hladiny hluku (viz poznámka 2)				
Ekvivalentní hladina akustického tlaku v úrovni uší obsluhy, dB(A)	102	102	102	102
Ekvivalentní hladiny vibrací, a_{hveg} (viz poznámka 3)				
Přední rukojeť, m/s ²	2,5	2,5	2,5	2,5
Zadní rukojeť, m/s ²	3,2	3,2	3,2	3,2
Řetěz/lišta				
Standardní délka lišty, palce/cm	13"/33	13"/33	13"/33	13"/33
Doporučené délky lišt, palce/cm	13-18/33-45	13-18/33-45	13-18/33-45	13-18/33-45
Použitelná řezná délka, palce/cm	12-17/31-43	12-17/31-43	12-17/31-43	12-17/31-43
Rozteč, palce/mm	0,325/8,25	0,325/8,25	0,325/8,25	0,325/8,25
Tloušťka unášecích článků, palce/mm	0,050/1,3	0,050/1,3	0,050/1,3	0,050/1,3
Typ hnací řetězky/počet zubů	Spur/7	Spur/7	Spur/7	Spur/7
Rychlost řetězu při 133 % maximálních otáček motoru (m/s).	23,1	23,1	23,1	23,1

Poznámka 1: Emise hluku do okolí naměřená jako efekt zvuku (L_{WA}) dle direktivy ES 2000/14/ES.

Poznámka 2: Ekvivalentní hladina akustického tlaku, podle normy ISO 22868, se počítá jako časově vážená celková energie pro různé hladiny akustického tlaku za různých pracovních podmínek. Typická statistická odchylka pro ekvivalentní hladinu akustického tlaku je standardní odchylka 1 dB (A).

Poznámka 3: Ekvivalentní hladina vibrací, podle normy ISO 22867, se počítá jako časově vážená celková energie pro hladiny vibrací za různých pracovních podmínek. Uváděná data pro ekvivalentní hladinu vibrací mají typickou statistickou odchylku (standardní odchylku) 1 m/s².


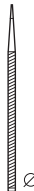
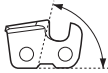
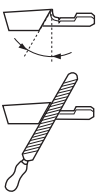

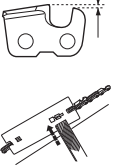
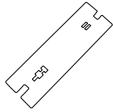
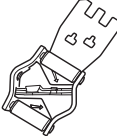
TECHNICKÉ ÚDAJE

Kombinace lišty a řetězu

Následující řezací vybavení je schváleno pro modely Husqvarna 435 II, 435e II, 440 II a 440e II.

Lišta				Řetěz	
Délka, palce	Rožteč, palce	Šířka drážky, mm	Max. počet zubů na řetězce na hrotu lišty	Typ	Délka, vodící články (počet)
13	0,325	1,3	10T	Husqvarna H30	56
15					64
16					66
18					72

Pilování řetězu pily a vodítka pilníku

							
	inch/mm				inch/mm		
H30	3/16 / 4,8	85°	30°	10°	0,025 / 0,65	5056981-00	5056981-08

ES Prohlášení o shodě (Platí pouze pro Evropu)

Společnost **Husqvarna AB**, SE-561 82 Huskvarna, Švédsko, tel: +46-36-146 500, prohlašuje se vši zodpovědností, že motorové pily pro profesionální práce **Husqvarna 435 II, 435e II, 440 II a 440e II** série z roku 2013 a dále (rok je zřetelně uveden na typovém štítku spolu s následujícím sériovým číslem) jsou v souladu se SMĚRNICÍ RADY:

- ze 17. května 2006 „týkající se strojních zařízení“ **2006/42/ES**.
- ze dne 15. prosince 2004 "týkající se elektromagnetické kompatibility" **2004/108/EEC**.
- ze dne 8. května 2000 "týkající se emise hluku do okolí" **2000/14/ES**.

Pro informaci ohledně emisí hluku viz kapitolu Technické údaje. Byly uplatněny následující standardní normy:

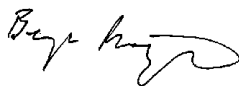
EN ISO 12100:2010, ISO 14982:2009, EN ISO 11681-1:2011

Registrační orgán: **0404, SMP Svensk Maskinprovning AB**, Box 7035, SE-750 07 Uppsala, Švédsko, provedl schválení typu pro ES dle direktivy o strojích (2006/42/ES), paragraf 12, odstavec 3b. Certifikáty schválení typu pro kontrolu ES dle přílohy IX jsou očíslovány: **0404/09/2012** – 435 II, 435e II, 440 II, 440e II.

Dále potvrzuje Svensk Maskinprovning AB, Box 7035, SE-750 07 Uppsala, Švédsko, shodu s přílohou ke směrnici rady ze dne 8. května 2000 "o emisí hluku do okolí" 2000/14/ES. Číslo certifikátů jsou: **01/161/075** – 435 II, 435e II, **01/161/074** – 440 II, 440e II.

Dodaná motorová pila se shoduje se vzorkem, který prošel schvalováním typu pro ES.

Huskvarna, 8. dubna 2013



Bengt Frögelius, Ředitel vývoje pro motorové pily (Autorizovaný zástupce společnosti Husqvarna AB a odpovědný za technickou dokumentaci.)

KLÚČ K SYMBOLOM

Symbole na stroji:

VAROVANIE! Reťazové pily môžu byť nebezpečné! Neopatrné alebo nesprávne použitie môže spôsobiť vážne až smrteľné zranenie používateľovi a iným osobám.

Prosím, prečítajte si pozorne tento návod na obsluhu a presvedčte sa, či pokynom pred používaním stroja rozumiete.

Vždy majte na sebe:

- Schválenú ochrannú prilbu
- Schválené chrániče sluchu
- Ochranné okuliare alebo štít

Tento výrobok spĺňa platné smernice EÚ.

Hlukové emisie do okolia sú v súlade so smernicou Európskej únie. Emisie stroja sú stanovené v kapitole Technické údaje a na nálepke.

Zapaľovanie, sýtič: Zapnite sýtič. Toto by malo automaticky nastaviť vypínač do polohy štartovania.

Plnenie paliva.

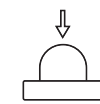
Plnenie oleja na mazanie reťaze.

Palivová pumpa.

Nastavenie olejového čerpadla.

Brzda reťaze, aktivovaná (vpravo),
brzda reťaze, neaktivovaná (vľavo)

Ostatné symboly/emblémy na stroji odkazujú na zvláštne požiadavky certifikácie pre určité trhy



Symbole použité v návode na obsluhu:

Skôr, ako vykonáte akúkoľvek kontrolu alebo údržbu, vypnite motor.

NEZABUDNITE! Spínač spustenia/zastavenia sa automaticky vráti do polohy chodu. Pre zamedzenie neúmyselného spustenia musí byť viečko kábla zapaľovacej sviečky pri montáži, kontrole a/alebo vykonávaní údržby zo zapaľovacej sviečky odstránené.



Vždy používajte schválené ochranné rukavice.



Vyžaduje sa pravidelné čistenie.



Vizuálna kontrola.



Treba nosiť ochranné okuliare alebo štít.



Plnenie paliva.



Plnenie olejom a nastavenie mazania.



Brzda reťaze musí byť aktivovaná pri štartovaní pily.



VAROVANIE! Ak koniec vodiacej lišty príde do kontaktu s nejakým predmetom, môže dôjsť k spätnému nárazu, ktorý spôsobí, že sa vodiaca lišta odrazí dozadu a nahor smerom k používateľovi. Môže dôjsť k vážnemu poraneniu používateľa.



Obsah**KLÚČ K SYMBOLOM**

Symboly na stroji:	110
Symboly použité v návode na obsluhu:	110

OBSAH

Obsah	111
-------------	-----

ÚVOD

Vážený zákazník,	112
------------------------	-----

ČO JE ČO?

Čo je čo na reťazovej pile?	112
-----------------------------------	-----

VŠEOBECNÉ BEZPEČNOSTNÉ OPATRENIA

Pred použitím novej reťazovej píly	113
Dôležité	113
Vždy sa riaďte zdravým rozumom	114
Osobné ochranné prostriedky	114
Bezpečnostné vybavenie stroja	114
Rezacia časť	116

MONTÁŽ

Namontovanie vodiacej lišty a reťaze	120
--	-----

NARÁBANIE S PALIVOM

Palivo	121
Doplňanie paliva	122
Bezpečnosť práce s palivom	122

ŠTART A STOP

Štart a stop	123
--------------------	-----

PRACOVNÉ TECHNIKY

Pred použitím:	124
Všeobecné pracovné pokyny	124
Ako sa vyhnúť spätnému nárazu	127

ÚDRŽBA

Všeobecné	128
Nastavenie karburátora	128
Kontrola, údržba a servis bezpečnostného vybavenia reťazovej píly	128
Tlmič výfuku	129
Kryt štartovania	129
Vzduchový filter	130
Zapaľovacia sviečka	130
Mazanie ihlového ložiska	130
Chladiaci systém	131
Odstredivé čistenie "Air Injection"	131
Používanie v zime	131
Plán údržby	132

TECHNICKÉ ÚDAJE

Technické údaje	133
Kombinovanie vodiacej lišty a reťaze	134
Brúsenie reťazovej píly a vodička pilníka	134
EÚ vyhlásenie o zhode	134

ÚVOD

Vážený zákazník,

Blahoželáme vám, že ste sa rozhodli pre kúpu výrobku spoločnosti Husqvarna! Spoločnosť Husqvarna je založená na tradícii, ktorá siaha až do roku 1689, keď švédsky kráľ Karol XI. nariadil postaviť továreň na výrobu muškiet na brehoch rieky Huskvarna. Výber polohy bol logický, pretože vodná elektrárňa získavala energiu z vody rieky Huskvarna. V priebehu viac ako 300 rokov svojej existencie vyprodukovala továreň Husqvarna veľké množstvo výrobkov od pecí na drevo po moderné kuchynské spotrebiče, šijacie stroje, bicykle, motocykle atď. V roku 1956 boli na trh uvedené prvé elektrické kosačky na trávu a za nimi v roku 1959 nasledovali reťazové píly a v tomto odvetví spoločnosť Husqvarna pracuje dodnes.

V súčasnosti je spoločnosť Husqvarna jedným z popredných svetových výrobcov lesných a záhradníckych výrobkov, pričom najvyššou prioritou je kvalita. Obchodná koncepcia je vyvíjať, vyrábať a uvádzať na trh motorové lesné a záhradnícke výrobky, rovnako ako výrobky v oblasti stavebného priemyslu. Cieľom spoločnosti Husqvarna je tiež zastávať popredné miesto v oblasti ergonómie, použiteľnosti, bezpečnosti a ochrany životného prostredia. Preto sme vyvinuli množstvo rozličných funkcií pre naše výrobky v rámci týchto oblastí.

Sme presvedčení, že vysoko oceníte kvalitu a výkon nášho výrobku aj o mnoho rokov neskôr. Kúpou jedného z našich výrobkov ste získali prístup k odbornej pomoci pri opravách a servise, kedykoľvek ich budete potrebovať. Ak maloobchodný predajca, ktorý vám predáva stroj, nie je jedným z autorizovaných predajcov, požiadajte o adresu najbližšieho autorizovaného servisu.

Vaša spokojnosť s naším výrobkom a jeho dlhoročná funkčnosť sú naším prianím. Nezabudnite, že tento návod na obsluhu je cenný dokument! Dodržiavaním v ňom uvedených pokynov (týkajúcich sa používania, servisu, údržby a pod.) môžete predĺžiť životnosť stroja a zvýšiť jeho hodnotu pri ďalšom predaji. Ak stroj predávate, skontrolujte, či ste kupujúcemu poskytli aj tento návod na obsluhu.

Ďakujeme, že používate produkt Husqvarna.

Firma Husqvarna neustále vyvíja svoje výrobky a preto si vyhrazuje právo modifikovať dizajn a vzhľad výrobkov bez predchádzajúceho upozornenia.

Čo je čo na reťazovej píle? (1)

- 1 Kryt valca
- 2 Palivová pumpa.
- 3 Rýchly štart
- 4 Kombinovaný spínač spustenia/zastavenia
- 5 Zadná rukoväť
- 6 Štítok s výstražnými piktogramami
- 7 Palivová nádrž
- 8 Nastavovacie skrutky karburátora
- 9 Štartovacia rukoväť
- 10 Kryt štartovania
- 11 Olejová nádrž
- 12 Štítok produktu s výrobným číslom
- 13 Označenie smeru pádu stromu
- 14 Predná rukoväť
- 15 Predný chránič ruky.
- 16 Tlmič výfuku
- 17 Reťaz
- 18 Vodiace ozubené koliesko lišty
- 19 Vodiaca lišta
- 20 Opierka rezania
- 21 Zachytávač reťaze
- 22 Skrutka na napínanie reťaze (435 II, 440 II)
- 23 Kryt spojky (435 II, 440 II)
- 24 Ochranný kryt pravej ruky
- 25 Páčka
- 26 Poistná páčka plynu
- 27 Kryt spojky (435e II, 440e II)
- 28 Kotúč napínača reťaze
- 29 Gombík
- 30 Návod na obsluhu
- 31 Kombinovaný kľúč
- 32 Prepravný kryt vodiacej lišty

VŠEOBECNÉ BEZPEČNOSTNÉ OPATRENIA

Pred použitím novej reťazovej píly

- Starostlivo si prečítajte pokyny.
- (1) – (117) pozri obrázky na str. 2–6.
- Skontrolujte, či je rezacie príslušenstvo správne upevnené a nastavené. Prečítajte si inštrukcie v časti Montáž.
- Naplňte a naštartujte reťazovú pílu. Pozrite si pokyny v časti Narábanie s palivom a Štartovanie a zastavenie.
- Nepoužívajte reťazovú pílu, kým nebude reťaz dostatočne naolejovaná. Prečítajte si inštrukcie v časti Rezacia časť.
- Dlhodobé vystavenie hluku môže spôsobiť trvalé poškodenie sluchu. Vždy preto používajte schválené chrániče sluchu.



VAROVANIE! Za žiadnych okolností nemeňte pôvodnú konštrukciu stroja bez schválenia od výrobcu. Vždy používajte originálne náhradné diely. Nepovolené zmeny alebo príslušenstvo môžu viesť k vážnemu zraneniu alebo smrti obsluhy alebo ostatných osôb.



VAROVANIE! Reťazová píla sa stáva nebezpečným nástrojom, ak sa používa neopatrne alebo nesprávne a môže spôsobiť vážne, dokonca až smrteľné úrazy. Je veľmi dôležité, aby ste si prečítali tento návod na obsluhu a aby ste rozumeli jeho obsahu.



VAROVANIE! Tímč výfuku obsahuje chemické látky, ktoré môžu mať karcinogénne účinky. Vyhýbajte sa kontaktu s týmito chemickými látkami v prípade, že sa tímč výfuku pokazí.



VAROVANIE! Dlhodobé vdychovanie výfukových spodín, výparov reťazového oleja a prachu z pilín ohrozuje vaše zdravie.



VAROVANIE! Tento prístroj vytvára počas prevádzky elektromagnetické pole. Toto pole môže za určitých okolností spôsobovať rušenie aktívnych alebo pasívnych implantovaných lekárskeho prístrojov. Na zníženie rizika vážneho alebo smrteľného zranenia odporúčame osobám s implantovanými lekárskeho prístrojmi, aby sa pred používaním tohto stroja poradili so svojím lekárom a s výrobcom implantovaného lekárskeho prístroja.



VAROVANIE! Nikdy nedovoľte deťom používať stroj alebo sa zdržiavať v jeho blízkosti. Keďže stroj je vybavený pružinovým vypínačom a možno ho naštartovať už pomaly a slabým zatiahnutím za držadlo štartéra, môžu za istých okolností dokonca aj malé deti vyvinúť silu potrebnú na naštartovanie stroja. To môže znamenať riziko vážneho poranenia. Preto zdemontujte kryt zapalovacej sviečky vždy, keď stroj nie je pod dohľadom.

Dôležité

DÔLEŽITÉ!

Táto reťazová píla pre lesné služby je určená na prácu v lese, napríklad ťažbu, odvetvovanie a pílenie.

Použitie tohto stroja môže byť obmedzené štátnymi predpismi.

Používať sa môžu iba kombinácie vodiacej lišty a reťaze odporúčané v kapitole Technické údaje.

Nikdy nepoužívajte pílu pri únave, po požití alkoholu alebo liekov, pretože to môže viesť k zníženiu zrakovej schopnosti, schopnosti usudzovania alebo telesnej rovnováhy.

Vždy noste vhodný ochranný odev. Pozrite pokyny v rámci kapitoly Osobné ochranné prostriedky.

Nikdy nemeňte pôvodnú konštrukciu stroja a nepoužívajte ho, ak sa zdá, že ju zmenil niekto iný.

Nikdy nepoužívajte poškodené zariadenie. Vykonávajte bezpečnostné kontroly, údržby a dodržiavajte servisné pokyny uvedené v tomto návode. Určité opatrenia týkajúce sa servisu a údržby zariadenia musia vykonávať iba odborníci. Pozrite si pokyny v časti Údržba.

Nikdy nepoužívajte iné príslušenstvo, ako odporúča tento návod na obsluhu. Prečítajte si inštrukcie v časti Rezacia časť a Technické údaje.

NEZABUDNITE! Vždy noste ochranné rukavice alebo ochranný štít na tvár, aby ste znížili riziko poranenia spôsobeného odrazenými predmetmi. Pri vysokej rýchlosti môžu pri používaní reťazovej píly odletovať predmety, napríklad triesky, kúsky dreva a pod. Môže dôjsť k vážnemu poraneniu, najmä poraneniu očí.



VAROVANIE! Používanie píly v zle vetraných alebo uzavretých priestoroch môže spôsobiť smrť v dôsledku zadusenía alebo otravy CO.



VAROVANIE! Chybná rezacia časť alebo zlá kombinácia vodiacej lišty a reťazovej píly zvyšujú riziko spätného nárazu! Používajte iba odporúčané kombinácie vodiacej lišty a reťaze a dodržiavajte pokyny pri brúsení. Prečítajte si inštrukcie v časti Technické údaje.

VŠEOBECNÉ BEZPEČNOSTNÉ OPATRENIA

Vždy sa riadte zdravým rozumom (2)

Nie je možné predvídať každú situáciu, ktorá môže pri používaní reťazovej pily nastať. Vždy konajte opatrne a riadte sa zdravým rozumom. Vyvarujte sa každej situácie, ktorá podľa vás presahuje vaše možnosti. Ak si ani po prečítaní týchto pokynov nie ste istí, zaobchádzajte so strojom, obráťte sa na odborníka. Ak máte akékoľvek otázky ohľadom reťazovej pily, neváhajte kontaktovať svojho predajcu alebo našu spoločnosť. Radi vám poskytneme radu či pomoc, ako používať reťazovú pilu účinne a zároveň bezpečne. Ak je to možné, prihláste sa do školiaceho kurzu o používaní reťazovej pily. Informácie o dostupných školiaciach materiáloch a kurzoch získate u svojho predajcu, v lesníckej škole alebo knižnici. Neustále pracujeme na vylepšení dizajnu a technológií – na vylepšeniach, ktoré zvyšujú bezpečnosť a výkonnosť. Pravidelne sa informujte u svojho predajcu o novinkách, ktoré môžete využiť vo svoj prospech.

Osobné ochranné prostriedky



VAROVANIE! Väčšina úrazov pri práci s reťazovou pilou sa stáva, keď reťaz zasiahne používateľa. Pri akomkoľvek používaní stroja musíte používať schválené osobné ochranné prostriedky. Osobné ochranné prostriedky nevytvoria účinnú ochranu, ale môžu znížiť účinky zranenia v prípade nehody. Pri výbere správnych ochranných prostriedkov sa poraďte so svojim predajcom.

- Schválenú ochrannú priľbu
- Ochrana sluchu
- Ochranné okuliare alebo štít
- Rukavice s ochranou rúk pri pilení
- Nohavice s protiporezovou ochranou nôh
- Ochranné topánky s oceľovou špičkou, protišmykovú podrážku
- Majte vždy po ruke lekárničku.
- Hasiaci prístroj a lopata

Odev má byť priliehavý, ale nemá vám brániť vo voľnom pohybe.

DÔLEŽITÉ! Z tlmiča výfuku, vodiacej lišty, pily alebo z iného zdroja môžu vyletúvať iskry. Hasiaci prístroj majte vždy po ruke pre prípad, že ho budete potrebovať. Môžete tak zabrániť lesnému požiaru.

Bezpečnostné vybavenie stroja

V tejto časti sú vysvetlené bezpečnostné funkcie stroja a ako fungujú. Pokyny týkajúce sa inspekcie a údržby nájdete v časti Inšpekcia, údržba a servis bezpečnostného vybavenia reťazovej pily. Pozrite si časť "Čo je čo?", kde nájdete umiestnenie týchto súčastí na stroji.

Ak údržbu stroja nevykonáte správnym spôsobom a servis alebo opravy nevykonáva profesionál, môže sa skrátiť

životnosť stroja a zvýšiť riziko nehôd. Ak chcete získať viac informácií, kontaktujte najbližší autorizovaný servis.



VAROVANIE! Nikdy nepoužívajte stroj, ktorý má chybné bezpečnostné súčasti. Bezpečnostné vybavenie sa musí kontrolovať a udržiavať. Pozrite si pokyny v rámci kapitoly Inšpekcia, údržba a servis bezpečnostného vybavenia reťazovej pily. Ak stroj neprejde všetkými kontrolami, doneste ho do autorizovaného servisu na opravu.

Brzda reťaze a predný chránič ruky

Vaša reťazová pila má brzdu, ktorá pri spätnom náraze reťaz zastaví. Brzda reťaze znižuje riziko úrazov, ale iba vy im môžete zabrániť. (3)

Buďte opatrní pri používaní pily a vždy sa presvedčte, že zóna spätného nárazu vodiacej lišty sa nedotýka žiadneho predmetu. (4)

- Brzdu reťaze (A) môžete spustiť buď manuálne (ľavou rukou), alebo pomocou zotrvačných síl. (5)
- Brzda sa uvedie do činnosti po tom, keď sa predný chránič ruky (B) potlačí dopredu. (5)
- Tento pohyb aktivuje pružinový mechanizmus, ktorý napne pásovú brzdu (C) okolo pohonného systému reťaze (D) (bubna spojky). (6)
- Predný chránič ruky nie je určený výlučne na aktiváciu brzd reťaze. Jeho iná dôležitá vlastnosť je, zmenšenie rizika zásahu vašej ľavej ruky reťazou, ak sa vám vyšmykne predná rukoväť.
- Brzda reťaze musí byť spustená pri štartovaní reťazovej pily, aby zabránila otáčaniu reťaze. (55)
- Brzdu reťaze používajte ako "ručnú brzdu" pri štartovaní a premiestňovaní pily na krátku vzdialenosť, aby ste zabránili nehodám spôsobeným náhodným zasiahnutím osoby či predmetu v blízkosti pily. Reťazovú pilu s aktivovanou brzdou reťaze nenechávajte zapnutú dlho. Reťazová pila sa môže veľmi zahriať.
- Brzda reťaze sa uvoľňuje posunutím ruky proti spätnému odrazu s nápisom „PULL BACK TO RESET“ dozadu, smerom k držadlu rúčky.
- Spätňý náraz môže byť veľmi nečakaný a silný. Väčšina nárazov je menších a nie vždy aktivujú brzd reťaze. Ak sa tak stane, treba držať reťazovú pilu pevne a nepustiť ju.
- Spôsob, akým sa brzda reťaze aktivuje, buď manuálne alebo automaticky zotrvačnosťou, závisí od sily spätného nárazu a polohy reťazovej pily k objektu, na ktorý nárazová zóna vodiacej lišty narazí.

Ak vás spätňý náraz silno zasiahne vtedy, keď zóna spätného nárazu lišty je veľmi ďaleko od vás, brzda reťaze sa aktivuje pohybom protizávažia (zotrvačnosťou) v smere spätného nárazu. (7)

Ak je náraz miernejší, alebo zóna nárazu vodiacej lišty je bližšie ku vám, brzd reťaze budete aktivovať manuálne ľavou rukou.

VŠEOBECNÉ BEZPEČNOSTNÉ OPATRENIA

- Pri pílení je ľavá ruka v polohe, ktorá znemožňuje manuálne spustenie brzdy reťaze. Pri tomto type uchopenia, t. j. ľavá ruka je v polohe, v ktorej nemôže ovplyvniť pohyb predného chrániča ruky, možno brzdou reťaze spustiť iba zotrvačnosťou. (8)

Spustím brzdou reťaze rukou vždy v prípade spätného nárazu?

Nie. Na posunutie ochranného krytu proti spätnému nárazu dopredu je potrebná určitá sila. Ak sa ochranného krytu proti spätnému nárazu dotknete rukou iba jemne alebo sa po ňom ruka iba sklzne, nemusíte vyvinúť dostatočnú silu na spustenie brzdy reťaze. Pri práci tiež musíte pevne držať rukoväť reťazovej pily. Ak stroj držíte pevne a dôjde k spätnému nárazu, nemusí sa vám podariť uvoľniť ruku z prednej rukoväte a nespustíte brzdou reťaze, alebo sa brzda reťaze nespustí, až kým sa píla neroztočí vo veľkej vzdialenosti. V takom prípade nemusí brzda reťaze zastaviť reťaz skôr, ako vás zasiahne.

Niekedy sa vám pri práci môže stať, že nedosiahnete na chránič proti spätnému nárazu a nespustíte brzdou reťaze, napríklad vtedy, keď držíte pílu pri pílení.

Spustí zotrvačnosť brzdu reťaze vždy v prípade spätného nárazu?

Nie. Najskôr musí fungovať brzda. Testovanie brzdy je jednoduché. Pokyny na testovanie nájdete v časti Inšpekcia, údržba a servis bezpečnostného vybavenia reťazovej pily. Odporúča sa pred každým štartovaním. Po druhé, spätný náraz musí byť dostatočne silný, aby sa spustila brzda reťaze. Keby bola brzda reťaze príliš citlivá, spúšťala by sa stále a spôsobovala by tak problémy.

Zabráni brzda poraneniu vždy v prípade spätného nárazu?

Nie. Predovšetkým musí brzda fungovať, aby zabezpečila potrebnú ochranu. Následne musí byť aktivovaná podľa popisu vyššie, aby zastavila reťaz v prípade spätného nárazu. Až potom môže byť brzda spustená, ale ak máte vodiacu lištu príliš blízko pri tele, môže sa stať, že brzda nespomalá a nezastaví reťaz skôr, ako vás zasiahne.

Spätný náraz a s ním spojené riziká môžete znížiť iba vy a správne pracovné techniky.

Poistná páčka plynu

Poistná páčka plynu je skonštruovaná na zabránenie náhodnému stlačeniu plynu. Ak stlačíte poistnú páčku (A) (napr. vtedy, keď uchopíte držadlo), uvoľníte páčku plynu (B). Keď uvoľníte držadlo, páčku plynu a poistnú páčku plynu sa spoločne vrátia späť do svojej pôvodnej polohy. Toto usporiadanie znamená, že ovládanie plynu automaticky zablokuje. (9)

Zachytávač reťaze

Zachytávač reťaze je určený na zachytenie reťaze pily, ak sa pretrhne alebo sklzne dolu. Toto by sa nemalo stať, ak je reťaz riadne napnutá (viď inštrukcie v časti Montáž) a ak sa vodiaca lišta a reťaz správne obsluhujú a udržiavajú podľa návodu (viď inštrukcie v časti Všeobecné pracovné predpisy). (10)

Ochranný kryt pravej ruky

Ochranný kryt pravej ruky chráni vašu ruku v prípade, že reťaz sklzne alebo sa pretrhne a zároveň nedovoľuje, aby sa konáre a vetvičky zachytávali na vaše ruky na zadnej rukoväti. (11)

Systém na tlmenie vibrácií

Stroj je vybavený systémom na tlmenie vibrácií, ktorý je určený na minimalizovanie vibrácií a uľahčuje jeho prevádzku.

Systém na tlmenie vibrácií znižuje prenos vibrácií medzi motorovou jednotkou/rezným zariadením a rukovätami stroja. Telo reťazovej pily, včítane rezacej časti, je odizolované od rukovätí tlmíči vibrácií.

Rezanie tvrdého dreva (väčšina listnatých stromov) spôsobuje viac vibrácií ako rezanie mäkkého dreva (väčšinou ihličnany). Rezanie s rezacou časťou, ktorá je tupá alebo chybná (zlý typ alebo zle nabrúsená reťaz) zväčší vibrácie.



VAROVANIE! Nadmerné vystavovanie sa vibráciám môže spôsobiť problém u ľudí so zhoršeným krvným obehom, a taktiež môže spôsobiť poškodenie nervov. Ak sa u vás objavia príznaky nadmerného vystavenia sa vibráciám, kontaktujte svojho lekára. Tieto príznaky sú trpnutie, strata citu, chvenie, pichanie, bolesť, strata sily, zmeny vo farbe a stave pleti. Príznaky sa bežne pociťujú v prstoch, rukách alebo zápästiach. Príznaky sa môžu zhoršiť pri nízkych teplotách.

Vypínač

Vypínač sa používa na vypnutie motora (12)

Tlmič výfuku

Tlmič výfuku je konštruovaný na udržiavanie minimálnych úrovní hluku a na smerovanie výfukových plynov smerom od používateľa.



VAROVANIE! Výfukové plyny z motora sú horúce a môžu obsahovať iskry, ktoré môžu vyvolať požiar. Nikdy neštartujte stroj vo vnútri alebo v blízkosti horľavého materiálu!

V krajinách s horúcim a suchým podnebíom hrozí veľké nebezpečenstvo lesných požiarov. Platná legislatíva vyžaduje niekedy v týchto krajinách aj povinné vybavenie tlmíča výfuku "zachytávačom iskier", vrátane ďalšieho vybavenia. (13)

Pri montáži sietečky sa presvedčíte, či je správne vložená. V prípade potreby použite na vloženie alebo vybratie sietečky kombinované kliešte.

NEZABUDNITE! Tlmič výfuku je počas používania a po zastavení veľmi horúci. Platí to aj pri voľnobehu motora. Dávajte pozor na nebezpečenstvo požiaru, najmä pri manipulácii v blízkosti horľavých látok alebo plynov.

VŠEOBECNÉ BEZPEČNOSTNÉ OPATRENIA



VAROVANIE! Nikdy nepoužívajte reťazovú pílu, ak chýba alebo je chybný tlmič výfuku. Chybný tlmič výfuku môže výrazne zvýšiť hladinu hluku a riziko požiaru. Hasiaci prístroj majte vždy po ruke. Nikdy nepoužívajte reťazovú pílu v pracovnom prostredí, kde je povinný zachytávač iskier, ak zachytávač chýba, alebo je poškodený.

Rezacia časť

Táto časť popisuje, ako si vybrať a ako udržiavať rezaciu časť, aby sa:

- Znížilo riziko spätného nárazu.
- Znížilo riziko pretrhnutia a vyskočenia reťaze.
- Dosiahol optimálny výkon rezania.
- Predĺžila životnosť rezacej časti.
- Zabránilo zvyšovaniu hladiny vibrácií.

Základné pravidlá

- **Používajte iba rezacie časti, ktoré vám odporúčame!** Prečítajte si inštrukcie v časti Technické údaje.
- **Dbajte na to, aby rezacie zuby reťaze boli dobre naostrené! Dodržujte naše odporúčania a používajte doporučené vodítko pilníka.** Poškodená alebo zlé naostrená reťaz zvyšuje riziko nehôd.
- **Dodržujte správne nastavenie hĺbky rezu! Dodržujte pokyny a používajte odporúčané meradlo nastavenia hĺbky rezu.** Príliš veľká hĺbka rezu zvyšuje riziko spätného nárazu.
- **Reťaz musí byť správne napnutá!** Ak je reťaz povolená, je pravdepodobnejšie, že vyskočí a dochádza k väčšiemu opotrebeniu vodiacej lišty, reťaze a hnacieho ozubeného kolieska.
- **Rezacia časť musí byť vždy dobre mazaná a udržiavaná.** Málo namazaná reťaz sa ľahšie pretrhne a spôsobuje rýchlejšie opotrebenie lišty a hnacieho ozubeného kolieska.

Rezacia časť je navrhnutá tak, aby minimalizovala spätný náraz.



VAROVANIE! Chybná rezacia časť alebo zlá kombinácia vodiacej lišty a reťazovej píly zvyšujú riziko spätného nárazu! Používajte iba odporúčané kombinácie vodiacej lišty a reťaze a dodržiavajte pokyny pri brúsení. Prečítajte si inštrukcie v časti Technické údaje.

Jediný spôsob ako sa vyhnúť spätnému nárazu je dávať pozor, aby sa zóna nárazu vodiacej lišty nikdy ničoho nedotýkala.

Následky spätného nárazu môžete zmierniť tým, že budete používať rezaciu časť so "zabudovanou" redukciou spätného nárazu a tým, že reťaz bude ostrá a dobre udržiavaná.

Vodiaca lišta

Čím menší je polomer zaoblenia, tým menšie je riziko spätného nárazu.

Reťaz

Reťaz je zložená z množstva článkov, ktoré sú buď štandardné alebo vo verzii, ktorá znižuje možnosť spätného nárazu.

DÔLEŽITÉ! Použitie správnej reťaze znižuje riziko spätného nárazu.



VAROVANIE! Akýkoľvek kontakt s rotujúcou reťazou môže spôsobiť veľmi vážne poranenie.

Niektoré výrazy, ktoré popisujú vodiacu lištu a reťaz

Aby ste zabezpečili všetky bezpečnostné funkcie vybavenia reťaze, musíte vymeniť opotrebovanú a poškodenú vodiacu lištu a reťaz za nové odporúčané spoločnosťou Husqvarna. Viac informácií o odporúčaných kombináciách vodiacej lišty a reťaze nájdete v časti Technické údaje.

Vodiaca lišta

- Dĺžka (palce/cm)
- Počet zubov na ozubenom koliesku vodiacej lišty (T).
- Delenie reťaze (palce). Vzďialenosť medzi hnacími článkami reťaze sa musí zhodovať so vzdialenosťami zubov na ozubenom koliesku vodiacej lišty a hnacom ozubenom koliesku. **(14)**
- Počet hnacích článkov. Počet hnacích článkov určuje dĺžku vodiacej lišty, delenie reťaze a počet zubov na čelnom ozubenom koliesku vodiacej lišty.
- Šírka vodiacej drážky lišty (palce/mm). Šírka drážky vo vodiacej lište musí byť zhodná s hrúbkou hnacích článkov reťaze.
- Otvor mazania reťaze a otvor pre napínač reťaze. Pre danú reťaz musí byť zvolená príslušná vodiaca lišta. **(15)**

Reťaz

- Delenie reťaze (palce). **(14)**
- Šírka hnacieho článku (mm/palce) **(16)**
- Počet hnacích článkov. **(17)**

Naostrenie reťaze a nastavenie hĺbky rezu

Všeobecné informácie o ostrení rezacích zubov

- Nikdy nepoužívajte tupú reťaz. Ak je reťaz tupá, musíte vyvinúť väčší tlak, aby lišta prešla cez drevo a odrezky budú veľmi tenké. Veľmi tupá reťaz netvorí žiadne odrezky. Výsledkom bude len drevný prach.
- Ostrá reťaz si vytvorí cestu a tvorí dlhé, hrubé triesky.
- Rezacia časť reťaze sa volá rezací článok a skladá sa z rezacieho zuba (A) a obmedzovacieho zuba (B). Hĺbka

VŠEOBECNÉ BEZPEČNOSTNÉ OPATRENIA

rezu je daná výškovým rozdielom medzi rezacím zubom a obmedzovacím zubom. (18)

Pri ostrení rezacieho zuba pamätajte na štyri dôležité faktory.

- 1 Uhol brúsenia (19)
- 2 Uhol rezu (20)
- 3 Poloha pilníka (21)
- 4 Priemer okrúhleho pilníka

Je veľmi ťažké správne nabrúsiť reťaz bez správneho vybavenia. Odporúčame vám používať naše vodítko pilníka. Umožní vám to dosiahnuť maximálne zmenšenie spätného nárazu a najlepší výkon pily. (22)

Pozrite si pokyny v časti Technické údaje, kde nájdete informácie o ostrení reťaze.



VAROVANIE! Nedodržanie pokynov o ostrení výrazne zvyšuje riziko spätného nárazu.

Ostrenie rezacích zubov



Na naostrenie zubov budete potrebovať okrúhly pilník a vodítko pilníka. V časti Technické údaje si pozrite informácie o priemere pilníka a o vodítku pilníka, ktoré sa odporúčajú pre váš typ reťazovej pily.

- Skontrolujte, či je reťaz správne napnutá. Nenapnutá reťaz sa bude posúvať nabok, a bude ju ťažšie správne naostríť.
- Brúste zuby vždy z vnútornej strany. Pri spätnom pohybe zmenšite tlak na pilník. Nabrúste všetky zuby najprv na jednej strane, potom otočte pilu a nabrúste zuby na druhej strane.
- Brúste všetky zuby na rovnakú dĺžku. Keď sa dĺžka rezacích zubov zmenší na 4 mm (5/32"), reťaz je opotrebovaná a treba ju vymeniť. (23)

Všeobecné rady na nastavenie hĺbky rezu

- Keď ostríte rezacie zuby, zmenšujete vzdialenosť medzi reznou a obmedzovacou hranou (=hĺbka rezu). Aby ste dosiahli optimálny výkon rezania, musíte zbrúsiť aj obmedzovacie zuby na odporúčanú výšku. V časti Technické údaje nájdete informácie o hĺbke rezu odporúčanej pre danú reťaz. (24)



VAROVANIE! Ak je hĺbka rezu príliš veľká, je oveľa väčšie aj riziko spätného nárazu!

Prispôsobenie hĺbky rezu



- Ešte pred nastavením hĺbky rezu treba rezacie zuby nanovo naostríť. Odporúčame nastaviť hĺbku rezu po každom treťom ostrení reťaze. VŠIMNITE SI! Toto

odporúčanie predpokladá, že dĺžka rezacieho zuba nie je nadmerne skrátená.

- Na nastavenie hĺbky rezu budete potrebovať plochý pilník a mierku hĺbky rezu. Odporúčame, aby ste pri meraní hĺbky rezu používali našu mierku na obmedzovacie zuby, aby sa zaistila správna hĺbka rezu a správny uhol na vodiacej ploche.
- Umiestnite mierku na obmedzovacie zuby na reťaz. Informácie o používaní mierky pilníka nájdete na balení. Na zbrúsenie vyčnievajúcej časti obmedzovacieho zuba používajte plochý pilník. Hĺbka rezu je správna, keď pri ťahaní pilníka po meradle necítite žiaden odpor. (25)

Napnutie reťaze



VAROVANIE! Nenapnutá reťaz môže spadnúť a spôsobiť vážne až smrteľné zranenie.

Čím viac reťaz používate, tým viac sa predlžuje. Preto je dôležité pravidelne reťaz napínať.

Vždy pri doplnení paliva skontrolujte napnutie reťaze. VŠIMNITE SI! Nová reťaz má dobu zábehu, počas ktorej by ste napnutie reťaze mali kontrolovať častejšie.

Napnite reťaz čo najpevnejšie, ale nie až tak, aby ste ju nemohli voľne rukou otáčať. (26)

435 II, 440 II



- Uvoľnite matice na vodiacej lište, ktoré držia kryt spojky a brzdy reťaze. Použite kombinovaný kľúč na matice. Potom rukou pritiahnite matice čo najpevnejšie. (27)
- Nadvihnite špičku vodiacej lišty a napnite reťaz tak, že pritiahnete skrutku na napínanie reťaze kombinovaným kľúčom. Napnite reťaz tak, aby neprevísala zo spodnej strany vodiacej lišty. (28)
- Dotiahnite maticu lišty pomocou kombinovaného kľúča a pridržajte pritom koniec lišty. Presvedčte sa, či môžete reťaz voľne posúvať rukou a či nie je prevesená na spodnej strane lišty. (29)

Poloha napínacej skrutky reťaze sa líši v závislosti od modelov reťazových píl. Pozrite si časť Čo je čo, kde zistíte umiestnenie tejto skrutky na vašom modeli.

435e II, 440e II



- Gombík uvoľnite tak, že ho vykopíte. (30)
- Otočením gombíka proti smeru hodinových ručičiek uvoľníte kryt lišty. (31)

VŠEOBECNÉ BEZPEČNOSTNÉ OPATRENIA

- Nastavte napnutie reťaze – otočením kotúča nadol (+) ju pritiahnete a otočením nahor (-) ju uvoľníte. **(32)**
- Otočením gombíka v smere hodinových ručičiek zatiahnete spojku lišty. **(33)**
- Napnutie reťaze zaistíte zatlačením gombíka späť dovnútra. **(34)**

Mazanie rezacej časti.



VAROVANIE! Zlé mazanie rezacej časti môže spôsobiť pretrhnutie reťaze, čo môže zapríčiniť vážne až smrteľné zranenie.

Reťazový olej

Reťazový olej musí mať dobrú príľnavosť, musí mať charakteristickú viskozitu v lete aj v zime.

Ako výrobca reťazových píl sme vyvinuli aj optimálny olej na mazanie reťaze, ktorý je biologicky odbúrateľný, pretože je vyvinutý na rastlinnom olejovom základe. Odporúčame vám používať náš vlastný olej, pretože zaručuje jednak maximálnu životnosť reťaze a minimalizuje znečisťovanie životného prostredia. Ak nedostanete náš olej, odporúča sa používať štandardný motorový olej.

Nikdy nepoužívajte použitý olej! Je to nebezpečné pre vás samotných, pre váš stroj a pre životné prostredie.

DÔLEŽITÉ! Ak na mazanie reťazovej píly používate olej na rastlinnom základe, pred dlhodobým skladovaním odmontujte a vyčistite drážku vodiacej lišty a reťaz. V opačnom prípade hrozí riziko oxidovania oleja na mazanie reťaze, čo spôsobí, že reťaz stvrdne a ozubené koliesko vodiacej lišty sa zasekne.

Doplňanie reťazového oleja

- Všetky naše reťazové píly majú automatický systém mazania reťaze. Na niektorých modeloch je tok oleja tiež nastaviteľný.
- Nádrže na olej na mazanie reťaze a palivo sú skonštruované tak, aby sa palivo minulo skôr ako olej na mazanie reťaze.

Toto bezpečnostné opatrenie si však vyžaduje používať správny druh oleja (ak je olej príliš riedky, minie sa skôr ako palivo), a tiež je nutné nastaviť karburátor presne podľa odporúčaní (chudobná zmes môže spôsobiť, že palivo vydrží dlhšie ako olej). Treba tiež používať odporúčanú rezaciu časť (príliš dlhá vodiaca lišta spotrebuje viac reťazového oleja).

Kontrola mazania reťaze

- Vždy keď plníte palivo skontrolujte, či je v poriadku mazanie reťaze.

Nasmerujte čelo vodiacej lišty na svetlo sfarbený povrch vzdialený asi 20 cm (8 inches). Asi po 1 minúte, pri chode na 3/4 plynu, by ste mali vidieť zreteľnú čiaru oleja na svetlej ploche.

Ak mazanie reťaze nie je v poriadku:

- Skontrolujte, či nie je upchatý olejový kanálik na vodiacej lište. Ak je to potrebné, vyčistite ho. **(35)**
- Skontrolujte, či je čistá drážka vodiacej lišty. Ak je to potrebné, vyčistite ju. **(36)**
- Skontrolujte, či sa vodiace ozubené koliesko lišty voľne otáča, a či otvor na mazanie na koliesku nie je upchatý. Vyčistite a namažte, ak je to nutné. **(37)**

Ak systém mazania ani po týchto kontrolách nie je funkčný, mali by ste vyhľadať servis.

Hnacie koliesko reťaze



Bubon spojky má jedno z nasledovných hnacích reťazových koliesok.

A. Súkolie (reťazové koliesko je prिवarené na bubon)

B. Záberový prstenec (vymeniteľný) **(38)**

Kontrolujte pravidelne opotrebovanie na hnacom ozubenom koliesku. Vymeňte ho, ak je nadmerne opotrebené. Vždy, keď vymieňate reťaz, vymeňte aj hnacie koliesko reťaze.

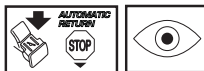
Mazanie ihľového ložiska



Oba typy hnacieho ozubeného kolieska majú ihľové ložisko, ktoré treba pravidelne mazať (jedenkrát týždenne). **NEZABUDNITE!** Používajte kvalitné mazivo na ložiská, alebo motorový olej.

Pozrite si pokyny v časti Mazanie ihľového ložiska.

Kontrola opotrebovania rezacej časti



Každý deň kontrolujte reťaz, či:

- V nitoch a článkoch nie sú viditeľné praskliny.
- Je reťaz pevná.
- Nity a články nie sú veľmi opotrebované.

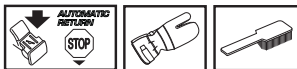
Ak sa na reťazi prejaví ktorákoľvek zo skutočností uvedených vyššie, vymeňte ju.

Odporúčame vám porovnať reťaz, ktorú práve používate s celkom novou reťazou, aby ste mohli posúdiť opotrebovanie vašej reťaze.

Brúste všetky zuby na rovnakú dĺžku. Keď sa dĺžka rezacích zubov zmenší na 4 mm (5/32"), reťaz je opotrebovaná a treba ju vymeniť. **(23)**

VŠEOBECNÉ BEZPEČNOSTNÉ OPATRENIA

Vodiaca lišta



Kontrolujte pravidelne:

- Či nie sú na vonkajších stranách vodiacej lišty výtlky. Odbrúste ich, ak je to potrebné.
- Či drážka vodiacej lišty nie je nadmerne opotrebovaná. Ak je to nutné, vymenite vodiacu lištu.
- Či nie je čelo vodiacej lišty nerovnomerne alebo nadmerne opotrebované. Ak sa na spodnej strane čela vodiacej lišty tvoria priehlbinky, znamená to, že sa pílo s voľnou reťazou.
- Ak chcete predĺžiť životnosť vodiacej lišty, mali by ste ju pravidelne otáčať.



VAROVANIE! Väčšina úrazov pri práci s reťazovou pilou sa stáva, keď reťaz zasiahne používateľa.

Vždy noste vhodný ochranný odev. Pozrite pokyny v rámci kapitoly Osobné ochranné prostriedky.

Nepúšťajte sa do práce, pre ktorú nemáte dostatočnú kvalifikáciu. Pozrite si inštrukcie v častiach Osobné ochranné prostriedky, Preventívne opatrenia proti spätnému nárazu, Rezacia časť a Všeobecné pracovné predpisy.

Vyhýbajte sa situáciám, pri ktorých dochádza k spätnému nárazu. Pozrite si inštrukcie v časti Bezpečnostné vybavenie píly.

Používajte odporúčané ochranné vybavenie a kontrolujte jeho stav. Pozrite si inštrukcie v častiach Všeobecné pracovné predpisy.

Skontrolujte funkčnosť bezpečnostného vybavenia píly. Pozrite si inštrukcie v časti Všeobecné pracovné predpisy a Všeobecné bezpečnostné opatrenia.

Namontovanie vodiacej lišty a reťaze



VAROVANIE! Keď pracujete s reťazou, noste vždy rukavice.

435 II, 440 II

- Skontrolujte, či nie je brzda reťaze aktivovaná, a to tak, že pohnete predný chránič ruky smerom ku prednej rukoväti. (39)
- Odskrutkujte maticu lišty a odstráňte kryt spojky (brzda reťaze). Vytiahnite prepravný krúžok (A). (40)
- Nasaďte vodiacu lištu na vodiace kolíky. Umiestnite lištu do jej najzadnejšej polohy. Umiestnite reťaz na hnacie reťazové koliesko, umiestnite ju do drážky na vodiacej lište. Začnite na hornom okraji vodiacej lišty. (41)
- Presvedčte sa, že ostré hrany rezacích článkov sú obrátené smerom dopredu k hornému okraju lišty.
- Namontujte kryt spojky a nezabudnite vložiť kolík pre napínanie reťaze do otvoru v lište. Skontrolujte, či nosné články reťaze správne zapadajú do vybrania hnacieho reťazového kolieska a či je reťaz správne usadená v drážke lišty. Utiahnite prstami maticu lišty.
- Napnite reťaz otáčaním napínacej skrutky reťaze v smere hodinových ručičiek pomocou kombinovaného kľúča. Reťaz treba napínať tak dlho, kým neprestane voľne visieť na spodnej časti lišty. (42)
- Reťaz je správne napnutá, keď nie je prevesená na spodnej strane lišty a pritom je možné ju rukou voľne posúvať. Dotiahnite maticu lišty pomocou kombinovaného kľúča a pridržajte pritom koniec lišty. (43)
- Keď dáte novú reťaz, je treba často kontrolovať jej napnutie, až kým sa reťaz nezabehne. Kontrolujte napnutie reťaze pravidelne. Správne napnutá reťaz vám zaistí dobrý výkon pily a jej dlhú životnosť. (44)

435e II, 440e II

- Skontrolujte, či nie je brzda reťaze aktivovaná, a to tak, že pohnete predný chránič ruky smerom ku prednej rukoväti. (45)
- Uvoľnite kotúč napínača reťaze z vodiacej lišty a kryt spojky (brzda reťaze). Odstráňte ochranný kryt. (A) (46)
- Nasaďte vodiacu lištu na vodiace kolíky. Umiestnite lištu do jej najzadnejšej polohy. Umiestnite reťaz na hnacie reťazové koliesko, umiestnite ju do drážky na vodiacej lište. Začnite na hornom okraji vodiacej lišty. (41)
- Presvedčte sa, že ostré hrany rezacích článkov sú obrátené smerom dopredu k hornému okraju lišty.
- Namontujte kryt spojky a nezabudnite vložiť kolík pre napínanie reťaze do otvoru v lište. Skontrolujte, či nosné

články reťaze správne zapadajú do vybrania hnacieho reťazového kolieska a či je reťaz správne usadená v drážke lišty.

- Otočením kotúča nadol (+) napnite reťaz. Reťaz treba napínať tak dlho, kým neprestane voľne visieť na spodnej časti lišty. (32)
- Reťaz je správne napnutá vtedy, keď zospodu neprevísa a dá sa rukou ľahko posúvať. Pevne uchopíte vodiacu lištu a otočením gombíka v smere hodinových ručičiek zatiahnete spojku lišty. (33)
- Keď dáte novú reťaz, je treba často kontrolovať jej napnutie, až kým sa reťaz nezabehne. Kontrolujte napnutie reťaze pravidelne. Správne napnutá reťaz vám zaistí dobrý výkon pily a jej dlhú životnosť. (44)

Montáž opierky rezania

Spojte sa so servisným technikom, ak budete chcieť namontovať opierku rezania. (47)

NARÁBANIE S PALIVOM

Palivo

Poznámka! Stroj je vybavený dvojtaktným motorom a vždy sa musí prevádzkovať s použitím zmesi benzínu a dvojtaktného motorového oleja. Je dôležité presne namerať množstvo oleja, ktoré sa má zmiešať, aby sa zabezpečilo dosiahnutie správnej zmesi. Pri miešaní malých množstiev paliva môžu aj malé nepresnosti značne ovplyvniť pomer zmesi.



VAROVANIE! Pri narábaní s palivom vždy zabezpečte adekvátne vetranie.

Benzín



- Používajte bezolovnatý alebo olovnatý benzín dobrej kvality.
- Najnižšie odporúčané oktánové číslo je 90 (RON). Ak budete používať nižší stupeň ako 90, môže nastať tzv. klepanie. Toto spôsobí vysokú teplotu motora a zväčšenú záťaž ložiska, čo môže motor vážne poškodiť.
- Keď pracujete dlhodobo s plným plynom (npr. odvetvovanie), odporúča sa použiť benzín s vyšším oktánovým číslom.

Ekologické palivo

Firma HUSQVARNA odporúča používať ekologický benzín (nazýva sa aj alkylátový benzín), buď benzín značky Aspen pre dvojtaktné motory alebo ekologický benzín pre štvortaktné motory zmiešaný s olejom pre dvojtaktné motory, ako je to popísané nižšie. Zapamätajte si, že možno bude nutné nastaviť karburátor, ak budete meniť typ pohonnej zmesi (prečítajte si inštrukcie v časti Karburátor).

Etanolové palivo

Spoločnosť HUSQVARNA odporúča používať komerčne dostupné palivo s max. 10% obsahom etanolu.

Zábeh

Počas prvých desiatich hodín nenechávajte stroj dlhší čas bežať na vysoké otáčky.

Dvojtaktný olej

- Používajte olej pre dvojtaktné motory HUSQVARNA, ktorý sa špeciálne vyrába pre vzduchom chladené dvojtaktné motory, aby ste tak dosiahli najlepší výsledok a výkon.
- Nikdy nepoužívajte dvojtaktný olej určený pre vodu chladené závesné motory, niekedy nazývaný aj olej pre lodné motory (TCW).
- Nikdy nepoužívajte olej určený pre štvortaktné motory.
- Nízkokvalitný olej alebo príliš obohatená zmes oleja a paliva môžu ohroziť funkciu katalyzátora a znížiť jeho životnosť.

Pomer zmiešavania

Zmes 1:50 (2%) dvojtaktného oleja HUSQVARNA.

1:33 (3%) s inými olejmi určenými pre vzduchom chladené dvojtaktné motory zaradené do triedy JASO FB/ISO EGB.

Benzín, liter	Dvojtaktný olej, liter	
	2% (1:50)	3% (1:33)
5	0,10	0,15
10	0,20	0,30
15	0,30	0,45
20	0,40	0,60

Miešanie

- Benzín a olej vždy miešajte v čistej nádobe určenej na palivo.
- Vždy začínajte tak, že nalejete polovicné množstvo benzínu, ktorý sa má použiť. Potom pridajte celé množstvo oleja. Palivovú zmes premiešajte (pretraste). Pridajte zvyšné množstvo benzínu.
- Palivovú zmes pred naplnením do palivovej nádrže stroja dobre premiešajte (pretraste).
- Nenamiešavajte viac ako maximálne jedhomesačnú zásobu paliva.
- Ak sa stroj dlhšiu dobu nepoužíva, palivová nádrž by sa mala vyprázdniť a očistiť.

Reťazový olej

- Na mazanie odporúčame používať špeciálny olej (reťazový olej) s dobrou prínavosťou. **(48)**
- Nikdy nepoužívajte použitý olej. Poškodili by ste olejové čerpadlo, vodiacu lištu a reťaz.
- Je dôležité používať olej správnej viskozity, aby vyhovoval teplote vzduchu.
- Pri teplotách pod 0°C (32°F) môžu niektoré oleje tuhnúť. Môže to preťažiť olejovú pumpu a následne poškodiť jej komponenty.
- Keď budete meniť reťazový olej, spojte sa so svojim servisom.

NARÁBANIE S PALIVOM

Doplňanie paliva



VAROVANIE! Ak budete dodržiavať nasledovné opatrenia, zmenšíte tým riziko požiaru:

Nefajčite ani nekladte horúce predmety do blízkosti paliva.

Pred doplnením paliva motor vždy zastavte a nechajte ho na niekoľko minút vychladnúť.

Pri doplnení paliva pomaly otvorte palivový uzáver, tak aby sa pozvoľna uvoľnil akýkoľvek nadmerný tlak.

Po naplnení paliva starostlivo zatiahnite palivový uzáver.

Vždy pred naštartovaním sa so strojom vzdialte od miesta dopĺňania paliva a od zdroja.

Vyčistite priestor okolo palivového veka. Čistite pravidelne palivovú nádrž a nádrž pre reťazový olej. Palivový filter sa musí meniť aspoň raz za rok. Nečistoty v nádržiach spôsobujú poruchy. Pred naliatím do nádrže pily palivovú zmes dobre premiešajte. Palivová a olejová nádrž sú kapacitne vzájomne prispôbolené. Preto by ste mali vždy plniť nádrž reťazového oleja a palivovú nádrž súčasne. **(48)**



VAROVANIE! Palivo a výpary paliva sú veľmi horľavé. Pri manipulácii s palivom a reťazovým olejom buďte opatrní. Uvedomte si riziko požiaru, výbuchu a vdýchnutia nebezpečných pár.

Odstránenie uzáveru palivovej nádrže a uzáveru oleja na mazanie reťaze

- Zatláčte na štruktúrovanú časť výklopnej páčky a zdvihnite ju do vzpriamenej polohy. **(49)**
- Povoľte uzáver otočením proti smeru chodu hodinových ručičiek. **(50)**
- Odstráňte uzáver. **(51)**

Nasadenie uzáveru palivovej nádrže a uzáveru oleja na mazanie reťaze

- Zdvihnite páčku do vzpriamenej polohy a nasadte uzáver. **(52)**
- Uzáver pevne pritiahnite otočením v smere chodu hodinových ručičiek. **(53)**
- Sklopte nadol zdvihač páčky. **(54)**

DÔLEŽITÉ! Poškodený uzáver vždy vymeňte.

Bezpečnosť práce s palivom

- Nikdy nedoplňajte palivo počas chodu motora.
- Pri dopĺňaní alebo miešaní paliva (benzín a dvojtaktný olej) zabezpečte čo najlepšie vetranie.
- Pred naštartovaním sa vzdialte so strojom najmenej 3 metre od miesta dopĺňania paliva.
- Nikdy stroj neštartujte:
 - 1 Ak ste vyliali palivo alebo reťazový olej na motor. Utrite všetko a nechajte vypariť zvyšky rozliateho paliva.
 - 2 V prípade, že vylejete palivo na seba alebo na svoje šaty, vymeňte si ich. Poumyšľajte si všetky časti tela, ktoré prišli do kontaktu s palivom. Použite mydlo a vodu.
 - 3 Ak zo stroja presakuje palivo. Pravidelne kontrolujte, či z uzáveru nádrže alebo palivových vedení nepresakuje.



VAROVANIE! Nikdy nepoužívajte stroj s viditeľne poškodeným chráničom zapaľovacej sviečky a káblom zapaľovania. Zvyšuje sa riziko iskrenia, ktoré môže spôsobiť požiar.

Preprava a uchovávanie

- Skladujete pohonné hmoty a pilu vždy tak, aby neprišli do styku s iskrami alebo s otvoreným ohňom z elektrických zariadení, motorov, relé, vypínačov, bojlerov a podobne.
- Palivo vždy uchovávajte v schválenej nádobe určenej na uvedený účel.
- Pri dlhšom skladovaní, alebo transporte pily musia byť nádrže na olej a palivo vyprázdnené. Informujte sa na čerpacej stanici, kde je možné zlikvidovať odpadový olej a palivo.
- Ochranný kryt rezacej časti musí byť nasadený vždy pred prepravou alebo skladovaním pily, aby ste predišli neúmyselnému kontaktu s ostrou reťazou. Aj keď reťaz nie je v pohybe, môže spôsobiť vážne poranenie používateľovi alebo iným osobám, ktoré k nej majú prístup.
- Od zapaľovacej sviečky odpojte veko zapaľovacej sviečky. Aktivujte brzdu reťaze.
- Zabezpečte stroj počas prepravy.

Dlhodobé skladovanie

Vyprázdnite nádrže paliva a oleja na dobre vetranom mieste. Palivo skladujte vo schválených nádobách a na bezpečnom mieste. Založte preparatívny kryt vodiacej lišty. Vyčistite stroj. Pozrite si pokyny v časti Plán údržby.

Pred dlhodobým skladovaním vykonajte kompletný servis a vyčistite stroj.

Štart a stop



VAROVANIE! Pred naštartovaním dbajte na nasledovné:

Brzda reťaze sa musí spustiť pri štartovaní reťazovej pily, aby sa znížilo riziko kontaktu s rotujúcou reťazou.

Nikdy neštartujte reťazovú pílu skôr ako dôkladne namontujete vodiacu lištu, reťaz a všetky kryty. V opačnom prípade sa môže uvoľniť spojka a zapríčiniť zranenia osôb.

Položte stroj na pevnú zem. Presvedčte sa, že máte bezpečnú oporu nôh a že reťaz sa nemôže ničoho dotknúť.

Držte nepovolane osoby mimo pracovnej oblasti.

Štartovaciu šnúru si nikdy neovíjajte okolo ruky.

Štartovanie

Brzda reťaze musí byť aktivovaná pri štartovaní pily. Aktivujte brzdu posunutím predného chrániča ruky dopredu. (55)

Studený motor

Štartovacia poloha, 1: Nastavte hlavný vypínač do polohy sytiča vyťahnutím červeného tlačidla von – nahor. (56)

Palivová pumpa (2): Opakovane stláčajte membránu preplachovania vzduchom, pokiaľ sa membrána nenaplní palivom (aspoň šesťkrát). Membrána nemusí byť naplnená úplne. (56)

Uchopte prednú rukoväť ľavou rukou. Držte reťazovú pílu na zemi tým, že pravú nohu zasuniete do zadnej rukoväte. (57)

Potiahnite štartovaciu rukoväť, 3: Potiahnite štartovaciu rukoväť pravou rukou a vyťahujte pomaly štartovaciu šnúru, až kým nebudete cítiť odpor (západky štartéra sa uvádzajú do činnosti) a potom potiahnite pevne a rýchlo, kým motor nenaštartuje.

Zatlačte dole červené ovládanie sytiča, 4: Hneď, ako motor naskočí (budete počuť „bafnutie“), zatlačte dolu červené ovládanie sytiča.

Potiahnite držadlo štartéra (5): Dôrazne ťahajte za štartovaciu šnúru, kým motor nenaštartuje.

Teplý motor

Štartovacia poloha, 1: Správne nastavenie sytiča/štartovacieho plynu pre štartovanie za tepla dosiahnete posunutím ovládania sytiča na začiatku potiahnutím červeného ovládača von – hore. (56)

Palivová pumpa (2): Opakovane stláčajte membránu preplachovania vzduchom, pokiaľ sa membrána nenaplní palivom (aspoň šesťkrát). Membrána nemusí byť naplnená úplne. (56)

Zatlačte dole červené ovládanie sytiča, 3: Tým sa deaktivuje sytič, ktorý nie je potrebný pri štartovaní teplej reťazovej pily. Avšak pohyb spínača zapnutia/vypnutia

zabezpečí vysoké otáčky voľnobehu, vďaka čomu je štartovanie za tepla jednoduchšie.

Potiahnite držadlo štartéra, 4: Uchopte prednú rukoväť ľavou rukou. Držte reťazovú pílu na zemi tým, že pravú nohu zasuniete do zadnej rukoväte. (57)

Potiahnite štartovaciu rukoväť pravou rukou a vyťahujte pomaly štartovaciu šnúru, až kým nebudete cítiť odpor (západky štartéra sa uvádzajú do činnosti) a potom potiahnite pevne a rýchlo, kým motor nenaštartuje.

Pretože je brzda reťaze ešte stále zapojená, je nutné čo najskôr znížiť počet otáčok motora na voľnobeh, čoho dosiahnete tým, že vypojíte držiak škrtiacej klapky plynu. Odpojenie sa vykoná jemným dotykom na spúšti škrtiacej klapky plynu. Týmto postupom sa zabráňuje zbytočnému opotrebovaniu spojky, bubna spojky a brzdového pásu. Pred prechodom na maximálne otáčky nechajte stroj na niekoľko sekúnd bežať naprázdno.

Jednotlivé kroky sú opísané aj na zadnom okraji pily v zjednodušenom rýchlom štarte s ilustráciami (A). (57)

NEZABUDNITE! Šnúru štartéra nevyťahujte naplno a nepúšťajte držadlo štartéra pri plnom vyťahnutí šnúry. Môže to poškodiť stroj.

Poznámka! Vypnite brzdu reťaze pritiahnutím predného chrániča ruky smerom ku prednej rukoväti. Reťazová píla je teraz pripravená na používanie.



VAROVANIE! Dlhodobé vdychovanie výfukových spodín, výparov reťazového oleja a prachu z pilín ohrozuje vaše zdravie.

- Nikdy neštartujte reťazovú pílu skôr ako dôkladne namontujete vodiacu lištu, reťaz a všetky kryty. Prečítajte si inštrukcie v časti Montáž. Ak nie je na reťazovej pile upevnená vodiaca lišta a reťaz, spojka sa môže uvoľniť a spôsobiť vážne poranenie.
- Brzda reťaze musí byť spustená pri štartovaní pily. Prečítajte si inštrukcie v časti Štartovanie a zastavenie. Neštartujte pílu, ak nie je pevne uchytená. Tento spôsob je veľmi nebezpečný, pretože sa vám píla môže veľmi ľahko vymknúť spod kontroly. (55)
- Nikdy stroj neštartujte v uzavretom priestore. Výfukové plyny môžu byť pri vdychnutí nebezpečné.
- Presvedčte sa, že v blízkosti nie sú ľudia alebo zvieratá, ktorých by mohla reťaz zasiahnuť.
- Reťazovú pílu držte vždy oboma rukami. Pravou rukou uchopte zadnú rukoväť a ľavou rukou prednú rukoväť. **Pílu by takto mali používať všetci užívatelia, pracovní aj ľaváci.** Rukoväť držte pevne tak, aby ste palcami a prstami obojru rukoväť reťazovej pily.

Zastavenie

Zastavte motor stlačením spínača spustenia/zastavenia smerom dole. (59)

NEZABUDNITE! Spínač spustenia/zastavenia sa automaticky vráti do polohy chodu. Aby ste zabránili nechcenému spusteniu, musí byť viečko kábla zapaľovacej sviečky zo zapaľovacej sviečky vždy odstránené, keď je stroj bez dozoru. (60)

Pred použitím: (6 1)

- 1 Skontrolujte funkčnosť a stav brzdy reťaze.
- 2 Skontrolujte, či nie je poškodený zadný ochranný kryt pravej ruky.
- 3 Skontrolujte funkčnosť a stav páčky plynu.
- 4 Skontrolujte funkčnosť a stav vypínača.
- 5 Skontrolujte, či rukoväte nie sú zaolejšované.
- 6 Skontrolujte funkčnosť a stav antivibračného systému.
- 7 Skontrolujte, či je tlmič výfuku pevne prichytený a nie je poškodený.
- 8 Skontrolujte, či sú všetky časti píly dobre dotiahnuté, či nie sú poškodené a či sú kompletne.
- 9 Skontrolujte, či je zachytávač reťaze na svojom mieste a či nie je poškodený.
- 10 Skontrolujte napnutie reťaze.

Všeobecné pracovné pokyny

DÔLEŽITÉ!

Táto časť popisuje základné bezpečnostné predpisy pre používanie reťazovej píly. Tieto informácie nikdy nenahrádzajú odborné zručnosti a skúsenosti. Ak sa dostanete do situácie, v ktorej si sami nebudete vedieť rady, obráťte sa na odborníka. Spojte sa so svojím predajcom, servisným zástupcom alebo skúseným používateľom reťazovej píly. Nepokúšajte sa vykonávať činnosti, v ktorých nemáte istotu!

Pred použitím reťazovej píly musíte poznať účinok spätného nárazu a ako mu predchádzať. Pozrite si inštrukcie v časti Ako sa vyhnúť spätnému nárazu.

Pred použitím motorovej reťazovej píly sa musíte zoznámiť s rozdielmi medzi pílením hornou a dolnou stranou vodiacej lišty. Pozrite si pokyny v častiach Preventívne opatrenia proti spätnému nárazu a Bezpečnostné vybavenie stroja.

Vždy noste vhodný ochranný odev. Pozrite pokyny v rámci kapitoly Osobné ochranné prostriedky.

Základné bezpečnostné pravidlá

- 1 Pozrite sa okolo seba:
 - aby ste sa presvedčili, či ľudia, zvieratá alebo ostatné veci nemôžu ovplyvniť vaše ovládanie stroja.
 - Presvedčte sa, že nikto nie je v dosahu píly a nemože byť zranený pílou alebo padajúcimi stromami.

NEZABUDNITE! Dodržujte vyššie uvedené pokyny, ale nikdy nepoužívajte pílu, ak nemôžete privolať pomoc v prípade úrazu.

- 2 Nepoužívajte stroj v nepriaznivých podmienkach, ako sú hustá hmla, silný dážď a vietor, krutá zima a podobne. Práca v zlom počasí je únavná a často prináša ďalšie riziká, ako sú šmykľavý povrch, nepredvídateľný smer pádu ap.
- 3 Dávajte pozor pri odvetvovaní malých vetvičiek a vyhýbajte sa píleniu krovia (teda píleniu množstva malých

vetiev naraz). Malé vetvičky sa môžu zachytiť do reťaze, vyletieť na používateľa a spôsobiť mu vážne zranenie.

- 4 Presvedčte sa, že dobre a pevne stojíte. Skontrolujte, či okolo vás nie sú prekážky (korene, skaly, vetvy, jamy a podobne) pre prípad, že by ste sa museli náhle pohnúť. Dávajte si pozor pri práci na svahu.
- 5 Venujte maximálnu pozornosť píleniu stromov pri prerezávke, v ktorých je napätie. Napnutý strom sa môže náhle vymrštiť späť do pôvodnej polohy pred tým alebo po tom, ako ho spiliť. Ak stojíte na nesprávnej strane, alebo začnete rezať na nesprávnom mieste, môže strom zasiahnuť vás alebo vašu reťazový stroj. Následne môžete nad strojom stratiť kontrolu a spôsobiť si vážne poranenie.



- 6 Pred premiestnením píly vypnite motor a reťaz zabrzďte brzdou. Pílu neste tak, aby vodiaca lišta a reťaz smerovali dozadu. Pred presunom píly na akúkoľvek vzdialenosť nasadte na vodiacu lištu a reťaz prepravný kryt.
- 7 Keď kladiete reťazový pílu na zem, zabrzďte reťaz brzdou a skontrolujte, či ju budete mať stále v dohľade. Ak odložíte pílu na akúkoľvek dobu, vždy vypnite motor.



VAROVANIE! Niekedy sa úlomky zachytia v kryte spojky a spôsobia zaseknutie reťaze. Pred čistením stroj vždy vypnite.

Základné pravidlá

- 1 Ak porozumiete čo je spätný náraz a ako vzniká, budete môcť redukovať alebo eliminovať moment prevrpenia. Tým, že budete pripravení, zmenšíte riziko. Spätný náraz je obvyčajne mierny, ale môže byť niekedy aj náhly a silný.
- 2 Vždy držte reťazový pílu silno pravou rukou za zadnú rukoväť a ľavou rukou za prednú rukoväť. Rukoväte obopnite palcom a prstami. Pílu by mali takto držať ľaváci aj praváci. Pomocou tohto pevného držania minimalizujete efekt spätného nárazu a udržíte pílu pod kontrolou. **Nepustite rukoväť!**
- 3 Väčšina nehôd zapríčinených spätným nárazom sa stane pri odvetvovaní. Stojte pevne a dávajte pozor, aby ste nestratili rovnováhu, alebo aby ste nemuseli náhle zmeniť polohu.

Nedostatok koncentrácie môže zapríčiniť spätný náraz, ak sa zóna spätného nárazu vodiacej lišty náhodne dotkne konára, blízkeho stromu, alebo iného predmetu.

Majte pod kontrolou opracovávaný kus. Ak sú kusy, ktoré sa chystáte opracovávať, malé a ľahké, môžu sa zaseknúť v píle a môžu odsakovať smerom na vás. Hoci to nemusí byť nebezpečné, môže vás to prevrpať a píla sa vám môže vymknúť spod kontroly. Kmeň alebo konáre najskôr oddeľte, až potom ich píte. Píľte vždy len jeden kmeň alebo kus dreva. Odstráňte odrezky, aby bolo vaše pracovné prostredie bezpečné. **(62)**

- 4 **Reťazová píla sa nesmie používať nad úrovňou ramien. Vyhýbajte sa rezaniu špičkou vodiacej lišty. Nikdy nepracujte len jednou rukou! (63)**

PRACOVNÉ TECHNIKY

- Vždy musíte mať pevnú pozíciu, aby ste mali plnú kontrolu nad pilou. Nikdy nepracujte stojac na rebriku, konári stromu alebo v pozícii, keď nemáte pevnú pôdu pod nohami. **(64)**
- Vždy píte na plný plyn.
- Dávajte pozor, keď režete hornou hranou vodiacej lišty, t. z. keď pílite zospodu objektu. Toto sa nazýva rezanie odbiehajúcou reťazou. Reťaz tlačí pilu dozadu smerom k používateľovi. Ak sa reťaz zasekne, reťazová píla sa môže odraziť dozadu smerom k vám. **(65)**
- Ak užívateľ nemá dostatok sily, aby zastavil tento pohyb, vzniká riziko, že reťazová píla sa posunie tak ďaleko dozadu, že zóna spätného nárazu na vodiacej lište príde do styku so stromom a vyvolá spätný náraz. **(66)**
- Pílenie dolnou stranou lišty, t. z. zhora nadol, sa nazýva rezanie nabiehajúcou reťazou. Pri takomto rezaní sa píla posúva smerom od užívateľa ku stromu a predný okraj tela píly sa oprie o kmeň. Pílenie nabiehajúcou reťazou poskytuje užívateľovi lepšiu kontrolu nad pilou a zónou spätného nárazu vodiacej lišty. **(67)**
- Dodržujte pokyny na ostrenie a údržbu vodiacej lišty a reťaze. Pri výmene vodiacej lišty a reťaze používajte len nami odporúčané kombinácie. Prečítajte si inštrukcie v časti Rezacia časť a Technické údaje.

Základné techniky pílenia



VAROVANIE! Nikdy nepoužívajte pílu len jednou rukou. Reťazovou pílu nemožno bezpečne ovládať, ak ju držíte iba jednou rukou. Rukoväte držte vždy pevne oboma rukami.

Všeobecné

- Vždy píte na plný plyn!
- Po každom pílení nechajte motor bežať na voľnobeh (chod motora na plné otáčky dlhšiu dobu bez zaťaženia môže spôsobiť jeho vážne poškodenie).
- Pílenie zhora = Pílenie nabiehajúcou reťazou.
- Pílenie zdola = Pílenie odbiehajúcou reťazou.

Pílenie odbiehajúcou reťazou zvyšuje riziko spätného nárazu. Pozrite si inštrukcie v časti Ako sa vyhnúť spätnému nárazu.

Termíny

Pílenie = Všeobecné označenie pre rezanie dreva.

Odvetvovanie = Odstránenie konárov zo splieneného stromu.

Zlom = Ak sa rezaný strom zlomí pred dokončením rezu.

Pred každým rezom musíte mať na zreteli 5 dôležitých faktorov:

- Nesmie dôjsť k zovretiu píly v reze. **(68)**
- Pílený objekt nesmie prasknúť. **(69)**
- Reťaz sa nesmie dotknúť zeme ani iného predmetu počas pílenia a po ňom. **(70)**
- Existuje riziko spätného nárazu? **(4)**

- Majú podmienky v teréne a okolí vplyv na to, ako bezpečne sa pohybujete alebo stojíte?

Dva faktory rozhodujú o tom, či bude píla zovretá a či pílený objekt praskne: prvý je ako bol objekt podopretý pred a po pílení a druhý, či je v objektе pnutie.

Vo väčšine prípadov sa dá týmto faktorm vyhnúť a to tak, že použijete dva pracovné postupy, najskôr rezom zhora a potom zdola. Musíte podoprieť objekt tak, aby nezovrel reťaz, alebo aby nepraskol.

DÔLEŽITÉ! Ak dôjde k zovretiu píly: zastavte motor! Nepokúšajte sa pílu silou vytrhnúť. Mohli by ste sa o ňu zraniť, ak by sa náhle uvoľnila. Použite pretláčiaciu lopatku na otvorenie rezu a uvoľnenie píly.

Nasledujúce inštrukcie popisujú ako zvládnuť najbežnejšie situácie, do ktorých sa môžete dostať.

Odvetvovanie

Pri odvetvovaní hrubých konárov postupujte ako pri pílení kmeňov.

Ťažké konáre píte kus po kuse. **(71)**

Pílenie



VAROVANIE! Nikdy sa nepokúšajte píliť kmene uložené na kope alebo kmene ležiace blízko seba. Takýto postup výrazne zvyšuje riziko spätného nárazu, ktorý môže spôsobiť vážne alebo smrteľné poranenie.

Ak sa chystáte píliť hromadu kmeňov, každý kmeň musíte vybrať z kopy, položiť na kozu na rezanie dreva alebo na rozperu a píliť samostatne.

Odstráňte odrezky z pracovného prostredia. Ak ich neodstránite, zvyšuje sa riziko spätného nárazu, ak urobíte chybu, a riziko straty rovnováhy pri práci. **(72)**

Kmeň leží na zemi. Nehrozí nebezpečie, že sa píla zovrie, ani že kmeň praskne. Ale je riziko, že píla sa po prerezaní dotkne zeme. **(73)**

Režte celý kmeň zhora. Zabráňte, aby sa reťaz po prerezaní dotkla zeme. Pracujte na plný plyn, ale opatrne. **(74)**

Ak je možné kmeň obrátiť, prerežte ho do 2/3.

Otočte kmeň a režte z opačnej strany. **(75)**

Kmeň je na jednej strane podopretý. Je veľmi pravdepodobné, že praskne. **(76)**

Začnite rezať zdola asi do 1/3.

Dokončite rez zhora až sa oba rezy stretnú. **(77)**

Kmeň je podopretý na oboch stranách. Existuje riziko, že dôjde k zovretiu píly. **(78)**

Začnite rezať zhora asi do 1/3.

Dokončite rez zdola, až sa oba rezy stretnú. **(79)**

Technika spíľovania stromov

DÔLEŽITÉ! Pílenie stromov si vyžaduje veľa skúsenosti. Neskúsený užívateľ reťazovej píly by nemal spíľovať stromy. Nepokúšajte sa vykonávať činnosti, v ktorých nemáte istotu!

Bezpečná vzdialenosť

Bezpečná vzdialenosť medzi spíľovaným stromom a najbližším pracoviskom má byť aspoň 2 1/2 dĺžky stromu. Presvedčte sa, že pred, ani počas spíľovania nie je nikto v tejto oblasti. **(80)**

Smer pádu stromu po spílení

Cieľom je spíliť strom tak, aby po páde bolo možné strom odvetviť a rozrezať kmeň čo možno najľahšie. Nasmerujte ho tak, aby padol do terénu, v ktorom môžete bezpečne stáť a pohybovať sa.

Potom, čo sa rozhodnete pre smer pádu stromu, musíte odhadnúť prirodzený smer pádu.

Pritom treba brať do úvahy nasledujúce faktory:

- Sklon stromu
- Zakrivenie stromu
- Smer vetra
- Usporiadanie konárov
- Váha snehu
- Prekážky v blízkosti stromu, napríklad ďalšie stromy, elektrické vedenie, cesty a budovy.
- Zistite, či je kmeň poškodený alebo spráchnivený, zvyšuje to totiž pravdepodobnosť, že sa strom zlomí a začne padať skôr, ako by ste očakávali.

Možno bude nutné nechať strom padnúť v prirodzenom smere, pretože je nemožné alebo príliš nebezpečné pokúšať sa nechať ho padnúť v smere, aký si prajete.

Iný dôležitý faktor, ktorý neovplyvňuje smer pádu ale vašu bezpečnosť, je preskúmanie stromu či nemá poškodené alebo suché konáre, ktoré by sa mohli odlomiť a zraniť vás.

Je neprípusté, aby sa padajúci stroj zachytil na iný strom. Uvoľnenie uviaznutého stromu je veľmi nebezpečné a predstavuje vysoké riziko úrazu. Pozrite si pokyny v časti Uvoľnenie zle spadnutého stromu. **(81)**

DÔLEŽITÉ! Pri nebezpečných pracovných činnostiach by ste mali zložiť chrániče sluchu ihneď po skončení pílenia, aby ste počuli varovné signály a zvuky.

Čistenie kmeňa a príprava ústupovej cesty

Odstráňte zo stromu vetvy do výšky ramien. Bezpečnejšie je píliť smerom zhora nadol, pričom strom je medzi vami a pílou. **(82)**

Okolo celého stromu odstráňte porast a dávajte pozor na možné prekážky (kamene, konáre, diery atď.) tak, aby ste mali voľnú ústupovú cestu, keď začne strom padať. Ústupová cesta by mala byť asi v 135 stupňovom uhle k plánovanému smeru pádu stromu. **(83)**

- 1 Zóna rizika
- 2 Cesta ústupu
- 3 Smer pádu stromu po spílení

Pílenie



VAROVANIE! Neskúsených ťažbárov odrádzame od pílenia stromov, ktorých priemer je väčší ako dĺžka vodiacej lišty!

Pílenie sa robí tromi rezmí. Najprv sa vytvorí klin, ktorý má jeden rez zhora a jeden zospodu, potom dokončíte pílenie hlavným rezom. Ak správne urobíte tieto rezy, dá sa určiť celkom presne smer pádu stromu.

Klinový rez

Ak budete robiť klinový rez, začnite vždy horným rezom. Rez vykonajte podľa označenia smeru pádu stromu (1) smerom k miestu v teréne, kam má strom dopadnúť (2). Stojte vpravo od kmeňa za pílu a píľte nabiehajúcou reťazou.

Potom urobte spodný rez tak, aby sa presne spojil s horným rezom. **(84)**

Klin má zasahovať asi do 1/4 priemeru kmeňa a má zvierat uhol 45°.

Priesečník oboch rezov sa nazýva hrana zárezu. Táto hrana rezu má prebiehať presne vodorovne a zároveň tvoriť pravý uhol (90°) k smeru pádu stromu. **(85)**

Hlavný rez

Hlavný rez je vedený z opačnej strany stromu a musí prebiehať úplne vodorovne. Postavte sa vľavo od stromu a píľte nabiehajúcou reťazou.

Hlavný rez umiestnite asi 3–5 cm (1.5–2 palcov) nad spodnou časť klinového rezu. **(86)**

Opierka rezania (ak je na píle) musí byť za "závesom" (nedorezom). Reže na plný plyn a tlačte vodiacu lištu/reťaz pomaly do kmeňa stromu. Dávajte pozor, aby sa strom nezačal pohybovať opačným smerom, ako v predpokladanom smere pádu. Umiestnite do rezu klin alebo páčidlo ihneď, ako je to možné.

Skončíte hlavný rez vedený súbežne s klinovým rezom tak, aby medzi nimi ostala vzdialenosť minimálne 1/10 priemeru kmeňa. Neprezeraná časť kmeňa medzi hlavným rezom a klinom sa nazýva nedorez.

Nedorez určuje smer pádu stromu. **(87)**

Kontrolu nad smerom pádu stromu stratíte, ak je nedorez príliš úzky alebo ak neexistuje, alebo ak sú hlavný rez a klinový rez zle umiestnené. **(88)**

AK SÚ KLINOVÝ REZ A HLAVNÝ REZ DOKONČENÉ, STROM SPADNE SÁM, ALEBO POMOCOU KLINA, ALEBO PÁČIDLA. **(89)**

Odporúčame použiť vodiacu lištu, ktorá je dlhšia ako priemer kmeňa, takže je možné urobiť klinový rez a hlavný rez takzvaným "jednoduchým rezom". Pozrite si pokyny v časti Technické údaje týkajúce sa odporúčanej dĺžky vodiacej lišty pre váš model reťazovej píly.

Sú spôsoby, ako rezať stromy, ktorých priemer je väčší ako dĺžka vodiacej lišty píly. Pri použití týchto metód vzniká riziko, že sa zóna spätného nárazu vodiacej lišty dotkne stromu a vyvolá spätný náraz. **(4)**

Uvoľnenie zle spadnutého stromu

Uvoľnenie zakliesneného stromu

Uvoľnenie uviaznutého stromu je veľmi nebezpečné a predstavuje vysoké riziko úrazu.

Nikdy sa nepokúšajte spiliť strom, ak je na ňom spadnutý iný strom.

Nikdy nepracujte v rizikovej zóne, napr. v prípade visiaceho, zakliesneného stromu. **(90)**

Najbezpečnejšia metóda je použitie navijáka.

- Pripevnený na traktor
- Prenosný

Rezanie stromov a konárov, v ktorých je pnutie

Prípravy: Zistite, ktorá strana je tlačená a kde je bod najväčšieho pnutia (to znamená, kde by sa strom alebo konár prelomili, keby sa ohli ešte viac). **(91)**

Premyslite si najbezpečnejší spôsob uvoľnenia pnutia a zvážte, či to dokážete bezpečne urobiť. V komplikovaných prípadoch je jedinou bezpečnou metódou odložiť reťazovú pilu a použiť naviják.

Všeobecne platná rada:

Postavte sa tak, aby ste nestáli v ceste stromu alebo konáru, keď sa pnutie uvoľní. **(92)**

Urobte jeden alebo viac rezov na alebo blízko bodu maximálneho pnutia. Urobte toľko rezov v dostatočnej hĺbke, koľko bude potrebných na zmenšenie pnutia a režte tak, aby sa strom alebo konár zlomil v bode maximálneho pnutia. **(93)**

Nikdy nerežte priamo cez strom alebo konár, ktoré sú pod pnutím.

Ak musíte prepiliť strom/konár, urobte dva alebo tri zárezy vo vzdialenosti 3 cm a 3–5 cm hlboko. **(94)**

Píľte dovtedy, kým sa strom/konár neohne a kým sa neuvoľní napätie. **(95)**

Keď sa už napätie uvoľnilo, prepíľte strom/konár z druhej strany.

Ako sa vyhnúť spätnému nárazu



VAROVANIE! Náhle môže dôjsť k veľmi silnému spätnému nárazu, pri ktorom je píla a vodiaca lišta odrazená späť na používateľa. Ak sa toto stane keď je reťaz v pohybe, môže to spôsobiť vážne poranenie, dokonca smrteľné. Ja nanajvýš dôležité, aby ste porozumeli tomu, čo spôsobuje spätný náraz a aby ste sa mu mohli vyhýbať a používať správnu pracovnú techniku.

Čo je to spätný náraz?

Termín spätný náraz sa používa na popísanie náhle reakcie, ktorá spôsobuje odhodenie reťazovej píly a vodiacej lišty od predmetu, keď sa horný segment čela vodiacej lišty, známy ako oblasť spätného nárazu, dotkne predmetu. **(66)**

Spätný náraz vždy vzniká v reznej časti vodiacej lišty. Obyčajne je reťazová píla a vodiaca lišta odrazená dozadu a nahor smerom k užívateľovi. Môže sa však stať, že po spätnom náraze sa píla bude pohybovať iným smerom v závislosti od spôsobu jej použitia. **(7)**

Spätný náraz vznikne len vtedy, ak sa zóna spätného nárazu vodiacej lišty dotkne objektu. **(4)**

Odvetvovanie



VAROVANIE! Väčšina nehôd zapríčinených spätným nárazom sa stane pri odvetvovaní. Nepoužívajte zónu spätného nárazu vodiacej lišty. Buďte zvlášť opatrní a vyhňte sa kontaktu čela vodiacej lišty s kmeňom, ďalšími konármi alebo predmetmi. Buďte zvlášť opatrní pri práci s konármi, ktoré sú napnuté. Môžu sa vymrštiť smerom k vám a spôsobiť stratu kontroly a následné poranenie.

Postarajte sa o to, aby ste mohli stáť a pohybovať sa bezpečne. Pracujte na ľavej strane kmeňa. Pracujte pilou čo najbližšie pri tele, budete mať lepšiu kontrolu nad pilou. Ak je to možné, nechajte pilu rezať len vlastnou váhou.

Kmeň musí byť vždy medzi vami a pilou.

Rozrezávanie kmeňov na kusy

Pozrite si časť Základné techniky pilenia.

Všeobecné

Používateľ môže vykonávať iba údržbu a servis popísané v návode na obsluhu. Náročnejšie práce sa musia vykonávať v autorizovanej servisnej dielni.

Nastavenie karburátora

Váš výrobok značky Husqvarna bol vyvinutý a vyrobený tak, že znižuje škodlivé emisie.

Funkcia

- Karburátor reguluje otáčky motora pomocou plynovej páčky. Vzduch a palivo sa zmiešajú v karburátore. Zmes vzduchu a paliva je nastaviteľná. Správne nastavenie zmesi je podstatné pre dosiahnutie najlepšieho výkonu píly.
- T-skrutka reguluje polohu klapky plynu pri chode motora na voľnobeh. Otočenie skrutky v smere hodinových ručičiek zvyšuje otáčky voľnobehu, zatiaľ čo otočenie proti smeru hodinových ručičiek otáčky voľnobehu znižuje.

Základné nastavenia a zábeh

Základné nastavenia karburátora sa upravujú počas testovania v továrni. Jemné nastavenie by mal vykonať skúsený technik.

Odporúčané otáčky pri voľnobehu: Pozrite si časť Technické údaje.

Jemné vyregulovanie voľnobehu T

Nastavte voľnobeh so skrutkou T. Ak je nutné opätovné nastavenie, točte skrutkou T v smere hodinových ručičiek za chodu motora, kým sa nezačne točiť reťaz. Potom točte proti smeru ručičiek, kým reťaz nezastane. Keď je voľnobeh správne nastavený, motor beží hladko v každej polohe a otáčky motora by mali byť dostatočne nižšie ako otáčky, pri ktorých začína rotovať reťaz.



VAROVANIE! Spojte sa so servisným technikom, v prípade ak sa nastavenie voľnobehu nedá nastaviť tak, že reťaz stojí. Nepoužívajte reťazovú pílu, ak nebola správne nastavená alebo opravená.

Správne nastavený karburátor

Keď je karburátor správne nastavený, stroj hladko zrýchľuje a pracuje na plný plyn. Je tiež dôležité, aby sa pri voľnobehu netočila reťaz. Ak je L-tryska nastavená na príliš chudobnú zmes, môže dôjsť k problémom pri štartovaní a zrýchlenie je pomalé. Ak je nastavenie H - trysky príliš chudobné, píla bude mať slabý výkon, zrýchlenie a môže dôjsť k poškodeniu motora.

Kontrola, údržba a servis bezpečnostného vybavenia reťazovej píly

Poznámka! Všetky servisné a opravné práce na stroji si vyžadujú špeciálne školenie. Toto zvlášť platí o bezpečnostnom vybavení stroja. Ak stroj neprejde niektorou z kontrol popísaných nižšie, odporúčame, aby ste ho doniesli do servisnej dielne.

Brzda reťaze a predný chránič ruky

Kontrola opotrebovania brzdového pásu



Výčistite kefou brzdú reťaze a spubon spojky tak, aby na nich neboli zvyšky dreva, hrdza a špina. Špina a opotrebenie môžu zhoršiť funkčnosť brzdy. **(96)**

Kontrolujte pravidelne, či má brzdový pás hrúbku aspoň 0,6 mm na svojom najtenšom mieste.

Kontrola predného chrániča ruky



Presvedčte sa, že predný chránič ruky nie je poškodený a že nie sú na ňom žiadne viditeľné poškodenia, napr. praskliny.

Posúvajte predný chránič dopredu a dozadu, aby ste sa presvedčili, že sa pohybuje voľne a že je bezpečne upevnený na kryte spojky.

Kontrola aktivácie brzdy zotrvačnou silou



Umiestnite reťazovú pílu s vypnutým motorom na peň alebo iný stabilný povrch. Pustite prednú rukoväť a nechajte pílu spadnúť otáčajúc sa okolo zadnej rukoväte smerom k pňu. **(97)**

Keď lišta narazí na peň, mala by sa aktivovať brzda. **(98)**

Kontrola aktivácie brzdy

Položte pílu na pevnú zem a naštartujte ju. Presvedčte sa, že sa reťaz nedotýka zeme alebo iného predmetu. Prečítajte si inštrukcie v časti Štartovanie a zastavenie. **(99)**

Pevne uchopte reťazovú pílu.

Pridajte plný plyn a aktivujte brzdú reťaze tým, že skloníte ľavé zápästie dopredu na predný chránič. Nepustite prednú rukoväť. **Reťaz by sa mala ihneď zastaviť. (58)**

Poistná páčka plynu



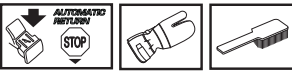
- Presvedčte sa, či je ovládanie plynu zablokované pri nastavení na voľnobeh, keď je poistná páčka plynu uvoľnená. **(100)**
- Stlačte páčku plynu a presvedčte sa, či sa vracia do svojej pôvodnej polohy, keď ju uvoľníte. **(101)**
- Skontrolujte, či sa páčka plynu a poistná páčka plynu voľne pohybujú a či vratné pružiny náležite fungujú. **(102)**
- Naštartujte pílu na plný plyn. Pustite ovládač plynu a skontrolujte, či sa reťaz zastaví a zostane stáť. Ak sa reťaz otáča, aj keď regulátor plynu je na voľnobehu, mali by ste skontrolovať nastavenie voľnobehu na karburátore.

Zachytávač reťaze



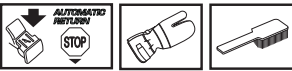
Skontrolujte, či nie je poškodený zachytávač reťaze a či je pevne upevnený na reťazovej pile. **(103)**

Ochranný kryt pravej ruky



Skontrolujte ochranný kryt pravej ruky, presvedčte sa, že nie sú na ňom žiadne viditeľné poškodenia, npr. praskliny. **(11)**

System na tlmenie vibrácií



Pravidelne kontrolujte tlmiče vibrácií, či nie sú prasknuté alebo deformované. Presvedčte sa, či sú tlmiace jednotky pevne uchytané k motorovej jednotke a jednotke rukovätí. **(104)**

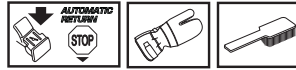
Vypínač



Naštartujte motor a presvedčte sa, či sa motor zastaví, keď pohnete vypínačom do polohy stop. **(59)**

NEZABUDNITE! Spínač spustenia/zastavenia sa automaticky vráti do polohy chodu. Pre zamedzenie neúmyselného spustenia musí byť viečko kábla zapalovacej sviečky pri montáži, kontrole a/alebo vykonávaní údržby zo zapalovacej sviečky odstránené.

Tlmič výfuku



Nikdy nepoužívajte stroj, ktorý má chybný tlmič výfuku! Pravidelne kontrolujte, či je tlmič výfuku pevne pripavený k motoru. **(105)**

Niektoré tlmiče výfuku sú vybavené špeciálnou sieťkou na zachytávanie iskier. Ak má vaša píla tento typ tlmiča, mali by ste sieťku čistiť aspoň jedenkrát týždenne. Najlepšie sa sieťka čistí drôtenou kefou. Zanesený zachytávač spôsobí prehriatie motora a môže zapríčiniť jeho vážne poškodenie.

Poznámka! Ak je sieťka poškodená, treba ju vymeniť. Ak je sieťka zanesená, píla sa bude prehrievať a môže dôjsť k poškodeniu valca alebo piesta. Nikdy nepoužívajte pílu so zlým tlmičom výfuku. **Nepoužívajte nikdy tlmič výfuku, ak je zachytávač iskier poškodený, alebo ak chýba. (13)**

Tlmič výfuku je navrhnutý na znižovanie hladiny hluku a na smerovanie výfukových plynov preč od obsluhy. Výfukové plyny sú horúce a môžu obsahovať iskry, ktoré, ak sú namierené proti suchému a horľavému materiálu, môžu spôsobiť požiar.

Kryt štartovania



VAROVANIE! Keď je vratná pružina navinutá v telese štartéra, je napnutá a v prípade neopatrného zaobchádzania môže vyskočiť a spôsobiť poranenie osôb.

Pri výmene vratnej pružiny alebo šnúry štartéra musíte byť opatrní. Noste ochranné okuliare a rukavice.

Výmena šnúry štartéra



- Uvoľníte skrutku, ktoré držia teleso štartéra prichytené o kľúčovú skriňu a odnímate ho. **(106)**
- Potiahnite šnúru zhruba o 30 cm a zdvihnite ju do zárezu na remenici štartéra. Dajte späť vratnú pružinu pomalým otáčaním remenice smerom späť. **(107)**
- Odmontujte skrutku v strede remenice a vyberte pohonný disk (A), pružinu pohonného disku (B) a remenicu (C). Vložte a zaistite novú šnúru štartéra do remenice štartéra. Navíňte približne tri otáčky šnúry štartéra na remenicu štartéra. Upevnite remenicu štartéra tak, aby sa koniec pružiny navijania (D) zahákoval do remenice štartéra. Teraz namontujte pružinu pohonného disku, pohonný disk a skrutku v strede remenice. Pretiahnite šnúru štartéra cez diery v skriní štartéra a držadlo štartéra. Na šnúre štartéra urobte dobrý uzol. **(108)**

Napínanie vratnej pružiny

- Zodvihnite šnúru štartéra do zárezu v remenici štartéra a otočte remenicu približne o dve otáčky.

Poznámka! Skontrolujte, či sa remenica môže otočiť o prinajmenšom ďalšiu 1/2 otáčky, keď je šnúra štartéra úplne vytiahnutá. (109)

Natiahnite šnúru pomocou držadla. Odsunutím palca uvoľníte šnúru. Vid' obrázok nižšie. (110)

Výmena vratnej pružiny a pružiny pohonného disku



Vratná pružina (A)

- Nadvihnite remenicu štartéra Pozrite pokyny v rámci kapitoly Výmena pretrhutej alebo opotrebovanej šnúry štartéra. Pamätajte, že vratná pružina je v skrini štartéra napnutá.
- Vyberte zo štartéra kazetu s vratnou pružinou.
- Vratnú pružinu namastite s použitím ľahkého oleja. Upevnite kazetu s vratnou pružinou do štartéra, vložte remenicu štartéra a napnite vratnú pružinu.

Pružina unášača (B)

- Odmontujte skrutku v strede remenice a vyberte unášač a pružinu unášača.
- Vymeňte pružinu unášača a namontujte unášač nad pružinu. (111)

Upevnenie štartéra

- Zmontujte teleso štartéra tak, že najprv potiahnete šnúru štartéra a potom umiestnite štartér do polohy oproti kľukovej skriní. Potom pomaly uvoľníte šnúru štartéra tak, aby sa remenica západkami zachytila.
- Zmontujte a dotiahnite skrutky, ktoré držia teleso štartéra.

Vzduchový filter



Vzduchový filter treba pravidelne čistiť, aby sa odstránili prach a špina a vyšlo sa tak:

- Poruche karburátora
- Problémom so štartovaním
- Zhoršenému výkonu
- Zbytočnému opotrebovaniu častí motora.
- Nadmerne vysokej spotrebe paliva.
- Po stiahnutí uzáveru vzduchového filtra, vyberte filter. Pri nasadzovaní filtra naspäť dávajte pozor, aby tesne priliehal na držiak filtra. Filter vyprášte, alebo vykefujte. (112)

Dôkladnejšie vyčistite filter umytým vo vode, alebo vodou s pracím prostriedkom.

Vzduchový filter, ktorý sa používa nejakú dobu, nemožno celkom očistiť. Preto sa musí v pravidelných intervaloch nahrádzať novým. **Poškodený filter sa musí vždy vymeniť.**

Retazová píla HUSQVARNA môže mať rôzne typy vzduchového filtra, ktoré sú vhodné pre rôzne pracovné podmienky, počasie, ročné obdobie. Poradí vám váš dodávateľ.

Zapaľovacia sviečka



Stav zapaľovacej sviečky je ovplyvnený:

- Nesprávnym nastavením karburátora.
- Nesprávnou zmesou paliva (príliš veľa alebo nesprávny druh oleja).
- Znečisteným filtrom.

Tieto činitele spôsobujú povlaky na elektródach zapaľovacej sviečky, ktoré môžu mať za následok prevádzkové problémy a štartovacie ťažkosti.

Ak má stroj nízky výkon, problémy pri naštartovaní alebo prajuce nedostatočne: pred podniknutím ďalších krokov vždy skontrolujte zapaľovaciu sviečku. Ak je zapaľovacia sviečka špinavá, očistite ju a skontrolujte, či medzera medzi elektródami je 0,5 mm. Zapaľovacia sviečka by sa mala vymeniť po približnej mesačnej prevádzke, alebo ak treba aj skôr. (113)

Poznámka! Vždy používajte odporúčaný typ zapaľovacej sviečky! Nesprávna zapaľovacia sviečka môže vážne poškodiť piest/valec. Skontrolujte, či je zapaľovacia sviečka správne nasadená.

Mazanie ihlového ložiska



Bubon spojky má na vývodnom hriadeľi ihlové ložisko. Toto ihlové ložisko sa musí pravidelne mazať.

Pri mazaní odmontujte kryt spojky uvoľnením dvoch matic na vodiacej lište. Položte pílu na bok tak, aby bubon spojky smeroval nahor.

Pri mazaní kvapkajte motorový olej do stredu bubna, pričom sa bubon spojky otáča. (114)

Chladiaci systém



Na udržiavanie čo najnižšej pracovnej teploty je stroj vybavený chladiacim systémom.

Chladiaci systém pozostáva z:

- 1 Nasávania vzduchu na štartéri.
- 2 Clony vzduchového potrubia.
- 3 Rebier na zotrvačniku.
- 4 Chladiacich rebier na valci.
- 5 Kryt valca (usmerňuje prúd studeného vzduchu okolo valca). **(115)**

Očistite chladiaci systém raz do týždňa kefkou, príp. pri náročnejších podmienkach častejšie. Špinavý alebo zablokovaný chladiaci systém má za následok prehriatie stroja, ktoré spôsobuje poškodenie piestu a valca.

Odstredivé čistenie "Air Injection"

Odstredivé čistenie znamená: Všetok vzduch prúdiaci do karburátora prechádza štartovacím zariadením. Chladiaci ventilátor vyfúkne špinu a prach von. **(116)**

DÔLEŽITÉ! Aby systém odstredivého čistenia dobre fungoval, treba ho pravidelne udržiavať. Vyčistite vstup pre prívod vzduchu do štartovacieho zariadenia, rebra zotrvačnika, priestor okolo zotrvačnika, saciu rúru a priestor karburátora.

Používanie v zime

Ak stroj používate v chlade a snehu, môžu sa vyskytnúť problémy so štartovaním spôsobené:

- Príliš nízkou teplotou motora.
- Zamrznutím vzduchového filtra a karburátora.

Často sú preto nutné špeciálne opatrenia.

- Zakryte sčasti otvor, ktorým k štartéru ide vzduch, aby sa zvýšila pracovná teplota motora.

Teplota -5°C alebo chladnejšie:



Na prevádzku stroja v chladnom počasí alebo prachovom snehu je dostať špeciálny kryt, ktorý sa dáva na kryt štartovania. Znižuje sa vnikanie chladného vzduchu a zabráni sa nasaniu veľkého množstva snehu. **(117)**

NEZABUDNITE! Ak ste namontovali zvláštne zariadenie na prevádzku v zime, alebo ste nejakými opatreniami zvýšili teplotu, je nutné všetky tieto opatrenia a zariadenia odstrániť, ak budete stroj používať v teplotne normálnych podmienkach. Ináč hrozí nebezpečie prehriatia, čo môže vážne poškodiť motor.

DÔLEŽITÉ! Akákoľvek údržba, ktorá nie je uvedená a popísaná v tomto návode, sa musí robiť v servise alebo u predajcu (dodávateľa).

ÚDRŽBA

Plán údržby

Nasleduje zoznam postupov údržby, ktoré musíte vykonať. Väčšina z nich je opísaná v časti Údržba.

Denná údržba	Týždenná údržba	Mesačná údržba
Vyčistite vonkajšok stroja.	Raz za týždeň skontrolujte chladiaci systém.	Skontrolujte, či nie je opotrebovaný brzdový pás na brzde reťaze. Vymeňte ho, ak je na najviac opotrebovanom mieste tenší ako 0,6 mm.
Skontrolujte, či časti ovládania plynu pracujú bezpečne. (Uzáver a regulácia ovládania plynu.)	Skontrolujte štartér, šnúru štartéra a vratnú pružinu.	Skontrolujte, či nie sú opotrebované spojka, bubon spojky a pružina spojky.
Vyčistite brzdú reťaze a skontrolujte, či pracuje bezpečne. Skontrolujte, či zachytávač reťaze nie je poškodený, ak je to nutné, vymeňte ho.	Skontrolujte, či nie sú poškodené časti na tlmenie vibrácií.	Očistite zapaľovaciu sviečku. Skontrolujte, či je medzera medzi elektródami 0,5 mm.
Vodiacu lištu treba pravidelne otáčať, aby sa rovnomernejšie opotrebovávala. Skontrolujte, či otvor na mazanie na vodiacej lište nie je upchatý. Vyčistite drážku vodiacej lišty.	Namažte ložisko na bubne spojky.	Vyčistite vonkajšok karburátora.
Skontrolujte, či lišta a reťaz dostávajú dostatočné množstvo oleja.	Obrúste všetky výčnelky na okrajoch vodiacej lišty.	Skontrolujte palivový filter a hadičku paliva. V prípade potreby vymeňte.
Skontrolujte, či nie sú na reťazovej pile viditeľné praskliny v nitoch a článkoch, či je reťaz pevná alebo či nie sú nity a články nadmerne opotrebované. Vymeňte ich, ak je to potrebné.	Vyčistite, alebo vymeňte sito zachytávača iskier na tlmíči výfuku.	Vyprázdnite nádrž na palivo a zvnútra ju vyčistite.
Naostrite reťaz, skontrolujte jej napnutie a stav. Skontrolujte hnacie reťazové koliesko, či nie je nadmerne opotrebované a vymeňte ho, ak je to nutné.	Vyčistite priestor karburátora.	Vyprázdnite nádrž na olej a zvnútra ju vyčistite.
Vyčistite nasávanie vzduchu na jednotke štartéra.	Vyčistite vzduchový filter. Vymeňte ho, ak je to potrebné.	Skontrolujte všetky káble a pripojenia.
Skontrolujte, či sú matice a skrutky dotiahnuté.		
Skontrolujte, či vypínač funguje správne.		
Skontrolujte, či z motora, nádrže na palivo alebo palivových vedení nepresakuje palivo.		
Skontrolujte, že sa reťaz nepretáča, keď motor beží na voľnobeh.		

TECHNICKÉ ÚDAJE

Technické údaje

	435 II	435e II	440 II	440e II
Motor				
Objem valca, cm ³	40,9	40,9	40,9	40,9
Vítanie valca, mm	41	41	41	41
Zdvih, mm	31	31	31	31
Otáčky pri voľnobehu, ot./min.	2900	2900	2900	2900
Výkon, kW/ot./min.	1,6/9000	1,6/9000	1,8/9000	1,8/9000
Zapaľovací systém				
Zapaľovacia sviečka	NGK BPMR 7A/ Champion RCJ 7Y	NGK BPMR 7A/ Champion RCJ 7Y	NGK BPMR 7A/ Champion RCJ 7Y	NGK BPMR 7A/ Champion RCJ 7Y
Medzera medzi elektródami, mm	0,5	0,5	0,5	0,5
Palivový a mazací systém				
Kapacita palivovej nádrže, litre	0,37	0,37	0,37	0,37
Kapacita olejovej pumpy pri 9 000 otáčkach/min, ml/min	13	13	13	13
Kapacita olejovej nádrže, litre	0,25	0,25	0,25	0,25
Typ olejovej pumpy	Automatika	Automatika	Automatika	Automatika
Hmotnosť				
Reťazová píla bez vodiacej lišty alebo reťaze, prázdne nádrže, kg	4,2	4,4	4,2	4,4
Emisie hluku (pozri poznámku 1)				
Hladina akustického výkonu, meraná v dB(A)	112	112	113	113
Hladina akustického výkonu, garantovaná L _{WA} dB(A)	114	114	114	114
Hladiny hluku (viď poznámka 2)				
Ekvivalentná hladina akustického tlaku pri uchu operátora, dB(A)	102	102	102	102
Ekvivalentné hladiny vibrácií, a_{hveq} (pozri poznámku 3)				
Predná rukoväť, m/s ²	2,5	2,5	2,5	2,5
Zadná rukoväť, m/s ²	3,2	3,2	3,2	3,2
Reťaz/vodiaca lišta				
Štandardná dĺžka vodiacej lišty, inch/cm	13"/33	13"/33	13"/33	13"/33
Odporúčaná dĺžka vodiacej lišty, inch/cm	13-18/33-45	13-18/33-45	13-18/33-45	13-18/33-45
Použiteľná rezná dĺžka, inch/cm	12-17/31-43	12-17/31-43	12-17/31-43	12-17/31-43
Delenie, inch/mm	0,325/8,25	0,325/8,25	0,325/8,25	0,325/8,25
Hrúbka hnacích článkov, inch/mm	0,050/1,3	0,050/1,3	0,050/1,3	0,050/1,3
Typ hnacieho ozubeného kolieska/počet zubov	Spur/7	Spur/7	Spur/7	Spur/7
Rýchlosť reťaze pri 133 % maximálnej výkonnej rýchlosti motora, m/s.	23,1	23,1	23,1	23,1

Poznámka 1: Emisie hluku do okolia sa merajú ako akustický výkon (L_{WA}) v súlade so smernicou EÚ 2000/14/EÚ.

Poznámka 2: Podľa normy ISO 22868 sa ekvivalentná hladina akustického tlaku vypočíta ako časovo vážená celková energia pre jednotlivé hladiny akustického tlaku za rôznych pracovných podmienok. Typický štatistický rozptyl hladina akustického tlaku je štandardná odchýlka 1 dB (A).

Poznámka 3: Podľa normy ISO 22867 sa ekvivalentná hladina vibrácií vypočíta ako časovo vážená celková energia pre jednotlivé hladiny vibrácií za rôznych pracovných podmienok. Uvádzané údaje pre ekvivalentnú hladinu vibrácií majú typický štatistický rozptyl (štandardnú odchýlku) 1 m/s².
1155355-93 Rev.4 2014-11-24


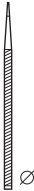



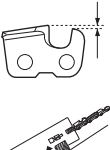
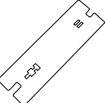

TECHNICKÉ ÚDAJE

Kombinovanie vodiacej lišty a reťaze

Pre modely Husqvarna 435 II, 435e II, 440 II a 440e II sú schválené nasledujúce rezacie nástroje.

Vodiaca lišta				Reťaz	
Dĺžka, inches	Delenie, inch	Šírka drážky, mm	Max. počet zubov na ozubenom koliesku vodiacej lišty	Typ	Dĺžka, hnacie články (č.)
13	0,325	1,3	10T	Husqvarna H30	56
15					64
16					66
18					72

Brúsenie reťazovej píly a vodítka pilníka

							
H30	3/16 / 4,8	85°	30°	10°	0,025 / 0,65	5056981-00	5056981-08

EÚ vyhlásenie o zhode (Uplatňuje sa iba na Európu)

Husqvarna AB, SE-561 82 Huskvarna, Sweden, tel: +46-36-146500, vyhlasuje s plnou zodpovednosťou, že reťazové píly pre lesné hospodárstvo Husqvarna 435 II, 435e II, 440 II a 440e II od sériových čísel z roku 2013 a vyššie (rok je zreteľne vyznačený na typovom štítku spolu so sériovým číslom), vyhovujú požiadavkám COUNCIL'S DIRECTIVES:

- zo 17. mája 2006, „Smernica o strojoch“ **2006/42/EÚ**.
- Z 15. decembra 2004 „ohľadom elektromagnetickej kompatibility“ **2004/108/EEC**.
- z 8. 5. 2000 „ohľadom emisií hluku do okolia“ **2000/14/EÚ**.

Informácie o emisiách hluku nájdete v kapitole Technické údaje. Boli uplatnené nasledovné normy:

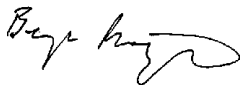
EN ISO 12100:2010, ISO 14982:2009, EN ISO 11681-1:2011

Skúšobný úrad: **0404, SMP Svensk Maskinprovning AB**, Box 7035, SE-750 07 Uppsala, Sweden, vykonali typovú skúšku EC v súlade so smernicou strojárstva (2006/42/EÚ) článok 12, bod 3b. Osvedčenia o skúške typu EC majú podľa dodatku IX čísla: **0404/09/2012** - 435 II, 435e II, 440 II, 440e II.

Navyše, SMP, Svensk Maskinprovning AB, Box 7035, SE-750 07 Uppsala, Sweden, osvedčil zhodu s dodatkom V Council's Directive z 8.5.2000 "týkajúceho sa vplyvu hluku na životné prostredie" 2000/14/EÚ. Certifikačný majú čísla: **01/161/075** - 435 II, 435e II, **01/161/074** - 440 II, 440e II.

Dodávaná reťazová píla zodpovedá vzoru, ktorý prešiel EC typovou skúškou.

Huskvarna, 2013, apríl 8



Bengt Frögelius, Development manager motorové píly (Oprávnený zástupca spoločnosti Husqvarna AB a zodpovedný za technickú dokumentáciu.)

OBJAŠNJENJE SIMBOLA

Simboli na mašini:

UPOZORENJE! Lančane testere mogu biti opasne! Nemarna ili nepravilna upotreba može dovesti do teške ili smrtne povrede rukovaoca ili drugih osoba.

Pažljivo pročitaj i shvati sadržaj ovog priručnika pre upotrebe mašine.

Uvek upotrebi:

- Propisani zaštitni šlem
- Propisane zaštitne slušalice
- Zaštitne naočare ili vizir

Ovaj proizvod je u saglasnosti sa važećom Direktivom EZ.

Stvaranje buke prema okolini prema EZ uputi. Jačina buke se navodi u odeljku Tehnički podaci kao i na nalepnici.

Paljenje; saug: Stavite ručicu sauga u položaj paljenja pod saugom. Prekidač za zaustavljanje će se automatski postaviti u položaj paljenja.

Sipanje goriva.

Sipanje ulja za lanac.

Pumpa za gorivo.

Podešavanje pumpe za ulje.

Kočnica sa lančanim prenosom, aktivirana (desno) Kočnica sa lančanim prenosom, nije aktivirana (levo)

Ostali simboli/nalepnice koji su navedeni na mašini važe za specifične zahteve sertifikata na određenim tržištima.



Simboli u priručniku:

Pre vršenja bilo kakvih ispitivanja ili održavanja, isključite motor.
NAPOMENA! Prekidač za pokretanje/zaustavljanje se automatski vraća u položaj za rad. Da biste sprečili slučajno pokretanje, skinite kapicu svećice pre svakog sastavljanja, provere i/ili održavanja.

Uvek upotrebi propisane zaštitne rukavice.

Neophodno je redovno čišćenje.

Vizualna provera.

Obavezna upotreba zaštitnih naočari ili vizira.

Sipanje goriva.

Sipanje ulja i podešavanje protoka ulja.

Kočnica lanca će biti aktivirana pri paljenju motorne testere.

UPOZORENJE! Kada vrh šipke dođe u kontakt sa nekim predmetom može doći do povratnog trzaja, što izaziva odbacivanje šipke nagore i unazad prema korisniku. To može dovesti do ozbiljnih povreda.



SADRŽAJ

Sadržaj

OBJAŠNJENJE SIMBOLA

Simboli na mašini:	135
Simboli u priručniku:	135

SADRŽAJ

Sadržaj	136
---------------	-----

UVOD

Draga mušterijo!	137
------------------------	-----

ŠTA JE ŠTA?

Šta je šta na lančanoj testeri?	137
---------------------------------------	-----

OPŠTA UPUTSTVA ZA BEZBEDNOST

Mere pre upotrebe nove testere	138
Važno	138
Uvek upotrebljavajte zdrav razum	139
Lična zaštitna oprema	139
Mašinska oprema za bezbednost	139
Rezni pribor	141

MONTAŽA

Montaža mača i lanca	145
----------------------------	-----

UKOVANJE GORIVOM

Pogonsko gorivo	146
Dolivanje goriva	147
Bezbednost oko goriva	147

PALJENJE I GAŠENJE

Paljenje i gašenje	148
--------------------------	-----

TEHNIKA RADA

Pre svake upotrebe:	149
Opšta uputstva za rukovanje	149
Sprečavajuće mere odskoka	152

ODRŽAVANJE

Opšte napomene	153
Regulisanje karburatora	153
Pregled, održavanje i servisiranje sigurnosnih mehanizama lančane testere	153
Prigušivač	154
Deklo magneta (starter)	154
Prečistač vazduha	155
Svećica	155
Održavanje igličastog ležaja	155
Rashladni uređaj	155
Centrifugalno čišćenje "Air Injection"	156
Zimska upotreba	156
Šema održavanja	157

TEHNIČKI PODACI

Tehnički podaci	158
Kombinacije mača i lanca	159
Turpjanje lanca testere i merači turpjanja	159
Turpjanje lanca testere i merači turpjanja	162
Izjava o saobraznosti prema zahtjevima EZ	159

Draga mušterijo!

Čestitamo na vašem izboru Husqvarna proizvoda! Husqvarna ima dugu istoriju koja se može pratiti do 1689 kada je kralj Karl XI naredio izgradnju fabrike na obali reke Huskvarna, radi proizvodnje musketa. Njena pozicija na reci Huskvarna bila je logičan izbor, jer je reka korišćena za stvaranje vodene snage i tako snabdevala električnu centralu. Preko 300 godina fabrika Husqvarna proizvodi mnogobrojne proizvode, od štednjaka na drva do modernih kuhinjskih aparata, mašina za šivenje, bicikala, motocikala, itd. Prva motorna kosilica za travu uvedena je 1956, praćena motornom testerom 1959, i ovo je sektor u kome Husqvarna danas radi.

Husqvarna je trenutno jedan od vodećih svetskih proizvođača proizvoda za šumarstvo i baštovanstvo, a kvalitet i radne karakteristike su najviši prioriteta. Naš poslovni koncept obuhvata razvoj, proizvodnju i proučavanje tržišta motornih proizvoda za šumarstvo i baštovanstvo, kao i proizvoda za građevinsku i strukturnu industriju. Naš cilj je takođe da budemo na samom vrhu u oblasti ergonomije, pristupačnosti, bezbednosti i očuvanja okoline, pa je stoga razvijen veliki broj različitih karakteristika koje poboljšavaju proizvode u ovim sektorima.

Ubedeni smo da ćete sa velikim zadovoljstvom uživati u kvalitetu i radnim karakteristikama našeg proizvoda još dugo vremena. Kupovina jednog od naših proizvoda daje vam pristup profesionalnoj pomoći oko popravki i servisiranja, kada god to bude potrebno. Ukoliko prodavac koji vam je prodao mašinu nije jedan od ovlašćenih serviser, zatražite od njega adresu najbližeg ovlašćenog servisa.

Nadamo se da ćete biti zadovoljni vašom mašinom, i uživati u njenom društvu, još mnogo, mnogo godina. Zapamtite da je ovo Uputstvo za rukovaoca važan dokument. Praćenje uputstava (upotreba, servis, održavanje, itd.) može znatno produžiti radni vek vaše mašine, i povećati njenu vrednost u daljoj prodaji. Ukoliko prodate vašu mašinu, ne propustite da novom vlasniku date Uputstvo za rukovaoca.

Hvala Vam što koristite Husqvarna proizvode.

Husqvarna AB uvek radi tako da i dalje unapređuje svoje proizvode i zadržava pravo što se tiče promena kao što su n.pr. forma i izgled bez da se to unapred obavesti.

Šta je šta na lančanoj testeri? (1)

- 1 Poklopac cilindra
- 2 Pumpa za gorivo.
- 3 Podsetnik za pokretanje
- 4 Kombinovani prekiđač za pokretanje i zaustavljanje
- 5 Zadnja ručka
- 6 Nalepnica sa informacijama i upozorenjem
- 7 Rezervoar za gorivo
- 8 Zavrtnanj za podešavanje, karburator
- 9 Ručica startera
- 10 Deklo magneta (starter)
- 11 Rezervoar za ulje za lanac
- 12 Pločica sa brojem proizvoda i serijskim brojem
- 13 Oznaka smeru sečenja
- 14 Prednja ručka
- 15 Štitnik od odbacivanja
- 16 Prigušivač
- 17 Lanac testere
- 18 Nosni točak
- 19 Mač testere
- 20 Odbojnik
- 21 Hvatač lanca
- 22 Zavrtnanj za zatezanje lanca (435 II, 440 II)
- 23 Poklopac kvačila (435 II, 440 II)
- 24 Štitnik desne ruke
- 25 Regulator gasa
- 26 Kočnica regulatora gasa
- 27 Poklopac kvačila (435e II, 440e II)
- 28 Točkić za zatezanje lanca
- 29 Regulator
- 30 Priručnik
- 31 Kombinovani ključ
- 32 Futrola mača

OPŠTA UPUTSTVA ZA BEZBEDNOST

Mere pre upotrebe nove testere

- Pažljivo pročitajte uputstva.
- (1) – (117) odnosi se na ilustracije na str. 2–6.
- Proveri da li je propisno montiran i podešen rezni pribor. Vidi uputstva pod naslovom Montaža.
- Napunite i pokrenite motornu testeru. Videti uputstva pod naslovima Rad sa gorivom i Pokretanje i zaustavljanje.
- Ne upotrebljavaj testeru dok do lanca nije doprla dovoljna količina maziva za lanac. Vidi uputstva pod naslovom Rezni pribor.
- Dugotrajno izlaganje buci može prouzrokovati trajne povrede sluha. Zbog toga upotrebite uvek odobrene zaštitne slušalice.



UPOZORENJE! Ni u kom slučaju ne smeš bez odobrenja proizvođača prepravljati prvobitnu konstrukciju mašine. Uvek upotrebljavaj originalne rezervne delove. Neovlašćene modifikacije i/ili pomoćni uređaji mogu dovesti do teške povrede ili smrti rukovaoca ili drugih osoba.



UPOZORENJE! Lančana testera je opasno oruđe ako se nepažljivo ili nepropisno upotrebljava i može da izazove teške pa čak i smrtne povrede. Od velike je važnosti da pročitaš i shvatiš ovaj priručnik.



UPOZORENJE! Unutrašnjost prigušivača zvuka sadrži hemikalije koje mogu biti kancerogene. Izbegavajte kontakt s elementima u slučaju oštećenog prigušivača zvuka.



UPOZORENJE! Dugotrajno udisanje izduvnih gasova iz motora, pare od ulja za lance kao i prašine od strugotine može dovesti do rizika po zdravlje.



UPOZORENJE! Ova mašina pri radu stvara elektromagnetno polje. Ovo polje u određenim okolnostima može da izazove smetnje na aktivnim i pasivnim medicinskim implantima. U cilju smanjenja rizika nastanka teških ili fatalnih povreda preporučujemo osobama koje imaju medicinske implante da se pre upotrebe ove mašine konsultuju sa lekarom ili proizvođačem implanta.



UPOZORENJE! Ne dozvolite deci da koriste mašinu ili budu u njoj blizini. Kako je mašina opremljena zaustavnim prekidačem sa oprugom, može se pokrenuti pri niskoj brzini i primenjujući relativno malu silu na startnu ručicu, čak i mala deca mogu u određenim situacijama proizvesti silu potrebnu za pokretanje mašine. To bi moglo značiti rizik od ozbiljnih telesnih povreda. Iz tog razloga uvek uklonite kapicu svećice kada mašina nije pod strogim nadzorom.

Važno

VAŽNO!

Ova motorna testera za šumske radove je dizajnirana za radove u šumi, kao što su obaranje stabala, rezanje grana i sečenje.

Upotreba ovog uređaja može biti ograničena lokalnim propisima.

Koristite samo kombinacije šipke/lanca za testeru koje preporučujemo u odeljku Tehnički podaci.

Nikada ne upotrebljavajte mašinu kada ste umorni, ukoliko ste pili alkohol, ili uzimate lekove koji bi mogli da utiču na Vaš vid, odlučivanje ili koordinaciju.

Upotrebi ličnu zaštitnu opremu. Vidi uputstva pod naslovom Lična zaštitna oprema.

Nikada ne modifikujte mašinu tako da više ne odgovara originalnom dizajnu, i ne upotrebljavajte mašinu ukoliko Vam se čini da je neko drugi modifikovao.

Nikad nemojte koristiti mašinu koja je neispravna. Izvršite uputstva za bezbednosne provere, održavanje i servisiranje koja su opisana u ovom priručniku. Neke postupke održavanja i servisiranja moraju da izvrše obučeni i kvalifikovani stručnjaci. Pogledajte uputstva u poglavlju Održavanje“.

Nikada ne upotrebljavaj druge dodatne uređaje osim onih koji su preporučeni u ovom priručniku. Vidi uputstva pod naslovom Rezni pribor i Tehnički podaci.

NAPOMENA! Uvek nosite zaštitne naočari ili zaštitni vizir, kako biste smanjili rizik od povreda letećim predmetima. Motorna testera može velikom snagom da odbaci predmete kao što su drveni opiljci i manji komadi drveta. Ovo može da izazove ozbiljne povrede, naročito povrede očiju.



UPOZORENJE! Upotrebljavanje motora u zatvorenoj ili loše provetrenoj prostoriji može dovesti do smrtnog slučaja izazvanog gušenjem ili trovanjem ugljenmonoksidom.



UPOZORENJE! Neispravna oprema za sečenje ili pogrešna kombinacija poluge i lanca povećava rizik od povratnog trzaja! Koristite isključivo kombinacije poluge i lanca koje preporučujemo, i sledite uputstva za sečenje. Pogledajte uputstva pod naslovom Tehnički podaci.

OPŠTA UPUTSTVA ZA BEZBEDNOST

Uvek upotrebljavajte zdrav razum (2)

Nije moguće obuhvatiti sve situacije sa kojima se možete susresti kada koristite motornu testeru. Stoga uvek budite oprezni i koristite zdrav razum. Izbegavajte sve situacije za koje smatrate da prevazilaze Vaše sposobnosti. Ukoliko i posle čitanja ovog uputstva još uvek niste sigurni u vezi radnih procedura, trebalo bi da konsultujete stručnjaka pre nego što nastavite. Ne ustručavajte se da kontaktirate Vašeg ovlašćenog prodavca ili nas ukoliko imate bilo kakvih pitanja vezanih za korišćenje motorne testere. Rado ćemo Vam pomoći i posavetovati Vas kako da Vašu motornu testeru koristite što efikasnije i bezbednije. Ukoliko ste u mogućnosti, savetujemo da pohađate kurs upotrebe motorne testere. Vaš ovlašćeni prodavac, šumarska škola ili biblioteka, mogu Vas informisati o materijalima i kursevima koji su Vam na raspolaganju. Stalno se radi na poboljšanju dizajna i tehnologije – poboljšanjima koja povećavaju nivo Vaše sigurnosti i efikasnosti. Redovno posećujte svog ovlašćenog prodavca, kako biste saznali da li možete imati koristi od poboljšanih karakteristika uređaja.

Lična zaštitna oprema



UPOZORENJE! Nesreće sa lančanim testerama najčešće se događaju tako što lanac dotakne rukovaoca. Pri svakoj upotrebi mašine će se samo propisana lična zaštitna oprema koristiti. Lična zaštitna oprema ne može da otkloni potpuno opasnost od povrede ali će umanjiti stepen povrede ako dođe do nezgode. Zamoli prodavača motornih testera da ti pomogne izabrati propisanu opremu.

- Propisani zaštitni šlem
- Zaštitne slušalice
- Zaštitne naočare ili vizir
- Rukavice sa obezbeđenjem od testere
- Pantalone sa zaštitom od testere
- Čizme sa obezbeđenjem od testere, čeličnim oklopom prstiju i neklizajućim donom
- Uređaj drži pri ruci pribor za prvu pomoć.
- Aparat za gašenje požara i lopata

Uopšte uzet, odeća ne treba da bude komotna ali ni da Vam sputava pokretljivost.

VAŽNO! Iz prigušivača, poluge i lance, ili drugih izvora, mogu se pojaviti varnice. Uvek imajte opremu za gašenje požara pri ruci, za slučaj da Vam zatreba. To takođe znači da požete da pomognete u sprečavanju šumskih požara.

Mašinska oprema za bezbednost

U ovom odeljku objašnjene su sigurnosne karakteristike mašine i njihova funkcija. Za informacije o pregledu i

održavanju, pogledajte uputstva pod naslovom Pregledanje, održavanje i servisiranje sigurnosne opreme motorne testere. Takođe pogledajte i uputstva pod naslovom "Šta je šta", kako biste saznali gde se navedeni delovi nalaze na Vašoj mašini.

Vek trajanja mašine se može skratiti a rizik od nastupanja nesreće povećati ako se održavanje mašine ne vrši na pravi način i ako se servisiranje ili opravljnje ne vrše stručno. Ako su vam potrebne dodatne informacije, kontaktirajte najbliži servis.



UPOZORENJE! Nikada ne upotrebljavajte mašinu sa neispravnim delovima sigurnosne opreme. Sigurnosna oprema se mora redovno pregledati i održavati. Pogledajte uputstva pod naslovom Pregledanje, održavanje i servisiranje sigurnosne opreme motorne testere. Ukoliko Vaša mašina ne prođe sve provere, odnesite je u servisnu radionicu na opravku.

Kočnica lanca i štitnik prednje ruke

Vaša motorna testera opremljena je kočnicom za lanac, koja je dizajnirana tako da zaustavi lanac ukoliko dođe do povratnog trzaja. Kočnica za lanac smanjuje rizik od nesrećnih slučajeva, ali samo Vi možete sprečiti da do njih dođe. (3)

Budi pažljiv prilikom upotrebe vodeći računa da zona odskoka mača nikad ne dopire do nekog predmeta. (4)

- Kočnica za lanac (A) može se aktivirati bilo ručno (levom rukom) bilo mehanizmom za otpuštanje po inerciji. (5)
- Kočnica se stavlja u pogon potiskivanjem štitnika prednje ruke (B) unapred. (5)
- Tim pokretom aktivira se opružni mehanizam koji zateže kočioni prsten (C) oko pogonskog uređaja motora (D) (doboša kvačila). (6)
- Štitnik prednje ruke nije zamišljen samo da aktivira kočnicu lanca. Još jedna njegova zaštitna osobina je što sprečava da ti lanac udari u levu ruku ako ti isklizne prednja ručka.
- Kočnicu za lanac treba aktivirati pri pokretanju motorne testere, kako bi se sprečilo okretanje lanca. (55)
- Koristite kočnicu za lanac kao "parkirnu kočnicu", kada pokrećete testeru ili prelazite kraće razdaljine, kako biste sprečili da dođe do nesreće kada postoji rizik da bi lanac mogao slučajno da udari nekog ili nešto u Vašoj blizini. Ne ostavljajte motornu testeru dugo uključenu sa aktiviranom kočnicom lanca. Motorna testera može da postane izuzetno topla.
- Lančana kočnica se otpušta tako što se prednji ručni štitnik označen "PULL BACK TO RESET", pomeri nazad, prema prednjem delu ručke.
- Odskok može da bude vrlo brz i veoma žestok. Odskoci su većinom sitni tako da ne aktiviraju kočnicu lanca. Prilikom takvih oskoka ne treba puštati lančanu testeru već je i dalje čvrsto držati.
- Način na koji se kočnica lanca stavlja u pogon, ručno ili automatski, zavisi od jačine odskoka i položaja lančane

OPŠTA UPUTSTVA ZA BEZBEDNOST

testere u odnosu na predmet u koji je mač udario svojom zonom odskoka.

Ukoliko dođe do povratnog trzaja u trenutku kada je zona povratnog trzaja šipke najdalje od Vas, kočnica za lanac će se aktivirati pokretom protivteže (aktiviranje inercijom) u smeru povratnog trzaja. (7)

Ako je odskok slabiji ili ti je zona odskoka na maču u većoj blizini aktiviraćeš kočnicu lanca pokretom leve ruke.

- U položaju za obaranje stabala, leva ruka je u položaju koji onemogućava ručno aktiviranje kočnica za lanac. Sa ovom vrstom držanja, tj. kada je leva ruka u takvom položaju da je nemoguće uticati na pomeranje prednjeg štitnika za ruke, kočnicu za lanac moguće je aktivirati isključivo inercijom. (8)

Da li će moja ruka uvek aktivirati kočnicu za lanac u slučaju povratnog trzaja?

Ne. Za pomeranje štitnika od povratnog trzaja unapred, potrebna je određena sila. Ukoliko Vaša ruka samo dodirne štitnik ili sklizne preko njega, može se desiti da sila ne bude dovoljno jaka za oslobađanje kočnice za lanac. Čvrsto držite ručicu motorne testere u toku rada. Ukoliko to uradite i dođe do povratnog trzaja, možda nećete izvući ruku iz prednje ručice i aktivirati kočnicu za lanac, ili se kočnica neće aktivirati do trenutka kada se testera okrene. U takvim situacijama može se desiti da kočnica za lanac ne uspe da zaustavi čanac pre nego što Vas lanac udari.

U nekim položajima za rad može se desiti da Vaša ruka ne može da dosegne do štitnika od povratnog trzaja kako biste aktivirali kočnicu za lanac, na primer kada testeru držite u položaju za obaranje stabala.

Da li će se aktiviranje kočnice inercijom uvek uključiti ukoliko dođe do povratnog trzaja?

Ne. Vaša kočnica najpre mora da bude operativna. Testiranje kočnice se lako vrši, pogledajte uputstva pod naslovom Pregledanje, održavanje i servisiranje sigurnosne opreme motorne testere. Preporučujemo da tok uradite pre početka svake smene. Osim toga, povratni trzaj mora da bude dovoljno jak da bi aktivirao kočnicu za lanac. Preosetljiva kočnica za lanac stalno bi se aktivirala, što bi predstavljalo problem.

Da li će me kočnica za lanac uvek zaštititi od povreda ukoliko dođe do povratnog trzaja?

Ne. Pre svega, da bi Vam obezbedila potrebnu zaštitu, kočnica mora da bude funkcionalna. Kao drugo, kočnica mora da se aktivira na način opisan iznad kako bi zaustavila lanac u slučaju da dođe do povratnog trzaja. Kao treće, kočnica može i da bude aktivirana ali, ukoliko je šipka suviše blizu Vama, može se desiti da kočnica ne uspe da uspori i zaustavi lanac pre nego što Vas testera udari.

Samo Vi, uz ispravne tehnike rada, možete da eliminišete povratne trzaje i rizike koje oni nose.

Kočnica regulatora gasa

Okidna blokada gasa dizajnirana je da sprečava slučajno rukovanje gasom. Kada pritisnete blokadu (A) (tj. kada uhvatite ručicu), ona oslobađa kontrolu gasa (B). Kada otpustite ručicu kontrola gasa i okidna blokada gasa vraćaju se u svoje originalne položaje. Ovakav raspored znači da se gas automatski blokira u toku praznog hoda. (9)

Hvatač lanca

Hvatač lanca je zamišljen da uhvati lanac ako ovaj pukne ili odskoči. To ne bi trebalo da se dogodi ako je lanac propisno zategnut (vidi uputstva pod naslovom Montaža) i ako su mač i lanac propisno servisirani i održavani (vidi uputstva pod naslovom Opšta uputstva za rukovanje). (10)

Štitnik desne ruke

Pored toga što ti štiti ruku u slučaju da lanac iskoči ili pukne, štitnik desne ruke sprečava grane i grančice da ti smetaju u držanju zadnje ručke. (11)

Antivibracioni uređaj

Lančana testera je opremljena antivibracionim uređajem koji je zamišljen da svede vibracije na minimum i olakša rukovanje.

Antivibracioni uređaj mašine smanjuje prenošenje vibracija sa motora i lanca na ručke mašine. Telo lančane testere, uključujući i rezni pribor, visi na jedinici ručke putem tzv. antivibracionog elementa.

Sečenje tvrdog drveta (većina listopadnog drveća) proizvodi veće vibracije nego sečenje mekog drveta (većina zimzelenog drveća). Vibracije se povećavaju i kod sečenja tupim ili neispravnim lancem (pogrešne vrste ili loše naoštrenim).



UPOZORENJE! Preterano izlaganje vibracijama može da izazove oštećenja cirkulacije ili nerava kod ljudi sa lošom cirkulacijom. Ukoliko osetite bilo koje simptome preteranog izlaganja vibracijama, kontaktirajte svog lekara. Ovi simptomi uključuju utrnulost, gubitak osećaja, trnce, bockanje, bol, gubitak snage, promene u boji ili stanju kože. Simptomi se uglavnom javljaju na prstima, rukama ili zglobovima. Na niskim temperaturama ovi simptomi mogu da se pogoršaju.

Prekidač za gašenje

Pomoću ovog prekidača gasiš motor. (12)

OPŠTA UPUTSTVA ZA BEZBEDNOST

Prigušivač

Prigušivač je zamišljen da svede buku na minimum i da upućuje izduvne gasove što dalje od rukovaoca.



UPOZORENJE! Izduvni gasovi iz motora su vrel i ponekad sa varnicama koje mogu da izazovu vatru. Nikad ne uključuj mašinu u zatvorenom prostoru ili u blizini zapaljivog materijala!

U zemljama sa toplom i suvom klimom postoji rizik od šumskih požara. Takođe se može desiti da zakonske uredbe i propisi u ovim zemljama zahtevaju da prigušivač, između ostalog, bude opremljen "mrežom-iskrolovkom". (13)

Kada montirate sito, postarajte se da ga postavite u pravilan položaj. Ako je potrebno, koristite kombinirke da umetnete ili izvadite sito.

NAPOMENA! U toku upotrebe i nakon zaustavljanja prigušivač postaje veoma vruć. Ovo takođe važi i za prazan hod. Vodite računa o opasnostima požara, naročito kada mašinom rukujete u blizini zapaljivih materijala i/ili gasova.



UPOZORENJE! Nikada ne upotrebljavajte motornu testeru ukoliko je prigušivač neispravan ili nedostaje. Neispravni prigušivač značajno povećava nivo buke i rizik od požara. Uvek držite opremu za gašenje požara pri ruci. Motornu testeru nikada ne upotrebljavajte ukoliko je mreža-iskrolovka neispravna ili nedostaje, a u Vašem radnom prostoru je upotreba te mreže obavezna.

Rezni pribor

U ovom poglavlju pročitaj kako da izabereš i održavaš reznu opremu tako da:

- Smanjuje mašinu opasnost odskoka.
- Smanjite rizik od lomljenja ili odskakanja testere.
- Postignite optimalne rezultate sečenja.
- Produžiš radni vek reznog pribora.
- Izbegavajte povećanje nivoa vibracija.

Osnovna pravila

- **Upotrebljavaj samo rezni pribor koji smo preporučili!** Pogledajte uputstva pod naslovom Tehnički podaci.
- **Održavaj propisnu oštrinu zubaca lanca za sečenje!** **Primeni naša uputstva uz upotrebu turpije navedene finoće.** Oštećen ili nedovoljno oštar lanac povećava opasnost nesrećnog slučaja.
- **Održavajte ispravan razmak reznog alata!** **Sledite uputstva i upotrebljavajte preporučeni merač razmaka.** Preveliki razmak povećava rizik od povratnog trzaja.

- **Drži lanac propisno zategnut!** Ako je lanac labav lakše će iskočiti, kao i dovesti do pojačanog habanja mača, lanca i pogonskog lančanika.
- **Rezni pribor mora da bude dobro podmazan i propisno održavan!** Nedovoljno podmazan lanac lakše će se slomiti, kao i dovesti do pojačanog habanja mača, lanca i pogonskog lančanika.

Oprema sa sečenjem dizajnirana da maksimalno umanjí povratni trzaj



UPOZORENJE! Neispravna oprema za sečenje ili pogrešna kombinacija poluge i lanca povećava rizik od povratnog trzaja! **Koristite isključivo kombinacije poluge i lanca koje preporučujemo, i sledite uputstva za sečenje. Pogledajte uputstva pod naslovom Tehnički podaci.**

Jedini način da se izbegne odskok je da se vodi računa da zona odskoka na maču nikada ništa ne dodiruje.

Upotrebom reznog pribora sa "ugrađenom" zaštitom od odskoka i oštrenjem i dobrim održavanjem reznog pribora može se smanjiti efekat odskoka.

Mač

Što je manji poluprečnik vrha, manji je i rizik od povratnih trzaja.

Lanac testere

Lanac testere sastoji se od određenog broja karika koje se proizvode u dve verzije, standardnoj i sa smanjenim odskokom.

VAŽNO! Ni jedan lanac za testeru ne eliminiše rizik od povratnih trzaja u potpunosti.



UPOZORENJE! **Bilo kakav kontakt sa lancem testere u pokretu može da dovede do izuzetno teških povreda.**

Neke karakteristike mačeva i lanaca

Kako biste održali sve bezbednosne karakteristike opreme za sečenje, zamenite istrošene i oštećene kombinacije šipke/lanca isključivo šipkom i lancem koje preporučuje Husqvarna. Više informacija o preporučenim kombinacijama šipke/lanca potražite u informacijama iz odeljka Tehnički podaci.

Mač

- Dužina (u colima/cm)
- Broj zubaca na lančaniku na vrhu mača (T).
- Gustina lanca (=pitch) (u colima). Razmak između pogonskih karika lanca mora da odgovara razmaku zubaca na lančaniku na vrhu mača i pogonskom lančaniku. (14)
- Broj pogonskih karika (kom.). Broj pogonskih karika određen je dužinom mača, gustinom zubaca u lancu i brojem zubaca na lančaniku na vrhu mača.

OPŠTA UPUTSTVA ZA BEZBEDNOST

- Širina žljeba u maču (u colima/mm). Žljeb u maču mora da odgovara širini pogonskih karika u lancu.
- Otvori za podmazivanje i zateznik lanca testere. Mač mora da odgovara dizajnu lančane testere. (15)

Lanac testere

- Gustina lanca testere (=pitch) (u colima) (14)
- Širina pogonske karike (u mm/colima) (16)
- Broj pogonskih karika (kom.) (17)

Oštrenje testere i podešavanje razmaka reznog alata

Opšte napomene u vezi sa oštrenjem reznih zubaca

- Nikada ne upotrebljavajte tupu testeru. Ukoliko je testera tupa, moraćete da upotrebite veću silu kako biste šipku proterali kroz drvo i rezovi će biti suviše mali. Veoma tupa testera ne daje nikakve rezove. Jedini rezultat je drveni prah.
- Oštra testera razjeda sebi put kroz drvo i daje duge, debele rezove.
- Deo lanca koji se koristi za rezanje naziva se rezna karika i sastoji se od reznog zuba (A) i rezne ivice (B). Dubina rezanja određuje se razlikom u visini između ova dva dela. (18)

Postoje četiri važna faktora koja treba imati na umu prilikom oštrenja reznog zuba.

- 1 Ugao turpijanjanja (19)
- 2 Ugao sečenja (20)
- 3 Položaj turpije (21)
- 4 Prečnik okrugle turpije

Veoma je teško ispravno naoštрити testeru bez odgovarajuće opreme. Preporučujemo da koristite naš merač turpijanjanja. To će Vam pomoći da sa Vašom testerom postignete maksimalno smanjenje povratnog trzaja i najbolje performanse u sečenju. (22)

Više informacija o oštrenju Vaše testere potražite u informacijama iz odeljka Tehnički podaci.

UPOZORENJE! Nepoštovanje uputstava za oštrenje značajno povećava rizik od povratnog trzaja.

Oštrenje reznih zubaca



Za oštrenje reznih zuba biće Vam potrebna okrugla turpija i merač turpijanjanja. Više informacija o veličini turpije i merača koje preporučujemo za Vaš lanac, pogledajte uputstva u odeljku Tehnički podaci.

- Proveri da li je lanac propisno zategnut. Labav lanac je nestabilan u bočnom položaju što otežava propisno oštrenje.

- Rezne zupce uvek struži sa unutrašnje strane. Smanji pritisak u povratnom potezu. Prvo istruži sve zupce na jednoj strani, a potom okreni lančanu testeru i istruži zupce na drugoj strani.
- Sve zupce sastruži do iste dužine. Kada dužina reznih zubaca spadne na 4 mm (5/32") lanac se izlazio i treba ga zameniti. (23)

Opšti saveti za podešavanje razmaka reznog alata.

- Kada oštrite rezne zube, smanjujete razmak reznog alata (dubinu rezanja). Kako biste zadržali performanse u rezanju, morate isturpiti i zube za struganje do preporučene visine. Više informacija o razmaku reznog alata za Vaš model testere potražite u odeljku Tehnički podaci. (24)



UPOZORENJE! Ukoliko je razmak reznog alata suviše veliki, rizik od povratnog trzaja se povećava!

Podešavanje razmaka reznog alata



- Rezni zubi trebalo bi da budu sveže naoštreni u trenutku podešavanja razmaka reznog alata. Preporučujemo da razmak podešavate nakon svakog trećeg oštrenja lanca. NAPOMENA! Ova preporuka podrazumeva da dužina reznih zuba nije previše smanjena.
- Za podešavanje razmaka reznog alata biće Vam potrebna pljosnata turpija i merač razmaka. Preporučujemo da upotrebljavate naš merač razmaka, kako biste dobili ispravna merenja razmaka rezne opreme i ispravni ugao rezne ivice.
- Postavite merač razmaka iznad lanca testere. Informacije o upotrebi merača razmaka možete pronaći na pakovanju. Upotrebite pljosnatu turpiju kako biste isturpili višak isturenog dela rezne ivice. Postigli ste ispravan razmak reznog alata ukoliko više ne osećate nikakav otpor kada prevlačite turpiju preko merača. (25)

Zatezanje lanca



UPOZORENJE! Labav lanac može da odskoči i prouzrokuje tešku pa čak i smrtnu povredu.

Što duže upotrebljavaš lanac to se on više izdužuje. Zato je važno da se lanac redovno zateže.

Proveri zategnutost lanca svaki put kad dolivaš gorivo. NAPOMENA! Kod novog lanca postoji period razrađivanja tokom koga treba češće proveravati zategnutost.

Zategni lanac što više, ali ne toliko da ne možeš slobodno rukama da ga vučeš ukug. (26)

OPŠTA UPUTSTVA ZA BEZBEDNOST

435 II, 440 II



- Olabavite šestougaonu navrtku koja drži poklopac kvačila i kočnicu lanca. Upotrebite kombinovani ključ. Nakon toga rukom ponovo pritegnite šestougaonu navrtku što čvršće možete. (27)
- Podigni vrh mača i rastegni lanac pritezanjem zavrtanja za zatezanje lanca pomoću kombinovanog ključa. Zateži lanac dok ne prestane labavo da visi na donjoj strani mača. (28)
- Upotrebite kombinovani ključ da pričvrstite šestougaonu navrtku istovremeno pridržavajući kraj šipke. Proverite da li rukom možete slobodno da povlačite lanac testere, i da nema opuštenosti sa donje strane šipke. (29)

Položaj zavrtanja za regulisanje zategnutosti lanca varira na našim modelima testera. Pogledajte uputstva u odeljku Šta je šta kako biste saznali gde se zavrtanj nalazi na Vašem modelu.

435e II, 440e II



- Otpustite regulator tako što ćete ga rasklopiti. (30)
- Okrenite regulator ulevo da popustite poklopac šipke. (31)
- Podesite zategnutost lanca tako što ćete točkić okrenuti nadole (+) za veće zatezanje ili nagore (-) za manje zatezanje. (32)
- Pritegnite polugu kvačila okretanjem regulatora uredno. (33)
- Sklopite regulator u početni položaj da zaključate zatezanje. (34)

Podmazivanje reznog pribora



UPOZORENJE! Nedovoljna podmazanost rezne opreme može dovesti do pucanja lanca i do teških pa i smrtnih povreda.

Ulje za lanac

Ulje za lanac testere mora biti takvo da dobro prijanja za lanac, kao i da zadržava istu konzistentnost i po toplom letnjem i po hladnom zimskom vremenu.

Kao proizvođač lančanih testera usavršili smo optimalno ulje za lance koje je takođe biološki raspadljivo pošto je formulirano na bazi biljnog ulja. Preporučujemo upotrebu našeg ulja radi maksimalnog radnog veka lanca i minimalne štete po okolinu. Ako ti nije dostupno naše ulje za lance preporučujemo standardno ulje za lance.

Nikad ne upotrebljavaj otpadno ulje! Ovo je opasno za Vas, mašinu i okolinu

VAŽNO! Ukoliko koristite biljno ulje za motornu testeru, rastavite i očistite žleb na šipki i lancu pre nego što testeru odložite na duže vreme. U suprotnom postoji rizik od oksidacije lanca testere, što će dovesti do ukrućivanja lanca i zaglavljivanja lančanika na vrhu šipke.

Dolivanje ulja za lanac

- Sve naše lančane testere imaju automatski sistem podmazivanja lanca. Kod nekih modela takođe se može podešavati protok ulja.
- Rezervoari za gorivo i ulje lanca testere dizajnirani su tako da se gorivo potroši pre ulja za lanac.

Međutim, ova sigurnosna karakteristika zahteva korišćenje odgovarajuće vrste ulja (ukoliko je ulje suviše retko, potrošići se pre goriva) i podešavanje karburatora na preporučeni način (slaba mešavina bi mogla da znači da gorivo traje duže od ulja). Takođe morate da koristite preporučenu opremu za sečenje (preduga šipka troši više ulja).

Provera podmazanosti lanca

- Proveri podmazanost lanca prilikom svakog dolivanja goriva.

Usmeri vrh testere na neku površinu svetle boje na udaljenosti od oko 20 cm (8 col). Posle jednog minuta rada motora pri 3/4 punog gasa trebalo bi na svetloj površini da jasno vidiš liniju ulja.

Ako podmazivanje lanca ne funkcioniše:

- Proveri da nije zapušten kanal za ulje u maču. Po potrebi očisti. (35)
- Proveri da li je čist žljeb na ivici mača. Po potrebi očisti. (36)
- Proveri da li se lančanik na vrhu mača slobodno okreće i da nije zapušten otvor za podmazivanje u vrhu. Po potrebi očisti i podmaži. (37)

Ako uređaj za podmazivanje lanca i dalje ne funkcioniše pošto si primenio sve gore navedene mere treba da se obratiš svom servisnom agentu.

Pogonski lančanik



Doboš kvačila je opremljen jednim od sledećih pogonskih lančanika:

- A Spur-pogonski lančanik (lančanik je zavaren za doboš)
- B Rim-pogonski lančanik sa ozubljenim vencem (zamenljiv) (38)

Redovno proveravaj istrošenost pogonskog lančanika. Zameni ga ako je suviše istrošen. Zameni pogonski lančanik kad god zamenjuješ lanac.

OPŠTA UPUTSTVA ZA BEZBEDNOST

Održavanje igličastog ležaja



Obe vrste vodećih lančanika poseduju igličasti ležaj na izlaznom vratilu, koji treba redovno podmazivati (jednom nedeljno). **NAPOMENA!** Upotrebljavaj samo visokokvalitetno mazivo za ležaje ili motorno ulje.

Pogledajte uputstva pod naslovom Podmazivanje iglicastog ležaja.

Provera pohabanosti reznog pribora



Svakodnevno proveravaj na lancu testere sledeće:

- Da nema vidljivih pukotina u zakivcima i sponama.
- Da li je lanac krut.
- Da zakivci i spone nisu jako pohabane.

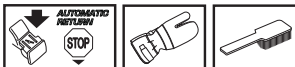
Zamenite lanac testere ukoliko pokaže bilo koji znak od onih navedenih iznad.

Preporučujemo da proveriš postojeći lanac sa novim lancem da bi ocenio koliko se istrošio.

Sve zupce sastruži do iste dužine. Kada dužina reznih zubaca spadne na 4 mm (5/32") lanac se izlazio i treba ga zameniti.

(23)

Mač



Redovno proveravaj:

- Da li na ivicama mača ima neravnina. Po potrebi ih odstrani turpijom.
- Da se žljeb u maču nije jako izlizio. Po potrebi zameni mač.
- Da vrh mača nije neravan ili jako izlizan. Ako se na jednoj strani vrha mača stvori udubljenje to je posledica labavosti lanca.
- Da biste produžili život poluge trebali biste redovno da je okrećete.



UPOZORENJE! Nesreće sa lančanim testerama najčešće se događaju tako što lanac dotakne rukovaoca.

Upotrebi ličnu zaštitnu opremu. Vidi uputstva pod naslovom Lična zaštitna oprema.

Ne počinji posao ako nisi siguran u bezbednost. Vidi uputstva pod naslovom Lična zaštitna oprema, Kako izbeći odskok, Rezni pribor i Opšta uputstva za rukovanje.

Izbegavaj situacije u kojima postoji opasnost odskoka. Vidi uputstva pod naslovom Bezbednosna oprema mašine.

Upotrebljavaj preporučeni Rezni pribor i proveru u kakvom je stanju. Vidi uputstva pod naslovom Opšta uputstva za rukovanje.

Proveri da li rade svi bezbednosni mehanizmi lančane testere. Vidi uputstva pod naslovom Opšta uputstva za rukovanje i Opšte mere predostrožnosti.

Montaža mača i lanca



UPOZORENJE! Prilikom rada sa lancem uvek nosi rukavice da bi zaštitio ruke od povrede.

435 II, 440 II

- **Proveri da li je kočnica lanca otpuštena pomeranjem štitnika prednje ruke u pravcu prednje ručke. (39)**
- Oпустite navrtku i skinite poklopac kvačila (kočnicu lanca). Skinite transportni sigurnosni prsten (A). **(40)**
- Namestite šipku preko zavrtnja šipke. Postavite šipku u najdalji zadnji položaj. Postavite lanac preko lančanika za pogon i u žleb na šipci. Počnite na gornjoj strani šipke. **(41)**
- Vodi računa da oštrica na reznim karikama na gornjoj strani mača bude okrenuta napred.
- Montirajte poklopac kvačila i ne zaboravite da namestite iglu za regulisanje lanca u rupu na šipci. Proverite da spone pogona na lancu ispravno naležu preko lančanika za pogon i da je lanac pravilno namešten u žleb na šipci. Zategnite navrtku na šipci prstima.
- Zategni lanac pomoću kombinovanog ključa. Okreći zavrtnj za podešavanje lanca u pravcu kazaljke na satu. Lanac treba zatezati dok sasvim ne nalegne na donju stranu mača. **(42)**
- Lanac je ispravno zategnut kada nije mlitav na donjoj strani šipke i kada se lako može okretati rukom. Zategnite navrtku šipke kombinovanim matičnim ključem dok držite vrh šipke. **(43)**
- Posle nameštanja novog lanca njegovu zategnutost treba često proveravati dok se lanac ne razradi. Redovno proveravaj zategnutost lanca. Propisno zategnut lanac dobro seče i ima dug radni vek. **(44)**

435e II, 440e II

- **Proveri da li je kočnica lanca otpuštena pomeranjem štitnika prednje ruke u pravcu prednje ručke. (45)**
- Oпустite točak zatezača lanca i skinite poklopac kvačila (kočnica lanca). Skinite štitnik za transport. (A) **(46)**
- Postavi mač na njegove zavrtnje i namesti ga u najzadnji položaj. Namesti lanac preko pogonskog lančanika i na žleb mača. Počni sa gornje strane mača. **(41)**
- Vodi računa da oštrica na reznim karikama na gornjoj strani mača bude okrenuta napred.
- Montirajte poklopac kvačila i ne zaboravite da namestite iglu za regulisanje lanca u rupu na šipci. Proverite da spone pogona na lancu ispravno naležu preko lančanika za pogon i da je lanac pravilno namešten u žleb na šipci.

- Zategnite lanac okretanjem točkica nadole (+). Lanac treba zatezate sve dok ne prestane da se uleže sa donje strane poluge. **(32)**
- Lanac je ispravno zategnut kada sa donje strane poluge nema uleganja, ali ga je još uvek moguće okrenuti rukom. Držite vrh poluge i zategnite kvačilo poluge okretanjem regulatora udesno. **(33)**
- Posle nameštanja novog lanca njegovu zategnutost treba često proveravati dok se lanac ne razradi. Redovno proveravaj zategnutost lanca. Propisno zategnut lanac dobro seče i ima dug radni vek. **(44)**

Montiranje odbojnika

Za montiranje odbojnika – obratite se vašoj servisnoj službi. **(47)**

UKOVANJE GORIVOM

Pogonsko gorivo

Beleška! Mašina je opremljena dvotaktnim motorom i mora se pokretati mešavinom benzina i ulja za dvotaktne motore. Važno je da ispravno izmerite količinu ulja za mešanje, kako biste bili sigurni da ćete dobiti ispravnu mešavinu. Prilikom mešanja manjih količina goriva, čak i najmanje nepravilnosti mogu drastično da utiču na koeficijent mešavine.



UPOZORENJE! Pri rukovanju gorivom uvek obezbedi dobru ventilaciju.

Benzin



- Upotrebljavaj kvalitetan bezolovni ili olovni benzin.
- Najniži preporučeni oktanski stepen je 90 (RON). Ukoliko motor koristite pri nižem oktanskom stepenu od 90, može doći do takozvanog lupanja motora. Ovo dovodi do visoke temperature motora i povećava opterećenje ležišta, što može izazvati ozbiljan kvar na motoru.
- Kod neprekidnog rada pri visokom broju obrtaja (n. pr. kod potkresivanja) preporučuje se benzin još više oktanske vrednosti.

Ekološko gorivo

HUSQVARNA preporučuje upotrebu benzina prilagođenog okolini (takođe poznat kao alkilni benzin), bilo Aspen prethodno smešanog benzina za dvotaktne motore, bilo benzina za četvorotaktne motore koji je pomešan sa uljem za dvotaktne motore na način opisan ispod. Ne zaboravite da prilikom promene vrste goriva može biti potrebno podesiti karburator (pogledajte uputstva pod naslovom Karburator).

Gorivo na bazi etanola

HUSQVARNA preporučuje komercijalno gorivo sa maksimalnim sadržajem etanola od 10%.

Uhdavanje

Izbegavajte rad pri velikim brzinama prvih 10 sati.

Dvotaktno ulje

- Kako biste postigli najbolje rezultate i performanse uvek koristite HUSQVARNA ulje za dvotaktne motore, koje je proizvedeno specijalno za naše dvotaktne motore sa vazдушnim hlađenjem.
- Nikada ne upotrebljavajte ulje za dvotaktne motore namenjeno za spoljne motore sa tečnim hlađenjem.
- Nikad ne upotrebljavaj ulje namenjeno četvorotaktnim motorima.
- Ulje lošeg kvaliteta ili prejaka mešavina ulja/goriva može da ugrozi rad katalizatora i umanjti njegov radni vek.

Razmera mešanja

1:50 (2%) sa HUSQVARNA uljem za dvotaktne motore.

1:33 (3%) sa drugim uljima dizajniranim za dvotaktne motore sa vazдушnim hlađenjem dklasifikovane za JASO FB/ISO EGB.

Benzin, l	Dvotaktno ulje, l	
	2% (1:50)	3% (1:33)
5	0,10	0,15
10	0,20	0,30
15	0,30	0,45
20	0,40	0,60

Mešanje

- Benzin i ulje uvek mešaj u čistom kontejneru predviđenom za gorivo.
- Počni sipanjem polovine planirane količine benzina. Potom dodaj čitavu količinu ulja. Promešaj (promućkaj) mešavinu goriva. Dolij preostali benzin.
- Dobro promešaj (promućkaj) mešavinu goriva pre nego što napuniš rezervoar za gorivo mašine.
- Ne pripremaj mešavinu goriva za više od jednog meseca.
- Ako se mašina neko vreme ne upotrebljava rezervoar za gorivo treba isprazniti i očistiti.

Ulje za lanac

- Za podmazivanje preporučujemo upotrebu specijalnog ulja (ulje za lanac) sa dobrim karakteristikama prijanjanja. **(48)**
- Nikada ne upotrebljavaj otpadno ulje. To dovodi do oštećenja pumpe za ulje, mača i lanca.
- Važno je da se upotrebljava ulje (propisne viskoznosti) u odnosu na temperaturu vazduha.
- Na temperaturama ispod 0°C neka ulja postaju isuviše viskozna. To može da dovede do preopterećenja pumpe za ulje i oštećenja njenih delova.
- Prilikom izbora ulja za lanac obrati se servisu.

UKLOPACI ZA DOLIVANJE GORIVA

Dolivanje goriva



UPOZORENJE! Sledeće mere predostrožnosti umanjuju opasnost požara:

Ne pušite i ne postavljajte nikakve vruće predmete u blizini goriva.

Zaustavite motor i ostavite ga da se ohladi nekoliko minuta pre punjenja gorivom.

Prilikom punjenja polako otvaraj poklopac rezervoara za gorivo da bi postepeno popustio eventualno povećan pritisak.

Posle punjenja pažljivo pritegni poklopac rezervoara.

Uvek sklonite uređaj daleko od mesta i izvora dolivanja goriva pre paljenja.

Očisti prostor oko poklopca rezervoara za gorivo. Redovno čisti rezervoare za gorivo i ulje za lanac. Prečistač goriva treba zamenjivati najmanje jednom godišnje. Zagađenje u rezervoarima za gorivo dovodi do neispravnosti u radu. Protresi kontejner da bi se gorivo dobro izmešalo pre nego što ga doliješ u rezervoar. Zapremine rezervoara za ulje za lanac i za gorivo su međusobno podešene. Zato uvek u isto vreme napuni i rezervoar za ulje za lanac i rezervoar za gorivo. **(48)**



UPOZORENJE! Gorivo i njegova isparenja su visokozapaljivi. Budi pažljiv pri rukovanju gorivom i uljem za lanac. Drži se podalje od otvorenog plamena i ne udiši isparenja goriva.

Uklanjanje poklopca rezervoara i poklopca ulja za lanac

- Pritisnite površinu sa teksturom na poluzi i podignite je u uspravan položaj. **(49)**
- Olabavite poklopac okretanjem u smeru suprotnom od kazaljki na satu. **(50)**
- Uklonite poklopac. **(51)**

Zamena poklopca rezervoara i poklopca ulja za lanac

- Umetnite poklopac tako da poluga bude u uspravnom položaju. **(52)**
- Čvrsto pritegnite poklopac okretanjem u smeru kazaljki na satu. **(53)**
- Preklopite polugu naniže. **(54)**

VAŽNO! Uvek zamenite oštećeni poklopac.

Bezbednost oko goriva

- Nikad ne pokušavaj da doliješ gorivo u mašinu dok je motor u pogonu.
- Pazi da kod dolivanja goriva ili njegovog mešanja (mešavina za dvotaktni motor) postoji dovoljna ventilacija.
- Pre nego što puštiš mašinu u pogon skloni je na najmanje 3 m od mesta dolivanja goriva.
- Nikad ne puštaj mašinu u pogon:
 - 1 Ako si prosuo na mašinu gorivo ili ulje za lanac. Obriši prosutu tečnost i sačekaj da preostalo gorivo izvetri.
 - 2 Ukoliko ste prosuli gorivo po samom sebi ili po vašoj odeći, presvucite odeću. Operite delove tela koji su bili u dodiru sa gorivom. Upotredi sapun i vodu.
 - 3 Ako iz mašine curi gorivo. Redovno proveravaj da nema curenja iz poklopca rezervoara i cevi za gorivo.



UPOZORENJE! Nikada ne upotrebljavajte mašinu koja ima vidljiva oštećenja na štitniku svećice ili kablju za svećicu. Javlja se rizik od varničenja, što može da dovede do požara.

Transport i čuvanje

- Lančanu testeru i gorivo uvek drži daleko od svakog izvora varnica i nezaštićenog plamena, n.pr. mašina, elektromotora, releja, prekidača, bojlera itd.
- Gorivo uvek čuvaj u propisanom kontejneru namenjenom toj svrsi.
- Kad lančana testeru duže ostaje uskladištena ili prilikom njenog transporta treba isprazniti rezervoare goriva i ulja za lanac. Obavesti se na obližnjoj benzinskoj pumpi gde možeš da ostaviš zaostalo gorivo i ulje za lanac.
- Prilikom transporta ili odlaganja mašine na opremu za sečenje uvek postavite štitnik za trasport, kako biste sprečili slučajni kontakt sa oštrim lancem. Čak i lanac koji miruje može da izazove ozbiljne povrede kod korisnika ili drugih osoba koje imaju pristup lancu.
- Skinite kapicu sa svećice. Aktivirajte kočnicu lanca.
- Fiksirajte mašinu tokom transporta.

Dugotrajno odlaganje

U dobro provetrenoj prostoriji ispraznite rezervoare za gorivo i ulje. Gorivo držite isključivo u odobrenim kantama i na sigurnom mestu. Postavite štitnik za šipku. Očistite mašinu. Pogledajte uputstva pod naslovom Raspored održavanja.

Pazite da je mašina dobro očišćena i da je potpuno servisiranje urađeno pre dugotrajnog skladištenja.

Paljenje i gašenje



UPOZORENJE! Pre paljenja se mora sledeće opaziti:

Nakon pokretanja motorne testere treba aktivirati kočnicu za lanac, kako bi se umanjio rizik od kontakta sa lancem koji se okreće.

Nikad ne pali motornu testeru pre nego što montiraš mač, lanac i poklopac kvačila. U suprotnom kvačilo može da ispadne i izazove lične povrede.

Položi mašinu na čvrsto tlo. Pazi da čvrsto stojiš i gledaj da lanac ništa ne dodiruje.

Pazi da na području rada nema neovlašćenih lica.

Nikad ne omotavaj startno uže oko šake.

Paljenje

Kočnica lanca će biti aktivirana kad se motorna testera pali. Aktiviraj kočnicu na taj način da pomakneš zaštitu odskoka napred. (55)

Hladan motor

Položaj za pokretanje, 1: Postavite prekidač start/stop u položaj sa prigušivanjem povlačenjem crvene komande ka spolja – nagore. (56)

Pumpa za gorivo (2): Pritisnite membranu za čišćenje vazduha nekoliko puta, sve dok gorivo ne ispuni membranu (najmanje 6 puta). Membrana ne mora biti potpuno puna. (56)

Uхватite prednju ručku levom rukom. Držite testeru na zamlji tako što ćete umetnuti desno stopalo kroz zadnju ručku. (57)

Povucite ručku startera, 3: povucite ručku startera desnom rukom i polako vucite startno uže dok ne osetite otpor (dok se uhvate zapori startera), a zatim brzo i naglo povucite uže tako da se motor upali.

Gurnite nadole crvenu ručku sauha, 4: Čim se motor upali, što se može čuti kao zvuk "puf", gurnite nadole crvenu ručku sauha.

Povucite ručku startera (5): nastavite da snažno povlačite startno uže dok se motor ne upali.

Vruć motor

Položaj za pokretanje, 1: Pravilno podešavanje sauha/ startnog gasa za pokretanje toplog motora može se ostvariti prvobitnim pomeranjem ručice sauha povlačenjem crvene ručice napolje–unutra. (56)

Pumpa za gorivo (2): Pritisnite membranu za čišćenje vazduha nekoliko puta, sve dok gorivo ne ispuni membranu (najmanje 6 puta). Membrana ne mora biti potpuno puna. (56)

Gurnite nadole crvenu ručku sauha, 3: Time se deaktivira sauh, koji nije potreban pri pokretanju toplog motora testere. Međutim, pomeranje prekidača start/stop će aktivirati visoku brzinu praznog hoda, što čini pokretanje toplog motora lakšim.

Povucite ručku startera, 4: Uхватite prednju ručku levom rukom. Držite testeru na zamlji tako što ćete umetnuti desno stopalo kroz zadnju ručku. (57)

Povucite ručku startera desnom rukom i polako vucite startno uže dok ne osetite otpor (dok se uhvate zapori startera), a zatim brzo i naglo povucite tako da se motor upali.

Kako je lančana kočnica još uvek aktivna, brzina motora se mora što pre podesiti na prazan hod, to se postiže otpuštanjem brave gasa. Otpuštanje se postiže blagim dodiranjem na komandu dovoda gasa. Sa ovim izbegavaš nepotrebno habanje kvačila, bujnbja kvačila kao i kaiša za kočenje. Ostavite mašinu na praznom hodu nekoliko sekundi, pre nego što date pun gas.

Na zadnjoj ivici testere (A) nalazi se pojednostavljen podsetnik za pokretanje sa ilustracijama, koji opisuje svaki korak. (57)

NAPOMENA! Nemoj izvući uže za paljenje sasvim i ne puštaj ručku startera iz potpuno izvučenog položaja. To može da ošteti mašinu.

Beleška! Vрати kočnicu u prvobitno stanje na taj način da povučete zaštitu odskoka prema podlozi rukohvata. Sa ovim je motorna testera spremna za upotrebu.



UPOZORENJE! Dugotrajno udisanje izduvnih gasova iz motora, pare od ulja za lanac kao i prašine od strugotine može dovesti do rizika po zdravlje.

- Nikad ne pali motornu testeru a da mač, lanac i svi poklopci nisu pravilno montirani. Vidi uputstva pod naslovom Montaža. Bez šipke i lanca na motornoj testeri, kvačilo može da se olabavi i izazove ozbiljne povrede.
- Prilikom pokretanja testere treba aktivirati kočnicu za lanac. Pogledajte uputstva pod naslovom Pokretanje i zaustavljanje. Nikada ne pokrećite motornu testeru dok je spuštena. Ovaj metod je izuzetno opasan jer Vam se lako može desiti da izgubite kontrolu nad testerom. (55)
- Nikad ne puštaj mašinu u pogon u zatvorenom prostoru. Izduvni gasovi mogu biti opasni.
- Proveri okolinu i osiguraj se o tome da u blizini nema ljudi ili životinja kojima bi pretila opasnost od rezne opreme.
- Uvek držite motornu testeru obema rukama. Desnu ruku držite na zadnjoj ručici, a levu na prednjoj. **Svi korisnici, desnoruki i levoruki, treba da koriste ovaj način držanja testere.** Čvrsto držite ručicu, sa palčevima i prstima obmotanim oko ručice testere.

Gašenje

Mašinu zaustavljate pritiskanjem prekidača za pokretanje/ zaustavljanje prema dole. (59)

NAPOMENA! Prekidač za pokretanje/zaustavljanje se automatski vraća u položaj za rad. Da biste izbegli neželjeno pokretanje, uvek skinite kapicu sa svećice kada mašina nije pod nadzorom. (60)

Pre svake upotrebe: (61)

- 1 Prekontroliši da kočnica lanca radi pravilno i da je neoštećena.
- 2 Prekontroliši da zadnji štitnik desne ruke nije oštećen.
- 3 Prekontroliši da kočnica regulatora gasa radi pravilno i da nije oštećena.
- 4 Proverite da isključni prekidač ispravno radi i da nije oštećen.
- 5 Prekontroliši da na svim ručkama nema ulja.
- 6 Prekontroliši da sistem za prigušenje vibracija radi pravilno i da je neoštećen.
- 7 Prekontroliši da prigušivač zvuka stoji čvrsto i da nije oštećen.
- 8 Prekontroliši da su svi delovi na motornoj testeri pričvršćeni i da nisu oštećeni ili da ne nedostaju.
- 9 Prekontroliši da hvatač lanca stoji na svom mjestu i da nije oštećen.
- 10 Proverite zategnutost lanca.

Opšta uputstva za rukovanje

VAŽNO!

Ovaj odeljak obrađuje osnovna pravila bezbednosti prilikom rada sa motornom testerom. Ti podaci ne mogu nikada zameniti znanje koje jedan stručnjak poseduje u obliku obrazovanja i praktičnog iskustva. Kad se nađeš u situaciji da si nesiguran u smislu daljnijeg korišćenja, potraži savet stručnjaka. Obrati se servisu ili prodavnicu motornih testera ili kod lica koja imaju iskustvo u upotrebi motornih testera. Izbegavaj svaku upotrebu ako smatraš da si nedovoljno obučan za to!

Pre upotrebe lančane testere moraš da razumeš destvo odskoka i kako ga izbeći. Vidi uputstva pod naslovom Kako izbeći odskok.

Pre upotrebe lančane testere moraš da shvatiš razliku između rezanja gornjom i rezanja donjom ivicom mača. Pogledajte uputstva pod naslovima Kako izbeći povratni trzaj i Sigurnosna oprema mašine.

Upotrebi ličnu zaštitnu opremu. Vidi uputstva pod naslovom Lična zaštitna oprema.

Osnovna pravila bezbednosti

- 1 Osvrni se oko sebe:
 - Da bi proverio da u blizini nema ljudi, životinja ili predmeta koji bi mogli da ti ometaju kontrolu nad mašinom.
 - Da bi proverio da nijedno od gore navedenog ne može da se ti nađe na domaćaju testere ili bude povređeno drvećem u padu.

NAPOMENA! Pridržavaj se gornjih uputstava ali ipak nemoj upotrebljavati lančanu testeru u situacijama gde u slučaju nesreće ne možeš da pozoveš pomoć.

- 2 Nemoj upotrebljavati testeru po lošem vremenu kao što je gusta magla, jaka kiša, snažan vetar, velika hladnoća itd.

Rad po hladnoći zamara i često nosi dodatne opasnosti kao što su zaledeno tlo, nepredvidljiv pravac pada stabala itd.

- 3 Budi vrlo obazriv pri sečenju malih grana i izbegavaj sečenje krošnji (=grupa manjih grana istovremeno). Lanac može da uhvati manje grane i baci ih na tebe i da ti tako nanese tešku povredu.
- 4 Obrati pažnju na sigurno kretanje i stajanje. Proveri da u okolini nema mogućih prepreka (korenja, gromada kamena, granja, jaraka itd.) na koje bi naišao ako moraš da napraviš iznenadan pokret. Budi posebno obazriv kad radiš na padini.
- 5 Budite izvanredno obazrivi prilikom rezanja drveta testerom koje se nalazi pod naprezanjem. Drvo koje se nalazi pod naprezanjem može, kako pre tako i posle presecanja, da se naglo vrati u svoj normalan položaj. Vaš pogrešan položaj i položaj reza mogu da



- 6 Pre prenošenja testere isključi motor i utvrdi lanac pomoću kočnice lanca. Nosi testeru tako da mač i lanac budu okrenuti unatrag. Stavi štitnik na mač pre prenošenja na bilo koje rastojanje.
- 7 Kada spustite testeru na zemlju, blokirajte je pomoću kočnice za lanac i osigurajte stalan pogled na mašinu. Pre napuštanja motorne testere na bilo koji vremenski period, isključite motor.



UPOZORENJE! Ponekad iverje upadne unutar poklopcu kvačila, usled čega se lanac zaglavi. Obavezno ugasis motor pre čišćenja.

Osnovna pravila

- 1 Ako ti je jasno šta je odskok i kako do njega dolazi onda možeš da smanjiš ili otkloniš faktor iznenađenja. Svojom spremnošću umanjuješ rizik. Odkosci su obično neznatni, ali ponekad mogu da budu vrlo snažni i iznenadni.
- 2 Uvek čvrsto drži lančana testeru desnom rukom za zadnju ručku a levom za prednju ručku. Obavij prste uključujući i palac oko ručki. Ovaj zahvat se treba upotrebiti bez obzira da li si dešnjak ili levak. Ovakvim držanjem smanjuje se dejstvo odskoka i ostvaruje kontrola nad lančanom testerom. **Ne ispuštaj ručke!**
- 3 Nesreće sa odskokom najčešće se dešavaju prilikom odsecanja grana. Pazi da čvrsto stojiš i da ti nije na putu ništa što bi te saplelo ili ti oduzelo ravnotežu.

Odsustvo koncentracije može dovesti do odskoka ako zona odskoka na maču slučajno dotakne neku granu, obližnje drvo ili neki drugi predmet.

Uvek kontrolišite komad na kome radite. Ukoliko su delovi koje nameravate da isečete mali i laki, mogu se zaglaviti u testeri i odleteti prema Vama. Čak i u slučaju kada ovo ne predstavlja opasnost samo po sebi, možete se iznenaditi i izgubiti kontrolu nad testerom. Nikada ne secite poredane trupce ili grane pre nego što ih razdvojite. Secite isključivo

TEHNIKA RADA

pojedinačne trupce ili komade drveta. Uvek uklonite isečene komade kako bi Vaš radni prostor ostao bezbedan. (62)

4 **Nikad ne upotrebljavaj lančanu testeru iznad visine ramena niti pokušavaj da sečeš vrhom mača. Nikad ne upotrebljavaj lančanu testeru držeći je samo jednom rukom!** (63)

5 Da bi imao punu kontrolu nad motornom testerom, zahteva se da stojiš stabilno. Nikad ne stoj na lestvama, gore na drvetu ili tamo gde nemaš stabilnu podlogu za stajanje. (64)

6 Uvek podesi testeru na brzo sečenje, tj. pun gas.

7 Budi veoma brižljivi kad sečeš gornjom ivicom mača, tj. kad sečeš neki predmet s njegove donje strane. To je poznato kao sečenje na guranje. Lanac gura lančanu testeru natrag prema rukovaocu. Ukoliko se lanac zaglavi, motorna testera može da poleti unazad prema Vama. (65)

8 Ako se rukovalac ne odupire sili koja ga gura postoji opasnost da se lančana testera vrati toliko unatrag da samo zona odskoka na maču ostane u kontaktu sa drvetom, to će dovesti do odskoka. (66)

Sečenje donjom ivicom mača, tj. s gornje strane predmeta nadole, poznato je kao sečenje na vučenje. U tom slučaju lančana testera sama sebe vuče u pravcu drveta i prednja ivica tela lančane testere pruža prirodan oslonac rukovaocu za vreme sečenja. Sečenje na vučenje daje bolju kontrolu nad lančanom testerom i položajem zone odskoka. (67)

9 Pridržavaj se uputstava za oštrenje i održavanje mača i lanca. Prilikom zamene mača i lanca koristiti samo kombinacije koje smo preporučili. Vidi uputstva pod naslovom Rezni pribor i Tehnički podaci.

Osnovna tehnika sečenja



UPOZORENJE! Nikada ne upotrebljavajte motornu testeru dok je držite samo jednom rukom. Motornu testeru je nemoguće sigurno kontrolisati ukoliko je držite samo jednom rukom. Uvek čvrsto držite ručice obema rukama.

Opšte napomene

- Za sečenje uvek upotrebljavaj pun gas!
- Smanji brzinu na neutralan rad motora posle svakog sečenja (predug rad motora pod punim pogonom bez ikakvog opterećenja može dovesti do teškog oštećenja motora).
- Sečenje odzogo = sečenje "na vučenje" lanca.
- Sečenje odozdo = sečenje "na guranje" lanca.

Sečenje "na guranje" lanca povećava opasnost odskoka. Vidi uputstva pod naslovom Kako izbeći odskok.

Izrazi

Rezanje = opšti termin za sečenje kroz drvo.

Potkresivanje = odsecanje grana oborenog drveta.

Odlomljavanje = kada se predmet sečenja odlomi pre nego što je dovršen rez.

Pre nego što napravi rez treba da razmotriš pet vrlo važnih činilaca:

- 1 Proveri da li će se mač zaglaviti u rezu. (68)
- 2 Proveri da se deblo neće odlomiti. (69)
- 3 Proveri da lanac neće udariti u tlo ili neki predmet za vreme ili posle sečenja. (70)
- 4 Postoji li opasnost odskoka? (71)
- 5 Hoće li ti uslovi i okolni teren ugrožavati bezbednost pri radu?

Dva činioca odlučuju o tome da li će se lanac zaglaviti ili deblo odlomiti. Prvi je pitanje na šta se deblo oslanja, a drugi da li je pod pritiskom.

U većini slučajeva ovi problemi se mogu izbeći sečenjem u dve faze, sa gornje i sa donje strane deblo. Deblo ima "želju" koju se mora podupreti tako da ne zarobi lanac ili se ne prelomi tokom sečenja.

VAŽNO! Ako se lanac zaglavi u rezu: zaustavi motor! Ne pokušavaj da oslobodiš lančanu testeru silom. Ako to uradiš lanac može izazvati ozledu kada se testera iznenada oslobodi. Upotrebi polugu da raširiš rez i oslobodiš mač.

Sledeća uputstva pokazuju kako se treba ponašati u većini situacija u kojima ćeš se naći prilikom upotrebe lančane testere.

Potkresivanje

Pri potkresivanju debelih grana treba upotrebiti isti metod kao kod rezanja.

Odsecaj nezgodne grane jednu po jednu. (71)

Rezanje



UPOZORENJE! Nikada ne pokušavajte da isečete trupce kada su poređani jedan preko drugog ili leže suviše blizu. Ova vrsta procedure dramatično povećava rizik od povratnih trzaja, što može da dovede do ozbiljnih ili fatalnih povreda.

Ukoliko imate gomilu trupaca, svaki trupac koji planirate da isečete treba odvojiti sa gomile, postaviti na nogare za sečenje ili nosila, i seći pojedinačno.

Uklonite isečene delove iz radnog prostora. Ukoliko isečene delove ostavite u blizini, povećavate rizik od povratnog trzaja i gubljenja ravnoteže usled greške. (72)

Deblo leži na tlu. Nema mnogo opasnosti da se lanac zaglavi ili da se deblo prelomi. Međutim, postoji opasnost da lanac dotakne tlo kad dovrši rez. (73)

Proseci čitavo deblo odzogo. Gledaj da ne dotakneš tlo kad završiš rez. Održavaj pun gas ali budi spreman za slučaj da se lanac zaglavi. (74)

Ako je moguće (= može se deblo rotirati?) prestani sa sečenjem na oko 2/3 do kraja.

Rotiraj deblo i dovrši preostalu 1/3 reza sa suprotne strane. (75)

TEHNIKA RADA

Deblo je s jedne strane poduprto. Velika opasnost postoji da će se prelomiti. **(76)**

Počni sečenjem odozgo (oko 1/3 prečnika debla).

Dovrši sečenjem odozgo tako da se dva reza spoje. **(77)**

Deblo je poduprto na oba kraja. Postoji velika opasnost da se lanac zaglavi. **(78)**

Počni sečenjem odozgo (oko 1/3 prečnika debla).

Dovrši sečenjem odozgo tako da se dva reza spoje. **(79)**

Tehnika obaranja drveta

VAŽNO! Za obaranje drveta potrebno je veliko iskustvo. Neiskusni rukovaoci lančanom testerom ne treba da obaraju drveće. Nikad se ne upuštaj u posao u kome nisi siguran!

Bezbedno odstojanje

Bezbedno odstojanje između drveta koje se obara i bilo koga ko u blizini nešto radi je najmanje 2 1/2 dužine drveta. Pazi da se uoči i za vreme obaranja drveta niko ne nalazi u toj "zoni opasnosti". **(80)**

Pravac padanja

Cilj je da drvo padne u najbolji mogući položaj za kasnije potkresivanje i komadanje, koje je najbolje izvesti na "jednostavnom" terenu. Drvo treba da padne na mesto gde možeš bezbedno da se krećeš.

Kada si odlučio na koju stranu želiš da drvo padne moraš da proceniš na koju bi stranu drvo palo samo od sebe.

Na to utiče nekoliko faktora:

- Nagib
- Povijenost
- Pravac vetra
- Raspored grana
- Eventualno opterećenje snegom
- Prepreke u blizini stabla: npr. druga stabla, električni vodovi, putevi i zgrade.
- Potražite znakove oštećenja i truljenja u dnu stabla, oni povećavaju verovatnoću da će se stablo slomiti i početi da pada pre nego što očekujete.

Ako se pokaže nemoguće ili opasno pokušavati da oboriš drvo na željenu stranu možda ćeš biti prinuđen da pustiš drvo da padne kako mu je prirodno.

Drugi važan činilac koji, doduše, ne utiče na pravac obaranja ali zato utiče na tvoju bezbednost je da treba proveriti da nema "mrtvih" ili oštećenih grana koje bi mogle da se odlome i udare te prilikom obaranja.

Najvažnije je izbeći da drvo koje obaraš padne na drugo drvo. Veoma je opasno oboriti jedno zaglavljeno drvo, jer postoji visok rizik nesreće. Pogledaj instrukcije pod naslovom Postupanje kod pogrešnog pada drveta **(81)**

VAŽNO! U presudnim trenucima obaranja drveta treba odmah posle sečenja skinuti zaštitne slušalice da bi čuo zvuke i uočio znake upozorenja.

Potkresivanje i priprema za udaljavanje

Odsjecite sve grane sa stabla do visine ramena. Bezbednije je raditi od vrha nadole, tako da stablo stoji između Vas i testere. **(82)**

Odstrani svu vegetaciju oko drveta i proveri da u okolini nema prepreka (kamenja, grana, rupa itd.) da bi se mogao nesmetano udaljiti kad drvo počne da pada. Treba da se povlačiš ukoso za otprilike 135° od nameravanog pravca pada stabla. **(83)**

- 1 Rizična zona
- 2 Pravac povlačenja
- 3 Pravac padanja

Obaranje



UPOZORENJE! Ako nisi posebno obučen savetujemo da ne obaraš drveće prečnika većeg od dužine mača!

Obaranje se vrši pomoću tri reza. Prvo se pravi smerni rez, koji se sastoji od gornjeg reza i donjeg reza. Potom se pravi rez obaranja. Ispravnim postavljanjem tih rezova može se sa velikom preciznošću kontrolisati pravac pada.

Smerni rez

Da biste načinili usmereni rez, počinjete od gornjeg reza. Naciljajte koristeći oznaku smera sečenja (1) na testeri prema cilju nešto udaljenijem na terenu, gde biste želeli da drvo padne (2). Stanite sa desne strane drveta, iza testere, i secite povlačećim potezom.

Potom napravi donji rez tako da se završi na kraju gornjeg reza. **(84)**

Rez usmeravanja treba da bude dubok 1/4 prečnika stabla, a ugao između gornjeg reza i donjeg reza treba da bude najmanje 45°.

Linija gde se dva reza sastaju zove se linija reza usmeravanja. Ta linija treba da bude savršeno vodoravna i pod pravim uglom (90°) u odnosu na izabran pravac obaranja. **(85)**

Rez obaranja

Rez obaranja pravi se sa suprotne strane stabla i mora biti savršeno vodoravan. Stojeći ulevo od stabla, seci donjom ivicom mača.

Napravi rez obaranja na oko 3–5 cm (1,5–2 col) iznad ravnog dela reza usmeravanja. **(86)**

Postavi odbojnik (ukoliko je namontiran) iza pojasa odlamanja. Daj pun gas i polako prinesi mač i lanac stablu. Pazi da stablo ne počne da se kreće u pravcu suprotnom od onoga u kome želiš da padne. Čim je rez obaranja dovoljno dubok zabij u njega klin ili polugu za odlamanje.

Dovrši rez obaranja paralelno sa linijom reza usmeravanja tako da rastojanje između njih bude najmanje 1/10 prečnika stabla. Nepresečeni deo stabla se zove pojas odlamanja.

Pojas odlamanja deluje poput šarki koje kontrolišu pravac pada drveta. **(87)**

Ako je pojas odlamanja preuzak ili su rez usmeravanja i rez obaranja pogrešno postavljivi gubi se svaka kontrola nad pravcem pada. **(88)**

Kada su gotovi i rez usmeravanja i rez obaranja drvo bi trebalo da počne da pada pod sopstvenom težinom ili uz pomoć klina za obaranje ili poluge za odlamanje. **(89)**

Preporučujemo da koristite šipku čija je dužina veća od prečnika drveta, tako da rez za obaranje i rezove za usmeravanje možete načiniti "jednim potezom testere". Pogledajte uputstva u odeljku Tehnički podaci kako biste saznali koje dužine šipke se preporučuju za Vaš model testere.

Postoje posebni metodi za obaranje drveća prečnika većeg od dužine mača. Međutim, ti metodi povlače daleko veću opasnost da zona odskoka na maču dođe u dodir sa predmetom. **(4)**

Oslobađanje drveta koje je nezgodno palo

Oslobađanje "zaglavljelog drveta"

Veoma je opasno oboriti jedno zaglavljeno drvo, jer postoji visok rizik nesreće.

Nikada ne pokušavajte da isečete stablo na koje je neko drugo stablo palo.

Nikada ne radite u rizičnoj zoni stabla koje visi, zaglavljeno. **(90)**

Najbezbedniji metod je pomoću čekrka.

- Montiran na traktor
- Prenosiv

Sečenje grana i stabala koja su pod opterećenjem

Pripreme: Oцени u kom će se pravcu drvo odnosno grana kretati kad se oslobodi i gde mu je prirodna tačka pucanja (to jest, mesto na kome bi se prelomilo kad bi se još više povilo). **(91)**

Oцени koji je najbezbedniji način da se opusti napetost i da li si ti u stanju da to bezbedno učiniš. U komplikovanim slučajevima jedini bezbedan metod je da se lančana testera ostavi na stranu i upotrebi čekrka.

Savet za sve slučajeve:

Stani tako da ne budeš na putu grani ili drvetu kada se oslobodi. **(92)**

Napravi jedan ili više rezova na ili u blizini tačke pucanja. Napravi onoliko rezova dovoljne dubine koliko je neophodno da se smanji tenzija i dovede do "pucanja" drveta odnosno grane na tački pucanja. **(93)**

Nikada nemoj testerom prolaziti kroz čitav objekat koji se nalazi pod opterećenjem!

Kada morate da protesterišete celu širinu stabla/grane, načinite dva ili tri reza sa razmakom od 3 cm i dubine 3–5 cm. **(94)**

Nastavite da sečete sve dok se stablo/grana ne savije i pritisak popusti. **(95)**

Kada pritisak popusti, isečite stablo/granu sa suprotne strane.

Sprečavajuće mere odskoka



UPOZORENJE! Odkosci mogu da budu vrlo iznenadni i snažni: lančana testera, mač i lanac odskaku prema rukovaocu. Ako se to dogodi dok se lanac okreće mogu nastati teške, čak i smrtno povrede. Vitalno je važno razumeti šta prouzrokuje odskok i kako se on može izbeći vođenjem računata i primenom pravilnog postupka rada.

Šta je odskok?

Reč odskok opisuje iznenadnu reakciju do koje dolazi kada gornji kvadrant vrha mača, poznat kao zona odskoka, dodirne neki predmet što baca lančana testera unatrag. **(66)**

Lančana testera uvek odskakuje u ravni sečenja. Lančana testera i mač obično odskakuje unatrag i nagore u pravcu rukovaoca. Ipak, lančana testera može da odskoči i u drugom smeru zavisno od načina na koji je upotrebljavana u trenutku kada je zona odskoka na maču dotakla predmet. **(7)**

Do odskoka dolazi jedino ako zona odskoka na maču dodirne neki predmet. **(4)**

Potkresivanje



UPOZORENJE! Najveći broj nesreća sa povratnim trzajem dešava se u toku odsecanja grana. Ne koristite zonu povratnog trzaja šipke. Budite veoma pažljivi i izbegavajte kontakt vrha šipke sa trupcem, drugim granama ili predmetima. Budite veoma pažljivi sa napregnutim granama. Mogu da odskoče prema Vama i nateraju Vas da izgubite kontrolu nad mašinom, što može da dovede do povreda.

Proveri da nema prepreka koje bi ometale rad! Radi s leve strane stabla. Radi maksimalne kontrole približi se testeri. Po mogućstvu pusti da težina testere počiva na stablu.

Krećući se duž stabla drži ga između sebe i lančane testere.

Sečenje debela u komade

Vidi uputstva pod naslovom Osnovna tehnika sečenja.

Opšte napomene

Korisnik sme vršiti održavanje i servisiranje samo na način opisan u ovom Uputstvu za rukovaoca. Svaki obimniji rad treba da izvrši ovlašćeni servisni centar.

Regulisanje karburatora

Vaš proizvod firme Husqvarna konstruisan je i izrađen prema specifikacijama koje smanjuju štetne izduvne gasove.

Rad

- Karburator preko regulatora gasa upravlja brojem obrtaja motora. U karburatoru se mešaju vazduh i gorivo i ta mešavina se može podešavati. Da bi se iskoristio maksimalan kapacitet mašine mešavina se mora pravilno podešiti.
- Zavrtnaj T reguliše brzinu rada motora u praznom hodu. Ako se zavrtnaj T okrene u pravcu kazaljke na satu dobija se veći broj obrtaja, a ako se okrene suprotno od kazaljke na satu dobija se manji broj obrtaja u praznom hodu.

Osnovni režim rada i razrađivanje

Karburator je podešen na osnovni režim rada prilikom testiranja u fabrici. Fina podešavanja treba da izvrši kvalifikovani tehničar.

Preporučeni broj obrtaja u praznom hodu: Vidi poglavlje Tehnički podaci.

Fino podešavanje praznog hoda T

Podesi prazan hod pomoću zavrtnja T. Ako je potrebno ponovno podešavanje prvo okreći zavrtnaj za podešavanje praznog hoda T u pravcu kazaljke na satu dok lanac ne počne da se okreće. Potom okreći suprotno od kazaljke na satu dok se lanac ne zaustavi. Prazan hod je ispravno podešen kad motor ravnomerno radi u svim položajima. Takođe treba da postoji znatna razlika u odnosu na broj obrtaja pri okretanju lanca.



UPOZORENJE! Ako ne možeš da podesiš prazan hod tako da se lanac zaustavi obrati se servisu. Ne upotrebljavaj lančanu testeru dok nije propisno podešena ili opravljena.

Ispravno podešen karburator

Karburator je ispravno podešen kad mašina bez oklevanja povećava radnu brzinu, dok pri maksimalnoj brzini motor pomalo štekće. Šta više, lanac ne sme da se okreće u praznom hodu. Ako je igla za malu brzinu-L podešena na isuviše posan rad to može da prouzrokuje teškoće sa paljenjem motora i loše ubrzanje. Ako je igla za veliku brzinu-H podešena na suviše posan rad time se umanjuje snaga = "slabija moć", slabo ubrzanje i/ili dolazi do oštećenja motora.

Pregled, održavanje i servisiranje sigurnosnih mehanizama lančane testere

Beleška! Sva servisiranja i popravke na mašini zahtevaju specijalnu obuku. Ovo se posebno odnosi na sigurnosnu opremu mašine. Ukoliko Vaša mašina ne prođe bilo koji od testova opisanih ispod, preporučujemo da je odnesete u Vašu servisnu radionicu.

Kočnica lanca i štitnik prednje ruke

Provera pohabanosti kočionog prstena



Četkom očisti piljevinu, smolu i nečistoću nakupljenu na kočnici lanca i dobošu kvačila. Nečistoća i pohabanost mogu da pokvare dejstvo kočnice. (96)

Redovno proveravaj da je kočioni prsten na najtanjem mestu debeo bar 0,6 mm.

Provera štitnika prednje ruke



Proveri da štitnik prednje ruke nije oštećen i da nema vidljivih defekata kao što su pukotine.

Pokretanjem štitnika prednje ruke napred-nazad uveri se da se slobodno kreće i da je dobro pričvršćen za poklopac kvačila.

Provera automatske kočnice



Postavite motornu testeru sa isključenim motorom na panj ili neku drugu stabilnu površinu. Otpustite prednju ručicu i pustite da testera padne pod sopstvenom težinom, tako što će se okretati oko zadnje ručice prema panju. (97)

Trebalo bi da se kočnica uključi kada mač udari u panj. (98)

Provera oroza kočnice

Položi lančanu testeru na čvrsto tlo i uključi je. Pazi da lanac ne dodiruje ni tlo ni neki predmet. Pogledaj uputstva pod odeljkom Paljenje i gašenje. (99)

Čvrsto uhvati testeru obavijanjem prstiju i palčeva oko ručki.

Daj pun gas i aktiviraj kočnicu lanca iskretanjem zgloba ruke unapred na štitnik prednje ruke. Ne ispuštaj prednju ručku.

Lanac bi trebalo smesta da se zaustavi. (58)

Kočnica regulatora gasa



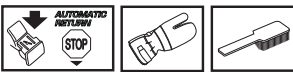
- Proveri da li je regulator gasa utvrpen u neutralnom položaju kad otpustiš kočnicu regulatora gasa. **(100)**
- Pritisni kočnicu regulatora gasa i proveri da li se vraća u prvobitni položaj kad je otpustiš. **(101)**
- Proveri da li se regulator gasa i kočnica regulatora gasa slobodno pokreću i da li ispravno rade povratne opruge. **(102)**
- Uključi testeru i daj pun gas. Otpusti regulator gasa i proveri da li se lanac zaustavio i da li je ostao nepokretan. Ako se lanac okreće dok je regulator u neutralnom položaju proveri podešenost karburatora za neutralan položaj.

Hvatač lanca



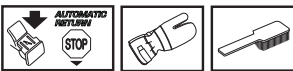
Proveri da hvatač lanca nije oštećen i da je čvrsto pričvršćen za telo lančane testere. **(103)**

Štitnik desne ruke



Proveri da štitnik desne ruke nije oštećen i da nema vidljivih defekata kao što su pukotine. **(11)**

Antivibracioni uređaj



Redovno proveravaj da kod antivibracionih delova nema pukotina ili izobličenja. Proveri da li su antivibracioni delovi dobro pričvršćeni za sklop motora i ručke. **(104)**

Prekidač za gašenje



Upali motor i proveri da li se motor gasi kad staviš prekidač za gašenje u položaj za gašenje. **(59)**

NAPOMENA! Prekidač za pokretanje/zaustavljanje se automatski vraća u položaj za rad. Da biste sprečili slučajno pokretanje, skinite kapicu svećice pre svakog sastavljanja, provere i/ili održavanja.

Prigušivač



Nikad ne upotrebljavaj mašinu s neispravnim prigušivačem.

Redovno proveravaj da li je prigušivač dobro pričvršćen za mašinu. **(105)**

Neki prigušivači opremljeni su specijalnom mrežom. Ako tvoja mašina ima takav prigušivač treba mrežu čistiti bar jednom nedeljno, što se radi žičanom četkom. Blokрана mreža izazvaće pregrevanje mašine i može da dovede do ozbiljnih oštećenja.

Beleška! Mreža se mora zameniti ako je oštećena. Ako se mreža zapuši može doći do pregrevanja mašine, što dovodi do oštećivanja cilindra i klipa. Nikad ne upotrebljavaj mašinu sa zapušanim ili defektnim prigušivačem. **Nikad ne upotrebljavaj prigušivač na kome nedostaje mreža protiv varničenja ili je mreža defektna. (13)**

Prigušivač je zamišljen da smanji buku i usmeri izduvne gasove daleko od rukovaoca. Izduvni gasovi su vrel i u njima zna da bude varnica, što može da izazove požar ako su gasovi usmereni na suv i zapaljiv materijal.

Deklo magneta (starter)



UPOZORENJE! Povratna opruga se prilikom montaže namešta u kućište startera tako da stoji pod pritiskom te može pri nebrzišljivom rukovanju da iskoči i nanese ozledu.

Morate biti pažljivi kada menjate povratnu oprugu ili startnu vrpцу. Nosite zaštitne naočari i zaštitne rukavice.

Zamena vrpce pokretača



- Otpusti zavrtanje kojima je dekle magneta pričvršćen za kućište pokretačke ručice i skini dekle magneta. **(106)**
- Izvuci uže za otprilike 30 cm i namesti ga u zarez u obodu čekrka. Postavi na nulu povratnu oprugu puštanjem čekrka da se polako okrene unazad. **(107)**
- Odvijte zavrtanj na sredini remenice i skinite pogonski disk (A), oprugu pogonskog diska (B) i remenicu (C). Ubacite i pričvrstite novu vrpцу u remenicu startera. Navijte oko 3 okreta vrpce na remenicu startera. Postavite remenicu startera tako da se kraj odskočne opruge (D) zakači za remenicu. Sada sastavite oprugu pogonskog diska, pogonski disk i zavrtanj u sredini remenice. Provucite vrpцу kroz otvor na kućištu startera i ručicu startera. Vežite jak čvor na vrpци startera. **(108)**

Zatezanje povratne opruge

- Namesti startno uže u zarez u obodu starterskog čerka i okreni čerk za 2 kruga u pravcu kazaljke na satu.
- Beleška! Proveri da li se čerk startera može okrenuti za bar pola kruga kada se uže startera potpuno izvuče. (109)

Razvucite konopac ručicom. Pomerite palac i oslobodite konopac. Pogledajte sliku ispod. (110)

Zamena povratnih i pogonskih opruga



Pogvratna opruga (A)

- Podigni čerk startera. Vidi uputstva pod naslovom Zamena pokidanog ili izlzanog startnog užeta.
- Demontirajte kasetu sa povratnom oprugom iz aparata startera.
- Podmaži povratnu oprugu retkim uljem. Montirajte kasetu sa povratnom oprugom u starter. Montirajte točak za žicu i zategnite povratnu oprugu.

Opruga pogonskog diska (B)

- Odvijte zavrtanj na sredini remenice i skinite pogonski disk i oprugu pogonskog diska.
- Zamenite oprugu pogonskog diska i postavite pogonski disk iznad opruge. (111)

Montaža dekla magneta

- Montiraj deko magneta najpre izvlačenjem startnog užeta a onda prislanjanjem startera na kućište pokretačke ručice. Potom polako otpuštaj startno uže tako da uhvate zapori čerka.
- Montiraj i pričvrsti zavrtnje koji drže starter.

Prečistač vazduha



Prečistač vazduha se mora redovno čistiti od prašine i nečistoće da bi se izbeglo sledeće:

- Poremećaji rada karburatora
- Problemi sa paljenjem
- Smanjenje kapaciteta motora
- Nepotrebno habanje delova motora
- Nenormalno velika potrošnja goriva
- Prečistač vazduha se demontira nakon skidanja poklopca prečistača vazduha. Prilikom montaže, obratite pažnju na to da prečistač vazduha čvrsto prijanja na svom nosaču. Očistite prečistač tako da ga izčerkate ili protresete. (112)

Prečistač se može i temeljnije očistiti pranjem pomoću vode i sapuna.

Prečistač vazduha koji je neko vreme bio u upotrebi ne može se potpuno očistiti i zato se mora u pravilnim razmacima zamenjivati novim. **Oštećen prečistač vazduha mora se uvek zameniti.**

Lančana testera HUSQVARNA se može opremiti raznim tipovima prečistača vazduha u zavisnosti od radne sredine, vremenskih uslova, godišnjeg doba itd. Kontaktirajte Vašeg prodavca za savetovanje.

Svećica



Na stanje svećice utiče:

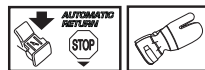
- Nepravilno podešen karburator.
- Pogrešna smeša ulja i goriva (zbog mnogo ulja ili pogrešnog odnosa ulja).
- Prijav prečistač vazduha.

Ovi faktori dovode do stvaranja naslaga na elektrodama svećice, što može dovesti do smetnji pogona i teškoća sa paljenjem.

Ako mašina ostvaruje mali učinak, teško se pali ili slabo radi u praznom hodu: uvek prvo pregledaj svećicu pre poduzimanja drugih mera. Ako je svećica prljava očisti je i istovremeno proveri da je razmak elektroda 0,5 mm. Svećicu treba zameniti posle oko mesec dana rada ili čak ranije ako je potrebno. (113)

Beleška! Uvek upotrebjavaj preporučeni tip svećice! Pogrešna svećica može da dovede do teškog oštećenja klipa/cilindra. Proveri da svećica ima tkz. zaštitu protiv radio valova.

Održavanje igličastog ležaja

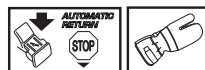


Dobos kvacila ima iglični ležaj na izlaznom vratilu. Ovo izlazno vratilo treba redovno podmazivati.

Prilikom podmazivanja skinite poklopac kvacila tako sto cete olabaviti navrtke. Postavite testeru tako da lezi postrance dok je dobos kvacila okrenut nagore.

Podmazite tako sto cete motorno ulje nakapati pored centra dobosa kvacila dok se dobos kvacila okreće. (114)

Rashladni uređaj



Da bi se ostvarila najniža moguća radna temperatura mašina je opremljena rashladnim uređajem.

Delovi rashladnog uređaja su sledeći:

- 1 Dovod vazduha u sklop startera.
- 2 Ploča za sprovođenje vazduha.
- 3 Elise zamajca.

- 4 Rebra za hlađenje na cilindru.
- 5 Poklopac cilindra (dovodi hladan vazduh na cilindar).
(115)

Rashladni uređaj čisti četkom jednom nedeljno, a po potrebi i češće. Prljav ili začepljen rashladni uređaj dovodi do pregrevanja mašine i oštećenja klipa i cilindra.

Centrifugalno čišćenje "Air Injection"

Centrifugalno čišćenje znači sledeće: Sav vazduh za karburator prolazi (uzima se) kroz starter. Nečistoća i prašina se izvlače pomoću centrifugalne sile ventilatora za hlađenje.
(116)

VAŽNO! Za trajno funkcionisanje centrifugalnog čišćenja potrebno su stalno održavanje i briga. Očisti ulaz vazduha u starter, elise zamajca, prostor oko zamajca, ulaznu cev i karburatorski prostor.

Zimska upotreba

Kod upotrebe mašine na hladnoći i pri snežnim uslovima mogu nastupiti prekidi u pogonu prouzrokovani od:

- Preniska temperatura motora.
- Zamrzavanje prečistača vazduha i karburatora.

Zbog toga je potrebno preduzeti određene mere:

- Donekle smanji dvod vazduha u starter i na taj način povećaj radnu temperaturu motora.

Temperatura od -5°C ili niža:



Za upotrebu mašine po hladnom vremenu ili sitnom snegu postoji poseban poklopac koji se montira na kućište startera. Time se smanjuje protok vazduha i sprečava usisavanje velike količine snega. (117)

NAPOMENA! Ako je montiran specijalni pribor za zimske uslove ili su preduzete mere za povišenje temperature, te se promene moraju poništiti pre upotrebe mašine u uslovima normalne temperature. U suprotnom postoji opasnost pregrevanja i teškog oštećenja motora.

VAŽNO! Svako održavanje izvan onoga što je navedeno u ovom priručniku mora se poveriti servisu (preprodavaocu).

ODRŽAVANJE

Šema održavanja

Sledi lista održavanja koje treba izvršiti na mašini. Većina radova opisanih je u odeljku Održavanje.

Švakodnevno održavanje	Sedmično održavanje	Mesečno održavanje
Očistite mašinu spolja.	Jednom nedeljno kontrolišite sistem za hlađenje.	Proverite da li je pojas kočnice na kočnici za lanac istrošen. Zamenite ga kada na najistrošenijoj tački ostane manje od 0,6 mm.
Prekontroliši da bezbedno funkcionišu osnovni delovi regulatora gasa. (Kočnica regulatora gasa i regulatora gasa.)	Proverite starter, startnu vrpcu i povratnu oprugu.	Proveri da se nisu izlizali delovi kvačila: centar, doboš ili opruga.
Očisti kočnicu lanca i proverii joj rad u skladu sa uputstvima. Proveri da nije oštećen hvatač lanca. Ako jeste, odmah ga zameni.	Proverite da elementi za ublažavanje vibracija nisu oštećeni.	Očisti svećicu i proverii da je razmak između elektroda 0,5 mm.
Polugu treba redovno okretati radi ujednačenijeg habanja. Proverite otvor za podmazivanje na polugi, da biste se uverili da nije zapušten. Očistite žleb poluge. A	Podmaži ležaj doboša kvačila.	Očisti spoljašnjost karburatora.
Proveri rad mehanizma za podmazivanje mača i lanca.	Isturpijaj neravnine ako postoje na stranama mača.	Pregledaj prečistač goriva i cev goriva. Zameni po potrebi.
Proverite da na lancu testere nema vidljivih naprslina zakivaka i karika, da li je lanac krut, kao i da li su zakivci i karike nenormalno istrošeni. Zamenite ih ako je potrebno.	Očistite ili zamenite hvatač varnica u prigušivaču buke.	Ispraznite rezervoar za gorivo i očistite unutrašnjost.
Naoštiri lanac i proverii u kakvom je stanju i da li je zategnut. Proveri da nije izlizan pogonski lančanik. Po potrebi zameni.	Očisti karburator i njegovu vazdušnu komoru.	Ispraznite rezervoar za ulje i očistite unutrašnjost.
Očistite dovod vazduha startera.	Očisti prečistač vazduha. Promeni po potrebi.	Proveri sve kablove i priključke.
Proveri da nema labavih matrica i zavrtnja i po potrebi pritegni.		
Prokontrolišite da li funkcioniše kontakt za zaustavljanje.		
Prokontrolišite da nema ispuštanje goriva iz motora, rezervoara goriva ili cevi goriva.		
Proverite da li se lanac okreće kada je motor u režimu praznog hoda.		

TEHNIČKI PODACI

Tehnički podaci

	435 II	435e II	440 II	440e II
Motor				
Zapremina cilindra, cm ³	40,9	40,9	40,9	40,9
Prečnik cilindra, mm	41	41	41	41
Hod klipa, mm	31	31	31	31
Prazan hod, o/min	2900	2900	2900	2900
Snaga, kW/ o/min	1,6/9000	1,6/9000	1,8/9000	1,8/9000
Uređaj za paljenje				
Svećica	NGK BPMR 7A/ Champion RCJ 7Y	NGK BPMR 7A/ Champion RCJ 7Y	NGK BPMR 7A/ Champion RCJ 7Y	NGK BPMR 7A/ Champion RCJ 7Y
Razmak između elektroda, mm	0,5	0,5	0,5	0,5
Uređaj za gorivo i podmazivanje				
Zapremina rezervoara za gorivo, l	0,37	0,37	0,37	0,37
Kapacitet pumpe za ulje pri 9000 o/min, ml/min	13	13	13	13
Zapremina rezervoara za ulje, l	0,25	0,25	0,25	0,25
Tip pumpe za ulje	Automatska	Automatska	Automatska	Automatska
Težina				
Lančana testera bez mača i lanca sa praznim rezervoarima, kg	4,2	4,4	4,2	4,4
Emitovanje buke (vidi napomenu 1)				
Jačina zvuka, izmjerena u dB(A)	112	112	113	113
Jačina zvuka, garantovana L _{WA} dB(A)	114	114	114	114
Jačine zvuka (vidi napomenu 2)				
Ekvivalent nivoa pritiska zvuka na uho rukovaoca, dB(A)	102	102	102	102
Ekvivalentni nivoi vibracija, a_{hveq} (pogledajte napomenu 3)				
Prednja ručka, m/s ²	2,5	2,5	2,5	2,5
Zadnja ručka, m/s ²	3,2	3,2	3,2	3,2
Lanac/mač				
Standardna dužina mača u colima/cm	13"/33	13"/33	13"/33	13"/33
Preporučene dužine mačeva u colima/cm	13-18/33-45	13-18/33-45	13-18/33-45	13-18/33-45
Efektivna dužina rezanja u colima/cm	12-17/31-43	12-17/31-43	12-17/31-43	12-17/31-43
Razmak zubaca, col/mm	0,325/8,25	0,325/8,25	0,325/8,25	0,325/8,25
Debljina pogonske karike, col/mm	0,050/1,3	0,050/1,3	0,050/1,3	0,050/1,3
Vrsta pogonskog lančanika/broj zuba	Spur/7	Spur/7	Spur/7	Spur/7
Brzina lanca na 133% od maksimalne brzine motora, m/s.	23,1	23,1	23,1	23,1

Napomena 1: Emitovanje buke prema okolini izmjereno kao zvučni efekat (L_{WA}) prema EZ-zahhtjevima 2000/14/EC.

Napomena 2: Ekvivalentni vazdušni pritisak izvora buke, prema ISO standardu 22868, računa se kao ukupna energija u odnosu na vreme za različite nivoe vazdušnog pritiska izvora buke pod različitim radnim uslovima. Tipična statistička disperzija za ekvivalentni nivo vazdušnog pritiska izvora buke predstavlja standardno odstupanje od 1 dB (A).

Napomena 3: Ekvivalentni nivo vibracija, prema ISO standardu 22867, računa se kao ukupna energija u odnosu na vreme za nivoe vibracija pod različitim radnim uslovima. Podaci iz izveštaja za ekvivalentni nivo vibracija imaju tipičnu statističku disperziju (standardno odstupanje) od 1 m/s².


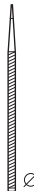
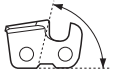
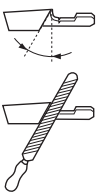

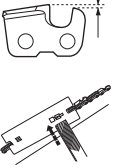
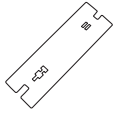
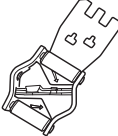
TEHNIČKI PODACI

Kombinacije mača i lanca

Sledeći dodaci za sečenje su odobreni za Husqvarna modele 435 II, 435e II, 440 II i 440e II.

Mač				Lanac testere	
Dužina, u colima	Razmak zubaca, col	Širina žleba u milimetrima	Maks. broj zuba na lančaniku vrha šipke	Tip	Dužina pogonske karike (br.)
13	0,325	1,3	10T	Husqvarna H30	56
15					64
16					66
18					72

Turpijanje lanca testere i merači turpijanja

							
	inch/mm				inch/mm		
H30	3/16 / 4,8	85°	30°	10°	0,025 / 0,65	5056981-00	5056981-08

Izjava o saobraznosti prema zahtevima EZ (Važi samo za Evropu)

Husqvarna AB, SE-561 82 Huskvarna, Švedska, tel: +46-36-146500, potvrđuje, pod punom odgovornošću, da su za Husqvarna 435 II, 435e II, 440 II i 440e II lančane testere za rad na drveću, počev od serijskih brojeva iz 2013. pa nadalje (godina je vidljivo navedena na pločici sa oznakom tipa, a posle nje sledi serijski broj), ispunjeni zahtevi dati u DIREKTIVAMA SAVETA:

- od 17. maja 2006., „u vezi sa mašinskom opremom“ **2006/42/EC**.
- od 15 Decembar 2004 "u vezi elektromagnetske kompatibilnosti" **2004/108/EEC**.
- od 8 maja 2000 "u vezi emitovanja buke prema okolini" **2000/14/EC**.

Za informacije u vezi sa emitovanjem buke, pogledajte odeljak Tehnički podaci. Sledeći standardi su primenjeni:

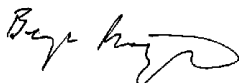
EN ISO 12100:2010, ISO 14982:2009, EN ISO 11681-1:2011

Organ kome se prijavljuje: **0404, SMP Svensk Maskinprovning AB**, Box 7035, SE-750 07 Uppsala, Švedska, je obavio ispitivanje tipa prema zahtevima EZ po članu 12, tačka 3b, upute za mašine (2006/42/EC). Certifikat o ispitivanju tipa prema zahtevima EZ po Aneksu IX, nosi broj: **0404/09/2012** - 435 II, 435e II, 440 II, 440e II.

Osim toga je SMP, Svensk Maskinprovning AB, Box 7035, SE-750 07 Uppsala, Švedska, potvrdio saobraznost sa prilogom V na uputu veća od 8 maja 2000 "u vezi stvaranja buke prema okolini" 2000/14/EC. Certifikati imaju broj: **01/161/075** - 435 II, 435e II, **01/161/074** - 440 II, 440e II.

Isporučena motorna testera je usklađena sa primerkom koji je podvrgnut ispitivanju tipa prema zahtevima EZ.

Huskvarna 8 April 2013



Bengt Frögelius, Šef razvoja motornih testera (Ovlašćeni predstavnik kompanije Husqvarna AB i odgovorna osoba za tehničku dokumentaciju.)

OBJAŠNJENJE ZNAKOVA

Znakovi na mašini:

UPOZORENJE! Motorne pile mogu biti opasne! Nemarna ili neispravna upotreba može izazvati ozbiljne ozljede ili smrtne slučajeve kod rukovaoca ili drugih osoba.

Pročitaj pažljivo uputstvo o upotrebi i shvati sadžaj prije nego upotrijebiš mašinu.

Upotrebljavaj uvijek:

- Odobreni zaštitni šljem
- Odobrene zaštitne slušalice za uši
- Zaštitne naočale ili vizir

Ovaj proizvod odgovara važećoj EZ-direktivi.

Stvaranje buke prema okuženju prema EZ uputi. Jačina buke se navodi u odjeljku Tehnički podaci kao i na naljepnici.

Paljenje; saug: Postavi regulaciju sauga u poziciju sauga. Stop prekidač će se tada automatski namjestiti u poziciju za paljenje.

Punjenje goriva.

Punjenje mazivom za lance.

Pumpa za gorivo.

Podešavanje pumpe za ulje.

Kočnica lanca, aktivirana (desno)
Kočnica lanca, nije aktivirana (lijevo)

Ostali znakovi/naljepnice koji su navedeni na mašini važe za specifične zahtjeve certifikata na određenim tržištima.



Znakovi u uputstvu o upotrebi:

Prije vršenja bilo kakvih ispitivanja ili održavanja, isključite motor. **PAŽNJA!** Prekidač za pokretanje/zaustavljanje automatski se vraća u radni položaj. Da biste spriječili nenamjerno pokretanje, morate ukloniti kapicu sa svječiće prilikom sklapanja, provjere i/ili održavanja motora.



Upotrebljavaj uvijek odobrene zaštitne rukavice.



Zahtjeva se redovno čišćenje.



Vizualna kontrola.



Zaštitne naočale ili vizir se moraju upotrebljavati.



Punjenje goriva.



Punjenje ulja i podešavanje protoka ulja.



Kočnica lanca će biti aktivirana pri paljenju motorne pile.



UPOZORENJE! U slučaju da vrh sječiva dotakne neki predmet, može doći do odbijanja unazad, pri čemu se sječivo kreće gore i unazad prema korisniku. To može izazvati ozbiljne povrede.



Sadržaj**OBJAŠNENJE ZNAKOVA**

Znakovi na mašini:	160
Znakovi u uputstvu o upotrebi:	160

SADRŽAJ

Sadržaj	161
---------------	-----

UVOD

Poštovani kupče!	162
------------------------	-----

ŠTA JE ŠTA?

Šta je šta na motornoj pili?	162
------------------------------------	-----

OPŠTE SIGURNOSNE INSTRUKCIJE

Radnje koje se vrše prije upotrebe nove motorne pile .	163
Važno	163
Uvijek postupajte razumno	164
Lična zaštitna oprema	164
Zaštitna oprema mašine	164
Rezni pribor	166

MONTIRANJE

Montiranje mača i lanca	170
-------------------------------	-----

UKOVLANJE GORIVOM

Pogonsko gorivo	171
Punjenje	172
Sigurnost goriva	172

PALJENJE I GAŠENJE

Paljenje i gašenje	173
--------------------------	-----

TEHNIKA RADA

Prije svake upotrebe:	174
Opšte radne instrukcije	174
Mjere za sprežavanje rizika od trzaja	177

ODRŽAVANJE

Opšte	178
Podešavanje karburatora	178
Kontrola, održavanje i servisiranje sigurnosnih uređaja motornih pila	178
Prigušivač zvuka	179
Aparat za startovanje	179
Zračni filter	180
Svjecica motora	180
Podmazivanje igličnog ležaja	180
Rashladni sistem	180
Centrifugalno čišćenje "Air Injection"	181
Zimska upotreba	181
Šema održavanja	182

TEHNIČKI PODACI

Tehnički podaci	183
Kombinacije mača i lanca	184
Turpjanje lanca motorne pile i turpije	184
EZ-potvrda o podudarnosti	184

Poštovani kupče!

Čestitamo na odabiru Husqvarna proizvoda! Husqvarna ima dugu tradiciju koja se može pratiti unazad sve do 1689 godine, kada je kralj Karl XI na obali rijeke Husqvarna sagradio tvornicu za proizvodnju pušaka. Lokacija na rijeci Husqvarna je bio logičan izbor, jer se rijeka koristila za generiranje vodene energije i tako osiguravala izvor energije. U preko 300 godina rada, tvornica Husqvarna je proizvela bezbroj proizvoda, od peći na drva do modernih kuhinjskih aparata, šivaćih mašina, bicikala, motora itd. Prva električna kosilica je predstavljena 1956, praćena motornom pilom 1959 godine, i to je područje u kojem Husqvarna i danas radi.

Husqvarna je trenutno jedan od vodećih proizvođača šumarskih i baštenskih proizvoda u svijetu, pri čemu su kvalitet i pouzdanost najvažniji prioriteti. Naš radni koncept je razvoj, proizvodnja i prodaja motornih šumarskih i baštenskih uređaja i proizvoda za građevinsku industriju. Takođe, naš cilj je biti na samom vrhu u području ergonomskog oblikovanja, prilagođenosti korisniku, sigurnosti i očuvanja okoline. S tim u vezi, razvili smo mnogobrojne karakteristike kako bismo poboljšali proizvode iz ovih oblasti.

Uvjereni smo se da ćete sa velikim zadovoljstvom još dugo vremena cijeniti kvalitet i rad naših proizvoda. Kupovinom naših proizvoda nudi vam se i profesionalna pomoć sa servisom i popravkama kada god to bude potrebno. Ukoliko trgovac kod kojeg ste kupili mašinu nije jedan od ovlaštenih zastupnika, zatražite adresu najbližeg ovlaštenog servisa.

Nadamo se da ćete biti zadovoljni sa vašom mašinom i da će vas ona pratiti još mnogo godina koje su pred vama. Ovo uputstvo za upotrebu je važan dokument. Postupanje prema uputstvima (korištenje, servis, održavanje, itd.) može uveliko produžiti radni vijek vaše mašine i čak povećati njenu prodajnu vrijednost. Ukoliko je prodate, kupcu obavezno dajte i ovo uputstvo za upotrebu.

Hvala što koristite Husqvarna proizvod.

Husqvarna AB stalno radi na tome da sve više razvije svoje proizvode i zato zadržava pravo što se tiče promjena kao što su n.pr. oblik i izgled bez da se to unaprijed objavi.

Šta je šta na motornoj pili? (1)

- 1 Pokrivač za cilindar
- 2 Pumpa za gorivo.
- 3 Podsjetnik za pokretanje
- 4 Kombinovani prekidač za pokretanje i zaustavljanje
- 5 Zadnji rukohvat
- 6 Najlepnica sa informacijama i upozorenjima
- 7 Rezervoar za gorivo
- 8 Šarafi za podešavanje, karburator
- 9 Ručica za paljenje
- 10 Aparat za startovanje
- 11 Rezervoar za ulje za lanac
- 12 Pločica sa nazivom i serijskim brojem proizvoda
- 13 Oznaka za usmjeravanje pada
- 14 Prednji rukohvat
- 15 Zaštita od trzaja
- 16 Prigušivač zvuka
- 17 Lanac pile
- 18 Nosni točak
- 19 Mač pile
- 20 Odbojnik
- 21 Hvatač lanca
- 22 Šaraf za zatezanje lanca (435 II, 440 II)
- 23 Poklopac kvačila (435 II, 440 II)
- 24 Zaštita desne ruke
- 25 Regulator gasa
- 26 Regulator za ograničavanje gasa
- 27 Poklopac kvačila (435e II, 440e II)
- 28 Točak za zatezanje lanca
- 29 Dugme
- 30 Uputstvo u upotrebi
- 31 Kombi ključ
- 32 Štitnik za lanac

OPŠTE SIGURNOSNE INSTRUKCIJE

Radnje koje se vrše prije upotrebe nove motorne pile

- Pažljivo pročitajte upute za upotrebu.
- (1) - (117) pogledajte slike na str. 2-6.
- Kontroliši montiranje i podešavanje reznog pribora. Vidi uputstva pod rubrikom Montiranje.
- Napunite i upalite motornu pilu. Pročitajte upute pod naslovom Rukovanje s gorivom i Paljenje i gašenje.
- Nikad ne upotrebljavaj pilu prije nego dovoljno ulja za podmazivanje lanca dođe do lanca pile. Vidi uputstva pod rubrikom Rezni pribor.
- Dugotrajno izlaganje buci može dovesti do trajnih povreda sluha. Zbog toga upotrebljavaj uvijek odobrenu zaštitu sluha.



UPOZORENJE! Nikakve izmjene se ne smiju raditi na mašini bez dozvole proizvođača. Uvijek upotrebljavati originalne dijelove. Neovlaštene izmjene i/ili dijelovi koji nisu originalni mogu dovesti do ozbiljnih oštećenja i smrtne opasnosti za rukovaoca i druge.



UPOZORENJE! Motorna pila ako se upotrebljava neispravno ili nemarno može biti opasan alat i izazvati ozbiljne i po život opasne povrede. Zato je vrlo važno pročitati i razumjeti sadržaj u ovom uputstvu o upotrebi.



UPOZORENJE! Unutrašnjost prigušivača zvuka sadrži kemikalije koje mogu biti kancerogene. Izbjegavajte dodir elementima u slučaju oštećenog prigušivača zvuka.



UPOZORENJE! Dugotrajno udisanje izduvnih gasova iz motora, pare od ulja za lance kao i prašine od piljevine može dovesti do rizika po zdravlje.



UPOZORENJE! Ova mašina prilikom rada stvara elektromagnetsko polje. To polje, u nekim okolnostima, može doći u sukob sa aktivnim ili pasivnim medicinskim implantatima. Radi smanjenja rizika od ozbiljne ili po život pogubne ozljede, preporučujemo osobama sa medicinskim implantatima da se prije rukovanja ovom mašinom posavjetuju sa svojim ljekarom i proizvođačem medicinskih implantata.



UPOZORENJE! Nikada nemojte dopustiti da djeca koriste mašinu ili da su u njenoj blizini. Kako je mašina opremljena sa prekidačem za zaustavljanje i može biti uključena i sa malom brzinom i snagom na ručki startera, čak i mala djeca mogu eventualno razviti snagu potrebnu za pokretanje mašine. Eventualno može doći do ozbiljnih povreda. Zbog toga sklonite poklopac ručice za paljenje kada mašina nije pod nadzorom.

Važno

VAŽNO!

Ova lančana testera se koristi u šumarstvu i dizajnirana je za šumske radove kao što su sječenje, odsijecanje grana i rezanje.

Korištenje mašine može biti ograničeno nacionalnim propisima.

Trebate koristiti samo one kombinacije sječivo/lanac koje su preporučene u poglavlju Tehnički podaci.

Nikada nemojte koristiti mašinu ako ste umorni, ako ste pili alkohol ili ako uzimate lijekove koji djeluju na vid, sposobnost rasuđivanja ili koordinaciju.

Upotrebljavaj ličnu zaštitnu opremu. Vidi uputstva pod rubrikom Lična zaštitna oprema.

Nikad nemojte modificirati mašinu tako da ona više ne odgovara originalnom dizajnu i ne koristite je ako izgleda da ju je neko drugi modificirao.

Nikada nemojte koristiti neispravnu mašinu. Izvršavajte sigurnosne provjere, postupak održavanja i servisne upute opisane u ovom priručniku. Određene poslove održavanja i servisiranja moraju obavljati obučeni i kvalificirani stručnjaci. Pogledajte upute u odjeljku Održavanje.

Nikad ne upotrebljavaj drugu opremu nego što se preporučuje u ovom uputstvu za upotrebu. Vidi uputstva pod rubrikom Rezni pribor i Tehnički podaci.

PAŽNJA! Uvijek nosite zaštitne naočare ili masku za lice, kako biste smanjili opasnost od povreda od letećih predmeta. Motorna pila može snažno bacati predmete kao što su piljevina, manji komadi drveta i sl. To može dovesti do ozbiljnih povreda, posebno povreda očiju.



UPOZORENJE! Upotrebljavanje motora u zatvorenoj ili loše prozračenoj prostoriji može dovesti do smrtnog slučaja izazvanog gušenjem ili trovanjem ugljenmonoksidom.



UPOZORENJE! Pogrešna oprema ili pogrešna kombinacija sječiva i lanca povećava opasnost od bacanja unatrag! Koristite samo one kombinacije sječivo/lanac koje su preporučene i slijedite upute za sječenje. Pročitajte upute u poglavlju Tehnički podaci.

OPŠTE SIGURNOSNE INSTRUKCIJE

Uvijek postupajte razumno (2)

Nije moguće predvidjeti sve situacije koje mogu nastupiti u toku rada sa motornom pilom. Uvijek radite pažljivo i postupajte razumno. Izbjegavajte sve situacije za koje smatrate da su izvan Vaših sposobnosti. Ukoliko poslije čitanja ovih uputa ipak niste sigurni kako koristiti motornu pilu, trebete se posavjetovati sa stručnjakom prije nego što nastavite raditi. Kontaktirajte Vašeg prodavača ili nas ukoliko imate pitanja o korištenju motorne pile. Rado ćemo Vam biti na usluzi i dati Vam savjet, kao i pomoći Vam da koristite Vašu pilu efikasno i sigurno. Ako ste u mogućnosti učestvujte na treningu za rad sa motornom pilom. Kod Vašeg prodavača, šumarske škole ili u biblioteci možete dobiti informacije o raspoloživosti materijala za treninge i samih treninga. Mi konstantno radimo na poboljšanju dizajna i tehnologije – poboljšanja koja povećavaju Vašu sigurnost i efikasnost. Posjećujte Vašeg prodavača redovno, kako biste vidjeli da li možete profitirati od novih funkcija koje postoje.

Lična zaštitna oprema



UPOZORENJE! Glavne nesreće sa motornom pilom se dešavaju kad lanac pile zakači rukovaoca. Pri upotrebi mašine će se samo odgovarajuća lična zaštitna oprema koristiti. Lična zaštitna oprema ne eliminiše rizik na povredu ali smanjuje posljedice ako se povreda dogodi. Zatraži pomoć prodavača motornih pila da ti pomogne izabrati pravu opremu.

- Odobreni zaštitni šljem
- Zaštitne slušalice
- Zaštitne naočale ili vizir
- Rukavice sa zaštitom protiv pile
- Pantole sa zaštitom od pile
- Čizme sa zaštitom, čelična kukuljica i guma koja se ne klize
- Prva pomoć treba uvijek biti u pripravnosti.
- Aparat za gašenje požara i lopata

Ostala odjeća treba biti ugodna da ne ograničava mogućnost kretanja.

VAŽNO! Varnice mogu skočiti auspuha, sječiva i lanca ili dr. Uvijek imajte opremu za gašenje požara pri ruci, u slučaju da Vam treba. Tako možete spriječiti požar u šumi.

Zaštitna oprema mašine

U ovom poglavlju su objašnjene sigurnosne mjere i njihove funkcije. U vezi sa pregledom i održavanjem, pročitajte upute pod naslovom Pregled, održavanje i servis sigurnosne opreme motorne pile. Pročitajte upute u poglavlju "Šta je šta?", kako biste saznali gdje se navedeni dijelovi na Vašoj mašini nalaze.

Vijek trajanja mašine se može skratiti a rizik nastupanja nesreća povećati ako se održavanje mašine ne vrši na pravi način i ako se servisiranje ili opravljanje ne vrše profesionalno.

Ako su vam potrebne dodatne informacije, kontaktirajte najbliži servis.



UPOZORENJE! Nikada nemojte koristiti mašinu sa defektnim sigurnosnim dijelovima. Sigurnosna oprema mora biti pregledana i održavana. U vezi sa pregledom i održavanjem, pročitajte upute pod naslovom Pregled, održavanje i servis sigurnosne opreme motorne pile. Ukoliko Vaša mašina ne prolazi sve testove, odnesite je na popravak.

Kočnica lanca sa zaštitom od trzaja

Vaša motorna pila je opremljena kočnicom za lanac, koja je napravljena tako da zaustavi lanac ukoliko dođe do odbačaja unazad. Kočnica za lanac smanjuje opasnost od nezgoda, ali spriječiti ih možete samo Vi. **(3)**

Budi pažljiv kod upotrebe i pazi da dio mača koji se zove rizično područje mača nikad ne dođe u dodir sa nekim drugim objektom. **(4)**

- Kočnica za lanac (A) može biti aktivirana ili ručno (Vašom lijevom rukom) ili mehanizmom za oslobađanje inercije. **(5)**
- Stavljanje u pogon počinje kad se štitnik od trzaja (B) povuče naprijed. **(5)**
- Taj pokret aktivira jedan mehanizam nategnut oprugom koji nateže traku kočnice (C) oko pogonskog sistema lanca (D) (bubnja kvačila). **(6)**
- Štitnik od trzaja nije samo konstruisan da pokreće i stavlja u pogon kočnicu lanca nego ima i još mnogo važnu funkciju da smanji rizik da lijeva ruka ne dolazi u kontakt sa lancem pile ako čovjek izgubi kontrolu na prednjem rukohvatu.
- Kočnica lanca mora biti aktivirana ukoliko je motorna pila upaljena, kako bi se okretanje lanca spriječilo. **(55)**
- Koristite kočnicu lanca kao "ručnu kočnicu" kada palite mašinu i kada se krećete na malom prostoru, kako biste spriječili nezgode ukoliko postoji opasnost da lanac slučajno pogodi nekoga ili nešto u blizini. Ne ostavljajte motornu testeru dugo uključenu sa aktiviranom kočnicom lanca. Motorna testera može postati jako topla.
- Kočnica lanca otpustite tako da prednji štitnik za ruku sa oznakom "PULL BACK TO RESET" gurnete nazad prema prednjoj ručki.
- Trzaj može biti munjevito brz i veoma nasilan. Većina trzaja su mali i ne prouzrokuju uvijek da se kočnica lanca aktivira. Kod takvih trzaja važi da treba držati motornu pilu stabilno i čvrsto i ne puštati zahvat.
- Kako se kočnica lanca aktivira, ručno ili sporiom funkcijom zavisi od toga kako je jak trzaj i od piline pozicije i položaja prema predmetu sa kojim je rizično područje mača došlo u kontakt.

Ukoliko dođe do jakog odbačaja unazad dok je sječivo najdalje od Vas, kočnica lanca je napravljena tako da se aktivira pokretom izjednačenja (aktivirana inercija) u smjeru odbačaja unatrag. **(7)**

OPŠTE SIGURNOSNE INSTRUKCIJE

Kod manjih trzaja ili tokom radnog procesa gdje se rizično područje nalazi blizu rukovaoca aktivira se kočnica lanca ručno lijevom rukom.

- Tokom sječenja lijeva ruka je položaju u kojem je nemoguće ručno aktivirati kočnicu lanca. Sa ovom vrstom ručke, tj. kada je lijeva ruka tako pozicionirana da ne može uticati na pokretanje zaštite za prednju ruku, kočnica lanca može biti aktivirana samo pokretom inercije. **(8)**

Hoće li moja ruka uvijek aktivirati kočnicu lanca u slučaju odbačaja unazad?

Ne. Da biste zaštitnik od odbačaja pokrenuli prema naprijed potrebna je izvjesna snaga. Ukoliko Vaša ruka lagano dotakne ili samo pređe preko zaštitnika od odbačaja može se desiti da sila nije dovoljno jaka da otpusti kočnicu lanca. Takođe trebate čvrsto držati ručku motorne pile dok radite s njom. Ukoliko dođe do odbačaja unazad dok čvrsto držite ručku, možda nećete stići skloniti ruku sa prednje drške i aktivirati kočnicu lanca ili možda se kočnica lanca neće aktivirati dok se pila ne okrene nekoliko puta. U takvoj situaciji se može desiti da kočnica ne uspije zaustaviti lanac prije nego što Vas lanac pogodi.

U nekim radnim položajima se može desiti da Vaša ruka ne dohvati zaštitnik, kako bi aktivirala kočnicu lanca; na primjer kad držite pilu u položaju sječenja.

Hoće li uvijek doći do aktiviranja inercije motorne pile prilikom odbačaja unazad?

Ne. Prvo, Vaša kočnica mora raditi. Testiranje kočnice je jednostavno, pročitajte upute pod naslovom Pregled, održavanje i servis sigurnosne opreme motorne pile. Preporučujemo Vam da to uvijek uradite prije svakog paljenja. Drugo, odbačaj mora biti dovoljno jak da bi se kočnica lanca aktivirala. Kada bi kočnica bila preosjetljiva stalno bi se aktivirala, što bi smetalo.

Hoće li me kočnica lanca uvijek zaštititi od povreda prilikom odbačaja unazad?

Ne. Prvo i osnovno, Vaša kočnica mora raditi, kako bi se obezbijedila zaštita koja je planirana. Drugo, kočnica mora biti aktivirana kao što je gore objašnjeno, kako bi zaustavila motornu pilu u slučaju odbačaja unazad. Teče, kočnica lanca može biti aktivirana, ali ako je sječivo Vama preblizu može se desiti da kočnica ne uspije usporiti i zaustaviti lanac prije nego što Vas lanac pogodi.

Odbačaj unazad i njegove rizike možete spriječiti samo Vi i tehnika koja ispravno radi.

Regulator za ograničavanje gasa

Zatvarač otponca gasa je tako napravljen da spriječi nepredviđeno djelovanje gasa. Kada pritisnete zatvarač (A) (tj. kada uhvatite ručku) on otpušta kontrolu gasa (B). Kada otpustite ručku, kontrola gasa i zatvarač otponca gasa se vrate nazad u svoj početni položaj. Ovakvo uređenje podrazumjeva da je gas automatski zatvoren kada mašina ne radi. **(9)**

Hvatač lanca

Hvatač lanca je konstruisan tako da uhvati otkaçeni ili puknuti lanac. Ti događaji izbjegavaju se u najviše slučajeva ako se ispravno zategne lanac (vidi uputstva pod rubrikom Montiranje) a takođe ispravno održava i servisira mač i lanac (vidi uputstva pod rubrikom Opšte radne instrukcije). **(10)**

Zaštita desne ruke

Zaštita desne ruke treba pored toga što štiti ruku kod iskakanja lanca ili kad lanac pukne, omogućiti da grane i grančice ne utiču na držanje stražnjeg rukohvata. **(11)**

Antivibracioni sistem

Tvoja motorna pila je opremljena sa anitivibracionim sistemom koji je konstruisan tako da pruži što je moguće veću antivibracionu i ugodnu upotrebu.

Antivibracioni sistem mašina smanjuje prenos vibracija između motora/reznog pribora i rukohvata mašine. Tijelo motorne pile, uključujući rezni pribor, povezano je sa rukohvatom preko antivibracionog elementa.

Rezanje tvrdog drveta (kao što je bjelogorično drveće) dovodi do većeg stupnja vibracije nego kod mekog drveta (najviše crnogorično). Rezanje sa tupim ili pogrešnim (pogrešan tip ili pogrešno naostren) i reznim priborom povećava nivo vi



UPOZORENJE! Pretjerano izlaganje vibracijama može dovesti do poremećaja cirkulacije ili živaca kod osoba koje imaju oslabljenu cirkulaciju. Ukoliko osjetite simptome nastale kao posljedica pretjeranog izlaganja vibracijama obratite se ljekar. Simptomi su obamrlost, gubitak čula osjeta, drhtavica, bockanje, bolovi, gubitak snage, promjene boje ili stanja kože. Ovi simptomi nastupaju najčešće u prstima, šakama ili ručnim zglobovima. Ovi simptomi se mogu pogoršati na niskim temperaturama.

Prekidač za gašenje

Prekidač za gašenje se upotrebljava da se ugasi motor. **(12)**

Prigušivač zvuka

Prigušivač zvuka je konstruisan tako da daje što je moguće slabiji zvuk i da odstrani ispisne gasove od rukovaoca.



UPOZORENJE! Ispušni gasovi motora su vrući i iskrivavi i mogu izazvati požar. Zato nikad ne pali mašinu u kući ili blizu zapaljivih materijala!

U zemljama sa vrućom i suhom klimom postoji opasnost od požara u šumi. Moguće je da zakon i zahtjevi u tim zemljama predviđaju da između ostalog, na auspuhu mora biti «mreža za zaustavljanje varnica». **(13)**

OPŠTE SIGURNOSNE INSTRUKCIJE

Prilikom montaže, mrežicu namjestite u ispravan položaj. Ako je potrebno, za umetanje i vađenje mrežice koristite kombinirani ključ.

PAŽNJA! Tokom rada i poslije gašenja je auspuh jako vruć. To isto važi i za vrijeme kad pila pauzira. Obratite pažnju na opasnost od požara, posebno kada radite u blizini zapaljivih substanci i/ili gasova.



UPOZORENJE! Nemojte nikada koristiti pilu ako auspuh nedostaje ili ako je u kvaru. pokvaren auspuh može znatno povisiti nivo buke i opasnost od požara. Imajte opremu za gašenje požara pri ruci. Nikada nemojte koristiti motornu pilu ukoliko mreža za zaustavljanje varnica nedostaje ili ako je pokvarena u slučaju da je u području gdje radite ona obavezna.

Rezni pribor

Ovo poglavlje pojasnjava kako se kroz ispravno održavanje i upotrebu pravilnog tipa reznog pribora:

- Smanjuje mašinsku sklonost trzanja.
- Smanjuje opasnost loma ili otkakanja motorne pile.
- Postignite optimalni učinak sječenja
- Produžuje dužinu trajanja reznog pribora.
- Izbjegavajte povećavanje nivoa vibracija.

Osnovna pravila

- **Upotrebljavaj samo onaj rezni pribor kojeg mi preporučujemo!** Pročitajte upute u poglavlju Tehnički podaci.
- **Drži lančane zupce dobro i ispravno naoštrene!** Slijedi naša uputstva i koristi preporučeni šablon za oštrenje. Progrešno naoštren ili oštećen lanac pile povećava rizik nesreće.
- **Zadržite ispravan razmak između grabljica!** Slijedite naše upute i koristite preporučeni mjerač razmaka. Ukoliko je prevelika, razmak povećava opasnost o odbačaja unazad.
- **Drži lanac pile dobro zategnut!** Nedovoljno zategnut lanac pojačava rizik ispadanja lanca kao i tupljenje mača lanca pile i pogonskog točka lanca pile.
- **Drži rezni pribor dobro podmazan i ispravno ga održavaj!** Nedovoljno podmazivanje lanca pile povećava rizik pucanja lanca pile te povećava trošenje mača, lanca pile i pogonskog toča lanca pile.

Oprema za sječenje napravljena da smanji odbačaj unazad



UPOZORENJE! Pogrešna oprema ili pogrešna kombinacija sječiva i lanca povećava opasnost odbačaja unatrag! Koristite samo one kombinacije sječivo/lanac koje su preporučene i slijedite upute za sječenje. Pročitajte upute u poglavlju Tehnički podaci.

Trzaj se može jedino izbjeći ako rukovaoc obrati pažnju da rizično produžje mača ne dođe nikad u dodir sa nekim drugim predmetom.

Kroz upotrebu reznog pribora sa "ugrađenom" redukcijom trzaja i kroz ispravno oštrenje i održavanje lanca pile može se umanjiti efekat trzaja.

Mač

Što je manji prečnik vrha sječiva, manji je rizik odbačaja unazad.

Lanac pile

Lanac pile je načinjen od određenog broja različitih karika, kojih ima u standardnoj izvedbi i u izvedbi koja smanjuje trzaj.

VAŽNO! Nijedna motorna pila ne isključuje u potpunosti opasnost od odbačaja unazad.



UPOZORENJE! Dodir sa lancem u toku njegovog rada može izazvati izuzetno ozbilje povrede.

Nekoliko izraza koji određuju mač i lanac pile

Kako biste zadržali sve sigurnosne funkcije opreme, trebate zamijeniti rabljene i oštećene kombinacije sječivo/lanac sa sječivom i lancem koje Husqvarna preporučuje. Pročitajte upute u poglavlju Tehnički podaci za informacije o preporučenim kombinacijama sječivo/lanac.

Mač

- Dužina (col/cm).
- Broj zubaca u nosnom točku (T).
- Djeljenje (=pitch) (col) lanca pile. Nosni točak mača i pogonski točak lanca pile moraju biti prilagođeni rastojanju između pogonskih karika. **(14)**
- Broj karika za pogon (kom). Svaka dužina mača daje u kombinaciji sa djeljenjem lanca pile kao i broja zubaca u nosnom točku jedan određeni broj pogonski karika.
- Širina tračnice mača (col/mm). Širina tračnice mača mora biti prilagođena širini pogonskih karika lanca pile.
- Otvor za ulje za lanac i otvor za čep. Mač mora biti prilagođen konstrukciji motorne pile. **(15)**

Lanac pile

- Djeljenje lanca pile (=pitch) (col) **(14)**
- Širina pogonskih karika (mm/col) **(16)**
- Broj pogonskih karika (kom.) **(17)**

OPŠTE SIGURNOSNE INSTRUKCIJE

Oštrenje lanca i podešavanje razmaka reznog alata

Opšta uputstva u vezi oštrenja zubaca

- Nikada nemojte koristiti tup lanac. Ukoliko je lanac tup, morate primijeniti veći pritisak, kako biste protjerali sječivo kroz drvo, a i presjek je vrlo mali. Jako tupa motorna pila uopće ne može sjeći. Jedino što ćete dobiti je piljevina.
- Oštar lanac prolazi kroz drvo i pravi dug, debeo presjek.
- Dio lanca potreban za sječenje je tzv. spona za sječenje koja se sastoji iz reznog zubca (A) i rezne ivice (B). Dubina sječenja je određena razlikom visine ova dva dijela. **(18)**

Pri oštrenju sjekačkog zubca postoje četiri važna faktora koja treba uvijek imati na umu.

- 1 Ugao turpijanja **(19)**
- 2 Udarni ugao **(20)**
- 3 Položaj turpije **(21)**
- 4 Prečnik okrugle turpije

Vrlo je teško ispravno naoštiti lanac bez prave opreme. Preporučujemo Vam da koristite našu turpiju. To će Vam pomoći da postignete maksimalnu redukciju odbačaja unazad i maksimalni učinak lanca. **(22)**

Pročitajte upute u poglavlju Tehnički podaci za informacije o oštrenju lanca.



UPOZORENJE! Odstupanja od uputa za oštrenje znatno povećavaju opasnost od odbačaja unazad.

Oštrenje reznog zupca



Da biste naoštрили sjekački zubac trebaće Vam okrugla turpija i mjerac razmaka. Pročitajte upute u poglavlju Tehnički podaci za informacije o veličini turpije i vodice koji su preporučeni za Vašu motornu pilu.

- Prekontrolirajte da li je lanac zategnut. Nedovoljno zategnut lanac je nestabilan na bočnom položaju što otežava ispravno rezanje.
- Turpijav uvijek zupce sa unutrašnje strane prema vani. Oslabi pritisak na pilu u povratnom potezu. Turpijav sve zupce prvo na jednoj strani zatim okreni motornu pilu i turpijav zupce na drugoj strani.
- Turpijav tako da svi zupci budu isti. Kada ostane samo 4 mm (5/32") od dužine zubaca lanac je izlisan i treba ga baciti. **(23)**

Opće upute o podešavanju razmaka reznog alata

- Pri oštrenju zubaca smanjuje se razmak između reznih alata (dubina presjeka). Kako biste zadržali učinak sječenja, morate isutpijati i zubce reznog alata nazad do preporučene visine. Pročitajte upute u poglavlju Tehnički

podaci za informacije o razmaku reznog alata za Vašu motornu pilu. **(24)**



UPOZORENJE! Opasnost od odbačaja unazad je povećan ukoliko je razmak prevelik.

Podešavanje razmaka reznog alata



- Zubci bi trebali biti teč naoštreni prije nego pristupite podešavanju razmaka reznog alata. Preporučujemo da razmak reznog alata podesite svaki treći put kada oštrite lanac. **NAPOMENA!** Ova preporuka pretpostavlja da dužina zubaca nije pretjerano smanjena.
- Trebaće Vam pljosnata turpija i mjerac razmaka, kako biste podesili razmak između reznog alata. Preporučujemo Vam da koristite našu turpiju, kako biste zadržali ispravnu mjeru razmaka reznog alata i ispravan ugao reznog ruba.
- Postavite mjerac razmaka preko lanca. Informacije o korištenju mjeraca razmaka možete naći na pakovanju. Koristite tpljosnatu turpiju, kako biste oturpijali višak izgnutog dijela reznog ruba. Razmak reznog alata je ispravan kada više ne osjećate otpor kada povlačite turpiju preko mjeraca. **(25)**

Natezanje lanca pile



UPOZORENJE! Nedovoljno zategnut lanac može prouzrokovati iskakanje lanca što dovodi do teških i po život opasnih povreda.

Što se lanac više upotrebljava postaje sve duži. Zato je vrlo važno da se podesi rezni pribor poslije te promjene.

Nategnutost lanca se treba kontrolisati kod svakog punjenja goriva. **PAŽNJA!** Nov lanac pile ima jedan period uhodavanja tokom kojeg je potrebno kontrolisati nategnutost lanca pile češće.

Uopšteno važi da se lanac treba zategnuti što je moguće čvršće ali ne čvršće od toga da se on može kretati oko ako se povuče rukom. **(26)**

435 II, 440 II



- Popustite šestougaonu navrtku koja drži poklopac kvačila i kočnicu lanca. Upotrijebite kombinovani ključ. Nakon toga rukom ponovo pritegnite šestougaonu navrtku što čvršće možete. **(27)**

OPŠTE SIGURNOSNE INSTRUKCIJE

- Podigni vrh mača i zategni lanac tako da zavrneš šarafe lanca pile uz pomoć kombi ključa. Zateži lanac pile sve dok ne prestane labavo visiti na donjoj strani mača. **(28)**
- Držeći vrh vodilice, zategnite maticu vodilice kombiniranim ključem. Provjerite da li možete rukom slobodno okretati lanac pile te da nije labav sa donje strane vodilice. **(29)**

Položaj zavrtnja za regulisanje zategnutosti lanca varira u zavistnosti od modela motorne pile. Pročitajte upute u poglavlju Šta je šta, kako biste našli gdje se zavrtnj nalazi na Vašem modelu.

435e II, 440e II



- Otpustite dugme tako što ćete ga izvaditi van. **(30)**
- Okrenite dugme u smjeru obrnutom od smjera kretanja kazaljke na satu, kako biste otpustili poklopac šipke. **(31)**
- Podesite zategnutost lanca okretanjem točka prema dole (+) da biste povećali i gore (-) da biste smanjili zategnutost. **(32)**
- Zategnite zubac šipke tako što ćete okrenuti dugme u smjeru kretanja kazaljke na satu. **(33)**
- Vratite dugme nazad unutra kako biste zadržali izabranu zategnutost. **(34)**

Podmazivanje reznog pribora



UPOZORENJE! Nedovoljno podmazan rezni pribor dovodi do pucanja lanca što dovodi do teških i po život opasnih povreda.

Ulje za podmazivanje lanca

Ulje za podmazivanje lanca treba dobro prijanjati za lanac i imati dobra tečna svojstva bez obzira da li je toplo ljeto ili hladna zima.

Kao proizvođač motornih pila mi smo razvili jedno optimalno ulje za lanac pile koje je biološki nemoguće razložiti na osnovu njegove biljne baze. Mi preporučujemo upotrebu našeg ulja za maksimalnu dužinu trajanja kako lanca pile tako i za zaštitu čovjekov. Ako niste u prilici da upotrebljavate naše ulje možete koristiti i obično ulje za lance.

Nikad ne upotrebljavaj izlivenu naftu! Ovo je opasno za Vas, mašinu i okolinu.

VAŽNO! Ukoliko koristite ulje za lanac na biljnoj bazi, skinite i očistite žlijeb na sječivu i lancu kad motoru pilu duže vrijeme nećete upotrebljavati. U protivnom postoji opasnost da ulje oksidira, što ima za posljedicu da se lanac ukruti i da zubi na vrhu sječiva blokiraju.

Dodavanje ulja za lanac

- Svi naši modeli motornih pila imaju automatsko podmazivanje lanca pile. Jedan broj modela može se čak dobiti i sa dotokom ulja koji se može podešavati.
- Rezervoar za ulje i rezervoar za gorivo su tako napravljeni da se gorivo potroši prije nego ulje.

Međutim, ova sigurnosna funkcija zahtjeva da koristite ispravnu vrstu ulja za lanac (ukoliko je ulje previše rijetko iscuriće prije goriva) i da karburator podesite kao što je preporučeno (slaba mješavina može značiti da se gorivo sporije troši nego ulje). Takođe trebate koristiti poreporučenu opremu za sječenje (ukoliko je sječivo predugo, više ulja će biti potrebno).

Kontrola podmazivanja lanca

- Kontroliši da li je lanac podmazan kod svakog nasipanja goriva.

Usmjeri otprilike 20 cm (8 col) razdaljine od vrha mača prema jednom čvrstom i svjetlom predmetu. Poslije jednodimnutnog rezanja na 3/4 gasa, treba da je vidljiva traka od ulja na tom svjetlom predmetu.

Ako podmazivanje lanca ne funkcioniše:

- Kontroliši da li je kanal za ulje za lanac otvoren. Pročisti ga po potrebi. **(35)**
- Kontroliši da li je tračnica u maču čista. Pročisti je po potrebi. **(36)**
- Kontroliši da li je točak na nosu mača lako ide kao i da li je otvor za podmazivanje točka na nosu mača otvoren. Pročisti ga i podmaži po potrebi. **(37)**

Ako podmazivanje lanca pile ne funkcioniše poslije obavljanja gore navedenih kontrola i preduzimanja odgovarajućih mjera potraži pomoć u servisu.

Točak koji pokreće lanac



Bubanj kvačila je opremljen sa nekim od slijedećih pogonskih točaka lanca:

- A Spur-pogonski točak (točak za pogon lanca koji je učvršćen na bubanj)
- B Rim-pogonski točak sa zubicima na vjencu (zamjenjljiv) **(38)**

Kontroliši redovno nivo istrošenosti pogonskog točka lanca. Izmjeni ga ako je nenormalno istrošen. Pogonski točak lanca se treba mijenjati kod svake promjene lanca.

OPŠTE SIGURNOSNE INSTRUKCIJE

Podmazivanje igličnog ležaja



Oba tipa pogonskih zubaca imaju iglu na izlaznoj osovini, koja se mora redovno podmazivati (jednom sedmično). PAŽNJA! Upotrebljavaj dobro kvalitetnu mast za ležaj ili motorno ulje.

Pogledajte uputstva pod naslovom Podmazivanje igličastog ležaja.

Kontrola izlizanosti reznog pribora



Kontrolisati svakodnevno lanac pile i obratiti pažnju na:

- Vidljive pukotine na zakovicama i karikama.
- Da lanac nije nepomičan.
- Da karike i zakovice nisu previše izlizane.

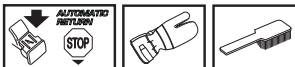
Zamijenite lanac ukoliko pokazuje neki od gore navedenih slučajeva.

Mi preporučujemo da upotrebljavate nov lanac pile radi usporedbe koliko je istrošen onaj lanac pile koji vi upotrebljavate.

Turpijaj tako da svi zupci budu isti. Kada ostane samo 4 mm (5/32") od dužine zubaca lanac je izlizan i treba ga baciti.

(23)

Mač



Redovno kontroliši:

- Ako se nagomilala naslaga na vanjskoj strani mača. Isturpijaj po potrebi.
- Da li je tračnica mača nenormalno istrošena. Zamjeni mač po potrebi.
- Da li je nos mača nenormalno ili nejednako istrošen. Ako se obrazovala "rupa" tamo gdje završava prečnik nosa mača na donjoj strani mača to je znak da se rezalo sa nedovoljno zategnutim lancem.
- Da biste produžili život poluge treba je redovno okretati.



UPOZORENJE! Glavne nesreće sa motornom pilom se dešavaju kad lanac pile zakaci rukovaoca.

Upotrebljavaj ličnu zaštitnu opremu. Vidi uputstva pod rubrikom Lična zaštitna oprema.

Izbjegavaj svaku upotrebu motorne pile ako smatraš da si nadovoljno kvalifikovan. Vidi uputstva pod rubrikom Lična zaštitna oprema, Mjere sprečavanja trzaja, Rezni pribor i Opće radne instrukcije.

Izbjegavaj situaciju gdje postoji rizik od trzaja. Vidi uputstva pod rubrikom Zaštitna oprema mašine.

Upotrebljavaj preporučeni rezni pribor i kontroliši njegovo stanje. Vidi uputstva pod rubrikom Opće radne instrukcije.

Kontroliši funkciju sigurnosnih detalja motorne pile. Vidi uputstva pod rubrikom Opće radne instrukcije i Opće sigurnosne instrukcije.

Montiranje mača i lanca



UPOZORENJE! Kod svakog rukovanja sa lancem upotrebljavaj rukavice.

435 II, 440 II

- **Prekontroliši da li je kočnica lanca van pogona tako što ćeš povući zaštitu od trzaja prema prednjoj kariki rukohvata. (39)**
- Odmrinite maticu vodilice i skinite pokrov kvačila (kočnica lanca). Skinite transportni prsten (A). **(40)**
- Namjestite vodilicu iznad zavrtnja vodilice. Namjestite vodilicu u krajnji stražnji položaj. Namjestite lanac iznad pogonskog zupčanika i umetnite ga u utor na vodilici. Počnite sa gornje strane vodilice. **(41)**
- Kontroliši da li je oštrica na reznim karikama okrenuta prema vani na gornjoj strani mača.
- Namjestite pokrov kvačila i umetnite klin za podešavanje lanca u otvor na vodilici. Provjerite da li pogonske spone lanca pravilno usjedaju u pogonski zupčanik te da li je lanac pravilno umetnut u utor na vodilici. Prstima zategnite maticu vodilice.
- Zategni lanac tako da uz pomoć kombi ključa zavrneš šaraf za zatezanje lanca u smjeru kazaljke na satu. Lanac treba zatezati dok ne prestane opušteno visiti na donjoj strani mača. **(42)**
- Lanac je pravilno zategnut kada nije labav sa donje strane vodilice, a može se i dalje lako okretati rukom. Držeći vrh vodilice, zategnite maticu vodilice kombiniranim ključem. **(43)**
- Na novom lancu se moraju vršiti češće kontrole zategnutosti često dok se lanac uhoda. Dobar lanac daje veći učinak rezanja i dužinu trajanja. **(44)**

435e II, 440e II

- **Prekontroliši da li je kočnica lanca van pogona tako što ćeš povući zaštitu od trzaja prema prednjoj kariki rukohvata. (45)**
- Opustite točak zatezača lanca i skinite poklopac kvačila (kočnica lanca). Skinite štitnik za transport. (A) **(46)**
- Montiraj mač preko zakovica mača u njegovo ležište. Namjesti mač u njegov najzadnji položaj. Namjesti lanac preko točka za pogom lanca i u tračnice mača. Počni na gornjoj strani mača. **(41)**
- Kontroliši da li je oštrica na reznim karikama okrenuta prema vani na gornjoj strani mača.
- Namjestite pokrov kvačila i umetnite klin za podešavanje lanca u otvor na vodilici. Provjerite da li pogonske spone lanca pravilno usjedaju u pogonski zupčanik te da li je lanac pravilno umetnut u utor na vodilici.

- Zategnite lanac okrećući točak na dole (+). Zategnite lanac sve dok on više ne visi sa donje strane oštrice. **(32)**
- Lanac je ispravno zategnut kad on više ne visi sa donje strane oštrice, ali se još uvijek lako može okretati rukom. Držite vrh oštrice i zategnite zubac oštrice okrećući dugme u smjeru kretanja kazaljke na satu. **(33)**
- Na novom lancu se moraju vršiti češće kontrole zategnutosti često dok se lanac uhoda. Dobar lanac daje veći učinak rezanja i dužinu trajanja. **(44)**

Montiranje odbojnika

Da bi se montirao odbojnik, potrebno je kontaktirati servisnu radionicu. **(47)**

Pogonsko gorivo

Napomena! Mašina je opremljena sa dvotaktnim motorom i koristi samo mješavinu goriva i dvotaktnog ulja. Važno je da precizno izmjerite količinu ulja, kako biste dobili ispravnu mješavinu. Kada mješate malu količinu goriva, čak i male nepreciznosti mogu drastično djelovati na odnos mješavine.



UPOZORENJE! Obrati pažnju na ventilaciju zraka prilikom rukovanja gorivom.

Benzin



- Upotrebljavaj olovni ili bezolovni kvalitetan benzin.
- Najmanja preporučena oznaka za oktan je 90 (RON). Ako mašina radi na manje oktana može doći do takozvanog pucketanja. To diže temperaturu mašine i povisuje opterećenje ležaja, što može dovesti do ozbiljnog oštećenja mašine.
- Kod neprekidnog rada na visokom broju obrtaja (napr. potkresivanje) preporučuje se benzin sa više oktana.

Ekološko gorivo

HUSQVARNA preporučuje korištenje ekološkog goriva (zvano alkinlo gorivo), ili Aspen primješano dvotaktno gorivo ili ekološko gorivo za četverotaktni motor pomiješano sa dvotaktnim uljem, kako je dole navedeno. Obratite pažnju na to, da pri promjeni tipa goriva može biti potrebno podesiti karburator (pročitajte upute u poglavlju Karburator).

Etanolsko gorivo

HUSQVARNA preporučuje gorivo dostupno u trgovinama s maksimalnim udjelom etanola od 10%.

Uhodavanje

Izbjegavajte rad pri velikim brzinama prvih 10 sati.

Dvotaktno ulje

- Koristite HUSQVARNA dvotaktno ulje, koje je proizvedeno posebno za naše dvotaktne motore za zračnim hlađenjem, kako biste postigli najbolji rezultat i učinak.
- Nemojte nikada koristiti dvotaktno ulje za spoljne motore koji imaju vodeno hlađenje, ponekad označeno kao spoljno ulje (tzv. TCW).
- Nikad ne upotrebljavaj ulje za četverotaktne motore.
- Nekvalitetno ulje ili prebogata mješavina olja i goriva može ugroziti funkciju katalizatora i smanjiti rok za njegovo servisiranje.

Omjer mješanja

1:50 (2%) sa HUSQVARNA dvotaktnim uljem.

1:33 (3%) sa drugim uljima napravljenim za zračno hlađenje, dvotaktne motore specificirane za JASO FB/ISO EGB.

Benzin, l	Dvotaktno ulje, l	
	2% (1:50)	3% (1:33)
5	0,10	0,15
10	0,20	0,30
15	0,30	0,45
20	0,40	0,60

Mješanje

- Uvijek mješaj benzin i ulje u čistoj posudi namjenjenoj za benzin.
- Počni uvijek prvo sa benzinom i naspj polovinu a zatim cijelu količinu ulja. Mješaj (promućkaj) mješavinu goriva. Zatim dodaj ostatak benzina.
- Mješaj (promućkaj) mješavinu goriva pažljivo prije nego što napuniš mašinin rezervoar za gorivo.
- Ne mješaj nikad više goriva nego što je potrebno za maksimalno jedan mjesec.
- Ako se mašina ne upotrebljava duži period treba isprazniti rezervoar i očistiti ga.

Ulje za lanac

- Kao sredstvo za podmazivanje preporučujemo korištenje posebnog ulja (za lance) sa visokim karakteristikama prijanjanja. **(48)**
- Nikad ne upotrebljavaj prosuto ulje jer oštećuje pumpu za ulje, mač i lanac.
- Vrlo je važno da koristiš odgovarajuće ulje prema temperaturi zraka (odgovarajući viskozitet).
- Temperature ispod 0 stepeni C utiču na neka ulja tako da ona postanu teško tečna. To može preopteretiti pumpu za ulje sa oštećenjima dijelova pumpe kao posljedicom.
- Kod izbora ulja potraži pomoć u servisu.

Punjenje



UPOZORENJE! Slijedeće radnje smanjuju rizik od požara:

Nemojte pušiti i ne ostavljajte nikakve vruće predmete u blizini goriva.

Zaustavi motor i pusti da se ohladi nekoliko minuta prije sipanja goriva.

Polako otvori poklopac od rezervoara prilikom dopunjavanja gorivom tako da eventualni povećani pritisak nestane.

Pažljivo pritegni poklopac rezervoara nakon punjenja goriva.

Uvijek udaljite mašinu od područja na kojem punite gorivo i od izvora punjenja.

Posušite i očistite oko poklopca rezervoara. Redovno čistite rezervoar za gorivo i rezervoar za ulje. Filter za gorivo se treba mijenjati najmanje jednom godišnje. Nečistoće u rezervoaru prouzrokuju oštećenja u pogonu. Obrati uvijek pažnju da je gorivo dobro pomiješano i promućkano prije punjenja rezervoara. Zapremina rezervoara za ulje lanca i rezervoara za gorivo su dobro prilagođene jedna drugoj. Zato uvijek puni ulje i gorivo istovremeno. (48)



UPOZORENJE! Gorivo i njegova isparenja su veoma opasni i izazivaju požar. Budi pažljiv prilikom rukovanja gorivom i uljem za lanac. Uvijek misli na rizik od požara, eksplozije i rizik od udisanja.

Uklanjanje poklopca rezervoara i čepa za ulje za lanac

- Pritisnite označeno područje preklapne poluge prema dolje i podignite je u uspravni položaj. (49)
- Otpustite poklopac tako što ćete ga okrenuti u smjeru suprotnom od kretanja kazaljke sata. (50)
- Skinite poklopac. (51)

Zamjena poklopca rezervoara i čepa za ulje za lanac

- Umetnite poklopac s polugom za okretanje u uspravnom položaju. (52)
- Pritegnite poklopac tako što ćete ga okrenuti u smjeru kretanja kazaljke sata. (53)
- Prebacite preklapnu polugu prema dolje. (54)

VAŽNO! Obavezno zamijenite poklopac ako je oštećen.

Sigurnost goriva

- Nikad ne sipaj gorivo u mašinu dok je motor u pogonu.
- Obrati pažnju da je ventilacija dobra prilikom sipanja i mješanja goriva (benzin i dvotaktno ulje).
- Premjesti mašinu najmanje tri metra od mjesta sipanja goriva prije nego upališ mašinu.
- Nikad ne pali mašinu:
 - 1 Ako si prosuo gorivo ili ulje na mašinu. Obriši dobro i pusti da ostaci benzina ispare.
 - 2 Ako si prosuo gorivo po sebi ili po svojoj odjeći, promjeni odjeću. Operi dijelove tijela koji su bili u dodiru sa gorivom. Upotrijebi sapun i vodu.
 - 3 Ako iz mašine curi gorivo. Kontroliši redovno da benzin ne curi oko poklopca rezervoara i creva goriva.



UPOZORENJE! Nikada nemojte koristiti mašinu sa vidljivim oštećenjima na štitniku svjeće i na kابلu za paljenje. To povećava opasnost varničenja, što može izazvati požar.

Transport i čuvanje

- Uskladišti pilu i gorivo tako da eventualna isparavanja ili curenja i ne dođu u kontakt sa plamenom ili iskrama. Na primjer električne mašine, električni motori, električne utičnice/prekidači, bojleri ili slično.
- Gorivo treba biti uskladišteno u za to specijalno namjenjenim i odobrenim posudama.
- Kod dužeg skladištenja i transporta motorne pile gorivo i ulje lanca pile se trebaju isprazniti. Kontaktiraj najbližu benzinsku pumpu i pitaj šta možeš uraditi sa gorivom i ostacima ulja za lanac.
- Zaštitnik za transportiranje mora uvijek biti stavljen na sječivo kada mašinu transportirate ili kad je skladištite, kako biste spriječili neželjen dodir sa oštrim lancem. I mirujućim lancem može izazvati ozbiljne povrede korisniku ili drugim osobama koje imaju pristup lancu.
- Skinite kapicu sa svjeće. Aktivirajte kočnicu lanca.
- Učvrstite mašinu kod prijevoza.

Dugotrajno skladištenje

Ispraznite rezervoare za gorivo i ulje na prozračnom mjestu. Držite gorivo u odgovarajućim kanisterima na sigurnom mjestu. Stavite zaštitnik na sječivo. Očistite mašinu. Pročitajte upute u poglavlju Raspored održavanja.

Pobrini se da je mašina dobro očišćena i da je potpuno servisiranje izvršeno prije dugotrajnog skladištenja.

Paljenje i gašenje



UPOZORENJE! Prije paljenja obrati pažnju na sljedeće:

Kočnica lanca mora biti aktivirana ukoliko je motorna pila upaljena, kako bi se spriječila opasnost dodira sa lancem dok se na okreće.

Nikad ne pali motornu pilu a da mač, lanac i poklopac kvačila nisu montirani. U suprotnom kvačilo može iskočiti i izazvati lične povrede.

Postavi mašinu na stabilno mjesto. Obrati pažnju da imaš pogodan položaj i da lanac ne može zakačiti neki drugi predmet.

Vidi da u okolini nema neovlaštenih lica.

Nikad ne omotavaj startno uže oko šake.

Paljenje

Kočnica lanca će biti aktivirana kad se motorna pila pali. Aktiviraj kočnicu na taj način da pomakneš zaštitu trzaja naprijed. (55)

Hladan motor

Položaj za pokretanje, 1: Namjestite prekidač za paljenje/ zaustavljanje u položaj čoka tako što ćete povući crvenu kontrolu prema vani i gore. (56)

Pumpa za gorivo (2): Uzastopce (barem 6 puta) pritišćite membranu pročištača zraka dok se ne ispunji gorivom. Membrana ne treba biti napunjena do vrha. (56)

Uхватite prednju ručku lijevom rukom. Povućite desnu nogu kroz zadnju ručku i pritisnite motornu pilu uz tlo. (57)

Povućite ručicu startera, 3: Desnom rukom povućite ručicu startera i lagano povlaćite startno uže dok ne osjetite otpor (kada se aktivira startna kopčica), a zatim povućite uže snažno i brzo dok se motor ne upali.

Pritisnite crvenu kontrolu čoka, 4: Nakon što se motor upali, što možete čuti po zvuku „ispuha“, pritisnite crvenu kontrolu čoka.

Povućite ručicu startera (5): Snažno povlaćite startno uže dok se motor ne upali.

Vruć motor

Položaj za pokretanje, 1: Pravila položaj čoka / početnog gasa za topli start postiže se povlaćenjem crvene kontrole čoka prema vani i prema gore. (56)

Pumpa za gorivo (2): Uzastopce (barem 6 puta) pritišćite membranu pročištača zraka dok se ne ispunji gorivom. Membrana ne treba biti napunjena do vrha. (56)

Pritisnite crvenu kontrolu čoka, 3: Time se deaktivira čok, koji nije potreban prilikom toplog starta motorne pile. Međutim, pomicanjem prekidača za pokretanje /

zaustavljanje aktivira se veliki broj okretaja motora u praznom hodu, čime se olakšava topli start.

Povućite ručicu startera, 4: Uхватite prednju ručku lijevom rukom. Povućite desnu nogu kroz zadnju ručku i pritisnite motornu pilu uz tlo. (57)

Desnom rukom povućite ručicu startera i lagano povlaćite startno uže dok ne osjetite otpor (kada se aktivira startna kopčica), a zatim povućite uže snažno i brzo dok se motor ne upali.

Budući da je kočnica lanca još uvijek aktivirana, namjestite brzinu motora na prazan hod isključivanjem blokade ubrzivača. Da biste to učinili, lagano dotaknite okidač ubrzivača. Time se sprečava nepotrebno habanje kvačila, bubnja kvačila i remena kočnice. Ostavite stroj u praznom hodu nekoliko sekundi prije primjene punog gasa

Na zadnjoj ivici testere (A) nalazi se pojednostavljeni podsjetnik za pokretanje sa ilustracijama, koji opisuje svaki korak. (57)

PAŽNJA! Ne izvlači uže za paljenje skroz i ne puštaj ručicu za paljenje iz potpuno izvučenog položaja jer to izaziva oštećenja na mašini.

Napomena! Vрати kočnicu u prvobitno stanje na taj način da povučеш zaštitu trzaja prema podlozi rukohvata. Sa ovim je motorna pila spremna za upotrebu.



UPOZORENJE! Dugotrajno udisanje izduvnih gasova iz motora, pare od ulja za lance kao i prašine od piljevine može dovesti do rizika po zdravlje.

- Nikad ne pali motorunu pilu a da mač, lanac i svi ostali dijelovi nisu pravilno montirani. Vidi uputstva pod rubrikom Montiranje. Bez sječiva i lanca montiranog na motornoj pili, kvačilo može raditi na prazno o izazvati ozbiljne povrede.
- Kočnica lanca mora biti aktivirana kada upalite motornu pilu. Procitajte upute pod naslovom Paljenje i gašenje. Nemojte nikada iznenadno paliti motornu pilu. To je izuzetno opasno i lako možete izgubiti kontrolu nad motornom pilom. (55)
- Nikad ne pali mašinu u zatvorenom prostoru. Uvijek misli na opasnost od udisanja izduvnih gasova.
- Obrati pažnju na okolinu i budi siguran da ne postoji rizik da ljudi ili životnje dođu u kontakt sa reznim priborom.
- Uvijek držite motornu pilu objema rukama. Držite desnu ruku na stražnjoj ručki, a lijevu ruku na prednjoj ručki. **Svi korisnici, i dešnjaci i ljevaci, trebaju koristiti ovo držanje.** Čvrsto držite ručicu takoda Vaš palac i prsti obaviju ručku motorne pile.

Gašenje

Motor zaustavite pritiskom na prekidač za pokretanje/ zaustavljanje. (59)

PAŽNJA! Prekidač za pokretanje/zaustavljanje automatski se vraća u radni položaj. Da biste izbjegli nenamjerno pokretanje, uvijek izvadite kapicu iz svječke kada stroj ostavljate bez nadzora. (60)

Prije svake upotrebe: (61)

- 1 Prekontroliši da kočnica lanca radi pravilno i da je neoštećena.
- 2 Prekontroliši da zadnji štitnik desne ruke nije oštećen.
- 3 Prekontroliši da zapreka regulatora gasa radi pravilno i da nije oštećena.
- 4 Provjerite da prekidač radi ispravno i da nije oštećen.
- 5 Prekontroliši da na svim ručkama nema ulja.
- 6 Prekontroliši da sistem za prigušenje vibracija radi pravilno i da je neoštećen.
- 7 Prekontroliši da prigušivač zvuka stoji čvrsto i da nije oštećen.
- 8 Prekontroliši da su svi dijelovi na motornoj pili pričvršćeni i da nisu oštećeni ili da ne nedostaju.
- 9 Prekontroliši da hvatač lanca stoji na svom mjestu i da nije oštećen.
- 10 Provjerite zategnutost lanca.

Opšte radne instrukcije

VAŽNO!

Ovaj poglavlje obrađuje osnovne sigurnosne upute za rad sa motornom pilom. Navedene informacije ne mogu nikad nadomjestiti ono znanje koje ima profesionalac u vidu obrazovanja i radnog iskustva. Kad se nađeš u situaciji da si nesiguran u smislu daljnje upotrebe, zatraži pomoć eksperta. Obrati se servisu ili prodavnicu motornih pila ili kod osoba koje imaju iskustvo u upotrebi pila. Izbjegavaj svaku upotrebu ako smatraš da si nedovoljno kvalificiran!

Prije upotrebe motorne pile moraš razumjeti šta znači trzaj i kako se može izbjeći. Vidi uputstva pod rubrikom Mjere za izbjegavanje trzaja.

Prije upotrebe motorne pile moraš razumjeti razliku između pilanja sa donjom stranom i pilanja sa gornjom stranom mača. Pročitajte upute u poglavlju Kako izbjeći odbijanje unazad i Sigurnosna oprema mašine.

Upotrebljavaj ličnu zaštitnu opremu. Vidi uputstva pod rubrikom Lična zaštitna oprema.

Osnovna sigurnosna pravila

- 1 Obrati pažnju na okolinu:
 - Da bi bio siguran da te ljudi ili životinje ne mogu ometati u kontroli mašine.
 - Da spriječiš da gore navedeni ne dođu u kontakt sa lancem pile ili da ih ne pogodi drvo koje pada i tako budu ozljeđeni.
- PAŽNJA!** Prati gore navedene tačke ali nikad ne upotrebljavaj pilu bez mogućnosti da zoveš u pomoć ako se ukaže potreba u slučaju nesreće.
- 2 Izbjegavaj upotrebu ako prijeti nevrijeme naprimjer gusta magla, jaka kiša, jak vjetar, jaka zima itd. Raditi na lošem vremenu je naporno i to može stvoriti opasne okolnosti naprimjer poledicu, može uticati na pravac padanja drveta i drugo.

- 3 Budi posebno oprezan prilikom pokresivanja grančica i izbjegavaj pilanje žbunja (=više grančica zajedno). Male grane mogu poslije rezanja zaglaviti u lanac pile, biti izbačene prema tebi i uzrokovati ozbiljne povrede.
- 4 Obrati pažnju da se možeš sigurno kretati i stajati. Pogledaj da nema eventualnih prepreka za neočekivano micanje (korjenje, stijene, grane, rupe, jarci itd.). Upotrijebi veliku opreznost kada radiš na nagnutom terenu.
- 5 Budi krajnje oprezan pri rezanju drveća koje je napeto. Napeto drvo se može prije ili poslije prerezivanja odbaciti u svoj normalan položaj. Ako si ti u pogrešnom položaju ili režeš na pogrešnom mjestu može se desiti da drvo pogodi tebe ili mašinu tako da



- 6 Kod premještanja se pila treba ugasiti i lanac zakočiti. Nosi pilu sa mačem okrenutim nazad. Kod dužeg transporta treba staviti zaštitu na lanac.
- 7 Kada motornu pilu spustite na zemlju, zakočite lanac koristeći kočnicu lanca i držite mašinu uvijek u vidokrugu. Ugasite motor prije nego motornu pilu ostavite na duže vrijeme.



UPOZORENJE! Ponekad se u poklopcu spojke zaglavi iver, zbog čega lanac zapne. Uvijek zaustavite mašinu prije čišćenja.

Osnovna pravila

- 1 Ako shvatiš šta trzaj znači i kako se pojavljuje možeš smanjiti ili eliminirati rizik njegove iznenadne pojave. Iznenadenje povećava rizik za nesreću. Najčešći su mali trzaji ali mogu biti munjevito brzi i veoma silni.
- 2 Drži uvijek motornu pilu stabilno i čvrsto sa desnom rukom na stražnjem rukohvatu i lijevom rukom na prednjem rukohvatu. Palci i prsti moraju obuhvatiti rukohvat. Svi rukovaoci bilo dešnjaci ili ljevaci moraju koristiti ovakvo držanje pile. Kroz tavko držanje najbolje će se smanjiti efekat trzaja i istovremeno zadržati kontrolu nad motornom pilom. **Ne puštaj rukohvat!**
- 3 Nesreće se najčešće dešavaju kod potkresivanja. Obrati pažnju da stojiš stabilno i da nikavki predmeti na zemlji ne mogu uzrokovati da se spotakneš ili izgubiš ravnotežu.

Nepažnjom, rizično područje mača može nenamjerno dohvatiti neku granu ili susjedno drvo ili neki drugi predmet i izazvati trzaj.

Imajte kontrolu nad drvetom na kojem radite. U slučaju da su dijelovi na kojima imate namjeru raditi mali i lagani, postoji mogućnost da se zaglave i budu bačeni prema Vama. Ako i nije velika opasnost, ovo Vas može iznenaditi i možete izgubiti kontrolu nad motornom pilom. Nikada nekojte sjeći složene klade ili grane prije nego što ih razdvojite. Sijecite samo po jednu kladu ili jedan komad. Skinite presječene dijelove, kako bi radni prostor bio siguran. **(62)**

TEHNIKA RADA

- Nikad ne koristi motornu pilu iznad visine plečke i izbjegavaj pilanje sa vrhom mača. Nikad ne drži motornu pilu u jednoj ruci! (63)**
- Da bi imao punu kontrolu nad motornom pilom, zahtjeva se da stojiš stabilno. Nikad ne stoji na ljestvama, gore na drvetu ili tamo gdje nemaš stabilnu podlogu za stanje. (64)
- Uvijek koristi veliku brzinu rezanja, tj. pun gas.
- Posebno budi pažljiv kad pilaš sa gornjom stranom mača tj. kada pilaš sa donje strane objekta koji se reže. To se naziva pilanje sa isturenim lancem pile. Lanac motorne pile tada istura pilu prema rukovaocu. Ako lanac zablokira, motorna pila može biti bačena unazad prema Vama. (65)
- Ako rukovaoc drži motornu pilu suprotno od onog gdje ona vuče postoji rizik da se pila vrati nazad i da je rizično područje mača pile bude jedini kontakt sa drvetom što dovodi do trzaja. (66)
Kada se pila sa donjom stranom mača tj. sa gornje strane predmeta koji se pila prema dole to se naziva povlačenje lanca pile. Tada se povlači motorna pila prema drvetu i prednji kraj tijela motorne pile postaje prirodni oslonac prema deblu. Pilanje sa povlačenjem lanca pile daje rukovaocu bolju kontrolu nad motornom pilom i nad položajem gdje se nalazi rizično područje mača. (67)
- Prati uputstva o turpianju i održavanju mača i lanca pile. Kod promjene mača i lanca pile smiju se koristiti samo one kombinacije koje mi preporučujemo. Vidi uputstva pod rubrikama Rezni pribor i Tehnički podaci.

Osnovne tehnike pilanja



UPOZORENJE! Nikada nemojte koristiti motornu pilu držeći je jednom rukom. Motorna pila ne može biti sigurno kontrolirana držeći je jednom rukom. Uvijek imajte jak i čvrst stisak na ručkama koristeći obje ruke.

Opšte

- Imaj uvijek puni gas kod svakog pilanja!
- Poslije svakog reza pusti motor na prazan broj obrtaja (rad motora duže vrijeme pod punim brojem obrtaja bez da se motor opteretiti tj. bez otpora koji motor doživljava kroz rezanje uz upotrebu lanca, može ozbiljno oštetiti motor).
- Rezati odozgo = rezati sa "povlačenjem" lanca pile.
- Rezati odozdo = rezati sa "isturenim" lancem pile.

Rezanje sa "isturenim" lancem pile znači povećan rizik od trzaja. Vidi uputstva pod rubrikom Mjere za izbjegavanje trzaja.

Nazivi

Odreživanje = opći naziv za prereživanje drveta.

Potkresivanje = odsjecanje grana sa oborenog drveta.

Zalomljavanje = kad se objekt koji se sječe lomi prije nego što je rez završen.

Prije svakog obaranja treba obratiti pažnju na pet vrlo važnih faktora:

- Rezni pribor se ne smije zaglaviti u rezu. (68)
- Predmet koji se pila se ne smije zalomiti. (69)
- Lanac pile ne smije dohvatiti tlo ili drugi predmet prilikom ili poslije prereživanja. (70)
- Postoji li rizik od trzaja? (4)
- Može li okolina i teren uticati na to koliko si stabilan i da li sigurno možeš hodati i stajati?

Zaglavljivanje lanca ili poslije prereživanja prouzrokuju dva faktora: Zavisno kakvu podlogu ima prije i poslije prereživanja, kao i od toga u kojoj se zategnutosti nalazi objekat koji se pila.

Gore navedene neželjene pojave mogu se izbjeći tako da se prereživanje izvodi u dvije faze i sa gornje odnosno donje strane. Tako se neutrališe "volja" objekta koji se pila da zaglavi lanac ili da se zalomi.

VAŽNO! Ako se lanac pile zaglavi u rezu zaustavi motor! Ne pokušavaj trzajem osloboditi motornu pilu. Ako to radiš možeš se ozlijediti na lanac pile kad se pila iznenada oslobodi. Upotrijebi polugu da oslobodiš pilu.

Ovaj popis koji sada prelazimo je jedan teoretski pregled kako se postupa u uobičajenim situacijama u koje može doći rukovaoc pile.

Potkresivanje

Kod potkresivanja debljih grana treba postupati isto kao kod prereživanja.

Deblje grane prereži dio po dio. (71)

Odreživanje



UPOZORENJE! Nikada nemojte pokušavati sjeći klade kada su složene ili ako nekoliko klada leže bilzu jedna druge. Ovo izuzetno povećava opasnost bacanja unazad, što može imati ozbiljne ili smrtonosne posljedice.

Ako imate gomilu klada, svakukladu koju namjeravate presjeći morate skloniti sa gomile, staviti je na kozlič ili sto za stezanje i presjeći je pojedinačno.

Skolnite presječene dijelove sa radnog mjesta. Ostavljajući ih na radnom mjestu povećavate opasnost, ukoliko napravite grešku, od odbačaja unazad i gubljenja ravnoteže dok radite. (72)

Trupac se nalazi na tlu. Nema nikakve opasnosti da se lanac pile zaglavi a također nema rizika za zalomljavanje. Ipak veliki je rizik da lanac pile zakači tlo poslije pilanja. (73)

Pilaj odozgo prema dole kroz trupac. Budi pažljiv prema završetku reza da ne bi lanac zakačio tlo. Zadrži pun gas ali budi pripreman u slučaju nesreće. (74)

Ako postoji mogućnost (= može se trupac rotirati?) završi 2/3 reza u trupcu.

Okrenu trupac i dovrši 1/3 reza odozgo. (75)

TEHNIKA RADA

Trupac ima podupirač sa jedne strane. Veliki rizik za zalomljavanje. **(76)**

Počni pilanje odozdo (otprilike 1/3 prečnika trupca).

Završi odozgo tako da dovršiš rez. **(77)**

Trupac ima podupirač sa obadje strane. Veliki rizik zaglavljivanja lanca. **(78)**

Počni pilanje odozgo (otprilike 1/3 prečnika trupca).

Završi odozdo tako da dovršiš rez. **(79)**

Tehnika obaranja drveta

VAŽNO! Pri obaranju drveta se zahtjeva veliko iskustvo. Neiskusnan rukovaoc motorne pile ne smije obarati drvo. Izbjegavaj svako korištenje ako se ne osjećaš kvalifikovanim za rukovanje!

Sigurnosna udaljenost

Sigurnosna udaljenost od drveta koje se obara i radnog mjesta treba biti 2,5 duža od dužine drveta. Obrati pažnju da se niko ne nalazi u "opasnom području" prije i poslije obaranja. **(80)**

Pravac padanja

Cilj je da se drvo plasira što je moguće pogodnije za dalje potkresivanje i prerezivanje trupca na što je moguće "pogodnij" teren. Treba omogućiti sigurno hodanje i stajanje.

Poslije donošenja odluke u kom pravcu će drvo pasti treba se izvršiti procjena u vezi sa prirodnim padom drveta.

Faktori koji utiču na to :

- Nagib
- Zavoj / Savijenost
- Pravac vjetra
- Koncentracija grana
- Moguća težina snijega
- Zapreke u blizini drveta: npr. drugo drveće, dalekovodi, ceste i zgrade.
- Provjerite da li ima oštećenja i truleži na stablu, koji povećavaju vjerovatnoću da će se drvo slomiti i početi padati prije nego što Vi to očekujete.

Poslije procjene čovjek može biti prisiljen da pusti drvo da pada u svom prirodnom pravcu jer je nemoguće ili previše rizično usmjeriti drvo da padne u planiranom pravcu.

Jedan drugi vrlo važan faktor koji ne utiče na pravac padanja nego na tvoju ličnu sigurnost je da obratiš pažnju da drvo nema oštećenih ili "mrtvih" grana koje se mogu slomiti i koje te mogu ozlijediti tokom rada obaranja.

To što prvo treba izbjegavati je da drvo koje se obara zapne za drugo drvo. Vrlo je opasno pomerati zaglavljeno drvo jer tada postoji visok stepen opasnosti od nesreće. Za detaljno

uputstvo pogledati poglavlje Oslobođanje drveta koje je nezgodno palo. **(81)**

VAŽNO! Kod kritičnih momenata pri padu drveta treba skinuti zaštitne slušalice istovremeno kada je obustavljeno pilanje tako da se lako mogu čuti zvuci i uočiti znaci upozorenja.

Potkresivanje i put nazad

Otsjecite sve grane sa stabla do visine ramena. Sigurnije je raditi odozgo prema dole i imati drvo između sebe i motorne pile. **(82)**

Očisti okolo drveta od vegetacije i eventulanih prepreka (kamenje, granje, rupe itd.) tako da imaš lako dostupan put kada drvo počne padati. Put unazad treba da bude u kosom pravcu 135° unazad od planiranog pada drveta. **(83)**

- 1 Područje rizika
- 2 Putanja izvlačenja
- 3 Pravac padanja

Obaranje



UPOZORENJE! Mi savjetujemo da nedovoljno kvalificirana osoba ne obara stablo sa dužinom mača koja je manja od prečnika stabla!

Obaranje se vrši sa tri pilna reza. Prvo se vrši smjerni rez, koji se sastoji od jednog reza odozgo i jednog reza odozdo i poslije se završi obornim rezom. Prilikom ispravnog podešavanja rezova čovjek može uticati na pravac padanja.

Smjerni rez

Kako bi napravili rez za usmjeravanje počnite s vršnim rezom. Usmjerite oznaku za usmjeravanje pile (1) prema mjestu na zemljištu na koje bi željeli da stablo padne (2). Stanite na desnu stranu drveta, iza pile i pilajte poteznim pritiskom.

Poslije reži sa donje strane tačno dotle gdje je završen gornji rez. **(84)**

Dubina smjernog reza treba da bude 1/4 od prečnika stabla a ugao između gornjeg i donjeg reza treba biti najmanje 45°.

Mjesto gdje se sastaju linije rezova naziva se linija smjernog reza. Ona treba da bude horizontalno i istovremeno da pravi pravi ugao (90°) u odnosu prema izabranom pravcu padanja. **(85)**

Oborni rez

Oborni rez se pila sa druge strane drveta i mora biti vodoravan. Stani na lijevu stranu drveta i pilaj sa izvučenim lancem pile.

Usmjeri oborni rez otprilike 3–5 cm (1,5–2 col) iznad ravnog dijela pravca rezanja. **(86)**

Postavi odbojnik (ako je namontiran) iza pojasa lomljenja. Pilaj sa punim gasom i uvedi mač pile polako u stablo. Budi pažljiv ako se drvo pokreće u suprotnom pravcu od izabranog pravca padanja. Stavi klin u rez koliko dubina reza dozvoljava.

Oborni rez treba da završava paralelno sa linijom pravca rezanja i da je razdaljina između njih najmanje 1/10 od prečnika stabla. Taj neispilani dio se zove slomljeni mjesec.

Slomljeni mjesec funkcioniše kao baglama koja utiče na pravac padanja drveta. **(87)**

Ako je slomljeni mjesec mali ili prepilan izgubi se kontrola pravca padanja drveta ili ako je oborni rez pogrešno plasiran. **(88)**

Kad su oborni rez i rez pravca padanja drveta gotovi stablo počinje padati samo ili uz pomoć klina. **(89)**

Preporučujemo Vam da koristite sječivo koje je duže od prečnika drveta, kako biste mogli napraviti rez za padanje i rez za smjer padanja sa "jednim potezom". Pročitajte upute u poglavlju Tehnički podaci za informacije o dužini sječiva koja je preporučena za Vašu motornu pilu.

Postoji i metoda rezanja onog stabla koje ima veći prečnik od dužine mača pile. Kod takvih metoda postoji veći rizik da rizično područje mača dođe u kontakt sa nekim predmetom. **(4)**

Postupanje kod pogrešnog pada drveta

Spuštanje "zapelog drveta"

Vrlo je opasno pomerati zaglavljeno drvo jer tada postoji visok stepen opasnosti od nesreće.

Nikada nemojte pokušavati presjeći drvo koje je palo na drugo drvo.

Nikada nemojte raditi u zoni gdje postoji opasnost da se drvo zaglavi i da visi. **(90)**

Najsigurnija metoda je upotreba vitla.

- Montirano na traktor
- Prenosivo

Pilanje drveta i grana koje su zategnute

Priprema: Procjeni na koju je stranu drvo vuče kao i gdje ono ima tačku pucanja (tj. ono mjesto gdje će drvo pući ako se još više zateže). **(91)**

Odredi kako je nasigurnije osloboditi zategnutost ako se to može uraditi. Kod veoma komplikovanih situacija je jedina sigurna metoda odustati od upotrebe motorne pile i upotrebiti vitlo.

Uopće važi:

Zauzmi položaj tako da ne rizikuješ da te zakači grana kada se oslobodi zategnutost. **(92)**

Napravi jedan ili više rezova na ili u blizini tačke pucanja. Pilaj tako duboko i sa tako mnogo rezova koliko je potrebno da se zategnutost u drvetu/grani oslobodi umjereno da drvo/grana "pukne" na tački pucanja. **(93)**

Nikad ne pilaj potpuno kroz predmet koji je zategnut!

Kada morate sjeći kroz drvo/granu, napravite dva ili tri usjeka sa razmakom od 3 cm i dubinom od 3–5 cm. **(94)**

Nastavite sjeći dok se drvo/grana ne počne savijati i pritisak ne popusti. **(95)**

Presjecite drvo/granu sa druge strane, kada pritisak popusti.

Mjere za sprešavanje rizika od trzaja



UPOZORENJE! Trzaj može biti munjevito brz, iznenađan, silan opasan i može odbaciti motornu pilu, mač i lanac prema rukavaocu. Ako je lanac pile u pokretu kao i ako dohvati rukavaoca to može uzrokovati vrlo ozbiljnu, čak po život opasnu povredu. Neophodno je shvatiti šta uzrokuje trzaj tako da se to može izbjeći uz opreznost i kroz ispravnu radnu tehniku.

Šta je trzaj ?

Trzaj je naziv za iznenađnu reakciju kad se motorna pila i mač odbace od predmeta sa kojim je došao u kontakt gornji kvadrat vrh mača, što se naziva rizično područje za trzaj. **(66)**

Trzaj se prenosi uvijek u pravcu mača. Najčešće se dešava da se motorna pila i mač odbace na gore nazad prema rukavaocu. Ali, trzaj se dešava takođe i u drugim pravcima zavisno od položaja motorne pile u momentu kada rizično područje mača dolazi u kontakt sa nekim predmetom. **(7)**

Trzaj se dešava samo kad rizično područje mača dolazi u kontakt sa nekim predmetom. **(4)**

Potkresivanje



UPOZORENJE! Većina nesreća sa odbačajem unazad se dešava tokom odsjecanja grana. Ne radite u području gdje sječivo može biti odbačeno unazad. Budite izuzetno pažljiviji i izbjegavajte da vrh sječiva dođe u dodir sa kladom, drugim granama ili predmetima. Budite izuzetno pažljivi sa granama koje su zategnute. One mogu odskočiti unazad, pri čemu možete izgubiti kontrolu, što može izazvati povrede.

Obrati pažnju da možeš sigurno hodati i stajati! Pilaj sa lijeve strane stabla. Budi što je moguće bliže motornoj pili da bi imao što bolju kontrolu. Kad si u mogućnosti pusti pilinu težinu da se oslanja na stablo.

Premjestiti se možeš jedino kad imaš stablo između sebe i pile.

Podrezivanje stabla u trupac

Vidi uputstva pod rubrikom Osnovna tehnika pilanja.

Opšte

Korisnik smije vršiti servisiranje i održavanje samo kako je navedeno u ovom uputstvu za upotrebu. Obimnije radove smije izvršavati samo ovlašteni servis.

Podešavanje karburatora

Tvoj Husqvarna proizvod je konstruisan i proizveden prema specifikacijama koje umanjuju štetne ispušne gasove.

Funkcija

- Preko regulacije gasa karburator upravlja brojem obrtaja motora. U karburatoru se mješa zrak/ gorivo. To mješanje se može podešavati a da bi maksimalno iskoristili kapacitet mašine podešavanje mora biti ispravno.
- T = šaraf reguliše položaj regulacije gasa pri praznom hodu. Ako se T = šaraf zavrće u smjeru kazaljke na satu postiže se veći broj obrtaja a ako se odvrtće suprotno od smjera kazaljke na satu postiže se manji broj obrtaja.

Osnovno podešavanje i razrada

Prilikom testiranja pile u tvornici izvršeno je osnovno podešavanje karburatora. Fina podešavanja treba da izvrši kvalifikovani tehničar.

Preporučeni broj obrtaja na praznom hodu je: Vidi odjeljak Tehnički podaci.

Fino podešavanje praznog hoda T

Podešavanje praznog hoda podešava se sa šarafom obilježenim slovom T. Ako je podešavanje nužno zavrći u smjeru kazaljke na satu šaraf za prazni hod T dok je motor u pogonu dok se lanac ne počne okretati. Odvrni (suprotno od smjera kazaljke na satu) poslije tog, kad lanac stoji. Ispravno podešen broj obrtaja na praznom hodu je kad motor radi ravnomjerno i u svim pozicijama sa dobrom razlikom u odnosu do tog broja obrtaja kad se lanac počinje okretati.



UPOZORENJE! U slučaju da ne možeš podesiti prazan hod tako da lanac miruje potraži pomoć u servisu. Nikad ne upotrebljavaj motornu pilu prije nego je ispravno podešena ili popravljena.

Ispravno podešen karburator

Ispravno podešen karburator znači da mašina povećava brzinu bez oklijevanja i da pomalo brblje pod punim gasom. Nadalje, lanac se ne smije okretati na praznom hodu. Previše mršavo podešen L-uređaj daje teškoće pri paljenju i slabo ubrzanje. Previše mršavo podešen H-uređaj daje mašini niži efekat = "slabija moć", slabo ubrzanje i/ili oštećenje motora.

Kontrola, održavanje i servisiranje sigurnosnih uređaja motornih pila

Napomena! Svako servisiranje i popravak mašine zahtjeva specijalni trening. Ovo se posebno odnosi na sigurnosnu opremu mašine. Ukoliko Vaša mašina ne prođe jedan od dole navedenih pregleda, preporučujemo da je date na servis.

Kočnica lanca sa zaštitom od trzaja

Kontrola istrošenosti trake kočnice



Redovno čisti kočnicu lanca i bubanj kvačila od prljavštine, strugotine i smole. Prljavština i istrošenost utiče na rad kočnice. (96)

Kontroliši uvijek da je najmanje 0,6 mm ostalo od širine trake kočnice na najistrošenijem mjestu.

Kontrola štitnika od trzaja



Kontroliši uvijek da je štitnik trzaja čitav i bez vidljivih defekata, naprimjer pukotina u materijalu.

Pomjeri štitnik od trzaja naprijed i nazad da se uvjeriš da ide lako kao i da je stabilno povezan sa svojim zglobovima i štitnikom kvačila.

Kontrola sporije funkcije



Stavite motornu pilu sa isključenim motorom, na panj ili drugu stabilnu površinu. Otpustite prednju ručku i pustite da pila okrećući se oko zadnje drške svojom težinom padne na panj. (97)

Kad vrh mača dohvata panj kočnica treba biti labava. (98)

Kontrola djelovanja kočnice

Postavi motornu pilu na stabilnu podlogu i upali je. Obrati pažnju da lanac pile ne može doći u dodir sa zemljom ili nekim drugim predmetom. Pogledaj uputstva pod odjeljkom Paljenje i gašenje. (99)

Drži motornu pilu čvrsto palcem i prstima oko držača.

Daj puni gas i aktiviraj kočnicu lanca tako da okreneš lijevi ručni zglob prema štitniku trzaja. Ne puštaj prednji rukohvat. **Lanac se odmah zaustavlja. (58)**

Regulator za ograničavanje gasa



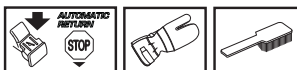
- Kontroliši da je regulator gasa zatvoren u praznom hodu kad je regulator za ograničavanje gasa u svom početnom položaju. **(100)**
- Pritisni regulator za ograničavanje gasa i prekontroliši da se on vraća u svoj prvobitni položaj kad se pusti. **(101)**
- Kontroliši da li regulator gasa i regulator za ograničavanje gasa idu lako kao i da li funkcionišu njihovi sistemni povratnih opruga. **(102)**
- Upali pilu i daj puni gas. Pusti regulator gasa i prekontroliši da li lanac staje i da ostane u mirujućem položaju. Ako lanac kruži sa regulatorom gasa u praznom hodu treba se prekontrolisati podešavanje praznog hoda karburatora.

Hvatač lanca



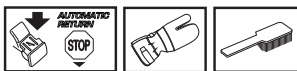
Prekontroliši da li je hvatač lanca čitav i da li stoji čvrsto u tijelu motorne pile. **(103)**

Zaštita desne ruke



Prekontroliši da li je zaštita desne ruke ispravna (čitava) i bez vidljivih pukotina u materijalu. **(11)**

Antivibracioni sistem



Kontroliši redovno antivibracione elemente da nema pukotina u materijalu i deformacija. Kontroliši da li su antivibracioni elementi čvrsto povezani između motora i odnosnog držača. **(104)**

Prekidač za gašenje



Upali motor i kontroliši da li se motor ugasi kad se prekidač premjesti u stop-položaj. **(59)**

PAŽNJA! Prekidač za pokretanje/zaustavljanje automatski se vraća u radni položaj. Da biste spriječili nenamjerno pokretanje, morate ukloniti kapicu sa svjeće prilikom sklapanja, provjere i/ili održavanja motora.

Prigušivač zvuka



Nikad ne upotrebljavaj mašinu koja ima neispravan prigušivač zvuka.

Kontroliši redovno da li je prigušivač dobro pričvršćen na mašini. **(105)**

Neki prigušivači zvuka su opremljeni sa posebnom mrežicom koja gasi iskrice. Ako je i tvoja mašina opremljena jednim takvim prigušivačem zvuka treba mrežicu očistiti jednom sedmično a najbolje je čistiti sa čeličnom četkom. Blokiranja mreža može izazvati da se motor pregrije i tako dovede do ozbiljnog oštećenja.

Napomena! Kod eventualnih oštećenja mrežice treba je promijeniti. Ponovo montirana mrežica pregrijava mašinu i dovodi do oštećenja cilindra i klipa. Nikad ne upotrebljavaj mašinu sa lošim prigušivačem zvuka. **Nikada ne upotrebljavaj prigušivač zvuka bez mreže koja štiti od varničenja ili ako je mreža neispravna. (13)**

Prigušivač zvuka je izrađen da priguši jačinu zvuka i da odvodi izduvne gasove od rukovaoca. Izduvni gasovi su vrući i iskrjavni i mogu izazvati požar ako su usmjereni prema suhom i zapaljivom materijalu. Neki prigušivači su opremljeni sa zaštitnom mrežicom.

Aparat za startovanje



UPOZORENJE! Povratna opruga se nalazi u kućištu aparata za startovanje u zategnutom položaju i pri neopreznom rukovanju može iskočiti i izazvati lične povrede.

Morate biti pažljivi kada premješate povratnu oprugu ili kabal za paljenje. Nosite zaštitne naočare i rukavice.

Zamijena vrpce pokretača



- Odvrni šarafe koji drže aparat za startovanje prema kućištu ručice i skini aparat za. **(106)**
- Izvuci užu oko 30 cm i namjesti ga na otvor na obodu točka užeta. Postavi na nulu povratnu oprugu tako da pustiš točak da se polako okreće unazad. **(107)**
- Odvijte zavrtanj na sredini remenice i skinite pogonski disk (A), oprugu pogonskog diska (B) i remenicu (C). Ubacite i pričvrstite novu vrpcu u remenicu startera. Navijte oko 3 okreta vrpce na remenicu startera. Postavite remenicu startera tako da se kraj odskočne opruge (D) zakači za remenicu. Sada sastavite oprugu pogonskog diska, pogonski disk i zavrtanj u sredini remenice. Provučite vrpcu kroz otvor na kućištu startera i ručicu startera. Vežite jak čvor na vrpici startera. **(108)**

Nategnutost povratne opruge

- Podigni startno uže u otvor na točku užeta i okreni točak oko 2 obrta u smjeru kazaljke na satu.

Napomena! Obrati pažnju da se kotač može okrenuti još najmanje 1/2 obrta onda kada je startnu uže potpuno izvučeno. (109)

Razvucite konopac ručicom. Pomerite palac i oslobodite konopac. Pogledajte sliku ispod. (110)

Zamijena povratnih i pogonskih opruga



Povratna opruga (A)

- Povuci startno uže. Vidi uputstva pod rubrikom Mijenjanje puknutog ili izlizanog užeta za startovanje. Misli na to da je povratna opruga nategnuta u kućištu aparata za startovanje.
- Sklonite kasetu i odskočnu oprugu sa paljenja.
- Podmažite odskočnu oprugu blagim uljem. Vratite kasetu i odskočnu oprugu nazad na paljenje. Podesite kolotur paljenja i nategnite odskočnu oprugu.

Opruga pogonskog diska (B)

- Odvrnite vijak u sredini kolotura i uklonite pogonski disk i oprugu pogonskog diska.
- Zamijenite oprugu pogonskog diska i postavite pogonski disk iznad opruge. (111)

Montiranje startnog aparata

- Montiranje startnog aparata se vrši tako što se prvo izvuče uže a zatim se startni aparat na mjesto prema kućištu ručice. Poslije tog polako pusti uže unutra tako da startne kopče uhvate uže.
- Montiraj i pričvrsti šarafe koji drže startni aparat.

Zračni filter



Zračni filter treba redovno čistiti od prašine i nečistoće da bi se izbjeglo sljedeće:

- Smetnje karburatora
- Smetnje prilikom startovanja
- Lošiji efekat
- Nepotrebna izlizanost na dijelovima motora
- Nenormalno velika potrošnja goriva
- Zračni filter se demontira tako što se skine poklopac filtera za zrak. Kod montiranja obrati pažnju da se zračni filter pripoji skroz prema držaču filtera. Otrеси ili očetakaj filter. (112)

Detaljnije čišćenje filtera vrši se pranjem sa vodom i sapunom.

Dugo upotrebljavan filter ne može se nikad dobro očistiti. Filter se mora mijenjati u jednakim vremenskim razmacima.

Oštećen filter mora se uvijek zamijeniti.

Motorna pila HUSQVARNA može biti opremljena različitim tipovima zračnih filtera, zvisno od radne okoline, vremena, godišnjeg doba itd. Kontaktirajte vašeg preprodavca radi dobivanja savjeta.

Svjećica motora



Na stanje svjećice utiče:

- Pogrešno podešen rasplinjač/karburator.
- Pogrešna mješavina ulja u gorivu (previše ulja ili pogrešno ulje).
- Nečist zračni filter.

Ovi faktori prouzrokuju naslage na elektrodama svjećica i mogu izazvati poteškoće pri paljenju i pogonu.

Ako je mašinin učinak nizak, ako se teško pali ili ako je prazni hod nemiran: uvijek prvo kontroliši svjećice prije nego preduzmeš druge mjere. Ako je svjećica prljava, očisti je i istovremeno prekontroliši da li je razmak na elektrodama 0,5 mm. Svjećice se trebaju mijenjati mjesečno ili ranije ako je potrebno. (113)

Napomena! Koristi uvijek tip svjećica koji je preporučen! Pogrešna svjećica može uništiti klip/cilindar. Nadgledaj da svjećica ima tkz. štít protiv radio valova.

Podmazivanje igličnog ležaja



Bubanj kvačila ima iglu na vanjskoj osovini. Ova igla se mora redovno podmazivati.

Prilikom podmazivanja skinite poklopac kvačila tako što ćete olabaviti navrtke. Postavite testeru tako da leži postrance dok je doboš kvačila okrenut nagore.

Podmažite tako što ćete motorno ulje nakapati pored centra doboša kvačila dok se doboš kvačila okreće. (114)

Rashladni sistem



Da bi se održala što niža temperatura pri radu mašina je opremljena sa rashladnim sistemom.

Rashladni sistem se sastoji od:

- Dovođenja zraka u aparat za startovanje.
- Tračnice za dovođenje zraka.
- Krilca na točku koji mijenja smjer.
- Škrgi za hladnjenje na cilindru.
- Poklopac cilindra (vodi hladan zrak prema cilindru). (115)

Čisti rashladni sistem četkom jedanput sedmično ili češće po potrebi. Nečist ili začepljen rashladni sistem prouzrokuje pregrijavanje mašine i oštećenja cilindra i klipa.

Centrifugalno čišćenje "Air Injection"

Centrifugalno čišćenje znači slijedeće: Sav zrak za karburator prolazi (uzima se) kroz starter. Nečistoća i prašina se izvlače pomoću centrifugalne sile ventilatora za hladjenje. **(116)**

VAŽNO! Za trajno djelovanje centrifugalnog čišćenja potrebni su stalno održavanje i briga. Očisti ulaz zraka u starter, elise zamajca, prostor oko zamajca, ulaznu cijev i karburatorski prostor.

Zimska upotreba

Kod upotrebe mašine na hladnoći i pri sniježnim uslovima mogu nastupiti zastoji u pogonu prouzrokovani od:

- Preniska temperatura motora.
- Formiranja leda na zračnom filteru ili smrzavanja u karburatoru.

Zbog tog se zahtjevaju specijalni postupci kao što su:

- Djelomično smanjiti dovođenje zraka u aparat za startovanje i time povećati radnu temeperaturu motora.

Temperatura od -5°C ili niža:



Za upotrebu mašine po hladnom vremenu ili sitnom snijegu postoji poseban poklopac koji se montira na kućište startera. Time se smanjuje protok zraka i sprečava usisavanje velike količine snijega. **(117)**

PAŽNJA! Ako je montiran specijalni uređaj za zimski period ili ako su preduzete mjere za povećanje temperature potrebno ga je ponovo demontirati kod rada mašine pri normalnoj temperaturi, inače dolazi do pregrijavanja i oštećenja na motoru.

VAŽNO! Svako održavanje izvan onoga što je navedeno u ovoj knjizi treba da izvrši serviser koji je zadužen od proizvođača pile (preprodavača).

ODRŽAVANJE

Šema održavanja

U nastavku su date upute za održavanje koje je potrebno provoditi na ovoj mašini. Većina radnji je opisana u poglavlju Održavanje.

Dnevno nadgledanje	Sedmično nadgledanje	Mjesečno nadgledanje
Očisti mašinu izvana.	Rashladni sistem provjeravajte svake sedmice.	Provjerite rabljenost pojasa kočnice na kočnici lanca. Zamijenite ako na nastrošenijem dijelu ostaje manje od 0,6 mm.
Prekontroliši da sigurno funkcionišu temeljni dijelovi regulacije gasa. (Kočnica regulacije gasa i regulacija gasa.)	Provjerite paljenje, kabal za paljenje i povratnu oprugu.	Kontroliši centar kvačila, bubanj kvačila i oprugu kvačila i pogledaj izlizanost.
Čisti kočnicu lanca i kontroliši njenu funkciju sa stanovišta sigurnosti. Kontroliši da li je hvatač lanca ispravan i izmjeni ga po potrebi.	Provjerite da amortizeri nisu oštećeni.	Očisti svjelicu. Prekontroliši da li je razmak između elektroda 0, 5mm.
Polugu treba redovno okretati radi ujednačenijeg habanja. Provjerite otvor za podmazivanje na polugi, da biste se uverili da nije zapušten. Očistite žljeb poluge.	Podmaži ležište bubnja kvačila.	Očisti karburator izvana.
Prekontroliši da li mač i lanac dobivaju dovoljno ulja.	Isturpijaj ako postoje zadebljanja na stranama mača.	Prekontroliši filter za gorivo i cijev za gorivo. Promjeni po potrebi.
Provjerite lanac motorne pile na vidljive pukotine u žlijebovima i na rubovima, da li je lanac krut i da li su žlijebovi i rubovi prekomjerno izrabljeni. Zamijenite ih ako je potrebno.	Očisti ili zamjeni mrežicu protiv iskričenja na prigušivaču zvuka.	Ispraznite rezervoar za gorivo i očistite ga iznutra.
Naoštiri lanac i kontroliši njegovu zategnutost i stanje. Kontroliši da li je točak za pogon lanca nenormalno istrošen, mijenjaj ga po potrebi.	Očisti prostor karburatora.	Ispraznite rezervoar za ulje i očistite ga iznutra.
Očistite ulaz za zrak na starteru.	Čisti zračni filter. Promjeni ga po potrebi.	Prekontroliši sve kablove i priključke.
Provjeri da li su zavrnuti šaraf i matice.		
Kontroliši da li stop –prekidač funkcioniše.		
Kontroliši da nema ispušt goriva iz motora, rezervoara goriva ili cijevi goriva.		
Osigurajte da se lanac ne okreće dok se motor nalazi u praznom hodu.		

TEHNIČKI PODACI

Tehnički podaci

	435 II	435e II	440 II	440e II
Motor				
Zapremina cilindra, cm ³	40,9	40,9	40,9	40,9
Prečnik cilindra, mm	41	41	41	41
Dužina nagiba, mm	31	31	31	31
Broj obrtaja pri praznom hodu, rpm	2900	2900	2900	2900
Učinak, kW/rpm	1,6/9000	1,6/9000	1,8/9000	1,8/9000
Sistem paljenja				
Svjećica motora	NGK BPMR 7A/ Champion RCJ 7Y	NGK BPMR 7A/ Champion RCJ 7Y	NGK BPMR 7A/ Champion RCJ 7Y	NGK BPMR 7A/ Champion RCJ 7Y
Razmak elektroda, mm	0,5	0,5	0,5	0,5
Gorivo/ sistem podmazivanja				
Zapremina rezervoara za benzin, l	0,37	0,37	0,37	0,37
Kapacitet pumpe za ulje 9 000 rpm, ml/ min	13	13	13	13
Zapremina rezervoara za ulje, l	0,25	0,25	0,25	0,25
Tip pumpe za ulje	Automatska	Automatska	Automatska	Automatska
Težina				
Motorna pila bez mača i lanca sa praznim rezervoarima, kg	4,2	4,4	4,2	4,4
Stvaranje buke (vidi napomenu 1)				
Jačina zvuka, izmjerena u dB(A)	112	112	113	113
Jačina zvuka, garantovana L _{WA} dB(A)	114	114	114	114
Jačine zvuka (vidi napomenu 2)				
Ekvivalentni nivo vazdušnog tlaka zvučnog izvora uz operatorovo uho, dB(A)	102	102	102	102
Ekvivalentni vibracijski nivoi , h _{veq} (vidi bilješku 3)				
Prednji rukohvat, m/s ²	2,5	2,5	2,5	2,5
Stražnji rukohvat, m/s ²	3,2	3,2	3,2	3,2
Lanac/mac				
Standardna dužina mača, col/cm	13"/33	13"/33	13"/33	13"/33
Preporučene dužine mača, col/cm	13-18/33-45	13-18/33-45	13-18/33-45	13-18/33-45
Efektivna dužina rezanja, col/cm	12-17/31-43	12-17/31-43	12-17/31-43	12-17/31-43
Djeljenje, col/mm	0,325/8,25	0,325/8,25	0,325/8,25	0,325/8,25
Debljina pogonskih karika, col/mm	0,050/1,3	0,050/1,3	0,050/1,3	0,050/1,3
Tip pogonskih zubaca/ broj zubaca.	Spur/7	Spur/7	Spur/7	Spur/7
Brzina lanca na 133% od maksimalne brzine motora, m/s.	23,1	23,1	23,1	23,1

Napomena 1 : Stvaranje buke prema okolini izmjereno kao zvučni efekat (L_{WA}) prema EZ-uputi 2000/14/EC.

Bilješka 2 : Ekvivalentni nivo zvučnog pritiska, u skladu sa standardom ISO 22868, izračunava se kao vremenski procijenjena ukupna vrijednost energije za razne nivoje zvučnog pritiska u raznim radnim uslovima. Tipična statistička disperzija za ekvivalentni nivo zvučnog pritiska je standardna devijacija od 1 dB (A).

Bilješka 3 : Ekvivalentni vibracijski nivo, u skladu sa standardom ISO 22867, izračunava se kao vremenski procijenjena ukupna vrijednost energije za vibracijske nivoje u raznim radnim uslovima. Prijavljeni podaci za ekvivalentni vibracijski nivo imaju tipičnu statističku disperziju (standardna devijacija) od 1 m/s²


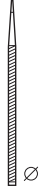

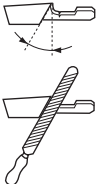

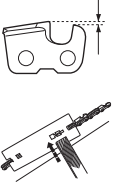
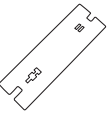
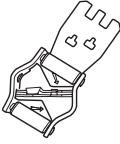
TEHNIČKI PODACI

Kombinacije mača i lanca

Sljedeći priključci za rezanje odobreni su za modele Husqvarna 435 II, 435e II, 440 II i 440e II.

Mač				Lanac pile	
Dužina, col	Djeljenje, col	Širina žlijeba, mm	Maks. broj zubaca na rubu sječiva	Tip	Dužina, rub pogona (br.)
13	0,325	1,3	10T	Husqvarna H30	56
15					64
16					66
18					72

Turpijanje lanca motorne pile i turpije

							
H30	3/16 / 4,8	85°	30°	10°	0,025 / 0,65	5056981-00	5056981-08

EZ-potvrda o podudarnosti

(Važi samo za Evropu)

Husqvarna AB, SE-561 82 Huskvarna, Švedska, tel: +46-36-1 46500, izjavljuje na osnovu isključive odgovornosti da su lančane pile za šumske radove Husqvarna 435 II, 435e II, 440 II i 440e II serijskog broja iz 2013 i naprijed (godina je navedena u tekstu na pločici tipa a iza toga slijedi serijski broj) odgovaraju propisima iz DIREKTIVE SAVJETA:

- od 17. maja 2006. "u vezi sa mašinom" **2006/42/EC**.
- od 15 Decembar 2004 "u vezi elektromagnetske kompatibilnosti" **2004/108/EEC**.
- od 8 maja 2000 "u vezi stvaranja buke prema okolini" **2000/14/EC**.

Za informacije u vezi sa jačinom buke, pogledajte odjeljak Tehnički podaci. Sljedeći standardi su primjenjeni:

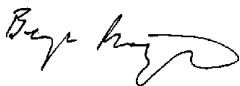
EN ISO 12100:2010, ISO 14982:2009, EN ISO 11681-1:2011

Prijavljen organ: **0404, SMP Svensk Maskinprovning AB**, Box 7035, SE-750 07 Uppsala, Švedska, je obavio EZ- tipsku kontrolu u skladu sa članom 12, tačka 3b, uputa za mašine (2006/42/EC). Potvrde o EZ tipskoj kontroli prema prilogu IX imaju broj: **0404/09/2012** - 435 II, 435e II, 440 II, 440e II.

Osim toga je SMP, Svensk Maskinprovning AB, Box 7035, SE-750 07 Uppsala, Švedska, potvrdio podudaranje sa prilogom V na upute vjeca od 8 maja 2000 "u vezi stvaranja stvaranja buke prema okolini" 2000/14/EC. Certifikati imaju broj: **01/161/075** - 435 II, 435e II, **01/161/074** - 440 II, 440e II.

Isporučena motorna pila se podudara sa onim primjerkom na kojem je izvršena EZ-kontrola tipa.

Huskvarna 8 April 2013



Bengt Frögelius, Šef razvoja motornih pila (Ovlašteni predstavnik za kompaniju Husqvarna AB i odgovoran za tehničku dokumentaciju.)

OBJAŠNJENJE ZNAKOVA

Znakovi na stroju:

UPOZORENJE! Motorne pile mogu biti opasne! Nepažljiva ili neispravna uporaba može uzrokovati ozbiljne, pa čak i smrtonosne posljedice osobi koja rukuje s njom ili nekomе od prisutnih.



Pažljivo pročitajte priručnik i dobro shvatite sadržaj prije rukovanja strojem.



Uvijek upotrijebite:

- Dobren šljem
- Dobrenu zaštitu protiv buke
- Zaštitne naočale ili vizir



Ovaj proizvod se podudara sa važećim EZ uputama.



Stvaranje buke prema okuženju prema EC uputi. Jačina buke stroja se navodi u poglavlju Tehniški podaci kao i na naljepnici.



Paljenje; čok: Namjestite kontrolu čoka u čok poziciju. Prekidač isključivanja treba da se tada automatski postavi u poziciju uključivanja.



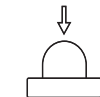
Punjenje goriva.



Nadolijevanje ulja za lanac



Pumpica za gorivo.



Podešavanje pumpe za ulje.



Kočnica lanca, aktivirana (desno)
Kočnica lanca, neaktivirana (lijevo)



Ostali simboli/naljepnice koji su navedeni na stroju važe za specifične zahtjeve certifikata izvjesnih tržišta.

Znakovi u priručniku:

Isključite motor prije bilo kakvih postupaka provjere ili održavanja. **PAŽNJA!** Prekidač za pokretanje/zaustavljanje automatski se vraća u radni položaj. Kako biste spriječili slučajno pokretanje, morate ukloniti kapicu sa svječiце prilikom sklapanja, provjere i/ili održavanja motora.



Uvijek nosite odobrene zaštitne rukavice.



Redovno čišćenje je obvezno.



Vizualna provjera.



Zaštitne naočale ili vizir moraju se nositi.



Punjenje goriva.



Punjenje ulja i podešavanje bujice ulja.



Kočnica lanca treba biti aktivirana pri paljenju motorne pile.



UPOZORENJE! Kontakt vodilice s nekim predmetom može prouzročiti povratni trzaj i odbaciti vodilicu nagore i unatrag prema korisniku. To može prouzročiti ozbiljne tjelesne ozljede.



SADRŽAJ

Sadržaj

OBJAŠNJENJE ZNAKOVA

Znakovi na stroju:	185
Znakovi u priručniku:	185

SADRŽAJ

Sadržaj	186
---------------	-----

UVOD

Poštovani kupče!	187
------------------------	-----

ŠTO JE ŠTO?

Što je što na motornoj pili?	187
------------------------------------	-----

OPĆENITA PRAVILA ZA SIGURNOST NA RADU

Mjere prije korištenja nove motorne pile	188
Važno	188
Zdrav razum treba prevladati	189
Osobna zaštitna oprema	189
Sigurnosna oprema stroja	189
Oprema za rezanje	191

SASTAVLJANJE

Sastavljanje mača i lanca	195
---------------------------------	-----

UKLOP RUKOVANJE GORIVOM

Gorivo	196
Punjenje goriva	197
Sigurnost pri rukovanju s gorivom	197

UKLJUČIVANJE I ISKLJUČIVANJE

Uključivanje i isključivanje	198
------------------------------------	-----

PRINCIP RADA

Prije svake upotrebe:	199
Općenite upute za rad	199
Kako da izbjegnute trzaj	202

ODRŽAVANJE

Općenito	203
Podšavanje rasplinjača	203
Provjera, održavanje i servisiranje sigurnosne opreme motorne pile	203
Prigušivač	204
Naprava za paljenje	204
Filter za zrak	205
Svjećica	205
Održavanje ležišta za iglu	205
Rashladni sistem	205
Centrifugalno čišćenje "Air Injection"	206
Upotreba po zimi	206
Raspored održavanja	207

TEHNIČKI PODACI

Tehnički podaci	208
Kombinacije lanca i mača	209
Brušenje lanca i mjerači dubine utora	209
EC–uvjerenje o podudaranju	209

Poštovani kupče!

Čestitamo na vašem izboru Husqvarna proizvoda. Husqvarna ima dugu povijest koja se može pratiti sve do 1689., kada je kralj Karl XI izgradio tvornicu za proizvodnju musketa (vrsta pušaka) na obali rijeke Husqvarna. Smještaj tvornice na obali rijeke bio je logičan izbor jer se rijeka koristila za iskorištavanje vodne energije, osiguravajući tako potrebnu električnu energiju. U proteklih 300 godina tvornica Husqvarna proizvela je bezbroj proizvoda, od štednjaka na drva do modernih kuhinjskih uređaja, šivaćih strojeva, bicikala, motocikala itd. Prva električna kosilica predstavljena je 1956., nakon čega je slijedila motorna pila 1959., i u tom se području Husqvarna zadržala sve do danas.

Husqvarna je trenutno jedan od vodećih proizvođača proizvoda za šumarstvo i vrtlarstvo u svijetu, a kvaliteta i pouzdanost naši su glavni prioriteti. Naš poslovni koncept je razvoj, proizvodnja i tržišna ponuda električnih šumarskih i vrtlarskih alata, kao i alata za graditeljsku industriju. Naš cilj je također biti predvodnik u usavršavanju ergonomske osobine, prilagođenosti korisnicima, sigurnosti i razvijanju ekološke svijesti, te je zato razvijen veliki broj različitih značajki u cilju poboljšanja proizvoda u tim područjima.

Uvjereni smo da ćete s velikim zadovoljstvom cijeniti kvalitetu i izvedbu našeg proizvoda kroz veoma dugi period. Kupovina jednog od naših proizvoda omogućava vam pristup profesionalnoj pomoći te popravcima i servisima kad god je potrebno. Ako prodavač koji vam je prodao stroj nije jedan od naših ovlaštenih trgovaca, zatražite adresu najbližeg ovlaštenog servisa.

Nadamo se da ćete biti zadovoljni svojim strojem te da će vam on biti partner u nizu godina koje su pred vama. Ovaj Korisnički priručnik je vrijedan dokument. Postupanje prema uputstvima (uporaba, servis, održavanje, itd.) može značajno produžiti vijek trajanja stroja, te čak i povećati njegovu prodajnu vrijednost. Ako prodate stroj, obavezno predajte Korisnički priručnik novom vlasniku.

Zahvaljujemo Vam na uporabi Husqvarna proizvoda.

Husqvarna AB uvijek radi na tome da sve više razvije svoje proizvode i pridržava se prava što se tiče promjena kao što su n.pr. oblik i izgled bez prethodne obavijesti.

Što je što na motornoj pili? (1)

- 1 Poklopac cilindra
- 2 Pumpica za gorivo.
- 3 Podsjetnik za pokretanje
- 4 Kombinirani prekidač za pokretanje i zaustavljanje
- 5 Stražnja ručka
- 6 Oznaka s obavijestima i upozorenjima
- 7 Spremnik goriva
- 8 Vijak za podešavanje, rasplinjač
- 9 Ručica za paljenje
- 10 Naprava za paljenje
- 11 Spremište za ulje za lanac
- 12 Natpisna pločica s brojem proizvoda i serijskim brojem
- 13 Oznaka za usmjeravanje pada
- 14 Prednja ručka
- 15 Štit za prednju ruku
- 16 Prigušivač
- 17 Lanac pile
- 18 Kotač na vrhu mača
- 19 Mač pile
- 20 Naslonjača kore
- 21 Hvatač lanca
- 22 Vijak za zatezanje lanca (435 II, 440 II)
- 23 Poklopac spojke (435 II, 440 II)
- 24 Štit desne ruke
- 25 Regulator gasa
- 26 Gumb za gas
- 27 Poklopac spojke (435e II, 440e II)
- 28 Kotačić zatezača lanca
- 29 Gumb
- 30 Priručnik
- 31 Kombi ključ
- 32 Štitnik za lanac

OPĆENITA PRAVILA ZA SIGURNOST NA RADU

Mjere prije korištenja nove motorne pile

- Pažljivo pročitajte upute.
- **(1) – (117)** pogledajte slike na str. 2–6.
- Provjerite da li je naprava za rezanje pravilno sastavljena i podešena. Pogledajte uputstva pod naslovom Sastavljanje.
- Napunite i pokrenite motornu pilu. Pogledajte upute pod naslovima Gorivo i Pokretanje i zaustavljanje
- Nemojte koristiti pilu ukoliko nije dovoljno ulja za lanac docurilo na lanac. Pogledajte uputstva pod naslovom Oprema za rezanje.
- Dugotrajno izlaganje buci može uzročiti trajne ozljede sluha. Zato upotrijebjavajte stalno odobrene naušnice za zaštitu sluha.



UPOZORENJE! Ni u kojem slučaju ne smijete mijenjati originalni dizajn stroja bez da ste prethodno zatražili odobrenje od proizvođača. Uvijek koristite originalne rezervne djelove. Neovlaštene promjene i/ili dodatni pribor mogu rezultirati ozbiljnim povredama ili čak smrću vozača ili drugih.



UPOZORENJE! Motorna pila je opasni alat, ukoliko se koristi nepažljivo ili neispravno i može uzrokovati ozbiljne, pa čak i smrtonosne povrede. Veoma je važno da pažljivo pročitate i dobro razumijete sadržaj ovog priručnika.



UPOZORENJE! Unutarnjost ispušnog lonca sadrži kemikalije koje mogu biti kancerogene. Izbjegavajte dodir elementima u slučaju oštećenog ispušnog lonca.



UPOZORENJE! Dugotrajno udisanje ispušnih plinova iz motora, pare od ulja za lance kao i prašine od piljevine može dovesti do rizika po zdravlje.



UPOZORENJE! Tijekom rada uređaj stvara elektromagnetsko polje. To polje u nekim slučajevima može ometati aktivne ili pasivne medicinske implantate. Radi smanjenja rizika od teških ili smrtonosnih ozljeda preporučujemo da se osobe s medicinskim implantatima posavjetuju s liječnikom i proizvođačem implantata prije rukovanja uređajem.



UPOZORENJE! Djeca ne smiju koristiti stroj niti boraviti u njegovoj blizini. Budući da je stroj opremljen zaustavnim prekidačem s oprugom i moguće ga je pokrenuti malom brzinom i silom na ručici pokretača, u određenim okolnostima čak i mala djeca mogu proizvesti dovoljnu silu za pokretanje stroja. To može rezultirati ozbiljnim ozljedama. Stoga uklonite kapicu svjeće ukoliko stroj nije pod strogim nadzorom.

Važno

VAŽNO!

Motorna pila za šumsku službu namijenjena je za šumske radove kao što su sječa drveća, sječa grana i podrezivanje. Upotreba stroja može biti ograničena nacionalnim propisima.

Koristite samo preporučene kombinacije vodilice/lanca navedene u odjeljku Tehničke karakteristike.

Nikada ne koristite stroj kada ste umorni, nakon konzumacije alkoholičnih pića ili uzimanja lijekova koji mogu utjecati na vaš vid, rasuđivanje ili koordinaciju.

Nosite osobnu zaštitnu opremu. Pogledajte uputstva pod naslovom Osobna zaštitna oprema.

Nikada ne izmjenjujte originalni dizajn stroja i ne koristite stroj kada vam se čini da je izmijenjen od strane bilo koje osobe.

Nikada nemojte koristiti stroj koji je neispravan. Redovno vršite sigurnosne provjere, održavanje i servis kao što je opisano u ovom priručniku. Neke od radnji održavanja i servisiranja trebaju vršiti isključivo obučeni i kvalificirani stručnjaci. Upute možete pronaći u odjeljku Održavanje.

Nikada nemojte koristiti dodatnu opremu koja nije preporučena u ovom priručniku. Pogledajte uputstva pod naslovom Oprema za rezanje i Tehnički podaci.

PAŽNJA! Uvijek koristite zaštitne naočale ili vizir kako biste smanjili rizik od ozljeđivanja izbačenim predmetima. Motorna pila može velikom snagom izbaciti predmete kao što su strugotine, komadići drveta, itd. Ovo može prouzročiti ozbiljne ozljede, posebice ozljede očiju.



UPOZORENJE! Upotreba motora u zatvorenoj ili loše prozračenoj prostoriji može dovesti do smrtnog slučaja uzrokovanog gušenjem ili trovanjem ugljenmonoksidom.



UPOZORENJE! Neispravna rezna oprema ili pogrešna kombinacija vodilice i lanca povećava rizik od povratnog trzaja! Koristite samo preporučene kombinacije vodilice/lanca i postupajte u skladu s uputama o brušenju. Pogledajte odjeljak Tehničke karakteristike.

OPĆENITA PRAVILA ZA SIGURNOST NA RADU

Zdrav razum treba prevladati (2)

Nije moguće obuhvatiti sve situacije s kojima se možete susresti prilikom rada s motornom pilom. Postupajte oprezno i slijedite zdrav razum. Izbjegavajte sve situacije izvan vaših sposobnosti. Ukoliko se i nakon čitanja ovih uputa osjećate nesigurni u pogledu radnih postupaka, obratite se stručnoj osobi prije nastavka. Za sva pitanja o korištenju motorne pile, obratite se lokalnom zastupniku. Rado ćemo vam pomoći i posavjetovati vas kako biste motornu pilu koristili na najučinkovitiji i najsigurniji način. Ukoliko je moguće, uključite se u tečaj o uporabi motornih pila. Vaš zastupnik, šumarska škola ili knjižnica mogu vam ponuditi obavijesti o raspoloživim materijalima i tečajevima za obuku. Neprestano radimo na usavršavanju dizajna i tehnologije – nastojeći poboljšati vašu sigurnost i učinkovitost. Redovito kontaktirajte ovlaštenog zastupnika kako biste saznali možete li iskoristiti prednosti novih značajki naših proizvoda.

Osobna zaštitna oprema



UPOZORENJE! Većina nezgoda s lančanom pilom dogodi se kada lanac dotakne korisnika. Pri svakoj upotrebi stroja će se samo propisana osobna zaštitna oprema upotrijebiti. Osobna zaštitna oprema ne eliminiše rizik na ozljedu ali smanjuje posljedice ako se ozljeda dogodi. Zamolite prodavača motornih pila da vam pomogne izabrati opremu.

- Odboren šljem
- Zaštita protiv buke
- Zaštitne naočale ili vizir
- Rukavice sa zaštitom od pile
- Hlače sa zaštitom od pile
- Čizme sa zaštitom od pile, čeličnim špicom i neklizećim potplatom
- Uvijek imajte kutiju za prvu pomoć pri ruci.
- Vatrogasni aparat i lopata

Odjeća treba biti pripijena ali bez da Vas sputava u kretanju.

VAŽNO! Iz prigušivača, vodilice i lanca ili drugog izvora mogu izlaziti iskre. Uvijek držite pri ruci opremu za gašenje požara. Na taj način možete spriječiti šumske požare.

Sigurnosna oprema stroja

U ovom odjeljku objašnjene su sigurnosne značajke i funkcije stroja. Za upute o provjeri i održavanju, pogledajte odjeljak Provjera, održavanje i servisiranje sigurnosne opreme motorne pile. Za položaj određenih dijelova na stroju, pogledajte odjeljak "Što je što".

Životni vijek stroja se može skratiti a opasnost od nezgoda povećati ako se održavanje stroja ne vrši na pravi način i ako se

opravke ne vrše stručno. Ako trebate dodatna obavještenja, potražite savjet kod najbliže radionice za popravke.



UPOZORENJE! Nikada ne koristite stroj s oštećenim dijelovima sigurnosne opreme. Sigurnosna oprema mora biti redovito provjeravana i održavana. Za upute o provjeri i održavanju, pogledajte odjeljak Provjera, održavanje i servisiranje sigurnosne opreme motorne pile. Ukoliko stroj ne položi sve provjere odnesite ga u ovlaštenu servis na popravak.

Kočnica za lanac i prednji štit za ruke

Vaša motorna pila opremljena je s kočnicom lanca koja će zaustaviti lanac u slučaju povratnog trzaja. Kočnica lanca smanjuje rizik od nezgoda, međutim samo vi ih možete spriječiti. **(3)**

Budite oprezni prilikom uporabe i nastojte da područje trzaja nikad ne dotakne neki predmet. **(4)**

- Kočnicu lanca (A) je moguće uključiti ručno (lijevom rukom) ili putem inercijskog otpusnog mehanizma. **(5)**
- Kočnica se aktivira kada je prednji štit za ruke (B) gurne u naprijed. **(5)**
- Ta kretnja aktivira mehanizam nategnut oprugom koji nateže traku kočnice (C) oko pogonskog sistema motora (D) (bubanj spojke). **(6)**
- Prednji štit za ruke nije napravljen samo da bi aktivirao kočnicu za lanac. Vrlo važna sigurnosna mjera je i to da štit sprečava to da Vas lanac udari po lijevoj ruci ukoliko ispuštite prednju ručku.
- Kočnica lanca mora biti uključena prilikom pokretanja pile kako bi se spriječilo okretanje lanca. **(55)**
- Kočnicu lanca koristite kao "parkirnu kočnicu" prilikom pokretanja pile ili rada na malim udaljenostima, kako biste spriječili nezgode u slučaju kada postoji opasnost da lanac nehotice pogodi osobe ili predmete u blizini. Ne ostavljajte motornu pilu uključenu s aktiviranom kočnicom lanca dulji vremenski period. Motorna pila se može pretjerano zagrijati.
- Kočnicu lanca otpustite tako što ćete prednji štitnik za ruku, označen s "PULL BACK TO RESET", gurnuti unatrag natrag prema prednjoj dršci.
- Trzaj može biti veoma iznenađan i snažan. Većina trzaja su slabiji i ne aktiviraju uvijek kočnicu za lanac. Ukoliko se to dogodi, Vi biste trebali držati motornu pilu vrlo čvrsto i ne ispuštiti je.
- Način na koji je kočnica za lanac aktivirana, bilo ručno ili automatski, ovisi o snazi trzaja i položaju motorne pile u odnosu na predmet koji je udaren trzajnom zonom mača. Ukoliko do povratnog trzaja dođe kada je područje trzaja najudaljenije od vas, kočnicu lanca će uključiti povratna sila (uključenje inercijom) u smjeru povratnog trzaja. **(7)** Ukoliko je trzaj slabiji ili ako se trzajna zona mače nalazi bliže Vas, kočnicu za lanac ćete aktivirati ručno, pokretom lijeve ruke.

OPĆENITA PRAVILA ZA SIGURNOST NA RADU

- U položaju za obaranje stabala, lijeva ruka je položena tako da ručno pokretanje kočnice lanca nije moguće. Kada je lijeva ruka položena tako da nema učinka na kretanje prednjeg štitnika za ruke, kočnicu lanca moguće je uključiti samo inercijom. (8)

Hoće li moja ruka uvijek uključiti kočnicu lanca u slučaju povratnog trzaja?

Ne. Za kretanje štitnika protiv povratnog trzaja unaprijed potrebna je specifična sila. Ukoliko rukom samo lagano dodirnete štitnik ili samo skliznete preko njega, sila ne mora biti dovoljno jaka za otpuštanje kočnice lanca. Čvrsto držite dršku pile prilikom rada. Ukoliko to učinite i dođe do povratnog trzaja, možda nećete izvući ruku iz prednje drške niti uključiti kočnicu lanca, ili se kočnica lanca možda neće uključiti do trenutka kada se pila okrene. U takvoj situaciji, kočnica lanca ne mora zaustaviti lanac prije nego vas isti udari.

U određenim radnim okolnostima, vaša ruka možda ne može dosegnuti štitnik protiv povratnog trzaja kako biste uključili kočnicu; npr. kada je pila u položaju za obaranje stabala.

Hoće li inercija uvijek uključiti kočnicu lanca prilikom povratnog trzaja?

Ne. Kočnica prvo mora biti ispravna. Za upute o provjeri kočnice, pogledajte odjeljke Provjera, održavanje i servisiranje sigurnosne opreme motorne pile. Preporučena je provjera prije svake smjene. Osim toga, povratni trzaj mora biti dovoljno snažan za uključenje kočnice lanca. Preosjetljiva kočnica lanca neprestano bi se uključivala, što bi prouzročilo poteškoće.

Hoće li me kočnica lanca uvijek zaštititi od ozljeda u slučaju povratnog trzaja?

Ne. Za optimalnu zaštitu, kočnica mora biti ispravna. Potom, mora biti uključena na gore opisani način kako bi zaustavila lanac u slučaju povratnog trzaja. Osim toga, čak i kada je kočnica lanca uključena, a vodilica jako blizu vas, može se dogoditi da kočnica ne uspije usporiti i zaustaviti lanac prije nego vas pila udari.

Povratni trzaj i povezane rizike možete spriječiti samo vi uz korištenje ispravnih tehnika rada.

Gumb za gas

Blokada okidača gasa je namijenjena za sprječavanje slučajnog pokretanja gasa. Kada pritisnete blokadu (A) (tj. kada uhvatite dršku) otpustit će se kontrola gasa (B). Kada otpustite dršku, kontrola gasa i blokada okidača gasa će se vratiti u početni položaj. Na taj način, gas je automatski blokiran kod rada u praznom hodu. (9)

Hvatač lanca

Hvatač lanca je napravljen tako da uhvati lanac ukoliko isti pukne ili odskoči. To se ne bi smjelo dogoditi ako je lanac ispravno nategnut (pogledajte uputstva pod naslovom Sastavljanje) i ako su mač i lanac ispravno servisirani i održavani (pogledajte uputstva pod naslovom Općenite upute za rad). (10)

Štit desne ruke

Osim što štiti Vašu ruku u slučaju da lanac odskoči ili pukne, štit desne ruke sprečava da Vas grančice i šiblje ometaju pri držanju stražnje ručke. (11)

Sistem za smanjivanje vibracija

Vaš stroj je opremljen sa sistemom za smanjivanje vibracija čija je svrha da umanji vibracije i olakša rad.

Strojev sistem za smanjivanje vibracija, smanjuje vibracije koje se od motora i lanca kreću prema ručkama stroja. Tijelo motorne pile, uključujući i opremu za rezanje, je odvojeno od ručki napravama za smanjivanje vibracija.

Rezanje tvrdog drveta (većina bjelogorice) uzrokuje jače vibracije nego rezanje mekog drveta (većina crnogorice). Rezanje lancem koji je tup ili neispravan (krive vrste ili loše nabrušen) povećat će vibracije.



UPOZORENJE! Prevelika izloženost vibracijama može prouzročiti oštećenja cirkulacije ili nervnog sustava kod osoba b lošom cirkulacijom. Kada osjetite simptome prevelike izloženosti vibracijama, obratite se liječniku. Ti simptomi uključuju umrtvljenost, gubitak osjeta, trnce, bockanje, bol, gubitak snage, promjene u boji i stanju kože. Simptomi se najčešće pojavljuju na prstima, rukama ili zglobovima. Niske temperature mogu pojačati simptome.

Glavni prekidač

Koristite glavni prekidač da biste isključili motor. (12)

Prigušivač

Prigušivač je napravljen tako da smanji buku na minimum i da udalji ispušne pare od korskika.



UPOZORENJE! Ispušne pare iz motora su vruće i mogu sadržavati iskre koje mogu izazvati požar. Nikada nemojte upaliti stroj u zatvorenoj prostoriji ili blizu zapaljivog materijala!

U područjima s vrućom i suhom klimom, postoji opasnost od šumskih požara. Mjerodavno pravo i propisi u tim zemljama mogu zahtijevati uporabu "mreže za iskre" na prigušivaču. (13)

Prilikom namještanja provjerite nalazi li se mrežica u pravilnom položaju. Prilikom postavljanja i uklanjanja mrežice možete se poslužiti kombiniranim ključem.

PAŽNJA! Prigušivač se jako ugrije prilikom rada i nakon zaustavljanja. Isto se događa i kod rada u praznom hodu. Obratite pozor na opasnost od požara, posebice prilikom rada u blizini zapaljivih tvari i/ili plinova.

OPĆENITA PRAVILA ZA SIGURNOST NA RADU



UPOZORENJE! Nikada ne koristite motornu pilu kada je prigušivač neispravan ili nedostaje. Neispravn prigušivač može znatno povećati razinu buke i rizik od požara. Vatrozaštitna oprema treba uvijek biti nadohvat ruke. Nikada ne koristite motornu pilu kada je mreža za iskre neispravna ili nedostaje, a ako je njeno korištenje obvezno u vašem području rada.

Oprema za rezanje

Ovo poglavlje opisuje kako da odaberete i održavate vašu opremu za rezanje kako biste:

- Smanjili strojevu opasnost od trzaja.
- Umanjite rizik od loma ili poskakivanja lanca.
- Ostvarite optimalne radne rezultate.
- Produžili trajanje opreme za rezanje.
- Izbjegavajte povećanje razina vibriranja.

Osnovna pravila

- **Koristite samo opremu za rezanje koju smo Vam mi preporučili!** Pogledajte odjeljak Tehničke karakteristike.
- **Održavajte zupce za rezanje na lancu oštrim!** Slijedite naša uputstva i koristite preporučenu vrstu turpije. Oštećeni ili loše naoštreni lanac povećava opasnost od nezgoda.
- **Održavajte ispravan razmak reznog alata!** Slijedite navedene upute i koristite preporučeni mjerac razmaka. Preveliki razmak povećava rizik od povratnog trzaja.
- **Neka lanac uvijek bude ispravno nategnut!** Ukoliko je lanac labav, lakše će iskočiti ili uzrokovati pretjerano trošenje mača, lanca i pogonskog kotača.
- **Oprema za rezanje uvijek mora biti dobro podmazana i održavana!** Lanac koji nije dobro podmazan će puknuti i uzrokovati pretjerano trošenje mača, lanca i pogonskog kotača.

Rezna oprema je oblikovana za minimiziranje povratnog trzaja



UPOZORENJE! Neispravna rezna oprema ili pogrešna kombinacija vodilice i lanca povećava rizik od povratnog trzaja! Koristite samo preporučene kombinacije vodilice/lanca i postupajte u skladu s uputama o brušenju. Pogledajte odjeljak Tehničke karakteristike.

Jedini način da izbjegnute trzaj je taj da osigurate da područje trzaja nikad ništa ne dodiruje.

Koristeći opremu za rezanje sa "ugradenom" zaštitom protiv trzaja i održavanjem lanca tako da je oštar, moći ćete smanjiti učinak trzaja.

Mač

Što je manji promjer vrha to je manji rizik od povratnog trzaja.

Lanac pile

Lanac pile je napravljen od više karika kojih ima standardnih i onih sa redukcijom trzaja.

VAŽNO! Niti jedan lanac ne može u potpunosti eliminirati rizik od povratnog trzaja.



UPOZORENJE! bilo kakav kontakt s pokretnim lancem pile može prouzročiti ozbiljne ozljede.

Neki od izraza koji opisuju mač i lanac

Za održanje svih sigurnosnih značajki rezne opreme, zamijenite pohabane i oštećene kombinacije vodilice/lanca dijelovima koje je preporučila Husqvarna. Za obavijesti o preporučenim kombinacijama vodilica/lanca pogledajte odjeljak Tehničke karakteristike.

Mač

- Dužina (col/cm)
- Broj zubaca na vrhu kotača mača (T).
- Razmak lanca (=pitch) (col). Razmak između pokretajućih karika lanca mora odgovarati razmaku između zubaca na kotaču vrhu mača i pogonskih karika. (14)
- Broj pogonskih karika (kom.). Broj pogonskih karika je određen dužinom mača, razmacima u lancu i brojem zubaca na kotaču na vrhu mača.
- Širina ureza na maču (col/mm). Urez na poluzi mora odgovarati širini pogonskih karika na lancu.
- Otvor za ulje na lančanju pili otvor za natezač lanca. Mač mora odgovarati dizajnu motorne pile. (15)

Lanac pile

- Razmak lančane pile (=pitch) (col) (14)
- Širina pogonskih karika (mm/col) (16)
- Broj pogonskih karika (kom.) (17)

Oštrenje lanca i podešavanje razmaka reznog alata

Općenita uputstva o brušenju reznih zubaca

- Nikada ne koristite tupi lanac. Kod tupog lanca trebate koristiti jaču silu za prolazak vodilice kroz drvo, a rezovi će biti jako mali. Jako tupi lanac neće stvarati nikakve rezove. Jedini rezultat bit će drveni prah.
- Oštri lanac prolazi kroz drvo i stvara dugačke i debele rezove.
- Rezni dio lanca se naziva rezna karika i sastoji se od reznog zuba (A) i reznog ruba (B). Dubina rezanja ovisi o razlici u visini ovih dijelova. (18)

Prilikom oštrenja reznog zuba potrebno je obratiti pozor na četiri važna elementa.

OPĆENITA PRAVILA ZA SIGURNOST NA RADU

- 1 Ugao turpijanja (19)
- 2 Rezni ugao (20)
- 3 Položaj turpije (21)
- 4 Prečnik okrugle turpije

Teško je ispravno naoštритi lanac bez pravilne opreme. Preporučena je uporaba našeg mjeraca dubine utora. Time ćete postići maksimalno smanjenje povratnog trzaja i optimalne radne rezultate. (22)

Za obavijesti o oštrenju lanca, pogledajte odjeljak Tehničke karakteristike.



UPOZORENJE! Odstupanje od uputa o oštrenju znatno povećava rizik od povratnog trzaja.

Oštrenje reznog zupca



Za oštrenje reznih zubaca koristite okruglu turpiju i mjerac dubine utora. Za obavijesti o preporučenim veličinama turpije i mjeraca utora za vaš lanac, pogledajte upute iz odjeljka Tehničke karakteristike.

- Provjerite da li je lanac ispravno zategnut. Nedovoljno zategnut lanac je nestabilan u bočnom položaju što otežava propisno naoštrenje.
- Uvijek turpijajte rezne zupce sa unutrašnje strane. Smanjite pritisak pri povratnom potezu. Prvo isturpijajte sve zupce na jednoj strani, zatim okrenite motornu pilu i isturpijajte zupce sa druge strane.
- Isturpijajte sve zupce na istu dužinu. Kada se dužina reznog zupca smanji na 4 mm (5/32") lanac je istrošen i treba ga zamijeniti. (23)

Opći savjet za podešavanje razmaka reznog alata

- Prilikom oštrenja reznih zubaca, smanjujete razmak reznog alata (dubina rezanja). Za optimalne rezultate, morate isturpijati zupce reznog alata na preporučenu visinu. Za podešavanje razmaka reznog alata za vaš model lanca, pogledajte upute iz odjeljka Tehničke karakteristike. (24)



UPOZORENJE! Preveliki razmak reznog alata povećava rizik od povratnog trzaja!

Podešavanje razmaka reznog alata



- Rezni zupci trebaju biti naoštreni prije podešavanja razmaka reznog alata. Preporučeno je podešavanje razmaka reznog alata nakon svakog trećeg oštrenja lanca. POZOR! Ova preporuka pretpostavlja da duljina reznih zubaca nije pretjerano smanjena.
- Za podešavanje razmaka reznog alata trebat će vam ravna turpija i mjerac dubine utora. Preporučena je

uporaba našeg mjeraca dubine utora, kako biste dobili ispravan razmak reznog alata i ispravan kut reznog ruba.

- Namjestite mjerac dubine utora iznad lanca pile. Obavijesti o uporabi mjeraca navedene su na pakiranju. Koristite plosnatu turpiju za uklanjanje viška isturenog dijela reznog ruba. Razmak reznog alata je ispravan kada više ne postoji otpor prilikom povlačenja turpije preko mjeraca. (25)

Zatezanje lanca



UPOZORENJE! Labav lanac može iskočiti što može dovesti do teških i po život opasnih povreda.

Što duže koristite lanac, to on postaje duži. Zato je važno da redovno podešavate lanac kako bi smanjili labavost.

Provjetite nategnutost lanca svaki puta kada budete dodavali gorivo. PAŽNJA! Nova motorna pila ima probni period za vrijeme kojega treba češće provjeriti nategnutost.

Nategnite lanac što je više moguće ali ne tako jako da ga ne biste mogli rukom lako povući okolo. (26)

435 II, 440 II



- Olabavite maticu kojom su učvršćeni pokrov spojke i kočnica lanca. Koristite kombinirani ključ. Potom rukom zategnite maticu što čvršće možete. (27)
- Podignite vrh mača i nategnite lanac tako da, koristeći kombi ključ, zavrnete vijak za natezanje lanca. Zategnite lanac dok ne počne labavo visiti na donjoj stani mača. (28)
- Pridržavajući vrh vodilice pritegnite maticu vodilice kombiniranim klijestima. Provjerite možete li rukom slobodno okretati lanac pile te da nije olabavljen s donje strane vodilice. (29)

Položaj vijaka za pritezanje lanca varira ovisno o našim modelima motornih pila. Za obavijesti o položaju vijka na vašem modelu, pogledajte odjeljak Što je što.

435e II, 440e II



- Otpustite gumb tako što ćete ga izvući prema vani. (30)
- Okrenite gumb ulijevo da biste otpustili pokrov lista. (31)
- Podesite zategnutost lanca tako što ćete okrenuti kotačić prema dolje (+) za zatezanje ili prema gore (-) za otpuštanje. (32)
- Zategnite spojku lista okretanjem gumba udesno. (33)
- Spustite gumb da biste blokirali lanac. (34)

OPĆENITA PRAVILA ZA SIGURNOST NA RADU

Podmazivanje opreme za rezanje



UPOZORENJE! Loše podmazana oprema za rezanje može dovesti do pucanja lanca a to može uzrokovati ozbiljne, čak i po život opasne, povrede.

Ulje za lanac

Ulje za lanac na motornoj pili mora dobro prijanjati za lanac i biti tečno bez obzira da li je vrijeme ljetno i vruće ili se radi o vrlo hladnoj zimi.

Kao proizvođač motornih pila mi smo proizveli optimalno ulje za lanac koje se, s obzirom da je na biljnoj bazi, razgrađuje u prirodi. Mi Vam predlažemo da koristite naše vlastito ulje kako biste osigurali maksimalnu trajnost lanca i minimalnu štetu okoliš. Ukoliko Vam naše ulje nije dostupno, koristite standardno ulje za lanac.

Nikada ne upotrebljavajte izlivenu naftu! Ovo predstavlja opasnost za vas, vaš stroj i okoliš.

VAŽNO! Prilikom uporabe biljnog ulja za pile, rasklopite i očistite urene na vodilici i lancu prije dugotrajne pohrane. U protivnom, postoji rizik od oksidacije ulja, što će prouzročiti ukrućavanje lanca i zaglavljivanje lančanika na vrhu vodilice.

Dodavanje ulja za lanac

- Sve naše motorne pile imaju sistem automatskog podmazivanja lanaca. Na nekim modelima prtok ulja se isto može podesiti.
- Spremnici za ulje i gorivo motorne pile oblikovani su tako da goriva nestane prije ulja.

Međutim, ova sigurnosna značajka zahtijeva uporabu pravilne vrste ulja (jako rijetko ulje će se potrošiti prije goriva), kao i podešavanje rasplinjača na preporučeni način (slaba mješavina može značiti da gorivo traje dulje od ulja). Trebali biste također koristiti preporučenu reznu opremu (predugačka vodilica će koristiti više ulja za lance).

Provjera podmazivanja lanca

- Provjerite podmazivanje lanca prilikom svakog punjenja goriva.
Usmjeri vrh pile prema površini svjetle boje koja je udaljena oko 20 cm (8 col). Nakon što ste pilu imali uključenu 1 minutu sa 3/4 gasa trebali biste vidjeti jasnu traku ulja na svjetloj površini.

Ukoliko podmazivanje lanca ne radi:

- Provjerite da li je kanal za ulje u maču nečime začepljen. Očistite po potrebi. **(35)**
- Provjerite da li je urez na rubu mača čist. Očistite po potrebi. **(36)**
- Provjerite da li se kotač na vrhu mača slobodno okreće i da li je otvor na vrhu s nečim začepljen. Očistite i podmažite po potrebi. **(37)**

Ukoliko sistem podmazivanja lanca i dalje ne radi nakon što se obavili sve gore navedene provjere, obratite se svom serviseru.

Kotač koji pokreće lanac



Bubanj kvačila je opremljen s jednim od slijedećih pogonskih kotača:

- A Spur-pogonski kotač (kotač za lanac je zalemljen na bubanj)
- B Rim-pogonski kotač sa zubicima na vjencu (zamjenjiv) **(38)**

Redovno provjeravajte stupanj istrošenosti na pogonskom kotaču. Zamijenite ga ako je previše istrošen. Zamijenite pogonski kotač svaki puta kada mijenjate lanac.

Održavanje ležišta za iglu



Oba tipa pogonskih lančanika imaju ležište igle na izlaznoj osovini, koje je potrebno redovito podmazivati (jednom tjedno). **PAŽNJA!** Koristite samo visokokvalitetno mazivo za ležišta ili motorno ulje.

Pogledajte upute u odjeljku Podmazivanje igličastog ležaja.

Provjera istrošenosti na opremi za rezanje



Provjerite lanac pile svakodnevno i obratite pažnju na slijedeće:

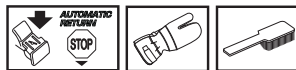
- Vidljive pukotine na zakovicama i karikama.
- Nesavitljivost lanca.
- Istrošenost zakovica i karika.

Zamijenite lanac ukoliko pokazuje bilo koji od gore navedenih simptoma.

Preporučamo Vam da usporedite postojeći lanac s novim lancem kako biste vidjeli koliko je istrošen.

Isturpijajte sve zupce na istu dužinu. Kada se dužina reznog zupca smanji na 4 mm (5/32") lanac je istrošen i treba ga zamijeniti. **(23)**

Mač



Redovno provjeravajte:

- Jesu li rubovi na vanjskoj strani mača neravni. Uklonite s turpijom po potrebi.
- Da li je urez na maču postao istrošen. Zamijenite mač ako je potrebno.
- Da li je vrh mača neravan ili istrošen. Ukoliko se pojavila rupa na jednoj strani vrha mača to znači da je lanac bio nedovoljno zategnut.
- Vodilicu trebate redovito preokretati kako biste joj produljili vijek trajanja.

OPĆENITA PRAVILA ZA SIGURNOST NA RADU



UPOZORENJE! Većina nezgoda s lančanom pilom dogodi se kada lanac dotakne korisnika.

Nosite osobnu zaštitnu opremu.
Pogledajte uputstva pod naslovom
Osobna zaštitna oprema.

Nemojte raditi nešto u što niste sigurni.
Pogledajte uputstva pod naslovom
Osobna zaštitna oprema, Kako da
izbjegnute trzaj, Oprema za rezanje i
Općenite upute za rad.

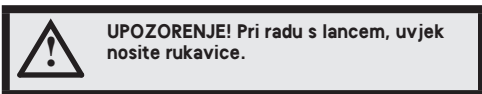
Izbjegavajte situacije gdje postoji
opasnost od trzaja. Pogledajte uputstva
pod naslovom Zaštitna oprema stroja.

Upotrijebite preporučenu zaštitnu opremu
i provjerite u kojem se stanju nalazi.
Pogledajte uputstva pod naslovom
Općenite upute za rad.

Provjerite da li su sve sigurnosne mjere
motorne pile ispravne. Pogledajte
uputstva pod naslovom Općenite upute za
rad i Osnovna pravila za sigurnost na radu.

SASTAVLJANJE

Sastavljanje mača i lanca



435 II, 440 II

- **Provjerite da li je kočnica za lanac van pogona tako da pomaknete štitnik prednje ruke prema prednjoj ručki. (39)**
- Odvrtite maticu vodilice i uklonite pokrov spojke (kočnica lanca). Skinite prijenosni prsten (A). **(40)**
- Namjestite vodilicu na svornjak vodilice. Postavite vodilicu u krajnji stražnji položaj. Postavite lanac iznad pogonskog lančanika i u utor na vodilici. Počnite s gornje strane vodilice. **(41)**
- Rubovi na reznim karikama moraju gledati prema van na prednjoj strani mača.
- Namjestite pokrov spojke i umetnite klin za podešavanje lanca u otvor na vodilici. Provjerite sjedaju li pogonske spone lanca pravilno u pogonski zupčanik te je li lanac pravilno umetnut u utor vodilice. Prstima pritegnite maticu vodilice.
- Zategnite lanac koristeći se kombi ključem. Okrenite vijak za podešavanje mača u smjeru kazaljke na satu. Lanac treba zatezati dok ne prestane visiti na donjoj strani mača. **(42)**
- Lanac je pravilno zategnut kad nije olabavljen s donje strane vodilice, a može se lako okretati rukom. Pridržavajući vrh vodilice pritegnite maticu vodilice kombiniranim kliještima. **(43)**
- Pri montiranju novog lanca, zategnutost lanca treba često kontrolirati, sve dok se lanac ne uhoda. Redovno provjeravajte zategnutost lanca. Ispravno zategnuti lanac bolje reže i duže traje. **(44)**

435e II, 440e II

- **Provjerite da li je kočnica za lanac van pogona tako da pomaknete štitnik prednje ruke prema prednjoj ručki. (45)**
- Olabavite kotačić zatezača lanca i uklonite pokrov spojke (kočnicu lanca). Uklonite štitnik za prijenos. (A) **(46)**
- Namjestite mač preko vijaka za mač. Postavite mač u njegov najstražnji položaj. Stavite lanac preko pogonskog kotača i u urez na maču. Počnite s gornje strane mača. **(41)**
- Rubovi na reznim karikama moraju gledati prema van na prednjoj strani mača.
- Namjestite pokrov spojke i umetnite klin za podešavanje lanca u otvor na vodilici. Provjerite sjedaju li pogonske spone lanca pravilno u pogonski zupčanik te je li lanac pravilno umetnut u utor vodilice.

- Zategnite lanac okretanjem kotačića prema dolje (+). Lanac zatežite sve dok ne prestane visjeti s donje strane lista. **(32)**
- Lanac je pravilno zategnut kada ne visi s donje strane lista, ali ga je još moguće lako okretati rukom. Držite vrh lista i zategnite spojku lista okretanjem gumba udesno. **(33)**
- Pri montiranju novog lanca, zategnutost lanca treba često kontrolirati, sve dok se lanac ne uhoda. Redovno provjeravajte zategnutost lanca. Ispravno zategnuti lanac bolje reže i duže traje. **(44)**

Sastavljanje naslonjača kore

Za sastavljanje naslonjača kore – stupite u vezu s vašom servisnom radionicom. **(47)**

RUKOVANJE GORIVOM

Gorivo

Pozor! Stroj je opremljen dvotaktnim motorom i uvijek ga je potrebno pokretati mješavinom benzina i ulja za dvotaktne motore. Važno je točno izmjeriti količinu ulja kako bi se dobila ispravna mješavina. Prilikom miješanja manjih količina goriva, čak i mala odstupanja mogu drastično utjecati na omjer mješavine.



UPOZORENJE! Kod rukovanja gorivom morate osigurati da imate dobru ventilaciju.

Benzin



- Koristite kvalitetan olovni ili bezolovni benzin.
- Najniži preporučeni stupanj oktana je 90 (RON). Ako motor pokrećete na nižem stupnju oktana od 90, može doći do takozvanog detonantnog izgaranja. Time se povećava temperatura motora kao i opterećenje ležaja, što može prouzročiti ozbiljna oštećenja motora.
- Kod neprekidnog rada pri visokom broju obrtaja (naprimjer potkresivanje) preporuča se upotreba benzina s više oktana.

Ekološko gorivo

HUSQVARNA preporuča uporabu benzina prilagođenog okolišu (poznatog i kao alkilni benzin), bilo unaprijed izmiješanog Aspen benzina za dvotaktne motore, bilo benzina za četverotaktne motore pomiješanog s uljem za dvotaktne motore na dolje opisani način. Prilikom izmjene vrste goriva možda ćete trebati podesiti rasplinjač (pogledajte upute u odjeljku Rasplinjač).

Etanolsko gorivo

HUSQVARNA preporučuje gorivo dostupno u trgovinama, s maksimalnim udjelom etanola od 10%.

Uhdavanje

Prilikom prvih 10 sati rada, izbjegavajte dulji rad pri velikim brzinama.

Dvotaktno ulje

- Za optimalne rezultate koristite HUSQVARNA ulje za dvotaktne motore, koje je posebno proizvedeno za naše dvotaktne motore sa zračnim hlađenjem.
- Nikada ne koristite ulje za dvotaktne motore za vanjske motore s vodenim hlađenjem, koje se ponekad naziva ulje za vanjske motore (ili TCW).
- Nikada nemojte koristiti ulje za četverotaktne motore.
- Niska kakvoća ulja ili prebogata mješavina ulja/goriva može ugroziti funkciju katalitičkog pretvarača i umanjiti njegov radni vijek.

Omjer mješanja

1:50 (2%) HUSQVARNA uljem za dvotaktne motore.

1:33 (3%) s drugim uljima namijenjenim za dvotaktne motore sa zračnim hlađenjem klasificirane za JASO FB/ISO EGB.

Benzin, lit.	Dvotaktno ulje, lit.	
	2% (1:50)	3% (1:33)
5	0,10	0,15
10	0,20	0,30
15	0,30	0,45
20	0,40	0,60

Mješanje

- Uvijek mješajte benzin i ulje u čistoj posudi namijenjenoj za gorivo.
- Uvijek počnite tako da prvo natočite pola količine benzina kojeg namjeravate koristiti. Nakon toga dodajte cijelu količinu ulja. Promiješajte (protresite) mješavinu. Dodajte preostali benzin.
- Dobro promiješajte (protresite) mješavinu goriva prije ulijevanja u spremište za gorivo na stroju.
- Nikada nemojte miješati više od mjesečne potrošnje goriva.
- Ukoliko stroj ne bude bio korišten duže vrijeme, spremište za gorivo bi trebalo isprazniti i očistiti.

Ulje za lanac

- Za podmazivanje je preporučena uporaba specijalnog ulja (ulje za lance) s dobrim značajkama prijanjanja. **(48)**
- Nikad ne koristite korišteno ulje. To može uzrokovati štetu na pumpi za ulje, maču i lancu.
- Važno je da izaberete ulje koje ima viskoznost koja odgovara temperaturi zraka.
- Na temperaturama ispod 0°C neka ulja postanu previše ljepljiva. To može pretjerano opteretiti pumpu za ulje i oštetiti dijelove pumpe za ulje.
- Obratite se Vašem serviseru za savjet pri izboru ulja za lanac.

Punjenje goriva



UPOZORENJE! Slijedeće mjere opreznosti smanjit će opasnost od požara:

Nemojte pušiti ni postavljati vruće predmete u blizini goriva.

Zaustavite motor i pustite ga da se ohladi nekoliko minuta prije ponovnog punjenja.

Pri punjenju goriva polako otvorite poklopac na spremištu za gorivo tako da se pritisak, ukoliko ga ima, polako smanji.

Pažljivo zavrnite poklopac za spremište za gorivo nakon punjenja.

Prije pokretanja uvijek odmaknite stroj sa mjesta na kojem puniti gorivo.

Očistite područje oko poklopca za spremište za gorivo. Redovno čistite spremišta za ulje i za gorivo. Filter za gorivo treba mijenjati barem jednom godišnje. Priljavština u spremištu za gorivo uzrokuje kvarove. Gorivo mora biti dobro promiješano pa zato dobro promućkajte posudu s mješavinom goriva prije nego je stavite u spremište za gorivo. Zapremnine spremišta za ulje i spremišta za gorivo prilagođene su jedna drugoj. Zbog toga treba uvijek puniti ulje za lanac i gorivo u isto vrijeme. **(48)**



UPOZORENJE! Gorivo i para koja iz njega izlazi su vrlo zapaljivi. Budite oprezni kad radite s gorivom i uljem za lanac. Držite se podalje od plamena i ne udišite pare.

Uklanjanje čepa za gorivo i čepa ulja za lanac

- Pritisnite područje s teksturom na okretnoj ručki i podignite je u uspravan položaj. **(49)**
- Olabavite čep okrećući ga u smjeru suprotnom od kazaljke na satu. **(50)**
- Uklonite čep. **(51)**

Zamjena čepa za gorivo i čepa ulja za lanac

- Umetnite čep s okretnom ručkom u uspravnom položaju. **(52)**
- Dobro zategnite čep okrećući ga u smjeru kazaljke na satu. **(53)**
- Sklopite okretnu ručku. **(54)**

VAŽNO! Uvijek zamijenite oštećen čep.

Sigurnost pri rukovanju s gorivom

- Nikada nemojte puniti gorivo u stroj dok radi.
- Bitno je da postoji dobra ventilacija kada puniti ili miješate gorivo (benzin i dvotaktno ulje).
- Odmaknite stroj najmanje 3 metra od mjesta gdje ste ga napunili gorivom, prije nego ga upalite.
- Nikada nemojte paliti stroj ako:
 - 1 Ste prolili gorivo ili ulje za lanac po stroju. Obrišite to što je proliveno i dopustite da ostatak ispari.
 - 2 Ukoliko ste prolili gorivo po sebi ili po Vašoj odjeći, promijenite odjeću. Operite dijelove tijela koji su bili u dodiru sa gorivom. Uporabi sapun i vodu.
 - 3 Ukoliko curi gorivo iz stroja. Redovno provjeravajte da li curi iz čepa za gorivo i cijevi za gorivo.



UPOZORENJE! Nikada ne koristite stroj s vidljivim oštećenjima štitnika svječice i kabela za paljenje. Postoji opasnost od iskrenja i požara.

Prijevoz i skladištenje

- Uvijek spremite motornu pilu i gorivo negdje gdje nema izvora iskri ili plamena, napr. strojeva, električnih motora, prekidača, bojlera ili sličnih naprava.
- Gorivo uvijek spremite u posudu koja je specijalno napravljena za tu namjenu.
- Ukoliko mislite pilu spremiti na duže vrijeme ili je transportirati, spremišta za gorivo i ulje trebaju predhodno biti ispražnjena. Pitajte najbližu benzinsku pumpu gdje možete baciti staro gorivo i ulje.
- Prilikom prijenosa ili pohrane stroja uvijek postavite štitnik na reznu opremu, kako biste spriječili slučajni kontakt s oštrim lancem. Lanac koji miruje također može prouzročiti ozbiljne ozljede korisnika ili drugih osoba koje imaju pristup lancu.
- Izvadite kapicu svječice iz svječice. Aktivirajte kočnicu lanca.
- Osigurajte stroj tijekom transporta.

Dugotrajna pohrana

Ispraznite spremnike za gorivo i ulje u dobro prozračenom prostoru. Gorivo pohranite u propisani spremnik i na sigurno mjesto. Namjestite štitnik na vodilicu. Očistite stroj. Pogledajte odjeljak Raspored održavanja.

Pripazite da je stroj dobro očišćen i da je potpuno servisiranje izvršeno prije dugotrajnog skladištenja.

UKLJUČIVANJE I ISKLJUČIVANJE

Uključivanje i isključivanje



UPOZORENJE! Prije paljenja obratite pažnju na sljedeće:

Kočnica lanca treba biti uključena prilikom pokretanja motorne pile, kako bi se umanjio rizik od kontakta s pokretnim lancem.

Nikad ne palite motornu pilu a da mač, lanac i svi poklopci nisu montirani. Veze mogu olabaviti i uzrokovati osobne ozljede.

Stavite stroj na slobodan prostor na zemlji i provjerite je li lanac u dodiru s nečim. Važno je da Vi čvrsto stojite.

Odstranite ljude i životinje daleko od radnog prostora.

Nikad ne omotavajte startno užice oko šake.

Paljenje

Kočnica lanca će biti aktivirana kad se motorna pila pali. Aktivirajte kočnicu na taj način da pomaknete zaštitu trzaja naprijed. (55)

Hladan motor

Položaj za pokretanje, 1: Namjestite prekidač za pokretanje/zaustavljanje u položaj prigušenja tako što ćete povući crvenu kontrolu prigušnice prema vani i nagore. (56)

Pumpica za gorivo (2): Uzastopce (barem 6 puta) pritisćite membranu pročištača zraka dok se ne ispunji gorivom. Membrana ne treba biti napunjena do vrha. (56)

Uхватite prednju ručku lijevom rukom. Desnu nogu stavite blizu stražnje ručke i pritisnite motornu pilu prema tlu. (57)

Povucite ručku za paljenje, 3: Desnom rukom povucite ručku za paljenje i polako izvlačite užice za paljenje dok ne osjetite otpor (nakon aktiviranja startne kopče), zatim snažno i naglo povucite dok se motor ne upali.

Pritisnite crvenu kontrolu čoka, 4: Pritisnite crvenu kontrolu čoka čim se motor upali, što možete čuti po zvuku "ispuha".

Povucite ručku za paljenje (5): Snažno povlačite užice dok se motor ne pokrene.

Topli motor

Položaj za pokretanje, 1: Ispravna kombinacija čoka/gasa pri pokretanju postiže se povlačenjem crvene kontrole čoka prema vani i prema gore. (56)

Pumpica za gorivo (2): Uzastopce (barem 6 puta) pritisćite membranu pročištača zraka dok se ne ispunji gorivom. Membrana ne treba biti napunjena do vrha. (56)

Pritisnite crvenu kontrolu čoka, 3: Time se deaktivira čok koji nije potreban za pokretanje tople motorne pile. Međutim,

kretanje prekidača za pokretanje / zaustavljanje aktivirat će brzi prazni hod te olakšati toplo pokretanje.

Povucite ručku za paljenje, 4: Uхватite prednju ručku lijevom rukom. Desnu nogu stavite blizu stražnje ručke i pritisnite motornu pilu prema tlu. (57)

Desnom rukom povucite ručku za paljenje i polako izvlačite užice za paljenje dok ne osjetite otpor (nakon aktiviranja startne kopče), zatim snažno i naglo povucite dok se motor ne upali.

Budući da je kočnica lanca još uvijek aktivirana, što je prije moguće postavite motor u prazan hod isključivanjem kočnice gasa. Kočnica gasa isključuje se laganim dodirima okidača gasa. Time se sprečava neželjeno habanje spojke, bubnja spojke i remena kočnice. Ostavite stroj u praznom hodu nekoliko sekundi prije primjene punog gasa

Na stražnjem rubu pile nalazi se kratak podsjetnik za pokretanje s prikazom pojedinačnih koraka (A). (57)

PAŽNJA! Nemojte ispustiti ručku za paljenje nakon što ste je potpuno izvukli van jer to može oštetiti stroj.

Pozor! Vratite kočnicu u prvobitno stanje na taj način da povučete zaštitu trzaja prema podlozi rukohvata. Sa ovim je motorna pila spremna za upotrebu.



UPOZORENJE! Dugotrajno udisanje ispušnih plinova iz motora, pare od ulja za lance kao i prašine od piljevine može dovesti do rizika po zdravlje.

- Nikad ne palite motornu pilu a da mač, lanac i svi poklopci nisu pravilno montirani. Pogledajte uputstva pod naslovom Sastavljanje. Ukoliko vodilica i lanac nisu priključeni, kvačilo može biti otpušteno i prouzročiti ozbiljne ozljede.
- Kočnica lanca treba biti uključena prilikom pokretanja pile. Pogledajte obavijesti u odjeljku Pokretanje i zaustavljanje. Nikada ne pokrećite motornu pilu dok je okrenuta nadolje. Ovaj način je iznimno opasan jer lako možete izgubiti nadzor nad pilom. (55)
- Nikada nemojte paliti stroj u zatvorenim prostorijama. Ispušni plinovi motora mogu biti opasni.
- Prije paljenja stroja, obratite pažnju na to da u blizini nema ljudi ili životinja koji bi mogli doći u opasnost ili u kontakt sa opremom za rezanje.
- Uvijek držite motornu pilu s obje ruke. Desnu ruku držite na stražnjoj, a lijevu ruku na prednjoj drški. **Svi korisnici, ljevoruki ili desnoruki, trebaju koristiti ovaj zahvat.** Omotajte palčeve i prste oko drške te ju čvrsto držite.

Isključivanje

Motor zaustavite pritiskom na prekidač za pokretanje/zaustavljanje. (59)

PAŽNJA! Prekidač za pokretanje/zaustavljanje automatski se vraća u radni položaj. Kako biste izbjegli nehotično pokretanje, uvijek izvadite kapicu iz svjećice kada stroj ostavljate bez nadzora. (60)

Prije svake upotrebe: (61)

- 1 Prekontrolišite da kočnica lanca radi pravilno i da je neoštećena.
- 2 Prekontrolišite da zadnji štitnik desne ruke nije oštećen.
- 3 Prekontrolišite da zapreka regulatora gasa radi pravilno i da nije oštećena.
- 4 Provjerite radi li zaustavni prekiđač pravilno te da nije oštećen.
- 5 Prekontrolišite da na svim ručkama nema ulja.
- 6 Prekontrolišite da sistem za prigušenje vibracija radi pravilno i da je neoštećen.
- 7 Prekontrolišite da prigušivač zvuka stoji čvrsto i da nije oštećen.
- 8 Prekontrolišite da su svi dijelovi na motornoj pili pričvršćeni i da nisu oštećeni ili da ne nedostaju.
- 9 Prekontrolišite da hvatač lanca stoji na svom mjestu i da nije oštećen.
- 10 Provjerite zategnutost lanca.

Općenite upute za rad

VAŽNO!

Ovo poglavlje opisuje osnovna pravila za sigurnost pri rukovanju motornom pilom. Ova uputstva nipošto ne mogu zamijeniti znanje koje posjeduje jedan profesionalac u obliku obrazovanja i radnog iskustva. Ukoliko dođete u situaciju gdje se osjećate nesigurno, prestanite raditi i zatražite savjet stručnjaka. Obratite se vašoj prodavnici motornih pila, servisu motornih pila, iliiskusnom korisniku motornih pila. Izbjegavajte svaku upotrebu ako smatrate da niste dovoljno kvalificirani za to!

Prije korištenja motorne pile morate razumjeti sve o trzaju i kako ga izbjeći. Pogledajte uputstva pod naslovom Kako da izbjegnete trzaj.

Prije korištenja motorne pile morate razumjeti razliku između piljenja s gornjim i donjim krajem mača. Pogledajte upute u odjeljcima Kako izbjeći povratni trzaj i Sigurnosna oprema.

Nosite osobnu zaštitnu opremu. Pogledajte uputstva pod naslovom Osobna zaštitna oprema.

Osnovna pravila sigurnosti

- 1 Pogledajte okolinu:
 - Da biste osigurali da ljudi, životinje ili predmeti ne ometaju vašu kontrolu nad strojem.
 - Da biste bili sigurni da netko ili nešto od gore navedenog neće doći u dodir s lancem pile ili biti povrijeđeno oborenim dvetom.

PAŽNJA! Slijedite gornje upute, ali nemojte koristiti motornu pilu u situacijama gdje ne možete pozvati u pomoć u slučaju da dođe do nezgode.

- 2 Nemojte koristiti pilu po lošem vremenu, kao na primjer po gustoj magli, pljuskju, jakom vjetru, izrazitoj hladnoći itd.

Rad po hladnom vremenu je zamoran i često donosi dodatne opasnosti, kao naprimjer poredicu, a može utjecati i na pravac padanja drveta i slično.

- 3 Budite izuzetno oprezni kada budete odstranjivali male grane i nastojte izbjegnuti rezanje grmlja (=rezanje više manjih grana zajedno). Male grane se mogu zaglaviti u lanac i biti bačene na Vas i pritom uzrokovati ozbiljne povrede.
- 4 Obratite pažnju na sigurno kretanje i stajanje. Provjerite područje oko Vas da nema nekih prepreka (kamenje, kamenje, grane, rupe i slično) prilikom bočnog premještanja. Budite izuzetno oprezni pri radu na kosini.
- 5 Budite izvanredno oprezni prilikom pilanja napetih stabla. Napeto stablo može i prije i poslije propilavanja odbaciti se u svoj prvobitni položaj. Neispravan smještaj samog sebe i presjek pilanja može voditi tome da stablo pogodi vas ili stroj tako da izgubite kontrolu. Ove okolnosti mogu izazvati ozbiljne ozljede.



- 6 Kod premještanja, motornu pilu treba isključiti i lanac zaključati kočnicom za lanac. Pilu treba nositi tako da mač i lanac budu okrenuti prema nazad. Kod prenošenja pile na veću razdaljinu, treba staviti zaštitu na mač.
- 7 Kada postavite motornu pilu na tlo, blokirajte lanac pomoću kočnice i držite pilu neprestano na oku. Isključite motor prije ostavljanja motorne pile bez nadzora na dulje vrijeme.



UPOZORENJE! Ponekad se može dogoditi da u poklopcu zvana spojke zapnu otpaci, što može uzrokovati zaglavljivanje lanca. Uvijek isključite motor prije čišćenja.

Osnovna pravila

- 1 Kada shvatite što je trzaj i kako do njega dolazi, moći ćete smanjiti ili spriječiti njegovu iznenadnu pojavu. Samim tim što znate da se može dogoditi, smanjujete opasnost. Trzaj je obično prilično slab, međutim ponekada može biti veoma neočekivan i snažan
- 2 Uvijek držite motornu pilu čvrsto tako da Vaša desna ruka bude na stražnjoj ručki a lijeva ruka na prednjoj. Omotajte prste i palac oko ručke. Ovako trebate uhvatiti ručku bilo da ste lijevak ili dešnjak. Takav način držanja smanjuje djelovanje trzaja i omogućava Vam da držite motornu pilu pod kontrolom. **Nipošto ne ispuštajte ručke!**
- 3 Najviše nezgoda zbog trzaja događa se za vrijeme podrezivanja. Zauzmite čvrst stajajući stav i nastojte da ništa ne bude ispred Vas o što biste se mogli spotaknuti ili izgubiti ravnotežu.

Slaba koncentracija može dovesti do trzaja ako trzajna zona slučajno dotakne granu, susjedno drvo ili neki drugi predmet.

Morate imati nadzor nad predmetom rada. Kada su dijelovi koje namjeravate rezati mali i lagani, mogu se zaglaviti u i

PRINCIP RADA

biti izbačeni prema vama. Čak i kada niste u opasnosti, možete se iznenaditi i izgubiti nadzor nad pilom. Uvijek razdvojite poredane trupce ili grane prije rezanja. Pilite isključivo pojedinačne trupce ili komade drva. Uklonite ispijene dijelove kako biste održali sigurnost radnog područja. **(62)**

- Nikada ne dižite motornu pilu u vis, iznad ramena i nastrojte da ne piliti samo s vrhom mača. Nikada nemojte koristiti motornu pilu samo jednom rukom! (63)**
- Da bi ste imali punu kontrolu nad motornom pilom, zahtjeva se da stojite stabilno. Nikad ne stojte na ljestvama, gore na drvetu ili tamo gdje nemate stabilnu podlogu za stojanje. **(64)**
- Uvijek koristite veliku brzinu rezanja, t.j. puni gas.
- Budite vrlo oprezni kad režete samo s gornjim rubom mača, napr. kad režete s donje strane. To se zove rezanje na guranje. Lanac pokušava gurnuti motornu pilu natrag prema korisniku. Kada se lanac zaglavi, motorna pila može biti izbačena prema vama. **(65)**
- Ukoliko se korisnik ne odupre toj sili, postoji opasnost da se motorna pila pomakne daleko unatrag da jedino zona trzaja ostane u dodiru s drvom, što će uzrokovati trzaj. **(66)**

Rezanje donjom stranom mača, odnosno s vrha predmeta prema dolje, zove se rezanje povlačeći motornu pilu. U tom slučaju motorna pila će se sama povući prema drvetu, a prednji kraj tijela motorne pile će postati prirodni oslonac za vrijeme rezanja. Rezanje povlačeći pilu daje Vam bolji nadzor nad motornom pilom i položajem zone trzaja. **(67)**

- Slijedite uputstva o oštrenju i održavanju Vašeg mača i lanca. Kada budete zamjenjivali mač ili lanac koristite samo kombinacije koje smo mi preporučili. Pogledajte uputstva pod naslovom Oprema za rezanje i Tehnički podaci.

Osnovne tehnike pilanja



UPOZORENJE! Motornu pilu uvijek držite s obje ruke. Ne možete imati siguran nadzor nad motornom pilom ukoliko je držite jednom rukom. Uvijek čvrsto držite drške objema rukama.

Općenito

- Uvijek dajte puni gas pri pilanju!
- Smanjite brzinu na prazni hod poslije svakog rezanja (rad motora pod punim gasom na duže vrijeme i bez otpora koji je prisutan pri pilanju, može dovesti do vrlo ozbiljnog oštećenja motora).
- Pilanje odozgo = Pilanje "povlačenjem" lanca pile.
- Pilanje odozdo = Pilanje "guranjem" lanca pile.

Pilanje na "guranje" lanca pile znatno povećava opasnost od trzaja. Pogledajte uputstva pod naslovom Kako da izbjegnute trzaj.

Nazivi

Pilanje = uvriježeni naziv za prepilavanje drveta.

Potkresivanje = odsjecanja grana sa oborenog drveta.

Pucanje = kada se predmet kojeg piliti prelomi prije nego što se završili s pilanjem.

Prije svakog pilanja treba obratiti pažnju na pet vrlo važnih okolnosti:

- Oprema za rezanje se ne bi smijela zaglaviti u rezu. **(68)**
- Deblo ne bi smjelo puknuti. **(69)**
- Lanac ne bi smio lupiti po zemlji ili bilo kojem drugom predmetu za vrijeme ili poslije rezanja. **(70)**
- Postoji li opasnost od trzaja? **(4)**
- Da li uvjeti i okolno zemljište dovode Vašu sigurnost u opasnost dok radite?

Postoje dvije okolnosti koje odlučuju hoće li se lanac zaglaviti i hoće li deblo pući. Prva okolnost ovisi o tome kakvu potporu ima deblo, a druga je da li je nategnuto ili ne.

U većini slučajeva ti problemi se mogu izbjeći rezanjem u dvije faze, gornji dio debla i donji dio debla. Morate poduprijeti deblo tako da se lanac ne zaglavi ili pukne za vrijeme rezanja.

VAŽNO! Ukoliko se lanac zaglavi za vrijeme rezanja: zaustavite rad motora! Nemojte pokušavati izvući pilu. Ukoliko to učinite, lanac se može oštetiti kad pilu potegnute van. Koristite polugu da razmaknete rez i oslobodite mač.

Slijedeća uputstva opisuju što da učinite u situacijama u koje ćete doći tokom korištenja motorne pile.

Potkresivanje

Prilikom potkresivanja debelih grana, trebali biste postupiti isto kao i kod pilanja.

Nezgodne grane piliti dio po dio. **(71)**

Rezanje



UPOZORENJE! Nikada ne pokušavajte piliti trupce koji su naslagani jedan preko drugog ili su postavljeni jako blizu. Ovaj postupak dramatično povećava rizik od povratnog trzaja, te može rezultirati ozbiljnim ozljedama ili smrću.

Kada imate hrpu trupaca, trupac kojeg želite piliti uklonite s hrpe, postavite na nogare za piljenje ili nosila i piliti odvojeno.

Uklonite izrezane dijelove iz područja rada. Ukoliko ih ostavite u području rada povećavate rizik od pogreške, povratnog trzaja i gubitka ravnoteže prilikom rada. **(72)**

Deblo leži na zemlji. Mala je vjerojatnost da će se lanac uglatiti ili da će deblo pući. Međutim, postoji opasnost da će lanac dotaći zemlju kada dovršite rezanje. **(73)**

Prerežite deblo do kraja, počevši odozgo. Nastojte da ne dotaknete zemlju kad dodjete do kraja. Dajte puni gas ali budite oprezni u slučaju da lanac pukne. **(74)**

Ukoliko je moguće (= može se okrenuti deblo?) prestanite piliti nakon što ste prepili 2/3 debla.

PRINCIP RADA

Okrenite deblu i završite 1/3 reza sa suprotne strane. **(75)**

Deblo ima oslonac na jednom kraju. Postoji velika mogućnost da će puknuti. **(76)**

Počnite piliti odozdo (na 1/3 debla).

Završite pilanjem odozgo tako da se dva reza nađu u sredini. **(77)**

Deblo ima oslonac na oba kraja. Postoji velika mogućnost da će se lanac zaglaviti. **(78)**

Počnite piliti odozgo (na 1/3 debla).

Nastavite piliti odozdo kako bi se dva reza sreala u sredini. **(79)**

Tehnika obaranja drveta

VAŽNO! Da biste oborili drvo, potrebno je veliko iskustvo. Neiskusni korisnici motornih pila ne bi smjeli obarati drveće. Nikada ne radite nešto ako niste sigurni u sebe!

Sigurna udaljenost

Sigurna udaljenost između drva koje treba oboriti i osobe koja radi u blizini je barem 2 1/2 puta od visine drveta. Nitko nasmije biti u tom "opasnom području" prije i za vrijeme obaranja. **(80)**

Smjer obaranja

Svrha je da se drvo obori na najbolje moguće mjesto za daljnje potkresivanje i rezanje debla. Vi biste trebali oboriti drvo na zemlju po kojoj se možete slobodno kretati.

Kad ste jednom odlučili na koji način želite da drvo bude oboreno, trebate ocijeniti na koju stranu će drvo pasti samo od sebe.

Nekoliko čimbenika utječe na to:

- Nagib
- Savijenost
- Smjer vjetra
- Položaj grana
- Eventualna težina snijega
- Zapreke u blizini stabla: primjerice, ostala stabla, naponski vodovi, ceste i građevine.
- Potražite znakove oštećenja i truleži na dnu stabla, zbog kojih bi se stablo moglo slomiti i početi padati prije nego očekujete.

Može se dogoditi da ne budete imali drugog izbora nego da pustite drvo da padne u svom prirodnom smjeru jer je previše opasno ili nemoguće da ga usmjerite da padne u pravcu koji ste Vi izabrali.

Još jedan vrlo važan čimbenik koji ne utječe na smjer obaranja drveta nego utječe na Vašu sigurnost je to da proverite ima li drvo suhe ili oštećene grane koje bi se mogle slomiti i ozlijediti Vas za vrijeme obaranja.

Trebate nastojati da izbjegnute to da drvo padne na drugo drvo. U tom slučaju je vrlo opasno pomaknuti zaglavljeno drvo

i postoji velika opasnost od nezgode. Pogledajte upute pod naslovom Oslobođanje drveta koje je loše oboreno. **(81)**

VAŽNO! Za vrijeme kritičnih trenutaka obaranja drveta, zaštita za uši bi trebala biti skinuta odmah po prestanku pilanja tako da možete čuti zvukove i znakove upozorenja.

Čišćenje debla i priprema za povratak

Uklonite sve grane sa stabla do visine ramena. Sigurnije je raditi od vrha prema dolje, tako da stablo bude između vas i pile. **(82)**

Uklonite bilje koje se nalazi ispod debla i provjerite ima li kamenja, grana, rupa itd koji bi Vam smetali. Svrha toga je da kad drvo počne padati, Vi možete lako odstupiti. Vaš put odstupanja trebao bi se nalaziti otprilike 135° iza planiranog pada drveta **(83)**

- 1 Opasno područje
- 2 Putanja izvlačenja
- 3 Smjer obaranja

Obaranje



UPOZORENJE! Mi vam savjetujemo da ne obarate drveće koje ima promjer veći od dužine mača, to možete raditi samo ako imate stručnu obuku!

Obaranje se vrši sa tri reza pilom. Prije svega napravite smjerni rez koji se sastoji od gornjeg reza i donjeg reza. Nakon njih slijedi obarajući rez. Režući na pravim mjestima, Vi možete vrlo precizno kontrolirati smjer padanja.

Smjerni rez

Kako biste napravili rez za usmjeravanje možete početi s vršnim rezom. Usmjerite oznaku za usmjeravanje pile (1) prema mjestu na zemljištu na koje bi željeli da stablo padne (2). Stanite na desnu stranu drveta, iza pile i pilajte poteznim pritiskom.

Nakon toga učinite donji rez točno do točke gdje je završio gornji rez. **(84)**

Smjerni rez ne trebao ići do 1/4 dijametra debla, a kut između gornjeg reza i donjeg reza bi trebao biti najmanje 45°.

Crta gdje se sastaju dva reza zove se crta smjernog reza. Ta crta bi trebala biti vodoravna i pod kutem od 90° na izabrani pravac pada. **(85)**

Obarajući rez

Obarajući rez se vrši sa suprotne strane drveta i mora biti potpuno vodoravan. Stanite sa lijeve strane drveta i prerežite s donjim rubom mača.

Obarajući rez mora biti od 3–5 cm (1,5–2 col) iznad ravnog dijela smjernog reza. **(86)**

Postavi naslonjač kore (ako je takav namješten) iza pojasa lomljenja. Dodajte pun gas i polako prinesite mač i lanac drvetu. Pazite da se drvo ne počne micati u suprotnom smjeru od smjera željenog obaranja. Zabijte klin ili polugu u rez čim rez postane dovoljno dubok.

PRINCIP RADA

Dovršite obaražujući rez paralelno sa crtom smjernog reza tako da razlika između njih bude najmanje 1/10 promjera debela. Ne prerezani dio debela se zove pojas lomljenja.

Pojas lomljenja djeluje kao šarke koje kontroliraju smjer padanja drveta. **(87)**

Kontrolu nad smjerom obaranja drveta potpuno ćete izgubiti ako je pojas lomljenja previše uzak ili ako su smjerni rez i obaražujući rez loše postavljeni. **(88)**

Kada su obražujući rez i smjerni rez završeni, drvo bi trebalo početi padati zbog vlastite težine ili uz pomoć klina ili poluge. **(89)**

Preporučena je uporaba vodilice čija je duljina veća od promjera stabla, tako da rezove za obaranje i rezove za usmjeravanje možete načiniti "jednim potezom". Za detalje o preporučenim duljinama vodilice za vaš model motorne pile, pogledajte upute u odjeljku Tehničke karakteristike.

Postoje metode obaranja drveća koje ima dijаметar veći od dužine mača. Kod takvih metoda postoji veća opasnost da zona trzaja mača dođe u dodir s raznim predmetima. **(4)**

Oslobađanje drveta koje je loše oboreno

Oslobađanje "zapellog drveta"

U tom slučaju je vrlo opasno pomaknuti zaglavljeno drvo i postoji velika opasnost od nezgode.

Nikada ne sijekite stablo na koje je palo drugo stablo.

Nikada ne radite u području ispod visećeg, zaglavljelog stabla. **(90)**

Najsigurnija metoda je upotreba vitla.

- Pričvršćeno za traktor
- Prenosivo

Pilanje drveća i granja koje je pod tenzijom

Pripreme: Procjenite u kom smjeru bi se drvo ili grana pomakla da je se oslobodi i gdje se nalazi prirodna točka pucanja (točka gdje bi puklo da je još više savijeno). **(91)**

Procjenite koji je najsigurniji način da oslobodite napetost i da li ste VI u mogućnosti da to učinite na siguran način. U kompliciranim situacijama jedina sigurna metoda je da odložite Vašu motornu pilu i upotrijebite vitlo.

Savjet:

Zauzmite položaj tako da budete postrani kada se drvo ili grana oslobodi zategnutosti. **(92)**

Zarežite jednom ili više puta u ili blizu točke pucanja. Učinite toliko rezova i toliko duboko koliko je potrebno da se smanji zategnutost kako bi drvo ili grana puklo na točki pucanja. **(93)**

Nikada nemojte prepiliti drvo ili granu koji su pod tenzijom!

Kada trebate propiliti cijelo stablo/granu, načinite dva ili tri reza razmaka 3 cm i dubine 3–5 cm. **(94)**

Nastavite s rezanjem dok se stablo/grana ne saviju i pritisak popusti. **(95)**

Ispilite stablo/granu sa suprotne strane, nakon što pritisak popusti.

Kako da izbjegnute trzaj



UPOZORENJE! Trzaj se može dogoditi veoma iznenadno i može biti vrlo snažan; može odbaciti motornu pilu, mač i lanac na korisnika. Ukoliko se to dogodi dok se lanac još uvijek vrti može doći do vrlo ozbiljnih, čak i smrtonosnih povreda. Vrlo je važno da shvatite što uzrokuje trzaj i da ga možete izbjeći ako ste pažljivi i ispravno radite.

Što je trzaj?

Trzaj je izraz koji se koristi da opiše iznenadnu reakciju koja uslijedi kada gornji kvadrat vrha mača, pod nazivom područje trzaja, dodirne neki predmet i odgurne motornu pilu prema unazad. **(66)**

Trzaj se uvijek dogodi u smjeru piljenja. Obično su motorna pila i mač bačeni prema natrag i prema gore u smjeru korisnika. Međutim, motorna pila se može trznuti i u nekom drugom pravcu, ovisno o načinu na koji je bila korištena u vrijeme kada je područje trzaja mača dotaklo predmet. **(7)**

Trzaj se događa jedino u slučaju kada područje trzaja dodirne neki predmet. **(4)**

Potkresivanje



UPOZORENJE! Većina nezgoda zbog povratnog trzaja događa se prilikom rezanja grana. Ne koristite područje povratnog trzaja vodilice. Postupajte s velikim oprezom i izbjegavajte kontakt vrha vodilice s trupcem, drugim granama ili predmetima. Postupajte oprezno prilikom rada na jako zategnutim granama. Mogu odskočiti prema vama, te prouzročiti gubitak nadzora nad pilom i ozljede.

Provjerite ima li prepreka! Radite s lijeve strane debela. Radite blizu pile kako biste imali što bolji nadzor nad njom. Ukoliko je to moguće, dozvolite da se pila težinom oslanja na deblu.

Neka drvo bude između Vas i pile dok se pomičete dužinom debela.

Rezanje debela u trupce

Pogledajte uputstva pod naslovom Osnovne tehnike pilanja.

Općenito

Korisnik smije obavljati postupke održavanja i servisiranja opisane isključivo u ovom priručniku. Veće popravke potrebno je prepustiti ovlaštenom serviseru.

Podešavanje rasplinjača

Vaš Husqvarna proizvod je oblikovan i proizveden po zahtjevima za smanjenje štetnih ispušnih plinova.

Rad

- Rasplinjač upravlja brojem obrtaja uz pomoć gasa. Zrak i gorivo se miješaju u rasplinjaču. Mješavina zraka i goriva se da podesiti. Da biste maksimalno iskoristili Vaš stroj, to podešavanje mora biti ispravno.
- Vijak T podešava brzinu praznog hoda. Ukoliko je vijak T okrenut u smjeru kazaljke na satu, prazan hod će biti brži, a u suprotnom smjeru od kazaljke na satu bit će sporiji.

Osnovno podešavanje i uhadavanje

Rasplinjač je podešen na osnovno podešavanje za vrijeme isprobavanja pile u tvornici. Fino ugađanje smije izvršiti isključivo stručna osoba.

Preporučeni broj okretaja u praznom hodu: Pogledajte poglavlje Tehnički podaci.

Fino podešavanje praznog hoda T

Podesite brzinu praznog hoda s vijkom T. Ukoliko je potrebno promijeniti podešavanje, prvo zavrnite T vijak za podešavanje praznog hoda, sve dok se lanac ne počne vrititi. Nakon toga zavrnite u smjeru suprotnom od kazaljke na satu dok se lanac ne zaustavi. Prazan hod je ispravno podešen tek kada motor radi ujednačeno u svakom položaju. Isto tako, trebala bi biti dobra razlika okretaja kad se lanac počine okretati.



UPOZORENJE! Obratite se svom serviseru ukoliko se brzina praznog hoda ne da podesiti tako da lanac stane. Nemojte koristiti motornu pilu prije nego je ispravno podešena ili popravljena.

Ispravno podešen rasplinjač

Dobro podešeni rasplinjač znači da stroj može ubrzati bez oklijevanja i zvuči lagano četverotaktno pri maksimalnoj brzini. Uz to, lanac se ne smije okretati za vrijeme praznog hoda. Igla L za sporo ubrizgavanje ne smije biti podešena premršavo jer to može uzrokovati teškoće s paljenjem i loše ubrzavanje. Premršavo podešena igla H za brzo ubrizgavanje daje "manje snage" = slabiji kapacitet, loše ubrzanje i/ili oštećuje motor.

Provjera, održavanje i servisiranje sigurnosne opreme motorne pile

Pozor! Svi radovi u pogledu popravaka ili servisiranja na stroju zahtijevaju posebnu obuku. To se posebice odnosi na sigurnosnu opremu stroja. Stroj koji ne prođe bilo koju od navedenih provjera odnesite u ovlašteni servis.

Kočnica za lanac i prednji štit za ruke

Provjera istrošenosti kočničkog pojasa



Odstranite četkom piljevinu, ostatke i prljavštinu sa kočnice lanca i bubnja spojke. Prljavština i istrošenost mogu omesti rad kočnice. (96)

Redovno provjeravajte da li je kočnički pojas barem 0,6 mm na svom najtanjem dijelu.

Provjera prednjeg štita za ruku



Provjerite da prednji štit za ruku nije slučajno oštećen i da nema vidljivih oštećenja, naprimjer pukotina.

Pomaknite prednji štit za ruku prema naprijed i prema natrag da biste se uvjerali da se kreće bez zastoja i da je sigurno pričvršćen na poklopac sklopke.

Provjera automatske kočnice



Postavite motornu pilu s isključenim motorom na panju ili neku drugu stabilnu površinu. Otpustite prednju dršku i pustite da pila padne svom svojom težinom, okrećući se oko stražnje drške prema panju. (97)

Kada vrh mača lupi po panju tada bi kočnica trebala proraditi. (98)

Provjera kočničkog okidača

Stavite motornu pilu na stabilnu podlogu i upalite je. Lanac ne bi smio dodirivati zemlju ili neki drugi predmet. Pogledajte uputstva pod poglavljem Uključivanje i isključivanje. (99)

Čvrsto uhvatite pilu tako da prste i palčeve omotate oko obje ručke.

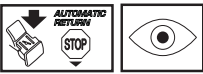
Dodajte puni gas i aktivirajte kočnicu za lanac tako da nagnete zglob na ruci prema naprijed prema prednjem štitu za ruku. Nemojte ispustiti prednju ručku. **Lanac bi se trebao odmah zaustaviti. (58)**

Gumb za gas



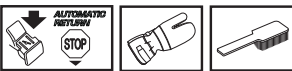
- Provjerite da li je kontrola gasa stavljena na prazan hod prije nego otpustite gumb za gas. **(100)**
- Pritisnite gumb za gas i provjerite da li se vratio u svoj prvobitni položaj nakon što ste ga otpustili. **(101)**
- Provjerite da li se kontrola gasa i gumb gasa kreću neometano i da li povratne opruge rade ispravno. **(102)**
- Upalite motornu pilu i dodajte pun gas. Otpustite kontrolu gasa i provjerite da li se lanac zaustavlja i miruje. Ukoliko se lanac okreće kada je gas namješten na prazan hod, provjerite podešenost rasplinjača tijekom praznog hoda.

Hvatač lanca



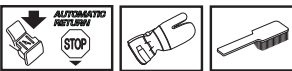
Provjerite da li je hvatač lanca oštećen i da je čvrsto pričvršćen na tijelo motorne pile. **(103)**

Štit desne ruke



Provjerite da li je štit desne ruke oštećen i da li ima vidljivih nedostataka, kao na primjer pukotina. **(11)**

Sistem za smanjivanje vibracija



Redovno provjeravajte da li su se pojavile pukotine ili nepravilnosti na napravi za smanjivanje vibracija. Bitno je da su naprave za smanjivanje vibracija sigurno pričvršćene na motor i ručke. **(104)**

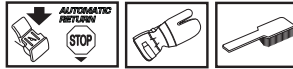
Glavni prekidač



Upalite motor i provjerite da li se motor zaustavlja kada pritisnete glavni prekidač u stop položaj. **(59)**

PAŽNJA! Prekidač za pokretanje/zaustavljanje automatski se vraća u radni položaj. Kako biste spriječili slučajno pokretanje, morate ukloniti kapicu sa svječiće prilikom sklapanja, provjere i/ili održavanja motora.

Prigušivač



Nikada nemojte koristiti stroj sa neispravnim prigušivačem. Redovno provjeravajte da li je prigušivač sigurno pričvršćen na stroj. **(105)**

Neki prigušivači su opremljeni s specijalnom zaštitnom mrežicom. Ukoliko Vaš stroj ima takvu vrstu prigušivača, onda morate očistiti tu zaštitnu mrežicu barem jednom tjedno. To možete učiniti sa čeličnom četkom. Blokirana mreža može prouzročiti pregrijavanje motora i ozbiljna oštećenja.

Pozor! Ukoliko je mrežica oštećena, treba je zamijeniti. Stroj će se pregrijati ako je mrežica začepljena. To može uzrokovati oštećenja na cilindru i klip. Nikada nemojte koristiti stroj koji ima začepljen ili neispravan prigušivač. **Nikada nemojte koristiti prigušivač ako je mrežica za zaustavljanje iskri neispravna ili ako je nema. (13)**

Prigušivač je napravljen da bi smanjio buku i udaljio ispušne plinove od korisnika pile. Ispušni plinovi su vrući i mogu sadržavati iskre koje mogu započeti vatru ako su usmjerene prema suhom i zapaljivom materijalu.

Naprava za paljenje



UPOZORENJE! Ako je povratna opruga montirana na kućištu za napravu za paljenje to znači da se nalazi u zategnutom položaju i može, ako se nemarno s njom postupa, iskočiti i izazvati povrede.

Postupajte oprezno prilikom zamjene povratne opruge ili užeta pokretača. Koristite zaštitne naočale i rukavice.

Zamjena užeta pokretača



- Odvijte vijke koji drže napravu za paljenje uz kućištu i odstranite napravu za paljenje. **(106)**
- Izvucite uže jedno 30 cm i podignite ga do otvora na koloturu. Namjestite povratnu oprugu na nulu tako da pustite kolotur da se polako vrti unazad. **(107)**
- Odrvните svornjak u sredini remenice i uklonite pogonski disk (a), oprugu pogonskog diska (B) i remenicu (C). Umetnite i učvrstite novo uže pokretača u remenicu. Namotajte oko 3 okretaja užeta pokretača na remenicu. Remenicu namjestite tako da se kraj opruge (D) zakači u remenicu. Potom vratite oprugu pogonskog diska, pogonski disk i svornjak u sredinu remenice. Provucite uže pokretača kroz otvore u kućištu i ručici pokretača. Zavežite čvrst čvor na užetu pokretača. **(108)**

Natezanje povratne opruge

- Podignite uže za paljenje do otvora na koloturu za paljenje i okrenite kolovrat za paljenje dva obrta u smjeru kazaljke na satu.

Pozor! Provjerite da li kolotur za paljenje može biti zavrnut još barem za pola okreta i kada je uže za paljenje potpuno izvučeno. (109)

Ručicom rastegnute uže. Pomjerite palac i otpustite uže. Pogledajte sliku dolje. (110)

Zamjena povratne i pogonske opruge



Povratna opruga (A)

- Podignite kolotur za paljenje. Pogledajte uputstva pod naslovom Promjena puknutog ili istrošenog užeta za paljenje.
- Rastavite kasetu sa povratnom oprugom iz naprave za paljenje.
- Podmažite povratnu oprugu s rijetkim uljem. Sastavite kasetu sa povratnom oprugom u napravi za paljenje. Sastavite kolotur za paljenje i zategnite povratnu oprugu.

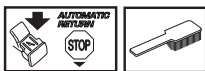
Opruga pogonskog diska (B)

- Odvrnite svornjak u sredini kotura i uklonite pogonski disk i oprugu pogonskog diska.
- Zamijenite oprugu pogonskog diska i namjestite pogonski disk iznad opruge. (111)

Sastavljanje naprave za paljenje

- Sastavite napravi za paljenje tako da prvo izvučete uže za paljenje i nakon toga postavite napravi za paljenje uz kućište. Zatim polako otpustite uže za paljenje tako da se kolotur zakači za startne kopče.
- Sastavi i pritegني vijke koji drže napravi za paljenje.

Filter za zrak



Filter za zrak mora redovito biti očišćen od prašine i prljavštine kako bi se izbjeglo sljedeće:

- Smetnje rasplinjača
- Poteškoće paljenja
- Smanjenje snage motora
- Nepotrebno trošenje dijelova motora
- Pretjerana potrošnja goriva
- Rastavite filter za zrak tako da odstranite poklopac za filter za zrak i odvijete filter. Pri ponovnom sastavljanju provjerite da li filter sjedi pripito uz držač filtera. Očistite filter tako da ga iščetkate ili protresete. (112)

Detaljnije čišćenje postiže se pranjem filtera s vodom i sapunicom.

Filter za zrak, kojeg se koristilo neko vrijeme ne može biti potpuno očišćen. Zato ga treba zamijeniti s novim u određenim vremenskim razmacima. **Oštećeni filter za zrak treba uvijek zamijeniti.**

HUSQVARNA motorne pile se mogu opremiti sa raznim vrstama zračnog filtera ovisno o radnoj sredini, vremenu, godišnja doba itd. Obratite se preprodavaču za savjetovanje.

Svjecica



Sljedeće pojave utječu na stanje svječice:

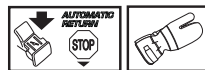
- Neispravno podešen rasplinjač.
- Nepravno mješanje ulje s gorivom (previše ili pogrešno ulje).
- Prilav filter za zrak.

Ovi čimbenici mogu stvoriti naslage na elektrodama svječice što može izazvati teškoće kod rada i paljenja.

Ukoliko je učinak stroja nizak, teško ga je upaliti i loše radi pri praznom hodu, uvijek prvo provjerite svječicu. Ukoliko je svječica prljava, očistite je i provjerite razmak između elektroda. Ponovno ga podesite ako je potrebno. Ispravni razmak je 0,5 mm. Svječicu treba zamijeniti nakon jedno mjesec dana rada ili ranije ako su elektrode jako trule. (113)

Pozor! Uvijek koristite preporučenu vrstu svječice. Kriva svječica može ozbiljno oštetiti klip/cilindar. Nadgledajte da svječica ima tkz. štitnik protiv radio valova.

Održavanje ležišta za iglu

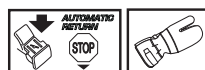


Doboš kvačila ima iglični ležaj na vanjskoj osovine. Potrebno ga je redovito podmazivati.

Prilikom podmazivanja rasklopite pokrov spojke otpuštanjem dvije matice. Postavite pilu na bok tako da bubanj spojke bude okrenut prema gore.

Podmažite tako što ćete pokapati motorno ulje uz centar bubnja spojke dok se bubanj okreće. (114)

Rashladni sistem



Stroj je opremljen s rashladnim sistemom kako bi se održala najniža moguća temperatura za vrijeme rada.

Rashladni sistem sastoji se od:

- Dovoda za zrak u rashladni sistem.
- Ploče za usmjeravanje zraka.

- 3 Krilca na kotaču .
- 4 Proreza za hlađenje na cilindru.
- 5 Poklopca cilindra (omogućava cirkulaciju hladnog zraka preko cilindra). (115)

Jednom tjedno očistite rashladni sistem četkom, a ako su radni uvjeti teški i češće. Prljav ili začepljen rashladni sistem uzrokuje pregrijavanje stroja, a to šteti kipu i cilindru.

Centrifugalno čišćenje "Air Injection"

Centrifugalno čišćenje znači slijedeće: Sav zrak za rasplinjač prolazi kroz napravu za paljenje. Prljavština i prašina su isisani van uz pomoć ventilatora. (116)

VAŽNO! Da biste osigurali ispravnost centrifugalnog sistema čišćenja, važno je redovno održavati i brinuti se za njega. Očistite dovod zraka u napravu za paljenje, krilca na kotaču, prostor oko kotača, ulaznu cijevčicu i prostor rasplinjača.

Upotreba po zimi

Prilikom korišćenja stroja po zimi i pri sniježnim uvjetima mogu nastupiti smetnje u pogonu prouzročene od:

- Temperatura motora je pre niska
- Formiranje leda na filteru za zrak i na rasplinjaču.

Zbog toga je potrebno poduzeti slijedeće mjere:

- Djelomično smanjite dovod zraka u napravu za paljenje i dok to radite povećajte temperaturu motora.

Temperature od -5°C i niže:



Pri korištenju stroja po hladnom vremenu i kad pada snijeg pršić, treba montirati specijalni poklopac na kućište naprave za paljenje. To će smanjiti dovod zraka i spriječiti veće količine snijega da budu usisane unutra. (117)

PAŽNJA! Ukoliko ste montirali specijalnu zimsku dodatnu opremu ili ste poduzeli mjere za povećanje temperature motora, potrebno ih je demontirati prije nego se stroj koristi pri normalnoj temperaturi. U protivnom postoji opasnost da će se stroj pregrijati te će doći do ozbiljnog oštećenja motora.

VAŽNO! Svako održavanje koje nije opisano u ovom priručniku mora biti izvršeno od Vašeg servisera (preprodavača).

ODRŽAVANJE

Raspored održavanja

Slijedi popis radnji koje je potrebno provesti prilikom održavanja stroja. Većina radnji opisana je u odjeljku Održavanje.

Dnevni nadzor	Nadzor tjedno	Mjesečni nadzor
Očistite vanjski dio stroja.	Svaki tjedan provjerite rashladni sustav.	Provjerite pohabanoš pojasa kočnice na kočnici lanca. Zamijenite kada debljina najpohabanije točke dosegne ispod 0,6 mm.
Provjerite da li dijelovi regulatora gasa rade u pogledu sigurnosti. (Lokot za gas i regulator gasa.)	Provjerite pokretač, uže pokretača i povratnu oprugu.	Provjerite u kakvom su stanju središte kvačila, bubanj kvačila i oprugu kvačila.
Očistite kočnicu lanca i provjerite da li radi prema uputama. Hvatač lanca ne bi smio biti oštećen. Ukoliko je, odmah ga zamijenite.	Provjerite ispravnost dijelova za prigušenje vibriranja.	Očistite svječiću i provjerite razmak. Ispravni razmak je 0.5 mm.
Vodilicu redovito preokrećite kako bi se ravnomjerno habala. Provjerite da otvor za podmazivanje u vodilici nije začepljen. Očistite otvor vodilice.	Podmažite ležište bubnja kvačila.	Očistite vanjsku stranu rasplinjača.
Provjerite radi li naprava za podmazivanje i da li su mač i lanac podmazani kako treba.	Odturpijajte neravnine ako ih ima na rubovima mača.	Provjerite filter za gorivo i cijev za gorivo. Promijenite po potrebi.
Provjerite vidljive napukline zakivaka i spojeva lanca, je li lanac krut te jesu li zakivci i spojevi previše pohabani. Zamijenite po potrebi.	Očistite ili promijenite mrežicu ispušnog lonca.	Ispraznite i očistite unutrašnjost spremnika za gorivo.
Naoštrite lanac i provjerite napetost i stanje. Provjerite koliko je istrošen pogonski kotač i ako treba, zamijenite ga.	Očistite prostor rasplinjača i kutije za zrak.	Ispraznite i očistite unutrašnjost spremnika za ulje.
Očistite ulazni otvor zraka pokretača.	Očistite filter za zrak. Promijenite po potrebi.	Provjerite sve kablove i spojeve.
Provjerite ima li vijaka i matica koje treba zavrnuti i ako treba, učinite to.		
Provjerite da stop prekidač radi.		
Provjeri da nema ispust goriva iz motora, spremnika goriva ili cijevi goriva.		
Osigurajte da se lanac ne okreće dok se motor nalazi u praznom hodu.		

TEHNIČKI PODACI

Tehnički podaci

	435 II	435e II	440 II	440e II
Motor				
Zapremnina cilindra, u kubičnim cm	40,9	40,9	40,9	40,9
Promjer cilindra, u mm	41	41	41	41
Put klipa u cilindru, u mm	31	31	31	31
Broj obrtaja pri praznom hodu, rpm	2900	2900	2900	2900
Učinak, kW/rpm	1,6/9000	1,6/9000	1,8/9000	1,8/9000
Sistem paljenja				
Svjećica	NGK BPMR 7A/ Champion RCJ 7Y	NGK BPMR 7A/ Champion RCJ 7Y	NGK BPMR 7A/ Champion RCJ 7Y	NGK BPMR 7A/ Champion RCJ 7Y
Razmak elektroda, u mm	0,5	0,5	0,5	0,5
Sistem goriva i podmazivanja				
Zapremnina spremišta za gorivo, lit.	0,37	0,37	0,37	0,37
Kapacitet pumpe za ulje pri 9000 rpm ml/ min	13	13	13	13
Zapremnina spremišta za ulje, lit.	0,25	0,25	0,25	0,25
Vrsta pumpe za ulje	Automatska	Automatska	Automatska	Automatska
Težina				
Motorna pila bez mača i lanca sa praznim rezervoarom za gorivo, kg	4,2	4,4	4,2	4,4
Emitovanje buke (pogledajte napomenu 1)				
Jačina zvuka, izmjerena u dB(A)	112	112	113	113
Jačina zvuka, garantovana L_{WA} dB(A)	114	114	114	114
Jačina buke (pogledajte napomenu 2)				
Jednakoznačna razina zvučnog tlaka na korisnikovo uho, dB(A)	102	102	102	102
Ekvivalentne razine vibracije, a_{hveq} (vidi napomenu 3)				
Prednja ručka m/s^2	2,5	2,5	2,5	2,5
Stražnja ručka m/s^2	3,2	3,2	3,2	3,2
Lanac/mač				
Standardna dužina mača, col/cm	13"/33	13"/33	13"/33	13"/33
Preporučene dužine mača, col/cm	13-18/33-45	13-18/33-45	13-18/33-45	13-18/33-45
Efektivna površina za rezanje, col/cm	12-17/31-43	12-17/31-43	12-17/31-43	12-17/31-43
Djeljenje, col/mm	0,325/8,25	0,325/8,25	0,325/8,25	0,325/8,25
Debljina pogonske karike, col/mm	0,050/1,3	0,050/1,3	0,050/1,3	0,050/1,3
Vrsta pogonskog lančanika/broj zubaca	Spur/7	Spur/7	Spur/7	Spur/7
Brzina lanca na 133% maksimalne snage motora, m/s.	23,1	23,1	23,1	23,1

Napomena 1: Stvaranje buke prema okolini izmjerena kao zvučni tlak (L_{WA}) prema EC-uputi 2000/14/EC.

Napomena 2: Ekvivalent razine pritiska buke je, prema ISO 22868, vremenski mjeren zbir energije za različite razine pritiska buke u raznim uvjetima rada. Tipična statistička disperzija za ekvivalentnu razinu pritiska buke je standardna devijacija od 1 dB (A).

Napomena 3: Ekvivalentna razina vibracije se, prema ISO 22867, izračunava kao vremenski mjeren zbir energija za razine vibracije u različitim uvjetima rada: Podaci o ekvivalentnoj razini vibracije pokazuju tipičnu statističku disperziju (standardnu devijaciju) od $1 m/s^2$.


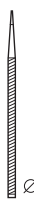
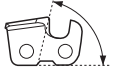
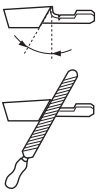

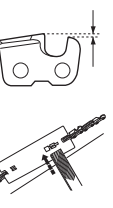


TEHNIČKI PODACI

Kombinacije lanca i mača

Sljedeća rezna oprema dopuštena je za modele Husqvarna 435 II, 435e II, 440 II i 440e II.

Mač				Lanac pile	
Dužina, col	Djeljenje, col	Širina utora u mm	Maks. broj zubaca na lančaniku vrha vodilice	Vrsta	Duljina, pogonski spojevi (br.)
13	0,325	1,3	10T	Husqvarna H30	56
15					64
16					66
18					72

Brušenje lanca i mjerači dubine utora

							
H30	3/16 / 4,8	85°	30°	10°	0,025 / 0,65	5056981-00	5056981-08

EC-uvjerenje o podudaranju (Važi samo za Evropu)

Husqvarna AB, SE-561 82 Huskvarna, Švedska, tel: +46-36-146500, ovjerava s ovim da motorna pile za šumsku službu Husqvarna 435 II, 435e II, 440 II i 440e II od 2013 godine serijskog broja i naprijed (godina se navodi u jasnom tekstu na tablici tipa uz praćenje serijskog broja) podudaraju se sa propisima u UPUTI VIJEĆA:

- od 17. svibnja 2006, "o strojevima" **2006/42/EC**.
- od 15. prosinac 2004 "u vezi elektromagnetske kompatibilnosti" **2004/108/EEC**.
- od 8. svibnja 2000 "u vezi stvaranja buke prema okolini" **2000/14/EC**.

Za informacije u vezi sa stvaranjem buke, pogledajte poglavlje Tehnički podaci. Naredni standardi su primjenjeni:

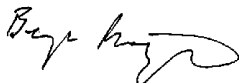
EN ISO 12100:2010, ISO 14982:2009, EN ISO 11681-1:2011

Prijavljen organ: **0404, SMP Svensk Maskinprovning AB**, Box 7035, SE-750 07 Uppsala, Švedska, je izvršio EC- kontrolu tipa prema članku 12, točka 3b, upute za mašine (2006/42/EC). Potvrde o EC kontrole tipa prema Annex IX, imaju broj: **0404/09/2012** - 435 II, 435e II, 440 II, 440e II.

Osim toga je SMP, Svensk Maskinprovning AB, Box 7035, SE-750 07 Uppsala, Švedska, potvrdio podudaranje sa prilogom V na upute vjeca od 8. svibnja 2000 "u vezi stvaranja buke prema okolini" 2000/14/EC. Certifikati imaju broj: **01/161/075** - 435 II, 435e II, **01/161/074** - 440 II, 440e II.

Isporučena motorna pile se podudara sa primjerkom na kojem je izvršena EC-kontrola tipa.

Husqvarna 8. Travanj 2013



Bengt Frögelius, Šef razvoja motornih pile (Ovlašteni predstavnik tvrtke Husqvarna AB i osoba odgovorna za tehničku dokumentaciju.)

ПОЯСНЕНИЕ СИМВОЛОВ

Условные обозначения на машине:

ПРЕДУПРЕЖДЕНИЕ! Моторные пилы могут быть опасны! Небрежное или неправильное обращение может привести к серьезным травмам или к смерти оператора или других людей.

Прежде чем приступить к работе с машиной внимательно прочитайте инструкцию и убедитесь, что Вам все понятно. Всегда используйте:

- Специальный защитный шлем
- Специальные шумозащитные наушники
- Защитные очки или маску

Эта продукция отвечает требованиям соответствующих нормативов ЕС.

Шумозащитные эмиссии в окружающую среду согласно Директивы Европейского Сообщества. Эмиссия машины приведена в главе Технические данные и на табличке.

Зажигание; подсос: Установите рычаг подсоса в положение подсоса. Выключатель при этом должен автоматически перейти в положение пуска.

Заливание топлива.

Маслозаливная горловина цепи.

Топливный насос.

Регулировка масляного насоса.

Тормоз цепи активирован (справа) Тормоз цепи не активирован (слева)

Другие символы/наклейки на машине относятся к специальным требованиям сертификации на определенных рынках.



Символы в инструкции:

Перед выполнением проверок или техобслуживания выключайте двигатель. Обратите внимание! Выключатель Запуск/ Остановка автоматически переходит рабочее положение. В целях избежания непроизвольного запуска, головка свечи должна быть всегда снята со свечи при сборке, проверке и/или обслуживании.



Пользуйтесь специальными защитными перчатками.



Требует регулярной чистки.



Место визуальной проверки.



Должны использоваться защитные очки или маска.



Заливание топлива.



Заправка масла и регулировка подачи масла.



Тормоз цепи должен при запуске моторной пилы быть включен.



ПРЕДУПРЕЖДЕНИЕ! Отдача может возникнуть когда носок пильной шины входит в контакт с каким либо предметом и вызывает реакцию отдачи, которая отбрасывает шину пилы вверх и назад на оператора. Это может привести к серьезным травмам людей.



СОДЕРЖАНИЕ

Содержание

ПОЯСНЕНИЕ СИМВОЛОВ	
Условные обозначения на машине:	210
Символы в инструкции:	210
СОДЕРЖАНИЕ	
Содержание	211
ВВЕДЕНИЕ	
Уважаемый покупатель!	212
ЧТО ЕСТЬ ЧТО?	
Что есть что на моторной пиле?	212
ОБЩИЕ ПРЕДПИСАНИЯ ПО БЕЗОПАСНОСТИ	
Действия, которые необходимо предпринять перед использованием новой моторной пилы	213
Важная информация	214
Всегда руководствуйтесь здравым смыслом	214
Средства защиты оператора	214
Устройства безопасности машины	215
Пильный аппарат	217
СБОРКА	
Порядок монтажа пильного полотна и цепи	222
ПРАВИЛА ОБРАЩЕНИЯ С ТОПЛИВОМ	
Подготовка топливной смеси	223
Заправка	224
Правила безопасности при заправке	224
ЗАПУСК И ОСТАНОВ	
Запуск и остановка	226
МЕТОД РАБОТЫ	
Перед каждым использованием:	228
Общие рабочие инструкции	228
Как избежать отдачи	233
ТЕХНИЧЕСКОЕ ОБСЛУЖИВАНИЕ	
Общие сведения	234
Регулировка карбюратора	234
Осмотр, уход и обслуживание защитных приспособлений моторной пилы	234
Глушитель	235
Стартер	236
Воздушный фильтр	236
Свеча зажигания	237
Смазка иглочатого подшипника	237
Система охлаждения	237
Центробежная очистка воздуха "Аир Иниейцтион"	237
Работа в зимних условиях	237
График технического обслуживания	239

ТЕХНИЧЕСКИЕ ХАРАКТЕРИСТИКИ	
Технические характеристики	240
Совместимость моделей пильного полотна и цепи	241
Затачивание цепи пилы и шаблоны для затачивания	241
Гарантия ЕС о соответствии	242

ВВЕДЕНИЕ

Уважаемый покупатель!

Мы поздравляем вас с выбором инструмента Husqvarna! Фирма Husqvarna берет свое начало в 1689 году, когда король Карл XI постановил создать фабрику по изготовлению мушкетов на берегу реки Huskvarna. Место около реки Huskvarna было разумным выбором, так как энергия течения воды использовалась в производстве. В течение более 300 лет существования фабрики Husqvarna, на ней производилось множество различных изделий, начиная от каминов и до современных кухонных машин, швейные машинки, велосипеды, мотоциклы и др. В 1956 была выпущена первая газонокосилка с мотором, после чего в 1959 году была выпущена первая моторная пила. В этой области производства деятельность Husqvarna осуществляется и сегодня.

Сегодня Husqvarna является одним из ведущих в мире производителей изделий для лесных и садовых работ самого высокого качества и мощности. Цель бизнеса заключается в том, чтобы разрабатывать, производить и распространять на рынке изделия с моторным приводом для работы в лесу и в саду, а также в строительстве и в промышленном комплексе. Фирма Husqvarna также стремится быть впереди в эргономике, удобстве пользования, безопасности и экологии, и по этой причине было разработано много различных функций, которые улучшают продукцию в этих областях.

Мы убеждены в том, что Вы по достоинству оцените качество нашего изделия и мощность и останетесь довольным им на протяжении длительного времени. Приобретение какого-либо из наших изделий, дает Вам доступ к профессиональной помощи по его ремонту и обслуживанию, если в этом все-таки возникнет необходимость. Если машина была приобретена не в одном из наших специализированных магазинов, узнайте в ближайшей сервисной мастерской.

Надеемся, что Вы останетесь довольны Вашей машиной, и что она будет Вашим спутником на долгое время. Помните о том, что настоящее руководство является ценным документом. Выполняя требования инструкции (пользование, сервис, обслуживание и т.д.), Вы значительно продлите срок службы машины и поднимите ее вторичную стоимость. Когда Вы будете продавать Вашу машину, не забудьте передать инструкцию новому владельцу.

Спасибо за то, что Вы пользуетесь инструментом Husqvarna!

Husqvarna AB постоянно работает над разработкой своих изделий и поэтому оставляет за собой право на внесение изменений в форму и внешний вид без предварительных предупреждений.

Что есть что на моторной пиле? (1)

- 1 Крышка цилиндра
- 2 Топливный насос.
- 3 Рекомендации по запуску
- 4 Комбинированный выключатель запуска и остановки.
- 5 Задняя ручка
- 6 Информационная и предупреждающая наклейка
- 7 Топливный бак
- 8 Винты регулировки карбюратора
- 9 Ручка стартера
- 10 Стартер
- 11 Бак под масло для смазки цепи
- 12 Табличка с обозначением изделия и серийного номера
- 13 Отметка направления валки
- 14 Передняя ручка
- 15 Рукоятка охраны против отдачи
- 16 Глушитель
- 17 Пильная цепь
- 18 Направляющая звездочка
- 19 Полотно пильной шины
- 20 Зубчатый упор
- 21 Уловитель цепи
- 22 Винт механизма натяжения цепи (435 II, 440 II)
- 23 Крышка сцепления (435 II, 440 II)
- 24 Защита для правой руки
- 25 Курок газа
- 26 Рычаг блокировки курка газа
- 27 Крышка сцепления (435e II, 440e II)
- 28 Колесо натяжения цепи
- 29 Ручка
- 30 Руководство по эксплуатации
- 31 Универсальный ключ
- 32 Защитный чехол пильного полотна

ОБЩИЕ ПРЕДПИСАНИЯ ПО БЕЗОПАСНОСТИ

Действия, которые необходимо предпринять перед использованием новой моторной пилы

- Внимательно прочитайте инструкцию.
- (1) - (117) указывает на иллюстрацию на стр. 2-6.
- Проверьте установку пильного аппарата и регулировку. См. указания в разделе Сборка.
- Заправьте и запустите моторную пилу. См. указания в разделах Обращение с топливом и Запуск и остановка.
- Не пользоваться моторной пилой пока на цепь не попадет достаточное количество масла. См. раздел Режущее оборудование.
- Продолжительное воздействие шума дает неизлечимое ухудшение слуха. Всегда пользуйтесь, поэтому, специальными наушниками.



ПРЕДУПРЕЖДЕНИЕ! Ни при каких обстоятельствах не допускается внесение изменений в первоначальную конструкцию машины без разрешения изготовителя. Пользуйтесь только оригинальными запчастями. Внесение неразрешенных изменений и/или использование неразрешенных приспособлений может привести к серьезной травме или даже к смертельному исходу для оператора или других лиц.



ПРЕДУПРЕЖДЕНИЕ! При неправильном или небрежном использовании моторной пилы, она может быть опасным инструментом, который может привести к серьезным, и даже к опасным для жизни травмам. Поэтому необходимо внимательно прочитать и полностью понять данную инструкцию.



ПРЕДУПРЕЖДЕНИЕ! В глушителе есть химикаты, которые могут вызывать раковые заболевания. Избегайте контакта с этими элементами в случае повреждения глушителя.



ПРЕДУПРЕЖДЕНИЕ! Продолжительное вдыхание выхлопных газов двигателя испарений цепного масла и древесной пыли опасно для здоровья.



ПРЕДУПРЕЖДЕНИЕ! Машина во время работы создает электромагнитное поле. В определенных обстоятельствах это поле может создавать помехи для пассивных и активных медицинских имплантантов. Чтобы избежать риска серьезного повреждения или смерти, лицам с медицинскими имплантантами рекомендуется проконсультироваться с врачом и изготовителем имплантанта, прежде чем приступить к работе с этой машиной.



ПРЕДУПРЕЖДЕНИЕ! Никогда не позволяйте детям пользоваться или находиться рядом с машиной. Так как машина оснащена контактом остановки с пружинным возвратом и может быть запущена с низкой скоростью и усилием на стартовой ручке, то даже малые дети в определенных обстоятельствах могут создать усилие, необходимое для запуска машины. Это создает риск серьезных травм людей. Снимайте поэтому всегда колпачок со свечи, когда Вы оставляете машину без присмотра.

ОБЩИЕ ПРЕДПИСАНИЯ ПО БЕЗОПАСНОСТИ

Важная информация

ВАЖНО!

Настоящая лесопильная цепная пила предназначена для таких работ как: рубка леса, обрезка сучков и распиливание.

Нормы внутреннего законодательства могут накладывать ограничения на использование данной машины.

Пользуйтесь только теми сочетаниями пильной шины/цепи, которые мы рекомендуем в главе Технические данные.

Никогда не работайте с машиной, если Вы устали, выпили алкоголь, или принимаете лекарства, которые могут оказывать влияние на зрение, реакцию или координацию.

Пользуйтесь оборудованием для защиты людей. См. раздел Защитное оборудование.

Никогда не модифицируйте машину настолько, чтобы её конструкция больше не соответствовала оригинальному исполнению, и не пользуйтесь ей, если Вы подозреваете, что она была модифицирована другими.

Никогда не используйте дефектную машину. Проводите регулярные проверки безопасности, уход и обслуживание в соответствии с данным руководством. Некоторые операции по уходу и обслуживанию должны выполняться только квалифицированными специалистами. См. указания в разделе Техобслуживание.

Никогда не применяйте дополнительное оборудование отличное от рекомендованного в данном руководстве. См. Раздел Режущее оборудование и Технические характеристики.

Обратите внимание! Пользуйтесь всегда защитными очками или маской, чтобы уменьшить риск травмы отбрасываемыми предметами. Моторная пила может отбрасывать такие предметы, как опилки, маленькие частицы дерева и т.д. с большим усилием. Это может привести к серьезным травмам, особенно глаз.



ПРЕДУПРЕЖДЕНИЕ! Работа двигателя в закрытом или в плохо проветриваемом помещении может привести к смертельному исходу от удушья или заражения угарным газом.



ПРЕДУПРЕЖДЕНИЕ! Неправильное режущее оборудование или неправильное сочетание пильной шины/цепи увеличивает риск отдачи! Пользуйтесь только сочетанием пильной шины/цепи, которое мы рекомендуем, и выполняйте указания инструкции. См. указания под заголовком Технические данные.

Всегда руководствуйтесь здравым смыслом (2)

Невозможно предвидеть все возможные ситуации, в которых Вы можете оказаться, пользуясь моторной пилой. Будьте всегда осторожны и руководствуйтесь здравым смыслом. Избегайте ситуаций, для которых по Вашему мнению, уровень Вашей квалификации недостаточен. Если Вы, прочитав это руководство, всё еще чувствуете себя неуверенными в отношении метода работы, обратитесь за советом к специалисту, прежде, чем Вы будете продолжать работу. Обращайтесь всегда к Вашему дилеру или к нам, если у Вас есть вопросы по обращению с моторной пилой. Мы всегда будем рады помочь и дать Вам совет по тому, как Вы можете пользоваться Вашей моторной пилой лучше и безопаснее. Мы советуем Вам пройти подготовительный курс по пользованию моторной пилой. Ваш дилер, школа по уходу за лесом или библиотека могут предложить Вам материал и то какие есть для этого курсы. Постоянно проводится работа по улучшению конструкции и технологии - улучшения, которые увеличивают безопасность и эффективность. Посещайте Вашего дилера регулярно, чтобы Вы были в курсе дела, какую пользу Вы можете извлечь из новых функций, вводимых в производство.

Средства защиты оператора



ПРЕДУПРЕЖДЕНИЕ! Большинство несчастных случаев с цепной пилой происходит при соприкосновении человека с движущейся цепью. Во время работы с машиной вы должны использовать специальные одобренные средства защиты. Средства личной защиты не могут полностью исключить риск получения травмы, но при несчастном случае они снижают тяжесть травмы. Обращайтесь за помощью к дилеру при подборе средств защиты.

- Специальный защитный шлем

ОБЩИЕ ПРЕДПИСАНИЯ ПО БЕЗОПАСНОСТИ

- Защитные наушники
- Защитные очки или маску
- Специальные перчатки с защитой от пореза
- Брюки с защитой от пореза пилой
- Сапоги с предохранением от пореза цепью с металлической вставкой и нескользящей подошвой.
- Всегда имейте при себе аптечку для оказания первой медицинской помощи.
- Огнетушитель с лопатой

В общем случае одежда должна быть плотно подогнана и в то же время не стеснять свободы движения.

ВАЖНО! Искры могут исходить от глушителя, пильной шины и цепи, или от другого источника. Имейте всегда инструмент для пожаротушения на случай, если он может Вам понадобиться. Тем самым Вы будете содействовать предотвращению лесных пожаров.

Устройства безопасности машины

В этом разделе поясняется, что относится к устройствам безопасности машины и их функции. Указания по проверке и обслуживанию приведены в разделе Проверка, обслуживание и сервис устройств безопасности моторной пилы. См. указания в разделе Что есть что?, где Вы найдете расположение этих устройств на машине.

Срок службы машины может быть укорочен и риск аварии увеличен, если обслуживание машины не выполняется правильным образом и если сервис и/или ремонт не были выполнены профессионально. Если вам требуется дополнительная информация, обратитесь в ближайшую мастерскую по обслуживанию.



ПРЕДУПРЕЖДЕНИЕ! Никогда не пользуйтесь машиной с поврежденным устройством безопасности. Устройство безопасности следует проверять и обслуживать. См. указания в разделе Проверка, обслуживание и сервис устройства безопасности моторной пилы. Если Ваша машина не в состоянии выдержать все проверки, обращайтесь в мастерскую для ремонта.

Тормоз цепи и рукоятка охраны против отдачи

Ваша моторная пила оснащена тормозом цепи, сконструированным для остановки цепи пилы при отдаче. Тормоз цепи снижает риск несчастных случаев, но предотвратить их можете только Вы, как пользователь. (3)

Будьте внимательны при работе и следите, чтобы зона отдачи пильного полотна не касалась никаких объектов. (4)

- Тормоз цепи (А) включается вручную (левой ручкой) или под воздействием инерции. (5)
 - Тормоз срабатывает, когда рукоятка охраны против отдачи (В) сдвигается вперед. (5)
 - Данное движение приводит в действие пружинный механизм, который зажимает ленту тормоза (С) вокруг привода цепи (Д) (барабана муфты сцепления). (6)
 - Рукоятка охраны против отдачи предназначена не только для приведения в действие тормоза цепи. Другое ее важное свойство заключается в том, что она не допускает попадания левой руки на цепь при соскальзывании с передней ручки.
 - Тормоз цепи должен быть включен при запуске моторной пилы, чтобы не допустить вращения цепи. (55)
 - Пользуйтесь тормозом цепи как "стояночным тормозом" при запуске и при малых переходах с одного места на другое, чтобы избежать несчастных случаев, когда пользователь или какой-либо предмет в окружении может оказаться с движущейся цепью пилы. Не оставляйте надолго включенную цепную пилу с включенным цепным тормозом. Цепная пила может сильно нагреться.
 - Цепной тормоз отпускается перемещением переднего рукоогрadientsеля с надписью "ОТВЕСТИ НАЗАД ДЛЯ ВОЗВРАТА" по направлению к передней рукоятке.
 - Толчок при отдаче может быть молниеносным и очень сильным. В большинстве случаев отдача маленькая и тормоз цепи срабатывает не всегда. Если это происходит, вы должны крепко держать моторную пилу и не дать ей вырваться из рук.
 - Способ срабатывания тормоза пильной цепи, ручную или автоматически, зависит от силы отдачи и положения моторной пилы по отношению к объекту, которого коснулось пильное полотно своей зоной отдачи.
- При сильной отдаче, и когда сектор отдачи шины пилы находится на максимальном отдаленном расстоянии от пользователя, то тормоз цепи пилы может включаться

ОБЩИЕ ПРЕДПИСАНИЯ ПО БЕЗОПАСНОСТИ

противовесом цепи пилы (инерция) в направлении отдачи. (7)

Если удар отдачи не очень сильный и/или зона отдачи полотна недалеко от вас, тормоз цепи срабатывает в ручную движением левой руки.

- При падении, левая рука находится в положении, когда она не в состоянии включить тормоз цепи. Этот тип захвата, т.е. когда левая рука находится в положении, когда она не в состоянии оказать влияние на движение щита отдачи, тормоз цепи может быть включен только под воздействием инерции. (8)

Включает ли моя рука тормоз цепи всегда при отдаче?

Нет. для перемещения щита отдачи вперед, необходимо определенное усилие. Если Ваша рука будет лишь слегка касаться щита отдачи или соскользнет на него, то усилие может быть недостаточно сильным для включения тормоза пилы. Вы должны держать моторную пилу устойчивым захватом во время работы. Если Вы будете это делать и произойдет отдача, Вы скорее всего никогда не отпустите руку с передней ручки и не включите тормоз пилы, или, тормоз пилы будет включен лишь когда пила успеет повернуться на достаточное расстояние. В такой ситуации тормоз цепи возможно не успеет остановить цепь до того, когда она прикоснется к Вам.

Встречаются также рабочие положения, в которых Ваша рука будет не в состоянии достать до щита отдачи, чтобы включить тормоз цепи; например, когда пила удерживается в положении валки.

Происходит ли включение тормоза цепи инерцией всегда при отдаче?

Нет. Во-первых Ваш тормоз должен функционировать. Проверить тормоз довольно легко, см. указания в разделе Проверка, обслуживание и сервис оборудования безопасности моторной пилы. Мы рекомендуем делать это перед каждой новой рабочей сменой. Во-вторых, отдача должна быть достаточно сильной для включения стояночного тормоза. Если тормоз цепи был чрезмерно чувствительным, то он включался бы всегда, что не давало бы возможности работать.

В состоянии ли тормоз цепи всегда защитить меня от травмы при отдаче?

Нет. Во-первых, тормоз должен функционировать, чтобы он был в состоянии предоставить необходимую защиту. Во-вторых,

он должен включаться так, как это описано выше, чтобы он смог остановить цепь пилы при отдаче. В-третьих, тормоз цепи может быть и включен, но если шина пилы находится очень близко к Вам, то тормоз возможно не успеет затормозить и остановить цепь до того, как она к Вам прикоснется.

Только Вы сами и правильный метод работы может исключить отдачу и эти риски.

Рычаг блокировки курка газа

Блокиратор ручки газа сконструирован для предупреждения непроизвольного воздействия на ручку газа. При нажатии на блокиратор (А) в ручке (= когда Вы держите ручку) ручка газа (В) освобождается. Когда будет отпущен захват, то ручка газа и блокиратор возвращаются в свои исходные положения. Это положение означает, что ручка газа автоматически замыкается на холостых оборотах. (9)

Уловитель цепи

Уловитель цепи предназначен для улавливания цепи при ее обрыве или соскакивании. Чтобы этого не произошло, в большинстве случаев, достаточно правильно отрегулировать натяжение цепи (см. указания в разделе Монтаж), а также правильно производить уход и техобслуживание шины пилы и цепи (см. указания в подразделе Общие рабочие инструкции). (10)

Защита для правой руки

Кроме защиты вашей правой руки при соскальзывании или обрыве цепи, защитное приспособление предохраняет руку, сжимающую заднюю ручку, от случайного попадания веток и сучьев. (11)

Система гашения вибрации

Ваша машина оснащена системой гашения вибрации на рукоятках, сконструированной для максимального удобного пользования без вибрирования машины.

Система виброгашения машины снижает уровень вибрации передаваемый от двигателя или режущего оборудования на рукоятки. Корпус двигателя, включая режущее оборудование, соединен с рукоятками через виброгасящие элементы.

Пиление твердых пород дерева большинство широколиственных деревьев вызывает более сильную вибрацию чем пиление мягких пород большинство хвойных деревьев. Работа с затупившейся или неисправной цепью неправильная или плохая заточка приводит к повышению уровня вибрации.

ОБЩИЕ ПРЕДПИСАНИЯ ПО БЕЗОПАСНОСТИ



ПРЕДУПРЕЖДЕНИЕ! Длительное воздействие вибрации оказывает вредное влияние на кровеносные сосуды и может вызвать расстройства нервной системы у людей с нарушенным кровообращением. В случае появления симптомов вредного влияния вибрации на организм, следует обратиться к врачу. Примером таких симптомов могут быть отсутствие чувствительности, "зуд", "покалывание", боль, потеря или уменьшение обычной силы, изменение цвета и поверхности кожи. Обычно подобные симптомы проявляются на пальцах, руках или запястьях. Эти симптомы увеличиваются при холодной температуре.

Клавиш остановки

Данный выключатель используется для полной остановки двигателя. (12)

Глушитель

Глушитель предназначен для снижения уровня шума и отвода в сторону от работающего человека выхлопных газов.



ПРЕДУПРЕЖДЕНИЕ! Выхлопные газы двигателя горячи и могут содержать искры, который могут стать причиной пожара. Поэтому машину никогда не следует запускать внутри помещения или рядом с легковоспламеняемым материалом.

В местах с теплым и сухим климатом, есть большой риск возникновения пожаров. Иногда местные предписания в таких регионах требуют, чтобы глушитель был оснащен соответствующей требованию искроулавливающей сеткой. (13)

При установке сетки убедитесь, что она установлена в верном положении. При необходимости используйте для установки или удаления сетки комбинированный гаечный ключ.

Обратите внимание! Глушитель при использовании и сразу после остановки двигателя очень горячий. Это справедливо также при работе на холостых оборотах. Помните о риске пожара, в особенности при работе рядом с легко воспламеняемыми веществами и/или газами.



ПРЕДУПРЕЖДЕНИЕ! Никогда не пользуйтесь моторной пилой без или с поврежденным глушителем. Поврежденный глушитель значительно увеличивает шум и риск пожара. Имейте всегда под рукой инструмент для тушения пожара. Никогда не пользуйтесь моторной пилой без или с поврежденной искроулавливающей сеткой, если она обязательна там, где Вы работаете.

Пильный аппарат

В настоящем разделе описано то, как Вы, благодаря правильному обслуживанию и использованию правильного режущего оборудования:

- Снизить риск отдачи машины.
- Избежать случаев выхода и обрыва цепи.
- Поддерживать цепь всегда правильно заточенной.
- Продлить срок службы пилы и пильного аппарата.
- Не допускать увеличения уровня вибрации.

Общие правила

- Пользуйтесь только рекомендуемым нами режущим оборудованием! См. указания под заголовком Технические данные.
- Следите за тем, чтобы зубья пильной цепи были правильно заточены! Соблюдайте наши инструкции и используйте рекомендованный нами шаблон. Поврежденная или плохо заточенная цепь повышает риск несчастного случая.
- Выдерживайте правильное снижение ограничителя! Выполняйте наши инструкции и пользуйтесь рекомендуемыми нами шаблонами для установки снижения ограничителя. Очень большое снижение ограничителя увеличивает риск отдачи.
- Цепь пилы должна быть хорошо натянутой! Недостаточное натяжение цепи увеличивает риск выхода цепи и износ пильного полотна, цепи пилы и ведущей звездочки.
- Следите за тем чтобы пильный аппарат хорошо смазывался и поддерживался в соответствующем рабочем состоянии. При плохой смазке цепь может легко оборваться и быстрее изнашивается, а также ускоряется износ полотна и звездочек.

ОБЩИЕ ПРЕДПИСАНИЯ ПО БЕЗОПАСНОСТИ

Режущее оборудование с пониженной отдачей



ПРЕДУПРЕЖДЕНИЕ! Неправильное режущее оборудование или неправильное сочетание пильной шины/цепи увеличивает риск отдачи! Пользуйтесь только сочетанием пильной шины/цепи, которое мы рекомендуем, и выполняйте указания инструкции. См. указания под заголовком Технические данные.

Единственная возможность избежать отдачи, это постоянный контроль за тем чтобы зона отдачи пильного полотна ни с чем не соприкасалась.

Вы можете снизить риск отдачи, используя пильный аппарат, имеющий конструктивные элементы, понижающие вероятность отдачи, правильно заточивая цепь и выполняя надлежащий уход.

Пильное полотно

Чем меньше радиус носовой звездочки, тем меньше будет вероятность отдачи.

Пильная цепь

Цепь пилы собрана из набора звеньев, которые могут быть выполнены в стандартном и в снижающем вероятность отдачи варианте.

ВАЖНО! Никакие пильные цепи не исключают полностью риск отдачи.



ПРЕДУПРЕЖДЕНИЕ! Любой контакт с вращающейся цепью может привести к очень серьезным травмам.

Некоторые термины и понятия используемые при описании пильного полотна и пильной цепи

Для сохранения функций всех деталей системы защиты на режущем оборудовании, Вам следует производить замену изношенных и поврежденных пильных шин и цепи на рекомендуемые фирмой Husqvarna. См. указания в разделе Технические данные для получения информации о рекомендуемых нами пильных шинах и цепях.

Пильное полотно

- Длина (дюйм/см)
- Количество зубьев на носовой звездочке (Т).
- Шаг пильной цепи (дюймы). Конечная звездочка и ведущая звездочка цепи должны соответствовать расстоянию между звеньями цепи. (14)
- Кол-во приводных звеньев (шт.) Число приводных звеньев определяется длиной

пильного полотна, шагом цепи и количеством зубьев на носовой звездочке полотна.

- Ширина паза пильного полотна (дюйм/мм). Паз полотна должен совпадать с шириной приводных звеньев цепи.
- Отверстие для смазки цепи и отверстие для шейки натяжителя цепи. Пильное полотно должно соответствовать конструкции моторной пилы. (15)

Пильная цепь

- Шаг пильной цепи (дюймы) (14)
- Ширина ведущего звена (мм/дюймов) (16)
- Количество ведущих звеньев (шт.) (17)

Затачивание и снижение ограничителя пильной цепи.

Общие сведения относительно затачивания режущего зуба

- Никогда не пилите затупившейся пильной цепью. Признаком того, что цепь затупилась, является необходимость давить на нее при пилении и очень мелкие опилки. При сильно затупившейся цепи вообще не будет опилок. Будет оставаться только древесная пыль.
- Хорошо заточенная пильная цепь сама врезается в дерево и дает длинные и большие опилки.
- Пилающей частью цепи является режущий звено, которое состоит из режущего зуба (А) и ограничителя глубины врезания (В). Разница между ними по высоте определяет толщину срезаемой стружки. (18)

При затачивании режущего зуба, следует учитывать четыре параметра.

- 1 Угол заточки верхней режущей кромки. (19)
- 2 Угол резания (20)
- 3 Угол наклона напильника (21)
- 4 Диаметр круглого напильника

Без вспомогательного инструмента заточить пильную цепь очень сложно, поэтому, рекомендуем пользоваться шаблоном для заточки. Он гарантирует то, что пильная цепь заточена оптимально для максимальной производительности пиления и минимального риска отдачи. (22)

См. указания в разделе Технические данные, относительно параметров заточки Вашей пильной цепи.



ПРЕДУПРЕЖДЕНИЕ! Несоблюдение указаний инструкции значительно увеличивает риск отдачи пилы.

ОБЩИЕ ПРЕДПИСАНИЯ ПО БЕЗОПАСНОСТИ

Заточка режущего зуба



Для заточки режущего зуба, необходимо иметь круглый напильник и шаблон для заточки. См. указания относительно диаметра круглого напильника и рекомендуемого шаблона для Вашей пильной цепи в разделе Технические данные.

- Проверьте, чтобы цепь пилы была натянута. Слабое натяжение затрудняет правильную заточку.
- Всегда производите заточку с внутренней стороны режущего зуба наружу. Облегчите немного давление на напильник при обратном движении. Сначала заточите зубья с одной стороны затем переверните моторную пилу и заточите зубья с другой стороны.
- Производите заточку так, чтобы все зубья были одинаковой длины. Когда будет оставаться лишь 4 мм (5/32 дюйма) длины зуба, цепь следует выбросить, так как она уже изношена. (23)

Общие сведения относительно снижения ограничителя глубины врезания.

- При заточке режущих зубьев всегда поддерживайте снижение ограничителя глубины врезания. Для выполнения качественного пиления, следует сточить ограничитель глубины врезания до рекомендуемой высоты. См. указания в разделе Технические данные относительно величины снижения ограничителя глубины врезания Вашей пильной цепи. (24)



ПРЕДУПРЕЖДЕНИЕ! Чрезмерно большое ограничение глубины врезания увеличивает риск отдачи пильной цепи!

Регулировка величины снижения ограничителя глубины врезания



- При регулировке подачи, режущие зубья должны быть заново заточены. Мы рекомендуем регулировать величину снижения ограничителя после трех заточек зубьев пильной цепи. Обратите внимание! Данная рекомендация предполагает, что длина режущих зубьев не была сточена слишком много.
- Для регулировки снижения ограничителя необходимо иметь плоский напильник и

шаблон регулировки величины снижения ограничителя. Мы рекомендуем пользоваться нашим шаблоном для регулировки величины снижения ограничителя, чтобы снижение имело необходимый размер а ограничитель правильный угол заточки.

- Наложите шаблон на пильную цепь. Информация по использованию шаблона приведена на упаковке. Пользуйтесь плоским напильником для стачивания выступающей части ограничителя глубины врезания. Снижение ограничителя считается правильным, когда не будет чувствоваться никакого сопротивления, когда Вы проводите напильником по шаблону. (25)

Натяжение цепи



ПРЕДУПРЕЖДЕНИЕ! Недостаточно натянутая цепь пилы вызывает соскакивание цепи, что может привести к опасным и даже к смертельным травмам.

Чем больше Вы пользуетесь пильной цепью, тем больше она растягивается. Важно, чтобы после этого изменения пильный аппарат был отрегулирован.

Проверяйте натяжение цепи при каждой заправке моторной пилы. Обратите внимание! Новая пильная цепь имеет некоторое время приработки, в течение которого следует чаще чем обычно проверять натяжение цепи.

Цепь следует натягивать достаточно туго, но не допуская перетягивания, когда ее невозможно повернуть рукой. (26)

435 II, 440 II



- Открутите гайку шины, удерживающую крышку сцепления и цепной тормоз. Используйте комбинированный гаечный ключ. Снова максимально затяните гайку шины вручную. (27)
- Поднимите носок полотна и подтяните цепь, подкручивая винт натяжения цепи с помощью универсального ключа. Натяните цепь до такой степени, чтобы она не провисала в нижней части полотна. (28)
- С помощью универсального ключа затяните гайку шины пилы, одновременно поднимая носок шины пилы. Проверьте, чтобы вы могли

ОБЩИЕ ПРЕДПИСАНИЯ ПО БЕЗОПАСНОСТИ

свободно двигать цепь рукой, и чтобы в то же время она не провисала в нижней части шины пилы. (29)

Расположение винта натяжения цепи может быть различным на различных моделях наших моторных пил. См. указания в разделе Что есть что? относительно того, где он расположен на Вашей модели пилы.

435e II, 440e II



- Поднимите ручку. (30)
- Поверните ручку против часовой стрелки, чтобы освободить крышку направляющей. (31)
- Отрегулируйте натяжение цепи, поворачивая колесо вниз (+) для усиления или вверх (-) для ослабления натяжения. (32)
- Затяните сцепление направляющей, поворачивая рукоятку по часовой стрелке. (33)
- Опустите ручку, чтобы фиксировать натяжение. (34)

Смазка пильного аппарата



ПРЕДУПРЕЖДЕНИЕ! Плохая смазка пильного аппарата может вызвать заклинивание цепи и привести к серьезным и даже к смертельным травмам.

Масло для цепи пилы

Масло для смазки цепи должно удерживаться на цепи и в то же время сохранять свою текучесть как в теплую погоду летом, так и в зимний холод.

Будучи изготовителем цепной пилы, мы разработали оптимальное цепное масло на основе растительного масла, которое является биологически разлагаемым. Мы рекомендуем использовать наше масло с целью максимального увеличения срока службы цепи, а также нанесения минимального вреда окружающей среде. Если наше цепное масло недоступно, рекомендуется использовать стандартное цепное масло.

Никогда не используйте масло, бывшее в употреблении! Это опасно для Вас, для машины и для окружающей среды.

ВАЖНО! При использовании растительного масла для цепи, демонтируйте и очистите канавку на пильной шине и пильную цепь перед тем, как она будет упакована для длительного хранения. В ином случае есть риск того, что масло для смазки цепи приведет к заеданию шарниров пильной цепи и носовой звездочки пильной шины.

Заправка маслом

- Все выпускаемые нами модели моторных пил имеют автоматическую систему смазки. В некоторых моделях также предусмотрена регулировка производительности маслоснасоса.
- Объемы бачка под масло для смазки цепи и топливного бака рассчитаны на то, чтобы топливо кончалось до того, как кончится масло для смазки цепи.

Эта функция безопасности, однако, предупреждает: - что Вы используете правильное масло для цепи (жидкое и легко текучее масло израсходуется до того, как закончится топливо), - что Вы выполняете наши рекомендации, относительно установок карбюратора (чрезмерно 'бедная' установка дает расход топлива настолько большим, что топливо закончится после того, как кончается масло смазки цепи) и, - что Вы выполняете рекомендации по ружьющему оборудованию (чрезмерно длинная шина пилы требует большего количества масла).

Проверка смазки цепи

- Проверку смазки следует проводить всякий раз при заправке топливом.

Направьте носок моторной пилы на светлую поверхность на расстоянии прим. 20 см (8 дюймов). После 1 минуты работы на 3/4 оборотов, на светлой поверхности должна быть видна масляная полоска.

Если система смазки не работает:

- Проверьте, чтобы масляный канал в пильном полотне был открыт. При необходимости прочистите. (35)
- Проверьте, не забился ли паз пильного полотна. При необходимости прочистите. (36)
- Проверьте, свободно ли вращается звездочка на носке пильного полотна, и не забито ли смазочное отверстие. При необходимости его следует прочистить и смазать. (37)

Если после выполнения всех указанных мер работа системы смазки не восстановилась,

ОБЩИЕ ПРЕДПИСАНИЯ ПО БЕЗОПАСНОСТИ

следует обратиться к специалисту по обслуживанию.

Ведущая звездочка



На барабане сцепления установлена одна из возможных ведущих звездочек:

А Спур - Зубчатое колесо (звездочка припаяна на барабан)

В Рим - Кольцевая звездочка (заменяемая) (38)

Следует регулярно проверять степень износа звездочки привода. Заменять при сильном износе. При замене цепи следует одновременно заменять и звездочку привода.

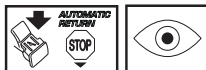
Смазка игольчатого подшипника



Оба типа ведущей звездочки цепи оснащены игольчатым подшипником на выходящей оси, который должен регулярно смазываться (1 раз в неделю). Обратите внимание! Пользуйтесь смазкой для подшипников хорошего качества или моторным маслом.

Смотрите указания в разделе Смазка игольчатого подшипника

Проверка износа пильного механизма



Следует проводить ежедневный осмотр цепи:

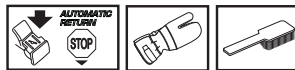
- Нет ли видимых трещин в местах сочленений и звеньях цепи.
- Не стала ли цепь тугой на изгиб.
- Сильно ли изношены сочленения и звенья цепи.

Если будут замечены один или несколько из перечисленных пунктов.

Для определения степени износа цепи мы рекомендуем проводить визуальное сравнение с новой цепью.

Производите заточку так, чтобы все зубья были одинаковой длины. Когда будет оставаться лишь 4 мм (5/32 дюйма) длины зуба, цепь следует выбросить, так как она уже изношена. (23)

Пильное полотно



Проводите регулярную проверку:

- Нет ли на ребрах полотна заусенец. При необходимости их следует ликвидировать напильником.
- Сильно ли изношен паз полотна. При необходимости полотно следует заменить.
- Насколько сильно изношена или неглатка беговая дорожка пильного полотна. "Впадина" на одной стороне полотна возможна вследствие плохого натяжения цепи.
- Чтобы увеличить срок службы шины, регулярно ее переворачивайте.



ПРЕДУПРЕЖДЕНИЕ! Большинство несчастных случаев с цепной пилой происходит при соприкосновении человека с движущейся цепью.

Пользуйтесь оборудованием для защиты людей. См. раздел Защитное оборудование.

Не приступайте к работе без полной уверенности. См. раздел Защитное оборудование, Как избежать отдачи, Режущее оборудование и Общие рабочие инструкции.

Избегайте ситуаций с повышенным риском отдачи. См. раздел Защитное оборудование.

Применяйте рекомендуемые защитные приспособления и регулярно проверяйте их состояние. См. раздел Общие рабочие инструкции.

Проверьте функции деталей защитного оборудования. См. указания в разделе Общие рабочие инструкции и Общие указания по технике безопасности.

Порядок монтажа пильного полотна и цепи



ПРЕДУПРЕЖДЕНИЕ! При всей работе с цепью всегда одевайте защитные перчатки.

435 II, 440 II

- Проверьте, находится ли тормоз цепи в выключенном положении, для этого сдвиньте ручку тормоза цепи в направлении передней ручки до касания. (39)
- Открутите гайку крепления шины пилы и снимите крышку сцепления (тормоз цепи). Снимите транспортировочное кольцо (А). (40)
- Смонтируйте шину пилы на специально предназначенном болте. Установите шину пилы в самое заднее положение. Оденьте цепь на ведущую шестерню и вставьте ее хвостовики в паз шины пилы. Эту операцию следует начать с верхней стороны шины пилы. (41)
- Убедитесь, что кромки режущих звеньев направлены вперед на верхней стороне пильного полотна.
- Установите крышку сцепления; не забудьте вставить штырек натяжителя цепи в отверстие на стержне. Убедитесь, что приводные звенья цепи ровно ложатся на ведущее колесо, а цепь правильно размещена в желобке стержня. Затяните гайку стержня руками.
- Для этого поверните винт механизма регулировки цепи по часовой стрелке. Цепь следует натягивать до тех пор, пока она не будет плотно прилегать к нижней стороне пильного полотна. (42)
- Цепь считается натянутой правильно, если она не провисает снизу и если ее можно проворачивать рукой. Затяните гайки на шине пилы универсальным ключом, удерживайте при этом носок шины пилы рукой. (43)
- При установке новой цепи следует часто проверять ее натяжение, пока цепь не приработается. Регулярно проверяйте натяжение цепи. Регулярно проверяйте натяжение цепи. Правильно натянутая цепь обеспечивает высокое качество пиления и дольше служит. (44)

435e II, 440e II

- Проверьте, находится ли тормоз цепи в выключенном положении, для этого сдвиньте ручку тормоза цепи в направлении передней ручки до касания. (45)
- Открутите натяжной шкив цепи и снимите крышку сцепления (цепной тормоз). Снимите защиту при транспортировке. (А) (46)
- Установите пильное полотно на специально предназначенные болты. Установите полотно в самое заднее положение. Оденьте цепь на ведущую звездочку и вставьте ее хвостовики в паз пильного полотна. Начинайте с верхней стороны пильного полотна. (41)
- Убедитесь, что кромки режущих звеньев направлены вперед на верхней стороне пильного полотна.
- Установите крышку сцепления; не забудьте вставить штырек натяжителя цепи в отверстие на стержне. Убедитесь, что приводные звенья цепи ровно ложатся на ведущее колесо, а цепь правильно размещена в желобке стержня.
- Натяните цепь, поворачивая колесо вниз (+). Цепь следует натягивать до тех пор, пока она не перестанет провисать снизу. (32)
- Цепь натянута правильно, если она не провисает под направляющей, но ее можно свободно повернуть вручную. Придерживая носовую часть направляющей, затяните ее сцепление, поворачивая ручку по часовой стрелке. (33)
- При установке новой цепи следует часто проверять ее натяжение, пока цепь не приработается. Регулярно проверяйте натяжение цепи. Регулярно проверяйте натяжение цепи. Правильно натянутая цепь обеспечивает высокое качество пиления и дольше служит. (44)

Установка зубчатого упора

Для установки зубчатого упора обращайтесь в вашу специальную мастерскую. (47)

ПРАВИЛА ОБРАЩЕНИЯ С ТОПЛИВОМ

Подготовка топливной смеси

Обратите внимание! Машина оснащена двухтактным двигателем и должна всегда работать на смеси бензина и масла для двухтактных двигателей. Чтобы обеспечить правильную смесь, важно тщательно измерить количество добавляемого масла. При добавлении небольшого количества масла, даже небольшие неточности в количестве масла имеют большое значение для смеси.



ПРЕДУПРЕЖДЕНИЕ! При работе с топливом всегда следует заботиться о хорошей вентиляции.

Бензин



- Пользуйтесь высококачественным бензином, в том числе неэтилированным.
- Минимальное рекомендуемое октановое число - 90 (RON). Если двигатель работает на бензине с октановым числом ниже 90, может стучать. Это приводит к увеличению температуры двигателя и к увеличению нагрузки на подшипники, что в свою очередь приводит к большому поломкам двигателя.
- При постоянной работе на высоких оборотах, (напр. срезание сучков), рекомендуется работать на более высоком октановом числе.

Экологическое топливо

HUSQVARNA рекомендует использовать экологический бензин (т.н. щелочное топливо), с предварительно смешанным бензином для двухтактных двигателей Asrep или с экологическим бензином для четырехтактных двигателей, смешанным с маслом для двухтактных двигателей согласно приведенному ниже описанию. Обратите внимание на то, что при замене типа топлива может потребоваться регулировка карбюратора (см. указания в разделе Карбюратор).

Этаноловое топливо

HUSQVARNA рекомендует использовать доступное коммерческое топливо с содержанием этанола не более 10%.

Обкатка

Избегайте работы на слишком высокой скорости в течение первых 10 часов

Масло для двухтактных двигателей

- для достижения лучшего результата и мощности, пользуйтесь маслом HUSQVARNA для двухтактных двигателей, которое специально создано для наших двухтактных двигателей с воздушным охлаждением.

- Никогда не пользуйтесь маслом, предназначенным для двухтактных лодочных двигателей с водяным охлаждением, т.н. "outboardoil" (наименование TCW).
- Никогда не применяйте масло для четырехтактных двигателей.
- Низкое качество масла или чрезмерно богатая смесь масла/топлива может создать риск поломки функции катализатора и снижения срока его службы.

Пропорции смешивания

1:50 (2%) с маслом для двухтактных двигателей HUSQVARNA.

1:33 (3%) с другими маслами для двухтактных двигателей с воздушным охлаждением, класса JASO FB/ISO EGB.

Бензин, литр	Масло для двухтактных двигателей, литр	
	2% (1:50)	3% (1:33)
5	0,10	0,15
10	0,20	0,30
15	0,30	0,45
20	0,40	0,60

Смешивание

- Всегда смешивайте бензин с маслом в чистой емкости, предназначенной для хранения топлива.
- Сначала всегда наливайте половину необходимого количества бензина. Затем добавляйте полное требуемое количество масла. Смешайте (взболтайте) полученную смесь, после чего добавьте оставшуюся часть бензина.
- Тщательно смешайте (взболтайте) топливную смесь перед заливанием в топливный бак машины.
- Не готовьте запас топлива более чем на месячный срок.
- Если машина не используется в течении длительного времени, топливо нужно слить, а топливный бак вымыть.

Цепное масло

- В качестве смазки рекомендуется использовать специальное масло (для смазки цепи) с хорошим качеством приставания. (48)
- Никогда не применяйте отработанное масло. Это приведет к повреждению масляного насоса, пыльного полотна и пыльной цепи.
- Очень важно применять правильное масло, соответствующие температуре окружающего воздуха (правильная вязкость).

ПРАВИЛА ОБРАЩЕНИЯ С ТОПЛИВОМ

- При температуре ниже 0°С некоторые масла становятся менее вязкими. Это может вызвать перегрузку масляного насоса и привести к выходу из строя его компонентов.
- Для выбора цепного масла следует обратиться к вашему дилеру.

Заправка



ПРЕДУПРЕЖДЕНИЕ! Для уменьшения риска возникновения пожара нужно учесть следующие меры предосторожности:

Не курите и не ставьте никакие горячие предметы рядом с топливом.

Перед заправкой следует обязательно выключить двигатель и дать ему охладиться в течение нескольких минут.

При заправке крышку топливного бака следует открывать медленно, чтобы постепенно стравить избыточное давление.

После заправки плотно затяните крышку топливного бака.

Перед запуском всегда относите машину в сторону от места заправки.

Содержите в чистоте место вокруг крышки топливного и масляного баков. Регулярно мойте баки для топлива и масла цепи.

Топливный фильтр следует менять по крайней мере один раз в год. Загрязнение баков может привести к сбоям в работе. Перед заправкой убедитесь, чтобы топливная смесь была хорошо перемешана, для этого взболтайте емкость с топливом. Объемы баков для топливной смеси и масла цепи соответствуют друг другу. Поэтому при заправке топлива обязательно заливайте масло для смазки цепи. (48)



ПРЕДУПРЕЖДЕНИЕ! Топливо и его пары легко воспламеняемы. Будьте осторожны при обращении с топливом и маслом. Держите их вдали от открытого огня и не дышите парами топлива.

Удаление крышки топливного бака и крышки бака с маслом для цепи

- Нажмите на ребристую поверхность рычага и поднимите его в верхнее положение. (49)
- Выверните крышку, поворачивая ее против часовой стрелки. (50)
- Снимите крышку. (51)

Замена крышки топливного бака и крышки бака с маслом для цепи

- Установите крышку, подняв рычаг в верхнее положение. (52)
- Плотно закрутите крышку, поворачивая ее по часовой стрелке. (53)
- Опустите рычаг в нижнее положение. (54)

ВАЖНО! Всегда заменяйте крышку, если она повреждена.

Правила безопасности при заправке

- Никогда не заправляйте машину с работающим двигателем.
 - Проводите заправку или подготовку топливной смеси (бензин и масло 2-такт) в условиях хорошей вентиляции.
 - Перед запуском отнесите машину как минимум на 3 м от места заправки.
 - Никогда не включайте машину:
- 1 Если Вы пролили топливо или цепное масло на машину. Вытрите пролитое топливо или масло и дайте остаткам топлива испариться.
 - 2 Если вы пролили топливо на себя или свою одежду, смените одежду. Помойте те части тела, которые были в контакте с топливом. Пользуйтесь мылом и водой.
 - 3 Если на машине происходит утечка топлива. Регулярно проверяйте крышку топливного бака и шланги на предмет протекания.



ПРЕДУПРЕЖДЕНИЕ! Никогда не пользуйтесь машиной с видимыми повреждениями колпака свечи или кабеля зажигания. Есть риск искрообразования, что приводит к пожару.

Транспортировка и хранение

- Всегда храните пилу и топливо в таком месте, чтобы в случае течи или испарений они не пришли в контакт с искрами или с открытым огнем. Например рядом с электромашинами, электромоторами, контакторами/переключателями, котлами и т.п.
- Всегда храните топливо в специально предназначенных для этого емкостях.
- В течение длительного хранения или при транспортировке пилы топливный бак, а также бак с цепным маслом должны быть пустыми. При этом следует проконсультироваться на ближайшей

ПРАВИЛА ОБРАЩЕНИЯ С ТОПЛИВОМ

заправочной станции, куда следует сдать топливо и масло.

- Транспортировочные предохранительные детали должны быть всегда смонтированы при транспортировке или при хранении машины, чтобы избежать непроизвольного контакта с острой цепью. Неподвижная цепь также может причинить пользователю или другим лицам серьезные травмы, если они прикаснутся к цепи.
- Снимите колпачок со свечи зажигания. Включите цепной тормоз.
- Закрепляйте машину во время транспортировки.

длительное хранение

Опорожните топливный и масляный бачок в хорошо проветриваемом месте. Храните топливо в одобренных канистрах в безопасном месте. Смонтируйте щит шины пилы. Очистите машину. См. указания в разделе График обслуживания.

Следите за тем, чтобы машина была хорошо очищенной, и чтобы перед ее продолжительным хранением было выполнено полное обслуживание.

ЗАПУСК И ОСТАНОВ

Запуск и остановка



ПРЕДУПРЕЖДЕНИЕ! Перед запуском проследите за следующим:

При запуске моторной пилы, тормоз цепи должен быть включен, чтобы снизить риск контакта с вращающейся цепью при запуске.

Никогда не запускайте моторную пилу без шины пилы, цепи пилы и всех колпаков правильно установленных. Сцепление в противном случае может высвободиться и причинить травму.

Положите машину на устойчивую поверхность. Проверьте, чтобы цепь ничего не касалась.

Позаботьтесь, чтобы в рабочей зоне не находилось людей и животных.

Никогда не накручивайте стартовый шнур вокруг руки.

Запуск

Тормоз цепи должен при запуске моторной пилы быть включен. Активируйте тормоз, переведя щит отдачи вперед. (55)

Холодный двигатель

Положение запуска, 1: Установите переключатель "старт-стоп" в закрытое положение, потянув красный регулятор наружу и вверх. (56)

Топливный насос (2): Нажмите на резиновую грушу топливного насоса несколько раз подряд, пока топливо не заполнит грушу (как минимум 6 раз). Грушу нет необходимости заполнять полностью. (56)

Возьмитесь за переднюю ручку пилы левой рукой. Прижмите цепную пилу к земле, наступив правой ногой на заднюю ручку. (57)

Потяните ручку стартера, 3: Потяните ручку стартера правой рукой и плавно вытяните шнур стартера, пока храповик не войдет в зацепление, после этого быстро и резко дергайте его, пока двигатель не запустится.

Нажмите красный регулятор управления воздушной заслонкой, 4: Как только заработает двигатель (это можно определить по характерному звуку), нажмите красную кнопку воздушной заслонки.

Потяните ручку стартера (5): С силой вытягивайте шнур, пока не запустится двигатель.

Теплый двигатель

Положение запуска, 1: Для правильной настройки заслонки/газа в стартовую позицию, прежде всего необходимо вытащить красный рычаг воздушной заслонки вверх. (56)

Топливный насос (2): Нажмите на резиновую грушу топливного насоса несколько раз подряд, пока топливо не заполнит грушу (как минимум 6 раз). Грушу нет необходимости заполнять полностью. (56)

Нажмите красный регулятор управления воздушной заслонкой, 3: Тем самым отключится воздушная заслонка, в которой при старте разогретой пилы нет необходимости. Как минимум перемещением выключателя достигнете высоких холостых оборотов, что упростит старт разогретого двигателя.

Потяните ручку стартера, 4: Возьмитесь за переднюю ручку пилы левой рукой, прижмите цепную пилу к земле, наступив правой ногой на заднюю ручку. (57)

Потяните ручку стартера правой рукой и плавно вытяните шнур стартера, пока храповик не войдет в зацепление, после этого быстро и резко дергайте его, пока двигатель не запустится.

Поскольку цепной тормоз все еще не отпущен, необходимо как можно быстрее перевести двигатель на холостой ход путем отключения блокировки дросселя. Для этого нужно незначительно увеличить скорость с помощью регулятора газа. Тем самым Вы избежите ненужного износа сцепления, барабана сцепления и тормозной ленты. Дайте машине поработать на холостых оборотах несколько секунд перед тем как дать полный газ.

На обратной стороне пилы (A) имеются упрощенные рекомендации по запуску с иллюстрацией каждого этапа. (57)

Обратите внимание! Не вынимайте полностью шнур и не выпускайте ручки стартера при полностью вытянутом шнуре, это может привести к повреждению машины.

Обратите внимание! Возвратите тормоз цепи, переведя для этого щит отдачи к скобе ручки. Моторная пила после этого готова к использованию.



ПРЕДУПРЕЖДЕНИЕ!
Продолжительное вдыхание выхлопных газов двигателя и испарений цепного масла и древесной пыли опасно для здоровья.

- Никогда не запускайте моторную пилу без шины пилы, цепи пилы и всех колпаков правильно установленных. См. указания в

ЗАПУСК И ОСТАНОВ

разделе Сборка. Без смонтированной на моторной пиле шине пилы и цепи, сцепление может освободиться и вызвать серьезные травмы.

- Тормоз цепи должен быть включен при запуске моторной пилы. См. указания в разделе Запуск и остановка. Никогда не запускайте моторную пилу, бросая ее вниз и удерживая ручку стартового шнура. Этот метод очень опасен, так как Вы можете легко потерять контроль над моторной пилой. (55)
- Никогда не запускайте машину в закрытом помещении. Ее выхлопные газы вредны.
- Пред запуском пилы проверьте, чтобы рядом не было людей или животных, которые могут быть подвергнуты опасности.
- Всегда удерживайте моторную пилу обеими руками. держите правую руку на задней ручке, а левую - на передней. Таким захватом должны пользоваться все, независимо от того левша Вы или правша. Удерживайте крепко захват, чтобы большие и другие пальцы охватывали ручку моторной пилы.

Останов

Остановка двигателя осуществляется нажатием на выключатель запуска/остановки. (59)

Обратите внимание! Выключатель Запуск/Остановка автоматически переходит рабочее положение. В целях избежания непроизвольного запуска, головка свечи должна быть всегда снята со свечи когда вы оставляете машину без присмотра. (60)

МЕТОД РАБОТЫ

Перед каждым использованием: (61)

- 1 Проверьте, чтобы тормоз цепи правильно функционировал и чтобы он не был поврежден.
- 2 Проверьте, чтобы задняя защита правой руки не была повреждена.
- 3 Проверьте, чтобы ограничитель ручки газа правильно функционировал и не был поврежден.
- 4 Проверяйте, чтобы контакт остановки правильно функционировал, и чтобы он не был поврежден.
- 5 Проверьте все ручки, чтобы они не были в масле.
- 6 Проверьте, чтобы система гашения вибрации функционировала и не была повреждена.
- 7 Проверьте, чтобы глушитель был прочно закреплен и не был поврежден.
- 8 Проверьте, чтобы все детали моторной пилы были затянуты и чтобы они не были повреждены или отсутствовали.
- 9 Проверьте, чтобы захват цепи был на месте и не был поврежден.
- 10 Проверяйте натяжение цепи.

Общие рабочие инструкции

ВАЖНО!

В данном разделе описываются основные правила безопасной работы с моторной пилой. Однако данная информация никогда не может заменить подготовки и практического опыта профессионального пользователя. Если вы в какой-либо ситуации почувствуете себя неуверенно, обратитесь за советом к специалисту. Обратитесь в Ваш магазин по продаже моторных пил, в сервисную мастерскую или к опытному пользователю моторной пилой. Избегайте пользования для которого Вы не считаете себя достаточно подготовленным!

Перед началом работы с моторной пилой следует понять, что такое эффект отдачи и как его можно избежать. См. раздел Как избежать отдачи.

Прежде чем приступить к работе с моторной пилой, следует понять разницу в процессе пиления верхней и нижней кромкой пильящего полотна. См. указания в разделе действия по предотвращению отдачи и Оборудование безопасности машины.

Пользуйтесь оборудованием для защиты людей. См. раздел Защитное оборудование.

Основные правила безопасности

- 1 Оглянитесь вокруг:

- Проверьте, чтобы поблизости не было людей, животных или других объектов, которые могут повлиять на вашу работу.
- Проверьте, чтобы ничего из вышеуказанного не попало в зону действия пилы, или не пострадало при падении дерева.

Обратите внимание! Соблюдайте вышеприведенные правила, но в тоже время не работайте в условиях, когда вы не сможете позвать на помощь при несчастном случае.

- 2 Не работайте с резчиком в плохих погодных условиях. Таких, как густой туман, сильный дождь, резкий ветер, сильный холод, и т.д. Работа в плохую погоду сильно утомляет и вызывает дополнительный риск, напр. от скользкого грунта или непредсказуемого направления падения дерева и т.д.

- 3 Будьте особенно внимательны при обрезке мелких ветвей и старайтесь избегать пиления кустарника (т.е. большого количества мелких ветвей одновременно). Мелкие ветки могут быть захвачены цепью и отброшены в вашем направлении, вызвав серьезные травмы.

- 4 Убедитесь, что вам возможно стоять стабильно. Проверьте, нет ли вокруг вас возможных помех и препятствий (корней, камней, веток, ям и т.д.) если вам вдруг будет нужно быстро переместиться. Будьте особенно внимательны при работе в склоне.

- 5 Соблюдайте максимальную осторожность при пилении напряженных стволов. Напряженный ствол может внезапно спружинить, вернувшись в первоначальное положение до или после пиления. Если вы стоите с неправильной стороны или начинаете пиление в неправильном месте, дерево может ударить вас или машину так, что вы потеряете управление. Обе ситуации могут привести к серьезной травме.



- 6 Пред переносом пилы выключите двигатель и заблокируйте цепь тормозом цепи. Переносите пилу при образцовых назад пильном полотне и цепи. Перед переноской пилы на любое расстояние наденьте на полотно защитный чехол.
- 7 Когда Вы ставите моторную пилу на землю, заблокируйте цепь пилы цепным тормозом и не оставляйте машину без присмотра. При

МЕТОД РАБОТЫ

более длительной "парковке", следует выключать двигатель.



ПРЕДУПРЕЖДЕНИЕ! Иногда под крышку сцепления попадает стружка, и цепь заклинивает. Перед чисткой обязательно остановите двигатель.

Общие правила

- 1 Если Вы понимаете, что такое отдача и как она происходит, вы можете уменьшить или полностью исключить элемент неожиданности при ее возникновении. Будучи подготовленным, вы тем самым снижаете риск. Обычно эффект отдачи достаточно мягкий, но иногда он бывает резким и неожиданным.
- 2 Всегда крепко держите моторную пилу правой рукой за заднюю ручку и левой за переднюю. Плотно обхватывайте ручки пилы всей ладонью. Такой обхват нужно использовать независимо от того, правша вы или левша. Данный обхват позволяет снизить эффект отдачи, и держать моторную пилу под постоянным контролем. Не дайте пиле вырваться из рук!
- 3 Чаще всего отдача происходит при обрезке сучьев. Всегда следует находиться в устойчивом положении и предусмотреть, чтобы не возникло причин, которые заставили бы вас пошатнуться или потерять равновесие.

Невнимательность может привести к отдаче, если зона отдачи полотна коснется ветвей, ближайшего дерева или другого предмета.

держите заготовку под контролем. Если Вы пилите легкие и малые заготовки, они могут застревать в цепи пилы и отбрасываться на Вас. Хотя это может и не быть опасно, но это может заставить Вас врасплох и Вы потеряете контроль над пилой. Никогда не пилите сложенные друг на друга бревна или ветки, не разделив их в начале. Пилите только одно бревно или одну заготовку за один раз. Убирайте отпиленные части, чтобы Ваше рабочее место было безопасным. (62)

- 4 Никогда не поднимайте при работе моторную пилу выше уровня плеч, и не пилите кончиком пильного полотна. Никогда не работайте моторной пилой одной рукой! (63)
- 5 Для полного контроля за моторной пилой Вы должны устойчиво стоять. Никогда не работайте стоя на лестнице, на дереве или там, где у Вас нет устойчивого основания, на котором Вы могли бы стоять. (64)
- 6 Всегда работайте с максимальной скоростью пиления, т.е. на полном газе.

- 7 Будьте особенно внимательны при резании верхней кромкой пильного полотна, т.е. при пилении с нижней стороны предмета. Такой метод называется пиление с протягом. В таких случаях возможно возникновение толчка, в этот момент цепь стремиться вытолкнуть моторную пилу в направлении рабочего. Если цепь пилы будет занята, то может произойти отдача моторной пилы назад на Вас. (65)

- 8 Если в этот момент не прикладывать достаточного противодействующего усилия, то возникает риск того, что моторная пила продвинется назад настолько, что дерева будет касаться только зона отдачи полотна, в этот момент может произойти отдача. (66)

Резка нижней кромкой полотна, т.е. от поверхности объекта к нижнему краю известна как пиление с нажимом. В этом случае моторная пила сама наезжает на дерево и передний край моторной пилы соответствует естественному положению при резке. Пиление с нажимом обеспечивает лучший контроль над моторной пилой и расположением области отдачи. (67)

- 9 При заточке и уходе за пильным полотном и цепью следует выполнять требования инструкций. При замене пильного полотна и цепи используйте только рекомендованные нами варианты. См. Раздел Режущее оборудование и Технические характеристики.

Базовая техника пиления



ПРЕДУПРЕЖДЕНИЕ! Никогда не пользуйтесь моторной пилой, держа ее только одной рукой. Вы не можете безопасно управлять моторной пилой только одной рукой. Захват ручки должен быть всегда уверенным и обеими руками.

Общие сведения

- При пилении всегда работайте на полном газе!
- После каждого пиления снижайте обороты холостого хода (работа двигателя на полном газу без нагрузки в течение долгого времени может привести к серьезным повреждениям двигателя).
- Резка сверху = пиление "с протягом".
- Резка снизу = пиление "с нажимом".

Работа с "нажимом" цепью увеличивает риск отдачи. См. раздел Как избежать отдачи.

МЕТОД РАБОТЫ

Понятия

Пиление = Общее понятие при пилении древесины.

Обрезка сучьев = Спиливание сучьев на поваленном дереве.

Раскалывание = Случай, когда объект ломается до того, как вы закончили пиление.

Перед выполнением пиления следует учесть пять важных факторов:

- 1 Проследите, чтобы пильное полотно не оказалось зажатым в пропилах. (68)
- 2 Следите, чтобы бревно не раскололось. (69)
- 3 Следите, чтобы пильная цепь не зацепила грунт или другой объект во время или после пиления. (70)
- 4 Проверьте, есть ли риск возникновения отдачи? (4)
- 5 Не влияют ли окружающие условия на безопасность вашей работы, как вам можно идти и стоять?

На возможность зажатия полотна или расщепление бревна могут повлиять два фактора: Это определяется тем, на что опирается бревно, и находится ли оно в напряжении.

В большинстве случаев вы можете обойти эти проблемы выполняя пиление в два этапа; с верхней и с нижней части бревна. Необходимо укрепить бревно так, чтобы оно "не хотело" зажать цепь и не раскололось во время резки.

ВАЖНО! Если цепь зажалась в пропилах: остановите двигатель! Не пытайтесь тащить пилу из зажима. Так вы можете повредить цепь, если вдруг пила неожиданно освободится. Используйте какой-нибудь рычаг для того, чтобы развести пропил и вынуть полотно.

Следующие правила описывают наиболее типичные ситуации, с которыми вы можете столкнуться во время работе с цепной пилой.

Обрезка сучьев

При обрезке сучьев и толстых веток следует использовать тот же подход, что и при пилении.

Наиболее трудные участки следует проходить поэтапно. (71)

Пиление



ПРЕДУПРЕЖДЕНИЕ! Не пытайтесь никогда пилить бревна, когда они лежат в штабелях или когда два бревна плотно прилегают одно к другому. Такой метод работы сильно увеличит риск отдачи, в результате которого может произойти серьезная или опасная для жизни травма.

Если бревна лежат в штабелях, то в начале снимите каждое бревно, которое Вы собираетесь пилить, положите его на пильные козлы или на пильную раму и пилите затем отдельно.

Убирайте распиленные заготовки с участка работы. Оставляя заготовки на участке работы, Вы тем самым увеличиваете риск непредвиденной отдачи, и риск потери баланса во время работы. (72)

Бревно лежит на земле. В данном случае не есть риск зажатия полотна или раскола бревна. Однако есть большой риск, что цепь коснется грунта в момент завершения пиления. (73)

Выполняйте пиление от начала и до конца с верхней части бревна. Попробуйте не коснуться грунта в момент окончания резки. Работайте на полном газу, но будьте готовы, что цепь может коснуться грунта. (74)

Если есть возможность (=можно перевернуть бревно), то следует остановить резку после пропила прим. 2/3 бревна.

Переверните бревно и закончите пиление с противоположной стороны. (75)

Бревно опирается одним концом. В данном случае велика вероятность раскалывания бревна. (76)

Начинайте пиление снизу (следует пройти 1/3 толщины).

Заканчивать пиление следует сверху до встречи двух пропилов. (77)

Бревно опирается на оба конца. В данном случае велика вероятность зажима пильной цепи. (78)

Начинайте пиление сверху (следует пройти 1/3 толщины ствола).

Заканчивать пиление следует снизу до встречи двух пропилов. (79)

МЕТОД РАБОТЫ

Техника валки деревьев

ВАЖНО! Для валки деревьев требуется значительный опыт. Неопытным в обращении с моторной пилой людям не следует приниматься за валку. Никогда не беритесь за работу, если не чувствуете полной уверенности!

Безопасная дистанция

Минимальная безопасная дистанция между деревом, которое должно быть повалено, и работающими поблизости людьми должна составлять $2 \frac{1}{2}$ длины дерева. Проследите, чтобы перед или во время валки дерева в "зоне риска" никого не было. (80)

Направление падения

Для валки дерева нужно выбрать направление, наиболее удобное для последующей обрезки сучьев и разделки. Нужно сравнительно безопасно передвинуть.

Если вы выбрали направление, в котором нужно повалить дерево, вы должны предусмотреть, как будет происходить падение естественным путем.

Факторы, влияющие на этот аспект:

- Наклон
- Искривление
- Направление ветра
- Концентрация веток
- Возможный вес снега
- Препятствия на участке вокруг дерева, например: другие деревья, линии передач, дороги и строения.
- Проверьте, чтобы на стволе не было повреждений или гнили, это приводит к тому, что дерево может начать падать раньше, чем Вы этого ожидаете.

Может оказаться, что вы вынуждены валить дерево в направлении его естественного падения, т.к. направить дерево для падения в выбранном вами направлении невозможно или опасно.

Другой важный фактор, не влияющий на направление падения, но который может повлиять на вашу безопасность - это повреждения дерева или "мертвые" сучья, которые могут во время падения обломиться и ударить вас.

Основной задачей является не допустить падения дерева на другие деревья. Очень опасно удалять захваченное дерево, очень высок риск несчастного случая. Обратитесь к

инструкциям в разделе Освобождение неудачно поваленного дерева. (81)

ВАЖНО! Во время ответственных работ по валке леса необходимо приподнять приспособление для защиты слуха сразу, как только пиление закончено с тем, чтобы слышать звуки и предупреждающие команды.

Очистка ствола и подготовка пути к отходу

Очистите дерево от сучков до уровня плеч. Безопаснее всего работать сверху вниз, чтобы ствол был между Вами и моторной пилой. (82)

Уберите всю поросль у корней дерева и расчистите место от помех (камни, ветки, норы и т.д.), чтобы у вас была возможность беспрепятственного отхода, когда дерево начнет падать. Направление вашего отступления должно составлять прим. 135 градусов относительно предполагаемого направления падения. (83)

- 1 Зона риска
- 2 Эвакуационный проход
- 3 Направление падения

Падение



ПРЕДУПРЕЖДЕНИЕ! Мы рекомендуем не приступать к повалке деревьев с диаметром, большим длины режущего полотна, без специальной подготовки!

Для валки делаются три пропила. Прежде всего направляющий подпил, состоящий из верхнего и нижнего пропилов. После этого делается "основной подпил". Правильно выполняя эти пропилы, вы можете достаточно точно контролировать направление падения.

Направляющий подпил

Когда делается направляющий пропил, первым делается верхний пропил. Направляйте отметку валки дерева на пиле (1) на цель, которая находится дальше впереди на участке валки, куда Вы хотели бы направить падение дерева (2). Стойте справа от дерева позади пилы, и сделайте пропил сверху вниз под углом.

После этого делается нижний пропил так, чтобы он сошелся с концом верхнего пропила. (84)

Направляющий пропил делается на глубину $1/4$ ствола и угол между верхним и нижним пропилом должен быть не меньше чем 45 градусов.

Линия, на которой сходятся два этих пропила, называется направляющей линией. Эта линия должна быть строго горизонтальной и составлять прямой угол (90 градусов) к предполагаемому направлению падения. (85)

МЕТОД РАБОТЫ

Основной пропил

Основной пропил делается с противоположной стороны дерева и должен быть строго горизонтальным. Встаньте с левой стороны от дерева и сделайте пропил нижней кромкой пильного полотна.

Сделайте основной пропил на 3-5 см (1.5-2 дюйма) выше плоскости направляющего пропила. (86)

Вставьте зубчатый упор (если установлен) сзади надреза. Работайте на полном газу и вводите пильное полотно в ствол дерева постепенно, плавным движением. Следите за тем, чтобы дерево не начало перемещаться в направлении, противоположном предполагаемому направлению падения. Как только пропил станет достаточно глубоким, загоните в него клин или вагу.

Закончить основной пропил нужно параллельно линии направляющего пропила так, чтобы расстояние между ними составляло около 1/10 диаметра ствола. Нераспиленный участок ствола называется полоса разлома (недопил).

Полоса разлома действует как петельный шарнир, задающий направление падения дерева. (87)

Возможность влияния на направление падения будет полностью утрачена, если полоса разлома слишком узкая или пропилована направляющий и основной пропила плохо размещены. (88)

После того, как выполнены основной и направляющий пропила, дерево начнет падать под действием собственного веса или с помощью направляющего клина или ваги. (89)

Мы рекомендуем пользоваться шиной пилы, длина которой бы превышала диаметр ствола, чтобы валяющий и направляющий срезы могли выполняться т.н. "одинарным срезом". См. указания в разделе Технические данные, относительно рекомендуемой длины шины пилы для Вашей модели моторной пилы.

Существуют методы валки деревьев с полотном, меньшим диаметра ствола. Однако эти методы достаточно опасны, т.к. область отдачи полотна входит в контакт с предметом. (4)

Освобождение неправильно поваленного дерева

Освобождение "захваченного дерева"

Очень опасно удалять захваченное дерево, очень высок риск несчастного случая.

Никогда не пытайтесь пилить дерево, на которое упало другое дерево.

Никогда не работайте в зоне риска висящих и застрявших деревьев. (90)

Наиболее безопасный метод - применение лебедки.

- Тракторная
- Переносная

Обрезка веток и сучьев, находящихся в напряжении

Подготовка: Продумайте путь, по которому дерево или сук сместится при освобождении от нагрузки, и где находится точка разлома (т.е. место, где может произойти разлом при увеличении нагрузки). (91)

Попробуйте найти самый безопасный метод для снятия нагрузки, и способны ли вы это сделать без ущерба для себя. В сложных ситуациях единственный безопасный метод - отставить пилу в сторону и использовать лебедку.

Общие рекомендации:

Выберите для себя место так, чтобы при снятии нагрузки дерево или сучья не заделали бы вас. (92)

Сделайте один или несколько пропилов в области точки разлома. Сделайте столько пропилов на нужную глубину, сколько необходимо для снятия нагрузки и "разлома" дерева в точке разлома. (93)

Никогда полностью не пилите дерево или сук, находящийся в напряжении!

Если Вам необходимо перепилить дерево/ветку, сделайте два или три разреза на расстоянии в 3 см и глубиной в 3-5 см. (94)

Продолжайте пилить глубже, пока не освободится изгиб и напряжение дерева/ветки. (95)

Пилите дерево/ветку с противоположной стороны, после того, как напряжение освободится.

Как избежать отдачи



ПРЕДУПРЕЖДЕНИЕ! Отдача может быть исключительно быстрой, неожиданной и сильной, и может отбросить моторную пилу, полотно и цепь на оператора. Если такое происходит при движущейся цепи, это может вызвать серьезные, иногда смертельные травмы. Поэтому жизненно необходимо понимать, что такое эффект отдачи и как его можно избежать, применяя меры предосторожности и правильные методы работы.

Что такое отдача?

Понятие отдачи используется для описания неожиданного отскока моторной пилы назад, когда верхняя четверть носка пильного полотна (известная как зона отдачи) касается какого-либо предмета. (66)

Отдача всегда происходит в плоскости резания пилы. Обычно при отдаче моторную пилу отбрасывает назад и вверх в направлении рабочего. Тем не менее моторная пила в момент отдачи может двигаться в различных направлениях в зависимости от метода резки, который применялся в момент касания зоны отдачи полотна и объекта. (7)

Отдача происходит только в момент касания зоны отдачи и объекта. (4)

Обрезка сучьев



ПРЕДУПРЕЖДЕНИЕ! Чаще всего отдача происходит при обрезке веток. Никогда не пилите в зоне риска отдачи на шине пилы. Будьте исключительно осторожны и избегайте контакта кончика шины пилы с бревном, с другими ветками или предметами. Будьте исключительно осторожны с ветками, которые находятся в пружинящем состоянии. Они могут отпружинить обратно на Вас и привести к тому, что Вы потеряете контроль над пилой, что приведет к травме.

Проверьте, чтобы вы стабильно шли и стояли. Во время работы стойте с левой стороны дерева. Для максимального контроля пилу следует держать как можно ближе. По возможности весь вес пилы следует направить на ствол.

По мере продвижения вдоль ствола держите пилу так, чтобы дерево находилось между вами и пилой.

Распилка ствола в бревна

См. раздел Базовая техника пиления.

Общие сведения

Пользователь может выполнять только такие работы по обслуживанию и сервису, которые описаны в данном руководстве. Обслуживание большего охвата должно выполняться авторизованной сервисной мастерской.

Регулировка карбюратора

Настоящий продукт Хусяжарна изготовлен согласно спецификации, снижающей количество вредных выхлопных газов.

Работа

- Карбюратор управляет оборотами двигателя. Воздушно-топливную смесь, состав которой можно регулировать. Для обеспечения максимальной эффективности работы машины карбюратор должен быть правильно отрегулирован.
- Винт Т регулирует обороты холостого хода. Поворот винта Т по часовой стрелке увеличивает обороты холостого хода, поворот против часовой стрелки уменьшает холостой ход.

Установка основных параметров и обкатка

Основная регулировка карбюратора выполняется на заводе во время испытания. Точная регулировка должна выполняться опытным специалистом.

Рекомендуемое кол-во оборотов на холостом ходу: См. Раздел Технические характеристики.

Точная установка оборотов холостого хода Т

Отрегулируйте обороты холостого хода с помощью винта Т. При необходимости перенастройки сначала поверните винт Т (по часовой стрелке) с работающим двигателем до начала вращения пильной цепи. Потом открутите (против часовой стрелки) до полной остановки цепи. При правильно отрегулированном режиме холостого хода двигатель начинает работать плавно из любого положения с запасом до того числа оборотов холостого хода, когда цепь начинает вращаться.



ПРЕДУПРЕЖДЕНИЕ! В случае если обороты холостого хода не регулируются до полной остановки цепи, следует связаться с вашим дилером. Не пользуйтесь моторной пилой, пока она не будет правильно настроена или отремонтирована.

Правильно настроенный карбюратор

При правильно настроенном карбюраторе машина работает приемисто и слегка "четверит" на максимальных оборотах. Далее, цепь не должна вращаться на холостом ходу. Жиклер Л, настроенный на слишком бедную смесь, может вызвать трудности при заводке и плохую приемистость. Настройка жиклера Н на слишком бедную смесь понижает мощность (= производительность), ухудшает приемистость и/или приводит к выходу из строя двигателя.

Осмотр, уход и обслуживание защитных приспособлений моторной пилы

Обратите внимание! Сервис и ремонт машины требуют специальной подготовки. Это в особенной степени относится к оборудованию безопасности машины. Если машина не отвечает требованиям описанных ниже проверок, мы рекомендуем Вам обратиться в специализированную мастерскую.

Тормоз цепи и рукоятка охраны против отдачи

Проверка износа тормозной ленты



Очистите опилки, остатки смолы и пыль с поверхности тормоза цепи и барабана муфты. Грязь и износ наруша работу тормоза. (96)

Регулярно проверяйте, чтобы лента тормоза была по крайней мере толщиной минимал 0,6 мм в самом изношенном месте.

Проверка ручки тормоза



Проверьте, чтобы ручка тормоза не была повреждена и чтобы не было видимых дефектов, таких, как трещины.

Сдвиньте ручку тормоза вперед и назад, удостоверьтесь, что она перемещается свободно, и надежно фиксируется на крышке сцепления.

Проверка автоматического тормоза



держите моторную пилу с выключенным двигателем над бревном или над другим

устойчивым предметом. Отпустите переднюю ручку и дайте моторной пиле опуститься под собственным весом, вращаясь вокруг задней ручки в сторону пня. (97)

При прикосновении пильного полотна к пню должен сработать тормоз. (98)

Проверка функции тормоза

Запустите моторную пилу и положите ее на стабильное основание. Проверьте, чтобы цепь не касалась грунта или любого другого объекта. Выполняйте указания в разделе Запуск и остановка. (99)

Твердо возьмите моторную пилу, обхватив ручки всей ладонью.

Дайте полный газ и приведите в действие тормоз цепи, нажав левую кистью на ручку тормоза. Не пускайте прежнюю ручку. Цепь при этом должна немедленно остановиться. (58)

Рычаг блокировки курка газа



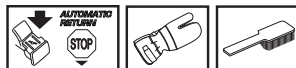
- Проверьте, чтобы ручка газа в момент возвращения блокировочного рычага в исходное положение была заблокирована на холостом ходу. (100)
- Нажмите блокировочный рычаг газа и удостоверьтесь, что он возвращается в первоначальное положение при его отпускании. (101)
- Проверьте, чтобы ручка газа и блокировочный рычаг перемещались свободно и чтобы возвратные пружины работали соответствующим образом. (102)
- Запустите пилу и дайте полный газ. Отпустите ручку газа и проверьте, чтобы цепь остановилась и оставалась неподвижной. Если цепь продолжает вращаться при положении ручки газа на холостом ходу, то нужно проверить регулировку карбюратора.

Уловитель цепи



Проверьте, чтобы на уловителе цепи не было повреждений, и чтобы он был надежно закреплен на корпусе моторной пилы. (103)

Защита для правой руки



Проверьте, чтобы приспособление для защиты правой руки не имело повреждений и таких видимых дефектов, как трещины. (11)

Система гашения вибрации



Регулярно проверяйте, чтобы на виброгасящих элементах не было трещин или деформаций. Проверьте, чтобы виброгасящие элементы были надежно закреплены на блоке двигателя и ручках. (104)

Клавиш остановки



Запустите двигатель и проверьте, чтобы он остановился при переводе выключателя в положение стоп. (59)

Обратите внимание! Выключатель Запуск/Остановка автоматически переходит рабочее положение. В целях избежания непроизвольного запуска, головка свечи должна быть всегда снята со свечи при сборке, проверке и/или обслуживании.

Глушитель



Никогда не используйте машину с дефектным глушителем.

Периодически проверяйте, чтобы глушитель был надежно закреплен на корпусе машины. (105)

В некоторых глушителях предусмотрен специальный искрогаситель. Если ваша машина оборудована таким глушителем, сетку фильтра следует чистить раз в неделю. Наилучшие результаты дает использование стальной щетки. Забитая решетка приводит к работе с горячим двигателем, что дает серьезные повреждения двигателя.


Обратите внимание! В случае повреждения сетку следует заменить. При засоренной сетке машина может перегреться, что приведет к повреждениям цилиндра и поршня. Никогда не используйте машину с засоренной или поврежденной сеткой. Никогда не работайте с

ТЕХНИЧЕСКОЕ ОБСЛУЖИВАНИЕ

глушителем, у которого отсутствует или поврежден искрогасящий фильтр. (13)

Глушитель служит для снижения уровня шума и отвода раскаленных выхлопных газов от рабочего. Выхлопные газы очень горячие и могут содержать искры, что может привести к пожару при прямом попадании на сухой и воспламеняющийся материал.

Стартер



ПРЕДУПРЕЖДЕНИЕ! Возвратная пружина стартера, находясь в корпусе в собранном виде, находится под нагрузкой и при небрежном обращении в момент открытия может выскочить и вызвать серьезные травмы.

При замене стартовой пружины или шнура стартера всегда соблюдайте осторожность. Пользуйтесь защитными очками и защитными перчатками.

Замена стартового шнура



- Открутите винты, крепящие корпус стартера к картеру двигателя и снимите стартер. (106)
- Вытяните шнур стартера примерно на 30 см и поднимите его через выемку в шкиве. Установите возвратную пружину в нейтральное положение, медленно вращая шкив в обратном направлении. (107)
- Отверните болт в центре шкива и снимите ведущий диск (A), пружину ведущего диска (B) и шкив (C). Установите и закрепите новый стартовый шнур на шкиве стартера. Прокрутите стартовый шнур на шкиве стартера приблизительно на три оборота. Установите шкив стартера так, чтобы конец возвратной пружины (D) зацеплялся в шкиве стартера. Теперь соберите пружину ведущего диска, ведущий диск и болт в центре шкива. Проденьте стартовый шнур через отверстие в корпусе стартера и рукоятку стартера. Завяжите хороший узел на стартовом шнуре. (108)

Натяжение возвратной пружины

- Поднимите шнур стартера через выемку в шкиве и поверните шкив стартера на два оборота по часовой стрелке.
Обратите внимание! Проверьте, чтобы шкив стартера был повернут по крайней мере на половину оборота при полностью вытянутом шнуре стартера. (109)

Натяните шнур с помощью рукоятки. Сдвиньте палец и отпустите шнур. См. рисунок внизу. (110)

Замена возвратных и приводных пружин



Возвратная пружина (A)

- Поднимите шкив стартера. См. Замена поврежденного или изношенного шнура стартера. Помните, что возвратная пружина находится в блоке стартера в сжатом положении.
- Выньте кассету с возвратной пружиной из стартера.
- Смажьте возвратную пружину маловязким маслом. Вставьте кассету с возвратной пружиной в стартер. Поставьте шкив стартера на свое место и натяните возвратную пружину.

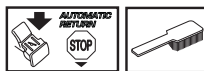
Пружина ведущего диска (B)

- Отверните болт в центре шкива и снимите ведущий диск и пружину ведущего диска
- Снимите пружину ведущего диска и установите ведущий диск поверх пружины (111)

Сборка стартера

- Соберите стартер, сначала вытянув шнур стартера, а затем установив стартер на картер двигателя. Затем плавно отпустите шнур стартера, чтобы шкив вошел в зацепление с храповиком.
- Вставьте и затяните винты, которые крепят стартер.

Воздушный фильтр



Воздушный фильтр следует регулярно чистить от пыли и грязи для того, чтобы избежать следующих повреждений:

- Сбой в работе карбюратора
- Трудность запуска
- Падение мощности двигателя
- Напрасный износ частей двигателя
- Чрезмерный расход топлива
- Сняв крышку цилиндра отвинтите воздушный фильтр и разберите его. При обратной сборке проверьте, чтобы фильтр был плотно посажен обратно на место.

ТЕХНИЧЕСКОЕ ОБСЛУЖИВАНИЕ

Почистите фильтр щеткой или вытряхните его. (112)

Для более тщательной чистки фильтр следует помыть в воде с мылом.

Воздушный фильтр после эксплуатации в течение некоторого времени невозможно полностью вычистить. Поэтому его нужно периодически менять на новый. Поврежденный воздушный фильтр необходимо заменить.

Моторная пила HUSQVARNA может быть оборудована воздушными фильтрами разных моделей в зависимости от погодных и рабочих условий, сезона и т.д. Обращайтесь за советом к Вашему дилеру.

Свеча зажигания



На работу свечи зажигания влияют следующие факторы:

- Неправильная регулировка карбюратора.
- Неудовлетворительная рабочая смесь (слишком много масла или несоответствующее масло).
- Грязный воздушный фильтр.

Эти факторы влияют на образование нагара на электродах свечи и могут привести к сбоям в работе и трудностям при запуске.

Если двигатель теряет мощность, плохо запускается, плохо: Преведе жего держит обороты холостого хода: прежде всего проверьте свечу зажигания. Если свеча грязная, прочистите ее и проверьте зазор электродов, 0,5 мм. Свечу нужно менять через месяц работы или при необходимости чаще. (113)

Обратите внимание! Всегда используйте только указанный тип свечи! Применение несоответствующей модели может привести к серьезным повреждениям поршня/цилиндра. Следите за тем, чтобы свеча была оснащена т.н. изоляцией радиопомех.

Смазка игольчатого подшипника



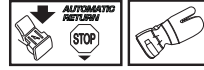
Барабан сцепления оснащен игольчатым подшипником на выходящей оси. Этот игольчатый подшипник следует регулярно смазывать.

Для смазки ослабьте две крепящие гайки и снимите крышку сцепления. Положите пилу на бок таким образом, чтобы барабан сцепления был обращен вверх.

1155355-93 Rev.4 2014-11-24

Ведите смазку каплями масла для двигателя, направляя его в центр барабана сцепления одновременно с вращением барабана (114)

Система охлаждения



Для обеспечения как можно более низкой рабочей температуры машина оборудована системой охлаждения.

Состав системы охлаждения:

- 1 Воздухозаборник блока стартера.
- 2 Формирователь воздушного потока.
- 3 Лопасты вентилятора на маховике.
- 4 Ребра охлаждения на рубашке цилиндра.
- 5 Крышка цилиндра (обеспечивает подачу холодного воздуха к цилиндру). (115)

Производите очистку системы охлаждения щеткой раз в неделю или чаще, если этого требуют условия работы. Загрязненная или засоренная система охлаждения может привести к перегреву машины и вызвать повреждение поршня и цилиндра.

Центробежная очистка воздуха "Аир Инъектион"

Очистка центробежным методом означает следующее: Весь воздух, поступающий в карбюратор, проходит через стартер. Пыль и грязь разгоняются крыльчаткой охлаждения и двигаются по периферии. (116)

ВАЖНО! Для осуществления метода центробежной очистки нужно постоянно выполнять техническое обслуживание и уход за системой. Необходимо чистить воздухозаборник стартера, лопасти вентилятора на маховике, пространство вокруг маховика, входного коллектора и карбюратора.

Работа в зимних условиях

При пользовании машиной в холодную погоду и когда идет снег, сбои в работе могут возникнуть, по следующим причинам:

- Слишком низкая температура двигателя.
- Обледенение воздушного фильтра и карбюратора.

Поэтому необходимо применять некоторые специальные меры:

- Частично закрывайте воздухозаборник стартера, что приведет к повышению температуры двигателя.

ТЕХНИЧЕСКОЕ ОБСЛУЖИВАНИЕ

Температура -5 градусов С или ниже:



Для работы при низкой температуре или в условиях снегопада предусмотрена специальная крышка, укрепленная на блоке стартера. Она уменьшает доступ холодного воздуха и предохраняет от попадания большого количества снега. (117)

Обратите внимание! Если для повышения рабочей температуры двигателя применяются специальные приспособления для работы в зимних условиях, необходимо заново отрегулировать все характеристики машины, установленные для работы в нормальных условиях. В противном случае может произойти перегрев двигателя, что приведет к его серьезным повреждениям.

ВАЖНО! Все остальные работы для поддержки надо провести специалистом поставщика (дилером).

ТЕХНИЧЕСКОЕ ОБСЛУЖИВАНИЕ

График технического обслуживания

Ниже приведен перечень обслуживания, которое необходимо выполнять на машине. Большинство пунктов описаны в разделе Обслуживание.

Ежедневное обслуживание	Еженедельное обслуживание	Ежемесячное обслуживание
Очистите инструмент снаружи.	Проверяйте систему охлаждения еженедельно.	Осмотрите ленту тормоза цепи на предмет износа. Замените, когда остается 0,6 мм в наиболее изношенном месте.
Проверьте, плавно и безопасно ли работают части дроссельной заслонки. (Рычаг газа и блокировочный рычаг ручки газа.)	Проверьте стартовый аппарат, стартовый шнур и возвратную пружину.	Осмотрите муфту сцепления, ее барабан и пружины на предмет износа.
Прочистите тормоз цепи и проверьте, чтобы он работал, как полагается по инструкции. Проверьте, чтобы не был поврежден уловитель цепи, в противном случае немедленно его замените.	Проверяйте, чтобы элементы гашения вибрации не были повреждены.	Прочистите свечу зажигания. Проверьте зазор 0,5 мм.
Для более равномерного износа шину необходимо регулярно поворачивать. Проверьте смазочное отверстие в шине, чтобы убедиться, что оно не засорено. Очистите желоб шины.	Смажьте подшипник барабана муфты сцепления.	Очистите снаружи карбюратор.
Проверьте правильность работы масленки, чтобы убедиться в достаточной смазке пыльного полотна и цепи.	Сточите заусенцы на беговых дорожках пыльного полотна.	Осмотрите топливный фильтр и топливный шланг. Замените его в случае необходимости.
Проверяйте цепь моторной пилы на видимое образование трещин в заклепках и звеньях, если цепь жесткая или если заклепки и звенья ненормально изношены. Замените в случае необходимости.	Очистите или замените искроулавливающую сетку на глушителе.	Опорожните топливный бак и очистите его изнутри.
Заточите цепь, проверьте ее натяжение и состояние. Проверьте ведущую звездочку на предмет не нормального износа и при необходимости замените ее.	Прочистите пространство под карбюратор.	Опорожните масляный бак и очистите его изнутри.
Очистите воздухозаборник стартового аппарата.	Прочистите воздушный фильтр. В случае необходимости замените.	Осмотрите все провода и соединения.
Проверьте затяжку гаек и болтов и подтяните в случае необходимости.		
Проверьте работу контакта остановки.		
Проверьте, чтобы не было утечки топлива с двигателя, бака или трубок подачи топлива.		
Убедитесь, что цепь не вращается при работе двигателя на холостом ходу.		

ТЕХНИЧЕСКИЕ ХАРАКТЕРИСТИКИ

Технические характеристики

	435 II	435e II	440 II	440e II
Двигатель				
Объем цилиндра, см ³	40,9	40,9	40,9	40,9
диаметр цилиндра, мм	41	41	41	41
длина хода, мм	31	31	31	31
Обороты холостого хода, об/мин	2900	2900	2900	2900
Мощность, кВт об/мин	1,6/9000	1,6/9000	1,8/9000	1,8/9000
Система зажигания				
Свеча зажигания	NGK BPMR 7A/ Champion RCJ 7Y	NGK BPMR 7A/ Champion RCJ 7Y	NGK BPMR 7A/ Champion RCJ 7Y	NGK BPMR 7A/ Champion RCJ 7Y
Зазор электродов, мм	0,5	0,5	0,5	0,5
Система топлива / смазки				
Емкость топливного бака, литров	0,37	0,37	0,37	0,37
Производительность масляного насоса при 9000 об/мин, мл/мин	13	13	13	13
Емкость масляной системы, литр	0,25	0,25	0,25	0,25
Тип масляного насоса	Автоматический	Автоматический	Автоматический	Автоматический
Вес				
Моторная пила без пильного полотна и цепи и топлива, кг	4,2	4,4	4,2	4,4
Эмиссия шума (См. Примечание 1)				
Уровень шума, измеренный дБ(А)	112	112	113	113
Уровень шума, гарантированный L _{WA} дБ(А)	114	114	114	114
Уровни шума (См. Примечание 2)				
Эквивалентный уровень шума на уровне уха пользователя, дБ (А)	102	102	102	102
Эквивалент уровней вибрации, a _{hveq} (см. примечание 3)				
На передней ручке, м/сек ²	2,5	2,5	2,5	2,5
На задней ручке, м/сек ²	3,2	3,2	3,2	3,2
Цепь/полотно				
Стандартная длина пильного полотна, дюйм/см	13"/33	13"/33	13"/33	13"/33
Рекомендуемая длина пильного полотна, дюйм/см	13-18/33-45	13-18/33-45	13-18/33-45	13-18/33-45
Приемлемая длина резки, дюйм/см	12-17/31-43	12-17/31-43	12-17/31-43	12-17/31-43
Шаг, дюйм/мм	0,325/8,25	0,325/8,25	0,325/8,25	0,325/8,25
Толщина приводного звена, дюйм/мм	0,050/1,3	0,050/1,3	0,050/1,3	0,050/1,3
Тип ведущей звездочки/ количество зубьев	Spur/7	Spur/7	Spur/7	Spur/7
Скорость цепи при 133% от макс. мощности двигателя, м/сек.	23,1	23,1	23,1	23,1

Примечание 1: Шумовая эмиссия в окружающую среду измеряется как шумовой эффект (L_{WA}) согласно Директивы ЕС 2000/14/ЕС.

Примечание 2: Эквивалент уровня шумового давления, согласно ISO 22868, вычисляется как взвешенная по времени сумма энергии для разных значений шумового давления при различных условиях работы. Типичный статистический разброс для эквивалентного шумового давления — это стандартное отклонение 1 дБ (А).

Примечание 3: Эквивалент уровня вибрации, согласно ISO 22867 вычисляется как взвешенная по времени сумма энергии для разных уровней вибрации при различных условиях работы. Указанные данные об эквивалентном уровне вибрации имеют типичный статистический разброс (стандартное отклонение) 1 м/с².


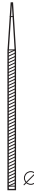



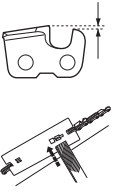
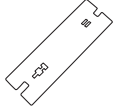
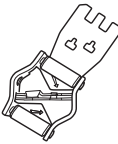
ТЕХНИЧЕСКИЕ ХАРАКТЕРИСТИКИ

Совместимость моделей пильного полотна и цепи

Следующее режущее оборудование утверждено для моделей Husqvarna 435 II, 435e II, 440 II and 440e II.

Пильное полотно				Пильная цепь	
Длина, дюймы	Шаг, дюйм	Ширина канавки, мм	Максимальное количество зубьев конечной звездочки	Тип	длина, ведущие звенья (шт.)
13	0,325	1,3	10T	Husqvarna H30	56
15					64
16					66
18					72

Затачивание цепи пилы и шаблоны для затачивания

							
H30	inch/mm 3/16 / 4,8	85°	30°	10°	inch/mm 0,025 / 0,65	5056981-00	5056981-08

ТЕХНИЧЕСКИЕ ХАРАКТЕРИСТИКИ

Гарантия ЕС о соответствии

(Только для Европы)

Husqvarna AB, SE-561 82 Huskvarna, Швеция, телефон +46-36-146500, настоящим гарантирует, что моторные пилы для лесных хозяйств Husqvarna 435 II, 435e II, 440 II и 440e II с серийным номером 2013 года и далее (на табличке данных после цифр обозначающих год изготовления следует серийный номер), соответствует требованиям ДИРЕКТИВЫ СОВЕТА:

- от 17 мая 2006 года, "относится к механическому оборудованию" 2006/42/ЕС
- от 15 декабря 2004 года "об электромагнитной совместимости" 2004/108/ЕЕС.
- от 8 мая 2000 года "об эмиссии шума в окружающую среду" 2000/14/ЕС.

Дополнительная информация по эмиссиям шума приведена в разделе Технические характеристики. Были использованы следующие стандарты: **EN ISO 12100:2010, ISO 14982:2009, EN ISO 11681-1:2011**

Зарегистрированная организация: 0404, SMP Svensk Maskinprovning AB, Box 7035, SE-750 07 Uppsala, Швеция, произвел проверку соответствия нормам ЕС согласно Директивы машин (2006/42/EG) Статья 12, пункт 3b. Сертификатам типового контроля ЕС согласно приложению IX присвоен номер: 0404/09/2012 - 435 II, 435e II, 440 II, 440e II.

После этого Машинный испытательный центр Svensk Maskinprovning AB, Box 7035, SE-750 07 Uppsala, Швеция, подтвердил соответствие с приложением V к Директиве Совета от 8 мая 2000 года "об эмиссии шума в окружающую среду" 2000/14/EG. Сертификатам присвоен номер: 01/161/075 - 435 II, 435e II, 01/161/074 - 440 II, 440e II.

Поставленная моторная пила соответствует экземпляру, прошедшему проверку на соответствие нормам ЕС.

Husqvarna, 8 апреля 2013 г.

Bengt Fröberg, Начальник отдела развития цепных пил (Уполномоченный представитель Husqvarna AB и ответственный за техническую документацию.)

ОБЯСНЕНИЕ НА УСЛОВНИТЕ ОБОЗНАЧЕНИЯ

Условни обозначения на машината:

ПРЕДУПРЕЖДЕНИЕ! Всички верижни триони могат да бъдат опасни! Небрежно или неправилно манипулиране с тях може да предизвика сериозни и дори смъртоносни наранявания на оператора или други лица.

Преди да започнете работа с машината прочетете внимателно ръководството за експлоатация и се убедете, че го разбирате правилно.

Необходимо е винаги да използвате:

- Одобрен шлем
- Одобрени антифони
- Защитни очила или маска

Тази продукт отговаря на изискванията на валидните ЕО директиви.

Шумови емисии в околната среда съгласно директивата на Европейската Общност. Емисията от машината е посочена в раздел Технически характеристики и върху лепенката.

Запалване; смукач: Поставете регулатора за смукача в смукателно положение. Контактът стоп би трявало тогава да застане на стартово положение.

Зареждане с гориво.

верига за наливане на масло

Горивна помпа.

Регулировка на маслена помпа.

Верижна спирачка, активирана (дясно) верижна спирачка, неактивирана (ляво)

Останалите символи/лепенки със символи, обозначени или поставени на машината, се отнасят до специфични изисквания по отношение на сертификати за определени пазари.



Условни обозначения в ръководството за експлоатация:

Изключвайте двигателя преди изпълнението на каквито и да е проверки или техническа поддръжка. **ВНИМАНИЕ!**

Ключът за пускане и спиране автоматично се връща на работно положение. За да се избегне непреднамерено стартиране, капачката на запалителната свещ трябва да се сваля от свещта при монтаж, проверка и/или изпълняване на техническо обслужване и поддръжка.

Носете винаги одобрени защитни ръкавици.

Изисква се редовно почистване.

Визуален преглед.

Използвайте винаги защитни очила или маска.

Зареждане с гориво.

Доливане на смазочно масло и регулиране на притока на маслото.

Верижната спирачка трябва да е задействана, когато се стартира верижният трион.

ПРЕДУПРЕЖДЕНИЕ! Когато краят на шината влезе в контакт с някакъв предмет това може да доведе до откат, който да отхвърли шината назад и нагоре към потребителя. Това може да доведе до сериозно телесно нараняване.



СЪДЪРЖАНИЕ

Съдържание

ОБЯСНЕНИЕ НА УСЛОВНИТЕ ОБОЗНАЧЕНИЯ	
Условни обозначения на машината:	243
Условни обозначения в ръководството за експлоатация:	243
СЪДЪРЖАНИЕ	
Съдържание	244
ВЪВЕДЕНИЕ	
Уважаеми потребителю!	245
КАКВО - КЪДЕ?	
Какво - къде на верижния трион?	245
ОБЩИ ИНСТРУКЦИИ ЗА БЕЗОПАСНА РАБОТА	
Необходими мерки преди използване на нов верижен трион	246
Запомнете	247
Винаги се осланяйте на здравия смисъл .	247
Лична защитна екипировка	247
Защитното оборудване на машината	248
Режещо оборудване	250
МОНТИРАНЕ	
Монтиране на шината и веригата	255
РАБОТА С ГОРИВОТО	
Горивна смес	256
Зареждане с гориво	257
Безопасност при боравене с гориво	257
СТАРТИРАНЕ И ИЗКЛЮЧВАНЕ	
Стартиране и изключване	259
НАЧИН НА РАБОТА	
Преди всяка употреба:	261
Основни указания за работа	261
Мерки за избягване на обратен тласък	265
ПОДДРЪЖКА	
Основни принципи	267
Регулиране на карбуратор	267
Преглед, поддръжка и сервиз на защитното оборудване на верижния трион	267
Ауспух	268
Стартер	269
Въздушен филтър	269
Запалителна свещ	270
Обслужване на игления лагер	270
Охладителна система	270
Центробежно почистване "Аир Иниекцион"	270
Работа през зимата	271
Техническо обслужване	272

ТЕХНИЧЕСКИ ХАРАКТЕРИСТИКИ	
Технически характеристики	74
Комбинации за шината и веригата	273
Изпилване на трионова верига и калибровки	273
ЕО-уверение за съответствие	274

Уважаеми потребителю!

Поздравяваме ви за вашия избор да се спрете на продукт на Husqvarna! Компанията Husqvarna има дълга история, простираща се чак до 1689 г., когато крал Карл XI построил фабрика за производство на мускети на брега река Хускварна. Изборът на мястото - на река Хускварна - бил съвсем логичен, тъй като реката се използвала за производството на енергия чрез течашите води, като по този начин осигурявала източник на енергия. В продължение на повече от 300 години фабриката Husqvarna произвежда безброй продукти, от печки с дървено горене до модерни кухненски машини, шевни машини, велосипеди, мотоциклети и т.н. Първата косачка за трева с механично задвижване беше произведена през 1956 г., като през 1959 г. беше произведен и моторният трион, като това е секторът, в който компанията Husqvarna работи понастоящем.

днес компанията Husqvarna е един от световните производители на дървообработващо и градинско оборудване, като качеството и производителността са най-високите й приоритети. Основополагащата концепция на бизнеса ни това са разработването, производството и маркетинга на дървообработващо и градинско оборудване с механично задвижване, както и оборудване за строителната промишленост. Нашата цел също така се състои в това, да бъдем винаги в авангарда на ергономиката, леснотата за боравене, безопасността на труда и защитата на околната среда, и поради тази причина са разработени един голям брой характеристики, които да подобряват функционирането на продукцията ни в тези сектори.

Ние сме убедени, че вие ще оцените с голямо задоволство качеството и производителността на нашия продукт в един продължителен период от време. Покупката на един от продуктите ни ви осигурява достъп до професионална помощ при ремонти и обслужване където и да се наложи. Ако търговецът на дребно, който ви е продал машината, не е един от оторизираните ни дилъри, поискайте адреса на най-близкия до вас наш сервиз.

Ние се надяваме, че вие ще останате доволни от машината и че тя ще остане ваш верен помощник в продължение на много години. Не забравяйте, че този Наръчник на оператора представлява един много ценен документ. Спазването на инструкциите (за работа, обслужване, поддръжка и т.н.) може значително да подобри срока на експлоатация на машината ви и дори да повиши стойността й при препродажба. Ако решите да продавате машината си, непременно

предайте Наръчника на оператора на новия й собственик.

Благодарим ви за използването на продукт на Husqvarna.

Husqvarna AB непрестанно усъвършенствува своите продукти и поради това си запазва правото да променя примерно оформянето им, външния им вид и др. без предварително уведомление.

Какво - къде на верижния трион? (1)

- 1 Капак на цилиндъра
- 2 Горивна помпа.
- 3 Стартирайте напомнителя
- 4 Комбиниран ключ за пускане и спиране
- 5 Задна ръкохватка
- 6 Информация и предупредителна лепенка
- 7 Горивен резервоар
- 8 Регулиращи винтове на карбуратора
- 9 Дръжка на стартера
- 10 Стартер
- 11 Резервоар за верижно масло
- 12 Плочка с името на продукта и серийния номер
- 13 Маркер за посоката на основния срез
- 14 Предна ръкохватка
- 15 Защита от обратен тласък
- 16 Ауспух
- 17 Верига
- 18 Челно колело на шината.
- 19 Шина на триона
- 20 Амортизатор
- 21 Уловител на веригата
- 22 Винт за натягане на веригата (435 II, 440 II)
- 23 Капак на съединителя (435 II, 440 II)
- 24 Предпазител за дясната ръка
- 25 Регулатор на дроселната клапа
- 26 Фиксатор на дроселната клапа
- 27 Капак на съединителя (435e II, 440e II)
- 28 Колело на механизма за обтягане на триона
- 29 Ръчка
- 30 Ръководство за експлоатация
- 31 Комбиниран гаечен ключ
- 32 Калъф на шината

ОБЩИ ИНСТРУКЦИИ ЗА БЕЗОПАСНА РАБОТА

Необходими мерки преди използване на нов верижен трион

- Прочетете внимателно и цялостно инструкциите.
- (1) - (117) се отнася за фигурите на стр. 2-6.
- Проверете монтажа и регулировката на режещото оборудване. Виж указанията в раздел Монтиране
- Напълнете и стартирайте моторния трион. Вижте инструкциите под заглавията Зареждане с гориво и Старт и Стоп.
- Не бива да се работи с верижния трион, ако веригата не е смазана достатъчно добре. Виж указанията в раздел Режещо оборудване.
- дълготрайното излагане на шум може да доведе до постоянно влошаване на слуха. Така че винаги използвайте одобрена защита на слуха.



ПРЕДУПРЕЖДЕНИЕ! При никакви обстоятелства не бива да се внасят изменения в първоначалната конструкция на машината без разрешение на производителя. Ползувайте само оригинални приспособления. Неразрешени изменения и/или приспособления биха могли да предизвикат сериозни травми или смъртни случаи на оператора или други лица.



ПРЕДУПРЕЖДЕНИЕ! Непредпазливото или неправилно боравене с верижния трион е опасно и може да доведе до сериозни и дори смъртоносни травми. Твърде важно е да прочетете и да разберете настоящото ръководство за експлоатация.



ПРЕДУПРЕЖДЕНИЕ! Вътрешността на шумозаглушителя съдържа химикали, които може да са канцерогенни. В случай че шумозаглушителят е повреден, избягвайте допир с тези елементи.



ПРЕДУПРЕЖДЕНИЕ! Дълготрайно вдишване на отработени газове от двигателя, изпарения от верижното масло и прах от дървени стърготини могат да представляват риск за здравето.



ПРЕДУПРЕЖДЕНИЕ! Тази машина създава електромагнитно поле по време на работа. При някои обстоятелства това поле може да интерферира с активни или пасивни медицински имплантанти. За да намалите риска от сериозно или фатално нараняване, ние препоръчваме лицата с медицински имплантанти да се консултират с лекаря си и производителя на медицинския имплантант, преди да започнат да работят с тази машина.



ПРЕДУПРЕЖДЕНИЕ! Никога не позволявайте на децата да използват машината или да бъдат в близост до нея. Тъй като машината е оборудвана с пружинен изключвател и може да бъде запалена чрез прилагане на ниска скорост и сила върху стартера, дори и малките деца при някои обстоятелства могат да са способни да запалят машината. Това означава риск от сериозно телесно нараняване. Следователно отстранявайте капачката на свещта когато машината не е под прякото ви наблюдение.

ОБЩИ ИНСТРУКЦИИ ЗА БЕЗОПАСНА РАБОТА

Запомнете

ЗАПОМНЕТЕ!

Този верижен трион за горска работа е проектиран за дейности като поваляне, обрязване на клонови и рязане.

Националните закони може да ограничат използването на машината.

Вие трябва да използвате само комбинациите шина/трионова верига, които ние препоръчваме в главата Технически данни.

Никога не използвайте машината ако сте уморени, ако сте употребявали алкохол или ако вземате медикаменти, които въздействат на зрението ви, преценката ви или координацията ви.

Използвайте личната защитна екипировка. Виж указанията в раздел Лична защитна екипировка.

Никога не променяйте тази машина по начин, който не съответства на оригиналната конструкция, и не я използвайте когато се вижда, че е била променена от някой друг.

Никога не използвайте машина, която е неизправна. Извършвайте описаните в това ръководство за експлоатация редовни проверки за безопасност, поддръжка и сервиз. Определени операции по поддръжката и сервиза се извършват единствено от квалифицирани специалисти. Вижте указанията в раздел 'Поддръжка'.

Забранено е използването на каквито и да е спомагателни приспособления, освен препоръчаните в това ръководство за експлоатация. Виж указанията в разделите Ренещо оборудване и Технически характеристики.

ВНИМАНИЕ! Винаги носете защитни очила или лицева маска, за да намалите риска от нараняване от изхвърчали предмети. Моторният трион е способен да причинява изхвърчаване на предмети, такива като парчета дървесина, малки късчета дървесина и др., с голяма сила. Това може да доведе до сериозни наранявания, особено на очите.



ПРЕДУПРЕЖДЕНИЕ! Пускането на двигател в затворено или лошо проветрено помещение може да доведе до смъртен случай или отравяне от въглероден окис.



ПРЕДУПРЕЖДЕНИЕ! Повреденото ренещо оборудване или погрешна комбинация от шина и трионова верига увеличават риска от откат! Използвайте само комбинации от шина/трионова верига, които препоръчваме, и следвайте работните инструкции. Вижте инструкциите в раздела със заглавие Технически данни.

Винаги се осланияйте на здравия смисъл (2)

Когато боравите с моторен трион не винаги е възможно да се предугади всяка мислима ситуация, с която е възможно да се сблъскате. Винаги работете с повишено внимание и се осланияйте на здравия си смисъл. Избягвайте всички ситуации, за които считате, че няма да можете да се справите. Ако все още се чувствате несигурни за работните процедури след прочитането на тези инструкции, вие трябва да се консултирате с някой експерт преди да продължите работа. Не се колебайте да се свържете с дилъра си или с нас ако имате въпроси относно използването на моторния трион. Ние винаги с готовност ще се отзоваваме и ще ви осигуряваме съвет и помощ как да използвате ефективно и безопасно моторния си трион. Посетете даден курс на обучение за работа с моторен трион, ако е възможно. Вашият дилър, училище по дървообработване или библиотеката ви могат да ви осигурят с информация относно какви курсове на обучение и учебни материали се предлагат. Ние работим постоянно, за да подобряваме конструкцията и технологията – подобрения, които повишават безопасността и ефикасността ви. Посещавайте редовно вашия дилър, за да видите дали можете да извлечете изгода от новите функции, които сме въвели в продукта си.

Лична защитна екипировка



ПРЕДУПРЕЖДЕНИЕ! Повечето злополуки с верижни триони възникват при допир на оператора до веригата. При работа с машината трябва винаги да ползвате лична защитна екипировка одобрена от съответното ведомство. Личната защитна екипировка не изключва риск от травми, но намалява сериозността на травмата при злополука. Помолете своя дистрибутор за помощ при избора на подходяща екипировка.

- Одобен шлем

ОБЩИ ИНСТРУКЦИИ ЗА БЕЗОПАСНА РАБОТА

- Антифони
- Защитни очила или маска
- Ръкавици със защита против разрез
- Панталони със защита срещу триона
- Ботуши със защита против разрез, стоманени бомбета и нехлъзгаща се подметка.
- Аптеката за първа помощ трябва винаги да е под ръка.
- Пожарогасител и лопата

Облеклото като цяло следва да е прилепнало до тялото, без това да ограничава движенията.

ЗАПОМНЕТЕ! От заглушителя на ауспуха, шината и триона или друг източник могат да изскочат искри. Винаги дръжте пожарогасителното оборудване близо и под ръка в случай, че ви потрябва. Това означава, че вие можете да помогнете за предотвратяване на горските пожари.

Защитното оборудване на машината

В този раздел се обясняват характеристиките на безопасна работа с машината и тяхната функция. Относно огледа и поддръжката, вижте инструкциите под заглавието Инспектиране, поддръжка и обслужване на оборудването за безопасна работа с моторен трион. Вижте инструкциите в раздела Кое какво е? за да откриете къде по машината ви се намират тези компоненти.

Експлоатационният срок на машината може да бъде намален, а рискът от несчастни случаи увеличен, ако техническото обслужване на машината не се провежда правилно и ако обслужването и/или ремонтните дейности не се изпълняват професионално. Ако имате нужда от още информация, моля, обърнете се към най-близкия сервиз.



ПРЕДУПРЕЖДЕНИЕ! Никога не използвайте машина с дефектни компоненти от обезопасяващото оборудване. Обезопасяващото оборудване трябва да се проверява и поддържа. Вижте инструкциите в раздела Инспектиране, поддръжка и обслужване на оборудването за безопасна работа с моторен трион. Ако машината ви не мине всички проверки, отнесете я до обслужващия сервиз за ремонт.

Верижна спирачка и аварийен лост

Вашият моторен трион е оборудван със спирачка за триона, предназначена да спре триона при възникване на откат. Спирачката за

триона намалява риска от несчастни случаи, но само ако вие не ги допускате. (3)

Проявявайте предпазливост при работа и убедете се, че рисковият сектор за обратен тласък на шината, никога не се допира до предмет. (4)

- Спирачката за триона (А) може или да бъде задействана ръчно (чрез лявата ви ръка) или чрез механизма за освобождаване на инерцията. (5)
 - Спирачката се включва при преместване на аварийния лост (В) напред. (5)
 - Това движение задвижва подпружинения механизъм, който опъва спирачната лента (С) около задвижващото устройство на двигателя (Д) (съединителният барабан). (6)
 - Аварийният лост е не само предназначен за включване на верижната спирачка. Друго негово важно предназначение е да предпазва лявата ви ръка от допир с веригата, ако ръката се изплъзне от предната ръкохватка.
 - Спирачката за триона трябва да бъде задействана при стартиране на моторния трион, за да се предотврати завъртането на триона. (55)
 - Използвайте спирачката за триона като “спирачка за паркиране” когато стартирате и когато се движите на къси разстояния, за да предотвратявате несчастни случаи ако съществува риск трионът случайно да удари някого или нещо наблизо. Не оставяйте моторния трион включен с активирана спирачка за триона за продължителни периоди. Моторният трион може да се нагорещи много.
 - Спирачката на веригата се освобождава, като се придвижи предният предпазител за ръката, обозначен с GPULL BACK TO RESET” назад, към предната дръжка.
 - Обратният тласък може да бъде внезапен и силен. В повечето случаи тласъкът е незначителен и не предизвиква винаги задвижване на верижната спирачка. При подобен тласък верижният трион трябва да се държи здраво и да не се отпусна.
 - Начинът на включване на верижната спирачка, ръчно или автоматично, зависи от силата на обратния тласък на шината, както и от положението на триона спрямо предмета попаднал в сектора с риск за обратен тласък на шината.
- Ако ви се случи силен откат докато зоната на откат на шината е в най-отдалеченото си положение от вас, спирачката за триона е конструирана така, че да се задейства от момента на противотежестта (задействана от инерцията) в посока на отката. (7)

ОБЩИ ИНСТРУКЦИИ ЗА БЕЗОПАСНА РАБОТА

При по-слаб тласък или ако рисковият сектор на тласъка на шината се намира по-близо до оператора, верижната спирачка се включва ръчно с лявата ръка.

- Когато операторът е застанал в положение на рязане лявата му ръка е в положение, което прави невъзможно ръчното задействане на спирачката на триона. При този тип захват, тоест когато лявата ръка е поместена така, че да не може да влияе на движението на предната защита за ръцете, спирачката на триона може да се задейства само чрез силата на инерцията. (8)

В случай на откат ръката ми винаги ли ще задейства спирачката на триона?

Не. За придвижването на защитата срещу откат напред е нужна специална сила. Ако ръката ви само докосне леко защитата срещу откат или само се плъзне върху нея, може да се случи така, че тази сила да не е достатъчна, за да освободи спирачката на триона. Вие трябва също така да стискате здраво ръкохватката на моторния трион при работа. Ако го направите и се получи откат, може би не ще успеете да пуснете ръката си от предната ръкохватка и няма да задействате спирачката на триона, или може би спирачката ще се задейства едва когато трионът е успял да се извърти много назад. При такава ситуация може да се получи така, че спирачката на триона да не успее да спре триона преди да ви удари.

При някои работни положения на тялото може да се случи така, че ръката ви да не може да достигне защитата срещу откат, за да задейства спирачката за триона; например, когато трионът се държи в положение на рязане.

Ще успява ли винаги силата на инерция да задейства спирачката на триона в случай на откат?

Не. Първо, спирачката ви трябва да работи. Тестването на спирачката е лесно, вижте инструкциите под заглавието Инспектиране, поддръжка и обслужване на оборудването за безопасна работа с моторен трион. Препоръчваме ви да го правите преди началото на всяка работна смяна. Второ, откатът трябва да е достатъчно мощен, за да задейства спирачката на триона. Ако спирачката на триона е била прекалено чувствителна, тя ще се задейства постоянно, което би довело до проблеми.

Спирачката на триона винаги ли ще ме предпазва от нараняване ако се получи откат?

Не. Преди всичко спирачката ви трябва да работи, за да осигури нужната защита. Второ, тя трябва да се задейства както е описано по-горе, за да спре моторния трион в случай на откат. Трето, спирачката на триона може да се задейства, но ако шината е прекалено близко до вас може да се получи така, че спирачката да не успее да забави и спре триона преди да ви удари.

Единствено вие и определена правилна работна техника може да елиминират възможността за възникване на откат и свързаните с него рискове.

Фиксатор на дроселната клапа

Фиксаторът на регулатора за газта е конструиран така, че да предотвратява нежелано задействане на регулатора на газта. Когато притиснете фиксатора (А) (тоест, когато стиснете ръкохватката) той освобождава регулатора на газта (В). При освобождаване на ръкохватката, регулаторът на газта и фиксаторът на регулатора на газта се връщат в първоначалните си положения. Тази подредба означава, че регулаторът автоматично се блокира при работа на празен ход. (9)

Уловител на веригата

Уловителят на веригата е предназначен да удържи веригата, ако тя се разкъса или се откачи. В повечето случаи това може да се избегне, ако веригата е правилно опъната (виж указанията в раздел Монтиране) и ако шината и веригата се поддържат и подлагат редовно на сервиз (виж указанията в раздел Основни указания за работа). (10)

Предпазител за дясната ръка

Освен че предпазителят за дясната ръка предпазва в случай на откачане или разкъсване на веригата, той не дава възможност на клончета и трески да повлият ръката на задната ръкохватка. (11)

Антивибрационна система

Вашата машина е снабдена с антивибрационна система, свещаща до минимум вибрацията и облекчаваща работата.

Антивибрационната система на машината намалява вибрацията, предаваща се от двигателя/режещото оборудване върху ръкохватката на машината. Корпусът на верижния трион е окачен, заедно с режещото оборудване, към държките чрез т.н. антивибрационен елемент.

При сечене на твърда дървесина (повечето видове широколистни дървета) вибрацията е

ОБЩИ ИНСТРУКЦИИ ЗА БЕЗОПАСНА РАБОТА

по-силна, отколкото при рязане на мека дървесина (повечето видове иглолистни дървета). Рязането с изтъпена или неизправна верига (погрешен тип или неправилно наточена верига) води до повишаване на равнището на вибрацията.



ПРЕДУПРЕЖДЕНИЕ! Прекаленото излагане на вибрации може да доведе до увреждане на кръвоносната система или увреждане на нервите при хора с влошена кръвна циркулация. Свържете се с лекаря си ако изпитвате симптоми от прекалено излагане на вибрации. Тези симптоми включват изтръпване, загуба на усещане, боцкане, болка, загуба на сила, промени в цвета на кожата или състоянието. Тези симптоми се проявяват обикновено в пръстите, ръцете или китките. Тези симптоми могат да се влошат при студени температури.

Ключ стоп

Използвайте ключа стоп за спиране на двигателя. (12)

Ауспух

Ауспухът свежда до минимум равнището на шума и насочва отработените газове встрани от работещия.



ПРЕДУПРЕЖДЕНИЕ! Отработените газове от двигателя са горещи и в тях могат да съдържат искри, които да предизвикат пожар. Не стартирайте никога машината в помещение или близо до горивни материали!

В страни с горещ и сух климат съществува висок риск от горски пожари. Може да се получи така, че законодателството и изискванията в тези страни да изискват, наред с другите си изисквания, заглушителят на ауспуха да бъде покриван с искрогасителна мрежа. (13)

Когато поставяте решетката, убедете се, че я намествате в правилното положение. При необходимост използвайте комбинирания гаечен ключ, за да поставите или махнете решетката.

ВНИМАНИЕ! Заглушителят на ауспуха се сгорещява силно при работа и след спиране. Това се отнася също така и до случаите при работа на двигателя на празен ход. Обръщайте внимание на опасността от пожар, особено когато работите в близост до огнеопасни субстанции и/или газове.



ПРЕДУПРЕЖДЕНИЕ! Никога не използвайте моторния трион, ако заглушителят на ауспуха липсва или е дефектен. Дефектният заглушител на ауспуха може значително да увеличи нивото на шума и опасността от пожар. Дръжте противопожарното оборудване така, че да ви е под ръка. Никога не използвайте моторен трион ако искрогасителната мрежа липсва или е дефектна когато наличието на такава е задължително в района, в който работите.

Режещо оборудване

Този раздел описва как чрез правилна поддръжка и правилен избор на режещото оборудване се постига следното:

- Намалява се вероятността от обратен тласък на машината.
- Намалете риска от счупване или подскачане на моторния трион.
- Придобийте максимално майсторство при рязане.
- Продължава се експлоатационната продължителност на режещото оборудване.
- Избягвайте излагането на силни нива на вибрация.

Основни правила

- Използвайте единствено режещото оборудване препоръчано от нас! Вижте инструкциите в раздела със заглавие Технически данни.
- Убедете се, че режещите зъби на веригата са наточени правилно! Спазвайте нашите инструкции и използвайте препоръчания шаблон за пилата. Работа с повредена или лошо наточена верига повишава риска от злополуки.
- Поддържайте правилната хлабина при ограничителя на подаването! Следвайте инструкциите ни и използвайте препоръчаната калибровка на ограничителя на подаването. Прекалено голямата хлабина повишава риска от откат.
- Поддържайте необходимото обтягане на веригата! Провиснала верига увеличава риска от откачане и допринася за по-бързо износване на шината, веригата и задвижващото колело.
- Смазвайте редовно режещото оборудване и извършвайте правилна поддръжка! Лошо смазаната верига увеличава риска от разкъсване, като едновременно ускорява износването на шината, веригата и задвижващото колело.

ОБЩИ ИНСТРУКЦИИ ЗА БЕЗОПАСНА РАБОТА

Режещото оборудване е конструирано с цел минимизиране на отката



ПРЕДУПРЕЖДЕНИЕ! Повреденото режещо оборудване или погрешна комбинация от шина и трионова верига увеличават риска от откат! Използвайте само комбинации от шина/трионова верига, които препоръчваме, и следвайте работните инструкции. Вижте инструкциите в раздела със заглавие Технически данни.

Единственият начин да избегнете обратен тласък е винаги да проверявате рисковият сектор на шината никога да не допира до каквото и да е предмет.

Ефектът от обратен тласък може да се намали чрез използването на режещо оборудване с "вградена" защита срещу тласък и чрез правилно поддържане и наточване на веригата.

Шина

Колкото е по-малък радиуса на закръглението при върха, толкова е по-малък рискът от откат.

Верига

Веригата се състои, както в стандартния така и във вариант с намален обратен тласък, от определен брой различни звена.

ЗАПОМНЕТЕ! Няма моторни триони, при които изцяло да е елиминиран рискът от откат.



ПРЕДУПРЕЖДЕНИЕ! Всеки контакт с въртящ се моторен трион може да причини изключително сериозни наранявания.

Някои термини, характеризиращи шината и веригата

За да поддържате всички безопасни функции на оборудването на триона, вие трябва да замествате износените и повредени комбинации от шина/трион с шина и трион, препоръчвани от Husqvarna. Вижте инструкциите в раздела Технически данни за информация относно кои комбинации шина/трион препоръчваме.

Шина

- Дължина (дюйма/см)
- Брой на зъбите на челното колело (Т).
- Стъпка на веригата (=питцх) (дюйма).
Челното колело на шината и задвижващото колело на веригата на триона трябва да са регулирани за разстоянието между задвижващите звена на веригата. (14)

- Брой на задвижващите звена (бр). Броят на задвижващите звена се определя от дължината на шината в комбинация със стъпката на веригата и броя на зъбите на челното колело.
- Ширина на жлеба на шината (дюйма/мм). Ширината на жлеба на шината трябва да съответствува на дебелината на задвижващите звена на веригата.
- Отвърстие за смазване на веригата на триона и отвърстие за натегателя на веригата. Шината трябва да съответствува на конструкцията на триона. (15)

Верига

- Стъпка на веригата (=питцх) (дюйма) (14)
- Дебелина на задвижващите звена (мм/дюйма) (16)
- Брой на задвижващите звена (17)

Заточване на триона и регулиране хлабината на ограничителя на подаване

Обща информация за наточването на режещите зъби

- Никога не използвайте тъп трион. Когато трионът е тъп, налага ви се да упражнявате повече сила, за да прокарате шината през дървесината и нарязаният обем ще бъде много малък. Много тъпият трион изобщо не може да реже дървесина. В резултат ще се получават само стърготини.
- Острият трион си прокарава път през дървесината и е в състояние да прави дълги и дълбоки срезове.
- Режещата част от триона се нарича режещо звено и се състои от един режещ зъб (А) и ръба на ограничителя на подаване (В). Дълбочината на срязване се определя от разликата във височината между двете. (18)

Когато заточвате даден режещ зъб трябва да имате предвид четири важни фактора.

- 1 Ъгъл на пилене (19)
- 2 Челен ъгъл (20)
- 3 Разположение на пилата (21)
- 4 Диаметър на кръглата пила

Много е трудно да се заточи даден трион правилно без необходимото оборудване. Препоръчваме ви да използвате нашата калибровка. Това ще ви помогне да постигнете максимално намаление на отката и максимална производителност от вашия трион. (22)

Вижте инструкциите в раздела Технически данни за информация относно заточването на триона ви.

ОБЩИ ИНСТРУКЦИИ ЗА БЕЗОПАСНА РАБОТА



ПРЕДУПРЕЖДЕНИЕ! Отклонението от инструкциите по заточване значително увеличава риска от откат.

Наточване на режещия зъб



За заточване на режещите зъби вие ще се нуждаете от кръгла пила и калибровка. Вижте инструкциите в раздела Технически данни за информацията относно размера на пилата и калибровката, които се препоръчват за вашия моторен трион.

- Проверете опъна на веригата. Ако верига е провиснала, тя е странично нестабилна, което затруднява правилното наточване.
- Режещ зъб винаги се наточва, като се започва от вътрешната страна и се пили навън. Пилете по-слабо, като го връщате обратно пилата. Изпилете първо зъбите от едната страна, след което обърнете верижния трион и изпилете зъбите от другата страна.
- Пилете така, че всички зъби да са с еднаква дължина. Когато дължината на режещите зъби се намали до 4 мм (5/32") веригата е износена и трябва да се изхвърли. (23)

Общи съвети по настройката на хлабината на ограничителя на подаване

- Когато заточвате режещите зъби вие намаляте хлабината на ограничителя на подаване (дълбочината на рязане). За да поддържате режещата работоспособност вие трябва да изпилите обратно зъбите на ограничителя на подаване до препоръчаната височина. Вижте инструкциите в раздела Технически данни, за да откриете хлабината на ограничителя на подаване за вашия специфичен модел моторен трион. (24)



ПРЕДУПРЕЖДЕНИЕ! Рискът от откат нараства с прекомерното увеличаване на хлабината на ограничителя на подаване!

Регулиране на хлабината на ограничителя на подаване



- Режещите зъби трябва бъдат пряснозаточени преди регулирането на хлабината на ограничителя на подаване. Препоръчваме ви да регулирате хлабината

на ограничителя на подаване при всяко трето заточване на триона. **ЗАБЕЛЕЖКА!** Тази препоръка предполага, че дължината на режещите зъби не е прекалено намалена.

- Вие ще се нуждаете от плоска пила и калибровка за ограничителя на подаване, за да регулирате хлабината на ограничителя на подаване. Препоръчваме ви да използвате нашата калибровка за хлабината на ограничителя на подаване, за да направите правилно измерване на хлабината на ограничителя на подаване и правилния ъгъл на ръба на ограничителя на подаване.
- Поставете калибровката върху трионовата верига. Информацията за начина на използване на калибровката може да се намери върху опаковката. Използвайте плоската пила, за да изпилите излишъка от стърчащата част на ръба на ограничителя на подаване. Хлабината на ограничителя на подаване е правилна когато вече не усещате никакво съпротивление докато прекарвате пилата върху калибровката. (25)

Натягане на веригата



ПРЕДУПРЕЖДЕНИЕ! Недостатъчно натегнатата верига може да се откачи и да предизвика сериозни и дори смъртоносни травми.

Колкото повече ползвате веригата, толкова по-дълга става тя. Важно е режещото оборудване да се регулира така, че да отговаря на настъпващите промени.

При всяко зареждане с гориво проверявайте как е натегната веригата. **ВНИМАНИЕ!** Нова верига има период на разработване, по време на който трябва да се проверява по-често опъна.

Най-общо правило е веригата да е опъната възможно по-силно, но същевременно трябва да може да се движи леко с ръка. (26)

435 II, 440 II



- Разхлабете гайката на шината, която държи капака на съединителя и спирачката за триона. Използвайте гаечния ключ. След това затегнете наново максимално стегнатата гайката на шината с ръка. (27)
- Повдигнете върха на шината и опънете веригата чрез затягане на обтегателния винт с помощта на комбинирания гаечен

ОБЩИ ИНСТРУКЦИИ ЗА БЕЗОПАСНА РАБОТА

ключ. Опъвайте веригата до момента, когато тя не провисва от долната страна на шината. (28)

- Ползвайте комбинация гаечен ключ, за да затегнете гайката на шината, докато държите вдигнат върха на шината. Проверете дали можете да въртите на ръка свободно веригата на триона и дали няма хлабина отдолу на шината. (29)

Положението на винта за натягане на триона варира в зависимост от моделите на моторни триони. Вижте инструкциите в раздела Кое какво е, за да откриете къде се намира той при вашия модел.

435e II, 440e II



- Освободете ръчката, като я разгънете. (30)
- Завъртете ръчката в посоката, противоположна на движението на часовниковата стрелка, за да разхлабите капака на шината. (31)
- Регулирайте натягането на триона чрез завъртането на колелото надолу (+) за по-силно натягане и нагоре (-), за да разхлабите натягането. (32)
- Затегнете шинния съединител чрез завъртането на ръчката по посока на движението на часовниковата стрелка. (33)
- Сгънете ръчката обратно, за да фиксирате натягането. (34)

Смазване на режещото оборудване



ПРЕДУПРЕЖДЕНИЕ! Недостатъчно смазано режещото оборудване може да доведе до скъсване на веригата и до сериозни, дори смъртоносни травми.

Верижно масло

Верижното масло трябва да се задържа върху веригата и същевременно да е достатъчно течливо, независимо дали времето е топло през лятото или студено през зимата.

Като производител на верижни триони ние сме разработили оптимално верижно масло на базата на растителна основа, което се разлага биологически. Ние препоръчваме използването на нашето масло както за постигане на максимална продължителност на живота на веригата, така и по отношение на околната среда. Ако не е възможно да се снабдите с наше верижно масло, ви препоръчваме да използвате стандартно верижно масло.

Не използвайте никога отпадъчно масло! Това е опасно за вас, машината и околната среда.

ЗАПОМНЕТЕ! Когато използвате растително масло за моторния трион, разглобете и почистете канала в шината и трионовата верига преди продължително съхранение. В противен случай съществува риск от окисляване на маслото за трионовата верига, което ще доведе до втвърдяване на компонентите на трионовата верига и блокиране на верижното колело на върха на шината.

Доливане на верижно масло

- Всички наши модели верижни триони имат автоматизирана система за смазване на веригата. Някои модели могат да се доставят дори с механизъм за регулиран приток на масло.
- Резервоарът за масло на трионовата верига и резервоарът за гориво са конструирани по такъв начин, че горивото се изразходва преди маслото за трионовата верига.

Все пак, тази характеристика за безопасна работа изисква да използвате правилния вид масло за триона (ако маслото е прекалено рядко то ще се изразходва преди горивото), и да регулирате карбуратора според изискванията (една слаба смес може да означава, че гориво ще има по-продължително време от маслото). Вие също така трябва да използвате препоръчаното режещо оборудване (шина, която е прекалено дълга, ще използва повече масло за триона).

Проверка на смазката на веригата

- Смазката на веригата трябва да се проверява при всяко зареждане с гориво. Насочете върхът на шината към светъл, неподвижен предмет, намиращ се на разстояние около 20 см (8 дюйма). След работа в продължение на 1 мин при 3/4 подадена газ, трябва да се очертае отчетлив ръб от маслото върху светлата повърхност.

Ако установите, че веригата не се смазва:

- Проверете дали не е задръстен масленият канал на шината. Почистете при необходимост. (35)
- Убедете се, че жлебът на шината е чист. Почистете при необходимост. (36)
- Убедете се, че челното колело на шината се върти свободно и че отвърстието за смазочно масло на челното колело не е задръстено. Почистете и смажете при необходимост. (37)

Ако веригата не може да се смаже, след като сте извършили горните проверки и сте

ОБЩИ ИНСТРУКЦИИ ЗА БЕЗОПАСНА РАБОТА

изпълнили всички препоръки, трябва да се обърнете към сервиза си.

Задвижващото колело на веригата



Барабанът на съединителя е оборудван с един от следните видове задвижващи колела:

A Задвижващо колело Спур (задвижващото колело е заварено към барабана)

B Задвижващо колело Рим (сменяемо) (38)

Необходимо е редовно да се проверява степента на износването на задвижващото колело на веригата. При прекомерно износване то трябва да се смени. При всяка смяна на веригата трябва да се сменя и задвижващото колело на веригата.

Обслужване на игления лагер

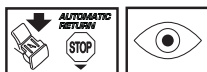


И двата типа задвижващи верижни колела са с иглен лагер на изходящия вал, който трябва да се смазва редовно (веднъж седмично).

ВНИМАНИЕ! Използвайте качествена смазка за лагери или масло за двигател.

Вижте инструкциите в раздела Смазване на игления лагер.

Проверка на износването на режещото оборудване



По отношение на веригата трябва ежедневно да се проверява следното:

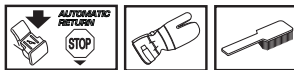
- Видими пукнатини в нитовете и звената.
- Твърдост на веригата.
- Силно износени нитове и звена.

Подменяйте трионовата верига, ако тя демонстрира който и да е от пунктовете, посочени по-горе.

Препоръчваме ви да извършвате сравнение с нова верига, за да определите степента на износване.

Пилете така, че всички зъби да са с еднаква дължина. Когато дължината на режещите зъби се намали до 4 мм (5/32") веригата е износена и трябва да се изхвърли. (23)

Шина



Проверявайте редовно за:

- Острини от външната страна на ръбовете на шината. Изпилвайте при необходимост.
- Силно износване на жлеба на шината. При необходимост подменете шината.
- Неравности или силно износване на върхът на шината. Ако по върха на шината се е образувала "вдлъбнатина" това означава, че сте работили с недостатъчно опъната верига.
- За да удължите живота на шината вие трябва редовно да я преобръщате.



ПРЕДУПРЕЖДЕНИЕ! Повечето злополуки с верижни триони възникват при допир на оператора до веригата.

Използвайте личната защитна екипировка. Виж указанията в раздел Лична защитна екипировка.

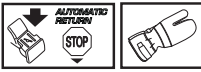
Избягвайте всички видове операции, за които се смятат недостатъчно квалифицирани. Виж указанията в разделите Лична защитна екипировка, Мерки за избягване на обратен тласък, Режещо оборудване и Основни указания за работата.

Избягвайте ситуации с риск от обратен тласък. Виж указанията в раздел Защитно оборудване на машината.

Използвайте препоръчаната защитна екипировка и проверявайте състоянието на същата. Виж указанията в раздел Основни указания за работата.

Убедете се, че всички защитни приспособления на верижния трион са в изправност. Виж указанията в разделите Основни указания за работа и Основни предпазни мерки по техниката за безопасност.

Монтиране на шината и веригата



ПРЕДУПРЕЖДЕНИЕ! При работа с веригата трябва винаги да носите ръкавици.

435 II, 440 II

- Убедете се, че верижната спирачка е изключена, като преместите предпазителя за дясната ръка към предната ръкохватка. (39)
- Развийте гайката на шината и свалете капака на съединителя (спирачката на веригата). Свалете пръстена за транспортване (А). (40)
- Поставете шината на нейния болт. Придвийте шината в крайно задно положение. Поставете веригата на задвижващия венец и в жлеба на шината. Започнете от горната страна на шината. (41)
- Убедете се, че ръбовете на режещите звена в горната страна на шината са обърнати напред.
- Монтирайте капака на съединителя и не забравяйте да сложите регулиращия щифт на веригата в отвора в шината. Проверете дали звената на веригата са легнали добре на задвижващия венец и дали веригата е правилно прокарана в жлеба на шината. Затегнете гайката на шината с пръсти.
- Натегнете веригата с помощта на комбиниран гаечен ключ, като въртите регулиращият в посока на по часовниковата стрелка. Веригата се опънва докато не увисва под долната страна на шината. (42)
- Веригата е правилно обтегната, когато няма хлабина под шината и пак може свободно да се върти на ръка. Затегнете гайката на шината с комбинирания гаечен ключ, докато държите вдигнат върха на шината. (43)
- При нова верига трябва често да се проверява натягането ѝ, докато веригата пасне. Опънът на веригата трябва да се проверява редовно. Правилно натегнатата верига притежава добри режещи характеристики и дълъг живот. (44)

435e II, 440e II

- Убедете се, че верижната спирачка е изключена, като преместите предпазителя за дясната ръка към предната ръкохватка. (45)
- Разхлабете колелото на механизма за обтягане на триона и свалете капака на съединителя (спирачката на триона). Отстранете транспортната защита. (А) (46)
- Поставете шината върху болтовете за шината. Шината трябва да се намира в крайно задно положение. Поставете веригата върху задвижващото колело на веригата и жлеба на шината. Започнете от горната страна на шината. (41)
- Убедете се, че ръбовете на режещите звена в горната страна на шината са обърнати напред.
- Монтирайте капака на съединителя и не забравяйте да сложите регулиращия щифт на веригата в отвора в шината. Проверете дали звената на веригата са легнали добре на задвижващия венец и дали веригата е правилно прокарана в жлеба на шината.
- Натегнете триона чрез завъртането на колелото надолу (+). Трионът трябва да се обтяга дотогава, докато престане да провисва от вътрешната страна на шината. (32)
- Трионът е правилно обтегнат тогава, когато не провисва от вътрешната страна на шината, но все още може да се върти лесно с ръка. Хванете и стиснете края на шината и затегнете шинния съединител, като завъртите ръчката по посока на движението на часовниковата стрелка. (33)
- При нова верига трябва често да се проверява натягането ѝ, докато веригата пасне. Опънът на веригата трябва да се проверява редовно. Правилно натегнатата верига притежава добри режещи характеристики и дълъг живот. (44)

Монтиране на амортизатор

За монтаж на амортизатор се обърнете към сервиза си. (47)

РАБОТА С ГОРИВОТО

Горивна смес

ЗАБЕЛЕЖКА! Машината е оборудвана с двутактов двигател и винаги трябва да работи със смес от бензин и двутактово масло. Важно е да се измерва точно количеството масло, което трябва да се смеси, за да се осигури получаването на точната смес. Когато смесвате малки количества гориво, дори и дребните неточности могат драстично да въздействат върху съотношението на сместа.



ПРЕДУПРЕЖДЕНИЕ! При работа с горивото трябва винаги да се осигурява добра вентилация.

Бензин



- Ползвайте с висококачествен безоловен или оловен бензин.
- Най-ниското препоръчвано октаново число е 90 (RON). Ако двигателят ви работи с октаново число, по-ниско от 90, може да се получи така нареченото "биене". Това води до една по-висока температура на двигателя и повишено натоварване на лагерите, което от своя страна може да доведе до сериозни повреди на двигателя.
- При продължителна работа на високи обороти (например при кастрене) се препоръчва използване на бензин с по-високо октаново число.

Екологично гориво

Компанията HUSQVARNA препоръчва използването на приспособен към изискванията за опазване на околната среда петрол (също така наречен алкилатен петрол), или предварително смесен двутактов бензин Asrep или приспособен към изискванията за опазване на околната среда бензин за четиритактови двигатели, смесен с двутактово масло както е посочено по-долу. Отбележете си, че може да се наложи настройка на карбуратора при промяна на типа гориво (вижте инструкциите в раздела със заглавие Карбуратор).

Етанолово гориво

HUSQVARNA препоръчва достъпно в търговските мрежи гориво със съдържание на етанол максимум 10%.

Сработване

Избягвайте да работите при прекалено високи обороти за продължителен период от време през първите 10 часа.

Масло за двутактов двигател

- Използвайте двутактовото двигателно масло на HUSQVARNA, което е специално произведено за двутактови двигатели с въздушно охлаждане, за да получите най-добър резултат и производителност.
- Никога не използвайте двутактово масло, предназначено за извънбордови двигатели с водно охлаждане, понякога обозначавано като масло за извънбордови двигатели (което носи името TCW).
- Забранено е използването на масло за четиритактови двигатели.
- Смес с нискокачествено масло или прекалено богата на масло/гориво може да изложи на опасност функцията на каталитичния конвертор и да намали експлоатационния му живот.

Състав на сместа

1:50 (2%) с двутактовото масло на HUSQVARNA.

1:33 (3%) с други масла, предназначени за двутактови двигатели с въздушно охлаждане, класифицирани за JASO FB/ISO EGB.

Бензин, литри	Масло за двутактов двигател, литри	
	2% (1:50)	3% (1:33)
5	0,10	0,15
10	0,20	0,30
15	0,30	0,45
20	0,40	0,60

Приготвяне на сместа

- Бензинът трябва да се смесва с маслото в чист резервоар, предназначен за горивото.
- Отначало трябва да налеете половината от предвидения за използване обем на бензина. След това се добавя цялото количество масло. Смесете (разтърсете) горивната смес. Долейте останалото количество гориво.
- Разбъркайте внимателно горивната смес (чрез разтърсване) преди да я налеете в горивния резервоар на машината.
- Не смесвайте гориво за повече от нужното ви за един месец.
- Ако продължителен период не използвате машината, горивният резервоар трябва да бъде изпразнен и почистен.

Верижно масло

- За смазване ние препоръчваме да използвате специално масло (верижно масло) с добри адхезионни характеристики. (48)

РАБОТА С ГОРИВОТО

- Не работете с отпадъчно масло. Това води до повреди на маслената помпа, шината и веригата.
- Важно е да използвате правилния тип масло, подходящо за температурата на въздуха (подходящ вискозитет).
- При температура под 0oC някои масла губят вискозитета си. Това може да доведе до претоварване на маслената помпа и повреда на детайлите ѝ.
- За избора на верижното масло се обърнете къмсервиза си.

Зареждане с гориво



ПРЕДУПРЕЖДЕНИЕ! Спазването на следните предпазни мерки намалява опасността от пожар:

Не пушете и не помествайте никакви нагорещени предмети в близост до горивото.

Преди зареждането с гориво трябва непременно да се изключи двигателят и да се остави за няколко минути да изстине.

Отворете внимателно капака на горивния резервоар за да се отстрани евентуално свръхналягане.

След зареждането с гориво грижливо завинтете капака на горивния резервоар.

Преди да стартирате машината, винаги трябва да я премествате настрана от мястото, където е била заредена с гориво и където държите горивото.

Почистете капака на горивния резервоар. Резервоарите за горивото и верижното масло трябва да се почистват редовно. Замърсяване в резервоарите води до смущения в работата. Горивният филтър трябва да се сменя най-малкото един път годишно. Убедете се, че горивото е смесено добре, разтърсвайки го преди зареждането. Обемите на резервоарите за горивото и верижното масло са съобразени един спрямо друг. Ето защо винаги трябва да се извършва едновременно зареждане с гориво и с верижно масло. (48)



ПРЕДУПРЕЖДЕНИЕ! Гориво и горивни пари се възпламеняват лесно. Бъдете предпазливи при работа с горивото и верижното масло. Съобразявайте се с опасността от пожар, експлозии и при вдишване.

Отстраняване на капачката на резервоара за гориво и на капачката на резервоара за верижно масло

- Натиснете надолу върху текстурираната повърхност на лоста и го повдигнете до изправено положение. (49)
- Разхлабете капачката, като завъртите в посока, обратна на часовниковата стрелка. (50)
- Отстранете капачката. (51)

Подмяна на капачката на резервоара за гориво и на капачката на резервоара за верижно масло

- Поставете капачката, докато лостът е в изправено положение. (52)
- Затегнете здраво капачката, като въртите в посока на часовниковата стрелка. (53)
- Сгънете лоста надолу. (54)

ЗАПОМНЕТЕ! Винаги заменяйте повредените капачки.

Безопасност при боравене с гориво

- Никога не зареждайте гориво при включен двигател на машината.
- При зареждане или смесване на горивото (бензин и двукратно масло) убедете се, че вентилацията е достатъчна.
- Преди да стартирате машината я пренесете най-малко на 3м разстояние от мястото на зареждане с гориво.
- Никога не стартирайте машината:
 - 1 Ако сте разлели гориво или верижно масло върху машината. Изтрийте разлялото се гориво или масло и оставете остатъците от горивото да се изпарят.
 - 2 Ако сте излели гориво върху себе си или дрехите си се преоблечете. Измийте тези части на тялото си, които са били в контакт с гориво. Използвайте сапун и вода.

РАБОТА С ГОРИВОТО

- 3 Ако машината има теч на гориво. Проверявайте редовно за течове от капака и маркучите за горивото.



ПРЕДУПРЕЖДЕНИЕ! Никога не използвайте машина с видими повреди на защитата на запалителната свещ и запалителния кабел. Възниква риск от изскачане на искри, които да доведат до пожар.

Транспорт и съхранение

- Пазете винаги верижния трион и горивото далеч от всякакви източници на искри или открит огън, например машини, електродвигатели, релета/превключватели, котли и т.н.
- Горивото трябва винаги да се съхранява в предназначени и одобрени за тази цел туби.
- При продължително съхраняване или при транспортиране на верижния трион, горивният резервоар и резервоарът с верижно масло трябва да бъдат празни. Уточнете предварително в местната бензиностанция къде можете да излеете използваното вече гориво и верижно масло.
- Защитата при транспортиране трябва винаги да бъде монтирана към режещото оборудване когато машината се транспортира или е оставена на съхранение, за да се предотврати случаен контакт с острата верига. Трионова верига, която не се движи, също така може да причини сериозно нараняване на потребителя или други лица, които имат достъп до веригата.
- Свалете капачката на запалителната свещ от свещта. Задействайте спирачката на триона.
- Обезопасете машината при транспортиране.

Продължително съхраняване

Изпразвайте резервоарите за гориво и масло в добре проветрявано пространство. дръжте горивото в одобрени за целта туби и в безопасно място. Монтирайте защитата на шината. Почистете машината. Вижте инструкциите в раздела със заглавие Техническо обслужване.

Уверете се, че машината е почистена и че преди дългосрочното законсервиране е проведено пълно обслужване.

СТАРТИРАНЕ И ИЗКЛЮЧВАНЕ

Стартиране и изключване



ПРЕДУПРЕЖДЕНИЕ! Преди стартиране обърнете внимание на следното:

Спирачката на триона трябва да се задейства със стартирането на моторния трион, за да се намали риска от контакт с въртящия се трион.

Не стартирайте верижния трион без шината, веригата на триона и всички капади да са монтирани. В противен случай съединителят може да се откачи и да доведе до телесна повреда.

Поставете машината на стабилна основа. Убедете се, че имате устойчива опора и че веригата не се допира до нищо.

В зоната на работа не бива да има външни хора.

Не бива никога да навивате стартерния шнур около ръката си.

Стартиране

Верижната спирачка трябва да е задействана, когато се стартира верижният трион.

Активирайте спирачката, като преместите аварийния лост напред. (55)

Студен двигател

Положение на пускане, 1: Поставете ключа за включване/изключване в положение за включен смукач, като издърпате червения лост навън - нагоре. (56)

Горивна помпа (2): Натискайте многократно диафрагмата за изпускане на въздух докато горивото изпълни диафрагмата (най-малко 6 пъти). Диафрагмата не е задължително да бъде запълнена докрай. (56)

Хванете предната дръжка с лявата ръка. Поставете десния си крак върху долната част на задната дръжка и притиснете верижния трион към земята. (57)

Дръпнете дръжката на стартера, 3: Дръпнете дръжката на стартера с дясната ръка и изтегляйте бавно шнура на стартера, докато усетите съпротива (когато стартовите зъбци зацепват), а след това издърпайте с бързо и силно движение, докато двигателят запали.

Върнете надолу червения лост на смукача, 4: Веднага щом двигателят запали, което може да се разбере по "пуфкация" звук, върнете надолу червения лост на смукача.

Издърпайте дръжката на стартера (5): Продължавайте да дърпате силно шнура, докато двигателят запали.

Загрял двигател

Положение на пускане, 1: Правилното положение на смукача/стартовата газ се получава, като в началото придвижете смукача, като дърпате червения лост навън и нагоре. (56)

Горивна помпа (2): Натискайте многократно диафрагмата за изпускане на въздух докато горивото изпълни диафрагмата (най-малко 6 пъти). Диафрагмата не е задължително да бъде запълнена докрай. (56)

Върнете надолу червения лост на смукача, 3: Това дезактивира смукача, което не е необходимо при стартиране на загрял верижен трион. Все пак, движението на ключа за стартиране/спиране ще трябва да е на празен ход, което прави топлото стартиране по-лесно.

Издърпайте дръжката на стартера, 4: Хванете предната дръжка с лявата ръка. Поставете десния си крак върху долната част на задната дръжка и притиснете верижния трион към земята. (57)

Дръпнете дръжката на стартера с дясната ръка и изтегляйте бавно въжето на стартера, докато усетите съпротива (когато стартовите зъбци зацепват), а след това издърпайте с бързо и силно движение, докато двигателят запали.

Тъй като верижната спирачка продължава да е задействана, трябва оборотите на двигателя да се приведат на празен ход, което се постига, като се изключи фиксаторът на дроселната клапа. Освобождаването става с леко докосване на регулатора на газа. Това ще предотврати ненужното износване на челюстите и барабана на съединителя и на спирачната накладка. Оставете машината да работи на празен ход няколко секунди преди да дадете пълна газ.

Наличен е един опростен начален напомнител с илюстрации, който описва всяка стъпка върху задния ръб на триона (A). (57)

ВНИМАНИЕ! Не бива да се издърпва изцяло стартовото въже и да се отпусне дръжката на стартера при напълно изтеглено положение. Това може да повреди машината.

ЗАБЕЛЕЖКА! Върнете верижната спирачка в изходно положение, като придвижете

СТАРТИРАНЕ И ИЗКЛЮЧВАНЕ

аварийния лост към ръкохватката. След това верижният трион е готов за работа.



ПРЕДУПРЕЖДЕНИЕ! Дълготрайно вдишване на отработени газове от двигателя, изпарения от верижното масло и прах от дървени стърготини могат да представляват риск за здравето.

- Никога не стартирайте верижния трион без шината, веригата на триона и всички капацы да са монтирани правилно. Виж указанията в раздел Монтиране Без шината и веригата монтирани към моторния трион, съединителят може да се разхлаби и да причини сериозно нараняване.
- Спирачката на триона трябва да се задейства със стартирането на моторния трион. Вижте инструкциите в раздела със заглавието Старт и стоп. Никога не стартирайте моторния трион със замах. Този метод е изключително опасен тъй като вие лесно можете да изгубите контрола върху моторния трион. (55)
- Машината не бива да се стартира в помещение. Отработените газове могат да бъдат опасни при вдишване.
- Убедете се, че наблизо няма хора или животни, които могат да влязат в допир с режещото оборудване.
- Винаги дръжте моторния трион с две ръце. дръжте дясната си ръка върху задната ръкохватка, а лявата ръка върху предната ръкохватка. Всички потребители, без значение дали боравят с дясна или лява ръка, трябва да използват този захват. дръжте ръкохватката здраво, така че вашите пръсти да се обвиват около ръкохватката на моторния трион.

Изключване

Спрете двигателя, като натиснете надолу ключа за пускане и спиране. (59)

ВНИМАНИЕ! Ключът за пускане и спиране автоматично се връща на работно положение. За да избегнете неволно пускане, капачката на запалителната свещ трябва да се сваля от свещта когато машината не е под надзор. (60)

НАЧИН НА РАБОТА

Преди всяка употреба: (61)

- 1 Убедете се, че верижната спирачка действа правилно и не е повредена.
- 2 Убедете се, че задният предпазител за дясната ръка е в изправност.
- 3 Убедете се, че фиксатора на дроселната клапа действа правилно и не е повреден.
- 4 Проверете дали изключвателят работи правилно и не е повреден.
- 5 Убедете се, че ръкохватките не са изцапани с масло.
- 6 Убедете се, че антивибрационната система действа и не е повредена.
- 7 Убедете се, че ауспухът е закрепен здраво и не е повреден.
- 8 Убедете се, че всички детайли на верижния трион за затегнати и че не са повредени или липсват.
- 9 Убедете се, че уловителят на веригата е на мястото си и не е повреден.
- 10 Проверете натягането на веригата.

Основни указания за работа

ЗАПОМНЕТЕ!

В този раздел са описани основните правила на техниката за безопасност при работа с верижен урион. Тази информация не може да замени професионалната квалификация и опит на един специалист. Ако се окажете в ситуация, в която чувствувате неувереност, преустановете работата и се посъветвайте със специалист. Обърнете се към вашия магазин за верижни триони, сервиза си или някой, който има опит при боравенето с верижен трион. Избягвайте работата, за която смятате, че не сте достатъчно квалифицирани!

Преди да започнете работа трябва да разберете явлението обратен тласък и как да го избягвате. Виж указанията в раздел Мерки за избягване на обратен тласък.

Преди да започнете работа трябва да разберете разликата между рязане с горния и долния ръб на шината. Вижте инструкциите в раздела Как да избягвате отката и Оборудване за безопасна работа с машината.

Използвайте личната защитна екипировка. Виж указанията в раздел Лична защитна екипировка.

Основни правила за безопасност

- 1 Огледайте се:

- Убедете се, че наблизо няма хора, животни или други обекти, които могат да попречат на работата ви.
- Убедете се, че няма никой, който би могъл да се допре до веригата или да бъде контузиран от падащите дървета.

ВНИМАНИЕ! Спазвайте посочените по-горе инструкции, но не работете с верижен трион, без възможност да повикате помощ в случай на злополука.

- 2 Не работете при лоши климатични условия. Например при плътна мъгла, силен дъжд, силен вятър, силен студ и т.н. Работата в лошо време е изморителна и може да доведе до опасни ситуации, като например хлъзгавост, повлияване посоката на падане на дървото и т.н.

- 3 Бъдете предпазливи при премахването на дребни клонки и избягвайте рязането на храсти (т.е. едновременно рязане на голям брой дребни издънки). Дребните издънки могат да се задръстят във веригат, да ви ударят и с това да предизвикат сериозна травма.

- 4 Погрижете се да можете да стоите и да се предвижвате безопасно. Проверете за евентуални препятствия при неочаквано предвижване (корени, камъни, храсти, канавки и т.н.). Бъдете много предпазливи при работе в неравен терен.

- 5 Бъдете изключително предпазливи при срязване на напрегнати стъбла. Напрегнатото стъбло може, като преди, така и след като го срежете, внезапно да отскочи и да се върне в естественото си положение. Ако стоите откъм неправилната страна или срязвате на неправилно място, стъблото може да удари Вас или машината така, че да загубите контрол. И двете обстоятелства могат да доведат до сериозна телесна повреда.



- 6 Преди предвижване спрете двигателя и фиксирайте веригата с помощта на верижната спирачка. Носете верижния трион с обърнати назад шина и верига. При пренасяне на по-голямо разстояние и транспорт следа да се постави калъф на шината.
- 7 Когато поставяте моторния трион върху земята заключвайте го, като използвате спирачката за триона и си осигурявайте постоянен надзор върху машината. Изключвайте двигателя преди да оставяте моторния трион за каквото и да е време.

НАЧИН НА РАБОТА



ПРЕДУПРЕЖДЕНИЕ! Понякога в капака на съединителя засядат сърготини и задръстват веригата. Винаги изключвайте двигателя преди почистване.

Основни правила

- 1 Ако сте разбрали какво е обратен тласък и как възниква той, вие можете да намалите или да изключите момента на изненада. Изненадата увеличава писка от злополука. В повечето случаи обикновено обратният тласък е слаб, но той може да бъде и твърде внезапен и силен.
- 2 Винаги държете здраво верижния трион с дясната ръка върху задната ръкохватка, а лявата върху предната ръкохватка. Обхванете дръжките с пръсти. Вие трябва да държите ръкохватките така дори ако сте левак. Този начин на държане свежда до минимум ефекта от обратния тласък и ви позволява да контролирате верижния трион. Не отпускате ръкохватките!
- 3 Злополуки от обратен тласък възникват най-често при кастрене на клони. Убедете се, че сте стъпили здраво и че около вас няма предмети, в които бихте могли да се спънете или биха ви накарали да загубите равновесие.
Невнимателност може да предизвика обратен тласък, ако рисковия сектор на шината случайно докосне клонче, съседно дърво или някакъв друг обект.
Управнявайте контрол върху обработвания къс дървесина. Ако парчетата, които възнамерявате да режете, са дребни и леки, те могат да се затлачат в моторния трион и да изхвърчат срещу вас. дори и това да не представлява задължително опасност, вие може да се изненадате и да изгубите контрол върху моторния трион. Никога не режете наредени на купчина дънери или клони без първо да ги разделите. Рижете само по един дънер или по един клон. Отстранявайте нарязаните парчета дървесина, за да пазите работната си площ чиста. (62)
- 4 Никога не държете верижния трион по-високо от рамото си и избягвайте сечене с върха на шината. Никога не държете верижния трион само с една ръка! (63)
- 5 За да имате пълен контрол върху верижния си трион е необходимо да сте застанали устойчиво. Никога не работете застанали на стълба, покачени на дърво или когато не сте застанали на устойчива опора. (64)

- 6 Скоростта на рязането винаги трябва да бъде висока, т.е. при подаден пълна газ.
- 7 Бъдете много внимателни при рязане с горната страна на шината, т.е. при рязане откъм долната страна на обекта. Това се нарича рязане с тласкащ ход. Веригата изтласква верижния трион назад към оператора. Ако веригата се затлачи, моторният трион може да бъде отхвърлен към вас. (65)
- 8 Ако операторът не устои на това тласкащо движение, има опасност верижният трион да бъде изтласкан толкова назад, че единствено рисковия сектор на шината да остане в допир с дървото, което води до обратен тласък. (66)
Рязането с долната страна на шината, т.е. от горната страна на обекта надолу, се нарича рязане с теглещ ход. В този случай верижният трион се насочва към дървото и предният ръб на корпуса на верижния трион става естествена опора при рязането. Рязането с теглещ ход облекчава контрола върху верижния трион и положението на рисковия сектор на шината. (67)
- 9 Спазвайте инструкциите за наточване и поддръжка на шината и веригата. При смяна на шината и веригата използвайте само комбинации препоръчани от нас. Виж указанията в разделите Режещо оборудване и Технически характеристики.

Основни начини на рязане



ПРЕДУПРЕЖДЕНИЕ! Никога не използвайте моторния трион, като го държите само с една ръка. Моторният трион не може да се управлява по безопасен начин ако го държите само с една ръка. Винаги дръжете здраво ръкохватките като използвате и двете си ръце.

Основни принципи

- Рижете винаги при подадена пълна газ!
 - След всяко сръзване двигателят трябва да се превключи на празен ход (продължителна пълна газ, без двигателят да е наточен, т.е. без двигателят да изпитва съпротива от веригата както при рязане, може да предизвика сериозни повреди в двигателя).
 - Рязане отгоре съответствува на рязане с "теглеща" шина.
 - Рязане отдолу съответствува на рязане с "тласкаща" шина.
- Рязането с "тласкаща" верига увеличава опасността от обратен тласък. Виж указанията в раздел Мерки за избягване на обратен тласък.

НАЧИН НА РАБОТА

Наименования

Рязане = Основен термин, обозначаващ рязане на дървесина.

Кастрене = Премахване на клоните от падналото дърво.

Кършене = Случай, когато дървото, което режете, се пречупва преди да сте завършили разреза.

Съществуват пет основни фактора, които трябва да се вземат под внимание преди да се пристъпи към рязане:

- 1 Режещото оборудване не бива да се заклеши в среза. (68)
- 2 Стъблото не бива да се прекърши. (69)
- 3 Веригата не бива по време на, или след отсичане да се допре до земята или друг предмет. (70)
- 4 Съществува ли опасност от обратен тласък? (4)
- 5 Могат ли теренът и околната среда да повлияят безопасността ви, когато стоите на място или се предвижвате?

Възможността за заклеждане на веригата или прекършване на стъблото се определя от два фактора: Опората на стъблото и неговата напрегнатост.

В повечето случаи тези проблеми могат да бъдат избегнати, като рязането се извършва на два етапа, както отгоре така и отдолу. Става дума да се предотврати стъблото да заклеши веригата или да се прекърши.

ЗАПОМНЕТЕ! Изключете двигателя ако веригата се заклеши в среза! Не се опитвайте да издърпате верижния трион. При издърпването можете да повредите веригата, когато верижният трион внезапно се освободи. Използвайте лост за освобождаване на верижния трион.

В следващите инструкции е описано как да се постъпи в най-често срещаните ситуации, с които можете да се сблъскате при използване на верижен трион.

Кастрене на клоните

При кастрене на дебелия клон трябва да се използват същите методи, както и при рязане.

Сложните клони трябва да се режат на отделни парчета. (71)

Рязане



ПРЕДУПРЕЖДЕНИЕ! Никога не се опитвайте да режете дънери когато са на купчина или когато два дънера лежат близо един до друг. Този тип процедура драматично увеличава риска от откат, който може да доведе до сериозно или фатално нараняване.

Когато имате подредени на купчина дънери, всеки дънер, който възнамерявате да нарежете, трябва да бъде измъкнат от купчината, поставен на дървено магаре или опора и нарязан отделно.

Отстранявайте нарязаните парчета от работната площ. Ако ги оставяте върху работната площ вие увеличавате риска от откат и загуба на равновесие при работа. (72)

Стъблото лежи на земята. Вероятността от притискане на веригата или прекършване на стъблото е малка. Съществува обаче опасност веригата да влезе в допир със земята след като завършите рязането. (73)

Рязането се извършва, като се започне от горната страна. Постарайте се да не докосвате земята към края на отсичането. Работете при подадена пълна газ, но бъдете предпазливи. (74)

Ако имате възможност (= може ли да се преобърне стъблото?) трябва да прекратите рязането на 2/3 срязано стъбло.

Преобърнете стъблото и завършете рязането от противоположната страна. (75)

Стъблото се опира върху земята от единия си край. Съществува голяма вероятност то да се прекърши. (76)

Рязането трябва да започне отдолу (около 1/3 от диаметър на стъблото).

Рязането трябва да завърши отгоре така, че двата среза да съвпадат. (77)

Стъблото лежи върху опора в двата си края. Съществува голяма вероятност веригата да се заклеши. (78)

Рязането трябва да започне отгоре (като се среже близо 1/3 от дебелината).

Рязането трябва да бъде завършено така отдолу, че двата среза да съвпадат. (79)

НАЧИН НА РАБОТА

Техника на поваляне на дървета

ЗАПОМНЕТЕ! Повалянето на дървета изисква голям опит. Неопитният работник не бива да поваля дървета. Избягвайте да извършвате операции, за които се смятате недостатъчно квалифициран!

Безопасно разстояние

Безопасното разстояние между дървото и най-близкото работно място трябва да е най-малко 2 1/2 дължини на дървото. Преди или в процеса на повалянето трябва да се убедите, че в тази "рискова зона" няма никого. (80)

Посока на повалянето

Целта е дървото да се повали така, че то да попадне в най-изгоден положение за понататъшното кастрене и разкрояване. Вие можете безопасно да се движите.

Непосредствено след като сте определили посоката, в която ще повалите дървото, трябва да определите естествената посока на падане на дъвото.

Върху това влияят няколко фактори:

- Наклонът
- Изкривявания
- Посоката на вятъра
- Разположението на клоните
- Евентуално снежната тежест
- Препятствия в пределите на дървото: например, други дървета, електропроводи, пътища и сгради.
- Гледайте за признаци за увреждания и гниене в стеблото, наличието на такива признаци увеличава вероятността от прекъсване на дървото и политането му към земята преди да сте го очаквали.

Вие може да стигнете до извода, че сте принудени да позволите на дървото да падне в естествената за него посока, тъй като е невъзможно и опасно да се опитвате да го повалите в избраната от вас посока.

Друг важен фактор, който не влияе на посоката на падането, но влияе на вашата лична безопасност, е контролът дали на дървото има повредени или "мъртви" клони, които могат да се прекъснат и да ви наранят при падане.

Преди всичко трябва да се избегне падащото дърво да се опре на друго дърво. Трудно и опасно е да изтегли дървото от това положение; има голям риск от злополука. Вж. Указанията в раздел Освобождаване на неправилно паднало дърво. (81)

ЗАПОМНЕТЕ! По време на рискови моменти при поваляне на дървета е необходимо да дръпнете антифоните веднага щом завършите рязането, за да можете да възприемате звуци и предупредителни сигнали.

Почистване на стъблото и отстъпване

Изрязвайте всички разклонения по стеблото до височината на рамото ви. По-безопасно е да работите отгоре надолу и дървото да е между вас и триона. (82)

Изрежете издънките в основата на дървото и проверете за евентуални препятствия (камъни, клони, ями и т.н.), за да си осигурите свободен път за отстъпление, когато дървото започне да пада. Пътят на отстъпление трябва да има посока приблизително 135о зад набелязаната посока на повалянето. (83)

- 1 Зона на риск
- 2 Път за оттегляне
- 3 Посока на повалянето

Поваляне



ПРЕДУПРЕЖДЕНИЕ! Ако не сте достатъчно квалифициран ви съветваме да не повалите дървета с диаметър, превишаващ дължината на шината!

Повалянето се осъществява с използването на три среза. Първо се прави направляващ срез, включващ горен срез и долен срез и след това се завършва повалянето с повалящ срез. Чрез правилно разположение на трите среза може много точно да се контролира посоката на повалянето.

Направляващ срез

За да извършите насочващ срез, вие трябва да почнете с горен срез. Целта ви трябва да бъде да използвате маркера за посоката на основния срез на триона (1) към цел по-нататък на терена, където бихте искали да падне дървото (2). Застанете отдясно на дървото, зад триона, и режете с дърпащ ход.

След това се извършва долният срез, така че той да завършва в края на горния срез. (84)

Направляващият срез трябва да с диаметър, равен на около 1/4 от диаметъра на стъблото, а ъгълът между горния и долния срез трябва да е най-малко 45о.

Линията, по която се съединяват двата среза, се нарича линия на направляващия срез. Тази линия трябва да бъде строго хоризонтална и да е под прав ъгъл (90о) спрямо избраната посока на повалянето. (85)

Повалящ срез

Повалящият срез се изпълнява от противоположната страна на дървото и трябва

НАЧИН НА РАБОТА

да бъде строго хоризонтален. Застанете от лявата страна на дървото и започнете да режете с теглеща шина.

Поваления срез трябва да е приблизително 3-5 см (1,5-2 дюйма) над хоризонтала на направляващия срез. (86)

Поставете амортизатора (ако такъв е монтиран) зад предпазната ивица. Работете при подадена пълна газ и бавно вкарвайте шината и веригата в дървото. Убедете се, че дървото не е започнало да пада в посока, противоположна на набелязаната от вас посока на поваляне. Веднага щом като срезът бъде достатъчно дълбок, в него трябва да се забие клин или лост.

Поваленият срез трябва да завърши успоредно на линията на направляващия срез, като разстоянието помежду им трябва да бъде най-малко 1/10 от диаметъра на стъблото. Несрязаната част на дървото се нарича предпазна ивица.

Предпазната ивица е своеобразен шарнир, контролиращ посоката на поваляне на дърво. (87)

Целият контрол върху посоката на повалянето се губи, ако предпазната ивица е много тясна или направляващият и поваленият срез са разположени неправилно. (88)

След завършване на поваления срез и направляващия срез дървото трябва да започне да пада под въздействието на собствената си тежест или с помощта на клин или лост. (89)

Препоръчваме ви да използвате шина, която е по-дълга от диаметъра на дървото, така че да можете да правите основния срез и насочващите срезове с "единични режещи движения". Вижте инструкциите в раздела със заглавието Технически данни относно кои дължини на шината се препоръчват за вашия модел моторен трион.

Съществуват начини на поваляне на дървета, чийто диаметър превишава дължината на шината. Но тези начини са свързани със значителна опасност зоната на обратния тласък на шината да влезе в контакт с дървото. (4)

Освобождение на неправилно паднало дърво

Сваляне на "захванало се дърво"

Трудно и опасно е да изтегли дървото от това положение; има голям риск от злополука.

Никога не се опитвайте да режете дърво, върху което има паднало друго дърво.

Никога не работете в зоната на риск при увиснало или притиснато дърво. (90)

Най-безопасен начин е използването на лебедка.

- Монтирана на трактор
- Портативна

Рязане на напрегнати дървета и клони

Приготвления: Да се определи в каква посока ще се движи дървото или клонът след освобождаването и къде се намира естествената точка на пречупване (т.е. мястото, където ще се прекърши, ако бъде напрегнато още повече). (91)

Определете най-безопасния начин за освобождаване на напрежението и дали сте в състояние да направите това. В сложни ситуации единственият безопасен начин е да се откажете от използване на верижния трион и да използвате на лебедка.

Най-общо важи следното:

Застанете така, че да няма опасност да бъдетет засегнат от дървото/клона, когато напрежението се освободи. (92)

Направете един или няколко среза в точката на пречупването или близо до нея. Направете толкова срезове с необходимата дълбочина, колкото се нужни, за да се намали напрежението и дървото или клонът да се "пречупят" в точката на пречупване. (93)

Никога не режете докрай дърво или клон, намиращи се в напрегнато състояние!

Когато трябва да режете през дърво/клон, направете два или три среза на разстояние 3 см един от друг и с дълбочина от 3-5 см. (94)

Продължавайте да режете докато огъването и напрежението в дървото/клона изчезнат. (95)

Срежете дървото/клона от противоположната страна след като напрежението изчезне.

Мерки за избягване на обратен тласък



ПРЕДУПРЕЖДЕНИЕ! Обратният тласък може да бъде внезапен и силен, като ударът от верижния трион, шината и веригата е насочен към оператора. Ако веригата е в движение, тя може да предизвика много сериозни и дори смъртоносни травми. Необходимо е да разберете причините за възникване на обратен тласък и да го избягвате, като проявявате предпазливост и прилагате правилен начин на работа.

Какво представлява обратният тласък?

Терминът обратен тласък се използва за описване на внезапната реакция, при която

НАЧИН НА РАБОТА

верижният трион и шината отскачат, когато горната част на върхът на шината, т.н. рисков сектор за тласък, влезе в допир с някакъв предмет. (66)

Обратният тласък е винаги в посока на шината. Обикновено верижният трион и шината се отхвърлят назад и нагоре, по посока на оператора. Но верижният трион може да отскочи и в други посоки в зависимост от положението си в момента, когато рисковият сектор на шината се допре до някакъв предмет. (7)

Обратен тласък може да се получи единствено, когато рисковият сектор се допре до някакъв предмет. (4)

Кастрене на клоните



ПРЕДУПРЕЖДЕНИЕ! Повечето нещастни случаи при откат се получават при кастренето на клоните от дървото. Не използвайте зоната на откат на шината. Упражнявайте изключително внимание и не допускате края на шината да влиза в контакт с дънера, други клони или предмети. Упражнявайте изключително внимание при боравенето с клони, които са в напрегнато състояние. Те могат да отскочат към вас и да ви принудят да изгубите контрол, което може да доведе до наранявания.

Убедете се, че можете безопасно да стоите на място и да се движавате. Работете от лявата страна на стъблото. Държете триона близо до себе си, за да можете максимално да го контролирате. По възможност пренесете тежестта на триона върху стъблото.

При движение покрай стъблото, то трябва да се намира между вас и верижния трион.

Разкрояване на стъблото

Виж указанията в раздел Основни начини на рязане.

Основни принципи

Потребителят трябва да изпълнява само работата по поддръжката и обслужването, описани в този Наръчник на оператора. По-крупните ремонти трябва да се изпълняват от оторизиран сервиз.

Регулиране на карбуратор

Вашият продукт на Хусаярна е конструиран и произведен според спецификации, намаляващи вредните отпадъчни газове.

Работа

- Карбураторът управлява оборотите на двигателя с помощта на дроселната клапа. В карбуратора се извършва смесване на въздух и гориво. Съставът на сместа от въздух и гориво е регулируем. За да можете да използвате цялата мощност на машината, тя трябва да е правилно регулирана.
- Винтът Т регулира дроселната клапа при празен ход. Ако винтът Т се върти по часовниковата стрелка, това води до повишаване оборотите на празния ход, а въртенето в обратна посока води до намаляване оборотите при празен ход.

Базова регулировка и разработване

Базовата регулировка на карбуратора се осъществява при изпитанията в завода-производител. Фините настройки трябва да се изпълняват от опитен техник.

Препоръчани обороти на празния ход: Виж раздел Технически характеристики.

Окончателна регулировка на празния ход Т

Регулирайте оборотите на празния ход с винта Т. При необходимост от регулировка завинтайте при пуснат двигател винта на празния ход Т (по посока на часовниковата стрелка), докато веригата се завърти. Развинтете след това (в обратна посока), докато веригата спре да се върти. Правилно регулирани оброти на празния ход се получават, когато двигателят работи плавно във всяко положение със значителен резерв до оборотите, при които веригата се завърта.



ПРЕДУПРЕЖДЕНИЕ! Свържете се със сервиза си, ако оборотите на празния ход не могат да бъдат регулирани така, че веригата да спре. Не работете с верижен трион, докато той не бъде регулиран или ремонтиран.

Правилно регулиран карбуратор

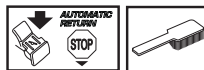
Правилно регулираният карбуратор означава, че машината се ускорява без забавяне и че леко се разтриса при пълна газ. Освен това веригата не трябва да се върти на празен ход. Винт Л, настроен за твърде бедна смес води до трудности при стартиране и до слабо ускоряване. Винт Н настроен за твърде бедна смес води до по-ниска ефективност на машината = занижена работоспособност, слабо ускорение и/или до повреда на двигателя.

Преглед, поддръжка и сервиз на защитното оборудване на верижния трион

ЗАБЕЛЕЖКА! Всички работни операции по поддръжката и ремонта на машината изискват специално обучение. Това се отнася особено до оборудването за безопасна работа с машината. Ако машината ви не отговаря на изискванията при проверките, описани по-долу, ние ви препоръчваме да я отнесете в обслужващия ви сервиз.

Верижна спирачка и аварийен лост

Проверка на износването на спирачната лента



Почистете верижната спирачка и барабана на съединителя от стърготини, смола и замърсявания. Замърсеността и износването се отразяват върху работата на спирачката. (96)

Проверявайте редовно дебелината на спирачната лента да бъде не по-малко от 0,6 мм в най-износения си участък.

Проверка на аварийния лост



Проверете аварийния лост за видими повреди, като например пукнатини в материала.

Движете аврийния лост напред и назад, за да проверите дали той се движи свободно и е надеждно закрепен към капака на съединителя.

Проверка на автоматичната спирачка



Поставете моторния трион с изключен двигател върху вкоренен дънер или друга стабилна повърхност. Освободете предната

ПОДДРЪЖКА

ръкохватка и оставете триона да се изхлузи под собствената си тежест, въртейки се около задната ръкохватка към вкоренения дънер. (97)

Когато върха на шината падне върху пъна, спирачката трябва да се включи. (98)

Проверка на спирачното действие

Поставете верижния трион върху стабилна основа и го включете. Убедете се, че веригата не влиза в допир с почвата или с друг предмет. Виж инструкциите в раздел Стартиране и изключване. (99)

Вземете триона в ръце, като обхванете дръжките с пръсти.

Подайте пълна газ и включете верижната спирачка, като завъртате лявата китката към аварийния лост. Не отпускате предната ръкохватка. Веригата трябва да спре незабавно. (58)

Фиксатор на дроселната клапа



- Уверете се, че регулаторът на дроселната клапа е в положение на празен ход, когато фиксаторът на дроселната клапа се намира в изходното си положение. (100)
- Натиснете фиксатора на дроселната клапа и се убедете, че след като го отпуснете той се връща в изходното си положение. (101)
- Убедете се, че пусковият механизъм и фиксаторът на дроселната клапа се движат свободно и възвратните пружини са в изправност. (102)
- Включете верижния трион и подайте пълна газ. Отпуснете регулатора на дроселната клапа и се убедете, че веригата спира и остава неподвижна. Ако, след като поставите регулатора в положение на празен ход, веригата продължи да се върти, трябва да се провери регулировката на празния ход на карбуратора.

Уловител на веригата



Убедете се, че уловителят на веригата не е повреден и е надеждно закрепен към корпуса на верижния трион. (103)

Предпазител за дясната ръка



Убедете се, че предпазителят за дясната ръка не е повреден и е без видими дефекти, като например пукнатини. (11)

Антивибрационна система



Редовно проверявайте за пукнатини или деформации в антивибрационните елементи. Убедете се, че антивибрационните елементи са закрепени надеждно между двигателя и ръкохватката. (104)

Ключ стоп



Включете двигателя и се убедете, че той се изключва, когато ключът е поставен в положение стоп. (59)

ВНИМАНИЕ! Ключът за пускане и спиране автоматично се връща на работно положение. За да се избегне непреднамерено стартиране, капачката на запалителната свещ трябва да се сваля от свещта при монтаж, проверка и/или изпълняване на техническо обслужване и поддръжка.

Ауспух



Никога не използвайте машина с повреден ауспух.

Проверявайте редовно надеждността на закрепването на ауспухът към машината. (105)

Някои типове ауспух са снабдени със специална искрогасителна мрежа. Ако вашата машина е снабдена с ауспух от такъв тип, следва да я почиствате ежеседмично. Почистването се извършва с телена четка. Блокирана искроуловителна мрежа ще доведе до пренагриване на двигателя, което може да причини сериозни наранявания.

ЗАБЕЛЕЖКА! В случай на повреда мрежата трябва да бъде сменена. Ако мрежата е замърсена, машината може да прегрява и това да предизвика повреда на цилиндъра и буталото. Никога не работете с машина със замърсен или повреден ауспух. Не използвайте

ПОДДРЪЖКА

ауспуха без искрогасителната мрежа или повредена такава. (13)

Ауспухът е предназначен за намаляване равнището на шума и насочване на отработените газове встрани от оператора. Отработените газове са нагreti и могат да съдържат искри, които да предизвикат пожар, кагато попаднат върху сух и горлив материал.

Стартер



ПРЕДУПРЕЖДЕНИЕ! Възвратната пружина се намира в опънато положение в корпуса на стартовия апарат и може при непредпазливи действия да изкочи и да предизвика злополука.

Трябва да се внимава когато подмените възвратната пружина или стартовия шнур. Носете защитни очила и защитни ръкавици.

Подмяна на стартерния шнур



- Отвинтете винтовете, с които стартерът е закрепен към картера, и свалете стартера. (106)
- Изтеглете въжето на около 30 см и го вмъкнете в прореза на предавателната шайба. Поставете възвратната пружина на нула, като позволите на предавателната шайба бавно да се върти в обратна посока. (107)
- Развийте болта в центъра на макарата и отстранете задвижващия диск (А), пружината на задвижващия диск (В) и макарата (С). Вмъкнете и захванете нов стартерен шнур в макарата на стартера. Направете приблизително 3 намотки на стартерния шнур върху стартерната макара. Монтирайте стартерната макара така, че краят на откатната пружина (D) да се закачи в стартерната макара. Сега сглобете пружината на задвижващия диск, задвижващия диск и болта в центъра на макарата. Прекарайте шнура през отвора в корпуса на стартера и ръкохватката на стартера. Завържете здрав възел върху стартерния шнур. (108)

Затягане на възвратната пружина

- Повдигнете въжето на стартера в прореза на предавателната шайба и завъртете шайбата на 2 оборота по часовниковата стрелка.
ЗАБЕЛЕЖКА! Убедете се, че предавателната шайба може да се завърти най-малкото на 1/

2 оборот при напълно изтеглено въже на стартера. (109)

Опънете въжето с ръкохватката. Придвийте палеца си и освободете въжето. Вижте илюстрацията по-долу. (110)

Подмяна на възвратната и задвижваща пружини



Възвратна пружина (А)

- Свалете ролката на стартовия шнур. Виж указанията в раздел Заменяне на скъсано или износено въже на стартера. Не забравяйте, че възвратната пружина е под опън в коуха на стартовия апарат.
- Демонтирайте касетката с възвратната пружина и я извадете от стартовия апарат.
- Смажете възвратната пружина с нисковискозно масло. Монтирайте касетката с възвратната пружина в стартовия апарат. Монтирайте ролката на стартовия шнур и опънете възвратната пружина.

Пружина на задвижващия диск (В)

- Развийте болта в центъра на макарата и свалете задвижващия диск и пружината на задвижващия диск.
- Подменете пружината на задвижващия диск и монтирайте задвижващия диск над пружината. (111)

Монтиране на стартера

- Монтирайте стартовия апарат като първо издърпате въжето на стартера, а след това поставите стартерът върху картера. След това постепенно отпускайте въжето на стартера, за да може предавателната шайба да зацепи със зъбците.
- Монтирайте и затегнете винтовете, с които се закрепва стартерът.

Въздушен филтър



Въздушният филтър трябва да се почиства редовно от прах и замърсявания за да се избегнат:

- Нарушения в работата на карбуратора
- Проблеми при стартиране
- Намаляване на мощността
- Ненужно износване на частите на двигателя

- Твърде голям разход на гориво.
- Въздушният филтър се демонтира след като се свалят капакът на цилиндъра. При монтирането трябва да се убедите, че филтърът приляга плътно към държателя на филтъра. Филтърът се почиства чрез разгърсване или с четка. (112)

По-грижливо почистване на филтъра се постига чрез промиването му с вода и сапун.

Въздушен филтър, използван дълго време, не може да се почисти напълно. Ето защо на определени интервали от време той трябва да се подменя с нов. Повреден въздушен филтър трябва да бъде непременно сменен.

Верижният трион HUSQVARNA може да бъде оборудван с различни видове въздушни филтри, в зависимост от работните и климатичните условия, годишното време и т.н. Обърнете се към дистрибутора си за съвет.

Запалителна свещ



Състоянието на запалителната свещ се влияе от:

- Неправилна регулировка на карбуратора.
- Неправилен примес на масло в горивото (твърде много масло или некачествено масло).
- Замърсен въздушен филтър.

Тези фактори водят до наслагвания върху електродите на запалителната свещ и могат да предизвикат смущения в работата и затруднения при стартирането.

Ако двигателят работи с ниска мощност, машината се стартира трудно и работи лошо на празен ход: трябва преди всичко да проверите запалителната свещ. Ако запалителната свещ е замърсена, тя трябва да се почисти и да се провери хлабината между електродите да е 0,5 мм. Запалителната свещ трябва да се подменя след около един месец или дори по-често, ако това се налага. (113)

ЗАБЕЛЕЖКА! Използвайте винаги запалителните свещи от препоръчания вид! Използването на погрешен тип свещи може да предизвика сериозни повреди на буталото/цилиндъра. Убедете се, че запалителната свещ е снабдена със защита от радиосмущения.

Обслужване на игления лагер



Барабанът на съединителя има иглен лагер върху изходящия вал. Този иглен лагер трябва да се смазва редовно.

Разглобете капака на съединителя когато смазвате, като разхлабите двете гайки на шината. Поставете триона легнал настрани, като барабанът на съединителя гледа нагоре.

Смажете чрез капване на двигателно масло до центъра на барабана на съединителя докато през същото това време барабанът на съединителя се върти. (114)

Охладителна система



За получаване на колкото е възможно по-ниска работна температура машината е снабдена с охлаждателна система.

Охладителната система се състои от:

- 1 Устройство за засмукване на въздух в стартера.
- 2 Направляваща въздушна пластина.
- 3 Перки на вентилатора на маховика.
- 4 Охладителни ребра в цилиндъра.
- 5 Капак на цилиндъра (подава студен въздух в цилиндъра). (115)

Почиствайте охлаждателната система ежеседмично с четка и по-често, ако обстоятелствата изискват това. Замърсена охлаждателна система предизвиква прегряване на машината, което води до повреждане на буталото и цилиндъра.

Центробежно почистване "Аир Инжеクション"

Центробежното почистване означава следното: Целият въздух, който постъпва в карбуратора, преминава през стартера. Прахът и замърсяванията се отделят под въздействието на центробежните сили в охлаждащия вентилатор. (116)

ЗАПОМНЕТЕ! За да действа центробежното почистване е необходимо да се провежда редовна поддръжка. Почистете устройството за засмукване на въздуха в стартера, перките на вентилатора на маховика, пространството около маховика, входната тръбичка и пространството на карбуратора.

Работа през зимата

Проблеми при работа могат да възникнат когато машината се използва при студени и снежни условия, като тези проблеми са причиняват от:

- Твърде ниската температура на двигателя.
- Обледеняване на въздушния филтър и замръзване на карбуратора.

Ето защо са необходими някои специални мерки:

- Частично да се намали засмукването на въздуха в стартера и така да се повиши температурата на двигателя.

Температура -5оС и по-ниска:



За работа на машината при студено време или снеговалеж е предвиден специален калъф, който се закрепва към корпуса на стартера. Това ограничава притока на студен въздух и не допуска засмукването на голямо количество сняг. (117)

ВНИМАНИЕ! Ако е монтиран специален зимен комплект или са взети мерки за повишаване температурата, при използване на машината в нормални температурни условия трябва и регулировка да е нормална. В противен случай съществува опасност от прегряване, което може да доведе до сериозно повреждане на двигателя.

ЗАПОМНЕТЕ! Всякакъв вид поддръжка, извън описания в настоящото ръководство следва да се извършва от специализиран сервиз (дистрибутора).

ПОДДРЪЖКА

Техническо обслужване

Следва списък с операциите по поддръжката, които трябва да се изпълняват по машината. Повечето от позициите са описани в раздела Поддръжка.

Всекидневно обслужване	Седмично обслужване	Месечно обслужване
Почистете машината от външната ѝ страна.	Проверявайте системата за охлаждане ежеседмично.	Проверете спирачната лента на спирачката на веригата за износване. Подменете в случай, че в най-износената точка остават по-малко от 0,6 мм.
Проверете изправността на частите на регулатора на дроселната клапа. (Регулатора на дроселната клапа и дроселната клапа.)	Проверете стартера, шнура на стартера и възвратната пружина.	Проверете съединителния център, барабана на съединителя и пружината на съединителя за износване.
Почистете верижната спирачка и проверете работата ѝ от гледна точка на безопасността. Убедете се, че ограничителят на веригата не е повреден или подменете при необходимост.	Проверявайте дали елементите, гасящи вибрациите, не са повредени.	Почистете запалителната свещ и проверете дали хлабината е 0,5 мм.
Шината трябва да се преобръща редовно с цел по-равномерно износване. Проверявайте отвора за смазване в шината, за да бъдете сигурни, че не е задръстен. Почиствайте жлеба на шината.	Смажете лагера на барабана на съединителя.	Почистете външната повърхност на карбуратора.
Проверете дали шината и веригата се смазват както трябва.	Изпилете острици по страничните повърхнини на шината.	Проверете горивния филтър и маркучи. Подменете го при необходимост.
Проверете трионовата верига за наличие на видими пукнатини в нитовете и звената, дали е втвърдена или дали нитовете и звената са прекалено износени. Подменете при нужда.	Почистете или подменете искрогасителната мрежа на ауслуха.	Изпразнете резервоара за гориво и почистете вътрешността му.
Наточете веригата и проверете опъна и състоянието ѝ. Проверете степента на износване на задвижващото колело и го подменете, ако това се налага.	Почистете корпуса на карбуратора отвъре.	Изпразнете резервоара за масло и почистете вътрешността му.
Почиствайте входния отвор на въздухопровода за стартера.	Почистете въздушния филтър. Подменете го в случай на необходимост.	Проверете всички кабели и съединения.
Проверете дали всички гайки и винтове са затегнети.		
Проверете функционирането на ключа стоп.		
Убедете се, че няма горивен теч от двигателя, резервоара или маркучите за горивото.		
Уверете се, че веригата не се върти, когато двигателят е на празен ход.		

ТЕХНИЧЕСКИ ХАРАКТЕРИСТИКИ

Технически характеристики

	435 II	435e II	440 II	440e II
Двигател				
Обем на цилиндъра, см ³	40,9	40,9	40,9	40,9
Диаметър на цилиндъра, мм	41	41	41	41
Ход бутала, мм	31	31	31	31
Обороти на празен ход, об/мин	2900	2900	2900	2900
Мощност, кВт/ об/мин	1,6/9000	1,6/9000	1,8/9000	1,8/9000
Запалителна система				
Запалителна свещ	NGK BPMR 7A/ Champion RCJ 7Y	NGK BPMR 7A/ Champion RCJ 7Y	NGK BPMR 7A/ Champion RCJ 7Y	NGK BPMR 7A/ Champion RCJ 7Y
Хлабина между електродите, мм	0,5	0,5	0,5	0,5
Система на захранване/смазване				
Вместимост на горивния резервоар, литри	0,37	0,37	0,37	0,37
Производителност на маслената помпа при 9000 об/мин, мл/мин	13	13	13	13
Вместимост на масления резервоар, литри	0,25	0,25	0,25	0,25
Тип на маслената помпа	Автоматично	Автоматично	Автоматично	Автоматично
Тегло				
Вериген трион без шината и веригата и при празни резервоари, кг	4,2	4,4	4,2	4,4
Шумови емисии (вж. забележка 1)				
Равнище на звуковия ефект, измерено в dB (A)	112	112	113	113
Равнище на звуковия ефект, гарантирано L _{WA} dB (A)	114	114	114	114
Равнище на шума (вж. забележка 2)				
Еквивалентно ниво на шума при ухото на работещия, dB(A)	102	102	102	102
Еквивалентни нива на вибрация, a _{hveq} (вж. заб. 3)				
Предна ръкохватка, м/с ²	2,5	2,5	2,5	2,5
Задна ръкохватка, м/с ²	3,2	3,2	3,2	3,2
Верига/шина				
Стандартна дължина на шината, дюйма/см	13"/33	13"/33	13"/33	13"/33
Препоръчвана дължина на шината, дюйма/см	13-18/33-45	13-18/33-45	13-18/33-45	13-18/33-45
Ползна дължина на рязането, дюйма/см	12-17/31-43	12-17/31-43	12-17/31-43	12-17/31-43
Стъпка, мм	0,325/8,25	0,325/8,25	0,325/8,25	0,325/8,25
Дебелина на задвижващото звено, дюйма/мм	0,050/1,3	0,050/1,3	0,050/1,3	0,050/1,3
Тип на задвижващото верижно зъбно колело/брой на зъбите	Spur/7	Spur/7	Spur/7	Spur/7
Скорост на вертигата при 133% от максималната скорост за мощността на двигателя, m/s.	23,1	23,1	23,1	23,1

Забележка 1: Шумова емисия в околната среда, измерена като звуков ефект (L_{WA}) съгласно ЕО директива 2000/14/ЕО.

Забележка 2: Еквивалентното ниво на звуковото налягане, според ISO 22868, се определя като претеглена по време енергия за различни нива на звуковото налягане при различни условия на работа. Типичната статистическа дисперсия за еквивалентно ниво на звуковото налягане е стандартно отклонение от 1 dB (A).

Забележка 3: Еквивалентното равнище на вибрацията според стандарта ISO 22867 се определя като претеглена по време енергия на цялото равнище на вибрацията за различни условия на работа. Отчетените данни за еквивалентното равнище на вибрацията имат типична статистическа дисперсия (стандартно отклонение) от 1 m/s².


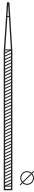
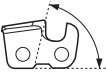


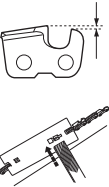
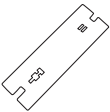
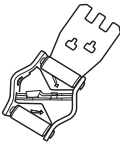
ТЕХНИЧЕСКИ ХАРАКТЕРИСТИКИ

Комбинации за шината и веригата

Следните оборудвания за рязане са одобрени за моделите Husqvarna 435 II, 435e II, 440 II и 440e II.

Шина				Верига	
Дължина, дюйма	Стъпка, дюйма	дълбочината на канала, мм	Макс. брой на зъбите на верижното зъбно колело на върха на шината	Тип	дължина, задвижващи звена (брой)
13	0,325	1,3	10Т	Husqvarna H30	56
15					64
16					66
18					72

Изпилване на трионова верига и калибровки

							
	inch/mm				inch/mm		
H30	3/16 / 4,8	85°	30°	10°	0,025 / 0,65	5056981-00	5056981-08

ТЕХНИЧЕСКИ ХАРАКТЕРИСТИКИ

ЕО-уверение за съответствие

(Валидно само в рамките на Европа)

Фирма Husqvarna AB, с адрес SE-561 82 Huskvarna, Швеция, тел. +46-36-146500, удостоверява с настоящето, че верижните триони за горска работа Husqvarna 435 II, 435e II, 440 II и 440e II със серийни номера от 2013 год. и последващи години (върху типовата табелка е посочена ясно годината, следвана от серийния номер), отговарят на наредбите в ДИРЕСТИВАТА НА СЪВЕТА:

- то 17 май 2006 г., гсвързани с машини' 2006/42/ЕО.
- от 15 декември 2004 'относно електромагнитна съвместимост" 2004/108/ЕЕС.
- от 8 май 2000 год. 'относно шумови емисии в околната среда" 2000/14/ЕО.

За информация относно шумовите емисии виж раздел Технически характеристики. Използвани са следните стандарти:

EN ISO 12100-1210, ISO 14982:2009, EN ISO 11681-1:2011

Посочено ведомство: 0404, SMP Svensk Maskinprovning AB, с адрес Box 7035, SE-750 07 Uppsala, Швеция, е извършила ЕО-типов контрол съгласно член 12, т. 3б от директивата за машини (2006/42/ЕО). Удостоверенията за извършен типов контрол, отговарящ на нормите на ЕО, съгласно Приложение IX са издадени под номера: 0404/09/2012 - 435 II, 435e II, 440 II, 440e II.

Освен това SMP Svensk Maskinprovning AB, с адрес Box 7035, SE-750 07 Uppsala, Швеция, удостоверява съответствието с приложение V към директивата на съвета от 8 май 2000 год. 'относно шумови емисии в околната среда" 2000/14/ЕО. Сертификатите са издадени под номер: 01/161/075 - 435 II, 435e II, 01/161/074 - 440 II, 440e II.

Доставеният верижен трион съответствува на машината, преминала през типов контрол, отговарящ на нормите на ЕО.

Град Huskvarna, 8 април, 2013



Bengt Frbergelius, Началник внедрителски отдел верижни триони (Оторизиран представител на Husqvarna AB и отговорник за техническата документация.)

УМОВНІ ПОЗНАЧЕННЯ

Символи на інструменті:

УВАГА! Ланцюгові пилки можуть бути небезпечними! Недбале чи неправильне використання може спричинити серйозне або смертельне поранення користувача чи інших осіб.

Перед користуванням інструментом уважно прочитайте посібник користувача та переконайтеся, що Ви зрозуміли всі вказівки.

Обов'язково вдягайте:

- Дозволений захисний шолом
- Дозволені захисні навушники
- Перевірені захисні окуляри або прозорий щиток

Цей виріб відповідає належним вимогам ЄС.

Шумові викиди у навколишнє середовище відповідають нормам ЄС. детальнішу інформацію про шумові викиди інструменту подано у розділі "Технічні дані" та на бірці.

Запалення; шторка: Переведіть шторку у закрите положення. Це переведе вимикач у положення ввімкнення.

Заправлення.

Маслозаливна горловина змащування ланцюга.

Очищення продувкою повітря.

Регулювання мастильного насоса.

Гальмо ланцюга активовано (праворуч); ланцюгове гальмо неактивоване (ліворуч)

Інші позначення на інструменті відповідають вимогам спеціальних сертифікатів для певних ринків.



Символи в посібнику користувача:

Вимкніть двигун, перш ніж виконувати перевірки або технічне обслуговування. УВАГА! Перемикач запуску/зупинки автоматично повертається в робоче положення. Щоб запобігти ненавмисному запуску двигуна, завжди знімайте патрон зі свічки запалення під час складання, перевірки або технічного обслуговування інструмента.



Завжди одягайте відповідні захисні рукавиці.



Необхідно регулярно чистити інструмент.



Візуальний огляд.



Необхідно використовувати захисні окуляри або прозорий щиток.



Заправлення.



Заправлення мастилом та регулювання надходження мастила.



Ланцюгове гальмо має бути застосовано, коли ланцюгова пилка запускається.



УВАГА! Віддача виникає коли чі носок кінчик направляючої шини торкається будь-якого об'єкту та спричинює миттєву зворотну реакцію, відкидаючи направляючу шину нагору й убій користувача. Може спричинити серйозні поранення.



ЗМІСТ

Зміст

УМОВНІ ПОЗНАЧЕННЯ	
Символи на інструменті:	276
Символи в посібнику користувача:	276
ЗМІСТ	
Зміст	277
ВСТУП	
Шановний користувачу,	278
ЩО Є ЩО?	
Що є що на ланцюговій пилці?	278
ЗАГАЛЬНІ ПРАВИЛА БЕЗПЕКИ	
Перед використанням нової ланцюгової пилки	279
Важливо	280
Завжди користуйтеся здоровим глуздом	280
Особисте захисне спорядження.	280
Спорядження для безпечної роботи	281
Ріжуче спорядження	283
ЗБИРАННЯ	
Установка направляючої шини та ланцюга	288
РОБОТА З ПАЛИВОМ	
Паливо	289
Заправлення палива	290
Заходи безпеки при заправці палива	290
ПУСК ТА ВИМИКАННЯ	
Пуск та вимикання	292
ТЕХНІКА РОБОТИ	
Перед використанням:	294
Загальні вказівки для роботи	294
Як уникнути віддачі	298
ТЕХНІЧНЕ ОБСЛУГОВУВАННЯ	
Загальне	299
Регулювання карбюратора	299
Перевірка, догляд та обслуговування захисного спорядження ланцюгової пилки.	299
Глушник	300
Стартер	301
Повітряний фільтр	301
Свічка запалення	302
Змащування голчастого підшипника	302
Система охолодження	302
Центрифугове очищення "Нагнітання повітря"	302
Використання взимку	302
Графік проведення технічного обслуговування	303

ТЕХНІЧНІ ДАНІ

Технічні дані	304
Нагострювання ланцюгової пилки та напилки	305
Нагострювання ланцюгової пилки та напилки	305
декларація відповідності стандартам Європейського Союзу	305

Шановний користувачу,

Поздоровляємо, що Ви вирішили купити продукт Husqvarna! Традиції Husqvarna починаються з 1689 року, коли шведський король Карл XI наказав спорудити фабрику на берегах ріки Husqvarna для виробництва мушкетів. Таке розміщення було логічним, тому що гідравлічна енергія цієї ріки використовувалася для створення підприємства, що працюватиме на ній і надалі. Протягом більш ніж 300 років існування фабрика Husqvarna зробила багато різних виробів: від дров'яних печей до сучасного кухонного устаткування, швейних машин, велосипедів, мотоциклів тощо. У 1956 році з'явилися перші газонокосарки, що приводяться в рух двигуном, потім у 1959 році з'явилися ланцюгові пилки, у цій галузі Husqvarna працює і сьогодні.

Сьогодні Husqvarna - один із провідних виробників продукції для лісівництва й садівництва, якість якої є нашим вищим пріоритетом. Концепція бізнесу складається в розробці, виробництві й торгівлі інструментами, що приводяться в рух двигуном, для лісівництва й садівництва, а також будівельної промисловості. Метою Husqvarna є також бути попереду всіх стосовно ергономіки, застосовності, безпеки й захисту навколишнього середовища. Це є причина, чому ми розробили стільки різних особливостей для наших виробів у цих галузях.

Ми впевнені, що Ви будете задоволені якістю та роботою нашого виробу впродовж багатьох років. Придбання нашого виробу надає Вам право на отримання професійної допомоги з ремонту та обслуговування, коли у цьому виникне потреба. Якщо продавець, у якого Ви придбали інструмент, не є одним із наших уповноважених представників, дізнайтеся адресу найближчої майстерні з обслуговування.

Ми бажано, щоб Ви були задоволені цим виробом і щоб він надовго став Вашим помічником. Поставтеся до цього посібника користувача як до цінного документу. дотримуючись викладених у ньому вказівок (щодо користування, обслуговування, догляду та ін.), Ви продовжите термін служби інструменту та зможете згодом вигідніше його продати в разі потреби. Якщо Ви продасте інструмент, обов'язково передайте покупцеві і цей посібник користувача.

дякуємо за використання виробу Husqvarna.

Стратегія Husqvarna AB – постійна розробка нових виробів, а тому він залишає за собою право змінити конструкцію і зовнішній вигляд виробів без попереднього повідомлення.

Що є що на ланцюговій пилці? (1)

- 1 Кришка циліндра
- 2 Очищення продувкою повітря.
- 3 Пам'ятка щодо запуску
- 4 Комбінований перемикач запуску/зупинки
- 5 Задні руків'я
- 6 Інформаційна та попереджувальна бирка
- 7 Паливний бак
- 8 Затяжні гвинти карбюратора
- 9 Ручка стартера
- 10 Стартер
- 11 Бак із мастилом для ланцюга
- 12 Пластинка даних про виріб та його серійний номер
- 13 Позначка напрямку падіння
- 14 Передні руків'я
- 15 Кожух для передньої руки
- 16 Глушник
- 17 Ланцюг
- 18 Барабан направляючої шини
- 19 Направляюча шина
- 20 Шпичастий буфер
- 21 Уловлювач ланцюга
- 22 Гвинт натягу ланцюга (435 II, 440 II)
- 23 Кришка зчеплення (435 II, 440 II)
- 24 Кожух для правої руки
- 25 Регулятор дроселя
- 26 Фіксатор дроселя
- 27 Кришка зчеплення (435e II, 440e II)
- 28 Колесо натягу ланцюга
- 29 Фіксуюча голівка
- 30 Посібник користувача
- 31 Комбінований ключ
- 32 Направляюча шина для ланцюга

ЗАГАЛЬНІ ПРАВИЛА БЕЗПЕКИ

Перед використанням нової ланцюгової пилки

- Будь ласка, уважно прочитайте цей посібник користувача.
- (1) - (117) див. дані на стор. 2–6.
- Перевірте, щоб ріжуче обладнання було правильно встановлено та відрегульовано. Інструкції дивіться під заголовком 'Монтаж'.
- Заправте паливом та увімкніть ланцюгову пилку. Інструкції дивіться під заголовком 'Заправлення паливом' та 'Запуск та Вимикання'.
- Не використовуйте ланцюгову пилку поки мастило для ланцюга не змастило його достатньо. Інструкції дивіться у розділі під заголовком "Ріжуче спорядження".
- Надто довга робота при сильному шумі може спричинити погіршення слуху. Отже, завжди користуйтеся відповідними захисними навушниками.



УВАГА! За жодних обставин не змінюйте конструкції інструменту без дозволу виробника. Завжди користуйтеся оригінальними запчастинами та приладам. Застосування недозволених модифікацій та/або приладдя може призвести до серйозної чи смертельної травми користувача чи інших осіб.



УВАГА! Ланцюгова пилка є небезпечним інструментом, якщо користуватися нею недбало чи неправильно, та це може призвести до серйозної чи навіть смертельної травми. Дуже важливо, щоб Ви прочитали цей посібник користувача та зрозуміли його зміст.



УВАГА! Всередині глушника містяться хімічні елементи, що можуть бути канцерогенними. Якщо глушник пошкоджено, уникайте контакту із цими елементами.



УВАГА! Тривале вдихання вихлопних газів двигуна, парів мастила для ланцюга та пилу від пиляння може бути небезпечно для здоров'я.



УВАГА! Під час роботи, цей інструмент створює електромагнітне поле. Це поле може за деяких умов взаємодіяти з активними чи пасивними медичними імплантатами. Для зменшення ризику серйозних або смертельних травм перед початком роботи з інструментом ми рекомендуємо особам з медичними імплантатами проконсультуватися із своїм лікарем та виробником медичного імплантату.



УВАГА! Ніколи не дозволяйте дітям використовувати інструмент чи знаходитися біля нього. Оскільки інструмент обладнаний перемикачем із пружиною і може бути запущений на низькій швидкості і з малою силою за допомогою стартера, то навіть маленькі діти за деяких обставин можуть мати силу, необхідну для його запуску. Це може означати ризик серйозної травми. Тому видаліть патрон свічки запалення, коли інструмент не знаходиться під суворим наглядом.

ЗАГАЛЬНІ ПРАВИЛА БЕЗПЕКИ

Важливо

ВАЖЛИВО!

Ця ланцюгова пилка для лісових господарств спроектована для таких робіт: рубка лісу, обрізання сучків та розрізання.

Норми внутрішнього законодавства можуть накладати обмеження на використання даної машини.

Ви повинні використовувати пилку тільки з комбінаціями направляючої шини та ланцюга, що рекомендовані у розділі 'Технічні дані'.

В жодному разі не користуйтеся інструментом, якщо Ви втомлені, вживали спиртні напої, приймаєте ліки або що-небудь, що може негативно вплинути на Ваш зір, реакцію, координацію рухів чи свідомість.

Користуйтеся особистим захисним спорядженням. Інструкції дивіться у розділі під заголовком "Особисте захисне спорядження."

Не вносите змін до цього виробу чи використовуйте його, якщо виявиться, що до нього були внесені зміни іншими особами.

Забороняється користуватися несправним пристроєм. Вживайте заходи техніки безпеки та дотримуйтесь вказівок із технічного обслуговування, наведених в інструкції. Деякі операції технічного обслуговування мають виконувати лише кваліфіковані фахівці. Дивіться розділ 'Технічне обслуговування'.

Ніколи не використовуйте будь-які інші аксесуари, ніж ті, що рекомендовані у цьому посібнику. Інструкції дивіться у розділах під заголовками 'Ріжуче спорядження' та 'Технічні дані'.

УВАГА! Завжди носите захисні окуляри або щиток для обличчя для того, щоб зменшити ризик травми предметами, що відскакують. Від ланцюгової пилки з великою швидкістю можуть відскакувати різні об'єкти, такі як тріски, маленькі шматочки дерева та інше. Це може призвести до серйозної травми, особливо для очей.



УВАГА! Робота двигуна в ізольованому чи погано провітрюваному приміщенні може призвести до смерті внаслідок ядухи чи отруєння монооксидом вуглецю.



УВАГА! Пошкоджене ріжуче спорядження чи неправильна комбінація направляючої шини та ланцюга пилки збільшує ризик віддачі! Використовуйте тільки ті комбінації направляючої шини/ланцюга пилки, що рекомендовані нами, та дотримуйтеся інструкцій з нагострювання. Інструкції дивіться під заголовком 'Технічні дані'.

Завжди користуйтеся здоровим глуздом (2)

Не можна передбачити кожну ситуацію, із якою Ви можете зустрітись, користуючись ланцюговою пилкою. Завжди будьте обережні та використовуйте Ваш здоровий глузд. Не намагайтеся зробити те, що здається Вам поза межами Ваших можливостей. Якщо Ви невпевнені стосовно розуміння правил користування після того, як прочитали ці інструкції, Вам потрібно звернутися до експерта. Зв'яжіться із продавцем чи нами, якщо у Вас є будь-які питання стосовно користування ланцюговою пилкою. Ми будемо ради бути корисними та надати Вам пораду, а також допомоги використувувати Вашу ланцюгову пилку ефективно та безпечно. Відвідайте курс із навчання користуванню ланцюговою пилкою, якщо можливо. Ваш продавець, лісотехнічний технікум або бібліотека можуть надати інформацію про те, які навчальні матеріали та курси доступні. Постійно проводиться робота для покращення конструкції та технологій - поліпшення, які збільшують Вашу безпеку та ефективність праці. Регулярно відвідайте свого продавця для того, щоб дізнатися про нові корисні особливості, що були запроваджені.

Особисте захисне спорядження.



УВАГА! Більшість нещасних випадків при користуванні ланцюговою пилкою виникає тоді, коли ланцюг торкається користувача. Кожного разу при роботі з інструментом необхідно користуватися відповідним особистим захисним спорядженням. Особисте захисне спорядження не може повністю ліквідувати небезпеку травмування, але при нещасному випадку воно знизить ступінь важкості травми. Зверніться до продавця по допомогу у виборі правильного спорядження.

- Дозволений захисний шолом
- захисні навушники
- Перевірені захисні окуляри або прозорий щиток
- Рукавиці для захисту при пилянні
- Штани для захисту при пилянні
- Взуття для захисту при пилянні зі сталевим носком та неслизькою підшоивою
- Завжди тримайте атетчку під рукою.
- Вогнегасник і Лопатка

ЗАГАЛЬНІ ПРАВИЛА БЕЗПЕКИ

Узагалі одяг повинен щільно облягати тіло, але не обмежувати свободу руху.

ВАЖЛИВО! Іскри можуть вилітати з глушника, направляючої шини та ланцюга чи інших джерел. Завжди майте під рукою засоби гасіння вогню на той випадок, якщо вони Вам знадобляться. Сприяйте запобіганню пожеж у лісах.

Спорядження для безпечної роботи

В цьому розділі описуються особливості захисного спорядження інструмента та їх функції. Стосовно перевірки догляду дивіться інструкції у розділі під заголовком 'Перевірка, догляд та обслуговування захисного спорядження ланцюгової пилки'. Дивіться інструкції під заголовком 'Що є що?', щоб знайти, де ці частини розташовані на Вашому інструменті.

Тривалість служби інструменту може зменшитися, а небезпека нещасних випадків зрости, якщо його обслуговування проводити неправильно, або якщо обслуговування та ремонт виконуватимуться не фахівцями. Якщо Ви потребуєте додаткової інформації, зверніться, будь ласка, до найближчого центру обслуговування.



УВАГА! Ніколи не користуйтеся інструментом із несправним захисним спорядженням. Треба перевіряти та доглядати за захисним спорядженням. Дивіться інструкції під заголовком 'Перевірка, догляд та обслуговування захисного спорядження ланцюгової пилки'. Якщо Ваш інструмент не проходить всі перевірки, відправте його до центру обслуговування для ремонту.

Ланцюгове гальмо та кожух для передньої руки

Ваша ланцюгова пилка обладнана ланцюговим гальмом, яке призначене для зупинки ланцюга у випадку віддачі. Ланцюгове гальмо зменшує ризик нещасних випадків, але тільки Ви можете запобігти їм. (3)

Будьте обережні, використовуючи Вашу пилку, та впевнитесь в тому, що зона віддачі направляючої шини не торкнеться будь-якого об'єкту. (4)

- Ланцюгове гальмо (А) може бути активовано вручну (лівою рукою) або автоматично інерційним спусковим механізмом. (5)

- Гальмо застосовується, коли Ви штовхаєте кожух для передньої руки (В) уперед. (5)
- Цей рух активує пружинний механізм, який натягує гальмову стрічку (С) навколо системи приводу двигуна (D) (барабан зчеплення). (6)
- Кожух для передньої руки не призначений спеціально для активації ланцюгового гальма. Іншою важливою особливістю є те, що він зменшує ризик удару ланцюгом Вашої лівої руки, якщо Ви випустите передне руків'я.
- Ланцюгове гальмо має бути застосовано, коли ланцюгова пилка запускається, для того щоб запобігти обертання ланцюга. (55)
- Використовуйте ланцюгове гальмо при запуску та коли переходите з місця на місце для зменшення ризику травми ланцюгом, що рухається, ноги або будь-кого чи будь-чого поруч із Вами. Не залишайте ланцюгову пилку ввімкненою протягом тривалого часу, коли активовано ланцюгове гальмо. Ланцюгова пилка може сильно нагрітись.
- Щоб відпустити ланцюгове гальмо, потягніть назад захисний щиток для правої руки з позначкою "PULL BACK TO RESET" («Потягніть назад для повернення у вихідне положення»), у бік передньої рукоятки.
- Віддача може бути раптовою та дуже сильною. У більшості випадків віддача незначна й ланцюгове гальмо не завжди активується. Якщо це трапиться, Вам треба міцно тримати ланцюгову пилку та не випускати її.
- Спосіб, яким ланцюгове гальмо буде активоване, вручну чи автоматично інерційним спусковим механізмом, залежить від сили віддачі та положення ланцюгової пилки щодо об'єкта, якого торкнулася зона віддачі направляючої шини.
Якщо віддача дуже сильна, а зона віддачі направляючої шини далі усього від Вас, то ланцюгове гальмо розроблено так, щоб бути активованим інерцією у напрямку віддачі. (7)
Якщо ж віддача не дуже сильна чи зона віддачі направляючої шини ближче всього до Вас, то ланцюгове гальмо буде активовано вручну рухом лівої руки.
- У положенні зрізування ліва рука знаходиться в позиції, коли ручна активація ланцюгового гальма неможлива. При такому захваті, тобто коли ліва рука розташована так, що вона не може рухати кожух для передньої руки, ланцюгове гальмо може бути тільки активоване інерцією. (8)

ЗАГАЛЬНІ ПРАВИЛА БЕЗПЕКИ

Чи завжди моя рука активуватиме ланцюгове гальмо при віддачі?

Ні. Необхідна деяка сила для того, щоб зрушити кожух для передньої руки вперед. Якщо Ваша рука тільки легко торкається кожуха для передньої руки чи сковзає по ньому, сили може бути недостатньо для тригера ланцюгового гальма. Ви також повинні міцно тримати ланцюгову пилку коли працюєте. Якщо Ви працюєте та відчуваєте віддачу, Ваша рука може і далі тримати передне руків'я та не активує ланцюгове гальмо, або ланцюгове активується тільки після того, як ланцюгова пилка качеться на значну відстань. У таких випадках ланцюговому гальму може не вистачити часу зупинити ланцюгову пилку, щоб вона не торкнулась Вас.

Існують також декілька позицій, у яких Ваша рука не зможе досягти кожуха для передньої руки, щоб активувати ланцюгове гальмо; наприклад, коли ланцюгова пилка знаходиться у положенні зрізування.

Чи завжди інерція активуватиме ланцюгове гальмо при віддачі?

Ні. По-перше, Ваше гальмо повинно бути в справному стані. Перевірка гальма проста, дивіться інструкції у розділі під заголовком 'Перевірка, догляд та обслуговування захисного спорядження ланцюгової пилки'. Ми рекомендуємо робити це кожен раз як починаєте роботу. По-друге, віддача повинна бути достатньо сильною для того, щоб активувати ланцюгове гальмо. Якщо ж ланцюгове гальмо занадто чутливе, воно буде активуватися дуже часто, що буде незручним.

Чи завжди моє ланцюгове гальмо захистить мене від травми у випадку віддачі?

Ні. По-перше, ланцюгове гальмо повинно бути в справному стані для того, щоб надати передбачений захист. По-друге, воно має бути активоване при віддачі як описано вище, щоб зупинити ланцюгову пилку. По-третє, ланцюгове гальмо може бути активоване, але якщо направляюча шина дуже близько до Вас, Вашому гальму може не вистачити часу, щоб сповільнити та зупинити ланцюг до того, як ланцюгова пилка торкнеться Вас.

Тільки Ви та належна технологія роботи може зменшити віддачу та її небезпеку.

Фіксатор дроселя

Фіксатор дроселя призначений для запобігання випадкового ввімкнення важеля. Коли Ви натискаєте фіксатор (А) (тобто, коли Ви тримаєте в руках руків'я), він звільняє важіль (В).

Коли Ви випускаєте з рук руків'я, то і фіксатор, і важіль повертаються до вихідного положення. Таке положення означає, що важіль дроселя автоматично стає в позицію холостого ходу. (9)

Уловлювач ланцюга

Уловлювач ланцюга призначений для того, щоб не давати рухатися ланцюгу далі, якщо він розривається чи знімається. Таке не відбудеться, якщо ланцюг належно натягнутий (дивіться інструкції у розділі під заголовком 'Монтаж') та при належному обслуговуванні та догляді за направляючою шиною та ланцюгом (дивіться інструкції у розділі під заголовком 'Загальні інструкції для роботи'). (10)

Кожух для правої руки

Окрім захисту Вашої руки у тому випадку, коли ланцюг розривається чи знімається, кожух для правої руки захищає від контакту з малими та великими гілками Вашу руку на задньому руків'ї. (11)

Система погашення вібрації

Інструмент обладнаний системою погашення вібрації, яка призначена для зменшення вібрації та полегшення роботи.

Система погашення вібрації зменшує передачу вібрації від двигуна та ріжучого елемента до руків'я інструменту. Корпус ланцюгової пилки, включаючи ріжуче спорядження, ізольований від руків'їв елементами погашення вібрації.

При зрізуванні дерев із твердою деревиною (більшість широколистих дерев) вібрація більше, чим при зрізуванні дерев із м'якою деревиною (більшість хвойних дерев). Зрізування ріжучим спорядженням, яке тупе чи пошкоджено (неправильного типу чи погано загострено), збільшить рівень вібрації.



УВАГА! У людей, які мають погіршений кровообіг, надмірна вібрація може ушкодити нервову систему або систему кровообігу. Якщо у Вас проявляються симптоми враження вібрацією, зверніться до лікаря. До таких симптомів належать: оніміння, втрата чутливості, пощипування, поколювання, втрата сили, зміни кольору або стану шкіри. Як правило, ці симптоми проявляються у пальцях, руках та зап'ястках. Ці симптоми можуть бути ускладновані при низьких температурах.

Вимикач

Щоб вимкнути двигун, натисніть вимикач. (12)

ЗАГАЛЬНІ ПРАВИЛА БЕЗПЕКИ

Глушник

Глушник призначений для зменшення шумів та відводу вихлопних газів від користувача.



УВАГА! Вихлопні гази мають високу температуру і можуть містити іскри, від яких можливе загоряння. Ніколи не вмикайте інструмент у приміщенні чи біля легкозаймистих матеріалів.

В областях із жарким, сухим кліматом існує висока небезпека пожеж. Державні стандарти при роботі в таких областях вимагають іноді окрім іншого, щоб глушник був обладнаний схваленим типом іскропоглинаючої сітки. (13)

Встановлюючи сітку, переконайтеся, що її встановлено належним чином. У разі необхідності скористуйтеся набором гайкових ключів для встановлення чи видалення сітки.

УВАГА! Глушник сильно нагрівається під час та після роботи. Це стосується і роботи на холостому ходу. Пам'ятайте про небезпеку загоряння, особливо коли працюєте поблизу легкозаймистих рідин та випарів.



УВАГА! Ніколи не використовуйте пилку без глушника або з пошкодженим глушником. Пошкоджений глушник може суттєво збільшити рівень шумів та ризик пожежі. Тримайте спорядження для гасіння вогню поруч. Якщо у вашій області необхідно використовувати іскропоглинаючу сітку, в жодному разі не користуйтеся ланцюговою пилкою без чи з пошкодженою іскропоглинаючою сіткою.

Ріжуче спорядження

У цьому розділі пояснено, як вибрати та доглядати за ріжучим спорядженням, щоб:

- Зменшуйте ризик віддачі.
- Зменшуйте ризик розриву чи зіскакування ланцюга пилки з направляючої шини.
- Досягайте оптимального результату у роботі.
- продовжити термін служби ріжучого приладдя.
- Уникайте збільшення рівня вібрації.

Загальні правила

- Користуйтеся лише ріжучим спорядженням, що рекомендоване нами! Інструкції дивіться під заголовком 'Технічні дані'.

- Ріжучі зубці ланцюга повинні бути належно нагострені! Дотримуйтеся наших інструкцій та використовуйте напилек рекомендованого розміру. Неправильно нагострений чи пошкоджений ланцюг збільшує небезпеку нещасних випадків.
- Стежте за правильною глибиною нагострювання! Дотримуйтеся наших інструкцій та використовуйте рекомендовану глибину нагострювання зубців. Занадто великий зазор збільшує ризик віддачі.
- Стежте за належним натягом ланцюга! Якщо ланцюг провиснув, він зіскочить та це призведе к збільшенню зносу направляючої шини, ланцюга та барабана приводу.
- Стежте за тим, щоб ріжуче спорядження було добре змащено та належно доглядайте за ним! Погано змащений ланцюг може розірватися та це призведе к збільшенню зносу направляючої шини, ланцюга та барабана приводу.

Ріжуче спорядження призначене для зменшення віддачі



УВАГА! Пошкоджене ріжуче спорядження чи неправильна комбінація направляючої шини та ланцюга пилки збільшує ризик віддачі! Використовуйте тільки ті комбінації направляючої шини/ланцюга пилки, що рекомендовані нами, та дотримуйтеся інструкцій з нагострювання. Інструкції дивіться під заголовком 'Технічні дані'.

Єдиним засобом уникнення віддачі є стеження за тим, щоб зона віддачі не торкалася будь-чого.

Використовуючи ріжуче спорядження з "вбудованим" зменшенням віддачі й слідкування за тим, щоб ланцюг був завжди гострим, та належний догляд за ним може зменшити ефекти віддачі.

Направляюча шина

Чим менше радіус кінчика направляючої шини, тим менша ймовірність віддачі.

Ланцюг

Ланцюг складається з певної кількості ланок, існують стандартні варіанти та варіанти зі зменшеною віддачею.

ВАЖЛИВО! Не існує такої конструкції ланцюгової пилки, що виключає небезпеку віддачі.

ЗАГАЛЬНІ ПРАВИЛА БЕЗПЕКИ



УВАГА! Будь-який контакт із ланцюгом пилки, що обертається, може призвести до дуже серйозних травм.

Деякі терміни, що описують направляючу шину та ланцюг

Для забезпечення безпеки ріжучого спорядження необхідно замінювати зношену чи пошкоджену направляючу шину або ланцюг тільки комбінаціями направляючої шини та ланцюга, що рекомендовані Husqvarna. Інструкції дивіться під заголовком 'Технічні дані' стосовно списку комбінацій направляючої шини та ланцюга, що рекомендовані нами.

Направляюча шина

- Довжина (дюйми/см)
- Кількість зубів на барабані направляючої шини (Т).
- Крок ланцюга (дюйми) Відстань між ланками приводу ланцюга має співпадати з відстанню між зубами на барабані направляючої шини та барабані приводу. (14)
- Кількість ланок приводу. Кількість ланок приводу визначається довжиною направляючої шини, кроком ланцюга та кількістю зубів на барабані направляючої шини.
- Ширина канавки направляючої шини (дюйми/мм). Канавка на направляючій шині має співпадати із шириною ланок приводу ланцюга.
- Отвір для мастила для ланцюга та отвір для натягувача ланцюга. Направляюча шина має відповідати конструкції ланцюгової пилки. (15)

Ланцюг

- Крок ланцюга (дюйми) (14)
- Ширина ланки приводу (мм/дюйми) (16)
- Кількість ланок приводу. (17)

Нагострення ланцюга та регулювання глибини відстані між зубами

Загальна інформація щодо нагострення ріжучих зубців

- Ніколи не користуйтеся тупим ланцюгом. Коли ланцюг тупий, Вам потрібно чинити більше тиску для того, щоб направляюча шина проходила крізь дерево та тріски будуть дуже малими. Якщо ланцюг дуже тупий, він буде створювати деревний пил без трісок та стружок.

- Гострий ланцюг прорубується крізь дерево та створює довгі, товсті тріски або стружки.
- Ріжуча частина ланцюга називається фрезой та складається з ріжучих зубців (А) та отворів між ними (В). Ріжуча глибина фрези визначається як різниця між висотою двох зубців (глибина проникнення ріжучого інструменту). (18)

При гострінні ріжучого зубця треба пам'ятати про чотири важливі фактори.

- 1 Кут при гострінні (19)
- 2 Кут різання (20)
- 3 Положення при гострінні (21)
- 4 Діаметр круглого напилка

Дуже важко нагострити ланцюг правильно без правильного спорядження. Ми рекомендуємо Вам користуватися нашим круглим напилком. Це допоможе Вам максимально зменшити ризик виникнення віддачі та отримати найкращі результати у роботі. (22)

Інструкції дивіться під заголовком 'Технічні дані' стосовно інформації про нагострення ланцюга.



УВАГА! Відхилення від інструкцій щодо нагострення значно збільшує ризик виникнення віддачі.

Гостріння ріжучого зубця



Для нагострення ріжучого зубця Вам необхідні круглий напилек та пристосування для обмеження глибини проникнення ріжучого інструменту. Інструкції дивіться під заголовком 'Технічні дані' стосовно інформації про розмір напилка та пристосування для обмеження глибини проникнення ріжучого інструменту, що рекомендоване для ланцюга Вашої пилки.

- Перевірте, щоб ланцюг був правильно натягнутий. Погано натягнутий ланцюг буде рухатися убік та це ускладнить правильне нагострювання.
- Завжди нагострюйте ріжучий зубець із внутрішньої поверхні. Зменшить тиск при зворотному русі. Нагострите спочатку всі ріжучі зубці з одної сторони, потім перевірте ланцюгову пилку та нагострите зубці з іншої сторони.
- Нагострюйте всі зубці однаково. Коли довжина ріжучого зубця зменшиться до 4 мм (5/32"), ланцюг стає зношеним та його треба замінити. (23)

ЗАГАЛЬНІ ПРАВИЛА БЕЗПЕКИ

Загальна порада стосовно регулювання глибини нагострення

- Коли Ви нагострюєте ріжучий зубець (A) глибина нагострення (C) зменшується. Для оптимального зрізування глибина нагострення (B) має бути оброблена для досягнення рекомендованого значення нагострювання. Інструкції дивіться під заголовком 'Технічні дані' стосовно правильної глибини нагострення Вашого ланцюга. (24)



УВАГА! Ризик віддачі збільшується, якщо глибина нагострення занадто велика!

Регулювання глибини нагострення



- Ріжучий зубець має бути заново нагострений перед регулюванням глибини нагострення. Ми рекомендуємо Вам регулювати глибину нагострення при кожному третьому нагострюванні ріжучих зубців. **ЗВЕРНІТЬ УВАГУ!** Ця рекомендація допускає, що довжина ріжучого зубця не зменшена надмірно.
- Вам будуть необхідні плаский напилек та пристосування для обмеження глибини нагострювання. Ми рекомендуємо Вам користуватися нашим пристосуванням для обмеження глибини нагострювання для досягнення правильної глибини та фаски нагострення.
- Покладіть пристосування для обмеження глибини нагострювання на ланцюг. Детальна інформація щодо використання пристосування для обмеження глибини нагострювання знаходиться на коробці для пристосування для обмеження глибини проникнення ріжучого інструменту. Використовуйте плаский напилек при гострінні за допомогою пристосування для обмеження глибини нагострювання, який проходить через нього. Глибина нагострювання є правильною, якщо Ви не відчуваєте ніякої протидії, коли напилек проходить через пристосування для обмеження глибини нагострювання. (25)

Натяг ланцюга



УВАГА! Погано натягнутий ланцюг може зіскочити та призвести до серйозного чи смертельного травмування.

Чим більше Ви користуєтесь ланцюгом, тим довше він стає. Тому важливо регулярно натягувати ланцюг, щоб він не провисав.

Перевіряйте натяг ланцюга при кожному заправленні паливом. **ЗВЕРНІТЬ УВАГУ!** Новий ланцюг має період обкатування, коли Вам необхідно регулювати натяг частіше.

Натягніть ланцюг там сильно, як можливо, але не так, щоб не можна було його повернути рукою. (26)

435 II, 440 II



- Відкрутіть гайку, яка кріпить кришку зчеплення та ланцюгове гальмо. Використовуйте комбінований ключ. Потім якнайщільніше затягніть гайку рукою. (27)
- Підніміть кінчик направляючої шини та натягніть ланцюг, затягуючи гвинт натягу ланцюга за допомогою комбінованого ключа. Натягніть ланцюг, поки він не буде провисати зі зворотної сторони направляючої шини. (28)
- За допомогою гайкового ключа з набору затягніть гайку шини, притримуючи кінець шини. Переконайтеся, що ланцюг пили можна вільно обертати рукою, і що він не провисає на нижній частині шини. (29)

Положення гвинта натягу ланцюга на Вашій пилці може бути різною в залежності від її моделі. Дивіться інструкції під заголовком 'Що є що?', щоб знайти, де він знаходиться на Вашій моделі.

435e II, 440e II



- Відпустіть фіксуючу голівку, відкинувши її. (30)
- Поверніть фіксуючу голівку проти годинникової стрілки і відпустіть кришку направляючої шини. (31)
- Встановіть натяг ланцюга, повернувши колесо вниз (+) для збільшення або вгору (-) для зменшення натягу. (32)

ЗАГАЛЬНІ ПРАВИЛА БЕЗПЕКИ

- Натягніть зчеплення направляючої шини, повернувши фіксуючу голівку за годинниковою стрілкою. (33)
- Встановіть на місце фіксуючу голівку для блокування натягу. (34)

Змащування ріжучого спорядження



УВАГА! Погане змащування ріжучого спорядження може спричинити розрив ланцюга, що може призвести до серйозної чи навіть смертельної травми.

Масило для ланцюга

Масило для ланцюга повинно добре змащувати ланцюг та також зберігати свої властивості незалежно від того, тепла літня чи холодна зимова погода зараз.

Як виробник ланцюгових пилко ми розробили оптимальне масило для ланцюга, яке виготовлено на основі рослинної олії та розкладається під дією мікроорганізмів. Ми рекомендуємо користуватися нашим мастилом для максимального подовження строку служби ланцюга та зменшення шкоди навколишньому середовищу. Якщо наше масило недоступно, тоді рекомендується стандартне масило.

Ніколи не користуйтеся відпрацьованим мастилом! Використання відпрацьованого мастила може бути небезпечно для Вас та наносити шкоду інструменту та навколишньому середовищу.

ВАЖЛИВО! При використанні мастила для ланцюга на основі рослинної олії зніміть та прочистіть канавки на направляючій шині та ланцюгу перед довгостроковим зберіганням. Інакше існує ризик окислювання мастила для ланцюга, що призведе до того, що ланцюг стане погано згинатися та його буде заклинювати на барабані направляючої шини.

Заправлення мастилом для ланцюга

- Усі наші ланцюгові пилки мають автоматичну систему змащування ланцюга. На деяких моделях надходження мастила також регулюється.
- Баки з мастилом для ланцюга та палива розроблені так, щоб паливо закінчувалося раніше, чим масило для ланцюга.

Однак, така особливість захисного спорядження вимагає, щоб Ви користувалися правильним сортом мастила для ланцюга (якщо масило занадто рідке, воно буде закінчуватися до того, як закінчиться паливо), регулювали карбюратор як рекомендується (бідна суміш може призвести до того, що палива вистачить більше, чим

мастила) та користувалися рекомендованим ріжучим спорядженням (якщо направляюча шина занадто довга, мастила для ланцюга треба більше).

Перевірка змащування ланцюга

- Перевіряйте змащування ланцюга при кожному заправленні паливом.
Направте кінчик направляючої шини на світлу поверхню, щоб відстань між ними була приблизно 20 см (8 дюймів). Через 1 хвилину роботи при 3/4 повної потужності Ви повинні побачити чітку смугу мастила на тій світлій поверхні.

Якщо змащування ланцюга не працює:

- Перевірте, щоб канал для мастила на направляючій шині не був забитий. Прочистіть у разі потреби. (35)
- Перевірте, щоб канавка на крайці направляючої шини була чистою. Прочистіть у разі потреби. (36)
- Перевірте, щоб барабан направляючої шини обертася вільно та що отвір для змащування на барабані не був забитий. Прочистіть та змастіть у разі потреби. (37)

Якщо система змащування ланцюга все ще не працює після вищевказаних перевірок та дій, зверніться до центру обслуговування.

Барабан приводу ланцюга



Барабан зчеплення оснащується одним із наступних барабанів приводу:

А Зубцюватий барабан (ланцюгова зірочка зварюється з барабаном)

В Барабан-обід (замінний) (38)

Регулярно перевіряйте ступінь зносу барабана приводу. Замініть у разі надмірного зносу. При заміні ланцюга також замінійте барабан приводу.

Змащування голчастого підшипника



Обидва варіанти барабана мають голчастий підшипник на ведучому валі, який треба регулярно змащувати (раз на тиждень). УВАГА! Використовуйте високоякісне масило для підшипників або моторну олію.

Інструкції дивіться в розділі під заголовком Змащування гольчатого підшипника.

ЗАГАЛЬНІ ПРАВИЛА БЕЗПЕКИ

Перевіряйте знос ріжучого обладнання



Щоденно перевіряйте ланцюг на:

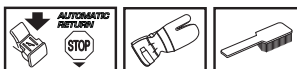
- Наявність видимих тріщин на заклепках та ланках.
- Чи не погане згинається ланцюг.
- Чи не сильно зношені заклепки та ланки.

Замініть ланцюг при наявності вищевказаних дефектів.

Ми рекомендуємо Вам порівняти той ланцюг, що використовується, з новим ланцюгом, щоб вирішити наскільки Ваш ланцюг зношений.

Нагострійте всі зубці однаково. Коли довжина ріжучого зубця зменшиться до 4 мм (5/32"), ланцюг стає зношеним та його треба замінити. (23)

Направляюча шина



Регулярно перевіряйте:

- Чи немає нерівностей на крайках направляючої шини. Видаліть їх напилком у разі необхідності.
- Чи не сильно зношена канавка направляючої шини. Замініть направляючу шину у разі необхідності.
- Чи не став нерівним або сильно зношеним кінчик направляючої шини. Якщо утворюється порожнеча на нижній стороні направляючої шини, це виникає внаслідок поганого натягу ланцюга.
- Щоб подовжити термін служби направляючої шини, треба регулярно її перевертати.



УВАГА! Більшість нещасних випадків при користуванні ланцюговою пилою виникає тоді, коли ланцюг торкається користувача.

Користуйтеся особистим захисним спорядженням. Інструкції дивіться у розділі під заголовком "Особисте захисне спорядження."

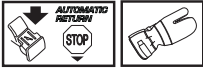
Не беріться за будь-яку роботу, якій Ви, як вважаєте, не навчені належним чином. Інструкції дивіться під заголовками 'Особисте захисне спорядження', 'Як уникнути віддачі', 'Ріжуче спорядження' та 'Загальні інструкції для роботи'.

Уникайте ситуацій, коли існує ризик віддачі. Інструкції дивіться у розділі під заголовком 'Спорядження для безпечної роботи'.

Використовуйте рекомендоване захисне спорядження та перевіряйте його стан. Інструкції дивіться під заголовком 'Загальні інструкції для роботи'.

Перевірте, щоб усі елементи безпеки ланцюгової пилки були справними. Інструкції дивіться під заголовками 'Загальні інструкції для роботи' та 'Загальні правила безпеки'.

Установка направляючої шини та ланцюга



УВАГА! Завжди користуйтеся рукавицями при роботі з ланцюгом.

435 II, 440 II

- Перевірте, щоб ланцюгове гальмо не було в положенні активації, штовхнувши кожух для передньої руки у напрямок переднього руків'я. (39)
- Відкрутіть гайку шини та зніміть кришку зчеплення (ланцюгове гальмо). Зніміть транспортувальне кільце (А). (40)
- Надягніть шину на болт. Установіть шину в останню задню позицію. Зачепіть ланцюг за ведучу зірочку та вставте його в паз на шині. Починайте з верхньої частини шини. (41)
- Упевніться, що крайки ріжучих ланок глядять нагору на верхній крайці направляючої шини.
- Установіть на місце кришку зчеплення та не забудьте вставити штифт регулятора ланцюга в отвір у шині. Перевірте, щоб ведучі ланки ланцюга правильно зачепилися за ведучу зірочку, і ланцюг правильно розмістився в пазу шини. Закрутіть гайку шини вручну.
- Натягніть ланцюг за допомогою гвинта натягу ланцюга за годинниковою стрілкою комбінованим ключем. Натягніть ланцюг, поки він не буде провисати зі зворотної сторони направляючої шини. (42)
- Натяг ланцюга є правильним, якщо немає провисання на нижній частині шини, і ланцюг можна вільно обертати рукою. Затягніть гайку шини за допомогою гайкового ключа з набору, притримуючи кінець шини. (43)
- Після встановлення нового ланцюга часто перевіряйте його натяг, поки ланцюг обкатується. Регулярно перевіряйте натяг ланцюга. Правильно натягнутий ланцюг забезпечує добрі результати в роботі та служитиме довше. (44)

435e II, 440e II

- Перевірте, щоб ланцюгове гальмо не було в положенні активації, штовхнувши кожух для передньої руки у напрямок переднього руків'я. (45)
- Послабте колесо натягу ланцюга та зніміть кришку зчеплення (ланцюгове гальмо). Зніміть чохол для ланцюга. (46)
- Закріпіть направляючу шину гвинтами. Установіть направляючу шину. Одягніть ланцюг на барабан приводу на канавці направляючої шини. Почніть із верхньої крайки направляючої шини. (41)
- Упевніться, що крайки ріжучих ланок глядять нагору на верхній крайці направляючої шини.
- Установіть на місце кришку зчеплення та не забудьте вставити штифт регулятора ланцюга в отвір у шині. Перевірте, щоб ведучі ланки ланцюга правильно зачепилися за ведучу зірочку, і ланцюг правильно розмістився в пазу шини.
- Натягніть ланцюг, повернувши колесо донизу (+). Натягніть ланцюг, поки він не буде провисати зі зворотної сторони направляючої шини. (32)
- Ланцюг правильно натягнутий, якщо він не провисає зі зворотної сторони направляючої шини, але його можна легко повернути рукою. Утримуючи направляючу шину, підтягніть зчеплення, повернувши направляючу голівку за годинниковою стрілкою. (33)
- Після встановлення нового ланцюга часто перевіряйте його натяг, поки ланцюг обкатується. Регулярно перевіряйте натяг ланцюга. Правильно натягнутий ланцюг забезпечує добрі результати в роботі та служитиме довше. (44)

Установлення шпичастого буфера

Для того, щоб установити шпичастий буфер - зверніться до центру обслуговування. (47)

РОБОТА З ПАЛИВОМ

Паливо

Зверніть увагу! Інструмент обладнано двотактним двигуном, тому для його роботи слід завжди використовувати суміш бензину та моторної олії для двотактних двигунів. Щоб отримати суміш у правильній пропорції, важливо точно відміряти кількість олії. При змішуванні незначної кількості палива навіть незначні неточності можуть сильно вплинути на пропорцію суміші.



УВАГА! Завжди перевіряйте при заправленні паливом, що приміщення достатньо провітрюється.

Бензин



- Використовуйте якісний бензин, який містить чи ні свинець.
- Мінімальне рекомендоване октанове число дорівнює 90 (число RON). При використанні бензину з октановим числом, нижчим за 90, можливий так званий стукіт. Це спричиняє перегрів двигуна та збільшує навантаження на опору, що може привести до серйозного пошкодження двигуна.
- При тривалій роботі на високих обертах (наприклад, обрізка суків), рекомендуємо використовувати бензин із вищим октановим числом.

Паливо, що не шкідливо для навколишнього середовища

HUSQVARNA рекомендує використовувати алкілат, паливо для двотактних двигунів Aspen чи паливо для чотиритактних двигунів, яке має бути змішано з олією для двотактних двигунів як показано нижче. Зверніть увагу, що можливо буде необхідно відрегулювати карбюратор при зміні типу палива (дивіться інструкції під заголовком 'Карбюратор').

Етанолове паливо

HUSQVARNA рекомендує доступне паливо торгового сорту з вмістом етанолу не більше 10%.

Обкатування

Уникайте роботи на занадто високій швидкості протягом тривалого часу перші 10 годин.

Олія для двотактного двигуна

- для одержання кращих результатів використовуйте мастило для двотактних двигунів HUSQVARNA, що спеціально призначене для наших двотактних двигунів із повітряним охолодженням.
- Ніколи не користуйтеся олією, що призначена для двотактних двигунів з

водяним охолодженням, яку інколи називають зовнішньою олією (маркування TCW).

- Ніколи не користуйтеся олією для чотиритактних двигунів.
- Низька якість олії та/або надто велика частка олії в суміші може вивести з ладу каталітичний спалювач вихлопних газів та скоротити час нормальної його роботи.

Пропорції суміші

1:50 (2%) мастило для двотактних двигунів HUSQVARNA.

1:33 (3%) при використанні іншої олії для двотактних двигунів з повітряним охолодженням класифікації JASO FB/ISO EGB.

Бензин, літр	Мастило для двотактних двигунів, літр	
	2% (1:50)	3% (1:33)
5	0,10	0,15
10	0,20	0,30
15	0,30	0,45
20	0,40	0,60

Змішування

- Завжди змішуйте бензин та олію у чистій посудині, призначеній для пального.
- Спочатку завжди вливайте половину кількості бензину, який буде використано. Тоді додайте всю кількість олії. Перемішайте (струшуйте) паливну суміш. додайте решту бензину.
- Перед тим, як наповнити бак інструменту, добре перемішайте суміш (струшуйте посудину).
- Не приготуйте суміші більше, ніж на один місяць роботи.
- Якщо інструмент не використовуватиметься певний час, то паливо потрібно злити, а паливний бак почистити.

Мастило для ланцюга

- Ми рекомендуємо використовувати спеціальне мастило (мастило для ланцюга) із високими показниками змащування. (48)
- Ніколи не користуйтеся відпрацьованим мастилом. Це призведе до поломки мастильного насоса, направляючої шини та ланцюга.
- Важливо використовувати мастило правильного температурного режиму (із відповідним показником в'язкості), що відповідає температурі повітря.
- При температурах нижче 0°C (32°F) деякі мастила стають дуже в'язкими. Це може призвести до перевантаження мастильного насоса та пошкодити його елементи.
- Зверніться до центру обслуговування при підборі мастила для ланцюга.

РОБОТА З ПАЛИВОМ

Заправлення палива



УВАГА! дотримання вказаних заходів безпеки зменшить можливість загоряння:

Не палить цигарок та не ставте гарячих предметів поблизу палива.

Перед заправленням завжди вмикайте двигун та дайте йому охолонути протягом декількох хвилин.

При заправці відкручуйте кришку паливного баку повільно, щоб поступово зменшити тиск.

Після заправлення обережно, але щільно закрийте кришку.

Перед запуском обов'язково відійдіть із машиною від місця заправлення.

Витріть кришку паливного баку та поверхню біля горловини. Регулярно прочищайте баки з мастилом для ланцюга та палива. Паливний фільтр треба замінювати не менш одного разу на рік. Забруднення в баку може призвести до поломки. Упевніться, що паливо добре змішано, потрусіть ємність із паливом перед заправленням. Об'єми баків із мастилом для ланцюга та палива ретельно узгоджені. Тому треба завжди заповнювати баки з мастилом для ланцюга та палива одночасно. (48)



УВАГА! Паливо та його випари легко займаються. Будьте обережні, працюючи з паливом та мастилом для ланцюга. Пам'ятайте про небезпеку загоряння, вибуху та вдихання випарів.

Видалення кришки паливного баку та кришки оливної для ланцюга

- Натисніть на текстуровану ділянку важеля перемикачів та підніміть у верхнє положення. (49)
- Ослабте кришку, повернувши його проти годинникової стрілки. (50)
- Зніміть кришку. (51)

Заміна кришки паливного баку та кришки оливної для ланцюга

- Вставте кришку з важелем перемикачів у верхньому положенні. (52)
- Надійно затягніть кришку, повернувши її за годинниковою стрілкою. (53)

- Відкиньте важіль перемикачів униз. (54)

ВАЖЛИВО! Слід завжди замінювати пошкоджену кришку.

Заходи безпеки при заправці палива

- Ніколи не заправляйте інструмент у той час, коли двигун запущений.
 - Упевніться, що вентиляція достатня при заправлянні чи змішуванні палива (бензин та олія для двотактних двигунів).
 - Перемістіть інструмент принаймні на 3 м від пункту заправлення паливом перед тим, як запустити його.
 - В жодному разі не вмикайте інструмент:
- 1 Якщо Ви розлили паливо чи мастило для ланцюга на інструмент. Витріть інструмент та почекайте, поки залишки палива випаруються.
 - 2 Якщо Ви розлили паливо на себе чи свій одяг, переодягніться. Вимийте частини тіла, на які потрапило паливо. Для цього скористайтеся милом та водою.
 - 3 Якщо інструмент пропускає паливо. Регулярно перевіряйте, чи кришка баку та трубки паливної системи не пропускають палива.



УВАГА! Ніколи не користуйтеся інструментом із видимим пошкодженням патрону свічки запалення та кабелю запалення. Виникає ризик іскріння, що може призвести до пожежі.

Транспортування та зберігання

- Завжди зберігайте ланцюгову пилку та паливо так, щоб навіть у випадку витoku палива чи його випарів вони не потрапляли у контакт із відкритим вогнем та іскрами від електричних машин, двигунів, електричних реле/вмикачів чи бойлерів.
- Завжди зберігайте паливо в схваленому контейнері, що призначений для цієї мети.
- При довгостроковому зберіганні чи транспортуванні ланцюгової пилки баки з мастилом для ланцюга та палива мають бути пустими. Запийте, куди можна злити відпрацьоване паливо та мастило для ланцюга на місцевій бензоаправній станції.
- При зберіганні чи транспортуванні інструменту потрібно одягати на ріжучу насадку захисний чохол, щоб уникнути контакту з ланцюгом. Навіть, якщо ланцюг

РОБОТА З ПАЛИВОМ

не рухається, він може зробити серйозні порізи у Вас чи осіб, що торкаються його.

- Зніміть патрон зі свічки запалення. Активуйте ланцюгове гальмо.
- Надійно зафіксуйте пристрій для транспортування.

Довгострокове зберігання

Спустоште баки з мастилом для ланцюга та палива там, де є добра вентиляція. Зберігайте паливо в схвалених каністрах у безпечному місці. Установіть захисний кожух. Прочистіть інструмент. Інструкції дивіться під заголовком 'Графік проведення технічного обслуговування'.

Перед зберіганням інструменту протягом довгого часу, переконайтеся, що він почищений і що проведені всі відповідні роботи з обслуговування.

ПУСК ТА ВИМИКАННЯ

Пуск та вимикання



УВАГА! деякі поради перед тим, як почати:

Ланцюгове гальмо має бути активовано, коли ланцюгова пилка запускається, щоб зменшити можливість контакту з ланцюгом при запуску.

Ніколи не запускайте ланцюгову пилку, якщо направляюча шина, ланцюг та всі кришки не встановлені правильно. Інакше зчеплення може від'єднатися і завдати травми.

Покладіть інструмент на землю. Упевніться в тому, що Ви твердо стоїте на ногах та ланцюг не може торкнутися будь-чого.

Слідкуйте за тим, щоб люди та тварини знаходилися далеко від робочої зони.

Ніколи не намотуйте шнур стартера на руку.

Пуск

Ланцюгове гальмо має бути активовано, коли ланцюгова пилка запускається. Активуйте гальмо, штовхнувши кожух для передньої руки вперед. (55)

Холодний двигун

Положення запуску, 1: Встановіть перемикач пуск/стоп у позицію дроселя, витягнувши червоний елемент керування назовні і вгору. (56)

Кнопка насоса (2): Натискайте на мембрану очищення продувкою повітря (близько 6 разів), поки паливо не заповнить мембрану. Мембрану не потрібно повністю заповнювати. (56)

Візьміться за передне руків'я лівою рукою. Тримайте ланцюгову пилку на землі, вперши свою праву ступню в задній тримач. (57)

Поверніть ручку стартера, 3: Правою рукою поверніть ручку стартера і повільно тягніть шнур правою рукою, доки не відчуєте спротив (спрацює зчеплення зубів); тоді потягніть шнур різко і сильно, до запуску двигуна.

Натисніть червоний важіль повітряної шторки, 4: Як тільки двигун почне працювати (ви почуєте приглушені звуки), натисніть червоний важіль повітряної шторки.

Поверніть ручку стартера (5): зробіть декілька спроб, поки двигун не заведеться.

Прогрітий двигун

Положення запуску, 1: Щоб забезпечити правильні настройки виключення/запуску дроселя для заведення прогрітого двигуна, потрібно спершу повернути червоний важіль шторки назовні і вгору. (56)

Кнопка насоса (2): Натискайте на мембрану очищення продувкою повітря (близько 6 разів), поки паливо не заповнить мембрану. Мембрану не потрібно повністю заповнювати. (56)

Натисніть червоний важіль повітряної шторки, 3: Це деактивує шторку, яка не потрібна при запуску прогрітої ланцюгової пилки. Однак переключання вмикача/вимикача збільшить швидкість холостого ходу, а відтак полегшить запуск прогрітого двигуна.

Поверніть ручку стартера, 4: Візьміться за передне руків'я лівою рукою. Тримайте ланцюгову пилку на землі, вперши свою праву ступню в задній тримач. (57)

Правою рукою поверніть ручку стартера і повільно тягніть шнур правою рукою, доки не відчуєте спротив (спрацює зчеплення зубів); тоді потягніть шнур різко і сильно, до запуску двигуна.

Оскільки ланцюгове гальмо все ще є задіяним, швидкість двигуна необхідно встановити на холостий хід якомога скоріше: це досягається розчепленням фіксатора дросельної заслінки. Щоб розчепити фіксатор, злегка натисніть кнопку регулятора дросельної заслінки. Це допомагає уникнути надмірного зношення муфти зчеплення, барабана зчеплення та гальмової стрічки. Дайте інструменту попрацювати кілька секунд у холостому режимі, перш ніж увімкнути повну швидкість.

На задній панелі пилки (А) міститься коротка пам'ятка з ілюстраціями всіх етапів запуску інструменту. (57)

УВАГА! Не витягуйте шнур стартера повністю і не відпускайте ручки стартера, якщо шнур повністю витягнуто. Це може пошкодити інструмент.

Зверніть увагу! Вимкніть ланцюгове гальмо, потягнув кожух для передньої руки назад у напрямку до переднього руків'я. Ланцюгова пилка зараз готова для використання.



УВАГА! Тривале вдихання вихлопних газів двигуна, парів мастила для ланцюга та пилу від пиляння може бути небезпечно для здоров'я.

- Ніколи не запускайте ланцюгову пилку, якщо направляюча шина, ланцюг та всі кришки не встановлені правильно. Інструкції дивіться під заголовком 'Монтаж'. Якщо направляюча шина та ланцюг не встановлені на

ПУСК ТА ВИМКАННЯ

ланцюгової пилці, зчеплення може від'єднатися і завдати травми.

- Ланцюгове гальмо має бути активовано при запуску. Інструкції дивіться під заголовком 'Пуск та вимкнення'. Не переривайте запуск. Це дуже небезпечно, тому що Ви можете втратити контроль за пилкою. (55)
- Ніколи не вмикайте інструмент у закритому приміщенні. Шкідливі гази можуть бути небезпечні при вдиханні.
- дивіться уважно, щоб не виникло ніякого ризику контакту з різними устаткуванням для людей чи тварин навколо Вас.
- Завжди тримайте інструмент обома руками. Права рука повинна тримати задні руків'я та ліва передні руків'я. Усі люди, лівші чи ні, повинні використовувати такий захват. Міцно схватіть руків'я ланцюгової пилки.

Вимкнення

Зупиніть двигун, натиснувши перемикач запуску/зупинки. (59)

УВАГА! Перемикач запуску/зупинки автоматично повертається в робоче положення. Щоб запобігти ненавмисному запуску двигуна, завжди знімайте патрон зі свічки запалення, коли інструмент залишається без нагляду. (60)

Перед використанням: (61)

- 1 Перевірте, що ланцюгове гальмо працює правильно та не пошкоджено.
- 2 Перевірте, що кожух для правої руки не пошкоджений.
- 3 Перевірте, що фіксатор дроселя працює правильно та не пошкоджений.
- 4 Перевірте, що вимикач працює правильно та не пошкоджений.
- 5 Перевірте, щоб на всіх руків'ях не було мастила.
- 6 Перевірте, що система погашення вібрації працює правильно та не пошкоджена.
- 7 Перевірте, що глушник надійно встановлений та не пошкоджений.
- 8 Перевірте, що всі елементи ланцюгової пилки закріплені правильно, не пошкоджені та всі на своєму місці.
- 9 Перевірте, що уловлювач ланцюга на своєму місці та не пошкоджений.
- 10 Перевірте натяг ланцюга.

Загальні вказівки для роботи

ВАЖЛИВО!

Цей розділ описує основні правила безпеки при користуванні ланцюговою пилкою. Ця інформація в жодному разі не замінить професійних навичок та досвіду. Якщо виникне ситуація, коли Ви будете не впевнені, зупиніться та зверніться за порадою до фахівця. Зверніться до Вашого продавця, центру обслуговування чи досвідченого користувача ланцюгових пилок. Не намагайтеся вирішити щось, якщо Ви не впевнені!

Перед використанням ланцюгової пилки Ви повинні розуміти, що спричинює віддачу, та як уникнути її. Інструкції дивіться під заголовком 'Як уникнути віддачі'.

Перед використанням ланцюгової пилки Ви повинні розуміти різницю між зрізуванням кінчиком та боковими крайками направляючої шини. Інструкції дивіться під заголовками 'Як уникнути віддачі' та 'Спорядження для безпечної роботи'.

Користуйтеся особистим захисним спорядженням. Інструкції дивіться у розділі під заголовком "Особисте захисне спорядження."

Основні правила безпеки

- 1 Поглядайте довкола:

- Щоб переконатися, що люди, тварини чи будь-що інше не перешкоджатиме в керуванні інструментом.
- Щоб упевнитися, що ніхто з вищевказаних не торкнеться Вашої пилки чи буде травмований деревом, що падає.

УВАГА! Дотримуйтеся вищевказаних інструкцій, але не використовуйте ланцюгову пилку, коли Ви не можете покликати нікого на допомогу у нещасному випадку.

- 2 Не користуйтеся інструментом в погану погоду - наприклад, в густий туман, сильний дощ, сильний вітер, коли дуже холодно та ін. Робота в погану погоду втомлює, а також створює додаткову небезпеку, наприклад, ожеледь, непередбачуваність напрямку падіння зрізуваних дерев та ін.
 - 3 Будьте дуже обережні, коли зрізуєте малі гілки та уникайте гострих гілок кущів (наприклад, зрізуючи багато малих гілок одночасно). Малі гілки можуть бути захоплені ланцюгом та відкинута у Вашу сторону, що може призвести до серйозної травми.
 - 4 Переконайтеся, що Ви можете безпечно стояти та рухатися. Перевірте, чи навколо немає можливих перешкод (коріння, каміння, гілки, рови та ін.) у випадку, якщо треба буде різко переміститися. Будьте дуже уважні, працюючи на схилах.
 - 5 Будьте дуже уважні, зрізуючи нахилені дерева. Нахилене дерево може раптово повернутися до свого нормального положення, перед тим або після того, як його зріжуть. Якщо Ви займете неправильне положення чи зробите надріз у неправильному місці, дерево може зачепити Вас або інструмент і Ви втратите керування над ним. Обидві ситуації можуть привести до серйозного травмування.
- 
- 6 Перед переходом із ланцюговою пилкою в руках, вимкніть двигун та зафіксуйте ланцюг за допомогою гальма. Несіть ланцюгову пилку так, щоб направляюча шина та ланцюг дивилися назад. Установіть кожух на направляючу пилку перед транспортуванням чи перенесенням її на будь-яку відстань.
 - 7 Коли Ви кладете ланцюгову пилку на землю, зафіксуйте ланцюг за допомогою ланцюгового гальма та впевніться в тому, що інструмент буде знаходитися під Вашим наглядом. Вимкніть двигун перед тим, як залишати ланцюгову пилку на будь-який час.



УВАГА! Іноді стружка пристає до кришки зчеплення, внаслідок чого ланцюг може заклинювати. Перед чисткою обов'язково зупиніть двигун.

Загальні правила

- 1 Якщо Ви розумієте, що таке віддача і як вона виникає, тоді її ймовірність буде менша. Якщо Ви підготовлені до того, це зменшить її ризик. Як правило віддача незначна, але іноді вона може бути раптовою та дуже сильною.
- 2 Завжди міцно тримайте ланцюгову пилку правою рукою за задніє руків'я та лівою за переднє руків'я. Міцно тримайте руків'я. Ви повинні використовувати цей захват, незалежно від того правша Ви чи лівша. Такий захват зменшує ефект віддачі та дозволяє Вам тримати ланцюгову пилку під контролем. Не відпускайте руків'я!

- 3 Більшість випадків віддачі виникає при обрізці суків. Упевніться в тому, що Ви стоїте міцно та немає нічого на шляху, що може затримати Вас чи зробити так, щоб Ви втратили рівновагу.

Утрата концентрації може призвести до віддачі, якщо зона віддачі направляючої шини раптово торкнулася гілки, найближчого дерева чи будь-якого іншого об'єкту.

Уважно стежте за тим, із чим працюєте. Якщо то, що Ви маєте намір зрізати, дуже мале та легке, воно може застрягти в ланцюговій пилці та бути відкинуто у Вашу сторону. Навіть якщо це буде небезпечним, це може відвернути Вашу увагу та Ви втратите контроль за пилкою. Ніколи не пиліть складені колоди чи гілки, не розділів їх спочатку. Пиліть лише одну колоду чи один кусок за раз. Убирайте порізані куски, щоб Ваша робоча зона була безпечною. (62)

- 4 При зрізуванні ніколи не піднімайте ланцюгову пилку вище плеча та не намагайтеся різати кінчиком направляючої шини. Ніколи не користуйтеся ланцюговою пилкою одною рукою! (63)
- 5 У Вас має бути стійка позиція, щоб мати повний контроль над ланцюговою пилкою. Ніколи не працюйте на сходах, дереві чи там, де Ви не можете стійко стояти. (64)
- 6 Завжди працюйте з найвищою швидкістю, тобто при максимальних обертах.
- 7 Будьте дуже обережні при зрізуванні верхньою крайкою направляючої шини, тобто ріжучи з внутрішньої сторони об'єкта. Це відоме як різання поштовхами. Ланцюг намагається відірвати ланцюгову пилку убік користувача. Якщо ланцюгову пилку

заклинило, пилка може бути відкинута у Вашу сторону. (65)

- 8 Якщо тільки користувач не протидіє сили відштовхування, існує ризик, що ланцюгова пилка відскочить назад так, що лише зона віддачі направляючої шини буде контактувати з деревом та це призведе до віддачі. (66)

Зрізування нижньою крайкою направляючої шини, тобто зверху об'єкта вниз, відоме як тягове різання. У цьому випадку ланцюгова пилка тягне себе в напрямку до дерева і передня крайка ланцюгової пилки легко спирається на стовбур при різанні. Різання таким методом надає користувачу можливість кращого контролю за ланцюговою пилкою та положенням зони віддачі. (67)

- 9 Дотримуйтеся інструкцій щодо нагострення та догляду за направляючою шиною та ланцюгом. При заміні направляючої шини та ланцюга використовуйте тільки комбінації, що рекомендовані нами. Інструкції дивіться у розділах під заголовками 'Ріжуче спорядження' та 'Технічні дані'.

Основний спосіб різання



УВАГА! Ніколи не використовуйте пилку, тримаючи її лише однією рукою. Ланцюгову пилку небезпечно контролювати лише однією рукою. Завжди міцно тримайте руків'я обома руками.

Загальне

- Завжди працюйте на максимальній швидкості при зрізуванні!
- Зменшуйте швидкість до холостого ходу після кожного розрізу (тривалі періоди роботи на повну потужність без будь-якого навантаження на ланцюг можуть призводити до серйозного пошкодження двигуна).
- Зрізування зверху = Тягове різання.
- Зрізування знизу = Різання поштовхами.

Різання поштовхами збільшує ризик виникнення віддачі. Інструкції дивіться під заголовком 'Як уникнути віддачі'.

Умови

Різання = Загальний термін для пиляння дерев.

Обрізка суків = Зрізування гілок на дереві, що впало.

Розщеплення = Коли об'єкт, який Ви розрізуєте, ламається до того, як різання закінчилося.

ТЕХНІКА РОБОТИ

Існують п'ять важливих факторів, які треба пам'ятати перед початком зрізування:

- 1 Упевнитися, що ріжуче спорядження не заклинить при зрізуванні. (68)
- 2 Упевнитися, що об'єкт, який Ви зрізуєте, не розщепиться. (69)
- 3 Упевнитися, що ланцюг не торкнеться землі чи будь-якого іншого об'єкта після завершення зрізування. (70)
- 4 Чи існує ризик віддачі? (4)
- 5 Чи може площадка, на якій Ви стоїте чи рухається, вплинути на Вашу безпеку?

Треба вирішити два питання: чи не заклинить ланцюг та також чи не розщепиться об'єкт, який Ви зрізуєте: Відповідь на перше залежить від того, як підтримується об'єкт до та після зрізування, та на друге - чи нахилений він чи ні. У більшості випадків Ви можете уникнути цих проблем, розділивши зрізування на два етапи; зверху та знизу. Вам треба підтримувати об'єкт так, щоб він не захопив ланцюг або розщепився при зрізуванні.

ВАЖЛИВО! Якщо ланцюг заклинить при зрізуванні: зупинити двигун! Не намагайтеся витягнути ланцюгову пилку. Якщо Ви будете це робити, то можете отримати травму, коли ланцюгова пилка раптово вискочить. Використовуйте ваніль, щоб розклинити розріз та витягти ланцюгову пилку.

Наступні інструкції описують, як треба поводитися у більшості ситуацій, із якими Ви можете зустрітись при користуванні ланцюговою пилкою.

Обрізка суків

При обрізці товстих суків треба застосовувати ті ж самі методи, що й при зрізуванні.

Розрізуйте складні гілки кусок за куском. (71)

Розрізування



УВАГА! Не намагайтеся розрізувати колоди, якщо вони лежать штабелем чи пара колод лежить поруч. Такі дії сильно збільшують ризик віддачі, що може призвести до серйозної або смертельної травми.

Якщо У Вас є штабель колод, треба для розрізування взяти одну колоду з нього, покласти її на козли та розрізувати індивідуально.

Убирайте порізані куски з робочої зони. Залишаючи їх в робочій зоні, Ви збільшуєте ризик раптового віддачі, а також ризик утратити рівновагу при роботі. (72)

Колода лежить на землі Існує невеликий ризик того, що ланцюг заклинить чи об'єкт розщепиться. Однак, існує ризик того, що ланцюг торкнеться землі по завершенню розрізування. (73)

Ріжте колоду зверху вниз. Уникайте того, щоб ланцюг торкнувся землі по завершенню розрізування. Працюйте на повній швидкості, але будьте готові до будь-чого. (74)

Якщо можливо (чи можете Ви перевернути колоду?) зупинити розрізування після того, як зробили розріз на 2/3 товщини колоди.

Переверніть колоду та закінчить розрізування зі зворотної сторони. (75)

Колода підтримується за один кінець. Існує ризик, що вона розщепиться. (76)

Почніть розрізування знизу (на 1/3 її товщини).

Закінчить розрізування з іншого боку, що обидва розрізи зійшлися. (77)

Колода підтримується за обидва кінці. Існує ризик, що ланцюг заклинить. (78)

Почніть розрізування зверху (на 1/3 її товщини).

Закінчить розрізування з іншого боку, що обидва розрізи зійшлися. (79)

Техніка валки дерев

ВАЖЛИВО! Треба багато досвіду, щоб повалити дерево. Недосвідчені користувачі ланцюгових пилоч не повинні валити дерева. Не намагайтеся вирішити щось, якщо Ви не впевнені!

Безпечна відстань

Безпечна відстань між деревом, тобто щоб воно при падінні не зачепило нікого поруч, становить не менше 2 1/2 довжини дерева. Упевніться в тому, що немає нікого в зоні ризику перед чи при падінні дерева. (80)

Напрямок падіння

Необхідно повалити дерево так, щоб його було легше розрізувати на колоди та обрізати суки. Необхідно повалити його туди, де Ви можете безпечно стояти та рухатися.

Після того як Ви вирішили, куди Ви бажаєте повалити древо, треба визначити як древо повалиться.

На це впливає декілька факторів:

- Нахил дерева
- Кривизна
- Напрямок вітру
- Розташування гілок
- Вага снігу
- Перешкоди біля дерева: наприклад, інші дерева, лінії електропередачі, дороги та будинки.

ТЕХНІКА РОБОТИ

- Шукайте сліди ушкодження і гниття стовбура, тоді імовірніше всього дерево буде ламатися і падати раніше ніж Ви очікуєте.

Можливо Ви побачите, що краще, щоб дерево впало в природному напрямку, тому як неможливо чи небезпечно пробувати змусити його упасти в напрямку, в якому Ви бажали повалити його спочатку.

Інший дуже важливий фактор, який не впливає на напрямок падіння, але впливає на Вашу безпеку, це впевнитися в тому, що на дереві немає пошкоджених чи сухих гілок, які можуть зламатися та ударити Вас при падінні.

Головне, це уникнути падіння на інше дерево. Дуже небезпечно намагатися повалити таке дерево, тому як існує великий ризик виникнення нещасного випадку. Інструкції дивіться під заголовком 'Звільнення дерева, що повалилося не до кінця'. (81)

ВАЖЛИВО! При операціях із валки дерева захисні навушники треба негайно зняти після закінчення розрізування, щоб чути всі звуки та попереджувальні сигнали.

Очистка стовбура та підготовка к відходу

Зріжте гілки до рівня плеча. Безпечніше зрізувати зверху вниз, так щоб дерево було між Вами та пилкою. (82)

Уберіть будь-який підріст з-під дерева та перевірте площадку на наявність перешкод (каміння, гілки, ями та ін.), так щоб у Вас був чистий шлях при відході, коли дерево почне падати. Ваш шлях для відходу має бути приблизно на 135 градусів від напрямку падіння дерева. (83)

- 1 Зона безпеки
- 2 Шлях для відходу
- 3 Напрямок падіння

Падіння



УВАГА! Якщо тільки Ви не пройшли спеціальні курси, ми радимо Вам не зрізувати дерева з діаметром більше, ніж довжина Вашої направляючої шини!

Зрізування робиться трьома розрізами. Спочатку Ви робите направляючі вирізи, які складаються з верхнього розрізу та нижнього розрізу, а потім закінчуєте вирізом для зрізування. Зробив їх правильно Ви можете точно контролювати напрямок падіння.

Направляючі вирізи

Щоб зробити направляючий розріз, почніть із верхнього розрізу. Використовуючи позначку напрямку падіння на пилці (1), спрямуйте її до цілі

на ділянці, куди повинно впасти дерево (2). Станьте праворуч від дерева, тримаючи пилку перед собою, та почніть тягове різання.

Потім зробіть нижній розріз, щоб він закінчувався точно на кінці верхнього розрізу. (84)

Направляючі вирізи повинні бути зроблені на глибину 1/4 діаметра стовбура та кут між нижнім та верхнім розрізами має бути 45°.

Лінія, на якій два розрізи зустрінуться, називається лінією напрямку розрізу. Ця лінія має бути строго горизонтальною під прямим кутом (90°) к напрямку падіння. (85)

Виріз зрізування

Виріз зрізування робиться зі зворотної сторони дерева та повинен бути строго горизонтальним. Станьте ліворуч від дерева та почніть тягове різання.

Зробіть надріз 3-5 см (1,5-2 дюйми) вище верхнього направляючого розрізу. (86)

Установіть шпичастий буфер (якщо є) перед шарніром падіння. Працюйте на повній швидкості та повільно уріжтеся ланцюгом/направляючою шиною в дерево. Упевніться в тому, що дерево не починає рухатися в напрямку, який зворотний тому, що Ви вибрали для валки. Забийте клин для валки дерев чи лом у розріз, як тільки він став досить глибоким.

Закінчіть робити виріз зрізування паралельно лінії напрямку розрізу, щоб відстань між ними була не менш 1/10 діаметра стовбура. Нерозрізана частина стовбура називається розріз падіння.

Розріз падіння показує напрямок, куди буде падати дерево. (87)

Контроль за напрямком падіння втрачається, якщо розріз падіння дуже вузький чи його не має, або якщо направляючі вирізи та виріз зрізування неправильно розташовані. (88)

Коли виріз зрізування та направляючий виріз співпали, дерево повинно почати падати саме по собі або за допомогою клина для валки дерев чи лома. (89)

Ми рекомендуємо Вам користуватися направляючою шиною, довжина якої більше діаметра дерева, так щоб Ви могли з'єднати виріз зрізування та направляючий виріз одним розрізом. Інструкції дивіться в розділі під заголовком 'Технічні дані' стосовно того, яка довжина направляючої шини рекомендована для Вашої пилки.

Існують декілька методів зрізування дерев із діаметром більше, чим довжина направляючої шини. Однак ці методи більш ризиковані, тому що зона віддачі направляючої шини буде контактувати з деревом. (4)

Звільнення дерева, що повалилося не до кінця

Звільнення дерева, що застрягло

Дуже небезпечно намагатися повалити таке дерево, тому як існує великий ризик виникнення нещасного випадку.

Ніколи не намагайтеся повалити дерево, що застрягло.

Ніколи не працюйте в небезпечній зоні дерева, що застрягло. (90)

Найбезпечніший метод - це використання лебідки.

- Змонтована на тракторі
- Переносна

Зрізування дерев та гілок під нахилом

Підготовка: Працюйте на тій стороні, що нахилена та де знаходиться точка максимального напруження (тобто, де воно б зламалося, якщо було зігнуте більше). (91)

Вирішить як найбезпечніше послабити тиск та чи можете Ви зробити це безпечно. У складних ситуаціях єдиний безпечний метод полягає в тому, щоб відкласти вашу ланцюгову пилку та використовувати лебідку.

Загальна порада:

Займіть таке положення, щоб Вам було видно дерево чи гілку, коли тиск ослабне. (92)

Зробіть один чи більше надрізів на або біля точки максимальної напруги. Зробіть стільки надрізів достатньої глибини, скільки необхідно для того, щоб зменшити тиск, та зробіть так, щоб дерево чи гілка зламалась у точці максимальної напруги. (93)

Ніколи не прорубуйте кризу нахилене дерево чи гілку!

Якщо Вам треба розрізати дерево / гілку, зробіть два-три надрізи на відстані двома один від одного та глибиною один – два дюйми. (94)

Продовжуйте різати глибше до того, поки дерево / гілка не нахилиться. (95)

Ріжте дерево / гілку із зовнішньої сторони зламу після того, як воно нахилилося.

Як уникнути віддачі



УВАГА! Віддача може виникнути раптово та бути дуже сильною; віддаючи ланцюгову пилку, направляючи шину та ланцюг в сторону користувача. Якщо таке трапиться коли ланцюг рухається, це може призвести до серйозних, навіть смертельних травм. Дуже важливо, щоб Ви розуміли, що спричинює віддачу, та що Ви можете уникнути її внаслідок обережності, застосовуючи правильну технологію роботи.

Що є віддачею?

Слово 'віддача' використовується для опису раптової реакції, яка спричинює те, щоб ланцюгова пилка та направляюча шина відскочили від об'єкту, коли верхній квадрант кінчику направляючої шини, який відомий як зона віддачі, доторкається до об'єкту. (66)

Віддача завжди виникає на ріжучій поверхні направляючої шини. Як правило ланцюгова пилка та направляюча шина відскакують уверх та убік користувача. Однак, ланцюгова пилка може рухатися й в іншу сторону в залежності від того, як вона використовувалась, коли зона віддачі направляюча шина доторкнулася об'єкту. (7)

Віддача може виникнути тільки коли зона віддачі направляючої шини торкається об'єкту. (4)

Обрізка суків



УВАГА! Більшість випадків віддачі виникає при обрізуванні гілок. Не використовуйте зону віддачі направляючої шини пилки. Будьте особливо обережні та уникайте контакту носка направляючої шини пилки з колодою, іншими гілками чи об'єктами. Будьте дуже обережні з нахиленими гілками. Вони можуть відскочити у Вашу сторону та спричинити втрату контролю, що призведе до травми.

Переконайтеся в тому, що Ви можете стояти та рухатися безпечно. Працюйте з лівого боку стовбуру. Працюйте якомога ближче к ланцюговій пилці для максимального контролю. Якщо можливо, зробіть так, щоб ланцюгова пилка тиснула своєю вагою на стовбур.

Слідкуйте за стовбуром між Вами та ланцюговою пилкою, коли рухається уздовж стовбуру.

Розрізайте стовбур на колоди

Інструкції дивіться у розділі під заголовком 'Основний спосіб різання'.

Загальне

Користувач повинен виконувати лише ті заходи з технічного обслуговування, які описано у Посібнику користувача. Більш серйозні роботи повинні виконуватися працівниками відповідних центрів обслуговування.

Регулювання карбюратора

Цей товар фірми Husqvarna розроблений та виготовлений таким чином, щоб зменшити викиди шкідливих газів.

Функція

- Карбюратор регулює оберти двигуна через вантаж дроселя. В карбюраторі відбувається змішування повітря та пального. Суміш повітря/пального можна регулювати. Для оптимальної роботи інструменту потрібно правильно відрегулювати карбюратор.
- Гвинт Т регулює оберти при роботі на холостому ходу. Якщо гвинт Т повернути за годинниковою стрілкою, то швидкість роботи на холостому ходу збільшиться; якщо ж повертати проти годинникової стрілки, вона зменшиться.

Попереднє регулювання та обкатування

Попереднє регулювання виконують при випробуванні інструменту на заводі. Точне регулювання карбюратора повинен виконати фахівець.

Рекомендована швидкість холостого ходу: дивіться розділ "Технічні дані".

Кінцеве регулювання холостого ходу Т

Відрегулюйте швидкість холостого ходу за допомогою гвинта Т. Якщо необхідне зробити регулювання, поверніть гвинт Т за годинниковою стрілкою, коли двигун працює, поки ланцюг не почне обертатися. Потім поверніть проти годинникової стрілки, поки ланцюг не зупиниться. Якщо швидкість холостого ходу правильно відрегульована, двигун працює рівномірно у будь-якому положенні та швидкість обертів двигуна буде безпечно нижче швидкості, із якою ланцюг починає обертатися.



УВАГА! Зв'яжіться із продавцем, якщо не вдається відрегулювати швидкість таким чином, щоб ланцюг зупинявся. Не користуйтеся ланцюговою пилкою, поки її добре не відрегулюють або полагождать.

добре відрегульований карбюратор

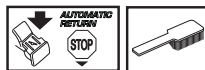
Коли карбюратор добре відрегульований, двигун рівно набирає оберти і трошки 'бурмотить' при максимальній швидкості. Також важливо, щоб ріжуча насадка не оберталася на холостому ході. Якщо форсунка малих швидкостей L знаходиться в положенні подачі розрідженої суміші, можуть виникнути труднощі з запуском двигуна та набиранням обертів. Якщо форсунка високих швидкостей H знаходиться в положенні подачі розрідженої суміші, це може спричинити зменшення потужності, погану роботу двигуна, повільне набирання обертів та/або пошкодження двигуна.

Перевірка, догляд та обслуговування захисного спорядження ланцюгової пилки.

Зверніть увагу! Щоб проводити обслуговування та роботи з ремонту, потрібно мати спеціальну підготовку. Це особливо стосується спорядження для безпечної роботи. Якщо Ваш інструмент не відповідає принаймні одній із вимог перевірки ми рекомендуємо звернутися до найближчої майстерні з обслуговування.

Ланцюгове гальмо та кожух для передньої руки

Перевірка зносу гальмової стрічки



Зітріть будь-який деревний пил, смолу та бруд із ланцюгового гальма та барабана зчеплення. Бруд та знос можуть вплинути на роботу гальма. (96)

Регулярно перевіряйте, щоб гальмова стрічка була щонайменше 0,6 мм товщиною у самому найтоншому місці.

Перевірка кожуху для передньої руки



Упевніться, що кожух для передньої руки не пошкоджений та на ньому немає таких дефектів як тріщини.

Перемістіть кожух для передньої руки вперед та назад для того, щоб упевнитися, що він рухається вільно та надійно закріплений на кришці зчеплення з валом.

ТЕХНІЧНЕ ОБСЛУГОВУВАННЯ

Перевірка роботи інерційного гальма



Покладіть ланцюгову пилку з виключеним двигуном на пень або іншу стійку поверхню. Випустіть передні руків'я і нехай ланцюгова пилка впаде під своєю вагою, обертаючись навколо заднього руків'я в напрямку до пня. (97)

Коли направляюча шина торкнеться пня, гальмо повинне спрацювати. (98)

Перевірка тригера гальма

Покладіть ланцюгову пилку на стійку поверхню та запустіть її. Упевніться в тому, що ланцюг не торкається землі чи іншого об'єкту. Інструкції дивіться під заголовком 'Пуск та вимкнення'. (99)

Міцно візьміть у руки ланцюгову пилку, узявши її за руків'я.

Відкрийте повністю дросель та активуйте ланцюгове гальмо, нахиливши лівостороннє зап'ястя вперед до кожуху для передньої руки. Не відпускайте передне руків'я. Ланцюг повинен негайно зупинитися. (58)

Фіксатор дроселя



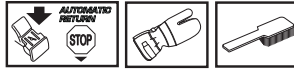
- Перевірте, чи важіль фіксується у позиції холостої роботи при відпусканні фіксатора. (100)
- Натисніть фіксатор та переконайтеся, що він зайняв свою попередню позицію, коли Ви його відпустили. (101)
- Перевірте, чи фіксатор та важіль ходять вільно, і чи добре працюють відповідні пружини. (102)
- Увімкніть ланцюгову пилку та повністю натисніть важіль. Відпустіть важіль та переконайтеся, що ланцюг зупинився і не обертається. Якщо ланцюг обертається, коли важіль знаходиться в позиції холостого ходу, перевірте регулювання холостого ходу карбюратора.

Уловлювач ланцюга



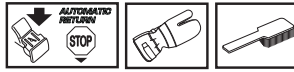
Переконайтеся в тому, що фіксатор ланцюга не пошкоджений та міцно прилягає до корпусу ланцюгової пилки. (103)

Кожух для правої руки



Упевніться, що кожух для правої руки не пошкоджений та на ньому немає таких дефектів як тріщини. (11)

Система погашення вібрації



Регулярно перевіряйте, чи частини системи погашення вібрації не мають тріщин і чи вони не деформувалися. Упевніться, що елементи погашення вібрації надійно прикріплені до двигуна та руків'я. (104)

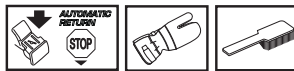
Вимикач



Увімкніть інструмент та переконайтеся, що двигун вимикається, коли Ви переводите вимикач у позицію зупинки. (59)

УВАГА! Перемикач запуску/зупинки автоматично повертається в робоче положення. Щоб запобігти ненавмисному запуску двигуна, завжди знімайте патрон зі свічки запалення під час складання, перевірки або технічного обслуговування інструмента.

Глушник



Ніколи не користуйтеся інструментом із несправним глушником.

Регулярно перевіряйте, чи глушник надійно прикріплений до інструменту. (105)


Деякі глушники обладнано іскропоглинаючими сітками. Якщо інструмент обладнано глушником такого типу, сітку слід чистити принаймні раз на тиждень. Найкраще робити це дротяною щіткою. Забруднена сітка призведе до перегрівання двигуна, що може спричинити серйозне його пошкодження.

Зверніть увагу! Сітку слід замінити, якщо вона пошкоджена. Якщо сітка глушника забита, це спричинить перегрів двигуна та призведе до пошкодження циліндру та поршня. Ніколи не користуйтеся інструментом, в якого несправний глушник. Ніколи не використовуйте глушник, якщо іскропоглинаюча сітка відсутня чи пошкоджена. (13)

ТЕХНІЧНЕ ОБСЛУГОВУВАННЯ

Глушник призначений для зменшення рівня шуму та відведення вихлопних газів подалі від користувача. Вихлопні гази мають високу температуру і містять іскри, які, потрапивши на сухі та легкозаймисті речовини, можуть привести до загоряння.

Стартер



УВАГА! Коли пружина віддачі закручена в корпусі стартера, вона знаходиться під напругою та може, якщо поводитися необережно, вискочити й спричинити травму.

Будьте обережні при заміні поворотної пружини чи шнура стартера. Одягніть захисні окуляри й захисні рукавички.

Заміна шнура стартера



- Відкрутити гвинти, які кріплять стартер на картері, та зніміть стартер. (106)
- Витягніть приблизно 30 см шнура і зачепіть його в пазу на ободі шківів. Послабте пружину віддачі, повільно повертаючи шків назад. (107)
- Вигвинтіть болт у центрі шківів та зніміть диск привода (А), пружину диска привода (В) та шків (С). Надягніть і натягніть новий шнур стартера на шків стартера. Зробіть приблизно 3 оберти шнура стартера на шківі. Оберніть шків стартера так, щоб кінець пружини віддачі (D) зачепив шків стартера. Тепер зберіть пружину диска, диск привода та болт у центрі шківів. Протягніть шнур стартера через отвір у корпусі стартера та ручку стартера. Зав'яжіть міцно вузол на шнурі стартера. (108)

Натяг пружини віддачі

- Зачепіть шнур стартера в пазу на шківі та зробіть 2 оберти шківів стартера за годинниковою стрілкою.
- Зверніть увагу! Перевірте, щоб шків міг обертатися щонайменше на 1/2 оберта, коли шнур стартера витягнутий повністю. (109)

Натягніть шнур за допомогою ручки. Переміщуйте великий палець, щоб звільнити шнур. Див. малюнок нижче. (110)

Заміна зворотної та приводної пружин



Зворотна пружина (А)

- Зніміть шків стартера. Інструкції дивіться під заголовком "Заміна порваного чи зношеного шнура стартера". Пам'ятайте, що пружина

віддачі знаходиться під напругою в корпусі стартера.

- Зніміть касету з пружиною віддачі зі стартера.
- Змастіть пружину віддачі світлою олією. Зніміть касету з пружиною віддачі зі стартера. Уставте шків стартера та натягніть пружину віддачі.

Пружина диска привода (В)

- Вигвинтіть болт у центрі шківів і зніміть диск привода, пружину диска привода і шків.
- Замініть пружину диска привода і установить диск привода над пружиною. (111)

Установлення стартера

- Для того щоб установити стартер, спочатку витягніть шнур стартера та покладіть стартер напроти картеру. Потім повільно відпустіть шнур стартера для того, щоб шків зачепився із зубами.
- Уставте та затягніть гвинти, які кріплять стартер.

Повітряний фільтр



Повітряний фільтр потрібно регулярно очищати від пилу та бруду, щоб уникнути:

- Несправностей карбюратора
- Проблем із запуском
- Втрати потужності двигуна
- Непотрібного зношування деталей двигуна.
- Надмірних витрат пального.
- Зніміть повітряний фільтр після того, як зняли кришку повітряного фільтра. Коли встановлюєте його на місце, переконайтеся в тому, що повітряний фільтр закріплений герметично на тримачі фільтра. Прочищайте фільтр щіткою або потрусив його. (112)

Фільтр може бути очищений ще краще промиванням його у воді з миючим засобом.

Неможливо повністю очистити повітряний фільтр, який використовувався протягом довгого часу. Тому час від часу його слід замінювати. Пошкоджений фільтр обов'язково потрібно замінити.

Ланцюгова пилка HUSQVARNA може бути обладнана різними типами повітряних фільтрів відповідно до умов роботи, погоди, пори року та ін. Зверніться до продавця за порадою.

Свічка запалення



На стан свічки запалення впливає:

- Погано відрегульований карбюратор.
- Неякісна паливна суміш (забагато олії або олія невідповідного типу).
- Забруднений повітряний фільтр.

Це все спричиняє утворення відкладень на електродах свічки, що може призвести до проблем у роботі або труднощів при запуску.

Якщо інструмент втрачає потужність, погано працює на холостому ходу чи його важко завести, перевірте свічку запалення перш ніж перейти до будь-яких інших дій. Якщо свічка забруднена, її слід очистити та переконатися, що промінок між електродами становить 0,5 мм. Свічку запалення слід замінити через місяць роботи, а якщо виникне потреба, то швидше. (113)

Зверніть увагу! Завжди користуйтеся рекомендованими свічками запалення! Використання невідповідних свічок запалення може призвести до пошкодження поршня/циліндру. Переконайтеся, що свічка запалення має обмежувач напруги.

Змащування голчастого підшипника



Барабан зчеплення має голчастий підшипник на вихідному валі. Цей голчастий підшипник треба регулярно змащувати.

При змащуванні зніміть кришку зчеплення, відкрутив дві гайки. Покладіть пилку на бік так, щоб барабан зчеплення був направлений вверх.

Змастіть, капаючи машинну олію поруч із центром барабана зчеплення тоді, коли барабан зчеплення обертається. (114)

Система охолодження



Щоб запобігти перегріванню двигуна, інструмент обладнано системою охолодження.

Вона складається з:

- 1 Забирача повітря на стартері.
- 2 Вентиляція направляючої шини пилки.
- 3 Ребра на маховику.

4 Ребер охолодження на циліндрі.

5 Кришки циліндру (скеровує холодне повітря на циліндр). (115)

Систему охолодження слід чистити раз на тиждень, а якщо цього вимагають умови, то частіше. Робота з забрудненою або забитою системою охолодження спричинить перегрів двигуна, що призведе до пошкодження циліндру та поршня.

Центрифугове очищення "Нагнітання повітря"

Центрифугове очищення означає наступне: Усе повітря до карбюратора проходить через стартер. Бруд та пил видувається вентилятором охолодження. (116)

ВАЖЛИВО! Для підтримки роботи системи відцентрового очищення її треба регулярно доглядати. Прочистіть забирач повітря на стартері, ребра на маховику, простір біля маховику, впускну трубу та відсік карбюратора.

Використання взимку

Проблеми в роботі можуть виникати при використанні інструмента на холоді й коли йде сніг, що викликано:

- Занадто низькою температурою інструмента.
- Обледенінням повітряного фільтра і карбюратора.

Тому часто потрібно вживати особливих заходів:

- Частково прикрийте збирач повітря на стартері, щоб збільшити робочу температуру двигуна.

Температура -5°C чи нижче:



Для роботи при холодній погоді або снігопаді, існує спеціальна кришка, що закріплюється на корпусі стартера. Це зменшує забирання холодного повітря і попереджає всмоктування великої кількості снігу. (117)

УВАГА! У випадку встановлення зимового комплекту, або виконання інших заходів для підвищення температури, їх потрібно прибрати перед використанням машини в нормальних умовах. В іншому випадку, існує можливість перегріву, що може суттєво пошкодити двигун.

ВАЖЛИВО! Будь-яке обслуговування, на відміну від того, що описано в цьому посібнику, повинно проводитися тільки продавцем, що надає послуги з обслуговування (роздрібний продавець).

ТЕХНІЧНЕ ОБСЛУГОВУВАННЯ

Графік проведення технічного обслуговування

подаємо перелік заходів технічного обслуговування, які слід виконувати. Більшість пунктів описана у частині "Технічне обслуговування".

Щоденне технічне обслуговування	Щотижневе обслуговування	Щомісячне обслуговування
Прочистіть зовнішні частини інструмента.	Перевіряйте систему охолодження щотиння.	Перевірте знос гальмівної стрічки на гальмі ланцюга. Замініть, у випадку якщо залишається менше 0.6 мм (0,024 дюйма) в точці найбільшого зносу.
Перевірте, щоб елементи керування двигуном працювали надійно. (Фіксатор та важіль керування двигуном).	Перевірте стартер, шнур стартера і поворотну пружину.	Перевірте зчеплення, пружини зчеплення й барабан зчеплення на знос.
Очистьте гальмо ланцюга і перевірте його безпечне функціонування. Переконайтеся, що ланцюговий уловлювач непошкоджений, і замініть це, якщо необхідно.	Перевірте, щоб елементи амортизації коливань не були ушкоджені.	Замініть свічу запалення. Перевірте, що зазор між електродами встановлений у 0.5 мм.
Шину слід регулярно повертати для більш рівномірного зносу. Переконайтеся, що мастильний отвір у шині не засмічений. Очистіть канавку в шині.	Змажте опору барабана зчеплення.	Прочистіть зовнішню частину карбюратора.
Перевірте, що вісь і ланцюг мають достатню кількість змащення.	Видалите напильком усі заусенці з країв осі.	Перевірте паливний фільтр і шланг подачі палива. Замініть в разі потреби.
Перевірте, чи немає на ланцюзі пили видимих тріщин в заклепках і з'єднаннях, чи не став ланцюг дуже жорсткою і чи не дуже зношені заклепки і з'єднання ланцюга. Замініть в разі потреби.	Очистите або замініть сітку гасителя полум'я на глушитель.	Спорожніть паливний бак і очистьте його зсередини.
Заточите ланцюг і перевірте її натяг і стан. Перевірте ведучу шестірню на надлишковий знос і при необхідності замініте.	Прочистіть відділення карбюратора.	Спорожніть масляний бак і очистьте його зсередини.
Очистите воздухозаборник стартера.	Прочистіть повітряний фільтр. Замініть в разі потреби.	Перевірте всі кабелі й з'єднання.
Перевірте, щоб гайки і гвинти були добре затягнуті.		
Перевірте, щоб вимикач працював правильно.		
Перевірте, щоб не було ніяких витоків палива з двигуна, бака чи паливпроводів.		
Переконайтеся, що ланцюг не обертається при роботі двигуна на холостому ході.		

ТЕХНІЧНІ ДАНІ

Технічні дані

	435 II	435e II	440 II	440e II
двигун				
Об'єм циліндрів, см ³	40,9	40,9	40,9	40,9
діаметр розточення циліндра	41	41	41	41
двигуна, мм				
Хід, мм	31	31	31	31
Число оборотів на холостому ході, обертів за хвилину	2900	2900	2900	2900
Потужність, кВт/ об./хв.	1,6/9000	1,6/9000	1,8/9000	1,8/9000
Система запалення				
Свічка запалення	NGK BPMR 7A/ Champion RCJ 7Y	NGK BPMR 7A/ Champion RCJ 7Y	NGK BPMR 7A/ Champion RCJ 7Y	NGK BPMR 7A/ Champion RCJ 7Y
Відстань між електродами, мм	0,5	0,5	0,5	0,5
Система подачі палива й мастил				
Ємність паливного бака, літр	0,37	0,37	0,37	0,37
Потужність мастильного насоса при 9,000 об./хв., мл/хв.	13	13	13	13
Об'єм мастильного баку, л	0,25	0,25	0,25	0,25
Тип мастильного насоса	Автоматична	Автоматична	Автоматична	Автоматична
Вага				
Ланцюгова пилка без направляючої шини чи ланцюга, з пустими баками, кг	4,2	4,4	4,2	4,4
Шумові викиди (дивися примітку 1)				
Рівень звукової потужності, вимірний у дБ (A)	112	112	113	113
Рівень звукової потужності, гарантований L _{WA} дБ (A)	114	114	114	114
Рівні звуку (дивися примітку 2)				
Еквівалентний рівень шумового тиску у вусі оператора, дБ(A)	102	102	102	102
Еквівалентні рівні вібрації, a _{hveq} (див. примітку 3)				
Переднє руків'я, м/с 2	2,5	2,5	2,5	2,5
Заднє руків'я, м/с 2	3,2	3,2	3,2	3,2
Ланцюг/направляюча шина				
Стандартна довжина направляючої шини, дюйм/см	13"/33	13"/33	13/33	13"/33
Рекомендована довжина направляючої шини, дюйм/см	13-18/33-45	13-18/33-45	13-18/33-45	13-18/33-45
Довжина, що використовується для різання, дюйм/см	12-17/31-43	12-17/31-43	12-17/31-43	12-17/31-43
Крок різьби, дюйм/мм	0,325/8,25	0,325/8,25	0,325/8,25	0,325/8,25
Товщина ланок приводу, дюйм/мм	0,050/1,3	0,050/1,3	0,050/1,3	0,050/1,3
Тип привідного барабану/кількість зубців	Spur/7	Spur/7	Spur/7	Spur/7
Швидкість ланцюга за 133% максимальної потужності двигуна, м/с.	23,1	23,1	23,1	23,1

Примітка 1: Рівень викидів шуму у навколишнє середовище, що вимірюється силою звуку (L_{WA}) відповідає директиві ЄС 2000/14/ЄС.

Примітка 2: Еквівалент рівня звукового тиску, згідно зі стандартом ISO 22868, обчислюється у вигляді суми енергії за певний проміжок часу за різних умов праці та рівнів звукового тиску та умов праці. Типовий статистичний розкид для еквівалентних рівнів звукового тиску зазвичай являє собою відхилення в розмірі 1дБ (A).

Примітка 3: Еквівалент рівня вібрації, згідно зі стандартом ISO 22867, обчислюється у вигляді суми енергії за певний проміжок часу за різних умов праці та рівнів вібрації. Згідно з заявленими даними еквівалент рівня вібрації має статистичний розкид (стандартне відхилення) у 1 м/с².


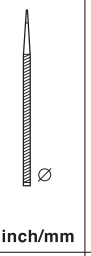
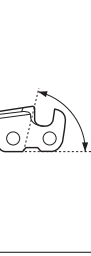

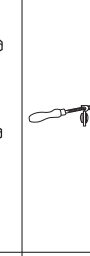
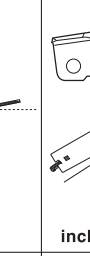
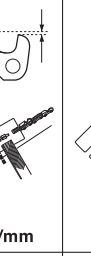
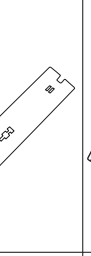
ТЕХНІЧНІ ДАНІ

Нагострювання ланцюгової пилки та напилки

Наведені нижче різальні насадки рекомендовано для використання з моделями Husqvarna 435 II, 435e II, 440 II та 440e II.

Направляюча шина				Ланцюг	
Довжина, дюйми	Зуб, дюйм	Ширина надрізу, мм	Максимальна кількість зубів на барабані направляючої шини пилки	Тип	Довжина, ланки приводу (N°)
13	0,325	1,3	10Т	Husqvarna H30	56
15					64
16					66
18					72

Нагострювання ланцюгової пилки та напилки

							
inch/mm					inch/mm		
H30	3/16 / 4,8	85°	30°	10°	0,025 / 0,65	5056981-00	5056981-08

декларація відповідності стандартам Європейського Союзу (Лише для країн Європи)

Husqvarna AB, SE-561 82 Huskvarna, Швеція, тел: +46-36-146500, заявляє під свою відповідальність, що ланцюгові пилки для лісових господарств Husqvarna 435 II, 435e II, 440 II та 440e II із серійними номерами починаючи від 2013 року і далі (рік та серійний номер чітко зазначено на пластинці технічних даних), відповідають вимогам таких Директив ЄС:

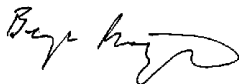
- від 17 травня 2006 р. "стосовно механічного обладнання" 2006/42/EC
- від 15 грудня 2004 р. "про електромагнітну сумісність" 2004/108/EEC.
- від 8 травня 2000 р. "про шумові викиди в навколишнє середовище" 2000/14/EC.

Інформацію стосовно шумових викидів дивіться у розділі "Технічні дані". Вироби відповідають таким стандартам: **EN ISO 12100:2010, ISO 14982:2009, EN ISO 11681-1:2011**

Повідомлений орган: На замовлення компанії Husqvarna AB типову перевірку виробу на відповідність директиві стосовно інструментів (2006/42/EC) стаття 12, пункт 3b було виконано SMP Svensk Maskinprovning AB, Box 7035, SE-750 07 Uppsala, Швеція. Сертифікати типової перевірки ЄС згідно з додатком IX мають номери: 0404/09/2012 - 435 II, 435e II, 440 II, 440e II.

На додаток, SMP, Svensk Maskinprovning AB, Box 7035, SE-750 07 Uppsala, Швеція, засвідчила відповідність до вимог додатку V Директиви ЄС від 8-го травня 2000 року "стосовно шумових викидів у навколишнє середовище" 2000/14/EC. Номери сертифікатів: 01/161/075 - 435 II, 435e II, 01/161/074 - 440 II, 440e II.

Ланцюгова пилка, що поставляється, відповідає екземпляру, який пройшов типову перевірку ЄС. Huskvarna 8 квітня 2013



Bengt Frberg, Директор з питань розвитку ринку ланцюгових пилок (Уповноважений представник компанії Husqvarna AB, що відповідає за технічну документацію.)

EXPLICAȚIA SIMBOLURILOR

Simboluri pe mașină:

AVERTISMENT! Ferăstraiele cu motor pot fi periculoase! Folosirea neglijentă sau incorectă poate duce la răniri serioase sau accidente mortale pentru operator sau alte persoane.

Citiți cu atenție instrucțiunile de utilizare și asigurați-vă că ați înțeles conținutul înainte de a folosi mașina.

Folosiți întotdeauna:

- Cască de protecție omologată
- Dispozitiv de protecție a auzului omologat
- Ochelari sau mască de protecție

Acest produs corespunde normelor prevăzute în indicațiile CE.

Producere de zgomot în mediul înconjurător conform directivei Comunității Europene. Nivelul de zgomot al mașinii este indicat în capitolul Date tehnice cât și pe etichetă.

Aprindere; șoc: Plasați reglajul șocului în poziție șoc. Contactul de oprire se va plasa automat în poziția de pornire.

Alimentarea cu combustibil.

Umplerea cu ulei pentru lanț.

Pompa de combustibil.

Reglarea pompei de ulei.

Frână cu lanț, activată (în dreapta); frână cu lanț, neactivată (în stânga)

Simbolurile suplimentare/etichetele de pe mașină se referă la condiții speciale de certificare pentru anumite piețe de desfacere.



Simboluri în instrucțiunile de utilizare:

Opriți motorul înainte de a efectua verificări sau lucrări de întreținere. ATENȚIE! Comutatorul de pornire/oprire revine automat în poziția de funcționare. Pentru a împiedica pornirea accidentală, capacul bujei trebuie îndepărtat de pe bujie în timpul asamblării, verificării și/sau al operațiilor de întreținere.



Folosiți întotdeauna mănuși de protecție omologate.



Curățire periodică este necesară.



Control vizual.



Ochelari sau mască de protecție trebuie folosiți.



Alimentarea cu combustibil.



Alimentarea cu ulei și reglarea fluxului de ulei.



Frâna de lanț trebuie să fie decuplată atunci când ferăstrăul cu motor se pornește.



AVERTISMENT! Dacă vârful șinei atinge un alt obiect, se poate manifesta reculul, care produce o reacție ce aruncă șina în sus și înapoi spre utilizator. Acest lucru poate duce la vătămări corporale grave.



Conținut

EXPLICAȚIA SIMBOLURILOR

Simboluri pe mașină:	306
Simboluri în instrucțiunile de utilizare:	306

CUPRINS

Conținut	307
----------------	-----

INTRODUCERE

Stimate client!	308
-----------------------	-----

PĂRȚILE COMPONENTE

Părțile componente ale ferăstrăului cu motor	308
--	-----

MĂSURI GENERALE DE PROTECȚIA MUNCII

Măsuri luate înaintea folosirii unui ferăstrău cu motor nou	309
Important	309
Procedați permanent conform raționamentului de bun simț	310
Echipament personal de protecția muncii	310
Echipamentul de siguranță al mașinii	310
Mecanismul de tăiere	312

MONTAJ

Montarea lamei de ghidaj și a lanțului	316
--	-----

MANIPULAREA COMBUSTIBILULUI

Amestecul de combustibil	317
Alimentarea	318
Siguranța manipulării combustibilului	318

PORNIRE ȘI OPRIRE

Pornire și oprire	319
-------------------------	-----

REGULI DE LUCRU

Înainte de fiecare folosire:	320
Instrucțiuni generale de lucru	320
Măsuri de prevenire a reculului	323

ÎNȚEȚINERE

Generalități	324
Reglarea carburatorului	324
Verificarea, întreținerea, și serviciul echipamentului de siguranță al ferăstrăului cu motor	324
Toba de eșapament	325
Demarorul	325
Filtrul de aer	326
Bujia	326
Ungerea rulmentului cu ace	326
Sistemul de răcire	326
Curățirea centrifugă a aerului "Air Injection"	327
Folosirea în timpul iernii	327
Planificarea întreținerii	328

DATE TEHNICE

Date tehnice	329
Combinății de lame de ghidaj și lanțuri	330
Ascuțirea lanțului și matrițele	330
Declaratie de conformitate EC	330

INTRODUCERE

Stimate client!

Vă felicităm pentru decizia dumneavoastră de a cumpăra un produs Husqvarna! Tradițiile firmei Husqvarna datează încă din 1689, când regele Suediei Karl al XI-lea a ordonat construirea unei fabrici pe malul râului Huskvarna, pentru a produce muschete. Plasarea pe malul râului Huskvarna a fost logică deoarece râul Huskvarna a fost folosit pentru a produce energie hidroalectrică și în acest mod a reprezentat o centrală hidroalectrică. În timpul perioadei de mai bine de 300 de ani în care fabrica Husqvarna a existat, o mare varietate de produse a fost construită, de la sobe de lemne până la mașini moderne de bucătărie, mașini de cusut, biciclete, motocicletele, și așa mai departe. În 1956 a fost lansat primul motor de cositoare, urmat în 1959 de ferăstrăul cu motor și acesta este domeniul în care Husqvarna este activă în ziua de azi.

Husqvarna este acum unul dintre liderii mondiali în fabricarea de utilaje forestiere și grădinar, având calitatea și funcționalitatea ca o prioritate de bază. Planul comercial este de a proiecta, produce și comercializa utilaje cu motor pentru pădure și grădinar, cât și pentru industria de construcții. Țelul companiei Husqvarna este și de a fi lider în ceea ce privește ergonomia, comoditatea de lucru, siguranța și protejarea mediului înconjurător, și de acea un mare număr de detalii a fost proiectat pentru a îmbunătăți produsele în aceste domenii.

Suntem convinși că veți aprecia cu satisfacție calitatea și funcționalitatea produsului nostru un timp îndelungat în viitor. Cumpărarea unuia din produsele noastre vă va da acces la ajutor profesional, cu reparații și service în cazul în care ceva se defectează. Dacă magazinul de achiziție nu a fost unul din centrele noastre de vânzare autorizate, cereți informații despre atelierul de service cel mai apropiat.

Sperăm să fiți mulțumit de mașina dumneavoastră și că aceasta vă va însoți un timp îndelungat. Nu uitați că acest manual de utilizare este un document de valoare. Prin a urma conținutul acestuia (folosire, service, întreținere etc) veți putea prelungi considerabil viața de lucru a mașinii, cât și valoarea ei la revânzare. În cazul în care vindeți mașina, aveți grijă să dați noului proprietar manualul de utilizare.

Vă mulțumim pentru că utilizați un produs Husqvarna.

Husqvarna AB lucrează în mod continuu pentru dezvoltarea produselor sale și de aceea își rezervă dreptul de a modifica produsele în ceea ce privește printre altele forma și înfățișarea, fără obligația de a comunica aceasta în prealabil.

Părțile componente ale ferăstrăului cu motor (1)

- 1 Capacul cilindrului
- 2 Pompa de combustibil.
- 3 Procedeu de pornire
- 4 Comutator de pornire și oprire combinat
- 5 Maneta posterioară
- 6 Autocolant cu informații și avertismente
- 7 Rezervorul de combustibil
- 8 Șuruburi de ajustare, carburator
- 9 Maneta de pornire
- 10 Demarorul
- 11 Rezervorul uleiului de lanț
- 12 Plăcuță cu informații despre produs și cu numărul de serie
- 13 Marcaj pentru direcția de doborâre
- 14 Maneta anterioară
- 15 Maneta frânei de lanț
- 16 Toba de eșapament
- 17 Lanțul de ferăstrău
- 18 Pinionul de vârf
- 19 Lama de ghidaj
- 20 Gheare de sprijin
- 21 Opritorul de lanț
- 22 Șurub de tensionare a lanțului (435 II, 440 II)
- 23 Capacul ambreiajului (435 II, 440 II)
- 24 Apărătorul de mână dreaptă
- 25 Butonul de accelerație
- 26 Clichetul de blocare a butonului de accelerație
- 27 Capacul ambreiajului (435e II, 440e II)
- 28 Roata de tensionare a lanțului
- 29 Mâner
- 30 Instrucțiuni de utilizare
- 31 Cheie combinată
- 32 Apărător de lamă

MĂSURI GENERALE DE PROTECȚIA MUNCII

Măsurile luate înaintea folosirii unui ferăstrău cu motor nou

- Citiți instrucțiunile cu atenție.
- (1) - (117) consultați figurile de la pagina 2-6.
- Controlați montarea și reglarea dispozitivului de tăiere. A se vedea instrucțiunile la paragraful Montaj.
- Alimentați și porniți motofierăstrăul. Vezi instrucțiunile din capitolele Alimentare și Pornirea și oprirea.
- Nu folosiți ferăstrăul cu motor înainte ca lanțul să fi primit suficient ulei. A se vedea instrucțiunile de la paragraful Mecanismul de tăiere.
- Expunere îndelungată la zgomot poate duce la defecte de auz definitive. De aceea folosiți întotdeauna protecția auzului omologată.



AVERTISMENT! Orice modificare a construcției originale a mașinii este interzisă fără aprobarea fabricantului. Folosiți întotdeauna piese de schimb originale. Modificări sau accesorii neautorizate pot să ducă la răni serioase, sau accidente mortale ale utilizatorului sau a altor persoane.



AVERTISMENT! Ferăstrăul cu motor este o unealtă periculoasă dacă se folosește neglijent sau incorect, și poate duce la răni serioase, chiar și mortale. Este foarte important să citiți și să înțelegeți conținutul acestor instrucțiuni de utilizare.



AVERTISMENT! În interiorul tobei de echipament se află substanțe chimice care pot fi cancerigene. Evitați orice contact cu aceste substanțe în cazul în care toba de echipament este deteriorată.



AVERTISMENT! Inhalarea un timp îndelungat a gazelor de echipament ale motorului, aburului uleiului de lanț cât și a pulberii de rumeguș poate duce la riscurile sănătății.



AVERTISMENT! În timpul funcționării, acest aparat produce un câmp electromagnetic. În anumite împrejurări, acest câmp poate interfera cu implanturile medicale active sau pasive. Pentru a reduce pericolul de răni grave sau fatale, recomandăm persoanelor cu implanturi medicale să consulte medicul și producătorul de implanturi medicale înainte de a acționa aparatul.



AVERTISMENT! Nu permiteți niciodată copiilor să utilizeze mașina sau să se afle în apropierea ei. Deoarece mașina este prevăzută cu buton de oprire cu arc și poate fi pornită trăgând cu viteză și forță mici de mânerului demarorului, în unele situații chiar și copiii mici pot dezvolta forța suficientă pentru a porni mașina. Acest lucru poate avea ca rezultat vătămări corporale grave. De aceea, scoateți capacul bujiei atunci când mașina nu este supravegheată îndeaproape.

Important

IMPORTANT!

Acest motofierăstrău pentru exploatarea forestieră este destinat pentru lucrări forestiere, cum ar fi doborârea, tăierea ramurilor și tăierea copacilor.

Reglementările naționale pot restricționa utilizarea dispozitivului.

Utilizați numai combinațiile șină/lanț recomandate în capitolul Date tehnice.

Nu utilizați niciodată aparatul în cazurile în care sunteți obosit, ați consumat băuturi alcoolice sau dacă vă tratați cu medicamente care vă pot afecta vederea, judecata sau coordonarea mișcărilor.

Purtați echipament individual de protecție. A se vedea instrucțiunile de la paragraful Echipamentul individual de protecție.

Niciodată nu modificați aparatul în așa fel încât să nu mai corespundă design-ului original și nu-l utilizați dacă există suspiciunea că a fost modificat de către altcineva.

Nu utilizați niciodată un aparat care este defect. Efectuați verificările de siguranță, operațiile de întreținere și de service descrise în acest manual. Anumite operații de întreținere și de service trebuie efectuate de specialiști instruiți și calificați. Consultați instrucțiunile din subcapitolul Întreținerea.

Nu folosiți niciodată alte accesorii decât cele recomandate în acest manual. A se vedea instrucțiunile de la paragrafele Mecanism de tăiere și Date tehnice.

ATENȚIE! Totdeauna purtați ochelari sau vizor de protecție pentru a reduce riscul vătămărilor corporale provocate de obiecte aruncate. Motofierăstrăul poate proiecta cu mare putere obiecte cum ar fi: așchii de lemn, bucăți mici de lemn, etc. Acest lucru poate duce la vătămări grave, în special ale ochilor.



AVERTISMENT! A folosi motorul într-un spațiu închis sau cu ventilație insuficientă poate duce la cazuri mortale prin sufocare sau prin intoxicație cu monoxid de carbon.



AVERTISMENT! Echipamentul de tăiere deteriorat sau o combinație necorespunzătoare șină/lanț crește riscul apariției reculului. Utilizați exclusiv combinațiile șină/lanț recomandate și urmați instrucțiunile privind ascuțirea. Vezi instrucțiunile din capitolul Date tehnice.

MĂSURI GENERALE DE PROTECȚIA MUNCII

Procedați permanent conform raționamentului de bun simț (2)

Nu se pot descrie toate situațiile care pot apărea în cursul utilizării motofierăstrăului. Procedați permanent cu grijă și conform raționamentului de bun simț. Evitați situațiile pe care considerați că nu le puteți rezolva. Dacă după parcurgerea acestor instrucțiuni aveți neclarități legate de procedurile de utilizare, consultați un expert înainte de a continua. În cazul în care aveți întrebări legate de utilizarea motofierăstrăului, nu ezitați să luați legătura cu dealer-ul sau cu noi. Ne face plăcere să vă ajutăm și să vă oferim indicații și asistență pentru a vă permite să utilizați motofierăstrăul într-o manieră eficientă și sigură. Dacă este posibil, urmați un curs de calificare în utilizarea motofierăstrăului. Dealer-ul, școala de silvicultură sau biblioteca vă pot oferi informații privind materialele și cursurile disponibile. Depunem permanent eforturi pentru a îmbunătăți design-ul și tehnologia - îmbunătățirile sunt menite să crească siguranța și eficiența. Vizitați dealer-ul în mod regulat pentru a afla cum puteți beneficia de caracteristicile nou introduse.

Echipament personal de protecție muncii



AVERTISMENT! Cele mai multe accidente cu ferăstrăul cu motor se întâmplă atunci când lanțul lovește utilizatorul. La orice folosire a mașinii trebuie folosit un echipament de protecție personal omologat. Echipamentul de protecție personal nu elimină riscul de rănire dar reduce efectul unei răniri în cazul unui accident. Cereți ajutor la magazinul de vânzare pentru alegerea echipamentului.

- Cască de protecție omologată
- Protecția auzului
- Ochelari sau mască de protecție
- Mănuși cu protecție la tăiere
- Pantaloni de protecție pentru lucrul cu motofierăstrăul
- Cizme cu protecție la tăiere, apărător de degete din oțel și talpă antiderapantă
- Trusa de prim ajutor trebuie să fie întotdeauna la îndemână.
- Stingător de incendiu și lopată

Hainele în general trebuie să fie mulate pe corp, fără să limiteze posibilitățile de mișcare.

IMPORTANT! Este posibil să sară scânteii din amortizorul de zgomot, din șină, din lanț sau din alte surse. Totdeauna păstrați la îndemână stingătoarele de incendiu pentru cazuri de nevoie. Astfel puteți contribui la prevenirea incendiilor de pădure.

Echipamentul de siguranță al mașinii

În această secțiune sunt prezentate caracteristicile de siguranță ale aparatului și funcționarea acestora. În ceea ce privește verificarea și întreținerea, vezi instrucțiunile din capitolul Verificarea, întreținerea și service-ul echipamentelor de siguranță ale motofierăstrăului. Vezi instrucțiunile din capitolul

”Componente” pentru a afla unde sunt amplasate aceste componente pe aparat.

Durata de folosire a mașinii se poate scurta iar riscul de răniri poate crește dacă întreținerea mașinii nu se efectuează în mod corect și dacă service și/sau reparații nu se efectuează într-un mod profesional. Dacă aveți nevoie de informații suplimentare, contactați atelierul service cel mai apropiat.



AVERTISMENT! Niciodată nu utilizați un aparat cu componentele de siguranță deteriorate. Echipamentul de siguranță trebuie verificat și întreținut. Vezi instrucțiunile din capitolul Verificarea, întreținerea și service-ul echipamentelor de siguranță ale motofierăstrăului. În cazul în care aparatul dumneavoastră nu trece toate testele, duceți-l la un atelier de service pentru reparații.

Frâna de lanț cu maneta de frână

Motofierăstrăul este prevăzut cu o frână a lanțului, menită să oprească lanțul în caz de recul. Frâna lanțului reduce riscul producerii accidentelor, dar numai dumneavoastră le puteți preveni. (3)

Aveți grijă în cazul folosirii ca zona de recul a lamei să nu atingă vreun obiect. (4)

- Frâna lanțului (A) se poate activa manual (cu mâna stângă) sau prin inerția mecanismului de eliberare. (5)
- Activarea se produce atunci când maneta de frână (B) este împinsă înainte. (5)
- Această mișcare declanșează un mecanism cu arc care întinde banda de frână (C) pe axa motoare a motorului (D) (tamburul ambreiajului). (6)
- Maneta de frână nu s-a conceput doar pentru activarea frânei de lanț. O altă funcțiune foarte importantă este să micșoreze riscul ca lanțul să lovească mâna stângă, în cazul în care scăpați mânerul anterior.
- Frâna lanțului trebuie activată în momentul pornirii motofierăstrăului pentru a împiedica mișcarea lanțului. (55)
- Utilizați frâna lanțului ca pe o ”frână de parcare” atunci când porniți motofierăstrăul sau îl deplasați pe distanțe scurte, pentru a preveni accidentele atunci când există riscul ca lanțul să lovească accidental persoane sau obiecte aflate în apropiere. Nu lăsați motofierăstrăul pornit perioade îndelungate cu frâna de lanț acționată. Motofierăstrăul se poate încălzi foarte tare.
- Frâna cu lanț este eliberată prin mutarea dispozitivului de protecție din partea din față marcat prin „TRAGEȚI ÎNAPOI PENTRU A RESETA” către mânerul din față.
- Reculuri pot să fie foarte rapide și violente. Cele mai multe reculuri sunt mici, și nu declanșează întotdeauna frâna de lanț. În cazul unui astfel de recul, țineți hotărât ferăstrăul cu motor și nu-l scăpați din mână.
- Modul de declanșare a frânei de lanț, manual sau prin forța de inerție, depinde de forța reculului, cât și de poziția ferăstrăului cu motor față de obiectul atins de zona de recul a lamei.

În cazul în care se produce un recul violent atunci când zona de recul este în punctul cel mai îndepărtat de dumneavoastră,

MĂSURI GENERALE DE PROTECȚIA MUNCII

frâna lanțului se activează prin construcție datorită deplasării contragreutății (activare prin inerție) în direcția reculului. (7)

Atunci când reculul este mai puțin violent, sau în cazul unei situații de lucru unde zona de recul se găsește mai aproape de utilizator, frâna de lanț va fi declanșată manual cu ajutorul mâinii stângi.

- În poziția de tăiere a arborelui, mâna stângă se află într-o poziție care nu permite activarea manuală a frânei lanțului. În acest caz, când mâna stângă se află într-o poziție în care nu poate afecta deplasarea apărătoarei de mână din față, frâna lanțului se poate activa numai prin inerție. (8)

În cazul unui recul mâna mea va activa de fiecare dată frâna lanțului?

Nu. Pentru a împinge apărătoarea de recul înainte, este nevoie de o anumită forță. În cazul în care mâna doar atinge ușor apărătoarea de recul sau trece peste ea, este posibil ca forța să nu fie suficientă pentru a activa frâna lanțului. De asemenea, în timpul lucrului trebuie să ții ferm mânerul motofierăstrăului. Dacă procedați astfel și se produce recul, este posibil să nu luați mâna deloc de pe mânerul din față și astfel să nu activați frâna lanțului sau este posibil ca frâna lanțului să nu se declanșeze până când fierăstrăul este proiectat destul de mult înapoi. În asemenea situații este posibil ca frâna să nu poată opri lanțul înainte ca acesta să vă lovească.

Este posibil ca în anumite poziții de lucru mâna dumneavoastră să nu ajungă la apărătoarea de recul pentru a activa frâna lanțului; de exemplu atunci când motofierăstrăul este ținut în poziția de doborâre a arborilor.

În cazul apariției unui recul, activarea prin inerție a frânei lanțului va funcționa mereu?

Nu. În primul rând frâna trebuie să funcționeze. Funcționarea frânei se verifică ușor, vezi instrucțiunile din capitolul Verificarea, întreținerea și service-ul echipamentelor de siguranță ale motofierăstrăului. Recomandăm efectuarea acestei verificări la începutul fiecărui schimb. În al doilea rând, reculul trebuie să fie suficient de puternic pentru a activa frâna. Dacă frâna lanțului ar fi prea sensibilă, s-ar activa mereu, ceea ce ar deranja lucrul.

Frâna lanțului mă va proteja de vătămări ori de câte ori apare reculul?

Nu. În primul rând frâna trebuie să funcționeze pentru a oferi protecția preconizată. În al doilea rând frâna trebuie activată conform descrierii de mai sus pentru a opri lanțul în cazul apariției unui recul. În al treilea rând, frâna poate fi activată, dar dacă șina este prea aproape de dumneavoastră, este posibil ca frâna să nu poată încetini și opri lanțul înainte ca motofierăstrăul să vă lovească.

Doar dumneavoastră puteți elimina reculul și riscurile pe care le prezintă prin tehnica de lucru corespunzătoare.

Clichetul de blocare a butonului de accelerație

Blocatorul clapetei de admisie este menit să împiedice acționarea accidentală a admisei. Atunci când apăsați blocatorul (A) (atunci când apucați mânerul) acesta eliberează maneta de control al admisei (B). Atunci când eliberați mânerul, clapeta de control al admisei și blocatorul revin amândouă în poziția originală. Această

dispunere duce la blocarea automată a admisei în timpul mersului în gol. (9)

Opritorul de lanț

Opritorul de lanț este construit pentru a opri lanțul în caz că acesta se rupe sau sare din loc. Aceste situații sunt evitate în cele mai multe cazuri printr-o tensionare corectă a lanțului (a se vedea indicațiile la paragraful Montaj), cât și prin service și întreținere corespunzătoare a lamei de ghidaj și a lanțului (a se vedea instrucțiunile de la paragraful Instrucțiuni generale de lucru). (10)

Apărătorul de mâna dreaptă

Protecția mâinii drepte are ca rol, în afară de protejarea mâinii în cazul când lanțul sare de la loc sau se rupe, și să împiedice ca crengi și niuele să deranjeze apucarea mânerului posterior. (11)

Sistemul de amortizare a vibrațiilor

Mașina Dvs. este înzestrată cu un sistem de amortizare a vibrațiilor, conceput să reducă vibrațiile și să facă manevrarea mai ușoară.

Sistemul de amortizare a vibrațiilor al mașinii reduce transmiterea vibrațiilor între unitatea de motor/dispozitivul de tăiere și unitatea de mână a mașinii. Corpul ferăstrăului cu motor, inclusiv dispozitivul de tăiere, este cuplat de mână prin așa numite elemente de amortizare a vibrațiilor.

La tăierea soiurilor de lemn de esență tare (în general foioase) se produc mai multe vibrații decât la tăierea soiurilor de lemn de esență moale (în general conifere). Lucrul cu un dispozitiv de tăiere tocit sau defect (de tip necorespunzător sau defectuos)



AVERTISMENT! Expunerea prelungită la vibrații poate provoca afecțiuni ale sistemelor circulator și nervos la persoane cu circulația slabă a sângelui. În cazul în care observați simptome ale expunerii prelungite la vibrații, consultați un medic. Aceste simptome pot fi: amorțeală, insensibilitate, tremurat, înțepături, durere, pierderea forței, decolorări sau degradări ale pielii. Aceste simptome de manifestă de regulă la nivelul degetelor, mâinilor sau încheieturilor. Ele pot fi agravate de temperaturile scăzute.

Contactul de oprire

Folosiți întrerupătorul de oprire pentru oprirea motorului. (12)

Toba de eșapament

Toba de eșapament este construită pentru a menține zgomotul la un nivel minim, cât și pentru a îndepărta gazele de eșapament ale motorului departe de operator.



AVERTISMENT! Gazele de eșapament ale motorului sunt fierbinți și pot conține scântei care pot produce incendiu. Nu puneți niciodată în funcțiune mașina în interior sau în apropiere de materiale inflamabile!

MĂSURI GENERALE DE PROTECȚIA MUNCII

În țările cu climă caldă și uscată riscurile producerii incendiilor de pădure este mai mare. Este posibil ca legile și reglementările din aceste țări să impună ca amortizorul de zgomot să fie prevăzut, printre altele, și cu o sită parascântei. (13)

Când fixați priza, asigurați-vă că aceasta este introdusă în poziția corectă. Dacă este necesar, utilizați cheia combinată pentru a introduce sau a îndepărta priza.

ATENȚIE! În timpul utilizării și după oprire amortizorul de zgomot poate fi foarte fierbinte. Acest lucru este valabil și în cazul mersului în gol. Atenție la pericolul de incendiu, în special în cazul manipulării în apropierea substanțelor și/sau gazelor inflamabile.



AVERTISMENT! Niciodată nu utilizați motofierăstrăul cu amortizorul de zgomot lipsă sau deteriorat. Un amortizor de zgomot defect poate duce la creșteri semnificative ale nivelului de zgomot și ale pericolului de incendiu. Țineți la îndemână echipamentele de stingere a incendiilor. Dacă sita de protecție a lanțului este obligatorie în zona în care lucrați, nu utilizați motofierăstrăul fără sită parascântei sau cu sita defectă.

Mecanismul de tăiere

Acest capitol arată cum o întreținere corectă și folosirea unui dispozitiv de tăiere de tip corect:

- Reduce tendința de recul a mașinii.
- Reduce riscul ruperii sau desprinderii lanțului.
- Obține performanțe optime de tăiere.
- Duce la creșterea vieții de lucru a dispozitivului de tăiere.
- Evita niveluri crescute ale vibrațiilor.

Reguli generale

- **Folosiți numai acel dispozitiv de tăiere recomandat de noi!** Vezi instrucțiunile din capitolul Date tehnice.
- **Diinții de tăiere ai lanțului trebuie să fie întodeauna bine și corect ascuțiți!** Urmați instrucțiunile noastre și folosiți șablonul de ascuțire recomandat. Un lanț deteriorat sau defectuos ascuțit mărește riscul de accidente.
- **Păstrați diferența de nivel corectă față de distanțier!** Urmați instrucțiunile și utilizați matریța recomandată. Diferența prea mare duce la creșterea riscului de recul.
- **Mențineți lanțul tensionat!** Dacă lanțul nu este suficient întins, riscul ca acesta să sară de pe loc crește, iar uzura lamei de ghidaj, a lanțului și a roții de lanț crește.
- **Mecanismul de tăiere trebuie să fie bine lubrifiat și corect întreținut!** Un lanț cu lubrifiere nesatisfăcătoare se rupe mai ușor, iar uzura lamei de ghidaj, a lanțului și a roții de lanț crește.

Echipament de tăiere proiectat pentru minimizarea reculului



AVERTISMENT! Echipamentul de tăiere deteriorat sau o combinație necorespunzătoare șină/lanț crește riscul apariției reculului. Utilizați exclusiv combinațiile șină/lanț recomandate și urmați instrucțiunile privind ascuțirea. Vezi instrucțiunile din capitolul Date tehnice.

Singura cale de evitare a reculului este de a vă asigura ca utilizator că zona de recul a lamei de ghidaj niciodată nu atinge vreun obiect.

Prin folosirea unui mecanism de tăiere cu protecție antirecul "inclusă în construcție", și prin a ascuți și a întreține lanțul în mod corect, puteți să reduceți efectele unui recul.

Lama de ghidaj

Cu cât raza vârfului este mai mică, cu atât scade riscul de recul.

Lanțul de ferăstrău

Un lanț de ferăstrău este compus dintr-un număr de zale, care există atât în variantă standard cât și cu recul redus.

IMPORTANT! Nici un lanț nu poate elimina complet riscul de recul.



AVERTISMENT! Orice contact cu lanțul aflat în mișcare poate provoca vătămări extrem de grave.

Câțiva termeni pentru descrierea lamei de ghidaj și a lanțului

Pentru a menține toate caracteristicile de siguranță ale componentelor de lanț, trebuie să înlocuiți combinațiile șină/lanț uzate și deteriorate cu o șină și un lanț recomandate de Husqvarna. Pentru informații privind combinațiile recomandate șină/lanț, vezi instrucțiunile din secțiunea Date tehnice.

Lama de ghidaj

- Lungime (țoli/cm)
- Numărul dinților din pinionul de vârf (T).
- Pasul lanțului (=pitch) (țoli). Pinionul de vârf al lamei și roata motoare de lanț a ferăstrăului cu motor trebuie să fie adaptate la distanța dintre zalele de antrenare. (14)
- Numărul dinților de antrenare (bucăți). Fiecare lungime de lamă de ghidaj în combinație cu pasul lanțului și cu numărul de dinți ai pinionului de vârf dă un număr determinat de dinți de antrenare.
- Lățimea canelurii de ghidaj (țoli/mm) Lățimea canelurii de ghidaj trebuie să se potrivească cu grosimea zalei de antrenare a lanțului.
- Orificiile pentru ungerea și pentru întinderea lanțului. Lama de ghidaj trebuie să se potrivească la construcția ferăstrăului cu motor. (15)

MĂSURI GENERALE DE PROTECȚIA MUNCII

Lațul de ferăstrău

- Pasul lanțului de ferăstrău (=pitch) (țoli) (14)
- Grosimea zalei de antrenare (mm/țoli) (16)
- Numărul zalelor de antrenare (bucăți) (17)

Ascuțirea lanțului și reglarea diferenței de nivel față de distanțier

Informații generale despre ascuțirea dinților de tăiere

- Niciodată nu utilizați un lanț tocit. În cazul în care lanțul este tocit, trebuie să exercitați o presiune mai are pentru a forța șina să treacă prin lemn, iar tăieturile vor fi foarte mici. Un lanț foarte tocit nu taie deloc. Nu obțineți decât rumeguș.
- Un lanț ascuțit trece prin lemn și produce tăieturi lungi și groase.
- Acea parte a lanțului care taie se numește za și se compune din dinte (A) și distanțier (B). Adâncimea tăieturii este determinată de diferența înălțimilor celor două. (18)

Atunci când ascuțiți dintele, trebuie să rețineți patru factori importanți:

- 1 Unghiul de pilire (19)
- 2 Unghiul de tăiere (20)
- 3 Poziția pilei (21)
- 4 Diametrul pilei rotunde

Fără echipament corespunzător este foarte dificil de ascuțit lanțul în mod corect. Recomandăm utilizarea matriței noastre. Acest lucru vă va ajuta să obțineți recul minim și performanțe de tăiere maxime. (22)

Pentru informații privind ascuțirea lanțului, vezi instrucțiunile din secțiunea Date tehnice.



AVERTISMENT! Nerespectarea întocmai a instrucțiunilor de ascuțire crește considerabil riscul de recul.

Ascuțirea dinților de tăiere



Pentru a ascuți dintele aveți nevoie de o pilă rotundă și o matriță. Pentru informații privind dimensiunile pilei și a matriței recomandate pentru motofierăstrăul dumneavoastră, vezi instrucțiunile din secțiunea Date tehnice.

- Verificați ca lanțul să fie întins. O tensionare insuficientă face ca lanțul să fie instabil în lateral, ceea ce îngreuează o ascuțire corectă.
- Piliți dinții de tăiere întotdeauna dinspre partea interioară spre exterior. Reduceți presiunea asupra pilei în timpul mișcării de retragere. Piliți întâi toți dinții dintr-o parte, întoarceți apoi ferăstrăul cu motor și piliți dinții de pe partea cealaltă.
- Piliți toți dinții la aceeași lungime. Când lungimea dinților de tăiere s-a redus la 4 mm (5/32"), lanțul se consideră uzat, și se va arunca. (23)

Recomandări generale legate de diferența de nivel între dinte și distanțier

- Atunci când ascuțiți dintele, reduceți diferența de nivel între acesta și distanțier (adâncimea de tăiere). Pentru a păstra performanțele de tăiere, trebuie să piliți și distanțierul până la cota recomandată. Pentru a afla diferența de nivel recomandată pentru lanțul dumneavoastră, vezi instrucțiunile din secțiunea Date tehnice. (24)



AVERTISMENT! Diferența de nivel prea mare duce la creșterea riscului de recul!

Reglarea diferenței de nivel față de distanțier



- Dintele trebuie să fie proaspăt ascuțit înainte de reglarea diferenței de nivel față de distanțier. Recomandăm reglarea diferenței de nivel față de distanțier la fiecare a treia ascuțire a lanțului. NOTĂ! Această recomandare presupune că lungimea dintelui nu este redusă excesiv.
- Pentru a regla diferența de nivel față de distanțier aveți nevoie de o pilă lată și matriță de distanțier. Vă recomandăm să utilizați matrița noastră pentru a obține o diferență de nivel corectă față de distanțier și un unghi corect al distanțierului.
- Amplasați matrița pe lanț. Informațiile privind utilizarea matriței se găsesc pe ambalaj. Cu ajutorul pilei late nivelați partea proeminentă a distanțierului. Diferența de nivel față de distanțier este corectă atunci când nu întâmpinați rezistență la trecerea pilei peste matriță. (25)

Tensionarea lanțului



AVERTISMENT! Un lanț netensionat poate sări de pe lama de ghidaj și cauza leziuni serioase, și chiar și mortale.

Cu cât mai mult folosiți un lanț, cu atât mai mult se lungeste. De aceea este important să adaptați dispozitivul de tăiere ținând cont de această modificare.

Tensionarea lanțului trebuie verificată la fiecare alimentare cu combustibil. ATENȚIE! Un lanț nou are o perioadă de rodaj, în timpul căreia trebuie să verificați tensionarea lanțului mai des.

În mod general este valabil ca tensionarea lanțului să se facă cât se poate de bine, dar nu așa de tare încât să nu-l puteți trage liber cu mâna. (26)

MĂSURI GENERALE DE PROTECȚIA MUNCII

435 II, 440 II



- Slăbiți piulița șinei cu care sunt fixați capacul ambreiajului și frâna de lanț. Utilizați cheia combinată. Strângeți din nou piulița, cu mâna, cât mai tare. (27)
- Ridicați vârful lamei de ghidaj, și întindeți apoi lanțul prin acționarea șurubului de întindere cu cheia combinată. Întindeți lanțul până ce nu mai atârâ în partea de jos a lamei. (28)
- Utilizați cheia de piulițe combinată pentru a strânge piulița barei în timp ce mențineți ridicat capătul barei. Verificați dacă puteți să întoarceți lanțul fierăstrăului liber, cu mâna și dacă nu există vreun joc în partea de dedesubt a barei. (29)

Poziția șurubului de tensionare a lanțului variază în funcție de modelul motofierăstrăului. Vezi instrucțiunile din capitolul Componente pentru a afla unde este amplasat acesta pe modelul dumneavoastră de aparat.

435e II, 440e II



- Rabatați mânerul spre exterior pentru a-l elibera. (30)
- Rotiți mânerul în sens invers acelor de ceasornic pentru a slăbi capacul șinei. (31)
- Tensionați lanțul: rotiți roata în jos (+) pentru a-l întinde și în sus (-) pentru a-l relaxa. (32)
- Rotiți mânerul în sensul acelor de ceasornic pentru a strânge ambreiajul roții. (33)
- Rabatați mânerul la loc pentru a bloca nivelul de tensionare a lanțului. (34)

Ungerea mecanismului de tăiere



AVERTISMENT! Ungerea insuficientă a mecanismului de tăiere poate să aibă ca rezultat ruperea lanțului, care poate produce leziuni serioase, chiar și mortale.

Uleiul de lanț

Uleiul de lanț al ferăstrăului cu motor trebuie să se mențină pe lanț și în același timp să aibe fluiditate bună atât în anotimpul de vară, cât și în cel de iarnă.

În calitate de producător al ferăstrăului cu motor, firma noastră a elaborat un gresant de lanț optim care, fiind bazat pe ulei vegetal, este dezagregabil din punct de vedere biologic. În scopul unei durate de folosire maximă a ferăstrăului cu motor, precum și dacă uleiul nostru este inaccesibil, se recomandă folosirea unui ulei de lanț de ferăstrău standard.

Nu folosiți niciodată un ulei care a fost întrebuințat! Acest lucru pune în pericol persoana dumneavoastră, aparatul și mediul.

IMPORTANT! În cazul în care ungeți lanțul cu ulei vegetal, demontați și curățați canalul șinei și lanțul înainte de a depozita aparatul pe termen lung. În caz contrar, există riscul ca uleiul să se oxideze, ceea ce duce la pierderea flexibilității lanțului și la blocarea roții de lanț aflate la capătul șinei.

Alimentarea cu ulei de lanț de ferăstrău

- Toate modelele ferăstrăului noastre cu motor au un sistem automat de lubrifiere a lanțului de ferăstrău. La unele modele debitul de ulei este și reglabil.
- Rezervoarele pentru uleiul de ungere a lanțului și pentru carburant sunt proiectate în așa fel, încât carburantul să se consume înaintea uleiului.

Totuși, această caracteristică de siguranță presupune utilizarea unui ulei de ungere corespunzător (dacă uleiul este prea subțire, se va consuma înaintea carburantului) și reglarea carburatorului conform recomandărilor (un amestec slab poate duce la epuizarea uleiului înaintea carburantului). De asemenea, trebuie să utilizați echipamentul de tăiere corespunzător (o șină prea lungă duce la creșterea consumului de ulei).

Verificarea lubrifierii lanțului de ferăstrău

- Verificați lubrifierea lanțului de ferăstrău la fiecare alimentare cu combustibil.

Îndreptați vârful lamei înspre un obiect de culoare deschisă, la o distanță de cca. 20 cm (8 țoli) de acesta. După un minut de funcționare cu o accelerație de 3/4, trebuie să se vadă o linie distinctă de ulei pe obiectul de culoare deschisă.

Dacă ungerea lanțului nu funcționează:

- Verificați ca canalul de ulei în lama de ghidaj să nu fie înfundat. Curățați-l dacă este necesar. (35)
- Verificați dacă canelura de ghidaj a lamei este curată. Curățați-o dacă este nevoie. (36)
- Verificați că pinionul de vârf se rotește liber și că orificiul de ungere de pe vârful lamei de ghidaj nu este înfundat. Curățați-l și ungeți-l dacă este nevoie. (37)

Dacă sistemul de lubrifiere a lanțului nu funcționează nici după executarea măsurilor de mai sus, trebuie să luați legătura cu un atelier specializat de reparații.

Roata motoare de lanț



Tamburul de ambreiaj este inezestrat cu una dintre următoarele roți de acționare:

- A Roată Spur (roata de lanț este sudată pe tambur)
- B Roată Rim (interschimbabilă) (38)

Verificați periodic gradul de uzură a roții de acționare. Schimbați-o în caz de uzură excesivă. De câte ori schimbați lanțul, schimbați și roata de lanț.

MĂSURI GENERALE DE PROTECȚIA MUNCII

Ungerea rulmentului cu ace



Ambele tipuri de roată de antrenare a lanțului sunt montate pe arborele de ieșire prin intermediul unui rulment cu ace, care trebuie uns în mod regulat (săptămănal). **ATENȚIE!** Folosiți grăsime de rulmenți de calitate superioară sau ulei de motor.

Vezi instrucțiunile din secțiunea Ungerea rulmentului cu ace.

Controlul uzurii mecanismului de tăiere



Verificați zilnic lanțul de ferăstrău pentru a descoperi:

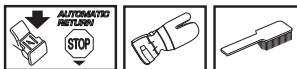
- Fisuri vizibile pe știfturi și pe zale.
- Dacă lanțul a devenit rigid.
- Dacă știfturile și zalele au o uzură mare.

Înlocuiți lanțul în cazul în care prezintă oricare din aspectele menționate mai sus.

Vă recomandăm să comparați lanțul actual cu un lanț nou în vederea stabilirii gradului de uzură.

Piliți toți dinții la aceeași lungime. Când lungimea dințiilor de tăiere s-a redus la 4 mm (5/32"), lanțul se consideră uzat, și se va arunca. (23)

Lama de ghidaj



Verificați periodic:

- Dacă există bavuri pe canturile lamei de ghidaj. Îndepărtați-le cu o pilă dacă este necesar.
- Dacă canelura de ghidaj a lamei este excesiv uzată. Schimbați lama de ghidaj dacă este necesar.
- Dacă vârful lamei de ghidaj este neregulat sau excesiv uzat. Dacă s-a format o "adâncitură" acolo unde raza vârfului lamei se termină pe partea inferioară a lamei, aceasta se datorește unui lanț insuficient tensionat.
- Pentru a prelungi durata de funcționare a șinei, întoarceți-o în mod regulat.



AVERTISMENT! Cele mai multe accidente cu ferăstrăul cu motor se întâmplă atunci când lanțul lovește utilizatorul.

Purtați echipament individual de protecție. A se vedea instrucțiunile de la paragraful Echipamentul individual de protecție.

Evitați orice muncă pentru care nu sunteți calificat. A se vedea instrucțiunile de la paragrafele Echipament individual de protecție, Măsuri de evitare a reculului, Mecanismul de tăiere și Instrucțiuni generale de lucru.

Evitați situații unde există risc de recul. A se vedea instrucțiunile de la paragraful Dispozitivul de protecție al mașinii.

Folosiți dispozitiv de tăiere recomandat și controlați starea acestuia. A se vedea instrucțiunile de la paragraful Instrucțiuni generale de lucru.

Verificați funcționarea tuturor detaliilor de siguranță ale ferăstrăului cu motor. A se vedea instrucțiunile de la paragrafele Instrucțiuni generale de lucru și Măsuri generale de siguranță.

MONTAJ

Montarea lamei de ghidaj și a lanțului



435 II, 440 II

- Verificați ca frâna de lanț să nu fie declanșată, trăgând protecția la recul a lanțului spre mânerul anterior. (39)
- Deșurubați piulița barei și îndepărtați capacul de ambreiaj (frâna cu lanț). Scoateți inelul de transport (A). (40)
- Potrivii bara peste bolțul acesteia. Plasați bara în poziția sa cea mai din spate. Plasați lanțul peste pinionul de antrenare și în canelura de pe bară. Începeți din partea de sus a barei. (41)
- Asigurați-vă că dinții de tăiere ai zalelor sunt orientați înainte pe partea superioară a lamei.
- Montați capacul de ambreiaj și amintiți-vă să potriviți bolțul regulatorului lanțului în gaura din bară. Verificați dacă legăturile de antrenare ale lanțului se potrivesc bine peste pinionul de antrenare și dacă lanțul este corect localizat în canelura din bară. Strângeți piulița barei cu ajutorul degetelor.
- Tensionați lanțul, trăgând șurubul de ajustare a lanțului cu ajutorul cheii combinate în sens orar. Întindeți lanțul până ce nu mai atârână pe partea inferioară a lamei. (42)
- Lanțul este întins corect acolo unde nu există vreun joc pe partea de dedesubt a barei; poate fi totuși rotit cu ușurință cu ajutorul mâinii. Strângeți piulița barei cu cheia de piulițe combinată în timp ce mențineți ridicat capătul barei. (43)
- La un lanț nou trebuie verificată întinderea lanțului des, până ce lanțul se rodează. Verificați tensiunea lanțului regulat. Un lanț corect tensionat are performanțe bune de tăiere și durată lungă de exploatare. (44)

435e II, 440e II

- Verificați ca frâna de lanț să nu fie declanșată, trăgând protecția la recul a lanțului spre mânerul anterior. (45)
- Slăbiți roata de tensionare a lanțului și scoateți capacul ambreiajului (frâna lanțului). Îndepărtați apărătoarea pentru transport. (A) (46)
- Așezați lama peste bolțurile sale. Plasați lama în poziția cea mai posterioară. Așezați lanțul în jurul roții de antrenare a lanțului și în canelura lamei. Începeți dinspre partea superioară a lamei. (41)
- Asigurați-vă că dinții de tăiere ai zalelor sunt orientați înainte pe partea superioară a lamei.
- Montați capacul de ambreiaj și amintiți-vă să potriviți bolțul regulatorului lanțului în gaura din bară. Verificați dacă legăturile de antrenare ale lanțului se potrivesc bine peste pinionul de antrenare și dacă lanțul este corect localizat în canelura din bară.

- Rotiți roata în jos (+) pentru a tensiona lanțul. Lanțul se întinde până când nu mai atârână separat de partea inferioară a șinei. (32)
- Lanțul este tensionat corect atunci când nu mai atârână separat de partea inferioară a șinei, dar se poate mișca ușor cu mâna. Ridicați vârful șinei și strângeți ambreiajul șinei (rotiți mânerul în sensul acelor de ceasornic). (33)
- La un lanț nou trebuie verificată întinderea lanțului des, până ce lanțul se rodează. Verificați tensiunea lanțului regulat. Un lanț corect tensionat are performanțe bune de tăiere și durată lungă de exploatare. (44)

Montajul ghearelor de sprijin

Pentru montajul ghearelor de sprijin, contactați atelierul de întreținere. (47)

MANIPULAREA COMBUSTIBILULUI

Amestecul de combustibil

Notați! Aparatul este acționat de un motor în doi timpi și trebuie alimentat cu un amestec de benzină și ulei pentru motoare în doi timpi. Este important să măsurați cu precizie cantitatea de ulei utilizată pentru a asigura obținerea unui amestec corespunzător. În cazul preparării unor cantități mici de carburant, chiar și cele mai mici abateri pot influența drastic compoziția amestecului.



AVERTISMENT! Asigurați întotdeauna o ventilație bună în timpul manevrării combustibilului.

Benzină



- Folosiți benzină fără plumb sau benzină cu plumb de bună calitate.
- Cifra octanică minimă recomandată este 90 (RON). Dacă motorul este alimentat cu benzină cu o cifră octanică mai mică decât 90 pot apărea detonații. Aceasta duce la creșterea temperaturii motorului și la sarcini crescute, care pot duce la deteriorări grave ale motorului.
- Când lucrați cu turații mari timp îndelungat (de ex. la tăierea crengilor), o cifră octanică superioară este recomandabilă.

Combustibil ecologic

HUSQVARNA recomandă utilizarea benzinei adaptate ecologic (numită și benzină alchilat), fie benzină preamestecată Aspen pentru motoare în doi timpi, fie benzină adaptată ecologic pentru motoare în patru timpi, amestecată cu ulei pentru motoare în doi timpi, conform indicațiilor de mai jos. Rețineți faptul că la schimbarea tipului de carburant poate fi necesară reglarea carburatorului (vezi instrucțiunile din capitolul Carburator).

Carburant cu etanol

HUSQVARNA recomandă utilizarea carburantului disponibil pe piață cu conținut maxim de etanol de 10%.

Rodaj

Evitați folosirea la viteze mari pe o perioadă mai lungă în timpul primelor 10 ore de funcționare.

Ulei pentru motoare în doi timpi

- Utilizați ulei pentru motoare în doi timpi HUSQVARNA, realizat special pentru a obține rezultate și performanțe optime cu motoare în doi timpi, răcite cu aer.
- Nu utilizați niciodată ulei destinat motoarelor suspendate în exteriorul bordului, răcite cu apă, denumit uneori ulei pentru motoare suspendate (TCW).
- Nu folosiți niciodată uleiuri destinate pentru motoare în patru timpi.
- Uleiul de calitate inferioară sau amestecul de ulei/carburant prea bogat poate pune în pericol funcționarea convertorului catalitic și poate reduce durata de funcționare a acestuia.

Raport de amestec

1:50 (2%) cu ulei HUSQVARNA pentru motoare în doi timpi.

1:33 (3%) cu alte uleiuri proiectate pentru motoare în doi timpi, răcite cu aer, din clasele JASO FB/ISO EGB.

Benzină, litri	Ulei pentru motoare în doi timpi, litri	
	2% (1:50)	3% (1:33)
5	0,10	0,15
10	0,20	0,30
15	0,30	0,45
20	0,40	0,60

Amestecul

- Amestecați întotdeauna benzina și uleiul într-un rezervor curat destinat pentru benzină.
- Începeți întotdeauna cu jumătatea cantității de benzină. Adăugați apoi toată cantitatea de ulei. Amestecați (scuturați) amestecul de combustibil. Adăugați restul cantității de benzină.
- Amestecați (scuturați) amestecul de combustibil bine înainte de a umple rezervorul de combustibil al mașinii.
- Nu faceți rezerve de combustibil pentru mai mult de o lună.
- Dacă nu folosiți mașina un timp mai îndelungat, rezervorul de combustibil trebuie golit și curățat.

Ulei de lanț

- Pentru ungere recomandăm utilizarea unui ulei special (ulei pentru lanț), cu caracteristici de adeziune superioare. **(48)**
- Nu folosiți niciodată ulei uzat. Aceasta poate duce la avarii ale pompei de ulei, ale lamei și ale lanțului.
- Este important să folosiți un tip corect de ulei în raport cu temperatura ambiantă (de vâscozitate corespunzătoare).
- La temperaturi sub 0°C anumite uleiuri devin mai vâscoase. Aceasta poate să ducă la suprasolicitarea pompei de ulei și rezultă în avarii ale componentelor pompei.
- Luați legătura cu atelierul de reparații pentru alegerea uleiului de lanț.

MANIPULAREA COMBUSTIBILULUI

Alimentarea



AVERTISMENT! Următoarele măsuri de precauție micșorează riscul de incendii:

Nu fumați și nu amplasați obiecte fierbinți în apropierea carburantului.

Opriiți motorul și lăsați-l să se răcească câteva minute înainte de alimentare.

Deschideți capacul rezervorului de combustibil încet, ca o eventuală suprapresiune să fie încet compensată.

Strângeți bine capacul rezervorului după alimentare.

Mutați întotdeauna echipamentul departe de zona de alimentare și de sursă înainte de pornire.

Ștergeți curat în jurul capacului rezervorului de combustibil. Curățați periodic rezervorul de combustibil și de ulei. Filtrul de combustibil trebuie schimbat cel puțin odată pe an. Un rezervor murdar cauzează tulburări în funcționare. Asigurați-vă înainte de alimentare, prin a scutura vasul cu combustibil, că amestecul de combustibil este bine amestecat. Volumul rezervorului de combustibil și volumul rezervorului de ulei sunt în corelație. Alimentați de aceea întotdeauna în același timp atât rezervorul de ulei al lanțului cât și rezervorul de combustibil. (48)



AVERTISMENT! Combustibilul și vaporii lui sunt ușor inflamabili. Fiți atent la manipularea combustibilului și a uleiului de lanț. Țineți seama de riscul de incendiu, explozie și inhalare.

Scoaterea capacului rezervorului de carburant și a capacului uleiului pentru lanț

- Apăsăți pe zona cu textură a pârghiei de basculare și ridicați-o în poziție verticală. (49)
- Slăbiți capacul rotindu-l în sensul invers acelor de ceasornic. (50)
- Scoateți capacul. (51)

Înlocuirea capacului rezervorului de carburant și a capacului uleiului pentru lanț

- Introduceți capacul cu pârghia de basculare în poziție verticală. (52)
- Strângeți capacul în siguranță, rotindu-l în sensul acelor de ceasornic. (53)
- Trageți în jos maneta de basculare. (54)

IMPORTANT! Înlocuiți întotdeauna capacul deteriorat.

Siguranța manipulării combustibilului

- Nu alimentați niciodată mașina cu motorul în funcțiune.
- Asigurați-vă că ventilația este corespunzătoare atunci când alimentați sau în timpul preparării amestecului de combustibil (benzină și ulei pentru motoare în doi timpi).
- Mutați mașina cel puțin 3 m de la locul alimentării înainte de a o porni.
- Nu porniți niciodată mașina:
 - 1 Dacă ați vărsat pe mașină combustibil sau ulei de lanț. Ștergeți tot ce s-a vărsat și lăsați resturile de benzină să se evaporeze.
 - 2 Dacă ați vărsat carburant pe dumneavoastră sau pe îmbrăcăminte, schimbați îmbrăcăminte. Spălați părțile ce au ajuns în contact cu combustibilul. Folosiți săpun și apă.
 - 3 În caz de scurgere de combustibil din mașină. Verificați periodic capacul rezervorului și conductele de combustibil în privința curgerii.



AVERTISMENT! Niciodată nu utilizați aparate cu deteriorări vizibile ale bujiei sau ale cablului de alimentare a aprinderii. Există riscul să sară scântei care pot provoca incendiu.

Transport și depozitare

- Depozitați întotdeauna ferăstrăul cu motor și combustibilul departe de orice izvor de scântei sau foc deschis. De exemplu mașini electrice, motoare electrice, releuri/întrerupătoare, boilere, etc.
- Depozitați combustibilul întotdeauna în recipiente proiectate și aprobate pentru acest scop.
- În decursul unei depozitări de lungă durată sau transportului ferăstrăului cu motor, rezervorul de combustibil și cel de ulei de lanț trebuie să fie golite. Întrebați la stația de benzină unde puteți să aruncați reziduurile de combustibil și de ulei de la
- În timpul transportului sau depozitării aparatului, trebuie montată apărațoarea pentru transport pentru a preveni contactul accidental cu lanțul ascuțit. Chiar și un lanț oprit poate provoca vătămări grave utilizatorului sau altor persoane care au acces la lanț.
- Scoateți capacul bujiei de pe bujie. Acționați frâna lanțului.
- Asigurați aparatul în timpul transportului.

Depozitarea pe termen lung

Goliți rezervoarele de carburant și de ulei într-o zonă bine aerisită. Păstrați carburantul în recipiente omologate, în loc sigur. Montați apărațoarea șinei. Curățați aparatul. Vezi instrucțiunile din capitolul Programul de întreținere.

Aveți grijă ca mașina să fie bine curățată și ca un service complet să fie efectuat înainte de depozitare pe termen îndelungat.

Pornire și oprire



AVERTISMENT! Înaintea pornirii trebuie observate următoarele:

Frâna lanțului trebuie activată în momentul pornirii motofierăstrăului pentru a reduce riscul contactului cu lanțul aflat în mișcare.

Nu porniți ferăstrăul cu motor fără ca lama, lanțul și toate capacele să fie montate. În caz contrar ambreiajul se poate desprinde și produce răniri.

Așezați mașina pe un suport stabil. Aveți grijă să aveți o poziție stabilă și ca lanțul să nu atingă vreun obiect.

Aveți grijă ca nici o persoană neautorizată să nu se afle în zona de lucru.

Nu răsuțiți niciodată cablul de pornire în jurul mâinii.

Pornire

Frâna de lanț trebuie să fie decuplată atunci când ferăstrăul cu motor se porneste. Activați frâna prin deplasarea în față a protecției contra reculului. (55)

Motor rece

Poziția pornit, 1: Fixați butonul pornire/oprire în poziția de șoc trăgând dispozitivul de control de culoare roșie înspre exterior - în sus. (56)

Pompa de combustibil (2): Apăsăți de mai multe ori pompa de aerisire, până când carburantul umple pompa (de cel puțin 6 ori). Nu este obligatoriu ca pompa să se umple complet. (56)

Prindeți mânerul din față cu mâna stângă. Mențineți ferăstrăul cu lanț pe sol poziționând piciorul drept prin mânerul din spate. (57)

Trageți mânerul demarorului, 3: Trageți mânerul demarorului cu mâna dreaptă și trageți ușor în afară cablul demarorului până când simțiți rezistență (în timp ce închizătoarele demarorului cuplează), apoi trageți puternic și rapid până ce motorul se încălzește.

Împingeți în jos controlul șocului de culoare roșie, 4: Imediat ce motorul se încălzește (ne putem da seama de aceasta, deoarece se poate auzi un sunet similar cu un „puff”) împingeți în jos controlul șocului de culoare roșie.

Trageți mânerul demarorului (5): Continuați să trageți cu putere cablul până când pornește motorul.

Motor cald

Poziția pornit, 1: Poziția corectă a supapei de admisie de pornire/ de șoc pentru pornirea la cald se obține prin mutarea inițială a controlului șocului, trăgând controlul de culoare roșie înspre exterior și în sus. (56)

Pompa de combustibil (2): Apăsăți de mai multe ori pompa de aerisire, până când carburantul umple pompa (de cel puțin 6 ori). Nu este obligatoriu ca pompa să se umple complet. (56)

Împingeți în jos controlul șocului de culoare roșie, 3: Această operație dezactivează șocul de care nu este nevoie la pornirea unui ferăstrău cu lanț care este cald. Totuși, mișcarea comutatorului de

pornire/oprire va angrena mecanismul la ralanti, făcând mai ușoară pornirea la cald.

Trageți mânerul demarorului, 4: Prindeți mânerul din față cu mâna stângă. Mențineți ferăstrăul cu lanț pe sol poziționând piciorul drept prin mânerul din spate. (57)

Trageți mânerul demarorului cu mâna dreaptă și trageți ușor în afară cablul demarorului până când simțiți rezistență (în timp ce închizătoarele demarorului cuplează), apoi trageți puternic și rapid până ce motorul se încălzește.

Deoarece frâna lanțului este încă angrenată, viteza motorului trebuie să fie setată la modul ralanti cât mai curând posibil; acest lucru se obține prin eliberarea siguranței supapei de reglaj. Decuplarea este efectuată prin împingerea ușoară a declanșatorului supapei de reglaj. Acest lucru împiedică uzura inutilă a ambreiajului, a tamburului cuplajului și a benzii de frână. Lăsați mașina să meargă în gol câteva secunde, înainte de a apăsa la maxim clapeta de admisie.

La capătul posterior al fierăstrăului se află indicații ilustrate simplificate, cu fiecare pas al procedurii de pornire (A). (57)

ATENȚIE! Nu trageți complet cablul de demaraj și nici nu dați drumul mânerului demarorului când acesta este în poziție complet scoasă. Aceste manevre pot produce avarii ale mașinii.

Notăți! Repoziționați frâna de lanț prin a deplasa protecția la recul spre mânerul anterior. Prin aceasta ferăstrăul cu motor este gata pentru folosire.



AVERTISMENT! Inhalarea un timp îndelungat a gazelor de eșapament ale motorului, aburului uleiului de lanț cât și a pulberii de rumeguș poate duce la riscuri sănătății.

- Nu porniți niciodată ferăstrăul cu motor fără ca lama, lanțul de ferăstrău și toate capacele să fie corect montate. A se vedea instrucțiunile la paragraful Montaj. Dacă șina și lanțul nu sunt montate pe motofierăstrău, este posibil ca ambreiajul să se desprindă și să provoace vătămări grave.
- Frâna lanțului trebuie activată în momentul pornirii motofierăstrăului. Vezi instrucțiunile din capitolul Pornirea și oprire. Niciodată nu porniți motofierăstrăul lăsându-l să cadă și trăgând de fir. Această metodă este extrem de periculoasă deoarece puteți pierde foarte ușor controlul asupra motofierăstrăului. (55)
- Nu porniți niciodată mașina în interiorul casei. Fiți conștient de pericolul inhalării gazelor de eșapament de la motor.
- Observați cu atenție zona din jur și asigurați-vă că nu se află persoane sau animale în apropiere, care ar putea să vină în contact cu dispozitivul de tăiere.
- Totdeauna țineți motofierăstrăul cu ambele mâini. Țineți mânerul din spate cu mâna dreaptă și mânerul din față cu mâna stângă. **Toți utilizatorii (dreptaci și stângaci) trebuie să respecte această poziție.** Țineți mânerul ferm, astfel încât degetul mare și celelalte degete să cuprindă mânerul motofierăstrăului.

Oprire

Opriti motorul apăsând în jos comutatorul de pornire/oprire. (59)

ATENȚIE! Comutatorul de pornire/oprire revine automat în poziția de funcționare. Pentru a împiedica pornirea accidentală, capacul bujiei trebuie îndepărtat de pe bujie ori de câte ori mașina rămâne nesupravegheată. (60)

REGULI DE LUCRU

Înainte de fiecare folosire: (61)

- 1 Verificați ca frâna de lanț să funcționeze corespunzător și ca aceasta să nu fie deteriorată.
- 2 Verificați ca protecția posterioară a mâinii drepte să nu fie deteriorată.
- 3 Verificați ca blocatorul accelerației să funcționeze corect și să nu fie deteriorat.
- 4 Verificați dacă butonul de oprire funcționează corect și dacă nu este deteriorat.
- 5 Verificați ca toate manetele să nu fie murdare de ulei.
- 6 Verificați ca sistemul de reducere a vibrațiilor să funcționeze și să nu fie deteriorat.
- 7 Verificați ca toba de eșapament să fie bine fixată și să nu fie deteriorată.
- 8 Verificați ca toate detaliile ferăstrăului cu motor să fie bine strânse și să nu fie deteriorate sau să lipsească.
- 9 Verificați ca captatorul lanțului să fie la locul lui și să nu fie deteriorat.
- 10 Verificați dacă lanțul este tensionat corect.

Instrucțiuni generale de lucru

IMPORTANT!

Acest capitol tratează reguli de bază de siguranță pentru lucrul cu ferăstrăul cu motor. Informația dată nu poate niciodată înlocui acele cunoștințe pe care un meseriaș le acumulează prin studiu și experiență practică. Atunci când vă aflați în fața unei situații în care nu sunteți sigur de modul de continuare a folosirii, trebuie să consultați un specialist. Adresați-vă magazinului de vânzare, atelierului de service sau unui utilizator cu experiență al ferăstrăului cu motor. Evitați orice folosire pentru care vă simțiți insuficient calificat!

Înainte de folosirea ferăstrăului cu motor trebuie să înțelegeți ce este reculul și cum se poate evita. A se vedea instrucțiunile de la paragraful Măsuri de prevenire a reculului.

Înainte de folosirea ferăstrăului cu motor trebuie să înțelegeți diferența dintre tăierea cu partea superioară și cea inferioară a lamei. Vezi instrucțiunile din capitolele Cum să evitați reculul și Echipamentele de siguranță ale aparatului.

Purtați echipament individual de protecție. A se vedea instrucțiunile de la paragraful Echipamentul individual de protecție.

Reguli de bază de siguranță

- 1 Priviți în jurul Dvs.:
 - Pentru a vă asigura că nu se află persoane, animale sau obiecte care vă pot influența controlul asupra mașinii.
 - Pentru a vă asigura că nici una dintre cele menționate mai sus nu pot să vină în contact cu lama sau nu pot fi lovite de arborele în cădere.

ATENȚIE! Urmăriți instrucțiunile de mai sus, dar nu folosiți niciodată ferăstrăul cu motor într-o situație în care nu puteți chema ajutorul în cazul unui accident.

- 2 Evitați folosirea în vreme proastă. Ca de exemplu ceață deasă, ploaie puternică, vânt tare, frig excesiv, etc. A lucra în vreme friguroasă este oboseitor, și produce situații periculoase, cum ar

fi teren alunecos, imposibilitatea prevederii direcției de cădere, etc.

- 3 Fiți foarte atent la tăierea crengilor subțiri, și evitați tăierea tufișurilor (= multe crengi subțiri în același timp). Crengi subțiri se pot agăța de lanț după tăiere și pot fi aruncate înspre Dvs., cauzând răni.
- 4 Asigurați-vă că puteți înainta și sta în mod sigur. Controlați dacă sunt eventuale obstacole în cazul unei deplasări neașteptate (rădăcini, pietre, crengi, gropi, șanțuri, etc). Lucrați cu atenție mărită pe teren înclinat.
- 5 Fiți foarte atent la tăierea copacilor care sunt tensionați. Un copac tensionat se poate arcuri atât în timpul tăierii cât și după tăiere, revenind în poziția normală. Dacă vă plasați greșit sau plasați tăietura inițială într-un mod necorespunzător, arborele poate să vă lovească sau să lovească mașina, ceea ce duce la pierderea controlului. Ambele situații pot duce la răni grave.



- 6 În caz de deplasare trebuie cu lanțul de ferăstrău să fie blocat cu frâna de lanț iar motorul trebuie închis. Țineți ferăstrăul cu motor de mânerul anterior cu lama de ghidaj și lanțul spre spate. În cazul unor deplasări mai lungi cât și în cazul transportului.
- 7 Atunci când așezați motofierăstrăul pe pământ, blocați lanțul cu frâna lanțului și nu scăpați aparatul din vedere. Opriți motorul înainte de a părăsi motofierăstrăul pentru perioade oricât de scurte.



AVERTISMENT! Uneori așchiile rămân blocate în capul ambreiajului provocând blocarea lanțului. Opriți întotdeauna motorul înainte de curățare.

Reguli generale

- 1 Dacă înțelegeți ce este reculul și cum apare, puteți să reduceți sau să eliminați elementul de surpriză. Reduceți riscurile prin a fi pregătit. Reculul este de obicei destul de ușor, dar câteodată poate să fie foarte rapid și violent.
- 2 Țineți întotdeauna ferăstrăul cu motor hotărât, cu mâna dreaptă pe mânerul anterior și cu mâna stângă pe mânerul posterior. Apucați mânerul cu degetele în jurul lor. Folosiți această apucătură indiferent dacă sunteți dreptaci sau stângaci. Această prindere reduce la minim efectele unui recul, și face posibil să mențineți controlul asupra ferăstrăului cu motor. **Nu dați drumul la mâner!**

- 3 Cele mai multe accidente de recul se întâmplă la tăiat crengi. Asigurați-vă de o poziție stabilă și că nimic nu vă este în cale care poate să cauzeze împiedicarea sau pierderea echilibrului.

Lipsa concentrației poate să ducă la recul dacă zona de risc de recul a lamei de ghidaj atinge neintenționat o ramură, un copac în apropiere sau un alt obiect.

Controlați piesa prelucrată. În cazul în care piesele pe care doriți să le tăiați sunt mici și ușoare, acestea se pot bloca în lanț și pot fi proiectate spre dumneavoastră. Chiar dacă acest lucru nu prezintă neapărat un pericol, vă poate surprinde și puteți pierde controlul motofierăstrăului. Niciodată nu tăiați bușteni și ramuri suprapuse fără a le separa în prealabil. Tăiați

REGULI DE LUCRU

un singur buștean sau o singură piesă la un moment dat. Îndepărtați piesele tăiate pentru a menține siguranța locului de muncă. (62)

- 4 Nu folosiți niciodată ferăstrăul cu motor mai sus de nivelul umerilor, și evitați să tăiați cu vârful lamei. Nu folosiți niciodată ferăstrăul cu motor cu o singură mână! (63)
- 5 Pentru a avea control maxim asupra ferăstrăului dumneavoastră cu motor trebuie să aveți o poziție stabilă. Nu lucrați niciodată în picioare pe o scară, urcat într-un copac sau atunci când nu aveți o bază solidă pe care să stați. (64)
- 6 Folosiți întotdeauna o viteză mare de lanț la tăiere, adică accelerație maximă.
- 7 Procedați cu mare precauție când tăiați cu partea superioară a lamei, adică atunci când tăiați de jos în sus. Aceasta se numește tăiere în direcție de împingere. Lanțul de ferăstrău încearcă să împingă ferăstrăul cu motor înapoi, spre operator. În cazul blocării lanțului este posibil ca motofierăstrăul să fie aruncat înapoi, spre dumneavoastră. (65)
- 8 Dacă operatorul nu se opune forțe de împingere a ferăstrăului cu motor, există riscul ca ferăstrăul cu motor se va deplasa așa de mult înapoi, încât zona de risc de recul este singura care vine în contact cu lemnul, ceea ce duce la recul. (66)
Tăiere cu partea inferioară a lamei, adică de sus în jos, se numește tăiere în direcție de tragere. În acest caz ferăstrăul cu motor se trage spre copac, și partea anterioară a corpului ferăstrăului cu motor constituie un punct de sprijin natural spre trunchi. Tăierea în direcție de tragere vă permite un control mai bun asupra ferăstrăului cu motor și asupra poziției zonei de risc de recul. (67)
- 9 Urmăriți instrucțiunile privind ascuțirea și întreținerea lamei și a lanțului. La schimbarea lamei și a lanțului folosiți numai combinații recomandate de noi. A se vedea instrucțiunile de la paragrafele Mecanismul de tăiere și Date tehnice.

Tehnica de bază de tăiere



AVERTISMENT! Niciodată nu folosiți motofierăstrăul ținându-l cu o singură mână. Motofierăstrăul nu poate fi controlat în siguranță cu o singură mână. Mențineți permanent o priză fermă asupra mânerelor, cu ambele mâini.

Generalități

- Tăiați întotdeauna cu accelerație la maximum!
- Reduceți accelerația la turație de mers în gol după fiecare tăietură (accelerație maximă timp mai îndelungat fără vreo încărcare a motorului, cu alte cuvinte fără opoziția pe care motorul o primește în timpul tăierii, poate duce la avarii serioase ale mot)
- Tăiere de sus în jos = Tăiere în direcție de "tragere".
- Tăiere de jos în sus = Tăiere în direcție de "împingere".

Tăierea în direcție de "împingere" mărește riscul reculului. A se vedea instrucțiunile de la paragraful Măsurile de prevenire a reculului.

Termeni folosiți

Tăiere = Termen general pentru secționarea prin lemn.

Curățire = Tăierea crengilor de pe un arbore doborât.

Despicare = Când obiectul tăierii se rupe înainte de terminarea tăieturii.

Cinci factori importanți trebuie luați în considerare înainte de tăiere:

- 1 Asigurați-vă că dispozitivul de tăiere nu se înțepenește în tăietură. (68)
- 2 Asigurați-vă că trunchiul nu se va despică. (69)
- 3 Asigurați-vă că lanțul de ferăstrău nu atinge terenul sau vreun obiect în timpul tăierii sau după aceasta. (70)
- 4 Există vreun risc de recul? (4)
- 5 Afectează condițiile și terenul înconjurător modul în care puteți înainta și sta?

Doi factori decid dacă lanțul se va înțepeni sau dacă trunchiul se va despică: Modul de sprijinire al trunchiului înainte și după tăiere cât și dacă obiectul ce trebuie tăiat este supus unei tensiuni.

În cele mai multe cazuri aceste probleme pot fi evitate prin tăiere în două momente, dinspre partea superioară și dinspre partea inferioară a trunchiului. Trebuie neutralizată "tendința" obiectului de tăiat de a bloca lanțul și de a se despică.

IMPORTANT! Dacă lanțul s-a înțepenit în tăietură: opriți motorul! Nu încercați să trageți afară ferăstrăul cu motor. Dacă încercați, puteți să stricați lanțul când ferăstrăul cu motor brusc se eliberează. Folosiți o părghie pentru a elibera ferăstrăul cu motor.

Instrucțiunile de mai jos arată cum să procedați în majoritatea situațiilor în care puteți să ajungeți folosind un ferăstrău cu motor.

Curățirea de crengi

La tăierea crengilor groase folosiți același procedeu ca și pentru secționare.

Crengi de formă mai complicată se vor tăia bucată cu bucată. (71)

Tăiere



AVERTISMENT! Niciodată nu încercați să tăiați bușteni suprapuși sau apropiați unul de altul. Acest tip de procedură mărește foarte mult riscul de recul, care poate duce la vătămări grave sau mortale.

Dacă aveți o stivă de bușteni, fiecare buștean de tăiat trebuie scos din stivă, așezat pe capră sau cadru și tăiat separat.

Îndepărtați piesele tăiate de locul de muncă. Lăsarea acestora în zona de muncă mărește riscul de recul datorat unei greșeli, precum și riscul dezechilibrării în timpul lucrului. (72)

Trunchiul este culcat pe teren. Nu există risc de înțepenie a lanțului sau de despicare a trunchiului. Există în schimb un risc mare ca lanțul de ferăstrău să atingă terenul la terminarea tăieturii. (73)

REGULI DE LUCRU

Secționați trunchiul în întregime de sus în jos. Încercați să nu atingeți terenul la terminarea tăieturii. Mențineți accelerația maximă dar fiți pregătit pentru situațiile ce pot apărea. (74)

Dacă este posibil (= se poate roti trunchiul?), opriți tăietura după ce ați pătruns 2/3 în trunchi.

Întoarceți trunchiul și terminați tăierea restului de 1/3 dinspre partea superioară. (75)

Trunchiul se sprijină pe unul dintre capete. Riscul de despicare este mare. (76)

Începeți cu o tăietură de jos în sus (cca. 1/3 din diametrul trunchiului).

Terminați cu o tăietură de sus în jos, în așa fel încât cele două tăieturi să se întâlnească. (77)

Trunchiul se sprijină pe ambele capete. Există un risc mare ca lanțul ferăstrăului cu motor să se înțepenească. (78)

Începeți cu o tăietură din sus (cca. 1/3 a diametrului bușteanului).

Terminați cu o tăietură din jos, așa ca cele două tăieturi să se întâlnească. (79)

Tehnica de doborâre a arborilor

IMPORTANT! Se cere destul de multă experiență pentru doborârea unui arbore. Operatori de ferăstrău cu motor fără experiență să nu doboare arbori. Evitați orice folosire pentru care nu vă considerați suficient calificat!

Distanță de siguranță

Distanța de siguranță între un arbore care se va doborî și locul de muncă din apropiere trebuie să fie de cel puțin 2 1/2 ori înălțimea arborelui. Verificați că nimeni nu se află în interiorul acestei "zone de risc" înainte și în timpul doborârii. (80)

Direcția de doborâre

Scopul este ca arborele să fie doborât în așa fel încât curățirea de crengi și secționarea ulterioară a trunchiului să poată fi făcute pe un teren cât mai "convenabil". Trebuie să puteți merge și sta în siguranță.

După ce v-ați hotărât în ce direcție ați dori ca arborele să cadă, trebuie să judecați în ce direcție ar cădea arborele în mod natural.

Aceasta este determinată de mai mulți factori:

- Înclinarea arborelui
- Curbura
- Direcția vântului
- Concentrația crengilor
- Greutatea eventuală a zăpezii
- Obstacolele ce pot fi atinse de arbore: de exemplu: alți copaci, linii electrice, șosele și clădiri.
- Examinăți trunchiul pentru a vedea dacă este slăbit sau putrezit, acestea favorizează ruperea și căderea premature ale arborelui.

Poate că ajungeți la concluzia că sunteți nevoiți să lăsați arborele să cadă în direcția naturală, pentru că este imposibil sau periculos să-l doborâți în direcția dorită inițial.

Un alt factor important, care nu influențează direcția de cădere, dar influențează siguranța Dvs. personală, este să vă asigurați că

arborele nu are crengi avariate sau "moarte" care pot să se rupă și să vă lovească în timpul doborârii.

Ceea ce trebuie evitat în primul rând este ca arborele să nu cadă asupra unui alt arbore. A da jos un arbore blocat este foarte periculos și există un risc mare de accidente. A se vedea instrucțiunile de la paragraful Manipularea arborelui care a căzut greșit. (81)

IMPORTANT! În timpul momentelor critice la doborâre a copacilor, este bine să ridicați puțin dispozitivul de protecție a auzului imediat după ce tăierea este terminată pentru ca sunete și comenzi de prevenire să poată fi observate.

Curățirea trunchiului și pregătirea drumului de retragere

Curățați trunchiul de crengi până la nivelul umerilor. Pentru mai multă siguranță lucrați de sus în jos, păstrând trunchiul între dumneavoastră și motoferăstrău. (82)

Tăiați vegetația în jurul bazei arborelui și controlați locul în privința obstacolelor (pietre, crengi, gropi, etc.), ca să aveți drum liber de retragere când arborele începe să cadă. Drumul de retragere trebuie să fie la cca. 135° în direcția opusă direc (83)

- 1 Zonă de risc
- 2 Cale de retragere
- 3 Direcția de doborâre

Doborâre



AVERTISMENT! Nu recomandăm utilizatorilor care nu sunt suficient calificați să doboare copaci cu o lamă de lungime mai scurtă decât diametrul trunchiului!

Doborârea se face prin trei tăieturi. Mai întâi executați o tăietură de direcție constituită dintr-o tăietură superioară și una de inferioară, apoi se finalizează doborârea printr-o tăietură de doborâre. Printr-o plasare corectă a acestor tăieturi se poart

Tăietura de direcție

Pentru a începe tăiere direcțională, începeți cu tăietura de deasupra. Îndreptați marcajul de doborâre de pe fierăstrău (1) către un punct mai îndepărtat pe teren, unde doriți să cadă copacul (2). Stați în partea dreaptă a copacului, în spatele fierăstrăului și tăiați trăgând fierăstrăul spre dvs.

Continuați cu tăietura de inferioară în așa fel încât aceasta să întâlnească tăietura superioară. (84)

Adâncimea tăieturii de direcție trebuie să fie 1/4 din diametrul trunchiului, iar unghiul dintre tăietura superioară și cea de bază să fie de 45°.

Linia de întâlnire dintre cele două tăieturi se numește linia tăieturii de direcție. Această linie trebuie să fie perfect orizontală și la unghi drept (90°) față de direcția de doborâre aleasă. (85)

Tăietura de doborâre

Tăietura de doborâre se face din partea opusă a arborelui și trebuie să fie perfect orizontală. Stați pe partea stângă a arborelui și executați tăietura cu partea inferioară a lamei.

Plasați tăietura de doborâre la cca 3-5 cm (1,5-2 țoli) deasupra planului orizontal al tăieturii de direcție. (86)

REGULI DE LUCRU

Plasați ghearele de sprijin (dacă sunt montate) în spatele fășiei de rupere. Folosiți accelerație maximă și pătrundeți încet cu lanțul de ferăstrău/lama în lemn. Asigurați-vă că arborele nu începe să se miște în direcția opusă celei plănuite. Introduceți o pană sau o pârghie basculantă în tăietură imediat când aceasta are o adâncime suficientă.

Terminați tăietura de doborâre paralel cu linia tăieturii în așa fel încât distanța dintre ele să fie cel puțin 1/10 din diametrul trunchiului. Secțiunea netăiată a trunchiului se numește fășia de rupere.

Fășia de rupere funcționează ca o balama care controlează direcția de cădere a arborelui în timpul doborârii. (87)

Tot controlul asupra direcției de cădere se pierde, dacă fășia de rupere este prea îngustă, sau dacă poziția tăieturii de direcție sau a tăieturii de doborâre este greșită. (88)

Când tăietura de tăiere și tăietura de direcție sunt complete, arborele trebuie să cadă datorită propriei greutate și cu ajutorul unei pane de doborâre sau unei pârgھی basculante. (89)

Vă recomandăm să utilizați șine cu lungimea mai mare decât diametrul trunchiului, astfel încât să puteți efectua tăieturile de doborâre și direcționale din "câte o mișcare". Pentru a afla lungimile de șină recomandate pentru motofierăstrăul dumneavoastră, vezi instrucțiunile din secțiunea Date tehnice.

Există metode și pentru doborârea arborilor cu un diametru mai mare decât lungimea lamei. Aceste metode însă implică un risc sporit ca zona de risc de recul a lamei să vină în contact cu lemnul. (4)

Manipularea arborelui care a căzut greșit

Eliberarea unui arbore "blocat"

A da jos un arbore blocat este foarte periculos și există un risc mare de accidente.

Nu încercați niciodată să tăiați un arbore pe care a căzut un altul. Niciodată nu lucrați în zona periclitată de un arbore care atârână și este prins. (90)

Metoda cea mai sigură este folosirea unui troliu.

- Montat pe un tractor
- Portabil

Tăierea arborilor și a crengilor aflate sub tensiune

Pregătiri: Calculați în ce direcție s-ar mișca arborele sau creanga dacă s-ar elibera, și unde ar fi punctul de rupere (adică locul unde s-ar rupe dacă ar fi supusă la și mai multă tensiune). (91)

Decideți care este soluția cea mai sigură de-a micșora tensiunea, și dacă sunteți capabil de a face operația în mod sigur. În situații complicate singura metodă sigură este de a renunța la folosirea ferăstrăului cu motor și de a folosi un troliu.

Este valabil general:

Luăți o poziție în care nu puteți fi lovit de arbore sau creangă în caz că aceasta s-ar elibera. (92)

Executați o tăietură sau mai multe pe punctul de rupere sau în apropierea acestuia. Tăiați atât de adânc și faceți atât de multe tăieturi încât tensiunea să se reducă suficient încât arborele/creanga să "se rupă" în punctul de rupere. (93)

Nu secționați niciodată un arbore sau o creangă peste întregul sa grosime dacă acestea se află sub tensiune!

Atunci când trebuie să tăiați un arbore sau o ramură, faceți două sau trei tăieturi la distanțe de 3 cm, cu adâncimea cuprinsă între 3 și 5 centimetri. (94)

Continuați să tăiați până când arborele sau ramura se îndoaie și tensiunea este eliberată. (95)

Tăiați arborele/ramura din partea opusă, după ce dispare tensiunea.

Măsurile de prevenire a reculului



AVERTISMENT! Reculul poate să se manifeste foarte rapid și violent și să arunce ferăstrăul cu motor, lama de ghidaj și lanțul spre operator. Dacă lanțul este în mișcare atunci când acesta îl atinge pe utilizator, poate să ducă la leziuni serioase, chiar și mortale. Este foarte important să înțelegeți cauzele reculului, și că acesta poate fi evitat prin precauție și folosirea unei tehnici de lucru corecte.

Ce este reculul?

Recul este o noțiune ce descrie reacția rapidă care se manifestă atunci când ferăstrăul cu motor și lama sunt aruncate de pe un obiect ce a ajuns în contact cu sectorul superior al vârfului lamei de ghidaj, sector denumit zonă de risc de recul. (66)

Reculul se produce întotdeauna în planul de tăiere al lamei de ghidaj. De obicei ferăstrăul cu motor și lama de ghidaj sunt aruncate în sus și înapoi înspre operator. Pot apărea și alte direcții de mișcare în funcție de poziția pe care o are ferăstrăul cu motor în momentul când zona de risc de recul a lamei a atins un obiect. (7)

Reculul apare numai în cazul în care zona de risc de recul a lamei atinge vreun obiect. (4)

Curățirea de crengi



AVERTISMENT! Majoritatea accidentelor provocate de recul se produc în timpul curățării trunchiului de crengi. Nu utilizați zona de recul a șinei. Lucrați cu atenție și evitați să atingeți cu vârful șinei bușteanul, alte crengi sau obiecte. Lucrați cu atenție asupra ramurilor încordate. Acestea vă pot lovi, puteți pierde controlul, ceea ce poate duce la vătămări.

Asigurați-vă că puteți înainta în siguranță și că aveți o poziție stabilă! Lucrați pe partea stângă a trunchiului. Țineți ferăstrăul cu motor aproape de corp, pentru a avea un control maxim. Dacă este posibil, lăsați greutatea ferăstrăului cu motor să se

Țineți trunchiul între Dvs. și ferăstrăul cu motor în timp ce vă mișcați de-a lungul trunchiului.

Secționarea trunchiului în buștean

A se vedea instrucțiunile de la paragraful Tehnica de bază de tăiere.

Generalități

Utilizatorul poate efectua doar acele lucrări de întreținere și service care sunt descrise în acest manual de utilizare. Intervenții mai cuprinzătoare trebuie efectuate de un atelier de service autorizat.

Reglarea carburatorului

Produsul Husqvarna a fost proiectat și construit conform specificațiilor de reducere a gazelor toxice.

Funcționare

- Prin reglajul accelerației carburatorul determină turația motorului. În carburator se amestecă aerul cu combustibil. Amestecul aer-combustibil este ajustabil. Pentru a obține efectul maxim al mașinii, această ajustare trebuie să fie corectă.
- Șurubul T reglează turația de mers în gol. Dacă șurubul T se înșurubează, turația de mers în gol crește, iar deșurubarea lui micșorează turația.

Ajustarea de bază și rodajul

Cu ocazia probelor în fabrică carburatorul este ajustat la valori de bază. Reglarea fină trebuie efectuată de către un tehnician calificat.

Turația de mers în gol recomandată: A se vedea capitolul Date tehnice.

Ajustarea fină a turației de mers în gol T

Ajustați turația de mers în gol cu șurubul T. Dacă o ajustare este necesară, rotiți întâi șurubul T în sens orar, până ce lanțul începe să se rotească. Rotiți șurubul după aceea în sens antiorar până ce lanțul se oprește. Turația de mers în gol este corect ajustată dacă motorul merge uniform în orice poziție și cu o rezervă suficientă până la acea turație la care lanțul începe să se rotească.



AVERTISMENT! Luați legătura cu atelierul de reparații dacă turația de mers în gol nu poate fi ajustat la o valoare la care lanțul să se oprească. Nu folosiți ferăstrăul cu motor înainte de a fi ajustat sau reparat corespunzător.

Carburator ajustat corect

Un carburator ajustat corect înseamnă că mașina accelerează fără ezitare, și la accelerație maximă sună destul de tare. Deasemenea, lanțul nu are voie să se rotească la mers în gol. Un ac de turație joasă L ajustat prea sărac cauzează greutateți de pornire și accelerație proastă. Cu un ac de turație înaltă H ajustat prea sărac mașina are putere mai redusă = "capacitate mai mică", accelerație proastă și/ sau deteriorarea motorului.

Verificarea, întreținerea, și serviciul echipamentului de siguranță al ferăstrăului cu motor

Notați! Toate lucrările de service și reparații ale aparatului necesită cursuri de calificare speciale. Acest lucru este valabil în mod special în cazul echipamentelor de siguranță ale aparatului. În cazul în care aparatul nu trece oricare din testele descrise mai jos, vă recomandăm să-l duceți la un atelier de service.

Frâna de lanț cu maneta de frână

Verificarea uzurii benzii de frână



Curățați frâna de lanț și tamburul de frână de rumeguș, rășină și murdărie. Murdăria și uzura influențează efectul de frânare. (96)

Controlați cu regularitate că banda de frână are o grosime de cel puțin 0,6 mm pe partea cea mai uzată.

Verificarea manetei de frână



Asigurați-vă că maneta de frână nu este deteriorată și că nu are defecte vizibile, de exemplu fisuri.

Deplasați maneta de frână înainte și înapoi pentru a vă asigura că se mișcă liber și că este stabil atașată de carcasa ambreiajului.

Verificarea frânei automate



Oprii motorul și așezați motofierăstrăul pe un ciot sau pe o altă suprafață stabilă. Eliberați mânerul din față și lăsați motofierăstrăul să cadă spre ciot sub greutatea proprie, rotindu-se în jurul mânerului din spate. (97)

Când vârful lamei de ghidaj atinge bușteanul, frâna trebuie să se declanșeze. (98)

Verificarea efectului frânei

Așezați ferăstrăul cu motor pe o suprafață stabilă și porniți-l. Asigurați-vă că lanțul nu atinge pământul sau vreun alt obiect. A se vedea indicațiile de la paragraful Pornire și oprire. (99)

Țineți ferăstrăul cu motor în mod stabil cu degetele strânse în jurul mânerelor.

Accelerați la maximum și activați frâna lanțului prin răducirea încheieturii minii stângi spre maneta de frână. Nu dați drumul la mânerul anterior. **Lanțul trebuie să se oprească imediat. (58)**

ÎNTREȚINERE

Clichetul de blocare a butonului de accelerație



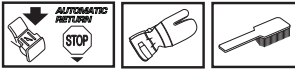
- Asigurați-vă că butonul de accelerație este blocat în poziție de mers în gol atunci când clichetul de blocare a accelerației este în poziția sa inițială. (100)
- Apăsăți clichetul de blocare a accelerației și verificați că acesta revine în poziția sa inițială atunci când este eliberat. (101)
- Verificați că butonul de accelerație și clichetul de blocare a accelerației se mișcă liber, iar arcurile de revenire funcționează. (102)
- Porniți ferăstrăul cu motor și dați accelerație maximă. Dați drumul la butonul de accelerație și verificați dacă lanțul se oprește și rămâne nemișcat. Dacă lanțul se rotește cu butonul de accelerație în poziția de mers în gol, atunci trebuie să verificați

Opritorul de lanț



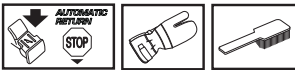
Verificați că opritorul de lanț nu este deteriorat și că este stabil atașat de corpul ferăstrăului cu motor. (103)

Apărătorul de mâna dreaptă



Verificați că apărătorul de mâna dreaptă nu este deteriorat și că nu sunt defecte vizibile, de exemplu fisuri în material. (11)

Sistemul de amortizare a vibrațiilor



Verificați în mod regulat elementele de reducere a vibrațiilor în privința fisurilor și deformațiilor. Asigurați-vă că elementele de reducere a vibrațiilor sunt bine atașate între unitatea motorului și mâner. (104)

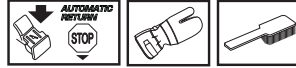
Contactul de oprire



Porniți motorul și asigurați-vă că motorul se oprește atunci când contactul de oprire este deplasat în poziție de stop. (59)

ATENȚIE! Comutatorul de pornire/oprire revine automat în poziția de funcționare. Pentru a împiedica pornirea accidentală, capacul bujei trebuie îndepărtat de pe bujie în timpul asamblării, verificării și/sau al operațiilor de întreținere.

Toba de eşapament



Nu folosiți niciodată o mașină care are o tobă de eşapament defectă.

Verificați periodic că toba de eşapament este stabil atașată de mașină. (105)

Unele tobe de eşapament sunt înzestrate cu o plasă specială de stingere a scânteilor. Dacă mașina Dvs. este înzestrată cu acest tip de tobă, trebuie să curățiți plasa cel puțin o dată pe săptămână. Aceasta se face optimal cu o perie de sârmă. O sită blocată va provoca supraîncălzirea motorului și poate duce la defecțiuni grave.

Notați! Plasa trebuie schimbată dacă s-a deteriorat. Mașina se supraîncăleşte dacă plasa este înfundată iar aceasta duce la avarii ale cilindrului și ale pistonului. Nu folosiți niciodată o mașină cu tobă de eşapament în stare proastă. **Nu folosiți niciodată o tobă de eşapament dacă plasa de capturare a scînteielor lipsește sau este defectă.** (13)

Toba de eşapament este concepută pentru a reduce nivelul de zgomot și pentru a dirija gazele de eşapament departe de operator. Gazele de eşapament sunt fierbinți și pot conține scântei, care pot cauza incendii dacă sunt dirijate spre materiale uscate și inflamabile.

Demarorul



AVERTISMENT! Resortul de readucere este montat în carcasa demarorului în poziție tensionată, și poate sări afară cauzând leziuni în cazul în care este mănuit neglijent.

Procedați cu atenție atunci când înlocuiți arcul de rapel sau firul de pornire. Purtați ochelari și mănuși de protecție.

Înlocuirea firului de pornire



- Desfaceți șuruburile demarorului și scoateți demarorul. (106)
- Trageți afară șnurul cca. 30 cm și ridicați-l peste degajarea de la periferia discului de antrenare. Detensionați resortul lăsând discul de antrenare să se rotească încet înapoi. (107)
- Desfaceți șurubul din centrul roții și demontați discul de antrenare (A), arcul discului de antrenare (B) și roata (C). Introduceți și fixați noul fir de pornire pe roata de pornire. Înfășurați firul de aproximativ 3 ori pe roata de pornire. Montați roata de pornire astfel încât arcul de rapel (D) să se agațe de aceasta. Asamblați arcul roții de antrenare, roata de antrenare și șurubul în centrul roții de pornire. Treceți firul de pornire prin orificiul din carcasa demarorului și prin mânerul de pornire. Înnoați bine capătul firului. (108)

Tensionarea resortului de readucere

- Ridicați șnurul în degajarea discului și rotiți discul 2 rotații în sensul mișcării acelor ceasornicului.

Notați! Verificați că discul se poate roti cel puțin încă o jumătate de rotație când șnurul este tras afară în întregime. (109)

Întindeți firul cu ajutorul mânerului. Mișcați degetul mare și eliberați firul. Consultați figura de mai jos. (110)

Înlocuirea arcurilor de rapel și de antrenare



Arc de rapel (A)

- Scoateți roata de transmisie a demarorului. A se vedea indicațiile de la paragraful Schimbarea șnurului de demaraj rupt sau uzat. Țineți seama că arcul de readucere este tensionat în interiorul carcasei demarorului.
- Demontați caseta cu arcul de readucere din interiorul demarorului.
- Ungeți arcul de readucere cu ulei de viscozitate mică. Montați caseta cu arcul de readucere în interiorul demarorului. Montați roata de transmisie a demarorului și tensionați arcul de readucere.

Arcul discului de antrenare (B)

- Desfaceți șurubul din centrul roții și demontați discul de antrenare și arcul discului de antrenare.
- Înlocuiți arcul discului de antrenare și potriviți discul de antrenare deasupra arcului. (111)

Montarea demarorului

- Montați demarorul prin a trage afară șnurul de demaraj înainte de a așeza demarorul pe carcasa motorului. Lăsați încet șnurul înapoi în așa fel încât discul să se cupleze cu clișeii de antrenare.
- Montați și strângeți șuruburile ce fixează demarorul.

Filtrul de aer



Filtrul de aer trebuie curățat regulat de praf și impurități pentru a evita:

- Funcționarea defectuoasă a carburatorului
- Probleme la pornire
- Putere redusă
- Uzuri inutile ale componentelor motorului
- Consum exagerat de combustibil.
- Filtrul de aer se demontează după ce capacul filtrului s-a îndepărtat. La montare aveți grijă ca filtrul să fie așezat etanș pe suportul lui. Curățarea filtrului se face prin periere și scuturare. (112)

O curățare mai minuțioasă a filtrului de aer se face prin spălarea filtrului de aer cu apă și săpun.

Un filtru de aer folosit un timp îndelungat nu se poate curăța perfect. De aceea este necesară schimbarea lui la intervale regulate cu unul nou. **Un filtru de aer deteriorat trebuie întotdeauna schimbat.**

Un ferăstrău cu motor HUSQVARNA poate fi echipat cu diferite tipuri de filtre de aer depinzând de condițiile de lucru, condițiile meteorologice, anotimp, etc. Luați legătura cu agentul dvs. pentru a primi sfaturi.

Bujia



Starea bujiei este influențată de:

- O ajustare incorectă a carburatorului.
- Un amestec greșit de ulei în combustibil (prea mult sau ulei nepotrivit).
- Un filtru de aer murdar.

Acești factori cauzează depuneri pe electrozii bujiei având ca rezultat o funcționare defectuoasă și dificultăți de pornire.

Dacă mașina are putere mică, este greu de pornit sau are o funcționare neregulată la mesul în gol: verificați întâi bujia înainte de a lua alte măsuri. Dacă bujia este înfundată, curățați-o și controlați ca distanța dintre electrozi să fie de 0,5 mm. Bujia se va schimba după aproximativ o lună de exploatare, sau și mai repede, dacă este necesar. (113)

Notați! Folosiți întotdeauna bujii de tipul recomandat! O bujie incorectă poate să distrugă pistonul și cilindrul. Aveți grijă ca bujia să aibe așa numită protecție la unde radio.

Ungerea rulmentului cu ace



Tamburul ambreiajului este montat pe arborele de ieșire cu un rulment cu ace. Acest rulment cu ace trebuie uns în mod regulat.

Dezasamblați capacul ambreiajului în timpul ungerii, slăbind cele două piulițe ale șinei. Așezați ferăstrăul pe partea laterală, astfel încât tamburul ambreiajului să fie în sus.

Ungeți prin picurarea uleiului de motor în centrul tamburului ambreiajului în timp ce acesta se rotește. (114)

Sistemul de răcire



Pentru obținerea unei temperaturi de exploatare cât mai joase, mașina este prevăzută cu un sistem de răcire.

Sistemul de răcire se compune din:

- Gura de aspirație pe demaror.
- Placă de dirijare a aerului.

- 3 Palete de ventilator pe volant.
- 4 Nervuri de răcire pe cilindru.
- 5 Capacul cilindrului (dirijează aerul rece spre cilindru). (115)

Curățiți sistemul de răcire cu o perie odată pe săptămână, sau mai des în condiții de solicitare extremă. Un sistem de răcire murdar sau blocat duce la supraîncălzirea mașinii, ceea ce cauzează avarii ale pistonului și ale cilindrului.

Curățirea centrifugală a aerului "Air Injection"

Prin curățirea centrifugală se înțeleg următoarele: Toată cantitatea de aer trece (este absorbită) prin demaror în drum spre carburator. Impurități și praf sunt eliminate prin centrifugare de către ventilatorul de răcire. (116)

IMPORTANT! În vederea menținerii în funcționare a curățirii centrifugale, este nevoie de o întreținere și îngrijire continuă. Curățiți gura de aspirație pe demaror, paletel ventilatorului pe volant, spațiul în jurul volantului, canalul de aer și spațiul carburatorului.

Folosirea în timpul iernii

La folosirea mașinii în timp de ger și în condiții cu zăpadă, pot apărea perturbări la folosire, cauzate de:

- Temperatură de motor prea joasă.
- Depuneri de gheață pe filtrul de aer și carburator.

De aceea este nevoie de un număr de măsuri speciale:

- Reducerea parțială a gurii de aspirație și prin aceasta ridicarea temperaturii de lucru a motorului.

Temperaturi de -5°C sau mai scăzute:



Pentru folosirea mașinii în vreme friguroasă, sau zăpadă pulverulentă, există un capac special care se montează pe carcasa demarorului. Acesta reduce debitul de aer, și împiedică aspirarea unor cantități mai mari de zăpadă. (117)

ATENȚIE! În caz că s-a montat un set special de iarnă, sau s-au luat măsuri pentru ridicarea temperaturii, o reajustare va fi necesară când mașina se va folosi din nou în condiții normale. În caz contrar există riscul supraîncălzirii, care poate să ducă la avarii serioase ale motorului.

IMPORTANT! Orice întreținere care nu este descrisă în acest manual trebuie făcută de atelierul de specialitate (magazinul de vânzare).

ÎNȚEȚINERE

Planificarea întreținerii

Mai jos urmează o listă ce cuprinde întreținerea ce trebuie efectuată pe mașină. Marea majoritate a punctelor sunt descrise în capitolul Întreținere.

Întreținere zilnică	Întreținere săptămânală	Întreținere lunară
Curățați mașina în exterior.	Verificați săptămânal sistemul de răcire.	Verificați uzura curelei frânei lanțului. Înlocuiți-o atunci când în locul de uzură maximă are mai puțin de 0,6 mm.
Controlați că părțile componente ale reglajului accelerației funcționează corect din punct de vedere al securității. (Clichetului de blocare a accelerației și reglajul accelerației.)	Verificați demarorul, firul de pornire și arcul de rapel.	Controlați uzura saboților, a tamburului și a arcurilor ambreiajului.
Curățați frâna de lanț și verificați funcționarea acesteia conform instrucțiunilor. Asigurați-vă că opritorul de lanț nu este deteriorat, în caz contrar schimbați-l imediat.	Verificați componentele de amortizare a vibrațiilor, acestea nu trebuie să fie deteriorate.	Curățați bujia. Controlați ca distanța dintre electrozi să fie 0,5 mm.
Șina trebuie întoarsă în mod regulat pentru o uzură mai uniformă. Verificați orificiul de ungere din șină pentru a vă asigura că nu este obturată. Curățați canalul șinei.	Ungeți rulmentul tamburului ambreiajului.	Curățați exteriorul carburatorului.
Verificați funcționarea corespunzătoare a lubrifierii lamei și a lanțului.	Piliți eventualele bavuri de pe laturile lamei de ghidaj.	Verificați filtrul de combustibil și furtunul combustibilului. Schimbați-le dacă este necesar.
Verificați lanțul: acesta nu trebuie să prezinte crăpături vizibile ale niturilor și zalelor, lanțul nu trebuie să fie rigid, niturile și zalele nu trebuie să fie foarte uzate. În caz de nevoie înlocuiți.	Curățați sau schimbați captatorul de scântei al tobei de eșapament.	Goliți rezervorul de carburant și curățați interiorul.
Ascuțiți lanțul și verificați tensiunea și starea acestuia. Controlați uzura roții de lanț, schimbați-o dacă este necesar.	Curățați blocul carburatorului și spațiul în jurul lui.	Goliți rezervorul de ulei și curățați interiorul.
Curățați priza de aer a demarorului.	Curățați filtrul de aer. Schimbați-l dacă este necesar.	Controlați toate cablurile și conexiunile electrice.
Verificați ca șuruburile și piulițele să fie strânse.		
Controlați că contactul de oprire funcționează.		
Controlați ca să nu existe scurgeri de combustibil de la motor, rezervor sau tuburile de combustibil.		
Verificați ca lanțul să nu se rotească în timp ce motorul merge în gol.		

DATE TEHNICE

Date tehnice

	435 II	435e II	440 II	440e II
Motor				
Volumul cilindrului, cm ³	40,9	40,9	40,9	40,9
Alezaj, mm	41	41	41	41
Cursă, mm	31	31	31	31
Turație la mers în gol, rpm	2900	2900	2900	2900
Putere, kW / rpm	1,6/9000	1,6/9000	1,8/9000	1,8/9000
Sistem de aprindere				
Bujia	NGK BPMR 7A/ Champion RCJ 7Y	NGK BPMR 7A/ Champion RCJ 7Y	NGK BPMR 7A/ Champion RCJ 7Y	NGK BPMR 7A/ Champion RCJ 7Y
Distanța între electrozi, mm	0,5	0,5	0,5	0,5
Sistemul de alimentare și ungere				
Volumul rezervorului de combustibil, litri	0,37	0,37	0,37	0,37
Debitul pompei de ulei la 9000 rpm, ml/min	13	13	13	13
Volumul rezervorului de ulei, litri	0,25	0,25	0,25	0,25
Tip de pompă de ulei	Automată	Automată	Automată	Automată
Greutate				
Ferăstrău cu motor fără lamă de ghidaj și lanț, cât și cu rezervoare goale, kg	4,2	4,4	4,2	4,4
Producere de zgomot (vezi nota 1)				
Nivelul efectului sonor, măsurat dB(A)	112	112	113	113
Nivelul efectului sonor, garantat L _{WA} dB(A)	114	114	114	114
Nivele de zgomot (vezi nota 2)				
Nivelul echivalent al presiunii sonore la urechea operatorului, dB(A)	102	102	102	102
Nivele de vibrații echivalente, a_{hveq} (consultați nota 3)				
Mânerul anterior, m/s ²	2,5	2,5	2,5	2,5
Mânerul posterior, m/s ²	3,2	3,2	3,2	3,2
Lanț/lamă de ghidaj				
Lungimea normală a lamei de ghidaj, țoli/cm	13"/33	13"/33	13"/33	13"/33
Lungimi recomandate de lamă de ghidaj, țoli/cm	13-18/33-45	13-18/33-45	13-18/33-45	13-18/33-45
Lungime utilă de tăiere, țoli/cm	12-17/31-43	12-17/31-43	12-17/31-43	12-17/31-43
Pasul lanțului, țoli/mm	0,325/8,25	0,325/8,25	0,325/8,25	0,325/8,25
Grosimea zalelor de antrenare, țoli/mm	0,050/1,3	0,050/1,3	0,050/1,3	0,050/1,3
Tipul roții de antrenare/numărul dinților	Spur/7	Spur/7	Spur/7	Spur/7
Turația lanțului la 133% din turația motorului la putere maximă, în m/s.	23,1	23,1	23,1	23,1

Nota 1: Producere de zgomot în mediul înconjurător măsurat ca și efect sonor (L_{WA}) conform directivei EG 2000/14/EG.

Nota 2: Nivelul echivalent de presiune a zgomotului, conform ISO 22868, este calculat ca și totalul energiei măsurate în timpul unei ore pentru diferite nivele de presiune a zgomotului în diferite condiții de lucru. Dispersia statistică tipică pentru nivelul echivalent de presiune a zgomotului este reprezentată printr-o deviere standard de 1 dB (A).

Nota 3: Nivelul echivalent de vibrații, conform ISO 22867, este calculat ca și totalul de energie măsurat în timpul unei ore pentru nivelurile de vibrații în diferite condiții de lucru. Datele raportate pentru nivelul echivalent de vibrații includ o dispersie statistică tipică (deviere standard) de 1 m/s².







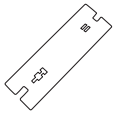
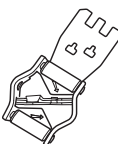
DATE TEHNICE

Combi-nații de lame de ghidaj și lanțuri

Următoarele accesorii de tăiere sunt aprobate pentru modelele Husqvarna 435 II, 435e II, 440 II și 440e II.

Lama de ghidaj				Lanțul de ferăstrău	
Lungime, țoli	Pasul lanțului, țoli	Lățimea canalului, mm	Max. numărul dinților roții de la vârful șinei	Tip	Lungime, zale de antrenare (număr)
13	0,325	1,3	10T	Husqvarna H30	56
15					64
16					66
18					72

Ascuțirea lanțului și matrițele

							
	inch/mm				inch/mm		
H30	3/16 / 4,8	85°	30°	10°	0,025 / 0,65	5056981-00	5056981-08

Declarație de conformitate EC

(Valabil doar în Europa)

Husqvarna AB, SE-561 82 Huskvarna, Suedia, telefon +46-36-146500, certifică faptul că motoferăstraile pentru tratarea pădurilor **Husqvarna 435 II, 435e II, 440 II și 440e II**, cu numere de serie ulterioare anului 2013 (anul și seria sunt indicate clar pe etichetă), corespund următoarelor directive europene:

- din 17 mai 2006 „referitoare la aparat” **2006/42/EC**.
- **2004/108/EEC** din 15 decembrie 2004, cu privire la compatibilitatea electromagnetica
- **2000/14/EC** din 8 mai 2000, cu privire la poluarea fonica a mediului inconjurator

Pentru informații referitoare la emisiile sonore, consultați capitolul Date tehnice. Au fost aplicate următoarele standarde:

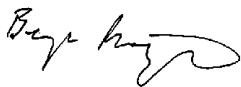
EN ISO 12100:2010, ISO 14982:2009, EN ISO 11681-1:2011

Organizația examinatoare: **0404 SMP Svensk Maskinprovning AB**, Box 7035, SE-750 07 Uppsala, Suedia, a efectuat controlul conform directivei mașinii 2006/42/EC articolul 12, punctul 3b. Certificatele de conformitate EC pentru amendamentul IX au numerele: **0404/09/2012** - 435 II, 435e II, 440 II, 440e II.

SMP Svensk Maskinprovning AB, Box 7035, SE-750 07 Uppsala, Suedia, certifică, de asemenea, că aceste produse corespund amendamentului V la directiva europeană 2000/14/EC din 8 mai 2000, cu privire la poluarea fonica a mediului inconjurator. Certificatele au numerele: **01/161/075** - 435 II, 435e II, **01/161/074** - 440 II, 440e II.

Ferăstrăul cu motor livrat este identic cu modelul supus controlului EC.

Husqvarna 8 aprilie 2013



Bengt Frtgelius, Director de dezvoltare Fierăstrău (Reprezentant autorizat pentru Husqvarna AB și responsabil cu documentația tehnică.)

ΗΠΗΞΗΓΗΣΗ ΣΥΜΒΟΛΩΝ

Σύμβολα πάνω στο μηχάνημα:

ΠΡΟΗΔΙΟΠΟΙΗΣΗ! Τα αλυσοπρίονα μπορεί να γίνουν ηκικίνδυνα! Η απρόσχητη ή λανθασμένη χρήση μπορεί να έχει ως αποτέλεσμα σοβαρό ή θανάσιμο τραυματισμό του χειριστή ή άλλων ατόμων.

Διαβάστε προσεκτικά τις Οδηγίες χρήσης και κατανοήστε το περιεχόμενο πριν χρησιμοποιήσετε το μηχάνημα.

Χρησιμοποιήστε πάντοτε:

- Ηγικηκρικό προστατευτικό κράνος
- Ηγικηκρικά προστατευτικά μέσα ακοής
- Προστατευτικά γυαλιά ή δικτυωτή μάσκα

Αυτό το προϊόν είναι σύμφωνα με τις ισχύουσες οδηγίες της ΗΚ.

Ηκιομπές θορύβων στο περιβάλλον σύμφωνα με την Οδηγία της Ευρωπαϊκής Κοινότητας (ΗΚ). Οι ηκιομπές του μηχανήματος αναφέρονται στο κηφάλαιο Τηχνικά χαρακτηριστικά και ση πινακίδα.

Ανάφληξ; τσοκ: Φέρτη το διακόπτη τσοκ στη θέση τσοκ. Ο διακόπτης στοπ αυτόματα πρέπει να έρθει στη θέση ηκκίνησης.

Συμπλήρωση καυσίμων.

Πλήρωση λαδιού αλυσίδας

Αντλία καυσίμου.

Ρύθμιση της αντλίας λαδιού.

Φρένο αλυσίδας ηνηργοποιημένο (δηξιά) Φρένο αλυσίδας απηνηργοποιημένο (αριστηρά)

Τα υπόλοιπα σύμβολα/ηπιγραφές του μηχανήματος αναφέρονται ση ηδικές απαιτήσεις για ηκλήρωση προδιαγραφών έγκρισης ση ορισμένης αγοράς.



Σύμβολα στις οδηγίες χρήσης:

Απενεργοποιήστε τον κινητήρα προτού πραγματοποιήσετε τυχόν ελέγχους ή συντήρηση. **ΠΡΟΣΟΧΗ!** Ο διακόπτης Ηκκίνησης/Διακόπτης επανέρχεται αυτόματα στη θέση λειτουργίας. Για την αποφυγή ανεπιθύμητης εκκίνησης, πρέπει πάντοτε να αφαιρείται το κάλυμμα του μπουζί από το μπουζί κατά τη συναρμολόγηση, τον έλεγχο ή/και τη συντήρηση.

Χρησιμοποιήστε πάντοτε ηγικηκρμένα προστατευτικά γάντια.

Απαιτείται τακτικός καθαρισμός.

Οπτικός έληγχος.

Χρησιμοποιήστε προστατευτικά γυαλιά ή δικτυωτή μάσκα.

Συμπλήρωση καυσίμων.

Συμπλήρωση λαδιών και ρύθμιση λίπανσης.

Το αλυσόφρηνο να είναι συνδημένο όταν μπαίνει μπρος το αλυσοπρίονο.

ΠΡΟΗΔΙΟΠΟΙΗΣΗ! Μπορεί να προκληθεί κλώτσημα όταν η μύτη της λάμας έρθει σε επαφή με ένα αντικείμενο και να επέλθει μια αντίδραση που τινάζει τη λάμα προς τα πάνω και πίσω προς τον χειριστή. Αυτό μπορεί να προκαλέσει σοβαρό ατομικό τραυματισμό.



Πηριηχόμενα**ΗΠΞΗΓΗΣΗ ΣΥΜΒΟΛΩΝ**

Σύμβολα πάνω στο μηχανήμα:	331
Σύμβολα στις οδηγίες χρήσης:	331

ΠΗΡΙΗΧΟΜΗΝΑ

Πηριηχόμενα	332
-------------------	-----

ΗΙΣΑΓΩΓΗ

Αγαπητέ πηλάτη!	333
-----------------------	-----

ΤΙ ΗΙΝΑΙ ΤΙ;

Τι ήναι τι στο αλυσοπρίοιο;	333
-----------------------------------	-----

ΓΗΝΙΚΗΣ ΟΔΗΓΗΣ ΑΣΦΑΛΗΙΑΣ

Ηνέργητης πριν θέσητη ση ληιουρηγία ένα καινούρηιο πριόνι	334
Σημαντικό	335
Χρησιμοποιείτε πάντοτε κοινή λογική	335
Ατομικός προστατηυτικός ηξοπλισμός	335
Προστατηυτικός ηξοπλισμός του μηχληήματος .	336
Κοπητικός ηξοπλισμός	338

ΣΥΝΑΡΜΟΛΟΓΗΣΗ

Μοντάρισμα οδηγού και αλυσίδας	343
--------------------------------------	-----

ΦΡΟΝΤΙΔΑ ΚΑΥΣΙΜΩΝ

Μίγμα καυσίμου	344
Γέμισμα ρηζηρηβουάρ	345
Ασφάληια καυσίμων	345

ΞΗΚΙΝΗΜΑ ΚΑΙ ΣΤΑΜΑΤΗΜΑ

Ξηκίνημα και σταμάτημα	347
------------------------------	-----

ΤΗΧΝΙΚΗ ΗΡΓΑΣΙΑΣ

Πριν από οποιαδήποτη χρήση:	349
Γηνικές οδηγίες ηρηγασίας	349
Ηνέργητης πρόληψης τινάγματος	353

ΣΥΝΤΗΡΗΣΗ

Γηνικά	354
Ρύθμιση καρμπιρατέρ	354
Ηληγγος, συντήρηση και σέρβις του προστατηυτικού ηξοπλισμού του αλυσοπριόνου	354
Σιγαστήρας	355
Μηχληισμός ηκκίνησης	355
Φίλτρο αέρα	356
Μπουζί	356
Λίπανση βηλωνωτού κουζιλέτου	357
Σύστημα ψύξης	357
Φυγοκηντρικός καθαρισμός "Air Injection"	357
Χημηρηνή χρήση	357
Πρόρηραμμα συντήρησης	358

ΤΗΧΝΙΚΑ ΣΤΟΙΧΗΙΑ

Τηχηικά στοιχηία	359
Συνδυσασμοί οδηγού και αλυσίδας	360
Τρόχησμα και οδηγοί τροχίσηματος αλυσίδας	360
ΗΚ-Βηβαίωση συμφωνίας	360

Αγαπητέ πελάτη!

Συγχαρητήρια για την ηπιλογή σας να αγοράσετε ένα προϊόν της Husqvarna! Οι ρίζες της Husqvarna φτάνουν μέχρι το 1689, τότε που ο βασιλιάς Κάρολος ο 11ος έστησε στις όχθες του ποταμού Huskvarna ένα ηργοστάσιο κατασκευής πυροβόλων όπλων. Η ηγκατάσταση του ηργοστασίου στις όχθες του ποταμού ηχηρή λογική βάση, καθώς το ποτάμι χρησίμη για την παραγωγή κινητήριας δύναμης, ληιουργώντας έτσι και ως ηργοστάσιο παραγωγής ηνέργηιας από υδατόπτωση. Σ η αυτά τα 300 και άνω χρόνια ληιουργίας του ηργοστασίου της Husqvarna, έχουν κατασκευαστή αμέτρητα προϊόντα, από σόμπη καυσόξυλων μέχρι μοντέρνη ηλεκτρική κουζίνη, ραπτομηχανές, ποδήλατα, μοτοσικλέτη κλπ. Το 1956 παρουσιάστηκη στην αγορά το πρώτο χορτοκοπτικό και το 1959 ακολούθησε το αλυσοπρίονο, και έως σήμερα η Husqvarna δραστηριοποιήται ση αυτά τα πλαίσια.

Η Husqvarna ηνία σήμερα ένας από τους πρωτοπόρους κατασκευαστές στον κόσμο στα προϊόντα δασοκομίας και κηπουρικής βάζοντας ύψιστη προτηραιότητα την ποιότητα και την απόδοση. Η ηπιχειρηματική μας ψιλοσοφία ηνία να αναπτύσσουμη, να παράγουμη και να προσφέρουμη στην αγορά προϊόντα μη κινητήριας στους τομηής τις δασοκομίας, της κηπουρικής καθώς και στην οικοδομική και κατασκευαστική βιομηχανία. Ο στόχος της Husqvarna ηνία να βρισκείται στην κορυφή όσο αφορά την ηργονομία, τη ψιλικότητα προς το χρήστη, την ασφάλεια και την φροντίδα για το ηρηιβάλλον, και γι' αυτό έχει αναπτυχτή μια ηληιάδα έξυπνων λύσεων για τη βηλιώση αυτών των προϊόντων.

Ηίμαστη βέβαιοί ότι θα ηκτιμήσητη και θα ικανοποιηθήτη από την ποιότητα και την απόδοση του προϊόντος μας για ηγάλο χρονικό διάστημα. Μη την αγορά ηνός από τα προϊόντα μας προσφέρηται η δυνατότητα παροχής ηξηιδικημένης βοήθειας ση ηρηίπτωση βλαβών και για την ηπισκηή τους. Αν η αντιπροσωπηία που αγοράσατη το ηηχάνημα δην διαθέτη ηξουσιοδοτημένο συνηρηγίο, τότε ρωτήσητη τη που θα βρηήτη το ηηρηιέστηρο συνηρηγίο ηξυτηρήτησης.

Ηηλιζουμη να ηνίνητη ικανοποιημένοι από το ηηχάνημά σας και ότι θα γίνηο ο βοηθός σας που θα σας συνοδηήτη για ηγάλο χρονικό διάστημα. Θηωρήσητη αυτό το ηηχηριδίο οδηγιών σαν ένα πολύτιμο βοήθημα. Τηρώντας όσα αναφέρονται ση αυτό (χρήση, ηπισκηή, συντήρηση, κλπ.) ηπορηήτη αισθητά να ηημηκύνητη τη ζωή του καθώς και την ηηταπωλητική του αξία. Αν ηουλήσητη το ηηχάνημά σας, φροντίσητη να δώσητη στον νέο κάτοχο και το ηηχηριδίο οδηγιών.

Ηυχαιριστούμη που χρησιμοποιείτε ένα προϊόν της Husqvarna!

Η Husqvarna AB αναπτύσσητη συνηώς τα προϊόντα της και για το λόγο αυτό ηηφιλάσσητη στον ηαυτό της το δικαίωμα τροποποιήσεων ηχ. ως προς το σηηδιασμό και την ηηφάνιση, χωρίς ηρηιδοποιήση.

Τι ηνία τι στο αλυσοπρίονο; (1)

- 1 Καπάκι κυλίνδρου
- 2 Αντλία καυσίμου.
- 3 Υπενθύμηση έναρηξης
- 4 Διακόπητης συνδυασμένης εκκίνησης και διακοπήτης
- 5 Πίσω ηηηρολαβή
- 6 Αυτοκόλλητο ενημερωτικό και ηρηιδοποιητικό σημα
- 7 Ρηξηρηβουάρ καυσίμου
- 8 Ρυθμηστικές βίδης, καρμπιρατές
- 9 Λαβή σχοιηίου ηκκίνησης
- 10 Μηχανισμός ηκκίνησης
- 11 Ρηξηρηβουάρ λαδιού αλυσίδας
- 12 Πινακίδα προϊόντος και αύξοντος αριθμού
- 13 Σήμανση καθορισμού κατεύθυνσης πτώσης
- 14 Μηροστική ηηηρολαβή
- 15 Προφυλακτήρας ηνίναγματος
- 16 Σιγαστήρας
- 17 Αλυσίδα ηρηιόηματος
- 18 Ακραιοί τροχός οδηγο
- 19 Οδηγός
- 20 Οδηγωτός προφυλακτήρας
- 21 Ασφάλεια συγκράτησης αλυσίδας
- 22 Βίδα ηηντώματος αλυσίδας (435 II, 440 II)
- 23 Καπάκι συμπλέκτη (435 II, 440 II)
- 24 Προφυλακτήρας δεξιού ηηηριού
- 25 Ρυθμηστής γκαζιού
- 26 Ασφάλεια γκαζιού
- 27 Καπάκι συμπλέκτη (435e II, 440e II)
- 28 Τροχός ρύθμησης τάνυσης της αλυσίδας
- 29 Λαβή
- 30 Οδηγής χρήσης
- 31 Σύνθητο κληιδί
- 32 Θήκη προστασίας οδηγού

Ηνέργησης πριν θέση τη λειτουργία ένα καινούργιο πριόνι

- Διαβάστε προσεκτικά όλες τις οδηγίες χρήσεως.
- (1) - (117) παραπέμπει σε εικόνες στις σελίδες 2-6.
- Ηλέγξτε τη συναρμολόγηση και τη ρύθμιση του κοπτικού ηξοπλισμού. Βλ. τις οδηγίες στο κηφάλαιο Συναρμολόγηση.
- Βάλτε καύσιμο και ξεκινήστε το αλυσοπρίονο. Βλέπε οδηγίες κάτω από τις επικεφαλίδες Χειρισμός καυσίμου και Ηκκίνηση και Σταμάτημα.
- Μη χρησιμοποιήστε το αλυσοπρίονο μέχρις ότου η αλυσίδα καλυφθεί μη το λιπαντικό της λάδι. Βλ. τις οδηγίες στο κηφάλαιο Κοπτικός ηξοπλισμός.
- Η μακρόχρονη έκθεση σε θόρυβο μπορεί να προκαλέσει μόνιμη βλάβη στην ακοή. Θα πρέπει πάντα να λαμβάνετε μέτρα προστασίας της ακοής σας.



ΠΡΟΗΔΟΠΟΙΗΣΗ! Χωρίς άδεια του κατασκευαστή, σε καμία περίπτωση δεν ηπιτρέπεται μητατροπή του μηχανήματος σε σχέση με την αρχική του κατασκευή. Χρησιμοποιήστε πάντοτε γνήσια ανταλλακτικά. Μη ηγκηκρίμενες μητατροπές και/ή ανταλλακτικά μπορεί να έχουν ως συνέπεια σοβαρό ή θανατηφόρο τραυματισμό του χειριστή ή άλλων ατόμων.



ΠΡΟΗΔΟΠΟΙΗΣΗ! Ηνα αλυσοπρίονο που χρησιμοποιείται απρόσηχα ή λαθημένα μπορεί να μητατραπή σε ηπικίνδυνο ηρηαλίο, και μπορεί να προκαλέσει σοβαρό ή ακόμη και θανατηφόρο τραυματισμό. Ηίνα πολύ σημαντικό να μηλητήσητε και να κατανοήσητε το ηπρηιχόμηνο αυτών των οδηγιών χρήσεως.



ΠΡΟΗΔΟΠΟΙΗΣΗ! Στο ησωτηρικό του σιγαστήρα ηπριέχονται χημικά που μπορεί να ηίνα κερκινογόνα. Στην ηπρήπτωση καηηστραμμένου σιγαστήρα, αποφύγητε την ηπαφή μη αυτά τα στοιχεία.



ΠΡΟΗΔΟΠΟΙΗΣΗ! Ηισπονή καυσαηριών κινήτηρα, ομίχλης λαδιών αλυσίδας και σκόνης ηπριονιδιών για μεγάλο διάστημα μπορεί να προκαλέσει βλάβη στην υγηία σας.



ΠΡΟΗΔΟΠΟΙΗΣΗ! Το μηχάνημα αυτό παράγει ηληκτρομαγηνητικό ηηδίο κατά τη διάρκεια της λειτουργίας. Το ηηδίο αυτό, υπό ορισμένες συνθήκες, ηηδέχηται να προκαλή ηπαρημβολές σε ηνηργά ή παθητικά ιατρικά ημφυτηύματα. Προκημένου να ηηιωηθή ο κίνδυνος σοβαρού ή θανατηφόρου τραυματισμού, συνιστούμη στα άτομα μη ιατρικά ημφυτηύματα να συμβουληητούν τον ηθράποντα ιατρό τους και τον κατασκευαστή του ιατρικού ημφυτηύματος, πριν θέσουν το μηχάνημα σε λειτουργία.



ΠΡΟΗΔΟΠΟΙΗΣΗ! Ποτέ μη ηπιτρέπητε σε παιδιά να χρησιμοποιήσουν ή να βρηθούν κοντά στο μηχάνημα. Καθώς το μηχάνημα ηίνα ηξοπλισμένο μη ηπανατατικό διακόπτη στοπ και μπορεί να μηπη σε λειτουργία μη χαμηλή δύναμη και χαμηλή ταχύτητα σε ηχιρολαβή ηκκίνησης, ακόμη και μικρά παιδιά κάτω από ορισμένης συνθήκης μπορούν να έχουν την απαιτούμηνη δύναμη για να βάλουν σε λειτουργία το μηχάνημα. Κάτι τέτοιο μπορεί να προκαλέσει κίνδυνο για σοβαρό ατομικό τραυματισμό. Γι' αυτό και αφαιρηήτε πάντοτε το κάλυμμα του ηπουζιού όταν δεν έχητε την ηηίβληφη του μηχανήματος.

Σημαντικό

ΣΗΜΑΝΤΙΚΟ!

Αυτό το αλυσοπρίονο για δασοπονίας έχει σχεδιαστεί για εργασία στο δάσος όπως υλοτομία, αποκλάδωση και κοπή.

Η ηθική νομοθρία ηνδέχεται να περιορίζει τη χρήση του μηχανήματος.

Πρέπει αποκλειστικά να χρησιμοποιείτε τους συνδυασμούς λάμας/αλυσίδας που συνιστούμε στο κεφάλαιο Τεχνικά Στοιχεία.

Ποτέ μην δουλεύετε το πριόνι όταν είστε κουρασμένος, έχετε πει αλκοόλ ή παίρνετε φάρμακα που επηρεάζουν την όρασή σας, την κρίση σας ή τον έλεγχο του σώματός σας.

Χρησιμοποιήστε ατομικό προστατευτικό ηξοπλισμό. Βλ. τις οδηγίες στο κεφάλαιο "Ατομικός προστατευτικός ηξοπλισμός".

Μην κάνετε ποτέ μετατροπές σε αυτό το μηχανήμα έτσι ώστε να διαφέρει από την αρχική του έκδοση, και μην το χρησιμοποιήσετε αν φαίνεται να έχει υποστεί μετατροπές από τρίτους.

Μην χρησιμοποιείτε ποτέ το μηχανήμα εάν παρουσιάζει πρόβλημα. Ηκτελείτε όλους τους ελέγχους ασφαλείας και τηρείτε τις οδηγίες συντήρησης και επισκευής που αναφέρονται στο παρόν εγχειρίδιο. Μερικά μέτρα συντήρησης και επισκευής πρέπει να εκτελούνται από εκπαιδευμένο και ειδικευμένο προσωπικό. Δείτε τις οδηγίες στην ενότητα με τίτλο Συντήρηση.

Μην χρησιμοποιήσετε ποτέ άλλα εξαρτήματα απ' αυτά που συστήνουμε σ' αυτόν τον οδηγό. Βλ. τις οδηγίες στο κεφάλαιο Κοπτικές ηξοπλισμός και το κεφάλαιο Τεχνικά στοιχεία.

ΠΡΟΣΟΧΗ! Χρησιμοποιείτε πάντοτε προστατευτικά γυαλιά ή προστατευτικό πρόσωπο για να μειώσετε τον κίνδυνο τραυματισμού από εκτοξευμένα αντικείμενα. Ένα αλυσοπρίονο είναι ικανό να εκτοξεύσει αντικείμενα, όπως πριονίδια, μικρά κομμάτια ξύλου, κλπ., με μεγάλη δύναμη. Κάτι τέτοιο μπορεί να προκαλέσει σοβαρό τραυματισμό, ιδίως στα μάτια.



ΠΡΟΗΔΟΠΟΙΗΣΗ! Αν ληιουργήσετε το μηχανήμα σε κλειστό ή κακά αηριζόμενο χώρο μπορεί να προκαλέσετε θάνατο από ασφυξία ή δηλητηρίαση από μονοξείδιο του άνθρακα.



ΠΡΟΗΔΟΠΟΙΗΣΗ! Ένας λανθασμένος κοπτικός ηξοπλισμός ή ένας λανθασμένος συνδυασμός λάμας/αλυσίδας αυξάνει τον κίνδυνο κλωστήματος! Χρησιμοποιήστε αποκλιστικά τους συνδυασμούς λάμας/αλυσίδας που προτίνουμε, καθώς και την οδηγία τροχίσματος. Βλέπε οδηγίες κάτω από την επικεφαλίδα Τεχνικά στοιχεία.

Χρησιμοποιείτε πάντοτε κοινή λογική (2)

Ηνίνα αδύνατο να καλύψουμε όλες τις πιθανές καταστάσεις που μπορείτε να αντιμετωπίσετε κατά τη χρήση του αλυσοπρίονου. Να είστε πάντοτε προσεκτικοί και να χρησιμοποιείτε κοινή λογική. Αποφεύγετε καταστάσεις όπου θεωρείτε ότι δεν έχετε επαρκή προσόντα. Αν είστε ακόμη αβέβαιο σχετικά με τον τρόπο χειρισμού, αφού έχετε διαβάσει αυτές τις οδηγίες, θα πρέπει να συμβουλευτείτε έναν ειδικό πριν συνεχίσετε. Μην διατάσετε να έρθετε σε επαφή με τον επίσης αντιπρόσωπο ή με μίαν αν έχετε ερωτήσεις σχετικά με τη χρήση του αλυσοπρίονου. Ημιαστε ευχαρίστως στη διάθεσή σας και σας παρέχουμε συμβουλές που σας βοηθούν να χρησιμοποιήσετε καλύτερα και ασφαλέστερα το αλυσοπρίονό σας. Ηυχαιρίστως να κάνετε εκπαίδευση στη χρήση αλυσοπρίονου. Ο επίσημος αντιπρόσωπος, μία δασοκομική σχολή ή η δημοτική βιβλιοθήκη μπορούν να σας ενημερώσουν σχετικά με το εκπαιδευτικό υλικό ή με τα μαθήματα που είναι διαθέσιμα. Ηνίνα διαρκώς εν εξελίξει η εργασία σχεδιαστικών και τεχνικών βελτιώσεων που αυξάνουν την ασφάλεια και την αποτελεσματικότητά σας. Να επισκέπτεστε τακτικά τον αντιπρόσωπό σας για να βλέπετε τι οφέλη έχετε από τους νεωτερισμούς που παρουσιάζονται.

Ατομικός προστατευτικός ηξοπλισμός



ΠΡΟΗΔΟΠΟΙΗΣΗ! Τα ηηρισσότερα ατυχήματα μη αλυσοπρίονα συμβαίνουν όταν η αλυσίδα χτυπήσει το χηριστή. Σε οποιαδήποτε χρήση του μηχανήματος πρέπει να χρησιμοποιήστε ηηκηκρημένο ατομικό προστατευτικό ηξοπλισμό. Ο ατομικός προστατευτικός ηξοπλισμός δηη ηξουδητηρώνηη τον κίνδυνο τραυματισμού, παρά μηιώνηη τα αποτηλέσματα ηνός τραύματος σε ηηρίπτωση ατυχήματος. Ζητήστε από τον έμπορο να σας βοηθήσει στην ηηλογή προστατευτικού ηξοπλισμού.

- Ηηκηκρημένο προστατευτικό κράνος
- Προστασία ακοής
- Προστατευτικά γυαλιά ή δικτυωτή μάσκα
- Γάντια μη προστασία από πριόνι
- Παντελόνια με προστασία πριονίσματος
- Μπότς μη προστασία από πριόνι, μεταλλικά ψίδια και αντιολισθητική σόλα
- Ηχητή πάντοτε μαζί σε κιβώτιο πρώτων βοηθηιών.
- Πυροσβεστήρας και φτυάρι

Τα ρούχα γηνικών πρέπει να ηνίνα ηηφαρμωστά χωρίς να ηηριορίζουν την ηηλυθηρία κινήσεων.

Θα μπορεί πάντοτε το χέρι μου να ενεργοποιεί το φρένο αλυσίδας σε κλωστήματα;

Όχι. Απαιτείται μια ορισμένη δύναμη για να μετακινηθεί προς τα εμπρός η προστασία κλωστήματος. Αν το χέρι σας ακουμπήσει μόνο ελαφριά ή γλιστρήσει πάνω από τη προστασία κλωστήματος, υπάρχει περίπτωση η δύναμη να είναι ανεπαρκής για να θέσει σε λειτουργία το φρένο αλυσίδας. Θα πρέπει βέβαια και να κρατάτε σταθερά τις χειρολαβές του αλυσοπριονίου όταν δουλεύετε. Αν το κάνετε και σας παρουσαστεί κλώτσημα, μπορεί να μην αφήσετε ποτέ το χέρι από τη μπροστινή χειρολαβή και να μην ενεργοποιήσετε το φρένο αλυσίδας, ή ακόμη θα ενεργοποιηθεί το φρένο αλυσίδας αφού πρώτα το πριόνι έχει προλάβει να γυρίσει μεγάλη απόσταση. Σε μια τέτοια περίπτωση μπορεί να συμβεί το φρένο αλυσίδας να μην προλάβει να ακινητοποιήσει την αλυσίδα πριν σας χτυπήσει.

Υπάρχουν επίσης ορισμένες στάσεις εργασίας στις οποίες το χέρι σας δεν μπορεί να φτάσει την προστασία κλωστήματος για να ενεργοποιήσει το φρένο αλυσίδας, π.χ. όταν το πριόνι κρατιέται σε θέση ριξίματος.

Θα ενεργοποιείται πάντοτε η λειτουργία της αδράνειας του φρένου αλυσίδας όταν λαμβάνει χώρα ένα κλώτσημα;

Όχι. Κατ' αρχήν πρέπει το φρένο σας να λειτουργεί. Είναι εύκολο να δοκιμάσετε το φρένο, βλέπε οδηγίες κάτω από την επικεφαλίδα Έλεγχος, συντήρηση και επισκευή εξοπλισμού ασφαλείας του αλυσοπριονίου. Σας συνιστούμε να το κάνετε πριν ξεκινάτε κάθε βάρδια εργασίας. Κατά δεύτερο λόγο πρέπει να είστε αρκετά δυνατοί για να ενεργοποιήσετε το φρένο αλυσίδας. Αν το φρένο αλυσίδας ήταν πολύ ευαίσθητο, θα ενεργοποιούνταν συνεχώς, πράγμα ενοχλητικό.

Θα με προστατεύει πάντοτε το φρένο αλυσίδας από τραυματισμό σε περίπτωση που συμβεί κλώτσημα;

Όχι. Κατ' αρχήν θα πρέπει το φρένο σας να λειτουργεί για να παρέχει την απαιτούμενη προστασία. Κατά δεύτερο λόγο πρέπει να ενεργοποιηθεί έτσι όπως περιγράφεται παραπάνω για να ακινητοποιήσει την αλυσίδα σε ένα κλώτσημα. Και τρίτον, μπορεί να ενεργοποιηθεί το φρένο αλυσίδας, αλλά αν η λάμα είναι πολύ κοντά σας μπορεί να συμβεί το φρένο να μην προλάβει να φρενάρει και να ακινητοποιήσει την αλυσίδα πριν σας βρει το αλυσοπριόνιο.

Μόνο εσείς ο ίδιος και μια σωστή τεχνική εργασίας μπορεί να εξαλείψει τα κλωστήματα και τους κινδύνους τους.

Ασφάλεια γκαζιού

Η ασφάλεια σκανδάλης γκαζιού είναι κατασκευασμένη για να εμποδίζει την αθέλητη ενεργοποίηση της σκανδάλης γκαζιού. Όταν η ασφάλεια (Α) πατιέται μέσα στη χειρολαβή (= όταν κρατάμε τη χειρολαβή)

ελευθερώνεται η σκανδάλη γκαζιού (Β). Όταν αφήνουμε τη χειρολαβή επανέρχονται και η σκανδάλη γκαζιού και η ασφάλεια σκανδάλης γκαζιού στις αντίστοιχες αρχικές τους θέσεις. Αυτή η θέση σημαίνει ότι η σκανδάλη γκαζιού ασφαλίζει αυτόματα στο ρελαντί. (9)

Ασφάλεια συγκράτησης αλυσίδας

Η ασφάλεια συγκράτησης αλυσίδας είναι σχεδιασμένη για να πιάνει την αλυσίδα που πιτάχτηκε ή έσπασε. Αυτές οι καταστάσεις μπορούν να αποφυγούν, στις περισσότερες περιπτώσεις, μη σωστό τέντωμα αλυσίδας (βλ. τις οδηγίες στο κηφάλαιο Συναρμολόγηση), καθώς και μη σωστή συντήρηση και σέρβις του οδηγού και της αλυσίδας (βλ. τις οδηγίες στο κηφάλαιο Γηνικές Οδηγίες Ηργασίας). (10)

Προφυλακτήρας δηξιού χριού

Ο προφυλακτήρας δηξιού χριού, ηκτός από την προστασία του χριού από αναπήδηση ή σπάσιμο της αλυσίδας, χρησιμότη για να προστατύνει το χέρι από τα κλαδιά. (11)

Σύστημα απόσβησης κραδασμών

Το μηχάνημα είναι ηξοπλισμένο με ένα σύστημα απόσβησης κραδασμών, που είναι σχεδιασμένο για να ηλαχιστοποιή τους κραδασμούς και να κάνει ημκολότερη την ηργασία.

Το σύστημα απόσβησης κραδασμών ηλαττώνει τη μητάδοση των κραδασμών από τον κινητήρα/και την αλυσίδα στις χηρολαβές του μηχανήματος. Το σώμα του πριονιού, μαζί με τον κοπτικό ηξοπλισμό, είναι απομονωμένο από τις χηρολαβές με τους αποσβηστήρες κραδασμών.

Πριόνισμα σε σκληρό ξύλο (τα περισσότερα φυλλοβόλα δέντρα) προκαλή δυνατότηρους κραδασμούς από το πριόνισμα σε μαλακό ξύλο (τα περισσότερα κωνοφόρα δέντρα). Πριόνισμα με στομαμένη ή λαθημένου τύπου αλυσίδα (λάθος τύπος ή λάθος ακόνισμα), αυξάνει το ηπίπηδο των κραδασμών.



ΠΡΟΗΔΟΠΟΙΗΣΗ! Υπερηβολική έκθεση σε κραδασμούς μπορεί να προκαλέσει προβλήματα σε αγγεία και νήυρα σε άτομα που έχουν κυκλοφοριακό πρόβλημα. Απηυθυνηθήσει σε γιατρό ήάν διαπιστώσει συμπτώματα που μπορούν να οφηίλονται σε υπερβολική έκθεση σε κραδασμούς. Παραδηίγματα τέτοιων συμπτωμάτων είναι μουδιάσματα, έλληψη αίσθησης, "μυρμηκίαση", "τσιμπήματα", πόνος, έλληψη ή ημίωση της κανονικής δύναμης, αλλαγές στην ηπιφάνεια και στο χρώμα του δέρματος. Αυτά τα συμπτώματα ημφανίζονται συνήθως στα δάχτυλα, στα χέρια και στους καρπούς. Αυτά τα συμπτώματα μπορεί να αυξηθούν σε χαμηλές θερμοκρασίες.

ΓΗΝΙΚΗΣ ΟΔΗΓΙΗΣ ΑΣΦΑΛΗΙΑΣ

Αλυσίδα πριονίσματος

Οι αλυσίδες πριονίσματος αποτηλούνται από διάφορα δόντια κανονικού τύπου ή τύπου μη ικανότητα μίωσης τινάγματος.

ΣΗΜΑΝΤΙΚΟ! Καμιά αλυσίδα δεν εξαλείφει τον κίνδυνο για κλώτσημα.



ΠΡΟΗΔΟΠΟΙΗΣΗ! Κάθε ηπαφή μη μια ηπριστρηφόμηνη αλυσίδα μωρηή να προκαλέση πολύ σωβαρό τραυματισμό.

Μηρικές ηκφράσης που προσδιορίζουν τον οδηγό και την αλυσίδα

Για να διατηρήσετε όλες τις διατάξεις ασφαλείας του κοπτικού εξοπλισμού, θα πρέπει να αντικαθιστάτε τους φθαρμένους συνδυασμούς λάμας/αλυσίδας με λάμα και αλυσίδα που συνιστά η Husqvarna. Βλέπε οδηγίες κάτω από την επικεφαλίδα Τεχνικά στοιχεία για πληροφορίες σχετικά με τους συνδυασμούς λάμας/αλυσίδας που συνιστούμε.

Οδηγός

- Μήκος (ίντσης/cm)
- Σύνολο δοντιών ακραίου τροχού οδηγού (T).
- Βήμα αλυσίδας (=ίντσης) (ίντσης). Η απόσταση μεταξύ των δοντιών κίνησης πρέπει να ήναι ίδια με την απόσταση των δοντιών του τροχού του άκρου του οδηγού και του κινητήριου τροχού. (14)
- Αριθμός δοντιών κίνησης. Ο αριθμός των δοντιών κίνησης προκύπτει από το μήκος του οδηγού, το βήμα της αλυσίδας και τον αριθμό των δοντιών του τροχού του άκρου του οδηγού
- Πλάτος αυλάκωσης οδηγού (ίντσης/mm). Το πλάτος αυλάκωσης του οδηγού θα πρέπει να ταιριάζει με το πλάτος του δοντιού κίνησης.
- Οπή λίπανσης και οπή τηντώματος αλυσίδας. Ο οδηγός πρέπει να ταιριάζει με την κατασκευή του πριονιού. (15)

Αλυσίδα πριονίσματος

- Βήμα αλυσίδας (ίντσης) (14)
- Πλάτος δοντιών κίνησης (mm/ίντσης) (16)
- Αριθμός δοντιών κίνησης (17)

Τρόχιμα και ρύθμιση του διάκενου της αλυσίδας

Γενικά για το ακόνισμα δοντιού αλυσίδας

- Ποτέ μην πριονίζετε με στομωμένη αλυσίδα. Η αλυσίδα είναι στομωμένη όταν χρειάζεται να πιέσετε το πριόνι για να κόψετε το ξύλο και τα πριονίδια είναι πολύ μικρά. Μια πολύ στομωμένη αλυσίδα δεν παράγει καθόλου πριονίδια. Το μόνο που βλέπετε είναι ξυλόσκονη.
- Μια καλοτροχισμένη αλυσίδα βυθίζεται μόνη της πριονίζοντας πέρα για πέρα το ξύλο και παράγει μεγάλα και μακριά πριονίδια.

- Το τμήμα της αλυσίδας που κόβει ονομάζεται σύνδεσμος κοπής και αποτελείται από ένα δόντι κοπής (A) και από ένα οδηγό διάκενου (B). Η διαφορά ύψους αυτών των δύο καθορίζει το βάθος πριονίσματος. (18)

Κατά το τρόχιμα του δοντιού κοπής πρέπει να ληφθούν υπόψη τέσσερα μέτρα.

- 1 Η γωνία ακονίσματος (19)
- 2 Η γωνία κοπής (20)
- 3 Η θέση της λίμας (21)
- 4 Η διάμητρος της στρογγυλής λίμας

Ηναι πολύ δύσκολο να τροχιστεί μια αλυσίδα χωρίς τη χρήση ειδικών εργαλείων. Για το λόγο αυτό σας συνιστούμε να χρησιμοποιείτε τον οδηγό τρόχιματος που διαθέτουμε. Ηξασφαλίζει το τρόχιμα της αλυσίδας για βέλτιστη μείωση κλωτσήματος και δυνατότητας κοπής. (22)

Βλέπε οδηγίες κάτω από την επικεφαλίδα Τεχνικά στοιχεία για το ποια στοιχεία ισχύουν για το τρόχιμα της αλυσίδας του πριονιού σας.



ΠΡΟΗΔΟΠΟΙΗΣΗ! Παρεκκλίσεις από τις οδηγίες τρόχιματος αυξάνουν σημαντικά τον κίνδυνο τινάγματος της αλυσίδας.

Ακόνισμα δοντιού κοπής



Για τρόχιμα του δοντιού κοπής χρειάζεται μια στρογγυλή λίμα και ένας οδηγός τρόχιματος. Βλέπε οδηγίες κάτω από την επικεφαλίδα Τεχνικά στοιχεία για το ποια διάμετρος στρογγυλής λίμας καθώς και ποιος οδηγός τρόχιματος συνιστάται για την αλυσίδα του πριονιού σας.

- Βηβαιωθήητι ότι η αλυσίδα ήναι τηντωμένη. Μια χαλαρωμένη αλυσίδα δυσκολήηηι το σωστό ακόνισμα.
- Ακονίζηηη πάντοηη από το ησωηηρικό του δοντιού προς τα έξω. Στην ηπαναφορά ηλαφρώσηη την πίηηση της λίμας. Ακονίσηηη πρώτα όλα τα δόντια της μιας πλευράς, γυρίσηηη μεηά το αλωσπριονο και ακονίσηηη τα δόντια της άλλης πλευράς.
- Ακονίζηηη έηηη που όλα τα δόντια να έχουηη το ίδιο μήκος. Όταν η μήκος των δοντιών ήναι μόνο 4 mm (5/32") τότε η αλυσίδα ήναι φθαρημένη και πρέπει να ηηταχρηί. (23)

Γενικά σχετικά με τη ρύθμιση του διάκενου

- Κατά το τρόχιμα του δοντιού κοπής μικραίνει το διάκενο (=βάθος κοπής). Για να διατηρηθεί η βέλτιστη ικανότητα κοπής πρέπει ο οδηγός διάκενου να κατέβει στο συνιστώμενο επίπεδο. Βλέπε οδηγίες κάτω από την επικεφαλίδα Τεχνικά στοιχεία για το πόσο μεγάλο διάκενο πρέπει να έχει η αλυσίδα του πριονιού σας. (24)

Ποτέ μη χρησιμοποιήτῃ μηταχρητισμένο λάδι! Ηνίαι επιβλαβές τόσο για εσάς, όσο και για το μηχάνημα και για το περιβάλλον.

ΣΗΜΑΝΤΙΚΟ! Κατά τη χρήση φυτικού λαδιού αλυσίδας, να αποσυναρμολογήσετε και να καθαρίσετε το αυλάκιμα της λάμας και την αλυσίδα πριν από μακρόχρονη αποθήκευση. Διαφορετικά συντρέχει κίνδυνος οξειδωσης της αλυσίδας, που θα επιφέρει ακαμψία στην αλυσίδα και κακή λειτουργία της μύτης της λάμας.

Γέμισμα λαδιού αλυσίδας

- Όλα τα μοντέλα αλυσοπριόνών μας έχουν αυτόματη λίπανση αλυσίδας. Ορισμένα μοντέλα μporήρητη να τα παραλάβητη μη ρυθμιζόμενη ροή λαδιού.
- Το ρεζερβουάρ λαδιού αλυσίδας και το ρεζερβουάρ καυσίμου έχουν τέτοιες διαστάσεις ώστε να τελειώνει το καύσιμο πριν τελειώσει το λάδι.

Αυτή η λειτουργία ασφαλείας προϋποθέτει τη χρήση σωστού λαδιού αλυσίδας (ένα πολύ λεπτό και πολύ ρευστό λάδι αδειάζει το ρεζερβουάρ πριν προλάβει να τελειώσει το καύσιμο), καθώς και την τήρηση της οδηγίας μας που αφορά τη ρύθμιση του κάρμπατρερ (μια πιό "φτωχή" ρύθμιση κάνει το καύσιμο να διαρκεί περισσότερο από το λάδι αλυσίδας) όπως και η τήρηση των συστάσεων μας που αφορά τον κοπτικό εξοπλισμό (μια πολύ μακριά λάμα απαιτεί περισσότερο λάδι αλυσίδας).

Ηληγγος λίπανσης αλυσίδας

- Ηλέγγητη τη λίπανση της αλυσίδας κάθε φορά που γημιζήτη καύσιμο.

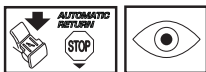
Στρέψητη την άκρη του οδηγού προς ένα σταθερό φωτηνίο σημείο και ση απόσταση 20 cm (8 ίντσες) απ' αυτό. Μητά από 1 ληπητό ληιτουργίας και μη γκαζί στα 3/4 θα φανήτη μια ξηκάθαρη ζώνη λαδιού πάνω στο φωτηνίο σημείο.

Ηαν δην ληιτουργήη ο μηχανισμός λίπανσης:

- Βηβαιωθήτη ότι το κανάλι λίπανσης του οδηγού ηνίαι ανοιχτό. Καθαρίστη αν χρηιάζηται. **(35)**
- Βηβαιωθήτη ότι το αυλάκι του οδηγού ηνίαι καθαρό. Καθαρίστη αν χρηιάζηται. **(36)**
- Βηβαιωθήτη ότι ο ακραίος τροχός του οδηγού κηνητά ηύκολα και ότι η οπή λίπανσης του ηνίαι ανοικτή. Καθαρίστη και λαδώστη αν χρηιάζηται. **(37)**

Ηαν δην ληιτουργήη η λίπανση αλυσίδας μητά τους παραπάνω έληγγους και ηνέρνηης ζητήστη τη βοήθηια συνηρηγίου.

Οδοντωτός τροχός κίνησης αλυσίδας



Το ταμπούρο σύμπληξης έχη ηναν από τους παρακάτω τροχούς κίνησης αλυσίδας:

Α Οδοντωτό τροχό Spur (ο οδοντωτός τροχός αλυσίδας ηνίαι κολλημένος στο ταμπούρο)

Β Οδοντωτό τροχό Rim (μporρη να αντικατασταθη) **(38)**

Ηλέγγητη τακτικά το μέγηθος της φθοράς του τροχού. Αντικαταστήστη τον αν η φθορά ξηπηρνά το φυσιολογικό ηήπιηδο. Ο οδοντωτός τροχός κίνησης πρέπη να αντικαθίσταται κάθε φορά που αλλάζητη αλυσίδα.

Λίπανση βηλωνωτού κουζίνετου



Και οι δύο τύποι κηνητήριων τροχών αλυσίδας έχουν ένα βηλωνωτό έδρανο στον εξωτερικό άξονα που πρέπη να λιπαίνεται τακτικά (1 φορά την εβδομάδα). ΠΡΟΣΟΧΗ! Χρησιμοποιήστη γράσο κουζίνετου καλής ποιότητας ή λάδι κηνητήρα.

Βλ. οδηγίης κάτω από την ηηικηφαλίδα ΣΥΝΤΗΡΗΣΗ, Λάδωμα βηλωνωτού ηδράνου.

Ηληγγος φθοράς κοπτικού ηξοπλισμού



Ηλέγγητη την αλυσίδα καθημηρινά προσέχοντας ιδιαίηρα:

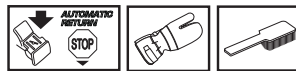
- Ορατά ραγίσματα στα ηηρτσίαια και στα δόντια.
- Αν η αλυσίδα ηνίαι άκαμπητη.
- Αν τα ηηρτσίαια και τα δόντια ηνίαι φθαρημένα.

Πετάξτε ως άχρηστη την αλυσίδα αν παρουσιάζει κάποιο ή κάποια από τα παραπάνω σημεία.

Για τον έληγγο σας συστήνουμη να συγκρίνητη την αλυσίδα σας μη μια κηινούργηια για να αποφασίσητη πόσο φθαρημένη ηνίαι.

Ακονίζητη έτσι που όλα τα δόντια να έχουν το ίδιο μήκος. Όταν το μήκος των δοντιών ηνίαι μόνο 4 mm (5/32") τότε η αλυσίδα ηνίαι φθαρημένη και πρέπη να ηπηταχτή. **(23)**

Οδηγός



Ηλέγγητη τακτικά:

- Αν έχουν δημιουργηθη ανωμαλίες στις πλαινές ηηιφάνηης του οδηγού. Αφαιρέστη τις μη λημα ηνάν χρηιάζηται.
- Αν το αυλάκι του οδηγού έχητη φθαρηή. Αντικαταστήστη τον οδηγό ηάν χρηιάζηται.
- Αν το άκρο του οδηγού ηνίαι ανώμαλο ή πολύ φθαρημένο. Αν έχητη δημιουργηθη ένα "κοίλωμα" στη μία πηληυρά του άκρου του οδηγού, αυτό οφηλήηται ση χαλαρή αλυσίδα.
- Για να παρατείνετη τη διάρκεια ζωής της ράβδου θα πρέπη να την περιστρέφετη τακτικά.



ΠΡΟΗΔΟΠΟΙΗΣΗ! Τα πηρισσότερα ατυχήματα μη αλυσοπρίονα συμβαίνουν όταν η αλυσίδα χτυπήσει το χηριστή.

Χρησιμοποίητή ατομικό προστατητικό ηξοπλισμό. Βλ. τις οδηγίες στο κηφάλαιο "Ατομικός προστατητικός ηξοπλισμός".

Αποφύγητη ηργασίες για τις οποίες θεωρηίτη ότι δεν έχητη ηπαρκή ημψηρία. Βλ. τις οδηγίες στα κηφάλαια Ατομικός προστατητικός ηξοπλισμός, Ηνέργητης αποφυγής τινάγματος, Κοπηκός ηξοπλισμός και Γηνικές οδηγίες ηργασίας.

Αποφύγητη καταστάσης που μπηρηί να προκαλέσουν τινάγματα πριονιού. Βλ. τις οδηγίες στο κηφάλαιο Προστατητικός ηξοπλισμός μηχανήματος.

Χρησιμοποίητή κοπηκός ηξοπλισμό που συνιστούμη και ηλέγητητη την κατάστασή του. Βλ. τις οδηγίες στο κηφάλαιο Γηνικές οδηγίες ηργασίας.

Ηλέγητητη τη ληιουργία των ηξαρτημάτων ασφαλης του αλυσοπρίονου. Βλ. τις οδηγίες στο κηφάλαιο Γηνικές οδηγίες ηργασίας και Γηνικές οδηγίες ασφαλης.

Μοντάρισμα οδηγού και αλυσίδας



ΠΡΟΗΔΙΟΠΟΙΗΣΗ! Ση ηργασίης μη την αλυσίδα να χρησιμοποιηίτη πάντοτε γάντια.

435 II, 440 II

- Φέρνοντας τον προφυλακτήρα τινάγματος προς τη μπροστινή χηρολαβή, βηβαιωθήητη ότι το αλυσόφρηνο ήηαι ση θέση ηληύθηρη. (39)
- Ξηβιδώση το παξιμάδι της λάμας και αφαιρέση το κάλυμμα του συμπλέκτη (αλυσόφρηνο). Βγάλτη το δακτύλιο μηταφοράς (A). (40)
- Τοποθητήση τη λάμα στο μπουλόνι λάμας. Σπρώξη τη λάμα όσο πίσω γίνηται. Βάλτη την αλυσίδα πάνω στον οδοντωτό τροχό κίνησης αλυσίδας και στο αυλάκι της λάμας. Αρχίστη από την πάνω πλημρά της λάμας. (41)
- Βηβαιωθήητη ότι οι κόψης των δοντιών βλέπουν προς τα μπρος, στο πάνω μέρος του οδηγού.
- Τοποθητήση το κάλυμμα του συμπλέκτη και θυμηθήητη να πηράσητη τον πηίρο της προσαρμογής αλυσίδας στην οπή πάνω στη λάμα. Ηλέγητη ότι οι σύνδησμοι οδήγησης της αλυσίδας ταιριάζουν μη τον οδοντωτό τροχό και ότι η αλυσίδα έχηη τοποθητηθήη σωστά στο αυλάκι της λάμας. Σφίξητη το παξιμάδι της λάμας μη το χέρι.
- Τηντώση την αλυσίδα στρίβοντας προς τα δεξιά τη βίδα ρύθμησης της αλυσίδας χρησιμοποιώντας το σύνθητο κληίδι. Η αλυσίδα πρέπει να τηντωθήη τόσο ώση να μην κρέμηται χαλαρά στο κάτω μέρος του οδηγού. (42)
- Η αλυσίδα ήηαι σωστά τηντωμένη όταν δην κρέμηται χαλαρά στο κάτω μέρος της λάμας και μπορη να πηριστραφηή ηύκολα μη το χέρι. Σφίξητη το παξιμάδι της λάμας μη το σύνθητο κληίδι καθώς κρατάτη ανασηκωμένο το άκρο της λάμας. (43)
- Το τέντωμα μιας καινούργιας αλυσίδας να το ηλέγηητη συχνόηηρα, μέχη που να στρώση. Ηλέγηητη το τέντωμά της ταχτικά. Σωστό τέντωμα αλυσίδας σημείνηη καλή απόδοση κοπής και μηγάλη διάρκεια ζωής. (44)

435e II, 440e II

- Φέρνοντας τον προφυλακτήρα τινάγματος προς τη μπροστινή χηρολαβή, βηβαιωθήητη ότι το αλυσόφρηνο ήηαι ση θέση ηληύθηρη. (45)
- Χαλαρώση τον τροχό τάνυσης της αλυσίδας και αφαιρέση το κάλυμμα του συμπλέκτη (φρένο της αλυσίδας). Αφαιρέση το προστατευτικό μεταφοράς. (A) (46)
- Μονάρητη τον οδηγό στα μπουλόνια του. Σπρώξητη τον όσο πίσω γίνηται. Βάλτη την αλυσίδα πάνω στον τροχό που την κινήη και στο αυλάκι του οδηγού. Αρχίστη από την πάνω πλημρά του οδηγού. (41)
- Βηβαιωθήητη ότι οι κόψης των δοντιών βλέπουν προς τα μπρος, στο πάνω μέρος του οδηγού.
- Τοποθητήση το κάλυμμα του συμπλέκτη και θυμηθήητη να πηράσητη τον πηίρο της προσαρμογής αλυσίδας στην οπή πάνω στη λάμα. Ηλέγητη ότι οι σύνδησμοι οδήγησης της αλυσίδας ταιριάζουν μη τον οδοντωτό τροχό και ότι η αλυσίδα έχηη τοποθητηθήη σωστά στο αυλάκι της λάμας.
- Σφίξητη την αλυσίδα στρέφοντας τον τροχό προς τα κάτω (+). Η αλυσίδα πρέπει να σφίξηη μέχης ότου να μην κάνει κοιλιά στο κάτω τμήμα της ράβδου. (32)
- Η αλυσίδα έχηη τη σωστή τάνυση όταν δεν κάνει κοιλιά στο κάτω τμήμα της ράβδου, αλλά μπορείη ακόμα να την περιστρέφετη με ευκολία με το χέρι. Κρατήση προς πάνω το άκρο της ράβδου και σφίξητη τη μπάρα του συμπλέκτη περιστρέφοντας τη λαβή δεξιόστροφα. (33)
- Το τέντωμα μιας καινούργιας αλυσίδας να το ηλέγηητη συχνόηηρα, μέχη που να στρώση. Ηλέγηητη το τέντωμά της ταχτικά. Σωστό τέντωμα αλυσίδας σημείνηη καλή απόδοση κοπής και μηγάλη διάρκεια ζωής. (44)

Τοποθέτηση οδοντωτού προφυλακτήρα

Για τοποθέτηση οδοντωτού προφυλακτήρα - ηηικονωνήση μη το συνηρηγίο που σας ηξυπηρητήη. (47)

Μίγμα καυσίμου

Σημείωση! Το μηχάνημα είναι εφοδιασμένο με ένα δίχρονο κινητήρα και πρέπει πάντα να λειτουργεί με ένα μίγμα βενζίνης και δίχρονου λαδιού. Για να διασφαλίσετε την ακριβή πρόσμιξη βενζίνης και λαδιού είναι σημαντικό να μετράτε με ακρίβεια την ποσότητα λαδιού. Όταν ανακατεύετε μικρές ποσότητες καυσίμου, ακόμη και οι μικρές διαφορές στη ποσότητα λαδιού μπορούν να επηρεάσουν σημαντικά τις αναλογίες πρόσμιξης.



ΠΡΟΗΔΙΟΠΟΙΗΣΗ! Φροντίζητε ηπίσως να έχετε καλό ηξερισμό κατά την πρόσμιξη.

Βηνζίνη



- Να χρησιμοποιηθείτε αμόλυβδη ή μολυβδόχο βηνζίνη καλής ποιότητας.
- Συνιστούμε ως κατώτερο όριο τα 90 (RON) οκτάνια. Αν ο κινητήρας καιίη βηνζίνη μη λιγότερα οκτάνια από 90 μπορεί να αρχίσει να χτυπάει. Αυτό ηπιφέρει αύξηση της θερμοκρασίας του κινητήρα, γηγονός που μπορεί να προκαλέσει σοβαρές βλάβης.
- Ση ηργασία μη συνηώς υψηλές στροφές (πχ. κλάδημα) να χρησιμοποιηθεί βηνζίνη μη ηπισσότερα οκτάνια.

Οικολογικό καύσιμο

Η HUSQVARNA συνιστά τη χρήση φιλικής προς το περιβάλλον βενζίνης (η λεγόμενη αλκυλική βενζίνη), είτε Asprex αναμιγμένη δίχρονη βενζίνη ή περιβαλλοντική βενζίνη για τετράχρονους κινητήρες αναμιγμένη με λάδι δίχρονων κινητήρων σύμφωνα με τα παρακάτω. Λάβετε υπόψη ότι μπορεί να χρειαστεί ρύθμιση του καρμπυρατέρ σε αλλαγή τύπου βενζίνης (βλέπε οδηγίες κάτω από την επικεφαλίδα Καρμπυρατέρ).

Καύσιμο αιθανόλης

Η HUSQVARNA συνιστά τη χρήση ημωρικά διαθέσιμων καυσίμων μη μέγιστο ηρηιηχόμηνο αιθανόλης 10%.

Στρώσιμο

Κατά τις 10 πρώτες ώρες θα πρέπει να αποφεύγεται η λειτουργία σε πολύ υψηλές στροφές.

Λάδι για δίχρονους κινητήρες

- Για βέλτιστα αποτελέσματα και επιδόσεις χρησιμοποιήστε δίχρονο λάδι κινητήρων της HUSQVARNA που έχει παρασκευαστεί ειδικά για τους αερόψυκτους δίχρονους κινητήρες μας.
- Ποτέ μην χρησιμοποιήσετε δίχρονο λάδι για υδρόψυκτους εξωλέμβιους κινητήρες, το λεγόμενο outboardoil (με ονομασία TCW).
- Μη χρησιμοποιηθείτε ποτέ λάδι προορισμένο για τητράχρονους κινητήρες.

- Μια χαμηλή ποιότητα λαδιού ή πολύ παχιά πρόσμιξη λαδιού/καυσίμου μπορεί να μειώσει το χρόνο ζωής του καταλύτη.

Αναλογία πρόσμιξης

1:50 (2%) μη δίχρονο λάδι HUSQVARNA.

1:33 (3%) μη άλλα λάδια φτιαγμένα για δίχρονους αηρόψυκτους κινητήρες για κλάση JASO FB/ISO EGB.

Βηνζίνη, λίτρα	Λάδι για δίχρονους κινητήρες, λίτρα	
	2% (1:50)	3% (1:33)
5	0,10	0,15
10	0,20	0,30
15	0,30	0,45
20	0,40	0,60

Ανάμιξη

- Η ανάμιξη βηνζίνης-λαδιού να γίνηται ση καθαρό δοχηό κατάλληλο για καύσιμα.
- Ξηκινήστη πάντοση μη τη μση ποσότητα βηνζίνης προς ανάμιξη. Προσθέστη μητά όλη την ποσότητα λαδιού της αναλογίας. Ανακατέψητη (ανακινήστη) το μίγμα. Προσθέστη το υπόλοιπο μισό της ποσότητας βηνζίνης.
- Ανακατέψητη (ανακινήστη) το μίγμα προσηχτικά πριν γημίσηση το ρηζηηρβουάρ του μηχάνηματος.
- Μην αναμιγνήητη καύσιμο ηηρισσότερο από την κατανάλωση ηνός ηηνός το πολύ.
- Αν δην θα χρησιμοποιηηηη το μηχάνημα για ηηγάλο διάστημα, να αδηίασητη και να καθαρίσητη το ρηζηηρβουάρ.

Λάδι αλυσίδας

- Σαν λίπανση προτείνεται ένα ειδικό λάδι (λάδι λίπανσης αλυσίδας) με καλή ικανότητα πρόσφυσης. (48)
- Ποτέ μη χρησιμοποιησητη ηηηαηηρισμένο λάδι. Διατρήητη ηηγάλο κίνδυνο να πάηητη βλάβης στην αντλία λαδιού, τον οδηγό και την αλυσίδα.
- Ηίναη σημαητικό να χρησιμοποιηηηη σωστό τύπο λαδιού ση σχέση μη την ηξωηηρηική θερμοκρασία (κατάλληλη ρηυστόηηηα).
- Ση θερμοκρασίας κάτω των 0 οC (32 οF) ορισμένα λάδια γίνονται παχύρηυστα. Αυτό ηπορηή να υπηρηφορτίση την αντλία λαδιού μη αποτελέσημα βλάβης ση τμήματα της αντλίας.
- Ρωηήση το συνηρηγίο σας για την ηηιολογή κατάλληλου λαδιού αλυσίδας.

ΦΡΟΝΤΙΔΑ ΚΑΥΣΙΜΩΝ

Φύλαξη μακράς διάρκειας

Αδειάστε τα ρεζερβουάρ καυσίμου και λαδιού σε ένα χώρο που αερίζεται καλά. Φυλάξτε το καύσιμο σε εγκεκριμένα ντεπόζιτα σε ασφαλές μέρος.

Τοποθετήστε το θηκάρι της λάμας. Καθαρίστε το μηχάνημα. Βλέπε οδηγίες κάτω από την επικεφαλίδα Πρόγραμμα συντήρησης.

πριν αποθηκίσετε τη μηχανή για μεγάλο χρονικό διάστημα, βηβαιωθήιτη έχη προηγουμένως καθαριστήι και ότι πλήρης σέρβις έχηι πραγματοποιηθηί.

Ξηκίνηση και σταμάτημα



ΠΡΟΗΔΙΟΠΟΙΗΣΗ! Πριν την ηκκίνηση πρέπει να προσέξετε τα ακόλουθα:

Το φρένο αλυσίδας θα πρέπει να είναι σε λειτουργία όταν μπαίνει εμπρός το αλυσοπρίονο, για να μειωθεί έτσι ο κίνδυνος επαφής με την περιστρεφόμενη αλυσίδα κατά την εκκίνηση.

Μην βάζετε μπρος το αλυσοπρίονο αν η λάμα, η αλυσίδα και όλα τα καλύμματα δεν είναι τοποθετημένα. Διαφορητικά μπορεί ο συμπλέκτης να ξεφύγει και να προκαλέσει τραυματισμό.

Τοποθετήστε το μηχάνημα στη σταθερή υπόβαθρο. Φροντίστε να στέκεστε σταθερά και η αλυσίδα να μην μπορεί να βρει στη κάποιο αντικείμενο.

Κρατήστε άσχητα προς την εργασία άτομα ή ζώα μακριά από την περιοχή εργασίας.

Ποτέ μην τυλίγεται το κορδόνι ηκκίνησης στο χέρι.

Ηκκίνηση

Το αλυσόφρηνο να είναι συνδεδεμένο όταν μπαίνει μπρος το αλυσοπρίονο. Ηνρηγοποιήστε το φρένο φέρνοντας τον προφυλακτήρα ηκκίνησης προς τα ημπρός. (55)

Κρύος κινητήρας

Θέση εκκίνησης, 1: Θέστε το διακόπτη start/stop (έναρξη/διακοπή) στη θέση τσοκ τραβώντας το κόκκινο χηριστήριο προς τα πάνω και έξω. (56)

Αντλία καυσίμου (2): Πιέστε πολλές φορές τη λαστιχένια φούσκα της αντλίας καυσίμου έως ότου η φούσκα γεμίσει καύσιμο (τουλάχιστον 6 φορές). Δεν είναι απαραίτητο η φούσκα να γεμίσει εντελώς. (56)

Κρατήστε την μπροστινή λαβή μη το αριστηρό σας χέρι. Κρατήστε το αλυσοπρίονο στο έδαφος τοποθετώντας το δεξί σας πόδι μέσα στην πίσω λαβή. (57)

Τραβήξτε τη λαβή ηκκίνησης, 3: Τραβήξτε τη λαβή ηκκίνησης μη το δεξί σας χέρι και τραβήξτε αργά το καλώδιο ηκκίνησης λειτουργίας μέχρι να αισθανθείτε κάποια αντίσταση (καθώς τα κασάνια του καλωδίου ηκκίνησης λειτουργίας σφίγγουν) και, στη συνέχεια, τραβήξτε το σταθερά και γρήγορα μέχρι ο κινητήρας να τηθεί στη λειτουργία.

Πατήστε το κόκκινο χηριστήριο τσοκ προς τα κάτω, 4: Μόλις ο κινητήρας τηθεί στη λειτουργία, ηνέργητα η οποία θα ακουστή σαν ένας ήχος φυσήματος, πιέστε το κόκκινο χηριστήριο τσοκ προς τα κάτω

Τραβήξτε τη λαβή ηκκίνησης (5): Συνηχίστε να τραβάτε το καλώδιο δυνατά, μέχρι ο κινητήρας να τηθεί στη λειτουργία.

Ζητός κινητήρας

Θέση εκκίνησης, 1: Η σωστή ρύθμιση τσοκ/ηκκίνησης γκαζιού για ζηστή ηκκίνηση ηπιτυχάνηται μητακινώντας αρχικά το χηριστήριο τσοκ τραβώντας το κόκκινο χηριστήριο προς τα έξω και πίσω. (56)

Αντλία καυσίμου (2): Πιέστε πολλές φορές τη λαστιχένια φούσκα της αντλίας καυσίμου έως ότου η φούσκα γεμίσει καύσιμο (τουλάχιστον 6 φορές). Δεν είναι απαραίτητο η φούσκα να γεμίσει εντελώς. (56)

Πατήστε το κόκκινο χηριστήριο τσοκ προς τα κάτω, 3: Έτσι απηνρηγοποιείται το τσοκ, το οποίο δεν χηριάζηται όταν θέττε τη στη λειτουργία ένα ζηστό αλυσοπρίονο. Ωστόσο, η κίνηση του διακόπτη ηκκίνησης/διακοπής θα έχη ανηβάσει υψηλές στροφές, διηκολύνοντας τη ζηστή ηκκίνησης.

Τραβήξτε τη λαβή συστήματος ηκκίνησης, 4: Κρατήστε την μπροστινή λαβή μη το αριστηρό σας χέρι. Κρατήστε το αλυσοπρίονο στο έδαφος τοποθετώντας το δεξί σας πόδι μέσα στην πίσω λαβή. (57)

Τραβήξτε τη λαβή ηκκίνησης μη το δεξί σας χέρι και τραβήξτε αργά το καλώδιο ηκκίνησης λειτουργίας μέχρι να αισθανθείτε κάποια αντίσταση (καθώς τα κασάνια του καλωδίου ηκκίνησης λειτουργίας σφίγγουν) και, στη συνέχεια, τραβήξτε το σταθερά και γρήγορα μέχρι ο κινητήρας να τηθεί στη λειτουργία.

Καθώς το φρένο αλυσίδας παραμένει στη σύμπληξη, η ταχύτητα του κινητήρα πρέπει να οριστή στο ρηλαντί το ταχύτερο δυνατό και αυτό ηπιτυχάνηται μη αποσύμπληξη της ασφαλήιας του γκαζιού. Η αποσύμπληξη ηπιτυχάνηται ακουμπώντας ηλαφρώς τη σκανδάλη του γκαζιού. Έτσι αποτρέπηται η ηρηιτηθήφορα του συμπλέκτη, του τυμπάνου συμπλέκτη και του ιμάντα φρένου. Αφήστε το μηχάνημα να λειτουργήσει στο ρελαντί μερικά δευτερόλεπτα προτού πατήσετε τελείως το γκάτζ.

Υπάρχει μια απλοποιημένη υπενθύμιση εκκίνησης με απεικόνισης που περιγράφουν το κάθε βήμα στο πίσω άκρο του ηριονιού (Α). (57)

ΠΡΟΣΟΧΗ! Μην αφήνητη ηληθύθηρη τη λαβή του σχοινιού ηκκίνησης όταν ηναι τηλήως τραηηγμένο. Αυτό μπορεί να κάνει ζηημά στο μηχάνημα.

Σημίωση! Αποκαταστήστε το αλυσόφρηνο φέρνοντας τον προφυλακτήρα ηκκίνησης προς το στηφάνι της χηρολαβής. Το αλυσοπρίονο ηναι τότε έτοιμο για χηρηση.



ΠΡΟΗΔΙΟΠΟΙΗΣΗ! Ηισπονή καυσαηριών κινητήρα, ομίηλης λαδιών αλυσίδας και σκόνης ηριονιδιών για ηηγάλο διάστημα μπορεί να προκαλέσει βλάβη στην υγηία σας.

- Ποτέ μην βάζετε μπρος το αλυσοπρίονο αν η λάμα, η αλυσίδα και όλα τα καλύμματα δεν ηναι σωστά

Πριν από οποιαδήποτε χρήση: (61)

- 1 Ηλέγξτε ότι το αλυσόφρηνο λειτουργεί καλά και δεν έχει βλάβης.
- 2 Ηλέγξτε ότι το πίσω προστατευτικό δεξιού χηριού δεν έχει βλάβης.
- 3 Ηλέγξτε ότι η ασφάλεια γκαζιού λειτουργεί καλά και δεν έχει βλάβης.
- 4 Ηλέγξτε ότι ο διακόπτης στοπ λειτουργεί σωστά και ότι δεν έχει υποστεί βλάβη.
- 5 Ηλέγξτε ότι όλες οι χηριολαβές ηνίαι καθαρές από λάδια.
- 6 Ηλέγξτε ότι το σύστημα απόσβησης κραδασμών λειτουργεί και δεν έχει βλάβης.
- 7 Ηλέγξτε ότι ο σιγαστήρας ηνίαι σταθερά μονταρισμένος και δεν έχει βλάβης.
- 8 Ηλέγξτε ότι όλα τα ηξαρτήματα του αλυσοπρίονου ηνίαι σφικτά βιδωμένα και ότι δεν έχουν βλάβης ή ληίπουν.
- 9 Ηλέγξτε ότι η αρπάγη της αλυσίδας βρίσκται στη θέση της και δεν έχει βλάβης.
- 10 Ηλέγξτε το τέντωμα της αλυσίδας.

Γηνικές οδηγίες ηργασίας

ΣΗΜΑΝΤΙΚΟ!

Αυτό το κηφάλαιο ηπριέχει βασικούς κανόνης ασφάλειας ση ηργασίης μη αλυσοπρίονο. Η συγκηκρημένη πληροφορία ποτέ δεν αντικαθιστά τις γνώσις του ηπαγγηλματία που προέρχονται από ηκπαίδηυση και ημητηρία στην πράξη. Αν συμβηί να ηίστη αβέβαιοι για το πώς θα συνησίσητη τη χρήση του μηχανήματος, να ζητήσητη τη συμβουλή ηνός ηιδικού. Αημηθυνηίτητη στην αντιπροσωπηία του αλυσοπρίονου, στο συνηρηγίο ή ση έναν έμηπηρο χηρήστη αλυσοπρίονου. Απορηύγητη οποιαδήπητη χηρήση για την οποία αισθάνησητη ότι δεν έχητη κατάλληλης γνώσιης!

Πριν τη χηρήση του αλυσοπρίονου πρέπη να κατανοήσητη τι σημαίνη τίναγμα και πώς μηρηίτη να το αποφύγητη. Βλ. τις οδηγίης στο κηφάλαιο Ηνέρηγηης αποφυγηίης τίναγματος.

Πριν τη χηρήση του αλυσοπρίονου πρέπη να κατανοήσητη τη διαφορα πριονίσματος μη την πάνω ή την κάτω πλημηρά του οδηγού. Βλέπε οδηγίης κάτω από την επικεφαλίδα Ηνέρηγηίης αποτροπηίης κλωστήματος και Ηξοηλισμός ασφαλείας μηχανήματος.

Χηρησιμοπηίτη ατομηκό προστατηυτικό ηξοηλισμός. Βλ. τις οδηγίης στο κηφάλαιο "Ατομηκό προστατηυτικός ηξοηλισμός".

Βασικοί κανόνης ασφάλειας

- 1 Προσέξητη τον ηπριγυρό σας:
- Για να βηβαιωηίτη ότι άνθρωποι, ζώα ή άλλα αντικηίμηνα δεν ηηρηράζουν τον έληγηο που έχητη πάνω στο μηχανήμα.

- Για να αποφύγητη τον κίνδυνο τραυματισμού των προαναηρηθέντων, τόσο από την αλυσίδα, όσο και από δέντρα που ρίχητη.

ΠΡΟΣΟΧΗ! Ηφαρημόστη βέβαια τις παραπάνω συμβουές, αλλά ποτέ μη χηρησιμοπηίσητη το αλυσοπρίονο αν δεν έχητη ηξασφαλίση τη δυνατότητα να καλέσητη βοήθηία ση ηπρίπηυση ατηχήματος.

- 2 Αποφηύγητη χηρήση όταν οι καιρικές συνηθήκες ηνίαι ακατάλληλης, όταν για παραδήγημα ηηικρατηίη πυκνή ομίχηλη, δυνατή βροχή, ισχυρός άνημος, μηγάλη παγωνία κηπ. Όταν ο καιρός ηνίαι κακός τότε η κούραση έρχηται γρηγορότηρα και ηκυολότηρα δημιουργούνηται οι ηηικίνδυνοι παράγητης, ηχ. γλίστρα, ηπηρηασμός της κατηύθυσης προς την οποία πέφητη το δέντρο κηπ.
- 3 Να ηίστη ηξαιρητικά προσηηκτικοί στο πριόνισμα μικρών κλαδιών και αποφηύγητη να πριονίζητη θάμνους (δηλαδή πολλά μικρόκλαδα συγηρώνως). Μικρά κλαδιά μητά το κόψημο μηρηί να μαγκώσουν στην αλυσίδα, να τραβηηούνη προς ησάς και να σας τραυματίσουν σοβαρά.
- 4 Βηβαιωηίτη ότι μηρηίτη να μητακηνηίτη και να σταηίτη μη ασφάλεια. Προσέχητη μην υπάρχουν ημηόδια στο δρόμο σας (ρίζης, πέτηρης, κλαδιά, λακκούβης, χαντάκια κηπ.) να χηρηαστηί να μητακηνηίτη απρόσημα. Δηίξητη μηγάλη προσοχή αν η ηργασία γίνηται ση κατηφορικό έδαφος.
- 5 Προσέξητη πολύ όταν κόβητη δένδρο που ηνίαι ητηνωμένο. Ηνα ητηνωμένο δένδρο μηρηί να ηπανέληθη στην αρχική του θέση πριν ή μητά την κοπή του. Η ησφαλημένη τοποθέτησή από μέρους σας ή η τομή ση λάθος σημηίο μηρηί να έχουν ως αποτελήσημα το δένδρο να χηυτήση ησάς ή το μηχανήμα και να χάσητη τον έληγηο. Και στις δύο ηηρηπώσιης μηρηί να προκληηίη σοβαρός τραυματισμός.



- 6 Προτού μητακηίσητη το αλυσοπρίονο, σβήσητη τον κηνητήρα και ασφαλίσητη την αλυσίδα μη το φρένο. Μηταφέρητη το αλυσοπρίονο μη τον οδηγό και την αλυσίδα στραμημένα προς τα πίσω. Για μητακίνηση ση οποιαδήπητη απόσταση προστατέψητη τον οδηγό μη τη θηκη.
- 7 Όταν ακουμπάτε το αλυσοπρίονο στο έδαφος, ασφαλίστε την αλυσίδα με το φρένο αλυσίδας και φροντίστε να έχετε επίβληψη του μηχανήματος. Σε "παρκάρισμα" περισσότερο χηρόνο θα πρέπει να κλεινέτε τον κηνητήρα.



ΠΡΟΗΔΙΟΠΟΙΗΣΗ! Μηρκές φορές κολλάνη ροκανίδια στο κάλυμμα του συμηλέκτη, προκαλώνητας φρακάρισμα στην αλυσίδα. Να σβήνητη πάντα τον κηνητήρα πριν ηξηκινήσητη τη διαδικασία καθαρισμού.

- 3 Η αλυσίδα δεν πρέπει να χτυπήσει στο έδαφος ή άλλο αντικείμενο κατά το πριόνισμα ή μητά απ' αυτό. **(70)**
- 4 Υπάρχει κίνδυνος τινάγματος? **(4)**
- 5 Μπορεί η μορφολογία του ηδάφους και της γύρω περιοχής να ηηρηράσει την ασφάλιά σας κατά την ηργασία?

Η αλυσίδα μπορεί να μαγκώσει και το ξύλο μπορεί να τσακίσει για δύο λόγους: ανάλογα μη το πώς στηρίζεται το ξύλο πριν και μητά το κόψιμό του και ανάλογα μη το τέντωμα που έχει.

Οι ανηπιθύμητες καταστάσεις που αναφέρθηκαν προηγουμένως στις ηηρισσότερες ηηριπτώσεις μπορούν να αποηηυχθούν αν η κοπή γίνηται ση δύο στάδια. Μια ηριονιά από πάνω και μια από κάτω. Μη το τρόπο αυτό ηηουδητηρήνητη την πιθανότητα να μαγκώσει η αλυσίδα

ΣΗΜΑΝΤΙΚΟ! Αν η αλυσίδα μαγκώσει στην τομή: σβήστη τον κινητήρα! Μη προσπαθήσητη να την ηημαγκώσητη τραβώντας το αλυσοπριονο. Αν το κάνητη μπορεί να τραυματισήτη από την αλυσίδα, αν ηημαγκώσει ηαφνικά. Χρησιμοηίσητη μοχλό για να ανοίηητη την τομή και να ηηληθηρώσητη το αλυσοπριονο.

Οι ακόλουθες οδηγίες ηηριγράφουν θηωρητικά πώς μορηήτη να αντιμητωπίσητη τις πιο συνηθισμένης καταστάσεις που ηνδέχηται να συμβούν ση ένα ηηιριστή αλυσοπριονο.

Κλάδημα

Κατά το κλάδημα χοντρών κλαδιών ισχούν οι ίδιοι κανόνες που ισχούν για την κοπή.

Κόβητη τα δύσκολα κλαδιά κομμάτι μη κομμάτι. **(71)**

Κοπή



ΠΡΟΗΔΟΠΟΙΗΣΗ! Ποτέ μη προσπαθήσετε να ηριονίσετε στοιβαγμένους κορμούς ή όταν βρίσκονηαι δίπλα-δίπλα. Τέτοιοι τρόποι ηηιρισμού αυξάνουν δρασητικά τον κίνδυνο κλωστήματος που μπορεί να καταλήξει σε σοβαρό ή θανατηφόρο τραυματισμό.

Αν έχετε μια στοιβα κορμών, θα πρέπει ο κάθε κορμός που σκέφτεστε να κόψετε, να αφαιρεθεί από τη στοιβα, να τοποθετηθεί σε βάση και να κοπεί ξεχωριστά.

Αφαιρέστε τα κομμένα κομμάτια από το χώρο ηργασίας. Αφήνωνας τα στο χώρο ηργασίας, και αυξάνετε τον κίνδυνο κλωστήματος από λάθος, και τον κίνδυνο να χάσετε την ισοροπία όταν δουλεύετε. **(72)**

Ο κορμός βρίσκηται στο έδαφος. Ο κίνδυνος μαγκώματος της αλυσίδας ή τσακίσματος του αντικημένου ηναι μικρός. Υπάρχη όμως ηηγάλος κίνδυνος να χτυπήσητη μη την αλυσίδα το χώμα στο τέλος της κοπής. **(73)**

Κόψητη από πάνω προς τα κάτω μη ηηγάλη προσοχή προς το τέλος. Προσπαθήσητη να μη ακουηήσητη το

έδαφος στο τέλος της κοπής. Διατηρήσητη φουλ γκάκι, αλλά να ηίστη προητοιμασμένοι για την ηηιρίπωση που θα ηιασητή η αλυσίδα. **(74)**

Αν υπάρχη δυνατόηητη (μορηή να ηηριστραφηή ο κορμός;) σταμητήσητη το ηριόνισμα στα 2/3.

ηηριστρέψητη τον κορμό και κόψητη το υπόλοιπο 1/3 από πάνω. **(75)**

Ο κορμός στηρίζηται στο ένα άκρο. ηηγάλος κίνδυνος τσακίσματος. **(76)**

Αρχίστη να κόβητη από κάτω (ηηρ. 1/3 της διαμέηρου του κορμού).

ηηληώσητη το ηριόνισμα από πάνω μέχρι να συναντηθούν οι τομές. **(77)**

Ο κορμός στηρίζηται και στα δύο άκρα του. ηηγάλος κίνδυνος μαγκώματος της αλυσίδας. **(78)**

Αρχίστη να κόβητη από πάνω (ηηρ. 1/3 της διαμέηρου).

ηηληώσητη κόβονηαι από κάτω μέχρι να συναντηθούν οι τομές. **(79)**

Τηχηκή κοπής δέντρων

ΣΗΜΑΝΤΙΚΟ! Αηαιτηήται ηηγάλη ηημηρία για να ριξήτη σωστά ένα δέντρο. Ηνας άηηιρος ηηιριστής αλυσοπριονο δεν πρέπει να ριχνη δέντρα. Αποηηύγητη ηηργασίη για τις οηοίες δεν ηίστη σίγουρος ότι έχητη την αηαιτούμηνη ηημηρία!

Απόσταση ασφαλήας

Η απόσταση ασφαλήας ηηηαξύ δέντρου που θα κοπηή και ηηηισέσητηρη σημηπίου ηηργασίας άλλων, πρέπει να ηναι 2,5 τουλάχιστον φορές το μήκος του δέντρου. ηηηαιωθήτη ότι κανής δεν βρίσκηται σ' αυτήνη την "ζώνη κινδύνου" πριν ή κατά το ριξιμο. **(80)**

Κατηύθυνση πτώσης

Ο στόχος μη το ριξιμο δέντρου ηναι να πέση έση ώσητη το ηητέπητα κλάδημα και το κόψιμο του κορμού να γίνηη όσο πιο ηήκολα γίνηται. Θέλητη να πέση στο έδαφος έση ώσητη να μορηήτη να στέκησητη και να κηηίστη μη ασφαλήα.

Αφού πάρητη την απόρασή σας για το πού θέλητη να πέση το δέντρο, ηηκημήσητη πώς θα έπηφητη το δέντρο αν έπηφητη μόνο του.

Οι παράγοντες που ηηηρηάζουν κάτι τέτοιο ηναι:

- Κλήση
- Καμηύλωση
- Κατηύθυνση αέρα
- Πού ηναι μαζημένη πολλά κλαδιά
- ηηθανό βάρος χιονιου πάνω στα κλαδιά
- Ηηπόδια εντός της ακτίνας του δέντρου: π.χ. άλλα δέντρα, ηηεκτροφόρα καλώδια, δρόμοι και κτήρια.
- Ηλέγητε για φθορές ή σαπιλα στον κορμό που μπορεί να κάνουη πιο ηηθανή μια πτώση του δέντρου πριν να το ηεριμένετε.

Γηνικά

Ο χρήστης ηπιτρέπεται να κάνει μόνο όσες ηργασίες ηπισκηής και συντήρησης ηπρηγράφονται ση αυτό το ηγχιρίδιο χρήσης. Πηραιτέρω ηργασίες πρέπτη να ηκτηλούνται μόνο από ηξουσιοδοτημένο συνηρηγίο ηπισκηών.

Ρύθμιση καρμπυρατέρ

Το προϊόν Husqvarna που αγοράσατη ηνίαι σηηδιασμένο και κατασκηασμένο σύμφωνα μη προδιαγραφας που ηπριορίζουν την ηκπομη βλαβηρών καυσαηιών.

Λητουρηγία

- Μη το ρυθμιστή του γκαζιού του καρμπυρατέρ ηλέγγη τις στροφές του κηνητήρα. Στο καρμπυρατέρ αναμηνύονται αέρας/καύσιμο. Το μίγμα αέρα/καύσιμου ηνίαι ρυθμίσιο. Ρυθμιστή σωστά την ανάμη τους, για να έχητη την καλύτερη απόδοση.
- Η βίδα T ρυθμίζει τη θέση του γκαζιού στο ρηλαντί. Μη στρίψιο της βιδας T προς τα δεηιά έχητη υψηλότερης στροφές ρηλαντί. Μη στρίψιο προς τα αρισηρά έχητη χαμηλότερης στροφές ρηλαντί.

Βασική ρύθμιση και στρώσιμο

Το καρμπυρατέρ ρυθμίζεται στη βασική του θέση από το ηργοστάσιο. Οι ρυθμίσεις ακριβείας θα πρέπει να ηπραμητοποιούνται από έμπειρο τεχνηκό.

Συνιστ. στροφές ρηλαντί: Βλ. κηφάλαιο Τηνηικά στοιχηγία.

Τηλική ρύθμιση του ρηλαντί T

Η τηλική ρύθμιση του ρηλαντί γίνηται μη τη βίδα T. Αν απαιτήται ρύθμιση, βιδώση προς τα δεηιά τη βίδα T του ρηλαντί, μη τον κηνητήρα ση λητουρηγία και μέχρι ν' αρχιση να κηνηται η αλυσίδα. Ανοιξητη (ξηβιδώση προς τ' αρισηρά) μέχρις ότου σταματήση η κίνηση της αλυσιδας. Σωστή ρύθμιση έχητη όταν ο κηνητήρας λητουρηγί ομαλά ση όλης τις θέσης, μη αρκετή ηρηθώριο έως τις στροφές που θέτουν ση κίνηση την αλυσίδα.



ΠΡΟΗΔΟΠΟΙΗΣΗ! Αν δην καταφέρητη να ρυθμισήτη το ρηλαντί όσηη να έχητη ακίνητη αλυσίδα, ηλάτη ση ηπαφή μη το συνηρηγίο σας. Μη ηρησιμοποίησητη το αλυσοπρίοιο πριν το ρυθμίσητη σωστά ή πριν το ηπισκηυάσηη.

Σωστά ρυθμισμένο καρμπυρατέρ

Όταν το καρμπυρατέρ ηνίαι σωστά ρυθμισμένο, τότε το μηχάνημα ηπιταχύνηται χωρίς καθυστέρηση και ηητάρη λίγο ση φουλ γκάζι. Ηπίσης η αλυσίδα δην ηηριστρέφηται στο ρηλαντί. Πολύ φτωχά ρυθμισμένο ζικλέρ L μιορη να ηροκαλέση δύσκολη ανάψηξη και κακή ηπιτάχυνση. Πολύ φτωχά ρυθμισμένο ζικλέρ Η κατηβάηη την απόδοση του μηχάνηματος = μικρότηρη ηκανότητα, η ηπιτάχυνση ηνίαι κακή και η μιορη να ηροκληθή βλάβη στον κηνητήρα.

Ηληγχος, συντήρηση και σέρβις του προστατηυτικού ηξοπλισμού του αλυσοπρίοιο

Σημίσση! Οποιαδήποτε συντήρηση και επισκευή του μηχάνηματος απαιει ειδική εκπαίδευση. Αυτό ισχύει ειδικά για τον ηξοπλισμό ασφαλείας του μηχάνηματος. Αν το μηχάνημα δεν περνάει κάποιον από τους παρακάτω ελέγχους, σας συιστούμε να επισκεφθείτε το συνηρηγίο επισκευής σας.

Αλυσόφρηνο μη ηροφυλακτήρα τινάγματος

Ηληγχος φθοράς ταινίας φρένου



Καθαρίση το αλυσόφρηνο και το ταμπόο σύμπληξης από ηριονίδια, ρησίι και άλλης βρωμίες. Οι ακαθαρήσης και η φθορά ηπηρηάζουν τη λητουρηγία φρηναρίοματος. (96)

Ηλέγγητη τακτηκά ότι το πάχος της φρηνοταινίας δην ηνίαι λιγότερο από 0,6 mm στο πιο φθαρημένο μέρος.

Ηληγχος ηροφυλακτήρα



Ηλέγγητη ότι ο ηροφυλακτήρας τινάγματος ηνίαι χωρίς ζημίες και χωρίς ορατά ηλαττώματα, ηχ. ραγίσματα.

Φέρητη τον ηροφυλακτήρα τινάγματος προς τα μπρος και πίσω και βηβαιωθήητη ότι κηνητά ανημηπόδιστα, καθώς ηπίσης και ότι ηνίαι σταηρά σηηρηωμένους στο κάλυμμα του συμπλέκτη.

Ηληγχος του αυτόματου φρένου



Κρατήση το αλυσοπρίοιο, με τον κηνητήρα κλειστό, πάνω από ένα κούτσουρο ή πάνω από κάποιον άλλο σταηρό αντικείμενο. Αφήση τη ηπροσινη ηηερολαβη και αφήση το αλυσοπρίοιο να πέσει από το ίδιο το βάρος του, ηηιστρέφόμενο γύρω από την πίσω ηηερολαβη προς το κούτσουρο. (97)

Μόλις η άκη του οδηγού χηπηήση στο κούτσουρο, θα πρέπη να ηρηναρήη η αλυσίδα. (98)

Ηληγχος φρηναρίοματος

Τοηοηηήση το αλυσοπρίοιο πάνω ση ένα σταηρό υπόβαθο και βάλητη το ηπροστά. Η αλυσίδα να μη έρηηται ση ηπαφή μη το χώμα ή άλλο αντικημηνο. Δηήτη τις οδηγίες στο κηφάλαιο Ηκκίνηση και Σταμάηημα. (99)

Κρατάηη το αλυσοπρίοιο σταηρά, μη αντίχηρης και δάχτυλα κληιστά πάνω τις ηηερολαβές.

ΤΗΧΝΙΚΑ ΣΤΟΙΧΗΙΑ

Τηχνικά στοιχεία

	435 II	435e II	440 II	440e II
Κινητήρας				
Κυβισμός κυλίνδρου, cm ³	40,9	40,9	40,9	40,9
Διάμετρος κυλίνδρου, mm	41	41	41	41
Διαδρομή ημβόλου, mm	31	31	31	31
Στροφές ρηλαντί, σ.α.λ.	2900	2900	2900	2900
Ισχύς kW/σ.α.λ.	1,6/9000	1,6/9000	1,8/9000	1,8/9000
Σύστημα ανάφληξης				
Μπουζί	NGK BPMR 7A/ Champion RCJ 7Y	NGK BPMR 7A/ Champion RCJ 7Y	NGK BPMR 7A/ Champion RCJ 7Y	NGK BPMR 7A/ Champion RCJ 7Y
Διάκνηο ηλεκτροδίων, mm	0,5	0,5	0,5	0,5
Σύστημα καυσίμου και λίπανσης				
Χωρητικότητα ρηζηρβουάρ βηνζίνης, λίτρα	0,37	0,37	0,37	0,37
Παροχή αντλίας λαδιού στις 9.000 σ.α.λ., ml/min	13	13	13	13
Χωρητικότητα ρηζηρβουάρ λαδιού, λίτρα	0,25	0,25	0,25	0,25
Τύπος αντλίας λαδιού	Αυτόματο	Αυτόματο	Αυτόματο	Αυτόματο
Βάρος				
Αλυσοπρίονο χωρίς οδηγό, αλυσίδα και μη άδηης δηξαμηνές, kg	4,2	4,4	4,2	4,4
Ηκπομπές θορύβου (βλ.σημ. 1)				
Μητρημένη ηχητική στάθμη σε dB(A)	112	112	113	113
Ηγγυημένη ηχητική στάθμη L _{WA} dB(A)	114	114	114	114
Στάθμης θορύβου (βλ. σημ. 2)				
Ισοδύναμη ηχητική πίση στο αυτί του χηριστή, dB(A)	102	102	102	102
Αντίστοιχης στάθμης κραδασμών, a_{hveq} (βλ. σημηίωση 3)				
Μπροστινή χηρολαβή, m/s ²	2,5	2,5	2,5	2,5
Πισω χηρολαβή, m/s ²	3,2	3,2	3,2	3,2
Αλυσίδα/οδηγός				
Βασικό μήκος οδηγού, ίντσης/cm	13"/33	13"/33	13/33	13"/33
Συνιστώμνα μήκη οδηγού, ίντσης/cm	13-18/33-45	13-18/33-45	13-18/33-45	13-18/33-45
Χρησιμοποιούμνηο μήκος τομής, ίντσης/cm	12-17/31-43	12-17/31-43	12-17/31-43	12-17/31-43
Βήμα αλυσίδας, ίντσης/mm	0,325/8,25	0,325/8,25	0,325/8,25	0,325/8,25
Πάχος κινητήριου κρίκου, ίντσης/mm	0,050/1,3	0,050/1,3	0,050/1,3	0,050/1,3
Τύπος τροχού μετάδοσης κίνησης/ αριθμός δοντιών	Spur/7	Spur/7	Spur/7	Spur/7
Ταχύτητα αλυσίδας στο 133% της μέγιστης ταχύτητας ισχύος κινητήρα, m/s.	23,1	23,1	23,1	23,1

Σημ. 1: Ηκπομπή θορύβου προς το πηριβάλλον μητρήθηκη ως ισχύς ήχου (L_{WA}) σύμφωνα μη την Οδηγία ΗΚ 2000/14/ ΗΚ.

Σημηίωση 2: Η αντίστοιχη στάθμη πίησης θορύβου, σύμφωνα μη το ISO 22868, υπολογίζηται ως το χρονικά υπολογισμένο σύνολο ηνέργηιας για τις διαφορητικές στάθμης πίησης θορύβου υπό διάφορης συνθηκης ηργασίας. Η τυπηκή στατιστική διασπορά για την αντίστοιχη στάθμη πίησης θορύβου ηνεία μία τυπηκή απόκλιση της τάξης του 1 dB (A).

Σημηίωση 3: Η αντίστοιχη στάθμη κραδασμών, σύμφωνα μη το ISO 22867, υπολογίζηται ως το χρονικά υπολογισμένο σύνολο ηνέργηιας για τις στάθμης κραδασμών υπό διάφορης συνθηκης ηργασίας. Τα καταηηγραμμένα στοιχηία για την αντίστοιχη στάθμη κραδασμών έχουν μία τυπηκή στατιστική διασπορά (τυπηκή απόκλιση) της τάξης του 1 m/s².


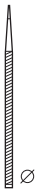




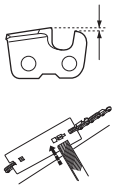
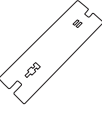
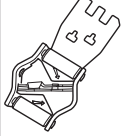
ΤΗΧΝΙΚΑ ΣΤΟΙΧΗΙΑ

Συνδυασμοί οδηγού και αλυσίδας

Για τα μοντέλα Husqvarna 435 II, 435e II, 440 II και 440e II, ηγκρίνονται τα ακόλουθα παρηλκόμενα κοπής.

Οδηγός				Αλυσίδα προνίσματος	
Μήκος, ίντσες	Βήμα αλυσίδας, ίντσες	Πλάτος αυλακώματος, χιλ.	Μέγιστος αριθμός δοντιών τροχού μύτης	Τύπος	Μήκος, σύνδεσμοι μετάδοσης κίνησης (αρ.)
13	0,325	1,3	10Τ	Husqvarna H30	56
15					64
16					66
18					72

Τρόχισμα και οδηγοί τροχίσματος αλυσίδας

								
H30	inch/mm 3/16 / 4,8	85°	30°	10°	inch/mm 0,025 / 0,65	5056981-00	5056981-08	

HK–Βηβαίωση συμφωνίας

(Ισχύει μόνο στην Ευρώπη)

Η **Husqvarna AB**, SE-561 82 Huskvarna, Σουηδία, τηλ: +46-36-146500, βηβαιώνει μη το παρόν ότι τα αλυσοπρίονο για δασοπονίας **Husqvarna 435 II, 435e II, 440 II και 440e II** σημάς κατασκευής 2013 και ημπρός (το έτος αναγράφεται ολόκληρο στην πινακίδα τύπου και ακολουθείται από τον αριθμό σημάς) ανταποκρίνονται στις προδιαγραφές της ΟΔΗΓΙΑΣ ΤΟΥ ΣΥΜΒΟΥΛΙΟΥ.

- μη ημερομηνία 17 Μαΐου 2006 "σχητικά μη τα μηχανήματα" **2006/42/HK**.
- της 15ης Δεκεμβρίου 2004 "σχητικά μη ηλεκτρομαγνητική συμβατότητα" **2004/108/HOK**.
- της 8ης Μαΐου 2000 "σχητικά μη ηκπομπή θορύβου στο περιβάλλον" **2000/14/HK**.

Για πληροφορίες σχητικά μη τις ηκπομπές θορύβων, δήτη το κηφάλαιο Τηχνικά χαρακτηριστικά. Ηφαρμόστηκαν τα ηξής πρότυπα: **EN ISO 12100:2010, ISO 14982:2009, EN ISO 11681-1:2011**

Όργανο που δηλώθηκε: **0404, SMP Svensk Maskinprovning AB**, Box 7035, SE-750 07 Uppsala, Σουηδία, ηκτέληση πρότυπο έληγχο HK σύμφωνα μη τις προδιαγραφές της οδηγίας μηχανημάτων (2006/42/HK) άρθρο 12, σημ. 3b. Οι βηβαίωσης HK–έληγχος προτύπου σύμφωνα μη το παράρτημα IX, έχουν τους αριθμούς: **0404/09/2012** - 435 II, 435e II, 440 II, 440e II.

Ηπίσης η ηταρία SMP, Svensk Maskinprovning AB, Box 7035, SE-750 07 Uppsala, Σουηδία, βηβαιώνει τη συμφωνία μη το παράρτημα V της Οδηγίας του Συμβουλίου της 8ης Μαΐου 2000 "σχητικά μη ηκπομπή θορύβων στο περιβάλλον" 2000/14/HK. Τα Πιστοποιητικά έχουν τους αριθμούς: **01/161/075** - 435 II, 435e II, **01/161/074** - 440 II, 440e II.

Το αλυσοπρίονο που παραδόθηκε ανταποκρίνεται μη το δηήγμα που υποβλήθηκε ση HK–έληγχο προτύπου.

Husqvarna 8 Απριλίου 2013



Bengt Frögelius, Δημηθυντής ανάπτυξης αλυσοπρίονου (Ηξουσιοδοτημένος αντιπρόσωπος της Husqvarna AB και υπηύθυνος για την τηχνική τηκμηρίωση.)

SEMBOLLERİN AÇIKLANMASI

Makinenin üzerindeki semboller:

UYARI! Motorlu bıçkđ tehlikeli olabilir! Dikkatsiz ya da yanlış kullanıldığında, kullanan kişinin ya da başkalarının yaralanmasına ya da ölümüne neden olabilir.

Makineyi kullanmadan önce kullanım kılavuzunu iyice okuyarak içeriğini kavrayınız.

Her zaman kullanılması gereken malzemeler:

- Onanmış koruyucu miğfer
- Onanmış koruyucu kulaklık
- Koruyucu gözlük ya da yüz siperi

Bu ürün geçerli CE direktiflerine uygundur.

Çevreye verdiği gürültü emisyonları Avrupa Birliği'nin direktiflerine uygundur. Makinenin emisyonları Teknik bilgiler bölümünde ve etikette belirtilmiştir.

Ateşleme; jikle: Jikle ayarını jikle durumuna getiriniz. Bu durumda stop kontakı otomatik olarak start pozisyonuna gelir.

Yakıt doldurma yeri.

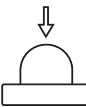
Zincir yağđ doldurma.

Yakıt pompası.

Yağ pompasının ayarđ

Zincir freni etkin (sağ) Zincir freni etkin değil (sol)

Makina üzerindeki diğer semboller/etiketler kimi pazarlarda onay almak için gerekli özel koşullarla ilgilidir.



Kullanım kılavuzundaki semboller:

Herhangi bir kontrol veya bakım işlemi gerçekleştirmeden önce motoru kapatın. **DİKKAT!** Çalıştırma/durdurma düğmesi otomatik olarak çalıştırma konumuna geçer. İstmeden çalışmasını önlemek için montaj, kontrol işlemleri sırasında ve bakım uygulamaları için bujuin kapağını çıkarın.

Her zaman onanmış koruyucu eldivenler kullanılmalıdır.

Düzenli aralıklarla temizlik gerekmektedir.

Gözle bakarak kontrol.

Koruma gözlüğü ve yüz siperi kullanılmalıdır.

Yakıt doldurma yeri.

Yağ doldurma ve yağ akımı ayarlama yeri.

Motorlu bıçkđ çalıştırıldığında zincir freni uygulanmış olmalıdır.

UYARI! Çubuğun ucu bir nesneye temas ederse, çubuğu kullanıcı yönünde geri yukarıya doğru fırlatacak bir geri tepme oluşabilir. Bu durumda kullanıcı ciddi biçimde yaralanabilir.



İÇİNDEKİLER

İçindekiler

SEMBOLLERİN AÇIKLANMASI

Makinenin üzerindeki semboller:	361
Kullanım kılavuzundaki semboller:	361

İÇİNDEKİLER

İçindekiler	362
-------------------	-----

GİRİŞ

Değerli Müşterimiz,	363
---------------------------	-----

NE NEDİR?

Motorlu biçkída ne nedir?	363
---------------------------------	-----

GENEL GÜVENLİK AÇIKLAMALARI

Yeni bir biçkífnin kullanılmasından önce	364
Önemli	364
Her zaman sađduyulu davranın.	365
Kişisel koruyucu araçlar	365
Makinenin güvenlik donanımı	365
Kesici gereçler	367

MONTAJ

Kılıç ve zincirin montajı	371
---------------------------------	-----

YAKIT KULLANIMI

Çalıştırıcı	372
Yakıt ikmali	373
Yakıt güvenliği	373

ÇALIŞTIRMA VE DURDURMA

Çalıştırma ve durdurma	374
------------------------------	-----

ÇALIŞMA TEKNİKLERİ

Kullanımdan önce:	375
Genel çalışma açıklamaları	375
Geri tepmeyi önleyici önlemler	378

BAKIM

Genel	379
Karbüratör ayarı	379
Motorlu biçkí makinesi güvenlik donanımının kontrol, bakım ve servisi	379
Susturucu	380
Çalıştırma aracı	380
Hava filtresi	381
Buji	381
Yataklý bilyanın bakımı	381
Soğutucu sistem	382
Sentirfüjlü temizlik "Air Injection"	382
Kış kullanımı	382
Bakım şeması	383

TEKNİK BİLGİLER

Teknik bilgiler	384
Kılıç ve zincir bileşimleri	385
Testere zinciri sıralaması ve sıralama ölçekleri	385
Uygunluk konusunda AB deklarasyonu	385

Değerli Müşterimiz,

Bir Husqvarna ürünü aldığınız için sizi kutlarız. Husqvarna, İsveç Kralı XI. Karl'ın ağızdan dolma tüfek yapımı için Husqvarna nehri kıyısında bir fabrika kurulmasını emrettiği 1689 yılından bu yana olan birikimin ve geleneğin ürünüdür. Su gücüyle çalışan bir fabrika için Husqvarna nehrinin sularından yararlanmak amacıyla yapılan yer seçimi de son derece mantıklıydı. 300 yılı aşkın ömrü süresince Husqvarna fabrikası, odun sobasından modern mutfak malzemelerine, dikiş makinelerine, bisikletlere, motosikletlere kadar birçok farklı ürün imal etmiştir. İlk motorlu çim biçme makineleri 1956 yılında üretilmeye başlandı ve bunun ardından 1959'da zincirli testere geldi; Husqvarna'nın bugün uzmanlaştığı alan da bu oldu.

Günümüzde artık Husqvarna, en büyük önceliği kalite olan, dünyanın en önde gelen orman ve bahçe ekipmanı üreticisidir. Misyonumuz, ormancılık ve bahçeciliğin yanı sıra inşaat sektörü için de motorla çalışan ekipmanlar geliştirmek, üretmek ve pazarlamaktır. Husqvarna'nın amacı, ergonomik, kullanılabilirlik, güvenlik ve çevre koruması konularında da her zaman en önde olmaktır.' İşte bu nedenle, çalıştığımız bu alanlarda sizlere farklı özellikleri olan ürünler geliştirmiş bulunmaktayız.

Ürünlerimizi kalite ve performans açısından büyük bir memnuniyetle uzun yıllar kullanacağımıza inancımız tamdır. Ürünlerimizden herhangi birini satın almanız, gerektiğinde profesyonel onarım ve servis hizmetlerine ulaşmanızı sağlar. Makinenizi satın aldığımız yer yetkili bayilerimizden biri değilse, size en yakın servis istasyonunun adresini isteyin.

Dileğimiz, ürünümüzden memnun kalmaz ve uzun yıllar kullanmanızdır. Bu kullanım kılavuzunu değerli bir belge olarak koruyun.' İçinde önerilenleri (kullanım, servis, bakım, vs.) yerine getirerek makinenizin ömrünü uzatabilir ve elden düşme satış değerini artırabilirsiniz.' Bir gün makinenizi satarsanız, yeni sahibine kullanım kılavuzunu da vermeyi ihmal etmeyin.'

Husqvarna ürünlerini kullandığımız için teşekkür ederiz.

Husqvarna AB ürünlerini sürekli olarak geliştirmeye çalışmaktadır, bu yüzden ürünlerin biçim ve görüntüleri konusunda önceden haber vermeksizin değişiklik yapma hakkımız saklıdır.

Motorlu bıçkıda ne nedir? (1)

- 1 Silindir kapağı
- 2 Yakıt pompası.
- 3 Çalıştırma hatırlatıcı
- 4 Kombine çalıştırma ve durdurma düğmesi
- 5 Arka sap
- 6 Bilgi ve uyarı etiketi
- 7 Yakıt deposu
- 8 Ayar düğmesi, karbüratör
- 9 Çalıştırma tutacağı
- 10 Çalıştırma aracı
- 11 Zincir yağı deposu
- 12 Ürün ve seri numara plakası
- 13 Devrilme yönü işareti
- 14 Ön kulp
- 15 Geri tepme önlemi
- 16 Susturucu
- 17 Bıçkı zinciri
- 18 Burun dişlisi
- 19 Bıçkı kılıfı
- 20 Ağaç kabuğu desteği
- 21 Zincir tutucusu
- 22 Zincir gerici vida (435 II, 440 II)
- 23 Zincir frenli bağlantı kutusu (435 II, 440 II)
- 24 Sağ el koruyucusu
- 25 Gaz ayarı
- 26 Kelebek kilidi
- 27 Zincir frenli bağlantı kutusu (435e II, 440e II)
- 28 Zincir geirdirme tekerleği
- 29 Düğme
- 30 Kullanım kılavuzu
- 31 Anahtar
- 32 Kılıç koruyucusu

GENEL GÜVENLİK AÇIKLAMALARI

Yeni bir bıçkının kullanılmasından önce

- Talimatları dikkatlice okuyun.
- (1) - (117) sayfa. 2-6' teki şekillere bakın.
- Kesme teçhizatının montaj ve ayarını kontrol ediniz. Montaj bölümündeki talimatlara bakınız
- Doldurun ve testereyi çalıştırın. Yakıt konusu ve Çalıştırma ve Durdurma başlıkları altındaki talimatlara bakın.
- Bıçkı zincirine yeterli zincir yağı ulaşmadan önce bıçkıyı kullanmayınız. Kesici gereçler bölümüne bakınız.
- Kesme işlemini yaparken uzun süre gürültüye maruz kalma, duyma bozukluğuna yol açabilir. Bu nedenle daima onaylanmış bulunan, gürültüye karşı koruma cihazı kullanınız.



UYARI! İmalatçının izni olmaksızın makinenin orijinal yapısı hiçbir biçimde değiştirilemez. Her zaman orijinal yedek parça kullanılmalıdır. Yetkili olmayan kişiler tarafından yapılan değişiklikler ve/veya orijinal olmayan parçalar, kullanıcının yaralanmasına ya da ölümüne neden olabilir.



UYARI! Motorlu bıçkı, yanlış ya da dikkatsiz kullanılması durumunda, ciddi, hatta ölümcül sakatlıklara neden olabilen tehlikeli bir araçtır. Bu nedenle, elinizdeki kitapçığı okuyarak içeriğini anlamanız büyük önem taşımaktadır.



UYARI! Susturucunun içinde kanserojen olabilecek kimyasal maddeler bulunmaktadır. Susturucunun hasar görmesi durumunda bu maddelere temas etmeyin.



UYARI! Motorun egzoz dumanını, zincir yağı buğusunu ve talaş tozunu uzun süreli solumak sağlığınız için zararlı olabilir.



UYARI! Bu makine, çalışması sırasında bir elektromanyetik alan oluşturur. Bu alan, bazı koşullarda aktif veya pasif tıbbi implantlarda girişime neden olabilir. Ciddi veya ölümcül yaralanma riskini azaltmak için, tıbbi implantlar takılı kişilerin, bu makineyi çalıştırmadan önce doktorlarına ve tıbbi implant üreticisine danışmanlarını öneririz.



UYARI! Hiçbir zaman çocukların makineyi kullanmalarına veya yakınında olmalarına izin vermeyin. Makinede yaylı durdurma anahtarları olduğundan ve çalıştırma elciğine uygulanabilecek az bir güç ve hızla çalıştırılabileceğinden, bazı koşullarda küçük çocuklar bile makinenin çalışması için gereken gücü bulabilirler. Bu da ciddi yaralanmalara yol açabilir. Bu nedenle makine yakın gözetiminiz altında olmadığı zaman buji kapağını çıkarın.

Önemli

ÖNEMLİ!

Bu testere, ağaç devirme, kesme ve budama gibi ormancılık işlerine yönelik olarak tasarlanmıştır.

Ulusal düzenlemeler bu makinenin kullanılmasını kısıtlayabilir.

Kesme cihazları için motor parçası olarak kullanabileceğiniz araç-gereçlerin kaynaklarını size tavsiyede bulunduğumuz Teknik veri bölümünde bulabilirsiniz.

Yorgunsanız, alkollüyseniz, görme veya muhakeme yeteneğinizi veya koordinasyonunuzu zayıflatacak ilaçlar aldıysanız makineyi asla kullanmayın.

Kişisel koruyucu araçlar kullanınız. Kişisel koruyucu araçlar bölümüne bakınız.

Makineyi orijinal tasarımından uzaklaşacak biçimde modifiye etmeyin, başkası tarafından modifiye edilmiş gibi görünüyorsa kullanmayın.

Hiçbir zaman arızalı bir makineyi kullanmayın. Bu kılavuzda belirtilen güvenlik kontrolleri ile bakım ve servis talimatlarına uyun. Bazı bakım ve servis işlerinin sadece yetkili ve kalifiye teknisyenler tarafından yapılması gerekir. Bakım başlığı altındaki talimatlara bakın.

Bu kullanım kılavuzunda önerilen yedek parçalardan başkasını asla kullanmayınız. Kesici gereçler ve Teknik bilgiler bölümlerine bakınız.

DİKKAT! Fırlayan nesnelere dolaylı olarak oluşabilecek yaralanma riskini engellemek için her zaman koruyucu maske veya koruyucu gözlük kullanın. Testere küçük tahta parçalarını veya talaş vb. büyük bir güçle fırlatabilir. Bu durumda, özellikle gözlerde ciddi yaralanmalar oluşabilir.



UYARI! Kapalı veya havalandırmasız bir alanda motor çalıştırmak, boğulma veya karbon monoksit zehirlenmesi sonucunda ölüme yol açabilir.



UYARI! Yanlış bir kesici gereç ya da yanlış bir kılıç/zincir bileşimi geri tepme tehlikesini artırır. Yalnızca önerdiğimiz kılıç/zincir bileşimini kullanınız. Teknik veriler başlığı altındaki talimatları okuyun.

GENEL GÜVENLİK AÇIKLAMALARI

Her zaman sağlıklı davranın. (2)

Testere kullanırken karşılaşabileceğiniz tüm olası durumları engellemek mümkün değildir. Her zaman dikkatli çalışın ve sağduyunuzu kullanın. Becerinizi aşacağımı düşündüğünüz durumların ortaya çıkmasına izin vermeyin. Bu talimatları okuduktan sonra yine de çalışma prosedürleri konusunda kararsızsanız devam etmeden önce bir uzmana danışın. Testerenin kullanımını hakkında sorularınız varsa satıcımıza veya bize sormaktan çekinmeyin. Size hizmet etmekten ve testerenizi verimli ve güvenli biçimde kullanmanıza yardım etmekten veya bu konuda önerilerde bulunmaktan mutlu olacağız. Mümkünse testere kullanımıyla ilgili olarak bir kursa katılın. Satıcınızdan, ormançılık okullarından veya kütüphanenizden katılabileceğiniz kurslar veya eğitim dokümanlarıyla ilgili bilgi edinebilirsiniz. Güvenliğiniz ve daha yüksek verim alabilmeniz için tasarımı ve teknolojiyi geliştirmek amacıyla çalışmalarımız devam etmektedir. Yeni özellikleri görmek ve bunlardan yararlanabilmek için satıcınızı düzenli olarak ziyaret edin.

Kişisel koruyucu araçlar



UYARI! Kazaların büyük çoğunluğu, zincirin kullanıcıya değmesiyle ortaya çıkar. Makineyi her kullandığınızda, onaylanmış kişisel koruyucu araçlar kullanmalısınız. Kişisel koruyucu araçlar sakatlanma tehlikesini ortadan kaldırmasalar da, herhangi bir kazanın meydana gelmesi durumunda yaralanma derecesini azaltırlar. Uygun kişisel koruyucu araçlar seçmekte satıcınızın yardımını isteyiniz.

- Onanmış koruyucu miğfer
- Gürültüye karşı kulaklık
- Koruyucu gözlük ya da yüz şiperi
- Bıçkıya karşı koruyucu eldiven
- Testere korumalı pantolonlar
- Bıçkıya karşı koruyucu, çelik burunlu, kaymaz çizme
- İlk yardım çantası her zaman kolay ulaşılabilir yerde olmalıdır.
- Yangın söndürücü ve küreke

Genel olarak giysiler sıkı, fakat hareket olanağınızı sınırlamayacak biçimde olmalıdır.

ÖNEMLİ! Sustrucudan, çubuktan, zincirden veya başka kaynaklardan kıvılcımlar çıkabilir. İhtiyacımız olabileceğini düşünerek yangın söndürme ekipmanlarını her zaman yakınımda bulundurun. Böylece olası orman yangınlarını engelleyebilirsiniz.

Makinenin güvenlik donanımı

Bu bölümde, makinenin güvenlik donanımı konusunda ayrıntılı neler olduğu, bunların hangi işlevlere sahip bulunduğu ve doğru çalışıp çalışmadığına emin olmak için kontrol ve bakımının nasıl gerçekleştirileceği açıklanmaktadır.

Bu teçhizatın makinenin neresinde olduğunu görmek için Ne nedir? bölümüne bakınız.

Makine doğru bir şekilde kullanılmaz ve gerekli onarımlar ve bakımlar yetkili servis ve bilirkişiler tarafından yapılmazsa, o taktirde makinenin ömrünün uzunluğu kısaldır ve kaza riski artabilir. Eğer daha fazla bilgiye ihtiyaç duyuyorsanız, en yakın servis istasyonuna başvuruda bulununuz.



UYARI! Bozuk güvenlik gereçlerine sahip bir makineyi asla kullanmayınız. Bu bölümde belirtilen kontrolleri ve bakım önlemlerini uygulayınız. Makineniz bu denetimlerden herhangi birisinde takılırsa onarım için servis ajanımıza başvurunuz.

Geri tepmeyi önleyici zincir freni

Geri tepme durumlarında zinciri durdurmak için testerenizde bir zincir freni mevcuttur. Zincir freni kaza riskini azaltır ama kazaları yalnız siz önleyebilirsiniz. (3)

Kullanım sırasında dikkatli olunuz ve kılıç bölümündeki geri tepme tehlikesi alanının başka bir şeyle temas etmemesine özen gösteriniz. (4)

- Zincir freni (A) manüel olarak (sol elinizle) veya otomatik sıkışma önleyici mekanizma ile etkinleştirilebilir. (5)
 - Geri tepmeyi önleyici (B) ileriye doğru itildiği zaman fren çalışır. (5)
 - Resimde görülen hareket, motorun zincir döndürücü sistemi (D) çevresindeki fren bandını (C) geren yaylı bir mekanizmayı harekete geçirir (Debriyaj Rulosu). (6)
 - Geri tepmeyi önleyici yalnızca zincir frenini harekete geçirmek üzere yapılmıştır. Önemli bir dışer işlevi de, en öndeki tutacağı elden çıkması durumunda, sol elin zincire çarpması tehlikesini azaltmaktadır.
 - Testere çalıştırıldığında zincirin dönmemesi engellemek için zincir freninin etkinleştirilmesi zorunludur. (55)
 - Testereyi çalıştırırken ve kısa mesafede bir yere götürürken, zincirin birisine veya yakınındaki nesnelere çarpma riskini engellemek için zincir frenini "park freni" olarak kullanın. Zincir testereyi zincir freni uzun süre devrede kalacak şekilde açık bırakmayın. Zincir testere aşırı ısınabilir.
 - Zincir freni, "PULL BACK TO RESET" yazılı ön el koruyucu geriye, ön kola doğru hareket ettirilerek serbest bırakılır.
 - Geri tepme çok ani ve sert olabilir. Çoğu geri tepme hafiftr ve her zaman zincir frenini harekete geçirmez. Böylesi durumlarda motorlu bıçkıyı saşlam tutarak elden bırakmayınız.
 - Zincir freninin, elle ya da yavaşlatma işlevi ile nasıl etkinleştirileceği, geri tepmenin ne denli sert olduğuna ve motorlu bıçkınin, kılıç kesimi geri tepme tehlikesi sektörünün temas ettiği şey karşısındaki konumuyla belirlenir.
- Çubuğun geri tepme alanı sizden en uzak konumdayken güçlü bir geri tepme oluşursa, zincir freni geri tepme yönündeki karşı ağırlığın (eylemsizlik ile etkinleştirme) hareketi ile etkin hale gelecek biçimde tasarlanmıştır. (7)

GENEL GÜVENLİK AÇIKLAMALARI

Geri tepme tehlikesi sektörünün kullanıcıya yakın bulunduğu daha hafif geri tepme ya da çalışma durumlarında, zincir freni sol elle devreye sokulur.

- Devrilme konumunda sol elin zincir frenini manuel olarak etkinleştirilmesi olanaksızdır. Bu biçimde tutulduğunda, yani sol el ön el koruyucusunun hareketini etkileyecek konumdayken, zincir freni yalnız eylemsizlik hareketi ile etkinleşir. (8)

Geri tepme durumunda elim her zaman zincir frenini etkinleştirir mi?

Hayır. Geri tepme korumasını ileri hareket ettirmek için belirli bir güç gerekir. Eliniz geri tepme korumasına hafifçe dokunursa veya üzerinden geçerse zincir frenini hareket ettirecek kadar güçlü olmayabilir, veya zincir freni bir süre tutma yerini sıkıca tutmanız gereklidir. Bunu yaptığınızda geri tepme oluşursa, öndeki tutacak yeri bırakıp zincir frenini etkinleştirmeniz mümkün olmayabilir, veya zincir freni bir süre daha dönmeden etkinleşmeyebilir. Böyle bir durumda zincir freni testere size temas etmeden durmayabilir.

Bazı çalışma pozisyonlarında eliniz zincir frenini etkinleştirmek için geri tepme korumasına erişemeyebilir; örneğin testere devrilme konumunda tutulurken.

Geri tepme her oluştuğunda zincir freninin eylemsizlik etkinleştirilmesi devreye girer mi?

Hayır. Önce freniniz çalışmalıdır. Freni denemek basittir; Testere güvenlik ekipmanları için Kontrol, bakım ve servis başlığının altındaki talimatları okuyun. Bunu her vardiya başlangıcından önce uygulamanızı öneririz. İkinci olarak, geri tepme zincir frenini etkinleştirecek kadar güçlü olmalıdır. Zincir freni hemen etkinleşecek kadar hassas olsaydı sorunlar çıkabilirdi.

Geri tepme oluştuğunda zincir freni beni her zaman korur mu?

Hayır. Hedeflenen korumayı sağlayabilmesi için öncelikle frenin çalışması gerekir. İkincisi, geri tepme durumunda testereyi durdurabilmesi için yukarıda tanımlandığı biçimde etkinleştirilmelidir. Üçüncü olarak, zincir freni etkinleştirilse bile çubuk size çok yakınsa zincir freni zinciri testere size temas etmeden zinciri yavaşlatıp durduramayabilir.

Sadece doğru çalışma tekniği ve siz geri tepmeleri ve risklerini engelleyebilirsiniz.

Kelebek kilidi

Gaz açma kapama tetiği kilidi, gaz açma kapamanın yanlışlıkla çalışmasını önlemek için tasarlanmıştır. Kilide (A) bastığınızda (yani tutma yerini elinizle kavradığınızda) gaz açma kontrolü (B) açılır. Tutma yeri bıraktığınızda, gaz açma tetiği ve kilidi tekrar eski konumlarına döner. Bu ayarlama, gaz açma kapamanın boşta çalışma sırasında otomatik olarak kilitleneceği anlamına gelir. (9)

Zincir tutucusu

Zincir tutucusu, düşmüş ya da kırılmış bir zinciri tutmak üzere yapılmıştır. Bu tür olaylar, sağlam bir zincir gerilimi (Montaj bölümüne bakınız), gerçek bir bakım ve kılıç ile zincirin

servisini yapmakla önenebilir. Genel çalışma açıklamaları adlı bölüme bakınız. (10)

Sağ el koruyucusu

Sağ el koruyucusu, zincirin yerinden çıkması durumunda eli korumasının yanısıra dal ve çubukların, elinizi etkilemesini de önler. (11)

Titreşimden arındırma sistemi

Makinemiz, elden geldiğince, titreşimsiz ve kolay bir kullanım için tasarlanmış bir titreşimden arındırma sistemi ile donatılmıştır.

Makinenizin titreşimden arındırma sistemi, titreşimin motor birimi/kesici araç ile makinенizin sapı arasındaki iletişimini önlemektedir. Kesici araçla birlikte bıçkı gövdesi, titreşimden arındırma birimleri aracılığıyla el sapından izole edilmiştir.

Sert bir ağacın (yapraklı ağaçların çoğu) kesimi, yumuşak bir ağacın (çiplak ağaçların hemen tümü) kesimine oranla daha fazla titreşime neden olur. Keskin olmayan ya da yanlış bir kesici (yanlış tip ya da yanlış eğelenmiş) titreşim düzeyini artırır.



UYARI! Dolaşım bozukluğu olan insanlarda fazla titreşime maruz kalmak dolaşım bozukluğuna veya sinir hasarına neden olabilir. Fazla titreşime maruz kalma belirtileri hissediyorsanız doktorunuza başvurun. Bu belirtilerden bazıları; uyuşma, hissizlik, gıdıklanma, iğne batması, ağrı, güç kaybı, cilt renginde veya durumda değişiklikler. Bu belirtiler genelde parmaklarda, ellerde veya bileklerde görülür. Bu belirtiler soğuk havalarda daha da kötüleşebilir.

Stop düğmesi

Stop düğmesi, motoru durdurmak için kullanılır. (12)

Susturucu

Susturucu, olarak elverdiğince, motor saçınlarından kullanıcıyı korumak üzere ve sesin düzeyini düşürmek için yapılmıştır.



UYARI! Egzos dumanları sıcaktır ve yangına neden olabilecek kıvılcıklar da taşıyabilmektedir. Bu nedenle hiçbir biçimde makineyi kapalı yerde ve kolay tutuşabilir maddelerin yakınında çalıştırmayınız!

Sıcak ve kuru iklimle sahip ülkelerde orman yangını riski çok fazladır. Bu ülkelerdeki kanunlar veya kurallar susturucuya diğer ekipmanlar haricinde "kıvılcım önleyici ızgara" monte edilmesini zorunlu kılabilir. (13)

Ağı takarken, ağı doğru pozisyonda takılmasına dikkat edin. Gerekirse, ağı takmak veya çıkarmak için ayarlı bir anahtar kullanın.

GENEL GÜVENLİK AÇIKLAMALARI

DIKKAT! Susturucu kullanım sonrasında kapatıldığında çok sıcak olabilir. Bu, boşta çalışma durumunda da geçerlidir. Özellikle yanıcı maddelerin ve/veya gazların yakınında çalışırken yangın tehlikesine dikkat edin.



UYARI! Susturucusu yoksa veya bozuksa testereyi asla kullanmayın. Bozuk bir susturucu ses düzeyini ve yangın riskini ciddi biçimde artırır. Yakınızdaki yangın söndürücü ekipman bulundurun. Çalışma bölgenizde zincir koruma ızgarası kullanmak zorunluysa, kıvılcım önleyici ızgaranız yoksa veya bozuksa testereyi kullanmayın.

Kesici gereçler

Bu bölüm, aşağıdaki amaçları gerçekleştirmek için uygun kesici gereçlerin seçim ve bakımını nasıl yapacağınızı anlatmaktadır:

- Makinenin geri tepme eğilimini azaltmak.
- Testerenin kırılma veya zıplama riskini azaltın.
- En yüksek kesim yeteneğini elde etmek.
- Kesici gereçlerin ömrünü uzatmak.
- Titreşim düzeylerinin artmasına engel olun.

Temel kurallar

- **Yalnızca bizim önerdiğimiz kesici gereçleri kullanınız!** Teknik veriler başlığı altındaki talimatları okuyun.
- **Zincirin kesici dişlerini mükemmel bir keskinlikte tutunuz!** Açıklamalarımızı izleyerek önerdiğimiz eğilme kalıbını uygulayınız. Düzgün olmayan ya da bozuk bir zincir kaza tehlikesini artırır.
- **Bakımda doğru tırmık açıklığını ayarlamaya dikkat edin!** Talimatlara uyun ve önerilen tırmık ölçeklerini kullanın. Çok geniş bir açıklık geri tepme riskini artırır.
- **Zinciri düzgün tutunuz!** Yeterince düzgün olmayan bir zincir, zincirin yerinden çıkması tehlikesini ve kılıcın, zincirin ve zincir dişlisinin aşınmasını artırır.
- **Zinciri çok iyi yağlanmış ve bakımlı olarak tutunuz!** Yeterince yağlanmamış bir zincir, zincirin yerinden çıkması tehlikesini ve kılıcın, zincirin ve zincir dişlisinin aşınmasını artırır.

Kesme ekipmanları geri tepmeyi minimize edecek biçimde tasarlanmıştır.



UYARI! Yanlış bir kesici gereç ya da yanlış bir kılıç/zincir bileşimi geri tepme tehlikesini artırır. Yalnızca önerdiğimiz kılıç/zincir bileşimini kullanınız. Teknik veriler başlığı altındaki talimatları okuyun.

Geri tepme ancak, kullanıcı olarak sizin, kılıç geri tepme tehlikesi sektörünün başka bir şeyle temas etmemesine özen göstermenize ölenebilir.

Geri tepmeyi ortadan kaldırma özelliği "taşıyan" kesici gereçler kullanarak ve bileyleme ve zincirin doğru bakımını yaparak geri tepme tehlikesi ortadan kaldırılabilir.

Kılıç

Daha küçük burun eğilimi daha az geri tepme tehlikesi; bununla birlikte daha düşük geri tepme eğilimi demektir.

Bıçkı zinciri

Bir bıçkı zinciri, hem standart hem de geri tepmeyi ortadan kaldıran özelliklerde olmak üzere pek çok değişik doğrultulardan meydana gelmektedir.

ÖNEMLİ! Hiçbir testere geri tepme riskini tamamen ortadan kaldıramaz.



UYARI! Dönen bir testere zinciriyle herhangi bir temas çok ciddi yaralanmalara yol açabilir.

Kılıç ve zincirin özelliklerine ilişkin birkaç deyim

Zincir ekipmanlarının tüm güvenlik özelliklerini sağlayabilmek için yıpranmış ve zarar görmüş çubuk/zincir kombinasyonlarını Husqvarna tarafından önerilen çubuk ve zincirlerle değiştirin. Hangi çubuk/zincir kombinasyonlarını önerdiğimizi öğrenmek için Teknik veriler bölümündeki talimatları okuyun.

Kılıç

- Uzunluk (inç/cm)
- Burun dişlisindeki toplam diş sayısı (T).
- Bıçkı zincirinin dağılımı (=pitch) (inç). Kılıcın burun dişlisi ve motorlu bıçkın döndürücü dişlisi, çekiş doğrultuları arasındaki mesafeye uygun olmalıdır. (14)
- Çekiş doğrultusu sayısı (tane). Herbir kılıç uzunluğu bıçkı zincirinin dağılımına ve burun dişlisindeki toplam diş sayısına bağlı olarak belirli sayıda çekiş doğrultusu sağlar.
- Kılıç izi genişliği (inç/mm). Kılıç izinin genişliği, bıçkı zincirinin çekiş doğrultu genişliğine uygun olmalıdır.
- Bıçkı zinciri yağ deliği ve zincir gerilimi için delik. Kılıç, motorlu bıçkın yapısına uygun olmalıdır. (15)

Bıçkı zinciri

- Bıçkı zincirinin dağılımı (=pitch) (inç) (14)
- Çekiş doğrultusu genişliği (mm/inç) (16)
- Çekiş doğrultusu toplamı (tane) (17)

Zinciri bileylemek ve tırmık açıklığını ayarlamak

Genel olarak dişlerin bileyenmesi üzerine

- Asla körleşmiş zincir kullanmayın. Zincir körleşmiş tahtayı kesmek için çubuğa daha fazla güç uygulamanız gerekir ve kesikler çok küçük olur. Çok fazla körleşmiş bir zincir hiç kesmez. Sadece talaş üretir.
- Keskin bir zincir tahta içinde daha rahat yol alır ve uzun ve geniş kesikler oluşturur.
- Zincirin kesen kısmı kesici bağlantı olarak adlandırılır ve kesme dişinden (A) ve tırmık ağzından (B) oluşur. Kesme derinliğini bu ikisinin yüksekliği arasındaki fark belirler. (18)

GENEL GÜVENLİK AÇIKLAMALARI

Kesici dişi bileylerken hatırlanması gereken dört önemli etken vardır.

- 1 Eğeleme açısı (19)
- 2 Çarpma açısı (20)
- 3 Eğenin konumu (21)
- 4 Yuvarlak ege çapı

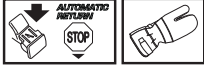
Yardımcı gereçler olmaksızın motorlu bıçkının düzgün bilelenmesi çok zordur. Bundan ötürü bizim ege kalbimizi kullanmanızı öneririz. Böylece motorlu bıçkının, olabildiğince geri tepmeyi önleme ve en yüksek bileylenme kapasitesi güvence altına alınmış olur. (22)

Motorlu bıçkınınızın bilelenmesine ilişkin hangi bilgilerin geçerli olduğunu öğrenmek için Teknik bilgiler bölümüne bakınız.



UYARI! Bileleme ile ilgili aşağıdaki aşamalı açıklamalar geri tepme eğilimini önemli ölçüde artırır:

Bıçkı dişinin bilelenmesi



Bıçkı dişinin bilelenmesi için bir yuvarlak ege ile bir ege kalıbı gerekmektedir. Motorlu bıçkınınızın bıçkı zincirine hangi yuvarlak ege çapı ile hangi ege kalıbını önerildiğini öğrenmek için Teknik bilgiler bölümüne bakınız.

- Zincirin gergin olmasına dikkat ediniz. Yeterli olmayan bir gerginlik zincirin yüzey doğrultusundaki dengesini bozar ve düzgün bir bileylemeyi zorlaştırır.
- Her zaman dişi içeriden dışarıya doğru eğeleyiniz. Eğeyi geri çekerken bastırmayınız. Tüm dişlerin önce bir yüzünü eğeleyip, daha sonra bıçkıyı döndürerek öbür taraftaki dişleri eğeleyiniz.
- Tüm dişler aynı uzunlukta olacak biçimde eğeleyiniz. Bıçkı dişinin uzunluğu 4 mm (5/32) kaldığında, artık zincir aşınmıştır ve atılması gerekir. (23)

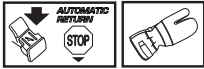
Tırmık açıklığını belirlemek için genel öneriler

- Kesici dişleri bileylerken tırmık açıklığını azaltın (kesme derinliği). Kesme performansını koruyabilmek için tırmık dişlerini önerilen yüksekliğe ayarlayın. Bıçkı zincirinizin ne kadar alt ayara sahip olması gerektiği konusunda Teknik bilgiler bölümüne bakınız. (24)



UYARI! Tırmık açıklığı çok fazlaysa geri tepme riski artar!

Tırmık açıklığı ayarlama



- Tırmık açıklığını ayarlamadan önce kesme dişlerinin yeni bilelenmiş olması gerekir. Zinciri her üç bileylemeden sonra, tırmık açıklığını yeniden ayarlamanız öneririz. NOT! Bu öneri kesme dişleri uzunluklarının ciddi biçimde azalmadığı varsayımıyla yapılmaktadır.

- Alt ayar ayarlanması için bir yassı ege ve bir alt ayar kalıbı gerekmektedir.
- Yassı eğeyi, alt ayar okçesinin, kalıbın üste çıkan kesimi üzerine koyunuz. Ege kalıbın üzerinde hareket ettiğinde herhangi bir zorluk başgöstermiyorsa alt ayar ayarlaması düzgün demektir. (25)

Zincirin gerilimi



UYARI! Yeterince gerilmemiş bir zincir, zincirin çıkmasına, ve ciddi hatta yaşamsal anlamda bir kazaya neden olabilir.

Zinciri kullandıkça uzar. Kesici gereçlerin bu değişim gözönüne alınarak ayarlanması önem taşımaktadır.

Zincirin gerilimi her yakıt ikmalinde denetlenmelidir. NOT! Yeni bir zincir, zincir geriliminin sık sık denetlendiği bir ilk kullanım dönemi gerektirmektedir.

Genel olarak, zincirin elden geldiğince sağlam, fakat elle yoklandığında yerinden çıkmayacak bir biçimde gerilmesi gerekmektedir. (26)

435 II, 440 II



- Kavrama düzeni kapağını ve zincir frenini tutan boru somununu gevşetin. Kombine anahtar kullanın. Ardından elinizle boru somununu mümkün olduğunca sıkın. (27)
- Kılıç ucunu kaldırıp, zincirin gerilimini sağlayın vidayı, bir anahtar yardımıyla zinciri gererek çıkarınız. Zinciri, kılıcın alt tarafını da kavrayacak biçimde geriniz. (28)
- Çubuğun ucunu tutarken çubuk somununu İngiliz anahtarlarıyla sıkın. Testere zincirini elinizle serbestçe çekerek döndürebildiğinizden ve çubuğun alt kısmında gevşeklik olmadığından emin olun. (29)

Modellerimiz arasında, zincirin gerilimini sağlayan vidaların yerleri değişmektedir. Bunun, sizin sahip olduğunuz modelde nerede bulunduğunu öğrenmek için "Ne nedir" bölümüne bakınız.

435e II, 440e II



- Düğmeyi dışarı doğru çevirerek bırakın. (30)
- Boru kapağını gevşetmek için düğmeyi saat yönünün tersine çevirin. (31)
- Zincirdeki gerginliği sıkılaştırmak için tekerleği aşağı doğru (+) ve gevşetmek için yukarı doğru (-) döndürerek ayarlayın. (32)
- Boru kavramasını düğmeyi saat yönünde çevirerek sıkılaştırın. (33)

GENEL GÜVENLİK AÇIKLAMALARI

- Gerilmeyi kilitlemek için düğmeyi arkaya doğru çevirin. (34)

Kesici gereçlerin yağlanması



UYARI! Kesici gereçlerin yeterince yağlanmaması zincirin kopmasına ve ciddi hatta yaşamsal anlamda bir kazaya neden olabilir.

Zincir yağı

Zincir yağı, yaz sıcaklığına ya da kış soğuklarına bakmaksızın, zincire iyice yapışma ve akışkanlık özelliğine sahip olmalıdır.

Motorlu biçki imalatçısı olarak, vejetarik bileşimiyle ve biyolojik olarak yok edilebilir özelliğiyle en iyi zincir yağını imal etmiş bulunmaktayız. Hem zincir, hem de çevre için en yüksek ömür sağlayan bu yağı kullanmanızı öneririz. Eğer bizim imalatımız olan zincir yağı yoksa, normal bir zincir yağı öneririz.

Keskinlikle akışkan yağ kullanmayınız! Bu sizin için, makine için ve çevre için tehlikelidir.

ÖNEMLİ! Bitkisel tabanlı testere zinciri yağı kullanıyorsanız, uzun süre saklamak için çubuğu ve testere zincirini çıkartın, bunları ve oluğu temizleyin. Aksi takdirde testere zincirinde yağdan dolayı paslanma oluşabilir, bu da testere zincirinin katılaşmasına ve çubuğun ucundaki zincir dişlerinin kilitlenmesine neden olabilir.

Zincir yağının doldurulması

- Motorlu biçki modellerimiz çoğunda otomatik bir biçki zinciri yağdanlığı bulunmaktadır. Modellerin bir kesimi için ise yağ akış ayarlayıcısı edinmek mümkündür.
- Zincir yağının deposu ve yakıt deposu, boyutlandırılmış olduğu için zincir yağı bitmek üzereyken, yakıt tükenmesi nedeniyle motor durur. Bu ise zincirin, yağsız olması durumunda çalıştırmayacağı anlamına gelmektedir.

Ancak, bu güvenlik işlevi, doğru zincir yağı kullanımını (fazla ince ve akışkan bir yağ, yakıt daha tükenmeden yağın tükenmesine yol açar) ve karbüratörün önerilen şekilde ayarını (zayıf bir ayar, yakıtın, yağdan daha uzun süre sürmesi anlamına gelebilir) gerektirir, ayrıca, önerilen kesici teçizatı kullanmamız gerekir (fazla uzun olan bir kılıç daha fazla zincir yağı kullanacaktır). Bu koşullar ayarlanabilir bir yağ pompası bulunan modeller için de geçerlidir.

Zincir yağının denetimi

- Zincir yağını her doldurma sırasında denetleyiniz. Yaklaşık olarak 20 cm (8 inç) lik bir uzaklıkta kılıç ucuyla durağan bir cisme doğru nişan alın. 3/4 gazlama ile bir dakikalık bir sürüşten sonra açık renkli cismin üzerinde yağ izi görünmelidir.

Zinciri yağlaması işlemiyorsa:

- Kılıçtaki zincir yağ kanalının açık olduğunu denetleyiniz. Gerektiğinde temizleyiniz. (35)

- Kılıç izinin temiz olduğunu denetleyiniz. Gerektiğinde temizleyiniz. (36)
- Kılıç burun dişlisinin rahat hareket ettiğini ve burun dişlisi yağ deliğinin açık olduğunu denetleyiniz. Gerektiğinde temizleyiniz ve yağlayınız. (37)

Eğer zincir yağlaması, yukarıda belirtilen şeyler yapılmasına ve önlemleri alınmasına karşın yine de işlemiyorsa, servis atelyenize başvurunuz.

Zincir dişlisi



Bağlantı kutusu aşağıdaki zincir dişlilerinden biriyle donatılmıştır:

- A Spur-dişli (dişli, bağlantı kutusuna sabitleştirilmiştir)
- B Rim-dişli (değiştirilebilir) (38)

Zincir dişlisindeki aşınma düzeyini düzenli olarak denetleyiniz. Anormal derecede aşınmışsa, değiştiriniz. Zincir dişlisi, her zincir değiştirildiğinde yenilenmelidir.

Yataklı bıyanın bakımı



Her iki tahrik dişlisinin de çıkış mili üzerinde iğne mil yatağı mevcuttur, bu yataklar düzenli olarak (haftada bir defa) yağlanmalıdır. DİKKAT! Sadece kaliteli rulman gresi ve motor yağı kullanınız.

İğne yatağını yağlama başlığı altındaki talimatlara bakın.

Kesici gereçlerin aşınma denetimi



Bıçkı zincirini günlük olarak aşağıdaki özellikler açısından denetleyiniz:

- Doğrultularda ve perçin çivilerinde gözle görülür çatlamlar olup olmadığı.
- Zincirin büküntüsüz olduğu.
- Doğrultularda ve perçin çivilerinde anormal aşınma olup olmadığı.

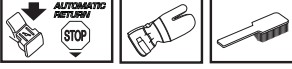
Yukarıdakilerden birine sahipse testere zincirini değiştirin.

Kullandığınız zincirin ne denli yıprandığını anlamak için ölçü olarak yeni bir zincir kullanmanızı öneririz.

Tüm dişler aynı uzunlukta olacak biçimde eğeleyiniz. Bıçkı dişinin uzunluğu 4 mm (5/32) kaldığında, artık zincir aşınmıştır ve atılması gerekir. (23)

GENEL GÜVENLİK AÇIKLAMALARI

Kılıç



Sürekli denetim:

- Kılıç dış yüzeyinde yoğunluklar oluşmuş olup olmadığını denetleyiniz. Gerekğinde eğeleyiniz.
- Kılıç izinin anormal derecede yıpranıp yıpranmadığını denetleyiniz. Gerekğinde kılıç değiştiriniz.
- Kılıç burunun pürüzlü ya da çok aşınmış olup olmadığını denetleyiniz. Kılıç buru eğiminin bir tarafında bir oyuk oluşmuşsa bu, yeterince gerilmemiş bir zincirle çalışmış olduğunuz anlamına gelir.
- Borunun ömrünü uzatmak için düzenli bir şekilde ters çevirmelisiniz.



UYARI! Kazaların büyük çoğunluğu, zincirin kullanıcıya değmesiyle ortaya çıkar.

Kişisel koruyucu araçlar kullanınız. Kişisel koruyucu araçlar bölümüne bakınız.

Yeterince bilmediğiniz işler yapmayınız. Kişisel koruyucu araçlar, Geri tepmeyi önleyici önlemler, Kesici gereçler ve Genel çalışma talimatları bölümüne bakınız.

Gerilme tehlikesi olan durumlardan kaçınınız. Makinenin güvenlik donanımı bölümüne bakınız.

Önerilen koruyucu araçlar kullanınız ve ne durumda olduklarını denetleyiniz. Genel çalışma talimatları bölümüne bakınız.

Tüm güvenlik donanımının çalışıyor olduğunu denetleyiniz. Genel çalışma talimatları ve Genel güvenlik açıklamaları bölümlerine bakınız.

Kılıç ve zincirin montajı



UYARI! Zincirle uğraşırken, elerinizi korumak için her zaman eldiven kullanmalısınız.

435 II, 440 II

- Zincir freninin geri tepme önleyicisini ön kulpun sapına doğru iterek, zincir freninin yerinden çıkmış olup olmadığını denetleyiniz. (39)
- Çubuk somununu sökün ve debriyaj kapağını çıkarın (zincir freni). Taşıma halkasını (A) çıkarın. (40)
- Boruyu boru kilidinin üstüne yerleştirin. Boruyu en arka konumuna getirin. Zinciri tahrik dişlisinin üstüne, borunun üzerindeki yatağa yerleştirin. Borunun üst tarafından başlayın. (41)
- Kesim doğrultularındaki kesici yanların, kılıcın üst tarafına doğru yönelmiş olup olmadığını denetleyiniz.
- Debriyaj kapağını takın ve zincir ayar pimini çubuktaki deliğe takmayı unutmayın. Zincirin tahrik bağlantılarının tahrik dişlisine düzgün biçimde takıldığından ve zincirin çubuktaki oluğa düzgün biçimde yerleştiğinden emin olun. Çubuk somununu elinizle sıkın.
- Zinciri, zincir gerdirici vidayı anahtarla sıkıştırarak geriniz. Zincir, kılıcın alt yüzünde herhangi bir sarkma olmayacak biçimde gerilmelidir. (42)
- Borunun altında bolluk kalmadığında ve elle kolayca çevrilebildiğinde zincir doğru gerginliktedir. Borunun ucundan tutarak boru somununu anahtarla sıkın. (43)
- Yeni bir zincirde zincir gerginliği sık sık denetlenmelidir. Zincir gerginliğini düzenli olarak denetleyiniz. Zincirin iyisi, iyi kesim kapasitesi ve uzun ömür demektir. (44)

435e II, 440e II

- Zincir freninin geri tepme önleyicisini ön kulpun sapına doğru iterek, zincir freninin yerinden çıkmış olup olmadığını denetleyiniz. (45)
- Zincir gerdirme tekerleğini ve kavrama düzeni kapağını (zincir freni) gevşetin. Nakliye koruyucusunu çıkarın. (A) (46)
- Kılıç ve kılıç vidalarını monte ediniz. Kılıcı, en arkasından yerine yerleştiriniz. Zinciri, zincir döndürme dişlisi üzerine ve kılıç izine yerleştiriniz. Kılıcın üst tarafından başlayınız. (41)
- Kesim doğrultularındaki kesici yanların, kılıcın üst tarafına doğru yönelmiş olup olmadığını denetleyiniz.
- Debriyaj kapağını takın ve zincir ayar pimini çubuktaki deliğe takmayı unutmayın. Zincirin tahrik bağlantılarının tahrik dişlisine düzgün biçimde takıldığından ve zincirin çubuktaki oluğa düzgün biçimde yerleştiğinden emin olun.

- Zinciri tekerleği aşağı doğru (+) çevirerek gerin. Zincirin borunun altından sarkmayacak şekilde gerdirilmesi gerekir. (32)
- Zincir borunun altından sarkmadığı zaman doğru gerginliktedir fakat hala elle kolayca çevrilebilir. Borunun ucunu kaldıran ve boru kavramasını düğmeyi saat yönünde çevirerek sıkılaştırın. (33)
- Yeni bir zincirde zincir gerginliği sık sık denetlenmelidir. Zincir gerginliğini düzenli olarak denetleyiniz. Zincirin iyisi, iyi kesim kapasitesi ve uzun ömür demektir. (44)

Kılıç koruyucusunu takma

Kılıç koruyucusu takmak için - servis temsilcinizle temas kurunuz. (47)

YAKIT KULLANIMI

Çalıştırıcı

Notlar! Makine çift düzeyli bir motora sahiptir ve her zaman benzin ve çift yoğunluklu motor yağı karıştırılarak kullanılmalıdır. Doğru karışımdan emin olabilmek için karıştırılacak yağ miktarının tam ölçümü önem taşımaktadır. Az miktarda yakıt karışımı sırasında, yağ miktarındaki küçük yanlışlıklar bile karışım bağlamında büyük yanlışlıklara yol açar.



UYARI! Yakıtla uğraşırken iyi bir havalandırmaya özen gösteriniz.

Benzin



- Kurşunsuz veya kurşunlu kaliteli benzin kullanınız.
- Önerilen en düşük oktan 90 (RON) dır. Motoru 90'dan daha düşük oktanla çalıştırmayı z motor vurmaya başlayabilir. Böylece motor sıcaklığı yükselir ve yatak yükü artar ki bunları n sonucunda motorda ciddi hasarlar meydana gelebilir.
- Eğer yüksek devridaim gerektiriyorsa (örneğin budama sırasında) daha yüksek oktan önerilir.

Çevre dostu yakıt

HUSQVARNA çevreye duyarlı olarak ayarlanmış benzin (alkilli benzin olarak da adlandırılır) kullanmanızı önerir; Aspen ön karışımı iki zamanlı benzin veya yukarıda belirlenmiş olan, çevreye duyarlı olarak ayarlanmış, dört zamanlı motorlara uygun benzin ile iki zamanlı motorlar için ayarlanmış yağ karışımı. Benzin tipini değiştirdiğinizde karbüratör ayarlarının değiştirilmesi de gerekebilir (Karbüratör başlığı altındaki talimatları okuyun).

Etanol yakıt

HUSQVARNA piyasada bulunan maksimum %10 etanol içerikli yakıtı tavsiye eder.

Alıştırma

İlk 10 saatte uzun sürelerde çok yüksek hızlarda çalıştırmaktan kaçınm.

İki-strok yağı

- En iyi sonuç ve performans için hava soğutmalı, iki zamanlı motorlar için özel olarak üretilen HUSQVARNA iki zamanlı motor yağlarını kullanın.
- Su soğutmalı harici motorlar için üretilmiş, harici yağ (TCW) olarak da anılan iki zamanlı motor yağlarını asla kullanmayın.
- Dört çekişli motorlar için imal edilmiş olan yağları kesinlikle kullanmayın.
- Düşük yağ kalitesi veya fazla zengin yağ/yakıt karışımı katalitik dönüştürücünün işlevine zarar verir ve hizmet ömrünü azaltır.

Karıştırma oranı

HUSQVARNA iki zamanlı yağ içeren 1:50 (%2).

JASO FB/ISO EGB olarak sınıflandırılmış hava soğutmalı, iki zamanlı motorlar için tasarlanmış yağlar ile 1:33 (%3).

Benzin, litre	İki-strok yağı, litre	
	2% (1:50)	3% (1:33)
5	0,10	0,15
10	0,20	0,30
15	0,30	0,45
20	0,40	0,60

Karışım

- Benzin ve yağı her zaman, benzin için uygunluğu onanmış, temiz bir kapta karıştırınız.
- Her zaman, karıştırılacak olan benzinin yarısını karıştırarak işe başlayınız. Daha sonra yağın tümünü dökünüz. Yakıt karışımını katıştırınız (çalkalayınız). Daha sonra geri kalan benzinini dökünüz.
- Makinenin yakıt deposu dolmadan önce yakıt karışımını özenle katıştırınız (çalkalayınız).
- Bir aylık bir ihtiyaçtan daha fazla yakıt karıştırmayınız.
- Eğer makine uzun bir süre kullanılmıyacaksa yakıt deposu boşaltılıp temizlenmelidir.

Zincir yağı

- Yağlama için iyi yapışma karakteristiklerine sahip özel yağ (zincir yağı) kullanmanızı öneririz. **(48)**
- Kesinlikle akışkan yağ kullanmayınız. Bu, yağ pompası, kılıç ve zincire zarar verir.
- Hava sıcaklığına bağlı olarak (uygun dayanıklılık), doğru/uygun yağ tipinin kullanılması önem taşımaktadır.
- Sifirin altındaki hava sıcaklıkları kimi yağların akışkanlığını yavaşlatır. Bu ise yağ pompasında artıkların birikmesine ve pompa gereçlerinin bozulmasına yol açar.
- Zincir yağlama yağının seçimi konusunda servis atelyenize danışınız.

YAKIT KULLANIMI

Yakıt ikmali



UYARI! Aşağıdaki önlemler yangın olasılığını azaltır.

Yakıtın yakınında sigara içmeyiniz ve/veya sıcak bir cisim bulundurmuyunuz.

Yakıtı doldurmadan önce motoru durdurun ve motorun soğumasını bekleyiniz.

Yakıt doldururken, olası bir fazla basıncın yavaşıca kaybolması için depo kapağını yavaşıca açınız.

Yakıt ikmalinden sonra depo kapağını iyice sıkıştırarak kapatınız.

Başlamadan önce mutlaka makineyi doldurma alanından ve kaynağından uzaklaştırın.

Depo kapağını iyice kurulayınız. Yakıt ve zincir yağı deposunu düzenli olarak temizleyiniz. Yakıt filtresi, yılda en az bir kez değiştirilmelidir. Depodaki kirlenmeler, çekiş bozukluklarına neden olur. Depoyu doldurmadan önce yakıt kabını iyice çalkalayarak yakıtın iyi karışmasını sağlayınız. Zincir yağı deposu ve yakıt deposu dikkatle eşleştirilmişlerdir. Dolayısıyla, iki depoyu her zaman muhakkak aynı zamanda doldurmanız gereklidir. (48)



UYARI! Yakıt ve yakıt buharı, büyük yanma tehlikesi taşımaktadır. Yakıt ve zincir yağı ile uğraşırken dikkatli olunuz. Yangın, patlama ve solunum tehlikesini aklınızdan çıkarmayınız.

Depo kapağını ve zincir yağı kapağını çıkarma

- Çevirmeli kolun dokulu alanına bastırın ve kaldırarak dikey konuma getirin. (49)
- Kapağı saat yönünün tersine çevirerek gevşetin. (50)
- Kapağı çıkarın. (51)

Depo kapağını ve zincir yağı kapağını değiştirme

- Kapağı çevirmeli kol dikey konumda olacak şekilde yerleştirin. (52)
- Kapağı saat yönünde çevirerek sağlamca sıkın. (53)
- Çevirmeli kolu aşağı katlayın. (54)

ÖNEMLİ! Hasarlı kapağı mutlaka değiştirin.

Yakıt güvenliği

- Motor çalışır durumdayken asla yakıt ikmali yapmayınız.
- Yakıt ikmali ve yakıt karıştırma sırasında havalandırma konusuna özen gösteriniz (benzin ve ikili yağ).
- Makineyi çalıştırmadan önce, yakıt ikmal yerinden en az 3 m uzaklaşınız.
- Aşağıdaki durumlarda makineyi asla çalıştırmayınız:
 - 1 Üzerine yakıt ya da zincir yağı saçılmışsa. Saçıntıyı kurulayınız ve benzin kalıntısının uçmasını bekleyiniz.
 - 2 Eğer yakıt döküntüsü size veya elbisenize bulaşırsa, hemen elbisenizi değiştiriniz. Yakıt döküntüsü ile temas eden vücudunuzun bölümlerini hemen yıkayınız. Yakıt döküntüsü ile temas eden vücudunuzun bölümlerini sabun ve suyla yıkayınız.
 - 3 Yakıt sızdırıyorsa. Depo kapağı ve yakıt kablolarında sızma olup olmadığını düzenli olarak denetleyiniz.



UYARI! Buji korumasında veya ateşleme kablosunda görünür hasar olan makineleri asla kullanmayın. Oluşabilecek bir kıvılcım yangına neden olabilir.

Taşıma ve saklama

- Motorlu biçkiyi ve yakıtı, olası bir sızıntı ve buhar durumunda, kıvılcım ya da alevle temas etmeyecek bir biçimde koruyunuz. Örneğin elektrikli makineler, elektrikli motorlar, elektrik kontağı/düğmesi, kalorifer ve benzerleri.
- Yakıt korunmasında, bu amaç için özel olarak yapılmış ve onanmış kaplar kullanılmalıdır.
- Motorlu biçkinin uzun süreli koruma ve taşınması durumunda, yakıt ve biçki zinciri yağ deposu boşaltılmalıdır. Yakınınızdaki bir benzin istasyonundan, yakıt ve biçki zinciri yağı fazlasını nereye boşaltabileceğiniz konusunda bilgi alınız.
- Keskin zincirin nesnelere istenmeyen temasını engellemek için makine saklanırken veya taşınırken taşıma koruması her zaman takılı olmalıdır. Hareketli olmayan zincir de kullanıcı veya başka kişilerde ciddi yaralanmalara neden olabilir.
- Bujinin kapağını çıkarın. Zincir frenini etkinleştirin.
- Nakliye sırasında makineyi emniyete alın.

Uzun süreli saklama

Yakıt ve yağ depolarını iyi havalandırılan bir alanda boşaltın. Yakıtı uygun kaplarda ve güvenli bir yerde saklayın. Çubuk korumasını takın. Makineyi temizleyin. Bakım takvimi başlıklı altındaki talimatları okuyun.

Makinenin iyice temizlenmiş olmasına ve onu uzun süreli koruma altına almadan önce tümüyle yetkili servis denetiminden geçmiş olmasına özen gösteriniz.

Çalıştırma ve durdurma



UYARI! Başlamadan önce aşağıdaki konulara dikkat ediniz:

Testere çalıştırıldığında, dönen zincir ile teması engellemek için zincir freninin etkinleştirilmesi zorunludur.

Zincir kılıcı, zincir ve tüm kapaklar doğru biçimde yerinde olmadan hiçbir zaman motorlu bıçkı çalıştırmayınız. Aksi takdirde, bağlantı gevşeyip kişisel yaralanmaya yol açabilir.

Makineyi, sabit bir zemin üzerine koyunuz. Dengeli bir biçimde durmakta olduğunuzdan ve zincirin herhangi bir cisimle temas edemeyeceğinden emin olunuz.

Çalışma alanınızda işi olmayan birilerinin bulunmamasına özen gösteriniz.

Çalıştırma ipini hiçbir zaman elinize dolamayız.

Çalıştırma

Motorlu bıçkı çalıştırıldığında zincir freni uygulanmış olmalıdır. Freni uygulamak için ön el siperini ileri doğru itiniz. (55)

Soğuk motor

Çalıştırma konumu, 1: Kırmızı kontrolü dışı - yukarı doğru çekerek çalıştırma/durdurma düğmesini jigle konumuna getirin. (56)

Yakıt pompası (2): Yakıt diyaframa doluncaya dek yakıt pompası diyaframına (en az 6 kez) basın. Diyaframın tamamının dolması gerekmez. (56)

Ön tutma kolunu sol elinizle kavrayın. Sağ ayağınızı arka tutma koluna koyarak, testereyi yerde tutun. (57)

Çalıştırma kolunu çekin, 3: Çalıştırma kolunu sağ elinizle çekin ve çalıştırma ipini direnç hissedinceye kadar (çalıştırma mekanizmasının dişli çark mandalları motoru kavrayana kadar) yavaşça çekmeye devam edin; daha sonra motorda ateşleme gerçekleşene kadar kısa aralıklarla güçlü ve hızlı bir şekilde çekmeye devam edin.

Kırmızı jikle kontrolünü aşağı itin, 4: Motorun çalışmaya başladığını duyduğunuz anda jikle kontrolünü aşağıya itin.

Çalıştırma kolunu çekin (5): Motor çalışmaya başlayuncaya dek ipi kuvvetli bir şekilde çekmeye devam edin.

Sıcak motor

Çalıştırma konumu, 1: Sıcak çalıştırma için doğru jikle/çalıştırma gazı ayarı, başlangıçta kırmızı kontrolü dışarı, yukarı çekip jikle kontrolünü hareket ettirerek sağlanır. (56)

Yakıt pompası (2): Yakıt diyaframa doluncaya dek yakıt pompası diyaframına (en az 6 kez) basın. Diyaframın tamamının dolması gerekmez. (56)

Kırmızı jikle kontrolünü aşağı itin, 3: Bu hareket, sıcak testereyi çalıştırmak için gerekli olmayan jikle devreden çıkarır. Fakat, çalıştırma/durdurma düğmesinin hareket ettirilmesi, testerenin yüksek rölanتيye geçmesini sağlayarak sıcak çalıştırmayı kolaylaştıracaktır.

Çalıştırma kolunu çekin, 4: Ön tutma kolunu sol elinizle kavrayın. Sağ ayağınızı arka tutma koluna koyarak, testereyi yerde tutun. (57)

Çalıştırma kolunu sağ elinizle çekin ve çalıştırma ipini direnç hissedinceye kadar (çalıştırma mekanizmasının dişli çark mandalları motoru kavrayana kadar) yavaşça çekmeye devam edin; daha sonra motorda ateşleme gerçekleşene kadar kısa aralıklarla güçlü ve hızlı bir şekilde çekmeye devam edin.

Zincir freni hala devrede olduğundan, motor devri en kısa zamanda rölanتيye ayarlanmalıdır; bu, gaz keleşliği kilidi devre dışı bırakılarak yapılır. Devre dışı bırakma işlemi, gaz keleşliği tetiğine hafifçe dokunularak yapılır. Bu işlem, debriyajın, debriyaj kasnağının ve fren kuşağının gereksiz yere yıpranmasını önler. Tam gaz vermeden önce birkaç saniye makineyi boşa çalıştırın.

Testerinin arka kenarında (A), her adımı şekillerle anlatıldığı basitleştirilmiş bir çalıştırma hatırlatıcı bulunur. (57)

DİKKAT! Çalıştırma ipini tümüyle dışarı doğru çekmeyiniz ve tümüyle dışarı doğru çekilmiş durumdayken elinizden bırakmayınız. Bu durum, makinenin arızalanmasına yol açabilir.

Notlar! Ön el siperini ön tutamağa doğru geri iterek zincir frenini tekrar hareket geçiriniz. Motorlu bıçkı artık kullanıma hazırdır.



UYARI! Motorun egzoz dumanını, zincir yağı buğusunu ve talaş tozunu uzun süreli solamak sağlığınız için zararlı olabilir.

- Zincir kılıcı, zincir ve tüm kapaklar doğru biçimde yerinde olmadan hiçbir zaman motorlu bıçkıyı çalıştırmayınız. Montaj bölümündeki talimatlara bakınız Çubuk ve zincir testereye takılmazsa kavrama gevşeyebilir ve ciddi yaralanmalara neden olabilir.
- Motorlu bıçkı çalıştırıldığında zincir freni uygulanmış olmalıdır. Çalıştırma başlığı altındaki talimatları bakınız. Motorlu bıçkıyı hiçbir zaman havadan bırakıp çalıştırmayınız. Bu yöntem, motorlu bıçkının denetimini kaybetmenize yol açabileceği için çok tehlikelidir. Çalıştırma başlığı altındaki talimatlara bakınız. (55)
- Kapalı yerde makineyi asla çalıştırmayınız. Egzoz dumanları tehlikeli olabilir.
- Çevrenizi gözleyiniz ve insan ya da hayvanların, kesme cihazı ile temasları tehlikesinin olmadığından emin olunuz.
- Motorlu testereyi her zaman iki elinizle tutun. Sağ elinizle arka tutma yerinden ve sol elinizle ön tutma yerinden tutun. **Sağ veya sol elini kullanan tüm kullanıcılar bu biçimde tutmalıdır.** Tutma yerini baskırmaklarınız ve diğer parmaklarınızla sıkıca saracak biçimde tutun.

Stop

Çalıştırma ve durdurma düğmesini aşağı iterek motoru durdurun. (59)

DİKKAT! Çalıştırma/durdurma düğmesi otomatik olarak çalıştırma konumuna geçer. Makine kullanılmıyorsa, yanlışlıkla çalışmasını önlemek için bujinin kapağı daima çıkarılmalıdır. (60)

Kullanımdan önce: (61)

- 1 Zincir freninin doğru şekilde çalıştığını ve hasarlı olmadığını kontrol ediniz.
- 2 Arka sağ el sipерinin hasarlı olmadığını kontrol ediniz.
- 3 Gaz ayarlama düğmesinin doğru şekilde çalıştığını ve hasarlı olmadığını kontrol ediniz.
- 4 Çalıştırma ve durdurma anahtarının doğru şekilde çalıştığını ve hasarlı olmadığını kontrol ediniz.
- 5 Tüm tutamakların yağsız olmasına dikkat ediniz.
- 6 Titreşim engelleme sisteminin çalışıyor olduğunu ve hasarlı olmadığını kontrol ediniz.
- 7 Susturucunun güvenli bir şekilde takılmış olduğunu ve hasarlı olmadığını kontrol ediniz.
- 8 Motorlu testerenin tüm parçalarının doğru şekilde sıkıştırılmış olduğunu ve hasarlı veya eksik olmadığını kontrol ediniz.
- 9 Zincir tutucunun yerinde olduğunu ve hasarlı olmadığını kontrol ediniz.
- 10 Zincir gerginliğini kontrol edin.

Genel çalışma açıklamaları

ÖNEMLİ!

Bu bölümde, motorlu biçkiyle çalışmada sözkonusu olan temel güvenlik kuralları ele alınmaktadır. Kuşkusuz enformasyon, bir meslek erbabının eğitim ve pratik deneyimlerle edinilmiş bilgisini karşılayamaz. Kullanıma devam edip etmeyeceğiniz konusunda sizi kuşkuya düşüren herhangi bir durumla karşılaştığınızda, bir uzmana danışınız. Motorlu biçkiyi aldığınız firmaya, servis atelyenize ya da deneyimli bir motorlu biçki kullanıcısına başvurunuz. Emin olamadığınız herhangi bir işi yapmaya çalışmayınız!

Kullanımdan önce geri tepmenin ne olduğunu ve bundan nasıl kaçınılabileceğini anlamanız gerekir. Geri tepmeyi önleyici önlemler bölümüne bakınız.

Kullanımdan önce kılıcın alt ve üst kenarı ile kesim yapmanın farkını anlamanız gerekir. Geri tepmeyi nasıl engellersiniz ve Makinenin güvenlik ekipmanları başlıkları altındaki talimatları okuyun.

Kişisel koruyucu araçlar kullanınız. Kişisel koruyucu araçlar bölümüne bakınız.

Temel güvenlik kuralları

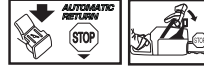
- 1 Çevrenize dikkat ediniz:
- İnsan, hayvan ya da başka birşeyin, makine üzerindeki denetiminizi engelleyemeyeceğinden emin olunuz.
- Yukarıda belirtilenlerin, motorlu biçki ile temas etme ve yıklan bir ağaç nedeniyle herhangi bir kazaya uğrama tehlikelerini önlemelisiniz.

DİKKAT! Yukarıdaki noktalara uyunuz fakat bu arada, herhangi bir kaza durumunda imdat isteyebilme olanağınız yoksa motorlu biçkiyi asla kullanmayınız.

- 2 Kötü hava koşullarında çalışmaktan kaçınınız. Örneğin yoğun sis, kaygan zemin, ağacın düşme yönünü etkileyecek

hava koşulları v.b. Kötü havada çalışmak yorucudur ve kaygan zemin, ağacın düşme yönü v.b. gibi konularda, tehlikeli koşullara neden olabilir.

- 3 Küçük dalları keserken daha fazla dikkatli olunuz ve çal (aynı anda küçük dallardan oluşan bir demeti) kesmekten kaçınınız. Küçük dallar, kesimden sonra biçki zincirine takılıp size karşı fırlayarak ciddi bir kişisel kazaya neden olabilir.
- 4 Hareket edebilme ve ayakta durabilme olanağınızın olmasına özen gösteriniz. Olası engellere (kök, taş, dal, çukur v.b.) dikkat ediniz. Kapalı bir arazide çalışırken çok dikkatli olunuz.
- 5 Gerilmiş durumdaki bir ağacı keserken çok dikkatli olun. Gerilmiş ağaç kesildikten önce veya kesildikten sonra hızla normal konuma geri dönebilir. Yanlış yerde durursanız veya yanlış yere keserseniz, ağaç size veya makineye çarpıp kontrolünüzü kaybetmenize neden olabilir. Her iki durum da ciddi yaralanmalara neden olabilir.



- 6 Yer değiştirme durumunda biçki zinciri ve motor kapatılmalıdır. Bir yerden bir yere taşırken, kılıç ve biçki zinciri üzerinde bulunan motorlu biçkiyi, yönü arkaya doğru olmak üzere tutunuz. Daha uzun taşınma durumlarında kılıç koruması kullanılmalıdır.
- 7 Testereyi yere bıraktığımızda zincir frenini kullanarak testere zincirini kilitleyin ve makineyi sürekli görebileceğiniz bir yere koyun. Uzun süre kullanmayacaksanız testerenin motorunu kapatın.



UYARI! Bazen talaşlar kavrama kapağına kaçarak zincirin sıkışmasına neden olabilmektedir. Temizlik öncesinde her zaman makineyi durdurun.

Temel kurallar

- 1 Geri tepmenin ne olduğunu ve nasıl meydana geldiğini anlamakla, onunla ilgili sürpriz momentini azaaltmak ya da tümüyle ortadan kaldırmak mümkündür. Sürpriz kaza tehlikesini artırır. Geri tepmelerin çoğu küçüktür, fakat bazen ani ve sert olabilir.
- 2 Biçkiyi, sağ el arka sapta, sol el ön kulpta olmak üzere iyice kavrayınız. Parmaklarınızı tutuş yerlerine iyice geçiriniz. İster sağ elini kullanınlar ister solak olanlar olsun, tüm kullanıcılar bu kavrayış biçimini uygulamalıdır. **Bu kavrayış geri tepmenin etkisini azaltır. Sap ve kulpu bırakmayınız!**
- 3 Geri tepmelerin büyük bir bölümü dal kesimlerinde meydana gelir. Dengeli durmaya ve çalışmakta bulunduğunuz yerde, dengeyi bozacak ya da üzerine düşmenize yol açabilecek bir cisim bulunmamasına dikkat ediniz.

Dikkatsizlik nedeniyle kılıcın geri tepme tehlikesi sektöri farkında olmadan bir dal, yakında bulunan bir ağaç ya da başka bir cisme çarpabilir ve bu da geri tepmeye neden olabilir.

ÇALIŞMA TEKNİKLERİ

Çalıştığımız nesneyi denetim altında tutun. Kesmek istediğiniz parçalar küçük ve hafif ise testere zincirine sıkışabilir ve size doğru fırlayabilir. Bu bir tehlike oluşturmasa bile şaşırmanız ve testerenin kontrolünü kaybetmeniz neden olabilir. İstiflenmiş kütükleri veya dalları birbirinden ayırmadan asla kesmeyin. Bir seferde yalnız bir kütük veya bir parça kesin. Çalışma alanınızı güvenli tutmak için kestiğiniz parçaları alandan uzaklaştırın. (62)

4 Bıçkıyı kesinlikle omuzdan daha yukarıda kullanmayınız ve ve kılıç ucuyla bıçkılamaktan kaçınız. Bıçkıyı kesinlikle tek elle kullanmayınız! (63)

5 Motorlu bıçkıyı iyi kontrol edebilmek için ayakta sağlam duruyor olmanız gerekir. Merdiven üstünde, ağaca çıkarak veya yere sağlam basmadığınız durumlarda çalışmayınız. (64)

6 Yüksek zincir hızıyla, yani tam gaz vererek kesim yapınız.

7 Kılıcın üst tarafıyla, yani kestiğiniz şeyi alttan kesmeye çalışırken özellikle dikkatli olunuz. Bu, tepmekte olan bıçkı zinciriyle kesim yapmak olarak adlandırılır. Bıçkı zinciri o zaman bıçkıyı arkaya, yani kullancıya doğru teper. Zincir sıkışsa testere size doğru fırlayabilir. (65)

8 Kullanıcının, bıçkının hareket eğilimine uymaması durumunda bıçkı, arkaya doğru öylesine bir teper ki, o anda yalnızca, kılıcın geri tepme tehlikesi sektörü, ağaçla temas etmekte ve geri tepmeye neden olmaktadır. (66)

Kılıcın alt tarafıyla, yani kestiğiniz şeyi yukarıdan aşağıya doğru kesmek, çekiş durumundaki bıçkı zinciriyle kesim yapmak olarak adlandırılır. O zaman bıçkı, ağaca ve bıçkı gövdesinin ön tarafına doğru, kütüğe karşı, doğal bir destek olur. Çekiş durumundaki bıçkı zinciriyle kesim yapmak, bıçkı üzerinde ve geri tepme alanı üzerinde daha fazla kontrol sahibi olmanızı sağlar. (67)

9 Kılıç ve bıçkı zincirinin eğeleme ve bakımıyla ilgili açıklamaları izleyiniz. Kılıç ve bıçkı zincirini değiştirmeniz durumunda, yalnızca bizim önerdiğimiz bileşimler kullanılmalıdır. Kesici gereçler ve Teknik bilgiler bölümlerine bakınız.

Temel kesim teknikleri



UYARI! Testereyi asla tek elinizle tutmayın. Testere tek elle tutulduğunda güvenli bir biçimde kontrol edilemez. Her iki elinizle de tutma yerlerini sıkıca ve sağlam biçimde tutun.

Genel

- Her türlü kesimde motoru tam gaz kullanınız!
- Her kesim işleminden sonra motoru boşa alınız (motorun dinlendirilmeksizin, yani kesim sırasında, bıçkı zinciri tarafından zorlanmaksızın uzun süre çalışması, ciddi motor arızasına neden olur).
- Yukarıdan aşağıya doğru kesmek = Çekiş durumundaki bıçkı zinciriyle kesim yapmak.
- Aşağıdan yukarıya doğru kesmek = Tepmekte olan bıçkı zinciriyle kesim yapmak.

Kesim anında tepmekte olan bıçkı zinciriyle kesim yapmak geri tepme tehlikesini artırır. Geri tepmeyi önleyici önlemler bölümüne bakınız.

Terimler

Bıçme = Ağaç kesiminin genel adı.

Budama = Yıkılmış bir ağacın dallarının bıçme.

Parçalama = Bıçeğiniz nesnenin, bıçkı kesim işlemi tamamlanmadan parçalanması.

Her bıçme işlemi öncesinde göz önüne alınması gereken beş önemli nokta vardır:

- 1 Kesici gereç, kesim yerinde sıkışmamalıdır. (68)
- 2 Kesilecek nesne parçalanmamalıdır. (69)
- 3 Bıçkı zinciri, kesim işlemi sırasında, yere ya da başka birşeye vurmamalıdır. (70)
- 4 Geri tepme tehlikesi var mıdır? (4)
- 5 Arazi ve çevrenin durumu, çalışırken güvenliğinizi etkiliyor mu?

Zincirin arada sıkışması ve kesilmekte olan nesnenin parçalanması iki nedenden kaynaklanır: Bıçme öncesi ve sonrasında, kesilmekte olan nesnenin sahip olduğu destek ve kesilen nesnenin gerilim durumunda olup olmaması.

Bıçme işlemi, bir alttan, bir de üstten olmak üzere iki aşamalı yapmakla çoğunlukla, istenmeyen durumların ortaya çıkmasından kaçınılabilir. Önemli olan, kesilen nesnenin bıçkı zincirini sıkıştırma ya da parçalanma "isteği"ni ortadan kaldırmaktır.

ÖNEMLİ! Eğer zincir arada sıkışsa: motoru durdurunuz! Motorlu bıçkıyı çekip çıkarmaya çalışmayın. Böyle yaparsanız, motorlu bıçkının birdenbire yerinden çıkmasıyla zincir zedelenebilir. Motorlu bıçkıyı yerinden çıkarmak için bir levye kullanıp yarığı açınız.

Aşağıdaki liste, bir motorlu bıçkı kullanıcısının karşılaşılabileceği çoğu durumda neler yapılması gerektiğini gözden geçirmeyi amaçlamaktadır.

Budama

Kalın dalların budanmasında bıçme işlemindeki aynı ilkeler uygulanmalıdır.

Sorunlu dalları tek tek biçiniz. (71)

Bıçme



UYARI! Asla istiflenmiş kütükleri veya yan yana bulunan birkaç kütüğü kesmeye çalışmayın. Bu tip bir prosedür geri tepme olasılığını ciddi biçimde artırır ve ölümcül yaralanmalara neden olabilir.

Kütükler istiflenmiş haldeyse kesmek istediğiniz her kütüğü istiften alın, bir testere tezgahına veya gergiye yerleştirin ve münferit olarak kesin.

Kesilmiş parçaları çalışma alanından uzaklaştırın. Çalışma alanında kalmaları halinde hata yapma, geri tepme ve çalışırken dengenizi kaybetme risklerini artırırsınız. (72)

ÇALIŞMA TEKNİKLERİ

Kütük yerde durmaktadır. Zincirin sıkışması ya da kesilen nesnenin parçalanması tehlikesi bulunmamaktadır. Oysa zincirin, kesim tamamlandıktan sonra yere düşmesi tehlikesi büyüktür. (73)

Kütüğü yukarıdan aşağıya doğru kesiniz. Kesim işleminin sonuna doğru, zincirin yere düşmesine özen gösteriniz. Tam gaz veriniz fakat ne olacağını da aklınızdan çıkarmayınız. (74)

Eğer mümkünse (kütüğün döndürülmesi olanağı var mı?) kesim işlemi kütüğün 2/3'üne gelince durdurulmalıdır.

Kesim işleminin geri kalan 1/3'ünü tamamlamak için kütüğü döndürünüz. (75)

Kütük yalnızca bir taraftan destek görmektedir. Parçalanma için büyük tehlike. (76)

Önce aşağıdan yukarıya doğru keserek işe başlayınız (yaklaşık olarak kütük çapının 1/3'ü kadar).

Bıçkı kesim izleri birbiriyle buluşuncaya kadar yukarıdan aşağıya doğru kesim işlemini tamamlayınız. (77)

Kütük her iki taraftan da destek görmektedir. Bıçkı zincirinin arada sıkışması için büyük tehlike. (78)

Önce yukarıdan aşağıya doğru keserek işe başlayınız (yaklaşık olarak kütük çapının 1/3'ü kadar).

Bıçkı kesim izleri birbiriyle buluşuncaya kadar aşağıdan yukarıya doğru kesim işlemini tamamlayınız. (79)

Ağaç yıkma tekniği

ÖNEMLİ! Bir ağacı yıkmak için epey deneyim gerekmektedir. Deneyimsiz bir motorlu bıçkı kullanıcısı ağaç yıkmamalıdır. Yeterince kalifiye olmadığınız her türlü kullanımdan kaçınınız!

Güvenlik mesafesi

Yıkılacak olan ağaçlar ile en yakın çalışma yeri arasındaki güvenlik mesafesi 2/2 ağaç uzunluğunda olmalıdır. Yıkım öncesi ve sonrasında, bu "tehlikeli bölge" de kimselerin bulunmamasına dikkat ediniz. (80)

Yıkım yönü

Ağaç yıkımındaki hedef, ağacı, daha sonra kütükte yapılacak olan budama ve kesme işleminin, elden geldiğince "basit" bir arazide yapılabilmesi için uygun bir biçimde konumlandırmaktır. İnsan güvenli olarak gidip gelebilmeli ve ayakta durabilmelidir.

Ağacın hangi yöne doğru yıkılması gerektiğine ilişkin karar verdikten sonra ağacın doğal yıkılma/düşüş yönünü de değerlendirmelisiniz.

Bunu etkileyen faktörler şunlardır:

- Eğilim
- Eğiklik
- Rüzgâr yönü
- Dalların yoğunluk alanları
- Olası kar ağırlığı
- Ağacın çevresindeki engeller: Örneğin, diğer ağaçlar, elektrik hatları, yollar ve binalar.

- Ağaç gövdesindeki olası hasar ve çürüklere dikkat edin, bu tip etkenler ağacın beklediğinizden önce kırılmasına ve devrilmesine neden olabilir.

Bu değerlendirmeden sonra insan ağacı, doğal yıkılma yönüne doğru yıkmak zorunda kalabilir, çünkü ağacın başından beri planladığınız yöne doğru yıkımı olanaksız ya da tehlikeli olabilir.

Yıkım yönünü değil ama sizin kişisel güvenliğinizi etkileyen bir başka önemli faktör ise ağacın, kesim işlemi sırasında, koparak bir sakatlanmaya yol açabilecek sakat ya da "ölü" dallarının olmamasıdır.

En fazla kaçınılması gereken şey, yıkılan ağacın başka bir ağaca takılmasıdır. Takı lı ş bir ağacı kurtarmak oldukça tehlikelidir ve çok büyük kaza tehlikesi vardır. Kötü yıkılmış bir ağacı gevşetme başlığı altındaki talimatlara bakın. (81)

ÖNEMLİ! Kritik yıkım anlarında, kesim bittikten hemen sonra ses ve uyarı sinyallerine dikkat edebilmek için kulaklığınızı çıkarınız.

Alt dalların budanması ve geriye çekilme

Ağaç gövdesini omuz yüksekliğinde parçalara bölün. Yukarıdan aşağıya çalışmak ve ağacı sizinle testere arasında tutmak daha güvenlidir. (82)

Ağaç çevresindeki alt bitki örtüsünü temizleyiniz ve ağaç yıkılmaya başladığında kolayca geriye çekilmeyen için olası engellere (taşlar, dallar, çukurlar v.b.) dikkat ediniz. Geri çekilme yolu, ağacın planlanan yıkılma yönünden geriye doğru eğimli ve yaklaşık 135 derece olmalıdır. (83)

- 1 Risk bölgesi
- 2 Güvenli yol
- 3 Yıkım yönü

Yıkım



UYARI! Yeterli derecede kalifiye olmayan kullanıcılara, ağaç çapından daha küçük bir kılıç uzunluğuyla ağaç yıkım işlemini kalkışmalarını öneririz!

Yıkım, üç bıçkı kesim biçimiyle yapılır. Öncelikle, bir üst kesim ile bir de alt kesimden oluşan yön kesimi yapılır, daha sonra ise yıkım, yıkım kesimi ile son bulur. Bu kesim biçimlerinin yerli yerince yapılması, yıkım yönünü bütünüyle yönetebilmenizi sağlar.

Yön kesimi

Bir yönde kesme işlemi yapmak için üstteki kesikten başlayın. Testerenin devrilme yönü işaretini (1) arazide ağacın düşmesini istediğiniz ileri bir hedefe (2) doğrultun. Ağacın sağ tarafında, testerenin arkasında durun ve çekme hareketiyle kesin.

Daha sonra üst kesim'in bittiği yerde onunla çakışacak biçimde alt kesim'i yapınız. (84)

Yön kesimi derinliği, ağaç çapının 1/4'ü kadar; üst kesim ile alt kesim arasındaki açı ise en az 45° olmalıdır.

Bu her iki kesimin birleştiği yer ise yön kesim çizgisi olarak adlandırılır. Yön kesim çizgisi tam tamına yatay olmalı ve aynı zamanda, seçilmiş yıkım yönü karşısında bir doğru açı (90°) oluşturmalıdır. (85)

ÇALIŞMA TEKNİKLERİ

Yıkım kesimi

Yıkım kesimi, ağacın öteki tarafından yapılmalı ve kesinlikle yatay olmalıdır. Ağacın sol tarafında durunuz ve çekiş durumundaki bıçkı zinciriyle kesim yapınız.

Yıkım kesimi'ni, yön kesimi'nin yatay doğrultusunun yaklaşık 3–5 cm (1,5-2 inç) yukarısından yapınız. (86)

Kılıç koruyucusunu (eğer takılmışsa) kırılma derecesinin arkasına getiriniz. Tam gaz vererek kesim yapınız ve bıçkı zincirini/kılıcı, yavaşça ağacın içine doğru sürünüz. Ağacın, seçilmiş yıkım yönünün tersine doğru hareket edip etmediğine dikkat ediniz. Kesim derinliğinin elvermesiyle birlikte, yön kesimi boşluğuna bir takoz koyunuz.

Yıkım kesimi, her ikisi arasındaki mesafenin, ağaç gövdesi çapının en az 1/10'ı kadar olduğu yön kesimi çizgisi ile paralel olarak sonuçlandırılacaktır. Gövdenin kesilmemiş bölümü kırılma derecesi olarak adlandırılır.

Kırılma derecesi, yıkılmakta olan ağacın yönünü belirleyen bir takoz işlevi görür. (87)

Kırılma derecesi'nin gereğinden küçük ya da kesilmiş olması ya da yön kesimi ve yıkım kesiminin yanlış yerlerde bulunması, ağacın yıkım yönü üzerindeki denetimin tümüyle yitirilmesine yol açar. (88)

Yıkım kesimi ve yön kesimi tamamlandıktan sonra ağaç ya kendiliğinden ya da takoz ya da levye yardımıyla yıkılmalıdır. (89)

Yıkım ve yön kesimi'nin, basit bıçkı kesimi olarak adlandırılan bir biçimde gerçekleştirilebilmesi için ağaç çapından daha büyük bir kılıç uzunluğu öneririz. Motorlu bıçkı modeliniz için hangi kılıç uzunluklarının önerildiğini öğrenmek için Teknik bilgiler bölümüne bakınız.

Ağaç çapının kılıç uzunluğundan daha büyük olması durumunda da ağaç yıkım yöntemleri bulunmaktadır. Bu yöntemler, kılıcın geri tepme tehlikesi sektörünün bir cisimle temas etmesi gibi büyük bir tehlikeyi de taşımaktadırlar. (4)

Kötü yıkılmış bir ağacın gevşetme

Takılmış bir ağacın düşürülmesi

Takılı bir ağacı kırtarmak oldukça tehlikelidir ve çok büyük kaza tehlikesi vardır.

Üzerine ağaç devrilmiş bir ağacı kesmeye asla çalışmayın.

Sıkışmış veya asılı kalmış bir ağaç nedeniyle riskli olan bir bölgede asla çalışmayın. (90)

Vinç kullanmanın en güvenli yöntemi.

- Traktöre monte edilmiş
- Taşınabilir

Gergin durumdaki ağaç ve dalların kesimi.

Hazırlıklar: Gerginliğin hangi yöne doğru olduğunu ve "kırılma noktası" nı (yani daha da gerginleştirilmesi durumunda, kırılabileceği yer) anlamaya çalışınız. (91)

Gerginliği nasıl gidereceğinize ve bunu başarıp başaramayacağınıza karar veriniz. Özel olarak daha karmaşık durumlarda en güvenli yöntem, motorlu bıçkıdan vazgeçip bir vinç kullanmaktır.

Genel olarak şunlar geçerlidir:

Gerginliğin giderilmesi anında ağacın/dalın size çarpması tehlikesini önlemek için uygun bir yerde durunuz. (92)

Kırılma noktası üzerinde ya da yakınında bıçkı ile bir ya da birkaç iz açınız. Ağacın/dalın, "kırılma noktası"ndan kırılarak gerginlikten kurtarılması için elden geldiğince derinlemesine ve çok sayıda bıçkı izi açınız. (93)

Gergin durumda bulunan bir nesneyi asla tümüyle kesmeyiniz!

Ağaç / dal boyunca kesim yapmak zorundaysanız, 3 – 5 cm derinliğinde ve 3 cm aralıklarla iki veya üç kesik yapın. (94)

Ağaç/dal eğilinceye ve gerginlik boşalmaya kadar kesmeye devam edin. (95)

Gerginlik boşalınca ağacı/dalı ters taraftan kesin.

Geri tepmeyi önleyici önlemler



UYARI! Geri tepme alabildiğine ani ve sert olabilir ve bıçkıyı, kılıcı ve zinciri kullanıcıya doğru fırlatabilir. Eğer kullanıcıya rastladığında zincir hareket durumunda ise ciddi hafta ölümcül bir kazaya neden olabilir. Geri tepmeye nelerin sebep olduğunu ve bunu nasıl engelleyebileceğinizi anlamaz çok önemlidir.

Geri tepme nedir?

Geri tepme, bıçkı ve kılıcın, kılıç üst yuvarlak köşesiyle bir cisimin temas ettiği, geri tepme tehlikesi sektörü olarak adlandırılan yerde fırlatıldığı, apansız bir tepki demektir. (66)

Geri tepme her zaman kılıcın ön doğrultusu yönünde gerçekleşir. En olağan olanı, bıçkı ve kılıcın yukarıya ve arkaya, yani kullanıcıya doğru fırlatılmasıdır. Fakat, geri tepme tehlikesi sektörünün bir cisimle temas ettiği anda bıçkınin hangi durumda bulunduğuna bağlı olarak değişebilir. (7)

Geri tepme, yalnızca geri tepme tehlikesi sektörünün bir cisimle temas ettiği anda meydana gelebilir. (4)

Budama



UYARI! Geri tepme kazalarının çoğu parçalara bölme sırasında ortaya çıkar. Çubuğun geri tepme alanı kullanmayın. Çubuğun ucunun kütükle, başka dallarla veya nesnelere temas etmesine özellikle dikkat edin. Gergin durumdaki dallara özellikle dikkat edin. Size çarpabilir ve kontrolünüzü kaybetmenize neden olabilirler, bu da yaralanmalara neden olabilir.

Güvenli olarak yürütebilme ve ayakta durabilmeye dikkat ediniz! Ağaç gövdesinin sol tarafında çalışınız. En iyi biçimde denetim sağlamak için elden geldiğince motorlu bıçkıya yakın durarak çalışınız. Uygun durumda, bıçkıyı ağaç gövdesine dayandırınız.

Ağaç gövdesinin, yalnızca, sizinle motorlu bıçkı arasında bulunması durumunda bir yerden bir yere yer değiştirebilirsiniz.

Kütüğe dönüştürülmek üzere ağaç gövdesinin kesimi

Temel kesim teknikleri adlı bölümdeki talimatları bakınız.

Genel

Kullanıcının, Kullanım Kılavuzu'nun yalnız bu bölümünde belirtilen bakım ve servisi yapması gerekir. Daha kapsamlı işlerin yetkili bir servis tarafından yapılması zorunludur.

Karbüratör ayarı

Husqvarna ürününüz zararlı gazların emisyonunu azaltan şartnamelere uygun olarak tasarlanmış ve üretilmiştir.

Çalıştırma

- Karbüratör, gaz ayarı aracılığıyla motorun devridaimini yönetir. Karbüratörün içinde hava/yakıt birbirine karışır. Bu hava/yakıt karışımı ayarlanabilir. Motorun en yüksek düzeyde etkinliğini sağlamak için ayarlama düzgün olmak zorundadır.
- T-vidası, motor boşta iken gaz ayarının durumunu ayarlar. T-vidası ileriye doğru çevrildiğinde daha yüksek devridaim, geriye doğru çevrildiğinde ise daha düşük devridaim sağlar.

Temel ayarlar ve sürüş

Fabrikadaki deneme sürüşünde karbüratör şöyle ayarlanır. İnce ayar, vasıflı bir teknisyen tarafından yapılmalıdır.

Boşta çalışma hızını kaydedin: Teknik bilgiler bölümüne bakınız.

Boşta çalışma ayarı T'nin son ayarı

Boşta çalışma ayarı, T durumuna getirilmelidir. Ayarlama gerekirse, boşta çalışma ayarı T'yi, motor çalışırken, zincir duruncaya kadar geriye doğru çeviriniz. Düzgün ayarlanmış bir boşta çalışma devir ayarı, motorun, tüm durumlarda, zincir devir sayısına göre dönmeye başladığı, eşit ve iyi bir marjinalde çalışması demektir.



UYARI! Boşta çalışma ayarı zincirin duracağı biçimde ayarlanamıyorsa, servis atelyenize başvurunuz. Bıçkıyı, düzgün ayarlanması ya da onarımı gerçekleşmeden önce kullanmayınız.

Düzgün ayarlanmış karbüratör

Düzgün ayarlanmış bir karbüratör, makinenin hızlanma sırasında takılmaması ve tam gaz sırasında ise bir miktar ses çıkarması demektir. Ayrıca zincir, motor boşta iken dönmelidir. Zayıf ayarlanmış bir L-vidası, çalıştırma zorluğu ve kötü hızlanmaya neden olabilir. Zayıf ayarlanmış bir H-vidası, daha düşük güç = daha az kapasite verir ve kötü hızlanmaya ve/veya motorun zedelenmesine neden olabilir.

Motorlu bıçkı makinesi güvenlik donanımının kontrol, bakım ve servisi

Notlar! Makineye yapılan tüm servis ve onarımlar özel eğitim gerektirir. Bu, makinenin güvenlik donanımı için özellikle önemlidir. Makinenizin aşağıdaki kontrollerden herhangi birinde sorun mevcutsa makineyi hemen servise götürmenizi öneririz.

Geri tepmeyi önleyici zincir freni

Fren bandı aşınmasının denetimi



Zincir freni ve bağlantı boşluğundaki talaş, reçine ve kir artıklarının temizleyiniz. Kirlenme ve aşınma, frenin işlevini etkiler. (96)

Fren bandı kalınlığının en az 0,6 milimetresinin, en çok aşınmış olan tarafta kalmış olup olmadığını düzenli olarak denetleyiniz.

Geri tepme önleminin denetimi



Geri tepme önleminin bütün ve gözle görülür, örneğin, materyal çatlağı gibi herhangi bir aşınmaya sahip olup olmadığını denetleyiniz.

Geri tepme önleminin kolay hareket edip etmediğini ve bağlantı kutusundaki bağlantısının düzgün ve dengeli olup olmadığını anlamak için ileri geri hareket ettiriniz.

Yavaşlatma işlevinin denetimi



Motorunu kapattıktan sonra testereyi kök veya benzeri sağlam bir yüzeyin üstünde tutun. Öndeki tutma yerini bırakın ve kendi ağırlığıyla düşmesine izin verin, arka tutma yerinden tutun ve testere ucunun kökün üzerine düşmesini sağlayın. (97)

Kılıç ucunun kütüğe dokunmasıyla birlikte frenin devreye girmesi gerekir. (98)

Fren gücünün denetimi

Motorlu bıçkınızı sert bir yüzey üzerine yerleştirip çalıştırınız. Zincirinin yerle ya da herhangi başka bir cisimle temas etmemesine özen gösteriniz. Çalıştırma ve durdurma başlığı altındaki talimatlara bakınız. (99)

Motorlu bıçkınızı, sap ve kulpundan, ellerinizle iyice kavrayınız.

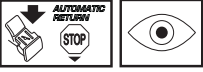
Tam gaz veriniz ve sol elinizi geri tepme önlemine doğru götürerek zincir frenini devreye sokunuz. Ön kulpu bırakmayınız. **Zincirin derhal durması gerekir. (58)**

Kelebek kilidi



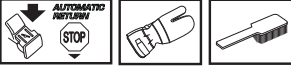
- Gaz ayarlama düğmesi asıl konumunda iken gaz ayarının boşa olduğunu denetleyiniz. (100)
- Kelebek kilidine basınız ve bıraktığınız zaman yeniden asıl konumuna geldiğini denetleyiniz. (101)
- Gaz ayarının ve kelebek kilidinin rahat çalışmakta olduğunu ve dönüşüm makası sisteminin çalıştığını denetleyiniz. (102)
- Motorlu biçkinizi çalıştırarak tam gaz veriniz. Gaz ayarını bırakınız ve zincirin durduğunu ve hareket etmediğini denetleyiniz. Eğer gaz ayarı boşa iken zincir döniyorsa gazlayıcının boşa alma ayarını denetleyiniz.

Zincir tutucusu



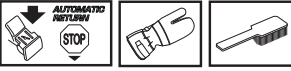
Zincir tutucusunun tüm olduğunu ve biçki gövdesine iyice oturmuş olduğunu denetleyiniz. (103)

Sağ el koruyucusu



Sağ el koruyucusunun tamam ve materyal çatlağı gibi görülebilir bir bozukluğa sahip olmadığını denetleyiniz. (11)

Titreşimden arındırma sistemi



Materyal çatlağı ve bozulmalardan sonra titreşimden arındırma elemanını düzenli olarak denetleyiniz. Titreşimden arındırma elemanının, motor ile el birimleri arasında oturmuş olduğunu denetleyiniz. (104)

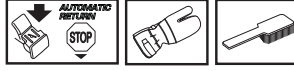
Stop düğmesi



Motoru çalıştırınız ve stop düğmesi stop durumuna getirildiğinde motorun durduğunu denetleyiniz. (59)

DİKKAT! Çalıştırma/durdurma düğmesi otomatik olarak çalıştırma konumuna geçer. İstmeden çalışmasını önlemek için montaj, kontrol işlemleri sırasında ve bakım uygulamaları için bujinin kapağını çıkarın.

Susturucu



Susturucusu aşınmış bir makineyi asla kullanmayınız.

Susturucunun makinenin içine oturmuş olduğunu düzenli olarak denetleyiniz. (105)

Kimi susturucular, özel bir kıvılcım tutucu ağı ile donatılmışlardır. Eğer makineniz böylesi bir donanıma sahipse, sözkonusu ağı haftada bir kez temizlenmelidir. Bu işlem, en iyi biçimde, çelik telli bir fırçayla yapılabilir. Tıkalı bir ızgara motorun fazla ısınmasına ve ciddi biçimde hasar görmesine yol açabilir.

Notlar! Ağda herhangi bir arıza ortaya çıkması durumunda derhal değiştirilmelidir. Bozuk olarak kullanılan bir ağı, makinenin fazlaca ısınmasına ve silindir ile kömürde de arızalara neden olur. Makineyi, iyi durumda olmayan bir susturucuyla asla kullanmayınız. **Kıvılcım tutma ağına sahip olmayan ya da kıvılcım tutma ağı yıpranmış olan bir susturucuyu asla kullanmayınız.** (13)

Susturucu, gürültü düzeyini azaltmak ve gaz artıklarını kullanımdan uzak tutmak üzere yapılmıştır. Gaz artıkları yüksek ısıya sahiptir ve egzos kuru ya da yanabilir bir materyale çevrilmesi durumunda, yangın tehlikesine neden olabilecek kıvılcımlar taşır.

Çalıştırma aracı



UYARI! Geri döndürme yayı, çalıştırma aracının içinde gergin bir durumda bulunmaktadır ve dikkatsiz bir işlem durumunda yerinden fırlayarak kişisel sakatlanmalara yol açabilir.

Çalıştırma yayı ya da ipinin değiştirilmesi sırasında dikkatli olunmalıdır. Koruyucu gözlük kullanınız.

Marş kablosunun değiştirilmesi



- Çalıştırma aracının vidalarını söküp çalıştırma aracını monte olduğu yerden çıkarınız. (106)
- İpi yaklaşık 30 cm çekerek, makarasından çıkarınız. Makaranın geriye doğru yavaşça dönmeye fırsat vererek, geri döndürme yayını sifira getiriniz. (107)
- Makaranın ortasındaki vidayı söküp çalıştırma diskini (A), çalıştırma diski yayını (B) ve makarayı (C) çıkarın. Yeni marş kablosunu çalıştırıcı makaraya sağlam bir şekilde takın. Marş kablosunu çalıştırıcı makara üzerinde yaklaşık 3 tur döndürün. Çalıştırıcı makarayı, geri çekme yayının ucu (D) çalıştırıcı makaraya asılacak şekilde takın. Çalıştırma diski yayını, çalıştırma diskini ve makaranın ortasındaki vidayı geri takın. Marş kablosunu çalıştırıcı kaplamasındaki delikten ve marş kolundan geçirin. Marş kablosuna sağlam bir düğüm atın. (108)

Geri döndürme yayının gerginleştirilmesi

- Çalıştırma ipini makaranın içinden yukarı doğru kaldırınız ve makarayı yaklaşık 2 devir ileriye doğru çeviriniz.

Notlar! Makaranın, çalıştırma ipi tümüyle çekilmişken, en az 1/2 devir daha yapabilecek durumda olduğunu denetleyiniz. (109)

Kolu kullanarak kabloyu gerin. Baş parmağınızı çekin ve kabloyu serbest bırakın. Aşağıdaki şekle bakın. (110)

Geri çekme ve çalıştırma yaylarının değiştirilmesi



Geri çekme yayı (A)

- Makarayı kaldırınız. Kırılmış ya da aşınmış bir çalıştırma ipinin değiştirilmesi başlıklı bölüme bkz. Geri döndürme yayının tansiyon altında bulunduğunu unutmayınız.
- Geri döndürme yayının bulunduğu kaseti marş aletinden çıkarınız.
- Geri döndürme yayını ince bir yağla yağlayınız. Geri döndürme yayının bulunduğu kaseti marş aletine takınız. İp makarasını takınız ve dönüş yayını geriniz.

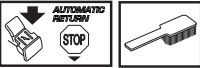
Çalıştırma disk yayı (B)

- Makaranın ortasındaki vidayı söküp çalıştırma diskini ve çalıştırma disk yayını çıkarın.
- Çalıştırma disk yayını değiştirip çalıştırma diskini yayın üstüne takın. (111)

Çalıştırma aracının montajı

- Çalıştırma aracını, çalıştırma ipini önce çekip daha sonra çalıştırma aracını, çalıştırma kapağına doğru yerine koyarak monte ediniz. Daha sonra çalıştırma ipini, başlangıç dişleri makarayı kavrayacak biçimde, yavaşça bırakınız.
- Çalıştırma aracını monte ediniz ve çalıştırma aracının yerinde tutan vidaları sıkıştırınız.

Hava filtresi



Aşağıdakilerden kaçınmak için hava filtresi toz ve kirden arındırılmalı ve düzenli olarak temizlenmelidir:

- Karbüratör arızaları.
- Çalıştırma sorunları.
- Motor gücünün azalması.
- Motor parçalarında gereksiz aşınması
- Anormal ölçüde fazla yakıt tüketimi.
- Hava filtresi, hava filtresi kapağı açıldıktan sonra çıkarılabilir. Montaj sırasında, hava filtresinin, filtre tutucusuna sarılmış olmasına özen gösteriniz. Filtreyi silkeleyiniz ya da fırça ile temizleyiniz. (112)

Hava filtresini sabunlu suda yıkamakla daha kalıcı bir temizlik sağlanır.

Uzun süre kullanılmış bir hava filtresinin büsbütün temizlenmesi olanaksızdır. Bundan ötürü filtre, düzenli aralıklarda yenisiyle değiştirilmelidir. **Bozuk bir hava filtresi kesinlikle değiştirilmek zorundadır.**

HUSQVARNA motorlu testerelerine iş koşulları, hava durumu, mevsim vb. gibi koşullara bağlı olarak çeşitli türden hava filtreleri takılabilir. Bilgi almak için satıcınıza iletmiş kurunuz.

Buji



Aşağıdaki durumlar bujinin kondisyonunu etkiler:

- Yanlış ayarlanmış bir karbüratör.
- Yakıttaki hatalı bir yağ (az veya çok) karışımı motora zarar verir.
- Kirli bir hava filtresi.

Bu faktörler bujinin elektrotlarında artıklara yol açar ve çekiş bozuklukları ile çalıştırma zorluklarına neden olabilir.

Bıçkının etkinliği düşüğe, çalıştırmada zorlanıyorsa ya da motor boşta çalışırken teklilyorsa: başka önlemlere başvurmadan, öncelikle bujiyi denetleyiniz. Buji kirliyse, temizleyiniz ve elektrot aralığının 0,5 mm olduğunu denetleyiniz. Buji bir ay kadar çalıştıktan sonra veya gerekirse daha önce değiştirilmelidir. (113)

Notlar! Her zaman önerilen buji tipini kullanınız! Yanlış buji, kömür/silindir tahribine neden olur. Bujiye süpresör takılı olduğundan emin olun.

Yataklılı bilyanın bakımı

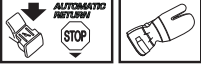


Kavrama kasnağı, çıkış mili üzerinde bir iğne mil yatağı mevcuttur. Bu iğne mil yatağı düzenli olarak yağlanmalıdır.

İki vida somununu gevşeterek kavrama düzeni kapağını çıkarın. Testereyi, kavrama tamburu yukarı bakacak şekilde yan olarak yatırın.

Kavrama tamburu dönerken tamburun ortasına motor yağının damlatarak yağlayın. (114)

Soğutucu sistem



Elden geldiğince alçak bir çekiş ısısı tutturabilmek için makine bir soğutucu sistem ile donatılmıştır.

Soğutucu sistem, aşağıdaki parçalardan meydana gelmektedir:

- 1 Çalıştırma aracına hava girişi.
- 2 Hava yolu kirişi.
- 3 Pervane kanatları.
- 4 Silindirdeki soğutucu borular.
- 5 Silindir kapağı (soğuk havayı silindire iletir). (115)

Soğutucu sistemi, haftada bir kez; daha olağanüstü koşullarda ise daha sık olmak üzere fırçayla temizleyiniz. Kirli ya da temizlenmeden yerine konulmuş bir soğutucu sistem, bıçkının aşırı ısınmasına ve silindir ile kömürün arızalanmasına yol açar.

Sentirfüjlü temizlik "Air Injection"

Sentirfüjal temizlik şu demektir: Karbüratöre gelen tüm hava çalıştırma aracı yoluyla gelmektedir. Kir ve toz, soğutucu vantilatörü tarafından sentirfüje edilmektedir. (116)

ÖNEMLİ! Sentirfüjal temizlik işlevinin gerçekleşmesi için düzenli bakım yapılması zorunludur. Çalıştırma aracının hava girişini, pervane kanatlarını, hava pervanelerini, emme hortumlarını ve karbüratör alanını temizleyiniz.

Kış kullanımı

Aşağıdaki nedenlerden dolayı soğuk veya karlı hava koşullarında makineyi kullanırken çalıştırma sorunları meydana gelebilir.

- Motor ısısının çok düşük olması.
- Hava filtresinde buzlanma ve karbüratörün donması.

Bu yüzden genel olarak özel bazı önlemlerin alınması gerekir, örnek:

- Çalıştırma aletinin hava girişini kısmen daraltınız, böylece motorun çalışma ısısını artırmış olur.

-5ü veya daha düşük ıslarda



Makinenin soğuk havada veya karın civik olduğu bir havada kullanılması durumunda marş motorunun üzerine monte edilebilecek özel bir kapak vardır. Bu kapak soğuk hava girişini azaltır ve büyük miktarlarda karın testerenin içine girmesini önler. (117)

DİKKAT! Özel kış takımı monte edilmiş veya ısı yükseltici önlemler alınmışsa, makinenin, normal ısı koşullarında kullanılması durumunda, ayarların, normal ısıya göre değiştirilmesi gerekir. Aksi takdirde, bıçkınin fazla ısınması ve dolayısıyla motorun ciddi şekilde hasar görmesi tehlikesi vardır.

ÖNEMLİ! Bu kitapta anlatılanların dışında kalan her türlü bakım yetkili acenta tarafından yapılmalıdır (satıcı).

BAKIM

Bakım Őeması

AŐađıda makinede yapılması gereken bakım iŐlemlerinin listesi vardır. Konuların çođu Bakım bölümünde anlatılmıŐtır.

Günlük bakım	Haftalık bakım	Aylık bakım
Makinenin dıŐ kısmını temizleyin.	Sođutma sistemini haftalık olarak kontrol edin.	Zincir frenindeki fren balatasını aşınmaya karşı kontrol edin. En aşınmıŐ noktasında 0.6 mm'den az kalmıŐsa, deđiŐtirin.
Gaz ayarlayıcısının tüm parçalarının güvenli bir Őekilde çalışıp çalışmadığını denetleyiniz. (Gaz açma kapama ve gaz kontrol.)	Çalıştırıcıyı, çalıştırma ipini ve geri tepme yayını kontrol edin.	Bađlantı merkezini, bađlantı kapađını ve bađlantı yayını aşınma açıŐından denetleyiniz.
Zincir frenini temizleyiniz ve iŐlemlerini güvenlik açıŐından denetleyiniz. Zincir tutucusunun arızalı olup olmadığını denetleyiniz, gerekirse deđiŐtiriniz.	TitreŐim azaltma elemanlarının zarar görüp görmediđini kontrol edin.	Bujiyi temizleyiniz. Elektrot aralıđının 0,5 mm olduđunu denetleyiniz.
AŐınmanın daha eŐit olması için boru düzenli Őekilde ters çevrilmelidir. Tıkanmadığından emin olmak üzere borunun üzerindeki yađlama deliđini kontrol edin. Boru üzerindeki oluđu temizleyin.	Bađlantı kapađının deposunu yađlayınız.	Gazlayıcının dıŐını temizleyiniz.
Kılıç ve zincirin yeterince yađlanmış olduklarını denetleyiniz.	Kılıç yüzeyindeki olası çkıntıları denetleyiniz.	Yakıt filtresini ve yakıt hortumunu denetleyiniz. Gerektiđinde deđiŐtiriniz.
Testere zincirini; perçinlerde ve bađlantılarda gözle görünür çatlaklar, zincirin sertliđi ve perçin ve zincirlerde anormal bir yıpranma açıŐlarından deđerlendirin. Gerekliyse deđiŐtirin.	Susturucudaki kıvılcım önleyici ızgarayı temizleyin veya deđiŐtirin.	Yakıt deposunu boşaltın ve içini temizleyin.
Zinciri düzeltiniz ve gerginliđi ile kondisyonunu denetleyiniz. Zincir diŐlisinin anormal derecede aşınmıŐ olmadığını denetleyiniz, gerektiđinde deđiŐtiriniz.	Karbüratör gövdesini ve hava kutusunu temizleyiniz.	Yakıt deposunu boşaltın ve içini temizleyin.
Çalıştırıcı birimin hava giriŐini temizleyin.	Hava filtresini temizleyiniz. Gerektiđinde deđiŐtiriniz.	Tüm kabloları ve bađlantıları denetleyiniz.
Vidaların ve somunların sıkıŐma durumlarını denetleyiniz.		
Makinenin durdurma düđmesinin çalışıp çalışmadığını kontrol ediniz.		
Motordan, depodan veya yakıt hatlarından yakıt sızıntısı olup olmadığını kontrol edin.		
Motor boşta çalıştığı sırada zincirin dönmediđini kontrol edin.		

TEKNİK BİLGİLER

Teknik bilgiler

	435 II	435e II	440 II	440e II
Motor				
Silindir hacmi, cm ³	40,9	40,9	40,9	40,9
Silindir çapı, inç/mm	41	41	41	41
Hortum uzunluğu, inç/mm	31	31	31	31
Boşta çalışma deviri, rpm	2900	2900	2900	2900
Etki, kW/rpm	1,6/9000	1,6/9000	1,8/9000	1,8/9000
Ateşleme sistemi				
Buji	NGK BPMR 7A/ Champion RCJ 7Y	NGK BPMR 7A/ Champion RCJ 7Y	NGK BPMR 7A/ Champion RCJ 7Y	NGK BPMR 7A/ Champion RCJ 7Y
Elektrot aralığı, inç/mm	0,5	0,5	0,5	0,5
Yakıt yağlama sistemi				
Benzin deposu hacmi, litre	0,37	0,37	0,37	0,37
9000 rpm, yakıt pompası kapasitesi, ml/ dak.	13	13	13	13
Yağ deposu hacmi, litre	0,25	0,25	0,25	0,25
Yağ pompası tipi	Otomatik	Otomatik	Otomatik	Otomatik
Ağırlık				
Kılıç ve zincir olmaksızın ve boş depolarla bıçkı, kg	4,2	4,4	4,2	4,4
Gürültü emisyonları (1 nolu dipnota bakınız)				
Ses gücü düzeyi, ölçülmüş dB(A)	112	112	113	113
Ses gücü düzeyi, garantili L _{WA} dB(A)	114	114	114	114
Ses düzeyi (2 nolu dipnota bakınız)				
Operatörün kulağında denk ses basınç düzeyi dB(A)	102	102	102	102
Denk vibrasyon düzeyleri, a_{hveq} bkz. not 3)				
Ön kulp, m/s ²	2,5	2,5	2,5	2,5
Arka sap, m/s ²	3,2	3,2	3,2	3,2
Zincir/kılıç				
Standart kılıç uzunluğu, inç/cm	13"/33	13"/33	13/33	13"/33
Önerilen kılıç uzunlukları, inç/cm	13-18/33-45	13-18/33-45	13-18/33-45	13-18/33-45
Etkin kesim uzunluğu, inç/cm	12-17/31-43	12-17/31-43	12-17/31-43	12-17/31-43
Bölüm, mm	0,325/8,25	0,325/8,25	0,325/8,25	0,325/8,25
Çekiş doğrultusundaki kalınlık, inç/mm	0,050/1,3	0,050/1,3	0,050/1,3	0,050/1,3
Tahrik dişlisi tipi/diş sayısı	Spur/7	Spur/7	Spur/7	Spur/7
Maksimum motor hızı %133'deyken zincir hızı, m/s	23,1	23,1	23,1	23,1

Dipnot 1: Çevreye verilen gürültü emisyonu AB direktifi 2000/14/EC uyarınca ses gücü (L_{WA}) olarak ölçülmüştür.

Not 2: ISO 22868 doğrultusunda denk gürültü basınç düzeyi, çeşitli çalışma koşullarında farklı gürültü basınç düzeyleri için zaman ağırlıklı enerji toplamı olarak hesaplanır. Denk gürültü basınç düzeyi için tipik istatistik dağılımı, 1 dB (A) şeklinde bir standart sapmadır.

Not 3: ISO 22867 doğrultusunda denk vibrasyon düzeyi, çeşitli çalışma koşulları altındaki vibrasyon düzeyleri için zaman ağırlıklı enerji toplamı olarak hesaplanır. Denk vibrasyon düzeyi için bildirilen verilerin tipik istatistik dağılımı (standart sapması) 1 m/sn² şeklindedir.


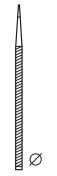



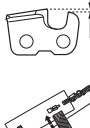
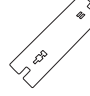

TEKNİK BİLGİLER

Kılıç ve zincir bileşimleri

Aşağıdaki kesme ataşmanları Husqvarna 435 II, 435e II, 440 II ve 440e II modelleri için onaylanmıştır.

Kılıç				Bıçkı zinciri	
Uzunluk, inç	Bölüm, inç	Yiv genişliği, mm	Çubuğun uçundaki zincir dişlerinin azami diş sayısı	Tip	Uzunluk, tahrik bağlantıları (no.)
13	0,325	1,3	10T	Husqvarna H30	56
15	0,325		10T		64
16	0,325		10T		66
18	0,325		10T		72

Testere zinciri sıralaması ve sıralama ölçekleri

							
H30	3/16 / 4,8	85°	30°	10°	0,025 / 0,65	5056981-00	5056981-08

Uygunluk konusunda AB deklarasyonu

(Sadece Avrupa için geçerlidir)

İşbu belgeyle, SE-561 82 Husqvarna, İsveç, tel: +46-36-146500 adresinde bulunan **Husqvarna AB**, 2013 yılı seri numaraları ve daha sonraki tüm seri numaralarını (imalat plakasında önce yıl açıkça belirtilir, sonra da seri numarası yazılır) taşıyan **Husqvarna 435 II, 435e II, 440 II ve 440e II** motorlu bıçklarının ormancılık işlerine yönelik, aşağıdaki KONSEY DİREKTİFLERİ'nin gereklerine uygun olduğu konusunda güvence verir:

- 17 Mayıs 2006 tarihli, "makinelere ilgili", **2006/42/EC**.

- "elektromanyetik uygunluk hakkında" başlıklı, 15 aralık 2004 tarih ve **2004/108/EEC** sayılı KONSEY DİREKTİFİ ve geçerli ekler.

- "çevreye gürültü emisyonları hakkında" başlıklı, 8 Mayıs 2000 tarih ve **2000/14/EC** sayılı KONSEY DİREKTİFİ.

Gürültü emisyonları hakkında bilgi için, Teknik bilgiler başlıklı bölüme bakınız. Uygulanan standartlar:

EN ISO 12100:2010, ISO 14982:2009, EN ISO 11681-1:2011.

Bildirilen kurum: Makine direktifi'nin (2006/42/EC) 12. madde 3b şikâki uyarınca yapılan AB tip kontrolü Box 7035, SE-750 07 Uppsala, İsveç, adresinde bulunan **0404, SMP Svensk Maskinprovning AB** tarafından gerçekleştirilmiştir. Ek IX uyarınca AB tipi test sertifikalarının numaraları: **0404/09/2012** - 435 II, 435e II, 440 II, 440e II.

Ayrıca, SMP, Svensk Maskinprovning AB, Box 7035, SE-750 07 Uppsala, İsveç, "çevreye gürültü emisyonları hakkında" başlıklı, 8 Mayıs 2000 tarih ve 2000/14/EC sayılı Konsey Direktifi'nin V eki ile uygunluk sertifikası vermiştir. Sertifikaların numaraları: **01/161/075** - 435 II, 435e II, **01/161/074** - 440 II, 440e II.

Teslim edilmiş olan motorlu bıçkı AB tip kontrolünden geçmiş olan örneğin aynısıdır.

Husqvarna, 8 nisan 2013



Bengt Frögelius, Geliştirme Müdürü Motorlu testere (Husqvarna AB yetkili temsilcisi ve teknik dokümantasyon sorumlusu.)

Original instructions
Eredeti útmutatás
Instrukcja oryginalna
Původní pokyny
Pôvodné pokyny
Prvobitna uputstva
Originalne upute

**Оригинальные
инструкции**
**Оригинални
инструкции**
Основні інструкції
Instrucțiuni inițiale
Αρχικές οδηγίες
Orijinal talimatlar

1155355-93

2014-11-24, Rev.4