

# ThinkPad Computer Hardware Maintenance Manual

**April 2008**

**This manual supports:**

**ThinkPad R50e Series  
(MT 1834, 1842, 2670)**

**ThinkPad R51e Series  
(MT 1843, 1844, 1845)**

**ThinkPad R52 Series  
(MT 1846, 1847, 1848, 1849, 1850,  
1858, 1859, 1860, 1861, 1862,  
1863, 1870)**

**ThinkPad Dock II (MT 2877)**

**Note**

Before using this information and the product it supports, be sure to read the general information under “Notices” on page 263.

**Second Edition (April 2008)**

**© Copyright Lenovo 2005, 2008.**

**Portions © Copyright International Business Machines Corporation 2005, 2008.**

**All rights reserved.**

**U.S. GOVERNMENT USERS – RESTRICTED RIGHTS:**

Our products and/or services are provided with RESTRICTED RIGHTS. Use, duplication or disclosure by the Government is subject to the GSA ADP Schedule contract with Lenovo Group Limited, if any, or the standard terms of this commercial license, or if the agency is unable to accept this Program under these terms, then we provide this Program under the provisions set forth in Commercial Computer Software–Restricted Rights at FAR 52.227-19, when applicable, or under Rights in Data-General, FAR 52.227.14 (Alternate III).

---

# Contents

|  |           |
|--|-----------|
| <b>About this manual</b>                                       | <b>1</b>  |
| <b>Introduction</b>  | <b>3</b>  |
| Important service information                                  | 3         |
| Strategy for replacing FRUs                                    | 3         |
| Strategy for replacing a hard disk drive                       | 4         |
| How to use error messages                                      | 4         |
| Strategy for replacing FRUs for CTO, CMV, and GAV              | 4         |
| Product definition   | 4         |
| FRU identification for CTO, CMV, and GAV products              | 5         |
| Important information about replacing RoHS compliant FRUs      | 7         |
| Diskette compatibility matrix                                  | 8         |
| Safety notices: multilingual translations                      | 8         |
| Safety information   | 20        |
| General safety   | 20        |
| Electrical safety  | 21        |
| Safety inspection guide  | 23        |
| Handling devices that are sensitive to electrostatic discharge | 24        |
| Grounding requirements   | 25        |
| Laser compliance statement                                     | 26        |
| <b>General descriptions</b>                                    | <b>29</b> |
| Read this first  | 29        |
| What to do first   | 29        |
| Related service information                                    | 31        |
| Service Web site   | 31        |
| Restoring the pre-installed system                             | 31        |
| Passwords  | 32        |
| Power management   | 35        |
| Checkout guide   | 38        |
| Testing the computer   | 38        |
| Detecting system information with PC-Doctor                    | 41        |
| Power system checkout  | 41        |
| <b>ThinkPad R50e, R51e and R52 Series</b>                      | <b>45</b> |
| Product overview   | 47        |
| Specifications   | 47        |
| Status indicators  | 54        |
| FRU tests  | 57        |
| Fn key combinations  | 59        |
| Symptom-to-FRU index   | 62        |
| Numeric error codes  | 62        |
| Error messages   | 67        |
| Beep symptoms  | 68        |
| No-beep symptoms   | 68        |
| LCD-related symptoms   | 69        |
| Intermittent problems  | 70        |
| Undetermined problems  | 70        |

|  |     |
|--|-----|
| FRU replacement notices . . . . .  | 71  |
| Screw notices . . . . .  | 71  |
| Retaining serial numbers. . . . .  | 72  |
| Removing and replacing a FRU. . . . .  | 75  |
| 1010 Battery pack. . . . .   | 76  |
| 1020 Ultrabay Enhanced device (for R52 series)   | 77  |
| 1030 Hard disk drive . . . . .   | 79  |
| 1040 DIMM (optional) . . . . .   | 81  |
| 1050 Keyboard . . . . .  | 82  |
| 1060 Ultrabay device (for R50e series) . . . . .   | 86  |
| 1070 DIMM (standard) . . . . .   | 87  |
| 1080 Modem daughter card (MDC-2) . . . . .   | 88  |
| 1090 Bluetooth/Modem daughter card (BMDC-3)<br>(for R52 series) . . . . .                    | 90  |
| 1100 Keyboard bezel . . . . .  | 92  |
| 1110 Touch pad and Fingerprint reader (for R52<br>series) . . . . .                          | 96  |
| 1120 Mini PCI adapter . . . . .  | 99  |
| 1130 Fan assembly . . . . .  | 103 |
| 1140 CPU. . . . .  | 104 |
| 1150 Backup battery . . . . .  | 105 |
| 1160 Speaker assembly . . . . .  | 106 |
| 1170 IEEE 1394 (for R52 series) . . . . .  | 108 |
| 1180 PC Card slot assembly . . . . .   | 111 |
| 1190 Ultrabay Enhanced shield kit . . . . .  | 114 |
| 1200 LCD assembly. . . . .   | 121 |
| 1210 VGA and Ultrabay Enhanced device eject<br>button cable . . . . .                        | 125 |
| 1220 System board, interposer card, and base<br>cover . . . . .                              | 128 |
| 2010 LCD front bezel . . . . .   | 135 |
| 2020 Inverter card . . . . .   | 137 |
| 2030 LCD panel, LCD cable assembly, wireless<br>LAN antenna assembly, hinges, and LCD cover. | 138 |
| 3010 ThinkPad Dock II PCI cover. . . . .   | 149 |
| 3020 ThinkPad Dock II top cover . . . . .  | 150 |
| Locations . . . . .  | 153 |
| Front view (for R50e) . . . . .  | 153 |
| Rear view (for R50e) . . . . .   | 154 |
| Bottom view (for R50e) . . . . .   | 155 |
| Front view (for R52). . . . .  | 156 |
| Rear view (for R52) . . . . .  | 158 |
| Bottom view (for R52) . . . . .  | 159 |
| Parts list . . . . .   | 160 |
| Overall . . . . .  | 160 |
| LCD FRUs . . . . .   | 220 |
| AC adapters . . . . .  | 240 |
| Keyboard . . . . .   | 241 |
| Recovery CDs . . . . .   | 243 |
| Miscellaneous parts . . . . .  | 253 |
| Optional FRUs . . . . .  | 259 |
| Common parts list . . . . .  | 260 |
| Notices . . . . .  | 263 |

|                      |     |
|----------------------|-----|
| Trademarks . . . . . | 265 |
|----------------------|-----|



---

## About this manual

This manual contains service and reference information for ThinkPad® R50e series (MT 1834, 1842, 2670), R51e series (MT 1843, 1844, 1845), R52 series (MT 1846, 1847, 1848, 1850, 1858, 1859, 1860, 1861, 1862, 1863, 1870), and ThinkPad Dock II (MT2877) products. Use this manual along with the advanced diagnostic tests to troubleshoot problems.

### Note

MT 1850, 1862, 1863, and 1870 are special bids. For information on how to locate service parts, refer to “Strategy for replacing FRUs for CTO, CMV, and GAV” on page 4.

The manual is divided into sections as follows:

- The common sections provide general information, guidelines, and safety information required in servicing computers.
- The product-specific section includes service, reference, and product-specific parts information.

### Important

This manual is intended for trained service personnel who are familiar with ThinkPad products. Use this manual along with the advanced diagnostic tests to troubleshoot problems effectively.

Before servicing a ThinkPad product, be sure to review the safety information under “Safety notices: multilingual translations” on page 8, “Safety information” on page 20, and “Laser compliance statement” on page 26.





---

## Introduction

---

### Important service information

#### Important

BIOS and device driver fixes are customer-installable. The BIOS and device drivers are posted on the customer support site <http://www.lenovo.com/think/support>

Advise customers to contact the Customer Support Center at 800-426-7378 if they need assistance in obtaining or installing any diskette fixes.

Customers in Canada should call the Customer Support Center at 800-565-3344 for assistance or download information.

---

### Strategy for replacing FRUs

#### Before replacing parts

Make sure that all diskette fixes are installed before replacing any FRUs listed in this manual.

Use the following strategy to prevent unnecessary expense for replacing and servicing FRUs:

- **If you are instructed to replace a FRU but the replacement does not correct the problem, reinstall the original FRU before you continue.**
- Some computers have both a processor board and a system board. If you are instructed to replace either the processor board or the system board, and replacing one of them does not correct the problem, reinstall that board, and then replace the other one.
- If an adapter or a device consists of more than one FRU, any of the FRUs may be the cause of the error. Before replacing the adapter or device, remove the FRUs, one by one, to see if the symptoms change. Replace only the FRU that changed the symptoms.

**Attention:** The setup configuration on the computer you are servicing may have been customized. Running Automatic Configuration may alter the settings. Note the current configuration settings (using the View Configuration option); then, when service has been completed, verify that those settings remain in effect.

## **Strategy for replacing a hard disk drive**

Always try to run a low-level format before replacing a hard disk drive.

**Attention:** The drive startup sequence in the computer you are servicing may have been changed. Be extremely careful during write operations such as copying, saving, or formatting. If you select an incorrect drive, data or programs can be overwritten.

## **How to use error messages**

Use the error codes displayed on the screen to diagnose failures. If more than one error code is displayed, begin the diagnosis with the first error code. Whatever causes the first error code may also cause false error codes. If no error code is displayed, see whether the error symptom is listed in the Symptom-to-FRU Index for the computer you are servicing.

---

## **Strategy for replacing FRUs for CTO, CMV, and GAV**

### **Product definition**

#### **Dynamic Configure To Order (CTO)**

This provides the ability for a customer to configure an IBM® solution from an eSite, and have this configuration sent to fulfillment, where it is built and shipped directly to the customer. The machine label, PC Entitlement Warehouse (PEW), eSupport, and the HMM will load these products as the 4-digit MT and 3-digit model, where model = "CTO" (Example: 1829-CTO).

#### **Custom Model Variant (CMV)**

This is a unique configuration that has been negotiated between IBM and the customer. A unique 4-digit MT and 3-digit model is provided to the customer to place orders (Example: 1829-W15). A CMV is a special bid offering. Therefore, it is NOT generally announced.

- The MTM portion of the machine label is the 4-digit MT and 3-digit model, where model = "CTO" (Example: 1829-CTO). The PRODUCT ID portion of the machine label is the 4-digit MT and 3-digit CMV model (Example: 1829-W15).
- The PEW record is the 4-digit MT and 3-digit model, where model = "CTO" (Example: 1829-CTO).
- eSupport will show both the CTO and CMV machine type models (Example: 1829-CTO and 1829-W15 will be found on the eSupport site.)

- The HMM will have the 4-digit MT and 3-digit CTO model only (Example: 1829-CTO). Again, CMVs are custom models and are not found in the HMM.

### **General Announce Variant (GAV)**

This is a standard model (fixed configuration). GAVs are announced and offered to all customers. The MTM portion of the machine label is a 4-digit MT and 3-digit model, where model = a “fixed part number”, not “CTO” (Example: 1829-F1U). Also, PEW, eSupport, and the HMM will list these products under the same fixed model number.

## **FRU identification for CTO, CMV, and GAV products**

There are three information resources to identify which FRUs are used to support CTO, CMV, and GAV products. These sources are PEW, eSupport, and the HMM.

### **Using PEW**

- **PEW** is the primary source for identifying FRU part numbers and FRU descriptions for the key commodities for CTO, CMV and GAV products at a MT - serial number level. An example of key commodities are hard disk drives, system boards, microprocessors, Liquid Crystal Displays (LCDs), and memory.
- Remember, All CTO and CMV products are loaded in PEW under the 4-digit MT and 3-digit model, where model = “CTO” (Example: 1829-CTO). GAVs are loaded in PEW under the 4-digit MT and 3-digit model, where model = a “fixed part number”, not “CTO” (Example: 1829-F1U).
- PEW can be accessed at the following Web site:  
<http://w3-3.ibm.com/pc/entitle>  
Click on MACHINE LOOKUP, followed by WARRANTY INFORMATION. Input the MT and the Serial number and the list of key commodities will be returned in the PEW record under COMPONENT INFORMATION.
- **Business Partners** using Eclaim will access PEW when performing Entitlement Lookup. Business Partners will enter Loc ID, MT and Serial, and the key commodities will be returned in the Eclaim record under SYSTEM DETAILS.
- Authorized IBM Business Partners can access Eclaim at the following Web site: <https://wca.eclaim.com>

### **Using eSupport**

**For Key Commodities (Examples - hard disk drive, system board, microprocessor, LCD, and memory)**

### *Important service information*

- eSupport can be used to view the list of key commodities built in a particular machine serial (this is the same record found in PEW).
- eSupport can be accessed at the following Web site:  
<http://www.lenovo.com/think/support>
- To view the key commodities, click on PARTS INFORMATION, then PARTS LOOKUP. Type in the model type and serial number. The key commodities will be returned in the eSupport record under PARTS SHIPPED WITH YOUR SYSTEM.

### **For the Remaining FRUs (the complete list of FRUs at the MT Model level)**

- eSupport can be used to view the complete list of FRUs for a machine type and model.
- To view the complete list of FRUs, type in the machine type and model (Example: 1829-CTO) under QUICK PATH. Under “View by Document Type” select PARTS INFORMATION. Under “Filter by Category” select SERVICE PARTS. Under “Parts Information by Date” select SYSTEM SERVICE PARTS. The list of service parts by description, with applicable machine type model and FRU will be displayed.

### **Using the HMM**

Use the HMM as a back-up to PEW and eSupport to view the complete list of FRUs at the MT Model level.

## **Important information about replacing RoHS compliant FRUs**

**RoHS, The Restriction of Hazardous Substances in Electrical and Electronic Equipment Directive (2002/95/EC) is a European Union legal requirement affecting the global electronics industry. RoHS requirements must be implemented on Lenovo products placed on the market after June 2006. Products on the market before June 2006 are not required to have RoHS compliant parts. So, if the original FRU parts are non compliant, replacement parts can also be non compliant. In all cases if the original FRU parts are RoHS compliant the replacement part must also be RoHS compliant.**

Lenovo plans to transition to RoHS compliance well before the implementation date and expects its suppliers to be ready to support Lenovo's requirements and schedule. Products sold in 2005, will contain some RoHS compliant FRUs. The following statement pertains to these products and any product Lenovo produces containing RoHS compliant FRUs.

RoHS compliant FRUs have unique FRU part numbers. Before or after the RoHS implementation date, failed RoHS compliant parts must always be replaced using RoHS compliant FRUs, so only the FRUs identified as compliant in the system HMM or direct substitutions for those FRUs may be used.

| Products marketed before June 2006 |                 | Products marketed after June 2006 |                 |
|------------------------------------|-----------------|-----------------------------------|-----------------|
| Current or original part           | Replacement FRU | Current or original part          | Replacement FRU |
| Non-RoHS                           | Can be Non-RoHS | Must be RoHS                      | Must be RoHS    |
| Non-RoHS                           | Can be RoHS     |                                   |                 |
| Non-RoHS                           | Can sub to RoHS |                                   |                 |
| RoHS                               | Must be RoHS    |                                   |                 |

**Note:** A direct substitution is a part with a different FRU part number that is automatically shipped by the distribution center at the time of the order.

Related web URLs are:

- IBM Information for Suppliers website:  
<http://www-03.ibm.com/procurement/proweb.nsf/ContentDocsByTitle/United+States~Information+for+suppliers>
- RoHS Directive:  
[http://europa.eu.int/eur-lex/pri/en/oj/dat/2003/1\\_037/1\\_03720030213en00190023.pdf](http://europa.eu.int/eur-lex/pri/en/oj/dat/2003/1_037/1_03720030213en00190023.pdf)
- California Senate Bills 20, 50:  
<http://www.ciwmb.ca.gov/HHW/Events/AnnualConf/2004/Presentation/MPaparian.pdf>

---

## Diskette compatibility matrix

The compatibility of each of the drives with the diskettes for it is as follows:

| Diskette drive | Diskette capacity | Compatibility  |
|----------------|-------------------|----------------|
| 3.5-inch       | 1.0 MB            | Read and write |
|                | 2.0 MB            | Read and write |
|                | 4.0 MB            | Not compatible |

---

## Safety notices: multilingual translations

In this manual, safety notices appear in English with a page number reference to the appropriate multilingual, translated safety notice found in this section.

The following safety notices are provided in English, French, German, Hebrew, Italian, and Spanish.

## Safety notice 1

Before the computer is powered on after FRU replacement, make sure all screws, springs, and other small parts are in place and are not left loose inside the computer. Verify this by shaking the computer and listening for rattling sounds. Metallic parts or metal flakes can cause electrical shorts.

Avant de remettre l'ordinateur sous tension après remplacement d'une unité en clientèle, vérifiez que tous les ressorts, vis et autres pièces sont bien en place et bien fixées. Pour ce faire, secouez l'unité et assurez-vous qu'aucun bruit suspect ne se produit. Des pièces métalliques ou des copeaux de métal pourraient causer un court-circuit.

Bevor nach einem FRU-Austausch der Computer wieder angeschlossen wird, muß sichergestellt werden, daß keine Schrauben, Federn oder andere Kleinteile fehlen oder im Gehäuse vergessen wurden. Der Computer muß geschüttelt und auf Klappergeräusche geprüft werden. Metallteile oder-splitter können Kurzschlüsse erzeugen.

לפני הפעלת המחשב לאחר החלפת FRU יש לוודא שכל הברגים, הקפיצים, וחלקים קטנים אחרים נמצאים במקומם ואינם חופשיים לזוז בתוך המחשב. כדי לוודא זאת, יש לטלטל את המחשב ולהקשיב לגילוי קולות שקשוק. חלקי או שבבי מתכת עלולים לגרום לקצרים חשמליים.

Prima di accendere l'elaboratore dopo che é stata effettuata la sostituzione di una FRU, accertarsi che tutte le viti, le molle e tutte le altre parti di piccole dimensioni siano nella corretta posizione e non siano sparse all'interno dell'elaboratore. Verificare ciò scuotendo l'elaboratore e prestando attenzione ad eventuali rumori; eventuali parti o pezzetti metallici possono provocare cortocircuiti pericolosi.

Antes de encender el sistema despues de sustituir una FRU, compruebe que todos los tornillos, muelles y demás piezas pequeñas se encuentran en su sitio y no se encuentran sueltas dentro del sistema. Compruébelo agitando el sistema y escuchando los posibles ruidos que provocarían. Las piezas metálicas pueden causar cortocircuitos eléctricos.

## Safety notice 2



**Some standby batteries contain a small amount of nickel and cadmium. Do not disassemble a standby battery, recharge it, throw it into fire or water, or short-circuit it. Dispose of the battery as required by local ordinances or regulations. Use only the battery in the appropriate parts listing. Use of an incorrect battery can result in ignition or explosion of the battery.**

**Certaines batteries de secours contiennent du nickel et du cadmium. Ne les démontez pas, ne les rechargez pas, ne les exposez ni au feu ni à l'eau. Ne les mettez pas en court-circuit. Pour les mettre au rebut, conformez-vous à la réglementation en vigueur. Lorsque vous remplacez la pile de sauvegarde ou celle de l'horloge temps réel, veillez à n'utiliser que les modèles cités dans la liste de pièces détachées adéquate. Une batterie ou une pile inappropriée risque de prendre feu ou d'exploser.**

**Die Bereitschaftsbatterie, die sich unter dem Diskettenlaufwerk befindet, kann geringe Mengen Nickel und Cadmium enthalten. Sie darf nur durch die Verkaufsstelle oder den IBM Kundendienst ausgetauscht werden. Sie darf nicht zerlegt, wiederaufgeladen, kurzgeschlossen, oder Feuer oder Wasser ausgesetzt werden. Die Batterie kann schwere Verbrennungen oder Verätzungen verursachen. Bei der Entsorgung die örtlichen Bestimmungen für Sondermüll beachten. Beim Ersetzen der Bereitschafts- oder Systematterie nur Batterien des Typs verwenden, der in der Ersatzteilliste aufgeführt ist. Der Einsatz falscher Batterien kann zu Entzündung oder Explosion führen.**

(continued)



(continuation of safety notice 2)

סוללות המתנה מסוימות מכילות כמות קטנה של ניקל וקדמיום. אין לפרק סוללת המתנה, לטעון אותה מחדש, להשליך אותה לאש או למים או לקצר אותה. יש לסלק את הסוללה כנדרש על ידי התקנות והחוקים המקומיים. יש להשתמש רק בסוללה המופיעה ברשימת החלקים המתאימה. שימוש בסוללה לא מתאימה עלול לגרום להצתה או התפוצצות של הסוללה.

Alcune batterie di riserva contengono una piccola quantità di nichel e cadmio. Non smontarle, ricaricarle, gettarle nel fuoco o nell'acqua né cortocircuitarle. Smaltirle secondo la normativa in vigore (DPR 915/82, successive disposizioni e disposizioni locali). Quando si sostituisce la batteria dell'RTC (real time clock) o la batteria di supporto, utilizzare soltanto i tipi inseriti nell'appropriato Catalogo parti. L'impiego di una batteria non adatta potrebbe determinare l'incendio o l'esplosione della batteria stessa.

Algunas baterías de reserva contienen una pequeña cantidad de níquel y cadmio. No las desmonte, ni recargue, ni las eche al fuego o al agua ni las cortocircuite. Deséchelas tal como dispone la normativa local. Utilice sólo baterías que se encuentren en la lista de piezas. La utilización de una batería no apropiada puede provocar la ignición o explosión de la misma.

### Safety notice 3



The battery pack contains small amounts of nickel. Do not disassemble it, throw it into fire or water, or short-circuit it. Dispose of the battery pack as required by local ordinances or regulations. Use only the battery in the appropriate parts listing when replacing the battery pack. Use of an incorrect battery can result in ignition or explosion of the battery.

La batterie contient du nickel. Ne la démontez pas, ne l'exposez ni au feu ni à l'eau. Ne la mettez pas en court-circuit. Pour la mettre au rebut, conformez-vous à la réglementation en vigueur. Lorsque vous remplacez la batterie, veillez à n'utiliser que les modèles cités dans la liste de pièces détachées adéquate. En effet, une batterie inappropriée risque de prendre feu ou d'exploser.

Akkus enthalten geringe Mengen von Nickel. Sie dürfen nicht zerlegt, wiederaufgeladen, kurzgeschlossen, oder Feuer oder Wasser ausgesetzt werden. Bei der Entsorgung die örtlichen Bestimmungen für Sondermüll beachten. Beim Ersetzen der Batterie nur Batterien des Typs verwenden, der in der Ersatzteilliste aufgeführt ist. Der Einsatz falscher Batterien kann zu Entzündung oder Explosion führen.

מארז הסוללה מכיל כמות קטנה של ניקל וקדמיום. אין לפרק את מארז הסוללה, להשליך אותו לאש או למים או לקצר אותו. יש לסלק את מארז הסוללה הסוללה כנדרש על ידי התקנות והחוקים המקומיים. יש להשתמש רק בסוללה המופיעה ברשימת החלקים המתאימה בזמן החלפת מארז הסוללה. שימוש בסוללה לא מתאימה עלול לגרום להצתה או התפוצצות של הסוללה.

(continued)

(continuation of safety notice 3)

**La batteria contiene piccole quantità di nichel. Non smontarla, gettarla nel fuoco o nell'acqua né cortocircuitarla. Smaltirla secondo la normativa in vigore (DPR 915/82, successive disposizioni e disposizioni locali). Quando si sostituisce la batteria, utilizzare soltanto i tipi inseriti nell'appropriato Catalogo parti. L'impiego di una batteria non adatta potrebbe determinare l'incendio o l'esplosione della batteria stessa.**

**Las baterías contienen pequeñas cantidades de níquel. No las desmonte, ni recargue, ni las eche al fuego o al agua ni las cortocircuite. Deséchelas tal como dispone la normativa local. Utilice sólo baterías que se encuentren en la lista de piezas al sustituir la batería. La utilización de una batería no apropiada puede provocar la ignición o explosión de la misma.**

## Safety notice 4



The lithium battery can cause a fire, an explosion, or a severe burn. Do not recharge it, remove its polarized connector, disassemble it, heat it above 100°C (212°F), incinerate it, or expose its cell contents to water. Dispose of the battery as required by local ordinances or regulations. Use only the battery in the appropriate parts listing. Use of an incorrect battery can result in ignition or explosion of the battery.

La pile de sauvegarde contient du lithium. Elle présente des risques d'incendie, d'explosion ou de brûlures graves. Ne la rechargez pas, ne retirez pas son connecteur polarisé et ne la démontez pas. Ne l'exposez pas à une température supérieure à 100°C, ne la faites pas brûler et n'en exposez pas le contenu à l'eau. Mettez la pile au rebut conformément à la réglementation en vigueur. Une pile inappropriée risque de prendre feu ou d'exploser.

Die Systematterie ist eine Lithiumatterie. Sie kann sich entzünden, explodieren oder schwere Verbrennungen hervorrufen. Batterien dieses Typs dürfen nicht aufgeladen, zerlegt, über 100 C erhitzt oder verbrannt werden. Auch darf ihr Inhalt nicht mit Wasser in Verbindung gebracht oder der zur richtigen Polung angebrachte Verbindungsstecker entfernt werden. Bei der Entsorgung die örtlichen Bestimmungen für Sondermüll beachten. Beim Ersetzen der Batterie nur Batterien des Typs verwenden, der in der Ersatzteilliste aufgeführt ist. Der Einsatz falscher Batterien kann zu Entzündung oder Explosion führen.

(continued)

(continuation of safety notice 4)

סוללת הליתיום עלולה לגרום לשריפה, להתפוצצות או לכוויות קשות. אין לטעון אותה מחדש, לסלק את המחבר המקוטב שלה, לפרק אותה או לחמם אותה לטמפרטורה העולה על 100 מעלות צלזיוס. אין לשרוף את הסוללה ואין לחשוף את תוכן התא למים. יש לסלק את הסוללה כנדרש בתקנות ובחוקים המקומיים. יש להשתמש רק בסוללה המופיעה ברשימת החלקים המתאימים. שימוש בסוללה אחרת עלול לגרום לסכנת שריפה או התפוצצות.

**La batteria di supporto e una batteria al litio e puo incendiarsi, esplodere o procurare gravi ustioni. Evitare di ricaricarla, smontarne il connettore polarizzato, smontarla, riscaldarla ad una temperatura superiore ai 100 gradi centigradi, incendiarla o gettarla in acqua. Smaltirla secondo la normativa in vigore (DPR 915/82, successive disposizioni e disposizioni locali). L'impiego di una batteria non adatta potrebbe determinare l'incendio o l'esplosione della batteria stessa.**

**La batería de repuesto es una batería de litio y puede provocar incendios, explosiones o quemaduras graves. No la recargue, ni quite el conector polarizado, ni la desmonte, ni caliente por encima de los 100°C (212°F), ni la incinere ni exponga el contenido de sus celdas al agua. Deséchela tal como dispone la normativa local.**

## Safety notice 5

If the LCD breaks and the fluid from inside the LCD gets into your eyes or on your hands, immediately wash the affected areas with water for at least 15 minutes. Seek medical care if any symptoms from the fluid are present after washing.

Si le panneau d'affichage à cristaux liquides se brise et que vous recevez dans les yeux ou sur les mains une partie du fluide, rincez-les abondamment pendant au moins quinze minutes. Consultez un médecin si des symptômes persistent après le lavage.

Die Leuchtstoffröhre im LCD-Bildschirm enthält Quecksilber. Bei der Entsorgung die örtlichen Bestimmungen für Sondermüll beachten. Der LCD-Bildschirm besteht aus Glas und kann zerbrechen, wenn er unsachgemäß behandelt wird oder der Computer auf den Boden fällt. Wenn der Bildschirm beschädigt ist und die darin befindliche Flüssigkeit in Kontakt mit Haut und Augen gerät, sollten die betroffenen Stellen mindestens 15 Minuten mit Wasser abgespült und bei Beschwerden anschließend ein Arzt aufgesucht werden.

אם מסך הגביש הנוזלי (LCD) נשבר והנוזל מתוך המסך בא במגע עם עיניכם או ידיכם, שטפו את האזורים הנגועים מיד במים במשך 15 דקות לפחות. פנו לקבלת עזרה רפואית אם תסמינים הנובעים מהמגע עם הנוזל נמשכים לאחר השטיפה.

Nel caso che caso l'LCD si dovesse rompere ed il liquido in esso contenuto entrasse in contatto con gli occhi o le mani, lavare immediatamente le parti interessate con acqua corrente per almeno 15 minuti; poi consultare un medico se i sintomi dovessero permanere.

Si la LCD se rompe y el fluido de su interior entra en contacto con sus ojos o sus manos, lave inmediatamente las áreas afectadas con agua durante 15 minutos como mínimo. Obtenga atención medica si se presenta algún síntoma del fluido despues de lavarse.

**Safety notice 6**

**To avoid shock, do not remove the plastic cover that protects the lower part of the inverter card.**

**Afin d'éviter tout risque de choc électrique, ne retirez pas le cache en plastique protégeant la partie inférieure de la carte d'alimentation.**

**Aus Sicherheitsgründen die Kunststoffabdeckung, die den unteren Teil der Spannungswandlerplatine umgibt, nicht entfernen.**

**כדי למנוע התחשמלות, אין להסיר את מכסה הפלסטיק המגן על חלקו התחתון של הכרטיס ההפוך.**

**Per evitare scosse elettriche, non rimuovere la copertura in plastica che avvolge la parte inferiore della scheda invertitore.**

**Para evitar descargas, no quite la cubierta de plástico que rodea la parte baja de la tarjeta invertida.**

## Safety notice 7



Though the main batteries have low voltage, a shorted or grounded battery can produce enough current to burn personnel or combustible materials.

Bien que le voltage des batteries principales soit peu élevé, le court-circuit ou la mise à la masse d'une batterie peut produire suffisamment de courant pour brûler des matériaux combustibles ou causer des brûlures corporelles graves.

Obwohl Hauptbatterien eine niedrige Spannung haben, können sie doch bei Kurzschluß oder Erdung genug Strom abgeben, um brennbare Materialien zu entzünden oder Verletzungen bei Personen hervorzurufen.

אף שהסוללות הראשיות הן בעלות מתח נמוך, סוללה מקוצרת או מוארקת עלולה להפיק זרם מספיק לגרימת כוויות או להצתת חומרים דליקים.

Sebbene le batterie di alimentazione siano a basso voltaggio, una batteria in corto circuito o a massa può fornire corrente sufficiente da bruciare materiali combustibili o provocare ustioni ai tecnici di manutenzione.

Aunque las baterías principales tienen un voltaje bajo, una batería cortocircuitada o con contacto a tierra puede producir la corriente suficiente como para quemar material combustible o provocar quemaduras en el personal.



## Safety notice 8



**Before removing any FRU, power off the computer, unplug all power cords from electrical outlets, remove the battery pack, and then disconnect any interconnecting cables.**

**Avant de retirer une unité remplaçable en clientèle, mettez le système hors tension, débranchez tous les cordons d'alimentation des socles de prise de courant, retirez la batterie et déconnectez tous les cordons d'interface.**

**Die Stromzufuhr muß abgeschaltet, alle Stromkabel aus der Steckdose gezogen, der Akku entfernt und alle Verbindungskabel abgenommen sein, bevor eine FRU entfernt wird.**

**לפני סילוק FRU כלשהו, יש לכבות את המחשב, לנתק את כל כבלי החשמל משקעי החשמל, להוציא את מארז הסוללה, ואז לנתק כבלי חיבור אחרים אם יש כאלה.**

**Prima di rimuovere qualsiasi FRU, spegnere il sistema, scollegare dalle prese elettriche tutti i cavi di alimentazione, rimuovere la batteria e poi scollegare i cavi di interconnessione.**

**Antes de quitar una FRU, apague el sistema, desenchufe todos los cables de las tomas de corriente eléctrica, quite la batería y, a continuación, desconecte cualquier cable de conexión entre dispositivos.**

## Safety information

The following section presents safety information with which you need to be familiar before you service a ThinkPad computer.

### General safety

Follow these rules to ensure general safety:

- Observe good housekeeping in the area of the machines during and after maintenance.
- When lifting any heavy object:
  1. Make sure that you can stand safely without slipping.
  2. Distribute the weight of the object equally between your feet.
  3. Use a slow lifting force. Never move suddenly or twist when you attempt to lift.
  4. Lift by standing or by pushing up with your leg muscles; this action removes the strain from the muscles in your back. *Do not attempt to lift any object that weighs more than 16 kg (35 lb) or that you think is too heavy for you.*
- Do not perform any action that causes hazards to the customer, or that makes the equipment unsafe.
- Before you start the machine, make sure that other service representatives and the customer's personnel are not in a hazardous position.
- Place removed covers and other parts in a safe place, away from all personnel, while you are servicing the machine.
- Keep your toolbox away from walk areas so that other people will not trip over it.
- Do not wear loose clothing that can be trapped in the moving parts of a machine. Make sure that your sleeves are fastened or rolled up above your elbows. If your hair is long, fasten it.
- Insert the ends of your necktie or scarf inside clothing or fasten it with a nonconductive clip, about 8 centimeters (3 inches) from the end.
- Do not wear jewelry, chains, metal-frame eyeglasses, or metal fasteners for your clothing.

**Attention:** Metal objects are good electrical conductors.
- Wear safety glasses when you are hammering, drilling, soldering, cutting wire, attaching springs, using solvents, or working in any other conditions that might be hazardous to your eyes.

- After service, reinstall all safety shields, guards, labels, and ground wires. Replace any safety device that is worn or defective.
- Reinstall all covers correctly before returning the machine to the customer.
- Fan louvers on the machine help to prevent overheating of internal components. Do not obstruct fan louvers or cover them with labels or stickers.

### **WARNING**

Handling the cord on this product or cords associated with accessories sold with this product will expose you to lead, a chemical known to the State of California to cause cancer, and birth defects or other reproductive harm. ***Wash hands after handling.***

## **Electrical safety**

Observe the following rules when working on electrical equipment.

### **Important**

Use only approved tools and test equipment. Some hand tools have handles covered with a soft material that does not insulate you when working with live electrical currents.

Many customers have, near their equipment, rubber floor mats that contain small conductive fibers to decrease electrostatic discharges. Do not use this type of mat to protect yourself from electrical shock.

- Find the room emergency power-off (EPO) switch, disconnecting switch, or electrical outlet. If an electrical accident occurs, you can then operate the switch or unplug the power cord quickly.
- Do not work alone under hazardous conditions or near equipment that has hazardous voltages.
- Disconnect all power before:
  - Performing a mechanical inspection
  - Working near power supplies
  - Removing or installing main units
- Before you start to work on the machine, unplug the power cord. If you cannot unplug it, ask the customer to power-off the wall box that supplies power to the machine, and to lock the wall box in the off position.
- If you need to work on a machine that has *exposed* electrical circuits, observe the following precautions:

## Safety information

- Ensure that another person, familiar with the power-off controls, is near you.

**Attention:** Another person must be there to switch off the power, if necessary.

- Use only one hand when working with powered-on electrical equipment; keep the other hand in your pocket or behind your back.

**Attention:** An electrical shock can occur only when there is a complete circuit. By observing the above rule, you may prevent a current from passing through your body.

- When using testers, set the controls correctly and use the approved probe leads and accessories for that tester.
- Stand on suitable rubber mats (obtained locally, if necessary) to insulate you from grounds such as metal floor strips and machine frames.

Observe the special safety precautions when you work with very high voltages; Instructions for these precautions are in the safety sections of maintenance information. Use extreme care when measuring high voltages.

- Regularly inspect and maintain your electrical hand tools for safe operational condition.
- Do not use worn or broken tools and testers.
- *Never assume* that power has been disconnected from a circuit. First, *check* that it has been powered off.
- Always look carefully for possible hazards in your work area. Examples of these hazards are moist floors, nongrounded power extension cables, power surges, and missing safety grounds.
- Do not touch live electrical circuits with the reflective surface of a plastic dental mirror. The surface is conductive; such touching can cause personal injury and machine damage.
- Do not service the following parts *with the power on* when they are removed from their normal operating places in a machine:
  - Power supply units
  - Pumps
  - Blowers and fans
  - Motor generators

and similar units. (This practice ensures correct grounding of the units.)

- If an electrical accident occurs:
  - Use caution; do not become a victim yourself.
  - Switch off power.
  - Send another person to get medical aid.

## Safety inspection guide

The purpose of this inspection guide is to assist you in identifying potentially unsafe conditions. As each machine was designed and built, required safety items were installed to protect users and service personnel from injury. This guide addresses only those items. You should use good judgment to identify potential safety hazards due to attachment of non-ThinkPad features or options not covered by this inspection guide.

If any unsafe conditions are present, you must determine how serious the apparent hazard could be and whether you can continue without first correcting the problem.

Consider these conditions and the safety hazards they present:

- Electrical hazards, especially primary power (primary voltage on the frame can cause serious or fatal electrical shock)
- Explosive hazards, such as a damaged CRT face or a bulging capacitor
- Mechanical hazards, such as loose or missing hardware

To determine whether there are any potentially unsafe conditions, use the following checklist at the beginning of every service task. Begin the checks with the power off, and the power cord disconnected.

Checklist:

1. Check exterior covers for damage (loose, broken, or sharp edges).
2. Power off the computer. Disconnect the power cord.
3. Check the power cord for:
  - a. A third-wire ground connector in good condition. Use a meter to measure third-wire ground continuity for 0.1 ohm or less between the external ground pin and the frame ground.
  - b. The power cord should be the type specified in the parts list.
  - c. Insulation must not be frayed or worn.
4. Remove the cover.
5. Check for any obvious non-ThinkPad alterations. Use good judgment as to the safety of any non-ThinkPad alterations.
6. Check inside the unit for any obvious unsafe conditions, such as metal filings, contamination, water or other liquids, or signs of fire or smoke damage.
7. Check for worn, frayed, or pinched cables.

8. Check that the power-supply cover fasteners (screws or rivets) have not been removed or tampered with.

## Handling devices that are sensitive to electrostatic discharge

Any computer part containing transistors or integrated circuits (ICs) should be considered sensitive to electrostatic discharge (ESD.) ESD damage can occur when there is a difference in charge between objects. Protect against ESD damage by equalizing the charge so that the machine, the part, the work mat, and the person handling the part are all at the same charge.

### Notes

1. Use product-specific ESD procedures when they exceed the requirements noted here.
2. Make sure that the ESD protective devices you use have been certified (ISO 9000) as fully effective.

When handling ESD-sensitive parts:

- Keep the parts in protective packages until they are inserted into the product.
- Avoid contact with other people.
- Wear a grounded wrist strap against your skin to eliminate static on your body.
- Prevent the part from touching your clothing. Most clothing is insulative and retains a charge even when you are wearing a wrist strap.
- Use the black side of a grounded work mat to provide a static-free work surface. The mat is especially useful when handling ESD-sensitive devices.
- Select a grounding system, such as those listed below, to provide protection that meets the specific service requirement.

### Note

The use of a grounding system to guard against ESD damage is desirable but not necessary.

- Attach the ESD ground clip to any frame ground, ground braid, or green-wire ground.
- When working on a double-insulated or battery-operated system, use an ESD common ground or reference point. You can use coax or connector-outside shells on these systems.

- Use the round ground prong of the ac plug on ac-operated computers.

## **Grounding requirements**

Electrical grounding of the computer is required for operator safety and correct system function. Proper grounding of the electrical outlet can be verified by a certified electrician.

## **Laser compliance statement**

Some models of ThinkPad computer are equipped from the factory with an optical storage device such as a CD-ROM drive or a DVD-ROM drive. Such devices are also sold separately as options. If one of these drives is installed, it is certified in the U.S. to conform to the requirements of the Department of Health and Human Services 21 Code of Federal Regulations (DHHS 21 CFR) Subchapter J for Class 1 laser products. Elsewhere, the drive is certified to conform to the requirements of the International Electrotechnical Commission (IEC) 825 and CENELEC EN 60 825 for Class 1 laser products.



If a CD-ROM drive, a DVD-ROM drive, or another laser device is installed, note the following:

**⚠ CAUTION:**

**Use of controls or adjustments or performance of procedures other than those specified herein might result in hazardous radiation exposure.**

**O uso de controles, ajustes ou desempenho de procedimentos diferentes daqueles aqui especificados pode resultar em perigosa exposição à radiação.**

**凡未在这里指明的任何控制用法、调整、行为，都会导致严重后果。**

**Pour éviter tout risque d'exposition au rayon laser, respectez les consignes de réglage et d'utilisation des commandes, ainsi que les procédures décrites.**

**Werden Steuer- und Einstellelemente anders als hier festgesetzt verwendet, kann gefährliche Laserstrahlung auftreten.**

**Az itt előírt eljárásoktól, beállítástól és vezérlésektől eltérni a lézersugárzás veszélye miatt kockázatos !**

**L'utilizzo di controlli, regolazioni o l'esecuzione di procedure diverse da quelle specificate possono provocare l'esposizione a.**

**Использование элементов настройки и выполнение процедур иных, чем указано здесь, может привести к опасному радиационному облучению.**

**Použitie kontrôl, úprav alebo iných vykonaní od iných výrobcov, ako je v tomto špecifikované, mohlo by mať za následok nebezpečenstvo vystavenia sa vyžiarovaniu.**

**El uso de controles o ajustes o la ejecución de procedimientos distintos de los aquí especificados puede provocar la exposición a radiaciones peligrosas.**

Opening the CD-ROM drive, the DVD-ROM drive, or any other optical storage device could result in exposure to hazardous laser radiation. There are no serviceable parts inside those drives. **Do not open.**

A CD-ROM drive, a DVD-ROM drive, or any other storage device installed may contain an embedded Class 3A or Class 3B laser diode. Note the following:

**⚠ DANGER**

**Emits visible and invisible laser radiation when open. Do not stare into the beam, do not view directly with optical instruments, and avoid direct exposure to the beam.**

**Radiação por raio laser ao abrir. Não olhe fixo no feixe de luz, não olhe diretamente por meio de instrumentos óticos e evite exposição direta com o feixe de luz.**

**开启时会有激光发射时，请勿盯视激光光束，请勿直接查看视觉仪器，并且避免直接接触在激光光束之中。**

**Rayonnement laser si carter ouvert. Évitez de fixer le faisceau, de le regarder directement avec des instruments optiques, ou de vous exposer au rayon.**

**Laserstrahlung bei geöffnetem Gerät. Nicht direkt oder über optische Instrumente in den Laserstrahl sehen und den Strahlungsbereich meiden.**

**Kinyitáskor lézersugár ! Ne nézzen bele se szabad szemmel, se optikai eszközökkel. Kerülje a sugárnyalábbal való érintkezést !.**

**Aperto l'unità vengono emesse radiazioni laser. Non fissare il fascio, non guardarlo direttamente con strumenti ottici e evitare l'esposizione diretta al fascio.**

**Открывая, берегитесь лазерного излучения. Не смотрите на луч, не разглядывайте его с помощью оптических инструментов, а также избегайте прямого воздействия лазерного луча.**

**Keď je laserová jednotka otvorená. Vyhnite sa priamemu pohľadu a nehladte priamo s optickými nástrojmi do lúča a vyhnite sa priamemu vystaveniu lúčov.**

**Radiación láser al abrir. No mire fijamente ni examine con instrumental óptico el haz de luz. Evite la exposición directa al haz.**

---

## General descriptions

The descriptions in this chapter apply to any ThinkPad model that has the PC-Doctor<sup>®</sup> for DOS diagnostics program. Some descriptions might not apply to your particular computer.

---

### Read this first

Before you go to the checkout guide, be sure to read this section.

#### Important notes

- **Only certified trained personnel should service the computer.**
- **Before replacing any FRU, read the entire page on removing and replacing FRUs.**
- **When you replace FRUs, use new nylon-coated screws.**
- **Be extremely careful during such write operations as copying, saving, or formatting.** Drives in the computer that you are servicing sequence might have been altered. If you select an incorrect drive, data or programs might be overwritten.
- **Replace an FRU only with another FRU of the correct model.** When you replace a FRU, make sure that the model of the machine and the FRU part number are correct by referring to the FRU parts list.
- **A FRU should not be replaced because of a single, unreproducible failure.** Single failures can occur for a variety of reasons that have nothing to do with a hardware defect, such as cosmic radiation, electrostatic discharge, or software errors. Consider replacing a FRU only when a problem recurs. If you suspect that a FRU is defective, clear the error log and run the test again. If the error does not recur, do not replace the FRU.
- **Be careful not to replace a nondefective FRU.**

### What to do first

When you do return a FRU, you must include the following information in the parts exchange form or parts return form that you attach to it:

- \_\_\_ 1. Name and phone number of servicer

*Read this first*

- \_\_\_ 2. Date of service
- \_\_\_ 3. Date on which the machine failed
- \_\_\_ 4. Date of purchase
- \_\_\_ 5. Failure symptoms, error codes appearing on the display, and beep symptoms
- \_\_\_ 6. Procedure index and page number in which the failing FRU was detected
- \_\_\_ 7. Failing FRU name and part number
- \_\_\_ 8. Machine type, model number, and serial number
- \_\_\_ 9. Customer's name and address

**Note for warranty:**

During the warranty period, the customer may be responsible for repair costs if the computer damage was caused by misuse, accident, modification, unsuitable physical or operating environment, or improper maintenance by the customer. Following is a list of some common items that are not covered under warranty and some symptoms that might indicate that the system was subjected to stress beyond normal use.

Before checking problems with the computer, determine whether the damage is covered under the warranty by referring to the following list:

**The following are not covered under warranty:**

- LCD panel cracked from the application of excessive force or from being dropped
- Scratched (cosmetic) parts
- Distortion, deformation, or discoloration of the cosmetic parts
- Plastic parts, latches, pins, or connectors that have been cracked or broken by excessive force
- Damage caused by liquid spilled into the system
- Damage caused by the improper insertion of a PC Card or the installation of an incompatible card
- Diskette drive damage caused by pressure on the diskette drive cover, foreign material in the drive, or the insertion of a diskette with multiple labels
- Damaged or bent diskette eject button
- Fuses blown by attachment of a nonsupported device
- Forgotten computer password (making the computer unusable)
- Sticky keys caused by spilling a liquid onto the keyboard

**The following symptoms might indicate damage caused by nonwarranted activities:**

- Missing parts might be a symptom of unauthorized service or modification.
- If the spindle of a hard disk drive becomes noisy, it may have been subjected to excessive force, or dropped.

---

## Related service information

This section provides information about the following:

- “Service Web site”
- “Restoring the pre-installed system”
- “Passwords” on page 32
- “Power management” on page 35

### Service Web site

When the latest maintenance diskette and the system program service diskette become available, they will be posted on <http://www.lenovo.com/think/spm>

### Restoring the pre-installed system

When the hard disk drive is replaced because of a failure, no Product Recovery program is on the new hard disk. In this case, you must use the recovery CD for the computer. Order the recovery CD and the hard disk drive at the same time so that you can recover the new hard disk drive with the pre-installed software when they arrive. For information on which CD to order, see “Recovery CDs” on page 243

### Recovery to Factory Contents by using Product Recovery CDs

To create the service partition and install the factory contents from the recovery CD, do the following:

|             |
|-------------|
| <b>Note</b> |
|-------------|

|  |
|--|
| The recovery process might take up to 2 hours. |
|--|

1. Insert the recovery CD into the CD or DVD drive, then restart the computer.
2. The following message is displayed: **“Your computer originally included a Product Recovery program ... Reinstall the Product Recovery program? (Y/N) [ J ]”**.
3. Press the Y key. The service partition is created and loaded with the Product Recovery program files.
4. At next window, press Enter to continue.
  - The service partition is created. The system automatically reboots during this process.
  - The recovery process copies some files to the service partition, and PKUNZIPs others.
  - Follow the prompts. You may be prompted to change CDs.
  - When the process is complete, the system reboots.

5. If you get a message asking which operating system to install, select the proper operating system and press Enter.
6. A message is displayed: "**Full Recovery**". Press Enter to select.
7. On each of the next three windows, press the Y key.
8. Follow the prompts to complete the recovery.

## Passwords

As many as three passwords may be needed for any ThinkPad computer: the power-on password (POP), the hard-disk password (HDP), and the supervisor password (SVP).

If any of these passwords has been set, a prompt for it appears on the screen whenever the computer is turned on. The computer does not start until the password is entered.

**Exception:** If only an SVP is installed, the password prompt does not appear when the operating system is booted.

### ***Power-on password:***

A power-on password (POP) protects the system from being powered on by an unauthorized person. The password must be entered before an operating system can be booted.

### ***Hard-disk password:***

There are two hard-disk passwords (HDPs):

- User HDP—for the user
- Master HDP—for the system administrator, who can use it to get access to the hard disk even if the user has changed the user HDP

**Note:** There are two modes for the HDP: **User only** and **Master + User**. The **Master + User** mode requires two HDPs; the system administrator enters both in the same operation. The system administrator then provides the user HDP to the system user.

**Attention:** If the user HDP has been forgotten, check whether a master HDP has been set. If it has, it can be used for access to the hard disk drive. If no master HDP is available, neither Lenovo nor Lenovo authorized servicers provide any services to reset either the user or the master HDP, or to recover data from the hard disk drive. The hard disk drive can be replaced for a scheduled fee.

### ***Supervisor password:***

A supervisor password (SVP) protects the system

information stored in the BIOS Setup Utility. The user must enter the SVP in order to get access to the BIOS Setup Utility and change the system configuration.

**Attention:** If the SVP has been forgotten and cannot be made available to the servicer, there is no service procedure to reset the password. The system board must be replaced for a scheduled fee.

## How to remove the power-on password

To remove a POP that you have forgotten, do the following:

*(A) If no SVP has been set:*

1. Turn off the computer.
2. Remove the battery pack.

For how to remove the battery pack, see "1010 Battery pack" on page 76.

3. Remove the backup battery.

For how to remove the backup battery, see "1150 Backup battery" on page 105.

4. Turn on the computer and wait until the POST ends.

After the POST ends, the password prompt does not appear. The POP has been removed.

5. Reinstall the backup battery and the battery pack.

*(B) If an SVP has been set and is known by the servicer:*

1. Turn on the computer; then, while the "To interrupt normal startup, press the blue Access IBM button" message is displayed at the lower-left of the screen, press the Access IBM button. The Rescue and Recovery screen opens.

For models supporting the Passphrase function, press F1 while the POP icon is appearing on the screen; then enter the POP. For the other models, enter the POP.

**Note:** To check whether the ThinkPad computer supports the Passphrase function, enter the BIOS Setup Utility and go to **Security --> Password**. If the **Using Passphrase** item is displayed in the menu, this function is available on the ThinkPad computer.

2. Click **Access BIOS**. The system Restart Required window is displayed.
3. Click **Yes**. The computer restarts, and the BIOS Setup Utility screen opens.
4. Select **Security**, using the cursor directional keys to move down the menu.

5. Select **Password**.
6. Select **Power-On Password**.
7. Type the current SVP in the **Enter Current Password** field. then leave the **Enter New Password** field blank, and press Enter twice.
8. In the Changes have been saved window, press Enter.
9. Press F10; then, in the Setup confirmation window, select **Yes** .

## **How to remove the hard-disk password**

**Attention:** If **User only** mode is selected and the user HDP has been forgotten and cannot be made available to the servicer, neither Lenovo nor Lenovo authorized servicers provide any services to reset the user HDPs or to recover data from the hard disk drive. The hard disk drive can be replaced for a scheduled fee.

To remove a user HDP that has been forgotten, when the SVP and the master HDP are known, do the following:

1. Turn on the computer; then, while the “To interrupt normal startup, press the blue Access IBM button” message is displayed at the lower-left of the screen, press the Access IBM button. The Rescue and Recovery screen opens.

For models supporting the Passphrase function, press F1 while the HDP icon is appearing on the screen; then enter the master HDP. For the other models, enter the master HDP.

**Note:** To check whether the ThinkPad computer supports the Passphrase function, enter the BIOS Setup Utility and go to **Security** --> **Password**. If the **Using Passphrase** item is displayed in the menu, this function is available on the ThinkPad computer.

2. Click **Access BIOS**. The system Restart Required window is displayed.
3. Click **Yes**. The computer restarts, and the BIOS Setup Utility screen opens.
4. Select **Security**, using the cursor directional keys to move down the menu.
5. Select **Password**.
6. Select **Hard-disk x password**, where x is the letter of the hard disk drive. A pop-up window opens.
7. Select **Master HDP**.
8. Type the current master HDP in the **Enter Current Password** field. then leave the **Enter New Password** field blank, and press Enter twice.
9. Press F10.



10. Select **Yes** in the Setup Configuration window.  
Both user HDP and master HDP will have been removed.

## Power management

To reduce power consumption, the computer has three power management modes: screen blank, standby, and hibernation.

### Screen blank mode

**In R50e and R52 series**, screen blank mode has three variants, as follows:

1. If you press Fn+F3, or if the time set on the “LCD off timer” in BIOS Setup Utility expires,
  - The LCD backlight turns off.
  - The hard disk drive motor stops.
  - The speaker is muted.
2. If you are using the ACPI operating system and you press Fn+F3,
  - The LCD backlight turns off.
  - The hard disk drive motor stops.
3. If the time set on the “Turn off monitor” timer in the operating system expires,
  - The LCD backlight turns off.

To end screen blank mode and resume normal operation, press any key.

**In R51e**, press the Access IBM button and use the ThinkVantage Productivity Center to turn off power to the computer display.

### Standby mode

When the computer enters standby mode, the following events occur in addition to what occurs in screen blank mode:

- The LCD is powered off.
- The hard disk drive is powered off.
- The CPU stops.

To enter standby mode, press Fn+F4.

**In R51e**, you can also use the ThinkVantage Productivity Center to put the computer in standby mode.

**Note:** If you are using the ACPI operating system, you can change the action of Fn+F4.

In certain circumstances, the computer goes into standby mode automatically:

### *Related service information*

- If a “suspend time” has been set on the timer, and the user does not do any operation with the keyboard, the TrackPoint, the hard disk, the parallel connector, or the diskette drive within that time.
- If the battery indicator blinks orange, indicating that the battery power is low. (Alternatively, if **Hibernate when battery becomes low** has been selected in the “Power Management Properties” window, the computer goes into hibernation mode.)

To cause the computer to return from standby mode and resume operation, do one of the following:

- Press the Fn key.
- Open the LCD cover.
- Turn on the power switch.

Also, in either of the following events, the computer automatically returns from standby mode and resumes operation:

- The ring indicator (RI) is signaled by a serial device or a PC Card device.
- The time set on the resume timer elapses.

**Note:** The computer does not accept any input immediately after it enters standby mode. Wait a few seconds before taking any action to reenter operation mode.

## **Hibernation mode**

In hibernation mode, the following occurs:

- The system status, RAM, VRAM, and setup data are stored on the hard disk.
- The system is powered off.

**Note:** If the computer enters the hibernation mode while it is docked to the docking station, do not undock it before resuming normal operation. If you do undock it and then try to resume normal operation, you will get an error message, and you will have to restart the system.

To cause the computer to enter hibernation mode, do any of the following:

- Press the Fn+F12 keys.
- If you are using the ACPI operating system and have defined one of the following actions as the event that causes the system to go into hibernation mode, perform that action.
  - Closing the lid.
  - Pressing the power button.
  - Pressing Fn+F4 keys.

Also, the computer goes into hibernation mode automatically in either of the following conditions:

- If a “hibernation time” has been set on the timer, and if the user does not do any operation with the keyboard, the TrackPoint, the hard disk drive, the parallel connector, or the diskette drive within that time.
- If the timer conditions are satisfied in suspend mode.

When the power is turned on, the computer returns from hibernation mode and resumes operation. The hibernation file in the boot record on the hard disk drive is read, and system status is restored from the hard disk drive.

**In R51e**, you can also use the ThinkVantage Productivity Center to put the computer in hibernation mode.

## Checkout guide

Use the following procedures as a guide in identifying and correcting problems with the ThinkPad computer.

**Note:** The diagnostic tests are intended to test only ThinkPad products. The use of non-ThinkPad products, prototype cards, or modified options can lead to false indications of errors and invalid system responses.

1. Identify the failing symptoms in as much detail as possible.
2. Verify the symptoms. Try to re-create the failure by running the diagnostic test or by repeating the operation.

## Testing the computer

The ThinkPad computer has a test program called PC-Doctor for DOS (hereafter called *PC-Doctor*.) You can detect errors by running the diagnostics test included in PC-Doctor. This section is an overview of the procedure. For details that depend on model-unique functions, refer to “Product overview” on page 47.

For some possible configurations of the computer, PC-Doctor might not run correctly. To avoid this problem, you need to initialize the computer setup by use of the BIOS Setup Utility before you run PC-Doctor. On the BIOS Setup Utility screen, press F9, Enter, F10, and then Enter.

**Note:** When you initialize the computer configuration, some devices are disabled, such as the serial port. If you test one of these devices, you will need to enable it by using Configuration utility for DOS. The utility is available on the following Web site:  
<http://www.lenovo.com/think/support>

PC-Doctor cannot be used to test a device that is in the docking station, even if the computer supports the docking station. To test a USB device, connect it to the USB connector of the computer.

## Creating the PC-Doctor diagnostics diskette

To create the PC-Doctor disk from the Rescue and Recovery workspace, do as follows:

1. Enter the Rescue and Recovery workspace by pressing the Access IBM button during POST.
2. When the Rescue and Recovery workspace finishes loading, click the “Create Diagnostic Diskette” .

3. Authenticating the digital signature takes about 15 seconds; then the ThinkPad computer will reboot into PC-DOS.
4. A batch file automatically starts up to prompt you through the process of creating diskettes. You are notified of how many diskettes you will need.
  - a. You are prompted to insert each diskette in sequence.
  - b. Typically, all you need to do is to press the Enter key for the floppy drive; the system then formats and creates the diskette.
  - c. Each diskette is erased and formatted with the PC-Doctor for DOS boot image.
5. As soon as all the diskettes have been created, the ThinkPad computer reboots. You then receive a message asking you to remove the last diskette from the drive or, if you want to run the diagnostics, to insert the first diskette.

To run the test, do as follows:

**Note:** In the following procedure, you can select an item not only with the arrow keys, but also with the TrackPoint pointer. Instead of pressing Enter, click the left button.

1. Insert the PC-Doctor disk into the diskette drive; then power on the computer.

If the computer cannot be powered on, go to “Power system checkout” on page 41, and check the power sources.

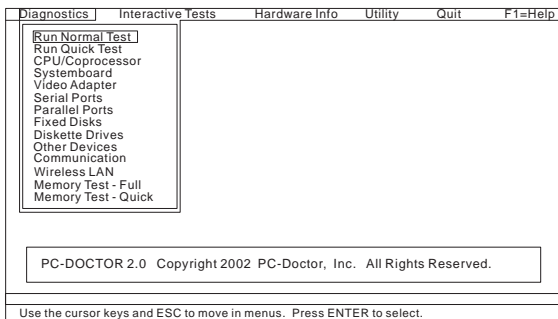
If an error code appears, go to “Symptom-to-FRU index” on page 62.

On the first screen, select the model and press Enter. Follow the instructions on the screen.

2. The main panel of PC-Doctor appears.
3. Select **Diagnostics** with the arrow keys, and press Enter.

A pull-down menu appears. (Its exact form depends on the model.)

**Note:** PC-Doctor menu does not mean the formal support device list. Some unsupported device names may appear in the PC-Doctor menu.



The options on the test menu are as follows:

| Diagnostics   | Interactive Tests  |
|---|--|
| <ul style="list-style-type: none"> <li>• Run Normal Test</li> <li>• Run Quick Test</li> <li>• CPU/Coprocessor</li> <li>• Systemboard</li> <li>• Video Adapter</li> <li>• Serial Ports</li> <li>• Parallel Ports</li> <li>• Fixed Disks</li> <li>• Diskette Drives</li> <li>• Other Devices</li> <li>• ThinkPad Devices</li> <li>• Communication</li> <li>• Wireless LAN</li> <li>• Memory Test – Full</li> <li>• Memory Test – Quick</li> </ul>   | <ul style="list-style-type: none"> <li>• Keyboard</li> <li>• Video</li> <li>• Internal Speaker</li> <li>• Mouse</li> <li>• Diskette</li> <li>• System Load</li> <li>• CD-ROM/DVD Test</li> <li>• Intel Wireless Radio</li> </ul> |
| <p><b>Notes:</b></p> <ul style="list-style-type: none"> <li>• In the <b>Keyboard</b> test in <b>Interactive Tests</b>, the Fn key should be held down for at least 2 seconds; otherwise, it cannot be sensed.</li> <li>• <b>Video Adapter</b> test supports only the LCD display on the ThinkPad computer. If you have an external monitor attached to your computer, detach it before running PC-Doctor for DOS.</li> <li>• When Legacy Floppy Drives is enabled in the BIOS Setup Utility, the <b>Diskette Drives</b> test is activated even if no legacy diskette drive is attached to the ThinkPad computer.</li> </ul> |  |

4. Run the applicable function test.
5. Follow the instructions on the screen. If there is a problem, PC-Doctor shows messages describing it.
6. To exit the test, select **Quit — Exit Diag.**  
To cancel the test, press Esc.

**Note:** After running PC-Doctor, check the time and date on the system and reset them if they are incorrect.

## Detecting system information with PC-Doctor

PC-Doctor can detect the following system information:

### Hardware Info

- System Configuration
- Memory Contents
- Physical Disk Drives
- Logical Disk Drives
- VGA Information
- IDE Drive Info
- PCI Information
- PNPISA Info
- SMBIOS Info
- VESA LCD Info
- Hardware Events Log

### Utility

- Run External Tests
- Surface Scan Hard Disk
- Benchmark System
- DOS Shell
- Tech Support Form
- Battery Rundown
- View Test Log
- Print Log
- Save Log
- Full Erase Hard Drive
- Quick Erase Hard Drive

## Power system checkout

To verify a symptom, do the following:

1. Turn off the computer.
2. Remove the battery pack.
3. Connect the ac adapter.
4. Check that power is supplied when you turn on the computer.
5. Turn off the computer.
6. Disconnect the ac adapter and install the charged battery pack.
7. Check that the battery pack supplies power when you turn on the computer.

If you suspect a power problem, see the appropriate one of the following power supply checkouts:

- “Checking the ac adapter” on page 42
- “Checking operational charging” on page 42
- “Checking the battery pack” on page 42
- “Checking the backup battery” on page 43

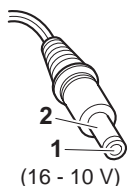
## Checking the ac adapter

You are here because the computer fails only when the ac adapter is used.

- If the power problem occurs only when the port replicator is used, replace the port replicator.
- If the power-on indicator does not turn on, check the power cord of the ac adapter for correct continuity and installation.
- If the computer does not charge during operation, go to "Checking operational charging."

To check the ac adapter, do the following:

1. Unplug the ac adapter cable from the computer.
2. Measure the output voltage at the plug of the ac adapter cable. See the following figure:



| Pin | Voltage (V dc) |
|-----|----------------|
| 1   | +15.5 to +17.0 |
| 2   | Ground         |

3. If the voltage is not correct, replace the ac adapter.
4. If the voltage is acceptable, do the following:
  - Replace the system board.
  - If the problem persists, go to "Product overview" on page 47.

**Note:** Noise from the ac adapter does not always indicate a defect.

## Checking operational charging

To check whether the battery charges properly during operation, use a discharged battery pack or a battery pack that has less than 50% of the total power remaining when installed in the computer.

Perform operational charging. If the battery status indicator or icon does not turn on, remove the battery pack and let it return to room temperature. Reinstall the battery pack. If the charge indicator or icon still does not turn on, replace the battery pack.

If the charge indicator still does not turn on, replace the system board. Then reinstall the battery pack. If it is still not charged, go to the next section.

## Checking the battery pack

Battery charging does not start until the Power Meter shows that less than 95% of the total power remains;



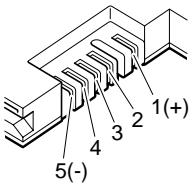
under this condition the battery pack can charge to 100% of its capacity. This protects the battery pack from being overcharged or from having a shortened life.

To check your battery, move your cursor to the Power Meter icon in the icon tray of the Windows taskbar and wait for a moment (but do not click), and the percentage of battery power remaining is displayed. To get detailed information about the battery, double-click the Power Meter icon.

**Note:** If the battery pack becomes hot, it may not be able to charge. Remove it from the computer and leave it at room temperature for a while. After it cools down, reinstall and recharge it.

To check the battery pack, do the following:

1. Turn off the computer.
2. Remove the battery pack and measure the voltage between battery terminals 1 (+) and 5 (-). See the following figure:



| Terminal | Voltage (V dc) |
|----------|----------------|
| 1        | + 0 to + 12.6  |
| 5        | Ground (-)     |

3. If the voltage is less than +11.0 V dc, the battery pack has been discharged.

**Note:** Recharging will take at least 3 hours, even if the indicator does not turn on.

If the voltage is still less than +11.0 V dc after recharging, replace the battery.

4. If the voltage is more than +11.0 V dc, measure the resistance between battery terminals 4 and 5. The resistance must be 4 to 30 K  $\Omega$ .

If the resistance is not correct, replace the battery pack. If the resistance is correct, replace the system board.

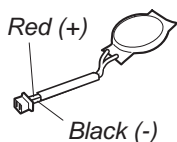
## Checking the backup battery

Do the following:

1. Turn off the computer, and unplug the ac adapter from it.
2. Turn the computer upside down.
3. Remove the battery pack (see "1010 Battery pack" on page 76).

*Checkout guide*

4. Remove the backup battery (see “Checking the battery pack” on page 42).
5. Measure the voltage of the backup battery. See the following figure.



| Wire  | Voltage (V dc) |
|-------|----------------|
| Red   | +2.5 to +3.2   |
| Black | Ground         |

- If the voltage is correct, replace the system board.
- If the voltage is not correct, replace the backup battery.
- If the backup battery discharges quickly after replacement, replace the system board.

---

# ThinkPad R50e, R51e and R52 Series

|   |     |
|---|-----|
| Product overview . . . . .  | 47  |
| Specifications . . . . .  | 47  |
| Status indicators . . . . .   | 54  |
| FRU tests . . . . .   | 57  |
| Fn key combinations . . . . .   | 59  |
| Symptom-to-FRU index . . . . .  | 62  |
| Numeric error codes . . . . .   | 62  |
| Error messages . . . . .  | 67  |
| Beep symptoms . . . . .   | 68  |
| No-beep symptoms . . . . .  | 68  |
| LCD-related symptoms . . . . .  | 69  |
| Intermittent problems . . . . .   | 70  |
| Undetermined problems . . . . .   | 70  |
| FRU replacement notices . . . . .   | 71  |
| Screw notices . . . . .   | 71  |
| Retaining serial numbers. . . . .   | 72  |
| Restoring the serial number of the system unit . . . . .                  | 72  |
| Retaining the UUID . . . . .  | 73  |
| Reading or writing the ECA information . . . . .                          | 73  |
| Removing and replacing a FRU. . . . .                                     | 75  |
| 1010 Battery pack. . . . .  | 76  |
| 1020 Ultrabay Enhanced device (for R52 series) . . . . .                  | 77  |
| 1030 Hard disk drive . . . . .  | 79  |
| 1040 DIMM (optional) . . . . .  | 81  |
| 1050 Keyboard . . . . .   | 82  |
| 1060 Ultrabay device (for R50e series) . . . . .                          | 86  |
| 1070 DIMM (standard) . . . . .  | 87  |
| 1080 Modem daughter card (MDC-2) . . . . .                                | 88  |
| 1090 Bluetooth/Modem daughter card (BMDC-3)<br>(for R52 series) . . . . . | 90  |
| 1100 Keyboard bezel . . . . .   | 92  |
| 1110 Touch pad and Fingerprint reader (for R52<br>series) . . . . .       | 96  |
| 1120 Mini PCI adapter . . . . .   | 99  |
| 1130 Fan assembly . . . . .   | 103 |
| 1140 CPU. . . . .   | 104 |
| 1150 Backup battery . . . . .   | 105 |
| 1160 Speaker assembly . . . . .   | 106 |
| 1170 IEEE 1394 (for R52 series) . . . . .                                 | 108 |
| 1180 PC Card slot assembly . . . . .                                      | 111 |
| 1190 Ultrabay Enhanced shield kit . . . . .                               | 114 |
| 1200 LCD assembly. . . . .  | 121 |
| 1210 VGA and Ultrabay Enhanced device eject<br>button cable . . . . .     | 125 |
| 1220 System board, interposer card, and base<br>cover . . . . .           | 128 |
| 2010 LCD front bezel . . . . .  | 135 |
| 2020 Inverter card . . . . .  | 137 |

|  |     |
|--|-----|
| 2030 LCD panel, LCD cable assembly, wireless<br>LAN antenna assembly, hinges, and LCD cover. | 138 |
| 3010 ThinkPad Dock II PCI cover.   | 149 |
| 3020 ThinkPad Dock II top cover.   | 150 |
| Locations  | 153 |
| Front view (for R50e)  | 153 |
| Rear view (for R50e)   | 154 |
| Bottom view (for R50e)   | 155 |
| Front view (for R52)   | 156 |
| Rear view (for R52)  | 158 |
| Bottom view (for R52)  | 159 |
| Parts list   | 160 |
| Overall  | 160 |
| LCD FRUs   | 220 |
| 14.1-in. XGA TFT   | 221 |
| 15.0-in. XGA TFT   | 229 |
| 15.0-in. SXGA+ TFT   | 236 |
| AC adapters  | 240 |
| Keyboard   | 241 |
| Recovery CDs   | 243 |
| For Windows XP Professional (R50e series)  | 243 |
| For Windows XP Home Edition (R50e series)  | 244 |
| For Windows XP Professional (R51e series)  | 245 |
| For Windows XP Home Edition (R51e series)  | 246 |
| For Windows XP Professional (R52 series)   | 247 |
| For Windows XP Home Edition (R52 series)   | 251 |
| Miscellaneous parts  | 253 |
| Optional FRUs  | 259 |
| Common parts list  | 260 |
| Tools  | 260 |
| Power cords (system)   | 260 |
| Power cords (ThinkPad Dock II)   | 262 |
| Notices  | 263 |
| Trademarks   | 265 |

## Product overview

This section presents the following product-unique information:

- “Specifications”
- “Status indicators” on page 54
- “FRU tests” on page 57
- “Fn key combinations” on page 59

## Specifications

The following table lists the specifications of the ThinkPad R50e, R51e and R52 series:

| Feature   | Description   |
|-----------|---|
| Processor | <p><b>R50e series:</b></p> <ul style="list-style-type: none"> <li>• Intel® Celeron® M processor 350 (1.3 GHz), L2 1-MB cache</li> <li>• Intel Celeron M processor 360 (1.4 GHz), L2 1-MB cache</li> <li>• Intel Celeron M processor 370 (1.5 GHz), L2 1-MB cache</li> <li>• Intel Pentium® M processor 725 (1.6 GHz), L2 1-MB cache</li> <li>• Intel Pentium M processor 735 (1.7 GHz), L2 1-MB cache</li> <li>• Intel Pentium M processor 745 (1.8 GHz), L2 1-MB cache</li> <li>• Intel Pentium M processor 755 (2.0 GHz), L2 1-MB cache</li> </ul> <p><b>R51e series:</b></p> <ul style="list-style-type: none"> <li>• Intel Celeron M processor 360 (1.4 GHz), L2 1-MB cache</li> <li>• Intel Celeron M processor 370 (1.5 GHz), L2 1-MB cache</li> <li>• Intel Celeron M processor 380 (1.6 GHz), L2 1-MB cache</li> <li>• Intel Pentium M processor 740 (1.73 GHz), L2 2-MB cache</li> <li>• Intel Pentium M processor 750 (1.86 GHz), L2 2-MB cache</li> <li>• Intel Pentium M processor 760 (2.0 GHz), L2 2-MB cache</li> <li>• Intel Pentium M processor 770 (2.1 GHz), L2 2-MB cache</li> </ul> <p>(continued)</p> |

(continued)

| Feature         | Description   |
|-----------------|---|
| Processor       | <p><b>R52 series:</b></p> <ul style="list-style-type: none"> <li>• Intel Celeron M processor 350 (1.3 GHz), L2 1-MB cache</li> <li>• Intel Celeron M processor 360 (1.4 GHz), L2 1-MB cache</li> <li>• Intel Celeron M processor 370 (1.5 GHz), L2 1-MB cache</li> <li>• Intel Celeron M processor 380 (1.6 GHz), L2 1-MB cache</li> <li>• Intel Pentium M processor 730 (1.6 GHz), L2 2-MB cache</li> <li>• Intel Pentium M processor 740 (1.73 GHz), L2 2-MB cache</li> <li>• Intel Pentium M processor 750 (1.86 GHz), L2 2-MB cache</li> <li>• Intel Pentium M processor 760 (2.0 GHz), L2 2-MB cache</li> <li>• Intel Pentium M processor 770 (2.1 GHz), L2 2-MB cache</li> <li>• Intel Pentium M processor 780 (2.26 GHz), L2 2-MB cache</li> </ul> |
| Standard memory | <p><b>R50e series:</b></p> <ul style="list-style-type: none"> <li>• 256 MB DDR SDRAM SO-DIMM (PC2700) card x 1</li> <li>• 512 MB DDR SDRAM SO-DIMM (PC2700) card x 1</li> <li>• 1 GB DDR SDRAM SO-DIMM (PC2700) card x 1</li> </ul> <p><b>R51e series:</b></p> <ul style="list-style-type: none"> <li>• 256 MB DDR SDRAM SO-DIMM (PC2-4200) card x 1</li> <li>• 512 MB DDR SDRAM SO-DIMM (PC2-4200) card x 1</li> </ul> <p><b>R52 series:</b></p> <ul style="list-style-type: none"> <li>• 256 MB DDR SDRAM SO-DIMM (PC2-4200) card x 1</li> <li>• 512 MB DDR SDRAM SO-DIMM (PC2-4200) card x 1</li> <li>• 1 GB DDR SDRAM SO-DIMM (PC2-4200) card x 1</li> </ul>  |

(continued)

| Feature             | Description  |
|---------------------|--|
| Optional memory     | <ul style="list-style-type: none"> <li>• 256 MB DDR SDRAM SO-DIMM (PC2700) card</li> <li>• 512 MB DDR SDRAM SO-DIMM (PC2700) card</li> <li>• 1 GB DDR SDRAM SO-DIMM (PC2700) card</li> <li>• 256 MB DDR SDRAM SO-DIMM (PC2-4200) card</li> <li>• 512 MB DDR SDRAM SO-DIMM (PC2-4200) card</li> <li>• 1 GB DDR SDRAM SO-DIMM (PC2-4200) card (maximum of 2048 MB)</li> </ul>  |
| Bus architecture    | <ul style="list-style-type: none"> <li>• 400 MHz PSB (Processor System Bus)</li> <li>• 533 MHz PSB</li> <li>• 333 MHz DDR (Double Data Rate) SDRAM (Synchronous DRAM) (PC2700)</li> <li>• 533 MHz DDR-2 (Double Data Rate 2) SDRAM (Synchronous DRAM) (PC2-4200)</li> <li>• HUB link</li> <li>• PCI bus</li> <li>• LPC bus</li> </ul>  |
| Graphic memory chip | <p><b>R50e series:</b></p> <ul style="list-style-type: none"> <li>• Intel 855GM</li> </ul> <p><b>R51e series:</b></p> <ul style="list-style-type: none"> <li>• RC410M</li> </ul> <p><b>R52 series:</b></p> <ul style="list-style-type: none"> <li>• Intel 910GML</li> <li>• Intel 915GM</li> <li>• 32 MB DDR SDRAM (ATI M22-32)</li> <li>• 32 MB DDR SDRAM (ATI M22-64)</li> <li>• 64 MB DDR SDRAM (ATI M22-64)</li> </ul> |
| CMOS RAM            | <ul style="list-style-type: none"> <li>• 242 bytes</li> </ul>  |

(continued)

| Feature                            | Description  |
|------------------------------------|--|
| I/O port                           | <p><b>R50e and R51e series:</b></p> <ul style="list-style-type: none"> <li>• External monitor connector</li> <li>• Stereo headphone jack</li> <li>• Monaural microphone jack</li> <li>• Parallel connector</li> <li>• RJ11 connector</li> <li>• RJ45 connector</li> <li>• Universal serial bus (USB) 2.0 connector × 2 (compatible with USB 1.1 and 2.0)</li> </ul> <p><b>R52 series:</b></p> <ul style="list-style-type: none"> <li>• External monitor connector</li> <li>• Stereo headphone jack</li> <li>• Monaural microphone jack</li> <li>• Infrared port</li> <li>• Parallel connector</li> <li>• Docking connector</li> <li>• RJ11 connector</li> <li>• RJ45 connector</li> <li>• TV-out connector (S-Video)</li> <li>• Universal serial bus (USB) 2.0 connector × 2 (compatible with USB 1.1 and 2.0)</li> <li>• IEEE 1394 connector (some models)</li> <li>• Fingerprint reader (some models)</li> </ul> |
| Internal modem                     | <ul style="list-style-type: none"> <li>• 56.6 Kbps</li> </ul>  |
| Audio                              | <p><b>R50e and R51e series:</b></p> <ul style="list-style-type: none"> <li>• 1 W built-in monaural speakerx1</li> <li>• Software control volume</li> </ul> <p><b>R52 series:</b></p> <ul style="list-style-type: none"> <li>• 1 W built-in stereo speaker × 2</li> <li>• Software control volume</li> </ul>  |
| Infrared transfer (for R52 series) | <ul style="list-style-type: none"> <li>• IrDA 1.1</li> </ul>   |
| Display                            | <p><b>R50e and R51e series:</b></p> <ul style="list-style-type: none"> <li>• 14.1-inch, 16M colors, XGA (1024 × 768 resolution) TFT color LCD</li> <li>• 15.0-inch, 16M colors, XGA (1024 × 768 resolution) TFT color LCD</li> </ul> <p><b>R52 series:</b></p> <ul style="list-style-type: none"> <li>• 14.1-inch, 16M colors, XGA (1024 × 768 resolution) TFT color LCD</li> <li>• 15.0-inch, 16M colors, XGA (1024 × 768 resolution) TFT color LCD</li> <li>• 15.0-inch, 16M colors, SXGA+ (1400 × 1050 resolution) TFT color LCD</li> </ul>   |

(continued)



| Feature                    | Description  |
|----------------------------|--|
| Ultrabay Enhanced device   | <p><b>R50e series:</b></p> <ul style="list-style-type: none"> <li>• CD-ROM drive, 12.7 mm high</li> <li>• DVD drive, 12.7 mm high</li> <li>• DVD/CD-RW combo drive, 12.7 mm high</li> <li>• DVD-RAM/RW drive, 12.7 mm high (option)</li> </ul> <p><b>R51e series:</b></p> <ul style="list-style-type: none"> <li>• CD-ROM drive, 12.7 mm high</li> <li>• DVD drive, 12.7 mm high</li> <li>• DVD/CD-RW combo drive, 12.7 mm high</li> <li>• DVD-RAM/RW drive, 12.7 mm high</li> </ul> <p><b>R52 series:</b></p> <ul style="list-style-type: none"> <li>• CD-ROM drive, 12.7 mm high</li> <li>• DVD drive, 12.7 mm high</li> <li>• DVD/CD-RW combo drive, 12.7 mm high</li> <li>• DVD-RAM/RW drive, 12.7mm high</li> <li>• DVD drive, 9.5 mm high (supported by CTO)</li> <li>• DVD/CD-RW combo drive, 9.5 mm high (supported by CTO)</li> <li>• DVD-RAM/RW drive, 9.5 mm high (supported by CTO)</li> </ul> |
| Touch pad (for R52 series) | <ul style="list-style-type: none"> <li>• UltraNav</li> </ul>   |
| ThinkLight                 | Yes  |
| Hard disk drive            | <ul style="list-style-type: none"> <li>• 30.0 GB, 4200 rpm, 9.5 mm high, IDE interface</li> <li>• 40.0 GB, 4200 rpm, 9.5 mm high, IDE interface</li> <li>• 40.0 GB, 5400 rpm, 9.5 mm high, IDE interface</li> <li>• 60.0 GB, 4200 rpm, 9.5 mm high, IDE interface</li> <li>• 60.0 GB, 5400 rpm, 9.5 mm high, IDE interface</li> <li>• 80.0 GB, 4200 rpm, 9.5 mm high, IDE interface</li> <li>• 80.0 GB, 5400 rpm, 9.5 mm high, IDE interface</li> <li>• 80.0 GB, 7200 rpm, 9.5 mm high, IDE interface</li> <li>• 100.0 GB, 5400 rpm, 9.5 mm high, IDE interface</li> </ul> <p>Supported hard disk drives are depend on the model.</p>  |

(continued)

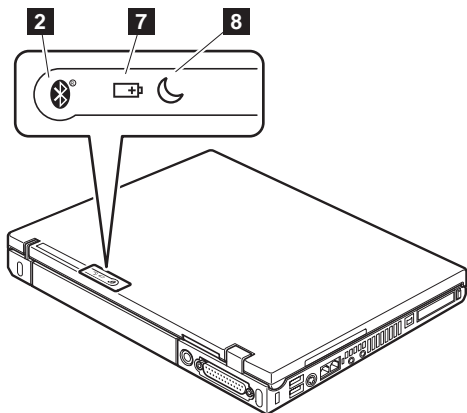
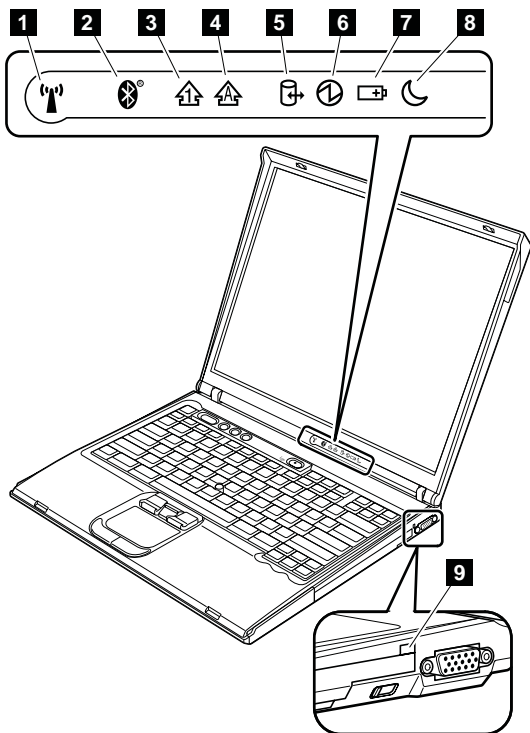
| Feature                         | Description   |
|---------------------------------|---|
| Integrated wireless LAN feature | <p><b>R50e series:</b></p> <ul style="list-style-type: none"> <li>• 802.11b</li> <li>• 802.11b/g</li> </ul> <p><b>R51e series:</b></p> <ul style="list-style-type: none"> <li>• 802.11b/g</li> <li>• 802.11a/b/g</li> </ul> <p><b>R52 series:</b></p> <ul style="list-style-type: none"> <li>• 802.11b</li> <li>• 802.11b/g</li> <li>• 802.11a/b/g and <i>Bluetooth</i> wireless</li> </ul>   |
| Mini PCI adapter                | <p><b>R50e series:</b></p> <ul style="list-style-type: none"> <li>• Intel PRO/Wireless LAN 2100 3B Mini PCI Adapter (802.11b)</li> <li>• Intel PRO Wireless 2200BG Mini-PCI Adapter</li> </ul> <p><b>R51e series:</b></p> <ul style="list-style-type: none"> <li>• ThinkPad 11b/g Wireless LAN Mini PCI Adapter</li> <li>• ThinkPad 11a/b/g Wireless LAN Mini PCI Adapter II</li> </ul> <p><b>R52 series:</b></p> <ul style="list-style-type: none"> <li>• Intel PRO/Wireless LAN 2100 3B Mini PCI Adapter (802.11b)</li> <li>• Intel PRO Wireless 2200BG Mini-PCI Adapter</li> <li>• ThinkPad 11b/g Wireless LAN Mini PCI Adapter</li> <li>• ThinkPad 11a/b/g Wireless LAN Mini PCI Adapter II</li> <li>• Intel PRO Wireless 2915ABG Mini-PCI Adapter</li> </ul> |
| PC Card/ExpressCard             | <ul style="list-style-type: none"> <li>• One Type-III</li> <li>• One Type-II</li> </ul> <hr/> <ul style="list-style-type: none"> <li>• One Type-II</li> <li>• One ExpressCard</li> </ul>  |
| Ethernet (on the system board)  | <p><b>R50e and R51e series:</b></p> <ul style="list-style-type: none"> <li>• 10/100Base Ethernet</li> </ul> <p><b>R52 series:</b></p> <ul style="list-style-type: none"> <li>• Gigabit Ethernet</li> </ul>  |

(continued)

| Feature                           | Description  |
|-----------------------------------|--|
| Communication daughter card (CDC) | <p><b>R50e and R51e series:</b></p> <ul style="list-style-type: none"> <li>• ThinkPad Integrated 56K Modem (MDC-2)</li> </ul> <p><b>R52 series:</b></p> <ul style="list-style-type: none"> <li>• ThinkPad Integrated 56K Modem (MDC-2)</li> <li>• ThinkPad Integrated <i>Bluetooth</i> IV with 56K Modem (BMDC-3)</li> </ul> |
| Battery                           | <ul style="list-style-type: none"> <li>• Li-ion battery (6 cells)</li> <li>• Li-ion battery (9 cells)</li> <li>• Ultrabay Enhanced Li Polymer battery, 3 cells (option)</li> </ul>   |
| AC adapter                        | <ul style="list-style-type: none"> <li>• 72-watt type</li> </ul>   |
| Preinstalled operating system     | <ul style="list-style-type: none"> <li>• Windows XP Professional</li> <li>• Windows XP Home Edition</li> </ul>   |







## Status indicators

The system status indicators show the status of the computer, as follows:





**Note:** Some models may not have the status indicators shown above.

**Note:** Some models may not have the status indicators described below.

| Indicator   | Meaning   |
|---|---|
| <p><b>1</b> Wireless status</p>            | <p><b>Green:</b><br/>The wireless feature (the IEEE 802.11 standard) is on, and the radio link is ready for use.</p> <p><b>Blinking green:</b><br/>Data is being transmitted.</p>   |
| <p><b>2</b> Bluetooth wireless status</p>  | <p><b>Green:</b><br/><i>Bluetooth</i> wireless feature is operational. This indicator is on when <i>Bluetooth</i> wireless feature is on and not in suspend mode.</p>   |
| <p><b>3</b> Num lock</p>                   | <p><b>Green:</b><br/>The numeric keypad on the keyboard is enabled. To enable or disable the keypad, press and hold the Shift key, and press the NumLk (ScrLk) key.</p>   |
| <p><b>5</b> Caps lock</p>                 | <p><b>Green:</b><br/>Caps Lock mode is enabled. To enable or disable Caps Lock mode, press the Caps Lock key.</p>   |
| <p><b>5</b> Drive in use</p>             | <p><b>Green:</b><br/>Data is being read from or written to the hard disk drive, the diskette drive, or the drive in the Ultrabay Enhanced device. When this indicator is on, do not put the computer into standby mode or turn off the computer.</p> <p><b>Note:</b> Do not move the system while the green drive-in-use light is on. Sudden physical shock could cause drive errors.</p> |
| <p><b>6</b> Power-on</p>                 | <p><b>Green:</b><br/>The computer is on and ready to use. This indicator stays lit whenever the computer is on and is not in standby mode.</p>  |

(continued)

| Indicator  | Meaning  |
|--|--|
| <p><b>7</b> Battery status</p>  | <p><b>Green:</b><br/>The battery is in use and has enough power. The ac adapter has charged the battery completely.</p> <p><b>Blinking green:</b><br/>The battery is being charged, but still has enough power to operate. (At regular intervals, the indicator light turns off briefly.)</p> <p><b>Orange:</b><br/>The battery is being charged, but the battery power is still low.</p> <p><b>Blinking orange:</b><br/>The battery needs to be charged. When the indicator starts blinking orange, the computer beeps three times.</p> |
| <p><b>8</b> Standby status</p>  | <p><b>Green:</b><br/>The computer is in standby mode.</p> <p><b>Blinking green:</b><br/>The computer is entering standby mode or hibernation mode, or is resuming normal operation.</p>  |
| <p><b>9</b> Ultrabay Enhanced status</p>   | <p><b>Green:</b><br/>An Ultrabay Enhanced device is installed and in use.</p> <p><b>Blinking green:</b><br/>An Ultrabay Enhanced device is in the process of being detached.</p> <p><b>Turn off:</b><br/>An Ultrabay Enhanced device is ready to be attached or detached.</p>  |

## FRU tests

The following table shows the test for each FRU.

| FRU                                   | Applicable test   |
|---------------------------------------|---|
| System board                          | <ol style="list-style-type: none"> <li>1. <b>Diagnostics --&gt; CPU/Coprocessor</b></li> <li>2. <b>Diagnostics --&gt; Systemboard</b></li> <li>3. If the docking station or the port replicator is attached to the ThinkPad computer, undock it. Place the computer on a horizontal surface, and run <b>Diagnostics --&gt; ThinkPad Devices --&gt; HDD Active Protection Test</b>.<br/><b>Note:</b> Do not apply any physical shock to the computer while the test is running.</li> </ol> |
| Power                                 | <b>Diagnostics --&gt; ThinkPad Devices --&gt; AC Adapter, Battery 1 (Battery 2)</b>   |
| LCD unit                              | <ol style="list-style-type: none"> <li>1. <b>Diagnostics --&gt; Video Adapter</b></li> <li>2. <b>Interactive Tests --&gt; Video</b></li> </ol>  |
| Modem daughter card (MDC-2 or BMDC-3) | <ol style="list-style-type: none"> <li>1. Make sure the modem is set up correctly.</li> <li>2. Replace the modem jack and the modem card in turn, and run the following tests in <b>Diagnostics --&gt; Communication:</b> <ol style="list-style-type: none"> <li>a. Conexant Smart Modem Interrupt</li> <li>b. Conexant Smart Modem Dialtone</li> </ol> </li> </ol>   |
| Audio                                 | <ol style="list-style-type: none"> <li>1. <b>Interactive Tests --&gt; Internal Speaker</b></li> <li>2. <b>Diagnostics --&gt; Other Devices --&gt; Analog Devices AC97 CODEC Test</b></li> </ol>   |
| Speaker                               | <b>Interactive Tests --&gt; Internal Speaker</b>  |
| PC Card slots                         | <ol style="list-style-type: none"> <li>1. <b>Diagnostics --&gt; Systemboard --&gt; PCMCIA</b></li> <li>2. Insert a PC Card Wrap Plug into every PC Card slot, and run <b>Diagnostics --&gt; Systemboard --&gt; PCMCIA External Loop</b></li> </ol>  |
| ExpressCard slot                      | <ol style="list-style-type: none"> <li>1. Insert a PCI-Express/USB Wrap card into the ExpressCard slot.</li> <li>2. Turn on the computer.</li> <li>3. Run <b>Diagnostics --&gt; ThinkPad Devices --&gt; Express Card Slot</b>.</li> </ol>   |
| Keyboard                              | <ol style="list-style-type: none"> <li>1. <b>Diagnostics --&gt; Systemboard --&gt; Keyboard</b></li> <li>2. <b>Interactive Tests --&gt; Keyboard</b></li> </ol>   |
| Hard disk drive                       | <b>Diagnostics --&gt; Fixed Disks</b>   |

(continued)

| FRU                                | Applicable test  |
|------------------------------------|--|
| Diskette drive                     | <ol style="list-style-type: none"> <li>1. <b>Diagnostics --&gt; Diskette Drives</b></li> <li>2. <b>Interactive Tests --&gt; Diskette</b></li> </ol>  |
| DVD drive or DVD/CD-RW combo drive | <ol style="list-style-type: none"> <li>1. <b>Diagnostics --&gt; Other Devices --&gt; CD-ROM/DVD</b></li> <li>2. <b>Interactive Tests --&gt; CD-ROM/DVD Test</b></li> </ol>   |
| Memory                             | <ol style="list-style-type: none"> <li>1. If two DIMMs are installed, remove one of them and run <b>Diagnostics --&gt; Memory Test—Quick</b>.</li> <li>2. If the problem does not recur, return the DIMM to its place, remove the other one, and run the test again.</li> <li>3. If the test does not detect the error, run <b>Diagnostics --&gt; Memory Test—Full</b>.</li> </ol>   |
| Fan                                | <ol style="list-style-type: none"> <li>1. Turn on the computer and check the air turbulence at the louver near the PC Card slot.</li> <li>2. Run <b>Diagnostics --&gt; ThinkPad Devices --&gt; Fan</b>.</li> </ol>   |
| TrackPoint or pointing device      | <p>If the TrackPoint does not work, check the configuration as specified in the ThinkPad Configuration program. If the TrackPoint is disabled, select <b>Automatic</b> (or <b>Enable</b>) to enable it.</p> <p>After you use the TrackPoint, the pointer may drift on the screen for a short time. This drift can occur when a slight, steady pressure is applied to the TrackPoint pointer. This symptom is not a hardware problem. If the pointer stops after a short time, no service action is necessary.</p> <p>If enabling the TrackPoint does not correct the problem, continue with the following:</p> <ul style="list-style-type: none"> <li>• <b>Interactive Tests --&gt; Mouse</b></li> </ul> |
| Touch Pad                          | <p>If the Touch Pad does not work, check the configuration as specified in the ThinkPad Configuration program. If the Touch Pad is disabled, select <b>Automatic</b> to enable it. If enabling the Touch Pad does not correct the problem, continue with the following:</p> <ul style="list-style-type: none"> <li>• <b>Interactive Tests --&gt; Mouse</b></li> </ul>  |



## Fn key combinations

The following table shows the function of each combination of Fn with a function key.

| Key combination | Description   |
|-----------------|---|
| Fn+F1           | Reserved.   |
| Fn+F2           | Reserved.   |
| Fn+F3           | <p><b>R50e and R52 series:</b> Turn off the computer display, leaving the screen blank. To turn the computer display on again, press any key or press the TrackPoint pointing stick.</p> <p><b>R51e series:</b> Select a power scheme that has been created by Power Manager. A panel for selecting a power scheme appears when this combination is pressed.</p> <p><b>Notes:</b></p> <ol style="list-style-type: none"> <li>1. If the user has logged on with a administrator user ID, and Fn+F3 is pressed, the panel for selecting a power scheme appears. If the user have logged on with another user ID, and Fn+F3 is pressed, the panel does not appear.</li> <li>2. The computer display cannot be turned off by pressing Fn+F3.</li> </ol> |
| Fn+F4           | <p>Put the computer in standby mode. To return to normal operation, press the Fn key only, without pressing a function key.</p> <p><b>Note:</b> This combination of keys functions as a sleep button. The setting can be changed so that pressing it puts the computer into hibernation mode or even shuts the computer down.</p>   |
| Fn+F5           | <p>Control the power source of the built-in <i>Bluetooth</i> wireless device. This combination of the keys functions as a toggle switch of the power state.</p> <p><b>Note:</b> In Windows 2000 or Windows XP, this combination of keys enables or disables the built-in wireless networking features (the IEEE 802.11 standard) and the <i>Bluetooth wireless</i> features. To use this function, the following drivers must be installed.</p> <ul style="list-style-type: none"> <li>• ThinkPad Power Management driver</li> <li>• OnScreen Display utility</li> <li>• Wireless device drivers</li> </ul>   |
| Fn+F6           | Reserved.   |

(continued)

| <b>Key combination</b> | <b>Description</b>  |
|------------------------|---|
| Fn+F7                  | <p>Switch a display output location</p> <ul style="list-style-type: none"><li>• External monitor (CRT display)</li><li>• Computer display and external monitor (LCD + CRT display)</li><li>• Computer display (LCD)</li></ul> <p><b>Note:</b> For any operating system other than Windows 2000 or Windows XP, no additional procedure is needed; just press Fn+F7.</p> <p><b>Notes:</b></p> <ol style="list-style-type: none"><li>1. This function does not work when different desktop images are displayed on the computer display and the external monitor (the Extend desktop function).</li><li>2. This function does not work while a DVD movie or a video clip is playing.</li><li>3. For Windows 2000 or Windows XP, a hotkey application might take over the switching function.</li></ol> |
| Fn+F8                  | <p>If the image displayed on the computer is smaller than the physical display, switch the computer screen size between expanded mode and normal mode.</p>  |

(continued)

| Key combination | Description   |
|-----------------|---|
| Fn+F9           | <p>Open the ThinkPad EasyEject Utility screen. Buttons for the following choices are displayed:</p> <ul style="list-style-type: none"> <li>• <b>Eject ThinkPad PC from Dock:</b> This button is displayed only if the ThinkPad computer has been attached to a ThinkPad Dock II. The computer can be detached from the ThinkPad Dock II.</li> <li>• <b>Eject ThinkPad PC from Mini Dock:</b> This button is displayed only if the ThinkPad computer has been docked in a ThinkPad Mini Dock and one or more USB devices have been connected to the ThinkPad Mini Dock. You can stop and remove all the USB devices safely by clicking the button.<br/><b>Note:</b> If a diskette drive is connected to the external-diskette-drive connector of the ThinkPad Mini Dock, you cannot connect a USB diskette drive.</li> <li>• <b>Run EasyEject Actions:</b> This button is used to select, stop, or remove external devices connected to the ThinkPad computer.</li> <li>• <b>Configure EasyEject Actions:</b> Opens the ThinkPad EasyEject Utility main window.</li> <li>• <b>Fn+F9 Settings:</b> Configures the settings for the Fn+F9 function.</li> </ul> <p>You can use this utility to stop and remove all ejectable devices connected to the ThinkPad computer, the ThinkPad Mini Dock, or the ThinkPad Port Replicator II. You cannot use it to detach the computer from the ThinkPad Mini Dock or the ThinkPad Port Replicator II.</p> |
| Fn+F10          | Reserved.   |
| Fn+F11          | Reserved.   |
| Fn+F12          | <p>Put the computer into hibernation mode. To return to normal operation, press the power button for less than four seconds.</p> <p><b>Note:</b> To use Fn+F12 for hibernation, you must have the PM device driver installed on the computer.</p>   |
| Fn+PgUp         | <p>Turn the ThinkLight on or off.</p> <p><b>Note:</b> This function is supported only on the ThinkPad computers that have the ThinkLight. The on or off status of the ThinkLight is shown on the screen for a few seconds when you press Fn+PgUp.</p>   |
| Fn+Home         | The computer display becomes brighter.  |
| Fn+End          | The computer display becomes dimmer.  |
| Fn+Spacebar     | Enable the FullScreen Magnifier function.   |

## Symptom-to-FRU index

The symptom-to-FRU index in this section lists symptoms and errors and their possible causes. The most likely cause is listed first, in boldface type.

**Note:** Do the FRU replacement or other actions in the sequence shown in the column headed “FRU or action, in sequence.” If replacing a FRU does not solve the problem, put the original part back in the computer. Do not replace a nondefective FRU.

This index can also help you determine, during regular servicing, what FRUs are likely to need to be replaced next.

A numeric error is displayed for each error detected in POST or system operation. In the displays, **n** can be any number.

If no numeric code is displayed, check the narrative descriptions of symptoms. If the symptom is not described there, go to “Intermittent problems” on page 70.

### Note

For a device not supported by diagnostic codes in the ThinkPad notebook computers, see the manual for that device.

## Numeric error codes

| Symptom or error  | FRU or action, in sequence  |
|---|---|
| <b>0175</b><br>Bad CRC1, stop POST task—The EEPROM checksum is not correct.   | <b>System board.</b>  |
| <b>0176</b><br>System Security—The system has been tampered with.   | <ol style="list-style-type: none"> <li><b>Run BIOS Setup Utility, and save the current setting by pressing F10.</b></li> <li>System board.</li> </ol>   |
| <b>0177</b><br>Bad SVP data, stop POST task—The checksum of the supervisor password in the EEPROM is not correct.                 | <b>System board.</b>  |
| <b>0182</b><br>Bad CRC2. Enter BIOS Setup and load Setup defaults.—The checksum of the CRS2 setting in the EEPROM is not correct. | <ol style="list-style-type: none"> <li><b>Run BIOS Setup Utility. Press F9, and Enter to load the default setting. Then save the current setting by pressing F10.</b></li> <li>System board.</li> </ol> |

| Symptom or error   | FRU or action, in sequence  |
|--|---|
| <b>0185</b><br>Bad startup sequence settings. Enter BIOS Setup and load Setup defaults.                  | 1. <b>Run BIOS Setup Utility. Press F9, and Enter to load the default setting. Then save the current setting by pressing F10.</b>         |
| <b>0187</b><br>EAIA data access error—The access to EEPROM is failed.                                    | <b>System board.</b>  |
| <b>0188</b><br>Invalid RFID Serialization Information Area.  | <b>System board.</b>  |
| <b>0189</b><br>Invalid RFID configuration information area—The EEPROM checksum is not correct.           | <b>System board.</b>  |
| <b>0190</b><br>Critical low-battery error  | 1. <b>Charge the battery pack.</b><br>2. Battery pack.  |
| <b>0191</b><br>System Security—Invalid Remote Change requested.  | 1. <b>Run BIOS Setup Utility, and then save current setting by pressing F10.</b><br>2. System board.                                      |
| <b>0192</b><br>System Security— IBM Embedded Security hardware tamper detected.                          | <b>System board.</b>  |
| <b>0199</b><br>System Security—IBM Security password retry count exceeded.                               | 1. <b>Run BIOS Setup Utility, and then save the current setting by pressing F10.</b><br>2. System board.                                  |
| <b>01C8</b><br>Two or more modem devices are found. Remove all but one of them. Press <Esc> to continue. | 1. <b>Remove either a Mini-PCI Card or a modem daughter card. Otherwise, press Esc to ignore the warning message.</b><br>2. System board. |
| <b>01C9</b><br>More than one Ethernet devices are found. Remove one of them. Press <Esc> to continue.    | 1. <b>Remove the Ethernet device that you installed; or press Esc to ignore the warning message.</b><br>2. System board.                  |
| <b>0200</b><br>Hard disk error—The hard disk is not working.   | 1. <b>Reseat the hard disk drive.</b><br>2. Load Setup Defaults in BIOS Setup Utility.<br>3. Hard disk drive.<br>4. System board.         |
| <b>021x</b><br>Keyboard error.   | <b>Run interactive tests of the keyboard and the auxiliary input device.</b>  |

| Symptom or error   | FRU or action, in sequence  |
|--|---|
| <b>0220</b><br>Monitor type error—Monitor type does not match the one specified in CMOS. | <b>Load Setup Defaults in BIOS Setup Utility.</b>   |
| <b>0230</b><br>Shadow RAM error—Shadow RAM fails at offset nnnn.                         | <b>System board.</b>  |
| <b>0231</b><br>System RAM error—System RAM fails at offset nnnn.                         | 1. <b>DIMM.</b><br>2. System board.   |
| <b>0232</b><br>Extended RAM error—Extended RAM fails at offset nnnn.                     | 1. <b>DIMM.</b><br>2. System board.   |
| <b>0250</b><br>System battery error—System battery is dead.                              | <b>Replace the backup battery and run BIOS Setup Utility to reset the time and date.</b>                        |
| <b>0251</b><br>System CMOS checksum bad— Default configuration used.                     | <b>Replace the backup battery and run BIOS Setup Utility to reset the time and date.</b>                        |
| <b>0252</b><br>Password checksum bad—The password is cleared.                            | <b>Reset the password by running BIOS Setup Utility.</b>  |
| <b>0260</b><br>System timer error.   | 1. <b>Replace the backup battery and run BIOS Setup Utility to reset the time and date.</b><br>2. System board. |
| <b>0270</b><br>Real-time clock error.  | 1. <b>Replace the backup battery and run BIOS Setup Utility to reset the time and date.</b><br>2. System board. |
| <b>0271</b><br>Date and time error—Neither the date nor the time is set in the computer. | <b>Run BIOS Setup Utility to reset the time and date.</b>   |
| <b>0280</b><br>Previous boot incomplete—Default configuration used.                      | 1. <b>Load “Setup Default” in BIOS Setup Utility.</b><br>2. DIMM.<br>3. System board.                           |
| <b>02F4</b><br>DMA test failed.  | 1. <b>Load Setup Defaults in BIOS Setup Utility.</b><br>2. Replace the backup battery.<br>3. System board.      |
| <b>02F5</b><br>DMA test failed.  | 1. <b>DIMM.</b><br>2. System board.   |
| <b>02F6</b><br>Software NMI failed   | 1. <b>DIMM.</b><br>2. System board.   |
| <b>02F7</b><br>Fail-safe timer NMI failed  | 1. <b>DIMM.</b><br>2. System board.   |

| Symptom or error   | FRU or action, in sequence   |
|--|--|
| <b>1802</b><br>Unauthorized network card is plugged in—Turn off and remove the miniPCI network card. | <ol style="list-style-type: none"> <li>1. <b>Remove Mini PCI network card.</b></li> <li>2. System board.</li> </ol>  |
| <b>1803</b><br>Unauthorized daughter card is plugged in—Turn off and remove the daughter card.       | <ol style="list-style-type: none"> <li>1. <b>Remove the daughter card that you installed.</b></li> <li>2. System board.</li> </ol>   |
| <b>1810</b><br>Hard disk partition layout error.   | <ol style="list-style-type: none"> <li>1. <b>If the Access IBM Predesktop Area has been previously disabled, then go to the BIOS Setup Utility by pressing F1 to open the BIOS Setup Utility. Select Security --&gt; Predesktop Area --&gt; Access IBM Predesktop Area. Set this item to Disabled. Save and exit.</b></li> <li>2. If the Access IBM Predesktop Area has not been previously disabled, press Enter to load Access IBM Predesktop Area. Then run <b>RECOVER TO FACTORY CONTENTS</b> in Access IBM Predesktop Area.</li> <li>3. If item 2 failed, press F3 in the Welcome screen in <b>RECOVER TO FACTORY CONTENTS</b>. Run FDISK, and then delete all partitions. Run <b>RECOVER TO FACTORY CONTENTS</b> in Access IBM Predesktop Area again.</li> <li>4. If item 3 failed, select CD-ROM boot in <b>Startup</b> in Access IBM Predesktop Area. Boot from the Recovery CD and perform full recovery from it.</li> <li>5. If item 4 failed, replace the hard disk drive.</li> </ol> |

| Symptom or error   | FRU or action, in sequence   |
|--|--|
| <p><b>2000</b><br/>Hard Drive Active Protection sensor diagnostics failed.<br/>Press &lt;Esc&gt; to continue.<br/>Press &lt;F1&gt; to enter SETUP</p>  | <ol style="list-style-type: none"> <li>1. Undock docking station or port replicator if it is attached to the ThinkPad computer, and place the computer on a horizontal surface. Do not apply any physical shock to the computer.</li> <li>2. Run <b>Diagnostics --&gt; ThinkPad Devices --&gt; HDD Active Protection Test.</b></li> </ol>  |
| <p><b>2010</b><br/>Warning: Your internal hard disk drive (HDD) may not function correctly on this system. Ensure that your HDD is supported on this system and that the latest HDD firmware is installed.</p> | <p>Inform the following information to the customer:<br/>If in the primary bay the customer is using a non-IBM or non-Lenovo hard disk drive (HDD), or an old generation IBM HDD which is not supported by this system, with the risk in mind, the customer can still use it by pressing ESC. If in the primary drive bay the customer is using a supported IBM/Lenovo HDD with an old firmware, the customer needs to update its firmware to the latest. The latest version is available at<br/><a href="http://www.lenovo.com/think/support">http://www.lenovo.com/think/support</a></p> |



## Error messages

| Symptom or error   | FRU or action, in sequence   |
|--|--|
| Device address conflict.   | <ol style="list-style-type: none"> <li>1. <b>Load “Setup Defaults” in the BIOS Setup Utility.</b></li> <li>2. Backup battery.</li> <li>3. System board.</li> </ol>   |
| Allocation error for device.                                     | <ol style="list-style-type: none"> <li>1. <b>Load “Setup Defaults” in the BIOS Setup Utility.</b></li> <li>2. Backup battery.</li> <li>3. System board.</li> </ol>   |
| Failing bits: nnnn.  | <ol style="list-style-type: none"> <li>1. <b>DIMM.</b></li> <li>2. System board.</li> </ol>  |
| Invalid system configuration data.                               | <ol style="list-style-type: none"> <li>1. <b>DIMM.</b></li> <li>2. System board.</li> </ol>  |
| I/O device IRQ conflict.   | <ol style="list-style-type: none"> <li>1. <b>Load “Setup Defaults” in the BIOS Setup Utility.</b></li> <li>2. Backup battery.</li> <li>3. System board.</li> </ol>   |
| Operating system not found.                                      | <ol style="list-style-type: none"> <li>1. Check that the operating system has no failure and is installed correctly.</li> <li>2. <b>Enter the BIOS Setup Utility and see whether the hard disk drive and the diskette drive are properly identified.</b></li> <li>3. Reseat the hard disk drive.</li> <li>4. Reinstall the operating system.</li> <li>5. Diskette drive.</li> <li>6. Hard disk drive.</li> <li>7. System board.</li> </ol> |
| Hibernation error.   | <ol style="list-style-type: none"> <li>1. <b>Restore the system configuration to what it was before the computer entered hibernation mode.</b></li> <li>2. If memory size has been changed, re-create the hibernation file.</li> </ol>   |
| Fan error.   | <b>Fan.</b>  |
| Thermal sensing error.   | <b>System board.</b>   |
| Authentication of system services failed. Press <Esc> to resume. | <b>The Predesktop Area in the HDD is corrupted. Restore it from a recovery CD.</b>   |

## Beep symptoms

| Symptom or error   | FRU or action, in sequence  |
|--|---|
| One beep and a blank, unreadable, or flashing LCD.   | <ol style="list-style-type: none"> <li>1. <b>Reseat the LCD connector.</b></li> <li>2. LCD assembly.</li> <li>3. External CRT.</li> <li>4. System board.</li> </ol> |
| One long and two short beeps, and a blank or unreadable LCD.                                 | <ol style="list-style-type: none"> <li>1. <b>System board.</b></li> <li>2. LCD assembly.</li> <li>3. DIMM.</li> </ol>   |
| Two short beeps with error codes.  | <b>POST error. See “Numeric error codes” on page 62.</b>  |
| Two short beeps and a blank screen.  | <ol style="list-style-type: none"> <li>1. <b>System board.</b></li> <li>2. DIMM.</li> </ol>   |
| Three short beeps, pause, three more short beeps, and one short beep.                        | <ol style="list-style-type: none"> <li>1. <b>DIMM.</b></li> <li>2. System board</li> </ol>  |
| One short beep, pause, three short beeps, pause, three more short beeps, and one short beep. |   |
| Only the cursor appears.   | <b>Reinstall the operating system.</b>  |
| Four cycles of four short beeps and a blank screen.  | <b>System board</b> (security chip)   |
| Five short beeps and a blank screen.   | <b>System board</b>   |

## No-beep symptoms

| Symptom or error   | FRU or action, in sequence   |
|--|--|
| No beep, power-on indicator on, LCD blank, and no POST.    | <ol style="list-style-type: none"> <li>1. <b>Make sure that every connector is connected tightly and correctly.</b></li> <li>2. DIMM.</li> <li>3. System board.</li> </ol> |
| No beep, power-on indicator on, and LCD blank during POST. | <ol style="list-style-type: none"> <li>1. <b>Reseat DIMM.</b></li> <li>2. System board.</li> </ol>   |
| The power-on password prompt appears.                      | A power-on password or a supervisor password is set. Type the password and press <b>Enter</b> .  |
| The hard-disk password prompt appears.                     | A hard-disk password is set. Type the password and press <b>Enter</b> .  |
| The DOS full screen looks smaller than it should.          | Start the ThinkPad Configuration program and set the <b>Screen expansion</b> function.   |

## LCD-related symptoms

### Important

The TFT LCD for the notebook computer contains many thin-film transistors (TFTs). The presence of a small number of dots that are missing, discolored, or always lighted is characteristic of TFT LCD technology, but excessive pixel problems can cause viewing concerns. The LCD should be replaced if the number of missing, discolored, or lighted dots in any background is:

- **XGA:** 8 or more bright dots, 8 or more dark dots, or a total of 9 or more bright and dark dots.
- **SXGA+:** 11 or more bright dots, 13 or more dark dots, or a total of 16 or more bright and dark dots.

**Note:** A bright dot means a pixel is always on (white or color.) A dark dot means a pixel is always off (black color.)

| Symptom or error  | FRU or action, in sequence  |
|---|---|
| No beep, power-on indicator on, and a blank LCD during POST.  | <b>System board.</b>  |
| <ul style="list-style-type: none"> <li>• LCD backlight not working.</li> <li>• LCD too dark.</li> <li>• LCD brightness cannot be adjusted.</li> <li>• LCD contrast cannot be adjusted.</li> </ul> | <ol style="list-style-type: none"> <li>1. <b>Reseat the LCD connectors.</b></li> <li>2. LCD assembly.</li> <li>3. System board.</li> </ol>  |
| <ul style="list-style-type: none"> <li>• LCD screen unreadable.</li> <li>• Characters missing pixels.</li> <li>• Screen abnormal.</li> <li>• Wrong color displayed.</li> </ul>                    | <ol style="list-style-type: none"> <li>1. <b>See important note for “LCD-related symptoms.”</b></li> <li>2. Reseat all LCD connectors.</li> <li>3. LCD assembly.</li> <li>4. System board.</li> </ol> |
| Horizontal or vertical lines displayed on LCD.  | <b>LCD assembly.</b>  |

## Intermittent problems

Intermittent system hang problems can be due to a variety of causes that have nothing to do with a hardware defect, such as cosmic radiation, electrostatic discharge, or software errors. FRU replacement should be considered only when a problem recurs.

When analyzing an intermittent problem, do the following:

1. Run the diagnostic test for the system board in loop mode **at least 10 times**.
2. If no error is detected, do **not** replace any FRUs.
3. If any error is detected, replace the FRU shown by the FRU code. Rerun the test to verify that no more errors exist.

## Undetermined problems

If the diagnostic tests did not identify the adapter or device that has failed, if wrong devices are installed, or if the system simply is not operating, follow these procedures to isolate the failing FRU (do not isolate FRUs that have no defects).

Verify that all attached devices are supported by the computer.

Verify that the power supply being used at the time of the failure is operating correctly. (See "Power system checkout" on page 41.)

1. Turn off the computer.
2. Visually check each FRU for damage. Replace any damaged FRU.
3. Remove or disconnect all of the following devices:
  - a. Non-ThinkPad devices
  - b. Devices attached to the port replicator
  - c. Printer, mouse, and other external devices
  - d. Battery pack
  - e. Hard disk drive
  - f. External diskette drive
  - g. DIMM
  - h. CD-ROM and diskette drive in the Ultrabay
  - i. PC Cards
4. Turn on the computer.
5. Determine whether the problem has been solved.
6. If the problem does not recur, reconnect the removed devices one at a time until you find the failing FRU.
7. If the problem remains, replace the following FRUs one at a time (do not replace a nondefective FRU):
  - a. System board
  - b. LCD assembly

## FRU replacement notices

This section contains notices related to removing and replacing parts. Read this section carefully before replacing any FRU.

### Screw notices

Loose screws can cause a reliability problem. In the ThinkPad computer, this problem is addressed with special nylon-coated screws that have the following characteristics:

- They maintain tight connections.
- They do not easily come loose, even with shock or vibration.
- They are harder to tighten.
- Each one should be used only once.

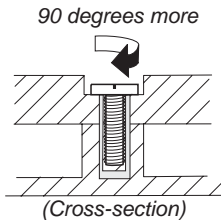
Do the following when you service this machine:

- Keep the screw kit (for the P/N, see “Miscellaneous parts” on page 253) in your tool bag.
- Always use new screws.
- Use a torque screwdriver if you have one.

Tighten screws as follows:

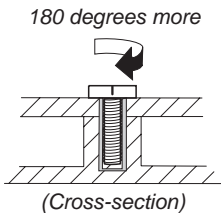
- **Plastic to plastic**

Turn an additional **90 degrees** after the screw head touches the surface of the plastic part:



- **Logic card to plastic**

Turn an additional **180 degrees** after the screw head touches the surface of the logic card:



- **Torque driver**

If you have a torque driver, refer to the “Torque” column for each step.

- Make sure that you use the correct screw. If you have a torque screwdriver, tighten all screws firmly to the torque shown in the table. **Never use a screw that you removed. Use a new one. Make sure that all of the screws are tightened firmly.**

## Retaining serial numbers

This section includes the following descriptions:

- “Restoring the serial number of the system unit”
- “Retaining the UUID” on page 73
- “Reading or writing the ECA information” on page 73

## Restoring the serial number of the system unit

When the computer was manufactured, the EEPROM on the system board was loaded with the serial numbers of the system and all major components. These numbers need to remain the same throughout the life of the computer.

If you replace the system board, you must restore the serial number of the system unit to its original value.

Before replacing the system board, save the original serial number by doing the following:

1. Install the ThinkPad Hardware Maintenance Diskette Version 1.73 or later, and restart the computer.
2. From the main menu, select **1. Set System Identification**.
3. Select **2. Read S/N data from EEPROM**.

The serial number of each device in your computer is displayed; the serial number of the system unit is listed as follows:

20: Serial number

Write down that number.

**Note:** The serial number of the system unit is also written on the label attached to the bottom of the computer.

After you have replaced the system board, restore the serial number by doing the following:

1. Install the ThinkPad Hardware Maintenance Diskette Version 1.73 or later and restart the computer.
2. From the main menu, select **1. Set System Identification**.
3. Select **1. Add S/N data from EEPROM**.  
Follow the instructions on the screen.

## Retaining the UUID

The Universally Unique Identifier (UUID) is a 128-bit number uniquely assigned to your computer at production and stored in the EEPROM of your system board. The algorithm that generates the number is designed to provide unique IDs until the year A.D. 3400. No two computers in the world have the same number.

When you replace the system board, you must set the UUID on the new system board as follows:

1. Install the ThinkPad Hardware Maintenance Diskette Version 1.73 or later, and restart the computer.
2. From the main menu, select **4. Assign UUID.**

A new UUID is created and written. If a valid UUID already exists, it is not overwritten.

## Reading or writing the ECA information

Information on Engineering Change Announcements (ECA) are stored in the EEPROM of the system board. The electronic storage of this information simplifies the procedure to check if the ECA has been previously applied to a machine. The machine does not need to be disassembled to check for the ECA application.

To check what ECAs have been previously applied to the machine, use the ECA Information Read/Write function on the ThinkPad Hardware Maintenance Diskette Version 1.73 or later.

1. Insert the ThinkPad Hardware Maintenance Diskette Version 1.73 or later, and restart the computer.
2. From the main menu, select **6. Set ECA Information.**
3. To read ECA information, select **2. Read ECA/rework number from EEPROM** and follow the instruction.
4. To read box build date, select **5. Read box build date from EEPROM**, and follow the instruction on the screen.

After an ECA has been applied to the machine, the EEPROM must be updated to reflect the ECA's application. Use the ThinkPad Hardware Maintenance Diskette Version 1.73 or later to update the EEPROM.

**Note:** Only the ECA number is stored in the EEPROM. The machine type of the ECA is assumed be the same as the machine type of the machine that had the ECA applied to it.

1. Insert the ThinkPad Hardware Maintenance Diskette Version 1.73 or later, and restart the computer.
2. From the main menu, select **6. Set ECA Information.**

3. To write ECA information, select **1. Write ECA/rework number from EEPROM**, and follow the instruction.
4. To write box build date, select **4. Write box build date from EEPROM**, and follow the instruction on the screen.

If the system board is being replaced, try to read the ECA information from the old system board and transfer the information to the new system. If the system board is inoperable, this will not be possible.



## Removing and replacing a FRU

This section presents directions and drawings for use in removing and replacing a FRU. Be sure to observe the following general rules:

1. Do not try to service any computer unless you have been trained and certified. An untrained person runs the risk of damaging parts.
2. Before replacing any FRU, review “FRU replacement notices” on page 71.
3. Begin by removing any FRUs that have to be removed before the failing FRU. Any such FRUs are listed at the top of the page. Remove them in the order in which they are listed.
4. Follow the correct sequence in the steps for removing the FRU, as given in the drawings by the numbers in square callouts.
5. When turning a screw to replace a FRU, turn it in the direction as given by the arrow in the drawing.
6. When removing the FRU, move it in the direction as given by the arrow in the drawing.
7. To put the new FRU in place, reverse the removal procedure and follow any notes that pertain to replacement. For information about connecting and arranging internal cables, see “Locations” on page 153.
8. When replacing a FRU, use the correct screw as shown in the procedures.

### DANGER

**Before removing any FRU, turn off the computer, unplug all power cords from electrical outlets, remove the battery pack, and then disconnect any interconnecting cables.**

**Attention:** After replacing a FRU, do not turn on the computer until you have made sure that all screws, springs, and other small parts are in place and none are loose inside the computer. Verify this by shaking the computer gently and listening for rattling sounds. Metallic parts or metal flakes can cause electrical short circuits.

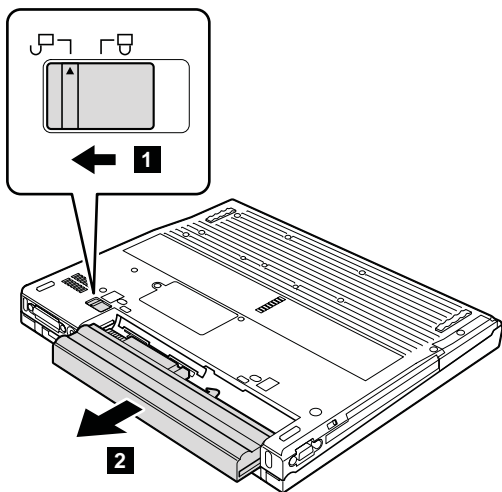
**Attention:** The system board is sensitive to, and can be damaged by, electrostatic discharge. Before touching it, establish personal grounding by touching a ground point with one hand or by using an electrostatic discharge (ESD) strap (P/N 6405959).

## 1010 Battery pack

**⚠ DANGER**

Use only the battery specified in the parts list for your computer. Any other battery could ignite or explode.

Holding the battery release lever in the unlocked position **1**, remove the battery pack **2**.



**When installing:** Install the battery pack along the slide rails on the left and right sides of the battery-pack slot. Then make sure that the battery latch is locked.

## 1020 Ultrabay Enhanced device (for R52 series)

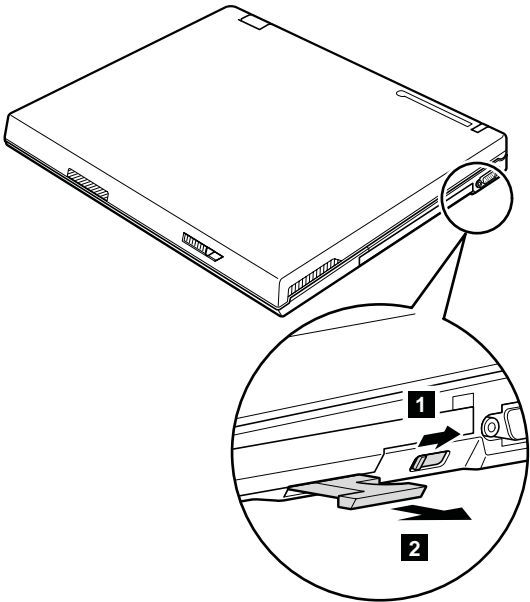
### Note

Ultrabay Enhanced does not accept any of the following devices:

- Ultrabay Plus devices
- Ultrabay 2000 devices

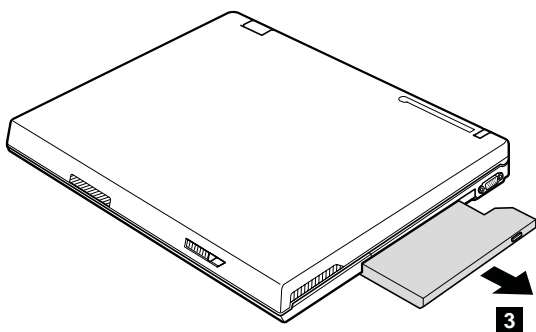
For devices compatible with the Ultrabay Enhanced, see “Optional FRUs” on page 259.

When you release the switch in step **1**, the lever pops out. In step **2**, pull the lever a little to release the device from the bay.



(continued)

*Removing and replacing a FRU*



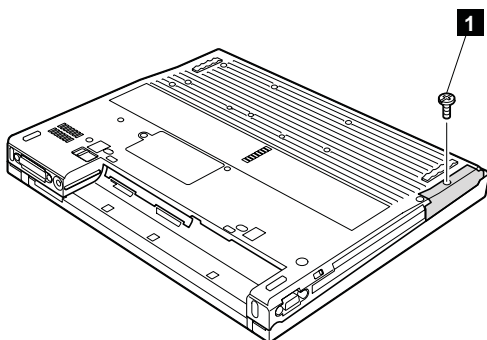
## 1030 Hard disk drive

### Attention

- **Do not drop the hard disk drive or apply any physical shock to it.** The hard disk drive is sensitive to physical shock. Improper handling can cause damage and permanent loss of data.
- Before removing the drive, have the user make a backup copy of all the information on it if possible.
- Never remove the drive while the system is operating or is in suspend mode.

For access, remove this FRU:

- “1010 Battery pack” on page 76

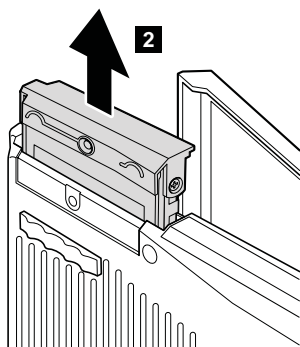


**Note:** The hard disk is attached to the cover.

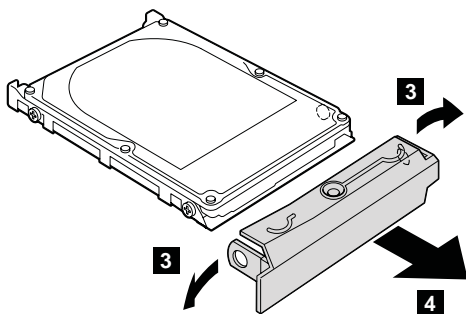
| Step   | Screw (quantity)                    |
|--|-------------------------------------|
| <b>1</b>   | HDD screw (1) or security screw (1) |
| <b>Note:</b> Use a 2.5-mm Allen wrench to remove the security screw. |                                     |

(continued)

*Removing and replacing a FRU*



**When installing:** Make sure that the hard-disk connector is attached firmly.

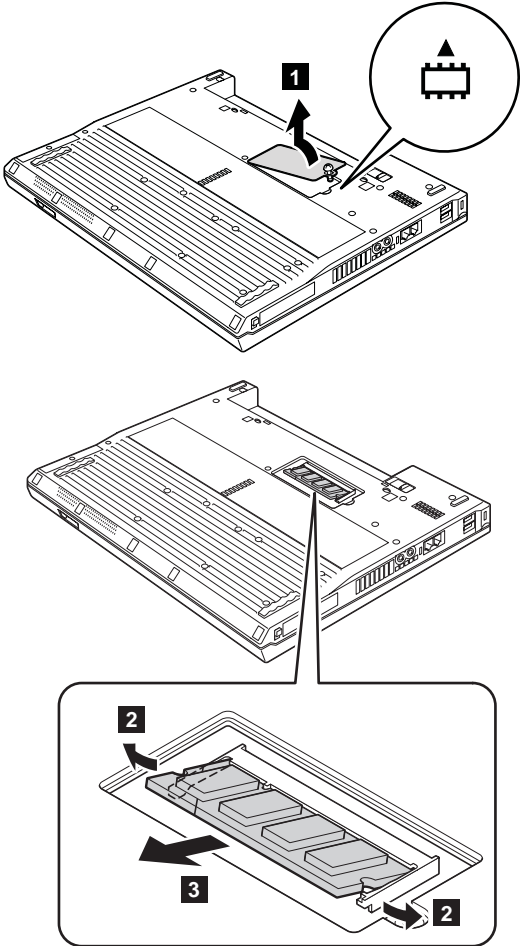


## 1040 DIMM (optional)

For access, remove this FRU:

- “1010 Battery pack” on page 76

**Note:** Loosen the screw **1**, but do not remove it.

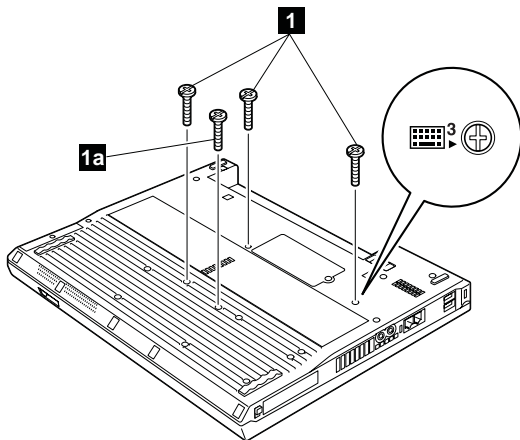


**When installing:** Insert the notched end of the DIMM into the socket. Press the DIMM firmly, and pivot it until it snaps into the place. Make sure that it is firmly fixed in the slot and does not move easily.


## 1050 Keyboard

For access, remove this FRU:

- “1010 Battery pack” on page 76



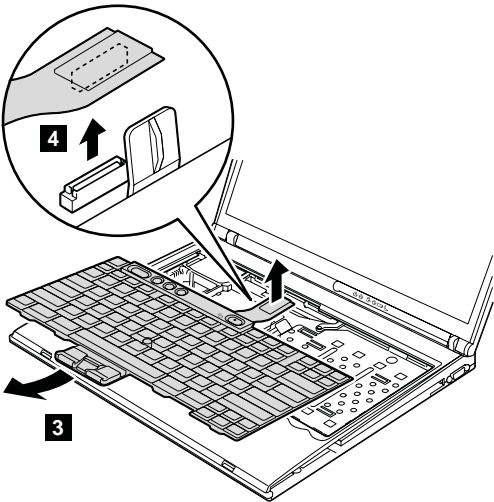
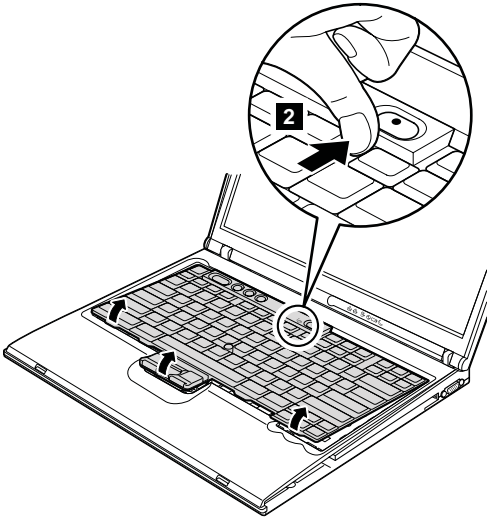
Screw **1a** is only for the models with 14.1-in. LCD.

| Step      | Icon  | Screw (quantity)                        | Color | Torque                  |
|-----------|---|---|-------|-------------------------|
| <b>1</b>  |  | M2 × 12 mm, bind-head, nylon-coated (3) | Black | 0.245 Nm<br>(2.5 kgfcm) |
| <b>1a</b> |   | M2 × 12 mm, bind-head, nylon-coated (1) | Black | 0.245 Nm<br>(2.5 kgfcm) |

(continued)



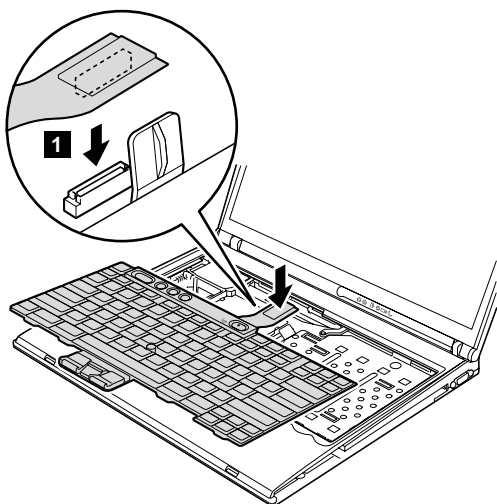
Press the part indicated by the arrow **2** in the direction of the arrow. This releases the latches of the keyboard from the frame, so that the front side of the keyboard pops out.



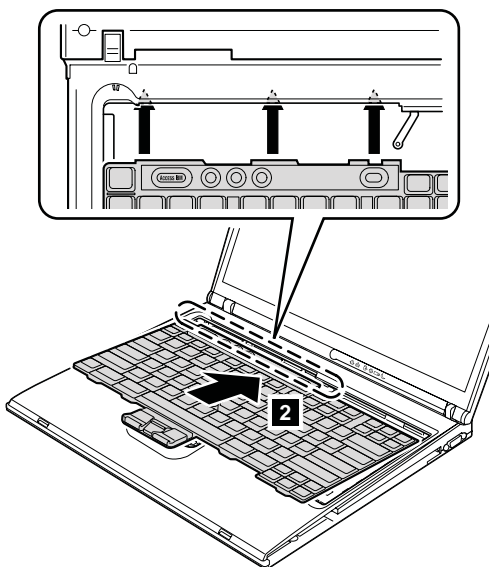
**When installing:** Make sure that the connector **4** is firmly attached.

**When installing:**

1. Attach the connector **1**.

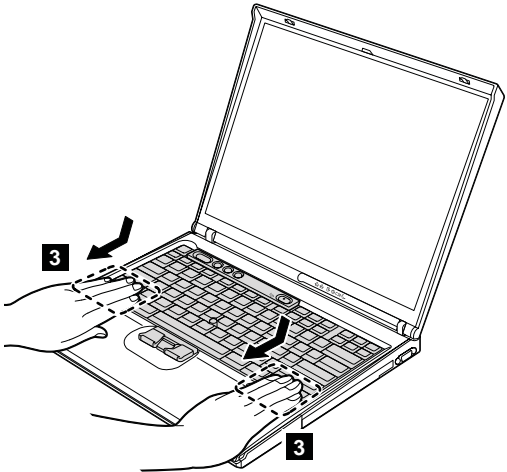


2. Install the keyboard so that the keyboard edges are under the frame.

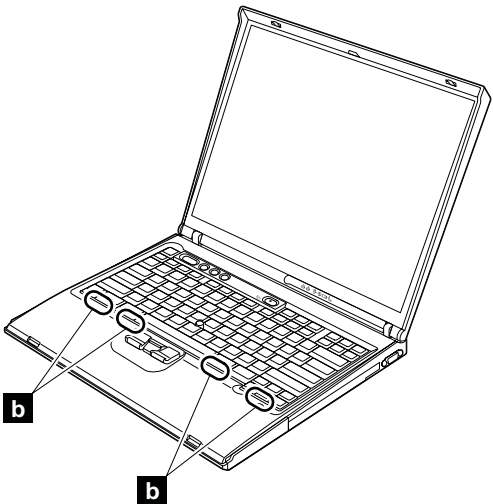


(continued)

3. To make sure that the front edge of the keyboard is housed firmly, gently press the keys with your fingers and try to slide the keyboard towards you.



4. Make sure that all the projections on the front side of the keyboard **b** are firmly attached under the frame.



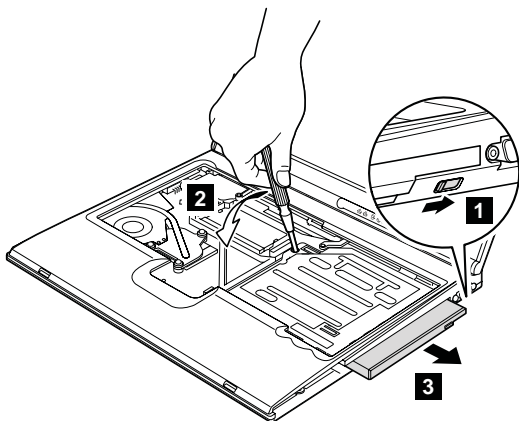
5. Secure the keyboard from the underside of the computer, using the new screws provided with the keyboard.

## 1060 Ultrabay device (for R50e series)

For access, remove these FRUs in order:

- “1010 Battery pack” on page 76
- “1050 Keyboard” on page 82

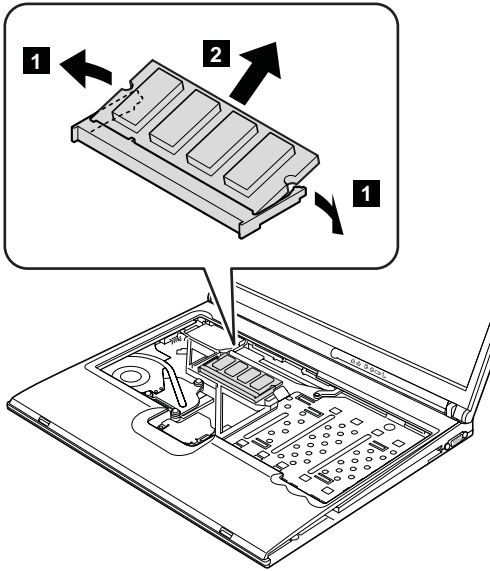
Holding the switch in the direction of arrow **1**, and push the Ultrabay device out from the bay by using a screwdriver **2** as in this figure. Then pull out the Ultrabay device with your hand **3**.



## 1070 DIMM (standard)

For access, remove these FRUs in order:

- “1010 Battery pack” on page 76
- “1050 Keyboard” on page 82

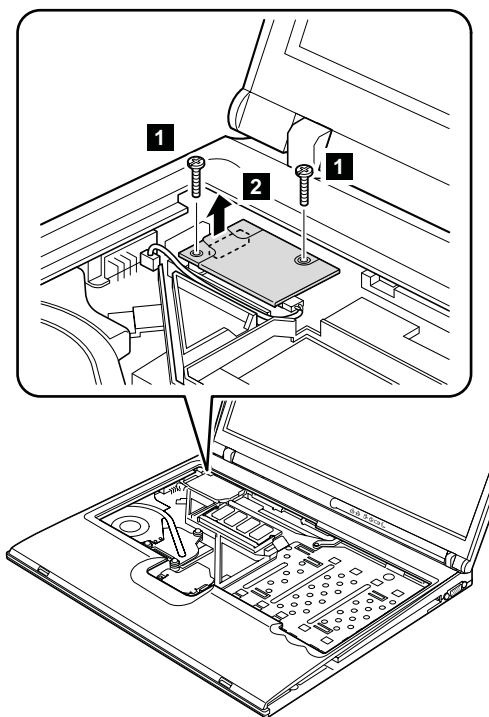


**When installing:** Insert the notched end of the DIMM into the socket. Press the DIMM firmly, and pivot it until it snaps into the place. Make sure that it is firmly fixed in the slot and does not move easily.

## 1080 Modem daughter card (MDC-2)

For access, remove these FRUs in order:

- “1010 Battery pack” on page 76
- “1050 Keyboard” on page 82

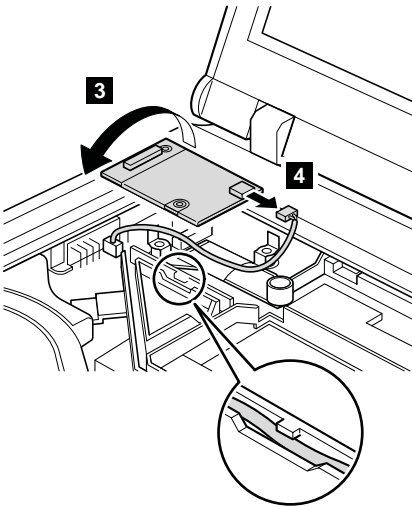


| Step     | Screw (quantity)                        | Color | Torque                  |
|----------|---|-------|-------------------------|
| <b>1</b> | M2 x 12 mm, bind-head, nylon-coated (2) | Black | 0.245 Nm<br>(2.5 kgfcm) |

In step **2**, remove the card by pulling the tab with your fingers in the direction of the arrow.

(continued)

Turn the card over **3** , and detach the modem connector **4** .

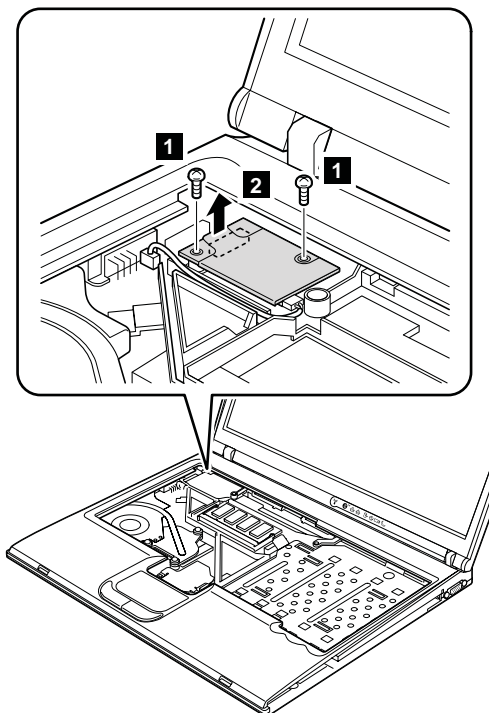


**When installing:** Make sure that connector **4** and the connector on the underside of the card are firmly attached. Then place the cable to fit in the cable guide as in the figure.

## 1090 Bluetooth/Modem daughter card (BMDC-3) (for R52 series)

For access, remove these FRUs in order:

- “1010 Battery pack” on page 76
- “1050 Keyboard” on page 82



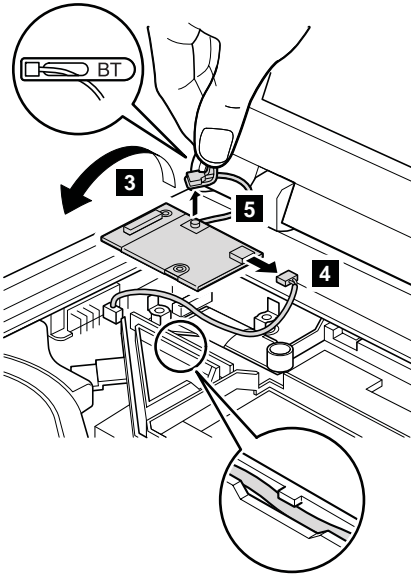
| Step     | Screw (quantity)                        | Color | Torque                  |
|----------|---|-------|-------------------------|
| <b>1</b> | M2 × 12 mm, bind-head, nylon-coated (2) | Black | 0.245 Nm<br>(2.5 kgfcm) |

In step **2**, remove the card by pulling the tab with your fingers in the direction of the arrow.

(continued)



Turn the card over **3**, and detach the modem connector **4**. If the *Bluetooth* wireless antenna jack has a tab marked "BT", unplug the jack by pulling the tab with your fingers. If the antenna jack does not have the tab, unplug the jack by using the removal tool antenna RF connector (P/N: 08K7159) or pick the connector with your fingers and gently unplug it in direction of the arrow **5**.

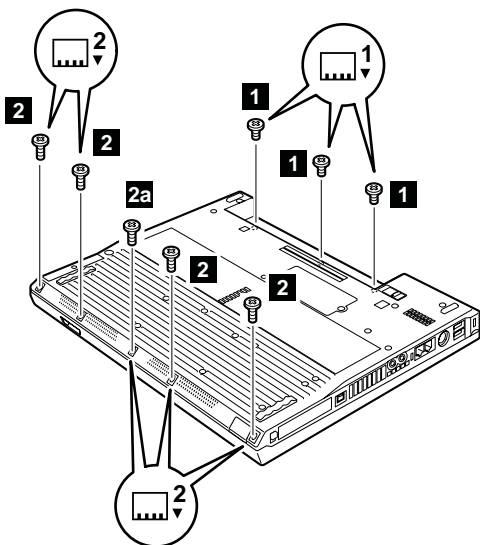


**When installing:** Make sure that connector **4**, the jack **5**, and the connector on the underside of the card are firmly attached. Then place the cable to fit in the cable guide as in the figure.



## 1100 Keyboard bezel

For access, remove these FRUs in order:

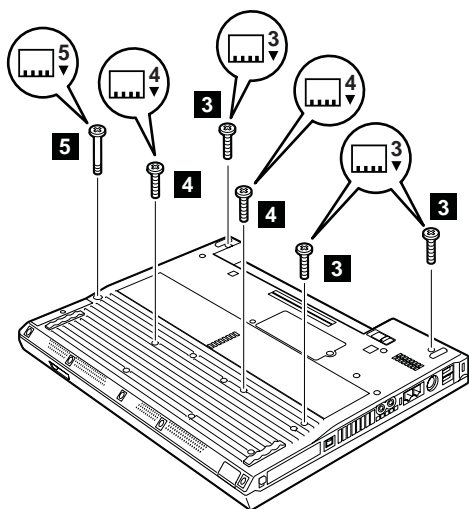
- “1010 Battery pack” on page 76
- “1050 Keyboard” on page 82






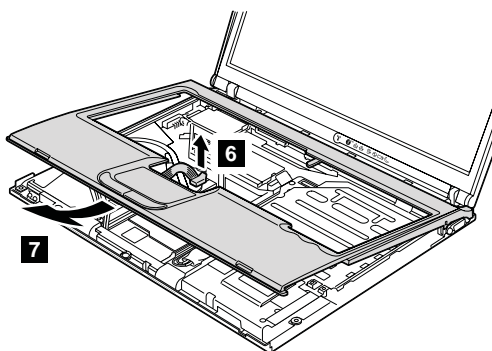
Screw **2a** is only for the models with 15.0-in. LCD.

| Step      | Icon  | Screw (quantity)                        | Color  | Torque                  |
|-----------|---|---|--------|-------------------------|
| <b>1</b>  |  | M2 × 3 mm, small-head, nylon-coated (3) | Silver | 0.245 Nm<br>(2.5 kgfcm) |
| <b>2</b>  |  | M2 × 6 mm, bind-head, nylon-coated (4)  | Black  | 0.245 Nm<br>(2.5 kgfcm) |
| <b>2a</b> |   | M2 × 6 mm, bind-head, nylon-coated (1)  | Black  | 0.245 Nm<br>(2.5 kgfcm) |

(continued)

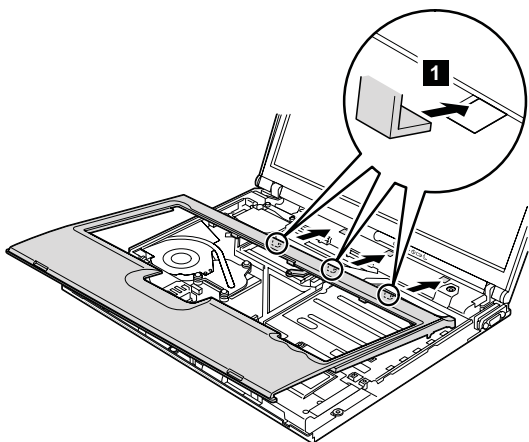


| Step | Icon  | Screw (quantity)                        | Color  | Torque               |
|------|---|---|--------|----------------------|
| 3    |  | M2 x 12 mm, bind-head, nylon-coated (3) | Silver | 0.245 Nm (2.5 kgfcm) |
| 4    |  | M2 x 12 mm, bind-head, nylon-coated (2) | Silver | 0.245 Nm (2.5 kgfcm) |
| 5    |  | M2 x 18.9 mm, special (1)               | Silver | 0.245 Nm (2.5 kgfcm) |

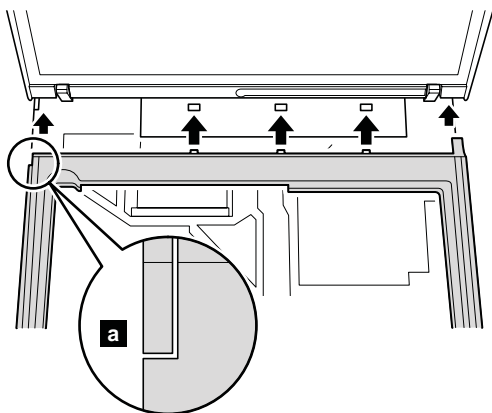


**When installing:**

1. Place the keyboard bezel so that the three latches are fixed in place **1**.

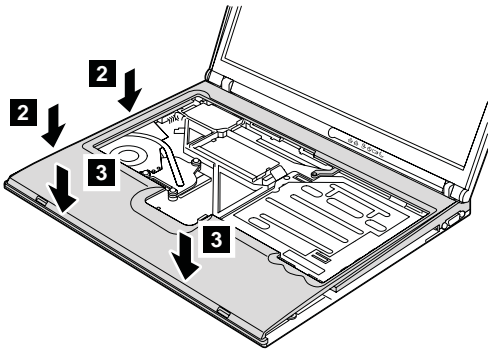


While inserting the three latches, align the top-left corner of the keyboard bezel as in figure **a**.



(continued)

2. Press the left edges **2** and the front edges **3** of the keyboard bezel until the latches are snapped.

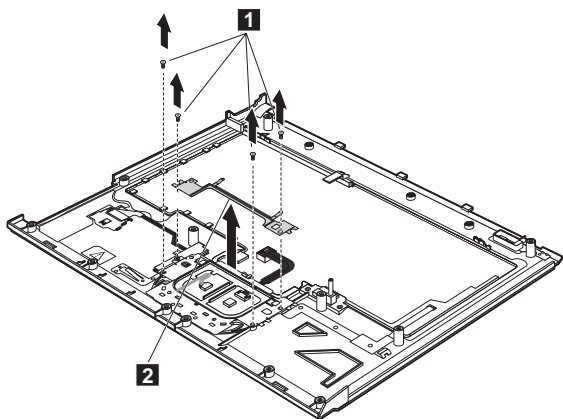


3. Secure the keyboard bezel from the underside of the computer with the screws.

## 1110 Touch pad and Fingerprint reader (for R52 series)

For access, remove these FRUs in order:

- “1010 Battery pack” on page 76
- “1030 Hard disk drive” on page 79
- “1050 Keyboard” on page 82
- “1100 Keyboard bezel” on page 92

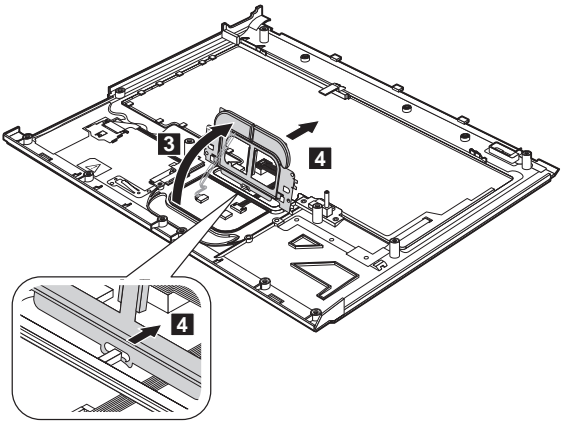


| Step     | Screw (quantity)                       | Color  | Torque                  |
|----------|--|--------|-------------------------|
| <b>1</b> | M2 × 5 mm, flat-head, nylon-coated (4) | Silver | 0.245 Nm<br>(2.5 kgfcm) |

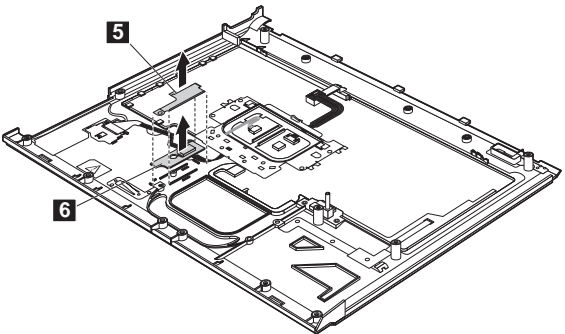
**Note:** The fingerprint reader is connected to the touch pad assembly.

(continued)

After removing the metal plate in step **2**, flip up the touch pad buttons **3** and detach it **4**.



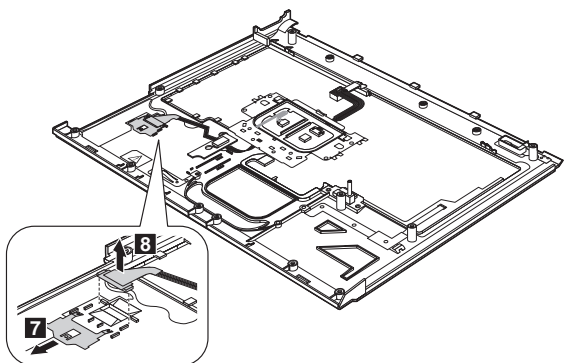
Remove the metal plate in step **5** in order to remove the touchpad assembly.



(continued)

## Removing and replacing a FRU

Slide out the metal plate **7** securing the fingerprint reader before removing it.



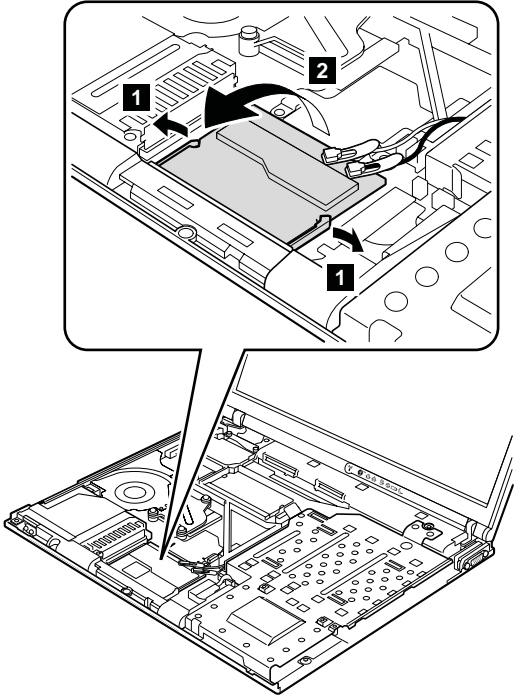
**When installing:** Make sure that the connectors are firmly attached to the touch pad.



## 1120 Mini PCI adapter

For access, remove these FRUs in order:

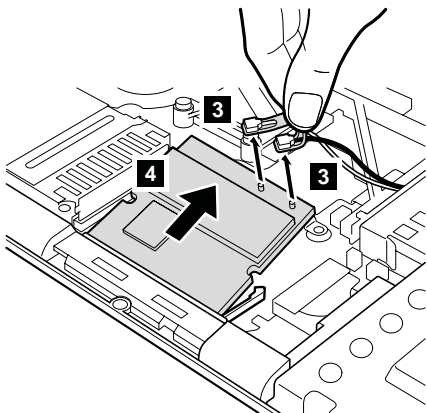
- “1010 Battery pack” on page 76
- “1030 Hard disk drive” on page 79
- “1050 Keyboard” on page 82
- “1100 Keyboard bezel” on page 92



(continued)

## Removing and replacing a FRU

If the wireless antenna jacks have tabs marked "MAIN" or "AUX", unplug the jacks by pulling the tabs with your fingers. If the antenna jacks do not have the tabs, unplug the jacks by using the removal tool antenna RF connector (P/N: 08K7159) or pick the connectors with your fingers and gently unplug it in direction of the arrow **3**.

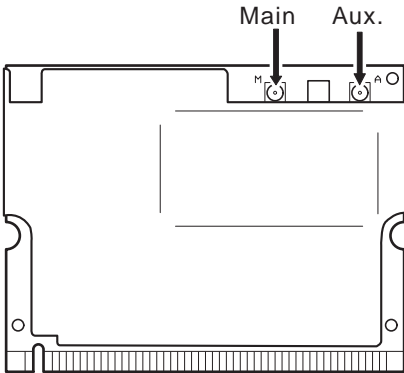


**When installing:** Plug in the wireless antenna cable as follows:

**Intel PRO/Wireless LAN 2100 3B Mini PCI Adapter or Intel PRO Wireless 2200BG Mini-PCI Adapter**

In case of the antenna jacks have the tabs, plug the gray antenna cable with the tab marked **MAIN** into jack **M**, and the black antenna cable with the tab marked **AUX** into jack **A**.

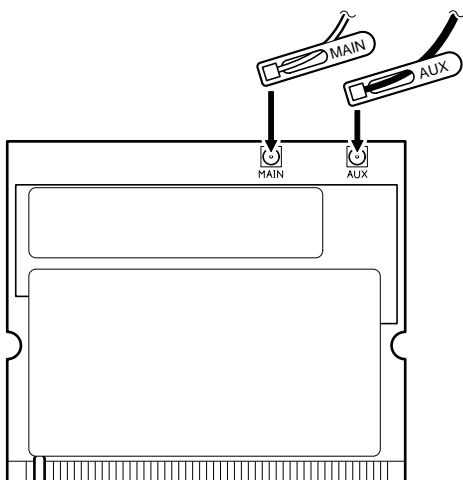
In case of the antenna jacks do not have the tabs, plug the gray cable to jack **M**, and the black cable to jack **A**.



**ThinkPad 11a/b/g Wireless LAN Mini PCI Adapter,  
ThinkPad 11b/g Wireless LAN Mini PCI Adapter**

In case of the antenna jacks have the tabs, plug the gray antenna cable with the tab marked **MAIN** into jack **MAIN**, and the black antenna cable with the tab marked **AUX** into jack **AUX**.

In case of the antenna jacks do not have the tabs, plug the gray cable to jack **MAIN**, and the black cable to jack **AUX**.

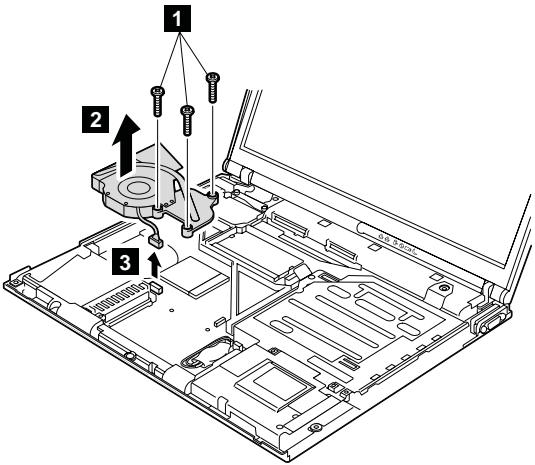


Insert the notched end of the card into the socket, and then press the card firmly. Pivot the card until it snaps into place. Make sure that it is firmly fixed in the slot and does not move easily.

## 1130 Fan assembly

For access, remove these FRUs in order:

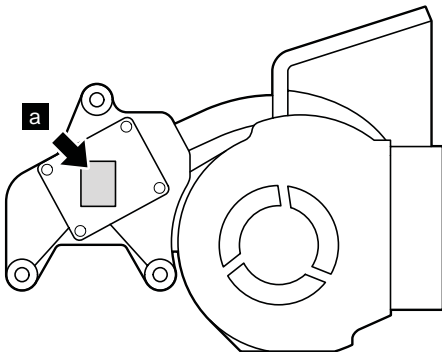
- “1010 Battery pack” on page 76
- “1030 Hard disk drive” on page 79
- “1050 Keyboard” on page 82
- “1100 Keyboard bezel” on page 92



| Step     | Screw (quantity)                        | Color | Torque                  |
|----------|---|-------|-------------------------|
| <b>1</b> | M2 × 10 mm, flat-head, nylon-coated (3) | Black | 0.245 Nm<br>(2.5 kgfcm) |

### When installing:

1. Make sure that the connector **3** is firmly attached.
2. Apply thermal grease on the part marked **a** in this figure.



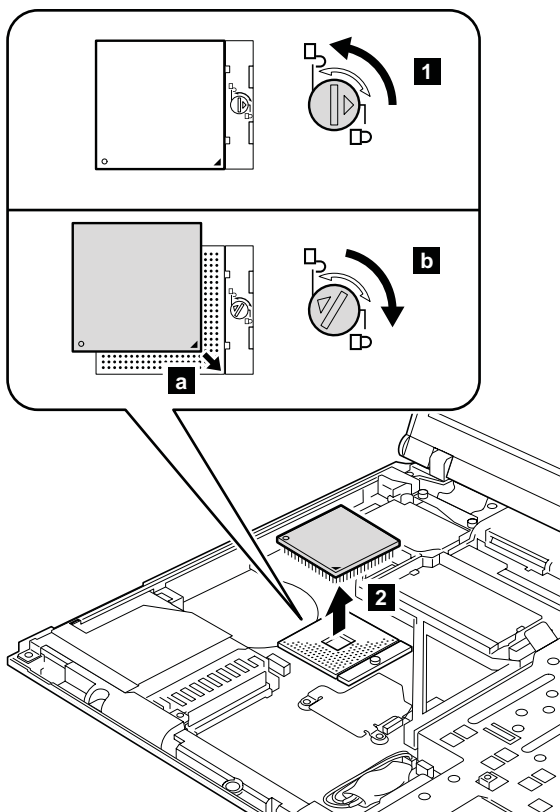
(Bottom view of the fan assembly)

## 1140 CPU

For access, remove these FRUs in order:

- “1010 Battery pack” on page 76
- “1030 Hard disk drive” on page 79
- “1050 Keyboard” on page 82
- “1100 Keyboard bezel” on page 92
- “1130 Fan assembly” on page 103

Rotate the head of the screw in the direction of arrow **1** to release the lock; then remove the CPU **2**.



**When installing:** Place the CPU on the CPU socket **a**, and then rotate the head of the screw in the direction of arrow **b** to secure the CPU.

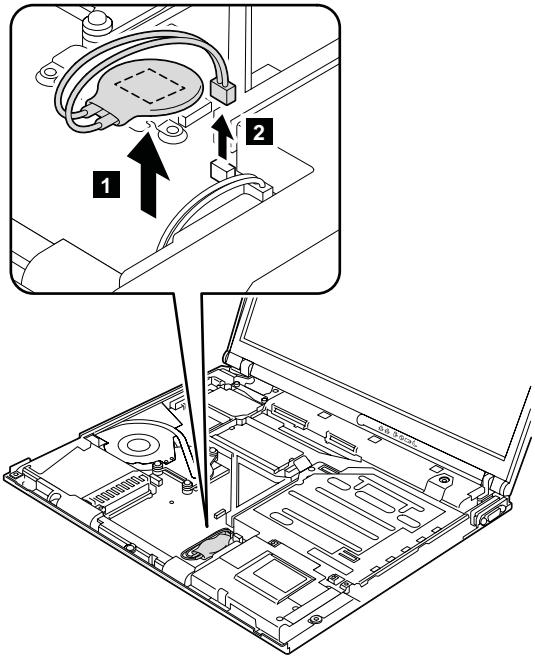
## 1150 Backup battery

**!** DANGER

Use only the battery specified in the parts list for your computer. Any other battery could ignite or explode.

For access, remove these FRUs in order:

- “1010 Battery pack” on page 76
- “1030 Hard disk drive” on page 79
- “1050 Keyboard” on page 82
- “1100 Keyboard bezel” on page 92

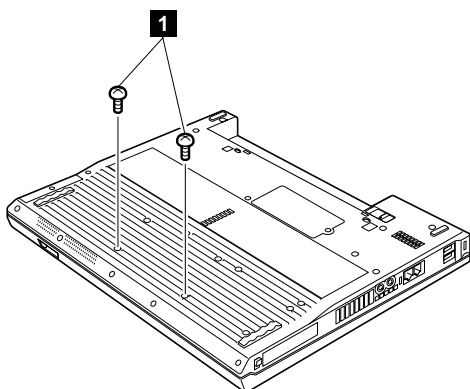


**When installing:** Make sure that the battery connector **2** is firmly attached.

## 1160 Speaker assembly

For access, remove these FRUs in order:

- “1010 Battery pack” on page 76
- “1030 Hard disk drive” on page 79
- “1050 Keyboard” on page 82
- “1100 Keyboard bezel” on page 92

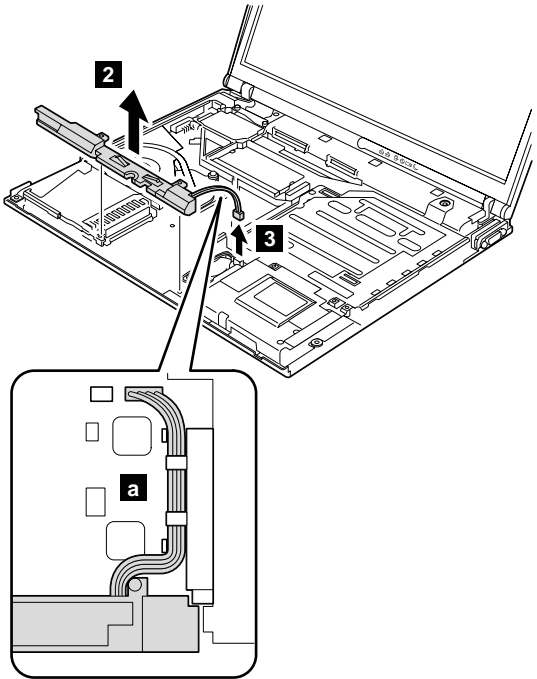


| Step     | Screw (quantity)                        | Color | Torque                  |
|----------|---|-------|-------------------------|
| <b>1</b> | M2 × 12 mm, bind-head, nylon-coated (2) | Black | 0.245 Nm<br>(2.5 kgfcm) |

(continued)



In step **3**, release the speaker cables from the cable guide **a**.



**When installing:** Make sure that the connector **3** is firmly attached. Then route the cable as in **a**.

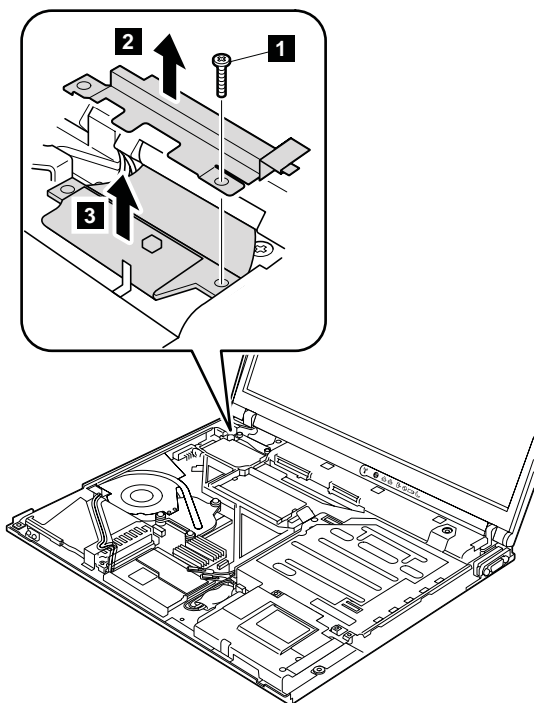
## 1170 IEEE 1394 (for R52 series)

For access, remove these FRUs in order:

- “1010 Battery pack” on page 76
- “1030 Hard disk drive” on page 79
- “1050 Keyboard” on page 82
- “1100 Keyboard bezel” on page 92
- “1160 Speaker assembly” on page 106

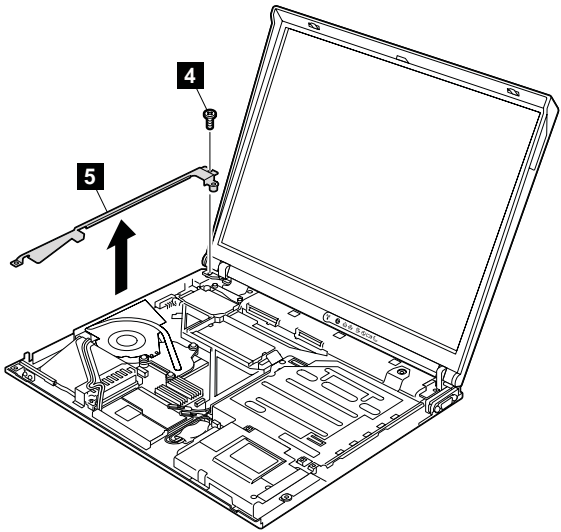
### Note

Some models do not have the IEEE 1394 cable.



| Step     | Screw (quantity)                        | Color | Torque                  |
|----------|---|-------|-------------------------|
| <b>1</b> | M2 × 12 mm, bind-head, nylon-coated (1) | Black | 0.245 Nm<br>(2.5 kgfcm) |

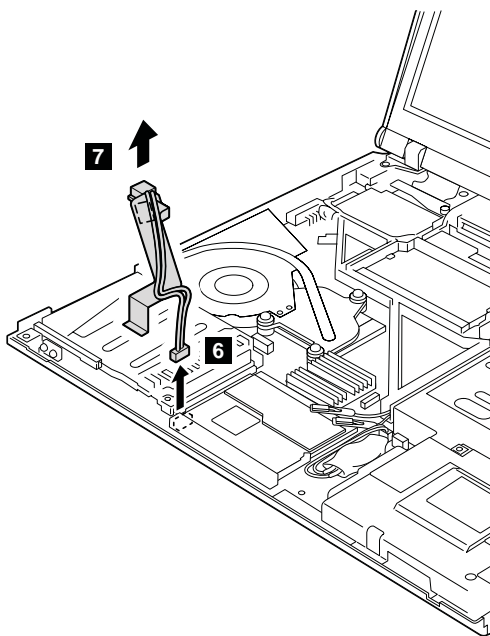
(continued)



| Step     | Screw (quantity)                       | Color | Torque                  |
|----------|--|-------|-------------------------|
| <b>4</b> | M2 × 6 mm, bind-head, nylon-coated (1) | Black | 0.245 Nm<br>(2.5 kgfcm) |

Before remove the IEEE 1394 cable, remove bracket structure **5**.

(continued)



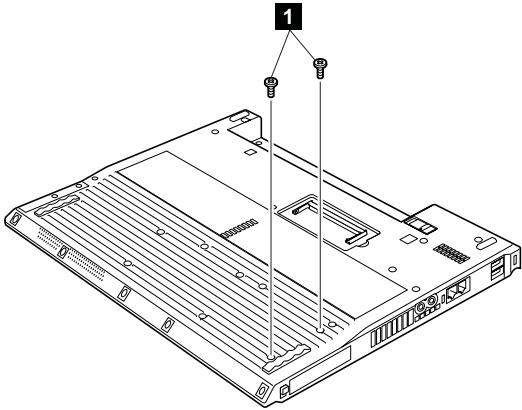
Remove the connector **6**. And strip the tape securing the IEEE 1394 cable to the PC Card slot and remove the IEEE 1394 cable **7**.

**When installing:** Make sure that the connector **6** is firmly attached to the system board.

## 1180 PC Card slot assembly

For access, remove these FRUs in order:

- “1010 Battery pack” on page 76
- “1030 Hard disk drive” on page 79
- “1050 Keyboard” on page 82
- “1100 Keyboard bezel” on page 92
- “1160 Speaker assembly” on page 106
- “1170 IEEE 1394 (for R52 series)” on page 108

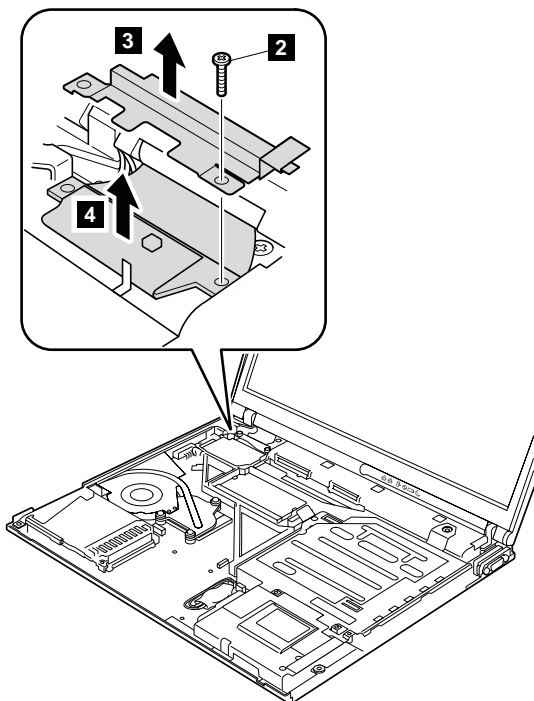


| Step     | Screw (quantity)                       | Color | Torque                  |
|----------|--|-------|-------------------------|
| <b>1</b> | M2 × 4 mm, flat-head, nylon-coated (2) | Black | 0.245 Nm<br>(2.5 kgfcm) |

(continued)

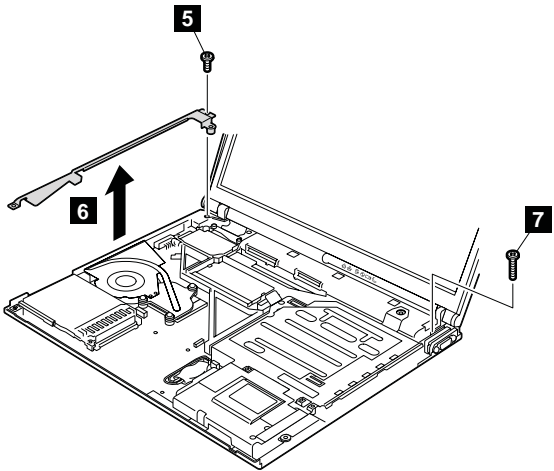
## Removing and replacing a FRU

**Note:** Step **2** to step **7** are only for R50e series.

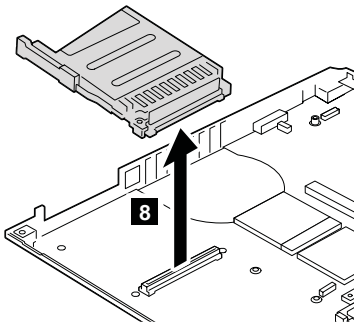


| Step     | Screw (quantity)                        | Color | Torque                  |
|----------|---|-------|-------------------------|
| <b>2</b> | M2 x 12 mm, bind-head, nylon-coated (1) | Black | 0.245 Nm<br>(2.5 kgfcm) |

(continued)



| Step | Screw (quantity)                       | Color | Torque               |
|------|--|-------|----------------------|
| 5    | M2 × 6 mm, bind-head, nylon-coated (1) | Black | 0.245 Nm (2.5 kgfcm) |
| 7    | M2 × 6 mm, bind-head, nylon-coated (1) | Black | 0.245 Nm (2.5 kgfcm) |



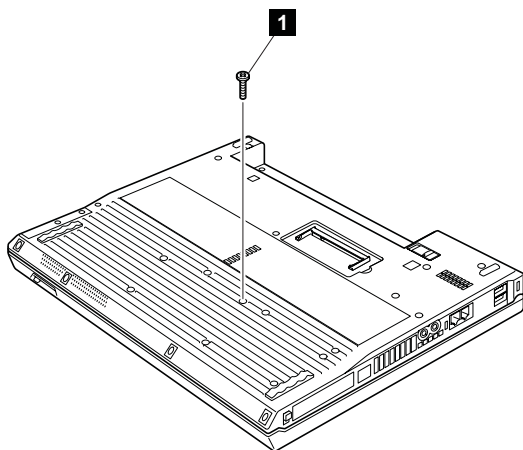
**When installing:** Make sure that the connector **8** is firmly attached to the system board. Then, secure the screws from the underside of the computer.

## 1190 Ultrabay Enhanced shield kit

For access, remove these FRUs in order:

- “1010 Battery pack” on page 76
- “1020 Ultrabay Enhanced device (for R52 series)” on page 77
- “1030 Hard disk drive” on page 79
- “1050 Keyboard” on page 82
- “1060 Ultrabay device (for R50e series)” on page 86
- “1080 Modem daughter card (MDC-2)” on page 88
- “1090 Bluetooth/Modem daughter card (BMDC-3) (for R52 series)” on page 90
- “1100 Keyboard bezel” on page 92
- “1160 Speaker assembly” on page 106
- “1170 IEEE 1394 (for R52 series)” on page 108

**Note:** Step **1** is only for the models with 15.0-in. LCD.  
For the other models, skip this step.

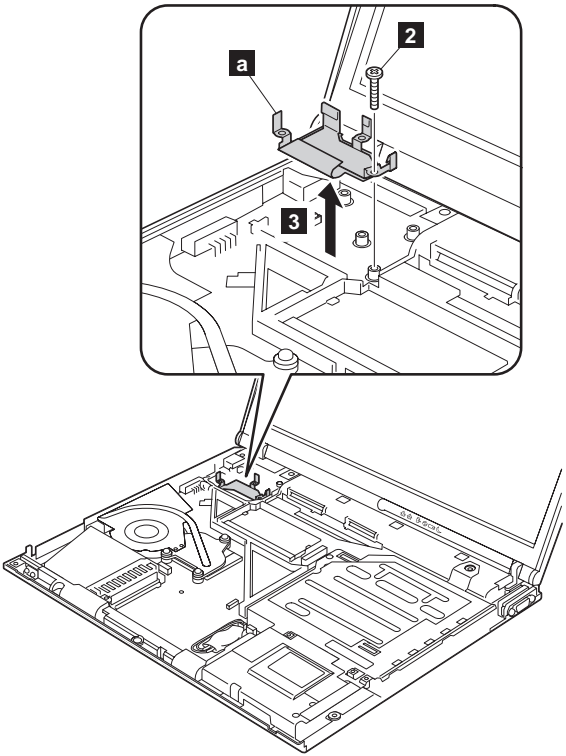


| Step     | Screw (quantity)                        | Color | Torque                  |
|----------|---|-------|-------------------------|
| <b>1</b> | M2 × 12 mm, bind-head, nylon-coated (1) | Black | 0.245 Nm<br>(2.5 kgfcm) |

(continued)



Remove EMI spring for the CDC **a** before removing the Ultrabay Enhanced shield kit.

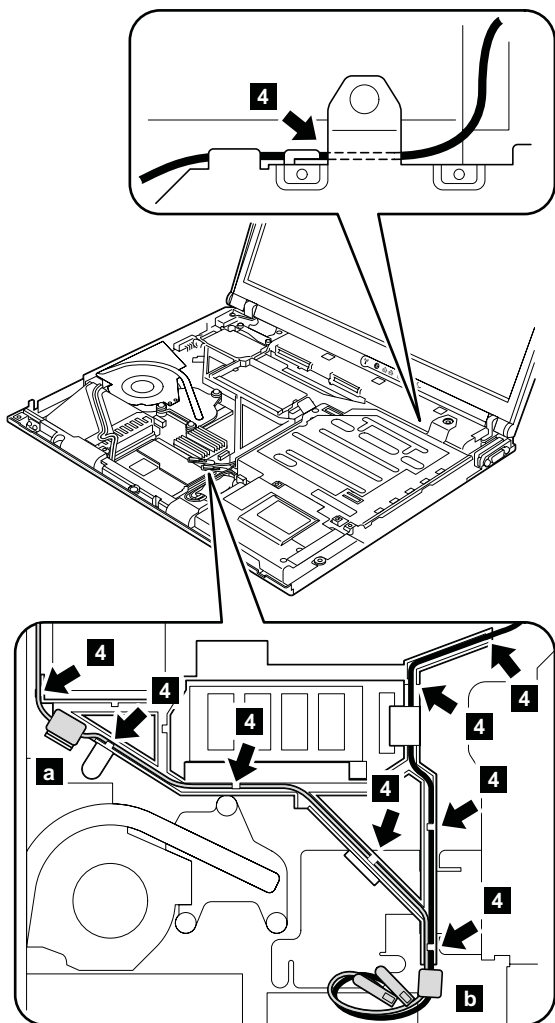


| Step     | Screw (quantity)                        | Color | Torque                  |
|----------|---|-------|-------------------------|
| <b>2</b> | M2 × 12 mm, bind-head, nylon-coated (1) | Black | 0.245 Nm<br>(2.5 kgfcm) |

(continued)

## Removing and replacing a FRU

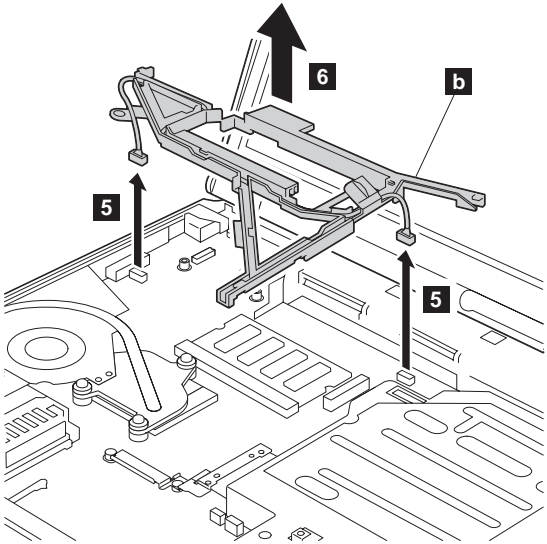
For wireless models, release the antenna cables from the cable guide **4**. For the other models, skip this step.



**When installing:** Make sure that the antenna cables and the two ferrite cores **a** and **b** (with sponge) are correctly routed and securely in place.

(continued)

Remove the cable guide **b** .

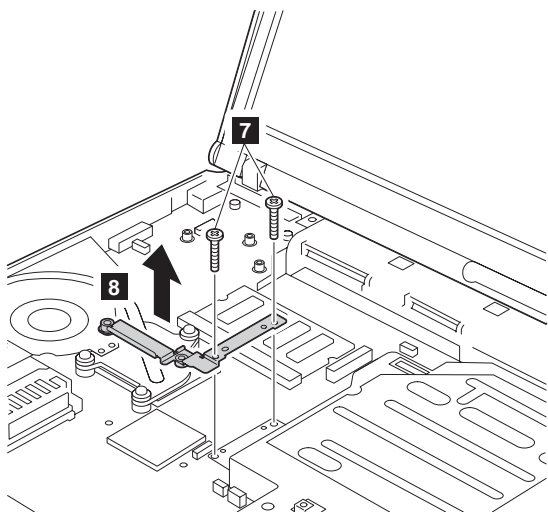


**When installing:** Make sure that the connectors **5** are firmly attached.

(continued)

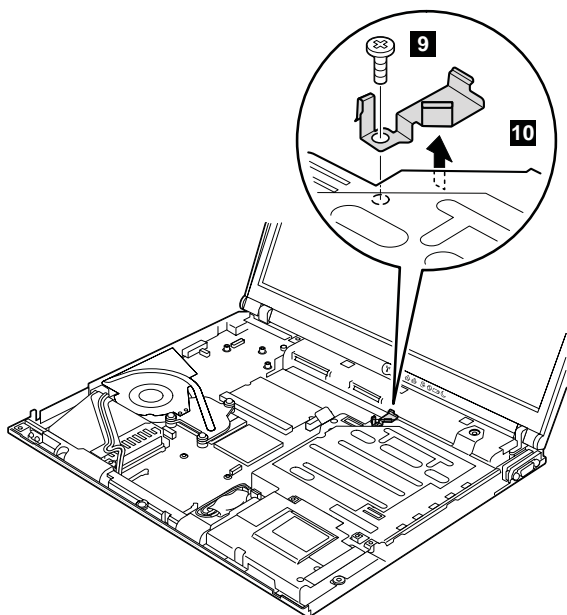
## Removing and replacing a FRU

**Note:** Shape of the bracket might be different from the models.



| Step     | Screw (quantity)                        | Color | Torque                  |
|----------|---|-------|-------------------------|
| <b>7</b> | M2 × 12 mm, bind-head, nylon-coated (2) | Black | 0.245 Nm<br>(2.5 kgfcm) |

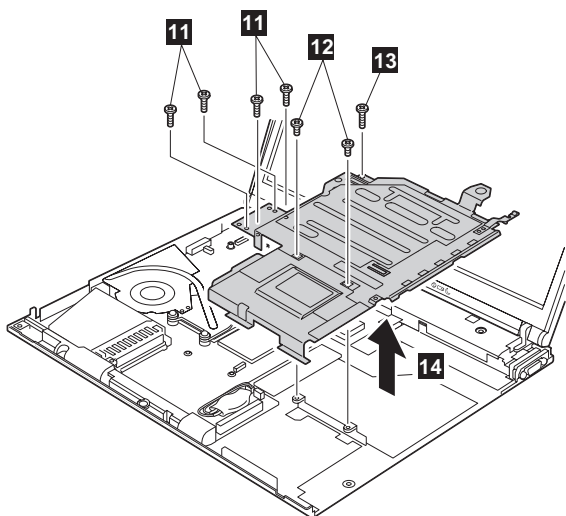
(continued)



| Step | Screw (quantity)                        | Color | Torque                  |
|------|---|-------|-------------------------|
| 9    | M2 × 12 mm, bind-head, nylon-coated (1) | Black | 0.245 Nm<br>(2.5 kgfcm) |

(continued)

## Removing and replacing a FRU



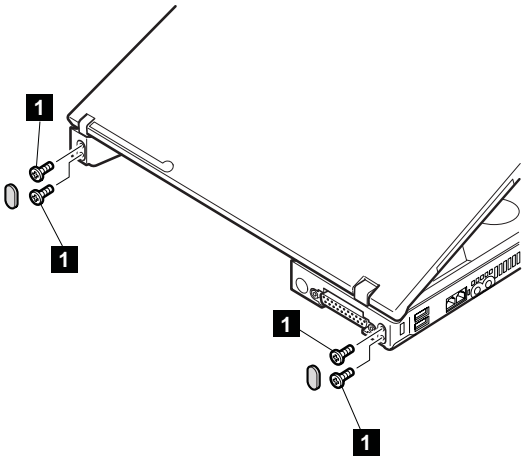
Screws **11** are only for the models with 15.0-in. LCD. For the other models, skip the step.

| Step      | Screw (quantity)                        | Color | Torque                  |
|-----------|---|-------|-------------------------|
| <b>11</b> | M2 x 10 mm, flat-head, nylon-coated (4) | Black | 0.245 Nm<br>(2.5 kgfcm) |
| <b>12</b> | M2 x 3 mm, small-head, nylon-coated (2) | Black | 0.245 Nm<br>(2.5 kgfcm) |
| <b>13</b> | M2 x 6 mm, bind-head, nylon-coated (1)  | Black | 0.245 Nm<br>(2.5 kgfcm) |

## 1200 LCD assembly

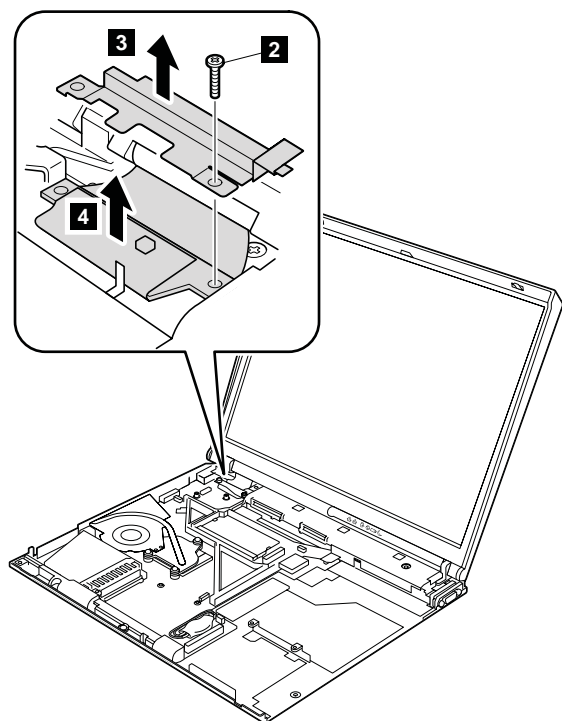
For access, remove these FRUs in order:

- “1010 Battery pack” on page 76
- “1020 Ultrabay Enhanced device (for R52 series)” on page 77
- “1050 Keyboard” on page 82
- “1060 Ultrabay device (for R50e series)” on page 86
- “1080 Modem daughter card (MDC-2)” on page 88
- “1090 Bluetooth/Modem daughter card (BMDC-3) (for R52 series)” on page 90
- “1100 Keyboard bezel” on page 92
- “1120 Mini PCI adapter” on page 99
- “1190 Ultrabay Enhanced shield kit” on page 114



| Step     | Screw (quantity)                           | Color | Torque                |
|----------|--|-------|-----------------------|
| <b>1</b> | M2.5 × 4.8 mm, bind-head, nylon-coated (4) | Black | 0.392 Nm<br>(4 kgfcm) |

(continued)

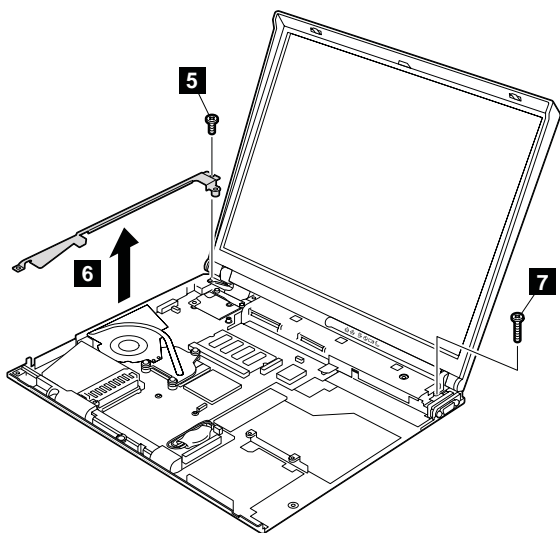


| Step | Screw (quantity)                        | Color | Torque                  |
|------|---|-------|-------------------------|
| 2    | M2 × 12 mm, bind-head, nylon-coated (1) | Black | 0.245 Nm<br>(2.5 kgfcm) |

**When installing:** Make sure that the connector **4** and the LCD cable retainer **3** are firmly attached, and then secure them with the screw.

(continued)



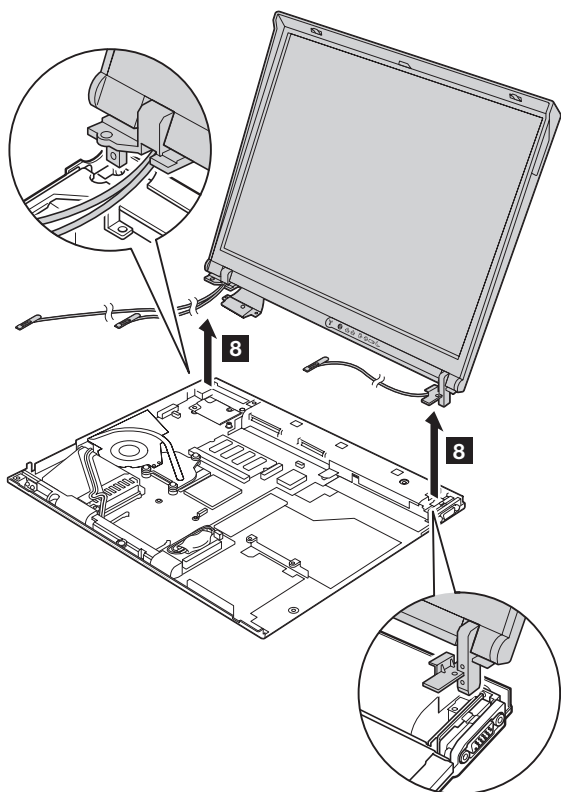


| Step | Screw (quantity)                       | Color | Torque                  |
|------|--|-------|-------------------------|
| 5    | M2 × 6 mm, bind-head, nylon-coated (1) | Black | 0.245 Nm<br>(2.5 kgfcm) |
| 7    | M2 × 6 mm, bind-head, nylon-coated (1) | Black | 0.245 Nm<br>(2.5 kgfcm) |

(continued)

## Removing and replacing a FRU

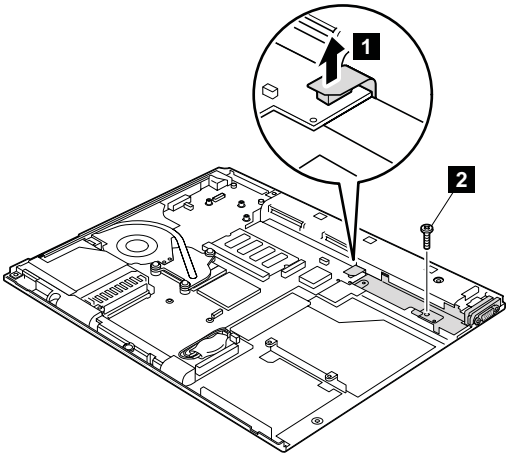
**Note:** Some models may not have the wireless LAN antenna cables.



## 1210 VGA and Ultrabay Enhanced device eject button cable

For access, remove these FRUs in order:

- “1010 Battery pack” on page 76
- “1020 Ultrabay Enhanced device (for R52 series)” on page 77
- “1050 Keyboard” on page 82
- “1060 Ultrabay device (for R50e series)” on page 86
- “1080 Modem daughter card (MDC-2)” on page 88
- “1090 Bluetooth/Modem daughter card (BMDC-3) (for R52 series)” on page 90
- “1100 Keyboard bezel” on page 92
- “1120 Mini PCI adapter” on page 99
- “1190 Ultrabay Enhanced shield kit” on page 114
- “1200 LCD assembly” on page 121

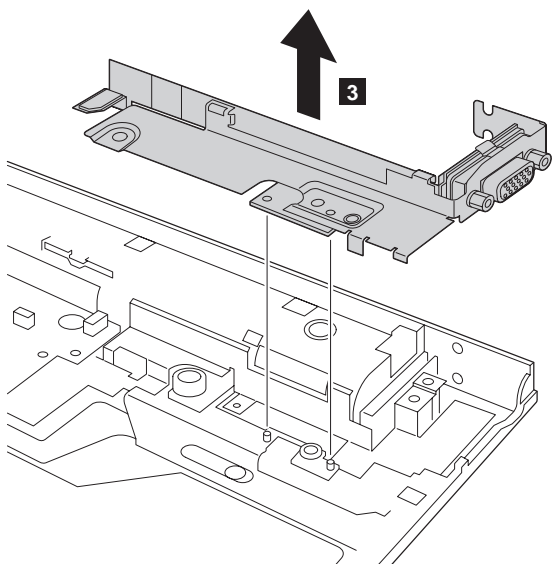


| Step     | Screw (quantity)                       | Color | Torque                  |
|----------|--|-------|-------------------------|
| <b>2</b> | M2 × 4 mm, flat-head, nylon-coated (1) | Black | 0.245 Nm<br>(2.5 kgfcm) |

**When installing:** Make sure that the connector **1** is firmly attached.

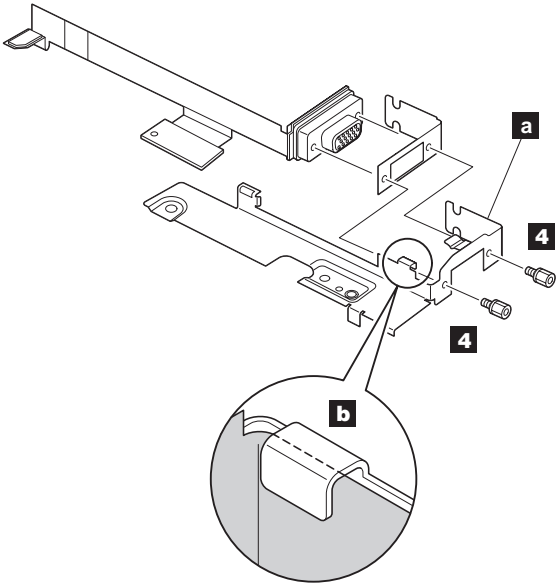
(continued)

*Removing and replacing a FRU*



(continued)

VGA and Ultrabay Enhanced device eject button cable is attached to S-Video gasket **a**. When re-installing the cable, attach the cable as shown in figure **b**.



| Step     | Screw (quantity) | Color  | Torque                |
|----------|------------------|--------|-----------------------|
| <b>4</b> | Hex stud (2)     | Silver | 0.392 Nm<br>(4 kgfcm) |

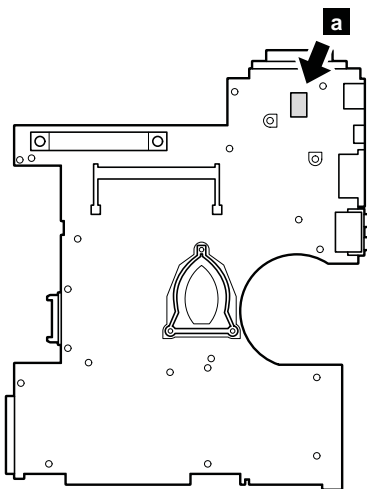
## 1220 System board, interposer card, and base cover

For access, remove these FRUs, in order:

- “1010 Battery pack” on page 76
- “1020 Ultrabay Enhanced device (for R52 series)” on page 77
- “1030 Hard disk drive” on page 79
- “1040 DIMM (optional)” on page 81
- “1050 Keyboard” on page 82
- “1060 Ultrabay device (for R50e series)” on page 86
- “1070 DIMM (standard)” on page 87
- “1080 Modem daughter card (MDC-2)” on page 88
- “1090 Bluetooth/Modem daughter card (BMDC-3) (for R52 series)” on page 90
- “1100 Keyboard bezel” on page 92
- “1120 Mini PCI adapter” on page 99
- “1130 Fan assembly” on page 103
- “1140 CPU” on page 104
- “1150 Backup battery” on page 105
- “1160 Speaker assembly” on page 106
- “1180 PC Card slot assembly” on page 111
- “1190 Ultrabay Enhanced shield kit” on page 114
- “1200 LCD assembly” on page 121
- “1210 VGA and Ultrabay Enhanced device eject button cable” on page 125

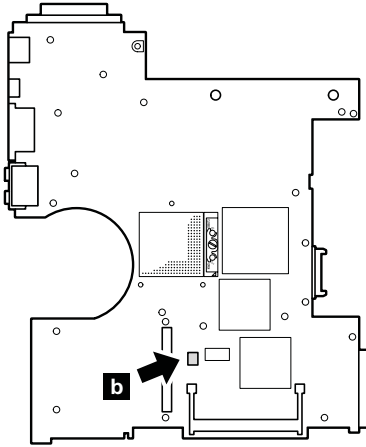
### **Important notice for handling the system board in R52 series:**

Security chip **a** is soldered on the underside of the system board in some models as in this figure.



(continued)

An accelerometer chip for the HDD Active Protection System **b** is also soldered on the topside of the system board.



(continued)

### **Important**

When handling the system board, bear the following in mind.

- The system board of the ThinkPad R50e and R52 series has an accelerometer, which can be broken by applying several thousands of G-forces.

**Note:** Dropping a system board from a height of as little as 6 inches so that it falls flat on a hard bench can subject the accelerometer to as much as 6,000 G's of shock.

- Be careful not to drop the system board on a bench top that has a hard surface, such as metal, wood, or composite.
- If a system board is dropped, you must test it, using PC-Doctor for DOS, to make sure that the HDD Active Protection still functions (see below).

**Note:** If the test shows that HDD Active Protection is not functioning, be sure to document the drop in any reject report, and replace the system board.

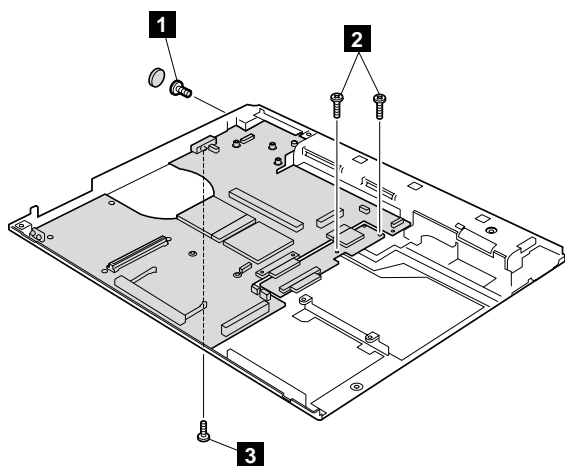
- Avoid rough handling of any kind.
- At every point in the process, be sure not to drop or stack the system board.
- If you put a system board down, be sure to put it only on a padded surface such as an ESD mat or conductive corrugated material.

After replacing the system board, run PC-Doctor for DOS to make sure that HDD Active Protection still functions. The procedure is as follows:

1. Place the computer on a horizontal surface.
2. Run **Diagnostics --> ThinkPad Devices --> HDD Active Protection Test.**

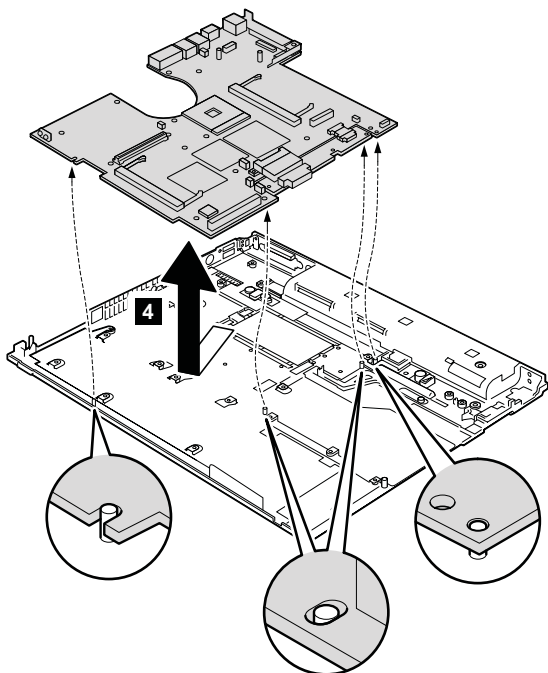
**Attention:** Do not apply physical shock to the computer while the test is running.





| Step     | Screw (quantity)                           | Color  | Torque                  |
|----------|--|--------|-------------------------|
| <b>1</b> | M2.5 × 4.8 mm, flat-head, nylon-coated (1) | Silver | 0.392 Nm<br>(4 kgfcm)   |
| <b>2</b> | M2 × 4 mm, flat-head, nylon-coated (2)     | Black  | 0.245 Nm<br>(2.5 kgfcm) |
| <b>3</b> | M2 × 12 mm, bind-head, nylon-coated (1)    | Black  | 0.245 Nm<br>(2.5 kgfcm) |

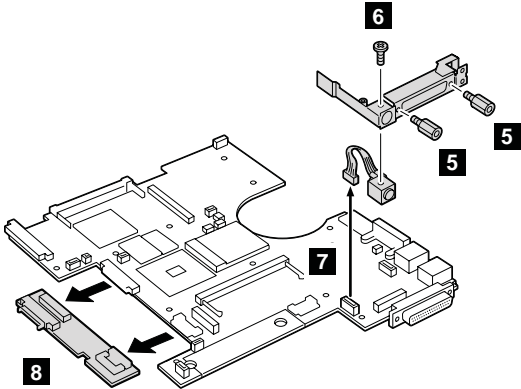
(continued)



**When installing:** Make sure that the all the guide holes of the system board are firmly attached to the base cover.

(continued)

Remove the connector bracket from the system board by removing screws **5** and **6**. Then remove the ac connector from the system board by disconnecting the cables **7**. Step **8** is only for the models with 15.0-in. LCD models. Other models do not have the interposer card.



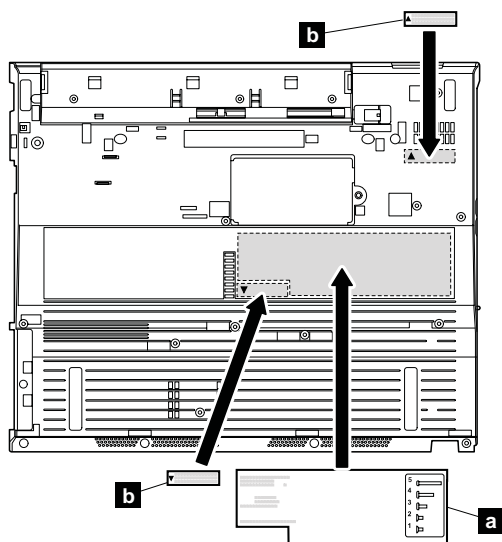
| Step     | Screw (quantity)                         | Color  | Torque                |
|----------|--|--------|-----------------------|
| <b>5</b> | Hex stud (2)                             | Silver | 0.392 Nm<br>(4 kgfcm) |
| <b>6</b> | M2.5 × 3 mm, flat-head, nylon-coated (1) | Black  | 0.392 Nm<br>(4 kgfcm) |

**Note for sticking a label kit on the base cover**

New base cover FRU is shipped with several kinds of label kit. When you replace the base cover, you need to stick a homologation label **a** which has the same part no. with the label on the old base cover (defective FRU) on the new base cover.

In some models, you also need to stick one or two FCC labels **b**. Check the old base cover and if there is one or two FCC labels on it, find the same one from the label kit and stick it on the new base cover.

Stick the labels on the new base cover as shown in this figure.

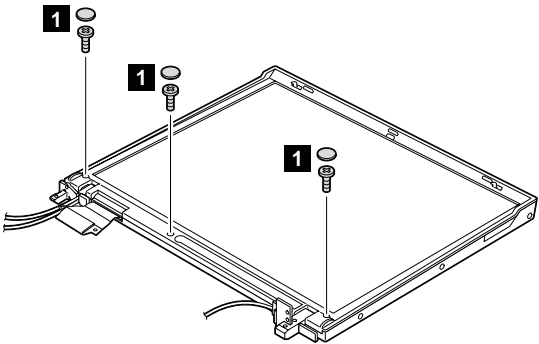



## 2010 LCD front bezel

For access, remove these FRUs in order:

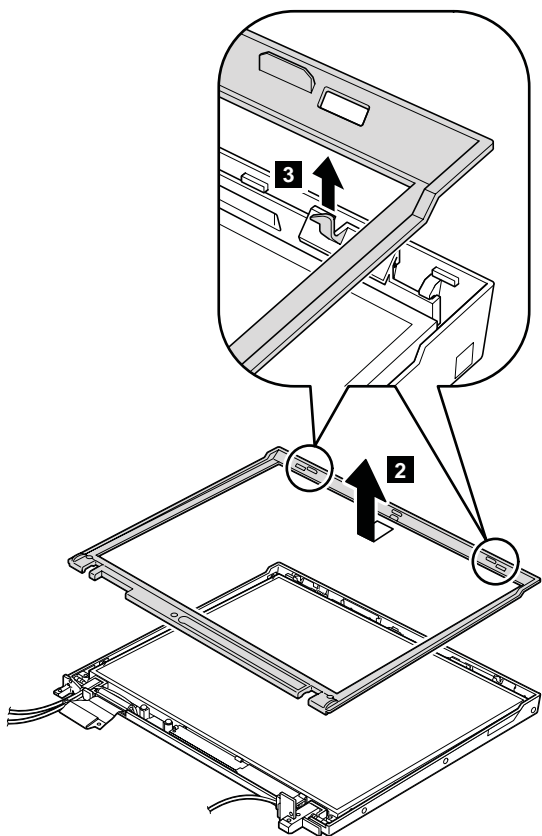
- “1010 Battery pack” on page 76
- “1020 Ultrabay Enhanced device (for R52 series)” on page 77
- “1030 Hard disk drive” on page 79
- “1050 Keyboard” on page 82
- “1060 Ultrabay device (for R50e series)” on page 86
- “1080 Modem daughter card (MDC-2)” on page 88
- “1090 Bluetooth/Modem daughter card (BMDC-3) (for R52 series)” on page 90
- “1100 Keyboard bezel” on page 92
- “1120 Mini PCI adapter” on page 99
- “1190 Ultrabay Enhanced shield kit” on page 114
- “1200 LCD assembly” on page 121

**Note:** Some models may not have the wireless LAN antenna cables.



| Step     | Screw cap   | Screw (quantity)                           | Color | Torque             |
|----------|---|--|-------|--------------------|
| <b>1</b> |  | M2.5 × 4.8 mm, bind-head, nylon-coated (3) | Black | 0.392 Nm (4 kgfcm) |

(continued)

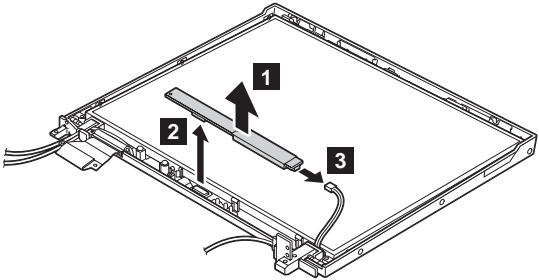


## 2020 Inverter card

For access, remove these FRUs in order:

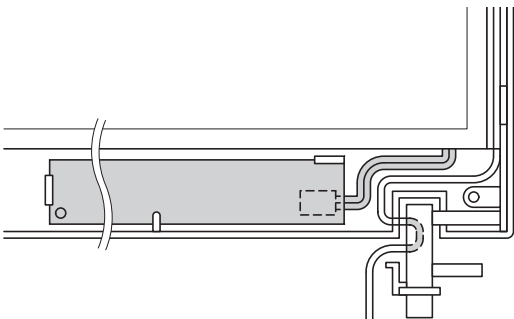
- “1010 Battery pack” on page 76
- “1020 Ultrabay Enhanced device (for R52 series)” on page 77
- “1030 Hard disk drive” on page 79
- “1050 Keyboard” on page 82
- “1060 Ultrabay device (for R50e series)” on page 86
- “1080 Modem daughter card (MDC-2)” on page 88
- “1090 Bluetooth/Modem daughter card (BMDC-3) (for R52 series)” on page 90
- “1100 Keyboard bezel” on page 92
- “1120 Mini PCI adapter” on page 99
- “1190 Ultrabay Enhanced shield kit” on page 114
- “1200 LCD assembly” on page 121
- “2010 LCD front bezel” on page 135

**Note:** Some models may not have the wireless LAN antenna cables.



**When installing:** Make sure that connectors **2** and **3** are firmly attached.

**Cable routing:** When replacing the inverter card, route the connector cable as in this figure:



## **2030 LCD panel, LCD cable assembly, wireless LAN antenna assembly, hinges, and LCD cover**

For access, remove these FRUs in order:

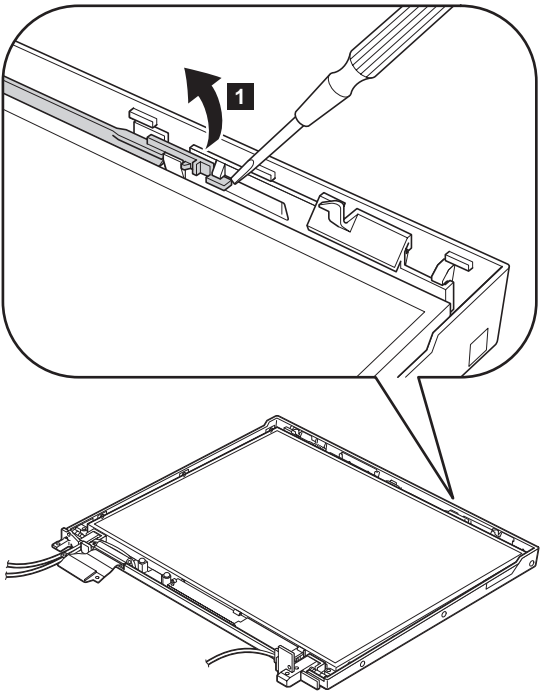
- “1010 Battery pack” on page 76
- “1020 Ultrabay Enhanced device (for R52 series)” on page 77
- “1030 Hard disk drive” on page 79
- “1050 Keyboard” on page 82
- “1060 Ultrabay device (for R50e series)” on page 86
- “1080 Modem daughter card (MDC-2)” on page 88
- “1090 Bluetooth/Modem daughter card (BMDC-3) (for R52 series)” on page 90
- “1100 Keyboard bezel” on page 92
- “1120 Mini PCI adapter” on page 99
- “1190 Ultrabay Enhanced shield kit” on page 114
- “1200 LCD assembly” on page 121
- “2010 LCD front bezel” on page 135
- “2020 Inverter card” on page 137

**Note:** Some models may not have the wireless LAN antenna cables.

Before removing the LCD panel, remove the left latch first.

In step **1**, unlatch the latch bar as in this figure.

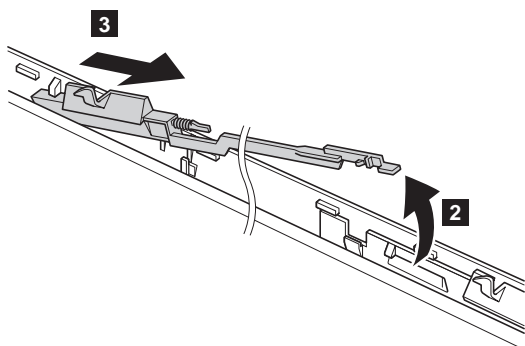




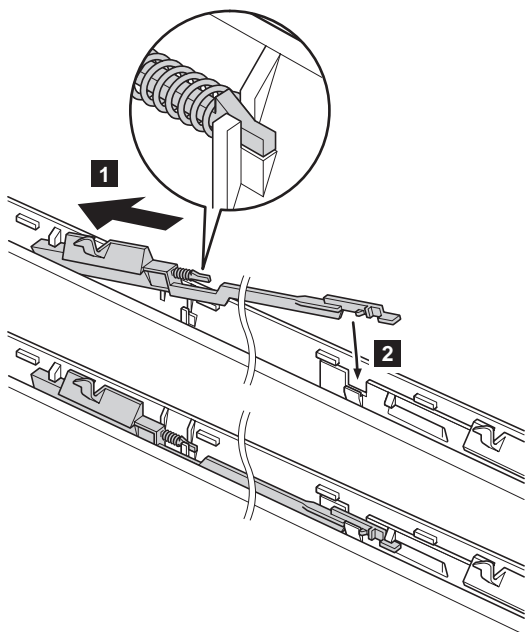
(continued)

## Removing and replacing a FRU

Lift the latch bar in the direction of the arrow **2**, and then remove the left latch in the direction of the arrow **3**.

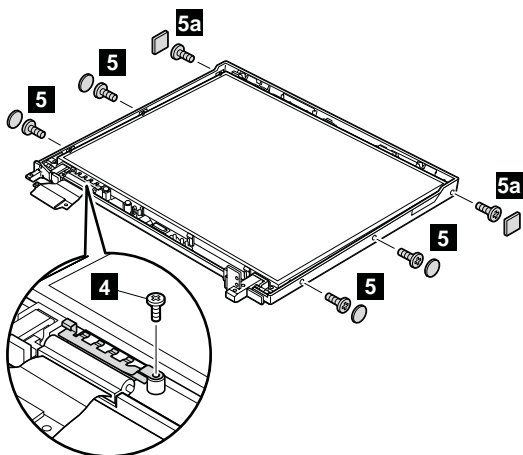


**When installing:** Attach the left latch to the LCD cover as in this figure.



(continued)

**Note:** Some models may not have screw **4**.

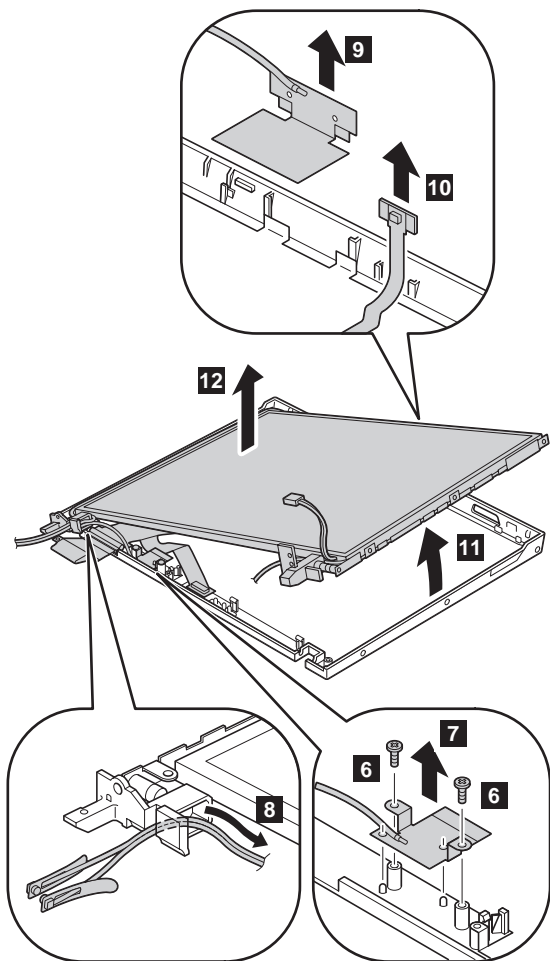


| Step      | Screw cap | Screw (quantity)                           | Color | Torque               |
|-----------|-----------|--|-------|----------------------|
| <b>4</b>  | —         | M2.5 × 4.8 mm, bind-head, nylon-coated (1) | Black | 0.392 Nm (4 kgfcm)   |
| <b>5</b>  | ○         | M2 × 4 mm, bind-head, nylon-coated (4)     | Black | 0.245 Nm (2.5 kgfcm) |
| <b>5a</b> | □         | M2 × 4 mm, bind-head, nylon-coated (2)     | Black | 0.245 Nm (2.5 kgfcm) |

(continued)

## Removing and replacing a FRU

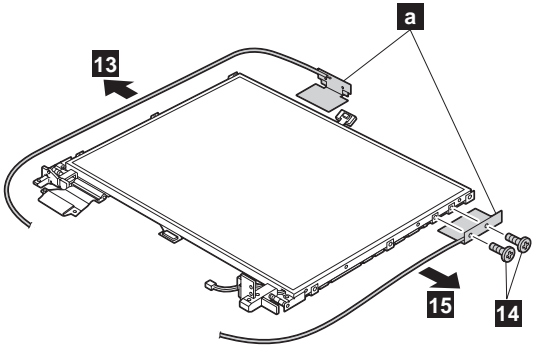
**Note:** Steps **6** and **7** are only for the models with 15.0-in. SXGA+ LCD. For the other models, skip steps **6** and **7**.



| Step     | Screw (quantity)                       | Color | Torque                  |
|----------|--|-------|-------------------------|
| <b>6</b> | M2 x 4 mm, bind-head, nylon-coated (2) | Black | 0.245 Nm<br>(2.5 kgfcm) |

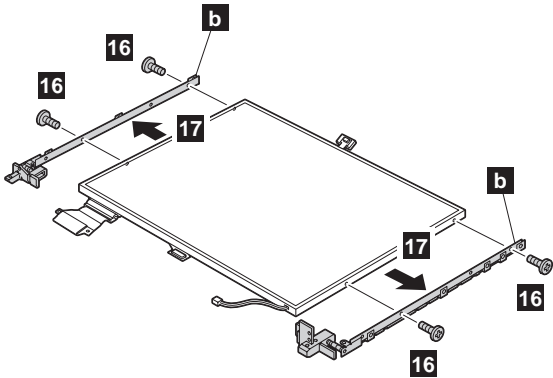
(continued)

Remove the antenna assembly ( **a** ).



| Step      | Screw (quantity)                        | Color  | Torque               |
|-----------|---|--------|----------------------|
| <b>14</b> | M2 × 3 mm, small-head, nylon-coated (2) | Silver | 0.245 Nm (2.5 kgfcm) |

Remove the hinges ( **b** ) from the LCD assembly.

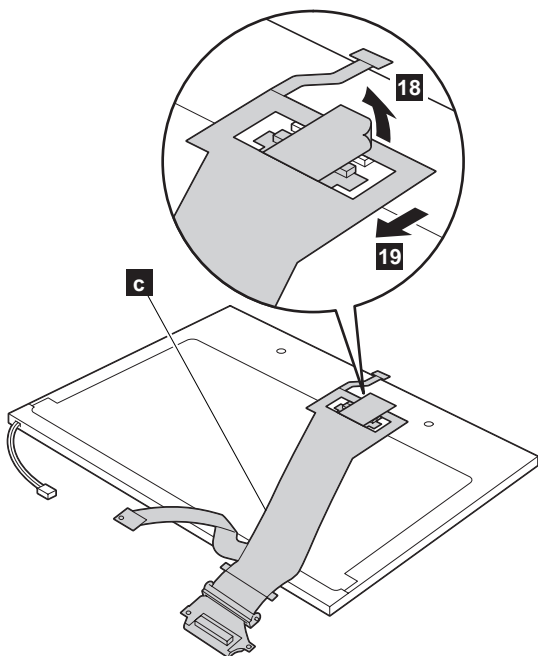


| Step      | Screw (quantity)                        | Color  | Torque               |
|-----------|---|--------|----------------------|
| <b>16</b> | M2 × 3 mm, small-head, nylon-coated (4) | Silver | 0.245 Nm (2.5 kgfcm) |

(continued)

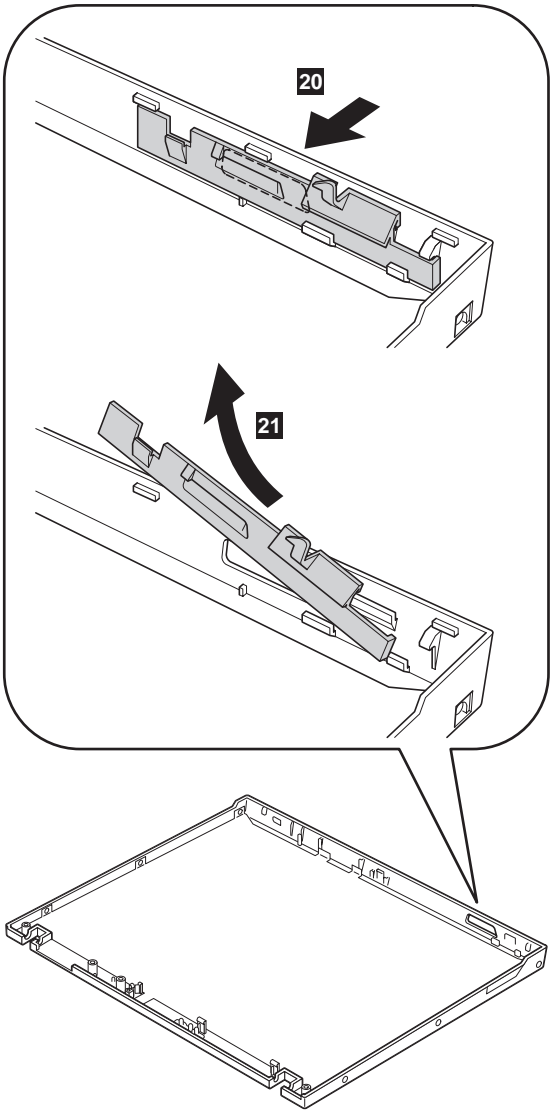
## Removing and replacing a FRU

Turn over the LCD panel and strip off the tape **18** securing the FPC (**c**). Then detach the connector **19** in the direction of the arrow.



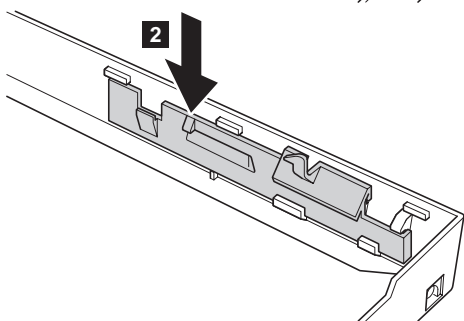
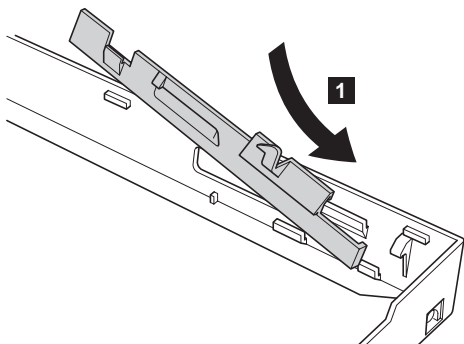
(continued)

Remove the right latch from the LCD cover.



**When installing:** Attach the right latch to the LCD cover as in this figure.

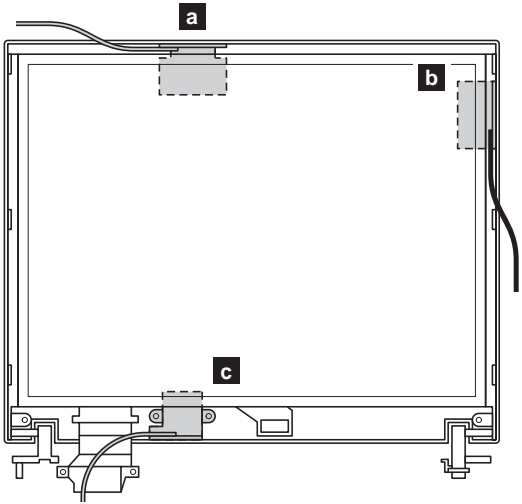
*Removing and replacing a FRU*



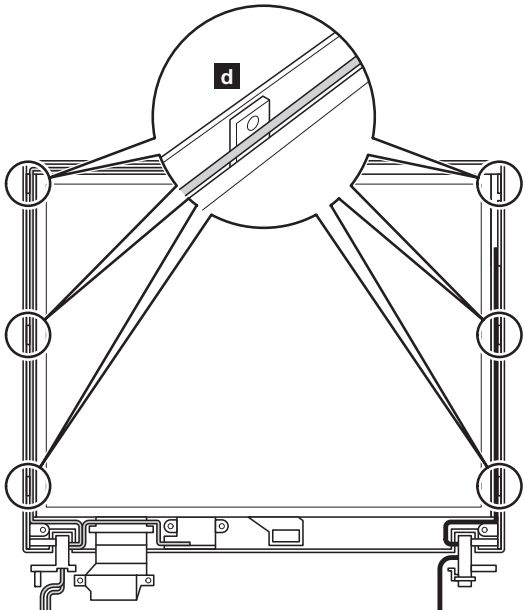


**Routing the cables of the wireless LAN antenna (only for the wireless models):**

1. Place the wireless LAN antennas **a** and **b**, and the Bluetooth wireless antenna **c** under the LCD panel.

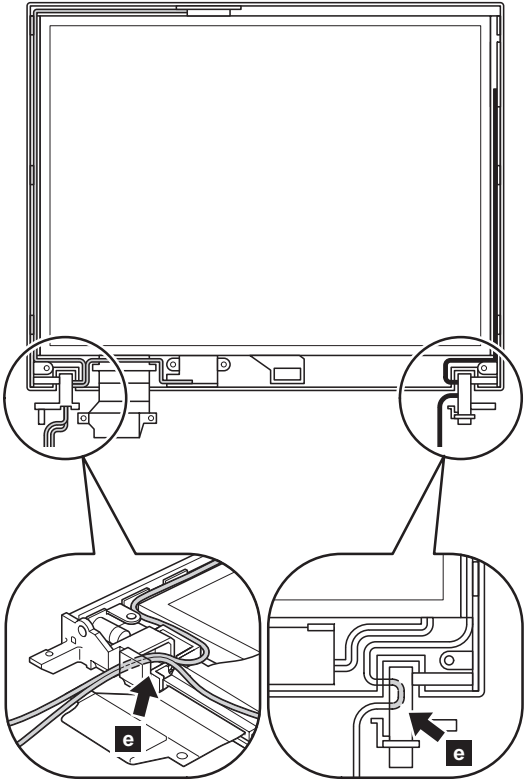


2. Route the antenna cables as in the following drawings:

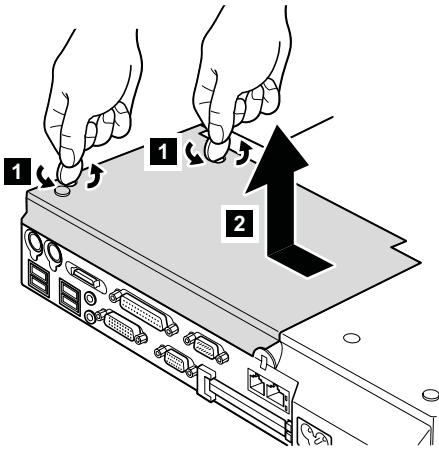


(continued)

3. Route the cables as in the figure below.

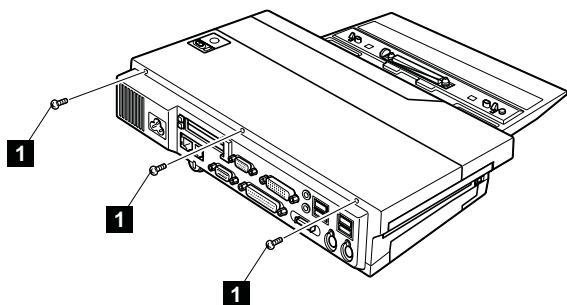


## 3010 ThinkPad Dock II PCI cover



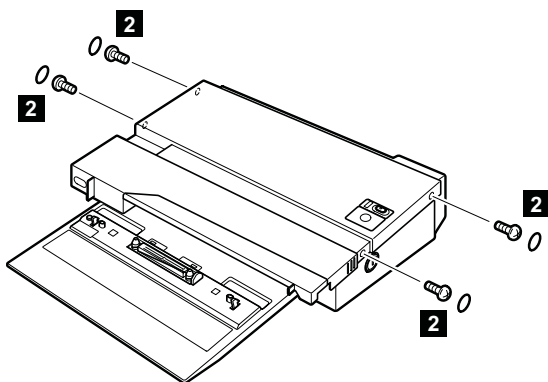
(Bottom view)

## 3020 ThinkPad Dock II top cover



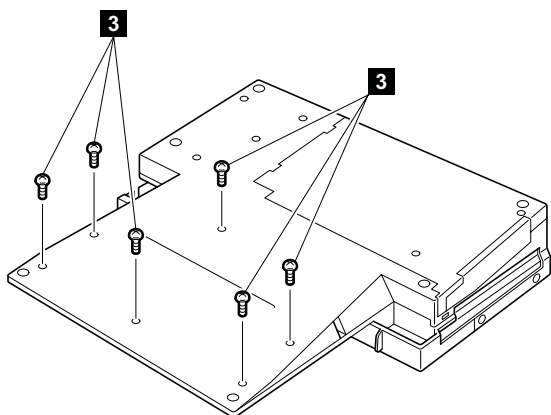
(Rear view)

| Step     | Screw (quantity)  | Torque                |
|----------|-------------------|-----------------------|
| <b>1</b> | M2.5 × 4.8 mm (3) | 0.392 Nm<br>(4 kgfcm) |



| Step     | Screw (quantity)  | Torque                |
|----------|-------------------|-----------------------|
| <b>2</b> | M2.5 × 4.8 mm (4) | 0.392 Nm<br>(4 kgfcm) |

(continued)



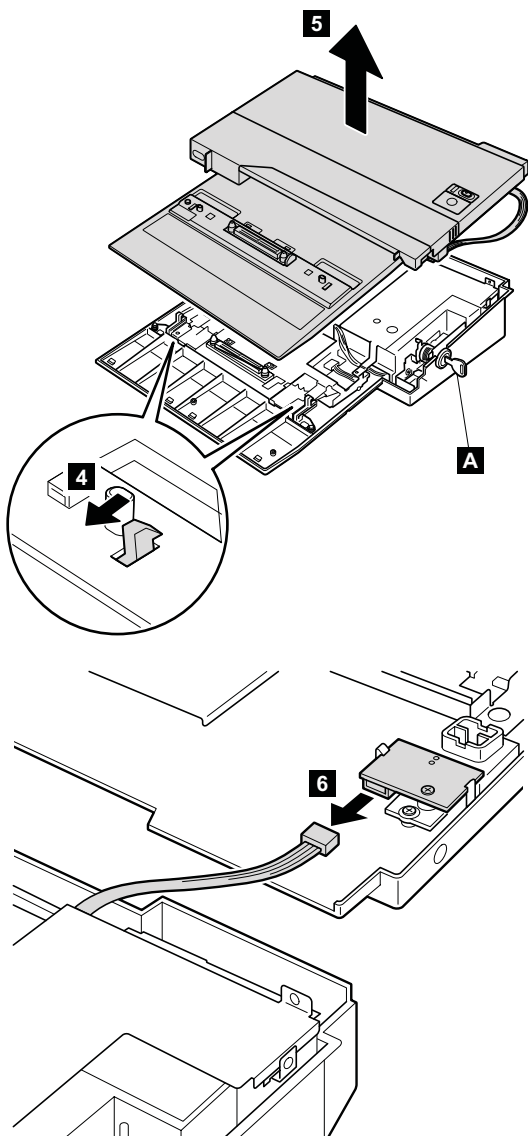
(Bottom view)

| Step     | Screw (quantity)  | Torque                |
|----------|-------------------|-----------------------|
| <b>3</b> | M2.5 × 4.8 mm (6) | 0.392 Nm<br>(4 kgfcm) |

(continued)

## Removing and replacing a FRU

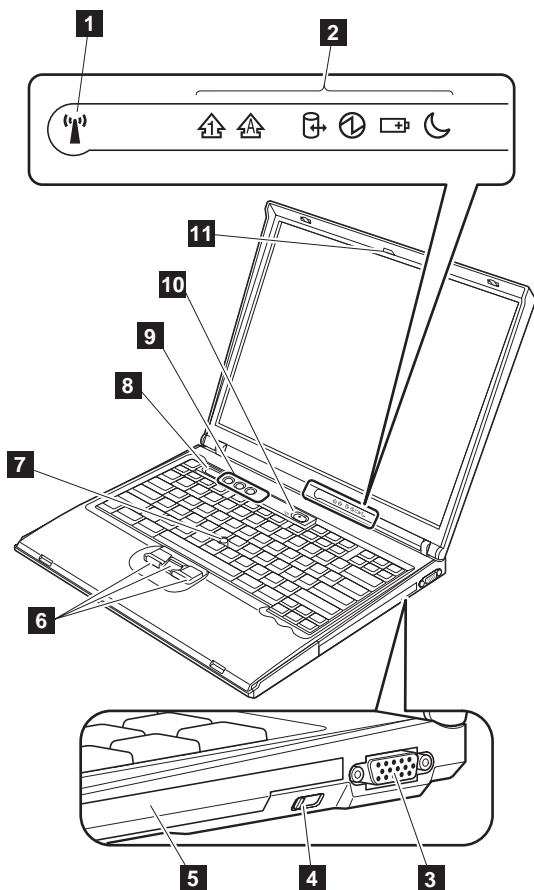
Make sure that the system lock key **A** is set to the Unlock position. Release the front latches in step **4**, and then remove the top cover **5**. Then detach the connector cable **6** as in the figure.



## Locations

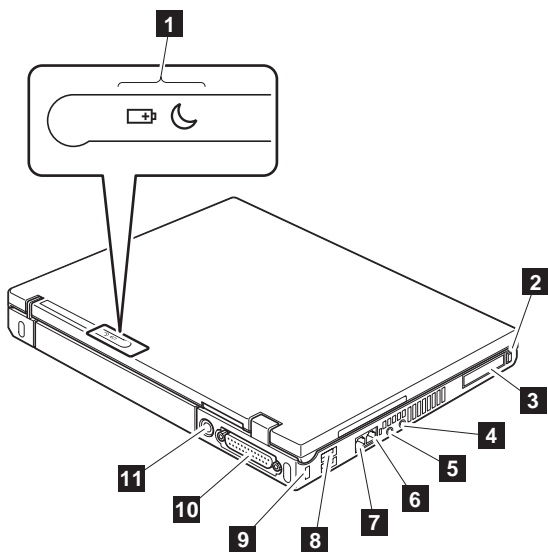
### Front view (for R50e)

- 1** Wireless status indicator (for some models)
- 2** System and power status indicators
- 3** External monitor connector
- 4** Ultrabay Enhanced latch
- 5** Ultrabay Enhanced
- 6** TrackPoint buttons
- 7** TrackPoint pointing stick
- 8** Access IBM button
- 9** Volume control buttons
- 10** Power switch
- 11** ThinkLight



## Rear view (for R50e)

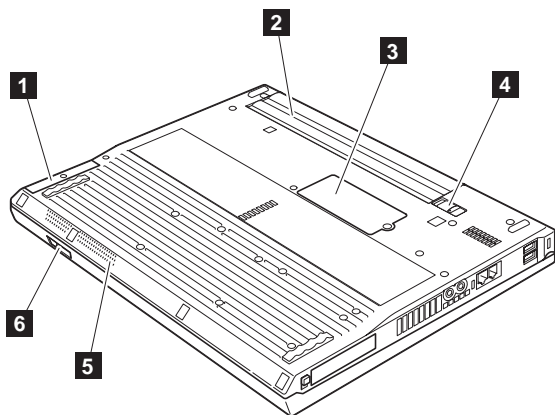
- 1** Power status indicators
- 2** PC Card eject button
- 3** PC Card slot
- 4** Microphone jack
- 5** Stereo headphone jack
- 6** RJ-45 (Ethernet) connector
- 7** RJ-11 (modem) connector
- 8** Universal serial bus (USB) connectors
- 9** Security keyhole
- 10** Parallel connector
- 11** AC power connector





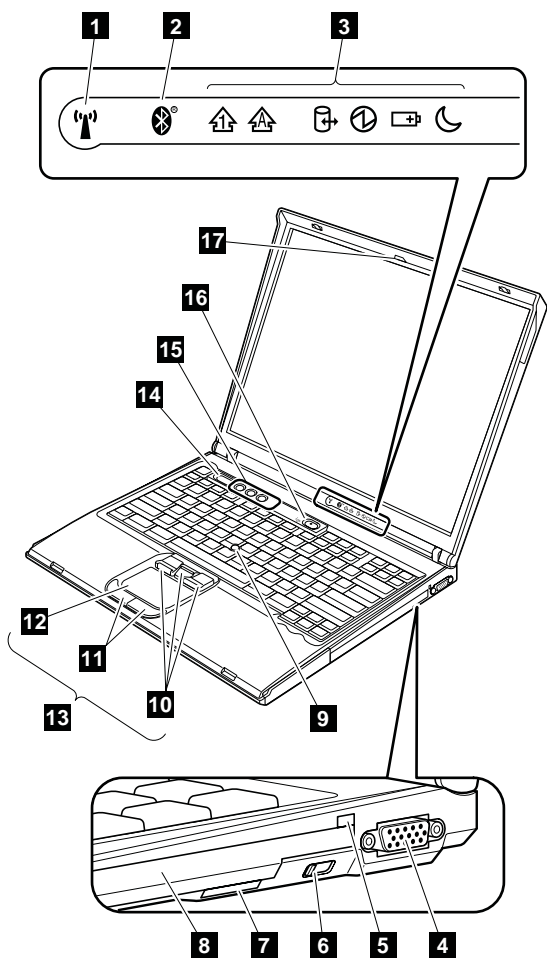
**Bottom view (for R50e)**

- 1** Hard disk drive
- 2** Battery pack
- 3** Optional DIMM slot
- 4** Battery pack latch
- 5** Built-in monaural speaker
- 6** LCD latch



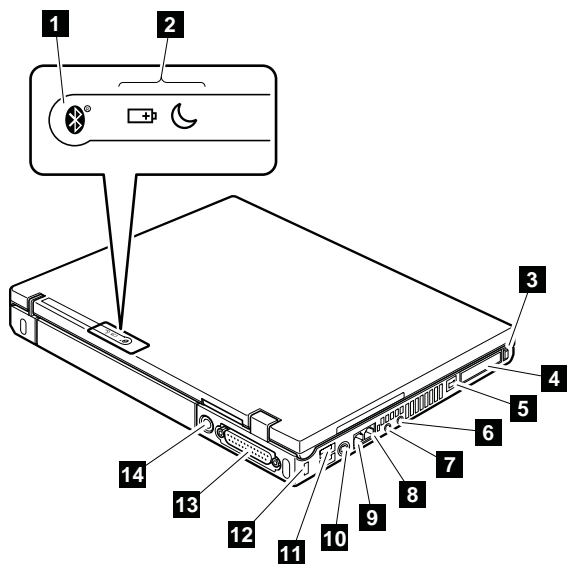
## Front view (for R52)

- 1** Wireless status indicator
- 2** *Bluetooth* wireless status indicator (for some models)
- 3** System and power status indicators
- 4** External monitor connector
- 5** Ultrabay Enhanced status indicator
- 6** Ultrabay Enhanced latch
- 7** Ultrabay Enhanced device eject lever
- 8** Ultrabay Enhanced
- 9** TrackPoint pointing stick
- 10** TrackPoint buttons
- 11** Touch pad buttons
- 12** Touch pad
- 13** UltraNav
- 14** Access IBM button
- 15** Volume control buttons
- 16** Power switch
- 17** ThinkLight



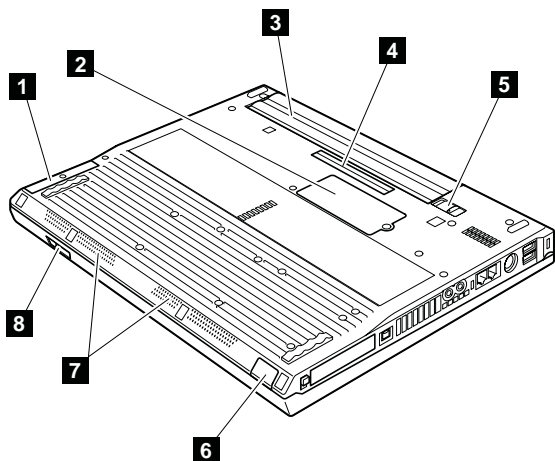
## Rear view (for R52)

- 1** Bluetooth wireless status indicator (for some models)
- 2** Power status indicators
- 3** PC Card eject button or PC Card/ExpressCard eject buttons (for some models)
- 4** PC Card slot or PC Card/ExpressCard slots (for some models)
- 5** IEEE 1394 connector (for some models)
- 6** Microphone jack
- 7** Stereo headphone jack
- 8** RJ-45 (Ethernet) connector
- 9** RJ-11 (modem) connector
- 10** TV-out connector
- 11** Universal serial bus (USB) connectors
- 12** Security keyhole
- 13** Parallel connector
- 14** AC power connector



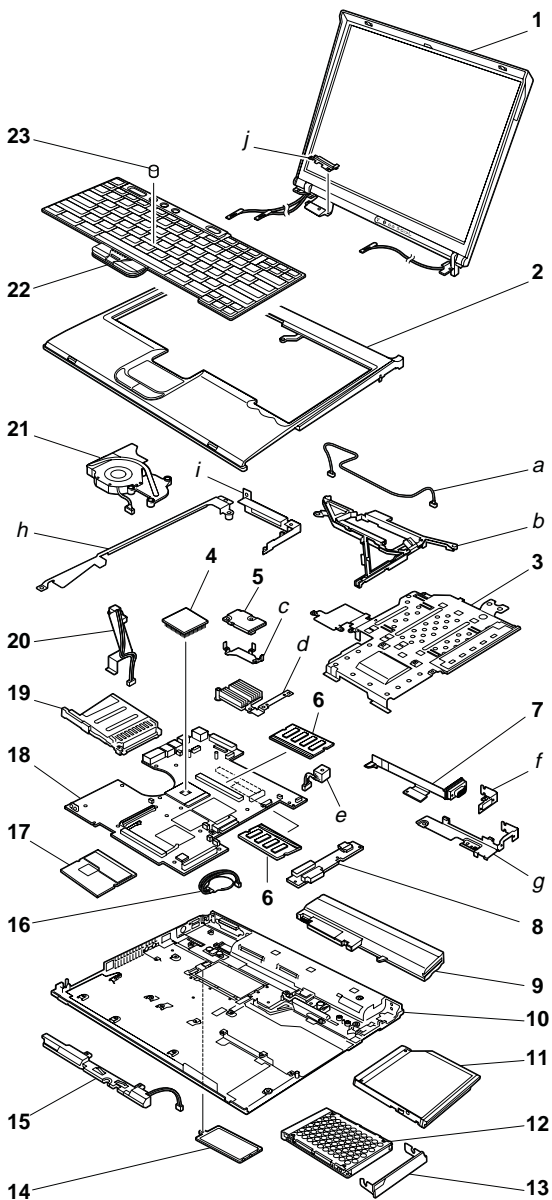
**Bottom view (for R52)**

- 1** Hard disk drive
- 2** Optional DIMM slot
- 3** Battery pack
- 4** Docking connector
- 5** Battery pack latch
- 6** Infrared port
- 7** Built-in stereo speakers
- 8** LCD latch



# Parts list

## Overall



- Each FRU is available for all types or models, unless specific types or models are specified.
- A CRU (customer replaceable unit) is identified by a single asterisk (\*) or two asterisks (\*\*) in the CRU ID column. An N in the CRU ID column means the part is not a CRU. A single asterisk (\*) means the part is a Tier 1 CRU; two asterisks (\*\*) means the part is a Tier 2 CRU.
- FRUs marked with **OP** are available as options.
- FRUs marked with **R** are RoHS compliant.

| No.  | FRU  | P/N     | CRU ID |
|------|--|---------|--------|
| a- j | See "Miscellaneous parts" on page 253.   |         |        |
| 1    | LCD unit (see "LCD FRUs" on page 220).   |         | N      |
| 2    | Keyboard bezel assembly, 14.1 (for R50e, R51e) <ul style="list-style-type: none"> <li>• 1834-Kxx, Lxx, Q4x, Q5x, Q8x, Q9x, QBx, QCx</li> <li>• 1843-22x, 23x, 2Fx, 2Gx, 2Hx, 2Jx, 2Kx, 2Lx, 2Mx, 2Nx, 2Px, 2Qx, 2Rx, 2Sx, 2Tx, 2Ux, 2Vx, 2Wx, 2Xx, 2Yx, 2Zx, 32x, 33x, 34x, 35x, 36x, 37x, 38x, 39x, 3Ax, 3Bx, 3Cx, 3Dx, 3Ex, 3Fx, 3Gx, 3Hx, 3Jx, 3Kx, 3Lx, 3Mx, 5Lx</li> <li>• 1844-5Fx, 5Jx</li> </ul> | 13N5581 | N      |
|      | Keyboard bezel assembly, 15.0 (for R50e, R51e) <ul style="list-style-type: none"> <li>• 1834-Mxx, Q2x, Q3x, Q6x, Q7x, QAx, Rxx, Sxx</li> <li>• 1842-Mxx, Qxx</li> <li>• 1843-24x, 25x, 26x, 27x, 28x, 29x, 2Ax, 2Bx, 2Cx, 2Dx, 2Ex, 3Nx, 3Px, 3Qx, 3Rx, 3Sx, 3Tx, 3Ux, 3Vx, 3Wx, 3Xx, 3Yx, 3Zx, 4xx, 5xx</li> <li>• 1844-5Gx, 5Hx</li> <li>• 1845-5Kx</li> </ul>   | 13N5584 | N      |

(continued)

Parts list

| No. | FRU  | P/N     | CRU ID |
|-----|--|---------|--------|
| 2   | Keyboard bezel with touchpad assembly, 14.1 WW (for R52) <ul style="list-style-type: none"> <li>• 1846-CTO, 2xx, 5xx</li> <li>• 1847-CTO, 2xx</li> <li>• 1848-CTO, 2xx</li> <li>• 1849-CTO, 5xx</li> <li>• 1850-CTO, 2xx</li> <li>• 1870-CTO, 2xx</li> <li>• 1846-84x, 85x, 86x, 87x, 88x, 89x</li> <li>• 1847-82x, 8Ex</li> <li>• 1848-82x</li> <li>• 1858-CTO, 2xx, 3xx</li> <li>• 1859-CTO, 2xx, 3xx</li> <li>• 1860-CTO, 2xx, 3xx</li> <li>• 1861-CTO, 2xx, 3xx</li> <li>• 1862-CTO, 2xx</li> <li>• 1863-CTO, 2xx</li> <li>• 1858-92x, 93x, 95x, 97x, 98x, 99x, 9Bx, 9Dx, 9Ex, CCx</li> <li>• 1859-B6x</li> <li>• 1860-BPx, BRx, BSx, C6x, C7x, C8x</li> <li>• 1861-C6x, C7x, C8x</li> </ul> | 91P8745 | N      |
|     | Keyboard bezel with touchpad assembly, 14.1 FPR (for R52) <ul style="list-style-type: none"> <li>• 1846-CTO, 8Ax, 8Bx</li> <li>• 1847-CTO, 83x, 8Fx, 8Gx, 8Hx, 8Jx, 8Kx</li> <li>• 1848-CTO, 83x, 8Lx, 8Mx, 8Nx</li> <li>• 1849-CTO, 8Cx, 8Dx, 8Px, 8Qx, 8Rx, 8Sx, 8Tx</li> <li>• 1858-CTO, 94x, 96x, 9Ax, 9Fx, 9Gx</li> <li>• 1859-CTO, B7x, B8x, BBx, BCx, BDx, BEx</li> <li>• 1860-CTO, 9Fx, 9Gx, BQx, C9x</li> <li>• 1861-CTO, 9Gx, C9x</li> </ul>   | 26R9700 | N      |

(continued)



| No. | FRU   | P/N     | CRU ID |
|-----|---|---------|--------|
| 2   | Keyboard bezel with touchpad assembly, 15.0 WW (for R52) <ul style="list-style-type: none"> <li>• 1846-CTO, 3xx, 4xx, 6xx</li> <li>• 1847-CTO, 3xx, 4xx</li> <li>• 1848-CTO, 3xx, 4xx</li> <li>• 1849-CTO, 4xx, 6xx</li> <li>• 1846-94x, 95x, 96x, 97x, 98x, 99x, A2x, A3x,</li> <li>• 1847-92x, 9Lx, AEx</li> <li>• 1848-92x</li> <li>• 1858-CTO, 4xx, 5xx, 6xx</li> <li>• 1859-CTO, 4xx, 5xx, 6xx</li> <li>• 1860-CTO, 4xx, 5xx, 6xx</li> <li>• 1861-CTO, 4xx, 5xx, 6xx</li> <li>• 1858-9Jx, 9Kx, 9Lx, 9Mx, 9Nx, 9Px, A2x, A3x, ABx, ADx, AGx, AHx, AJx, AKx, ALx, AMx</li> <li>• 1860-BUx, C2x, C3x, CAx</li> <li>• 1861-BUx, CAx</li> </ul>   | 91P8749 | N      |
|     | Keyboard bezel with touchpad assembly, 15.0 FPR (for R52) <ul style="list-style-type: none"> <li>• 1846-CTO, A4x, A5x, A6x, A7x, A8x, A9x, AAx, ABx, ACx, 9Ax, 9Bx, 9Cx, 9Dx, 9Ex, 9Fx, 9Gx, 9Hx</li> <li>• 1847-CTO, 93x, 9Mx, 9Nx, 9Px, 9Qx, 9Rx, 9Sx, 9Tx, AFx, AGx, AHx, AJx,</li> <li>• 1848-CTO, AKx, ALx, 93x, 9Ux, 9Vx</li> <li>• 1849-CTO</li> <li>• 1858-CTO, 9Hx, 9Qx, 9Rx, 9Sx, 9Tx, 9Ux, 9Vx, 9Wx, 9Xx, 9Yx, 9Zx, A4x, A5x, A6x, A7x, A8x, A9x, AAx, ACx, AEx, AFx, ANx, APx,, AQx, ARx, ASx, ATx, AUx, AVx, AWx, AXx, AYx, B2x, B3x, B4x, B5x</li> <li>• 1859-CTO, B9x, BAx, BFx, BGx, BHx, BJx, BKx, BLx, BMx</li> <li>• 1860-CTO, BTx, BVx, BWx, Bxx, BYx, BZx, C4x, C5x, C9x, CBx</li> <li>• 1861-CTO, BZx, CBx</li> </ul> | 26R9701 | N      |
| 3   | Ultrabay Enhanced shield kit for 14.1-in. (for R50e, R51e) <ul style="list-style-type: none"> <li>• 1834-Kxx, Lxx, Q4x, Q5x, Q8x, Q9x, QBx, QCx</li> <li>• 1843-22x, 23x, 2Fx, 2Gx, 2Hx, 2Jx, 2Kx, 2Lx, 2Mx, 2Nx, 2Px, 2Qx, 2Rx, 2Sx, 2Tx, 2Ux, 2Vx, 2Wx, 2Xx, 2Yx, 2Zx, 32x, 33x, 34x, 35x, 36x, 37x, 38x, 39x, 3Ax, 3Bx, 3Cx, 3Dx, 3Ex, 3Fx, 3Gx, 3Hx, 3Jx, 3Kx, 3Lx, 3Mx, 5Lx</li> <li>• 1844-5Fx, 5Jx</li> </ul>  | 13R2300 | N      |

(continued)

Parts list

| No. | FRU   | P/N     | CRU ID |
|-----|---|---------|--------|
| 3   | Ultrabay Enhanced shield kit for 15.0-in. (for R50e, R51e) <ul style="list-style-type: none"> <li>• 1834-Mxx, Q2x, Q3x, Q6x, Q7x, QAx, Rxx, Sxx</li> <li>• 1842-Mxx, Qxx</li> <li>• 1843-24x, 25x, 26x, 27x, 28x, 29x, 2Ax, 2Bx, 2Cx, 2Dx, 2Ex, 3Nx, 3Px, 3Qx, 3Rx, 3Sx, 3Tx, 3Ux, 3Vx, 3Wx, 3Xx, 3Yx, 3Zx, 4xx, 5xx</li> <li>• 1844-5Gx, 5Hx</li> <li>• 1845-5Kx</li> </ul>  | 13N2302 | N      |
|     | Ultrabay Enhanced shield kit for 14.1-in. (for R52) <ul style="list-style-type: none"> <li>• 1846-CTO, 2xx, 5xx</li> <li>• 1847-CTO, 2xx</li> <li>• 1848-CTO, 2xx</li> <li>• 1849-CTO, 5xx</li> <li>• 1850-CTO, 2xx</li> <li>• 1870-CTO, 2xx</li> <li>• 1846-84x, 85x, 86x, 87x, 88x, 89x, 8Ax, 8Bx</li> <li>• 1847-82x, 83x, 8Ex, 8Fx, 8Gx, 8Hx, 8Jx, 8Kx</li> <li>• 1848-82x, 83x, 8Lx, 8Mx, 8Nx</li> <li>• 1849-8Cx, 8Dx, 8Px, 8Qx, 8Rx, 8Sx, 8Tx</li> <li>• 1858-CTO, 2xx, 3xx</li> <li>• 1859-CTO, 2xx, 3xx</li> <li>• 1860-CTO, 2xx, 3xx</li> <li>• 1861-CTO, 2xx, 3xx</li> <li>• 1862-CTO, 2xx</li> <li>• 1863-CTO, 2xx</li> </ul> | 26R7834 | N      |
|     | Ultrabay Enhanced shield kit for 14.1-in. FPR (for R52) <ul style="list-style-type: none"> <li>• 1858-CTO, 92x, 93x, 94x, 95x, 96x, 97x, 98x, 99x, 9Ax, 9Bx, 9Dx, 9Ex, 9Fx, 9Gx, CCx</li> <li>• 1859-CTO, B6x, B7x, B8x, BBx, BCx, BDx, BEx</li> <li>• 1860-CTO, 9Fx, 9Gx, BPx, BQx, BRx, BSx, C6x, C7x, C8x, C9x</li> <li>• 1861-CTO, 9Gx, C6x, C7x, C8x, C9x</li> </ul>   | 26R9702 | N      |

(continued)

| No. | FRU  | P/N     | CRU ID |
|-----|--|---------|--------|
| 3   | Ultrabay Enhanced shield kit for 15.0-in. (for R52) <ul style="list-style-type: none"> <li>• 1846-CTO, 3xx, 4xx, 6xx</li> <li>• 1847-CTO, 3xx, 4xx, 6xx</li> <li>• 1848-CTO, 3xx, 4xx, 6xx</li> <li>• 1849-CTO, 3xx, 4xx, 6xx</li> <li>• 1846-A2x, A3x, A4x, A5x, A6x, A7x, A8x, A9x, AAx, ABx, ACx 94x, 95x, 96x, 97x, 98x, 99x, 9Ax, 9Bx, 9Cx, 9Dx, 9Ex, 9Fx, 9Gx, 9Hx</li> <li>• 1847-AEx, AFx, AGx, AHx, AJx, 92x, 93x, 9Lx, 9Mx, 9Nx, 9Px, 9Qx, 9Rx, 9Sx, 9Tx</li> <li>• 1848-AKx, ALx, 92x, 93x, 9Ux, 9Vx</li> <li>• 1849-ADx, AMx, ANx, APx, 9Wx, 9Xx, 9Yx, 9Zx, 91x</li> <li>• 1858-CTO, 4xx, 5xx, 6xx</li> <li>• 1859-CTO, 4xx, 5xx, 6xx</li> <li>• 1860-CTO, 4xx, 5xx, 6xx</li> <li>• 1861-CTO, 4xx, 5xx, 6xx</li> </ul> | 91P8725 | N      |
|     | Ultrabay Enhanced shield kit for 15.0-in. FPR (for R52) <ul style="list-style-type: none"> <li>• 1858-CTO, 9Hx, 9Jx, 9Kx, 9Lx, 9Mx, 9Nx, 9Px, 9Qx, 9Rx, 9Sx, 9Tx, 9Ux, 9Vx, 9Wx, 9Xx, 9Yx, 9Zx, A2x, A3x, A4x, A5x, A6x, A7x, A8x, A9x, AAx, ABx, ACx, ADx, AEx, AFx, AGx, AHx, AJx, AKx, ALx, AMx, ANx, APx, AQx, ARx, ASx, ATx, AUx, AVx, AWx, AXx, AYx</li> <li>• 1859-CTO, B9x, BAx, BFx, BGx, BHx, BJx, BKx, BLx, BMx</li> <li>• 1860-CTO, BTx, BUx, BVx, BWx, BXx, BYx, BZx, C2x, C3x, C4x, C5x, CAx, CBx</li> <li>• 1861-CTO, BUx, BZx, CAx, CBx</li> </ul>   | 26R9703 | N      |

(continued)

| No. | FRU  | P/N     | CRU ID |
|-----|--|---------|--------|
| 4   | CPU assembly, Intel Celeron M processor 340 (1.5 GHz) <ul style="list-style-type: none"> <li>• 1834-LGx, RKx</li> </ul>  | 93P4280 | N      |
|     | CPU assembly, Intel Celeron M processor 350 (1.3 GHz) <ul style="list-style-type: none"> <li>• 1834-K3x, K4x, K5x, K6x, K7x, K8x, K9x, KAx, KLx, KMx, KNx, KPx, KQx, KRx, KSx, KTx, KUx, KVx, M2x, M3x, M4x, M6x, M5x, M7x, M8x, M9x, MAx, MKx, MLx, MMx, MNx, MPx, MQx, RMx, RNx, S2x</li> <li>• 1858-CTO</li> <li>• 1859-CTO, 23x, 4Xx, 4Yx</li> <li>• 1860-CTO, 25x, 26x</li> <li>• 1861-CTO, 25x, 26x</li> <li>• 1958-CTO, 3Fx</li> </ul>  | 93P4281 | N      |
|     | CPU assembly, Intel Celeron M processor 360 (1.4 GHz) <ul style="list-style-type: none"> <li>• 1834-KBx, KWx, KXx, KYx, KZx, LHx, MBx, MRx, MSx, MTx, RVx, RWx, Rxx, S3x, S4x, S5x, S6x</li> <li>• 1843-23x, 2Fx, 2Gx, 2Hx, 2Jx, 2Kx, 2Lx, 2Mx, 2Nx, 2Px, 2Qx, 2Rx, 2Sx, 2Tx, 2Ux, 2Vx, 2Wx, 33x, 34x, 35x, 36x, 37x, 38x, 39x, 3Px, 3Rx, 3Sx, 3Tx, 3Ux, 3Vx, 3Wx, 3Xx, 3Yx, 3Zx, 42x, 43x, 44x, 45x, 46x, 5Mx, 5Nx, 5Px, 5Qx, 5Rx, 5Sx, 5Tx, 5Ux</li> <li>• 1844-5Fx</li> <li>• 1858-CTO, 22x, 2Px, 2Qx, 3Qx, 42x, 4Tx, 4Ux, 6Nx, 6Px, 6Xx, 33x, 34x, 35x, 36x, 37x, 38x, 39x, 3Px, 3Rx, 3Sx, 3Tx, 3Ux, 3Vx, 3Wx, 3Xx, 3Yx, 3Zx, 42x, 43x, 44x, 45x, 46x,</li> <li>• 1859-CTO, 24x, 43x,, 4Zx, 6Vx</li> <li>• 1860-CTO, 3Rx, 3Sx</li> <li>• 1861-CTO, 3Tx, 3Ux</li> <li>• 1858-92x, 9Bx, AGx</li> <li>• 1860-C6x, C7x</li> <li>• 1861-C6x, C7x</li> </ul> | 93P4282 | N      |
|     | CPU assembly, Intel Celeron M processor 370 (1.5 GHz) <ul style="list-style-type: none"> <li>• 1834-KGx, KHx, KJx, MJx, RTx</li> <li>• 1843-22x, 24x, 2Xx, 2Yx, 3Ax, 3Bx, 3Cx, 3Qx, 47x, 48x, 49x, 4Ax, 4Bx, 4Cx, 4Dx, 4Ex, 4Fx, 4Gx</li> <li>• 1858-CTO, 29x, 2Rx, 2Sx, 44x, 4Vx, 4Wx, 53x, 5Lx, 6Yx</li> <li>• 1859-CTO, 27x, 52x, 6Wx</li> <li>• 1860-CTO</li> <li>• 1861-CTO</li> <li>• 1858-9Ex, 9Jx, AHx</li> </ul>  | 39T0331 | N      |

(continued)

| No. | FRU  | P/N     | CRU ID |
|-----|--|---------|--------|
| 4   | CPU assembly, Intel Celeron M processor 380 (1.6 GHz) <ul style="list-style-type: none"> <li>• 1843-2Dx, 2Ex, 3Dx, 3Ex, 3Fx, 3Nx, 4Hx, 4Jx, 4Kx, 4Lx, 4Mx, 4Nx</li> <li>• 1844-5Jx</li> <li>• 1858-CTO, 9Dx, 9Kx</li> <li>• 1859-CTO</li> <li>• 1860-CTO</li> <li>• 1861-CTO</li> </ul>  | 39T5686 | N      |
|     | CPU assembly, Intel Pentium M processor 725 (1.6 GHz) <ul style="list-style-type: none"> <li>• 1834-KCx, KDx, L2x, L3x, L4x, L5x, L6x, Q2x, Q3x, Q4x, Q5x, Q6x, Q7x, Q8x, Q9x, QAx, QBx, QCx, MCx, MVx, MWx, MXx</li> <li>• 1842-QDx, QEx, QFx, MUx</li> <li>• 1858-CTO, 3Hx, 3Jx, 3Kx, 3Lx, 6Rx, 6Sx, 6Tx, 6Ux, 6Zx</li> <li>• 1859-CTO</li> <li>• 1860-CTO, 3Mx</li> <li>• 1861-CTO</li> </ul> | 91P7434 | N      |
|     | CPU assembly, Intel Pentium M processor 730 (1.6 GHz) <ul style="list-style-type: none"> <li>• 1846-CTO, 58x, 5Bx, 5Cx, 6Cx, 6Fx, 6Gx</li> <li>• 1847-CTO, 3Ax, 3Bx</li> <li>• 1849-CTO</li> <li>• 1858-CTO, 2Ux, 2Vx, 2Wx, 2Xx, 3Nx, 45x, 46x, 47x, 48x, 54x, 5Mx, 5Nx, 6Kx</li> <li>• 1859-CTO</li> <li>• 1860-CTO, 2Tx</li> <li>• 1861-CTO</li> </ul>   | 39T0045 | N      |
|     | CPU assembly, Intel Pentium M processor 735 (1.7 GHz) <ul style="list-style-type: none"> <li>• 1834-KEx, KFx, L7x, L8x, L9x, LAx, LBx, LCx, LDx, LEx, MDx, MEx, MFx, MGx, MHx, MYx, MZx, R2x, R3x, R4x, R5x, R6x, R7x, R8x, R9x, RAx, RBx, RCx, RDx, REx, RFx, RGx, S7x</li> </ul>   | 91P7387 | N      |

(continued)

| No. | FRU   | P/N     | CRU ID |
|-----|---|---------|--------|
| 4   | CPU assembly, Intel Pentium M processor 740 (1.73 GHz) <ul style="list-style-type: none"> <li>• 1843-25x, 26x, 2Zx, 32x, 3Gx, 3Hx, 3Jx, 3Kx, 3Lx, 4Px, 4Qx, 4Rx, 4Sx, 4Tx, 4Ux, 4Vx, 4Wx, 4Xx, 4Yx, 4Zx, 52x, 53x, 54x, 55x, 56x, 57x, 58x, 5Lx</li> <li>• 1844-5Gx</li> <li>• 1846-CTO, 2Hx, 2Jx, 3Vx, 4Fx, 4Gx, 52x, 53x, 56x, 57x, 59x, 5Dx, 5Ex, 5Hx, 5Jx, 5Kx, 62x, 63x, 64x, 65x, 6Ax, 6Bx, 6Dx, 6Hx, 6Jx, 6Kx, 6Lx</li> <li>• 1847-CTO, 22x, 23x, 2Ax, 2Dx, 2Ex, 2Fx, 2Gx, 32x, 33x, 3Cx, 3Dx, 3Ex, 3Fx, 3Mx, 3Sx, 42x, 4Bx</li> <li>• 1848-CTO, 22x, 23x, 2Fx, 2Gx, 32x, 33x, 42x, 4Bx</li> <li>• 1849-CTO</li> <li>• 1850-22x</li> <li>• 1870-22x</li> <li>• 1846-84x, 85x, 8Ax, 94x, 95x, 9Ax, 9Bx, 9Cx</li> <li>• 1847-9Mx</li> <li>• 1848-22x, 23x, 32x, 33x, 42x, 2Fx, 2Gx, 4Bx</li> <li>• 1849-8Cx, 9Wx, 8Px, 8Qx, AMx, 9Zx</li> <li>• 1858-CTO, 2Ex, 2Zx, 32x, 33x, 34x, 3Bx, 3Gx, 3Px, 49x, 59x, 5Ax, 5Px, 5Qx, 5Tx, 5Ux, 5Vx, 5Wx, 67x, 68x, 69x, 6Ax, 6Bx, 6Mx, 6Qx</li> <li>• 1859-CTO, 28x, 2Ax, 2Hx, 35x, 4Ax, 4Bx, 55x, 5Rx, 6Lx</li> <li>• 1860-CTO, 2Bx, 2Fx, 2Kx, 2Yx, 32x, 3Bx, 56x, 57x, 58x, 5Ex, 5Sx, 5Ux, 69x</li> <li>• 1861-CTO, 2Bx, 2Fx, 2Kx, 2Yx, 32x, 3Bx, 56x, 5Ex, 5Sx, 69x</li> <li>• 1862-2Cx</li> <li>• 1863-2Dx</li> <li>• 1858-93x, 94x, 97x, 9Fx, 9Nx, 9Px, 9Qx, 9Rx, 9Sx, 9Tx, 9Ux, 9Vx, 9Wx, 9Xx, 9Yx, 9Zx, A2x, ALx, AMx, ANx, APx, AQx, ARx, ASx, ATx, AUx, AVx, B2x, B4x, CCx</li> <li>• 1859-B6x, B7x, B8x, B9x, BAx, BBx, BFx</li> <li>• 1860-9Fx, BPx, BYx</li> </ul> | 39T0046 | N      |
|     | CPU assembly, Intel Pentium M processor 745 (1.8 GHz) <ul style="list-style-type: none"> <li>• 1834-LFx, RHx, RJx, RPx, RQx, S8x, S9x</li> </ul>  | 91P7357 | N      |

(continued)

| No. | FRU   | P/N     | CRU ID |
|-----|---|---------|--------|
| 4   | CPU assembly, Intel Pentium M processor 750 (1.86 GHz) <ul style="list-style-type: none"> <li>• 1843-27x, 28x, 29x, 3Mx, 59x, 5Ax, 5Bx, 5Cx, 5Dx</li> <li>• 1844-5Hx</li> <li>• 1845-5Kx</li> <li>• 1846-CTO, 3Wx, 4Cx, 4Hx, 4Jx, 5Ax, 5Fx, 5Gx, 5Lx, 5Mx, 5Nx, 5Rx, 66x, 6Ex, 6Mx, 6Nx, 6Px, 6Qx, 6Rx, 6Tx, 6Ux</li> <li>• 1847-CTO, 24x, 28x, 29x, 2Bx, 2Cx, 34x, 38x, 39x, 3Gx, 3Hx, 3Jx, 3Kx, 3Nx, 3Px, 3Qx, 3Rx, 3Tx, 46x, 48x</li> <li>• 1848-CTO, 24x, 34x</li> <li>• 1849-CTO, 4Qx, 4Tx, 5Xx, 6Yx</li> <li>• 1846-86x, 87x, A4x, 96x, 97x, 98x, 9Dx</li> <li>• 1847-82x, 83x, 92x, 93x, 8Fx, 8Gx, AFx, 9Nx, 9Px, 9Qx, 9Rx, 8Jx, 8Kx, AJx</li> <li>• 1848-82x, 83x, 92x, 93x, 8Mx, 8Nx, ALx</li> <li>• 1849-8Dx, ADx, 8Rx, 8Sx, ANx, 9Xx, 91x</li> <li>• 1858-CTO, 37x, 38x, 3Cx, 3Dx, 4Cx, 4Dx, 4Ex, 4Fx, 4Gx, 5Fx, 5Gx, 5Hx, 5Xx, 5Yx, 62x, 6Cx, 6Dx, 6Ex, 6Fx, 6Hx</li> <li>• 1859-CTO, 39x, 4Hx, 5Dx, 63x</li> <li>• 1860-CTO, 2Lx, 2Mx, 2Nx, 3Ex, 4Qx, 5Bx, 5Cx, 5Gx, 5Hx, 5Zx, 6Fx, 6Gx</li> <li>• 1861-CTO, 3Ex, 6Fx, 6Gx</li> <li>• 1858-95x, 96x, 98x, 99x, 9Ax, 9Gx, 9Hx, 9Lx, A3x, A4x, A5x, A6x, A8x, ABx, ACx, ADx, AEx, AFx, AWx, B3x, B5x</li> <li>• 1859-BCx, BGx</li> <li>• 1860-9Gx, BQx, BTx, BUx, BXx, BZx, C4x, C8x, C9x, CAx, CBx</li> <li>• 1861-9Gx, BUx, BZx, C8x, C9x, CAx, CBx</li> </ul> | 39T0047 | N      |
|     | CPU assembly, Intel Pentium M processor 755 (2.0 GHz) <ul style="list-style-type: none"> <li>• 1834-RRx, RSx, RUx</li> </ul>  | 93P4225 | N      |

(continued)

| No. | FRU   | P/N     | CRU ID |
|-----|---|---------|--------|
| 4   | CPU assembly, Intel Pentium M processor 760 (2.0 GHz) <ul style="list-style-type: none"> <li>• 1843-2Ax, 2Bx, 2Cx</li> <li>• 1846-CTO, 4Dx, 4Kx, 4Lx, 4Mx, 4Nx, 54x, 5Px, 5Qx, 67x, 68x, 6Sx</li> <li>• 1847-CTO, 25x, 35x, 3Lx, 3Ux, 43x, 47x, 49x, 4Ax</li> <li>• 1848-CTO, 25x, 35x, 43x</li> <li>• 1849-CTO, 4Ux, 5Yx, 6Zx</li> <li>• 1846-88x, 89x, A5x, A6x, A7x, A8x, A9x, 99x, 9Gx, 9Hx</li> <li>• 1847-8Ex, 8Hx, AGx, 9Lx, 9Sx, 9Tx</li> <li>• 1848-25x, 35x, 43x</li> <li>• 1849-8Tx, APx, 9Yx</li> <li>• 1858-CTO, 4Kx, 4Lx, 4Mx, 4Nx, 5Jx, 65x, 6Jx</li> <li>• 1859-CTO, 3Ax, 4Px, 4Rx, 4Sx, 66x</li> <li>• 1860-CTO, 4Jx, 4Mx, 5Kx, 6Jx</li> <li>• 1861-CTO, 4Mx, 6Jx</li> <li>• 1858-9Mx, A7x, A9x, AXx</li> <li>• 1859-BDx, BHx, BLx</li> <li>• 1860-BRx, BSx, BWx, C2x, C3x, C5x</li> </ul> | 39T0048 | N      |
|     | CPU assembly, Intel Pentium M processor 770 (2.13 GHz) <ul style="list-style-type: none"> <li>• 1843-5Ex</li> <li>• 1846-CTO, 4Ex, 55x, 69x</li> <li>• 1847-CTO, 26x, 27x, 36x, 37x, 44x, 45x</li> <li>• 1848-CTO, 26x, 27x, 36x, 37x, 44x, 45x</li> <li>• 1849-CTO</li> <li>• 1846-8Bx, A2x, AAx, ABx</li> <li>• 1847-AEx, AHx</li> <li>• 1848-9Vx</li> <li>• 1858-CTO, AAx, AJx, AYx</li> <li>• 1859-CTO, BEx, BJx, BMx</li> <li>• 1860-CTO, BVx</li> <li>• 1861-CTO</li> </ul>   | 39T0049 | N      |
|     | CPU assembly, Intel Pentium M processor 780 (2.26 GHz) <ul style="list-style-type: none"> <li>• 1846-CTO, A3x, ACx</li> <li>• 1848-CTO, AKx</li> <li>• 1858-CTO, AKx</li> </ul>   | 39T0460 | N      |

(continued)



| No. | FRU   | P/N     | CRU ID |
|-----|---|---------|--------|
| 5   | ThinkPad Integrated 56K Modem (MDC-2) <ul style="list-style-type: none"> <li>• 1843-2xx, 3xx, 4xx, 5xx</li> <li>• 1844-5xx</li> <li>• 1845-5xx</li> <li>• 1846-CTO, 2Hx, 3Vx, 3Wx , 52x, 53x, 56x, 57x, 58x, 59x, 5Ax, 5Bx, 5Cx, 5Dx, 5Ex, 5Fx, 5Gx, 5Hx, 5Jx, 5Kx, 5Lx, 5Mx, 5Nx, 5Px, 5Qx, 5Rx, 62x, 6Ax, 6Bx, 6Cx, 6Dx, 6Ex, 6Fx, 6Gx, 6Hx, 6Jx, 6Kx, 6Lx, 6Mx, 6Nx, 6Px, 6Qx, 6Rx, 6Sx</li> <li>• 1847-CTO, 22x, 23x, 26x, 28x, 29x, 2Ax, 2Bx, 2Cx, 2Dx, 2Ex, 2Fx, 2Gx, 32x, 33x, 38x, 39x, 3Ax, 3Bx, 3Cx, 3Dx, 3Ex, 3Fx, 3Gx, 3Hx, 3Jx, 3Kx, 3Lx, 3Mx, 3Nx, 3Px, 3Qx, 3Rx, 3Sx, 3Tx, 46x, 48x, 49x, 4Bx</li> <li>• 1848-CTO, 22x, 23x, 26x, 2Fx, 2Gx, 32x, 33x, 4Bx</li> <li>• 1849-CTO, 4Px, 4Rx, 4Sx, 5Sx, 5Tx, 5Ux, 5Vx, 5Wx, 6Vx, 6Wx, 6Xx</li> <li>• 1850-22x</li> <li>• 1870-22x</li> <li>• 1846-84x, 85x, 86x, 87x, 88x, 89x, 8Ax, 94x, 95x, 96x, 97x, 99x, 9Ax, 9Bx, 9Dx, 9Gx</li> <li>• 1847-82x, 83x, 8Ex, 8Fx, 8Gx, 8Hx, 8Jx, 8Kx, 92x, 93x, 9Lx, 9Mx, 9Nx, 9Px, 9Qx, 9Sx, 9Tx, AEx, AFx, AGx, AHx, AJx</li> <li>• 1848-82x, 83x, 8Mx, 8Nx, 92x, 93x, ALx</li> <li>• 1849-8Cx, 8Rx, 8Sx, 8Tx, 91x, 9Wx, 9Xx</li> <li>• 1858-CTO, 92x, 93x, 94x, 97x, 98x, 99x, 9Ax, 9Bx, 9Dx, 9Ex, 9Fx, 9Gx, 9Hx, 9Jx, 9Lx, 9Nx, 9Px, 9Qx, 9Rx, 9Sx, 9Tx, 9Ux, 9Vx, 9Wx, 9Xx, 9Yx, 9Zx, A2x, A3x, ABx, ACx, ADx, AEx, AFx, AGx, AHx, ALx, AMx, ANx, APx, AQx, ARx, ASx, ATx, AUx, AVx, AWx, B2x, B3x, B4x, B5x, CCx</li> <li>• 1859-CTO, B6x, B7x, B8x, B9x, BAx, BBx, BCx, BDx, BEx, BFx, BGx, BHx, BJx</li> <li>• 1860-CTO, 9Fx, 9Gx, BPx, BQx, BRx, BSx, BTx, BUx, Bxx, BYx, BZx, C2x, C3x, C4x, C5x, C6x, C7x, C8x, C9x, CAx, CBx</li> <li>• 1861-CTO, 9Gx, BUx, BZx, C6x, C7x, C8x, C9x, CAx, CBx</li> </ul> | 39T0061 | **     |

(continued)

Parts list

| No. | FRU  | P/N     | CRU ID |
|-----|--|---------|--------|
| 5   | ThinkPad Integrated 56K Modem (MDC-2) <ul style="list-style-type: none"> <li>• 1834-Kxx, Lxx, Mxx, Qxx, Rxx, Sxx</li> <li>• 1842-Mxx, Qxx</li> <li>• 1858-CTO, 2xx, 32x, 37x, 38x, 42x, 44x, 45x, 46x, 47x, 48x, 49x, 4Ax, 4Cx, 4Dx, 4Gx, 4Kx, 4Lx, 4Tx, 4Ux, 4Vx, 4Wx, 4Yx, 53x, 54x, 59x, 5Ax, 5Fx, 5Gx, 5Hx, 5Jx, 5Lx, 5Mx, 5Nx, 5Px, 5Qx, 5Rx, 5Tx, 5Ux, 5Vx, 5Wx, 5Xx, 5Yx, 62x, 64x, 65x, 6Kx,</li> <li>• 1859-CTO, 2xx, 3xx, 4xx, 5xx, 6xx</li> <li>• 1860-CTO, 2xx, 32x, 4Jx, 4Qx, 5xx</li> <li>• 1861-CTO, 2xx, 32x, 5xx</li> <li>• 1862-CTO, 2xx</li> <li>• 1863-CTO, 2xx</li> </ul> | 93P4166 | **     |
|     | ThinkPad Integrated <i>Bluetooth</i> IV with 56K Modem (BMDC-3) <ul style="list-style-type: none"> <li>• 1858-CTO, 3Bx, 3Cx, 3Dx, 4Ex, 4Fx, 4Mx, 4Nx, 67x, 68x, 69x, 6Ax, 6Bx, 6Ex, 6Cx, 6Dx, 6Fx, 6Hx, 6Jx</li> <li>• 1859-CTO</li> <li>• 1860-CTO, 3Bx, 3Ex, 4Mx, 69x, 6Fx, 6Gx, 6Jx</li> <li>• 1861-CTO, 3Bx, 3Ex, 4Mx, 69x, 6Fx, 6Gx, 6Jx</li> <li>• 1862-CTO</li> <li>• 1863-CTO</li> <li>• 1858-CTO, 95x, 96x, 9Kx, 9Mx, A4x, A5x, A6x, A7x, A8x, A9x, AAx, AJx, AKx, AXx, AYx</li> <li>• 1859-CTO, BKx, BLx, BMx</li> <li>• 1860-CTO, BVx, BWx</li> </ul>                               | 39T0022 | **     |

(continued)

| No. | FRU  | P/N     | CRU ID |
|-----|--|---------|--------|
| 5   | ThinkPad Integrated <i>Bluetooth</i> IV with 56K Modem (BMDC-3) <ul style="list-style-type: none"> <li>• 1846-CTO, 54x, 55x, 63x, 64x, 65x, 66x, 67x, 68x, 69x, 6Tx, 6Ux, 4Cx, 4Dx, 4Ex, 4Fx, 4Gx, 4Hx, 4Jx, 4Kx, 4Lx, 4Mx, 4Nx, 2Jx</li> <li>• 1847-CTO, 24x, 25x, 27x, 34x, 35x, 36x, 37x, 3Ux, 42x, 43x, 44x, 45x, 47x, 4Ax</li> <li>• 1848-CTO, 24x, 25x, 27x, 34x, 35x, 36x, 37x, 42x, 43x, 44x, 45x</li> <li>• 1849-CTO, 5Xx, 5Yx, 6Yx, 6Zx, 4Qx, 4Tx, 4Ux</li> <li>• 1846-8Bx, 98x, 9Cx, 9Ex, 9Fx, 9Hx, A2x, A3x, A4x, A5x, A6x, A7x, A8x, A9x, AAx, ABx, ACx</li> <li>• 1847-9Rx</li> <li>• 1848-8Lx, 9Ux, 9Vx, AKx</li> <li>• 1849-8Dx, 8Px, 8Qx, 9Yx, 9Zx, ADx, AMx, ANx, APx</li> </ul> | 39T0024 | **     |
| 6   | 256-MB DDR SDRAM SO DIMM (PC2700) <b>OP</b> <ul style="list-style-type: none"> <li>• 1834-K3x, K4x, K5x, K6x, K7x, K8x, K9x, KAx, KBx, KCx, K Dx, KEx, KFx, KGx, KHx, KJx, KLx, KPx, KQx, KRx, KSx, KTx, KWx, KXx, KYx, KZx, L2x, L3x, L4x, L5x, L6x, L7x, L8x, L9x, LAx, LCx, LDx, LEx, LFx, LGx, LHx, M2x, M3x, M4x, M5x, M6x, MBx, MCx, MDx, MEx, MFx, MGx, MHx, MJx, MRx, MSx, MTx, MVx, Q2x, Q4x, Q5x, Q6x, Q7x, Q8x, Q9x, QBx, QCx, R3x, R4x, R5x, R6x, R7x, R8x, RCx, RKx, RMx, RNx, RPx, RVx, S2x, S3x, S4x, S5x, S6x</li> <li>• 1842-MUx, QDx, QFx</li> </ul>   | 31P9831 | *      |
|     | 512-MB DDR SDRAM SO DIMM (PC2700) <b>OP</b> <ul style="list-style-type: none"> <li>• 1834-KUx, KVx, LBx, M7x, M8x, M9x, MAx, MMx, MNx, MPx, MQx, MWx, MXx, Q3x, QAx, R9x, RAx, RBx, RDx, REx, RFx, RGx, RHx, RJx, RQx, RRx, RSx, RTx, RUx, RWx, Rxx, S7x, S8x, S9x</li> <li>• 1842-QEx</li> </ul>  | 31P9833 | *      |

(continued)

| No. | FRU  | P/N     | CRU ID |
|-----|--|---------|--------|
| 6   | <p>256-MB DDR SDRAM SO DIMM (PC2-4200) <b>OP</b></p> <ul style="list-style-type: none"> <li>• 1843-22x, 23x, 24x, 25x, 26x, 27x, 28x, 2Fx, 2Gx, 2Hx, 2Jx, 2Kx, 2Lx, 2Px, 2Qx, 2Rx, 2Sx, 2Xx, 2Yx, 2Zx, 32x, 33x, 34x, 35x, 36x, 37x, 3Ax, 3Bx, 3Cx, 3Ex, 3Fx, 3Gx, 3Hx, 3Jx, 3Kx, 3Nx, 3Px, 3Qx, 3Vx, 3Wx, 3Xx, 42x, 47x, 4Dx, 4Px, 4Sx, 4Tx, 4Ux, 4Yx, 52x, 5Ax, 5Bx, 5Lx, 5Tx, 5Ux</li> <li>• 1844-5Fx, 5Jx</li> <li>• 1846-CTO, 52x, 56x, 57x, 58x, 59x, 5Bx, 5Cx, 5Dx, 5Ex, 5Fx, 5Gx, 5Hx, 5Jx, 5Kx, 5Lx, 62x, 6Ax, 6Bx, 6Cx, 6Dx, 6Fx, 6Gx, 6Hx, 6Jx, 6Kx, 6Lx, 6Mx, 6Nx, 6Tx, 6Ux</li> <li>• 1847-CTO, 23x, 28x, 2Ax, 2Dx, 2Ex, 33x, 38x, 3Ax, 3Bx, 3Cx, 3Mx, 3Nx, 3Px, 3Rx, 3Ux</li> <li>• 1848-CTO, 23x, 33x</li> <li>• 1849-CTO, 5Tx, 5Ux</li> <li>• 1846-CTO, 84x, 85x, 86x, 87x, 94x, 96x, 98x, 9Ax, 9Bx, 9Cx</li> <li>• 1847-CTO, 9Mx</li> <li>• 1848-CTO, 9Ux</li> <li>• 1849-CTO</li> <li>• 1858-CTO, 22x, 28x, 29x, 2Ex, 2Px, 2Qx, 2Rx, 2Sx, 2Ux, 2Vx, 2Wx, 2Xx, 2Zx, 32x, 33x, 34x, 37x, 38x, 3Cx, 3Dx, 4Cx, 4Tx, 4Ux, 4Yx, 53x, 5Lx, 5Mx, 5Nx, 5Px, 5Qx, 5Rx, 5Tx, 5Ux, 5Xx, 5Yx, 64x, 67x, 68x, 6Cx</li> <li>• 1859-CTO, 2Ax, 2Hx</li> <li>• 1860-CTO, 25x, 2Bx, 2Fx, 2Kx, 2Lx, 2Mx, 2Tx, 2Yx, 32x, 56x, 5Bx, 5Ux, 5Zx</li> <li>• 1861-CTO, 25x, 26x, 2Bx, 2Fx, 2Gx, 2Kx, 32x, 56x</li> <li>• 1862-CTO, 2Cx</li> <li>• 1863-CTO, 2Dx</li> <li>• 1858-CTO, 92x, 93x, 94x, 97x, 98x, 99x, 9Bx, 9Dx, 9Ex, 9Fx, 9Gx, 9Hx, 9Jx, 9Kx, 9Nx, 9Px, 9Qx, 9Rx, A2x, A4x, A8x, AGx, AHx, AWx, CCx</li> <li>• 1859-CTO, B6x, B7x, B9x</li> <li>• 1860-CTO, BPx, 9Fx, 9Gx, BSx, BYx, C3x, C6x, C7x, C8x, C9x</li> <li>• 1861-CTO, 9Gx, C6x, C7x, C8x, C9x</li> </ul> | 73P3841 | *      |

(continued)

| No. | FRU   | P/N     | CRU ID |
|-----|---|---------|--------|
| 6   | 512-MB DDR SDRAM SO DIMM<br>(PC2-4200) <b>OP</b> <ul style="list-style-type: none"> <li>• 1843-29x, 2Ax, 2Bx, 2Cx, 2Dx, 2Ex, 2Mx, 2Nx, 2Tx, 2Ux, 2Vx, 2Wx, 3Dx, 3Lx, 3Mx, 3Rx, 3Sx, 3Tx, 3Ux, 3Yx, 3Zx, 43x, 44x, 48x, 49x, 4Ax, 4Bx, 4Cx, 4Ex, 4Fx, 4Gx, 4Hx, 4Jx, 4K, 4Lx, 4Mx, 4Nx, 4Qx, 4Rx, 4Vx, 4Wx, 4Xx, 4Zx, 53x, 54x, 55x, 59x, 5Cx, 5Dx, 5Ex, 5Nx, 5Px, 5Qx, 5Rx, 5Sx</li> <li>• 1844-5Gx, 5Hx</li> <li>• 1845-5Kx</li> <li>• 1846-CTO, 53x, 54x, 55x, 5Ax, 5Mx, 5Nx, 5Px, 5Qx, 5Rx, 63x, 64x, 65x, 66x, 67x, 68x, 69x, 6Ex, 6Px, 6Qx, 6Rx, 6Sx, 4Cx, 4Dx, 4Fx, 4Gx, 4Hx, 4Jx, 4Kx, 4Lx, 4Nx, 2Hx, 2Jx, 3Vx, 3Wx</li> <li>• 1847-CTO, 22x, 24x, 25x, 26x, 29x, 2Bx, 2Cx, 32x, 34x, 35x, 36x, 39x, 3Dx, 3Ex, 3Fx, 3Gx, 3Hx, 3Jx, 3Kx, 3Lx, 3Qx, 3Sx, 3Tx, 42x, 43x, 44x, 46x, 47x, 48x, 49x, 4Ax, 2Fx, 2Gx</li> <li>• 1848-CTO, 22x, 24x, 25x, 26x, 32x, 34x, 35x, 36x, 42x, 43x, 44x, 2Fx, 2Gx</li> <li>• 1849-CTO, 5Sx, 6Vx, 4Px, 4Qx, 4Rx</li> <li>• 1846-CTO, 88x, 89x, 8Ax, 8Bx, A2x, A3x, A4x, A5x, A6x, A7x, A8x, A9x, AAx, ABx, ACx, 95x, 97x, 99x, 9Dx, 9Ex, 9Fx, 9Gx, 9Hx</li> <li>• 1847-CTO, 82x, 83x, 92x, 93x, 8Ex, 8Fx, 8Gx, 8Hx, AEx, AFx, AGx, AHx, 9Lx, 9Nx, 9Px, 9Qx, 9Rx, 9Sx, 9Tx, 8Jx, 8Kx</li> <li>• 1848-CTO, 82x, 83x, 92x, 93x, 8Lx, AKx, 9Vx, 8Mx, 8Nx</li> <li>• 1849-CTO, 8Cx, 8Dx, 9Wx, ADx</li> <li>• 1850-22x</li> <li>• 1870-22x</li> <li>• 1858-CTO, 3Bx, 42x, 44x, 45x, 46x, 47x, 49x, 4Ax, 4Dx, 4Ex, 4Fx, 4Gx, 4Kx, 4Lx, 4Mx, 4Nx, 4Vx, 4Wx, 54x, 59x, 5Ax, 5Fx, 5Gx, 5Hx, 5Jx, 5Vx, 5Wx, 62x, 65x, 69x, 6Ax, 6Bx, 6Dx, 6Ex, 6Fx, 6Hx, 6Jx, 6Kx</li> <li>• 1859-CTO, 4Rx, 4Sx, 55x, 5Dx</li> <li>• 1860-CTO, 2Nx, 3Bx, 3Ex, 4Jx, 4Mx, 4Qx, 57x, 58x, 5Cx, 5Ex, 5Gx, 5Hx, 5Kx, 5Sx, 69x, 6Fx, 6Gx, 6Jx</li> </ul> (continued) | 73P3843 | *      |

(continued)

| No.  | FRU   | P/N     | CRU ID |
|--|---|---------|--------|
| 6  | 512-MB DDR SDRAM SO DIMM (PC2-4200) <b>OP</b> <ul style="list-style-type: none"> <li>• 1861-CTO, 3Bx, 3Ex, 4Mx, 5Ex, 5Sx, 69x, 6Fx, 6Gx, 6Jx</li> <li>• 1862-CTO</li> <li>• 1863-CTO</li> <li>• 1858-CTO, 95x, 96x, 9Ax, 9Lx, 9Mx, 9Sx, 9Tx, 9Ux, 9Vx, 9Wx, 9Xx, 9Yx, 9Zx, A3x, A5x, A6x, A7x, A9x, AAx, ABx, ACx, ADx, AEx, AFx, AJx, AKx, ALx, AMx, ANx, APx, AQx, ARx, ASx, ATx, AUx, AVx, AXx, AYx</li> <li>• 1859-CTO, B8x, BAx</li> <li>• 1860-CTO, BQx, BRx, BTx, BUx, BVx, BWx, Bx, BZx, C2x, C4x, C5x, CAx, CBx</li> <li>• 1861-CTO, BUx, BZx, CAx, CBx</li> </ul> | 73P3843 | *      |
|  | 1-GB DDR SDRAM SO DIMM (PC2-4200) <b>OP</b> <ul style="list-style-type: none"> <li>• 1846-CTO, 4Ex, 4Mx</li> <li>• 1847-CTO, 27x, 37x, 45x, 4Bx</li> <li>• 1848-CTO, 27x, 37x, 45x, 4Bx</li> <li>• 1847-AJx</li> <li>• 1848-ALx</li> <li>• 1858-CTO</li> <li>• 1859-CTO</li> <li>• 1860-CTO</li> <li>• 1861-CTO</li> <li>• 1862-CTO</li> <li>• 1863-CTO</li> </ul>  | 73P3845 | *      |
| For optional DIMMs, see "Optional FRUs" on page 259. |   |         |        |
| 7  | VGA and Ultrabay eject button cable 14/15 (for R50e, R51e)  | 91P6834 | N      |
|  | VGA cable, 14 (for R50e, R51e)  | 91P6867 | N      |
|  | VGA cable, 15 (for R50e, R51e)  | 91P6869 | N      |
|  | VGA and Ultrabay eject button cable 14/15 (for R52)   | 91P6828 | N      |
| 8  | Interposer card for R50e, R51e <ul style="list-style-type: none"> <li>• 1834-Mxx, Q2x, Q3x, Q6x, Q7x, QAx, Rxx, Sxx</li> <li>• 1842-Mxx, Qxx</li> <li>• 1843-24x, 25x, 26x, 27x, 28x, 29x, 2Ax, 2Bx, 2Cx, 2Dx, 2Ex, 3Nx, 3Px, 3Qx, 3Rx, 3Sx, 3Tx, 3Ux, 3Vx, 3Wx, 3Xx, 3Yx, 3Zx, 4xx, 5xx</li> <li>• 1844-5Gx, 5Hx</li> <li>• 1845-5Kx</li> </ul>  | 91P7413 | N      |

(continued)

| No. | FRU   | P/N     | CRU ID |
|-----|---|---------|--------|
| 8   | Interposer card for R52 <ul style="list-style-type: none"> <li>• 1846-CTO, 3xx, 4xx, 6xx</li> <li>• 1847-CTO, 32x, 33x, 34x, 35x, 36x, 37x, 38x, 39x, 3Ax, 3Bx, 3Cx, 3Dx, 3Ex, 3Fx, 3Gx, 3Hx, 3Jx, 3Kx, 3Lx, 3Mx, 3Nx, 3Px, 3Qx, 3Rx, 3Sx, 3Tx, 3Ux, 42x, 43x, 44x, 45x, 46x, 47x, 48x, 49x, 4Ax, 4Bx, EEx, EFx, EGx</li> <li>• 1848-CTO, 32x, 33x, 34x, 35x, 36x, 37x, 42x, 43x, 44x, 45x, 4Bx</li> <li>• 1848-CTO, 6Yx, 6Zx, 4Qx, 4Tx, 4Ux</li> <li>• 1858-CTO, 4xx, 5xx, 6xx</li> <li>• 1859-CTO, 4xx, 5xx, 6xx</li> <li>• 1860-CTO, 4xx, 5xx, 6xx</li> <li>• 1861-CTO, 4xx, 5xx, 6xx</li> <li>• 1862-CTO</li> <li>• 1863-CTO</li> </ul>   | 91P7427 | N      |
|     | Interposer card for R52 <ul style="list-style-type: none"> <li>• 1846-CTO, 94x, 95x, 96x, 97x, 98x, 99x, 9Ax, 9Bx, 9Cx, 9Dx, 9Ex, 9Fx, 9Gx, 9Hx, A2x, A3x, A4x, A5x, A6x, A7x, A8x, A9x, AAx, ABx, ACx</li> <li>• 1847-CTO, 92x, 93x, 9Lx, 9Mx, 9Nx, 9Px, 9Qx, 9Rx, 9Sx, 9Tx, AEx, AFx, AGx, AHx, AJx</li> <li>• 1848-CTO, 92x, 93x, 9Ux, 9Vx, AKx, ALx</li> <li>• 1848-CTO, 9Wx, 9Xx, 9Yx, 9Zx, 91x, ADx, AMx, ANx, APx</li> <li>• 1858-CTO, 9Hx, 9Jx, 9Kx, 9Lx, 9Mx, 9Nx, 9Px, 9Qx, 9Rx, 9Sx, 9Tx, 9Ux, 9Vx, 9Wx, 9Xx, 9Yx, 9Zx, A2x, A3x, A4x, A5x, A6x, A7x, A8x, A9x, AAx, ABx, ACx, ADx, AEx, AFx, AGx, AHx, AJx, AKx, ALx, AMx, ANx, APx, AQx, ARx, ASx, ATx, AUx, AVx, AWx, AXx, AYx, B2x, B3x, B4x, B5x</li> <li>• 1859-CTO, B9x, BAx, BFx, BGx, BHx, BJx, BKx, BLx, BMx</li> <li>• 1860-CTO, BTx, BUx, BVx, BWx, BXx, BYx, BZx, C2x, C3x, C4x, C5x, CAx, CBx</li> <li>• 1861-CTO, BUx, BZx, CAx, CBx</li> </ul> | 39T0030 | N      |

(continued)

Parts list

| No. | FRU   | P/N     | CRU ID |
|-----|---|---------|--------|
| 9   | Battery pack, Li-ion (6 cell), 4.4 Ah<br>Panasonic <b>0P</b> <ul style="list-style-type: none"> <li>• 1834-Kxx except KMx, KNx; Lxx; Mxx except MK, MLx, MYx, MZx; Qxx; Rxx except R2x, Sxx</li> <li>• 1842-Mxx, Qxx</li> <li>• 1843-all</li> <li>• 1844-all</li> <li>• 1845-all</li> <li>• 1858-CTO, 22x, 28x, 29x, 2Ex, 2Px, 2Rx, 2Qx, 2Sx, 2Ux, 2Vx, 2Wx, 2Xx, 2Zx, 32x, 33x, 34x, 37x, 38x, 3Bx, 3Dx, 42x, 44x, 45x, 46x, 47x, 48x, 49x, 4Ax, 4Cx, 4Dx, 4Ex, 4Fx, 4Gx, 4Kx, 4Lx, 4Mx, 4Tx, 4Ux, 4Vx, 4Wx, 4Yx, 53x, 54x, 59x, 5Ax, 5Fx, 5Gx, 5Hx, 5Jx, 5Lx, 5Mx, 5Nx, 5Px, 5Qx, 5Rx, 5Tx, 5Vx, 5Ux, 5Wx, 5Xx, 5Yx, 62x, 64x, 67x, 68x, 69x, 6Ax, 6Bx, 6Cx, 6Dx, 6Ex, 6Fx, 6Hx, 6Jx, 6Kx</li> <li>• 1859-CTO, 23x, 24x, 27x, 2Ax, 2Hx, 35x, 39x, 3Ax, 43x, 4Bx, 4Hx, 4Px, 4Rx, 4Sx, 4Xx, 4Zx, 52x, 55x, 5Dx, 63x, 66x</li> <li>• 1860-CTO, 25x, 2Bx, 2Fx, 2Kx, 2Lx, 2Mx, 2Nx, 2Tx, 2Yx, 32x, 3Bx, 3Ex, 4Jx, 4Mx, 4Qx, 56x, 57x, 58x, 5Bx, 5Cx, 5Ex, 5Gx, 5Hx, 5Kx, 5Sx, 5Ux, 5Zx, 69x, 6Fx, 6Gx, 6Jx</li> <li>• 1861-CTO, 25x, 26x, 2Bx, 2Fx, 2Gx, 2Kx, 32x, 3Bx, 3Ex, 4Mx, 56x, 5Ex, 5Sx, 69x, 6Fx, 6Gx, 6Jx</li> <li>• 1862-CTO, 2Cx</li> <li>• 1863-CTO, 2Dx</li> </ul> | 92P1060 | *      |

(continued)



| No. | FRU   | P/N     | CRU ID |
|-----|---|---------|--------|
| 9   | Battery pack, Li-ion (6 cell), 4.4 Ah, Sanyo <ul style="list-style-type: none"> <li>• 1846-CTO, 2Hx, 2Jx, 3Vx, 3Wx, 4Cx, 4Dx, 4Ex, 4Fx, 4Gx, 4Hx, 4Jx, 4Kx, 4Nx, 52x, 53x, 54x, 55x, 56x, 57x, 58x, 59x, 5Ax, 5Bx, 5Cx, 5Dx, 5Ex, 5Fx, 5Gx, 5Hx, 5Jx, 5Kx, 5Lx, 5Mx, 5Nx, 5Px, 5Qx, 5Rx, 62x, 63x, 64x, 65x, 66x, 67x, 68x, 69x, 6Ax, 6Bx, 6Cx, 6Dx, 6Ex, 6Fx, 6Gx, 6Hx, 6Jx, 6Kx, 6Lx, 6Mx, 6Nx, 6Px, 6Qx, 6Rx, 6Sx, 6Tx, 6Ux</li> <li>• 1847-CTO, 22x, 23x, 24x, 25x, 26x, 27x, 28x, 29x, 2Ax, 2Bx, 2Cx, 2Dx, 2Ex, 2Fx, 2Gx, 32x, 33x, 34x, 35x, 36x, 37x, 38x, 39x, 3Ax, 3Bx, 3Cx, 3Dx, 3Ex, 3Fx, 3Gx, 3Hx, 3Jx, 3Kx, 3Lx, 3Mx, 3Nx, 3Px, 3Qx, 3Rx, 3Sx, 3Tx, 3Ux, 42x, 43x, 44x, 45x, 46x, 48x, 49x, 4Ax, 4Bx</li> <li>• 1848-CTO, 22x, 23x, 24x, 25x, 26x, 27x, 2Fx, 2Gx, 32x, 33x, 34x, 35x, 36x, 37x, 42x, 43x, 44x, 45x, 4Bx</li> <li>• 1849-CTO, 4Px, 4Qx, 4Rx, 5Sx, 5Tx, 5Ux, 6Vx</li> <li>• 1850-CTO, 22x</li> <li>• 1870-CTO, 22x</li> </ul>  | 08K8193 | *      |
|     | Battery pack, Li-ion (6 cell), 4.4 Ah (for R52) <b>OP</b> <ul style="list-style-type: none"> <li>• 1843-all</li> <li>• 1844-all</li> <li>• 1845-all</li> <li>• 1846-CTO, 2Hx, 2Jx, 3Vx, 3Wx, 4Cx, 4Dx, 4Ex, 4Fx, 4Gx, 4Hx, 4Jx, 4Kx, 4Nx, 52x, 53x, 54x, 55x, 56x, 57x, 58x, 59x, 5Ax, 5Bx, 5Cx, 5Dx, 5Ex, 5Fx, 5Gx, 5Hx, 5Jx, 5Kx, 5Lx, 5Mx, 5Nx, 5Px, 5Qx, 5Rx, 62x, 63x, 64x, 65x, 66x, 67x, 68x, 69x, 6Ax, 6Bx, 6Cx, 6Dx, 6Ex, 6Fx, 6Gx, 6Hx, 6Jx, 6Kx, 6Lx, 6Mx, 6Nx, 6Px, 6Qx, 6Rx, 6Sx, 6Tx, 6Ux</li> <li>• 1847-CTO, 22x, 23x, 24x, 25x, 26x, 27x, 28x, 29x, 2Ax, 2Bx, 2Cx, 2Dx, 2Ex, 2Fx, 2Gx, 32x, 33x, 34x, 35x, 36x, 37x, 38x, 39x, 3Ax, 3Bx, 3Cx, 3Dx, 3Ex, 3Fx, 3Gx, 3Hx, 3Jx, 3Kx, 3Lx, 3Mx, 3Nx, 3Px, 3Qx, 3Rx, 3Sx, 3Tx, 3Ux, 42x, 43x, 44x, 45x, 46x, 48x, 49x, 4Ax, 4Bx</li> <li>• 1848-CTO, 22x, 23x, 24x, 25x, 26x, 27x, 2Fx, 2Gx, 32x, 33x, 34x, 35x, 36x, 37x, 42x, 43x, 44x, 45x, 4Bx</li> <li>• 1849-CTO, 4Px, 4Qx, 4Rx, 5Sx, 5Tx, 5Ux, 6Vx</li> <li>• 1850-CTO, 22x</li> <li>• 1870-CTO, 22x</li> </ul> |         |        |
|     | Sanyo   | 92P1075 | *      |
|     | Sony  | 92P1011 | *      |
|     | Sony  | 92P1071 | *      |

(continued)

## Parts list

| No. | FRU   | P/N     | CRU ID |
|-----|---|---------|--------|
| 9   | Battery pack, Li-ion (6 cell), 2.4 Ah (for R52) <ul style="list-style-type: none"> <li>• 1843-all</li> <li>• 1844-all</li> <li>• 1845-all</li> <li>• 1846-CTO, 8xx, 9xx, A4x, A5x, A6x, A7x, A8x, A9x, AAx,</li> <li>• 1847-CTO, 8xx, 9xx, Axx</li> <li>• 1848-CTO, 8xx, 9xx, Axx</li> <li>• 1849-CTO, 8Cx, 8Dx, 9Wx, ADx</li> <li>• 1858-CTO; 9xx; Axx except AJx, AKx; CCx</li> <li>• 1859-CTO, B6x, B7x, B8x, B9x, BAx</li> <li>• 1860-CTO, 9xx, Bxx, Cxx</li> <li>• 1861-CTO, 9xx, Bxx, Cxx</li> </ul>    |         |        |
|     | Sanyo   | 92P1087 | *      |
|     | Sony  | 92P1089 | *      |
|     | Panasonic   | 92P1091 | *      |
|     | Battery pack, Li-ion (9 cell), 6.6 Ah (for R52) <b>OP</b> <ul style="list-style-type: none"> <li>• 1846-CTO, 4Lx, 4Mx</li> <li>• 1847-CTO, 47x</li> </ul>   |         |        |
|     | Sanyo   | 08K8198 | *      |
|     | Sony  | 92P1013 | *      |
|     | Battery pack, Li-ion (9 cell), 7.2 Ah <ul style="list-style-type: none"> <li>• 1858-CTO, 3Cx, 4Nx, 65x</li> <li>• 1859-CTO, 3Cx, 4Nx, 65x</li> <li>• 1860-CTO, 3Bx, 3Ex, 2Bx, 2Tx, 2Lx, 32x, 2Kx, 2Fx, 2Mx, 2Nx, 4Mx, 4Jx, 4Qx, 69x, 6Fx, 6Gx, 6Jx, 5Ux, 5Zx, 57x, 5Kx, 5Hx, 5Ex, 56x, 5Bx, 5Cx, 25x, 2Yx, 5Sx, 58x, 5Gx</li> <li>• 1861-CTO, 2Bx, 2Fx, 32x, 2Kx, 3Bx, 3Ex, 4Mx, 56x, 69x, 5Ex, 6Fx, 6Gx, 6Jx, 25x, 26x, 2Gx, 5Sx</li> <li>• 1862-CTO</li> <li>• 1863-CTO</li> <li>• 1858-AJx, AKx</li> </ul> |         |        |
|     | Sanyo   | 92P1077 | *      |
|     | Sony  | 92P1073 | *      |

(continued)

| No.   | FRU   | P/N     | CRU ID |
|---|---|---------|--------|
| 9   | Battery pack, Li-ion (9 cell), 7.2 Ah, Panasonic <ul style="list-style-type: none"> <li>• 1858-CTO, 3Cx, 4Nx, 65x</li> <li>• 1859-CTO, 3Cx, 4Nx, 65x</li> <li>• 1860-CTO, 3Bx, 3Ex, 2Bx, 2Tx, 2Lx, 32x, 2Kx, 2Fx, 2Mx, 2Nx, 4Mx, 4Jx, 4Qx, 69x, 6Fx, 6Gx, 6Jx, 5Ux, 5Zx, 57x, 5Kx, 5Hx, 5Ex, 56x, 5Bx, 5Cx, 25x, 2Yx, 5Sx, 58x, 5Gx</li> <li>• 1861-CTO, 2Bx, 2Fx, 32x, 2Kx, 3Bx, 3Ex, 4Mx, 56x, 69x, 5Ex, 6Fx, 6Gx, 6Jx, 25x, 26x, 2Gx, 5Sx</li> <li>• 1862-CTO</li> <li>• 1863-CTO</li> <li>• 1858-AJx, AKx</li> <li>• 1846-A2x, A3x, ABx, ACx</li> </ul> | 92P1069 | *      |
| For optional battery packs, see "Optional FRUs" on page 259.  |   |         |        |
| 10  | Base cover assembly 1834  |         |        |
| 14.1-in.<br>• 1834-Kxx, Lxx, Q4x, Q5x, Q8x, Q9x, QBx, QCx   |   | 26R8624 | N      |
| 15.0-in.<br>• 1834-Mxx, Q2x, Q3x, Q6x, Q7x, QAx, Rxx, Sxx   |   | 26R8629 | N      |
| Base cover assembly 1842  |   |         |        |
| 15.0-in.<br>• 1842-Mxx, Qxx   |   | 26R8922 | N      |
| Base cover assembly 1843  |   |         |        |
| 14.1-in. WW<br>• 1843-22x, 23x, 2Fx, 2Gx, 2Hx, 2Jx, 2Kx, 2Lx, 2Mx, 2Nx, 2Px, 2Qx, 2Rx, 2Sx, 2Tx, 2Ux, 2Vx, 2Wx, 2Xx, 2Yx, 2Zx, 32x, 33x, 34x, 35x, 36x, 37x, 38x, 39x, 3Ax, 3Bx, 3Cx, 3Dx, 3Ex, 3Fx, 3Gx, 3Hx, 3Jx, 3Kx, 3Lx, 3Mx, 5L |   | 41V9042 | N      |
| 15.0-in. WW<br>• 1843-24x, 25x, 26x, 27x, 28x, 29x, 2Ax, 2Bx, 2Cx, 2Dx, 2Ex, 3Nx, 3Px, 3Qx, 3Rx, 3Sx, 3Tx, 3Ux, 3Vx, 3Wx, 3Xx, 3Yx, 3Zx, 4xx, 5xx   |   | 41V9043 | N      |
| 14.1-in. Taiwan<br>• 1843-2HV, 2ZV, 36V, 3EV, 3FV, 3GV, 3JV, 3MV  |   | 41V9044 | N      |
| 15.0-in. Taiwan<br>• 1844-3NV, 59V  |   | 41V9045 | N      |

(continued)

Parts list

| No. | FRU   | P/N     | CRU ID |
|-----|---|---------|--------|
| 10  | Base cover assembly 1844  |         |        |
|     | 14.1-in. WW<br>• 1844-CTO   | 41V9046 | N      |
|     | 15.0-in. WW<br>• 1844-CTO   | 41V9047 | N      |
|     | Base cover assembly 1845  |         |        |
|     | 14.1-in. WW<br>• 1845-CTO   | 41V9048 | N      |
|     | 15.0-in. WW<br>• 1845-CTO   | 41V9049 | N      |
|     | 14.1-in. Taiwan<br>• 1845-CTO   | 41V9050 | N      |
|     | 15.0-in. Taiwan<br>• 1845-CTO   | 41V9051 | N      |
|     | Base cover assembly 1846  |         |        |
|     | 14.1-in.<br>• 1846-CTO, 5xx, 2xx<br>• 1846-CTO, 84x, 85x, 86x, 87x, 88x, 89x, 8Ax, 8Bx  | 26R8771 | N      |
|     | 15.0-in.<br>• 1846-CTO, 3xx, 4xx, 6xx<br>• 1846-CTO, A2x, A3x, A4x, A5x, A6x, A7x, A8x, A9x, AAx, ABx, ACx 94x, 95x, 96x, 97x, 98x, 99x, 9Ax, 9Bx, 9Cx, 9Dx, 9Ex, 9Fx, 9Gx, 9Hx | 26R8775 | N      |
|     | Base cover assembly 1847  |         |        |
|     | 14.1-in.<br>• 1847-CTO, 5xx, 2xx<br>• 1847-CTO, 82x, 83x, 8Ex, 8Fx, 8Gx, 8Hx, 8Jx, 8Kx  | 26R8772 | N      |
|     | 15.0-in.<br>• 1847-CTO, 3xx, 4xx, 6xx<br>• 1847-CTO, AEx, AFx, AGx, AHx, AJx, 92x, 93x, 9Lx, 9Mx, 9Nx, 9Px, 9Qx, 9Rx, 9Sx, 9Tx  | 26R8776 | N      |
|     | Base cover assembly 1848  |         |        |
|     | 14.1-in.<br>• 1848-CTO, 2xx, 5xx<br>• 1848-CTO, 82x, 83x, 8Lx, 8Mx, 8Nx   | 26R8769 | N      |
|     | 15.0-in.<br>• 1848-CTO, 3xx, 4xx, 6xx<br>• 1848-CTO, AKx, ALx, 92x, 93x, 9Ux, 9Vx   | 26R8773 | N      |

(continued)

| No. | FRU  | P/N     | CRU ID |
|-----|--|---------|--------|
| 10  | Base cover assembly 1849   |         |        |
|     | 14.1-in.<br>• 1849-CTO, 2xx, 5xx<br>• 1849-CTO, 8Cx, 8Dx, 8Px, 8Qx, 8Rx, 8Sx, 8Tx  | 26R8770 | N      |
|     | 15.0-in.<br>• 1849-CTO, 3xx, 4xx, 6xx<br>• 1849-CTO, ADx, AMx, ANx, APx, 9Wx, 9Xx, 9Yx, 9Zx, 91x   | 26R8774 | N      |
|     | Base cover assembly 1850   |         |        |
|     | 14.1-in WW<br>• 1850-22x   | 26R8633 | N      |
|     | Base cover assembly 1858   |         |        |
|     | 14.1-in.<br>• 1858-CTO, 2xx, 3xx<br>• 1858-CTO, 92x, 93x, 94x, 95x, 96x, 97x, 98x, 99x, 9Ax, 9Bx, 9Dx, 9Ex, 9Fx, 9Gx, CCx  | 26R8737 | N      |
|     | 15.0-in.<br>• 1859-CTO, 4xx, 5xx, 6xx<br>• 1858-9Hx, 9Jx, 9Kx, 9Lx, 9Mx, 9Nx, 9Px, 9Qx, 9Rx, 9Sx, 9Tx, 9Ux, 9Vx, 9Wx, 9Xx, 9Yx, 9Zx, A2x, A3x, A4x, A5x, A6x, A7x, A8x, A9x, AAx, ABx, ACx, ADx, AEx, AFx, AGx, AHx, AJx, AKx, ALx, AMx, ANx, APx, AQx, ARx, ASx, ATx, AUx, AVx, AWx, AXx, AYx, B2x, B3x, B4x, B5x | 26R8743 | N      |
|     | Base cover assembly 1859   |         |        |
|     | 14.1-in.<br>• 1859-CTO, 2xx, 3xx<br>• 1859-CTO, B6x, B7x, B8x, BBx, BCx, BDx, BEx  | 26R8738 | N      |
|     | 15.0-in.<br>• 1859-CTO, 4xx, 5xx, 6xx<br>• 1859-B9x, BAx, BFx, BGx, BHx, BJx, BKx, BLx, BMx  | 26R8744 | N      |
|     | Base cover assembly 1860   |         |        |
|     | 14.1-in. WW<br>• 1860-CTO, 2xx, 3xx<br>• 1860-CTO, BPx, 9Fx, 9Gx, BQx, BRx, BSx, C6x, C7x, C8x, C9x  | 26R8739 | N      |
|     | 15.0-in. WW<br>• 1860-CTO, 4xx, 5xx, 6xx<br>• 1860-BTx, BUx, BVx, BWx, Bxx, BYx, BZx, C2x, C3x, C4x, C5x, CAx, CBx   | 26R8745 | N      |

(continued)

Parts list

| No.                       | FRU  | P/N     | CRU ID |
|---------------------------|--|---------|--------|
| 10                        | Base cover assembly 1861   |         |        |
|                           | 14.1-in. WW<br>• 1861-CTO, 2xx, 3xx<br>• 1861-CTO, 9Gx   | 26R8740 | N      |
|                           | 15.0-in.<br>• 1861-CTO, 4xx, 5xx, 6xx<br>• 1861-BUx, BZx   | 26R8746 | N      |
|                           | Base cover assembly 1862   |         |        |
|                           | 14.1-in. WW<br>• 1862-CTO  | 26R8741 | N      |
|                           | 15.0-in.WW<br>• 1862-CTO   | 26R8747 | N      |
|                           | Base cover assembly 1863   |         |        |
|                           | 14.1-in. WW<br>• 1863-CTO  | 26R8742 | N      |
|                           | 15.0-in.WW<br>• 1863-CTO   | 26R8748 | N      |
|                           | Base cover assembly 1870   |         |        |
| 14.1-in. WW<br>• 1870-22x | 26R8633  | N       |        |
| 11                        | CD-ROM drive, 12.7 mm, HLDS (CRN-8245B-AIBMJ0)<br>• 1834-K3x, K4x, K5x, K6x, KMx, KPx, KQx, KRx, M2x, M3x, M4x, M7x, M8x, MDx, MEx, MKx, MMx, MNx, MYx, R4x, R5x, QBx, QCx   | 92P6565 | *      |
|                           | CR-ROM drive, 12.7 mm, TEAC (CD-224E-C)<br>• 1834-K3x, K4x, K5x, K6x, KMx, KPx, KQx, KRx, M2x, M3x, M4x, M7x, M8x, MDx, MEx, MKx, MMx, MNx, MYx, R4x, R5x, QBx, QCx<br>• 1846-CTO<br>• 1847-CTO, 3Bx<br>• 1848-CTO<br>• 1849-CTO<br>• 1858-CTO, 22x, 29x, 4Tx, 4Ux<br>• 1860-CTO, 25x, 2Mx, 57x, 58x, 5Bx, 5Kx<br>• 1861-CTO, 25x<br>• 1858-9Bx, 9Ex, 9Nx, 9Px, 9Qx, 9Rx, CCx<br>• 1860-BSx, C6x<br>• 1861-C6x | 92P6561 | *      |

(continued)

| No.                    | FRU   | P/N     | CRU ID |  |  |
|------------------------|---|---------|--------|--|--|
| 11                     | CD-ROM drive, 12.7 mm, TEAC (CD-224EN) <ul style="list-style-type: none"> <li>• 1843-2Gx, 2Hx, 2Jx, 2Kx, 2Lx, 2Mx, 2Nx, 2Yx, 2Zx, 32x, 38x, 3Px, 3Qx, 3Tx, 3Ux, 3Vx, 3Wx, 3Yx, 3Zx, 45x, 4Qx, 4Rx, 56x, 5Tx, 5Ux</li> </ul>   | 39T2660 | *      |  |  |
|                        | DVD-ROM drive, 9.5 mm, HLDS (GDR-8083N) <ul style="list-style-type: none"> <li>• 1846-CTO</li> <li>• 1847-CTO</li> <li>• 1848-CTO</li> <li>• 1849-CTO</li> <li>• 1858-CTO</li> <li>• 1859-CTO</li> <li>• 1860-CTO</li> <li>• 1861-CTO</li> </ul>  | 92P6579 | *      |  |  |
|                        | DVD-ROM drive, 12.7 mm <ul style="list-style-type: none"> <li>• 1834-KCx, KEx, KGx, KHx, KYx, L2x, L8x, LDx, LGx, LHx, M5x, M6x, Q5x, Q9x, RKx</li> <li>• 1843-22x, 23x, 2Fx, 2Xx, 34x, 3Bx, 3Kx, 3Nx, 3Xx, 4Yx</li> <li>• 1844-5Fx</li> <li>• 1846-CTO, 52x, 56x, 57x, 5Bx, 5Dx, 5Fx, 5Hx, 5Kx, 5Lx, 62x, 6Hx, 6Lx</li> <li>• 1847-CTO, 23x, 2Dx, 33x, 3Ax, 3Dx, 3Fx, 3Gx, 3Px</li> <li>• 1848-CTO, 23x, 33x</li> <li>• 1849-CTO</li> <li>• 1846-CTO, 84x, 85x, 86x</li> <li>• 1847-CTO</li> <li>• 1848-CTO</li> <li>• 1849-CTO</li> <li>• 1858-CTO, 2Ex, 2Px, 2Qx, 2Rx, 2Wx, 2Xx, 33x, 34x, 38x, 4Vx, 53x, 54x, 5Ax, 5Hx, 5Lx, 5Tx</li> <li>• 1859-CTO</li> <li>• 1860-CTO, 2Lx, 2Kx, 56x, 5Hx</li> <li>• 1861-CTO, 2Kx, 56x</li> <li>• 1858-CTO, 92x, 97x, 9Jx, B6x</li> <li>• 1859-CTO, 92x, 97x, 9Jx, B6x</li> <li>• 1860-CTO, 92x, 97x, 9Jx, B6x</li> <li>• 1861-CTO, 92x, 97x, 9Jx, B6x</li> </ul> |         |        |  |  |
|                        | HLDS (GDR-8082N-IMJ0)   | 92P6567 | *      |  |  |
| MKE (SR-8177, SR-8178) | 92P6571   | *       |        |  |  |
| HLDS (GDR-8084)        | 39T2664   | *       |        |  |  |

(continued)

| No. | FRU  | P/N     | CRU ID |
|-----|--|---------|--------|
| 11  | DVD/CD-RW combo drive, 12.7 mm, PCC (UJDA750, UJDA760) <ul style="list-style-type: none"> <li>• 1834-K7x, K8x, K9x, KAx, KBx, KFx, KJx, KLx, KNx, KSx, KTx, KUx, KVx, KWx, KXx, KZx, L3x, L4x, L5x, L6x, L7x, L9x, LAx, LBx, LEx, LFx, M9x, MAx, MBx, MCx, MFx, MGx, MHx, MJx, MLx, MPx, MQx, MTx, MVx, MWx, MXx, MZx, Q4x, Q6x, Q7x, Q8x, R3x, R6x, R7x, R8x, R9x, RAx, RCx, RDx, REx, RHx, RJx, RMx, RNx, RPx, RTx, RUx, RWx, KDx, RQx, RSx, S2x, S3x, S4x, S6x, S7x</li> <li>• 1842-MUx, QDx, QFx</li> </ul>            | 92P6573 | *      |
|     | DVD/CD-RW combo drive, 12.7 mm, HLDS (GCC-4241N-IMJ0) <ul style="list-style-type: none"> <li>• 1834-K7x, K8x, K9x, KAx, KBx, KFx, KJx, KLx, KNx, KSx, KTx, KUx, KVx, KWx, KXx, KZx, L3x, L4x, L5x, L6x, L7x, L9x, LAx, LBx, LEx, LFx, M9x, MAx, MBx, MCx, MFx, MGx, MHx, MJx, MLx, MPx, MQx, MTx, MVx, MWx, MXx, MZx, Q4x, Q6x, Q7x, Q8x, R3x, R6x, R7x, R8x, R9x, RAx, RCx, RDx, REx, RHx, RJx, RMx, RNx, RPx, RTx, RUx, RWx, KDx, RQx, RSx, S2x, S3x, S4x, S6x, S7x</li> <li>• 1842-MUx, QDx, QFx</li> </ul> (continued) | 92P6569 | *      |

(continued)



| No. | FRU   | P/N     | CRU ID |
|-----|---|---------|--------|
| 11  | DVD/CD-RW combo drive, 12.7 mm, HLDS (GCC-4241N-IMJ0) <ul style="list-style-type: none"> <li>• 1846-CTO, 53x, 55x, 58x, 59x, 5Ax, 5Cx, 5Ex, 5Gx, 5Jx, 5Mx, 5Px, 5Rx, 63x, 67x, 69x, 6Ax, 6Bx, 6Cx, 6Dx, 6Ex, 6Fx, 6Gx, 6Jx, 6Kx, 6Mx, 6Nx, 6Rx, 6Tx, 6Ux, 4Fx, 4Hx, 4Kx, 2Hx, 3Vx, 3Wx</li> <li>• 1847-CTO, 22x, 24x, 26x, 27x, 28x, 29x, 2Ax, 2Bx, 2Cx, 2Ex, 32x, 34x, 35x, 36x, 38x, 39x, 3Cx, 3Ex, 3Hx, 3Jx, 3Kx, 3Lx, 3Mx, 3Nx, 3Qx, 3Rx, 3Sx, 3Tx, 3Ux, 46x, 48x, 2Fx</li> <li>• 1848-CTO, 22x, 24x, 26x, 27x, 32x, 34x, 35x, 36x, 2Fx</li> <li>• 1849-CTO</li> <li>• 1850-22x</li> <li>• 1870-22x</li> <li>• 1846-CTO, 87x, 88x, 8Ax, A4x, A5x, 94x, 95x, 96x, 97x, 98x, 9Ax, 9Bx, 9Cx, 9Dx</li> <li>• 1847-CTO, 82x, 83x, 92x, 93x, 8Ex, 8Fx, 8Gx, 8Hx, AFx, 9Lx, 9Mx, 9Px, 9Qx, 9Rx, 9Sx, 9Tx, 8Jx</li> <li>• 1848-CTO, 82x, 83x, 92x, 93x, 8Lx, 9Ux, 8Mx</li> <li>• 1849-CTO, 8Cx, 9Wx</li> <li>• 1858-CTO, 28x, 2Sx, 2Ux, 2Vx, 2Zx, 32x, 37x, 3Bx, 42x, 44x, 45x, 46x, 49x, 4Ax, 4Cx, 4Dx, 4Ex, 4Kx, 4Wx, 4Yx, 59x, 5Fx, 5Gx, 5Jx, 5Mx, 5Nx, 5Px, 5Qx, 5Rx, 5Ux, 5Vx, 5Wx, 5Xx, 5Yx, 62x, 64x, 67x, 68x, 69x, 6Ax, 6Cx, 6Dx, 6Fx, 6Jx</li> <li>• 1859-CTO, 2Ax, 2Hx, 4Rx, 4Sx, 55x, 5Dx</li> <li>• 1860-CTO, 2Bx, 2Fx, 2Nx, 2Tx, 2Yx, 32x, 3Bx, 4Jx, 4Qx, 5Cx, 5Ex, 5Gx, 5Sx, 5Ux, 5Zx, 69x, 6Fx, 6Jx</li> <li>• 1861-CTO, 26x, 2Bx, 2Fx, 2Gx, 32x, 3Bx, 5Ex, 5Sx, 69x, 6Fx, 6Jx</li> </ul> (continued) | 92P6569 | *      |

(continued)

| No. | FRU   | P/N     | CRU ID |
|-----|---|---------|--------|
| 11  | DVD/CD-RW combo drive, 12.7 mm, TEAC (DW-225) <ul style="list-style-type: none"> <li>• 1846-CTO, 53x, 55x, 58x, 59x, 5Ax, 5Cx, 5Ex, 5Gx, 5Jx, 5Mx, 5Px, 5Rx, 63x, 67x, 69x, 6Ax, 6Bx, 6Cx, 6Dx, 6Ex, 6Fx, 6Gx, 6Jx, 6Kx, 6Mx, 6Nx, 6Rx, 6Tx, 6Ux, 4Fx, 4Hx, 4Kx, 2Hx, 3Vx, 3Wx</li> <li>• 1847-CTO, 22x, 24x, 26x, 27x, 28x, 29x, 2Ax, 2Bx, 2Cx, 2Ex, 32x, 34x, 35x, 36x, 38x, 39x, 3Cx, 3Ex, 3Hx, 3Jx, 3Kx, 3Lx, 3Mx, 3Nx, 3Qx, 3Rx, 3Sx, 3Tx, 3Ux, 46x, 48x, 2Fx</li> <li>• 1848-CTO, 22x, 24x, 26x, 27x, 32x, 34x, 35x, 36x, 2Fx</li> <li>• 1849-CTO</li> <li>• 1850-22x</li> <li>• 1870-22x</li> <li>• 1846-CTO, 87x, 88x, 8Ax, A4x, A5x, 94x, 95x, 96x, 97x, 98x, 9Ax, 9Bx, 9Cx, 9Dx</li> <li>• 1847-CTO, 82x, 83x, 92x, 93x, 8Ex, 8Fx, 8Gx, 8Hx, AFx, 9Lx, 9Mx, 9Px, 9Qx, 9Rx, 9Sx, 9Tx, 8Jx</li> <li>• 1848-CTO, 82x, 83x, 92x, 93x, 8Lx, 9Ux, 8Mx</li> <li>• 1849-CTO, 8Cx, 9Wx</li> <li>• 1858-CTO, 28x, 2Sx, 2Ux, 2Vx, 2Zx, 32x, 37x, 3Bx, 42x, 44x, 45x, 46x, 49x, 4Ax, 4Cx, 4Dx, 4Ex, 4Kx, 4Wx, 4Yx, 59x, 5Fx, 5Gx, 5Jx, 5Mx, 5Nx, 5Px, 5Qx, 5Rx, 5Ux, 5Vx, 5Wx, 5Xx, 5Yx, 62x, 64x, 67x, 68x, 69x, 6Ax, 6Cx, 6Dx, 6Fx, 6Jx</li> <li>• 1859-CTO, 2Ax, 2Hx, 4Rx, 4Sx, 55x, 5Dx</li> <li>• 1860-CTO, 2Bx, 2Fx, 2Nx, 2Tx, 2Yx, 32x, 3Bx, 4Jx, 4Qx, 5Cx, 5Ex, 5Gx, 5Sx, 5Ux, 5Zx, 69x, 6Fx, 6Jx</li> <li>• 1861-CTO, 26x, 2Bx, 2Fx, 2Gx, 32x, 3Bx, 5Ex, 5Sx, 69x, 6Fx, 6Jx</li> </ul> (continued) | 92P6563 | *      |

(continued)

| No. | FRU  | P/N     | CRU ID |
|-----|--|---------|--------|
| 11  | DVD/CD-RW combo drive, 12.7 mm, TEAC (DW-225) <ul style="list-style-type: none"> <li>• 1858-CTO, 93x, 94x, 98x, 99x, 9Ax, 9Dx, 9Fx, 9Gx, 9Hx, 9Kx, 9Lx, 9Mx, 9Sx, 9Tx, 9Ux, 9Vx, A2x, A3x, A4x, A5x, A6x, A8x, A9x, ABx, ACx, AGx, AHx, ALx, AMx, ANx, APx, AQx, ARx, AWx, AXx</li> <li>• 1859-CTO, B7x, B8x, B9x, BAx</li> <li>• 1860-CTO, BPx, 9Fx, 9Gx, BQx, BRx, BTx, BUx, BVx, BWx, BYx, BZx, C2x, C4x, C5x, C7x, C8x, C9x, CAx, CBx</li> <li>• 1861-CTO, 9Gx, BUx, BZx, C7x, C8x, C9x, CAx, CBx</li> <li>• 1862-CTO, 2Cx</li> <li>• 1863-CTO, 2Dx</li> </ul> | 92P6563 | *      |
|     | DVD/CD-RW combo drive, 9.5 mm, PCC (UJDA775y) <b>OP</b> <ul style="list-style-type: none"> <li>• 1846-CTO</li> <li>• 1847-CTO</li> <li>• 1848-CTO</li> <li>• 1849-CTO</li> <li>• 1858-CTO</li> <li>• 1859-CTO</li> <li>• 1860-CTO</li> <li>• 1861-CTO</li> </ul>   | 13N6771 | *      |
|     | DVD/CD-RW combo drive, 9.5 mm, PCC (UJDA765y) <ul style="list-style-type: none"> <li>• 1846-CTO</li> <li>• 1847-CTO</li> <li>• 1848-CTO</li> <li>• 1849-CTO</li> <li>• 1858-CTO</li> <li>• 1859-CTO</li> <li>• 1860-CTO</li> <li>• 1861-CTO</li> </ul>   | 39T2505 | *      |
|     | DVD/CD-RW combo drive, 9.5 mm, Toshiba (SD-R9012) <ul style="list-style-type: none"> <li>• 1858-CTO</li> <li>• 1859-CTO</li> <li>• 1860-CTO</li> <li>• 1861-CTO</li> </ul>   | 92P5993 | *      |

(continued)

Parts list

| No. | FRU   | P/N     | CRU ID |
|-----|---|---------|--------|
| 11  | DVD/CD-RW combo drive, 9.5 mm, HLDS (GCC-4244N) <ul style="list-style-type: none"> <li>• 1843-24x, 25x, 26x, 27x, 28x, 29x, 2Dx, 2Ex, 2Px, 2Qx, 2Rx, 2Sx, 2Tx, 2Ux, 2Vx, 2Wx, 33x, 35x, 36x, 37x, 39x, 3Ax, 3Cx, 3Dx, 3Ex, 3Fx, 3Gx, 3Hx, 3Jx, 3Mx, 3Nx, 3Rx, 3Sx, 42x, 43x, 44x, 46x, 47x, 48x, 49x, 4Bx, 4Cx, 4Dx, 4Hx, 4Jx, 4Kx, 4Px, 4Sx, 4Tx, 4Ux, 4Vx, 4Wx, 4Xx, 52x, 55x, 57x, 59x, 5Ax, 5Bx, 5Cx, 5Dx, 5Lx, 5Rx, 5Sx</li> <li>• 1844-5Gx, 5Hx, 5Jx</li> <li>• 1845-5Kx</li> </ul> | 39T2668 | *      |
|     | DVD/CD-RW combo drive, 9.5 mm, PCC (UJDA770) <ul style="list-style-type: none"> <li>• 1843-24x, 25x, 26x, 27x, 28x, 29x, 2Dx, 2Ex, 2Px, 2Qx, 2Rx, 2Sx, 2Tx, 2Ux, 2Vx, 2Wx, 33x, 35x, 36x, 37x, 39x, 3Ax, 3Cx, 3Dx, 3Ex, 3Fx, 3Gx, 3Hx, 3Jx, 3Mx, 3Nx, 3Rx, 3Sx, 42x, 43x, 44x, 46x, 47x, 48x, 49x, 4Bx, 4Cx, 4Dx, 4Hx, 4Jx, 4Kx, 4Px, 4Sx, 4Tx, 4Ux, 4Vx, 4Wx, 4Xx, 52x, 55x, 57x, 59x, 5Ax, 5Bx, 5Cx, 5Dx, 5Lx, 5Rx, 5Sx</li> <li>• 1844-5Gx, 5Hx, 5Jx</li> <li>• 1845-5Kx</li> </ul>    | 39T2666 | *      |

(continued)

| No. | FRU  | P/N     | CRU ID |
|-----|--|---------|--------|
| 11  | DVD-RAM/RW drive, 12.7 mm <ul style="list-style-type: none"> <li>• 1834-LCx, MSx, MRx, Q2x, Q3x, QAx, R2x, RBx, RFx, RGx, Rxx, S5x, S9x,</li> <li>• 1842-QEx</li> <li>• 1843-2Ax, 2Bx, 2Cx, 3Lx, 4Ax, 4Ex, 4Fx, 4Gx, 4Lx, 4Mx, 4Nx, 4Zx, 53x, 54x, 58x, 5Mx, 5Nx, 5Px, 5Qx</li> <li>• 1846-CTO, 54x, 5Nx, 5Qx, 64x, 65x, 66x, 68x, 6Px, 6Qx, 6Sx, 4Cx, 4Dx, 4Ex, 4Gx, 4Jx, 4Lx, 4Mx, 4Nx, 2Jx</li> <li>• 1847-CTO, 25x, 37x, 42x, 43x, 44x, 45x, 47x, 49x, 4Ax, 2Gx, 4Bx</li> <li>• 1848-CTO, 25x, 37x, 42x, 43x, 44x, 45x, 2Gx, 4Bx</li> <li>• 1849-CTO, 4Qx</li> <li>• 1846-89x, 8Bx, A2x, A3x, A6x, A7x, A8x, A9x, AAx, ABx, ACx, 99x, 9Ex, 9Fx, 9Gx, 9Hx</li> <li>• 1847-AEx, AGx, AHx, 9Nx, 8Kx, AJx</li> <li>• 1848-AKx, 9Vx, 8Nx, ALx</li> <li>• 1849-8Dx, ADx</li> <li>• 1858-CTO, 3Cx, 3Dx, 47x, 4Fx, 4Gx, 4Lx, 4Mx, 4Nx, 65x, 6Bx, 6Ex, 6Hx, 6Kx, 6Mx, 6Px, 6Sx, 6Ux</li> <li>• 1860-CTO, 3Ex, 4Mx, 6Gx</li> <li>• 1861-CTO, 3Ex, 4Mx, 6Gx</li> <li>• 1858-CTO, 95x, 96x, 9Wx, 9Xx, 9Yx, 9Zx, A7x, AAx, ADx, AEx, AFx, AJx, AKx, ASx, ATx, AUx, AVx, AYx</li> <li>• 1860-CTO, Bxx</li> </ul> |         |        |
|     | HLDS (GSA-4080N)   | 39T2503 | *      |
|     | PCC (UJ-830B)  | 13N6827 | *      |
|     | DVD-RAM/RW drive, 9.5 mm, PCC (UJ-822B, UJ822Z) <ul style="list-style-type: none"> <li>• 1846-CTO</li> <li>• 1847-CTO</li> <li>• 1848-CTO</li> <li>• 1849-CTO</li> <li>• 1858-CTO</li> <li>• 1859-CTO</li> <li>• 1860-CTO</li> <li>• 1861-CTO</li> </ul>   | 39T2507 | *      |
|     | Travel bezel <ul style="list-style-type: none"> <li>• Supported by CTO</li> </ul>  | 13N5354 | *      |
|     | For optional Ultrabay Enhanced devices, see "Optional FRUs" on page 259.<br><br>For R52 series, the optical drive is a Tier 1 CRU. For R50e series, the optical drive is a Tier 2 CRU.   |         |        |

(continued)

## Parts list

| No. | FRU  | P/N     | CRU ID |
|-----|--|---------|--------|
| 12  | Hard disk drive, 30 GB, 9.5 mm, 4,200 rpm <ul style="list-style-type: none"> <li>• 1834-K3x, K4x, K5x, K6x, K7x, K8x, K9x, KAx, KBx, KGx, KLx, KPx, KQx, KRx, KSx, KTx, KUx, KVx, KWx, KXx, L2x, L3x, L4x, L7x, LGx, LHx, M2x, M3x, M4x, M5x, M6x, MBx, MRx, MSx, R3x, RKx</li> <li>• 1846-CTO, 5Kx, 6Hx</li> <li>• 1847-CTO</li> <li>• 1848-CTO</li> <li>• 1858-CTO, 29x, 2Ex, 53x, 5Qx</li> <li>• 1859-CTO, 2Ax, 55x</li> <li>• 1860-CTO, 2Lx</li> <li>• 1861-CTO</li> </ul>   |         |        |
|     | Fujitsu  | 13N6903 | *      |
|     | HGST   | 13N6883 | *      |
|     | Hard disk drive, 40 GB, 9.5 mm, 4,200 rpm <ul style="list-style-type: none"> <li>• 1834-KCx, KDx, KEx, KFx, KYx, KZx, L5x, L6x, L8x, L9x, LAx, LBx, LCx, LFx, M7x, M8x, M9x, MAx, MCx, MDx, MEx, MFx, MGx, MHx, MMx, MNx, MPx, MQx, MTx, MVx, MWx, MXx, R4x, R5x, R6x, R7x, R8x, R9x, RAx, RBx, RHx, RTx, RVx, RWx, RXx</li> <li>• 1842-MUx, QDx, QFx</li> <li>• 1843-2Fx, 2Xx, 33x, 34x, 3Ax, 3Bx, 3Gx, 3Nx, 3Xx, 4Px, 4Sx, 59x</li> <li>• 1844-5Fx, 5Gx, 5Jx</li> <li>• 1846-CTO, 52x, 53x, 58x, 59x, 62x, 6Cx, 6Dx, 2Hx, 3Vx</li> <li>• 1847-CTO, 22x, 23x, 24x, 28x, 29x, 2Ax, 2Dx, 2Ex, 33x, 34x, 38x, 39x, 3Ax, 3Bx, 3Cx, 3Nx, 3Px, 42x, 46x, 2Fx</li> <li>• 1848-CTO, 22x, 23x, 24x, 33x, 34x, 42x, 2Fx</li> <li>• 1849-CTO, 5Ux</li> <li>• 1850-22x</li> <li>• 1870-22x</li> <li>• 1858-CTO, 22x, 28x, 2Px, 4Ux, 4Yx, 5Lx, 5Tx, 5Rx</li> <li>• 1859-CTO</li> <li>• 1860-CTO, 25x, 2Bx, 2Fx, 2Mx, 2Nx, 2Tx, 2Yx, 5Bx, 5Cx, 5Sx</li> <li>• 1861-CTO, 25x, 26x, 2Bx, 2Fx, 2Gx, 5Sx</li> </ul> |         |        |
|     | Fujitsu  | 13N6905 | *      |
|     | HGST   | 13N6885 | *      |

(continued)

| No. | FRU  | P/N     | CRU ID |
|-----|--|---------|--------|
| 12  | Hard disk drive, 40 GB, 9.5 mm, 5,400 rpm, HGST <b>R</b> <ul style="list-style-type: none"> <li>• 1834-KHx, KJx, Q2x, Q4x, Q5x, Q7x, Q8x, Q9x, QAx, QBx, QCx, RMx, RNx, RPx, RQx, RUx, S2x, S3x, S4x, S5x, S6x, S7x</li> <li>• 1843-22x, 23x, 24x, 25x, 26x, 27x, 28x, 2Dx, 2Ex, 2Gx, 2Hx, 2Jx, 2Kx, 2Lx, 2Mx, 2Nx, 2Px, 2Qx, 2Rx, 2Sx, 2Tx, 2Ux, 2Vx, 2Wx, 2Yx, 2Zx, 32x, 35x, 36x, 37x, 3Cx, 3Dx, 3Ex, 3Fx, 3Hx, 3Jx, 3Kx, 3Px, 3Qx, 3Rx, 3Sx, 3Tx, 3Ux, 3Vx, 3Wx, 3Yx, 3Zx, 42x, 43x, 44x, 47x, 48x, 49x, 4Ax, 4Hx, 4Jx, 4Qx, 4Rx, 4Sx, 4Tx, 4Ux, 4Vx, 4Wx, 4Xx, 4Yx, 4Zx, 5Ax, 5Rx, 5Sx, 5Tx, 5Ux</li> <li>• 1845-5Kx</li> <li>• 1846-CTO, 56x, 57x, 5Bx, 5Cx, 5Dx, 5Ex, 5Fx, 5Gx, 5Hx, 5Jx, 5Lx, 6Ax, 6Bx, 6Fx, 6Gx, 6Jx, 6Kx, 6Lx, 6Mx, 6Nx, 6Tx, 6Ux</li> <li>• 1847-CTO, 32x, 3Mx, 3Qx, 3Rx, 3Sx, 3Ux</li> <li>• 1848-CTO, 32x</li> <li>• 1849-CTO</li> <li>• 1846-84x, 85x, 86x, 87x, 96x, 9Ax, 9Bx, 9Cx</li> <li>• 1847-82x, 83x, 8Fx, 9Lx, 9Mx, 9Qx, 8Jx</li> <li>• 1848-82x, 83x, 9Ux, 8Mx</li> <li>• 1849-8Cx</li> <li>• 1858-CTO, 2Qx, 2Rx, 2Sx, 2Ux, 2Vx, 2Wx, 2Xx, 2Zx, 32x, 33x, 34x, 37x, 38x, 3Bx, 3Cx, 4Tx, 5Mx, 5Nx, 5Ux, 5Vx, 5Xx, 5Yx, 67x, 68x, 69x, 6Ax, 6Cx, 6Dx, 6Ex</li> <li>• 1859-CTO, 2Hx, 5Dx</li> <li>• 1860-CTO, 2Fx, 2Kx, 2Mx, 2Nx, 32x, 3Bx, 4Jx, 56x, 5Ex, 5Ux, 5Zx, 69x</li> <li>• 1861-CTO, 2Kx, 32x, 3Bx, 56x, 5Ex, 69x</li> <li>• 1858-92x, 93x, 94x, 97x, 98x, 9Bx, 9Dx, 9Ex, 9Fx, 9Gx, 9Hx, 9Jx, 9Nx, 9Px, 9Qx, 9Rx, 9Sx, 9Tx, 9Wx, 9Xx, A4x, A5x, A6x, A8x, AGx, AHx, CCx</li> <li>• 1859-B6x, B7x, B9x</li> <li>• 1860-BPx, 9Fx, 9Gx, BQx, BRx, BSx, BTx, BUx, BYx, BZx, C2x, C3x, C4x, C6x, C7x, C8x, C9x, CAx, CBx</li> <li>• 1861-9Gx, BUx, BZx, C6x, C7x, C8x, C9x, CAx, CBx</li> </ul> | 39T2521 | *      |

(continued)

Parts list

| No. | FRU  | P/N     | CRU ID |
|-----|--|---------|--------|
| 12  | Hard disk drive, 40 GB, 9.5 mm, 5,400 rpm, Toshiba <ul style="list-style-type: none"> <li>• 1846-CTO, 56x, 57x, 5Bx, 5Cx, 5Dx, 5Ex, 5Fx, 5Gx, 5Hx, 5Jx, 5Lx, 6Ax, 6Bx, 6Fx, 6Gx, 6Jx, 6Kx, 6Lx, 6Mx, 6Nx, 6Tx, 6Ux</li> <li>• 1847-CTO, 32x, 3Mx, 3Qx, 3Rx, 3Sx, 3Ux</li> <li>• 1848-CTO</li> <li>• 1849-CTO</li> <li>• 1846-84x, 85x, 86x, 87x, 96x, 9Ax, 9Bx, 9Cx</li> <li>• 1847-82x, 83x, 8Fx, 9Lx, 9Mx, 9Qx, 8Jx</li> <li>• 1848-82x, 83x, 9Ux, 8Mx</li> <li>• 1849-8Cx</li> <li>• 1858-CTO, 2Qx, 2Rx, 2Sx, 2Ux, 2Vx, 2Wx, 2Xx, 2Zx, 32x, 33x, 34x, 37x, 38x, 3Bx, 3Cx, 4Tx, 5Mx, 5Nx, 5Ux, 5Vx, 5Xx, 5Yx, 67x, 68x, 69x, 6Ax, 6Cx, 6Dx, 6Ex</li> <li>• 1859-CTO, 2Hx, 5Dx</li> <li>• 1860-CTO, 2Fx, 2Kx, 2Mx, 2Nx, 32x, 3Bx, 4Jx, 56x, 5Ex, 5Ux, 5Zx, 69x</li> <li>• 1861-CTO, 2Kx, 32x, 3Bx, 56x, 5Ex, 69x</li> <li>• 1858-92x, 93x, 94x, 97x, 98x, 9Bx, 9Dx, 9Ex, 9Fx, 9Gx, 9Hx, 9Jx, 9Nx, 9Px, 9Qx, 9Rx, 9Sx, 9Tx, 9Wx, 9Xx, A4x, A5x, A6x, A8x, AGx, AHx, CCx</li> <li>• 1859-B6x, B7x, B9x</li> <li>• 1860-BPx, 9Fx, 9Gx, BQx, BRx, BSx, BTx, BUx, BYx, BZx, C2x, C3x, C4x, C6x, C7x, C8x, C9x, CAx, CBx</li> <li>• 1861-9Gx, BUx, BZx, C6x, C7x, C8x, C9x, CAx, CBx</li> <li>• 1843-22x, 23x, 24x, 25x, 26x, 27x, 28x, 2Dx, 2Ex, 2Gx, 2Hx, 2Jx, 2Kx, 2Lx, 2Mx, 2Nx, 2Px, 2Qx, 2Rx, 2Sx, 2Tx, 2Ux, 2Vx, 2Wx, 2Yx, 2Zx, 32x, 35x, 36x, 37x, 3Cx, 3Dx, 3Ex, 3Fx, 3Hx, 3Jx, 3Kx, 3Px, 3Qx, 3Rx, 3Sx, 3Tx, 3Ux, 3Vx, 3Wx, 3Yx, 3Zx, 42x, 43x, 44x, 47x, 48x, 49x, 4Ax, 4Hx, 4Jx, 4Qx, 4Rx, 4Sx, 4Tx, 4Ux, 4Vx, 4Wx, 4Xx, 4Yx, 4Zx, 5Ax, 5Rx, 5Sx, 5Tx, 5Ux</li> <li>• 1845-5Kx</li> </ul> | 13N6919 | *      |

(continued)



| No. | FRU   | P/N     | CRU ID |
|-----|---|---------|--------|
| 12  | Hard disk drive, 40 GB, 9.5 mm, 5,400 rpm, Fujitsu <ul style="list-style-type: none"> <li>• 1846-CTO, 56x, 57x, 5Bx, 5Cx, 5Dx, 5Ex, 5Fx, 5Gx, 5Hx, 5Jx, 5Lx, 6Ax, 6Bx, 6Fx, 6Gx, 6Jx, 6Kx, 6Lx, 6Mx, 6Nx, 6Tx, 6Ux</li> <li>• 1847-CTO, 32x, 3Mx, 3Qx, 3Rx, 3Sx, 3Ux</li> <li>• 1848-CTO</li> <li>• 1849-CTO</li> </ul>   | 13N6913 | *      |
|     | Hard disk drive, 40 GB, 9.5 mm, 5,400 rpm, Fujitsu <ul style="list-style-type: none"> <li>• 1846-CTO, 84x, 85x, 86x, 87x, 96x, 9Ax, 9Bx, 9Cx</li> <li>• 1847-CTO, 82x, 83x, 8Fx, 9Lx, 9Mx, 9Qx, 8Jx</li> <li>• 1848-CTO, 82x, 83x, 9Ux, 8Mx</li> <li>• 1849-CTO, 8Cx</li> <li>• 1858-CTO, 92x, 93x, 94x, 97x, 98x, 9Bx, 9Dx, 9Ex, 9Fx, 9Gx, 9Hx, 9Jx, 9Nx, 9Px, 9Qx, 9Rx, 9Sx, 9Tx, 9Wx, 9Xx, A4x, A5x, A6x, A8x, AGx, AHx, CCx</li> <li>• 1859-CTO, B6x, B7x, B9x</li> <li>• 1860-CTO, BPx, 9Fx, 9Gx, BQx, BRx, BSx, BTx, BUx, BYx, BZx, C2x, C3x, C4x, C6x, C7x, C8x, C9x, CAx, CBx</li> <li>• 1861-CTO, 9Gx, BUx, BZx, C6x, C7x, C8x, C9x, CAx, CBx</li> <li>• 1843-22x, 23x, 24x, 25x, 26x, 27x, 28x, 2Dx, 2Ex, 2Gx, 2Hx, 2Jx, 2Kx, 2Lx, 2Mx, 2Nx, 2Px, 2Qx, 2Rx, 2Sx, 2Tx, 2Ux, 2Vx, 2Wx, 2Yx, 2Zx, 32x, 35x, 36x, 37x, 3Cx, 3Dx, 3Ex, 3Fx, 3Hx, 3Jx, 3Kx, 3Px, 3Qx, 3Rx, 3Sx, 3Tx, 3Ux, 3Vx, 3Wx, 3Yx, 3Zx, 42x, 43x, 44x, 47x, 48x, 49x, 4Ax, 4Hx, 4Jx, 4Qx, 4Rx, 4Sx, 4Tx, 4Ux, 4Vx, 4Wx, 4Xx, 4Yx, 4Zx, 5Ax, 5Rx, 5Sx, 5Tx, 5Ux</li> <li>• 1845-5Kx</li> </ul> | 39T2549 | *      |

(continued)

Parts list

| No. | FRU  | P/N     | CRU ID |
|-----|--|---------|--------|
| 12  | Hard disk drive, 60 GB, 9.5 mm, 4,200 rpm <ul style="list-style-type: none"> <li>• 1834-LDx, LEx, MJx, RCx, RDx, REx, RFx, RGx, RJx</li> <li>• 1846-CTO, 5Ax, 5Mx, 5Nx, 5Px, 5Qx, 5Rx, 6Ex, 6Px, 6Qx, 6Sx, 4Fx, 2Jx, 3Wx</li> <li>• 1847-CTO, 2Bx, 2Cx, 3Dx, 3Ex, 3Gx, 3Hx, 3Jx, 4Ax, 2Gx, 4Bx</li> <li>• 1848-CTO, 2Gx, 4Bx</li> <li>• 1849-CTO</li> <li>• 1858-CTO, 3Dx, 42x, 44x, 45x, 46x, 47x, 49x, 4Ax, 4Cx, 4Dx, 4Ex, 4Fx, 4Kx, 4vx, 4Wx, 54x, 59x, 5Ax, 5Fx, 5Gx, 5Hx, 5Jx, 5Wx, 62x, 64x, 6Fx, 6Jx, 6Kx</li> <li>• 1859-CTO, 4Rx</li> <li>• 1860-CTO, 3Ex, 57x, 58x, 5Gx, 5Hx, 6Fx, 6Gx, 6Jx</li> <li>• 1861-CTO, 3Ex, 6Fx, 6Gx, 6Jx</li> </ul> |         |        |
|     | HGST   | 13N6887 | *      |
|     | Fujitsu  | 13N6907 | *      |
|     | Hard disk drive, 60 GB, 9.5 mm, 5,400 rpm, Fujitsu <ul style="list-style-type: none"> <li>• 1846-CTO, 54x, 63x, 64x, 66x, 67x, 6Rx, 4Cx, 4Hx, 4Kx</li> <li>• 1847-CTO, 25x, 26x, 35x, 3Fx, 43x, 44x, 48x</li> <li>• 1848-CTO, 25x, 26x, 35x, 43x, 44x</li> <li>• 1849-CTO</li> <li>• 1858-CTO, 6Bxx, 6Hxx</li> <li>• 1859-CTO</li> <li>• 1860-CTO</li> <li>• 1861-CTO</li> </ul>   | 13N6915 | *      |

(continued)

| No. | FRU  | P/N     | CRU ID |
|-----|--|---------|--------|
| 12  | Hard disk drive, 60 GB, 9.5 mm, 5,400 rpm, HGST <ul style="list-style-type: none"> <li>• 1843-29x, 2Bx, 2Cx, 3Lx, 3Mx, 4Bx, 4Cx, 4Dx, 4Ex, 4Fx, 4Kx, 4Lx, 4Mx, 52x, 53x, 54x, 55x, 5Bx, 5Cx, 5Dx, 5Lx, 5Mx, 5Nx, 5Px, 5Qx</li> <li>• 1844-5Hx</li> <li>• 1846-CTO, 54x, 63x, 64x, 66x, 67x, 6Rx, 4Cx, 4Hx, 4Kx</li> <li>• 1847-CTO, 25x, 26x, 35x, 3Fx, 43x, 44x, 48x</li> <li>• 1848-CTO, 25x, 26x, 35x, 43x, 44x</li> <li>• 1849-CTO</li> <li>• 1846-88x, 89x, 8Ax, 8Bx, A4x, A9x, 94x, 95x, 97x, 98x, 9Ex, 9Fx, 9Hx</li> <li>• 1847-92x, 93x, 8Ex, 8Gx, 8Hx, AEx, AFx, 9Nx, 9Px, 9Rx, 9Sx, 9Tx, 8Kx, AJx</li> <li>• 1848-92x, 93x, 8Lx, 8Nx, ALx</li> <li>• 1849-8Dx, 9Wx</li> <li>• 1858-CTO, 6Bxx, 6Hxx</li> <li>• 1859-CTO</li> <li>• 1860-CTO</li> <li>• 1861-CTO</li> <li>• 1858-CTO, 95x, 96x, 99x, 9Ax, 9Kx, 9Lx, 9Ux, 9Vx, 9Yx, 9Zx, A2x, A7x, A9x, ABx, ACx, ADx, AEx, ALx, AMx, ANx, APx, ASx, ATx, AWx</li> <li>• 1859-CTO, B8x, BAx</li> <li>• 1860-CTO, BWx, Bxx, C5x</li> </ul> | 39T2523 | *      |
|     | Hard disk drive, 60 GB, 9.5 mm, 5,400 rpm, Fujitsu <ul style="list-style-type: none"> <li>• 1843-29x, 2Bx, 2Cx, 3Lx, 3Mx, 4Bx, 4Cx, 4Dx, 4Ex, 4Fx, 4Kx, 4Lx, 4Mx, 52x, 53x, 54x, 55x, 5Bx, 5Cx, 5Dx, 5Lx, 5Mx, 5Nx, 5Px, 5Qx</li> <li>• 1844-5Hx</li> <li>• 1846-CTO, 88x, 89x, 8Ax, 8Bx, A4x, A9x, 94x, 95x, 97x, 98x, 9Ex, 9Fx, 9Hx</li> <li>• 1847-CTO, 92x, 93x, 8Ex, 8Gx, 8Hx, AEx, AFx, 9Nx, 9Px, 9Rx, 9Sx, 9Tx, 8Kx, AJx</li> <li>• 1848-CTO, 92x, 93x, 8Lx, 8Nx, ALx</li> <li>• 1849-CTO, 8Dx, 9Wx</li> <li>• 1858-CTO, 95x, 96x, 99x, 9Ax, 9Kx, 9Lx, 9Ux, 9Vx, 9Yx, 9Zx, A2x, A7x, A9x, ABx, ACx, ADx, AEx, ALx, AMx, ANx, APx, ASx, ATx, AWx</li> <li>• 1859-CTO, B8x, BAx</li> <li>• 1860-CTO, BWx, Bxx, C5x</li> </ul>   | 39T2551 | *      |

(continued)

Parts list

| No. | FRU   | P/N     | CRU ID |
|-----|---|---------|--------|
| 12  | Hard disk drive, 80 GB, 9.5 mm, 4,200 rpm <ul style="list-style-type: none"> <li>• 1846-CTO, 55x, 65x, 68x, 69x, 4Dx, 4Ex, 4Gx, 4Lx</li> <li>• 1847-CTO, 27x, 36x, 37x, 3Kx, 3Lx, 3Tx, 45x, 47x</li> <li>• 1848-CTO, 27x, 36x, 37x, 45x</li> <li>• 1849-CTO</li> <li>• 1858-CTO</li> <li>• 1859-CTO</li> <li>• 1860-CTO</li> <li>• 1861-CTO</li> </ul>  |         |        |
|     | HGST  | 13N6889 | *      |
|     | Fujitsu   | 13N6909 | *      |
|     | Hard disk drive, 80 GB, 9.5 mm, 5,400 rpm, Fujitsu <ul style="list-style-type: none"> <li>• 1846-CTO, 4Jx, 4Mx, 4Nx</li> <li>• 1847-CTO</li> <li>• 1848-CTO</li> <li>• 1849-CTO, 4Qx</li> <li>• 1858-CTO</li> <li>• 1859-CTO</li> <li>• 1860-CTO</li> <li>• 1861-CTO</li> </ul>   | 13N6917 | *      |
|     | Hard disk drive, 80 GB, 9.5 mm, 5,400 rpm, HGST <ul style="list-style-type: none"> <li>• 1843-2Ax, 4Gx, 4Nx, 5Ex</li> <li>• 1844-CTO</li> <li>• 1845-CTO</li> <li>• 1846-CTO, 4Jx, 4Mx, 4Nx</li> <li>• 1847-CTO</li> <li>• 1848-CTO</li> <li>• 1849-CTO, 4Qx</li> <li>• 1846-99x, 9Dx, 9Gx, A2x, A5x, A6x, A7x, AAx, ABx</li> <li>• 1847-AGx, AHx</li> <li>• 1848-9Vx</li> <li>• 1849-ADx</li> <li>• 1858-CTO, 9Mx, A3x, AAx, AFx, AQx, ARx, AUx, AVx, AXx, AYx</li> <li>• 1859-CTO</li> <li>• 1860-CTO, BVx</li> <li>• 1861-CTO</li> </ul> | 39T2525 | *      |

(continued)

| No. | FRU   | P/N     | CRU ID |
|-----|---|---------|--------|
| 12  | Hard disk drive, 80 GB, 9.5 mm, 5,400 rpm <ul style="list-style-type: none"> <li>• 1843-2Ax, 4Gx, 4Nx, 5Ex</li> <li>• 1844-CTO</li> <li>• 1845-CTO</li> <li>• 1846-99x, 9Dx, 9Gx, A2x, A5x, A6x, A7x, AAx, ABx</li> <li>• 1847-AGx, AHx</li> <li>• 1848-9Vx</li> <li>• 1849-ADx</li> <li>• 1858-CTO, 9Mx, A3x, AAx, AFx, AQx, ARx, AUx, AVx, AXx, AYx</li> <li>• 1859-CTO</li> <li>• 1860-CTO, BVx</li> <li>• 1861-CTO</li> </ul> |         |        |
|     | Fujitsu   | 39T2553 | *      |
|     | Toshiba   | 39T2557 | *      |
|     | Hard disk drive, 80 GB, 9.5 mm, 7,200 rpm, HGST <ul style="list-style-type: none"> <li>• 1846-CTO</li> <li>• 1847-CTO</li> <li>• 1848-CTO</li> <li>• 1849-CTO</li> <li>• 1858-CTO</li> <li>• 1859-CTO</li> <li>• 1860-CTO</li> <li>• 1861-CTO</li> </ul>  | 39T2583 | *      |
|     | Hard disk drive, 100 GB, 9.5 mm, 5,400 rpm <ul style="list-style-type: none"> <li>• 1846-CTO, A3x, A8x, ACx</li> <li>• 1847-CTO</li> <li>• 1848-CTO, AKx</li> <li>• 1849-CTO</li> <li>• 1858-CTO, AJx, AKx</li> <li>• 1859-CTO</li> <li>• 1860-CTO</li> <li>• 1861-CTO</li> <li>• 1862-CTO</li> <li>• 1863-CTO</li> </ul>   |         |        |
|     | Toshiba   | 39T2555 | *      |
|     | Fujitsu   | 39T2559 | *      |

(continued)

| No. | FRU  | P/N     | CRU ID |
|-----|--|---------|--------|
| 13  | Cover, hard disk drive for models with 14.1-in. LCD <ul style="list-style-type: none"> <li>• 1834-Kxx, Lxx, Q4x, Q5x, Q8x, Q9x, QBx, QCx</li> <li>• 1843-22x, 23x, 2Fx, 2Gx, 2Hx, 2Jx, 2Kx, 2Lx, 2Mx, 2Nx, 2Px, 2Qx, 2Rx, 2Sx, 2Tx, 2Ux, 2Vx, 2Wx, 2Xx, 2Yx, 2Zx, 32x, 33x, 34x, 35x, 36x, 37x, 38x, 39x, 3Ax, 3Bx, 3Cx, 3Dx, 3Ex, 3Fx, 3Gx, 3Hx, 3Jx, 3Kx, 3Lx, 3Mx, 5Lx</li> <li>• 1844-5Fx, 5Jx</li> <li>• 1846-CTO, 2xx, 5xx</li> <li>• 1847-CTO, 2xx, 5xx</li> <li>• 1848-CTO, 2xx, 5xx</li> <li>• 1849-CTO, 2xx, 5xx</li> <li>• 1846-CTO, 84x, 85x, 86x, 87x, 88x, 89x, 8Ax, 8Bx</li> <li>• 1847-CTO, 82x, 83x, 8Ex, 8Fx, 8Gx, 8Hx, 8Jx, 8Kx</li> <li>• 1848-CTO, 82x, 83x, 8Lx, 8Mx, 8Nx</li> <li>• 1849-CTO, 8Cx, 8Dx, 8Px, 8Qx, 8Rx, 8Sx, 8Tx</li> <li>• 1858-CTO, 2xx, 3xx</li> <li>• 1859-CTO, 2xx, 3xx</li> <li>• 1860-CTO, 2xx, 3xx</li> <li>• 1861-CTO, 2xx, 3xx</li> <li>• 1858-92x, 93x, 94x, 95x, 96x, 97x, 98x, 99x, 9Ax, 9Bx, 9Dx, 9Ex, 9Fx, 9Gx, CCx</li> <li>• 1859-B6x, B7x, B8x, BBx, BCx, BDx, BEx</li> <li>• 1860-BPx, 9Fx, 9Gx, BQx, BRx, BSx, C6x, C7x, C8x, C9x</li> <li>• 1861-9Gx, C6x, C7x, C8x, C9x</li> <li>• 1862-2Cx</li> <li>• 1863-2Dx</li> </ul> | 13N5189 | *      |

(continued)

| No. | FRU   | P/N     | CRU ID |
|-----|---|---------|--------|
| 13  | Cover, hard disk drive for models with 15.1-in. LCD <ul style="list-style-type: none"> <li>• 1834-Mxx, Q2x, Q3x, Q6x, Q7x, QAx, Rxx, Sxx</li> <li>• 1842-Mxx, Qxx</li> <li>• 1843-24x, 25x, 26x, 27x, 28x, 29x, 2Ax, 2Bx, 2Cx, 2Dx, 2Ex, 3Nx, 3Px, 3Qx, 3Rx, 3Sx, 3Tx, 3Ux, 3Vx, 3Wx, 3Xx, 3Yx, 3Zx, 4xx, 5xx</li> <li>• 1844-5Gx, 5Hx</li> <li>• 1845-5Kx</li> <li>• 1846-CTO, 3xx, 4xx, 6xx</li> <li>• 1847-CTO, 3xx, 4xx, 6xx</li> <li>• 1848-CTO, 3xx, 4xx, 6xx</li> <li>• 1849-CTO, 3xx, 4xx, 6xx</li> <li>• 1846-A2x, A3x, A4x, A5x, A6x, A7x, A8x, A9x, AAx, ABx, ACx 94x, 95x, 96x, 97x, 98x, 99x, 9Ax, 9Bx, 9Cx, 9Dx, 9Ex, 9Fx, 9Gx, 9Hx</li> <li>• 1847-AEx, AFx, AGx, AHx, AJx, 92x, 93x, 9Lx, 9Mx, 9Nx, 9Px, 9Qx, 9Rx, 9Sx, 9Tx</li> <li>• 1848-AKx, ALx, 92x, 93x, 9Ux, 9Vx</li> <li>• 1849-ADx, AMx, ANx, APx, 9Wx, 9Xx, 9Yx, 9Zx, 91x</li> <li>• 1858-CTO, 4xx, 5xx, 6xx</li> <li>• 1859-CTO, 4xx, 5xx, 6xx</li> <li>• 1860-CTO, 4xx, 5xx, 6xx</li> <li>• 1861-CTO, 4xx, 5xx, 6xx</li> <li>• 1858-9Hx, 9Jx, 9Kx, 9Lx, 9Mx, 9Nx, 9Px, 9Qx, 9Rx, 9Sx, 9Tx, 9Ux, 9Vx, 9Wx, 9Xx, 9Yx, 9Zx, A2x, A3x, A4x, A5x, A6x, A7x, A8x, A9x, AAx, ABx, ACx, ADx, AEx, AFx, AGx, AHx, AJx, AKx, ALx, AMx, ANx, APx, AQx, ARx, ASx, ATx, AUx, AVx, AWx, AXx, AYx, B2x, B3x, B4x, B5x</li> <li>• 1859-B9x, BAx, BFx, BGx, BHx, BJx, BKx, BLx, BMx</li> <li>• 1860-BTx, BUx, BVx, BWx, Bxx, BYx, BZx, C2x, C3x, C4x, C5x, CAx, CBx</li> <li>• 1861-BUx, BZx, CAx, CBx</li> </ul> | 13N5190 | *      |

(continued)

Parts list

| No. | FRU   | P/N     | CRU ID |
|-----|---|---------|--------|
| 14  | Cover, DIMM slot  | 13N5188 | *      |
| 15  | Speaker assembly (monaural) (for R50e, R51e)  | 93P4720 | N      |
|     | Speaker assembly (for R52)  | 39T0801 | N      |
| 16  | Backup battery  | 02K7078 | N      |
| 17  | Intel PRO Wireless 2200BG Mini-PCI Adapter  |         |        |
|     | <ul style="list-style-type: none"> <li>• 1834-KGx, KHx, KJx, KLx, KPx, KQx, KRx, KSx, KTx, KUx, KVx, KWx, KXx, KZx, KYx, L2x, L3x, L4x, L5x, L6x, L7x, L8x, L9x, LAx, LBx, LCx, LDx, LEx, LFx, MJx, MMx, MNx, MPx, MQx, MTx, MVx, MWx, MXx, Q2x, Q3x, Q4x, Q6x, Q7x, Q8x, R3x, R4x, R5x, R6x, R7x, R8x, R9x, RAx, RBx, RCx, RDx, RFx, RGx, RHx, RJx, RMx, RNx, RPx, RQx, RRx, RSx, RTx, S5x, S6x, S7x, S8x, S9x (only for xxU, xxF, xxV)</li> <li>• 1842-MUx, QDx, QEx, QFx (only for xxU, xxF, xxV)</li> <li>• 1858-CTO, 28x, 2Rx, 2Sx, 2Qx, 2Ux, 2Vx, 2Wx, 2Xx, 2Zx, 32x, 33x, 34x, 37x, 38x, 3Bx, 3Cx, 3Dx, 42x, 44x, 49x, 4Dx, 4Gx, 4Kx, 4Lx, 4Tx, 4Vx, 4Wx, 4Yx, 54x, 59x, 5Ax, 5Fx, 5Gx, 5Hx, 5Jx, 5Nx, 5Rx, 5Ux, 5Vx, 5Xx, 64x, 67x, 69x (only for xxU, xxF, xxV)</li> <li>• 1860-CTO, 25x, 2Bx, 2Fx, 2Tx, 32x, 3Bx, 4Jx, 57x, 58x, 5Ex, 5Gx, 5Hx, 5Kx, 5Ux, 5Zx, 69x (only for xxU, xxF, xxV)</li> <li>• 1861-CTO, 25x, 26x, 2Bx, 2Fx, 32x, 3Bx, 5Ex, 69x (only for xxU, xxF, xxV)</li> </ul> | 93P3483 | N      |

(continued)



| No. | FRU  | P/N     | CRU ID |
|-----|--|---------|--------|
| 17  | Intel PRO Wireless 2200BG Mini-PCI Adapter <ul style="list-style-type: none"> <li>• 1834-KGx, KHx, KJx, KLx, KPx, KQx, KRx, KSx, KTx, KUx, KVx, KWx, KXx, KZx, KYx, L2x, L3x, L4x, L5x, L6x, L7x, L8x, L9x, LAx, LBx, LCx, LDx, LEx, LFx, MJx, MMx, MNx, MPx, MQx, MTx, MVx, MWx, MXx, Q2x, Q3x, Q4x, Q6x, Q7x, Q8x, R3x, R4x, R5x, R6x, R7x, R8x, R9x, RAx, RBx, RCx, RDx, RFx, RGx, RHx, RJx, RMx, RNx, RPx, RQx, RRx, RSx, RTx, S5x, S6x, S7x, S8x, S9x (except xxU, xxF, xxV)</li> <li>• 1842-MUx, QDx, QEx, QFx (except xxU, xxF, xxV)</li> <li>• 1858-CTO, 28x, 2Rx, 2Sx, 2Qx, 2Ux, 2Vx, 2Wx, 2Xx, 2Zx, 32x, 33x, 34x, 37x, 38x, 3Bx, 3Cx, 3Dx, 42x, 44x, 49x, 4Dx, 4Gx, 4Kx, 4Lx, 4Tx, 4Vx, 4Wx, 4Yx, 54x, 59x, 5Ax, 5Fx, 5Gx, 5Hx, 5Jx, 5Nx, 5Rx, 5Ux, 5Vx, 5Xx, 64x, 67x, 69x (except for xxU, xxF, xxV)</li> <li>• 1860-CTO, 25x, 2Bx, 2Fx, 2Tx, 32x, 3Bx, 4Jx, 57x, 58x, 5Ex, 5Gx, 5Hx, 5Kx, 5Ux, 5Zx, 69x (except for xxU, xxF, xxV)</li> <li>• 1861-CTO, 25x, 26x, 2Bx, 2Fx, 32x, 3Bx, 5Ex, 69x (except for xxU, xxF, xxV)</li> </ul> | 93P3485 | N      |

(continued)

| No. | FRU  | P/N     | CRU ID |
|-----|--|---------|--------|
| 17  | Intel PRO Wireless 2200BG Mini-PCI Adapter <ul style="list-style-type: none"> <li>• 1846-CTO, 6DU, 6EU, 59F, 6DF, 6EF, 59U</li> <li>• 1847-CTO, 22U, 32U, 3CU, 3JU, 3TU, 48U, 22F, 2CF, 32F, 3CF, 3TF, 48F</li> <li>• 1848-CTO, 22U, 22F, 32U, 32F</li> <li>• 1849-CTO, 5SF, 5SU, 5FU, 5TU, 5UU, 6VF, 6VU, 4PF, 4PU, 4FU, 4RU</li> <li>• 1850-CTO, 22F, 22F, 22V</li> <li>• 1870-CTO, 22F, 22F, 22V</li> <li>• 1846-96x, 9Ax, 9Bx, 9Cx (only for xxUx, xxFx, xxV)</li> <li>• 1847-82x, 83x, 92x, 93x (only for xxUx, xxFx, xxV)</li> <li>• 1848-82x, 83x, 92x, 93x, 9Ux (only for xxUx, xxFx, xxV)</li> <li>• 1849-8Cx, 9Wx (only for xxUx, xxFx, xxV)</li> <li>• 1858-CTO, 92x, 93x, 94x, 97x, 98x, 99x, 9Ax, 9Fx, 9Gx, 9Hx, 9Jx, 9Kx, 9Lx, 9Mx, A2x, A3x, A6x, ABx, ACx, AGx, AHx (only for xxUx, xxFx, xxV)</li> <li>• 1859-CTO, B7x, B8x, B9x, BAx (only for xxUx, xxFx, xxV)</li> <li>• 1860-CTO, BPx, 9Fx, 9Gx, BUx, BWx, BYx, BZx, C6x, C7x (only for xxUx, xxFx, xxV)</li> <li>• 1861-CTO, 9Gx, BUx, BZx, C6x, C7x (only for xxUx, xxFx, xxV)</li> <li>• 1862-CTO (only for xxUx, xxFx, xxV)</li> <li>• 1863-CTO (only for xxUx, xxFx, xxV)</li> </ul> | 39T0077 | N      |

(continued)

| No. | FRU  | P/N     | CRU ID |
|-----|--|---------|--------|
| 17  | Intel PRO Wireless 2200BG Mini-PCI Adapter <ul style="list-style-type: none"> <li>• 1846-CTO, 53x, 54x, 56x, 57x, 58x, 59x, 5Bx, 5Cx, 5Dx, 5Ex, 5Fx, 5Gx, 5Jx, 5Lx, 5Mx, 5Nx, 63x, 67x, 69x, 6Cx, 6Dx, 6Ex, 6Fx, 6Gx, 6Jx, 6Kx, 6Mx, 6Nx, 6Rx (except for xxUx, xxFx, xxV)</li> <li>• 1847-CTO, 22x, 24x, 25x, 26x, 27x, 2Ax, 2Cx, 32x, 35x, 36x, 3Ax, 3Bx, 3Cx, 3Dx, 3Ex, 3Fx, 3Gx, 3Hx, 3Jx, 3Kx, 3Lx, 3Mx, 3Qx, 3Rx, 3Tx, 3Ux, 48x, 49x, 4Ax (except for xxUx, xxFx, xxV)</li> <li>• 1848-CTO, 22x, 24x, 25x, 26x, 27x, 32x, 35x, 36x (except for xxUx, xxFx, xxV)</li> <li>• 1849-CTO, 5Ux (except for xxUx, xxFx, xxV)</li> <li>• 1850-CTO, 22x (except for xxUx, xxFx, xxV)</li> <li>• 1870-CTO, 22x (except for xxUx, xxFx, xxV)</li> <li>• 1846-84x, 85x, 86x, 87x, 88x, 89x, 8Ax, 8Bx, 94x, 95x, 97x, 98x, 9Cx, 9Dx, 9Fx (except for xxUx, xxFx, xxV)</li> <li>• 1847-82x, 83x, 92x, 93x, AEx, AHx, 9Lx, 9Mx, 9Rx (except for xxUx, xxFx, xxV)</li> <li>• 1848-82x, 83x, 92x, 93x, 9Ux (except for xxUx, xxFx, xxV)</li> <li>• 1849-8Cx, 9Wx (except for xxUx, xxFx, xxV)</li> <li>• 1858-CTO, 92x, 93x, 94x, 97x, 98x, 99x, 9Ax, 9Fx, 9Gx, 9Hx, 9Jx, 9Kx, 9Lx, 9Mx, A2x, A3x, A6x, ABx, ACx, AGx, AHx (except for xxUx, xxFx, xxV)</li> <li>• 1859-CTO, B7x, B8x, B9x, BAx (except for xxUx, xxFx, xxV)</li> <li>• 1860-CTO, BPx, 9Fx, 9Gx, BUx, BWx, BYx, BZx, C6x, C7x (except for xxUx, xxFx, xxV)</li> <li>• 1861-CTO, 9Gx, BUx, BZx, C6x, C7x (except for xxUx, xxFx, xxV)</li> <li>• 1862-CTO (except for xxUx, xxFx, xxV)</li> <li>• 1863-CTO (except for xxUx, xxFx, xxV)</li> </ul> | 39T0079 | N      |

(continued)

Parts list

| No. | FRU  | P/N     | CRU ID |
|-----|--|---------|--------|
| 17  | ThinkPad 11b/g Wireless LAN Mini PCI Adapter   |         |        |
|     | <ul style="list-style-type: none"> <li>• 1846-CTO, 6AV, 6BV</li> <li>• 1847-CTO, 28U, 29U, 2BU, 2DV, 2FU, 2GU, 38U, 39U, 3PV, 3SF, 3SU, 43V, 46U, 4BU</li> <li>• 1848-CTO</li> <li>• 1849-CTO</li> <li>• 1858-CTO</li> <li>• 1859-CTO</li> <li>• 1860-CTO</li> <li>• 1861-CTO</li> </ul> | 93P3475 | N      |
|     | <ul style="list-style-type: none"> <li>• 1846-CTO</li> <li>• 1847-CTO, 34G, 37G, 42G, 43G, 44G, 45G</li> <li>• 1848-CTO</li> <li>• 1849-CTO</li> <li>• 1858-CTO</li> <li>• 1859-CTO</li> <li>• 1860-CTO</li> <li>• 1861-CTO</li> </ul>   | 93P3477 |        |

(continued)

| No. | FRU   | P/N     | CRU ID |
|-----|---|---------|--------|
| 17  | ThinkPad 11b/g Wireless LAN Mini PCI Adapter  |         |        |
|     | <ul style="list-style-type: none"> <li>• 1843-35U, 3CU, 3GU, 3HU, 3MU, 42U, 47U, 4SU, 5BU, 3GF, 3MF, 5BF, 36V, 3EV, 3FV, 3GV, 3JV, 3MV</li> <li>• 1844-5Gx, 5Hx (only for xxU, xxV)</li> <li>• 1845-5Kx (only for xxU, xxV)</li> <li>• 1846-CTO, 6AV, 6BV</li> <li>• 1847-CTO, 28U, 29U, 2BU, 38U, 39U, 46U, 2FU, 2GU, 4BU, 3SU, 3SF, 2DV, 3PV, 43V</li> <li>• 1848-CTO</li> <li>• 1849-CTO</li> <li>• 1858-CTO</li> <li>• 1859-CTO</li> <li>• 1860-CTO</li> <li>• 1861-CTO</li> </ul>  | 39T0073 | N      |
|     | <ul style="list-style-type: none"> <li>• 1843-3GL, 3ML, 5BF, 3GL, 3ML, 4PL, 55L, 3GP, 3MP, 4PP, 55P, 3GS, 3MS, 4PS, 55S, 3GY, 3MY, 4PY, 55Y, 3GG, 3MG, 5DG, 36M, 3GM, 3MM, 37Q, 3EQ, 3GQ, 3JQ, 3MQ, 4TQ, 5AQ, 37A, 3EA, 3GA, 3JA, 3MA, 4TA, 5AA, 3EB, 3FB, 3HB, 3LB, 5LB, 3EH, 3FH, 3HH, 3LH, 5LH, 33C, 34C, 36C, 37C, 3AC, 3BC, 3GC, 3JC, 3KC, 3LC, 3MC, 3XC, 4TC, 4UC, 4YC, 3GE, 3ME, 3YJ, 3ZJ, 43J, 44J, 4QJ, 4RJ, 4WJ, 4XJ, 53J, 54J, 3EK, 3GK, 3MK, 3XK, 4DK</li> <li>• 1844-5Gx, 5Hx (only for xxG, xxE, xxJ)</li> <li>• 1845-5Kx (only for xxG, xxE, xxJ)</li> <li>• 1846-CTO</li> <li>• 1847-CTO, 34G, 37G, 42G, 43G, 44G, 45G</li> <li>• 1848-CTO</li> <li>• 1849-CTO</li> <li>• 1858-CTO</li> <li>• 1859-CTO</li> <li>• 1860-CTO</li> <li>• 1861-CTO</li> </ul> | 39T0075 | N      |

(continued)

Parts list

| No. | FRU   | P/N     | CRU ID |
|-----|---|---------|--------|
| 17  | ThinkPad 11a/b/g Wireless LAN Mini PCI Adapter II   |         |        |
|     | <ul style="list-style-type: none"> <li>• 1834-QAx, REx, RUx, RWx, RXx (only for xxB, xxFx, xxH, xxM, xxP, xxU)</li> </ul>   | 93P4262 | N      |
|     | <ul style="list-style-type: none"> <li>• 1846-CTO</li> <li>• 1847-CTO</li> <li>• 1848-CTO</li> <li>• 1849-CTO</li> <li>• 1858-CTO</li> <li>• 1859-CTO</li> <li>• 1860-CTO</li> <li>• 1861-CTO</li> <li>• 1843-59U, 48M, 49M, 4AM, 4BM, 4CM, 4EM, 4FM, 4GM, 4HM, 4JM, 4KM, 4LM, 4MM, 4NM, 4VM, 4ZM, 59M, 59A, 59C</li> <li>• 1844-CTO</li> <li>• 1845-CTO</li> </ul>   | 39T0081 | N      |
|     | <ul style="list-style-type: none"> <li>• 1834-QAx, REx, RUx, RWx, RXx (only for xxG)</li> </ul>   | 93P4264 | N      |
|     | <ul style="list-style-type: none"> <li>• 1846-CTO</li> <li>• 1847-CTO</li> <li>• 1848-CTO, 8Lx, AKx</li> <li>• 1849-CTO</li> <li>• 1858-CTO, 9Dx</li> <li>• 1859-CTO, 9Dx</li> <li>• 1860-CTO, 9Dx</li> <li>• 1861-CTO, 9Dx</li> <li>• 1843-59F, 59L, 59P, 59S, 59Y, 25G, 26G, 27G, 28G, 29G, 2AG, 2BG, 2CG, 2DG, 2EG, 3DG, 59G, 5EG, 59Q, 52K, 59K, 5CK</li> <li>• 1844-CTO</li> <li>• 1845-CTO</li> </ul> | 39T0083 | N      |

(continued)

| No. | FRU   | P/N     | CRU ID |
|-----|---|---------|--------|
| 17  | ThinkPad 11a/b/g Wireless LAN Mini PCI Adapter II   |         |        |
|     | <ul style="list-style-type: none"> <li>• 1834-QAx, REx, RUx, RWx, RXx (only for xxV)</li> <li>• 1843-59V</li> <li>• 1844-CTO</li> <li>• 1845-CTO</li> <li>• 1846-CTO</li> <li>• 1847-CTO</li> <li>• 1848-CTO</li> <li>• 1849-CTO</li> <li>• 1858-CTO</li> <li>• 1859-CTO</li> <li>• 1860-CTO</li> <li>• 1861-CTO</li> </ul> | 27K9997 | N      |
|     | <ul style="list-style-type: none"> <li>• 1834-QAx, REx, RUx, RWx, RXx (only for xxJ)</li> <li>• 1843-59E</li> <li>• 1844-CTO</li> <li>• 1845-CTO</li> <li>• 1846-CTO</li> <li>• 1847-CTO</li> <li>• 1848-CTO</li> <li>• 1849-CTO</li> <li>• 1858-CTO</li> <li>• 1859-CTO</li> <li>• 1860-CTO</li> <li>• 1861-CTO</li> </ul> | 93P4266 | N      |

(continued)

| No. | FRU  | P/N     | CRU ID |
|-----|--|---------|--------|
| 17  | <p>Intel PRO Wireless 2915ABG Mini-PCI Adapter</p> <ul style="list-style-type: none"> <li>• 1846-CTO, 2HU, 2JU, 3VU, 3WU, 5AU, 6LU, 6QU, 6TU, 5AF, 6LF, 6QF, 6TF</li> <li>• 1847-CTO, 28x, 29x, 2Bx, 2Dx, 38x, 39x, 3Nx, 3Px, 3Sx, 43x, 46x, 2Fx, 2Gx, 4Bx</li> <li>• 1848-CTO, 2FU, 2GU, 4BU</li> <li>• 1849-CTO, 4Qx</li> <li>• 1846-CTO</li> <li>• 1847-CTO, 8Ex, 8Fx, 8Gx, 8Hx, AFx, AGx, 9Px, 9Qx, 9Sx, 9Tx, 8Jx, 8Kx, AJx</li> <li>• 1848-CTO, 8Mx, 8Nx, ALx</li> <li>• 1849-CTO, 8Dx, ADx</li> <li>• 1858-CTO, 45x, 46x, 47x, 4Ax, 4Cx, 4Ex, 4Fx, 4Mx, 4Nx, 5Mx, 5Px, 5Qx, 5Wx, 5Yx, 62x, 65x, 68x, 6Ax, 6Bx, 6Cx, 6Dx, 6Ex, 6Fx, 6Hx, 6Jx, 6Kx (only for xxU, xxF, xxM, xxB, xxH)</li> <li>• 1859-CTO</li> <li>• 1860-CTO, 2Lx, 2Mx, 2Nx, 2Yx, 3Ex, 4Mx, 4Qx, 5Bx, 5Cx, 5Sx, 6Fx, 6Gx, 6Jx (only for xxU, xxF, xxM, xxB, xxH)</li> <li>• 1861-CTO, 2Gx, 3Ex, 4Mx, 5Sx, 6Fx, 6Gx, 6Hx (only for xxU, xxF, xxM, xxB, xxH)</li> <li>• 1858-95x, 96x, 9Sx, 9Tx, 9Ux, 9Vx, 9Wx, 9Xx, 9Yx, 9Zx, A4x, A5x, A7x, A8x, A9x, AAx, ADx, AEx, AFx, AJx, AKx, ALx, AMx, ANx, APx, AQx, ARx, ASx, ATx, AUx, AVx, AWx, AXx, AYx (only for xxU, xxF, xxM, xxB, xxH)</li> <li>• 1860-BQx, BRx, BSx, BTx, BVx, Bxx, C2x, C3x, C4x, C5x, C8x, C9x, CAx, CBx (only for xxU, xxF, xxM, xxB, xxH)</li> <li>• 1861-C8x, C9x, CAx, CBx (only for xxU, xxF, xxM, xxB, xxH)</li> </ul> | 93P4235 | N      |
|     | <ul style="list-style-type: none"> <li>• 1858-95x, 96x, 9Sx, 9Tx, 9Ux, 9Vx, 9Wx, 9Xx, 9Yx, 9Zx, A4x, A5x, A7x, A8x, A9x, AAx, ADx, AEx, AFx, AJx, AKx, ALx, AMx, ANx, APx, AQx, ARx, ASx, ATx, AUx, AVx, AWx, AXx, AYx (only for xxG, xxA)</li> <li>• 1859-CTO</li> <li>• 1860-BQx, BRx, BSx, BTx, BVx, Bxx, C2x, C3x, C4x, C5x, C8x, C9x, CAx, CBx (only for xxG, xxA)</li> <li>• 1861-C8x, C9x, CAx, CBx (only for xxG, xxA)</li> </ul>  | 39T0389 | N      |

(continued)



| No. | FRU  | P/N     | CRU ID |
|-----|--|---------|--------|
| 17  | Intel PRO Wireless 2915ABG Mini-PCI Adapter <ul style="list-style-type: none"> <li>• 1846-CTO, 55x, 64x, 65x, 66x, 68x, 4Cx, 4Dx, 4Ex</li> <li>• 1847-CTO, 34G, 37G, 42G, 43G, 44G, 45G</li> <li>• 1848-CTO, 34G, 37G, 42G, 43G, 44G, 45G</li> <li>• 1849-CTO</li> <li>• 1846-CTO, A2x, A3x, A7x, A8x, A9x, 9Ex, 9Hx</li> <li>• 1847-CTO</li> <li>• 1848-CTO, 9Vx</li> <li>• 1849-CTO</li> <li>• 1858-CTO, 45x, 46x, 47x, 4Ax, 4Cx, 4Ex, 4Fx, 4Mx, 4Nx, 5Mx, 5Px, 5Qx, 5Wx, 5Yx, 62x, 65x, 68x, 6Ax, 6Bx, 6Cx, 6Dx, 6Ex, 6Fx, 6Hx, 6Jx, 6Kx (only for xxG, xxA)</li> <li>• 1859-CTO</li> <li>• 1860-CTO, 2Lx, 2Mx, 2Nx, 2Yx, 3Ex, 4Mx, 4Qx, 5Bx, 5Cx, 5Sx, 6Fx, 6Gx, 6Jx (only for xxG, xxA)</li> <li>• 1861-CTO, 2Gx, 3Ex, 4Mx, 5Sx, 6Fx, 6Gx, 6Hx (only for xxG, xxA)</li> </ul> | 93P4237 | N      |
|     | <ul style="list-style-type: none"> <li>• 1847-CTO</li> <li>• 1848-CTO</li> <li>• 1849-CTO</li> <li>• 1858-CTO, 45x, 46x, 47x, 4Ax, 4Cx, 4Ex, 4Fx, 4Mx, 4Nx, 5Mx, 5Px, 5Qx, 5Wx, 5Yx, 62x, 65x, 68x, 6Ax, 6Bx, 6Cx, 6Dx, 6Ex, 6Fx, 6Hx, 6Jx, 6Kx (only for xxJ, xxE)</li> <li>• 1860-CTO, 2Lx, 2Mx, 2Nx, 2Yx, 3Ex, 4Mx, 4Qx, 5Bx, 5Cx, 5Sx, 6Fx, 6Gx, 6Jx (only for xxJ, xxE)</li> <li>• 1861-CTO, 2Gx, 3Ex, 4Mx, 5Sx, 6Fx, 6Gx, 6Hx (only for xxJ, xxE)</li> </ul>   | 93P4239 | N      |
|     | <ul style="list-style-type: none"> <li>• 1858-95x, 96x, 9Sx, 9Tx, 9Ux, 9Vx, 9Wx, 9Xx, 9Yx, 9Zx, A4x, A5x, A7x, A8x, A9x, AAx, ADx, AEx, AFx, AJx, AKx, ALx, AMx, ANx, APx, AQx, ARx, ASx, ATx, AUx, AVx, AWx, AXx, AYx (only for xxJ, xxE)</li> <li>• 1859-CTO</li> <li>• 1860-BQx, BRx, BSx, BTx, BVx, Bxx, C2x, C3x, C4x, C5x, C8x, C9x, CAx, CBx (only for xxJ, xxE)</li> <li>• 1861-C8x, C9x, CAx, CBx (only for xxJ, xxE)</li> </ul>  | 39T0391 | N      |

(continued)

| No. | FRU  | P/N                           | CRU ID            |
|-----|--|-------------------------------|-------------------|
| 17  | <p>Intel PRO Wireless 2915ABG Mini-PCI Adapter</p> <ul style="list-style-type: none"> <li>• 1858-95x, 96x, 9Sx, 9Tx, 9Ux, 9Vx, 9Wx, 9Xx, 9Yx, 9Zx, A4x, A5x, A7x, A8x, A9x, AAx, ADx, AEx, AFx, AJx, AKx, ALx, AMx, ANx, APx, AQx, ARx, ASx, ATx, AUx, AVx, AWx, AXx, AYx (only for xxL, xxP, xxS, xxY, xxC, xxK, xxV)</li> <li>• 1859-CTO</li> <li>• 1860-BQx, BRx, BSx, BTx, BVx, Bxx, C2x, C3x, C4x, C5x, C8x, C9x, CAx, CBx (only for xxL, xxP, xxS, xxY, xxC, xxK, xxV)</li> <li>• 1861-C8x, C9x, CAx, CBx (only for xxL, xxP, xxS, xxY, xxC, xxK, xxV)</li> </ul> <ul style="list-style-type: none"> <li>• 1846-CTO, 5RV, 4LV, 5PC, 5QC, 4LH, 4LA, 4LB</li> <li>• 1847-CTO, 2Dx, 2Ex, 3Nx, 3Px, 43x, 47x</li> <li>• 1848-CTO</li> <li>• 1849-CTO</li> <li>• 1846-A2x, A3x, A4x, A5x, A6x, AAx, ABx, ACx, 99x, 9Gx</li> <li>• 1847-8Fx, 9Nx, 9Px</li> <li>• 1849-8Dx, ADx</li> <li>• 1858-CTO, 45x, 46x, 47x, 4Ax, 4Cx, 4Ex, 4Fx, 4Mx, 4Nx, 5Mx, 5Px, 5Qx, 5Wx, 5Yx, 62x, 65x, 68x, 6Ax, 6Bx, 6Cx, 6Dx, 6Ex, 6Fx, 6Hx, 6Jx, 6Kx (only for xxL, xxP, xxS, xxY, xxC, xxK, xxV)</li> <li>• 1860-CTO, 2Lx, 2Mx, 2Nx, 2Yx, 3Ex, 4Mx, 4Qx, 5Bx, 5Cx, 5Sx, 6Fx, 6Gx, 6Jx (only for xxL, xxP, xxS, xxY, xxC, xxK, xxV)</li> <li>• 1861-CTO, 2Gx, 3Ex, 4Mx, 5Sx, 6Fx, 6Gx, 6Hx (only for xxL, xxP, xxS, xxY, xxC, xxK, xxV)</li> </ul> | <p>39T0393</p> <p>93P4241</p> | <p>N</p> <p>N</p> |
| 18  | <p>System board assembly with 10/100 Ethernet (for R50e)</p> <ul style="list-style-type: none"> <li>• 1834-K3x, K4x, K5x, K6x, K7x, K8x, K9x, KAx, KBx, KCx, KDx, KEx, KFx, LGx, LHx, M2x, M3x, M4x, M5x, M6x, M7x, M8x, M9x, MAx, MBx, MCx, MDx, MEx, MFx, MGx, MHx, MRx, MSx, Q5x, Q9x, QBx, QCx, RKx, RVx, S2x, S3x, S4x</li> </ul>   | 39T0334                       | N                 |

(continued)

| No. | FRU   | P/N     | CRU ID |
|-----|---|---------|--------|
| 18  | System board assembly with 10/100 Ethernet, wireless (for R50e) <ul style="list-style-type: none"> <li>• 1834-KGx, KHx, KJx, KLx, KMx, KNx, KPx, KQx, KRx, KSx, KTx, KUx, KVx, KWx, KXx, KYx, KZx, L2x, L3x, L4x, L5x, L6x, L7x, L8x, L9x, LAx, LBx, LCx, LDx, LEx, LFx, MJx, MKx, MLx, MMx, MNx, MPx, MQx, MTx, MVx, MWx, MXx, MYx, MZx, Q2x, Q3x, Q4x, Q6x, Q7x, Q8x, QAx, R2x, R3x, R4x, R5x, R6x, R7x, R8x, R9x, RAX, RBx, RCx, RDx, REx, RFx, RGx, RHx, RJx, RMx, RNx, RPx, RQx, RRx, RSx, RTx, RUx, RWx, RXx, S5x, S6x, S7x, S8x, S9x</li> <li>• 1842-MUx, QDx, QEx, QFx</li> </ul> | 39T0336 | N      |
|     | System board assembly with 10/100 Ethernet (for R51e) <ul style="list-style-type: none"> <li>• 1843-22x, 23x, 24x, 2Fx, 2Gx, 2Hx, 2Jx, 2Kx, 2Lx, 2Mx, 2Nx, 2Px, 2Qx, 2Rx, 2Sx, 2Tx, 2Ux, 2Vx, 2Wx, 2Xx, 2Yx, 2Zx, 32x, 3Nx, 3Px, 3Qx, 3Rx, 3Sx, 3Tx, 3Ux, 3Vx, 3Wx, 5Mx, 5Nx, 5Px, 5Qx, 5Rx, 5Sx, 5Tx, 5Ux</li> <li>• 1844-5Fx, 5Jx</li> </ul>  | 39T5696 | N      |
|     | System board assembly with 10/100 Ethernet, wireless (for R51e) <ul style="list-style-type: none"> <li>• 1843-25x, 26x, 27x, 28x, 29x, 2Ax, 2Bx, 2Cx, 2Dx, 2Ex, 33x, 34x, 35x, 36x, 37x, 38x, 39x, 3Ax, 3Bx, 3Cx, 3Dx, 3Ex, 3Fx, 3Gx, 3Hx, 3Jx, 3Kx, 3Lx, 3Mx, 3Xx, 3Yx, 3Zx, 42x, 43x, 44x, 45x, 46x, 47x, 48x, 49x, 4Ax, 4Bx, 4Cx, 4Dx, 4Ex, 4Fx, 4Gx, 4Hx, 4Jx, 4Kx, 4Lx, 4Mx, 4Nx, 4Px, 4Qx, 4Rx, 4Sx, 4Tx, 4Ux, 4Vx, 4Wx, 4Xx, 4Yx, 4Zx, 52x, 53x, 54x, 55x, 56x, 57x, 58x, 59x, 5Ax, 5Bx, 5Cx, 5Dx, 5Ex, 5Lx</li> <li>• 1844-5Gx, 5Hx</li> <li>• 1845-5Kx</li> </ul>                | 39T5695 | N      |
|     | System board assembly, M22-32 Gigabit Ether with security chip, without IEEE1394 (for R52) <ul style="list-style-type: none"> <li>• 1846-CTO, 52x, 53x, 56x, 57x, 58x, 59x, 5A</li> <li>• 1847-CTO, 28x, 38x</li> <li>• 1848-CTO</li> <li>• 1849-CTO, 5Sx, 6Wx</li> </ul>   | 39T0006 | N      |

(continued)

Parts list

| No. | FRU   | P/N     | CRU ID |
|-----|---|---------|--------|
| 18  | System board assembly, M22-64 Gigabit Ether with security chip, without IEEE1394 (for R52) <ul style="list-style-type: none"> <li>• 1846-CTO, 62x, 6Ax, 6Bx, 6Cx, 6Dx, 6Ex, 6Tx</li> <li>• 1847-CTO, 22x, 23x, 29x, 2Ax, 2Bx, 2Cx, 47x, 32x, 33x, 39x, 3Ax, 3Bx, 3Cx, 3Dx, 3Ex, 3Fx, 3Gx, 3Hx, 3Jx, 3Kx, 3Lx</li> <li>• 1848-CTO, 22x, 23x, 32x, 33x</li> <li>• 1849-CTO</li> <li>• 1850-22x</li> <li>• 1870-22x</li> </ul>   | 39T0050 | N      |
|     | System board assembly, M22-32 Gigabit Ether with security chip, IEEE1394 (for R52) <ul style="list-style-type: none"> <li>• 1846-CTO, 54x, 55x, 5Bx, 5Cx, 5Dx, 5Ex, 5Fx, 5Gx, 5Hx, 5Jx, 5Kx, 5Lx, 5Mx, 5Nx, 5Px, 5Qx, 5Rx, 63x, 64x, 65x, 66x, 67x, 68x, 69x, 6Fx, 6Gx, 6Hx, 6Jx, 6Kx, 6Lx, 6Mx, 6Nx, 6Px, 6Qx, 6Rx, 6Sx, 6Ux, 4Cx, 4Dx, 4Ex, 4Fx, 4Gx, 4Hx, 4Jx, 4Kx, 4Lx, 4Mx, 4Nx, 2Hx, 2Jx, 3Vx, 3Wx</li> <li>• 1847-CTO, 26x, 2Dx, 2Ex, 2Fx, 2Gx, 24x, 25x, 27x, 42x, 43x, 44x, 45x, 46x, 48x, 49x, 4Ax, 4Bx, 3Mx, 3Nx, 3Px, 3Qx, 3Rx, 3Sx, 3Tx, 34x, 35x, 36x, 37x, 3Ux</li> <li>• 1848-CTO, 26x, 2Fx, 2Gx, 24x, 25x, 27x, 42x, 43x, 44x, 45x, 4Bx, 34x, 35x, 36x, 37x</li> <li>• 1849-CTO</li> </ul> | 39T0051 | N      |
|     | System board assembly, M22-32 Gigabit Ether with security chip, without IEEE1394 (for R52) <ul style="list-style-type: none"> <li>• 1846-CTO, 84x, 85x</li> <li>• 1847-CTO</li> <li>• 1848-CTO</li> <li>• 1849-CTO</li> </ul>   | 39T0433 | N      |
|     | System board assembly, M22-64 Gigabit Ether with security chip, without IEEE1394 (for R52) <ul style="list-style-type: none"> <li>• 1846-CTO, 8Ax</li> <li>• 1847-CTO, 82x, 83x, 92x, 93x, 8Ex, 8Fx, 8Gx, 8Hx, 9Nx, 9Px, 9Qx, 9Rx, 9Sx, 9Tx</li> <li>• 1848-CTO, 82x, 83x, 92x, 93x</li> <li>• 1849-CTO, 8Px, 8Qx, 8Sx, 8Tx, ANx, APx, 9Xx, 9Yx, 9Zx</li> </ul>   | 39T0434 | N      |

(continued)

| No. | FRU   | P/N     | CRU ID |
|-----|---|---------|--------|
| 18  | System board assembly, M22-64 Gigabit Ether with security chip, IEEE1394 (for R52) <ul style="list-style-type: none"> <li>• 1846-CTO, 86x, 87x, 88x, 89x, 8Bx, A2x, A3x, A4x, A5x, A6x, A7x, A8x, A9x, AAx, ABx, ACx, 94x, 95x, 96x, 97x, 98x, 99x, 9Ax, 9Bx, 9Cx, 9Dx, 9Ex, 9Fx, 9Gx, 9Hx</li> <li>• 1847-CTO, AEx, AFx, AGx, AHx, 9Lx, 9Mx, 8Jx, 8Kx, AJx</li> <li>• 1848-CTO, 8Lx, AKx, 9Ux, 9Vx, 8Mx, 8Nx, ALx</li> <li>• 1849-CTO, 8Cx, 8Dx, 9Wx, ADx, 8Rx, AMx, 91x</li> </ul>          | 39T0435 | N      |
|     | System board assembly, M22-32 Gigabit Ether with security chip, without IEEE1394 (for R52) <b>R</b> <ul style="list-style-type: none"> <li>• 1846-CTO, 84x, 85x</li> <li>• 1847-CTO</li> <li>• 1848-CTO</li> <li>• 1849-CTO</li> </ul>  | 39T0439 | N      |
|     | System board assembly, M22-64 Gigabit Ether with security chip, without IEEE1394 (for R52) <b>R</b> <ul style="list-style-type: none"> <li>• 1846-CTO, 84x</li> <li>• 1847-CTO, 82x, 83x, 92x, 93x, 8Ex, 8Fx, 8Gx, 8Hx, 9Nx, 9Px, 9Qx, 9Rx, 9Sx, 9Tx</li> <li>• 1848-CTO, 82x, 83x, 92x, 93x</li> <li>• 1849-CTO, 8Px, 8Qx, 8Sx, 8Tx, ANx, APx, 9Xx, 9Yx, 9Zx</li> </ul>  | 39T0440 | N      |
|     | System board assembly, M22-64 Gigabit Ether with security chip, IEEE1394 (for R52) <b>R</b> <ul style="list-style-type: none"> <li>• 1846-CTO, 86x, 87x, 88x, 89x, 8Bx, A2x, A3x, A4x, A5x, A6x, A7x, A8x, A9x, AAx, ABx, ACx, 94x, 95x, 96x, 97x, 98x, 99x, 9Ax, 9Bx, 9Cx, 9Dx, 9Ex, 9Fx, 9Gx, 9Hx</li> <li>• 1847-CTO, AEx, AFx, AGx, AHx, 9Lx, 9Mx, 8Jx, 8Kx, AJx</li> <li>• 1848-CTO, 8Lx, AKx, 9Ux, 9Vx, 8Mx, 8Nx, ALx</li> <li>• 1849-CTO, 8Cx, 8Dx, 9Wx, ADx, 8Rx, AMx, 91x</li> </ul> | 39T0441 | N      |

(continued)

| No. | FRU   | P/N     | CRU ID |
|-----|---|---------|--------|
| 18  | System board assembly, 915GM (for R52) <ul style="list-style-type: none"> <li>• 1858-CTO, 2Ex, 54x, 59x, 5Ax, 5Fx, 5Gx, 5Hx, 5Jx</li> <li>• 1859-CTO, 2Ax, 2Hx, 4Rx, 4Sx, 55x, 5Dx</li> <li>• 1860-CTO, 2Bx, 2Fx, 2Kx, 2Lx, 2Mx, 2Nx, 4Qx, 56x, 57x, 58x, 5Bx, 5Cx, 5Ex, 5Gx, 5Hx, 5Kx</li> <li>• 1861-CTO, 2Bx, 2Fx, 2Gx, 2Kx, 56x, 5Ex</li> </ul>   | 39T0320 | N      |
|     | System board assembly, 910GML (for R52) <ul style="list-style-type: none"> <li>• 1858-CTO, 22x, 29x, 2Px, 2Rx, 2Sx, 4Tx, 4Ux, 4Vx, 4Wx, 53x, 5Lx</li> </ul>   | 39T0321 | N      |
|     | System board assembly, 915GM, with IEEE1394 (for R52) <ul style="list-style-type: none"> <li>• 1858-CTO, 2Ux, 2Vx, 2Wx, 2Xx, 2Zx, 32x, 33x, 34x, 37x, 38x, 3Bx, 3Cx, 3Dx, 45x, 46x, 47x, 48x, 49x, 4Cx, 4Dx, 4Ex, 4Fx, 4Gx, 4Kx, 4Lx, 4Mx, 4Nx, 5Mx, 5Nx, 5Px, 5Qx, 5Tx, 5Ux, 5Vx, 5Wx, 5Xx, 5Yx, 62x, 64x, 65x, 67x, 68x, 69x, 6Ax, 6Bx, 6Cx, 6Dx, 6Ex, 6Fx, 6Hx, 6Jx, 6Kx</li> <li>• 1859-CTO, 35x, 39x, 3Ax, 4Bx, 4Hx, 4Px, 63x, 66x</li> <li>• 1860-CTO, 2Tx, 2Yx, 32x, 3Bx, 3Ex, 4Mx, 4Jx, 5Sx, 5Ux, 5Zx, 69x, 6Fx, 6Gx, 6Jx</li> <li>• 1861-CTO, 32x, 3Bx, 3Ex, 4Mx, 5Sx, 69x, 6Fx, 6Gx, 6Jx</li> </ul> | 39T0322 | N      |
|     | System board assembly, 910GML, with IEEE1394 (for R52) <ul style="list-style-type: none"> <li>• 1858-CTO, 2Qx, 42x, 44x, 4Yx</li> <li>• 1859-CTO, 23x, 24x, 27x, 43x, 4Xx, 4Zx, 52x</li> <li>• 1860-CTO, 25x</li> <li>• 1861-CTO, 25x, 26x</li> </ul>   | 39T0323 | N      |
|     | System board assembly, 915GM (for R52) <ul style="list-style-type: none"> <li>• 1858-CTO, 9Fx, 9Gx, 9Hx, AJx, CCx</li> <li>• 1859-CTO</li> <li>• 1860-CTO, BPx, 9Fx, 9Gx, BQx, BRx, BSx, BTx, BUx, BWx, Bxx, BZx, C2x, C3x</li> <li>• 1861-CTO, 9Gx, BUx, BZx</li> <li>• 1862-CTO, 2Cx</li> <li>• 1863-CTO, 2Dx</li> </ul>  | 39T5646 | N      |

(continued)

| No. | FRU  | P/N     | CRU ID |
|-----|--|---------|--------|
| 18  | System board assembly, 910GM (for R52) <ul style="list-style-type: none"> <li>• 1858-CTO, 9Bx, 9Dx, 9Ex, 9Jx, 9Kx</li> <li>• 1859-CTO</li> <li>• 1860-CTO</li> <li>• 1861-CTO</li> </ul>   | 39T5647 | N      |
|     | System board assembly, 915GM, with 1394 (for R52) <ul style="list-style-type: none"> <li>• 1858-CTO, 93x, 94x, 95x, 96x, 97x, 98x, 99x, 9Ax, 9Lx, 9Mx, 9Nx, 9Px, 9Qx, 9Rx, 9Sx, 9Tx, 9Ux, 9Vx, 9Wx, 9Xx, 9Yx, 9Zx, A2x, A3x, A4x, A5x, A6x, A7x, A8x, A9x, AAx, ABx, ACx, ADx, AEx, AFx, AKx, ALx, AMx, ANx, APx, AQx, ARx, ASx, ATx, AUx, AVx, AWx, AXx, AYx, B2x, B3x, B4x, B5x</li> <li>• 1859-CTO, B6x, B7x, B8x, B9x, BAx, BBx, BCx, BDx, BEx, BFx, BGx, BHx, BJx, BKx, BLx, BMx</li> <li>• 1860-CTO, BVx, BYx, C4x, C5x, C8x, C9x, CAx, CBx</li> <li>• 1861-CTO, C8x, C9x, CAx, CBx</li> </ul> | 39T5648 | N      |
|     | System board assembly, 910GM, with 1394 (for R52) <ul style="list-style-type: none"> <li>• 1858-CTO, 92x, AGx, AHx</li> <li>• 1859-CTO</li> <li>• 1860-CTO, C6x, C7x</li> <li>• 1861-CTO, C6x, C7x</li> <li>• 1862-CTO</li> <li>• 1863-CTO</li> </ul>  | 39T5649 | N      |
| 19  | PC Card slot for R50e  | 13N5181 | N      |
|     | ExpressCard slot for R52 , R51e  | 91P8826 | N      |

(continued)

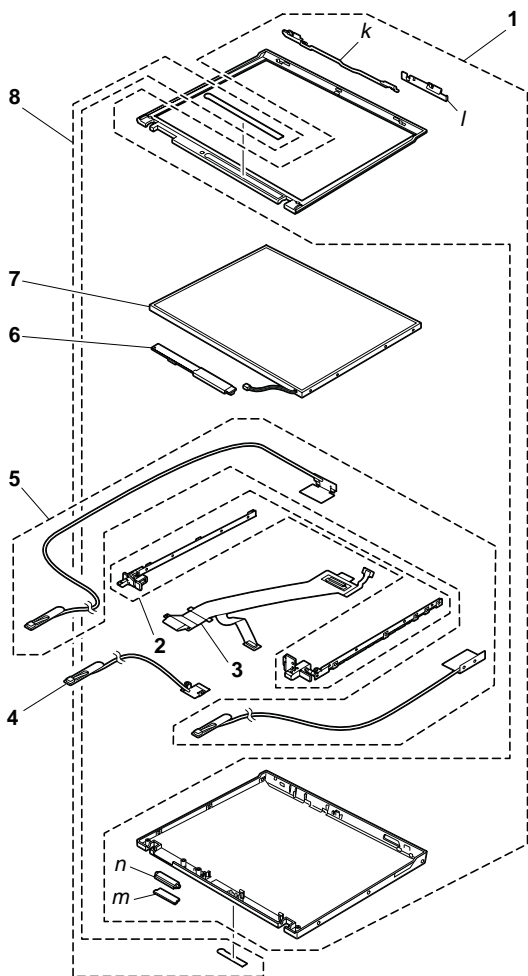
| No. | FRU   | P/N     | CRU ID |
|-----|---|---------|--------|
| 20  | IEEE1394 cable for R52 <ul style="list-style-type: none"> <li>• 1846-CTO, 2Hx, 2Jx, 3Vx, 3Wx, 4Cx, 4Dx, 4Ex, 4Fx, 4Gx, 4Hx, 4Jx, 4Kx, 4Lx, 4Mx, 4Nx, 54x, 55x, 5Bx, 5Cx, 5Dx, 5Ex, 5Fx, 5Gx, 5Hx, 5Jx, 5Kx, 5Lx, 5Mx, 5Nx, 5Px, 5Qx, 5Rx, 63x, 64x, 65x, 66x, 67x, 68x, 69x, 6Fx, 6Gx, 6Hx, 6Jx, 6Kx, 6Lx, 6Mx, 6Nx, 6Px, 6Qx, 6Rx, 6Sx, 6Ux</li> <li>• 1847-CTO, 24x, 25x, 26x, 27x, 2Dx, 2Ex, 2Fx, 2Gx, 34x, 35x, 36x, 37x, 3Mx, 3Nx, 3Px, 3Qx, 3Rx, 3Sx, 3Tx, 3Ux, 42x, 43x, 44x, 45x, 46x, 48x, 49x, 4Ax, 4Bx</li> <li>• 1848-CTO, 24x, 25x, 26x, 27x, 2Fx, 2Gx, 34x, 35x, 36x, 37x, 42x, 43x, 44x, 45x, 4Bx</li> <li>• 1849-CTO, 4xx, 5xx, 6xx</li> <li>• 1846-86x, 87x, 88x, 89x, 8Bx, A2x, A3x, A4x, A5x, A6x, A7x, A8x, A9x, AAx, ABx, ACx, 94x, 95x, 96x, 97x, 98x, 99x, 9Ax, 9Bx, 9Cx, 9Dx, 9Ex, 9Fx, 9Gx, 9Hx</li> <li>• 1847-AEx, AFx, AGx, AHx, 9Lx, 9Mx, 8Jx, 8Kx, AJx</li> <li>• 1848-8Lx, AKx, 9Ux, 9Vx, 8Mx, 8Nx, ALx</li> <li>• 1849-8Cx, 8Dx, 9Wx, ADx, 8Rx, AMx, 91x</li> <li>• 1858-CTO, 28x, 2Qx, 2Ux, 2Vx, 2Wx, 2Xx, 2Zx, 32x, 33x, 34x, 37x, 38x, 3Bx, 3Cx, 3Dx, 42x, 44x, 45x, 46x, 47x, 48x, 49x, 4Ax, 4Cx, 4Dx, 4Ex, 4Fx, 4Gx, 4Kx, 4Lx, 4Mx, 4Nx, 4Yx, 5Mx, 5Nx, 5Px, 5Qx, 5Rx, 5Tx, 5Ux, 5Vx, 5Wx, 5Xx, 5Yx, 62x, 64x, 65x, 67x, 68x, 69x, 6Ax, 6Bx, 6Cx, 6Dx, 6Ex, 6Fx, 6Hx, 6Jx, 6Kx,</li> <li>• 1859-CTO, 23x, 24x, 27x, 35x, 39x, 3Ax, 43x, 4Bx, 4Hx, 4Px, 4Xx, 4Zx, 52x, 63x, 66x,</li> <li>• 1860-CTO, 25x, 2Tx, 2Yx, 32x, 3Bx, 3Ex, 4Jx, 4Mx, 5Sx, 5Ux, 5Zx, 69x, 6Fx, 6Gx, 6Jx,</li> </ul> | 91P6829 | N      |

(continued)



| No. | FRU   | P/N                                   | CRU ID |
|-----|---|---------------------------------------|--------|
| 20  | IEEE1394 cable for R52 <b>R</b> <ul style="list-style-type: none"> <li>• 1858-CTO, 92x, 93x, 94x, 95x, 96x, 97x, 98x, 99x, 9Ax, 9Lx, 9Mx, 9Nx, 9Px, 9Qx, 9Rx, 9Sx, 9Tx, 9Ux, 9Vx, 9Wx, 9Xx, 9Yx, 9Zx, A2x, A3x, A4x, A5x, A6x, A7x, A8x, A9x, AAx, ABx, ACx, ADx, AEx, AFx, AGx, AHx, AKx, ALx, AMx, ANx, APx, AQx, ARx, ASx, ATx, AUx, AVx, AWx, AXx, AYx, B2x, B3x, B4x, B5x</li> <li>• 1859-CTO, B6x, B7x, B8x, B9x, BAx, BBx, BCx, BDx, BEx, BFx, BGx, BHx, BJx, BKx, BLx, BMx</li> <li>• 1860-CTO, BVx, BYx, C4x, C5x, C6x, C7xC8x, C9x, CAx, CBx</li> <li>• 1861-CTO, C6x, C7xC8x, C9x, CAx, CBx</li> <li>• 1862-CTO</li> <li>• 1863-CTO</li> </ul> | 91P6961                               | N      |
| 21  | Fan for R50e, R51e  | 13N5182                               | N      |
|     | Fan for R51e <b>R</b>   | 39T9895                               | N      |
|     | Fan for R52 <ul style="list-style-type: none"> <li>• 1846-2xx, 3xx, 4xx, 5xx, 6xx</li> <li>• 1847-2xx, 3xx, 4xx</li> <li>• 1848-2xx, 3xx, 4xx</li> <li>• 1849-4xx, 5xx, 6xx</li> </ul>  | 26R8198                               | N      |
|     | Fan for R52 <ul style="list-style-type: none"> <li>• 1846-8xx, 9xx, Axx</li> <li>• 1847-8xx, 9xx, Axx</li> <li>• 1848-8xx, 9xx, Axx</li> <li>• 1849-8xx, 9xx, Axx</li> </ul>  | 26R9542                               |        |
|     | Fan for R52 <ul style="list-style-type: none"> <li>• 1858-2xx, 3xx, 4xx, 5xx, 6xx</li> <li>• 1859-2xx, 3xx, 4xx, 5xx, 6xx</li> <li>• 1860-2xx, 3xx, 4xx, 5xx, 6xx</li> <li>• 1861-2xx, 3xx, 4xx, 5xx, 6xx</li> <li>• 1862-2xx</li> <li>• 1863-2xx</li> </ul>  | 26R8296                               | N      |
|     | Fan for R52 <b>R</b> <ul style="list-style-type: none"> <li>• 1858-9xx, Axx, Bxx, Cxx</li> <li>• 1859-Bxx</li> <li>• 1860-9xx, Bxx, Cxx</li> <li>• 1861-9xx, Bxx, Cxx</li> </ul>  | 26R9119                               | N      |
|     | 22  | Keyboard (see “Keyboard” on page 241) |        |
| 23  | TrackPoint stick caps   | 91P9642                               | *      |
| —   | Telephone cable   | 91P6839                               | *      |
| —   | Thermal grease  | 46L4855                               | N      |
| —   | AC adapter (see “AC adapters” on page 240.)   |                                       | *      |

## LCD FRUs



## 14.1-in. XGA TFT

| No.         | FRU  | P/N     | CRU ID |
|-------------|--|---------|--------|
| <i>k- n</i> | See "Miscellaneous parts" on page 253.   |         |        |
| 1           | LCD cover kit, 14.1-in. (no wireless) <ul style="list-style-type: none"> <li>• 1834-K3x, K4x, K5x, K6x, K7x, K8x, K9x, KAx, KBx, KCx, KDx, KEx, KFx, LGx, LHx, Q5x, Q9x, QBx, QCx</li> <li>• 1843-22x, 23x, 2Fx, 2Gx, 2Hx, 2Jx, 2Kx, 2Lx, 2Mx, 2Nx, 2Px, 2Qx, 2Rx, 2Sx, 2Tx, 2Ux, 2Vx, 2Wx, 2Xx, 2Yx, 2Zx, 32x, 33x, 34x, 35x, 36x, 37x, 38x, 39x, 3Ax, 3Bx, 3Cx, 3Dx, 3Ex, 3Fx, 3Gx, 3Hx, 3Jx, 3Kx, 3Lx, 3Mx, 5Lx</li> <li>• 1844-5Fx, 5Jx</li> </ul>   | 13N5593 | N      |
|             | LCD cover kit, 14.1-in. <ul style="list-style-type: none"> <li>• 1834-KGx, KHx, KJx, KLx, KMx, KNx, KPx, KQx, KRx, KSx, KTx, KUx, KVx, KWx, KXx, KYx, KZx, L2x, L3x, L4x, L5x, L6x, L7x, L8x, L9x, LAx, LBx, LCx, LDx, LEx, LFx, Q4x, Q8x</li> <li>• 1843-22x, 23x, 2Fx, 2Gx, 2Hx, 2Jx, 2Kx, 2Lx, 2Mx, 2Nx, 2Px, 2Qx, 2Rx, 2Sx, 2Tx, 2Ux, 2Vx, 2Wx, 2Xx, 2Yx, 2Zx, 32x, 33x, 34x, 35x, 36x, 37x, 38x, 39x, 3Ax, 3Bx, 3Cx, 3Dx, 3Ex, 3Fx, 3Gx, 3Hx, 3Jx, 3Kx, 3Lx, 3Mx</li> <li>• 1844-5Fx, 5Jx</li> <li>• 1846-CTO, 2xx, 5xx</li> <li>• 1847-CTO, 2xx</li> <li>• 1848-CTO, 2xx</li> <li>• 1849-CTO, 5xx</li> <li>• 1850-CTO, 2xx</li> <li>• 1870-CTO, 2xx</li> <li>• 1846-84x, 85x, 86x, 87x, 88x, 89x, 8Ax, 8Bx</li> <li>• 1847-82x, 83x, 8Ex, 8Fx, 8Gx, 8Hx, 8Jx, 8Kx</li> <li>• 1848-82x, 83x, 8Lx, 8Mx, 8Nx</li> <li>• 1849-8Cx, 8Dx, 8Px, 8Qx, 8Rx, 8Sx, 8Tx</li> <li>• 1858-CTO, 2xx, 3xx</li> <li>• 1859-CTO, 2xx, 3xx</li> <li>• 1860-CTO, 2xx, 3xx</li> <li>• 1861-CTO, 2xx, 3xx</li> <li>• 1862-CTO, 2xx</li> <li>• 1863-CTO, 2xx</li> </ul> (continued) | 13R2664 | N      |

(continued)

Parts list

| No. | FRU  | P/N     | CRU ID |
|-----|--|---------|--------|
| 1   | LCD cover kit, 14.1-in.<br>• 1858-92x, 93x, 94x, 95x, 96x, 97x, 98x, 99x, 9Ax, 9Bx, 9Dx, 9Ex, 9Fx, 9Gx, CCx<br>• 1859-B6x, B7x, B8x, BBx, BCx, BDx, BEx<br>• 1860-BPx, 9Fx, 9Gx, BQx, BRx, BSx, C6x, C7x, C8x, C9x<br>• 1861-9Gx, C6x, C7x, C8x, C9x   | 13R2664 | N      |
| 2   | Hinges, 14.1-in.<br>• 1834-Kxx, Lxx, Q4x, Q5x, Q8x, Q9x, QBx, QCx<br>• 1843-22x, 23x, 2Fx, 2Gx, 2Hx, 2Jx, 2Kx, 2Lx, 2Mx, 2Nx, 2Px, 2Qx, 2Rx, 2Sx, 2Tx, 2Ux, 2Vx, 2Wx, 2Xx, 2Yx, 2Zx, 32x, 33x, 34x, 35x, 36x, 37x, 38x, 39x, 3Ax, 3Bx, 3Cx, 3Dx, 3Ex, 3Fx, 3Gx, 3Hx, 3Jx, 3Kx, 3Lx, 3Mx<br>• 1844-5Fx, 5Jx<br>• 1846-CTO, 2xx, 5xx<br>• 1847-CTO, 2xx<br>• 1848-CTO, 2xx<br>• 1849-CTO, 5xx<br>• 1850-CTO, 2xx<br>• 1870-CTO, 2xx<br>• 1846-84x, 85x, 86x, 87x, 88x, 89x, 8Ax, 8Bx<br>• 1847-82x, 83x, 8Ex, 8Fx, 8Gx, 8Hx, 8Jx, 8Kx<br>• 1848-82x, 83x, 8Lx, 8Mx, 8Nx<br>• 1849-8Cx, 8Dx, 8Px, 8Qx, 8Rx, 8Sx, 8Tx<br>• 1858-CTO, 2xx, 3xx<br>• 1859-CTO, 2xx, 3xx<br>• 1860-CTO, 2xx, 3xx<br>• 1861-CTO, 2xx, 3xx<br>• 1862-CTO, 2xx<br>• 1863-CTO, 2xx<br>• 1858-92x, 93x, 94x, 95x, 96x, 97x, 98x, 99x, 9Ax, 9Bx, 9Dx, 9Ex, 9Fx, 9Gx, CCx<br>• 1859-B6x, B7x, B8x, BBx, BCx, BDx, BEx<br>• 1860-BPx, 9Fx, 9Gx, BQx, BRx, BSx, C6x, C7x, C8x, C9x<br>• 1861-9Gx, C6x, C7x, C8x, C9x | 13R2982 | N      |

(continued)

| No. | FRU  | P/N     | CRU ID |
|-----|--|---------|--------|
| 3   | LCD cable assembly 14.1-in. XGA, CR <ul style="list-style-type: none"> <li>• 1834-Kxx, Lxx, Q4x, Q5x, Q8x, Q9x, QBx, QCx</li> <li>• 1843-22x, 23x, 2Fx, 2Gx, 2Hx, 2Jx, 2Kx, 2Lx, 2Mx, 2Nx, 2Px, 2Qx, 2Rx, 2Sx, 2Tx, 2Ux, 2Vx, 2Wx, 2Xx, 2Yx, 2Zx, 32x, 33x, 34x, 35x, 36x, 37x, 38x, 39x, 3Ax, 3Bx, 3Cx, 3Dx, 3Ex, 3Fx, 3Gx, 3Hx, 3Jx, 3Kx, 3Lx, 3Mx, 5Lx</li> <li>• 1844-5Fx, 5Jx</li> </ul>  | 91P6852 | N      |
|     | LCD cable assembly 14.1-in. XGA, CR <ul style="list-style-type: none"> <li>• 1846-CTO, 2xx, 5xx</li> <li>• 1847-CTO, 2xx</li> <li>• 1848-CTO, 2xx</li> <li>• 1849-CTO, 5xx</li> <li>• 1850-CTO, 2xx</li> <li>• 1870-CTO, 2xx</li> <li>• 1858-CTO, 2xx, 3xx</li> <li>• 1859-CTO, 2xx, 3xx</li> <li>• 1860-CTO, 2xx, 3xx</li> <li>• 1861-CTO, 2xx, 3xx</li> <li>• 1862-CTO, 2xx</li> <li>• 1863-CTO, 2xx</li> </ul>  | 91P6902 | N      |
|     | LCD cable assembly 14.1-in. XGA <b>R</b> <ul style="list-style-type: none"> <li>• 1846-CTO, 84x, 85x, 86x, 87x, 88x, 89x, 8Ax, 8Bx</li> <li>• 1847-CTO, 82x, 83x, 8Ex, 8Fx, 8Gx, 8Hx, 8Jx, 8Kx</li> <li>• 1848-CTO, 82x, 83x, 8Lx, 8Mx, 8Nx</li> <li>• 1849-CTO, 8Cx, 8Dx, 8Px, 8Qx, 8Rx, 8Sx, 8Tx</li> <li>• 1858-CTO, 92x, 93x, 94x, 95x, 96x, 97x, 98x, 99x, 9Ax, 9Bx, 9Dx, 9Ex, 9Fx, 9Gx, CCx</li> <li>• 1859-CTO, B6x, B7x, B8x, BBx, BCx, BDx, BEx</li> <li>• 1860-CTO, BPx, 9Fx, 9Gx, BQx, BRx, BSx, C6x, C7x, C8x, C9x</li> <li>• 1861-CTO, 9Gx, C6x, C7x, C8x, C9x</li> </ul> | 91P6921 | N      |

(continued)

Parts list

| No. | FRU   | P/N     | CRU ID |
|-----|---|---------|--------|
| 4   | <p><i>Bluetooth antenna</i></p> <ul style="list-style-type: none"> <li>• 1846-CTO, 2Jx, 54x, 55x</li> <li>• 1847-CTO, 24x, 25x, 27x</li> <li>• 1848-CTO, 24x, 25x, 27x</li> <li>• 1849-CTO, 5Xx, 5Yx</li> <li>• 1850-CTO</li> <li>• 1870-CTO</li> <li>• 1846-8Bx, A2x, A3x, A4x, A5x, A6x, A7x, A8x, A9x, AAx, ABx, ACx, 98x, 9Cx, 9Ex, 9Fx, 9Hx</li> <li>• 1847-AEx, AFx, AGx, AHx, 9Rx, AJx</li> <li>• 1848-8Lx, AKx, 9Ux, 9Vx, ALx</li> <li>• 1849-8Dx, ADx, 8Px, 8Qx, AMx, ANx, APx, 9Yx, 9Zx</li> <li>• 1858-CTO, 3Bx, 3Cx, 3Dx,</li> <li>• 1859-CTO</li> <li>• 1860-CTO, 3Bx, 3Ex</li> <li>• 1861-CTO, 3Bx, 3Ex</li> <li>• 1862-CTO</li> <li>• 1863-CTO</li> <li>• 1858-CTO, 95x, 96x</li> <li>•</li> </ul> | 13N5179 | N      |

(continued)

| No. | FRU  | P/N     | CRU ID |
|-----|--|---------|--------|
| 5   | 802.11a/b/g antenna, 14.1-in.<br><ul style="list-style-type: none"> <li>• 1834-KGx, KHx, KJx, KLx, KMx, KNx, KPx, KQx, KRx, KSx, KTx, KUx, KVx, KWx, KXx, KYx, KZx, L2x, L3x, L4x, L5x, L6x, L7x, L8x, L9x, LAx, LBx, LCx, LDx, LEx, LFx, Q4x, Q8x</li> <li>• 1843-22x, 23x, 2Fx, 2Gx, 2Hx, 2Jx, 2Kx, 2Lx, 2Mx, 2Nx, 2Px, 2Qx, 2Rx, 2Sx, 2Tx, 2Ux, 2Vx, 2Wx, 2Xx, 2Yx, 2Zx, 32x, 33x, 34x, 35x, 36x, 37x, 38x, 39x, 3Ax, 3Bx, 3Cx, 3Dx, 3Ex, 3Fx, 3Gx, 3Hx, 3Jx, 3Kx, 3Lx, 3Mx, 5Lx</li> <li>• 1846-CTO, 2xx, 5xx</li> <li>• 1847-CTO, 2xx</li> <li>• 1848-CTO, 2xx</li> <li>• 1849-CTO, 5xx</li> <li>• 1850-CTO, 2xx</li> <li>• 1870-CTO, 2xx</li> <li>• 1846-84x, 85x, 86x, 87x, 88x, 89x, 8Ax, 8Bx</li> <li>• 1847-82x, 83x, 8Ex, 8Fx, 8Gx, 8Hx, 8Jx, 8Kx</li> <li>• 1848-82x, 83x, 8Lx, 8Mx, 8Nx</li> <li>• 1849-8Cx, 8Dx, 8Px, 8Qx, 8Rx, 8Sx, 8Tx</li> <li>• 1858-CTO, 2xx, 3xx</li> <li>• 1859-CTO, 2xx, 3xx</li> <li>• 1860-CTO, 2xx, 3xx</li> <li>• 1861-CTO, 2xx, 3xx</li> <li>• 1862-CTO, 2xx</li> <li>• 1863-CTO, 2xx</li> <li>• 1858-92x, 93x, 94x, 95x, 96x, 97x, 98x, 99x, 9Ax, 9Bx, 9Dx, 9Ex, 9Fx, 9Gx, CCx</li> <li>• 1859-B6x, B7x, B8x, BBx, BCx, BDx, BEx</li> <li>• 1860-BPx, 9Fx, 9Gx, BQx, BRx, BSx, C6x, C7x, C8x, C9x</li> <li>• 1861-9Gx, C6x, C7x, C8x, C9x</li> </ul> | 13N5177 | N      |

(continued)

Parts list

| No. | FRU   | P/N     | CRU ID |
|-----|---|---------|--------|
| 6   | Inverter card, XGA<br>• 1834-Kxx, Lxx, Q4x, Q5x, Q8x, Q9x, QBx, QCx   | 27K9949 | N      |
|     | Inverter card, XGA<br>• 1846-CTO, 2xx, 5xx<br>• 1847-CTO, 2xx<br>• 1848-CTO, 2xx<br>• 1849-CTO, 5xx<br>• 1850-CTO, 2xx<br>• 1870-CTO, 2xx   | 39T0019 | N      |
|     | Inverter card, XGA/SXGA+<br>• 1846-CTO, 8xx<br>• 1847-CTO, 8xx<br>• 1848-CTO, 8xx<br>• 1849-CTO, 8xx<br>• 1858-CTO, 2xx, 3xx<br>• 1859-CTO, 2xx, 3xx<br>• 1860-CTO, 2xx, 3xx<br>• 1861-CTO, 2xx, 3xx<br>• 1862-CTO, 2xx<br>• 1863-CTO, 2xx<br>• 1858-92x, 93x, 94x, 95x, 96x, 97x, 98x, 99x, 9Ax, 9Bx, 9Dx, 9Ex, 9Fx, 9Gx, CCx<br>• 1859-B6x, B7x, B8x, BBx, BCx, BDx, BEx<br>• 1860-BPx, 9Fx, 9Gx, BQx, BRx, BSx, C6x, C7x, C8x, C9x<br>• 1861-9Gx, C6x, C7x, C8x, C9x<br>• 1843-22x, 23x, 2Fx, 2Gx, 2Hx, 2Jx, 2Kx, 2Lx, 2Mx, 2Nx, 2Px, 2Qx, 2Rx, 2Sx, 2Tx, 2Ux, 2Vx, 2Wx, 2Xx, 2Yx, 2Zx, 32x, 33x, 34x, 35x, 36x, 37x, 38x, 39x, 3Ax, 3Bx, 3Cx, 3Dx, 3Ex, 3Fx, 3Gx, 3Hx, 3Jx, 3Kx, 3Lx, 3Mx, 5Lx<br>• 1844-5Fx, 5Jx | 39T0368 | N      |

(continued)



| No. | FRU  | P/N     | CRU ID |
|-----|--|---------|--------|
| 7   | LCD panel, 14.1-in. XGA, Samsung (440) <ul style="list-style-type: none"> <li>• 1834-Kxx, Lxx, Q4x, Q5x, Q8x, Q9x, QBx, QCx</li> </ul>   | 92P6717 | N      |
|     | LCD panel, 14.1-in. XGA, Samsung <ul style="list-style-type: none"> <li>• 1858-CTO, 2xx, 3xx</li> <li>• 1859-CTO, 2xx, 3xx</li> <li>• 1860-CTO, 2xx, 3xx</li> <li>• 1861-CTO, 2xx, 3xx</li> <li>• 1862-CTO, 2xx</li> <li>• 1863-CTO, 2xx</li> <li>• 1858-92x, 93x, 94x, 95x, 96x, 97x, 98x, 99x, 9Ax, 9Bx, 9Dx, 9Ex, 9Fx, 9Gx, CCx</li> <li>• 1859-B6x, B7x, B8x, BBx, BCx, BDx, BEx</li> <li>• 1860-BPx, 9Fx, 9Gx, BQx, BRx, BSx, C6x, C7x, C8x, C9x</li> <li>• 1861-9Gx, C6x, C7x, C8x, C9x</li> <li>• 1843-22x, 23x, 2Fx, 2Gx, 2Hx, 2Jx, 2Kx, 2Lx, 2Mx, 2Nx, 2Px, 2Qx, 2Rx, 2Sx, 2Tx, 2Ux, 2Vx, 2Wx, 2Xx, 2Yx, 2Zx, 32x, 33x, 34x, 35x, 36x, 37x, 38x, 39x, 3Ax, 3Bx, 3Cx, 3Dx, 3Ex, 3Fx, 3Gx, 3Hx, 3Jx, 3Kx, 3Lx, 3Mx, 5Lx</li> <li>• 1844-5Fx, 5Jx</li> </ul> | 92P6759 | N      |
|     | LCD panel, 14.1-in. XGA, Samsung <ul style="list-style-type: none"> <li>• 1834-Kxx, Lxx, Q4x, Q5x, Q8x, Q9x, QBx, QCx</li> <li>• 1846-CTO, 2xx, 5xx</li> <li>• 1847-CTO, 2xx</li> <li>• 1848-CTO, 2xx</li> <li>• 1849-CTO, 5xx</li> <li>• 1850-CTO, 2xx</li> <li>• 1870-CTO, 2xx</li> <li>• 1846-84x, 85x, 86x, 87x, 88x, 89x, 8Ax, 8Bx</li> <li>• 1847-82x, 83x, 8Ex, 8Fx, 8Gx, 8Hx, 8Jx, 8Kx</li> <li>• 1848-82x, 83x, 8Lx, 8Mx, 8Nx</li> <li>• 1849-8Cx, 8Dx, 8Px, 8Qx, 8Rx, 8Sx, 8Tx</li> </ul>  | 11P8352 | N      |

(continued)

| No. | FRU   | P/N     | CRU ID |
|-----|---|---------|--------|
| 7   | LCD panel, 14.1-in. XGA, Hydis <ul style="list-style-type: none"> <li>• 1834-Kxx, Lxx, Q4x, Q5x, Q8x, Q9x, QBx, QCx</li> <li>• 1843-22x, 23x, 2Fx, 2Gx, 2Hx, 2Jx, 2Kx, 2Lx, 2Mx, 2Nx, 2Px, 2Qx, 2Rx, 2Sx, 2Tx, 2Ux, 2Vx, 2Wx, 2Xx, 2Yx, 2Zx, 32x, 33x, 34x, 35x, 36x, 37x, 38x, 39x, 3Ax, 3Bx, 3Cx, 3Dx, 3Ex, 3Fx, 3Gx, 3Hx, 3Jx, 3Kx, 3Lx, 3Mx, 5Lx</li> <li>• 1844-5Fx, 5Jx</li> </ul>  | 92P6745 | N      |
|     | LCD panel, 14.1-in. XGA, Hydis <ul style="list-style-type: none"> <li>• 1846-CTO, 2xx, 5xx</li> <li>• 1847-CTO, 2xx</li> <li>• 1848-CTO, 2xx</li> <li>• 1849-CTO, 5xx</li> <li>• 1850-CTO, 2xx</li> <li>• 1870-CTO, 2xx</li> <li>• 1846-84x, 85x, 86x, 87x, 88x, 89x, 8Ax, 8Bx</li> <li>• 1847-82x, 83x, 8Ex, 8Fx, 8Gx, 8Hx, 8Jx, 8Kx</li> <li>• 1848-82x, 83x, 8Lx, 8Mx, 8Nx</li> <li>• 1849-8Cx, 8Dx, 8Px, 8Qx, 8Rx, 8Sx, 8Tx</li> <li>• 1858-CTO, 2xx, 3xx</li> <li>• 1859-CTO, 2xx, 3xx</li> <li>• 1860-CTO, 2xx, 3xx</li> <li>• 1861-CTO, 2xx, 3xx</li> <li>• 1862-CTO, 2xx</li> <li>• 1863-CTO, 2xx</li> <li>• 1858-92x, 93x, 94x, 95x, 96x, 97x, 98x, 99x, 9Ax, 9Bx, 9Dx, 9Ex, 9Fx, 9Gx, CCx</li> <li>• 1859-B6x, B7x, B8x, BBx, BCx, BDx, BEx</li> <li>• 1860-BPx, 9Fx, 9Gx, BQx, BRx, BSx, C6x, C7x, C8x, C9x</li> <li>• 1861-9Gx, C6x, C7x, C8x, C9x</li> </ul> | 92P2664 | N      |
| 8   | Clear plate for R50e, R51e  | 13N5599 | N      |
|     | Clear plate for R51e  | 41V9069 | N      |
|     | Clear plate for R52   | 26R8254 | N      |

## 15.0-in. XGA TFT

| No.         | FRU   | P/N     | CRU ID |
|-------------|---|---------|--------|
| <i>k- n</i> | See "Miscellaneous parts" on page 253.  |         |        |
| 1           | LCD cover kit, 15.0-in. (no wireless) for R50e <ul style="list-style-type: none"> <li>• 1834-M2x, M3x, M4x, M5x, M6x, M7x, M8x, M9x, MAx, MBx, MCx, MDx, MEx, MFx, MGx, MHx, MRx, MSx, RKx, RVx, S2x, S3x, S4x</li> <li>• 1843-24x, 25x, 26x, 27x, 28x, 29x, 2Ax, 2Bx, 2Cx, 2Dx, 2Ex, 3Nx, 3Px, 3Qx, 3Rx, 3Sx, 3Tx, 3Ux, 3Vx, 3Wx, 3Xx, 3Yx, 3Zx, 4xx, 5xx</li> <li>• 1844-5Gx, 5Hx</li> </ul>  | 13N5596 | N      |
|             | LCD cover kit, 15.0-in.for WW wireless for R50e <ul style="list-style-type: none"> <li>• 1834-MJx, MKx, MLx, MMx, MNx, MPx, MQx, MTx, MVx, MWx, MXx, MYx, MZx, Q2x, Q3x, Q6x, Q7x, QAx, R2x, R3x, R4x, R5x, R6x, R7x, R8x, R9x, RAx, RBx, RCx, RDx, REx, RFx, RGx, RHx, RJx, RMx, RNx, RPx, RQx, RRx, RSx, RTx, RUx, RVx, RWx, RXx, S5x, S6x, S7x, S8x, S9x</li> <li>• 1842-MUx, QDx, QEx, QFx</li> <li>• 1843-24x, 25x, 26x, 27x, 28x, 29x, 2Ax, 2Bx, 2Cx, 2Dx, 2Ex, 3Nx, 3Px, 3Qx, 3Rx, 3Sx, 3Tx, 3Ux, 3Vx, 3Wx, 3Xx, 3Yx, 3Zx, 4xx, 5xx</li> <li>• 1845-5Kx</li> </ul> | 13N5173 | N      |
|             | LCD cover kit, 15.0-in. for R51e, R52 <ul style="list-style-type: none"> <li>• 1846-CTO, 3Vx, 6xx</li> <li>• 1847-CTO, 3xx</li> <li>• 1848-CTO, 3xx</li> <li>• 1849-CTO, 6xx</li> <li>• 1846-9xx</li> <li>• 1847-9xx</li> <li>• 1848-9xx</li> <li>• 1849-9xx</li> <li>• 1858-CTO, 4Vx, 4Wx, 5xx, 6xx except 6Kx</li> <li>• 1859-CTO, 4Xx, 4Yx, 4Zx, 5xx, 6xx</li> <li>• 1860-CTO, 5xx, 6xx</li> <li>• 1861-CTO, 5xx, 6xx</li> <li>• 1862-CTO</li> <li>• 1863-CTO</li> </ul> (continued)   | 13R2667 | N      |

(continued)

Parts list

| No. | FRU  | P/N     | CRU ID |
|-----|--|---------|--------|
| 1   | LCD cover kit, 15.0-in. for R51e, R52 <ul style="list-style-type: none"> <li>• 1858-9Hx, 9Jx, 9Kx, 9Lx, 9Mx, 9Nx, 9Px, 9Qx, 9Rx, 9Sx, 9Tx, 9Ux, 9Vx, 9Wx, 9Xx, 9Yx, 9Zx, A2x, A3x, A4x, A5x, A6x, A7x, A8x, A9x, AAx, ABx, ACx, ADx, AEx, AFx, AGx, AHx, B2x, B3x</li> <li>• 1859-B9x, BFx, BGx, BHx, BJx</li> <li>• 1860-CTO, BTx, BUx, BVx, BWx, Bxx, BYx, BZx, C2x, C3x, CAx, CBx</li> <li>• 1861-BUx, BZx, CAx, CBx</li> </ul>   | 13R2667 | N      |
| 2   | Hinges, 15.0-in. <ul style="list-style-type: none"> <li>• 1834-Mxx, Q2x, Q3x, Q6x, Q7x, QAx, Rxx</li> <li>• 1842-Mxx, QDx, QEx, QFx</li> <li>• 1843-24x, 25x, 26x, 27x, 28x, 29x, 2Ax, 2Bx, 2Cx, 2Dx, 2Ex, 3Nx, 3Px, 3Qx, 3Rx, 3Sx, 3Tx, 3Ux, 3Vx, 3Wx, 3Xx, 3Yx, 3Zx, 4xx, 5xx</li> <li>• 1844-5Gx, 5Hx</li> <li>• 1845-5Kx</li> <li>• 1846-CTO, 3Vx, 6xx</li> <li>• 1847-CTO, 3xx</li> <li>• 1848-CTO, 3xx</li> <li>• 1849-CTO, 6xx</li> <li>• 1846-9xx</li> <li>• 1847-9xx</li> <li>• 1848-9xx</li> <li>• 1849-9xx</li> <li>• 1858-CTO, 4Vx, 4Wx, 5xx, 6xx except 6Kx</li> <li>• 1859-CTO, 4Xx, 4Yx, 4Zx, 5xx, 6xx</li> <li>• 1860-CTO, 5xx, 6xx</li> <li>• 1861-CTO, 5xx, 6xx</li> <li>• 1862-CTO</li> <li>• 1863-CTO</li> <li>• 1858-9Hx, 9Jx, 9Kx, 9Lx, 9Mx, 9Nx, 9Px, 9Qx, 9Rx, 9Sx, 9Tx, 9Ux, 9Vx, 9Wx, 9Xx, 9Yx, 9Zx, A2x, A3x, A4x, A5x, A6x, A7x, A8x, A9x, AAx, ABx, ACx, ADx, AEx, AFx, AGx, AHx, B2x, B3x</li> <li>• 1859-B9x, BFx, BGx, BHx, BJx</li> <li>• 1860-CTO, BTx, BUx, BVx, BWx, Bxx, BYx, BZx, C2x, C3x, CAx, CBx</li> <li>• 1861-BUx, BZx, CAx, CBx</li> </ul> | 13N5176 | N      |

(continued)

| No. | FRU  | P/N     | CRU ID |
|-----|--|---------|--------|
| 3   | LCD cable assembly, 15.0-in. XGA <ul style="list-style-type: none"> <li>• 1834-Mxx, Q2x, Q3x, Q6x, Q7x, QAx, Rxx</li> <li>• 1842-Mxx, QDx, QEx, QFx</li> <li>• 1843-24x, 25x, 26x, 27x, 28x, 29x, 2Ax, 2Bx, 2Cx, 2Dx, 2Ex, 3Nx, 3Px, 3Qx, 3Rx, 3Sx, 3Tx, 3Ux, 3Vx, 3Wx, 3Xx, 3Yx, 3Zx, 4xx, 5xx</li> <li>• 1844-5Gx, 5Hx</li> <li>• 1845-5Kx</li> </ul>  | 91P6826 | N      |
|     | LCD cable assembly, 15.0-in. XGA <ul style="list-style-type: none"> <li>• 1846-CTO, 3Vx, 6xx</li> <li>• 1847-CTO, 3xx</li> <li>• 1848-CTO, 3xx</li> <li>• 1849-CTO, 6xx</li> <li>• 1858-CTO, 4Vx, 4Wx, 5xx, 6xx except 6Kx</li> <li>• 1859-CTO, 4Xx, 4Yx, 4Zx, 5xx, 6xx</li> <li>• 1860-CTO, 5xx, 6xx</li> <li>• 1861-CTO, 5xx, 6xx</li> <li>• 1862-CTO</li> <li>• 1863-CTO</li> </ul>   | 91P6904 | N      |
|     | LCD cable assembly, 15.0-in. XGA <b>R</b> <ul style="list-style-type: none"> <li>• 1846-CTO, 9xx</li> <li>• 1847-CTO, 9xx</li> <li>• 1848-CTO, 9xx</li> <li>• 1849-CTO, 9xx</li> <li>• 1858-9Hx, 9Jx, 9Kx, 9Lx, 9Mx, 9Nx, 9Px, 9Qx, 9Rx, 9Sx, 9Tx, 9Ux, 9Vx, 9Wx, 9Xx, 9Yx, 9Zx, A2x, A3x, A4x, A5x, A6x, A7x, A8x, A9x, AAx, ABx, ACx, ADx, AEx, AFx, AGx, AHx, B2x, B3x</li> <li>• 1859-B9x, BFx, BGx, BHx, BJx</li> <li>• 1860-CTO, BTx, BUx, BVx, BWx, BXx, BYx, BZx, C2x, C3x, CAx, CBx</li> <li>• 1861-BUx, BZx, CAx, CBx</li> </ul> | 91P6922 | N      |

(continued)

Parts list

| No. | FRU  | P/N     | CRU ID |
|-----|--|---------|--------|
| 4   | <p><i>Bluetooth antenna</i></p> <ul style="list-style-type: none"> <li>• 1846-CTO, 63x, 64x, 65x, 66x, 67x, 68x, 69x, 6Tx, 6Ux</li> <li>• 1847-CTO, 34x, 35x, 36x, 37x, 3Ux</li> <li>• 1848-CTO, 34x, 35x, 36x, 37x</li> <li>• 1849-CTO, 6Yx, 6Zx</li> <li>• 1846-8Bx, A2x, A3x, A4x, A5x, A6x, A7x, A8x, A9x, AAx, ABx, ACx, 98x, 9Cx, 9Ex, 9Fx, 9Hx</li> <li>• 1847-AEx, AFx, AGx, AHx, 9Rx, AJx</li> <li>• 1848-8Lx, AKx, 9Ux, 9Vx, ALx</li> <li>• 1849-8Dx, ADx, 8Px, 8Qx, AMx, ANx, APx, 9Yx, 9Zx</li> <li>• 1858-CTO, 67x, 68x, 69x, 6Ax, 6Bx, 6Cx, 6Dx, 6Ex, 6Fx, 6Hx, 6Jx, 6Ux</li> <li>• 1859-CTO</li> <li>• 1860-CTO, 6xx</li> <li>• 1861-CTO, 6xx</li> <li>• 1862-CTO</li> <li>• 1863-CTO</li> <li>• 1858-9Kx, 9Mx, A4x, A5x, A6x, A7x, A8x, A9x, AAx,</li> <li>• 1860-CTO, BVx, BWx</li> </ul> | 13N5179 | N      |

(continued)

| No. | FRU  | P/N     | CRU ID |
|-----|--|---------|--------|
| 5   | 802.11a/b/g antenna, 15.0-in.<br><ul style="list-style-type: none"> <li>• 1834-MJx, MKx, MLx, MMx, MNx, MPx, MQx, MTx, MVx, MWx, MXx, MYx, MZx, Q2x, Q3x, Q6x, Q7x, QAx, R2x, R3x, R4x, R5x, R6x, R7x, R8x, R9x, RAx, RBx, RCx, RDx, REx, RFx, RGx, RHx, RJx, RMx, RNx, RPx, RQx, RRx, RSx, RTx, RUx, RVx, RWx, Rxx, S5x, S6x, S7x, S8x, S9x</li> <li>• 1842-MUx, QDx, QEx, QFx</li> <li>• 1843-24x, 25x, 26x, 27x, 28x, 29x, 2Ax, 2Bx, 2Cx, 2Dx, 2Ex, 3Nx, 3Px, 3Qx, 3Rx, 3Sx, 3Tx, 3Ux, 3Vx, 3Wx, 3Xx, 3Yx, 3Zx, 4xx, 5xx</li> <li>• 1845-5Kx</li> <li>• 1846-CTO, 3Vx, 6xx</li> <li>• 1847-CTO, 3xx</li> <li>• 1848-CTO, 3xx</li> <li>• 1849-CTO, 6xx</li> <li>• 1846-9xx</li> <li>• 1847-9xx</li> <li>• 1848-9xx</li> <li>• 1849-9xx</li> <li>• 1858-CTO, 4Vx, 4Wx, 5xx, 6xx except 6Kx</li> <li>• 1859-CTO, 4Xx, 4Yx, 4Zx, 5xx, 6xx</li> <li>• 1860-CTO, 5xx, 6xx</li> <li>• 1861-CTO, 5xx, 6xx</li> <li>• 1862-CTO</li> <li>• 1863-CTO</li> <li>• 1858-9Hx, 9Jx, 9Kx, 9Lx, 9Mx, 9Nx, 9Px, 9Qx, 9Rx, 9Sx, 9Tx, 9Ux, 9Vx, 9Wx, 9Xx, 9Yx, 9Zx, A2x, A3x, A4x, A5x, A6x, A7x, A8x, A9x, AAx, ABx, ACx, ADx, AEx, AFx, AGx, AHx, B2x, B3x</li> <li>• 1859-B9x, BFx, BGx, BHx, BJx</li> <li>• 1860-BTx, BUx, BVx, BWx, Bxx, BYx, BZx, C2x, C3x, CAx, CBx</li> <li>• 1861-BUx, BZx, CAx, CBx</li> </ul> | 13N5178 | N      |

(continued)

Parts list

| No. | FRU  | P/N     | CRU ID |
|-----|--|---------|--------|
| 6   | Inverter card, XGA<br>• 1834-Mxx, Q2x, Q3x, Q6x, Q7x, QAx, Rxx<br>• 1842-Mxx, QDx, QEx, QFx  | 27K9949 | N      |
|     | Inverter card, XGA/SXGA+<br>• 1846-CTO, 3Vx, 6xx<br>• 1847-CTO, 3xx<br>• 1848-CTO, 3xx<br>• 1849-CTO, 6xx<br>• 1858-CTO, 4Vx, 4Wx, 5xx, 6xx except 6Kx<br>• 1859-CTO, 4Xx, 4Yx, 4Zx, 5xx, 6xx<br>• 1860-CTO, 5xx, 6xx<br>• 1861-CTO, 5xx, 6xx<br>• 1862-CTO<br>• 1863-CTO  | 39T0019 | N      |
|     | Inverter card, XGA/SXGA+<br>• 1846-CTO, 9xx<br>• 1847-CTO, 9xx<br>• 1848-CTO, 9xx<br>• 1849-CTO, 9xx<br>• 1858-CTO, 9Hx, 9Jx, 9Kx, 9Lx, 9Mx, 9Nx, 9Px, 9Qx, 9Rx, 9Sx, 9Tx, 9Ux, 9Vx, 9Wx, 9Xx, 9Yx, 9Zx, A2x, A3x, A4x, A5x, A6x, A7x, A8x, A9x, AAx, ABx, ACx, ADx, AEx, AFx, AGx, AHx, B2x, B3x<br>• 1859-CTO, B9x, BFx, BGx, BHx, BJx<br>• 1860-CTO, BTx, BUx, BVx, BWx, Bxx, BYx, BZx, C2x, C3x, CAx, CBx<br>• 1861-CTO, BUx, BZx, CAx, CBx<br>• 1843-24x, 25x, 26x, 27x, 28x, 29x, 2Ax, 2Bx, 2Cx, 2Dx, 2Ex, 3Nx, 3Px, 3Qx, 3Rx, 3Sx, 3Tx, 3Ux, 3Vx, 3Wx, 3Xx, 3Yx, 3Zx, 4xx, 5xx<br>• 1844-5Gx, 5Hx<br>• 1845-5Kx | 39T0368 | N      |

(continued)



| No. | FRU  | P/N     | CRU ID |
|-----|--|---------|--------|
| 7   | LCD panel, 15.0-in. XGA <ul style="list-style-type: none"> <li>• 1834-Mxx, Q2x, Q3x, Q6x, Q7x, QAx, Rxx</li> <li>• 1842-Mxx, QDx, QEx, QFx</li> <li>• 1843-24x, 25x, 26x, 27x, 28x, 29x, 2Ax, 2Bx, 2Cx, 2Dx, 2Ex, 3Nx, 3Px, 3Qx, 3Rx, 3Sx, 3Tx, 3Ux, 3Vx, 3Wx, 3Xx, 3Yx, 3Zx, 4xx, 5xx</li> <li>• 1844-5Gx, 5Hx</li> <li>• 1845-5Kx</li> <li>• 1846-CTO, 3Vx, 6xx</li> <li>• 1847-CTO, 3xx</li> <li>• 1848-CTO, 3xx</li> <li>• 1849-CTO, 6xx</li> <li>• 1846-94x, 95x, 96x, 97x, 98x, 99x, 9Ax, 9Bx, 9Cx, 9Dx, 9Ex, 9Fx, 9Gx</li> <li>• 1847-92x, 93x, 9Lx, 9Mx, 9Nx, 9Px, 9Qx, 9Rx, 9Sx, 9Tx</li> <li>• 1848-92x, 93x, 9Ux, 9Vx</li> <li>• 1849-9Wx, 9Xx, 9Yx, 9Zx, 91x</li> <li>• 1858-CTO, 4Vx, 4Wx, 5xx, 6xx except 6Kx</li> <li>• 1859-CTO, 4Xx, 4Yx, 4Zx, 5xx, 6xx</li> <li>• 1860-CTO, 5xx, 6xx</li> <li>• 1861-CTO, 5xx, 6xx</li> <li>• 1862-CTO</li> <li>• 1863-CTO</li> <li>• 1858-9Hx, 9Jx, 9Kx, 9Lx, 9Mx, 9Nx, 9Px, 9Qx, 9Rx, 9Sx, 9Tx, 9Ux, 9Vx, 9Wx, 9Xx, 9Yx, 9Zx, A2x, A3x, A4x, A5x, A6x, A7x, A8x, A9x, AAx, ABx, ACx, ADx, AEx, AFx, AGx, AHx, B2x, B3x</li> <li>• 1859-B9x, BFx, BGx, BHx, BJx</li> <li>• 1860-BTx, BUx, BVx, BWx, Bxx, BYx, BZx, C2x, C3x, CAx, CBx</li> <li>• 1861-BUx, BZx, CAx, CBx</li> </ul> |         |        |
|     | Samsung  | 92P6678 | N      |
|     | LG   | 92P6679 | N      |
|     | LG   | 13N7039 | N      |
| 8   | Clear plate for R50e, R51e   | 13N5599 | N      |
|     | Clear plate for R51e   | 41V9069 | N      |
|     | Clear plate for R52  | 26R8254 | N      |

**15.0-in. SXGA+ TFT**

| No.         | FRU   | P/N     | CRU ID |
|-------------|---|---------|--------|
| <i>k- n</i> | See "Miscellaneous parts" on page 253.  |         |        |
| 1           | LCD cover kit, 15.0-in. (WW) <ul style="list-style-type: none"> <li>• 1846-CTO, 3Wx, 4xx</li> <li>• 1847-CTO, 4xx</li> <li>• 1848-CTO, 4xx,</li> <li>• 1849-CTO, 4xx</li> <li>• 1846-Axx</li> <li>• 1847-Axx</li> <li>• 1848-Axx</li> <li>• 1849-Axx</li> <li>• 1858-CTO, 42x, 44x, 45x, 46x, 47x, 48x, 49x, 4Cx, 4Dx, 4Ex, 4Fx, 4Gx, 4Kx, 4Lx, 4Mx, 4Nx, 6Kx</li> <li>• 1859-CTO, 43x, 4Ax, 4Bx, 4Hx, 4Px, 4Rx, 4Sx</li> <li>• 1860-CTO, 4Jx, 4Mx, 4Qx</li> <li>• 1861-CTO, 4Mx</li> <li>• 1862-CTO</li> <li>• 1863-CTO</li> <li>• 1858-AJx, AKx, ALx, AMx, ANx, APx, AQx, ARx, ASx, ATx, AUx, AVx, AWx, AXx, AYx, B4x, B5x</li> <li>• 1859-BAx, BKx, BLx, BMx</li> <li>• 1860-C4x, C5x</li> </ul> | 13R2667 | N      |
| 2           | Hinges, 15.0-in. <ul style="list-style-type: none"> <li>• 1846-CTO, 3Wx, 4xx</li> <li>• 1847-CTO, 4xx</li> <li>• 1848-CTO, 4xx,</li> <li>• 1849-CTO, 4xx</li> <li>• 1846-Axx</li> <li>• 1847-Axx</li> <li>• 1848-Axx</li> <li>• 1849-Axx</li> <li>• 1858-CTO, 42x, 44x, 45x, 46x, 47x, 48x, 49x, 4Cx, 4Dx, 4Ex, 4Fx, 4Gx, 4Kx, 4Lx, 4Mx, 4Nx, 6Kx</li> <li>• 1859-CTO, 43x, 4Ax, 4Bx, 4Hx, 4Px, 4Rx, 4Sx</li> <li>• 1860-CTO, 4Jx, 4Mx, 4Qx</li> <li>• 1861-CTO, 4Mx</li> <li>• 1862-CTO</li> <li>• 1863-CTO</li> <li>• 1858-AJx, AKx, ALx, AMx, ANx, APx, AQx, ARx, ASx, ATx, AUx, AVx, AWx, AXx, AYx, B4x, B5x</li> <li>• 1859-BAx, BKx, BLx, BMx</li> <li>• 1860-C4x, C5x</li> </ul>             | 13N5176 | N      |

(continued)

| No. | FRU  | P/N     | CRU ID |
|-----|--|---------|--------|
| 3   | LCD cable assembly, 15.0-in. SXGA+ <ul style="list-style-type: none"> <li>• 1846-CTO, 3Wx, 4xx</li> <li>• 1847-CTO, 4xx</li> <li>• 1848-CTO, 4xx,</li> <li>• 1849-CTO, 4xx</li> </ul>  | 91P6876 | N      |
|     | LCD cable assembly, 15.0-in. SXGA+ <ul style="list-style-type: none"> <li>• 1858-CTO, 42x, 44x, 45x, 46x, 47x, 48x, 49x, 4Cx, 4Dx, 4Ex, 4Fx, 4Gx, 4Kx, 4Lx, 4Mx, 4Nx, 6Kx</li> <li>• 1859-CTO, 43x, 4Ax, 4Bx, 4Hx, 4Px, 4Rx, 4Sx</li> <li>• 1860-CTO, 4Jx, 4Mx, 4Qx</li> <li>• 1861-CTO, 4Mx</li> <li>• 1862-CTO</li> <li>• 1863-CTO</li> </ul>  | 91P6906 | N      |
|     | LCD cable assembly, 15.0-in. SXGA+/IPS <b>R</b> <ul style="list-style-type: none"> <li>• 1846-CTO, Axx</li> <li>• 1847-CTO, Axx</li> <li>• 1848-CTO, Axx</li> <li>• 1849-CTO, Axx</li> <li>• 1858-AJx, AKx, ALx, AMx, ANx, APx, AQx, ARx, ASx, ATx, AUx, AVx, AWx, AXx, AYx, B4x, B5x</li> <li>• 1859-BAx, BKx, BLx, BMx</li> <li>• 1860-C4x, C5x</li> </ul>   | 91P6923 | N      |
| 4   | <i>Bluetooth</i> antenna <ul style="list-style-type: none"> <li>• 1846-CTO, 3Wx, 4xx</li> <li>• 1847-CTO, 4xx</li> <li>• 1848-CTO, 4xx,</li> <li>• 1849-CTO, 4xx</li> <li>• 1846-Axx</li> <li>• 1847-Axx</li> <li>• 1848-Axx</li> <li>• 1849-Axx</li> <li>• 1858-CTO, 42x, 44x, 45x, 46x, 47x, 48x, 49x, 4Cx, 4Dx, 4Ex, 4Fx, 4Gx, 4Kx, 4Lx, 4Mx, 4Nx, 6Kx</li> <li>• 1859-CTO, 43x, 4Ax, 4Bx, 4Hx, 4Px, 4Rx, 4Sx</li> <li>• 1860-CTO, 4Jx, 4Mx, 4Qx</li> <li>• 1861-CTO, 4Mx</li> <li>• 1862-CTO</li> <li>• 1863-CTO</li> <li>• 1858-AJx, AKx, B4x, B5x</li> <li>• 1859-BAx, BKx, BLx, BMx</li> <li>• 1860-C4x, C5x</li> </ul> | 13N5179 | N      |

(continued)

## Parts list

| No. | FRU  | P/N     | CRU ID |
|-----|--|---------|--------|
| 5   | 802.11a/b/g antenna, 15.0-in.<br>• 1846-CTO, 3Wx, 4xx<br>• 1847-CTO, 4xx<br>• 1848-CTO, 4xx,<br>• 1849-CTO, 4xx<br>• 1846-Axx<br>• 1847-Axx<br>• 1848-Axx<br>• 1849-Axx<br>• 1858-CTO, 42x, 44x, 45x, 46x, 47x,<br>48x, 49x, 4Cx, 4Dx, 4Ex, 4Fx, 4Gx,<br>4Kx, 4Lx, 4Mx, 4Nx, 6Kx<br>• 1859-CTO, 43x, 4Ax, 4Bx, 4Hx, 4Px,<br>4Rx, 4Sx<br>• 1860-CTO, 4Jx, 4Mx, 4Qx<br>• 1861-CTO, 4Mx<br>• 1862-CTO<br>• 1863-CTO<br>• 1858-AJx, AKx, ALx, AMx, ANx, APx,<br>AQx, ARx, ASx, ATx, AUx, AVx, AWx,<br>AXx, AYx, B4x, B5x<br>• 1859-BAx, BKx, BLx, BMx<br>• 1860-C4x, C5x | 13N5178 | N      |
| 6   | Inverter card, XGA/SXGA+<br>• 1846-CTO, 3Wx, 4xx<br>• 1847-CTO, 4xx<br>• 1848-CTO, 4xx,<br>• 1849-CTO, 4xx   | 27K9952 | N      |
|     | Inverter card, XGA/SXGA+<br>• 1858-CTO, 42x, 44x, 45x, 46x, 47x,<br>48x, 49x, 4Cx, 4Dx, 4Ex, 4Fx, 4Gx,<br>4Kx, 4Lx, 4Mx, 4Nx, 6Kx<br>• 1859-CTO, 43x, 4Ax, 4Bx, 4Hx, 4Px,<br>4Rx, 4Sx<br>• 1860-CTO, 4Jx, 4Mx, 4Qx<br>• 1861-CTO, 4Mx<br>• 1862-CTO<br>• 1863-CTO  | 39T0019 | N      |
|     | Inverter card, XGA/SXGA+<br>• 1846-CTO, Axx<br>• 1847-CTO, Axx<br>• 1848-CTO, Axx<br>• 1849-CTO, Axx<br>• 1858-AJx, AKx, ALx, AMx, ANx, APx,<br>AQx, ARx, ASx, ATx, AUx, AVx, AWx,<br>AXx, AYx, B4x, B5x<br>• 1859-BAx, BKx, BLx, BMx<br>• 1860-C4x, C5x   | 39T0368 | N      |

(continued)

| No. | FRU  | P/N     | CRU ID |
|-----|--|---------|--------|
| 7   | LCD panel, 15.0 SXGA+ (LG, ID TECH) <ul style="list-style-type: none"> <li>• 1846-CTO, 3Wx, 4xx</li> <li>• 1847-CTO, 4xx</li> <li>• 1848-CTO, 4xx,</li> <li>• 1849-CTO, 4xx</li> <li>• 1846-Axx</li> <li>• 1847-Axx</li> <li>• 1848-Axx</li> <li>• 1849-Axx</li> <li>• 1858-CTO, 42x, 44x, 45x, 46x, 47x, 48x, 49x, 4Cx, 4Dx, 4Ex, 4Fx, 4Gx, 4Kx, 4Lx, 4Mx, 4Nx, 6Kx</li> <li>• 1859-CTO, 43x, 4Ax, 4Bx, 4Hx, 4Px, 4Rx, 4Sx</li> <li>• 1860-CTO, 4Jx, 4Mx, 4Qx</li> <li>• 1861-CTO, 4Mx</li> <li>• 1862-CTO</li> <li>• 1863-CTO</li> <li>• 1858-AJx, AKx, ALx, AMx, ANx, APx, AQx, ARx, ASx, ATx, AUx, AVx, AWx, AXx, AYx, B4x, B5x</li> <li>• 1859-BAx, BKx, BLx, BMx</li> <li>• 1860-C4x, C5x</li> </ul> | 92P6711 | N      |
| 8   | Clear plate for R52  | 26R8254 | N      |

## AC adapters

| FRU   | P/N     | CRU ID |
|---|---------|--------|
| 3-pin (72W) slim adapter for PFC model (models xxG, xxM, xxA, xxQ, xxB, xxH, xxC, xxK, xxV) |         |        |
| ASTECC <b>OP</b>  | 08K8203 | *      |
| DELTA <b>OP</b>   | 08K8207 | *      |
| SANKEN <b>OP</b>  | 08K8211 | *      |
| 2-pin (72W) slim adapter for non-PFC model (models xxU, xxF, xxP, xxS, xxY, xxE, xxJ, xxL)  |         |        |
| ASTECC <b>OP</b>  | 08K8205 | *      |
| DELTA <b>OP</b>   | 08K8209 | *      |
| SANKEN <b>OP</b>  | 08K8213 | *      |

# Keyboard

## Keyboards for 15.0-in. LCD models

| Language                     | P/N (NMB) | P/N (ALPS) | P/N (Chicony) | CRU ID |
|------------------------------|-----------|------------|---------------|--------|
| Arabic                       | 39T0664   | 93P4861    | 39T0786       | **     |
| Belgian                      | 39T0659   | 93P4856    | 39T0781       |        |
| Chinese, Traditional         | 39T0661   | 93P4858    | 39T0783       |        |
| Czech                        | 39T0665   | 93P4862    | 39T0787       |        |
| Danish                       | 39T0652   | 93P4849    | 39T0774       |        |
| Dutch                        | 39T0649   | 93P4846    | 39T0771       |        |
| English, U.K.                | 39T0645   | 93P4842    | 39T0767       |        |
| English, U.S.                | 39T0643   | 93P4840    | 39T0765       |        |
| English, U.S., International | 39T0672   | —          | —             |        |
| French, Canadian             | 39T0646   | 93P4843    | 39T0768       |        |
| French, Canadian 058         | 39T0673   | 93P4869    | 39T0795       |        |
| French, European             | 39T0648   | 93P4845    | 39T0770       |        |
| German                       | 39T0647   | 93P4844    | 39T0769       |        |
| Greek                        | 39T0667   | 93P4864    | 39T0789       |        |
| Hungarian                    | 39T0666   | 93P4863    | 39T0788       |        |
| Hebrew                       | 39T0663   | 93P4860    | 39T0785       |        |
| Italian                      | 39T0653   | 93P4850    | 39T0775       |        |
| Japanese                     | 39T0644   | 93P4841    | 39T0766       |        |
| Korean                       | 39T0658   | 93P4855    | 39T0780       |        |
| Norwegian                    | 39T0651   | 93P4848    | 39T0773       |        |
| Polish                       | 39T0669   | 93P4866    | 39T0791       |        |
| Portuguese                   | 39T0656   | 93P4853    | 39T0778       |        |
| Russian                      | 39T0662   | 93P4859    | 39T0784       |        |
| Slovak                       | 39T0668   | 93P4865    | 39T0790       |        |
| Slovenian                    | 39T0670   | 93P4867    | 39T0792       |        |
| Spanish, European            | 39T0654   | 93P4851    | 39T0776       |        |
| Spanish, Latin American      | 39T0657   | 93P4854    | 39T0779       |        |
| Swedish or Finnish           | 39T0650   | 93P4847    | 39T0772       |        |
| Swiss                        | 39T0655   | 93P4852    | 39T0777       |        |
| Thai                         | 39T0671   | 93P4868    | 39T0793       |        |
| Turkish                      | 39T0660   | 93P4857    | 39T0782       |        |

**Keyboards for 14.1-in. LCD models**

| Language                        | P/N<br>(NMB) | P/N<br>(ALPS) | P/N<br>(Chicony) | CRU<br>ID |
|---------------------------------|--------------|---------------|------------------|-----------|
| Arabic                          | 39T0540      | 13N9978       | 39T0602          | **        |
| Belgian                         | 39T0535      | 13N9973       | 39T0597          |           |
| Chinese, Traditional            | 39T0537      | 13N9975       | 39T0599          |           |
| Czech                           | 39T0541      | 13N9979       | 39T0603          |           |
| Danish                          | 39T0528      | 13N9966       | 39T0590          |           |
| Dutch                           | 39T0525      | 13N9963       | 39T0587          |           |
| English, U.K.                   | 39T0521      | 13N9959       | 39T0583          |           |
| English, U.S.                   | 39T0519      | 13N9957       | 39T0581          |           |
| English, U.S.,<br>International | 39T0548      | —             | —                |           |
| French, Canadian                | 39T0522      | 13N9960       | 39T0584          |           |
| French, Canadian 058            | 39T0549      | 13N9987       | 39T0611          |           |
| French, European                | 39T0524      | 13N9962       | 39T0586          |           |
| German                          | 39T0523      | 13N9961       | 39T0585          |           |
| Greek                           | 39T0543      | 13N9981       | 39T0605          |           |
| Hungarian                       | 39T0542      | 13N9980       | 39T0604          |           |
| Hebrew                          | 39T0539      | 13N9977       | 39T0601          |           |
| Italian                         | 39T0529      | 13N9967       | 39T0591          |           |
| Japanese                        | 39T0520      | 13N9958       | 39T0582          |           |
| Korean                          | 39T0534      | 13N9972       | 39T0596          |           |
| Norwegian                       | 39T0527      | 13N9965       | 39T0589          |           |
| Polish                          | 39T0545      | 13N9983       | 39T0607          |           |
| Portuguese                      | 39T0532      | 13N9970       | 39T0594          |           |
| Russian                         | 39T0538      | 13N9976       | 39T0600          |           |
| Slovak                          | 39T0544      | 13N9982       | 39T0606          |           |
| Slovenian                       | 39T0546      | 13N9984       | 39T0608          |           |
| Spanish, European               | 39T0530      | 13N9968       | 39T0592          |           |
| Spanish, Latin<br>American      | 39T0533      | 13N9971       | 39T0595          |           |
| Swedish or Finnish              | 39T0526      | 13N9964       | 39T0588          |           |
| Swiss                           | 39T0531      | 13N9969       | 39T0593          |           |
| Thailand                        | 39T0547      | 13N9985       | 39T0609          |           |
| Turkish                         | 39T0536      | 13N9974       | 39T0598          |           |



## Recovery CDs

### For Windows XP Professional (R50e series)

Windows XP Professional is preinstalled as the operating system in the following models:

- 1834-K3x, K4x, K7x, K8x, KHx, KPx, KQx, KRx, KSx, KTx, KUx, KVx, KWx, KYx, L3x, L4x, L5x, L7x, L8x, L9x, LBx, LDx, LHx, M2x, M3x, M5x, M7x, M8x, M9x, MAx, MBx, MDx, MEx, MFx, MGx, MMx, MNx, MPx, MQx, MRx, MWx, QAx, R3x, R4x, R5x, R6x, R7x, R9x, RAx, RBx, RDx, REx, RFx, RGx, RNx, RP, RSx, RTx, RUx, RWx, RXx, S4x, S6x, S7x, S9x,
- 1842-MUx, QDx, QEx

| Language                                | P/N     | CRU ID |
|---|---------|--------|
| Arabic                                  | 39K6289 | *      |
| Chinese, Simplified                     | 39K6282 |        |
| Chinese, Traditional                    | 39K6283 |        |
| Chinese, Traditional (Hong Kong S.A.R.) | 39K6284 |        |
| Czech                                   | 39K6288 |        |
| Danish                                  | 39K6278 |        |
| Dutch                                   | 39K6281 |        |
| English, U.K.                           | 39K6271 |        |
| English, U.S.                           | 39K9505 |        |
| Finnish                                 | 39K6279 |        |
| French                                  | 39K6272 |        |
| German                                  | 39K6273 |        |
| Greek                                   | 39K6293 |        |
| Hebrew                                  | 39K6286 |        |
| Hungarian                               | 39K6292 |        |
| Italian                                 | 39K6275 |        |
| Japanese                                | 39K6285 |        |
| Korean                                  | 39K6294 |        |
| Norwegian                               | 39K6280 |        |
| Polish                                  | 39K6287 |        |
| Portuguese, Brazilian                   | 39K6276 |        |
| Russian                                 | 39K6290 |        |
| Spanish                                 | 39K6274 |        |
| Swedish                                 | 39K6277 |        |
| Turkish                                 | 39K6291 |        |

## For Windows XP Home Edition (R50e series)

Windows XP Home Edition is preinstalled as the operating system in the following models:

- 1834-K5x, K6x, K9x, KAx, KBx, KCx, KDx, KEx, KFx, KGx, KJx, KLx, KXx, KZx, L2x, L6x, LAx, LCx, LEx, LFx, LGx, M4x, M6x, MCx, MHx, MJx, MSx, MTx, MVx, MXx, Q2x, Q3x, Q4x, Q5x, Q6x, Q7x, QBx, R8x, RCx, RHx, RJx, RKx, RMx, RQx, RRx, RVx, S2x, S3x, S5x, S8x
- 1842-QFx

| Language                                | P/N     | CRU ID |
|---|---------|--------|
| Arabic                                  | 39K6481 | *      |
| Chinese, Simplified                     | 39K6474 |        |
| Chinese, Traditional                    | 39K6475 |        |
| Chinese, Traditional (Hong Kong S.A.R.) | 39K6476 |        |
| Czech                                   | 39K6480 |        |
| Danish                                  | 39K6470 |        |
| Dutch                                   | 39K6473 |        |
| English, U.K.                           | 39K6463 |        |
| English, U.S.                           | 39K9513 |        |
| Finnish                                 | 39K6471 |        |
| French                                  | 39K6464 |        |
| German                                  | 39K6465 |        |
| Greek                                   | 39K6485 |        |
| Hebrew                                  | 39K6478 |        |
| Hungarian                               | 39K6484 |        |
| Italian                                 | 39K6467 |        |
| Japanese                                | 39K6477 |        |
| Korean                                  | 39K6486 |        |
| Norwegian                               | 39K6472 |        |
| Polish                                  | 39K6479 |        |
| Portuguese, Brazilian                   | 39K6468 |        |
| Russian                                 | 39K6482 |        |
| Spanish                                 | 39K6466 |        |
| Swedish                                 | 39K6469 |        |
| Turkish                                 | 39K6483 |        |

## For Windows XP Professional (R51e series)

Windows XP Professional is preinstalled as the operating system in the following models:

- 1843-24x, 29x, 2Ex, 2Kx, 2Lx, 2Mx, 2Nx, 2Rx, 2Sx, 2Vx, 2Wx, 35x, 3Cx, 3Dx, 3Fx, 3Gx, 3Hx, 3Mx, 3Rx, 3Sx, 3Tx, 3Ux, 3Vx, 3Wx, 3Yx, 3Zx, 42x, 43x, 44x, 47x, 49x, 4Ax, 4Cx, 4Ex, 4Gx, 4Jx, 4Kx, 4Lx, 4Nx, 4Px, 4Qx, 4Rx, 4Sx, 4Vx, 4Wx, 4Xx, 4Zx, 53x, 54x, 55x, 59x, 5Bx, 5Dx, 5Ex
- 1844-5Gx, 5Hx
- 1845-5Kx

| Language                                | P/N     | CRU ID |
|---|---------|--------|
| Arabic                                  | 42J4410 | *      |
| Chinese, Simplified                     | 42J4403 |        |
| Chinese, Traditional                    | 42J4404 |        |
| Chinese, Traditional (Hong Kong S.A.R.) | 42J4405 |        |
| Czech                                   | 42J4409 |        |
| Danish                                  | 42J4399 |        |
| Dutch                                   | 42J4402 |        |
| English, Russia                         | 42J4392 |        |
| English, U.K.                           | 42J4391 |        |
| English, U.S.                           | 42J4390 |        |
| Finnish                                 | 42J4400 |        |
| French                                  | 42J4393 |        |
| German                                  | 42J4394 |        |
| Greek                                   | 42J4414 |        |
| Hebrew                                  | 42J4407 |        |
| Hungarian                               | 42J4413 |        |
| Italian                                 | 42J4396 |        |
| Japanese                                | 42J4406 |        |
| Korean                                  | 42J4415 |        |
| Norwegian                               | 42J4401 |        |
| Polish                                  | 42J4408 |        |
| Portuguese, Brazilian                   | 42J4397 |        |
| Russian                                 | 42J4411 |        |
| Slovenian                               | 42J4416 |        |
| Spanish                                 | 42J4395 |        |
| Swedish                                 | 42J4398 |        |
| Turkish                                 | 42J4412 |        |

## For Windows XP Home Edition (R51e series)

Windows XP Home Edition is preinstalled as the operating system in the following models:

- 1843-22x, 23x, 25x, 27x, 2Ax, 2Bx, 2Dx, 2Fx, 2Hx, 2Jx, 2Px, 2Qx, 2Tx, 2Ux, 2Xx, 2Yx, 2Zx, 33x, 34x, 36x, 3Ax, 3Bx, 3Ex, 3Jx, 3Kx, 3Lx, 3Nx, 3Px, 3Qx, 3Xx, 48x, 4Bx, 4Dx, 4Fx, 4Hx, 4Mx, 4Ux, 4Yx, 52x, 5Ax, 5Cx
- 1844-5Fx, 5Jx

| Language                                | P/N     | CRU ID |
|---|---------|--------|
| Arabic                                  | 42J4626 | *      |
| Chinese, Simplified                     | 42J4619 |        |
| Chinese, Traditional                    | 42J4620 |        |
| Chinese, Traditional (Hong Kong S.A.R.) | 42J4621 |        |
| Czech                                   | 42J4625 |        |
| Danish                                  | 42J4615 |        |
| Dutch                                   | 42J4618 |        |
| English, Russia                         | 42J4608 |        |
| English, U.K.                           | 42J4607 |        |
| English, U.S.                           | 42J4606 |        |
| Finnish                                 | 42J4616 |        |
| French                                  | 42J4609 |        |
| German                                  | 42J4610 |        |
| Greek                                   | 42J4630 |        |
| Hebrew                                  | 42J4623 |        |
| Hungarian                               | 42J4629 |        |
| Italian                                 | 42J4612 |        |
| Japanese                                | 42J4622 |        |
| Korean                                  | 42J4631 |        |
| Norwegian                               | 42J4617 |        |
| Polish                                  | 42J4624 |        |
| Portuguese, Brazilian                   | 42J4613 |        |
| Russian                                 | 42J4627 |        |
| Spanish                                 | 42J4611 |        |
| Swedish                                 | 42J4614 |        |
| Turkish                                 | 42J4628 |        |

## For Windows XP Professional (R52 series)

Windows XP Professional is preinstalled as the operating system in the following models:

- 1846-2Hx, 2Jx, 3Vx, 3Wx, 4Cx, 4Dx, 4Ex, 4Lx, 52x, 53x, 54x, 55x, 57x,,58x, 59x, 5Ax, 5Hx, 5Jx, 5Kx, 5Lx, 5Rx, 62x, 63x, 64x, 66x, 67x, 68x, 69x, 6Bx, 6Cx, 6Ex, 6Ex, 6Gx, 6Hx, 6Kx, 6Lx, 6Nx, 6Px, 6Qx, 6Sx, 6Tx, 6Ux
- 1847-22x, 23x, 24x, 25x, 26x, 27x, 28x, 29x, 2Ax, 2Bx, 2Cx, 2Dx, 2Ex, 2Fx, 2Gx, 32x, 33x, 34x, 35x, 36x, 37x, 38x, 39x, 3Cx, 3Dx, 3Fx, 3Gx, 3Jx, 3Kx, 3Lx, 3Nx, 3Px, 3Rx, 3Sx, 3Tx, 3Ux, 42x, 43x, 44x, 45x, 46x, 47x, 48x, 4Bx
- 1848-22x, 23x, 24x, 25x, 26x, 27x, 2Fx, 2Gx, 32x, 33x, 34x, 35x, 36x, 37x, 42x, 43x, 44x, 45x, 4Bx
- 1849-4Px, 4Qx, 4Rx, 5Sx, 5Tx, 5Ux, 6Vx
- 1850-22x
- 1870-22x
- 1858-47x, 6Kx, 6Mx, 6Nx, 6Px, 6Sx
- 1859-28x, 2Ax, 2Hx, 3Mx, 3Rx, 3Sx, 4Ax, 4Rx, 4Sx, 4Yx, 55x, 5Dx, 5Rx, 6Vx, 6Wx
- 1860-25x, 26x, 2Bx, 2Fx, 2Kx, 2Lx, 2Mx, 2Nx, 2Tx, 2Yx, 32x, 3Bx, 3Ex, 4Jx, 4Mx, 4Qx, 56x, 57x, 5Bx, 5Cx, 5Ex, 5Hx, 5Kx, 5Sx, 5Ux, 5Zx, 69x, 6Fx, 6Gx, 6Jx
- 1861-25x, 26x, 2Bx, 2Fx, 2Kx, 2Yx, 32x, 3Bx, 3Ex, 3Tx, 3Ux, 4Mx, 56x, 5Ex, 5Sx, 69x, 6Fx, 6Gx, 6Jx
- 1862-2Cx

Parts list

| Language                                | P/N     | CRU ID |
|---|---------|--------|
| Arabic                                  | 39K7811 | *      |
| Chinese, Simplified                     | 39K7803 |        |
| Chinese, Traditional                    | 39K7804 |        |
| Chinese, Traditional (Hong Kong S.A.R.) | 39K7805 |        |
| Czech                                   | 39K7810 |        |
| Danish                                  | 39K7799 |        |
| Dutch                                   | 39K7802 |        |
| English, U.K.                           | 39K7792 |        |
| English, U.S.                           | 39K7791 |        |
| Finnish                                 | 39K7800 |        |
| French                                  | 39K7793 |        |
| German                                  | 39K7794 |        |
| Greek                                   | 39K7815 |        |
| Hebrew                                  | 39K7808 |        |
| Hungarian                               | 39K7814 |        |
| Italian                                 | 39K7796 |        |
| Japanese                                | 39K7806 |        |
| Korean                                  | 39K7807 |        |
| Norwegian                               | 39K7801 |        |
| Polish                                  | 39K7809 |        |
| Portuguese, Brazilian                   | 39K7797 |        |
| Russian                                 | 39K7812 |        |
| Spanish                                 | 39K7795 |        |
| Swedish                                 | 39K7798 |        |
| Turkish                                 | 39K7813 |        |

- 1846-84x, 8Ax, 96x, 98x, 99x, 9Ax, 9Bx, 9Cx, 9Ex, 9Fx, 9Gx, A2x, A3x, A6x, A7x, A8x, A9x, ABx, ACx
- 1847-82x, 83x, 8Ex, 8Fx, 8Gx, 8Hx, 8Jx, 8Kx, 92x, 93x, 9Lx, 9Mx, 9Nx, 9Px, 9Qx, 9Rx, 9Sx, 9Tx, AEx, AFx, AGx, AHx, AJx
- 1848-82x, 83x, 92x, 93x
- 1849-8Cx, 8Dx, 8Lx, 8Mx, 8Nx, 9Ux, 9Vx, 9Wx, ADx, AKx, ALx
- 1858-9Bx, 9Dx, 9Ex, 9Fx, 9Gx, 9Hx, 9Kx, 9Lx, 9Mx, 9Nx, 9Px, 9Qx, 9Rx, 9Sx, 9Tx, 9Ux, 9Vx, 9Wx, 9Xx, 9Yx, 9Zx, A4x, A5x, A6x, A9x, AAx, ADx, AEx, AFx, AJx, AKx, ALx, AMx, ANx, APx, AQx, ARx, ASx, ATx, AUx, AVx
- 1859-B6x, B7x, B8x, B9x, BAx
- 1860-9Fx, 9Gx, BPx, BQx, BRx, BSx, BTx, BUx, BVx, BWx, Bx, BYx, BZx, C2x, C3x, C4x, C5x, C6x, C7x, C8x, C9x, CAx, CBx,
- 1861-9Gx, BUx, BZx

Parts list

| Language                                | P/N     | CRU ID |
|---|---------|--------|
| Arabic                                  | 39K8507 | *      |
| Chinese, Simplified                     | 39K8499 |        |
| Chinese, Traditional                    | 39K8500 |        |
| Chinese, Traditional (Hong Kong S.A.R.) | 39K8501 |        |
| Czech                                   | 39K8506 |        |
| Danish                                  | 39K8495 |        |
| Dutch                                   | 39K8498 |        |
| English, Russia                         | 39K9835 |        |
| English, U.K.                           | 39K8488 |        |
| English, U.S.                           | 39K8487 |        |
| Finnish                                 | 39K8496 |        |
| French                                  | 39K8489 |        |
| German                                  | 39K8490 |        |
| Greek                                   | 39K8511 |        |
| Hebrew                                  | 39K8504 |        |
| Hungarian                               | 39K8510 |        |
| Italian                                 | 39K8492 |        |
| Japanese                                | 39K8502 |        |
| Korean                                  | 39K8503 |        |
| Norwegian                               | 39K8497 |        |
| Polish                                  | 39K8505 |        |
| Portuguese, Brazilian                   | 39K8493 |        |
| Russian                                 | 39K8508 |        |
| Slovenian                               | 39K9866 |        |
| Spanish                                 | 39K8491 |        |
| Swedish                                 | 39K8494 |        |
| Turkish                                 | 39K8509 |        |



**For Windows XP Home Edition (R52 series)**

Windows XP Home Edition is preinstalled as the operating system in the following models:

- 1846-4Fx, 4Gx, 4Hx, 4Jx, 4Kx, 4Mx, 4Nx, 56x, 5Bx, 5Cx, 5Dx, 5Ex, 5Fx, 5Gx, 5Mx, 5Nx, 5Px, 5Qx, 65x, 6Ax, 6Fx, 6Jx, 6Mx, 6Rx
- 1847-3Ax, 3Bx, 3Ex, 3Hx, 3Mx, 3Qx, 49x, 4Ax
- 1858-22x, 29x, 2Sx, 2Wx, 2Vx, 2Zx, 33x, 37x, 38x, 3Cx, 3Dx, 3Hx, 3Jx, 3Kx, 3Nx, 3Px, 42x, 44x, 49x, 4Dx, 4Fx, 4Gx, 4Kx, 4Lx, 4Tx, 4Ux, 4Vx, 4Wx, 53x, 59x, 5Gx, 5Nx, 5Px, 5Xx, 64x, 67x, 6Bx, 6Hx, 6Rx, 6Tx, 6Ux
- 1860-58x, 5Gx

| Language                                | P/N     | CRU ID |
|---|---------|--------|
| Arabic                                  | 39K8011 | *      |
| Chinese, Simplified                     | 39K8003 |        |
| Chinese, Traditional                    | 39K8004 |        |
| Chinese, Traditional (Hong Kong S.A.R.) | 39K8005 |        |
| Czech                                   | 39K8010 |        |
| Danish                                  | 39K7999 |        |
| Dutch                                   | 39K8002 |        |
| English, U.K.                           | 39K7992 |        |
| English, U.S.                           | 39K7991 |        |
| Finnish                                 | 39K8000 |        |
| French                                  | 39K7993 |        |
| German                                  | 39K7994 |        |
| Greek                                   | 39K8015 |        |
| Hebrew                                  | 39K8008 |        |
| Hungarian                               | 39K8014 |        |
| Italian                                 | 39K7996 |        |
| Japanese                                | 39K8006 |        |
| Korean                                  | 39K8007 |        |
| Norwegian                               | 39K8001 |        |
| Polish                                  | 39K8009 |        |
| Portuguese, Brazilian                   | 39K7997 |        |
| Russian                                 | 39K8012 |        |
| Spanish                                 | 39K7995 |        |
| Swedish                                 | 39K7998 |        |
| Turkish                                 | 39K8013 |        |

Parts list

- 1846-85x, 86x, 87x, 88x, 89x, 8Bx, 94x, 95x, 97x, 9Dx, 9Hx, A4x, A5x, AAx
- 1858-92x, 93x, 94x, 96x, 96x, 97x, 98x, 99x, 9Ax, 9Jx, A2x, A3x, A7x, ABx, ACx, AGx, AHx, AXx, AYx, CCx

| Language                                | P/N     | CRU ID |
|---|---------|--------|
| Arabic                                  | 39K8707 | *      |
| Chinese, Simplified                     | 39K8699 |        |
| Chinese, Traditional                    | 39K8700 |        |
| Chinese, Traditional (Hong Kong S.A.R.) | 39K8701 |        |
| Czech                                   | 39K8706 |        |
| Danish                                  | 39K8695 |        |
| Dutch                                   | 39K8698 |        |
| English, Russia                         | 39K9843 |        |
| English, U.K.                           | 39K8688 |        |
| English, U.S.                           | 39K8687 |        |
| Finnish                                 | 39K8696 |        |
| French                                  | 39K8689 |        |
| German                                  | 39K8690 |        |
| Greek                                   | 39K8711 |        |
| Hebrew                                  | 39K8704 |        |
| Hungarian                               | 39K8710 |        |
| Italian                                 | 39K8692 |        |
| Japanese                                | 39K8702 |        |
| Korean                                  | 39K8703 |        |
| Norwegian                               | 39K8697 |        |
| Polish                                  | 39K8705 |        |
| Portuguese, Brazilian                   | 39K8693 |        |
| Russian                                 | 39K8708 |        |
| Spanish                                 | 39K8691 |        |
| Swedish                                 | 39K8694 |        |
| Turkish                                 | 39K8709 |        |

## Miscellaneous parts

| FRU  | P/N     | CRU ID |
|--|---------|--------|
| Screw kit (including nylon-coated screws): <ul style="list-style-type: none"> <li>• M2.5 × 4.8 mm (black), bind-head (8)</li> <li>• M2 × 4 mm (black), bind-head (14)</li> <li>• M2 × 6 mm (black), bind-head (4)</li> <li>• M2 × 12 mm (black), flat-head (17)</li> <li>• M2 × 10 mm (black), flat-head (9)</li> <li>• Hex stud (4)</li> <li>• M2 × 18.9 mm, special shape (1)</li> <li>• M3 × 3 mm (PHILLIPS/slotted) (1)</li> <li>• M2 × 3 mm (silver), small flat-head (LCD unit hinge) (8)</li> <li>• Screw caps (not painted)</li> <li>• Screw caps, square</li> <li>• Screw caps, USB</li> <li>• Screw caps, rear, oval</li> </ul>  | 13N5168 | N      |
| Base miscellaneous parts for R50e: <ul style="list-style-type: none"> <li>• Eng Spec</li> <li>• Knob battery lock L</li> <li>• HDD shock absorber 14/15</li> <li>• HDD shock absorber 14</li> <li>• Latch battery lock R</li> <li>• Latch battery lock L</li> <li>• Link battery lock</li> <li>• Insulation, bottom</li> <li>• Insulation sheet</li> <li>• Insulation, louver</li> <li>• Lid PCMCIA</li> <li>• Puller</li> <li>• Pull lever</li> <li>• Rubber foot (rear)</li> <li>• Rubber foot (front)</li> <li>• Pull lever spring</li> <li>• Screw cap square</li> <li>• Screw cap rear oval</li> <li>• Security plate</li> <li>• Sheet, HDD rubber 14</li> <li>• Sheet, HDD rubber 15</li> <li>• Slide lever</li> <li>• Slide lever spring</li> <li>• Spring battery lock</li> <li>• Spring Lid PCMCIA</li> </ul> | 13N5166 |        |

(continued)

Parts list

| FRU  | P/N     | CRU ID |
|--|---------|--------|
| Base miscellaneous parts for 1846, 1847, 1848, 1849: <ul style="list-style-type: none"> <li>• Spring Lid PCMCIA</li> <li>• Puller</li> <li>• Latch battery lock R</li> <li>• Link battery lock</li> <li>• Sheet, HDD rubber 15</li> <li>• Security plate</li> <li>• Rubber foot (rear)</li> <li>• Spring battery lock</li> <li>• Rubber foot (front)</li> <li>• Sheet, HDD rubber 14</li> <li>• Screw cap rear oval</li> <li>• HDD shock absorber 14/15</li> <li>• HDD shock absorber 14</li> <li>• Shield, battery 14</li> <li>• Shield, battery 15</li> <li>• Eng Spec</li> <li>• Slide lever spring</li> <li>• Insulation, louver</li> <li>• Pull lever spring</li> <li>• Screw cap square</li> <li>• Lid PCMCIA</li> <li>• Insulation, bottom</li> <li>• Insulation sheet</li> <li>• Latch battery lock L</li> <li>• Knob battery lock L</li> <li>• Slide lever</li> <li>• Pull lever</li> </ul> | 26R8527 | N      |

(continued)

| FRU   | P/N     | CRU ID |
|---|---------|--------|
| Base miscellaneous parts for 1858, 1859, 1860, 1861: <ul style="list-style-type: none"> <li>• Cover, PC Card slot</li> <li>• Spring, PC Card slot cover</li> <li>• Rubber foot (rear)</li> <li>• Rubber foot (front)</li> <li>• Insulation, bottom</li> <li>• Insulation sheet</li> <li>• Insulation, louver</li> <li>• Battery lock knob L</li> <li>• Battery lock latch L</li> <li>• Battery lock latch R</li> <li>• Battery lock link</li> <li>• Spring, battery lock</li> <li>• Slide lever</li> <li>• Slide lever spring</li> <li>• Pull lever</li> <li>• Pull lever spring</li> <li>• Puller</li> <li>• HDD rubber 14/15</li> <li>• Sheet, HDD rubber 15</li> <li>• Sheet, HDD rubber 14</li> <li>• HDD rubber 15</li> <li>• HDD rubber 14</li> <li>• HDD shock absorber 14/15</li> <li>• HDD shock absorber 14</li> <li>• Security plate</li> <li>• Shield, battery 14-CR</li> <li>• Shield, battery 15</li> </ul> | 13R2693 | N      |

(continued)

Parts list

| FRU   | P/N     | CRU ID |
|---|---------|--------|
| System board miscellaneous parts for R50e: <ul style="list-style-type: none"> <li>• Antenna Cable Guide Y5/K5</li> <li>• Blank Cap, IEEE1394</li> <li>• Bracket, Cable Hook</li> <li>• Bracket M7 14 - CR</li> <li>• Bracket M7 15 - CR</li> <li>• Bracket, Joint 14 - CR</li> <li>• Bracket, Joint 15 - CR</li> <li>• Bracket - VGA connector 14 - CR</li> <li>• Bracket - VGA connector 15</li> <li>• Bracket I/O Plate 14/15 - CR</li> <li>• Bracket Structure 14/15</li> <li>• Cable RJ11- PLANAR DOCKING</li> <li>• Connector Bag</li> <li>• Cu Tape, VGA Cable</li> <li>• DC in Cable</li> <li>• Eng Spec</li> <li>• Ferrite Core RH</li> <li>• HDD Conn. Retainer - CR</li> <li>• Retainer, LCD Cable 14/15 - CR</li> <li>• Spacer, IEEE1394 - CR</li> </ul> | 13R2821 | N      |
| System board miscellaneous parts for R52: <ul style="list-style-type: none"> <li>• Antenna Cable Guide Y5/K5</li> <li>• Blank Cap, IEEE1394</li> <li>• Bracket, Cable Hook</li> <li>• Bracket M7 14 - CR</li> <li>• Bracket M7 15 - CR</li> <li>• Bracket, Joint 14 - CR</li> <li>• Bracket, Joint 15 - CR</li> <li>• Bracket - VGA connector 14 - CR</li> <li>• Bracket - VGA connector 15</li> <li>• Bracket I/O Plate 14/15 - CR</li> <li>• Bracket Structure 14/15</li> <li>• Cable RJ11- PLANAR DOCKING</li> <li>• Connector Bag</li> <li>• Cu Tape, VGA Cable</li> <li>• DC in Cable</li> <li>• Eng Spec</li> <li>• Ferrite Core RH</li> <li>• HDD Conn. Retainer - CR</li> <li>• Retainer, LCD Cable 14/15 - CR</li> <li>• Spacer, IEEE1394 - CR</li> </ul>  | 13N5165 |        |

(continued)

| FRU   | P/N     | CRU ID |
|---|---------|--------|
| 14.1-in. LCD miscellaneous parts: <ul style="list-style-type: none"> <li>• (k) LCD latch assembly, 14 (L)</li> <li>• (l) LCD latch, 14 (R)</li> <li>• (m) Lower cable bush, 14</li> <li>• (n) Upper cable bush, 14</li> <li>• Finger, LCD FPC 14</li> <li>• Screw caps (not painted)</li> <li>• Screw caps, square</li> </ul> <p><b>Note:</b> Italicized letters in parentheses are references to the exploded view on page 220.</p>  | 13N5169 | N      |
| 15.0-in. LCD miscellaneous parts: <ul style="list-style-type: none"> <li>• (k) LCD latch assembly, 15 (L)</li> <li>• (l) LCD latch, 15 (R)</li> <li>• (m) Lower cable bush, 15</li> <li>• (n) Upper cable bush, 15</li> <li>• LCD FPC tape</li> <li>• Finger, LCD FPC 15</li> <li>• Screw caps (not painted)</li> <li>• Screw caps, square</li> </ul>   | 13N5170 | N      |
| System miscellaneous parts for R50e: <ul style="list-style-type: none"> <li>• (a) Cable, RJ11-docking connector on system board</li> <li>• (e) DC in cable</li> <li>• (i) Bracket, I/O plate 14/15, CR</li> <li>• (h) Bracket structure 14/15</li> <li>• (b) Antenna cable guide</li> <li>• (c) EMI spring, CDC</li> <li>• Connector bag</li> <li>• Blank cap, IEEE1394 connector</li> <li>• Spacer, IEEE1394 connector, CR</li> <li>• (j) Retainer, LCD cable 14/15, CR</li> <li>• (g) Bracket, VGA connector 14, CR</li> <li>• (g) Bracket, VGA connector 15, CR</li> <li>• (f) Bracket, cable hook</li> <li>• HDD connector retainer, CR</li> <li>• Bracket M7 14, CR</li> <li>• Bracket M7 15, CR</li> <li>• (d) Heatsink M9 14</li> <li>• (d) Heatsink M9 15, CR</li> <li>• Ferrite core, RH</li> <li>• Ferrite core, LH</li> <li>• Bracket, joint 14, CR</li> <li>• Bracket, joint 15, CR</li> <li>• Cu tape, VGA cable</li> </ul> <p><b>Note:</b> Italicized letters in parentheses are references to the exploded view on page 160.</p> | 13R2875 | N      |

(continued)

Parts list

| FRU  | P/N     | CRU ID |
|--|---------|--------|
| <p>System miscellaneous parts for 1846, 1847, 1848, 1849</p> <ul style="list-style-type: none"> <li>• (a) Cable, RJ11-docking connector on system board</li> <li>• (e) DC in cable</li> <li>• (i) Bracket, I/O plate 14/15, CR</li> <li>• (h) Bracket structure 14/15</li> <li>• (b) Antenna cable guide</li> <li>• (c) EMI spring, CDC</li> <li>• Connector bag</li> <li>• Blank cap, IEEE1394 connector</li> <li>• Spacer, IEEE1394 connector, CR</li> <li>• (j) Retainer, LCD cable 14/15, CR</li> <li>• (g) Bracket, VGA connector 14, CR</li> <li>• (g) Bracket, VGA connector 15, CR</li> <li>• (f) Bracket, cable hook</li> <li>• HDD connector retainer, CR</li> <li>• Bracket M7 14, CR</li> <li>• Bracket M7 15, CR</li> <li>• (d) Heatsink M9 14</li> <li>• (d) Heatsink M9 15, CR</li> <li>• Ferrite core, RH</li> <li>• Ferrite core, LH</li> <li>• Bracket, joint 14, CR</li> <li>• Bracket, joint 15, CR</li> <li>• Cu tape, VGA cable</li> </ul> <p><b>Note:</b> Italicized letters in parentheses are references to the exploded view on page 160.:</p> | 26R9079 | N      |
| <p>System miscellaneous parts for 1858, 1859, 1860, 1861:</p> <ul style="list-style-type: none"> <li>• (a) Cable, RJ11-docking connector on system board</li> <li>• (b) Antenna cable guide</li> <li>• (c) EMI spring, CDC</li> <li>• (e) DC in cable</li> <li>• (f) Bracket, cable hook</li> <li>• HDD connector retainer-CR</li> <li>• (g) Bracket, VGA connector 14</li> <li>• (g) Bracket, VGA connector 15</li> <li>• (h) Bracket structure 14/15</li> <li>• (i) Bracket, I/O plate 14/15-CR</li> <li>• Connector bag</li> <li>• Blank cap, IEEE1394 connector</li> <li>• Spacer, IEEE1394 connector-CR</li> <li>• (j) Retainer, LCD cable 14/15-CR</li> <li>• Bracket M7 14-CR</li> <li>• Bracket M7 15</li> <li>• Ferrite core, LH</li> <li>• Bracket, joint 14-CR</li> <li>• Bracket, joint 15-CR</li> <li>• Cu tape, VGA cable</li> </ul> <p><b>Note:</b> Italicized letters in parentheses are references to the exploded view on page 160.</p>  | 13R2694 | N      |



## Optional FRUs

| FRU  | P/N     | CRU ID |
|--|---------|--------|
| 128-MB DDR SDRAM SO DIMM (PC2100)  | 10K0029 | *      |
| 256-MB DDR SDRAM SO DIMM (PC2100)  | 10K0031 | *      |
| 512-MB DDR SDRAM SO DIMM (PC2100)  | 10K0033 | *      |
| 1-GB DDR SDRAM SO DIMM (PC2100)  | 10K0035 | *      |
| Ultrabay Enhanced hard disk drive adapter                                  | 62P4553 | *      |
| Optional adapter for 12.7mm bay  | 13N5113 | *      |
| Ultrabay Enhanced Li Polymer battery (2nd bay battery, 3 cell), SANYO (WW) | 08K8191 | *      |
| Video cable  | 27L0531 | *      |
| ThinkPad Dock II   | 67P9010 | *      |
| ThinkPad Dock II top cover and screw kit                                   | 46P3085 | N      |
| ThinkPad Dock II PCI cover   | 46P3086 | *      |
| ThinkPad Mini Dock   | 67P9011 | *      |
| ThinkPad Mini Dock AC adapter (2 pin, 120 W)                               |         | *      |
| DELTA  | 02K7086 |        |
| LITEON   | 02K7092 |        |
| ThinkPad Mini Dock AC adapter (3 pin, 120 W)                               |         | *      |
| DELTA  | 02K7094 |        |
| LITEON   | 02K7096 |        |
| ThinkPad Port Replicator II  | 74P6735 | *      |
| ThinkPad Slim Drive Adapter for Ultrabay 2000                              | 62P4556 | *      |
| Multiple battery charger   | 02K6642 | *      |
| External diskette drive cable  | 27L0525 | *      |
| Diskette drive (TEAC)  | 08K9606 | *      |
| Diskette drive (SONY)  | 08K9607 | *      |

## Common parts list

### Tools

| Tool   | P/N     |
|--|---------|
| Triconnector wrap plug   | 72X8546 |
| PC test card   | 35G4703 |
| PCI-Express/USB Wrap card  | 27K9813 |
| Audio wrap cable   | 66G5180 |
| USB parallel test cable  | 05K2580 |
| Screwdriver kit  | 95F3598 |
| Torque screwdriver   | 05K4695 |
| 5-mm socket wrench   | 05K4694 |
| Screwdriver  | 27L8126 |
| Removal tool antenna RF connector  | 08K7159 |
| USB floppy disk drive tool kit   | 27L3452 |
| ThinkPad Hardware Maintenance Diskette Version 1.73 or later<br><b>Note:</b> Download the file from the following Web site:<br><a href="http://www.lenovo.com/think/spm">http://www.lenovo.com/think/spm</a> | —       |

### Power cords (system)

A ThinkPad power cord for a specific country or region is usually available only in that country or region:

#### ***For 2-pin power cords:***

| Region  | P/N     | CRU ID |
|---|---------|--------|
| Canada, U.S.<br>• models -CTO, xxF, xxL, xxS, xxU | 13H5264 | *      |
| Japan<br>• models -Exx, Jxx                       | 74P4331 |        |
| Argentina<br>• models -CTO, xxY                   | 36L8870 |        |
| Brazil<br>• models -CTO, xxP                      | 49P2095 |        |

**For 3-pin power cords:**

| Region   | P/N     | CRU ID |
|--|---------|--------|
| Australia, New Zealand<br>• models -CTO, xxG, xxM              | 39M4960 | *      |
| Taiwan, Thailand<br>• models -CTO, xxV                         | 76H3516 |        |
| Italy<br>• models -CTO, xxG                                    | 76H3530 |        |
| Denmark<br>• models -CTO, xxG                                  | 76H3520 |        |
| U.K., China (Hong Kong S.A.R.)<br>• models -CTO, xxB, xxG, xxH | 76H3524 |        |
| European countries<br>• models -CTO, xxG                       | 76H3518 |        |
| India, South Africa<br>• models -CTO, xxG                      | 76H3522 |        |
| Israel<br>• models -CTO, xxG                                   | 76H3532 |        |
| Korea<br>• models -xxK   | 76H3535 |        |
| China (P.R.C.) (other than Hong Kong S.A.R.)<br>• models -xxC  | 02K0539 |        |
| Switzerland<br>• models -CTO, xxG                              | 76H3528 |        |

## Power cords (ThinkPad Dock II)

A ThinkPad power cord for a specific country or region is usually available only in that country or region:

### *For 3-pin power cords:*

| Region                                      | P/N     | CRU ID |
|---|---------|--------|
| Argentina                                   | 36L8868 | *      |
| Australia, New Zealand                      | 75H8988 |        |
| Brazil                                      | 49P2101 |        |
| Canada, Thailand, U.S.                      | 75H8989 |        |
| Denmark                                     | 75H8992 |        |
| European countries                          | 75H8990 |        |
| India, South Africa                         | 75H8993 |        |
| Israel                                      | 75H8999 |        |
| Italy                                       | 75H8998 |        |
| Japan                                       | 75H8996 |        |
| Korea                                       | 76H3536 |        |
| China (P.R.C.) (other than Hong Kong S.A.R) | 02K0540 |        |
| Switzerland                                 | 75H8997 |        |
| U.K.  | 75H8994 |        |

---

## Notices

Lenovo may not offer the products, services, or features discussed in this document in all countries. Consult your local Lenovo representative for information on the products and services currently available in your area. Any reference to a Lenovo product, program, or service is not intended to state or imply that only that Lenovo product, program, or service may be used. Any functionally equivalent product, program, or service that does not infringe any Lenovo intellectual property right may be used instead. However, it is the user's responsibility to evaluate and verify the operation of any other product, program, or service.

Lenovo may have patents or pending patent applications covering subject matter described in this document. The furnishing of this document does not give you any license to these patents. You can send license inquiries, in writing, to:

*Lenovo (United States), Inc.  
500 Park Offices Drive, Hwy. 54  
Research Triangle Park, NC 27709  
U.S.A.  
Attention: Lenovo Director of Licensing*

LENOVO GROUP LTD. PROVIDES THIS PUBLICATION "AS IS" WITHOUT WARRANTY OF ANY KIND, EITHER EXPRESS OR IMPLIED, INCLUDING, BUT NOT LIMITED TO, THE IMPLIED WARRANTIES OF NON-INFRINGEMENT, MERCHANTABILITY OR FITNESS FOR A PARTICULAR PURPOSE. Some jurisdictions do not allow disclaimer of express or implied warranties in certain transactions, therefore, this statement may not apply to you.

This information could include technical inaccuracies or typographical errors. Changes are periodically made to the information herein; these changes will be incorporated in new editions of the publication. Lenovo may make improvements and/or changes in the product(s) and/or the program(s) described in this publication at any time without notice.

The products described in this document are not intended for use in implantation or other life support applications where malfunction may result in injury or death to persons. The information contained in this document does not affect or change Lenovo product specifications or warranties. Nothing in this document shall operate as an express or implied license or indemnity under the intellectual property rights of Lenovo or third parties. All information contained in this document was obtained in specific environments

## *Notices*

and is presented as an illustration. The result obtained in other operating environments may vary.

Lenovo may use or distribute any of the information you supply in any way it believes appropriate without incurring any obligation to you.

Any references in this publication to non-Lenovo Web sites are provided for convenience only and do not in any manner serve as an endorsement of those Web sites. The materials at those Web sites are not part of the materials for this Lenovo product, and use of those Web sites is at your own risk.

Any performance data contained herein was determined in a controlled environment. Therefore, the result obtained in other operating environments may vary significantly. Some measurements may have been made on development-level systems and there is no guarantee that these measurements will be the same on generally available systems. Furthermore, some measurements may have been estimated through extrapolation. Actual results may vary. Users of this document should verify the applicable data for their specific environment.

---

## Trademarks

The following terms are trademarks of Lenovo in the United States, other countries or both:

- Lenovo
- Rescue and Recovery
- ThinkLight
- ThinkPad
- ThinkPad Dock II
- ThinkPad Mini Dock
- ThinkPad Port Replicator
- ThinkPad Port Replicator II
- TrackPoint
- Ultrabay
- Ultrabay 2000
- Ultrabay Plus
- UltraNav

The following terms are trademarks of the International Business Machines Corporation in the United States, other countries, or both:

- IBM (used under license)
- OS/2

Microsoft, Windows, and Windows NT are trademarks of Microsoft Corporation in the United States, other countries, or both.

Intel and Pentium are trademarks or registered trademarks of Intel Corporation or its subsidiaries in the United States and other countries.

Other company, product, or service names may be the trademarks or service marks of others.

Part Number: 39T2462\_01

(1P) P/N: 39T2462

