

# QUICK SETUP GUIDE

## 40" 1080p 60Hz LED TV

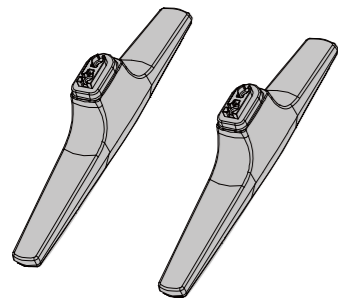
NS-40D510NA19

### INCLUDED ACCESSORIES

Remote control and two AAA batteries



### TV stands



ST4 x 14 screws (14 mm length) (4 pcs.)

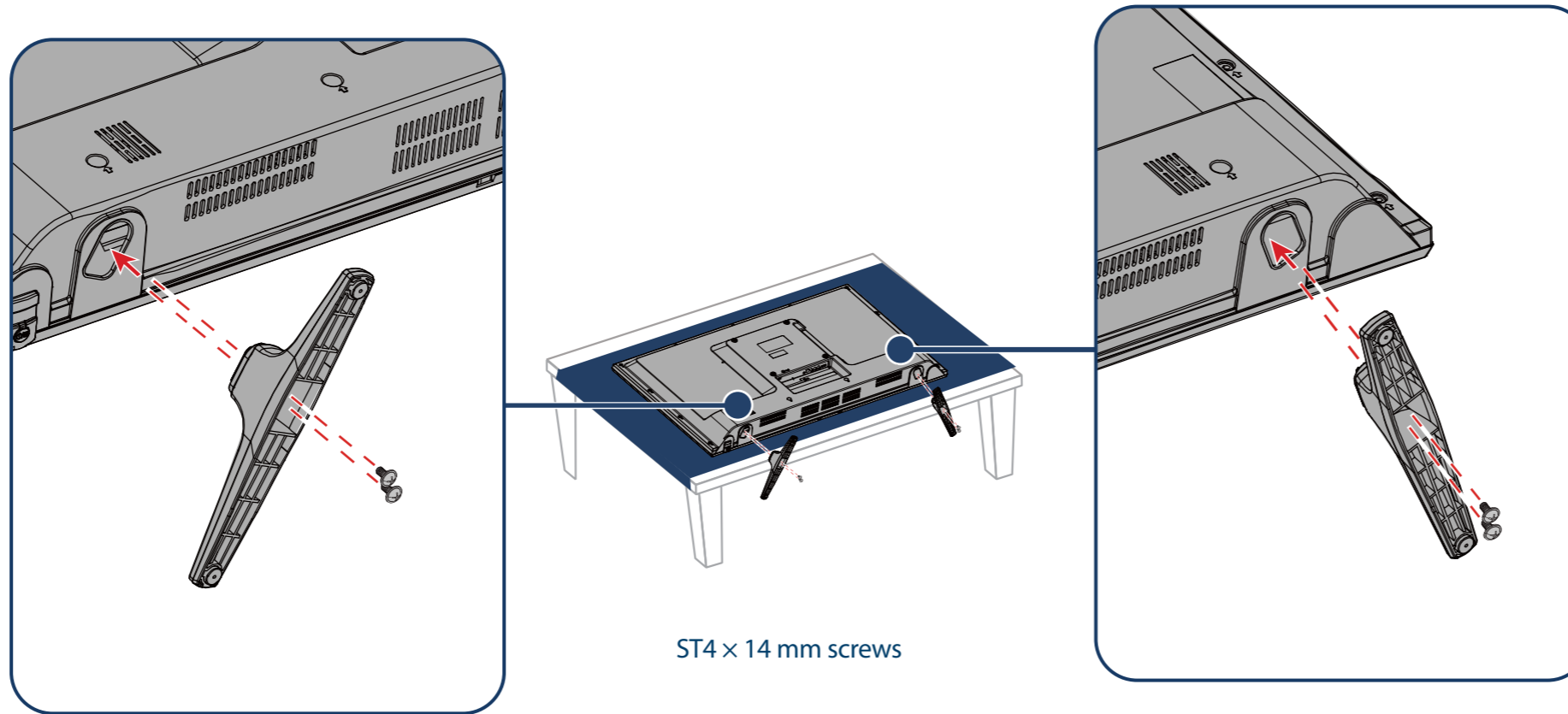


- FIND YOUR USER GUIDE ONLINE!**
- 1 Go to [www.insigniaproducts.com](http://www.insigniaproducts.com).
  - 2 Use the search bar to find **NS-40D510NA19**.
  - 3 Select **Support & Downloads**.
  - 4 Next to *User Guide*, select the language you want.

**STOP**  
Do not plug your power cord in until all other devices have been connected.

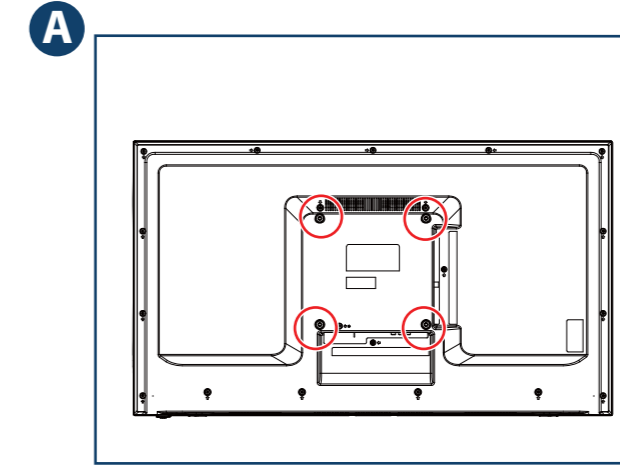
Before using your new product, please read these instructions to prevent any damage.

- 1 START HERE**  
How do I attach the stand to my TV? (not for wall mounting)  
You'll need: Soft surface and Phillips screwdriver  
Place your TV face-down on a cushioned, clean surface.  
Align the screw holes on the TV stands with the holes on the bottom of your TV, then secure each stand to your TV with two of the provided screws.



- WALL MOUNT**  
How do I prepare my TV for wall mounting? (not for use with a TV stand)  
You'll need: Soft surface and Phillips screwdriver  
Before you mount your TV, make sure that:
- You remove the stand legs
  - The bracket supports the weight of your TV.
- A** Carefully place your TV face-down on a cushioned, clean surface.  
**B** See the instructions that came with your wall mount for more information about how to correctly mount your TV.

OR

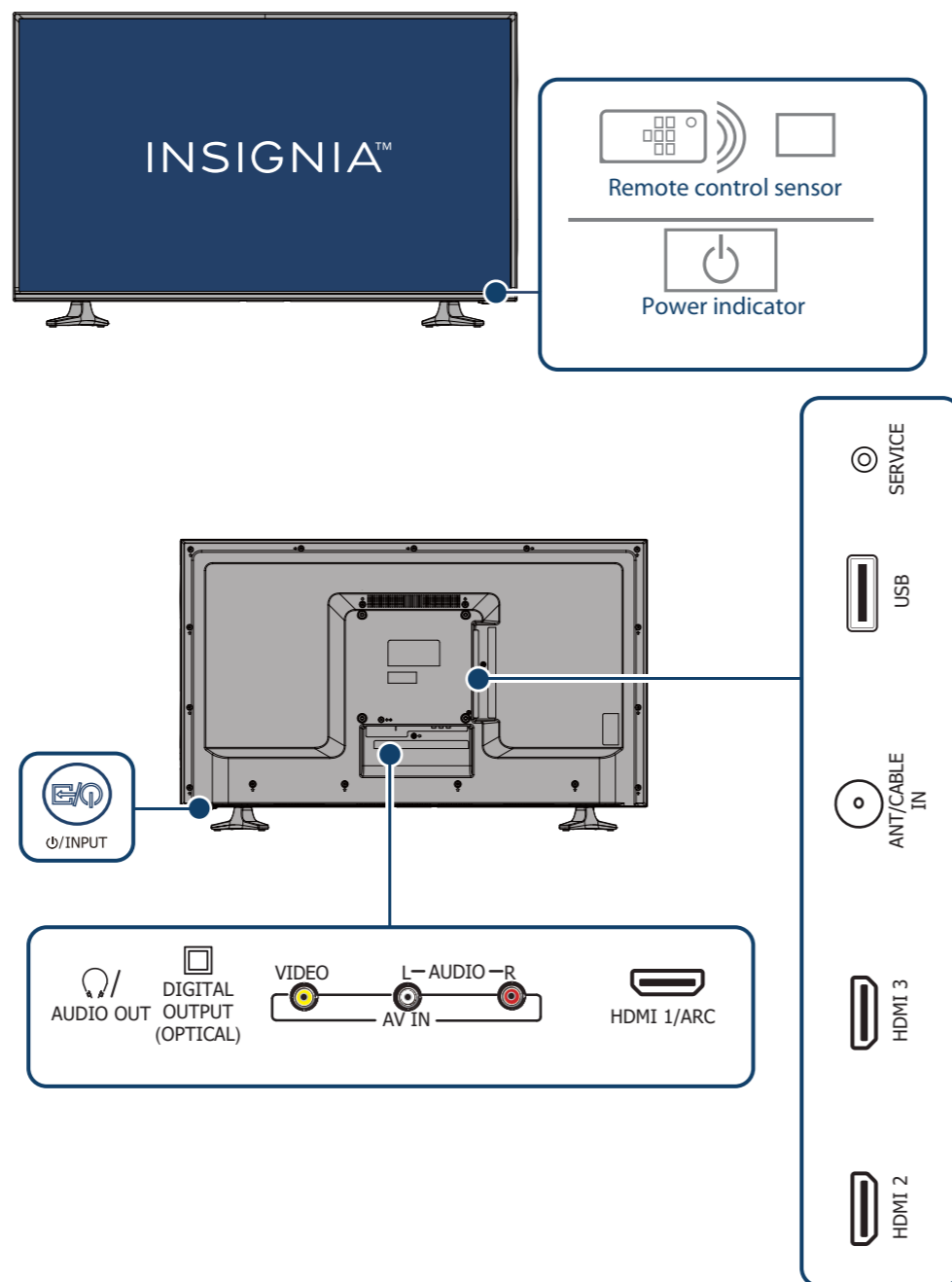


This apparatus is intended to be supported by a UL Listed Wall Mount Bracket, marked with the minimum weight of 8 kg.

**NS-40D510NA19**  
**VESA Mounting Pattern**  
VESA mount (mm): 200 x 200 mm - M6, 10mm length

**B** Your TV has four VESA mounting holes on the back. If you attach a wall-mount bracket to the back of your TV, **the bracket must be securely attached, using all four holes.** If you do not use all four mounting holes, your TV may fall and cause property damage or personal injury. See the documentation that came with your wall-mount for complete mounting instructions.

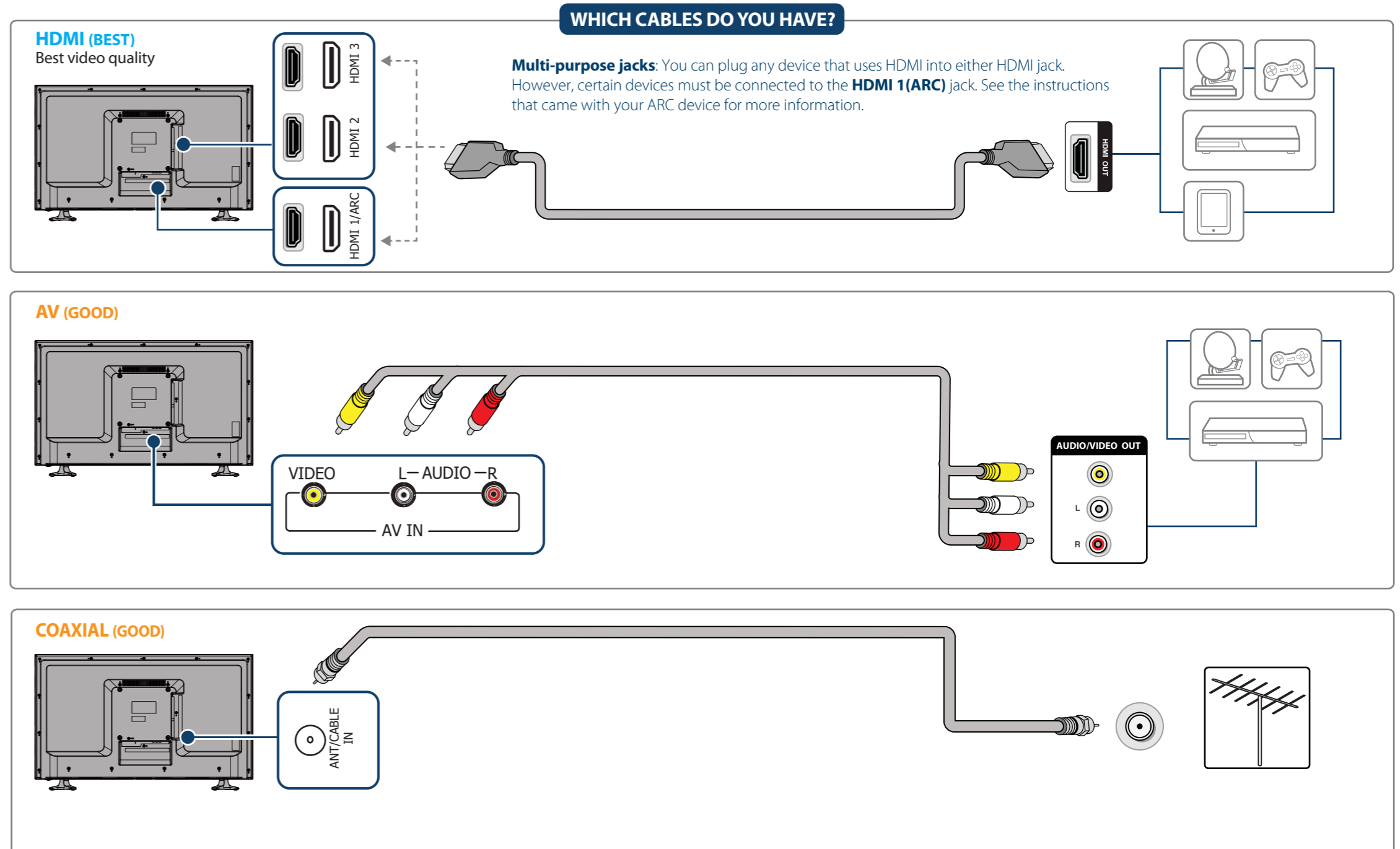
### FEATURES



**Note:** Images do not necessarily represent the exact design of your television.

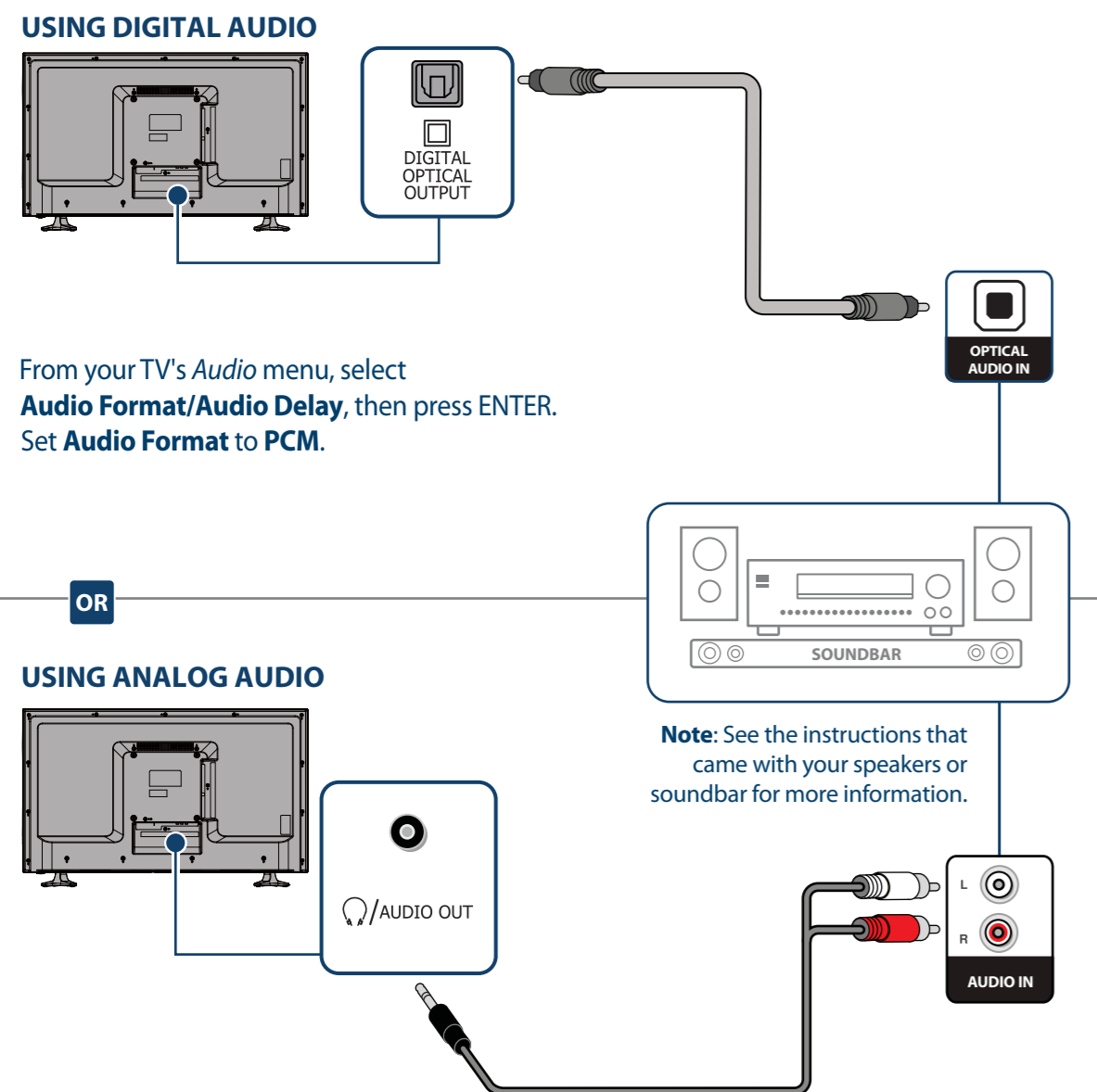
### 2 MAKING CONNECTIONS

How do I watch TV (cable, satellite, or antenna) or connect a device, such as a DVD or Blu-ray disc player, game console, or tablet?



### 3 CONNECTING AUDIO DEVICES

How do I connect my TV to external speakers?

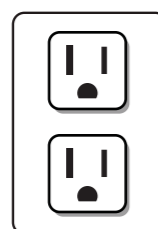


### 4 TURNING ON MY TV

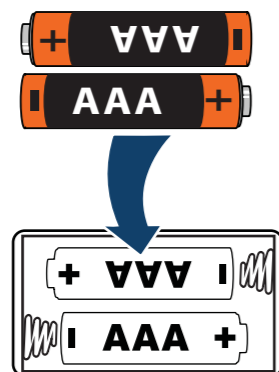
When can I turn on my TV?


**WHEN YOUR TV IS IN PLACE:**

1 Plug the power cord into a power outlet.



2 Remove the remote control cover and install the batteries.

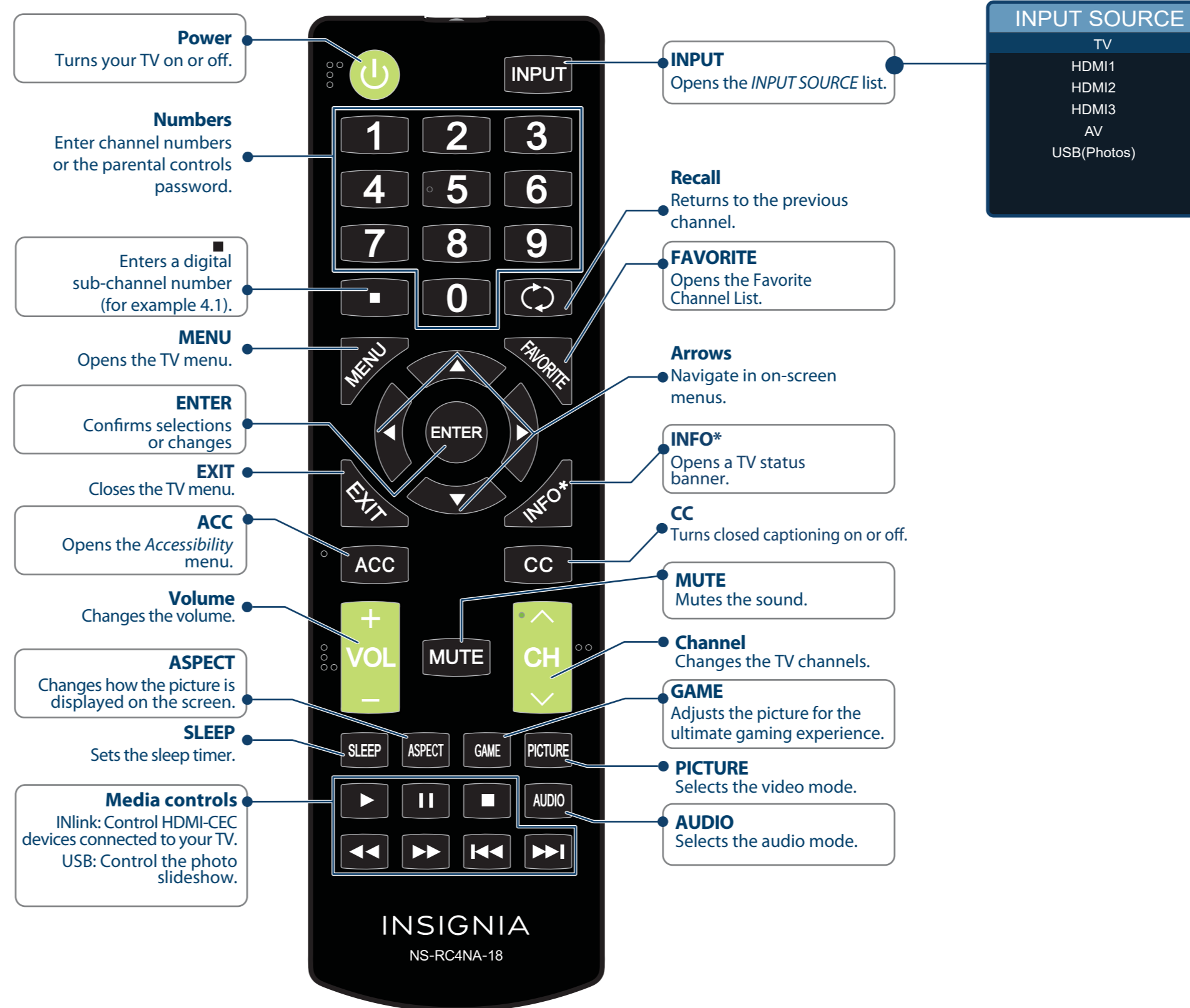


3 Press  on your remote control.

4 Follow the on-screen instructions.



### USING YOUR REMOTE CONTROL



### I already have a universal remote control. How do I make it control this TV?

If you already have a universal remote control that you would like to program to work with your TV and don't want to use the included Insignia remote control, see the table below for common codes.

UNIVERSAL REMOTE CONTROL CODES	
<b>AT&amp;T U-verse</b>	1034, 1035, 1040, 1398, 1465, 1596, 1437, 1507, 12049, 11641, 11564, 11326, 11423, 11892, 11517, 10171, 10463, 11385, 11660, 11963, 12184, 13227
<b>Cablevision</b>	068, 069, 078, 096, 100, 164, 168, 229, 026
<b>Charter</b>	2002, 1204, 1423, 1517, 0171, 1963, 0463, 1463, 0842, 1326, 167, 415, 424, 450, 456, 461, 507, 523, 567, 577, 586
<b>Comcast</b>	10463, 10171, 11204, 11326, 11463, 11517, 11641, 11780, 11785, 11892, 11963, 12002, 01877, 00276, 01982, 01376, 00810, 01187, 01106, 00877, 00476
<b>Cox</b>	1326, 1463
<b>DirecTV</b>	10463, 10171, 11204, 11326, 11517, 11564, 11641, 11963, 12002, 11463, 12049
<b>Dish Network</b>	834, 720, 222, 898, 365, 777, 754
<b>RCA</b>	135, 12049, 11423, 11564, 10171, 10463, 11810, 11892, 11963, 12184, 12417
<b>Rogers</b>	0463, 1326, 2049, 1785, 1780, 1423, 1963
<b>Time Warner</b>	400, 450, 461, 456, 10463, 1463, 0463
<b>Verizon</b>	0198, 0490

For an up-to-date list of codes for other cable providers and universal remote brands, visit [www.insigniaproducts.com/remotecodes](http://www.insigniaproducts.com/remotecodes)

**ONE-YEAR LIMITED WARRANTY**  
Visit [www.insigniaproducts.com](http://www.insigniaproducts.com) for details.

**NEED ADDITIONAL HELP?**

Check out our **Support Community** at <http://community.insigniaproducts.com/> for helpful information from other Insignia TV owners.

**WE'RE HERE FOR YOU**  
[www.insigniaproducts.com](http://www.insigniaproducts.com)  
For customer service, call:  
**1-877-467-4289** (U.S./Canada)

**U.S. and Canada:**  
INSIGNIA is a trademark of Best Buy and its affiliated companies.  
Registered in some countries.  
Distributed by Best Buy Purchasing, LLC  
7601 Penn Ave South, Richfield, MN 55423 U.S.A.

**Mexico:**  
**01-800-926-3000**  
Best Buy Imports S. DE R.L. DE C.V.  
Avenida Santa Fe No. 440 Piso 2 Ofina 202 Y 203 P3 Y P4,  
Colonia Santa Fe Cuajimalpa, C.P. 05348,  
Cuajimalpa De Morelos, Mexico, Ciudad De Mexico

©2018 Best Buy. All rights reserved.  
**Made in China**