

JBL CINEMA SB250

Home Cinema 2.1 soundbar with wireless subwoofer

ENGLISH



OWNER'S MANUAL



JBL CINEMA SB250

TABLE OF CONTENTS

INTRODUCTION	3
ITEMS INCLUDED	3
JBL CINEMA SB250 TOP PANEL CONTROLS	4
JBL CINEMA SB250 SOUNDBAR REAR PANEL CONTROLS AND CONNECTIONS	4
JBL CINEMA SB250 SUBWOOFER CONTROLS AND CONNECTIONS	5
REMOTE CONTROL FUNCTIONS	5
PLACING THE JBL CINEMA SB250	6
OPERATION	7
TURNING THE JBL CINEMA SB250 ON AND OFF	7
OPERATING THROUGH BLUETOOTH®	7
ADJUSTING THE SYSTEM VOLUME	8
SURROUND MODE BUTTON	8
PROGRAMMING JBL CINEMA SB250 TO RESPOND TO YOUR TV REMOTE	8
TROUBLESHOOTING	9
SPECIFICATIONS	10

JBL CINEMA SB250

Introduction

Thank you for choosing this JBL product. The JBL CINEMA SB250 powered soundbar speaker system is a complete, integrated sound system that will create an extraordinarily realistic cinema experience in your own living room. The powered soundbar unit can mount on a wall or sit on a shelf and comes complete with all of the cables required to connect it to your TV, your cable/satellite tuner and disc player. The wireless subwoofer unit supplies all of your entertainment's drama and impact, and can be placed anywhere without needing to be connected to the soundbar unit.

We're confident that this JBL system will provide every note of enjoyment that you expect – and when the time comes to purchase additional audio equipment for your home, car or office, you'll choose JBL products.

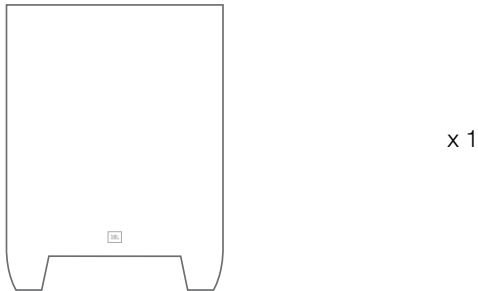
This quick-start guide contains all the information you need to set up, connect and adjust your new speaker system. For more in-depth information, please go to our website: www.jbl.com.

Items included

Soundbar



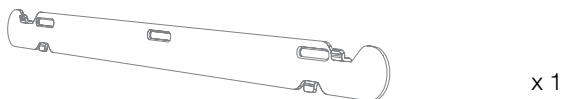
Wireless subwoofer



Remote



Wall mount accessories



Optical cable



Analog aux cable



Soundbar power cable

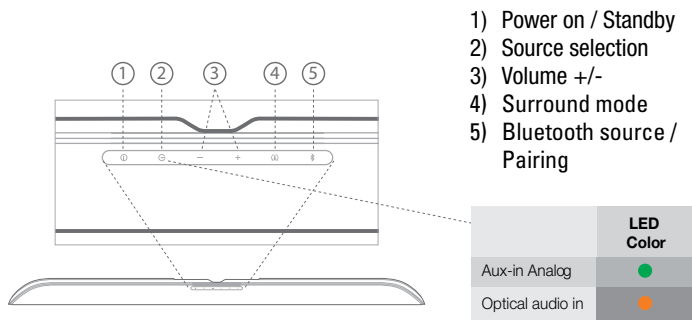


Subwoofer power cable



JBL CINEMA SB250

JBL CINEMA SB250 TOP PANEL CONTROLS



Power Button: The Power button toggles the JBL CINEMA SB250 between ON and Standby. When the JBL CINEMA SB250 is in Standby mode (the button LED indicator is amber), press this button to turn the system ON (the button LED indicator turns white). The subwoofer will remain on for approximately ten minutes after the soundbar goes into Standby mode. If the system is in MUTE mode, the power indicator will also blink white.

NOTE: The JBL CINEMA SB250 and wireless subwoofer will switch into standby mode after 10 minutes of inactivity.

Auto turn-on: The JBL CINEMA SB250 has a signal detector that automatically turns the unit ON when it senses an audio signal from paired Bluetooth source. The auto turn-on mode gets activated for analog or optical inputs only when the JBL CINEMA SB250 detects an audio signal on the input it was on before going into automatic Standby mode.

NOTE: If the JBL CINEMA SB250 is put in standby using the power button, this will deactivate the auto turn-on feature on the analog and optical inputs.

Source Button: The Source can be changed by pressing the Source Selection Button. Cycle through options to select your preferred Source in this order: AUX > OPTICAL > AUX.

Volume Up/Down Buttons: Press the (–) button to reduce the volume, press the (+) button to increase the volume.

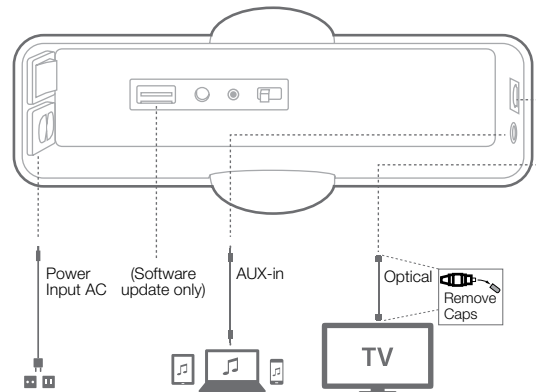
NOTE: Pressing both Volume buttons at the same time will mute the system. Pressing either Volume buttons while the system is muted will restore the sound.

Surround Mode Button: The surround mode button turns Harman Display Surround processing ON and OFF. The surround mode indicator turns amber when Harman Display Surround is active and turns white when Harman Display Surround is not active (normal stereo sound – see page 8 for more details).

Bluetooth® (BT): The Bluetooth button is used to set the JBL CINEMA SB250 into Bluetooth mode. You can pair the system with Bluetooth-enabled devices using this button (see page 7).

NOTE: JBL CINEMA SB250's Bluetooth device name is CINEMA SB250.

JBL CINEMA SB250 SOUNDBAR REAR PANEL CONTROLS AND CONNECTIONS



- 1) Power switch
- 2) Power input AC
- 3) Subwoofer wireless pairing button and LED indicator
- 4) Wall / Table EQ
- 5) Analog Audio in
- 6) Optical Audio in
- 7) USB port

Power Switch: The power switch turns the JBL CINEMA SB250 ON/OFF. This switch must be turned on before you can operate the system. Once this switch is turned on, the system will enter Standby mode (the top-panel power indicator will be amber).

Power Input AC: Connect the supplied AC power cable to this input.

Pairing Button and LED: Press the Pairing button to initiate wireless pairing between the soundbar and the wireless subwoofer. See Pairing the Units for Wireless Operation, on page 5 for more information.

EQ Switch: Use this switch to adjust the soundbar's bass for either wall or table mounting.

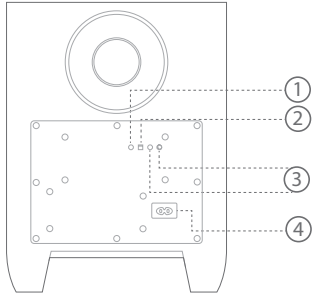
Aux input (Analog Audio in): You can connect an analog audio device to the CINEMA SB250 by using the supplied 3.5 mm to RCA cable.

Optical (Digital Audio in): If your TV, disc player or cable/satellite tuner has an optical digital output, use the included optical cable to connect it here. Once a Dolby Digital audio stream is sensed by the soundbar, its Dolby Digital decoding becomes active.

USB Port: For software update only.

JBL CINEMA SB250

JBL CINEMA SB250 SUBWOOFER CONTROLS AND CONNECTIONS



- 1) Power indicator
- 2) Phase switch (0–180°)
- 3) Wireless pairing button and LED indicator
- 4) Power input AC

Power Indicator: When the subwoofer is in standby mode the LED indicator is amber. When the system is turned ON the LED indicator becomes white.

Phase Switch: This switch determines whether the subwoofer driver's piston-like action moves in and out in phase with the speakers in the soundbar. If the subwoofer were to play out-of-phase with the soundbar speakers, some of the sound waves produced by the subwoofer or soundbar could be canceled, reducing bass performance and sonic impact. This phenomenon depends in part on the relative placement of the speakers in the room. Refer page 6, for more information.

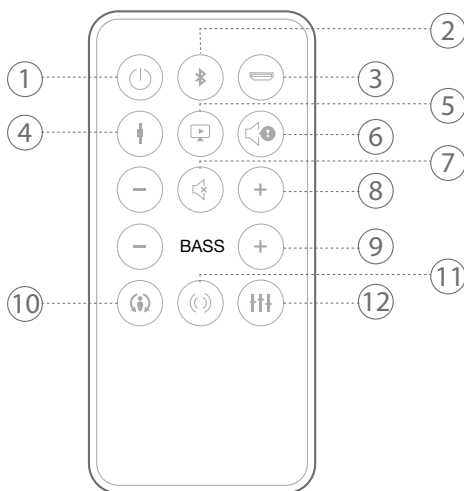
Wireless Pairing button and LED indicator:

Press this button to initiate wireless pairing between the subwoofer and the soundbar. See Pairing the Units for Wireless Operation, on page 7, for more information.

- The LED lights blue continuously when the subwoofer is on and linked to the soundbar.
- The LED slowly flashes blue when the subwoofer is on and the wireless link is not established between the subwoofer and the soundbar.
- The LED rapidly flashes blue during the wireless pairing process.

Power Input AC: Connect the supplied AC power cable to this input.

REMOTE CONTROL FUNCTIONS



The following command buttons are included with the remote control:

1. Power on/Standby
2. Bluetooth
3. Aux-In (Analog)
4. Optical (Digital)
5. Audio Feedback
6. Mute
7. Volume +/-
8. Subwoofer Volume +/-
9. Harman Display Surround
10. Stereo
11. Harman Volume

Power on/Standby: To bring the JBL CINEMA SB250 to operational mode from Standby mode, press the Power button (the power indicator on the JBL CINEMA SB250 will turn white). To put the system in the Standby mode, press the power button while the system is switched ON (the power indicator on the JBL CINEMA SB250 will turn amber). If you do not press the Power button, the JBL CINEMA SB250 will automatically go into Standby mode approximately 10 minutes after the audio input signal stops.

Bluetooth: This button is used to set the soundbar into Bluetooth mode. It is also the same button that will be used to pair your system with Bluetooth-enabled devices. Use a Short Press to switch to Bluetooth source. Press and hold to make the unit go into pairing mode.

NOTE: JBL CINEMA SB250's Bluetooth device name is CINEMA SB250.

Aux-In (Analog): Press this button to select an Analog source.

Optical (Digital): Press this button to select a Digital source.

Audio Feedback: The Audio Feedback button on the remote control enables/disables audio feedback. When enabled, this feature will add an audible tone to help you recognize when these other features are engaged:

1. Bluetooth
2. Harman Volume on/off
3. Subwoofer volume control
4. Audio feedback on/off

When Audio Feedback is disabled, you will not hear any audible tone when using these functions.

Mute: Press the mute button to mute the sound, press the mute button again or any Volume button to release the mute control.

Volume +/-: Press the "+" button to increase volume; press the "-" button to decrease volume.

Subwoofer Volume +/-: The Bass +/- buttons on the remote control increase and decrease the subwoofer levels.

JBL CINEMA SB250

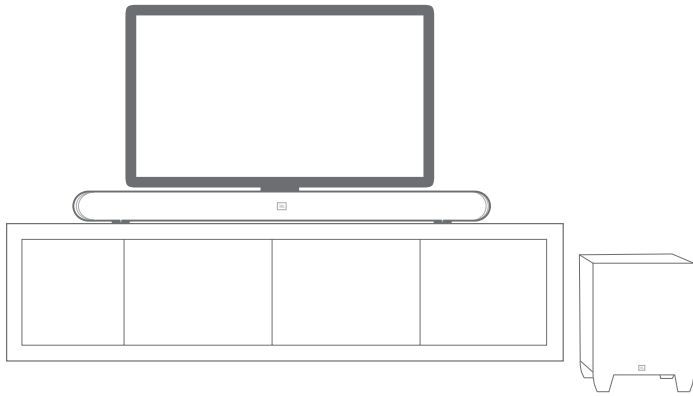
Harman Display Surround: This button turns the JBL CINEMA SB250's Harman Display Surround processing ON/OFF. The Surround button indicator on the JBL CINEMA SB250 turns amber when Surround is active, and turns white when Stereo mode is active. The HARMAN Display Surround setting will produce a complete surround-sound experience for anyone sitting in front of and several feet away from the soundbar. Although it is particularly effective when watching movies, you can also try the HARMAN Display Surround setting for music.

Stereo: Use this button to switch your system into stereo mode.

Harman Volume: The Harman Volume button on the remote control activates Harman Volume. Harman Volume helps you keep your sound levels consistent and reduces extreme volume transitions. These types of transitions are typically experienced with television commercial interruption or movie transitions between quiet dialogue and loud sound effects.

PLACING THE JBL CINEMA SB250

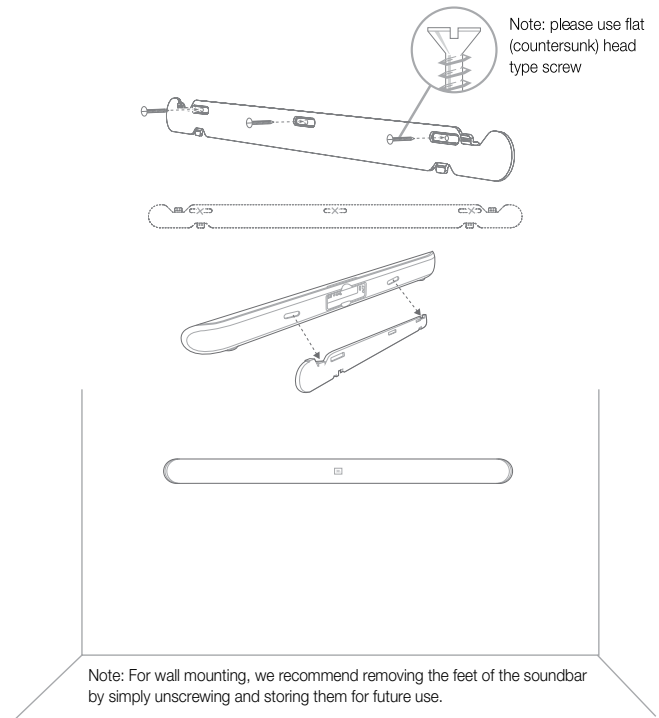
Placing the soundbar on a table



If your TV is placed on a table, you can place the soundbar on the table directly in front of the TV stand, centered with the TV screen. As long as the surface of the table is flat, the soundbar will rest on its metal feet.

- Set the soundbar's EQ switch in the "Table" position. Refer EQ switch on page 4 for more information.

Wall-mounting the soundbar



If your TV is attached to a wall, you can use the included wall-mount bracket to mount the soundbar on the wall.

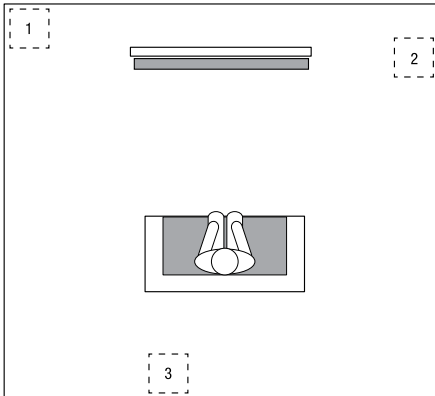
1. Determine the location for the soundbar on the wall.
2. Hold the bracket against the wall as a template and mark the locations of the wall-mount bracket holes on the wall. The three holes should be evenly spaced 7-1/16" (18cm) apart, and the bracket slots are designed to accept 4mm screws. Make sure that the holes are at the same height. See the illustration above. Mark three bracket hole locations: 7-1/16" (18cm) apart.
3. Making sure that the bracket's flat side is against the wall, attach the wall-mount bracket to the wall at the locations you marked, using hardware that is appropriate for the wall's construction and materials. Note that the soundbar weighs 7.3 lb (3.3kg). Be sure to use hardware that can support this weight.
4. After reading the Connections section on page 4, connect all cables to the soundbar.
 - Set the soundbar's EQ switch in the "Wall" position, and set the soundbar's Power switch in the "On" position. See Soundbar Rear-Panel Controls and Connections, on page 4.
5. Attach the soundbar to the bracket by sliding the bracket's upper tabs into the slots on the back of the soundbar. The soundbar's slots allow you to adjust the soundbar's angle on the wall to ensure that it is level. Insert tabs on bracket into grooves in soundbar.

Subwoofer placement

The performance of a subwoofer is directly related to its placement in the listening room and its physical position relative to the other speakers in the system. While it is true that, in general, our ears do not hear directional sounds at the low frequencies where subwoofers operate, remember that – when installing a subwoofer within the limited confines of a room – the reflections, standing waves and absorptions generated within the room will strongly influence the subwoofer system's overall performance. As a result, the specific location of the subwoofer in the room becomes important to the amount and quality of bass that is produced.

JBL CINEMA SB250

IMPORTANT: Make sure that the subwoofer's rear panel is at least 150 mm or 6" away from the wall to allow for proper operation.



You may place wireless subwoofer in the positions as represented in the above figure.

- Placing it in a corner that is position (1) will maximize the amount of bass in the room. However, corner placement can also increase the destructive effect of the standing waves on bass performance. This effect can vary depending on the listening position – some listening positions may yield very good results while others may have too much (or too little) bass at certain frequencies.
- Placing the subwoofer along the same plane as the soundbase – position (2) – can produce the best integration between the sound of the subwoofer and the soundbase. In some rooms, the best performance can be resulted by placing the subwoofer behind the listening position (3).

You can experiment with subwoofer placement by temporarily placing the subwoofer in the listening position and playing music with strong bass content. Move it to various locations in the room while the system is playing until you determine where the location of the best bass performance occurs. Place the subwoofer in that location.

OPERATION

Turning the JBL CINEMA SB250 ON and OFF

Manually: First, make certain that the rear panel power switch is turned ON. Then, short press the JBL CINEMA SB250's Power button either on the soundbar or the remote. To put the JBL CINEMA SB250 into Standby manually, short press the Power button either on the soundbar or the remote again.

Auto turn-off: The JBL CINEMA SB250 will automatically enter into Standby mode if no audio signal is detected at any of its source input connections for approximately 10 minutes.

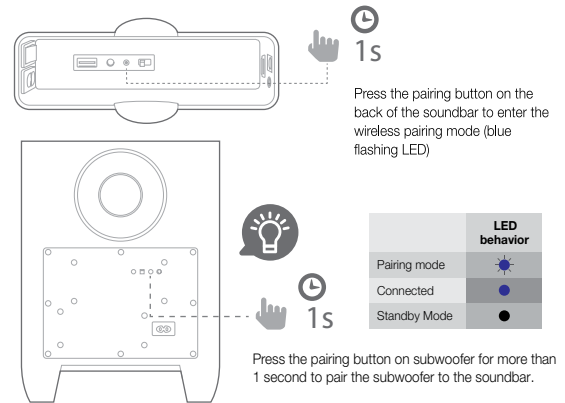
Auto turn-on: The JBL CINEMA SB250 has a signal detector that automatically turns the unit ON when it senses an audio signal from paired Bluetooth source. The auto turn-on mode gets activated for analog or optical inputs only when the JBL CINEMA SB250 detects an audio signal on the input it was on before going into automatic Standby mode.

NOTE: If the JBL CINEMA SB250 is put in standby using the power button, this will deactivate the auto turn-on feature on the analog and optical inputs.

Turning the subwoofer ON and OFF

Once the subwoofer and soundbar have been paired (see Pairing the Units for Wireless Operation, below) the subwoofer will turn on when the soundbar turns on and will remain on for approximately one minute after the soundbar enters the Standby mode, or for approximately 10 minutes after the audio signal ceases.

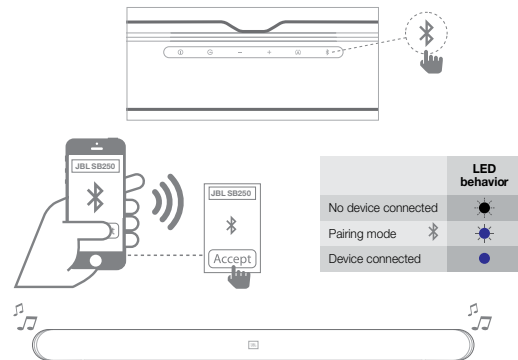
Pairing the Subwoofer to the soundbar



After turning the soundbar and subwoofer on for the first time, you will need to "pair" them both so they'll both operate at the same wireless frequency. To pair the units, press the Wireless Pairing switches on both units within 30 seconds of each other. The units will communicate with each other and operate at the same frequency.

NOTE: The maximum wireless operating distance between the soundbar and subwoofer is approximately 50 feet (15.3m).

Operating through Bluetooth®



To wirelessly stream audio to the soundbar from a Bluetooth-enabled device:

1. Confirm that the JBL CINEMA SB250 is in the Bluetooth pairing mode (the Bluetooth button LED will be flashing blue). If the LED is not flashing blue, press and hold the Bluetooth button until its LED starts flashing blue.
2. Place your Bluetooth-streaming device in pairing mode.
3. Use your device's Bluetooth-pairing menu to pair it with the JBL CINEMA SB250. The system will appear as "CINEMA SB250" in the list of Bluetooth available devices. When the JBL CINEMA SB250's Bluetooth button LED illuminates constantly, it is paired with your device and you can stream audio via Bluetooth from the device to the JBL CINEMA SB250.

To listen to audio from the Bluetooth device, press the Bluetooth source button on the JBL CINEMA SB250 or remote to activate the source. If the JBL CINEMA SB250 is in Standby mode, you can automatically wake up the system by starting to stream an audio Bluetooth signal to the JBL CINEMA SB250 as long as your device has already been paired with the JBL CINEMA SB250. To disconnect the Bluetooth device, press and hold the JBL CINEMA SB250's Bluetooth button until the LED begins flashing.

NOTE:

- You can manually switch sources to the paired Bluetooth device by pressing the JBL CINEMA SB250's Bluetooth button.
- If you switch the JBL CINEMA SB250 to a different source while a paired Bluetooth device is streaming to the system, the JBL CINEMA SB250 will send a STOP command and the Bluetooth device will stop streaming.

JBL CINEMA SB250

- While pairing the Bluetooth device for the first time, it may reset the volume level to maximum.

Adjusting the System Volume

For the best sound, we recommend turning your TV's built-in speakers off. Consult your TV's owner's manual to find out how to do this. If there is no way to turn your TV's speakers off, you can adjust the TV's volume so that your JBL CINEMA SB250 system will always supply most of the sound:

1. Using the volume buttons on your TV, turn its volume all the way down.
2. Use the JBL CINEMA SB250's Volume Up/Down buttons to set the sound to a comfortable listening level. This way, your JBL CINEMA SB250 system should always be louder than your TV speakers.

IMPORTANT: If you play the JBL CINEMA SB250 at more than 50% of max volume it will automatically reset at 50% of the max volume when it is turned off using either the power button or the auto turn off function.

Surround Mode Button

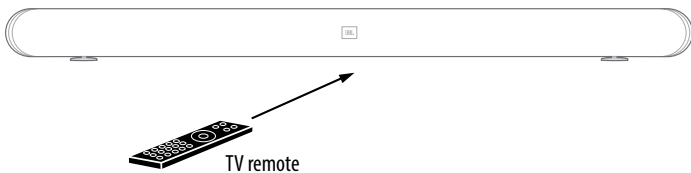
Press the soundbar's or remote's Surround Mode indicator to switch the sound between normal stereo and surround sound providing a complete surround-sound experience for anyone sitting in front of and several feet away from the soundbar. Although it is particularly effective when watching movies, you can also take advantage of the Surround setting for adding to your music-listening experience.

Programming JBL CINEMA SB250 to Respond to Your TV Remote

You can program the JBL CINEMA SB250 to make it respond to your TV remote's power, mute, volume up and volume down commands. This programming lets you control power and volume functions of your JBL CINEMA SB250 soundbar with your TV remote. Before beginning to program the JBL CINEMA SB250, have your TV remote in hand. We recommend sitting down in front of the soundbar.

NOTE: Some steps will time out, so read through this entire process before you begin.

Have the TV remote in hand. When you start programming the remote, be ready to aim the TV remote to the front of the soundbar from about 300mm–900mm (12–36 inches) away.



To program the power, volume down, volume up and mute commands:

1. Ensure that the JBL CINEMA SB250 is ON.
2. On the soundbar, press and hold the top-panel Surround button until the LED flashes amber. If the LED does not flash after three seconds, release the buttons and try again.
3. Press the soundbar top-panel button you want to program (Power, Volume Down, Volume Up, Volume Down and Up simultaneously for Mute).
4. Aim the TV remote at the front of the soundbar and slowly press the corresponding button on the top-panel button until the Surround button on the soundbar flashes white for one second. This indicates that the programming operation has been successful.
5. To exit the learning mode (at any time or when the learning is complete), press and hold the soundbar Surround button until the amber LED stops flashing.

NOTE: If you would like to program a new TV remote control or you are missing a command, restart the whole process.

To reset the JBL CINEMA SB250 remote settings:

1. Press the top-panel power button to enter Standby mode (amber color indicator)
2. Press and hold the Surround and Volume (–) buttons simultaneously

Once factory defaults are restored, the JBL CINEMA SB250 surround button will flash white for one second, then the unit will enter into operational mode.

JBL CINEMA SB250

TROUBLESHOOTING

If your JBL CINEMA SB250 system does not perform the way you think it should, check whether the problem is covered in this section before contacting your dealer or a JBL representative.

Problems	Solutions
If the soundbar does not turn ON	<ul style="list-style-type: none">• Check if the soundbar power supply's AC cord is plugged into a working AC outlet and that the power supply is plugged into the soundbar.
If the subwoofer does not turn ON	<ul style="list-style-type: none">• Check if the subwoofer's power cord is plugged into a working AC outlet.• Press the Power switch of the subwoofer.• Check if the subwoofer's AC fuse has blown. See Subwoofer Rear Panel Controls.
If there is no sound coming from both the soundbar and the subwoofer	<ul style="list-style-type: none">• Check if soundbar is ON (the Power Indicator should be white).• Check if the cable connecting the TV or other source component to soundbar is properly connected at both ends.• Check if the soundbar's Source Selector is set to the correct source and that source is playing an audio signal.• Check if the system is not muted. If the system is muted, press the volume buttons to un-mute the system.• Check if the soundbar's volume is not turned all the way down (the lowest setting of the Volume Down button will mute the system).
If there is no sound coming only from the subwoofer	<ul style="list-style-type: none">• Check if the Subwoofer Volume Control is not turned all the way down using the remote control.• Check if the wireless connection is still active (Blue LED constant in the back of the subwoofer). If the LED is flashing blue, then restart the pairing process.• Move the subwoofer closer to the soundbar. The maximum wireless operation distance is 50 feet (15.3 m).
If the soundbar's sound is distorted	<ul style="list-style-type: none">• Check the source component to see if the distortion is coming from it, and not from soundbar.
If there is sound from the system, even when the soundbar's volume is turned all the way up	<ul style="list-style-type: none">• If the TV or source component is connected via a variable output, check its instructions if the output is not turned down too low.
If the bass output is not loud enough	<ul style="list-style-type: none">• Turn up the subwoofer's volume using the remote control.• Move the subwoofer at a corner of the room.• Move the subwoofer closer to the seating location.
The volume is reset when I turn on the soundbar	<ul style="list-style-type: none">• This is actually an inbuilt feature of the soundbar. If the soundbar is playing at more than 50 percent of maximum volume and the power is turned off, the volume of the soundbar is automatically reset to 50 percent of the maximum volume when the system is turned ON.
My TV is ON and my SB250 is in Standby. When I switch off my television, it turns my SB250 ON	<ul style="list-style-type: none">• This is actually related to some issue on some television having wrong Hot Plug Detection (HPD) protocol. You can activate/deactivate HPD protocol by pressing the Surround and Volume buttons simultaneously.

JBL CINEMA SB250

SPECIFICATIONS

Frequency response: 45Hz – 20kHz

Maximum SPL: 100dB

JBL Cinema SB250 includes two-way, dual driver left and right speaker modules, each with two 55mm (2.25") full range drivers and a 32mm (1.25") dome tweeter

Wireless, powered subwoofer with a 165mm (6.5") driver in a ported enclosure

Total Cinema SB250 amplifier power: 320W max

Dolby® Digital Decoding

Bluetooth® connectivity

One stereo analog-audio input

One optical digital input


One USB port for software update

Dimensions: Soundbar (L x W x H): 39.4" x 2.4" x 3.1" (1000 x 62 x 78mm)

Weight: 7.3lb (3.3kg)

Subwoofer (L x W x H): 9.5" x 9.5" x 12.6" (242 x 242 x 320mm)

Weight: 10.6lb (4.8kg)

Торговая марка	: JBL
Назначение товара	: АКТИВНАЯ АКУСТИЧЕСКАЯ СИСТЕМА
Изготовитель	: ХАРМАН ИНТЕРНЕШНЛ ИНДАСТРИЗ ИНКОРПОРЕЙТЕД, США, 06901 КОННЕКТИКУТ, г.СТЭМФОРД, АТЛАНТИК СТРИТ 400, ОФИС 1500
Страна происхождения	: Китай
Импортер в Россию	: ООО "ХАРМАН РУС СиАйЭс", РОССИЯ, 127018, г.МОСКВА, УЛ. ДВИНЦЕВ, Д.12, КОРПУС 1
Гарантийный период	: 1 год
Информация о сервисных центрах	: www.harman.com/ru тел. +7-800-700-0467
Срок службы	: 5 лет
Срок хранения	: не ограничен
Условия хранения	: Стандартные при нормальных значениях климатических факторов внешней среды
Номер документа соответствия	: 
Дата производства	: Дата изготовления устройства определяется по двум буквенным обозначениям из второй группы символов серийного номера изделия, следующих после разделительного знака «-». Кодировка соответствует порядку букв латинского алфавита, начиная с января 2010 года: 000000-MY00000000, где «М» - месяц производства (А - январь, В - февраль, С - март и т.д.) и «Y» - год производства (А - 2010, В - 2011, С - 2012 и т.д.).



HARMAN International Industries,
Incorporated 8500 Balboa Boulevard,
Northridge, CA 91329 USA
www.jbl.com

© 2016 HARMAN International Industries, Incorporated. All rights reserved. JBL is a trademark of HARMAN International Industries, Incorporated, registered in the United States and/or other countries. Features, specifications and appearance are subject to change without notice. The Bluetooth® word mark and logos are registered trademarks owned by Bluetooth SIG, Inc. and any use of such marks by HARMAN International Industries, Incorporated is under license. Other trademarks and trade names are those of their respective owners. Manufactured under license from Dolby Laboratories. Dolby and the double-D symbol are trademarks of Dolby Laboratories.