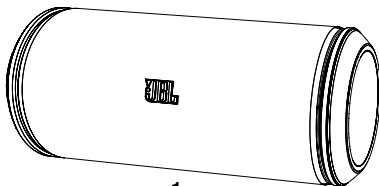


JBL® FLIP

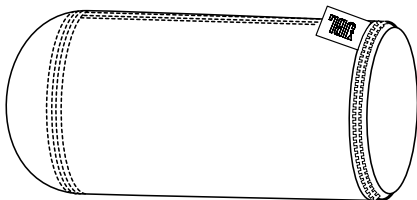
OWNER'S MANUAL



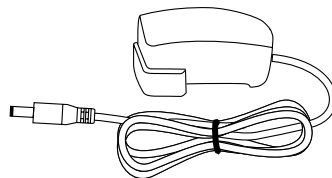
1x



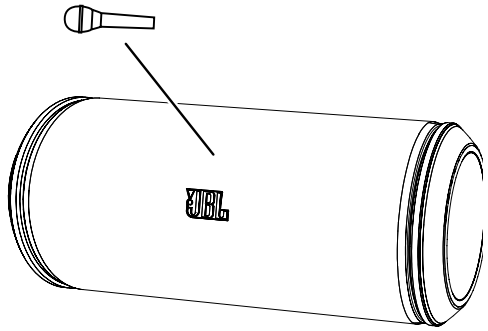
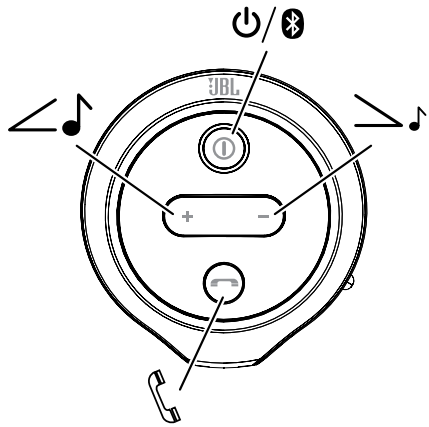
1x



1x



1x



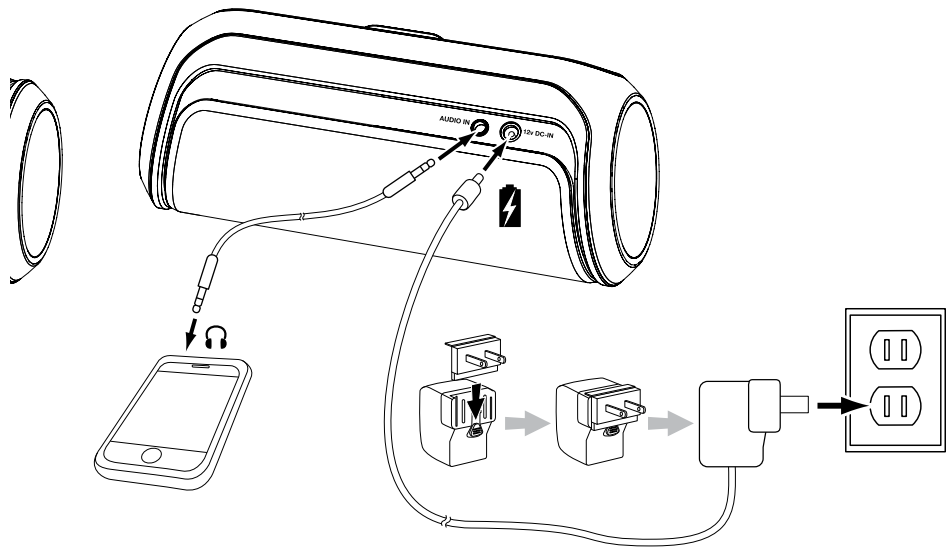
Power/Bluetooth

Volume Control

Call Answer

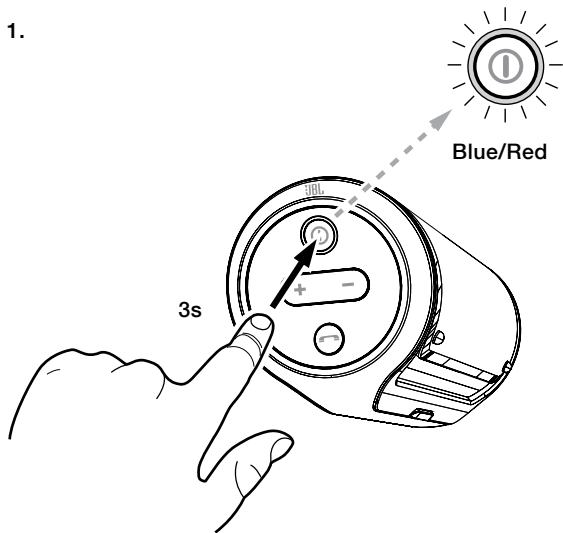
JBL

Microphone

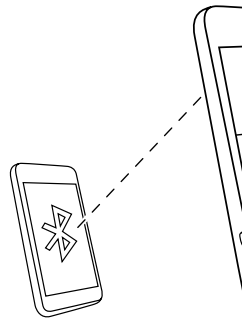


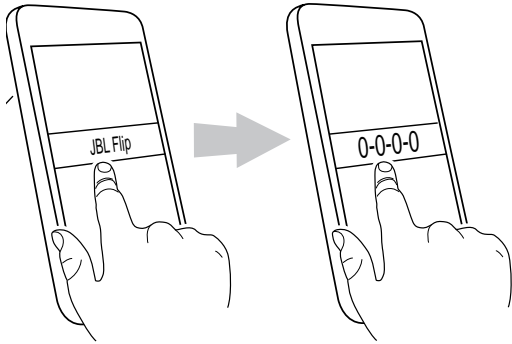


1.

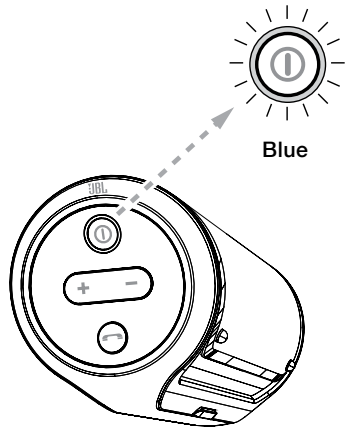


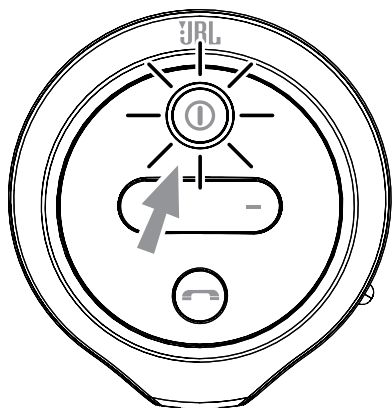
2.








3.







Blue = 

Red = 

Blue/Red (flashing) = 

 Blue	 Red	 Blue/Red (flashing)
Bleu	Rouge	Bleu (clignotant)
Azul	Rojo	Azul (intermitente)
Azul	Vermelha	Azul (piscando)
Blau	Rot	Blau (blinken)
Blu	Rosso	Blu (lampeggiante)
Blauw	Rood	Blauw (knippenen)
Blå	Rød	Blå (blinkende)
Sininen	Punainen	Sininen (vilkkuu)
Blått	Rött	Blått (blinkande)
Blå	Rød	Blå (blinkende)
Синий	Красный	Синий (мигающий)
青	赤	青 (点滅する)
蓝色	红色	蓝色 (閃爍)
파란색	빨간색	파란색 (점멸)

PHONE BUTTON OPERATION

CONDITION		
	SHORT PRESS	LONG PRESS
No Call	N/A	Enter Voice Recognition Mode
Dialing Outgoing Calls	Hang Up	Hang Up
Incoming Call #1	Answer Call	Reject Call
During Call	Hang Up	Switch Call from Flip to Phone
Incoming Call #2	Put Call #1 on Hold; Answer Call #2	Reject Call #2
Calls #1 and #2 Both Active	Hang Up Current Call; Switch to Other Call	Switch Between Call #1 and Call #2

SPECIFICATIONS

Transducers: 2 x 1-1/2" (38mm)

Amplifier power: 2 x 5W

Frequency response: 150Hz – 20kHz

Signal-to-noise ratio: >80dB

Battery type: Li-ion rechargeable

Bluetooth transmitter frequency range: 2.402 – 2.480GHz

Bluetooth transmitter power: 0 ~ 4dBm

Bluetooth transmitter modulation: GFSK

Listening time on battery power: >5 hours

Battery charge time: 3 hours

Dimensions (Dia x H): 63mm x 160mm (2-7/16" x 6-5/16")

SPECIFICATIONS

Transducteurs :	2 x 1-1/2 po (38mm)
Puissance d'amplificateur :	2 x 5W
Courbe de résonance :	150Hz – 20kHz
Rapport signal sur bruit :	>80dB
Type de batterie :	Li-ion rechargeable
Plage de fréquence de l'émetteur <i>Bluetooth</i> :	2.402 – 2.480GHz
Puissance de l'émetteur <i>Bluetooth</i> :	0 ~ 4dBm
Modulation de l'émetteur <i>Bluetooth</i> :	GFSK
Autonomie d'écoute :	> 5 heures
Durée de charge :	3 heure
Dimensions (Dia x H) :	63mm x 160mm (2-7/16 po x 6-5/16 po)

ESPECIFICACIONES

Transductores:	2 x 1-1/2" (38mm)
Potencia de amplificador:	2 x 5W
Respuesta en frecuencia:	150Hz – 20kHz
Relación señal/ruido:	>80dB
Tipo de pila:	Litio-ion recargable
Rango de frecuencia del transmisor <i>Bluetooth</i> :	2.402 – 2.480GHz
Potencia del transmisor <i>Bluetooth</i> :	0 ~ 4dBm
Modulación del transmisor <i>Bluetooth</i> :	GFSK
Tiempo de escucha a pilas:	>5 horas
Tiempo de carga de la pila:	3 horas
Dimensiones (Diámetro x Altura):	63mm x 160mm (2-7/16" x 6-5/16")

ESPECIFICAÇÕES

Transdutores:	2 x 1-1/2" (38mm)
Potência do amplificador:	2 x 5W
Resposta de frequência:	150Hz – 20kHz
Relação sinal/ruído:	>80dB
Tipo da bateria:	Íon-lítio recarregável
Intervalo de frequência do transmissor <i>Bluetooth</i> :	2.402 – 2.480GHz
Potencia do transmissor <i>Bluetooth</i> :	0 ~ 4dBm
Modulacao do transmissor <i>Bluetooth</i> :	GFSK
Tempo de reprodução com energia da bateria:	>5 horas
Tempo de carga da bateria:	32 horas
Dimensões (Diâm. x A):	63mm x 160mm (2-7/16" x 6-5/16")

SPEZIFIKATIONEN

Wandler:	2 x 38mm
Verstärkerleistung:	2 x 5W
Frequenzgang:	150Hz – 20kHz
Signal-Rausch-Verhältnis:	>80dB
Batterietyp:	Li-ion wiederaufladbare
<i>Bluetooth</i> -Sendefrequenzbereich:	2.402 – 2.480GHz
<i>Bluetooth</i> -Sendeleistung:	0 ~ 4dBm
<i>Bluetooth</i> -Sendemodulation:	GFSK
Hörstunden bei Batteriebetrieb:	>5 Stunden
Batterieladezeit:	3 Stunden
Abmessungen (Durchm. x H):	63mm x 160mm

SPECIFICHE

Trasduttori:	2 x 1-1/2" (38mm)
Potenza amplificatore:	2 x 5W
Risposta in frequenza:	150Hz - 20kHz
Rapporto segnale-rumore:	>80dB
Tipo batteria:	Ioni di litio ricaricabile
Intervallo di frequenza trasmettitore <i>Bluetooth</i> :	2.402 - 2.480GHz
Alimentazione trasmettitore <i>Bluetooth</i> :	0 ~ 4dBm
Modulazione trasmettitore <i>Bluetooth</i> :	GFSK
Tempo di ascolto con batteria:	>5 ore
Tempo di ricarica della batteria:	3 ore
Dimensioni (diam x A):	63mm x 160mm (2-7/16 po x 6-5/16 po)

仕様

トランスデューサー:	38mm 2個
アンプ出力:	2 x 5W
周波数応答:	150Hz - 20kHz
信号対雑音比 (SN比):	80dB未満
電池タイプ:	リチウムイオン再充電可能な
<i>Bluetooth</i> トランスミッターの周波数帯域:	2.402 - 2.480GHz
<i>Bluetooth</i> トランスミッターの電源:	0 - 4dBm
<i>Bluetooth</i> トランスミッターの変調方式:	GFSK
電池使用時の可聴時間:	5時間超
電池充電時間:	3時間
寸法 (直径×高さ):	63mm x 160mm (6-5/16インチ x 6-5/16インチ)

사양

트랜스듀서: 38mm 2개

앰프 출력: 2 x 5W

주파수 응답 대역: 150Hz ~ 20kHz

신호대 잡음 비율: 80dB 이상

배터리 타입: 리튬-이온 충전식

블루투스 송수신기 주파수 대역: 2.402 - 2.480GHz

블루투스 송수신기 전원: 0 ~ 4dBm

블루투스 송수신기 변조: GFSK

배터리 사용시간: 보다 큰 5시간

배터리 충전시간: 3 시간

규격(직경 x 높이): 63mm x 160mm
(2-7/16" x 6-5/16")

规格

变频器: 2 x 1-1/2" (38mm)

放大器功率: 2 x 5W

频率响应: 150Hz - 20kHz

信噪比: >80dB

电池类型: 锂离子充电

Bluetooth 蓝牙发射机频率范围: 2.402 - 2.480GHz

Bluetooth 蓝牙发射机功率: 0 - 4dBm

Bluetooth 蓝牙传输器调制: GFSK

电池电量收听时间: >5 小时

电池充电时间: 3 小时

尺寸 (直径 x 高): 63mm x 160mm
(2-7/16" x 6-5/16")

SPECIFICATIES

Omvormers:	2 x 38mm
Versterkervermogen:	2 x 5W
Frequentieweergave:	150Hz – 20kHz
Signaal-ruisverhouding:	>80dB
Type batterij:	Li-ion oplaadbare
<i>Bluetooth</i> zender frequentiebereik:	2.402 – 2.480GHz
Vermogen van de <i>Bluetooth</i> zender:	0 ~ 4dBm
<i>Bluetooth</i> zendermodulatie:	GFSK
Luistertijd voor batterij:	>5 uur
Oplaadtijd voor batterij:	3 uur
Afmetingen (Diameter x Hoogte):	63mm x 160mm

SPESIFIKASJONER

Omformere:	2 x 1-1/2" (38mm)
Forsterkereffekt:	2 x 5W
Frekvensrespons:	150Hz – 20kHz
Signal-til-stoy-forhold:	>80dB
Batteritype:	Li-ion genopladelige
<i>Bluetooth</i> -senders frekvensomrade:	2.402 – 2.480GHz
<i>Bluetooth</i> -senders effekt:	0 ~ 4dBm
<i>Bluetooth</i> -senders effekt:	GFSK
Lyttetid på batteristrøm:	>5 timer
Batteriladetid:	3 time
Dimensjoner (D x H):	63mm x 160mm (2-7/16" x 6-5/16")

TEKNISET TIEDOT

Anturit: 2 x 1-1/2" (38mm)

Vahvistinteho: 2 x 5W

Taajuusvaste: 150Hz – 20kHz

Äänentoisto: >80dB

Paristo: Li-ion

Bluetooth-lahettimen taajuusalue: 2.402 – 2.480GHz

Bluetooth-lahettimen teho: 0 ~ 4dBm

Bluetooth-lahettimen modulaatio: GFSK

Kuuntelu aika paristokäytöllä: > 5 tuntia

Pariston latausaika: 3 tuntia

Mitat (Halk. x K): 63mm x 160mm
(2-7/16 tuumaa x 6-5/16 tuumaa)

ТЕХНИЧЕСКИЕ ХАРАКТЕРИСТИКИ

Динамики: 2 x 1-1/2" (38mm)

Мощность усилителя: 2 x 5Вт

Частотная характеристика: 150Гц – 20кГц

Отношение сигнал/шум: >80дБ

Тип аккумулятора: Литий-ионный перезаряжаемый

Диапазон частот передатчика *Bluetooth*: 2.402 – 2.480GHz

Мощность передатчика *Bluetooth*: 0 ~ 4dBm

Модуляция передатчика *Bluetooth*: GFSK

Время звучания от аккумулятора: >5 часов

Время зарядки аккумулятора: 3 часа

Размеры (Диаметр x В): 63mm x 160mm
(2-7/16" x 6-5/16")

SPECIFIKATIONER

Omvandlare:	2 x 38mm
Förstärkareffekt:	2 x 5W
Frekvensåtergivning:	150Hz – 20kHz
Signalbrusförhållande:	>80dB
Batterityp:	Litiumjon
<i>Bluetooth</i> -sandarens frekvensområde:	2.402 – 2.480GHz
<i>Bluetooth</i> -sandareffekt:	0 ~ 4dBm
<i>Bluetooth</i> -sandarmodulering:	GFSK
Lyssningstid med batteri:	> 5 timmar
Batteriladdningstid:	3 timmar
Mått (diameter x höjd):	63mm x 160mm

SPECIFIKATIONER

Transducere:	2 x 1-1/2" (38mm)
Forstærkerstrøm:	2 x 5W
Frekvenssvar:	150Hz – 20kHz
Signal-til-støj-forhold:	>80dB
Batteri-type:	Li-ion opladbart
<i>Bluetooth</i> -sender:	2.402 – 2.480GHz
<i>Bluetooth</i> -sendereffekt:	0 ~ 4dBm
<i>Bluetooth</i> -sendermodulation:	GFSK
Lyttetid på batteristrøm:	> 5 timer
Batteri-opladetid:	3 time
Dimensioner (Dia. x H):	63mm x 160mm (2-7/16 tommer x 6-5/16 tommer)



FCC and IC Regulations (USA and Canada Only)

FCC and IC Information For Users

This device complies with Part 15 of the FCC rules and Industry Canada license-exempt RSS 210. Operation is subject to the following two conditions: (1) This device may not cause harmful interference; and (2) this device must accept any interference received, including interference that may cause undesired operation.

Le manuel d'utilisation des appareils radio exempts de licence doit contenir l'énoncé qui suit, ou l'équivalent, à un endroit bien en vue et/ou sur les appareils : Le présent appareil est conforme aux CNR d'Industrie Canada applicables aux appareils radio exempts de licence. L'exploitation est autorisée aux deux conditions suivantes : (1) l'appareil ne doit pas produire de brouillage, et (2) l'utilisateur de l'appareil doit accepter tout brouillage radioélectrique subi, même si le brouillage est susceptible d'en compromettre le fonctionnement.

This device complies with Industry Canada licence-exempt RSS standard(s). Operation is subject to the following two conditions: (1) this device may not cause interference, and (2) this device must accept any interference, including interference that may cause undesired operation of the device.

Radio and Television Interference

This equipment has been tested and found to comply with the limits for a Class B digital device, pursuant to Part 15 of the FCC rules. These limits are designed to provide reasonable protection against harmful interference in a residential installation. This equipment generates, uses and can radiate radiofrequency energy and, if not installed and used in accordance with the instructions, may cause harmful interference to radio communications. However, there is no guarantee that interference will not occur in a particular installation. If this equipment does cause interference to radio or television reception, which can be determined by turning the equipment off and then on, the user is encouraged to try to correct the interference by one or more of the following measures:

- Increase the separation between the equipment and the receiver.
- Connect the equipment to a different outlet so that the equipment and receiver are on different branch circuits.
- Consult the dealer or an experienced radio/ TV technician for help.

NOTE: Changes or modifications not expressly approved by HARMAN could void the user's authority to operate the equipment.

IC Statement and Warning (Canada Only)

This Class B digital apparatus complies with Canadian ICES-003. Cet appareil numérique de la classe B est conforme à la norme NMB-003 du Canada.



HARMAN International Industries, Incorporated
8500 Balboa Boulevard, Northridge, CA 91329 USA

© 2012 HARMAN International Industries, Incorporated. All rights reserved. JBL is a trademark of HARMAN International Industries, Incorporated, registered in the United States and/or other countries.

All Rights Reserved. Features, specifications and appearance are subject to change without notice.

Part No. 950-0470-001 Rev: A

www.jbl.com