

Owner's Manual

Model: JBL-PRV175

Watertight Stereo Receiver built for the Outdoors Featuring Bluetooth Audio Streaming, AM/FM, and Much More



The Bluetooth logo is owned by the Bluetooth SIG and licensed to Prospec.

This product is designed and manufactured by Prospec Electronics. Please contact us for any additional questions.

TABLE OF CONTENTS

Product Description ----- pg 1

Front Panel Layout ----- pg 2

User Operation ----- pg 3

 General ----- pg3

 Radio ----- pg 4

 USB ----- pg 5

 Bluetooth ----- pg 6

 Auxiliary Input ----- pg 6

 RCA output ----- pg 6

 Remote Option ----- pg 6

Installation ----- pg 7

Wiring ----- pg7

Troubleshooting ----- pg 8

Product Description

This radio features Bluetooth technology allowing music to wirelessly stream from an audio source to the receiver you just purchased. Why Bluetooth? From a practical standpoint, Bluetooth enables your music device (if applicable) to be placed in a glove box, your overhead console, or even your pocket-places that are dry-without having to install a separate docking station. In addition, Bluetooth audio streaming will work with any Bluetooth enabled device, not just one brand of media. Once connected, you can use your receiver to control your media device and vice versa! Bluetooth has a range of approximately 30', depending upon conditions, making this a practical solution for boats VTV's, and more!

The PRV-175 incorporates the following features:



AM/FM



Bluetooth Audio Streaming



USB input



Auxiliary input



Waterproof faceplate



45W x 4 amplifier



RF remote/wired remote option



U.S. and European tuning

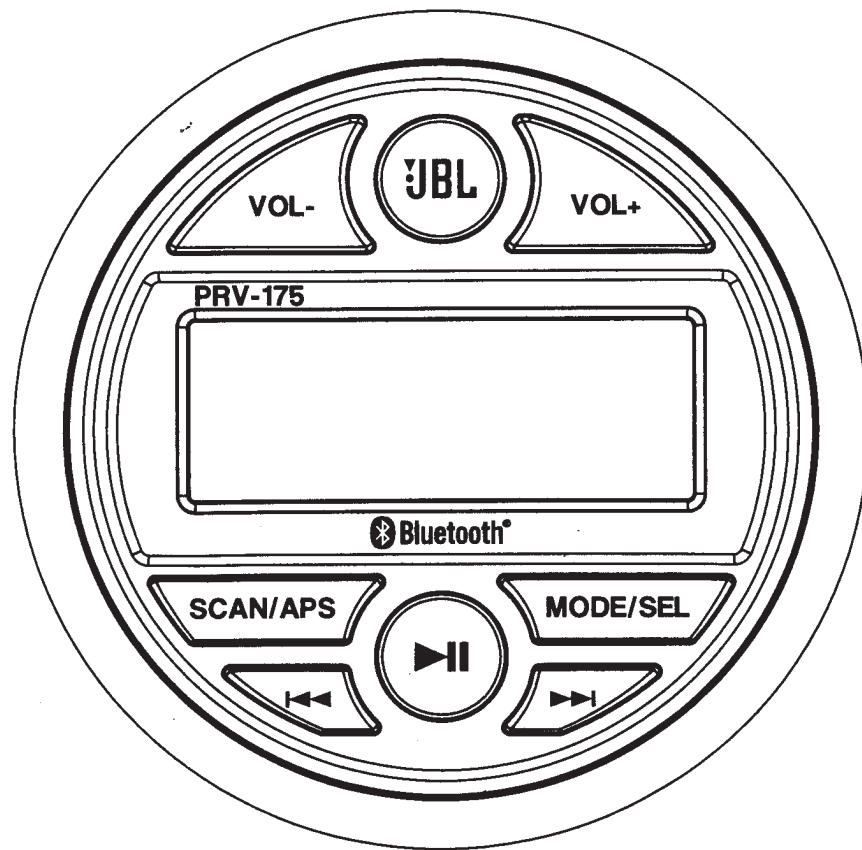


Charging through USB



1 pair of RCA output

Front Panel Layout



JBL

Power On/Off button.

Short push for the first time to turn the unit on.

With unit powered on, short push for MUTE feature.

Press and hold for more than 2 seconds to turn the unit off.

MODE

Mode Function.

Switches amongst Radio, BT AUDIO, USB and Auxiliary mode.

SEL

SEL stands for SELECT.

▶||

In Radio mode, this works Band Function.

In MP3 playing mode, it works Play/Pause function.



In any mode, press and hold it to enter into CLOCK function.

**SCAN/
APS**

In Radio mode, it works Auto Preset and Presets Scan function.

In USB mode, it works Search function.

Front Panel Layout

VOL +	Volume Increase
VOL -	Volume Decrease
	Track Up / Tune Up / Fast Forward
	Track Down / Tune Down / Reverse

General Operation

A. SEL button

Press and hold this button to enter into SELECT function, then repeatedly short push in succession results in the following menu options: Bass, Treble, Balance, Fader, Loud, EQ, Beep, Initial Volume, Area. Press the VOL+ or VOL- to adjust the options.

- **LOUD.** Choose between Loud ON or OFF.
- **EQ.** Choose between Classic, Pop, Rock, Jazz and EQ off.
- **Beep.** Choose between Beep ON, Beep 2ND, Beep OFF. Beep ON will result in the beep sound at the press of every button; Beep 2ND will result in the beep sound once the button is long pressed; Beep OFF results in the beep sound off completely.
- **Initial Volume.** Refers to the loudness level upon start of the receiver.
- **AREA.** Choose between USA and European.

B. button (Clock function)

- In any mode, press and hold this button for more than 2s.
- To adjust the Clock.

While the clock displays, press and hold it again, the Hour will blink, press VOL+ or VOL- to adjust hour; press it again, the Minute will blink, press VOL+ or VOL- to adjust minute.

Radio Operation



- A. Pres ►|| button (BAND function) to access FM and AM. There are three FM bands and two AM bands, each band contains six presets.
- B. APS button (Auto Preset Store). Press and hold APS will automatically preset six stations into the current band.
- C. SCAN button (Presets Scan). Simply press SCAN button to scan the preset stations in current band. At your desired station, press SCAN again to play the station.
- D. Tuning. A short press of the ►►| or |◄◄ button results in a search of the station and stops at next sufficient signal strength. A long press results in manual tuning mode, allowing you to search one odd digit frequency at a time. (It will revert back to AUTO tune mode with out operation in 5 seconds.)

USB Operation



Note: USB slot is for USB sticks only. For play of other brands of media, please use the auxiliary input or if applicable, utilize Bluetooth mode.

- A. Insert a USB stick into the USB slot. *Songs must be of the mp3 or wma format.*
- B. ►|| button. Press it to pause the track. Press it again to resume play.
- C. ►►| and |◄◄ button (Track Up / Track Down)
Short press Track Up or Track Down button to select the next or previous track.
Press and hold Track Up or Track Down button to go fast forward and rewind the current track respectively.
- D. APS button (Search function)
Short press APS button will result in track search mode. Press VOL+ or VOL- to your desired track and push SEL to confirm.

Bluetooth Operation

Your media device must incorporate the Bluetooth option in order to stream music.

- A. To pair your Bluetooth device, press the MODE button on the stereo until BT AUDIO appears.
- B. Press and hold SCAN button until PAIRING appears.
- C. Next, go to settings on the Bluetooth device and turn the Bluetooth option to “on”.
- C. Pick the “PRV-175” option on your Bluetooth enabled device (please note that if you are prompted for a password, the code entered will be “1234”. If your stereo does not immediately pair, press SCAN. This will allow the pairing process to finalize. A higher pitch frequency noise will alert you to the connection/success! The display will also read “CONN OK” (connection ok).
- D. To disconnect your device, press and hold SCAN button. “DISCONN” will appear letting you know you have successfully disconnected.

Auxiliary Input Mode

- A. Press the Mode button until “AUX” appears on the LCD screen.
- B. The use of auxiliary mode allows you to play the portable music device through the headphone jack.

Note: An additional accessory/adaptor must be purchased in order for this to happen. Prospec's part, SEAMINI2, or SEAUSBMINI fulfills this option.

RCA output

Description: The use of RCA outputs allow an amplifier or subwoofer to be hooked up.

Remote Option

- A. RF remote option.

In order to take advantage of the remote option, a transmitter and receiver must be purchased (together part #, MILRF9 UART). Once plugged in the RF remote dongle, the RF remote will allow for wireless remote control possibility.

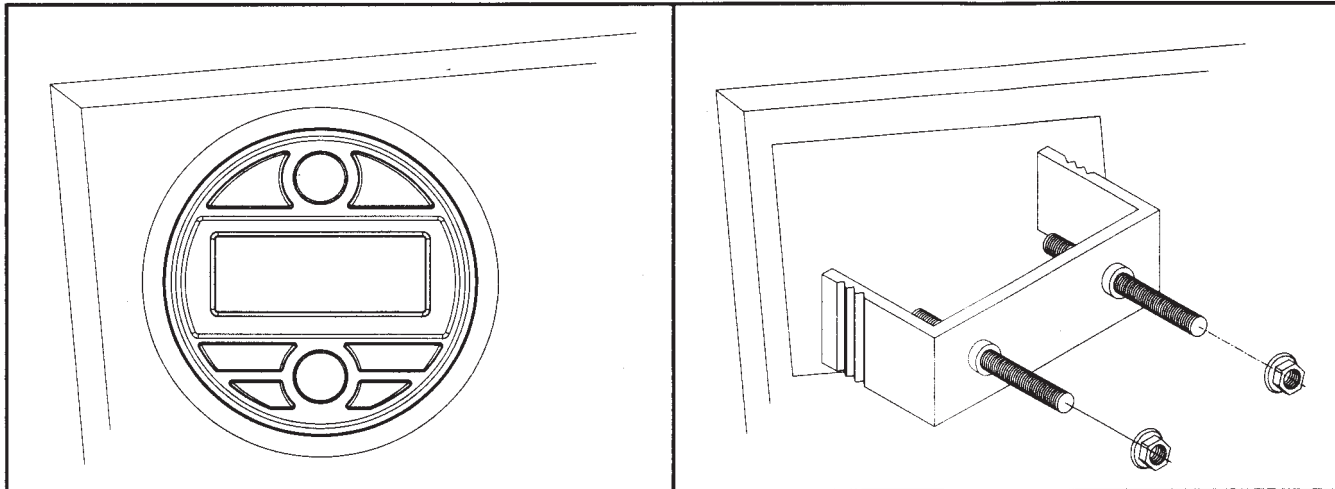
- B. Wired remote.

Proprietary wired remotes may also be used with this JBL unit. Part # JBLMC20 may be purchased as well as part # MILREM50.

Installation

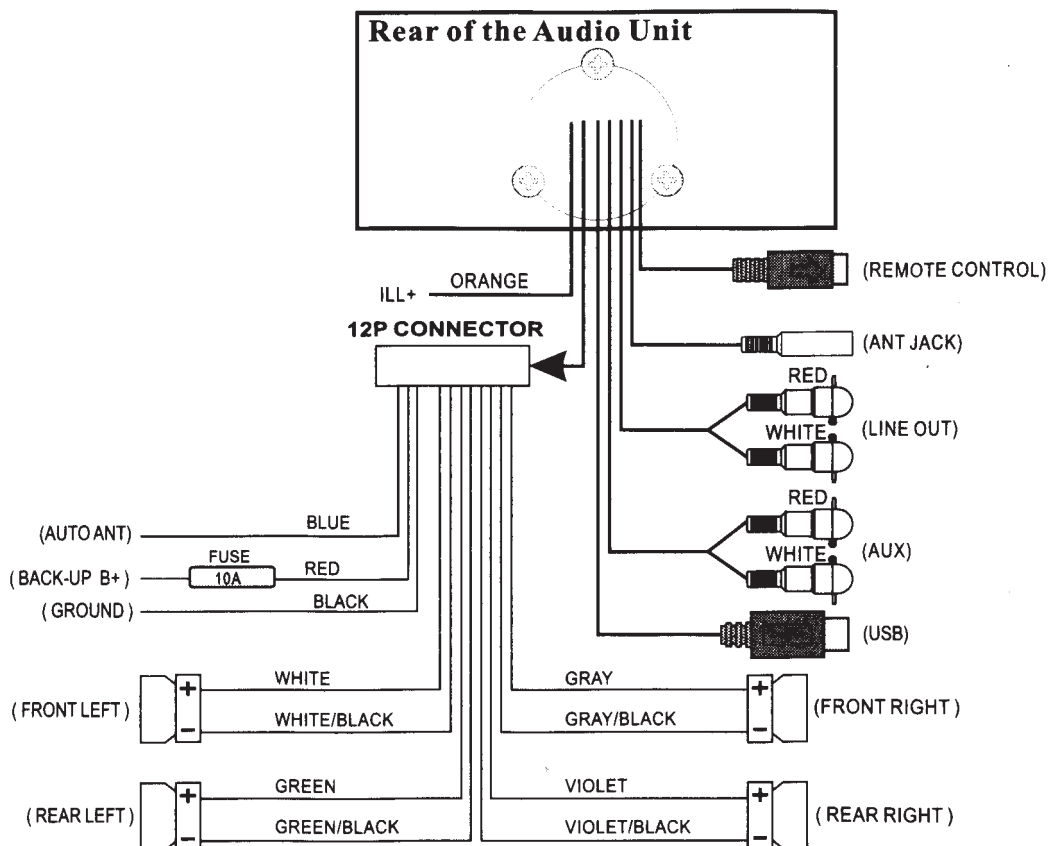
A mounting gasket has been added inside the package for convenience. Trace along the outside edge and this will be your cutout.

Mounting Illustration



1. Please install this unit in the place you prefer. Do not install beneath cup holders!
2. Use the bracket and screw to fix the unit. Install the U bracket behind the unit, using two nuts per bolt for ultra hold.

Wiring Identification



Troubleshooting

*Note: In many respects, a stereo acts much like a computer and occasionally requires a reboot. In the unlikely event of product malfunction, a reset can usually fix the issue. A reset is accomplished by holding the Mode and Preset 1 button simultaneously until the unit turns off.

Issue	Cause	Solution
No power	<ol style="list-style-type: none"> 1. Incorrect wiring 2. Fuse is blown 3. Low battery voltage 	<ol style="list-style-type: none"> 1. Double check wiring 2. Replace fuse 3. Check voltage of vehicle battery with multimeter. Voltage must be at least 11V.
No Sound	<ol style="list-style-type: none"> 1. Speaker connection came loose 2. Bad speaker 3. Output blown 4. Volume too low on media device 	<ol style="list-style-type: none"> 1. Double check connections. 2. Replace bad speaker with known good speaker and connect. 3. Send unit in for repair. 4. Increase volume of media device
No Reception	<ol style="list-style-type: none"> 1. Antenna not firmly seated in socket 	<ol style="list-style-type: none"> 1. Insert firmly
USB stick not reading	<ol style="list-style-type: none"> 1. File must be a mp3 or wma file 	<ol style="list-style-type: none"> 1. Convert format to mp3 or wma.
While in Bluetooth mode:		
No Connection	<ol style="list-style-type: none"> 1. You are not connected to the "PRV-175" address on your portable media device. 2. Out of range 3. The connection is already in use. 	<ol style="list-style-type: none"> 1. Choose "PRV-175" 2. Bring portable media device closer to the receiver. Device needs to be within 30'. 3. Ask the person who first paired to drop out.

Corporate Information

Prospec Electronics
3325 South Morgans Point Rd.
Mount Pleasant, SC U.S.A. 29466
843-849-9037 (P)
843-849-9054 (F)
www.prospecelectronics.com

Prospec has been providing outdoor audio products since 1986 and we thank you for purchasing this audio product.