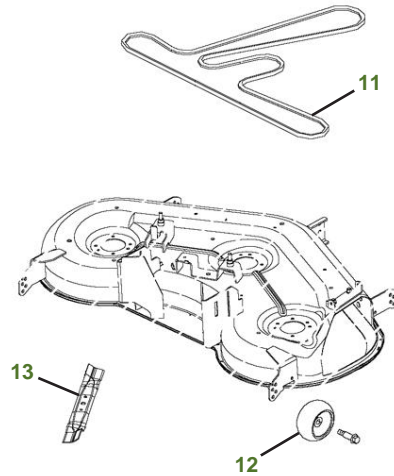
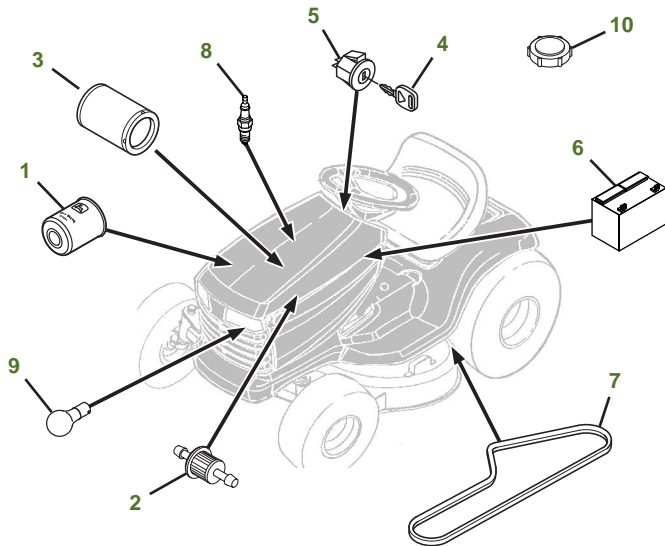


# MAINTENANCE REMINDER SHEET

## E140 with 48" Deck



Tractor S/N

Deck S/N

| Key | Part No.                 | Description          | Key | Part No.                 | Description      |
|-----|--------------------------|----------------------|-----|--------------------------|------------------|
| 1   | <a href="#">AM125424</a> | ENGINE OIL FILTER    | 8   | <a href="#">UC19085</a>  | SPARK PLUG       |
| 2   | <a href="#">AM116304</a> | FUEL FILTER-IN-LINE  | 9   | <a href="#">AD2062R</a>  | HEADLIGHT BULB   |
| 3   | <a href="#">MIU14395</a> | AIR FILTER-CARTRIDGE | 10  | <a href="#">AUC12860</a> | FUEL CAP         |
| 4   | <a href="#">GY20680</a>  | KEY                  | 11  | <a href="#">CX21833</a>  | BELT-MOWER       |
| 5   | <a href="#">GY20074</a>  | IGNITION SWITCH      | 12  | <a href="#">GX10168</a>  | GAGE WHEEL       |
| 6   | <a href="#">TY25221</a>  | BATTERY              | 13  | <a href="#">GX21784</a>  | 3N1 BLADE 48"    |
| 7   | <a href="#">GX20006</a>  | BELT-TRACTION DRIVE  |     | <a href="#">GY20852</a>  | KIT-BLADE 48"    |
|     |                          |                      |     | <a href="#">CX21785</a>  | KIT-BAGGING 48"  |
|     |                          |                      |     | <a href="#">CX21786</a>  | KIT-MULCHING 48" |

### Parts Needed in First 250 Hours of Operation

| Qty | Part No                  | Item  | Qty or Capacity | Change Interval In Hours |
|-----|--------------------------|---|-----------------|--------------------------|
| 10  | <a href="#">TY22029</a>  | Engine Oil<br>Turf-Gard™ 10W30                        | 1.9 L (2 qt)    | 50/100/150/200/250       |
| 5   | <a href="#">AM125424</a> | Engine Oil Filter                                     | 1               | 50/100/150/200/250       |
| 5   | <a href="#">MIU14395</a> | Air Filter  | 1               | 50/100/150/200/250       |
| 5   | <a href="#">AM116304</a> | Fuel Filter-In-Line                                   | 1               | 50/100/150/200/250       |
| 10  | <a href="#">UC19085</a>  | Spark Plug  | 2               | 50/100/150/200/250       |
| 2   | <a href="#">TY24416</a>  | John Deere Multi-Purpose HD<br>Lithium Complex Grease |                 | As Needed                |

### "As Needed" Parts

| Qty | Part No                  | Item                      |
|-----|--------------------------|---------------------------|
| 1   | <a href="#">AM130907</a> | Mower Deck Leveling Gauge |
| 1   | <a href="#">TY26518</a>  | Grease Gun                |

### Home Maintenance Kit

| Unit | Kit Number            |
|------|-----------------------|
| E140 | <a href="#">LG275</a> |

CLICK PART NUMBER TO BUY