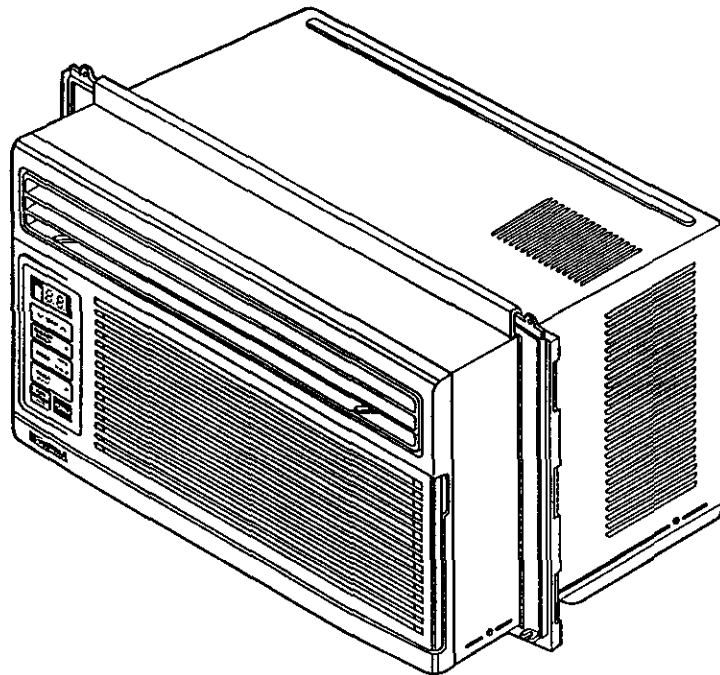


Owner's Manual
Manual del Propietario



ROOM AIR CONDITIONER ACONDICIONADOR DE AIRE DE VENTANA

Model, Modelo 580.71056



ENGLISH

ESPAÑOL

Sears, Roebuck and Co., Hoffman Estates, IL 60179-7000
www.sears.com

TABLE OF CONTENTS

TABLE OF CONTENTS	2	Features	9
WARRANTY	2	Using the Air Conditioner	9
SAFETY	3	Display	10
Important Safety Instructions	3	Remote Control	11
ELECTRICAL REQUIREMENTS	4	How to Insert Batteries	12
INSTALLATION	5	Air Direction Adjustment	12
Installation Requirements	5	MAINTENANCE	13
Installation	6	Air Filter Cleaning	13
How to Install	6	Air Conditioner Cleaning	13
Removal from Window	7	How to Remove the Front Grille	13
OPERATION	8	How to Replace the Front Grille	13
How and Why	8	TROUBLESHOOTING	14
Normal Sounds	8	Before Calling for Service	14
Capacity and Running Time	8	REPAIR PARTS	16
		ESPAÑOL	26
		SERVICE NUMBERS	Back Cover

WARRANTY

FULL ONE YEAR WARRANTY ON ROOM AIR CONDITIONER

For one year from the date of purchase, when this air conditioner is operated and maintained for normal room cooling according to instructions in this owner's manual, Sears will repair this air conditioner, free of charge, if defective in material or workmanship.

FULL FIVE-YEAR WARRANTY ON SEALED REFRIGERATION SYSTEM

For five years from the date of purchase, when this air conditioner is operated and maintained for normal room cooling according to instructions in this owner's manual, Sears will repair the sealed refrigeration system (consisting of refrigerant, connecting tubing, and compressor), free of charge, if defective in material or workmanship.

WARRANTY SERVICE IS AVAILABLE BY CONTACTING THE NEAREST SEARS SERVICE CENTER IN THE UNITED STATES.

Warranty coverage applies only to air conditioners used for non-commercial, private household purposes.

This warranty applies only while this product is in use in the United States.

This warranty gives you specific legal rights, and you may also have other rights which vary from state to state.

**Sears, Roebuck and Co., D/817WA,
Hoffman Estates, IL 60179 U.S.A.**

SAFETY

IMPORTANT SAFETY INSTRUCTIONS

The safety instructions below will tell you how to use your room air conditioner to avoid harm to yourself or damage to your ROOM AIR CONDITIONER.

⚠ WARNING FOR YOUR SAFETY

Do not store or use gasoline or other flammable vapors and liquids in the vicinity of this or any other appliance. Read product labels for flammability and other warnings.

⚠ WARNING PREVENT ACCIDENTS

To reduce the risk of fire, electrical shock, or injury to persons when using your air conditioner, follow basic precautions, including the following:

- Be sure the electrical service is adequate for the model you have chosen.
- If the air conditioner is to be installed in a window, you will probably want to clean both sides of the glass first. If the window is a triple-track type with a screen panel included, you may want to remove the screen completely before installation.
- Be sure the air conditioner has been securely and correctly installed according to the separate installation instructions provided with this manual. Save this manual and installation instructions for possible future use in removing or reinstalling this unit.
- When handling the air conditioner, be careful to avoid cuts from sharp metal fins on front and rear coils.

⚠ WARNING ELECTRICAL INFORMATION

The complete electrical rating of your new room air conditioner is stated on the serial plate. Refer to the rating when checking the electrical requirements.

- Be sure the air conditioner is properly grounded. To minimize shock and fire hazards, proper grounding is important. The power cord is equipped with a three-prong grounding plug for protection against shock hazards.
- Your air conditioner must be plugged into a properly grounded wall receptacle. If the wall receptacle you intend to use is not adequately grounded or protected by a time delay fuse or circuit breaker, have a qualified electrician install the proper receptacle.
- Do not run air conditioner with outside protective cover in place. This could result in mechanical damage within the air conditioner.
- Do not use an extension cord or an adapter plug.

⚠ WARNING Avoid fire hazard or electric shock. Do not use an extension cord or an adapter plug. Do not remove any prong from the power cord.

Grounding type wall receptacle



Power supply cord with 3-prong grounding plug

Do not under any circumstances cut, remove, or bypass the grounding prong from this plug.

ENERGY SAVING IDEAS

- The capacity of the room air conditioner must fit the room size for efficient and satisfactory operation.
- Install the room air conditioner on the shady side of your home. A window that faces north is best because it is shaded most of the day.
- Do not block air flow inside with blinds, curtains, or furniture; or outside with shrubs, enclosures, or other buildings.
- Close the floor and wall registers and the fireplace damper so cool air does not escape up the chimney and into the duct work.
- Keep blinds and drapes in other windows closed during the sunniest part of the day.
- Clean the air filter as recommended in the MAINTENANCE section of this manual.
- Proper insulation and weather stripping in your home will help keep warm air out and cool air in.
- External house shading with trees, plants or awnings will help reduce the air conditioner's work load.
- Operate heat producing appliances such as ranges, washers, dryers, and dishwashers during the coolest part of the day.

ENGLISH

ELECTRICAL REQUIREMENTS

OBSERVE ALL LOCAL CODES AND ORDINANCES.

DO NOT, UNDER ANY CIRCUMSTANCES, REMOVE THE POWER SUPPLY CORD GROUND PRONG.


ELECTRICAL GROUND IS REQUIRED ON THIS APPLIANCE.

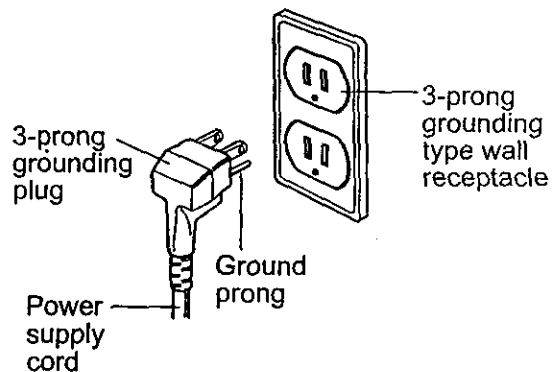
A 115-volt 60 Hz, AC only, 15A fused and properly grounded electrical supply is required. A time delay fuse or time delay circuit breaker is recommended. Use a dedicated circuit, serving only this appliance.

DO NOT USE AN EXTENSION CORD.

RECOMMENDED GROUNDING METHOD

For your personal safety, this appliance must be grounded. This appliance has a power supply cord with a 3-prong grounding plug. To minimize possible shock hazard, the cord must be plugged into a mating grounding type wall receptacle and grounded in accordance with the National Electrical Code (ANSI/NFPA 70) latest edition and all local codes and ordinances. If a mating wall receptacle is not available, it is the personal responsibility and obligation of the customer to have a properly grounded 3-prong wall receptacle installed by a qualified electrician.

⚠ WARNING

Electrical Shock Hazard Plug into a grounded 3 prong outlet. Do not remove ground prong. Do not use an adapter. Do not use an extension cord. Failure to follow these instructions can result in death, fire, or electrical shock.



INSTALLATION

INSTALLATION REQUIREMENTS

Your air conditioner will install into standard double hung windows with actual clear opening widths of 22 to 36 inches (558mm to 914mm) (FIG. 1).

Lower sash must open sufficiently to allow a clear vertical opening of 14 inches (356mm). Side louvers and the rear of the air conditioner must have clear air space to allow enough airflow through the condenser for heat removal. The rear of the unit must be outdoors, not inside a building or garage.

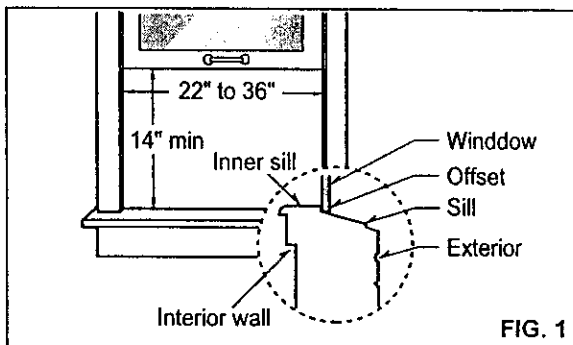




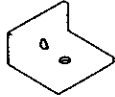


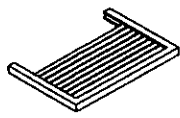

FIG. 1

ELECTRICAL SERVICE

Check your available electrical service. The power supply available must be the same as that shown on the unit nameplate (found on left side of cabinet).

All models are equipped with a 3-prong service plug to provide proper service and safe positive grounding. Do not change plug in any way. Do not use an adapter plug. If your present wall outlet does not match your plug, call a qualified electrician to make the necessary corrections. **SAVE CARTON** and this **OWNER'S MANUAL** for future reference. The carton is the best way to store unit during winter or when not in use.

INSTALLATION HARDWARE

<p>ITEM A: 11EA SHORT SCREW</p> 	<p>ITEM B: 4EA WOOD SCREW</p> 
<p>ITEM C: 3EA L BRACKET</p> 	<p>ITEM D: 1EA SEAL STRIP (Adhesive backed)</p> 
<p>ITEM E: 1EA SASH SEAL (Not adhesive backed)</p> 	<p>ITEM F: 2EA GUIDE PANEL</p> 
<p>ITEM G: 1EA DRAIN PIPE</p> 	



CAUTION

To avoid risk of personal injury, property damage, or product damage due to the weight of this device and sharp edges that may be exposed:

- Air conditioners covered in this manual pose an excessive weight hazard. Two or more people are needed to move and install the unit. To prevent injury or strain, use proper lifting and carrying techniques when moving unit.
- Carefully inspect location where air conditioner will be installed. Be sure it will support the weight of the unit over an extended period of time.
- Handle air conditioner with care. Wear protective gloves whenever lifting or carrying the unit. **AVOID** the sharp metal fins of front and rear coils.
- Make sure air conditioner does not fall during installation.

REQUIRED TOOLS:

- Tight Fitting gloves
- Standard screwdriver
- Phillips screwdriver
- Pliers
- Sharp knife
- Carpenters level
- 3/8-inch open end wrench or adjustable wrench
- 1/4-inch hex socket and ratchet
- Tape measure
- Electric drill
- 1/4-inch drill bit

INSTALLATION

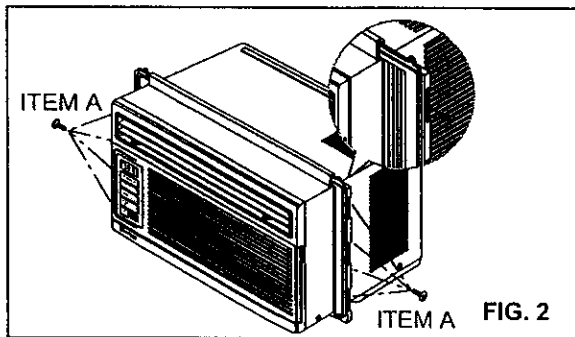
INSTALLATION

Pick a location which will allow you to blow the cold air into the area you want. Windows used for installation must be strong enough to support the weight of the air conditioner. Good installation with special attention to the proper position of the unit will lessen the chance that service will be needed.

HOW TO INSTALL

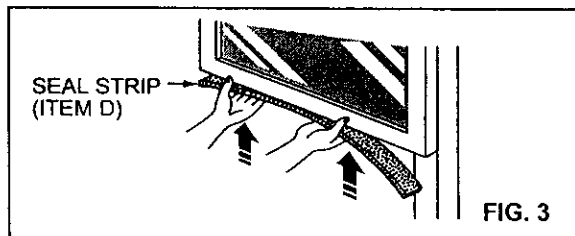
1 GUIDE PANELS

Insert the guide panels into the guides of the air conditioner. Fasten the curtains to the unit with screws (ITEM A), as shown in FIG. 2.



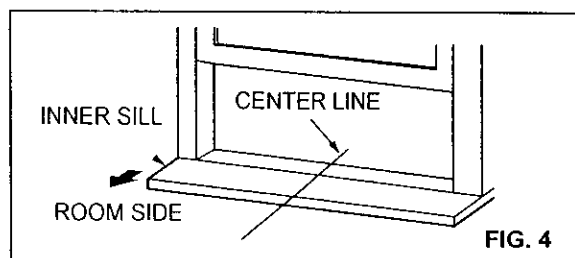
2 SEAL STRIP

Cut the adhesive-backed seal strip (ITEM D) to the window width. Remove the backing from the seal strip and attach the seal strip to the underside of the bottom window. (FIG. 3)



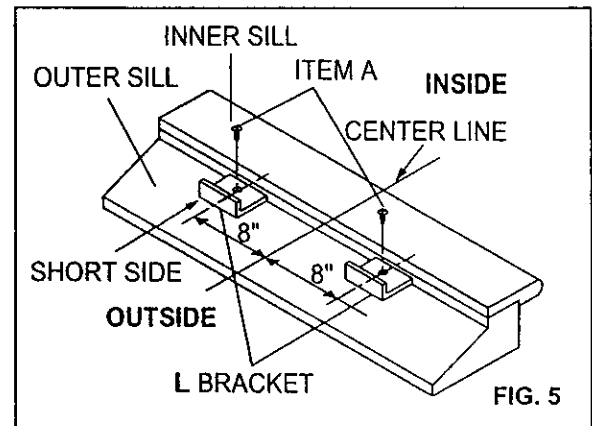
3 LOCATING UNIT IN WINDOW

Open the window and mark center line with pencil on the center of the inner sill, as shown in FIG. 4.



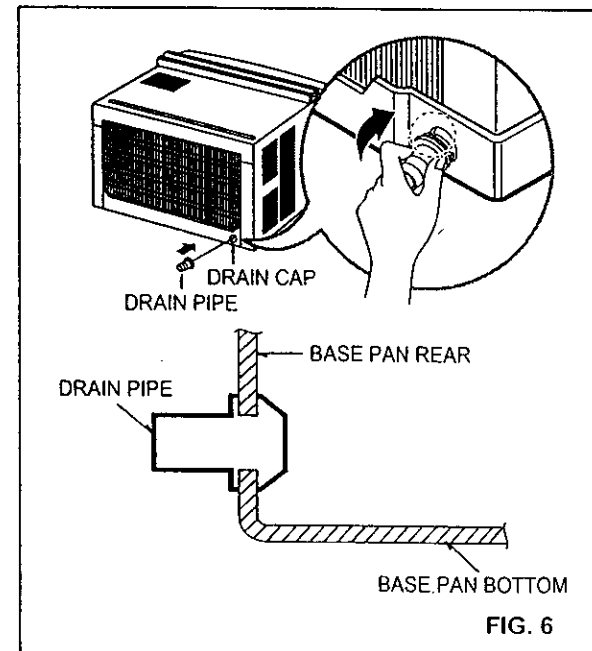
4 ATTACH L BRACKET

- Install the L brackets on the outer sill with the short side of the bracket against the back of the inner sill. Install one L bracket 8" to each side of center line. See FIG. 5.
- The bracket helps to hold unit securely in place. Be sure to place bracket edge flush against back of inner sill. See FIG. 5.
- If air conditioner is blocked by storm window frame, see step 9.



5 DRAINAGE

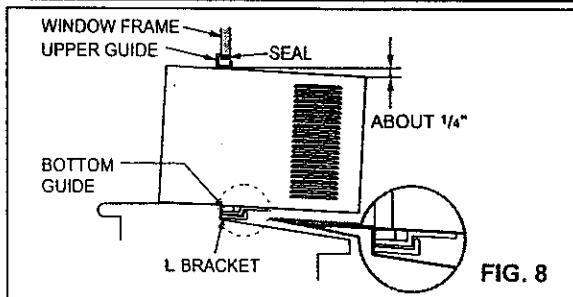
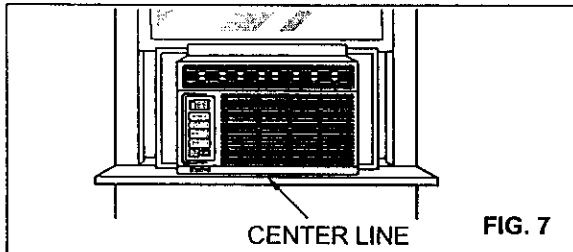
First, be sure to insert the drain pipe into base pan before installation. The air conditioner must be installed with a slight tilt downward for proper water drainage. The air conditioner will drain the excess condensed water through the drain pipe.



INSTALLATION

6 INSTALL THE AIR CONDITIONER IN THE WINDOW

- Carefully lift the air conditioner and slide it into the open window. Make sure the bottom guide of the air conditioner drops into the notches of the L brackets.
- When the air conditioner drops into the L brackets, the air conditioner will be centered in window opening as shown in FIG. 7.
- While steadying the air conditioner, carefully bring the window sash down behind the upper guide of the air conditioner, as shown in FIG. 8.

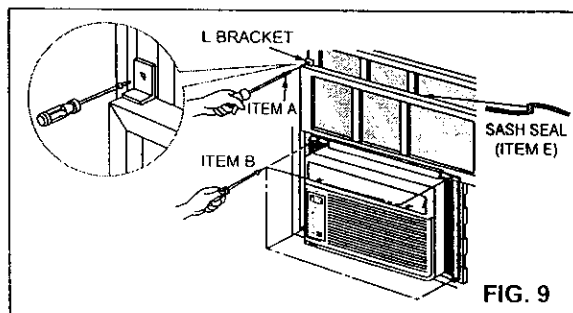


7 SECURE THE GUIDE PANELS

Extend the guide panels (ITEM F) to fill the window opening using 4 screws (ITEM B) to secure them, as shown in FIG. 9.

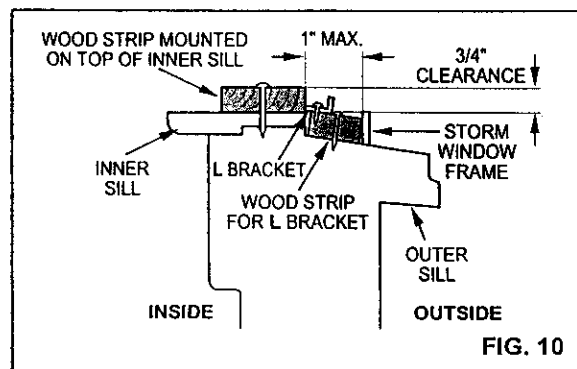
8 INSTALL THE SASH SEAL AND SASH LOCK

- Cut the sash seal (ITEM E) to the window width. Stuff the sash seal between the glass and the window to prevent air and insects from getting into the room, as shown in FIG. 9.
- Fasten the remaining L bracket on either side of the window using screw (ITEM A). See FIG. 9 inset. Installing this bracket prevents window from being raised which may result in unit falling.



9 IF AIR CONDITIONER IS BLOCKED BY STORM WINDOW FRAME

- If storm window presents interference, fasten a 2" wide wood strip to the inner window sill across the full width of the sill. The wood strip should be thick enough to raise the height of the window sill so that the unit can be installed without interference from the storm window frame. See FIG. 10. Top of wood strip should be approximately 3/4" higher than the storm window frame to help condensation to drain properly to the outside.
- Install a second wood strip (approximately 6" long by 1 1/2" wide and same thickness as first strip) in the center of the outer sill flush against the back of the inner sill. Screw the L brackets into this strip. This will raise the L bracket as shown in FIG. 10.



REMOVAL FROM WINDOW

Turn the air conditioner off, and disconnect the power cord. Remove the L bracket and the screws installed through the top and bottom of the guide panels, and save for reinstallation later. Close the guide panels. Keeping a firm grip on the air conditioner, raise the sash, and carefully tilt the air conditioner backward, draining any condensate water. Lift the air conditioner from the window and remove the sash seal from between the windows.

CAUTION

- Air conditioners covered in this manual pose an excessive weight hazard. Two or more people are needed to move and install the unit. To prevent injury or strain, use proper lifting and carrying techniques when moving unit.
- When handling the air conditioner, be careful to avoid cuts from sharp metal fins on front and rear coils.
- Make sure air conditioner does not fall during removal.

OPERATION

HOW AND WHY

Your room air conditioner provides the following functions to make hot weather living more comfortable:

- Cools and circulates room air.
- Lowers humidity by removing excess moisture.
- Filters out summertime dust, dirt, and some airborne impurities.

The air conditioner performs these functions by drawing room air through a filter which traps dust and dirt particles. The air then passes over a cooling coil which refrigerates the air and removes excess moisture. The same air is then returned to the room—cooler, drier, and cleaner. Moisture removed from the room air is carried to the outside and evaporated.

Your air conditioner is designed to be easy to operate and to provide plenty of cooling power.

NORMAL SOUNDS FIG. 11

Aside from the regular fan motor and compressor sounds coming from your air conditioner, you will once in a while hear a pinging sound. This is the result of moisture being picked up from the air in the room and thrown against the air conditioner's fan. This is normal and should not be cause for concern. Also, do not be alarmed if you hear a slight hissing or gurgling sound coming from your air conditioner after it is off. These are normal coolant noises.

CAPACITY AND RUNNING TIME

Proper unit size is important in deciding the desired comfort for the area you want to cool. The proper size is determined by the number of square feet in the area to be cooled.

Whenever the heat or humidity load is above normal the air conditioner must run longer and more often to keep the desired temperature you have selected. Under heavy heat load conditions the air conditioner may need to run constantly to keep the temperature you want.

At times using the HIGH FAN setting to circulate the room air may make it comfortable even though you do not have the air conditioner set to cool the air. This will decrease your cost of use.

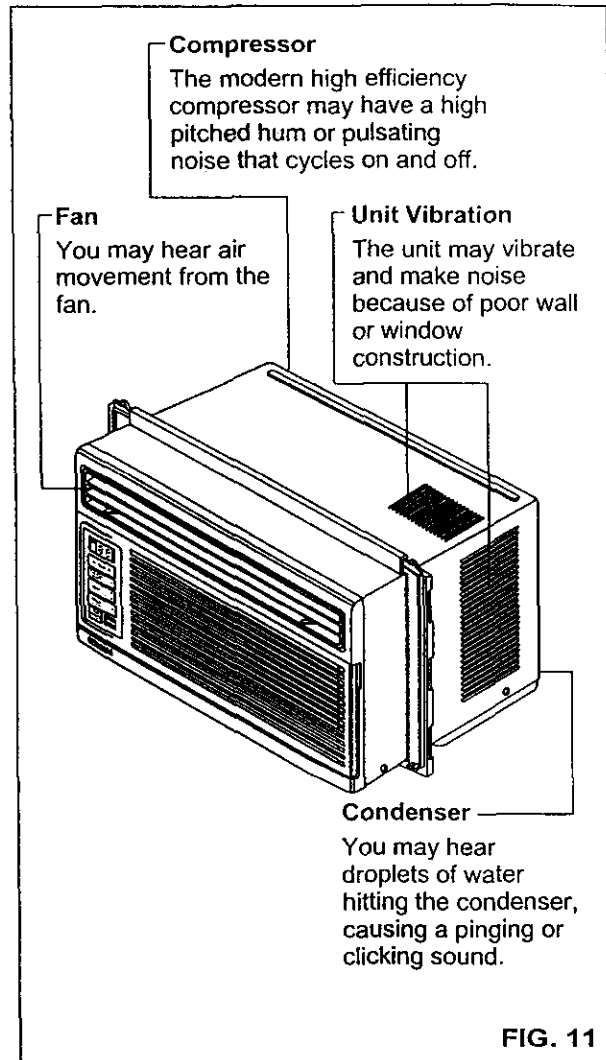
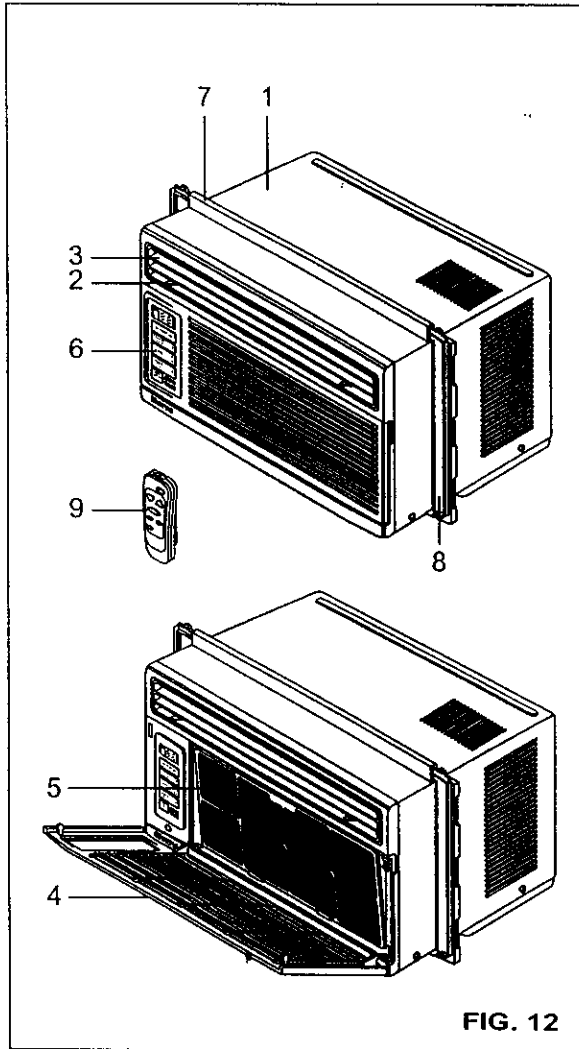


FIG. 11

OPERATION

FEATURES



1. Cabinet
2. Horizontal Air Direction Control Tab
3. Cool Air Discharge
4. Inlet Grille
5. Air Filter
6. Control Board
7. Upper Guide
8. Curtain
9. Remote Control

USING THE AIR CONDITIONER

⚠ WARNING To reduce the risk of fire, electric shock, or injury to persons, read the important SAFETY instructions section before operating this appliance.

To begin operating the air conditioner after installation, follow these steps:

1. Plug in the air conditioner. (To prevent electrical hazards, do not use an extension cord or an adapter plug.)
2. Set the TEMP control to the lowest number.
3. Set the MODE control to the COOL.
4. Adjust the louvers for comfortable air flow.
5. Once the room has cooled, adjust the TEMP and FAN SPEED control to the setting you find most comfortable.

NOTE : If the air conditioner is turned off, wait 3 minutes before restarting. This allows pressure inside the compressor to equalize. Failure to wait 3 minutes before restarting may cause inefficient operation.

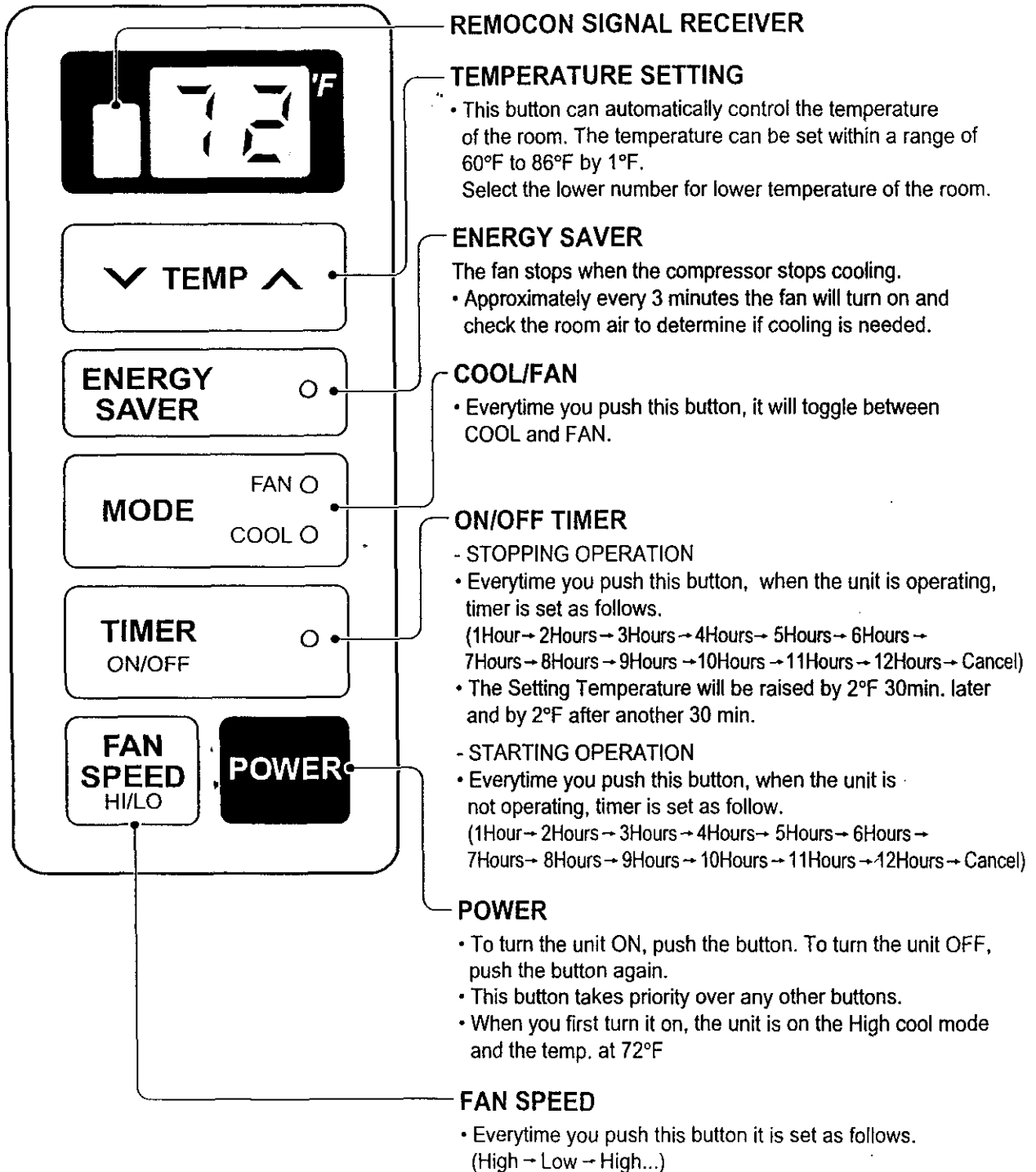
If you move the TEMP control to a warmer, then immediately back to a cooler setting, the unit will run without compressor on. Wait 3 minutes before restarting.

Review the DISPLAY section for other settings. (See page 10)

ENGLISH

OPERATION

DISPLAY



OPERATION

REMOTE CONTROL

Precaution: The Remote Controller will not operate properly if strong light strikes the sensor window of the air conditioner or if there are obstacles between the Remote Controller and the air conditioner.

POWER

- To turn the unit ON, push the button. To turn the unit OFF, push the button again.
- This button takes priority over any other buttons.
- When you first turn it on, the unit is on the High cool mode and the temp. at 72°F

TEMPERATURE SETTING

- This button can automatically control the temperature of the room. The temperature can be set within a range of 60°F to 86°F by 1°F.
Select the lower number for lower temperature of the room.

FAN SPEED

- Everytime you push this button it is set as follows.
(High → Low → High...)

ON/OFF TIMER

- STOPPING OPERATION
- Everytime you push this button, when the unit is operating, timer is set as follows.
(1Hour → 2Hours → 3Hours → 4Hours → 5Hours → 6Hours → 7Hours → 8Hours → 9Hours → 10Hours → 11Hours → 12Hours → Cancel)
- The Setting Temperature will be raised by 2°F 30min. later and by 2°F after another 30 min.
- STARTING OPERATION
- Everytime you push this button, when the unit is not operating, timer is set as follow.
(1Hour → 2Hours → 3Hours → 4Hours → 5Hours → 6Hours → 7Hours → 8Hours → 9Hours → 10Hours → 11Hours → 12Hours → Cancel)

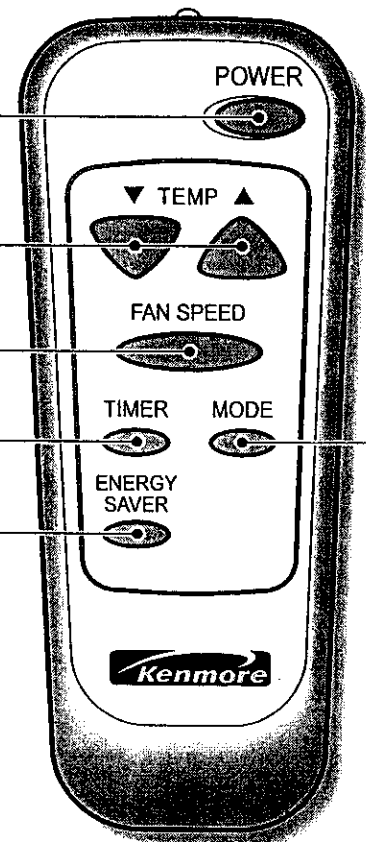
ENERGY SAVER

The fan stops when the compressor stops cooling.

- Approximately every 3 minutes the fan will turn on and check the room air to determine if cooling is needed.

COOL/FAN

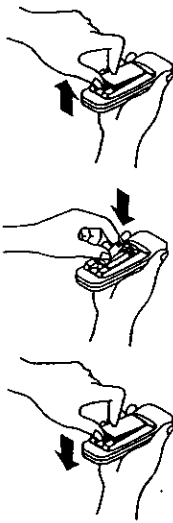
- Everytime you push this button, it will toggle between COOL and FAN.



OPERATION

HOW TO INSERT BATTERIES

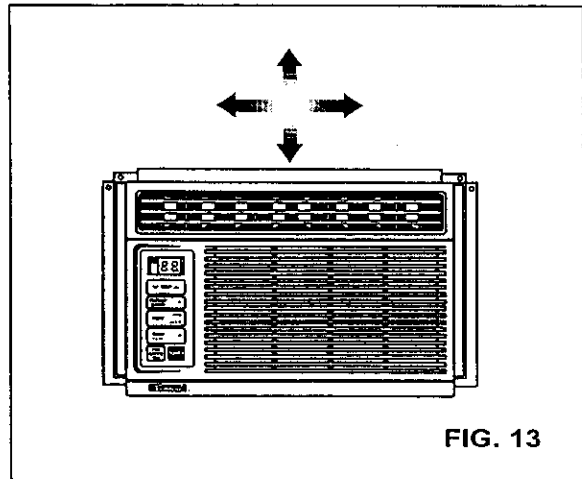
- 1 Remove the cover from the back of the remote controller.
 - Slide the cover according to the arrow direction.
- 2 Insert two batteries.
 - Be sure that the (+) and (-) directions are correct.
 - Be sure that both batteries are new.
- 3 Re-attach the cover.
 - Slide it back into position.



- Do not use rechargeable batteries. Such batteries differ from standard dry cells in shape, dimensions, and performance.
- Remove the batteries from the remote controller if the air conditioner is not going to be used for an extended length of time.

AIR DIRECTION ADJUSTMENT

Using the Control Tabs, the air flow can be directed to the left, right, up, down and straight ahead, or any combination of these directions.



MAINTENANCE

AIR FILTER CLEANING

The Air Filter will become dirty as it removes dust from the inside air. It should be washed at least every 2 weeks. If the Air Filter remains full of dust, the air flow will decrease and the cooling capacity will be reduced, possibly damaging the unit.

- Pull the inlet grille forward and pull out the air filter.
- Wash the Air Filter in warm water. Be sure to shake off all the water before replacing the filter.

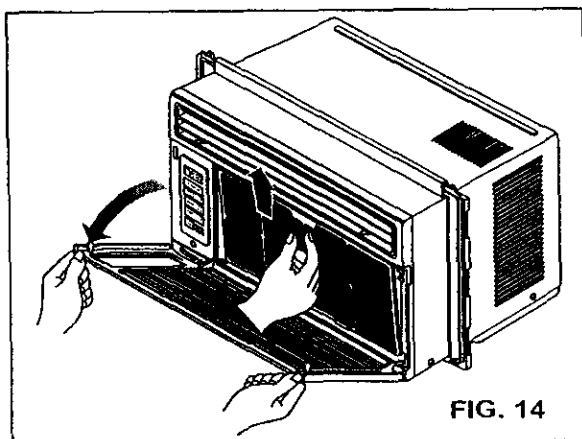


FIG. 14

AIR CONDITIONER CLEANING

Clean the front grille and inlet grille by wiping with a cloth dampened in a mild detergent solution.

The cabinet may be washed with mild soap or detergent and lukewarm water, then polished with liquid appliance wax.

To ensure continued peak efficiency, the condenser coils (weather side at unit) should be checked periodically and cleaned if they become clogged with soot or dirt from the atmosphere. Brush or vacuum exterior coils to remove debris from fins.

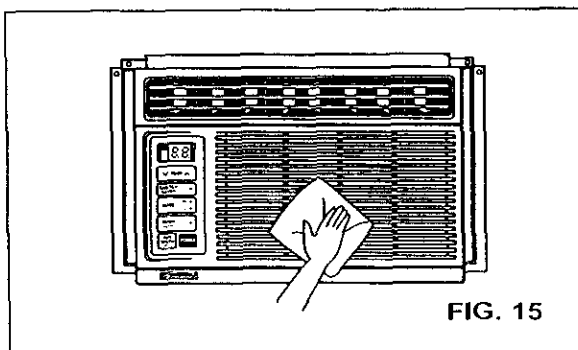


FIG. 15

HOW TO REMOVE THE FRONT GRILLE

- Pull the inlet grille forward
- Remove the screw securing the Front Grille.
- Push the grille up from the bottom and pull the top of the grille away from the case to lift the top tabs out of their slots.

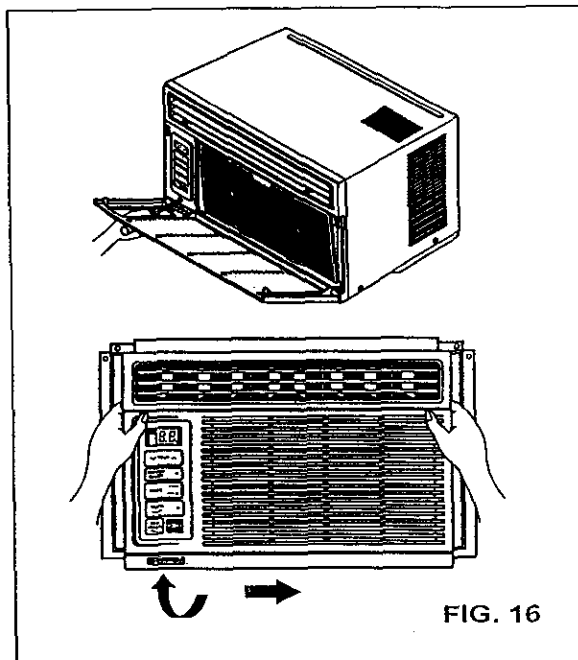


FIG. 16

HOW TO REPLACE THE FRONT GRILLE

Attach the front grille to the cabinet by inserting the tabs on the grille into the tabs on the front of the cabinet. Push the grille in until it snaps into place.

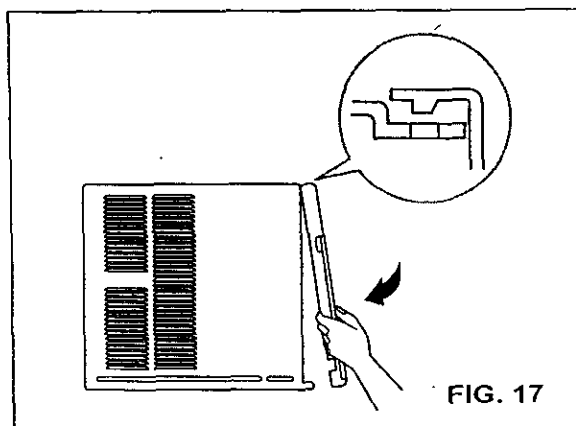


FIG. 17

TROUBLESHOOTING

BEFORE CALLING FOR SERVICE

Check the following list to be sure a service call is really necessary. A quick reference to this manual may help you avoid an unneeded service call.

THE AIR CONDITIONER WILL NOT OPERATE

Check if...	Then...
Wall plug disconnected.	Push plug firmly into wall outlet.
House fuse blown or circuit breaker tripped.	Replace fuse with time delay type or reset circuit breaker.
Power is OFF.	Push the power button.
Unit was turned off and then on too quickly.	Turn unit off and wait 3 minutes before restarting.
TEMP Control set warmer than room temperature.	Turn TEMP Control to a lower number.

AIR FROM UNIT DOES NOT FEEL COLD ENOUGH.

Check if...	Then...
FAN SPEED set a LOW.	Push FAN SPEED button to set a HI.
TEMP Control set too higher number.	Turn TEMP Control to a lower number.
Room temperature below 66°F (19°C).	Cooling may not occur until room temperature rises above 66°F (19°C).
Temperature sensing tube touching cold coil, located behind air filter.	Straighten tube away from coil.

THE AIR CONDITIONER COOLING, BUT ROOM IS TOO WARM – ICE FORMING ON COOLING COIL BEHIND INLET GRILLE

Check if...	Then...
Outdoor temperature below 66°F (19°C).	To defrost the coil, set MODE to FAN.
Air filter may be dirty.	Clean air filter. Refer to Maintenance section of owner's manual.
TEMP Control set too lower for night-time cooling.	To defrost the coil, set the MODE to FAN or "High Cool" with the TEMP control to a higher number.

THE AIR CONDITIONER COOLING, BUT ROOM IS TOO WARM – NO ICE FORMING ON COOLING COIL BEHIND INLET GRILLE.

Check if...	Then...
Dirty air filter – air restricted.	Clean air filter. Refer to Maintenance section of owner's manual.
TEMP Control set too higher number.	Turn TEMP control to a lower number.
Front of unit is blocked by drapes, blinds, furniture, etc. Air distribution is restricted.	Clear blockage in front of unit.
Doors, windows, registers, etc. open. Cold air escapes.	Close doors, windows, registers, etc.
Unit recently turned on in hot room.	Allow additional time to remove stored heat from walls, ceiling, floor, and furniture.

THE AIR CONDITIONER TURNS ON AND OFF RAPIDLY.

Check if...	Then...
Outside temperature is extremely hot.	Set FAN SPEED on HI to bring air past cooling coils more frequently.

NOISE WHEN UNIT IS COOLING.

Check if...	Then...
Sound of fan hitting water – moisture removal system.	This is normal when humidity is high. Close doors, windows, and registers.
Window vibration – poor installation.	Refer to installation instructions or check with installer.

WATER DRIPPING INSIDE WHEN UNIT IS COOLING.

Check if...	Then...
The air conditioner is improperly installed.	Tilt air conditioner slightly to the outside to allow water drainage. Refer to installation instructions or check with installer.

WATER DRIPPING OUTSIDE WHEN UNIT IS COOLING.

Check if...	Then...
The unit is removing large quantities of moisture from humid room.	This is normal during excessively humid days.

MEMO

A series of horizontal dotted lines for writing.

ENGLISH

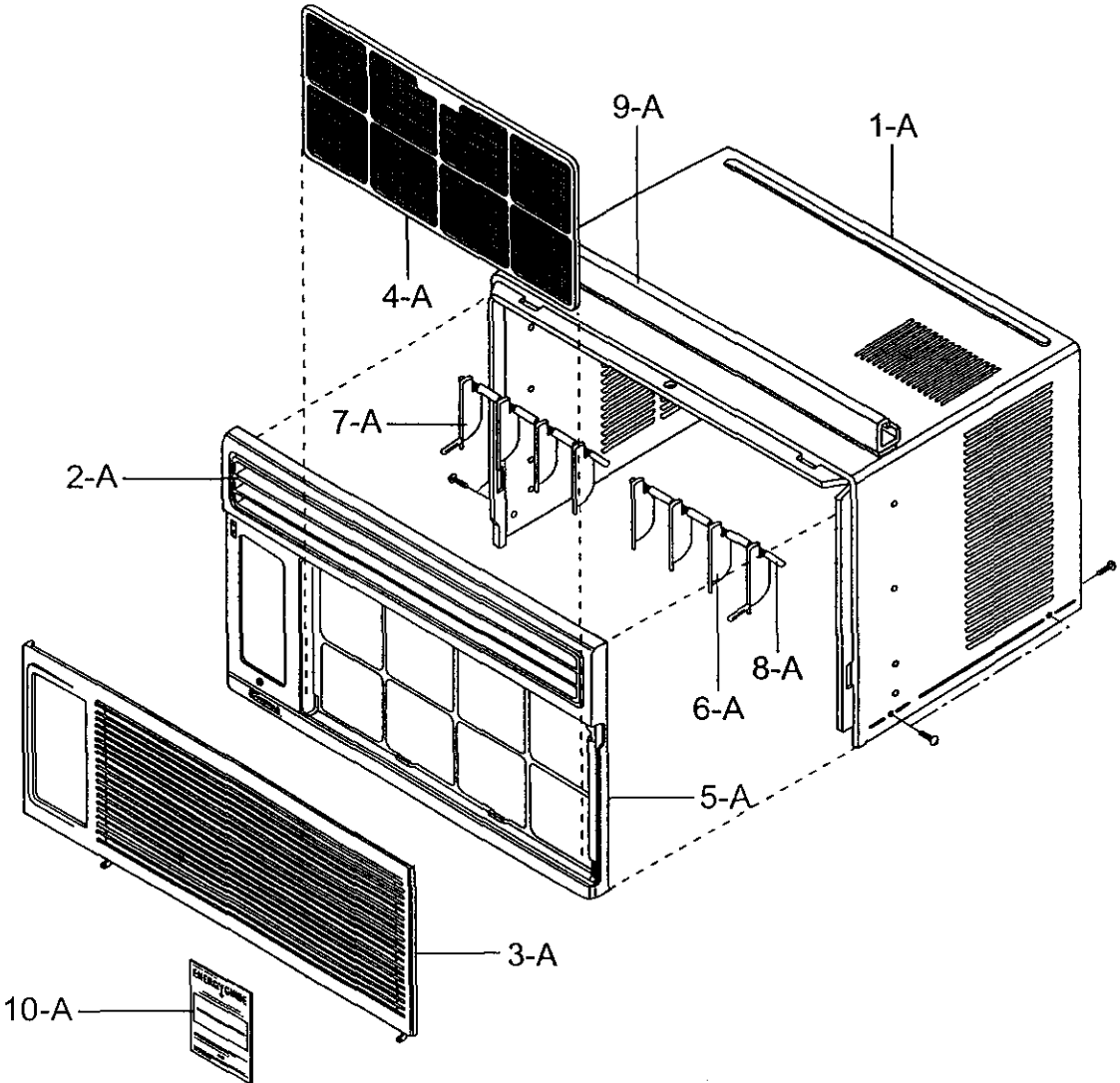
REPAIR PARTS

Room Air Conditioner
Model No. 580.71056100

To order Parts call Toll Free
1-800-4-MY-HOME®(1-800-469-4663)

CAUTION: Use the Kenmore part number on all orders, **not** the illustration number.

CABINET & FRONT GRILLE ASS'Y



CAUTION: Use the Kenmore part number on all orders, not the illustration number.

CABINET & FRONT GRILLE ASS'Y

POS. NO	PART NO	DESCRIPTION
1 - A	3091A10020A	CABINET ASS'Y
2 - A	5990A20001A	LOUVER, HORIZONTAL
3 - A	3530A10010A	GRILLE, INLET
4 - A	5231AR2148A	AIR FILTER ASS'Y
5 - A	3530A10009A	GRILLE, FRONT
6 - A	5990A30005B	VANE
7 - A	5990A30005A	VANE
8 - A	4520AR3191A	LINK HOLDER
9 - A	5210AR3196C	UPPER GUIDE
10 - A	3850A20043U	ENERGY GUIDE LABEL
	3828A20049Z	OWNER'S MANUAL

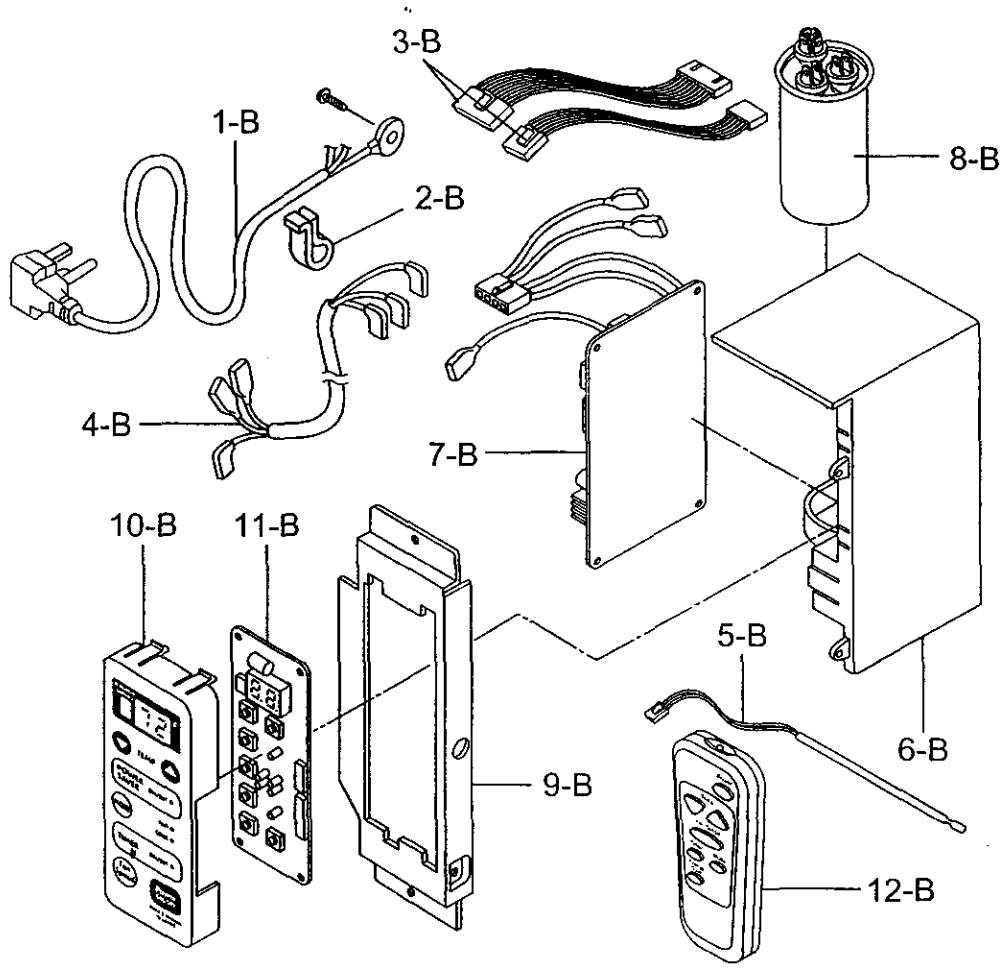
ENGLISH

= Functional Parts

* = Non-Illustrated Parts

CAUTION: Use the Kenmore part number on all orders, **not** the illustration number.

CONTROL BOX ASS'Y



CAUTION: Use the Kenmore part number on all orders, not the illustration number.

CONTROL BOX ASS'Y

POS. NO	PART NO	DESCRIPTION
1 - B #	2H00677P*	POWER CORD ASS'Y
2 - B	4H01254A	CLIP
3 - B	6631AQ3201B	LEAD WIRE ASS'Y
4 - B	6631AR3843R	CONDUCTOR ASS'Y
5 - B	6323A20003D	THERMISTOR ASS'Y
6 - B	4994A20021A	CONTROL BOX, SINGLE
7 - B	6871A10013B	PWB(PCB) ASS'Y, MAIN
8 - B #	6120AR2359V	CAPACITOR, SH
9 - B	4994A20020A	CONTROL BOX, SINGLE
10 - B	3720A20017A	PANEL, CONTROL
11 - B	6871A20115A	PWB ASS'Y, DISPLAY
12 - B	6711A20035E	REMOTE CONTROLLER ASS'Y

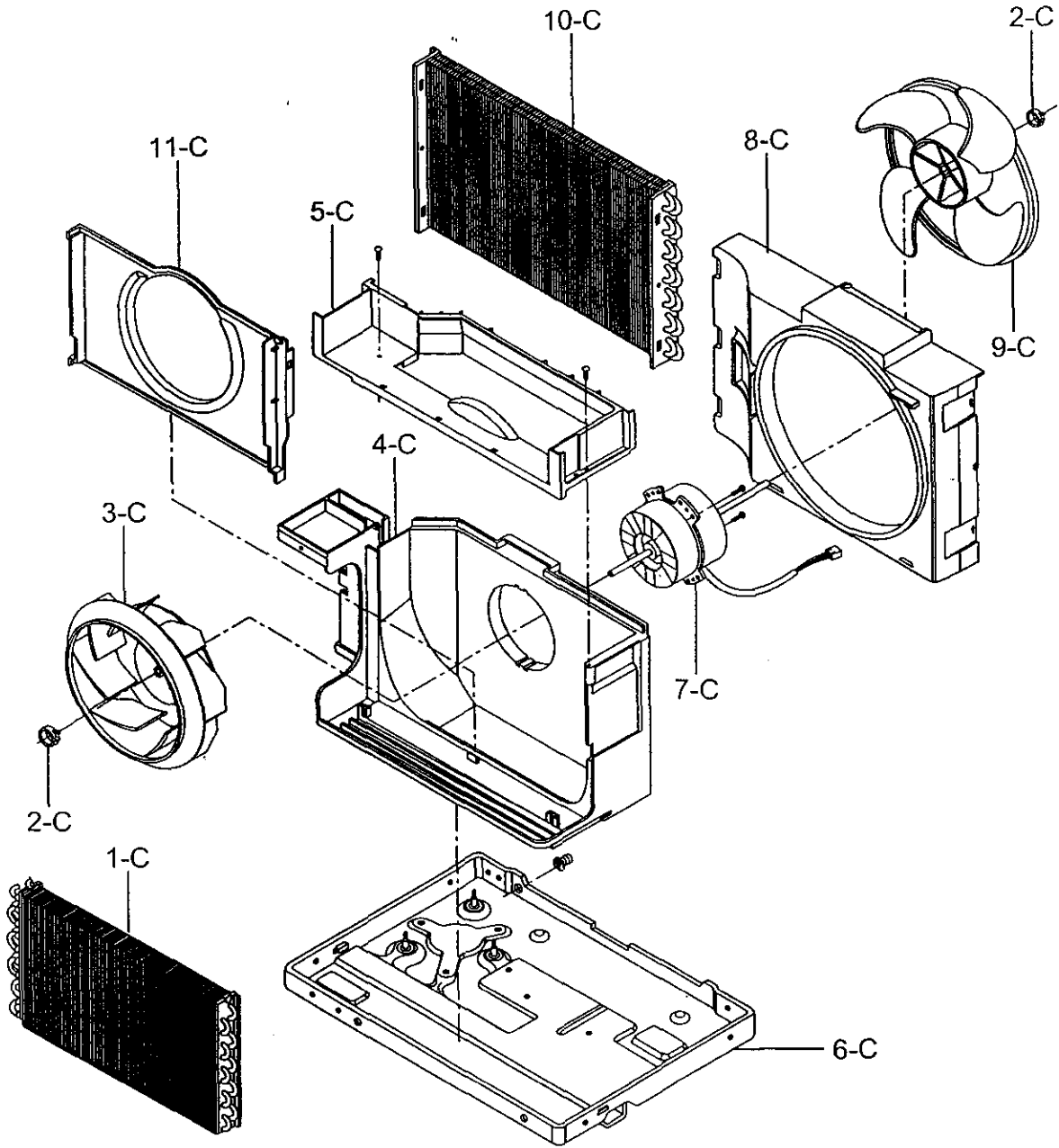
ENGLISH

= Functional Parts

* = Non-Illustrated Parts

CAUTION: Use the Kenmore part number on all orders, not the illustration number.

AIR HANDLING & CYCLE PARTS



CAUTION: Use the Kenmore part number on all orders, not the illustration number.

AIR HANDLING & CYCLE PARTS

POS. NO	PART NO	DESCRIPTION
1 - C #	5421A10008B	EVAPORATOR ASS'Y
2 - C	3H02932B	CLAMP, SPRING
3 - C #	5900A20005A	FAN, TURBO
4 - C	5238A20003A	AIR GUIDE, LOWER
5 - C	5238A20004A	AIR GUIDE, UPPER
6 - C	3041A10011E	BASE ASS'Y, SINGLE
7 - C #	4681A10002A	MOTOR ASS'Y, SINGLE
8 - C	4998A10006A	SHROUD
9 - C #	5900A20006A	FAN, PROPELLER
10 - C #	5403A20038D	CONDENSER ASS'Y
11 - C	4948A10007A	ORIFICE

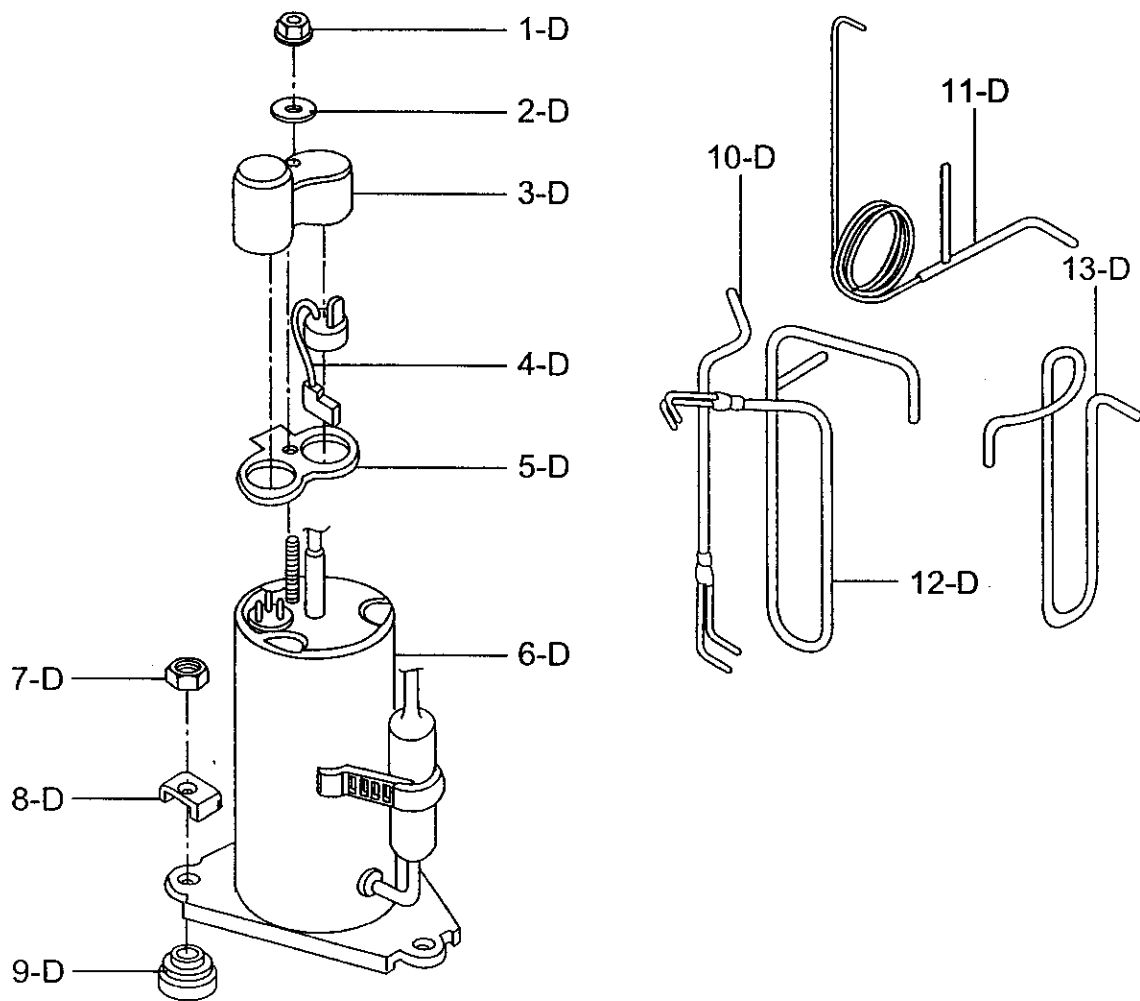
ENGLISH

= Functional Parts

* = Non-Illustrated Parts

CAUTION: Use the Kenmore part number on all orders, not the illustration number.

COMPRESSOR PARTS



CAUTION: Use the Kenmore part number on all orders, not the illustration number.

COMPRESSOR PARTS

POS. NO	PART NO	DESCRIPTION
1 - D	4H00947A	NUT, TERMINAL COVER
2 - D	4H01058A	GASKET NUT
3 - D	3550U-L004A	COVER
4 - D #	6750U-L050A	OVERLOAD PROTECTOR
5 - D	4986U-L001G	GASKET
6 - D #	2520UABC2EA	COMPRESSOR
7 - D	1NHA0801206	HEXAGON NUTS
8 - D	4810AR4155B	BRACKET, WASHER
9 - D	5040AR4195A	RUBBER, MOUNTING
10 - D	5211A10063A	TUBE ASS'Y, EVAPORATOR
11 - D	5211A10065B	TUBE ASS'Y, CAPILLARY
12 - D	5211A10062A	TUBE ASS'Y, SUCTION
13 - D	5210A20252A	TUBE DISCHARGE

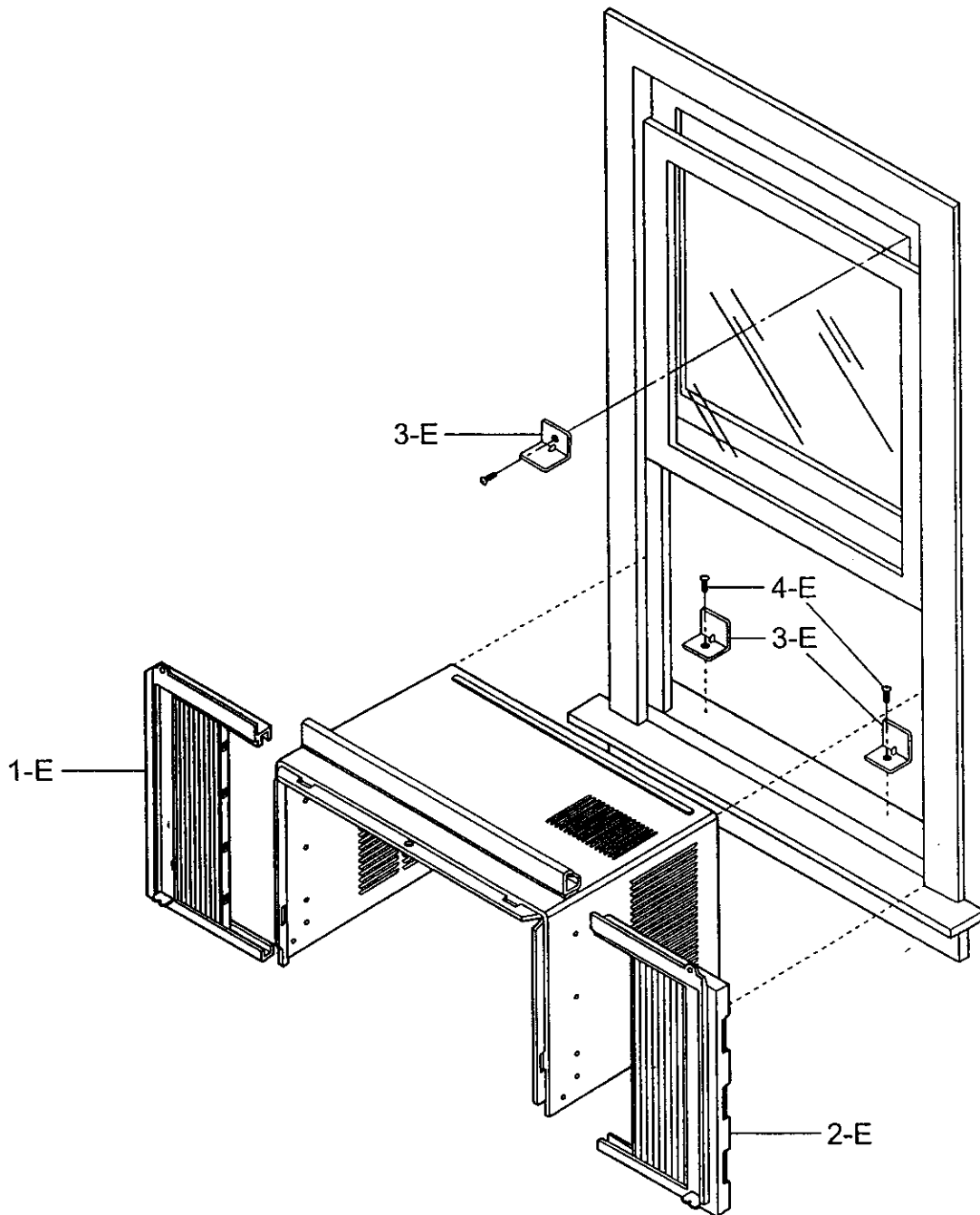
ENGLISH

= Functional Parts

* = Non-Illustrated Parts

CAUTION: Use the Kenmore part number on all orders, not the illustration number.

INSTALLATION KIT ASS'Y



CAUTION: Use the Kenmore part number on all orders, not the illustration number.

INSTALLATION KIT ASS'Y

POS. NO	PART NO	DESCRIPTION
1 - E	3211AR3239B	GUIDE PANEL, LEFT
2 - E	3211AR3239A	GUIDE PANEL, RIGHT
3 - E	4810A30113A	L BRACKET
4 - E	1TTG0402618	SHORT SCREW

ENGLISH

= Functional Parts

* = Non-Illustrated Parts