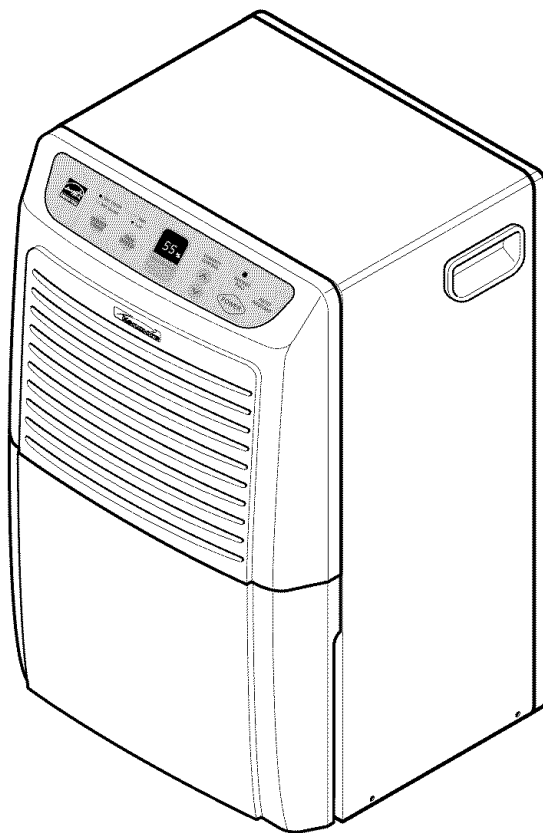


Owner's Manual  
Manuel del Propietario



DEHUMIDIFIER  
DESHUMIDIFICADOR

Model, Modelo 580.54501 50 Pint  
580.54701 70 Pint Low Temp



ENGLISH

ESPAÑOL

Distributed by Sears, Roebuck and Co., Hoffman Estates, IL 60179  
[www.sears.com](http://www.sears.com)

# TABLE OF CONTENTS

TABLE OF CONTENTS .....	2	OPTIONS FOR DISPOSING	
WARRANTY .....	2	OF COLLECTED WATER .....	8
SAFETY INSTRUCTIONS .....	3	MAINTENANCE .....	9
ELECTRICAL REQUIREMENTS .....	4	Grille and case .....	9
INSTALLING YOUR DEHUMIDIFIER .....	5	Air filter .....	9
Defrost Control Function .....	5	General cleaning .....	9
CHOOSING THE PROPER LOCATION .....	5	Water bucket cleaning .....	9
AUTOMATIC SHUT OFF .....	5	Cleaning inside the unit .....	10
OPERATION .....	6	TROUBLESHOOTING .....	11
Features .....	6	ESPAÑOL .....	12
Control Panel .....	7	MASTER PROTECTION AGREEMENTS .....	23
		SERVICE NUMBERS .....	Back cover

## WARRANTY

### FULL ONE YEAR WARRANTY ON DEHUMIDIFIER

For one year from the date of purchase, if the Dehumidifier is operated and maintained according to the owner's instructions furnished with the product, Sears will repair the Dehumidifier free of charge, if defective in materials or workmanship.

### FULL FIVE YEAR WARRANTY ON SEALED REFRIGERATION SYSTEM

For five years from the date of purchase, when this Dehumidifier is operated and maintained according to owner's instructions furnished with the product, Sears will repair the sealed refrigeration system (consisting of refrigerant, connecting tubing, and compressor motor) free of charge, if defective in material or workmanship.

**WARRANTY SERVICE IS AVAILABLE BY RETURNING UNIT TO THE NEAREST SEARS SERVICE CENTER IN THE UNITED STATES. CALL 1-800-4-MY-HOME® FOR NEAREST SERVICE CENTER TO YOU.**

This warranty applies only while this Dehumidifier is used in the United States.

This warranty gives you specific legal rights, and you may also have other rights which vary from state to state.

**Distributed by Sears, Roebuck and Co., Hoffman Estates, IL 60179**

# SAFETY INSTRUCTIONS

## IMPORTANT SAFETY INSTRUCTIONS

To reduce the risk of fire, electric shock or injury when using your dehumidifier, the following safety precautions must be followed:

- **Do not place the power cord near a heater.**  
It may cause fire and electric shock.
- **Do not use the power cord near flammable gas or combustibles such as gasoline, benzene, thinner, etc.**  
It may cause explosion or fire.
- **Do not disassemble or modify products.**  
It may cause electric shock and failure.
- **Plug in the power cord properly.**  
Otherwise, it may cause electric shock or fire.
- **Do not operate or stop the unit by inserting or pulling out the power plug.**  
It may cause electric shock or fire.
- **Do not damage the power cord or use an unspecified power cord.**  
It may cause electric shock or fire.
- **Do not modify power cord length.**  
It may cause electric shock or fire.
- **Do not share the outlet with other appliances.**  
It may cause electric shock or fire.
- **Always plug into a grounded outlet.**  
Not grounding unit may cause electric shock.
- **Unplug the unit if strange sounds, odors, or smoke come from it.**  
Unplugging the unit may avoid electric shock or fire hazard.
- **Do not use the socket if it is loose or damaged.**  
It may cause fire and electric shock.
- **Do not operate with wet hands or in damp environment.**  
It may cause electric shock.
- **Ventilate before operating dehumidifier when gas goes out.**  
It may cause explosion, fire, and burn.
- **Do not clean the dehumidifier with water.**  
Water may enter the unit and degrade the insulation. It may cause an electric shock.
- **Unplug unit before cleaning the unit.**  
Since the fan rotates at high speed during operation, it may cause injury.
- **If water enters the product, turn off the dehumidifier's power switch, then unplug the unit. Contact service for repair.**  
It will cause machine failure or electric shock.
- **Do not block the inlet or outlet.**  
It may cause failure of appliance or performance deterioration.
- **Hold the plug by the head when taking it out.**  
Otherwise, it may cause electric shock and damage.
- **Turn off the main power switch when not using the dehumidifier for a long time.**  
Turning off the unit will save on energy costs.
- **Make sure the dehumidifier is the correct size for the area you want to dehumidify.**  
It is not designed to dehumidify the entire house.
- **Install the dehumidifier properly only on a floor.**  
For proper operation, your dehumidifier should be installed only on a floor.
- **Close all doors, windows and other outside openings to the room.**  
The dehumidifier must be operated in an enclosed area to be most effective.
- **When removing the filter be aware that some metal parts may have sharp edges.**  
Sharp edges may cause injury.
- **Use a soft cloth to clean. Do not use wax, thinner, or a strong detergent.**  
The appearance of the dehumidifier may deteriorate, change color, or develop surface flaws.
- **Be sure to replace the bucket properly after emptying to prevent water from collecting on the floor.**  
Otherwise, it will cause property damage.
- **The 50 pint model(54501) may not operate efficiently if the room temperature is below 65°F(18°C). The 70 pint Low Temperature model(54701) may not operate efficiently if the room temperature is below 42°F(6°C).**  
Low temperatures could cause coils to frost.
- **Do not put a pet or house plant where it will be exposed to direct air flow.**  
This could injure the pet or plant.
- **Do not use the water collected in the bucket for drinking purposes.**  
It is not sanitary and could cause illness or personal injury.
- **Insert the filter securely. Clean it every two weeks.**  
Operation without filters will cause unit failure.
- **Do not allow children to play with this product.**

# ELECTRICAL REQUIREMENTS

OBSERVE ALL LOCAL CODES AND ORDINANCES.

**DO NOT, UNDER ANY CIRCUMSTANCES, REMOVE THE POWER SUPPLY CORD GROUND PRONG.**

**ELECTRICAL GROUND IS REQUIRED ON THIS APPLIANCE.**

A 115-volt 60 Hz, AC only, 15A fused and properly grounded electrical supply is required. A time delay fuse or time delay circuit breaker is recommended. Use a dedicated circuit, serving only this appliance.

**DO NOT USE AN EXTENSION CORD.**

## RECOMMENDED GROUNDING METHOD

For your personal safety, this appliance must be grounded. This appliance has a power supply cord with a 3-prong grounding plug. To minimize possible shock hazard, the cord must be plugged into a mating grounding type wall receptacle and grounded in accordance with the National Electrical Code (ANSI/NFPA 70) latest edition and all local codes and ordinances. If a mating wall receptacle is not available, it is the personal responsibility and obligation of the customer to have a properly grounded 3-prong wall receptacle installed by a qualified electrician.

## ⚠ WARNING



Electrical Shock Hazard

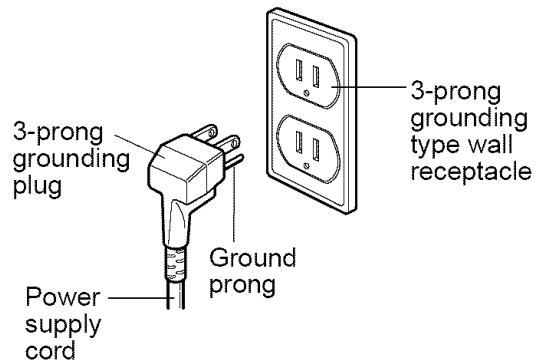
Plug into a grounded 3 prong outlet.

Do not remove ground prong.

Do not use an adapter.

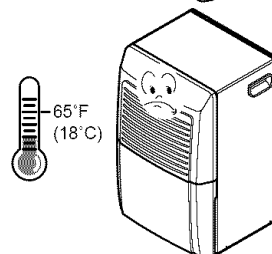
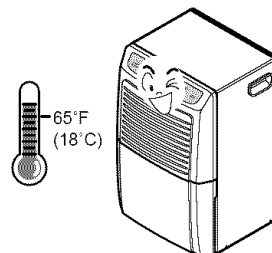
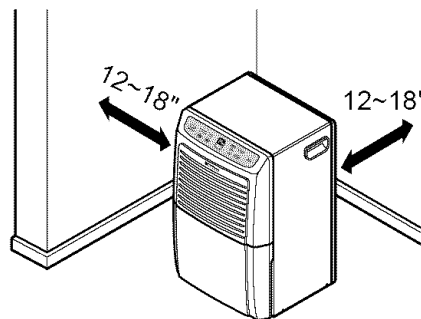
Do not use an extension cord.

Failure to follow these instructions can result in death, fire, or electrical shock.



# INSTALLING YOUR DEHUMIDIFIER

- Install the dehumidifier on a level floor strong enough to support the unit with a full bucket of water.
- For best performance, allow at least 12-18 inches of air space on all sides of the unit for good air circulation.
- Keep all outside doors, windows, and other openings closed when operating the dehumidifier. Humid outdoor air will add to the unit's work load.
- For maximum efficiency, install your dehumidifier in an area where the temperature will not fall below 65 degrees °F.
- At temperature below 65 degrees °F, (floor level) the evaporator coils will become covered with frost, reducing dehumidification performance.



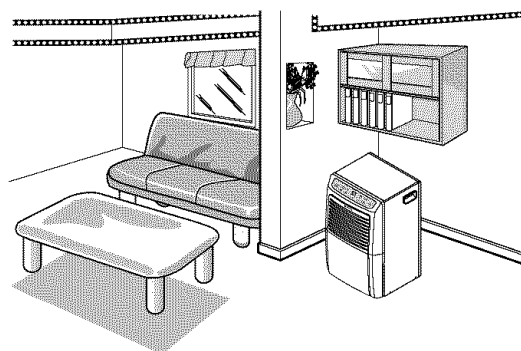
ENGLISH

## Defrost Operation

The dehumidifier has a built-in defrost control that senses frost built up on the evaporator coils. During defrost the 50 pint (54501) will turn the compressor off, keeping the fan on to defrost the coils. The 70 pint (54701 low temp model) compressor continues to run and turns the fan off, (70 pint uses a refrigerant reversing valve to enhance defrost performance).

# CHOOSING THE PROPER LOCATION

- Use the dehumidifier in a basement to help prevent moisture damage.
- Use the dehumidifier in cooking, laundry, bathing, and dishwashing areas that have excessive moisture.
- Use the dehumidifier to prevent moisture damage anywhere books or valuables are stored.



# AUTOMATIC SHUT OFF

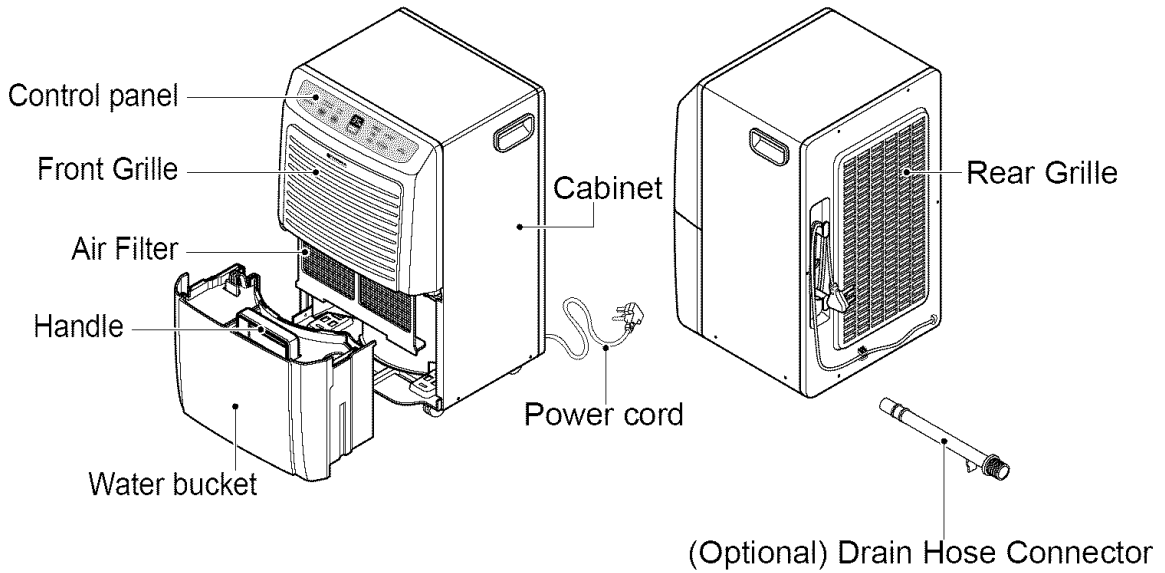
- When the bucket is full, or when the bucket is not in the proper position, the Bucket Full light turns on and the unit automatically shuts off. Also, when bucket is out of position, the unit will beep 3 times.
- **The bucket must be replaced in the proper position for the dehumidifier to work. The light will be on and the dehumidifier will not run if the bucket is not in the proper position.**
- **The dehumidifier will shut off once the desired humidity setting is reached.**

# OPERATION

## FEATURES

### **⚠ WARNING**

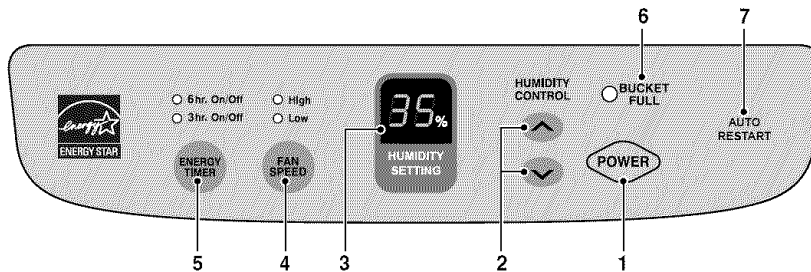
To reduce the risk of fire, electric shock, or injury to persons, read the important SAFETY instructions section before operating this appliance.



### SELECTION GUIDE

Room Size (sq-ft)	Moderately Damp	Very Damp	Wet	Extremely Wet
22'x 22'	35 Pt	35 Pt	35 Pt	35 Pt
30'x 30'	35 Pt	35 Pt	50 Pt	50 Pt
30'x 50'	50 Pt	50 Pt	50 Pt	70 Pt
40'x 50'	50 Pt	50 Pt	70 Pt	70 Pt

# OPERATION



## CONTROL PANEL

### 1. POWER key

Pressing this key once turns the dehumidifier "ON" and pressing again turns the dehumidifier "OFF".

### 2. HUMIDITY CONTROL keys

Press to select the desired humidity setting.

- $\wedge$  : Used to raise the desired humidity setting.
- $\vee$  : Used to lower the desired humidity setting.
- The desired humidity can be selected within a range of 35% to 70% Relative Humidity in increments of 5%.
- If you press the  $\vee$  key once again at 35% Relative Humidity, continuous "On" mode is selected and "On" appears in the display window. In "On" mode the unit operates continuously, regardless of humidity conditions.

### 3. HUMIDITY SETTING display

Displays the selected humidity setting.

### 4. FAN SPEED key

Press to set the fan speed as "High" or "Low".

- Pressing this key changes the fan speed from High  $\rightarrow$  Low  $\rightarrow$  High.
- The selected fan speed is indicated by indicator lights marked "High" and "Low".

### 5. ENERGY TIMER key

Press to select timed operation cycle.

- Pressing this key selects EITHER THE 3 OR 6 HOUR TIMER MODE. The Timer indicator light will shift from 3 hour On/Off to 6 hour On/Off. The unit will run for either 3 or 6 hours, and then shut off completely for 3 or 6 hours. The cycle repeats until you change the setting. To turn off the ENERGY TIMER function, press key until indicator lights are both "Off".
- If ENERGY TIMER function is not selected, unit operates until desired humidity setting is reached.

### 6. BUCKET FULL Indicator

This light glows when the bucket is full and needs to be emptied. It also glows when the bucket is not properly positioned. When bucket full indicator light glows, the compressor and fan will turn "OFF".

### 7. AUTO RESTART

- The Auto Restart function automatically restarts your dehumidifier once power is restored. The fan will immediately begin to run for approximately 2 minutes, and the unit will operate at the previous humidity setting. After two minutes, the compressor may also start based on the humidity conditions in the room. Once the target humidity setting is reached, the fan and compressor will shut off.

## TO OPERATE THE DEHUMIDIFIER:

1. Plug the power cord into the electrical outlet. Press the POWER key.
2. Set the Humidity control anywhere between 35% to 70% for normal operation.
  - For less humidity, press the  $\vee$  HUMIDITY CONTROL key.
  - For higher humidity, press the  $\wedge$  HUMIDITY CONTROL key.
3. Press the ENERGY TIMER key if desired, to set the amount of time for which you want the unit to cycle On and Off. The time can be set for 3 hours or 6 hours.
4. If you want to change the fan speed, press the FAN SPEED key. Each time the FAN SPEED key is pressed the fan speed changes from High  $\rightarrow$  Low  $\rightarrow$  High.
5. Press the POWER key to stop the unit manually.

# OPTIONS FOR DISPOSING OF COLLECTED WATER

## EMPTYING THE BUCKET MANUALLY

1. When the bucket is full, slide it out by grasping the handle and emptying it into a large sink or tub, and then replace it properly. See Figure 1.
2. Empty the bucket when the indicator light turns on.
3. Do not remove the bucket while the dehumidifier is operating. Moving the bucket can cause water to drop on the base pan or the floor.
4. Carry the bucket by supporting it from the bottom as well as by the handle. Carrying by only the handle may cause the handle or bucket cover to break.

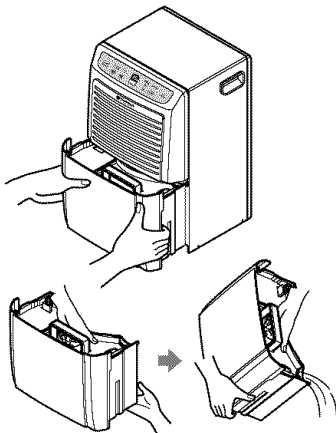


Figure 1

## USING A GARDEN HOSE

You have the option of attaching a garden hose to your dehumidifier to drain water later than using the water bucket.

The empty water bucket must still be installed for the dehumidifier to operate.

Attach hose prior to initial operation.

First, remove the drain hole cover on the rear grille. Use needlenose pliers to pull the drain hole cover out. Figure 2.

Next, connect a garden hose to the threaded end of the drain hose connection, being careful not to overtighten the hose.

Slide out the bucket. Look into the dehumidifier drain hole on the rear grill. You will see the stem that the drain hose connector fits into. Push the connector firmly into the stem.

Make sure that the garden hose is not bent or kinked. The hose should lie flat from the dehumidifier to the drain.

When not in use, the drain hose connector can be stored in the water bucket.

Lift the cover off the water bucket and place the connector into the V shape grooves directly below the bucket handle.

An optional drain hose (#9181) is available for purchase through Sears Retail stores.

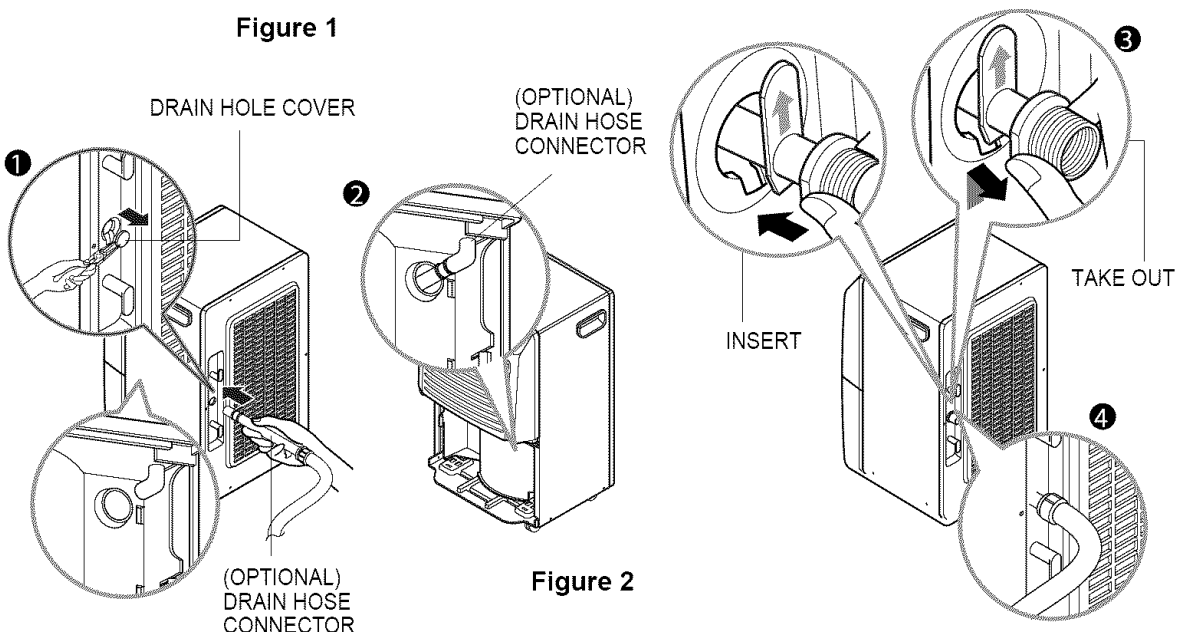


Figure 2



# MAINTENANCE

## GRILLE AND CASE

**To clean the case:** Use water and a mild detergent. Do not use bleach or an abrasive cleaner.

**To clean the grille:** Use a vacuum with an attachment or brush.

## AIR FILTER

Check and clean air filter at least every 30 days or more often if necessary.

### TO REMOVE:

Remove water bucket from the cabinet. Pull out the air filter as shown above.

Wash air filter with warm water and a mild detergent. Rinse and dry it.

Once dry, replace in unit.

## GENERAL CLEANING

- Dust the front grille and the side panels with a soft brush or use the dusting attachment of your vacuum.
- If cabinet paint chips, you can touch up the paint with a good grade enamel to prevent rust.

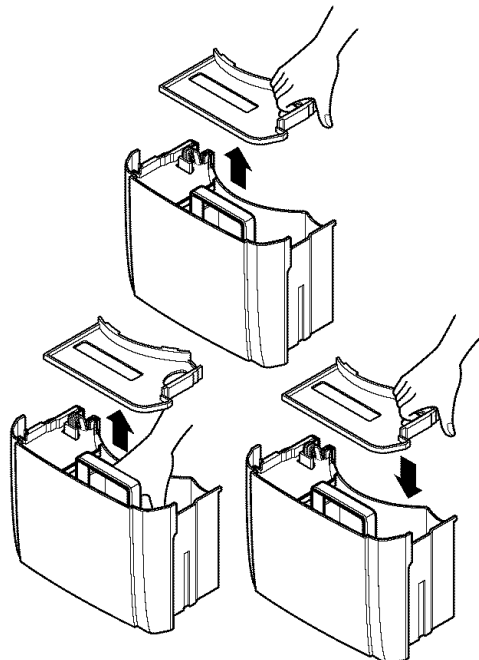
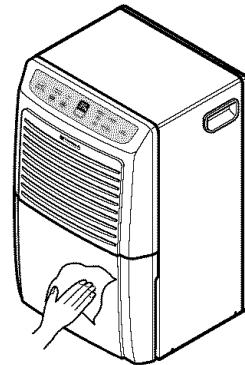
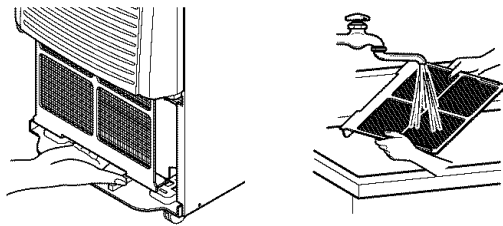
## WATER BUCKET CLEANING

- Slide out the bucket.
- Remove bucket cover.
- Put the cover back on the bucket.
- Bucket should be cleaned every few weeks.

## ⚠ WARNING

Electrical Shock Hazard

- Disconnect power supply cord from receptacle before performing any maintenance.
- Be careful when cleaning the coils. Fins are sharp.

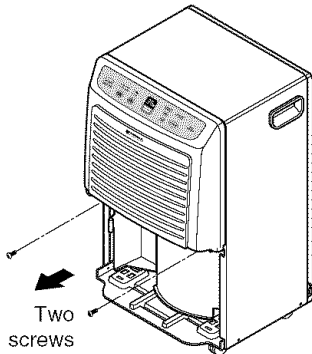


ENGLISH

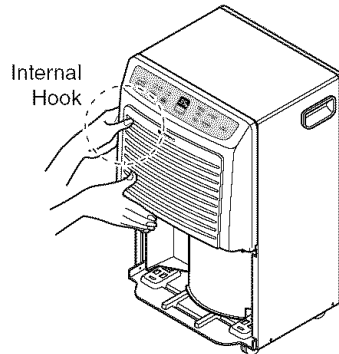
# MAINTENANCE

## CLEANING INSIDE THE UNIT

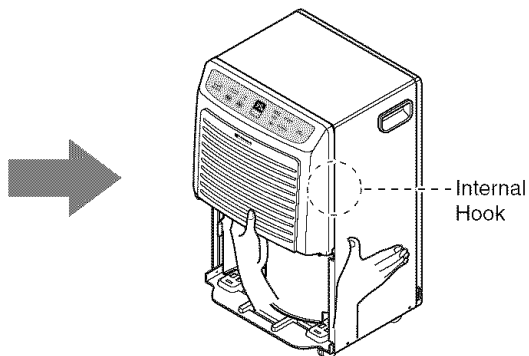
1. Remove Front Grille from the cabinet as shown



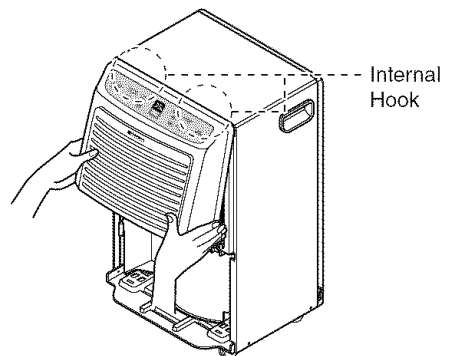
Remove 2 screws which fasten the front grille



Grip the bottom of the front grille, pull the front grille outward



In the same way, remove the hook from the right

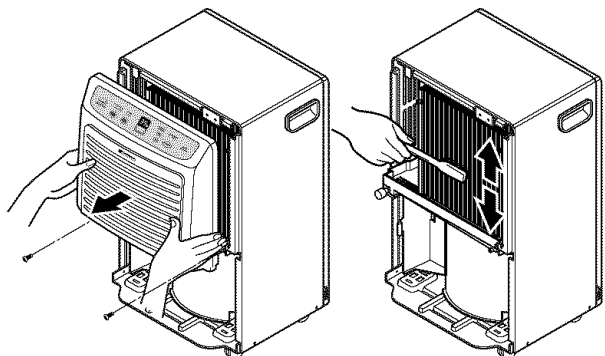


Pull the front grille upward

2. Brush the coil gently like in the figure. If necessary use warm water and a mild detergent. Rinse and dry thoroughly.

**NOTE:** Do not allow water to enter the Electrical/machine compartment through the Circular opening behind the coil.

**Do not spray the coil with a hose.**



# TROUBLESHOOTING



The dehumidifier may be operating abnormally when:

Problem	Possible Causes	What To Do
Dehumidifier does not start	■ The dehumidifier power cord is unplugged	• Make sure the dehumidifier plug is pushed completely into the outlet.
	■ The fuse is blown or circuit breaker is tripped.	• Check the house fuse or circuit breaker box and replace the fuse or reset the breaker.
	■ Water bucket is full	• The dehumidifier automatically turns off when this occurs. Empty the bucket.
	■ Bucket is not installed.	• Make sure the bucket is in the right place.
	■ Room humidity level is less than selected humidity setting.	• Press the  humidity control button to lower the humidity setting below room level.
	■ Auto Restart.	• Unit has 2 minute delay once power is restarted.
Dehumidifier does not dry the air as it should	■ Did not allow enough time to remove the moisture.	• When first installed, allow at least 3 or 4 days to achieve and maintain the desired dryness.
	■ Airflow is restricted.	• Make sure there are no curtains, blinds or furniture blocking the front or back of the dehumidifier.
	■ The humidity control may not be set low humidity.	• Press the  Humidity Control button to lower the humidity.
	■ Doors and windows may not be closed tightly.	• Check that all doors, windows and other openings are securely closed.
	■ Clothes dryer may be blowing moisture-laden air into the room.	• Install the dehumidifier away from the dryer. The dryer should be vented to the outside.
	■ Room temperature is too low.	• The 50 pint model(54501) may not operate efficiently if the room temperature is below 65°F(18°C). • The 70 pint Low Temperature model(54701) may not operate efficiently if the room temperature is below 42°F(6°C).
Dehumidifier seems to run too much	■ Area to be dehumidified is too large.	• Refer to the Selection Guide on page 6.
	■ Doors and windows are open.	• Close all doors and windows to the outside.
Frost appears on the coils	■ Dehumidifier has been recently turned on. Room temperature is below 65°F (18°C) or 42°F(6°C).	• This is normal. Frost will usually disappear within 60 minutes. • Ensure that the room temperature is at the minimum of 65°F(18°C) or 42°F(6°C).
Water on floor	■ Drain hose connection may be loose.	• Check the hose if one is attached.
	■ Water bucket is out of position.	• Ensure bucket is properly positioned.
Dehumidifier operates continuously	■ Display window on control panel reads "ON".	• Press  to raise humidity setting to 35% or above. See page 7.
	■ Room Humidity is higher than Humidity setting.	• Press the  humidity control button to change the humidity higher setting than room level, highest humidity is 70%.

# ÍNDICE DE MATERIAS

ÍNDICE DE MATERIAS .....	12	OPCIONES PARA LA ELIMINACIÓN DEL AGUA CREADA .....	18
GARANTÍA .....	12	MANTENIMIENTO .....	19
INSTRUCCIONES DE SEGURIDAD .....	13	La rejilla y el gabinete .....	19
REQUERIMIENTOS ELÉCTRICOS .....	14	Filtro de aire .....	19
INSTALACIÓN DEL DESHUMIDIFICADOR ...	15	Limpieza General .....	19
Control de descongelamiento .....	15	Limpieza del recipiente de agua .....	19
SELECCIÓN DEL LUGAR ADECUADO ...	15	Limpieza del interior de la unidad .....	20
APAGADO AUTOMÁTICO .....	15	SOLUCIÓN DE PROBLEMAS .....	21
FUNCIONAMIENTO .....	16	ACUERDOS DE PROTECCIÓN ESPECIALIZADA .....	23
Características .....	16	PARA PEDIR SERVICIO.....Cubierta Trasera	
Panel de control .....	17		

## GARANTÍA

### UN AÑO DE GARANTÍA EN TODAS LAS PARTES DEL DESHUMIDIFICADOR

Durante un año a partir de la compra, si el deshumidificador es usado y mantenido de acuerdo con las instrucciones del usuario adjuntas o suministradas con el aparato, Sears reparará el deshumidificador sin costo alguno si éste muestra defectos en los materiales o mano de obra.

### CINCO AÑOS DE GARANTÍA COMPLETA EN EL SISTEMA DE REFRIGERACIÓN

Durante cinco años a partir de la compra, si el deshumidificador es usado y mantenido de acuerdo con las instrucciones del usuario adjuntas o suministradas con el aparato, Sears reparará el sistema de refrigeración sellado (el cual consta de refrigerante, los tubos conectores y el motor compresor) si éste muestra defectos en los materiales o mano de obra.

**SE OFRECE SERVICIO DE GARANTÍA AL REGRESAR LA UNIDAD AL CENTRO DE SERVICIO SEARS MÁS CERCANO EN TODOS LOS ESTADOS UNIDOS. LLAME 1-800-4-MY-HOME® PARA A MÁS CERCANO CENTRO DEL SERVICIO A USTED.**

Esta garantía sólo tiene validez mientras el deshumidificador se esté usando en los Estados Unidos. Esta garantía le confiere derechos legales específicos, pero usted podría gozar de otros derechos que pueden variar de Estado a Estado.

**Distributed by Sears, Roebuck and Co., Hoffman Estates, IL 60179**

# INSTRUCCIONES DE SEGURIDAD



## IMPORTANTES INSTRUCCIONES DE SEGURIDAD

Para reducir el riesgo de incendio, descarga eléctrica o lesión al utilizar su deshumidificador deberán seguirse en todo momento las siguientes precauciones de seguridad.

- **No coloque el cable de alimentación cerca de una estufa.**  
Podría producirse un incendio y una descarga eléctrica.
- **No utilice el cable de alimentación cerca de gas inflamable o combustibles, como gasolina, benceno, disolvente, etc.**  
Podría producirse una explosión o incendio.
- **No desmonte ni modifique los productos.**  
Puede causar una descarga eléctrica
- **Enchufe el cable de alimentación adecuadamente.**  
De lo contrario, puede ocasionar un incendio o una descarga eléctrica.
- **No encienda ni apague la unidad insertando o retirando la clavija.**  
Causará una descarga eléctrica o incendio
- **No dañe el cable ni utilice un cable de alimentación no especificado.**  
Podría producirse una descarga eléctrica o incendio.
- **No modifique la longitud del cable de alimentación.**  
Causará una descarga eléctrica o incendio.
- **No comparta el enchufe con otros aparatos.**  
Causará una descarga eléctrica o incendio.
- **Realice siempre la conexión a un enchufe con toma de tierra.**  
Si no hay toma de tierra, podría producirse una descarga eléctrica.
- **Desenchufe la unidad si emite un sonido extraño, olores o humo.**  
Desenchufar la unidad puede evitar el riesgo de descargas eléctricas o de incendios.
- **No utilice el enchufe si está flojo o dañado.**  
Podría producirse una descarga eléctrica o incendio.
- **No utilice la unidad con las manos mojadas o en un entorno húmedo.**
- **Si hay una fuga de gas, ventile la habitación antes de utilizar el deshumidificador.**  
Podría producirse una explosión, incendio y quemaduras.
- **No limpie el deshumidificador con agua.**  
El agua podría introducirse en la unidad y degradar el aislamiento. Podría producirse una descarga eléctrica.
- **Desenchufe la unidad antes de limpiarla.**  
Como el ventilador gira a alta velocidad durante el funcionamiento, podrían producirse lesiones.
- **Si entra agua en el producto, apague el interruptor del deshumidificador y, a continuación, desenchufe la unidad. Póngase con contacto con el centro de servicio para tareas de reparación.**  
Causará fallo de la máquina o descarga eléctrica.
- **No bloquee la entrada ni la salida.**  
Puede causar fallas de aplicación o deterioro en su rendimiento.
- **Sujete la clavija por la cabeza cuando la saque.**  
De lo contrario, podría ocurrir una descarga eléctrica y daños.
- **Apague el interruptor de contacto cuando no vaya a utilizar el deshumidificador durante un largo periodo de tiempo.**  
Apagar la unidad ahorrará gasto en energía.
- **Asegúrese de que el deshumidificador tiene la capacidad adecuada para la zona que desea deshumidificar.**  
No está diseñado para enfriar la casa entera.
- **Instale el deshumidificador en el suelo debidamente.**  
Para un funcionamiento adecuado, su deshumidificador se debería instalar únicamente en el suelo.
- **Cierre todas las puertas, ventanas y aberturas al exterior de la habitación.**  
Para una mayor eficacia, el deshumidificador debe utilizarse en una zona cerrada.
- **Al extraer el filtro, sea consciente de que las piezas metálicas pueden tener bordes afilados.**  
Los bordes afilados pueden provocar lesiones.
- **Utilice un paño suave para limpiar la unidad. No utilice cera, disolvente ni un detergente fuerte.**  
Podría deteriorarse el aspecto del deshumidificador, cambiar el color o producirse desperfectos en su superficie.
- **Asegurese de reemplazar la cubeta debidamente cuando vaya a vaciarla para evitar que el agua caiga al suelo.**  
De lo contrario, se causarían daños a la propiedad.
- **El modelo de 50 pintas (54501) tal vez no funcione con eficiencia si la temperatura de la sala está por debajo de los 65°F(18°C). El modelo de 70 pintas (54701) tal vez no funcione con eficiencia si la temperatura de la sala está por debajo de los 42°F(6°C).**  
Las bajas temperaturas podrían producir escarcha en los serpentines.
- **No coloque ningún animal o planta expuestos al flujo de aire directo.**  
Esto podría lesionar al animal o danar la planta.
- **No utilice el agua acumulada en la cubeta para beber.**  
No es salubre y podría causar enfermedades o poner en riesgo su salud.
- **Inserte el filtro con seguridad. Límpielo cada dos semanas.**  
Poner la unidad en marcha sin filtros provocará fallos en la unidad.
- **No permita que los niños jueguen con este producto.**

# REQUERIMIENTOS DE ALIMENTACIÓN ELÉCTRICA

RESPETE TODOS LOS CÓDIGOS Y REGLAMENTOS.

**BAJO NINGUNA CIRCUNSTANCIA CORTE, quite o evite el uso de la conexión a tierra de esta clavija.**

**ESTE APARATO NECESITA SER CONECTADO A TIERRA.**

Se requiere una alimentación eléctrica CA, adecuadamente conectada a tierra con un fusible de 15 A, de 60 Hz y de 115 V. Se recomienda un fusible de retardo o un disyuntor de circuito que alimente solamente a este aparato.

**NO USE CABLE ELÉCTRICO DE EXTENSIÓN.**

**MÉTODO RECOMENDADO DE CONEXIÓN A TIERRA**

Por su propia seguridad este aparato debe conectarse a tierra. Este aparato viene equipado con un cable de alimentación y una clavija de tres terminales. Para reducir al máximo el peligro de choque eléctrico, el cable debe estar conectado a una conexión de pared con conexión a tierra, y esta conexión debe hacerse de acuerdo con la última edición del Código Eléctrico Nacional (ANSI/NFPA 70), así como con los códigos y reglamentos locales. Si no existe una conexión de pared adecuada, el cliente tiene la responsabilidad y la obligación de mandar instalar, con un electricista calificado, una conexión de pared adecuada de tres terminales con conexión a tierra.

## ⚠ ADVERTENCIA



Peligro de choque eléctrico

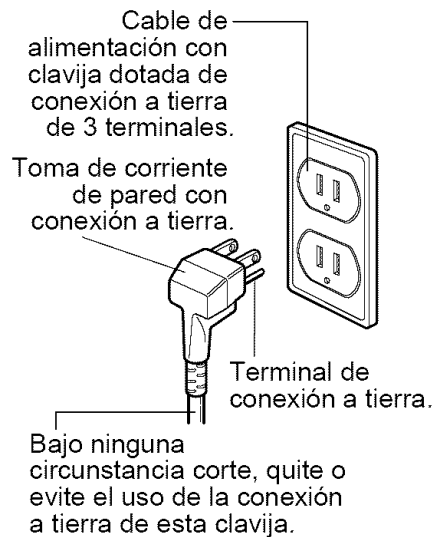
Conecte en una conexión de pared de 3 terminales

No quite la terminal de conexión a tierra

No use adaptadores

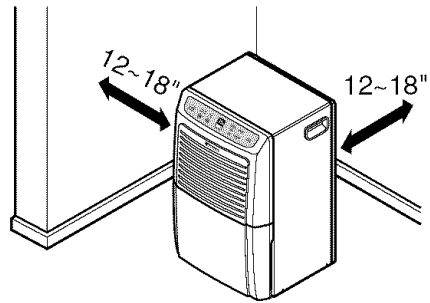
No use cable eléctrico de extensión

Si no se siguen estas instrucciones, puede ocasionarse la muerte, un incendio o un choque eléctrico.



# INSTALACIÓN DEL DESHUMIDIFICADOR

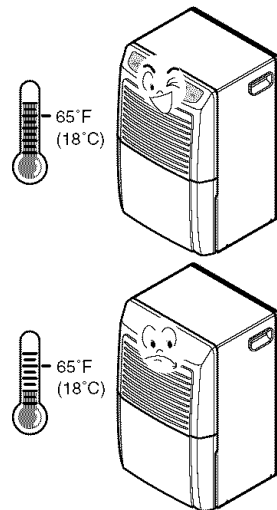
- Instale el deshumidificador en un piso nivelado lo suficientemente sólido como para soportar la unidad con el recipiente lleno de agua.
- Para lograr un máximo rendimiento, deje un espacio libre de 12 a 18 pulgada en todo el espacio que circunde al aparato con objeto de mantener una buena circulación de aire.
- Mantenga todas las puertas, ventanas y otras entradas de aire cerradas al operar el deshumidificador. El aire húmedo del exterior hará que el aparato trabaje en exceso.
- Para una eficacia máxima, instale su deshumidificador en un sitio donde la temperatura no baje de los 65 °F (18 °C)
- A temperaturas por debajo de 65 °F (18 °C) (a nivel del suelo), la batería del evaporador se cubrirá de escarcha, disminuyendo la capacidad de deshumidificación.



## Proceso de desescarche

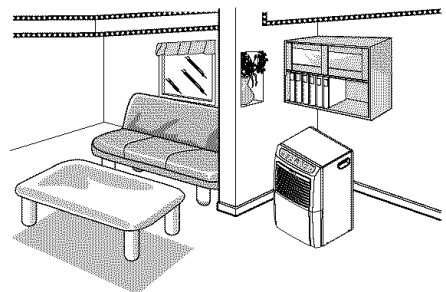
El deshumidificador lleva integrado un control de desescarche que detecta la aparición de escarcha en la batería del evaporador.

Durante el desescarche en el modelo de 50 pintas (54501) se apagará el compresor, manteniendo el ventilador en marcha para desescarchar la batería. En el modelo de 70 pintas (54701) el compresor continúa en marcha y se apaga el ventilador (el modelo 70 pintas utiliza una válvula de cuatro vías para el proceso de desescarche).



# SELECCIÓN DEL LUGAR ADECUADO

- Use el deshumidificador en un sótano para ayudar a evitar los daños que causa la humedad.
- Use el deshumidificador al cocinar, al lavar la ropa, al bañarse y en lugares en que lava la vajilla en que hay demasiada humedad.
- Use el deshumidificador para evitar los daños que causa la humedad en libros y objetos valiosos almacenados.



# APAGADO AUTOMÁTICO

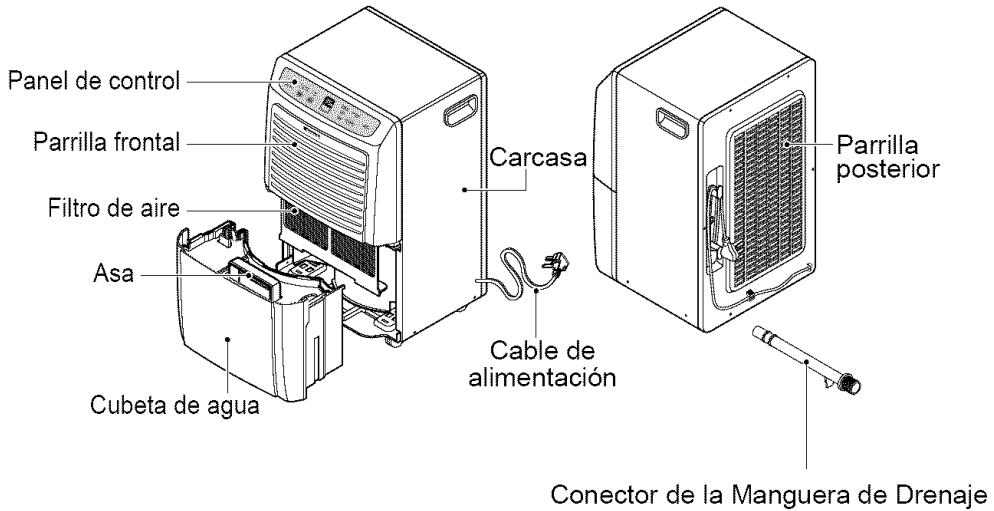
- Cuando el cubo está repleto, o cuando el cubo no está en la posición apropiada, el Cubo Repleto ligero prende y la unidad apaga automáticamente. También, cuando el cubo es fuera de posición, la unidad hace pip pip 3 veces.
- **La cubeta debe ser re-ubicada en la posición apropiada para que el deshumidificador funcione. La luz será encendida y el deshumidificador no funcionará si la cubeta no está en la posición apropiada.**
- **El deshumidificador se apagará cuando se alcance la humedad deseada.**

# FUNCIONAMIENTO

## CARACTERÍSTICAS

### ⚠ ADVERTENCIA

Para reducir el riesgo de incendio, descarga eléctrica o lesión al utilizar su deshumidificador, deberán seguirse en todo momento las siguientes precauciones de seguridad.

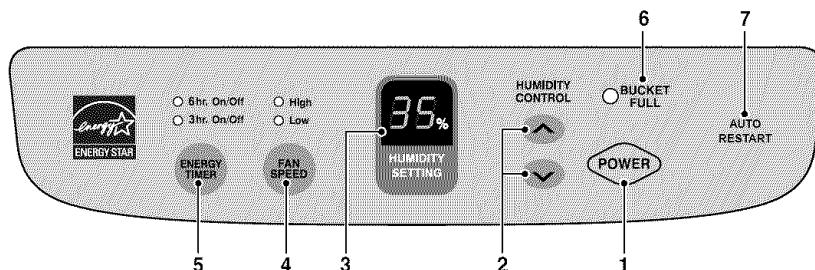


### GUÍA DE SELECCIÓN

Tamaño de la sala (sq-ft)	Moderadamente Húmedo	Muy Húmedo	Mojado	Extremadamente Mojado
22'x 22'	35 Pt	35 Pt	35 Pt	35 Pt
30'x 30'	35 Pt	35 Pt	50 Pt	50 Pt
30'x 50'	50 Pt	50 Pt	50 Pt	70 Pt
40'x 50'	50 Pt	50 Pt	70 Pt	70 Pt



# FUNCIONAMIENTO



## PANEL DE CONTROL

### 1. Tecla POWER

Si pulsa una vez esta tecla, el deshumidificador se enciende, "ON", y si la vuelve a pulsar el deshumidificador se apaga, "OFF".

### 2. Teclas HUMIDITY CONTROL

Pulse para seleccionar el ajuste de humedad deseado.

- $\wedge$  : se utiliza para aumentar el ajuste de humedad deseado.
- $\vee$  : se utiliza para disminuir el ajuste de humedad deseado.
- La humedad deseada puede seleccionarse dentro de unos parámetros que vayan del 35% al 70% de humedad relativa en incrementos del 5%.
- Si pulsa la tecla  $\vee$  una vez más a 35% de Humedad Relativa, se seleccionará el modo "ON" continuado y "ON" aparecerá en la ventana de visualización. En modo "ON", la unidad funcionará continuamente, sin que importen las condiciones de humedad.

### 3. Visualizador HUMIDITY SETTING

Se visualiza en pantalla el ajuste de humedad seleccionado.

### 4. Tecla FAN SPEED

Pulse para ajustar la velocidad del ventilador en "High" (alta) o "Low" (baja).

- Si pulsa esta tecla la velocidad del ventilador cambia de High  $\rightarrow$  Low  $\rightarrow$  High.
- La velocidad del ventilador seleccionada se indica mediante pilotos con la indicación "High" y "Low".

### 5. Tecla ENERGY TIMER

Pulse para seleccionar el ciclo de operación programado.

- Pulsar esta tecla hará que se seleccione EL MODO DE 3 Ó 6 HORAS DEL TEMPORIZADOR.

La luz indicadora del temporizador cambiará de las 3 horas encendido/apagado a las 6 horas encendido/apagado. La unidad funcionará 3 ó 6 horas y, seguidamente, se apagará totalmente otras 3 ó 6 horas. El ciclo se repite hasta que cambie el ajuste.

- Si no se ha seleccionado la función ENERGY TIMER, la unidad funcionará hasta alcanzar el ajuste de humedad deseado.

### 6. Indicador BUCKET FULL

Este piloto se ilumina cuando la cubeta está llena y es necesario vaciarla. También se ilumina cuando la cubeta no está colocada correctamente. Cuando el piloto de cubeta llena se ilumina, se apaga el compresor y el ventilador.

### 7. AUTO RESTART

La función de reinicio automático reinicia automáticamente a su aparato deshumidificador una vez que regrese la alimentación. El ventilador comienza a funcionar inmediatamente unos 2 minutos y la unidad funciona según el ajuste de humedad anterior. Transcurridos 2 minutos, el compresor también puede arrancar calculando las condiciones de humedad de la sala. Una vez alcanzado el objetivo de humedad, el compresor y el ventilador se apagarán.

## PARA UTILIZAR EL DESHUMIDIFICADOR:

1. Enchufe el cable de alimentación en la toma eléctrica. Pulse la tecla POWER.
2. Ajuste el control de humedad del 35% al 70% para un funcionamiento normal.
  - Para menos humedad, pulse la tecla ( $\vee$ ) HUMIDITY CONTROL.
  - Para una mayor humedad, pulse la tecla ( $\wedge$ ) HUMIDITY CONTROL.
3. Pulse la tecla ENERGY TIMER si desea ajustar el tiempo en que desea que la unidad realice el ciclo de encendido y apagado. El tiempo puede ajustarse a 3 o 6 horas
4. Si desea cambiar la velocidad del ventilador, pulse la tecla FAN SPEED. Cada vez que se pulsa la tecla FAN SPEED, la velocidad del ventilador cambia de High  $\rightarrow$  Low  $\rightarrow$  High.
5. Pulse la tecla POWER para detener manualmente la unidad.

# OPCIONES PARA LA ELIMINACIÓN DEL AGUA CREADA

## VACIAR LA CUBETA MANUALMENTE

1. Cuando la cubeta esté llena, deslícela hacia el exterior agarrando el asa y vaciando el líquido en una bañera o lavamanos grande y repóngalo debidamente. Figura 1.
2. Vacíe la cubeta cuando la luz indicadora se encienda.
3. No saque la cubeta mientras del deshumidificador esté en funcionamiento. Sacar la cubeta puede provocar que se caiga el agua en el colector base o en el suelo.
4. Transporte la cubeta agarrándola desde el fondo tanto como del asa. Transportarla sólo con el asa puede provocar que se rompa el asa o la cubierta de la cubeta.

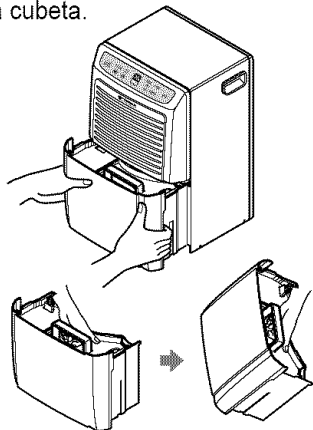


Figura 1

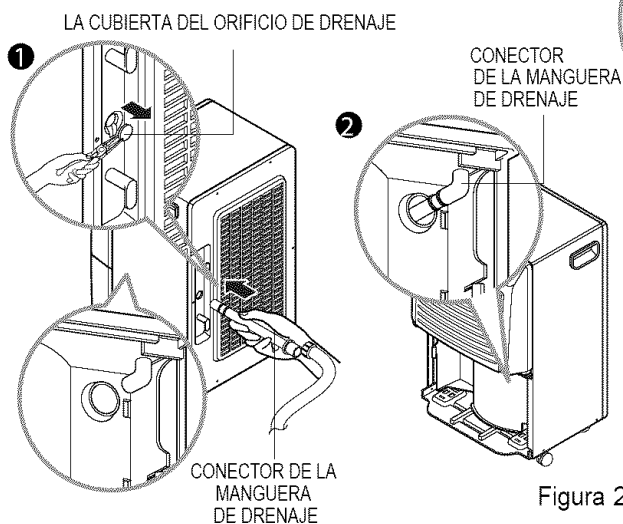


Figura 2

## USO DE UNA MANGUERA DE JARDÍN

Tiene la opción de acoplar una manguera de jardín a su deshumidificador para drenar el agua más tarde usando la cubeta del agua.

La cubeta vacía debe instalarse para que el deshumidificador pueda seguir funcionando.

Acople la manguera antes de la operación inicial.

En primer lugar, quite la tapa del orificio de drenaje de la parrilla posterior.

Use alicates de nariz de aguja y quite la tapa de la manguera de drenaje estirando de ella. Figura 2.

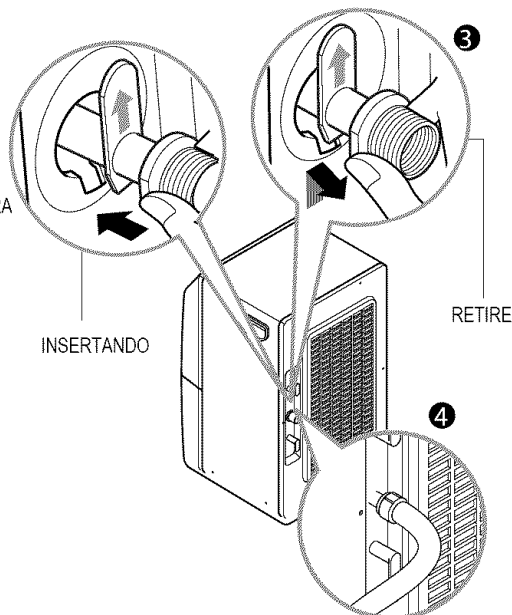
A continuación, conecte una manguera de jardín al extremo roscado de la conexión de la manguera de drenaje, teniendo cuidado para no apretar demasiado la manguera.

Deslice la buqueta hacia el exterior. Mire en el interior del orificio de drenaje del deshumidificador de la parrilla posterior. Verá el tallo en el que se conecta el conector de la manguera de drenaje.

Empuje el conector firmemente en el tallo.

Asegúrese de que la manguera de jardín no está doblada ni plegada. La manguera debería descansar plana desde el deshumidificador al drenaje.

Hay disponible una manguera de drenaje opcional (#9181) en su tienda Sears más cercana.



# MANTENIMIENTO

## LA REJILLA Y EL GABINETE

**Para limpiar el gabinete:** Use agua y un detergente suave. No use blanqueador ni limpiadores abrasivos.

**Para limpiar la rejilla:** Use una aspiradora con un cono o cepillo.

## FILTRO DE AIRE

Compruebe y limpie el filtro del aire al menos cada 30 días o más a menudo en caso de necesidad.

### PARA RETIRARLO:

Flexione el filtro en la esquina inferior derecha y deslice la esquina superior derecha hacia la izquierda. Lávelo con agua jabonosa tibia. Enjuáguelo y déjelo secar antes de volverlo a colocar.

## LIMPIEZA GENERAL

- Quite el polvo de la rejilla y de los paneles laterales con un cepillo suave o use el cepillo de su aspiradora.
- Si el gabinete se despostilla, puede retocar la pintura con un esmalte de buena calidad para evitar que se oxide.

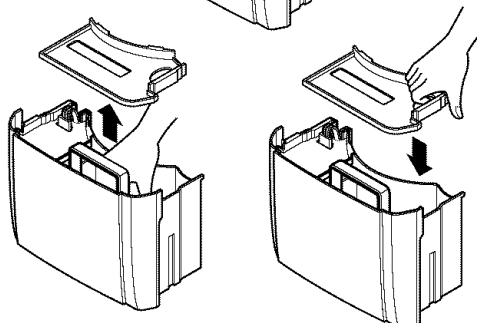
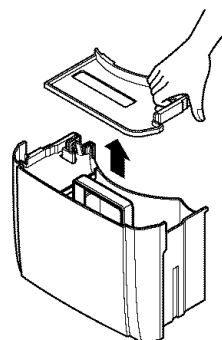
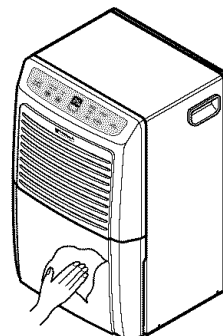
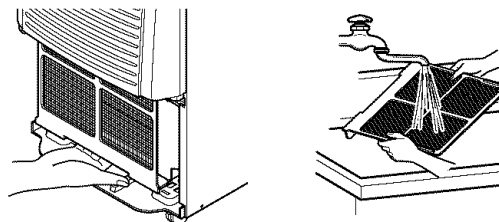
## LIMPIEZA DEL RECIPIENTE DE AGUA

- Deslice la cubeta hacia el exterior.
- Quite la tapa de la cubeta.
- Ponga de nuevo la tapa en la cubeta.
- Debería limpiarse la cubeta una vez cada varias semanas.

### ⚠ ADVERTENCIA

Riesgo de descarga eléctrica

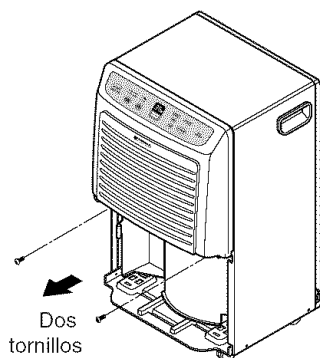
- Desconecte el cable de alimentación del enchufe antes de realizar cualquier mantenimiento.
- Tenga cuidado cuando limpie los serpentines. Las aletas están afiladas.



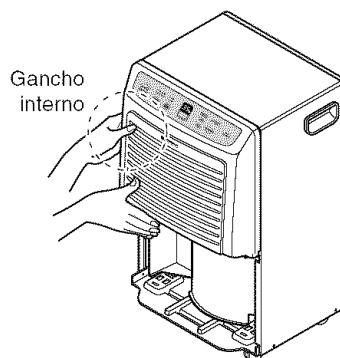
# MANTENIMIENTO

## LIMPIEZA DEL INTERIOR DE LA UNIDAD

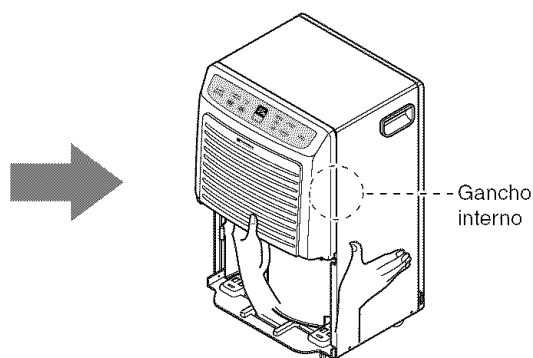
1. Retire la parrilla frontal de la cabina, como se muestra a continuación



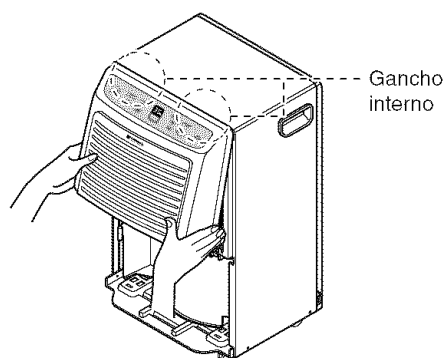
Retire los 2 tornillos que sujetan la parrilla frontal



Agarre la parte inferior de la parrilla frontal y tire de ella hacia fuera



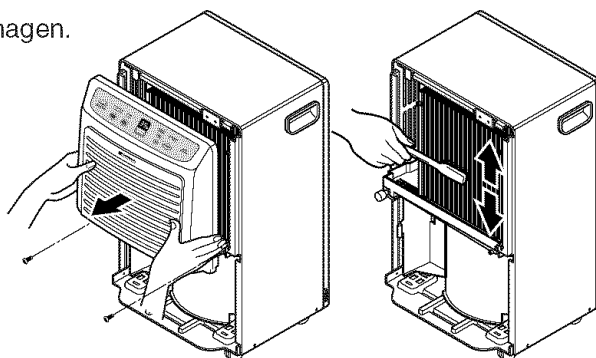
De la misma forma, retire el gancho de la derecha



Tire de la parrilla frontal hacia afuera

2. Pase un cepillo con cuidado, como en la imagen. Si es necesario, utilice agua caliente y un detergente suave. Aclare y deje secar por completo.


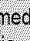
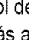
**NOTE:** Evite la entrada de agua en el compartimiento eléctrico / de la máquina vía la abertura circular detrás de la bobina.  
**No pulverice la bobina con una manguera**



# SOLUCIÓN DE PROBLEMAS



El deshumidificador puede funcionar de modo anormal cuando:

Problema	Causas posibles	¿Qué hacer?
El deshumidificador no se enciende	<ul style="list-style-type: none"> <li>■ El cable de alimentación del deshumidificador está desenchufado.</li> <li>■ Se ha fundido el fusible o se ha disparado el interruptor automático.</li> <li>■ La cubeta de agua está llena.</li> <li>■ La cubeta no está instalada.</li> <li>■ La humedad de la sala es inferior al ajuste de humedad seleccionada.</li> <li>■ Auto Restart</li> </ul>	<ul style="list-style-type: none"> <li>• Asegúrese de que la clavija del deshumidificador está completamente insertada en el enchufe.</li> <li>• Compruebe los fusibles o el cuadro del interruptor automático y cambie el fusible o vuelva a conectar el interruptor.</li> <li>• El deshumidificador se apaga automáticamente cuando esto ocurre. Vacíe la cubeta.</li> <li>• Asegúrese de que la cubeta está colocada correctamente.</li> <li>• Pulse el botón de control de la  humedad para hacer bajar la humedad por debajo del ajuste del nivel de la sala.</li> <li>• La unidad tiene una demora de 2 minutos una vez se reinicia el aparato.</li> </ul>
El deshumidificador no seca el aire como debiera	<ul style="list-style-type: none"> <li>■ No ha habido suficiente tiempo para eliminar la humedad.</li> <li>■ El flujo de aire está restringido.</li> <li>■ Es posible que el control de humedad no esté ajustado a humedad baja.</li> <li>■ Es posible que las puertas y ventanas no estén completamente cerradas.</li> <li>■ Es posible que la secadora de ropa esté expulsando aire cargado de humedad en la habitación.</li> <li>■ La temperatura de la habitación es demasiado baja</li> </ul>	<ul style="list-style-type: none"> <li>• Cuando se instala por primera vez, debe esperar al menos 3 ó 4 días para lograr y mantener el nivel de humedad deseado.</li> <li>• Asegúrese de que no hay cortinas, persianas o mobiliario que bloquean la parte frontal o posterior del deshumidificador.</li> <li>• Pulse el botón de control de la humedad  para bajar la humedad.</li> <li>• Compruebe que todas las puertas, ventanas y otras aberturas están cerradas completamente.</li> <li>• Instale el deshumidificador lejos de la secadora. La secadora debe tener salida al exterior.</li> <li>• El modelo de 50 pintas (54501) tal vez no funcione con eficiencia si la temperatura de la sala está por debajo de los 65°F(18°C).</li> <li>• El modelo de 70 pintas (54701) tal vez no funcione con eficiencia si la temperatura de la sala está por debajo de los 42°F(6°C).</li> </ul>
El deshumidificador parece revolucionarse demasiado	<ul style="list-style-type: none"> <li>■ La zona a deshumidificar es demasiado grande.</li> <li>■ Las puertas y ventanas están abiertas.</li> </ul>	<ul style="list-style-type: none"> <li>• Consulte la Guía de Selección de la página 15.</li> <li>• Cierre todas las puertas y ventanas comunicadas con el exterior.</li> </ul>
Aparece escarcha en los serpentines	<ul style="list-style-type: none"> <li>■ Se ha encendido recientemente el deshumidificador. La temperatura de la sala es inferior a los 65°F (18°C).</li> </ul>	<ul style="list-style-type: none"> <li>• Es normal. Normalmente, la escarcha desaparece transcurridos 60 minutos.</li> <li>• Asegúrese de que la temperatura de la sala está como mínimo, a 65°F(18°C) para un funcionamiento adecuado.</li> </ul>
Hay agua en el suelo	<ul style="list-style-type: none"> <li>■ Es posible que la conexión de la manguera de drenaje esté suelta.</li> <li>■ La cubeta del agua está fuera de posición.</li> </ul>	<ul style="list-style-type: none"> <li>• Compruebe la manguera, en caso de que haya incorporado una.</li> <li>• Consulte las opciones para eliminar el agua que se haya producido.</li> </ul>
El deshumidificador funciona de manera continuada	<ul style="list-style-type: none"> <li>■ En la ventana de visualización del panel de control verá aparecer la palabra "ON".</li> <li>■ La humedad de la sala es superior al ajuste de humedad.</li> </ul>	<ul style="list-style-type: none"> <li>• Pulse  para elevar el ajuste de humedad un 35% o más consulte la página 16.</li> <li>• Pulse el control de humedad  para cambiar el ajuste de humedad a más alto que el nivel de la sala. El valor más alto es el 70%.</li> </ul>

# NOTA

A series of horizontal dotted lines for taking notes.

## Master Protection Agreements

*Congratulations on making a smart purchase.* Your new Kenmore® product is designed and manufactured for years of dependable operation. But like all products, it may require preventive maintenance or repair from time to time. That's when having a Master Protection Agreement can save you money and aggravation.

The Master Protection Agreement also helps extend the life of your new product. Here's what the Agreement\* includes:

- Parts and labor** needed to help keep products operating properly **under normal use**, not just defects. Our coverage goes **well beyond the product warranty**. No deductibles, no functional failure excluded from coverage— **real protection**.
- Expert service** by a force of more than **10,000 authorized Sears service technicians**, which means someone you can trust will be working on your product.
- Unlimited service calls and nationwide service**, as often as you want us, whenever you want us.
- "No-lemon" guarantee** - replacement of your covered product if four or more product failures occur within twelve months.
- Product replacement** if your covered product can't be fixed.
- Annual Preventive Maintenance Check** at your request - no extra charge.
- Fast help by phone** – we call it **Rapid Resolution** – phone support from a Sears representative on all products. Think of us as a "talking owner's manual."
- Power surge protection** against electrical damage due to power fluctuations.
- \$250 Food Loss Protection** annually for any food spoilage that is the result of mechanical failure of any covered refrigerator or freezer.
- Rental reimbursement** if repair of your covered product takes longer than promised.
- 10% discount** off the regular price of any non-covered repair service and related installed parts.

Once you purchase the Agreement, a simple phone call is all that it takes for you to schedule service. You can call anytime day or night, or schedule a service appointment online.

The Master Protection Agreement is a risk free purchase. If you cancel for any reason during the product warranty period, we will provide a full refund. Or, a prorated refund anytime after the product warranty period expires. Purchase your Master Protection Agreement today!

**Some limitations and exclusions apply.**  
**For prices and additional information in the U.S.A. call 1-800-827-6655.**

**\* Coverage in Canada varies on some items. For full details call Sears Canada at 1-800-361-6665.**

### Sears Installation Service

For Sears professional installation of home appliances, garage door openers, water heaters, and other major home items, in the U.S.A. or Canada call **1-800-4-MY-HOME®**.

## Contratos de protección maestra

*Felicitaciones por su compra inteligente.* Su nuevo producto Kenmore® está diseñado y fabricado para muchos años de operación confiable. Sin embargo, al igual que todos los puede requerir de mantenimiento o reparación productos, preventivas de vez en cuando. Es ahí cuando el contrato de protección maestra le puede ahorrar dinero y molestias.

El Contrato de protección maestra también le ayuda a ampliar la vida de su nuevo producto. Lo siguiente es lo que se incluye en el contrato\*:

- Piezas y mano de obra** necesaria para ayudar a mantener los productos en funcionamiento adecuado **bajo un uso normal**, no sólo defectos. Nuestra cobertura va **mucho más allá de la garantía del producto**. Sin franquicia, ni falla funcional excluidos de la cobertura— **protección real**.
- Servicio experto** otorgado por un grupo de más de 10,000 técnicos de reparación autorizados de Sears, lo que significa que alguien en quien usted confía trabajará con su producto.
- Servicio ilimitado a domicilio en toda la nación**, cuantas veces quiera, cuando lo necesite.
- Garantía contra productos defectuosos** reposición de su producto cubierto si ocurren cuatro o más fallas del producto dentro de doce meses.
- Reposición del producto** si el producto cubierto no puede repararse.
- Revisión anual de mantenimiento preventivo** a su solicitud – sin cargo adicional.
- Ayuda telefónica rápida** – lo llamamos **resolución rápida** – asistencia telefónica de parte de un técnico Sears sobre todos los productos. Piense en nosotros como un "manual de usuario que habla".
- Protección contra descargas eléctricas** para daños debido a fluctuaciones eléctricas.
- Protección por pérdida de alimentos de \$250** anualmente por alimentos que se han echado a perder por un mal funcionamiento de refrigeradores o freezers cubiertos por la garantía.
- Reembolso por alquiler** si la reparación del producto cubierto toma más tiempo del prometido.
- 10% de descuento** del precio común de cualquier reparación no cubierta y piezas instaladas relacionadas.

Una vez que adquiera el contrato, sólo necesita realizar una llamada telefónica para programar el servicio. Puede llamar a cualquier hora del día o de la noche, o programar la cita del servicio por Internet.

El Contrato de protección maestra es una compra libre de riesgo. Si la cancela por cualquier razón durante el período de garantía del producto, le reintegraremos el dinero en su totalidad. O un reintegro prorrateado después de que expire la garantía del producto. ¡Adquiera el Contrato de protección maestra hoy mismo!

**Existen ciertas limitaciones y exclusiones.**  
**Para precios e información adicional, llame al 1-800-827-6655.**

**\* La cobertura en Canadá es diferente en algunos ítems. Para más detalles llame a Sears Canadá al 1-800-361-6665.**

### Servicio de instalación de Sears

*Para la instalación profesional garantizada* de Sears de electrodomésticos, dispositivos para abrir puertas de garaje, calentadores de agua y otros aparatos importantes para el hogar, en los EE.UU. o Canadá llame al **1-800-4-MY-HOME®**.

ENGLISH

ESPAÑOL

# Get it fixed, at your home or ours!

## Your Home

For repair – **in your home** – of **all** major brand appliances, lawn and garden equipment, or heating and cooling systems, **no matter who made it, no matter who sold it!**

For the replacement parts, accessories and owner's manuals that you need to do-it-yourself.

For Sears professional installation of home appliances and items like garage door openers and water heaters.

**1-800-4-MY-HOME® (1-800-469-4663)**

Call anytime, day or night (U.S.A. and Canada)

[www.sears.com](http://www.sears.com)    [www.sears.ca](http://www.sears.ca)

*For expert home solutions advice: [www.managemyhome.com](http://www.managemyhome.com)*

---

## Our Home

For repair of carry-in items like vacuums, lawn equipment, and electronics, call or go on-line for the location of your nearest

### Sears Parts & Repair Service Center

**1-800-488-1222 (U.S.A.)    1-800-469-4663 (Canada)**

Call anytime, day or night

[www.sears.com](http://www.sears.com)    [www.sears.ca](http://www.sears.ca)

---

To purchase a protection agreement on a product serviced by Sears:

**1-800-827-6655 (U.S.A.)**

**1-800-361-6665 (Canada)**

---

Para pedir servicio de reparación a domicilio, y para ordenar piezas:

**1-888-SU-HOGAR®**

(1-888-784-6427)

Au Canada pour service en français:

**1-800-LE-FOYER<sup>MC</sup>**

(1-800-533-6937)

[www.sears.ca](http://www.sears.ca)

