

Use & Care Guide

Manual de Uso y Cuidado

Guide d'utilisation et d'entretien

English / Español / Français

Models/Modelos/Modèles: 253.12112*, 12402*, 12502*, 12512*, 12702*, 12912*,
21042*, 21242*, 22042*, 22442*, 22452*, 22742*

Kenmore®

Freezer

Congelador

Congélateur

P/N A01062001 (1408)

Sears Brands Management Corporation

Hoffman Estates, IL 60179 U.S.A.

www.kenmore.com

www.sears.com

Sears Canada Inc.

Toronto, Ontario, Canada M5B 2C3

www.sears.ca



Record Model/ Serial Numbers

Please read and save these instructions

This Use & Care Guide provides specific operating instructions for your model. Use your unit only as instructed in this guide. These instructions are not meant to cover every possible condition and situation that may occur. Common sense and caution must be practiced when installing, operating, and maintaining any appliance.

Please record your model and serial numbers below for future reference. This information is found on the serial plate located inside the appliance compartment.

Model Number: 253

or _____

Serial Number: _____

Purchase Date: _____

IMPORTANT

Use only soap and water to clean serial plate.

Table of Contents


Record Model/Serial Numbers.....	2
Important Safety Instructions.....	2
Warranty Information.....	4
Master Protection Agreements.....	5
First Steps.....	6
Energy-Saving Tips.....	8
Setting the Temperature Control.....	9
Optional Features.....	9
Care & Cleaning.....	10
Power/Freezer Failure.....	13
Before You Call.....	13

Important Safety Instructions

Safety Precautions

Do not attempt to install or operate your unit until you have read the safety precautions in this manual. Safety items throughout this manual are labeled with a Danger, Warning, or Caution based on the risk type.

Definitions

 This is the safety alert symbol. It is used to alert you to potential personal injury hazards. Obey all safety messages that follow this symbol to avoid possible injury or death.



DANGER

DANGER indicates an imminently hazardous situation which, if not avoided, will result in death or serious injury.



WARNING

WARNING indicates a potentially hazardous situation which, if not avoided, could result in death or serious injury.



CAUTION

CAUTION indicates a potentially hazardous situation which, if not avoided, may result in minor or moderate injury.

IMPORTANT

Indicates installation, operation, or maintenance information which is important but not hazard-related.



WARNING

Please read all safety instructions before using your new appliance.

For Your Safety

- Do not store or use gasoline or other flammable liquids in the vicinity of this or any other appliance. Read product labels for warnings regarding flammability and other hazards.
- Do not operate the unit in the presence of explosive fumes.

Important Safety Instructions

- Remove and discard any spacers used to secure the shelves during shipping. Small objects are a choke hazard to children.
- Remove all staples from the carton. Staples can cause severe cuts and also destroy finishes if they come in contact with other appliances or furniture.

Child Safety

Destroy or recycle the carton, plastic bags, and any exterior wrapping material immediately after the unit is unpacked. Children should **never** use these items to play. Cartons covered with rugs, bedspreads, plastic sheets or stretch wrap may become airtight chambers and can quickly cause suffocation.

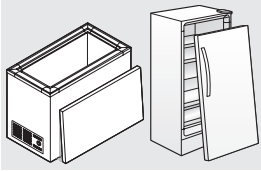
Proper Disposal of your Appliance

Risk of child entrapment

Child entrapment and suffocation are not problems of the past. Junked or abandoned appliances are still dangerous – even if they will sit for “just a few days.” If you are getting rid of your appliance, please follow the instructions below to help prevent accidents.

Before you throw away your old unit:

- Remove door.
- Leave shelves in place so children may not easily climb inside.
- Have refrigerant removed by a qualified service technician.



IMPORTANT

Your old unit may have a cooling system that used CFCs or HCFCs (chlorofluorocarbons or hydrochlorofluorocarbons). CFCs and HCFCs are believed to harm stratospheric ozone if released to the atmosphere. Other refrigerants may cause harm to the environment if released to the atmosphere. If you are throwing away your old unit, make sure the refrigerant is removed for proper disposal by a qualified technician. If you intentionally release refrigerant, you may be subject to fines and imprisonment under the provisions of environmental legislation.



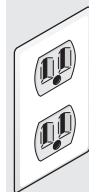
WARNING

These guidelines must be followed to ensure that safety mechanisms in this unit will operate properly.

Electrical information

- The appliance must be plugged into its own dedicated 115 Volt, 60 Hz., AC only electric outlet. The power cord of the appliance is equipped with a three-prong grounding plug for your protection against electrical shock hazards. It must be plugged directly into a properly grounded three-prong receptacle. The receptacle must be installed in accordance with local codes and ordinances. Consult a qualified electrician. Do not use an extension cord or adapter plug.
- Immediately repair or replace any power cord that becomes frayed or damaged.
- Never unplug the appliance by pulling on the power cord. Always grip the plug firmly, and pull straight out from the receptacle to prevent damaging the power cord.
- Unplug the appliance before cleaning and before replacing a light bulb to avoid electrical shock.
- Performance may be affected if the voltage varies by 10% or more. Operating the unit with insufficient power can damage the motor. Such damage is not covered under the warranty.
- Do not plug the unit into an outlet controlled by a wall switch or pull cord to prevent the appliance from being turned off accidentally.
- Avoid connecting unit to a Ground Fault Circuit Interrupter (GFCI).

Grounding type wall receptacle



Do not, under any circumstances, cut, remove, or bypass the grounding prong.



Power cord with 3-prong grounded plug

Warranty Information

KENMORE LIMITED WARRANTY

FOR ONE YEAR from the date of sale this appliance is warranted against defects in material or workmanship when it is installed, operated and maintained according to all supplied instructions.

WITH PROOF OF SALE, a defective product will receive free repair or replacement at option of seller. To arrange for warranty service, call 1-800-4-MY-HOME®

If this appliance is ever used for other than private family purposes, this warranty applies for only 90 days from sale date in the United States, and is void in Canada.

This warranty covers ONLY defects in material and workmanship, and will NOT pay for:

1. Expendable items that can wear out from normal use, including but not limited to filters, belts, bags and screw-in base light bulbs.
2. A service technician to instruct the user in correct product installation, operation or maintenance.
3. A service technician to clean or maintain this product.
4. Damage to or failure of this product if it is not installed, operated or maintained according to all instructions supplied with the product.
5. Damage to or failure of this product resulting from accident, abuse, misuse or use for other than its intended purpose.
6. Damage to or failure of this product caused by the use of detergents, cleaners, chemicals or utensils other than those recommended in all instructions supplied with the product.
7. Damage to or failure of parts or systems resulting from unauthorized modifications made to this product.

Disclaimer of implied warranties; limitation of remedies

Customer's sole and exclusive remedy under this limited warranty shall be product repair as provided herein. Implied warranties, including warranties of merchantability or fitness for a particular purpose, are limited to one year or the shortest period allowed by law. Sears shall not be liable for incidental or consequential damages. Some states and provinces do not allow the exclusion or limitation of incidental or consequential damages, or limitation on the duration of implied warranties of merchantability or fitness, so these exclusions or limitations may not apply to you.

This warranty applies only while this appliance is used in the United States or Canada*.

This warranty gives you specific legal rights, and you may also have other rights which vary from state to state.

* In-home repair service is not available in all Canadian geographical areas, nor will this warranty cover user or servicer travel and transportation expenses if this product is located in a remote area (as defined by Sears Canada Inc.) where an authorized servicer is not available.

Sears Brands Management Corporation, Hoffman Estates, IL 60179

Sears Canada Inc., Toronto, Ontario, Canada M5B 2C3

Master Protection Agreements

Congratulations on making a smart purchase. Your new Kenmore® product is designed and manufactured for years of dependable operation. But like all products, it may require preventive maintenance or repair from time to time. That's when having a Master Protection Agreement can save you money and aggravation.

The Master Protection Agreement also helps extend the life of your new product. Here's what the Agreement* includes:

- **Parts and labor** needed to help keep products operating properly **under normal use**, not just defects. Our coverage goes **well beyond the product warranty**. No deductibles, no functional failure excluded from coverage – **real protection**.
- **Expert service** by a force of more than **10,000 authorized Sears service technicians**, which means someone you can trust will be working on your product.
- **Unlimited service calls and nationwide service**, as often as you want us, whenever you want us.
- **“No-lemon” guarantee** – replacement of your covered product if four or more product failures occur within twelve months.
- **Product replacement** if your covered product can not be fixed.
- **Annual Preventive Maintenance Check** at your request – no extra charge.
- **Fast help by phone** – we call it **Rapid Resolution** – phone support from a Sears representative on all products. Think of us as a “talking owner’s manual”.
- **Power surge protection** against electrical damage due to power fluctuations.
- **\$250 Food Loss Protection** annually for any food spoilage that is the result of mechanical failure of any covered refrigerator or freezer.
- **Rental reimbursement** if repair of your covered product takes longer than promised.
- **25% discount** off the regular price of any non-covered repair service and related installed parts.

Once you purchase the Agreement, a simple phone call is all that it takes for you to schedule service. You can call anytime day or night, or schedule a service appointment online.

The Master Protection Agreement is a risk free purchase. If you cancel for any reason during the product warranty period, we will provide a full refund. Or, a prorated refund anytime after the product warranty period expires. Purchase your Master Protection Agreement today!

Some limitations and exclusions apply. For prices and additional information in the U.S.A. call 1-800-827-6655.

* Coverage in Canada varies on some items. For full details call Sears Canada at 1-800-361-6665.

Sears Installation Service

For Sears professional installation of home appliances, garage door openers, water heaters, and other major home items, in the U.S.A. or Canada call 1-800-4-MY-HOME®.

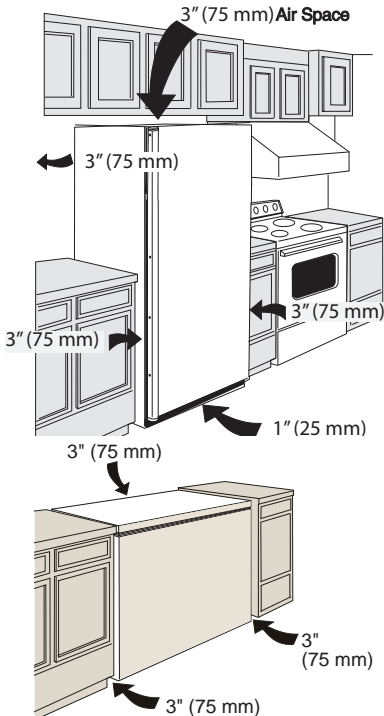
First Steps

This Use & Care Guide provides general installation and operating instructions for your model. We recommend using a service or kitchen contracting professional to install your appliance. Use the unit only as instructed in this Use & Care Guide.

Before starting the appliance, follow these important first steps.

Location

- Choose a place that is near a grounded, non-GFCI, electrical outlet. Do Not use an extension cord or an adapter plug.
- For the most efficient operation, the unit should be located where surrounding temperatures will not exceed 110°F (43°C). Temperatures of 32°F (0°C) and below will NOT affect operation. Additional compressor heaters are not recommended.
- Allow space around the unit for good air circulation. Leave a 3 inch (75 mm) space on all sides of the appliance for adequate circulation.



NOTE

The exterior walls of the appliance may become quite warm as the compressor works to transfer heat from the inside. Temperatures as much as 30°F warmer than room temperature can be expected. For this reason it is particularly important in hotter climates to allow enough space for air circulation around your unit.

Leveling

The unit must have all bottom corners resting firmly on a solid floor. The floor must be strong enough to support a fully loaded appliance.

NOTE

It is Very Important for your appliance to be level in order to function properly. If the unit is not leveled during installation, the door may be misaligned and not close or seal properly, causing cooling, frost, or moisture problems.

To Level Upright Models:

After discarding crating screws, use a carpenter's level to level the unit from front-to-back. Adjust the plastic leveling feet in front, 1/2 bubble higher, so that the door closes easily when left halfway open.

To Level Chest Models:

If needed, add metal or wood shims between foot pads and floor.

Cleaning (Prior to use)

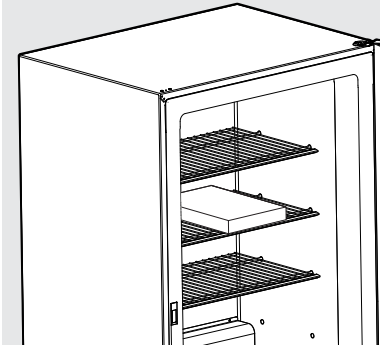
- Wash any removable parts, the appliance interior, and exterior with mild detergent and warm water. Wipe dry. **Do not use harsh cleaners on these surfaces.**
- Do not use razor blades or other sharp instruments, which can scratch the appliance surface when removing adhesive labels. Any glue left from the tape can be removed with a mixture of warm water and mild detergent, or touch the residue with the sticky side of tape already removed. **Do not remove the serial plate.**

First Steps



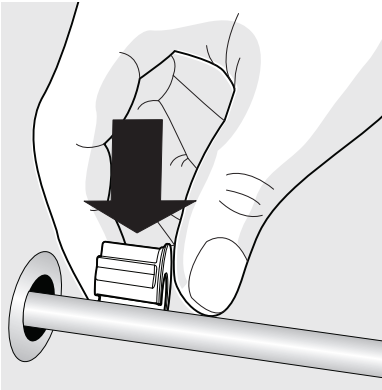
CAUTION

To allow door to close and seal properly, **DO NOT** let food packages extend past the front of shelves.

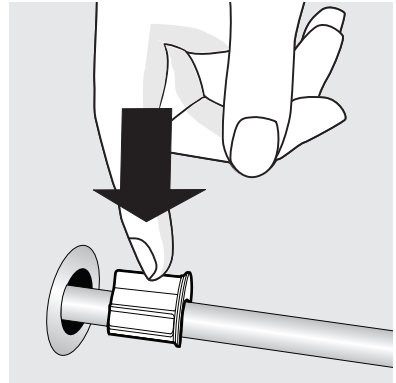


To install the shelf grommet to the shelf:

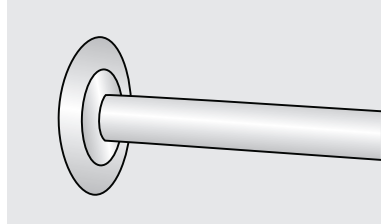
1. With the wire shelf installed, press the shelf grommet down onto the wire that is anchored into the appliance wall. Be sure to keep the larger end of the shelf grommet away from the wall.



2. Push the shelf grommet onto the wire until it snaps in place.

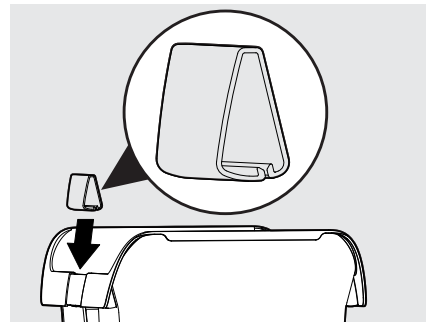


3. Slide the shelf grommet into the grommet already in the unit wall until it is flush.

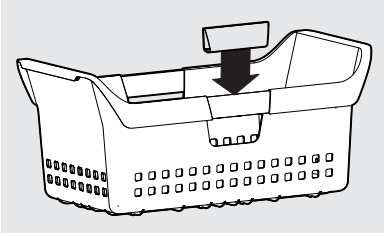


To install the handle clips to the basket:

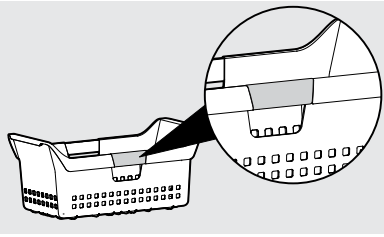
1. Place the basket on a firm, flat surface.
2. With the narrow side of the handle clip on the inside of the basket, snap the handle clip to the recessed area in the basket.



First Steps



3. Once the inside surface snaps in place, continue the process by rolling the handle clip slightly outward and pressing down firmly to snap onto the outside surface. If installed incorrectly, the handle clip will not lay flat.



Door Removal

If door must be removed:

1. Gently lay the unit on its back, on a rug or blanket.
2. Remove 2 base screws and base panel.
3. Remove wire from clips on bottom of cabinet if required.
4. Unplug connector, if required, by holding the cabinet connector in place and pulling the door connector out.
5. Remove bottom hinge screws.
6. Remove plastic top hinge cover.
7. Remove screws from top hinge.
8. Remove top hinge from cabinet.
9. Remove door and bottom hinge from cabinet.
10. To replace door reverse the above order, and securely tighten all screws to prevent hinge slippage.

Energy Saving Tips



- The appliance should be located in the coolest area of the room, away from heat producing appliances or heating ducts, and out of direct sunlight.
- Let hot foods cool to room temperature before placing in the unit. Overloading the appliance forces the compressor to run longer. Foods that freeze too slowly may lose quality or spoil.
- Be sure to wrap foods properly, and wipe containers dry before placing them in the unit. This cuts down on frost build-up inside.
- Shelves should not be lined with aluminum foil, wax paper, or paper toweling. Liners interfere with cold air circulation, making the unit less efficient.
- Organize and label food to reduce door openings and extended searches. Remove as many items as needed at one time, and close the door as soon as possible.

Setting the Temperature Control

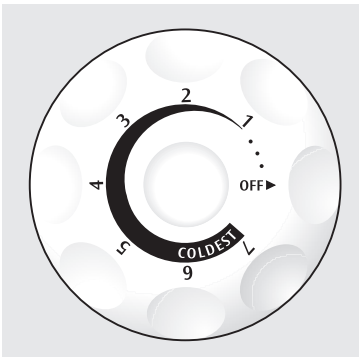
Cool Down Period

- For safe food storage, allow 4 hours for the appliance to cool down completely. The unit will run continuously for the first several hours. Foods that are already frozen may be placed in the appliance after the first few hours of operation. Unfrozen foods should **NOT** be loaded into the unit until the freezer has operated for 4 hours.
- When loading the appliance, freeze only 3 pounds of fresh food per cubic foot of space at one time. Distribute packages to be frozen evenly throughout the unit. It is not necessary to turn the control knob to a colder setting while freezing food.

Temperature Control

Electromechanical Temperature Control (some chest and upright models)

The electromechanical temperature control is located inside the appliance on upright models, and on the left exterior wall on chest models. The temperature is factory preset to provide satisfactory food storage temperatures. However, the temperature control is adjustable to provide a range of temperatures for your personal satisfaction. To adjust the temperature setting, turn the temperature control knob clockwise or counterclockwise. Allow several hours for the temperature to stabilize between adjustments.



Optional Features

NOTE

Your appliance may have some, or all of the features listed below. Become familiar with these features, and their use and care.

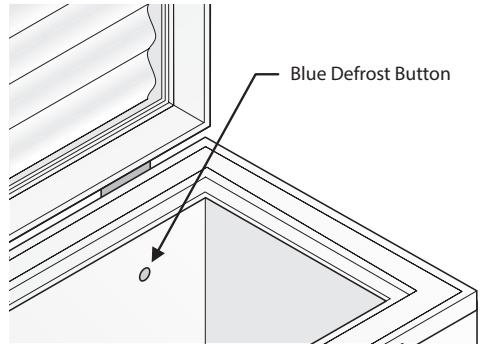
Security Lock with Pop-Out Key

This security lock fastens the door snugly, ensuring stored food is secure. To lock or unlock the freezer, push the key into the lock and turn. The key pops out of the lock after it has been turned.

Blue Defrost Button (some chest models)

IMPORTANT

It is time to defrost and clean the freezer when the blue defrost button is completely covered with frost.



Temp Alarm

This feature is designed to provide a warning if the inside temperature reaches an unsafe level. The temperature feature operates on household electricity. It will not function if household electricity is interrupted.

To silence the alarm, press the set button next to the ALARM OFF indicator on the display or any key on the control panel.

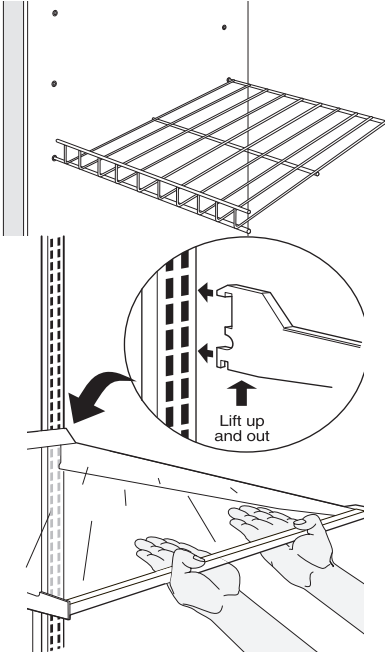
Interior Light

The light comes on automatically when the door is opened. To replace the light bulb, turn the temperature control to OFF and unplug the electrical cord. Replace the old bulb with a bulb of the same wattage.

Optional Features

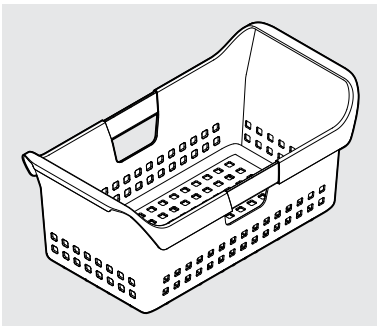
Adjustable Interior Shelves (some upright models)

Multi-position adjustable interior shelves can be moved to any position for larger or smaller packages. The shipping spacers that stabilize the shelves for shipping may be removed and discarded.



Smart Basket™ System (some chest models)

This basket helps organize odd-shaped items. To reach other packages in the freezer, slide the basket aside or lift out.



Care & Cleaning



CAUTION

Damp objects stick to cold metal surfaces. Do not touch interior metal surfaces with wet or damp hands.

Some upright freezers are frost-free and defrost automatically, but should be cleaned occasionally.

Between Defrostings

To avoid frequent defrosting, occasionally use a plastic scraper to remove frost. Scrape with a pulling motion. Never use a metal instrument to remove frost.

Defrosting



CAUTION

Freezer must be unplugged (to avoid electrical hazard) from power source when defrosting unit.

It is important to defrost and clean the freezer when $\frac{1}{4}$ to $\frac{1}{2}$ inch of frost has accumulated. Frost may tend to accumulate faster on the upper part of the freezer due to warm, moist air entering the freezer when the door is opened. Remove food and leave the door open when defrosting the freezer.

To Defrost Upright Models with Defrost Drain:

- Remove the drain plug on the inside floor of the freezer by pulling it straight out.
- To access external drain tube on models with a base panel, first remove the two screws from the base panel. Locate the drain tube near the left center under the freezer.
- Place a shallow pan under the drain tube. Defrost water will drain out. Check the pan occasionally so water does not overflow (see figure 1).

Care & Cleaning

- A ½ inch garden hose adapter can be used to drain the freezer directly into a floor drain. If your model is not equipped with an adapter, one can be purchased at most hardware stores.
- Replace the drain plug when defrosting and cleaning are completed. If the drain is left open, warm air may enter the freezer.

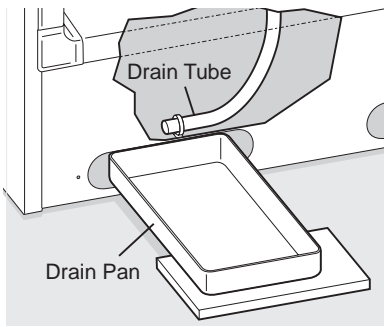


Figure 1

To Defrost Chest Models with Defrost Drain:

- Place a shallow pan beneath the drain outlet. Pull out the outside drain plug (see figure 2). A ½ inch garden hose adapter can be used to drain the freezer directly into a floor drain (see figure 3). If your model is not equipped with an adapter, one can be purchased at most hardware stores.

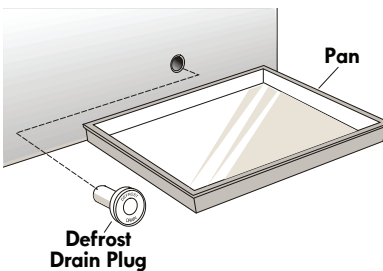


Figure 2

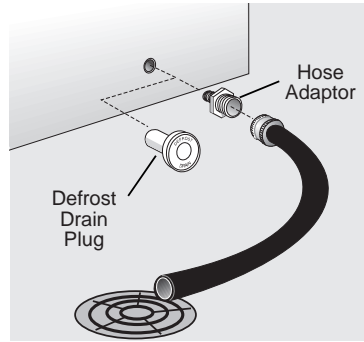


Figure 3

- Pull out the drain plug inside the freezer (see figure 4). Defrost water will drain out. Check pan occasionally so water does not overflow.

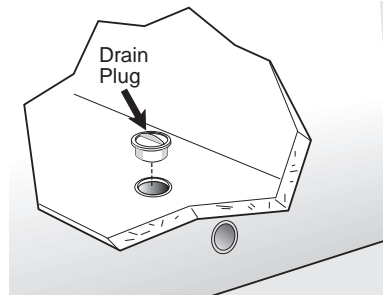


Figure 4

- Replace the drain plugs when defrosting and cleaning are completed. If the drain is left open, warm air may enter the freezer.

To Defrost Models without Defrost Drain:

- Place towels or newspapers on the freezer bottom to catch the frost. The frost will loosen and fall.
- Remove the towels and/or newspapers.
- If the frost is soft, remove it by using a plastic scraper. If the frost is glazed and hard, fill deep pans with hot water and place them on the freezer bottom.
- Close the freezer door/lid. Frost should soften in about fifteen (15) minutes.
- Repeat this procedure is necessary.

Care & Cleaning

Cleaning the Inside

After defrosting, wash inside surfaces of the freezer with a solution of 2 tbsp. (25 g) of baking soda in 1 qt. (1 l) warm water. Rinse and dry. Wring excess water out of the sponge or cloth when cleaning in the area of the controls, or any electrical parts.

Wash the removable parts and door basket with the baking soda solution mentioned above, or mild detergent and warm water. Rinse and dry. **Never** use metallic scouring pads, brushes, abrasive cleaners, or alkaline solutions on any surface. Do not wash removable parts in a dishwasher.

Cleaning the Outside

Wash the cabinet with warm water and mild liquid detergent. Rinse well and wipe dry with a clean soft cloth.



WARNING

If leaving the freezer lid open while on vacation, make certain that children cannot get into the freezer and become entrapped.

To Defrost Chest Models with Defrost Drain:

- Place a shallow pan or the Divider/Drain Pan (if equipped) beneath the drain outlet. Pull out the outside drain plug (see figure 1). A 1/2 inch garden hose adapter can be used to drain the freezer directly into a floor drain (see figure 2). If your model is not equipped with an adapter, one can be purchased at most hardware stores.
- Remove the drain plug inside the freezer by turning counterclockwise (see figure 3). Defrost water will drain out. Check pan occasionally so water does not overflow.
- Replace the drain plugs when defrosting and cleaning are completed. If the drain is left open, warm air may enter the freezer.

To Defrost Models without Defrost Drain:

- Place towels or newspapers on the freezer bottom to catch the frost. The frost will loosen and fall.

Vacation and Moving Tips

Short Vacations: Leave the freezer operating during vacations of less than three weeks.

Long Vacations: If the freezer will not be used for several months:

- Remove all food and unplug the power cord.
- Clean and dry the interior thoroughly.
- Leave the freezer door open slightly, blocking it open if necessary, to prevent odor and mold growth.

Moving: When moving the freezer, follow these guidelines to prevent damage:

- Disconnect the power cord plug from the wall outlet.
- Remove foods, then defrost, and clean the freezer.
- Secure all loose items such as base panel, baskets, and shelves by taping them securely in place to prevent damage.
- In the moving vehicle, secure freezer in an upright position to prevent movement. Also protect outside of freezer with a blanket, or similar item.

Power/Freezer Failure

NOTE

Do not open freezer door unnecessarily if freezer is off for several hours.

If a power failure occurs, frozen foods will stay frozen for at least 24 hours if the freezer is kept closed. If the power failure continues, pack seven or eight pounds of dry ice into the freezer every 24 hours. Look in the Yellow Pages under Dry Ice, Dairies, or Ice Cream manufacturers for local dry ice suppliers. Always wear gloves and use caution when handling dry ice.

If the freezer has stopped operating, see “Appliance Does Not Run” in the Troubleshooting Guide. If you cannot solve the problem, call an authorized servicer mediately. If the freezer remains off for several hours, follow the directions above for the use of dry ice during a power failure. If necessary, take the food to a local locker plant until the freezer is ready to operate. Look in the Yellow Pages under “Frozen Food Locker Plants”.

Before You Call

TROUBLESHOOTING GUIDE		Before calling for service, review this list. It may save you time and expense. This list includes common occurrences that are not the result of defective workmanship or materials in this appliance.
CONCERN	POTENTIAL CAUSE	COMMON SOLUTION
APPLIANCE OPERATION		
Appliance does not run.	<ul style="list-style-type: none">• Appliance is plugged into a circuit that has a ground fault interrupt.• Temperature control is in the OFF position.• Appliance may not be plugged in or plug may be loose.• House fuse blown or tripped circuit breaker.• Power outage.	<ul style="list-style-type: none">• Use another circuit. If you are unsure about the outlet, have it checked by a certified technician.• See Setting the Temperature Control Section.• Ensure plug is tightly pushed into outlet.• Check/replace fuse with a 15-amp time-delay fuse. Reset circuit breaker.• Check house lights. Call local electric company.

Before You Call

CONCERN	POTENTIAL CAUSE	COMMON SOLUTION
<p>Appliance runs too much or too long.</p>	<ul style="list-style-type: none"> • Room or outside weather is hot. • Appliance has recently been disconnected for a period of time. • Large amounts of warm or hot food have been stored recently. • Door is opened too frequently or too long. • Door may be slightly open. • Temperature Control is set too low. • Gasket is dirty, worn, cracked, or poorly fitted. 	<ul style="list-style-type: none"> • It's normal for the appliance to work harder under these conditions. • It takes 24 hours for the appliance to cool down completely. • Warm food will cause appliance to run more until the desired temperature is reached. • Warm air entering the appliance causes it to run more. Open doors less often. • See "DOOR PROBLEMS" in Before You Call. • Turn control knob to a warmer setting. Allow several hours for the temperature to stabilize. • Clean or change gasket (See "Care and Cleaning Tips"). Worn, cracked or poorly fitting gaskets should be replaced.
<p>Interior temperature is too cold.</p>	<ul style="list-style-type: none"> • The unit is in Express Chill mode. 	<ul style="list-style-type: none"> • Exit Express chill mode by entering into the options menu on the control panel and pressing the "set" button once the indicator is highlighted next to "Express Chill"
<p>Interior temperature is too warm.</p>	<ul style="list-style-type: none"> • Temperature Control is set too warm. • Door is kept open too long or is opened too frequently. • Door may not be seating properly. • Large amounts of warm or hot food may have been stored recently. • Appliance has recently been disconnected for a period of time. 	<ul style="list-style-type: none"> • Turn control to a colder setting. Allow several hours for the temperature to stabilize. • Warm air enters the appliance every time the door is opened. Open the door less often. • See "DOOR PROBLEMS" in Before You Call. • Wait until the appliance has had a chance to reach its selected temperature. • Appliance requires 24 hours to cool down completely.
<p>External surface temperature is warm.</p>	<ul style="list-style-type: none"> • The external walls can be as much as 30°F warmer than room temperature. 	<ul style="list-style-type: none"> • This is normal while the compressor works to transfer heat from inside the cabinet.
SOUND AND NOISE		
<p>Louder sound levels whenever appliance is on.</p>	<ul style="list-style-type: none"> • Modern appliances have increased storage capacity and more stable temperatures. They require a high efficiency compressor. 	<ul style="list-style-type: none"> • This is normal. When the surrounding noise level is low, you might hear the compressor running while it cools the interior.
<p>Longer sound levels when compressor comes on.</p>	<ul style="list-style-type: none"> • Appliance operates at higher pressures during the start of the ON cycle. 	<ul style="list-style-type: none"> • This is normal. Sound will level off or disappear as appliance continues to run.
<p>Popping or cracking sound when compressor comes on.</p>	<ul style="list-style-type: none"> • Metal parts undergo expansion and contraction, as in hot water pipes. 	<ul style="list-style-type: none"> • This is normal. Sound will level off or disappear as appliance continues to run.
<p>Bubbling or gurgling sound, like water boiling.</p>	<ul style="list-style-type: none"> • Refrigerant (used to cool appliance) is circulating throughout the system. 	<ul style="list-style-type: none"> • This is normal.

Before You Call

CONCERN	POTENTIAL CAUSE	COMMON SOLUTION
Vibrating or rattling noise.	<ul style="list-style-type: none"> • Appliance is not level. It rocks on the floor when it is moved slightly. • Floor is uneven or weak. Appliance rocks on floor when it is moved slightly. • Appliance is touching the wall. 	<ul style="list-style-type: none"> • Level the unit. Refer to “Leveling” in the First Steps Section. • Ensure floor can adequately support appliance. Level the appliance by putting wood or metal shims under part of the appliance. • Re-level the appliance or move appliance slightly. Refer to “Leveling” in First Steps.
WATER/MOISTURE/FROST INSIDE APPLIANCE		
Moisture forms on inside walls.	<ul style="list-style-type: none"> • Weather is hot and humid, which increases internal rate of frost build-up. • Door may not be seating properly. • Door is kept open too long, or is opened too frequently. 	<ul style="list-style-type: none"> • This is normal. • See “DOOR PROBLEMS” in Before You Call. • Open the door less often.
WATER/MOISTURE/FROST OUTSIDE APPLIANCE		
Moisture forms on outside of walls.	<ul style="list-style-type: none"> • Door may not be seating properly, causing the cold air from inside the freezer to meet warm moist air from outside. 	<ul style="list-style-type: none"> • See “DOOR PROBLEMS” in Before You Call.
ODOR IN APPLIANCE		
Odor in appliance	<ul style="list-style-type: none"> • Interior needs to be cleaned. • Foods with strong odors are in the appliance. 	<ul style="list-style-type: none"> • Clean interior with sponge, warm water, and baking soda. Replace air filter. • Cover the food tightly.
DOOR PROBLEMS		
Door will not close.	<ul style="list-style-type: none"> • Appliance is not level. It rocks on the floor when it is moved slightly. • Floor is uneven or weak. Appliance rocks on floor when it is moved slightly. 	<ul style="list-style-type: none"> • This condition can force the cabinet out of square and misalign the door. Refer to “Leveling” in First Steps. • Ensure floor can adequately support freezer. Level the floor by using wood or metal shims under the appliance or brace floor supporting the appliance.
LIGHT IS NOT ON		
Light is not on.	<ul style="list-style-type: none"> • The light is burned out or LED light is damaged. • No electric current is reaching the appliance. • Control system has disabled lights because one or both doors were left open too long. • Control is in Sabbath mode (Sb is displayed on control). 	<ul style="list-style-type: none"> • Follow directions in “Interior Light” in the Optional Features section. • See “Appliance does not run” in Before You Call. • Close and reopen door(s) to enable lights. • Depress MODE key and CONTROL LOCK key for 3 seconds.

Tome nota de los números de serie y de modelo

Lea y conserve estas instrucciones

Esta guía del propietario proporciona instrucciones de operación específicas para su modelo. Use su unidad solamente según se indica en esta guía. Estas instrucciones no tienen por objeto cubrir todas las posibles condiciones y situaciones que se puedan presentar. Al instalar, operar o reparar cualquier electrodoméstico, se debe proceder con cuidado y sentido común.

Anote los números de modelo y de serie en el espacio proporcionado a continuación. Esta información se encuentra en la placa de serie ubicada dentro del compartimiento del electrodoméstico.

Número de modelo: 253.

o

Número de serie: _____

Fecha de compra: _____

IMPORTANTE

Utilice sólo agua y jabón para limpiar la placa de serie.

Tabla de contenido


Tome nota de los números de serie y de modelo...	2
Instrucciones importantes de seguridad.....	2
Información de la garantía.....	5
Acuerdos maestros de protección.....	6
Primeros pasos.....	7
Sugerencias para el ahorro de energía.....	9
Ajuste del control de temperatura.....	9
Características opcionales.....	10
Cuidado y limpieza.....	11
Falla de energía / del congelador.....	13
Antes de solicitar servicio técnico.....	14

Instrucciones importantes seguridad

Precauciones de seguridad

No intente instalar ni operar su unidad hasta que no haya leído las precauciones de seguridad de este manual. Los mensajes sobre seguridad de este manual se encuentran etiquetados como Peligro, Advertencia o Atención, según el tipo de riesgo.

Definiciones

 Éste es el símbolo de las alertas de seguridad. Se usa para advertirle sobre posibles riesgos de lesiones personales. Obedezca todos los mensajes de seguridad que lleven este símbolo para evitar posibles lesiones o la muerte.



PELIGRO

Una indicación de **PELIGRO** representa una situación inminentemente peligrosa que, si no se evita, tendrá como resultado la muerte o una lesión grave.



ADVERTENCIA

Una indicación de **ADVERTENCIA** representa una situación potencialmente peligrosa que, si no se evita, podrá tener como resultado la muerte o una lesión grave.



PRECAUCIÓN

Una indicación de **PRECAUCIÓN** representa una situación potencialmente peligrosa que, si no se evita, puede tener como resultado lesión leve o moderada.

IMPORTANTE

Indica información de instalación, operación o mantenimiento que es importante, pero no se relaciona con ningún peligro.



ADVERTENCIA

Lea todas las instrucciones antes de usar este electrodoméstico.

Para su seguridad

- No almacene ni utilice gasolina u otros

Instrucciones importantes seguridad

líquidos o vapores inflamables cerca de éste o cualquier otro electrodoméstico. Lea las etiquetas de producto sobre su inflamabilidad y otros peligros.

- No opere su unidad en presencia de vapores explosivos.
- Retire y deseche los espaciadores utilizados para asegurar las bandejas durante el envío. Los objetos pequeños representan un peligro de atragantamiento y asfixia para los niños.
- Retire todas las grapas de la caja de cartón. Las grapas pueden causar cortes graves; pueden también dañar el acabado de otros electrodomésticos o muebles.

Seguridad de los niños

Destruya la caja de cartón, las bolsas de plástico y todo otro material de empaque exterior inmediatamente después de desempacar el congelador. Los niños nunca deben jugar con estos elementos. Las cajas de cartón cubiertas con alfombras, frazadas, láminas de plástico envolturas de plástico pueden convertirse en cámaras herméticas y causar asfixia rápidamente.

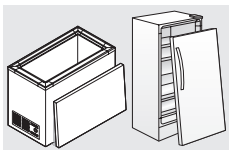
Eliminación adecuada de su electrodoméstico

Riesgo de atrapamiento de niños

El atrapamiento y la asfixia de niños no son problema del pasado. Los refrigeradores o congeladores desechados o abandonados todavía son peligrosos, aún cuando se dejan abandonados "sólo por algunos días". Si se va a deshacer de su electrodoméstico usado, siga las instrucciones a continuación para ayudar a prevenir accidentes.

Antes de desechar su vieja unidad:

- Retire la puerta/tapa.
- Deje las bandejas en su lugar de modo que los niños no puedan entrar con facilidad.
- Haga quitar el refrigerante por un técnico de servicio calificado.



IMPORTANTE

Es posible que su unidad antiguo cuente con un sistema de refrigeración que utilice CFC o HCFC (clorofluorocarburos o hidroclorofluorocarburos). Se considera que si los CFC y HCFC se emiten a la atmósfera pueden dañar el ozono estratosférico. Es posible que otros refrigerantes también perjudiquen el medio ambiente si se emiten a la atmósfera. En caso de que vaya a tirar su unidad antiguo, asegúrese de que un técnico cualificado se encargue de retirar el refrigerante para su correcta eliminación. Si emite refrigerantes de manera intencionada, puede ser objeto de multas o encarcelamiento conforme a las disposiciones de la legislación en materia de medio ambiente.



ADVERTENCIA

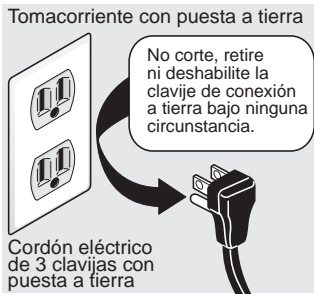
Se deben seguir estas instrucciones para asegurarse de que los mecanismos de seguridad diseñados para este unidad funcionan correctamente.

Información eléctrica

- El electrodoméstico debe estar enchufado a un tomacorrientes eléctrico de 115 voltios, 60 Hz, CA solamente, donde no puede haber enchufado ningún otro aparato. El cordón eléctrico está equipado con un enchufe de tres clavijas con puesta a tierra para su protección contra choques eléctricos. Debe ser enchufado directamente a un tomacorriente debidamente puesto a tierra provisto de tres alvéolos. El tomacorriente debe ser instalado de acuerdo con los códigos y las ordenanzas locales. Consulte a un electricista calificado. No use un cordón de extensión ni un adaptador.
- Repare o reemplace inmediatamente cualquier cable de energía que se dañe o desgaste.
- Nunca desenchufe el unidad tirando del cordón. Siempre sostenga firmemente el enchufe y tire de él directamente hacia afuera del tomacorriente.

Instrucciones importantes seguridad

- Desenchufe el electrodoméstico antes de limpiar y antes de reemplazar un bulbo de luz para evitar descarga eléctrica.
- Si el voltaje varía en un 10% o más, el rendimiento de su unidad puede verse afectado. Utilizar el unidad con insuficiente tensión eléctrica puede dañar el motor. Tales daños no están cubiertos por la garantía.
- Para evitar que la unidad se apague accidentalmente, no lo enchufe a un tomacorriente controlado por un interruptor de pared o de cordón.
- Evite conectar la unidad a un circuito interruptor de conexión a tierra (GFI, por su sigla en inglés).



Información de la garantía

GARANTÍA DEL ARTE FACTO KENMORE

POR UN AÑO desde la fecha de venta este electrodoméstico tiene una garantía contra defectos del material y mano de obra cuando sea instalado, operado y mantenido conforme a las instrucciones suministradas.

CON UN COMPROBANTE DE VENTA, un producto defectuoso será reparado o reemplazado gratuitamente a opción del vendedor. Para coordinar el servicio de garantía, llame al 1-800-4-MY-HOME®.

Si este electrodoméstico se utiliza en algún momento con un fin diferente que un uso familiar, la garantía sólo aplica por 90 días desde la fecha de venta en los Estados Unidos, y es nula en Canadá.

Esta garantía SOLO cubre defectos del material y mano de obra, y NO se aplicará para:

1. Elementos prescindibles que se puedan desgastar por el uso normal, incluyendo, entre otros, filtros, correas, bolsas y lamparitas de base extraíbles.
2. Un técnico de servicio instruirá al usuario en la instalación correcta del producto y en su operación o mantenimiento.
3. Un técnico de servicio para limpiar o mantener este producto.
4. El daño a o la falla de este producto si no se instala, opera o mantiene de acuerdo a todas las instrucciones suministradas con el producto.
5. Daño a o falla de este producto como resultado de accidente, abuso o mal uso aparte de aquel para el cual fue fabricado.
6. Daño a o falla de este producto causado por el uso de detergentes, limpiadores, químicos o utensilios diferentes a aquellos recomendados en todas las instrucciones suministradas con el producto.
7. Daño a o falla de partes o sistemas como resultado de modificaciones no autorizadas realizadas a este producto.

Cláusula de exención de responsabilidad de garantías implícitas; limitación de soluciones

La única y exclusiva solución del cliente bajo esta garantía limitada debe ser producto de reparaciones como se las provee aquí. Las garantías implícitas, incluyendo garantías de mercantilidad o aptitud para un propósito particular están limitadas a un año o el período más corto permitido por la ley. Sears no será responsable por daños consecuenciales o incidentales. Algunos estados y provincias no permiten la exclusión o limitación de daños consecuenciales o incidentales o limitaciones de la duración de garantías implícitas de mercantilidad o aptitud; por lo tanto estas exclusiones o limitaciones pueden no aplicarse a su caso.

Esta garantía se aplica únicamente mientras este artefacto se utilice en Estados Unidos o Canadá.

Esta garantía le entrega derechos legales específicos y puede también tener otros derechos que varían de estado en estado.

* No hay disponible servicio de reparación en el hogar en las áreas geográficas de Canadá, ni esta garantía cubrirá el viaje y gastos de transporte del usuario o prestador de servicios si el producto está en una área remota (según lo defina Sears Canada Inc.) donde no haya un proveedor de servicio autorizado disponible.

Sears Brands Management Corporation, Hoffman Estates, IL 60179

Sears Canada Inc., Toronto, Ontario, Canada M5B 2C3

Acuerdos maestros de protección

Enhorabuena por haber hecho una compra inteligente. Su nuevo producto Kenmore está diseñado y fabricado para brindarle años de funcionamiento fiable. Pero, como cualquier producto, puede necesitar mantenimiento preventivo o reparaciones periódicas. Es por eso que tener un Acuerdo maestro de protección podría ahorrarle dinero y molestias. El Acuerdo maestro de protección también sirve para prolongar la durabilidad de su nuevo producto. El acuerdo* incluye lo siguiente:

- **Piezas y mano de obra** necesarias para contribuir a mantener el funcionamiento adecuado de los productos **utilizados en condiciones normales de uso**, no solo en caso de defectos de los productos. Nuestra cobertura va **mucho mas allá que la garantía del producto**. No se aplican deducibles ni exclusiones por fallas del funcionamiento: es decir, **verdadera protección**.
- **Servicio técnico por expertos** (mas de **10000 técnicos autorizados de Sears**), lo cual significa que quien repare o realice el mantenimiento de su producto será un profesional de confianza.
- **Servicio técnico a escala nacional y número ilimitado de llamadas de solicitud de servicio técnico**: se puede poner en contacto con nosotros cuantas veces lo desee y cuando lo desee.
- **Garantía “sin sorpresas”**: se reemplaza el producto cubierto por el acuerdo si ocurren cuatro o más fallas del producto en un periodo de 12 meses.
- **Reemplazo del producto** si su producto cubierto no se puede arreglar.
- **Revisión anual preventiva de mantenimiento del producto**: puede solicitarla en cualquier momento, sin costo alguno.
- **Rápida asistencia telefónica**, la cual denominamos **Solución rápida**: es decir, asistencia telefónica a través de cualquiera de nuestros representantes de Sears, sobre cualquiera de nuestros productos. Piense en nosotros como en un “manual parlante del usuario”.
- **Protección contra fallas eléctricas**, contra daños debidos a fluctuaciones de la corriente eléctrica.
- **\$250 al año para cubrir cualquier posible deterioro de alimentos** que haya tenido que desechar debido a una falla mecánica de cualquiera de nuestros refrigeradores o congeladores cubiertos por este acuerdo.
- **Devolución de gastos de alquiler de electrodomésticos** si la reparación de su producto asegurado toma más que el tiempo prometido.
- **25 % de descuento** aplicable tanto a los costos del servicio de reparación, como de las piezas instaladas relacionadas que no hayan quedado cubiertos por este acuerdo.

Una vez que haya realizado el pago de este acuerdo, bastará una simple llamada telefónica para concertar una visita de servicio. Puede llamar a cualquier hora del día o de la noche, o bien concertar una visita de servicio por Internet.

La adquisición del Acuerdo maestro de protección es una inversión exenta de riesgos. Si por cualquier motivo decide cancelar dicho acuerdo durante el periodo de garantía del producto, le haremos un reintegro total del valor. O bien un importe proporcional si cancela el acuerdo en cualquier otro momento posterior al vencimiento del periodo de garantía del producto. ¡Adquiera hoy mismo su Acuerdo maestro de protección!

Algunas limitaciones y exclusiones podrían aplicarse. Para solicitar precios e información adicional, llame al 1-800- 827-6655 (en los EE.UU.).

*** La cobertura en Canadá varía en el caso de algunos artículos. Para obtener detalles completos al respecto, llame al 1-800-361-6665 de Sears de Canadá.**

Servicio de instalación de Sears

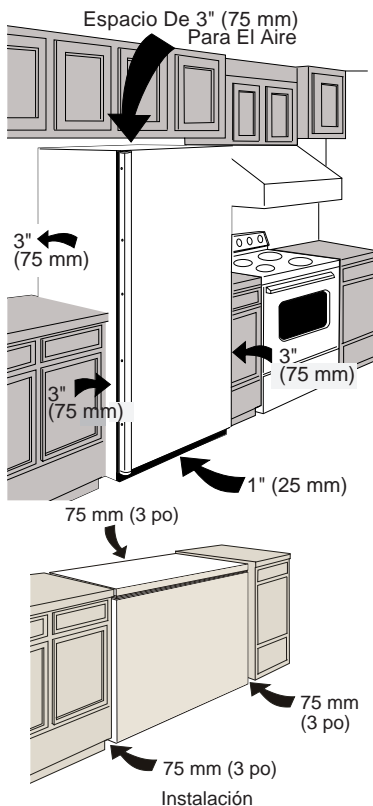
Para solicitar la instalación por profesionales de Sears de electrodomésticos, abridores de puertas de garaje, calentadores de agua y otros artículos de uso prioritario en el hogar, llame al 1-800-4-MY-HOME® en los EE.UU. o Canadá.

Primeros pasos

Esta guía del propietario proporciona instrucciones de operación específicas para su modelo. Recomendamos utilizar un profesional de servicio o contratista de cocina para instalar su electrodoméstico. Use su unidad solamente como se indica aquí. Antes de encender el electrodoméstico, siga estos importantes primeros pasos.

Ubicación

- Elija un lugar que se encuentre próximo a un tomacorriente con conexión a tierra. No utilice un cordón de extensión ni un adaptador.
- Para un funcionamiento óptimo, instale la unidad en un lugar donde la temperatura ambiente no supere los 43°C (110°F). Las temperaturas de 32°F (0°C) y menores NO afectarán el funcionamiento. No se recomienda el uso de calentadores adicionales para compresores.
- Deje espacio suficiente alrededor de la unidad para una circulación adecuada del aire. Deje un espacio de 3 pulgadas (75 mm) a cada costado del electrodoméstico para asegurar una circulación adecuada.



NOTA

Las paredes exteriores del electrodoméstico pueden calentarse a medida que el compresor trabaja con el fin de transferir el calor del interior. La temperatura de las paredes externas puede llegar a ser hasta 30°F (17°C) más alta que la temperatura ambiente. Por esta razón, es particularmente importante dejar suficiente espacio para que circule el aire alrededor de la unidad, especialmente en climas cálidos.

Nivelación

Las cuatro esquinas inferiores del electrodoméstico deben estar apoyadas firmemente sobre un piso estable. El piso debe ser suficientemente fuerte para sostener al unidad completamente cargado.

NOTA

ES MUY IMPORTANTE que su electrodoméstico esté nivelado para que funcione correctamente. Si la unidad no se nivela durante la instalación, la puerta puede quedar mal alineada y no cerrar o sellar adecuadamente, lo que a su vez puede causar problemas de enfriamiento, escarcha o humedad.

Para nivelar los modelos verticales:

Después de desechar los tornillos y la base de madera del empaque, use un nivel de carpintero para nivelar la unidad de adelante hacia atrás. Ajuste los tornillos niveladores de plástico de adelante media burbuja más altos que los de atrás, para que la puerta cierre fácilmente cuando se deje abierta a medias.

Primeros pasos

Para nivelar los modelos horizontales:

Si es necesario, coloque cuñas de metal o madera entre las almohadillas de las patas y el piso.

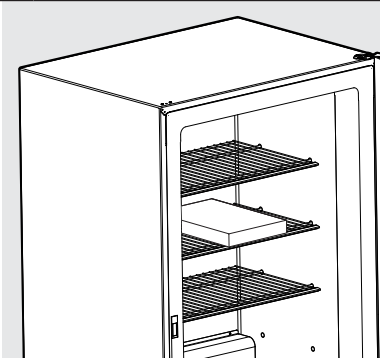
Limpieza (antes del uso)

- Lave las piezas removibles, el interior y el exterior del electrodoméstico con un detergente suave y agua tibia. Seque con un paño. No utilice limpiadores abrasivos sobre estas superficies.
- No utilice hojas de afeitar ni otros instrumentos afilados que puedan rayar la superficie del electrodoméstico al retirar las etiquetas adhesivas. Si queda algún residuo de pegamento de la cinta, puede eliminarlo usando una mezcla de agua tibia y detergente suave. También puede retirar el residuo usando el lado adhesivo de la cinta que ya haya retirado. **No retire la placa de serie.**



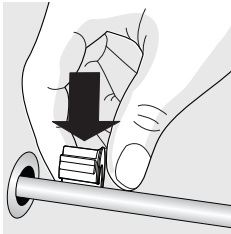
ATENCIÓN

Para que la puerta cierre y selle adecuadamente, **NO** deje que los paquetes de comida sobresalgan por el frente de las bandejas.

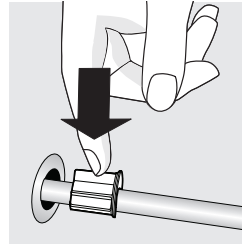


Para instalar la pieza de ensamblaje al estante:

1. Con la rejilla instalada, presione la pieza de ensamblaje hacia abajo en el cable que está fijo en la pared del congelador.

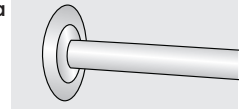


Asegúrese de mantener la parte más grande de la pieza de ensamblaje alejada de la pared.



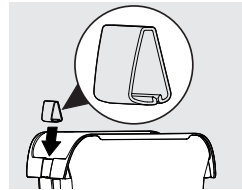
2. Empuje la pieza de ensamblaje hacia el interior del cable hasta que encaje.

3. Deslice la pieza de ensamblaje por la pieza ya instalada en la pared hasta que estén alineadas.

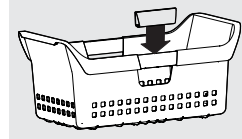


Para instalar los clips de la manija en el canasto:

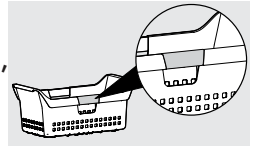
1. Coloque el canasto en una superficie firme y plana.



2. Con el lado exterior del clip de la manija en el interior del cesto, encaje el clip de manija en el área para empotrar el canasto.



3. Una vez que la superficie interior encaja, continúe el proceso haciendo rodar el clip ligeramente hacia afuera y presionándolo con firmeza hacia abajo para que encaje en la superficie exterior. Si se instala incorrectamente, el clip de la manija no queda plano.



Cómo quitar la puerta

Si la puerta debe ser retirada:

1. Recueste la unidad cuidadosamente sobre su parte trasera, encima de una

Primeros pasos

- alfombra o frazada.
2. Retire los dos tornillos de la base y el panel de la base.
3. Retire el cable de los clips al fondo si es necesario.
4. Desenchufe el conector si es necesario, manteniendo en el sitio el conector del refrigerador y tirando hacia afuera el conector de la puerta.
5. Retire los tornillos de la bisagra inferior.
6. Retire la cubierta de plástico de la bisagra superior.
7. Retire los tornillos de la bisagra superior.
8. Retire la bisagra superior del gabinete.
9. Retire la puerta y la bisagra inferior del gabinete.
10. Para volver a instalar la puerta, invierta el procedimiento anterior y apriete firmemente todos los tornillos para evitar que la bisagra se deslice.

Sugerencias para el ahorro de energía



- El electrodoméstico debe colocarse en el área más fresca de la habitación, lejos de electrodomésticos que produzcan calor o de tuberías de calefacción, y lejos de la luz solar directa.

- Deje enfriar los alimentos calientes hasta que alcancen la temperatura ambiente antes de colocarlos en la unidad. Sobrecargar el electrodoméstico forzará al compresor a funcionar más. Los alimentos que tardan demasiado tiempo en congelarse pueden perder calidad o echarse a perder.
- Asegúrese de envolver los alimentos adecuadamente y de secar los recipientes antes de ponerlos en la unidad. De ese modo, se reducirá la acumulación de escarcha dentro del mismo.
- No envuelva nunca las bandejas del congelador con papel de aluminio, papel de cera o toallas de papel, ya que si lo hace, interferirá con la circulación del aire frío y el funcionamiento de la unidad será menos eficiente.
- Organice y etiquete la comida para reducir la cantidad de veces que se abre la puerta y el tiempo de búsqueda de los

Sugerencias para el ahorro de energía

alimentos. Saque tantos artículos como necesite de una sola vez y cierre la puerta tan pronto como sea posible.

Ajuste del control de temperatura

Período de enfriamiento

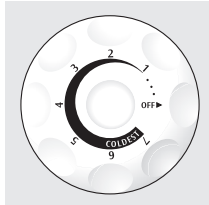
- Para que el almacenamiento de sus alimentos sea seguro, espere 4 horas hasta que el electrodoméstico se enfríe completamente. La unidad funcionará de manera continua durante las primeras horas. Los alimentos que ya estén congelados pueden ponerse en el electrodoméstico después de las primeras horas de funcionamiento. Los alimentos no congelados NO deben cargarse en la unidad hasta que haya estado funcionando durante 4 horas.
- Al cargar el electrodoméstico, congele sólo tres (3) libras (1,4 kg) de alimentos frescos por cada pie cúbico (28 litros) de espacio del congelador. Distribuya los paquetes que congelará de manera uniforme dentro de la unidad. No es necesario girar la perilla de control a una temperatura más fría durante la congelación de alimentos.

Ajuste del control de temperatura

Control de temperatura

Control electromecánico de temperatura (modelos horizontales y algunos verticales)

El control electromecánico de temperatura está situado en el interior del electrodoméstico en los modelos verticales, y en la pared exterior izquierda en los modelos horizontales. La temperatura fue programada en la fábrica para ofrecer temperaturas satisfactorias para el almacenamiento de alimentos. Sin embargo, el control de temperatura es ajustable para ofrecer una mayor variedad de temperaturas con el fin de satisfacer sus necesidades personales. Para ajustarla, gire la perilla de control de temperatura en el sentido de las agujas del reloj o en sentido contrario. Espere varias horas entre ajustes hasta que la temperatura se estabilice.



Características opcionales

NOTA

Su electrodoméstico puede tener algunas de las características que se mencionan a continuación, o bien todas ellas. Familiarícese con ellas y con su uso y cuidado.

Seguro con llave emergente

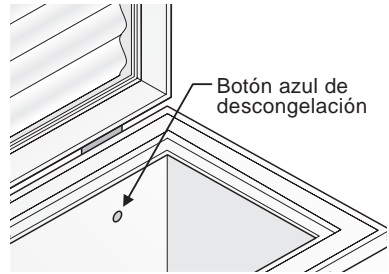
Este seguro bloquea la puerta para proteger los alimentos almacenados en el interior. Para activar o desactivar el seguro, empuje la llave hacia adentro y gírela. La llave volverá a salir del seguro luego de girarla.

Botón azul de descongelación (algunos modelos horizontales)

IMPORTANTE

Cuando el botón azul de descongelación esté completamente cubierto de escarcha, es tiempo de descongelar y limpiar el congelador.

Características opcionales



Temp Alarm (alarma de temp.)

Diseñado para advertir en caso de que la temperatura interior alcance una temperatura insegura. La alarma de temperatura característica funciona con la alimentación eléctrica de la casa, y no funcionará si ésta se interrumpe.

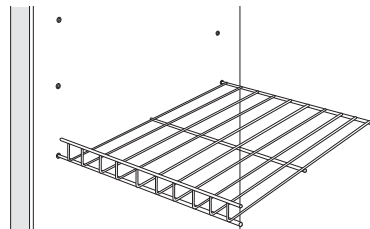
Para silenciar la alarma, pulse la tecla de programar que se encuentra junto al indicador de APAGAR ALARMA en la pantalla o cualquier otro botón del panel de control.

Luz interior

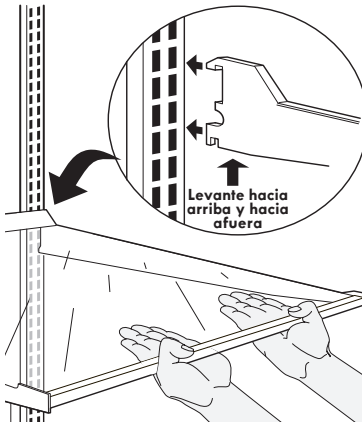
La luz se enciende automáticamente cuando se abre la puerta. Para reemplazar la bombilla, gire el control de temperatura a la posición 'OFF' (apagado) y desenchufe el cordón eléctrico. Reemplace la bombilla vieja con otra bombilla de la misma potencia.

Bandejas interior ajustables (algunos modelos verticales)

Las bandejas interiores ajustables de múltiples posiciones pueden moverse a cualquier posición para el almacenamiento de paquetes grandes o pequeños. Los espaciadores de empaque que estabilizan las bandejas durante el envío se pueden retirar y desechar.

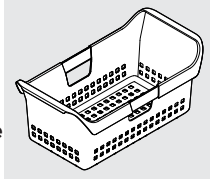


Características opcionales



Smart Basket™ System (algunos modelos horizontales)

Esta cesta permite organizar artículos con formas irregulares. Para alcanzar otros paquetes en el congelador, deslice la cesta hacia un lado o levántela.



Cuidado y limpieza



ATENCIÓN

Los objetos húmedos se adhieren a las superficies frías de metal. No toque las superficies internas de metal con las manos mojadas o húmedas.

Algunos congeladores verticales son libres de escarcha y se descongelan automáticamente, pero es necesario limpiarlos ocasionalmente.

Períodos entre descongelamientos

Para evitar el descongelamiento frecuente, utilice ocasionalmente un raspador de plástico para remover la escarcha. Raspe tirando del raspador. Nunca utilice un instrumento de metal para remover la escarcha.

Cuidado y limpieza

Descongelamiento



ATENCIÓN

El congelador debe permanecer desenchufado (para evitar descargas eléctricas) cuando se lo descongela.

Es importante descongelar y limpiar el congelador cuando se haya acumulado entre $\frac{1}{4}$ y $\frac{1}{2}$ pulgada (de $\frac{3}{4}$ cm a $1\frac{1}{2}$ cm, aproximadamente) de escarcha. La escarcha tiende a acumularse más rápidamente en la parte superior del congelador a causa del ingreso de aire tibio y húmedo cuando se abre la puerta. Al descongelar el congelador, retire los alimentos y deje la puerta abierta.

Para descongelar los modelos verticales con drenaje de descongelación :

- Retire el tapón de drenaje que se encuentra en el piso interior del congelador jalándolo hacia afuera.
- Para acceder al tubo externo de drenaje en los modelos con un panel de base, retire primero los dos tornillos de dicho panel. Ubique el tubo de drenaje que se encuentra debajo del congelador, cerca del centro a la izquierda.
- Coloque una bandeja no muy profunda debajo del tubo de drenaje. El agua de descongelación se drenará. Verifique la bandeja ocasionalmente para controlar que el agua no se desborde (ver figura 1).

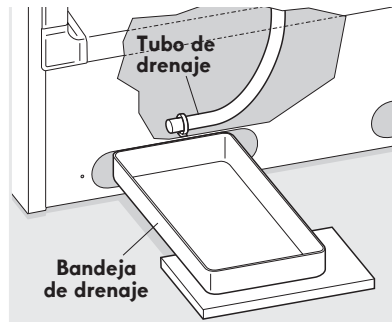


figura 1

- Puede utilizarse un adaptador de manguera de jardín de $\frac{1}{2}$ pulgada para drenar el agua del congelador directamente a una boca de drenaje en el

Cuidado y limpieza

piso. Si su modelo no está equipado con un adaptador, puede comprar uno en la mayoría de las ferreterías.

- Vuelva a colocar el tapón de drenaje cuando se haya completado la descongelación y la limpieza. Si deja abierto el drenaje, puede ingresar aire tibio en el congelador.

Para descongelar los modelos horizontales con drenaje de descongelación:

- Coloque una olla poco profunda debajo de la salida de drenaje. Jale hacia afuera el tapón externo de drenaje (ver figura 2). Puede utilizar un adaptador de manguera de jardín de 1/2 pulgada para drenar el congelador directamente a una boca de drenaje del piso (ver figura 3). Si su modelo no está equipado con un adaptador, puede comprar uno en la mayoría de las ferreterías.

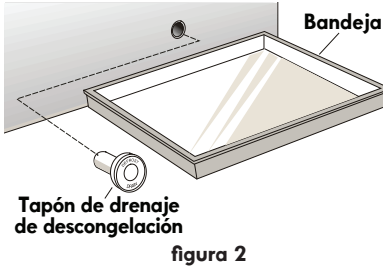


figura 2

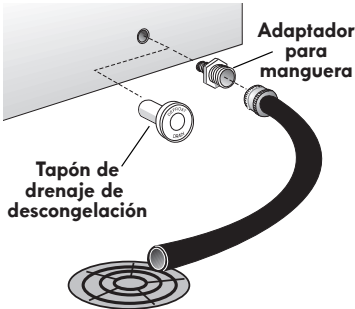


figura 3

- Jale hacia afuera el tapón de drenaje que se encuentra dentro del congelador (ver figura 4). El agua de descongelación se drenará. Verifique la bandeja ocasionalmente para controlar que el agua no se desborde.

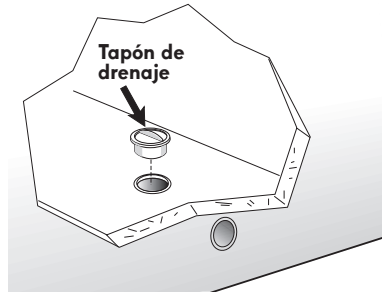


figura 4

- Después de descongelar y limpiar el congelador, vuelva a colocar los tapones. Si deja abierto el drenaje, puede ingresar aire tibio en el congelador.

Para descongelar los modelos sin drenaje de descongelación:

- Coloque toallas o papeles de diario sobre el fondo del congelador para absorber la escarcha. La escarcha se aflojará y caerá.
- Retire todas las toallas o papeles de diario.
- Si la escarcha es blanda, retírela usando un raspador de plástico. Si la escarcha está congelada y endurecida, llene ollas hondas con agua caliente y colóquelas en el fondo del congelador.
- Cierre la puerta/tapa del congelador. La escarcha debería ablandarse en aproximadamente quince (15) minutos.
- Repita este procedimiento de ser necesario.

Limpieza del interior

Después de descongelar, lave las superficies interiores del congelador con una solución de dos cucharadas (25 g) de bicarbonato de sodio en un cuarto de galón (1 litro) de agua tibia. Enjuague y seque. Extraiga el exceso de agua de la esponja o paño al limpiar el área de los controles o cualquier pieza eléctrica.

Lave las piezas removibles y la cesta de la puerta usando la solución de bicarbonato de sodio mencionada anteriormente o con detergente suave y agua tibia. Nunca use esponjas metálicas para restregar, cepillos, limpiadores abrasivos ni soluciones alcalinas en ninguna superficie. No lave las piezas removibles en el lavavajillas.

Cuidado y limpieza

Limpieza del exterior

Lave el gabinete con agua tibia y detergente líquido suave. Enjuague bien y seque con un paño suave limpio. Vuelva a colocar las piezas removibles y los alimentos en el congelador.



ADVERTENCIA

Si deja la puerta del congelador abierta durante las vacaciones, cerciórese de que los niños no puedan meterse dentro y quedar atrapados.

Sugerencias para vacaciones y mudanzas

Vacaciones cortas: Deje el congelador en funcionamiento durante los períodos de vacaciones de menos de tres semanas de duración.

Vacaciones largas: Si no se va a utilizar el congelador por algunos meses:

- Retire todos los alimentos del refrigerador y desenchufe el cordón eléctrico.
- Limpie y seque el interior del refrigerador completamente.
- Deje la puerta del congelador ligeramente abierta y bloquéela, de ser necesario, para evitar la acumulación de olores y de moho.

Mudanza: Cuando mueva el congelador, siga las siguientes recomendaciones para evitar daños:

- Desconecte el enchufe del cordón eléctrico del tomacorriente.
- Retire los alimentos del congelador; luego descongélelo y límpielo.
- Asegure todos los artículos sueltos como el panel de la base, las cestas y las bandejas fijándolos con cinta adhesiva para evitar daños.
- En el vehículo de mudanza, asegure el congelador en posición vertical para evitar que se mueva. Proteja también el exterior del congelador con una frazada u otro objeto similar.

Falla de energía/ del congelador

NOTA

No abra la puerta del congelador sin necesidad si el congelador permanece apagado por varias horas.

Si hay un corte de energía, los alimentos congelados se mantendrán en esa condición por al menos 24 horas si mantiene cerrado el congelador. Si la falta de energía eléctrica continúa, coloque siete u ocho libras (3 o 3,5 kilos) de hielo seco en el congelador cada 24 horas. Puede buscar proveedores locales de hielo seco en las páginas amarillas bajo “hielo seco”, “lecherías” o “heladerías”. Al manipular hielo seco, asegúrese de utilizar guantes y proceda con cautela.

Si el congelador ha dejado de funcionar, vea la sección El electrodoméstico no funciona de la Guía de localización y solución de averías. Si no puede solucionar el problema, llame a una agencia de reparaciones autorizada inmediatamente. Si el congelador permanece apagado por varias horas, siga las instrucciones antes mencionadas para el uso de hielo seco durante un corte de energía eléctrica. Si es necesario, lleve los alimentos a una planta de congelación local hasta que el congelador esté listo para funcionar. Busque en las páginas amarillas bajo plantas de congelación para alimentos congelados.

Antes de solicitar servicio técnico

GUÍA DE LOCALIZACIÓN Y SOLUCIÓN DE AVERÍAS	Antes de llamar al técnico, revise esta lista. Al hacerlo, puede ahorrar tiempo y dinero. Esta lista incluye los incidentes más comunes que no son originados por mano de obra o materiales defectuosos de este electrodoméstico.	
PROBLEMA	CAUSA	CORRECCIÓN
EL ELECTRODOMÉSTICO NO FUNCIONA		
<p>El electrodoméstico no funciona.</p>	<ul style="list-style-type: none"> • El electrodoméstico está enchufado a un circuito que incluye un interruptor para cuando falla la conexión a tierra. • El control de la temperatura está en la posición 'OFF' (apagado). • Es posible que el electrodoméstico no esté enchufado o que el enchufe esté flojo. • Se quemó un fusible de la casa o se disparó el disyuntor. • Interrupción de la energía eléctrica. 	<ul style="list-style-type: none"> • Use otro circuito. Si no está seguro de que el tomacorriente funciona correctamente, hágalo revisar por un técnico certificado. • Vea la sección Ajuste del control de temperatura. • Asegúrese de que el enchufe esté firmemente conectado al tomacorriente. • Verifique o reemplace el fusible con un fusible de acción retardada de 15 amp. Restablezca el disyuntor. • Verifique las luces del hogar. Llame a su compañía eléctrica.
<p>El electrodoméstico funciona demasiado o por demasiado tiempo.</p>	<ul style="list-style-type: none"> • La temperatura de la habitación o del ambiente es caliente. • El electrodoméstico permaneció recientemente desconectado por un período de tiempo. • Se almacenaron grandes cantidades de alimentos tibios o calientes recientemente. • Las puertas se abren con demasiada frecuencia o durante demasiado tiempo. • La puerta del electrodoméstico puede estar levemente abierta. • El control de la temperatura está configurado a una temperatura demasiado baja. • La junta del electrodoméstico está sucia, gastada, agrietada o mal ajustada. 	<ul style="list-style-type: none"> • Es normal que el electrodoméstico funcione más en estas condiciones. • Se necesitan 24 horas para que el electrodoméstico se enfríe completamente. • Los alimentos tibios harán que el electrodoméstico funcione más hasta que se alcance la temperatura deseada. • El aire caliente que ingresa en el electrodoméstico lo hace funcionar más. Abra la puerta con menor frecuencia. • Vea "PROBLEMAS DE LA PUERTA" en la sección Antes de solicitar servicio técnico. • Gire la perilla a una temperatura más tibia. Espere varias horas hasta que la temperatura se estabilice. • Limpie o cambie la junta. (Consulte "Sugerencias de cuidado y limpieza"). Las juntas de unión que estén desgastadas, agrietadas o mal ajustadas deben reemplazarse.
<p>La temperatura interna es demasiado caliente.</p>	<ul style="list-style-type: none"> • El control de la temperatura está configurado a una temperatura demasiado caliente. • La puerta se mantiene abierta demasiado tiempo o se abre con demasiada frecuencia. • Es posible que la puerta no selle correctamente. • Se almacenaron grandes cantidades de alimentos tibios o calientes recientemente. • El electrodoméstico permaneció recientemente desconectado por un período de tiempo. 	<ul style="list-style-type: none"> • Gire el control a una temperatura más fría. Espere varias horas hasta que la temperatura se estabilice. • Cada vez que se abre la puerta ingresa aire caliente al congelador. Abra la puerta con menos frecuencia. • Vea la sección "PROBLEMAS DE LA PUERTA". • Espere hasta que el electrodoméstico haya tenido la oportunidad de alcanzar la temperatura seleccionada. • El electrodoméstico requiere 24 horas para enfriarse completamente.

Antes de solicitar servicio técnico

PROBLEMA	CAUSA	CORRECCIÓN
La superficie exterior está tibia.	<ul style="list-style-type: none"> Las paredes externas pueden estar hasta 30°F (17°C) más calientes que la temperatura ambiente. 	<ul style="list-style-type: none"> Esto es normal mientras el compresor funciona con el fin de transferir el calor desde el interior del gabinete.
SONIDOS Y RUIDOS		
Niveles de sonido más altos cuando el electrodoméstico está encendido.	<ul style="list-style-type: none"> Los electrodomésticos modernos tienen una mayor capacidad de almacenamiento y una mayor estabilidad de las temperaturas. Por ello requieren un compresor de alta eficiencia. 	<ul style="list-style-type: none"> Esto es normal. Cuando hay poco ruido en el ambiente, es posible escuchar el compresor en funcionamiento mientras enfría el interior.
Sonidos más prolongados cuando se enciende el compresor.	<ul style="list-style-type: none"> El electrodoméstico funciona a presiones mayores durante el inicio del ciclo de ENCENDIDO. 	<ul style="list-style-type: none"> Esto es normal. El sonido se estabilizará o desaparecerá a medida que el electrodoméstico siga funcionando.
Se escuchan ruidos de golpes o chasquidos cuando se enciende el compresor.	<ul style="list-style-type: none"> Las piezas de metal se expanden y contraen al igual que en las tuberías de agua caliente. 	<ul style="list-style-type: none"> Esto es normal. El sonido se estabilizará o desaparecerá a medida que el electrodoméstico siga funcionando.
Ruido burbujeante o gorgoteante, como de agua hirviendo.	<ul style="list-style-type: none"> El refrigerante (usado para enfriar el electrodoméstico) está circulando a través del sistema. 	<ul style="list-style-type: none"> Esto es normal.
Ruido de vibración o traqueteo.	<ul style="list-style-type: none"> El electrodoméstico está desnivelado. Se balancea sobre el piso cuando se lo mueve levemente. El piso está desnivelado o endeble. El electrodoméstico se balancea en el piso cuando se lo mueve levemente. El electrodoméstico está haciendo contacto con la pared. 	<ul style="list-style-type: none"> Nivele el electrodoméstico. Consulte el apartado “Nivelación” en la sección Primeros pasos. Asegúrese de que el piso pueda soportar adecuadamente el electrodoméstico. Nivele el electrodoméstico colocando cuñas de madera o metal debajo de parte del electrodoméstico. Vuelva a nivelar el electrodoméstico o desplácelo ligeramente de su lugar. Consulte el apartado “Nivelación” en la sección Primeros pasos.
AGUA/HUMEDAD/ESCARCHA DENTRO DEL ELECTRODOMÉSTICO		
Se acumula humedad en las paredes internas.	<ul style="list-style-type: none"> El clima es cálido y húmedo, lo que aumenta la tasa interna de acumulación de escarcha. Es posible que la puerta no selle correctamente. La puerta se mantiene abierta demasiado tiempo o se abre con demasiada frecuencia. 	<ul style="list-style-type: none"> Esto es normal. Vea la sección “PROBLEMAS DE LA PUERTA”. Abra la puerta con menor frecuencia.
AGUA/HUMEDAD/ESCARCHA FUERA DEL ELECTRODOMÉSTICO		
Se acumula humedad en el exterior.	<ul style="list-style-type: none"> Es posible que la puerta no selle correctamente, lo que hace que el aire frío del electrodoméstico se encuentre con el aire tibio y húmedo de la habitación. 	<ul style="list-style-type: none"> Vea “PROBLEMAS DE LA PUERTA” en la sección Antes de solicitar servicio técnico.

Antes de solicitar servicio técnico

PROBLEMA	CAUSA	CORRECCIÓN
OLORES EN EL ELECTRODOMÉSTICO		
Olores en el electrodoméstico.	<ul style="list-style-type: none"> • El interior estar limpio. • Hay alimentos con olores fuertes en el congelador. 	<ul style="list-style-type: none"> • Limpie el interior con esponja, agua tibia y bicarbonato de sodio. • Cubra la comida en forma ajustada.
PROBLEMAS DE LA PUERTA		
La puerta no cierra.	<ul style="list-style-type: none"> • El electrodoméstico no se encuentra a nivel. Se balancea en el piso cuando se mueve un poco. • El piso está desparejo o débil. El electrodoméstico se balancea en el piso cuando se mueve un poco. 	<ul style="list-style-type: none"> • Esta condición puede forzar que el gabinete se salga de escuadra o de línea con respecto a la tapa. Dirijase a “Nivelación” en la sección de Instalación. • Nivele el piso utilizando cuñas de madera o metal debajo del electrodoméstico o sujete el piso donde se apoya el electrodoméstico.
LA BOMBILLA NO ENCIENDE		
La bombilla no enciende.	<ul style="list-style-type: none"> • La bombilla se encuentra quemada. • No llega corriente eléctrica el electrodoméstico. • El sistema de control ha desactivado las luces porque una o ambas puertas se dejaron abiertas demasiado tiempo. • El control se encuentra en modo Sabbath (aparece Sb en el control). 	<ul style="list-style-type: none"> • Siga las instrucciones bajo “Luz interior” en la sección Características opcionales. • Vea EL ELECTRODOMÉSTICO NO FUNCIONA en la sección Antes de solicitar servicio técnico. • Cierre y vuelva a abrir las puertas para reactivar las luces. • Presione las teclas MODO y BLOQUEO DE CONTROL durante 3 segundos.

Notez les numéros de modèle/ série

Veillez lire et conserver ces instructions

Ce guide d'utilisation et d'entretien contient des instructions d'utilisation spécifiques à votre modèle. Utilisez votre électroménager en suivant les instructions présentées dans ce guide seulement. Ces instructions ne répondent pas à toutes les conditions et situations possibles. Il faut user de bon sens et de prudence durant l'installation, l'emploi et l'entretien de tout appareil.

Notez les numéros de modèle et de série dans l'espace ci-dessous. Ces informations se trouvent sur la plaque signalétique située à l'intérieur du compartiment de l'appareil.

Numéro de modèle : 253. _____

ou _____

Numéro de série : _____


Date d'achat : _____

Consignes de sécurité importantes

Consignes de sécurité

Ne tentez pas d'installer ou de faire fonctionner votre appareil avant d'avoir lu les consignes de sécurité comprises dans ce manuel. Les articles de sécurité présentés dans ce manuel portent les indications Danger, Avertissement ou Attention selon le type de risque auquel ils sont liés.

Définitions

 Voici le symbole d'alerte de sécurité. Il sert à vous mettre en garde contre les risques potentiels de blessures corporelles. Respectez toutes les consignes de sécurité qui suivent ce symbole afin d'éviter les blessures ou la mort.



DANGER

La mention **DANGER** indique un danger imminent qui causera la mort ou des blessures graves s'il n'est pas évité.



AVERTISSEMENT

La mention **AVERTISSEMENT** indique une situation potentiellement dangereuse qui, si elle n'est pas évitée, peut entraîner des blessures graves, voire la mort.



ATTENTION

La mention **ATTENTION** signale la présence d'une situation potentiellement dangereuse qui, si elle n'est pas évitée, est susceptible de causer des blessures mineures ou moyennement graves.

IMPORTANT

Cette mention indique des renseignements importants relatifs à l'installation, au fonctionnement ou à l'entretien. Toutefois, ceux-ci n'impliquent aucune notion de danger.



AVERTISSEMENT

Veillez lire toutes les consignes de sécurité avant d'utiliser votre nouvel appareil.

IMPORTANT

N'utilisez que du savon et de l'eau pour nettoyer la plaque signalétique.

Table des Matières

Notez les numéros de modèle/série.....	2
Consignes de sécurité importantes.....	2
Informations concernant la garantie.....	5
Contrats de protection principaux.....	6
Étapes initiales.....	7
Conseils pour économiser l'énergie.....	9
Réglage de la commande de température.....	10
Caractéristiques facultatives.....	10
Entretien et nettoyage.....	11
Panne d'électricité/ défaillance du congélateur.....	14
Avant d'appeler.....	14

Consignes de sécurité importantes

Pour votre sécurité

- N'entrez pas et n'utilisez pas d'essence ni aucun autre liquide inflammable à proximité de cet appareil ou de tout autre appareil. Lisez les étiquettes d'avertissement du produit concernant l'inflammabilité et les autres dangers.
- Ne faites pas fonctionner l'appareil en présence de vapeurs explosives.
- Enlevez et jetez les cales d'espacement utilisées pour immobiliser les clayettes durant l'expédition. Les enfants peuvent s'étouffer avec les petits objets.
- Enlevez toutes les agrafes du carton. Les agrafes peuvent causer de graves coupures et endommager les finis si elles entrent en contact avec d'autres appareils ou meubles.

Sécurité des enfants

Détruisez ou recyclez le carton, les sacs en plastique et tout autre matériau d'emballage externe immédiatement après avoir déballé l'appareil. Les enfants ne devraient JAMAIS jouer avec ces articles. Les boîtes de carton recouvertes de tapis, de couvre-lits, de feuilles de plastique ou de pellicule étirable peuvent se transformer en chambres hermétiques et rapidement provoquer une suffocation.

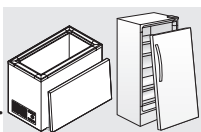
Mise au rebut appropriée de votre appareil électroménager

Dangers d'enfermement des enfants

Les dangers d'enfermement et de suffocation des enfants constituent un problème dont il faut sérieusement tenir compte. Les appareils abandonnés ou mis au rebut sont dangereux, même si ce n'est « que pour quelques jours ». Si vous désirez vous débarrasser de votre vieil appareil, veuillez suivre les instructions ci-dessous afin d'aider à prévenir les accidents.

Avant de mettre votre vieil appareil au rebut :

- Enlevez les portes.
- Laissez les clayettes en place pour que les enfants ne puissent pas grimper facilement à l'intérieur.
- Faites retirer le fluide frigorigène par un technicien en entretien et en réparation qualifié.



IMPORTANT

Votre vieux appareil peut avoir un système de refroidissement qui utilise les CFC ou HCFC (chlorofluorocarbures ou hydrochlorofluorocarbures). Les CFC et les HCFC sont jugés nocifs pour la couche d'ozone stratosphérique s'ils sont libérés dans l'atmosphère. D'autres réfrigérants peuvent également causer des dommages à l'environnement lorsqu'ils sont rejetés dans l'atmosphère. Si vous vous débarrassez de votre vieux appareil, assurez-vous que les réfrigérants sont retirés pour une élimination appropriée par un technicien qualifié. Si vous libérez intentionnellement des réfrigérants, vous pouvez être soumis à des amendes et à des peines d'emprisonnement en vertu des dispositions de la législation environnementale.



AVERTISSEMENT

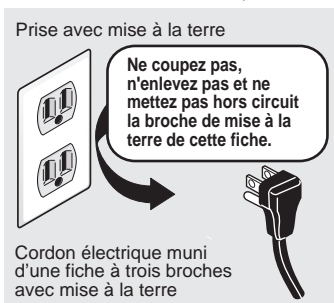
Vous devez suivre ces directives pour que les mécanismes de sécurité de cet appareil fonctionnent correctement.

Information concernant l'électricité

- L'appareil doit être branché que dans sa propre prise électrique CA de 115 V et 60 Hz. Le cordon d'alimentation de l'appareil est muni d'une fiche à trois broches avec mise à la terre pour vous protéger contre les chocs électriques. Il doit être branché directement dans une prise électrique à 3 broches avec mise à la terre. La prise murale doit être installée conformément aux codes et règlements locaux. Consultez un électricien qualifié. N'utilisez pas de rallonge électrique ou d'adaptateur.
- Réparez ou remplacez immédiatement un cordon électrique qui serait usé ou endommagé.
- Ne débranchez jamais l'appareil en tirant sur le cordon d'alimentation. Tenez toujours la fiche fermement en la tirant en ligne droite pour la retirer de la prise afin d'éviter d'endommager le cordon.
- Pour éviter les chocs électriques, débranchez l'appareil avant de le nettoyer ou de remplacer une ampoule.

Consignes de sécurité importantes

- Une tension variant de 10 % ou plus risque de nuire au rendement de votre appareil. Le fait de faire fonctionner l'appareil avec une alimentation insuffisante peut endommager le compresseur. Un tel dommage n'est pas couvert par votre garantie.
- Pour éviter que l'appareil ne soit accidentellement mis hors tension, ne le branchez pas dans une prise commandée par un interrupteur mural et ne tirez pas sur le cordon.
- Évitez de brancher l'appareil à un circuit muni d'un disjoncteur de fuite à la terre (GFI).



Informations concernant la garantie

GARANTIE DES ÉLECTROMÉNAGERS KENMORE

PENDANT UN AN à compter de la date de vente, cet appareil est garanti contre les défauts de matériau ou d'exécution quand il est installé, utilisé et entretenu conformément à toutes les instructions fournies.

AVEC UNE PREUVE DE VENTE, un produit défectueux bénéficiera d'une réparation ou d'un remplacement gratuit(e) à la discrétion du vendeur. Pour organiser un entretien au titre de la garantie, appelez le 1-800-4-MY-HOME^{MD}

Si cet appareil est utilisé à une autre fin qu'à des fins familiales privées, cette garantie s'applique pendant 90 jours seulement à compter de la date de vente aux États-Unis et est nulle au Canada.

Cette garantie couvre UNIQUEMENT les défauts de matériau et d'exécution, et ne remboursera PAS :

1. Les articles non indispensables qui peuvent s'user avec un usage normal, dont, notamment, les filtres, les courroies, les sacs et les ampoules qui se vissent.
2. La visite d'un technicien qualifié pour obtenir des instructions quant à l'installation, l'utilisation ou l'entretien de l'appareil.
3. La visite d'un technicien qualifié pour nettoyer ou entretenir l'appareil.
4. Les dommages ou pannes du produit causés par une installation, une utilisation ou un entretien non conformes à l'ensemble des instructions fournies avec le produit.
5. Les dommages ou pannes du produit causés par un accident, un abus, une mauvaise utilisation ou toute utilisation autre que celle pour laquelle l'appareil a été conçu.
6. Les dommages ou pannes causés par l'utilisation de détergents, de produits nettoyants ou chimiques, ou d'accessoires autres que ceux recommandés dans les instructions fournies avec le produit.
7. Les dommages ou défaillances des pièces ou des systèmes causés par des modifications non autorisées apportées à l'appareil.

Exonération concernant les garanties implicites ; limitations des recours

L'unique recours du client en vertu de cette garantie limitée est la réparation du produit tel que décrit précédemment. Les garanties implicites, y compris les garanties implicites de qualité marchande ou d'adéquation à un usage particulier, sont limitées à un an ou à la période la plus courte permise par la loi. Sears ne peut être tenu responsable des dommages accessoires ou indirects. Certains états et certaines provinces ne permettent aucune restriction ou exemption sur les dommages accessoires ou indirects, ni de restriction sur les garanties implicites de qualité marchande ou d'adéquation à un usage particulier. Dans ce cas, ces limitations ou exclusions pourraient ne pas s'appliquer à vous.

Cette garantie n'est valide que si ce produit est utilisé aux États-Unis ou au Canada.

Cette garantie vous donne des droits légaux précis et il est possible que vous ayez aussi d'autres droits, qui varient d'un état ou d'une province à l'autre.

* Le service de réparation à domicile n'est pas disponible dans toutes les régions canadiennes, et cette garantie ne couvrira pas les frais de déplacement de l'utilisateur ou du dépanneur ni les frais de transport si ce produit est situé dans une région éloignée (comme défini par Sears Canada Inc.) en cas d'indisponibilité du dépanneur agréé.

Sears Brands Management Corporation, Hoffman Estates, IL 60179

Sears Canada Inc., Toronto, Ontario, Canada M5B 2C3

Contrats de protection principaux

Félicitations pour votre achat judicieux. Votre nouvel appareil Kenmore^{MD} est conçu et fabriqué dans le but de vous offrir plusieurs années d'utilisation sans tracas. Cependant, comme tous les appareils, il peut nécessiter un entretien préventif ou des réparations occasionnelles. Dans de tels cas, un contrat de protection principal peut vous permettre d'économiser de l'argent et vous éviter des problèmes.

Le contrat de protection principal aide aussi à prolonger la durée de vie de votre nouvel appareil. Voici ce que couvre le contrat* :

- **Les pièces et la main-d'oeuvre** requises pour le fonctionnement adéquat de l'appareil dans **des conditions d'utilisation normales**, pas seulement pour les défauts. Notre couverture vous offre **beaucoup plus que la simple garantie du produit**. Aucune franchise, aucune exclusion de défaillance fonctionnelle – **une véritable protection**.
- **Un service professionnel** offert par une équipe de plus de **10 000 techniciens de service Sears autorisés**, ce qui signifie que votre appareil sera confié à une personne de confiance.
- **Des appels de service illimités et un service à la grandeur du pays**, à tout moment, aussi souvent que vous le désirez.
- **La garantie « anti-citron »**, vous assurant le remplacement de l'appareil couvert si quatre défaillances ou plus surviennent à l'intérieur de douze mois.
- **Le remplacement de l'appareil** couvert s'il ne peut être réparé.
- **Une vérification d'entretien préventive annuelle** sur demande et sans frais.
- **Un service d'aide téléphonique rapide, appelé « Résolution rapide »**, qui vous permet de bénéficier du soutien téléphonique d'un représentant Sears pour tous les produits. Nous sommes votre « guide d'utilisation parlant ».
- **Une protection contre les surtensions** pour les dommages électriques causés par des fluctuations de courant.
- **Une couverture annuelle de 250 \$ pour la perte d'aliments** à la suite de toute détérioration d'aliments résultant d'une défaillance mécanique d'un réfrigérateur ou d'un congélateur couvert.
- **Le remboursement de la location**, si la réparation de l'appareil couvert prend plus de temps que prévu.
- **Un rabais de 25 %** sur le prix régulier de tout service de réparation non couvert et les pièces installées qui en découlent.

Une fois le contrat acheté, un simple appel téléphonique suffit pour obtenir un service de réparation. Vous pouvez téléphoner à toute heure du jour ou de la nuit, ou prendre rendez-vous en ligne pour une réparation.

Le contrat de protection principal est un achat sans risque. Si, pour quelque raison que ce soit, vous annulez le contrat durant la période de garantie du produit, vous serez remboursé en totalité. En cas d'annulation après la période de garantie du produit, vous recevrez un remboursement calculé au prorata. Procurez-vous votre contrat de protection principal dès aujourd'hui!

Certaines restrictions et exclusions s'appliquent. Si vous êtes aux États-Unis et que vous désirez connaître les prix et obtenir de plus amples renseignements, composez le 1 800 827-6655.

* Au Canada, la couverture de certains articles peut varier. Pour connaître tous les détails, communiquez avec Sears Canada au 1 800 361-6665.

Service d'installation Sears

Pour bénéficier du service d'installation professionnel de Sears pour électroménagers, ouvre-portes de garage, chauffe-eau et autres appareils domestiques importants, aux États-Unis et au Canada, composez le 1 800 4-MY-HOME^{MD}.

Étapes initiales

Ce guide d'utilisation et d'entretien contient des instructions d'utilisation spécifiques à votre modèle. Utilisez votre appareil en suivant les instructions présentées dans ce guide seulement.

Avant de mettre l'appareil en marche, suivez ces étapes initiales importantes.

Emplacement

- Choisissez un emplacement près d'une prise électrique mise à la terre, sans disjoncteur de fuite de terre. N'utilisez pas de rallonge électrique ou de fiche d'adaptation.
- Pour permettre un fonctionnement des plus efficaces, le l'unité doit être placé dans un endroit où la température ambiante ne dépasse pas 43 °C (110 °F). Une température égale ou inférieure à 0 °C (32 °F) N'AFFECTERA PAS le fonctionnement de l'appareil. Les éléments chauffants de compresseur supplémentaires ne sont pas recommandés.
- Laissez de l'espace pour que l'air puisse circuler autour de l'appareil. Pour assurer une circulation d'air adéquate, laissez un espace de 75 mm (3 po) de chaque côté du unité.

REMARQUE

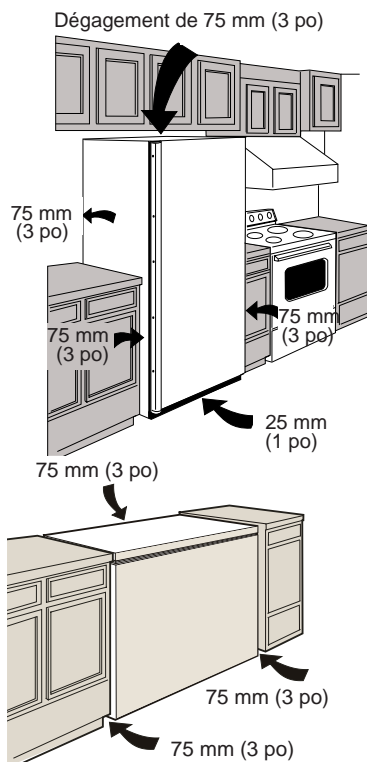
Les parois externes du appareil peuvent devenir chaudes lorsque le compresseur fonctionne pour transférer la chaleur présente à l'intérieur. La température des parois peut atteindre jusqu'à 15 °C (30 °F) de plus que la température ambiante. Pour cette raison, il est particulièrement important dans les climats plus chauds de laisser assez d'espace pour que l'air circule autour de votre l'unité.

Mise à niveau

Les quatre coins de votre l'unité doivent reposer fermement sur un plancher solide. Le plancher doit être assez solide pour supporter le poids de l'appareil une fois plein.

REMARQUE

Il est Très Important que votre appareil soit mis à niveau pour fonctionner correctement. Si le l'unité n'est pas mis à niveau durant l'installation, la porte peut être désalignée et ne pas se fermer correctement ou de manière hermétique, ce qui cause des problèmes de refroidissement, de givre et d'humidité.



Pour mettre à niveau les modèles de congélateurs verticaux :

Après avoir jeté les vis de mise en caisse et la palette de bois, utilisez un niveau de charpentier pour mettre le l'unité à niveau de l'avant vers l'arrière. Ajustez les pieds de mise à niveau avant plus haut d'une demi-patte de manière à ce que la porte se referme facilement si elle est laissée à moitié ouverte.

Pour mettre à niveau les modèles de congélateurs horizontaux :

Au besoin, ajoutez des cales en métal ou en bois entre les pieds de l'appareil et le sol.

Étapes initiales

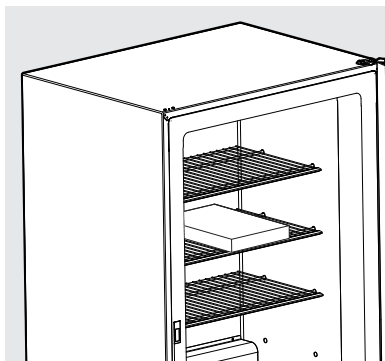
Nettoyage (avant usage)

- Lavez toutes les pièces amovibles, l'intérieur et l'extérieur avec de l'eau chaude et un détergent doux. Séchez. **N'utilisez pas de nettoyeurs agressifs sur ces surfaces.**
- N'utilisez pas de lame de rasoir ou tout autre instrument pointu pouvant rayer la surface de l'appareil, lorsque vous enlevez les étiquettes adhésives. La colle laissée par le ruban ou les étiquettes peut être enlevée à l'aide d'un mélange d'eau chaude et de détergent doux ou en touchant le résidu de colle avec le côté collant du ruban déjà enlevé. N'enlevez pas la plaque signalétique.

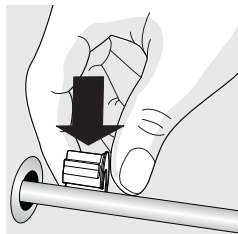


ATTENTION

Pour que la porte ferme bien, NE LAISSEZ PAS les emballages des aliments dépasser des clayettes.



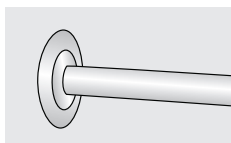
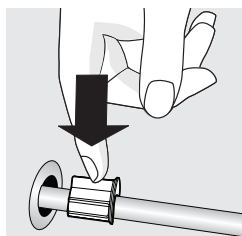
Pour installer l'œillet de clayette sur la clayette :



1. Avec la clayette métallique installée, enfoncez l'œillet de clayette sur la clayette qui est fixée à la paroi de l'appareil. Assurez-vous que la partie la plus grande de l'œillet de clayette

reste à distance de la paroi.

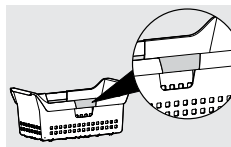
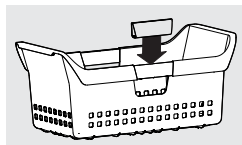
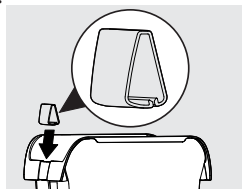
2. Enfoncez l'œillet de clayette sur la clayette jusqu'à ce qu'il s'enclenche.



3. Faites coulisser l'œillet de clayette sur l'œillet déjà fixé sur la paroi de l'appareil jusqu'à ce qu'il soit encastré.

Pour installer les brides de poignée au panier :

1. Placez le panier sur une surface solide et plate.
2. Avec le côté étroit de la bride de la poignée sur l'intérieur du panier, accrochez la bride de poignée à la zone enfoncée dans le panier.



3. Lorsque la surface intérieure clique bien en place, continuez le processus en bougeant la bride de la poignée

légèrement vers l'extérieur et en appuyant fermement pour cliquer en place sur la surface extérieure.

Étapes initiales

Dépose de la porte

Si vous devez enlever la porte :

1. Déposez doucement l'unité sur son dos, un tapis ou une couverture.
2. Enlevez les deux vis principales et le panneau principal.
3. Retirez le fil métallique des attaches, en bas de la caisse.
4. Pour débrancher le connecteur, si exigé, retenir le connecteur de la caisse en place, puis sortir le connecteur de la porte.
5. Enlevez les vis de la charnière inférieure.
6. Enlevez le couvre-charnière supérieur en plastique.
7. Enlevez les vis de la charnière supérieure.
8. Retirez la charnière supérieure de la caisse.
9. Enlevez la porte et la charnière inférieure de la caisse.
10. Pour remettre la porte, inversez les étapes mentionnées cidessus et serrez solidement toutes les vis afin de prévenir le déplacement des charnières.

Conseils pour économiser l'énergie



- L'appareil doit être installé dans la zone la plus froide de la pièce, loin d'appareils produisant de la chaleur ou de conduits de chauffage, et à l'abri du soleil.
- Laissez refroidir les aliments chauds à la température ambiante avant de les mettre dans l'unité. Surcharger l'appareil oblige le compresseur à fonctionner plus longtemps. Les aliments qui mettent trop longtemps à apparaître peuvent perdre en qualité ou se gâter.
- Veillez à bien emballer les aliments et à essuyer les contenants avant de les mettre au congélateur. Cela permet de réduire l'accumulation de givre dans.
- Les clayettes ne doivent pas être recouvertes de papier d'aluminium, de papier ciré ou d'essuie-tout. Les revêtements entravent la circulation de l'air et rendent l'unité moins efficace.
- Organisez et étiquetez les aliments pour éviter de les chercher et d'ouvrir la porte trop longtemps. Prévoyez de prendre plusieurs articles en même temps et refermez la porte aussi vite que possible.

Réglage de la commande de température

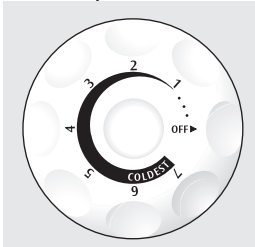
Période de refroidissement

- Pour une bonne conservation des aliments, laissez fonctionner l'appareil pendant 4 heures pour lui permettre de refroidir complètement. L'unité fonctionnera en permanence durant les premières heures. Les aliments déjà congelés peuvent être mi dans l'appareil après les premières heures de fonctionnement. Les aliments non congelés **NE DOIVENT PAS** être placés dans l'unité avant que celui-ci n'ait fonctionné pendant 4 heures.
- Lorsque vous remplissez l'appareil, ne congelez pas plus de 1,4 kg (3 lb) d'aliments frais par 0,03 m³ (1 pi³) de capacité en une seule fois. Répartissez uniformément les aliments à congeler dans l'unité. Il n'est pas nécessaire de tourner le bouton de commande vers un réglage plus froid lorsque vous congelez des aliments.

Commande de température

Commande de température électromécanique (modèles horizontaux et certains modèles verticaux)

La commande de température électromécanique est située à l'intérieur du appareil pour les modèles verticaux et sur la paroi externe gauche pour les modèles horizontaux. La température est préprogrammée à l'usine afin d'offrir une température de conservation des aliments satisfaisante. Cependant, la commande de température peut être ajustée pour satisfaire vos exigences personnelles. Pour ajuster le réglage de la température, tournez le bouton de la commande de température vers la droite ou vers la gauche. Attendez plusieurs heures entre les ajustements pour permettre à la température de se stabiliser.



Caractéristiques facultatives

REMARQUE

Votre appareil possède plusieurs ou l'ensemble des caractéristiques ci-dessous. Familiarisez-vous avec ces caractéristiques : leur utilisation et leur entretien.

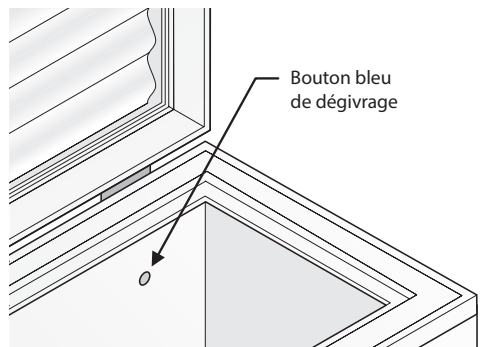
Serrure de sécurité à clé éjectable

Cette serrure de sécurité ferme solidement la porte. Les aliments sont donc bien protégés. Pour verrouiller ou déverrouiller le congélateur, faites glisser la clé dans la serrure et tournez. La clé se désengage de la serrure une fois qu'elle est tournée.

Bouton bleu de dégivrage (certains modèles de congélateurs horizontaux)

IMPORTANT

Lorsque le bouton bleu de dégivrage est complètement recouvert de givre, il faut effectuer le dégivrage du congélateur et le nettoyer.



Alarme de température

Cette fonction sert à prévenir si la température intérieure atteint un niveau dangereux. La température caractéristique alimentée par l'électricité domestique. Elle ne fonctionnera pas si l'électricité domestique est coupée.

Pour mettre l'alarme en sourdine, appuyez sur le bouton « set » situé à côté du voyant ALARM OFF sur l'affichage ou appuyez sur n'importe quelle touche du panneau de commande.

Éclairage intérieur

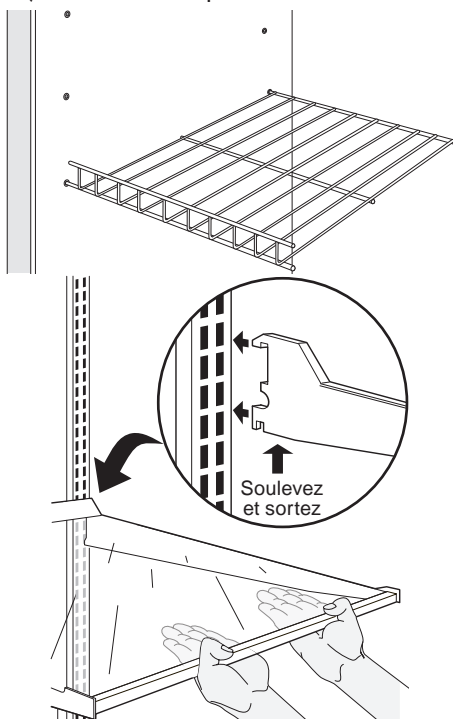
La lumière s'allume automatiquement lorsque la porte est ouverte. Pour remplacer l'ampoule,

Caractéristiques facultatives

réglez la commande de température à la position « OFF » (Arrêt) et débranchez le cordon électrique. Remplacez la vieille ampoule par une nouvelle de même puissance.

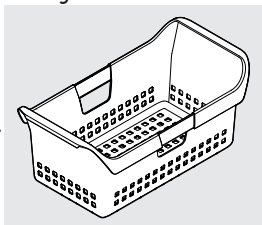
Clayettes intérieures réglables (certains modèles de congélateurs verticaux)

Les clayettes intérieures réglables à positions multiples peuvent être ajustées selon la taille du produit utilisé. Vous devez enlever et jeter les espaceurs utilisés pour immobiliser les clayettes durant l'expédition.



Système Smart Basket™ (certains modèles de congélateurs horizontaux)

Ce panier permet d'organiser le rangement des articles de forme irrégulière. Pour atteindre les autres aliments dans le congélateur, faites glisser le panier sur le côté ou retirez-le.



Entretien et nettoyage



ATTENTION

Les objets humides collent aux surfaces froides. Ne touchez pas les surfaces froides du congélateur avec les mains humides.

Certains congélateurs verticaux sont sans givre et se dégivrent automatiquement, mais ils doivent être nettoyés de temps en temps.

Entre les cycles de dégivrage

Pour éviter d'effectuer des dégivrages fréquents, utilisez occasionnellement un grattoir en plastique pour enlever le givre. Raclez vers vous. N'utilisez jamais d'instrument en métal pour retirer le givre.

Dégivrage



ATTENTION

Lorsque vous procédez à un dégivrage, le congélateur doit être débranché de la source d'alimentation (pour éviter tout risque de choc électrique).

Il est important de dégivrer et de nettoyer le congélateur lorsqu'il y a une accumulation de givre de 0,6 à 1,3 cm (de ¼ à ½ po). Le givre peut s'accumuler plus rapidement sur la partie supérieure du congélateur à cause de l'air chaud et humide qui entre dans le congélateur lorsque la porte est ouverte. Retirez les aliments et laissez la porte ouverte lorsque vous dégivrez le congélateur. Pour dégivrer les modèles de congélateurs verticaux avec vidange de l'eau de dégivrage :

- Retirez le bouchon de vidange de la paroi inférieure à l'intérieur du congélateur en le tirant d'un mouvement horizontal.
- Pour accéder au tube de vidange externe sur les modèles possédant un panneau principal, retirez d'abord les deux vis du panneau principal. Repérez le tube de vidange près du côté gauche (au milieu) sous le congélateur.
- Placez un récipient peu profond sous le tube de vidange. L'eau de dégivrage s'écoulera. Vérifiez de temps en temps le récipient pour que l'eau ne déborde pas (voir figure 1).

Entretien et nettoyage

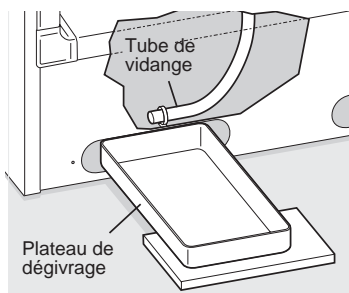


figure 1

- Un adaptateur de tuyau d'arrosage de 1,3 cm (0,5 po) peut être utilisé pour vidanger le congélateur directement dans un siphon de sol. Si votre modèle n'est pas équipé d'un adaptateur, vous pouvez en acheter un dans la plupart des quincailleries.
- Remplacez le bouchon de vidange lorsque le dégivrage et le nettoyage sont terminés. Si la vidange est laissée ouverte, de l'air chaud peut entrer dans le congélateur.

Pour dégivrer les modèles de congélateurs horizontaux avec vidange de l'eau de dégivrage :

- Placez un ustensile peu profond sous la sortie de vidange. Retirez le bouchon de vidange extérieur (voir figure 2). Un adaptateur de tuyau d'arrosage de 1,3 cm (0,5 po) peut être utilisé pour vidanger le congélateur directement dans un siphon de sol (voir figure 3). Si votre modèle n'est pas équipé d'un adaptateur, vous pouvez en acheter un dans la plupart des quincailleries.

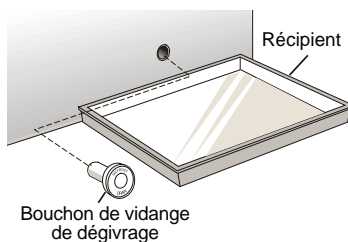


figure 2

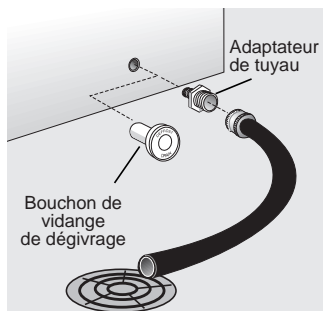


figure 3

- Retirez le bouchon de vidange à l'intérieur du congélateur (voir figure 4). L'eau de dégivrage s'écoulera. Vérifiez de temps en temps le récipient pour que l'eau ne déborde pas.

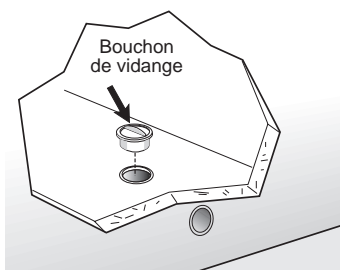


figure 4

- Remplacez les bouchons de vidange lorsque le dégivrage et le nettoyage sont terminés. Si la vidange est laissée ouverte, de l'air chaud peut entrer dans le congélateur.
- Pour dégivrer les modèles sans vidange de l'eau de dégivrage :

- Placez des serviettes ou des journaux en bas du congélateur pour récupérer le givre. Celui-ci se détachera et tombera.
- Retirez les serviettes et/ou les journaux.
- Si le givre n'est pas trop dur, retirez-le à l'aide d'un grattoir en plastique. Si le givre est dur, remplissez des récipients profonds avec de l'eau chaude et placez-les au fond du congélateur.
- Fermez la porte/le couvercle du congélateur. 15 minutes devrait suffire pour ramollir le givre.
- Répétez cette procédure, si nécessaire.

Entretien et nettoyage

Nettoyage de l'intérieur

Après le dégivrage, nettoyez les surfaces internes de l'unité avec une solution composée de 30 ml (2 c. à table) de bicarbonate de soude dans 1 L (1 pinte). Rincez et séchez. Essorez bien l'eau de l'éponge ou du chiffon avant de nettoyer autour des commandes ou des composants électriques.

Lavez les pièces amovibles et le joint de porte en utilisant la solution de bicarbonate de soude mentionnée ci-dessus ou un détergent doux et de l'eau chaude. Rincez et séchez.

N'utilisez jamais de tampons à récurer métalliques, brosses, nettoyants abrasifs ou solutions alcalines lors du nettoyage. Ne lavez aucune des pièces amovibles dans le lave-vaisselle.

Nettoyage de l'extérieur

Lavez la caisse avec de l'eau tiède et un détergent liquide doux. Rincez bien et séchez avec un chiffon propre et doux. Remplacez les pièces et les aliments.



AVERTISSEMENT

Si vous laissez la porte du congélateur ouverte lorsque vous partez en vacances, assurez-vous qu'aucun enfant ne peut s'y aventurer et s'y laisser enfermer.

Conseils pour les vacances et les déménagements

Petites vacances : Laissez fonctionner le congélateur pendant les vacances de moins de trois semaines.

Longues vacances : Si le congélateur n'est pas utilisé pendant plusieurs mois :

- Enlevez tous les aliments et débranchez le cordon d'alimentation.
- Nettoyez et séchez soigneusement l'intérieur.
- Laissez la porte du réfrigérateur entrouverte et bloquez-la en position ouverte, si nécessaire, de manière à prévenir les odeurs et l'accumulation de moisissure.

Déménagement : Lorsque vous déplacez le congélateur, suivez ces directives afin de prévenir tout dommage :

- Débranchez le cordon d'alimentation de la prise murale.
- Retirez les aliments, effectuez un dégivrage et nettoyez le congélateur.
- Fixez bien toutes les pièces amovibles comme le panneau principal, les paniers et les clayettes avec du ruban pour prévenir tout dommage.
- Dans le véhicule de déménagement, fixez le congélateur en position debout de manière à empêcher tout mouvement. Protégez également l'extérieur du congélateur à l'aide d'une couverture ou d'un objet semblable.

Panne d'électricité / défaillance du congélateur

REMARQUE

N'ouvrez pas la porte du congélateur sans raison valable si le congélateur est éteint pendant plusieurs heures.

En cas de panne d'électricité, les aliments restent congelés pendant au moins 24 heures si la porte du congélateur reste fermée. Si la panne d'électricité se poursuit, placez 3,2 ou 3,6 kg (7 ou 8 lb) de glace sèche dans le congélateur toutes les 24 heures. Regardez dans les pages jaunes sous Glace sèche, Laiterie ou Fabricants de crème glacée pour obtenir la liste des fournisseurs de glace sèche locaux. Portez toujours des gants et faites preuve de prudence lorsque vous manipulez de la glace sèche.

Si le congélateur a cessé de fonctionner, reportez-vous à la section « L'appareil ne fonctionne pas » du Guide de dépannage. Si vous ne pouvez pas résoudre le problème, appelez immédiatement un réparateur autorisé. Si le congélateur reste éteint pendant plusieurs heures, suivez les instructions ci-dessus concernant l'utilisation de glace sèche en cas de panne d'électricité. Au besoin, confiez vos aliments à un entrepôt frigorifique local jusqu'à ce que votre congélateur puisse fonctionner. Consultez les pages jaunes à la section « Entrepôts frigorifiques ».

Avant d'appeler

GUIDE DE DÉPANNAGE	Avant de faire appel au service après-vente, consultez cette liste. Elle pourra vous économiser temps et argent. Cette liste décrit des situations courantes qui ne sont causées ni par un défaut de fabrication ni par un matériau défectueux.	
PROBLÈME	CAUSE	SOLUTION
FONCTIONNEMENT DU L'APPAREIL		
L'appareil ne fonctionne pas.	<ul style="list-style-type: none">• L'appareil est branché sur un circuit avec interrupteur de défaut à la terre.• La commande de température est à la position OFF (Arrêt).• L'appareil n'est pas branché ou la fiche est lâche.• Les fusibles domestiques sont grillés ou le disjoncteur du circuit déclenché.• Panne de courant.	<ul style="list-style-type: none">• Utilisez un autre circuit. Dans le doute, faites vérifier la prise par un technicien qualifié.• Reportez-vous à la section « Réglage de la commande de température ».• Assurez-vous que la fiche est bien branchée sur la prise.• Vérifiez/remplacez le fusible temporisé de 15 A. Réinitialisez le disjoncteur du circuit.• Vérifiez les lumières de la maison. Téléphonez à la compagnie d'électricité.

Avant d'appeler

PROBLÈME	CAUSE	SOLUTION
L'appareil fonctionne trop souvent ou trop longtemps.	<ul style="list-style-type: none"> • La pièce ou la température à l'extérieur est chaude. • L'appareil a été récemment débranché pendant un certain temps. • Vous avez ajouté une grande quantité de nourriture chaude récemment. • Les portes sont ouvertes trop fréquemment ou pendant trop longtemps. • La porte du appareil est restée légèrement ouverte. • La commande de température est réglée à un niveau trop froid. • Le joint du appareil est sale, usé, craquelé ou mal ajusté. 	<ul style="list-style-type: none"> • Il est normal que l'appareil fonctionne plus dans ces conditions. • L'appareil nécessite 24 heures pour se refroidir complètement. • Les aliments chauds font fonctionner le congélateur davantage jusqu'à ce qu'il atteigne la température désirée. • L'appareil fonctionne davantage si de l'air chaud y pénètre. Ouvrez les portes moins souvent. • Voyez la section « PROBLÈMES DE PORTE » des Avant de faire appel au service après-vente. • Ajustez le bouton de commande à un réglage plus chaud. Allouez plusieurs heures pour permettre à la température de se stabiliser. • Nettoyez ou changez le joint. Un joint d'étanchéité qui fuit fait fonctionner l'appareil plus longtemps afin de maintenir la température désirée.
La température à l'intérieur est trop chaude.	<ul style="list-style-type: none"> • La commande de température est réglée à un niveau trop chaud. • La porte reste ouverte trop longtemps ou est ouverte trop fréquemment. • La porte ne ferme pas hermétiquement. • Vous avez ajouté une grande quantité d'aliments chauds récemment. • L'appareil a été récemment débranché pendant un certain temps. 	<ul style="list-style-type: none"> • Ajustez la commande à un réglage plus froid. Allouez plusieurs heures pour permettre à la température de se stabiliser. • De l'air chaud pénètre dans le congélateur chaque fois que la porte est ouverte. Ouvrez la porte moins souvent. • Voyez la section « PROBLÈMES DE PORTE » des Avant de faire appel au service après-vente. • Laissez le temps au appareil d'atteindre la température sélectionnée. • L'appareil nécessite 24 heures pour se refroidir complètement.
Les parois externes sont chaudes.	<ul style="list-style-type: none"> • La température des parois externes peut excéder la température ambiante de 15 °C (30 °F). 	<ul style="list-style-type: none"> • C'est une situation normale lorsque le compresseur fonctionne pour transférer la chaleur présente à l'intérieur de la caisse.
SONS ET BRUITS		
L'appareil émet des sons plus puissants lorsqu'il fonctionne.	<ul style="list-style-type: none"> • L'appareil modernes offrent plus d'espace de rangement et des températures plus stables. Ils nécessitent un compresseur de haute efficacité. 	<ul style="list-style-type: none"> • Ceci est normal. Si la pièce est silencieuse, vous pouvez entendre le compresseur fonctionner alors qu'il refroidit l'intérieur.
Lorsque le compresseur fonctionne, les bruits ont une plus longue durée.	<ul style="list-style-type: none"> • L'appareil fonctionne à des pressions plus hautes au début du cycle de marche. 	<ul style="list-style-type: none"> • Ceci est normal. Les bruits s'atténueront ou disparaîtront alors que l'appareil continue de fonctionner.
Un bruit sec ou un craquement se produit lorsque le compresseur se met en marche.	<ul style="list-style-type: none"> • Les pièces de métal se dilatent et se contractent, comme le font les tuyaux chauds. 	<ul style="list-style-type: none"> • Ceci est normal. Les bruits s'atténueront ou disparaîtront alors que l'appareil continue de fonctionner.

Avant d'appeler

PROBLÈME	CAUSE	SOLUTION
Il y a un bruit d'ébullition ou un gargouillement semblable à de l'eau qui bout.	<ul style="list-style-type: none"> Le fluide frigorigène (qui sert à refroidir l'appareil) circule dans le système. 	<ul style="list-style-type: none"> Ceci est normal.
Il y a un son de crécelle ou de vibration.	<ul style="list-style-type: none"> L'appareil n'est pas de niveau. Il oscille sur le plancher lorsque vous le bougez légèrement. Le plancher n'est pas solide ou n'est pas de niveau. Le congélateur oscille sur le plancher lorsque vous le bougez légèrement. L'appareil touche le mur. 	<ul style="list-style-type: none"> Mettez l'appareil à niveau. Reportez-vous à la section « Mise à niveau » des Étapes initiales. Assurez-vous que le plancher peut supporter le poids du appareil de façon adéquate. Mettez à niveau l'appareil en plaçant des cales en bois ou en métal sous une partie du appareil. Mettez à nouveau l'appareil à niveau ou déplacez-le légèrement. Reportez-vous à la section « Mise à niveau » des Étapes initiales.
IL Y A DE L'EAU / DE L'HUMIDITÉ / DU GIVRE À L'INTÉRIEUR DU APPAREIL		
De l'humidité apparaît sur les parois à l'intérieur.	<ul style="list-style-type: none"> La température à l'extérieur est chaude et humide, ce qui augmente l'accumulation de givre à l'intérieur de la caisse. La porte ne ferme pas hermétiquement. La porte reste ouverte trop longtemps ou est ouverte trop fréquemment. 	<ul style="list-style-type: none"> Ceci est normal. Voyez la section « PROBLÈMES DE PORTE » des Avant de faire appel au service après-vente. Ouvrez la porte moins souvent.
IL Y A DE L'EAU / DE L'HUMIDITÉ / DU GIVRE À L'EXTÉRIEUR DU APPAREIL		
De l'humidité apparaît sur les parois à l'extérieur.	<ul style="list-style-type: none"> La porte ne ferme pas hermétiquement. L'air froid de l'intérieur du congélateur rencontre l'air chaud et humide de l'extérieur. 	<ul style="list-style-type: none"> Voyez la section « PROBLÈMES DE PORTE » des Avant de faire appel au service après-vente.
L'APPAREIL DÉGAGE UNE ODEUR		
L'appareil dégage des odeurs.	<ul style="list-style-type: none"> L'intérieur doit être nettoyé. Il y a des aliments qui dégagent une forte odeur dans l'appareil. 	<ul style="list-style-type: none"> Nettoyez l'intérieur à l'aide d'une éponge, de l'eau chaude et de bicarbonate de soude. Couvrez bien les aliments.
PROBLÈMES DE PORTE		
La porte ne se ferme pas.	<ul style="list-style-type: none"> L'appareil n'est pas de niveau. Il oscille sur le plancher lorsque vous le bougez légèrement. Le plancher n'est pas solide ou n'est pas de niveau. L'appareil oscille sur le plancher lorsque vous le bougez légèrement. 	<ul style="list-style-type: none"> La caisse n'est plus à l'équerre et la porte est désalignée. Reportez-vous à la section « Mise à niveau » des Étapes initiales. Mettez à niveau l'appareil en plaçant des cales en bois ou en métal sous l'appareil ou renforcez le plancher supportant l'appareil.

Avant d'appeler

PROBLÈME	CAUSE	SOLUTION
L'AMPOULE N'EST PAS ALLUMÉE		
L'ampoule n'est pas allumée.	<ul style="list-style-type: none">• L'ampoule est grillée ou la lumière DEL est endommagée.• L'appareil ne reçoit aucun courant électrique.• Le système de commandes a des lumières désactivées parce qu'une ou deux portes sont restées ouvertes trop longtemps.• Le panneau de contrôle est en mode Shabbath (l'affichage indique Sb).	<ul style="list-style-type: none">• Suivez les instructions de la rubrique « Éclairage intérieur » de la section « Caractéristiques optionnelles ».• Reportez-vous à la rubrique « L'appareil ne fonctionne pas » de la section « Avant de faire appel au service après-vente ».• Fermez et ouvrez la (les) porte(s) pour activer les lumières.• Appuyez sur les touches « MODE » et « CONTROL LOCK » pendant 3 secondes.

