



HE^{3t}

Front-Loading Automatic Washer

Owner's Manual and Installation Instructions

Lavadora automática de carga frontal

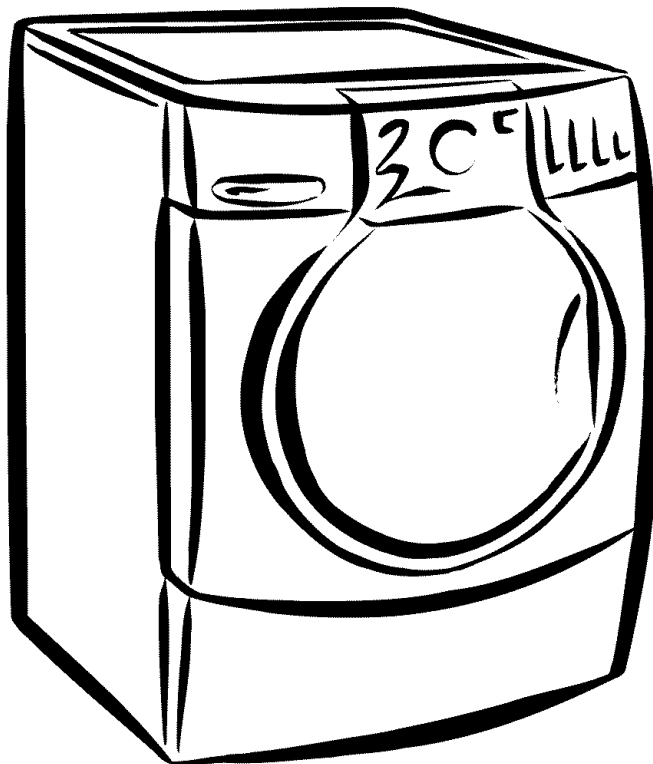
Manual del propietario e Instrucciones de instalación

Laveuse automatique à chargement frontal

Manuel de l'utilisateur et Instructions d'installation

Models/Modelos/Modèles **110.4292***, **4493***

* = color número, número de color, numéro de couleur



ENGLISH ESPAÑOL FRANÇAIS

TABLE OF CONTENTS

PROTECTION AGREEMENTS	2
In the U.S.A.....	2
In Canada.....	3
WARRANTY	3
PEDESTAL OPTION WARRANTY	3
WASHER SAFETY	4
INSTALLATION REQUIREMENTS	5
Tools and Parts.....	5
Alternate Parts.....	5
Options.....	5
Location Requirements.....	5
Drain System.....	7
Electrical Requirements.....	7
INSTALLATION INSTRUCTIONS	8
Remove Transport System.....	8
Connect the Inlet Hoses.....	9
Route the Drain Hose.....	9
Secure the Drain Hose.....	9
Level the Washer.....	9
Complete Installation.....	10
FEATURES AND BENEFITS	10
WASHER USE	11
Starting Your Washer.....	11
Using the Dispenser.....	12
Pausing or Restarting.....	13
Changing Cycles, Options and Modifiers.....	13
Status Lights.....	13
Cycles.....	14
Normal Sounds.....	15
Options.....	15
Modifiers.....	16
Laundry Guide.....	17
LAUNDRY TIPS	17
Loading.....	18
WASHER CARE	18
Cleaning Your Washer.....	18
Water Inlet Hoses.....	18
Vacation, Storage, and Moving Care.....	18
TROUBLESHOOTING	19
SERVICE NUMBERS	BACK COVER

PROTECTION AGREEMENTS

In the U.S.A.

Master Protection Agreements

Congratulations on making a smart purchase. Your new Kenmore® appliance is designed and manufactured for years of dependable operation. But like all products, it may require preventive maintenance or repair from time to time. That's when having a Master Protection Agreement can save you money and aggravation.

Purchase a Master Protection Agreement now and protect yourself from unexpected hassle and expense.

The Master Protection Agreement also helps extend the life of your new appliance. Here's what's included in the Agreement:

- ✓ **Expert service** by our 12,000 professional repair specialists
- ✓ **Unlimited service and no charge** for parts and labor on all covered repairs
- ✓ **"No-lemon" guarantee** – replacement of your covered product if four or more product failures occur within twelve months
- ✓ **Product replacement** if your covered product can't be fixed
- ✓ **Annual Preventive Maintenance Check** at your request – no extra charge
- ✓ **Fast help by phone** – phone support from a Sears technician on products requiring in-home repair, plus convenient repair scheduling
- ✓ **Power surge protection** against electrical damage due to power fluctuations
- ✓ **Rental reimbursement** if repair of your covered product takes longer than promised

Once you purchase the Agreement, a simple phone call is all that it takes for you to schedule service. You can call anytime day or night, or schedule a service appointment online.

Sears has over 12,000 professional repair specialists, who have access to over 4.5 million quality parts and accessories. That's the kind of professionalism you can count on to help prolong the life of your new purchase for years to come. Purchase your Master Protection Agreement today!

Some limitations and exclusions apply. For prices and information, call 1-800-827-6655.

Sears Installation Service

For Sears professional installation of home appliances, garage door openers, water heaters, and other major home items, in the U.S.A. call **1-800-4-MY-HOME®**.

In Canada

Maintenance Agreements

Your purchase has added value because you can depend on Sears HomeCentral® for service. With over 2,400 Service Technicians and access to over 900,000 parts and accessories, we have the tools, parts, knowledge and skills to back our pledge: We Service What We Sell.

Your Kenmore® appliance is designed, manufactured and tested to provide years of dependable operation. Yet any major appliance may require service from time to time. The Sears Maintenance Agreement offers you an outstanding service program, affordably priced.

The Sears Maintenance Agreement

- Guarantees tomorrow's service at today's price.
- Eliminates repair bills resulting from normal wear and tear.
- Covers non-technical and instructional service calls.
- Provides an annual Preventive Maintenance Check, at your request, to ensure that your appliance is in proper running condition.

Some limitations apply. For information concerning Sears HomeCentral® Maintenance Agreements, call 1-800-361-6665.

KENMORE ELITE® WASHER WARRANTY

Limited Lifetime Warranty on Stainless Steel Drum

For the lifetime of the washer from the date of purchase, Sears will replace the Stainless Steel wash drum due to defective material or workmanship. After the first year, you will be charged for labor.

Limited 10-Year Warranty on Plastic Tub*

For the second through tenth year from the date of purchase, Sears will replace the plastic tub if it is defective in material or workmanship. After the first year, you will be charged for labor.

Limited 5-Year Warranty on Gearcase Parts*

For the second through fifth year from the date of purchase, Sears will replace any gearcase parts that are defective in material or workmanship. After the first year, you will be charged for labor.

Limited 2-Year Warranty on SENSOR SMART™ Control Board

For two years from the date of purchase, Sears will replace the SENSOR SMART™ control board if it is defective in material or workmanship. You will be charged for labor after the first year.

Full 1-Year Warranty on Mechanical and Electrical Parts

For one year from the date of purchase, when this washer is installed and operated according to the instructions that come with it, Sears will repair or replace any of its mechanical or electrical parts if they are defective in material or workmanship. Service must be provided by a Sears Service Department in the United States or Canada or an authorized agent.

Warranty Restriction

If this washer is operated for any purpose other than private family use, all warranty coverage is restricted to 90 days from the date of purchase.

Travel or transportation expenses for customers who reside in remote areas are not covered by this warranty.

Warranty Service

Warranty service is available by contacting the nearest Sears Service Center in the United States or Canada. This warranty applies only while the product is in use in the United States or Canada.

This warranty gives you specific legal rights and you may also have other rights which vary from state to state or province to province.

For Sears warranty information or to contact a Sears Service Center, please reference the service numbers located on the back page of this manual.

Sears, Roebuck and Co.
D/817WA, Hoffman Estates, IL 60179

Sears Canada Inc.
Toronto, Ontario, Canada M5B 2B8

* In Canada a different warranty may apply.

Product Record

In the space below, record your complete model number, serial number, and purchase date. You can find this information on the model and serial number label, as shown.

Have this information available to help you quickly obtain assistance or service when you contact Sears concerning your appliance.

Model number 110 _____

Serial number _____

Purchase date _____

Save these instructions and your sales receipt for future reference.

PEDESTAL OPTION WARRANTY

Full One-Year Warranty on Mechanical Parts

For one year from the date of purchase, supplier will repair or replace any of its mechanical parts if defective in material or workmanship. This Pedestal must be installed with this washer according to the instructions provided in the Pedestal Installation Instructions.

Warranty Restriction

If the pedestal is subject to other than private family use and or if the pedestal is used with any other product than those listed in the installation instructions, the above warranty coverage is null and void.

Product Record

In the space below, record your complete model number, serial number, and purchase date. You can find this information on the model and serial number label.

Have this information available to help you quickly obtain assistance or service when you contact Sears concerning your pedestal.

Model number 110. _____

Serial number _____

Purchase date _____

Save these instructions and your sales receipt for future reference.

WASHER SAFETY

Your safety and the safety of others are very important.

We have provided many important safety messages in this manual and on your appliance. Always read and obey all safety messages.



This is the safety alert symbol.

This symbol alerts you to potential hazards that can kill or hurt you and others.

All safety messages will follow the safety alert symbol and either the word "DANGER" or "WARNING." These words mean:

⚠ DANGER

You can be killed or seriously injured if you don't immediately follow instructions.

⚠ WARNING

You can be killed or seriously injured if you don't follow instructions.

All safety messages will tell you what the potential hazard is, tell you how to reduce the chance of injury, and tell you what can happen if the instructions are not followed.

IMPORTANT SAFETY INSTRUCTIONS

WARNING: To reduce the risk of fire, electric shock, or injury to persons when using the washer, follow basic precautions, including the following:

- Read all instructions before using the washer.
- Do not wash articles that have been previously cleaned in, washed in, soaked in, or spotted with gasoline, dry-cleaning solvents, other flammable, or explosive substances as they give off vapors that could ignite or explode.
- Do not add gasoline, dry-cleaning solvents, or other flammable, or explosive substances to the wash water. These substances give off vapors that could ignite or explode.
- Under certain conditions, hydrogen gas may be produced in a hot water system that has not been used for 2 weeks or more. **HYDROGEN GAS IS EXPLOSIVE.** If the hot water system has not been used for such a period, before using the washing machine, turn on all hot water faucets and let the water flow from each for several minutes. This will release any accumulated hydrogen gas. As the gas is flammable, do not smoke or use an open flame during this time.
- Do not allow children to play on or in the washer. Close supervision of children is necessary when the washer is used near children.
- Before the washer is removed from service or discarded, remove the door or lid.
- Do not reach into the washer if the drum, tub or agitator is moving.
- Do not install or store the washer where it will be exposed to the weather.
- Do not tamper with controls.
- Do not repair or replace any part of the washer or attempt any servicing unless specifically recommended in this manual or in published user-repair instructions that you understand and have the skills to carry out.
- See "Electrical Requirements" for grounding instructions.

SAVE THESE INSTRUCTIONS

INSTALLATION REQUIREMENTS

Tools and Parts

Assemble the necessary tools and supplies before beginning the washer installation. The parts supplied are in the washer drum.

Tools needed for connecting the water inlet hoses

- Pliers (that open to 1 $\frac{1}{16}$ in. [39.5 mm])
- Flashlight (optional)

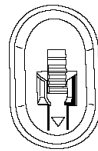
Tools needed for installation

- Open end wrench 17 mm and 13 mm
- Level
- Wood block (2" x 4") (5.8 x 10.2 cm)
- Ruler or measuring tape

Parts supplied



Beaded strap



Transport bolt hole plug (4)

Alternate Parts

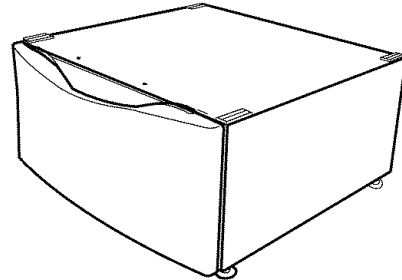
Parts listed are available from your local Sears store or Sears Service Center. For further information, please call **1-800-4-MY-HOME® (1-800-469-4663)**.

If You Have	You Will Need to Buy
Laundry tub or standpipe taller than 96 in. (2.4 m)	Sump pump system (if not already available)
Overhead sewer	Standard 20 gal. (76 L), 30 in. (76.2 cm) tall drain tub or utility sink and sump pump (available from local plumbing suppliers)
Floor drain	Siphon break, Part Number 285834; additional drain hose Part Number 8318155; and connector kit, Part Number 285835
Drain hose too short	4 ft drain hose extension kit, Part Number 285863
Water faucets beyond reach of fill hoses	2 longer water fill hoses: 6 ft (1.8 m) Part Number 76314, 10 ft (3.0 m) Part Number 350008

Options

Pedestal

A pedestal may be purchased separately for this washer. This pedestal will add about 13 in. (33 cm) to the height of your unit for a total vertical height of approximately 51 in. (130 cm).



Optional Pedestal

This pedestal (with storage drawer) is available in three colors:

- White - Part Number 42842
- Bisque - Part Number 42844
- Graphite - Part Number 42846

To order, call your local Sears store. For further information, please call **1-800-4-MY-HOME® (1-800-469-4663)**.

Stack Kit

Are you planning to stack your Kenmore HE3t washer and dryer? To do so, find the stack kit (8541503) in the drum of the matching Kenmore dryer. Follow instructions included with the kit.

Location Requirements

Selecting the proper location for your washer improves performance and minimizes noise and possible washer "walk." Your washer can be installed under a custom counter, or in a basement, laundry room, closet, or recessed area. (See "Drain System.")

Companion appliance location requirements should also be considered. Proper installation is your responsibility.

You will need

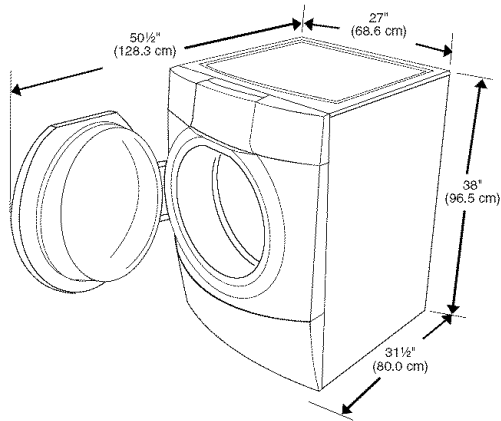
- A water heater set to deliver 120°F (49°C) water to the washer.
- A grounded electrical outlet located within 5 ft (1.5 m) of where the power cord is attached to the back of the washer. (See "Electrical Requirements.")
- Hot and cold water faucets located within 4 ft (1.2 m) of the hot and cold water fill valves, and water pressure of 20-100 psi (137.9-689.6 kPa).
- A level floor with a maximum slope of 1 in. (2.5 cm) under entire washer. Installing the washer on carpeting is not recommended.
- A sturdy and solid floor to support the washer with a total weight (water and load) of 400 lbs (180 kg).

Do not operate your washer in temperatures below 32°F (0°C). Some water can remain in the washer and can cause damage in low temperatures.

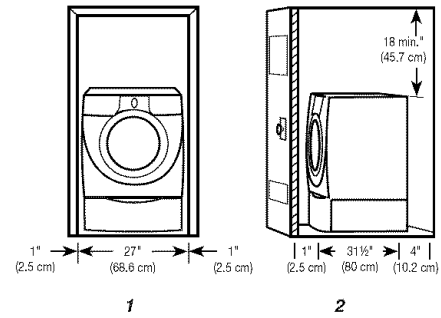
Installation clearances

- The location must be large enough to allow the washer door to be fully opened.
- Additional spacing should be considered for ease of installation and servicing.
- Additional clearances might be required for wall, door, and floor moldings.
- Additional spacing of 1 in. (2.5 cm) on all sides of the washer is recommended to reduce noise transfer.
- Companion appliance spacing should also be considered.

Washer Dimensions



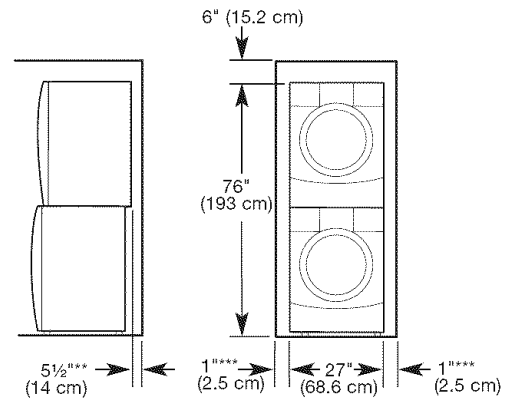
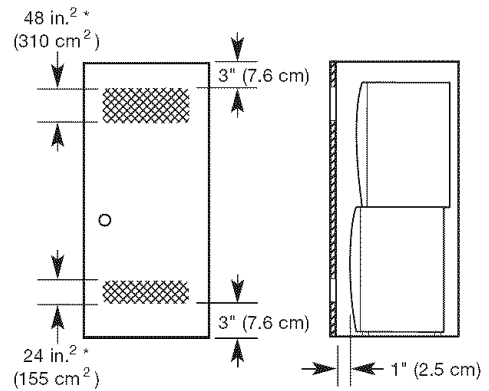
Recessed or closet installation - Washer on pedestal



1. Recessed area
2. Side view - closet or confined area

Recommended installation spacing for recessed or closet installation, with stacked washer and dryer

The dimensions shown are for the recommended spacing.



*Min. top and bottom air openings for closet door.

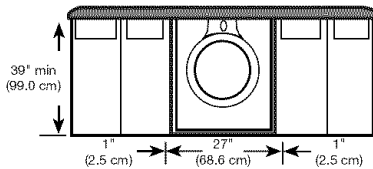
**External exhaust elbow requires additional space.

***Wall, door and floor molding may require additional spacing.

Recommended installation spacing for custom undercounter installation

The dimensions shown are for the recommended spacing.

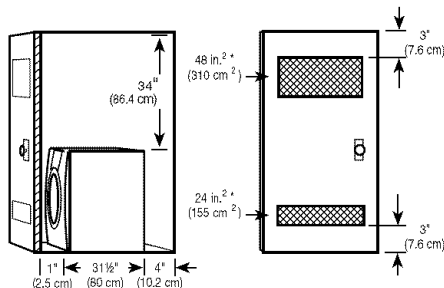
Custom undercounter installation - Washer only



Recommended installation spacing for recessed or closet installation, with or without a pedestal

The dimensions shown are for the recommended spacing.

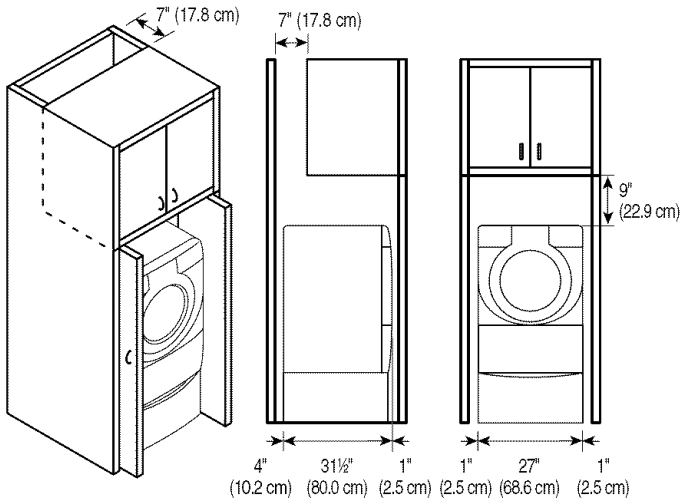
Recessed area or closet installation



1. Side view - closet or confined area
2. Closet door with vents

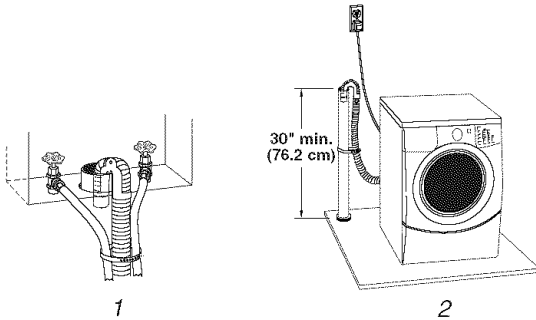
Recommended installation spacing for cabinet installation

- The dimensions shown are for the recommended spacing.
- For cabinet installation, with a door, the minimum ventilation openings in the top are required.



Drain System

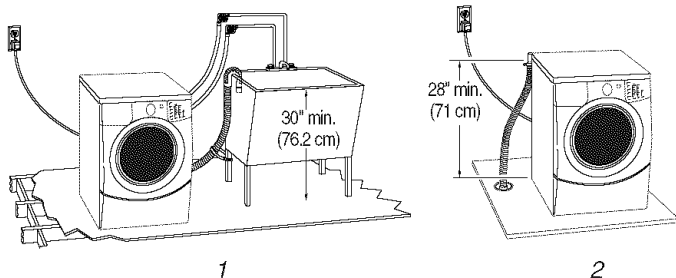
The washer can be installed using the standpipe drain system (floor or wall), the laundry tub drain system, or the floor drain system. Select the drain hose installation method you need. (See "Alternate Parts.")



Standpipe drain system - wall or floor (view 1 & 2)

The standpipe drain requires a minimum diameter standpipe of 2 in. (5 cm). The minimum carry-away capacity can be no less than 17 gal. (64 L) per minute.

The top of the standpipe must be at least 30 in. (76.2 cm) high and no higher than 96 in. (2.4 m) from the bottom of the washer.



Laundry tub drain system (view 1)

The laundry tub needs a minimum 20 gal. (76 L) capacity. The top of the laundry tub must be at least 30 in. (76.2 cm) above the floor.

Floor drain system (view 2)

The floor drain system requires a siphon break that may be purchased separately. (See "Alternate Parts.")

The siphon break must be a minimum of 28 in. (71 cm) from the bottom of the washer. Additional hoses might be needed.

Electrical Requirements

⚠ WARNING



Electrical Shock Hazard

Plug into a grounded 3 prong outlet.

Do not remove ground prong.

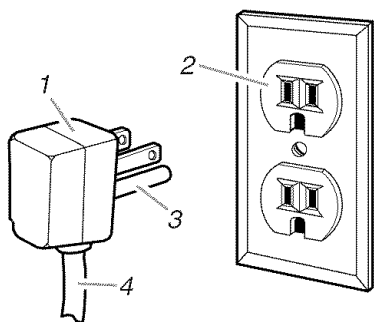
Do not use an adapter.

Do not use an extension cord.

Failure to follow these instructions can result in death, fire, or electrical shock.

- A 120-volt, 60-Hz., AC-only, 15- or 20-ampere, fused electrical supply is required. Time-delay fuse or circuit breaker is recommended. It is recommended that a separate circuit serving only this appliance be provided.
- This washer is equipped with a power supply cord having a 3 prong ground plug.
- To minimize possible shock hazard, the cord must be plugged into a mating, 3 prong, ground-type outlet, grounded in accordance with local codes and ordinances. If a mating outlet is not available, it is the personal responsibility and obligation of the customer to have the properly grounded outlet installed by a qualified electrician.
- If codes permit and a separate ground wire is used, it is recommended that a qualified electrician determine that the ground path is adequate.

- Do not ground to a gas pipe.
- Check with a qualified electrician if you are not sure the washer is properly grounded.
- Do not have a fuse in the neutral or ground circuit.



1. 3 prong grounding plug
2. 3 prong grounding-type wall receptacle
3. Grounding prong
4. Power supply cord

GROUNDING INSTRUCTIONS

For a grounded, cord-connected washer:

This washer must be grounded. In the event of a malfunction or breakdown, grounding will reduce the risk of electrical shock by providing a path of least resistance for electric current. This washer is equipped with a cord having an equipment-grounding conductor and a grounding plug. The plug must be plugged into an appropriate outlet that is properly installed and grounded in accordance with all local codes and ordinances.

WARNING: Improper connection of the equipment-grounding conductor can result in a risk of electric shock. Check with a qualified electrician or serviceman if you are in doubt as to whether the appliance is properly grounded.

Do not modify the plug provided with the appliance – if it will not fit the outlet, have a proper outlet installed by a qualified electrician.

For a permanently connected washer:

This washer must be connected to a grounded metal, permanent wiring system, or an equipment grounding conductor must be run with the circuit conductors and connected to the equipment-grounding terminal or lead on the appliance.

INSTALLATION INSTRUCTIONS

Remove Transport System

⚠ WARNING

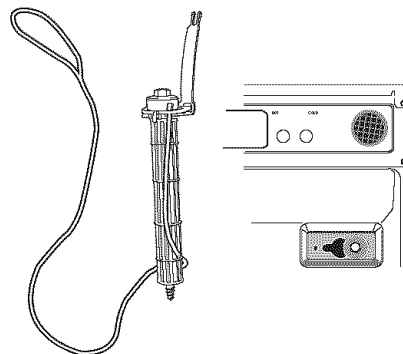
Excessive Weight Hazard

Use two or more people to move and install washer.

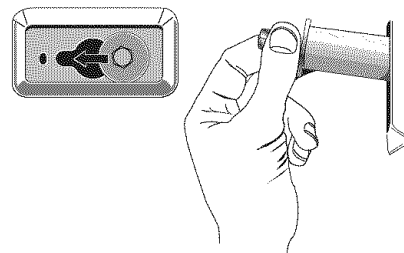
Failure to do so can result in back or other injury.

IMPORTANT: Position the washer so that the rear of the unit is within approximately 3 ft (90 cm) of the final location.

There are 4 bolts in the rear panel of the washer that support the suspension system during transportation.



1. Using a 13 mm wrench, loosen each of the bolts.
2. Once the bolt is loose, move it to the center of the hole and completely pull out the bolt, including the plastic spacer covering the bolt and the cable attached to the bolt. The power cord will be attached to all 4 bolts.



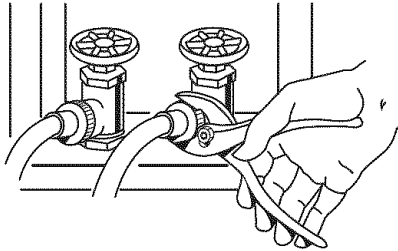
3. Once all 4 bolts are removed, remove the power cord from each bolt holder, and discard bolts, plastic spacers, and cables.
4. Close the holes with the transport bolt hole plugs.

Connect the Inlet Hoses

Connect the inlet hoses to the water faucets

Make sure the washer drum is empty.

1. Using pliers, check for tightness of hose couplings already attached to the washer.
NOTE: Do not overtighten. Damage to the connection can result.
2. Attach the hose with the red color indicator to the hot water faucet. Screw on coupling by hand until it is seated on the washer.
3. Attach the hose with the blue color indicator to the cold water faucet. Screw on coupling by hand until it is seated on the washer.
4. Using pliers, tighten the couplings with an additional two-thirds turn.



NOTE: Do not overtighten. Damage to the coupling can result.

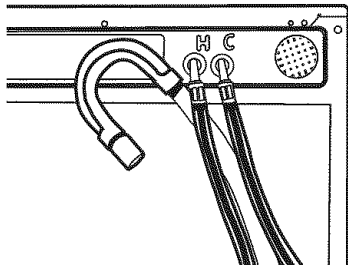
5. Turn on the water faucets and check for leaks.
NOTE: Replace inlet hoses after 5 years of use to reduce the risk of hose failure. Record hose installation or replacement dates on the hoses for future reference.

Periodically inspect and replace hoses if bulges, kinks, cuts, wear, or leaks are found.

Route the Drain Hose

Proper routing of the drain hose protects your floors from damage due to water leakage. Carefully read and follow these instructions.

The drain hose is connected to your washer.



To prevent drain water from going back into the washer:

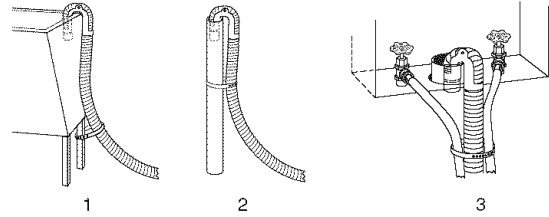
- Do not straighten the drain hose, and do not force excess drain hose into standpipe. Hose should be secure, but loose enough to provide a gap for air.
- Do not lay excess hose on the bottom of the laundry tub.

Floor drain

You may need additional parts. (See Floor Drain under "Alternate Parts.")

Secure the Drain Hose

1. Drape the power cord over the washer top.
2. Secure the drain hose to the laundry tub leg or standpipe with the beaded strap provided. (See illustrations 1 and 2.)



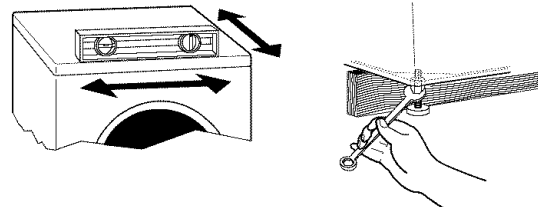
If the washer faucets and the drain standpipe are recessed (see illustration 3), put the hooked end of the drain hose in the standpipe. Tightly wrap the beaded strap around the water inlet hoses and the drain hose.

Do not force excess drain hose into the standpipe.

Level the Washer

Properly leveling your washer prevents excessive noise and vibration.

1. Check the levelness of the washer by placing a level on the top edge of the washer, first side to side, then front to back.



If the washer is against a wall, move the washer out slightly before tipping back. If the washer is not level, first prop the front with a wood block (2" x 4") (5.8 x 10.2 cm) and adjust the feet as necessary; then prop the back and adjust feet as necessary. Repeat this step until washer is level.

2. After the washer is level, use a 17 mm open-end wrench to turn the nuts on the feet tightly against the washer cabinet. All 4 feet must be tightened. If the nuts are not tight against the washer cabinet, the washer may vibrate.
3. Slide the washer to its final location.
4. Confirm the levelness of the washer.

Complete Installation

1. Check the electrical requirements. Be sure that you have the correct electrical supply and the recommended grounding method. (See “Electrical Requirements.”)
2. Check to be sure all parts are now installed. If there is an extra part, go back through the steps to see which step was skipped.
3. Check to be sure you have all of your tools.
4. Dispose/recycle all packaging materials.
5. Check to be sure the water faucets are on.
6. Check for leaks around faucets and inlet hoses.

⚠ WARNING



Electrical Shock Hazard

Plug into a grounded 3 prong outlet.

Do not remove ground prong.

Do not use an adapter.

Do not use an extension cord.

Failure to follow these instructions can result in death, fire, or electrical shock.

7. Plug into a grounded 3 prong outlet.
8. Read “Washer Use.”
9. To test and to clean your washer, measure $\frac{1}{2}$ the normal recommended amount of powdered or liquid High Efficiency (HE) detergent or $\frac{1}{4}$ the normal recommended amount of regular powdered or liquid detergent. Pour the detergent into the detergent dispenser. Select NORMAL/CASUAL, and then select START. Allow the washer to complete one whole cycle.

FEATURES AND BENEFITS

SENSOR SMART™ Electronic Controls

Flexible electronic controls are easy to use whether you are a beginner or an expert.

Detergent Advantage System Dispenser

The four compartments in the dispenser allow loading of all laundry additives before the washer is started. The additives will be dispensed into the wash at the optimal time for high performance cleaning. TIMED BLEACH™ release is included in the detergent advantage system. The detergent is added at the beginning of the cycle and the bleach is added after the enzymes have had a chance to do their cleaning. The fabric softener is dispensed in the rinse cycle. The Detergent Advantage System Dispenser tray is easily removed for cleaning.

Auto Water Level

Adjusting to the size of the load, this feature allows the washer to use the minimal amount of water needed to clean and rinse the clothes. With a low water level, you can obtain the same results with smaller amounts of additives. Because only the required amount of water is used, the washer saves energy, too.

Larger Load Size

Since there is no agitator, you can wash larger, bulkier items like an average size sleeping bag. You are also able to wash more clothes at one time, which means fewer loads. You can wash a pillow or a large stuffed teddy bear.

Suspension System

To reduce washer “walk” and “off-balance” conditions, your new washer combines:

- 2 Springs to isolate vibration
- 4 Shock absorbers at the washer base to minimize movement

Stainless Steel Drum

The Stainless Steel drum eliminates corrosion and enables higher spin speeds for more water extraction, reducing drying time.

Adaptive Variable Speed Motor

The motor adapts to the load size and to the cycle selected to give the optimum cleaning, rinsing, and spinning conditions. The motor can handle slow speeds needed for wool and delicate items and is powerful enough to drive a large clothes load into a 1,200 rpm spin.

High-Efficiency Wash System

Your new front-loading, high-efficiency washer saves time with fewer, larger loads, conserves resources and lowers your water and energy bills too.

Spin Speeds

This washer automatically selects the spin speed based on the cycle selected. This factory setting can be changed, however. This washer offers up to six different spin speed choices.

Thermal Optimizer

The heating system ensures that the wash water is heated to the preset temperature for Heavy Duty, Whitest Whites, Sanitary, and the Stain Treat option. It also provides “stepped cleaning” when using the sanitary cycle or the stain treat option. “Stepped cleaning” starts the wash cycle with warm water to remove stains (such as blood or grass). The water continues heating in order to remove stains such as dirty mechanical oil. During the sanitary cycle, the thermal optimizer can heat the water to temperatures that will destroy 99.999% of three common types of bacteria found in soiled laundry.

Add A Garment

When lighted, Express Wash, Normal/Casual, Heavy Duty, Whitest Whites, and Sanitary can be paused and the door unlocked so you can add a garment that may have been forgotten when loading the washer. The ADD A GARMENT status light will stay lit for the first 8 minutes of a cycle.

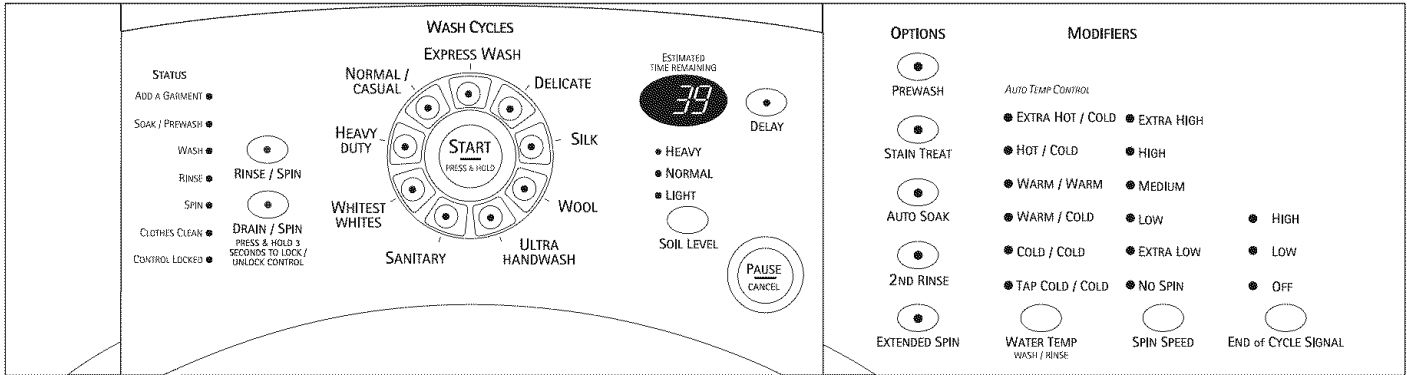
CATALYST® Cleaning Action with Direct Injection

A concentrated detergent solution is sprayed onto the clothes at the beginning of the cycle to ensure that the detergent comes into contact with the clothes as quickly as possible, removing stains from your clothes without pretreating.

Dynamic Balance

A precision balancing system that allows the washer to reach spin speeds of 1,200 rpm. The washer spins faster so that clothes coming out of the washer will dry faster. In addition, if the Dynamic Balance system detects off balance loads during spinning, it redistributes the clothes so that they are evenly balanced.

WASHER USE



Starting Your Washer

⚠ WARNING



Fire Hazard

Never place items in the washer that are dampened with gasoline or other flammable fluids.

No washer can completely remove oil.

Do not dry anything that has ever had any type of oil on it (including cooking oils).

Doing so can result in death, explosion, or fire.

WARNING: To reduce the risk of fire, electric shock, or injury to persons, read the IMPORTANT SAFETY INSTRUCTIONS before operating this appliance.

The following is a guide to using your washer. Please refer to specific sections of this manual for more detailed information.

Do not store laundry products on the top surface of this washer. Vibration is normal during operation.

First Wash Cycle Without Laundry

Before washing clothes for the first time, choose NORMAL/CASUAL cycle and run it without clothes. After installation, if a complete cycle has not been run without clothes, use ½ the normal recommended amount of powdered or liquid High Efficiency (HE) detergent or ¼ the normal recommended amount of regular powdered or liquid detergent. This initial cycle serves to ensure the interior is clean before washing clothes.

1. To load washer

Open the washer door by pulling on the handle. Sort laundry according to color and type of fabric. Place a load of sorted clothes in the washer. Do not overload washer. Overloading can cause poor cleaning.

- The washer can be fully loaded, but not tightly packed. Washer door should close easily.
- Mix large and small items. Avoid washing a single item. Load evenly.

- It is recommended that you wash small items such as infant socks in a mesh garment bag.

- When unloading garments, occasionally check under the rubber rim at the front of the tub for small items.

2. Close the washer door by pushing it firmly until the lock clicks. The washer door will remain locked during the wash cycle.

NOTE: After any wash cycle is completed, the door must be opened and then closed before a new cycle can begin. The door can be opened only if PAUSE/CANCEL is selected while the ADD A GARMENT light is glowing or if the cycle has been canceled. See "To Cancel a Cycle."

3. Open the Dispenser Drawer and add laundry products to the detergent, bleach, or fabric softener compartments. Close drawer slowly to avoid spills. See "Using the Dispenser."

NOTE: For best performance, use High Efficiency detergents. The package for this type of detergent will be marked "HE" or "High Efficiency." The HE^t "wash action" along with less water could create too much sudsing with a regular detergent.

4. Turn on the washer by selecting one of the WASH CYCLES. The indicator light for the selected cycle will glow. When selecting a Wash Cycle, the preset options, Water Temp, Spin Speed, and Soil Level for the selected cycle will glow. The display shows the estimated time remaining. The preset settings provide the recommended fabric care for the selected cycle. See "Wash Cycles."

5. Select the desired OPTIONS. Not all Options are available with all cycles. See "Options."

6. Select the desired MODIFIERS. Not all Modifiers are available with all Cycles and Options. See "Modifiers."

7. If desired, select the END OF CYCLE SIGNAL. The signal is helpful when you are washing items that should be removed from the washer as soon as it stops. Select HIGH or LOW.

8. **To begin the wash cycle immediately**
Select and hold START (for approximately 1 second).

- If you do not select START within 5 minutes of choosing a cycle, the washer automatically shuts off.

- When the wash cycle is complete, the CLOTHES CLEAN status light glows, the door unlocks, and the wash load can be removed from the washer. The washer powers down automatically 5 minutes after the cycle is complete and the CLOTHES CLEAN light goes off. To power down the washer manually after the wash cycle is complete, select PAUSE/CANCEL once.

9. **To begin the wash cycle later**

Select DELAY until the desired delay time (in hours) shows in the Estimated Time Remaining display. Select START. The countdown to the wash cycle will show in the display window.

Using the Dispenser

Your new washer has a dispenser drawer with four separate compartments for your laundry products—two are for detergent, one is for liquid chlorine bleach, and one is for liquid fabric softener. Laundry products are diluted and dispensed automatically at the proper time during the wash cycle, making it unnecessary for you to return to the washer during the cycle to add them.

It is normal for small amounts of water to remain in the dispensers when the wash cycle is complete.

Do not put laundry additives directly into the wash tub. Always use the proper dispensers when adding laundry products.

Choosing the Right Detergent

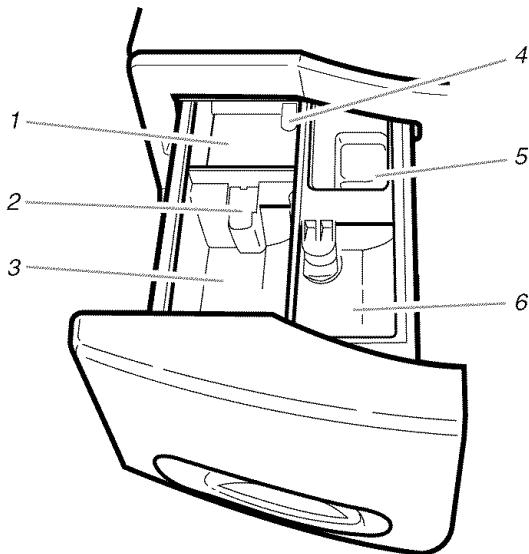
For best washing performance, use a High Efficiency (HE), or low-sudsing, detergent. Regular detergents may cause oversudsing in the washer. If a High Efficiency detergent is unavailable, use $\frac{1}{2}$ the recommended amount of regular detergent.

NOTE: Use of Regular detergent may lead to unsatisfactory performance over time.

Most detergents formulated for hand-washing are not meant for front-loading washers and may cause oversudsing. Start with $\frac{1}{4}$ the recommended amount. If oversudsing occurs, try a detergent formulated for high efficiency washers.

To fill dispenser compartments

1. Pull out the dispenser drawer.
2. Add the desired laundry product to the proper compartment.
3. Push in the dispenser drawer carefully and completely (to avoid spillage).



Dispenser

1. Prewash detergent compartment
2. Separator
3. Main Wash detergent compartment
4. Dispenser release lever
5. Chlorine bleach compartment
6. Fabric softener compartment

Prewash detergent compartment

(Number 1 in Dispenser Illustration)

Add detergent to this compartment when using the Prewash option or Auto Soak. Liquid or powdered detergent may be used in this compartment. The detergent will automatically be dispensed during Prewash if the Prewash option is selected or during the soak time if Auto Soak is selected.

- If you use High Efficiency (HE) detergent, add $\frac{1}{3}$ the recommended amount to the prewash compartment and $\frac{2}{3}$ the recommended amount to the main wash compartment.
- If you use regular detergent, add $\frac{1}{6}$ of the recommended amount to the prewash compartment and $\frac{1}{3}$ of the recommended amount to the main wash compartment.

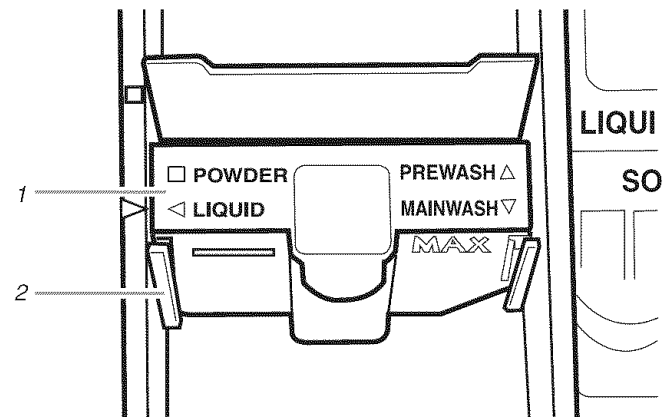
Main Wash detergent compartment

(Number 3 in Dispenser Illustration)

Add liquid or powdered detergent to this compartment for your main wash cycle. The detergent separator must always be in place, either in the front or back position.

IMPORTANT: If you are using the Prewash option, the Auto Soak with a wash cycle, or Delay, powdered detergent must be used in the main wash compartment since liquid detergents may seep out of the main wash compartment during the prewash, soak time, or delay before the main wash begins.

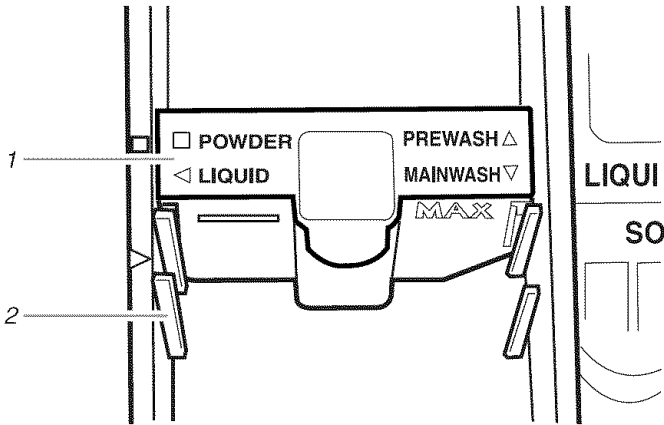
- Do not fill beyond the "MAX" level.
- Liquid or powdered color-safe bleach may be added to the Main Wash compartment along with the same type of detergent, liquid or powdered.
- Liquid detergent: Put the SEPARATOR in the front position, between the guides, as shown following. There will be no gap between the bottom of the wash cycle detergent compartment and the bottom of the separator.



Separator in front position, between guides

1. Separator
2. Guide

- Powdered detergent: Put the SEPARATOR in the back position, behind the guides, as shown following. There will be a gap between the bottom of the wash cycle detergent compartment and the bottom of the separator.



Separator in back position, behind guides

1. Separator
2. Guide

NOTE: The separator will be in the powder (back) position when shipped from the factory.

Chlorine bleach compartment

(Number 5 in Dispenser Illustration)

Add NO MORE THAN 1/3 cup (80 mL) liquid chlorine bleach to this compartment. The bleach will be automatically diluted and dispensed at the best time during the first rinse after the wash cycle. This compartment cannot dilute powdered bleach.

- Always measure liquid chlorine bleach. Use a measuring cup with a pour spout; do not guess.
- Do not fill beyond the "MAX" level.

NOTE: Overfilling could cause severe garment damage.

Fabric Softener compartment

(Number 6 in Dispenser Illustration)

Add 1/4 cup (60 mL) liquid fabric softener to this compartment. Fabric softener will be automatically dispensed in the final rinse.

- Do not fill beyond the "MAX" level.

Pausing or Restarting

1. To pause the washer at any time, select PAUSE/CANCEL.
2. To continue the cycle, select and hold START (for approximately 1 second).

Changing Cycles, Options and Modifiers

Not all Options and Modifiers are available with all Cycles.

Cycles, Options and Modifiers can be changed anytime before START is selected.

Options and Modifiers can be changed anytime after START is selected and before the start of the selected Option or Modifier.

To cancel a cycle and select a new cycle

1. Select PAUSE/CANCEL twice.
2. Select desired cycle.
3. Select the desired OPTIONS.
4. Select and hold START (for approximately 1 second) to restart the washer at the beginning of the new cycle.

To cancel a cycle

1. Select PAUSE/CANCEL twice.
2. The washer powers down, the door unlocks, and clothes can be removed.

NOTE: If the water level or the temperature is too high, the washer will drain automatically before the door unlocks.

To change Options or Modifiers after the cycle has started

1. Select PAUSE/CANCEL.
2. Select the desired OPTIONS or MODIFIERS.
3. Select and hold START (for approximately 1 second) to continue the cycle.

To drain the washer manually

1. Select PAUSE/CANCEL.
2. Select DRAIN/SPIN.
3. Select and hold START (for approximately 1 second) to begin the drain.
4. When the spin is complete, the door unlocks. Items can be removed from the washer.

Status Lights

These lights show which portion of the cycle the washer is operating. They also indicate when you can add an additional item to the wash cycle and when the controls are locked.

STATUS

- ADD A GARMENT ●
- SOAK / PREWASH ●
- WASH ●
- RINSE ●
- SPIN ●
- CLOTHES CLEAN ●
- CONTROL LOCKED ●

Adding items

You can add items to the washer after the cycle has started for Express Wash, Normal/Casual, Heavy Duty, Whitest Whites, and Sanitary if the ADD A GARMENT status light is glowing.

To add items

1. Select PAUSE/CANCEL. The washer door unlocks, and items can be added.
2. To continue the cycle, close the door and select and hold START (for approximately 1 second).

Clothes Clean

The Clothes Clean light stays on for 5 minutes after the cycle is complete. The washer will then power down.

Locking controls

The Control Lock prevents unintended use of the washer. You can also use the control lock feature to prevent unintended cycle or option changes during a cycle. When CONTROL LOCKED is lit, all buttons are disabled except for Pause/Cancel and Start. You can lock the controls while the washer is operating.

To lock the controls

Select and hold DRAIN/SPIN for 3 seconds.



The CONTROL LOCKED status light glows.

To unlock the controls

Select and hold DRAIN/SPIN for 3 seconds until the CONTROL LOCKED Status light turns off.

Estimated Time Remaining

The cycle times vary automatically based on your water pressure, water temperature, detergent, and clothes load. The cycle time will be extended if oversudsing occurs or the load is unbalanced.

Preset cycle settings

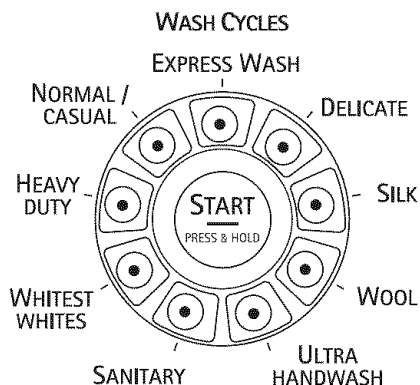
Each cycle has a preset Cycle Time, Water Temp, and Spin Speed. The preset settings provide the recommended fabric care for the selected cycle. See chart.

Cycle	Soil Level (hr:min)	Water Temp	Spin Speed
Sanitary	Heavy (2:00)	Extra Hot/Cold	Extra High
Whitest Whites	Heavy (1:10)	Hot/Cold	Extra High
Heavy Duty	Heavy (1:40)	Hot/Cold	Extra High
Normal/Casual	Normal (0:45)	Warm/Cold	High
Express Wash	Light (0:30)	Warm/Cold	Extra High
Delicate	Normal (0:35)	Warm/Cold	Low
Silk	Normal (0:30)	Cold/Cold	No spin
Wool	Normal (0:35)	Cold/Cold	Low
Ultra Handwash	Normal (0:35)	Cold/Cold	Extra Low

Cycles

Wash Cycles

Choose Wash Cycles by selecting the button next to the desired cycle. Each cycle is designed for different types of fabric and soil levels.



- Each cycle has a preset Soil Level (cycle time), Water Temperature, Spin Speed and may have preset Options. The preset settings provide the recommended fabric care for the selected cycle.
- The preset settings can be changed anytime before START is selected. Not all Options and Modifiers are available with all Cycles. (To change settings after the cycle has started, select PAUSE/CANCEL, then select the desired settings. Select and hold START [for approximately 1 second] to continue the cycle.)

Sanitary

Use this cycle to clean heavily soiled colorfast fabrics. This cycle combines a very hot water temperature and fast speed tumbling to help ensure the removal of heavy soils and stains. It is recommended that you set your hot water heater to 120°F (49°C) to ensure proper performance during this cycle. The Sanitary cycle also helps eliminate 99.999% of 3 common infectious bacteria, even when no bleach is used. Extra high speed spin helps shorten drying time.

Whitest Whites

This cycle is especially designed for cleaning loads of soiled white fabrics with the addition of bleach. Hot washing temperatures assure optimal bleach activity. An additional rinse provides optimal rinse performance to avoid chlorine residues on your laundry. This cycle combines fast speed tumbling, longer wash time, and extra high speed spin to shorten drying time.

Heavy Duty

Use this cycle to wash loads of sturdy, colorfast fabrics and normally soiled garments. This cycle combines fast speed tumbling, longer wash time, and extra high speed spin to shorten drying times. If the water temperature is lower than needed for this cycle, the heater will warm the water to the optimum temperature.

NOTE: Stain Treat is a default option for this cycle. To ensure best performance, the water is heated as the cycle progresses. This gradual heating assists in the removal of organic soils such as blood. Stain Treat must be turned off to change the modifiers.

Normal/Casual

Use this cycle to wash loads of no-iron fabrics such as sport shirts, blouses, casual business clothes, permanent press blends, cottons and linens, and synthetic fabrics. This cycle combines medium speed tumbling, high speed spin, and a load cooling process to reduce wrinkling.

Express Wash

Use this cycle to wash small loads of lightly soiled garments that are needed in a hurry. This cycle combines fast speed tumbling, a shortened wash time, and extra high speed spin to shorten drying time.

Delicate

Use this cycle to wash sheer fabrics and lingerie. This cycle combines low speed tumbling and low speed spin for gentle fabric care.

Silk

Use this cycle to clean washable silk garments. (Check label instructions to make sure that garment is washable.) This cycle gently tumbles and drains without spinning to gently clean garments and minimize wrinkling. Because there is no spinning action, garments will contain a higher amount of water at the end of this cycle.

Wool

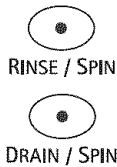
Use this cycle to clean washable woolen garments. (Check label instructions to make sure that garment is washable.) This cycle features gentle tumbling and low speed spin to minimize creasing and shrinkage.

Ultra Handwash

Use this cycle to clean hand washable and special-care garments. Similar to the way garments are hand washed in a sink, the wash action of this cycle combines periods of extra low speed tumbling and soaking. Extra low speed spin reduces wrinkling.

Extra Cycles

Extra Cycles can be chosen by selecting the button above the desired cycle.



You can change the selection anytime before START is selected.

Rinse/Spin

Use this cycle to get a rinse and spin only. This cycle combines fast speed tumbling and extra high speed spin. If desired, you can reduce the spin speed by selecting the speed you want from the SPIN SPEED modifier.

Rinse/Spin is useful for

- Loads that need rinsing only.
- Adding fabric softener to a load using the fabric softener dispenser.

Drain/Spin

Use this cycle to drain your washer or to drain and spin your wash load. The spin speed is preset to extra high. If desired, you can reduce the spin speed by selecting the speed you want from the SPIN SPEED modifier.

NOTE: Loads of synthetics, delicate fabrics, handwashables, and woolens should be drained with no spin or low spin to avoid fabric stress.

Normal Sounds

As with any new product, you will hear sounds that you are not accustomed to. You may hear various sounds when the door is locked or unlocked, and during the washing, rinsing, or spinning process. Between changes in wash actions, there will be momentary pauses. You will hear water spraying and splashing during the wash and rinse cycles. These new sounds and pauses are part of normal washer operation. (See "Troubleshooting.")

Options

You can customize your wash by adding OPTIONS to your cycle selections. You can add or change an option after starting a cycle anytime before the selected option begins. Not all Options are available with all cycles.

OPTIONS



PREWASH



STAIN TREAT



AUTO SOAK



2ND RINSE



EXTENDED SPIN

- See the "Laundry Guide" section for an overview of possible options for each Wash Cycle selection.
- You can select more than one option for a cycle. Some options cannot be added to some cycles, for example, Stain Treat cannot be added to the Express Wash cycle.
- If an option is available with a selected cycle, the light for that option will glow when selected.
- If an option is unavailable with a selected cycle, there will be a short tone and the light for that option will not glow when selected.

Prewash

Use this option for loads of heavily soiled items that need pretreatment. This option adds a 15 minute prewash and drain to the main wash cycle.

- Add detergent to the Prewash and Main Wash compartments of the Dispenser Drawer.
- When using Prewash, do not use liquid detergent in the Main Wash compartment. Use powdered detergent for the main wash cycle (see "Using the Dispenser").

NOTE: The Prewash and Auto Soak options cannot be selected in the same cycle.

Stain Treat

Use this option for heavily soiled loads that need improved stain treatment. When Stain Treat is selected, the water temperature of the selected wash cycle is automatically set to warm. The water will then be heated to a hot water temperature to aid in stain removal. This option will provide optimal removal of organic stains such as blood.

NOTE: If Stain Treat is selected with the Sanitary cycle, the water will be heated to a very hot temperature.

Auto Soak

Use the Auto Soak option for loads of heavily soiled cotton, linen, polyester or nylon with set-in stains. During Auto Soak, water will be added to the drum and the laundry will be equally distributed by a short tumbling phase. Laundry will then be soaked by phases without drum movement. After soaking, the washer drains without spinning.

Added to a Wash Cycle: A 30 minute soak time is added to the main wash cycle to improve removal of set-in stains.

1. Add detergent to both the Prewash and Main Wash compartments of the Dispenser Drawer.

NOTE: The Auto Soak and Prewash options cannot be selected in the same cycle. Use powdered detergent for the main wash cycle because liquid detergent will seep into the washer during Auto Soak.

2. Select a Wash Cycle.
3. Select AUTO SOAK.

NOTE: For cycles with hot wash temperatures, the soak temperature will be set to warm; otherwise, the soak temperature will be the same as the wash temperature.

4. Select and hold START (approximately 1 second). After soaking, the washer drains and the wash cycle starts.

Without a Wash Cycle: Provides a soak time with warm or cold water followed by drain.

1. Add detergent only to the Prewash compartment of the Dispenser Drawer.
2. Select DRAIN/SPIN or RINSE/SPIN first, then AUTO SOAK.
3. Choose the desired soak temperature.
4. Select and hold START (approximately 1 second).

2nd Rinse

A second rinse can be used to ensure the removal of detergent or bleach residue from garments. This option provides an additional rinse with the same water temperature as the first rinse.

Extended Spin

Use this option to add an additional spin to any cycle to improve drying times for some heavy fabrics or special-care items by reducing excess water, which may save energy.

Modifiers

Preset cycle settings of Water Temperature, Wash/Rinse, and Spin Speed can be changed. You can change a modifier after starting a cycle anytime before the selected Modifier begins. Not all Modifiers are available with all options and cycles.

MODIFIERS

AUTO TEMP CONTROL

● EXTRA HOT / COLD ● EXTRA HIGH

● HOT / COLD ● HIGH

● WARM / WARM ● MEDIUM

● WARM / COLD ● LOW ● HIGH

● COLD / COLD ● EXTRA LOW ● LOW

● TAP COLD / COLD ● NO SPIN ● OFF



WATER TEMP
WASH / RINSE



SPIN SPEED



END of CYCLE SIGNAL

- To change the water temperature, select the WATER TEMP button until the desired setting glows.
- To change the spin speed, select the SPIN SPEED button until the desired setting glows.

- HEAVY
- NORMAL
- LIGHT



SOIL LEVEL

- To change cycle time, select SOIL LEVEL button.
- To change the loudness of the End of Cycle Signal, select END of CYCLE SIGNAL.

Wash/Rinse Temp

Select a water temperature based on the type of load you are washing. Use the warmest water safe for fabrics. Follow garment label instructions.

Warm rinses leave the loads dryer than cold rinses. Warm rinses increase wrinkling. In cold climates, a warm rinse makes the load more comfortable to handle. Cold rinses save energy.

Temperature Guide

Wash Water Temperature	Suggested Fabrics
Extra Hot 153°F (67°C)	Sturdy colorfast fabrics Heavy soils
HOT* 140°F (60°C)	Whites and pastels Heavy soils
WARM 104°F (40°C)	Bright colors Moderate to light soils
COLD 77°F (25°C)	Colors that bleed or fade Light soils

In wash water temperatures colder than 70°F (21°C), detergents do not dissolve well. Soils may be difficult to remove.

**When used with Stain Treat option, the water is heated gradually to assist in the removal of organic soils such as blood.*

Auto Temp Control

ATC (Auto Temp Control) electronically senses and maintains a uniform water temperature. ATC regulates incoming hot and cold water. The ATC is automatically turned ON when a cycle is selected. (See “Preset Cycle Settings” in “Cycles.”)

- ATC ensures consistent cleaning.
- ATC works for the wash temperature with Extra Hot/Cold, Hot/Cold, Warm/Warm, Warm/Cold, and Cold/Cold settings.

- The Cold rinse temperatures depend on the cold water at your faucet.
- For the Tap Cold/Cold setting, both wash and rinse temperatures depend on the cold water at your faucet.
- ATC works for the rinse temperature with the Warm/Warm setting. The cold rinse temperature depends on the cold water at your faucet.

Laundry Guide

Refer to this chart for suggested load types and their corresponding cycles. Listed to the right are the options available to each of these washer cycles.

CYCLE	SUGGESTED LOAD TYPE	AVAILABLE OPTIONS				
		Prewash*	Stain Treat	Auto Soak*	2nd Rinse	Extended Spin
Sanitary	Heavily soiled underwear, towels, work clothes, diapers, etc.	✓	✓	✓	✓	✓
Whitest Whites	Heavily soiled white fabrics	✓	✓	✓	✓	✓
Heavy Duty	Normally soiled underwear, towels, shirts, etc., made of cotton	✓	✓	✓	✓	✓
Normal/Casual	Lightly to normally soiled blouses, shirts, overalls, etc., made of polyester, nylon, cotton, linen, or cotton blends	✓	✓	✓	✓	✓
Express Wash	Lightly to normally soiled overalls and sportswear made of cotton, polyester, nylon, and cotton blends			✓	✓	✓
Delicate	Curtains and delicate clothing, dresses, skirts, shirts and blouses	✓		✓	✓	
Silk	Fabrics made of silk identified as machine washable				✓	
Wool	Woolens with a felt-free finish, identified as machine washable				✓	
Ultra Handwash	Fabrics made of silk, special-care items marked “Handwashable”				✓	

*Prewash and Auto Soak cannot be selected at the same time.

LAUNDRY TIPS

Preparing clothes for washing

Follow these recommendations to help you prolong the life of your garments.

- Close zippers, snaps, and hooks to avoid snagging other items. Remove pins, buckles, and other hard objects to avoid scratching the washer interior. Remove non-washable trim and ornaments.
- Empty pockets and turn them inside-out.
- Turn down cuffs; brush away lint and dirt.
- Turn synthetic knits inside-out to avoid pilling.
- Tie strings and sashes so they will not tangle.
- Mend tears, loose hems, and seams.

- Treat spots and stains.
- Stained or wet garments should be washed promptly for best results.

Sorting

- Separate heavily soiled items from lightly soiled ones, even if they would normally be washed together. Separate lint-givers (towels, chenille) from lint-takers (corduroy, synthetics, permanent press). When possible, turn lint-givers inside-out.
- Separate dark colors from light colors, colorfast items from noncolorfast items.
- Sort by fabric and construction (sturdy cottons, knits, delicate items).

Unloading

- Remove clothes from washer after the cycle is completed. Metal objects such as zippers, snaps, and buckles may rust if left in the washer basket for a long time.

Loading

Loading suggestions (maximum size loads).

Heavy Work Clothes

4 jeans	2 sweatpants
4 workpants	2 sweatshirts
4 workshirts	

Towels

10 bath towels	14 washcloths
10 hand towels	

Mixed Load

3 sheets (1 king, 2 twin)	9 T-shirts
4 pillowcases	9 shorts
3 shirts	10 handkerchiefs
3 blouses	

WASHER CARE

Cleaning Your Washer

Cleaning the exterior

Use a soft damp cloth or sponge to wipe up any spills. Occasionally wipe the outside of your washer to keep it looking new. Use mild soap and water. Do not use abrasive products.

Cleaning the interior

Use a soft damp cloth or sponge to occasionally wipe the inner door to remove any detergent residue. Use mild soap and water. Do not use abrasive products.

Cleaning the door seal

Use a soft damp cloth or sponge when necessary. Check the fold of the seal periodically for any foreign objects.

Cleaning the dispenser drawer

The dispenser drawer is removable for easy cleaning.

1. Unlock the dispenser drawer by pressing the Release Lever in the Prewash compartment. See "Using the Dispenser." Remove the drawer.
2. Remove the inserts (the siphon from the softener and bleach compartments and the separator).
3. Wash the parts under running water.
4. Replace the inserts and return the dispenser to the drawer.

Water Inlet Hoses

Replace inlet hoses after five years of use to reduce the risk of hose failure. Periodically inspect and replace inlet hoses if bulges, kinks, cuts, wear or leaks are found.

When replacing your inlet hoses, record the date of replacement.

Vacation, Storage, and Moving Care

Install and store your washer where it will not freeze. Because some water may stay in the hoses, freezing can damage your washer. If storing or moving your washer during freezing weather, winterize it.

Non-use or vacation care:

Operate your washer only when you are at home. If you will be on vacation or not using your washer for an extended period of time, you should:

- Unplug washer or disconnect power.
- Turn off the water supply to the washer. This helps avoid accidental flooding (due to a water pressure surge) while you are away.
- Slightly open door to provide ventilation.

To winterize washer:

1. Put 1 qt (1 L) of R.V.-type antifreeze in the drum.
2. Run washer on a DRAIN/SPIN cycle.
3. Unplug washer or disconnect power.
4. Shut off both water faucets.
5. Disconnect water inlet hoses from faucets and drain.

To use washer again:

1. Flush water pipes.
2. Reconnect water inlet hoses to faucets.
3. Turn on both water faucets.
4. Plug in washer or reconnect power.
5. Run the washer through the NORMAL/CASUAL cycle with $\frac{1}{4}$ the normal recommended amount of detergent to clean out antifreeze.

To transport the washer:

1. If washer will be moved during freezing weather, put in 1 qt (1 L) of R.V.-type antifreeze in the drum. Run washer on a DRAIN/SPIN cycle.
2. Unplug washer or disconnect power.
3. Disconnect the drain hose from the drain system and attach to rear panel clips.
4. Shut off both water faucets.
5. Disconnect the water inlet hoses from faucets, then drain the hoses and clip them to the rear panel of the washer.
6. **IMPORTANT:** Call service. Do not reuse transport bolts. Unit must be transported in the upright position.

Reinstalling the washer

1. Follow the "Installation Instructions" to locate, level and connect the washer.
2. Run the washer through the NORMAL/CASUAL cycle with $\frac{1}{4}$ the normal recommended amount of detergent to clean the washer and remove the antifreeze, if used.

TROUBLESHOOTING

First try the solutions suggested here to possibly avoid the cost of a service call...

Washer displaying code message and tone sounds

- **“FH” (Water Inlet Problem—no water or insufficient water supply)**

Select PAUSE/CANCEL twice to cancel the cycle. Unplug washer or disconnect power.

Check the following:

Are water faucets completely turned on?

Are screens at inlet hose connection to washer clogged?

Are water inlet hoses kinked?

Are water inlet hoses frozen?

Plug in washer or reconnect power. Re-select cycle and press START. If the problem remains, call for service.

- **“F02” (Drain Problem)**

Select PAUSE/CANCEL twice to cancel the cycle. Unplug washer or disconnect power.

Check the following:

Is the drain hose kinked?

Is the drain hose frozen?

Is the drain hose clogged?

Is the drain hose more than 96 in. (2.4 m) above the floor?

- **“SUD” (Suds Routine)**

When excessive suds are detected, a suds routine automatically starts. This routine removes extra suds and assures proper rinsing of your garments. “SUD” is displayed during rinsing and at the end of the cycle to inform you that Suds Routine was activated. To avoid excessive sudsing, reduce detergent amounts or use HE detergents.

- **“F” Variables [F4 to F16] (Electrical Problem)**

Select PAUSE/CANCEL twice to cancel the cycle. Select DRAIN/SPIN if there is excessive water in the washer.

Re-select cycle and press START. If the problem remains, call for service.

Washer won't start

- **Check the following:**

Is the power cord plugged into a grounded 3 prong outlet?

Is the washer door firmly shut?

Has a cycle been selected, but START has not been selected and held for one second?

Was the door open after completion of last cycle?

Washer won't fill, wash or rinse

- **Check the following:**

Is the power cord plugged into a grounded 3 prong outlet?

Is there power at the plug? Check electrical source or call electrician.

Are the hot and cold water faucets turned on?

Is the water inlet hose kinked?

Are the water inlet valve screens clogged?

Washer stops

- **Check the following:**

Is the power cord plugged into a grounded 3 prong outlet?

Is there power at the plug?

Check electrical source or call electrician.

Has a fuse blown or has the circuit breaker tripped?

If problem continues, call electrician.

Are you using an extension cord?

Do not use an extension cord.

Washer won't drain or spin

- **Is the drain hose clogged, or the end of the drain hose more than 96 in. (2.4 m) above the floor?**

- **Is your voltage low?**

Check electrical source or call electrician. Do not use an extension cord.

- **Is the “SUD” routine active?**

Cycle will complete once extra suds are removed.

- **Is the load balanced?**

A single or bulky item may cause imbalance. Add more items or redistribute the load.

Washer makes noise or vibrates

- **Is the washer level?**

The washer must be level. The four feet should be properly installed, and the nuts should be tightened against the washer cabinet.

As water is drained from the washer, you may hear air being pulled through the pump. This happens during the end of draining. It is normal.

- **Are you washing items with metal snaps, buckles or zippers?**
- You may hear metal items touching the washer drum. This is normal.

- **Is washer installed on a sturdy and solid floor?**

Refer to the “Installation Instructions” for flooring requirements. Noise and vibration may be reduced by placing a piece of ¾ in. (19.1 mm) plywood underneath your washer. The plywood may extend underneath both washer and dryer to keep them at equal heights.

Water near washer

Check household plumbing for leaks.

Dispensers clogged or leaking

- **Are the laundry products in the correct dispenser compartment?**

Add the correct amounts of detergent, fabric softener or liquid chlorine bleach to the correct compartments. Add powdered or color-safe bleach to the Main Wash compartment.

- **Is the detergent separator in the correct position?**

Separator should be in the front position when using liquid detergent and in the back position when using powdered detergent.

Load too wet

- **Did you use the right cycle for the load being washed?**
Select a cycle with a higher spin speed.
- **Did you wash a single item or bulky items or have you overloaded the washer?**
A single item, bulky items, or overloading may cause imbalance. Add items or try to evenly distribute your wet laundry in the drum, and start a DRAIN/SPIN cycle. If the laundry is still wet, take half of the load out of the washer and try again.

Residue or lint on load

- **Did you add detergent to the dispenser?**
For best results, add detergent to the detergent compartment. Do not add detergent to the washer drum.
- **Did you sort properly?**
Sort lint givers (towels, chenille) from lint takers (corduroy, synthetics). Also sort by color.
- **Did you overload the washer?**
Do not overload the washer. The washer can be fully loaded, but not tightly packed. The wash load must be balanced. Lint can be trapped in the load if overloaded.
- **Check the following:**
Was paper or tissue left in pockets?
- **Did you use enough detergent?**
Follow manufacturer's directions. Use enough detergent to hold the lint in the water.
- **Is your water colder than 70°F (21°C)?**
Wash water colder than 70°F (21°C) may not completely dissolve the detergent.
- **Are you using a low speed wash cycle?**
Powdered detergents may not dissolve well in a slow speed cycle. For best results, use liquid detergent for slow speed cycles like Delicate, Silk, Wool and Ultra Handwash.

Stains on load

- **Did you add detergent to the dispenser?**
For best results, add detergent to the detergent compartment. Do not add detergent to the washer drum.
- **Did you use enough detergent?**
Use enough detergent to remove soil and hold it in suspension. For best performance, use a High Efficiency detergent. Follow manufacturer's recommendations for the type of load you are washing.
- **Is there above average iron (rust) in water?**
You may need to install an iron filter.
- **Did you properly sort the load?**
Sort dark clothes from whites and lights.
- **Did you unload the washer promptly?**
To avoid dye transfer, unload the washer as soon as it stops.
- **Did you use a fabric softener dispensing ball?**
Dispensing balls will not operate correctly with this washer. Add liquid fabric softener to the fabric softener compartment.
- **Did you use powdered detergent in a low speed cycle?**
Consider using liquid detergent.
- **Did you use Express Wash on a large load?**
For best results, use Express Wash for small, lightly soiled loads.

Load is wrinkled

- **Did you unload the washer promptly?**
Unload the washer as soon as it stops.
- **Did you use the right cycle for the load being washed?**
Use the Delicate cycle or another cycle with a low spin speed to reduce wrinkling.
- **Did you overload the washer?**
The wash load must be balanced and not overloaded. Loads should tumble freely during washing.

Gray whites, dingy colors

- **Did you properly sort the load?**
Dye transfer can occur when mixing whites and colors in a load. Sort dark clothes from whites and lights.
- **Was the wash temperature too low?**
Use hot or warm washes if safe for the fabric load. Make sure your hot water system is adequate to provide a hot water wash.
- **Did you use enough detergent, or do you have hard water?**
Use more detergent for washing heavy soils in cold or hard water.

Cycle too long

- **Did you choose the Sanitary cycle or Stain Treat option?**
In both cases the heater will be activated to provide maximum cleaning performance. Additional time will be added to the regular cycle to heat the water. This additional time will depend on the load size and the hot water inlet temperature.
- **Is "SUD" shown in the display?**
Excessive sudsing has been detected and a suds routine has been started to destroy excessive suds. This routine will add time to the original cycle.
- **Did the load cause imbalance?**
When too much imbalance occurs, an imbalance routine will start to redistribute the load. This routine will add time to your original cycle.

Door locked at end of wash cycle

- **Did all of the water drain out of the washer during the spin?**
Select DRAIN/SPIN to remove any water remaining in the washer. The washer door will unlock at the end of the drain.

ÍNDICE

CONTRATOS DE PROTECCIÓN	21
En los EE.UU.	21
En Canadá.....	22
GARANTÍA	22
GARANTÍA DE LA OPCIÓN DE PEDESTAL	23
SEGURIDAD DE LA LAVADORA	24
REQUISITOS DE INSTALACIÓN	25
Herramientas y piezas	25
Piezas alternativas	25
Opciones	25
Requisitos para la ubicación.....	25
Sistema de desagüe	27
Requisitos eléctricos.....	27
INSTRUCCIONES DE INSTALACIÓN	28
Eliminación del sistema de transporte	28
Conexión de las mangueras de entrada	29
Tendido de la manguera de desagüe.....	29
Fijación de la manguera de desagüe.....	29
Nivelación de la lavadora.....	30
Complete la instalación	30
CARACTERÍSTICAS Y BENEFICIOS	31
USO DE LA LAVADORA	32
Puesta en marcha de su lavadora	32
Uso del depósito	33
Pausa o reanudación	34
Cambio de ciclos, opciones y modificadores	34
Luces de estado	35
Ciclos	35
Sonidos normales	37
Opciones	37
Modificadores	38
Guía para el lavado	39
CONSEJOS DE LAVANDERÍA	40
Cómo cargar	40
CUIDADO DE LA LAVADORA	40
Limpieza de su lavadora	40
Mangueras de entrada del agua.....	40
Cuidado durante las vacaciones, el almacenamiento y la mudanza	41
SOLUCIÓN DE PROBLEMAS	41
NÚMEROS DE SERVICIO	CONTRAPORTADA

CONTRATOS DE PROTECCIÓN

En los EE.UU.

Contratos Maestros de Protección

¡Felicitaciones por su inteligente adquisición! Su nuevo electrodoméstico Kenmore® ha sido diseñado y fabricado para brindarle años de funcionamiento confiable. Pero al igual que todos los productos, puede necesitar mantenimiento preventivo o reparación de vez en cuando. Es allí donde el Contrato Maestro de Protección puede ahorrarle dinero e inconvenientes.

Adquiera un Contrato Maestro de Protección hoy y protéjase contra molestias y gastos inesperados.

El Contrato Maestro de Protección también ayuda a prolongar la vida de su nuevo artefacto. He aquí lo que se incluye en el Contrato:

- ✓ **Servicio Experto** por nuestros 12.000 especialistas en reparación competentes
- ✓ **Servicio ilimitado y gratuito** para repuestos y mano de obra en todas las reparaciones protegidas por el contrato
- ✓ **Garantía “sin disgustos”** - reemplazo de su producto protegido si ocurren cuatro o más fallas del producto en el transcurso de doce meses
- ✓ **Reemplazo del producto** si su producto protegido no puede ser reparado
- ✓ **Revisión Anual de Mantenimiento Preventivo** a solicitud suya - sin costo adicional
- ✓ **Ayuda rápida por teléfono** - asistencia por teléfono a cargo de un técnico de Sears para productos que deban ser reparados en su hogar, además de un horario de reparación conveniente
- ✓ **Protección de sobrevoltaje** contra daños eléctricos debido a fluctuaciones de electricidad
- ✓ **Reembolso de la renta** si la reparación de su producto protegido tarda más de lo prometido

Una vez adquirido el Contrato, tan sólo tiene que llamar para fijar la visita de servicio técnico. Usted puede llamar a cualquier hora, de día o de noche, o fijar una visita técnica en Internet.

Sears cuenta con un equipo de más de 12.000 especialistas en reparación competentes, quienes tienen a disposición más de 4,5 millones de repuestos y accesorios de calidad. Ése es el tipo de profesionalismo con el que usted puede contar para ayudarlo a prolongar la vida de su nuevo artefacto por muchos años más. ¡Adquiera hoy su Contrato Maestro de Protección!

Se aplican algunas limitaciones y exclusiones. Para obtener precios e información adicional, llame al 1-888-784-6427.

Servicio de Instalación de Sears

Para la instalación profesional de artefactos electrodomésticos, arbridores de puertas de garaje, calentadores de agua y otros artículos importantes de la casa, en los EE.UU. llame al **1-800-4-MY-HOME®**.

En Canadá

Contratos de mantenimiento

Su compra adquiere un nuevo valor ya que usted puede confiar en Sears HomeCentral® para obtener servicio de reparación. Con más de 2.400 especialistas capacitados en reparaciones y acceso a más de 900.000 piezas de repuesto y accesorios, contamos con las herramientas, piezas, conocimiento y la destreza para asegurarnos de respaldar nuestra promesa de que: Reparamos lo que vendemos.

Su electrodoméstico Kenmore® está diseñado, fabricado y sometido a prueba para proporcionarle años de funcionamiento confiable. No obstante, cualquier electrodoméstico moderno puede necesitar servicio técnico de vez en cuando. El contrato de mantenimiento Sears le ofrece un programa de servicio excepcional, a un precio accesible.

El contrato de mantenimiento Sears

- Garantiza el servicio técnico del mañana a precios de hoy.
- Elimina las facturas de reparación producidas por el uso normal y el desgaste.
- Cubre las visitas de servicio no técnicas y educativas.
- Proporciona una revisión anual de mantenimiento preventivo a solicitud suya, para asegurarse de que su electrodoméstico está en condiciones apropiadas de funcionamiento.

Se aplican ciertas restricciones. Para obtener información referente a los Contratos de mantenimiento de Sears HomeCentral®, llame al 1-800-361-6665.

GARANTÍA DE LA LAVADORA KENMORE ELITE®

Garantía Limitada de por Vida Para el Tambor de Acero Inoxidable

Durante la vida útil de la lavadora a partir de la fecha de compra, Sears reemplazará el tambor de lavado de acero inoxidable si este tuviese defectos de materiales o de mano de obra. El cliente se hará cargo de los gastos de mano de obra después del primer año.

Garantía Limitada de 10 Años para el Tambor Plástico*

Desde el segundo año y por un máximo de diez años a partir de la fecha de compra, Sears reemplazará el tambor plástico si éste tuviese algún defecto de material o de fabricación. Después del primer año, usted será responsable de los gastos de mano de obra.

Garantía Limitada de 5 Años para las Piezas de la Caja de Engranajes*

Desde el segundo año y por un máximo de cinco años a partir de la fecha de compra, Sears reemplazará cualquier pieza de la caja de engranajes que tuviese algún defecto de material o de fabricación. Después del primer año, usted será responsable de los gastos de mano de obra.

Garantía Limitada de 2 años para el Panel de Control SENSOR SMART™

Durante 2 años a partir de la fecha de compra, Sears reemplazará el panel de control SENSOR SMART™ si tuviese algún defecto de material o de fabricación. Después del primer año, usted será responsable de los gastos de la mano de obra.

Garantía completa de un año para las piezas mecánicas y componentes eléctricos

Durante un año a partir de la fecha de compra, si se instala y pone en funcionamiento la lavadora en conformidad con las instrucciones que vienen con la misma, Sears reparará o reemplazará cualquier pieza mecánica o componente eléctrico de esta lavadora que tuviese algún defecto de material o de fabricación.

El servicio debe ser proporcionado por un departamento de servicio Sears en los Estados Unidos o en Canadá, o por un agente autorizado.

Restricción de la Garantía

Si se somete a esta lavadora a un uso ajeno al familiar privado, todas las coberturas de las garantías arriba citadas quedan restringidas a 90 días a partir de la fecha de compra.

Los gastos de viaje o de transporte para los clientes que residen en zonas alejadas no se cubren por esta garantía.

Servicio de Reparación de la Garantía

El servicio de reparación de la garantía está a su disposición al contactarse con el Centro de Servicio Sears de su localidad en los Estados Unidos o en Canadá. Esta garantía corresponde sólo mientras se use esta lavadora en los Estados Unidos o en Canadá.

Esta garantía le otorga derechos legales específicos y es posible que usted tenga también otros derechos que pueden variar de un estado al otro o de una provincia a otra.

Para información respecto a la garantía Sears, o para ponerse en contacto con el Centro de servicio Sears, sírvase tomar como referencia los números de servicio ubicados en la contraportada de este manual.

Sears, Roebuck and Co.
D/817WA, Hoffman Estates, IL 60179

Sears Canada Inc.
Toronto, Ontario, Canada M5B 2B8

*La garantía que se aplique en Canadá puede ser diferente.

Registro del producto

Use el espacio a continuación para anotar el número completo del modelo y de la serie así como la fecha de compra. Usted podrá encontrar esta información en la etiqueta con el modelo y número de serie, tal como se ilustra.

Siempre que se ponga en contacto con Sears respecto a su electrodoméstico, tenga esta información a mano para facilitar la obtención de ayuda o servicio técnico.

Número de modelo 110. _____

Número de serie _____

Fecha de compra _____

Guarde estas instrucciones y su comprobante de compra para referencia futura.

GARANTÍA DE LA OPCIÓN DE PEDESTAL

Garantía total de un año para las piezas mecánicas

Por un año a partir de la fecha de compra, el proveedor reparará o reemplazará cualquiera de sus partes mecánicas si tuviesen defectos en el material o en la fabricación. Este pedestal debe instalarse con esta lavadora de acuerdo con las instrucciones provistas en las Instrucciones para la instalación del pedestal.

Restricción de la garantía

Si se somete al pedestal a un uso ajeno al familiar privado, o si se usa el pedestal con cualquier otro producto que no esté indicado en las instrucciones de instalación, la cobertura de la garantía arriba citada queda sin vigor.

Registro del producto

En el espacio siguiente, anote el número completo del modelo, de la serie y la fecha de compra del producto. Podrá encontrar esta información en la etiqueta con el número del modelo y de la serie.

Siempre que llame a Sears respecto a su pedestal, tenga esta información a mano para agilizar la obtención de asistencia o servicio.

Número del modelo 110. _____

Número de la serie _____

Fecha de compra _____

Guarde estas instrucciones junto con su comprobante de compra para consulta futura.

SEGURIDAD DE LA LAVADORA

Su seguridad y la seguridad de los demás es muy importante.

Hemos incluido muchos mensajes importantes de seguridad en este manual y en su electrodoméstico. Lea y obedezca siempre todos los mensajes de seguridad.



Este es el símbolo de advertencia de seguridad.

Este símbolo le llama la atención sobre peligros potenciales que pueden ocasionar la muerte o una lesión a usted y a los demás.

Todos los mensajes de seguridad irán a continuación del símbolo de advertencia de seguridad y de la palabra "PELIGRO" o "ADVERTENCIA". Estas palabras significan:

⚠ PELIGRO

Si no sigue las instrucciones de inmediato, usted puede morir o sufrir una lesión grave.

⚠ ADVERTENCIA

Si no sigue las instrucciones, usted puede morir o sufrir una lesión grave.

Todos los mensajes de seguridad le dirán el peligro potencial, le dirán cómo reducir las posibilidades de sufrir una lesión y lo que puede suceder si no se siguen las instrucciones.

INSTRUCCIONES IMPORTANTES DE SEGURIDAD

ADVERTENCIA: Para reducir el riesgo de incendio, choque eléctrico o lesiones a personas al usar su lavadora, siga las precauciones básicas, incluyendo las siguientes:

- Lea todas las instrucciones antes de usar la lavadora.
- No lave artículos que hayan sido previamente limpiados, lavados, remojados o humedecidos con gasolina, solventes para lavar en seco, u otras sustancias inflamables o explosivas ya que éstas emanan vapores que podrían encenderse o causar una explosión.
- No agregue gasolina, solventes para lavar en seco, u otras sustancias inflamables o explosivas al agua de lavado. Estas sustancias emanan vapores que podrían encenderse o causar una explosión.
- En ciertas condiciones, puede generarse gas hidrógeno en un sistema de agua caliente que no se haya usado por dos semanas o un período mayor. **EL GAS HIDRÓGENO ES EXPLOSIVO.** Si no se ha usado el agua caliente durante dicho período, antes de usar la lavadora, abra todos los grifos de agua caliente y deje que corra el agua por varios minutos. Esto liberará todo el gas hidrógeno que se haya acumulado. Debido a la inflamabilidad de dicho gas, no fume ni use una llama abierta durante este lapso.
- No permita que los niños jueguen encima o dentro de la lavadora. Es necesario una supervisión cuidadosa de los niños toda vez que se use la lavadora cerca de ellos.
- Antes de poner la lavadora fuera de servicio o desecharla, quítele la puerta o la tapa.
- No introduzca las manos en la lavadora si el tambor, la tina, o el agitador están funcionando.
- No instale ni almacene esta lavadora donde pudiese estar sometida a la intemperie.
- No trate de forzar los controles.
- No repare ni cambie pieza alguna de la lavadora ni intente realizar tarea alguna de servicio técnico, excepto cuando así se le indique específicamente en este manual o en instrucciones de reparación para el usuario publicadas, que usted entienda y para cuya ejecución cuente con la habilidad necesaria.
- Para obtener información respecto a los requisitos de conexión a tierra, refiérase a los "Requisitos Eléctricos".

GUARDE ESTAS INSTRUCCIONES

REQUISITOS DE INSTALACIÓN

Herramientas y piezas

Antes de comenzar la instalación de la lavadora, reúna todas las herramientas y accesorios necesarios. Las piezas provistas con la lavadora están en el tambor de la lavadora.

Herramientas necesarias para la conexión de las mangueras de entrada del agua

- Alicates (que se abran a 1 $\frac{1}{16}$ de pulg. [39,5 mm])
- Linterna (opcional)

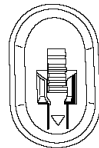
Herramientas necesarias para la instalación

- Llave de boca de 17 mm y 13 mm
- Nivel
- Bloque de madera (2 x 4 pulg.) (5,8 x 10,2 cm)
- Regla o cinta de medir

Piezas proporcionadas



Fleje rebordeado



Tapón de cuatro pernos de transporte (4)

Piezas alternativas

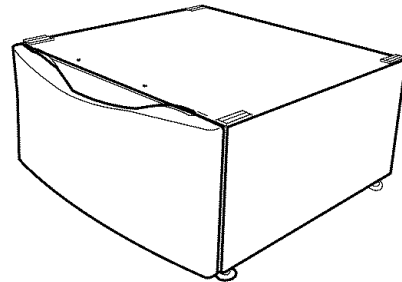
Las piezas aquí enumeradas se pueden adquirir en la tienda Sears o en el Centro de Servicio Sears de su localidad. Para más información, llame por favor al **1-800-4-MY-HOME® (1-800-469-4663)**.

Si tiene	Necesitará adquirir
Un lavadero o tubo vertical a una altura mayor de 96 pulg. (2,4 m)	Sistema de bomba de sumidero (si ya no está disponible)
Una alcantarilla suspendida	Un tanque de desagüe normal o un lavabo de uso general de 20 gal. (76 L) de capacidad y 30 pulg. (76,2 cm) de altura y una bomba de sumidero (en venta en establecimientos de fontanería locales)
Un desagüe por el piso	Desviación del sifón, repuesto No. 285834; manguera de desagüe adicional, repuesto No. 8318155; y juego de conectores, repuesto No. 285835.
Una manguera de desagüe muy corta	Juego de extensión para manguera de desagüe de 4 pies, repuesto No. 285863.
Grifos del agua fuera del alcance de las mangueras de llenado	2 mangueras de llenado de agua más largas; 6 pies (1,8 m) repuesto No. 76314, 10 pies (3,0 m) repuesto No. 350008

Opciones

Pedestal

Se puede adquirir por separado un pedestal para esta lavadora. Este pedestal aumentará cerca de 13 pulg (33 cm) a la altura de la unidad para dar un total de altura vertical de aproximadamente 51 pulg (130 cm).



Optional Pedestal

Este pedestal (con cajón de almacenamiento) está disponible en tres colores:

- Blanco - Pieza Número 42842
- Bizcocho - Pieza Número 42844
- Grafito - Pieza Número 42846

Para pedir las piezas, llame a la tienda Sears de su localidad. Para más información, sírvase llamar al **1-800-4-MY-HOME® (1-800-469-4663)**.

Juego de apilamiento

¿Planea apilar su lavadora y secadora Kenmore HE3t? Para hacerlo, busque el juego de apilamiento (8541503) en el tambor de la secadora Kenmore que hace juego. Siga las instrucciones que se incluyen con el juego.

Requisitos para la ubicación

La selección de una ubicación apropiada para su lavadora realza el rendimiento y reduce al mínimo el ruido y la posible "caminata" de la lavadora.

La instalación de su lavadora puede ser debajo de un mostrador hecho a la medida, en un sótano, en un cuarto de lavandería, en un clóset o en una zona empotrada. (Vea "Sistema de Desagüe".)

Deberá tenerse en cuenta también los requisitos para la ubicación de otro electrodoméstico acompañante. La instalación correcta es responsabilidad suya.

Usted necesitará

- Un calentador de agua fijado para suministrar a la lavadora el agua a 120°F (49°C).
- Un contacto eléctrico con conexión a tierra ubicado a una distancia de no más de 5 pies (1,5 m) del lugar donde el cable eléctrico está fijado a la parte posterior de la lavadora. (Vea "Requisitos eléctricos.")
- Los grifos de agua caliente y de agua fría ubicados a una distancia de no más de 4 pies (1,2 m) de las válvulas de llenado del agua caliente y fría y una presión de agua de 20-100 lbs/pulg.² (137,9 – 689,6 kPa).
- Un piso nivelado con un declive máximo de 1 pulg. (2,5 cm) debajo de la lavadora. No se recomienda instalar la lavadora sobre pisos alfombrados.
- Un piso resistente y firme que soporte la lavadora con un peso total (del agua y de la carga) de 400 libras (180 kg).

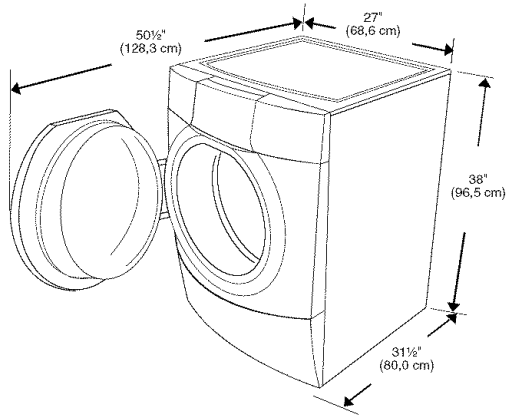
No ponga a funcionar su lavadora a temperaturas inferiores a 32°F (0°C). Puede quedar algo de agua en la lavadora y podría ocasionar daños a bajas temperaturas.

Espacios libres para la instalación

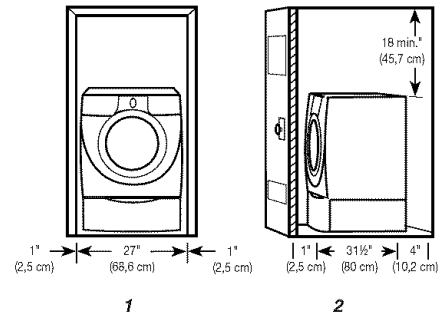
- La ubicación debe ser lo suficientemente grande para permitir que la puerta abra completamente.
- Se debe considerar espacio adicional para facilitar la instalación y el servicio.
- Es posible que se requieran espacios libres adicionales para moldes de pared, puerta y piso.
- Se recomienda un espacio libre adicional de 1 pulg. (2,5 cm) en todos los lados de la lavadora para reducir la transferencia de ruidos.

También se debe considerar un espacio para un electrodoméstico compañero.

Dimensiones de la lavadora



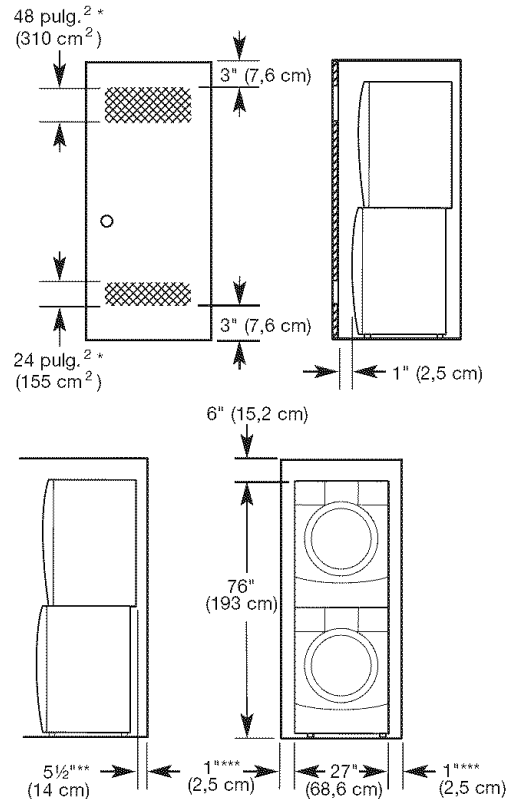
Instalación empotrada o en el armario – Lavadora sobre pedestal



1. Área empotrada
2. Vista lateral – armario o área confinada

Recomendaciones de espacios de instalación para instalación empotrada o en el armario, con lavadora y secadora apiladas

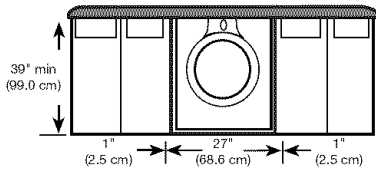
Las dimensiones que se muestran son para los espacios recomendados.



Recomendaciones de espacios de instalación para instalación debajo del mostrador hecho a la medida

Las dimensiones que se muestran son para los espacios recomendados.

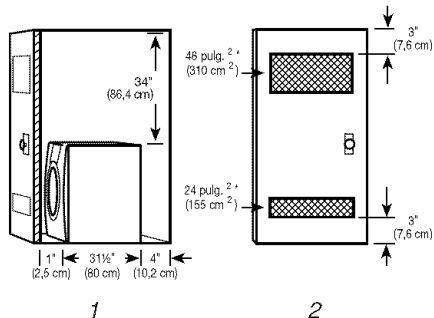
Instalación debajo del mostrador hecho a la medida – Lavadora solamente



Recomendaciones de espacios de instalación para instalación empotrada o en el armario, con o sin pedestal

Las dimensiones que se muestran son para los espacios recomendados.

Instalación en el área empotrada o en el armario



1. Vista lateral – armario o área confinada
2. Puertas del armario con ventilación

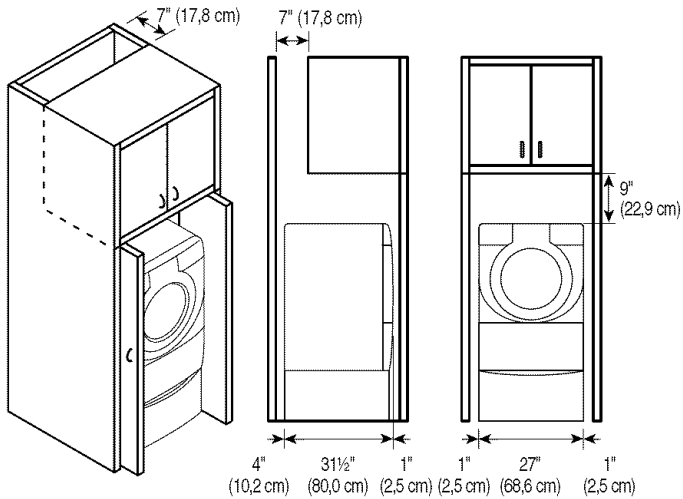
*Aberturas superior e inferior de aire mínimas para la puerta del armario

**El codo de escape externo requiere espacio adicional.

***Los moldes de pared, puerta y piso pueden requerir espacio adicional.

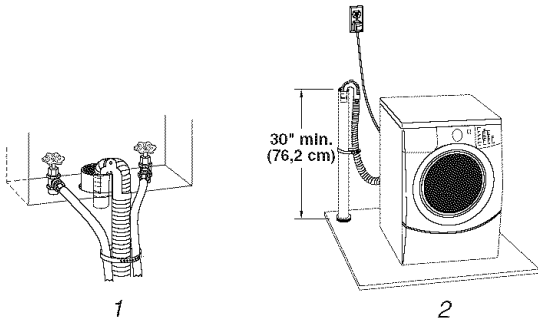
Recomendaciones de espacios de instalación para la instalación en el gabinete

- Las dimensiones que se muestran son para los espacios recomendados.
- Para la instalación en el gabinete con puerta, se requieren las aberturas de ventilación mínimas en la parte superior.



Sistema de desagüe

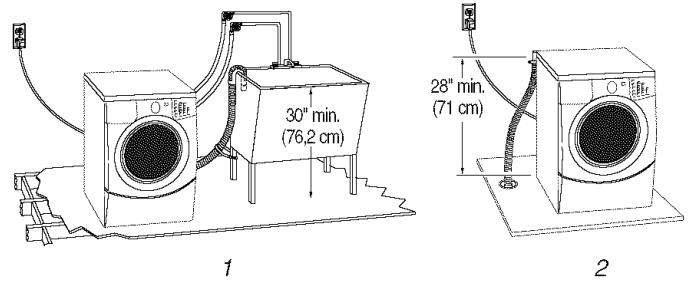
Se puede instalar la lavadora utilizando el sistema de desagüe por tubo vertical (en el piso o en la pared), el sistema de desagüe por el lavadero, o el sistema de desagüe por el piso. Seleccione el método de instalación de la manguera de desagüe que usted necesite. (Vea "Piezas alternativas.")



Sistema de desagüe por tubo vertical – en la pared o en el piso (ilustraciones 1 y 2)

El desagüe por tubo vertical necesita un tubo vertical con un diámetro mínimo de 2 pulg. (5 cm). La capacidad mínima de desagüe no puede ser menor de 17 gal (64 L) por minuto.

La parte superior del tubo vertical debe estar a una altura mínima de 30 pulg. (76,2 cm) y máxima de 96 pulg. (2,4 m) de la parte inferior de la lavadora.



Sistema de desagüe por el lavadero (ilustración 1)

El lavadero necesita una capacidad mínima de 20 gal. (76 L). La parte superior del lavadero debe estar a una altura mínima de 30 pulg. (76,2 cm) del piso.

Sistema de desagüe por el piso (ilustración 2)

El sistema de desagüe por el piso necesita una desviación del sifón que puede adquirirse por separado. (Vea "Piezas alternativas".)

La desviación del sifón debe estar a una distancia mínima de 28 pulg. (71 cm) de la parte inferior de la lavadora. Quizás necesite mangueras adicionales.

Requisitos eléctricos

⚠ ADVERTENCIA



Peligro de Choque Eléctrico
Conecte a un contacto de pared de conexión a tierra de 3 terminales.

No quite el terminal de conexión a tierra.

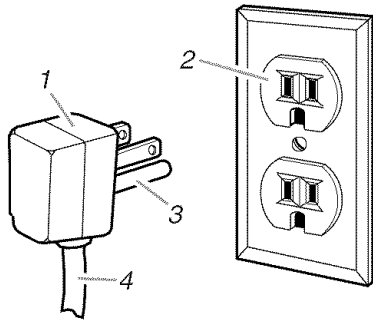
No use un adaptador.

No use un cable eléctrico de extensión.

No seguir estas instrucciones puede ocasionar la muerte, incendio o choque eléctrico.

- Se necesita un suministro eléctrico de 120 voltios, 60 hertzios, CA solamente, de 15 ó 20 amperios y protegido con fusibles. Se aconseja el uso de un fusible retardador o cortacircuitos. Asimismo se recomienda el empleo de un circuito separado sólo para este electrodoméstico.
- Esta lavadora viene equipada con un cable eléctrico dotado de un enchufe con tres terminales y conexión a tierra.
- Para reducir el peligro de posibles choques eléctricos, el cable debe conectarse en un contacto que tenga 3 terminales y conexión a tierra de conformidad con los códigos y ordenanzas locales. Si no dispone del contacto apropiado, es obligación y responsabilidad del cliente contratar a un electricista competente para que instale el contacto debido con conexión a tierra.
- Si los códigos lo permiten y se utiliza un cable a tierra separado, se recomienda verificar con un electricista competente si el circuito de conexión a tierra es el adecuado.
- No derive la conexión a tierra hacia una tubería de gas.

- Si no está seguro de que la conexión a tierra de la lavadora sea la adecuada, verifíquela con un electricista competente.
- No coloque un fusible en el circuito neutro o de conexión a tierra.



1. Enchufe de 3 terminales con conexión a tierra
2. Contacto de pared de 3 terminales con conexión a tierra
3. Terminal de conexión a tierra
4. Cable eléctrico

INSTRUCCIONES PARA LA CONEXIÓN A TIERRA

Para una lavadora conectada a tierra con cable eléctrico:

Esta lavadora debe conectarse a tierra. En caso de funcionamiento defectuoso o avería, la conexión a tierra reducirá el riesgo de choque eléctrico al proporcionar una vía de menor resistencia para la corriente eléctrica. Esta lavadora viene equipada con un cable eléctrico que tiene un conductor de conexión a tierra del equipo y un enchufe con conexión a tierra. El enchufe debe conectarse en un contacto de pared apropiado que haya sido debidamente instalado y conectado a tierra de conformidad con todos los códigos y ordenanzas locales.

ADVERTENCIA: La conexión incorrecta de la terminal de conexión a tierra del equipo puede ocasionar un riesgo de choque eléctrico. Consulte con un electricista o técnico en reparaciones calificado si tiene duda alguna en cuanto a la conexión a tierra correcta del electrodoméstico.

No modifique el enchufe provisto con el electrodoméstico. Si éste no encaja en el contacto de pared, pida a un electricista calificado que le instale un contacto de pared apropiado.

Para una lavadora con contacto eléctrico permanente:

Esta lavadora debe conectarse a un metal puesta a tierra, un sistema con cableado permanente a tierra o conectarse a un equipo cuyo suministro incluya una terminal de tierra.

INSTRUCCIONES DE INSTALACIÓN

Eliminación del sistema de transporte

⚠ ADVERTENCIA

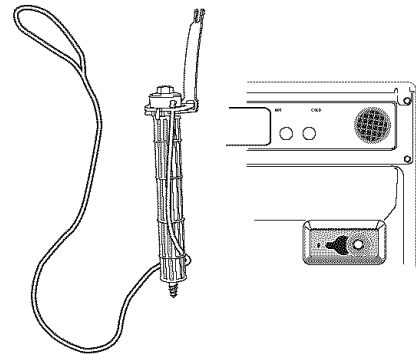
Peligro de Peso Excesivo

Use dos o más personas para mover e instalar la lavadora.

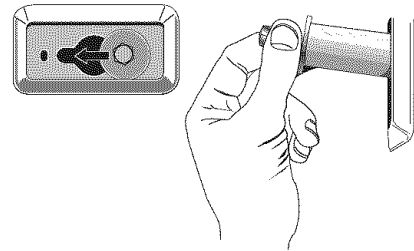
No seguir esta instrucción puede ocasionar una lesión en la espalda u otro tipo de lesiones.

IMPORTANTE: Coloque la lavadora de modo que la parte posterior del aparato esté aproximadamente a 3 pies (90 cm) de distancia de su ubicación final.

Hay 4 pernos en el panel posterior de la lavadora, los cuales sostienen el sistema de suspensión durante el transporte.



1. Utilice una llave de tuercas de 13 mm para aflojar cada uno de los pernos.
2. Una vez que el perno esté flojo, muévelo hacia el centro del agujero y jálelo hacia fuera por completo, incluyendo el espaciador de plástico que cubre el perno y el cable adherido al perno. El cable eléctrico estará adherido a los 4 pernos.



3. Una vez que haya quitado los 4 pernos, retire el cable eléctrico de cada soporte de perno, y deshágase de los pernos, los espaciadores de plástico y de los cables.
4. Cierre los orificios con los tapones para agujeros de pernos de transporte.

Conexión de las mangueras de entrada de agua

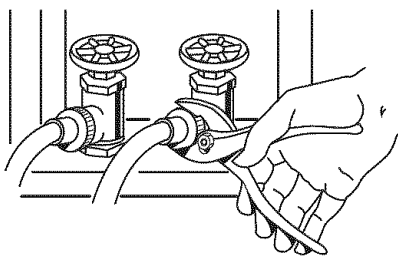
Conecte las mangueras de entrada con los grifos de agua

Asegúrese de que el tambor de la lavadora esté vacío.

1. Con la ayuda de un alicate, verifique que estén ajustados los acoplamientos de las mangueras previamente sujetos a la lavadora.

NOTA: No apriete demasiado. Se puede dañar la conexión.

2. Conecte la manguera que tiene el indicador de color rojo con el grifo del agua caliente. Atornille el acoplamiento con la mano hasta que quede asentado en la arandela.
3. Conecte la manguera que tiene el indicador de color azul al grifo del agua fría. Atornille el acoplamiento con la mano hasta que quede asentado en la arandela.
4. Apriete los acoplamientos con los alicates, girándolos dos tercios de vuelta adicional.



NOTA: No los apriete demasiado. Se pueden dañar los acoplamientos.

5. Abra los grifos del agua y revise si hay filtraciones de agua.

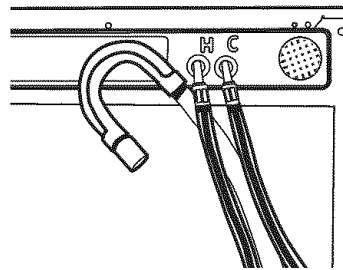
NOTA: Reemplace las mangueras de entrada después de cinco años de uso para reducir el riesgo de que fallen. Para consulta en el futuro, anote en las mangueras la fecha de instalación o la fecha de reposición de las mismas.

Inspeccione periódicamente y reemplace las mangueras si aparecen bultos, torceduras, cortaduras, desgaste o filtraciones de agua.

Tendido de la manguera de desagüe

El tendido apropiado de la manguera de desagüe protege sus pisos contra daños ocasionados por filtraciones de agua. Lea y siga estas instrucciones con cuidado.

La manguera de desagüe está conectada con su lavadora.



Para evitar que el agua de desagüe vuelva a su lavadora:

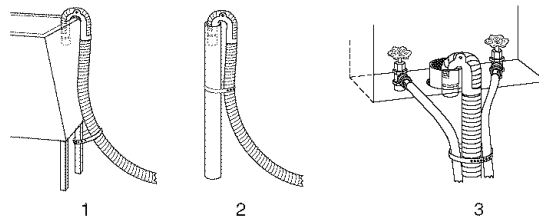
- No enderece la manguera de desagüe, y no fuerce el exceso de la manguera de desagüe dentro del tubo vertical. La manguera debe quedar asegurada pero lo suficientemente floja que permita un espacio para el aire.
- No tienda el exceso de la manguera en el fondo del lavadero.

Desagüe por el piso

Quizás necesite piezas adicionales. (Vea desagüe por el piso en la sección "Piezas alternativas.")

Fijación de la manguera de desagüe

1. Coloque el cable eléctrico encima de la lavadora.
2. Asegure la manguera de desagüe a la pata del lavadero o al tubo vertical utilizando el fleje rebordeado que viene con la lavadora. (Vea las ilustraciones 1 y 2.)



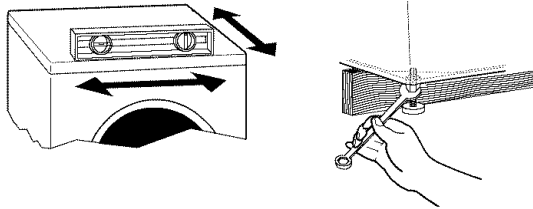
Si los grifos de suministro de la lavadora y el tubo vertical de desagüe están empotrados (vea la ilustración 3), ponga el extremo en forma de gancho de la manguera de desagüe en el tubo vertical. Enrolle el fleje rebordeado con firmeza alrededor de las mangueras de entrada del agua y de la manguera de desagüe.

No fuerce el exceso de la manguera de desagüe dentro del tubo vertical.

Nivelación de la lavadora

La nivelación apropiada de su lavadora evita el ruido excesivo y la vibración.

1. Revise si la lavadora está nivelada colocando un nivel en el borde superior de la lavadora, primero de lado a lado, luego de frente hacia atrás.



Si la lavadora está contra la pared, mueva la lavadora ligeramente hacia afuera antes de inclinarla hacia atrás. Si la lavadora no está nivelada, primero apunte la parte frontal con un bloque de madera (2 x 4 pulg.) (5,8 x 10,2 cm) y regule las patas según sea necesario, después apunte la parte de atrás y regule las patas según sea necesario. Repita este paso hasta que la lavadora quede nivelada.

2. Una vez que la lavadora esté nivelada, use una llave de boca de 17 mm para apretar las tuercas de las patas contra el gabinete de la lavadora.
Se deben ajustar las cuatro patas. Si no se aprietan las tuercas contra el gabinete de la lavadora, la lavadora podría vibrar.
3. Deslice la lavadora a su ubicación final.
4. Verifique el grado de nivelación de la lavadora.

Complete la instalación

1. Revise los requisitos eléctricos. Asegúrese de contar con la fuente de electricidad correcta y el método recomendado de conexión a tierra. (Vea "Requisitos eléctricos.")
2. Cerciórese de que todas las piezas estén instaladas. Si hay alguna pieza extra, vuelva a revisar todos los pasos para ver cuál se omitió.
3. Cerciórese de tener todas las herramientas.
4. Deshágase o recicle todos los materiales de embalaje.

5. Cerciórese de que los grifos del agua estén abiertos.
6. Revise si hay filtraciones de agua alrededor de los grifos y las mangueras de entrada.

⚠️ ADVERTENCIA



Peligro de Choque Eléctrico

Conecte a un contacto de pared de conexión a tierra de 3 terminales.

No quite el terminal de conexión a tierra.

No use un adaptador.

No use un cable eléctrico de extensión.

No seguir estas instrucciones puede ocasionar la muerte, incendio o choque eléctrico.

7. Conecte a un contacto de pared de conexión a tierra de 3 terminales.
8. Lea "Uso de la lavadora".
9. Para probar y limpiar su lavadora, mida $\frac{1}{2}$ de la cantidad normal recomendada de detergente de alto rendimiento (HE) en polvo o líquido o $\frac{1}{4}$ de la cantidad normal recomendada de detergente regular en polvo o líquido. Vierta el detergente en el depósito del detergente. Seleccione Normal/Informal (NORMAL/CASUAL) y luego seleccione Puesta en marcha (START). Deje que la lavadora funcione durante el ciclo completo.

CARACTERÍSTICAS Y BENEFICIOS

Controles electrónicos SENSOR SMART™

Los controles electrónicos flexibles son fáciles de usar tanto sea usted principiante o experto.

Depósito con sistema ventajoso para el detergente

Los cuatro compartimientos en el depósito permiten cargar los aditivos para el lavado antes de poner la lavadora en marcha. Los aditivos serán agregados dentro del lavado en el tiempo óptimo para una limpieza de alto rendimiento. El sistema ventajoso para el detergente incluye la liberación de Blanqueador programado (TIMED BLEACH™). El detergente se agrega en el comienzo del ciclo, y el blanqueador se agrega después de que las enzimas hayan tenido la posibilidad de hacer su limpieza. El suavizante de telas se agrega en el ciclo de enjuague. La bandeja del Depósito con sistema ventajoso para el detergente puede removerse fácilmente para su limpieza.

Nivel del agua automático

Al ajustarse al tamaño de la carga, esta característica permite a la lavadora usar la cantidad mínima de agua que necesita para lavar y enjuagar la ropa. Con un nivel de agua bajo, usted puede obtener los mismos resultados con cantidades menores de aditivos. Al usarse solamente la cantidad de agua requerida, la lavadora también ahorra energía.

Cargas más voluminosas

Debido a que no tiene agitador, usted puede lavar artículos más voluminosos y más grandes como bolsas de dormir de tamaño mediano. También puede lavar más ropa a la vez, lo que significa menor cantidad de lavados. Usted puede lavar una almohada o un oso de peluche grande.

Sistema de suspensión

Para reducir los problemas de la “caminata” y el “desequilibrio” de la lavadora, su nueva lavadora cuenta con:

- 2 resortes para aislar la vibración
- 4 amortiguadores en la base de la lavadora para minimizar el movimiento.

Tambor de acero inoxidable

El tambor de acero inoxidable elimina la corrosión y permite velocidades más altas, logrando mayor extracción del agua, que a su vez reduce el tiempo de secado.

Motor adaptable a velocidad variable

El motor se adapta al tamaño de la carga de ropa y al ciclo seleccionado, para proporcionar las condiciones óptimas de limpieza, enjuague y exprimido. El motor puede soportar velocidades lentas para lana y artículos delicados, y es lo suficientemente poderoso como para exprimir la ropa en giro de 1.200 r.p.m.

Sistema de lavado de alto rendimiento

Su nueva lavadora de carga frontal y alto rendimiento ahorra tiempo con lavados más voluminosos y menor número de veces, conserva los recursos y también reduce sus gastos de agua y electricidad.

Velocidades de exprimido

Esta lavadora selecciona automáticamente la velocidad de exprimido según el ciclo seleccionado. Sin embargo, se puede modificar este ajuste de fábrica. Esta lavadora ofrece un máximo de seis opciones distintas de velocidad de exprimido.

Optimizador térmico

El sistema de calentamiento hace que el agua de lavado se caliente a la temperatura prefijada para los ciclos de Lavado intenso (Heavy Duty), Blancos blanquíssimos (Whitest Whites), Sanitario (Sanitary) y la opción de Tratamiento de manchas (Stain Treat). También proporciona una “limpieza escalonada” cuando se usa el ciclo sanitario o la opción de tratamiento de manchas. La “limpieza escalonada” comienza el ciclo con agua tibia para quitar manchas (tales como sangre o pasto). El agua continúa calentándose para poder quitar manchas tales como aceite mecánico sucio. Durante el ciclo sanitario, el optimizador térmico puede calentar el agua a temperaturas que destruirán el 99.999% de los tres tipos de bacterias que se encuentran en la ropa sucia.

Agregado de prendas

Cuando esta luz esté encendida, los ciclos Lavado expreso (Express Wash), Normal/informal (Normal/Casual), Lavado intenso (Heavy Duty), Blancos blanquíssimos (Whitest Whites), y Sanitario (Sanitary) pueden hacer una pausa y la puerta se desbloqueará para que usted pueda agregar una prenda que se le pueda haber olvidado cuando estaba cargando la lavadora. La luz indicadora de Agregado de prendas (ADD A GARMENT) permanecerá encendida por los primeros 8 minutos de un ciclo.

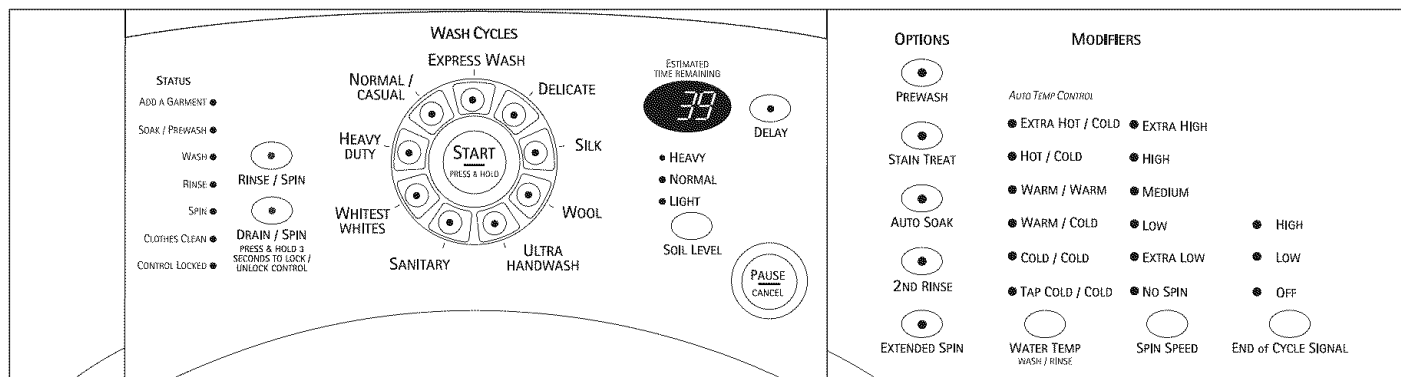
Acción de limpieza catalizadora CATALYST® con inyección directa

Una solución concentrada de detergente rocía las prendas en el comienzo del ciclo para asegurarse de que el detergente entre en contacto con las mismas tan rápido como sea posible, quitando las manchas de las prendas sin un tratamiento previo.

Equilibrio dinámico

Un sistema preciso de equilibrio que permite a la lavadora alcanzar velocidades de exprimido de 1.200 r.p.m. La lavadora exprime rápidamente de manera que las prendas que salen de la misma se sequen más rápido. Además, si el Sistema de equilibrio dinámico detecta que las cargas están desequilibradas durante el exprimido, redistribuye las prendas para que queden uniformemente equilibradas.

USO DE LA LAVADORA



Puesta en marcha de su lavadora

⚠️ ADVERTENCIA



Peligro de Incendio

Nunca coloque en la lavadora artículos que estén humedecidos con gasolina o cualquier otro líquido inflamable.

Ninguna lavadora puede eliminar completamente el aceite.

No seque ningún artículo que haya tenido alguna vez cualquier tipo de aceite (incluyendo aceites de cocina).

No seguir estas instrucciones puede ocasionar la muerte, explosión o incendio.

ADVERTENCIA: A fin de reducir el riesgo de incendio, de choque eléctrico o de daños personales, lea las INSTRUCCIONES IMPORTANTES DE SEGURIDAD antes de operar este aparato.

La siguiente es una guía para el empleo de su lavadora. Consulte las secciones específicas de este manual para obtener información detallada.

No almacene productos de lavandería encima de esta lavadora. La vibración es normal durante el funcionamiento.

Primer ciclo de lavado sin ropa

Antes de lavar la ropa por primera vez, elija el ciclo Normal/ Informal (NORMAL/CASUAL) y póngalo a funcionar sin ropa. Después de la instalación, si no se ha puesto a funcionar un ciclo completo sin ropa, utilice la mitad de la cantidad normal recomendada de detergente de alto rendimiento (HE) en polvo o líquido o un cuarto de la cantidad normal recomendada de detergente regular en polvo o líquido. Este ciclo inicial sirve para asegurar la limpieza del interior de la lavadora antes de lavar la ropa.

1. Para cargar la lavadora

Abra la puerta de la lavadora jalando la manija. Separe la ropa por color y tipo de tela. Coloque la carga de ropa seleccionada en la lavadora. No sobrecargue la lavadora. La sobrecarga puede dar lugar a una limpieza insatisfactoria.

- Se puede llenar por completo la lavadora pero sin apretar la ropa. La puerta de la lavadora debe cerrarse con facilidad.
- Mezcle artículos grandes y pequeños. Evite lavar de a un artículo. Coloque la carga uniformemente.
- Se recomienda lavar pequeños artículos como calcetines de niños en una bolsa de malla para prendas.
- Al sacar las prendas de la lavadora, de vez en cuando revise si no han quedado pequeños artículos debajo del borde de goma que está al frente de la tina.

2. Cierre la puerta de la lavadora empujándola con firmeza hasta que escuche el chasquido de la traba. La puerta de la lavadora permanecerá con seguro durante el ciclo de lavado.

NOTA: Al cabo de cualquier ciclo de lavado, se debe abrir la puerta y luego cerrarla para que pueda iniciar un nuevo ciclo. La puerta puede abrirse únicamente si se ha seleccionado Pausa/Anulado (PAUSE/CANCEL); mientras la luz de Agregue una prenda (ADD A GARMENT) esté encendida o si se ha anulado el ciclo. Vea "Para anular un ciclo."

3. Abra la gaveta del depósito y agregue los productos de lavandería en los compartimientos de detergente, blanqueador, o suavizante de telas. Cierre la gaveta lentamente para evitar derrames. Vea "Uso del depósito."

NOTA: Para lograr un rendimiento óptimo, use detergentes de alto rendimiento. El paquete para este tipo de detergentes tendrá la marca "HE" o "Alto rendimiento". La "acción de lavado" de HEst junto con una cantidad menor de agua podría generar demasiada espuma con detergentes comunes.

4. Encienda la lavadora seleccionando uno de los Ciclos de lavado (WASH CYCLES). La luz indicadora del ciclo seleccionado se iluminará. Al seleccionar un ciclo de lavado, las opciones prefijadas, la temperatura del agua, la velocidad de exprimido, y el nivel de suciedad para el ciclo seleccionado se encenderán. La pantalla muestra el tiempo aproximado restante. Los ajustes prefijados proporcionan el cuidado recomendado de las telas en el ciclo seleccionado. Vea "Ciclos de lavado."

5. Seleccione las opciones (OPTIONS) deseadas. No todas las opciones están disponibles con todos los ciclos. Vea "Opciones."
6. Seleccione los modificadores (MODIFIERS) deseados. No todos los modificadores están disponibles con todos los ciclos y opciones. Vea "Modificadores".
7. Si lo desea, seleccione la señal de fin de ciclo (END OF CYCLE SIGNAL). Esta señal es útil cuando tiene que lavar artículos que deben quitarse de la lavadora tan pronto como ésta se detenga. Seleccione Alto (HIGH) o Bajo (LOW).
8. **Para comenzar el ciclo de lavado de inmediato**
 Seleccione y sostenga Puesta en marcha (START) (durante un segundo aproximadamente).
 - Si no selecciona START después de 5 minutos de haber elegido el ciclo, la lavadora se apaga automáticamente.
 - Al término del ciclo de lavado, la luz de estado Ropa limpia (CLOTHES CLEAN) se ilumina, la puerta se destraba y se puede descargar la lavadora. La lavadora se apaga automáticamente 5 minutos después del término del ciclo y la luz de CLOTHES CLEAN se apaga. Para apagar la lavadora manualmente al cabo de un ciclo, seleccione Pausa/Anulado (PAUSE/CANCEL) una vez.
9. **Para el inicio diferido del ciclo de lavado**
 Seleccione Diferido (DELAY) hasta que el tiempo diferido deseado (en horas) aparezca en la pantalla de tiempo aproximado restante (Estimated Time Remaining). Seleccione START. La cuenta regresiva del ciclo de lavado aparecerá en la pantalla.

Uso del depósito

Su nueva lavadora tiene una gaveta de depósito con cuatro compartimientos separados para sus productos de lavandería – dos son para el detergente, uno es para el blanqueador líquido con cloro y el otro es para el suavizante líquido de telas. Los productos de lavandería se diluyen y se distribuyen automáticamente en el momento oportuno durante el ciclo de lavado, sin que usted tenga que regresar en el transcurso del ciclo de lavado para agregarlos.

Es normal que quede un poco de agua en los depósitos al término del ciclo de lavado.

No ponga aditivos de lavandería directamente en la tina de lavado. Siempre use los depósitos apropiados al agregar productos de lavandería.

Selección del detergente adecuado

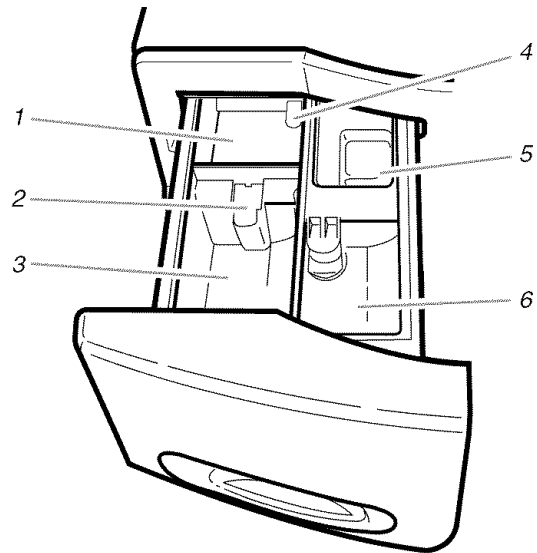
Para lograr un rendimiento de lavado óptimo, utilice un detergente de Alto Rendimiento (HE) o de poca espuma. Los detergentes comunes pueden ocasionar exceso de espuma en la lavadora. Si no dispone de un detergente de alto rendimiento, use la mitad de la cantidad recomendada del detergente regular.

NOTA: El uso de detergente regular, con el tiempo puede provocar un desempeño insatisfactorio.

La mayoría de los detergentes que han sido formulados para lavar a mano no fueron hechos para lavadoras de carga frontal, lo que puede causar un exceso de espuma. Comience usando $\frac{1}{4}$ de la cantidad recomendada. Si se produce un exceso de espuma, use un detergente formulado para lavadoras de alto rendimiento.

Para llenar los compartimientos del depósito:

1. Jale la gaveta del depósito.
2. Agregue el producto de lavandería deseado en el compartimiento apropiado.
3. Empuje la gaveta del depósito suave y completamente hacia adentro (para evitar derrames).



Depósito

1. Compartimiento del detergente para el prelavado
2. Separador
3. Compartimiento del detergente para el lavado principal
4. Palanca de desenganche del depósito
5. Compartimiento del blanqueador
6. Compartimiento del suavizante de telas

Compartimiento del detergente para el prelavado

(Número 1 en la ilustración del depósito)

Agregue el detergente en este compartimiento siempre que use la opción Prelavado (Prewash) o Remojo automático (Auto Soak). En este compartimiento se puede utilizar detergente líquido o en polvo. El detergente se distribuirá automáticamente durante el Prelavado si se ha seleccionado la opción Prewash, o durante el tiempo de remojo si se ha seleccionado Auto Soak.

- Si utiliza detergente de alto rendimiento HE, agregue $\frac{1}{3}$ de la cantidad recomendada en el compartimiento de prelavado y $\frac{2}{3}$ de la cantidad recomendada en el compartimiento de lavado principal.
- Si utiliza detergente común, agregue $\frac{1}{6}$ de la cantidad recomendada en el compartimiento de prelavado y $\frac{1}{3}$ de la cantidad recomendada en el compartimiento de lavado principal.

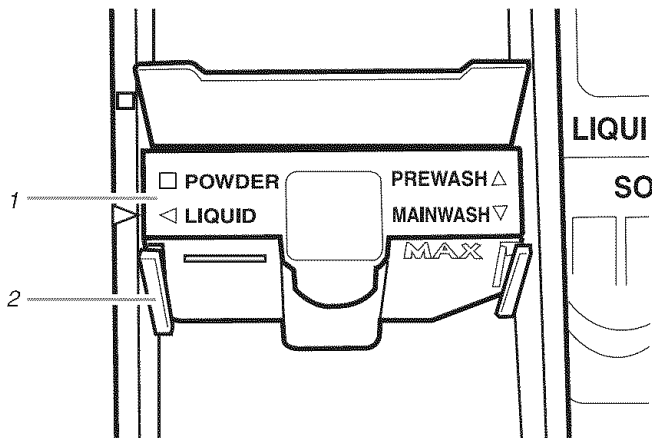
Compartimiento del detergente para el lavado principal

(Número 3 en la ilustración del depósito)

Agregue detergente líquido o en polvo en este compartimiento para su ciclo de lavado principal. El separador de detergente siempre debe estar en su lugar, ya sea en la posición frontal o en la posterior.

IMPORTANTE: Si está utilizando la opción Prelavado (Prewash), Remojo automático (Auto Soak) con un ciclo de lavado, o Delay (Diferido), se debe usar detergente en polvo en el compartimiento del lavado principal ya que los detergentes líquidos pueden filtrarse fuera del compartimiento del lavado principal durante el período de prelavado, remojo o diferido antes de que comience el lavado principal.

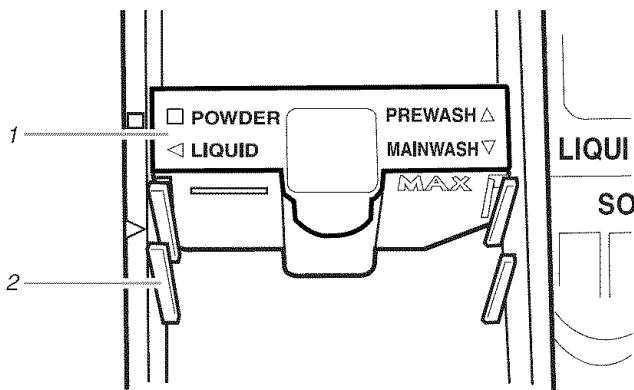
- No llene encima del nivel máximo ("MAX").
- Se puede agregar blanqueador líquido o en polvo que no decolora en el compartimiento del lavado principal junto con el mismo tipo de detergente, líquido o en polvo.
- Detergente líquido: Coloque el SEPARADOR en la posición frontal, entre las guías, como se ilustra a continuación. No habrá espacio entre el fondo del compartimiento de detergente del ciclo de lavado y el fondo del separador.



Separador en la posición frontal, entre las guías

1. Separador
2. Guía

- Detergente en polvo: Ponga el SEPARADOR en la posición posterior, detrás de las guías, como se ilustra a continuación. Habrá un espacio entre el fondo del compartimiento de detergente del ciclo de lavado y el fondo del separador.



Separador en la posición posterior, detrás de las guías

1. Separador
2. Guía

NOTA: Cuando sea enviado de fábrica, el separador estará en la posición de "powder" (detergente en polvo—parte posterior).

Compartimiento del blanqueador

(Número 5 en la ilustración del depósito)

Agregue **NO MÁS DE** 1/3 de taza (80 mL) del blanqueador líquido con cloro en este compartimiento. El blanqueador se diluirá y distribuirá automáticamente en el momento oportuno durante el primer enjuague después del ciclo de lavado. Este compartimiento no puede diluir blanqueador en polvo.

- Siempre mida el blanqueador líquido con cloro. Use una taza medidora con pico vertedor; no lo haga al cálculo.
- No llene encima del nivel "MAX".

NOTA: El sobrellenado puede ocasionar serios daños a las prendas.

Compartimiento del suavizante de telas

(Número 6 en la ilustración del depósito)

Agregue 1/4 de taza (60 mL) del suavizante líquido de telas en este compartimiento. El suavizante de telas se distribuirá automáticamente en el enjuague final.

- No llene encima del nivel "MAX".

Pausa o reanudación

1. Para detener la lavadora en cualquier momento, seleccione Pausa/Anulado (PAUSE/CANCEL).
2. Para reanudar el ciclo, seleccione y sostenga Puesta en marcha (START) (durante un segundo aproximadamente).

Cambio de ciclos, opciones y modificadores

No todas las opciones y modificadores están disponibles con todos los ciclos.

Los ciclos, opciones y modificadores se pueden cambiar en cualquier momento antes de seleccionar Puesta en marcha (START).

Las opciones y modificadores se pueden cambiar en cualquier momento después de seleccionar Puesta en marcha (START) y antes de que comience la opción o modificador seleccionado.

Para anular un ciclo y seleccionar uno nuevo

1. Seleccione Pausa/Anulado (PAUSE/CANCEL) dos veces.
2. Seleccione el ciclo deseado.
3. Seleccione las opciones (OPTIONS) deseadas.
4. Seleccione y sostenga Puesta en marcha (START) durante un segundo aproximadamente para reanudar la marcha de la lavadora al inicio de un nuevo ciclo.

Para anular un ciclo

1. Seleccione Pausa/Anulado (PAUSE/CANCEL) dos veces.
2. La lavadora se apaga, la puerta se destraba y se puede sacar la ropa.

NOTA: Si el nivel del agua o la temperatura están demasiado altos, la lavadora escurrirá automáticamente antes de que la puerta se destrabe.

Para cambiar opciones o modificadores después de que haya comenzado el ciclo

1. Seleccione Pausa/Anulado (PAUSE/CANCEL).
2. Seleccione las opciones (OPTIONS) o modificadores (MODIFIERS) deseados.
3. Seleccione y sostenga START (durante un segundo aproximadamente) para continuar el ciclo.

Para escurrir la lavadora manualmente

1. Seleccione Pausa/Anulado (PAUSE/CANCEL).
2. Seleccione Escurrido/Exprimido (DRAIN/SPIN).
3. Seleccione y sostenga START (durante un segundo aproximadamente) para comenzar el escurrido.
4. Al cabo del exprimido, la puerta se destraba. Se puede descargar la lavadora.

Luces de estado

Estas luces muestran en qué porción del ciclo está funcionando la lavadora. También indican cuándo se puede agregar un artículo en el ciclo de lavado y cuándo los controles están bloqueados.

STATUS

- ADD A GARMENT ●
- SOAK / PREWASH ●
- WASH ●
- RINSE ●
- SPIN ●
- CLOTHES CLEAN ●
- CONTROL LOCKED ●

Agregado de artículos

Usted puede agregar artículos en la lavadora después de que el ciclo haya empezado en los ciclos de Lavado expreso (Express Wash), Normal/informal (Normal/Casual), Lavado intenso (Heavy Duty), Blancos blanquísimos (Whitest Whites) y Sanitario (Sanitary) si la luz de estado Agregue una prenda (ADD A GARMENT) está encendida.

Para agregar artículos

1. Seleccione PAUSE/CANCEL. La puerta de la lavadora se destraba y se puede añadir artículos.
2. Para continuar el ciclo, cierre la puerta y seleccione y sostenga START (durante un segundo aproximadamente).

Ropa limpia

La luz de Ropa limpia (Clothes Clean) permanecerá por 5 minutos después de haber completado el ciclo. Entonces se apagará la lavadora.

Bloqueo de controles

El bloqueo de controles (Control Lock) evita el uso accidental de la lavadora. También puede usar la función de bloqueo de controles para evitar cambios accidentales del ciclo o de opciones durante un ciclo. Cuando Control bloqueado (CONTROL LOCKED) está encendido, todos los botones quedan desactivados excepto los de Pausa/Anulado (Pause/Cancel) y Puesta en marcha (Start). Usted puede bloquear los controles mientras la lavadora se encuentre en funcionamiento.

Para bloquear los controles

Seleccione y sostenga Escurrido/Exprimido (DRAIN/SPIN) durante 3 segundos.



La luz de estado Control bloqueado (CONTROL LOCKED) se enciende.

Para desbloquear los controles

Seleccione y sostenga DRAIN/SPIN durante 3 segundos hasta que la luz de estado CONTROL LOCKED se apague.

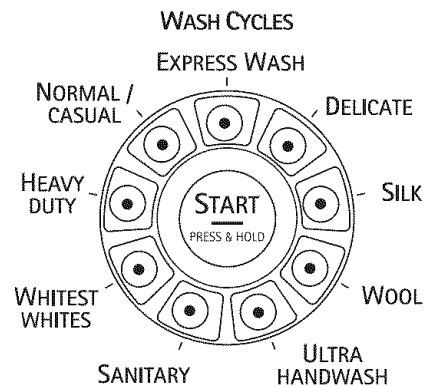
Tiempo estimado restante

Los tiempos del ciclo varían automáticamente según la presión y la temperatura del agua, el detergente y la carga de ropa. El tiempo del ciclo se prolongará si hay exceso de espuma, o si la carga está desequilibrada.

Ciclos

Ciclos de lavado

Elija los ciclos de lavado seleccionando el botón adyacente al ciclo deseado. Cada ciclo ha sido diseñado para los diversos tipos de tela y niveles de suciedad.



- Cada ciclo tiene los siguientes ajustes prefijados: Nivel de suciedad (Soil Level) (tiempo del ciclo), Temperatura del agua (Water Temperature), Velocidad de exprimido (Spin Speed) y pueden tener opciones (Options) prefijadas. Los ajustes prefijados proporcionan el cuidado recomendado de la tela en el ciclo seleccionado.
- Los ajustes prefijados pueden cambiarse en cualquier momento antes de seleccionar Puesta en marcha (START). No todas las opciones y modificadores estarán disponibles con todos los ciclos. (Para cambiar los ajustes después de que haya comenzado el ciclo, seleccione Pausa/Anulado (PAUSE/CANCEL), luego seleccione los ajustes deseados. Seleccione y sostenga START (durante un segundo aproximadamente para continuar el ciclo).

Ajustes prefijados de ciclos

Cada ciclo tiene los siguientes ajustes prefijados: Tiempo del ciclo (Cycle Time), Temperatura del agua (Water Temp) y Velocidad de exprimido (Spin Speed). Los ajustes prefijados proporcionan el cuidado recomendado de las telas en el ciclo seleccionado. Vea el cuadro.

Ciclo	Nivel de suciedad (hr:min)	Temperatura del agua	Velocidad de Exprimido
Sanitario (Sanitary)	Pesado (2:00)	Extra Caliente/ Fría	Extra Alta
Blancos blanquísimos (Whitest Whites)	Pesado (1:10)	Caliente/Fría	Extra Alta
Lavado intenso (Heavy Duty)	Pesado (1:30)	Caliente/Fría	Extra Alta
Normal/informal (Normal/Casual)	Normal (0:45)	Tibia/Fría	Alta
Lavado expreso (Express Wash)	Ligero (0:30)	Tibia/Fría	Extra Alta
Ropa delicada (Delicate)	Normal (0:35)	Tibia/Fría	Baja
Seda (Silk)	Normal (0:30)	Fría/Fría	No exprime
Lana (Wool)	Normal (0:35)	Fría/Fría	Baja
Lavado a mano ultra (Ultra Handwash)	Normal (0:35)	Fría/Fría	Extra Baja

Sanitario (Sanitary)

Use este ciclo para lavar telas que no destiñen, con suciedad profunda. Este ciclo combina una temperatura de agua muy caliente y agitación de alta velocidad para ayudar a eliminar la suciedad y manchas profundas. Es recomendable fijar el calentador del agua en 120°F (49°C) para asegurar un rendimiento adecuado durante este ciclo. El ciclo sanitario también ayuda a eliminar el 99,999% de las 3 bacterias infecciosas comunes, aún sin usar el blanqueador. El exprimido a velocidad extra alta ayuda a acortar el tiempo de secado.

Blancos blanquísimos (Whitest Whites)

Este ciclo ha sido diseñado especialmente para el lavado de telas blancas sucias con la ayuda del blanqueador. Las temperaturas calientes de lavado aseguran la óptima acción del blanqueador. El enjuague adicional proporciona un rendimiento óptimo de enjuague para evitar residuos de cloro en su ropa. Este ciclo combina una agitación veloz, tiempo de lavado más prolongado, y un exprimido a velocidad extra alta para acortar el tiempo de secado.

Lavado pesado (Heavy Duty)

Use este ciclo para lavar telas resistentes que no destiñen y prendas con suciedad normal. Este ciclo combina una agitación veloz, tiempo de lavado más prolongado, y un exprimido a velocidad extra alta para acortar los tiempos de secado. Si la temperatura del agua está más baja que la necesaria para este ciclo, el calentador calentará el agua hasta la temperatura óptima.

NOTA: Tratamiento de manchas (Stain Treat) es una opción prefijada para este ciclo. Para asegurar el máximo rendimiento, el agua se calienta a medida que el ciclo avanza. Este calentamiento gradual ayuda a eliminar suciedad orgánica como la sangre. La opción de tratamiento de manchas debe apagarse para cambiar los modificadores.

Normal/Informal (Normal/Casual)

Use este ciclo para lavar telas inarrugables como camisas deportivas, blusas, ropa de oficina informal, fibras mixtas de planchado permanente, fibras de algodón y de lino y fibras sintéticas. Este ciclo combina una agitación a velocidad media, exprimido a alta velocidad y un proceso de enfriamiento de la ropa para reducir la formación de arrugas.

Lavado expreso (Express Wash)

Use este ciclo para lavar cargas pequeñas de prendas con suciedad ligera que necesite con prisa. Este ciclo combina una agitación veloz, un tiempo de lavado corto y un exprimido a velocidad extra alta para acortar el tiempo de secado.

Ropa delicada (Delicate)

Use este ciclo para lavar telas y lencería muy fina. Este ciclo combina una agitación a baja velocidad y exprimido lento para el cuidado especial de la tela.

Seda (Silk)

Use este ciclo para lavar prendas de seda lavables (Verifique las instrucciones de la etiqueta para asegurarse de que la prenda es lavable.) Este ciclo agita con cuidado y escurre sin exprimir para un lavado delicado de las prendas y para reducir la formación de arrugas. Debido a la ausencia de exprimido, el contenido de agua en las prendas será mayor al final de este ciclo.

Lana (Wool)

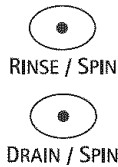
Use este ciclo para lavar prendas lavables de lana. (Verifique las instrucciones de la etiqueta para asegurarse de que la prenda es lavable.) Este ciclo ofrece una agitación delicada y un exprimido a baja velocidad para reducir los pliegues y el encogimiento.

Lavado a mano ultra (Ultra Handwash)

Use este ciclo para lavar prendas de cuidado especial y de lavado a mano. De manera similar en que se lavan las prendas a mano en el lavadero, la acción de lavado de este ciclo combina períodos de agitación a velocidad extra baja y remojo. El exprimido a velocidad extra baja reduce la formación de arrugas.

Ciclos adicionales (Extra Cycles)

Se pueden elegir ciclos adicionales con sólo seleccionar el botón que está encima del ciclo deseado.



Usted puede cambiar la selección en cualquier momento antes de seleccionar Puesta en marcha (START).

Enjuague/Exprimido (Rinse/Spin)

Use este ciclo sólo para enjuagar y exprimir. Este ciclo combina una agitación veloz y exprimido a velocidad extra alta. Si lo desea, puede reducir la velocidad de exprimido seleccionando la velocidad que desea del modificador Velocidad de exprimido (SPIN SPEED).

El ciclo de Enjuague/Exprimido (Rinse/Spin) es útil para

- Cargas que necesitan únicamente enjuague.
- Agregar suavizante de telas a una carga utilizando el depósito del suavizante de telas.

Escurredo/Exprimido (Drain/Spin)

Use este ciclo para vaciar el agua de la lavadora o para escurrir y exprimir la ropa. La velocidad de exprimido ha sido prefijada en extra alta. Si lo desea, puede reducir la velocidad de exprimido seleccionando la velocidad que desea del modificador SPIN SPEED.

NOTA: Las cargas de telas sintéticas, fibras delicadas, de lavado a mano y de lana se deben escurrir sin exprimir o con un exprimido a baja velocidad para evitar deformaciones de las telas.

Sonidos normales

Como ocurre con cualquier producto nuevo, usted escuchará sonidos a los cuales no está acostumbrado. Podrá oír varios sonidos al trabar o destrabar la puerta, y durante el proceso de lavado, enjuague y exprimido. Durante los intervalos entre las etapas de lavado, habrá pausas momentáneas. Usted escuchará el rociado y chapoteo del agua durante los ciclos de lavado y enjuague. Estos nuevos sonidos y pausas son parte del funcionamiento normal de la lavadora. (Vea "Solución de problemas".)

Opciones

Usted puede personalizar su lavado al agregar Opciones (OPTIONS) a sus selecciones de ciclo. Puede agregar o cambiar una opción después del inicio del ciclo en cualquier momento antes de que comience la opción seleccionada. No todas las opciones están disponibles con todos los ciclos.

OPTIONS



PREWASH



STAIN TREAT



AUTO SOAK



2ND RINSE



EXTENDED SPIN

- Vea la sección "Guía para el lavado" para obtener un cuadro global de las opciones posibles en cada selección de ciclo de lavado.
- Usted puede seleccionar más de una opción por ciclo. Algunas opciones no se pueden añadir a ciertos ciclos. Por ejemplo, Tratamiento de manchas (Stain Treat) no puede añadirse al ciclo Lavado expreso (Express Wash).
- Si una determinada opción está disponible en el ciclo seleccionado, la luz de esa opción se iluminará al ser seleccionada.
- Si una determinada opción no está disponible en el ciclo seleccionado, se escuchará una señal audible corta y la luz para esa opción no se iluminará al ser seleccionada.

Prelavado (Prewash)

Use esta opción para cargas de artículos con suciedad pesada que necesitan tratamiento previo. Esta opción añade al ciclo de lavado principal un período de 15 minutos de prelavado y escurrido.

- Agregue el detergente en los compartimientos de Prelavado (Prewash) y Lavado principal (Main Wash) de la gaveta de depósito.
- Siempre que emplee Prelavado, no use detergente líquido en el compartimiento de Lavado principal. Utilice detergente en polvo para el ciclo de lavado principal.

NOTA: Las opciones de Prelavado y Remojo automático no se pueden seleccionar en el mismo ciclo (vea "Uso del depósito").

Tratamiento de manchas (Stain Treat)

Use esta opción para cargas con suciedad profunda que necesiten un tratamiento especial de manchas. Al seleccionar Stain Treat, la temperatura del agua del ciclo de lavado seleccionado se fija automáticamente en tibia. Luego el agua se calentará hasta alcanzar el nivel de agua caliente para ayudar a eliminar las manchas. Esta opción proporcionará la eliminación óptima de manchas orgánicas como la sangre.

NOTA: Si se selecciona Stain Treat con el ciclo sanitario (Sanitary), el agua alcanzará una temperatura muy caliente.

Remojo automático (Auto Soak)

Use la opción Auto Soak para cargas de algodón, lino, poliéster o náilon con suciedad profunda y manchas rebeldes. Durante el remojo automático, el agua ingresará al tambor y la ropa se distribuirá uniformemente mediante una fase de agitación breve. Subsecuentemente la ropa se remojará por etapas sin movimiento del tambor. Después del remojo, la lavadora se escurre sin exprimir.

Añadido al ciclo de lavado: Un tiempo de 30 minutos de remojo se añade al ciclo de lavado principal para mejorar la eliminación de manchas rebeldes.

1. Agregue el detergente en los compartimientos de Prelavado y Lavado principal de la gaveta de depósito.

NOTA: Las opciones de prelavado y remojo automático no se pueden seleccionar en el mismo ciclo. Use detergente en polvo para el ciclo de lavado principal porque el detergente líquido se filtrará en la lavadora durante el remojo automático.

2. Seleccione un ciclo de lavado (Wash Cycle).
3. Seleccione Remojo automático (AUTO SOAK).
NOTA: Para ciclos con temperaturas de lavado calientes, la temperatura de remojo se fijará en tibia; de lo contrario, la temperatura de remojo será la misma que la temperatura de lavado.
4. Seleccione y sostenga Puesta en marcha START (durante un segundo aproximadamente). Después del remojo, la lavadora escurre y comienza el ciclo de lavado.

Sin un ciclo de lavado: Proporciona un tiempo de remojo con agua tibia o fría seguido por el escurrido.

1. Agregue detergente sólo en el compartimiento de Prelavado de la gaveta de depósito.
2. Seleccione primero Escurrido/ Exprimido (DRAIN/SPIN) o Enjuague/ Exprimido (RINSE/SPIN), luego Remojo automático (AUTO SOAK).
3. Elija la temperatura de remojo deseada.
4. Seleccione y sostenga START (durante un segundo aproximadamente).

2do. Enjuague (2nd Rinse)

Se puede utilizar un segundo enjuague para asegurar la eliminación de residuos del detergente o del blanqueador que haya quedado en las prendas. Esta opción proporciona un enjuague adicional con la misma temperatura del agua del primer enjuague.

Exprimido prolongado (Extended Spin)

Use esta opción para añadir un exprimido adicional a cualquier ciclo para mejorar los tiempos de secado para algunas telas pesadas o prendas de cuidado especial, reduciendo el exceso de agua, lo cual puede ahorrar energía.

Modificadores

Los ajustes prefijados de los ciclos Temperatura del agua (Water Temperature), Lavado/Enjuague (Wash/Rinse) y Velocidad de exprimido (Spin Speed) pueden modificarse. Usted puede cambiar el modificador después del inicio del ciclo en cualquier momento antes de que comience el modificador seleccionado. No todos los modificadores estarán disponibles con todos los ciclos y opciones.

MODIFIERS

AUTO TEMP CONTROL

● EXTRA HOT / COLD ● EXTRA HIGH

● HOT / COLD ● HIGH

● WARM / WARM ● MEDIUM

● WARM / COLD ● LOW ● HIGH

● COLD / COLD ● EXTRA LOW ● LOW

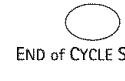
● TAP COLD / COLD ● NO SPIN ● OFF



WATER TEMP
WASH / RINSE



SPIN SPEED



END of CYCLE SIGNAL

- Para cambiar la temperatura del agua, seleccione el botón temperatura del agua (WATER TEMP) hasta que el ajuste deseado se ilumine.
- Para cambiar la velocidad de exprimido, seleccione el botón de velocidad de exprimido (SPIN SPEED) hasta que el ajuste deseado se ilumine.

- HEAVY
- NORMAL
- LIGHT



SOIL LEVEL

- Para cambiar el tiempo del ciclo, seleccione el botón de nivel de suciedad (SOIL LEVEL).
- Para cambiar el volumen de la señal de Fin de ciclo, seleccione END of CYCLE SIGNAL.

Temperatura de Lavado/Enjuague

Seleccione una temperatura de agua basada en el tipo de carga que esté lavando. Use el agua más caliente que la tela pueda resistir. Siga las instrucciones de la etiqueta de las prendas.

Los enjuagues con agua tibia dejan las cargas más secas que los enjuagues con agua fría. Los enjuagues con agua tibia aumentan la formación de arrugas. En climas fríos, el enjuague tibio hace que la ropa sea más cómoda para manejar. Los enjuagues con agua fría ahorran energía.

Guía de la temperatura

Temperatura del agua de lavado	Telas sugeridas
Extra caliente (EXTRA HOT) 153°F (67°C)	Telas resistentes que no se decoloran Suciedad profunda
Caliente (HOT*) 140° F (60° C)	Ropa blancas y de color pastel Suciedad profunda
Tibia (WARM) 104° F (40° C)	Colores vivos Suciedad entre moderada y ligera
Fría (COLD) 77° F (25°C)	Colores que destiñen o se opacan Suciedad ligera

En temperaturas de agua inferiores a 70°F (21°C), los detergentes no se disuelven bien. Además puede resultar difícil quitar la suciedad.

* Cuando use la opción Tratamiento de manchas (Stain Treat), el agua se calienta gradualmente para ayudar a la eliminación de manchas orgánicas como la sangre.

Control automático de la temperatura (Auto Temp Control)

El CAT - Control automático de la temperatura (Auto Temp Control) detecta y mantiene electrónicamente una temperatura de agua uniforme. El CAT regula el agua fría y caliente que ingresa. El CAT se enciende automáticamente ("ON") al seleccionar un ciclo. (Vea "Ajustes prefijados de ciclos" en la sección "Ciclos").

- El CAT asegura una limpieza homogénea.
- El CAT funciona en la temperatura de lavado con los ajustes Extra caliente/Frío (Extra Hot/Cold), Caliente/Frío (Hot/Cold), Tibia/Tibia (Warm/Warm), Tibia/Frío (Warm/Cold) y Frío/Frío (Cold/Cold).

- Las temperaturas de los enjuagues fríos dependen de la temperatura del agua fría de su grifo.
- Para el ajuste del grifo Frío/Frío (Tap Cold/Cold), tanto la temperatura del lavado como del enjuague depende de la temperatura del agua fría de su grifo.
- El CAT funciona con la temperatura de enjuague con el ajuste Tibia/Tibia (Warm/Warm). El enjuague con temperatura fría depende del agua fría de su grifo.

Guía para el lavado

Consulte este cuadro para obtener sugerencias sobre tipos de cargas y sus ciclos correspondientes. A la derecha se detallan las opciones disponibles para cada uno de estos ciclos de lavado.

CICLO	TIPO DE CARGA SUGERIDA	OPCIONES DISPONIBLES				
		Prelavado*	Tratamiento de manchas	Remojo automático*	2º. enjuague	Exprimido prolongado
Sanitario (Sanitary)	Ropa interior, toallas, ropas de trabajo, pañales, etc. con suciedad profunda	✓	✓	✓	✓	✓
Blancos blanquísimos (Whitest Whites)	Telas blancas con suciedad profunda	✓	✓	✓	✓	✓
Lavado pesado (Heavy Duty)	Ropa interior, toallas, camisas, etc. de algodón con suciedad normal	✓	✓	✓	✓	✓
Normal/ Informal (Normal/ Casual)	Blusas, camisas, overoles, etc. de poliéster, náilon, algodón, lino o mezclas de algodón con suciedad entre ligera y normal	✓	✓	✓	✓	✓
Lavado expreso (Express Wash)	Overoles y ropa deportiva de algodón, poliéster, náilon y mezclas de algodón con suciedad entre ligera y normal			✓	✓	✓
Ropa delicada (Delicate)	Cortinas y ropa delicada, vestidos, faldas, camisas y blusas	✓		✓	✓	
Seda (Silk)	Ropas de seda, cuya etiqueta indica que se pueden lavar en la lavadora				✓	
Lana (Wool)	Ropa de lana con un acabado sin fieltro, cuya etiqueta indica que se pueden lavar en la lavadora				✓	
Lavado a mano ultra (Ultra Handwash)	Telas de seda, artículos muy finos etiquetados para "lavado a mano"				✓	

* No se puede seleccionar Prelavado (Prewash) y Remojo automático (Auto Soak) a la vez.

CONSEJOS DE LAVANDERÍA

Preparación de la ropa para lavar

Siga estas recomendaciones para ayudarle a prolongar la vida de sus prendas de vestir.

- Cierre los zípers, broches de presión y corchetes para evitar que enganchen otros artículos. Quite alfileres, hebillas y demás objetos duros para evitar que rayen el interior de la lavadora. Quite todo adorno y ornamento que no sea lavable.
- Vacíe los bolsillos y vuélvalos al revés.
- Doble los puños y limpie con un cepillo la pelusa y la suciedad.
- Vuelva al revés las prendas de tejido sintético para evitar que se llenen de pelusas.
- Ate los cordones y fajas de modo que no se enreden.
- Remiende lo que esté roto así como las costuras y dobladillos flojos.
- Trate las manchas y suciedades.
- Las prendas manchadas o mojadas deberán lavarse con prontitud para obtener mejores resultados.

Selección de la ropa

- Separe las prendas con suciedad rebelde de las que están ligeramente sucias, aún cuando éstas normalmente se lavarían juntas. Separe las prendas que sueltan pelusas (toallas, felpilla) de las que atraen pelusas (pana, fibras sintéticas y planchado permanente). Siempre que sea posible, vuelva al revés las prendas que sueltan pelusa.
- Separe los colores oscuros de los colores claros, los artículos no desteñibles de los que sí lo son.
- Separe por tipo de tela y estructura (prendas fuertes de algodón, tejidos de punto y prendas finas).

Cómo descargar

- Saque la ropa de la lavadora luego de que se haya completado el ciclo. Los objetos metálicos como cierres, broches a presión y hebillas pueden herrumbrarse si se dejan en la lavadora por un largo período de tiempo.

Cómo cargar

Sugerencias para cargar (tamaño máximo de cargas).

Ropa de trabajo pesada

4 pantalones de mezclilla	2 pantalones de deporte
4 pantalones de trabajo	2 camisetas de deporte
4 camisas de trabajo	

Toallas

10 toallas de baño	14 toallas faciales
10 toallas de mano	

Carga mixta

3 sábanas (1 king - 2½ plazas, 2 de 1 plaza)	9 camisetas
4 fundas	9 pantalones cortos
3 camisas	10 pañuelos de mano
3 blusas	

CUIDADO DE LA LAVADORA

Limpieza de su lavadora

Limpieza del exterior

Use un paño suave y húmedo o una esponja para limpiar cualquier derrame. De vez en cuando limpie el exterior de su lavadora para que se vea como nueva. Use un jabón suave y agua. No emplee productos abrasivos.

Limpieza del interior

Use un paño suave y húmedo o una esponja para limpiar de vez en cuando la puerta interior a fin de quitar todo residuo de detergente. Use jabón suave y agua. No use productos abrasivos.

Limpieza del sello de la puerta

Use un paño suave y húmedo cuando sea necesario. Revise de vez en cuando si hay algún objeto extraño en el pliegue del sello.

Limpieza de la gaveta de depósito

La gaveta de depósito es desmontable para facilitar la limpieza.

1. Destrahe la gaveta de depósito presionando la palanca de desenganche que está en el compartimiento de Prelavado. Vea "Uso del depósito." Quite la gaveta.
2. Quite los insertos (el sifón de los compartimientos del suavizante y del blanqueador y el separador).
3. Lave las piezas en el agua del grifo.
4. Vuelva a colocar los insertos y coloque nuevamente el depósito en la gaveta.

Mangueras de entrada del agua

Reemplace las mangueras de entrada del agua después de cinco años de uso para reducir el riesgo de fallas. Inspeccione periódicamente y cambie las mangueras si se hallan protuberancias, torceduras, cortes, desgaste o pérdidas de agua.

Cuando reemplace las mangueras de entrada del agua, anote la fecha de reposición.

Cuidado durante las vacaciones, el almacenamiento y la mudanza

Instale y guarde su lavadora donde no se congele. Debido a que queda algo de agua en las mangueras, la congelación de ésta puede dañar su lavadora. Si va a almacenar o mover su lavadora durante una temporada de invierno riguroso, acondiciónela para el invierno.

Falta de uso o cuidado durante las vacaciones:

Ponga a funcionar su lavadora únicamente cuando esté en casa. Si va a salir de vacaciones o no va a usar la lavadora durante un período prolongado, usted debe:

- Desenchufe la lavadora o desconecte el suministro de energía.
- Interrumpir el suministro de agua a la lavadora. Esto ayuda a evitar inundaciones accidentales (debido a aumentos en la presión del agua) en ausencia suya.
- Abra ligeramente la puerta para proporcionar ventilación.

Para acondicionar la lavadora para el invierno:

1. Vierta un cuarto (1 L) de anticongelante tipo R.V. en el tambor.
2. Ponga la lavadora a funcionar en el ciclo de Escurrido/Exprimido (DRAIN/SPIN).
3. Desenchufe la lavadora o desconecte el suministro de energía.
4. Cierre ambos grifos del agua.
5. Desconecte las mangueras de entrada del agua de los grifos y desagüe.

Para volver a usar la lavadora:

1. Deje correr agua por las tuberías.
2. Vuelva a conectar las mangueras de entrada del agua a los grifos.
3. Abra ambos grifos del agua.
4. Enchufe la lavadora o reconecte el suministro de energía.
5. Ponga a funcionar la lavadora durante el ciclo Normal/Informal (NORMAL/CASUAL) con $\frac{1}{4}$ de la cantidad recomendada de detergente para eliminar el anticongelante.

Para transportar la lavadora:

1. Si va a mover la lavadora durante una temporada de invierno riguroso, vierta un litro de anticongelante tipo R.V. en el tambor. Ponga la lavadora a funcionar en el ciclo Escurrido/Exprimido (DRAIN/SPIN).
2. Desenchufe la lavadora o desconecte el suministro de energía.
3. Desconecte la manguera de desagüe del sistema de desagüe y fíjela a los ganchos del panel posterior.
4. Cierre ambos grifos del agua.
5. Desconecte las mangueras de entrada del agua de los grifos, luego elimine el agua de las mangueras y fíjelas al panel posterior de la lavadora.
6. **IMPORTANTE:** Llame al servicio técnico. No vuelva a usar las tuercas de transporte. La lavadora debe ser transportada en la posición vertical.

Para volver a instalar la lavadora:

1. Siga las "Instrucciones de instalación" para ubicar, nivelar y conectar la lavadora.
2. Ponga la lavadora a funcionar en el ciclo Normal/Informal (NORMAL/CASUAL) con un $\frac{1}{4}$ de la cantidad normal recomendada de detergente para limpiar la lavadora y eliminar el anticongelante, de haberlo usado.

SOLUCIÓN DE PROBLEMAS

Pruebe primero las soluciones aquí sugeridas y posiblemente se evite el costo de una visita de servicio técnico...

La pantalla de la lavadora muestra mensajes codificados y emite señales audibles

- **"FH" (Problema de entrada del agua – no hay agua o el abastecimiento del agua es insuficiente)**
Seleccione Pausa/Anulado (PAUSE/CANCEL) dos veces para anular el ciclo. Desenchufe la lavadora o desconecte el suministro de energía.

Revise lo siguiente:

¿Están completamente abiertos los grifos del agua?

¿Están obstruidos los filtros en la conexión de la manguera de entrada con la lavadora?

¿Están retorcidas las mangueras de entrada del agua?

¿Se han congelado las mangueras de entrada del agua?

Enchufe la lavadora o reconecte el suministro de energía. Vuelva a seleccionar el ciclo y presione Puesta en marcha (START). Si el problema persiste, llame al servicio técnico.

- **"F02" (Problema de desagüe)**
Seleccione PAUSE/CANCEL dos veces para anular el ciclo. Desenchufe la lavadora o desconecte el suministro de energía.

Revise lo siguiente:

¿Está retorcida la manguera de desagüe?

¿Se ha congelado la manguera de desagüe?

¿Está obstruida la manguera de desagüe?

¿Está la manguera de desagüe a una altura mayor de 96 pulg. (2,4 m) del piso?

- **"SUD" (Rutina de espuma)**
Cuando el sistema detecta la presencia de exceso de espuma, la rutina de espuma comienza automáticamente. Esta rutina quita la espuma excedente y asegura el enjuague apropiado de sus prendas. "SUD" aparece en la pantalla durante el enjuague y al final del ciclo para informarle que la Rutina de espuma ha sido activada. Para evitar el exceso de espuma, reduzca la cantidad de detergente o utilice detergentes de alto rendimiento (HE).

- **Variables "F" [F4 a F16] (Problema eléctrico)**
Seleccione PAUSE/CANCEL dos veces para anular el ciclo. Seleccione Escurrido/Exprimido (DRAIN/SPIN) si hay exceso de agua en la lavadora.

Vuelva a seleccionar el ciclo y presione START. Si el problema persiste, llame al servicio técnico.

La lavadora no funciona

■ Revise lo siguiente:

¿Se ha enchufado el cable eléctrico en un contacto de tres terminales con conexión a tierra?

¿Se ha cerrado bien la puerta de la lavadora?

¿Se ha seleccionado un ciclo, pero no se ha seleccionado START sosteniéndolo durante un segundo?

¿Se ha abierto la puerta después de haberse terminado el ciclo anterior?

La lavadora no se llena, ni lava ni enjuaga

■ Revise lo siguiente:

¿Se ha enchufado el cable eléctrico en un contacto de tres terminales con conexión a tierra?

¿Hay corriente en el enchufe? Revise la fuente de electricidad o llame a un electricista.

¿Están abiertos los grifos del agua fría y del agua caliente?

¿Está retorcida la manguera de entrada del agua?

¿Están obstruidos los filtros de la válvula de entrada?

La lavadora se detiene

■ Revise lo siguiente:

¿Se ha enchufado el cable eléctrico en un contacto de tres terminales con conexión a tierra?

¿Hay corriente en el enchufe?

Revise la fuente de electricidad o llame a un electricista.

¿Se ha quemado algún fusible o se ha disparado el disyuntor?

Si el problema persiste, llame a un electricista.

¿Está usando un cable eléctrico de extensión?

No use cables eléctricos de extensión.

La lavadora no escurre ni exprime

■ ¿Se ha obstruido la manguera de desagüe, o el extremo de la manguera de desagüe está a una altura mayor de 96 pulg. (2,4 m) del piso?

■ ¿Está bajo el voltaje?

Revise la fuente de electricidad o llame a un electricista. No use un cable eléctrico de extensión.

■ ¿Se ha activado la rutina de espuma "SUD"?

El ciclo concluirá una vez que se haya eliminado el exceso de espuma.

■ ¿Está balanceada la carga?

Un solo artículo o uno que sea voluminoso puede causar desequilibrio. Agregue más artículos o redistribuya la carga.

La lavadora hace ruidos o vibra

■ ¿Está nivelada la lavadora?

La lavadora debe estar nivelada. Las cuatro patas deben instalarse correctamente, y las tuercas deben apretarse contra el gabinete de la lavadora.

Mientras se escurre el agua de la lavadora, usted podrá oír el aire que se succiona a través de la bomba. Esto ocurre durante la fase final del escurrido. Es normal.

■ ¿Está lavando artículos con broches metálicos a presión, hebillas o zípers?

Usted podrá escuchar el ruido producido por los artículos al tocar el tambor de la lavadora. Esto es normal.

■ ¿Se ha instalado la lavadora sobre un piso resistente y firme?

Consulte la sección "Instrucciones de instalación" para informarse respecto a los requisitos del piso. El ruido y la vibración pueden reducirse colocando un pedazo de madera laminada de ¾ de pulg. (19,1 mm) debajo de su lavadora. La madera laminada puede extenderse debajo de la lavadora y la secadora para mantenerlas a la misma altura.

Agua cerca de la lavadora

Revise las tuberías del agua de la casa para ver si hay fugas.

Los depósitos están obstruidos o hay fugas

■ ¿Se han colocado los productos de lavandería en el compartimiento apropiado del depósito?

Agregue las cantidades adecuadas de detergente, suavizante de telas o blanqueador líquido con cloro en los compartimientos apropiados. Agregue el blanqueador que no decolora o en polvo en el compartimiento del lavado principal.

■ ¿Está el separador de detergente en la posición correcta?

El separador deberá estar en la posición frontal cuando se utilice detergente líquido y en la posición posterior cuando se utilice detergente en polvo.

Ropa demasiado mojada

■ ¿Ha empleado el ciclo apropiado para la ropa que está lavando?

Seleccione un ciclo con una velocidad de exprimido más alta.

■ ¿Ha lavado un solo artículo, artículos voluminosos o ha sobrecargado la lavadora?

Un solo artículo, los artículos voluminosos, o la sobrecarga puede ocasionar el desequilibrio. Primero, trate de distribuir uniformemente la ropa mojada en el tambor, y ponga en marcha un ciclo de Escurrido/Exprimido (DRAIN/SPIN). Si la ropa continúa mojada, saque la mitad de la carga de la lavadora e inténtelo de nuevo.

Residuos o pelusas en la ropa

- **¿Ha agregado detergente en el depósito?**
Para obtener óptimos resultados, agregue detergente en el compartimiento del detergente. No agregue el detergente en el tambor de la lavadora.
- **¿Ha separado adecuadamente la ropa?**
Separe la ropa que suelta pelusa (toallas, felpilla) de la ropa que atrae pelusa (pana, fibras sintéticas). Sepárelas también por color.
- **¿Ha sobrecargado la lavadora?**
No sobrecargue la lavadora. La lavadora puede llenarse por completo, pero sin apretar la ropa. La carga debe estar equilibrada. La pelusa puede quedar atrapada en la carga si la lavadora está sobrecargada.
- **Revise lo siguiente:**
¿Ha dejado papel o tisú en los bolsillos?
- **¿Ha utilizado suficiente detergente?**
Siga las instrucciones del fabricante. Use suficiente detergente para mantener la pelusa en el agua.
- **¿Está la temperatura del agua debajo de 70°F (21°C)?**
Si la temperatura del agua es inferior a 70°F (21°C), es posible que el detergente no se disuelva por completo.
- **¿Está usando un ciclo de lavado de baja velocidad?**
Los detergentes en polvo quizás no se disuelvan bien en los ciclos de velocidad baja. Para obtener óptimos resultados, utilice detergente líquido para los ciclos de velocidad baja como Ropa delicada (Delicate), Seda (Silk), Lana (Wool) y Lavado a mano ultra (Ultra Handwash).

Manchas en la ropa

- **¿Ha agregado detergente en el depósito?**
Para obtener óptimos resultados, agregue detergente en el compartimiento del detergente. No agregue detergente en el tambor de la lavadora.
- **¿Ha usado suficiente detergente?**
Use suficiente detergente para quitar la suciedad y mantenerla en suspensión. Para lograr un óptimo rendimiento, use un detergente de alto rendimiento (HE). Siga las recomendaciones del fabricante para el tipo de ropa que está lavando.
- **¿Hay exceso de óxido de hierro (herrumbre) en el agua?**
Quizás tenga que instalar un filtro de hierro.
- **¿Ha separado adecuadamente la ropa?**
Separe las ropas de color oscuro de las de color blanco y claro.
- **¿Ha descargado la lavadora con prontitud?**
Para evitar la transferencia de tintes, descargue la lavadora tan pronto se detenga.
- **¿Ha usado una bola con suavizante de telas?**
Las bolas que distribuyen suavizante de telas no funcionan correctamente en esta lavadora. Agregue el suavizante líquido de telas en el compartimiento del suavizante de telas.
- **¿Ha usado detergente en polvo en un ciclo de baja velocidad?**
Considere el empleo de un detergente líquido.
- **¿Ha usado Lavado expreso (Express Wash) para una carga voluminosa?**
Para obtener óptimos resultados, use Express Wash para cargas pequeñas con suciedad ligera.

La ropa está arrugada

- **¿Ha descargado la lavadora con prontitud?**
Descargue la lavadora tan pronto se detenga.
- **¿Ha empleado el ciclo correcto para la carga que está lavando?**
Utilice el ciclo Ropa delicada (Delicate) u otro ciclo con velocidad baja de exprimido para reducir la formación de arrugas.
- **¿Ha sobrecargado la lavadora?**
La carga deberá estar equilibrada y sin sobrecarga. Las cargas deben moverse con libertad durante el lavado.

Blancos grisáceos, colores opacos

- **¿Ha separado adecuadamente la ropa?**
Al mezclar ropa blanca y de color en una carga puede ocurrir transferencia de tintes. Separe las ropas de color oscuro de las de color blanco y claro.
- **¿Estaba la temperatura de lavado demasiado baja?**
Lave con agua caliente o tibia que no dañe la ropa. Cerciórese de que el sistema de agua caliente sea el adecuado para proveer un lavado con agua caliente.
- **¿Ha usado suficiente detergente, o tiene un suministro de agua dura?**
Use más detergente para lavar ropa con suciedad profunda en agua fría o dura.

Ciclo demasiado prolongado

- **¿Ha elegido el ciclo sanitario (Sanitary) o la opción Tratamiento de manchas (Stain Treat)?**
En ambos casos el calentador se activará para proporcionar un máximo rendimiento de limpieza. Se añadirá tiempo adicional al ciclo regular para calentar el agua. Este tiempo adicional dependerá del tamaño de la carga y la temperatura del agua caliente que ingresa.
- **¿Aparece en la pantalla “SUD”?**
Se ha detectado excesiva espuma y la rutina de espuma ha sido activada para eliminar el exceso. Esta rutina añadirá tiempo adicional al ciclo original.
- **¿Ha sido la carga lo que causa un desequilibrio?**
Cuando hay demasiado desequilibrio, una rutina de desequilibrio comenzará a redistribuir la carga. Esta rutina añadirá tiempo adicional al ciclo original.

La puerta está trabada al final del ciclo de lavado

- **¿Se ha escurrido toda el agua de la lavadora durante el período de exprimido?**
Seleccione Escurrido/Exprimido (DRAIN/SPIN) para eliminar toda el agua que haya quedado en la lavadora. La puerta de la lavadora se destrabará al término del escurrido.

TABLE DES MATIÈRES

CONTRATS DE PROTECTION	44
Aux États-Unis	44
Au Canada	45
GARANTIE	45
GARANTIE DE L'OPTION DE SUPPORT	46
SÉCURITÉ DE LA LAVEUSE	47
EXIGENCES D'INSTALLATION	48
Outils et pièces	48
Pièces alternatives	48
Options	48
Exigences d'emplacement	48
Système de vidange	50
Spécifications électriques	50
INSTRUCTIONS D'INSTALLATION	51
Enlèvement du système de transport	51
Raccordement des tuyaux d'alimentation	52
Acheminement du tuyau de vidange	52
Immobilisation du tuyau de vidange	52
Réglage de l'aplomb de la laveuse	53
Achever l'installation	53
CARACTÉRISTIQUES ET AVANTAGES	54
UTILISATION DE LA LAVEUSE	55
Mise en marche de la laveuse	55
Utilisation du distributeur	56
Pause ou remise en marche	57
Changement de programmes, options et modificateurs	57
Témoins lumineux	58
Programmes	58
Sons normaux	60
Options	60
Modificateurs	61
Guide de lessivage	62
CONSEILS DE LESSIVAGE	63
Chargement	63
ENTRETIEN DE LA LAVEUSE	64
Nettoyage de la laveuse	64
Tuyaux d'alimentation de la laveuse	64
Préparation avant des vacances, un entreposage ou un déménagement	64
DÉPANNAGE	65
NUMÉROS DE SERVICE	COUVERTURE ARRIÈRE

CONTRATS DE PROTECTION

Aux États-Unis

Contrats principaux de protection

Nous vous félicitons d'avoir fait un achat judicieux. Votre nouvel appareil Kenmore® est conçu et fabriqué pour vous procurer des années de fonctionnement fiable. Mais comme pour tous les produits, il pourra à l'occasion nécessiter un entretien préventif ou une réparation. Le cas échéant, un Contrat principal de protection peut vous épargner de l'argent et des soucis.

Achetez dès maintenant un Contrat principal de protection et protégez-vous contre les dépenses et ennuis inattendus.

Le Contrat principal de protection contribue aussi à prolonger la vie utile de votre nouvel appareil ménager. Voici ce qui est inclus dans le contrat :

- ✓ **Service expert** par nos 12 000 réparateurs professionnels
- ✓ **Service illimité et sans frais** pour les pièces et la main-d'œuvre pour toutes les réparations couvertes
- ✓ **Garantie "Anti-citron"** - remplacement de votre produit couvert si quatre pannes ou plus se produisent en deçà de douze mois
- ✓ **Remplacement du produit** si votre produit couvert ne peut être réparé
- ✓ **Vérification annuelle d'entretien préventif** sur demande - sans frais supplémentaires
- ✓ **Aide rapide au téléphone** - assistance téléphonique fournie par un technicien de Sears pour les produits réparables à domicile, plus un horaire de réparation commode
- ✓ **Protection contre les sautes de puissance** pour prévenir les dommages attribuables aux fluctuations de courant
- ✓ **Remboursement de location** si la réparation prend plus de temps que promis

Dès que vous achetez le Contrat, il suffit d'un appel téléphonique pour obtenir un rendez-vous de service. Vous pouvez appeler en tout temps jour et nuit ou prendre un rendez-vous de service en direct.

Sears compte plus de 12 000 réparateurs professionnels qui ont accès à plus de 4,5 millions de pièces et accessoires de qualité. C'est le genre de professionnalisme sur lequel vous pouvez compter pour aider à prolonger la vie de votre nouvel achat pendant des années. Achetez votre Contrat principal de protection aujourd'hui même!

Certaines limitations et exclusions s'appliquent. Pour des prix et renseignements supplémentaires, composer le 1-800-827-6655.

Service d'installation Sears

Pour l'installation professionnelle par Sears d'appareils ménagers, d'ouvre-portes de garage, de chauffe-eau et d'autres articles importants de la maison, aux É.-U. composer le **1-800-4-MY-HOME®**.

Au Canada

Contrats d'entretien

Votre achat a plus de valeur parce que vous pouvez compter sur Sears HomeCentral® pour le service. Avec plus de 2400 spécialistes formés et l'accès à plus de 900 000 pièces et accessoires, nous avons les outils et les pièces ainsi que les connaissances et compétences pour remplir cette promesse que nous vous faisons : Nous assurons le service de nos produits.

Votre appareil Kenmore® est conçu, fabriqué et vérifié pour qu'il puisse vous fournir de nombreuses années de service en toute confiance. Cependant, tout appareil ménager peut nécessiter des interventions de service de temps à autre. Le contrat d'entretien Sears vous offre un programme de service remarquable à un prix abordable.

Le contrat d'entretien Sears

- Garantit les prix d'aujourd'hui pour les services que vous utiliserez plus tard.
- Élimine les factures pour les réparations imputables à l'usure normale.
- Couvre les appels de service pour une aide non technique et pratique.
- Comprend une inspection annuelle d'entretien préventif (sur votre demande) pour maintenir votre appareil en bon état de fonctionnement.

Certaines limitations s'appliquent. Pour des renseignements concernant les contrats d'entretien de Sears HomeCentral®, composer le 1-800-361-6665.

GARANTIE DE LA LAVEUSE KENMORE ELITE®

Garantie limitée à vie sur le tambour en acier inoxydable

Pour la durée de vie de la laveuse à partir de la date d'achat, Sears remplacera le tambour de lavage en acier inoxydable par suite de vice de matériau ou de fabrication. Les coûts de main-d'oeuvre vous seront imputés après la première année.

Garantie limitée de 10 ans sur la cuve de plastique*

À partir de la deuxième jusqu'à la dixième année inclusivement à compter de la date d'achat, Sears remplacera la cuve de plastique s'il existe un vice de matériau ou de fabrication. Après un an, les frais de main-d'oeuvre vous seront facturés.

Garantie limitée de 5 ans sur les composants de la boîte d'engrenages*

À partir de la deuxième jusqu'à la cinquième année inclusivement à compter de la date d'achat, Sears remplacera toute pièce de la boîte d'engrenages qui s'avèrera défectueuse à cause d'un vice de matériau ou de fabrication. Après un an, les frais de main-d'oeuvre vous seront facturés.

Garantie limitée de 2 ans sur le tableau de commande SENSOR SMART™

Pour une période de deux ans à compter de la date d'achat, Sears remplacera le tableau de commande SENSOR SMART™ s'il comporte un vice de matériau ou de fabrication. Les frais de main-d'oeuvre vous seront facturés après la première année.

Garantie complète de 1 an sur les composants mécaniques et électriques

Pendant un an, à compter de la date d'achat, si la laveuse est installée et utilisée conformément aux instructions qui l'accompagnent, Sears réparera ou remplacera tout composant mécanique ou électrique qui s'avèrera défectueux à cause d'un vice de matériau ou de main-d'oeuvre.

Le service doit être fourni par un service d'entretien Sears aux États-Unis ou au Canada ou par un agent autorisé.

Restriction des garanties

Si la laveuse est utilisée autrement que dans une utilisation familiale, la garantie ci-dessus ne demeure en vigueur que pendant 90 jours à compter de la date d'achat.

Les frais de déplacement ou de transport pour les clients qui habitent dans des régions éloignées ne sont pas couverts par cette garantie.

Service sous garantie

Pour obtenir le service sous garantie, contacter le Centre de service Sears le plus proche aux États-Unis ou au Canada. La présente garantie n'est valide que pendant que cette laveuse est utilisée aux États-Unis ou au Canada.

Cette garantie vous donne des droits juridiques spécifiques et vous pourriez avoir d'autres droits qui pourraient varier d'un État à un autre ou d'une province à une autre.

Pour obtenir des informations sur la garantie Sears ou pour contacter un Centre de service Sears, veuillez consulter les numéros de service indiqués au dos de la couverture de ce manuel.

**Sears, Roebuck and Co.,
D/817WA,
Hoffman Estates, IL 60179**

**Sears Canada Inc.,
Toronto, Ontario,
Canada M5B 2B8**

*Une garantie différente peut être offerte au Canada.

Enregistrement du produit

Dans l'espace ci-dessous, inscrire vos numéros de modèle et de série complets et la date d'achat. Vous trouverez ces numéros sur la plaque signalétique tel qu'indiqué.

Ayez ces renseignements à la portée de la main pour obtenir une assistance ou un service rapide lorsque vous contactez Sears à propos de votre appareil ménager.

Numéro de modèle 110. _____

Numéro de série _____

Date d'achat _____

Conservez ces instructions et le reçu de vente pour référence ultérieure.

GARANTIE DE L'OPTION DE SUPPORT

Garantie de un an sur les pièces mécaniques

Pendant une année à partir de la date d'achat, le fournisseur réparera ou remplacera toute pièce mécanique qui devient défectueuse à cause d'un vice de matériau ou de main-d'œuvre. Ce support doit être installé avec cette laveuse conformément aux instructions fournies dans le guide d'installation du support.

Restriction de la garantie

Si le support est soumis à tout autre usage que pour l'usage privé d'une famille et/ou si le support est utilisé avec tout autre produit que ceux qui sont indiqués dans les instructions d'installation, la garantie ci-dessus est nulle et sans valeur.

Enregistrement du produit

Dans l'espace ci-dessous, inscrivez le numéro de modèle, le numéro de série et la date d'achat au complet. Vous pouvez trouver ces renseignements sur l'étiquette des numéros de modèle et de série.

Garder ces renseignements disponibles pour vous aider à obtenir rapidement une assistance ou un service lorsque vous contactez Sears au sujet de votre laveuse.

Numéro de modèle 110. _____

Numéro de série _____

Date d'achat _____

Conservez ces instructions et votre reçu de vente pour référence future.

SÉCURITÉ DE LA LAVEUSE

Votre sécurité et celle des autres est très importante.

Nous donnons de nombreux messages de sécurité importants dans ce manuel et sur votre appareil ménager. Assurez-vous de toujours lire tous les messages de sécurité et de vous y conformer.



Voici le symbole d'alerte de sécurité.

Ce symbole d'alerte de sécurité vous signale les dangers potentiels de décès et de blessures graves à vous et à d'autres.

Tous les messages de sécurité suivront le symbole d'alerte de sécurité et le mot "DANGER" ou "AVERTISSEMENT". Ces mots signifient :

⚠ DANGER

Risque possible de décès ou de blessure grave si vous ne suivez pas immédiatement les instructions.

⚠ AVERTISSEMENT

Risque possible de décès ou de blessure grave si vous ne suivez pas les instructions.

Tous les messages de sécurité vous diront quel est le danger potentiel et vous disent comment réduire le risque de blessure et ce qui peut se produire en cas de non-respect des instructions.

IMPORTANTES INSTRUCTIONS DE SÉCURITÉ

AVERTISSEMENT : Pour réduire les risques d'incendie, de choc électrique ou de blessures lors de l'utilisation de la laveuse, suivre les précautions fondamentales dont les suivantes :

- Lire toutes les instructions avant d'utiliser la laveuse.
- Ne pas laver des articles qui ont été nettoyés ou lavés avec de l'essence ou imbibés d'essence, solvants de nettoyage à sec, ou autres substances inflammables ou explosives; ces substances peuvent émettre des vapeurs susceptibles de s'enflammer ou d'exploser.
- Ne pas ajouter d'essence, solvant de nettoyage à sec ou autre produit inflammable ou explosif dans l'eau de lavage. Ces substances peuvent émettre des vapeurs susceptibles de s'enflammer ou d'exploser.
- Dans certaines conditions, de l'hydrogène gazeux peut se former dans un circuit d'eau chaude qui n'a pas été utilisé pendant 2 semaines ou plus. **LE GAZ HYDROGÈNE EST EXPLOSIBLE.** Si le circuit d'eau chaude n'a pas été utilisé pendant une telle période, avant d'utiliser la laveuse, ouvrir tous les robinets d'eau chaude et laisser l'eau s'écouler pendant plusieurs minutes par chaque robinet. Ceci permettra l'évacuation de l'hydrogène gazeux accumulé. Comme ce gaz est inflammable, ne pas fumer ou utiliser une flamme nue au cours de cette période.
- Ne pas laisser des enfants jouer sur ou à l'intérieur de la laveuse. Bien surveiller les enfants lorsque la laveuse est utilisée à proximité d'enfants.
- Avant de mettre la laveuse au rebut ou hors de service, enlever la porte ou le couvercle.
- Ne pas tenter d'atteindre un article à l'intérieur de la cuve de la laveuse lorsque le tambour, la cuve ou l'agitateur est en mouvement.
- Ne pas installer ou remiser cette laveuse à un endroit où elle serait exposée aux intempéries.
- Ne pas modifier les organes de commande.
- Ne pas réparer ou remplacer un composant quelconque de la laveuse, ni entreprendre une opération de service, si ce n'est spécifiquement recommandé dans ce manuel ou dans un manuel d'instructions de réparations destiné à l'utilisateur; il est alors essentiel que la personne concernée comprenne ces instructions et soit compétente pour les exécuter.
- Voir "Spécifications électriques" pour les instructions de liaison à la terre.

CONSERVEZ CES INSTRUCTIONS

EXIGENCES D'INSTALLATION

Outils et pièces

Assembler les outils et les fournitures nécessaires avant de commencer l'installation de la laveuse. Les pièces fournies se trouvent dans le tambour de la laveuse.

Outils nécessaires pour raccorder les tuyaux d'arrivée d'eau

- Pincettes (ouverture jusqu'à 1 1/8 po [39,5 mm])
- Lampe de poche (facultative)

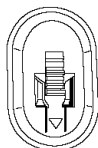
Outils nécessaires pour l'installation

- Clé plate de 17 mm et de 13 mm
- Niveau
- Bloc de bois (2 po x 4 po) (5,8 x 10,2 cm)
- Mètre ou ruban à mesurer

Pièces fournies :



Courroie perlée



Bouchon du trou du boulon de transport (4)

Pièces alternatives

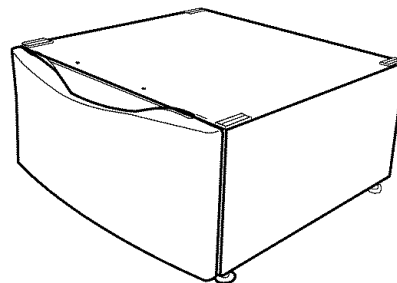
Les pièces indiquées sont disponibles à votre magasin Sears local ou du centre de service Sears. Pour obtenir plus de renseignements, veuillez composer le **1-800-4-MY-HOME® (1-800-469-4663)**.

Si vous avez	Il faudra acheter
Évier de buanderie ou tuyau de rejet à l'égout plus haut que 96 po (2,4 m)	Système de pompe de puisard (si non déjà disponible)
Égout surélevé	Évier de vidange standard de 20 gal (76 L) et de 30 po (76,2 cm) de hauteur ou évier utilitaire et pompe de puisard (disponibles de votre fournisseur local d'articles de plomberie)
Vidange au plancher	Brise-siphon, pièce n° 285834; tuyau de vidange additionnel pièce n° 8318155; et trousse de connexion, pièce n° 285835
Tuyau de vidange trop court	Trousse de rallonge de tuyau d'écoulement de 4 pi, pièce n° 285863
Robinets d'eau éloignés du tuyau d'entrée d'eau	2 tuyaux plus longs de remplissage d'eau : 6 pi (1,8 m) pièce n° 76314, 10 pi (3,0 m) pièce n° 350008

Options

Support

Un support peut être acheté séparément pour cette laveuse. Ce support ajoutera environ 13 po (33 cm) à la hauteur de votre appareil, pour une hauteur verticale totale d'environ 51 po (130 cm).



Optional Pedestal

Ce support (avec tiroir de rangement) est disponible en trois couleurs :

Blanc – pièce numéro 42842

Bisque – pièce numéro 42844

Graphite – pièce numéro 42846

Pour commander, appeler le magasin Sears local. Pour plus d'informations, veuillez composer le **1-800-4-MY-HOME® (1-800-469-4663)**.

Ensemble de superposition

Prévoyez-vous superposer votre laveuse et votre sècheuse Kenmore He3t? Pour ce faire, vous trouverez l'ensemble de superposition (8541503) dans le tambour de la sècheuse Kenmore correspondante. Suivre les instructions incluses avec cet ensemble.

Exigences d'emplacement

Le choix d'un emplacement approprié pour la laveuse en améliore le rendement et réduit au minimum le bruit et le "déplacement" possible de la laveuse.

La laveuse peut être installée dans un sous-sol, une salle de buanderie, un placard, un encastrement ou sur mesure sous un comptoir. (Voir "Système de vidange").

Les exigences d'un emplacement pour les appareils connexes doivent être également considérées. Il vous incombe d'assurer une installation appropriée.

Il vous faudra

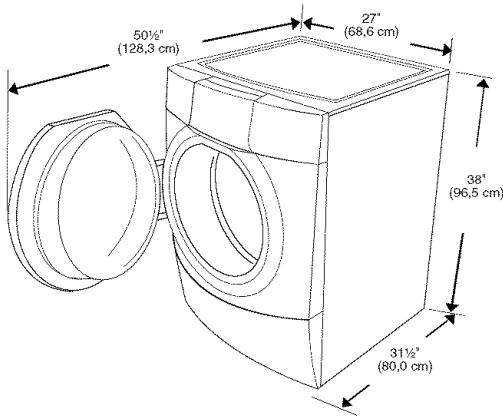
- Un chauffe-eau pour fournir de l'eau à 120°F (49°C) à la laveuse.
- Une prise électrique reliée à la terre située à moins de 5 pi (1,5 m) de la prise du cordon électrique se trouvant à l'arrière de la laveuse. (Voir "Spécifications électriques").
- Des robinets d'eau chaude et d'eau froide situés à moins de 4 pi (1,2 m) des robinets de remplissage d'eau chaude et d'eau froide, et une pression d'eau de 20-100 lb/po² (137,9-689,6 kPa).
- Un plancher à niveau ayant une pente maximale de 1 po (2,5 cm) sous toute la laveuse. L'installation de la laveuse sur du tapis n'est pas recommandée.
- Un plancher robuste et solide pour supporter la laveuse dont le poids total (eau et charge) est de 400 lb (180 kg).

Ne pas faire fonctionner la laveuse à des températures au-dessous de 32°F (0°C). Une quantité d'eau peut demeurer dans la laveuse et causer des dommages à des températures basses.

E spacements d'installation

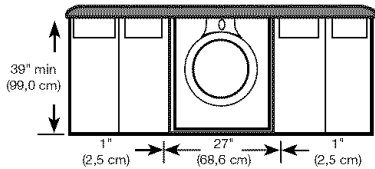
- L'emplacement doit être assez grand pour permettre d'ouvrir complètement la porte de la laveuse.
- On doit prévoir un peu plus d'espace pour faciliter l'installation et l'entretien.
- Un espace supplémentaire peut être requis pour les moulures de porte et de murs ainsi que pour les plinthes.
- Un espace supplémentaire de 1 po (2,5 cm) de tous les côtés de la laveuse est recommandé pour réduire le transfert du bruit.
- Il faut aussi tenir compte de l'espace requis pour des appareils connexes.

Dimensions de la laveuse



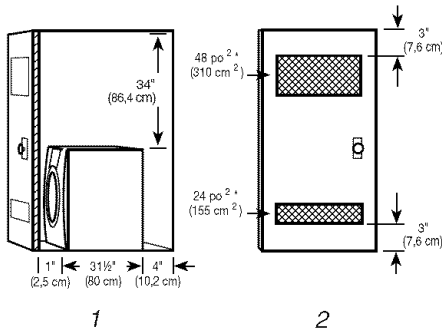
E spacement recommandé pour une installation personnalisée sous un comptoir

Les dimensions indiquées sont pour l'espace recommandé.
Installation personnalisée sous un comptoir - laveuse seulement



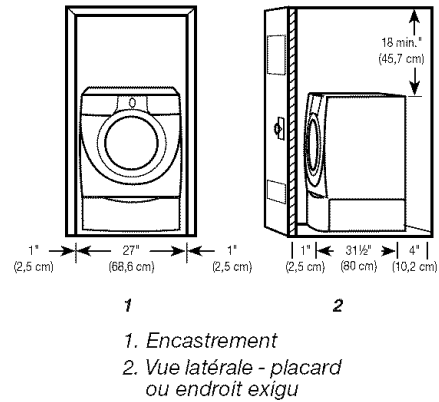
E spacement recommandé pour une installation dans un encastrement ou dans un placard, avec ou sans piédestal

Les dimensions indiquées sont pour l'espace recommandé.
Installation dans un encastrement ou placard



1. Vue latérale - placard ou endroit exigü
2. Porte de placard avec orifices d'entrée d'air

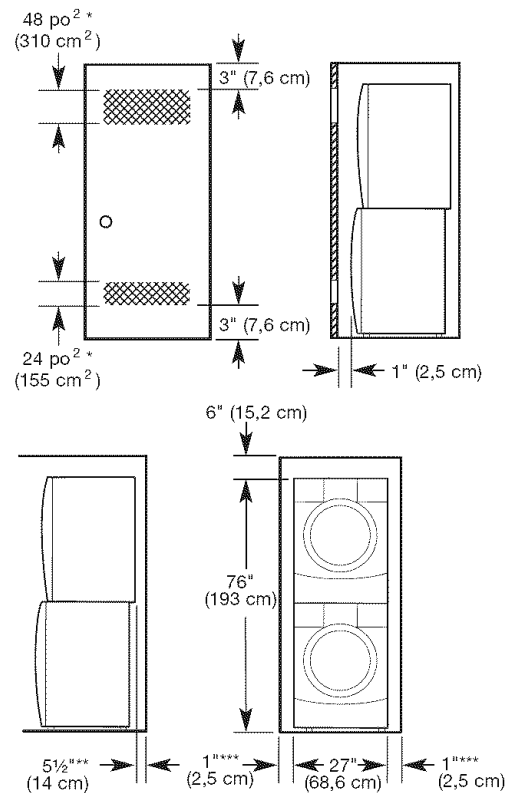
Installation dans un encastrement ou placard - laveuse sur piédestal



1. Encastrement
2. Vue latérale - placard ou endroit exigü

E spacement d'installation recommandé pour installation dans un encastrement ou placard, avec une laveuse et une sécheuse superposées

Les dimensions indiquées sont pour l'espace recommandé.



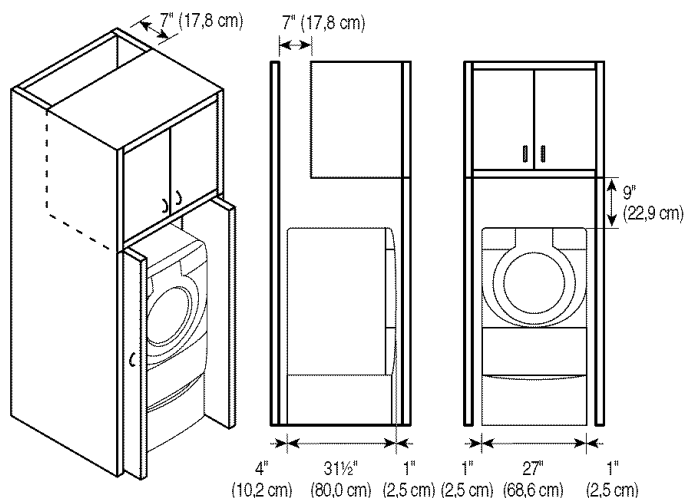
*Orifices d'entrée d'air min. supérieurs et inférieurs pour porte de placard.

**Espace supplémentaire nécessaire pour coude d'évacuation externe.

***Un espace supplémentaire peut être nécessaire pour les moulures de mur, de porte et les plinthes.

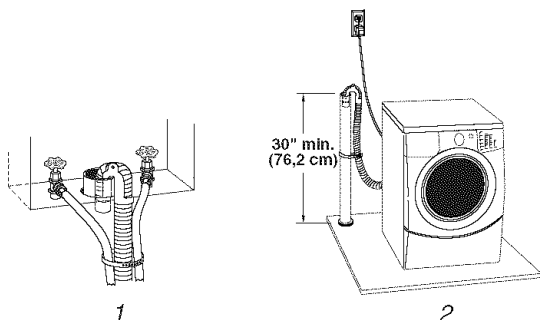
Espacement recommandé pour l'installation de la caisse

- Les dimensions indiquées sont pour l'espace recommandé.
- Pour l'installation de la caisse avec porte, on doit prévoir des ouvertures minimum d'entrée d'air au sommet de la caisse.



Système de vidange

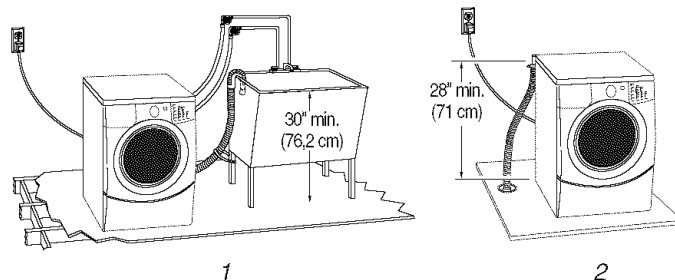
La laveuse peut être installée en utilisant le système de rejet à l'égout (au plancher ou mural), le système de vidange de l'évier ou le système de vidange au plancher. Sélectionner la méthode d'installation du tuyau de vidange selon les besoins. (Voir "Autres pièces").



Système de rejet à l'égout - mural ou au plancher (Vues 1 et 2)

Le système de rejet à l'égout nécessite un tuyau de diamètre minimum de 2 po (5 cm). La capacité minimale d'acheminement ne doit pas être de moins de 17 gal (64 L) par minute.

Le sommet du tuyau de vidange doit être d'au moins 30 po (76,2 cm) de haut et au maximum à 96 po (2,4 m) de la base de la laveuse.



Système de vidange de l'évier de buanderie (Vue 1)

L'évier de buanderie doit avoir une capacité minimale de 20 gal (76 L). Le sommet de l'évier doit être à au moins 30 po (76,2 cm) au-dessus du plancher.

Système de vidange au plancher (Vue 2)

Le système de vidange au plancher exige un brise-siphon qui peut être acheté séparément. (Voir "Autres pièces").

Le brise-siphon doit être à un minimum de 28 po (71 cm) de la base de la laveuse. D'autres tuyaux peuvent être requis.

Spécifications électriques

⚠ AVERTISSEMENT



Risque de choc électrique

Brancher sur une prise à 3 alvéoles reliée à la terre.

Ne pas enlever la broche de liaison à la terre.

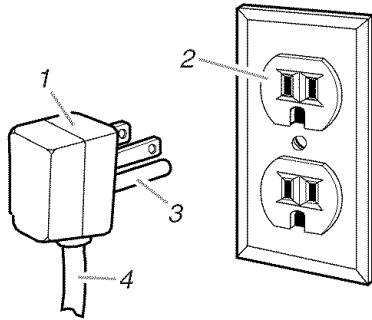
Ne pas utiliser un adaptateur.

Ne pas utiliser un câble de rallonge.

Le non-respect de ces instructions peut causer un décès, un incendie ou un choc électrique.

- Une alimentation électrique de 120 volts, 60-Hz, CA seulement, de 15 ou 20 ampères, protégée par un fusible est requise. Un fusible temporisé ou disjoncteur est recommandé. Il est recommandé d'utiliser un circuit distinct pour alimenter seulement cet appareil.
- Cette laveuse est dotée d'un cordon d'alimentation avec fiche de branchement à 3 trois broches pour liaison à la terre.
- Pour minimiser le risque de choc électrique, le cordon doit être branché sur une prise de courant de configuration correspondante (3 alvéoles) reliée à la terre, conformément aux codes et règlements locaux. Si une prise de configuration correspondante n'est pas disponible, c'est au client qu'incombe la responsabilité et l'obligation personnelle de faire installer par un électricien qualifié une prise convenablement mise à la terre.
- Si les codes le permettent et si un conducteur distinct de mise à la terre est utilisé, il est recommandé qu'un électricien qualifié détermine que la liaison à la terre est adéquate.

- Ne pas effectuer de liaison à la terre sur une canalisation de gaz.
- En cas de doute concernant la qualité de la liaison à la terre de la laveuse, vérifier auprès d'un électricien qualifié.
- Ne pas utiliser un fusible dans le circuit neutre ou de liaison à la terre.



1. Fiche à 3 broches reliée à la terre
2. Prise murale à 3 alvéoles reliée à la terre
3. Tige de liaison à la terre
4. Cordon d'alimentation électrique

INSTRUCTIONS DE LIAISON À LA TERRE

Pour une laveuse reliée à la terre et connectée par un cordon :

Cette laveuse doit être reliée à la terre. En cas d'anomalie de fonctionnement ou de panne, la liaison à la terre réduira le risque de choc électrique en offrant au courant électrique un itinéraire d'évacuation de moindre résistance. Cette laveuse est alimentée par un cordon électrique comportant un conducteur relié à la terre et une fiche de branchement munie d'une broche de liaison à la terre. La fiche doit être branchée sur une prise de courant appropriée qui est bien installée et reliée à la terre conformément à tous les codes et règlements locaux.

AVERTISSEMENT : Le raccordement incorrect de cet appareil au conducteur de liaison à la terre peut susciter un risque de choc électrique. En cas de doute quant à la qualité de la liaison à la terre de l'appareil, consulter un électricien ou technicien d'entretien qualifié.

Ne pas modifier la fiche de branchement fournie avec l'appareil – si la fiche ne correspond pas à la configuration de la prise de courant, demander à un électricien qualifié d'installer une prise de courant convenable.

Pour une laveuse raccordée en permanence :

Cette laveuse doit être raccordée à un système de câblage permanent en métal relié à la terre ou un conducteur relié à la terre doit être en fonction avec les conducteurs de circuit et raccordés à la borne de liaison à la terre ou la borne sur l'appareil ménager.

INSTRUCTIONS D'INSTALLATION

Enlèvement du système de transport

⚠ AVERTISSEMENT

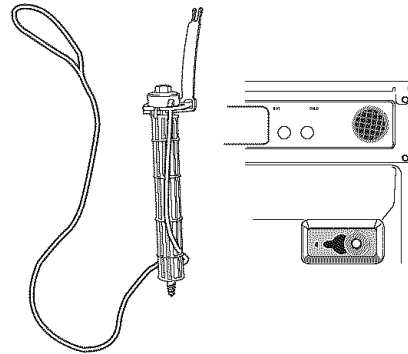
Risque du poids excessif

Utiliser deux ou plus de personnes pour déplacer et installer la laveuse.

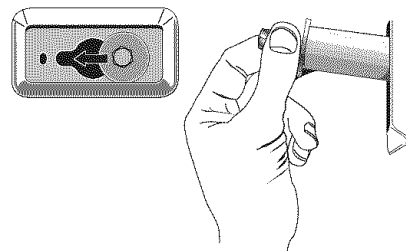
Le non-respect de cette instruction peut causer une blessure au dos ou d'autre blessure.

IMPORTANT : Positionner la laveuse de sorte que l'arrière de la machine soit à environ 3 pi (90 cm) de l'emplacement final.

On trouve sur le panneau arrière de la laveuse 4 boulons qui supportent le système de suspension durant le transport.



1. Au moyen d'une clé de 13 mm, desserrer chacun des boulons.
2. Une fois le boulon desserré, le déplacer au centre du trou et le retirer complètement, y compris la cale d'espacement en plastique couvrant le boulon et le câble fixé au boulon. Le cordon d'alimentation sera fixé aux 4 boulons.



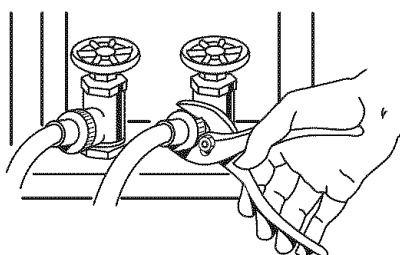
3. Lorsque les 4 boulons sont retirés, enlever le cordon d'alimentation de chaque porte-boulon et jeter les boulons, les cales d'espacement en plastique et les câbles.
4. Obturer les trous avec les bouchons des boulons de transport.

Raccordement des tuyaux d'alimentation

Connecter les tuyaux d'alimentation aux robinets

S'assurer que le tambour de la laveuse est vide.

1. À l'aide d'une pince, vérifier que les raccords qui sont déjà fixés sur la laveuse soient bien serrés.
REMARQUE : Ne pas serrer excessivement. Cela pourrait provoquer des dommages.
2. Raccorder le tuyau à indicateur rouge au robinet d'eau chaude. Visser complètement le raccord à la main pour qu'il comprime le joint.
3. Raccorder le tuyau à indicateur bleu au robinet d'eau froide. Visser complètement le raccord à la main pour qu'il comprime le joint.
4. Terminer le serrage des raccords – deux tiers de tour avec une pince.



REMARQUE : Ne pas serrer excessivement. Le raccord risque d'être endommagé.

5. Ouvrir les robinets d'eau et vérifier s'il y a des fuites.

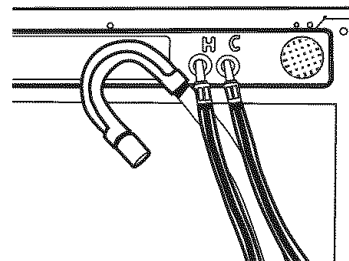
REMARQUE : Remplacer les tuyaux d'arrivée d'eau après 5 ans d'utilisation pour réduire le risque de défaillance intempestive. Prendre note de la date d'installation ou de remplacement des tuyaux d'arrivée d'eau, pour référence ultérieure.

Inspecter périodiquement les tuyaux; les remplacer en cas de renflement, de déformations, de coupures, d'usure ou si une fuite se manifeste.

Acheminement du tuyau de vidange

Le bon acheminement du tuyau de vidange protège vos planchers contre les dommages imputables à une fuite d'eau. Lire et suivre attentivement ces instructions.

Le tuyau de vidange est raccordé à la laveuse.



Pour empêcher l'eau de vidange de refluer dans la laveuse :

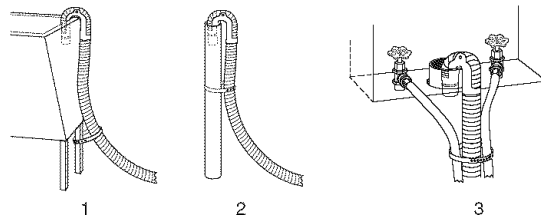
- Ne pas redresser le tuyau de vidange ni forcer l'excédent de tuyau dans le tuyau de rejet à l'égout. Le tuyau doit être bien immobilisé, tout en permettant le passage d'air.
- Ne pas mettre l'excédent du tuyau de vidange au fond de l'évier de buanderie.

Égout au plancher

Il vous faudra peut-être des pièces supplémentaires. (Voir Égout au plancher dans "Pièces alternatives".)

Immobilisation du tuyau de vidange

1. Faire passer le cordon d'alimentation par-dessus la laveuse.
2. Fixer le tuyau de vidange au pied de l'évier de buanderie ou au tuyau rigide de rejet à l'égout avec la courroie perlée. (Voir les illustrations 1 et 2.)



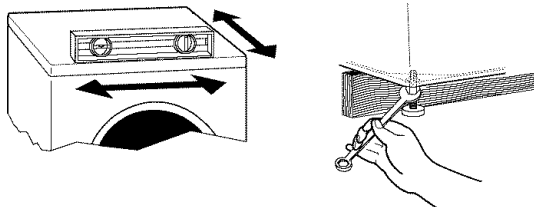
Si les robinets d'eau et le tuyau rigide de rejet à l'égout sont placés en retrait (voir l'illustration 3), introduire l'extrémité en col de cygne du tuyau de vidange dans le tuyau rigide de rejet à l'égout. Attacher fermement les tuyaux d'arrivée d'eau et le tuyau de vidange ensemble, avec la courroie perlée.

Ne pas forcer l'excédent du tuyau de vidange dans le tuyau rigide de rejet à l'égout.

Réglage de l'aplomb de la laveuse

Un bon aplomb de la laveuse minimisera le bruit et les vibrations.

1. Vérifier l'aplomb en plaçant un niveau sur le bord supérieur de la laveuse, transversalement, puis dans le sens avant arrière.



Si la laveuse est contre un mur, la déplacer légèrement avant de l'incliner vers l'arrière. Si la laveuse n'est pas d'aplomb, soulever d'abord l'avant avec un bloc de bois (2 x 4 po) (5,8 x 10,2 cm) et ajuster le déploiement des pieds selon le besoin, puis soulever l'arrière et ajuster le déploiement des pieds selon le besoin. Répéter ceci jusqu'à l'aplomb parfait de la laveuse.

2. Après avoir réglé l'aplomb de la laveuse, utiliser une clé plate de 17 mm pour visser les écrous sur les pieds fermement contre la caisse de la laveuse.
Les 4 pieds doivent être bien serrés. Si les écrous ne sont pas bloqués contre la caisse de la laveuse, la laveuse peut vibrer.
3. Faire glisser la laveuse à son emplacement final.
4. Confirmer l'aplomb de la laveuse.

Achever l'installation

1. Consulter les spécifications électriques. Vérifier que la tension électrique disponible est correcte et que la prise de courant est convenablement reliée à la terre. (Voir "Spécifications électriques".)
2. Vérifier que toutes les pièces sont installées. S'il reste une pièce, passer en revue les différentes étapes pour découvrir laquelle aurait été oubliée.
3. S'assurer d'avoir tout l'outillage nécessaire.
4. Jeter ou recycler tout le matériel d'emballage.
5. Vérifier que chaque robinet d'arrivée d'eau est ouvert.

6. Vérifier s'il y a des fuites autour des robinets et des tuyaux d'arrivée d'eau.

⚠ AVERTISSEMENT



Risque de choc électrique

Brancher sur une prise à 3 alvéoles reliée à la terre.

Ne pas enlever la broche de liaison à la terre.

Ne pas utiliser un adaptateur.

Ne pas utiliser un câble de rallonge.

Le non-respect de ces instructions peut causer un décès, un incendie ou un choc électrique.

7. Brancher sur une prise à 3 alvéoles reliée à la terre.
8. Lire "Utilisation de la laveuse".
9. Pour tester et nettoyer la laveuse, mesurer la moitié de la quantité normale recommandée de détergent en poudre ou liquide Haute efficacité (HE) ou ¼ de la quantité normale recommandée de détergent ordinaire en poudre ou liquide. Verser le détergent dans le distributeur de détergent. Sélectionner NORMAL/CASUAL (Normal/tout-aller), puis START (Mise en marche). Laisser la machine exécuter un programme complet.

CARACTÉRISTIQUES ET AVANTAGES

Commandes électroniques SENSOR SMART™

Les commandes électroniques flexibles sont faciles à utiliser que vous soyez un novice ou un expert.

Système Avantage de distribution du détergent

Les quatre compartiments dans le distributeur permettent d'y verser tous les additifs avant la mise en marche de la laveuse. Les additifs seront distribués dans l'eau de lavage au meilleur moment pour un lavage très efficace. La distribution de TIMED BLEACH™ est incluse dans le système Avantage de détergent. Le détergent est ajouté au début du programme et l'eau de Javel est ajoutée au programme de lavage après que les enzymes de nettoyage ont pu faire effet. L'assouplissant de tissu est distribué durant le programme de rinçage. Le plateau du distributeur du système Avantage de détergent s'enlève facilement pour le nettoyage.

Niveau d'eau automatique

Cette caractéristique qui s'ajuste en fonction du volume de la charge, permet à la laveuse d'utiliser la quantité d'eau minimale nécessaire pour nettoyer et rincer les vêtements. Avec un niveau d'eau bas, vous pouvez obtenir les mêmes résultats avec de plus petites quantités d'additifs. Parce qu'elle n'utilise que la quantité d'eau requise, la laveuse économise aussi de l'énergie.

Charges plus grosses

Comme il n'y a pas d'agitateur, vous pouvez laver des articles plus gros et plus épais tel qu'un sac de couchage de grandeur moyenne. Vous pouvez aussi laver plus de vêtements à la fois, ce qui veut dire moins de charges. Vous pouvez laver un oreiller ou un gros ourson rembourré.

Système de suspension

Pour réduire le "déplacement" de la laveuse et les conditions de "déséquilibre", votre nouvelle laveuse combine :

- 2 ressorts pour isoler la vibration
- 4 amortisseurs de choc à la base de la laveuse pour minimiser le mouvement.

Tambour en acier inoxydable

Le tambour en acier inoxydable élimine la corrosion et permet des vitesses d'essorage plus élevées pour une extraction plus forte de l'eau, ce qui réduit le temps de séchage.

Moteur adaptatif à vitesse variable

Le moteur s'adapte au volume de la charge et au programme choisi pour donner les meilleures conditions de nettoyage, rinçage et essorage. Le moteur peut tourner aux vitesses lentes nécessaires pour les lainages et articles délicats, mais il est assez puissant pour essorer une charge volumineuse à 1200 tr/min.

Système de lavage haute efficacité

Votre nouvelle laveuse haute efficacité à chargement à l'avant fait économiser du temps grâce à des charges moins nombreuses et plus grosses, conserve les ressources et diminue vos frais d'eau et d'énergie aussi.

Vitesses d'essorage

Cette laveuse choisit automatiquement la vitesse d'essorage en fonction du programme choisi. Toutefois, ce réglage en usine peut être changé. Cette laveuse offre jusqu'à six choix de vitesses différentes d'essorage.

Optimiseur thermique

Le système de chauffage assure le chauffage de l'eau à la température préréglée pour le programme "Heavy Duty", "Whitest /Whites", "Sanitary" et l'option "Stain Treat". Il procure également le "nettoyage par étapes" lors de l'utilisation du programme d'assainissement ou de l'option de traitement des taches. Le "nettoyage par étapes" fait commencer le programme de lavage avec de l'eau tiède pour enlever les taches (telles que le sang ou l'herbe). L'eau continue de chauffer pour enlever les taches telles que l'huile mécanique sale. Durant le programme d'assainissement, l'optimiseur thermique peut chauffer l'eau à des températures qui détruiront 99,999 % des trois types communs de bactéries que l'on trouve dans le linge sale.

Ajouter un vêtement (Add A Garment)

Lorsque ce témoin est allumé les programmes "Express Wash", "Normal/Casual", "Heavy Duty", "Whitest Whites" ou "Sanitary" peuvent être interrompus et la porte déverrouillée pour ajouter un vêtement oublié lors du chargement de la laveuse. Le témoin ADD A GARMENT (Ajouter un vêtement) reste allumé durant les 8 premières minutes d'un programme.

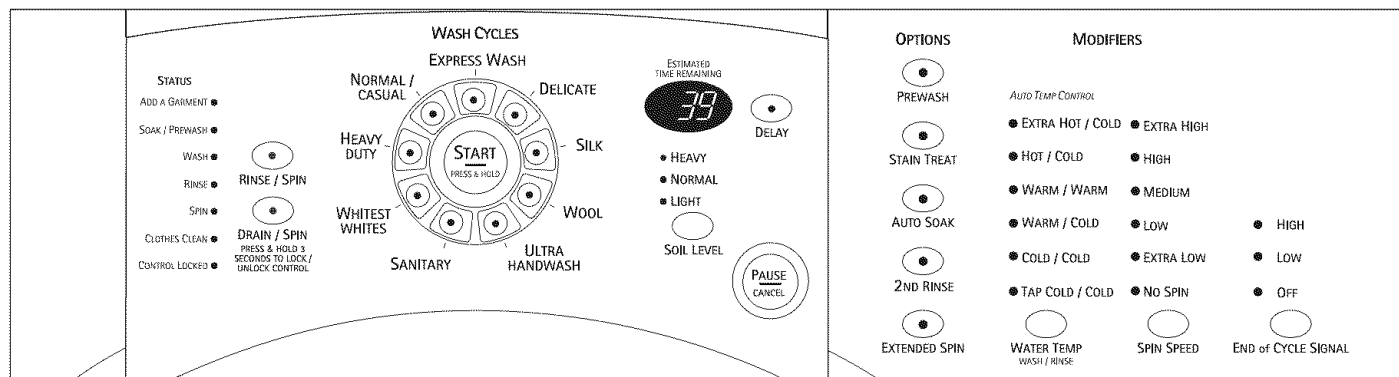
Action de nettoyage CATALYST® à injection directe

Une solution concentrée de détergent est aspergée sur les vêtements au début du programme de telle sorte que le détergent entre en contact avec les vêtements le plus rapidement possible et enlève les taches de vos vêtements sans prétraitement.

Équilibre dynamique

Un système d'équilibrage de précision permet à la laveuse d'atteindre une vitesse d'essorage de 1200 tr/min. La laveuse tourne plus rapidement de telle sorte que les vêtements essorés sécheront plus rapidement. De plus, si le Système d'équilibre dynamique détecte une charge déséquilibrée durant l'essorage, il redistribue les vêtements pour rétablir l'équilibre.

UTILISATION DE LA LAVEUSE



Mise en marche de la laveuse

AVERTISSEMENT



Risque d'incendie

Ne jamais mettre des articles humectés d'essence ou d'autres fluides inflammables dans la laveuse.

Aucune laveuse ne peut complètement enlever l'huile.

Ne pas faire sécher des articles qui ont été salis par tout genre d'huile (y compris les huiles de cuisson).

Le non-respect de ces instructions peut causer un décès, une explosion ou un incendie.

AVERTISSEMENT : Pour réduire le risque d'incendie, de choc électrique ou de blessures corporelles, lire les INSTRUCTIONS IMPORTANTES DE SÉCURITÉ avant de faire fonctionner cet appareil.

Le texte suivant est un guide pour l'utilisation de votre laveuse. Se référer aux sections spécifiques de ce manuel pour des renseignements plus détaillés.

Ne pas remiser des produits de lessive sur le dessus de cette laveuse. La vibration est normale au cours du fonctionnement.

Premier programme de lavage sans linge à laver

Avant de laver le linge pour la première fois, choisir le programme NORMAL/CASUAL (normal/tout-aller) et l'exécuter sans linge. Après l'installation, si un programme complet n'a pas été exécuté sans linge, utiliser la moitié de la quantité normale recommandée de détergent à haute efficacité (HE) en poudre ou liquide ou ¼ de la quantité normale recommandée de détergent ordinaire en poudre ou liquide. Le programme initial sert à assurer que l'intérieur est propre avant de laver le linge.

1. Pour charger la laveuse

Ouvrir la porte de la laveuse en tirant sur la poignée. Trier le linge d'après la couleur et le type de tissu. Placer une charge de linge trié dans la laveuse. Ne pas surcharger la laveuse. Une charge excessive peut causer un piètre nettoyage.

- La laveuse peut être bien remplie mais le linge ne doit pas être tassé. La porte de la laveuse devrait se fermer facilement.
- Mélanger les gros articles avec les petits articles. Évitez de laver un seul article. Charger la laveuse uniformément.
- Il est recommandé de laver de petits articles tels que les chaussettes d'enfants dans un sac en filet pour le linge.
- Lorsqu'on enlève le linge, vérifier occasionnellement sous le rebord en caoutchouc à l'avant de la cuve pour les petits articles.

2. Fermer la porte de la laveuse en la poussant fermement jusqu'à l'enclenchement qui verrouille la porte. La porte de la laveuse demeurera verrouillée durant le programme de lavage.

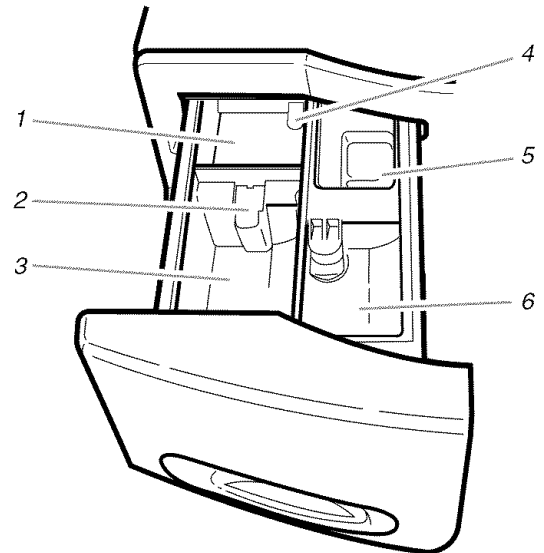
REMARQUE : Lorsque tout programme de lavage est achevé, la porte doit être ouverte et ensuite fermée avant qu'un nouveau programme puisse commencer. La porte peut être ouverte seulement si la touche PAUSE/CANCEL (pause/annulation) est choisie lorsque le témoin lumineux ADD A GARMENT (ajouter un vêtement) s'illumine ou si le programme a été annulé. Voir "Pour annuler un programme".

3. Ouvrir le tiroir distributeur et ajouter les produits de lessive au compartiment de détergent, d'eau de Javel ou d'assouplissant de tissu. Fermer le tiroir lentement pour éviter les renversements. Voir "Utilisation du distributeur".

REMARQUE : Pour le meilleur rendement, utiliser des détergents à haute efficacité. Le contenant pour ce type de détergent sera marqué "HE" ou "Haute efficacité". "L'action de lavage" HE² en plus d'une quantité moindre d'eau pourrait créer une mousse savonneuse excessive avec un détergent ordinaire.

4. Mettre la laveuse en marche en choisissant l'un des programmes de lavage. Le témoin lumineux pour le programme choisi s'illuminera. Lors de la sélection d'un programme de lavage, le programme pré-réglé, la température de l'eau, la vitesse d'essorage et le niveau de saleté s'illumineront. L'affichage montre le temps estimé qui reste. Les réglages pré-réglés fournissent le soin recommandé pour les tissus pour le programme sélectionné. Voir "Programmes de lavage".
5. Choisir les OPTIONS désirées. Toutes les options ne sont pas disponibles avec tous les programmes. Voir "Options".

6. Choisir les MODIFIERS (modificateurs) désirés. Tous les modificateurs ne sont pas disponibles avec tous les programmes et options. Voir "Modificateurs".
7. Si désiré, choisir END OF CYCLE SIGNAL (signal de fin de programme). Le signal est utile lorsqu'on lave des articles qui devraient être enlevés de la laveuse dès qu'elle s'arrête. Sélectionner HIGH (élevé) ou LOW (bas).
8. **Pour commencer immédiatement le programme de lavage**
Choisir et appuyer sur START (mise en marche) (environ 1 seconde).
 - Si vous ne sélectionnez pas START en moins de 5 minutes après avoir choisi un programme, la laveuse s'arrêtera automatiquement.
 - Lorsque le programme de lavage est achevé, le témoin lumineux indiquant CLOTHES CLEAN (linge propre) s'allume, la porte se déclenche et la charge de lavage peut être retirée de la laveuse. La laveuse devient désactivée automatiquement 5 minutes après la fin d'un programme et le témoin lumineux CLOTHES CLEAN s'éteint. Pour désactiver la laveuse manuellement après la fin du programme de lavage, sélectionner PAUSE/ CANCEL (pause/annulation) une fois.
9. **Pour commencer le programme de lavage plus tard**
Sélectionner DELAY (délai) jusqu'à ce que le délai désiré (en heures) montre le temps estimé qui reste sur l'affichage. Choisir START. Le compte à rebours du programme de lavage sera affiché dans le voyant de l'afficheur.



Distributeur

1. Compartiment pour détergent du pré-lavage
2. Séparateur
3. Compartiment pour détergent du lavage principal
4. Levier de dégagement des distributeurs
5. Compartiment pour eau de Javel
6. Compartiment pour assouplissant de tissu

Utilisation du distributeur

Votre nouvelle laveuse comporte un tiroir distributeur avec quatre compartiments séparés pour vos produits de lessive — deux sont pour le détergent, l'un pour l'eau de Javel et l'autre pour l'assouplissant de tissu liquide. Les produits de lessive sont dilués et distribués automatiquement au moment approprié durant le programme de lavage, ce qui vous évite de retourner à la laveuse durant le programme pour ajouter ces produits.

Il est normal que de petites quantités d'eau demeurent dans les distributeurs lorsque le programme de lavage est complété.

Ne pas placer d'additifs de lessive directement dans la cuve de lavage. Toujours utiliser les distributeurs appropriés lors de l'addition de produits de lessive.

Choix du détergent approprié

Pour le meilleur rendement de lavage, utiliser un détergent à haute efficacité (HE) ou à faible mousse. Les détergents ordinaires peuvent causer un surplus de mousse dans la laveuse. Si un détergent à haute efficacité n'est pas disponible, utiliser la ½ de la quantité recommandée de détergent ordinaire.

REMARQUE : L'usage d'un détergent ordinaire causera éventuellement un rendement insatisfaisant.

La plupart des détergents de formule pour le lavage manuel ne sont pas destinés aux laveuses à chargement frontal, et peuvent causer un excès de mousse. Commencer avec ¼ de la quantité recommandée. Si un excès de mousse survient, essayer un détergent formulé pour les laveuses à haute efficacité.

Pour remplir les compartiments du distributeur

1. Tirer le tiroir distributeur.
2. Ajouter le produit de lessive désiré dans le compartiment approprié.
3. Pousser doucement et à fond le tiroir distributeur afin d'éviter les renversements.

Compartiment pour détergent du pré-lavage

(Numéro 1 dans l'illustration du distributeur)

Ajouter le détergent dans ce compartiment lors de l'utilisation de l'option Prewash (Pré-lavage) ou Auto Soak (Trempeage automatique). Un détergent liquide ou en poudre peut être utilisé dans ce compartiment. Le détergent sera automatiquement distribué durant le pré-lavage si l'option de pré-lavage est choisie ou durant le temps de trempage si le trempage automatique est choisi.

- Si vous utilisez un détergent à haute efficacité (HE) ajouter ¼ de la quantité recommandée dans le compartiment pour détergent du pré-lavage et ¾ de la quantité recommandée dans le compartiment pour détergent du lavage principal.
- Si vous utilisez du détergent ordinaire, ajouter ½ de la quantité recommandée dans le compartiment pour détergent du pré-lavage et ½ de la quantité recommandée dans le compartiment pour détergent du lavage principal.

Compartiment pour détergent du lavage principal

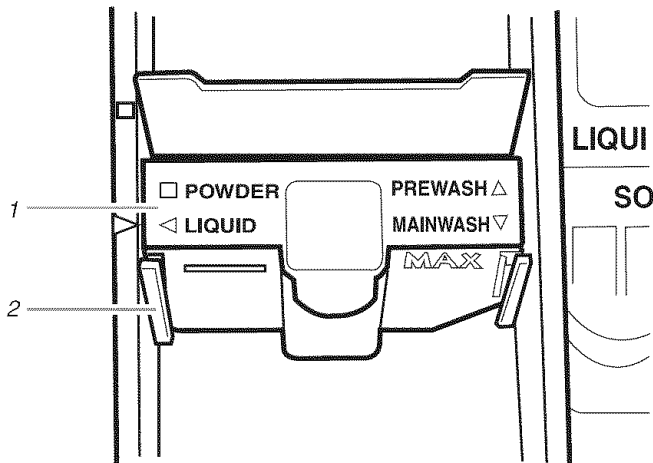
(Le numéro 3 dans l'illustration du distributeur)

Ajouter le détergent liquide ou en poudre dans ce compartiment pour votre programme de lavage principal. Le séparateur de détergent doit toujours être en place, soit à la position avant ou arrière.

IMPORTANT : Si vous utilisez l'option de pré-lavage, le trempage automatique avec un programme de lavage, ou un délai, un détergent en poudre doit être utilisé dans le compartiment pour détergent du lavage principal car les détergents liquides peuvent couler du compartiment pour détergent du lavage principal durant le pré-lavage, le temps de trempage, ou de délai, avant que le lavage principal commence.

- Ne pas remplir au-delà du niveau "MAX".
- L'eau de Javel liquide ou en poudre sans danger pour les couleurs, peut être ajoutée au compartiment pour détergent du lavage principal avec le même type de détergent, liquide ou en poudre.

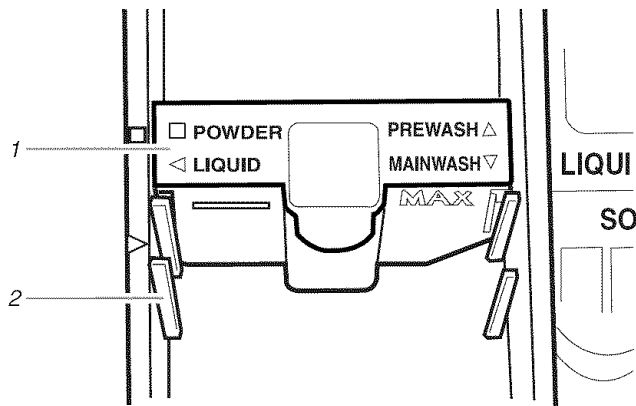
- Détergent liquide : Placer le SÉPARATEUR à la position avant, entre les guides, tel qu'illustré ci-après. Il n'y aura pas d'écart entre le fond du compartiment pour détergent du cycle de lavage et la base du séparateur.



Séparateur en position avant, entre les guides

1. Séparateur
2. Guide

- Détergent en poudre : Placer le SÉPARATEUR à la position arrière, derrière les guides, tel qu'illustré ci-après. Il y aura un écart entre le fond du compartiment pour détergent du cycle de lavage et le fond du séparateur.



Séparateur à la position arrière, derrière les guides

1. Séparateur
2. Guide

REMARQUE : Le séparateur est expédié de l'usine en position poudre (arrière).

Compartiment d'eau de Javel

(Numéro 5 dans l'illustration des distributeurs)

Ne pas ajouter PLUS DE 1/3 tasse (80 mL) d'eau de javel liquide dans ce compartiment. L'eau de Javel sera automatiquement diluée et distribuée au moment approprié durant le premier rinçage, après le programme de lavage. Ce compartiment ne peut pas diluer un agent de blanchiment en poudre.

- Toujours mesurer l'eau de Javel. Utiliser une tasse à mesurer avec un bec verseur, et éviter l'à-peu-près.
- Ne pas remplir au-delà du niveau "MAX".

REMARQUE : Le remplissage excessif pourrait causer de sérieux dommages aux vêtements.

Compartiment d'assouplissant de tissu

(Numéro 6 dans l'illustration des distributeurs)

Ajouter 1/4 de tasse (60 mL) d'assouplissant de tissu liquide dans ce compartiment. L'assouplissant sera automatiquement distribué dans le rinçage final.

- Ne pas remplir au-delà du niveau "MAX".

Pause ou remise en marche

1. Pour faire une pause de la laveuse à tout moment, choisir PAUSE/CANCEL (pause/annulation).
2. Pour continuer le programme, choisir et appuyer sur START (environ 1 seconde).

Changement de programmes, options et modificateurs

Les options et modificateurs ne sont pas tous disponibles avec tous les programmes.

Les programmes, options et modificateurs peuvent être changés à tout moment avant que START soit sélectionné.

Les options et les modificateurs peuvent être changés à tout moment après que START est sélectionné et avant la mise en marche de l'option ou du modificateur sélectionné.

Pour annuler un programme et sélectionner un nouveau programme

1. Sélectionner PAUSE/CANCEL deux fois.
2. Sélectionner le programme désiré.
3. Sélectionner les OPTIONS désirées.
4. Sélectionner et appuyer sur START (environ 1 seconde) pour remettre la laveuse en marche au commencement d'un nouveau programme.

Pour annuler un programme

1. Sélectionner PAUSE/CANCEL deux fois.
2. La laveuse devient désactivée, la porte se déclenche et le linge peut être enlevé.

REMARQUE : Si le niveau d'eau ou la température sont trop élevés, la laveuse se vidangera automatiquement avant que la porte se déclenche.

Pour changer les options ou modificateurs après le commencement d'un programme

1. Sélectionner PAUSE/CANCEL.
2. Sélectionner les OPTIONS ou MODIFIERS (modificateurs) désirés.
3. Sélectionner et appuyer sur START (environ 1 seconde) pour continuer le programme.

Pour vidanger la laveuse manuellement

1. Sélectionner PAUSE/CANCEL.
2. Sélectionner DRAIN/SPIN (vidange/essorage).
3. Sélectionner et appuyer sur START (environ 1 seconde) pour commencer la vidange.
4. Lorsque l'essorage est achevé, la porte se déclenche. Le linge peut être enlevé de la laveuse.

Témoins lumineux

Ces témoins lumineux montrent quelle portion du programme de la laveuse est en fonctionnement. Ils indiquent aussi quand vous pouvez ajouter un autre article au programme de lavage et quand les commandes sont verrouillées.

- STATUS**
- ADD A GARMENT ●
 - SOAK / PREWASH ●
 - WASH ●
 - RINSE ●
 - SPIN ●
 - CLOTHES CLEAN ●
 - CONTROL LOCKED ●

Ajouter des articles

Vous pouvez ajouter des articles à la laveuse après que le programme a commencé pour Express Wash (lavage rapide), Normal/Casual (normal, tout-aller), Heavy Duty (service intense), Whitest Whites (blancs les plus blancs) et Sanitary (assainissement) si le témoin lumineux ADD A GARMENT (ajouter un vêtement) s'allume.

Pour ajouter des articles

- Sélectionner PAUSE/CANCEL. La porte de la laveuse se déclenche et des articles peuvent être ajoutés.
- Pour continuer le programme, fermer la porte et sélectionner et appuyer sur START (environ 1 seconde).

Linge propre

Le témoin lumineux Clothes Clean (linge propre) reste allumé pendant 5 minutes après la fin du programme. La laveuse se mettra alors hors-circuit.

Commandes de verrouillage

La commande de verrouillage empêche l'utilisation non intentionnelle de la laveuse. Vous pouvez aussi utiliser la caractéristique de commande de verrouillage pour empêcher un programme non désiré ou des changements d'option au cours d'un programme. Lorsque CONTROL LOCKED (commande verrouillée) est allumé, tous les boutons sont désactivés, sauf Pause/Cancel (pause/annulation) et Start (mise en marche). Vous pouvez verrouiller les commandes pendant que la laveuse est en fonctionnement.

Pour verrouiller les commandes

Sélectionner et appuyer sur DRAIN/SPIN (vidange/essorage) pendant 3 secondes.



Le témoin lumineux CONTROL LOCKED s'allume.

Pour déverrouiller les commandes

Sélectionner et appuyer sur DRAIN/SPIN pendant 3 secondes jusqu'à ce que le témoin lumineux CONTROL LOCKED s'éteigne.

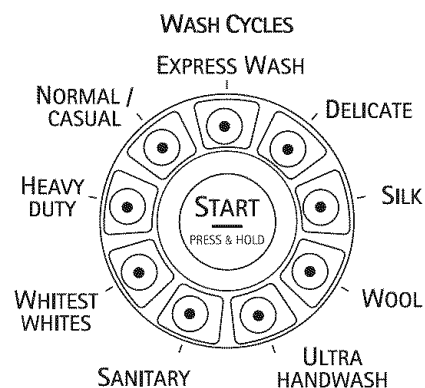
Temps restant estimé

Les durées des programmes varient automatiquement selon la pression de l'eau, la température de l'eau, le détergent et la charge de vêtements. La durée du programme sera allongée en cas d'excès de mousse ou de déséquilibre de la charge.

Programmes

Programmes de lavage

Choisir les programmes de lavage en sélectionnant le bouton à côté du programme désiré. Chaque programme est conçu pour des types différents de tissus et de niveaux de saleté.



- Chaque programme comporte un niveau de saleté (durée du programme), une température de l'eau, une vitesse d'essorage pré-réglés et peut aussi avoir des options pré-réglées. Les réglages pré-réglés fournissent les soins recommandés des tissus pour le programme choisi.
- Les réglages pré-réglés peuvent être changés en tout temps avant que START (Mise en marche) ne soit choisi. Toutes les options et les modificateurs ne sont pas disponibles avec tous les programmes. (Pour changer les réglages après que le programme a été mis en marche, choisir PAUSE/CANCEL (Pause/annulation), ensuite choisir les réglages désirés. Sélectionner et appuyer sur START [environ 1 seconde] pour continuer le programme.

Pré-réglage des programmes

Chaque programme a un temps de programme, une température de l'eau, et une vitesse d'essorage pré-réglés. Les réglages pré-réglés fournissent les soins recommandés des tissus pour le programme choisi. Voir le tableau.

Programme	Niveau de saleté (hr:min)	Température de l'eau	Vitesse d'essorage
Sanitary (Sanitaire)	Intense (2:00)	Extra Hot/Cold (Extra chaude/Froide)	Extra High (Extra élevée)
Whitest Whites (Blancs les plus blancs)	Intense (1:10)	Hot/Cold (Chaude/Froide)	Extra High (Extra élevée)
Heavy Duty (Service intense)	Intense (1:30)	Hot/Cold (Chaude/Froide)	Extra High (Extra élevée)
Normal/Casual (Normal/Tout-aller)	Normal (0:45)	Warm/Cold (Tiède/Froide)	High (Élevée)

Programme	Niveau de saleté (hr:min)	Température de l'eau	Vitesse d'essorage
Express Wash (Lavage rapide)	Léger (0:30)	Warm/Cold (Tiède/Froide)	Extra High (Extra élevée)
Delicate (Tissus délicats)	Normal (0:35)	Warm/Cold (Tiède/Froide)	Low (Basse)
Silk (Soie)	Normal (0:30)	Cold/Cold (Froide/Froide)	No Spin (Pas d'essorage)
Wool (Laine)	Normal (0:35)	Cold/Cold (Froide/Froide)	Low (Basse)
Ultra Handwash (Lavage à la main Ultra)	Normal (0:35)	Cold/Cold (Froide/Froide)	Extra Low (Extra Basse)

Sanitary (Sanitaire)

Utiliser ce programme pour nettoyer les tissus grand teint très sales. Ce programme combine une température d'eau très chaude et un culbutage à vitesse rapide pour aider à assurer l'élimination des saletés intenses et des taches. Il est recommandé de régler votre chauffe-eau à 120°F (49°C) pour assurer un rendement approprié durant ce programme. Le programme sanitaire aide également à éliminer 99,999% de 3 bactéries infectieuses communes, même sans utilisation d'eau de Javel. Un essorage à vitesse extra élevée aide à diminuer le temps de séchage.

Whitest Whites (Blancs les plus blancs)

Ce programme est spécialement conçu pour nettoyer des charges de tissus blancs salis, avec l'addition d'eau de Javel. Les températures de lavage à l'eau chaude assurent l'utilisation optimale de l'eau de Javel. Un rinçage additionnel fournit un rendement idéal de rinçage pour éviter les résidus de chlore sur votre linge. Ce programme combine un culbutage à haute vitesse, un temps de lavage prolongé, et un essorage à vitesse extra élevée pour raccourcir le temps de séchage.

Heavy Duty (Service intense)

Utiliser ce programme pour laver des charges de tissus épais grand teint, et les vêtements normalement sales. Ce programme combine un culbutage à vitesse rapide, un temps de lavage prolongé, et un essorage à vitesse extra élevée pour raccourcir les temps de séchage. Si la température de l'eau est moindre que celle requise pour ce programme, le chauffe-eau réchauffera l'eau à la température idéale.

REMARQUE : Stain Treat (Traitement des taches) est une option à défaut pour ce programme. Pour assurer le meilleur rendement, l'eau est chauffée à mesure que le programme avance. Ce chauffage graduel aide à enlever les saletés organiques telles que le sang. Stain Treat doit être éteint pour changer les modificateurs.

Normal/Casual (Normal/Tout-aller)

Utiliser ce programme pour laver des charges de tissus n'exigeant pas de repassage tels que chemises sports, chemisiers, vêtements tout-aller pour le bureau, mélanges de textures à pressage permanent, cotons et lin, ainsi que tissus synthétiques. Ce programme combine un culbutage à vitesse

moyenne, l'essorage à haute vitesse, et un procédé de refroidissement de la charge pour réduire le froissement.

Express Wash (Lavage rapide)

Utiliser ce programme pour de petites charges de vêtements légèrement sales qui sont requis sans délai. Ce programme combine un culbutage à vitesse rapide, un temps de lavage raccourci, et un essorage à vitesse extra élevée pour raccourcir le temps de séchage.

Delicate (Tissus délicats)

Utiliser ce programme pour laver les voilages et la lingerie. Ce programme combine un culbutage à basse vitesse et un essorage à basse vitesse pour le soin des tissus délicats.

Silk (Soie)

Utiliser ce programme pour nettoyer les vêtements lavables en soie. (Vérifier les instructions de l'étiquette pour vous assurer que le vêtement est lavable). Ce programme culbute délicatement et vide l'eau sans essorage pour nettoyer délicatement les vêtements et réduire le froissement au minimum. Comme l'essorage est omis, les vêtements contiennent une quantité plus élevée d'eau à la fin de ce programme.

Wool (Laine)

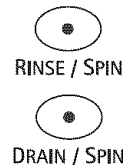
Utiliser ce programme pour nettoyer les vêtements lavables en laine. (Vérifier les instructions sur l'étiquette pour vous assurer que le vêtement est lavable.) Ce programme présente un culbutage délicat et un essorage à basse vitesse pour réduire au minimum le froissement et le rétrécissement.

Ultra Handwash (Lavage à la main ultra)

Utiliser ce programme pour nettoyer les vêtements lavables à la main et demandant un soin spécial. L'action de ce programme, semblable à la façon dont les vêtements sont lavés à la main dans un évier, combine les périodes de culbutage à vitesse extra basse et le trempage. Un essorage à vitesse extra basse réduit le froissement.

Extra Cycles (Programmes additionnels)

Les programmes additionnels peuvent être choisis en sélectionnant le bouton au-dessus du programme désiré.



On peut changer la sélection n'importe quand avant la sélection de START (Mise en marche).

Rinse/Spin (Rinçage/essorage)

Utiliser ce programme pour obtenir un rinçage et un essorage seulement. Ce programme combine un culbutage à vitesse élevée et un essorage à vitesse extra élevée. Si désiré, vous pouvez réduire la vitesse d'essorage en choisissant la vitesse que vous désirez du modificateur SPIN SPEED (Vitesse d'essorage).

Rinse/Spin (Rinçage/essorage) est utile pour

- Les charges nécessitant un rinçage seulement.
- L'addition d'assouplissant de tissu à une charge en utilisant le distributeur d'assouplissant.

Drain/Spin (Vidange/essorage)

Utiliser ce programme pour vidanger votre laveuse ou pour vidanger et essorer votre charge de linge. La vitesse d'essorage est pré réglée à élevée. Si vous le désirez, vous pouvez réduire la vitesse d'essorage en choisissant la vitesse que vous désirez du modificateur SPIN SPEED (Vitesse d'essorage).

REMARQUE: Les charges de tissus synthétiques, tissus délicats, articles lavables à la main, et lainages, doivent être vidangés sans essorage ou à essorage faible pour éviter d'étirer les tissus.

Sons normaux

Comme pour tout produit neuf, vous entendrez des sons qui ne vous sont pas familiers. Vous pouvez entendre divers sons lorsque la porte est verrouillée ou déverrouillée, et durant le lavage, le rinçage et l'essorage. Entre les changements des actions de lavage, il y aura des pauses momentanées. Vous entendrez l'aspersion et l'éclaboussement de l'eau durant les programmes de lavage et de rinçage. Ces nouveaux sons et pauses font partie du fonctionnement normal de la laveuse. (Voir "Dépannage".)

Options

Vous pouvez personnaliser votre lavage en ajoutant des OPTIONS à vos sélections de programme. Vous pouvez ajouter ou changer l'option après avoir commencé un programme n'importe quand avant que l'option sélectionnée commence. Toutes les options ne sont pas disponibles avec chaque programme

OPTIONS



PREWASH



STAIN TREAT



AUTO SOAK



2ND RINSE



EXTENDED SPIN

- Voir section "Guide de lessivage" pour un aperçu des options possibles pour chaque sélection de programme de lavage.
- Vous pouvez choisir plus d'une option pour un programme. Certaines options ne peuvent pas être ajoutées à certains programmes, par exemple, Stain Treat (Traitement des taches) ne peut pas être ajouté au programme Express Wash (Lavage rapide).
- Si une option est disponible avec un programme sélectionné, le témoin lumineux pour cette option s'allumera lorsqu'il est sélectionné.
- Si une option n'est pas disponible avec un programme sélectionné, il y aura un bref signal sonore et le témoin lumineux pour cette option ne s'allumera pas lorsqu'il est sélectionné.

Prewash (Pré lavage)

Utiliser cette option pour les articles très sales qui ont besoin de prétraitement. Cette option ajoute un pré lavage et une vidange de 15 minutes au programme de lavage principal.

- Ajouter le détergent aux compartiments de pré lavage et du lavage principal dans le tiroir distributeur.
- Lors de l'utilisation de pré lavage, ne pas utiliser de détergent liquide dans le compartiment du lavage principal. Utiliser un détergent en poudre pour le programme de lavage principal (Voir "Utilisation du distributeur").

REMARQUE : Les options de pré lavage et de trempage automatiques ne peuvent pas être choisies dans le même programme.

Stain Treat (Traitement des taches)

Utiliser cette option pour les charges très sales qui ont besoin d'un meilleur traitement pour les taches. Lorsque le traitement pour les taches est choisi, la température de l'eau du programme de lavage sélectionné est automatiquement réglée à tiède. L'eau sera alors chauffée à une température d'eau chaude pour aider à enlever la tache. Cette option fournira le meilleur enlèvement de taches organiques comme le sang.

REMARQUE : Si le Traitement des taches est sélectionné avec le programme Sanitaire, l'eau sera chauffée à une température très chaude.

Auto Soak (Trempage automatique)

Utiliser l'option de Auto Soak (Trempage automatique) pour les charges de coton, toile, polyester ou nylon très sales avec taches incrustées. Au cours du trempage automatique, l'eau sera ajoutée au tambour et le linge sera également distribué par une phase brève de culbutage. Le linge sera ensuite trempé par phases sans mouvement du tambour. Après le trempage, la laveuse se vide sans essorage.

Addition à un programme de lavage : Un temps de trempage de 30 minutes est ajouté au programme de lavage principal pour améliorer l'élimination des taches incrustées.

1. Ajouter du détergent aux deux compartiments de pré lavage et de lavage principal du tiroir distributeur.

REMARQUE : Les options de trempage automatique et de pré lavage ne peuvent pas être sélectionnées dans le même programme. Utiliser du détergent en poudre pour le programme de lavage principal parce que le détergent liquide coulera dans la laveuse durant le trempage automatique.

2. Choisir un programme de lavage.
3. Sélectionner AUTO SOAK (Trempage automatique).

REMARQUE : Pour les programmes avec températures de lavage chaudes, la température de trempage sera réglée à tiède; autrement, la température de trempage sera la même que la température de lavage.

4. Sélectionner et appuyer sur START (Mise en marche) (environ 1 seconde). Après le trempage, la laveuse se vide et le programme de lavage commence.

Sans un programme de lavage : Fournit un temps de trempage à l'eau tiède ou froide suivi par une vidange.

1. Ajouter du détergent seulement au compartiment de pré lavage du tiroir distributeur.
2. Sélectionner DRAIN/SPIN (Vidange/essorage) ou RINSE/SPIN (Rinçage/essorage) en premier, ensuite AUTO SOAK (Trempage automatique).
3. Sélectionner la température de trempage désirée.
4. Sélectionner et appuyer sur START (Mise en marche) (environ 1 seconde).

2nd Rinse (2^e rinçage)

Un deuxième rinçage peut être utilisé pour assurer l'élimination des résidus de détergent ou des résidus d'eau de Javel des vêtements. Cette option fournit un rinçage additionnel avec la même température d'eau que lors du premier rinçage.

Extended Spin (Essorage prolongé)

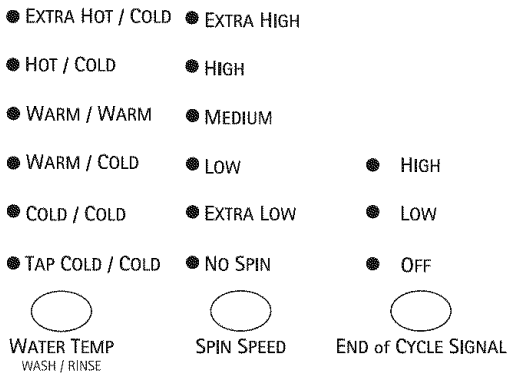
Utiliser cette option pour ajouter un rinçage supplémentaire à un programme pour améliorer le "duvet" de vos tissus, réduire la durée de séchage et ainsi économiser de l'énergie.

Modificateurs

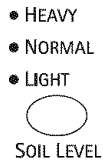
Les réglages pré-réglés de programme de température d'eau, de lavage/rinçage et de vitesse d'essorage peuvent être changés. Vous pouvez changer un modificateur après la mise en marche d'un programme à tout moment avant que le modificateur choisi commence. Tous les modificateurs ne sont pas disponibles avec chaque option et programme.

MODIFIERS

AUTO TEMP CONTROL



- Pour changer la température de l'eau, sélectionner le bouton WATER TEMP (Température de l'eau) jusqu'à ce que le réglage désiré s'allume.
- Pour changer la vitesse d'essorage, sélectionner le bouton SPIN SPEED (Vitesse d'essorage) jusqu'à ce que le réglage désiré s'allume.



- Pour changer le temps du programme, sélectionner le bouton SOIL LEVEL (Niveau de saleté).
- Pour changer le volume du signal de fin de programme, sélectionner END OF CYCLE SIGNAL (Signal de fin de programme).

Wash/Rinse Temp (Température de lavage/rinçage)

Sélectionner une température d'eau en fonction du type de charge que vous lavez. Utiliser la température d'eau la plus chaude convenant au tissu. Suivre les instructions sur l'étiquette du vêtement.

Les rinçages tièdes laissent les charges plus sèches que les rinçages froids. Les rinçages tièdes augmentent le froissement. Dans les climats froids, un rinçage tiède rend la charge plus confortable à manipuler. Les rinçages froids économisent l'énergie.

Guide de température

Température de l'eau de lavage	Tissus suggérés
Extra Hot (très chaude) 153°F (67°C)	Tissus épais de couleur Saletés intenses
HOT* (Chaude) 140°F (60°C)	Blancs et pastels Saletés intenses
WARM (Tiède) 104°F (40°C)	Couleurs vives Saletés de modérées à légères
COLD (Froide) 77°F (25°C)	Couleurs qui déteignent ou s'atténuent Saletés légères

Dans les températures d'eau de lavage plus froides que 70°F (21°C), les détergents ne se diluent pas bien. Les saletés peuvent être difficiles à enlever.

** Lorsqu'on utilise l'option Stain Treat (traitement des taches), l'eau est chauffée peu à peu pour aider à enlever les saletés organiques telles que le sang.*

Auto Temp Control (Commande automatique de température)

CAT (Commande automatique de température) détecte électroniquement et maintient une température d'eau uniforme. CAT l'entrée d'eau chaude et d'eau froide. La CAT est automatiquement activée lorsqu'un programme est sélectionné. (Voir "Réglage d'un programme pré-réglé" dans "Programmes".)

- CAT assure un nettoyage consistant.
- CAT agit pour le réglage de température de lavage avec Extra Hot/Cold (Extra chaude/Froide), Hot/Cold (Chaude/Froide), Warm/Warm (Tiède/Tiède), Warm/Cold (Tiède/Froide) et Cold/Cold (Froide/Froide).
- Les températures de rinçage froides dépendent de l'eau froide à votre robinet.
- Pour le réglage de température Tap Cold/Cold (Froide du robinet/Froide), les températures de lavage et de rinçage dépendent de l'eau froide à votre robinet.
- La CAT fonctionne pour la température de rinçage au réglage Tiède/Tiède. La température de rinçage à froid dépend de l'eau froide au robinet.

Guide de lessivage

Se référer à ce tableau pour des types de charges suggérés et leurs programmes correspondants. À droite se trouvent les options disponibles pour chacun de ces programmes.

PROGRAMME	TYPE DE CHARGE SUGGÉRÉ	OPTIONS DISPONIBLES				
		Prewash (Pré-lavage*)	Stain Treat (Traitement des taches)	Auto Soak (Trempage automatique*)	2nd Rinse (2 ^e rinçage)	Extended Spin (Essorage prolongé)
Sanitary (Sanitaire)	Linge très sale : sous-vêtements, serviettes, vêtements de travail, couches très sales, etc.	✓	✓	✓	✓	✓
Whitest Whites (Blancs les plus blancs)	Tissus blancs très sales	✓	✓	✓	✓	✓
Heavy Duty (Service intense)	Sous-vêtements, serviettes, chemises, etc. en coton, normalement sales	✓	✓	✓	✓	✓
Normal/ Casual (Normal/ Tout-aller)	Chemisiers, chemises, salopettes, etc. de légèrement à normalement sales, fabriqués de polyester, nylon, coton, lin ou mélanges de coton	✓	✓	✓	✓	✓
Express Wash (Lavage rapide)	Salopettes et vêtements de sport en coton, polyester, nylon et mélanges de coton de légèrement à normalement sales			✓	✓	✓
Delicate (Articles délicats)	Rideaux et vêtements délicats, robes, jupes, chemises et chemisiers	✓		✓	✓	
Silk (Soie)	Tissus fabriqués de soie identifiés comme lavables à la machine				✓	
Wool (Laine)	Lainages avec un fini non feutré, identifiés comme lavables à la machine				✓	
Ultra Handwash (Lavage à la main Ultra)	Tissus fabriqués de soie, articles demandant un soin spécial et marqués "Lavable à la main"				✓	

* Les programmes Prélavage et Trempage automatique ne peuvent pas être choisis en même temps.

CONSEILS DE LESSIVAGE

Préparation des vêtements pour le lavage

Suivre les recommandations suivantes pour prolonger la vie de vos vêtements.

- Fermer les fermetures à glissière, les boutons pression et les crochets pour éviter d'accrocher d'autres articles. Enlever les épingles, les boucles et autres objets durs pour éviter d'égratigner l'intérieur de la laveuse. Ôter les garnitures et les ornements non lavables.
- Vider les poches et les retourner.
- Retourner les revers et enlever la charpie et la poussière avec une brosse.
- Retourner les tricots synthétiques pour éviter le boulochage.
- Attacher les cordons et les ceintures-écharpes pour empêcher l'emmêlement.
- Réparer les déchirures, les ourlets et coutures décousus.
- Traiter les taches.
- Les vêtements tachés ou mouillés devraient être lavés sans délai pour obtenir les meilleurs résultats.

Tri

- Séparer les articles très sales des articles légèrement sales, même si on les lave normalement ensemble. Séparer les articles qui forment de la charpie (serviettes, chenille) des articles qui attrapent la charpie (velours côtelé, synthétique, pressage permanent). Dans la mesure du possible, retourner les articles qui forment de la charpie.
- Séparer les couleurs foncées et les articles grand teint des articles qui déteignent.
- Trier en fonction des tissus et de la confection (cotons solides, tricots, articles délicats).

Déchargement

- Retirer les vêtements de la laveuse une fois que le programme est terminé. Des objets en métal comme les fermetures éclair, les boutons pressions et les boucles peuvent rouiller si on les laisse longtemps dans le panier de la laveuse.

Chargement

Suggestions de chargement (capacité maximale de charge).

Vêtements de travail

4 jeans	2 survêtements (bas)
4 pantalons	2 survêtements (haut)
4 chemises	

Serviettes

10 serviettes de bain	14 débarbouillettes
10 serviettes à main	

Charges mixtes

3 draps (1 très grand, 2 simples)	9 t-shirts
4 taies d'oreiller	9 shorts
3 chemises	10 mouchoirs de poche
3 chemisiers	

ENTRETIEN DE LA LAVEUSE

Nettoyage de la laveuse

Nettoyage de l'extérieur

Utiliser une éponge ou un linge doux humide pour essuyer les renversements. Essuyer occasionnellement les surfaces externes de la laveuse pour maintenir son apparence d'appareil neuf. Utiliser un savon doux et de l'eau. Ne pas utiliser de produits abrasifs.

Nettoyage de l'intérieur

Utiliser une éponge ou un linge doux humide pour essuyer de temps à autre l'intérieur de la porte pour enlever tout résidu de détergent. Utiliser un savon doux et de l'eau. Ne pas utiliser de produits abrasifs.

Nettoyage du joint de porte

Utiliser une éponge ou un linge doux humide au besoin. Vérifier le pli du joint périodiquement pour tout objet étranger.

Nettoyage du tiroir distributeur

Le tiroir distributeur est amovible pour faciliter le nettoyage.

1. Dégager le tiroir distributeur en appuyant sur le levier de dégagement dans le compartiment de pré-lavage. Voir "Utilisation du distributeur". Retirer le tiroir.
2. Enlever les pièces incluses (le siphon des compartiments de l'assouplissant et de l'eau de Javel et le séparateur).
3. Laver les pièces sous l'eau du robinet.
4. Remettre les pièces incluses et remettre le distributeur dans le tiroir.

Tuyaux d'alimentation de la laveuse

Remplacer les tuyaux d'alimentation après cinq ans d'utilisation afin de réduire le risque de problème avec le tuyau. Inspecter périodiquement et remplacer les tuyaux d'alimentation comportant des renflements, écrasements, coupures, signes d'usure ou fuites.

Lors du remplacement des tuyaux d'alimentation, inscrire la date de remplacement.

Préparation avant des vacances, un entreposage ou un déménagement

Installer et remettre la laveuse à un emplacement où elle ne sera pas exposée au gel. Comme il peut rester un résidu d'eau dans les tuyaux, le gel pourrait endommager la laveuse. Si la laveuse doit faire l'objet d'un déménagement ou de remisage au cours d'une période où il gèle, préparer l'appareil pour l'hiver.

Période d'inutilisation ou de vacances :

Faire fonctionner la laveuse seulement lorsqu'on est présent. Si vous devez partir en vacances ou si vous n'utilisez pas votre laveuse pendant une période prolongée, vous devez :

- Débrancher la laveuse ou déconnecter la source de courant électrique.
- Fermer les robinets d'arrivée d'eau. Ceci évitera le risque d'inondation accidentelle (à l'occasion d'une surpression d'eau) au cours de la période d'absence.
- Ouvrir légèrement la porte pour fournir une ventilation.

Préparation de la laveuse pour l'hiver :

1. Verser 1 pte (1 L) d'antigel de type pour véhicule récréatif, dans le tambour.
2. Faire exécuter à la laveuse un programme DRAIN/SPIN (Vidange/essorage).
3. Débrancher la laveuse ou déconnecter la source de courant électrique.
4. Fermer les deux robinets d'arrivée d'eau.
5. Déconnecter les tuyaux flexibles d'alimentation d'eau des robinets et les vider.

Avant la réutilisation :

1. Rincer les tuyaux d'arrivée d'eau.
2. Reconnecter les tuyaux flexibles d'alimentation d'eau aux robinets.
3. Ouvrir les deux robinets d'arrivée d'eau.
4. Brancher la laveuse ou reconnecter la source de courant électrique.
5. Faire exécuter à la laveuse un programme complet NORMAL/CASUAL (Normal/Tout-aller) avec ¼ de la quantité normale recommandée de détergent pour éliminer l'antigel.

Transport de la laveuse :

1. Si la laveuse est déménagée pendant une période de gel, verser dans le tambour 1 pte (1 L) d'antigel pour véhicule récréatif. Faire exécuter à la laveuse un programme DRAIN/SPIN.
2. Débrancher la laveuse ou déconnecter la source de courant électrique.
3. Déconnecter le tuyau de vidange du système de vidange et le fixer aux pinces du panneau arrière.
4. Fermer les deux robinets d'arrivée d'eau.
5. Déconnecter les tuyaux d'arrivée d'eau des robinets, ensuite vider les tuyaux et les fixer au panneau arrière de la laveuse.
6. **IMPORTANT** : Appeler le service. Ne pas réutiliser les boulons de transport. L'appareil doit être transporté dans la position verticale.

Réinstallation de la laveuse

1. Suivre les "Instructions d'installation" pour choisir l'emplacement, mettre la laveuse d'aplomb et la connecter.
2. Faire exécuter à la laveuse un programme NORMAL/CASUAL (Normal/Tout-aller) avec ¼ de la quantité normale recommandée de détergent pour nettoyer la laveuse et enlever l'antigel, le cas échéant.

DÉPANNAGE

Essayer d'abord les solutions suggérées ici pour éviter possiblement le coût d'une visite de service...

La laveuse affiche un message par code et un signal sonore est émis

■ "FH" (problème d'entrée d'eau - approvisionnement nul ou insuffisant d'eau)

Appuyer deux fois sur PAUSE/CANCEL pour annuler le programme. Débrancher la laveuse ou déconnecter le courant électrique.

Vérifier ce qui suit :

Les robinets sont-ils complètement ouverts?

Les tamis à la connexion des tuyaux d'entrée d'eau à la laveuse sont-ils obstrués?

Les tuyaux d'entrée d'eau sont-ils déformés?

Les tuyaux d'entrée d'eau sont-ils gelés?

Brancher la laveuse ou reconnecter le courant électrique. Sélectionner de nouveau le programme et appuyer sur START. Si le problème persiste, faire un appel de service.

■ "F02" (problème de vidange)

Appuyer deux fois sur PAUSE/CANCEL pour annuler le programme. Débrancher la laveuse ou déconnecter le courant électrique.

Vérifier ce qui suit :

Le tuyau de vidange est-il déformé?

Le tuyau de vidange est-il gelé?

Le tuyau de vidange est-il obstrué?

Le tuyau de vidange est-il à plus de 96 po (2,4 m) au-dessus du plancher?

■ "SUD" (mousse savonneuse)

Lorsque de la mousse savonneuse excessive est détectée, une action agit automatiquement pour corriger l'excès de mousse. Cette action enlève l'excès de mousse et assure le rinçage approprié de votre linge. "SUD" est affiché durant le rinçage et à la fin du programme pour vous informer que l'action corrective pour la mousse a été activée. Pour éviter une mousse excessive, réduire la quantité de détergent ou utiliser des détergents HE.

■ "F" variables [F4 à F16] (problème électrique)

Appuyer deux fois sur PAUSE/CANCEL pour annuler le programme. Appuyer sur DRAIN/SPIN s'il y a un excès d'eau dans la laveuse.

Sélectionner de nouveau le programme et appuyer sur START. Si le problème persiste, faire un appel de service.

La laveuse ne se met pas en marche

■ Vérifier ce qui suit :

Le cordon d'alimentation est-il branché sur une prise à 3 alvéoles reliée à la terre?

La porte de la laveuse est-elle bien fermée?

Un programme a-t-il été choisi mais START pas été sélectionné et enfoncé pendant une seconde?

La porte a-t-elle été ouverte après l'achèvement du dernier programme?

Absence de remplissage, lavage ou rinçage

■ Vérifier ce qui suit :

Le cordon d'alimentation est-il branché sur une prise à 3 alvéoles reliée à la terre?

La prise de courant est-elle alimentée?

Vérifier la source d'électricité ou faire venir un électricien.

Les robinets d'eau froide et d'eau chaude sont-ils ouverts?

Le tuyau d'entrée d'eau est-il déformé?

Les tamis de la valve d'entrée d'eau sont-ils obstrués?

La laveuse s'arrête

■ Vérifier ce qui suit :

Le cordon d'alimentation est-il branché sur une prise à 3 alvéoles reliée à la terre?

La prise de courant est-elle activée?

Vérifier la source d'alimentation électrique ou faire venir un électricien.

Un fusible est-il grillé ou le disjoncteur est-il ouvert?

Si le problème persiste, faire venir un électricien.

Un cordon de rallonge est-il employé?

Ne pas utiliser un cordon de rallonge.

Absence de vidange ou d'essorage de la laveuse

■ Le tuyau d'évacuation est-il obstrué, ou l'extrémité du tuyau d'évacuation se trouve-t-elle à plus de 96 po (2,4 m) au-dessus du plancher?

■ La tension est-elle basse?

Vérifier la source d'électricité ou faire venir un électricien. Ne pas utiliser un cordon de rallonge.

■ L'action de mousse savonneuse "SUD" est-elle active?

Le programme se terminera lorsque la mousse excessive sera enlevée.

■ La charge est-elle équilibrée?

Un seul article ou un article encombrant peut provoquer un déséquilibre. Ajouter des articles ou redistribuer la charge.

La laveuse fait du bruit ou vibre

■ La laveuse est-elle d'aplomb?

La laveuse doit être d'aplomb. Les quatre pieds doivent être bien installés et les écrous doivent être serrés contre la caisse de la laveuse.

Lorsque l'eau est vidangée de la laveuse, vous pouvez entendre le bruit de la succion de l'air par la pompe. Ceci se produit à la fin de la vidange. Ceci est normal.

■ Lavez-vous des articles avec agrafes en métal, boucles ou fermetures à glissière?

Vous pouvez entendre le bruit d'articles métalliques touchant le tambour de la laveuse. Ceci est normal.

■ La laveuse est-elle installée sur un plancher robuste et solide?

Se référer aux "Instructions d'installation" pour les exigences de plancher. Le bruit et la vibration peuvent être réduits en plaçant une pièce de 3/4 po (19,1 mm) de contreplaqué sous votre laveuse. Le contreplaqué peut se prolonger en-dessous de la laveuse et de la sècheuse pour les maintenir à des hauteurs égales.

Eau près de la laveuse

Vérifier la plomberie du domicile pour des fuites.

Obstruction ou fuite des distributeurs

■ Les produits de lessive sont-ils dans le compartiment correct du distributeur?

Ajouter les quantités correctes de détergent, d'assouplissant de tissu ou d'eau de Javel aux compartiments corrects. Ajouter l'agent de blanchiment en poudre ou sans danger pour les couleurs au compartiment du lavage principal.

■ Le séparateur de détergent est-il à la position correcte?

Le séparateur devrait être à la position à l'avant lors de l'utilisation de détergent liquide et à la position à l'arrière lors de l'utilisation de détergent en poudre.

Charge trop mouillée

■ Avez-vous utilisé le bon programme pour la charge à laver?

Choisir un programme avec une vitesse d'essorage plus élevée.

■ Avez-vous lavé un article seul ou des articles épais ou avez-vous surchargé la laveuse?

Les articles lavés seuls ou les articles épais, ou une charge excessive peuvent causer un déséquilibre. Premièrement, essayer de distribuer également votre lessive mouillée dans le tambour, et commencer le programme DRAIN/SPIN (Vidange/Essorage). Si le linge est encore mouillé, retirer la moitié de la charge de la laveuse et essayer de nouveau.

Résidu ou charpie sur le linge

■ Avez-vous ajouté du détergent au distributeur?

Pour obtenir de meilleurs résultats, ajouter du détergent au compartiment de détergent. Ne pas ajouter de détergent au tambour de la laveuse.

■ Avez-vous effectué le tri correctement?

Séparer les articles qui forment la charpie (serviettes, chenille) des articles qui attrapent la charpie (velours côtelé, tissus synthétiques). Assortir aussi les couleurs.

■ Avez-vous surchargé la laveuse?

Ne pas surcharger la laveuse. La laveuse peut être remplie complètement mais le linge ne doit pas être tassé. La charge de lavage doit être équilibrée. Les particules de charpie peuvent être emprisonnées dans la charge s'il y a surcharge.

■ Vérifier ce qui suit :

A-t-on laissé du papier ou un mouchoir de papier dans les poches?

■ Avez-vous utilisé suffisamment de détergent?

Suivre les instructions du fabricant. Utiliser suffisamment de détergent pour maintenir la charpie en suspension dans l'eau.

■ L'eau de lavage est-elle plus froide que 70°F (21°C)?

L'eau de lavage plus froide que 70°F (21°C) peut ne pas dissoudre complètement le détergent.

■ Utilisez-vous un programme de lavage à basse vitesse?

Les détergents en poudre peuvent ne pas bien se dissoudre dans un programme à basse vitesse. Pour les meilleurs résultats, utiliser un détergent liquide pour les programmes à basse vitesse comme les tissus délicats, la soie, la laine et les articles de lavage à la main.

Présence de taches sur le linge

- **Avez-vous ajouté du détergent au distributeur?**
Pour les meilleurs résultats, ajouter du détergent au compartiment de détergent. Ne pas ajouter de détergent au tambour de la laveuse.
- **Avez-vous utilisé suffisamment de détergent?**
Utiliser suffisamment de détergent pour enlever la saleté et la tenir en suspension. Pour le meilleur rendement, utiliser un détergent à haute efficacité. Suivre les recommandations du fabricant en fonction du type de charge que vous lavez.
- **La présence de fer (rouille) dans l'eau est-elle supérieure à la moyenne?**
Il vous faudra peut-être faire installer un filtre à fer.
- **Avez-vous bien trié la charge?**
Séparer les articles de teinte foncée des articles blancs ou clairs.
- **Avez-vous déchargé la laveuse promptement?**
Pour éviter le transfert de teinture, décharger la laveuse dès qu'elle s'arrête.
- **Avez-vous utilisé une boule distributrice d'assouplissant de tissu?**
Les boules distributrices ne fonctionnent pas correctement avec cette laveuse. Ajouter un assouplissant pour tissu liquide dans le compartiment d'assouplissant de tissu.
- **Avez-vous utilisé du détergent en poudre dans un programme à basse vitesse?**
Considérer l'utilisation d'un détergent liquide.
- **Avez-vous utilisé le lavage rapide sur une grosse charge?**
Pour de meilleurs résultats, utiliser Express Wash (lavage rapide) pour des charges petites ou des charges légèrement sales.

Linge froissé

- **Avez-vous déchargé la laveuse promptement?**
Décharger la laveuse dès qu'elle s'arrête.
- **Avez-vous utilisé le bon programme pour la charge à laver?**
Utiliser le programme Delicate (Tissus délicats) ou un autre programme avec une vitesse d'essorage basse pour réduire le froissement.
- **Avez-vous surchargé la laveuse?**
La charge doit être équilibrée et la laveuse ne doit pas être surchargée. Les charges doivent pouvoir culbuter librement durant le lavage.

Blanc grisâtre, couleurs défraîchies

- **Avez-vous bien trié la charge?**
Le transfert de teinture peut se produire lors du mélange d'articles blancs et de couleur dans une même charge. Séparer le linge de teinte foncée des articles blancs ou clairs.
- **La température de lavage est-elle trop basse?**
Utiliser les lavages à l'eau chaude ou tiède si sans danger pour le tissu. S'assurer que votre système d'eau chaude permet d'effectuer un lavage à l'eau chaude.
- **Avez-vous utilisé suffisamment de détergent, ou avez-vous de l'eau dure?**
Utiliser plus de détergent pour laver la saleté intense à l'eau froide ou à l'eau dure.

Programme trop long

- **Avez-vous choisi le programme Sanitary (Sanitaire) ou l'option Stain Treat (Traitement des taches)?**
Dans les deux cas, le chauffe-eau sera activé pour fournir le rendement de nettoyage maximal. Un temps additionnel sera ajouté au programme régulier pour chauffer l'eau. Ce temps additionnel dépendra de la taille de la charge et de la température à l'entrée de l'eau chaude.
- **Le mot "SUD" apparaît-il sur l'affichage?**
Un excès de mousse savonneuse a été détecté et une action corrective pour la mousse a été mise en marche pour éliminer l'excès de mousse. Cette action ajoutera du temps au programme original.
- **La charge a-t-elle provoqué un déséquilibre?**
Lorsqu'il y a un trop grand déséquilibre, une caractéristique spéciale se mettra en marche pour redistribuer la charge. Cette caractéristique augmentera la durée de votre programme original.

Porte verrouillée à la fin du programme de lavage

- **Est-ce que toute l'eau s'est écoulée de la laveuse durant l'essorage?**
Choisir DRAIN/SPIN (Vidange/essorage) pour enlever toute l'eau qui reste dans la laveuse. La porte de la laveuse se déclenchera à la fin de la vidange.

Get it fixed, at your home or ours!

Your Home

For repair – **in your home** – of **all** major brand appliances, lawn and garden equipment, or heating and cooling systems, **no matter who made it, no matter who sold it!**

For the replacement parts, accessories and owner's manuals that you need to do-it-yourself.

For Sears professional installation of home appliances and items like garage door openers and water heaters.

1-800-4-MY-HOME® (1-800-469-4663)

Call anytime, day or night (U.S.A. and Canada)

www.sears.com www.sears.ca

Our Home

For repair of carry-in items like vacuums, lawn equipment, and electronics, call or go on-line for the location of your nearest **Sears Parts & Repair Center.**

1-800-488-1222

Call anytime, day or night (U.S.A. only)

www.sears.com

To purchase a protection agreement (U.S.A.) or maintenance agreement (Canada) on a product serviced by Sears:

1-800-827-6655 (U.S.A.)

1-800-361-6665 (Canada)

Para pedir servicio de reparación a domicilio, y para ordenar piezas:

1-888-SU-HOGARSM

(1-888-784-6427)

Au Canada pour service en français:

1-800-LE-FOYER^{MC}

(1-800-533-6937)

www.sears.ca

SEARS

®Registered Trademark/™Trademark/SM Service Mark of Sears, Roebuck and Co., under licensee by Sears Canada.
©CATALYST is a registered trademark of Whirlpool U.S.A., used under licensee by Sears, Roebuck and Co. and Sears Canada.

®Marca registrada/™ Marca de Fábrica/SM Marca de Servicio de Sears, Roebuck and Co., bajo licencia de Sears Canada.
©CATALYST es una marca registrada de Whirlpool U.S.A. usada bajo licencia de Sears, Roebuck and Co., y Sears Canada.

MC Marque déposée/MD Marque déposée de Sears, Roebuck and Co., en vertu d'un porteur de licence par Sears Canada.
©CATALYST est une marque déposée de Whirlpool, U.S.A., en vertu d'un porteur de licence par Sears, Roebuck and Co. et Sears Canada.

461970203976

© Sears,
Roebuck and Co.

8/03

Printed in Germany
Impreso en Alemania
Imprimé en Allemagne