

KENWOOD

HF TRANSCEIVER

TS-450S

ALL MODE MULTI BANDER

TS-690S

INSTRUCTION MANUAL

KENWOOD CORPORATION

Thank you for purchasing this new transceiver.

IMPORTANT

Please read this Instruction Manual carefully before placing the transceiver in service.

SAVE THIS INSTRUCTION MANUAL.

The following explicit definitions apply in this manual:

- Note : If disregarded, inconvenience only, no risk of equipment damage or personal injury.
- Caution : Equipment damage may occur, but not personal injury.

This instruction manual covers the following models.

HF TRANSCEIVER

- TS-450S WITH AUTOMATIC ANTENNA TUNER
- TS-450S WITHOUT AUTOMATIC ANTENNA TUNER

ALL MODE MULTI BANDER

- TS-690S WITHOUT AUTOMATIC ANTENNA TUNER

IMPORTANT

The 6m (50MHz) BAND IS NOT AVAILABLE IN SOME AREAS.

Notice to the user:

One or more of the following statements may be applicable to this equipment.

FCC WARNING

This equipment generates or uses radio frequency energy. Changes or modifications to this equipment may cause harmful interference unless the modifications are expressly approved in the instruction manual. The user could lose the authority to operate this equipment if an unauthorized change or modification is made.

Information to the digital device user required by the FCC:

This equipment has been tested and found to comply with the limits for a Class B digital device, pursuant to Part 15 of the FCC Rules. These limits are designed to provide reasonable protection against harmful interference in a residential installation. This equipment generates, uses and can generate radio frequency energy and, if not installed and used in accordance with the instructions, may cause harmful interference to radio communications. However, there is no guarantee that the interference will not occur in a particular installation. If this equipment does cause harmful interference to radio or television reception, which can be determined by turning the equipment off and on, the user is encouraged to try to correct the interference by one or more of the following measures:

- Reorient or relocate the receiving antenna.
- Increase the separation between the equipment and receiver.
- Connect the equipment into an outlet on a circuit different from that to which the receiver is connected.
- Consult the dealer for technical assistance.

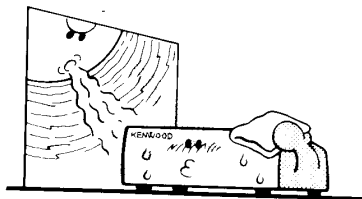
CONTENTS

1. BEFORE OPERATION	4	4-12. MEMORY	54
2. SPECIFICATIONS AND ACCESSORIES		4-13. SCAN	62
2-1. SPECIFICATIONS	5	4-14. REPEATER OPERATION	67
2-2. ACCESSORIES	9	4-15. OPERATION WITH A PERSONAL COMPUTER	68
3. INSTALLATION AND CONNECTION		4-16. VOICE SYNTHESIZER	68
3-1. INSTALLATION	10	4-17. DIGITAL MODULATION FUNCTION .	69
3-2. CONNECTION	10	4-18. OPERATION WITH THE LINEAR AMPLIFIER	71
4. OPERATION		4-19. EXTERNAL ANTENNA TUNER OPERATION	72
4-1. OPERATING CONTROLS	14	4-20. DATA TRANSFER FUNCTION	74
4-2. INITIAL SETTING	23	5. CIRCUIT DESCRIPTION	
Advanced Features	24	5-1. BLOCK DIAGRAM	89
4-3. SSB OPERATION	26	5-2. CIRCUIT DIAGRAM	91
4-4. CW OPERATION	28	6. MAINTENANCE AND ADJUSTMENTS	
4-5. FM OPERATION	30	6-1. GENERAL INFORMATION	76
4-6. AM OPERATION	32	6-2. SERVICE	76
4-7. FSK OPERATION	34	6-3. CLEANING	76
4-8. PACKET (AFSK) OPERATION	36	6-4. IN CASE OF DIFFICULTY	77
4-9. AUTOMATIC ANTENNA TUNER OPERATION	39	6-5. ORDERING SPARE PARTS	78
4-10. BASIC OPERATION MODE	41	6-6. ADJUSTMENTS	79
4-11. OTHER OPERATIONS		7. OPTIONAL ACCESSORIES	
4-11-1. Beep	42	7-1. FILTER INSTALLATION	81
4-11-2. Audible Mode Announcement	42	7-2. VS-2 VOICE SYNTHESIZER INSTALLATION	82
4-11-3. Alarm Function	42	7-3. TU-8 TONE UNIT INSTALLATION ...	82
4-11-4. Frequency Step	43	7-4. SO-2 TCXO UNIT INSTALLATION	83
4-11-5. Amateur Radio Band Selection ...	43	7-5. AT-450 AUTOMATIC ANTENNA TUNER INSTALLATION	84
4-11-6. Direct Keyboard Frequency Entry .	43	7-6. OTHER ACCESSORIES	85
4-11-7. Dual Digital VFOs	45	8. REFERENCE	87
4-11-8. SPLIT Frequency Operation	46		
4-11-9. Interference Reduction	47		
4-11-10. Noise Blanker	50		
4-11-11. VOX Operation	50		
4-11-12. RIT Control	51		
4-11-13. XIT Control	51		
4-11-14. Δ F Function	51		
4-11-15. Power on Function selection	52		

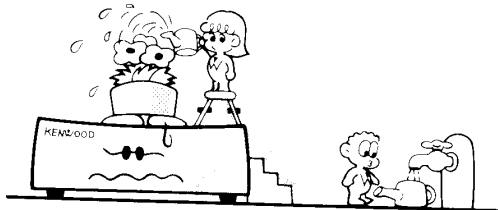
1. **WARNING** BEFORE OPERATION

TO PREVENT ELECTRIC SHOCK, FIRE AND OTHER INJURY.
PLEASE NOTE THE FOLLOWING:

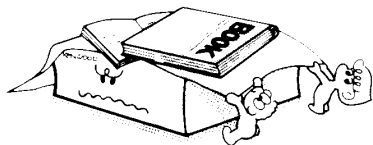
Do not place this unit, where it will be exposed to direct sunlight or close to heating appliances.



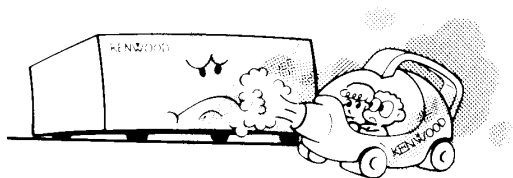
Do not place anything on top of the cabinet.



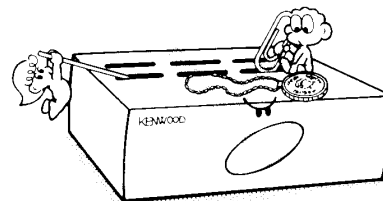
To ensure good ventilation, do not put anything on top of the cabinet and allow at least 15 cm (6 inches) of space behind the unit.



Do not place the unit in areas of excessive dust, high humidity or on unstable surfaces.

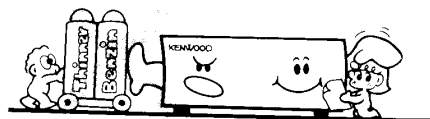


Do not drop pieces of metal, needles, coins and other electrically conductive materials into the unit.



CLEANING

1. Turn the power off, before cleaning the unit.
2. Do not use any type of abrasive pad, thinner, benzene or any substances which may damage the unit.
3. Wipe the front panel and other exterior surfaces of the unit with a soft dry cloth or a soft cloth lightly moistened with water.



2. SPECIFICATIONS AND ACCESSORIES

2-1. SPECIFICATIONS

TS-450S

				Specifications				
General	Mode		J3E(LSB, USB), A1A(CW), A3E(AM), F3E(FM), F1A(FSK)					
	Memory Channels		100					
	Antenna impedance		50 ohms With AT-450 Antenna Tuner 20~150 ohms					
	Power requirement		12 to 16 VDC (13.8 VDC reference)					
	Grounding		Negative					
	Current drain	Receive mode with no input signal		2A				
		Transmit mode		20.5A				
	Operating temperature		-10 C to +50 C (+14 F to +122 F)					
	Frequency stability		Less than ±10 PPM					
	Frequency accuracy		Less than ±10 PPM					
	Dimensions [W×H×D] (Projections included)		270×96×305mm(10-5/8"×3-25/32"×12-1/64") (280×107×340mm)(11-1/32"×4-1/4"×13-25/64")					
	Weight	With AT unit		7.5kg (16.5lbs)				
Without AT unit		6.3kg (13.9lbs)						
Transmitter	Frequency range		160m band		1.8	to	2.0	MHz
			80m band		3.5	to	4.0	MHz
			40m band		7.0	to	7.3	MHz
			30m band		10.1	to	10.15	MHz
			20m band		14.0	to	14.35	MHz
			17m band		18.068	to	18.168	MHz
			15m band		21.0	to	21.45	MHz
			12m band		24.89	to	24.99	MHz
			10m band		28.0	to	29.7	MHz
			Output power (Without AT)	1.9~ 28MHz	SSB, CW, FSK, FM	MAX	100W	
MIN	Less than 20W							
AM	MAX	40W						
	MIN	Less than 10W						
Modulation	SSB		Balanced modulation					
	FM		Reactance modulation					
	AM		Low level modulation					
Spurious radiation		Less than -50dB						
Carrier suppression (with 1.5kHz reference)		More than 40dB						

			Specifications	
Transmitter	Unwanted sideband suppression (with 1.5kHz reference)		More than 40dB	
	Maximum frequency deviation (FM)		Less than ± 5 kHz	
	Frequency response (-6dB)		400 to 2600Hz	
	XIT variable range	10 Hz step	More than ± 1.1 kHz	
		20 Hz step	More than ± 2.2 kHz	
Microphone impedance		600 Ω		
Receiver	Circuitry		Triple conversion superheterodyne	
	Frequency range		500kHz to 30MHz	
	Intermediate frequency		1st : 73.05MHz, 2nd : 8.83MHz, 3rd : 455kHz	
	Sensitivity	SSB, CW, FSK (at 10dB (S+N)/N)	500kHz~1.62MHz*	Less than 4 μ V
			*1.62MHz ~21.5MHz	Less than 0.2 μ V
			21.5MHz~30MHz	Less than 0.13 μ V
		AM (at 10dB (S+N)/N)	500kHz~1.62MHz*	Less than 32 μ V
			*1.62MHz ~21.5MHz	Less than 2 μ V
			21.5MHz~30MHz	Less than 1.3 μ V
	FM (at 12dB SINAD)	28MHz~30MHz	Less than 0.25 μ V	
	Selectivity	SSB, CW, FSK		-6dB:More than 2.2kHz, -60dB:Less than 4.4kHz
		AM		-6dB:More than 5kHz, -50dB:Less than 18kHz
		FM		-6dB:More than 12kHz, -50dB:Less than 25kHz
	Image ratio		More than 70dB	
	1st IF rejection		More than 70dB	
Notch filter attenuation		More than 20dB		
RIT variable range	10 Hz step	More than ± 1.1 kHz		
	20 Hz step	More than ± 2.2 kHz		
Squelch sensitivity	SSB, CW, FSK, AM	-	-	
		500kHz~1.62MHz*	Less than 20 μ V	
		*1.62MHz~30MHz	Less than 2 μ V	
	FM	28MHz~30MHz	Less than 0.25 μ V	
Output		1.5W across 8 ohms load (10% distortion)		
Output load impedance		8 ohms		

- Notes
1. Circuit and ratings are subject to change without notice due to advancements in technology.
 2. Remember to keep the transmit output power within the power limitations of your license.
 3. * : The U.S.A. version is 1.705 MHz.

TS-690S

				Specifications				
General	Mode		J3E(LSB, USB), A1A(CW), A3E(AM), F3E(FM), F1A(FSK)					
	Memory Channels		100					
	Antenna impedance		50 ohms					
	Power requirement		12 to 16 VDC (13.8 VDC reference)					
	Grounding		Negative					
	Current drain	Receive mode with no input signal		2A				
		Transmit mode		20.5A				
	Operating temperature		-10°C to +50°C (+14°F to +122°F)					
	Frequency stability		Less than ±10 PPM					
	Frequency accuracy		Less than ±10 PPM					
	Dimensions [W×H×D] (Projections included)		270×96×328mm(10-5/8"×3-25/32"×12-29/32") (280×107×351mm)(11-1/32"×4-1/4"×13-13/16")					
Weight	Without AT unit		6.9kg (15.2lbs)					
Transmitter	Frequency range		160m band	1.8	to	2.0	MHz	
			80m band	3.5	to	4.0	MHz	
			40m band	7.0	to	7.3	MHz	
			30m band	10.1	to	10.15	MHz	
			20m band	14.0	to	14.35	MHz	
			17m band	18.068	to	18.168	MHz	
			15m band	21.0	to	21.45	MHz	
			12m band	24.89	to	24.99	MHz	
			10m band	28.0	to	29.7	MHz	
			6m band	50.0	to	54.0	MHz	
	Output power (Without AT)	1.9~ 28MHz	SSB, CW, FSK, FM	MAX	100W			
				MIN	Less than 20W			
			AM	MAX	40W			
				MIN	Less than 10W			
		50MHz	SSB, CW, FSK, FM	MAX	50W			
				MIN	Less than 10W			
			AM	MAX	20W			
MIN				Less than 10W				
Modulation	SSB		Balanced modulation					
	FM		Reactance modulation					
	AM		Low level modulation					
Spurious radiation		Less than -50dB(HF)		Less than -60dB(50MHz)				
Carrier suppression (with 1.5kHz reference)		More than 40dB						

		Specifications		
Transmitter	Unwanted sideband suppression (with 1.5kHz reference)		More than 40dB	
	Maximum frequency deviation (FM)		Less than ± 5 kHz	
	Frequency response (−6dB)		400 to 2600Hz	
	XIT variable range	10 Hz step	More than ± 1.1 kHz	
		20 Hz step	More than ± 2.2 kHz	
Microphone impedance		600 Ω		
Receiver	Circuitry		Triple conversion superheterodyne	
	Frequency range		500kHz to 30MHz 50MHz to 54MHz	
	Intermediate frequency		1st : 73.05MHz, 2nd : 8.83MHz, 3rd : 455kHz	
	Sensitivity	SSB, CW, FSK (at 10dB (S+N)/N)	500kHz~1.62MHz*	Less than 4 μ V
			*1.62MHz ~21.5MHz	Less than 0.2 μ V
			21.5MHz~30MHz	Less than 0.13 μ V
			50MHz~54MHz	Less than 0.13 μ V
		AM (at 10dB (S+N)/N)	500kHz~1.62MHz*	Less than 32 μ V
			*1.62MHz ~21.5MHz	Less than 2 μ V
			21.5MHz~30MHz	Less than 1.3 μ V
			28MHz~30MHz	Less than 0.25 μ V
		FM (at 12dB SINAD)	50MHz~54MHz	Less than 0.25 μ V
	Selectivity	SSB, CW, FSK	−6dB:More than 2.2kHz, −60dB:Less than 4.4kHz	
		AM	−6dB:More than 5kHz, −50dB:Less than 18kHz	
		FM	−6dB:More than 12kHz, −50dB:Less than 25kHz	
	Image ratio		More than 70dB	
	1st IF rejection		More than 70dB	
	Notch filter attenuation		More than 20dB	
	RIT variable range	10 Hz step	More than ± 1.1 kHz	
		20 Hz step	More than ± 2.2 kHz	
Squelch sensitivity	SSB, CW, FSK, AM	—	—	
		500kHz~1.62MHz*	Less than 20 μ V	
	FM	*1.62MHz~30MHz	Less than 2 μ V	
Output		1.5W across 8 ohms load (10% distortion)		
Output load impedance		8 ohms		

Notes

1. Circuit and ratings are subject to change without notice due to advancements in technology.
2. Remember to keep the transmit output power within the power limitations of your license.
3. * : The U.S.A. version is 1.705 MHz.

2-2. ACCESSORIES

Unpack your TS-450S/690S carefully and confirm that it is supplied with the following accessories.

Dynamic microphone	T91-0352-15	1 ea.
DIN plug (7-pin)	E07-0751-05	1 ea.
DIN plug (13-pin)	E07-1351-05	1 ea.
DC power cable assembly	E30-3035-05	1 ea.
Calibration cable	E31-2154-05	1 ea.
Fuse (25A)	F51-0011-05	1 ea.
Fuse (4A)	F06-4029-05	1 ea.
Knob	K23-0712-04	1 ea.
External control Instruction Manual	B62-0099-XX	1 copy
Instruction Manual	B62-0095-XX	1 copy
Warranty card (U.S.A., Canada and Europe version only)	1 ea.

After unpacking
Shipping container:
Save the boxes and packing in the event your unit needs to be transported for remote operation, maintenance, or service.

3. INSTALLATION AND CONNECTION

3-1. INSTALLATION

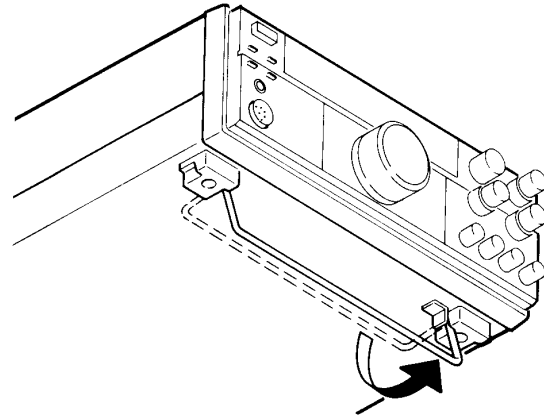
3-1-1. Fixed Station

■ Front Bail

By extending the front bail, the front panel can be elevated for operating convenience.

CAUTION

Do not carry the transceiver by holding the bail. Grasp the handle on the right side to carry the transceiver.



3-1-2. Mobile Installations

Secure the transceiver with the optional mounting bracket. For the installation instructions, see the MB-430 Instruction Manual.

3-2. CONNECTION

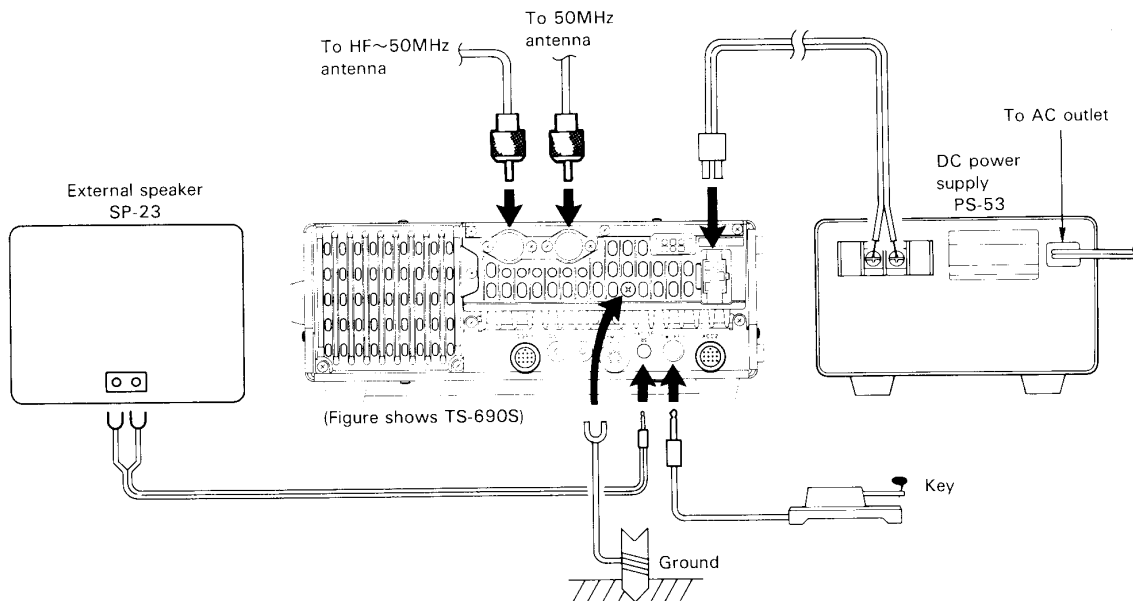
3-2-1. Fixed Station

The TS-450S/690S requires more than 20.5 A at 13.8 VDC when transmitting at full power. Use the PS-53 power supply for fixed station operation.

CAUTION

1. Before connecting the power supply, switch the transceiver and the DC power supply off.
2. Do not plug the DC power supply into the AC outlet until all the connections have been made.

A. Rear Panel



(1) Antenna

Caution

Protect your equipment — Use a LIGHTNING ARRESTER.

The type of antenna that is used will greatly affect the performance of the transceiver. Use a properly adjusted antenna, of good quality, to enable your transceiver to perform at its best. The antenna input impedance is 50 ohms. Use 50-ohm coaxial cable such as 5D-2V or RG-213/U (RG-8A/U) for this connection. If the antenna is far from the transceiver the use of low loss coaxial cable, such as 5D-2V or RG-213/U (RG-8A/U) are recommended. Match the impedance of the coaxial cable and that of the antenna so that the SWR is less than 1.5 to 1. The protection circuit in the transceiver will activate if the SWR is particularly poor (greater than 3 to 1). High SWR values will cause the transmitter output to drop, and may lead to TVI or BCI reports.

(2) Grounding

Warning

Never use a gas pipe or electrical conduit pipe.

Notes

1. A ground connection that is a 1/4 wavelength or its multiple may provide a good DC ground, but will not provide a good RF ground.
2. A city water pipe cannot be used as a good ground in some cases.

Making a good ground connection is important for preventing dangers such as electric shock and for emitting a high quality signal with minimum spurious radiation. Bury a commercially available ground rod or copper plate under the ground and connect it to the GND terminal. A thick wire, cut as short as possible, should be used for the connection. To make a good earth connection, connect the GND terminal to a grounded metal water pipe.

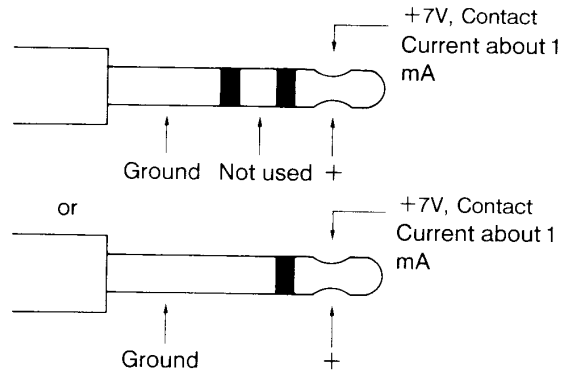
(3) External speaker

The TS-450S/690S includes a built-in speaker. If you would like to use an external speaker, such as the SP-23, it may be connected to the EXT SP jack on the rear of the transceiver. The speaker may be any good 8 ohm permanent magnet type speaker. The diameter should be at least 4 inches for good audio quality. If you plan on using a speaker other than the SP-23 it should be equipped with a miniature phone jack plug. (diameter 3.5 mm)

(4) Key connection

Your key should be connected as illustrated in the figure below. When using an electronic keyer, make sure that the polarity is set for positive or direct. Always use shielded line from the key to transceiver. (diameter 6.0 mm)

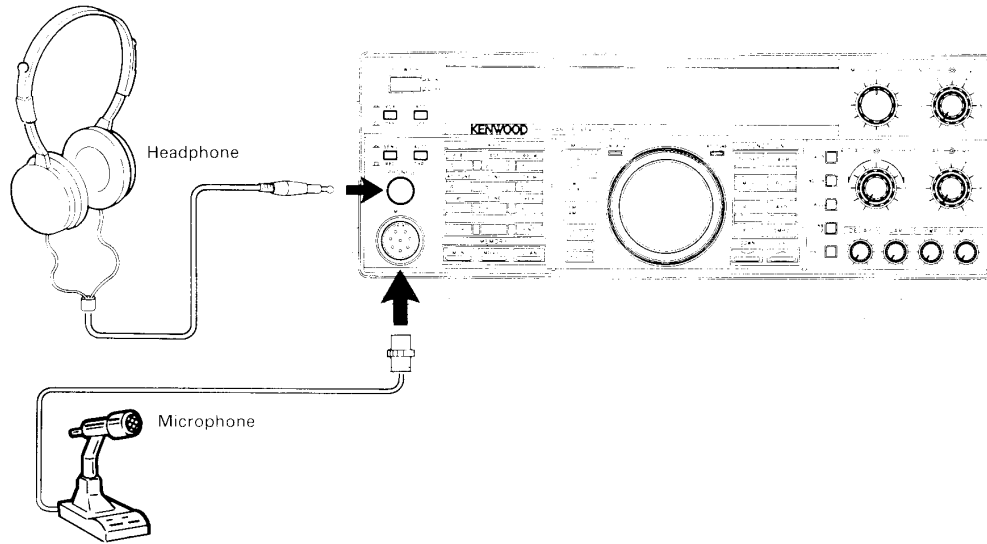
■ To use external straight key



Note

Check the polarity of the plug when you use an electronic keyer.

B. Front Panel



(1) Headphones

Any low-impedance (4-16 ohms) headphone may be used with the transceiver. Connect the headphones to the front panel PHONES jack. (diameter 6.0 mm). The optional HS-5 or HS-6 headphones are best suited for use with the transceiver. Stereo type headphones can also be used.

(2) Microphones

Any microphone with an impedance to 600Ω may be used with this transceiver. The KENWOOD microphones MC-43S (handheld), MC-60A, MC-80, MC-85 (table-top type) are recommended.

3-2-2. Mobile Installations

Install in the safest and most accessible location.

A. Battery Connections

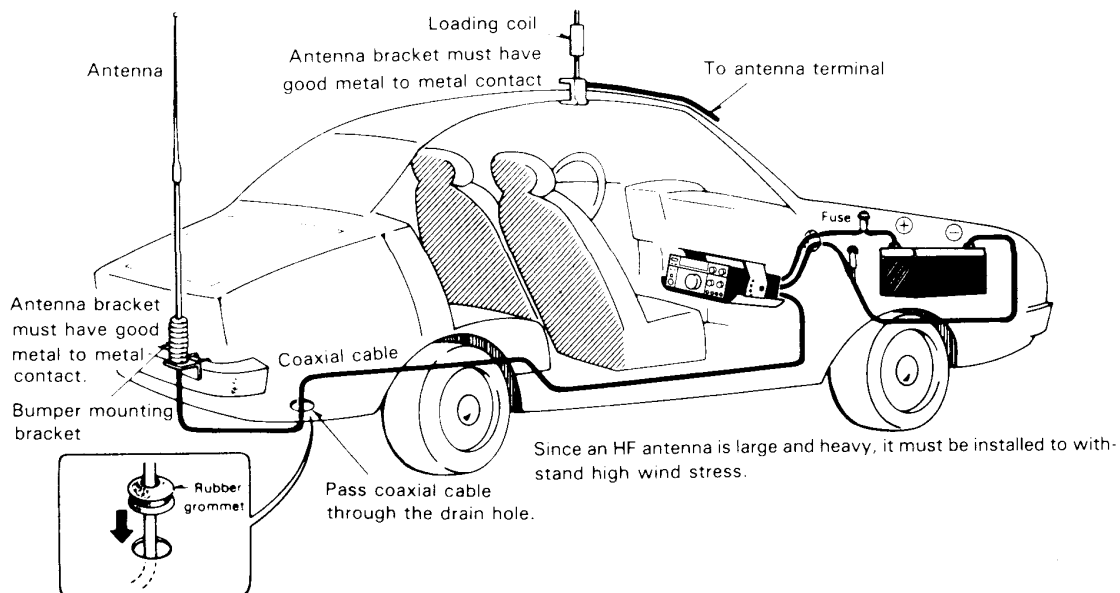
Connect the power cable **directly** to the battery terminals. Use of the cigarette lighter socket will lead to poor connection, and will result in poor performance. Pay close attention to the polarity of the cables when connecting them to the battery.

Cautions :

1. Before installing the power cable, be sure to remove the negative lead from the battery for safety.
2. After installation and wiring, be sure to double check for correct installation before reconnecting the negative lead to the battery terminal.
3. If the fuse opens, be sure to check that each conductor has not been damaged by short circuiting, etc. Then replace with a new fuse of the same rating.
4. After completing the wiring, wrap the fuse holder with heat resistant tape to protect against heat and moisture.
5. Do not remove the fuse even if the power cable is too long.

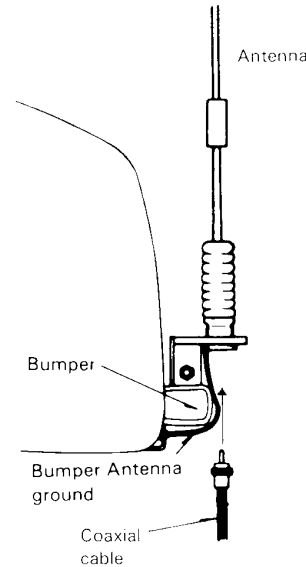
B. Ignition Noise

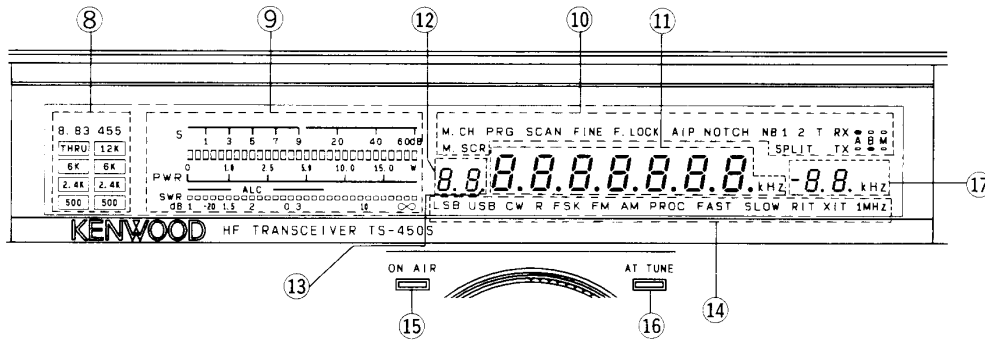
This transceiver has been designed to suppress ignition noise; however, if excessive noise is present, it may be necessary to use suppressor spark plugs (with resistors).



C. Grounding for mobile installation

When the transceiver is installed in a car, use a short whip antenna. Grounding is very important when using a whip antenna. If the grounding is poor, a good SWR value will not be obtained.





- ⑧ Filter indicators
Indicates which filters have been selected.
- ⑨ Meter
The signal strength is displayed during reception (S meter), and the transmitter power is displayed during transmission (power meter). When the RX M or TX M key is pressed, the AF level (dB), SWR, and ALC values are displayed. A peak hold function is also incorporated. (Please refer to Section 4-11-15.)

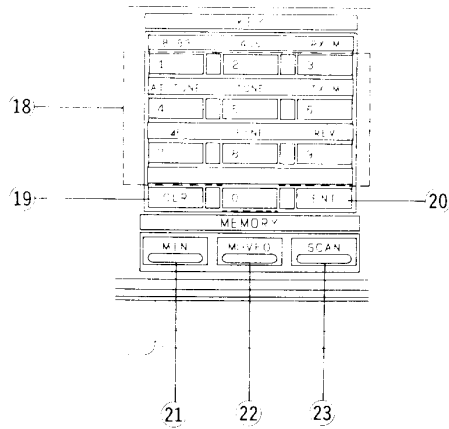
Note
One or two segments of the S meter may light when there is no signal, due to atmospheric noise.

- ⑩ M.CH (Memory channel) indicator
Turns ON during Memory Channel operation.
- M.SCR (Memory scroll) indicator
Lights when the M.IN key is pressed. When the memory scroll function is active you can review the contents of the memory channels without a loss of the incoming receive frequency.
- PRG (Program) indicator
Lights during selection or operation on memory channels 90 to 99.
- SCAN indicator
Turns ON during scanning.
- FINE indicator
Indicates the FINE tuning function has been selected.
- F.LOCK indicator
Lights when the F.LOCK key is ON.
- AIP(Advanced Intercept Point) indicator
Lights when the AIP switch is ON.
- NOTCH indicator
Lights when the NOTCH switch is ON.
- NB1 2 indicator
The selected noise blanker operation is displayed.
- SPLIT indicator
Turns ON during split operation.
- T indicator
Indicates the TONE function has been selected.

RX ● ○ ○
 TX ● ● ●

The state of the VFO or memory operating during transmission and reception is displayed.

- ⑪ Frequency display
Indicates the operating frequency. The 10 Hz digit may be suppressed. (Please refer to Section 4-11-15.)
- ⑫ Memory Channel number display
Memory Channel Number is displayed.
- ⑬ Memory Channel Lockout Indicator
The ● display indicates the Memory Channel currently in the display will be skipped during Memory Channel scan.
- ⑭ LSB indicator
Indicates LSB has been selected.
- USB indicator
Indicates USB has been selected.
- CW indicator
Indicates CW has been selected.
- R indicator
Indicates CW/FSK-R(Reverse) has been selected.
- FSK indicator
Indicates FSK has been selected.
- FM indicator
Indicates FM has been selected.
- AM indicator
Indicates AM has been selected.
- PROC indicator
Indicates the PROCESSOR is ON.
- FAST indicator
Lights when the AGC time constant is fast.
- SLOW indicator
Lights when the AGC time constant is slow.
- RIT indicator
Turns ON when using RIT.
- XIT indicator
Turns ON when using XIT.
- 1MHz indicator
Lights when the 1 MHz key is ON.
- ⑮ ON AIR indicator
Lights during transmit.
- ⑯ AT TUNE (Antenna Tuner) indicator
Lights to show that the automatic antenna tuner is in operation. Do not continue until it goes off.
- ⑰ RIT/XIT frequency display
Shows the amount of RIT/XIT offset to the nearest 100 Hz. Minus “-” appears in the display when the RIT/XIT offset is below the transmit/receive frequency.
Shows the scan speed during scanning.

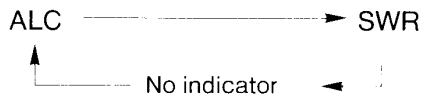


18 Numeric keypad

When used in conjunction with the ENT key, the keypad is used to directly enter a frequency.

The keypad also has the following functions:

- 8.83 FILTER key
Selects the desired 8.83MHz filter regardless of mode.
- 455 FILTER key
Selects the desired 455kHz filter regardless of mode.
- RX M key
When this key is pressed during reception, the dB display turns on and off. The AF level is displayed on the scale (dB), independent from the AF volume control setting.
- AT TUNE key
When the THRU/AUTO switch is placed in the AUTO position, the automatic tuner will be engaged and the tuner will try to match the antenna.
- TONE key
Press this key to turn the repeater Sub audible tone encoder on.
- TX M key
The meter indication during transmission can be switched as follows.



○ ΔF key

Press this key while pressing TF SET key to display the offset from the current receiving frequency.

○ FINE key

One turn of the tuning knob is made equivalent to 1kHz (1Hz step) in the SSB, CW, and FSK modes to facilitate tuning. When the key is pressed again, the original tuning rate of 10kHz per revolution returns.

○ REV key

The BFO uses USB for normal CW reception. With this key, reception becomes possible on LSB. The BFO uses LSB for normal FSK operation. With this key, reception becomes possible on USB.

19 CLR (Clear) key

Used when reentering memory channel data, erasing a memory channel, clearing scan, or when specifying the channels that will be skipped during scan operations.

20 ENT (Enter) key

Used to directly enter a frequency from the numeric keypad.

21 M.IN key

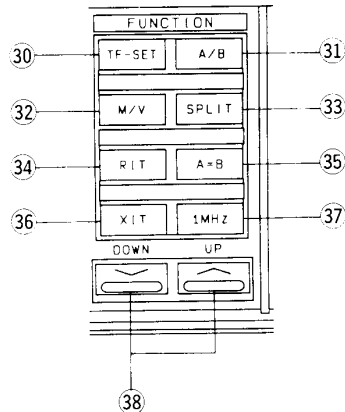
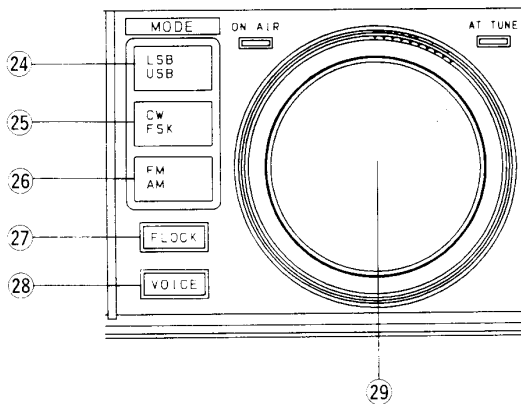
Used to enter data into a memory channel.

22 M▶VFO key

Used to transfer a frequency from memory to the VFO.

23 SCAN key

Pressed during VFO operation will initiate program scan, and pressed during memory operation will initiate memory scan.



●MODE keys

These keys are used to select the desired mode of operation. When a MODE key is pressed the first character of that mode will be sounded in Morse code thru the internal speaker.

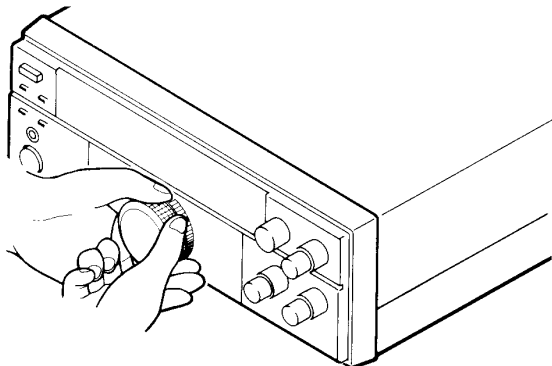
- ②4 LSB/USB key
Press the LSB/USB key to alternate between LSB and USB mode.
- ②5 CW/FSK key
Press the CW/FSK key to alternate between CW and FSK mode.
- ②6 FM/AM key
Press the FM/AM key to alternate between FM and AM mode.
- ②7 F.LOCK key
The selected dial frequency and mode are locked.

Note

When the F.LOCK key is on, the TF-SET, FILTERkeys, METER, VOICE keys, NOTCH, AGC, NB, PROC., AIP, RIT, XIT and RIT/XIT control are still active.

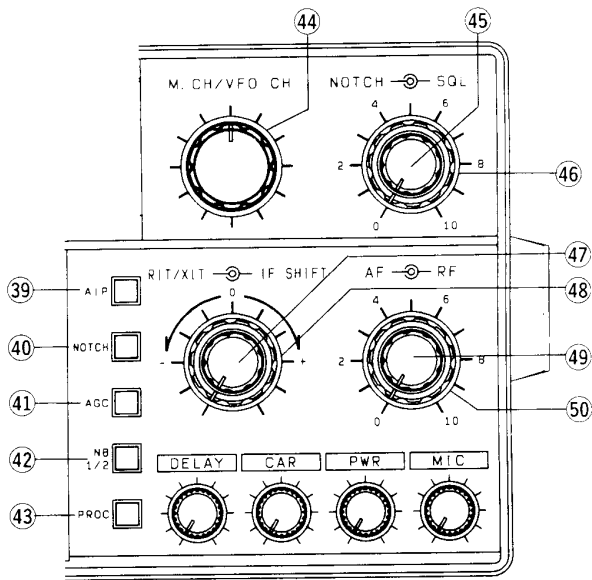
- ②8 VOICE key
Press this key to activate the optional voice synthesizer unit VS-2.
- ②9 TUNING knob (VFO)
Rotate the knob to select the desired frequency.

The dial drag is adjustable by holding the outside knob and turning the inside knob clockwise to increase drag, and counterclockwise to decrease drag.



●FUNCTION keys

- ③0 TF-SET key
Depressing this key will allow you to rapidly set or check the transmit frequency, during SPLIT and RIT /XIT operations, without the need of actually transmitting.
- ③1 A/B key
This key switches between VFO A or VFO B.
- ③2 M/V key
This key switches between the VFO or memory.
- ③3 SPLIT key
Press this key for split operation.
- ③4 RIT key
Press to turn the RIT ON or OFF.
- ③5 A=B key
Equalizes the frequencies, modes and filter selections of VFO A and VFO B.
- ③6 XIT key
Press to turn the XIT ON or OFF.
- ③7 1MHz key
This key causes the UP/DOWN switches to change the operating frequency in 1 MHz steps or only select amateur bands. When the 1 MHz step position is selected, the 1MHz indicator will light.
When the 1MHz key has been pressed, the frequency is changed in 1MHz steps regardless of the amateur band.
The frequency step can be changed to 500 kHz. (See 4-11-15. Function setting when the power is switched on.)
- ③8 UP/DOWN switch
Pressing the UP switch increases the frequency, and pressing the DOWN switch decreases it.



- ③⑨ AIP(Advanced Intercept Point) key
Use AIP when good signal reception can not be obtained. When switched on, it reduces interference from strong signals.
When the frequency falls below 9.5MHz, AIP turns on automatically. AIP can be turned off on individual bands below 9.5MHz by pressing the AIP key.

Note
When AIP is on, the sensitivity of the receiver is reduced by about 10 dB in the range 100kHz to 21.5 MHz, and by about 15 dB in the range of above 21.5MHz.

- ④⑩ NOTCH key
When this key is ON, the notch filter is activated.

Note
This switch is disabled during FM operation.

- ④① AGC key
Pressing this key toggles the AGC time constant between SLOW and FAST.
FAST : For CW, FSK and data communications.
SLOW: For SSB and AM.

Note
This switch is disabled during FM operation.

- ④② NB 1/2 key
NB1 : For pulse type noise, such as that generated by automotive ignition systems, select NB 1.
NB 1 will not help to eliminate atmospheric or line noises, only pulse type noise.
NB2 : The NB2 only works on woodpecker type noise.

Noise blanker 2 is used for long duration pulse noise, like the "woodpecker". To reduce "woodpecker" radar noise interference, select NB 2 (NB 2's effectiveness depends on the specific type of interference). If you use NB 2 for short duration pulse noise, the receive signal may become distorted, making it difficult to hear. Unfortunately no noise blanker can remove all different types of interference; but the two noise blankers that have been provided in the TS-450S/690S are effective in most cases. If there is no "woodpecker" present, turn NB2 off.

- ④③ PROC key
Effective transmit power output will increase when the PROC is turned ON during SSB mode operations.
- ④④ M.CH/VFO CH control
This control is used to select the desired memory channel during Memory Channel Operation.
This control is also used to change the frequency in 10 kHz steps during VFO operations.
The control is also used to select the desired power on function you wish to change. See section 4-11-15.
- ④⑤ NOTCH control
The NOTCH function is used to reduce or eliminate heterodyne, or CW type signals. The NOTCH filter will not be effective against SSB, AM or FM type signals.
- ④⑥ SQL control
This control is used to eliminate atmospheric noise, and receiver static noise during no signal periods. Slowly rotate the control clockwise to the point where the ambient noise just disappears, and the speaker shuts off. This point is known as the squelch threshold point. Now you will only hear output from the speaker when an incoming signal is present. For weak signal reception this control should be fully counterclockwise.

④7 RIT/XIT control

RiT (Receiver Incremental Tuning)

The RIT control shifts the receiver frequency without changing the transmit frequency.

When the RIT switch is ON, the RIT indicator will light, and the receive frequency can be adjusted by using the RIT control.

Note

When the RIT is ON the transmit frequency may be different from the receive frequency. For normal operation leave the RIT switch OFF. It should be used only when necessary.

The scan speed can be changed during scanning with the RIT control.

XIT (Transmitter Incremental Tuning)

XIT is very similar to RIT. XIT is only active in the transmit mode. By using the XIT function it is possible to offset the transmit frequency without the normal loss of receiver audio that is experienced when using the SPLIT function.

When RIT/XIT is off, the RIT/XIT display does not light.

The RIT/XIT step size is either 10 Hz or 20 Hz. Please refer to Section 4-11-15 for information on how to select the desired step size.

④8 IF SHIFT control

Interference can be eliminated and the receive audio quality can be adjusted.

Note

This control is disabled during FM and AM operation.

④9 AF gain control

Turn the knob to increase or decrease the volume.

Clockwise rotation increases the volume and counterclockwise rotation decreases the volume.

Note

The output level of the "Beep", "Sidetone" and VS-2 are not affected by adjusting of the AF gain control.

⑤0 RF gain control

This control adjusts the gain of the receiver high-frequency amplifier section.

For normal receiver performance, and maximum gain, this control should be all the way to the right. If you are having trouble copying the desired signal make a note of the station's peak S-meter reading. Then, adjust the RF gain control left, so that the meter is stationary at this level. Now, all signals that were less than the desired signal will be attenuated, such as static noise, etc., making reception easier.

If the incoming signal pegs the S-meter you can also reduce the receiver gain by moving the RF gain control to the left. The S-meter will always advance up-scale as the RF gain control is moved, to indicate that the gain has been reduced.

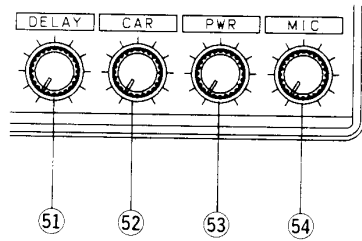
Simultaneous use of the RF gain control and AGC key.

If a strong signal (such as a local station) appears in the vicinity of the intended receive signal, the S-meter may show unusual deflection due to the AGC voltage developed from the strong disturbing signal. If this occurs, move the RF gain control to the left so the meter pointer remains at about the original deflection peak and select FAST AGC.

This will reduce the unwanted AGC voltage and permit clear reception.

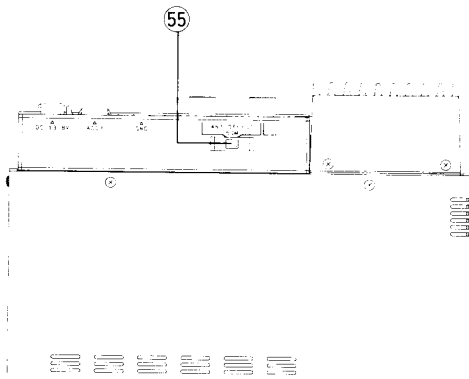
Note

Turn the control fully clockwise in the FM mode.



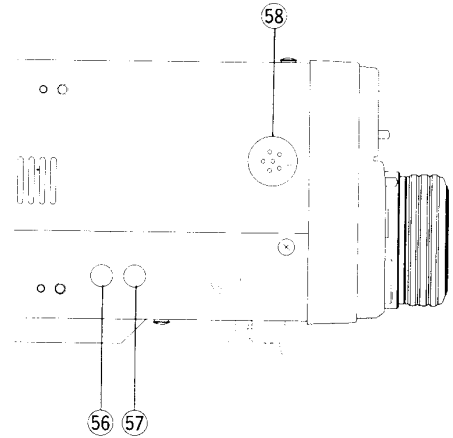
- ⑤① DELAY control
This control adjusts the delay time in VOX operation. Set it to an appropriate position. The DELAY control is turned fully counterclockwise in CW mode for full break-in (QSK) operation.
- ⑤② CAR(Carrier level) control
Used to adjust carrier level during CW, AM, FM and FSK.
- ⑤③ PWR(Power) control
Power can be controlled in all modes. Power is increased by turning the control clockwise. Keep the transmit power within the output power limits of your license.
- ⑤④ MIC gain control
Microphone gain can be adjusted during SSB and AM operations. Gain is increased by turning the control clockwise.

■ Top of case (TS-690S only)



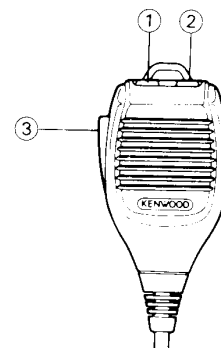
- ⑤⑤ ANTENNA SELECT switch
Select the desired antenna HF or 50MHz.

■ Left side of case



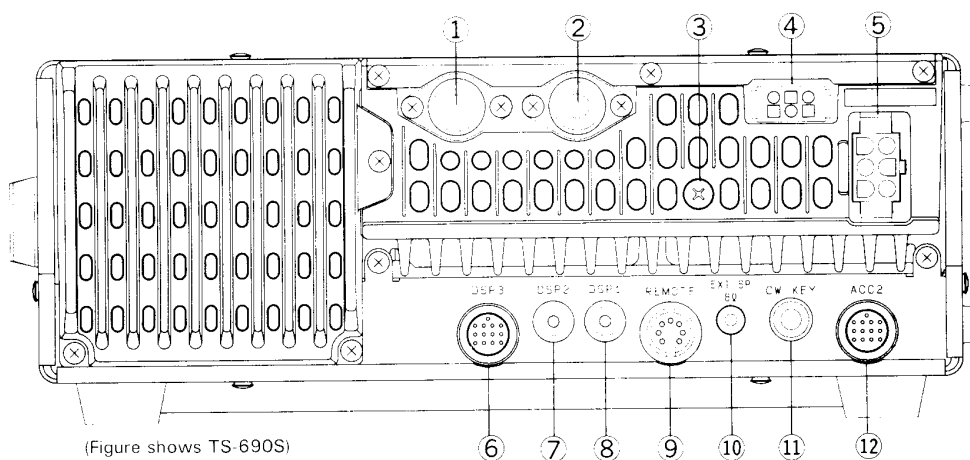
- ⑤⑥ VOX control
This control adjusts the sensitivity of the VOX amplifier. Adjust this control for your personal preference.
- ⑤⑦ ANTI control
VOX operations are sometimes difficult with high speaker volume control settings. The ANTI control is used to reduce the tendency of the VOX to activate from inputs from the speaker. The ANTI control is not active when headphones are connected.
- ⑤⑧ ACC-1 connector
The optional DSP-100 or the optional IF-232C is connected here.

■ Microphone



- ①②UP/DWN(Up/Down) switches
These switches are used to step the VFO frequency or memory channel up and down. The frequency will change continuously if the switches are pressed and held.
- ③ PTT (Push To Talk) switch
The transceiver will be placed into Transmit whenever this switch is pressed.

4-1-2. Rear Pane



① ANTENNA 1 connector

This connector should be attached to a suitable antenna for transmitting and receiving. The antenna cable should be 50-ohm coax, terminated with a PL-259 connector.

For the TS-690S, the antennas for HF to 50 MHz can be plugged into this connector.

② ANTENNA 2 connector (TS-690S only)

This connector should be attached to a suitable antenna for transmitting and receiving. The antenna cable should be 50-ohm coax, terminated with a PL-259 connector.

For the TS-690S, an antenna for the 50MHz band can be connected to this connector.

③ GND (Ground) terminal

To prevent electric shock, as well as RFI and BCI, connect the transceiver to a good earth ground.

④ ACC3 connector

The control cable for the external antenna tuner (AT-300) is connected here.

⑤ DC power connector

This is used to connect the DC power supply.

⑥ DSP 3 connector

The optional DSP-100 is connected here.

⑦ DSP 2 connector

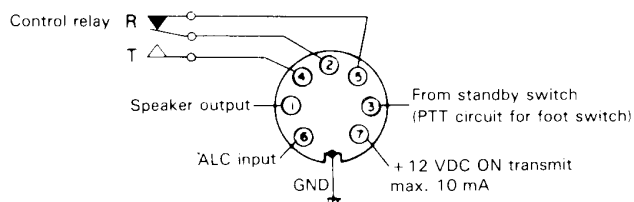
The optional DSP-100 is connected here.

⑧ DSP 1 connector

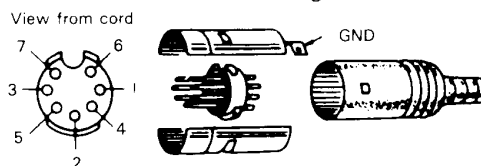
The optional DSP-100 is connected here.

⑨ REMOTE connector

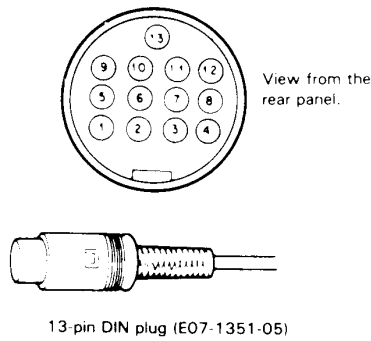
This connector is used when a linear amplifier is used.



Internal wiring



- ⑩ **EXT SP (External speaker) jack**
This jack is for connection of an external speaker.
- ⑪ **CW KEY jack**
Using shielded line, connect a 6.0mm diameter phone plug to this jack for CW operation. When connecting a paddle type key to the key jack use a 6.0mm diameter plug. Open-terminal voltage is approximately +7 VDC.
- ⑫ **ACC 2 connector**
Terminal numbers and their applications are as follows :



ACC2 pin assignments

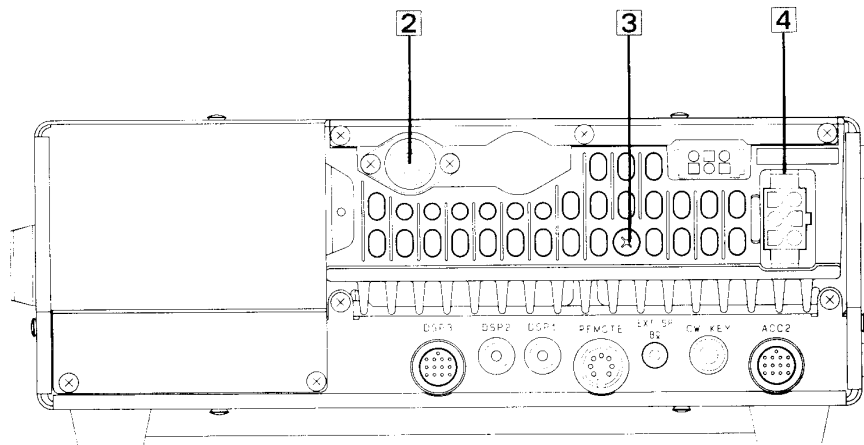
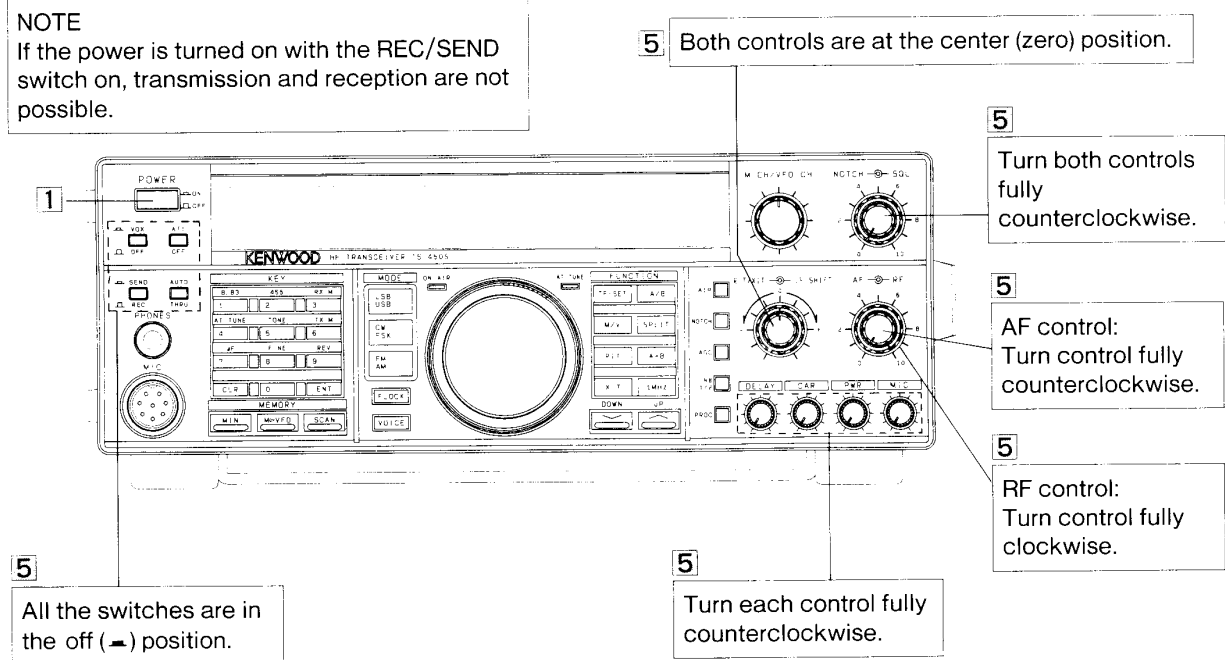
Pin number	Symbol	Use
1	NC	No connection
2	RTK	RTTY terminal
3	ANO	Receiver audio at a fixed level independent of AF gain control setting. Output voltage : 300 mV/4.7kΩ or more at high input level.
4	GND	Ground (The shielded wire of the audio output terminal is connected here.)
5	PSQ	This pin is used for connecting a TNC (Terminal Node Controller) for use with packet radio. It is the Squelch Control terminal and will not allow packet communications while squelch is off.
6	NC	No connection
7	NC	No connection
8	GND	Ground
9	PKS	When this pin is grounded, the microphone input is automatically shut off and the transmitter is keyed.
10	NC	No connection
11	PKD	This is the input pin from the terminal unit. The input level is 20 mV or more.
12	GND	Ground (The shielded wire of the audio output terminal is connected here.)
13	SS	Standby terminal. Grounding transmits.

4-2. INITIAL SETTING

Prior to operation ensure the following switches and controls are set as indicated in the figure below:

NOTE

If the power is turned on with the REC/SEND switch on, transmission and reception are not possible.



1 Ensure the POWER switch is OFF (■).

2 An antenna must be connected.
For the TS-690S, set the antenna changeover switch correctly.

Caution
Never transmit without an antenna connected.

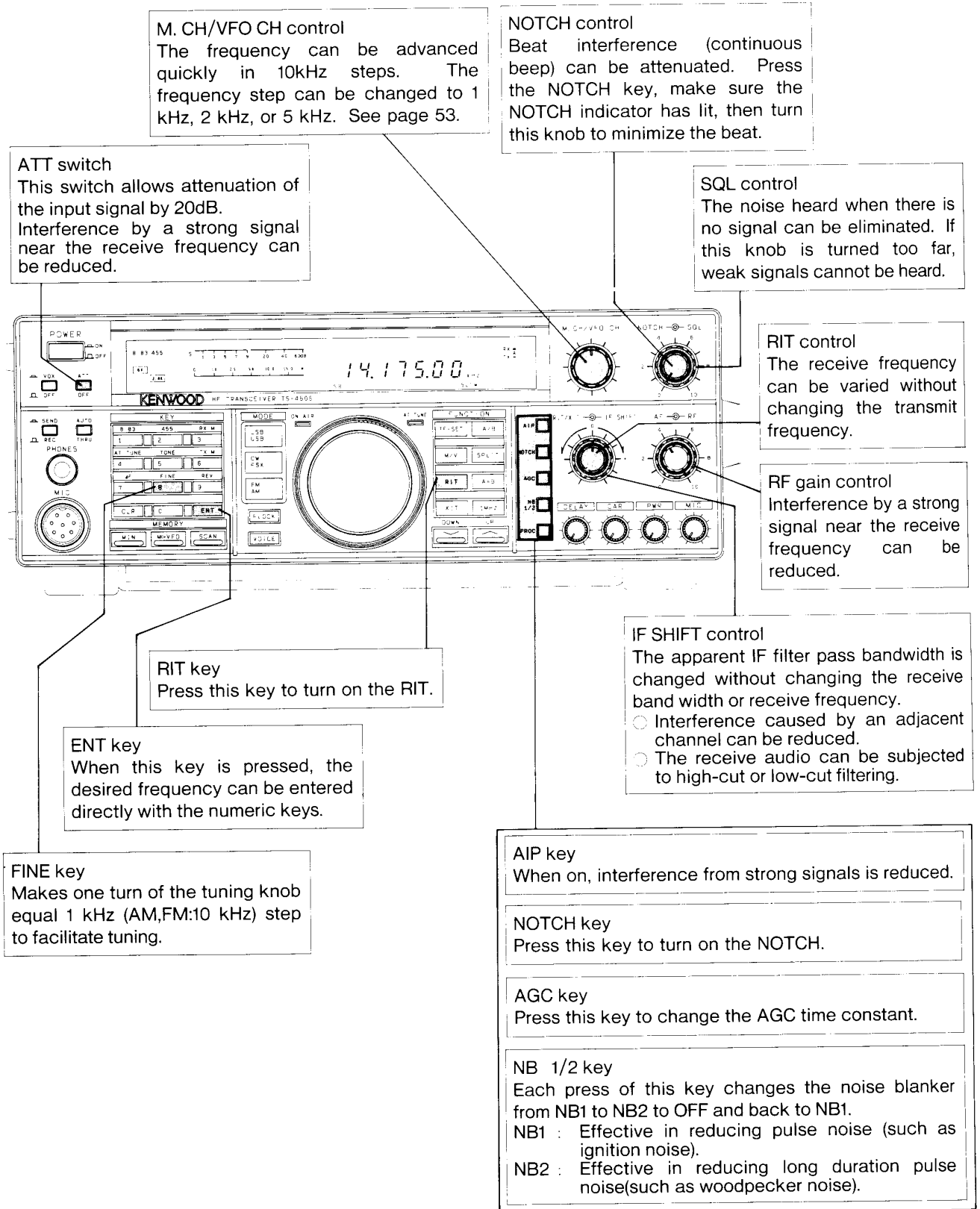
3 A ground must be connected.

4 Attach the DC power cable here.

5 Ensure the front panel controls and switches are set as shown in the figures above.

■Advanced Features

Advanced receiver functions



Advanced transmitter functions

VOX switch

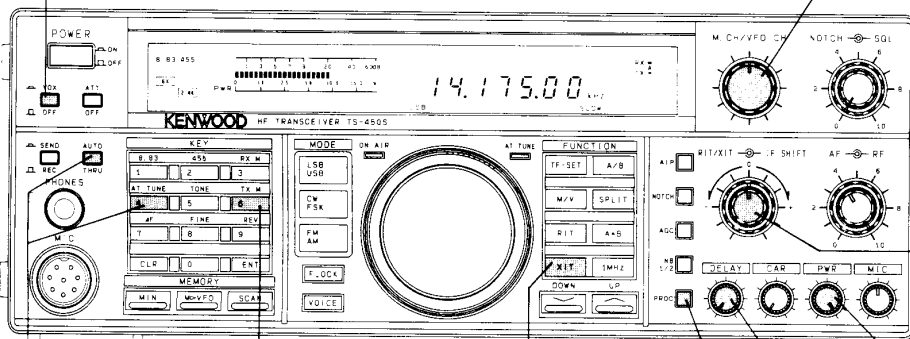
When this switch is set to VOX(⏻), transmission and reception are switched automatically by voice in SSB, FM, and AM modes.

Adjust the VOX gain on the left side according to the microphone in use.

When this switch is set to VOX, transmission is selected automatically when the key is down, and reception is selected automatically when the key is up.

M. CH/VFO CH control

The frequency can be advanced quickly in 10kHz steps. The frequency step size can be changed to 1 kHz, 2 kHz, or 5 kHz. See page 53.



XIT control

The transmit frequency can be varied without changing the receive frequency.

PWR control

Transmission power can be varied. The maximum power is obtained by turning the control fully clockwise.

TX M key

Press this key to select the SWR meter or ALC meter or OFF.

XIT key

Press this key to turn on the XIT.

AUTO/THRU switch

AT TUNE key

Press this key to operate the automatic antenna tuner, if the unit is installed.

PROC key

Use this function to increase the average talk power during transmission. Adjust it with the MIC gain control so that it does not exceed the ALC range when the speech processor is used.

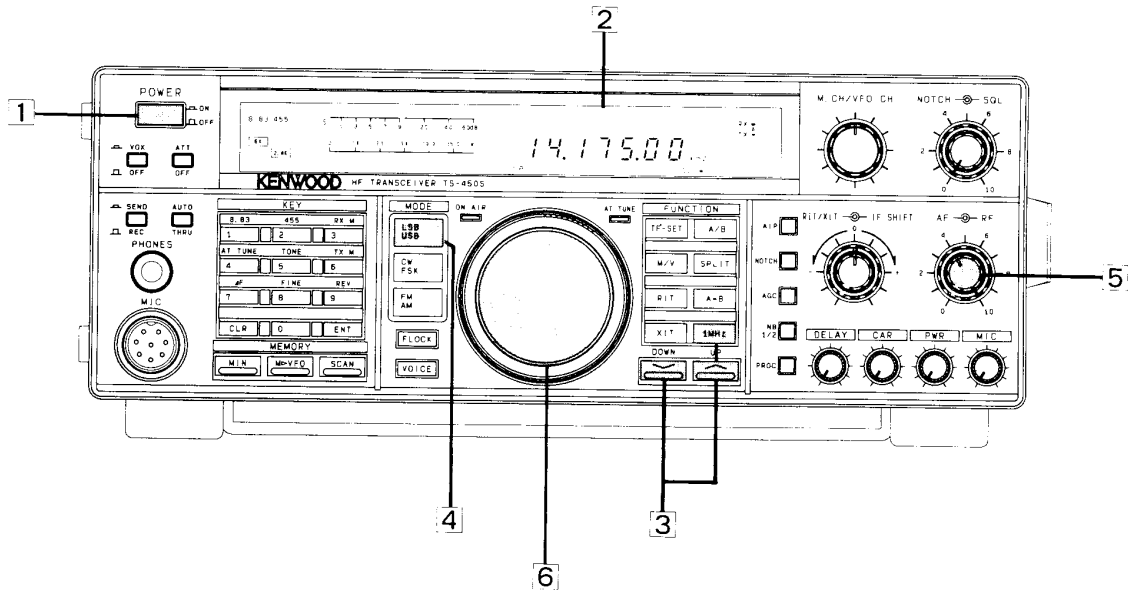
DELAY control

When VOX is used, the time delay before returning to receive from transmit can be varied. Set the control to give the desired timing.

4-3. SSB OPERATION

RECEIVING

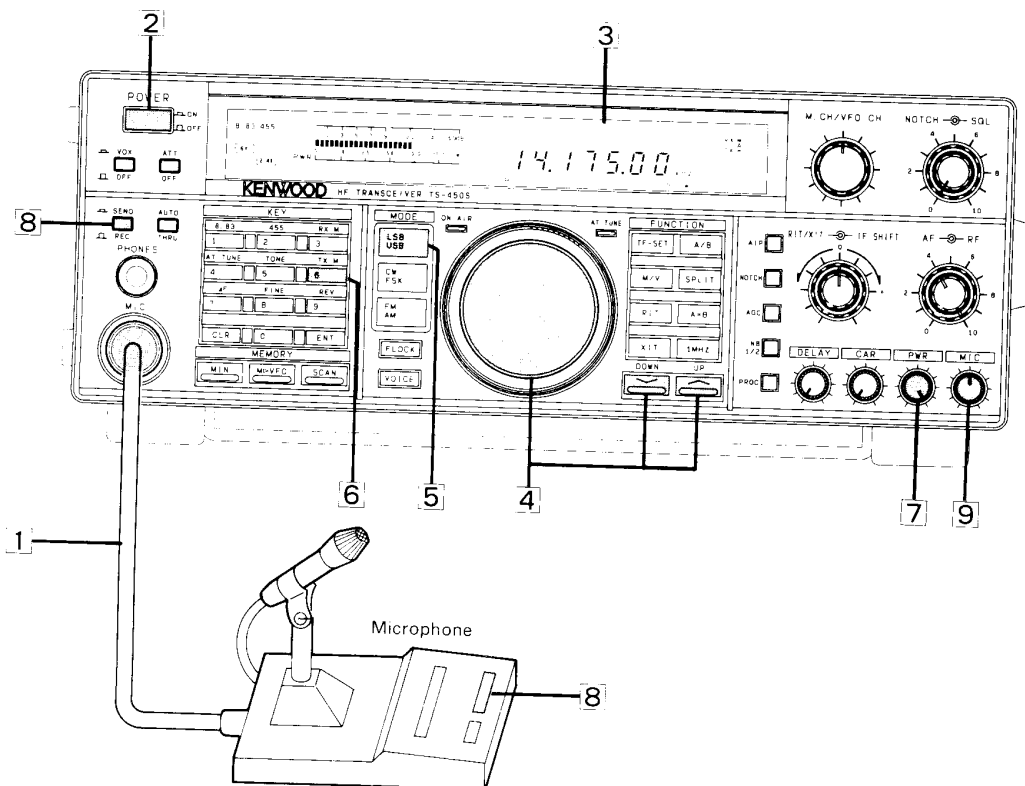
The frequency display indicates the carrier point.



- 1 Turn on the DC power supply and then turn the transceiver's power switch ON.
- 2 A frequency will appear in the display.
- 3 Press the UP/DOWN switches to select the desired band.
When the 1 MHz step position is selected, the 1MHz indicator will light.
- 4 Select USB or LSB with the MODE key.
The automatic switchover point on the transceiver is 9.5 MHz.
- 5 Turn the AF gain control clockwise until a signal or noise is heard.
- 6 Rotate the TUNING knob and select an open channel.

TRANSMISSION

The frequency display indicates the carrier point.



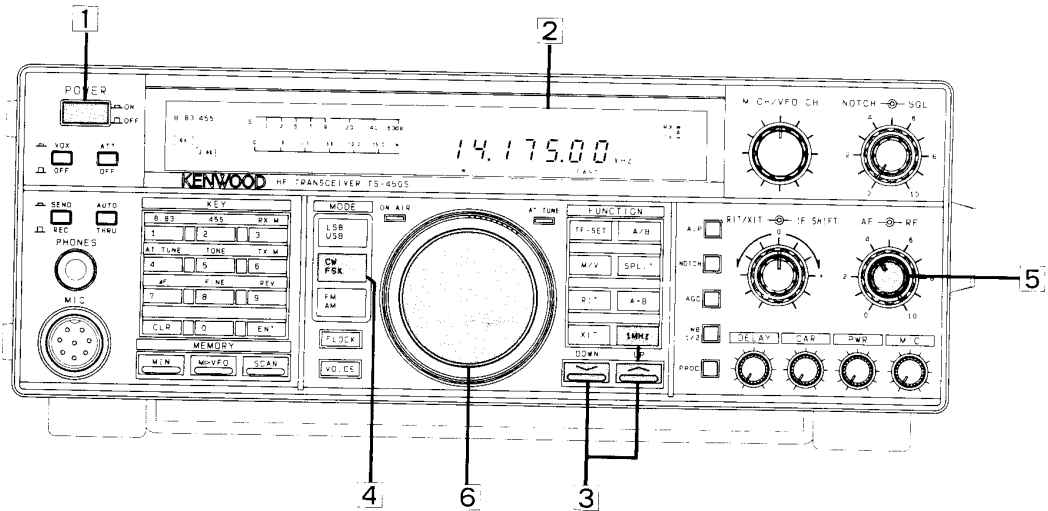
- 1 Connect a microphone to the MIC jack.
- 2 Turn on the DC power supply and then turn the transceiver's power switch ON.
- 3 A frequency will appear in the display.
- 4 Select USB or LSB with the MODE key.
The automatic switchover point on the transceiver is 9.5 MHz.
- 5 Select the desired frequency.
- 6 Press the TX.M key until the ALC meter lights.
- 7 Turn the PWR control fully clockwise.
- 8 Press the microphone PTT switch, or set the REC/SEND switch to SEND.
Before transmitting check the frequency for activity so that you do not interrupt another QSO.
- 9 Speak into the microphone and adjust the MIC gain control so that the meter deflection does not exceed the ALC zone on voice peaks.

Note

Speak into the microphone, holding the microphone about 5 cm (6 inches) away from your mouth. Close talking or talking too loudly may reduce transmission clarity or spread the side bands too much.

4-4. CW OPERATION RECEIVING

The transmit frequency is displayed.



- 1 Turn on the DC power supply and then turn the transceiver's power switch ON.
- 2 A frequency will appear in the display.
- 3 Press the UP/DOWN switches to select the desired frequency band. When the 1 MHz step position is selected, the 1MHz indicator will light.
- 4 Select CW with the MODE key.
- 5 Turn the AF gain control clockwise until a signal or noise is heard.
- 6 Rotate the TUNING knob and select an open channel.

CW Reverse

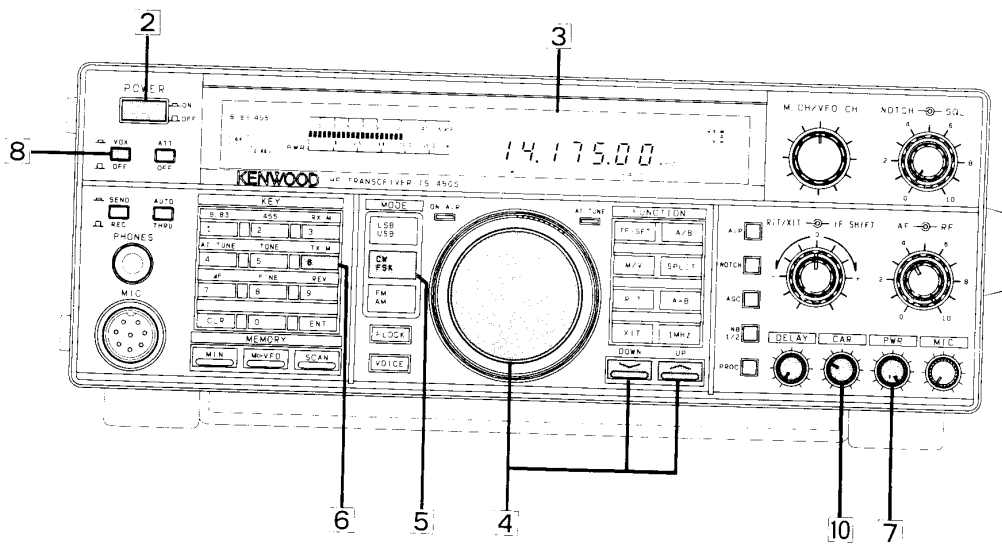
The BFO frequency changes from USB to LSB if "9" (REV) on the numeric keypad is pressed during CW reception. This allows the following:

1. Beat-frequency interference can be reduced.
2. The beat tone changes from low to high when the tuning control is turned clockwise (the receive frequency goes high), improving operability.

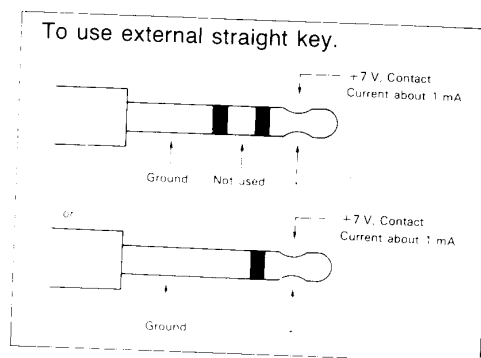
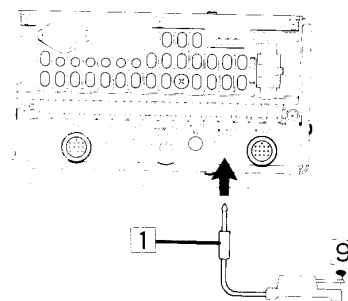
If the receive frequency is the same (zero-in state) as the transmit frequency of the destination station, the receive and transmit tones do not change even if the BFO frequency is in the reverse mode.

TRANSMISSION

The transmit frequency is displayed.



- 1 Connect a key or electronic keyer to the rear panel CW KEY jack.
- 2 Turn on the DC power supply and then turn the transceiver's power switch ON.
- 3 A frequency will appear in the display.
- 4 Select CW with the MODE key.
- 5 Select the desired frequency.
- 6 Press the TX.M key until the ALC meter lights.
- 7 Turn the PWR control fully clockwise.
- 8 Set the VOX/OFF switch to VOX(=).
- 9 Press the CW key.
The ON AIR indicator lights and the ALC meter pointer deflects.
Before transmitting check the frequency for activity so that you do not interrupt another QSO.
- 10 Adjust the CAR control until the meter deflection is within the ALC zone.
Reception is selected automatically when the key is up.
- 11 The time delay before returning to reception from transmission can be varied. Set the control to give the desired timing.



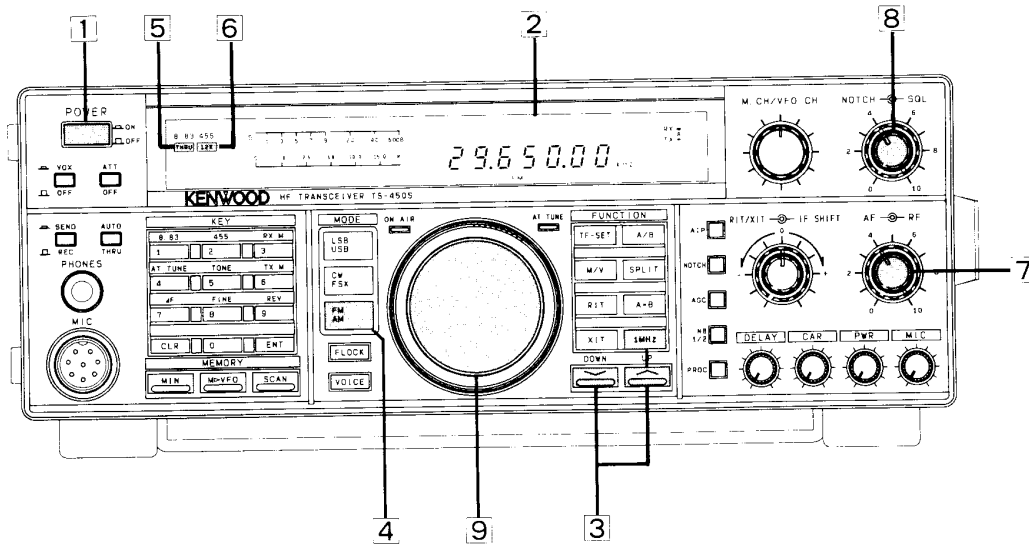
Zero Beating.

Matching the signal from the other transceiver and the signal from this transceiver in CW mode is called zero beating. The transceiver can zero in the other transceiver as follows:

1. Turn VOX off. Press the key down. The side tone will be heard from the speaker.
2. Adjust the tuning knob so that the audio tone from the other transceiver is equal to the side tone frequency (800 Hz) generated when you depress the key. When they match you are zero beat.

4-5. FM OPERATION RECEIVING

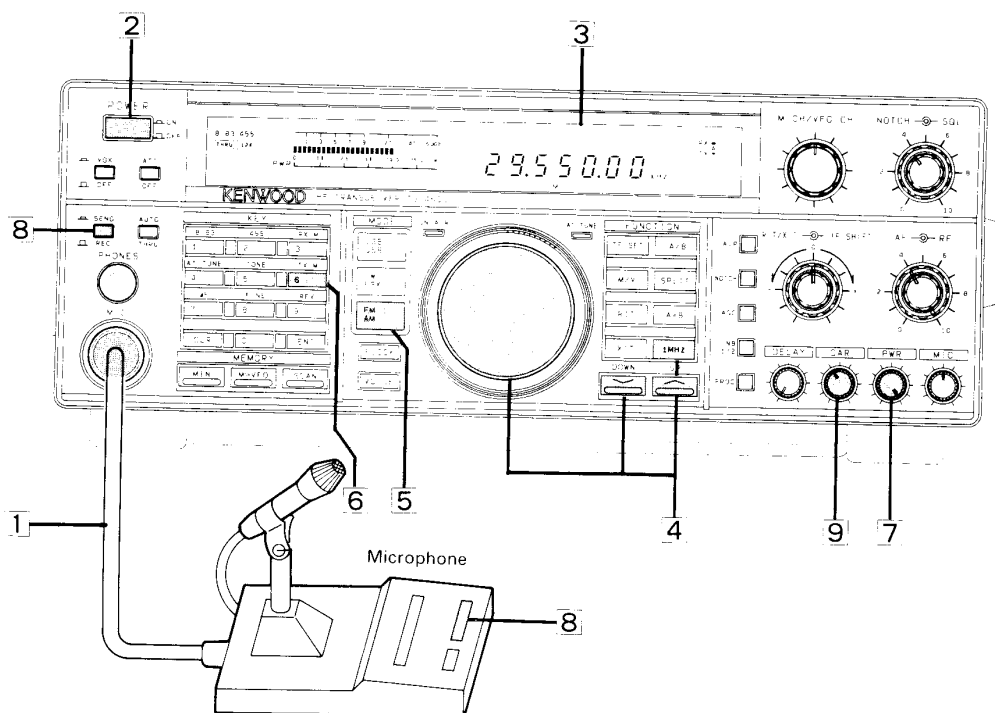
The center frequency is displayed.



- 1 Turn on the DC power supply and then turn the transceiver's power switch ON.
- 2 A frequency will appear in the display.
- 3 Press the UP/DOWN switches to select the desired frequency within the 28 MHz amateur radio band.
When the 1 MHz step position is selected, the 1MHz indicator will light.
- 4 Select FM with the MODE key.
- 5 Make sure "THRU" on the 8.83MHz filter display is on.
- 6 Make sure "12k" on the 455kHz filter display is on.
- 7 Turn the AF gain control clockwise until a signal or noise is heard.
- 8 To eliminate the no signal noise turn the SQL control clockwise to the point the background noise just disappears. This point is known as the squelch threshold point.
- 9 Rotate the TUNING knob and select an open channel.

TRANSMISSION

The center frequency is displayed.



- 1 Connect a microphone to the MIC jack.
- 2 Turn on the DC power supply and then turn the transceiver's power switch ON.
- 3 A frequency will appear in the display.
- 4 Select the desired frequency within the 28 MHz amateur radio band.
- 5 Select FM with the MODE key.
- 6 Press the TX.M key until the ALC meter lights.
- 7 Turn the PWR control fully clockwise.
- 8 Press the microphone PTT switch, or set the REC/SEND switch to SEND(→). Before transmitting check the frequency for activity so that you do not interrupt another QSO.
- 9 Adjust the CAR control so that the meter deflection does not exceed the ALC zone.



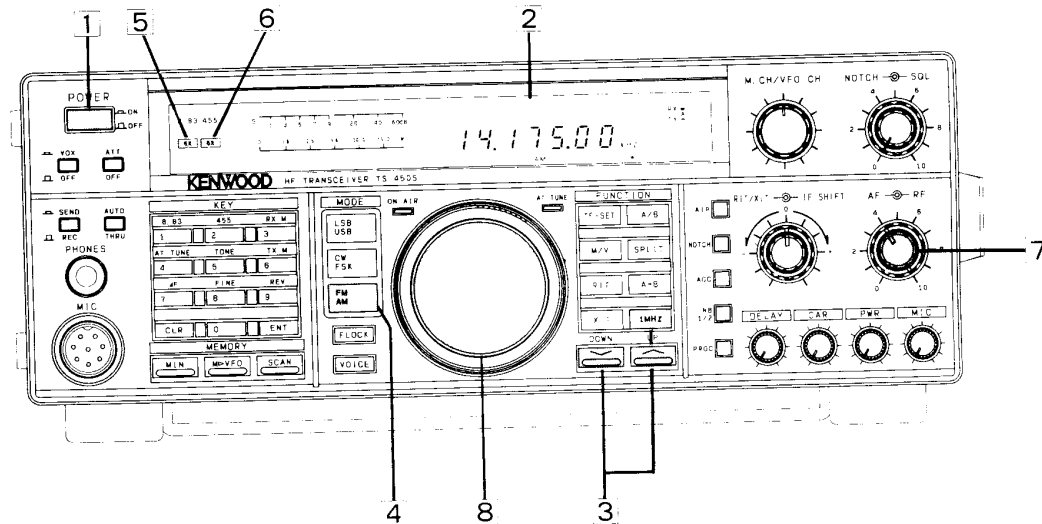
- Speak into the microphone.

Note

Speak into the microphone, holding the microphone about 5 cm (6 inches) away from your mouth. Close talking or talking too loudly may reduce transmission clarity or spread the side bands too much.

4-6. AM OPERATION RECEIVING

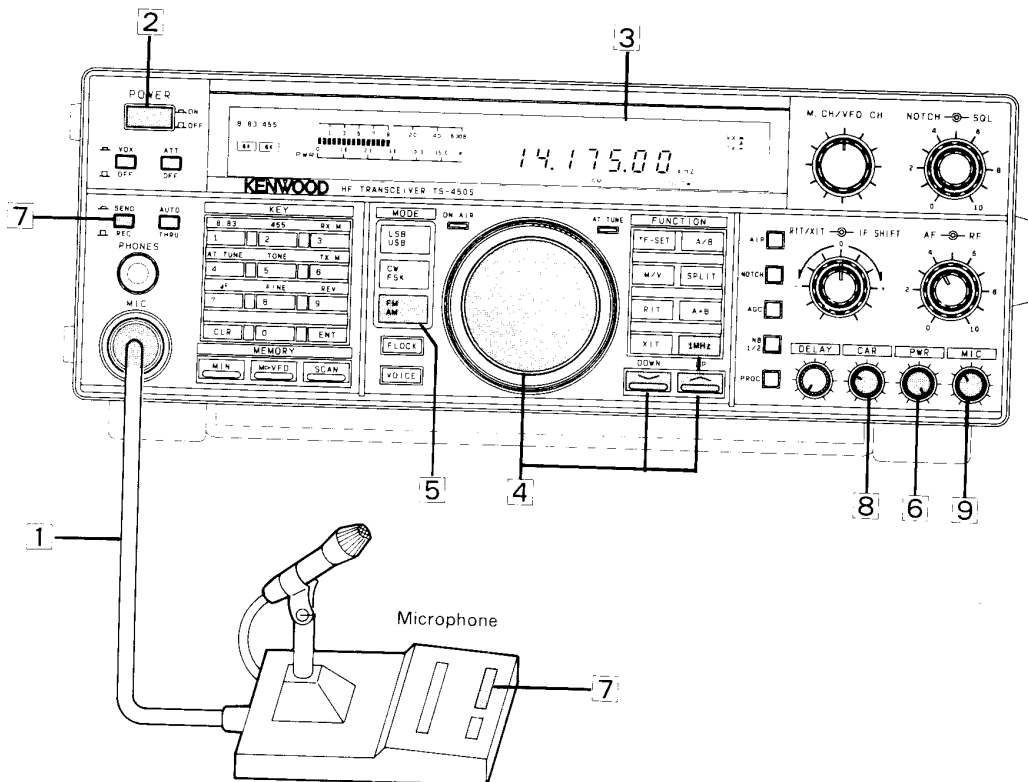
The center frequency is displayed.



- 1 Turn on the DC power supply and then turn the transceiver's power switch ON.
- 2 A frequency will appear in the display.
- 3 Press the UP/DOWN switches to select the desired frequency band. When the 1 MHz step position is selected, the 1MHz indicator will light.
- 4 Select AM with the MODE key.
- 5 Make sure "6k" on the 8.83MHz filter display is on.
- 6 Make sure "6k" on the 455kHz filter display is on.
- 7 Turn the AF gain control clockwise until a signal or noise is heard.
- 8 Rotate the TUNING knob and select an open channel.

TRANSMISSION

The center frequency is displayed.



- 1 Connect a microphone to the MIC jack.
- 2 Turn on the DC power supply and then turn the transceiver's power switch ON.
- 3 A frequency will appear in the display.
- 4 Select the desired frequency.
- 5 Select AM with the MODE key.
- 6 Turn the PWR control fully clockwise.
- 7 Press the microphone PTT switch, or set the REC/SEND switch to SEND(→). Before transmitting check the frequency for activity so that you do not interrupt another QSO.
- 8 Adjust the CAR control so that the meter indicates as shown Fig.1.
- 9 Speak into the microphone and adjust the MIC gain control so that the meter indicates as shown Fig.2. on voice peaks.

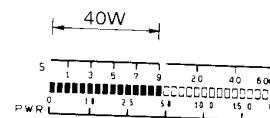


Fig.1

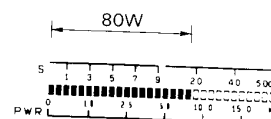


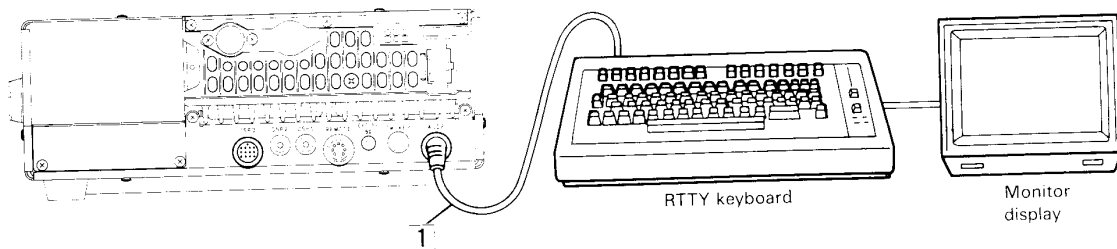
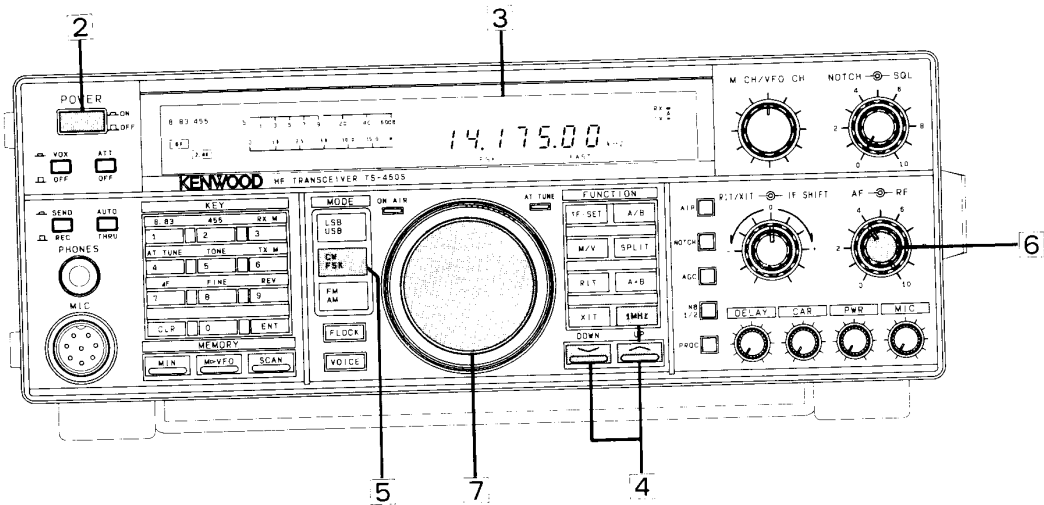
Fig.2

Note

If the MIC gain control is advanced too far clockwise, the transmit signal will become distorted.

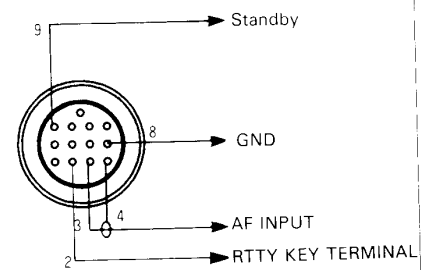
4-7. FSK OPERATION RECEIVING

The mark frequency is displayed.



- 1 Connect the RTTY keyboard to the RTTY terminal on the rear panel.
- 2 Turn on the DC power supply and then turn the transceiver's power switch ON.
- 3 A frequency will appear in the display.
- 4 Press the UP/DOWN switches to select the desired frequency band.
When the 1 MHz step position is selected, the 1MHz indicator will light.
- 5 Select FSK with the MODE key.
- 6 Turn the AF gain control clockwise until a signal or noise is heard.
- 7 Rotate the TUNING knob and select an open channel.

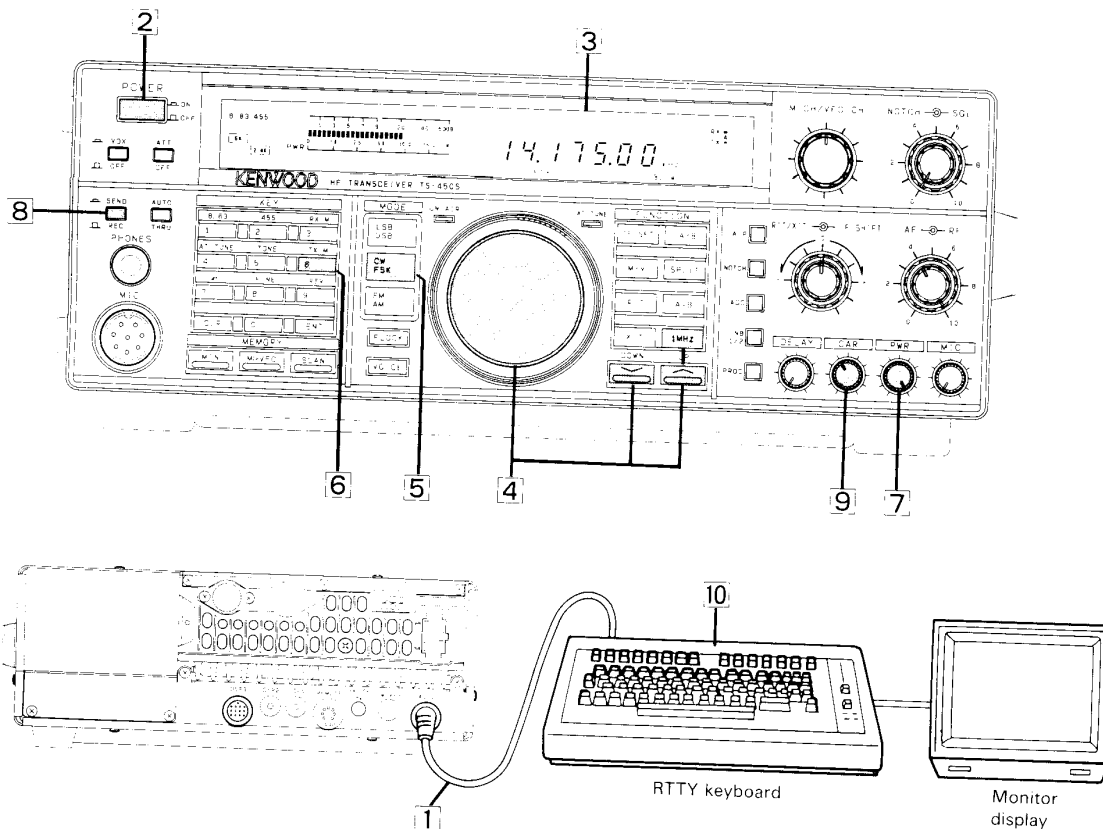
ACC2 connections



The normal FSK receive tone is set for 2125 Hz (high). It can be changed to 1275 Hz (low) if desired. (Please refer to Section 4-11-15.)

TRANSMISSION

The mark frequency is displayed.



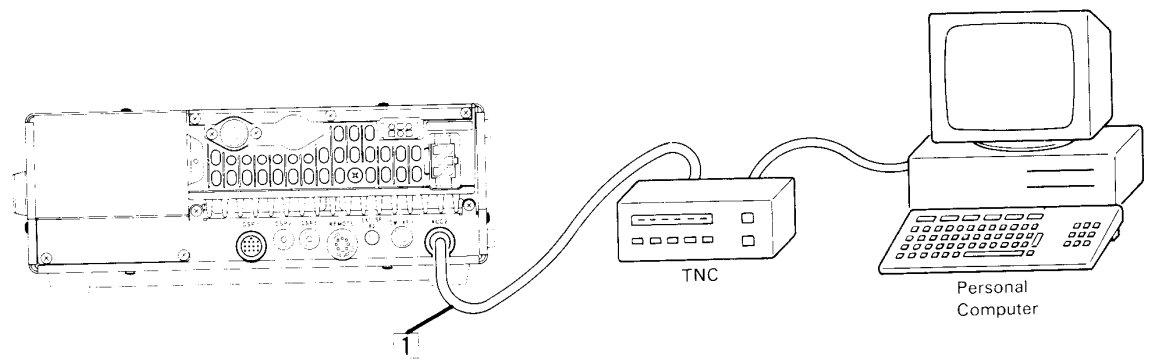
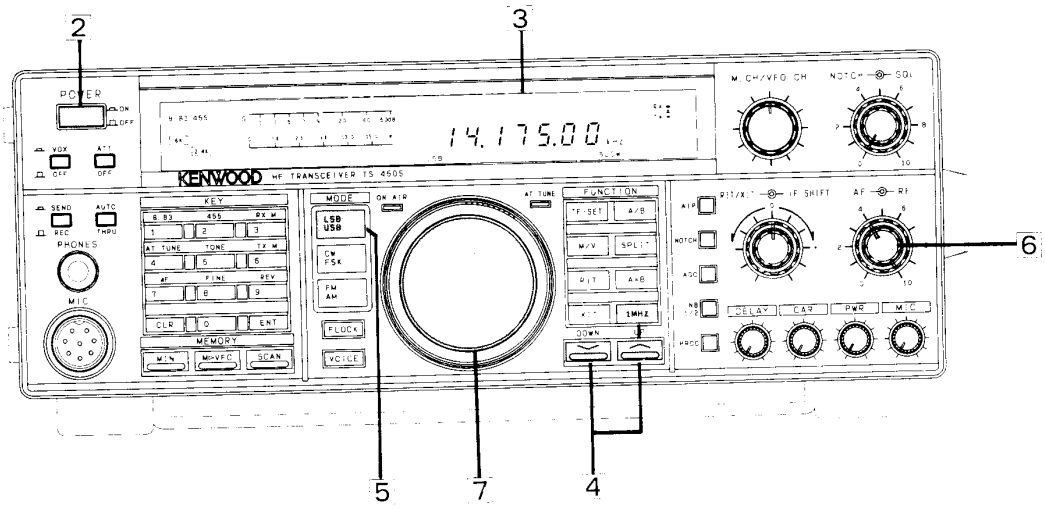
- 1 Connect the RTTY keyboard to the RTTY terminal on the rear panel.
- 2 Turn on the DC power supply and then turn the transceiver's power switch ON.
- 3 A frequency will appear in the display.
- 4 Select the desired frequency.
- 5 Select FSK with the MODE key.
- 6 Press the TX.M key until the ALC meter lights.
- 7 Turn the PWR control fully clockwise.
- 8 Set the REC/SEND switch to SEND. or key the transceiver from the FSK terminal.
Before transmitting check the frequency for activity so that you do not interrupt another QSO.
- 9 Adjust the CAR control so that the meter deflection is within the ALC zone.
- 10 Operate the RTTY keyboard.

The normal FSK shift width is set for 170 Hz. It can be changed to 200, 425, or 850 Hz if desired. (Please refer to Section 4-11-15.)

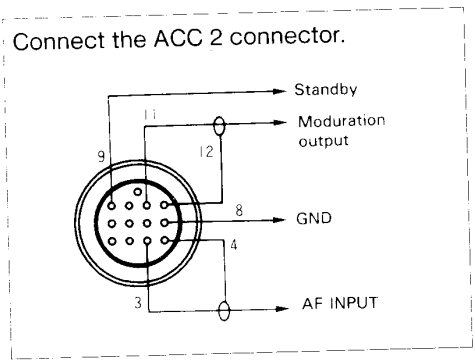
Set the REC/SEND switch to REC or unkey the transceiver from the FSK terminal to return to the receive mode.

4-8. PACKET(AFSK) OPERATION RECEIVING

The frequency display indicates the carrier point.



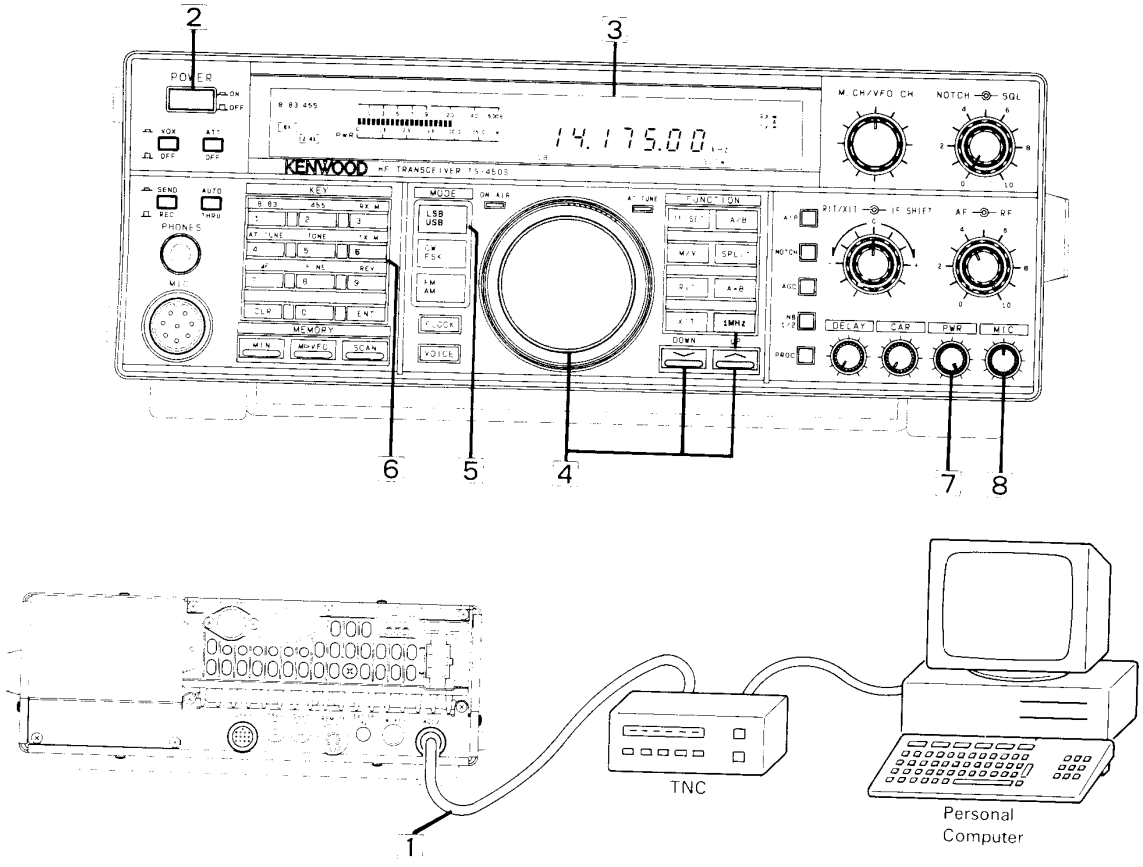
- 1 Connect the communication terminal signal line to the ACC 2 connector on the rear.
- 2 Turn on the DC power supply and then turn the transceiver's power switch ON.
- 3 A frequency will appear in the display.
- 4 Press the UP/DOWN switches to select the desired frequency band. When the 1 MHz step position is selected, the 1MHz indicator will light.
- 5 Select LSB or USB with the MODE key.
- 6 Turn the AF gain control clockwise until a signal or noise is heard.
- 7 Rotate the TUNING knob and select an open channel.



Since AFSK normally uses SSB for 300 baud packet transmissions, the AFSK signal is applied to the MIC signal line. This makes packet use possible in both the USB and LSB modes, but the frequency of the signal that is actually transmitted is the display frequency plus the modulation frequency in USB mode, and the display frequency minus the modulation frequency in LSB mode. Since various modulation frequencies are used by different TNC's, you should determine the correct operating frequency, taking the AFSK frequency of the TNC that you are using into consideration when performing your calculations.

TRANSMISSION

The frequency display indicates the carrier point.



- 1 Connect the communication terminal signal line to the ACC 2 connector on the rear.
- 2 Turn on the DC power supply and then turn the transceiver's power switch ON.
- 3 A frequency will appear in the display.
- 4 Select the desired frequency.
- 5 Select LSB or USB with the MODE key.
- 6 Press the TX.M key until the ALC meter lights.
- 7 Turn the PWR control fully clockwise.
- 8 Enter a transmit command from the communication terminal (generally, from the keyboard), and adjust the MIC gain control so that the meter deflection is within the ALC zone.
Before transmitting check the frequency for activity so that you do not interrupt another QSO.

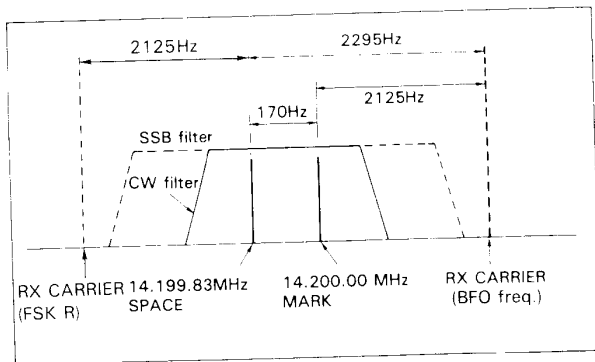
Notes

1. Follow the instructions contained in your terminal units operating manual for the correct settings before you start transmitting.
2. If the output of the terminal unit causes the ALC meter to register above the recommended limits even with the MIC gain control turned all the way down you should reduce the output from the terminal unit. Excessive signal levels can cause distortion! If the terminal unit output level is fixed you should add a potentiometer between the transceiver and the terminal unit. (Refer to Section 6-6.)

FSK OPERATION

RTTY operation requires a demodulator and a teletypewriter. A demodulator including 2125 and 2295 Hz (170 Hz shift) filters, will be acceptable and may be connected directly to the ACC2 connector. To use the transceiver's FSK circuit with older high voltage teletype equipment, you must use an external keying relay in the teletypewriter closed loop, and connect the relay contacts to the rear panel RTTY terminal (pin 2 of the ACC 2 connector). During FSK operation, the MARK frequency is shown on the display.

The figure below shows the frequency relationship between receive and transmit with this transceiver. In FSK operation the mark frequency is indicated on the display.



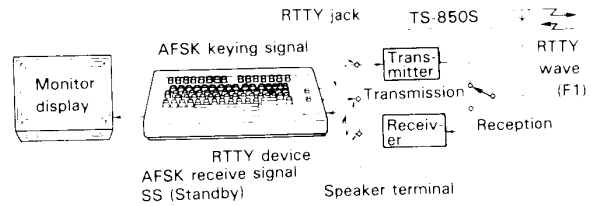
Note
The display frequency 14.200.00 MHz.

- The BFO normally uses the LSB mode for RTTY operation. When the REV key is pressed, the BFO changes to the USB mode. If the other transceiver is using reverse shift, the receiver polarity can be adjusted with the REV key.
- The display indicates the mark frequency even if the shift width is changed.
- Normally a mark frequency is transmitted when the key is closed, and the space frequency is transmitted when the key is open.
- The polarity can be reversed so that the mark frequency is transmitted when the key is open with a power on function. (Please refer to Section 4-11-15.)

AFSK OPERATION

DATA COMMUNICATIONS (RTTY, AMTOR, SSTV, etc.)

This transceiver will adapt to Slow Scan Television or AFSK (Audio Frequency Shift Keying) operation. For SSTV, the ACC 2 connector should be connected to the Camera output. The ACC 2 connector should be connected to the monitor input. For AFSK operation, connect the Tone Unit output to the ACC 2 input, and ACC 2 output to the Tone Unit input.



1. The ACC 2 connector has been provided for connection of Data communications devices. All necessary connections can be accomplished from the same connector.
2. When using AFSK (Audio Frequency Shift Keying) or modulating the signal with any form of audio tones you should select LSB or USB. If F2 operation is desired select the FM mode. In general LSB is used for RTTY and PACKET communications in the HF band (F1), and USB is used for AMTOR.
3. The transceiver will transmit according to the signals received on the STBY connector. These inputs are generated by the terminal unit in response to inputs from the associated terminal input device.
4. When using LSB, or USB the MIC gain control should be used to adjust the input level for an on scale ALC meter reading.
5. Pin number 9 of the ACC 2 connector is used to disable the front panel microphone connector during the periods that your communication terminal is in use (grounding the pin accomplishes this task). This prevents unwanted errors from appearing in your text.

4-9. AUTOMATIC ANTENNA TUNER OPERATION

Note

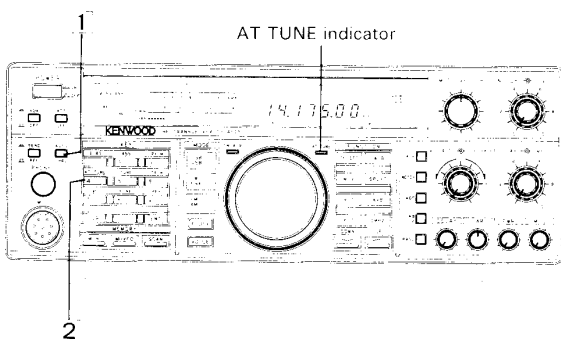
1. The autotuner function is unavailable on the TS-690S models and on the TS-450S models that do not contain an antenna tuner.
2. The autotuner does not function in the 1.8MHz Band.
3. To use the 50MHz Band with the TS-690S, connect the antenna directly to ANTENNA 2.

If the transceiver is operated into an antenna with a high SWR, the final stage SWR protection circuit may operate (when SWR is greater than approximately 3 : 1). Use of the Automatic Antenna Tuner will help you to match the antenna to the transceiver. The AT unit is capable of matching a 20 - 150 ohm load, or approximately a 3 : 1 SWR. If the antenna and feed line exceed this range the tuner may not be able to find the correct match. If the tuner cannot match after two attempts, check your antenna and feed lines. Output power of the transceiver will automatically be reduced to approximately 10 watts during the tuning process to protect the finals against damage.

The automatic antenna tuner has the following two modes:

① Automatic Tune mode

In this mode, tuning signals are transmitted to tune the antenna and transceiver automatically.



1. Set the THRU/AUTO switch to AUTO(→).
2. Set the AT TUNE key to ON.
The transceiver switches to the CW mode, the AT TUNE indicator lights, and the unit starts tuning.

Note

The tuner will not function when the CAR control is turned fully counterclockwise.

3. When tuning is completed and the AT TUNE indicator goes out, the frequency display returns automatically.
4. A warning beep tone is sounded if tuning is not completed within 20 seconds. If this occurs press the THRU/AUTO switch to THRU, and then repeat steps 1 - 3.

Note

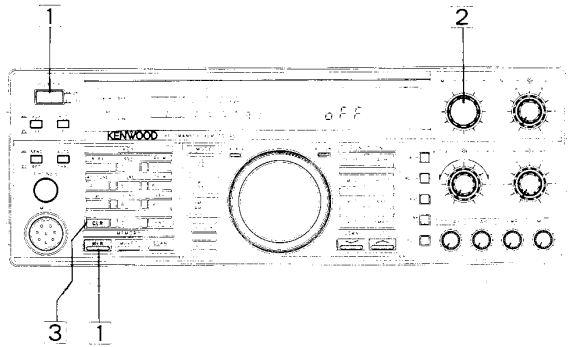
If a warning beep tone sounds, the antenna system may be defective, so check it.

Once tuning has been done, the tuning state is stored in memory. If the amateur band is changed, the tuning state for that amateur band is set automatically. Thus, the tuning time is reduced.

② Manual Tune mode

Manual adjustment of the tuner is possible with the tuning knob and M.CH/VFO CH control if automatic-tuning is not possible.

■ Preparation



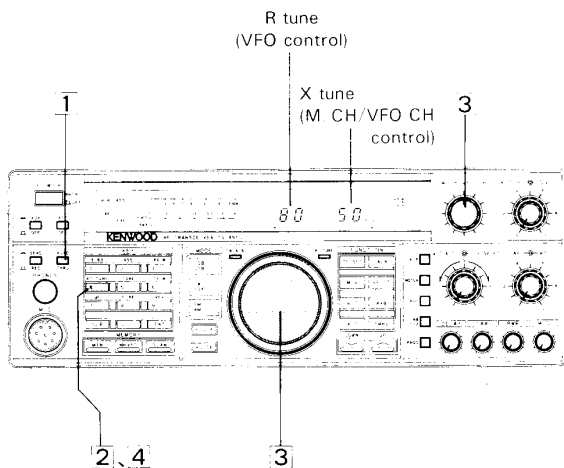
1. Press and hold the M.IN key while you turn on the POWER switch.
2. Select the number 31 by rotating the M.CH/VFO CH control. Use the UP/DOWN switch to select "off".

31 OFF

3. Press the CLR key.

To cancel the manual tuning mode, perform step 1, select "on" in step 2, and then step 3.

■ Manual Tune procedure



1. Place the THRU/AUTO switch to AUTO.
2. Press the AT TUNE key.
3. Adjust for minimum SWR by turning the tuning knob and the M.CH/VFO.CH control alternately, while observing the SWR meter. The rotation angle of the variable capacitor is shown on the display as a relative percentage.

Note

If manual adjustment fails to lower the SWR and complete the tuning, adjust the SWR of the antenna.

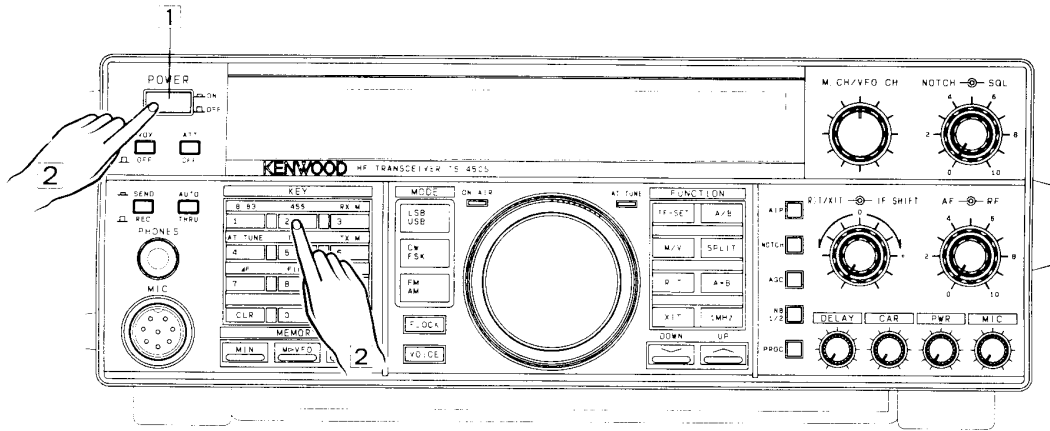
4. Once tuning is has been completed, press the AT TUNE key again.
5. This setting is stored in memory as the preset data for the amateur band when the AT TUNE indicator turns off or you stop tuning by pressing the AT TUNE key.
If manual tuning is performed in one band, then again in another band only the tuning data for the first band is memorized. Therefore, if the first band is reselected, the memorized tuning data is recalled, reestablishing the original tuning state.

4-10. BASIC OPERATION MODE

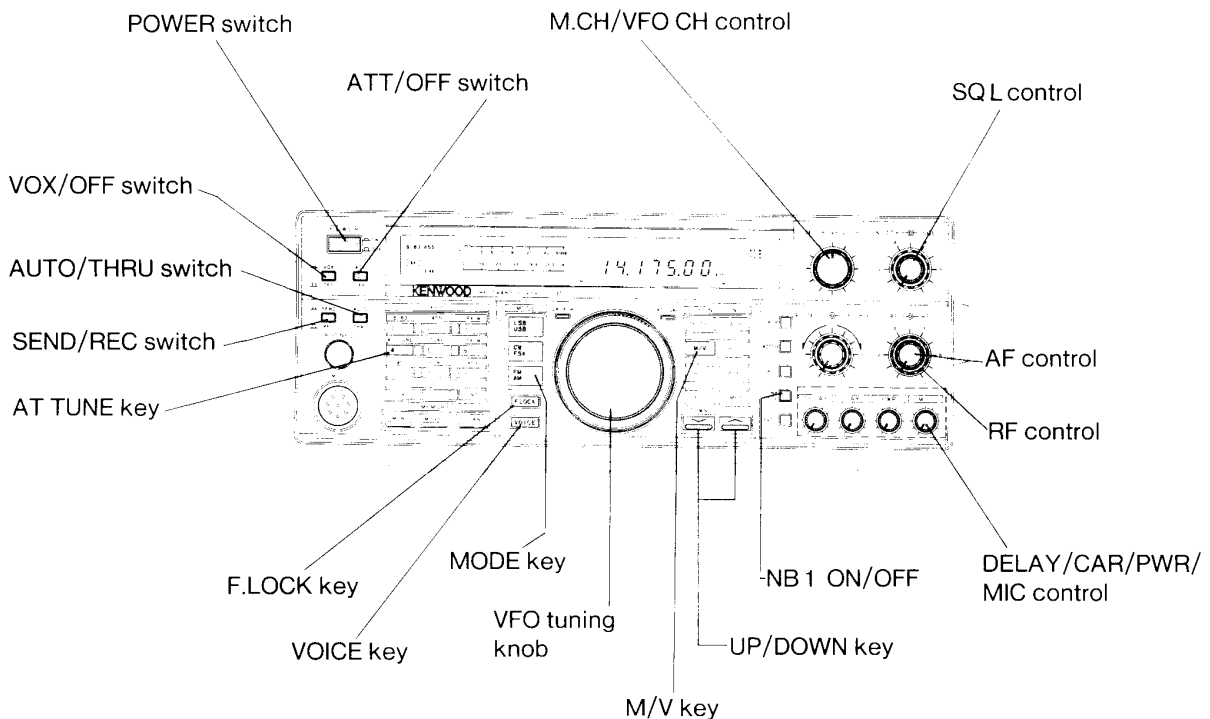
The operation of the front panel keys and controls can be limited for mobile operation by performing the following procedure.

■ Function selection

1. Turn the power off.
2. Press and hold the number 2 key, and turn the power on.



■ The keys and controls that will now operate are as follows:



■ To return to full functional control

1. Turn the power off.
2. Press and hold the number 1 key, and turn the power on.

4-11. OTHER OPERATIONS

4-11-1. Beep

Audible confirmation of various microprocessor functions is provided in the form of a series of audio beeps. The output level of the Beep tone is adjustable with a variable resistor located inside the set.
(Please refer to Section 6-6.)

The audio tone can be turned off. (See 4-11-15 Power POn Function control.)

4-11-2. Audible Mode Announcement

When a Mode key is pressed, the first character of the mode is sounded in Morse code thru the speaker.
(Note that FSK is announced with an "R")
This function can be set to a single tone thru Power On Control Programming.
(See 4-11-15, Power On Function Control.)

Mode	Morse Code
LSB	• — • • (L)
USB	• • — (U)
CW	— • — • (C)
FSK	• — • (R)
AM	• — (A)
FM	• • — • (F)

4-11-3. Alarm Function

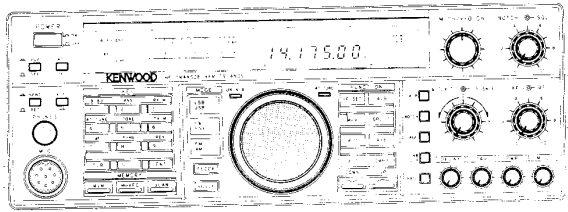
Several alarms have been included to signal errors that you might encounter.
This function can be set to a single tone thru Power On Control Programming.
(See 4-11-15, Power On Function Control.)

The chart below lists the possible causes and the resulting Morse code alarm. Morse code will be heard from the speaker.

Indication	Morse Code
<ul style="list-style-type: none"> ● When the SCAN key is pressed and the receiver is unable to execute memory scan. <ol style="list-style-type: none"> 1. There is no data in the specified memory channel. 2. The data in the specified memory channel is locked out. 	<p>CHECK</p> <p>— • — • • • • • — • — • — • —</p>
<ul style="list-style-type: none"> ● If it exceeds the operating range when the frequency is entered with the numeric keys. 	<p>OVER</p> <p>— — — • • • — • • — •</p>
<ul style="list-style-type: none"> ● When the PLL circuit is unlocked. 	<p>UL</p> <p>• • — • — • •</p>

4-11-4. Frequency Step

A. TUNING knob

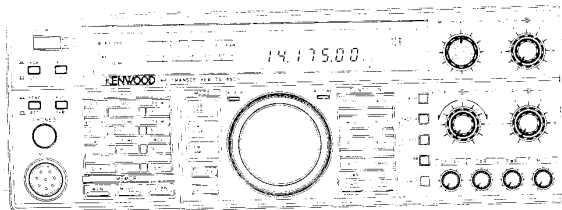


The frequency step depends on the mode that has been selected.

Mode	Frequency Step	One revolution of TUNING knob
SSB/CW/FSK	10 Hz	10 kHz
AM/FM	100 Hz	50 kHz

When the FINE function is ON, the frequency step is 1 Hz. The frequency step in the AM and FM modes can be set to 10 Hz. (Please refer to Section 4-11-15.)

B. M.CH/VFO CH control



1. The active VFO frequency step is shown below.

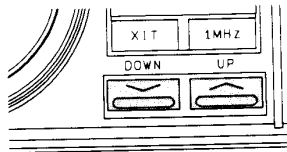
Frequency Step	One revolution of M.CH/VFO CH control
10 kHz	240 kHz

The frequency step may be reprogrammed. (Please refer to Section 4-11-15.)

2. This control is also used to select the desired memory channel during Memory Channel Operation.

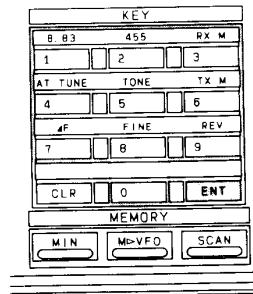
4-11-5. Amateur Radio Bands selection

Press the UP/DOWN switch to change amateur radio bands.



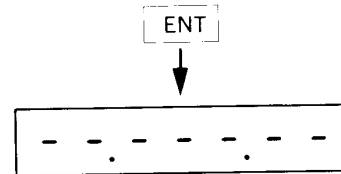
4-11-6. Direct keyboard frequency entry

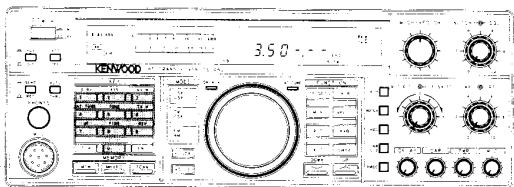
Direct keyboard entry of the operating frequency is possible using the Numeric Keypad on the transceiver. This allows rapid changes in frequency without the delays encountered when using other tuning methods.



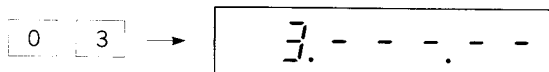
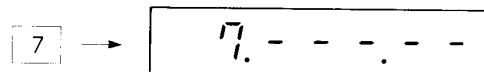
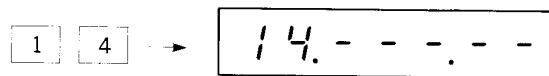
Note
You cannot enter any frequency which is outside the coverage of the radio.

1. Press the ENT key. The display will indicate.





2. Enter the desired frequency with the numeric keys. Zero to 4 (0 to 7 for the TS-690S) can be entered as the 10MHz digit. If 5 to 9 (8 to 9 for the TS-690S) is pressed, it is entered as the 1MHz digit i.e 5.000.00MHz etc. For 3 MHz or less, first press 0.



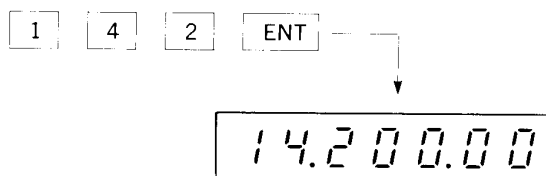
3. After the least significant digit has been entered press the ENT key again to signify you want the radio to change frequency. If you entered the frequency down to the nearest 10 Hz a beep will sound and the radio will automatically change to the new frequency without the need of pressing the ENT key for the second time.

For example:

To enter 14.200.00 MHz there are two methods:

Method one: Press [ENT], [1], [4], [2], [ENT]

Method two: [ENT], [1], [4], [2], [0], [0], [0], [0]

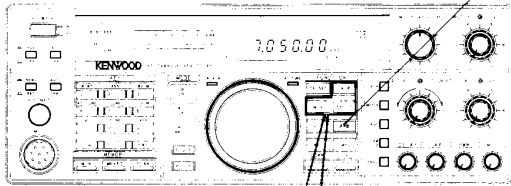
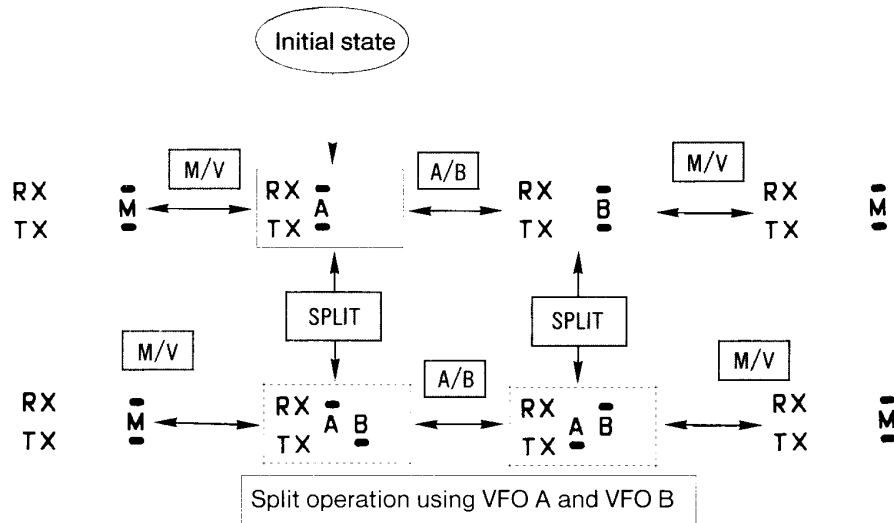


4. If you make a mistake while entering the frequency and have not yet pressed the ENT key, or entered the final digit, you may cancel the input by pressing the CLR key or the PTT switch.

4-11-7. Dual Digital VFO's

Transmission and reception can be performed more efficiently by using VFO A, VFO B, and the memory channels.

VFO A, VFO B, and the memory channels used for transmission and reception are changed with the A/B key, M/V key, and SPLIT key.

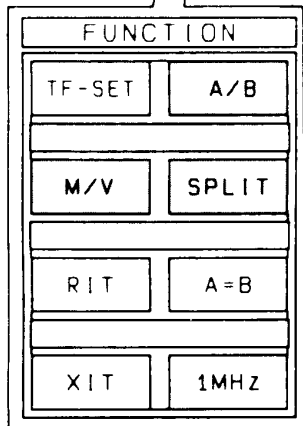


A=B key

Depressing this key causes the data contained in the inactive VFO (the VFO that is not currently being displayed in the display area) to change to the same data that is contained in the active VFO (the one currently displayed). The frequency, mode and filter selection are changed.

For example:

VFO A is set at 7 MHz in LSB, and VFO B is 14 MHz in USB. VFO A is the active VFO (shown on the display). Depressing the A=B key will cause VFO B to change to 7 MHz in LSB.



4-11-8. Split Frequency Operation

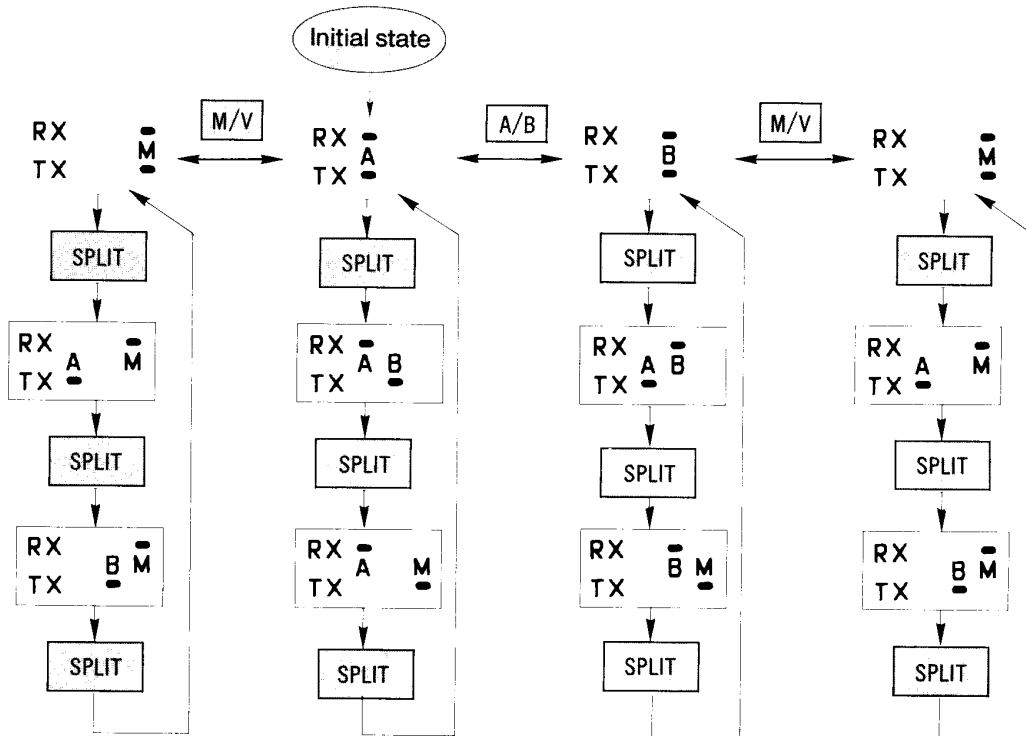
Different frequencies can be selected for VFO A, VFO B and for memory.

For example:

VFO A is the active VFO, and VFO B is the inactive VFO. Depressing the SPLIT key will cause the transceiver to receive on VFO A and transmit on VFO B. The mode of reception and transmission will follow the mode contained in the appropriate VFO.

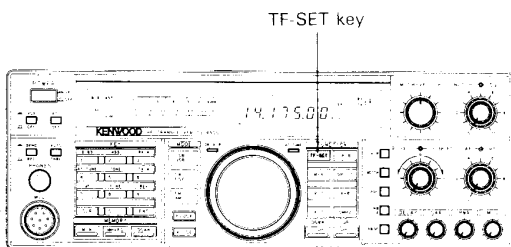
To avoid confusion during contest, or pile-up operations we recommend using VFO A for receive and VFO B for transmit.

To perform split frequency operation with a memory channel, you must activate Power On Menu item 12, then select the desired TX mode with the SPLIT key. Pressing the SPLIT key will step the TX VFO from A to B to M. (See 4-11-15, Power On Function Control.)



TF-SET key

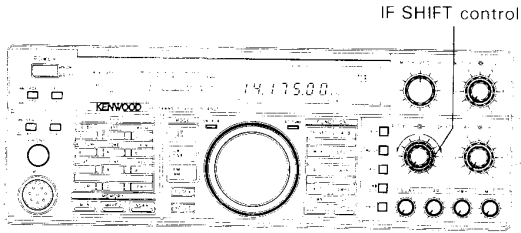
Depressing this key will allow you to rapidly set or check the transmit frequency, during SPLIT operations, without the need of actually transmitting.



1. When the TF-SET key is pressed, the transceiver enters the receive mode with the transmit frequency, and can receive the transmit frequency. It does not function in transmit mode.
2. When the TF-SET key is held down and the tuning knob is turned, the transmit frequency of the transceiver can be checked or set in receive mode.
3. After setting and checking the transmit frequency, release the TF-SET key. The frequency returns to the original receive frequency.

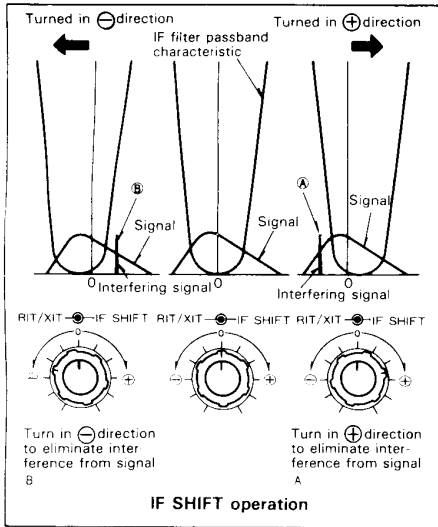
4-11-9. Interference Reduction

[I] IF SHIFT



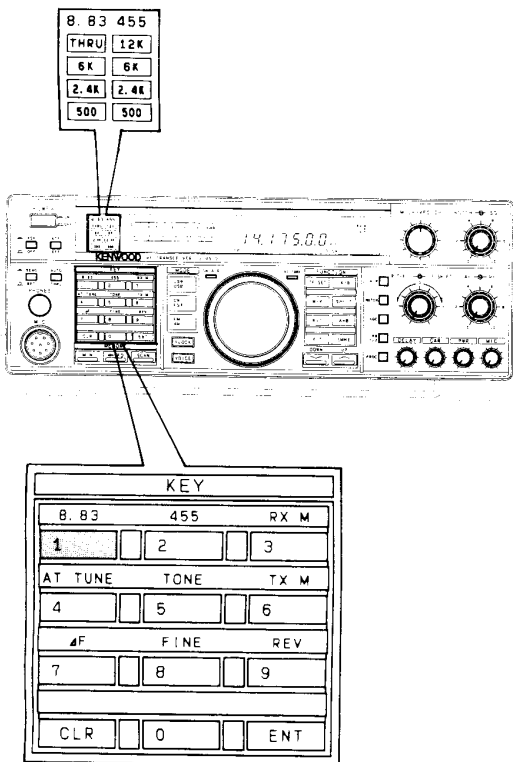
IF SHIFT works in SSB, CW, and FSK modes only.

The IF SHIFT control allows you to shift the IF passband of the receiver without changing the actual center frequency of the receiver. This control is useful when there is interference near your center frequency. As the accompanying illustration shows rotating this control may place the interfering signal outside the receiver passband, allowing for easier copy.



Interference from lower frequencies can be reduced or eliminated by rotating the IF SHIFT control in the ⊕ direction. This will cause the resulting audio frequencies to have a slight treble response, i.e. low cut filter (low frequencies attenuated). Interference from higher frequencies can be reduced or eliminated by rotating the IF SHIFT control in the ⊖ direction. This will cause the resulting audio frequencies to sound a little bassy, i.e. high cut filter (high frequencies attenuated).

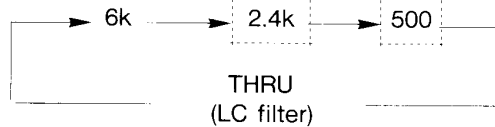
[II] FILTER key



The filter bandwidth for the 8.83 MHz and 455 kHz IF's can be selected from the front panel. Up to 2 additional filter bandwidths may be added thru the installation of optional filters.

○ 8.83MHz filter bandwidth

The value changes each time the 8.83 key is pressed.

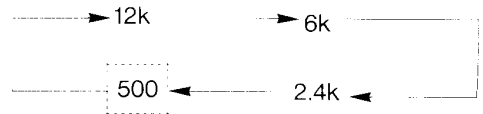
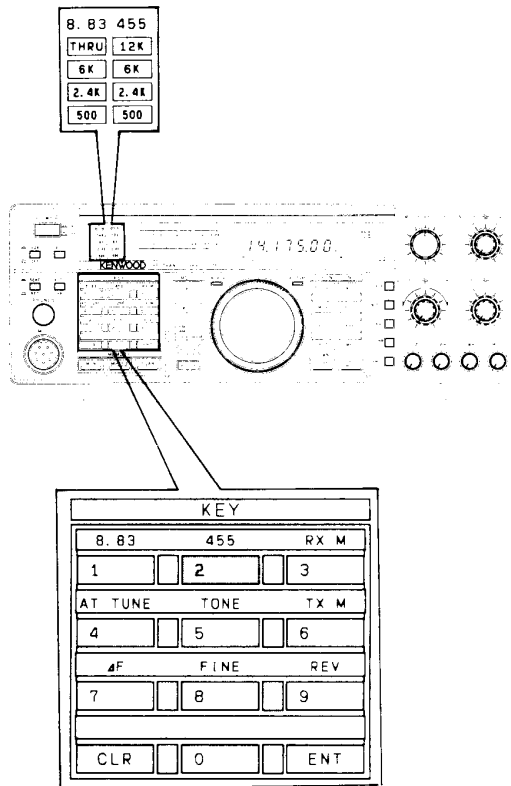


2.4K and 500 are not displayed unless the optional filter is installed.

Notes

1. Some bandwidths cannot be selected unless the required filter is installed.
2. Only THRU may be selected for the FM mode.
3. See 7-1, Filter installation when installing optional filters.

455kHz filter bandwidth
 The value changes each time the 455 switch is pressed.



"500" is not displayed unless an optional filter is installed.

Notes

1. In the FM mode, only 12 kHz (wide) and 6 kHz (narrow) can be selected.
 The 455kHz filter changeover key serves as the deviation changeover key in FM mode. "12k" is displayed for a deviation of ± 5 kHz, and "6k" is displayed for a deviation of ± 2.5 kHz.
2. Some bandwidths cannot be selected unless the required filter is installed.
3. Either the optional YG-455C-1 or YG-455CN-1 can be installed. " 500 " is also displayed if the YG-455CN-1 is installed.
4. See 7-1, Filter installation when installing optional filters.

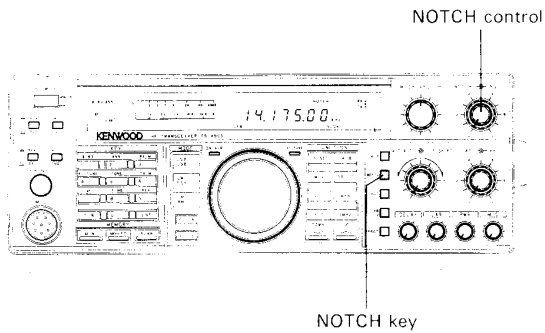
Initial state

MODE	FILTER	8.83MHz	455kHz
SSB,CW,FSK		6k	2.4k
AM		6k	6k
FM		THRU	12k

Note

When bandwidth of the 8.83 MHz filter is approximately the same as that of the 455 kHz filter, the combined bandwidth will be narrower than the indicated bandwidth.
 For example, when both the 8.83 MHz and 455 kHz filters are set to 2.4k, the combined bandwidth will be about 2.2 kHz.

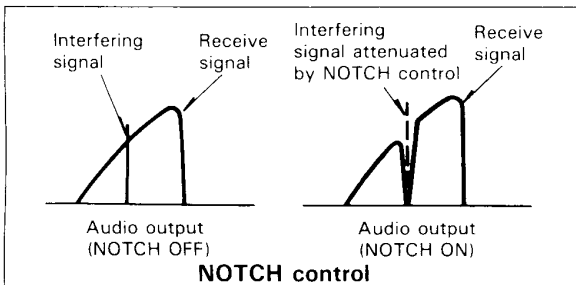
[III] NOTCH control (Except FM mode)



The NOTCH function is used to reduce or eliminate heterodyne, or CW type signals. The NOTCH filter will not be effective against SSB, AM or FM type signals. To use the control, place the NOTCH key ON and slowly rotate the NOTCH control to reduce the interference.

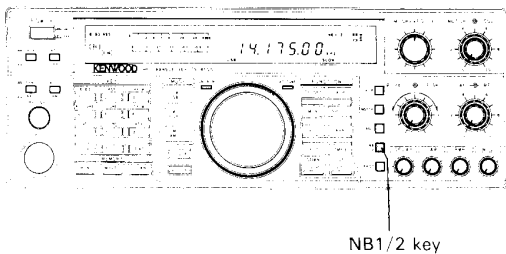
Notes

1. The NOTCH frequency can be varied within a range of approximately 400 to 2600Hz.
2. When an interfering signal such as a CW station appears, slowly rotate the NOTCH control. If you rotate the knob too quickly you may pass right over the notch point. Slow rotation will yield best results.



4-11-10. Noise Blanker

Each time the NB1/2 key is pressed, it changes the noise blanker from NB1 to NB2 to OFF and back to NB1.



NB1

For pulse type noise, such as the generated by automotive ignition systems, select NB 1.

NB 1 will not help to eliminate atmospheric or line noises, only pulse type noise.

NB2

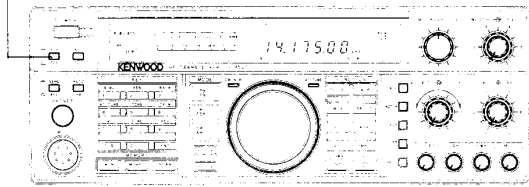
NB 2 is used for long duration pulse noise, like the "woodpecker".

To reduce "woodpecker" radar noise interference, select NB 2 ON (NB 2's effectiveness depends on the specific type of interference). If you use NB 2 for short duration pulse noise, the receive tone may become distorted, making it difficult to hear.


Unfortunately no noise blanker can remove all different types of interference; but the two noise blankers that have been provided in the TS-450S/690S are effective in most cases.

4-11-11. VOX Operation

VOX/OFF switch



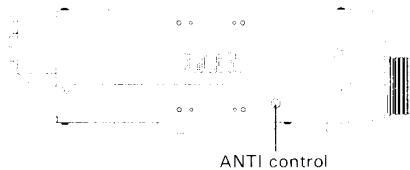
○SSB, FM, AM mode

When the VOX/OFF switch is set to VOX() , transmit and receive are switched automatically by speaking into the microphone in the SSB, FM, and AM modes.

○CW mode

When the VOX/OFF switch is set to VOX, transmt is selected when the key is depressed, and receive is selected when the key is up.

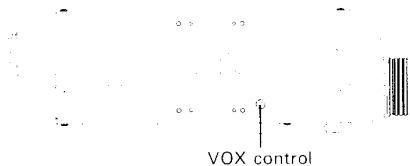
1. ANTI control



VOX operations are sometimes difficult with high speaker volume control settings. The ANTI control is used to reduce the tendency of the VOX to activate from inputs from the speaker. The ANTI control is not active when headphones are connected.

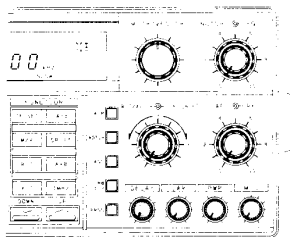
ANTI-VOX levels may adversely effect the operation of the VOX circuit. Only use minimal ANTI-VOX levels.

2. VOX control



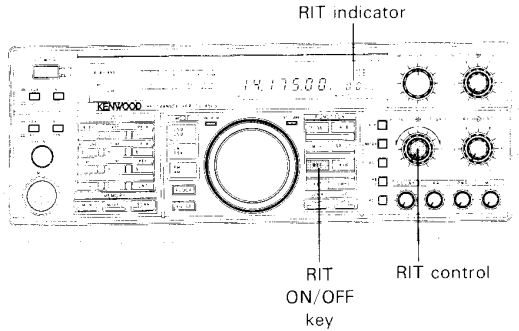
This control adjusts the sensitivity of the VOX amplifier. Adjust this control for your personal preference.

3. DELAY control



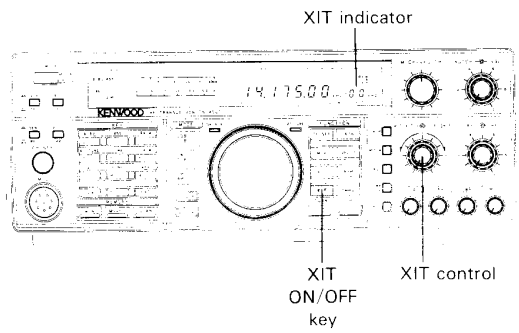
This control adjusts how long the transceiver will remain keyed after voice input has stopped.

4-11-12. RIT Control



The RIT control allows shifting the receiver frequency ± 1.1 kHz. Use of the RIT control will not affect the transmit frequency. The RIT step size is either 10 Hz or 20 Hz. (Please refer to Section 4-11-15.) When the RIT is ON, the RIT indicator will light, and the receive frequency can be adjusted by using the RIT/XIT control. When the RIT is ON the transmit frequency may be different from the receive frequency. For normal operation leave the RIT OFF. It should be used only when necessary.

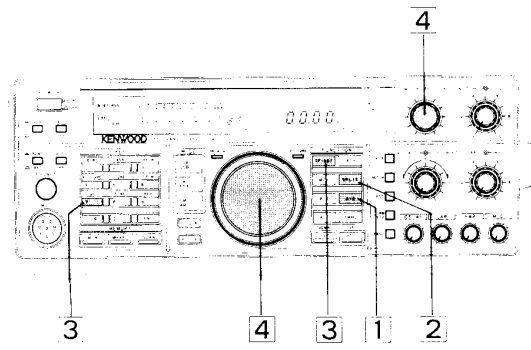
4-11-13. XIT Control



Transmitter Incremental Tuning is very similar to RIT. XIT is only active in the transmit mode. By using the XIT function it is possible to offset the transmit frequency without the normal loss of receiver audio that is experienced when using the SPLIT function. The XIT step size is either 10 Hz or 20 Hz. (Please refer to Section 4-11-15.) Offsets of ± 1.1 kHz are possible. When RIT/XIT are off, the display is off.

4-11-14. ΔF Function

The TF-SET key can be programmed so that the display will indicate the difference between the receive and transmit frequencies rather than the TX frequency.

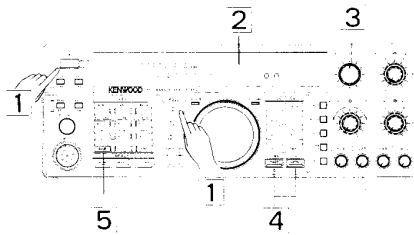


1. Press the A=B key during simplex transmission to make the VFO A and VFO B frequencies equal.
2. Press the SPLIT key.
3. Press and Hold the TF-SET key then press numeric key 7(ΔF).
Keep the TF-SET key depressed.
The display shows dF 00.00 kHz.
4. Select the desired split frequency using the VFO tuning knob or the M.CH/VFO CH control.
If the TF-SET key is released, the receive frequency is displayed.
If the key is pressed again, the frequency set in step 4 is displayed.
5. Press the microphone PTT switch, or set the REC/SEND switch to SEND.

To return to the original TF-SET key function, press and hold the TF SET key then press numeric key 7 again. The transmit frequency set with the ΔF function remains in the transmit VFO even after the function has been canceled.

4-11-15. Power on function selection

(1) Programming

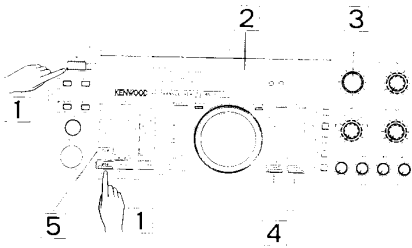


Several of the functions of this transceiver can be changed at the time the transceiver is turned ON. Repeat to release each function.

1. Press and hold the LSB/USB key while you turn on the POWER switch.
2. A menu number will appear in the display.
3. Select the desired menu number by rotating the M.CH/ VFO CH control.
4. Change the function with the UP/DOWN switch.
5. You can return to the normal display by pressing the CLR key, or turn the POWER switch OFF and back ON.

Menu No.	Function Description	Initial state
01	Enables (ON) or disables (OFF) the main tuning control.	ON
02	Enables or disables the round off function of the M.CH/VFO CH control.	ON
03	Enables or disables the numeric keypad.	ON
04	Enables or disables the BEEP function.	ON
05	Determines how depression of a mode key is announced ON=Morse Code OFF=BEEP	ON
06	Determines how errors are announced ON=Morse Code OFF=BEEP.	ON
07	Turns the 10Hz resolution function of the display ON or OFF.	ON
08	Turn the meter peak hold function ON or OFF.	OFF
09	Storing the band frequency before the UP/DOWN switch is pressed: Required (ON) / Not required (OFF)	ON
10	SSB Auto Mode selection ON or OFF.	ON
11	Enables (ON) disables (OFF) NB2	ON
12	Enables (ON) disables (OFF) Split Frequency operation with a Memory channel.	OFF
13	Automatic Memory Channel Increment during memory entry.	OFF
14	Determines if memory channels acts like fixed channel crystals (OFF), or allows tuning with the VFO control (ON).	OFF
15	Enables (ON) disables (OFF) Program scan hold.	OFF
16	Enables (ON) disables (OFF) the linear keying relay.	OFF
17	Enables (ON) disables (OFF) data transfer function between radios.	OFF
18	Data from any other transceiver can be received and written to either the VFO or memory channel 00.(on:VFO; off: Memory channel 00)	OFF
19	Enables (ON) disables (OFF) transmit.	OFF
20	Enables (ON) disables (OFF) Memory channel erase inhibit.	OFF
21	Enables (ON) disables (OFF) Memory channel write protection (cannot write over a memory channel that contains information).	OFF

(2) Canceling and setting the initial state and changing the initial values



1. Press and hold the M.IN key while you turn on the POWER switch.
2. A menu number will appear in the display.
3. Select the desired menu number by rotating the M.CH/ VFO CH control.
4. Change the function with the UP/DOWN switch.
5. You can return to the normal display by pressing the CLR key, or press the POWER switch OFF and back ON.

No	Programmable functions	Initial state
31	The built-in antenna tuner can be switched between automatic tune (on) or manual tune(off).	ON
32	Automatic return to receive mode after completion of antenna tuner tuning	ON
33	The frequency step when the tuning knob is turned one turn can be set to 5 kHz or 10 kHz.	10kHz
34	The frequency step of the M.CH/VFO CH control can be changed to 10 kHz, 5 kHz, 2 kHz, or 1 kHz.	10kHz
35	The frequency step of the M.CH/VFO CH control can be changed to 10 kHz or 9 kHz in the BC band only (only in AM mode in the BC band).	10kHz
36	When the 1MHz key is pressed, the step of the UP/DOWN key can be changed to 1 MHz or 500 kHz.	1000kHz
37	The shift width in FSK mode can be selected from 170, 200, 425, and 850 Hz.	170
38	When the FSK transmission key is shorted, you can change between space transmission (off) and mark transmission (on).	ON
39	The receive tone can be set to either high (2125 Hz) or low (1275 Hz).	2125
40	The pitch during CW reception can be set anywhere in the range of 400 to 800 Hz in 50Hz steps.	800
41	The RIT/XIT variable range can be changed to ± 1.1 kHz or ± 2.2 kHz or more.	1.1kHz
42	Display HELLO when the power is turned on.	OFF

4-12. MEMORY

This transceiver incorporates a convenient 100 channel memory system that can be used to store and recall commonly used frequencies.

4-12-1. Microprocessor battery

A lithium battery is contained in the transceiver to retain memory. Turning off the POWER switch, disconnecting the power cable, or a power failure will not erase the memory. The battery should last for approximately five years. When the battery discharges, an erroneous display may appear in the display. Lithium battery replacement should be performed by an authorized KENWOOD service facility; your KENWOOD dealer authorized service center, or the factory, since this unit contains CMOS type circuitry.

Notes

1. When the lithium battery is replaced, the microprocessor must be reset, using the procedure in section 4-12-2.
2. When the lithium battery fails, the radio's operating system is not affected. Only information stored in memory will be cleared.

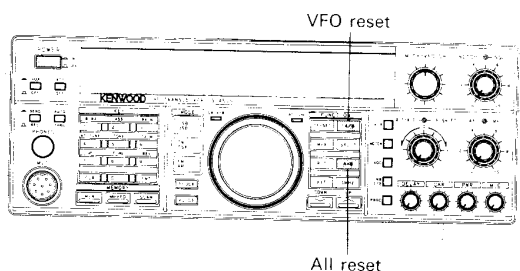
4-12-2. Microprocessor Initial state and reset procedure.

- Initial state of the microprocessor from the factory.

	Frequency	Mode
VFO A	14.000.00	USB
VFO B	14.000.00	USB
Memory Channel 00~99	· ·	—

- Microprocessor reset procedure

There are two methods for resetting the microprocessor.



1. Press and hold the A=B key and turn on the POWER.

Caution

All user programmed memory will be erased with this method.

2. Press and hold the A/B key and turn on the power to reset all user programmed data except the contents of the Memory Channels.(VFO reset)

4-12-3. Memory Channel

Memory Channel Number	Memory Channel function
00 through 89	Standard and Split
90 through 99	Programmed Scan

4-12-4. Memory Contents

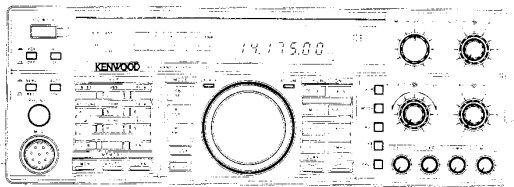
Each Memory Channel is capable of storing the following information:

	00~89	90~99
Frequency	○	○
Mode	○	○
Filter	○	○
Tone ON/OFF	○(※)	NA
Highest/Lowest operating frequency	NA	○
AIP ON/OFF	○	○
Memory Channel lockout	○	○
AGC	○	○

※ When the memory is used as a split memory in FM mode for both transmission and reception.

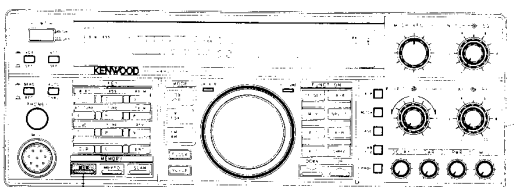
4-12-5. Memory Entry

■ Standard Memory Channel [00~89]



1. Select the receive frequency, the mode and the filter.
Example: 14.175MHz is selected on VFO A

14.175.00 kHz
USB SLOW RX TX

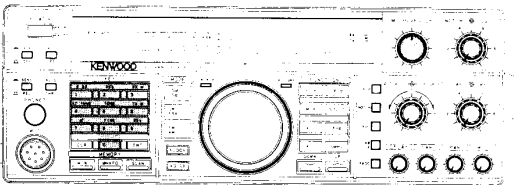


M. IN key

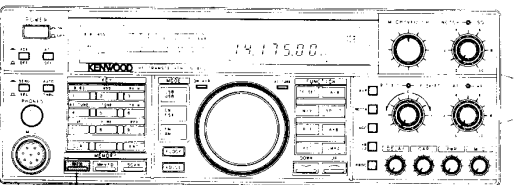
2. Press the M.IN key. The radio will enter the Memory Scroll (M.SCR) mode.

M. CH M. SCR RX TX
00 . . kHz

3. Specify the memory channel with the M.CH/VFO CH control or the numeric keypad.



M. CH M. SCR RX TX
01 . . kHz



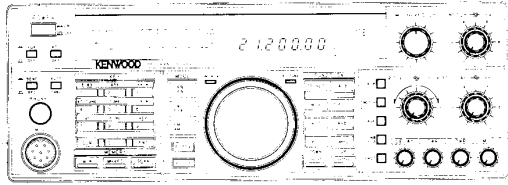
M. IN key

4. When the desired memory channel is found and displayed, press the M.IN key again. The current frequency, mode and filter will be stored, the Memory Scroll mode will be canceled, and the transceiver will return to the operating mode and frequency that was displayed before the M.IN key was initially pressed.

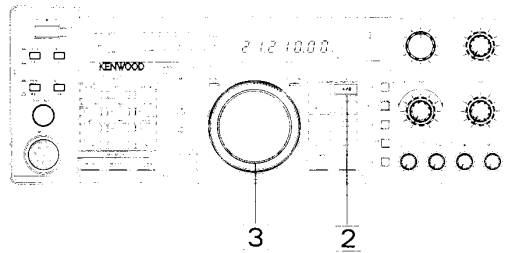
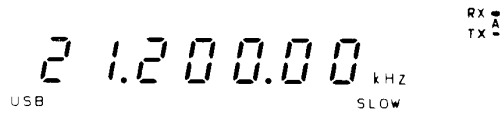
Note

When a channel in which data is stored is selected and the M.IN key is pressed, the data in that channel is erased, and new data is stored in the channel.

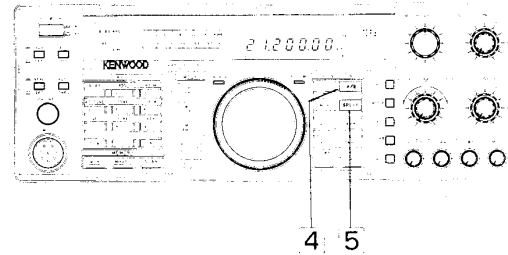
■ Split Memory Channel [00~89]



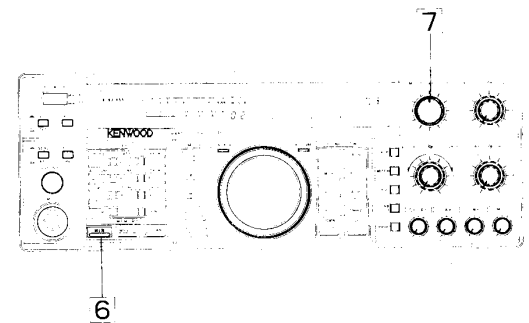
1. Select the receive frequency, the mode and the filter.
Example: 21.200 MHz is selected on VFO A.



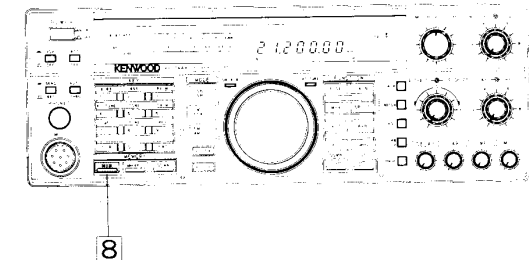
2. Press the A/B key.
3. Select the desired transmit frequency.
Example: 21.210 MHz is selected on VFO B.



4. Press the A/B key again.
5. Press the SPLIT key. The SPLIT indicator lights.



6. Press the M.IN key.
The display shows the memory channel that was accessed last.
7. Select the desired Memory Channel by rotating the M.CH/VFO CH control.



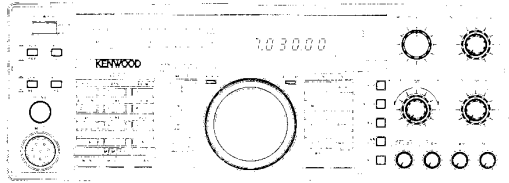
8. When the desired memory channel is found and displayed, press the M.IN key again. The current frequency, mode and filter will be stored, the Memory Scroll mode will be canceled, and the transceiver will return to the operating mode and frequency that was displayed before the M.IN key was initially pressed.

Note
When a channel in which data is stored is selected and the M.IN key is pressed, the data in that channel is erased, and new data is stored in the channel.

■ Programmed Scan Memory Channel [90~99]

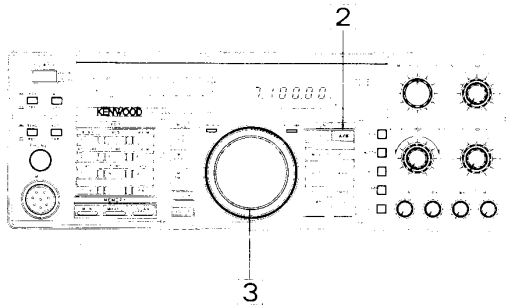
The upper and lower frequency limits are stored in these memory channels. These channels can be used as standard memory channels if the upper and lower frequencies are identical.

These memory channels can have a variable range like another VFO by storing the upper and lower frequency limits in memory. The frequency is varied with the tuning knob. When the UP/DOWN switch is pressed, the upper or lower frequency limit can be reached and the range confirmed. (See 4-12-10, Confirmation of the the upper and lower frequency limits.)



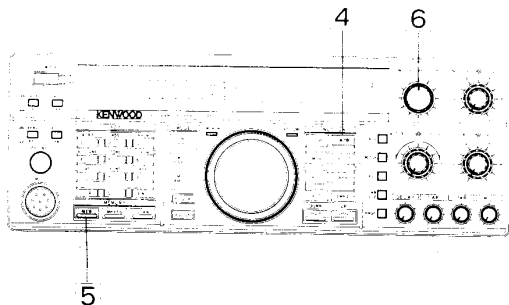
1. Select the lowest operating frequency and the mode.
Example: 7.030 MHz is selected on VFO A.

7.030.00 kHz
LSB SLOW
RX TX A



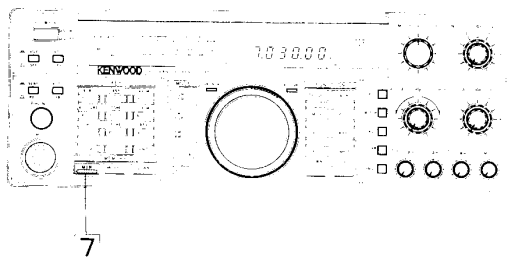
2. Press the A/B key.
3. Select the highest operating frequency.
Example: 7.100MHz is selected on VFO B.

7.100.00 kHz
LSB SLOW
RX TX B



4. Press the A/B key again.
5. Press the M.IN key.
The display shows the memory channel that was accessed last.
6. Select the desired memory channel (90 to 99) with the M.CH/VFO CH control or the numeric keys.

M.CH
M.SCR
90 . . kHz
RX TX M



7. After the desired program scan memory channel is selected, press the M.IN key again. The current frequency, mode and filter will be stored, the Memory Scroll mode will be canceled, and the transceiver will return to the operating frequency that was displayed before the M.IN key was initially pressed.

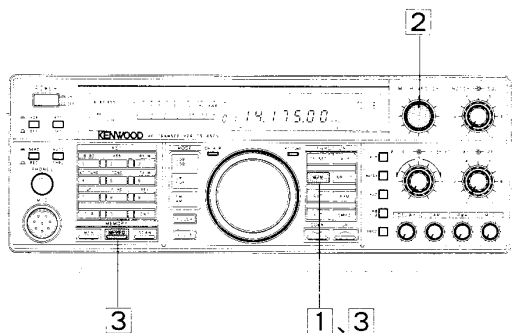
Note

When a channel in which data is stored is selected and the M.IN key is pressed, the data in that channel is erased, and new data is stored in the channel.

4-12-6. Memory Channel Recall

The following procedure illustrates how to recall a memory channel.

1. When operating in the VFO mode, press the M/V key. The display will indicate the memory channel that was accessed last.



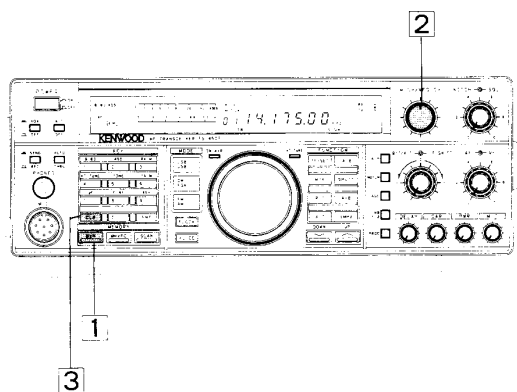
2. Select the desired memory channel by rotating the M.CH/VFO CH control. The memory channel indicator and the frequency in the display will change as this control is rotated.

3. To return to VFO operation, press the M/V key.

4-12-7. Memory Channel Scroll

The following procedure provides a method to check the contents of a Memory Channel contents without changing or losing the current receive frequency.

1. Press the M.IN key once to initiate Memory Scroll. The M.SCR indicator lights, and the Memory Channel Frequency is displayed. Although the displayed frequency will change, actual reception will be at the previous frequency (that is, the frequency before the M.IN key is pressed).

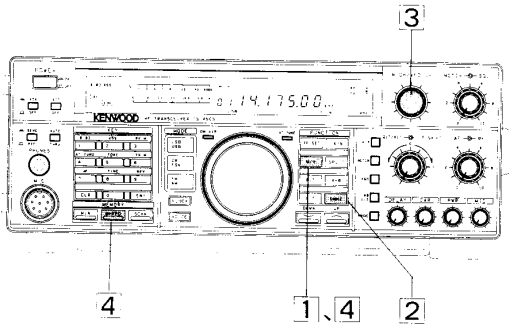


2. Select a Memory Channel using the M.CH/VFO CH control or numeric keys. The frequencies stored in the Memory Channel will be displayed.

3. Cancel the Memory Scroll operation, by pressing the CLR key.

4-12-8. Memory Channel Selection

■ To change between the channels stored in memory

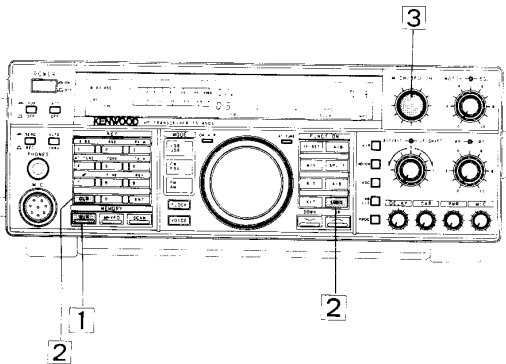


1. When VFO operation is performed, press the M/V key. The display shows the last accessed memory channel.
2. Activate the 1MHz key (the 1MHz indicator will light) and rotate the M.CH/VFO CH control to switch between the channels stored in memory.
3. To return to VFO operation, press the M/V key.

Note

If there is nothing in the memory channels, and the M.CH/VFO CH control is rotated, "check" is output from the speaker in Morse code.

■ To change between the empty channels



1. Press the M.IN key to enter the memory scroll mode. Although the display frequency is changed, the frequency set before the M.IN key was pressed is used for actual reception.
2. Activate the 1MHz key (the 1MHz indicator will light) and rotate the M.CH/VFO CH control to switch between the empty channels. You can also do this with the numeric keys.
3. To cancel the memory scroll mode, press the CLR key.

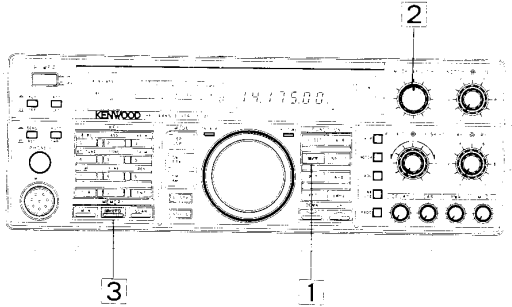
Notes

1. If all the memory channels are full, and the M.CH/VFO CH control is rotated, "check" is output from the speaker in Morse code.
2. If a channel stored in memory is specified with a numeric key, "check" is output from the speaker in Morse code.

4-12-9. Transferring Memory Information to the VFO.

The following procedure transfers the contents of the selected memory channel to the VFO.

1. When operating in the VFO mode, press the M/V key. The display will indicate the memory channel that was accessed last.



2. Select the desired Memory Channel by rotating the M.CH/VFO CH control.

3. Press the M▶VFO key. This will cause the contents of the memory channel to be transferred to the VFO.

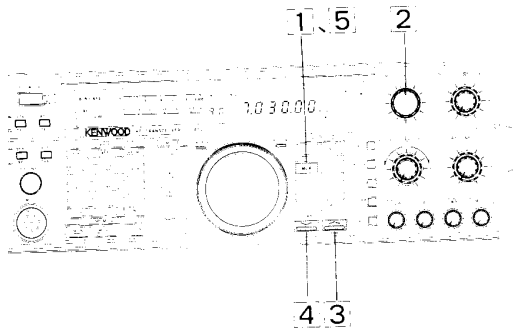
Memory channel contents	Simplex memory channel (00~89)	Split memory channel (00~89)	Programmed Scan memory channel
	M/V key ↓	M/V key ↓	M/V key ↓
VFO state before the M/V key is pressed			Only the displayed data is transferred
RX - A TX -	RX - A TX -	RX - A B TX -	RX - A TX -
RX - B TX -	RX - B TX -	RX - A B TX -	RX - B TX -
RX - A B TX -	RX - A TX -	RX - A B TX -	RX - A TX -
RX - A B TX -	RX - B TX -	RX - A B TX -	RX - B TX -

Notes

1. When the M▶VFO key is pressed, the contents of the VFO are cleared but the contents of the Memory Channel will not be cleared.
2. If nothing is stored in the selected Memory Channel, only the channel number is displayed; no transfer is carried out.

12-10. Checking the Highest and Lowest Scan frequencies

It is possible to check the frequencies that are stored in the program scan memory channels by using the following procedure.



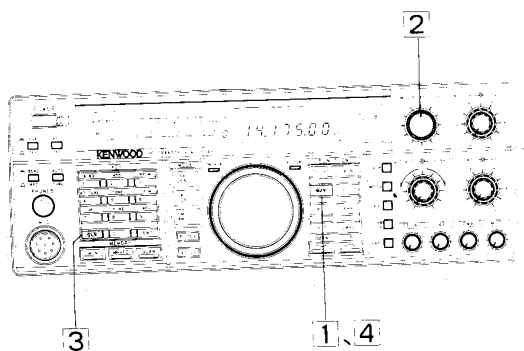
1. When operating in the VFO mode, press the M/V key. The display will indicate the memory channel that was accessed last.
2. Select the desired Program Scan memory channel by rotating the M.CH/VFO CH control.(CH90~99)
3. Press the UP switch to display the upper scan limit.
4. Press the DOWN switch to display the lower scan limit.
5. To return to VFO operation, press the M/V key.

12-11. Mode and Filter Changes during Memory Channel Operation (00-89ch)

Modes and filters can be changed during memory channel operation. Unless power on function # 14 (See page 52) is turned ON, the transmit and receive frequency cannot be changed.

12-12. Clearing a Memory Channel

How to erase a specific Memory Channel:



1. When operating in the VFO mode, press the M/V key. The display will indicate the memory channel that was accessed last.
2. Select the memory channel to be erased with the M.CH/VFO CH control.

M. CH RX TX M

01 14.175.00 kHz

USB SLOW

3. Press and hold the CLR key for approximately 2 seconds.

M. CH RX TX M

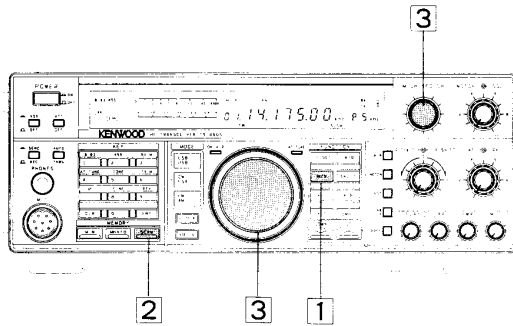
01 . . kHz

4. To return to VFO operation, press the M/V key.

4-13. SCAN

Both Memory Scan and Program Scan are possible.

4-13-1. Memory Scan



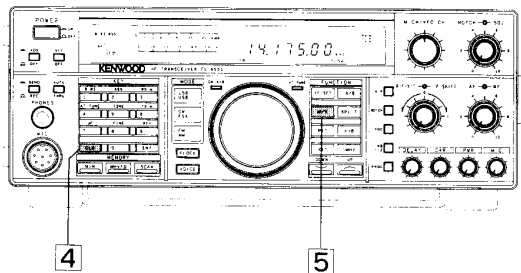
1. When operating in the VFO mode , press the M/V key.
The display will indicate the memory channel that was accessed last.

2. When the SCAN key is pressed, memory channel scan will be repeatedly scanned.

3. The M.CH/VFO CH control and the microphone UP/DOWN key are accepted even during scanning

Note

If no memory channel contains data or all the channels are locked out, CHECK is output from the speaker in Morse code as an error signal when the SCAN key is pressed.

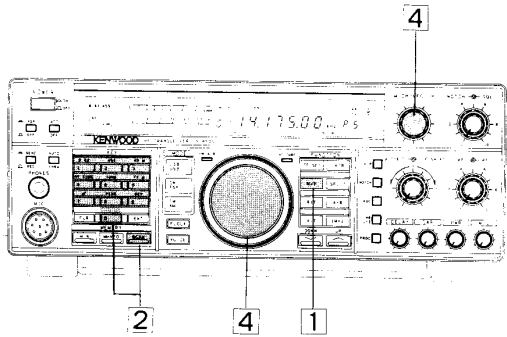


4. To cancel scan press the CLR key.

5. To return to VFO operation, press the M/V key.

-13-2. Memory channel Group Scan

The 100 memory channels are divided into groups of 10 channels (00-09, 10-19, ..., 90-99). Only channels containing data will be scanned.

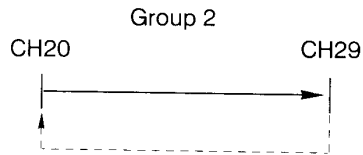


1. When operating in the VFO mode, press the M/V key.
The display will indicate the memory channel that was accessed last.
2. Press and hold the SCAN key.
You may specify which memory groups you want to scan by depressing the key that corresponds to the tens digit position of the memory channel group.

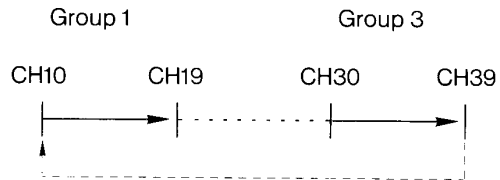
0	Memory channels 00 thru 09
1	Memory channels 10 thru 19
2	Memory channels 20 thru 29
.
.
9	Memory channels 90 thru 99

In example 1 we want to scan only Group 2, so we would press the 2 key. In example 2 we want to scan Group 1 and Group 3, so we would press the 1 key and then the 3 key.

3. Release the SCAN key. Scanning starts.
Example 1

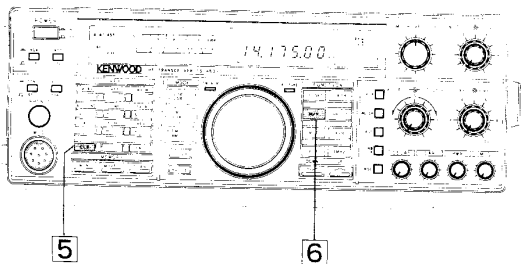


Example 2



4. The M.CH/VFO CH control and the microphone UP/DOWN key are accepted even during scanning.

5. To stop scanning, press the CLR key. The group specification is not canceled until it is reset.



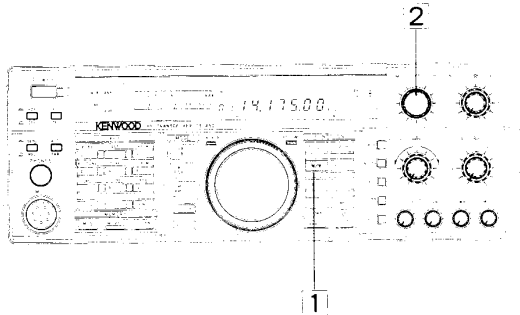
6. To return to VFO operation, press the M/V key.

If you want to change the function, repeat step 2.

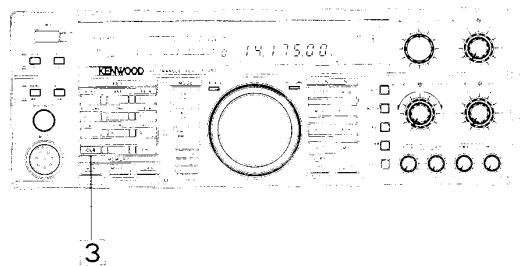
4-13-3. Memory Channel Lockout

This transceiver has a Memory Channel lockout function which allows you to temporarily skip unwanted Memory Channels during memory scan. Locking out unwanted channels will help to increase the effective scan speed.

1. When operating in the VFO mode, press the M/V key.
The display will indicate the memory channel that was accessed last.

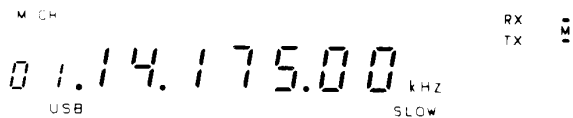


2. Select the Memory Channel that you want to skip using the M.CH/VFO CH control.



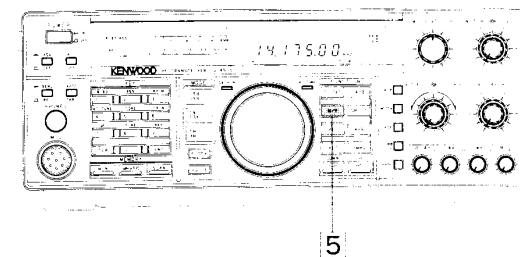
3. Press the CLR key momentarily.
A decimal point will appear in the M.CH display to indicate that the channel will be skipped.

Note
Holding the CLR key depressed for longer than 2 seconds will clear that channel of all data.



4. To cancel the lockout, select the desired channel and then press the CLR key again. The decimal point will go out indicating that the channel will again be scanned.

Note
If memory scan is initiated while all Memory Channels are locked out a Morse code "CHECK" will sound from the speaker to signal an error.



5. To return to VFO operation, press the M/V key.

4-13-4. Programmable Band Scan

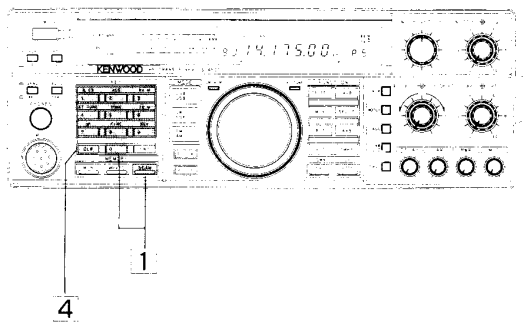
Pressing the SCAN key during VFO A or VFO B operation initiates scan.

- If nothing is stored in channels 90 to 99, the next frequency is stored in channel 90 automatically when the SCAN key is pressed.

Lower tuning frequency limit: 30.00kHz
Upper tuning frequency limit: 40.000MHz (TS-450S except E type)
Upper tuning frequency limit: 29.99999MHz (TS-450S Etype only)
Upper tuning frequency limit: 60.000MHz (TS-690S only)

It is possible to scan the whole receiver range.

- If upper and lower limits are programmed in channels 90 to 99, performed according to the settings.
The channel to be scanned can be specified.



Channel Selection

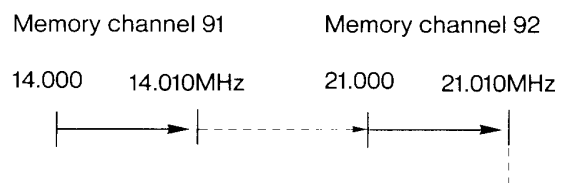
1. While holding the SCAN key depressed press the numeric key that corresponds with the program scan range you want to scan.
For example press the 3 key if you want to scan between the limits specified in memory channel 93. Press 4 if you want to scan between the limits specified in memory channel 94, and so on.
2. Scan will proceed from the lowest frequency towards the highest frequency specified in memory channel.
3. The mode of operation and filter bandwidth can be changed during scan.
4. To cancel scan press the CLR key.

You can specify up to 10 different groups to scan. Simply hold the scan key depressed and press the numeric key corresponding to the different groups you wish to scan.

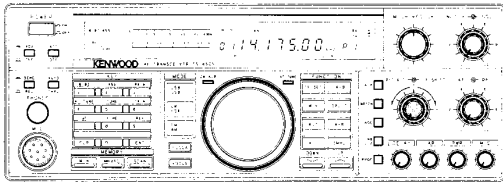
For example:

When 14.000 MHz (lower limit) and 14.010 MHz (upper limit) are stored in channel 91, and 21.000 MHz (lower limit) and 21.010 MHz (upper limit) are stored in channel 92:

Press Numeric keys 1 and then 2 while holding down the SCAN key. Scanning will be repeated within the ranges stored in channels 91 and 92.



4-13-5. Scan Speed



The scanning speed is adjustable from the front panel by using the RIT/XIT control during SCAN operations. Clockwise rotation decreases the scan speed and counterclockwise rotation increases the scan speed. This speed adjustment is effective in both VFO and M.CH scan modes. Once set, the scan speed remains in memory until it is again changed by the RIT/XIT control. You must be in the SCAN mode in order to alter the scan speed.

If the RIT/XIT control is turned fully counterclockwise (or clockwise) and you want to increase (or decrease) the scan speed, turn the control back and then rotate it.

4-13-6. Scan Hold

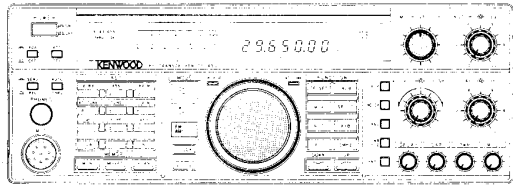
The Scan Hold function is selected by using the Power on function selection described in Section 4-11-15. When the tuning knob is turned during program scanning, scanning stops at that frequency, and restarts after about five (5) seconds.

4-14. REPEATER OPERATION

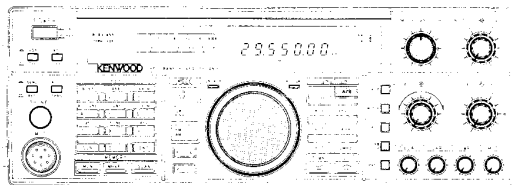
A 29MHz repeater can communicate with amateur radio stations over wide areas.

Note

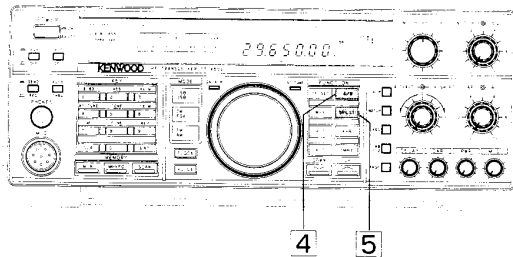
- To transmit on a repeater, an optional tone unit (TU-8) is sometimes required.
- When the tone unit (TU-8) is installed, select the tone frequency and select either continuous tone or burst.



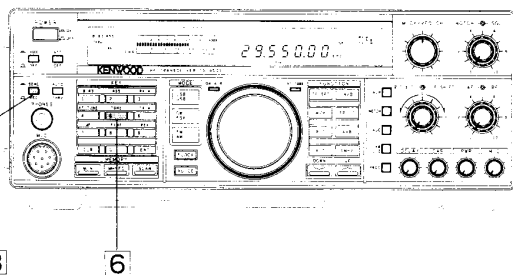
1. Set the transmit frequency of the repeater in VFO A.
Example: If 29.650 MHz FM is set in VFO A



2. Press the A/B key.
3. Set the receive frequency of the repeater to be accessed in VFO B.
Example: If 29.550 MHz FM is set in VFO B



4. Press the A/B key.
5. Press the SPLIT key. The SPLIT indicator and the VFO A and VFO B operating conditions are displayed.



6. Press the TONE key. The T indicator lights.
7. If desired, store the data in a memory channel (00 to 89) by pressing the M.IN key.
8. Press the microphone PTT switch, or set the REC/SEND switch to SEND and speak into the microphone.

Note

Check the intended transmitter frequency before transmitting to avoid interrupting another QSO.

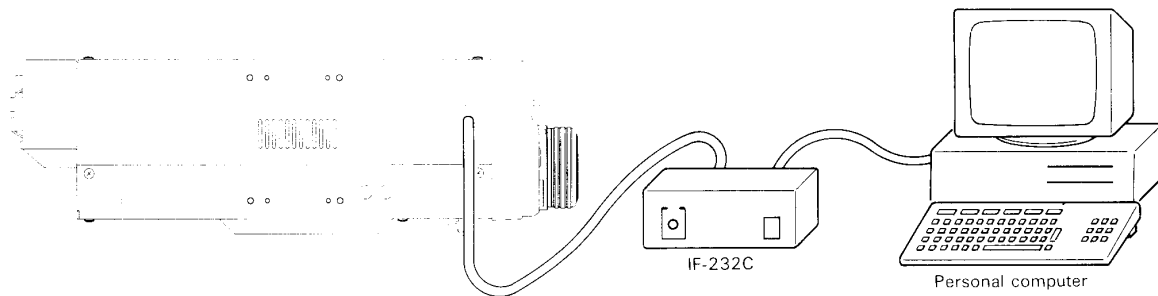
9. Release the PTT switch, or place the REC/ SEND switch to REC.

4-15. OPERATION WITH A PERSONAL COMPUTER (Requires optional IF-232C)

Control with a personal computer is possible with the optional IF-232C interface. For more information, refer to the manuals provided with the interface.

■ Function list

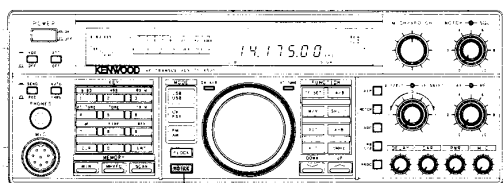
- AUTO INFORMATION ON/OFF setting
- Same function as microphone UP/DOWN switch
- VFO A, VFO B and memory frequency selection and readout
- Filter setting
- VFO A, VFO B and memory frequency TX/RX setting
- Model No. readout for transceiver recognition
- Display of transceiver's current condition
- F.LOCK ON/OFF setting and display
- Memory channel setting
- Mode setting
- Memory channel data readout
- Memory entry
- AIP switch ON/OFF setting
- RIT frequency clearance
- RIT/XIT frequency UP/DOWN
- METER function readout
- RIT ON/OFF setting
- RX : For receive operation, TX : For transmit operation
- Scan ON/OFF setting
- Meter signal readout
- FINE ON/OFF setting
- Generation of synthesized voice
- XIT ON/OFF setting
- TONE ON/OFF setting
- CW PITCH setting



[CONNECTION]

4-16. VOICE SYNTHESIZER

(Requires the use of the optional VS-2 Voice Synthesizer)



VOICE key

When the VOICE key is pressed the transceiver will audibly announce the operating frequency. When the function is set when the power is switched on, the transceiver will audibly announce the menu number and its contents.

4-17. DIGITAL MODULATION FUNCTION [The Digital Signal Processor DSP-100 (option) is required.]

SSB, CW, AM, or FSK transmit processing and receive processing in SSB, CW, FSK receive mode are done by the 16-bit A/D and D/A converters and DSP (digital signal processor).

(1) Features of each Mode

① SSB mode

Higher quality modulation than a normal SSB signal is obtained with the DSP unit.

② CW mode

Excellent characteristics are obtained through digital form-restoration of the wave shape.

③ AM mode

Low-distortion modulation with excellent amplitude and group delay characteristics is obtained through digital modulation and by using the 84th FIR filter.

④ FSK mode

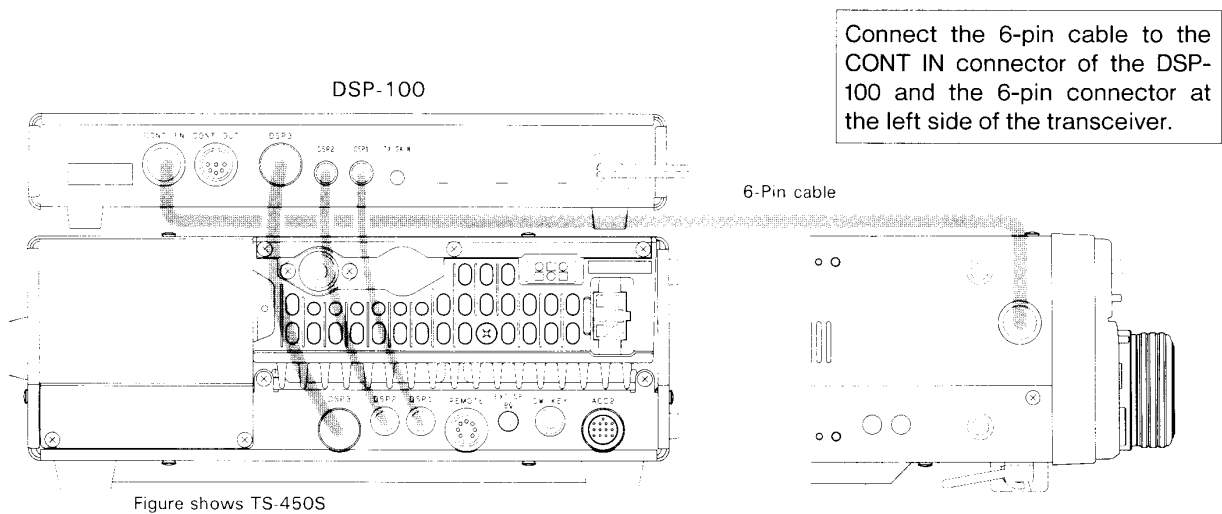
Excellent, low-distortion modulation is obtained through FSK modulation with continuous phasing after the digital form-restoration.

⑤ SSB, CW, and FSK mode (receive)

Received SSB, CW, and FSK signals are detected by the DSP.

(2) Connection

Connect the four (4) cables supplied with the DSP-100 as shown in the figure below.

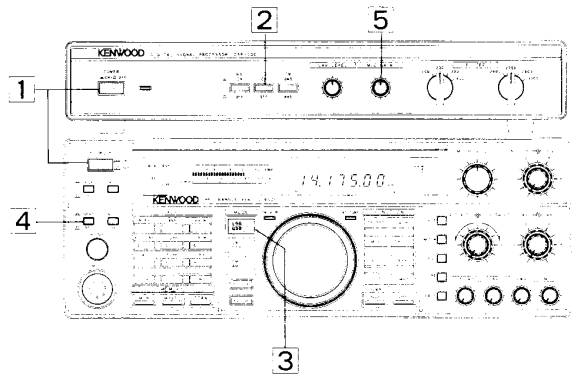


[CONNECTION]

(3) Operation

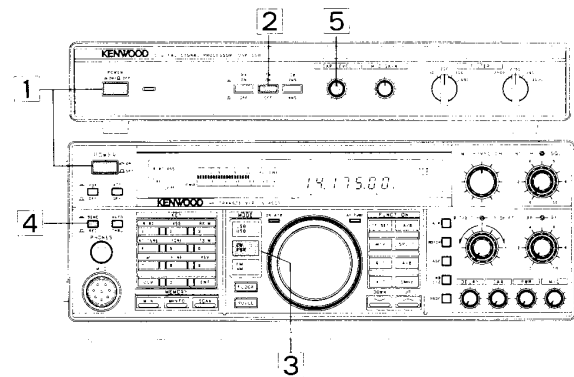
Before starting operation, adjust the SSB transmit output according to item 8 in the DSP-100 instruction manual.

■SSB transmission



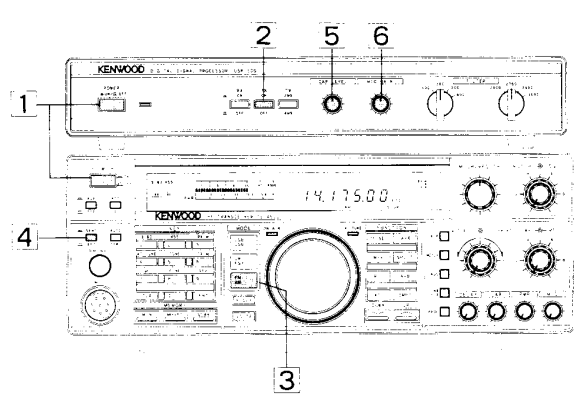
1. Switch the transceiver POWER on, and then switch the power to the DSP-100 on.
2. Press the DSP-100 TX switch.
3. Select either USB or LSB transceiver mode.
4. Press the SEND/REC switch on the transceiver to enable transmission or press the PTT lever on the MIC.
5. Speak into the microphone and adjust the DSP-100 MIC GAIN control so that the transceiver ALC meter pointer does not exceed the ALC range.

■CW or FSK transmission



1. Switch the transceiver POWER on, and then switch the DSP-100 on.
2. Press the DSP-100 TX switch.
3. Set the transceiver mode to CW (or FSK).
4. Press the SEND/REC switch on the transceiver to enable transmission or depress the CW key in VOX.
5. Press and hold the CW key
6. Adjust the DSP-100 CAR LEVEL control so that the transceiver ALC meter pointer does not exceed the ALC range.

■AM transmission

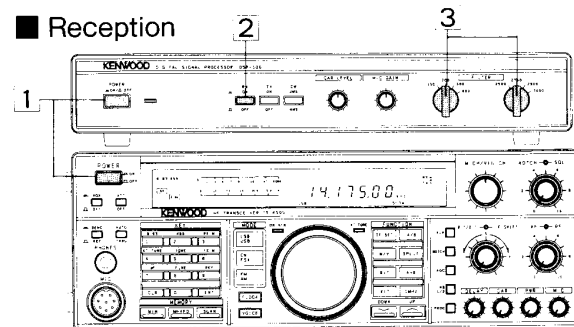


1. Switch the transceiver POWER on, and then switch the DSP-100 on.
2. Press the DSP-100 TX switch.
3. Set the transceiver mode to AM.
4. Press the SEND/REC switch on the transceiver to enable transmission or press the PTT lever on the MIC.
5. Adjust the DSP-100 CAR LEVEL control so that the transceiver PWR meter pointer indicates about half the maximum output.
6. Then, adjust the DSP-100 MIC GAIN control so that the transceiver POWER meter pointer does not exceed 80W.

Note

If the DSP-100 TX switch is OFF or the power is off, the DSP-100 MIC GAIN and CAR LEVEL controls are ineffective. Use the transceiver controls.

■ Reception

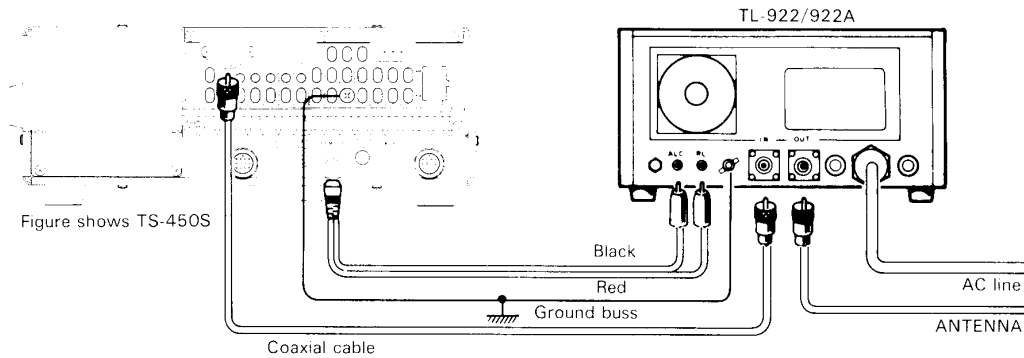


1. Switch the transceiver POWER on, and then switch the DSP-100 on.
2. Press the DSP-100 RX switch.
3. Set the FILTER switch for the best frequency response in each mode.
The selected frequency passband set with the FILTER switch is used for transmission.

4-18. OPERATION WITH THE LINEAR AMPLIFIER

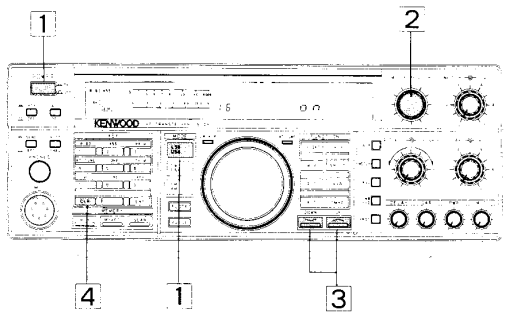
(1) Connection

Connect the cable supplied with the linear amplifier as shown below:



CAUTION:
Do not connect the power cable unless the TL-922/922A POWER switch is set to the OFF position.

(2) Linear Relay Activation

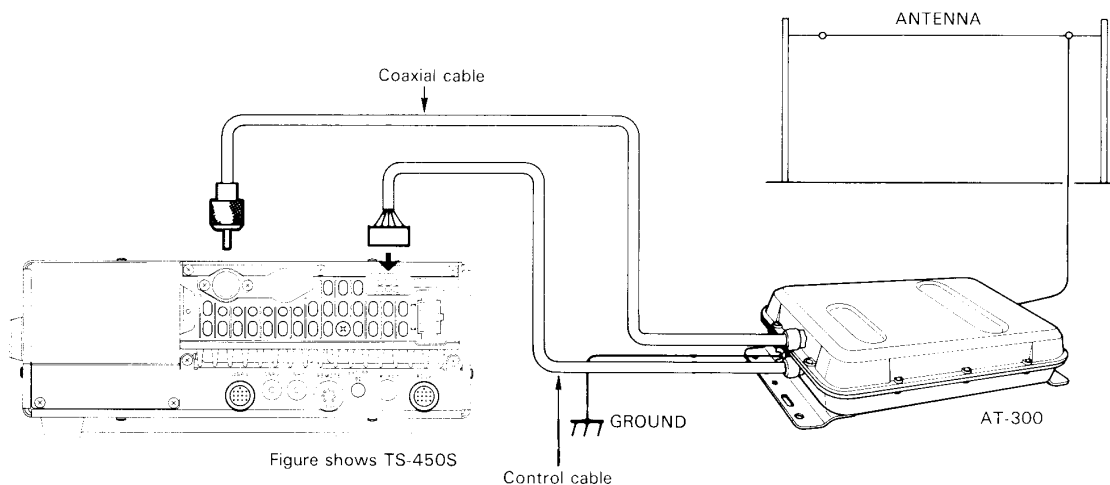


1. Press and hold the LSB/USB key then turn the power on.
2. Turn the M.CH/VFO CH control to select menu number 16 on the display.
3. Press the UP key to turn the display on. The remote control relay is now active.
4. Press the CLR key.
5. Adjust the linear amplifier according to its instruction manual.

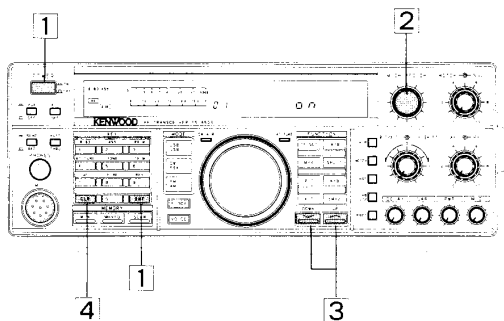
4-19 EXTERNAL ANTENNA TUNER OPERATION (when the optional AT-300 is connected)

An optional external antenna tuner (AT-300) can be connected to the transceiver. This tuner is useful for matching a long wire antenna for the low bands. The SWR can be improved by installing the tuner just under the antenna.

(1) Connection to the transceiver



(2) Preparation

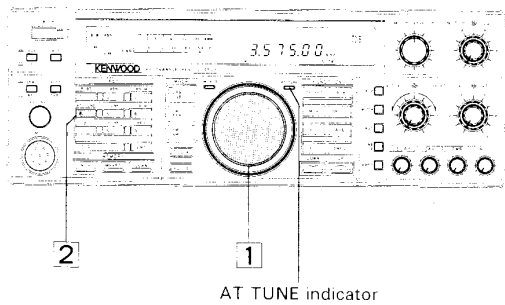


1. Press and hold the ENT key and turn the power on.
2. Turn the M.CH/VFO CH control to select menu number 01 on the display.
3. Press the UP or DOWN key to turn the display on.
4. Press the CLR key.

Notes

1. The built-in antenna tuner does not work at this time.
2. If the installation location is changed or the AT-300 is removed, select OFF in step 3 above.

(3) Operation



1. Set the desired transmit frequency.
2. Press the AT TUNE key. CW mode is entered, the AT TUNE indicator lights, and tuning starts.

Note

The tuner will not function when the CAR control is turned fully counterclockwise.

3. When tuning is complete, the AT TUNE indicator goes off, and the mode returns to the original mode automatically.
4. If tuning does not finish within about 20 seconds, a warning beep sounds.

Note

If an alarm sounds, the antenna system may be defective, so check it.

5. Make sure the antenna system is not defective, and press the AT TUNE key again.

4-20. DATA TRANSFER FUNCTION

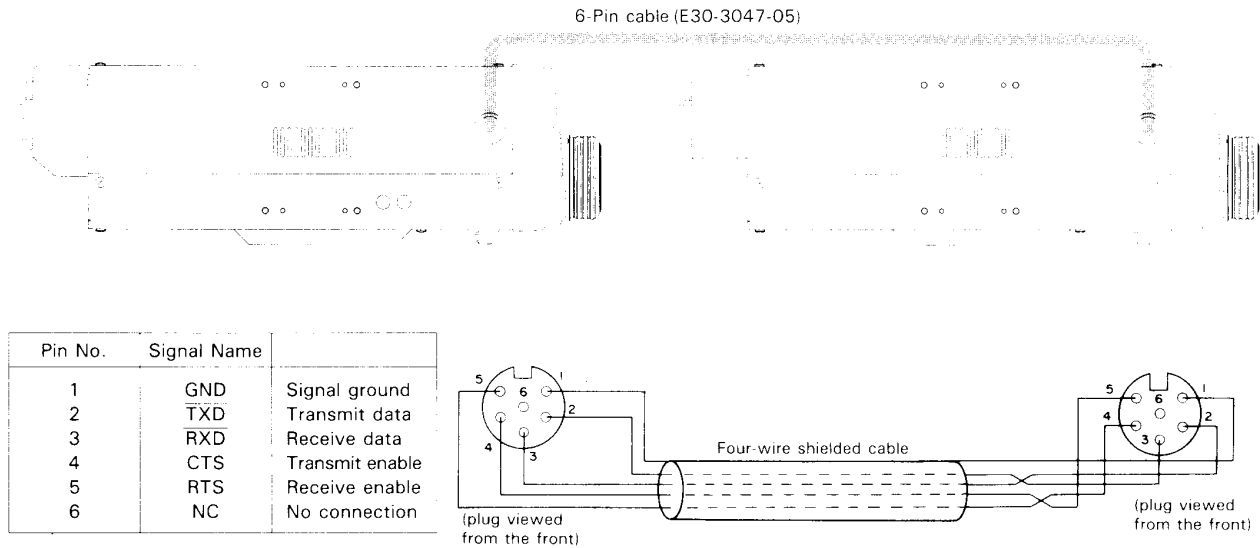
Connect the two transceivers, and transfer data from one to the other.

Notes

1. Other functions may be slowed down while the data is being transferred.
2. Data can be transferred between the TS-450S, TS-690S, and TS-850S.

4-20-1. Connection

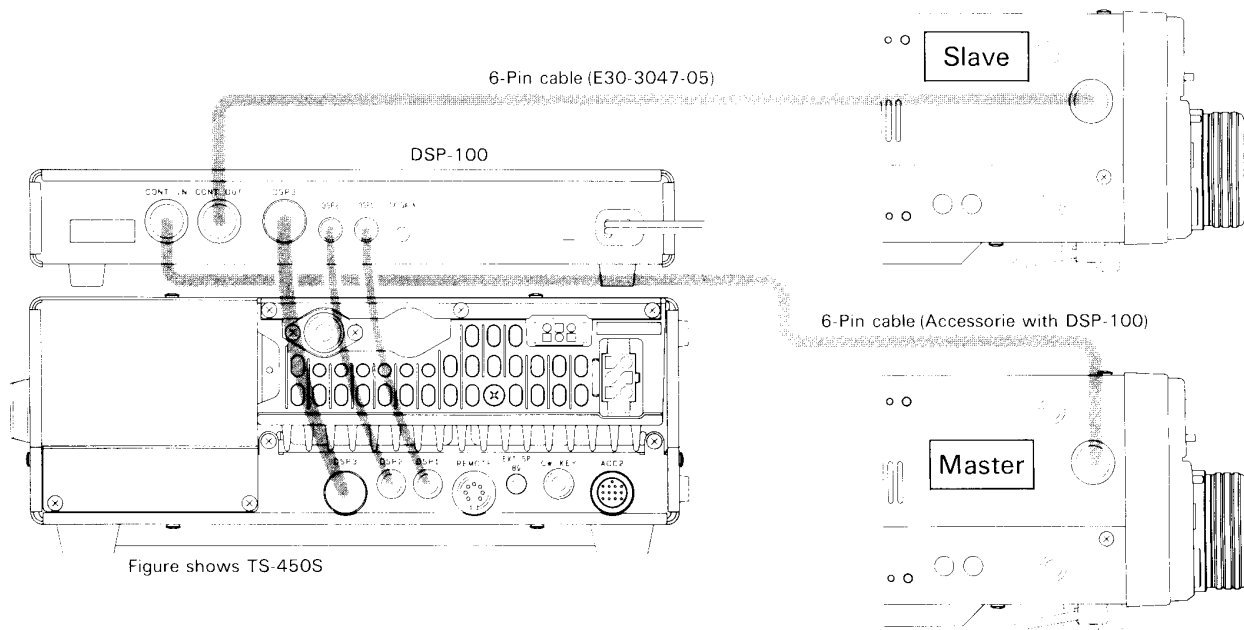
Make up a connection cable with 6-pin DIN plugs, or use a 6-pin DIN cord (1m) to connect the ACC1 connectors of the two transceivers. For 6-pin DIN plugs (option, part No. E07-0654-05) or 6-pin DIN cord (option, part No. E30-3047-05), contact your nearest KENWOOD authorized service center or dealer.



Note

The IF-232C control cable cannot be used for this function.

If a DSP-100 is connected to one of the transceivers, connect as shown in Figure 1.



If a DSP-100 is connected to each of the transceivers, connect as shown in Figure 2.

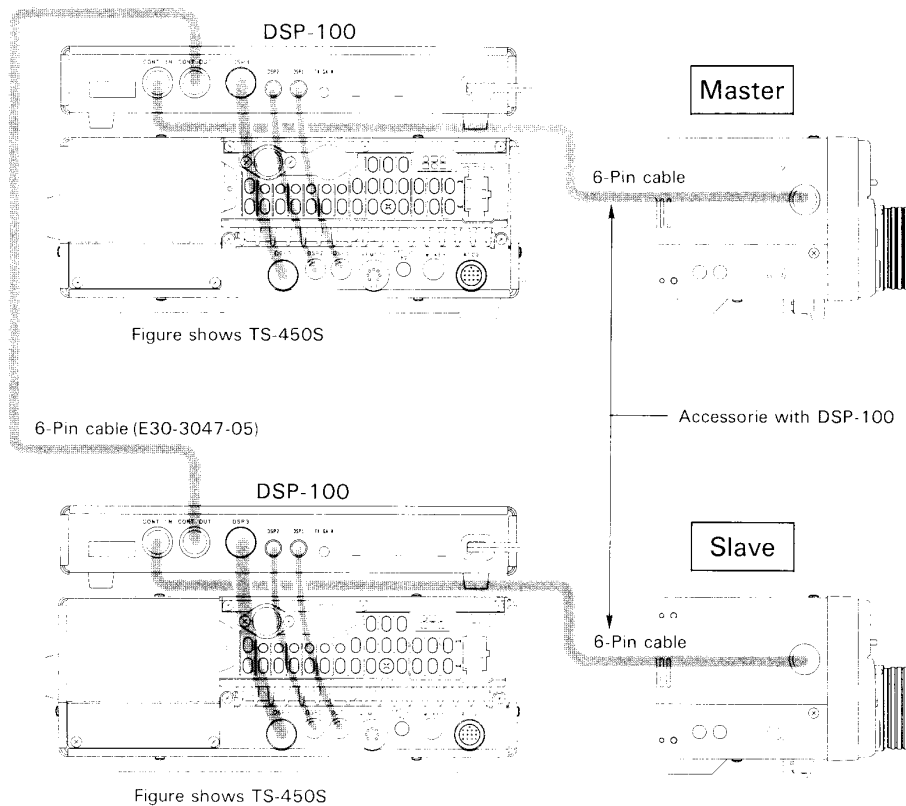


Fig. 2

Note

This function does not work if the DSP-100 power is off.

4-20-2. Function setting

Perform the "data transfer enable" power on function #17 on page 52.
Refer to the TS-850S instruction manual for its power on function setting.

4-20-3. Data transferred

Transferrable data that can be transmitted includes the following:
RX frequency and mode can be transferred from one transceiver to another.

4-20-4. Operation

To transfer data from Memory Channel 00 of one transceiver to Memory Channel 00 of the other transceiver:

1. Press the M.IN key on the master/transmitting transceiver.
2. Select Memory channel 00 using the M.CH/VFO CH control.
3. Press the M.IN key to start the transfer.

When the transfer is complete, the slave/receiving transceiver will announce in Morse code "QSL".

To transfer data from VFO of one transceiver to the VFO of the other transceiver:

1. Perform power on function 18 on page 52.
2. Set the desired frequency and mode in the active VFO on the master/transmitting transceiver.
3. Press the M.IN key.
4. Select Memory channel 00.
5. Press the M.IN key to start the transfer.

When the transfer is complete, the slave/receiving transceiver will announce in Morse code "QSL".

6. MAINTENANCE AND ADJUSTMENTS

6-1. GENERAL INFORMATION

Your transceiver has been factory aligned and tested to specification before shipment. Under normal circumstances the transceiver will operate in accordance with these operating instructions. All adjustable trimmers and coils in your transceiver were preset at the factory and should only be readjusted by a qualified technician with proper test equipment. Attempting service or alignment without factory authorization can void the transceiver's warranty.

When operated properly, the transceiver can give years of service without requiring realignment. The information in this section gives some general service procedures which can be accomplished without sophisticated test equipment.

6-2. SERVICE

Should it ever become necessary to return the equipment to your servicing dealer or KENWOOD authorized service center for repair, pack it in its original box and packing, and include a full description of the problems involved. Also include your telephone number. You need not return accessory items unless directly related to the service problem.

You may return your radio for service to the Authorized KENWOOD Dealer from whom you purchased it. A copy of the service report will be returned with the unit. Please do not send sub-assemblies or printed circuit boards. Send the complete unit, in its original boxes and packing.

Tag all returned items with your name and call for identification. Please mention the model and serial number of your radio in any correspondence, whether phone or written. For future reference, record this information in the space provided on the back cover of this manual.

Service note

Dear OM, if you desire to correspond on a technical or operational problem, please make your note short, complete, and to the point. And PLEASE make it readable.

Please list: Model and serial number.

The question or problem you are having.

Please give sufficient detail to diagnose: other equipment in the station, meter readings and anything you feel might be useful in attempting diagnosis.

Caution

Do not pack the equipment in crushed newspapers for shipment! Extensive damage may result.

Notes

1. Record the date of purchase, serial number and dealer from whom purchased.
2. For your own information, retain a written record of any maintenance performed on the unit.
3. When claiming warranty service, please include a photocopy of the bill of sale, or other proof of purchase showing the date of sale.

6-3. CLEANING

The knobs, front panel and cabinet of the transceiver are likely to become soiled after extended use. The knobs should be removed from the transceiver and cleaned with a neutral soap and warm water. Use a neutral soap (not harsh chemicals) and damp cloth to clean the cabinet and front panel.

6-4. IN CASE OF DIFFICULTY

The problems described in this table are failures caused in general by improper operation or connection of the transceiver, not by defective components. Check according to the following table. If the problem persists, contact an authorized agent or service station.

RECEPTION

Symptom	Probable cause	Corrective action
Indicators do not light and no receiver noise is heard when the POWER switch is turned on.	<ol style="list-style-type: none"> 1. Bad power cable or connections. 2. Blown power supply fuse. 3. Power supply is OFF. 	<ol style="list-style-type: none"> 1. Check cables and connections. 2. Check for the cause of the blown fuse and replace the fuse. 3. Switch power supply ON.
Nothing is displayed or improper digits are displayed when the POWER switch is turned on.	The microprocessor may malfunction if the input voltage is too low.	<ol style="list-style-type: none"> 1. Use a step-up transformer to raise the line voltage to the power supply. Use a 12 to 16 V battery. 2. Turn on the POWER switch while depressing the A=B key, and then release the A=B key.
When you press the POWER switch, "14 MHz USB" is displayed.	The backup battery voltage is low.	Please refer to Section 4-12-1.
No signal is received even when the antenna is connected, or the receiver sensitivity is low.	<ol style="list-style-type: none"> 1. SQL control fully clockwise. 2. The ATT switch is ON. 3. The REC/SEND switch is in the SEND position. 4. Microphone PTT switch is in the transmit position. 	<ol style="list-style-type: none"> 1. Turn the SQL control counterclockwise. 2. Set the ATT switch to OFF. 3. Set the REC/SEND switch to REC. 4. Set the PTT switch to the receive position.
An antenna is connected, but no signal is received and the S-meter deflects fully.	RF gain control is too low.	Turn the RF gain control MAX clockwise.
The S-meter deflects and stays at a certain position even with no signal.	<ol style="list-style-type: none"> 1. Low DC or AC line voltage. 2. RF gain control closed. 	<ol style="list-style-type: none"> 1. Use a step-up transformer to raise the line voltage. Use a 12 to 16 V battery. 2. Turn the RF gain control fully clockwise.
Signal is received, but no sound is heard.	MODE key position is incorrect.	Change the MODE key to the correct mode.
Frequency is not changed by pressing the UP/DOWN switches, turning the TUNING knob, or M.CH/VFO CH control.	F.LOCK key is ON.	Set F.LOCK key to OFF.
Memory scan fails. ("CHECK")	Nothing is stored in memory.	Store the frequency.

Note

Beat tones may be heard on the following frequencies. This is due to the internal frequency configuration of the radio and is not an indication of any problem. It is normal.
8.375MHz, 18.863MHz, 50.973MHz(TS-690S only)

TRANSMIT

Symptom	Probable cause	Corrective action
Low output	<ol style="list-style-type: none">1. Microphone plug is not plugged in.2. Low microphone gain.3. Poor antenna connection.	<ol style="list-style-type: none">1. Plug MIC in.2. Increase the MIC gain control.3. Connect antenna securely.
VOX does not operate.	<ol style="list-style-type: none">1. GAIN control too low.2. ANTI control too high.	<ol style="list-style-type: none">1. See section 4-11-11, GAIN control.2. See section 4-11-11, ANTI control.
VOX trips by speaker output.	ANTI control too low.	See section 4-11-11, ANTI control.
Linear amplifier does not key.	<ol style="list-style-type: none">1. The relay for the linear amplifier does not operate.2. REMOTE connector is miswired, or has a poor contact.	<ol style="list-style-type: none">1. 4-18. Operate the relay by referring to the section on operation of the linear amplifier in this manual.2. Correct wiring.

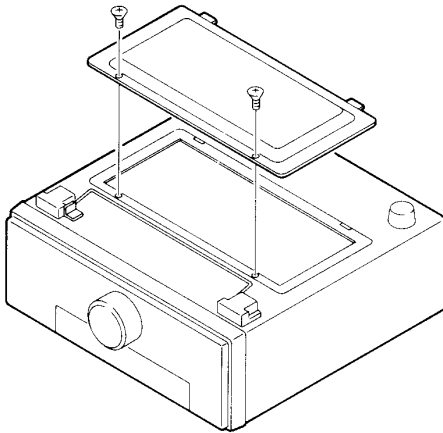
6-5. ORDERING SPARE PARTS

When ordering replacement or spare parts for your equipment, be sure to specify the following: Model and serial number of your transceiver. Schematic number of the part. Printed circuit board number on which the part is located, part number and name, if known, and quantity desired. Part numbers for most replacement parts are contained in the service manual (available as an option from your dealer or parts distributor).

6-6. ADJUSTMENTS

Cover Removal

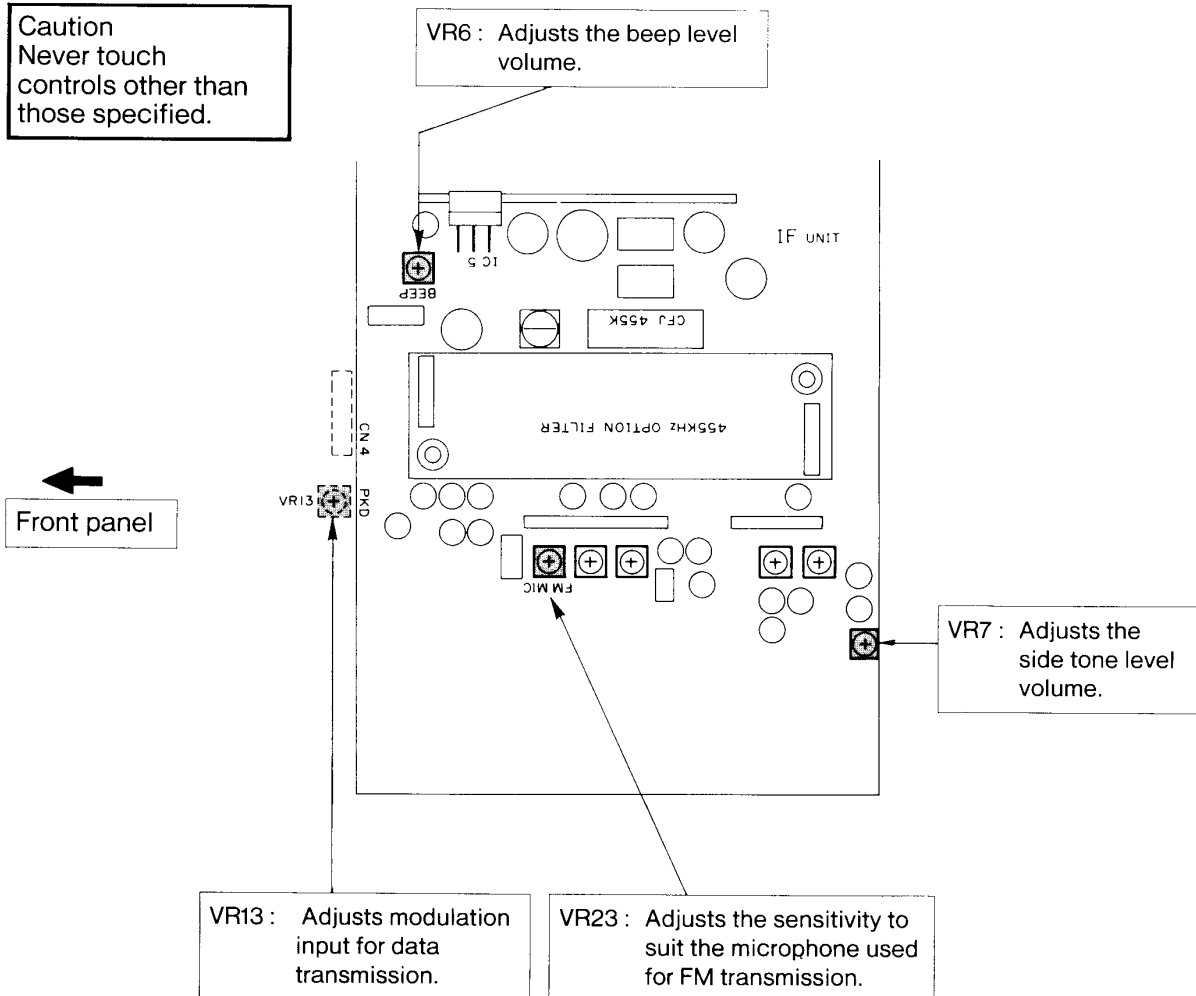
Remove the two screws holding the bottom cover.



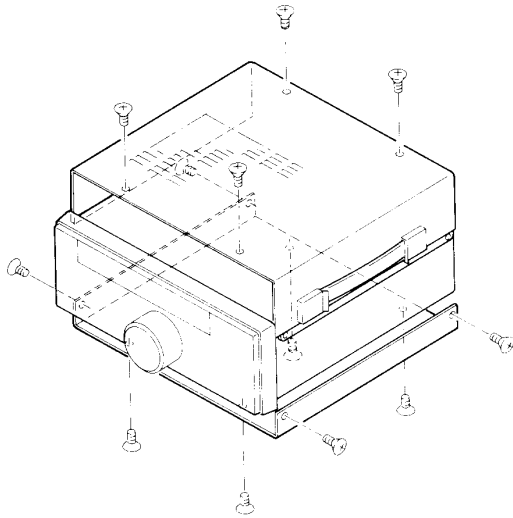
Cautions

1. Before removing the cover, turn the DC power supply's POWER switch OFF and disconnect the power cable.
2. When the cover is installed, be careful not to damage the wiring.

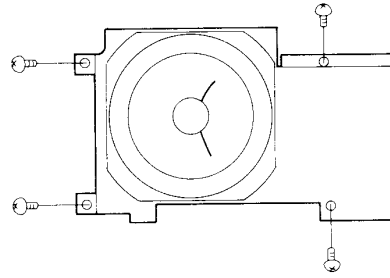
Caution
Never touch
controls other than
those specified.



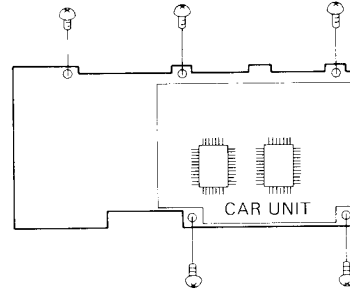
6-7. Digital display calibration



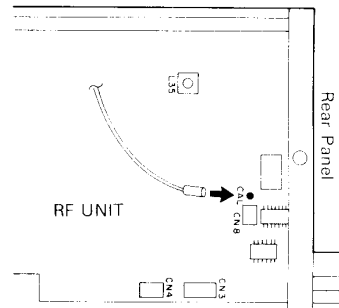
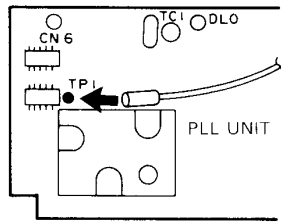
1. Remove the top and bottom of the transceiver.
2. Remove the speaker fitting.



3. Remove the shielding cover of the PLL unit.



4. Plug the accessory calibration cable to any one of the TP1 pins on the PLL unit.
Plug the other end of the calibration cable to CAL Pin on the RF unit.



5. Connect your antenna and tune to WWV.
6. Using a small flat bladed screwdriver adjust trimmer capacitor TC1 on the PLL unit for zero beat. Zero beat is the point where the two audio tones match perfectly.
7. The reference frequency has been calibrated correctly.
8. Remove the calibration cable.

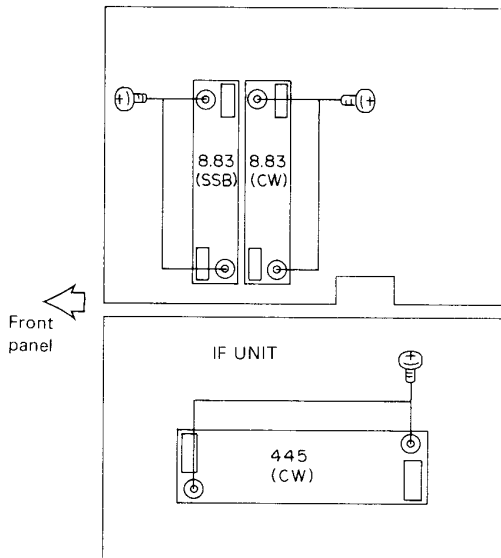
Note

This equipment was calibrated at the factory using an external frequency standard and should not require recalibration. Do not attempt recalibration unless it is necessary.

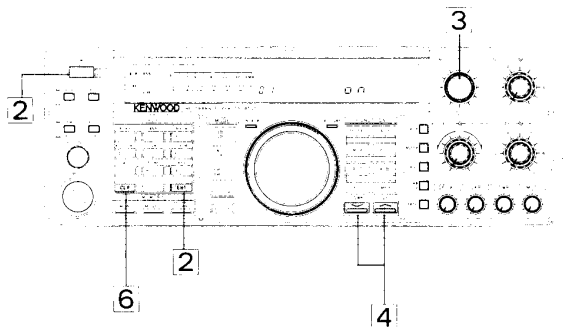
7. OPTIONAL ACCESSORIES

Be sure to unplug the DC power cable before starting work.

7-1. FILTER INSTALLATION



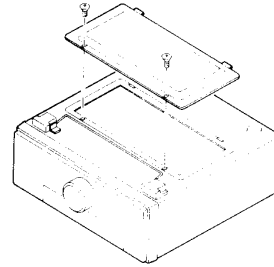
■ Before operation



Menu No.	Filter position	Filter display
02	8.83(SSB)	2.4k
03	8.83(CW)	500
04	455(CW)	500

Table 1

1. Remove the bottom cover of the transceiver.



2. Remove the screws.
3. Attach the filter(s) and secure it with the supplied screws. The filters are not polarized so they may be placed in either direction.

4. Replace the bottom cover.

1. Connect the DC power supply cord.
2. Press and hold the ENT key and turn the power on.
3. Turn the M.CH/VFO CH control to select the appropriate menu number. (See Table 1.)
4. Press the UP or DOWN key to turn the display on.
5. If two or more filters are to be added at the same time, repeat steps 3 and 4.
6. Press the CLR key.

Note

If YK-88SN-1 and YG-455CN-1 are installed, YK-88SN-1 indicates 2.4k and YG-455CN-1 indicates 500, but they are not the actual bandwidth.

Reference

CW or SSB filters can be installed in the two positions where 8.83MHz filters are installed. In this case, if menu items 02 and 03 are turned on, a different bandwidth can be used in the same mode, but the display is different from the actual bandwidth.

7-2. VS-2 VOICE SYNTHESIZER INSTALLATION

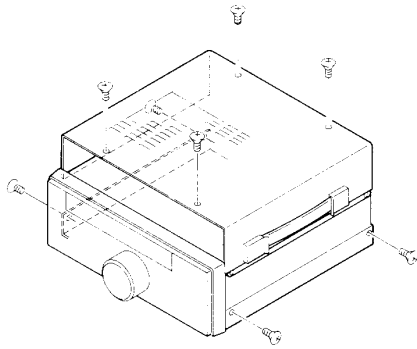


Fig. 1

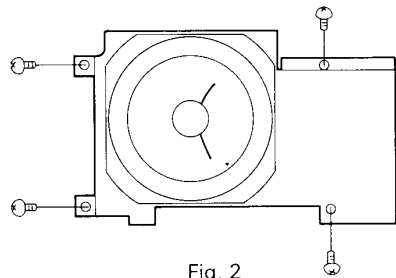


Fig. 2

1. Remove the top cover of the transceiver.(Fig.1)
2. Remove the speaker fitting.(Fig.2)
3. Use the three screws supplied with the VS-2 to install the VS-2 on the chassis.

Caution
Keep the pan-head screw and cushion provided with the VS-2 for later use. They are not needed now.

4. Plug the 8-pin connector into the VS-2 socket.

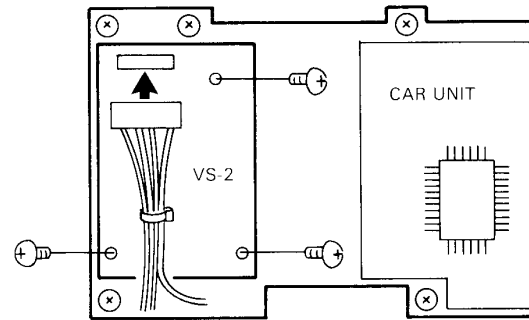
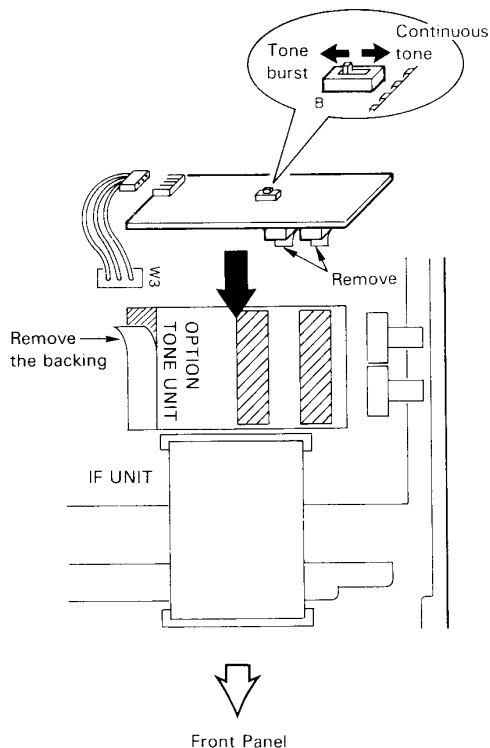


Fig. 3

5. Reinstall the speaker and the top case of the transceiver.

7-3. TU-8 TONE UNIT INSTALLATION



1. Remove the bottom case of the transceiver.
2. Plug the connector with lead from W3 into the TU-8 socket.
3. Remove the backing from the double-sided adhesive tape on the rear of the TU-8.
4. Attach the TU-8 to the specified location.
5. Make sure that the TU-8 switch is set to the continuous tone or tone burst and select the required tone frequency.
6. Reinstall the bottom case of the transceiver.

7-4. SO-2 TCXO UNIT INSTALLATION

1. Remove the top cover of the transceiver.(Fig. 1)

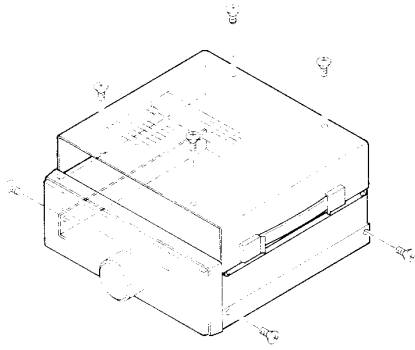


Fig. 1

2. Remove the speaker fitting.(Fig. 2)

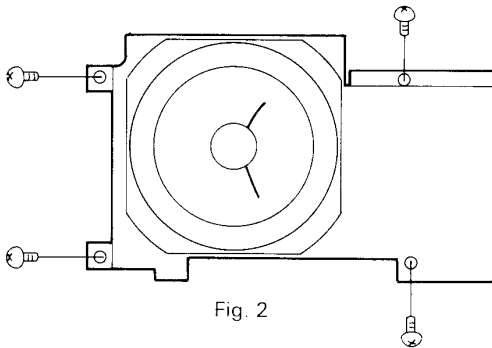


Fig. 2

3. Remove the shield cover of the PLL unit.
(Fig. 3)

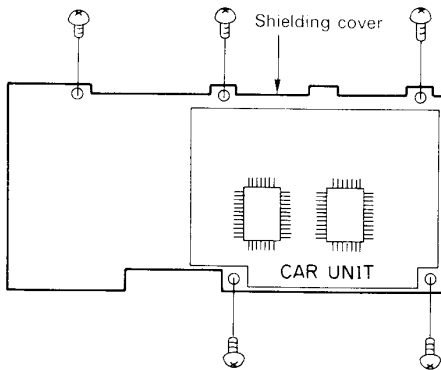


Fig. 3

4. Disconnect coaxial connector CN3 of the PLL unit.
Remove the screws holding the PC board (Fig. 4)
and lift the board.
5. Cut jumpers W4 and W5.(Fig. 4)
6. Solder the SO-2 to the indicated area. (Fig. 4)
7. Insert coaxial connector CN3 and tighten the screws
holding the PC board.(Fig. 4)
8. Reinstall the shield cover and speaker fitting.
9. Reinstall the top case of the transceiver.

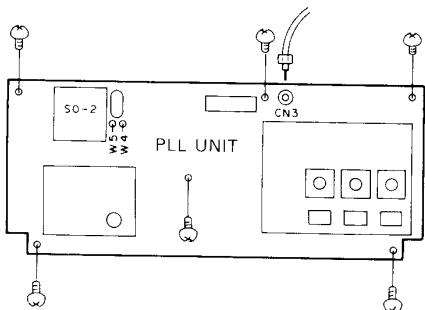


Fig. 4

7-5 AT-450 AUTOMATIC ANTENNA TUNER UNIT INSTALLATION

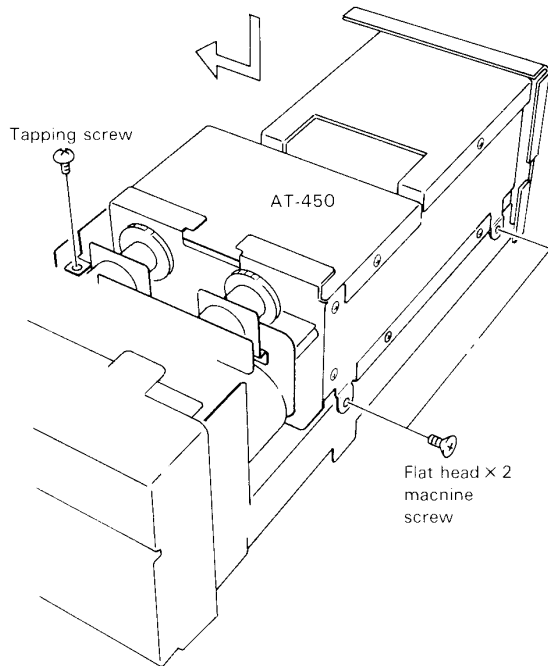


Fig. 1

1. Remove the top and bottom case of the transceiver.

Caution

If an optional filter has been installed, perform work with the lower half of the case attached, unless it is absolutely necessary to remove it.

2. Install the AT-450 with three screws. (Figure 1)
3. Insert the flat cable into the socket of the control unit. (Figure 2)
4. Remove the shield cover of the filter unit.(Figure 2)
5. Insert the 7-pin connector into CN9 of the filter unit.(Figure 2)
6. Insert the coaxial connector (with a white tube) into CN3 of the filter unit.(Figure 2)
7. Insert the other coaxial connector into CN4 of the filter unit.(Figure 2)
8. Cut W5 of the filter unit.(Figure 2)
9. Reinstall the shield cover of the filter unit and reinstall the top and bottom covers of the transceiver.

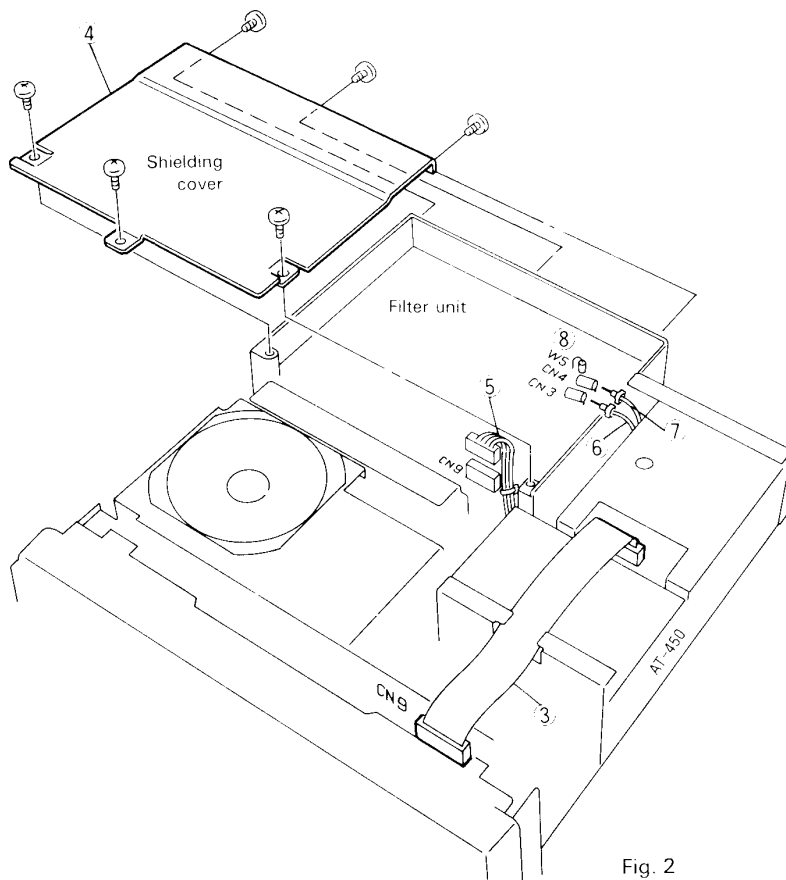
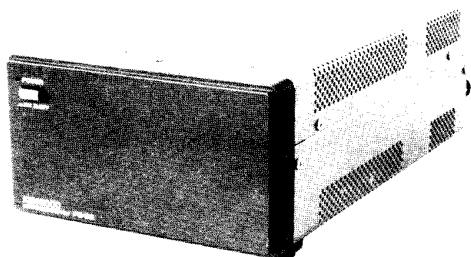


Fig. 2

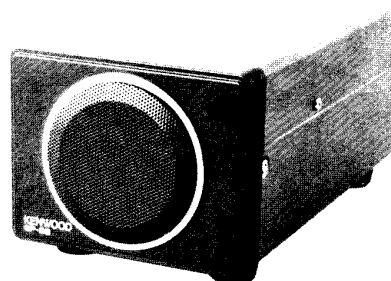
7-6. OTHER ACCESSORIES

- PS-53 HEAVY DUTY DC POWER SUPPLY
Designed to match the TS-450S/690S. Supplies regulated 13.8 VDC at 20.5 A with built-in cooling fan and protection circuits for maximum reliability.
- PS-33 DC POWER SUPPLY
- AT-300 AUTOMATIC ANTENNA TUNER
- AT-450 AUTOMATIC ANTENNA TUNER UNIT
The TS-450S/690S is available either with or without a built-in automatic antenna tuner. The tuner covers all amateur bands from 80 through 10 meters bands.
- MC-85 MICROPHONE(8-pin)
The MC-85 is a unidirectional high-class electret condenser microphone provided with an output selector switch, audio level compensation circuit, low cut filter, level meter, PTT and LOCK switches. An 8-pin cable is provided, with optional cables, up to three outputs are possible.
- MC-80 MICROPHONE(8-pin)
The MC-80 is an omnidirectional electret condenser microphone provide with UP/DOWN switches, volume adjustment for output level, PTT and LOCK switches, built-in preamplifier.

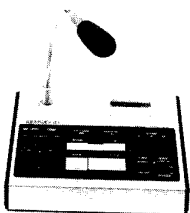
- MC-60A MICROPHONE(8-pin)
The zinc die-cast base provides high stability, and the MC-60A is complete with PTT and LOCK switches, UP/DOWN switches, and impedance selector switch and a built-in preamplifier.
- MC-43S UP/DOWN HAND MICROPHONE
The MC-43S is handy dynamic microphone with PTT switch and UP/DOWN switches.
- LF-30A LOW PASS FILTER
- SP-23 EXTERNAL SPEAKER
Designed to match the TS-450S/690S.
- TL-922/922A HF LINEAR AMPLIFIER
(Not for QSK operation.)
The TL-922/922A is an HF linear amplifier operating at maximum legal power, and employing a pair of 3-500Z high performance transmitting tubes. TL-922A (without 10 meter band) is available only in U.S.A.
- IF-232C INTERFACE
The IF-232C Interface is the adapter for connection between the RS-232C terminal of a personal computer and the interface terminal of the TS-450S/690S.



PS-53



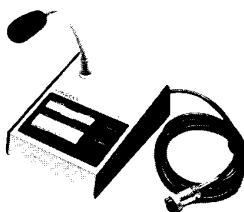
PS-23



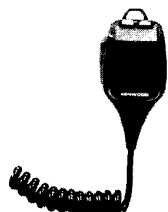
MC-85



MC-60A



MC-80



MC-43S



TL-922A/TL-922

■ **HS-6 COMMUNICATIONS HEADPHONES (12.5 OHMS)**

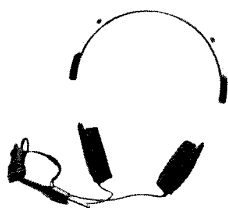
Deluxe, very light-weight headphones designed for communications equipment.

■ **HS-5 COMMUNICATIONS HEADPHONES (8 OHMS)**

Headphones designed for communications equipment. These light-weight open air-type headphones remain comfortable during extended operation. Easily attached earpads are provided.

■ **DSP-100 DIGITAL SIGNAL PROCESSOR**

Since digital processing is used for SSB, CW, AM, and FSK transmission and reception, high-quality sound can be transmitted and received.



HS-6



HS-5

■ **YG-455C-1 CW FILTER**

Center frequency : 455.0 kHz
Pass band width : 500 Hz (-6 dB)
Attenuation band width : 820 Hz (-60 dB)
Guaranteed attenuation : More than 80 dB

■ **YG-455CN-1 CW FILTER**

Center frequency : 455.0 kHz
Pass band width : 250 Hz (-6 dB)
Attenuation band width : 480 Hz (-60 dB)
Guaranteed attenuation : More than 80 dB

■ **YK-88C-1 CW FILTER**

Center frequency : 8830.0 kHz
Pass band width : 500 Hz (-6 dB)
Attenuation band width : 1.5 kHz (-60 dB)
Guaranteed attenuation : More than 80 dB

■ **YK-88CN-1 CW FILTER**

Center frequency : 8830.0 kHz
Pass band width : 270 Hz (-6 dB)
Attenuation band width : 1.1 kHz (-60 dB)
Guaranteed attenuation : More than 80 dB

■ **YK-88S-1 SSB FILTER**

Center frequency : 8830.0 kHz
Pass band width : 2.4 kHz (-6 dB)
Attenuation band width : 4.4 kHz (-60 dB)
Guaranteed attenuation : More than 80 dB

■ **YK-88SN-1 SSB FILTER**

Center frequency : 8830.0 kHz
Pass band width : 1.8 kHz (-6 dB)
Attenuation band width : 3.3 kHz (-60 dB)
Guaranteed attenuation : More than 80 dB

8. REFERENCE

8-1. ANTENNA INSTALLATION

■ Fixed Station

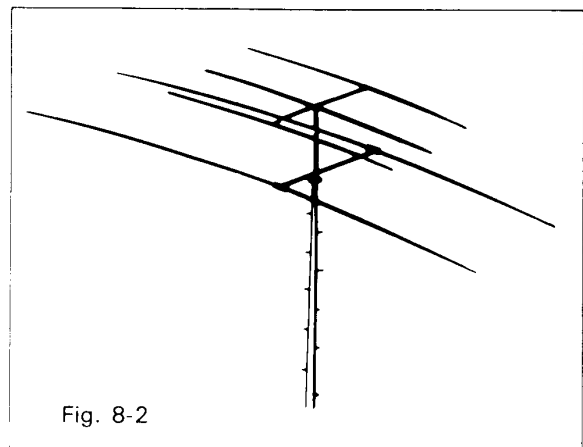
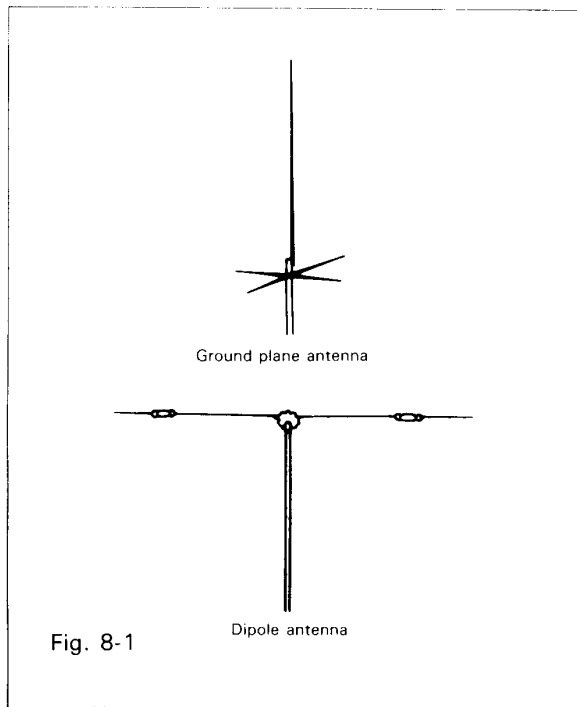
For HF fixed-station operation, an antenna specifically designed for amateur operation is recommended. Antenna types include wire antennas, verticals, rotary beams, and other antenna types. (Fig. 8-1) HF antennas are quite large and must be installed to withstand strong wind, heavy rain, etc. Any antenna used with this transceiver should be of 50-ohm impedance and should be connected using an appropriate coaxial cable such as 5D-2V (RG-8/U).

Impedance matching is important. Impedance mismatching will result in a high VSWR and power loss, or can cause unwanted harmonic radiation and interference (TVI, BCI).

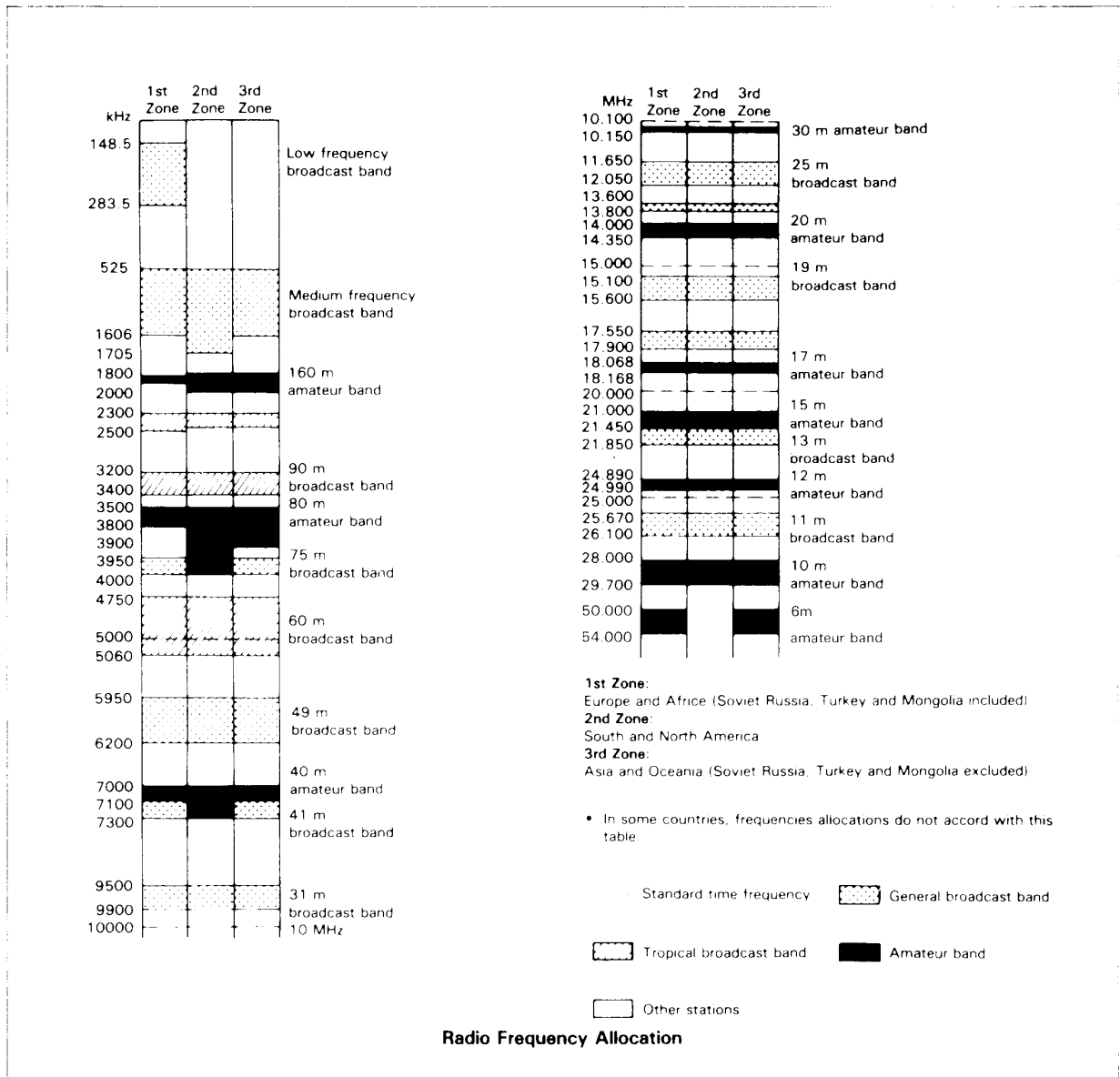
The impedance match can be checked with the SWR meter. Generally, satisfactory operation is assured when the VSWR (Voltage Standing Wave Ratio) is less than 1.5 : 1.

A rotary beam antenna is very effective for DX communication in the 14, 21 28 and 50 MHz (TS-690S only) bands. (Fig. 8-2) If open wire or balanced type transmission line is used with the antenna, a suitable antenna tuner with balun is recommended between the transceiver and the feed line. Methods of construction and operating such tuners are described in detail in the ARRL Antenna Handbook, or similar publications.

For operation on the 160, 75 and 40 meter bands, a simple dipole antenna, cut to resonance in the most used portion of the band, will perform satisfactorily. For operation on the 6m (TS-690S only) 10, 15 and 20 meter bands, the efficiency of the station will be greatly increased if a good directional rotary antenna is used. Remember that even the most sophisticated transceiver is useless without a good antenna.



8-2. RADIO FREQUENCY ALLOCATION



Frequency distribution in the broadcast and amateur bands

The general coverage receiver covers from 100 kHz to 40 MHz (except E type) (TS-690S: 100kHz to 60MHz), to receive international broadcast and communication services.

As shown in the frequency allocation chart, above figure, broadcast and amateur radio station frequencies are allocated in specific bands expressed in megahertz (MHz) or wavelength in meters (m). Also in the above figure the frequency of "other stations" are assigned for fixed station business use, marine mobile, aviation mobile, land mobile, radio beacon stations, etc.

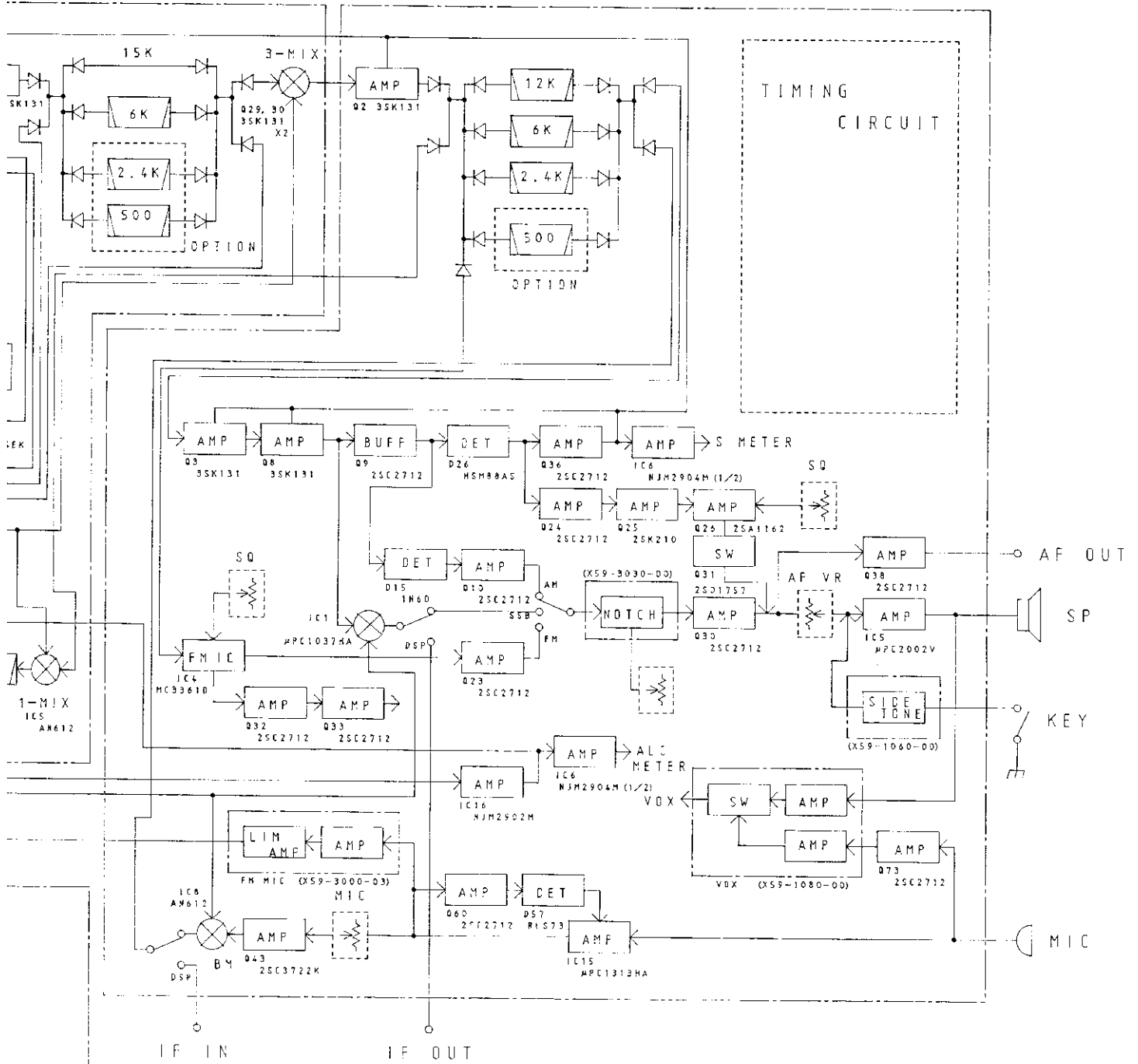
Notes

1. The 50MHz band cannot be used in some areas.
2. Radio stations throughout the world are listed in the **WORLD RADIO TV HANDBOOK** or similar publications.
3. Antennas designed for ham band operation will generally provide satisfactory reception for SW stations near the ham bands. For antenna construction details, see the **ARRL ANTENNA HANDBOOK**, or similar publications.

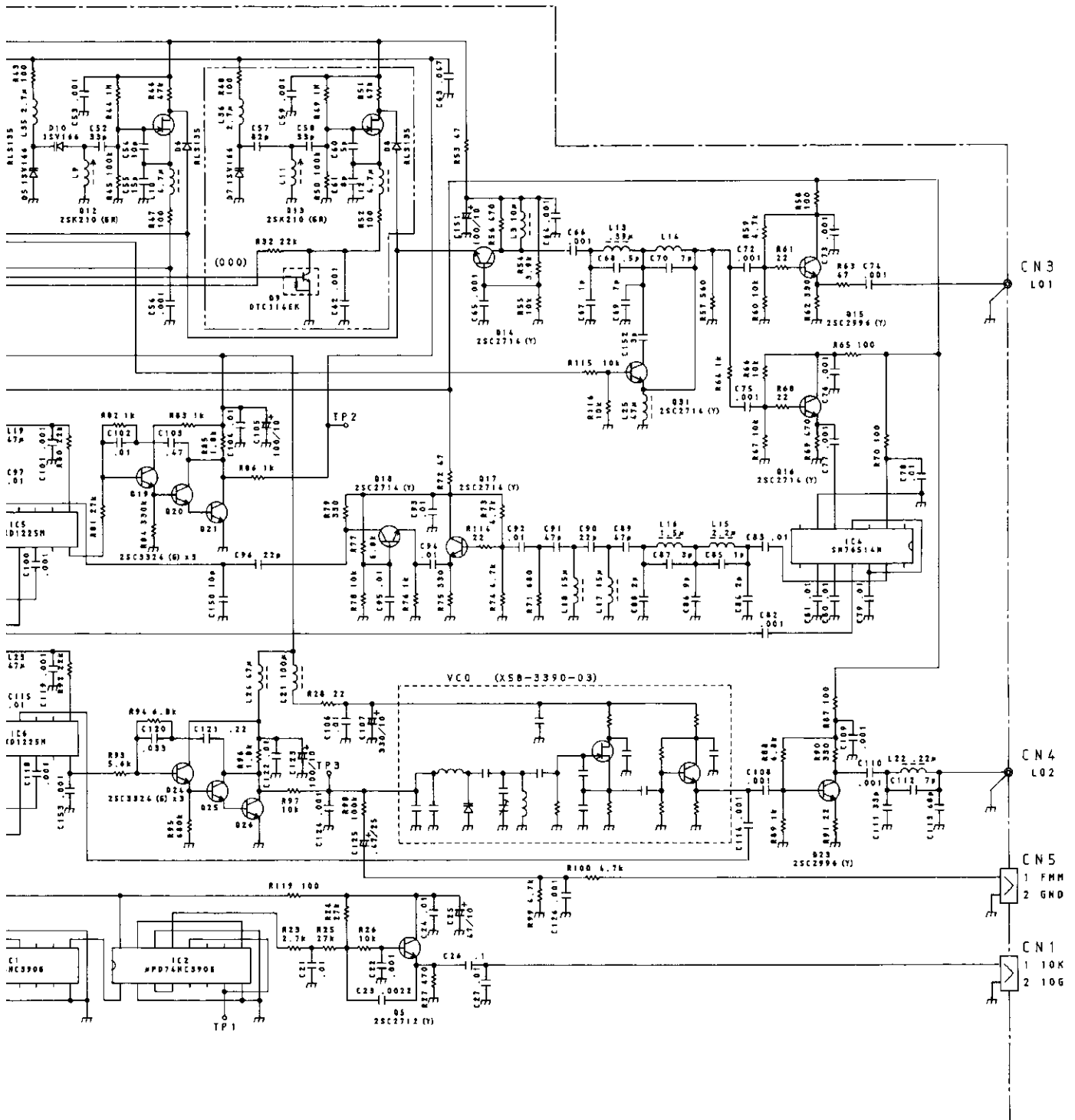
NIT (X44-3130-XX)

IF UNIT

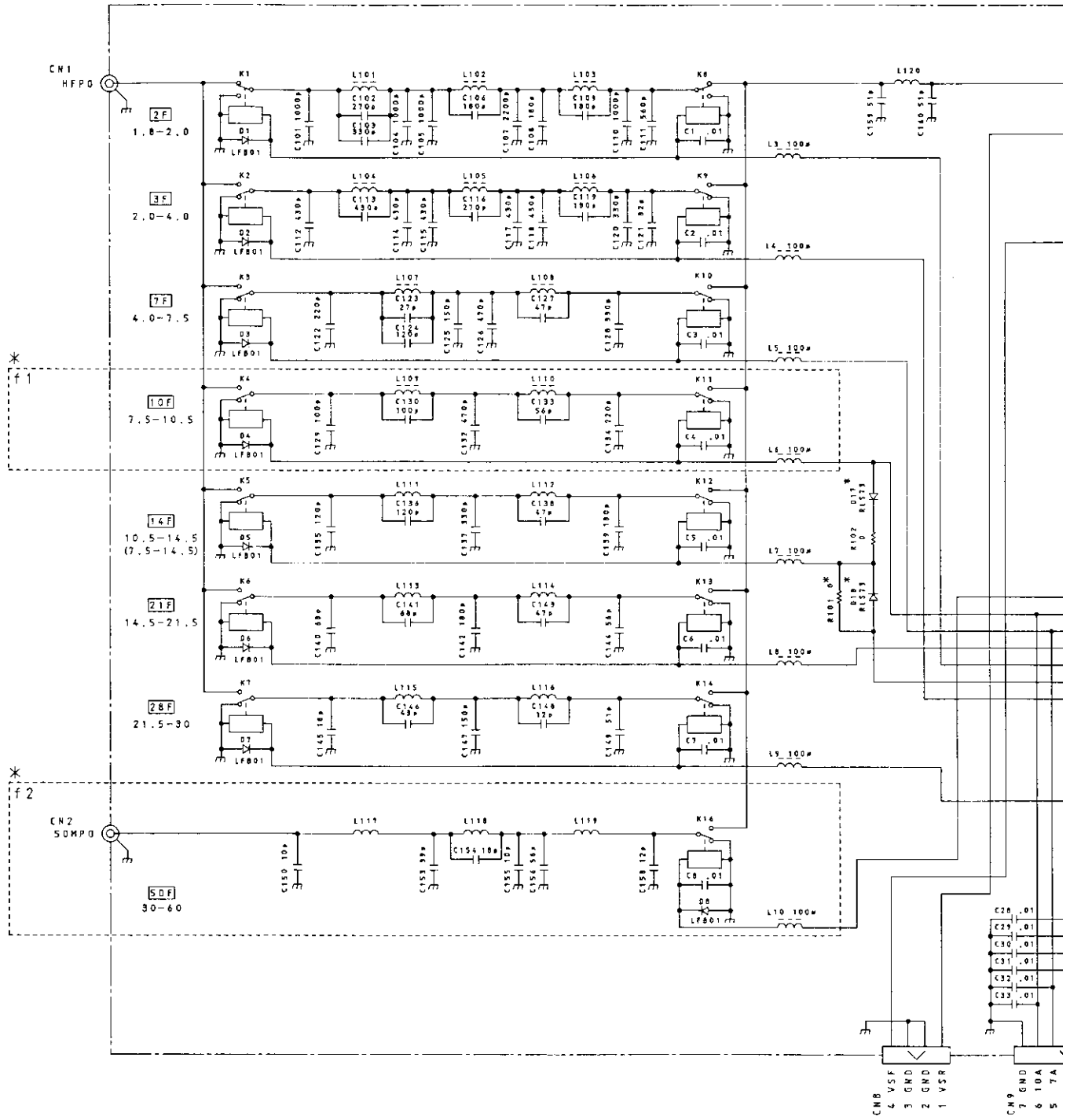
(X48-3090-00)



INIT
50-00)

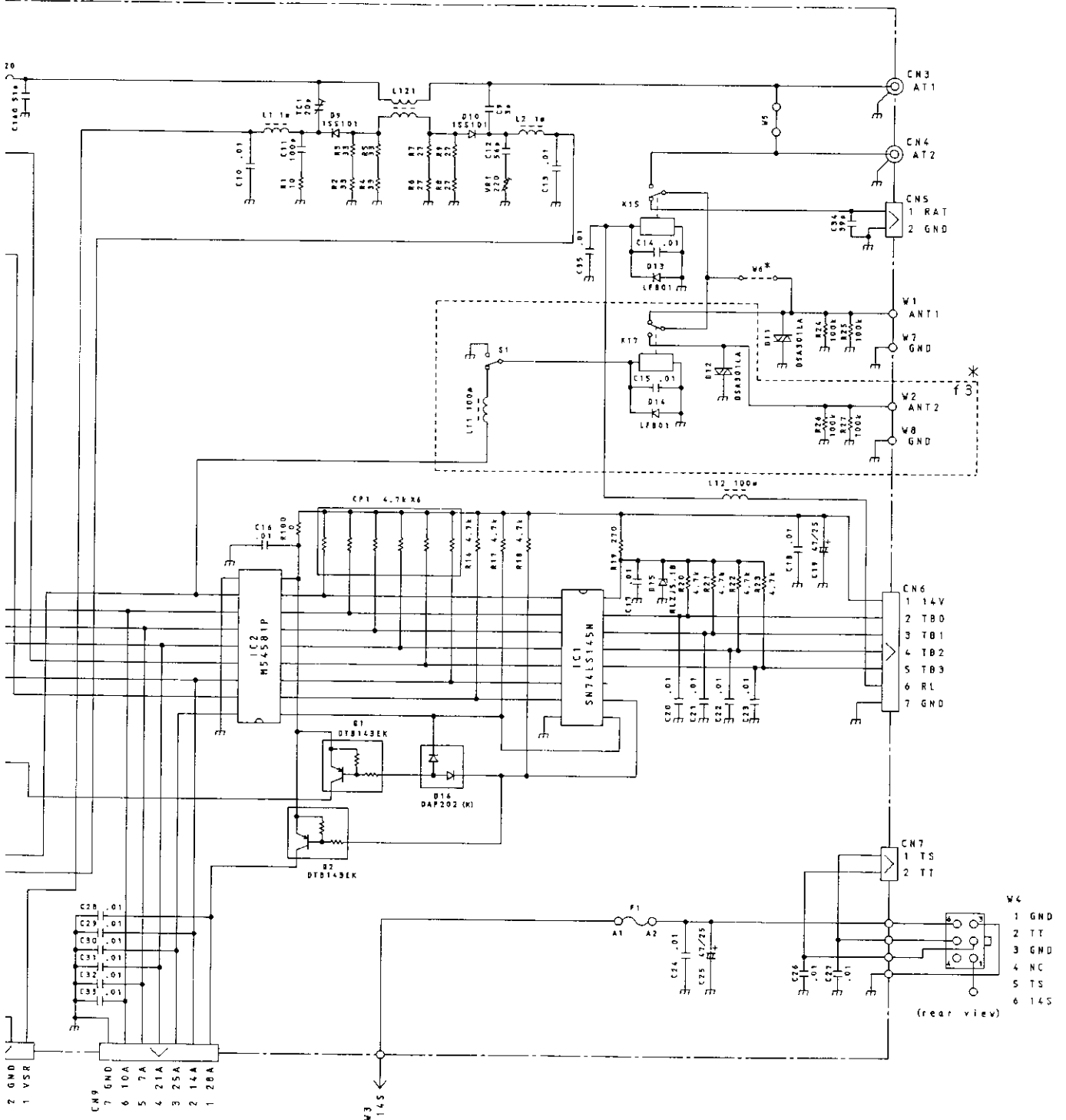


FILTER UNIT(X51-3110-XX)



* Filter Unit Selection Matrix

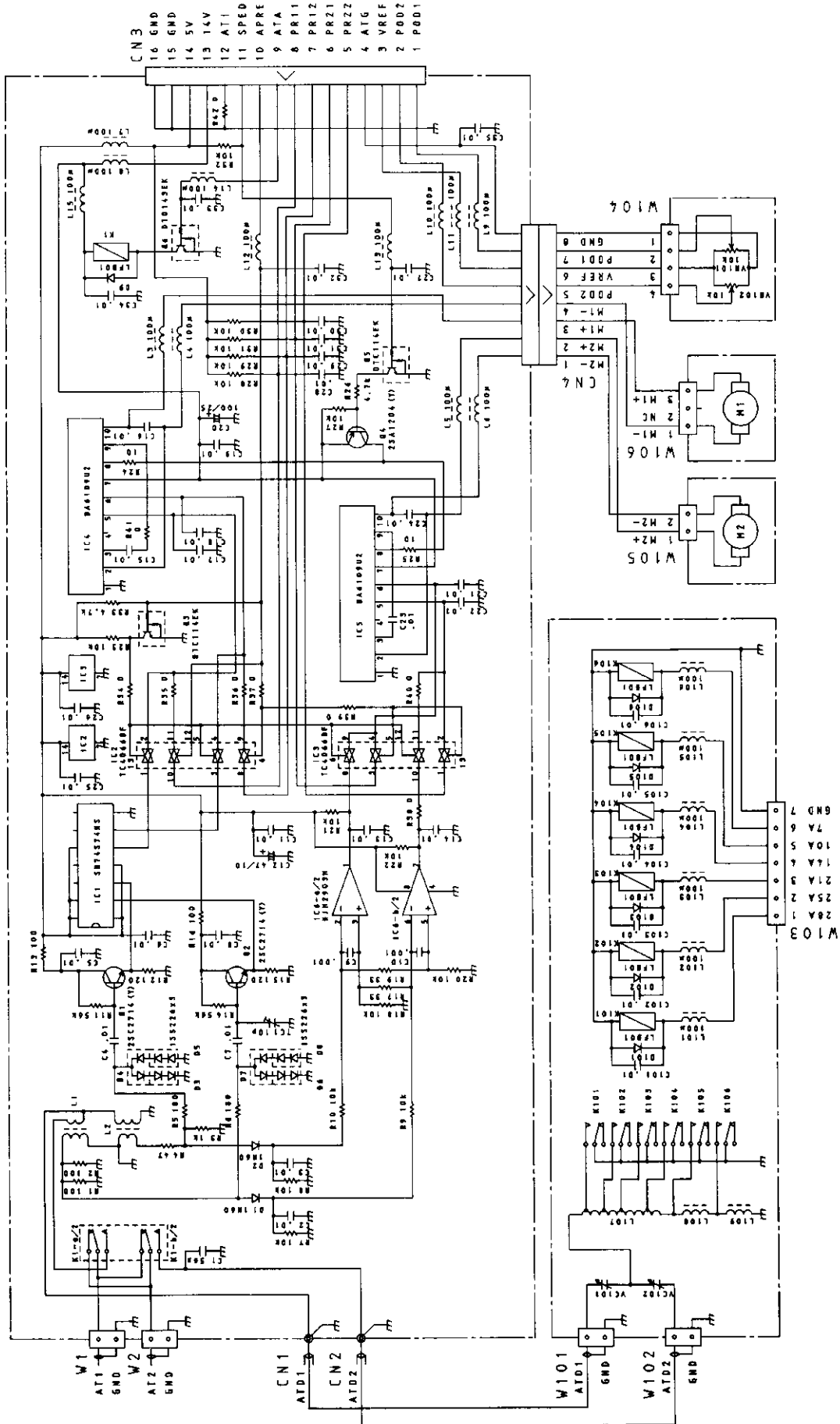
	f1	f2	f3	D17	D18	R101	V6
75-4906	○	○	○	○	○	○	○
75-4505	○	○	○	○	○	○	○
15-9013	○	○	○	○	○	○	○
75-8017	○	○	○	○	○	○	○



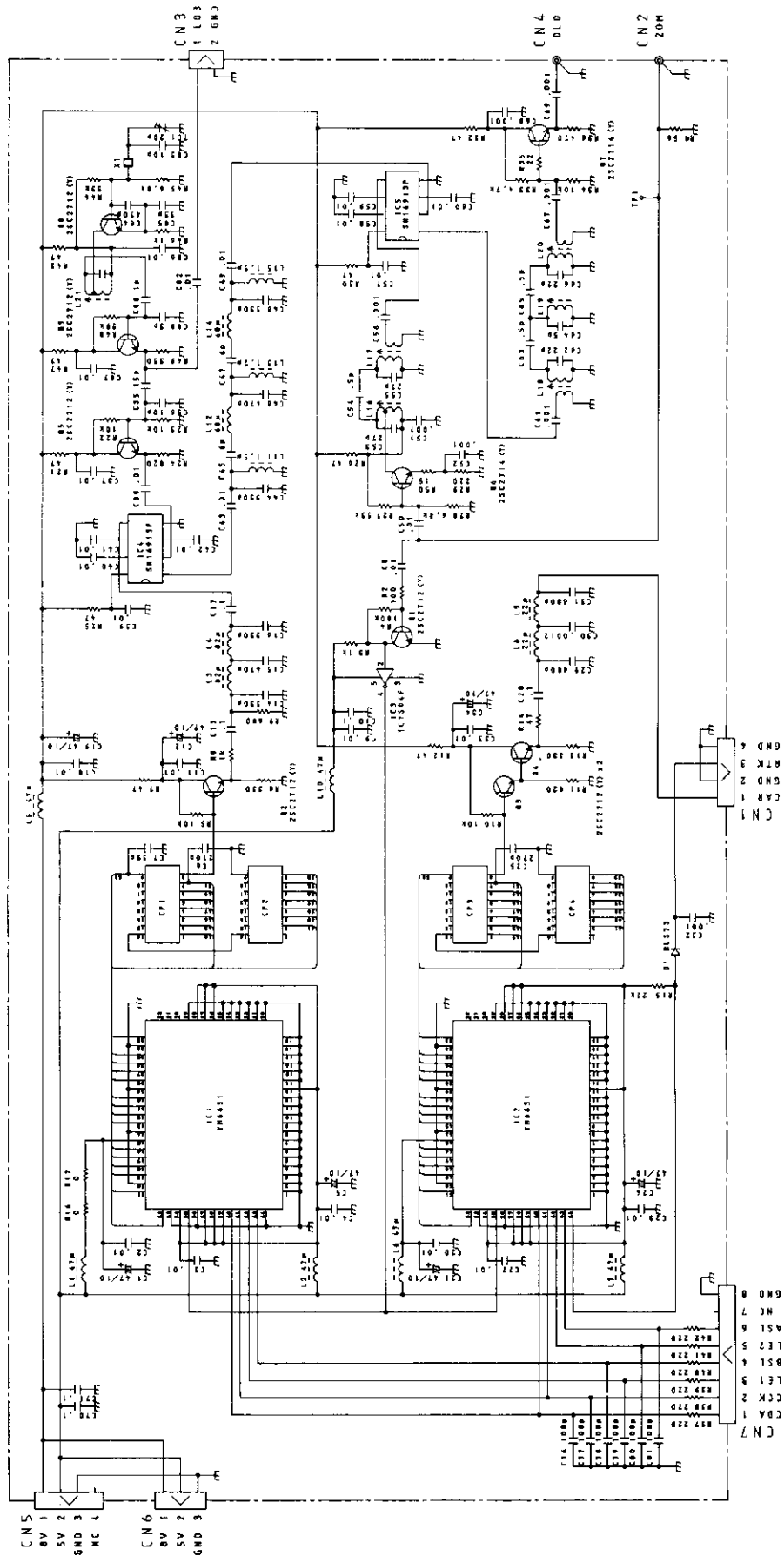
D17	D18	R101	W6
○	○	○	○
○	○	○	○
○	○	○	○
○	○	○	○

- W4
- 1 GND
 - 2 TT
 - 3 GND
 - 4 NC
 - 5 TS
 - 6 14S
- (rear view)

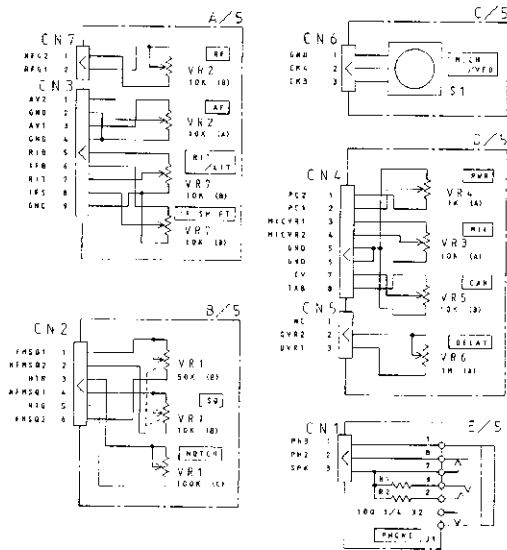
CAR UNIT(X50-3160-XX)



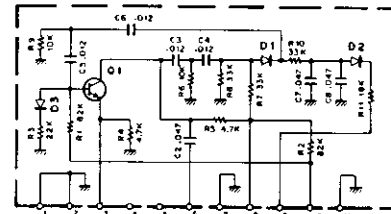
AT UNIT(X53-3370-XX)



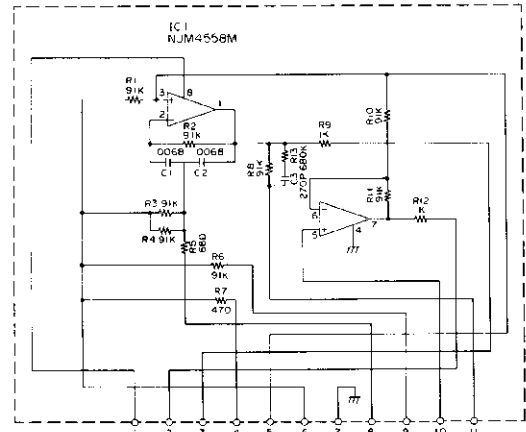
SWITCH UNIT (X41-3170-XX)



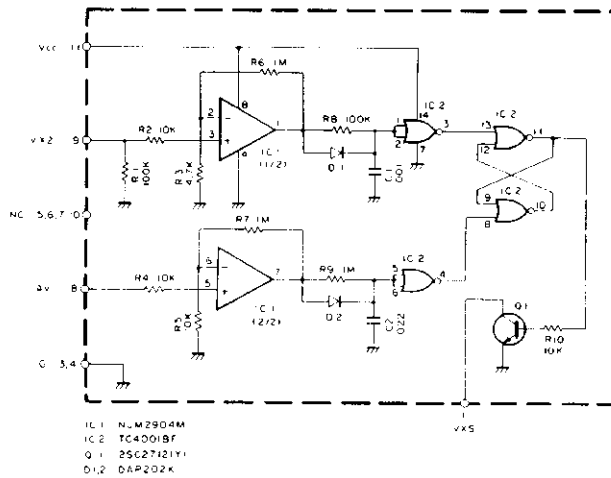
SIDE TONE UNIT (X59-1060-XX)



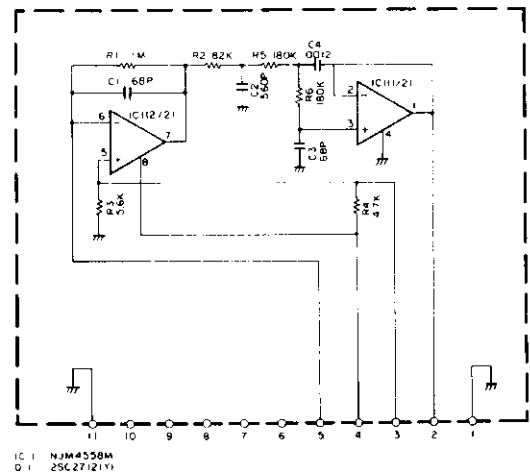
NOTCH UNIT (X59-3030-XX)



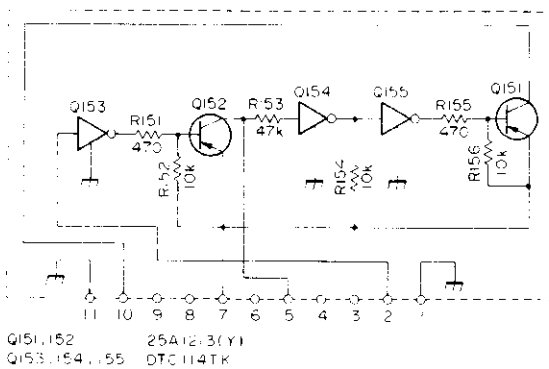
VOX UNIT (59-1080-XX)



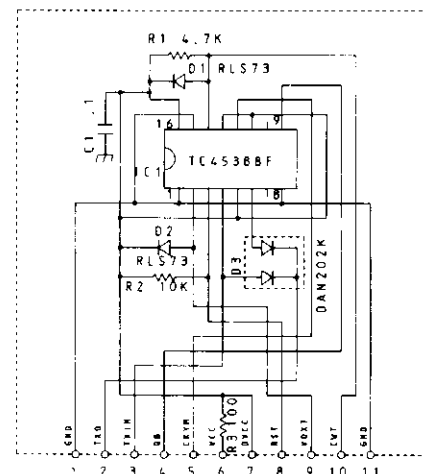
FM MIC AMP UNIT (X59-3000-XX)



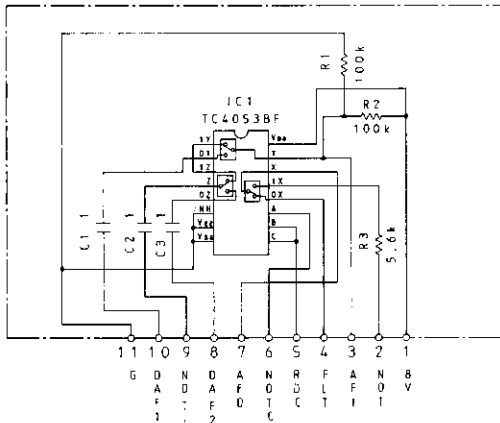
TRX UNIT (X59-3680-XX)



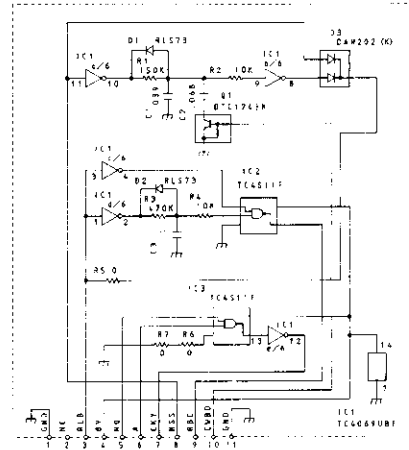
DELAY UNIT (X59-3860-XX)



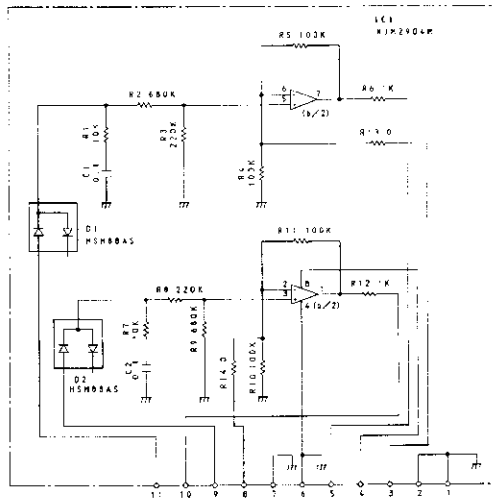
SELECT UNIT (X59-3920-XX)



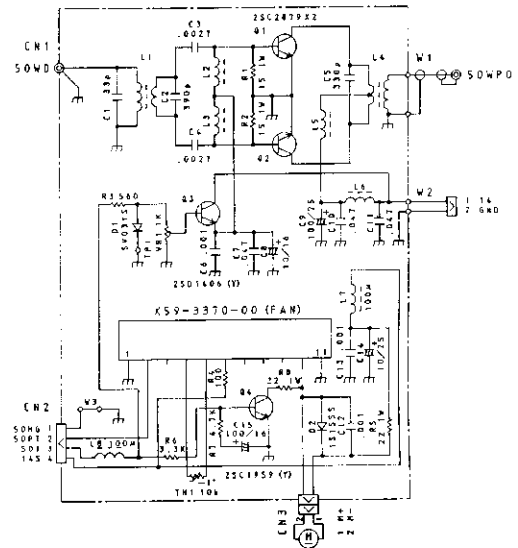
BLAKE IN UNIT (X59-3930-XX)



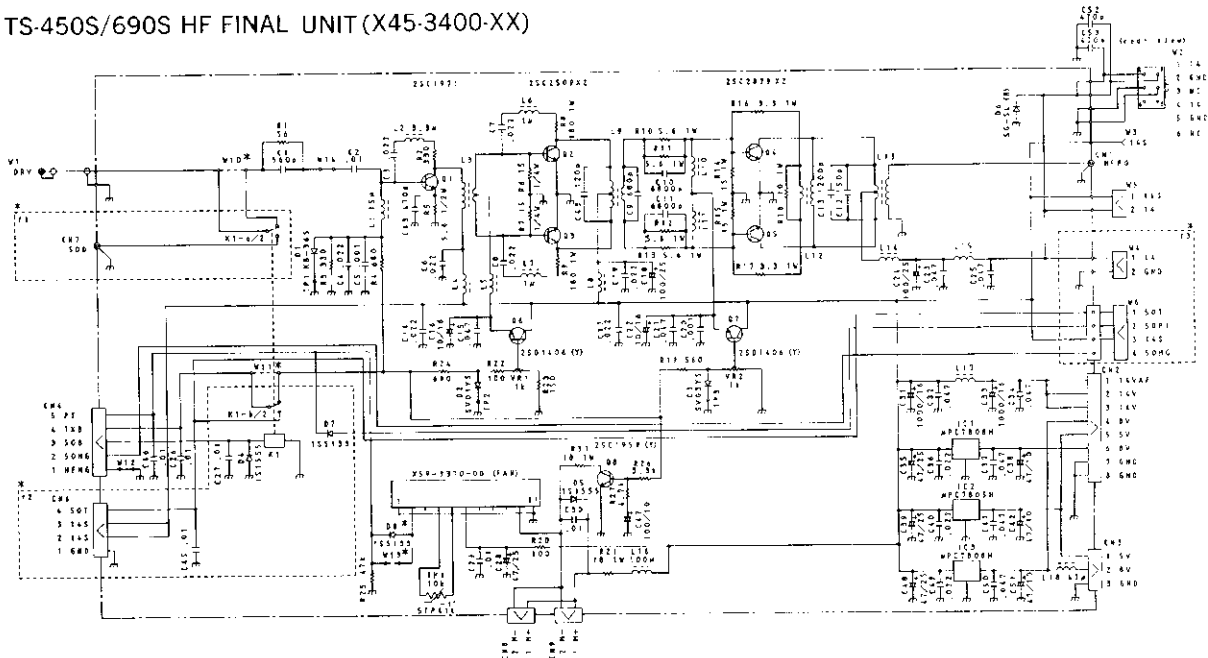
METER UNIT (X59-3040-XX)



TS-690S 50MHz FINAL UNIT (X45-3430-XX)



TS-450S/690S HF FINAL UNIT (X45-3400-XX)



KENWOOD