

# **KitchenAid®**

---

## **BOTTOM-MOUNT REFRIGERATOR**

### *Use & Care Guide*

For questions about features, operation/performance, parts accessories or service, call: **1-800-422-1230**  
In Canada, call for assistance **1-800-461-5681**, for installation and service, call: **1-800-807-6777** or visit our website at...  
[www.kitchenaid.com](http://www.kitchenaid.com) or [www.KitchenAid.ca](http://www.KitchenAid.ca)

---

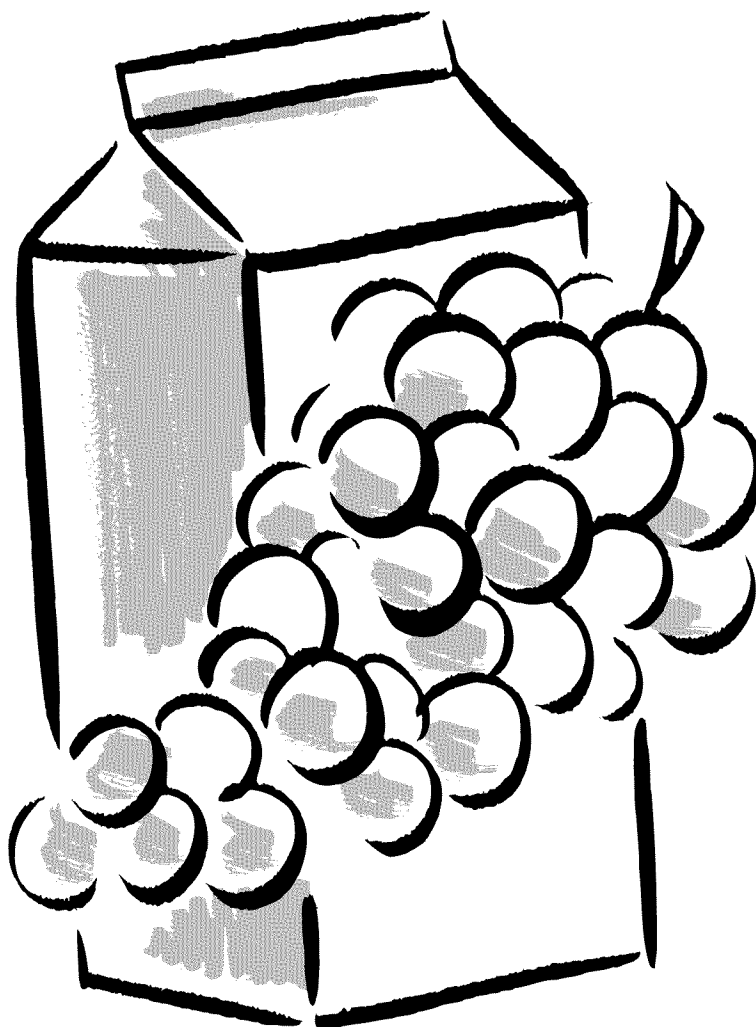
## **RÉFRIGÉRATEUR SUPERPOSÉ**

### *Guide d'utilisation et d'entretien*

Au Canada, pour assistance composez le **1-800-461-5681**, pour installation ou service composez le **1-800-807-6777** ou visitez notre site web à...  
[www.KitchenAid.ca](http://www.KitchenAid.ca)

---

Table of Contents/Table des matières..... 2



# TABLE OF CONTENTS

<b>REFRIGERATOR SAFETY</b> .....	<b>3</b>
Proper Disposal of Your Old Refrigerator .....	3
<b>REFRIGERATOR INSTALLATION</b> .....	<b>4</b>
Unpacking .....	4
Location Requirements .....	4
Electrical Requirements .....	5
Water Supply Connection .....	5
Base Grille .....	6
Refrigerator Doors .....	7
Door Closing and Alignment .....	11
Water System Preparation .....	11
Factory Trim Kit .....	12
Normal Sounds .....	13
<b>REFRIGERATOR USE</b> .....	<b>14</b>
Ensuring Proper Air Circulation .....	14
Using the Controls .....	14
Adjusting Control Settings .....	14
Water Dispenser .....	15
Interior Water Filtration System .....	15
Ice Maker .....	15
<b>REFRIGERATOR FEATURES</b> .....	<b>16</b>
Refrigerator Shelves .....	16
Meat Drawer and Cover .....	16
Crisper and Crisper Cover .....	17
Crisper Humidity Control .....	17
Utility or Egg Bin .....	17
<b>FREEZER FEATURES</b> .....	<b>17</b>
Freezer Baskets .....	17
Ice Shelf .....	18
<b>DOOR FEATURES</b> .....	<b>18</b>
Door Retainer .....	18
Door Bins .....	18
Utility Compartment .....	18
<b>REFRIGERATOR CARE</b> .....	<b>19</b>
Cleaning .....	19
Changing the Light Bulb .....	19
Power Interruptions .....	20
Vacation and Moving Care .....	20
<b>TROUBLESHOOTING</b> .....	<b>20</b>
<b>ASSISTANCE OR SERVICE</b> .....	<b>22</b>
In the U.S.A. .....	22
In Canada .....	23
Accessories .....	23
<b>WATER FILTER CERTIFICATIONS</b> .....	<b>23</b>
<b>PERFORMANCE DATA SHEETS</b> .....	<b>24</b>
<b>WARRANTY</b> .....	<b>25</b>

# TABLE DES MATIÈRES

<b>SÉCURITÉ DU RÉFRIGÉRATEUR</b> .....	<b>27</b>
Mise au rebut de votre vieux réfrigérateur .....	27
<b>INSTALLATION DU RÉFRIGÉRATEUR</b> .....	<b>28</b>
Déballage .....	28
Emplacement d'installation .....	28
Spécifications électriques .....	29
Raccordement de la canalisation d'eau .....	29
Grille de la base .....	30
Portes du réfrigérateur .....	31
Fermeture et alignement des portes .....	35
Préparation du système d'eau .....	35
Ensemble décoratif de l'usine .....	36
Sons normaux .....	37
<b>UTILISATION DU RÉFRIGÉRATEUR</b> .....	<b>38</b>
Pour s'assurer d'une circulation d'air appropriée .....	38
Utilisation des commandes .....	38
Ajustement des réglages de commande .....	39
Distributeur d'eau .....	39
Système de filtration d'eau intérieur .....	39
Machine à glaçons .....	40
<b>CARACTÉRISTIQUES DU RÉFRIGÉRATEUR</b> .....	<b>40</b>
Tablettes du réfrigérateur .....	40
Tiroir à viande et couvercle .....	41
Bac à légumes et couvercle .....	41
Réglage de l'humidité dans le bac à légumes .....	42
Casier utilitaire ou oeufrier .....	42
<b>CARACTÉRISTIQUES DU CONGÉLATEUR</b> .....	<b>42</b>
Paniers de congélateur .....	42
Tablette à glaçons .....	43
<b>CARACTÉRISTIQUES DE LA PORTE</b> .....	<b>43</b>
Dispositif de retenue de la porte .....	43
Balconnets dans la porte .....	43
Compartiment utilitaire .....	43
<b>ENTRETIEN DU RÉFRIGÉRATEUR</b> .....	<b>44</b>
Nettoyage .....	44
Remplacement de l'ampoule d'éclairage .....	44
Pannes de courant .....	45
Entretien avant les vacances ou lors d'un déménagement .....	45
<b>DÉPANNAGE</b> .....	<b>46</b>
<b>ASSISTANCE OU SERVICE</b> .....	<b>49</b>
Accessoires .....	49
<b>FEUILLES DE DONNÉES SUR LE PRODUIT</b> .....	<b>50</b>
<b>GARANTIE</b> .....	<b>51</b>

# REFRIGERATOR SAFETY

## Your safety and the safety of others are very important.

We have provided many important safety messages in this manual and on your appliance. Always read and obey all safety messages.



This is the safety alert symbol.

This symbol alerts you to potential hazards that can kill or hurt you and others.

All safety messages will follow the safety alert symbol and either the word "DANGER" or "WARNING." These words mean:

**! DANGER**

You can be killed or seriously injured if you don't immediately follow instructions.

**! WARNING**

You can be killed or seriously injured if you don't follow instructions.

All safety messages will tell you what the potential hazard is, tell you how to reduce the chance of injury, and tell you what can happen if the instructions are not followed.

## IMPORTANT SAFETY INSTRUCTIONS

**WARNING:** To reduce the risk of fire, electric shock, or injury when using your refrigerator, follow these basic precautions:

- Plug into a grounded 3 prong outlet.
- Do not remove ground prong.
- Do not use an adapter.
- Do not use an extension cord.
- Disconnect power before servicing.
- Replace all panels before operating.
- Remove doors from your old refrigerator.
- Use nonflammable cleaner.
- Keep flammable materials and vapors, such as gasoline, away from refrigerator.
- Use two or more people to move and install refrigerator.
- Disconnect power before installing ice maker (on ice maker kit ready models only).

## SAVE THESE INSTRUCTIONS

## Proper Disposal of Your Old Refrigerator

**! WARNING**

### Suffocation Hazard

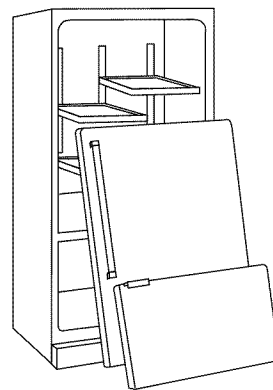
Remove doors from your old refrigerator.

Failure to do so can result in death or brain damage.

**IMPORTANT:** Child entrapment and suffocation are not problems of the past. Junked or abandoned refrigerators are still dangerous – even if they will sit for "just a few days." If you are getting rid of your old refrigerator, please follow these instructions to help prevent accidents.

### Before you throw away your old refrigerator or freezer:

- Take off the doors.
- Leave the shelves in place so that children may not easily climb inside.



# REFRIGERATOR INSTALLATION

## Unpacking

### **⚠ WARNING**

#### **Excessive Weight Hazard**

Use two or more people to move and install refrigerator.

Failure to do so can result in back or other injury.

#### **Removing packaging materials**

- Remove tape and glue residue from surfaces before turning on the refrigerator. Rub a small amount of liquid dish soap over the adhesive with your fingers. Wipe with warm water and dry.
- Do not use sharp instruments, rubbing alcohol, flammable fluids, or abrasive cleaners to remove tape or glue. These products can damage the surface of your refrigerator. For more information, see the "Refrigerator Safety" section.
- On some models, shelves, bins, door shelf rails, and other feature parts may be packaged in the Interior FeaturePak. Follow the instructions contained in the package for proper assembly.
- Depending on your model, to remove the protective (transparent) film that is on the nameplate, which is located on the freezer handle, use your fingernail and peel off the film, starting from one side and peeling to the other.

**IMPORTANT:** Do not remove the white foam air return insert that is located behind the control panel on the ceiling of the refrigerator (on some models). The insert is part of the refrigerator and not part of the packing material. If the insert is removed, ice may migrate down from the freezer and cause icicles to form.

#### **When Moving Your Refrigerator:**

Your refrigerator is heavy. When moving the refrigerator for cleaning or service, be sure to protect the floor. Always pull the refrigerator straight out when moving it. Do not wiggle or "walk" the refrigerator when trying to move it, as floor damage could occur.

#### **Cleaning before use**

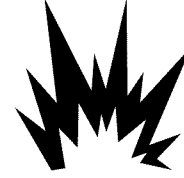
After you remove all of the package materials, clean the inside of your refrigerator before using it. See the cleaning instructions in the "Refrigerator Care" section.

#### **Important information to know about glass shelves and covers:**

Do not clean glass shelves or covers with warm water when they are cold. Shelves and covers may break if exposed to sudden temperature changes or impact, such as bumping. For your protection, tempered glass is designed to shatter into many small, pebble-size pieces. This is normal. Glass shelves and covers are heavy. Use special care when removing them to avoid impact from dropping.

## Location Requirements

### **⚠ WARNING**

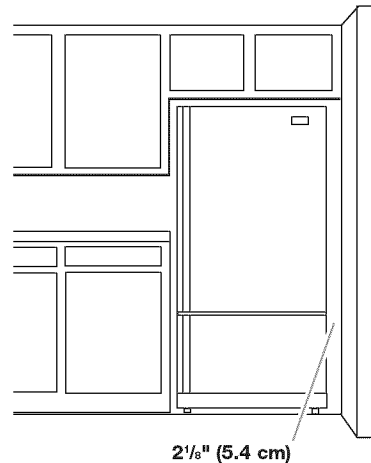


#### **Explosion Hazard**

Keep flammable materials and vapors, such as gasoline, away from refrigerator.

Failure to do so can result in death, explosion, or fire.

- Your refrigerator does not require clearance on the top, back, or sides, but many factors such as subflooring or floor covering may affect your installation opening. Measure carefully.
- If you are installing your refrigerator next to a fixed wall, leave 2 $\frac{1}{8}$  in. (5.4 cm) minimum on each side (depending on your model) to allow for the door to swing open.



- If your refrigerator has an ice maker, make sure you leave some extra space at the back for the water line connections.

**NOTE:** Do not install the refrigerator near an oven, radiator, or other heat source, nor in a location where the temperature will fall below 55°F (13°C).

## Electrical Requirements

### **⚠ WARNING**



#### **Electrical Shock Hazard**

**Plug into a grounded 3 prong outlet.**

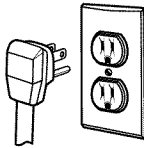
**Do not remove ground prong.**

**Do not use an adapter.**

**Do not use an extension cord.**

**Failure to follow these instructions can result in death, fire, or electrical shock.**

Before you move your refrigerator into its final location, it is important to make sure you have the proper electrical connection:



#### **Recommended grounding method**

A 115 Volt, 60 Hz., AC only 15 or 20 ampere fused, grounded electrical supply is required. It is recommended that a separate circuit serving only your refrigerator be provided. Use an outlet that cannot be turned off by a switch. Do not use an extension cord.

**NOTE:** Before performing any type of installation, cleaning, or removing a light bulb, turn the control (Thermostat, Refrigerator or Freezer Control depending on the model) to OFF and then disconnect the refrigerator from the electrical source. When you are finished, reconnect the refrigerator to the electrical source and reset the control (Thermostat, Refrigerator or Freezer Control depending on the model) to the desired setting.

## Water Supply Connection

(For Automatic Ice Maker - Accessory)

Read all directions carefully before you begin.

#### **IMPORTANT:**

- If operating the refrigerator before installing the water connection, turn ice maker to the OFF position (arm up) to prevent operation without water.
- All installations must be in accordance with local plumbing code requirements.
- Use copper tubing and check for leaks.
- Install copper tubing only in areas where temperatures will remain above freezing.
- It may take up to 24 hours for your ice maker to begin producing ice.

#### **Tools required:**

- Flat-blade screwdriver
- Center punch
- ½ in. open-end wrench or adjustable wrench
- Bucket
- ¼ in. and ⅝ in. drill bit
- Towel
- Hand drill or electric drill (properly grounded)
- Gloves
- Hammer

**NOTE:** Your refrigerator dealer has a kit available with a ¼ in. (6.35 mm) saddle-type shutoff valve, a union, and copper tubing. Before purchasing, make sure a saddle-type valve complies with your local plumbing codes. Do not use a piercing-type or ⅜ in. (4.76 mm) saddle valve which reduces water flow and clogs more easily.

#### **Cold Water Supply**

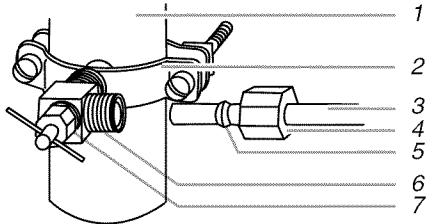
The ice maker water valve contains a flow washer which is used as a water pressure regulator. The ice maker needs to be connected to a cold water line with water pressure between 20 and 120 psi (140-827 kPa). If a problem occurs, call your utility company.

#### **Connecting to Water Line**

1. Unplug refrigerator or disconnect power.
2. Turn OFF main water supply. Turn ON nearest faucet long enough to clear line of water.
3. Find a ½ in. to 1¼ in. (12.7 mm to 3.18 mm) vertical COLD water pipe near the refrigerator.

**NOTE:** Horizontal pipe will work, but the following procedure must be followed: Drill on the top side of the pipe, not the bottom. This will help keep water away from the drill. This also keeps normal sediment from collecting in the valve.

- To determine the length of copper tubing you will need, measure from connection on lower left rear of refrigerator to water pipe. Add 7 ft. (2.1 m) to allow for moving refrigerator for cleaning. Use 1/4 in. (6.35 mm) O.D. (outside diameter) copper tubing. Be sure both ends of copper tubing are cut square.
- Use a hammer and center punch to mark drilling location on water pipe. Using a grounded drill, drill a 1/4 in. hole in the cold water pipe you have selected.



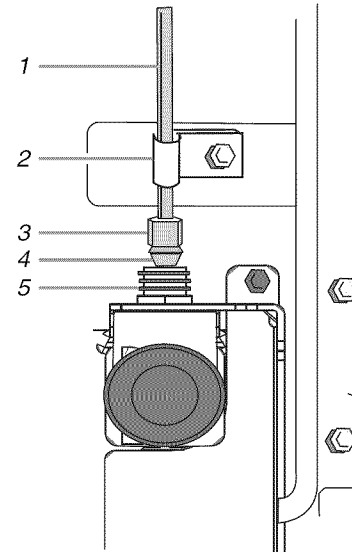
1. Cold Water Pipe      5. Compression Sleeve  
 2. Pipe Clamp          6. Shutoff Valve  
 3. Copper Tubing      7. Packing Nut  
 4. Compression Nut

- Fasten shutoff valve to cold water pipe with pipe clamp. Be sure outlet end is solidly in the 1/4 in. drilled hole in the water pipe and that rubber washer is under the pipe clamp. Tighten packing nut. Tighten the pipe clamp screws carefully and evenly so rubber washer makes a watertight seal. Do not overtighten or you may crush the copper tubing, especially if soft (coiled) copper tubing is used. Now you are ready to connect the copper tubing.
- Slip compression sleeve and compression nut on copper tubing as shown. Insert end of tubing into outlet end squarely as far as it will go. Screw compression nut onto outlet end with adjustable wrench. Do not overtighten.
- Place the free end of the tubing into a bucket or sink. Turn ON main water supply and flush out tubing until water is clear. Turn OFF shutoff valve on the water pipe. Check for leaks. Coil copper tubing.

### Connecting to Refrigerator

- Remove plastic cap from water valve inlet port. Attach the copper tube to the valve inlet using a compression nut and sleeve as shown. Tighten the compression nut. Do not overtighten. Confirm copper tubing is secure by pulling on copper tubing.

- Create a service loop using extreme care to avoid kinks. Secure copper tubing to refrigerator cabinet with a "P" clamp.



1. Copper Tubing  
 2. "P" Clamp  
 3. Compression Nut  
 4. Compression Sleeve  
 5. Water Valve Inlet Port

- Turn on water supply to refrigerator and check for leaks. Correct any leaks.
- Plug in refrigerator or reconnect power.
- Push refrigerator into opening.

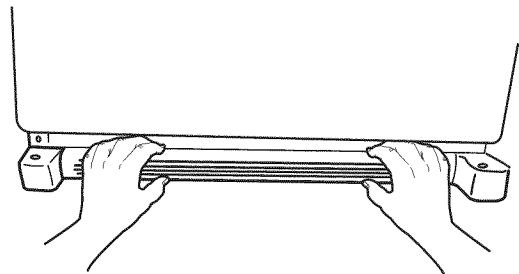
## Base Grille

### Removing the base grille

- Grasp the grille with both hands.
- Pull up on the bottom and tilt it toward you.
- Pull down to release the top of the grille.

### Replacing the base grille

- See markings on inside of base grille for proper placement.
- Snap the top of the grille into place first.
- Press down and in on the bottom of the grille until it snaps into place.



---

## Refrigerator Doors

---

### Handle Removal (Architect® Series)

---

(Graphics are included later in this section.)

1. Using a  $\frac{3}{32}$  in. Allen wrench, loosen the 2 set screws located on the side of each handle.
2. Pull handle straight out from the door. Make sure you keep screws for reattaching handles.

### Handle Removal (Panel Series)

---

#### IMPORTANT:

- Remove door from refrigerator before removing handle.
- You must remove handles to remove decorator panels or to reverse the door swing.

1. Using a Phillips screwdriver, remove top door cap.
2. Tap bottom edge of refrigerator door handle upward with a rubber mallet.
3. Handle will slide up approximately  $\frac{3}{4}$  in. (19.05 mm) and release from door.

### Handle Replacement (Panel Series)

---

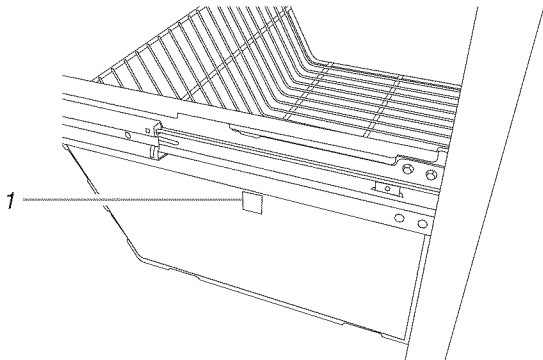
1. Make sure bottom door cap is installed.
2. Align handle notches with metal mounting tabs on side of door. Slide handle down until it locks.
3. Tap top of handle with a rubber mallet to ensure snug fit.
4. Using a Phillips screwdriver, reinstall top door cap.

### Freezer Drawer Removal

---

(Graphics are included later in this section.)

1. Open freezer drawer to full extension.
2. Remove all articles from baskets.
3. Slide top wire basket out to full extension and lift out to remove.
4. Remove the bottom wire basket by pressing the release button on each side and lifting the basket from the rail guides.



1. Release button

5. Remove the Phillips screw (on some models) from each side of drawer rail assembly (see Graphic 6-1).

**NOTE:** Do not remove hex-head screws from rail assembly.

6. Lift front handle of freezer drawer to disengage drawer rail hooks from interior rail assembly. Lift drawer out.

---

## Freezer Drawer Replacement

---

**IMPORTANT:** Two individuals may be required to complete this procedure.

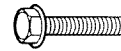
1. Extend both interior rail assemblies to full length on each side of cabinet.
2. Locate notches in both interior rail extensions (see Graphic 6-2).
3. Align tabs on outside edge of drawer rail assemblies with notches in both rail extensions.
4. Insert tabs into notches (see Graphic 6-3).
5. Replace the Phillips screws (on some models) on both rail extensions (see Graphic 6-1).
6. Replace bottom basket by placing basket into rail guides.
7. Slide top basket into upper compartment.

### Door and Hinge Removal

---

#### IMPORTANT:

- Before you begin, turn the refrigerator control OFF, unplug refrigerator or disconnect power. Remove food and any adjustable door or utility bins from doors.
- All graphics referenced in the following instructions are included later in this section after "Final Steps."



$\frac{5}{16}$ " Hex-Head Top Hinge Screw

**Tools Needed:**  $\frac{5}{16}$  in.,  $\frac{3}{8}$  in.,  $\frac{1}{4}$  in. hex-head socket wrench, No. 2 Phillips screwdriver, and a flat-head screwdriver.

1. Keep the refrigerator door closed until you are ready to lift it free from the cabinet.  
**NOTE:** Provide additional support for the refrigerator door while the hinges are being moved. Do not depend on the door gasket magnets to hold the door in place while you are working.
2. Remove the parts for the top hinge as shown in Top Hinge Graphic. Lift the refrigerator door free from the cabinet.
3. Remove the parts for the bottom hinge as shown in the Bottom Hinge Graphic.

---

## Door Reversal (on some Architect® Series models)

---

### IMPORTANT:

- Stainless steel refrigerator doors are not reversible.
- If you want to reverse your non-stainless steel doors so they open from the opposite side, follow these steps. If you are not reversing the doors, see “Door and Hinge Replacement.”
- You must first remove the handle from panel series refrigerator doors to reverse the door swing.



Door Stop Screw



Door Handle Seal Screw Front



Flat-Head Handle Screw



Cabinet Hinge Hole Plug

### Cabinet

1. Remove the hinge screws from handle side and move them to opposite side (see Graphic 1-1).
2. Remove cabinet hinge hole plugs from cabinet top with flat blade screwdriver tip wrapped in masking tape and move them to opposite side hinge holes as shown (see Graphic 1-2).

### Refrigerator door

1. Remove refrigerator handle assembly including the mounting posts and screws. Keep all parts together (see Graphic 2).
2. Remove door handle seal screw front. Move to opposite side of refrigerator door as shown (see Graphic 5).
3. Remove door stop from bottom edge of refrigerator door. Move to opposite side of refrigerator door as shown (see Graphic 3).
4. Attach door handle mounting posts to opposite side of the door.
5. Position refrigerator handle over mounting posts as shown (see Graphic 2). Drive two set screws in sides of handle.
6. Tighten all screws. Set aside door until hinges and freezer compartment door are in place.

---

## Door Reversal (Panel Series)

---

(Graphics are included later in this section.)

1. Remove cabinet hinge hole plugs with flat blade of screwdriver wrapped in masking tape. Move to opposite side of cabinet (see Graphic 1-2).
2. Remove the hinge screws. Move to the opposite side of cabinet (see Graphic 1-1).
3. Using a Phillips screwdriver, remove the door stop and door cap located on the bottom edge of the refrigerator compartment (see Graphic 4).
4. Using a Phillips screwdriver, remove top door cap.

5. Remove ¼ in. hex-head screws from top door extension. Reverse top door extension so notched corner turns in toward interior of door (see Graphic 2).
6. Remove side door trim and handle trim by tapping bottom edges upward with a soft rubber mallet. Trim will slide up and release from door (see Graphic 3).
7. Replace bottom door cap and install door stop on opposite side of door.
8. Using the alternate side door trim, shipped with the refrigerator, align notches on trim with metal mounting tabs on side of door. Slide trim down until it locks into place. Tap top of trim with rubber mallet to ensure snug fit.
9. Install handle by aligning handle notches with metal mounting tabs on side of door. Slide handle down until it locks. Tap top of handle with rubber mallet to ensure snug fit.
10. Using a Phillips screwdriver, install top door cap.

---

## Door and Hinge Replacement

---

**NOTE:** When reversing panel series door, use alternate top hinge shipped with refrigerator.

1. Replace the parts for the bottom hinge as shown. Tighten screws. Replace the refrigerator door.  
**NOTE:** Provide additional support for the refrigerator door while the hinges are being moved. Do not depend on the door gasket magnets to hold the door in place while you are working.
2. Assemble the parts for the top hinge as shown (see Top Hinge Graphic). Do not tighten screws completely.
3. Line up the door so that the bottom of the refrigerator door aligns evenly with the top of the freezer drawer. Tighten all screws.

---

## Final Steps

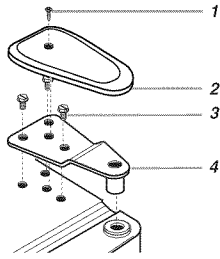
---

1. Check all holes to make sure that hole plugs and screws are in place. Reinstall top hinge cover (see Top Hinge Graphic).
2. Plug in refrigerator or reconnect power.
3. Reset the controls (see “Using the Controls” section).
4. Return all removable door parts to doors and food to product.



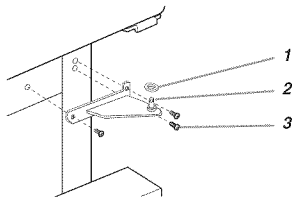
### Door Removal & Replacement

#### Top Hinge



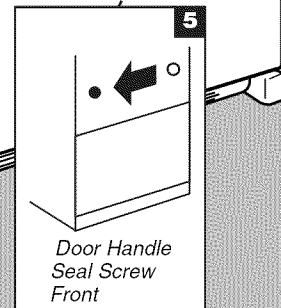
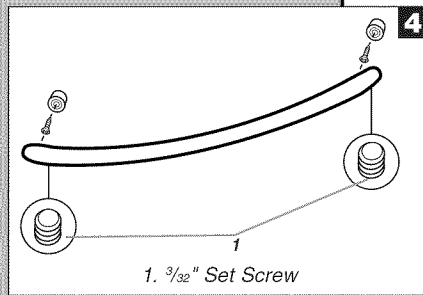
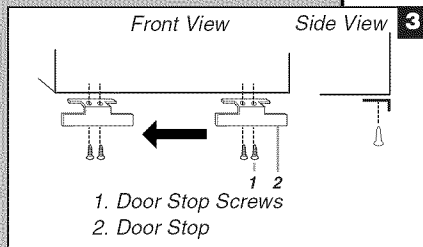
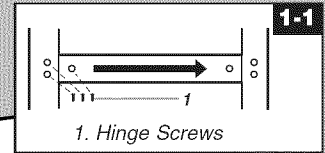
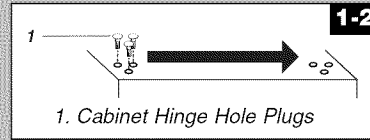
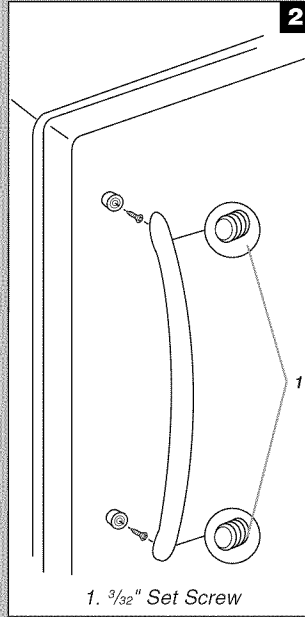
- 1. Hinge Cover Screw
- 2. Top Hinge Cover
- 3. 5/16" Hex-Head Hinge Screws
- 4. Top Hinge

#### Bottom Hinge

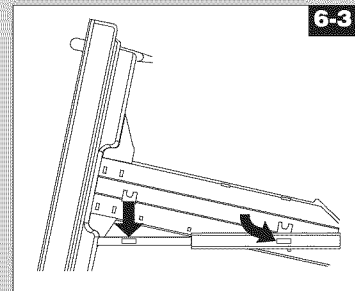
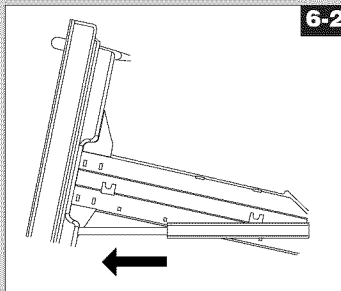
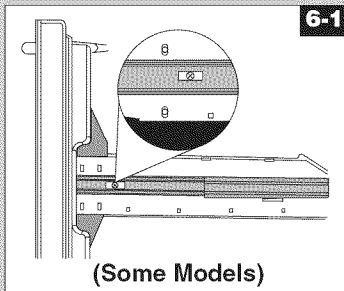


- 1. Shim
- 2. Center Hinge
- 3. Hinge Screws

### Door Swing Reversal (optional)

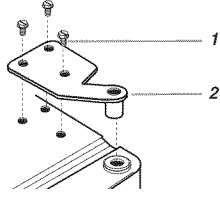


### Drawer Removal & Replacement



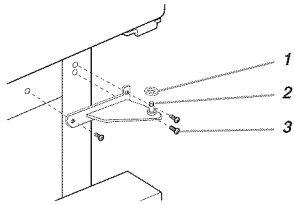
**Door Removal & Replacement**

**Top Hinge**



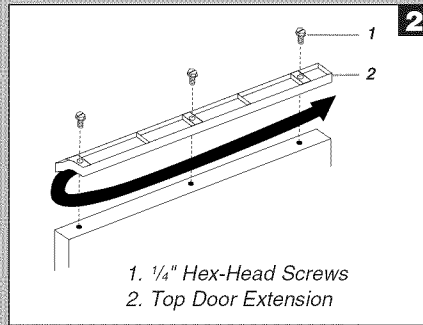
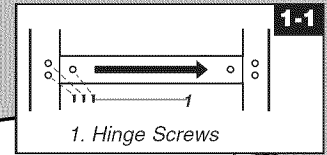
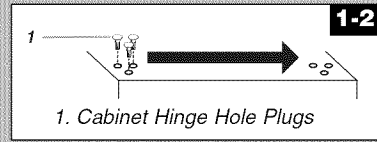
- 1. 5/16" Hex-Head Hinge Screws
- 2. Top Hinge

**Bottom Hinge**

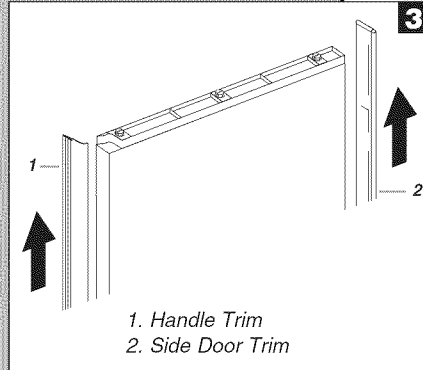


- 1. Shim
- 2. Center Hinge
- 3. Hinge Screws

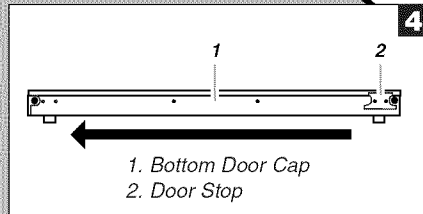
**Door Swing Reversal (optional)**



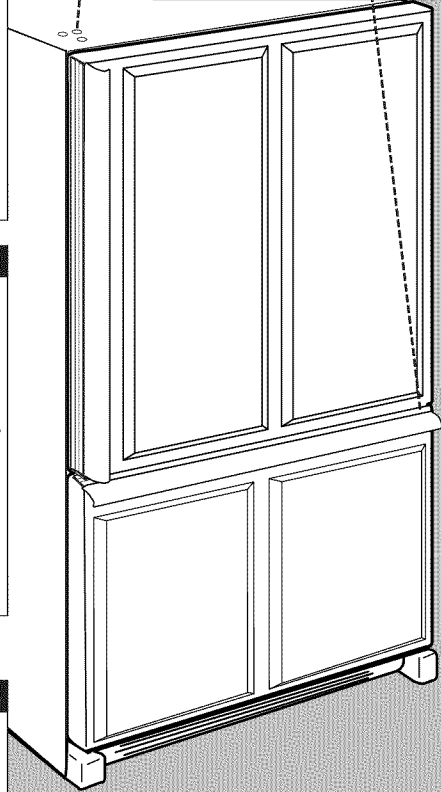
- 1. 1/4" Hex-Head Screws
- 2. Top Door Extension



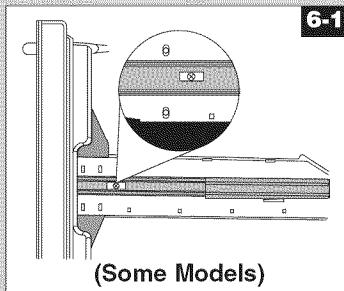
- 1. Handle Trim
- 2. Side Door Trim



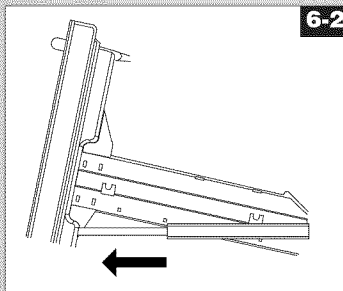
- 1. Bottom Door Cap
- 2. Door Stop



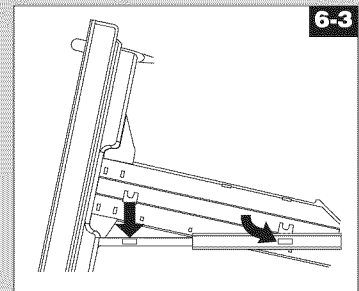
**Drawer Removal & Replacement**



6-1



6-2



6-3

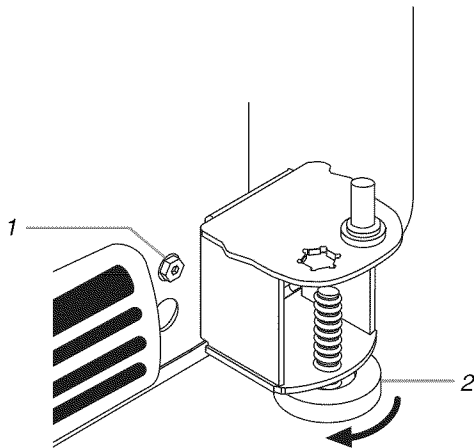
## Door Closing and Alignment

### Door Closing

Your refrigerator has two front adjustable rollers which are at the base of the refrigerator on either side. If your refrigerator seems unsteady or you want the doors to close easier, adjust the refrigerator's tilt using the instructions below:

1. Plug into a grounded 3 prong outlet.
2. Move the refrigerator into its final position.
3. Remove the base grille and the bottom hinge covers (see "Base Grille" section). The two roller adjustment screws are part of the front roller assemblies.
4. Use a screwdriver or  $\frac{3}{8}$  in. hex driver to adjust the roller adjustment screws. Turn the roller adjustment screw to the right to raise that side of the refrigerator or turn the roller adjustment screw to the left to lower that side. It may take several turns of the roller adjustment screws to adjust the tilt of the refrigerator.

**NOTE:** Having someone push against the top of the refrigerator takes some weight off the roller adjustment screws and rollers. This makes it easier to adjust the screws.



1. Roller Adjustment Screw  
2. Stabilizing Foot

5. Open both doors again and check to make sure that they close as easily as you like. If not, tilt the refrigerator slightly more to the rear by turning both roller adjustment screws to the right. It may take several more turns, and you should turn both roller adjustment screws the same amount.
6. Lower the stabilizing foot by turning it clockwise until it is firmly against floor.  
**NOTE:** Drawer freezer models have a stabilizing foot on each side which must be lowered by turning clockwise.
7. Replace the base grille.

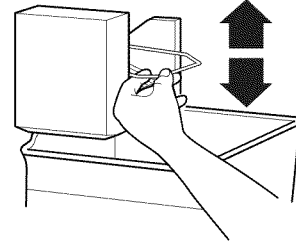
## Water System Preparation

(on some models)

Please read before using the water system.

Immediately after installation, follow the steps below to make sure that the water system is properly cleaned.

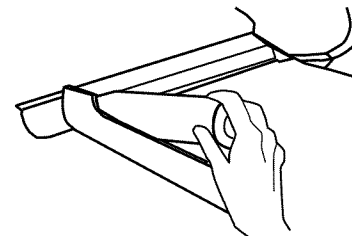
1. Turn off the ice maker by opening the freezer door and lifting up the wire shutoff arm as shown.



2. Install the interior water filter cartridge. The interior water filter mounting bracket is located on the top right side of the refrigerator compartment.

**NOTE: Do not use with water that is microbiologically unsafe or of unknown quality without adequate disinfection before or after the system.**

- Remove blue bypass cap and retain for later use.
- Carefully remove the interior water filter cartridge from its packaging. Remove the sealing label from end of filter and insert into filter head.
- Gently rotate filter clockwise until filter stops, and snap filter cover closed.



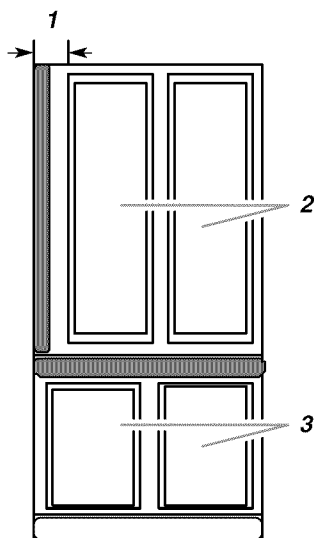
3. Flush the water system by dispensing and discarding 2 to 3 gal. (8 to 12 L) of water. Cleaning the system will take approximately 6 to 7 minutes and will help clear air from the line. Additional flushing may be required in some households.  
**NOTE:** As air is cleared from the system, water may spurt out of the dispenser.
4. Inspect the filter system for water leaks. If you see water leaks, see the "Troubleshooting" section.
5. Turn on the ice maker by opening the freezer door and lowering the wire shutoff arm as shown. Please refer to the "Ice Maker" section for further instructions on the operation of your ice maker.
  - Allow 24 hours to produce the first batch of ice.
  - Discard the first three batches of ice produced.

---

## Factory Trim Kit

(on some models)

There may be an occasion when you will need to remove the factory-installed trim kit, such as moving the refrigerator to a new home or installing custom-made decorator panels. Please read all instructions carefully before removing the trim kit and decorator panels.



1. 2½" (6.35 cm) clearance
2. Raised Decorator Panel
3. Raised Drawer Panel

---

### Removing the Door Panel

---

#### IMPORTANT:

- Door must be removed from refrigerator before removing handle.
- Top trim must be removed from refrigerator before removing door panel.

1. Remove the refrigerator handle:
  - Using a Phillips screwdriver, remove top door cap.
  - Tap bottom edge of refrigerator door handle upward with a rubber mallet.
  - Handle will slide up approximately ¾ in. (19.05 mm) and release from door.
2. Remove the door panel:
  - Slide out decorator panel and filler board.
  - Store panel and filler board carefully to prevent scratching.

---

### Replacing the Door Panel

---

1. Replace the refrigerator door panel:
  - Carefully slide the ¼ in. (6.35 mm), maximum thickness, decorator panel in grooves provided by bottom door cap and side trim.
  - Slide the filler board into place behind the decorator panel, if necessary.
2. Attach the handle and trim.
3. Reinstall refrigerator door.

---

### Removing and Replacing Freezer Drawer Panel

---

**NOTE:** You do not need to remove the freezer drawer to remove or replace the decorator panel.

1. Pull freezer drawer out to access handle screws.
2. Using a Phillips screwdriver, remove handle screws and lift off handle.
3. Slide decorator panel and filler board up through handle opening.
4. Replace decorator panels by reversing directions.

---

### Care of Decorator Panels

---

1. Clean panels with stainless steel cleaner and polish or mild soap and water with a clean, soft, damp cloth.
2. Rinse panels thoroughly and blot dry using a dry, soft cloth or chamois.

**NOTE:** Do not use paper towels or cleaners which contain solvents such as ammonia. They can damage the surface of the panels.

---

### Installing Custom Wood Panels

---

If you plan to install custom wood decorator panels, you will need to create the panels yourself or consult your cabinetmaker or carpenter. See dimensional drawings for wood panel inserts.

#### Flat panels:

You can create a custom flat panel a maximum of ¼ in. (6.35 mm) thick to replace your decorator panels. Flat wood panels less than ¼ in. (6.35 mm) thick are not recommended.

#### Raised panels:

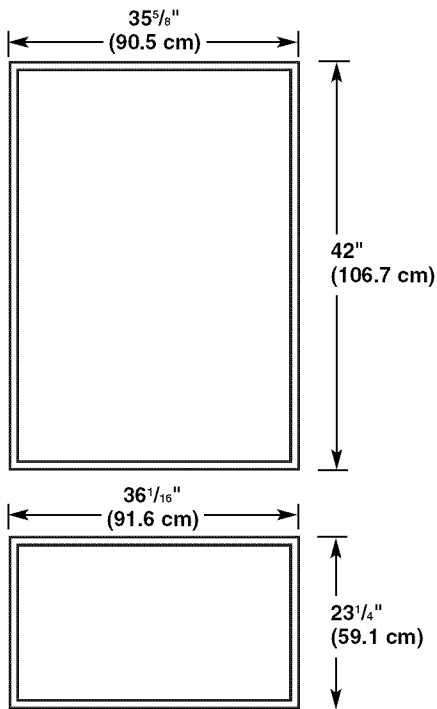
A raised panel design can be created by screwing or gluing wood panels to ¼ in. (6.35 mm) backing or by using ¾ in. (19.05 mm) stock with routed edges. Allow 2½ in. (6.35 cm) minimum clearance between raised edge of panel and handle.

Weight requirements for raised panel inserts:

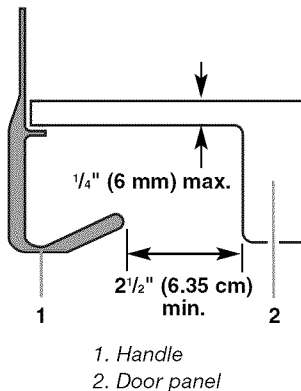
- Refrigerator door panel should not exceed 30 lbs. (14 kg).
- Freezer drawer panels should not exceed 15 lbs. (7 kg) combined weight.

## Dimensions for Custom Wood Panels

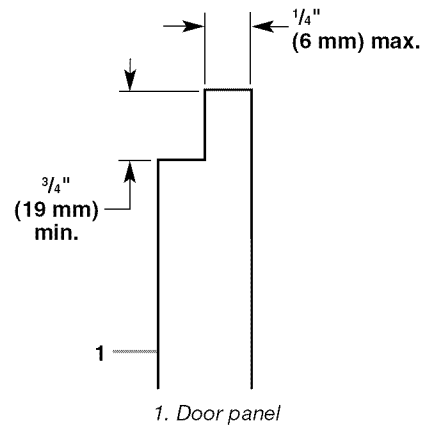
20 cu. ft. Refrigerator door



## Dimensions for Routing Handle Side of Raised Door Panels (End View)



## Dimensions for Routing Door Panel (Side View)



## Normal Sounds

Your new refrigerator may make sounds that your old one didn't make. Because the sounds are new to you, you might be concerned about them. Most of the new sounds are normal. Hard surfaces, such as the floor, walls, and cabinets, can make the sounds seem louder. The following describes the kinds of sounds and what may be making them.

- If your product is equipped with an ice maker, you will hear a buzzing sound when the water valve opens to fill the ice maker for each cycle.
- Your refrigerator is designed to run more efficiently to keep your food items at the desired temperatures and to minimize energy usage. The high efficiency compressor and fans may cause your refrigerator to run longer than your old one. You may also hear a pulsating or high-pitched sound from the compressor or fans adjusting to optimize performance.
- You may hear the evaporator fan motor circulating air through the refrigerator and freezer compartments. The fan speed may increase as you open the doors or add warm food.
- Rattling noises may come from the flow of refrigerant, the water line, or items stored on top of the refrigerator.
- Water dripping on the defrost heater during a defrost cycle may cause a sizzling sound.
- As each cycle ends, you may hear a gurgling sound due to the refrigerant flowing in your refrigerator.
- Contraction and expansion of the inside walls may cause a popping noise.
- You may hear air being forced over the condenser by the condenser fan.
- You may hear water running into the drain pan during the defrost cycle.

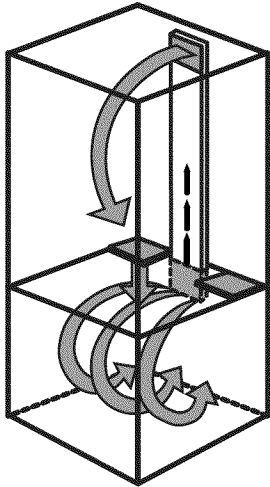
---

# REFRIGERATOR USE

---

## Ensuring Proper Air Circulation

In order to ensure proper temperatures, you need to permit airflow between the refrigerator and freezer sections. As shown in the illustration, cool air enters the freezer section through vents in the rear and top. The air flows forward through the freezer section and recirculates under the freezer floor. Cool air enters the refrigerator section through the top, flows down and across shelves to the doors and recirculates to return air vents at the bottom.



Do not block any of these vents with food packages. If the vents are blocked, airflow will be prevented and temperature and moisture problems may occur.

**IMPORTANT:** Because air circulates between both sections, any odors formed in one section will transfer to the other. You must thoroughly clean both sections to eliminate odors. To prevent odor transfer and drying out of food, wrap or cover foods tightly.

---

## Using the Controls

For your convenience, your refrigerator and freezer controls are preset at the factory. When you first install your refrigerator, make sure that the controls in the refrigerator and freezer compartments are still preset to the mid-settings as shown.

Mid-setting "4"



**IMPORTANT:**

- To turn your refrigerator off, turn the freezer control to the word OFF or until the word OFF appears. Neither compartment will cool when the freezer control is set to OFF.
- The refrigerator control adjusts the refrigerator compartment temperature. The freezer control adjusts the freezer compartment temperature. Settings to the left of the mid-setting make the temperature less cold. Settings to the right of the mid-setting make the temperature colder.

- Wait 24 hours before you put food into the refrigerator. If you add food before the refrigerator has cooled completely, your food may spoil.

**NOTE:** Adjusting the Refrigerator and Freezer Controls to a higher (colder) than recommended setting will not cool the compartments any faster.

- The preset settings should be correct for normal household use. The controls are set correctly when milk or juice is as cold as you like and when ice cream is firm.
  - If the temperature is too warm or too cold in the refrigerator or freezer, first check the air vents to be sure they are not blocked before adjusting the controls.
- 

## Adjusting Control Settings

Give the refrigerator time to cool down completely before adding food. It is best to wait 24 hours before you put food into the refrigerator. The settings indicated in the previous section should be correct for normal household refrigerator usage. The controls are set correctly when milk or juice is as cold as you like and when ice cream is firm.

If you need to adjust temperatures in the refrigerator or freezer, use the settings listed in the chart below as a guide. Always remember to wait at least 24 hours between adjustments.

CONDITION/REASON:	RECOMMENDED ADJUSTMENT:
REFRIGERATOR too warm <ul style="list-style-type: none"><li>■ Door opened often</li><li>■ Large amount of food added</li><li>■ Room temperature very warm</li></ul>	Turn REFRIGERATOR Control to next higher number, wait 24 hours, then recheck
FREEZER too warm/ice not made fast enough <ul style="list-style-type: none"><li>■ Door opened often</li><li>■ Large amount of food added</li><li>■ Very cold room temperature (can't cycle often enough)</li><li>■ Heavy ice usage</li></ul>	Turn FREEZER Control to next higher number, wait 24 hours, then recheck
REFRIGERATOR too cold <ul style="list-style-type: none"><li>■ Control not set correctly for your conditions</li></ul>	Turn REFRIGERATOR Control to next lower number, wait 24 hours, then recheck
FREEZER too cold <ul style="list-style-type: none"><li>■ Control not set correctly for your conditions</li></ul>	Turn FREEZER Control to next lower number, wait 24 hours, then recheck

---

---

## Water Dispenser

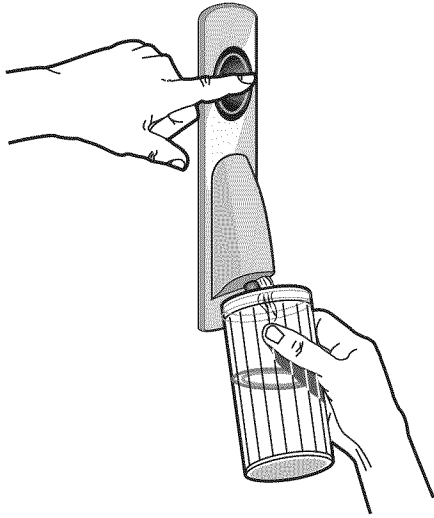
(on some models)

If you did not flush the water system when the refrigerator was first installed, dispense water into a container until you draw and discard 2 to 3 gal. (8 to 12 L) or for approximately 6 to 7 minutes after the water begins dispensing. The water you draw and discard rinses the pipes. Allow several hours for the refrigerator to cool down and chill water.

### Dispensing Water

1. Hold a container under the dispenser while pressing the button.
2. Release the button to stop dispensing.

**NOTE:** Dispense enough water every week to maintain a fresh supply.



---

## Interior Water Filtration System

### IMPORTANT:

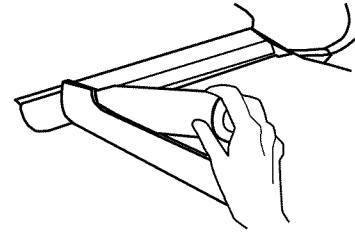
- You can run the water dispenser without a water filter cartridge, but your water will not be filtered. If you choose this option, replace filter with blue bypass cap.
- The interior water filter mounting bracket is located on the upper right side of the refrigerator.
- The interior water filter cartridge should be replaced every 6 months or earlier if the flow of water to your water dispenser or ice maker decreases noticeably.

### Replacing the interior water filter cartridge

1. Turn used filter counterclockwise until it releases from filter head.
2. Drain water from filter into the sink, and dispose. Wipe up excess water in filter cover.

3. Remove the sealing label from end of new filter and insert into filter head. Gently rotate filter clockwise until filter stops, and snap filter cover closed.

**NOTE:** Do not use with water that is microbiologically unsafe or of unknown quality without adequate disinfection before or after the system.



4. Flush the water system by dispensing and discarding 2 to 3 gal. (8 to 12 L) of water. Cleaning the system will take approximately 6 to 7 minutes and will help clear air from the line. Additional flushing may be required in some households.

**NOTE:** As air is cleared from the system, water may spurt out of the dispenser.

5. Inspect the filter system for water leaks. If you see water leaks, see the "Troubleshooting" section.

---

## Ice Maker

---

### Turning the Ice Maker On/Off

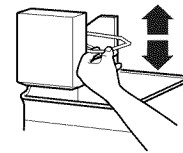
---

**NOTE:** Do not force the wire shutoff arm up or down.

- To turn the ice maker on, simply lower the wire shutoff arm.

**NOTE:** Your ice maker has an automatic shutoff. As ice is made, the ice cubes will fill the ice storage bin and the ice cubes will raise the wire shutoff arm to the OFF (arm up) position.

- To manually turn the ice maker off, lift the wire shutoff arm to the OFF (arm up) position and listen for the click to make sure the ice maker will not continue to operate.



---

### Increasing Ice Production Rate

---

The ice maker should produce approximately 8 to 12 batches of ice in a 24-hour period. If ice is not being made fast enough, turn the Freezer Control toward a higher (colder) number in half number steps. (For example, if the control is at 3, move it to between 3 and 4.) Wait 24 hours and, if necessary, gradually turn the Freezer Control to the highest setting, waiting 24 hours between each increase.

### REMEMBER:

- Allow 24 hours to produce the first batch of ice. Discard the first three batches of ice produced.
- The quality of your ice will be only as good as the quality of the water supplied to your ice maker. Avoid connecting the ice maker to a softened water supply. Water softener chemicals (such as salt) can damage parts of the ice maker and lead to poor quality ice. If a softened water supply cannot be avoided, make sure the water softener is operating properly and is well maintained.
- Do not store anything on top of the ice maker or in the ice storage bin.

# REFRIGERATOR FEATURES

Your model may have some or all of these features. Features that can be purchased separately as product accessories are labeled with the word "Accessory." Not all accessories will fit all models. If you are interested in purchasing one of the accessories, please call the toll-free number on the cover or in the "Assistance or Service" section.

## Important information to know about glass shelves and covers:

Do not clean glass shelves or covers with warm water when they are cold. Shelves and covers may break if exposed to sudden temperature changes or impact, such as bumping. For your protection, tempered glass is designed to shatter into many small, pebble-size pieces. This is normal. Glass shelves and covers are heavy. Use special care when removing them to avoid impact from dropping.

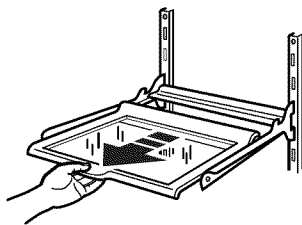
## Refrigerator Shelves

The shelves in your refrigerator are adjustable to meet your individual storage needs. Your model may have glass or wire shelves.

Storing similar food items together in your refrigerator and adjusting the shelves to fit different heights of items will make finding the exact item you want easier. It will also reduce the amount of time the refrigerator door is open, and save energy.

### Slide-out Shelves (on some models)

- To slide out shelf, carefully pull front of shelf toward you.
- To slide in shelf, push shelf in until it stops.



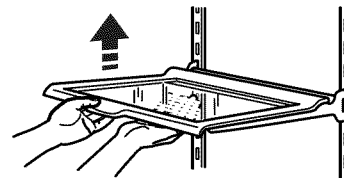
### To remove and replace a shelf in a metal frame:

1. Pull the shelf forward to the stop.
2. Tilt the front of the shelf up and lift it slightly as you pull the shelf from the frame.
3. Replace the shelf by guiding it back into the slots on the frame and pushing the shelf in past the stop.

## Shelves and Shelf Frames

### To remove and replace a shelf/frame:

1. Remove the shelf/frame by tilting it up at the front and lifting it out of the shelf supports.
2. Replace the shelf/frame by guiding the rear shelf hooks into the shelf supports. Tilt the front of the shelf up until rear shelf hooks drop into the shelf supports.
3. Lower the front of the shelf and check to make sure that the shelf is securely in position.



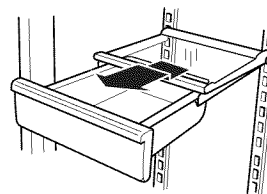
## Meat Drawer and Cover (on some models)

### To remove and replace the meat drawer:

1. Remove the meat drawer by sliding it out to the stop. Lift the front of meat drawer with one hand while supporting the bottom of drawer with other hand. Slide drawer out the rest of the way.
2. Replace the meat drawer by guiding it into the meat cover supports and pushing it in until it stops.

### To remove and replace the meat drawer cover:

1. Remove the meat drawer. Remove the cover by tilting up the front of the cover and lifting at the back. Pull the cover straight out.
2. Replace the cover by guiding the rear hooks into the shelf supports. Tilt the cover up at the front until the rear hooks drop into the slots.
3. Lower the front of the cover to a level position and replace the meat drawer.



## Meat Storage Guide

Store most meat in original wrapping as long as it is airtight and moisture-proof. Rewrap if necessary. See the following chart for storage times. When storing meat longer than the times given, freeze the meat.

Fresh fish or shellfish.....use same day as purchased  
Chicken, ground beef, variety meats (liver) ..... 1-2 days  
Cold cuts, steaks/roasts .....3-5 days  
Cured meats .....7-10 days  
Leftovers - Cover leftovers with plastic wrap, aluminum foil, or plastic containers with tight lids.



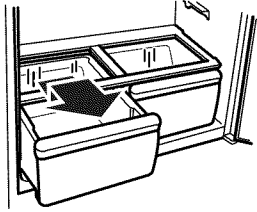
---

## Crisper and Crisper Cover

(on some models - Accessory)

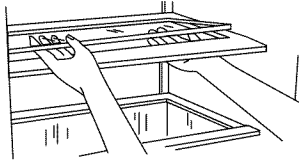
### To remove and replace the crisper(s):

1. Slide crisper(s) straight out to the stop. Lift the front of the crisper(s) and slide out the rest of the way.
2. Replace the crisper(s) by sliding back in fully past the drawer stop.



### To remove the crisper(s) cover:

1. Remove crisper(s).
2. Holding the glass insert firmly with one hand, press up in center of glass insert until it rises above the plastic frame. Carefully, slide the glass insert forward to remove.
3. Lift the cover frame up and remove it.



### To replace crisper(s) cover:

**NOTE:** Before reinstalling the cover, make sure the U-shaped reinforcement bar is reinstalled in the front edge of the crisper cover.

1. Fit back of cover frame into supports on side walls of the refrigerator and lower the front of the cover frame into place.
2. Slide rear of glass insert into cover frame and lower front into place.

---

## Crisper Humidity Control

(on some models)

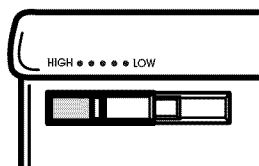
You can control the amount of humidity in the moisture-sealed crisper. Adjust the control to any setting between LOW and HIGH.

LOW (open) lets moist air out of the crisper for best storage of fruits and vegetables with skins.

- Fruit: Wash, let dry and store in refrigerator in plastic bag or crisper. Do not wash or hull berries until they are ready to use. Sort and keep berries in original container in crisper, or store in a loosely closed paper bag on a refrigerator shelf.
- Vegetables with skins: Place in plastic bags or plastic container and store in crisper.

HIGH (closed) keeps moist air in the crisper for best storage of fresh, leafy vegetables.

- Leafy vegetables: Wash in cold water, drain and trim or tear off bruised and discolored areas. Place in plastic bag or plastic container and store in crisper.



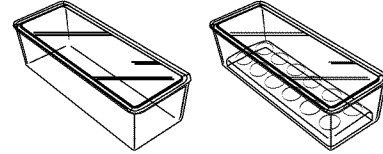
---

## Utility or Egg Bin

(on some models - Accessory)

Depending on your model, you may have a one, two or three piece bin. Eggs may be stored in the egg tray or loose in the bin.

**NOTE:** Store eggs in a covered container for long-term storage. If your model does not have an egg storage bin, store eggs in their original carton on an interior shelf.



---

## FREEZER FEATURES

Your model may have some or all of these features. Features that can be purchased separately as product accessories are labeled with the word "Accessory." Not all accessories will fit all models. If you are interested in purchasing one of the accessories, please call the toll-free number on the cover or in the "Assistance or Service" section.

---

### Freezer Baskets

#### To Remove and Replace Wire Baskets :

##### Upper basket

1. Remove all items from basket. Remove basket by pulling basket out to its full extension and lift out.
2. Replace basket by sliding into upper molded railing. Make sure that rear of basket hooks behind rail catch.

##### Upper basket divider

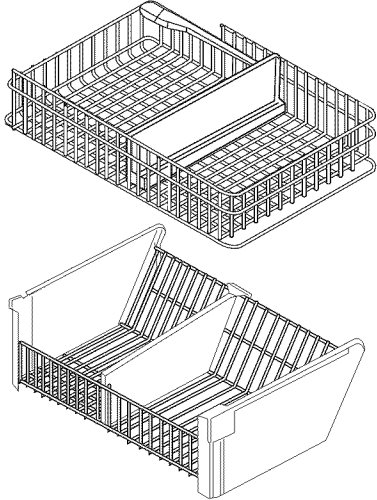
- The upper basket divider separates ice making from frozen food storage and it prevents ice from falling behind the basket assemblies.
- The upper basket divider is designed to be non-removable and should remain in the refrigerator

##### Lower basket

1. Remove all items from basket. Remove basket by lifting basket from rail guides.
2. Replace basket by placing into rail guides.

### Lower basket divider

The lower basket divider is designed to be non-removable and it should remain in the refrigerator.



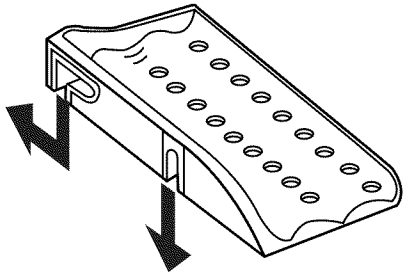
---

### Ice Shelf

(on some models)

#### To install and remove ice shelf:

1. Slide rear L-shaped groove of shelf down over rear wall screw. Push rack back until screw is stopped in L-shaped groove.
2. Place front groove over front wall screw and push down until shelf is secured.
3. To remove, perform above steps in reverse order.



---

## DOOR FEATURES

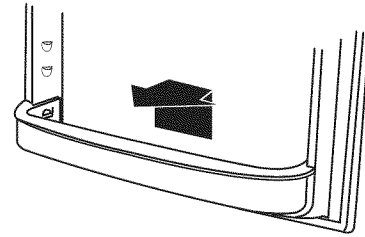
Your model may have some or all of these features. Features that can be purchased separately as product accessories are labeled with the word "Accessory." Not all accessories will fit all models. If you are interested in purchasing one of the accessories, please call the toll-free number on the cover or in the "Assistance or Service" section.

---

### Door Retainer

#### To remove and replace the door retainer:

1. Remove the retainer by lifting it up and pulling it straight out.
2. Replace the retainer by sliding it in above the support and pushing it down until it stops.

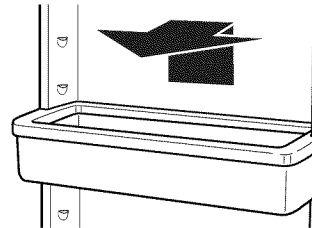


---

### Door Bins

#### To remove and replace the bins:

1. Remove the bin by lifting it up and pulling it straight out.
2. Replace the bin by sliding it in above the desired support and pushing it down until it stops.



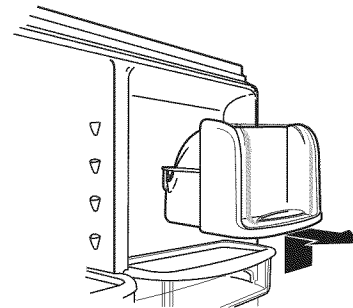
---

### Utility Compartment

(on some models)

#### To remove and replace the utility compartment:

1. Remove the utility compartment by lifting it up and pulling it straight out.
2. Replace the utility compartment by sliding it in above the desired support and pushing it down until it stops.



# REFRIGERATOR CARE

## Cleaning

### **⚠ WARNING**



#### **Explosion Hazard**

**Use nonflammable cleaner.**

**Failure to do so can result in death, explosion, or fire.**

Both the refrigerator and freezer sections defrost automatically. However, clean both sections about once a month to prevent odors from building up. Wipe up spills immediately.

#### **Cleaning your refrigerator**

1. Unplug refrigerator or disconnect power.
2. Remove all removable parts from inside, such as shelves, crispers, etc.
3. Hand wash, rinse, and dry removable parts and interior surfaces thoroughly. Use a clean sponge or soft cloth and a mild detergent in warm water.
  - Do not use abrasive or harsh cleaners such as window sprays, scouring cleansers, flammable fluids, cleaning waxes, concentrated detergents, bleaches or cleansers containing petroleum products on plastic parts, interior and door liners or gaskets. Do not use paper towels, scouring pads, or other harsh cleaning tools. These can scratch or damage materials.
  - To help remove odors, you can wash interior walls with a mixture of warm water and baking soda (2 tbs. to 1 qt. [26 g to .95 L] of water).
4. Wash stainless steel and painted metal exteriors with a clean sponge or soft cloth and a mild detergent in warm water. Do not use abrasive or harsh cleaners. Dry thoroughly with a soft cloth. For additional protection against damage to painted metal exteriors, apply appliance wax (or auto paste wax) with a clean, soft cloth. Do not wax plastic parts.

**NOTE:** To keep your Stainless Steel refrigerator looking like new and to remove minor scuffs or marks, it is suggested that you use the manufacturer's approved Stainless Steel Cleaner & Polish.

**IMPORTANT:** This cleaner is for Stainless Steel parts only!

Do not allow the Stainless Steel Cleaner & Polish to come into contact with any plastic parts such as the trim pieces, dispenser covers or door gaskets. If accidental contact does occur, clean plastic part with a sponge and mild detergent in warm water. Dry thoroughly with a soft cloth. To order the cleaner, see the "Accessories" section.

5. There is no need for routine condenser cleaning in normal home operating environments. If the environment is particularly greasy or dusty, or there is significant pet traffic in the home, the condenser should be cleaned every two to three months to ensure maximum efficiency.

If you need to clean the condenser:

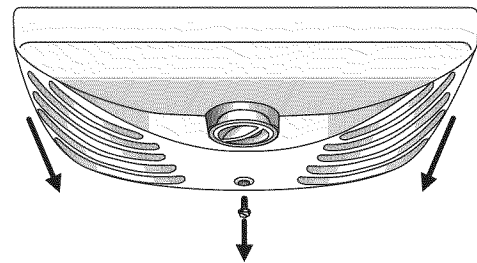
- Remove the base grille (see "Base Grille" or "Door Removal" section).
  - Use a vacuum with a soft brush to clean the grille, the open areas behind the grille and the front surface area of the condenser.
  - Replace the base grille when finished.
6. Plug in refrigerator or reconnect power.

## Changing the Light Bulb

**NOTE:** Not all appliance bulbs will fit your refrigerator. Be sure to replace the bulb with one of the same size, shape, and wattage.

### Changing the Refrigerator Light Bulb

1. Unplug refrigerator or disconnect power.
2. Remove screw from light shield. Make sure you keep screw for reattaching.
3. Slide shield toward back of compartment to release from light assembly.



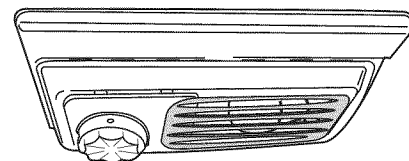
4. Replace burned-out bulb(s) with an appliance light bulb no greater than 40 watts.
5. Replace light bulb cover by inserting tabs on light shield into liner holes on each side of light assembly. Slide shield toward front of unit until it locks into place.

**NOTE:** Do not force shield beyond locking point; doing so may damage light shield.
6. Replace screw.
7. Plug in refrigerator or reconnect power.

### Changing the Freezer Light Bulb

1. Unplug refrigerator or disconnect power.

**NOTE:** May need to remove upper freezer shelf or basket to access light assembly.
2. Squeeze and pull rear of light shield cover toward you to release tabs and pull down.



3. Replace burned-out bulb with appliance bulb no greater than 40 watts.
4. Insert front tabs of light cover into liner and snap back portion over light assembly.
5. Plug in refrigerator or reconnect power.

---

## Power Interruptions

If the power will be out for 24 hours or less, keep both refrigerator doors closed to help food stay cold and frozen.

If the power will be out for more than 24 hours, do one of the following:

- Remove all frozen food and store it in a frozen food locker.
- Place 2 lbs. (907 g) of dry ice in the freezer for every cubic foot (28 L) of freezer space. This will keep the food frozen for two to four days.
- If neither a food locker nor dry ice is available, consume or can perishable food at once.

**REMEMBER:** A full freezer stays cold longer than a partially filled one. A freezer full of meat stays cold longer than a freezer full of baked goods. If you see that food contains ice crystals, it may be refrozen, although the quality and flavor may be affected. If the condition of the food is poor, dispose of it.

---

## Vacation and Moving Care

---

### Vacations

**If you choose to leave the refrigerator on while you're away:**

1. Use up any perishables and freeze other items.
2. If your refrigerator has an automatic ice maker:
  - Raise wire shutoff arm to OFF (up) position or move the switch to the OFF (right) setting.
  - Shut off water supply to the ice maker.
3. Empty the ice bin.

**If you choose to turn the refrigerator off before you leave:**

1. Remove all food from the refrigerator.
  2. If your refrigerator has an automatic ice maker:
    - Turn off the water supply to the ice maker at least one day ahead of time.
    - When the last load of ice drops, raise the wire shutoff arm to the OFF (up) position or move the switch to the OFF (right) setting.
  3. Depending on your model, turn the Thermostat Control or Refrigerator Control to OFF. See the "Using the Control(s)" section.
  4. Clean refrigerator, wipe it, and dry well.
  5. Tape rubber or wood blocks to the tops of both doors to prop them open far enough for air to get in. This stops odor and mold from building up.
- 

### Moving

When you are moving your refrigerator to a new home, follow these steps to prepare it for the move.

1. If your refrigerator has an automatic ice maker:
  - Turn off the water supply to the ice maker at least one day ahead of time.
  - Disconnect the water line from the back of the refrigerator.
  - When the last load of ice drops, raise the wire shutoff arm to the OFF (up) position or move the switch to the OFF (right) setting.
2. Remove all food from the refrigerator and pack all frozen food in dry ice.
3. Empty the ice bin.

4. Depending on your model, turn the Thermostat Control or Refrigerator Control to OFF. See the "Using the Control(s)" section.
5. Unplug the refrigerator.
6. Empty water from the defrost pan.
7. Clean, wipe, and dry thoroughly.
8. Take out all removable parts, wrap them well, and tape them together so they don't shift and rattle during the move.
9. Depending on the model, raise the front of the refrigerator so it rolls more easily OR screw in the leveling legs so they don't scrape the floor. See the "Door Closing" or "Leveling Your Refrigerator" section.
10. Tape the doors shut and the power cord to the refrigerator cabinet.

When you get to your new home, put everything back and refer to the "Refrigerator Installation" section for preparation instructions. Also, if your refrigerator has an automatic ice maker, remember to reconnect the water supply to the refrigerator.

---

## TROUBLESHOOTING

**Try the solutions suggested here first in order to avoid the cost of an unnecessary service call.**

---

### Your refrigerator will not operate

- **Is the power cord unplugged?** Plug into a grounded 3 prong outlet.
  - **Has a household fuse or circuit breaker tripped?** Replace the fuse or reset the circuit breaker.
  - **Is the Refrigerator Control turned to the OFF position?** See the "Using the Control(s)" section.
  - **Is the refrigerator defrosting?** Recheck to see if the refrigerator is operating in 30 minutes. Your refrigerator will regularly run an automatic defrost cycle.
- 

### The lights do not work

- **Is the power cord unplugged?** Plug into a grounded 3 prong outlet.
  - **Is a light bulb loose in the socket or burned out?** See the "Changing the Light Bulb(s)" section.
- 

### There is water in the defrost drain pan

- **Is the refrigerator defrosting?** The water will evaporate. It is normal for water to drip into the defrost pan.
  - **Is it more humid than normal?** When it is humid, expect that the water in the defrost pan will take longer to evaporate.
- 

### The motor seems to run too much

- **Is the room temperature hotter than normal?** The motor will run longer under warm conditions. At normal room temperatures, your motor will run about 40% to 80% of the time. Under warmer conditions, it will run even more.
- **Has a large amount of food just been added to the refrigerator?** Adding a large amount of food warms the refrigerator. The motor normally will run longer to cool the refrigerator back down.

- **Are the doors opened often?** The motor will run longer when this occurs. Conserve energy by getting all items out at one time, keeping food organized, and closing the door as soon as possible.
- **Is the control set correctly for the surrounding conditions?** See the “Using the Control(s)” section.
- **Are the doors closed completely?** Close the doors firmly. If they do not close completely, see “The doors will not close completely” later in this section.
- **Are the condenser coils dirty?** This prevents air transfer and makes the motor work harder. Clean the condenser coils. See the “Cleaning” section.

**NOTE:** Your new refrigerator will run longer than your old one due to its high-efficiency motor.

---

### The refrigerator seems to make too much noise

---

- **The sounds may be normal for your refrigerator.** See the “Normal Sounds” section.

---

### The ice maker is not producing ice or not enough ice.

---

- **Has the ice maker just been installed?** Wait 72 hours for full ice production to begin. Once your refrigerator is cooled, the ice maker should produce 70-120 cubes every 24 hours.
- **Is the freezer temperature cold enough to produce ice?** Wait 24 hours after hookup for ice production. See the “Using the Control(s)” section.
- **Is the wire shutoff arm in the OFF (arm up) position?** Lower the wire shutoff arm to the ON (arm down) position. See the “Ice Maker” section.
- **Is the water line shutoff valve to the refrigerator turned on?** Turn on the water valve. See the “Water Supply Connection” section.
- **Does the ice maker mold have water in it or has no ice been produced?** Be sure your refrigerator has been connected to a water supply and the supply shutoff valve is turned on. See the “Water Supply Connection” section.
- **Is an ice cube jammed in the ejector arm?** Remove the ice from the ejector arm with a plastic utensil. See the “Ice Maker” section.
- **Has a large amount of ice just been removed?** Allow 24 hours for ice maker to produce more ice.
- **Is the control set correctly?** If too little ice is produced, see the “Using the Control(s)” section.
- **Is there a water filter installed on the refrigerator?** The filter may be full or incorrectly installed. Depending on your model, remove the water filter cartridge (see the “Interior Water Filtration System” section). Operate the dispenser. If the water flow increases noticeably, your filter is full and needs to be replaced.

**NOTE:** If not due to any of the above, there may be a problem with the water line. Call for service.

---

### Off-taste, odor or gray color in the ice

---

- **Are the plumbing connections new, causing discolored or off-flavored ice?** Discard the first few batches of ice.
- **Have the ice cubes been stored too long?** Throw old ice away and make a new supply.
- **Has food in the refrigerator been wrapped properly?** See the “Refrigerator Features” section.

- **Do the freezer and ice bin need to be cleaned?** See the “Cleaning” section.
- **Does the water contain minerals (such as sulfur)?** A filter may need to be installed to remove the minerals.
- **Is there a water filter installed on the refrigerator?** Gray or dark discoloration in ice indicates that the water filtration system needs additional flushing. Run additional water through the water dispenser to flush the water filtration system more thoroughly, at least 2 to 3 gal. (8 to 12 L) or 6 to 7 minutes initially. Discard discolored ice.

---

### The water dispenser will not operate properly

---

- **Has the water system not filled?** The water system needs to be filled the first time it is used. Use a sturdy container to depress the water dispenser until water begins to flow. Dispense and discard 2 to 3 gal. (8 to 12 L) of water. This will take approximately 6 to 7 minutes and will help clear air from the line. Additional flushing may be required in some households. See the “Water Dispenser” section.
- **Is the water shutoff valve not turned on or the water line connected at the source?** Be sure the water shutoff valve is turned on and the water source is connected to the refrigerator. See the “Water Supply Connection” section.
- **Is the water shutoff valve clogged or incorrectly installed?** See the “Water Supply Connection” section. If clogging or installation is not a problem, call for service or contact a plumber.
- **Is there a kink in the home water source line?** If you find or suspect a kink in the water line, call for service.

---

### Water flow from the dispenser decreases noticeably

---

- **Is there a water filter installed on the refrigerator?** The filter may be full or incorrectly installed. Depending on your model, remove the water filter cartridge (see the “Interior Water Filtration System” section). Operate the dispenser. If the water flow increases noticeably, your filter is full and needs to be replaced.

---

### Water leaking from the dispenser

---

- **Is the glass not being held under the water dispenser long enough?** Hold the container under the water dispenser two to three seconds after releasing the dispenser lever. Water may continue to dispense during this time.
- **Is there a water filter installed on the refrigerator?** The water filtration system may have air in the lines, causing water to drip. Additional flushing may help clear air from the lines. Normal dispenser use should flush air from the lines within 24 to 72 hours.

---

### The dispenser water is not cool enough

---

- **Has the refrigerator been newly installed?** Allow 24 hours for the refrigerator to cool completely.
- **Has a large amount of water been recently dispensed?** Allow 24 hours for the water to cool completely.
- **Has water not been recently dispensed?** The first glass of water may not be cool. Discard the first glass of water.

---

### The divider between the two compartments is warm

---

The warmth is probably due to normal operation of the automatic exterior moisture control.

---

## Temperature is too warm

---

- **Are the air vents blocked in either compartment?** This prevents cold air movement between the compartments. Move objects away from the air vents. See the “Ensuring Proper Air Circulation” section for air vent locations.
- **Are the door(s) opened often?** The refrigerator will warm when this occurs. Keep the refrigerator cool by getting all items out at one time, keeping food organized, and closing the door as soon as possible.
- **Has a large amount of food just been added to the refrigerator or freezer?** Adding a large amount of food warms the refrigerator. It can take several hours for the refrigerator to return to the normal temperature.
- **Are the controls set correctly for the surrounding conditions?** See the “Using the Control(s)” section.

---

## There is interior moisture buildup

---

- **Are the air vents blocked in the refrigerator?** Remove any objects from in front of the air vents. See the “Ensuring Proper Air Circulation” section for air vent locations.
- **Are the door(s) opened often?** Avoid humidity buildup by getting all items out at one time, keeping food organized, and closing the door as soon as possible.
- **Is the room humid?** It is normal for moisture to build up inside the refrigerator when the room air is humid.
- **Is the food packaged correctly?** Check that all food is securely wrapped. Wipe off damp food containers before placing them in the refrigerator.
- **Is the control set correctly for the surrounding conditions?** See the “Using the Control(s)” section.
- **Was a self-defrost cycle completed?** It is normal for droplets to form after the refrigerator self-defrosts.

---

## The doors are difficult to open

---

- **Are the gaskets dirty or sticky?** Clean gaskets and the surface that they touch. Rub a thin coat of paraffin wax on the gaskets following cleaning.

---

## The doors will not close completely

---

- **Are food packages blocking the door open?** Rearrange containers so that they fit more tightly.
- **Is the ice bin out of position?** Push the ice bin in all the way.
- **Are the crisper cover, pans, shelves, bins, or baskets out of position?** Put these items into their correct positions. See the “Refrigerator Features” section for more information.
- **Are the gaskets sticking?** Clean gaskets and the surface that they touch. Rub a thin coat of paraffin wax on the gaskets following cleaning.
- **Does the refrigerator wobble or seem unstable?** Level the refrigerator. See the “Door Closing and Alignment” section.
- **Were the doors removed during product installation and not properly replaced?** Remove and replace the doors according to the “Refrigerator Doors” section, or call a qualified service technician.

---

# ASSISTANCE OR SERVICE

Before calling for assistance or service, please check “Troubleshooting.” It may save you the cost of a service call. If you still need help, follow the instructions below.

When calling, please know the purchase date and the complete model and serial number of your appliance. This information will help us to better respond to your request.

### If you need replacement parts

If you need to order replacement parts, we recommend that you only use factory specified replacement parts. Factory specified replacement parts will fit right and work right because they are made with the same precision used to build every new KitchenAid® appliance.

To locate factory specified replacement parts in your area, call our Customer Interaction Center telephone number or your nearest designated service center.

---

## In the U.S.A.

Call the KitchenAid Customer Interaction Center toll free: **1-800-422-1230**.

### Our consultants provide assistance with:

- Features and specifications on our full line of appliances.
- Installation information.
- Use and maintenance procedures.
- Accessory and repair parts sales.
- Specialized customer assistance (Spanish speaking, hearing impaired, limited vision, etc.).
- Referrals to local dealers, repair parts distributors, and service companies. KitchenAid designated service technicians are trained to fulfill the product warranty and provide after-warranty service, anywhere in the United States.

To locate the KitchenAid designated service company in your area, you can also look in your telephone directory Yellow Pages.

### For further assistance

If you need further assistance, you can write to KitchenAid with any questions or concerns at:

KitchenAid Brand Home Appliances  
Customer Interaction Center  
553 Benson Road  
Benton Harbor, MI 49022-2692

Please include a daytime phone number in your correspondence.

## In Canada

Call the KitchenAid Canada Customer Interaction Center toll free:  
**1-800-461-5681** Monday to Friday 8:00 a.m. - 6:00 p.m. (EST).  
Saturday 8:30 a.m. - 4:30 p.m. (EST).

### Our consultants provide assistance with:

- Features and specifications on our full line of appliances.
- Referrals to local dealers.

### For service in Canada

Call **1-800-807-6777**. KitchenAid Canada designated service technicians are trained to fulfill the product warranty and provide after-warranty service, anywhere in Canada.

### For further assistance

If you need further assistance, you can write to KitchenAid Canada with any questions or concerns at:

Customer Interaction Center  
KitchenAid Canada  
1901 Minnesota Court  
Mississauga, Ontario L5N 3A7

Please include a daytime phone number in your correspondence.

## Accessories

To order accessories, call **1-800-442-9991** and ask for the appropriate part number listed below or contact your authorized KitchenAid dealer. In Canada, call **1-800-807-6777**.

### Stainless Steel Cleaner & Polish

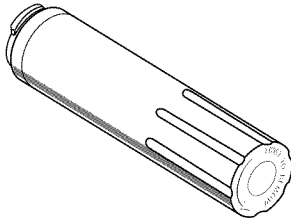
Order Part #8171420

### Interior water filter cartridge:

**NOTE: Do not use with water that is microbiologically unsafe or of unknown quality without adequate disinfection before or after the system.**

### Standard Cartridge:

Order Part #4396395 (OWF51)



# WATER FILTER CERTIFICATIONS

State of California  
Department of Health Services  
Water Treatment Device  
Certificate Number  
01 - 1486

Date Issued: September 21, 2001  
Date Revised: March 20, 2002

Trademark/Model Designation	Replacement Elements	Rated Capacity
WF50-W1500	WF50	500 gal
WF50-N1300	WF50	300 gal
WF50-KW1500	46 9005	500 gal
WF50-KN1300	46 9005	300 gal
OWF50-W1500	OWF51	500 gal
OWF50-N1300	OWF51	300 gal

Manufacturer: Pentapure Incorporated

The water treatment device(s) listed on this certificate have met the testing requirements pursuant to Section 116830 of the Health and Safety Code for the following health related contaminants:

Microbiological Contaminants and Turbidity	Inorganic/Radiological Contaminants
Cysts	Asbestos Lead
Organic Contaminants	
Atrazine Lindane	

Rated Service Flow: 0.75

# PERFORMANCE DATA SHEETS

## Interior Water Filtration System Model OWF50-NI300 capacity 300 Gallons (1136 Liters)



Tested and Certified by NSF International against ANSI/NSF Standards 42 & 53 for the reduction of:

Standard No. 42: Aesthetic Effects Taste & Odor Reduction Chlorine Reduction Mechanical Filtration Unit Particulate Reduction Class 1	Standard No. 53: Health Effects Chemical Reduction Unit Lead, Atrazine, Lindane & 2,4-D Reduction Mechanical Filtration Unit Cyst, Turbidity, & Asbestos Reduction
---	--

This system has been tested according to ANSI/NSF 42/53 for the reduction of the substances listed below. The concentration of the indicated substances in water entering the system was reduced to a concentration less than or equal to the permissible limit for water leaving the system, as specified in ANSI/NSF 42/53. Systems certified for cyst reduction may be used on disinfected water that may contain filterable cysts.

Substance	Influent Challenge Concentration	Effluent Average	Average % Reduction	Max. Effluent	Min. Required Reduction	Inlet pH
Lead:	0.15 mg/L $\pm 10\%$	0.001 mg/L	99.33%	0.001 mg/L	0.010 mg/L	6.5
Lead:	0.15 mg/L $\pm 10\%$	0.002 mg/L	98.66%	0.003 mg/L	0.010 mg/L	8.5
Cyst	Minimum 50,000 L	1 count/mL	99.99%	3 count/mL	> 99.95%	NA
Turbidity	11 $\pm 1$ NTU	0.12 NTU	98.98%	0.18 NTU	0.5 NTU	NA
Lindane	0.002 mg/L $\pm 10\%$	0.00005 mg/L	97.62%	0.00005 mg/L	0.00002 mg/L	NA
Atrazine	0.009 mg/L $\pm 10\%$	0.0002 mg/L	97.93%	0.0006 mg/L	0.003 mg/L	NA
Chlorine	2.0 mg/L $\pm 10\%$	0.09 mg/L	95.26%	0.17 mg/L	≥ 75%	NA
Particulate*	at least 10,000 particles/mL	900 count/mL	99.68%	2400 count/mL	≥ 85%	NA
2,4-D	0.210 mg/L $\pm 10\%$	45.45 ug/L	84.42%	100 ug/L	0.0017 mg/L	NA
Asbestos	10 <sup>7</sup> to 10 <sup>8</sup> fibers/L; fibers greater than 10 micrometers in length	0.16 MFL/mL	99.96%	0.16 MFL/mL	99%	NA

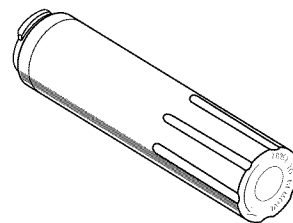
\* Particle size range classification of test. Particles used were 0.5 - 1 microns.

Test Parameters: pH = 7.5  $\pm$  0.5 unless otherwise noted. Flow = 0.75 gpm (2.83 Lpm). Pressure = 120 psi (827 kPa). Temp. = 63°F (17.2°C).

- It is essential that operational, maintenance, and filter replacement requirements be carried out for the product to perform as advertised.
- **Using Replacement Cartridge OWF51 - Model OWF50-NI300:** The concentration of the indicated substances in water entering the system was reduced to a concentration less than or equal to the permissible limit for water leaving the system as specified in ANSI/NSF 42 and 53. Change cartridge at least every 6-9 months. Use replacement cartridge OWF51, part# 4396395. 2003 suggested retail price of \$29.95 U.S.A./\$39.95 Canada. Prices subject to change without notice.
- The product is for cold water use only.
- **Do not use with water that is microbiologically unsafe or of unknown quality without adequate disinfection before or after the system.**
- Refer to the "Assistance or Service" section for parts and service availability or for the Manufacturer's name, address and telephone number.
- Refer to the "Warranty" section for the Manufacturer's limited warranty.
- Note that while the testing was performed under standard laboratory conditions, actual performance may vary. Systems must be installed and operated in accordance with manufacturer's recommended procedures and guidelines.

### Application Guidelines/Water Supply Parameters

Water Pressure	35 - 120 psig (241 - 827 kPa)
Water Temperature	33° - 100°F (0.6° - 37.8° C)
Rated Service Flow	0.75 gpm (2.83 Lpm)



Pentapure Incorporated  
1000 Apollo Road  
Eagan, Minnesota 55121-2240  
651-554-3141

® NSF is a registered trademark of NSF International.



---

# KITCHENAID® REFRIGERATOR WARRANTY

---

## ONE-YEAR FULL WARRANTY ON REFRIGERATOR

For one year from the date of purchase, when this refrigerator (excluding the water filter) is operated and maintained according to instructions attached to or furnished with the product, KitchenAid will pay for factory specified replacement parts and repair labor costs to correct defects in materials or workmanship. Service must be provided by a KitchenAid designated service company.

On models with a water filter: 30 day limited warranty on water filter. For 30 days from the date of purchase, when this filter is operated and maintained according to instructions attached to or furnished with the product, KitchenAid will pay for replacement parts to correct defects in materials and workmanship.

---

## SECOND THROUGH FIFTH YEAR FULL WARRANTY ON CAVITY LINER AND SEALED REFRIGERATION SYSTEM PARTS AS LISTED

In second through fifth years from the date of purchase, when this refrigerator is operated and maintained according to instructions attached to or furnished with the product, KitchenAid will pay for replacement or repair of the refrigerator/freezer cavity liner (including labor costs) if the part cracks due to defective materials or workmanship. Service must be provided by a KitchenAid designated service company.

Also, in the second through fifth years from the date of purchase, KitchenAid will pay for factory specified replacement parts and repair labor costs to correct defects in materials or workmanship in the sealed refrigeration system. These parts are: compressor, evaporator, condenser, dryer, and connecting tubing. Service must be performed by a KitchenAid designated service company.

---

## SIXTH THROUGH TENTH YEAR LIMITED WARRANTY ON SEALED REFRIGERATION SYSTEM PARTS AS LISTED

In sixth through tenth years from date of purchase, when this refrigerator is operated and maintained according to instructions attached to or furnished with the product, KitchenAid will pay for factory specified replacement parts to correct defects in materials or workmanship in the sealed refrigeration system. These parts are: compressor, evaporator, condenser, dryer, and connecting tubing.

---

### KitchenAid will not pay for:

1. Service calls to correct the installation of your refrigerator, to instruct you how to use your refrigerator, to replace house fuses or correct house wiring or plumbing, to replace light bulbs, or replacement water filters other than as noted above.
  2. Repairs when your refrigerator is used in other than normal, single-family household use.
  3. Pickup and delivery. Your refrigerator is designed to be repaired in the home.
  4. Damage resulting from accident, alteration, misuse, abuse, fire, flood, improper installation, acts of God, or use of products not approved by KitchenAid or KitchenAid Canada.
  5. Any food loss due to product failure.
  6. Repairs to parts or systems resulting from unauthorized modifications made to the appliance.
  7. Replacement parts or repair labor costs for units operated outside the United States or Canada.
  8. In Canada, travel or transportation expenses for customers who reside in remote areas.
  9. Any labor costs during the limited warranty periods.
- 

## KITCHENAID AND KITCHENAID CANADA SHALL NOT BE LIABLE FOR INCIDENTAL OR CONSEQUENTIAL DAMAGES.

Some states or provinces do not allow the exclusion or limitation of incidental or consequential damages, so this exclusion or limitation may not apply to you. This warranty gives you specific legal rights, and you may also have other rights which vary from state to state or province to province.

**Outside the 50 United States and Canada, this warranty does not apply. Contact your authorized KitchenAid dealer to determine if another warranty applies.**

If you need service, first see the "Troubleshooting" section of this book. After checking "Troubleshooting", additional help can be found by checking the "Assistance or Service" section or by calling the KitchenAid Customer Interaction Center, **1-800-422-1230** (toll-free), from anywhere in the U.S.A. In Canada, contact your designated KitchenAid Canada service company or call **1-800-807-6777**. 2/02

---

**Keep this book and your sales slip together for future reference. You must provide proof of purchase or installation date for in-warranty service.**

Write down the following information about your refrigerator to better help you obtain assistance or service if you ever need it. You will need to know your complete model number and serial number. You can find this information on the model and serial number label located on the inside wall of the refrigerator compartment.

Dealer name \_\_\_\_\_  
Address \_\_\_\_\_  
Phone number \_\_\_\_\_  
Model number \_\_\_\_\_  
Serial number \_\_\_\_\_  
Purchase date \_\_\_\_\_

---

## Notes

# SÉCURITÉ DU RÉFRIGÉRATEUR

## Votre sécurité et celle des autres est très importante.

Nous donnons de nombreux messages de sécurité importants dans ce manuel et sur votre appareil ménager. Assurez-vous de toujours lire tous les messages de sécurité et de vous y conformer.



Voici le symbole d'alerte de sécurité.

Ce symbole d'alerte de sécurité vous signale les dangers potentiels de décès et de blessures graves à vous et à d'autres.

Tous les messages de sécurité suivront le symbole d'alerte de sécurité et le mot "DANGER" ou "AVERTISSEMENT". Ces mots signifient :

**! DANGER**

Risque possible de décès ou de blessure grave si vous ne suivez pas immédiatement les instructions.

**! AVERTISSEMENT**

Risque possible de décès ou de blessure grave si vous ne suivez pas les instructions.

Tous les messages de sécurité vous diront quel est le danger potentiel et vous disent comment réduire le risque de blessure et ce qui peut se produire en cas de non-respect des instructions.

## IMPORTANTES INSTRUCTIONS DE SÉCURITÉ

**AVERTISSEMENT :** Pour réduire les risques d'incendie, de choc électrique ou des blessures lors de l'utilisation du réfrigérateur, prendre quelques précautions fondamentales, y compris les suivantes :

- Brancher l'appareil sur une prise à 3 alvéoles reliée à la terre.
- Ne pas enlever la broche de liaison à la terre.
- Ne pas utiliser un adaptateur.
- Ne pas utiliser un câble de rallonge.
- Utiliser deux ou plus de personnes pour déplacer et installer le réfrigérateur.
- Débrancher la source de courant électrique avant l'entretien.
- Replacer tous les panneaux avant de faire la remise en marche.
- Utiliser un produit de nettoyage ininflammable.
- Garder les matériaux et les vapeurs inflammables, telle que l'essence, loin du réfrigérateur.
- Débrancher le réfrigérateur avant l'installation de la machine à glaçons (seulement pour modèles prêts à recevoir une machine à glaçons).
- Enlever les portes de votre vieux réfrigérateur.

## CONSERVEZ CES INSTRUCTIONS

## Mise au rebut de votre vieux réfrigérateur

**! AVERTISSEMENT**

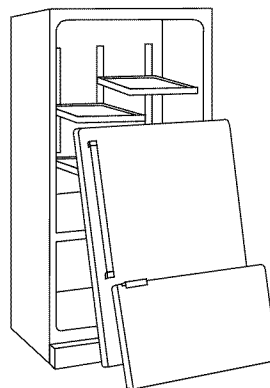
Risque de suffoquer

Enlever les portes de votre vieux réfrigérateur.  
Le non-respect de cette instruction peut causer un décès ou des lésions cérébrales.

**IMPORTANT :** L'emprisonnement et l'étouffement des enfants ne sont pas un problème du passé. Les réfrigérateurs jetés ou abandonnés sont encore dangereux, même s'ils sont laissés abandonnés pendant "quelques jours seulement". Si vous vous débarrassez de votre vieux réfrigérateur, veuillez suivre les instructions suivantes pour aider à éviter les accidents.

### Avant de jeter votre vieux réfrigérateur ou congélateur :

- Enlever les portes.
- Laisser les tablettes en place de sorte que les enfants ne puissent pas y pénétrer facilement.



# INSTALLATION DU RÉFRIGÉRATEUR

## Déballage

### **⚠ AVERTISSEMENT**

#### **Risque du poids excessif**

**Utiliser deux ou plus de personnes pour déplacer et installer le réfrigérateur.**

**Le non-respect de cette instruction peut causer une blessure au dos ou d'autre blessure.**

#### **Enlèvement des matériaux d'emballage**

- Enlever le ruban adhésif et la colle des surfaces du réfrigérateur avant de le mettre en marche. Frotter une petite quantité de savon liquide pour la vaisselle sur l'adhésif avec les doigts. Rincer à l'eau tiède et essuyer.
- Ne pas utiliser d'instruments coupants, d'alcool à friction, de liquides inflammables ou de nettoyants abrasifs pour enlever le ruban adhésif ou la colle. Ces produits peuvent endommager la surface de votre réfrigérateur. Pour plus de renseignements, voir la section "Sécurité du réfrigérateur".
- Sur certains modèles, des tablettes, bacs, glissières de tablettes dans la porte et autres pièces peuvent être emballés dans la trousse FeaturePak. Suivre les instructions contenues dans l'emballage pour le montage approprié.
- Selon le modèle que vous avez, pour enlever la pellicule protectrice (transparente) qui recouvre la plaque signalétique située sur la poignée du congélateur, utiliser votre ongle, enlever la pellicule en la décollant d'un côté à l'autre.

**IMPORTANT :** Ne pas enlever l'encart en mousse blanche du retour d'air situé derrière le panneau de réglage au plafond du réfrigérateur (sur certains modèles). L'encart fait partie du réfrigérateur et n'est pas un matériau d'emballage. Si l'encart est enlevé, de la glace peut se former en provenance du congélateur et causer la formation de glaçons.

#### **Déplacement de votre réfrigérateur :**

Votre réfrigérateur est lourd. Lors du déplacement du réfrigérateur pour le nettoyage ou le service, veiller à protéger le plancher. Toujours tirer le réfrigérateur tout droit lors du déplacement. Ne pas incliner le réfrigérateur d'un côté ou de l'autre ni le "faire marcher" en essayant de le déplacer car le plancher pourrait être endommagé.

#### **Nettoyage avant l'utilisation**

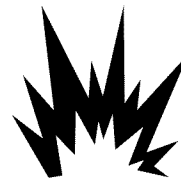
Après avoir enlevé tous les matériaux d'emballage, nettoyer l'intérieur du réfrigérateur avant de l'utiliser. Voir les instructions de nettoyage dans la section "Entretien du réfrigérateur".

#### **Importants renseignements à savoir au sujet des tablettes et des couvercles en verre :**

Ne pas nettoyer les tablettes ou couvercles en verre avec de l'eau tiède quand ils sont froids. Les tablettes et les couvercles peuvent se briser s'ils sont exposés à des changements soudains de température ou à un impact tel que coup brusque. Pour votre protection, le verre trempé est conçu pour éclater en d'innombrables pièces minuscules. Ceci est normal. Les tablettes et les couvercles en verre sont lourds. Un soin spécial s'impose lors de leur déplacement pour éviter l'impact d'une chute.

## Emplacement d'installation

### **⚠ AVERTISSEMENT**

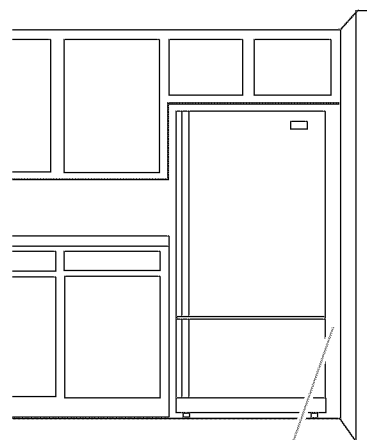


#### **Risque d'explosion**

**Garder les matériaux et les vapeurs inflammables, telle que l'essence, loin du réfrigérateur.**

**Le non-respect de cette instruction peut causer un décès, une explosion ou un incendie.**

- Votre réfrigérateur n'exige pas de l'espace au sommet, à l'arrière et aux côtés, mais de nombreux facteurs tels que le sous-plancher ou le revêtement de plancher peuvent affecter l'ouverture de votre installation. Mesurez bien l'ouverture.
- Si vous installez votre réfrigérateur près d'un mur fixe, laisser un minimum de 2 1/8 po (5,4 cm) du côté des charnières (selon le modèle) pour permettre à la porte de s'ouvrir sans obstruction.



2 1/8" (5,4 cm)

- Si votre réfrigérateur comporte une machine à glaçons, s'assurer qu'un espace additionnel est prévu à l'arrière pour permettre les connexions des conduits d'eau.

**REMARQUE :** Ne pas installer le réfrigérateur près d'un four, d'un radiateur ou d'une autre source de chaleur, ni dans un endroit où la température baissera au-dessous de 55°F (13°C).

## Spécifications électriques

### **⚠ AVERTISSEMENT**



#### Risque de choc électrique

**Brancher sur une prise à 3 alvéoles reliée à la terre.**

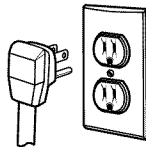
**Ne pas enlever la broche de liaison à la terre.**

**Ne pas utiliser un adaptateur.**

**Ne pas utiliser un câble de rallonge.**

**Le non-respect de ces instructions peut causer un décès, un incendie ou un choc électrique.**

Avant de placer le réfrigérateur à son emplacement final, il est important de vous assurer d'avoir la connexion électrique appropriée :



#### Méthode recommandée de mise à la terre

Une source d'alimentation de 115 volts, 60 Hz, type 15 ou 20 ampères CA seulement, protégée par fusibles et adéquatement mise à la terre est nécessaire. Il est recommandé d'utiliser un circuit distinct pour alimenter uniquement votre réfrigérateur. Utiliser une prise murale qui ne peut pas être mise hors circuit à l'aide d'un commutateur. Ne pas employer de rallonge.

**REMARQUE :** Avant d'exécuter tout type d'installation, nettoyage ou remplacement d'une ampoule d'éclairage, tourner la commande (du thermostat, du réfrigérateur ou du congélateur selon le modèle) à OFF (arrêt) et débrancher ensuite le réfrigérateur de la source d'alimentation électrique. Lorsque vous avez terminé, reconnecter le réfrigérateur à la source d'alimentation électrique et mettre de nouveau la commande (du thermostat, du réfrigérateur ou du congélateur selon le modèle) au réglage désiré.

## Raccordement de la canalisation d'eau

(Pour appareils avec machines à glaçons automatiques)

Lire attentivement toutes les instructions avant de commencer.

### IMPORTANT :

- Si on doit utiliser le réfrigérateur avant qu'il soit raccordé à la canalisation d'eau, placer la commande de la machine à glaçons à la position d'arrêt (OFF) (bras relevé) pour empêcher que la machine à glaçons fonctionne sans eau.
- Toutes les installations doivent être conformes aux exigences des codes locaux de plomberie.
- Utiliser un tube en cuivre et vérifier s'il y a des fuites.
- Installer les tubes en cuivre seulement à des endroits où la température se maintient au-dessus du point de congélation.
- Une période d'attente allant jusqu'à 24 heures est nécessaire avant que l'appareil commence à produire des glaçons.

### Outils requis :

- Tournevis à lame plate
- Clé plate de 1/2 po ou clé à molette réglable
- Forets de 1/4 po et 5/16 po
- Perceuse manuelle ou électrique (convenablement reliée à la terre)
- Marteau
- Pointeau à centrer
- Seau
- Serviette
- Gants

**REMARQUE :** Votre marchand de réfrigérateurs présente une trousse disponible avec un robinet de genre à selle de 1/4 po (6,35 mm), un raccord et un tube en cuivre. Avant l'achat, s'assurer que le robinet de genre à selle est conforme à vos codes locaux de plomberie. Ne pas employer de robinet de genre à selle ou de 3/16 po (4,76 mm) de type à percer, qui réduit le débit d'eau et cause une obstruction plus facilement.

### Arrivée d'eau froide

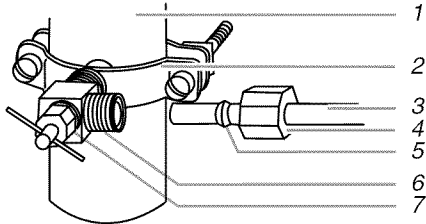
La valve d'entrée d'eau de la machine à glaçons comprend une rondelle de contrôle du débit, qui est utilisée comme élément de régulation de la pression d'eau. La machine à glaçons a besoin d'être connectée à une canalisation d'eau froide avec limitations de pression d'eau de 20 à 120 lb/po<sup>2</sup> (140-827 kPa). Si un problème survient, contacter la compagnie de distribution d'eau.

### Raccordement à une canalisation d'eau

1. Débrancher le réfrigérateur ou déconnecter la source de courant électrique.
2. FERMER le robinet principal d'arrivée d'eau. OUVRIR le robinet de puisage le plus proche pendant une période suffisante pour que la canalisation d'eau se vide.
3. Trouver une canalisation d'eau FROIDE verticale de 1/2 po à 1 1/4 po (12,7 mm à 3,18 mm) près du réfrigérateur.

**REMARQUE :** Un conduit horizontal fonctionnera, mais le procédé suivant doit être suivi : percer par le dessus de la canalisation et non pas par le dessous. Ainsi, l'eau ne risquera pas d'arroser la perceuse. Ceci empêche également les sédiments qu'on trouve normalement dans l'eau de s'accumuler dans le robinet d'arrêt.

4. Pour déterminer la longueur du tube en cuivre, il faut mesurer la distance entre le point de connexion au bas du côté arrière gauche du réfrigérateur et le tuyau d'arrivée d'eau. Ajouter une longueur de 7 pi (2,1 m) pour permettre le déplacement du réfrigérateur pour le nettoyage. Utiliser un tube en cuivre de ¼ po (6,35 mm) de diamètre extérieur. Veiller à ce que le tube soit coupé d'équerre aux deux extrémités.
5. Utiliser un marteau et un pointeau à centrer pour marquer l'emplacement du trou à percer sur la canalisation d'eau. À l'aide d'une perceuse électrique reliée à la terre, percer un trou de ¼ po dans le tuyau de canalisation d'eau froide choisie.



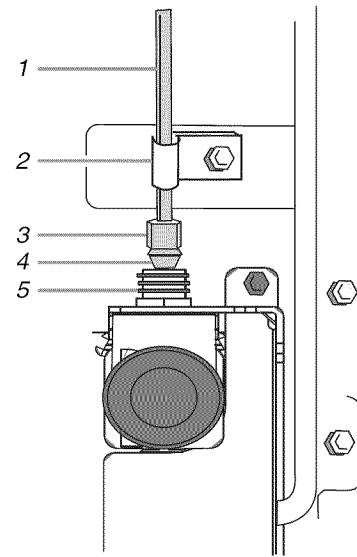
- |                              |                         |
|------------------------------|-------------------------|
| 1. Canalisation d'eau froide | 5. Bague de compression |
| 2. Bride de tuyau            | 6. Robinet d'arrêt      |
| 3. Tube en cuivre            | 7. Écrou de serrage     |
| 4. Écrou de compression      |                         |

6. Fixer le robinet sur la canalisation d'eau froide avec la bride de tuyau. Vérifier que le raccord du robinet est bien engagé dans le trou de ¼ po percé dans la canalisation et que la rondelle d'étanchéité est placée sous la bride de tuyau. Serrer l'écrou de serrage. Serrer soigneusement et uniformément les vis fixant la bride de tuyau sur la tuyauterie afin que la rondelle forme une jonction étanche. Ne pas serrer excessivement car ceci pourrait provoquer l'écrasement du tube en cuivre, particulièrement s'il s'agit d'un tube en cuivre malléable. On est maintenant prêt à connecter le tube de raccordement en cuivre.
7. Enfiler l'écrou et la bague de compression du raccord sur le tube en cuivre comme on le voit sur l'illustration. Insérer l'extrémité du tube aussi loin que possible dans l'ouverture de sortie du robinet. Visser l'écrou de compression sur le raccord de sortie avec une clé à molette. Ne pas serrer excessivement.
8. Placer le bout libre du tube dans l'évier ou un seau et OUVRIRE le robinet principal d'arrivée d'eau et laisser l'eau s'écouler par le tube jusqu'à ce que l'eau soit limpide. FERMER le robinet principal d'arrivée d'eau. Vérifier s'il y a des fuites. Enrouler le tube en cuivre en spirale.

### Raccordement au réfrigérateur

1. Enlever le capuchon de plastique du robinet d'arrivée d'eau. Connecter le tube en cuivre au robinet d'eau en utilisant un écrou et une bague de compression tel qu'illustré. Serrer l'écrou de compression. Ne pas serrer excessivement. Vérifier que le tube en cuivre est fixé solidement en tirant sur le tube en cuivre.

2. Créer une boucle de service en prenant très grand soin d'éviter les déformations. Fixer le tube en cuivre à la caisse du réfrigérateur avec une bride en "P".



- |                         |
|-------------------------|
| 1. Tube en cuivre       |
| 2. Bride en "P"         |
| 3. Écrou de compression |
| 4. Bague de compression |
| 5. Valve d'entrée d'eau |

3. Ouvrir l'arrivée d'eau au réfrigérateur et vérifier s'il y a des fuites. Corriger toute fuite.
4. Brancher le réfrigérateur ou reconnecter la source de courant électrique.
5. Pousser le réfrigérateur dans l'ouverture.

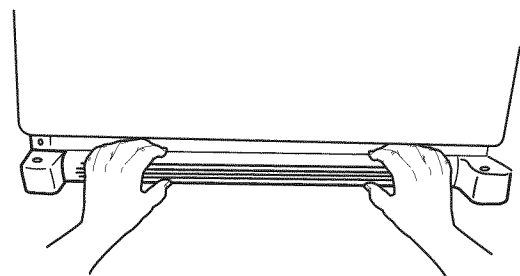
## Grille de la base

### Pour enlever la grille de la base

1. Saisir la grille à deux mains.
2. Tirer vers le haut sur le dessus et l'incliner vers soi.
3. Tirer vers le bas pour libérer le dessus de la grille.

### Pour replacer la grille de la base

1. Voir les repères à l'intérieur de la grille de la base pour l'emplacement correct.
2. Emboîter le haut de la grille en place en premier.
3. Appuyer pour baisser et faire entrer le dessus de la grille jusqu'à ce qu'elle s'enclenche en place.



## Portes du réfrigérateur

### Enlèvement de la poignée (série Architect®)

(Les illustrations sont incluses plus loin dans cette section.)

1. À l'aide d'une clé Allen de  $\frac{3}{32}$  po, desserrer les 2 vis de retenue situées sur le côté de chaque poignée.
2. Tirer sur la poignée tout droit pour la sortir de la porte. S'assurer de garder les vis pour réinstaller les poignées.

### Enlèvement des poignées (série avec panneaux décoratifs)

#### IMPORTANT :

- Vous devez enlever les poignées pour enlever les panneaux décoratifs ou pour inverser l'ouverture de la porte.
  - Enlever la porte du réfrigérateur avant d'enlever la poignée.
1. À l'aide d'un tournevis Phillips, enlever la capsule au sommet de la porte.
  2. Frapper le bord inférieur de la poignée de la porte du réfrigérateur vers le haut avec un maillet en caoutchouc.
  3. La poignée glissera vers le haut d'environ  $\frac{3}{4}$  po (19,05 mm) et se dégagera de la porte.

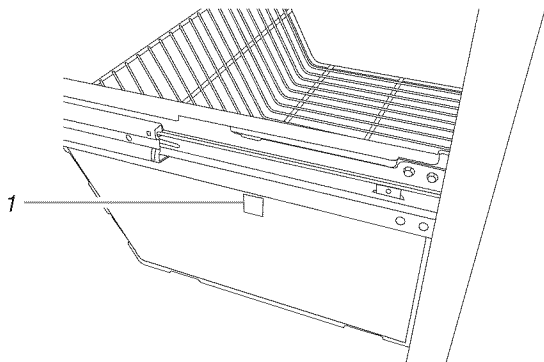
### Remplacement des poignées (série avec panneaux décoratifs)

1. S'assurer que la capsule de la porte inférieure est installée.
2. Aligner les encoches de la poignée avec les languettes en métal de montage au côté de la porte. Glisser la poignée vers le bas jusqu'à son enclenchement.
3. Frapper le sommet de la poignée avec un maillet en caoutchouc pour un ajustage serré.
4. À l'aide d'un tournevis Phillips, réinstaller la capsule de la porte supérieure.

### Enlèvement du tiroir du congélateur

(Les illustrations sont incluses plus loin dans cette section.)

1. Ouvrir le tiroir du congélateur en grand.
2. Retirer tous les articles des paniers.
3. Faire glisser le panier supérieur en broche complètement et le soulever pour l'enlever.
4. Enlever le panier inférieur en broche en appuyant sur le bouton de dégagement qui se trouve de chaque côté et retirer le panier des glissières de sécurité.



1. Bouton de dégagement

5. Enlever la vis Phillips (sur certains modèles) de chaque côté de l'ensemble de rails du tiroir (voir l'illustration 6-1).  
**REMARQUE :** Ne pas enlever les vis à tête hexagonale de l'ensemble de rails.
6. Soulever la poignée avant du tiroir du congélateur pour défaire les crochets du rail du tiroir de l'intérieur de l'ensemble du rail. Soulever le tiroir pour le retirer.

### Réinstallation du tiroir du congélateur

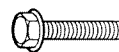
**IMPORTANT :** Deux personnes peuvent être nécessaires pour effectuer cette procédure.

1. Tirer complètement les deux ensembles intérieurs de rails de chaque côté de la caisse.
2. Repérer les encoches sur les deux prolongements de rails intérieurs (voir l'illustration 6-2).
3. Aligner les onglets sur le bord extérieur des ensembles de rails du tiroir avec les encoches sur les deux prolongements de rails.
4. Insérer les onglets dans les encoches (voir l'illustration 6-3).
5. Replacer les vis Phillips (sur certains modèles) sur les deux prolongements de rails (voir l'illustration 6-1).
6. Réinstaller le panier inférieur en plaçant le panier dans les rails guides.
7. Faire glisser le panier supérieur dans le compartiment supérieur.

### Enlèvement de la porte et des charnières

#### IMPORTANT :

- Avant de commencer, tourner la commande du réfrigérateur à OFF (arrêt), débrancher le réfrigérateur ou déconnecter le courant. Retirer les aliments et tout balconnet ajustable dans les portes.
- Toutes les illustrations mentionnées dans les instructions suivantes sont incluses plus loin dans cette section après "Étapes finales".



Vis de charnière supérieure à tête hexagonale de  $\frac{5}{16}$  po

**Outillage requis :** Clés à douilles à tête hexagonale de  $\frac{5}{16}$  po,  $\frac{3}{8}$  po et  $\frac{1}{4}$  po, tournevis Phillips n° 2 et un tournevis à tête plate.

1. Laisser la porte du réfrigérateur fermée jusqu'à ce vous soyez prêt à la soulever de la caisse.  
**REMARQUE :** Prévoir un support additionnel de la porte pendant la réinstallation des charnières. La force d'attraction des aimants des portes ne suffit pas à les maintenir en place.
2. Enlever les pièces de la charnière supérieure - voir l'illustration de la charnière supérieure. Soulever la porte du réfrigérateur pour la séparer de la caisse.
3. Enlever les pièces de la charnière inférieure - voir l'illustration de la charnière inférieure.

---

## Inversion du sens d'ouverture de la porte (sur certains modèles de la série Architect®)

---

### IMPORTANT :

- Les portes de réfrigérateur en acier inoxydable ne peuvent pas être inversées.
- Si on souhaite inverser la position des portes qui ne sont pas en acier inoxydable pour pouvoir les ouvrir du côté opposé, procéder comme suit. S'il n'est pas nécessaire de changer l'orientation des portes, voir la section "Remplacement de la porte et des charnières".
- Vous devez en premier enlever la poignée des portes du réfrigérateur de la série avec panneaux décoratifs pour inverser l'ouverture de la porte.



Vis de butée de la porte



Vis frontale de scellement de la poignée de la porte



Vis de poignée à tête plate



Bouchon obturateur de charnière de caisse

### Caisse

1. Enlever les vis de la charnière (côté poignée); transférer ces pièces du côté opposé (voir l'illustration 1-1).
2. Enlever les bouchons d'obturation des trous au sommet de la caisse à l'aide de l'embout à lame plate du tournevis enveloppé dans du ruban à masquer; transférer ceux-ci dans les trous de charnière du côté opposé (voir l'illustration 1-2).

### Porte du réfrigérateur

1. Enlever la poignée de la porte du réfrigérateur y compris les tiges et les vis de montage. Conserver toutes les pièces ensemble (voir l'illustration 2).
2. Enlever la vis frontale de scellement de la poignée de porte. La transférer du côté opposé de la porte du réfrigérateur (voir l'illustration 5).
3. Enlever la butée de porte du bord inférieur de la porte du réfrigérateur. La transférer du côté opposé de la porte du réfrigérateur (voir l'illustration 3).
4. Fixer les tiges de montage de la poignée de la porte sur le côté opposé de la porte.
5. Positionner la poignée de porte du réfrigérateur sur les tiges de montage (voir l'illustration 2). Insérer deux vis de réglage dans les côtés de la poignée.
6. Serrer toutes les vis. Conserver la porte à part jusqu'à la mise en place des charnières et de la porte du congélateur.

---

## Inversion des portes (série avec panneaux décoratifs)

---

(Les illustrations sont incluses plus loin dans cette section.)

1. Enlever les bouchons obturateurs de charnières de caisse avec la lame plate d'un tournevis enveloppée dans un ruban à masquer. Déplacer du côté opposé de la caisse (voir l'illustration 1-2).
2. Enlever les vis de charnières. Déplacer du côté opposé de la caisse (voir l'illustration 1-1).

3. À l'aide d'un tournevis Phillips, enlever la butée de la porte et la capsule de la porte situées sur le bord inférieur du compartiment de réfrigération (voir l'illustration 4).
4. À l'aide d'un tournevis Phillips, enlever la capsule supérieure de la porte.
5. Enlever les vis de charnières à tête hexagonale de ¼ po du prolongement de la porte supérieure. Inverser le prolongement de la porte supérieure de sorte que le coin avec encoche tourne vers l'intérieur de la porte (voir l'illustration 2).
6. Enlever la garniture de la porte latérale et la garniture de la poignée en frappant le bord inférieur vers le haut avec un maillet en caoutchouc mou. La garniture glissera vers le haut et se dégagera de la porte (voir l'illustration 3).
7. Replacer la capsule de la porte inférieure et installer la butée de la porte du côté opposé de la porte.
8. En utilisant la garniture de porte du côté alternatif, expédiée avec le réfrigérateur, aligner les encoches sur la garniture avec les languettes de montage en métal du côté de la porte. Glisser la garniture vers le bas jusqu'à ce qu'elle s'enclenche en position. Frapper le sommet de la garniture avec un maillet en caoutchouc pour assurer un ajustage serré.
9. Installer la poignée en alignant les encoches de la poignée avec les languettes de montage en métal sur le de la porte. Glisser la poignée vers le bas jusqu'à son enclenchement. Frapper le sommet de la poignée avec un maillet en caoutchouc pour assurer un ajustage serré.
10. À l'aide d'un tournevis Phillips, installer le capuchon de la porte.

---

## Remplacement de la porte et des charnières

---

**REMARQUE :** Lorsqu'on inverse une porte de la série avec panneaux décoratifs, utiliser la charnière supérieure alternative expédiée avec le réfrigérateur.

1. Replacer les pièces de la charnière inférieure tel qu'illustré. Resserrer les vis. Replacer la porte du réfrigérateur.  
**REMARQUE :** Prévoir un support additionnel des portes pendant la réinstallation des charnières. La force d'attraction des aimants des portes ne suffit pas à les maintenir en place.
2. Assembler les pièces de la charnière supérieure (voir l'illustration de la charnière supérieure). Ne pas complètement serrer les vis.
3. Aligner correctement la porte de sorte que le bas de la porte du réfrigérateur s'aligne avec le sommet du tiroir du congélateur. Serrer toutes les vis.

---

## Étapes finales

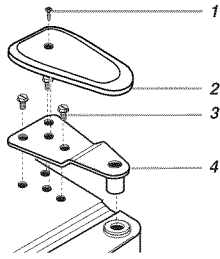
---

1. Inspecter tous les trous. Vérifier que tous les bouchons d'obturation et vis sont en place. Réinstaller le couvercle de la charnière supérieure (voir l'illustration de la charnière supérieure).
2. Brancher le réfrigérateur ou remettre le courant.
3. Effectuer les réglages nécessaires (voir la section "Utilisation des commandes").
4. Réinstaller toutes les pièces amovibles et ranger les aliments.



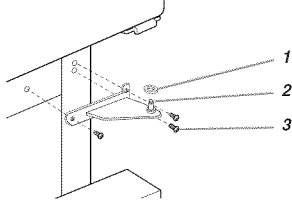
## Démontage et réinstallation de la porte

### Charnière supérieure



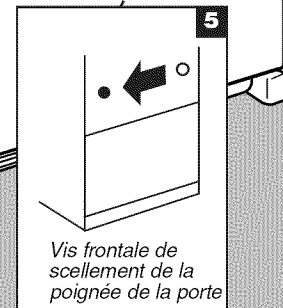
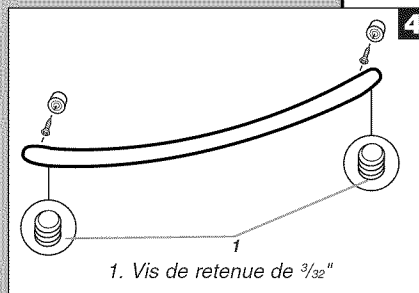
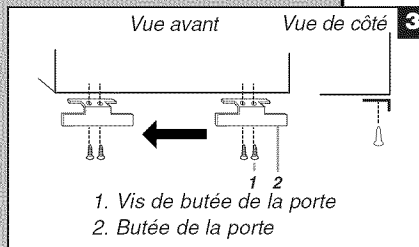
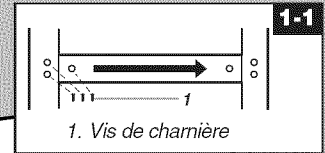
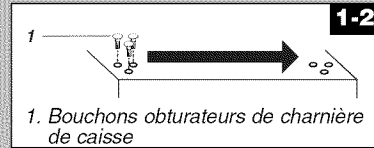
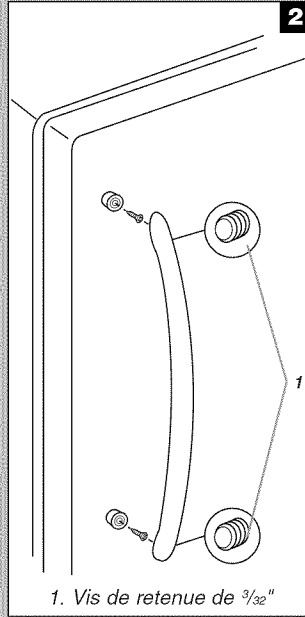
1. Vis de plaque de charnière
2. Plaque de charnière supérieure
3. Vis de charnière à tête hexagonale de 5/16"
4. Charnière supérieure

### Charnière inférieure

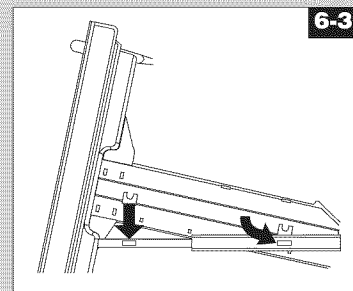
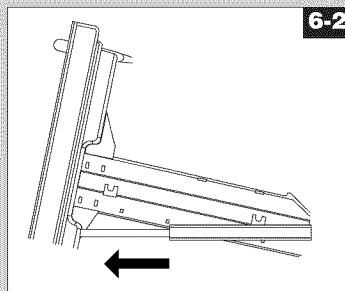
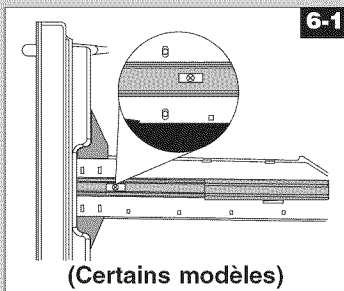


1. Cale
2. Charnière centrale
3. Vis de charnière

## Inversion du sens d'ouverture des portes (option)

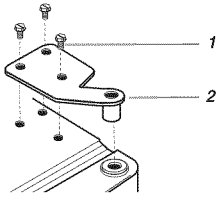


## Démontage et réinstallation du tiroir



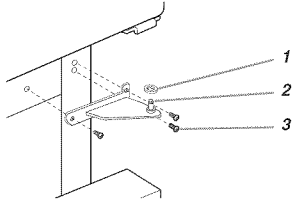
Démontage et réinstallation de la porte

Charnière supérieure



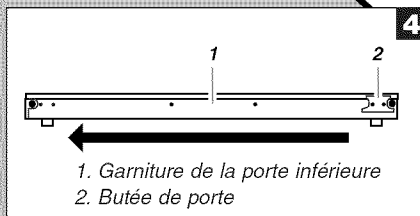
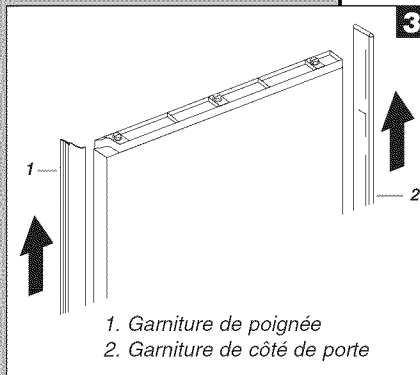
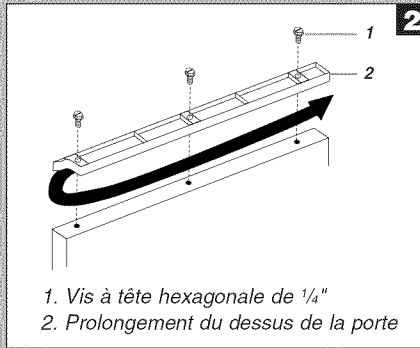
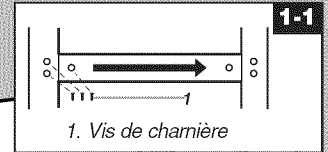
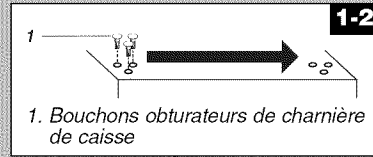
1. Vis de charnière à tête hexagonale de 5/16"
2. Charnière supérieure

Charnière inférieure

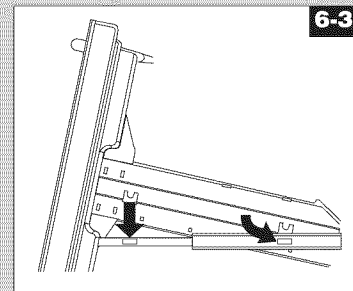
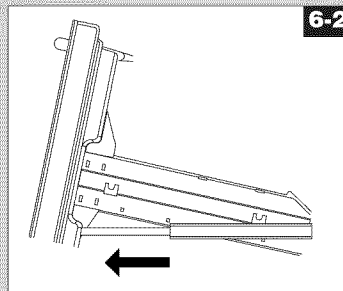
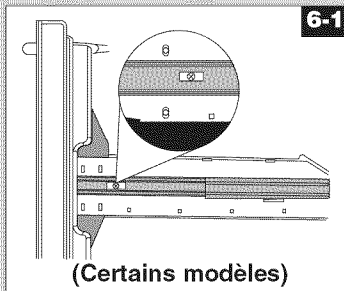


1. Cale
2. Charnière centrale
3. Vis de charnière

Inversion du sens d'ouverture des portes (option)



Démontage et réinstallation du tiroir



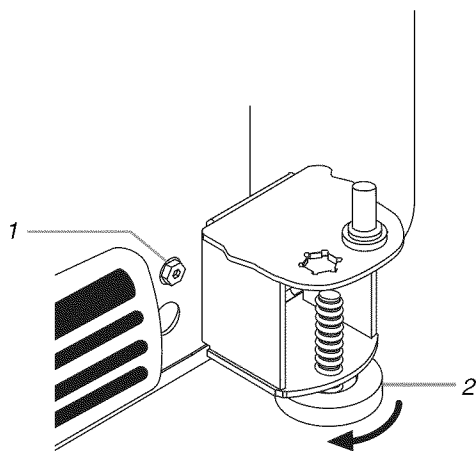
## Fermeture et alignement des portes

### Fermeture des portes

Votre réfrigérateur comporte deux roulettes réglables à l'avant qui sont à la base du réfrigérateur de chaque côté. Si votre réfrigérateur semble instable ou si vous désirez que les portes se ferment plus facilement, faire le réglage de l'inclinaison du réfrigérateur en suivant les instructions ci-dessous :

1. Brancher l'appareil sur une prise à 3 alvéoles reliée à la terre.
2. Placer le réfrigérateur à son emplacement final.
3. Retirer la grille de la base et les plaques de la charnière inférieure (voir la section "Grille de la base"). Les deux vis de réglage des roulettes font partie du montage de roulettes avant.
4. Se servir d'un tournevis ou d'un tournevis à tête hexagonale de  $\frac{3}{8}$  po pour ajuster les vis de réglage des roulettes. Tourner la vis de réglage des roulettes vers la droite pour soulever ce côté du réfrigérateur ou tourner la vis vers la gauche pour abaisser ce côté. Il faudra peut-être plusieurs tours des vis de réglage des roulettes pour ajuster l'inclinaison du réfrigérateur.

**REMARQUE :** Si une autre personne pousse le haut du réfrigérateur, le poids devient moins lourd sur les vis de nivellement et les roulettes, ce qui rend plus facile l'ajustement des vis.



1. Vis de réglage des roulettes  
2. Pied de stabilisation

5. Ouvrir de nouveau les deux portes et s'assurer qu'elles ferment aussi facilement que vous l'aimez. Sinon, incliner légèrement le réfrigérateur vers l'arrière en tournant les deux vis de réglage des roulettes vers la droite. Il faudra peut-être plusieurs tours et vous devriez tourner les deux vis de réglage des roulettes également.

6. Abaisser le pied de stabilisation en le tournant dans le sens horaire jusqu'à ce qu'il touche bien le sol.

**REMARQUE :** Les modèles à tiroir de congélation disposent d'un pied de stabilisation de chaque côté qui s'abaisse en le tournant dans le sens horaire.

7. Réinstaller la grille de la base.

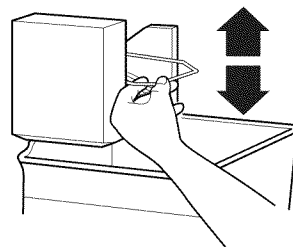
## Préparation du système d'eau

(sur certains modèles)

Veuillez lire avant l'utilisation du système d'eau.

Immédiatement après l'installation, suivre les étapes ci-dessous pour avoir la certitude que le système d'eau est bien nettoyé.

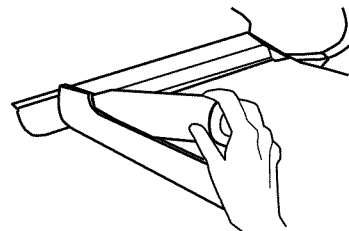
1. Arrêter la machine à glaçons en ouvrant la porte du congélateur et en soulevant le bras de commande en broche comme illustré.



2. Installer la cartouche de filtre d'eau intérieure. La bride de montage du filtre d'eau intérieur est située du côté droit supérieur du compartiment de réfrigération.

**REMARQUE :** Ne pas utiliser avec de l'eau microbiologiquement dangereuse ou de qualité inconnue sans une désinfection avant ou après le système.

- Enlever le capuchon bleu de déviation et le garder pour utilisation ultérieure.
- Enlever minutieusement la cartouche du filtre d'eau intérieur de son emballage. Enlever l'étiquette de scellement au bout du filtre et insérer dans la tête du filtre.
- Tourner délicatement le filtre dans le sens horaire jusqu'à son arrêt et enclencher le couvercle du filtre pour le fermer.



3. Vider le système d'eau en laissant couler et en jetant 2 à 3 gallons (8 à 12 L) d'eau. Le nettoyage du système prendra environ 6 à 7 minutes et aidera à dégager l'air du conduit. Un écoulement additionnel peut être requis dans certains domiciles.

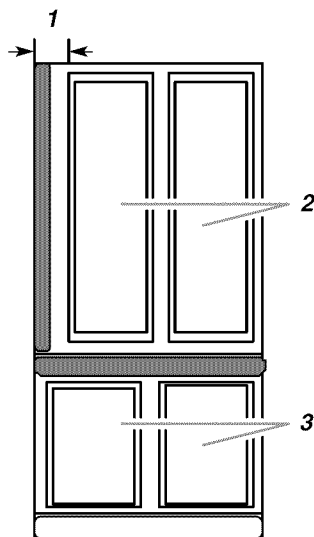
**REMARQUE :** Pendant l'évacuation de l'air, l'eau peut gicler du distributeur.

4. Inspecter le système de filtre pour les fuites d'eau. Si vous constatez des fuites d'eau, voir la section "Dépannage".
5. Mettre la machine à glaçons en marche en ouvrant la porte du congélateur et en abaissant le bras de commande en broche comme illustré. Veuillez consulter la section "Machine à glaçons" pour d'autres instructions sur le fonctionnement de la machine à glaçons.
  - Accorder 24 heures pour produire la première quantité de glaçons.
  - Jeter les trois premières quantités de glaçons produites.

## Ensemble décoratif de l'usine

(sur certains modèles)

Une occasion peut survenir lorsque vous devez enlever l'ensemble décoratif installé à l'usine, comme les cas de déménagement du réfrigérateur à une nouvelle habitation ou l'installation de panneaux décoratifs personnalisés. Veuillez bien lire toutes les instructions avant d'enlever l'ensemble décoratif et les panneaux.



1. 2 1/2" (6,35 cm) de dégagement

2. Panneau décoratif en relief

3. Panneau de tiroir en relief

### Enlèvement des panneaux de la porte

#### IMPORTANT :

- La porte doit être enlevée du réfrigérateur avant d'enlever la poignée.
- La garniture supérieure doit être enlevée du réfrigérateur avant d'enlever le panneau de la porte.

1. Enlever la poignée du réfrigérateur :
  - À l'aide d'un tournevis Phillips, enlever le couvercle du sommet de la porte.
  - Frapper le bord inférieur de la poignée de la porte du réfrigérateur vers le haut avec un maillet en caoutchouc.
  - La poignée glissera vers le haut environ 3/4 po (19,05 mm) et se dégagera de la porte.
2. Enlever le panneau de la porte :
  - Glisser le panneau décoratif vers l'extérieur et la planchette de remplissage.

- Remiser le panneau et la planchette de remplissage soigneusement pour empêcher les égratignures.

### Remplacement des panneaux de porte

1. Réinstaller le panneau de porte du réfrigérateur :
  - Glisser soigneusement le panneau décoratif d'épaisseur maximale de 1/4 po (6,35 mm) dans les rainures fournies dans le couvercle de la porte inférieure et la garniture latérale.
  - Glisser la planchette de remplissage en place derrière le panneau décoratif si nécessaire.
2. Fixer la poignée et la garniture.
3. Réinstaller la porte du réfrigérateur.

### Enlèvement et remplacement du panneau du tiroir du congélateur

**REMARQUE :** Il n'est pas nécessaire d'enlever le tiroir du congélateur pour enlever ou remplacer le panneau décoratif.

1. Retirer le tiroir du congélateur pour avoir accès aux vis de la poignée.
2. À l'aide d'un tournevis Phillips, enlever les vis de la poignée et soulever la poignée.
3. Glisser le panneau décoratif et la planchette de remplissage à travers l'ouverture de la poignée.
4. Réinstaller les panneaux décoratifs en inversant les directions.

### Entretien des panneaux décoratifs

1. Nettoyer les panneaux avec un nettoyant pour acier inoxydable et poli ou un savon doux et de l'eau avec un linge doux, propre et humide.
2. Rincer à fond les panneaux et sécher en absorbant l'eau comme un buvard, à l'aide d'un chiffon ou d'un chamois.

**REMARQUE :** Ne pas utiliser des essuie-tout ou des nettoyants qui contiennent des solvants tels que l'ammoniaque. Ils peuvent endommager la surface des panneaux.

### Installation des panneaux personnalisés en bois

Si vous prévoyez installer des panneaux décoratifs personnalisés en bois, vous devrez les créer vous-même ou consulter un ébéniste ou un menuisier. Voir les dessins dimensionnels pour les encarts des panneaux en bois.

#### Panneaux unis :

On peut créer un panneau uni personnalisé de 1/4 po (6,35 mm) d'épaisseur pour remplacer vos panneaux décoratifs. Les panneaux en bois unis de moins de 1/4 po (6,35 mm) d'épaisseur ne sont pas recommandés.

#### Panneaux en relief :

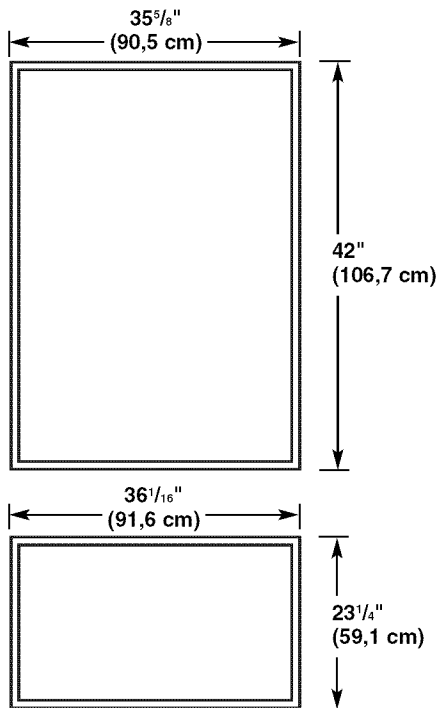
Un panneau en relief peut être créé en vissant ou en collant des panneaux en bois à un appui de 1/4 po (6,35 mm) ou en utilisant un panneau de 3/4 po (19,05 mm) avec rebord aminci. Accorder un dégagement de 2 1/2 po (6,35 cm) minimum entre le rebord en relief du panneau et la poignée.

Exigences de poids pour les encarts de panneaux en relief :

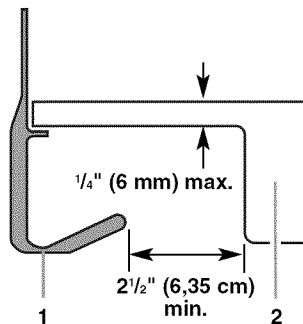
- Le panneau de la porte du réfrigérateur ne devrait pas excéder 30 lb (14 kg).
- Le poids combiné des panneaux de la porte du congélateur ne devrait pas excéder 15 lb (7 kg).

## Dimensions pour les panneaux en bois personnalisés

### Porte du réfrigérateur de 20 pi cu

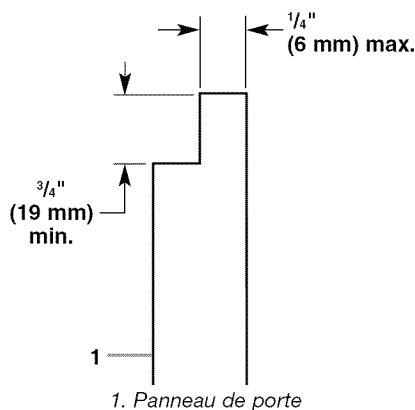


### Dimensions pour travailler le côté de la poignée de la porte en relief à la toupie (vue latérale)



1. Poignée
2. Panneau de porte

### Dimensions pour l'usinage du panneau de porte (vue latérale)



## Sons normaux

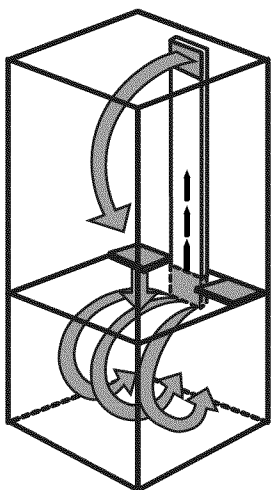
Il est possible que le réfrigérateur neuf émette des bruits que l'appareil précédent ne produisait pas. Comme ces bruits sont nouveaux, ils peuvent vous inquiéter. La plupart de ces nouveaux bruits sont normaux. Des surfaces dures comme le plancher, les murs et les armoires peuvent faire paraître les bruits plus forts qu'en réalité. Les descriptions suivantes indiquent le genre de bruits et leur origine.

- Si votre appareil est équipé d'une machine à glaçons, vous entendrez un bruit de gargouillement lorsque la valve d'eau s'ouvre pour remplir la machine à glaçons pour chaque programme.
- Votre réfrigérateur est conçu pour fonctionner plus efficacement afin de garder les aliments à la température désirée et pour minimiser la consommation d'énergie. Le compresseur et les ventilateurs très efficaces peuvent faire fonctionner votre réfrigérateur plus longtemps que l'ancien. Vous pouvez aussi entendre des bruits saccadés ou aigus provenant du compresseur et des ventilateurs qui s'ajustent pour optimiser la performance.
- Vous pouvez entendre le moteur du ventilateur d'évaporation qui fait circuler l'air dans le réfrigérateur et le congélateur. La vitesse du ventilateur peut augmenter si on ouvre les portes ou si on ajoute des aliments chauds.
- Les vibrations sonores peuvent provenir de l'écoulement du réfrigérant, de la canalisation d'eau ou d'articles placés sur le réfrigérateur.
- L'eau qui dégoutte sur le dispositif de chauffage durant le programme de dégivrage peut produire un grésillement.
- À la fin de chaque programme, vous pouvez entendre un gargouillement attribuable au réfrigérant qui circule dans votre réfrigérateur.
- La contraction et l'expansion des parois internes peuvent produire un bruit sec.
- Vous pouvez entendre de l'air forcé sur le condenseur par le ventilateur du condenseur.
- Vous pouvez entendre l'écoulement de l'eau dans le plat de récupération d'eau de dégivrage pendant le programme de dégivrage.

# UTILISATION DU RÉFRIGÉRATEUR

## Pour s'assurer d'une circulation d'air appropriée

Pour s'assurer d'avoir les températures appropriées, il faut permettre à l'air de circuler entre les sections du réfrigérateur et du congélateur. Comme l'indique l'illustration, l'air froid pénètre dans la section du congélateur par les ouvertures d'aération à l'arrière et au sommet. L'air passe à travers la section du congélateur et recircule sous le plancher du congélateur. L'air froid pénètre dans la section du réfrigérateur par le sommet et circule en descendant sur les tablettes jusqu'aux portes et recircule pour retourner aux ouvertures d'aération en bas.



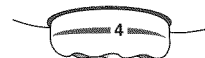
Ne pas obstruer l'une ou l'autre de ces ouvertures d'aération avec des emballages d'aliments. Si les ouvertures d'aération sont obstruées, le débit d'air sera bloqué et des problèmes de température et d'humidité surviendront.

**IMPORTANT :** Comme l'air circule entre les deux sections, toutes les odeurs formées dans une section seront transférées à l'autre. Vous devez nettoyer à fond les deux sections pour éliminer les odeurs. Pour empêcher le transfert d'odeurs et l'assèchement des aliments, envelopper ou couvrir les aliments hermétiquement.

## Utilisation des commandes

Pour vous accommoder, les commandes du réfrigérateur et du congélateur ont été pré-réglées à l'usine. Au moment de l'installation initiale du réfrigérateur, s'assurer que les commandes des compartiments de réfrigération et de congélation sont encore pré-réglées aux réglages moyens tel qu'illustré.

### Réglage moyen "4"



#### IMPORTANT :

- Pour régler le réfrigérateur à OFF (arrêt), tourner la commande du congélateur au mot OFF ou jusqu'à ce que le mot OFF (arrêt) apparaisse. Aucun compartiment ne se refroidira lorsque la commande du congélateur est réglée à OFF (arrêt).
- La commande du réfrigérateur règle la température du compartiment de réfrigération. La commande du congélateur ajuste la température du compartiment de congélation. Les réglages vers la gauche du réglage central rendent la température moins froide. Les réglages vers la droite du réglage central rendent la température plus froide.
- Attendre 24 heures avant de placer des aliments dans le réfrigérateur. Si vous ajoutez des aliments avant que le réfrigérateur ait complètement refroidi, vos aliments peuvent être abîmés.

**REMARQUE :** Tourner les commandes du réfrigérateur et du congélateur à un réglage plus élevé (plus froid) que le réglage recommandé ne refroidira pas les compartiments plus vite.

- Les réglages pré-réglés devraient convenir à un usage domestique normal. Les commandes sont réglées correctement lorsque le lait ou le jus est aussi froid que vous les aimez et lorsque la crème glacée est ferme.
- Si la température est trop élevée ou trop basse dans les compartiments de réfrigération et de congélation, vérifier d'abord les ouvertures d'aération pour s'assurer qu'elles ne sont pas bloquées avant d'ajuster les commandes.

## Ajustement des réglages de commande

Donner au réfrigérateur le temps de refroidir complètement avant d'ajouter des aliments. Il vaut mieux attendre 24 heures avant de placer des aliments dans le réfrigérateur. Les réglages indiqués à la section précédente devraient être corrects pour l'utilisation normale du réfrigérateur domestique. Les réglages sont faits correctement lorsque le lait ou le jus est aussi froid que vous les aimez et lorsque la crème glacée est ferme.

S'il est nécessaire d'ajuster les températures dans le réfrigérateur ou le congélateur, utiliser les réglages indiqués au tableau ci-dessous comme guide. Toujours se souvenir d'attendre au moins 24 heures entre les ajustements.

CONDITION/RAISON :	AJUSTEMENT RECOMMANDÉ :
Section du RÉFRIGÉRATEUR trop tiède <ul style="list-style-type: none"><li>■ Porte fréquemment ouverte</li><li>■ Grande quantité d'aliments ajoutée</li><li>■ Température ambiante très chaude</li></ul>	Tourner le réglage du RÉFRIGÉRATEUR au chiffre plus élevé suivant, attendre 24 heures, puis vérifier de nouveau
Section du CONGÉLATEUR trop tiède/glaçons non préparés assez vite <ul style="list-style-type: none"><li>■ Porte fréquemment ouverte</li><li>■ Grande quantité d'aliments ajoutée</li><li>■ Température ambiante très froide (programme en fonctionnement trop peu fréquent)</li><li>■ Usage intense de glaçons</li></ul>	Tourner le réglage du CONGÉLATEUR au chiffre plus élevé suivant, attendre 24 heures, puis vérifier de nouveau
Section du RÉFRIGÉRATEUR trop froide <ul style="list-style-type: none"><li>■ Réglage incorrect pour les conditions existantes</li></ul>	Tourner le réglage du RÉFRIGÉRATEUR au chiffre plus bas suivant, attendre 24 heures, puis vérifier de nouveau
Section du CONGÉLATEUR trop froide <ul style="list-style-type: none"><li>■ Réglage incorrect pour les conditions existantes</li></ul>	Tourner le réglage du CONGÉLATEUR au chiffre plus bas suivant, attendre 24 heures, puis vérifier de nouveau

## Distributeur d'eau

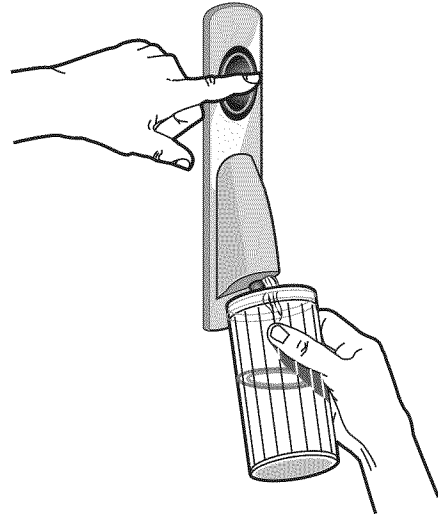
(sur certains modèles)

Si le système d'eau n'a pas fait l'objet d'une vidange lors de l'installation initiale du réfrigérateur, puiser de l'eau dans un contenant jusqu'à l'obtention de 2 à 3 gallons (8 à 12 L), que vous jetterez ou environ 6 à 7 minutes après le commencement de la distribution d'eau. Cette eau ainsi puisée et jetée rince le réservoir et les tuyauteries. Accorder plusieurs heures pour que le réfrigérateur se refroidisse et refroidisse l'eau.

### Distribution d'eau

1. Tenir un contenant sous le distributeur en appuyant sur le bouton.
2. Relâcher le bouton pour arrêter l'écoulement.

**REMARQUE :** Puiser une quantité suffisante d'eau chaque semaine pour maintenir un approvisionnement frais.



## Système de filtration d'eau intérieur

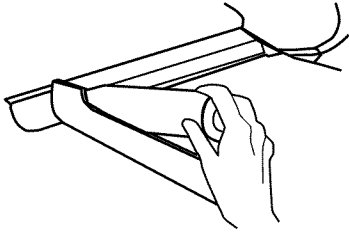
### IMPORTANT :

- On peut faire couler le distributeur d'eau sans une cartouche de filtre d'eau, mais l'eau ne sera pas filtrée. Si vous choisissez cette option, remplacer le filtre avec le capuchon bleu de déviation.
- La bride de montage du filtre d'eau intérieur est située du côté droit supérieur du réfrigérateur.
- La cartouche du filtre d'eau intérieur devrait être remplacée tous les 6 mois ou plus souvent si le débit d'eau à votre distributeur d'eau ou à la machine à glaçons diminue de façon marquée.

## Remplacement de la cartouche de filtre à eau intérieur

1. Tourner le filtre dans le sens antihoraire jusqu'à ce qu'il se dégage de la tête du filtre.
2. Vider l'eau du filtre dans l'évier et jeter. Essuyer l'excès d'eau dans le couvercle du filtre.
3. Enlever l'étiquette scellée de l'extrémité du filtre neuf et l'insérer dans la tête du filtre. Tourner délicatement le filtre dans le sens horaire jusqu'à ce que le filtre s'arrête, et enclencher le couvercle du filtre fermé.

**REMARQUE : Ne pas utiliser avec de l'eau microbiologiquement dangereuse ou de qualité inconnue sans une désinfection adéquate avant ou après le système.**



4. Vider le système d'eau en laissant couler et en jetant 2 à 3 gallons (8 à 12 L) d'eau. Le nettoyage du système prendra environ 6 à 7 minutes et aidera à dégager l'air du conduit. Un écoulement additionnel peut être requis dans certains domiciles.

**REMARQUE :** Pendant l'évacuation de l'air, l'eau peut gicler du distributeur.

5. Inspecter le système de filtre pour les fuites d'eau. Si vous constatez des fuites d'eau, voir la section "Dépannage".

## Machine à glaçons

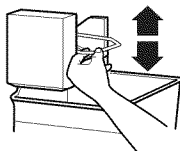
### Mise en marche/arrêt de la machine à glaçons

**REMARQUE :** Ne pas forcer le bras de commande en broche vers le haut ou vers le bas.

- Pour mettre la machine à glaçons en marche, il suffit d'abaisser le bras de commande en broche.

**REMARQUE :** Votre machine à glaçons a un arrêt automatique. Au fur et à mesure de la fabrication de la glace, les glaçons remplissent le bac d'entreposage de glaçons. Les glaçons soulèvent le bras de commande en broche à la position OFF (élevée).

- Pour un arrêt manuel, soulever le bras de commande en broche à la position OFF (élevée) et écouter pour le dé clic pour s'assurer que la machine à glaçons ne continuera pas de fonctionner.



### Augmentation du taux de production de glaçons

La machine à glaçons devrait produire environ 8 à 12 lots de glaçons par période de 24 heures. Si les glaçons ne sont pas fabriqués assez rapidement, tourner la commande du congélateur vers un chiffre plus élevé (plus froid) en étapes de un demi numéro. (Par exemple, si la commande est à 3, la déplacer entre 3 et 4.) Attendre 24 heures et, si nécessaire, tourner graduellement la commande du congélateur au réglage le plus élevé, en attendant 24 heures entre chaque augmentation.

#### À NOTER :

- Accorder 24 heures pour produire la première quantité de glaçons. Jeter les trois premières quantités de glaçons produites.
- La qualité de vos glaçons sera seulement aussi bonne que la qualité de l'eau fournie à votre machine à glaçons. Éviter de brancher la machine à glaçons à un approvisionnement d'eau adoucie. Les produits chimiques adoucisseurs d'eau (tels que le sel) peuvent endommager des pièces de la machine à glaçons et causer une piètre qualité des glaçons. Si une alimentation d'eau adoucie ne peut pas être évitée, s'assurer que l'adoucisseur d'eau fonctionne bien et qu'il est bien entretenu.
- Ne pas garder quoi que ce soit sur le dessus de la machine à glaçons ou dans le bac à glaçons.

## CARACTÉRISTIQUES DU RÉFRIGÉRATEUR

Votre modèle peut comporter l'ensemble de ces caractéristiques ou certaines d'entre elles. Les caractéristiques qui peuvent être achetées séparément comme accessoires du produit comportent le mot "accessoire". Tous les accessoires ne conviennent pas à tous les modèles. Si vous désirez acheter l'un des accessoires, veuillez composer notre numéro d'appel sans frais sur la couverture ou dans la section "Assistance ou service".

### Importants renseignements à savoir au sujet des tablettes et des couvercles en verre :

Ne pas nettoyer les tablettes ou couvercles en verre avec de l'eau tiède quand ils sont froids. Les tablettes et les couvercles peuvent se briser s'ils sont exposés à des changements soudains de température ou à un impact tel que coup brusque. Pour votre protection, le verre trempé est conçu pour éclater en d'innombrables pièces minuscules. Ceci est normal. Les tablettes et les couvercles en verre sont lourds. Un soin spécial s'impose lors de leur déplacement pour éviter l'impact d'une chute.

### Tablettes du réfrigérateur

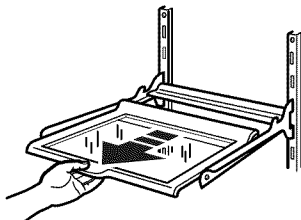
Les tablettes dans votre réfrigérateur peuvent être réglées pour correspondre à vos besoins de rangement individuels. Votre modèle peut être doté de tablettes en verre ou de clayettes.

Le remisage d'aliments semblables ensemble dans le réfrigérateur et le réglage des tablettes pour convenir à différentes hauteurs d'articles alimentaires et de contenants, permettront de trouver l'article désiré plus facilement et réduiront aussi le temps d'ouverture de la porte du réfrigérateur, ce qui économisera de l'énergie.



## Tablettes coulissantes (sur certains modèles)

- Pour faire glisser la tablette vers l'extérieur, tirer la tablette soigneusement vers soi.
- Pour faire glisser la tablette vers l'intérieur, pousser la tablette jusqu'au fond.



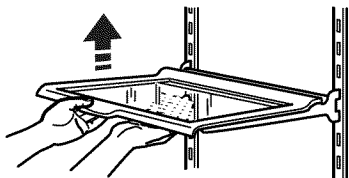
### Pour enlever et réinstaller une tablette dans un cadre en métal :

1. Retirer la tablette jusqu'à la butée.
2. Incliner le devant de la tablette vers le haut et le soulever légèrement en tirant la tablette hors du cadre.
3. Réinstaller la tablette en la guidant dans les fentes sur le cadre et en la poussant au-delà de la butée.

## Tablettes et cadres de tablette

### Pour retirer et réinstaller un cadre/une tablette :

1. Retirer le cadre/la tablette en inclinant le devant vers le haut et en le soulevant hors des supports de tablette.
2. Réinstaller le cadre/la tablette en guidant les crochets arrière de la tablette dans les supports de tablette. Incliner le devant de la tablette vers le haut jusqu'à ce que les crochets arrière tombent dans les supports de tablette.
3. Abaisser le devant de la tablette et s'assurer que la tablette est fixée solidement en place.



## Tiroir à viande et couvercle (sur certains modèles)

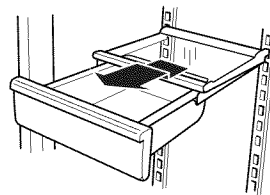
### Pour retirer et réinstaller le tiroir à viande :

1. Retirer le tiroir à viande en le glissant jusqu'à la butée. Soulever le devant du tiroir d'une main tout en soutenant le fond du tiroir de l'autre main. Faire glisser le tiroir complètement vers l'extérieur.
2. Réinstaller le tiroir à viande en le guidant dans les supports du couvercle et en le poussant jusqu'au fond.

### Pour retirer et réinstaller le couvercle du tiroir à viande :

1. Retirer le tiroir à viande. Retirer le couvercle en inclinant le devant vers le haut et en le soulevant à l'arrière. Tirer le couvercle tout droit vers l'extérieur.
2. Réinstaller le couvercle en guidant les crochets arrière dans les supports de tablette. Incliner le couvercle à l'avant jusqu'à ce que les crochets arrière tombent dans les crans.

3. Abaisser le devant du couvercle en place et réinstaller le tiroir à viande.



## Guide d'entreposage des viandes

La plupart des viandes peuvent être conservées dans leur emballage original tant que cet emballage est hermétique et à l'épreuve de l'humidité. Emballer de nouveau si nécessaire. Voir le tableau suivant pour les périodes de conservation. Si la viande doit être conservée pour une période plus longue que la durée donnée, faire congeler la viande.

Poissons, mollusques

ou crustacés frais.....utiliser le jour de l'achat

Poulet, boeuf haché, abats comestibles (foie) ..... 1 à 2 jours

Charcuterie, steaks/rôtis ..... 3 à 5 jours

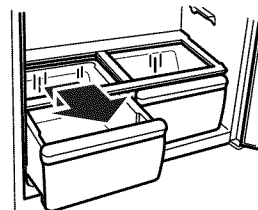
Viandes traitées ..... 7 à 10 jours

Les restes - Couvrir les restes avec de la pellicule en plastique ou du papier d'aluminium. Il est convenable aussi d'utiliser des contenants en plastique avec couvercles hermétiques.

## Bac à légumes et couvercle (sur certains modèles - Accessoire)

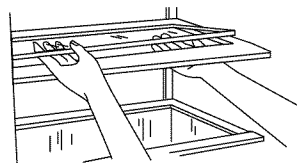
### Pour retirer et réinstaller le(s) bac(s) à légumes :

1. Faire glisser le(s) bac(s) tout droit jusqu'à la butée. Soulever le devant du ou des bacs et glisser le reste du ou des bacs complètement vers l'extérieur.
2. Réinstaller le(s) bac(s) en les faisant glisser complètement au-delà de la butée.



### Pour retirer le couvercle du ou des bacs :

1. Retirer le(s) bac(s).
2. En retenant fermement d'une main l'insertion en verre, pousser vers le haut au centre de l'insertion en verre jusqu'à ce qu'elle se soulève hors du cadre en plastique. Glisser avec précaution l'insertion en verre vers l'avant pour la retirer.
3. Soulever le cadre du couvercle et le retirer.



## Pour réinstaller le couvercle du ou des bacs :

**REMARQUE :** Avant de réinstaller le couvercle, s'assurer que la barre de renforcement en U est réinstallée à l'avant du couvercle du bac.

1. Introduire l'arrière du cadre du couvercle dans les supports sur les parois latérales du réfrigérateur et abaisser le devant du cadre du couvercle en place.
2. Faire glisser l'arrière de l'insertion en verre dans le cadre du couvercle et abaisser le devant en place.

## Réglage de l'humidité dans le bac à légumes

(sur certains modèles)

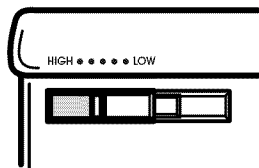
Ce réglage permet de contrôler le degré d'humidité dans les bacs à légumes étanches. La commande peut être réglée à n'importe quel réglage entre LOW et HIGH.

En position LOW (ouvert) le réglage laisse échapper l'air humide pour mieux conserver les fruits et légumes à pelures.

- Fruits : Laver, laisser sécher et mettre au réfrigérateur dans un sac en plastique ou dans le bac à légumes. Ne pas laver ni équeuter les petits fruits avant le moment de leur utilisation. Les trier et les conserver dans l'emballage original dans le bac à légumes ou les conserver sur une tablette du réfrigérateur dans un sac fermé en papier sans être serré.
- Légumes à pelures : Placer dans des sacs en plastique ou contenants en plastique et ranger dans le bac à légumes.

En position HIGH (fermé) le réglage permet de retenir l'humidité à l'intérieur du bac pour mieux conserver les légumes frais et les légumes à feuilles.

- Légumes à feuilles : Laver à l'eau froide, égoutter et couper ou éliminer les sections endommagées et décolorées. Placer dans un sac ou un contenant en plastique et ranger dans le bac à légumes.

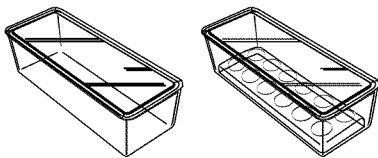


## Casier utilitaire ou oeufrier

(sur certains modèles - Accessoire)

Selon le modèle que vous avez, vous pouvez avoir un oeufrier à une, deux ou trois pièces. Les oeufs peuvent être gardés dans l'oeufrier ou placés en vrac dans le casier.

**REMARQUE :** Les oeufs devraient être rangés dans un contenant couvert pour remisage à long terme. Si votre modèle ne comporte pas un d'oeufrier ou de casier utilitaire, ranger les oeufs dans le contenant original sur une tablette intérieure.



# CARACTÉRISTIQUES DU CONGÉLATEUR

Votre modèle peut comporter l'ensemble de ces caractéristiques ou certaines d'entre elles. Les caractéristiques qui peuvent être achetées séparément comme accessoires du produit comportent le mot "accessoire". Tous les accessoires ne conviennent pas à tous les modèles. Si vous désirez acheter l'un des accessoires, veuillez composer notre numéro d'appel sans frais sur la couverture ou dans la section "Assistance ou service".

## Paniers de congélateur

### Enlever et réinstaller les paniers en broche :

#### Panier supérieur

1. Retirer tous les articles du panier. Enlever le panier en le tirant complètement et le soulever pour le sortir.
2. Réinstaller le panier en le glissant dans les rails moulés supérieurs. S'assurer que l'arrière du panier s'accroche derrière le taquet du rail.

#### Cloison du panier supérieur

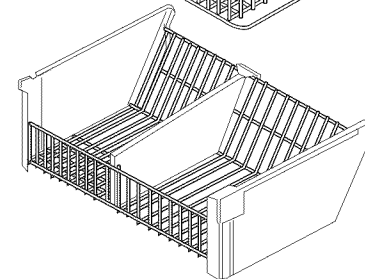
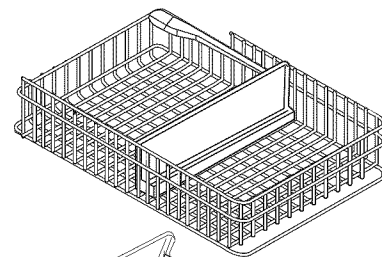
- La cloison du panier supérieur sépare la fabrication de glaçons du rangement des aliments congelés et empêche les glaçons de tomber derrière l'ensemble du panier.
- La cloison du panier inférieur est conçue pour ne pas être retirée et devrait rester dans le réfrigérateur.

#### Panier inférieur

1. Retirer tous les articles du panier. Retirer le panier en le soulevant des rails guides.
2. Réinstaller le panier en le plaçant dans les rails guides.

#### Cloison du panier inférieur

La cloison du panier inférieur est conçue pour ne pas être retirée et devrait rester dans le réfrigérateur.



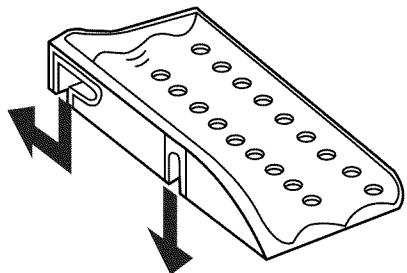
---

## Tablette à glaçons

(sur certains modèles)

### Pour installer et enlever la tablette à glaçons :

1. Faire glisser la rainure en L de la tablette vers le bas sur la vis de la paroi arrière. Pousser vers l'arrière jusqu'à ce que la vis soit bloquée dans la rainure en L.
2. Placer la rainure avant sur la vis de la paroi avant et pousser vers le bas jusqu'à ce que la tablette soit en place.
3. Pour l'enlever, inverser les étapes ci-dessus.



---

# CARACTÉRISTIQUES DE LA PORTE

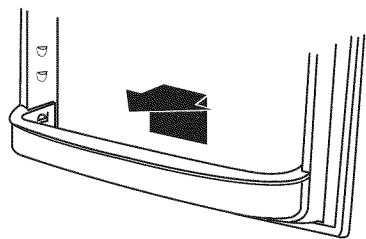
Votre modèle peut comporter l'ensemble de ces caractéristiques ou certaines d'entre elles. Les caractéristiques qui peuvent être achetées séparément comme accessoires du produit comportent le mot "accessoire". Tous les accessoires ne conviennent pas à tous les modèles. Si vous désirez acheter l'un des accessoires, veuillez composer notre numéro d'appel sans frais sur la couverture ou dans la section "Assistance ou service".

---

## Dispositif de retenue de la porte

### Pour enlever et réinstaller le dispositif de retenue de la porte :

1. Enlever le dispositif de retenue en le soulevant et en le tirant tout droit pour le sortir.
2. Réinstaller le dispositif de retenue en le glissant en place au-dessus du support et en le poussant vers le bas jusqu'à ce qu'il s'arrête.

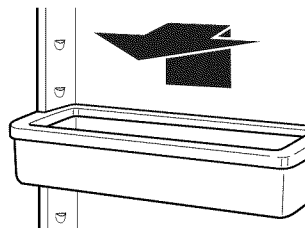


---

## Balconnets dans la porte

### Pour retirer et réinstaller les balconnets :

1. Retirer le balconnet en le soulevant et le tirant tout droit.
2. Réinstaller le balconnet en le glissant en place au-dessus du support désiré et en le poussant jusqu'à ce qu'il s'arrête.



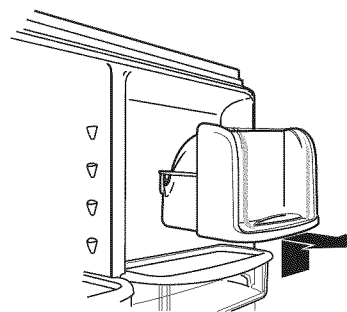
---

## Compartiment utilitaire

(sur certains modèles)

### Pour enlever et réinstaller le compartiment utilitaire :

1. Enlever le compartiment utilitaire en le soulevant et en le tirant tout droit.
2. Réinstaller le compartiment utilitaire en le glissant en place au-dessus du support désiré et en le poussant jusqu'à ce qu'il s'arrête.



# ENTRETIEN DU RÉFRIGÉRATEUR

## Nettoyage

### **AVERTISSEMENT**



#### Risque d'explosion

Utiliser un produit de nettoyage ininflammable.

Le non-respect de cette instruction peut causer un décès, une explosion ou un incendie.

Les sections de réfrigération et de congélation se dégivrent automatiquement. Toutefois, nettoyer les deux sections au moins une fois par mois pour empêcher une accumulation d'odeurs. Essuyer les renversements immédiatement.

#### Pour nettoyer le réfrigérateur

1. Débrancher le réfrigérateur ou déconnecter la source de courant.
2. Retirer toutes les pièces amovibles de l'intérieur, telles que les tablettes, bacs, etc.
3. Laver à la main, rincer et sécher les pièces amovibles et les surfaces internes à fond. Utiliser une éponge propre ou un linge doux et un détergent doux dans de l'eau tiède.
  - Ne pas utiliser des nettoyants abrasifs tels que les nettoyants à vitre en atomiseurs, nettoyants à récurer, liquides inflammables, cires nettoyantes, détergents concentrés, eaux de Javel ou nettoyants contenant du pétrole sur les pièces en plastique, les garnitures intérieures, ou les joints de portes. Ne pas utiliser d'essuie-tout, tampons à récurer ou autre outil de nettoyage abrasif. Ces produits risquent d'égratigner ou d'endommager les matériaux.
  - Pour aider à éliminer les odeurs, on peut laver les parois intérieures avec un mélange d'eau tiède et de bicarbonate de soude (2 c. à soupe pour 1 pinte [26 g pour 0,95 L] d'eau).

4. Laver les surfaces extérieures en acier inoxydable ou métalliques peintes avec une éponge propre ou un linge doux et un détergent doux dans de l'eau tiède. Ne pas utiliser de nettoyants abrasifs. Sécher à fond avec un linge doux. Pour mieux protéger les surfaces métalliques extérieures peintes contre les dommages, appliquer une cire pour appareil électroménager (ou cire en pâte pour automobile) avec un linge propre et doux. Ne pas cirer les surfaces en plastique.

**REMARQUE :** Pour conserver à votre réfrigérateur en acier inoxydable son aspect neuf et enlever les petites égratignures ou marques, il est suggéré d'utiliser le nettoyant et poli pour acier inoxydable approuvé par le fabricant.

**IMPORTANT :** Ce nettoyant est pour les pièces en acier inoxydable seulement!

Veiller à ce que le nettoyant et poli pour acier inoxydable n'entre pas en contact avec les pièces de plastique telles que garnitures, couvercles de distributeurs ou joints de porte. En cas de contact, nettoyer la pièce de plastique avec une éponge et un détergent doux et de l'eau tiède. Bien sécher avec un linge doux. Pour commander le nettoyant, voir la section "Accessoires".

5. Le condenseur n'a pas besoin d'être nettoyé souvent dans des conditions de fonctionnement normales. Si l'environnement est particulièrement grassex ou poussiéreux, ou s'il y a des animaux domestiques dans la maison, le condenseur devrait être nettoyé tous les deux ou trois mois pour assurer une efficacité maximum.

Si vous avez besoin de nettoyer le condenseur :

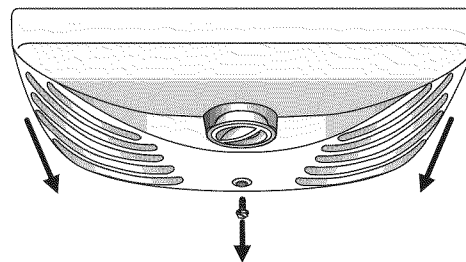
- Ôter la grille de la base (voir la section "Grille de la base" ou "Enlèvement de la porte").
  - Utiliser un aspirateur à brosse douce pour nettoyer la grille, les endroits ouverts derrière la grille et la surface à l'avant du condenseur.
  - Replacer la grille de la base lorsque vous avez terminé.
6. Brancher le réfrigérateur ou reconnecter la source de courant.

## Remplacement de l'ampoule d'éclairage

**REMARQUE :** Votre réfrigérateur ne pourra pas accommoder toutes les ampoules pour les appareils ménagers. S'assurer de faire le remplacement par une ampoule de grosseur, de forme et de puissance semblables.

### Remplacement de l'ampoule du compartiment de réfrigération

1. Débrancher le réfrigérateur ou débrancher la source de courant électrique.
2. Enlever la vis de l'écran de protection. Veiller à conserver la vis pour la réinstallation.
3. Faire glisser l'écran de protection vers l'arrière du compartiment pour le libérer de l'ensemble d'éclairage.



4. Remplacer la ou les ampoule(s) grillée(s) avec une ampoule électrique pour appareil ménager de pas plus de 40 watts.
  5. Réinstaller le couvercle de l'ampoule en insérant les onglets de protection dans les trous appropriés de chaque côté de l'ensemble d'éclairage. Faire glisser l'écran de protection vers l'avant de l'unité jusqu'à ce qu'il se verrouille en place.
- REMARQUE :** Ne pas forcer l'écran de protection au-delà du point de verrouillage; cela pourrait endommager l'écran de protection de la lumière.
6. Réinstaller la vis.
  7. Brancher le réfrigérateur ou reconnecter la source de courant électrique.

---

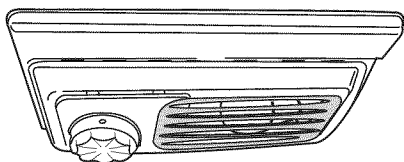
### Remplacement de l'ampoule du compartiment de congélation

---

1. Débrancher le réfrigérateur ou débrancher la source de courant électrique.

**REMARQUE :** On peut avoir besoin d'enlever la tablette ou le panier supérieur(e) du compartiment de congélation pour accéder à l'ensemble d'éclairage.

2. Presser et tirer l'arrière du couvercle de l'écran de protection vers soi pour libérer les onglets et tirer vers le bas.



3. Remplacer l'ampoule grillée avec une ampoule pour appareil ménager de pas plus de 40 watts.
  4. Insérer les onglets avant du couvercle dans les trous et enclencher la partie arrière sur l'ensemble d'éclairage.
  5. Brancher le réfrigérateur ou reconnecter la source de courant électrique.
- 

## Pannes de courant

Si le service doit être interrompu pendant 24 heures ou moins, garder les deux portes du réfrigérateur fermées pour aider les aliments à demeurer froids et congelés.

Si le service doit être interrompu pendant plus de 24 heures, faire l'une des choses suivantes :

- Retirer tous les aliments congelés et les entreposer dans un entrepôt frigorifique.
- Placer 2 lbs (907 g) de neige carbonique dans le congélateur pour chaque pied cube (28 L) d'espace de congélation. Ceci permettra de garder les aliments congelés durant deux à quatre jours.
- S'il n'y a pas d'entrepôt frigorifique ni de neige carbonique, consommer ou mettre immédiatement en conserve les aliments périssables.

**À NOTER :** Un congélateur plein restera froid plus longtemps qu'un congélateur partiellement rempli. Un congélateur plein de viande demeure froid plus longtemps qu'un congélateur rempli de pains et de pâtisseries. Si les aliments contiennent des cristaux de glace, ils peuvent être remis à congeler même si la qualité et la saveur risquent d'être affectées. Si les aliments semblent de piètre qualité, les jeter.

---

## Entretien avant les vacances ou lors d'un déménagement

---

### Vacances

---

#### Si vous choisissez de laisser le réfrigérateur en fonctionnement pendant votre absence :

1. Consommer tous les aliments périssables et congeler les autres articles.
2. Si votre réfrigérateur a une machine à glaçons automatique :
  - Soulever le bras de commande en broche à la position OFF (élevée) ou déplacer le commutateur à la position OFF (arrêt) à droite.
  - Fermer l'approvisionnement d'eau de la machine à glaçons.
3. Vider le bac à glaçons.

#### Si vous choisissez d'arrêter le fonctionnement du réfrigérateur avant votre absence :

1. Enlever tous les aliments du réfrigérateur.
  2. Si votre réfrigérateur a une machine à glaçons automatique :
    - Fermer l'approvisionnement d'eau de la machine à glaçons au moins une journée à l'avance.
    - Lorsque la dernière quantité de glaçons est déposée, soulever le bras de commande en broche à la position OFF (élevée) ou déplacer le commutateur à la position OFF (arrêt) à droite.
  3. Tourner la commande du thermostat (ou la commande du réfrigérateur, selon le modèle) à OFF. Voir la section "Utilisation des commandes".
  4. Nettoyer le réfrigérateur, l'essuyer et bien le sécher.
  5. À l'aide d'un ruban adhésif, placer des blocs de caoutchouc ou de bois dans la partie supérieure de chaque porte de façon à ce qu'elles soient suffisamment ouvertes pour permettre l'entrée de l'air à l'intérieur, afin d'éviter l'accumulation d'odeur ou de moisissure.
- 

### Déménagement

---

Lorsque vous déménagez votre réfrigérateur à une nouvelle habitation, suivre ces étapes pour préparer le déménagement.

1. Si votre réfrigérateur a une machine à glaçons automatique :
  - Fermer l'approvisionnement d'eau de la machine à glaçons au moins une journée à l'avance.
  - Débrancher la canalisation d'eau de l'arrière du réfrigérateur.
  - Lorsque la dernière quantité de glaçons est déposée, soulever le bras de commande en broche à la position OFF (élevée) ou déplacer le commutateur à la position OFF (arrêt) à droite.
2. Retirer tous les aliments du réfrigérateur et placer tous les aliments congelés dans de la neige carbonique.
3. Vider le bac à glaçons.
4. Tourner la commande du thermostat (ou la commande du réfrigérateur, selon le modèle) à OFF (arrêt). Voir la section "Utilisation des commandes".

5. Débrancher le réfrigérateur.
6. Vider l'eau du plat de dégivrage.
7. Nettoyer, essuyer et sécher à fond.
8. Retirer toutes les pièces amovibles, bien les envelopper et les attacher ensemble à l'aide de ruban adhésif pour qu'elles ne bougent pas ni ne s'entrechoquent durant le déménagement.
9. Selon le modèle, soulever le devant du réfrigérateur pour qu'il roule plus facilement OU visser les pieds de nivellement pour qu'ils n'égratignent pas le plancher. Voir la section "Fermeture des portes" ou "Nivellement du réfrigérateur".
10. Fermer les portes à l'aide de ruban adhésif et fixer le cordon d'alimentation à la caisse du réfrigérateur.

Lorsque vous arriverez à votre nouvelle habitation, remettre tout en place et consulter la section "Installation du réfrigérateur" pour les instructions de préparation. Aussi, si votre réfrigérateur a une machine à glaçons automatique, rappelez-vous de rebrancher l'approvisionnement d'eau au réfrigérateur.

## DÉPANNAGE

**Essayer les solutions suggérées ici en premier afin d'éviter les coûts d'une visite de service inutile.**

### Le réfrigérateur ne fonctionne pas

- **Le cordon d'alimentation électrique est-il débranché?**  
Brancher sur une prise à 3 alvéoles reliée la terre.
- **Un fusible est-il grillé ou le disjoncteur s'est-il déclenché?**  
Remplacer le fusible ou réenclencher le disjoncteur.
- **Le réglage du réfrigérateur est-il à la position OFF (arrêt)?**  
Voir la section "Utilisation des commandes".
- **Le réfrigérateur est-il en train de se dégivrer?** Vérifier pour voir si le réfrigérateur fonctionne au bout de 30 minutes. Le réfrigérateur exécutera régulièrement un programme automatique de dégivrage.

### Les ampoules n'éclairent pas

- **Le cordon d'alimentation électrique est-il débranché?**  
Brancher sur une prise à 3 alvéoles reliée la terre.
- **Une ampoule d'éclairage est-elle desserrée dans la douille ou grillée?** Voir la section "Remplacement des ampoules d'éclairage".

### Le plat de dégivrage contient de l'eau

- **Le réfrigérateur est-il en train de se dégivrer?** L'eau s'évaporerait. C'est normal que l'eau dégoutte dans le plat de dégivrage.
- **Y a-t-il plus d'humidité que d'habitude?** Prévoir que l'eau dans le plat de dégivrage prend plus de temps à s'évaporer. Ceci est normal quand il fait humide.

### Le moteur semble fonctionner excessivement

- **La température ambiante est-elle plus chaude que d'habitude?** Prévoir que le moteur fonctionnera plus longtemps dans des conditions de chaleur. Pour des températures ambiantes normales, prévoir que le moteur fonctionne environ 40% à 80% du temps. Dans des conditions plus chaudes, prévoir un fonctionnement encore plus fréquent.
- **Vient-on d'ajouter une grande quantité d'aliments au réfrigérateur?** L'addition d'une grande quantité d'aliments réchauffe le réfrigérateur. Il est normal que le moteur fonctionne plus longtemps afin de refroidir de nouveau le réfrigérateur.
- **Les portes sont-elles ouvertes fréquemment?** Prévoir que le moteur fonctionnera plus longtemps dans ce cas. Afin de conserver l'énergie, essayer de sortir tout ce dont vous avez besoin du réfrigérateur à la fois, garder les aliments organisés et fermer la porte le plus tôt possible.
- **Les réglages sont-ils faits correctement pour les conditions ambiantes?** Voir la section "Utilisation des commandes".
- **Les portes sont-elles complètement fermées?** Bien fermer les portes. Si les portes ne ferment pas complètement, voir "Les portes ne se ferment pas complètement" plus loin dans cette section.
- **Les serpentins du condenseur sont-ils sales?** Cette situation empêche le transfert de l'air et fait travailler davantage le moteur. Nettoyer les serpentins du condenseur. Voir la section "Nettoyage".

**REMARQUE :** Votre réfrigérateur neuf fonctionnera plus longtemps que l'ancien du fait de son moteur très efficace.

### Le réfrigérateur semble faire trop de bruit

- **Les sons peuvent être normaux pour votre réfrigérateur.**  
Voir la section "Sons normaux".

### La machine à glaçons ne produit pas de glaçons ou pas assez

- **La machine à glaçons vient-elle juste d'être installée?**  
Attendre 72 heures pour le commencement de la production complète de glaçons. Une fois que le réfrigérateur a refroidi, la machine à glaçons devrait commencer à produire 70 à 120 glaçons à toutes les 24 heures.
- **La température du congélateur est-elle assez froide pour produire des glaçons?** Attendre 24 heures après le branchement pour la production de glaçons. Voir la section "Utilisation des commandes".

- **Le bras de commande en broche de la machine à glaçons est-il en position OFF (élevée)?** Abaisser le bras de commande en broche à la position ON (abaissée). Voir la section “Machine à glaçons”.
- **La valve de la canalisation d'eau reliée au réfrigérateur est-elle ouverte?** Ouvrir la valve d'eau. Voir la section “Raccordement du réfrigérateur à une canalisation d'eau”.
- **Y a-t-il de l'eau dans le moule de la machine à glaçons ou ne produit-elle pas de glaçons?** Vérifier pour voir si le réfrigérateur a été branché à la canalisation d'eau de votre domicile, et si le robinet d'arrêt de la canalisation est ouvert. Voir la section “Raccordement du réfrigérateur à une canalisation d'eau”.
- **Un glaçon est-il coincé dans le bras éjecteur?** Enlever le glaçon du bras éjecteur avec un ustensile en plastique. Voir la section “Machine à glaçons”.
- **Une grande quantité de glaçons vient-elle d'être enlevée?** Attendre 24 heures pour que la machine à glaçons produise plus de glaçons.
- **Les réglages sont-ils faits correctement?** Si très peu de glaçons sont produits, voir la section “Utilisation des commandes”.
- **Un filtre à eau est-il installé sur le réfrigérateur?** Le filtre peut être obstrué ou incorrectement installé. Selon le modèle que vous avez, ôter la cartouche du filtre à eau (voir la section “Système de filtration d'eau intérieur”). Faire fonctionner le distributeur. Si le débit d'eau s'accroît beaucoup, votre filtre est obstrué et doit être remplacé.

**REMARQUE :** Si cette situation n'est pas attribuable à ce qui précède, il peut exister un problème avec la canalisation d'eau. Faire un appel de service.

---

### Mauvais goût, odeur ou couleur grise des glaçons

---

- **Les raccords de plomberie sont-ils neufs et causent-ils une décoloration et un mauvais goût des glaçons?** Jeter les premières quantités de glaçons.
- **Les glaçons ont-ils été gardés trop longtemps?** Jeter les vieux glaçons et en faire une nouvelle provision.
- **Les aliments dans le réfrigérateur ont-ils été bien emballés?** Voir la section “Caractéristiques du réfrigérateur”.
- **Le congélateur et le bac à glaçons ont-ils besoin d'être nettoyés?** Voir la section “Nettoyage”.
- **L'eau contient-elle des minéraux (tels que le soufre)?** L'installation d'un filtre peut être requise afin d'enlever les minéraux.
- **Un filtre à eau est-il installé dans le réfrigérateur?** Une décoloration grise ou foncée de la glace indique que le système de filtration de l'eau a besoin d'un rinçage additionnel. Faire couler de l'eau supplémentaire dans le distributeur d'eau pour mieux nettoyer le système de filtration de l'eau (au moins 2 à 3 gallons [8 à 12 L] ou pendant 6 à 7 minutes initialement). Jeter la glace décolorée.

---

### Le distributeur d'eau ne fonctionne pas bien

---

- **Le système d'eau s'est-il rempli?** Le système d'eau a besoin d'être rempli la première fois qu'il est utilisé. Utiliser un contenant solide pour appuyer sur la barre de distribution d'eau jusqu'à ce que l'eau commence à couler. Purger le système d'eau en distribuant et en jetant de 2 à 3 gallons (8 à 12 L) d'eau. Le nettoyage du système prendra environ 6 ou 7 minutes et contribuera à purger l'air de la canalisation. Une purge supplémentaire peut-être nécessaire dans certains domiciles. Voir la section “Distributeur d'eau”.
- **Le robinet d'arrêt d'eau est-il ouvert ou la canalisation d'eau est-elle raccordée à la source?** Vérifier pour s'assurer que le robinet d'arrêt d'eau est ouvert et que la source d'eau est connectée au réfrigérateur. Voir la section “Raccordement du réfrigérateur à une canalisation d'eau”.
- **Le robinet d'arrêt d'eau est-il obstrué ou incorrectement installé?** Se référer à la section “Raccordement du réfrigérateur à une canalisation d'eau”. Si l'obstruction ou l'installation n'est pas un problème, faire un appel de service ou faire venir un plombier.
- **La canalisation de la source d'eau du domicile comporte-t-elle une déformation?** Si vous découvrez ou soupçonnez une déformation de la canalisation d'eau, faire un appel de service.

---

### Le débit d'eau du distributeur diminue beaucoup

---

- **Un filtre à eau est-il installé dans le réfrigérateur?** Le filtre peut être obstrué ou incorrectement installé. Selon le modèle que vous avez, ôter la cartouche du filtre à eau (voir la section “Système de filtration d'eau intérieur”). Faire fonctionner le distributeur. Si le débit d'eau s'accroît beaucoup, votre filtre est obstrué et doit être remplacé.

---

### L'eau coule du distributeur

---

- **L'eau dégoutte-t-elle parce que le verre n'est pas tenu sous le distributeur d'eau assez longtemps?** Tenir le contenant sous le distributeur d'eau pendant 2 à 3 secondes après le relâchement du levier de distribution. L'eau peut continuer à couler durant ce temps.
- **Un filtre à eau est-il installé dans le réfrigérateur?** Il peut y avoir de l'air dans les canalisations du système de filtration de l'eau, ce qui cause des gouttes. Une purge supplémentaire pourrait aider à faire sortir l'air des canalisations. L'utilisation normale du distributeur devrait expulser l'air des canalisations en 24 à 72 heures.

---

## L'eau du distributeur n'est pas assez froide

---

- **Le réfrigérateur vient-il d'être installé?** Accorder 24 heures pour que le réfrigérateur se refroidisse complètement.
- **Une grande quantité d'eau a-t-elle été récemment distribuée?** Accorder 24 heures pour que l'eau se refroidisse complètement.
- **N'a-t-on pas récemment distribué de l'eau?** Le premier verre d'eau peut ne pas être froid. Jeter le premier verre d'eau.

---

## La cloison entre les deux sections est tiède

---

La température tiède est probablement attribuable à un fonctionnement normal du réglage automatique de l'humidité de l'extérieur.

---

## La température est trop tiède

---

- **Les ouvertures d'aération sont-elles bloquées dans une section ou l'autre?** Cette obstruction empêche le mouvement de l'air froid du congélateur au réfrigérateur. Enlever tous les objets placés en avant des ouvertures d'aération. Consulter la section "Pour s'assurer d'une circulation d'air appropriée" pour l'emplacement des ouvertures d'aération.
- **La ou les portes sont-elles ouvertes souvent?** Prévoir que le réfrigérateur deviendra tiède dans ce cas. Pour garder le réfrigérateur froid, essayer de sortir tout ce dont vous avez besoin du réfrigérateur à la fois, garder les aliments bien rangés et fermer la porte le plus tôt possible.
- **Vient-on d'ajouter une grande quantité d'aliments au réfrigérateur ou au congélateur?** L'addition d'une grande quantité d'aliments réchauffe le réfrigérateur. Plusieurs heures peuvent être nécessaires pour que le réfrigérateur revienne à la température normale.
- **Les réglages sont-ils faits correctement pour les conditions ambiantes?** Voir la section "Utilisation des commandes".

---

## Il existe une accumulation d'humidité à l'intérieur

---

- **Les ouvertures de circulation d'air sont-elles obstruées dans le réfrigérateur?** Enlever tous les objets en devant les ouvertures d'aération. Consulter "Pour s'assurer d'une circulation d'air appropriée" pour l'emplacement des ouvertures d'aération.
- **La porte ou les portes sont-elles ouvertes souvent?** Pour éviter l'accumulation d'humidité, essayer de sortir tout ce dont vous avez besoin du réfrigérateur à la fois, garder les aliments bien rangés et fermer la porte le plus tôt possible.
- **La pièce est-elle humide?** Il est normal pour l'humidité de s'accumuler à l'intérieur du réfrigérateur lorsque l'air de l'extérieur est humide.

- **Les aliments sont-ils bien emballés?** Vérifier que tous les aliments sont bien emballés. Essuyer les contenants humides d'aliments avant de les placer au réfrigérateur.
- **Les réglages sont-ils faits correctement pour les conditions ambiantes?** Voir la section "Utilisation des commandes".
- **Un programme autodégivreur vient-il de se terminer?** Il est normal que des gouttelettes se forment après que le réfrigérateur se dégivre automatiquement.

---

## Les portes sont difficiles à ouvrir

---

- **Les joints sont-ils sales ou collants?** Nettoyer les joints et la surface. Appliquer en frottant une couche très mince de cire de paraffine sur les joints après le nettoyage.

---

## Les portes ne se ferment pas complètement

---

- **Les aliments emballés empêchent-ils la porte de fermer?** Réorganiser les contenants de sorte qu'ils soient plus rapprochés et prennent moins d'espace.
- **Le bac à glaçons est-il en bonne position?** Pousser le bac à glaçons jusqu'au fond.
- **Le couvercle du bac à légumes, les plats, tablettes, bacs ou paniers sont-ils en bonne position?** Placer le couvercle du bac à légumes et tous les plats, tablettes, bacs et paniers à la position correcte. Voir plus de renseignements à la section "Caractéristiques du réfrigérateur".
- **Les joints collent-ils?** Nettoyer les joints et la surface qu'ils touchent. Appliquer en frottant une couche très mince de cire de paraffine sur les joints après le nettoyage.
- **Le réfrigérateur branle-t-il ou semble-t-il instable?** Nivelier le réfrigérateur. Consulter la section "Fermeture et alignement des portes".
- **Les portes ont-elles été enlevées durant l'installation de l'appareil et mal réinstallées?** Enlever et replacer les portes conformément à la section "Portes du réfrigérateur" ou téléphoner à un technicien qualifié.



# ASSISTANCE OU SERVICE

Avant de demander une assistance ou un service, veuillez vérifier la section "Dépannage". Cette vérification peut vous faire économiser le coût d'une visite de réparation. Si vous avez encore besoin d'aide, suivre les instructions ci-dessous.

Lors d'un appel, veuillez connaître la date d'achat et les numéros au complet de modèle et de série de votre appareil. Ces renseignements nous aideront à mieux répondre à votre demande.

## Si vous avez besoin de pièces de rechange

Si vous avez besoin de commander des pièces de rechange, nous vous recommandons d'utiliser seulement des pièces de rechange d'origine spécifiées par l'usine. Les pièces de rechange d'origine spécifiées par l'usine fonctionneront bien parce qu'elles sont fabriquées selon les mêmes spécifications précises utilisées pour construire chaque nouvel appareil KitchenAid®.

Pour localiser des pièces de rechange d'origine dans votre région, téléphoner à notre Centre d'interaction avec la clientèle ou au centre de service désigné le plus proche.

Téléphoner sans frais au Centre d'interaction avec la clientèle de KitchenAid Canada au : **1-800-461-5681** du lundi au vendredi - de 8 h 00 à 18 h 00 (HNE). Samedi - de 8 h 30 à 16 h 30 (HNE).

## Nos consultants fournissent de l'assistance pour :

- Caractéristiques et spécifications de notre gamme complète d'appareils électroménagers.
- Les références aux concessionnaires locaux.

## Pour service au Canada

Composer le **1-800-807-6777**. Les techniciens de service désignés par KitchenAid Canada sont formés pour remplir la garantie des produits et fournir un service après la garantie partout au Canada.

## Pour plus d'assistance

Si vous avez besoin de plus d'assistance, vous pouvez écrire à KitchenAid Canada en soumettant toute question ou problème à :

KitchenAid Canada  
Centre d'interaction avec la clientèle  
1901 Minnesota Court  
Mississauga, Ontario L5N 3A7

Dans votre correspondance, veuillez indiquer un numéro de téléphone où on peut vous joindre dans la journée.

## Accessoires

Pour commander des accessoires, composer le **1-800-442-9991** et demander le numéro de pièce approprié ci-dessous ou contacter votre marchand KitchenAid autorisé. Au Canada, composer le **1-800-807-6777**.

### Nettoyant et poli pour acier inoxydable

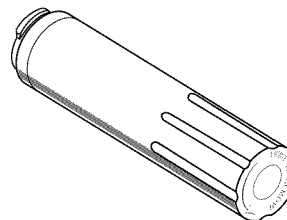
Commander n° de pièce 8171420

### Cartouche de filtre d'eau intérieur :

**REMARQUE : Ne pas utiliser avec de l'eau microbiologiquement dangereuse ou de qualité inconnue sans une désinfection adéquate avant ou après le système.**

### Cartouche standard :

Commander n° de pièce 4396395 (OWF51)



# FEUILLES DE DONNÉES SUR LE PRODUIT

## Système de filtration d'eau intérieur Modèle OWF50-NI300 capacité : 300 gallons (1136 litres)



Testé et certifié par NSF International selon les normes ANSI/NSF 42 et 53 pour la réduction de :

Norme n° 42 : Effets esthétiques Réduction de goût et d'odeur Réduction de chlore Unité de filtration mécanique Réduction des particules Classe 1	Norme n° 53 : Effets sur la santé Unité de réduction de produits chimiques Plomb, atrazine, lindane et réduction 2,4 D Unité de filtration mécanique Kyste, turbidité et réduction d'amiante
---	--

Ce système a été testé d'après les normes 42 et 53 ANSI/NSF pour la réduction des substances énumérées ci-dessous. La concentration des substances indiquées dans l'eau entrant dans le système a été réduite à une concentration moindre ou égale à la limite permise pour l'eau qui quitte le système, tel que spécifié dans les normes ANSI/NSF 42 et 53. Les systèmes certifiés pour la réduction des kystes peuvent être utilisés sur l'eau désinfectée et peuvent contenir des kystes filtrables.

Substance	Affluent / défi Concentration	Effluent moyen	% de réduction moyenne	Effluent maximal	Réductions minimales requises	pH entrée
Plomb :	0,15 mg/L $\pm 10\%$	0,001 mg/L	99,33%	0,001 mg/L	0,010 mg/L	6,5
Plomb :	0,15 mg/L $\pm 10\%$	0,002 mg/L	98,66%	0,003 mg/L	0,010 mg/L	8,5
Kyste	Minimum 50 000 L	1 count/mL	99,99%	3 count/mL	> 99,95%	NA
Turbidité	11 $\pm 1$ NTU	0,12 NTU	98,98%	0,18 NTU	0,5 NTU	NA
Lindane	0,002 mg/L $\pm 10\%$	0,00005 mg/L	97,62%	0,00005 mg/L	0,00002 mg/L	NA
Atrazine	0,009 mg/L $\pm 10\%$	0,0002 mg/L	97,93%	0,0006 mg/L	0,003 mg/L	NA
Chlore	2,0 mg/L $\pm 10\%$	0,09 mg/L	95,26%	0,17 mg/L	≥ 75%	NA
Particule*	au moins 10 000 particules/mL	900 count/mL	99,68%	2400 count/mL	≥ 85%	NA
2,4-D	0,210 mg/L $\pm 10\%$	45,45 ug/L	84,42%	100 ug/L	0,0017 mg/L	NA
Amiante	10 <sup>7</sup> à 10 <sup>8</sup> fibres/L; fibres supérieures à 10 micromètres en longueur	0,16 MFL/mL	99,96%	0,16 MFL/mL	99%	NA

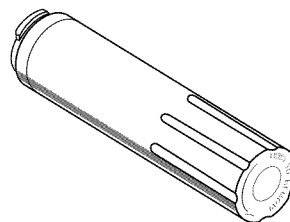
\*La classification d'une gamme de grosseur de particules du test. Les particules utilisées étaient de 0,5-1 micron.

Paramètres de test : pH = 7,5  $\pm$  0,5 à moins d'indications contraires. Débit = 0,75 gpm (2,83 Lpm). Pression = 120 lb/po<sup>2</sup> (827 kPa). Température = 63°F (17,2°C).

- Il est essentiel que les exigences de fonctionnement, d'entretien et de remplacement de filtre soient respectées pour que ce produit donne le rendement annoncé.
- **Utilisation de la cartouche de remplacement OWF51 - Modèle OWF50-NI300 :** La concentration des substances indiquées dans l'eau qui entre dans le système a été réduite à une concentration moindre ou égale à la limite permise pour l'eau qui quitte le système, tel que spécifié dans les normes ANSI/NSF 42 et 53. Remplacer la cartouche au moins tous les 6 à 9 mois. Utiliser une cartouche de remplacement OWF51, n° de pièce 4396395. Prix suggéré au détail en 2003 de 29,95 \$US/39,95 \$CAN. Les prix sont sujets à des changements sans préavis.
- Le produit doit être utilisé pour l'eau froide seulement.
- **Ne pas utiliser avec de l'eau microbiologiquement dangereuse ou de qualité inconnue sans une désinfection adéquate avant ou après le système.**
- Veuillez vous référer à la section "Assistance ou Service" pour le nom, l'adresse et le numéro de téléphone du fabricant ou pour des renseignements au sujet des pièces et du service.
- Veuillez vous référer à la section "Garantie" pour la garantie limitée du fabricant.
- Remarquer que bien que le test ait été exécuté dans des conditions standard de laboratoire, le rendement réel peut varier. Les systèmes doivent être installés et doivent fonctionner conformément aux procédés et directives recommandés par le fabricant.

### Directives d'application/Paramètres d'approvisionnement en eau

Pression de l'eau	35 - 120 lb/po <sup>2</sup> (241 - 827 kPa)
Température de l'eau	33° - 100°F (0,6° - 37,8°C)
Débit nominal	0,75 gpm (2,83 Lpm)



Pentapure Incorporated  
1000 Apollo Road  
Eagan, Minnesota 55121-2240  
651-554-3141

® NSF est une marque déposée de NSF International.

# GARANTIE DU RÉFRIGÉRATEUR KITCHENAID®

## GARANTIE COMPLÈTE DE UN AN SUR LE RÉFRIGÉRATEUR

Pour une période de un an à partir de la date d'achat, lorsque ce réfrigérateur (à l'exclusion du filtre à eau) est utilisé et entretenu conformément aux instructions fournies avec le produit, KitchenAid paiera pour les pièces de rechange spécifiées par l'usine et les frais de réparation pour corriger les vices de matériaux ou de fabrication. Les travaux doivent être effectués par une compagnie de service désignée par KitchenAid.

Sur les modèles avec filtre à eau : garantie limitée de 30 jours du filtre à eau. Pour une période de 30 jours à partir de la date d'achat, lorsque ce filtre est utilisé et entretenu conformément aux instructions fournies avec le produit, KitchenAid paiera pour les pièces de rechange pour corriger les vices de matériaux ou de fabrication.

## GARANTIE COMPLÈTE DE LA DEUXIÈME À LA CINQUIÈME ANNÉE INCLUSIVEMENT SUR LA GARNITURE DE LA CAVITÉ INTÉRIEURE ET SUR LES PIÈCES DU SYSTÈME DE RÉFRIGÉRATION SCÉLLÉ TEL QU'INDIQUÉ

De la deuxième à la cinquième année inclusivement à partir de la date d'achat, lorsque ce réfrigérateur est utilisé et entretenu conformément aux instructions fournies avec le produit, KitchenAid paiera pour le remplacement et la réparation de la garniture de la cavité intérieure du réfrigérateur/congélateur (y compris les frais de réparation) si la cavité intérieure se fend par suite de vices de matériaux ou de fabrication. Les travaux doivent être effectués par une compagnie de service désignée par KitchenAid.

Aussi, de la deuxième à la cinquième année inclusivement à partir de la date d'achat, KitchenAid paiera pour les pièces de rechange spécifiées par l'usine et les frais de réparation pour corriger les vices de matériaux ou de fabrication dans le système de réfrigération scellé. Ces pièces sont : le compresseur, l'évaporateur, le condenseur, le dispositif de séchage et les tubes de raccord. Les travaux doivent être effectués par une compagnie de service désignée par KitchenAid.

## GARANTIE LIMITÉE DE LA SIXIÈME À LA DIXIÈME ANNÉE INCLUSIVEMENT SUR LES PIÈCES ÉNUMÉRÉES DU SYSTÈME DE RÉFRIGÉRATION SCÉLLÉ

De la sixième à la dixième année inclusivement à partir de la date d'achat, lorsque ce réfrigérateur est utilisé et entretenu conformément aux instructions fournies avec le produit, KitchenAid paiera pour les pièces de rechange spécifiées par l'usine pour corriger les vices de matériaux ou de fabrication dans le système de réfrigération scellé. Ces pièces sont : le compresseur, l'évaporateur, le condenseur, le dispositif de séchage et les tubes de raccord.

### KitchenAid ne paiera pas pour :

1. Les visites de service pour rectifier l'installation du réfrigérateur, montrer à l'utilisateur comment utiliser le réfrigérateur ou remplacer des fusibles, rectifier le câblage électrique ou la plomberie du domicile, remplacer des ampoules électriques, ou les filtres à eau de rechange sauf ce qui est indiqué ci-dessus.
2. Les réparations lorsque le réfrigérateur est utilisé à des fins autres qu'un usage unifamilial normal.
3. La prise en charge et la livraison du réfrigérateur. Le réfrigérateur est conçu pour être réparé à domicile.
4. Les dommages causés par : accident, modification, mésusage, abus, incendie, inondation, mauvaise installation, actes de Dieu, ou l'utilisation de produits non approuvés par KitchenAid ou KitchenAid Canada.
5. Toute perte d'aliments attribuable à une malfonction du produit.
6. Les réparations de pièces ou systèmes attribuables à des modifications non autorisées de l'appareil ménager.
7. Les pièces de rechange ou les frais de réparation des appareils utilisés à l'extérieur du Canada ou des États-Unis.
8. Au Canada, les frais de déplacement ou de transport pour les clients qui habitent dans des régions éloignées.
9. Les frais de main-d'oeuvre durant les périodes des garanties limitées.

## KITCHENAID ET KITCHENAID CANADA DÉCLINENT TOUTE RESPONSABILITÉ AU TITRE DE DOMMAGES SECONDAIRES OU INDIRECTS.

Certains États ou provinces peuvent ne pas admettre l'exclusion ou la limitation des dommages secondaires ou indirects; par conséquent, l'exclusion ou la limitation mentionnée ci-dessus peut ne pas s'appliquer dans votre cas. Cette garantie vous confère des droits juridiques spécifiques; vous pouvez également jouir d'autres droits, variables d'un État à un autre ou d'une province à une autre.

**À l'extérieur du Canada et des 50 États des États-Unis, cette garantie ne s'applique pas. Contacter votre marchand KitchenAid autorisé pour déterminer si une autre garantie s'applique.**

Si vous avez besoin de service, consulter d'abord la section "Dépannage" dans ce manuel. Après avoir vérifié la section "Dépannage", une aide additionnelle peut être trouvée en vérifiant la section "Assistance ou Service" ou en téléphonant au Centre d'interaction avec la clientèle KitchenAid au **1-800-422-1230** (sans frais), de n'importe où aux É.-U. Au Canada, contacter votre compagnie de service autorisée par KitchenAid Canada ou téléphoner au **1-800-807-6777**.

2/02

### Conserver ce manuel et le reçu de vente ensemble pour référence ultérieure. Il faut fournir une preuve d'achat ou de date d'installation pour le service au titre de la garantie.

Veuillez noter les renseignements suivants à propos du réfrigérateur pour mieux obtenir assistance ou service en cas de besoin. Vous devriez connaître les numéros de modèle et de série complets. Vous pouvez trouver cette information sur la plaque signalétique sur la paroi interne du compartiment de réfrigération.

Nom du marchand \_\_\_\_\_

Adresse \_\_\_\_\_

Numéro de téléphone \_\_\_\_\_

Numéro de modèle \_\_\_\_\_

Numéro de série \_\_\_\_\_

Date d'achat \_\_\_\_\_

**12642709SP/2225031A**

© 2003. All rights reserved.  
Tous droits réservés.

® Registered Trademark/TM Trademark of KitchenAid, U.S.A., KitchenAid Canada licensee in Canada  
® Marque déposée/TM Marque de commerce de KitchenAid, U.S.A., Emploi licencié par KitchenAid Canada au Canada

1/03  
Printed in U.S.A.  
Imprimé aux É.-U.