

---

# **magicolor 1680MF Printer / Copier / Scanner User's Guide**

---

**A0HF-9561-00A**

---

## Thank You

Thank you for purchasing a magicolor 1680MF. You have made an excellent choice. Your magicolor 1680MF is specially designed for optimal performance in Windows and Macintosh environments.

## Trademarks

KONICA MINOLTA and the KONICA MINOLTA logo are trademarks or registered trademarks of KONICA MINOLTA HOLDINGS, INC.

magicolor and PageScope are trademarks or registered trademarks of KONICA MINOLTA BUSINESS TECHNOLOGIES, INC.

All other trademarks and registered trademarks are the property of their respective owners.

## Copyright Notice

Copyright © 2008 KONICA MINOLTA BUSINESS TECHNOLOGIES, INC., Marunouchi Center Building, 1-6-1 Marunouchi, Chiyoda-ku, Tokyo, 100-0005, Japan. All Rights Reserved. This document may not be copied, in whole or part, nor transferred to any other media or language, without written permission of KONICA MINOLTA BUSINESS TECHNOLOGIES, INC.

## Notice

KONICA MINOLTA BUSINESS TECHNOLOGIES, INC. reserves the right to make changes to this guide and to the equipment described herein without notice. Considerable effort has been made to ensure that this guide is free of inaccuracies and omissions. However, KONICA MINOLTA BUSINESS TECHNOLOGIES, INC. makes no warranty of any kind including, but not limited to, any implied warranties of merchantability and fitness for a particular purpose with regard to this guide. KONICA MINOLTA BUSINESS TECHNOLOGIES, INC. assumes no responsibility for, or liability for, errors contained in this guide or for incidental, special, or consequential damages arising out of the furnishing of this guide, or the use of this guide in operating the equipment, or in connection with the performance of the equipment when so operated.

# SOFTWARE LICENSE AGREEMENT

This package contains the following materials provided by KONICA MINOLTA BUSINESS TECHNOLOGIES, INC. (KMBT): software included as part of the printing system ("Printing Software"), the digitally-encoded machine-readable outline data encoded in the special format and in the encrypted form ("Font Programs"), other software which runs on a computer system for use in conjunction with the Printing Software ("Host Software"), and related explanatory written materials ("Documentation"). The term "Software" shall be used to describe Printing Software, Font Programs and/or Host Software and also include any upgrades, modified versions, additions, and copies of the Software.

The Software is being licensed to you under the terms of this Agreement.

KMBT grants to you a non-exclusive sublicense to use the Software and Documentation, provided that you agree to the following:

1. You may use the Software and accompanying Font Programs for imaging to the licensed output device(s), solely for your own internal business purposes.
2. In addition to the license for Font Programs set forth in Section 1 above, you may use Roman Font Programs to reproduce weights, styles, and versions of letters, numerals, characters and symbols ("Typefaces") on the display or monitor for your own internal business purposes.
3. You may make one backup copy of the Host Software, provided your backup copy is not installed or used on any computer. Notwithstanding the above restrictions, you may install the Host Software on any number of computers solely for use with one or more printing systems running the Printing Software.
4. You may assign its rights under this Agreement to an assignee of all of Licensee's right and interest to such Software and Documentation ("Assignee") provided you transfer to Assignee all copies of such Software and Documentation Assignee agrees to be bound by all of the terms and conditions of this Agreement.
5. You agree not to modify, adapt or translate the Software and Documentation.
6. You agree that you will not attempt to alter, disassemble, decrypt, reverse engineer or decompile the Software.
7. Title to and ownership of the Software and Documentation and any reproductions thereof shall remain with KMBT and its licensor.
8. Trademarks shall be used in accordance with accepted trademark practice, including identification of the trademark owner's name. Trademarks can only be used to identify printed output produced by the Software. Such use of any trademark does not give you any rights of ownership in that trademark.
9. You may not rent, lease, sublicense, lend or transfer versions or copies of the Software Licensee does not use, or Software contained on any unused media, except as part of the permanent transfer of all Software and Documentation as described above.
10. IN NO EVENT WILL KMBT OR ITS LICENSOR BE LIABLE TO YOU FOR ANY CONSEQUENTIAL, INCIDENTAL INDIRECT, PUNITIVE OR SPECIAL DAMAGES, INCLUDING ANY LOST PROFITS OR LOST SAVING, EVEN IF KMBT HAS BEEN ADVISED OF THE POSSIBILITY OF SUCH DAMAGES, OR FOR ANY CLAIM BY ANY THIRD PARTY. KMBT OR ITS LICENSOR DISCLAIMS ALL WARRANTIES WITH REGARD TO THE SOFTWARE, EXPRESS OR IMPLIED, INCLUDING, WITHOUT LIMITATION IMPLIED WARRANTIES OF MERCHANTABILITY, FITNESS FOR A PARTICULAR PURPOSE, TITLE AND NON-INFRINGEMENT OF THIRD PARTY RIGHTS. SOME STATES OR JURISDICTIONS DO NOT ALLOW THE EXCLUSION OR LIMITATION OF INCIDENTAL, CONSEQUENTIAL OR SPECIAL DAMAGES, SO THE ABOVE LIMITATIONS MAY NOT APPLY TO YOU.

11. Notice to Government End Users: The Software is a “commercial item,” as that term is defined at 48 C.F.R.2.101, consisting of “commercial computer software” and “commercial computer software documentation,” as such terms are used in 48 C.F.R. 12.212. Consistent with 48 C.F.R. 12.212 and 48 C.F.R. 227.7202-1 through 227.7202-4, all U.S. Government End Users acquire the Software with only those rights set forth herein.
12. You agree that you will not export the Software in any form in violation of any applicable laws and regulations regarding export control of any countries.

# Legal Restrictions on Copying

Certain types of documents must never be copied with the purpose or intent to pass copies of such documents off as the originals.

The following is not a complete list, but is meant to be used as a guide to responsible copying.

## Financial Instruments

- Personal checks
- Traveler's checks
- Money orders
- Certificates of deposit
- Bonds or other certificates of indebtedness
- Stock certificates

## Legal Documents

- Food stamps
- Postage stamps (canceled or uncanceled)
- Checks or drafts drawn by government agencies
- Internal revenue stamps (canceled or uncanceled)
- Passports
- Immigration papers
- Motor vehicle licenses and titles
- House and property titles and deeds

## General

- Identification cards, badges, or insignias
- Copyrighted works without permission of the copyright owner

In addition, it is prohibited under any circumstances to copy domestic or foreign currencies, or works of art without permission of the copyright owner.

When in doubt about the nature of a document, consult with legal counsel.



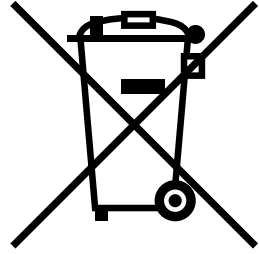
*In order to prohibit the illegal reproduction of certain documents, such as paper currency, this machine is equipped with a counterfeit prevention feature.*

*Due to the counterfeit prevention feature that this machine is equipped with, images may be distorted.*

## For EU member states only

This symbol means: **Do not dispose of this product together with your household waste!**

Please contact the Local Authority for appropriate disposal instructions. In the case of a new device being purchased, the used one can also be given to our dealer for appropriate disposal. Recycling of this product will help to conserve natural resources and prevent potential negative consequences for the environment and human health caused by inappropriate waste handling.



This product complies with RoHS (2002/95/EC) directive.

---

# Contents

---

<b>1 Introduction .....</b>	<b>1-1</b>
<b>Getting Acquainted with Your Machine .....</b>	<b>1-2</b>
Space Requirements.....	1-2
Part Names .....	1-3
Front View.....	1-3
Rear View .....	1-4
Front View with Option.....	1-5
Drivers CD/DVD.....	1-6
Printer Drivers .....	1-6
Scanner Drivers .....	1-6
Applications CD/DVD .....	1-7
Applications.....	1-7
Documentation CD/DVD .....	1-8
Documentation.....	1-8
System Requirements.....	1-9
<b>2 Control Panel and Configuration Menu .....</b>	<b>2-1</b>
<b>About the Control Panel .....</b>	<b>2-2</b>
Control Panel Indicators and Keys.....	2-2

Display Indications .....	2-4
Main Screen (Copy Mode) .....	2-4
Main Screen (Scan Mode) .....	2-6
Print Screen .....	2-7
<b>Checking the Machine Status and Settings .....</b>	<b>2-8</b>
PRINTER MODE Menu.....	2-8
TONER REMAINING .....	2-9
T/C CHANGE .....	2-9
REPORT/STATUS Menu.....	2-11
TOTAL PRINT.....	2-11
SUPPLY STATUS.....	2-12
REPORT .....	2-12
<b>Configuration Menu Overview .....</b>	<b>2-13</b>
UTILITY Menu.....	2-13
MACHINE SETTING Menu.....	2-14
TRAY1 PAPER SETUP Menu .....	2-17
ADMIN. MANAGEMENT Menu.....	2-19
COPY SETTING Menu .....	2-20
<b>3 Media Handling .....</b>	<b>3-1</b>
<b>Print Media .....</b>	<b>3-2</b>
Specifications .....	3-2
Types .....	3-3
Plain Paper (Recycled Paper).....	3-3
Thick Stock .....	3-4
Envelope .....	3-5
Label .....	3-6
Letterhead.....	3-7
Postcard.....	3-7
<b>Printable Area .....</b>	<b>3-8</b>
Envelopes .....	3-9
Page Margins .....	3-9
<b>Loading Media .....</b>	<b>3-10</b>
How do I load media? .....	3-10
Tray 1 (Multipurpose Tray).....	3-10
Loading Plain Paper.....	3-10
Other Media .....	3-12
Loading Envelopes .....	3-12
Loading Label Sheets/Letterheads/Postcards and Thick Stock.....	3-14
<b>Output Tray .....</b>	<b>3-16</b>
<b>Media Storage .....</b>	<b>3-17</b>
<b>Original Media .....</b>	<b>3-18</b>
Specifications .....	3-18
<b>Placing a Document to be Copied .....</b>	<b>3-19</b>



<b>4</b>	<b>Using the Printer Driver .....</b>	<b>4-1</b>
	<b>Selecting Printer Driver Options/Defaults (for Windows) .....</b>	<b>4-2</b>
	<b>Uninstalling the Printer Driver (for Windows) .....</b>	<b>4-3</b>
	Windows Vista/XP/Server 2003/2000 .....	4-3
	<b>Displaying Printer Driver Settings .....</b>	<b>4-3</b>
	Windows Vista.....	4-3
	Windows XP/Server 2003 .....	4-3
	Windows 2000.....	4-4
	<b>Printer Driver Settings .....</b>	<b>4-5</b>
	Common Buttons .....	4-5
	Basic Tab .....	4-6
	Layout Tab .....	4-7
	Overlay Tab.....	4-7
	Watermark Tab .....	4-7
	Quality Tab.....	4-7
	Version Tab.....	4-8
<b>5</b>	<b>Using the Copier .....</b>	<b>5-1</b>
	<b>Making Basic Copies .....</b>	<b>5-2</b>
	Basic Copy Operation .....	5-2
	Specifying the Copy Quality Setting.....	5-3
	Selecting the Document Type .....	5-3
	Specifying the Copy Density .....	5-3
	Specifying the Zoom Ratio.....	5-4
	Selecting a Preset Zoom Ratio .....	5-4
	Specifying a Custom Zoom Ratio .....	5-4
	<b>Making Advanced Copies .....</b>	<b>5-5</b>
	Setting a Copy Function.....	5-5
	ID Card Copying .....	5-5
	Repeat Copying .....	5-6
	Poster Copying .....	5-7
<b>6</b>	<b>Using the Scanner .....</b>	<b>6-1</b>
	<b>Scanning From a Computer Application .....</b>	<b>6-2</b>
	Basic Scanning Operation.....	6-2
	Windows TWAIN Driver Settings .....	6-3
	Windows WIA Driver Settings .....	6-5
	Macintosh TWAIN Driver Settings.....	6-6
	<b>Scanning With the Machine .....</b>	<b>6-8</b>
	Basic Scanning Operation.....	6-8
<b>7</b>	<b>Replacing Consumables .....</b>	<b>7-1</b>
	<b>Replacing Consumables .....</b>	<b>7-2</b>
	About Toner Cartridges.....	7-2
	Replacing a Toner Cartridge .....	7-5
	Replacing All Toner Cartridges at the Same Time.....	7-10

Replacing the Imaging Cartridge.....	7-11
Replacing the Fuser Unit.....	7-15
<b>8 Maintenance .....</b>	<b>8-1</b>
<b>Maintaining the Machine .....</b>	<b>8-2</b>
<b>Cleaning the Machine .....</b>	<b>8-4</b>
Exterior.....	8-4
Media Rollers .....	8-5
Cleaning the Media Feed Roller .....	8-5
Print Head Window .....	8-10
Clearing the Print Head Window.....	8-10
<b>9 Troubleshooting .....</b>	<b>9-1</b>
<b>Introduction .....</b>	<b>9-2</b>
<b>Printing a Configuration Page .....</b>	<b>9-3</b>
<b>Preventing Media Misfeeds .....</b>	<b>9-4</b>
<b>Understanding the Media Path .....</b>	<b>9-5</b>
<b>Clearing Media Misfeeds .....</b>	<b>9-5</b>
Media Misfeed Messages and Clearing Procedures.....	9-6
Clearing a Media Misfeed in the Machine.....	9-7
Clearing a Media Misfeed From Tray 1.....	9-14
<b>Solving Problems with Media Misfeeds .....</b>	<b>9-15</b>
<b>Solving Other Problems .....</b>	<b>9-17</b>
<b>Solving Problems with Printing Quality .....</b>	<b>9-20</b>
<b>Status, Error, and Service Messages .....</b>	<b>9-26</b>
Status Messages.....	9-26
Error Messages.....	9-27
Service Messages.....	9-30
<b>10 Installing Accessories .....</b>	<b>10-1</b>
<b>Dust Cover .....</b>	<b>10-2</b>
Installing the Dust Cover .....	10-2
<b>A Appendix .....</b>	<b>A-1</b>
<b>Technical Specifications .....</b>	<b>A-2</b>
Consumable Life Expectancy Chart.....	A-5
User-Replaceable .....	A-5
Service-Replaceable.....	A-5



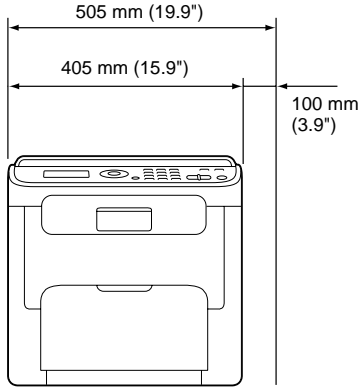
# *Introduction* **1**



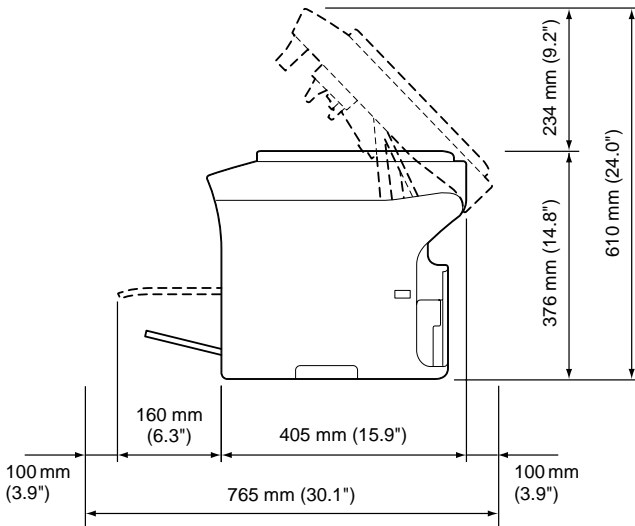
# Getting Acquainted with Your Machine

## Space Requirements

To ensure easy operation, consumable replacement and maintenance, adhere to the recommended space requirements detailed below.



Front View



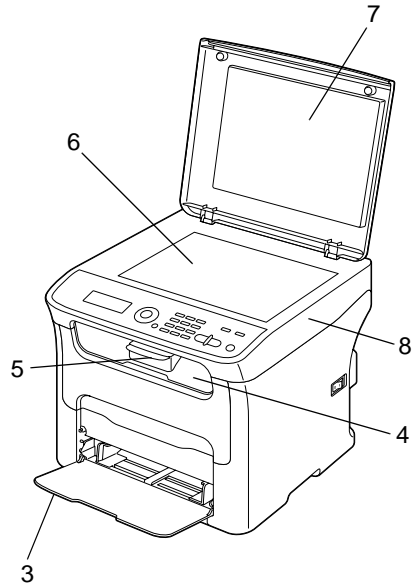
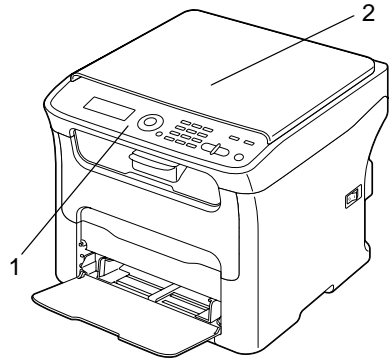
Side View

## Part Names

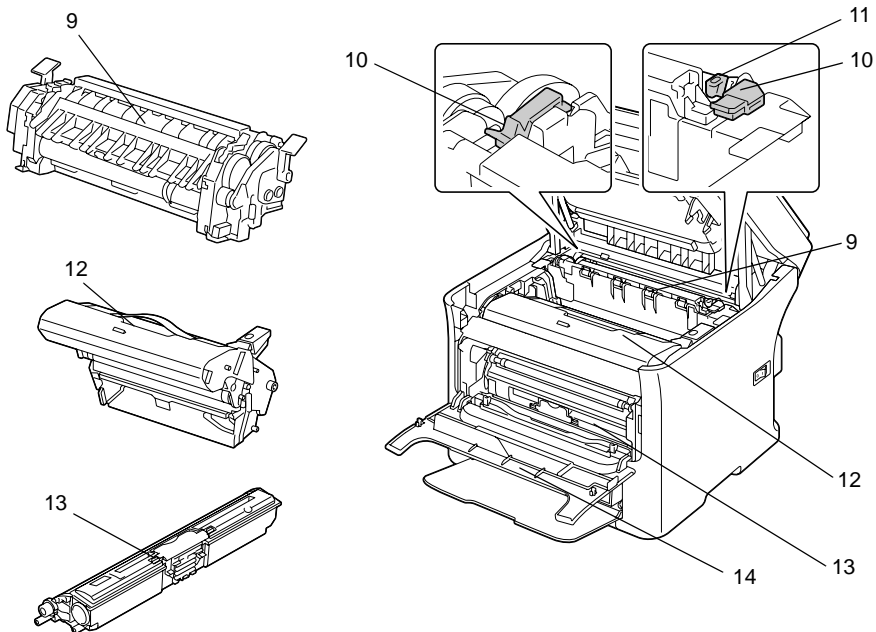
The following drawings illustrate the parts of your machine referred to throughout this guide, so please take some time to become familiar with them.

### Front View

- 1—Control panel
- 2—Original cover
- 3—Tray 1 (Multipurpose tray)
- 4—Output tray
- 5—Extension tray
- 6—Original glass
- 7—Original cover pad
- 8—Scanner unit

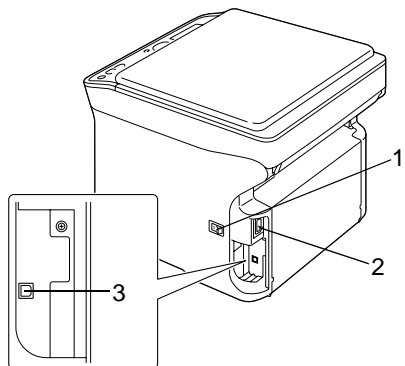


- 9—Fuser unit
- 10—Fuser separator levers
- 11—Fuser cover lever
- 12—Imaging cartridge
- 13—Toner cartridge
- 14—Front cover



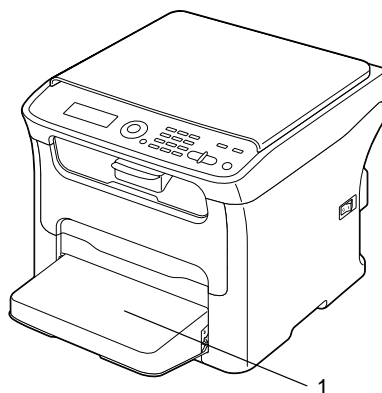
### Rear View

- 1—Power switch
- 2—Power connection
- 3—USB port



## Front View with Option

1—Dust Cover





# Drivers CD/DVD

## Printer Drivers

Drivers	Use/Benefit
Windows Vista/XP/Server 2003/2000	These drivers give you access to all of the printer features. For details, refer to “Displaying Printer Driver Settings” on page 4-3.
Windows Vista/XP/Server 2003 for 64bit	
Macintosh OS X (10.2.8/10.3/10.4/10.5)	

## Scanner Drivers

Drivers	Use/Benefit
TWAIN Driver for Windows Vista/XP/Server 2003/2000	These drivers enable you to set scanning functions, such as the color setting and size adjustments.  For details, refer to “Windows TWAIN Driver Settings” on page 6-3.
TWAIN Driver for Macintosh OS X (10.2.8/10.3/10.4/10.5)	
WIA Driver for Windows Vista/XP	This driver enables you to set scanning functions, such as the color setting and size adjustments.  For details, refer to “Windows WIA Driver Settings” on page 6-5.
WIA Driver for Windows Vista/XP for 64 bit	



*For details on the installation of the drivers, refer to the Installation Guide.*



*For details of the Macintosh drivers, refer to the Reference Guide on the Documentation CD/DVD.*



*Windows TWAIN driver does not correspond to 64-bit applications though it corresponds to 32-bit applications on 64-bit OS.*

# Applications CD/DVD

## Applications

<b>Applications</b>	<b>Use/Benefit</b>
PaperPort SE	<p>This software is a document management software package that helps you scan, organize, access, share, and manage both your paper and digital documents on your personal computer.</p> <p>For details, refer to the PaperPort SE User's Guide from the Help menu.</p>
LinkMagic	<p>This software enables scanned documents to be saved in a file, processed, mail attached, and printed out.</p> <p>For details, refer to the Reference Guide on the Documentation CD/DVD.</p>

## Documentation CD/DVD

### Documentation

<b>Documentation</b>	<b>Use/Benefit</b>
Installation Guide	This manual provides installation details that must be performed in order to use this machine, such as setting up the machine and installing the drivers.
Printer/Copier/Scanner User's Guide (this manual)	This manual provides details on general daily operations, such as using the drivers and control panel and replacing consumables.
Reference Guide	This manual provides details on installing the Macintosh drivers and on specifying settings for LinkMagic.
Quick Guide	The Quick Guide provides simple procedures for copy and scanning operations and for replacing consumables.
Service & Support Guide	The Need Assistance sheet provides information on product support and servicing.
Readme	This guide provides details on operating conditions and precautions. Be sure to read this information before using the machine.

# System Requirements

- Personal computer

For Windows

- Pentium II: 400MHz or higher (Pentium 3: 500MHz or higher is recommended)

For Macintosh

- PowerPC G3 or later (G4 or later is recommended)
- Intel processor

- Operating System

- Microsoft Windows Vista Home Basic/Home Premium/Ultimate/Business/Enterprise, Windows Vista Home Basic/Home Premium/Ultimate/Business/Enterprise x64 Edition, Windows XP Home Edition/Professional (Service Pack 2 or later), Windows XP Professional x64 Edition, Windows Server 2003, Windows Server 2003 x64 Edition, Windows 2000 (Service Pack 4 or later)
- Mac OS X (10.2.8 or later; We recommend installing the latest patch)

- Free hard disk space

256 MB or more

- RAM

128 MB or more

- CD/DVD drive

- I/O interface

- USB Revision 2.0 and USB Revision 1.1 compliant port



*The USB cable is not included with the machine.*



*For details of the Macintosh drivers, refer to the Reference Guide on the Documentation CD/DVD.*

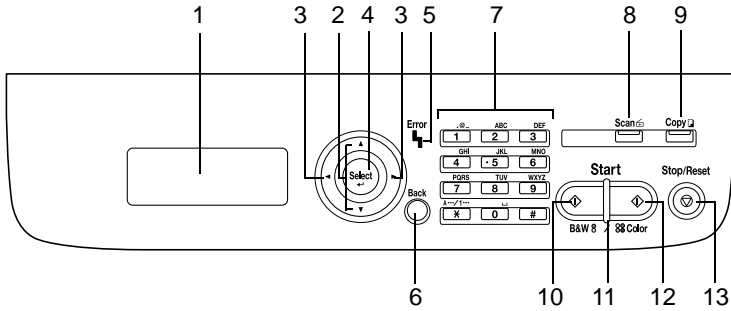


***Control Panel  
and Configuration  
Menu***

**2**



# About the Control Panel



## Control Panel Indicators and Keys

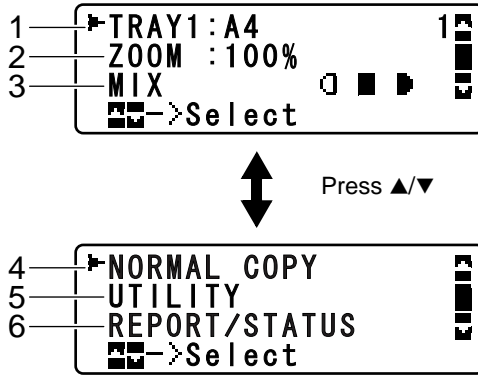
No.	Name	Function
1	<b>Message window</b>	Displays settings, menus, and messages.
2	<b>▲/▼ keys</b>	Moves up and down through menus, options, or choices.
3	<b>◀/▶ keys</b>	Moves left and right through menus, options, or choices.
4	<b>Select key</b>	Press to select the setting that is currently displayed.
5	<b>Error indicator</b>	Indicates an error condition.
6	<b>Back key</b>	Clears the specified number of copies and entered text.  Press to return to the previous screen.  Press to cancel the setting that is currently displayed.
7	<b>Keypad</b>	Enters desired number of copies.
8	<b>Scan key/LED</b>	Enters Scan mode. (Scan to PC)  Lights up in green to indicate that the machine is in Scan mode.  For details on the Scanner functions, refer to chapter 6, "Using the Scanner"

No.	Name	Function
9	<b>Copy</b> key/LED	<p>Enters Copy mode.</p> <p>Lights up in green to indicate that the machine is in Copy mode.</p> <p>For details on the Copy functions, refer to chapter 5, "Using the Copier".</p>
10	<b>Start</b> (B&W) key	Starts monochrome copying or scanning.
11	<b>Start</b> indicator	<p>Lights up in blue when copying is possible.</p> <p>Lights up in orange when copying is not possible, for example, during warm-up or if an error has occurred.</p>
12	<b>Start</b> (Color) key	Starts color copying or scanning.
13	<b>Stop/Reset</b> key	Returns the settings to their defaults and stops functions.





■ Copy settings



No.	Indication	Description
1	Media size	Indicates the media size that is selected. The media size setting can be changed with TRAY1 PAPER SETUP in the UTILITY menu. For details, refer to "TRAY1 PAPER SETUP Menu" on page 2-17.
2	Zoom ratio	Indicates the zoom ratio that is specified. For details on specifying the zoom ratio, refer to "Specifying the Zoom Ratio" on page 5-4.
3	Copy quality	Indicates the copy quality that is selected. For details on selecting the copy quality, refer to "Specifying the Copy Quality Setting" on page 5-3.
4	Copy function	Indicates the copy function that is set. For details on setting a copy function, refer to "Setting a Copy Function" on page 5-5.
5	UTILITY	Select this menu item to change the various machine settings. For details, refer to "UTILITY Menu" on page 2-13.
6	REPORT/STATUS	Select this menu item to view the total number of pages printed by this machine and print the reports. For details, refer to "REPORT/STATUS Menu" on page 2-11.

## Main Screen (Scan Mode)

PC SCANNER MODE  
PRESS START KEY TO  
SCAN ORIGINAL(S)

Document pages can be scanned if a **Start** key is pressed while this screen is displayed. To scan in color, press the **Start-Color** key. To scan in black and white, press the **Start-B&W** key.

For details, refer to "Scanning With the Machine" on page 6-8.

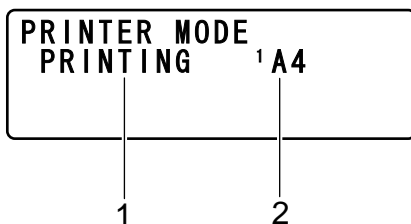


*In order to scan by pressing the **Start** key while the screen shown above is displayed, the TWAIN scanner driver, the printer driver and LinkMagic (Windows only) must be installed on the computer.*

## Print Screen

When a print job is received, **PRINTER: Printing** appears in the status section of the main screen. To display the print screen (as shown below), press the ◀ key while **PRINTER: Printing** is displayed.

To cancel printing, press the **Stop/Reset** key when the print screen appears. Press the **Select** key to select **YES**.



No.	Indication	Description
1	Status	Displays messages indicating operations such as printing.
2	Media tray/ media size	Indicates the media tray and media size that is selected.



*When a print job is received from the printer driver, the paper size specified with the printer driver has priority if it is different from the paper size specified from the control panel with **TRAY1 PAPER SETUP** in the **UTILITY** menu.*

# Checking the Machine Status and Settings

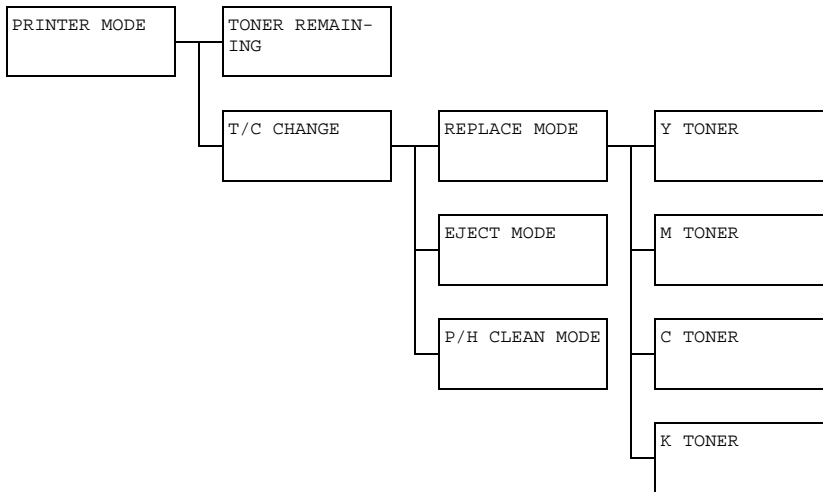
## PRINTER MODE Menu

With the main screen displayed, press the ◀ key to display the PRINTER MODE screen.

From this menu, a general estimate of the amount of toner remaining in the toner cartridges can be viewed, and the printer operation mode can be switched. The printer operation modes include one for replacing a toner cartridge (REPLACE MODE), one for replacing all toner cartridges (EJECT MODE), and one for cleaning the print head window (P/H CLEAN MODE). The PRINTER MODE menu is structured as shown below.

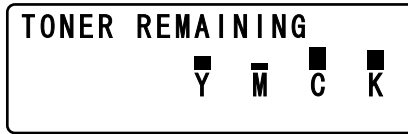


To return to the previous screen, press the **Back** key. To display the main screen, press the **Stop/Reset** key.





## TONER REMAINING


A general estimate of the amount of toner remaining in the toner cartridges can be viewed.



If the **Select** key is held down for at least 2 seconds while the screen described above is displayed, the configuration page will be printed.

## T/C CHANGE

REPLACE MODE	Switches the machine to the REPLACE MODE. This mode is used when replacing a toner cartridge.  For details on replacing a toner cartridge, refer to “Replacing a Toner Cartridge” on page 7-5.   To return to normal operation mode from REPLACE MODE, press the <b>Stop/Reset</b> key.
EJECT MODE	Switches the machine to the EJECT MODE. This mode is used when replacing all toner cartridges at the same time.  For details on replacing all toner cartridges, refer to “Replacing All Toner Cartridges at the Same Time” on page 7-10.   To return to normal operation mode from EJECT MODE, press the <b>Stop/Reset</b> key.

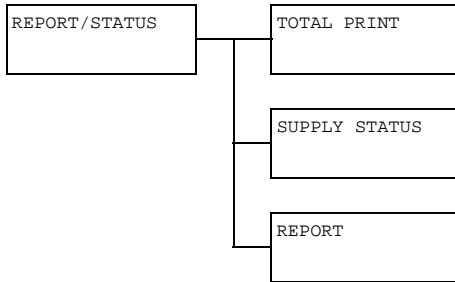
P/H CLEAN MODE	<p>Switches the machine to the P/H CLEAN MODE.</p> <p>P/H CLEAN MODE is a mode that allows the user to clean the print head window more easily. The print head window is not cleaned automatically.</p> <p>For details on cleaning the print head window, refer to “Clearing the Print Head Window” on page 8-10.</p> <p> <i>To return to normal operation mode from P/H CLEAN MODE, refer to “Clearing the Print Head Window” on page 8-10.</i></p>
----------------	---

## REPORT/STATUS Menu

To display the REPORT/STATUS screen, select REPORT / STATUS in the main screen, and then press the **Select** key. From this menu, the total number of pages printed by this machine can be viewed. In addition, the reports can be printed. The REPORT/STATUS menu is structured as shown below.



To return to the previous screen, press the **Back** key. To display the main screen, press the **Stop/Reset** key.



### TOTAL PRINT

The total number of pages for each of the following can be checked.

TOTAL PRINT	This counter shows the total number of pages printed.
MONO COPY	This counter shows the total number of pages copied in black-and-white.
COLOR COPY	This counter shows the total number of pages copied in color.
MONO PRINT	This counter shows the total number of pages printed in black-and-white.
COLOR PRINT	This counter shows the total number of pages printed in color.
TOTAL SCAN	This counter shows the total number of document pages that were scanned.



## SUPPLY STATUS

The remaining amount of toner in the toner cartridges and the remaining service life of the imaging cartridges can be displayed as a percentage.

C TONER	Displays the remaining amount of toner in the cyan (C) toner cartridge as a percentage.
M TONER	Displays the remaining amount of toner in the magenta (M) toner cartridge as a percentage.
Y TONER	Displays the remaining amount of toner in the yellow (Y) toner cartridge as a percentage.
K TONER	Displays the remaining amount of toner in the black (K) toner cartridge as a percentage.
I/C	Displays the remaining service life of the imaging cartridge as a percentage.

## REPORT

The machine settings can be printed.

UTILITY MAP	Prints the UTILITY menu and its settings.
CONFIGURATION PAGE	Prints a estimate of the percentage of toner remaining and the settings, information and status of this machine.

# Configuration Menu Overview

To display the settings menu for this machine, select **UTILITY** in the main screen, and then press the **Select** key. From the **UTILITY** menu, settings for the various machine functions can be changed.

## UTILITY Menu

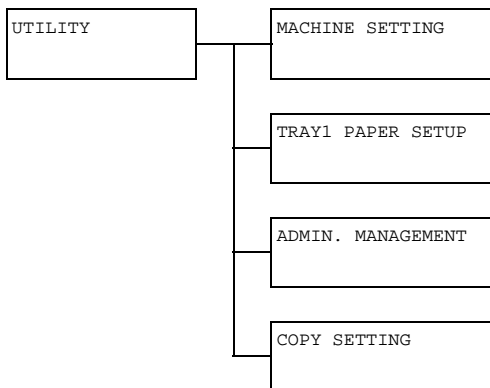
From this menu, various machine settings can be changed. The **UTILITY** menu is structured as shown below.



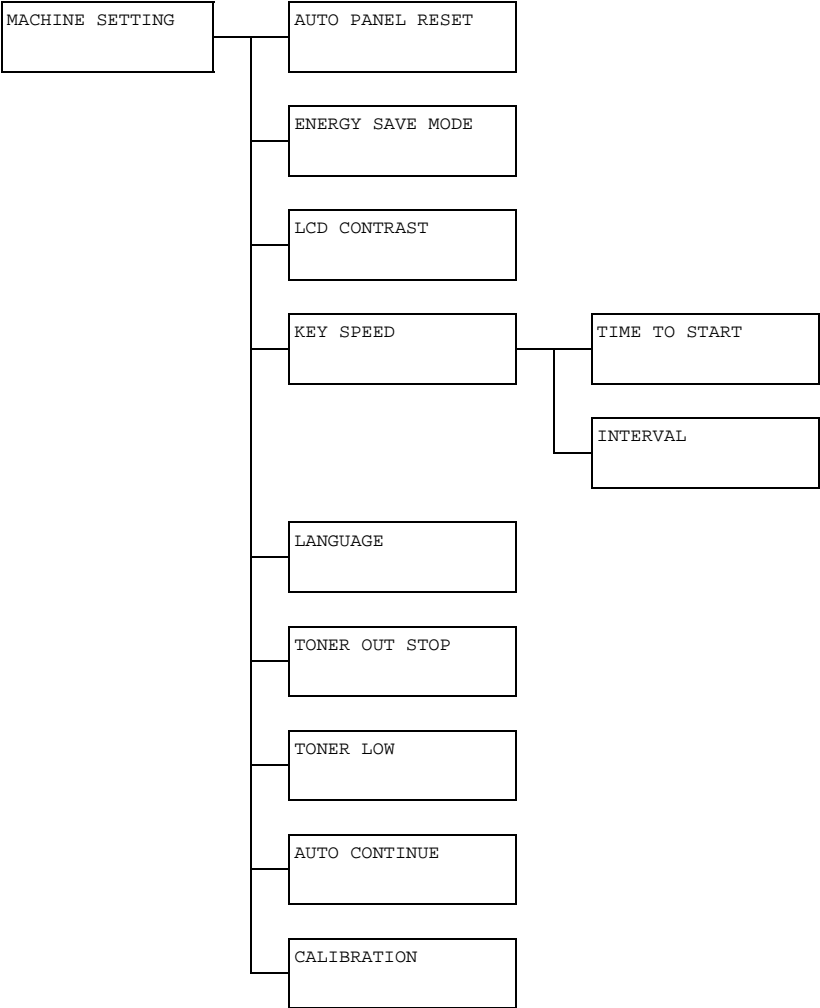
To return to the previous screen in the **UTILITY** menu, press the **Back** key. (If the **Back** key is pressed while settings are being specified, those settings are not saved.)



The **ADMIN. MANAGEMENT** menu is accessible only by the administrator. To display the settings for this menu, select **ADMIN. MANAGEMENT**, use the keypad to type in the 6-digit administrator access code (default: **000000**), and then press the **Select** key.

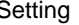


# MACHINE SETTING Menu





Manufacturer's default settings appear in bold.

AUTO PANEL RESET		Setting	OFF / 30sec / <b>1min</b> / 2min / 3min / 4min / 5min
		<p>Specify the length of time until all settings that have not been programmed, such as the number of copies, are cleared and return to their default settings when no operation is performed.</p> <p>To set the machine to perform the auto panel reset operation, select from 30sec, 1min, 2min, 3min, 4min or 5min for the length of time until the auto panel reset operation is performed.</p>	
ENERGY SAVE MODE		Setting	5 min / 15 min / <b>30 min</b> / 60 min
		<p>Enters Energy Save mode in order to conserve energy when no operation is performed. Specify the length of time in minutes until the machine enters Energy Save mode.</p>	
LCD CONTRAST		Setting	(LIGHT)  (DARK)
		<p>Specify the brightness of the message window.</p>	
KEY SPEED	TIME TO START	Setting	0.1sec / 0.3sec / 0.5sec / <b>1.0sec</b> / 1.5sec / 2.0sec / 2.5sec / 3.0sec
		<p>Specify the length of time until the cursor begins to move continuously when a key is held down.</p>	
	INTERVAL	Setting	<b>0.1sec</b> / 0.3sec / 0.5sec / 1.0sec / 1.5sec / 2.0sec / 2.5sec / 3.0sec
		<p>Specify the length of time until the cursor continuously moves between settings or characters.</p>	
LANGUAGE		Setting	<b>ENGLISH</b> / FRENCH / GERMAN / ITALIAN / SPANISH / PORTUGUESE / RUSSIAN / CZECH / SLOVAK / HUNGARIAN / POLISH / JAPANESE
		<p>Select the language of the menus and messages that appear in the message window.</p>	

TONER OUT STOP	Setting	<b>ON</b> / OFF
	<p>Select whether or not printing and copying stop when the toner has run out.</p> <p>If <b>ON</b> is selected, printing and copying stop when the toner runs out.</p> <p>If <b>OFF</b> is selected, printing and copying continues even if toner has run out.</p>	
TONER LOW	Setting	<b>ON</b> / OFF
	<p>Select whether or not a warning message appears when the toner is nearly empty.</p>	
AUTO CONTINUE	Setting	ON / <b>OFF</b>
	<p>Select whether or not printing continues when a size error occurs during printing.</p>	
CALIBRATION	Setting	ON / <b>OFF</b>
	<p>Select whether or not to perform image stabilization. If <b>ON</b> is selected, image stabilization is started.</p>	

# TRAY1 PAPER SETUP Menu

TRAY1 PAPER SETUP
-------------------



Manufacturer's default settings appear in bold.

Media type	<b>PLAIN PAPER</b> / LETTERHEAD / THICK1 / THICK2 / LABELS / ENVELOPE / POSTCARD	
Paper size	The available paper sizes differ depending on the setting selected as the media type.	
	Setting selected as the media type	Available paper sizes
	PLAIN PAPER	<b>A4</b> / A5 / B5 / LEGAL / <b>LETTER</b> / G LETTER / STATEMENT / EXECUTIVE / FOLIO / OFICIO / G LEGAL / CUSTOM (PLAIN)
	THICK1, THICK2	<b>A4</b> / A5 / B5 / <b>LETTER</b> / G LETTER / STATEMENT / EXECUTIVE / CUSTOM (THICK)
	LETTERHEAD, LABELS	<b>A4</b> / A5 / B5 / <b>LETTER</b> / G LETTER / STATEMENT / EXECUTIVE
	ENVELOPE	<b>C6</b> / DL
	POSTCARD	The screen for selecting the paper size does not appear, and the following paper size is automatically specified.  100 × 148 mm [3.9 × 5.8 inch]

Select the type and size of the media loaded into Tray 1. If CUS-TOM (PLAIN) or CUSTOM (THICK) is selected as the paper size, specify settings for LENGTH and WIDTH separately.

The setting range for LENGTH is 195 to 356 mm for PLAIN PAPER, and 184 to 297 mm for THICK1 and THICK2.

The default setting is **297** mm.

The Setting range for WIDTH is 92 to 216 mm.

The default setting is **210** mm.

When a media type is selected, a screen appears, showing the available media sizes. The available media sizes differ depending on the selected media type.

The default paper size for a setting other than ENVELOPE or POSTCARD is **LETTER** for 120 V models, and **A4** for 220 V models.



*When printing from the printer driver, the printer driver settings have priority over the settings specified in the TRAY1 PAPER SETUP menu. Check that Tray 1 is loaded with media of the type and size specified in the printer driver.*

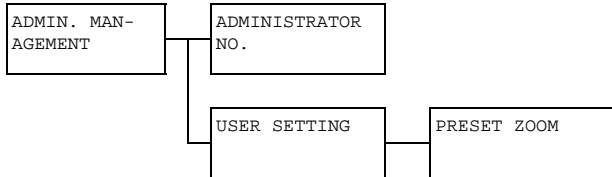


*The setting for CUSTOM is displayed in metric (mm) even if ADMIN . MANAGEMENT / USER SETTING / PRESET ZOOM is set to INCH.*

## ADMIN. MANAGEMENT Menu



The ADMIN. MANAGEMENT menu is accessible only by the administrator. To display the settings for this menu, select ADMIN. MANAGEMENT, use the keypad to type in the 6-digit administrator access code (default: **000000**), and then press the **Select** key.

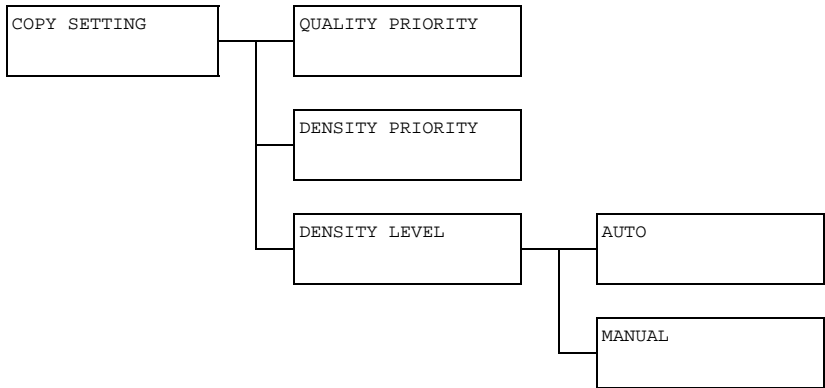


Manufacturer's default settings appear in bold.

ADMINISTRATOR NO.		Specify the new administrator access code.	
USER SETTING	PRESET ZOOM	Setting	<b>INCH / METRIC</b>
		Select the measurement units for the preset zoom ratios.  The default setting is <b>INCH</b> for USA and Canada, and <b>METRIC</b> for other countries.	



## COPY SETTING Menu



Manufacturer's default settings appear in bold.

QUALITY PRI- ORITY		Setting	<b>MIX</b> , TEXT , PHOTO , FINE/MIX , FINE/TEXT , FINE/PHOTO
		Select the type of document being copied.	
DENSITY PRI- ORITY		Setting	<b>AUTO</b> / MANUAL
		Select the density that is normally used.	
DEN- SITY LEVEL	AUTO	Setting	(LIGHT) ◀◀◀◀▶ (DARK)
		Adjust the density of the background color.	
	MANUAL	Setting	(LIGHT) ◀◀◀◀◀◀▶ (DARK)
		Specify the default copy density.	

*Media Handling* **3**



# Print Media

## Specifications

Media	Media Size		Copy	Print
	Inch	Millimeter		
A4	8.2 x 11.7	210.0 x 297.0	Yes	Yes
B5 (JIS)	7.2 x 10.1	182.0 x 257.0	Yes	Yes
A5	5.9 x 8.3	148.0 x 210.0	Yes	Yes
Legal	8.5 x 14.0	215.9 x 355.6	No	Yes
Letter	8.5 x 11.0	215.9 x 279.4	Yes	Yes
Statement	5.5 x 8.5	139.7 x 215.9	Yes	Yes
Executive	7.25 x 10.5	184.2 x 266.7	Yes	Yes
Folio	8.25 x 13.0	210.0 x 330.0	No	Yes
Letter Plus	8.5 x 12.69	215.9 x 322.3	No	Yes
UK Quarto	8.0 x 10.0	203.2 x 254.0	No	Yes
Foolscap	8.0 x 13.0	203.2 x 330.2	No	Yes
Government Legal	8.5 x 13.0	215.9 x 330.2	No	Yes
B5 (ISO)	6.9 x 9.8	176.0 x 250.0	No	Yes
Envelope DL	8.7 x 4.3	220.0 x 110.0	Yes	Yes
Envelope C6	6.4 x 4.5	162.0 x 114.0	Yes	Yes
J-Postcard	3.9 x 5.8	100.0 x 148.0	Yes	Yes
Kai 16	7.3 x 10.2	185.0 x 260.0	No	Yes
Kai 32	5.1 x 7.3	130.0 x 185.0	No	Yes
Government Letter	8.0 x 10.5	203.2 x 266.7	Yes	Yes
16 K	7.7 x 10.6	195.0 x 270.0	No	Yes
Oficio Mexico	8.5 x 13.5	215.9 x 342.9	No	Yes
Custom, Minimum*	3.6 x 7.7	92.0 x 195.0	Yes	Yes
Custom, Maximum*	8.5 x 14.0	216.0 x 356.0	Yes	Yes
<b>Notes:</b> * With thick stock The minimum size is 3.6 x 7.25 inch (92.0 x 184.0 mm). The maximum size is 8.5 x 11.7 inch (216.0 x 297.0 mm).				

## Types

Before purchasing a large quantity of special media, do a trial print with the same media and check the print quality.

Keep media on a flat, level surface in its original wrapper until it is time to load it. For a list of approved media, refer to <http://printer.konicaminolta.com>.

### Plain Paper (Recycled Paper)

<b>Capacity</b>	<b>Tray 1</b>	Up to 200 sheets, depending on the media weight
<b>Orientation</b>	<b>Tray 1</b>	Face up
<b>Driver Media Type</b>	Plain Paper (Recycled)	
<b>Weight</b>	60 to 90 g/m <sup>2</sup> (16 to 24 lb bond)	

#### Use plain paper that is

- Suitable for plain paper printers and copiers, such as standard or recycled office paper.

#### Note

---

**Do not use the media types listed below. These could cause poor print quality, media misfeeds, or damage to the machine.**

---

#### DO NOT use media that is

- Coated with a processed surface (such as carbon paper and colored paper that has been treated)
- Carbon backed
- Unapproved iron-on transfer media (such as heat-sensitive paper, heat-pressure paper, and heat-press transfer paper)
- Cold-water-transfer paper
- Pressure sensitive
- Designed specifically for inkjet printers (such as superfine paper, glossy film, and postcards)
- Already been printed on by another printer, copier, or fax machine
- Dusty
- Wet (or damp)



*Keep media between 15% and 85% relative humidity. Toner does not adhere well to moist or wet media.*

- Layered
- Adhesive
- Folded, creased, curled, embossed, warped, or wrinkled
- Perforated, three-hole punched, or torn
- Too slick, too coarse, or too textured
- Different in texture (roughness) on the front and back
- Too thin or too thick
- Stuck together with static electricity
- Composed of foil or gilt; too luminous
- Heat sensitive or cannot withstand the fusing temperature (180°C [356°F])
- Irregularly shaped (not rectangular or not cut at right angles)
- Attached with glue, tape, paper clips, staples, ribbons, hooks, or buttons
- Acidic
- Any other media that is not approved

## Thick Stock

Paper thicker than 90 g/m<sup>2</sup> (24 lb bond) is referred to as thick stock. Test all thick stock to ensure acceptable performance and to ensure that the image does not shift.

You can print continuously with thick stock. However, this could affect the media feed, depending on the media quality and printing environment. If problems occur, stop the continuous printing and print one sheet at a time.

<b>Capacity</b>	<b>Tray 1</b>	Up to 50 sheets, depending on their thickness
<b>Orientation</b>	Face up	
<b>Driver Media Type</b>	Thick Stock 1 Thick Stock 2	
<b>Weight</b>	Thick Stock 1: 91 to 163 g/m <sup>2</sup> (25 to 43.5 lb bond) Thick Stock 2: 164 to 209 g/m <sup>2</sup> (43.6 to 55.6 lb bond)	

### DO NOT use thick stock that is

- Mixed with any other media in the trays (as this will cause media misfeeding)

## Envelope

Print on the front (address) side only. Some parts of the envelope consist of three layers of paper—the front, back, and flap. Anything printed in these layered regions may be lost or faded.

You can print continuously with envelope. However, this could affect the media feed, depending on the media quality and printing environment. If problems occur, stop the continuous printing and print one sheet at a time.

<b>Capacity</b>	<b>Tray 1</b>	Up to 10 sheets, depending on their thickness
<b>Orientation</b>	Face up	
<b>Driver Media Type</b>	Envelope	

### Use envelopes that are

- Envelope DL or C6 size  
(Other envelope sizes are not supported.)
- Common office envelopes approved for laser printing with diagonal joints, sharp folds and edges, and ordinary gummed flaps



*Because the envelopes pass through heated rollers, the gummed area on the flaps may seal. Using envelopes with emulsion-based glue avoids this problem.*

- Approved for laser printing
- Dry

### DO NOT use envelopes that have

- Sticky flaps
- Tape seals, metal clasps, paper clips, fasteners, or peel-off strips for sealing
- Transparent windows
- Too rough of a surface
- Material that will melt, vaporize, offset, discolor, or emit dangerous fumes
- Been presealed

## Label

A sheet of labels consists of a face sheet (the printing surface), adhesive, and a carrier sheet:

- The face sheet must follow the plain paper specification.
- The face sheet surface must cover the entire carrier sheet, and no adhesive should come through on the surface.

You can print continuously with label sheets. However, this could affect the media feed, depending on the media quality and printing environment. If problems occur, stop the continuous printing and print one sheet at a time.

Try printing your data on a sheet of plain paper first to check placement. Check your application documentation for more information on printing labels.

<b>Capacity</b>	<b>Tray 1</b>	Up to 50 sheets, depending on their thickness
<b>Orientation</b>	Face up	
<b>Driver Media Type</b>	Labels	

### Use label sheets that are

- Recommended for laser printing

### DO NOT use label sheets that

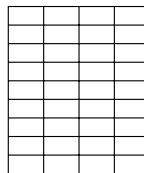
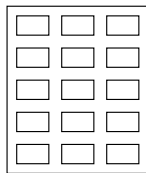
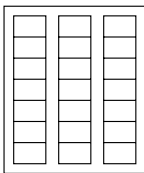
- Have labels that easily peel off or have parts of the label already removed
- Have backing sheets that have peeled away or have exposed adhesive



*Labels may stick to the fuser, causing them to peel off and media misfeeds to occur.*

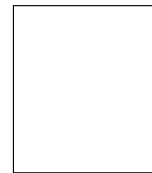
- Are precut or perforated

Do not use



Shiny backed paper

OK to use



Full-page labels (uncut)

## Letterhead

You can print continuously with letterhead. However, this could affect the media feed, depending on the media quality and printing environment. If problems occur, stop the continuous printing and print one sheet at a time.

Try printing your data on a sheet of plain paper first to check placement.

<b>Capacity</b>	<b>Tray 1</b>	Up to 50 sheets, depending on their size and thickness
<b>Orientation</b>	Face up	
<b>Driver Media Type</b>	Letterhead	

## Postcard

You can print continuously with postcard. However, this could affect the media feed, depending on the media quality and printing environment. If problems occur, stop the continuous printing and print one sheet at a time.

Try printing your data on a sheet of plain paper first to check placement.

<b>Capacity</b>	<b>Tray 1</b>	Up to 50 sheets, depending on their thickness
<b>Orientation</b>	Face up	
<b>Driver Media Type</b>	Postcard	

### Use postcards that are

- Approved for laser printing

### DO NOT use postcards that are

- Coated
- Designed for inkjet printers
- Precut or perforated
- Preprinted or multicolored

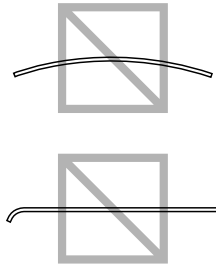


*If the postcard is warped, press on the warped area before putting it in the tray.*





- Folded or wrinkled



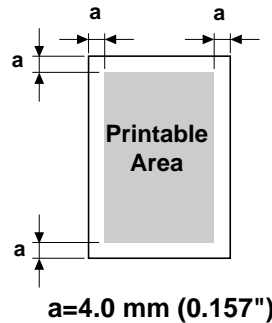
## Printable Area

The printable area on all media sizes is up to 4.0 mm (0.157") from the edges of the media.

Each media size has a specific printable area (the maximum area on which the machine can print clearly and without distortion).

This area is subject to both hardware limits (the physical media size and the margins required by the machine) and software constraints (the amount of memory available for the full-page frame buffer). The printable area for all media sizes is the page size minus

4.0 mm (0.157") from all edges of the media.

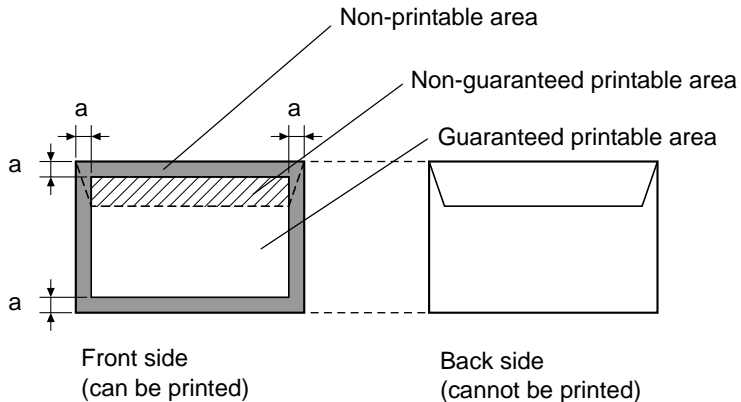


*When printing in color on legal-size media, the following limitations apply.*

- *The printable area is 339.6 (13.4") mm from the leading edge of the paper. (However, there is a non-printable area up to 4.0 mm (0.157") from the leading edge.)*
- *The bottom margin is 16.0 mm (0.63").*

## Envelopes

Envelopes can only be printed on their front sides (side where the recipient's address is written). In addition, printing on the front side in the area overlapping the back flap cannot be guaranteed. The location of this area differs depending on the envelope type.



**a=4.0 mm (0.157")**



*The envelope print orientation is determined by your application.*



*With the Envelope DL size (long edge feeding), the nonprintable areas on the left and right sides are 6 mm.*

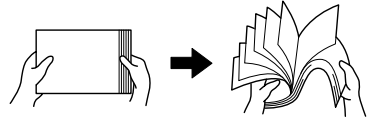
## Page Margins

Margins are set through your application. Some applications allow you to set custom page sizes and margins while others have only standard page sizes and margins from which to choose. If you choose a standard format, you may lose part of your image (due to printable area constraints). If you can custom-size your page in your application, use those sizes given for the printable area for optimum results.

# Loading Media

## How do I load media?

Take off the top and bottom sheets of a ream of paper. Holding a stack of approximately 200 sheets at a time, fan the stack to prevent static buildup before inserting it in a tray.



---

### Note

---

**Although this machine was designed for printing on a wide range of media types, it is not intended to print exclusively on a single media type except plain paper. Continuous printing on media other than plain paper (such as envelopes, labels, or thick stock) may adversely affect print quality or reduce engine life.**

---

When refilling media, first remove any media remaining in the tray. Stack it with the new media, even the edges, then reload it.

Do not mix media of different types and sizes, as this will cause media mis-feeds.

## Tray 1 (Multipurpose Tray)

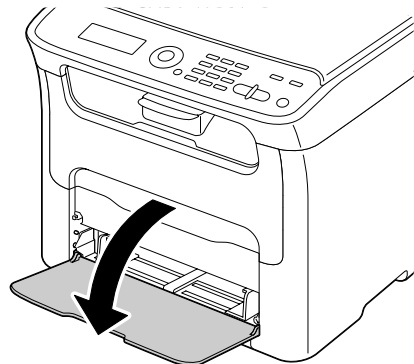
For details on the types and sizes of media that can be printed from Tray 1, refer to "Print Media" on page 3-2.

### Loading Plain Paper

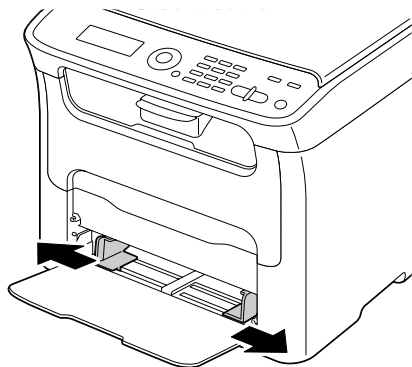
**1** Open Tray 1.



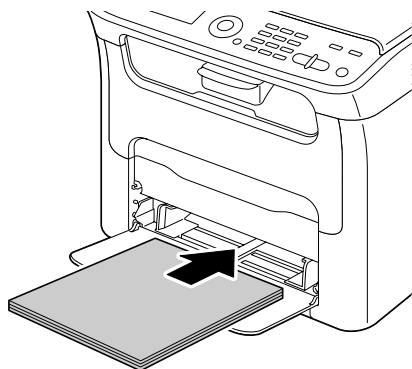
*If media has been loaded into Tray 1, remove all media from the tray.*



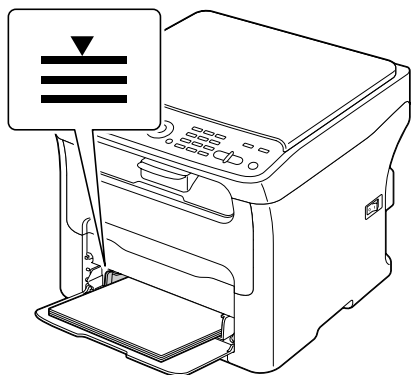
- 2** Slide the media guides to provide more space between them.



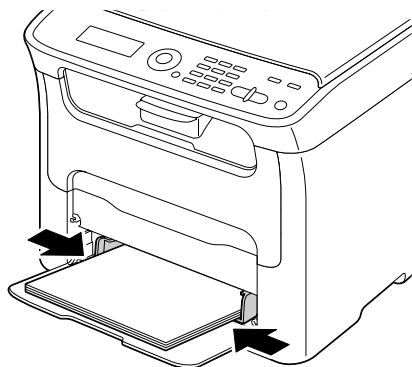
- 3** Load the paper face up in the tray.



*Do not load paper above the ▼ mark. Up to 200 sheets (80 g/m<sup>2</sup> [21 lb]) of plain paper can be loaded into the tray at one time.*



- 4 Slide the media guides against the edges of the paper.



- 5 Select TRAY1 PAPER SETUP in the UTILITY menu, and then select the settings for the size and type of paper that is loaded. See also "Print Media" on page 3-2.

## Other Media

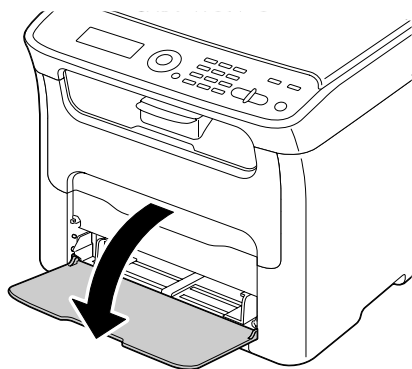
When loading media other than plain paper, set the media mode (Envelope, Label, Letterhead, Postcard, Thick Stock 1, or Thick Stock 2) in the driver for optimum print quality.

## Loading Envelopes

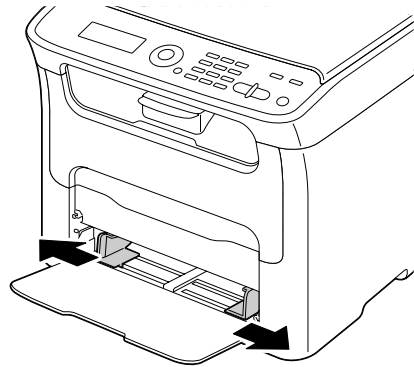
- 1 Open Tray 1.



*If media has been loaded into Tray 1, remove all media from the tray.*



- 2 Slide the media guides to provide more space between them.



- 3 Load the envelopes flap side down in the tray.



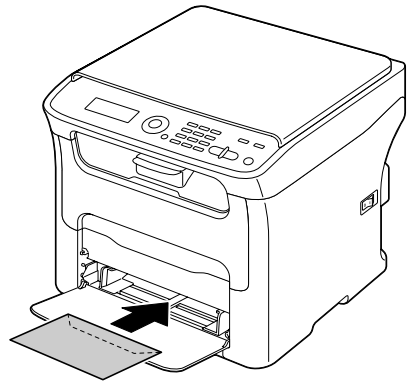
*Before loading envelopes, press them down to make sure that all air is removed, and make sure that the folds of the flaps are firmly pressed, otherwise the envelopes may become wrinkled or a media misfeed may occur.*



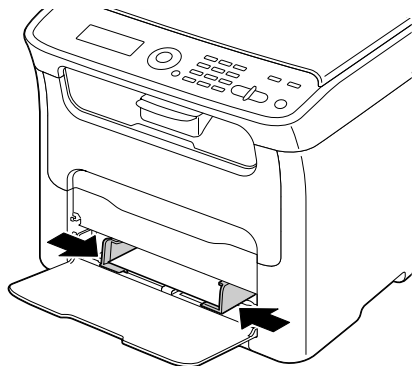
*Up to 10 envelopes can be loaded into the tray at one time.*



*For envelopes with the flap along the long edge (Envelope C6 and Envelope DL), load the envelopes with the flap side inserted first.*



- 4 Slide the media guides against the edges of the envelopes.



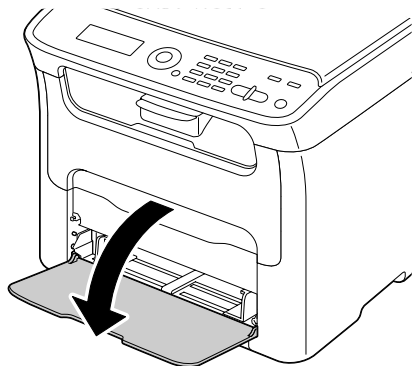
- 5 Select TRAY1 PAPER SETUP in the UTILITY menu, and then select the settings for the size and type of media that is loaded. See also "Print Media" on page 3-2.

### Loading Label Sheets/Letterheads/Postcards and Thick Stock

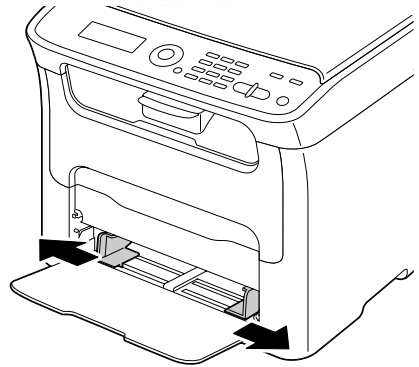
- 1 Open Tray 1.



*If media has been loaded into Tray 1, remove all media from the tray.*



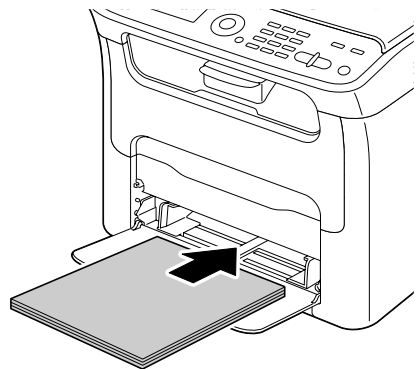
- 2 Slide the media guides to provide more space between them.



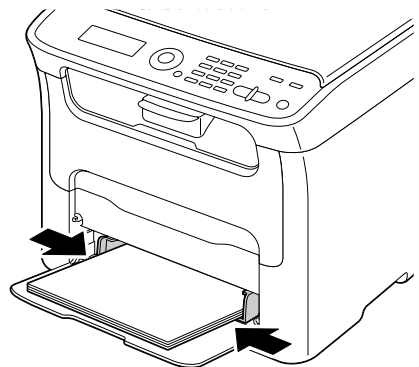
- 3 Load the media face up in the tray.



*Up to 50 sheets can be loaded into the tray at one time.*



- 4 Slide the media guides against the edges of the media.



- 5 Select TRAY1 PAPER SETUP in the UTILITY menu, and then select the settings for the size and type of media that is loaded. See also "Print Media" on page 3-2.



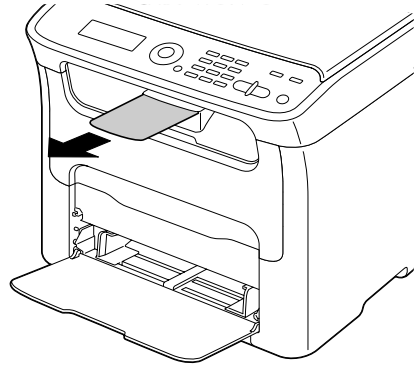
# Output Tray

The printed media is fed out facing down into the output tray below the control panel. This tray has a capacity of approximately 100 sheets (A4/Letter) of 80 g/m<sup>2</sup> paper.



*If the media is stacked too high in the output tray, your machine may experience media misfeeds, excessive media curl, or static buildup.*

The output tray can be pulled out to be extended. Adjust the output tray according to the size of paper to be printed on.



# Media Storage

- Keep media on a flat, level surface in its original wrapper until it is time to load it.

*Media that has been stored for a long time out of its packaging may dry up too much and cause misfeeding.*

- If media has been removed from its wrapper, place it in its original packaging and store in a cool, dark place on a level surface.
- Avoid moisture, excessive humidity, direct sunlight, excessive heat (above 35°C [95°F]), and dust
- Avoid leaning against other objects or placing it in an upright position.

Before using stored media, do a trial print and check print quality.

# Original Media

## Specifications

The following types of documents can be placed on the original glass.

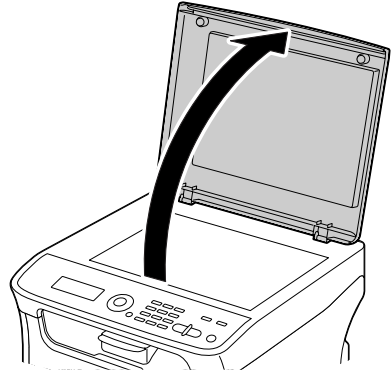
Document type	Sheets or books
Maximum document size	A4 or Letter
Maximum weight	3 kg (6.6 lb)

Observe the following precautions when placing a document on the original glass.

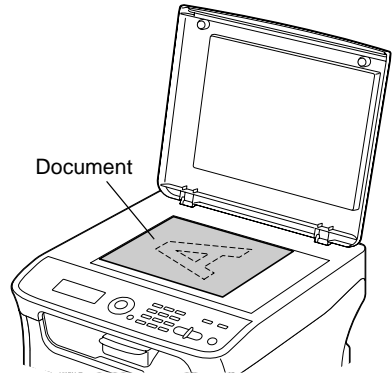
- Do not place objects weighing more than 3 kg (6.6 lb) on the original glass; otherwise the glass may be damaged.
- Do not press down extremely hard on a book spread on the original glass; otherwise the original glass may be damaged.

# Placing a Document to be Copied

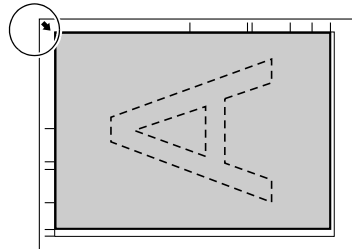
1 Lift to open the original cover.



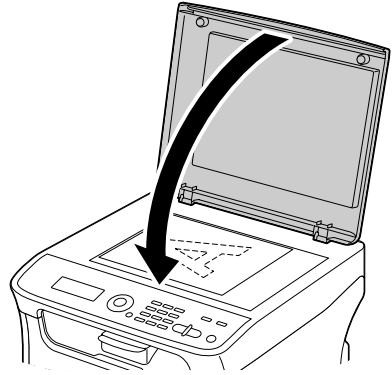
2 Position the document on the original glass.



*Align the document with the arrow on the left side toward the rear of the machine.*



**3** Gently close the original cover.



*For details on copying the placed document, refer to chapter 5, “Using the Copier”. For details on scanning, refer to chapter 6, “Using the Scanner”.*

# *Using the Printer Driver* **4**



# Selecting Printer Driver Options/Defaults (for Windows)

Before you start working with your machine, you are advised to verify and change the default printer driver settings if necessary.

- 1 Choose the driver's properties as follows:
  - (Windows Vista)  
From the **Start** menu, select **Control Panel**, and then click **Hardware and Sound** to select **Printers**. Right-click the KONICA MINOLTA magicolor 1680MF printer icon, and then select **Printing Preferences**.
  - (Windows XP/Server 2003)  
From the **start** menu, select **Printers and Faxes** to display the **Printers and Faxes** directory. Right-click the KONICA MINOLTA magicolor 1680MF printer icon and select **Printing Preferences**.
  - (Windows 2000)  
From the **Start** menu, select **Settings** and then **Printers** to display the **Printers** directory. Right-click the KONICA MINOLTA magicolor 1680MF printer icon and select **Printing Preferences**.
- 2 Select the **Basic** tab. Select the default settings for your machine, such as the default media format you use.
- 3 Click **Apply**.
- 4 Click **OK** to exit from the Printing Preferences dialog box.

# Uninstalling the Printer Driver (for Windows)

This section describes how to uninstall the printer driver if necessary.



*You must have administrator privileges in order to uninstall the printer driver.*



*If the User Account Control window appears when uninstalling on Windows Vista, click the **Allow** button or the **Continue** button.*

## Windows Vista/XP/Server 2003/2000

- 1 Close all applications.
- 2 Choose Uninstall Program as follows:
  - (Windows Vista/XP/Server 2003)  
From the **Start** menu, choose **All programs, KONICA MINOLTA, magicolor 1680MF, Printer**, and then **Uninstall**.
  - (Windows 2000)  
From the **Start** menu, choose **Program, KONICA MINOLTA, magicolor 1680MF, Printer**, and then **Uninstall**.
- 3 When the Uninstall dialog box appears, select the printer to be deleted, and then click **Uninstall** button.
- 4 The printer driver will be uninstalled from your computer.

## Displaying Printer Driver Settings

### Windows Vista

- 1 From the **Start** menu, select **Control Panel**, and then click **Hardware and Sound** to select **Printers**.
- 2 Right-click the KONICA MINOLTA magicolor 1680MF printer icon then select **Printing Preferences**.

### Windows XP/Server 2003

- 1 From the **start** menu, select **Printers and Faxes** to display the **Printers and Faxes** directory.
- 2 Right-click the KONICA MINOLTA magicolor 1680MF printer icon and select **Printing Preferences**.



## Windows 2000

- 1 From the **Start** menu, select **Settings**, and then click **Printers** to display the **Printers** directory.
- 2 Right-click the KONICA MINOLTA magicolor 1680MF printer icon and select **Printing Preferences**.

# Printer Driver Settings

## Common Buttons

The buttons described below appear on each tab.

- OK

Click to exit the Properties dialog box, saving any changes made.

- Cancel

Click to exit the Properties dialog box without saving any changes made.

- Apply

Click to save all changes without exiting the Properties dialog box.

- Help

Click to view the help.

- Easy Set

Click **Save** to save the current settings. Specify a **Name** and **Comment** to access the settings for use again later.

**Name:** Type in the name of the settings to be saved.

**Comment:** Add a simple comment to the settings to be saved.

Afterward, the saved settings can be selected from the drop-down list. To change the registered settings, click **Edit**.

Select **Default** from the drop-down list to reset the functions in all tabs to their default values.

- Printer View

Click the button to display an image of the printer in the figure area.

When this button is clicked, it changes to the **Paper View** button (when a tab other than the **Watermark** tab or **Quality** tab is selected), the **Watermark View** button (when the **Watermark** tab is selected), or the **Quality View** button (when the **Quality** tab is selected).



*This button does not appear on the **Version** tab.*

- Paper View

Click the button to display a sample of the page layout in the figure area.

When this button is clicked, it changes to the **Printer View** button.



*This button does not appear on the **Watermark**, **Quality** and **Version** tabs.*

### ■ Watermark View

Click the button to display a preview of the watermark.

When this button is clicked, it changes to the **Printer View** button.



*This button appears only when the **Watermark** tab is selected.*

### ■ Quality View

Click the button to display a sample of the settings selected in the **Quality** tab.

When this button is clicked, it changes to the **Printer View** button.



*This button appears only when the **Quality** tab is selected.*

### ■ Default

Click the button to reset the settings to their defaults.



*This button does not appear on the **Version** tab.*



*When this button is clicked, the settings in the displayed dialog box are reset to their defaults. The settings on other tabs are not changed.*

## Basic Tab

The Basic Tab allows you to

- Specify the orientation of the media
- Specify the size of the original document
- Select the output media size
- Register/edit custom paper sizes
- Zoom (expand/reduce) documents
- Specify the number of copies
- Turn on/off job collation
- Specify the paper source
- Specify the type of media
- Select the paper used for the front page

## Layout Tab

The Layout Tab allows you to

- Print several pages of a document on the same page (N-up printing)
- Print a single copy for enlargement and print several pages
- Rotate the print image 180 degrees
- Specify image shift settings



*Double-Sided printing is not available with this machine.*

## Overlay Tab



*Be sure to use overlays with print jobs with a media size and orientation that matches the overlay form.*

*In addition, if settings have been specified for "N-up" in the printer driver, the overlay form cannot be adjusted to match the specified settings.*

The Overlay Tab allows you to

- Select the form Overlay to use
- Add, edit or delete overlay files
- Print the form on all pages or only the first page

## Watermark Tab

The Watermark Tab allows you to

- Select the watermark to be used
- Add, edit or delete watermarks
- Print the watermark on the background
- Print the watermark on only the first page
- Print multiple copies of the selected watermark on a single page

## Quality Tab

The Quality Tab allows you to

- Specify whether to print in color or black and white
- Specify the color matching for printing documents
- Specify the resolution for the printout
- Select whether or not economy print is used
- Adjust the contrast (Contrast)

- Control the darkness of an image (Brightness)
- Adjust the saturation of printed image (Saturation)
- Adjust the sharpness of the printed image (Sharpness)

## **Version Tab**

- The Version Tab allows you to view information about the printer driver.

*Using the Copier* **5**



# Making Basic Copies

This section contains descriptions of the basic copy operation procedure and the functions that are frequently used when making copies, such as specifying the zoom ratio and the copy density.



*Before making copies, check that the **Copy** key is lit up in green. If the key is not lit up in green, press the **Copy** key to enter Copy mode.*



*The default paper size setting can be changed with **TRAY1 PAPER SETUP** in the **UTILITY** menu. For details, refer to “**TRAY1 PAPER SETUP Menu**” on page 2-17.*

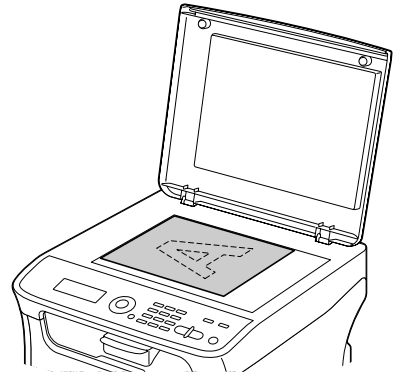
If, while specifying settings, no key is pressed for the length of time specified for **AUTO PANEL RESET**, the entered settings are canceled and the main screen (Copy mode) is displayed.

## Basic Copy Operation

- 1 Position the document to be copied.



*For details on positioning the document, refer to “**Placing a Document to be Copied**” on page 3-19.*



- 2 Press the **Copy** key.
- 3 Specify the desired copy settings.



*For details on specifying the copy mode and the copy density, refer to “**Specifying the Copy Quality Setting**” on page 5-3.  
For details on specifying the zoom ratio, refer to “**Specifying the Zoom Ratio**” on page 5-4.  
For details on ID card copying, repeat copying or poster copying, refer to “**Setting a Copy Function**” on page 5-5.*

- 4 Using the keypad, specify the desired number of copies.



*If the number of copies was incorrectly entered, press the **Back** key, and then specify the correct number of copies.*

- 5 To print color copies, press the **Start-Color** key. To print monochrome copies, press the **Start-B&W** key.

*Copying begins.*



*If the **Stop/Reset** key is pressed while copying, **JOB CANCEL** appears. To stop copying, select **YES**. To continue copying, select **NO**.*

## Specifying the Copy Quality Setting

Select the document type and copy density appropriate for the contents and density of the document to be copied.

### Selecting the Document Type

- 1 In the main screen (Copy mode), press the **▲** or **▼** key to select the current copy quality setting, and then press the **Select** key.
- 2 Press the **▲** or **▼** key to select **MODE**, and then press the **Select** key.
- 3 Press the **▲** or **▼** key to select **MIX**, **TEXT**, **PHOTO**, **FINE/MIX**, **FINE/TEXT** or **FINE/PHOTO**, and then press the **Select** key.  
The main screen (Copy mode) appears again.

### Specifying the Copy Density

- 1 In the main screen (Copy mode), press the **▲** or **▼** key to select the current copy quality setting, and then press the **Select** key.
- 2 Press the **▲** or **▼** key to select **DENSITY**, and then press the **Select** key.
- 3 Press the **◀** or **▶** key to select the desired copy density, and then press the **Select** key.

As the indicator is moved to right, the density becomes darker.

The main screen (Copy mode) appears again.



*If **TEXT** or **FINE/TEXT** is selected as the copy mode, select either **AUTO** or **MANUAL** in step 3. If **MANUAL** is selected, specify the copy density.*



## Specifying the Zoom Ratio

The zoom ratio can be specified either by selecting a preset zoom ratio or by specifying a custom zoom ratio.

### Selecting a Preset Zoom Ratio

- 1 In the main screen (Copy mode), press the ▲ or ▼ key to select the current zoom ratio setting, and then press the **Select** key.
- 2 Press the ▲ or ▼ key to select **FIXED**, and then press the **Select** key.
- 3 Press the ▲ or ▼ key to select the desired zoom ratio, and then press the **Select** key.

The main screen (Copy mode) appears again.



*The following zoom ratios can be selected.*

*In metric dimensions:*

*50%, 70% (A4→A5), 81% (A4→B5), 100%, 115% (B5→A4), 141% (A5→A4), 200%*

*In inch dimensions:*

*50%, 64% (LT→ST), 78% (LG→LT), 100%, 129% (ST→LT), 154% (ST→LG), 200%*

*The zoom ratio cannot be changed using the keypad.*

### Specifying a Custom Zoom Ratio

- 1 In the main screen (Copy mode), press the ▲ or ▼ key to select the current zoom ratio setting, and then press the **Select** key.
- 2 Press the ▲ or ▼ key to select **MANUAL**, and then press the **Select** key.
- 3 Use the keypad to type in the desired zoom ratio, or press the ▲ or ▼ key to specify the zoom ratio, and then press the **Select** key.  
The main screen (Copy mode) appears again.



*Each press of the ▲ or ▼ key changes the zoom ratio by 1%.*

*A setting between 50% and 200% can be specified.*

# Making Advanced Copies

This section contains descriptions on setting ID card copying, repeat copying and poster copying.

## Setting a Copy Function

ID card copying, repeat copying and poster copying can be set.



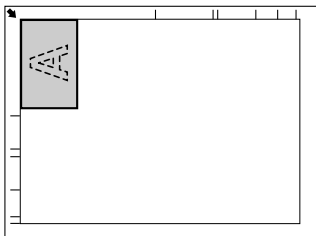
*If a copy function other than **NORMAL COPY** has been set, the zoom ratio is automatically set (and cannot be changed).*



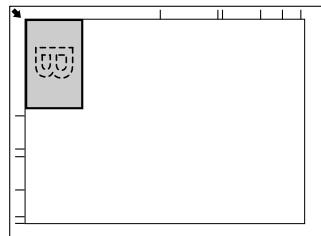
*With ID card copying, repeat copying or poster copying, position the document pages to be scanned so that they are aligned in the upper-left corner of the original glass. Since the image is printed 4 mm from the top and left side, adjust the position of the document as necessary. For details on positioning the document on the original glass, refer to "Placing a Document to be Copied" on page 3-19.*

## ID Card Copying

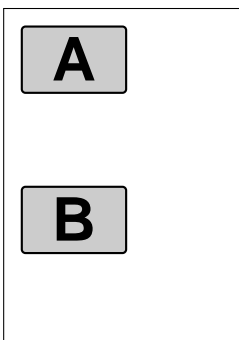
With ID card copying, the back and front of a document, such as a certificate, are copied at full size on a single sheet of paper.



front side



back side





The paper sizes that are available for ID card copying are A4, Letter and Legal.

- 1 Position the document on the original glass.



For details on positioning the document on the original glass, refer to "Placing a Document to be Copied" on page 3-19.

- 2 In the main screen (Copy mode), press the ▲ or ▼ key to select the current copy function setting, and then press the **Select** key.

- 3 Press the ▲ or ▼ key to select ID CARD COPY, and then press the **Select** key.

- 4 To print color copies, press the **Start-Color** key. To print monochrome copies, press the **Start-B&W** key.

*Scanning of the document begins.*

- 5 When NEXT PAGE? appears, position the back side of the document at the same location as the front side, and then press the **Select** key.

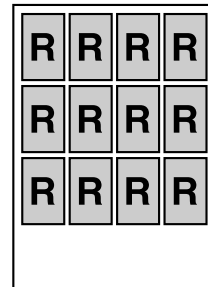
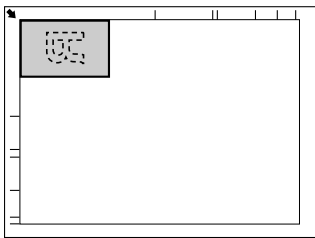
*After the back side has been scanned, printing automatically begins.*



To print only the front sides that were scanned first, press the **Start-Color** key or the **Start-B&W** key in step 5.

## Repeat Copying

With repeat copying, small documents, such as memos, are tiled and printed on a single page.



- 1 Position the document on the original glass.



For details on positioning the document on the original glass, refer to "Placing a Document to be Copied" on page 3-19.

- 2 In the main screen (Copy mode), press the ▲ or ▼ key to select the current copy function setting, and then press the **Select** key.

- 3 Press the ▲ or ▼ key to select REPEAT COPY, and then press the **Select** key.
- 4 When the How to Repeat Copy screen appears, check the settings, and then press the **Select** key.
- 5 To print color copies, press the **Start-Color** key. To print monochrome copies, press the **Start-B&W** key.
- 6 Use the keypad to type in the document length, and then press the **Select** key.



*To change the document size, press the **Back** key to delete the current size, and then use the keypad to specify the desired size.*

- 7 Use the keypad to type in the document width, and then press the **Select** key.

After the document has been scanned, printing automatically begins.



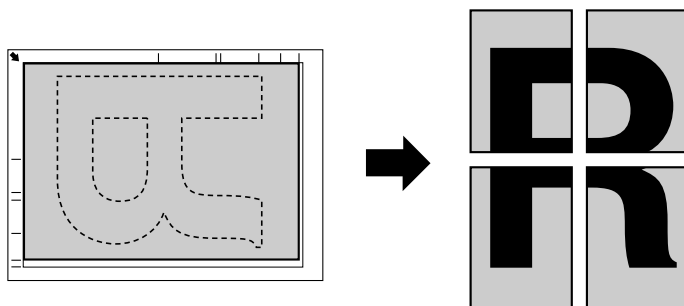
*To change the document size, press the **Back** key to delete the current size, and then use the keypad to specify the desired size.*


## Poster Copying

With poster copying, the length and width of the scanned document are each enlarged 200%, and printed on four pages.



*If the scanned image does not fit on the size of paper that is used, there may be margins on the sides of the image or the image may not fit in the paper.*



- 1 Position the document on the original glass.
  -  *For details on positioning the document on the original glass, refer to "Placing a Document to be Copied" on page 3-19.*
- 2 In the main screen (Copy mode), press the ▲ or ▼ key to select the current copy function setting, and then press the **Select** key.

- 3 Press the ▲ or ▼ key to select **POSTER COPY**, and then press the **Select** key.
- 4 To print color copies, press the **Start-Color** key. To print monochrome copies, press the **Start-B&W** key.  
After the document has been scanned, printing automatically begins.

# *Using the Scanner* **6**



# Scanning From a Computer Application

Documents can be scanned from a computer connected to this machine with a USB cable. Scanning settings can be specified and the scanning operation can be performed from TWAIN- or WIA-compatible applications. From the scanner driver, a preview can be displayed and various adjustments, such as the size of the scan area, can be specified.



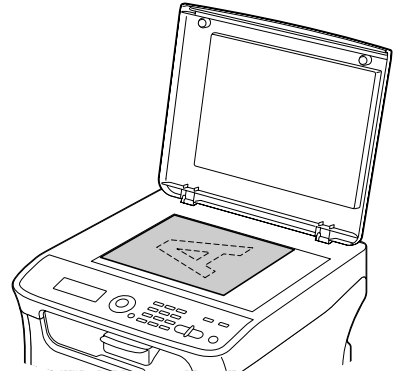
*For details on the installation of the scanner driver refer to the Installation Guide.*

## Basic Scanning Operation

- 1 Position the document to be scanned.



*For details on positioning the document, refer to "Placing a Document to be Copied" on page 3-19.*



- 2 Start the application to be used for scanning.
- 3 Start the scanner driver according to the application settings.
- 4 Specify the necessary scanner driver settings.
- 5 Click the **Scan** button in the scanner driver.

## Windows TWAIN Driver Settings

- Load

Load a saved settings file (dat file) for scanning.

- Save

Save the current settings as a settings file (dat file).

- Default

Return all settings to their defaults.

- Help icon

Click to display the Help.

- About icon

Click to display the software version information.

- Paper source

This setting cannot be changed with this machine.

- Original Size

Specify the original size.

- Scan Type

Specify the scan type.

- Resolution

Specify the resolution.

- Scale

Specify the enlargement or reduction ratio for the selected area.



*If the resolution is set at 1200 × 1200dpi or higher, a setting larger than 100% cannot be specified.*

- Scanning mode

Select **Auto** or **Manual**. When **Manual** is selected, a tab appears so that detailed settings can be specified, for example, for **Brightness/Contrast** and **Filter**.



*The parameters that can be set differ depending on the scanning mode that is selected.*



*If **Auto** is selected as the scanning mode, scanning is performed after a prescan is performed so that a preview image can be checked.*



- **Image size**

Shows the data size of the scan image.

- **Rotation**

Select the orientation of the image to be scanned.

- **Close**

Click to close the TWAIN driver window.

- **Prescan**

Click to begin scanning a preview image.

- **Scan**

Click to begin scanning.

- **AutoCrop icon**

Click to automatically detect the scanning position based on the preview image.

- **Zoom icon**

Click to rescan the area selected in the preview window and enlarge it to fit the window.

- **Mirror icon**

Click to display a mirror image of the preview image.

- **Tone Reversal icon**

Click to reverse the colors of the preview image.

- **Clear icon**

Click to erase the preview image.

- **Preview window**

Displays a preview image. Drag the rectangle over the image to select an area.

- **Before/After (RGB)**

Move the pointer in the preview window to display the color tones at the pointer's position before and after adjustments.

- **Width/Height**

Displays the width and height for the selected area in the selected measurement units.

## Windows WIA Driver Settings

- Color picture

Select this setting when scanning in color.

- Grayscale picture

Select this setting when scanning in grayscale.

- Black and white picture or text

Select this setting when scanning in black and white.

- Custom Settings

Select this setting when scanning with **Adjust the quality of the scanned picture** settings applied.



*If settings have been specified with **Adjust the quality of the scanned picture**, **Custom Settings** is automatically selected.*

- Adjust the quality of the scanned picture

Click this message to display the Advanced Properties dialog box. In the Advanced Properties dialog box, settings can be specified for **Brightness**, **Contrast**, **Resolution**, and **Picture type** (select from color, grayscale, or black and white).



*These settings are applied when **Custom Settings** is selected.*

- Preview window

Displays a preview image. Drag the rectangle over the image to select an area.

- Preview

Click to begin scanning a preview image.

- Scan

Click to begin scanning.

- Cancel

Click to close the WIA driver window.

## Macintosh TWAIN Driver Settings

- Load

Load a saved settings file (dat file) for scanning.

- Save

Save the current settings as a settings file (dat file).

- Default

Return all settings to their defaults.

- Help icon

Click to display the Help.

- About icon

Click to display the software version information.

- Paper source

This setting for this item cannot be changed with this machine.

- Original Size

Specify the original size.

- Scan Type

Specify the scan type.

- Resolution

Specify the resolution.

- Scale

Specify the enlargement or reduction ratio for the selected area.



*If the resolution is set at 1200 × 1200dpi or higher, a setting larger than 100% cannot be specified.*

- Scanning mode

Select **Auto** or **Manual**. When **Manual** is selected, a tab appears so that detailed settings can be specified, for example, for **Brightness/Contrast** and **Filter**.



*The parameters that can be set differ depending on the scanning mode that is selected.*



*If **Auto** is selected as the scanning mode, scanning is performed after a prescan is performed so that a preview image can be checked.*

- **Image size**

Shows the data size of the scan image.

- **Rotation**

Select the orientation of the image to be scanned.

- **Close**

Click to close the TWAIN driver window.

- **Prescan**

Click to begin scanning a preview image.

- **Scan**

Click to begin scanning.

- **AutoCrop icon**

Click to automatically detect the scanning position based on the preview image.

- **Zoom icon**

Click to rescan the area selected in the preview window and enlarge it to fit the window.

- **Mirror icon**

Click to display a mirror image of the preview image.

- **Tone Reversal icon**

Click to reverse the colors of the preview image.

- **Clear icon**

Click to erase the preview image.

- **Preview window**

Displays a preview image. Drag the rectangle over the image to select an area.

- **Before/After (RGB)**

Move the pointer in the preview window to display the color tones at the pointer's position before and after adjustments.

- **Width/Height**

Displays the width and height for the selected area in the selected measurement units.

# Scanning With the Machine

The machine keys can be used to make scans. Scanning is performed with the scan settings specified in LinkMagic. To change the scan settings, change the settings in LinkMagic.

In order to perform this operation, the following requirements must be met.

- This machine is connected to a computer using a USB cable.
- The TWAIN scanner driver, the printer driver and LinkMagic (Windows only) are installed on the computer.
- Either LinkMagic is activated or the LinkMagic icon appears in the Windows notification area.

The scan data is saved in the folder specified with LinkMagic.

For details on LinkMagic, refer to the Reference Guide on the Documentation CD/DVD.



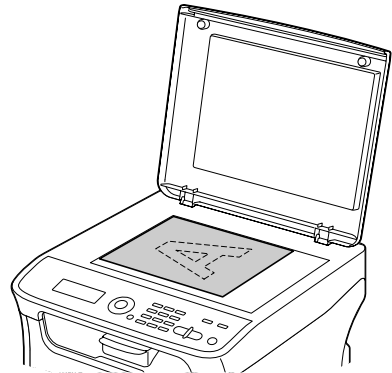
*Before scanning, check that the **Scan** key is lit up in green. If the key is not lit up in green, press the **Scan** key to enter Scan mode.*

## Basic Scanning Operation

- 1 Position the document to be scanned.



*For details on positioning the document, refer to "Placing a Document to be Copied" on page 3-19.*



- 2 Press the **Scan** key to enter Scan mode.
- 3 To scan color scans, press the **Start-Color** key. To scan monochrome scans, press the **Start-B&W** key.



*If the **Stop/Reset** key is pressed while scanning, **JOB CANCEL** appears. To continue scanning, select **NO**. To stop scanning, select **YES**.*

***Replacing  
Consumables***

**7**



# Replacing Consumables

---

---

## Note

Failure to follow instructions as outlined in this manual could result in voiding your warranty.

---

---

---

---

## Note

If an error message (TONER OUT, I/C LIFE END, etc.) appears, print out the configuration page, and then check the status of the other consumables. For details on the error messages, refer to “Error Messages” on page 9-27. For details on printing the configuration page, refer to “Printing a Configuration Page” on page 9-3.

---

---

## About Toner Cartridges

Your machine uses four toner cartridges: black, yellow, magenta, and cyan. Handle the toner cartridges carefully to avoid spilling toner inside the machine or on yourself.



*Install only new toner cartridges in your machine. If a used toner cartridge is installed, then toner remaining amount may not be accurate.*



*The toner is nontoxic. If you get toner on your skin, wash it off with cool water and a mild soap. If you get toner on your clothes, lightly dust them off as best as you can. If some toner remains on your clothes, use cool, not hot water, to rinse the toner off.*



## CAUTION

**If you get toner in your eyes, wash it out immediately with cool water and consult a doctor.**

---

---



*Refer to the following URL for recycling information.  
US: [printer.konicaminolta.com/products/recycle/index.asp](http://printer.konicaminolta.com/products/recycle/index.asp)  
Europe: [cleanplanet-printer.konicaminoltaeurope.com/cleanplanet/choose.php](http://cleanplanet-printer.konicaminoltaeurope.com/cleanplanet/choose.php)  
Other regions: [printer.konicaminolta.com](http://printer.konicaminolta.com)*

## Note

**Do not use refilled toner cartridges or unapproved toner cartridges. Any damage to the machine or quality problems caused by a refilled toner cartridge or an unapproved toner cartridge will void your warranty. No technical support is provided to recover from these problems.**

When replacing a toner cartridge, refer to the following table. For optimum print quality and performance, use only approved KONICA MINOLTA toner cartridges for your specific machine type, as listed in the table below. You can find your machine type and the toner cartridge part numbers on the consumables reorder label inside the original cover.

Machine Type	Machine Part Number	Toner Cartridge Type	Toner Cartridge Part Number
AM	A0HF 011	Standard-Capacity Toner Cartridge -Yellow (Y)	A0V3 05F
		Standard-Capacity Toner Cartridge -Magenta (M)	A0V3 0AF
		Standard-Capacity Toner Cartridge -Cyan (C)	A0V3 0GF
		High-Capacity Toner Cartridge - Black (K)	A0V3 01F
		High-Capacity Toner Cartridge - Yellow (Y)	A0V3 06F
		High-Capacity Toner Cartridge - Magenta (M)	A0V3 0CF
		High-Capacity Toner Cartridge - Cyan (C)	A0V3 0HF
EU	A0HF 021	Standard-Capacity Toner Cartridge -Yellow (Y)	A0V3 05H
		Standard-Capacity Toner Cartridge -Magenta (M)	A0V3 0AH
		Standard-Capacity Toner Cartridge -Cyan (C)	A0V3 0GH
		High-Capacity Toner Cartridge - Black (K)	A0V3 01H
		High-Capacity Toner Cartridge - Yellow (Y)	A0V3 06H
		High-Capacity Toner Cartridge - Magenta (M)	A0V3 0CH
		High-Capacity Toner Cartridge - Cyan (C)	A0V3 0HH
AP	A0HF 041	Standard-Capacity Toner Cartridge -Yellow (Y)	A0V3 05K
		Standard-Capacity Toner Cartridge -Magenta (M)	A0V3 0AK
		Standard-Capacity Toner Cartridge -Cyan (C)	A0V3 0GK
		High-Capacity Toner Cartridge - Black (K)	A0V3 01K
		High-Capacity Toner Cartridge - Yellow (Y)	A0V3 06K
		High-Capacity Toner Cartridge - Magenta (M)	A0V3 0CK
		High-Capacity Toner Cartridge - Cyan (C)	A0V3 0HK



Machine Type	Machine Part Number	Toner Cartridge Type	Toner Cartridge Part Number
GC	A0HF 081	Standard-Capacity Toner Cartridge -Yellow (Y)	A0V3 05N
		Standard-Capacity Toner Cartridge -Magenta (M)	A0V3 0AN
		Standard-Capacity Toner Cartridge -Cyan (C)	A0V3 0GN
		High-Capacity Toner Cartridge - Black (K)	A0V3 01N
		High-Capacity Toner Cartridge - Yellow (Y)	A0V3 06N
		High-Capacity Toner Cartridge - Magenta (M)	A0V3 0CN
		High-Capacity Toner Cartridge - Cyan (C)	A0V3 0HN

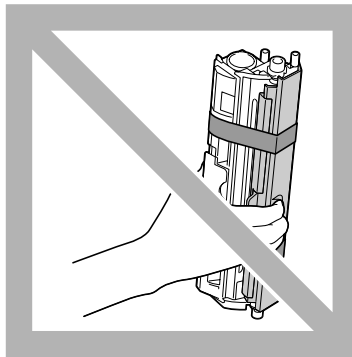


*For optimum print quality and performance, use only the corresponding TYPE genuine KONICA MINOLTA toner cartridges.*

Keep toner cartridges:

- In their packaging until you're ready to install them.
- In a cool, dry location away from sunlight (due to heat).
- The maximum storage temperature is 35°C (95°F) and the maximum storage humidity is 85% (noncondensing). If the toner cartridge is moved from a cold place to a warm, humid place, condensation may occur, degrading print quality. Allow the toner to adapt to the environment for about one hour before use.
- Level during handling and storage.

*Do not hold, stand or store cartridges on their ends or turn them upside down; the toner inside the cartridges may become caked or unequally distributed.*



- Away from salty air and corrosive gases such as aerosols.

# Replacing a Toner Cartridge

## Note

**Be careful not to spill toner while replacing a toner cartridge. If toner spills, immediately wipe it off with a soft, dry cloth.**

If MACHINE SETTING/TONER OUT STOP in the UTILITY menu is set to ON, the message TONER OUT/CHANGE X TONER (where "X" indicates the color of the toner) appears when the toner cartridge is nearly empty. Follow the steps below to replace the toner cartridge.

- 1 Check the message window to see which color toner cartridge needs replacing.



*If the machine detects that a toner cartridge is empty (TONER OUT or TONER LIFE END appears), the empty toner cartridge is automatically moved so that it can be replaced. If this has occurred, skip steps 2 through 5, and continue with step 6.*

- 2 With the main screen displayed, press the ◀ key to display the PRINTER MODE screen.

- 3 Press the ▼ key to select T/C CHANGE and then press the **Select** key.

- 4 Press the **Select** key to select REPLACE MODE.

- 5 Press the ▲ or ▼ key to select the color for the toner cartridge to be replaced and then press the **Select** key.

The toner cartridges rotate within the machine to move the toner cartridge of the selected color to a position where it can be replaced.

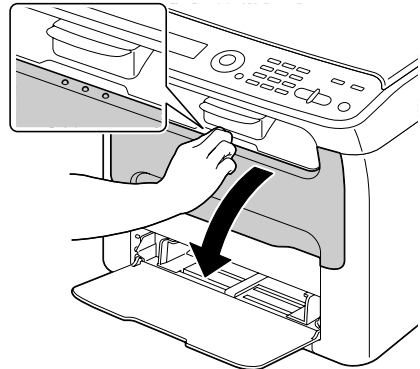


*To exit REPLACE MODE, press the **Stop/Reset** key.*

- 6 Open the front cover.



*Before opening the front cover, open Tray 1 if it is not already open.*



7 Check that the toner cartridge to be replaced has been moved to the front.

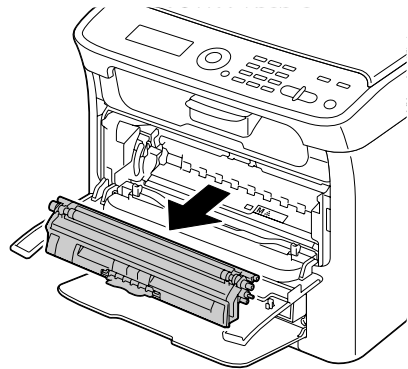
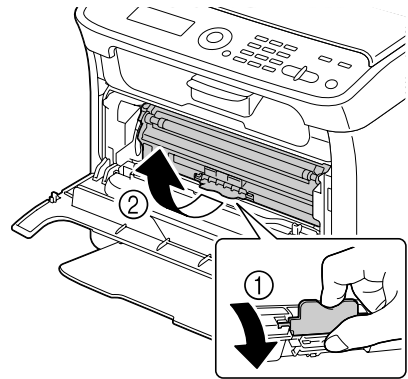


You can identify the toner cartridge by the color of the handle.

8 Pull down the handle on the toner cartridge until the toner cartridge is unlocked and moves out slightly toward you. Remove the toner cartridge.

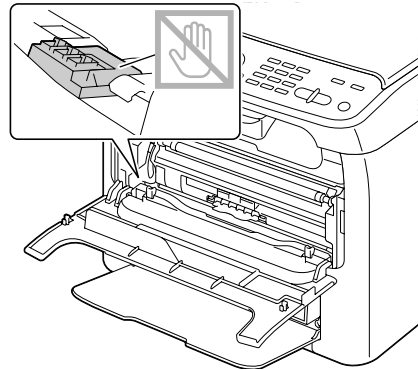


Do not manually rotate the toner cartridge carousel. In addition, do not rotate the carousel with force, otherwise it may be damaged.



## Note

Do not touch the contact indicated the illustration.




## Note

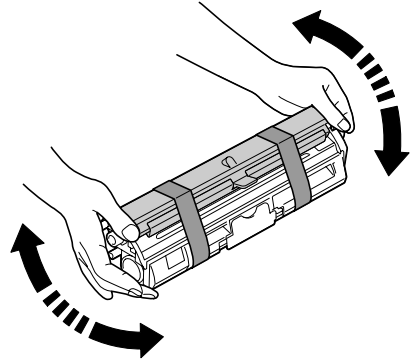
---

Dispose of the empty toner cartridge according to your local regulations. Do not burn the toner cartridge.  
For details, refer to “About Toner Cartridges” on page 7-2.


---

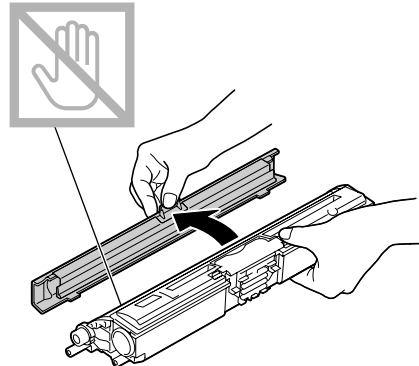
- 9 Check the color of the new toner cartridge to be installed.
- 10 Remove the toner cartridge from the bag.
- 11 Shake the cartridge a few times to distribute the toner.

 *Make sure that the toner roller cover is securely attached before shaking the toner cartridge.*



- 12 Remove the cover from the toner roller.

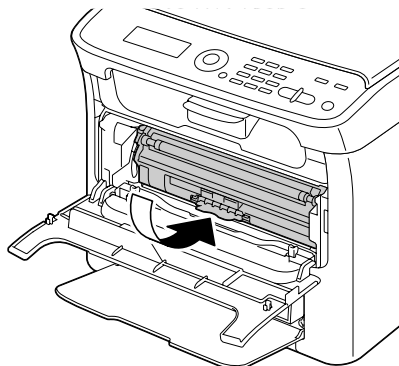
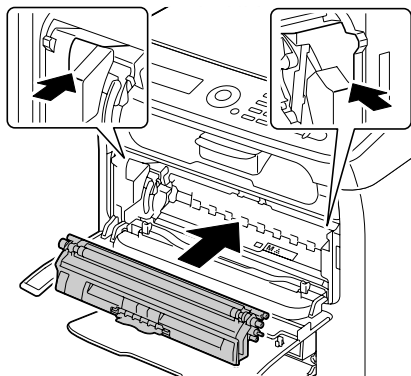
 *Do not touch or scratch the toner roller.*



- 13** Align the shaft on each end of the toner cartridge with its holders, and then insert the cartridge.

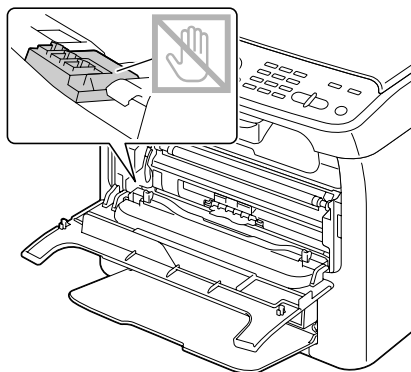


*Before inserting the toner cartridge, make sure that the color of the toner cartridge to be installed is the same as the label on the toner cartridge carousel.*

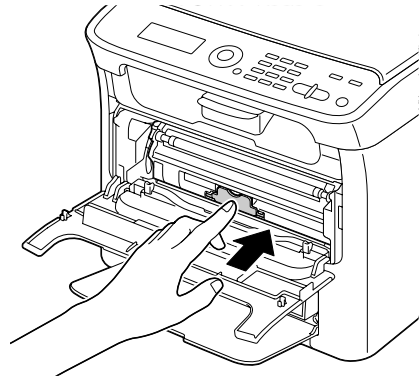


### **Note**

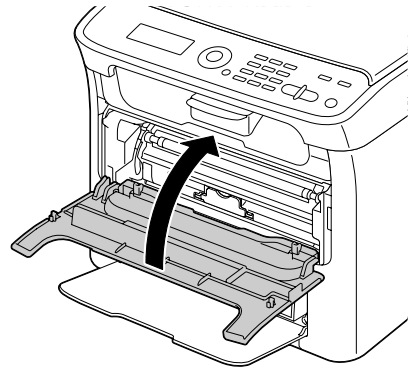
**Do not touch the contact indicated the illustration.**



- 14 Press in the toner cartridge until it locks into place.



- 15 Close the front cover.



- 16 Press the **Stop/Reset** key to reset the machine.



*The machine must complete a calibration cycle (less than 2 minutes) after a toner cartridge has been replaced. If you open the scanner unit or front cover before the machine is reset, the calibration stops, then starts over again after the cover is closed.*

# Replacing All Toner Cartridges at the Same Time

## Note

---

**Be careful not to spill toner while replacing a toner cartridge. If toner spills, immediately wipe it off with a soft, dry cloth.**

---

By selecting the **EJECT MODE** in the **PRINTER MODE** menu, all toner cartridges can be replaced at the same time.

Follow the procedure described below to use the **EJECT MODE**.

- 1** With the main screen displayed, press the ◀ key to display the **PRINTER MODE** screen.
- 2** Press the ▼ key to select **T/C CHANGE** and then press the **Select** key.
- 3** Press the ▼ key to select **EJECT MODE** and then press the **Select** key.
- 4** Perform the operations described in steps 6 through 15 of “Replacing a Toner Cartridge” on page 7-5 through 7-9 to replace the magenta toner cartridge.



*To exit **EJECT MODE**, press the **Stop/Reset** key.*

- 5** Follow the same procedure to replace the cartridges for the cyan, black, then yellow toners.
- 6** Press the **Stop/Reset** key to reset the machine.



*The machine must complete a calibration cycle (less than 2 minutes) after a toner cartridge has been replaced. If you open the scanner unit or front cover before the machine is reset, the calibration stops, then starts over again after the cover is closed.*

## Replacing the Imaging Cartridge

When replacing an imaging cartridge, refer to the following table. For optimum print quality and performance, use only approved KONICA MINOLTA imaging cartridge for your specific machine type, as listed in the table below. You can find your machine type and the imaging cartridge part numbers on the consumables reorder label inside the original cover.

Machine Type	Machine Part Number	Part Name	Imaging Cartridge Part Number
AM	A0HF 011	Imaging Cartridge	A0VU 011
EU	A0HF 021		A0VU 0Y1
AP	A0HF 041		A0VU 0Y1
GC	A0HF 081		A0VU 0Y1



*For optimum print quality and performance, use only the corresponding TYPE genuine KONICA MINOLTA imaging cartridge.*

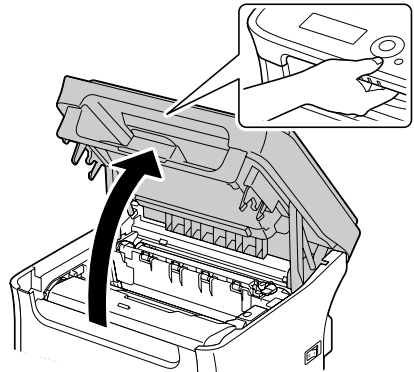


*You are advised to replace the indicated imaging cartridge when the message I/C LIFE END/REPLACE I/C appears.*

### 1 Open the scanner unit.



*If there is paper in the output tray, remove it, and then fold up the output tray before opening the scanner unit.*

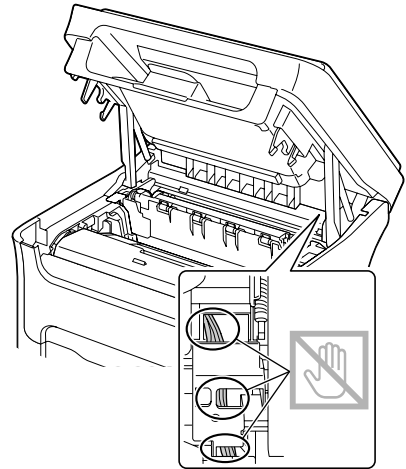




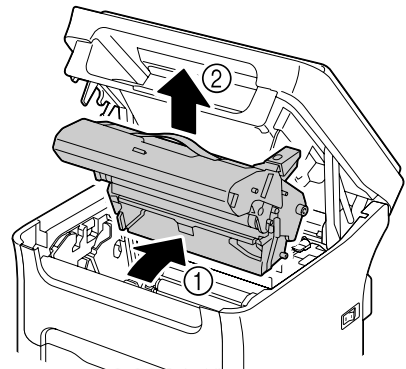
---

**Note**

Do not touch the wires and flat cable shown in the illustration.



- 
- 2 Grab the handle and lift it up slightly to the back, and then slowly pull the imaging cartridge out vertically.



---

**Note**

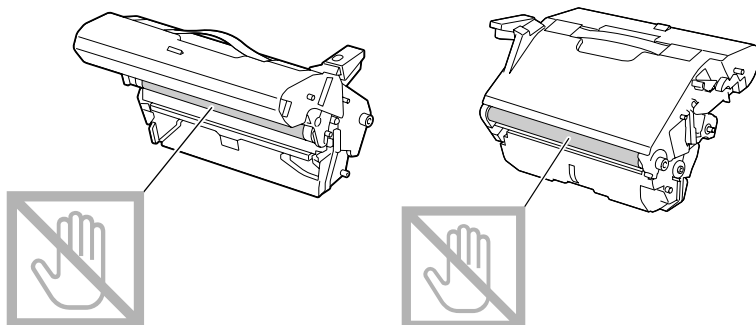
Dispose of the used imaging cartridge according to your local regulations. Do not burn the imaging cartridge.

---

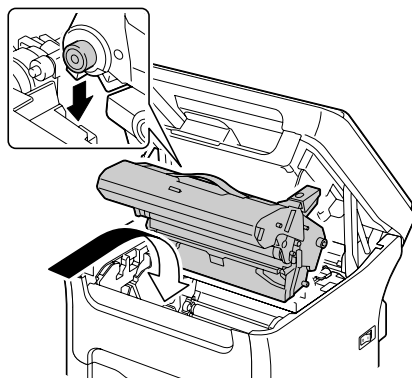
- 3 Prepare the new imaging cartridge.

### Note

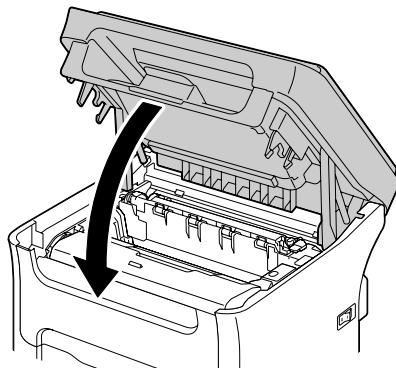
Do not touch the PC drum and the transfer belt on the imaging cartridge.



- 4 Slowly insert the new imaging cartridge vertically, and then push it slightly down toward you to finish installing the imaging cartridge.



- 5 Carefully close the scanner unit.

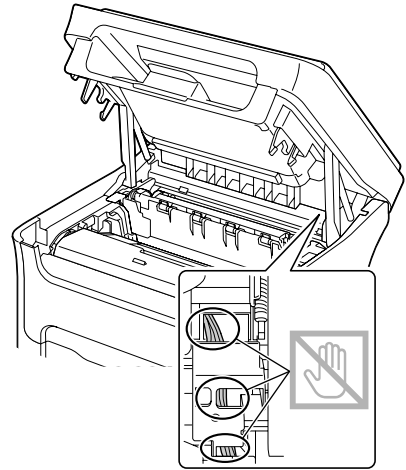


---

**Note**

---

Do not touch the wires and flat cable shown in the illustration.

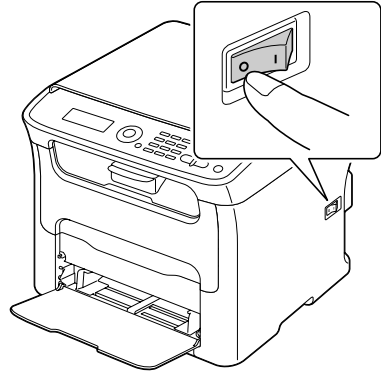


*The machine must complete a calibration cycle (less than 2 minutes) after the imaging cartridge has been replaced. If you open the scanner unit or front cover before the machine is reset, the calibration stops, then starts over again after the cover is closed.*

## Replacing the Fuser Unit

For optimum print quality and performance, use only approved KONICA MINOLTA fuser unit for your specific machine type.

- 1 Turn off the machine and disconnect the power cord.



---

### Note

---

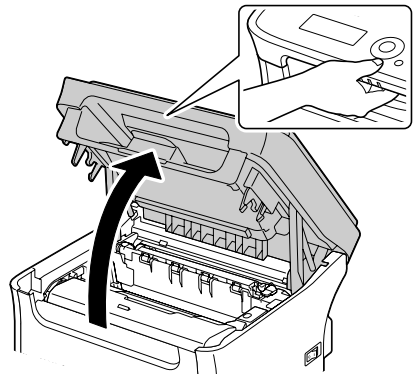
**There are extremely hot parts within the machine. Before replacing the fuser unit, wait about 20 minutes after turning off the machine, and then check that the fusing section has reached room temperature, otherwise, you may get burnt.**

---

- 2 Open the scanner unit.



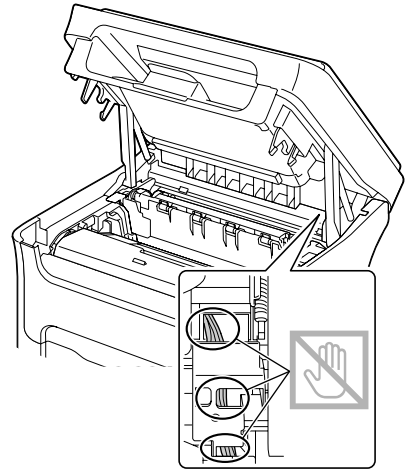
*If there is paper in the output tray, remove it, and then fold up the output tray before opening the scanner unit.*



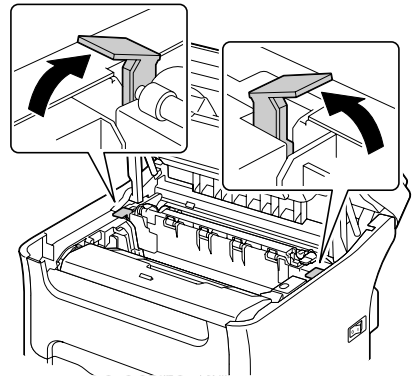
## Note

---

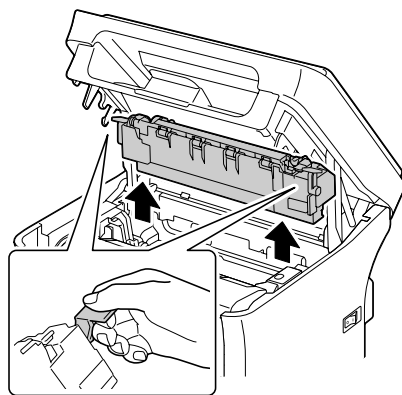
Do not touch the wires and flat cable shown in the illustration.



- 3** Push the blue handles back as far as possible.



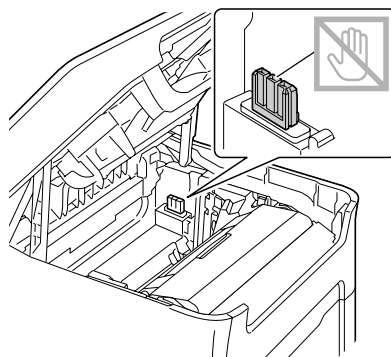
- 4 Grab the blue handles and lift the fuser unit to remove it.



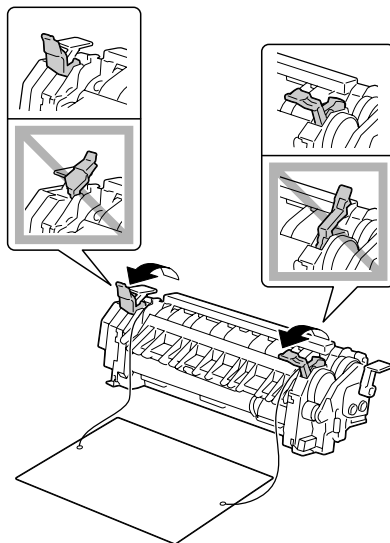
---

**Note**

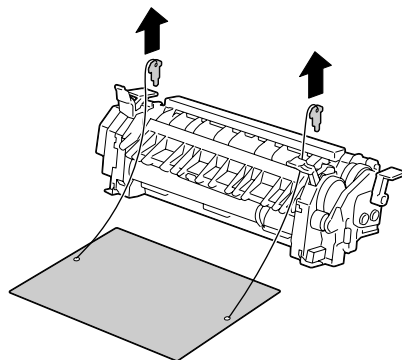
Do not touch the matching connectors of the fuser unit and the machine.



- 5 Prepare a new fuser unit.
- 6 Pull the fuser separator levers forward as far as possible.

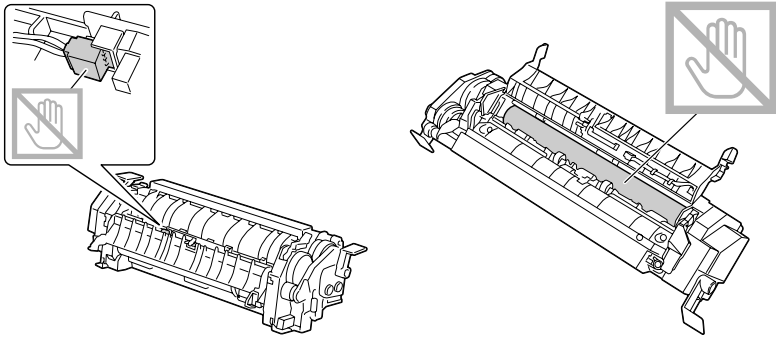


- 7 Remove the fuser separator material, and then return the fuser separator levers to their original positions.

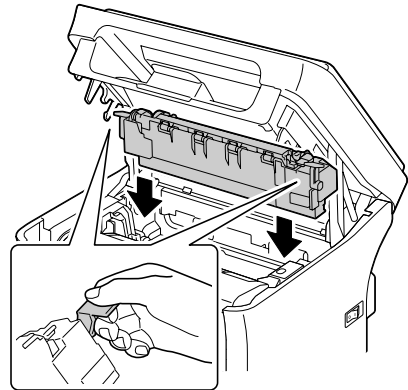


## Note

Be careful not to touch the paper exit sensor and the surface of the fuser roller in the fuser unit.



- 8 While lifting the fuser unit with the blue handles (one on each side), vertically insert the fuser unit.

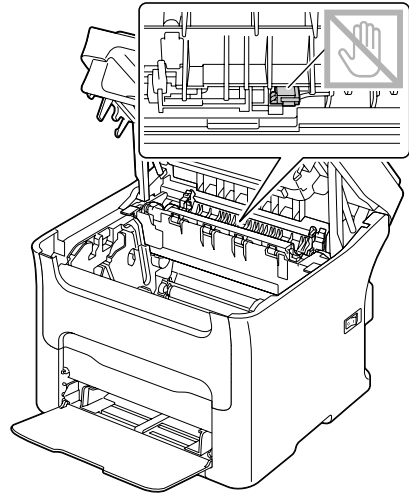




---

**Note**

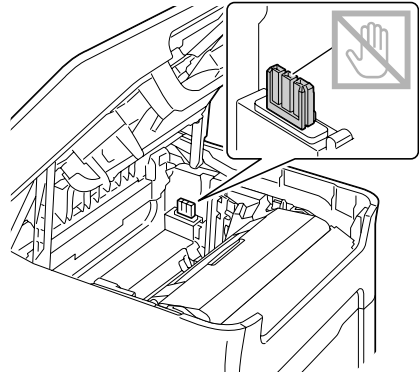
Do not touch the paper exit sensor on the fuser unit.



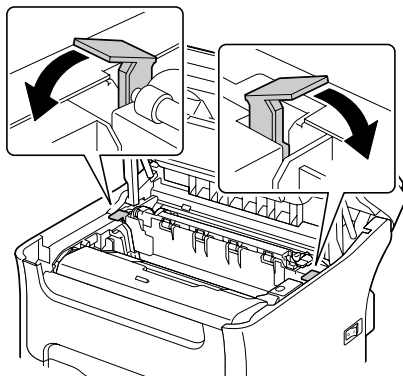
---

**Note**

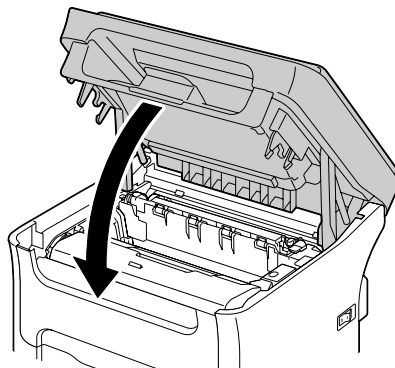
Do not touch the matching connectors of the fuser unit and the machine.



- 9 After the fuser unit is firmly installed, flip the blue handles down toward you.



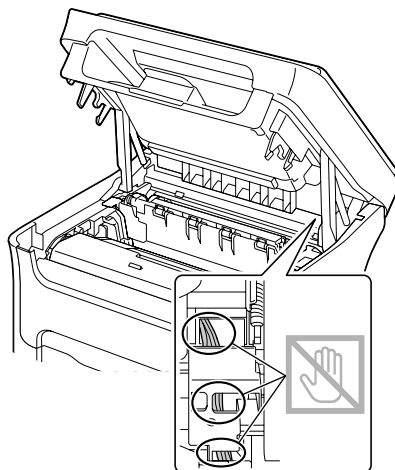
- 10 Carefully close the scanner unit.



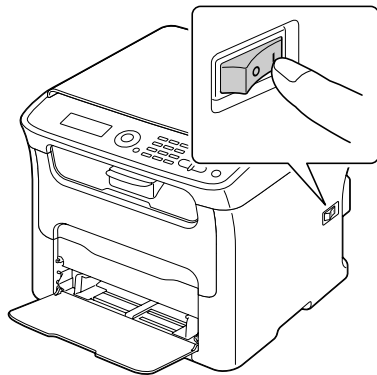
---

**Note**

Do not touch the wires and flat cable shown in the illustration.



- 11 Reconnect the power cord, and turn on the machine.



***Maintenance*** **8**



# Maintaining the Machine



## CAUTION

**Read all caution and warning labels carefully, making sure to follow any instructions contained in them. These labels are located on the inside of the machine's covers and the interior of the machine body.**

Handle the machine with care to preserve its life. Abuse handling may cause damage and void your warranty. If dust and paper scraps remain on the inside or outside of the machine, machine performance and print quality will suffer, so the machine should be cleaned periodically. Keep the following guidelines in mind.



## WARNING!

**Turn off the machine, unplug the power cord, and disconnect all interface cables before cleaning. Do not spill water or detergent into the machine; otherwise the machine will be damaged and an electric shock may occur.**



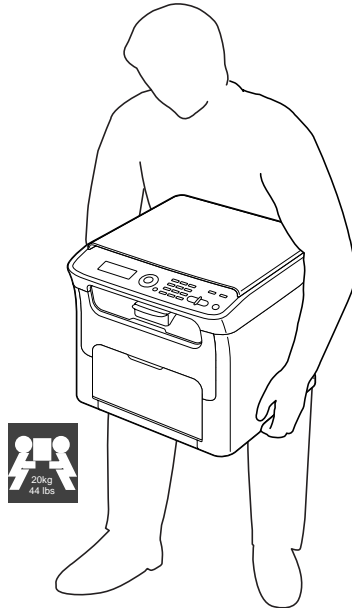
## CAUTION

**The fuser unit is hot. When the top door is opened, the fuser unit temperature drops gradually (one hour wait time).**



- Be careful when cleaning the inside of the machine or removing media misfeeds, as the fuser unit and other internal parts may be very hot.
- Do not place anything on top of the machine.
- Use a soft cloth to clean the machine.
- Never spray cleaning solutions directly on the machine's surface; the spray could penetrate through the air vents of the machine and damage the internal circuits.
- Avoid using abrasive or corrosive solutions or solutions that contain solvents (such as alcohol and benzene) to clean the machine.
- Always test any cleaning solution (such as mild detergent) on a small inconspicuous area of your machine to check the solution's performance.
- Never use sharp or rough implements, such as wire or plastic cleaning pads.
- Always close the machine's covers gently. Never subject the machine to vibration.

- Do not cover the machine immediately after using it. Turn it off and wait until it cools down.
- Do not leave the machine's covers open for any length of time, especially in well-lit places; light may damage the toner cartridges.
- Do not open the machine during printing.
- Do not tap media stacks on the machine.
- Do not lubricate or disassemble the machine.
- Do not tilt the machine.
- Do not touch the electrical contacts, gears, or laser devices. Doing so may damage the machine and cause the print quality to deteriorate.
- Keep media in the output tray at a minimum level. If the media is stocked too high, your machine may experience media misfeeds and excessive media curl.
- When lifting the machine, grasp the areas shown in the figure. Keep the machine level to avoid toner spillage.
- Before moving the machine, fold up Tray 1.
- If you get toner on your skin, wash it off with cool water and a mild soap.



## CAUTION

**If you get toner in your eyes, wash it out immediately with cool water and consult a doctor.**

- Make sure any parts removed during cleaning are replaced before you plug in the machine.

# Cleaning the Machine

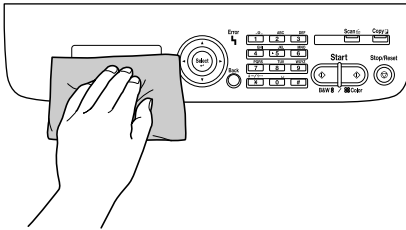


## CAUTION

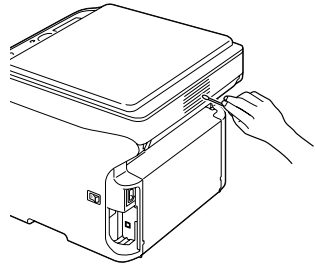
Be sure to turn off the machine and unplug the power cord before cleaning. However, be sure to turn on the machine when cleaning the print head window.

### Exterior

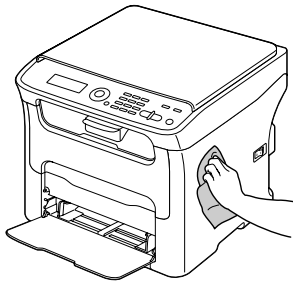
#### ■ Control Panel



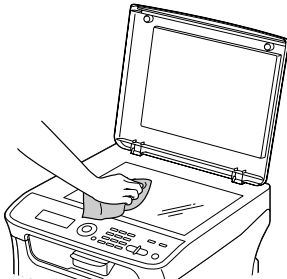
#### ■ Ventilation Grill



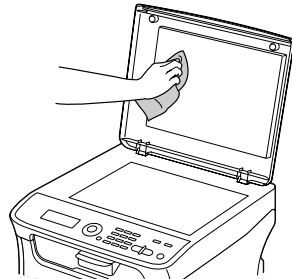
#### ■ Machine Exterior



#### ■ Original Glass



#### ■ Original Cover Pad



## Media Rollers

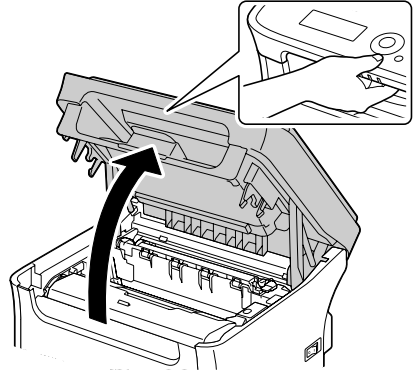
The accumulation of paper dust and other debris on the media rollers can cause media-feeding problems.

### Cleaning the Media Feed Roller

- 1 Open the scanner unit.



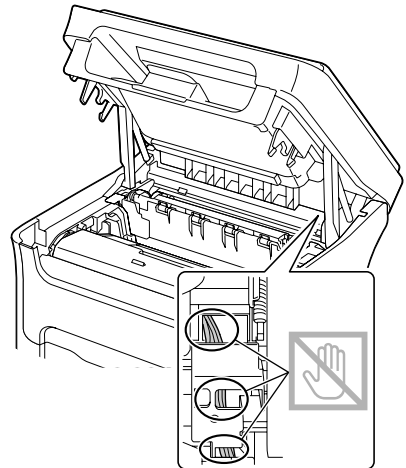
*If there is paper in the output tray, remove it, and then fold up the output tray before opening the scanner unit.*



---

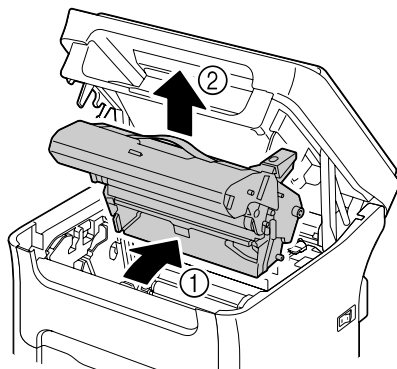
### Note

**Do not touch the wires and flat cable shown in the illustration.**





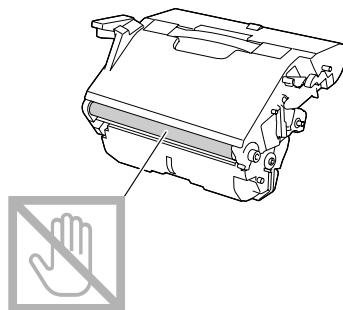
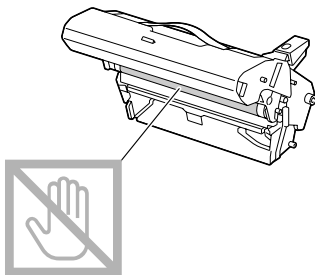
- 2 Grab the handle and lift it up slightly to the back, and then slowly pull the imaging cartridge out vertically.



---

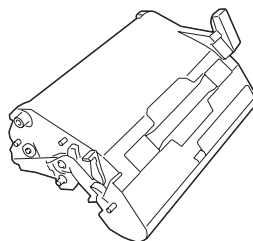
### Note

Do not touch the PC drum and the transfer belt on the imaging cartridge.



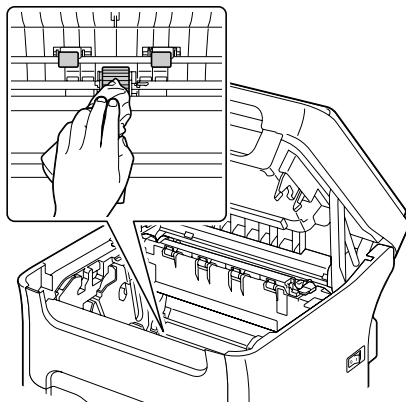
Position the removed imaging cartridge horizontally as shown in the illustration at the right. Be sure to keep the imaging cartridge horizontal and place it where it will not become dirty. Do not leave the imaging cartridge removed for more than 15 minutes, and do not place the removed imaging cartridge in a location where it would be exposed to direct light (such as sunlight).

---



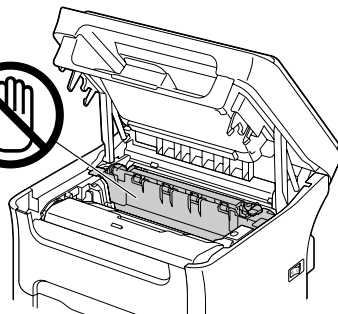
- 3** Clean the media feed rollers by wiping them with a soft, dry cloth.

BOTTOM  
VIEW



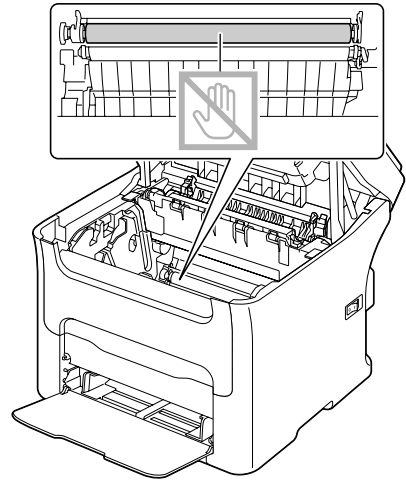
## CAUTION

**The area around the fuser unit is extremely hot. Touching anything other than the indicated levers may result in burns. If you get burned, immediately cool the skin under cold water, and then seek professional medical attention.**

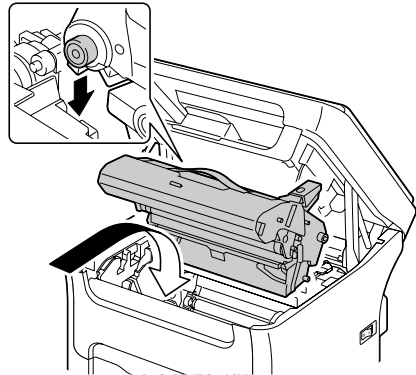


## Note

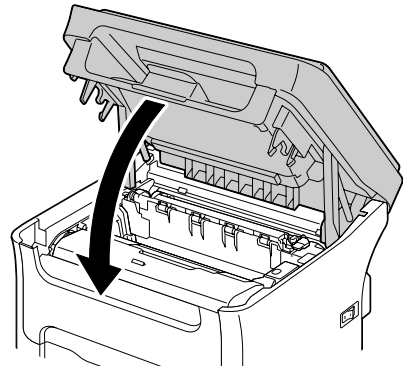
Decreased print quality may result if the surface of the transfer roller is touched. Be careful not to touch the surface of the transfer roller.



- 4 Slowly insert the imaging cartridge vertically, and then push it slightly down toward you to finish reinstalling the imaging cartridge.



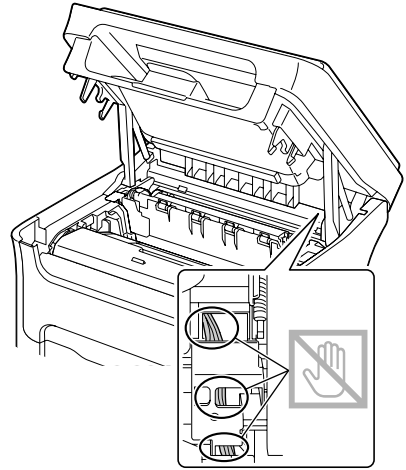
- 5 Carefully close the scanner unit.



**Note**

---

Do not touch the wires and flat cable shown in the illustration.



## Print Head Window

Continuing to use this machine with a dirty print head window can cause print quality problems.

### Clearing the Print Head Window

- 1 With the main screen displayed, press the ◀ key to display the **PRINTER MODE** screen.
- 2 Press the ▼ key to select **T / C CHANGE** and then press the **Select** key.
- 3 Press the ▼ key to select **P / H CLEAN MODE** and then press the **Select** key.

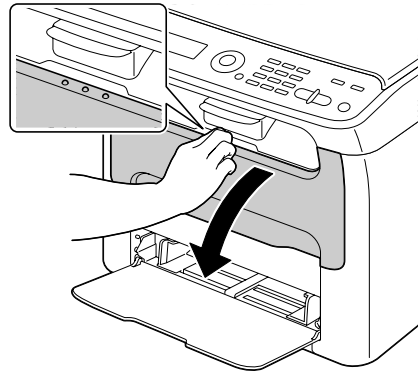


*It is not possible to exit P/H CLEAN MODE before the operation is finished (even if the **Stop/Reset** key is pressed).  
If the machine has incorrectly been switched to P/H CLEAN MODE, perform steps 4 through 7, then steps 11 through 16 (skipping steps 8 through 10) to exit P/H CLEAN MODE mode.*

- 4 Open the front cover.



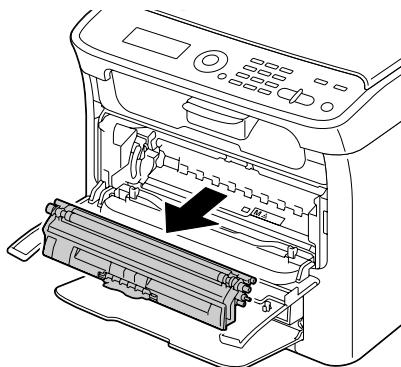
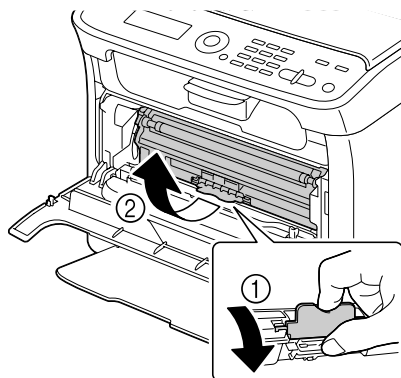
*Before opening the front cover, open Tray 1 if it is not already open.*



- 5 The magenta toner cartridge has been moved to the position from where it can be replaced. Pull down the handle on the toner cartridge until the toner cartridge is unlocked and moves out slightly toward you. Remove the toner cartridge.

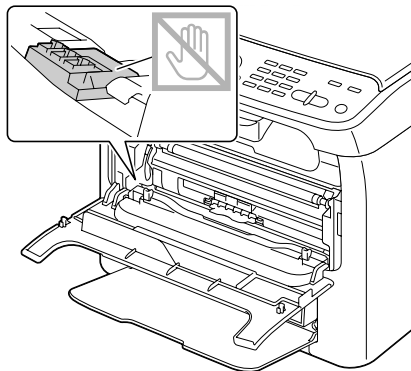


*When the magenta toner cartridge is removed, a gap is created within the machine so that the print head window can easily be cleaned.*



## Note

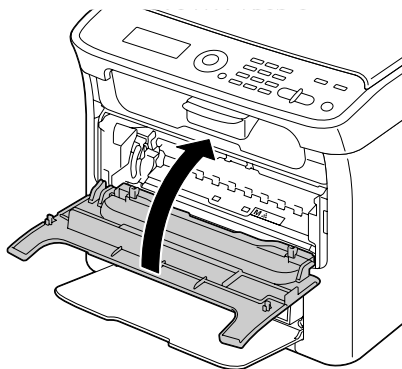
**Do not touch the contact indicated the illustration.**



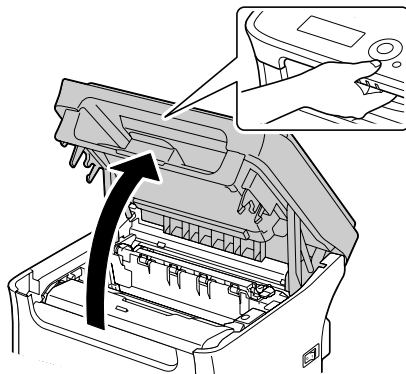
**6** Close the front cover.



*The toner cartridge rotate within the machine.*



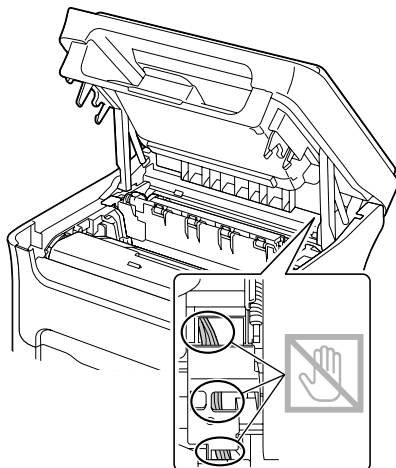
**7** After the toner cartridges have finished rotating, open the scanner unit.



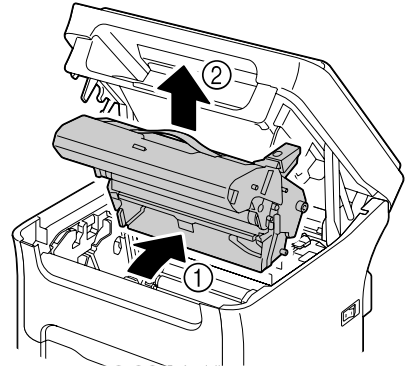
---

### **Note**

**Do not touch the wires and flat cable shown in the illustration.**



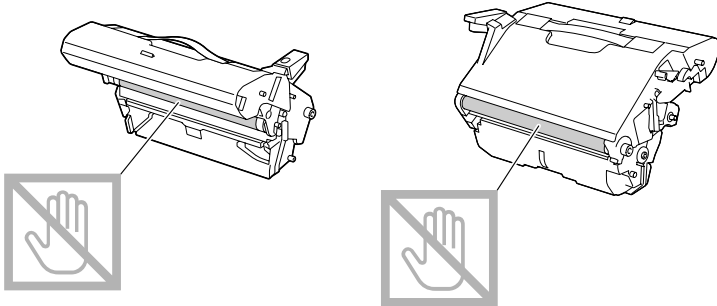
- 8 Grab the handle and lift it up slightly to the back, and then slowly pull the imaging cartridge out vertically.



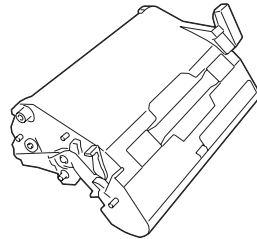
---

### Note

Do not touch the PC drum and the transfer belt on the imaging cartridge.



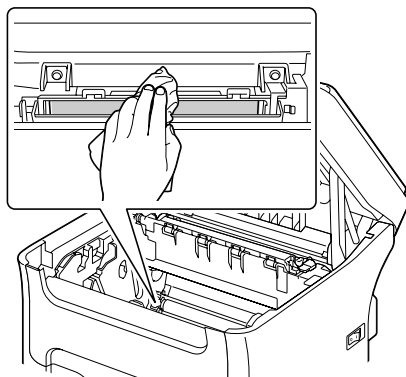
Position the removed imaging cartridge horizontally as shown in the illustration at the right. Be sure to keep the imaging cartridge horizontal and place it where it will not become dirty. Do not leave the imaging cartridge removed for more than 15 minutes, and do not place the removed imaging cartridge in a location where it would be exposed to direct light (such as sunlight).





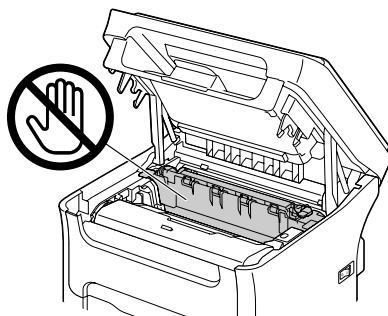
- 9 Clean the print head window by wiping it with a soft, dry cloth.

BOTTOM  
VIEW



## CAUTION

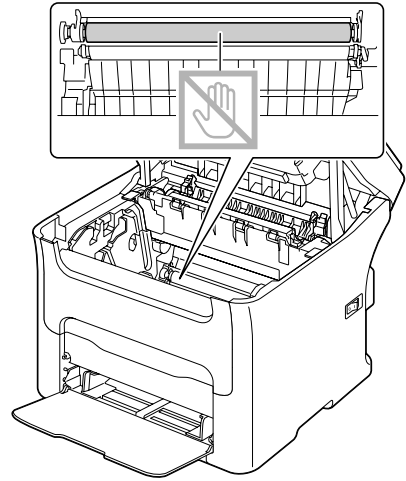
The area around the fuser unit is extremely hot. Touching anything other than the indicated levers may result in burns. If you get burned, immediately cool the skin under cold water, and then seek professional medical attention.



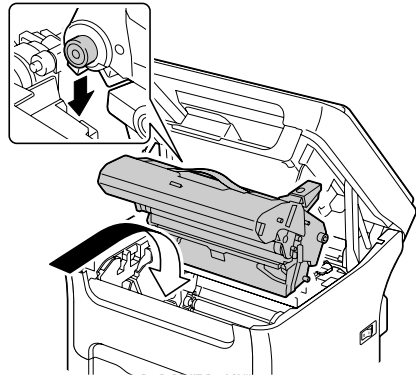
## Note

---

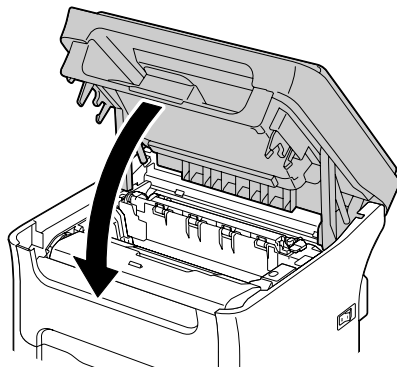
Decreased print quality may result if the surface of the transfer roller is touched. Be careful not to touch the surface of the transfer roller.



- 
- 10 Slowly insert the imaging cartridge vertically, and then push it slightly down toward you to finish reinstalling the imaging cartridge.



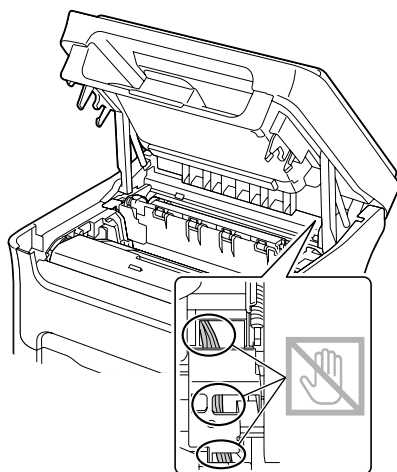
11 Close the scanner unit.



---

**Note**

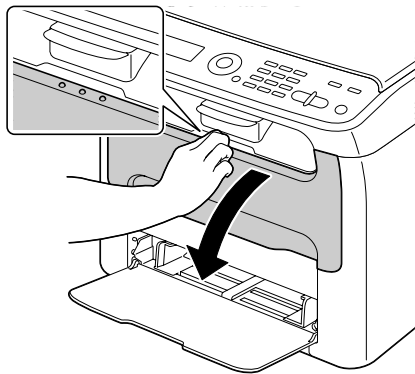
Do not touch the wires and flat cable shown in the illustration.



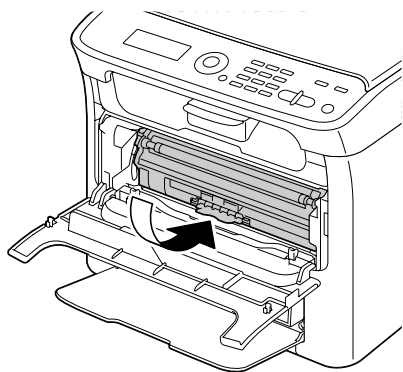
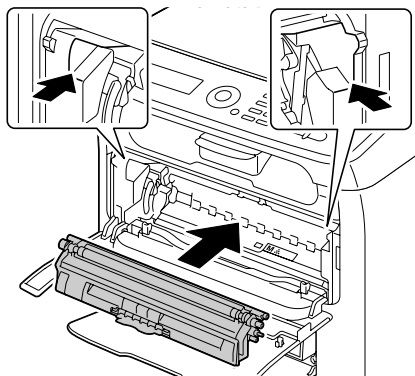
---

12 Press the **Stop/Reset** key.

- 13** After the toner cartridges have finished rotating, open the front cover.

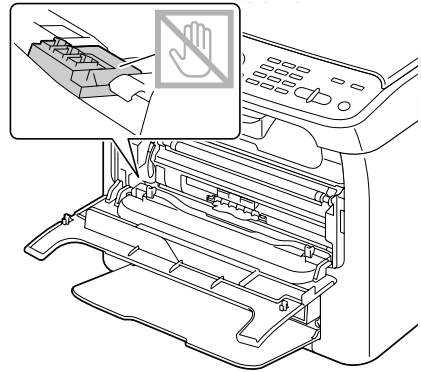


- 14** Align the shaft on each end of the toner cartridge with its holders, and then insert the cartridge.

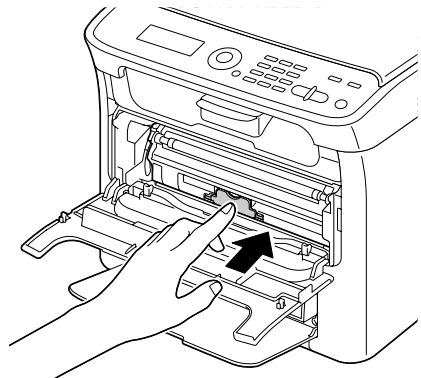


## Note

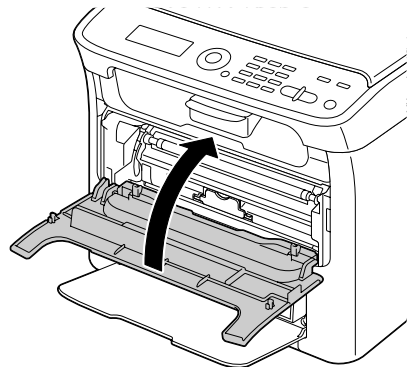
Do not touch the contact indicated the illustration.



- 15 Press in the magenta toner cartridge until it locks into place.



- 16 Close the front cover.



# *Troubleshooting* 9



# Introduction

This chapter provides information to aid you in resolving machine problems you may encounter, or at least guide you to the proper sources for help.

Printing a Configuration Page	page 9-3
Preventing Media Misfeeds	page 9-4
Understanding the Media Path	page 9-5
Clearing Media Misfeeds	page 9-5
Solving Problems with Media Misfeeds	page 9-15
Solving Other Problems	page 9-17
Solving Problems with Printing Quality	page 9-20
Status, Error, and Service Messages	page 9-26

# Printing a Configuration Page

- 1 In the main screen, press the ▲ or ▼ key to select REPORT / STATUS, and then press the **Select** key.
- 2 Press the ▲ or ▼ key to select REPORT, and then press the **Select** key.
- 3 Press the ▲ or ▼ key to select CONFIGURATION PAGE, and then press the **Select** key.
- 4 Press the **Start-B&W** key or the **Start-Color** key.



# Preventing Media Misfeeds

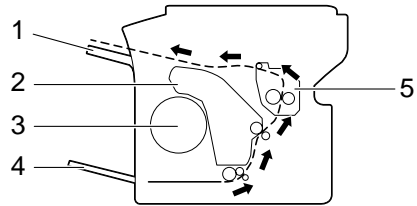
<b>Make sure that...</b>
Media matches the machine specifications.
Media is flat, especially on the leading edge.
The machine is on a hard, flat, level surface.
You store media in a dry location away from moisture and humidity.
You always adjust the media guides in Tray 1 after inserting the media (a guide that is not properly adjusted can cause poor print quality, media misfeeds, and machine damage).
You load the media printing-side up in the tray ( <i>many manufacturers place an arrow on the end of the wrapper to indicate the printing side</i> ).

<b>Avoid...</b>
Media that is folded, wrinkled, or excessively curled.
Double feeding ( <i>remove the media and fan the sheets—they may be sticking together</i> ).
Loading more than one type/size/weight of media in a tray at the same time.
Overfilling the trays.
Allowing the output tray to overfill ( <i>the output tray has a 100 sheet capacity—misfeeding may occur if you allow more than 100 sheets of media to accumulate at one time</i> ).

# Understanding the Media Path

Understanding the media path will help you locate media misfeeds.

1. Output tray
2. Imaging cartridge
3. Toner cartridge carousel
4. Tray 1 (Multipurpose tray)
5. Fuser unit



Media path

## Clearing Media Misfeeds

To avoid damage, always remove misfed media gently, without tearing it. Any piece of media left in the machine, whether large or small, can obstruct the media path and cause further misfeeds. Do not reload media that has misfed.

### Note

The image is not fixed on the media before the fusing process. If you touch the printed surface, the toner may stick to your hands, so be careful not to touch the printed face when removing the misfed media. Make sure not to spill any toner inside the machine.



### CAUTION

Unfused toner can mess your hands, clothes, or anything else it gets on.

If you accidentally get toner on your clothes, lightly dust them off as best as you can. If some toner remains on your clothes, use cool, not hot water, to rinse the toner off. If toner gets on your skin, wash it off with cool water and a mild soap.



### CAUTION

If you get toner in your eyes, wash it out immediately with cool water and consult a doctor.

If, after clearing the media misfeed, the misfeed message in the message window persists, open and close the scanner unit. This should clear the misfeed message.

# Media Misfeed Messages and Clearing Procedures

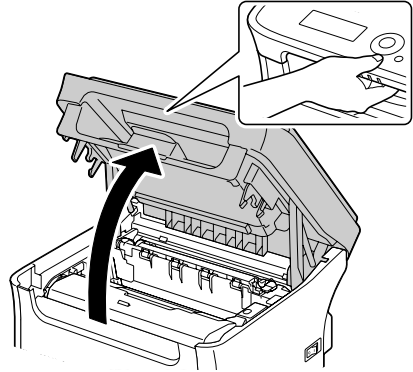
Media Misfeed Message	Page Reference
CHECK TRAY1 PAPER LOAD PAPER (1xx) (PRESS START KEY)	This message appears in the following cases. <ul style="list-style-type: none"><li>● When no media is loaded in Tray 1</li><li>● When a misfeed has occurred in Tray 1</li></ul> With the first case, load media into the tray, and then press the <b>Start</b> key. With the second case, refer to page 9-14.
FUSER JAM OPEN TOP COVER	page 9-7
OUTPUT JAM OPEN TOP COVER	page 9-7
TRANSFER JAM OPEN TOP COVER	page 9-7

## Clearing a Media Misfeed in the Machine

- 1 Open the scanner unit.



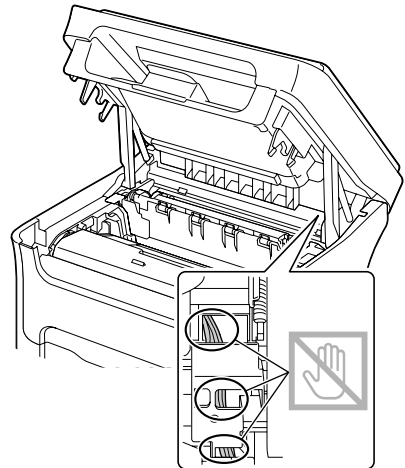
*If there is paper in the output tray, remove it, and then fold up the output tray before opening the scanner unit.*



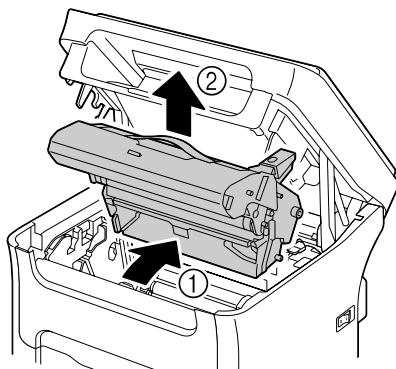
---

### Note

**Do not touch the wires and flat cable shown in the illustration.**



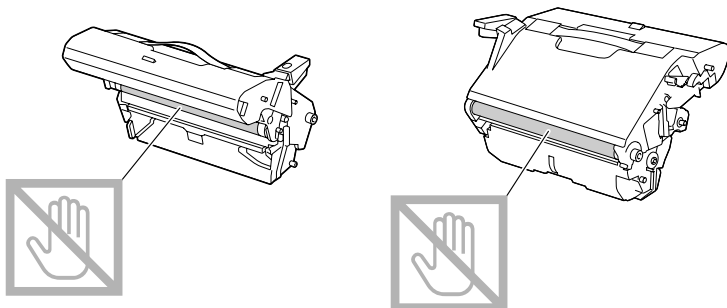
- 2 Grab the handle and lift it up slightly to the back, and then slowly pull the imaging cartridge out vertically.



---

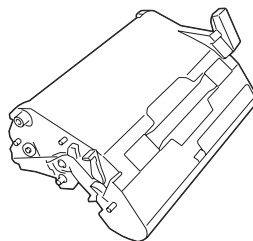
### Note

Do not touch the PC drum and the transfer belt on the imaging cartridge.

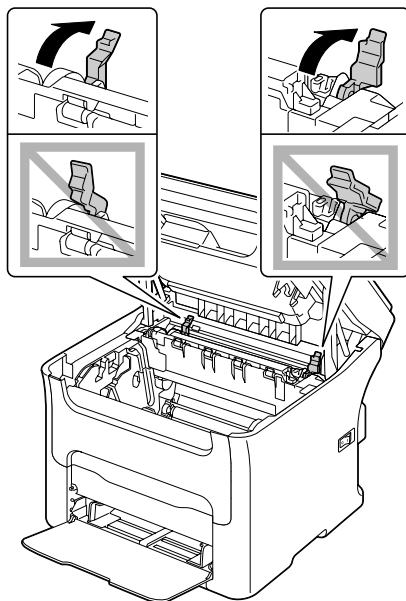


Position the removed imaging cartridge horizontally as shown in the illustration at the right. Be sure to keep the imaging cartridge horizontal and place it where it will not become dirty. Do not leave the imaging cartridge removed for more than 15 minutes, and do not place the removed imaging cartridge in a location where it would be exposed to direct light (such as sunlight).

---

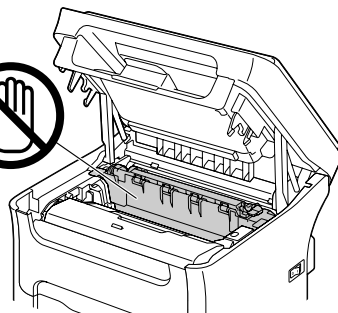


- 3 Push the fuser separator levers back as far as possible.



## CAUTION

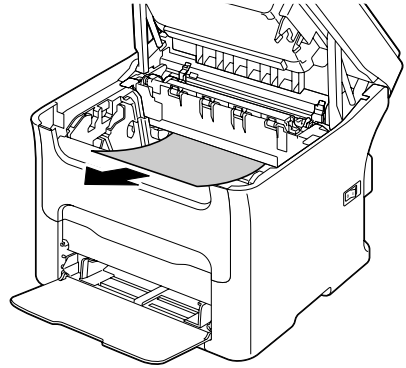
The area around the fuser unit is extremely hot. Touching anything other than the indicated levers may result in burns. If you get burned, immediately cool the skin under cold water, and then seek professional medical attention.



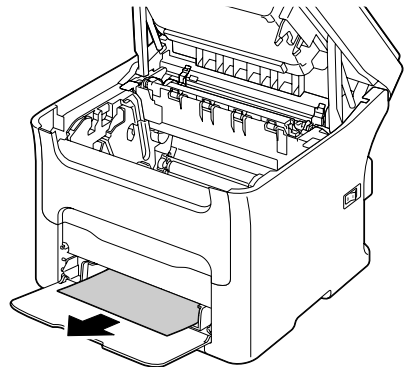
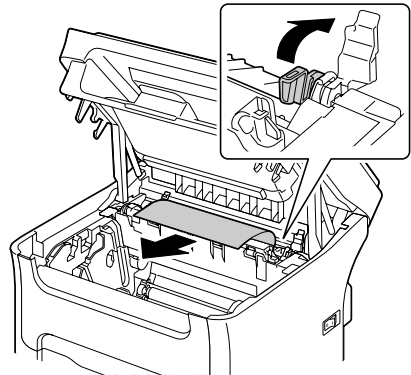
## 4 Remove any misfed media.



*If a media misfeed occurs near the fuser unit, pull out the media from below the fuser unit, as shown in the illustration at the right.*



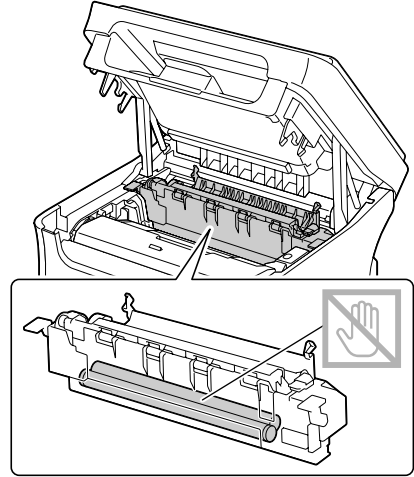
*If the media cannot be removed from below the fuser unit, raise the fuser unit cover, and then remove the media from above the fuser unit.*



---

**Note**

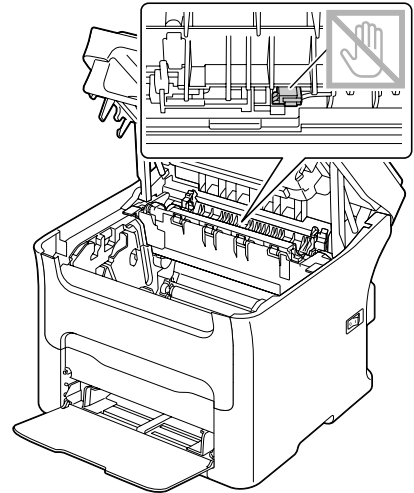
Do not touch the surface of the fuser roller in the fuser unit.



---

**Note**

Do not touch the paper exit sensor on the fuser unit.

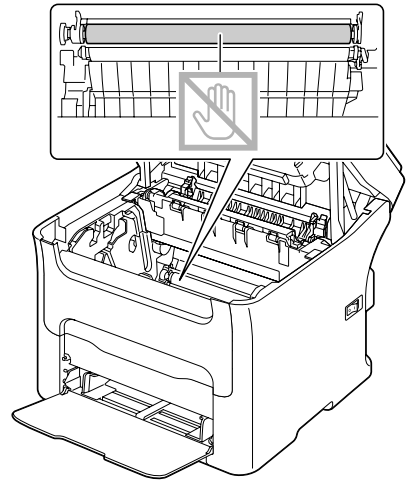




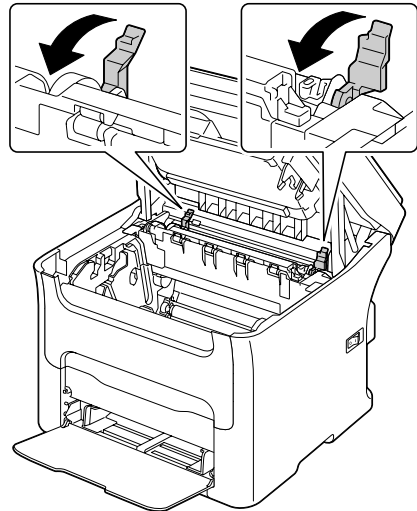
## Note

---

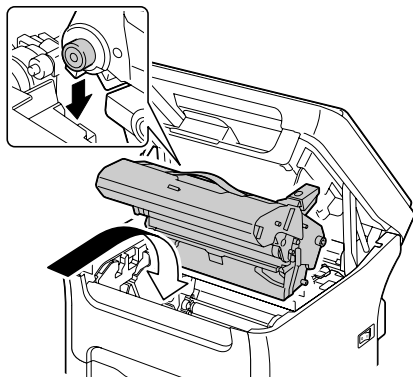
Decreased print quality may result if the surface of the transfer roller is touched. Be careful not to touch the surface of the transfer roller.



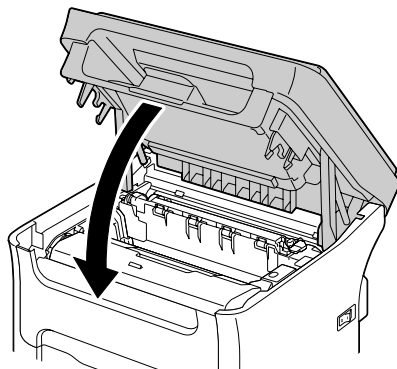
- 
- 5 Return the fuser separator levers to their original positions.



- 6 Slowly insert the imaging cartridge vertically, and then push it slightly down toward you to finish reinstalling the imaging cartridge.



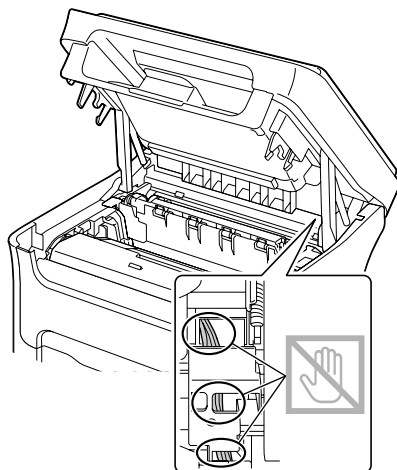
- 7 Carefully close the scanner unit.



---

### Note

Do not touch the wires and flat cable shown in the illustration.

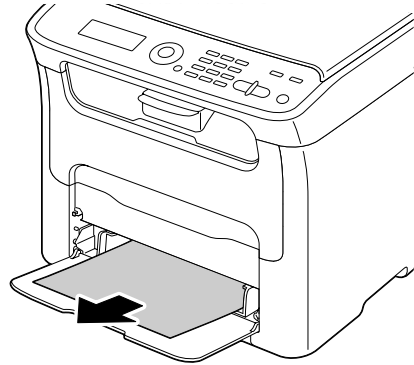


## Clearing a Media Misfeed From Tray 1

- 1 Carefully pull out the misfed media.



*If the media cannot be removed, instead of pulling it with extreme force, clear the media misfeed according to the procedure described in "Clearing a Media Misfeed in the Machine" on page 9-7.*



- 2 Press the **Start** key.

# Solving Problems with Media Misfeeds



*Frequent misfeeds in any area indicate that area should be checked, repaired, or cleaned. Repeated misfeeds may also happen if you're using unsupported print media or original media.*

Symptom	Cause	Solution
Several sheets go through the machine together.	The front edges of the media are not even.	Remove the media and even up the front edges, then reload it.
	The media is moist from humidity.	Remove the moist media and replace it with new, dry media.
Media misfeed message stays on.	Scanner unit needs to be opened and closed again to reset the machine.	Open and close the scanner unit again.
	Some media remains misfed in the machine.	Check the media path again to make sure that you have removed all of the misfed media.
Media is misfeeding.	The media is not correctly positioned in the tray.	Remove the misfed media and reposition the media properly in the tray.
	The number of sheets in the tray exceeds the maximum allowed.	Remove the excess media and reload the correct number of sheets in the tray.
	The media guides are not correctly adjusted to the media size.	Adjust the media guides in the Tray 1 to match the size of the media.
	Warped or wrinkled media is loaded in the tray.	Remove the media, smooth it out, and reload it. If it still misfeeds, do not use that media.
	The media is moist from humidity.	Remove the moist media and replace it with new, dry media.
	The recommended label sheet is facing the wrong way in Tray 1.	Load the label sheets according to the manufacturer's instructions.

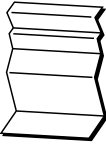
<b>Symptom</b>	<b>Cause</b>	<b>Solution</b>
Media is mis-feeding.	Envelopes are facing the wrong way in Tray 1.	Load the envelopes in Tray 1 with the flaps facing down.  If the flaps are on the long edge (Envelope C6 and Envelope DL), load the envelopes with the flap edge toward the machine and the flap side facing down.
	Unsupported media (wrong size, thickness, type, etc.) is being used.	Use KONICA MINOLTA-approved media. See "Print Media" on page 3-2.  Also, refer to <a href="http://printer.konicaminolta.com">http://printer.konicaminolta.com</a> for a complete list of currently approved media.
	The media feed roller is dirty.	Clean the media feed roller.  For more details, refer to "Media Rollers" on page 8-5.

# Solving Other Problems

To order KONICA MINOLTA consumables, go to [www.q-shop.com](http://www.q-shop.com).



Symptom	Cause	Solution
Machine power is not on.	The power cord is not correctly plugged into the outlet.	Turn off the machine, confirm that the power cord is correctly plugged into the outlet, and then turn on the machine.
	Something is wrong with the outlet connected to the machine.	Plug another electrical appliance into the outlet and see whether it operates properly.
	The power switch is not correctly turned on (I position).	Turn the power switch off (O position), then turn it back to the on (I position).
	The machine is connected to an outlet with a voltage or frequency that does not match the machine specifications.	Use a power source with the specifications listed in appendix A, "Technical Specifications".
The control panel displays Toner Low much sooner than expected.	One of the toner cartridges may be defective.	Remove the toner cartridges and check for damage. If it is damaged, replace it.
	Printed with heavy toner coverage.	See specifications in Appendix A "Technical Specifications".
Cannot print the machine status list.	The tray is empty.	Check that at least Tray 1 is loaded with media, in place, and secure.
	There is a media misfeed.	Clear the media misfeed.



<b>Symptom</b>	<b>Cause</b>	<b>Solution</b>
Printing takes too much time.	The machine is set to a slow printing mode (for example, thick stock).	It takes more time to print with special media. When using regular paper, make sure that the media type is set properly in the driver.
	The machine is set to power saving mode.	It takes time for printing to start in power saving mode.
	The job is very complex.	Wait. No action needed.
	A toner cartridge for a different region or an unapproved toner cartridge is installed (Wrong Toner X is displayed in the message window).	Install a correct KONICA MINOLTA toner cartridge approved for your specific machine.
	If an error has been detected during printing job transmission in the Copy mode, it takes a while to process the error and resume the printing operation.	Wait. No action needed.
Blank pages are printed.	One or more of the toner cartridges are defective or empty.	Check the toner cartridges. The image will not print correctly or not at all, if the cartridges are empty.
	The wrong media is being used.	Check that the media type set in the driver matches the media loaded in the machine.
Not all pages print.	A different user accidentally canceled the job.	Try printing the remaining pages.
	The tray is empty.	Check that the tray is loaded with media, in place, and secure.
	A document is printed with an overlay file which has been created by an unsuitable printer driver.	Print the overlay file using a suitable printer driver.

Symptom	Cause	Solution
Machine resets or turns off frequently.	The power cord is not correctly plugged into the outlet.	Turn off the machine, confirm that the power cord is correctly plugged into the outlet, and then turn on the machine.
	A system error occurred.	Contact Technical Support with the error information.
With N-up on multiple copies, the output is incorrect.	Both the printer driver and the application have been set for collation.	For N-up on multiple copies, choose Collate only in the printer driver's Basic Tab. Do not set collation in the application.
You hear unusual noises.	The machine is not level.	Place the machine on a flat, hard, level surface.
	There is a foreign object stuck inside the machine.	Turn off the machine and remove the object. If you cannot remove it, contact Technical Support.
Some areas of the scanned image are missing.	Acrobat 8 (Macintosh version) is used for scanning the image.	With the Acrobat Scan setting, turn off the OCR and Filtering functions.
Media is wrinkled. 	The media is moist from humidity or having water spilled on it.	Remove the moist media and replace it with new, dry media.
	The media feed roller or fuser unit is defective.	Check them for damage. If necessary, contact Technical Support with the error information.
	Unsupported media (wrong size, thickness, type, etc.) is being used.	Use KONICA MINOLTA-approved media. See "Print Media" on page 3-2.  Also, refer to <a href="http://printer.konicaminolta.com">http://printer.konicaminolta.com</a> for a complete list of currently approved media.
Data was sent to the machine, but it doesn't print.	An error message is displayed in the message window.	Handle according to the message displayed.
It is not possible to enter Scan mode.	An error has occurred in Copy mode.	Correct the cause of the error, and then enter scan mode.








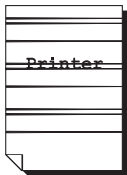
# Solving Problems with Printing Quality


Symptom	Cause	Solution
Nothing is printed, or there are blank spots on the printed page. 	One or more of the toner cartridges may be defective.	Remove the toner cartridges and check if any is damaged.
	The imaging cartridge may be defective.	Remove the imaging cartridge and check for damage. If it is damaged, replace it.
	The media is moist from humidity.	Adjust the humidity for media storage. Remove the moist media and replace it with new, dry media.
	The media set in the printer driver mismatches the media loaded in the machine.	Load the correct media in the machine.
	The power source does not match the machine specifications.	Use a power source with the proper specifications.
	Several sheets are being fed at the same time.	Remove the media from the tray and check for static electricity. Fan plain paper or other media, and replace it in the tray.
	Media is not set properly in the tray(s).	Remove the media, tap it to straighten it out, return it to the tray, and realign the media guides.
Entire sheet is printed in black or color. 	One or more of the toner cartridges may be defective.	Remove the toner cartridges and check for damage. If it is damaged, replace it.
	The imaging cartridge may be defective.	Remove the imaging cartridge and check for damage. If it is damaged, replace it.

Symptom	Cause	Solution
Image is too light; there is low image density. 	The print head window is dirty.	Clean the print head window.
	The copy density is set too light.	Select a darker copy density.
	The media is moist from humidity.	Remove the moist media and replace with new, dry media.
	There is not much toner left in the cartridge.	Replace the toner cartridge.
	One or more of the toner cartridges may be defective.	Remove the toner cartridges and check for damage. If it is damaged, replace it.
	Media type is set incorrectly.	When printing envelopes, labels, letterhead, postcards or thick stock, specify the appropriate media type in the printer driver.
Image is too dark. 	The copy density is set too dark.	Select a lighter copy density.
	The document was not pressed close enough against the original glass.	Position the document so that it is pressed close enough against the original glass. For details on positioning the document on the original glass, refer to "Placing a Document to be Copied" on page 3-19.
	One or more of the toner cartridges may be defective.	Remove the toner cartridges and check for damage. If it is damaged, replace it.
	The imaging cartridge may be defective.	Remove the imaging cartridge and check for damage. If it is damaged, replace it.

Symptom	Cause	Solution
Image is blurred; background is lightly stained; there is insufficient gloss of the printed image.	One or more of the toner cartridges may be defective.	Remove the toner cartridges and check for damage. If it is damaged, replace it.
	The imaging cartridge may be defective.	Remove the imaging cartridge and check for damage. If it is damaged, replace it.
	The original glass is dirty.	Clean the original glass. For details, refer to "Cleaning the Machine" on page 8-4.
	The original cover pad is dirty.	Clean the original cover pad. For details, refer to "Cleaning the Machine" on page 8-4.
The print or color density is uneven.	One or more of the toner cartridges may be defective or low.	Remove the toner cartridges and check for damage. If it is damaged, replace it.
	The imaging cartridge may be defective.	Remove the imaging cartridge and check for damage. If it is damaged, replace it.
	The machine is not level.	Place the machine on a flat, hard, level surface.
Irregular print or mottled image appears.	The media is moist from humidity.	Adjust the humidity in the media storage area.  Remove the moist media and replace it with new, dry media.
	Unsupported media (wrong size, thickness, type, etc.) is being used.	Use KONICA MINOLTA-approved media. See "Print Media" on page 3-2.  Also, refer to <a href="http://printer.konicaminolta.com">http://printer.konicaminolta.com</a> for a complete list of currently approved media.
	One or more of the toner cartridges may be defective.	Remove the toner cartridges and check for damage. If it is damaged, replace it.
	The imaging cartridge may be defective.	Remove the imaging cartridge and check for damage. If it is damaged, replace it.

Symptom	Cause	Solution
<p>There is insufficient fusing or the image comes off when rubbed.</p> 	The media is moist from humidity.	Remove the moist media and replace it with new, dry media.
	Unsupported media (wrong size, thickness, type, etc.) is being used.	Use KONICA MINOLTA-approved media. See "Print Media" on page 3-2.  Also, refer to <a href="http://printer.konicaminolta.com">http://printer.konicaminolta.com</a> for a complete list of currently approved media.
	Media type is set incorrectly.	When printing envelopes, labels, letterhead, postcards or thick stock, specify the appropriate media type in the printer driver.
<p>There are toner smudges or residual images.</p> 	One or more of the toner cartridges are defective or installed incorrectly.	Remove the toner cartridges and check for damage. If it is damaged, replace it.
<p>There are toner smudges on the back side of the page (whether or not it has been duplexed).</p> 	The media path is dirty with toner.	Print several blank sheets and the excess toner should disappear.
	One or more of the toner cartridges are defective.	Remove the toner cartridges and check for damage. If it is damaged, replace it.
	The imaging cartridge may be defective.	Remove the imaging cartridge and check for damage. If it is damaged, replace it.

Symptom	Cause	Solution
Abnormal areas (white, black, or color) appear in a regular pattern. 	The print head window is dirty.	Clean the print head window.
	A toner cartridge may be defective.	Remove the toner cartridges with the color causing the abnormal image. Replace it with a new toner cartridge.
	The imaging cartridge may be defective.	Remove the imaging cartridge and check for damage. If it is damaged, replace it.
Image defects. 	The print head window is dirty.	Clean the print head window.
	A toner cartridge may be leaking.	Remove the toner cartridges and check for damage. If it is damaged, replace it.
	A toner cartridge may be defective.	Remove the toner cartridge with the color causing the abnormal image. Replace it with a new toner cartridge.
	The imaging cartridge may be defective.	Remove the imaging cartridge and check for damage. If it is damaged, replace it.
Lateral lines or bands appear on image. 	The machine is not level.	Place the machine on a flat, hard, level surface.
	The media path is dirty with toner.	Print several sheets and the excess toner should disappear.
	One or more of the toner cartridges may be defective.	Remove the toner cartridges and check for damage. If it is damaged, replace it.
	The imaging cartridge may be defective.	Remove the imaging cartridge and check for damage. If it is damaged, replace it.
Colors look drastically wrong.	One or more of the toner cartridges may be defective.	Remove the toner cartridges and verify that the toner is distributed evenly on each cartridge roller, and reinstall the toner cartridges.

Symptom	Cause	Solution
Colors are not registering properly; colors are mixed or have page-to-page variation.	The scanner unit or front cover is opened during the calibration.	Set MACHINE SETTING/CALIBRATION in the UTILITY menu to ON, and then perform the AIDC color calibration. For details, refer to "MACHINE SETTING Menu" on page 2-14.
	Gradations are not adjusted correctly.	
	The imaging cartridges is not correctly seated.	Remove the imaging cartridge and check for damage. If it is damaged, replace it.
	One or more of the toner cartridges may be defective.	Remove the toner cartridges and check for damage. If it is damaged, replace it.
	The media is moist from humidity.	Remove the moist media and replace it with new, dry media.
The color has a poor reproduction or has poor color density.  	The imaging cartridge may be defective.	Remove the imaging cartridge and check for damage. If it is damaged, replace it.

If the problem is not resolved, even after all of the above have been performed, contact Technical Support with the error information.

For contact information, refer to the Need Assistance sheet.

# Status, Error, and Service Messages

Status, error, and service messages are displayed in the message window. They provide information about your machine and help you locate many problems. When the condition associated with a displayed message has changed, the message is cleared from the window.

## Status Messages

This message...	means...	Do this...
(Nothing displayed)	The machine is in Energy Save mode to reduce power consumption during periods of inactivity.	No action needed.
ACCEPTED	The settings were applied.	
DATA RECEIVING	This machine is receiving data.	
PC SCAN CANCEL	The scan job was canceled from the driver.	
PLEASE WAIT!	<p>The AIDC color calibration is being performed.</p> <p>The AIDC color calibration is performed automatically in the following circumstances.</p> <ul style="list-style-type: none"><li>■ When the machine is turned on</li><li>■ When the machine recovers from Energy Save (Sleep) mode</li><li>■ When the machine is restarted after settings have been changed</li><li>■ After a toner cartridge is replaced</li></ul> <p>This process maintains optimum print quality.</p>	
PRINT WAITING	The machine is waiting to print.	
PRINTING	The machine is printing.	

This message...	means...	Do this...
SCANNING	The machine is scanning the document.	
Warming Up	The machine is warming up or AIDC is being performed.	

## Error Messages

This message...	means...	Do this...
CHECK TRAY1 PAPER LOAD PAPER (1xx) (PRESS START KEY)	Tray 1 has run out of paper.  Media has misfed in Tray 1.	Load media into the tray, and then press the <b>Start</b> key.  Remove the misfed media.
I/C END	The time to replace the imaging cartridge has been reached.	Replace the imaging cartridge.
I/C LIFE END REPLACE I/C	The time to replace the imaging cartridge has been reached.	Replace the imaging cartridge.
I/C LOW	The imaging cartridge is nearly empty.	Prepare the imaging cartridge.
JOB CANCELED	While a document was being scanned from the original glass in Scan mode, more than one minute had passed after the first page of the document was scanned or the data could not be sent. Therefore, the scan job was automatically canceled.	Turn the machine off, and then, after waiting a few seconds, turn it on again. When sending multiple pages, for example, from a book, scan the first page, and then scan the next page within one minute.



This message...	means...	Do this...
MEMORY FILE FULL	The maximum number of image data files has been reached.	Turn the machine off, and then, after a few seconds, turn it on again. Decrease the amount of data to be printed (for example, by decreasing the resolution), and then try printing again.
MEMORY FULL	The machine has received more data than can be processed with its internal memory.	Turn the machine off, and then, after a few seconds, turn it on again. Decrease the amount of data to be printed (for example, by decreasing the resolution), and then try printing again.
NO SUITABLE PAPER LOAD PAPER (xxx)	Paper suitable for printing is not loaded in a paper tray.	Load paper suitable for printing into a paper tray.
NOT INSTALLED TONER CHECK x TONER	The indicated toner cartridge is not installed.	Install the indicated toner cartridge.
OUTPUT TRAY FULL REMOVE PAPER	The output tray is full of paper.	Remove all paper from the output tray.
PAPER SIZE ERROR RESET PAPER (xxx)	The size of paper being printed on is different from the size of paper specified in the printer driver.	Press the <b>Start</b> key to cancel the caution.  To print on paper of the size specified in the printer driver, load paper of the correct size into the specified tray, and then try performing the print job again.

<b>This message...</b>	<b>means...</b>	<b>Do this...</b>
PC CONNECTION FAILED	While data was being sent in Scan mode, the connection to the computer was interrupted.	Check the connection with the computer and the scanner driver status, and then try sending the data again.
Process Caution - IDC	A process error occurred in the machine.	Open and close the scanner unit.
PROCESS ERROR-xxx CLEAR BY COVER		
TONER LIFE END CHANGE x TONER	The indicated toner cartridge has become empty.	Replace the indicated toner cartridge.
TONER OUT CHANGE x TONER	The indicated toner cartridge has become empty. (This message appears if TONER OUT STOP on the MACHINE SETTING menu is set to ON.)	Replace the indicated toner cartridge.
Toner Low x	The indicated toner cartridge is nearly empty.	Prepare the indicated toner cartridge.
T/C Memory Error	A memory error occurred in the toner cartridge.	Re-install the specified toner cartridge.
Video I/F Error	A video interface error occurred in the machine.	Turn off the machine. After a few seconds, turn on the machine.
Wrong Toner x	An unapproved toner cartridge is installed.	Install a correct KONICA MINOLTA toner cartridge.

<b>This message...</b>	<b>means...</b>	<b>Do this...</b>
xxx COVER OPEN CLOSE xxx COVER	The indicated cover is open.	Close the indicated cover.
	The imaging cartridge is not installed.	Install the imaging cartridge.
	A imaging cartridge incompatible with the machine is installed.	Replace the imaging cartridge with a correct one.
xxxxxx IS NOT SUPPORTED	Repeat copying cannot be performed with the specified paper size.	The maximum possible size for repeat copying is A4.  Specify a paper size of A4 or smaller.

## Service Messages

These messages indicate a more serious fault that can only be corrected by a customer service engineer. If one of these messages appears, turn the machine off, then turn it on again. If the problem persists, contact your local vendor or authorized service provider.

<b>This service message...</b>	<b>means...</b>	<b>Do this...</b>
MACHINE TROUBLE SERVICE CALL (xxxx)	An error has been detected with the item indicated "xxxx" in the service message.	Reboot the machine. This often clears the service message, and machine operation can resume.  If the problem persists, contact Technical Support.

*Installing  
Accessories* **10**



# Dust Cover

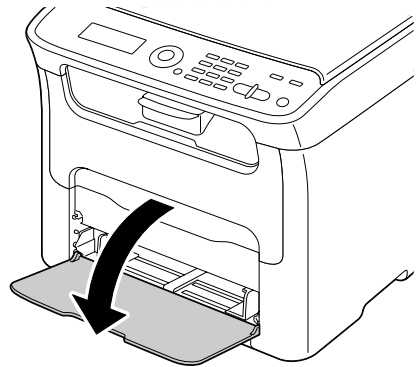
The dust cover is an optional accessory.

Contact your vendor or go to [printer.konicaminolta.com](http://printer.konicaminolta.com) for purchase information.

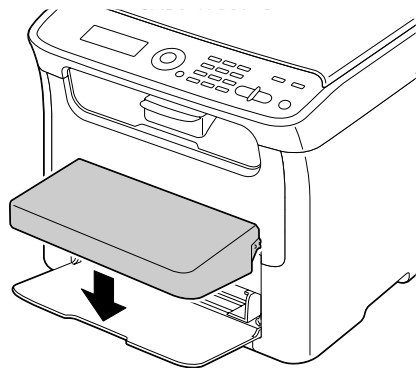
When the dust cover is attached to Tray 1, the media is protected from dust, and operating noises from printing are reduced. We recommend that the dust cover remain attached when this machine is used.

## Installing the Dust Cover

- 1 Open Tray 1.



- 2 Install the dust cover.



*Appendix* **A**



# Technical Specifications

Type	Desktop (Full color laser beam printer-based all-in-one)
Document holder	Stationary
Developing system	Mono component development system
Fusing system	Heat roller system
Resolution	1200 dpi × 600 dpi or 600 dpi × 600 dpi
First print	Simplex <ul style="list-style-type: none"> <li>■ Monochrome 12 seconds for A4/Letter (plain paper)</li> <li>■ Full color 21 seconds for A4/Letter (plain paper)</li> </ul>
First copy	Simplex <ul style="list-style-type: none"> <li>■ Monochrome 23 seconds for A4/Letter (plain paper) (Normal 600 x 300 dpi)</li> <li>■ Full color 52 seconds for A4/Letter (plain paper) (Normal 600 x 300 dpi)</li> </ul>
Print speed	Simplex <ul style="list-style-type: none"> <li>■ Monochrome 20 pages per minute for A4, Letter (plain paper)</li> <li>■ Full color 5 pages per minute for A4, Letter (plain paper)</li> </ul>
Copy speed	Simplex <ul style="list-style-type: none"> <li>■ Monochrome 20 pages per minute for A4 (plain paper) (Normal 600 x 300 dpi)</li> <li>■ Full Color 5 pages per minute for A4 (plain paper) (Normal 600 x 300 dpi)</li> </ul>


Warm-up time	Avg. 30 seconds (time to return to Ready mode from Energy Save mode)
Media sizes	<p>Tray 1 (Multipurpose tray)</p> <ul style="list-style-type: none"> <li>■ Paper width: 92 to 216 mm (3.6" to 8.5")</li> <li>■ Paper length: <ul style="list-style-type: none"> <li>Plain paper: 195 to 356 mm (7.7" to 14.0")</li> <li>Thick stock 1/2: 184 to 297 mm (7.25" to 11.7")</li> </ul> </li> </ul>
Paper/Media	<p>Plain paper (60 to 90 g/m<sup>2</sup>)</p> <p>Letterhead</p> <p>Envelopes</p> <p>Labels</p> <p>Thick stock 1 (91 to 163 g/m<sup>2</sup>)</p> <p>Thick stock 2 (164 to 209 g/m<sup>2</sup>)</p> <p>Postcard</p>
Input capacity	<p>Tray 1 (multipurpose tray)</p> <ul style="list-style-type: none"> <li>■ Plain/recycled paper: 200 sheets</li> <li>■ Envelopes: 10 envelopes</li> <li>■ Letterhead, labels, thick stock 1/2, postcard: 50 sheets</li> </ul>
Output capacity	Output tray: 100 sheets
Operating temperature	10 to 35 °C (50 to 95 °F)
Operating humidity	15% to 85%
Power supply	120 V, 50 to 60 Hz 220 to 240 V, 50 to 60 Hz
Power consumption	120 V: 990 W or less 220 to 240 V: 1060 W or less Energy Saver Mode: 14 W or less
Amperage	120V : 8.4 A or less 220 to 240 V: 4.4 A or less
Acoustic noise	Standby: 38 dB or less Printing: 50 dB or less



External dimensions	Height: 376 mm (14.8") Width: 405 mm (15.9") Depth: 427 mm (16.8")
Weight	18 kg (without consumables) 20 kg (with consumables)
Interface	USB 2.0 compliant
Standard memory	64 MB

# Consumable Life Expectancy Chart

## User-Replaceable

Item	Average Life Expectancy
Toner cartridge	<b>Starter Cartridge</b> = 500 pages (Y, M, C) 1,000 pages (K) <b>Replacement Cartridge</b> = Standard-capacity: 1,500 pages (Y, M, C) High-capacity: 2,500 pages (Y, M, C, K)
Imaging cartridge	<b>Monochrome:</b> 45,000 pages (Continuous) 10,000 pages (1 page per job) <b>Full color:</b> 11,250 pages (Continuous) 7,500 pages (1 page per job)
Fuser unit	50,000 pages
	<i>A constant environment is one with a temperature between 15 °C (59 °F) and 25 °C (77 °F) and humidity between 35% and 70%.</i>



*The values shown for the toner cartridge and waste toner bottle indicate the number of pages for simplex printing using A4/Letter-size media with 5% coverage.*

*The actual life may differ (be shorter) depending on the printing conditions (coverage, paper size, etc.), differences in the printing method, such as continuous printing or intermittent printing (when print jobs of one page are often printed), or the type of paper used, for example, thick paper. In addition, the life will be affected by the temperature and humidity of the operating environment.*

## Service-Replaceable

Item	Average Life Expectancy
Transfer roller	50,000 pages

---

# Index

---

## A

Admin. Management menu .....2-19

## B

Basic tab .....4-6

## C

Configuration menu .....2-13

### Consumables

Fuser unit .....7-15

Imaging cartridge .....7-11

Toner cartridge .....7-2

Control panel .....2-2

Copy .....5-2

Copy density .....5-3

Copy mode .....5-3

ID card copy .....5-5

Poster copy .....5-7

Repeat copy .....5-6

Zoom ratio ..... 5-4

Copy Setting menu ..... 2-20

## D

Dust cover ..... 10-2

## E

Envelope ..... 3-5

## I

ID card copy ..... 5-5

## L

Label ..... 3-6

Layout tab ..... 4-7

Letterhead ..... 3-7

Loading media ..... 3-10

## M

<b>Machine Setting menu</b> .....	2-14
<b>Maintenance</b> .....	8-2
<b>Media</b>	
Clearing misfeeds .....	9-5
Loading .....	3-10
Path .....	9-5
Preventing misfeeds .....	9-4
<b>Media misfeed</b>	
Interior .....	9-7
Tray 1 .....	9-14
<b>Media path</b> .....	9-5
<b>Message window</b> .....	2-2
<b>Messages</b>	
Error messages .....	9-27
Media misfeed messages .....	9-6
Service messages .....	9-30
Status messages .....	9-26
<b>Misfeed problems</b> .....	9-15
Clearing .....	9-5
Media path .....	9-5
Preventing .....	9-4

## O

<b>Original media</b> .....	3-18
Placing .....	3-19
<b>Output tray</b> .....	3-16
<b>Overlay tab</b> .....	4-7

## P

<b>Page margins</b> .....	3-9
<b>Placing document</b> .....	3-19
<b>Plain paper</b> .....	3-3
<b>Postcard</b> .....	3-7
<b>Poster copy</b> .....	5-7
<b>Print media</b> .....	3-2
Storage .....	3-17
<b>Print media type</b>	
Envelope .....	3-5
Label .....	3-6
Letterhead .....	3-7
Plain paper .....	3-3
Postcard .....	3-7
Recycled paper .....	3-3

Thick stock .....	3-4
<b>Print quality</b> .....	9-20
<b>Print screen</b> .....	2-7
<b>Printable area</b> .....	3-8
<b>Printer driver</b>	
Basic tab .....	4-6
Displaying .....	4-3
Layout tab .....	4-7
Overlay tab .....	4-7
Quality tab .....	4-7
Setting .....	4-5
Uninstalling .....	4-3
Version tab .....	4-8
Watermark tab .....	4-7

## Q

<b>Quality tab</b> .....	4-7
--------------------------	-----

## R

<b>Recycled paper</b> .....	3-3
<b>Repeat copy</b> .....	5-6

## S

<b>Scan</b> .....	6-2
<b>Scanner driver</b>	
TWAIN driver (Macintosh) .....	6-6
TWAIN driver (Windows) .....	6-3
WIA driver (Windows) .....	6-5
<b>Service messages</b> .....	9-30
<b>Storage</b>	
Print media .....	3-17
<b>System requirements</b> .....	1-9

## T

<b>T/C CHANGE</b> .....	2-9
<b>Thick stock</b> .....	3-4
<b>Toner remaining</b> .....	2-9
<b>Tray 1 Paper Setup menu</b> .....	2-17
<b>Troubleshooting</b> .....	9-1
Media misfeed .....	9-15
Status, error, and service messages .....	9-26
<b>TWAIN driver</b>	
For Macintosh .....	6-6

For Windows .....6-3

## U

**Utility menu** .....2-13  
Admin. Management menu .....2-19  
Copy Setting menu .....2-20  
Machine Setting menu .....2-14  
Tray 1 Paper Setup menu .....2-17

## V

**Version tab** .....4-8

## W

**Watermark tab** .....4-7  
**WIA driver** .....6-5

## Z

**Zoom ratio** .....5-4