
magicolor[®] 5550/5570

User's Guide

A011-9562-01A

1800825-001B

Trademarks

KONICA MINOLTA, the KONICA MINOLTA logo and PageScope are trademarks or registered trademarks of KONICA MINOLTA HOLDINGS, INC.

magicolor is a trademark or registered trademark of KONICA MINOLTA PRINTING SOLUTIONS U.S.A., INC.

All other trademarks and registered trademarks are the property of their respective owners.

Copyright Notice

Copyright © 2006 KONICA MINOLTA BUSINESS TECHNOLOGIES, INC., Marunouchi Center Building, 1-6-1 Marunouchi, Chiyoda-ku, Tokyo, 100-0005, Japan. All Rights Reserved. This document may not be copied, in whole or part, nor transferred to any other media or language, without written permission of KONICA MINOLTA BUSINESS TECHNOLOGIES, INC.

Notice

KONICA MINOLTA BUSINESS TECHNOLOGIES, INC. reserves the right to make changes to this guide and to the equipment described herein without notice. Considerable effort has been made to ensure that this guide is free of inaccuracies and omissions. However, KONICA MINOLTA BUSINESS TECHNOLOGIES, INC. makes no warranty of any kind including, but not limited to, any implied warranties of merchantability and fitness for a particular purpose with regard to this guide. KONICA MINOLTA BUSINESS TECHNOLOGIES, INC. assumes no responsibility for, or liability for, errors contained in this guide or for incidental, special, or consequential damages arising out of the furnishing of this guide, or the use of this guide in operating the equipment, or in connection with the performance of the equipment when so operated.

SOFTWARE LICENSE AGREEMENT

This package contains the following materials provided by Konica Minolta Business Technologies, Inc. (KMBT): software included as part of the printing system, the digitally-encoded machine-readable outline data encoded in the special format and in the encrypted form ("Font Programs"), other software which runs on a computer system for use in conjunction with the Printing Software ("Host Software"), and related explanatory written materials ("Documentation"). The term "Software" shall be used to describe Printing Software, Font Programs and/or Host Software and also include any upgrades, modified versions, additions, and copies of the Software.

The Software is being licensed to you under the terms of this Agreement.

KMBT grants to you a non-exclusive sublicense to use the Software and Documentation, provided that you agree to the following:

1. You may use the Printing Software and accompanying Font Programs for imaging to the licensed output device(s), solely for your own internal business purposes.
 2. In addition to the license for Font Programs set forth in Section 1 ("Printing Software") above, you may use Roman Font Programs to reproduce weights, styles, and versions of letters, numerals, characters and symbols ("Typefaces") on the display or monitor for your own internal business purposes.
 3. You may make one backup copy of the Host Software, provided your backup copy is not installed or used on any computer. Notwithstanding the above restrictions, you may install the Host Software on any number of computers solely for use with one or more printing systems running the Printing Software.
 4. You may assign its rights under this Agreement to an assignee of all of Licensee's right and interest to such Software and Documentation ("Assignee") provided you transfer to Assignee all copies of such Software and Documentation Assignee agrees to be bound by all of the terms and conditions of this Agreement.
 5. You agree not to modify, adapt or translate the Software and Documentation.
 6. You agree that you will not attempt to alter, disassemble, decrypt, reverse engineer or decompile the Software.
 7. Title to and ownership of the Software and Documentation and any reproductions thereof shall remain with KMBT and its Licensor.
 8. Trademarks shall be used in accordance with accepted trademark practice, including identification of the trademark owner's name. Trademarks can only be used to identify printed output produced by the Software. Such use of any trademark does not give you any rights of ownership in that trademark.
 9. You may not rent, lease, sublicense, lend or transfer versions or copies of the Software that the Licensee does not use, or Software contained on any unused media, except as part of the permanent transfer of all Software and Documentation as described above.
 10. In no event will KMBT or its licensor be liable to you for any consequential, incidental INDIRECT, PUNITIVE or special damages, including any lost profits or lost saving, even if KMBT has been advised of the possibility of such damages, or for any claim by any third party. KMBT or its licensor disclaims all warranties with regard to the software, express or implied, including, without limitation implied warranties of merchantability, fitness for a particular purpose, title and non-infringement of third party rights. Some states or jurisdictions do not allow the exclusion or limitation of incidental, consequential or special damages, so the above limitations may not apply to you.
-

11. Notice to Government End Users: The Software is a “commercial item,” as that term is defined at 48 C.F.R.2.101, consisting of “commercial computer software” and “commercial computer software documentation,” as such terms are used in 48 C.F.R. 12.212. Consistent with 48 C.F.R. 12.212 and 48 C.F.R. 227.7202-1 through 227.7202-4, all U.S. Government End Users acquire the Software with only those rights set forth herein.
12. You agree that you will not export the Software in any form in violation of any applicable laws and regulations regarding export control of any countries.

About Adobe Color Profile

ADOBE SYSTEMS INCORPORATED
COLOR PROFILE LICENSE AGREEMENT

NOTICE TO USER: PLEASE READ THIS CONTRACT CAREFULLY. BY USING ALL OR ANY PORTION OF THE SOFTWARE YOU ACCEPT ALL THE TERMS AND CONDITIONS OF THIS SOFTWARE YOU ACCEPT ALL THE TERMS AND CONDITIONS OF THIS AGREEMENT. IF YOU DO NOT AGREE WITH THE TERMS OF THIS AGREEMENT, DO NOT USE THE SOFTWARE.

1. **DEFINITIONS** In this Agreement, “Adobe” means Adobe Systems Incorporated, a Delaware corporation, located at 345 Park Avenue, San Jose, California 95110. “Software” means the software and related items with which this Agreement is provided.
 2. **LICENSE** Subject to the terms of this Agreement, Adobe hereby grants you the worldwide, non-exclusive, nontransferable, royalty-free license to use, reproduce and publicly display the Software. Adobe also grants you the rights to distribute the Software only (a) as embedded within digital image files and (b) on a standalone basis. No other distribution of the Software is allowed; including, without limitation, distribution of the Software when incorporated into or bundled with any application software. All individual profiles must be referenced by their ICC Profile description string. You may not modify the Software. Adobe is under no obligation to provide any support under this Agreement, including upgrades or future versions of the Software or other items. No title to the intellectual property in the Software is transferred to you under the terms of this Agreement. You do not acquire any rights to the Software except as expressly set forth in this Agreement.
 3. **DISTRIBUTION** If you choose to distribute the Software, you do so with the understanding that you agree to defend, indemnify and hold harmless Adobe against any losses, damages or costs arising from any claims, lawsuits or other legal actions arising out of such distribution, including without limitation, your failure to comply with this Section 3. If you distribute the Software on a standalone basis, you will do so under the terms of this Agreement or your own license agreement which (a) complies with the terms and conditions of this Agreement; (b) effectively disclaims all warranties and conditions, express or implied, on behalf of Adobe; (c) effectively excludes all liability for damages on behalf of Adobe; (d) states that any provisions that differ from this Agreement are offered by you alone and not Adobe and (e) states that the Software is available from you or Adobe and informs licensees how to obtain it in a reasonable manner on or through a medium customarily used for software exchange. Any distributed Software will include the Adobe copyright notices as included in the Software provided to you by Adobe.
-

4. **DISCLAIMER OF WARRANTY** Adobe licenses the Software to you on an “AS IS” basis. Adobe makes no representation as to the adequacy of the Software for any particular purpose or to produce any particular result. Adobe shall not be liable for loss or damage arising out of this Agreement or from the distribution or use of the Software or any other materials. ADOBE AND ITS SUPPLIERS DO NOT AND CANNOT WARRANT THE PERFORMANCE OR RESULTS YOU MAY OBTAIN BY USING THE SOFTWARE, EXCEPT FOR ANY WARRANTY, CONDITION, REPRESENTATION OR TERM TO THE EXTENT TO WHICH THE SAME CANNOT OR MAY NOT BE EXCLUDED OR LIMITED BY LAW APPLICABLE TO YOU IN YOUR JURISDICTION, ADOBE AND ITS SUPPLIERS MAKE NO WARRANTIES, CONDITIONS, REPRESENTATIONS OR TERMS, EXPRESS OR IMPLIED, WHETHER BY STATUTE, COMMON LAW, CUSTOM, USAGE OR OTHERWISE AS TO ANY OTHER MATTERS, INCLUDING BUT NOT LIMITED TO NON-INFRINGEMENT OF THIRD PARTY RIGHTS, INTEGRATION, SATISFACTORY QUALITY OR FITNESS FOR ANY PARTICULAR PURPOSE. YOU MAY HAVE ADDITIONAL RIGHTS WHICH VARY FROM JURISDICTION TO JURISDICTION. The provisions of Sections 4, 5 and 6 shall survive the termination of this Agreement, howsoever caused, but this shall not imply or create any continued right to use the Software after termination of this Agreement.
 5. **LIMITATION OF LIABILITY** IN NO EVENT WILL ADOBE OR ITS SUPPLIERS BE LIABLE TO YOU FOR ANY DAMAGES, CLAIMS OR COSTS WHATSOEVER OR ANY CONSEQUENTIAL, INDIRECT, INCIDENTAL DAMAGES, OR ANY LOST PROFITS OR LOST SAVINGS, EVEN IF AN ADOBE REPRESENTATIVE HAS BEEN ADVISED OF THE POSSIBILITY OF SUCH LOSS, DAMAGES, CLAIMS OR COSTS OR FOR ANY CLAIM BY ANY THIRD PARTY. THE FOREGOING LIMITATIONS AND EXCLUSIONS APPLY TO THE EXTENT PERMITTED BY APPLICABLE LAW IN YOUR JURISDICTION. ADOBE’S AGGREGATE LIABILITY AND THAT OF ITS SUPPLIERS UNDER OR IN CONNECTION WITH THIS AGREEMENT SHALL BE LIMITED TO THE AMOUNT PAID FOR THE SOFTWARE. Nothing contained in this Agreement limits Adobe’s liability to you in the event of death or personal injury resulting from Adobe’s negligence or for the tort of deceit (fraud). Adobe is acting on behalf of its suppliers for the purpose of disclaiming, excluding and/or limiting obligations, warranties and liability as provided in this Agreement, but in no other respects and for no other purpose.
 6. **TRADEMARKS** Adobe and the Adobe logo are the registered trademarks or trademarks of Adobe in the United States and other countries. With the exception of referential use, you will not use such trademarks or any other Adobe trademark or logo without separate prior written permission granted by Adobe.
 7. **TERM** This Agreement is effective until terminated. Adobe has the right to terminate this Agreement immediately if you fail to comply with any term hereof. Upon any such termination, you must return to Adobe all full and partial copies of the Software in your possession or control.
 8. **GOVERNMENT REGULATIONS** If any part of the Software is identified as an export controlled item under the United States Export Administration Act or any other export law, restriction or regulation (the “Export Laws”), you represent and warrant that you are not a citizen, or otherwise located within, an embargoed nation (including without limitation Iran, Iraq, Syria, Sudan, Libya, Cuba, North Korea, and Serbia) and that you are not otherwise prohibited under the Export Laws from receiving the Software. All rights to use the Software are granted on condition that such rights are forfeited if you fail to comply with the terms of this Agreement.
-

9. **GOVERNING LAW** This Agreement will be governed by and construed in accordance with the substantive laws in force in the State of California as such laws are applied to agreements entered into and to be performed entirely within California between California residents. This Agreement will not be governed by the conflict of law rules of any jurisdiction or the United Nations Convention on Contracts for the International Sale of Goods, the application of which is expressly excluded. All disputes arising out of, under or related to this Agreement will be brought exclusively in the state Santa Clara County, California, USA.
10. **GENERAL** You may not assign your rights or obligations granted under this Agreement without the prior written consent of Adobe. None of the provisions of this Agreement shall be deemed to have been waived by any act or acquiescence on the part of Adobe, its agents, or employees, but only by an instrument in writing signed by an authorized signatory of Adobe. When conflicting language exists between this Agreement and any other agreement included in the Software, the terms of such included agreement shall apply. If either you or Adobe employs attorneys to enforce any rights arising out of or relating to this Agreement, the prevailing party shall be entitled to recover reasonable attorneys' fees. You acknowledge that you have read this Agreement, understand it, and that it is the complete and exclusive statement of your agreement with Adobe which supersedes any prior agreement, oral or written, between Adobe and you with respect to the licensing to you of the Software. No variation of the terms of this Agreement will be enforceable against Adobe unless Adobe gives its express consent, in writing, signed by an authorized signatory of Adobe.

ICC Profile for TOYO INK Standard Color on Coated paper (TOYO Offset Coated 2.1)

This ICC Profile (TOYO Offset Coated 2.1) characterizes Japanese offset press on Coated paper and is fully compatible with ICC profile format.

About "TOYO INK Standard Color on Coated paper"

This is the standard for color reproduction of sheet-fed offset press on Coated paper made by TOYO INK MFG.CO., LTD. ("TOYO INK").

This standard is made from printing test with using TOYO INK's sheet-fed offset printing inks and TOYO INK's own printing conditions.

"TOYO INK Standard Color on Coated paper" is compatible with "JAPAN COLOR".

Agreement

1. The reproduction of images on a printer or a monitor using this ICC Profile do not completely match the TOYO INK Standard Color on Coated paper.
 2. Any and all copyrights of this ICC Profile shall remain in TOYO INK; therefore you shall not transfer, provide, rent, distribute, disclose, or grant any rights in this ICC Profile to any third party without the prior written consent of TOYO INK.
 3. In no event will TOYO INK its directors, officers, employees or agents be liable to you for any consequential or incidental, either direct or indirect, damages (including damages for loss of business profits, business interruption, loss of business information, and the like) arising out of the use or inability to use this ICC Profile.
 4. TOYO INK shall not be responsible for answering any question related to this ICC Profile.
-

5. All company names and product names used in this document is the trademarks or registered trademarks of their respective holder.

This ICC Profile made by GretagMacbeth ProfileMaker and granted TOYO INK certain license to distribute by GretagMacbeth AG.

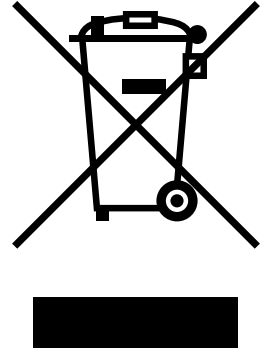
TOYO Offset Coated 2.1 © TOYO INK MFG. CO., LTD. 2004

For EU member states only

This symbol means: **Do not dispose of this product together with your household waste!**

Please contact the Local Authority for appropriate disposal instructions. In the case of a new device being purchased, the used one can also be given to our dealer for appropriate disposal. Recycling of this product will help to conserve natural resources and prevent potential negative consequences for the environment and human health caused by inappropriate waste handling.

This product complies with RoHS (2002/95/EC) directive.



Contents

1 Introduction	1
Getting Acquainted with Your Printer 2	
Space Requirements 2	
Printer Parts 4	
Front View 4	
Rear View 5	
Front View with Options 5	
2 About the Software	7
Printer Driver CD-ROM 8	
PostScript Drivers 8	
PCL Drivers 8	
PPD Files 9	
Utilities and Documentation CD-ROM 9	
Utilities 9	
System Requirements 12	
Selecting Driver Options/Defaults (for Windows) 13	
Windows XP/Server 2003/2000/NT 4.0 13	
Windows Me/98SE (KONICA MINOLTA mc5570 PCL6) (KONICA MINOLTA mc5550 PCL6) 14	

Windows Me/98SE (KONICA MINOLTA mc5570 PPD)
(KONICA MINOLTA mc5550 PPD) 15

Uninstalling the Printer Driver (for Windows) 16

Windows XP/Server 2003/2000/NT 4.0/Me (PCL)/98SE (PCL) 16
Windows Me (PPD)/98SE (PPD) 16

Displaying Printer Driver Settings (for Windows) 17

Windows XP/Server 2003 17
Windows 2000/Me/98SE/NT 4.0 17

Using the Postscript and PCL Printer Driver 18

Common Buttons 18

OK 18

Cancel 18

Apply 18

Help 18

Easy Set 18

Paper View 19

Printer View 19

Watermark View 19

Quality View 19

Default 19

Advanced Tab (PostScript Printer Driver Only) 19

Basic Tab 20

Layout Tab 20

Cover Page Tab 21

Overlay Tab 21

Watermark Tab 21

Quality Tab 22

Version Tab 22

Limitations on printer driver functions installed with Point and Print 22

Using the Windows Me/98SE PPD File 23

Common Buttons 23

OK 23

Cancel 23

Apply 23

Restore Defaults 23

Paper Tab 23

Graphics Tab 24

Font Tab 24

Device Options Tab 24

Postscript Tab 24

3 Using the Status Monitor (Windows Only)25

Working with the Status Monitor 26

Introduction 26

Operating Environment 26

Opening the Status Monitor 26

Using the Status Monitor	26
Recognizing Status Monitor Alerts	27
Recovering from a Status Monitor Alert	27
Closing the Status Monitor	27
4 Printer Control Panel and Configuration Menu	29
About the Control Panel	30
Control Panel Indicators and Keys	30
Message Window	32
Help Screens	33
Configuration Menu Overview	34
Main Menu	34
PROOF/PRINT MENU	36
Printing/Deleting a Stored Job	36
Entering the Password	38
PRINT MENU	39
PAPER MENU	41
QUALITY MENU	48
MEMORY DIRECT	67
CAMERA DIRECT	70
INTERFACE MENU	74
SYS DEFAULT MENU	77
MAINTENANCE MENU	88
SERVICE MENU	94
5 Camera Direct	95
Camera Direct	96
Printing Directly from a Digital Camera	96
6 Memory Direct	97
Memory Direct	98
Printing From a Connected USB Memory Device	98
7 Using Media	99
Media Specifications	100
Media Types	101
Plain Paper (Recycled Paper)	101
Thick Stock	103
Envelopes	103
Labels	104
Letterhead	105
Postcards	106
Transparencies	107
Glossy Media	108
What Is the Guaranteed Imageable (Printable) Area?	109
Imageable Area—Envelopes	109

Page Margins	109
Loading Media	110
Tray 1 (Manual Feed Tray)	110
Loading Plain Paper	110
Other Media	112
Loading Envelopes	113
Loading Label Sheets/Postcards/Thick Stock/Glossy Media and Transparencies	117
Loading Banner Paper	120
Tray 2	123
Loading Plain Paper	123
Tray 3/4 (Optional Lower Feeder Units)	125
Loading Plain Paper	125
Duplexing	128
Output Tray	129
Finishing	130
Job Separation Printing	130
Offset Printing	131
Staple printing	131
Media Storage	132
8 Replacing Consumables	133
Replacing Consumables	134
About Toner Cartridges	134
Replacing a Toner Cartridge	137
Replacing a Print Unit	141
Replacing the Waste Toner Bottle	147
Replacing the Transfer Roller	150
Replacing the Transfer Roller	150
Replacing the Ozone Filter	153
Replacing the Transfer Belt Unit	154
Replacing the Backup Battery	160
Replacing the Staple	163
9 Maintaining the Printer	167
Maintaining the Printer	168
Cleaning the Printer	170
Exterior	170
Media Rollers	171
Cleaning the Media Feed Rollers (Manual Feed Tray)	171
Cleaning the Media Feed Rollers (Tray 2/3/4)	173
Cleaning the Duplex Option Feed Rollers	174
Cleaning the Media Transfer Rollers for Tray 3 and 4	175
Cleaning the Laser Lens	176

10 Troubleshooting	177
Introduction	178
Printing a Configuration Page	178
Preventing Media Misfeeds	179
Understanding the Media Path	180
Clearing Media Misfeeds	181
Media Misfeed Messages and Clearing Procedures	182
Clearing a Media Misfeed in Tray 2	183
Clearing a Media Misfeed in Tray 3/4	187
Clearing a Media Misfeed from the Duplex Option	189
Clearing a Media Misfeed from the Fuser Unit	190
Clearing a Media Misfeed from Tray 1 (Manual Feed Tray) and Transfer Roller	193
Relay Unit	195
Staple Finisher (Case 1)	196
Staple Finisher (Case 2)	197
Staple Finisher (Case 3)	198
Clearing Jammed Staples	199
Solving Problems with Media Misfeeds	201
Solving Other Problems	204
Solving Problems with Printing Quality	210
Status, Error, and Service Messages	216
Standard Status Messages	216
Error Messages (Warning: ⚠)	217
Error Messages (Operator Call: ⚠)	221
Service Messages: ⚠	226
11 Installing Accessories	227
Introduction	228
Antistatic Protection	228
Dual In-Line Memory Module (DIMM)	229
Installing a DIMM	229
Hard Disk Kit	232
Installing the Hard Disk drive	232
CompactFlash	235
Installing the CompactFlash card	235
Duplex Option	238
Installing the Duplex Option	238
Lower Feeder Unit	241
Kit Contents	241
Installing a Lower Feeder Unit	242
Staple Finisher	246
Accessories	246
Unpacking and installing the Staple Finisher	247

A Appendix	257
Safety Specifications	258
Technical Specifications	258
Printer	258
Consumable Life Expectancy Chart	263
Our Concern for Environmental Protection	265
What is an ENERGY STAR product?	265

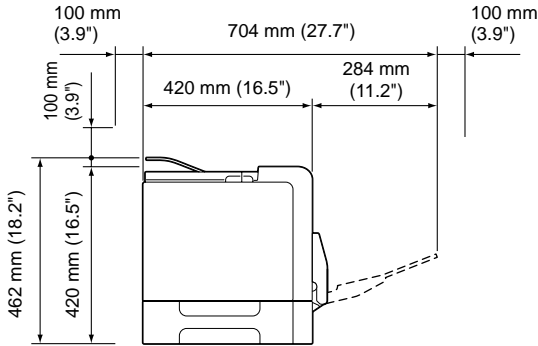
Introduction

1

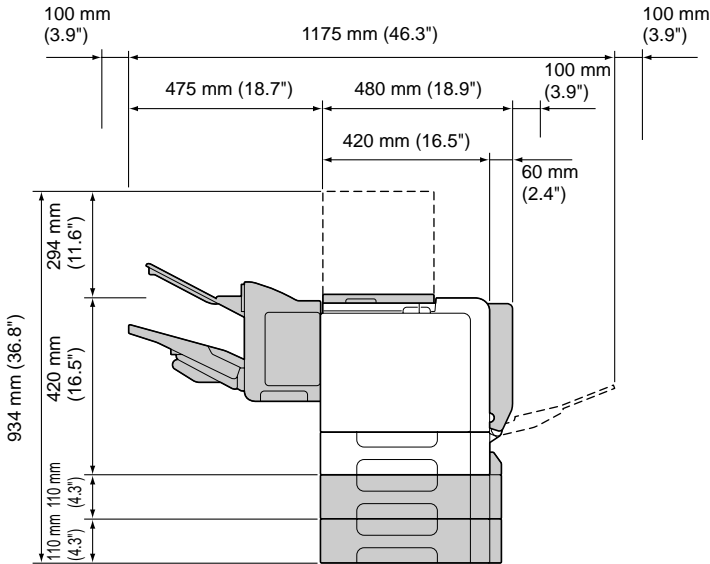
Getting Acquainted with Your Printer

Space Requirements

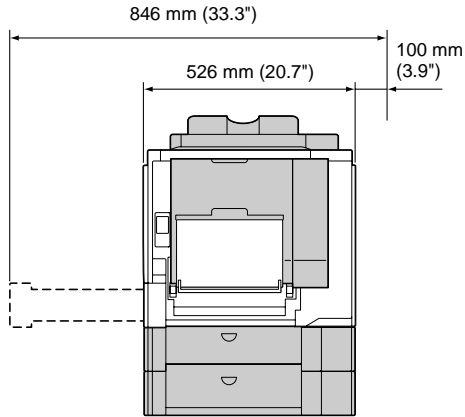
To ensure easy operation, consumable replacement and maintenance, adhere to the recommended space requirements detailed below.



Front View



Front View with Options



Side View with Options



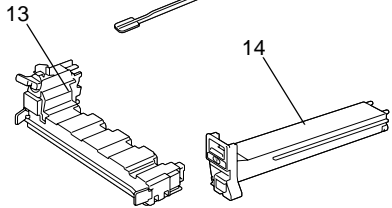
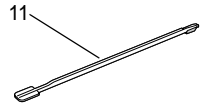
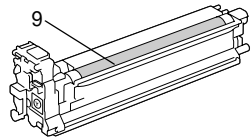
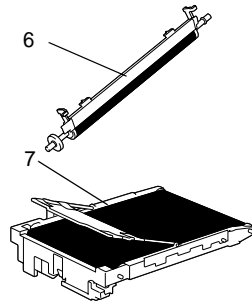
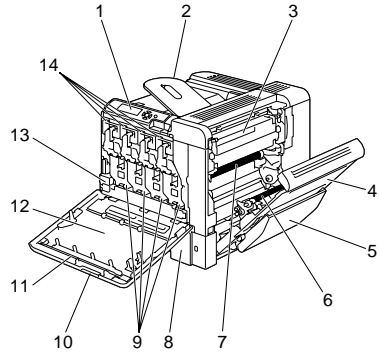
The options appear shaded in the above illustrations.

Printer Parts

The following drawings illustrate the parts of your printer referred to throughout this guide, so please take some time to become familiar with them.

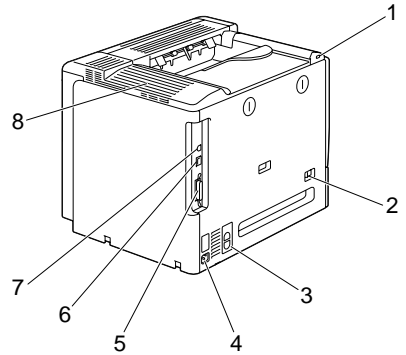
Front View

- 1—Control panel
- 2—Output tray
- 3—Fuser unit
- 4—Right side cover
- 5—Tray 1 (Manual feed tray)
- 6—Transfer roller
- 7—Transfer belt unit
- 8—Tray 2
- 9—Print unit
- 10—Grip
- 11—Laser lens cleaning tool
- 12—Front cover
- 13—Waste toner bottle
- 14—Toner cartridge



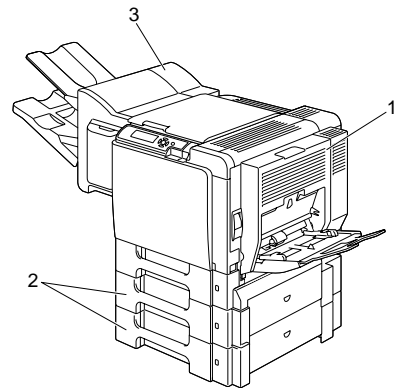
Rear View

- 1—KONICA MINOLTA Digital Camera Direct Print Port
- 2—Power switch
- 3—Ozone filter
- 4—Power connection
- 5—Parallel port
- 6—10Base-T/100Base-TX/
1000Base-T Ethernet Interface
port
- 7—USB port
- 8—Ventilation grilles



Front View with Options

- 1—Duplex option
- 2—Lower feeder units (Tray 3 and
Tray 4)
- 3—Staple Finisher



***About the
Software***

2

Printer Driver CD-ROM

PostScript Drivers

Operating System	Use/Benefit
Windows XP/Server 2003/2000	These drivers give you access to all of the printer features, including finishing and advanced layout. See also "Displaying Printer Driver Settings (for Windows)" on page 17.
Windows XP for 64bit	
Windows Server 2003 for 64bit	
Windows NT 4.0	



When using Windows Me/98SE, use the PPD file for Windows Me/98SE. See also "Displaying Printer Driver Settings (for Windows)" on page 17.



A specific PPD file has been prepared for applications (such as Page-Maker and Corel Draw) that require that a PPD file be specified when printing.

When specifying a PPD file while printing on Windows XP, Server 2003, 2000 and NT 4.0, use the specific PPD file provided on the Printer Driver CD-ROM in drivers\<operating_system>\PPD.

PCL Drivers

Operating System	Use/Benefit
Windows XP/Server 2003/2000	These drivers give you access to all of the printer features, including finishing and advanced layout. See also "Displaying Printer Driver Settings (for Windows)" on page 17.
Windows XP for 64bit	
Windows Server 2003 for 64bit	
Windows Me/98SE	
Windows NT 4.0	

PPD Files

Operating System	Use/Benefit
Windows XP/Server 2003/2000/Me/98SE/NT 4.0	These PPD files allow you to install the printer for a variety of platforms, drivers, and applications.
Macintosh OS 9/X	These files are required in order to use the printer driver for each operating system. For details of the Macintosh and Linux printer drivers, refer to the magicolor 5550/5570 Reference Guide on the Utilities and Documentation CD-ROM.
Linux	



For details on the installation of the Windows printer drivers, refer to the magicolor 5550/5570 Installation Guide on the Utilities and Documentation CD-ROM.

Utilities and Documentation CD-ROM

Utilities

Utility	Use/Benefit
Download Manager (Windows XP/Server 2003/2000/Me/98SE/NT 4.0, Macintosh OS 10.2.x or later)	This utility, which can be used only if the optional hard disk drive is installed, enables fonts and overlay data to be downloaded to the printer hard disk drive. For details, refer to the Download Manager online help for all of the functions.
Crown Print Monitor+ for Windows	Using the TCP/IP protocol, print jobs can be sent directly to the printer. For details, refer to the magicolor 5550/5570 Reference Guide on the Utilities and Documentation CD-ROM.

Utility	Use/Benefit
Status Monitor (Windows only)	The current status of the printer in addition to the status of consumables and error information can be viewed. For details, refer to See “Using the Status Monitor (Windows Only)” on page 25.
PageScope Net Care	Printer management functions such as status monitoring and network settings can be accessed. For details, refer to the PageScope Net Care Quick Guide on the Utilities and Documentation CD-ROM.
PageScope Web Connection	With a Web browser, the status of printers can be checked, and the various settings can be changed. For details, refer to the magicolor 5550/5570 Reference Guide on the Utilities and Documentation CD-ROM.
PageScope Network Setup	Using the TCP/IP and IPX protocols, basic network printer settings can be specified. For details, refer to the PageScope Network Setup User Manual on the Utilities and Documentation CD-ROM.
PageScope Plug and Print	This utility automatically detects a new printer connected to the network and creates a print object on the Windows print server. For details, refer to the PageScope Plug and Print Quick Guide on the Utilities and Documentation CD-ROM.
PageScope NDPS Gateway	This network utility enables printers and KONICA MINOLTA multifunctional products to be used in an NDPS environment. For details, refer to the PageScope NDPS Gateway User Manual on the Utilities and Documentation CD-ROM.

Utility	Use/Benefit
PageScope Peer to Peer Printing Tool	<p>Setups for peer-to-peer printing in Windows 98 and Windows Me.</p> <p>Peer-to-peer printing refers to printing directly to a device on the network instead of through the server.</p> <p>For details, refer to the PageScope Peer to Peer Printing Tool Users Guide on the Utilities and Documentation CD-ROM.</p>
PageScope Direct Print	<p>This application provides functions for sending PDF and TIFF files directly to a printer to be printed.</p> <p>For details, refer to the PageScope Direct Print Users Guide on the Utilities and Documentation CD-ROM.</p>

System Requirements

- Personal computer
 - Pentium 2: 400 MHz (Pentium 3: 500 MHz or higher is recommended)
 - Power Mac G3 or later (G4 or later is recommended)
- Operating System
 - Microsoft Windows XP Home Edition/Professional (Service Pack 1 or later; Service Pack 2 or later is recommended), Windows XP Professional x64 Edition, Windows Server 2003, Windows Server 2003 x64 Edition, Windows 2000 (Service Pack 4 or later), Windows Me, Windows 98SE, Windows NT 4.0 (Service Pack 6)
 - Mac OS 9 (9.1 or later), Mac OS X (10.2 or later) Classic mode
 - Mac OS X (10.2 or later; We recommend installing the newest patch), Mac OS X Server (10.2 or later)
 - Red Hat Linux 9.0, SuSE Linux 8.2
- Free hard disk space
 - Approximately 20 MB of free hard disk space for printer driver and Status Monitor
 - Approximately 128 MB of free hard disk space for image processing
- RAM
 - 128 MB or more
- CD-ROM/DVD drive
- I/O interface
 - 10Base-T/100Base-TX/1000Base-T Ethernet interface port
 - USB Revision 2.0 compliant port
 - Parallel (IEEE 1284) port







For details of the Macintosh and Linux printer drivers, refer to the magicolor 5550/5570 Reference Guide on the Utilities and Documentation CD-ROM.

Selecting Driver Options/Defaults (for Windows)

Before you start working with your printer, you are advised to verify/change the default driver settings. Also, in case you have options installed, you should “declare” the options in the driver.

Windows XP/Server 2003/2000/NT 4.0




- 1 Choose the driver’s properties as follows:
 - (Windows XP/Server 2003)
From the **Start** menu, choose **Printers and Faxes** to display the **Printers and Faxes** directory. Right-click the KONICA MINOLTA mc5570(5550) PCL6 or KONICA MINOLTA mc5570(5550) PS printer icon and choose **Properties**.
 - (Windows 2000/NT 4.0)
From the **Start** menu, choose **Settings** and then **Printers** to display the **Printers** directory. Right-click the KONICA MINOLTA mc5570(5550) PCL6 or KONICA MINOLTA mc5570(5550) PS printer icon and choose **Properties**.
- 2 If you have installed options, proceed with the next step. Otherwise, skip to step 9.
- 3 Select the **Configure** tab.
- 4 Check that the installed options are correctly listed. If not, proceed with the next step. Otherwise, continue with step 8.
- 5 Click the **Refresh** to automatically configure installed options.
 -  *The **Refresh** is available only if bi-directional communication is available with the printer; otherwise it is grayed out.*
- 6 From the **Device Options** list, select an option, one at a time, and then select **Enable** or **Disable** from the **Settings** menu.
 -  *If **Printer Memory** is selected, select **256 MB**, **512 MB**, **768 MB** or **1024 MB**, according to the installed memory. The factory default setting is **256 MB**.*
 -  *If **Memory Card** is selected, select **Disable**, **Enable (1 GB Under)**, or **Enable (1 GB Over)**, according to the installed CompactFlash card.*
- 7 Click **Apply**.
 -  *Depending on the version of the operating system, **Apply** may not appear. If this is the case, continue with the next step.*



With Windows NT 4.0, right-click the KONICA MINOLTA mc5570(5550) PCL6 printer icon or the KONICA MINOLTA mc5570(5550) PS printer icon in the Printers directory, and then click **Document Defaults**. Skip to step 10.




- 8 Select the **General** tab.
- 9 Click **Printing Preferences**.
Printing Preference dialog box appears.
- 10 Select the default settings for your printer, such as the default media format you use, on the appropriate tabs.
- 11 Click **Apply**.
- 12 Click **OK** to exit from the Print preference dialog box.
- 13 Click **OK** to exit from the Properties dialog box.

Windows Me/98SE (KONICA MINOLTA mc5570 PCL6) (KONICA MINOLTA mc5550 PCL6)

- 1 Choose the driver's properties as follows:
 - From the **Start** menu, choose **Settings** and then **Printers** to display the **Printers** directory. Right-click the KONICA MINOLTA mc5570 PCL6 printer icon or the KONICA MINOLTA mc5550 PCL6 printer icon and choose **Properties**.
- 2 Select the **Configure** tab.
- 3 Check that the installed options are correctly listed. If not, proceed with the next step. Otherwise, continue with step 7.
- 4 Click the **Refresh** to automatically configure installable options.
 -  The **Refresh** is available only if bi-directional communication is available with the printer, otherwise it is grayed out.
- 5 From the **Device Options** list, select an option, one at a time, and then select **Enable** or **Disable** from the **Settings** menu.
 -  If **Printer Memory** is selected, select **256 MB**, **512 MB**, **768 MB** or **1024 MB**, according to the installed memory. The factory default setting is **256 MB**.
 -  If **Memory Card** is selected, select **Disable**, **Enable (1 GB Under)**, or **Enable (1 GB Over)**, according to the installed CompactFlash card.
- 6 Click **Apply**.
- 7 Select the default settings for your printer, such as the default media format you use, on the appropriate tabs.

- 8 Click **Apply**.
- 9 Click **OK**.

Windows Me/98SE (KONICA MINOLTA mc5570 PPD) (KONICA MINOLTA mc5550 PPD)

- 1 Choose the driver's properties as follows:
 - From the **Start** menu, choose **Settings** and then **Printers** to display the **Printers** directory. Right-click the KONICA MINOLTA mc5570 PPD printer icon or the KONICA MINOLTA mc5550 PPD printer icon and choose **Properties**.
- 2 Select the **Device Options** tab.
- 3 Check that the installed options are correctly listed. If not, proceed with the next step. Otherwise, continue with step 6.
- 4 From the **Installable options** list, select an option, one at a time, and then select **Enable** or **Disable** from the **Change setting for:** menu.
 -  If **VMOption** is selected, select **256 MB, 512 MB, 768 MB** or **1024 MB**, according to the installed memory. The factory default setting is **256 MB**.
 -  If **Paper Source Unit** is selected, select **Disable, Unit 3** or **Unit 3 + Unit 4**, according to the installed lower feeder unit.
 -  If **Storage** is selected, select **None, CF (1 GB Under), CF (1 GB Over), HDD, HDD + CF (1 GB Under),** or **HDD + CF (1 GB Over)**, according to the installed CompactFlash card and hard disk drive.
- 5 Click **Apply**.
- 6 Select the default settings for your printer, such as the default media format you use, on the appropriate tabs.
- 7 Click **Apply**.
- 8 Click **OK**.

Uninstalling the Printer Driver (for Windows)

This section describes how to uninstall the KONICA MINOLTA mc5570 printer driver or the KONICA MINOLTA mc5550 printer driver if necessary.

Windows XP/Server 2003/2000/NT 4.0/Me (PCL)/98SE (PCL)

- 1 Close all applications.
- 2 Choose the Uninstall Program as follows:
 - (Windows XP/Server 2003)
From the **Start** menu, choose **All programs**, KONICA MINOLTA, magicolor 5570(5550), and then **Uninstall Printer Driver**.
 - (Windows 2000/Me/98SE/NT4.0)
From the **Start** menu, choose **Programs**, KONICA MINOLTA, magi-color 5570(5550), and then **Uninstall Printer Driver**.
- 3 When the Uninstall dialog box appears, select the name of the driver to be deleted, and then click the **Uninstall** button.
- 4 Click **Uninstall**.
- 5 Click **OK**, and restart your computer.
- 6 The KONICA MINOLTA mc5570 printer driver or mc5550 printer driver will be uninstalled from your computer.

Windows Me (PPD)/98SE (PPD)

- 1 Close all applications.
- 2 From the **Start** menu, choose **Settings** and then **printers** to display the **printers** directory.
- 3 Right-click the KONICA MINOLTA mc5570/5550 PPD printer icon and choose **Delete**.
- 4 Click **Yes** to verify the driver deletion.
- 5 Restart your computer.
- 6 The KONICA MINOLTA mc5570 printer driver or mc5550 printer driver will be uninstalled from your computer.

Displaying Printer Driver Settings (for Windows)

Windows XP/Server 2003

- 1 From the **Start** menu, choose **Printers and Faxes** to display the **Printers and Faxes** directory.
- 2 Right-click the KONICA MINOLTA mc5570(5550) PCL6 or KONICA MINOLTA mc5570(5550) PS printer icon and choose **Printing Preferences**.

Windows 2000/Me/98SE/NT 4.0

- 1 From the **Start** menu, point to **Settings**, and then click **Printers** to display the **Printers** directory.
- 2 Display the printer driver settings:
 - **Windows 2000**—Right-click the KONICA MINOLTA mc5570(5550) PCL6 or KONICA MINOLTA mc5570(5550) PS printer icon and choose **Printer Properties**.
 - **Windows Me/98SE**—Right-click the KONICA MINOLTA mc5570(5550) PCL6 or KONICA MINOLTA mc5570(5550) PPD printer icon and choose **Properties**.
 - **Windows NT 4.0**—Right-click the KONICA MINOLTA mc5570(5550) PCL6 or KONICA MINOLTA mc5570(5550) PS printer icon and choose **Document Defaults**.

Using the Postscript and PCL Printer Driver



When using KONICA MINOLTA mc5570 PCL6 printer driver or KONICA MINOLTA mc5550 PCL6 printer driver on Windows Me/98SE, a tab for specifying printer settings appears in the dialog box. For details on using KONICA MINOLTA mc5570 PPD or KONICA MINOLTA mc5550 PPD on Windows Me/98SE, refer to “Using the Windows Me/98SE PPD File” on page 23.

Common Buttons

The buttons described below appear on each tab.

OK

Click to exit the Properties dialog box, saving any changes made.

Cancel

Click to exit the Properties dialog box without saving any changes made.

Apply

Click to save all changes without exiting the Properties dialog box.



Depending on the version of the operating system, **Apply** may not appear.

Help

Click to view the help.

Easy Set

This allows the current settings to be saved. To save the current settings, specify the desired settings, and then click **Save**. Specify the settings described below, and then click **OK**.

- **Name:** Type in the name of the settings to be saved.
- **Comment:** Add a simple comment to the settings to be saved.
- **Sharing:** Specify whether or not the settings to be saved can be used by other users logged onto the computer.

Afterward, the saved settings can be selected from the drop-down list. To change the registered setting, click **Edit**.

Select **Defaults** from the drop-down list to reset the functions in all tabs to their default values.

Paper View

Click the button to display a sample of the page layout in the figure area.



*This button does not appear on the **Advanced**, **Watermark**, **Quality**, and **Version** tabs.*

Printer View

Click the button to display an image of the printer (with all installed options) in the figure area.



*This button does not appear on the **Advanced** and **Version** tabs.*

Watermark View

Click this button to display a preview of the watermark.



*This button appears only when the **Watermark** tab is selected.*

Quality View

Click this button to display a sample of the settings selected in the **Quality** tab.



*This button appears only when the **Quality** tab is selected.*

Default

Click this button to reset the settings to their defaults.



*This button does not appear on the **Advanced** and **Version** tabs.*

Advanced Tab (PostScript Printer Driver Only)

The Advanced Tab allows you to

- Specify the PostScript output method
- Specify whether or not the error messages of a print job are printed
- Print a mirror image
- Specify whether or not the application can directly output PostScript data

Basic Tab

The Basic Tab allows you to

- Specify the orientation of the media
- Specify the size of the original document
- Select the output media size
- Zoom (expand/reduce) documents
- Specify the paper source
- Specify the type of media
- Specify the number of copies
- Turn on/off job collation
- Turn on/off offset
- Save a print job on the printer and print it later (Job Retention)
- Save a confidential job on the printer and protect it with a password
- Print a single copy for proofing
- Send a notification by e-mail when printing is finished
- Specify user information such as e-mail addresses and passwords
- Specify user authentication and account track settings
- Print on the back side of paper that has already been printed on



*Use paper that has been printed on with magicolor 5570(5550).
In addition, the page printed with this setting is not guaranteed.*



Do not use the following types of paper.

- Paper that has been printed on with an inkjet printer
- Paper that has been printed on with a monochrome/color laser printer/copier
- Paper that has been printed on with any other printer or fax machine

Layout Tab

The Layout Tab allows you to

- Print several pages of a document on the same page (N-up printing)
- Specify booklet printing
- Rotate the print image 180 degrees
- Specify duplex (Double-Sided) printing
- Select the output tray for the staple finisher
- Select whether or not to staple with the staple finisher

- Specify whether or not blank pages are printed (PCL printer driver only)
- Adjust the binding margin (PCL printer driver only)
- Adjust the printing position (PCL printer driver only)

Cover Page Tab

The Cover Page Tab allows you to

- Print front and back cover pages and separator pages
- Specify the Lower Feeder Unit that contains the paper for the front and back cover pages and separator pages

Overlay Tab



Be sure to use overlays with print jobs with a paper size and orientation that matches the overlay form.

In addition, if settings have been specified for “N-up” or “Booklet” in the printer driver, the overlay form cannot be adjusted to match the specified settings.

The Overlay Tab allows you to

- Select the form to use
- Add or delete overlay files
- Launch Download Manager to download a form (PostScript printer driver only)



Download Manager Application should be installed earlier.

- Create a form (PCL printer driver only)
- Specify that the document and form are printed overlapping (PCL printer driver only)
- Display the form information (PCL printer driver only)
- Print the form on All Pages, First Page, Even Pages and Odd Pages
- Place the form in back of the document or in front on the printed document (PCL printer driver only)

Watermark Tab

The Watermark Tab allows you to

- Select the watermark to be used
- Create, edit or delete watermarks
- Lighten the density of the watermark

- Print the watermark on only the first page
- Print the watermark repeatedly throughout the all pages (PostScript printer driver only)

Quality Tab

The Quality Tab allows you to

- Switch between color and grayscale printing
- Control the darkness of an image (Brightness)
- Specify the printer color settings (Quick Color)
- Specify the resolution for the printout
- Perform color separation
- Select whether or not economy printing is used
- Set the edge strength to Low, Middle or High
- Turn on/off glossy mode
- Specify the format of fonts that are to be downloaded
- Print using the printer's fonts
- Control the tones of an image (Contrast) (PCL printer driver only)
- Specify the image compression method (PCL printer driver only)

Version Tab

The Version Tab allows you to view information about the printer driver.

Limitations on printer driver functions installed with Point and Print

If Point and Print is performed with the following server and client combinations, there are limitations on some printer driver functions.

- Server and client combinations
Server: Windows Server 2003/XP/2000
Client: Windows NT 4.0
- Functions with limitations applied
Booklet, Skip Blank Pages, Front Cover Page, Back Cover Page, Separator Page, Create Overlay, Print Overlay, Watermark
*JOBNAME, USERNAME, and HOSTNAME output of PJJ

When using these operating system combinations, install the printer driver on the client with a local connection, and then specify the shared printer installed on the server as the connection.

Using the Windows Me/98SE PPD File



A tab for specifying printer settings appears in the dialog box.

Common Buttons

The buttons described below appear on each tab.

OK

Click to exit the Properties dialog box, saving any changes made.

Cancel

Click to exit the Properties dialog box without saving any changes made.

Apply

Click to save all changes without exiting the Properties dialog box.



Depending on the version of the operating system, **Apply** may not appear.

Restore Defaults

Click this button to reset the settings to their defaults.

Paper Tab

The Paper Tab allows you to

- Specify the size of the original document
- Print several pages of a document on the same page (N-up printing)
- Specify the orientation of the media
- Rotate the print image 180 degrees
- Specify the paper source
- Specify the number of copies
- Specify the desired paper size when a Custom page is selected
- Specify the margins at the top, bottom, left and right
- Specify duplex (Double-Sided) and booklet printing
- View information about the printer driver

Graphics Tab

The Graphics Tab allows you to

- Specify the resolution for the printout
- Specify the printer color settings
- Select the halftone setting
- Switch between color and monochrome printing
- Print a mirror image
- Scale (expand/reduce) documents

Font Tab

The Font Tab allows you to

- Select the method for using fonts
- Select the transmission method for fonts

Device Options Tab

The Device Options Tab allows you to

- Print on the back side of paper that has already been printed on
- Select the output tray for the staple finisher
- turn on/off job collation
- turn on/off offset
- Switch between color and grayscale printing
- Perform color separation
- Control the darkness of an image (Brightness)
- Specify printer color setting
- Set the edge strength to Low, Middle or High
- Turn on/off glossy mode
- Select whether or not economy printing is used

Postscript Tab

The Postscript Tab allows you to

- Specify the Postscript output method
- Select whether or not the error messages of a print job are printed
- Select whether or not header information is sent with each print job
- Specify the Postscript timeout values

***Using the Status
Monitor
(Windows Only)***

3

Working with the Status Monitor

Introduction

The Status Monitor shows information about the current status of the printer.

The Status Monitor can be installed from the Utilities and Documentation CD-ROM.

For details on the installation, refer to the magicolor 5550/5570 Reference Guide on the Utilities and Documentation CD-ROM.

Operating Environment

The Status Monitor can be used on computers running Windows XP/Server 2003/2000/Me/98SE/NT 4.0 connected to the printer using an Ethernet connection.

When Windows NT 4.0 is used, install Windows Media Player (version 6.4 or later).

Opening the Status Monitor

Use one of the following steps to open the Status Monitor:

- **Windows XP/Server 2003**—From the **Start** menu, choose **All Programs, KONICA MINOLTA**, and then **Status Monitor**. Double-click the Status Monitor icon displayed in the taskbar.
- **Windows 2000/Me/98SE/NT 4.0**—From the **Start** menu, choose **Programs, KONICA MINOLTA**, and then **Status Monitor**. Double-click the Status Monitor icon displayed in the taskbar.

Using the Status Monitor

Status Tab

- **Select Printer**—Selects the printer whose status is displayed. In addition, the messages that appear in the message window of the selected printer are displayed.
- **Graphic**—Shows a graphic representation of the printer and indicates where the problem is. When the background of the printer graphic is red or yellow, there is an error and the job has been interrupted.
- **Advanced Options**—Click **Advanced Options** to display the Advanced Options dialog box. From the Advanced Options dialog box, select whether the Status Monitor automatically starts when the operating system is started and whether error notifications are sent by e-mail.

- **Order Supplies**—Click **Order Supplies** to automatically access the order page for supplies. The address of the page that is accessed can be specified from the Advanced Options dialog box.
- **Printer Alerts**—Displays text messages that alert you of conditions such as low toner.
- **Recovery Instructions**—Provides you with explanations of what you need to do in order to correct problems and recover from error conditions.

Consumables Tab

Displays the usage status (approximate percentage remaining) of each toner consumables.

- **Order Supplies**—Click **Order Supplies** to automatically access the order page for supplies. The address of the page that is accessed can be specified from the Advanced Options dialog box.
- **Refresh**—Rechecks the supplies and displays their status.



*Click **Help** to display windows containing explanations of the Status Monitor functions. Refer to this help for detailed information.*

Recognizing Status Monitor Alerts

When the Status Monitor detects a printing problem, the icon on the Windows task bar changes from green (normal) to yellow (warning), magenta or red (error), depending on the severity of the printer problem.

Recovering from a Status Monitor Alert

When the Status Monitor notifies you of a printing problem, double-click its icon on the Windows task bar to open the Status Monitor. The Status Monitor identifies what type of error has occurred.

Closing the Status Monitor

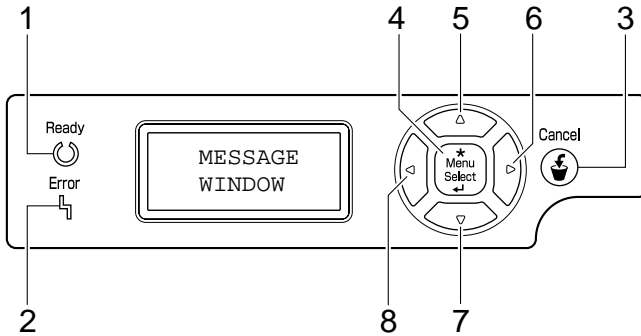
Click **Close** to close the Status Monitor window. To exit Status Monitor, right-click the Status Monitor icon in the taskbar, and then click **Exit**.

***Printer Control
Panel and
Configuration
Menu***


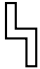
4











About the Control Panel



The control panel, located on the top of the printer, allows you to direct the printer's operation. In addition, it displays the current status of the printer, including any condition that needs your attention.



Control Panel Indicators and Keys

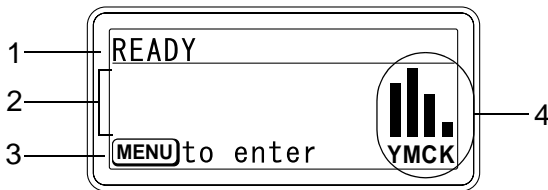
No.	Indicator	Off	On
1	<p>Ready</p> 	The printer is not ready to accept data.	The printer is ready to accept data. (Flashes while data is being received or while printing.)
2	<p>Error</p> 	No problem.	The printer requires operator attention. (usually accompanied by a status message in the message window.)



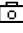



No.	Key	Function
3	<p style="text-align: center;">Cancel</p> 	<ul style="list-style-type: none"> ■ Cancels the currently displayed menu or menu choice ■ Allows you to cancel one or all print jobs that are currently being printed or processed: <ol style="list-style-type: none"> 1. Press the Cancel key. 2. Press the \triangle or ∇ keys to select either CURRENT JOB or ALL JOBS. 3. Press the Menu/Select key. The print job(s) is (are) cancelled.
4	<p style="text-align: center;">* Menu Select</p> 	<ul style="list-style-type: none"> ■ Enters the menu system ■ Moves down in the menu structure ■ Applies the selected setting ■ MENU appears in the message window
5		<ul style="list-style-type: none"> ■ Moves the cursor up ■ Returns to the status screen from the help screen ■ Within a menu choice that is changeable character by character, scrolls upward through the available characters ■ ,  appears in the message window
6		<ul style="list-style-type: none"> ■ Moves the cursor to the right ■ Displays the next help screen ■  appears in the message window
7		<ul style="list-style-type: none"> ■ Moves the cursor down ■ Displays the help screen when an error occurs ■ Within a menu choice that is changeable character by character, scrolls downward through the available characters ■ ,  appears in the message window

No.	Key	Function
8		<ul style="list-style-type: none"> ■ Moves the cursor to the left ■ Displays the previous help screen ■  appears in the message window

Message Window

The current status of the printer, the amount of toner remaining, and any error messages can be viewed from the message window.



No.	Details
1	<p>The current status of the printer is displayed.</p> <ul style="list-style-type: none"> ■ If the operator or service representative must be called, the symbol  and the error status are displayed. ■ If a warning occurs, the symbol  appears. ■ When a digital camera is connected to the KONICA MINOLTA Digital Camera Direct Print Port with a USB cable, the symbol  appears on the right side of the message window. ■ When a USB memory device is plugged into the KONICA MINOLTA Digital Camera Direct Print Port, the symbol  appears on the right side of the message window. ■ While a print job is being received, the symbol  appears on the right side of the message window. While a camera direct or memory direct print job is being received, the symbol  appears.
2	<ul style="list-style-type: none"> ■ Error messages are displayed. ■ While a print job is being received, the user name and the print progress are displayed. ■ While updating the firmware, the type of firmware being updated and the update progress are displayed.

No.	Details
3	Key information is displayed.
4	The approximate amount of toner remaining is displayed.

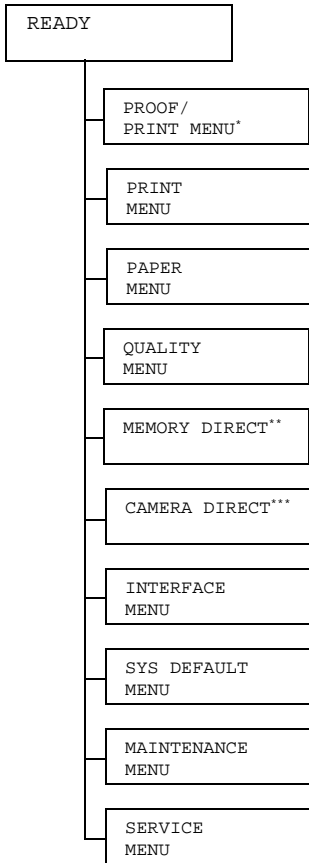
Help Screens

The help screens appear when the ∇ key is pressed after an error occurred, such as a media misfeed, so that the error can be corrected.

Configuration Menu Overview

The magicolor 5570(5550) configuration menu accessible from the control panel is structured as shown below.

Main Menu



* This menu item appears only if an optional hard disk drive is installed.

** This menu item appears when *INTERFACE MENU/MEMORY DIRECT* is set to *ENABLE*, and the optional hard disk drive or a CompactFlash card is installed.

*** This menu item appears when *INTERFACE MENU/CAMERA DIRECT* is set to *ENABLE*.



MEMORY DIRECT and CAMERA DIRECT do not appear if public user access has not been permitted through authentication settings. For details on the authentication settings, refer to the magicolor 5550/5570 Reference Guide on the Utilities and Documentation CD-ROM.

PROOF/PRINT MENU

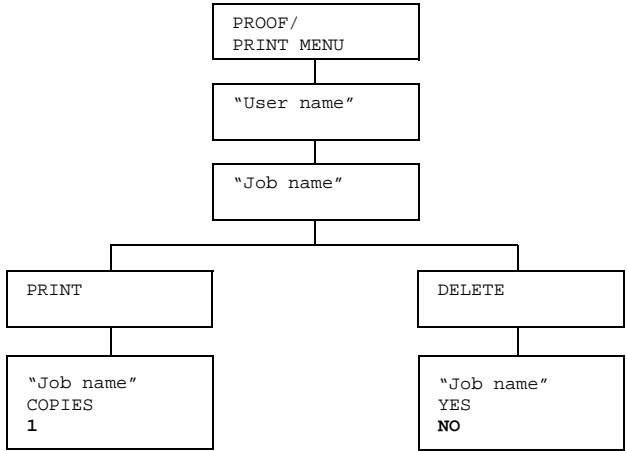


This menu item appears only if an optional hard disk drive is installed.

With this menu item, print jobs that were set to be saved on the hard disk by using Job Retention on the Basic tab of the printer driver can be printed or deleted.





All factory default values are shown in bold.



Printing/Deleting a Stored Job

- 1 Follow the procedure described below to select a job.

Press Key	Until Display Reads
* Menu Select ↵	PROOF/PRINT MENU
* Menu Select ↵	"User name" If no print jobs have been stored on the hard disk, NO STORED JOB appears.

Press Key	Until Display Reads
△, ▽ Press until the desired user name appears.	Desired user name
* Menu Select 	"Job name"
△, ▽ Press until the desired job name appears.	Desired job name
* Menu Select 	PRINT DELETE If the selected print job was set as a secured job from the printer driver, a screen for entering the password appears. For details on typing the password, refer to "Entering the Password" on page 38.

2 Select PRINT or DELETE, and then press the **Menu/Select** key.



If PRINT was selected, continue with step 3.

If DELETE was selected, continue with step 5.

3 Press the △ and ▽ keys to specify the number of copies to be printed. (Settings: 1 to 999; Default: 1)

4 Press the **Menu/Select** key.

Printing begins.

5 Select YES or NO.

6 Press the **Menu/Select** key.

If YES was selected, the print job is deleted.

If NO was selected, the PRINT/DELETE selection screen appears again.

Entering the Password

If the print job selected in the PROOF / PRINT MENU is a secured job, a screen for entering the password appears. Follow the procedure described below to type in the four-digit password specified from the printer driver.

- 1 Press the \triangle and ∇ keys to increase or decrease the first digit of the password.
- 2 Press the \triangleright key to move the cursor to the next digit.
- 3 Press the \triangle and ∇ keys to increase or decrease the second digit of the password.
- 4 Continue these steps until all four digits of the password are specified.
- 5 Press the **Menu/Select** key.

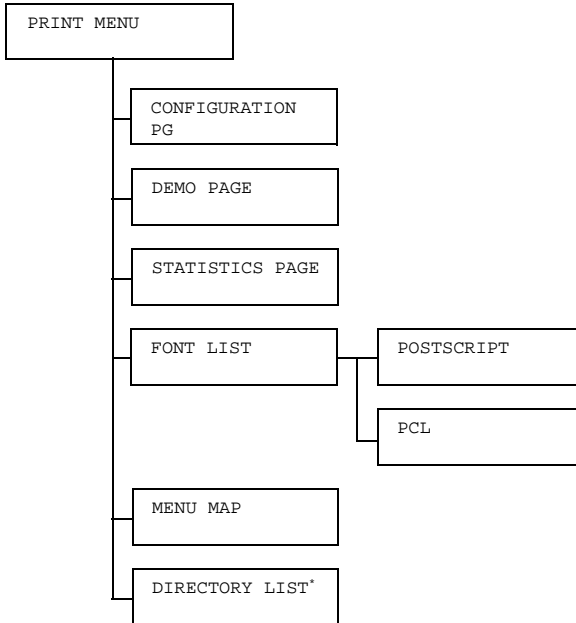
The PRINT/DELETE selection screen appears.



If an incorrect password is entered, INVALID ENTRY appears and the screen for entering the password appears again.

PRINT MENU

With this menu, printer information, such as the configuration page and the demo page, can be printed.



* This menu item appears only if an optional hard disk drive is installed.



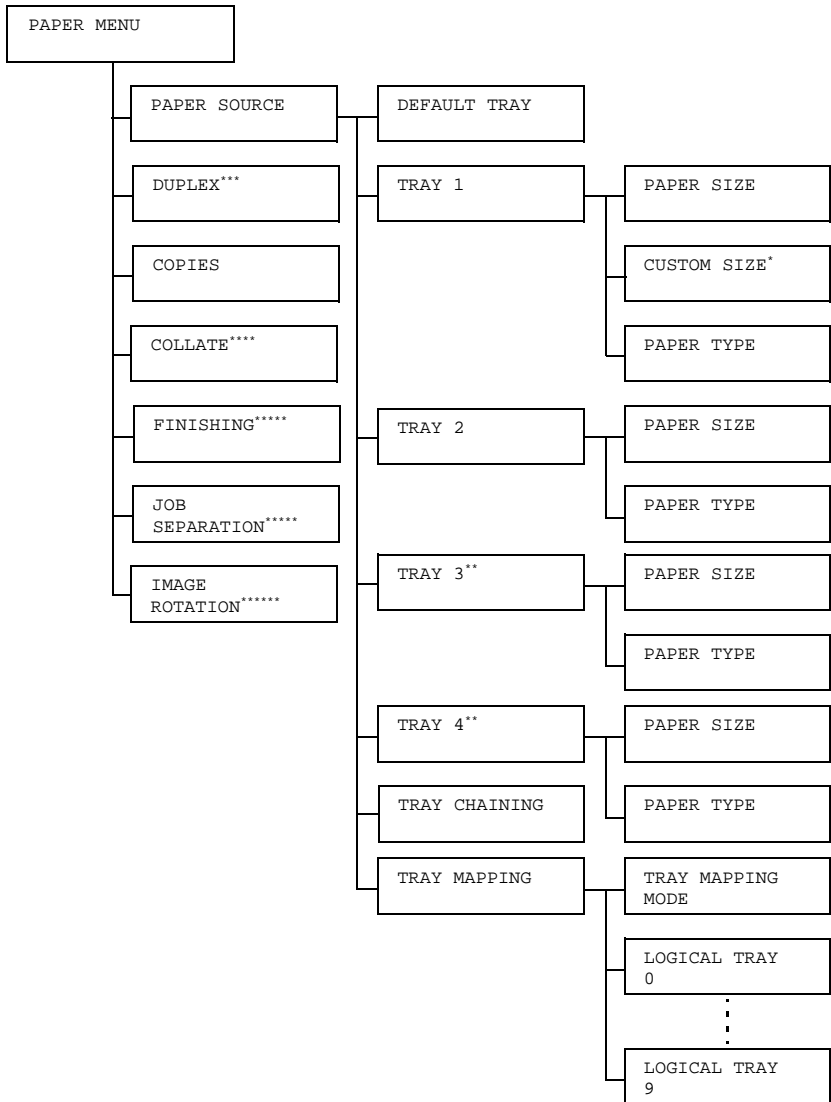
All factory default values are shown in bold.

CONFIGURA- TION PG	Settings	PRINT / CANCEL
	Prints the configuration page.	
DEMO PAGE	Settings	PRINT / CANCEL
	Prints the demo page.	
STATISTICS PAGE	Settings	PRINT / CANCEL
	Prints the statistics page such as the number of pages printed.	

FONT LIST	POST SCRIPT	Settings	PRINT / CANCEL
		Prints the PostScript font list.	
	PCL	Settings	PRINT / CANCEL
		Prints the PCL font list.	
MENU MAP	Settings	PRINT / CANCEL	
	Prints the menu map.		
DIRECTORY LIST	Settings	PRINT / CANCEL	
	Prints the directory list of the hard disk.		

PAPER MENU

With this menu, the paper used for printing can be managed.





** This menu item appears only when you select CUSTOM from the TRAY 1/PAPER SIZE menu.*

*** These menu items appear only if one or both of the optional lower feeder units are installed.*

**** This menu item appears only if the optional duplex unit (Duplex Option) is installed.*


***** This menu item appears only if the optional hard disk drive or a CompactFlash card of 1 GB or more is installed.*


****** This menu item appears only if the optional staple finisher is installed.*


****** This menu item appears only if the optional staple finisher is not installed.*







All factory default values are shown in bold.

PAPER SOURCE	DEFAULT TRAY	Settings		TRAY 1/ TRAY 2 / TRAY 3/TRAY 4
		The Lower Feeder Unit that is normally used can be specified.		
TRAY 1	PAPER SIZE	Settings	ANY/ LETTER /LEGAL/ EXECUTIVE/ A4 /A5/A6/ B5(JIS)/B6(JIS)/GOVT LETTER/STATEMENT/ FOLIO/SP FOLIO/UK QUARTO/FOOLSCAP/GOVT LEGAL/16K/PHOTO 4×6/ KAI 16/KAI 32/ENV C5/ ENV C6/ENV DL/ENV MONARCH/ENV CHOU#3/ ENV CHOU#4/B5(ISO)/ ENV #10/ENV YOU#4/ JPOST/JPOST-D/CUSTOM	
		Select the setting for the size of paper loaded into Tray 1.		
		 <i>Depending on the setting selected for SYS DEFAULT MENU/PAPER/UNIT OF MEASURE, PHOTO 4×6 may change to PHOTO 10×15.</i>		

		CUSTOM SIZE	<p>Specify the paper size when custom-sized paper is loaded into Tray 1.</p> <p>The setting units can be switched between millimeters and inches with the SYS DEFAULT MENU/PAPER/UNIT OF MEASURE setting.</p> <p>Setting range for WIDTH</p> <ul style="list-style-type: none"> ■ For MILLIMETERS: 92 to 216 mm (default) <ul style="list-style-type: none"> – North America: 216 mm – All other regions: 210 mm ■ For INCHES: 3.63 to 8.50 inches (default) <ul style="list-style-type: none"> – North America: 8.50 inches – All other regions: 8.26 inches <p>Setting range for LENGTH</p> <ul style="list-style-type: none"> ■ For MILLIMETERS: 148 to 356 mm (default) <ul style="list-style-type: none"> – North America: 279 mm – All other regions: 297 mm ■ For INCHES: 5.83 to 14.00 inches (default) <ul style="list-style-type: none"> – North America: 11.00 inches – All other regions: 11.69 inches <p> <i>This menu item appears only if PAPER SIZE is set to CUSTOM.</i></p>
--	--	----------------	---

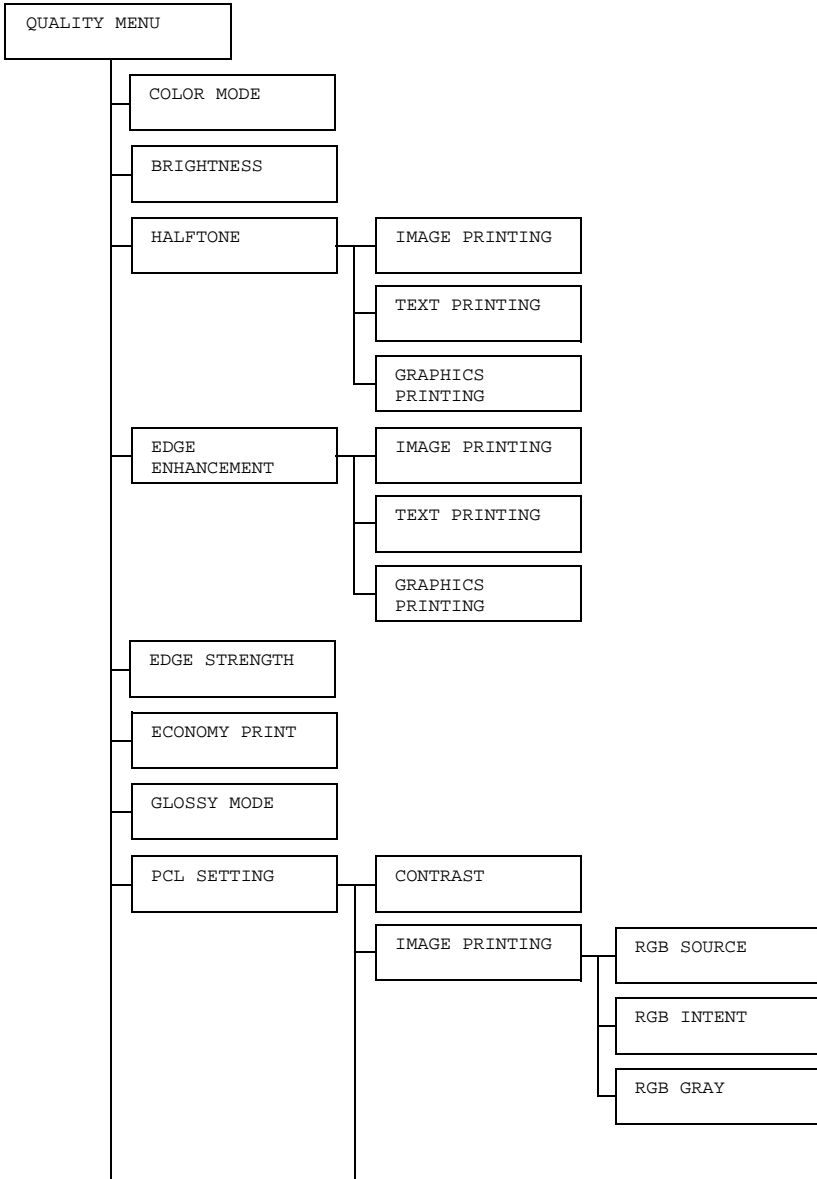
	PAPER TYPE	Settings	ANY / PLAIN PAPER / RECYCLED / THICK 1 / THICK 2 / LABEL / TRANSPARENCY / ENVELOPE / POSTCARD / LETTERHEAD / GLOSSY 1 / GLOSSY 2
		Select the setting for the type of paper loaded into Tray 1.	
TRAY 2	PAPER SIZE	Settings	LETTER / A4
		Select the setting for the size of paper loaded into Tray 2.	
		 <i>The default setting for North America is LETTER. The default setting for all other regions is A4.</i>	
	PAPER TYPE	Settings	ANY / PLAIN PAPER / RECYCLED
		Select the setting for the type of paper loaded into Tray 2.	
TRAY 3 TRAY 4	PAPER SIZE	The size of paper loaded in Tray 3 and Tray 4 is indicated.	
		This menu item only shows the current setting. This setting cannot be changed.	
	PAPER TYPE	Settings	ANY / PLAIN PAPER / RECYCLED
		Select the setting for the type of paper loaded into Tray 3/Tray 4.	
TRAY CHAINING	Settings	ON / OFF	
		<p>If ON is selected and the specified Lower Feeder Unit runs out of paper during printing, a Lower Feeder Unit loaded with paper of the same size is automatically selected so printing can continue.</p> <p>If OFF is selected and the specified Lower Feeder Unit runs out of paper, printing stops.</p>	

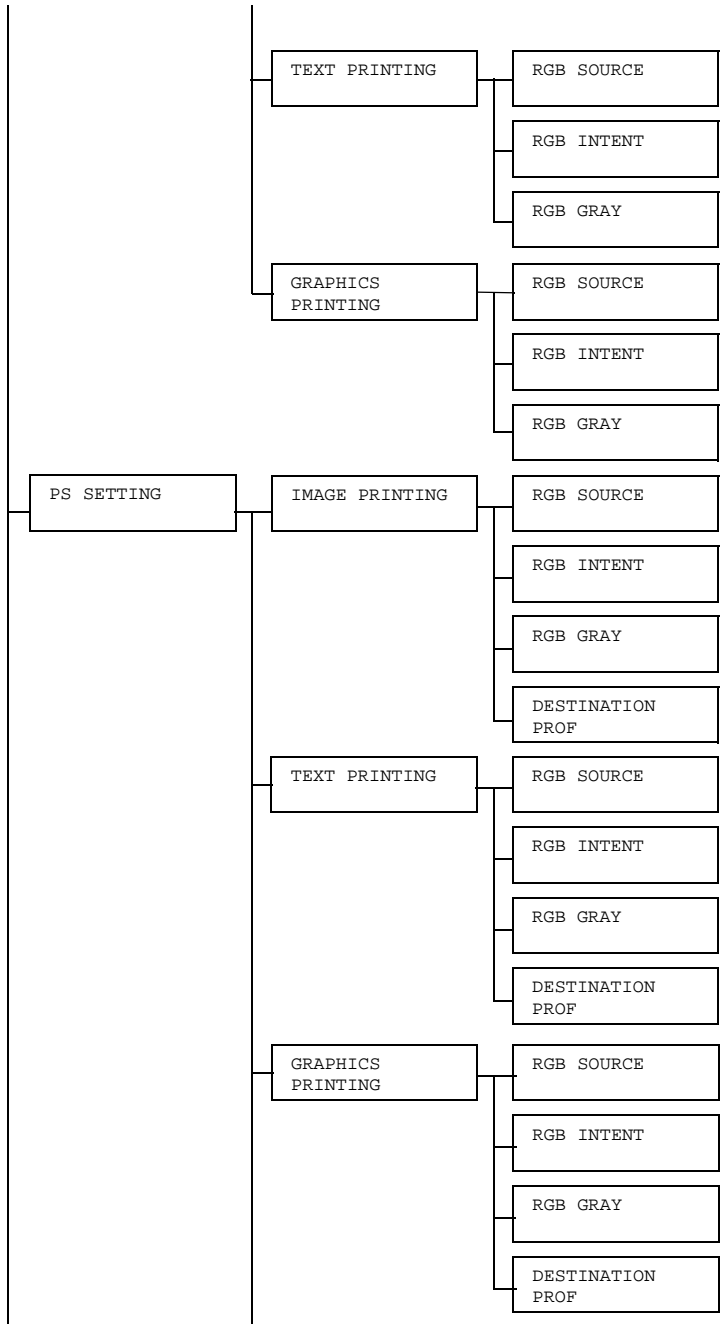
	TRAY MAPPING	TRAY MAPPING	Settings	ON/ OFF
		MAPPING MODE	Select whether or not the Tray Mapping function is used.	
		LOGICAL TRAY 0-9	Settings	PHYSICAL TRAY1/ PHYSICAL TRAY2/ PHYSICAL TRAY3/ PHYSICAL TRAY4
		<p>Select the tray that is used for printing when a print job is received from another manufacturer's printer driver.</p> <p>The default setting for LOGICAL TRAY 1 is PHYSICAL TRAY1. The default setting for all other trays is PHYSICAL TRAY2.</p> <p> PHYSICAL TRAY3 and PHYSICAL TRAY4 appear only if an optional lower feeder unit is installed.</p>		
DUPEX	Settings	OFF /LONG EDGE/SHORT EDGE		
	<p>If OFF is selected, duplex (Double-Sided) printing is not possible.</p> <p>If LONG EDGE is selected, the pages will be printed on both sides of the paper for long-edge binding.</p> <p>If SHORT EDGE is selected, the pages will be printed on both sides of the paper for short-edge binding.</p> <p>The setting specified in the printer driver will override this menu setting.</p>			
COPIES	Settings	1 -9999		
	<p>Specify the number of copies to be printed.</p> <p>The setting specified in the printer driver will override this menu setting.</p>			

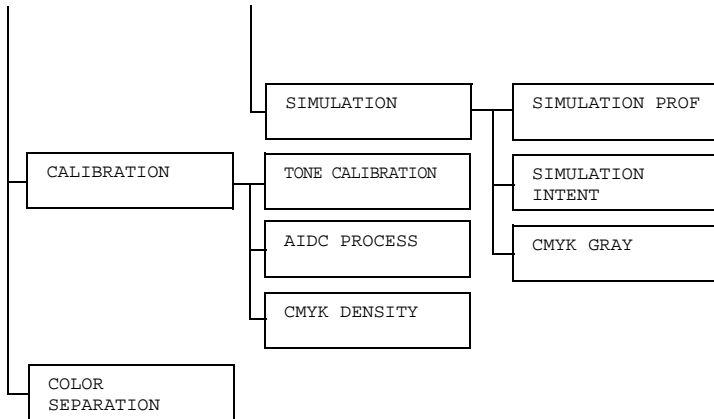
COLLATE	Settings	ON/ OFF
	<p>If ON is selected, all pages of the document are printed before the next copy is printed.</p> <p>If OFF is selected, all copies of the document are not printed separately.</p> <p>The setting specified in the printer driver will override this menu setting.</p>	
FIN- ISHING	Settings	SUB TRAY/ MAIN TRAY /OFFSET/STAPLING
	<p>When SUB TRAY is selected, the paper is fed to the sub output tray.</p> <p>When MAIN TRAY is selected, the paper is fed to the main output tray.</p> <p>When OFFSET is selected, the paper is fed to the main output tray with each copy slightly shifted.</p> <p>When STAPLING is selected, each copy is stapled and fed to the main output tray.</p> <p>The setting specified in the printer driver will override this menu setting.</p>	
JOB SEPA- RATION	Settings	ON/ OFF
	<p>The paper is fed to the main output tray with each print job slightly shifted.</p> <p> <i>If FINISHING is set to SUB TRAY, the print jobs are fed out stacked on top of each other without begin shifted.</i></p> <p> <i>If FINISHING is set to STAPLING, the print jobs are stapled before being fed out.</i></p>	
IMAGE ROTA- TION	Settings	ON/ OFF
	<p>If ON is selected, the image is rotated 180 degrees before each copy is fed out. If OFF is selected, the image is not rotated.</p> <p> <i>If PAPER TYPE is set to ENVELOPE, the image cannot be rotated.</i></p>	

QUALITY MENU

With this menu, settings for the print quality can be specified.













All factory default values are shown in bold.

COLOR MODE	Settings	COLOR /GRAYSCALE	
	<p>If COLOR is selected, the pages are printed in full color.</p> <p>If GRAYSCALE is selected, the pages are printed in black and white.</p>		
BRIGHTNESS	Settings	-15%/-10%/-5%/0%/+5%/+10%/+15%	
	The brightness of the printed image can be adjusted.		
HALFTONE	IMAGE PRINTING	Settings	LINE ART/ DETAIL /SMOOTH
		<p>Select how halftones in images are reproduced.</p> <p>If LINE ART is selected, halftones are reproduced with high precision.</p> <p>If DETAIL is selected, halftones are reproduced with detail.</p> <p>If SMOOTH is selected, halftones are reproduced with smoothness.</p>	

	TEXT PRINTING	Settings	LINE ART /DETAIL/ SMOOTH
		<p>Select how halftones in text are reproduced.</p> <p>If LINE ART is selected, halftones are reproduced with high precision.</p> <p>If DETAIL is selected, halftones are reproduced with detail.</p> <p>If SMOOTH is selected, halftones are reproduced with smoothness.</p>	
	GRAPHICS PRINTING	Settings	LINE ART/ DETAIL / SMOOTH
		<p>Select how halftones in graphics are reproduced.</p> <p>If LINE ART is selected, halftones are reproduced with high precision.</p> <p>If DETAIL is selected, halftones are reproduced with detail.</p> <p>If SMOOTH is selected, halftones are reproduced with smoothness.</p>	
EDGE ENHANCE- MENT	IMAGE PRINTING	Settings	ON/ OFF
		<p>Select whether image edges are emphasized.</p> <p>If ON is selected, the edges are emphasized.</p> <p>If OFF is selected, the edges are not emphasized.</p> <p> If ECONOMY PRINT is set to ON, the edges cannot be emphasized.</p>	

	TEXT PRINTING	Settings	ON/OFF
		<p>Select whether text edges are emphasized.</p> <p>If ON is selected, the edges are emphasized.</p> <p>If OFF is selected, the edges are not emphasized.</p>	
	GRAPHICS PRINTING	Settings	ON/OFF
		<p>Select whether graphic edges are emphasized.</p> <p>If ON is selected, the edges are emphasized.</p> <p>If OFF is selected, the edges are not emphasized.</p> <p> <i>If ECONOMY PRINT is set to ON, the edges cannot be emphasized.</i></p>	
EDGE STRENGTH	Settings	OFF/LOW/ MIDDLE /HIGH	
	<p>Select the desired amount that edges are emphasized.</p> <p>If OFF is selected, the edges are not emphasized.</p> <p>If LOW is selected, the edges are slightly emphasized.</p> <p>If MIDDLE is selected, the edges are emphasized by an average amount.</p> <p>If HIGH is selected, the edges are highly emphasized.</p> <p> <i>If OFF is selected, the edges are not emphasized, even if an EDGE ENHANCEMENT menu item is set to ON.</i></p>		

<p>ECONOMY PRINT</p>	<p>Settings</p>	<p>ON / OFF</p>
<p>Select whether to print graphics with a reduced density by reducing the amount of toner that is used.</p> <p>If ON is selected, the amount of toner used is reduced when printing.</p> <p>If OFF is selected, the amount of toner used is not reduced when printing.</p> <p> <i>If GLOSSY MODE is set to ON, the amount of toner used is not reduced when printing, even if ON was selected for this menu item.</i></p> <p> <i>If ON is selected, the edges are not emphasized, even if IMAGE PRINTING and GRAPHICS PRINTING of the EDGE ENHANCEMENT menu item are set to ON.</i></p>		
<p>GLOSSY MODE</p>	<p>Settings</p>	<p>ON / OFF</p>
<p>Select whether to relax the limitations on the amount of toner used in order to widen the color reproduction range and produce glossy prints.</p> <p>If ON is selected, glossy prints are produced.</p> <p>If OFF is selected, glossy prints are not produced.</p> <p> <i>If ON is selected, the amount of toner used is not reduced when printing, even if ECONOMY PRINT is set to ON.</i></p>		

PCL SETTING	CONTRAST	Settings	-15%/-10%/-5%/0%/+5%/+10%/+15%	
		The contrast of the image can be adjusted.		
	IMAGE PRINTING	RGB SOURCE	Settings	DEVICE COLOR/ sRGB
			Specify the color space for RGB image data. If DEVICE COLOR is selected, no color space is specified. If RGB source profiles are downloaded with the Download Manager, they are available from the list of settings.	
		RGB INTENT	Settings	VIVID/ PHOTOGRAPHIC
			Specify the characteristic applied when converting RGB image data to CMYK data. If VIVID is selected, a vivid output is produced. If PHOTOGRAPHIC is selected, a brighter output is produced.	

		RGB GRAY	Settings	COMPOSITE BLACK /BLACK AND GRAY/ BLACK ONLY
			<p>Specify how black and grays are reproduced in RGB image data.</p> <p>If COMPOSITE BLACK is selected, black is reproduced using the CMYK colors.</p> <p>If BLACK AND GRAY is selected, black and gray are reproduced using black only.</p> <p>If BLACK ONLY is selected, black is reproduced using only black.</p>	
	TEXT PRINTING	RGB SOURCE	Settings	DEVICE COLOR/ sRGB
			<p>Specify the color space for RGB text data.</p> <p>If DEVICE COLOR is selected, no color space is specified.</p> <p>If RGB source profiles are downloaded with the Download Manager, they are available from the list of settings.</p>	

		RGB INTENT	Settings	VIVID / PHOTOGRAPHIC
			<p>Specify the characteristic applied when converting RGB text data to CMYK data.</p> <p>If VIVID is selected, a vivid output is produced.</p> <p>If PHOTOGRAPHIC is selected, a brighter output is produced.</p>	
	RGB GRAY	Settings	COMPOSITE BLACK/ BLACK AND GRAY / BLACK ONLY	
			<p>Specify how black and grays are reproduced in RGB text data.</p> <p>If COMPOSITE BLACK is selected, black is reproduced using the CMYK colors.</p> <p>If BLACK AND GRAY is selected, black and gray are reproduced using black only.</p> <p>If BLACK ONLY is selected, black is reproduced using only black.</p>	
GRAPHICS PRINTING	RGB SOURCE	Settings	DEVICE COLOR/ sRGB	
			<p>Specify the color space for RGB GRAPHICS data.</p> <p>If DEVICE COLOR is selected, no color space is specified.</p> <p>If RGB source profiles are downloaded with the Download Manager, they are available from the list of settings.</p>	

		RGB INTENT	Settings	VIVID/ PHOTOGRAPHIC
				<p>Specify the characteristic applied when converting RGB GRAPHICS data to CMYK data.</p> <p>If VIVID is selected, a vivid output is produced.</p> <p>If PHOTOGRAPHIC is selected, a brighter output is produced.</p>
		RGB GRAY	Settings	COMPOSITE BLACK/BLACK AND GRAY/ BLACK ONLY
				<p>Specify how black and grays are reproduced in RGB GRAPHICS data.</p> <p>If COMPOSITE BLACK is selected, black is reproduced using the CMYK colors.</p> <p>If BLACK AND GRAY is selected, black and gray are reproduced using black only.</p> <p>If BLACK ONLY is selected, black is reproduced using only black.</p>

PS SETTINGS	IMAGE PRINTING	RGB SOURCE	Settings	DEVICE COLOR/ sRGB / AppleRGB / AdobeRGB1998 / ColorMatchRGB / BlueAdjustRGB
			<p>Specify the color space for RGB image data.</p> <p>If DEVICE COLOR is selected, no color space is specified.</p> <p>If RGB source profiles are downloaded with the Download Manager, they are available from the list of settings.</p>	
		RGB INTENT	Settings	VIVID / PHOTOGRAPHIC / RELATIVE COLOR / ABSOLUTE COLOR
			<p>Specify the characteristic applied when converting RGB image data to CMYK data.</p> <p>If VIVID is selected, a vivid output is produced.</p> <p>If PHOTOGRAPHIC is selected, a brighter output is produced.</p> <p>If RELATIVE COLOR is selected, relative color is applied to the RGB source profile.</p> <p>If ABSOLUTE COLOR is selected, absolute color is applied to the RGB source profile.</p>	

		RGB GRAY	Settings	COMPOSITE BLACK /BLACK AND GRAY/ BLACK ONLY
			<p>Specify how black and grays are reproduced in RGB image data.</p> <p>If COMPOSITE BLACK is selected, black is reproduced using the CMYK colors.</p> <p>If BLACK AND GRAY is selected, black and gray are reproduced using black only.</p> <p>If BLACK ONLY is selected, black is reproduced using only black.</p>	
		DESTI- NATION PROF	Settings	AUTO
			<p>Specify the destination profile.</p> <p>If AUTO is selected, a destination profile that the printer automatically adapts is selected based on a combination of the specified color matching, halftones and other profiles.</p> <p>If destination profiles are downloaded with the Download Manager, they are available from the list of settings.</p>	

	TEXT PRINTING	RGB SOURCE	Settings	DEVICE COLOR/ sRGB / AppleRGB / AdobeRGB1998 / ColorMatchRGB / BlueAdjustRGB
			Specify the color space for RGB text data. If DEVICE COLOR is selected, no color space is specified. If RGB source profiles are downloaded with the Download Manager, they are available from the list of settings.	
		RGB INTENT	Settings	VIVID / PHOTOGRAPHIC / RELATIVE COLOR / ABSOLUTE COLOR
			Specify the characteristic applied when converting RGB text data to CMYK data. If VIVID is selected, a vivid output is produced. If PHOTOGRAPHIC is selected, a brighter output is produced. If RELATIVE COLOR is selected, relative color is applied to the RGB source profile. If ABSOLUTE COLOR is selected, absolute color is applied to the RGB source profile.	

		RGB GRAY	Settings	COMPOSITE BLACK/ BLACK AND GRAY / BLACK ONLY	
			<p>Specify how black and grays are reproduced in RGB text data.</p> <p>If COMPOSITE BLACK is selected, black is reproduced using the CMYK colors.</p> <p>If BLACK AND GRAY is selected, black and gray are reproduced using black only.</p> <p>If BLACK ONLY is selected, black is reproduced using only black.</p>		
			DESTI- NATION PROF	Settings	AUTO
			<p>Specify the destination profile.</p> <p>If AUTO is selected, a destination profile that the printer automatically adapts is selected based on a combination of the specified color matching, halftones and other profiles.</p> <p>If destination profiles are downloaded with the Download Manager, they are available from the list of settings.</p>		

	GRAPHICS PRINTING	RGB SOURCE	Settings	DEVICE COLOR/ sRGB / AppleRGB / AdobeRGB1998 / ColorMatchRGB / BlueAdjustRGB
			<p>Specify the color space for RGB image data.</p> <p>If DEVICE COLOR is selected, no color space is specified.</p> <p>If RGB source profiles are downloaded with the Download Manager, they are available from the list of settings.</p>	
		RGB INTENT	Settings	VIVID / PHOTOGRAPHIC / RELATIVE COLOR / ABSOLUTE COLOR
			<p>Specify the characteristic applied when converting RGB image data to CMYK data.</p> <p>If VIVID is selected, a vivid output is produced.</p> <p>If PHOTOGRAPHIC is selected, a brighter output is produced.</p> <p>If RELATIVE COLOR is selected, relative color is applied to the RGB source profile.</p> <p>If ABSOLUTE COLOR is selected, absolute color is applied to the RGB source profile.</p>	

		RGB GRAY	Settings	COMPOSITE BLACK /BLACK AND GRAY/ BLACK ONLY
			<p>Specify how black and grays are reproduced in RGB image data.</p> <p>If COMPOSITE BLACK is selected, black is reproduced using the CMYK colors.</p> <p>If BLACK AND GRAY is selected, black and gray are reproduced using black only.</p> <p>If BLACK ONLY is selected, black is reproduced using only black.</p>	
		DESTI- NATION PROF	Settings	AUTO
			<p>Specify the destination profile.</p> <p>If AUTO is selected, a destination profile that the printer automatically adapts is selected based on a combination of the specified color matching, halftones and other profiles.</p> <p>If destination profiles are downloaded with the Download Manager, they are available from the list of settings.</p>	

	SIMULATION	SIMU- LATION PROF	Settings	NONE / SWOP / Euroscale / CommercialPre ss / TOYO / DIC
			Specify the simulation profile. If NONE is selected, no simulation profile is specified. If simulation profiles are downloaded with the Download Manager, they are available from the list of settings.	
	SIMULATION INTENT	SIMU- LATION INTENT	Settings	RELATIVE COLOR / ABSOLUTE COLOR
			Specify the characteristic of the simulation profile. If RELATIVE COLOR is selected, relative color is applied to the simulation profile. If ABSOLUTE COLOR is selected, absolute color is applied to the simulation profile.	

		CMYK GRAY	Settings	COMPOSITE BLACK /BLACK AND GRAY/ BLACK ONLY
				Specify how black and grays are reproduced using the four CMYK colors. If COMPOSITE BLACK is selected, black is reproduced using the CMYK colors. If BLACK AND GRAY is selected, black and gray are reproduced using black only. If BLACK ONLY is selected, black is reproduced using only black.
CALIBRA- TION	TONE CALIBRATION	Settings	ON /OFF	
			If ON is selected, image adjustments are applied. If OFF is selected, image adjustments are not applied.	
	AIDC PROCESS	Settings	EXECUTE / CANCEL	
			If EXECUTE is selected, image adjustments are performed immediately. If CANCEL is selected, image adjustments are not performed.	

	CMYK DENSITY	CYAN/ MAGENTA/ YELLOW/ BLACK	HIGH- LIGHT	Settings	-3 / -2 / -1 / 0 / +1 / +2 / +3
				The density of the highlight color in images can be adjusted.	
			MIDDLE	Settings	-3 / -2 / -1 / 0 / +1 / +2 / +3
				The density of the middle color in images can be adjusted.	
			SHADOW	Settings	-3 / -2 / -1 / 0 / +1 / +2 / +3
				The density of the shadow color in images can be adjusted.	
COLOR SEPARA- TION	Settings	ON / OFF			
		<p>If ON is selected, color separation are performed. The contents of a color page is separated into the color pages for yellow, magenta, cyan and black, and each is printed with black gradations as individual pages. The printing order is yellow, magenta, cyan, then black.</p> <p>If OFF is selected, color separation is not performed. A normal color separation is performed.</p>			

MEMORY DIRECT

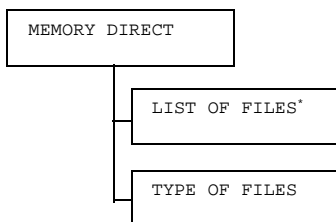
This menu item appears when INTERFACE MENU/MEMORY DIRECT is set to ENABLE, and the optional hard disk drive or a CompactFlash card is installed.

In addition, this menu item does not appear if public user access has not been permitted through authentication settings. For details on the authentication settings, refer to the magicolor 5550/5570 Reference Guide on the Utilities and Documentation CD-ROM.

With this menu, settings for “memory direct” function can be specified.



For details on memory direct, refer to “Memory Direct” on page 98.








** This menu item appears when a USB memory device is plugged into the KONICA MINOLTA Digital Camera Direct Print Port.*



All factory default values are shown in bold.

LIST OF FILES	Select the file that you wish to output, and then press the Menu/Select key.	
	If the file to be printed is in a folder, select the folder, and then press the Menu/Select key.	
	Settings	PRINT
	Select this setting to output a file.	
	Settings	CANCEL
Select this setting to stop outputting and to return to the file list.		

LETTER	Settings	LETTER /LEGAL/EXECUTIVE/ A4 / A5/A6/B5 (JIS)/B6 (JIS)/GOVT LETTER/STATEMENT/FOLIO/SP FOLIO/UK QUARTO/FOOLSCAP/ GOVT LEGAL/16K/PHOTO 4×6/ KAI 16/KAI 32/ENV C5/ENV C6/ENV DL/ENV MONARCH/ENV CHOU#3/ENV CHOU#4/B5 (ISO)/ ENV #10/ENV YOU#4/JPOST/ JPOST-D/CUSTOM
Change the size of the paper.  <i>The default setting for North America is LETTER. The default setting for all other regions is A4.</i>  <i>Depending on the setting selected for SYS DEFAULT MENU/PAPER/UNIT OF MEASURE, PHOTO 4×6 may change to PHOTO 10×15.</i>  <i>This menu item does not appear if the selected file is a PDF file.</i>		
DUPLEX : OFF	Settings	LONG EDGE/SHORT EDGE/ OFF Select whether to perform duplex printing. If LONG EDGE is selected, the page will be printed on both sides of the paper for long edge binding. If SHORT EDGE is selected, the page will be printed on both sides of the paper for short edge binding. If OFF is selected, duplex printing is not performed.
COPIES : 1	Settings	1 -9999 Specify the number of copies to be printed (between 1 and 9999).

	COLLATE	Settings	ON/ OFF
		<p>Select whether to collate the copies.</p> <p>If ON is selected, collated printing is performed.</p> <p>If OFF is selected, collated printing is not performed.</p> <p> <i>This menu item appears only if the optional hard disk drive or a CompactFlash card of 1GB or more is installed.</i></p>	
	MAIN TRAY	Settings	SUB TRAY/ MAIN TRAY /OFFSET/ STAPLING
		<p>Select the output tray and finishing settings.</p> <p>When SUB TRAY is selected, the paper is fed to the sub output tray.</p> <p>When MAIN TRAY is selected, the paper is fed to the main output tray.</p> <p>When OFFSET is selected, the paper is fed to the main output tray with each copy slightly shifted.</p> <p>When STAPLING is selected, each copy is stapled and fed to the main output tray.</p> <p> <i>This menu item appears only if the optional staple finisher is installed.</i></p>	
TYPE OF FILES	Settings	PDF , JPEG , TIFF / PDF	
	Select the type of files to be displayed.		

CAMERA DIRECT

This menu item appears when INTERFACE MENU/CAMERA DIRECT is set to ENABLE.

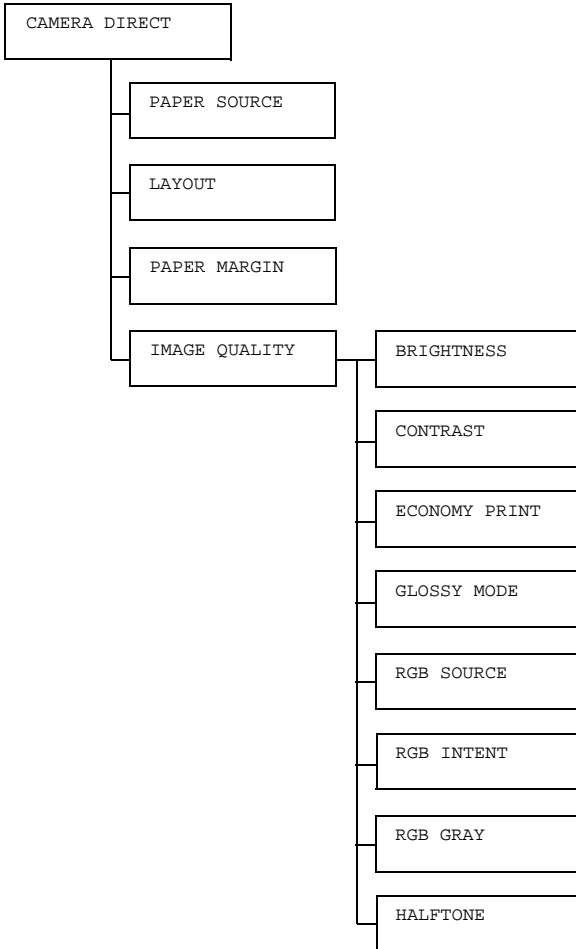
In addition, this menu item does not appear if public user access has not been permitted through authentication settings. For details on the authentication settings, refer to the magicolor 5550/5570 Reference Guide on the Utilities and Documentation CD-ROM.

With this menu, settings for “camera direct” function can be specified.





These settings are overridden by any settings configured within the digital camera.


For details on camera direct, refer to “Camera Direct” on page 96.





All factory default values are shown in bold.

PAPER SOURCE	Settings	TRAY1 / TRAY2 / TRAY3 / TRAY4		
	<p>Select the Lower Feeder Unit that is used for camera direct printing.</p> <p> <i>TRAY3 and TRAY4 appear only if the optional lower feeder units are installed.</i></p>			
LAYOUT	Settings	1-UP / 2-UP / 3-UP / 4-UP / 6-UP / 8-UP		
	<p>Specify the number of images printed on a single sheet of media.</p> <p>When set to 1-UP, only one image will be printed on a single sheet of media.</p>			
PAPER MARGIN	Settings	STANDARD / MINIMUM		
	<p>Select the size of the media margins (area that is not printed in).</p> <p>If STANDARD is selected, the standard media margin size is specified.</p> <p>If MINIMUM is selected, the media margins are reduced.</p>			
IMAGE QUALITY	BRIGHTNESS	Settings	-15% / -10% / -5% / 0% / +5% / +10% / +15%	
		The brightness of the printed image can be adjusted.		
	CONTRAST	Settings	-15% / -10% / -5% / 0% / +5% / +10% / +15%	
		The contrast of the image can be adjusted.		
	ECONOMY PRINT	Settings	ON / OFF	
		<p>Select whether to print graphics with a reduced density by reducing the amount of toner that is used.</p> <p>If ON is selected, the amount of toner used is reduced when printing.</p> <p>If OFF is selected, the amount of toner used is not reduced when printing.</p> <p> <i>If GLOSSY MODE is set to ON, the amount of toner used is not reduced when printing, even if ON was selected for this menu item.</i></p>		

GLOSSY MODE	Settings	ON/ OFF
	<p>Select whether to relax the limitations on the amount of toner used in order to widen the color reproduction range and produce glossy prints.</p> <p>If ON is selected, glossy prints are produced.</p> <p>If OFF is selected, glossy prints are not produced.</p> <p> <i>If ON is selected, the amount of toner used is not reduced when printing, even if ECONOMY PRINT is set to ON.</i></p>	
RGB SOURCE	Settings	DEVICE COLOR/ sRGB
	<p>Specify the color space for RGB image data.</p> <p>If DEVICE COLOR is selected, no color space is specified.</p>	
RGB INTENT	Settings	VIVID/ PHOTOGRAPHIC
	<p>Specify the characteristic applied when converting RGB image data to CMYK data.</p> <p>If VIVID is selected, a vivid output is produced.</p> <p>If PHOTOGRAPHIC is selected, a brighter output is produced.</p>	
RGB GRAY	Settings	COMPOSITE BLACK /BLACK AND GRAY/ BLACK ONLY
	<p>Specify how black and grays are reproduced in RGB image data.</p> <p>If COMPOSITE BLACK is selected, black is reproduced using the CMYK colors.</p> <p>If BLACK AND GRAY is selected, black and gray are reproduced using black only.</p> <p>If BLACK ONLY is selected, black is reproduced using only black.</p>	

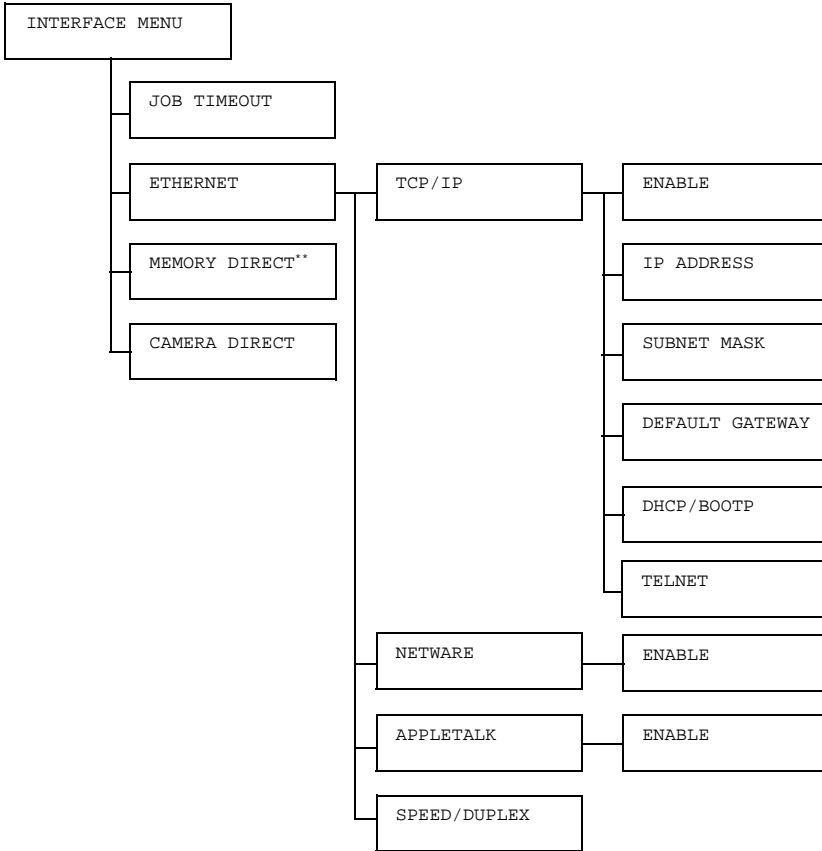
	HALFTONE	Settings	LINE ART/ DETAIL /SMOOTH
		<p>Select how halftones are reproduced.</p> <p>If LINE ART is selected, halftones are reproduced with high precision.</p> <p>If DETAIL is selected, halftones are reproduced with detail.</p> <p>If SMOOTH is selected, halftones are reproduced with smoothness.</p>	

INTERFACE MENU

With this menu, interface settings can be specified.



Restart the printer after changing settings in the ETHERNET menu.



*** This menu item appears only if the optional hard disk drive or a CompactFlash card is installed.*



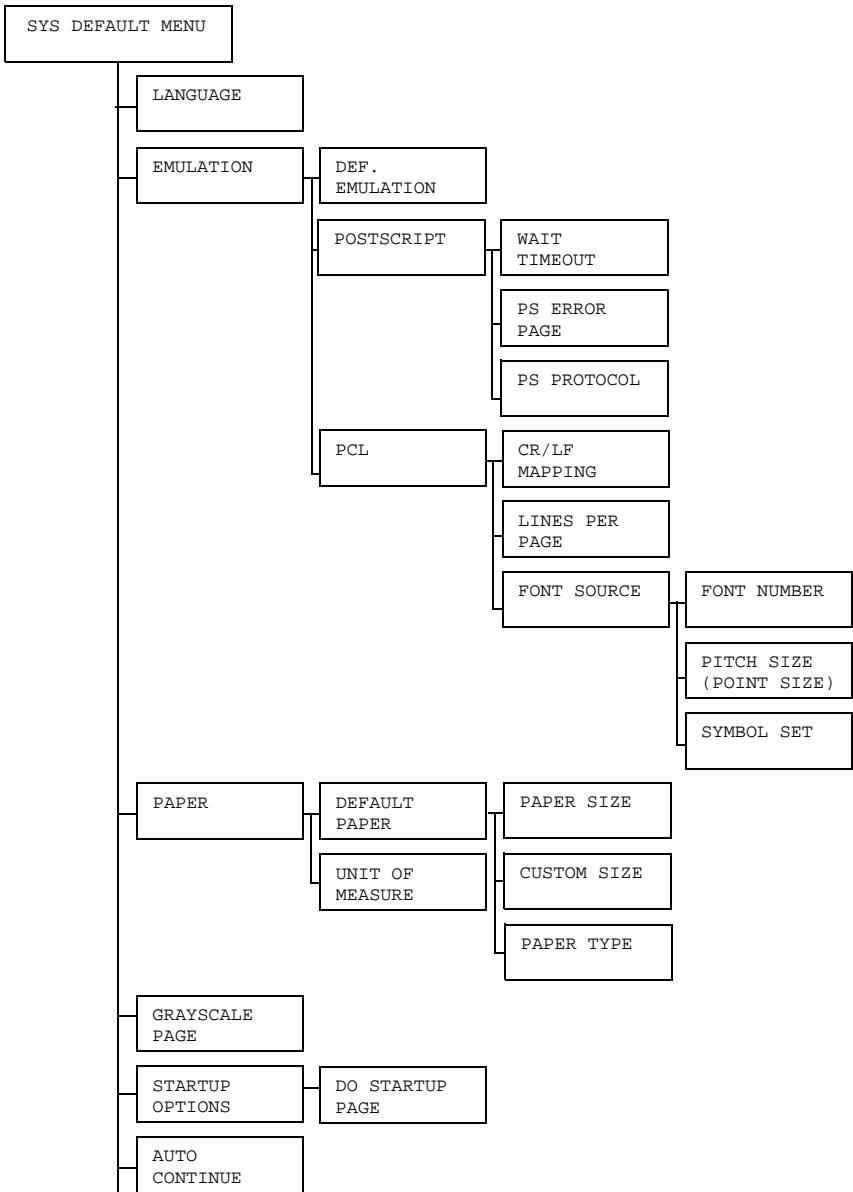
All factory default values are shown in bold.

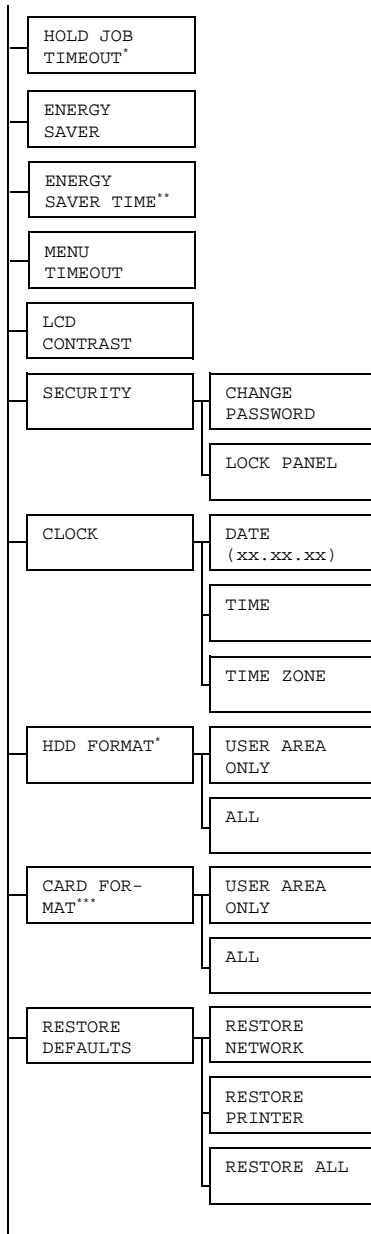
JOB TIME- OUT	Settings		5 seconds- 15 seconds -300 seconds
	Specify the timeout interval for a print job being received.		
ETHER- NET	TCP / IP	ENABLE	Settings YES /NO If YES is selected, TCP/IP is enabled. If NO is selected, TCP/IP is disabled.
		IP ADDRESS	Setting 000.000.000.000 Set the IP address for this printer on the network. Use the Δ , ∇ , \triangleleft , and \triangleright keys to specify the value. If the IP address is manually specified, DHCP/BOOTP is automatically set to OFF.
	SUBNET MASK	Setting 255.255.000.000 Specify the subnet mask for the network. Use the Δ , ∇ , \triangleleft , and \triangleright keys to specify the value.	
	DEFAULT GATEWAY	Setting 000.000.000.000 Specify the IP address of the router if one is on the network. Use the Δ , ∇ , \triangleleft , and \triangleright keys to specify the value.	
	DHCP / BOOTP	Settings ON /OFF Select whether or not the IP address is automatically acquired. If ON is selected, the IP address is automatically acquired. If OFF is selected, the IP address is not automatically acquired.	

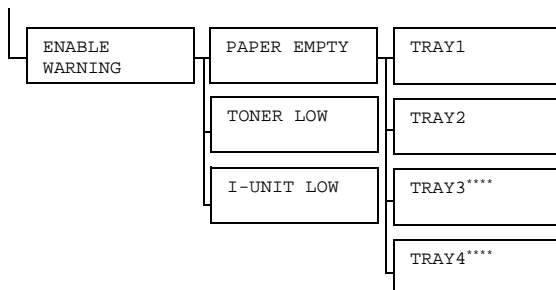
		TELNET	Settings	ENABLE /DISABLE
			<p>Select whether to enable or disable Telnet transmissions.</p> <p>When ENABLE is selected, Telnet transmissions are enabled.</p> <p>When DISABLE is selected, Telnet transmissions are disabled.</p>	
	NETWARE	ENABLE	Settings	YES /NO
			<p>If YES is selected, NetWare is enabled.</p> <p>If NO is selected, NetWare is disabled.</p>	
	APPLE TALK	ENABLE	Settings	YES /NO
			<p>If YES is selected, AppleTalk is enabled.</p> <p>If NO is selected, AppleTalk is disabled.</p>	
	SPEED/DUPLEX	Settings	<p>AUTO/10BASE FULL/10BASE HALF/100BASE FULL/100BASE HALF/1000BASE FULL</p>	
			<p>Specify the transmission speed for the network and the transmission method for bi-directional transmission.</p>	
MEMORY DIRECT	Settings	ENABLE /DISABLE		
	<p>Select whether to enable or disable memory direct printing.</p> <p>If ENABLE is selected, memory direct printing is enabled.</p> <p>If DISABLE is selected, memory direct printing is disabled.</p>			
CAMERA DIRECT	Settings	ENABLE /DISABLE		
	<p>Select whether to enable or disable camera direct printing.</p> <p>If ENABLE is selected, camera direct printing is enabled.</p> <p>If DISABLE is selected, camera direct printing is disabled.</p>			

SYS DEFAULT MENU

With this menu, settings can be specified to adjust the operation of the printer, such as the display language of the message window and the time until the machine enters Energy Saver mode.







* These menu items appear only if an optional hard disk drive is installed.

** This menu item appears when you select except OFF from the ENERGY SAVER menu.

*** This menu item appears only if an optional CompactFlash card is installed.



**** These menu items appear only if corresponding optional lower feeder unit is installed.




All factory default values are shown in bold.

LAN-GUAGE	Settings	ENGLISH / FRENCH / GERMAN / SPANISH / ITALIAN / PORTUGUESE / CZECH / JAPANESE / KOREAN / SIMPLIFIED CHINESE / TRADITIONAL CHINESE / DUTCH		
	<p>The display language of the message window can be changed to the selected language.</p> <p>The language selections appear in the message window in the corresponding language. For example, GERMAN appears as DEUTSCH.</p>			
EMULA-TION	DEF. EMULA-TION	Settings	AUTO / POSTSCRIPT / PCL	
	Specify the printer emulation language.			
	If AUTO is selected, the printer automatically selects the printer emulation language from the data stream.			
	POST-SCRIPT	WAIT TIME OUT	Settings	0 - 300
		Specify the time until an error is determined to be a PostScript error.		
	If 0 is selected, no timeout is performed.			
PS ERROR PAGE	Settings	ON / OFF		
	Select whether or not an error page is printed when a Postscript error occurs.			
PS PROTO-COL	Settings	AUTO / NORMAL / BINARY		
	Specify the protocol for data transmissions with a PostScript data stream.			
If AUTO is selected, the printer automatically selects an applicable protocol from the data stream.				

PCL	CR/LF MAP- PING	Settings	CR=CR LF=LF /CR=CRLF LF=LF/CR=CR LF=LFCR/CR=CRLF LF=LFCR		
		Select the definitions of the CR/LF codes in the PCL language.			
	LINES PER PAGE	Settings	5- 60 -128		
		Specify the number of lines per page in the PCL language.			
	FONT SOURCE	FONT NUMBER	Settings	0-102	
			Specify the default font in the PCL language. The font numbers that appear correspond to the PCL font list. For details on printing the font list, refer to "PRINT MENU" on page 39.		
PITCH SIZE (POINT SIZE)		Settings	0.44- 10.00 - 99.99 (4.00- 12.00 - 999.75)		
Specify the font size in the PCL language. If the selected FONT NUMBER is for a bitmap font, PITCH SIZE appears. If the selected FONT NUMBER is for an outline font, POINT SIZE appears.					
SYMBOL SET	Specify the symbol set used with the PCL language. The default setting is PC8.				

PAPER	DEFAULT PAPER	PAPER SIZE	Settings LETTER /LEGAL/EXECUTIVE/ A4 /A5/A6/B5 (JIS)/B6 (JIS)/GOVT LETTER/STATEMENT/FOLIO/SP FOLIO/UK QUARTO/FOOLSCAP/GOVT LEGAL/16K/PHOTO 4x6/KAI 16/KAI 32/ENV C5/ENV C6/ENV DL/ENV MONARCH/ENV CHOU#3/ENV CHOU#4/B5 (ISO)/ENV #10/ENV YOU#4/JPOST/JPOST-D/CUSTOM
			<p>Select the size of media that is normally used.</p> <p> <i>The default setting for North America is LETTER. The default setting for all other regions is A4.</i></p> <p> <i>Depending on the setting selected for SYS DEFAULT MENU/PAPER/UNIT OF MEASURE, PHOTO 4x6 may change to PHOTO 10x15.</i></p>

		CUSTOM SIZE	<p>Specify the media size when PAPER SIZE is set to CUSTOM.</p> <p>The setting units can be switched between millimeters and inches with the SYS DEFAULT MENU/PAPER/UNIT OF MEASURE setting.</p> <p>Setting range for WIDTH</p> <ul style="list-style-type: none"> ■ For MILLIMETERS: 92 to 216 mm (default) <ul style="list-style-type: none"> – North America: 216 mm – All other regions: 210 mm ■ For INCHES: 3.63 to 8.50 inches (default) <ul style="list-style-type: none"> – North America: 8.50 inches – All other regions: 8.26 inches <p>Setting range for LENGTH</p> <ul style="list-style-type: none"> ■ For MILLIMETERS: 148 to 356 mm (default) <ul style="list-style-type: none"> – North America: 279 mm – All other regions: 297 mm ■ For INCHES: 5.83 to 14.00 inches (default) <ul style="list-style-type: none"> – North America: 11.00 inches – All other regions: 11.69 inches
--	--	-------------	---

		PAPER TYPE	Settings	PLAIN PAPER / RECYCLED / THICK 1 / THICK 2 / LABEL / TRANSPARENCY / ENVELOPE / POSTCARD / LETTERHEAD / GLOSSY 1 / GLOSSY 2
		Select the type of media that is normally used.		
	UNIT OF MEASURE	Settings	INCHES / MILLIMETERS	
		The units for specifying the size of custom media can be switched between inches and millimeters.  <i>The default setting for North America is INCHES. The default setting for all other regions is MILLIMETERS.</i>		
GRAY SCALE PAGE	Settings	AUTO / GRAYSCALE PRINT / COLOR PRINT		
	Specify the operation to be performed for black-and-white pages in a job specified for color printing. If AUTO is selected, printing is automatically performed according to the first page of the job. If GRAYSCALE PRINT is selected, black-and-white printing is automatically performed depending on each page. If COLOR PRINT is selected, color printing is performed, even for a black-and-white page.			
STARTUP OPTIONS	DO STARTUP PAGE	Settings	ON / OFF	
		Select whether or not a startup page is printed when the printer is turned on.		

AUTO CON- TINUE	Settings	ON/OFF
	<p>Select whether or not printing continues if the size or type of media in the selected tray is different from the size or type of media for the print job.</p> <p>If AUTO CONTINUE is set to ON, printing automatically continues after about 10 seconds under the following conditions. At this time, printing will be performed even if the media size is different.</p> <p>No media: PAPER EMPTY (Page 222)/TRAY EMPTY (Page 224)</p> <p>Different media size/type: PAPER ERROR (Page 222)/TRAY x PAPER ERR (Page 224)</p>	
HOLD JOB TIME OUT	Settings	DISABLE/1 hour/4 hours/1 day/ 1 week
	<p>Specify the length of time until print jobs saved on the hard disk are deleted. If DISABLE is selected, print jobs are not deleted at a specific time.</p>	
ENERGY SAVER	Settings	ON/OFF
	<p>If ON is selected, the machine enters Energy Saver mode according to the length of time specified for ENERGY SAVER TIME.</p> <p>If OFF is selected, the machine will not enter Energy Saver mode.</p>	
ENERGY SAVER TIME	Settings	5 minutes/15 minutes/30 minutes/ 1 hour/3 hours
	<p>Specify the length of time until the machine enters Energy Saver mode.</p> <p>This menu item appears only when ENERGY SAVER is set to ON.</p>	
MENU TIME OUT	Settings	OFF/1 minute/2 minutes
	<p>Specify the length of time until the status screen is displayed when no operation is performed while a menu or help screen is displayed in the message window. If OFF is selected, no timeout occurs.</p>	

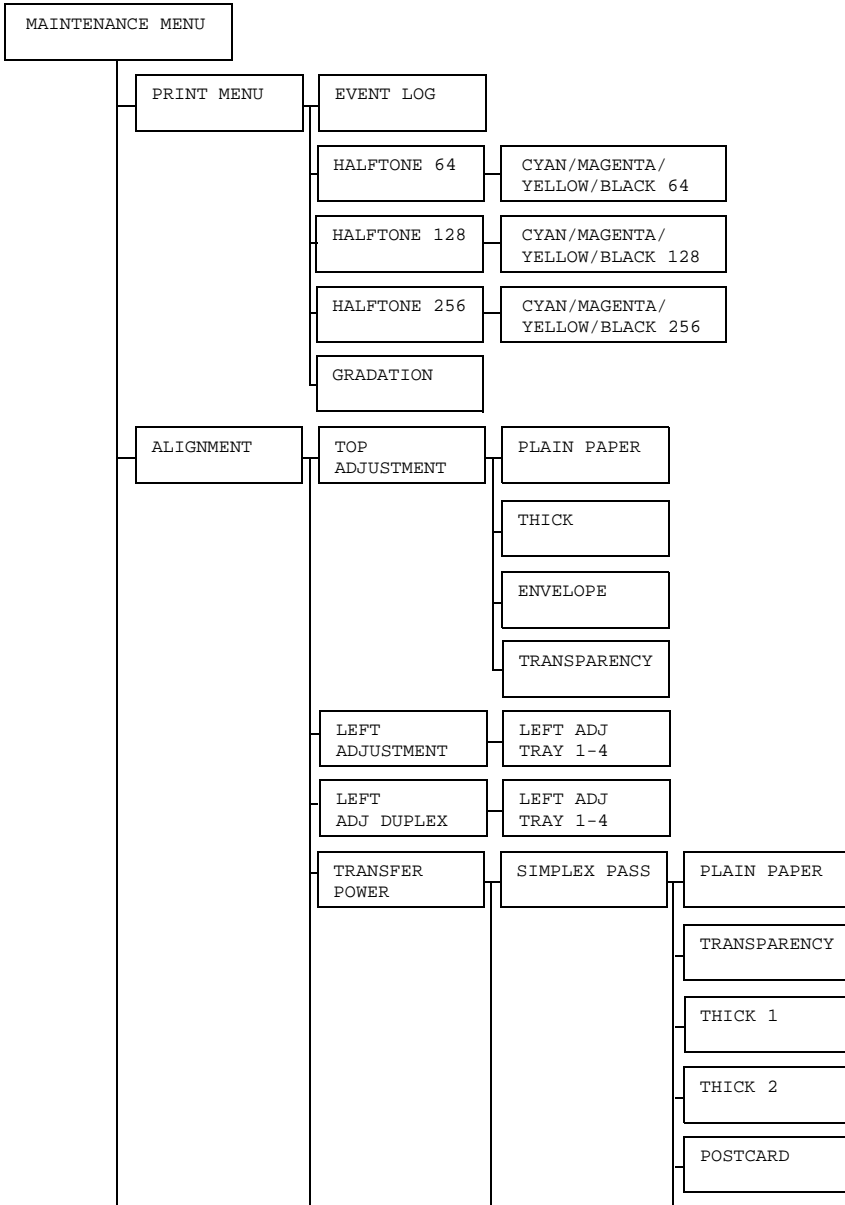
LCD CON- TRAST	Settings	-3/-2/-1/0/+1/+2/+3	
	Adjust the contrast of the message window. The darkest level setting is -3 and the brightest level setting is +3.		
SECU- RITY	CHANGE PASS- WORD	Specify the password for locking the control panel. If the password is set to 0000 (default), the control panel is not locked. In order to lock the control panel, be sure to specify a password other than 0000.	
	LOCK PANEL	Settings	OFF/MINIMUM/ON
		Specify how the control panel is locked. If OFF is selected, the control panel is not locked. If MINIMUM is selected, the INTERFACE MENU and SYS DEFAULT MENU are protected with a password. If ON is selected, all menus are protected with a password. In order to lock the control panel, be sure to specify a password other than 0000.	
CLOCK	DATE (xx.xx. xx)	Specify the date for the printer's internal clock. The date for Asia and China is set in the order year, month, then day (YY.MM.DD). The date for the Americas is set in the order month, day, then year (MM.DD.YY). The date for Europe is set in the order day, month, then year (DD.MM.YY).	
	TIME	Specify the time for the printer's internal clock.	
	TIME ZONE	Settings	-12:00-00:00-+13:00
			Specify the time zone.
HDD FORMAT	USER AREA ONLY	Initialize the user area of the hard disk. When this menu item is selected, the printer is automatically restarted.	
	ALL	Initialize the hard disk. When this menu item is selected, the printer is automatically restarted.	

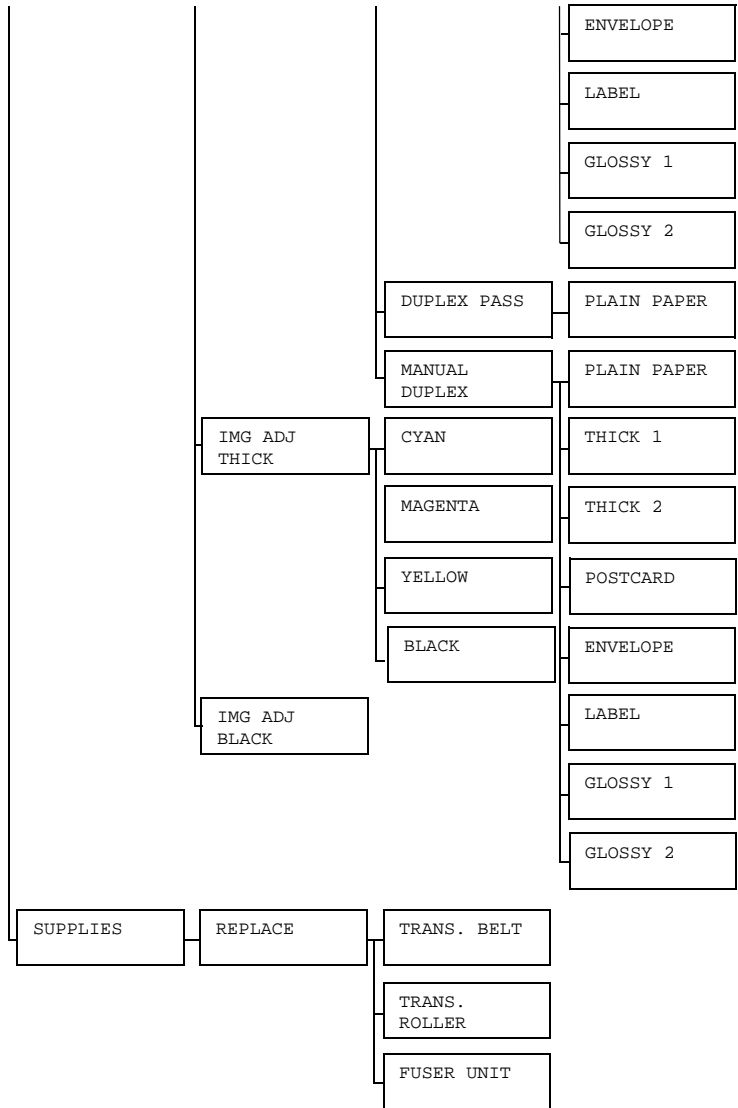
CARD FORMAT	USER AREA ONLY	Initialize the user area of the compactflash card. When this menu item is selected, the printer is automatically restarted.		
	ALL	Initialize the compactflash card. When this menu item is selected, the printer is automatically restarted.		
RESTORE DEFAULTS	RESTORE NETWORK	Reset the network settings to their defaults. When this menu item is selected, the printer is automatically restarted.		
	RESTORE PRINTER	Reset the printer settings to their defaults. When this menu item is selected, the printer is automatically restarted.		
	RESTORE ALL	Reset all settings to their defaults. When this menu item is selected, the printer is automatically restarted.		
ENABLE WARNING	PAPER EMPTY	TRAY1	Settings	ON/OFF
			Select whether or not a warning appears when Tray 1 runs out of media.	
		TRAY2	Settings	ON/OFF
			Select whether or not a warning appears when Tray 2 runs out of media.	
	TRAY3	Settings	ON/OFF	
		Select whether or not a warning appears when Tray 3 runs out of media.		
	TRAY4	Settings	ON/OFF	
		Select whether or not a warning appears when Tray 4 runs out of media.		
	TONER LOW	Settings	ON/OFF	
		Select whether or not a warning appears when the toner is about to run out.		
I-UNIT LOW	Settings	ON/OFF		
	Select whether or not a warning appears when the print unit is about to reach the end of its service life.			

MAINTENANCE MENU

With this menu, maintenance on this printer can be performed.

In order to use this menu, the administrator password must be entered.







All factory default values are shown in bold.

PRINT MENU	EVENT LOG	Settings	PRINT / CANCEL	
		Prints the event log.		
	HALF-TONE 64	CYAN/MAGENTA/YELLOW/BLACK 64	Settings	PRINT / CANCEL
			Print cyan/magenta/yellow/black half-tones at 64 gradations.	
	HALF-TONE 128	CYAN/MAGENTA/YELLOW/BLACK 128	Settings	PRINT / CANCEL
			Print cyan/magenta/yellow/black half-tones at 128 gradations.	
HALF-TONE 256	CYAN/MAGENTA/YELLOW/BLACK 256	Settings	PRINT / CANCEL	
		Print cyan/magenta/yellow/black half-tones at 256 gradations.		
GRADATION	Settings	PRINT / CANCEL		
		Prints the gradation.		
ALIGNMENT	TOP ADJUSTMENT	PLAIN PAPER	Settings	-15-15
			When printing on plain paper, specify the size of the top margin.	
		THICK	Settings	-15-15
			When printing on thick paper, specify the size of the top margin.	
	ENVELOPE	Settings	-15-15	
		When printing on envelope, specify the size of the top margin.		
	TRANSPARENCY	Settings	-15-15	
		When printing on transparency, specify the size of the top margin.		

	LEFT ADJUST MENT	LEFT ADJ TRAY1	Settings	-15-15
			When printing on media in Tray 1, specify the size of the left margin.	
		LEFT ADJ TRAY2	Settings	-15-15
			When printing on media in Tray 2, specify the size of the left margin.	
	LEFT ADJ TRAY3	Settings	-15-15	
		When printing on media in Tray 3, specify the size of the left margin.		
	LEFT ADJ TRAY4	Settings	-15-15	
		When printing on media in Tray 4, specify the size of the left margin.		
	LEFT ADJ DUPLEX	LEFT ADJ TRAY1	Settings	-15-15
			When duplex printing on media in Tray 1, specify the size of the left margin.	
		LEFT ADJ TRAY2	Settings	-15-15
			When duplex printing on media in Tray 2, specify the size of the left margin.	
LEFT ADJ TRAY3	Settings	-15-15		
	When duplex printing on media in Tray 3, specify the size of the left margin.			
LEFT ADJ TRAY4	Settings	-15-15		
	When duplex printing on media in Tray 4, specify the size of the left margin.			
TRANS- FER POWER	SIM- PLEX PASS	PLAIN PAPER	Settings	-8-7
			When printing on plain paper using simplex pass, correct the secondary image transfer current.	
TRANS- FER POWER	SIM- PLEX PASS	TRANS- PARENCY	Settings	-8-7
			When printing on transparency using simplex pass, correct the secondary image transfer current.	

			THICK 1	Settings	-8-7
				When printing on thick 1 using simplex pass, correct the secondary image transfer current.	
			THICK 2	Settings	-8-7
				When printing on thick 2 using simplex pass, correct the secondary image transfer current.	
			POST- CARD	Settings	-8-7
				When printing on postcard using simplex pass, correct the secondary image transfer current.	
			ENVELO PE	Settings	-8-7
				When printing on envelope using simplex pass, correct the secondary image transfer current.	
			LABEL	Settings	-8-7
				When printing on LABEL using simplex pass, correct the secondary image transfer current.	
			GLOSSY 1	Settings	-8-7
				When printing on GLOSSY 1 using simplex pass, correct the secondary image transfer current.	
			GLOSSY 2	Settings	-8-7
				When printing on GLOSSY 2 using simplex pass, correct the secondary image transfer current.	
DUPLEX PASS	PLAIN PAPER	Settings	-8-7		
		When printing on plain paper using duplex pass, correct the secondary image transfer current.			

		MANUAL DUPLEX	PLAIN PAPER	Settings	-8-7
				When printing on plain paper using manual duplex pass, correct the secondary image transfer current.	
		THICK 1	Settings	-8-7	
			When printing on THICK 1 using manual duplex pass, correct the secondary image transfer current.		
		THICK 2	Settings	-8-7	
			When printing on THICK 2 using manual duplex pass, correct the secondary image transfer current.		
		POST- CARD	Settings	-8-7	
			When printing on POST-CARD using manual duplex pass, correct the secondary image transfer current.		
		ENVE- LOPE	Settings	-8-7	
			When printing on ENVELOPE using manual duplex pass, correct the secondary image transfer current.		
		LABEL	Settings	-8-7	
			When printing on LABEL using manual duplex pass, correct the secondary image transfer current.		
GLOSSY 1	Settings	-8-7			
	When printing on GLOSSY 1 using manual duplex pass, correct the secondary image transfer current.				

			GLOSSY 2	Settings	-8-7		
				When printing on GLOSSY 2 using manual duplex pass, correct the secondary image transfer current.			
			IMG ADJ THICK	CYAN	Settings	-5-0-5	
					When printing on thick paper, adjust the cyan in the image.		
				MAGENTA	Settings	-5-0-5	
					When printing on thick paper, adjust the magenta in the image.		
				YELLOW	Settings	-5-0-5	
					When printing on thick paper, adjust the yellow in the image.		
			BLACK	Settings	-5-0-5		
				When printing on thick paper, adjust the black in the image.			
IMG ADJ BLACK	Settings	-2-0-2					
	When printing in grayscale, adjust the black in the image.						
SUP- PLIES	RE- PLACE	TRANS . BELT	Settings	YES/NO			
			Reset the service life counter for the transfer belt unit.				
		TRANS . ROLLER	Settings	YES/NO			
			Reset the service life counter for the transfer roller.				
		FUSER UNIT	Settings	YES/NO			
			Reset the service life counter for the fuser unit.				

SERVICE MENU

With this menu, the service representative can adjust the printer and perform maintenance operations. This menu cannot be used by the user.

Camera Direct

5

Camera Direct

If a digital camera with PictBridge (1.0 or later) is connected to the printer through the Camera Direct Print port, images stored on the digital camera can be printed directly from the printer.



For details on using the digital camera, refer to your digital camera's manual.



The following features are not supported with Camera Direct.

- DPOF AUTOPRINT image print
- Cropping print
- Borderless
- Print quality (printer setup)
- Paper type (printer setup)
- DPOF cable disconnect recovery

Printing Directly from a Digital Camera

- 1 From the printer's Camera Direct Menu, specify settings for Paper Source, Layout, Paper Margin and Image Quality.



The Media Type setting that is used is the default printer setting that is selected.

The Media Type setting cannot be selected from the digital camera.



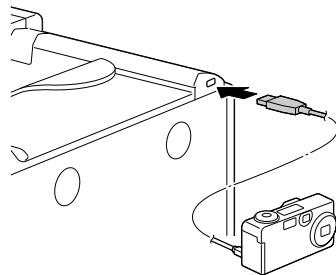
If these settings can be specified from the digital camera, they do not need to be specified from the control panel. These settings are overridden by settings configured within the digital camera.

For details on control panel settings, refer to "CAMERA DIRECT" on page 70.

- 2 Connect the USB cable to the digital camera and to the KONICA MINOLTA Digital Camera Direct Print Port.



A USB cable is not included with the printer and must be purchased separately, if not supplied with your digital camera.



- 3 From the digital camera, specify the image that you wish to print and the desired number of copies.
- 4 Start printing from the digital camera.

Memory Direct

6

Memory Direct

PDF, JPEG and TIFF files saved on USB memory devices can be printed by plugging the USB memory device into the printer.



Memory direct can be used only if the optional hard disk drive or a CompactFlash card is installed.

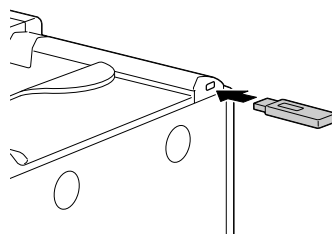
In order to perform collated printing with memory direct, the optional hard disk drive or a CompactFlash card of 1 GB or more must be installed.



For details on specifying settings with the control panel, refer to “MEMORY DIRECT” on page 67.

Printing From a Connected USB Memory Device

- 1 Plug the USB memory device into the KONICA MINOLTA Digital Camera Direct Print Port. The USB icon appears in the upper-right corner of the message window, and the Memory Direct menu appears.



- 2 Select LIST OF FILES, and then press the **Menu/Select** key.



*When all files (PDF, JPEG and TIFF) are displayed, select Type OF FILES, and then press the **Menu/Select** key.*

- 3 From the file list, select the file that you wish to print, and then press the **Menu/Select** key.
If the file to be printed is in a folder, select the folder, and then press the **Menu/Select** key.



A maximum of 99 folders and files can be displayed.



Up to 8 folder levels can be displayed.

- 4 Select PRINT, and then press the **Menu/Select** key.
When printing is finished, the status screen appears again.



Settings can be specified for the paper size, duplex printing, number of copies, collating, the output tray, and finishing.



Do not unplug the USB memory device from the KONICA MINOLTA Digital Camera Direct Print Port during memory direct printing.

Using Media

7

Media Specifications

What types and sizes of media can I load?

Media	Media Size		Tray*	Duplex (Double-Sided)
	Inch	Millimeter		
Letter	8.5 x 11.0	215.9 x 279.4	1/2/3/4	Yes
Legal	8.5 x 14.0	215.9 x 355.6	1/3/4	Yes
Statement	5.5 x 8.5	139.7 x 215.9	1	No
Executive	7.25 x 10.5	184.0 x 267.0	1/3/4	Yes
A4	8.2 x 11.7	210.0 x 297.0	1/2/3/4	Yes
A5	5.9 x 8.3	148.0 x 210.0	1	No
A6	4.1 x 5.8	105.0 x 148.0	1	No
B5 (JIS)	7.2 x 10.1	182.0 x 257.0	1/3/4	Yes
B6	5.0 x 7.2	128.0 x 182.0	1	No
Folio	8.3 x 13.0	210.0 x 330.0	1	Yes
SP Folio	8.5 x 12.7	215.9 x 322.3	1	Yes
Foolscap	8.0 x 13.0	203.2 x 330.2	1	Yes
UK Quarto	8.0 x 10.0	203.2 x 254.0	1	No
Government Letter	8.0 x 10.5	203.2 x 266.7	1	Yes
Government Legal	8.5 x 13.0	216.0 x 330.2	1/3/4	Yes
Photo Size 4" x 6"/10 x 15	4.0 x 6.0	100.0 x 150.0	1	No
16 K	7.7 x 10.6	195.0 x 270.0	1	Yes
Kai 16	7.3 x 10.2	185.0 x 260.0	1	Yes
Kai 32	5.1 x 7.3	130.0 x 185.0	1	No
Japanese Postcard	3.9 x 5.8	100.0 x 148.0	1	No
Japanese Postcard-D	5.8 x 7.9	148.0 x 200.0	1	No
B5 (ISO)	6.9 x 9.8	176.0 x 250.0	1	No
Envelope Com10	4.126 x 9.5	104.8 x 241.3	1	No
Envelope DL	4.3 x 8.7	110.0 x 220.0	1	No
Envelope C5	6.4 x 9.0	162.0 x 229.0	1	No
Envelope C6	4.5 x 6.4	114.0 x 162.0	1	No
Envelope Monarch	3.875 x 7.5	98.4 x 190.5	1	No
Envelope Chou #3	4.7 x 9.2	120.0 x 235.0	1	No
Envelope Chou #4	3.5 x 8.1	90.0 x 205.0	1	No
Envelope You #4	4.1 x 9.3	105.0 x 235.0	1	No
Custom, Minimum	3.6 x 5.9	92.0 x 148.0	1	No**
Custom, Maximum	8.5 x 47.2	216.0 x 1200.0	1****	No****

Notes: * Tray 1= Manual feed tray
 Tray 3/4 = Lower feeder units (optional)
 ** The minimum possible size for duplex (Double-Sided) printing is B5(JIS).
 *** The maximum possible size for duplex printing is Legal.
 **** Banner paper longer than 355.6 mm (14.0") can only be fed through Tray 1 one sheet at a time.




For custom sizes, use the printer driver to specify the settings within the ranges shown in the above table.

Media Types

Before purchasing a large quantity of special media, do a trial print with the same media and check the print quality.

Keep media on a flat, level surface in its original wrapper until it is time to load it. For a list of approved media, refer to printer.konicaminolta.com.

Plain Paper (Recycled Paper)

Capacity	Tray 1 (Manual Feed Tray)	Up to 100 sheets, depending on the paper weight.
	Tray 2/3/4	Up to 500 sheets, depending on the paper weight.
Orientation	Tray 1 (Manual Feed Tray)	Face down
	Tray 2/3/4	Face up
Driver Media Type	Plain Paper (Recycled)	
Weight	60–90 g/m ² (16–24 lb bond)	
Duplexing	See page 100 for supported sizes.	
Glossy Mode	ON / OFF Supported  <i>Glossy mode is Disabled at Grayscale (Color Mode), or Duplex Print.</i>	

Use media that is


Suitable for plain paper laser printers, such as standard or recycled office paper.

Note

Do not use the media types listed below. These could cause poor print quality, media misfeeds, or damage to the printer.


DO NOT use media that is

- Coated with a processed surface (such as carbon paper, and colored paper that has been treated)

- Carbon backed
- Unapproved iron-on transfer media (such as heat-sensitive paper, heat-pressure paper, and heat-press transfer paper)
- Cold-water-transfer paper
- Pressure sensitive
- Designed specifically for inkjet printers (such as superfine paper, glossy paper, glossy film, and postcards)
- Paper that has already been printed on
 - Paper that has been printed on with an inkjet printer
 - Paper that has been printed on with a monochrome/color laser printer/copier
 - Paper that has been printed on with a heat-transfer printer
 - Paper that has been printed on with any other printer or fax machine
- Dusty
- Wet (or damp)
 -  *Keep media between 35% and 85% relative humidity. Toner does not adhere well to moist or wet paper.*
- Layered
- Adhesive
- Folded, creased, curled, embossed, warped, or wrinkled
- Perforated, three-hole punched, or torn
- Too slick, too coarse, or too textured
- Different in texture (roughness) on the front and back
- Too thin or too thick
- Stuck together with static electricity
- Composed of foil or gilt; too luminous
- Heat sensitive or cannot withstand the fusing temperature (180°C [356°F])
- Irregularly shaped (not rectangular or not cut at right angles)
- Attached with glue, tape, paper clips, staples, ribbons, hooks, or buttons
- Acidic
- Any other media that is not approved

Thick Stock

Paper thicker than 90 g/m² (24 lb bond) is referred to as thick stock. Test all thick stock to ensure acceptable performance and to ensure that the image does not shift.

Capacity	Tray 1 (Manual Feed Tray)	Up to 20 thick stock sheets, depending on their thickness.
	Tray 2/3/4	Not supported
Orientation	Face down	
Driver Media Type	Thick 1 (91-150 g/m ²)	
	Thick 2 (151-210 g/m ²)	
Weight	91–210 g/m ² (25–55.9 lb bond)	
Duplexing	Not supported	
Glossy Mode	ON/OFF Supported	
	 <i>Glossy mode is Disabled at Grayscale (Color Mode), or Duplex Print.</i>	



Banner Paper

Weight: 127-160g/m²

Width: 216mm

Length: 357-1200mm

DO NOT use thick stock that is

- Mixed with any other media in Tray 1 (as this will cause printer misfeeding)

Envelopes

Print on the front (address) side only. Some parts of the envelope consist of three layers of paper—the front, back, and flap. Anything printed in these layered regions may be lost or faded.

Capacity	Tray 1 (Manual Feed Tray)	Up to 10 envelopes, depending on their thickness
	Tray 2/3/4	Not supported
Orientation	Face down	
Driver Media Type	Envelope	
Weight	91–163 g/m ² (25–43 lb bond)	

Duplexing	Not supported
Glossy Mode	Not supported

Use envelopes that are

- Common office envelopes approved for laser printing with diagonal joints, sharp folds and edges, and ordinary gummed flaps



Because the envelopes pass through heated rollers, the gummed area on the flaps may seal. Using envelopes with emulsion-based glue avoids this problem.

- Approved for laser printing
- Dry

DO NOT use envelopes that have

- Sticky flaps
- Tape seals, metal clasps, paper clips, fasteners, or peel-off strips for sealing
- Transparent windows
- Too rough of a surface
- Material that will melt, vaporize, offset, discolor, or emit dangerous fumes
- Been presealed

Labels


A sheet of labels consists of a face sheet (the printing surface), adhesive, and a carrier sheet:

- The face sheet must follow the plain paper specification.
- The face sheet surface must cover the entire carrier sheet, and no adhesive should come through on the surface.

You can print continuously with label sheets. However, this could affect the media feed, depending on the media quality and printing environment. If problems occur, stop the continuous printing and print one sheet at a time.

Try printing your data on a sheet of plain paper first to check placement. Check your application documentation for more information on printing labels.

Capacity	Tray 1 (Manual Feed Tray)	Up to 20 label sheets, depending on their thickness
	Tray 2/3/4	Not supported
Orientation	Face down	

Driver Media Type	Label
Weight	60–163 g/m ² (16–43 lb bond)
Duplexing	Not supported
Glossy Mode	ON/OFF Supported  <i>Glossy mode is Disabled at Grayscale (Color Mode), or Duplex Print.</i>

Use label sheets that are

- Recommended for laser printers
- Letter or A4 size (adhesive label stock)

DO NOT use label sheets that

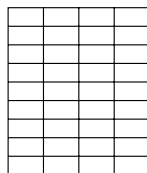
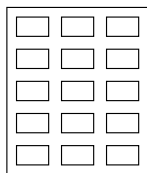
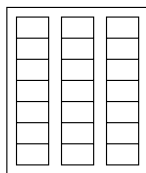
- Have labels that easily peel off or have parts of the label already removed
- Have backing sheets that have peeled away or have exposed adhesive



Labels may stick to the fuser, causing them to peel off and media misfeeds to occur.

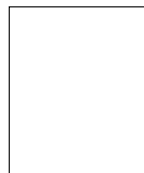
- Are precut or perforated

Do not use



Shiny backed paper

OK to use




Full-page labels (uncut)

Letterhead


Try printing your data on a sheet of plain paper first to check placement.

Capacity	Tray 1 (Manual Feed Tray)	Up to 20 sheets, depending on their size and thickness
	Tray 2/3/4	Not supported
Orientation	Face down	
Driver Media Type	Letterhead	

Weight	60–90 g/m ² (16–24 lb)
Duplexing	See page 100 for supported sizes.
Glossy Mode	ON/OFF Supported  <i>Glossy mode is Disabled at Grayscale (Color Mode), or Duplex Print.</i>

Postcards

Try printing your data on a sheet of plain paper first to check placement.

Capacity	Tray 1 (Manual Feed Tray)	Up to 20 postcards, depending on their thickness
	Tray 2/3/4	Not supported
Orientation	Face down	
Driver Media Type	Postcard	
Weight	60–163 g/m ² (16–90 lb bond)	
Duplexing	Not supported	
Glossy Mode	ON/OFF Supported  <i>Glossy mode is Disabled at Grayscale (Color Mode), or Duplex Print.</i>	

Use postcards that are

- Approved for laser printers

DO NOT use postcards that are

- Coated
- Designed for inkjet printers
- Precut or perforated
- Preprinted or multicolored



If the postcard is warped, press on the warped area before putting it in Tray 1.



Transparencies



Do not fan transparencies before loading them. Resulting static electricity may cause printing errors.



If you touch the face of the transparencies with your bare hands, print quality may be affected.



Keep the printer path clean. Transparencies are especially sensitive to a dirty media path. If there are shadows on either the top or the bottom of the sheets, see chapter 9, “Maintaining the Printer”.



Remove transparencies as soon as possible from the output tray to avoid static buildup.

You can print continuously with transparencies. However, this could affect the media feed, depending on the media quality, static buildup, and printing environment.

Try printing your data on a sheet of plain paper first to check placement.



If you have problems feeding 20 sheets, try loading only 1–10 sheets at a time. Loading a large number of transparencies at one time may cause static buildup, thus causing feeding problems.

Capacity	Tray 1 (Manual Feed Tray)	Up to 20 transparencies, depending on their thickness
	Tray 2/3/4	Not supported
Orientation	Face down	
Driver Media Type	Transparency	
Duplexing	Not supported	
Glossy Mode	Not supported	



Always first test a small quantity of a particular type of transparency.

Use transparencies that are


- Approved for laser printing

DO NOT use transparencies that

- Have static electricity that will cause them to stick together
- Are specified for inkjet printers only

Glossy Media

Test all glossy media to ensure acceptable performance and to ensure that the image does not shift.

Capacity	Tray 1 (Manual Feed Tray)	Up to 20 glossy media sheets, depending on their thickness.
	Tray 2/3/4	Not supported
Orientation	Face down	
Driver Media Type	Glossy 1	
	Glossy 2	
Weight	100–158 g/m ² (26.5–42 lb bond)	
Duplexing	Not supported	
Glossy Mode	ON/OFF Supported	
	 <i>Glossy mode is Disabled at Grayscale (Color Mode), or Duplex Print.</i>	

DO NOT use glossy media stock that is

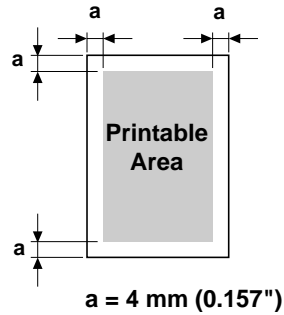
- Mixed with any other media in Tray 1 (as this will cause printer misfeeding)

What Is the Guaranteed Imageable (Printable) Area?

The printable area on all media sizes is up to 4 mm (0.157") from the edges of the media.

Each media size has a specific imageable area, the maximum area on which the printer can print clearly and without distortion.

This area is subject to both hardware limits (the physical media size and the margins required by the printer) and software constraints (the amount of memory available for the full-page frame buffer). The guaranteed imageable (printable) area for all media sizes is the page size minus 4 mm (0.157") from all edges of the media.



When printing on Banner Paper, the bottom margin is 10 mm (0.393").



Banner Paper

Weight: 127-160g/m²

Width: 216mm

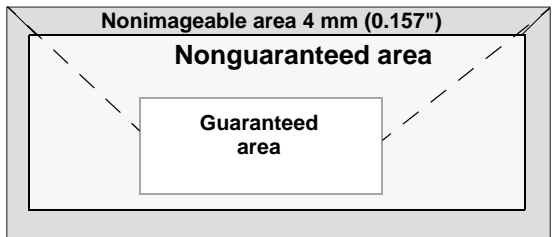
Length: 357-1200mm

Imageable Area—Envelopes

Envelopes have a nonguaranteed imageable area that varies with envelope type.



The envelope print orientation is determined by your application.



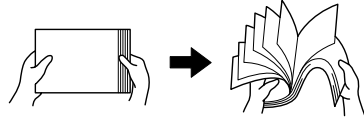
Page Margins

Margins are set through your application. Some applications allow you to set custom page sizes and margins while others have only standard page sizes and margins from which to choose. If you choose a standard format, you may lose part of your image (due to imageable area constraints). If you can custom-size your page in your application, use those sizes given for the imageable area for optimum results.

Loading Media

How do I load media?

Take off the top and bottom sheets of a ream of paper. Holding a stack of approximately 100 sheets at a time, fan the stack to prevent static buildup before inserting it in a tray.



Do not fan transparencies.

Note

Although this printer was designed for printing on a wide range of media types, it is not intended to print exclusively on a single media type except plain paper. Continuous printing on media other than plain paper (such as envelopes, labels, thick stock, or transparencies) may adversely affect print quality or reduce engine life.

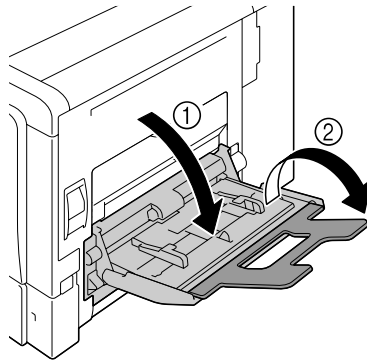
When refilling media, first remove any media remaining in the tray. Stack it with the new media, even the edges, then reload it.

Tray 1 (Manual Feed Tray)

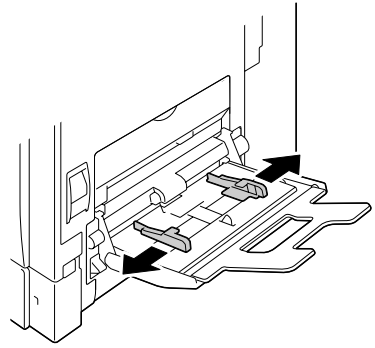
For details on the types and sizes of media that can be printed from Tray 1, refer to “Media Specifications” on page 100.

Loading Plain Paper

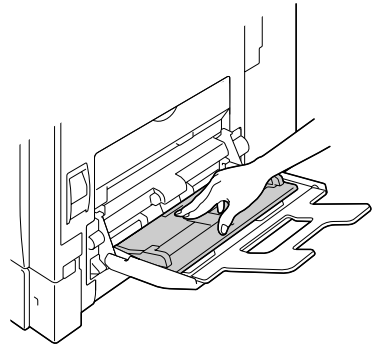
- 1 Open Tray 1.



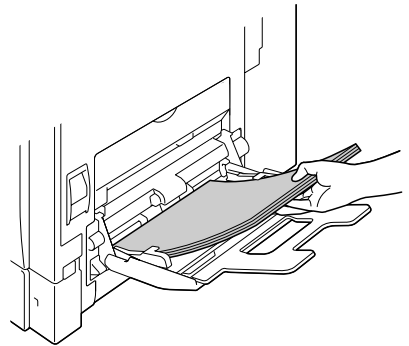
- 2 Slide the media guides to provide more space between them.



- 3 Press down on the center of the paper-lifting plate until the left and right locking tabs (white) lock into place.

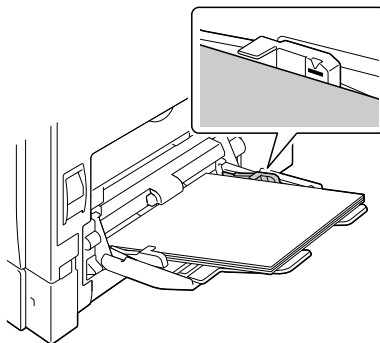


- 4 Load the paper face down in the tray.

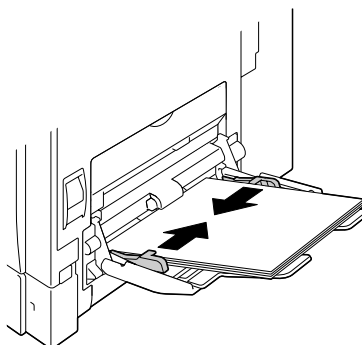




Do not load paper above the line. Up to 100 sheets (80 g/m² [22 lb]) of plain paper can be loaded into the tray at one time.



- 5 Slide the media guides against the edges of the paper.



- 6 Select PAPER MENU/PAPER SOURCE/TRAY 1/PAPER SIZE and PAPER TYPE in the configuration menu, and then select the setting for the size and type of paper that are loaded. See also “PAPER MENU” on page 41.



When printing from Tray 1 with the corresponding Paper Source setting in the printer driver Tray1 (Manual Feed), it is not necessary to change the configuration menu setting.

Other Media

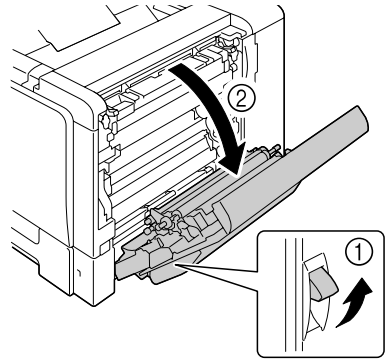
When loading media other than plain paper, set the media mode (Envelope, Label, Thick 1, Thick 2, Glossy 1, Glossy 2, or Transparency) in the driver for optimum print quality.

Loading Envelopes

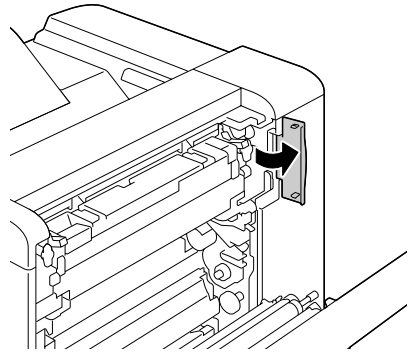
- 1 Pull the lever, and then open the right side cover.



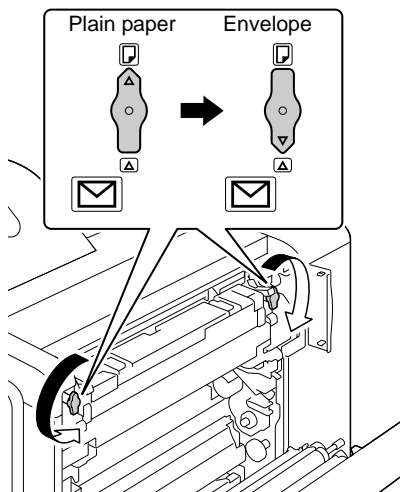
Before opening the right side cover, fold up Tray 1.



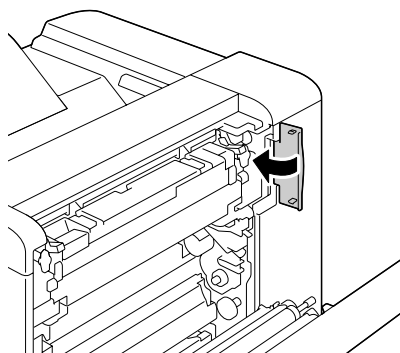
- 2 Open the door at the side of the right side cover.



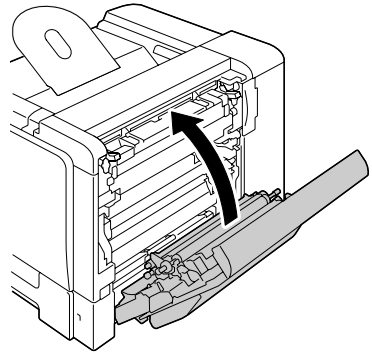
- 3 Turn the two dials on the fuser unit to the setting for envelopes.



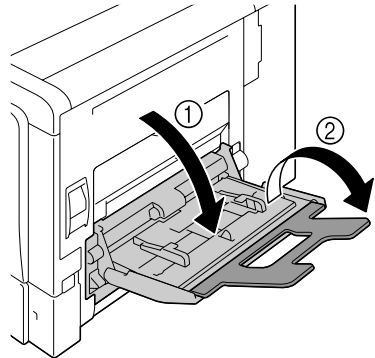
- 4 Close the door at the side of the right side cover.



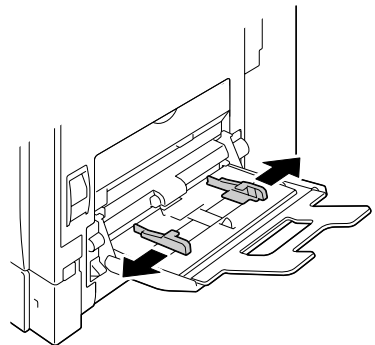
5 Close the right side cover.



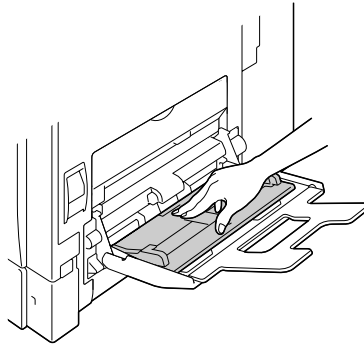
6 Open Tray 1.



7 Slide the media guides to provide more space between them.



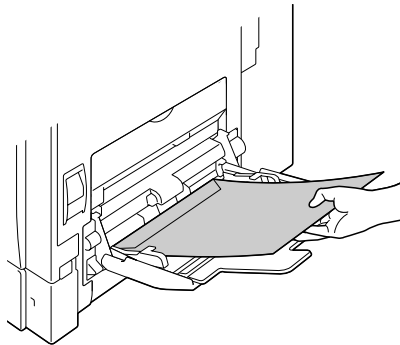
- 8 Press down on the center of the paper-lifting plate until the left and right locking tabs (white) lock into place.



- 9 Load the envelopes flap side up in the tray.



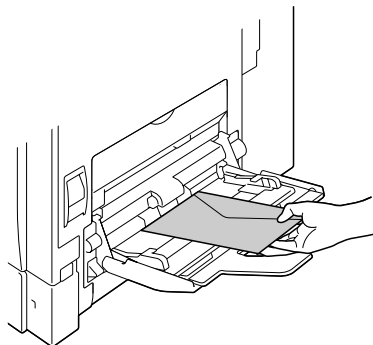
Before loading envelopes, press them down to make sure that all air is removed, and make sure that the folds of the flaps are firmly pressed; otherwise the envelopes may become wrinkled or a media misfeed may occur.



Up to 10 envelopes can be loaded into the tray at one time.



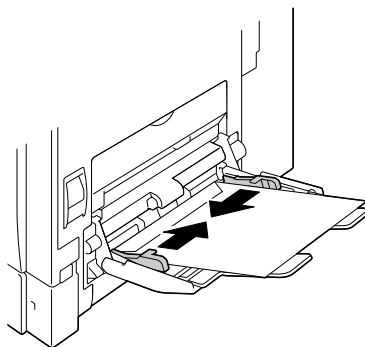
For envelopes with the flap along the long edge, load the envelopes with the flap toward the right of Tray 1.



- 10 Slide the media guides against the edges of the envelopes.



Before printing on plain paper, be sure to return the dials on the fuser unit to the setting for plain paper.



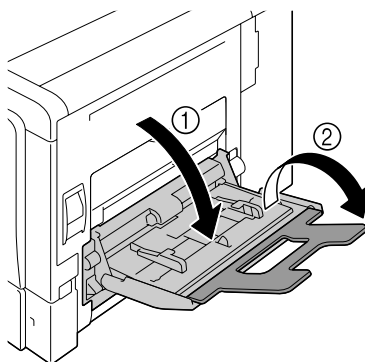
- 11 Select PAPER MENU/PAPER SOURCE/TRAY 1/PAPER SIZE and PAPER TYPE in the configuration menu, and then select the setting for the size and type of paper that are loaded. See also “PAPER MENU” on page 41.



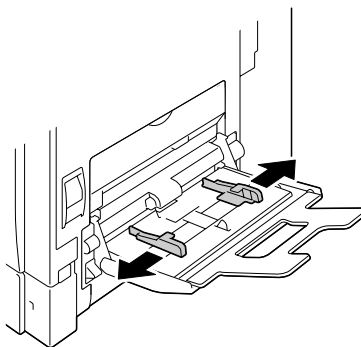
When printing from Tray 1 with the corresponding Paper Source setting in the printer driver Tray1 (Manual Feed), it is not necessary to change the configuration menu setting.

Loading Label Sheets/Postcards/Thick Stock/Glossy Media and Transparencies

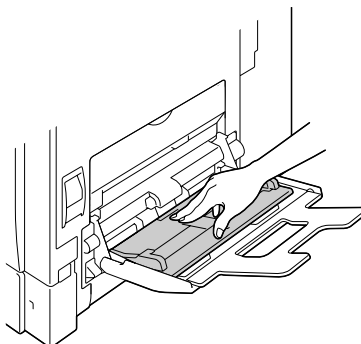
- 1 Open Tray 1.



- 2 Slide the media guides to provide more space between them.



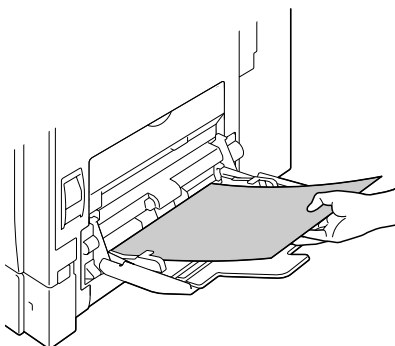
- 3 Press down on the center of the paper-lifting plate until the left and right locking tabs (white) lock into place.



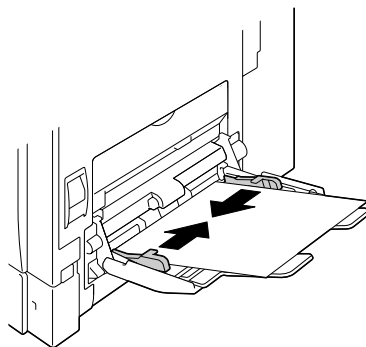
- 4 Load the media face down in the tray.



Up to 20 sheets can be loaded into the tray at one time.



- 5 Slide the media guides against the edges of the media.



- 6 Select PAPER MENU/PAPER SOURCE/TRAY 1/PAPER SIZE and PAPER TYPE in the configuration menu, and then select the setting for the size and type of paper that are loaded. See also "PAPER MENU" on page 41.

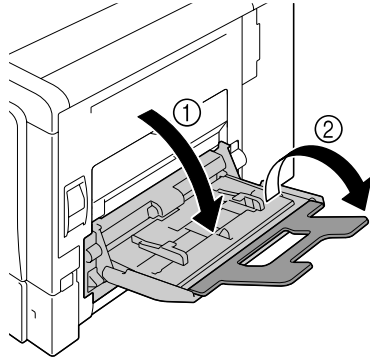


When printing from Tray 1 with the corresponding Paper Source setting in the printer driver Tray1 (Manual Feed), it is not necessary to change the configuration menu setting.

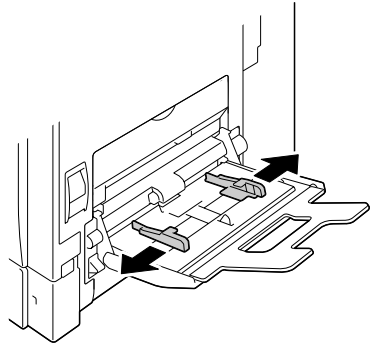
Loading Banner Paper

Paper up to 1200 mm long can be loaded into the bypass tray and printed one at a time.

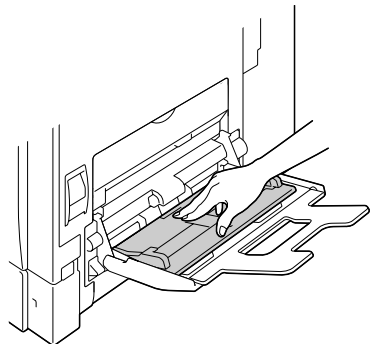
1 Open Tray 1.



2 Slide the media guides to provide more space between them.



3 Press down on the center of the paper-lifting plate until the left and right locking tabs (white) lock into place.



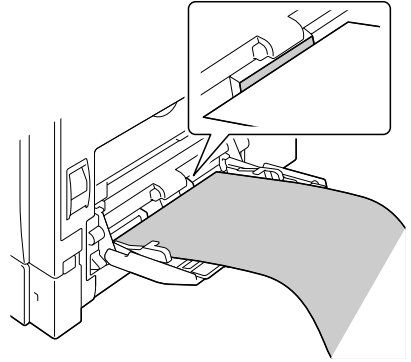
- 4** With the side of the banner paper to be printed on facing down, insert the end of the paper as much as possible into the feed slot.



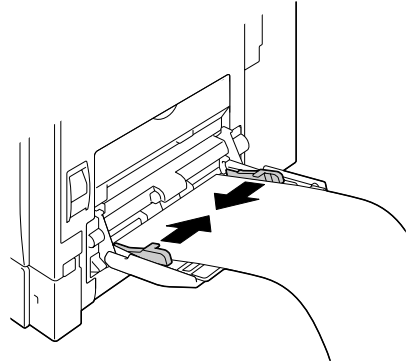
One sheet of banner paper can be loaded into the tray at one time.



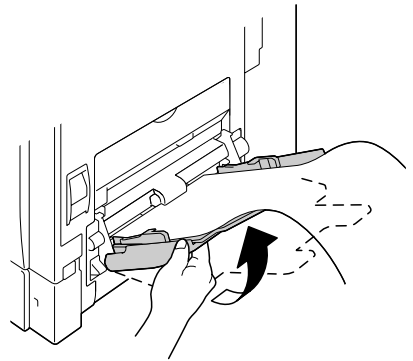
In order to avoid toner smudges, do not load curled paper.



- 5** Slide the media guides against the edges of the banner paper.



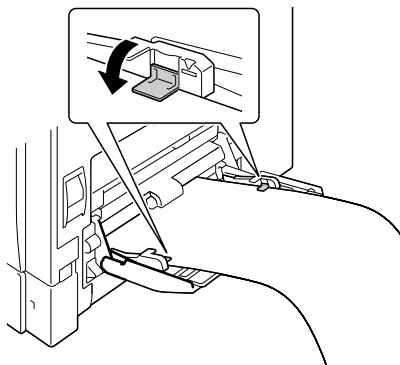
- 6** Raise the bypass tray, and secure the banner paper. Return the bypass tray to its original position.



- 7 Secure the banner paper with the left and right media guides.



When printing multiple copies on banner paper, repeat the procedure starting from step 2.

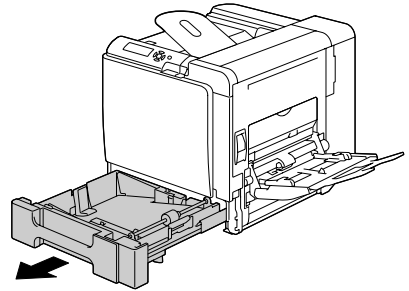


- 8 Select Tray 1 (Manual Feed) from the Paper Source list and specify a custom size in the Original Size list of the printer driver, and then print.

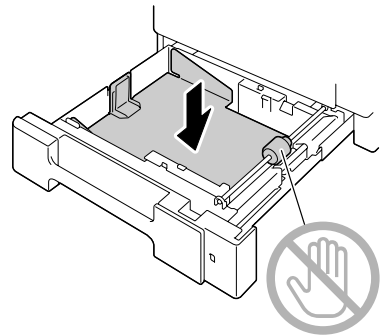
Tray 2

Loading Plain Paper

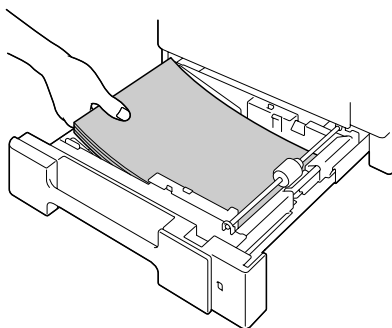
1 Pull out Tray 2.



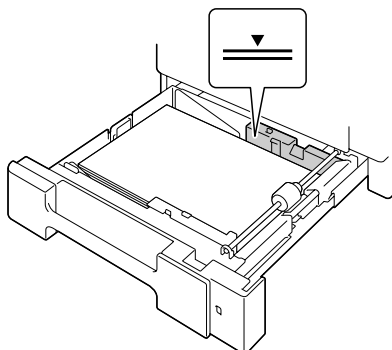
2 Press down the media pressure plate to lock it into place.



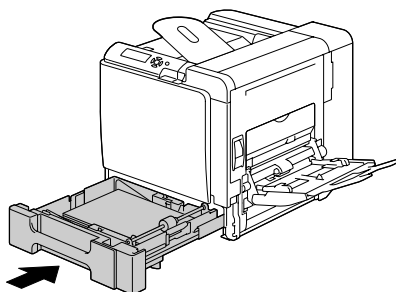
- 3** Load the paper face up in the tray.



Do not load above the ▼ mark. Up to 500 sheets (80 g/m² [22 lb]) of plain paper can be loaded into the tray at one time.



- 4** Close Tray 2.

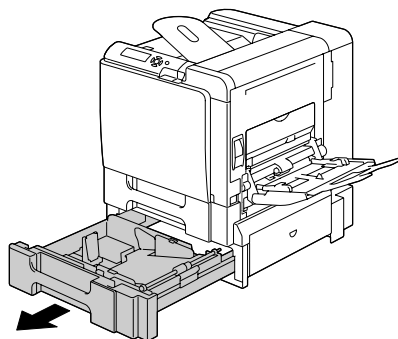


- 5** Select PAPER MENU/PAPER SOURCE/TRAY 2/PAPER SIZE and PAPER TYPE in the configuration menu, and then select the setting for the size and type of paper that are loaded. See also “PAPER MENU” on page 41.

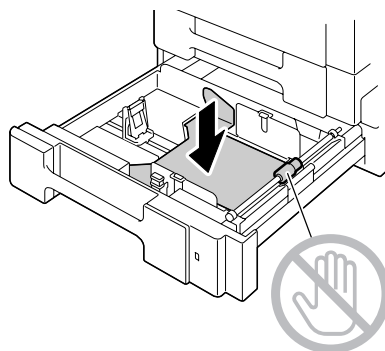
Tray 3/4 (Optional Lower Feeder Units)

Loading Plain Paper

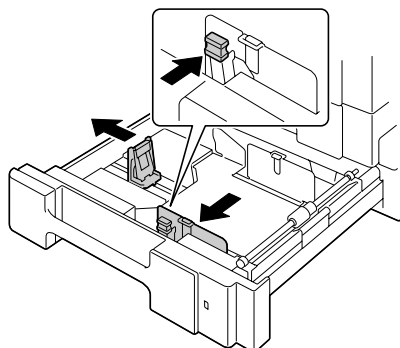
1 Pull out Tray 3 (Tray 4).



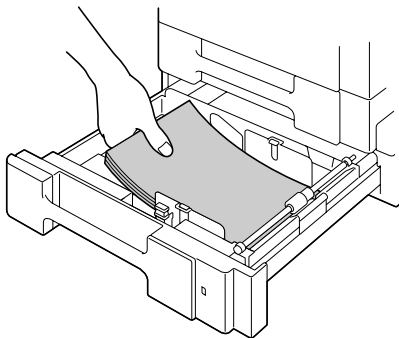
2 Press down the media pressure plate to lock it into place.



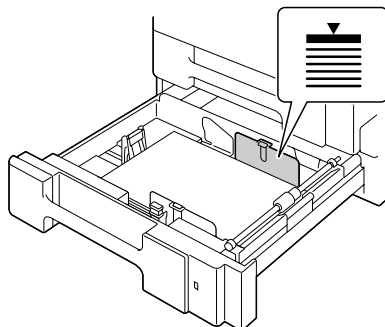
3 Slide the media guides to provide more space between them.



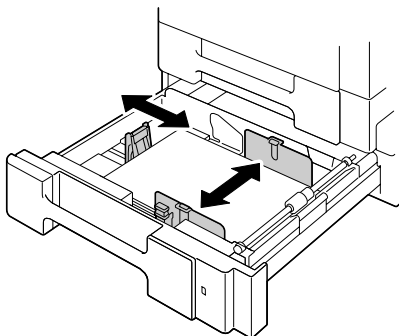
- 4** Load the paper face up in the tray.



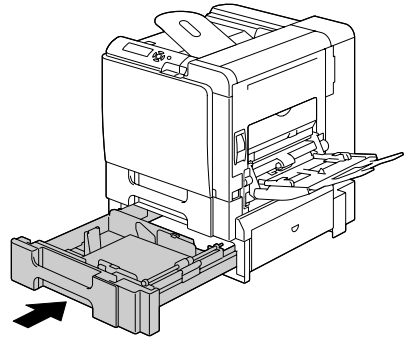
Do not load above the ▼ mark. Up to 500 sheets (80 g/m² [22 lb]) of plain paper can be loaded into the tray at one time.



- 5** Slide the media guides against the edges of the paper.



6 Close Tray 3 (Tray 4).



7 Select PAPER MENU/PAPER SOURCE/TRAY 3 (or TRAY 4)/PAPER TYPE in the configuration menu, and then select the setting for the type of paper that is loaded. See also “PAPER MENU” on page 41.

Duplexing

Select paper with high opacity for duplex (Double-Sided) printing. Opacity refers to how effectively paper blocks out what is written on the opposite side of the page. If the paper has low opacity (high translucency), then the printed data from one side of the page will show through to the other side. Check your application for margin information. For best results, print a small quantity to make sure the opacity is acceptable.

Duplex (Double-Sided) printing can be done manually or can be done automatically with the duplex option installed and selected.

Note

Only plain paper, 60–90 g/m² (16–24 lb bond) can be autoduplexed. See “Media Specifications” on page 100.

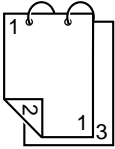
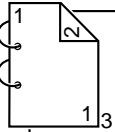
Duplexing envelopes, labels, postcards, thick stock, glossy media or transparencies is not supported.

How do I autoduplex?

You should verify that the duplex option is physically installed on the printer to successfully duplex (Double-Sided) the job.

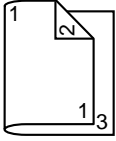
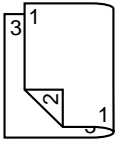
Check your application to determine how to set your margins for duplex (Double-Sided) printing.

The following Binding Position settings are available.

	If “Short Edge” is selected, the pages will be laid out to flip at the top.
	If “Long Edge” is selected, the pages will be laid out to flip at the side.

In addition, if “N-up” has been set to “Booklet”, autoduplex printing is performed.

The following Order settings are available when “Booklet” is selected.

 A diagram showing a sheet of paper being folded into a booklet. The top-left corner is labeled '1', the top-right corner is labeled '2', and the bottom-right corner is labeled '3'. The paper is shown in a folded state, with the top edge on the left and the bottom edge on the right.	If “Left Binding” is selected, the pages can be folded as a left-bound booklet.
 A diagram showing a sheet of paper being folded into a booklet. The top-left corner is labeled '3', the top-right corner is labeled '1', and the bottom-right corner is labeled '1'. The paper is shown in a folded state, with the top edge on the left and the bottom edge on the right.	If “Right Binding” is selected, the pages can be folded as a right-bound booklet.

- 1 Load plain paper into the tray.
- 2 From the printer driver, specify duplex (Double-Sided) printing (Layout tab in Windows).
- 3 Click **OK**.



With autoduplexing, the back side is printed first, and then the front side is printed.

Output Tray

All printed media is output to the face-down output tray on top of the printer. This tray has a capacity of approximately 250 sheets (A4/Letter) of 80 g/m² (22 lb) paper.



If the media is stacked too high in the output tray, your printer may experience media misfeeds, excessive media curl, or static buildup.



Remove transparencies as soon as possible from the output tray to avoid static buildup.

Finishing

When the optional staple finisher is installed, job separation, offset and staple printing can be performed. For the installation procedure, refer to “Staple Finisher” on page 246. Settings can be specified for job separation, offset and staple printing by selecting JOB SEPARATION or FINISHING in PAPER MENU.



Use the following paper with job separation, offset and staple printing.

Media Types	Plain paper, Recycled paper and Letterhead (changes according to the paper thickness)
Media Size	Width: 182 to 216 mm Length: 257 to 355.6 mm



Paper is fed to the main output tray with job separation, offset and staple printing.

Job Separation Printing

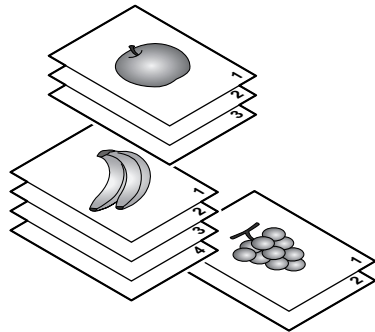
When paper is fed to the main output tray, the pages are fed out shifted as shown below.



When paper is fed to the sub output tray, the pages are fed out stacked on top of each other without being shifted.



If staple printing is selected, the pages are stapled together before being fed out.



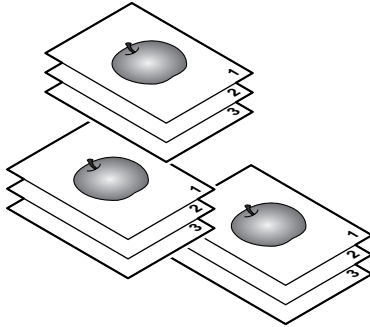
Offset Printing

If offset printing is selected, the paper is fed out shifted as shown below.

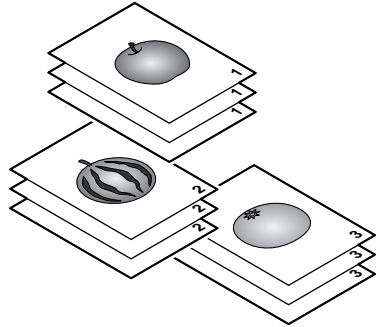


When PAPER MENU/COLLATE is set to ON, the pages are fed out in sets as shown below.

- When COLLATE is set to ON



- When COLLATE is set to OFF



Staple printing

Pages are stapled and fed out by job or by copy set as shown below.

Page in the portrait orientation are stapled in the upper-left corner.



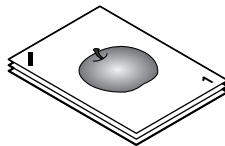
The copies can be stapled when they contain 2 to 30 pages (3 to 60 pages when double-sided).



If staple printing is selected when COLLATE is set to ON, the pages are stapled before being fed out. If staple printing is selected when COLLATE is set to OFF, the pages are not stapled before being fed out (except when only one copy is being printed).



When copies are stapled, they are not fed out shifted as with offset printing or job separation printing. Instead, they are fed out at the same position.



Media Storage

How do I store media?

- Keep media on a flat, level surface in its original wrapper until it is time to load it.

Media that has been stored for a long time out of its packaging may dry up too much and cause misfeeding.

- If media has been removed from its wrapper, place it in its original packaging and store in a cool, dark place on a level surface.
- Avoid moisture, excessive humidity, direct sunlight, excessive heat (above 35°C [95°F]), and dust.
- Avoid leaning media against other objects or placing it in an upright position.

Before using stored media, do a trial print to check print quality.

***Replacing
Consumables***

8

Replacing Consumables

Note

Failure to follow instructions as outlined in this manual could result in voiding your warranty.

Note

If an error message (TONER EMPTY, TRANS . BELT END OF LIFE, etc.) appears, print out the configuration page, and then check the status of the other consumables. For details on the error messages, refer to “Error Messages (Warning:)” on page 217. For details on printing the configuration page, refer to “Printing a Configuration Page” on page 178.

About Toner Cartridges

Your printer uses four toner cartridges: black, yellow, magenta, and cyan. Handle the toner cartridges carefully to avoid spilling toner inside the printer or on yourself.



Install only new toner cartridges in your printer. If a used toner cartridge is installed, the indicator message will not clear and the supplies status in the Status Monitor will not be updated.



The toner is nontoxic. If you get toner on your skin, wash it off with cool water and a mild soap. If you get toner on your clothes, lightly dust them off as best as you can. If some toner remains on your clothes, use cool, not hot water, to rinse the toner off.



CAUTION

If you get toner in your eyes, wash it out immediately with cool water and consult a doctor.



*Refer to the following URL for recycling information.
US: printer.konicaminolta.com/products/recycle/index.asp
Europe: printer.konicaminoltaeurope.com/cleanplanet/
Other regions: printer.konicaminolta.com*

Note

Do not use refilled toner cartridges or unapproved toner cartridges. Any damage to the printer or quality problems caused by a refilled toner cartridge or an unapproved toner cartridge will void your warranty. No technical support is provided to recover from these problems.

When replacing a toner cartridge, refer to the following table. For optimum print quality and performance, use only approved KONICA MINOLTA toner cartridges for your specific printer type, as listed in the table below. You can find your printer type and the toner cartridge part numbers on the consumables reorder label inside the front cover your printer.

Printer Type	Printer Parts Number	Toner Cartridge Type	Toner Cartridge Parts Number
AM	A011 011 (magicolor 5570)	Standard-Capacity Toner Cartridge -Black (K)	A06V 132
		Standard-Capacity Toner Cartridge -Yellow (Y)	A06V 232
		Standard-Capacity Toner Cartridge -Magenta (M)	A06V 332
	A011 012 (magicolor 5550)	Standard-Capacity Toner Cartridge -Cyan (C)	A06V 432
		High-Capacity Toner Cartridge -Black (K)	A06V 133
		High-Capacity Toner Cartridge -Yellow (Y)	A06V 233
		High-Capacity Toner Cartridge -Magenta (M)	A06V 333
EU	A011 021 (magicolor 5570)	High-Capacity Toner Cartridge -Cyan (C)	A06V 433
		Standard-Capacity Toner Cartridge -Black (K)	A06V 152
		Standard-Capacity Toner Cartridge -Yellow (Y)	A06V 252
	A011 022 (magicolor 5550)	Standard-Capacity Toner Cartridge -Magenta (M)	A06V 352
		Standard-Capacity Toner Cartridge -Cyan (C)	A06V 452
		High-Capacity Toner Cartridge -Black (K)	A06V 153
		High-Capacity Toner Cartridge -Yellow (Y)	A06V 253
AP	A011 041 (magicolor 5570)	High-Capacity Toner Cartridge -Magenta (M)	A06V 353
		Standard-Capacity Toner Cartridge -Black (K)	A06V 192
		Standard-Capacity Toner Cartridge -Yellow (Y)	A06V 292
	A011 042 (magicolor 5550)	Standard-Capacity Toner Cartridge -Magenta (M)	A06V 392
		Standard-Capacity Toner Cartridge -Cyan (C)	A06V 492
		High-Capacity Toner Cartridge -Black (K)	A06V 193
		High-Capacity Toner Cartridge -Yellow (Y)	A06V 293
GC	A011 081 (magicolor 5570)	High-Capacity Toner Cartridge -Magenta (M)	A06V 393
		High-Capacity Toner Cartridge -Cyan (C)	A06V 493
		Standard-Capacity Toner Cartridge -Black (K)	A06V 182
	A011 082 (magicolor 5550)	Standard-Capacity Toner Cartridge -Yellow (Y)	A06V 282
		Standard-Capacity Toner Cartridge -Magenta (M)	A06V 382
		Standard-Capacity Toner Cartridge -Cyan (C)	A06V 482
		High-Capacity Toner Cartridge -Black (K)	A06V 183
GC	A011 082 (magicolor 5550)	High-Capacity Toner Cartridge -Yellow (Y)	A06V 283
		High-Capacity Toner Cartridge -Magenta (M)	A06V 383
GC	A011 082 (magicolor 5550)	High-Capacity Toner Cartridge -Cyan (C)	A06V 483



For optimum print quality and performance, use only the corresponding TYPE genuine KONICA MINOLTA toner cartridges.

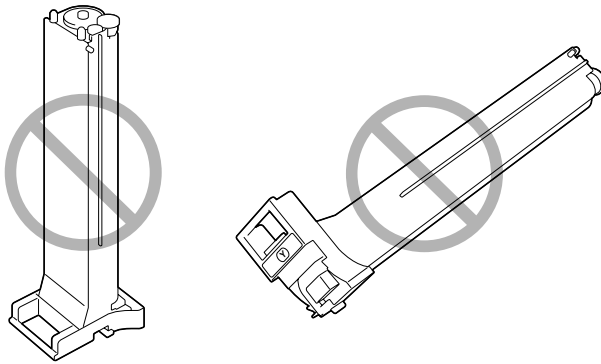
Keep toner cartridges:

- In their packaging until you're ready to install them.
- In a cool, dry location away from sunlight (due to heat).

The maximum storage temperature is 35°C (95°F) and the maximum storage humidity is 85% (noncondensing). If the toner cartridge is moved from a cold place to a warm, humid place, condensation may occur, degrading print quality. Allow the toner to adapt to the environment for about one hour before use.

- Level during handling and storage.

Do not hold, stand or store cartridges on their ends or turn them upside down; the toner inside the cartridges may become caked or unequally distributed.



- Away from salty air and corrosive gases such as aerosols.

Replacing a Toner Cartridge

Note

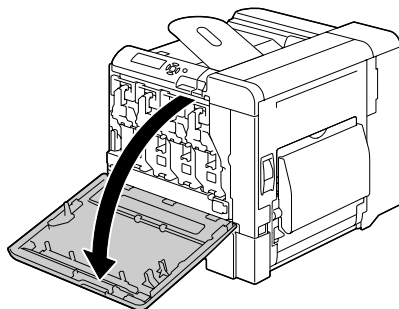
Be careful not to spill toner while replacing a toner cartridge. If toner spills, immediately wipe it off with a soft, dry cloth.

If **TONER LOW** on the **SYS DEFAULT MENU/ENABLE WARNING** is set to **ON**, the message **TONER LOW X** (where "X" represents the color of the toner) appears when toner cartridge becomes empty. Follow the steps below to replace the toner cartridge.

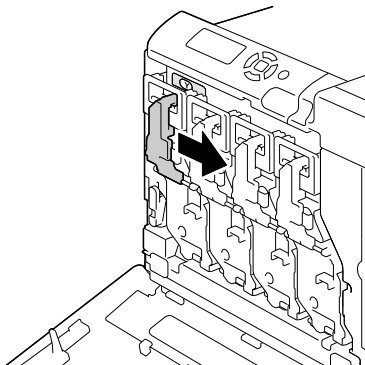


*If **TONER LOW** on the **SYS DEFAULT MENU/ENABLE WARNING** is set to **OFF**, you are advised to replace the indicated toner cartridge when the message **TONER EMPTY X** appear.*

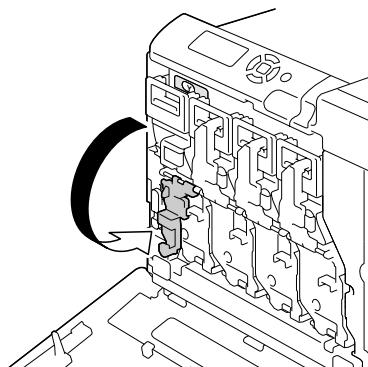
- 1 Open the printer's front cover.



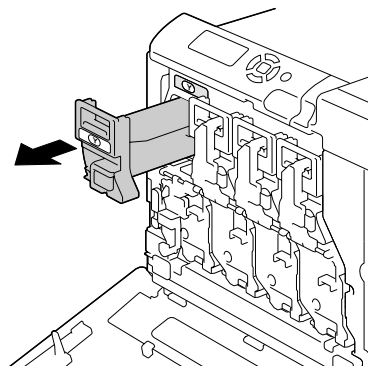
- 2 Pull the front lever to the right.



- 3** Lower the lever to release the lock.



- 4** Grab the handle of the toner cartridge to be replaced, and then pull out the cartridge.

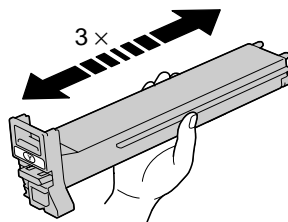


Note

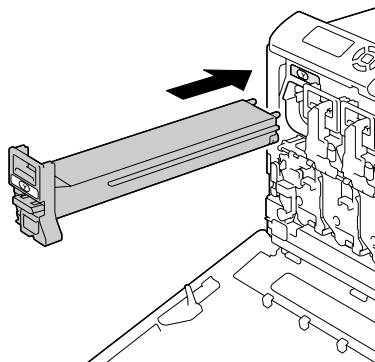
Dispose of the used toner cartridge according to your local regulations. Do not burn the toner cartridge. For details, refer to “About Toner Cartridges” on page 134.

- 5** Check the color of the new toner cartridge to be installed.
6 Remove the toner cartridge from the bag.

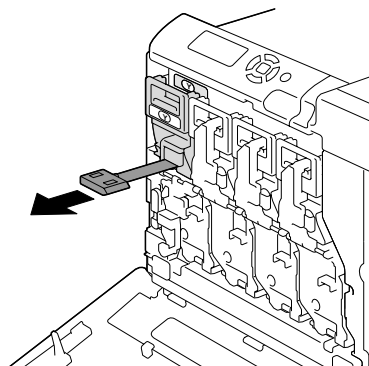
- 7 Shake the cartridge to distribute the toner.



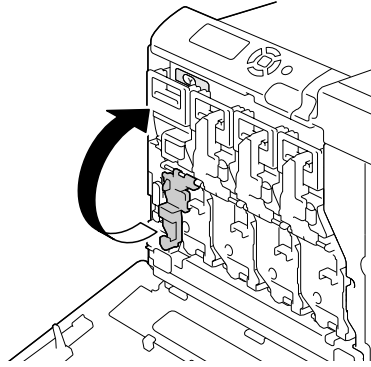
- 8 Make sure that the toner cartridge is the same color as the printer compartment, and then insert the toner cartridge into the printer.



- 9 Make sure that the toner cartridge is securely installed, and then peel off the protective film.



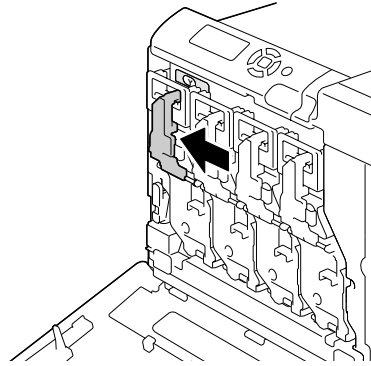
- 10 Raise the front lever to its original position.



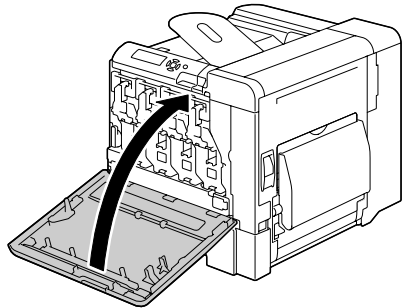
- 11 Pull the lever to the left to lock it in place.



The front lever should be securely returned to its original position; otherwise, the front cover of the printer cannot be closed.



- 12 Close the front cover.



Replacing a Print Unit

When replacing a print unit, refer to the following table. For optimum print quality and performance, use only approved KONICA MINOLTA print units for your specific printer type, as listed in the table below. You can find your printer type and the print unit part numbers on the consumables reorder label inside the front cover your printer.

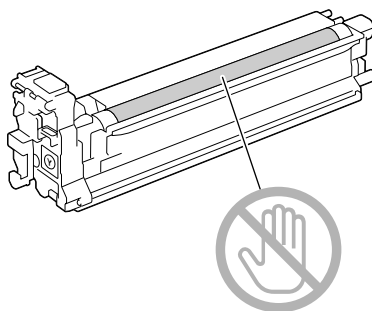
Printer Type	Printer Parts Number	Print Unit Type	Print Unit Parts Number
AM	A011 011 (magicolor 5570)	Print Unit - Black (K)	A031 00F
		Print Unit - Yellow (Y)	A031 05F
	A011 012 (magicolor 5550)	Print Unit - Magenta (M)	A031 0AF
		Print Unit - Cyan (C)	A031 0GF
EU	A011 021 (magicolor 5570)	Print Unit - Black (K)	A031 00H
		Print Unit - Yellow (Y)	A031 05H
	A011 022 (magicolor 5550)	Print Unit - Magenta (M)	A031 0AH
		Print Unit - Cyan (C)	A031 0GH
AP	A011 041 (magicolor 5570)	Print Unit - Black (K)	A031 00H
		Print Unit - Yellow (Y)	A031 05H
	A011 042 (magicolor 5550)	Print Unit - Magenta (M)	A031 0AH
		Print Unit - Cyan (C)	A031 0GH
GC	A011 081 (magicolor 5570)	Print Unit - Black (K)	A031 00N
		Print Unit - Yellow (Y)	A031 05N
	A011 082 (magicolor 5550)	Print Unit - Magenta (M)	A031 0AN
		Print Unit - Cyan (C)	A031 0GN



"I-UNIT" displayed in the control panel refers to the print unit.

Note

Do not touch the OPC drum surface. This could lower image quality.

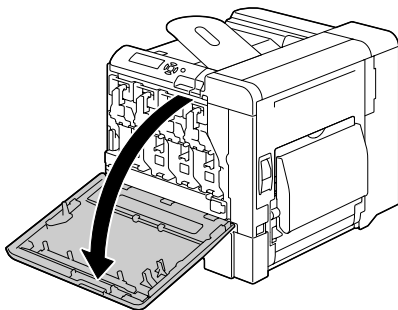


If I-UNIT LOW on the SYS DEFAULT MENU/ENABLE WARNING is set to ON, the message I-UNIT LOW X (where “X” represents the color of the toner) appears when a print unit becomes empty. Follow the steps below to replace the print unit.

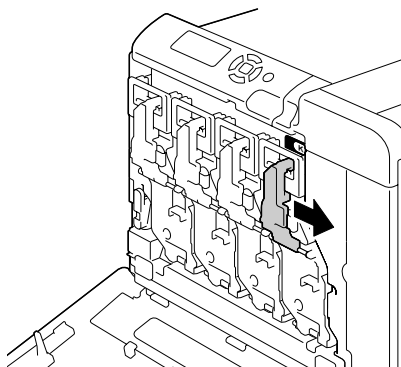


You are advised to replace the indicated print unit when the message I-UNIT LIFE X appears.

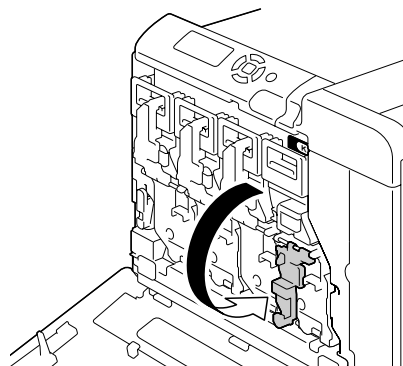
- 1 Check the message window to see which color print unit needs replacing.
- 2 Open the printer's front cover.



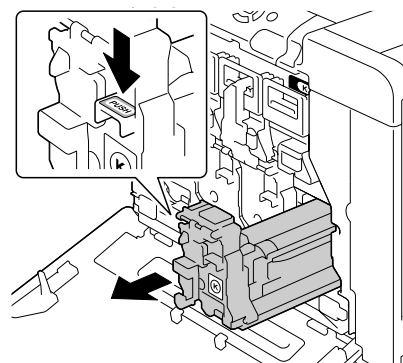
- 3 Pull the front lever to the right.



- 4 Lower the lever to release the lock.



- 5 Press down the area marked "Push" on the print unit to be replaced, and then slide the unit all the way out of the printer.



Note

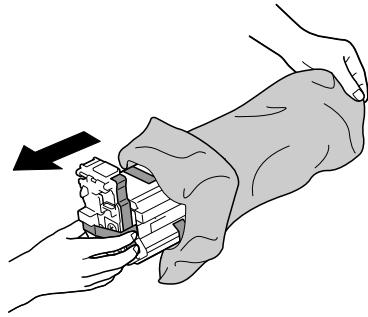
Dispose of the used print unit according to your local regulations. Do not burn the print unit.

- 6 Check the color of the new print unit to be installed.



In order to prevent toner from spilling, leave the print unit in the bag until step 5 is being performed.

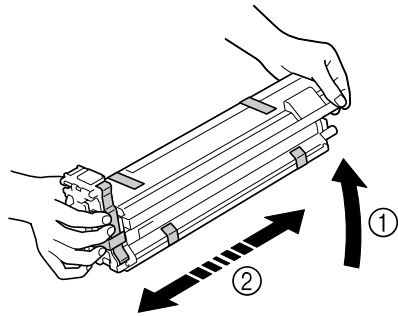
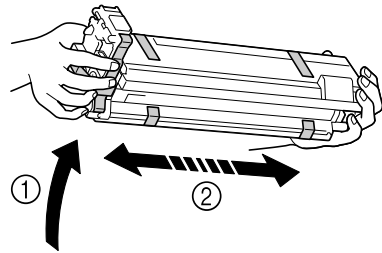
- 7 Remove the print unit from the bag.



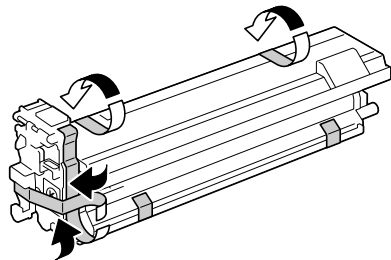
- 8 Hold the print unit with both hands, and then shake it twice as shown in the illustration.



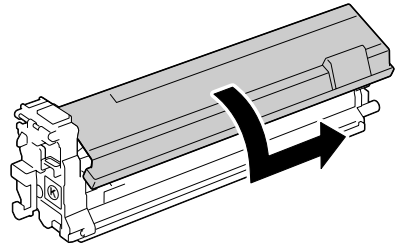
Do not grab the bottom of the bag; otherwise, the print unit may be damaged, resulting in decreased print quality.



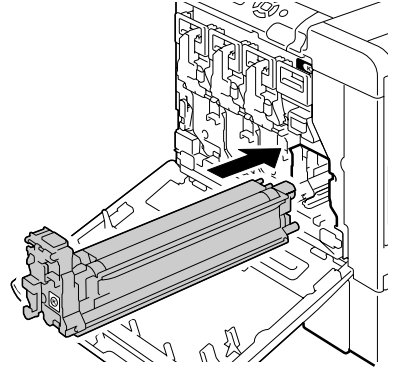
- 9 Remove all packing tape from the print unit.



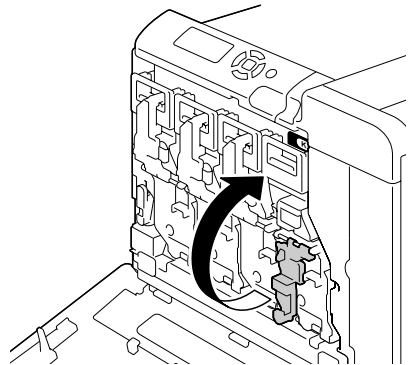
- 10** Remove the protective cover from the print unit. The protective cover slides after having turned.



- 11** Make sure that the new print unit to be installed is the same color as the printer compartment, and then install the print unit in the printer.



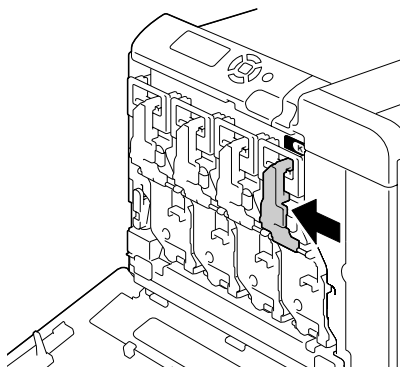
- 12** Raise the front lever to its original position.



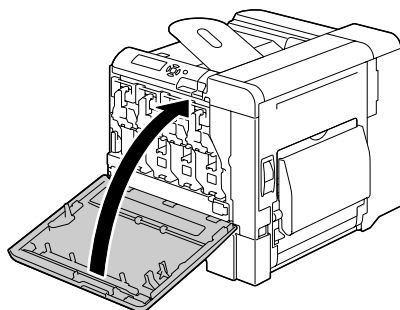
- 13** Pull the lever to the left to lock it in place.



The front lever should be securely returned to its original position; otherwise, the front cover of the printer cannot be closed.



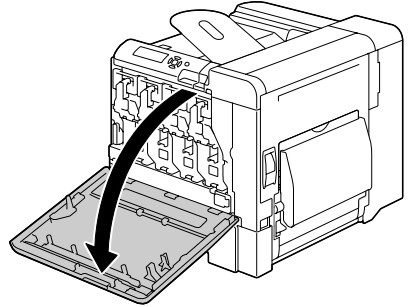
- 14** Close the front cover.



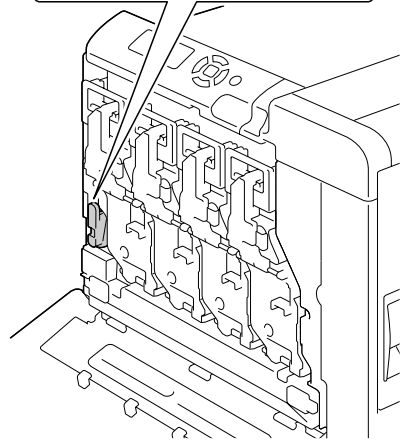
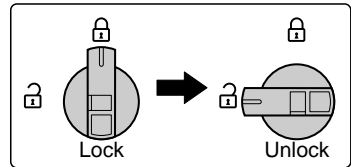
Replacing the Waste Toner Bottle

When the waste toner bottle becomes full, the message **WASTE TONER FULL/REPLACE BOTTLE** appears in the message window. The printer stops and will not start again until the waste toner bottle is replaced.

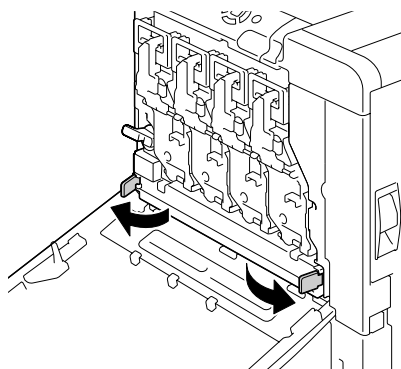
- 1 Open the printer's front cover.



- 2 Turn the dial on the waste toner bottle counterclockwise until it is in the unlock position.



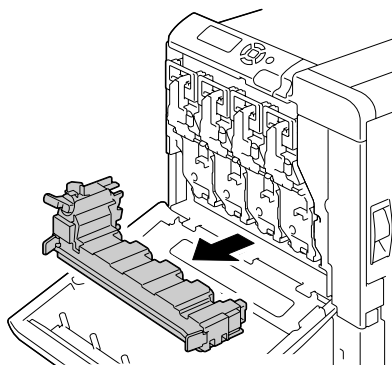
- 3 Open the left and right handles of the waste toner bottle.



- 4 Grab the left and right handles of the waste toner bottle, and then slowly pull out the bottle.



Be careful since some waste toner may spill if the lock is closed when the waste toner bottle is removed.



- 5 Remove the new waste toner bottle from its packaging. Insert the used waste toner bottle into the plastic bag included in the box, and then box it up.

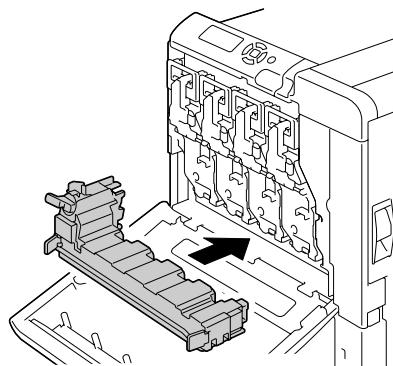
Note

Dispose of the used waste toner bottle according to your local regulations. Do not burn the waste toner bottle.

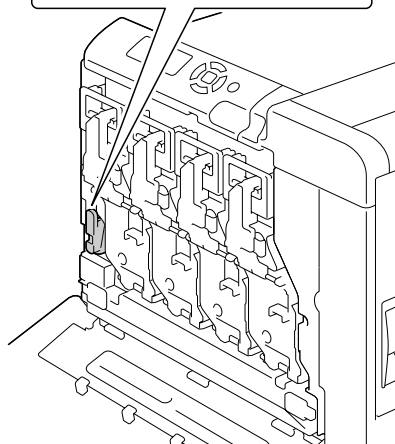
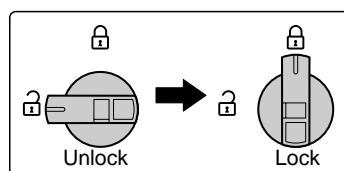


Before installing the waste toner bottle, be sure that the dial on the waste toner bottle is unlocked.

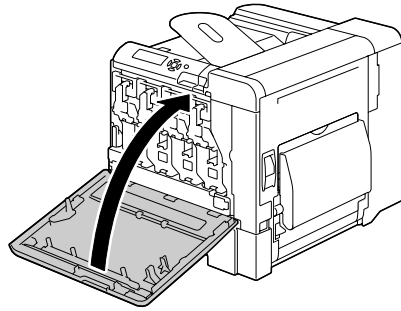
- 6 Slide the waste toner bottle all the way into the printer.



- 7 Turn the dial clockwise until the waste toner bottle is in the locked position.



- 8 Close the front cover.



If the waste toner bottle is not fully inserted or if the dial is not locked, the front cover cannot be closed.

Replacing the Transfer Roller

When the time to replace the transfer roller is reached, the message **TRANS. ROLLER/END OF LIFE** appears. Printing can continue even after this message appears; however, since the print quality is reduced, the transfer roller should be replaced immediately.

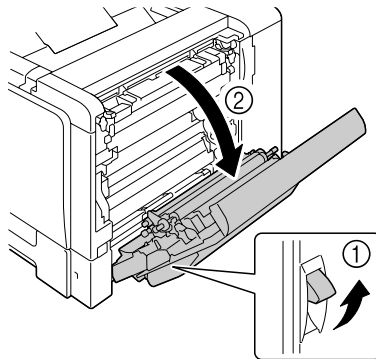
When replacing the transfer roller, also replace the ozone filter. A new ozone filter is included with the new transfer roller.

Replacing the Transfer Roller

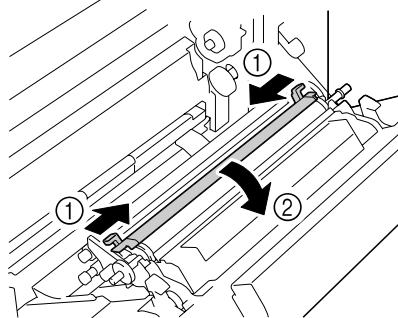
- 1 Pull the lever, and then open the right side cover.



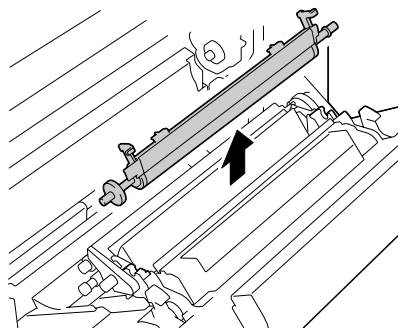
Before opening the right side cover, fold up Tray 1.



- 2** While pushing the levers to the inside, move the roller presser toward you.

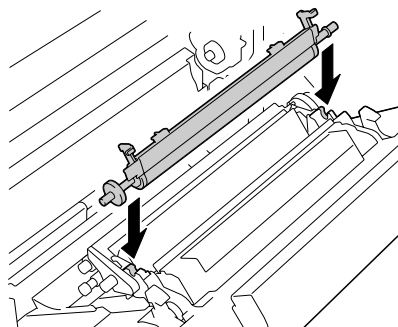


- 3** While continuing to press the levers, remove the transfer roller.

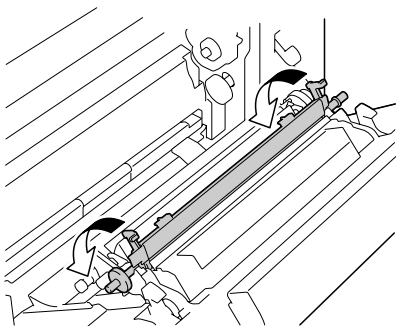


- 4** Prepare a new transfer roller.

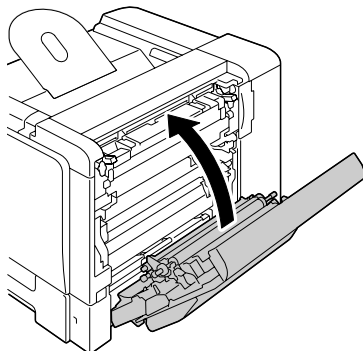
- 5** While pressing the levers, insert the shaft of the transfer roller into the bearings.



- 6** Move the levers away from you until it snaps into place.



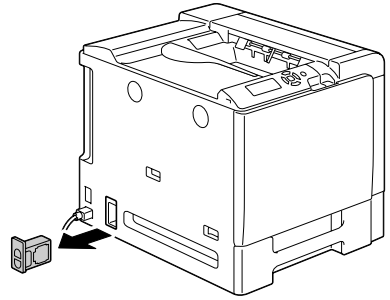
- 7** Close the right side cover.



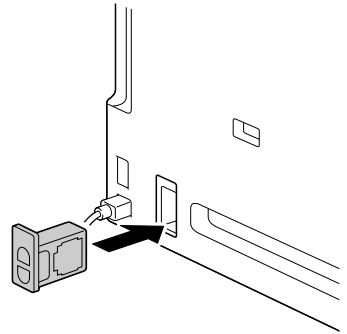
- 8** Reset the counter in the MAINTENANCE MENU / SUPPLIES / REPLACE / TRANS. ROLLER menu.
- 9** Replace the ozone filter, using the following procedure.

Replacing the Ozone Filter

- 1 Remove the ozone filter from the printer.



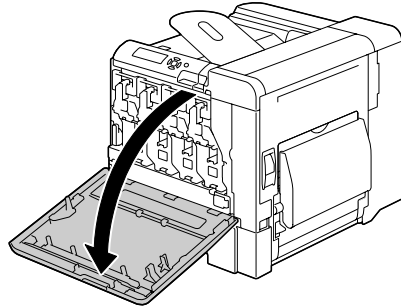
- 2 Slide the new ozone filter into the printer until it snaps into place.



Replacing the Transfer Belt Unit

When the time to replace the transfer belt unit is reached, the message TRANS. BELT/END OF LIFE appears. Printing can continue even after this message appears; however, since the print quality is reduced, the transfer belt unit should be replaced immediately.

1 Open the printer's front cover.



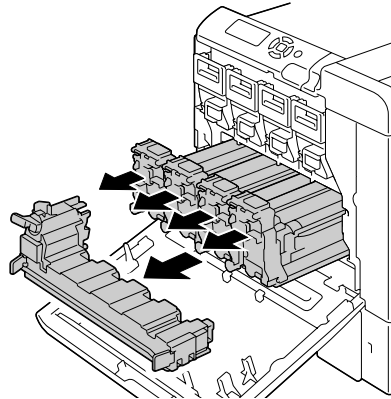
2 Remove the print unit and waste toner bottle.




For details on removing the print unit or waste toner bottle, refer to "Replacing a Print Unit" on page 141 or "Replacing the Waste Toner Bottle" on page 147.

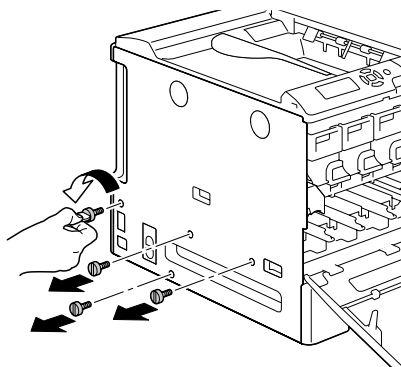


Cover the removed print unit to protect it from direct sunlight.

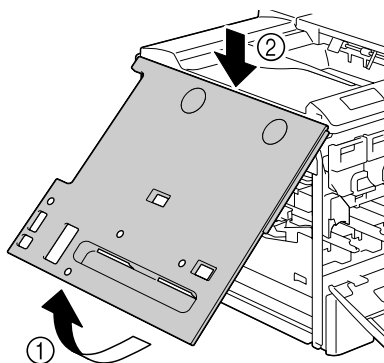


- 3 Using a coin, remove the four screws on the left side.


 *Be careful not to lose the screws.*

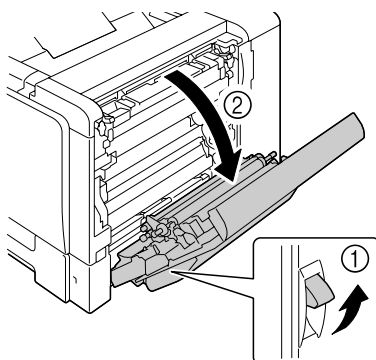


- 4 Remove the left-side cover.



- 5 Pull the lever, and then open the right side cover.

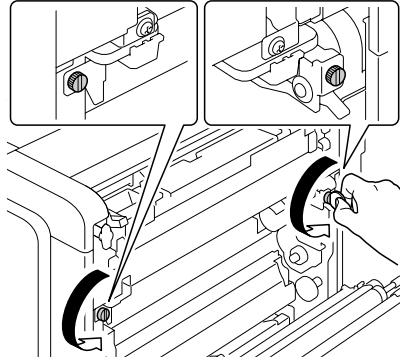
 *Before opening the right side cover, fold up Tray 1.*



- 6** Open the right side cover, and then use a coin to loosen the screws securing the transfer belt unit.



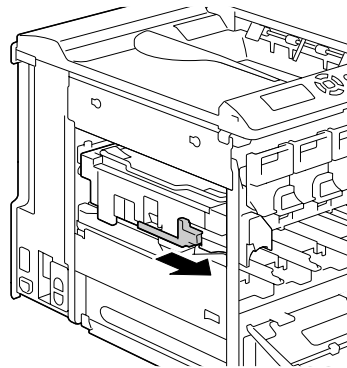
Before opening the right side cover, fold up Tray 1.



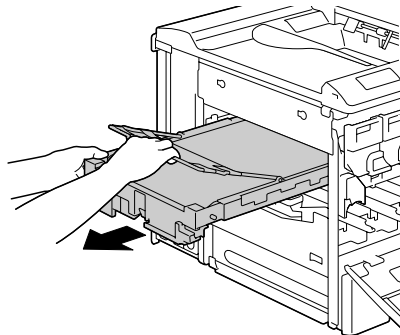
- 7** On the left side, pull to the right the blue shutter lever for the transfer belt unit.



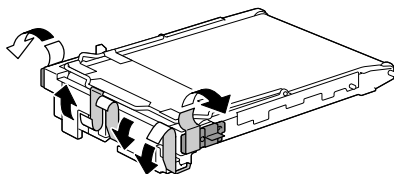
Do not remove the blue lever.



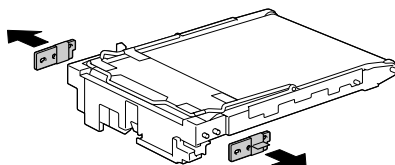
- 8** From the side where the left side cover was removed, hold the arm, and then carefully pull out the transfer belt unit.



- 9 Remove all packing tape from the transfer belt unit.



- 10 Remove the protective cover from the transfer belt unit.



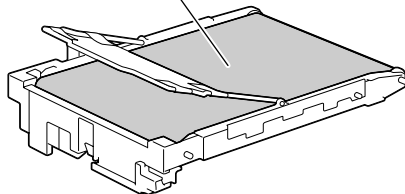
- 11 Prepare a new transfer belt unit.



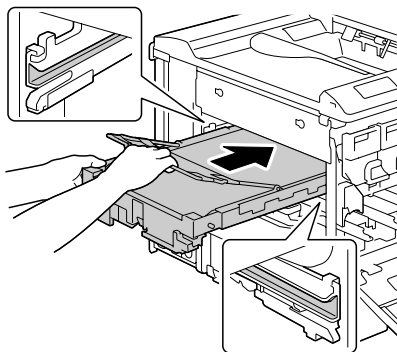
Be careful not to touch the surface of the belt.



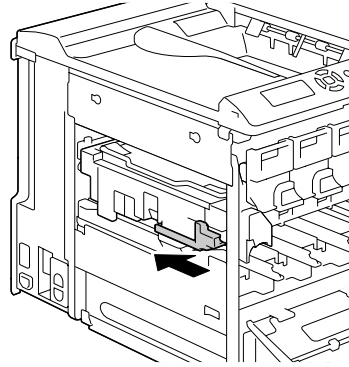
Do not remove the blue lever.



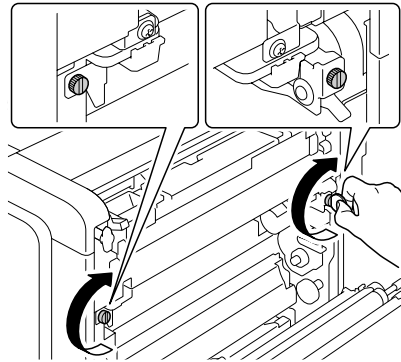
- 12 Insert the new transfer belt unit along the rails.



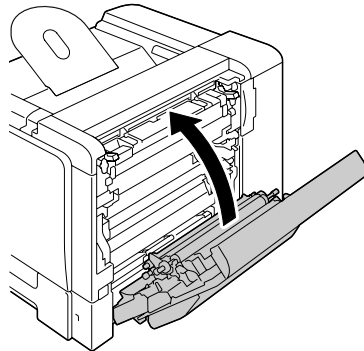
- 13** On the left side, pull to the left the blue shutter lever for the transfer belt unit.



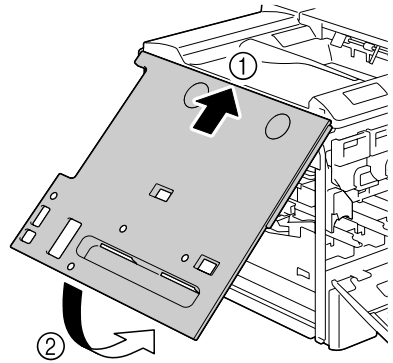
- 14** From the right side cover side, tighten the screws to secure the transfer belt unit and then close the right side cover.



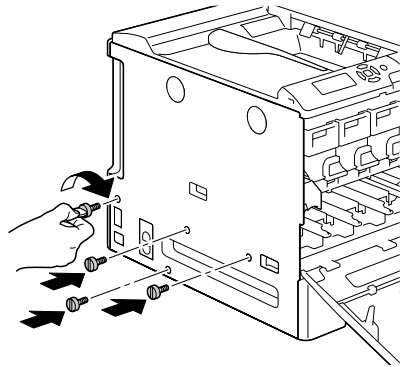
- 15** Close the right side cover.



16 Attach the left-side cover.



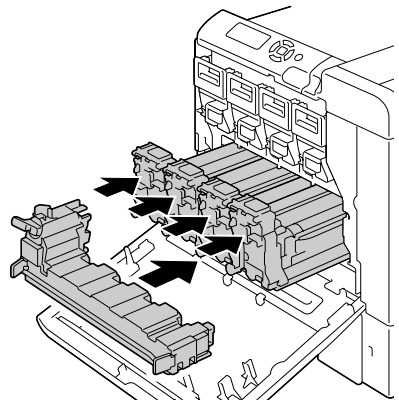
17 Tighten the four screws on the left side.



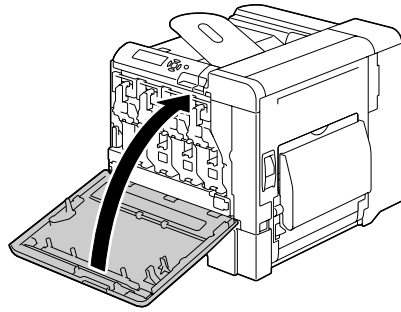
18 Install the print unit and waste toner bottle.



For details on installing the print unit or waste toner bottle, refer to “Replacing a Print Unit” on page 141 or “Replacing the Waste Toner Bottle” on page 147.



19 Close the front cover.



20 Reset the counter in the MAINTENANCE MENU/SUPPLIES/REPLACE/TRANS. BELT menu.

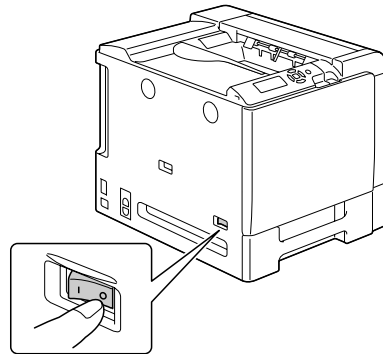
Replacing the Backup Battery

If the backup battery is dead, the printer's date and time cannot be retained. Follow the procedure described below to replace the backup battery.

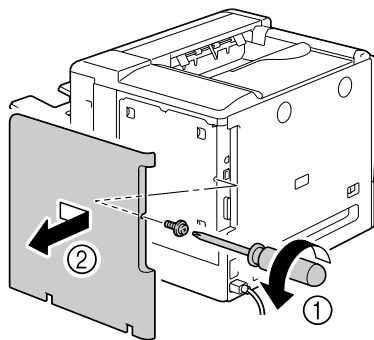
Note

It's very important to protect the printer controller board and any associated circuit boards from electrostatic damage. Before performing this procedure, review the antistatic caution on page 228. In addition, always handle circuit boards by the edges only.

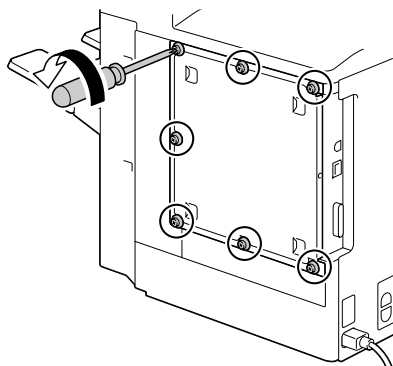
- 1 Turn off the printer and disconnect the power cord and interface cables.



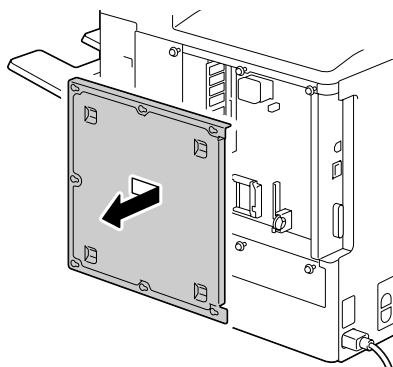
- 2 Using a screwdriver, remove the screw. Then, slide the rear cover to the right and remove it.



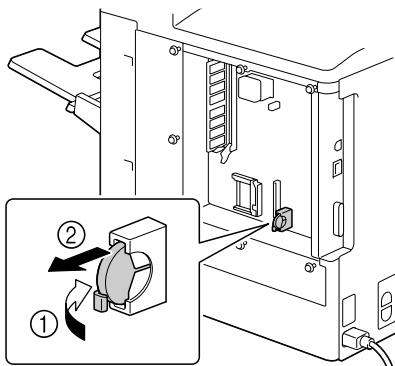
- 3 Using a screwdriver, loosen the seven screws. (Do not remove them from the printer.)



- 4 Slide the panel slightly to the right and lift it off the printer.



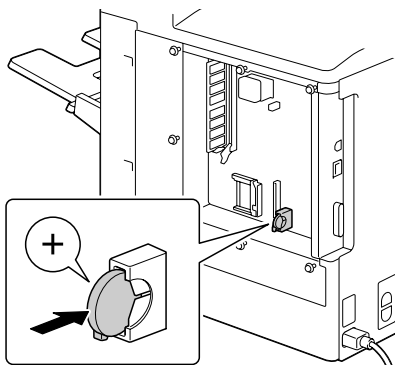
- 5 Remove the hook, and then remove the backup battery.



- 6 Insert a new backup battery.



When inserting the new backup battery, be sure that the + side faces toward the left.

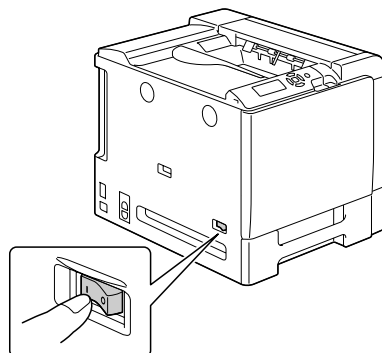


- 7 Reinstall the panel and tighten the seven screws.

- 8 Attach the rear cover.

- 9 Reconnect all interface cables.

- 10 Reconnect the power cord, and turn on the printer.

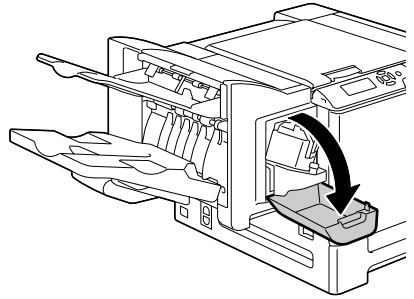


- 11 Use **DATE** on the **SYS DEFAULT MENU/CLOCK** menu to set the date, and use **TIME** on the **SYS DEFAULT MENU/CLOCK** menu to set the time.

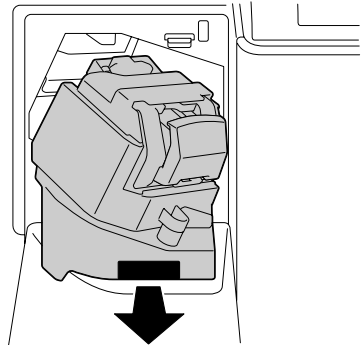
Replacing the Staple

When there are no more staples, the message **STAPLER EMPTY** appears. Replace the staple cartridge.

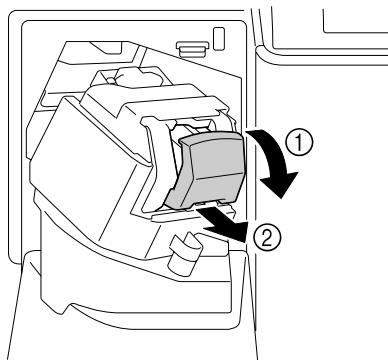
- 1 Open the stapler cover.



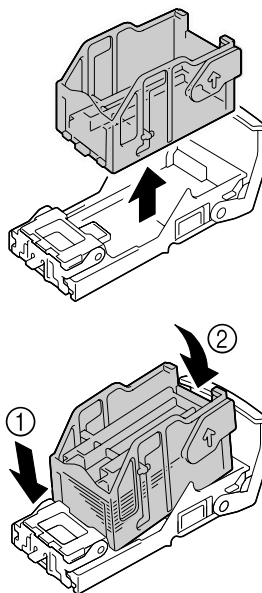
- 2 Pull out the stapling unit.



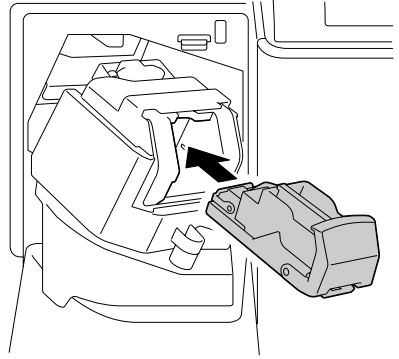
3 Pull out the stapler.



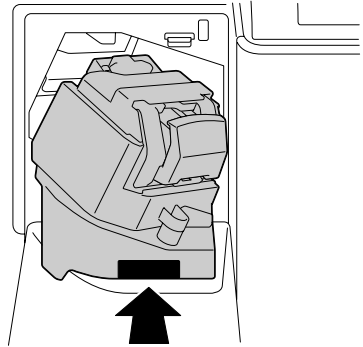
4 Remove the empty cartridge, and then insert the new one.



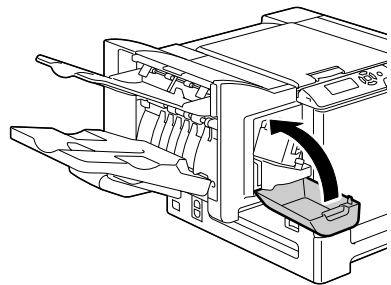
5 Install the stapler.



6 Install the stapling unit.



7 Close the stapler cover.



***Maintaining the
Printer***

9

Maintaining the Printer



CAUTION

Read all caution and warning labels carefully, making sure to follow any instructions contained in them. These labels are located on the inside of the printer's covers and the interior of the printer body.

Handle the printer with care to preserve its life. Abuse handling may cause damage and void your warranty. If dust and paper scraps remain on the inside or outside of the printer, printer performance and print quality will suffer, so the printer should be cleaned periodically. Keep the following guidelines in mind.



WARNING!

Turn off the printer, unplug the power cord, and disconnect all interface cables before cleaning. Do not spill water or detergent into the printer; otherwise the printer will be damaged and an electric shock may occur.



CAUTION

The fuser unit is hot. When the right side cover is opened, the fuser unit temperature drops gradually (one hour wait time).

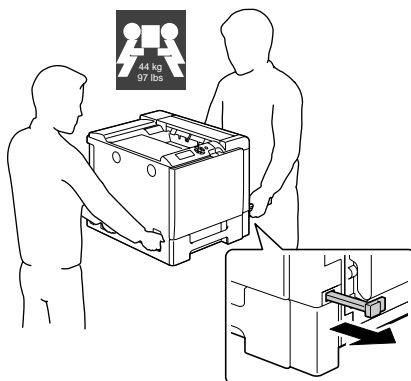


- Be careful when cleaning the inside of the printer or removing media mis-feeds, as the fuser unit and other internal parts may be very hot.
- Do not place anything on top of the printer.
- Use a soft cloth to clean the printer.
- Never spray cleaning solutions directly on the printer's surface; the spray could penetrate through the air vents of the printer and damage the internal circuits.
- Avoid using abrasive or corrosive solutions or solutions that contain solvents (such as alcohol and benzene) to clean the printer.
- Always test any cleaning solution (such as mild detergent) on a small inconspicuous area of your printer to check the solution's performance.
- Never use sharp or rough implements, such as wire or plastic cleaning pads.
- Always close the printer's covers gently. Never subject the printer to vibration.
- Do not cover the printer immediately after using it. Turn it off and wait until it cools down.

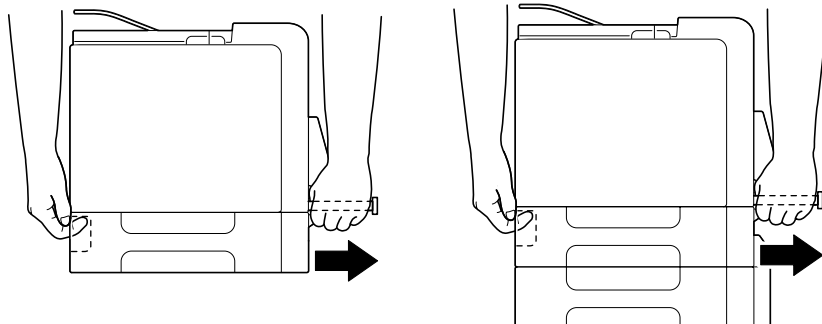
- Do not leave the printer's covers open for any length of time, especially in well-lit places; light may damage the toner cartridges.
- Do not open the printer during printing.
- Do not tap media stacks on the printer.
- Do not lubricate or disassemble the printer.
- Do not tilt the printer.
- Do not touch the electrical contacts, gears, or laser devices. Doing so may damage the printer and cause the print quality to deteriorate.
- Keep media in the output tray at a minimum level. If the media is stocked too high, your printer may experience media misfeeds and excessive media curl.
- Make sure two people are available to lift the printer when moving it. Keep the printer level to avoid toner spillage.

- When lifting the printer, fold up Tray 1, and then lift the printer as shown in the illustration at the right.

Even if an optional lower feeder unit is installed, be sure to lift the printer as shown below. Do not grasp the grip of Tray 3, Tray 4 or the right side cover; otherwise, the lower feeder unit may be damaged.



Front



- If you get toner on your skin, wash it off with cool water and a mild soap.



CAUTION

If you get toner in your eyes, wash it out immediately with cool water and consult a doctor.

- Make sure any parts removed during cleaning are replaced before you plug in the printer.

Cleaning the Printer

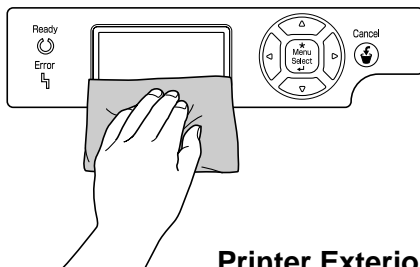


CAUTION

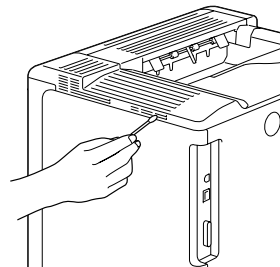
Be sure to turn off the printer and unplug the power cord before cleaning.

Exterior

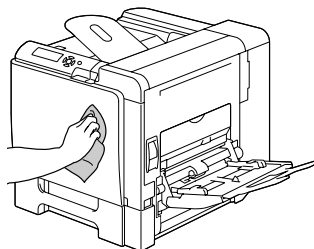
Control Panel



Ventilation Grill



Printer Exterior

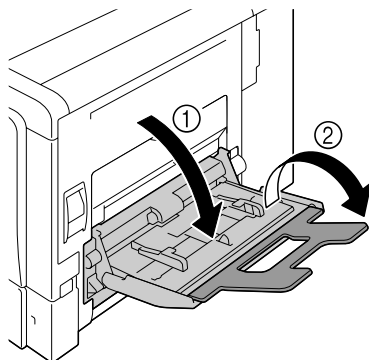


Media Rollers

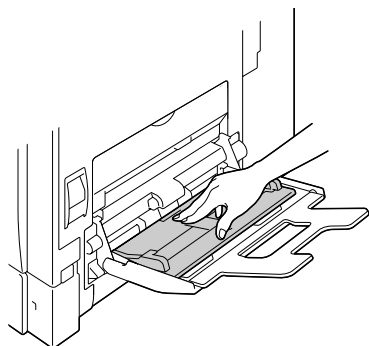
The accumulation of paper dust and other debris on the media rollers can cause media-feeding problems.

Cleaning the Media Feed Rollers (Manual Feed Tray)

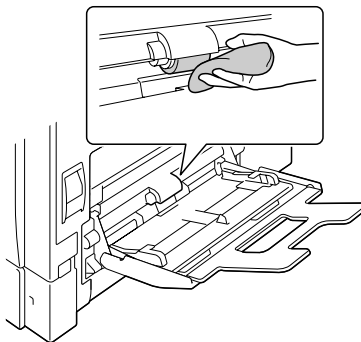
- 1 Open Tray 1.



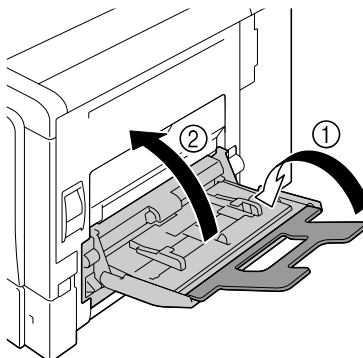
- 2 Press down on the center of the paper-lifting plate until the left and right locking tabs (white) lock into place.



- 3** Clean the media feed rollers by wiping them with a soft, dry cloth.

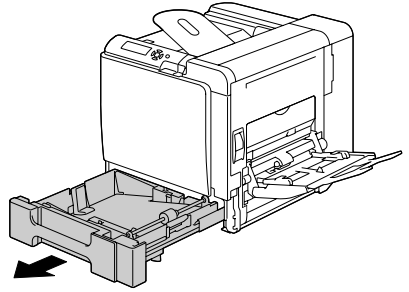


- 4** Close the tray.

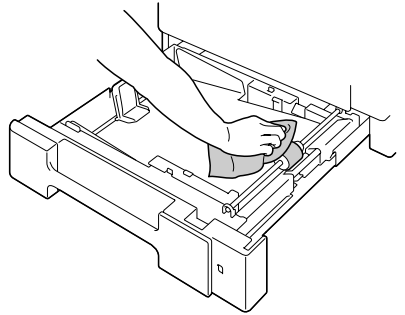


Cleaning the Media Feed Rollers (Tray 2/3/4)

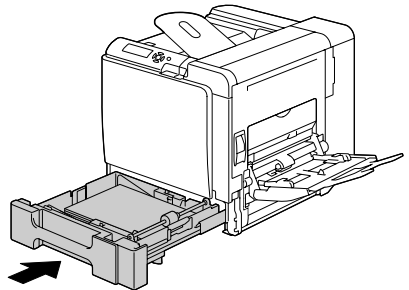
- 1 Pull out the tray.



- 2 Clean the media feed rollers by wiping them with a soft, dry cloth.

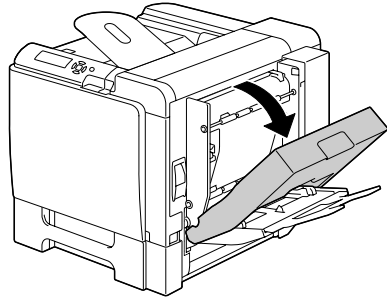


- 3 Close the tray.

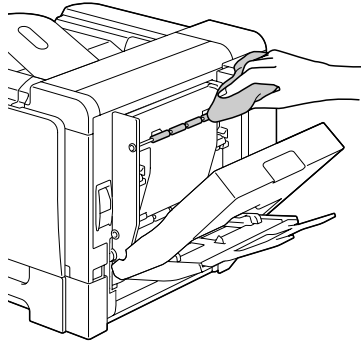


Cleaning the Duplex Option Feed Rollers

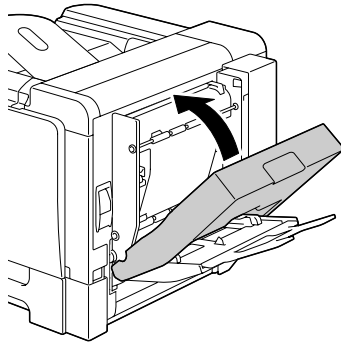
- 1 Open the duplex cover.



- 2 Clean the feed rollers by wiping them with a soft, dry cloth.



- 3 Close the duplex cover.

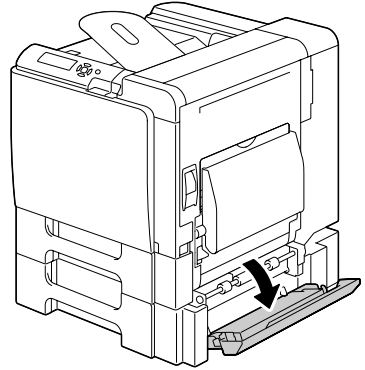


Cleaning the Media Transfer Rollers for Tray 3 and 4

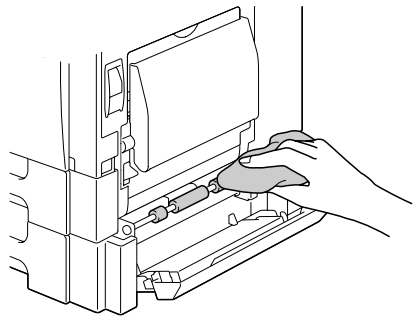
- 1 Open the right side cover of Tray 3 (Tray 4).



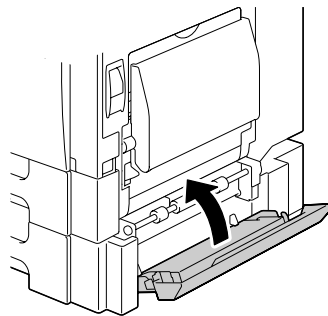
Before opening the right side cover of Tray 3 (Tray 4), fold up Tray 1.



- 2 Clean the media transfer rollers by wiping them with a soft, dry cloth.



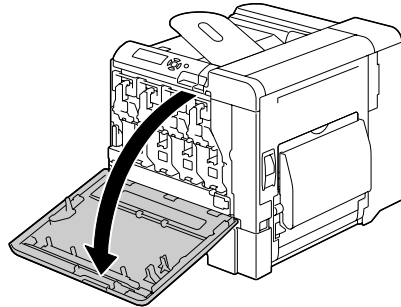
- 3 Close the right side cover of Tray 3 (Tray 4).



Cleaning the Laser Lens

This printer is constructed with four laser lenses. Clean all lenses as described below. The laser lens cleaning tool should be attached to the inside of the front cover.

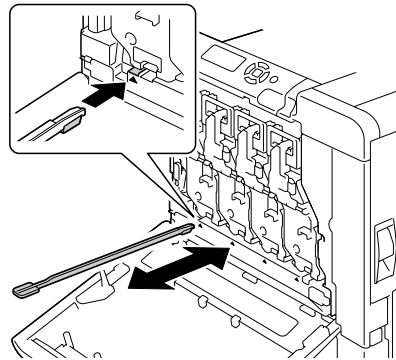
- 1 Open the printer's front cover and remove the cleaning tool from the machine's front cover.



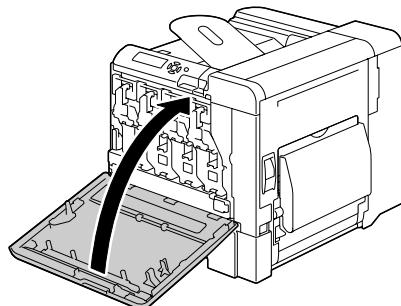
- 2 Insert the laser lens cleaning tool into the laser lens cleaning opening, pull it out, and then repeat this back and forth movement 2 or 3 times.
- 3 Clean between each of the laser lenses in the same way.



The laser lens cleaning tool is included with the printer. Safely store the laser lens cleaning tool so that it will not be lost.



- 4 Return the laser lens cleaning tool to its holder on the inside of the front cover.
- 5 Close the front cover.



Troubleshooting **10**

Introduction

This chapter provides information to aid you in resolving printer problems you may encounter, or at least guide you to the proper sources for help.

Printing the configuration page	Page 178
Preventing media misfeeds	Page 179
Understanding the media path	Page 180
Clearing media misfeeds	Page 181
Solving problems with media misfeeds	Page 201
Solving other problems	Page 204
Solving problems with printing quality	Page 210
Status, error, and service messages	Page 216

Printing a Configuration Page

Print a configuration page to verify the printer is printing correctly, or to check the printer configuration.

Press Key (once)	Until Display Reads
	READY
* Menu Select ↵	PRINT MENU If the hard disk drive is installed, the PROOF/PRINT MENU appears at the top of the menu. Press the ▽ key to select the PRINT MENU .
* Menu Select ↵	CONFIGURATION PG
* Menu Select ↵	PRINT
* Menu Select ↵	The configuration page prints and the printer goes back to READY .

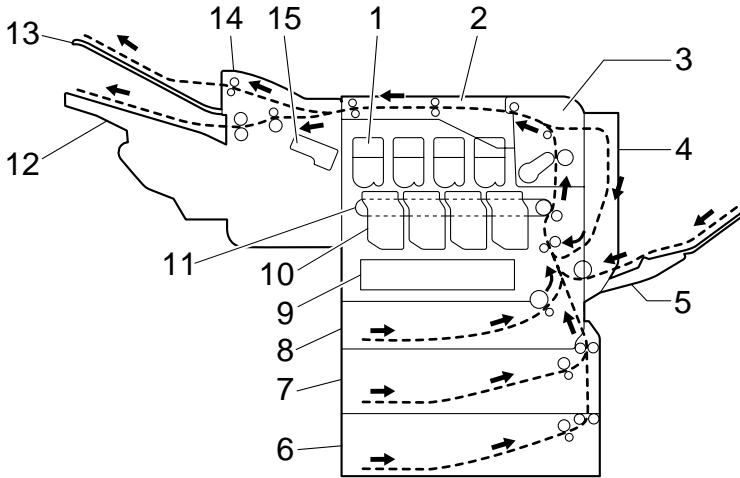
Preventing Media Misfeeds

Make sure that...
Media matches the printer specifications.
Media is flat, especially on the leading edge.
The printer is on a hard, flat, level surface.
You store media in a dry location away from moisture and humidity.
You remove transparencies from the output tray immediately after printing to avoid static buildup.
You always adjust the media guides in the tray <i>after</i> inserting the media (<i>a guide that is not properly adjusted can cause poor print quality, media misfeeds, and printer damage</i>).
You load the media printing-side up in the tray (<i>many manufacturers place an arrow on the end of the wrapper to indicate the printing side</i>).

Avoid...
Media that is folded, wrinkled, or excessively curled.
Double feeding (<i>remove the media and fan the sheets—they may be sticking together</i>).
Fanning transparencies since this causes static.
Loading more than one type/size/weight of media in a tray at the same time.
Overfilling the trays.
Allowing the output tray to overfill (<i>the output tray has a 250-sheet capacity—misfeeding may occur if you allow more than 250 sheets of media to accumulate at one time</i>).
Allowing the output tray to fill with more than a few transparencies.

Understanding the Media Path

Understanding the printer's media path will help you locate media misfeeds



- | | |
|-----------------------------|-------------------------------|
| 1 Toner cartridge | 9 Laser |
| 2 Relay unit | 10 Print unit |
| 3 Fuser unit | 11 Transfer belt unit |
| 4 Duplex option | 12 Main output tray |
| 5 Tray 1 (Manual feed tray) | 13 Sub output tray |
| 6 Tray 4 (optional) | 14 Staple Finisher (optional) |
| 7 Tray 3 (optional) | 15 Staple |
| 8 Tray 2 | |

Clearing Media Misfeeds

To avoid damage, always remove misfed media gently, without tearing it. Any piece of media left in the printer, whether large or small, can obstruct the media path and cause further misfeeds. Do not reload media that has misfed.

Note

The image is not fixed on the media before the fusing process. If you touch the printed surface, the toner may stick to your hands, so be careful not to touch the printed face when removing the misfed media. Make sure not to spill any toner inside the printer.



CAUTION

Unfused toner can dirty your hands, clothes, or anything else it gets on. If you accidentally get toner on your clothes, lightly dust them off as best as you can. If some toner remains on your clothes, use cool, not hot water, to rinse the toner off. If toner gets on your skin, wash it off with cool water and a mild soap.



CAUTION

If you get toner in your eyes, wash it out immediately with cool water and consult a doctor.

If, after clearing the media misfeed, the misfeed message in the control panel window persists, open and close the printer's covers. This should clear the misfeed message.

Media Misfeed Messages and Clearing Procedures

Media Misfeed Message	Page Reference
PAPER JAM TRAY 2	Page 183
PAPER JAM TRAY 3	Page 187
PAPER JAM TRAY 4	Page 187
PAPER JAM DUPLEX 1	Page 189
PAPER JAM DUPLEX 2	Page 189
PAPER JAM FUSER/EXIT	Page 190
PAPER JAM TRAY 1	Page 193
PAPER JAM SECOND TRANS	Page 193
PAPER JAM VERTICAL TRANS	Page 187, Page 193
PAPER JAM UPPER TRANS	Page 195
PAPER JAM FINISHER	Page 196
PAPER JAM SUB EXIT	Page 197
PAPER JAM MAIN EXIT	Page 198
PAPER JAM STAPLER	Page 199



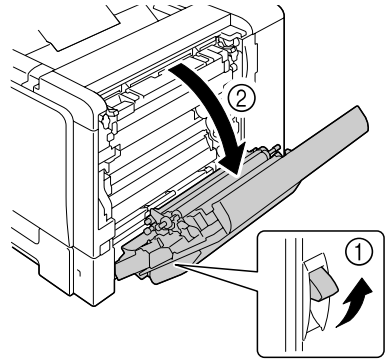
If the message PAPER JAM/VERTICAL TRANS appears, check for media misfeeds in the transfer roller section of the right side covers for Tray 3 and/or Tray 4.

Clearing a Media Misfeed in Tray 2

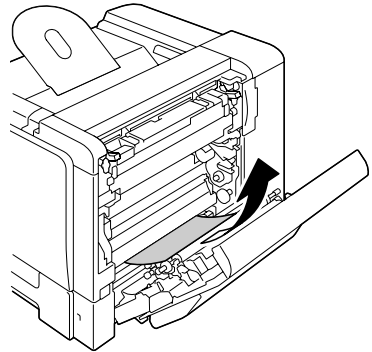
- 1 Pull the lever, and then open the right side cover.



Before opening the right side cover, fold up Tray 1.



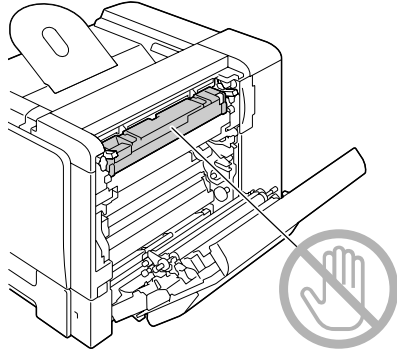
- 2 Carefully pull out the misfed media.





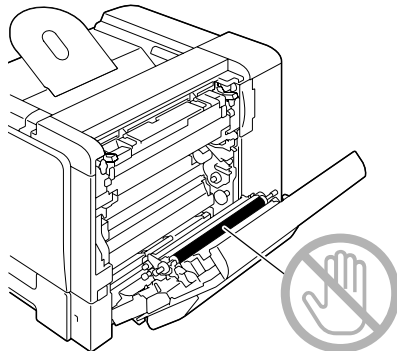
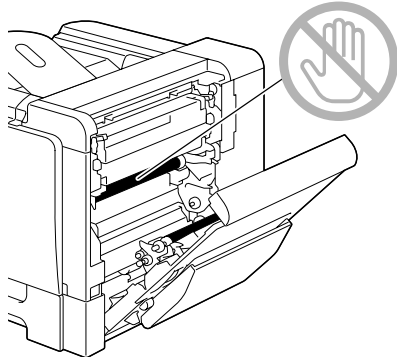
CAUTION

The area around the fuser unit is extremely hot. Touching anything other than the indicated levers and dials may result in burns. If you get burned, immediately cool the skin under cold water, and then seek professional medical attention.

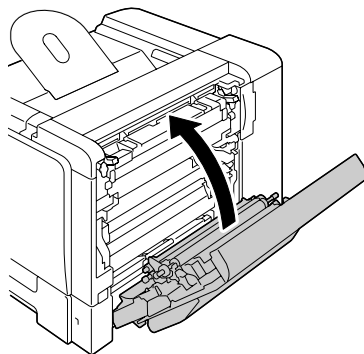


Note

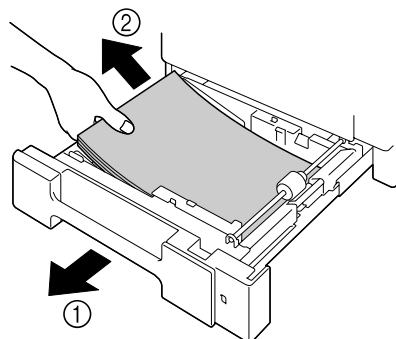
Decreased print quality may result if the surface of the image transfer belt or the transfer roller is touched. Be careful not to touch the surface of the image transfer belt or transfer roller.



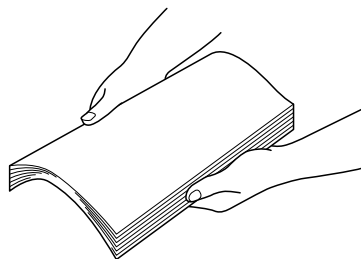
- 3** Close the right side cover.




- 4** Pull out Tray 2, and then remove all media from the tray.



- 5** Fan the media you removed and then align it well.

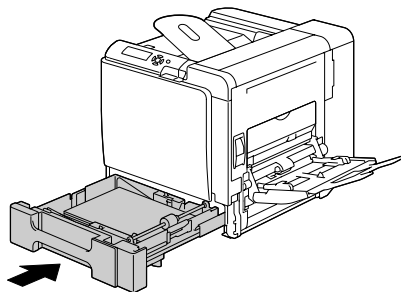


6 Load the media face up in Tray 2.

 *Make sure that the media is flat.*

 *Do not load paper above the ▼ mark.*

7 Close Tray 2.

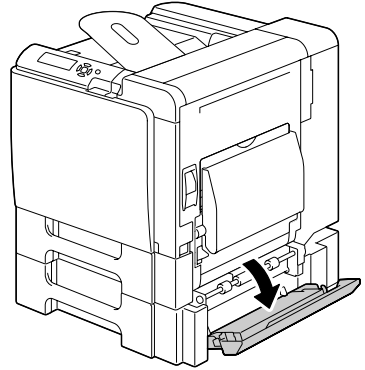


Clearing a Media Misfeed in Tray 3/4

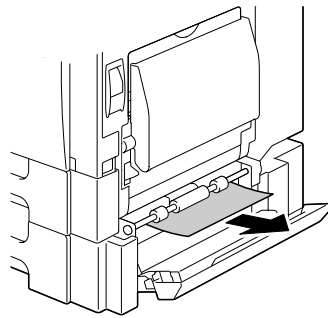
- 1 Open the right side cover of Tray 3 (Tray 4).



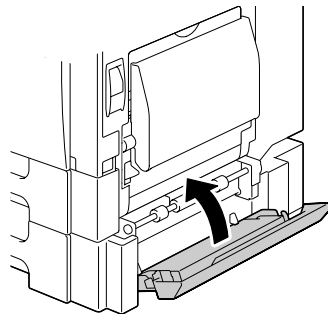
Before opening the right side cover of Tray 3 (Tray 4), fold up Tray 1.



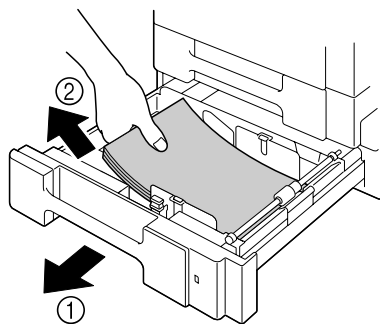
- 2 Carefully pull out the misfed media.



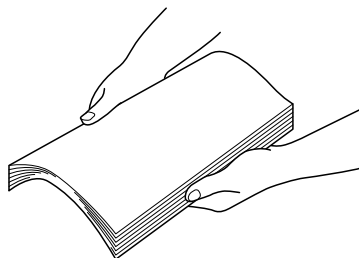
- 3 Close the right side cover of Tray 3 (Tray 4).



- 4 Pull out Tray 3 (Tray 4), and then remove all paper from the tray.



- 5 Fan the paper you removed and then align it well.



- 6 Load the paper face up in Tray 3 (Tray 4).



Make sure that the paper is flat.

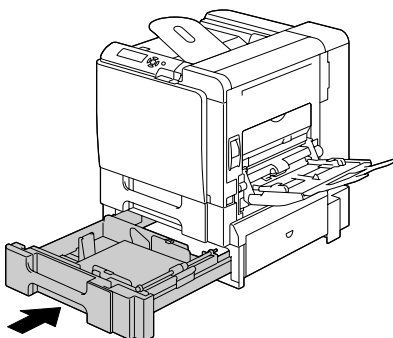


Do not load paper above the ▼ mark.



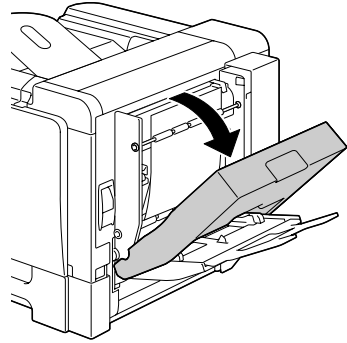
Slide the media guides against the edges of the paper.

- 7 Close Tray 3 (Tray 4).

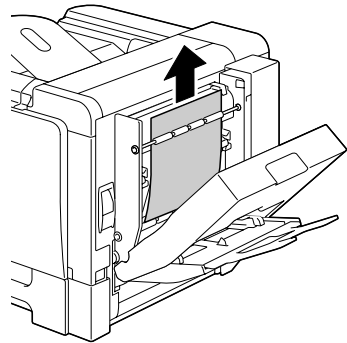


Clearing a Media Misfeed from the Duplex Option

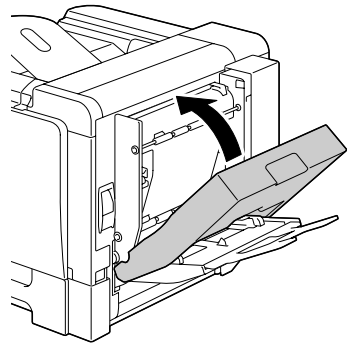
1 Open the duplex cover.



2 Carefully pull out the misfed media.



3 Close the duplex cover.

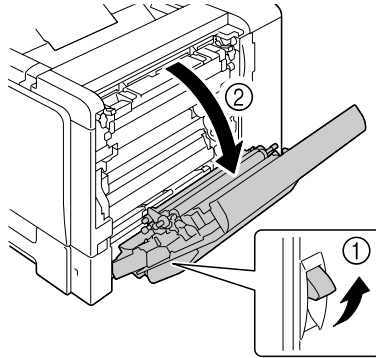


Clearing a Media Misfeed from the Fuser Unit

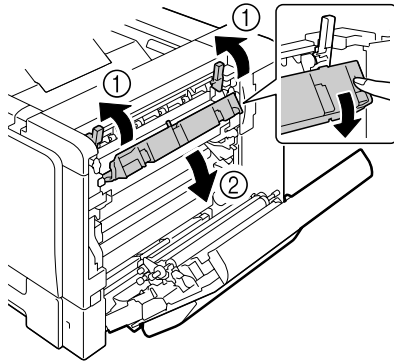
- 1 Pull the lever, and then open the right side cover.



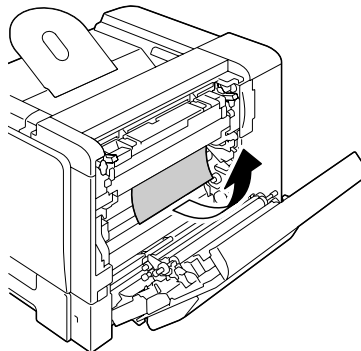
Before opening the right side cover, fold up Tray 1.



- 2 Push up the levers of the fuser unit cover, and then open the cover.



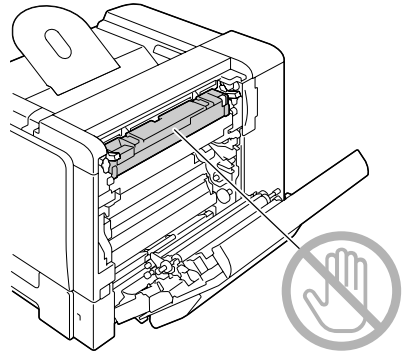
- 3 Carefully pull out the misfed media.





CAUTION

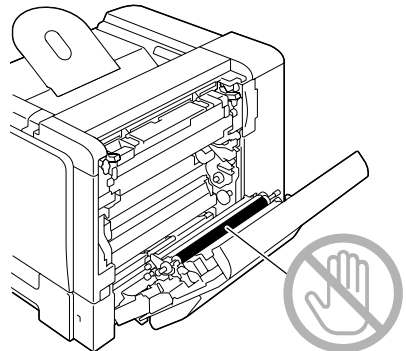
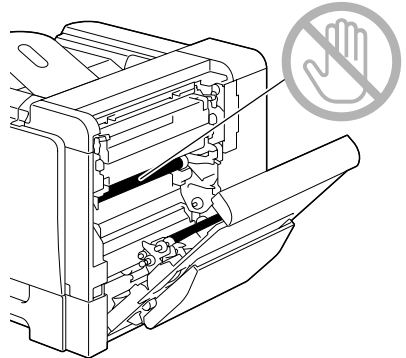
The area around the fuser unit is extremely hot. Touching anything other than the indicated levers and dials may result in burns. If you get burned, immediately cool the skin under cold water, and then seek professional medical attention.



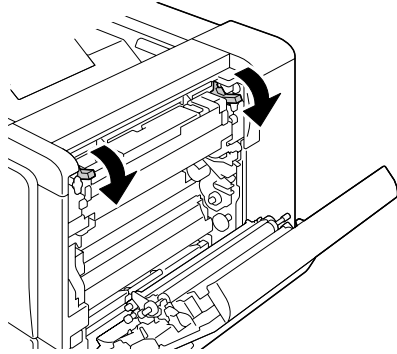
Note

Decreased print quality may result if the surface of the image transfer belt or the transfer roller is touched.

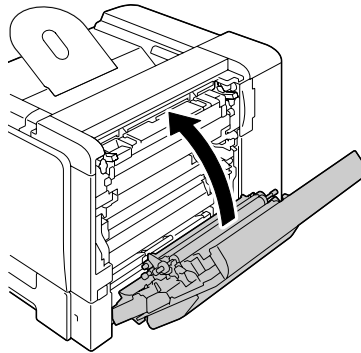
Be careful not to touch the surface of the image transfer belt or transfer roller.



4 Push down the levers.



5 Close the right side cover.

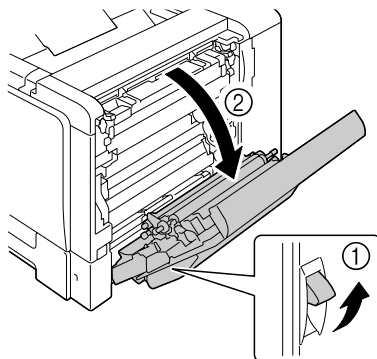


Clearing a Media Misfeed from Tray 1 (Manual Feed Tray) and Transfer Roller

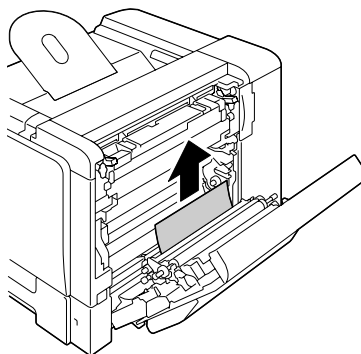
- 1 Pull the lever, and then open the right side cover.



Before opening the right side cover, fold up Tray 1.



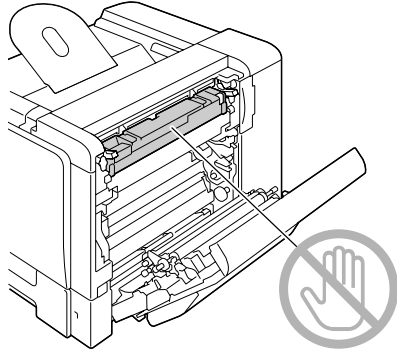
- 2 Carefully pull out the misfed media.





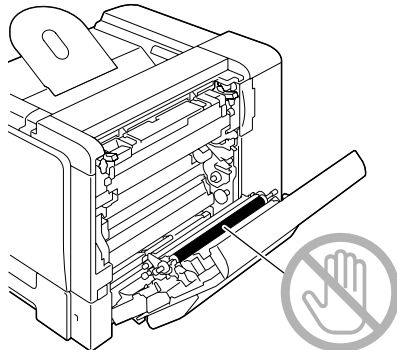
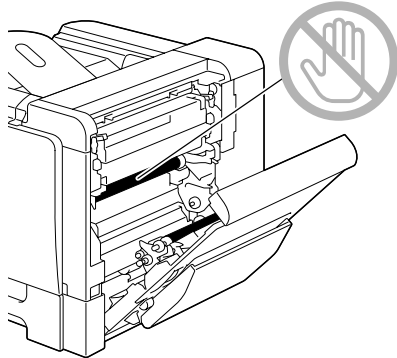
CAUTION

The area around the fuser unit is extremely hot. Touching anything other than the indicated levers and dials may result in burns. If you get burned, immediately cool the skin under cold water, and then seek professional medical attention.

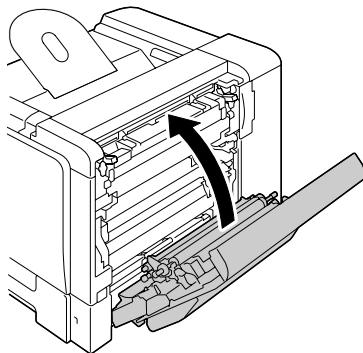


Note

Decreased print quality may result if the surface of the image transfer belt or the transfer roller is touched. Be careful not to touch the surface of the image transfer belt or transfer roller.

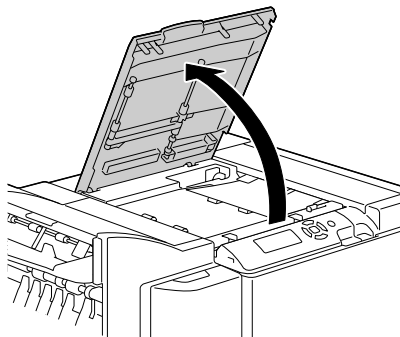


- 3 Close the right side cover.

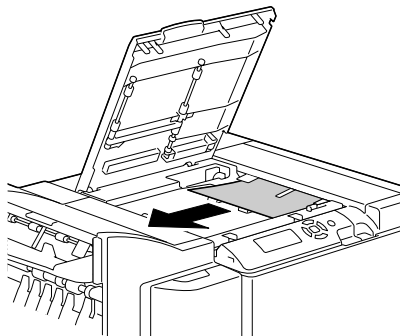


Relay Unit

- 1 Open the upper cover.



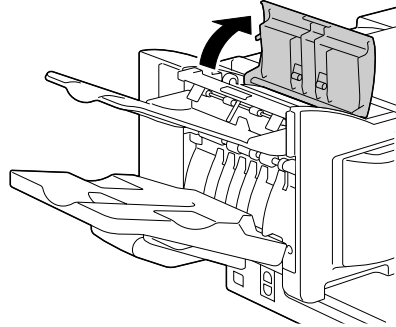
- 2 Carefully pull out the misfed media.



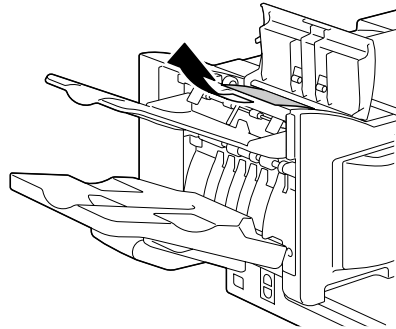
Staple Finisher (Case 1)

If the media misfeed occurred between the relay unit and the top of the staple finisher, follow the procedure described below to remove the misfed media.

- 1 Open the finisher cover.



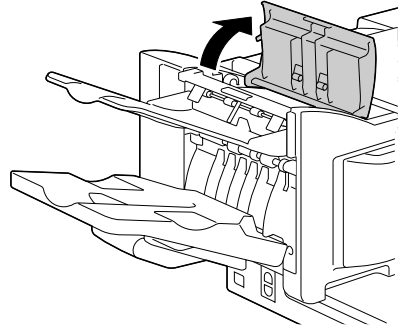
- 2 Carefully pull out the misfed media.



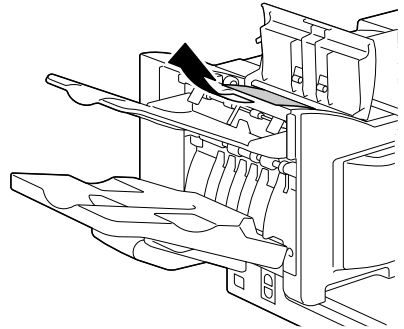
Staple Finisher (Case 2)

If the media can be seen from the sub output tray, follow the procedure described below to remove the misfed media.

- 1 Open the finisher cover.



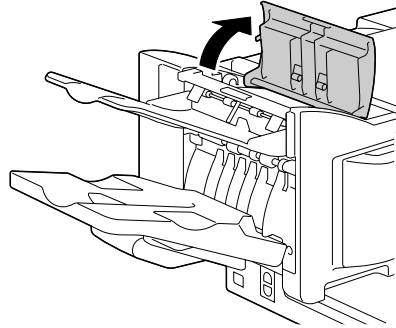
- 2 Carefully pull out the misfed media.



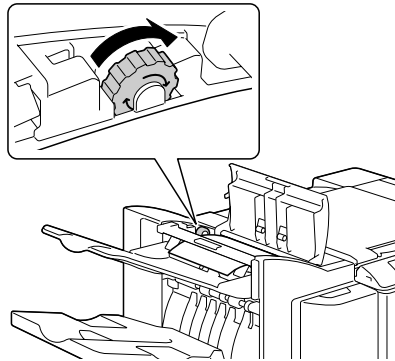
Staple Finisher (Case 3)

If the media misfeed occurred in the center section of the staple finisher, follow the procedure described below to remove the misfed media.

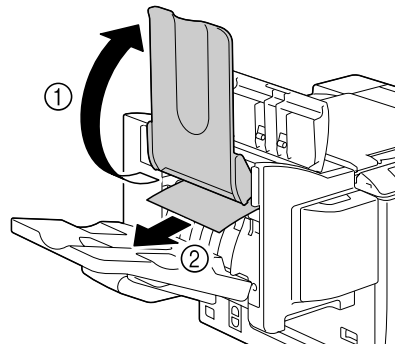
- 1 Open the finisher cover.



- 2 Clockwise turn the knob on the inside until the media is fed into the main output tray.



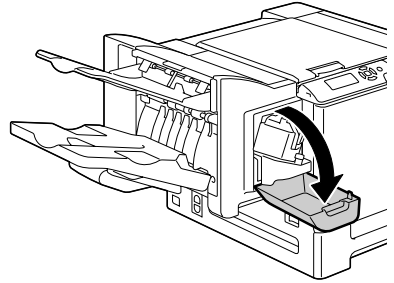
- 3 When the media is fed into the main output tray, lift up the sub output tray, and then slowly pull out the media.



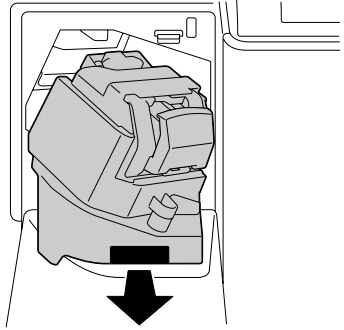
Clearing Jammed Staples

If the staples are jammed, follow the procedure described below to remove the jammed staples.

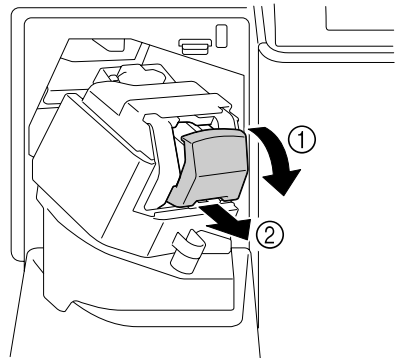
- 1 Open the stapler cover.



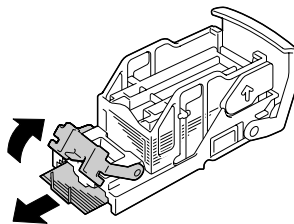
- 2 Pull out the stapling unit.



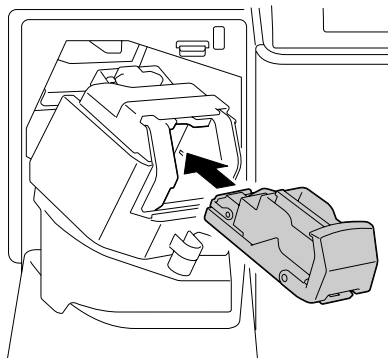
- 3 Pull out the stapler.



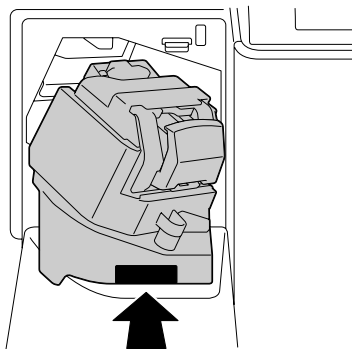
- 4 Push up the guide for the staple cartridge, and then remove any jammed staples.



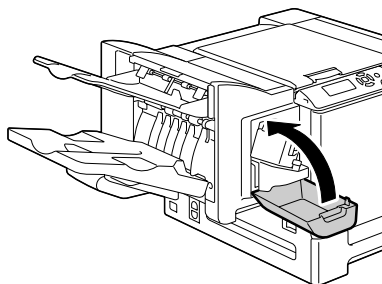
- 5 Return the guide to its original position, and then install the stapler.



- 6 Install the stapling unit.



- 7 Close the stapler cover.



Solving Problems with Media Misfeeds



Frequent misfeeds in any area indicate that area should be checked, repaired, or cleaned. Repeated misfeeds may also happen if you're using unsupported print media.

Symptom	Cause	Solution
Several sheets go through the printer together.	The front edges of the media are not even.	Remove the media and even up the front edges, then reload it.
	The media is moist from humidity.	Remove the moist media and replace it with new, dry media.
	Too much static electricity is present.	Do not fan transparencies.
Media misfeed message stays on.	Right side cover needs to be opened and closed again to reset the printer.	Open and close the right side cover of the printer again.
	Some media remains misfed in the printer.	Recheck the media path and make sure that you have removed all of the misfed media.
Duplex option misfeeds.	Unsupported media (wrong size, thickness, type, etc.) is being used.	Use KONICA MINOLTA-approved media. See "Media Specifications" on page 100.
		Only plain paper, 60–90 g/m ² (16–24 lb) can be aut duplexed. See "Media Specifications" on page 100.
		Make sure that you have not mixed media types in Tray 1.
		Do not duplex (Double-Sided) envelopes, labels, thick stock, glossy, or transparencies.
	Media is still being misfed.	Recheck the media path inside the duplex option and make sure that you have removed all of the misfed media.

Symptom	Cause	Solution
Media is misfeeding.	The media is not correctly positioned in the tray.	Remove the misfed media and reposition the media properly in the tray.
	The number of sheets in the tray exceeds the maximum allowed.	Remove the excess media and reload the correct number of sheets in the tray.
	The media guides are not correctly adjusted to the media size.	Adjust the media guides in the tray to match the size of the media.
	Warped or wrinkled media is loaded in the tray.	Remove the media, smooth it out, and reload it. If it still misfeeds, do not use that media.
	The media is moist from humidity.	Remove the moist media and replace it with new, dry media.
	Custom-sized media, envelopes, labels, postcards, thick stock, glossy, or transparencies are loaded in Tray 2, 3 or 4.	Special media must be loaded in Tray 1 only.
	The recommended transparency or label sheet is facing the wrong way in Tray 1.	Load the transparencies or label sheets according to the manufacturer's instructions.
	Envelopes are facing the wrong way in Tray 1.	Load the envelopes in Tray 1 so the flaps are facing up.
		If the flaps are on the long edge, load the envelopes with the flaps toward the right of the printer.


Symptom	Cause	Solution
Media is misfeeding.	Transparencies have collected static electricity in the tray.	Remove the transparencies and load them in the tray one sheet at a time. Do not fan transparencies before loading them.
	Unsupported media (wrong size, thickness, type, etc.) is being used.	Use KONICA MINOLTA-approved media. See "Media Specifications" on page 100.
	The media roller is dirty.	Clean the media supply roller. For more details, refer to "Media Rollers" on page 171.

Solving Other Problems



For details on consumables, access www.q-shop.com.

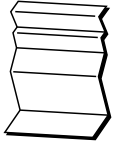
Symptom	Cause	Solution
Printer power is not on.	The power cord is not correctly plugged into the outlet.	Turn off the printer, confirm that the power cord is correctly plugged into the outlet, and then turn on the printer.
	Something is wrong with the outlet connected to the printer.	Plug another electrical appliance into the outlet and see whether it operates properly.
	The power switch is not correctly turned on (I position).	Turn the power switch off (O position), then turn it back to the on (I position).
	The printer is connected to an outlet with a voltage or frequency that does not match the printer specifications.	Use a power source with the specifications listed in appendix A, "Technical Specifications."
Data was sent to the printer, but it doesn't print.	An error message is displayed in the message window.	Handle according to the message displayed.
	A job may be cancelled if user authentication or account track settings are specified.	Click the User Authentication/Account Track button in the printer driver, and then type in the necessary information before printing.
The control panel displays TONER LOW much sooner than expected.	One of the cartridges may be defective.	Remove the toner cartridges and check them for damage. If one is damaged, replace it.
	You printed with heavy toner coverage.	See the specifications in Appendix A.

Symptom	Cause	Solution
You can't print the configuration page.	The tray is empty.	Check that at least Tray 1 is loaded with media, in place, and secure.
	The printer's covers aren't closed securely.	Make sure the covers are closed securely. Close all covers gently to avoid jarring the printer. Make sure the waste toner bottle and toner cartridges are installed correctly.
	There is a media misfeed.	Clear the media misfeed.
Images cannot be printed from the digital camera.	The digital camera transfer mode is not set to PictBridge.  <i>Printer only supports a PictBridge compliant digital camera.</i>	Set the digital camera transfer mode to PictBridge.
	CAMERA DIRECT for the printer is set to DISABLE.	Change the setting for INTERFACE MENU/CAMERA DIRECT to ENABLE.
	A public user is not specified for user authentication.	Contact the printer administrator.
Printing from a USB memory device is not possible.	The file format (file extension) is not one that can be printed.	Only files with the format (extension) for JPEG, TIFF or PDF can be printed.
	MEMORY DIRECT for the printer is set to DISABLE.	Change the setting for INTERFACE MENU/MEMORY DIRECT to ENABLE.
	A public user is not specified for user authentication.	Contact the printer administrator.

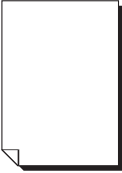

Symptom	Cause	Solution
Printing takes too much time.	The printer is set to a slow printing mode (for example, thick stock or transparency).	It takes more time to print on special media. When using regular paper, make sure that the media type is set properly in the driver.
	The printer is set to Energy Saver mode.	It takes time for printing to start in Energy Saver mode. If you do not want to use this mode, disable it. (SYS DEFAULT MENU/ENERGY SAVER menu)
	The job is very complex.	Wait. No action needed.
	The printer memory is insufficient.	Add more memory.
	A toner cartridge for a different region or an unapproved genuine toner cartridge is installed (INCORRECT TONER X is displayed in the message window).	Install a correct KONICA MINOLTA toner cartridge approved for your specific printer.
Blank pages come out during printing.	One or more of the toner cartridges are defective or empty.	Check the toner cartridges. The image will not print if one or more cartridges are empty.
	The wrong media is being used.	Check that the media type set in the driver matches the media loaded in the printer.




Symptom	Cause	Solution
Not all pages print.	The printer has the wrong kind of cable, or the printer is not configured for the correct cable and port.	Check your cable.
	The Cancel key was pressed.	Make sure no one pressed the Cancel key while your job was printing.
	The tray is empty.	Check that the trays are loaded with media, in place, and secure.
	A document is printed with an overlay file which has been created by a non-magicolor 5570(5550) driver.	Print the overlay file using a magicolor 5570(5550) driver.
Printer resets or turns off frequently.	The power cord is not correctly plugged into the outlet.	Turn off the printer, confirm that the power cord is correctly plugged into the outlet, and then turn on the printer.
	A system error occurred.	Contact Technical Support with the error information.




Symptom	Cause	Solution
You are experiencing duplex (Double-Sided) problems.	Media or settings are not correct.	For aut duplexing, make sure that you have a duplex option installed.
		Make sure that you are using correct media. <ul style="list-style-type: none"> ■ See “Media Specifications” on page 100. ■ Do not duplex (Double-Sided) envelopes, labels, postcards, thick stock, glossy, or transparencies. ■ Make sure that you have not mixed media types in Tray 1.
		Make sure that your document has more than one page.
		Make sure the duplex option is installed and declared in the Windows printer driver (Properties/Configure tab).
		In the Windows printer driver (Layout/Double-Sided), choose “Double-Sided.”
		For N-up on duplexed pages, choose Collate only in the Windows driver’s Paper Tab. Do not set collation in the application.
With N-up on multiple copies, the output is incorrect.	Both the driver and the application have been set for collation.	For N-up on multiple copies, choose Collate only in the Windows driver’s Paper Tab. Do not set collation in the application.
You hear unusual noises.	The printer is not level.	Place the printer on a flat, hard, level surface.
	The tray is not installed correctly.	Remove the tray that you are printing from and reinsert it completely into the printer.
	There is a foreign object stuck inside the printer.	Turn off the printer and remove the object. If you cannot remove it, contact Technical Support.

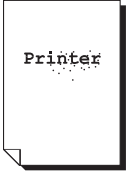

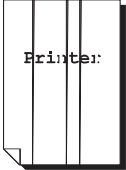
Symptom	Cause	Solution
The web-based utility cannot be accessed.	The PageScope Web Connection Administrator's password is incorrect.	The PageScope Web Connection Administrator password has a 6-character minimum and a 16-character maximum. For details of the PageScope Web Connection administrator password, refer to the magicolor 5550/5570 Reference Guide on the Utilities and Documentation CD-ROM.
Media is wrinkled. 	The media is moist from humidity or having water spilled on it.	Remove the moist media and replace it with new, dry media.
	The transfer roller or fuser unit is defective.	Check them for damage. If necessary, contact Technical Support with the error information.
	Unsupported media (wrong size, thickness, type, etc.) is being used.	Use KONICA MINOLTA-approved media. See "Media Specifications" on page 100.
The date and time is not correctly maintained on the printer.	The backup battery has reached the end of its service life.	Replace the backup battery. For details, see "Replacing the Backup Battery" on page 160.
The pages that were fed out were not uniformly loaded and the staples are incorrectly positioned.	There are large curls in the paper.	Remove the paper from the paper tray, turn it over, and then load it again.
	There are gaps between the media guides of the paper tray and the sides of the paper.	Slide the media guides of the paper tray against the sides of the paper so that there are no gaps.


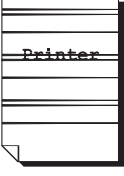
Solving Problems with Printing Quality


Symptom	Cause	Solution
<p>Nothing is printed, or there are blank spots on the printed page.</p> 	One or more of the print units may be defective.	Remove the print units and check it for damage. If it is damaged, replace it.
	The printer driver is not set correctly.	Select the proper setting in the printer driver to switch from transparencies to plain paper.
	The media is moist from humidity.	Adjust the humidity for media storage. Remove the moist media and replace it with new, dry media.
	The media set in the printer driver mismatches the media loaded in the printer.	Load the correct media in the printer.
	The power source does not match the printer specifications.	Use a power source with the proper specifications.
	Several sheets are being fed at the same time.	Remove the media from the tray and check it for static electricity. Fan plain paper or other media (but not transparencies), and replace it in the tray.
	Media is not set properly in the tray(s).	Remove the media, tap it to straighten it out, return it to the tray, and realign the media guides.
<p>Entire sheet is printed in black or color.</p> 	One or more of the print units may be defective.	Remove the print units and check it for damage. If it is damaged, replace it.

Symptom	Cause	Solution
Image is too light; there is low image density. 	Laser lens is dirty.	Clean the laser lens.
	The media is moist from humidity.	Remove the moist media and replace it with new, dry media.
	There is not much toner left in the cartridge.	Replace the toner cartridge.
	One or more of the print units may be defective.	Remove the print units and check them for damage. If one is damaged, replace it.
	The media type is set incorrectly.	When printing envelopes, labels, postcards, thick stock, glossy, or transparencies, specify the appropriate media type in the printer driver.
Image is too dark. 	One or more of the print units may be defective.	Remove the print units and check them for damage. If one is damaged, replace it.
Image is blurred; background is lightly stained; there is insufficient gloss of the printed image. 	One or more of the print units may be defective.	Remove the print units and check them for damage. If one is damaged, replace it.

Symptom	Cause	Solution
The print or color density is uneven. 	One or more of the toner cartridges may be defective or low.	Remove the toner cartridges and check them for damage. If one is damaged, replace it.
	The printer is not level.	Place the printer on a flat, hard, level surface.
Irregular print or mottled image appears. 	The media is moist from humidity.	Adjust the humidity in the media storage area. Remove the moist media and replace it with new, dry media.
	Unsupported media (wrong size, thickness, type, etc.) is being used.	Use KONICA MINOLTA-approved media. See "Media Specifications" on page 100.
	One or more of the print units may be defective.	Remove the print units and check it for damage. If it is damaged, replace it.
There is insufficient fusing or the image comes off when rubbed. 	The media is moist from humidity.	Remove the moist media and replace it with new, dry media.
	Unsupported media (wrong size, thickness, type, etc.) is being used.	Use KONICA MINOLTA-approved media. See "Media Specifications" on page 100.
	Media type is set incorrectly.	When printing envelopes, labels, postcards, thick stock, glossy, or transparencies, specify the appropriate media type in the printer driver.
	The levers on the fuser unit are set to the position for envelopes.	Before printing on media other than envelopes, be sure to return the levers on the fuser unit to the setting for plain paper.

Symptom	Cause	Solution
<p>There are toner smudges or residual images.</p> 	<p>One or more of the print units may be defective or installed incorrectly.</p>	<p>Remove the print units and check them for damage. If one is damaged, replace it.</p>
<p>There are toner smudges on the back side of the page (whether or not it has been duplexed).</p> 	<p>The media transfer roller is dirty.</p>	<p>Clean the media transfer roller. If you think the transfer roller should be replaced, contact Technical Support with the error information.</p>
	<p>The media path is dirty with toner.</p>	<p>Print several blank sheets and the excess toner should disappear.</p>
	<p>One or more of the print units may be defective.</p>	<p>Remove the print units and check it for damage. If it is damaged, replace it.</p>
<p>Abnormal areas (white, black, or color) appear in a regular pattern.</p> 	<p>The laser lens is dirty.</p>	<p>Clean the laser lens.</p>
	<p>A print unit may be defective.</p>	<p>Remove the print unit with the color causing the abnormal image. Replace it with a new print unit.</p>

Symptom	Cause	Solution
Image defects. 	The laser lens is dirty.	Clean the laser lens.
	A toner cartridge may be leaking.	Remove the toner cartridges and check them for damage. If one is damaged, replace it.
	A print unit may be defective.	Remove the print unit with the color causing the abnormal image. Replace it with a new print unit.
Lateral lines or bands appear on image. 	The printer is not level.	Place the printer on a flat, hard, level surface.
	The media path is dirty with toner.	Print several sheets and the excess toner should disappear.
	One or more of the print units may be defective.	Remove the print units and check them for damage. If one is damaged, replace it.
Colors look drastically wrong.	One or more of the print units may be defective.	Remove the print units and verify that the toner is distributed evenly on each cartridge roller, and reinstall the print units.
	One or more of the toner cartridges may be low or empty.	Check the control panel for an TONER LOW X or TONER EMPTY X message. If necessary, replace the specified toner cartridge.
Colors are not registering properly; colors are mixed or have page-to-page variation.	The front cover is not properly closed.	Make sure that the printer's front cover is closed.
	One or more of the print units may be defective.	Remove the print units and check them for damage. If one is damaged, replace it.
	The media is moist from humidity.	Remove the moist media and replace it with new, dry media.

Symptom	Cause	Solution
<p>The color has a poor reproduction or has poor color density.</p> 	<p>One or more of the print units may be defective.</p>	<p>Remove the print units and check them for damage. If one is damaged, replace it.</p>

If the problem is not resolved, even after all of the above have been performed, contact Technical Support with the error information.

For contact information, refer to the magicolor 5550/5570 Safety Information Guide.

Status, Error, and Service Messages

Status, error, and service messages are displayed in the control panel message window. They provide information about your printer and help you locate many problems. When the condition associated with a displayed message has changed, the message is cleared from the window.

Standard Status Messages

This message...	means...	do this...
CALIBRATING	After replacing a toner cartridge or a print unit, or after rebooting your printer after environmental changes, your printer automatically pauses to do an Auto-Image Density Control (AIDC) cycle. This process is provided to make reliable printer operation with optimum output quality possible.	No action needed.
CANCELLING JOB	The job is being cancelled.	
COPYING	The printer is printing with the collating function.	
ENERGY SAVER	The printer is in Energy Saver mode to reduce power consumption during periods of inactivity. When a print job is received, the printer returns to normal power within 30 seconds.	
FIRMWARE UPDATE	The firmware is being updated.	
INITIALIZING	The printer is being initialized.	
PRINTING	The printer is printing.	
PROCESSING	The printer is processing data.	
READY	The printer is on and ready to receive data.	

This message...	means...	do this...
REBOOTING	The printer is being restarted.	No action needed.
WARMING UP	The printer is warming up.	

Error Messages (Warning:)



"I-UNIT" in a message refers to the print unit.

This message...	means...	do this...
FUSER UNIT END OF LIFE	The fuser unit has reached the end of its life.	Contact Technical Support with the error information.
HDD NEAR FULL	The hard disk is full.	Delete print jobs saved on the hard disk.
INCORRECT HDD	Since the hard disk drive was formatted with a different machine, the hard disk drive could not be used.	Replace the hard disk drive with one compatible with this machine, or select HDD FORMAT from SYS DEFAULT MENU and format the hard disk.
INCORRECT MEMORY CARD	Since the CompactFlash was formatted with a different machine, the CompactFlash could not be used.	Replace the CompactFlash with one compatible with this machine, or select CARD FORMAT from SYS DEFAULT MENU and format the CompactFlash.
INCORRECT I-UNIT X	The x print unit is an unapproved type.	Install a KONICA MINOLTA print unit of the appropriate type (AM, EU, AP or GC). See page 141.
INCORRECT TONER X	The x toner cartridge is an unapproved type.	Install a KONICA MINOLTA toner cartridge of the appropriate type (AM, EU, AP or GC). See page 135.

This message...	means...	do this...
MEMORY CARD NEAR FULL	The memory card is nearly full.	Delete resources (fonts, forms, etc.) which saved on the memory card by using Download Manager or PSWC.
NON SUPPORT CARD	Since incompatible CompactFlash was inserted into the memory slot, the CompactFlash could not be used.	Use CompactFlash compatible with this printer.
PAPER EMPTY TRAY X	Tray x (Tray 1, 2, 3 or 4) is empty. (Appears when SYS DEFAULT MENU/ENABLE WARNING/PAPER EMPTY/TRAY X is set to ON.)	Load media into the specified tray.
	Tray x (Tray 2, 3 or 4) is not correctly installed. (Appears when SYS DEFAULT MENU/ENABLE WARNING/PAPER EMPTY/TRAY X is set to ON.)	Correctly install the specified tray.
I-UNIT END X	The X Print unit has reached the end of its life.	Replace the Print unit.

This message...	means...	do this...
I-UNIT LOW X	The X print unit is low and should be replaced within 2,000 pages at 5% coverage of letter/A4 pages. (Appears when SYS DEFAULT MENU/ENABLE WARNING/I-UNIT LOW is set to ON.)	Prepare the specified color print unit.
I-UNIT LIFE X	The X print unit has reached the end of its life.	Replace the print unit.
STAPLER EMPTY	The staple finisher has run out of staples. Otherwise, the staples are almost empty.	Replace the staple cartridge.
TONER EMPTY X	The X toner cartridge is empty.	Replace the toner cartridge. Printing does not stop immediately when this message appears. Therefore, if printing is continued, the Operator Call message "TONER EMPTY" appears, and then printing stops. (Refer to page 224.)
TONER LOW X	The X toner cartridge is low and should be replaced within 1,200 pages at 5% coverage of letter/A4 pages. (Appears when SYS DEFAULT MENU/ENABLE WARNING/TONER LOW is set to ON.)	Prepare the specified color toner cartridge.

This message...	means...	do this...
TRANS . BELT END OF LIFE	The transfer belt unit has reached the end of its life.	Replace the transfer belt unit and reset the counter in the MAINTENANCE MENU/SUPPLIES/REPLACE/TRANS . BELT menu.
TRANS . ROLLER END OF LIFE	The transfer roller has reached the end of its life.	Replace the transfer roller and reset the counter in the MAINTENANCE MENU/SUPPLIES/REPLACE/TRANS . ROLLER menu.
UNABLE TO COLLATE JOB	The hard disk is full. Print jobs over 10,000 pages cannot be collated.	Print one copy of the file at a time.
UNABLE TO STAPLE JOB	A job set for stapling contains pages that exceed the number of pages that can be stapled.	Reduce the printed pages to the number that can be stapled. (Refer to page 131.)
WASTE TONER NEAR FULL	The waste toner bottle is nearly full.	Prepare a new waste toner bottle.

Error Messages (Operator Call:)

This message...	means...	do this...
ADJUST TRAY1	Tray 1 is removed from the printer.	Install Tray 1
COVER OPEN DUPLICATION COVER	The duplex cover is open.	Close the duplex cover.
COVER OPEN FINISHER COVER	The finisher cover is open.	Close the finisher cover.
COVER OPEN FRONT COVER	The printer's front cover is open.	Close the front cover.
COVER OPEN SIDE COVER	The printer's right side cover is open.	Close the right side cover.
COVER OPEN STAPLER COVER	The stapler cover is open.	Close the stapler cover.
COVER OPEN TRAYX COVER	The right side cover of Tray x (Tray 3 or 4) is open.	Close the right side cover of the tray.
COVER OPEN UPPER COVER	The upper cover is open.	Close the upper cover.
FUSER MISSING CHECK UNIT	The fuser unit is not installed.	Contact Technical Support with the error information.
HOLD JOB ERROR UNABLE TO STORE JOB	The specified print job saved on the hard disk is sent while the hard disk is not installed.	Print jobs can be saved only if a hard disk is installed. If desired, install a hard disk.
HOLD JOB ERROR "OPTIONAL" PRESS CANCEL	When printing a stored job, the printer configuration was changed since the job was stored.	Change the printer configuration to that when the job was stored.
MANUAL EMPTY "SIZE" "MEDIA"	Tray 1 was specified with the printer driver as Manual Feed for printing, but Tray 1 is empty.	Load the correct media into Tray 1.

This message...	means...	do this...
MANUAL FEED "SIZE" "MEDIA"	The Paper Source in the printer driver is set to Tray 1 (Manual Feed), but there is already media in the tray when printing begins.	Press the Δ key to print, or remove and reload the media in Tray 1.
MEMORY FULL PRESS CANCEL	The printer has received more data than can be processed with its internal memory.	Press the Cancel key to cancel the print job. Decrease the amount of data to be printed (for example, by decreasing the resolution), and then try printing again. If that doesn't solve the problem, install an optional memory module.
OUTPUT FULL REMOVE PAPER YYYY	The output tray is full of media.	Remove all media from the output tray.
PAPER EMPTY "SIZE" "MEDIA"	The specified tray is empty. (Appears when PAPER MENU/PAPER SOURCE/TRAY CHAINING ON is set.)	Load the correct media into the specified tray.
PAPER ERROR "SIZE" "MEDIA"	The media size/type set in the printer driver is different from the size/type of media loaded (Appears when PAPER MENU/PAPER SOURCE/TRAY CHAINING ON is set.)	Load the correct media size and type.

This message...	means...	do this...
PAPER JAM DUPLEX1	Media has misfed in the duplex option.	Press the ∇ key to display the help screen. Follow the instructions in the help screen to remove the misfed media.
PAPER JAM DUPLEX2	Media has misfed in the duplex option.	
PAPER JAM FINISHER	Media has misfed in the transport section of the staple finisher.	
PAPER JAM FUSER/EXIT	Media has misfed leaving the fuser area.	
PAPER JAM MAIN EXIT	Media has misfed in the feed section of the main output tray.	
PAPER JAM SECOND TRANS	Media has misfed in the transfer roller area. This type of misfeed means that the media did not make it to the media exit area.	
PAPER JAM STAPLER	Media has misfed in the stapler.	
PAPER JAM SUB EXIT	Media has misfed in the feed section of the sub output tray.	
PAPER JAM TRAY1	Media has misfed in Tray 1.	
PAPER JAM TRAYX	Media has misfed while being pulled from the specified tray (Tray 2, 3 or 4).	
PAPER JAM UPPER TRANS	Media has misfed in the relay unit.	
PAPER JAM VERTICAL TRANS	Media has misfed in the vertical transfer area.	

This message...	means...	do this...
I-UNIT END REPLACE X	The x Print unit has completely reached the end of its life.	Replace the Print unit.
I-UNIT MISSING CHECK X	The x print unit is not installed, or an unapproved print unit is installed.	Install a correct KONICA MINOLTA print unit.
STAPLER EMPTY REPLACE STAPLE CARTRIDGE	The staples are empty when an attempt was made to print a staple job.	Replace the staple cartridge.
TONER EMPTY REPLACE X	The x toner cartridge is completely empty.	Replace the toner cartridge.
TONER MISSING CHECK X	The x toner cartridge is not installed, or an unapproved toner cartridge is installed.	Install a correct KONICA MINOLTA toner cartridge.
TRAY X EMPTY "SIZE" "MEDIA"	The x (Tray 1, 2, 3 or 4) was specified with the printer driver for printing, but Tray x is empty. This message appears when the PAPER MENU / PAPER SOURCE / TRAY CHAINING menu is set to OFF.	Load the correct media into the specified tray.
TRAYX PAPER ERR "SIZE" "MEDIA"	The media size/type set in the printer driver is different from the size/type of media loaded. This message appears when the PAPER MENU / PAPER SOURCE / TRAY CHAINING menu is set to OFF.	Load the correct media size and type.

This message...	means...	do this...
TRAYX SIZE ERR ADD "SIZE"	The media size set in the printer driver is different from the size of media loaded.	Load the correct media size into the specified tray.
TRAYX TYPE ERR ADD "MEDIA"	The media type set in the printer driver is different from the type of media loaded.	Load the correct media type into the specified tray.
WASTE TONER FULL REPLACE BOTTLE	The waste toner bottle is full.	Install a new waste toner bottle.
CONFIGURATION ERR	The printer configuration was changed when the printer power was on.	Reboot the printer
INCORRECT TONER X	The X toner cartridge is an unapproved type.	Install a KONICAMI-NOLTA toner cartridge of the appropriate type (AM, EU, AP or GC). See page 135.

Service Messages:

These messages indicate a more serious error that can only be corrected by a customer service engineer. If one of these messages appears, turn the printer off, then turn it on again. If the problem persists, contact your local vendor or authorized service provider.

This service message...	means...	do this...
SERVICE CALL XXXX "Error"	An error has been detected with the item indicated "XXXX" in the service message. Information about errors appears at the bottom of the message window.	Reboot the printer. This often clears the service message, and printer operation can resume. If the problem persists, contact Technical Support.

***Installing
Accessories*** **11**

Introduction

Note

Use of accessories not manufactured or supported by KONICA MINOLTA will void your warranty.



This chapter provides information about the following accessories.

Dual In-Line Memory Module (DIMM)	256 MB, 512 MB DIMM (DDR-SDRAM, 266 MHz, 184 pins, No ECC, Unbuffered, CL=2 or 2.5)
Duplex Option	Auto duplexing
Lower Feeder Unit (Tray 3/4)	500-sheet tray included
Hard Disk Kit	40 GB Hard Disk
Compact Flash	256 MB, 512 MB, 1 GB

Note

Installing accessories always requires that the printer and accessories are turned off and unplugged during installation.

Antistatic Protection

Note

It's very important to protect the printer controller board from electrostatic damage while performing any task involving the controller board.

Turn off all power switches first. If an antistatic wrist strap is provided in your printer option kit, attach one end of it to your wrist and the other end to the bare metal chassis on the back of your printer. Never attach the wrist strap to any piece of equipment with an electrical current present. Plastic, rubber, wood, painted metal surfaces, and telephones are not acceptable grounding points.

If you don't have an antistatic wrist strap, discharge your body's static electric charge by touching a grounded surface before you handle any printer boards or components. Also avoid walking around after grounding yourself.

Dual In-Line Memory Module (DIMM)



You may need additional memory (DIMM) for complex graphics and for duplex (Double-Sided) printing.

Dual in-line memory module (or DIMM) is compact circuit board with surface-mount memory chips.

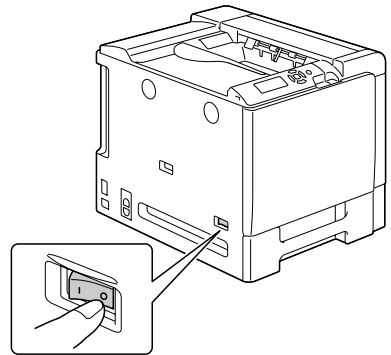
The printer, which has two memory slots, has a 256 MB memory module already installed in one of the slots. By using both slots, the memory can be expanded to a maximum of 1024 MB (512 MB + 512 MB).

Installing a DIMM

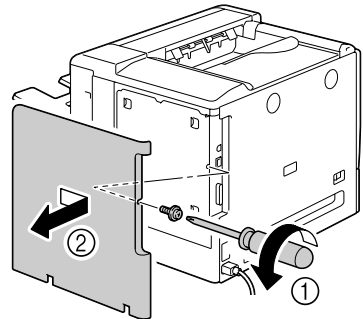
Note

It's very important to protect the printer controller board and any associated circuit boards from electrostatic damage. Before performing this procedure, review the antistatic caution on page 228. In addition, always handle circuit boards by the edges only.

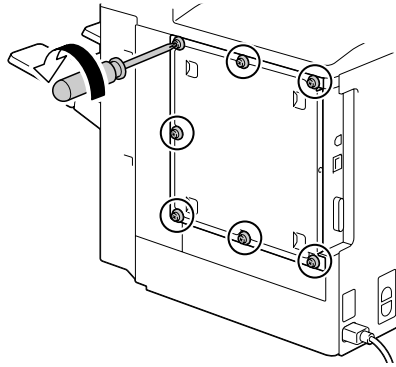
- 1 Turn off the printer and disconnect the power cord and interface cables.



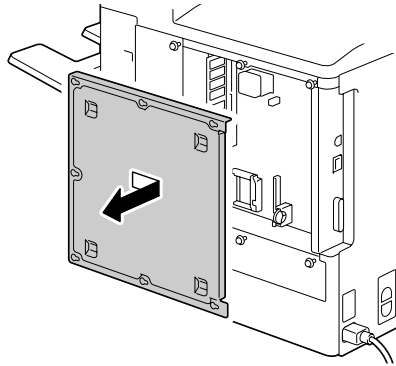
- 2 Using a screwdriver, remove the screw. Then, slide the rear cover to the right and remove it.



- 3 Using a screwdriver, loosen the seven screws. (Do not remove them from the printer.)

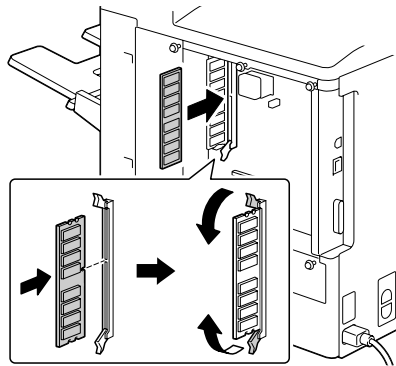


- 4 Slide the panel slightly to the right and lift it off the printer.



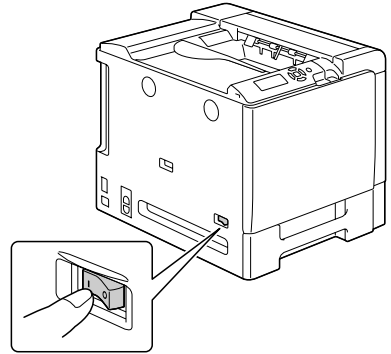
- 5 Insert the new DIMM straight into the DIMM connector until the latches snap into the locked position.

Observe the keyed side of the DIMM to align it with the connector. If you cannot snap the DIMM into place, do not force it. Reposition it, making sure that the DIMM is seated completely in the connector.



- 6 Reinstall the panel and tighten the seven screws.
7 Attach the rear cover.
8 Reconnect all interface cables.

- 9 Reconnect the power cord, and turn on the printer.



- 10 Declare the additional Printer Memory in the Windows printer driver (Properties/Configure tab).
- 11 Print a configuration page (PRINT MENU/CONFIGURATION PG) and verify that the total amount of the RAM installed in your printer is listed.

Hard Disk Kit

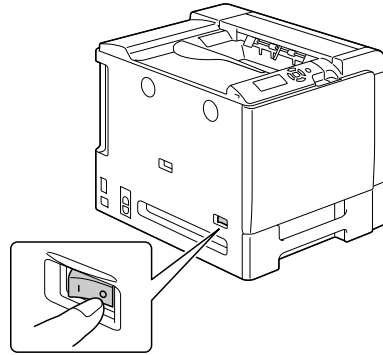
If a hard disk drive is installed, fonts can be downloaded and saved, and the overlay function can be used.

Installing the Hard Disk drive

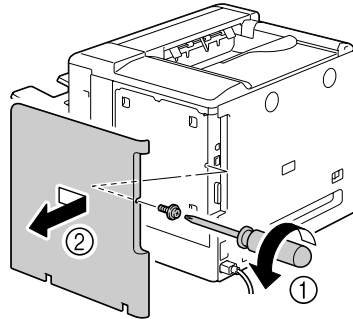
Note

It's very important to protect the printer controller board and any associated circuit boards from electrostatic damage. Before performing this procedure, review the antistatic caution on page 228. In addition, always handle circuit boards by the edges only.

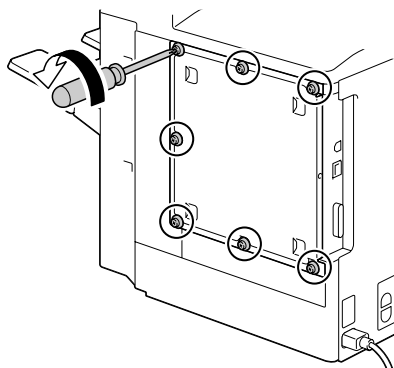
- 1 Turn off the printer and disconnect the power cord and interface cables.



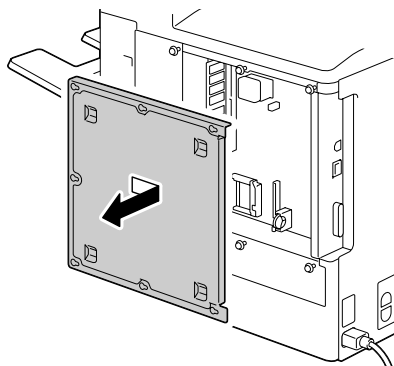
- 2 Using a screwdriver, remove the screw. Then, slide the rear cover to the right and remove it.



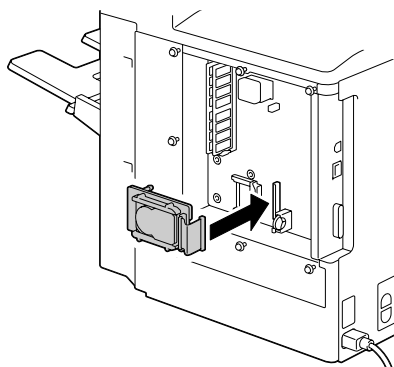
- 3** Using a screwdriver, loosen the seven screws. (Do not remove them from the printer.)



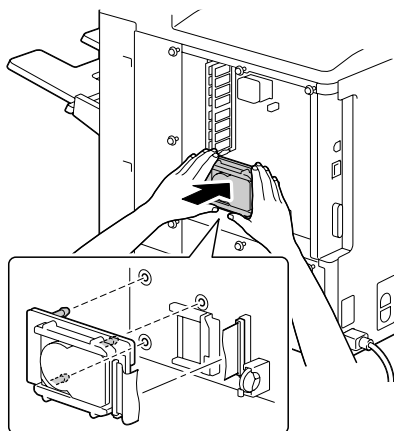
- 4** Slide the panel slightly to the right and lift it off the printer.



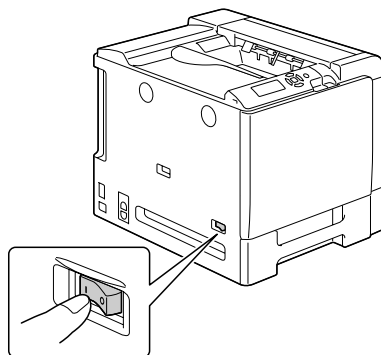
- 5** Plug the cable on the hard disk drive into the connector on the controller board.



- 6** Insert the three mounting pins on the hard disk drive into the holes in the controller board to mount the hard disk drive onto the controller board.



- 7** Reinstall the panel and tighten the seven screws.
8 Attach the rear cover.
9 Reconnect all interface cables.
10 Reconnect the power cord, and turn on the printer.



- 11** Declare the Hard Disk in the Windows printer driver (Properties/Configure tab).

CompactFlash

If a CompactFlash card is installed, resources such as fonts, macros and profiles can be downloaded, and image files can be printed directly.



Only CompactFlash cards with a capacity of 256 MB, 512 MB or 1 GB can be used.



The Hold Job function is not available with a CompactFlash card. These functions require that an optional hard disk drive be installed.

Installing the CompactFlash card

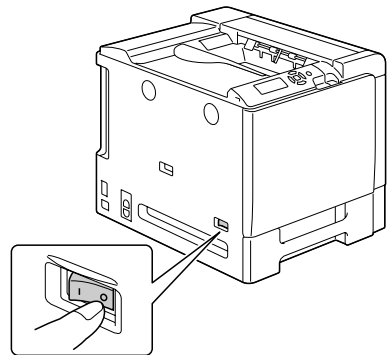
Note

If the installed CompactFlash card was used with a device other than this printer, such as a computer or digital camera, the card is automatically formatted and all of its data is deleted.

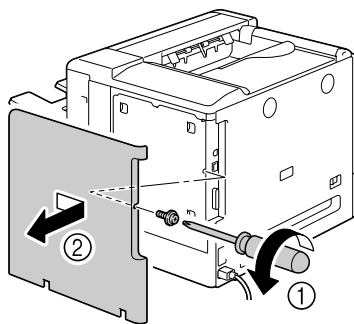
Note

It is very important to protect the printer controller board and any associated circuit boards from electrostatic damage. Before performing this procedure, review the antistatic caution on page 228. In addition, always handle circuit boards by their edges only.

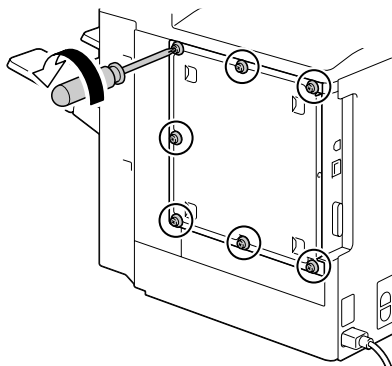
- 1 Turn off the printer and disconnect the power cord and interface cables.



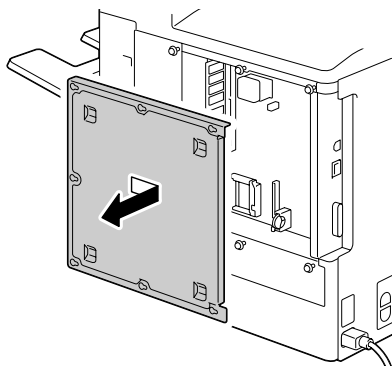
- 2** Using a screwdriver, remove the screw. Then, slide the rear cover to the right and remove it.



- 3** Using a screwdriver, loosen the seven screws. (Do not remove them from the printer.)



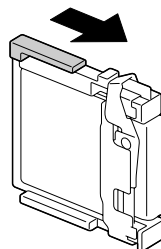
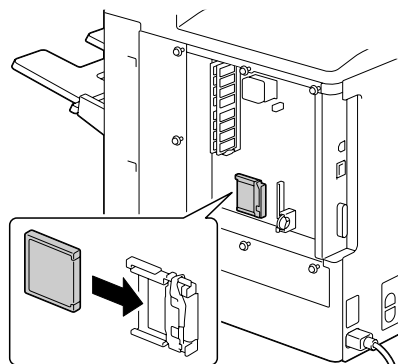
- 4** Slide the panel slightly to the right and lift it off the printer.



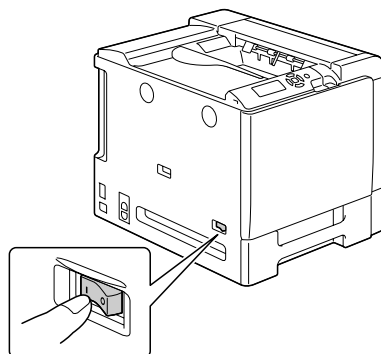
- 5** Fully insert the CompactFlash card into the appropriate slot. When the CompactFlash card is correctly inserted, the button on the top side of the slot (circled in the illustration) slightly pops out.



Before removing the CompactFlash card, press in this button.



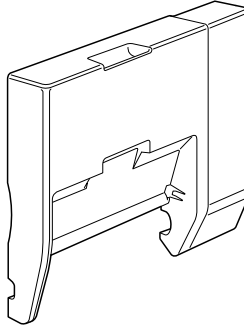
- 6** Reinstall the panel and tighten the seven screws.
7 Attach the rear cover.
8 Reconnect all interface cables.
9 Reconnect the power cord, and turn on the printer.



- 10** Declare the Memory card in the Windows printer driver (Properties/Configure tab).

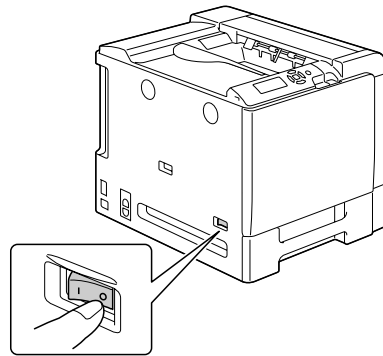
Duplex Option

Duplex (Double-Sided) printing can be performed automatically with the duplex option and enough memory installed. See “Duplexing” on page 128.

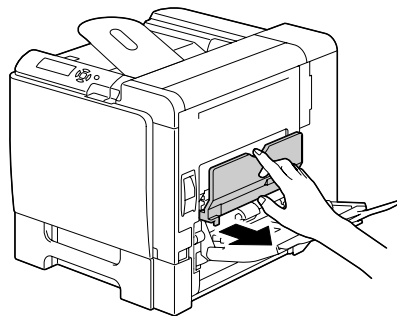


Installing the Duplex Option

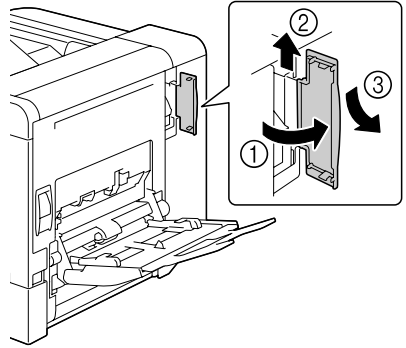
1 Turn off the printer.



2 Remove the cover on the right side cover.



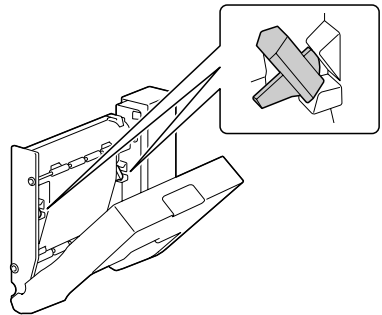
- 3** Remove the door at the side of the right side cover.



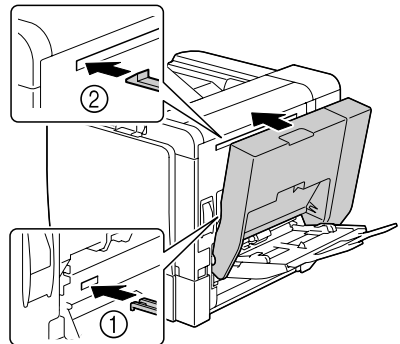
- 4** Prepare the duplex option.



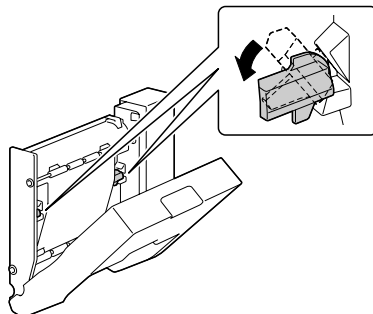
Before installing the duplex option, open the duplex cover, and then check that the knob is positioned as shown in the illustration. Then, close the duplex cover.



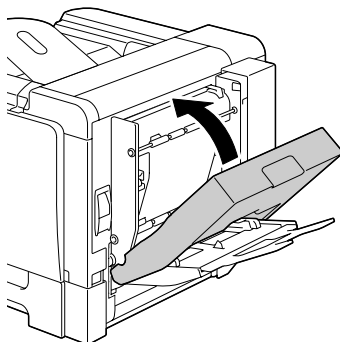
- 5** Attach the duplex option, as shown in the illustration.



- 6 Open the duplex cover, and then turn both knobs counterclockwise until they are horizontal to secure the duplex option to the right side cover.



- 7 Then, close the duplex cover.



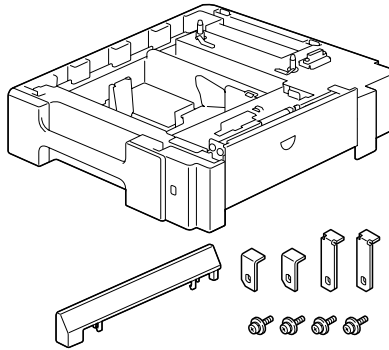
- 8 Declare the Duplex Unit in the Windows printer driver (Properties/Configure tab).

Lower Feeder Unit

You can install up to two optional lower feeder units (Trays 3 and 4). Each lower feeder unit increases your printer's media feed capacity by 500 sheets.

Kit Contents

- Lower feeder unit with a tray (500-sheet capacity)
- Four metal brackets
 - Two front brackets
 - Two rear brackets
- Four securing screws
- Transport guide (used only for Tray 3)

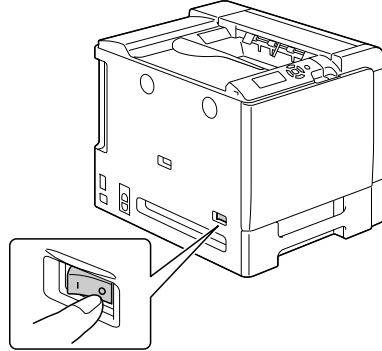


Installing a Lower Feeder Unit

Note

Since consumables are installed in the printer, be sure to keep the printer level when moving it in order to prevent accidental spills.

- 1 Turn off the printer and disconnect the power cord and interface cables.

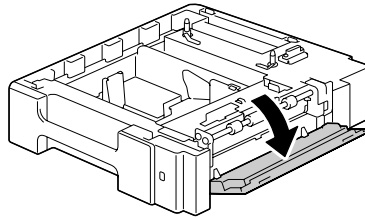


- 2 Prepare the lower feeder unit.



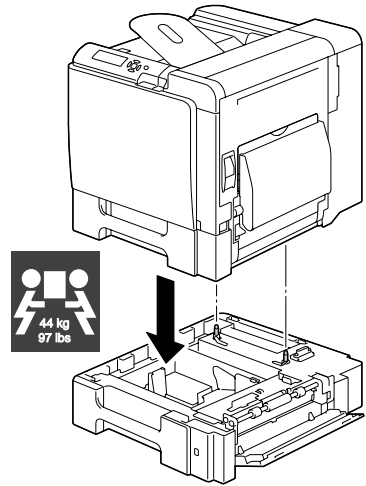
Be sure to place the lower feeder unit on a level surface.


- 3 Open the right side cover of the lower feeder unit.



The right side cover of the lower feeder must be opened before the feeder can be installed onto the printer.

- 4 With another person's help, place the printer on top of the lower feeder unit, making sure that the positioning pins on the lower feeder unit correctly fit into the holes on the bottom of the printer.

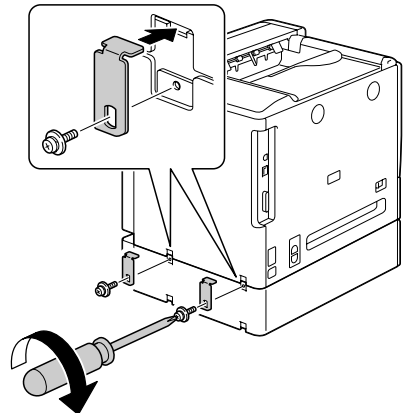


 If two lower feeder units are to be installed, stack the two lower feeder units and secure them together before installing them to the printer.

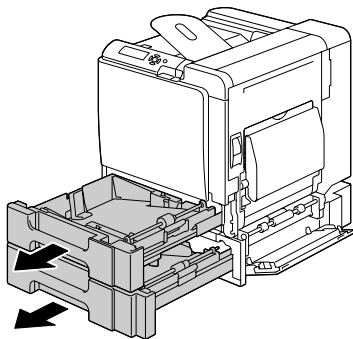
WARNING!

This printer weighs approximately 44 kg (97.0 lb) when it is fully loaded with consumables. The printer must be lifted by two people.

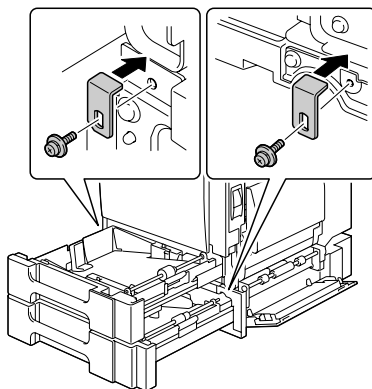
- 5 Using a screwdriver, install the two securing brackets at the rear of the printer.



- 6 Pull out the trays.



- 7 Install the two securing brackets at the front of the printer.

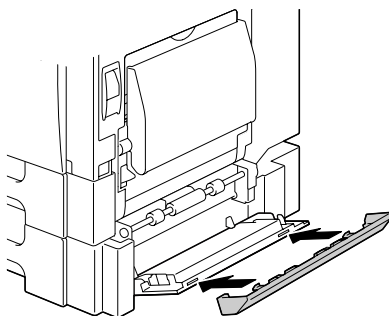


- 8 Close the trays.

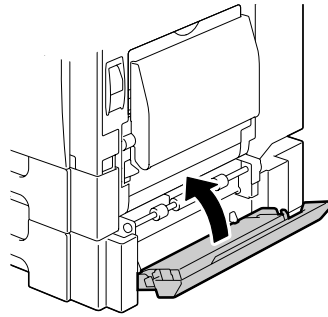
- 9 Attach the transport guide to the right door of Tray 3.



It is not necessary to attach the transport guide to the right door of Tray 4.



- 10** Close the right side cover of the lower feeder unit.



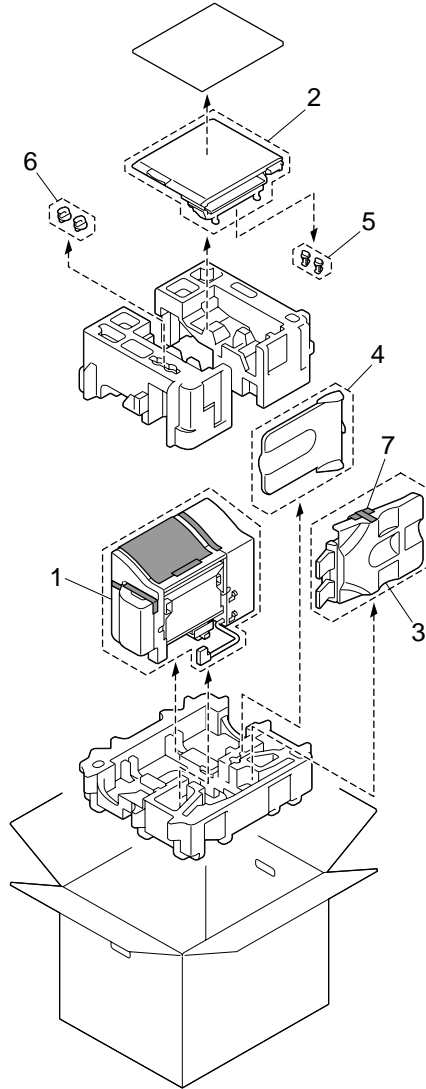
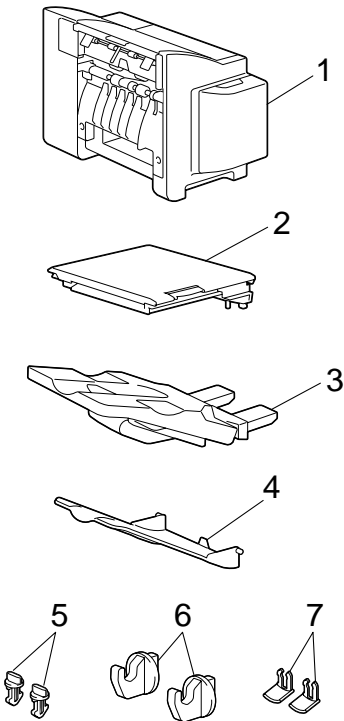
- 11** Declare Paper Source Unit 3/4 in the Windows printer driver (Properties/Configure tab).

Staple Finisher

When the staple finisher is installed, job separation, offset and staple printing can be performed.

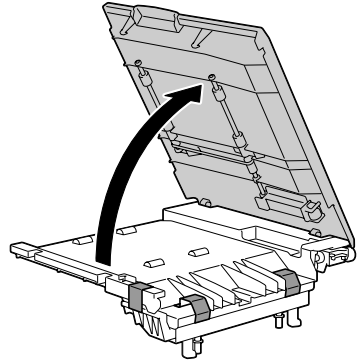
Accessories

- 1 Staple Finisher
- 2 Relay Unit
- 3 Main output tray
- 4 Sub output tray
- 5 Hooks (For securing the relay unit)
- 6 Hooks (For installing the staple finisher)
- 7 Mounting clips for the main output tray

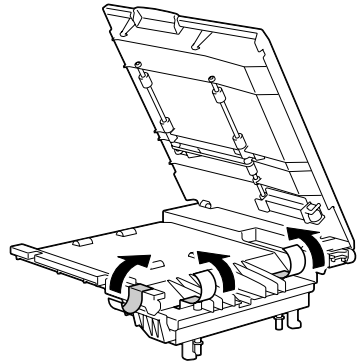


Unpacking and installing the Staple Finisher

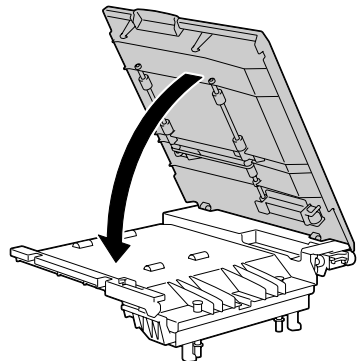
- 1 Open the box for the optional finisher.
- 2 Unpack the relay unit, and then open the relay unit cover



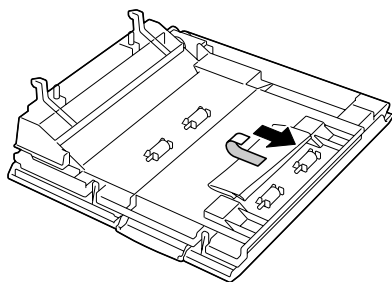
- 3 Remove all packing tape.



- 4 Close the relay unit cover.



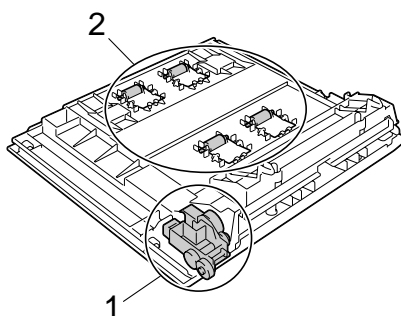
- 5 Remove the two mounting hooks in the bag taped to the back of the relay unit.



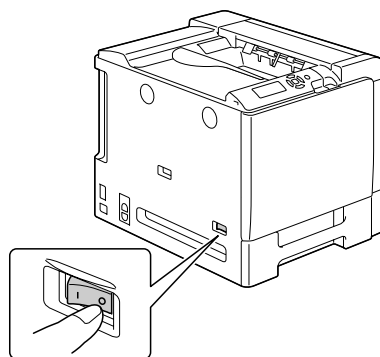
Since the gears (1) are exposed, be careful not to grab them or hit them.



Since the performance of the transport roller and springs (2) may be greatly reduced if they are firmly grabbed, treat them with special care.



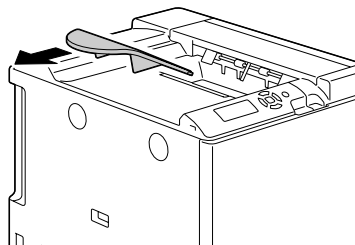
- 6 Turn off the machine and disconnect the power cord and interface cables.



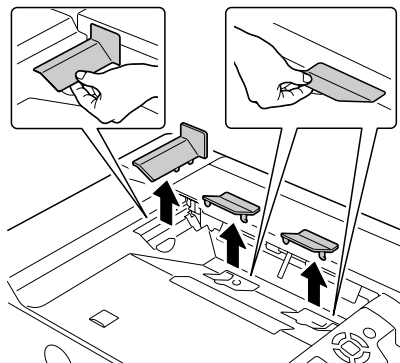
- 7 Remove the output tray from the machine.



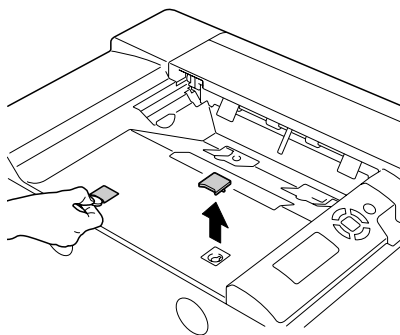
While lightly bending the output tray as much as possible, remove the output tray.



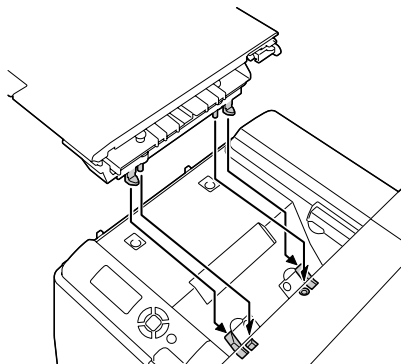
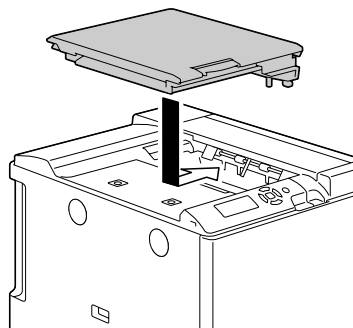
- 8 Remove the inside cover (three locations) at the top of the machine.



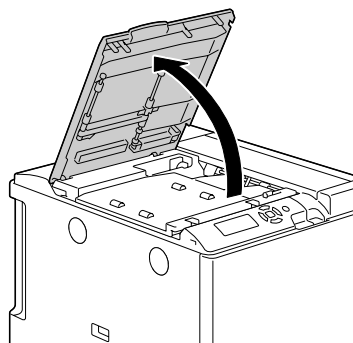
- 9 Use a coin to remove the front cover (two locations) at the top of the machine.



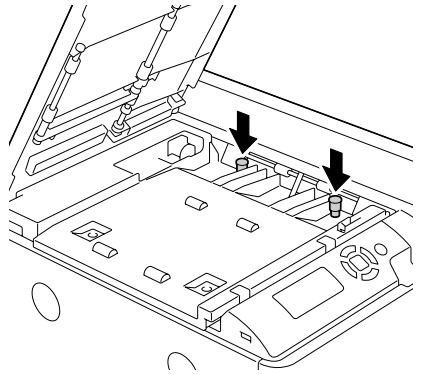
- 10** Install the relay unit on the machine.



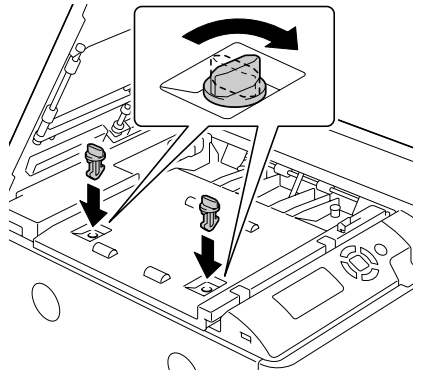
- 11** Open the relay unit cover.



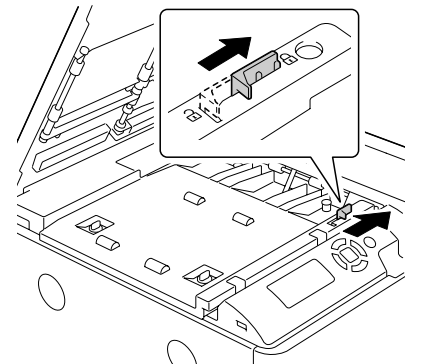
- 12** With your fingers, press the left and right pins. Make sure that the pins are pushed in.



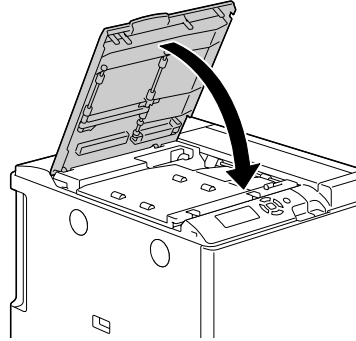
- 13** Secure the relay unit on the machine with the two mounting hooks.



- 14** Lock the relay unit lever.



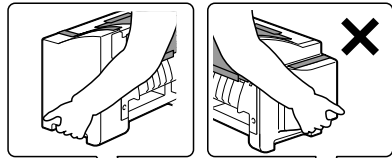
- 15 Close the relay unit cover.
- 16 Remove the two finisher-mounting hooks from the box.
- 17 Remove the main output tray and the sub output tray, and then unpack them.



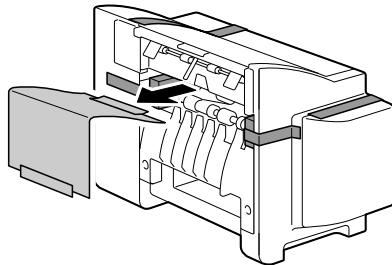
- 18 Hold the left and right sides of the staple finisher and lift it out of the box.



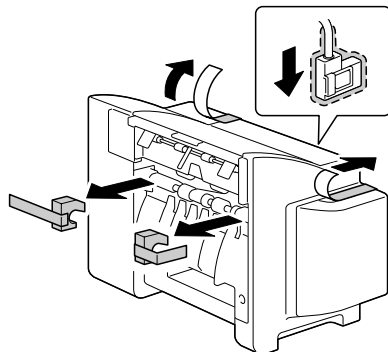
When grabbing the staple finisher, be sure to grab the areas indicated in the illustration.



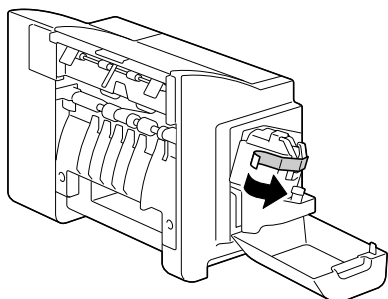
- 19 Remove the sheet from the staple finisher.



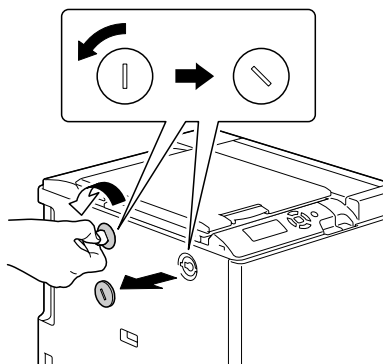
- 20 Remove the packing tape and packing materials from the connectors and the outside of the staple finisher.



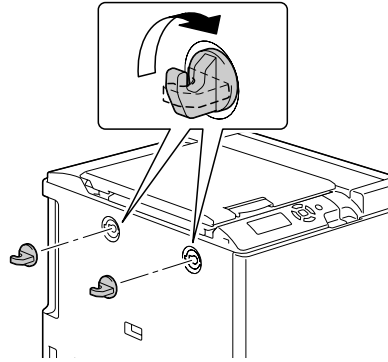
- 21 Open the stapler cover, and then remove the tape securing the staple cartridge.



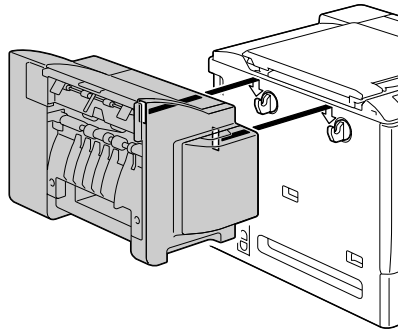
- 22 Use a coin to remove the cover (two locations) on the left side of the machine.



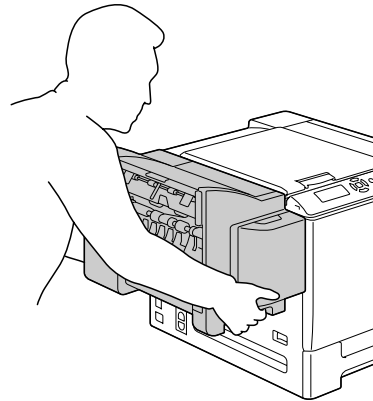
- 23** Secure the two mounting hooks on the staple finisher to the left side of the machine.



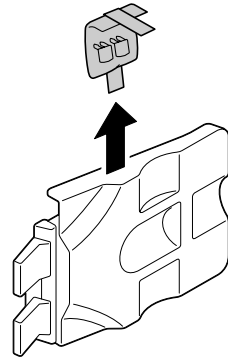
- 24** Align the side of the relay unit with that of the staple finisher, and then hook them onto the finisher to install them.



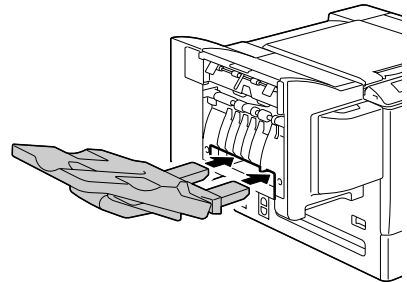
When grabbing the staple finisher, be sure to grab the areas indicated in the illustration.



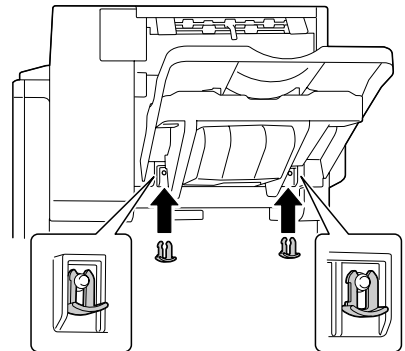
- 25** Remove the two mounting clips from the main output tray.



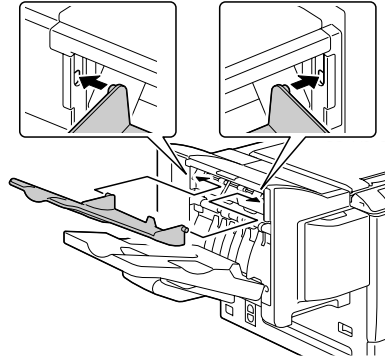
- 26** Insert the main output tray.



- 27** Secure the main output tray with the mounting clips.



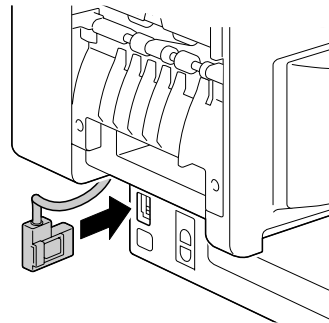
28 Install the sub output tray.



29 Insert the connector on the finisher into the connector on the machine.

30 Reconnect the power cord, and turn on the machine.

31 Declare the staple finisher in the printer driver (Properties/Configure tab).



Appendix

A

Safety Specifications

Printer		
Safety standards	U.S. model	UL 60950-1, CSA C22.2 No. 60950-1-03
	European model	EU Directive 73/23/EEC EU Directive 93/68/EEC EN 60950-1 (IEC 60950)
	China model	GB 4943
EMC standards	U.S. model	FCC part 15 subpart B class B ICES-003
	European model	EU Directive 89/336/EEC EU Directive 93/68/EEC EN 55022 (CISPR Pub. 22) class B EN 61000-3-2 EN 61000-3-3
	China model	GB 9254 class B, GB 17625.1
	Australian model	EN 55022 class B

Technical Specifications

Printer

Type	Desktop Tandem Full Color A4 laser beam printer
Print system	Electro photographic Printing System (4colors/toner bottle + print unit of supply type)
Exposure system	4 laser diode and 1 polygon mirror
Developing system	Mono-component SMT
Resolution	600 dpi × 600 dpi × 4 bits

First print	<p>Simplex (magicolor 5570) Monochrome/ Full color: 14 seconds for A4, Letter (plain paper)</p> <p>Simplex (magicolor 5550) Monochrome: 14 seconds for A4, Letter (plain paper)</p> <p>Full color: 14.2 seconds for A4, Letter (plain paper)</p> <p>Duplex (Double-Sided) (magicolor 5570) Monochrome: 19 seconds for A4, Letter (plain paper)</p> <p>Full color: 21 seconds for A4, Letter (plain paper)</p> <p>Duplex (Double-Sided) (magicolor 5550) Monochrome: 20 seconds for A4, Letter (plain paper)</p> <p>Full color: 22.5 seconds for A4, Letter (plain paper)</p>
-------------	---

Print speed	<p>Simplex (magicolor 5570) Monochrome: 35/37 page per minutes for A4, Letter (plain paper)</p> <p>Full color: 30/31.7 page per minutes for A4, Letter (plain paper)</p> <p>Simplex (magicolor 5550) Monochrome: 30/31.7 page per minutes for A4, Letter (plain paper)</p> <p>Full color: 25.6/27 page per minutes for A4, Letter (plain paper)</p> <p>Duplex (Double-Sided) (magicolor 5570) Monochrome: 22.5 page per minutes for A4 (plain paper)</p> <p>Full color: 19.4 page per minutes for A4 (plain paper)</p> <p>Duplex (Double-Sided) (magicolor 5550) Monochrome: 19.3 page per minutes for A4 (plain paper)</p> <p>Full color: 16.1 page per minutes for A4 (plain paper)</p>
Media sizes	<p>Tray 1 (Manual feed tray) Paper width: 92 to 216 mm (3.6 to 8.5") Paper length: 148 to 1200 mm (5.8 to 47.2") Tray 2 A4/Letter Trays 3 and 4 (Optional) B5 (JIS) - Legal</p>

Paper/Media	<ul style="list-style-type: none"> • Plain paper (60 to 90 g/m²; 16 to 24 lb bond) • Recycled (60 to 90 g/m²; 16 to 24 lb bond) • Transparencies • Envelopes • Letterhead • Label • Thick 1 (91 to 150 g/m²) • Thick 2 (151 to 210 g/m²) • Postcard • Glossy 1 • Glossy 2
Input capacity	<p>Tray 1 (Manual feed tray)</p> <p>Plain/Recycled paper: 100 sheets</p> <p>Envelope: 10 envelopes</p> <p>Label/Postcard/Thick 1/Thick 2/Glossy 1/ Glossy 2/Transparency/Letterhead: 20 sheets</p> <p>Banner paper: 1 sheet</p> <p>Tray 2</p> <p>Plain/Recycled paper: 500 sheets</p> <p>Tray 3 and 4 (Optional)</p> <p>Plain/Recycled paper: 500 sheets</p>
Output capacity	Output tray: 250 sheets (A4, Letter)
Finisher output capacity	<p>Main output tray: 500 sheets (A4 or Letter)</p> <p>Sub output tray: 100 sheets (A4 or Letter)</p>
Operating temperature	10 to 35°C (50 to 95°F)
Operating humidity	15 to 85%
Power supply	<p>120 V, 50 to 60 Hz</p> <p>220 to 240 V, 50 to 60 Hz</p>
Power consumption	<p>120 V: 1400 W or less</p> <p>230 V: 1400 W or less</p> <p>Energy Saver Mode: 18 W or less</p>
Amperage	<p>110 to 127 V: 12 A or less</p> <p>220 to 240 V: 6.5 A or less</p>
Acoustic Noise	<p>Printing: 56 dB or less</p> <p>Standby: 39 dB or less</p>
External dimensions	<p>Height: 420 mm (16.5")</p> <p>Width: 526 mm (20.7")</p> <p>Depth: 420 mm (16.5")</p>

Weight	<p>Printer: approximately 32.4 kg (71.4 lb)</p> <p>Toner cartridge:</p> <p>Standard in-box cartridge =</p> <p>1.42 kg (3.13 lb) (Y, M, C)/</p> <p>1.46 kg (3.22 lb) (K)</p> <p>Replacement cartridge (Standard-Capacity)=</p> <p>1.52 kg (3.35 lb) (Y, M, C)/</p> <p>1.55 kg (3.42 lb) (K)</p> <p>Replacement cartridge (High-Capacity)=</p> <p>1.65 kg (3.64 lb) (Y, M, C)/</p> <p>1.68 kg (3.70 lb) (K)</p>
Interface	USB 2.0 (High Speed) compliant, 10Base-T/ 100Base-TX/1000Base-T Ethernet, Parallel
CPU	<p>Freescale PowerPC7448</p> <p>866 MHz (magecolor 5570)</p> <p>733 MHz (magecolor 5550)</p>
Standard memory	256 MB

Consumable Life Expectancy Chart

User-Replaceable

Item	Average Life Expectancy
Toner cartridge	<p>Standard in-box Cartridge: Printed within a constant environment 3,000 pages or more (Continuous) Printed outside of a constant environment 2,400 pages or more (Continuous)</p> <p>Replacement Cartridge (Standard-Capacity): Printed within a constant environment 6,000 pages or more (Continuous) Printed outside of a constant environment 4,800 pages or more (Continuous)</p> <p>Replacement Cartridge (High-Capacity): Printed within a constant environment 12,000 pages or more (Continuous) Printed outside of a constant environment 9,600 pages or more (Continuous)</p>
Print unit	30,000 pages (Continuous)
Waste toner bottle	36,000 pages (Monochrome) (Continuous) 9,000 pages (Full color) (Continuous)
Transfer roller	120,000 pages (Continuous)
Ozone Filter (Bundle with transfer roller)	120,000 pages
Transfer belt unit	120,000 pages (Continuous)
Note: A constant environment is one with a temperature between 15 °C [59 °F] and 25 °C [77 °F] and humidity between 35% and 70%.	



The values shown for the toner cartridge and waste toner bottle indicate the number of pages for simplex printing using A4/Letter-size media with 5% coverage.

The actual life may differ (be shorter) depending on the printing conditions (coverage, paper size, etc.), differences in the printing method, such as continuous printing or intermittent printing (when print jobs of one page are often printed), or the type of paper used, for example, thick paper. In addition, the life will be affected by the temperature and humidity of the operating environment.

Service-Replaceable

Item	Average Life Expectancy
Fuser unit	150,000 pages (Continuous)
Media feed roller	300,000 pages

Our Concern for Environmental Protection



As an ENERGY STAR® Partner, we have determined that this machine meets the ENERGY STAR Guidelines for energy efficiency.

What is an ENERGY STAR product?

An ENERGY STAR product has a special feature that allows it to automatically switch to a “low-power mode” after a period of inactivity. An ENERGY STAR product uses energy more efficiently, saves you money on utility bills and helps protect the environment.

Index

A

Accessories 228

- CompactFlash 235
- DIMMs 229
- Duplex option 238
- Hard disk Kit 232
- Lower feeder unit 241
- Staple Finisher 246

Antistatic protection 228

C

Camera direct 96

CompactFlash 235

Configuration menu 34

Consumables

- Backup battery 160
- Ozone filter 153
- Print unit 141
- Staple 163

Toner cartridge 134

Transfer belt unit 154

Transfer roller 150

Waste toner bottle 147

Control panel 30

D

Dual in-line memory module 229

Duplexing 128

- Duplex option 238

E

Electrostatic discharge 228

Envelopes 103

Error messages 217

F

Finishing 130

- Staple Finisher 246

G

Glossy Media 108

H

Hard disk Kit 232

I

Imageable area 109

L

Labels 104

Letterhead 105

Loading media 110

Lower feeder unit 241

M

Maintenance 168

Media

Clearing misfeeds 181

Imageable area 109

Loading 110

Path 180

Preventing misfeeds 179

Media misfeed

Duplex option 189

Fuser unit 190

Relay Unit 195

Staple Finisher 196

Staples 199

Transfer roller 193

Tray 1 193

Tray 2 183

Tray 3 and 4 187

Media path 180

Media storage 132

Media type

Envelopes 103

Glossy media 108

Labels 104

Letterhead 105

Plain paper 101

Postcards 106

Thick stock 103

Transparencies 107

Memory Direct 98

Message window 32

Messages 216

Misfeed problems 201

Clearing 181

Media path 180

Preventing 179

O

Output tray 129

P

Plain paper 101

Postcards 106

Preventing media misfeeds 179

Print quality 210

Printer

Parts 4

Printer driver (Postscript, PCL) 18

Advanced tab 19

Basic tab 20

Cover page tab 21

Displaying 17

Layout tab 20

Overlay tab 21

Quality tab 22

Uninstalling 16

Version tab 22

Watermark tab 21

Printer driver (PPD) 23

Displaying 17

Graphics tab 24

Paper tab 23

Uninstalling 16

S

Service messages 226

Staple Finisher 246

Status monitor 26

Opening 26

Using 26

T

Thick stock 103

Transparencies 107

Troubleshooting 177

