
magicolor[®] 7450

User's Guide

4039-9563-02A

1800806-001C

Trademarks

KONICA MINOLTA and the KONICA MINOLTA logo are trademarks or registered trademarks of KONICA MINOLTA HOLDINGS, INC.

magicolor is a trademark or registered trademark of KONICA MINOLTA PRINTING SOLUTIONS U.S.A., INC.

PageScope is a trademark or registered trademark of KONICA MINOLTA BUSINESS TECHNOLOGIES, INC.

All other trademarks and registered trademarks are the property of their respective owners.

Copyright Notice

Copyright © 2005 KONICA MINOLTA BUSINESS TECHNOLOGIES, INC., Marunouchi Center Building, 1-6-1 Marunouchi, Chiyoda-ku, Tokyo, 100-0005, Japan. All Rights Reserved. This document may not be copied, in whole or part, nor transferred to any other media or language, without written permission of KONICA MINOLTA BUSINESS TECHNOLOGIES, INC.

Notice

KONICA MINOLTA BUSINESS TECHNOLOGIES, INC. reserves the right to make changes to this guide and to the equipment described herein without notice. Considerable effort has been made to ensure that this guide is free of inaccuracies and omissions. However, KONICA MINOLTA BUSINESS TECHNOLOGIES, INC. makes no warranty of any kind including, but not limited to, any implied warranties of merchantability and fitness for a particular purpose with regard to this guide. KONICA MINOLTA BUSINESS TECHNOLOGIES, INC. assumes no responsibility for, or liability for, errors contained in this guide or for incidental, special, or consequential damages arising out of the furnishing of this guide, or the use of this guide in operating the equipment, or in connection with the performance of the equipment when so operated.

SOFTWARE LICENSE AGREEMENT

This package contains the following materials provided by Konica Minolta Business Technologies, Inc. (KMBT): software included as part of the printing system, the digitally-encoded machine-readable outline data encoded in the special format and in the encrypted form ("Font Programs"), other software which runs on a computer system for use in conjunction with the Printing Software ("Host Software"), and related explanatory written materials ("Documentation"). The term "Software" shall be used to describe Printing Software, Font Programs and/or Host Software and also include any upgrades, modified versions, additions, and copies of the Software.

The Software is being licensed to you under the terms of this Agreement.

KMBT grants to you a non-exclusive sublicense to use the Software and Documentation, provided that you agree to the following:

1. You may use the Printing Software and accompanying Font Programs for imaging to the licensed output device(s), solely for your own internal business purposes.
 2. In addition to the license for Font Programs set forth in Section 1 ("Printing Software") above, you may use Roman Font Programs to reproduce weights, styles, and versions of letters, numerals, characters and symbols ("Typefaces") on the display or monitor for your own internal business purposes.
 3. You may make one backup copy of the Host Software, provided your backup copy is not installed or used on any computer. Notwithstanding the above restrictions, you may install the Host Software on any number of computers solely for use with one or more printing systems running the Printing Software.
 4. You may assign its rights under this Agreement to an assignee of all of Licensee's right and interest to such Software and Documentation ("Assignee") provided you transfer to Assignee all copies of such Software and Documentation Assignee agrees to be bound by all of the terms and conditions of this Agreement.
 5. You agree not to modify, adapt or translate the Software and Documentation.
 6. You agree that you will not attempt to alter, disassemble, decrypt, reverse engineer or decompile the Software.
 7. Title to and ownership of the Software and Documentation and any reproductions thereof shall remain with KMBT and its Licensor.
 8. Trademarks shall be used in accordance with accepted trademark practice, including identification of the trademark owner's name. Trademarks can only be used to identify printed output produced by the Software. Such use of any trademark does not give you any rights of ownership in that trademark.
 9. You may not rent, lease, sublicense, lend or transfer versions or copies of the Software that the Licensee does not use, or Software contained on any unused media, except as part of the permanent transfer of all Software and Documentation as described above.
 10. In no event will KMBT or its licensor be liable to you for any consequential, incidental INDIRECT, PUNITIVE or special damages, including any lost profits or lost saving, even if KMBT has been advised of the possibility of such damages, or for any claim by any third party. KMBT or its licensor disclaims all warranties with regard to the software, express or implied, including, without limitation implied warranties of merchantability, fitness for a particular purpose, title and non-infringement of third party rights. Some states or jurisdictions do not allow the exclusion or limitation of incidental, consequential or special damages, so the above limitations may not apply to you.
-

11. Notice to Government End Users: The Software is a “commercial item,” as that term is defined at 48 C.F.R.2.101, consisting of “commercial computer software” and “commercial computer software documentation,” as such terms are used in 48 C.F.R. 12.212. Consistent with 48 C.F.R. 12.212 and 48 C.F.R. 227.7202-1 through 227.7202-4, all U.S. Government End Users acquire the Software with only those rights set forth herein.
12. You agree that you will not export the Software in any form in violation of any applicable laws and regulations regarding export control of any countries.

About Adobe Color Profile

ADOBE SYSTEMS INCORPORATED
COLOR PROFILE LICENSE AGREEMENT

NOTICE TO USER: PLEASE READ THIS CONTRACT CAREFULLY. BY USING ALL OR ANY PORTION OF THE SOFTWARE YOU ACCEPT ALL THE TERMS AND CONDITIONS OF THIS SOFTWARE YOU ACCEPT ALL THE TERMS AND CONDITIONS OF THIS AGREEMENT. IF YOU DO NOT AGREE WITH THE TERMS OF THIS AGREEMENT, DO NOT USE THE SOFTWARE.

1. **DEFINITIONS** In this Agreement, “Adobe” means Adobe Systems Incorporated, a Delaware corporation, located at 345 Park Avenue, San Jose, California 95110. “Software” means the software and related items with which this Agreement is provided.
 2. **LICENSE** Subject to the terms of this Agreement, Adobe hereby grants you the worldwide, non-exclusive, nontransferable, royalty-free license to use, reproduce and publicly display the Software. Adobe also grants you the rights to distribute the Software only (a) as embedded within digital image files and (b) on a standalone basis. No other distribution of the Software is allowed; including, without limitation, distribution of the Software when incorporated into or bundled with any application software. All individual profiles must be referenced by their ICC Profile description string. You may not modify the Software. Adobe is under no obligation to provide any support under this Agreement, including upgrades or future versions of the Software or other items. No title to the intellectual property in the Software is transferred to you under the terms of this Agreement. You do not acquire any rights to the Software except as expressly set forth in this Agreement.
 3. **DISTRIBUTION** If you choose to distribute the Software, you do so with the understanding that you agree to defend, indemnify and hold harmless Adobe against any losses, damages or costs arising from any claims, lawsuits or other legal actions arising out of such distribution, including without limitation, your failure to comply with this Section 3. If you distribute the Software on a standalone basis, you will do so under the terms of this Agreement or your own license agreement which (a) complies with the terms and conditions of this Agreement; (b) effectively disclaims all warranties and conditions, express or implied, on behalf of Adobe; (c) effectively excludes all liability for damages on behalf of Adobe; (d) states that any provisions that differ from this Agreement are offered by you alone and not Adobe and (e) states that the Software is available from you or Adobe and informs licensees how to obtain it in a reasonable manner on or through a medium customarily used for software exchange. Any distributed Software will include the Adobe copyright notices as included in the Software provided to you by Adobe.
-

4. **DISCLAIMER OF WARRANTY** Adobe licenses the Software to you on an “AS IS” basis. Adobe makes no representation as to the adequacy of the Software for any particular purpose or to produce any particular result. Adobe shall not be liable for loss or damage arising out of this Agreement or from the distribution or use of the Software or any other materials. ADOBE AND ITS SUPPLIERS DO NOT AND CANNOT WARRANT THE PERFORMANCE OR RESULTS YOU MAY OBTAIN BY USING THE SOFTWARE, EXCEPT FOR ANY WARRANTY, CONDITION, REPRESENTATION OR TERM TO THE EXTENT TO WHICH THE SAME CANNOT OR MAY NOT BE EXCLUDED OR LIMITED BY LAW APPLICABLE TO YOU IN YOUR JURISDICTION, ADOBE AND ITS SUPPLIERS MAKE NO WARRANTIES, CONDITIONS, REPRESENTATIONS OR TERMS, EXPRESS OR IMPLIED, WHETHER BY STATUTE, COMMON LAW, CUSTOM, USAGE OR OTHERWISE AS TO ANY OTHER MATTERS, INCLUDING BUT NOT LIMITED TO NON-INFRINGEMENT OF THIRD PARTY RIGHTS, INTEGRATION, SATISFACTORY QUALITY OR FITNESS FOR ANY PARTICULAR PURPOSE. YOU MAY HAVE ADDITIONAL RIGHTS WHICH VARY FROM JURISDICTION TO JURISDICTION. The provisions of Sections 4, 5 and 6 shall survive the termination of this Agreement, howsoever caused, but this shall not imply or create any continued right to use the Software after termination of this Agreement.
 5. **LIMITATION OF LIABILITY** IN NO EVENT WILL ADOBE OR ITS SUPPLIERS BE LIABLE TO YOU FOR ANY DAMAGES, CLAIMS OR COSTS WHATSOEVER OR ANY CONSEQUENTIAL, INDIRECT, INCIDENTAL DAMAGES, OR ANY LOST PROFITS OR LOST SAVINGS, EVEN IF AN ADOBE REPRESENTATIVE HAS BEEN ADVISED OF THE POSSIBILITY OF SUCH LOSS, DAMAGES, CLAIMS OR COSTS OR FOR ANY CLAIM BY ANY THIRD PARTY. THE FOREGOING LIMITATIONS AND EXCLUSIONS APPLY TO THE EXTENT PERMITTED BY APPLICABLE LAW IN YOUR JURISDICTION. ADOBE'S AGGREGATE LIABILITY AND THAT OF ITS SUPPLIERS UNDER OR IN CONNECTION WITH THIS AGREEMENT SHALL BE LIMITED TO THE AMOUNT PAID FOR THE SOFTWARE. Nothing contained in this Agreement limits Adobe's liability to you in the event of death or personal injury resulting from Adobe's negligence or for the tort of deceit (fraud). Adobe is acting on behalf of its suppliers for the purpose of disclaiming, excluding and/or limiting obligations, warranties and liability as provided in this Agreement, but in no other respects and for no other purpose.
 6. **TRADEMARKS** Adobe and the Adobe logo are the registered trademarks or trademarks of Adobe in the United States and other countries. With the exception of referential use, you will not use such trademarks or any other Adobe trademark or logo without separate prior written permission granted by Adobe.
 7. **TERM** This Agreement is effective until terminated. Adobe has the right to terminate this Agreement immediately if you fail to comply with any term hereof. Upon any such termination, you must return to Adobe all full and partial copies of the Software in your possession or control.
 8. **GOVERNMENT REGULATIONS** If any part of the Software is identified as an export controlled item under the United States Export Administration Act or any other export law, restriction or regulation (the “Export Laws”), you represent and warrant that you are not a citizen, or otherwise located within, an embargoed nation (including without limitation Iran, Iraq, Syria, Sudan, Libya, Cuba, North Korea, and Serbia) and that you are not otherwise prohibited under the Export Laws from receiving the Software. All rights to use the Software are granted on condition that such rights are forfeited if you fail to comply with the terms of this Agreement.
-

9. **GOVERNING LAW** This Agreement will be governed by and construed in accordance with the substantive laws in force in the State of California as such laws are applied to agreements entered into and to be performed entirely within California between California residents. This Agreement will not be governed by the conflict of law rules of any jurisdiction or the United Nations Convention on Contracts for the International Sale of Goods, the application of which is expressly excluded. All disputes arising out of, under or related to this Agreement will be brought exclusively in the state Santa Clara County, California, USA.
10. **GENERAL** You may not assign your rights or obligations granted under this Agreement without the prior written consent of Adobe. None of the provisions of this Agreement shall be deemed to have been waived by any act or acquiescence on the part of Adobe, its agents, or employees, but only by an instrument in writing signed by an authorized signatory of Adobe. When conflicting language exists between this Agreement and any other agreement included in the Software, the terms of such included agreement shall apply. If either you or Adobe employs attorneys to enforce any rights arising out of or relating to this Agreement, the prevailing party shall be entitled to recover reasonable attorneys' fees. You acknowledge that you have read this Agreement, understand it, and that it is the complete and exclusive statement of your agreement with Adobe which supersedes any prior agreement, oral or written, between Adobe and you with respect to the licensing to you of the Software. No variation of the terms of this Agreement will be enforceable against Adobe unless Adobe gives its express consent, in writing, signed by an authorized signatory of Adobe.

ICC Profile for TOYO INK Standard Color on Coated paper (TOYO Offset Coated 2.0)

This ICC Profile (TOYO Offset Coated 2.0) characterizes Japanese offset press on Coated paper and is fully compatible with ICC profile format.

About "TOYO INK Standard Color on Coated paper"

This is the standard for color reproduction of sheet-fed offset press on Coated paper made by TOYO INK MFG.CO., LTD. ("TOYO INK").

This standard is made from printing test with using TOYO INK's sheet-fed offset printing inks and TOYO INK's own printing conditions.

"TOYO INK Standard Color on Coated paper" is compatible with "JAPAN COLOR".

Agreement

1. The reproduction of images on a printer or a monitor using this ICC Profile do not completely match the TOYO INK Standard Color on Coated paper.
 2. Any and all copyrights of this ICC Profile shall remain in TOYO INK; therefore you shall not transfer, provide, rent, distribute, disclose, or grant any rights in this ICC Profile to any third party without the prior written consent of TOYO INK.
 3. In no event will TOYO INK its directors, officers, employees or agents be liable to you for any consequential or incidental, either direct or indirect, damages(including damages for loss of business profits, business interruption, loss of business information, and the like)arising out of the use or inability to use this ICC Profile.
 4. TOYO INK shall not be responsible for answering any question related to this ICC Profile.
-

5. All company names and product names used in this document is the trademarks or registered trademarks of their respective holder.

This ICC Profile made by GretagMacbeth ProfileMaker and granted TOYO INK certain license to distribute by GretagMacbeth AG.

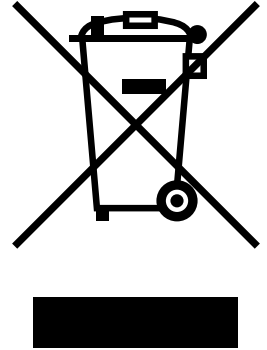
TOYO Offset Coated 2.0 © TOYO INK MFG. CO., LTD. 2004

For EU member states only

This symbol means: **Do not dispose of this product together with your household waste!**

Please contact the Local Authority for appropriate disposal instructions. In the case of a new device being purchased, the used one can also be given to our dealer for appropriate disposal. Recycling of this product will help to conserve natural resources and prevent potential negative consequences for the environment and human health caused by inappropriate waste handling.

This product complies with RoHS (2002/95/EC) directive.



Contents

1 Introduction	1
Getting Acquainted with Your Printer 2	
Space Requirements 2	
Printer Parts 3	
Front View 3	
Rear View 4	
Front View with Options 4	
2 About the Software	5
Software Utilities CD-ROM 6	
PostScript Drivers 6	
PCL Drivers 6	
PPD Files 7	
Utilities 7	
System Requirements 9	
Selecting Driver Options/Defaults (for Windows) 10	
Windows Server 2003/XP/2000/NT 4.0 (PostScript and PCL6) 10	
Windows Me/98SE (PCL6) 11	
Windows Me/98SE (PPD) 12	

Uninstalling the Windows Printer Driver	13
Displaying Windows Printer Driver Settings	14
Windows Server 2003/XP	14
Windows 2000/NT 4.0/Me/98SE	14
Using the Postscript and PCL Printer Drivers	15
Common Buttons	15
OK	15
Cancel	15
Apply	15
Help	15
Easy Set	15
Paper View	16
Printer View	16
Watermark View	16
Quality View	16
Default	16
Advanced Tab (PostScript Printer Driver Only)	16
Basic Tab	17
Layout Tab	17
Cover Page Tab	17
Overlay Tab	18
Watermark Tab	18
Quality Tab	18
Version Tab	19
Limitations on Printer Driver Functions Installed with Point and Print	19
Using the Windows Me/98SE PPD File	20
Common Buttons	20
OK	20
Cancel	20
Apply	20
Restore Defaults	20
Paper Tab	20
Graphics Tab	21
3 Using the Status Monitor (Windows Only)	23
Working with the Status Monitor	24
Introduction	24
Operating Environment	24
Opening the Status Monitor	24
Using the Status Monitor	24
Recognizing Status Monitor Alerts	25
Recovering from a Status Monitor Alert	25
Closing the Status Monitor	25

4	Printer Control Panel and Configuration Menu	27
	About the Control Panel 28	
	Control Panel Indicators and Keys 28	
	Message Window 30	
	Help Screens 31	
	Configuration Menu Overview 32	
	Main Menu 32	
	PROOF/PRINT MENU 33	
	Printing/Deleting a Stored Job 33	
	Entering a Password 34	
	PRINT MENU 36	
	PAPER MENU 38	
	QUALITY MENU 45	
	CAMERA DIRECT MENU 61	
	INTERFACE MENU 64	
	SYS DEFAULT MENU 67	
	MAINTENANCE MENU 77	
	SERVICE MENU 82	
5	Camera Direct	83
	Camera Direct 84	
	Printing Directly from a Digital Camera 84	
6	Using Media	87
	Media Specifications 88	
	Media Types 89	
	Plain Paper (Recycled Paper) 89	
	Thick Stock 91	
	Envelopes 92	
	Labels 94	
	Letterhead 95	
	Postcards 95	
	Transparencies 96	
	Glossy Stock 97	
	What Is the Guaranteed Imageable (Printable) Area? 99	
	Imageable Area—Envelopes 99	
	Page Margins 99	
	Loading Media 100	
	Tray 1 (Manual Feed Tray) 100	
	Loading Plain Paper 100	
	Other Media 102	
	Loading Envelopes 103	
	Loading Label Sheets/Postcards/Thick Stock/Glossy Stock and Transparencies 107	
	Loading the Banner Paper 109	

Tray 2	111
Loading Media	111
Printing on Envelopes	114
Tray 3/4/5 (Optional Lower Feeder Units)	117
Loading Plain Paper	117
Duplexing	120
Output Tray	122
Media Storage	123
7 Replacing Consumables	125
Replacing Consumables	126
About Toner Cartridges	126
Replacing a Toner Cartridge	128
Replacing a Imaging Unit	132
Replacing the Waste Toner Bottle	137
Replacing the Backup Battery	139
8 Maintaining the Printer	143
Maintaining the Printer	144
Cleaning the Printer	148
Exterior	148
Media Rollers	149
Cleaning the Media Feed Rollers (Manual Feed Tray)	149
Cleaning the Media Feed Rollers (Tray 2/3/4/5)	150
Cleaning the Duplex Option Feed Rollers	151
Cleaning the Media Transfer Rollers for Tray 3/4/5	152
Cleaning the Laser Lens	153
9 Troubleshooting	155
Introduction	156
Printing a Configuration Page	156
Preventing Media Misfeeds	157
Understanding the Media Path	158
Clearing Media Misfeeds	159
Media Misfeed Messages and Clearing Procedures	160
Clearing a Media Misfeed in Tray 2	161
Clearing a Media Misfeed in Tray 3/4/5	165
Clearing a Media Misfeed from the Duplex Option	167
Clearing a Media Misfeed from the Fuser Unit	168
Clearing a Media Misfeed from Tray 1 (Manual Feed Tray) and Transfer Roller	172
Solving Problems with Media Misfeeds	175
Solving Other Problems	178
Solving Problems with Printing Quality	183
Status, Error, and Service Messages	189
Standard Status Messages	189

Error Messages (Warning: ⚠)	190
Error Messages (Operator Call: ⚠)	195
Service Messages: ⚠	200

10	Installing Accessories	201
	Introduction	202
	Antistatic Protection	203
	Dual In-Line Memory Module (DIMM)	204
	Installing a DIMM	204
	Hard Disk	206
	Installing a Hard Disk	206
	CompactFlash	208
	Installing the CompactFlash card	208
	Duplex Option	211
	Kit Contents	211
	Installing the Duplex Option	211
	Lower Feeder Unit	216
	Kit Contents	216
	Installing a Lower Feeder Unit	216
	Caster Base	225
	Kit Contents	225
	Installing the Caster Base	226
	Banner Tray	229
	Installing the Banner Tray	229
A	Appendix	233
	Safety Specifications	234
	Technical Specifications	234
	Printer	234
	Consumable Life Expectancy Chart	238

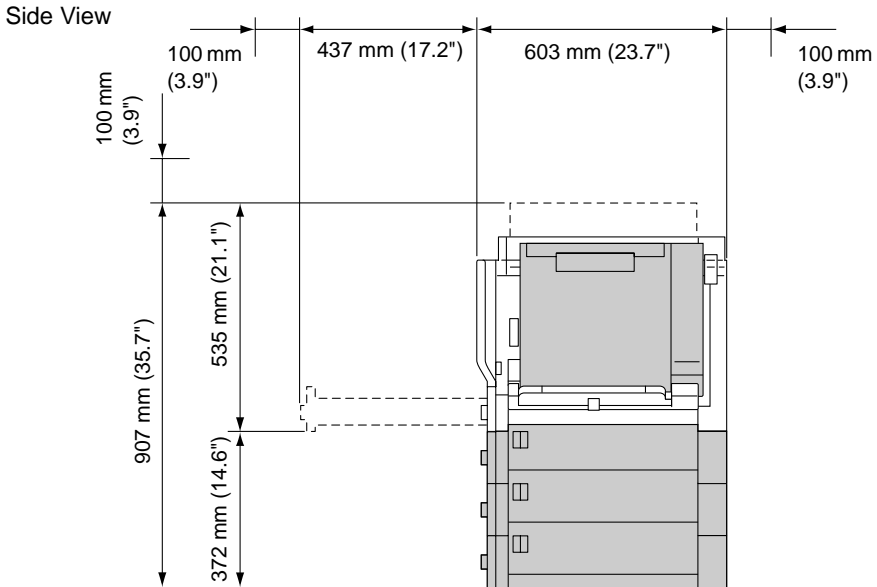
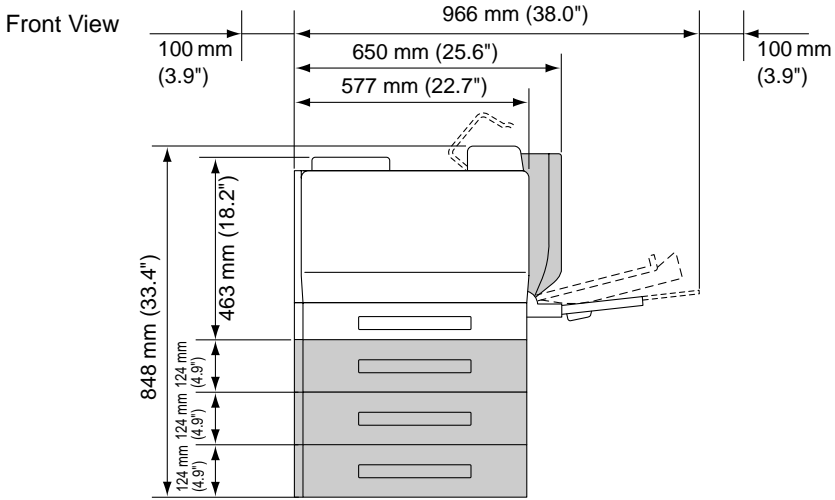
Introduction

1

Getting Acquainted with Your Printer

Space Requirements

To ensure easy operation, consumable replacement and maintenance, adhere to the recommended space requirements detailed below.



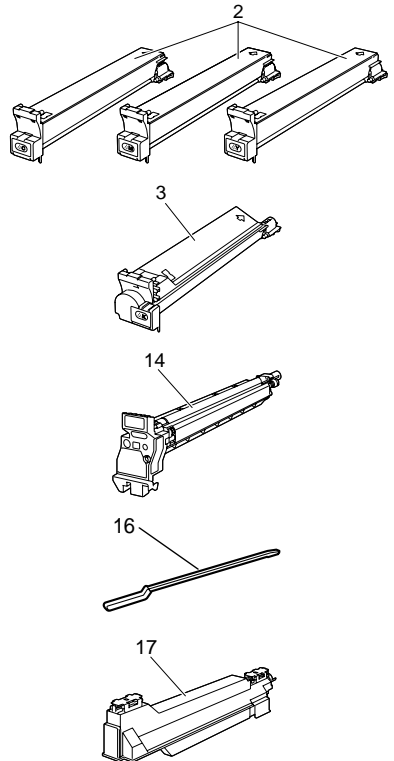
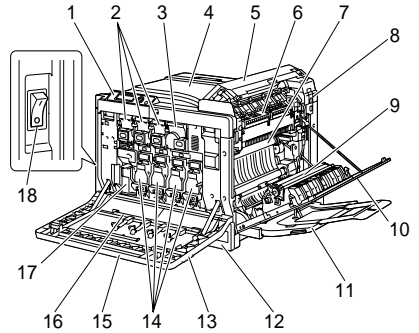
The options appear shaded in the above illustrations.

Printer Parts

The following drawings illustrate the parts of your printer referred to throughout this guide, so please take some time to become familiar with them.

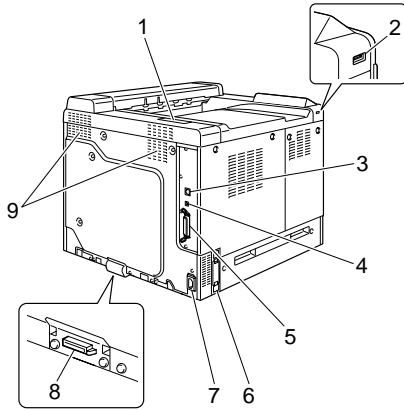
Front View

- 1—Control panel
- 2—Toner cartridge (Cyan, Magenta, Yellow)
- 3—Toner cartridge (Black)
- 4—Output tray
- 5—Top cover
- 6—Fuser unit
- 7—Transfer belt unit
- 8—Filter 1 (Air filter)
- 9—Transfer roller
- 10—Right side cover
- 11—Tray 1 (Manual feed tray)
- 12—Tray 2
- 13—Grip
- 14—Imaging unit
- 15—Front cover
- 16—Laser lens cleaning tool
- 17— Waste toner bottle
- 18—Power switch



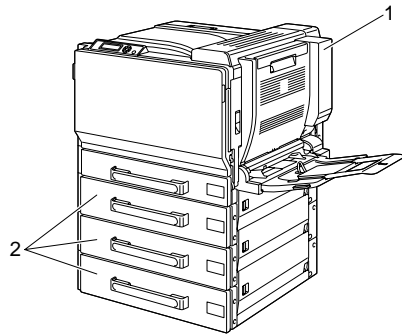
Rear View

- 1—Filter 2 (Dust filter)
- 2—Digital Camera Direct Print Port
- 3—10Base-T/100Base-TX/
1000Base-T ethernet interface
port
- 4—USB port
- 5—Parallel port
- 6—Filter 3 (Ozone filter)
- 7—Power connection
- 8—Option cassette connector
- 9—Ventilation grilles



Front View with Options

- 1—Duplex option
- 2—Lower feeder units (Tray 3/4/5)



***About the
Software***

2

Software Utilities CD-ROM

PostScript Drivers

Operating System	Use/Benefit
Windows Server 2003/XP/2000	These drivers give you access to all of the printer features, including finishing and advanced layout. See also “Displaying Windows Printer Driver Settings” on page 14.
Windows NT 4.0	



When using Windows Me/98SE, use the PPD file for Windows Me/98SE. See also “Displaying Windows Printer Driver Settings” on page 14.



A specific PPD file has been prepared for applications (such as Page-Maker and CorelDRAW) that require that a PPD file be specified when printing.

When specifying a PPD file while printing on Windows XP, Server 2003, 2000 and NT 4.0, use the specific PPD file provided on the Software Utilities CD-ROM in drivers



When installing the PostScript driver for Windows NT 4.0, the Service Pack 6a CD-ROM provided by Microsoft is required.

PCL Drivers

Operating System	Use/Benefit
Windows Server 2003/XP/2000	These drivers give you access to all of the printer features, including finishing and advanced layout. See also “Displaying Windows Printer Driver Settings” on page 14.
Windows Me/98SE	
Windows NT 4.0	

PPD Files

Operating System	Use/Benefit
Windows Server 2003/XP/2000/NT 4.0/Me/98SE	These PPD files allow you to install the printer for a variety of platforms, drivers, and applications.
Macintosh OS X/9	These files are required in order to use the printer driver for each operating system. For details of the Macintosh and Linux printer drivers, refer to the magicolor 7450 Reference Guide on the Documentation CD-ROM.
Linux	




For details on the installation of the Windows printer drivers, refer to the magicolor 7450 Installation Guide on the Documentation CD-ROM.

Utilities

Utility	Use/Benefit
Download Manager	This utility, which can be used only if an optional hard disk is installed, enables fonts and overlay data to be downloaded to a printer hard disk. For details on the installation, refer to the Download Manager online help for all of the functions.
Crown Print Monitor for Windows	Using the TCP/IP protocol, print jobs can be sent directly to the printer. For details, refer to the magicolor 7450 Reference Guide on the Documentation CD-ROM.
Status Monitor (Windows only)	The current status of the printer in addition to the status of consumables and error information can be viewed. For details, refer to See "Using the Status Monitor (Windows Only)" on page 23.

Utility	Use/Benefit
PageScope Net Care	<p>Printer management functions such as status monitoring and network settings can be accessed.</p> <p>For details, refer to the PageScope Net Care Quick Guide on the Software Utilities CD-ROM.</p>
PageScope Web Connection	<p>With a Web browser, the status of printers can be checked, and the various settings can be changed.</p> <p>For details, refer to the magicolor 7450 Reference Guide on the Documentation CD-ROM.</p>
PageScope Network Setup	<p>Using the TCP/IP and IPX protocols, basic network printer settings can be specified.</p> <p>For details, refer to the PageScope Network Setup User Manual on the Software Utilities CD-ROM.</p>
PageScope Plug and Print	<p>This utility automatically detects a new printer connected to the network and creates a print object on the Windows print server.</p> <p>For details, refer to the PageScope Plug and Print Quick Guide on the Software Utilities CD-ROM.</p>
PageScope NDPS Gateway	<p>This network utility enables KONICA MINOLTA printers and multifunctional products to be used in an NDPS environment.</p> <p>For details, refer to the PageScope NDPS Gateway User Manual on the Software Utilities CD-ROM.</p>
Peer to Peer Printing Tool	<p>Setups for peer-to-peer printing in Windows 98 and Windows Me.</p> <p>Peer-to-peer printing refers to printing directly to a device on the network instead of through the server.</p> <p>For details, refer to the Peer to Peer Printing Tool Users Guide on the Software Utilities CD-ROM.</p>

System Requirements

- Personal computer
 - Pentium 2: 400 MHz (Pentium 3: 500 MHz or higher is recommended)
 - Power Mac G3 or later (G4 or later is recommended)
 - Intel Core Duo (iMac or MacBook Pro) or later
- Operating System
 - Microsoft Windows Server 2003, Windows Server 2003 x64 Edition, Windows XP Home Edition/Professional (Service Pack 1 or later; Service Pack 2 or later is recommended), Windows XP Professional x64 Edition, Windows 2000 (Service Pack 4 or later), Windows NT 4.0 (Service Pack 6), Windows Me, Windows 98SE
-  *The 64-bit driver support x64 operating systems running on AMD64 or Intel Pentium 4 with EM64T platforms.*
- Mac OS X (10.2 or later; We recommend installing the newest patch), Mac OS X Server (10.2 or later)
- Mac OS 9 (9.1 or later), Mac OS X (10.2 or later) Classic mode
- Red Hat Linux 9.0, SuSE Linux 8.2
- Free hard disk space
 - Approximately 20 MB of free hard disk space for the printer driver and Status Monitor
 - Approximately 128 MB of free hard disk space for image processing
- RAM
 - 128 MB or more
- CD-ROM/DVD drive
- I/O interface
 - 10Base-T/100Base-TX/1000Base-T Ethernet interface port
 - USB 2.0 (High Speed) compliant port
 - Parallel (IEEE 1284) port






For details of the Macintosh and Linux printer drivers, refer to the magicolor 7450 Reference Guide on the Documentation CD-ROM.

Selecting Driver Options/Defaults (for Windows)

Before you start working with your printer, you are advised to verify/change the default driver settings. Also, in case you have options installed, you should “declare” the options in the driver.

Windows Server 2003/XP/2000/NT 4.0 (PostScript and PCL6)



- 1 Choose the driver’s properties as follows:
 - (Windows Server 2003/XP)
From the **Start** menu, choose **Printers and Faxes** to display the **Printers and Faxes** directory. Right-click the KONICA MINOLTA mc7450 PCL6 or KONICA MINOLTA mc7450 PS printer icon and choose **Properties**.
 - (Windows 2000/NT 4.0)
From the **Start** menu, choose **Settings** and then **Printers** to display the **Printers** directory. Right-click the KONICA MINOLTA mc7450 PCL6 or KONICA MINOLTA mc7450 PS printer icon and choose **Properties**.
- 2 If you have installed options, proceed with the next step. Otherwise, skip to step 9.
- 3 Select the **Configure** tab.
- 4 Check that the installed options are correctly listed. If not, proceed with the next step. Otherwise, continue with step 8.
- 5 Click the **Refresh** to automatically configure installed options.
 -  *The **Refresh** is available only if bi-directional communication is available with the printer; otherwise it is grayed out.*
- 6 From the **Device Options** list, select an option, one at a time, and then select **Enable** or **Disable** from the **Settings** menu.
 -  *If **Printer Memory** is selected, select **256 MB**, **512 MB**, **768 MB** or **1024 MB**, according to the installed memory. The factory default setting is **256 MB**.*
- 7 Click **Apply**.
 -  *Depending on the version of the operating system, **Apply** may not appear. If this is the case, continue with the next step.*




*With Windows NT 4.0, right-click the KONICA MINOLTA mc7450 PCL6 printer icon or the KONICA MINOLTA mc7450 PS printer icon in the Printers directory, and then click **Document Defaults**. Skip to step 10.*

- 8 Select the **General** tab.
- 9 Click **Printing Preferences**.
Printing Preference dialog box appears.
- 10 Select the default settings for your printer, such as the default media format you use, on the appropriate tabs.
- 11 Click **Apply**.
- 12 Click **OK** to exit from the Print preference dialog box.
- 13 Click **OK** to exit from the Properties dialog box.

Windows Me/98SE (PCL6)


- 1 Choose the driver's properties as follows:
 - From the **Start** menu, choose **Settings** and then **Printers** to display the **Printers** directory. Right-click the KONICA MINOLTA mc7450 PCL6 printer icon and choose **Properties**.
- 2 Select the **Configure** tab.
- 3 Check that the installed options are correctly listed. If not, proceed with the next step. Otherwise, continue with step 7.
- 4 Click the **Refresh** to automatically configure installable options.
 -  *The **Refresh** is available only if bi-directional communication is available with the printer, otherwise it is grayed out.*
- 5 From the **Device Options** list, select an option, one at a time, and then select **Enable** or **Disable** from the **Settings** menu.
 -  *If **Printer Memory** is selected, select **256 MB**, **512 MB**, **768 MB** or **1024 MB**, according to the installed memory. The factory default setting is **256 MB**.*
- 6 Click **Apply**.
- 7 Select the default settings for your printer, such as the default media format you use, on the appropriate tabs.
- 8 Click **Apply**.
- 9 Click **OK**.

Windows Me/98SE (PPD)

- 1 Choose the driver's properties as follows:
 - From the **Start** menu, choose **Settings** and then **Printers** to display the **Printers** directory. Right-click the KONICA MINOLTA mc7450 PPD printer icon and choose **Properties**.
- 2 Select the **Device Options** tab.
- 3 Check that the installed options are correctly listed. If not, proceed with the next step. Otherwise, continue with step 6.
- 4 From the **Installable options** list, select an option, one at a time, and then select **Enable or Disable** from the **Change setting for:** menu.
 -  *If **VMOption** is selected, select **256 MB**, **512 MB**, **768 MB** or **1024 MB**, according to the installed memory. The factory default setting is **256 MB**.*
- 5 Click **Apply**.
- 6 Select the default settings for your printer, such as the default media format you use, on the appropriate tabs.
- 7 Click **Apply**.
- 8 Click **OK**.

Uninstalling the Windows Printer Driver

This section describes how to uninstall the KONICA MINOLTA mc7450 printer driver if necessary.

- 1 Close all applications.
- 2 Open the **Printers** directory.
 - (Windows Server 2003/XP)
From the **Start** menu, choose **Printers and Faxes** to display the **Printers and Faxes** directory.
 - (Windows 2000/NT 4.0/Me/98SE)
From the **Start** menu, choose **Settings** and then **Printers** to display the **Printers** directory.
- 3 Right-click the KONICA MINOLTA mc7450 PCL6 or KONICA MINOLTA mc7450 PS printer icon or KONICA MINOLTA mc7450 PPD printer icon and choose **Delete**.
- 4 Click **Yes** to verify the driver deletion.
 *When using Windows NT 4.0/Me/98SE, Skip to Step 8.*
- 5 (Windows Server2003/XP/2000) Select **File / Server Properties** from the menu.
- 6 (Windows Server2003/XP/2000) Go to the **Driver** tab and select KONICA MINOLTA mc7450 PCL6 or KONICA MINOLTA mc7450 PS driver and then click **Remove**.
- 7 (Windows Server2003/XP/2000) Click **Yes** to verify the driver removal.
- 8 Restart your computer.
- 9 The KONICA MINOLTA mc7450 printer driver will be uninstalled from your computer.

Displaying Windows Printer Driver Settings

Windows Server 2003/XP

- 1 From the **Start** menu, choose **Printers and Faxes** to display the **Printers and Faxes** directory.
- 2 Right-click the KONICA MINOLTA mc7450 PCL6 or KONICA MINOLTA mc7450 PS printer icon and choose **Printing Preferences**.

Windows 2000/NT 4.0/Me/98SE

- 1 From the **Start** menu, point to **Settings**, and then click **Printers** to display the **Printers** directory.
- 2 Display the printer driver settings:
 - **Windows 2000**—Right-click the KONICA MINOLTA mc7450 PCL6 or KONICA MINOLTA mc7450 PS printer icon and choose **Printer Properties**.
 - **Windows NT 4.0**—Right-click the KONICA MINOLTA mc7450 PCL6 or KONICA MINOLTA mc7450 PS printer icon and choose **Document Defaults**.
 - **Windows Me/98SE**—Right-click the KONICA MINOLTA mc7450 PCL6 or KONICA MINOLTA mc7450 PPD printer icon and choose **Properties**.

Using the Postscript and PCL Printer Drivers



When using KONICA MINOLTA mc7450 PCL6 printer driver on Windows Me/98SE, a tab for specifying printer settings appears in the dialog box.

For details on using KONICA MINOLTA mc7450 PPD on Windows Me/98SE, refer to "Using the Windows Me/98SE PPD File" on page 20.

Common Buttons

The buttons described below appear on each tab.

OK

Click to exit the Properties dialog box, saving any changes made.

Cancel

Click to exit the Properties dialog box without saving any changes made.

Apply

Click to save all changes without exiting the Properties dialog box.



Depending on the version of the operating system, **Apply** may not appear.

Help

Click to view the help.

Easy Set

To save the current settings, enter a name, and then click **Save**. Afterward, the saved settings can be selected from the drop-down list. To change the registered setting, click **Edit**.

Select **Defaults** from the drop-down list to reset the functions in all tabs to their default values.

- **Name:** Type in the name of the settings to be saved.
- **Comment:** Add a simple comment to the settings to be saved.

- **Sharing:** Specify whether or not the settings to be saved can be used by other users logged onto the computer.

Paper View

Click the button to display a sample of the page layout in the figure area.



*This button does not appear on the **Advanced**, **Watermark**, **Quality** and **Version** tabs.*

Printer View

Click the button to display an image of the printer (with all installed options) in the figure area.



*This button does not appear on the **Advanced** and **Version** tabs.*

Watermark View

Click this button to display a preview of the watermark.



*This button appears only when the **Watermark** tab is selected.*

Quality View

Click this button to display a sample of the settings selected in the **Quality** tab.



*This button appears only when the **Quality** tab is selected.*

Default

Click this button to reset the settings to their defaults.



*This button does not appear on the **Advanced** and **Version** tabs.*

Advanced Tab (PostScript Printer Driver Only)

The Advanced Tab allows you to

- Specify the PostScript output method
- Specify whether or not the error messages of a print job are printed
- Print a mirror image
- Specify whether or not the application can directly output PostScript data

Basic Tab

The Basic Tab allows you to

- Specify the orientation of the media
- Specify the size of the original document
- Select the output media size
- Zoom (expand/reduce) documents
- Specify the paper source
- Specify the type of media
- Specify the number of copies
- Turn on/off job collation
- Save a print job on the printer and print it later (Job Retention)
- Save a confidential job on the printer and protect it with a password
- Print a single copy for proofing
- Send a notification by e-mail when printing is finished
- Specify user information such as e-mail addresses and passwords
- Print on the back side of media that has already been printed on

Layout Tab

The Layout Tab allows you to

- Print several pages of a document on the same page (N-up printing)
- Specify booklet printing
- Rotate the print image 180 degrees
- Specify duplex printing
- Specify whether or not blank pages are printed (PCL printer driver only)
- Adjust the binding margin (PCL printer driver only)
- Adjust the printing position (PCL printer driver only)

Cover Page Tab

The Cover Page Tab allows you to

- Print front and back cover pages and separator pages
- Specify the tray that contains the media for the front and back cover pages and separator pages

Overlay Tab



*Be sure to use overlays with print jobs with a media size and orientation that matches the overlay form.
In addition, if settings have been specified for “N-up” or “Booklet” in the printer driver, the overlay form cannot be adjusted to match the specified settings.*

The Overlay Tab allows you to

- Select the form to use
- Add or delete overlay files
- Launch Download Manager to download a form (PostScript printer driver only)



Download Manager Application should be installed earlier.

- Create a form (PCL printer driver only)
- Specify that the document and form are printed overlapping (PCL printer driver only)
- Display the form information (PCL printer driver only)
- Print the form on All Pages, First Page, Even Pages and Odd Pages
- Place the form in back of the document or in front on the printed document (PCL printer driver only)

Watermark Tab

The Watermark Tab allows you to

- Select the watermark to be used
- Create, edit or delete watermarks
- Lighten the density of the watermark
- Print the watermark on only the first page
- Print the watermark on the all pages

Quality Tab

The Quality Tab allows you to

- Switch between color and grayscale printing
- Control the darkness of an image (Brightness)
- Specify the printer color settings (Quick Color)
- Specify the resolution for the printout
- Perform color separation

- Specify the format of fonts that are to be downloaded
- Print using the printer's fonts
- Control the tones of an image (Contrast) (PCL printer driver only)
- Specify the image compression method (PCL printer driver only)

Version Tab

The Version Tab allows you to view information about the printer driver.

Limitations on Printer Driver Functions Installed with Point and Print

If Point and Print is performed with the following server and client combinations, there are limitations on some printer driver functions.

- Server and client combinations
Server: Windows Server 2003/XP/2000
Client: Windows NT 4.0
- Functions with limitations applied
Booklet, Skip Blank Pages, Front Cover Page, Back Cover Page, Separator Page, Create Overlay, Print Overlay, Watermark
*JOBNAME, USERNAME, and HOSTNAME output of PJJ

When using these operating system combinations, install the printer driver on the client with a local connection, and then specify the shared printer installed on the server as the connection.

Using the Windows Me/98SE PPD File



A tab for specifying printer settings appears in the dialog box.

Common Buttons

The buttons described below appear on each tab.

OK

Click to exit the Properties dialog box, saving any changes made.

Cancel

Click to exit the Properties dialog box without saving any changes made.

Apply

Click to save all changes without exiting the Properties dialog box.



Depending on the version of the operating system, **Apply** may not appear.

Restore Defaults

Click this button to reset the settings to their defaults.

Paper Tab

The Paper Tab allows you to

- Specify the size of the original document
- Print several pages of a document on the same page (N-up printing)
- Specify the orientation of the media
- Rotate the print image 180 degrees
- Specify the paper source
- Specify the number of copies
- Specify the desired media size when a Custom page is selected
- Specify the margins at the top, bottom, left and right
- Specify duplex printing
- Specify media type

- View information about the printer driver

Graphics Tab

The Graphics Tab allows you to

- Specify the resolution for the printout
- Specify the printer color settings
- Select the halftone setting
- Switch between color and monochrome printing
- Print a mirror image
- Scale (expand/reduce) documents

***Using the Status
Monitor
(Windows Only)***

3

Working with the Status Monitor

Introduction

The Status Monitor shows information about the current status of the printer.

The Status Monitor can be installed from the Software Utilities CD-ROM.

For details on the installation, refer to the magicolor 7450 Reference Guide on the Documentation CD-ROM.

Operating Environment

The Status Monitor can be used on computers running Windows XP/Server 2003/2000/Me/98SE/NT 4.0 connected to the printer using an Ethernet connection.

When Windows NT 4.0 is used, install Windows Media Player (version 6.4 or later).

Opening the Status Monitor

Use one of the following steps to open the Status Monitor:

- **Windows Server 2003/XP**—From the **Start** menu, choose **All Programs, KONICA MINOLTA**, and then **Status Monitor**. Double-click the Status Monitor icon displayed in the taskbar.
- **Windows 2000/NT 4.0/Me/98SE**—From the **Start** menu, choose **Programs, KONICA MINOLTA**, and then **Status Monitor**. Double-click the Status Monitor icon displayed in the taskbar.

Using the Status Monitor

Status Tab

- **Select Printer**—Selects the printer whose status is displayed. In addition, the messages that appear in the message window of the selected printer are displayed.
- **Graphic**—Shows a graphic representation of the printer and indicates where the problem is. When the background of the printer graphic is red or yellow, there is an error and the job has been interrupted.
- **Advanced Options**—Click **Advanced Options** to display the Advanced Options dialog box. From the Advanced Options dialog box, select whether the Status Monitor automatically starts when the operating system is started and whether error notifications are sent by e-mail.

- **Order Supplies**—Click **Order Supplies** to automatically access the order page for supplies. The address of the page that is accessed can be specified from the Advanced Options dialog box.
- **Printer Alerts**—Displays text messages that alert you of conditions such as low toner.
- **Recovery Instructions**—Provides you with explanations of what you need to do in order to correct problems and recover from error conditions.

Consumables Tab

Displays the usage status (approximate percentage remaining) of each consumable.

- **Order Supplies**—Click **Order Supplies** to automatically access the order page for supplies. The address of the page that is accessed can be specified from the Advanced Options dialog box.
- **Refresh**—Rechecks the supplies and displays their status.



*Click **Help** to display windows containing explanations of the Status Monitor functions. Refer to this help for detailed information.*



The percentages remaining for the consumables displayed using the Status Monitor may be different from the actual amounts and should only be used as a reference.

Recognizing Status Monitor Alerts

When the Status Monitor detects a printing problem, the icon on the Windows task bar changes from green (normal) to yellow (warning), orange or red (error), depending on the severity of the printer problem.

Recovering from a Status Monitor Alert

When the Status Monitor notifies you of a printing problem, double-click its icon on the Windows task bar to open the Status Monitor. The Status Monitor identifies what type of error has occurred.

Closing the Status Monitor

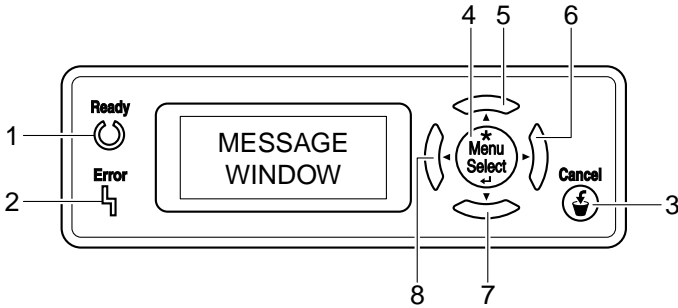
Click **Close** to close the Status Monitor window. To exit Status Monitor, right-click the Status Monitor icon in the taskbar, and then click **Exit**.

***Printer Control
Panel and
Configuration
Menu***



4











About the Control Panel



The control panel, located on the top of the printer, allows you to direct the printer's operation. In addition, it displays the current status of the printer, including any condition that needs your attention.



Control Panel Indicators and Keys

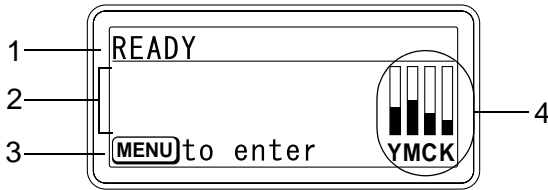
No.	Indicator	Off	On
1	Ready 	The printer is not ready to accept data.	The printer is ready to accept data.
2	Error 	No problem.	The printer requires operator attention (usually accompanied by a status message in the message window.)





No.	Key	Function
3	<p data-bbox="356 145 449 181">Cancel</p> 	<ul style="list-style-type: none"> <li data-bbox="505 137 1037 188">■ Cancels the currently displayed menu or menu choice <li data-bbox="505 212 1014 263">■ Allows you to cancel one or all print jobs that are currently being printed or processed: <ol style="list-style-type: none"> <li data-bbox="505 285 770 311">1. Press the Cancel key. <li data-bbox="505 333 997 384">2. Press the Up or Down keys to select either CURRENT JOB or ALL JOBS. <li data-bbox="505 406 893 458">3. Press the Select key. The print job(s) is (are) cancelled.
4	<p data-bbox="359 491 456 632">* Menu Select</p> 	<ul style="list-style-type: none"> <li data-bbox="505 480 796 505">■ Enters the menu system <li data-bbox="505 528 902 553">■ Moves down in the menu structure <li data-bbox="505 576 829 601">■ Applies the selected setting <li data-bbox="505 624 960 649">■ MENU appears in the message window
5		<ul style="list-style-type: none"> <li data-bbox="505 671 751 697">■ Moves the cursor up <li data-bbox="505 719 983 770">■ Returns to the status screen from the help screen <li data-bbox="505 793 1031 869">■ Within a menu choice that is changeable character by character, scrolls upward through the available characters <li data-bbox="505 908 972 933">■ ,  appears in the message window
6		<ul style="list-style-type: none"> <li data-bbox="505 948 841 973">■ Moves the cursor to the right <li data-bbox="505 995 848 1021">■ Displays the next help screen <li data-bbox="505 1043 908 1069">■  appears in the message window
7		<ul style="list-style-type: none"> <li data-bbox="505 1091 781 1117">■ Moves the cursor down <li data-bbox="505 1139 1031 1165">■ Displays the help screen when an error occurs <li data-bbox="505 1187 1031 1264">■ Within a menu choice that is changeable character by character, scrolls downward through the available characters <li data-bbox="505 1302 972 1327">■ ,  appears in the message window

No.	Key	Function
8		<ul style="list-style-type: none"> ■ Moves the cursor to the left ■ Displays the previous help screen ■  appears in the message window

Message Window

The current status of the printer, the amount of toner remaining, and any error messages can be viewed from the message window.



No.	Details
1	<p>The current status of the printer is displayed.</p> <ul style="list-style-type: none"> ■ If the operator or service representative must be called, the symbol  and the error status are displayed. ■ If a warning occurs, the symbol  appears on the right side of the window. ■ If a print job is being received, the symbol  appears on the right side of the window. ■ If a digital camera is connected, the symbol  appears on the right side of the window.
2	<ul style="list-style-type: none"> ■ Error messages are displayed. ■ While a print job is being received, the user name and the print progress are displayed. ■ While updating the firmware, the type of firmware being updated and the update progress are displayed.
3	Key information is displayed.
4	The approximate amount of toner remaining is displayed.

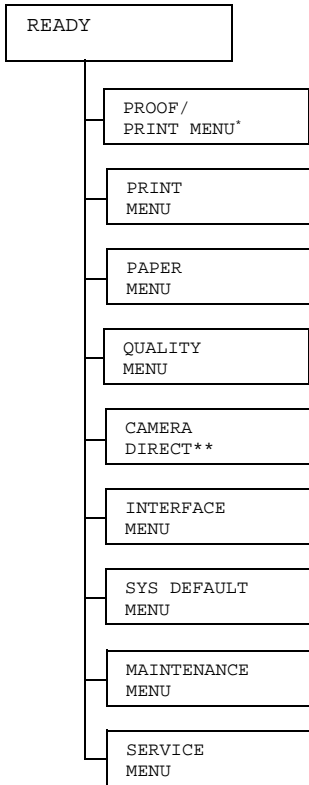
Help Screens

The help screens appear when the Down key is pressed after an error occurred, such as a media misfeed, so that the error can be corrected.

Configuration Menu Overview

The magicolor 7450 configuration menu accessible from the control panel is structured as shown below.

Main Menu



* This menu item appears only if an optional hard disk is installed.



** This menu item appears when *INTERFACE MENU*/*CAMERA DIRECT* is set to *ENABLE*.

PROOF/PRINT MENU

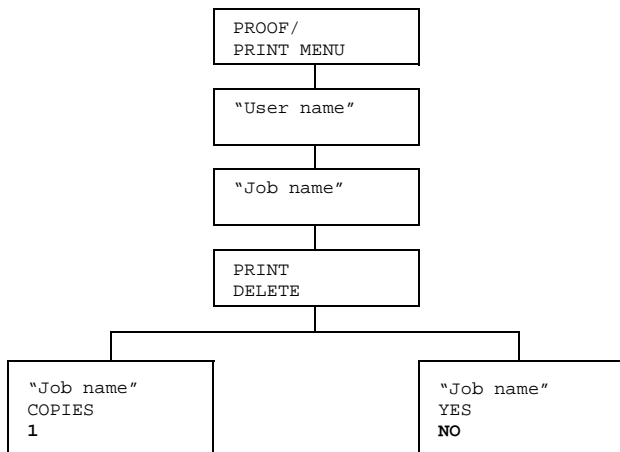


This menu item appears only if an optional hard disk is installed.

With this menu item, print jobs that were set to be saved on the hard disk by using Job Retention on the Basic tab of the printer driver can be printed or deleted.



All factory default values are shown in bold.



Printing/Deleting a Stored Job

- 1 Follow the procedure described below to select a job.

Press Key	Until Display Reads
* Menu Select ↵	PROOF /PRINT MENU
* Menu Select ↵	"User name" If no print jobs have been stored on the hard disk, NO STORED JOB appears.
△, ▽	Desired user name

Press Key	Until Display Reads
<p style="text-align: center;">* Menu Select ↵</p>	<p>“Job name”</p>
<p style="text-align: center;">△, ▽</p>	<p>Desired job name</p>
<p style="text-align: center;">* Menu Select ↵</p>	<p>PRINT DELETE</p> <p>If the selected print job was set as a secured job from the printer driver, a screen for entering the password appears. For details on typing the password, refer to “Entering a Password” on page 34.</p>

- 2 Select PRINT or DELETE, and then press the Menu/Select key.



*If PRINT was selected, continue with step 3.
If DELETE was selected, continue with step 5.*

- 3 Press the Up and Down keys to specify the number of copies to be printed. (Settings: 1 to 999; Default: 1)
- 4 Press the Menu/Select key.
Printing begins.
- 5 Select YES or NO.
- 6 Press the Menu/Select key.
*If YES was selected, the print job is deleted.
If NO was selected, the PRINT/DELETE selection screen appears again.*

Entering a Password

If the print job selected in the PROOF / PRINT MENU is a secured job, a screen for entering the password appears. Follow the procedure described below to type in the four-digit password specified from the printer driver.

- 1 Press the Up and Down keys to increase or decrease the first digit of the password.
- 2 Press the Right key to move the cursor to the next digit.

- 3 Press the Up and Down keys to increase or decrease the second digit of the password.
- 4 Continue these steps until all four digits of the password are specified.
- 5 Press the Menu/Select key.

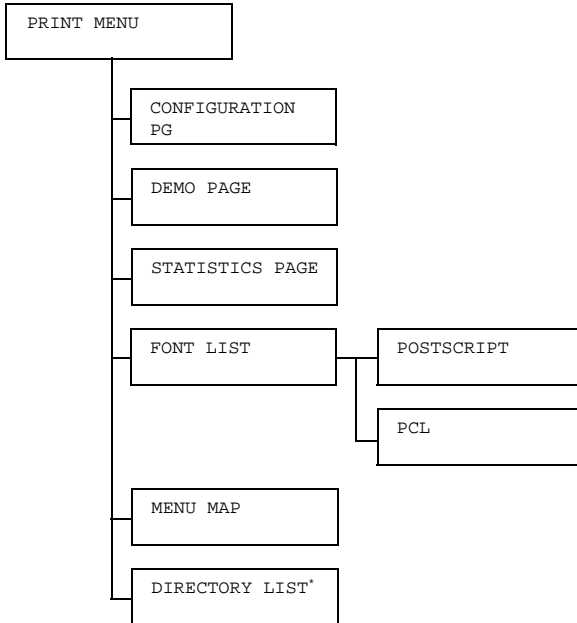
The PRINT/DELETE selection screen appears.



If an incorrect password is entered, INVALID ENTRY appears and the screen for entering the password appears again.

PRINT MENU

With this menu, printer information, such as the configuration page and the demo page, can be printed.



* This menu item appears only if an optional hard disk is installed.



All factory default values are shown in bold.

CONFIGURA- TION PG	Settings	PRINT / CANCEL
	Prints a configuration page.	
DEMO PAGE	Settings	PRINT / CANCEL
	Prints a demo page.	
STATISTICS PAGE	Settings	PRINT / CANCEL
	Prints a statistics page, which includes such details as the number of pages printed.	

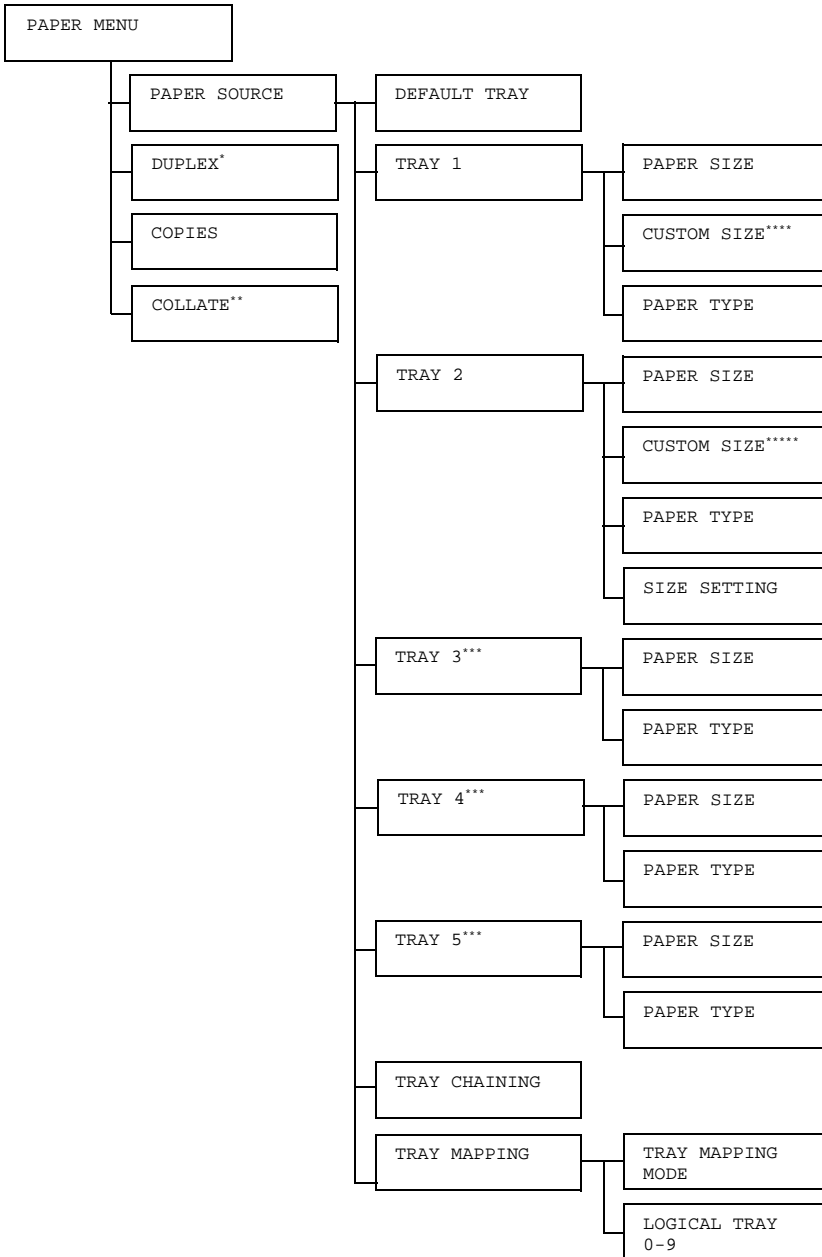
FONT LIST	POST SCRIPT	Settings	PRINT / CANCEL
		Prints a PostScript font list.	
	PCL	Settings	PRINT / CANCEL
		Prints a PCL font list.	
MENU MAP	Settings	PRINT / CANCEL	
	Prints a menu map.		
DIRECTORY LIST	Settings	PRINT / CANCEL	
	Prints a directory list of the hard disk.		



The amounts remaining for the supplies/parts status and coverage information displayed using the statistics page may be different from the actual amounts and should be used only as reference.

PAPER MENU

With this menu, the media used for printing can be managed.





* This menu item appears only if the optional duplex unit is installed.

** This menu item appears only if an optional hard disk is installed.



*** These menu items appear only if corresponding optional lower feeder unit is installed.




**** This menu item appears only when you select CUSTOM from the TRAY 1/PAPER SIZE menu.




***** This menu item appears only when you select CUSTOM from the TRAY 2/PAPER SIZE menu.






All factory default values are shown in bold.

PAPER SOURCE	DEFAULT TRAY	Settings	TRAY 1/ TRAY 2 / TRAY 3/TRAY 4/TRAY 5
		The tray that is normally used can be specified.  TRAY 3/4/5 appear only if an optional lower feeder unit is installed.	
	TRAY 1	PAPER SIZE	Settings ANY/ LETTER /LETTER-R/ 11x17/LEGAL/EXECUTIVE/A3WIDE/A3/ A4 / A4-R/A5/A6/B4(JIS)/ B5(JIS)/B5(JIS)-R/ B6(JIS)/GOVT LETTER/ STATEMENT/FOLIO/SP FOLIO/UK QUARTO/ FOOLSCAP/GOVT LEGAL/ 16K/12x18/11x14/4x6/ D8K/KAI 8/KAI 16/KAI 32/ENV C5/ENV C6/ENV DL/ENV MONARCH/ENV CHOU#3/ENV CHOU#4/ B5(ISO)/ENV #10/ENV YOU#4/JPOST/JPOST-D/ CUSTOM
			Select the setting for the size of media loaded into Tray 1.  "-R" added at the end of the name for media sizes indicates that the media is loaded vertically.

			<p> Selecting “ANY” is considered the same as if media with the size specified from the printer driver is loaded, and the pages are printed without the actual media size selected. Be sure to load media with the specified size. Refer to “SIZE ERR” on Page 198.</p> <p> The default setting for North America is LETTER. The default setting for all other regions is A4.</p>
		CUSTOM SIZE	<p>Specify the media size when custom-sized media is loaded into Tray 1.</p> <p>The setting units can be switched between millimeters and inches with the SYSTEM-PAPER-UNIT OF MEASURE setting.</p> <p>Setting range for WIDTH</p> <ul style="list-style-type: none"> ■ For MILLIMETERS: 90 to 311 mm (The default is 210.) ■ For INCHES: 3.55 to 12.25 in. (The default is 8.50.) <p>Setting range for LENGTH</p> <ul style="list-style-type: none"> ■ For MILLIMETERS: 140 to 1200 mm (The default is 297.) ■ For INCHES: 5.50 to 47.24 (The default is 11.00.) <p> This menu item appears only if PAPER SIZE is set to CUSTOM.</p>

		PAPER TYPE	<p>Settings ANY/PLAIN PAPER/RECYCLED/THICK 1/THICK 2/THICK 3/LABEL/TRANSPARENCY/TRANSPARENCY 2/ENVELOPE/POSTCARD/LETTERHEAD/GLOSSY</p> <p>Select the setting for the type of media loaded into Tray 1.</p> <p> <i>Selecting "ANY" is considered the same as if media with the type specified from the printer driver is loaded, and the pages are printed without the actual media type selected. Be sure to load media with the specified type. Refer to "TYPE ERR" on Page 199.</i></p>
TRAY 2		PAPER SIZE	<p>Settings ANY/LETTER/LETTER-R/11x17/LEGAL/EXECUTIVE/A3WIDE/A3/A4/A4-R/A5/A6/B4(JIS)/B5(JIS)/B5(JIS)-R/B6(JIS)/GOVT LETTER/STATEMENT/FOLIO/SPFOLIO/UK QUARTO/FOOLSCAP/GOVT LEGAL/16K/12x18/11x14/4x6/D8K/KAI 8/KAI 16/KAI 32/ENV C5/ENV C6/ENV DL/ENV MONARCH/ENV CHOU#3/ENV CHOU#4/B5(ISO)/ENV #10/ENV YOU#4/JPOST/JPOST-D/CUSTOM</p> <p>Select the setting for the size of media loaded into Tray 2.</p> <p> <i>This menu item appears only if SIZE SETTING is set to USER SELECT. With any other setting, the media size set for TRAY2 is automatically detected.</i></p> <p> <i>The default setting for North America is LETTER. The default setting for all other regions is A4.</i></p>

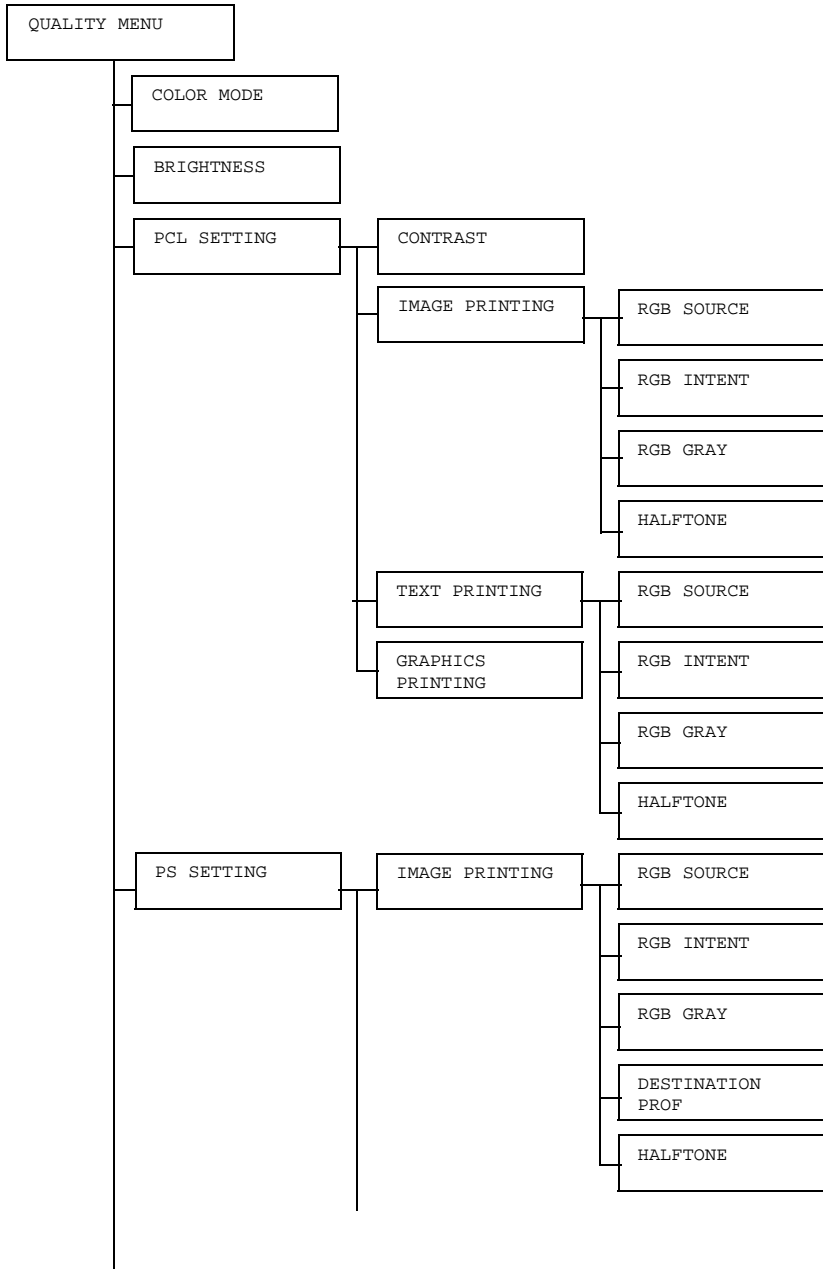
		<p>CUSTOM SIZE</p>	<p>Specify the media size when custom-sized media is loaded into Tray 1.</p> <p>The setting units can be switched between millimeters and inches with the SYSTEM-PAPER-UNIT OF MEASURE setting.</p> <p>Setting range for WIDTH</p> <ul style="list-style-type: none"> ■ For MILLIMETERS: 90 to 311 mm (The default is 210.) ■ For INCHES: 3.55 to 12.25 in. (The default is 8.50.) <p>Setting range for LENGTH</p> <ul style="list-style-type: none"> ■ For MILLIMETERS: 140 to 457 mm (The default is 297.) ■ For INCHES: 5.50 to 18.00 (The default is 11.00.) <p> <i>This menu item appears only if PAPER SIZE is set to CUSTOM.</i></p>		
		<p>PAPER TYPE</p>	<table border="1" data-bbox="524 794 963 1029"> <tr> <td data-bbox="524 794 636 1029">Settings</td> <td data-bbox="636 794 963 1029"> ANY/PLAIN PAPER/ RECYCLED/THICK 1/ THICK 2/THICK 3/ LABEL/TRANSPARENCY/ TRANSPARENCY 2/ ENVELOPE/POSTCARD/ LETTERHEAD/GLOSSY </td> </tr> </table> <p>Select the setting for the type of media loaded into Tray 2.</p>	Settings	ANY/ PLAIN PAPER / RECYCLED/THICK 1/ THICK 2/THICK 3/ LABEL/TRANSPARENCY/ TRANSPARENCY 2/ ENVELOPE/POSTCARD/ LETTERHEAD/GLOSSY
Settings	ANY/ PLAIN PAPER / RECYCLED/THICK 1/ THICK 2/THICK 3/ LABEL/TRANSPARENCY/ TRANSPARENCY 2/ ENVELOPE/POSTCARD/ LETTERHEAD/GLOSSY				
		<p>SIZE SETTING</p>	<table border="1" data-bbox="524 1098 963 1141"> <tr> <td data-bbox="524 1098 636 1141">Settings</td> <td data-bbox="636 1098 963 1141">AUTO/USER SELECT</td> </tr> </table> <p>If AUTO is selected, the media size will be automatically detected. For media sizes that can be automatically detected when AUTO is selected, refer to "DETECT PAPER SIZE" on page 72.</p> <p>If USER SELECT is selected, the media size specified by the user is set.</p>	Settings	AUTO /USER SELECT
Settings	AUTO /USER SELECT				

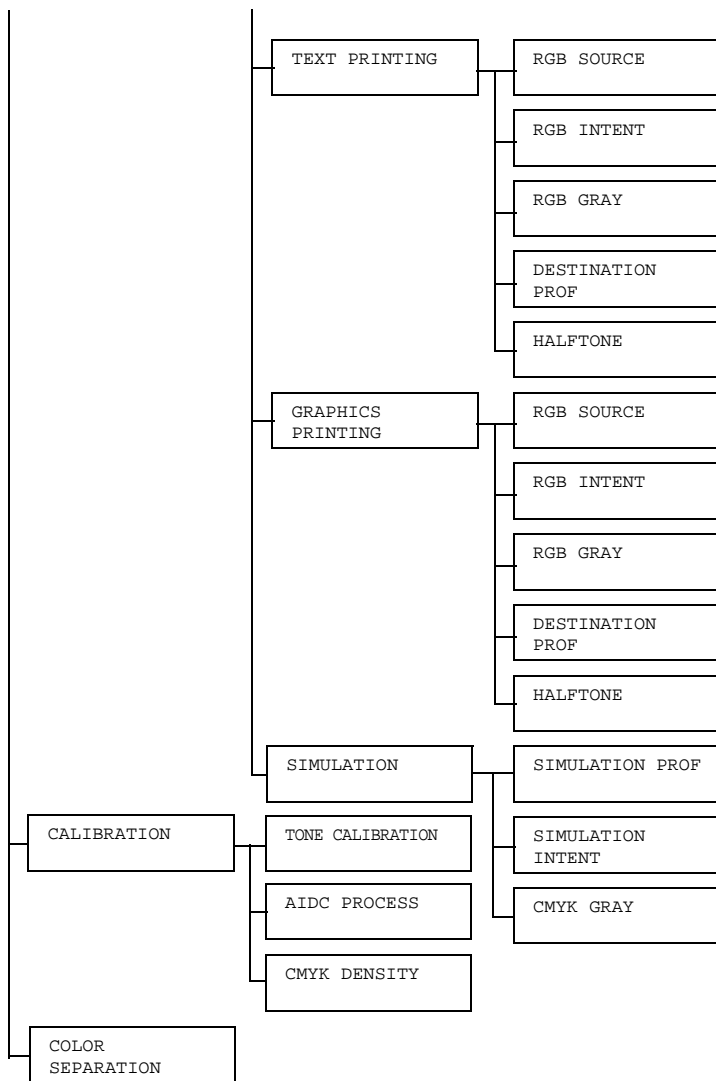
TRAY 3 TRAY 4 TRAY 5	PAPER SIZE	The size of media loaded in Tray 3/4/5 is indicated. For media sizes that can be automatically detected, refer to “DETECT PAPER SIZE” on page 72.	
		This menu item only shows the current setting. This setting cannot be changed.	
	PAPER TYPE	Settings	ANY / PLAIN PAPER / RECYCLED
		Select the setting for the type of media loaded into Tray 3/4/5.	
TRAY CHAINING	Settings	ON/OFF	
	<p>If ON is selected and the specified tray runs out of media during printing, a tray loaded with media of the same size is automatically selected so printing can continue.</p> <p>If OFF is selected and the specified tray runs out of media, printing stops.</p>		
TRAY MAPPING	TRAY MAPPING MODE	Settings	ON/OFF
		<p>If ON is selected, logical tray 0 through 9 can be selected and the assigned tray of this printer can be used.</p> <p>If OFF is selected, a logical tray cannot be used.</p> <p>This setting is used to link a tray setting specified from a third-party printer driver with trays on this printer.</p>	
	LOGICAL TRAY 0-9	Settings	PHYSICAL TRAY1-5
		<p>The physical tray assigned to each logical tray can be specified.</p> <p> <i>The default setting for LOGICAL TRAY 0 is PHYSICAL TRAY2. The default setting for all other trays is PHYSICAL TRAY1.</i></p> <p> <i>PHYSICAL TRAY 3/4/5 appear only if an optional lower feeder unit is installed.</i></p>	

DUPLEX	Settings	OFF /LONG EDGE/SHORT EDGE
	<p>If LONG EDGE is selected, the pages will be printed on both sides of the media for long-edge binding.</p> <p>If SHORT EDGE is selected, the pages will be printed on both sides of the media for short-edge binding.</p> <p>The setting specified in the printer driver overrides this menu setting.</p>	
COPIES	Settings	1 -9999
	<p>Specify the number of copies to be printed.</p> <p>The setting specified in the printer driver overrides this menu setting.</p>	
COLLATE	Settings	ON/ OFF
	<p>If ON is selected, all pages of the document are printed before the next copy is printed.</p> <p>If OFF is selected, all copies of the document are not printed separately.</p> <p>The setting specified in the printer driver overrides this menu setting.</p>	

QUALITY MENU

With this menu, settings for the print quality can be specified.







All factory default values are shown in bold.

COLOR MODE	Settings	COLOR / GRAYSCALE		
	<p>If COLOR is selected, the pages are printed in full color.</p> <p>If GRAYSCALE is selected, the pages are printed in black and white.</p>			
BRIGHT- NESS	Settings	-15% / -10% / -5% / 0% / +5% / +10% / +15%		
	The brightness of the printed image can be adjusted.			
PCL SETTING	CONTRAST	Settings	-15% / -10% / -5% / 0% / +5% / +10% / +15%	
		The contrast of the image can be adjusted.		
	IMAGE PRINTING	RGB SOURCE	Settings	DEVICE COLOR / sRGB
			<p>Specify the color space for RGB image data.</p> <p>If DEVICE COLOR is selected, no color space is specified.</p> <p>If RGB source profiles are downloaded with the Download Manager, they are available from the list of settings.</p>	
RGB INTENT	Settings	VIVID / PHOTOGRAPHIC		
		<p>Specify the characteristic applied when converting RGB image data to CMYK data.</p> <p>If VIVID is selected, a vivid output is produced.</p> <p>If PHOTOGRAPHIC is selected, a brighter output is produced.</p>		

		RGB GRAY	Settings	COMPOSITE BLACK /BLACK AND GRAY/ BLACK ONLY
			<p>Specify how black and grays are reproduced in RGB image data.</p> <p>If COMPOSITE BLACK is selected, black is reproduced using the CMYK colors.</p> <p>If BLACK AND GRAY is selected, black and gray are reproduced using black only.</p> <p>If BLACK ONLY is selected, black is reproduced using only black.</p>	
		HALF TONE	Settings	LINE ART / DETAIL /SMOOTH
			<p>Select how halftones are reproduced.</p> <p>If LINE ART is selected, halftones are reproduced with high precision.</p> <p>If DETAIL is selected, halftones are reproduced with detail.</p> <p>If SMOOTH is selected, halftones are reproduced with smoothness.</p>	

TEXT PRINTING	RGB SOURCE	Settings	DEVICE COLOR/ sRGB
		<p>Specify the color space for RGB text data.</p> <p>If DEVICE COLOR is selected, no color space is specified.</p> <p>If RGB source profiles are downloaded with the Download Manager, they are available from the list of settings.</p>	
	RGB INTENT	Settings	VIVID / PHOTOGRAPHIC
	<p>Specify the characteristic applied when converting RGB text data to CMYK data.</p> <p>If VIVID is selected, a vivid output is produced.</p> <p>If PHOTOGRAPHIC is selected, a brighter output is produced.</p>		
	RGB GRAY	Settings	COMPOSITE BLACK/ BLACK AND GRAY / BLACK ONLY
	<p>Specify how black and grays are reproduced in RGB text data.</p> <p>If COMPOSITE BLACK is selected, black is reproduced using the CMYK colors.</p> <p>If BLACK AND GRAY is selected, black and gray are reproduced using black only.</p> <p>If BLACK ONLY is selected, black is reproduced using only black.</p>		

		HALF-TONE	Settings	LINE ART / DETAIL / SMOOTH
			<p>Select how halftones are reproduced.</p> <p>If LINE ART is selected, halftones are reproduced with high precision.</p> <p>If DETAIL is selected, halftones are reproduced with detail.</p> <p>If SMOOTH is selected, halftones are reproduced with smoothness.</p>	
	GRAPHICS PRINTING	Settings	AS IMAGE / AS TEXT	
		<p>Specify the color setting for graphics.</p> <p>If AS IMAGE is selected, the color setting that is the same as the image is applied.</p> <p>If AS TEXT is selected, the color setting that is the same as the text is applied.</p>		

PS SETTINGS	IMAGE PRINTING	RGB SOURCE	Settings	DEVICE COLOR/ sRGB / AppleRGB / AdobeRGB1998 / ColorMatchRGB / BlueAdjustRGB
		<p>Specify the color space for RGB image data.</p> <p>If DEVICE COLOR is selected, no color space is specified.</p> <p>If RGB source profiles are downloaded with the Download Manager, they are available from the list of settings.</p>		
		RGB INTENT	Settings	VIVID / PHOTOGRAPHIC / RELATIVE COLOR / ABSOLUTE COLOR
<p>Specify the characteristic applied when converting RGB image data to CMYK data.</p> <p>If VIVID is selected, a vivid output is produced.</p> <p>If PHOTOGRAPHIC is selected, a brighter output is produced.</p> <p>If RELATIVE COLOR is selected, relative color is applied to the RGB source profile.</p> <p>If ABSOLUTE COLOR is selected, absolute color is applied to the RGB source profile.</p>				

		RGB GRAY	Settings	COMPOSITE BLACK / BLACK AND GRAY / BLACK ONLY
			<p>Specify how black and grays are reproduced in RGB image data.</p> <p>If COMPOSITE BLACK is selected, black is reproduced using the CMYK colors.</p> <p>If BLACK AND GRAY is selected, black and gray are reproduced using black only.</p> <p>If BLACK ONLY is selected, black is reproduced using only black.</p>	
		DESTI- NATION PROF	Settings	AUTO
			<p>Specify the destination profile.</p> <p>If AUTO is selected, a destination profile that the printer automatically adapts is selected based on a combination of the specified color matching, halftones and other profiles.</p> <p>If destination profiles are downloaded with the Download Manager, they are available from the list of settings.</p>	

		HALF-TONE	Settings	LINE ART/ DETAIL /SMOOTH Select how halftones are reproduced. If LINE ART is selected, halftones are reproduced with high precision. If DETAIL is selected, halftones are reproduced with detail. If SMOOTH is selected, halftones are reproduced with smoothness.
	TEXT PRINTING	RGB SOURCE	Settings	DEVICE COLOR/ sRGB / AppleRGB/ AdobeRGB1998/ ColorMatchRGB / BlueAdjustRGB Specify the color space for RGB text data. If DEVICE COLOR is selected, no color space is specified. If RGB source profiles are downloaded with the Download Manager, they are available from the list of settings.

		RGB INTENT	Settings	VIVID / PHOTOGRAPHIC / RELATIVE COLOR / ABSOLUTE COLOR
				<p>Specify the characteristic applied when converting RGB text data to CMYK data.</p> <p>If VIVID is selected, a vivid output is produced.</p> <p>If PHOTOGRAPHIC is selected, a brighter output is produced.</p> <p>If RELATIVE COLOR is selected, relative color is applied to the RGB source profile.</p> <p>If ABSOLUTE COLOR is selected, absolute color is applied to the RGB source profile.</p>
		RGB GRAY	Settings	COMPOSITE BLACK / BLACK AND GRAY / BLACK ONLY
				<p>Specify how black and grays are reproduced in RGB text data.</p> <p>If COMPOSITE BLACK is selected, black is reproduced using the CMYK colors.</p> <p>If BLACK AND GRAY is selected, black and gray are reproduced using black only.</p> <p>If BLACK ONLY is selected, black is reproduced using only black.</p>

		DESTI- NATION PROF	Settings	AUTO
			<p>Specify the destination profile.</p> <p>If AUTO is selected, a destination profile that the printer automatically adapts is selected based on a combination of the specified color matching, halftones and other profiles.</p> <p>If destination profiles are downloaded with the Download Manager, they are available from the list of settings.</p>	
		HALF- TONE	Settings	LINE ART / DETAIL / SMOOTH
			<p>Select how halftones are reproduced.</p> <p>If LINE ART is selected, halftones are reproduced with high precision.</p> <p>If DETAIL is selected, halftones are reproduced with detail.</p> <p>If SMOOTH is selected, halftones are reproduced with smoothness.</p>	

	GRAPHICS PRINTING	RGB SOURCE	Settings	DEVICE COLOR/ sRGB / AppleRGB / AdobeRGB1998 / ColorMatchRGB / BlueAdjustRGB
			<p>Specify the color space for RGB image data.</p> <p>If DEVICE COLOR is selected, no color space is specified.</p> <p>If RGB source profiles are downloaded with the Download Manager, they are available from the list of settings.</p>	
		RGB INTENT	Settings	VIVID / PHOTOGRAPHIC / RELATIVE COLOR / ABSOLUTE COLOR
		<p>Specify the characteristic applied when converting RGB image data to CMYK data.</p> <p>If VIVID is selected, a vivid output is produced.</p> <p>If PHOTOGRAPHIC is selected, a brighter output is produced.</p> <p>If RELATIVE COLOR is selected, relative color is applied to the RGB source profile.</p> <p>If ABSOLUTE COLOR is selected, absolute color is applied to the RGB source profile.</p>		

		RGB GRAY	Settings	COMPOSITE BLACK /BLACK AND GRAY/ BLACK ONLY	
			<p>Specify how black and grays are reproduced in RGB image data.</p> <p>If COMPOSITE BLACK is selected, black is reproduced using the CMYK colors.</p> <p>If BLACK AND GRAY is selected, black and gray are reproduced using black only.</p> <p>If BLACK ONLY is selected, black is reproduced using only black.</p>		
			DESTI- NATION PROF	Settings	AUTO
			<p>Specify the destination profile.</p> <p>If AUTO is selected, a destination profile that the printer automatically adapts is selected based on a combination of the specified color matching, halftones and other profiles.</p> <p>If destination profiles are downloaded with the Download Manager, they are available from the list of settings.</p>		
			HALF- TONE	Settings	AS IMAGE /AS TEXT
			<p>Specify the color setting for graphics.</p> <p>If AS IMAGE is selected, the color setting that is the same as the image is applied.</p> <p>If AS TEXT is selected, the color setting that is the same as the text is applied.</p>		

	SIMULATION	SIMU- LATION PROF	Settings	NONE / SWOP / Euroscale / CommercialPre ss / TOYO / DIC
			Specify the simulation profile. If NONE is selected, no simulation profile is specified. If simulation profiles are downloaded with the Download Manager, they are available from the list of settings.	
	SIMULATION INTENT	SIMU- LATION INTENT	Settings	RELATIVE COLOR / ABSOLUTE COLOR
			Specify the characteristic of the simulation profile. If RELATIVE COLOR is selected, relative color is applied to the simulation profile. If ABSOLUTE COLOR is selected, absolute color is applied to the simulation profile.	

		CMYK GRAY	Settings	COMPOSITE BLACK /BLACK AND GRAY/ BLACK ONLY
			<p>Specify how black and grays are reproduced using the four CMYK colors.</p> <p>If COMPOSITE BLACK is selected, black is reproduced using the CMYK colors.</p> <p>If BLACK AND GRAY is selected, black and gray are reproduced using black only.</p> <p>If BLACK ONLY is selected, black is reproduced using only black.</p>	
CALIBRA- TION	TONE CALIBRATION	Settings	ON /OFF	
		<p>If ON is selected, image adjustments are applied.</p> <p>If OFF is selected, image adjustments are not applied.</p>		
	AIDC PROCESS	Settings	EXECUTE / CANCEL	
			<p>If EXECUTE is selected, image adjustments are performed immediately.</p> <p>If CANCEL is selected, image adjustments are not performed.</p>	

	CMYK DENSITY	CYAN/ MAGENTA/ YELLOW/ BLACK	HIGH- LIGHT	Settings	-3/-2/ -1/0/ 1/2/3	
				The density of the highlight color in images can be adjusted.		
			MIDDLE	Settings	-3/-2/ -1/0/ 1/2/3	
				The density of the middle color in images can be adjusted.		
			SHADOW	Settings	-3/-2/ -1/0/ 1/2/3	
				The density of the shadow color in images can be adjusted.		
COLOR SEPARA- TION	Settings	ON/ OFF				
	<p>If ON is selected, color separation are performed. The contents of a color page is separated into the color pages for yellow, magenta, cyan and black, and each is printed with black gradations as individual pages. The printing order is yellow, magenta, cyan, then black.</p> <p>If OFF is selected, color separation is not performed. A normal color separation is performed.</p>					

CAMERA DIRECT MENU

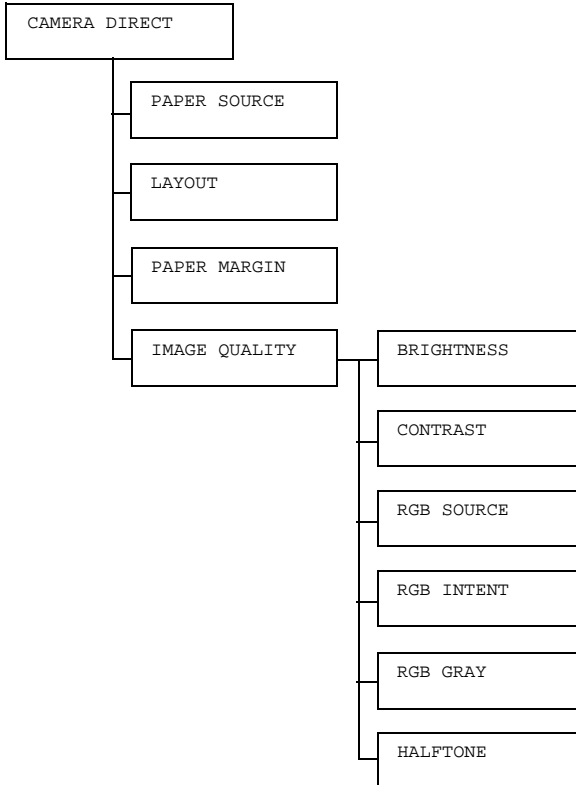
This menu item appears when INTERFACE MENU/CAMERA DIRECT is set to ENABLE.

With this menu, settings for “camera direct” function can be specified.




These settings are overridden by any settings configured within the digital camera.

For details on camera direct, refer to “Camera Direct” on page 84.





All factory default values are shown in bold.

PAPER SOURCE	Settings	TRAY1 / TRAY2 / TRAY3 / TRAY4 / TRAY5	
	<p>The tray that is used can be specified.</p> <p> <i>TRAY 3, 4, 5 appear only if the optional lower feeder units are installed.</i></p>		
LAYOUT	Settings	1-UP / 2-UP / 3-UP / 4-UP / 6-UP / 8-UP	
	<p>Specify the number of images printed on a single sheet of media.</p> <p>When set to 1-UP, only one image will be printed on a single sheet of media.</p>		
PAPER MARGIN	Settings	STANDARD / MINIMUM	
	<p>If STANDARD is selected, the standard media margin size is specified.</p> <p>If MINIMUM is selected, the minimum media margin size is specified.</p>		
IMAGE QUALITY	BRIGHTNESS	Settings	-15% / -10% / -5% / 0% / +5% / +10% / +15%
		The brightness of the printed image can be adjusted.	
	CONTRAST	Settings	-15% / -10% / -5% / 0% / +5% / +10% / +15%
		The contrast of the image can be adjusted.	
	RGB SOURCE	Settings	DEVICE COLOR / sRGB
		<p>Specify the color space for RGB image data.</p> <p>If DEVICE COLOR is selected, no color space is specified.</p>	
	RGB INTENT	Settings	VIVID / PHOTOGRAPHIC
		<p>Specify the characteristic applied when converting RGB image data to CMYK data.</p> <p>If VIVID is selected, a vivid output is produced.</p> <p>If PHOTOGRAPHIC is selected, a brighter output is produced.</p>	

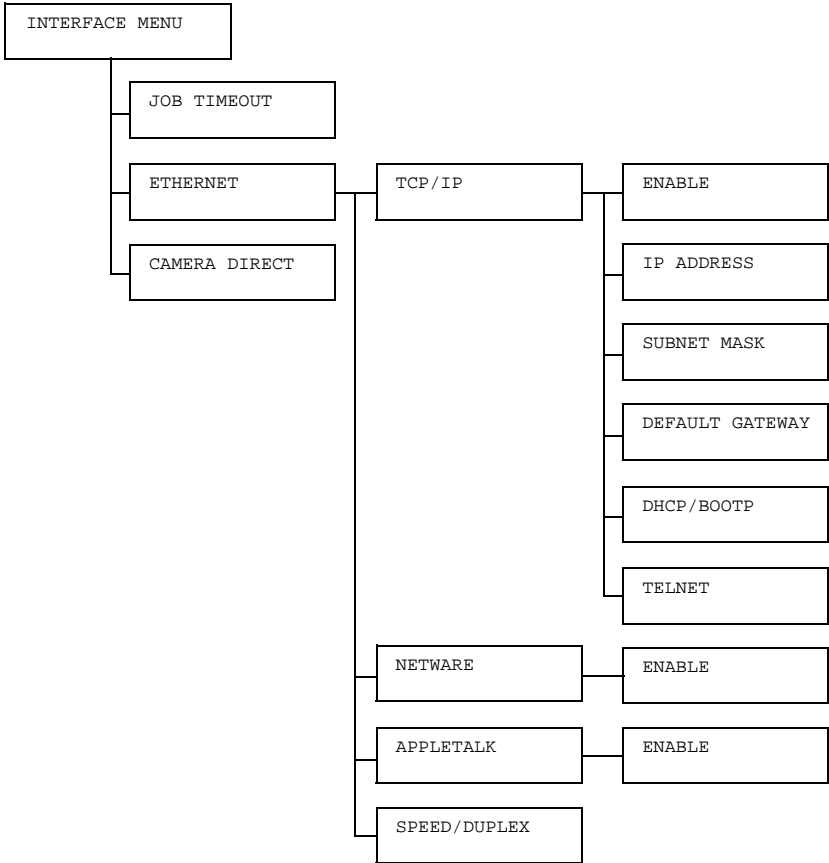
	RGB GRAY	Settings	COMPOSITE BLACK /BLACK AND GRAY/BLACK ONLY
		<p>Specify how black and grays are reproduced in RGB image data.</p> <p>If COMPOSITE BLACK is selected, black is reproduced using the CMYK colors.</p> <p>If BLACK AND GRAY is selected, black and gray are reproduced using black only.</p> <p>If BLACK ONLY is selected, black is reproduced using only black.</p>	
	HALFTONE	Settings	LINE ART/ DETAIL /SMOOTH
		<p>Select how halftones are reproduced.</p> <p>If LINE ART is selected, halftones are reproduced with high precision.</p> <p>If DETAIL is selected, halftones are reproduced with detail.</p> <p>If SMOOTH is selected, halftones are reproduced with smoothness.</p>	

INTERFACE MENU

With this menu, interface settings can be specified.



Restart the printer after changing settings in the ETHERNET menu.





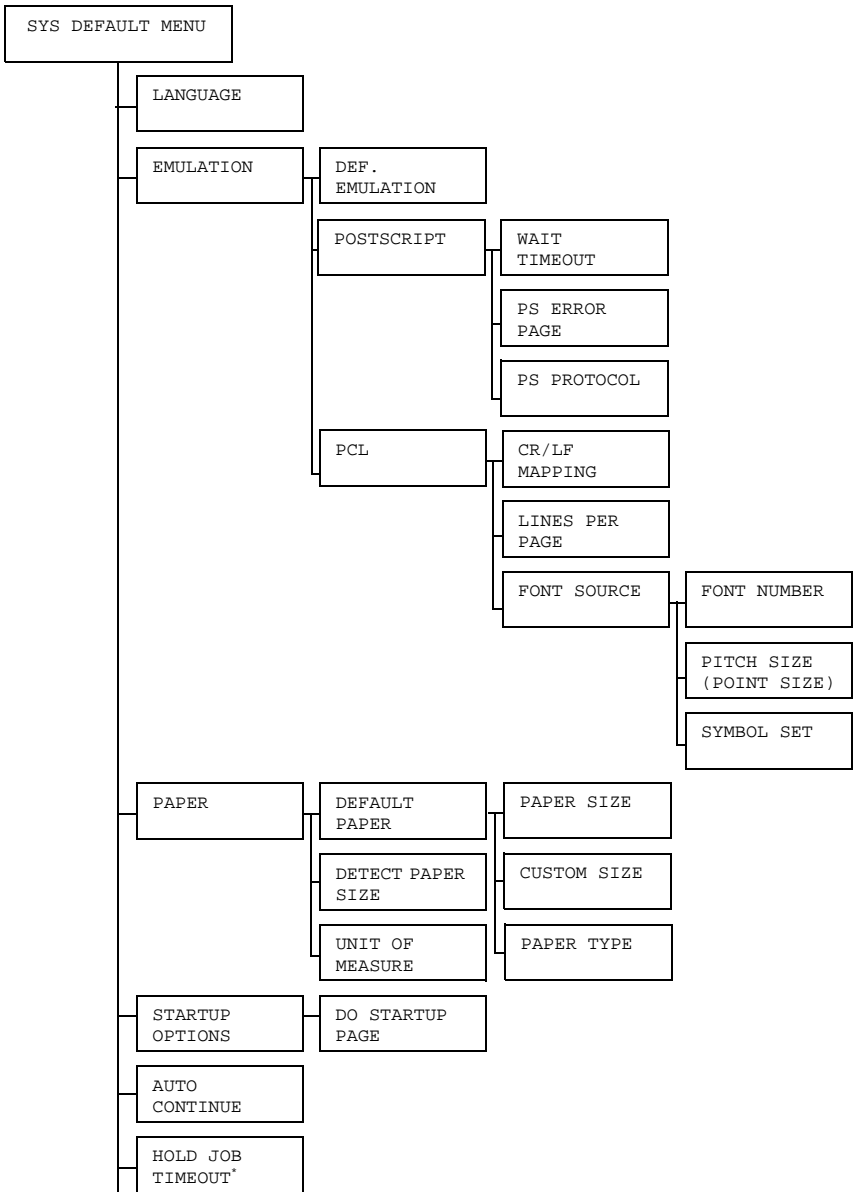
All factory default values are shown in bold.

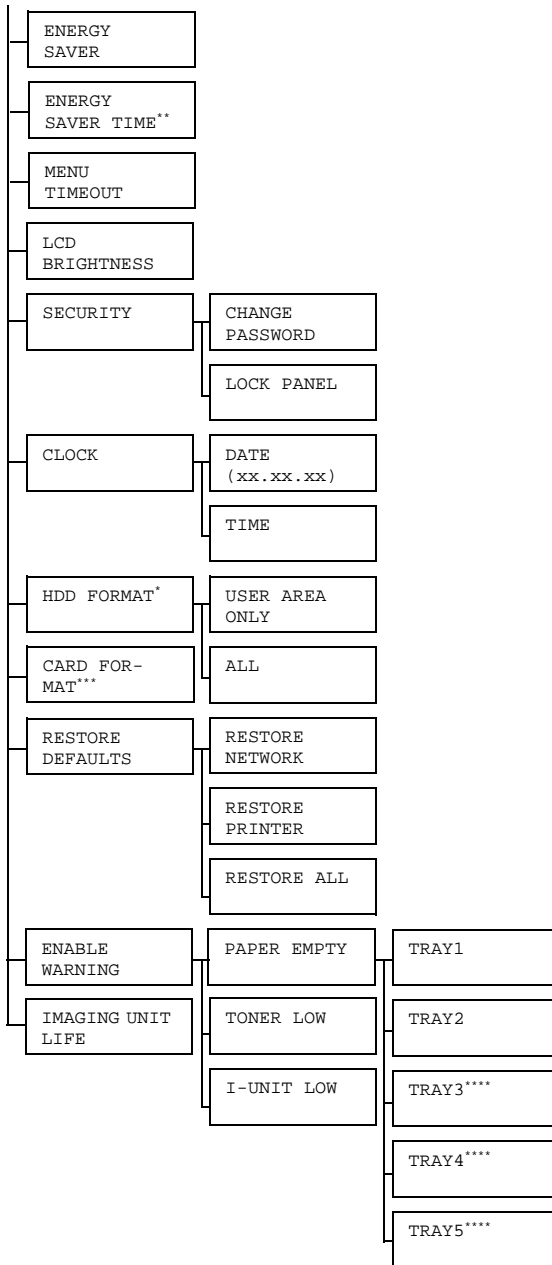
JOB TIME- OUT	Settings		5 seconds- 15 seconds -300 seconds
	Specify the timeout interval for a print job being received.		
ETHER- NET	TCP / IP	ENABLE	Settings YES /NO If YES is selected, TCP/IP is enabled. If NO is selected, TCP/IP is disabled.
		IP ADDRESS	Setting 000.000.000.000 Set the IP address for this printer on the network. Use the Up, Down, Left, and Right keys to specify the value. If the IP address is manually specified, DHCP/BOOTP is automatically set to OFF.
	SUBNET MASK	Setting 255.255.000.000 Specify the subnet mask for the network. Use the Up, Down, Left, and Right keys to specify the value.	
	DEFAULT GATEWAY	Setting 000.000.000.000 Specify the IP address of the router if one is on the network. Use the Up, Down, Left, and Right keys to specify the value.	
	DHCP / BOOTP	Settings ON /OFF Select whether or not the IP address is automatically acquired. If ON is selected, the IP address is automatically acquired. If OFF is selected, the IP address is not automatically acquired.	

		TELNET	Settings	ENABLE /DISABLE
			Select whether to enable or disable Telnet transmissions. When ENABLE is selected, Telnet transmissions are enabled. When DISABLE is selected, Telnet transmissions are disabled.	
	NETWARE	ENABLE	Settings	YES /NO
			If YES is selected, NetWare is enabled. If NO is selected, NetWare is disabled.	
	APPLE TALK	ENABLE	Settings	YES /NO
			If YES is selected, AppleTalk is enabled. If NO is selected, AppleTalk is disabled.	
	SPEED/DUPLEX	Settings	AUTO /10BASE FULL/10BASE HALF/100BASE FULL/100BASE HALF/1000BASE FULL	
			Specify the transmission speed for the network and the transmission method for bi-directional transmission.	
CAMERA DIRECT	Settings	ENABLE /DISABLE		
	Select whether to enable or disable camera direct printing. If ENABLE is selected, camera direct printing is enabled. If DISABLE is selected, camera direct printing is disabled.			

SYS DEFAULT MENU

With this menu, settings can be specified to adjust the operation of the printer, such as the display language of the message window and the time until the machine enters Energy Saver mode.







* These menu items appear only if an optional hard disk is installed.

** This menu item appears when you select except OFF from the ENERGY SAVER menu.

***This menu item appears only if an optional CompactFlash card is installed.


****These menu items appear only if corresponding optional lower feeder unit is installed.




All factory default values are shown in bold.

LAN-GUAGE	Settings	ENGLISH / FRENCH / GERMAN / SPANISH / ITALIAN / PORTUGUESE / CZECH / JAPANESE / KOREAN / SIMPLIFIED CHINESE / TRADITIONAL CHINESE / DUTCH		
	<p>The display language of the message window can be changed to the selected language.</p> <p>The language selections appear in the message window in the corresponding language. For example, GERMAN appears as DEUTSCH.</p>			
EMULATION	DEF. EMULATION	Settings	AUTO / POSTSCRIPT / PCL	
		<p>Specify the printer emulation language.</p> <p>If AUTO is selected, the printer automatically selects the printer emulation language from the data stream.</p>		
	POST-SCRIPT	WAIT TIME OUT	Settings	0 - 300
			<p>Specify the time until an error is determined to be a PostScript error.</p> <p>If 0 is selected, no timeout is performed.</p>	
		PS ERROR PAGE	Settings	ON / OFF
PS PROTOCOL	Settings	AUTO / NORMAL / BINARY		
	<p>Specify the protocol for data transmissions with a PostScript data stream.</p> <p>If AUTO is selected, the printer automatically selects an applicable protocol from the data stream.</p>			

PCL	CR/LF MAP- PING	Settings	CR=CR LF=LF / CR=CRLF LF=LF / CR=CR LF=LFCR / CR=CRLF LF=LFCR		
		Select the definitions of the CR/LF codes in the PCL language.			
	LINES PER PAGE	Settings	5-60-128		
		Specify the number of lines per page in the PCL language.			
	FONT SOURCE	FONT NUMBER	Settings	0-102	
			Specify the default font in the PCL language. The font numbers that appear correspond to the PCL font list. For details on printing the font list, refer to "PRINT MENU" on page 36.		
		PITCH SIZE (POINT SIZE)	Settings	0.44-10.00- 99.99 (4.00-12.00- 999.75)	
Specify the font size in the PCL language. If the selected FONT NUMBER is for a bitmap font, PITCH SIZE appears. If the selected FONT NUMBER is for an outline font, POINT SIZE appears.					
SYMBOL SET	Specify the symbol set used with the PCL language. The default setting is PC8.				

PAPER	DEFAULT PAPER	PAPER SIZE	Settings	LETTER /11x17/LEGAL/ EXECUTIVE/A3WIDE/A3/ A4 /A5/A6/B4(JIS)/ B5(JIS)/B6(JIS)/GOVT LETTER/STATEMENT/ FOLIO/SP FOLIO/UK QUARTO/FOOLSCAP/GOVT LEGAL/16K/12x18/ 11x14/4x6/D8K/KAI 8/ KAI 16/KAI 32/ENV C5/ENV C6/ENV DL/ENV MONARCH/ENV CHOU#3/ ENV CHOU#4/B5(ISO)/ ENV #10/ENV YOU#4/ JPOST/JPOST-D/CUSTOM
			Select the size of media that is normally used.  <i>The default setting for North America is LETTER. The default setting for all other regions is A4.</i>	
		CUSTOM SIZE	Specify the media size when PAPER SIZE is set to CUSTOM. The setting units can be switched between millimeters and inches with the UNIT OF MEASURE setting. Setting range for WIDTH ■ For MILLIMETERS: 90 to 311 mm (The default is 210.) ■ For INCHES: 3.55 to 12.25 in. (The default is 8.50.) Setting range for LENGTH ■ For MILLIMETERS: 140 to 457 mm (The default is 297.) ■ For INCHES: 5.50 to 18.00 (The default is 11.00.)	

		PAPER TYPE	Settings	PLAIN PAPER / RECYCLED/THICK 1/ THICK 2/THICK 3/ LABEL/TRANSPARENCY/ TRANSPARENCY 2/ ENVELOPE/POSTCARD/ LETTERHEAD/GLOSSY
				Select the type of media that is normally used.
	DETECT PAPER SIZE	Settings	INCH SIZE /MILLIMETER SIZE Specify the detection reference for automatically detecting the media size. If INCH SIZE is selected, the media size will be detected based on inch sizes. Tray 2: LETTER/LETTER-R/11x17/LEGAL/EXECUTIVE/STATEMENT/A3WIDE Trays 3/4/5: LETTER/LETTER-R/11x17/LEGAL/A3/A4/A4-R/B4(JIS)/B5(JIS)/B5(JIS)-R/STATEMENT/GOVT LEGAL/16K/11x14/D8K If MILLIMETER SIZE is selected, the media size will be detected based on millimeter sizes. Tray 2: A3WIDE/A3/A4/A4-R/A5/A6/B4(JIS)/B5(JIS)/B5(JIS)-R/B6(JIS) Trays 3/4/5: LETTER/LETTER-R/11x17/LEGAL/A3/A4/A4-R/A5/B4(JIS)/B5(JIS)/B5(JIS)-R/GOVT LEGAL/16K/11x14/D8K	
	UNIT OF MEASURE	Settings	INCHES /MILLIMETERS The units for specifying the size of custom media can be switched between inches and millimeters.  <i>The default setting for North America is INCHES. The default setting for all other regions is MILLIMETERS.</i>	
STARTUP OPTIONS	DO START-UP PAGE	Settings	ON /OFF Select whether or not a startup page is printed when the printer is turned on.	

AUTO CON- TINUE	Settings	ON/ OFF
	<p>Select whether or not printing continues if the size or type of media in the selected tray is different from the size or type of media for the print job.</p> <p>If AUTO CONTINUE is set to ON, printing automatically continues after about 10 seconds under the following conditions. At this time, printing will be performed even if the media size is different.</p> <p>No media: PAPER EMPTY (Page 196)/TRAY EMPTY (Page 198)</p> <p>Different media size/type: PAPER ERROR (Page 196)/TRAY x PAPER ERR (Page 198)</p>	
HOLD JOB TIME OUT	Settings	DISABLE /1 hour/4 hours/1 day/ 1 week
	<p>Specify the length of time until print jobs saved on the hard disk are deleted. If DISABLE is selected, print jobs are not deleted at a specific time.</p>	
ENERGY SAVER	Settings	DEEP SLEEP /LIGHT SLEEP/OFF
	<p>If DEEP SLEEP was selected and the printer entered Energy Saver mode, no operation is available other than that to exit Energy Saver mode. However, if the printer receives print data or a control panel key is pressed, the printer will automatically exit Energy Saver mode and begin operating.</p> <p>If LIGHT SLEEP was selected, the configuration menu can be used even if the printer has entered Energy Saver mode. In addition, if the printer receives print data, the printer begins operating immediately.</p> <p>If OFF is selected, the machine will not enter Energy Saver mode.</p>	
ENERGY SAVER TIME	Settings	15 minutes/ 30 minutes /1 hour/ 3 hours
	<p>Specify the length of time until the machine enters Energy Saver mode.</p> <p>This menu item appears only when ENERGY SAVER is set to ON.</p>	

MENU TIME OUT	Settings	OFF/1 minute/ 2 minutes
	Specify the length of time until the status screen is displayed when no operation is performed while a menu or help screen is displayed in the message window. If OFF is selected, no timeout occurs.	
LCD BRIGHT NESS	Settings	-3/-2/-1/ 0 /+1/+2/+3
	Adjust the brightness of the message window. The darkest level setting is -3 and the brightest level setting is +3.	
SECURITY	CHANGE PASS- WORD	Specify the password for locking the control panel. If the password is set to 0000 (default), the control panel is not locked. In order to lock the control panel, be sure to specify a password other than 0000.
	LOCK PANEL	Settings OFF /MINIMUM/ON Specify how the control panel is locked. If OFF is selected, the control panel is not locked. If MINIMUM is selected, the INTERFACE MENU and SYS DEFAULT MENU are protected with a password. If ON is selected, all menus are protected with a password. In order to lock the control panel, be sure to specify a password other than 0000.
CLOCK	DATE (xx.xx. xx)	Specify the date for the printer's internal clock. The date for Asia and China is set in the order year, month, then day (YY.MM.DD). The date for the Americas is set in the order month, day, then year (MM.DD.YY). The date for Europe is set in the order day, month, then year (DD.MM.YY).
	TIME	Specify the time for the printer's internal clock.

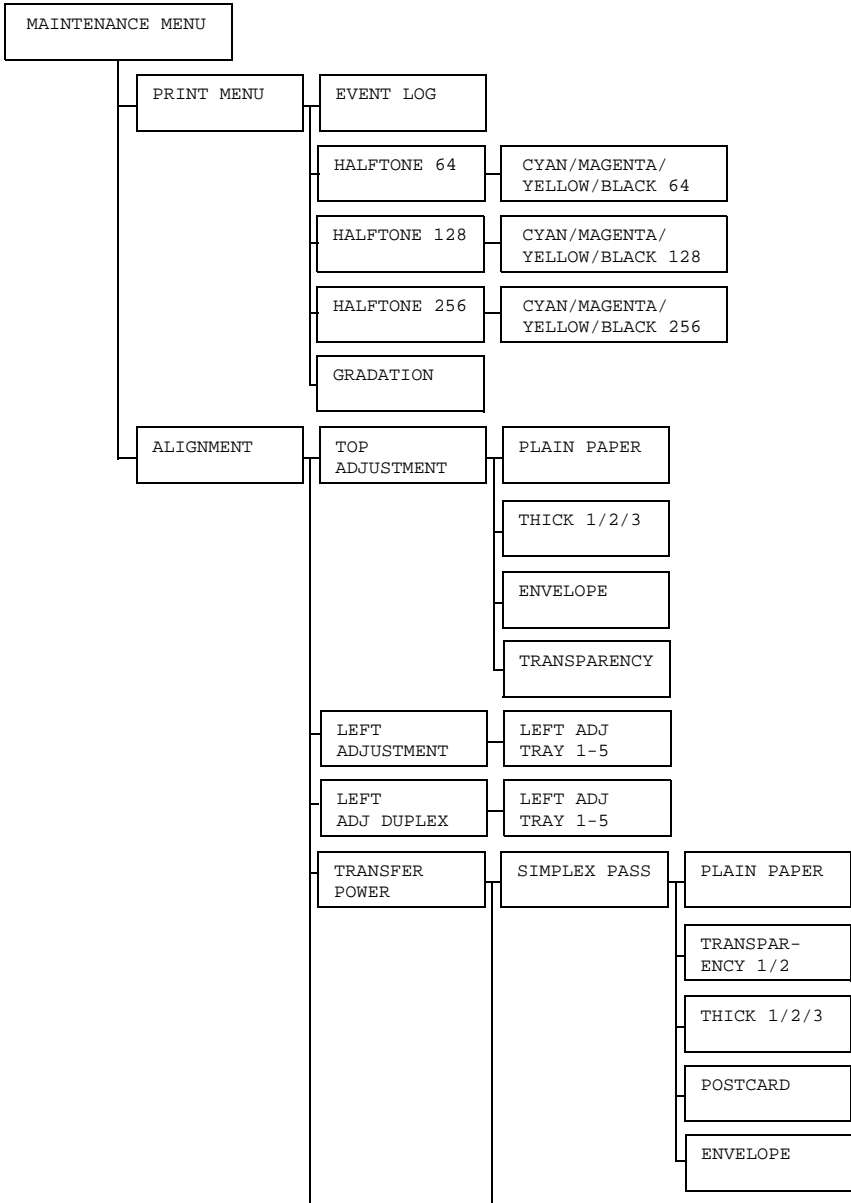
HDD FORMAT	USER AREA ONLY	Initialize the user area of the hard disk. When this menu item is selected, the printer is automatically restarted.		
	ALL	Initialize the hard disk. When this menu item is selected, the printer is automatically restarted.		
CARD FORMAT		Initialize the card. When this menu is selected, the printer is automatically restarted.		
RESTORE DEFAULTS	RESTORE NETWORK	Reset the network settings to their defaults. When this menu item is selected, the printer is automatically restarted.		
	RESTORE PRINTER	Reset the printer settings to their defaults. When this menu item is selected, the printer is automatically restarted.		
	RESTORE ALL	Reset all settings to their defaults. When this menu item is selected, the printer is automatically restarted.		
ENABLE WARNING	PAPER EMPTY	TRAY1	Settings	ON/OFF
			Select whether or not a warning appears when Tray 1 runs out of media.	
		TRAY2	Settings	ON/OFF
			Select whether or not a warning appears when Tray 2 runs out of media.	
		TRAY3	Settings	ON/OFF
			Select whether or not a warning appears when Tray 3 runs out of media.	
	TRAY4	Settings	ON/OFF	
		Select whether or not a warning appears when Tray 4 runs out of media.		
	TRAY5	Settings	ON/OFF	
		Select whether or not a warning appears when Tray 5 runs out of media.		
	TONER LOW	Settings	ON/OFF	
		Select whether or not a warning appears when the toner is about to run out.		
I-UNIT LOW	Settings	ON/OFF		
	Select whether or not a warning appears when the imaging unit is about to reach the end of its service life.			

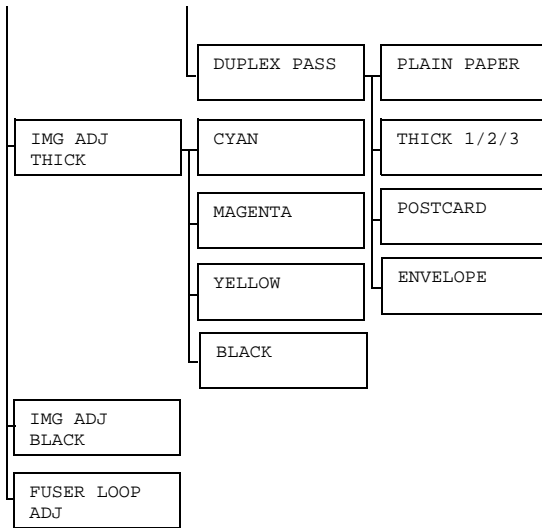
IMAG- ING UNIT LIFE	Settings	STOP /CONTINUE
	<p>If STOP is selected, printing stops when the end of the service life for the imaging unit is detected.</p> <p>If CONTINUE is selected, printing continues even if the end of the service life for the imaging unit is detected.</p>	

MAINTENANCE MENU

With this menu, maintenance on this printer can be performed.

In order to use this menu, the administrator password must be entered.





All factory default values are shown in bold.

PRINT MENU	EVENT LOG	Settings	PRINT / CANCEL
		Prints the event log.	
HALF-TONE 64	CYAN / MAGENTA / YELLOW / BLACK 64	Settings	PRINT / CANCEL
		Print cyan/magenta/yellow/black half-tones at 64 gradations.	
HALF-TONE 128	CYAN / MAGENTA / YELLOW / BLACK 128	Settings	PRINT / CANCEL
		Print cyan/magenta/yellow/black half-tones at 128 gradations.	
HALF-TONE 256	CYAN / MAGENTA / YELLOW / BLACK 256	Settings	PRINT / CANCEL
		Print cyan/magenta/yellow/black half-tones at 256 gradations.	
GRADATION	Settings	PRINT / CANCEL	
		Prints the gradation.	

ALIGN- MENT	TOP ADJUST MENT	PLAIN PAPER	Settings	-30-0-30
			When printing on plain paper, specify the size of the top margin.	
		THICK 1	Settings	-30-0-30
			When printing on thick paper 1, specify the size of the top margin.	
		THICK 2	Settings	-30-0-30
			When printing on thick paper 2, specify the size of the top margin.	
		THICK 3	Settings	-30-0-30
	When printing on thick paper 3, specify the size of the top margin.			
	ENVE- LOPE	Settings	-30-0-30	
		When printing on envelope, specify the size of the top margin.		
	TRANS- PARENCY	Settings	-30-0-30	
		When printing on transparency, specify the size of the top margin.		
	LEFT ADJUST MENT	LEFT ADJ TRAY1	Settings	-30-0-30
			When printing on media in Tray 1, specify the size of the left margin.	
LEFT ADJ TRAY2		Settings	-30-0-30	
		When printing on media in Tray 2, specify the size of the left margin.		
LEFT ADJ TRAY3		Settings	-30-0-30	
	When printing on media in Tray 3, specify the size of the left margin.			
LEFT ADJ TRAY4	Settings	-30-0-30		
	When printing on media in Tray 4, specify the size of the left margin.			
LEFT ADJ TRAY5	Settings	-30-0-30		
	When printing on media in Tray 5, specify the size of the left margin.			

	LEFT ADJ DUPLEX	LEFT	Settings	-30-0-30	
		ADJ TRAY1	When duplex printing on media in Tray 1, specify the size of the left margin.		
		LEFT	Settings	-30-0-30	
		ADJ TRAY2	When duplex printing on media in Tray 2, specify the size of the left margin.		
		LEFT	Settings	-30-0-30	
		ADJ TRAY3	When duplex printing on media in Tray 3, specify the size of the left margin.		
	TRANS- FER POWER	SIM- PLEX PASS	LEFT	Settings	-30-0-30
			ADJ TRAY4	When duplex printing on media in Tray 4, specify the size of the left margin.	
			LEFT	Settings	-30-0-30
			ADJ TRAY5	When duplex printing on media in Tray 5, specify the size of the left margin.	
			PLAIN PAPER	Settings	-5-0-5
			When printing on plain paper using simplex pass, correct the secondary image transfer current.		
TRANS- PARENCY	Settings		-5-0-5		
When printing on transparency using simplex pass, correct the secondary image transfer current.					
TRANS- PARENCY 2	Settings		-5-0-5		
When printing on transparency 2 using simplex pass, correct the secondary image transfer current.					
THICK 1	Settings		-5-0-5		
When printing on thick 1 using simplex pass, correct the secondary image transfer current.					
THICK 2	Settings	-5-0-5			
When printing on thick 2 using simplex pass, correct the secondary image transfer current.					

			THICK 3	Settings	-5-0-5
				When printing on thick 3 using simplex pass, correct the secondary image transfer current.	
			POST-CARD	Settings	-5-0-5
				When printing on postcard using simplex pass, correct the secondary image transfer current.	
			ENVELOPE	Settings	-5-0-5
				When printing on envelope using simplex pass, correct the secondary image transfer current.	
		DUPLEX PASS	PLAIN PAPER	Settings	-30-0-30
				When printing on plain paper using duplex pass, correct the secondary image transfer current.	
			THICK 1	Settings	-30-0-30
				When printing on thick 1 using duplex pass, correct the secondary image transfer current.	
			THICK 2	Settings	-30-0-30
				When printing on thick 2 using duplex pass, correct the secondary image transfer current.	
THICK 3	Settings	-30-0-30			
	When printing on thick 3 using duplex pass, correct the secondary image transfer current.				
POST-CARD	Settings	-30-0-30			
	When printing on postcard using duplex pass, correct the secondary image transfer current.				

		ENVE- LOPE	Settings	-30-0-30
				When printing on envelope using duplex pass, correct the secondary image transfer current.
IMG ADJ THICK	CYAN	Settings	-5-0-5	
			When printing on thick paper, adjust the cyan in the image.	
	MAGENTA	Settings	-5-0-5	
			When printing on thick paper, adjust the magenta in the image.	
	YELLOW	Settings	-5-0-5	
			When printing on thick paper, adjust the yellow in the image.	
BLACK	Settings	-5-0-5		
		When printing on thick paper, adjust the black in the image.		
IMG ADJ BLACK	Settings	-2-0-2		
		When printing in grayscale, adjust the black in the image.		
FUSER LOOP ADJ	Settings	-2-0-2		
		Adjust the timing of media transfer to the fusing roller so that envelopes do not wrinkle when they are printed.		

SERVICE MENU

With this menu, the service representative can adjust the printer and perform maintenance operations. This menu cannot be used by the user.

Camera Direct

5

Camera Direct

If a digital camera with PictBridge (1.0 or later) is connected to the printer through the Camera Direct Print port, images stored on the digital camera can be printed directly from the printer.



For details on using the digital camera, refer to your digital cameras manual.



The following features are not supported with Camera Direct.

- DPOF AUTOPRINT image print
- Cropping print
- Borderless
- Print quality (printer setup)
- Paper type (printer setup)
- DPOF cable disconnect recovery

Printing Directly from a Digital Camera

- 1 From the printer's Camera Direct Menu, specify settings for Paper Source, Layout, Paper Margin and Image Quality.



The Media Type setting that is used is the default printer setting that is selected.

The Media Type setting cannot be selected from the digital camera.



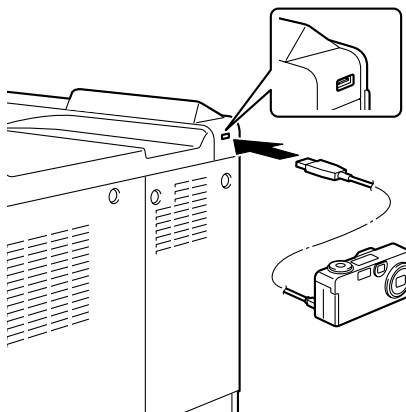
If these settings can be specified from the digital camera, they do not need to be specified from the control panel. These settings are overridden by settings configured within the digital camera.

For details on control panel settings, refer to "CAMERA DIRECT MENU" on page 61.

- 2 Connect the USB cable to the digital camera and to the camera direct port.



A USB cable is not included with the printer and must be purchased separately, if not supplied with your digital camera.



- 3 From the digital camera, specify the image that you wish to print and the desired number of copies.
- 4 Start printing from the digital camera.

Using Media

6

Media Specifications

What types and sizes of media can I load?

Media	Media Size		Media Feed Direction*
	Inch	Millimeter	
D8K	10.6 x 15.4	270.0 x 390.0	SEF
11x14	11.0 x 14.0	279.4 x 355.6	SEF
4x6	4.0 x 6.0	101.6 x 152.4	SEF
A6	4.1 x 5.8	105.0 x 148.0	SEF
B6(JIS)	5.0 x 7.2	128.0 x 182.0	SEF
12x18	12.0 x 18.0	304.8 x 457.2	SEF
KAI 8	10.2 x 14.6	260.0 x 370.0	SEF
A3WIDE	12.3 x 18.0	311.2 x 457.2	SEF
A3	11.7 x 16.5	297.0 x 420.0	SEF
11x17	11.7 x 17.0	297.4 x 431.8	SEF
B4(JIS)	10.1 x 14.3	257.0 x 364.0	SEF
LETTER	11.0 x 8.5	279.4 x 215.9	LEF/SEF
SP FOLIO	8.5 x 12.7	215.9 x 322.3	SEF
GOVT LETTER	8.0 x 10.5	203.2 x 266.7	SEF
LEGAL	8.5 x 14.0	215.9 x 355.6	SEF
GOVT LEGAL	8.5 x 13.0	215.9 x 330.2	SEF
EXECUTIVE	7.3 x 10.5	184.2 x 266.7	SEF
STATEMENT	5.5 x 8.5	139.7 x 215.9	SEF
16K	10.6 x 7.7	270.0 x 195.0	LEF
UK QUARTO	8.0 x 10.0	203.2 x 254.0	SEF
FOOLSCAP	8.0 x 13.0	203.2 x 330.2	SEF
FOLIO	8.3 x 13.0	210.0 x 330.0	SEF
A4	11.7 x 8.3	297.0 x 210.0	LEF/SEF
A5	5.8 x 8.3	148.0 x 210.0	SEF
B5(JIS)	10.1 x 7.2	257.0 x 182.0	LEF/SEF
JPOST	3.9 x 5.8	100.0 x 148.0	SEF
JPOST-D	5.8 x 7.9	148.0 x 200.0	SEF
B5(ISO)	6.9 x 9.8	176.0 x 250.0	SEF
ENV #10	4.1 x 9.5	104.7 x 241.3	SEF
ENV MONARCH	3.9 x 7.5	98.4 x 190.5	SEF
ENV DL	4.3 x 8.7	110.0 x 220.0	SEF
ENV C5	6.4 x 9.0	162.0 x 229.0	SEF
ENV C6	4.5 x 6.4	114.0 x 162.0	SEF
ENV CHOU#3	4.7 x 9.3	120.0 x 235.0	SEF
ENV CHOU#4	3.5 x 8.1	90.0 x 205.0	SEF
ENV YOU#4	4.1 x 9.3	105.0 x 235.0	SEF
KAI 16	7.3 x 10.2	185.0 x 260.0	SEF
KAI 32	5.1 x 7.3	130.0 x 185.0	SEF
CUSTOM (Tray1)	3.55 x 5.50 to 12.25 x 47.24	90 x 140 to 311 x 1200	SEF
CUSTOM (Tray2)	3.55 x 5.50 to 12.25 x 18.00	90 x 140 to 311 x 457	SEF

Notes: * LEF=Long Edge Feed, SEF=Short Edge Feed



For custom sizes, use the printer driver to specify the settings within the ranges shown in the above table.

Media Types

Before purchasing a large quantity of special media, do a trial print with the same media and check the print quality.

Keep media on a flat, level surface in its original wrapper until it is time to load it. For a list of approved media, refer to printer.konicaminolta.com.

Plain Paper (Recycled Paper)

Capacity	Tray 1 (Manual Feed Tray)	Up to 100 sheets, depending on the paper weight.
	Tray 2	Up to 250 sheets, depending on the paper weight.
	Tray 3/4/5	Up to 500 sheets, depending on the paper weight.
Orientation	Tray 1 (Manual Feed Tray)	Face down
	Tray 2	Face up
	Tray 3/4/5	Face up
Driver Media Type	Plain Paper (Recycled)	
Weight	64–90 g/m ² (17–24 lb bond)	
Duplexing	Supported sizes: A3Wide, A3, Ledger, 11x14, B4, A4, A4-R, A5, B5, B5-R, D8K, 12x18, Executive, Government Letter, Letter, Letter-R, Folio, Government Legal, Legal, Statement, UK Quarto, Foolscap, SP Folio, 16K, Kai 8, Kai 16	

Use media that is

Suitable for plain paper laser printers, such as standard or recycled office paper.

Note

Do not use the media types listed below. These could cause poor print quality, media misfeeds, or damage to the printer.

DO NOT use media that is

- Coated with a processed surface (such as carbon paper, digitally gloss-coated media, and colored paper that has been treated)
- Carbon backed

- Unapproved iron-on transfer media (such as heat-sensitive paper, heat-pressure paper, and heat-press transfer paper)
- Cold-water-transfer paper
- Pressure sensitive
- Designed specifically for inkjet printers (such as superfine paper, glossy paper, glossy film, and postcards)
- Already printed on by another printer, copier, or fax machine
- Dusty
- Wet (or damp)



Keep media between 35% and 85% relative humidity. Toner does not adhere well to moist or wet paper.

- Layered
- Adhesive
- Folded, creased, curled, embossed, warped, or wrinkled
- Perforated, three-hole punched, or torn
- Too slick, too coarse, or too textured
- Different in texture (roughness) on the front and back
- Too thin or too thick
- Stuck together with static electricity
- Composed of foil or gilt; too luminous
- Heat sensitive or cannot withstand the fusing temperature (180°C [356°F])
- Irregularly shaped (not rectangular or not cut at right angles)
- Attached with glue, tape, paper clips, staples, ribbons, hooks, or buttons
- Acidic
- Any other media that is not approved

Thick Stock

Paper thicker than 90 g/m² (24 lb bond) is referred to as thick stock. Test all thick stock to ensure acceptable performance and to ensure that the image does not shift.

Capacity	Tray 1 (Manual Feed Tray)	Up to 10 thick stock sheets, depending on their thickness.
	Tray 2	Up to 50(Thick 1,2)/10(Thick 3) thick stock sheets, depending on their thickness.
	Tray 3/4/5	Not supported
Orientation	Tray 1 (Manual Feed Tray)	Face down
	Tray 2	Face up
	Tray 3/4/5	—
Driver Media Type	Thick 1 (91-150 g/m ²) Thick 2 (151-210 g/m ²) Thick 3 (211-256 g/m ²)	
Weight	91–256 g/m ² (17–43 lb bond)	
Duplexing	See page 89 for supported sizes.	



Banner Paper

Weight: 127-160g/m²

Width: 210-297mm

Length: 458-1200mm

DO NOT use thick stock that is

- Mixed with any other media in Tray 1 (as this will cause printer misfeeding)

Envelopes

Print on the front (address) side only. Some parts of the envelope consist of three layers of paper—the front, back, and flap. Anything printed in these layered regions may be lost or faded.

Capacity	Tray 1 (Manual Feed Tray)	Up to 10 envelopes, depending on their thickness
	Tray 2	Up to 10 envelopes, depending on their thickness
	Tray 3/4/5	Not supported
Orientation	Tray 1 (Manual Feed Tray)	Face down
	Tray 2	Face up
	Tray 3/4/5	—
Driver Media Type	Envelope	
Weight	64–163 g/m ² (17–43 lb bond)	
Duplexing	Not supported	

Use envelopes that are

- Common office envelopes approved for laser printing with diagonal joints, sharp folds and edges, and ordinary gummed flaps



Because the envelopes pass through heated rollers, the gummed area on the flaps may seal. Using envelopes with emulsion-based glue avoids this problem.

- Approved for laser printing
- Dry

DO NOT use envelopes that have

- Sticky flaps
- Tape seals, metal clasps, paper clips, fasteners, or peel-off strips for sealing
- Transparent windows

- Too rough of a surface
- Material that will melt, vaporize, offset, discolor, or emit dangerous fumes
- Been presealed

Labels

A sheet of labels consists of a face sheet (the printing surface), adhesive, and a carrier sheet:

- The face sheet must follow the plain paper specification.
- The face sheet surface must cover the entire carrier sheet, and no adhesive should come through on the surface.

You can print continuously with label sheets. However, this could affect the media feed, depending on the media quality and printing environment. If problems occur, stop the continuous printing and print one sheet at a time.

Try printing your data on a sheet of plain paper first to check placement. Check your application documentation for more information on printing labels.

Capacity	Tray 1 (Manual Feed Tray)	Up to 10 label sheets, depending on their thickness
	Tray 2	Up to 50 label sheets, depending on their thickness
	Tray 3/4/5	Not supported
Orientation	Tray 1 (Manual Feed Tray)	Face down
	Tray 2	Face up
	Tray 3/4/5	—
Driver Media Type	Label	
Weight	64–163 g/m ² (17–90 lb)	
Duplexing	Not supported	

Use label sheets that are

- Recommended for laser printers

DO NOT use label sheets that

- Have labels that easily peel off or have parts of the label already removed
- Have backing sheets that have peeled away or have exposed adhesive

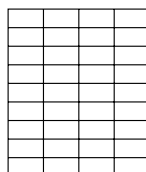
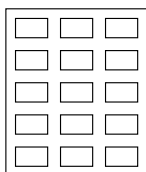
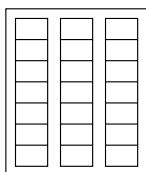


Labels may stick to the fuser, causing them to peel off and media misfeeds to occur.

- Are precut or perforated

Do not use

OK to use



Shiny backed paper

Full-page labels
(uncut)

Letterhead

Try printing your data on a sheet of plain paper first to check placement.

Capacity	Tray 1 (Manual Feed Tray)	Up to 10 sheets, depending on their size and thickness
	Tray 2	Up to 50 sheets, depending on their size and thickness
	Tray 3/4/5	Not supported
Orientation	Tray 1 (Manual Feed Tray)	Face down
	Tray 2	Face up
	Tray 3/4/5	—
Driver Media Type	Letterhead	
Weight	64–90 g/m ² (17–24 lb)	
Duplexing	Not supported	

Postcards

Try printing your data on a sheet of plain paper first to check placement.

Capacity	Tray 1 (Manual Feed Tray)	Up to 10 postcards, depending on their thickness
	Tray 2	Up to 50 postcards, depending on their thickness
	Tray 3/4/5	Not supported

Orientation	Tray 1 (Manual Feed Tray)	Face down
	Tray 2	Face up
	Tray 3/4/5	—
Driver Media Type	Postcard	
Weight	64–163 g/m ² (17–90 lb)	
Duplexing	Not supported	

Use postcards that are

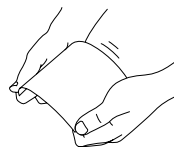
- Approved for laser printers

DO NOT use postcards that are

- Coated
- Designed for inkjet printers
- Precut or perforated
- Preprinted or multicolored



If the postcard is warped, press on the warped area before putting it in Tray 1/2.



Transparencies



Do not fan transparencies before loading them. Resulting static electricity may cause printing errors.



If you touch the face of the transparencies with your bare hands, print quality may be affected.



Keep the printer path clean. Transparencies are especially sensitive to a dirty media path. If there are shadows on either the top or the bottom of the sheets, see chapter 8, “Maintaining the Printer” .




Remove transparencies as soon as possible from the output tray to avoid static buildup.

You can print continuously with transparencies. However, this could affect the media feed, depending on the media quality, static buildup, and printing environment.

Try printing your data on a sheet of plain paper first to check placement.



If you have problems feeding 20 sheets, try loading only 1–10 sheets at a time. Loading a large number of transparencies at one time may cause static buildup, thus causing feeding problems.

Capacity	Tray 1 (Manual Feed Tray)	Up to 10 transparencies, depending on their thickness
	Tray 2	Up to 50 transparencies, depending on their thickness
	Tray 3/4/5	Not supported
Orientation	Tray 1 (Manual Feed Tray)	Face down
	Tray 2	Face up
	Tray 3/4/5	—
Driver Media Type	Transparency, Transparency2  <i>Transparency2 is a suitable setting for CG3700 of 3M.</i>	
Duplexing	Not supported	



Always first test a small quantity of a particular type of transparency.

Use transparencies that are

- Approved for laser printing

DO NOT use transparencies that

- Have static electricity that will cause them to stick together
- Are specified for inkjet printers only

Glossy Stock

Test all glossy stock to ensure acceptable performance and to ensure that the image does not shift.

Capacity	Tray 1 (Manual Feed Tray)	Up to 10 glossy stock sheets, depending on their thickness.
	Tray 2	Up to 10 glossy stock sheets, depending on their thickness.
	Tray 3/4/5	Not supported

Orientation	Tray 1 (Manual Feed Tray)	Face down
	Tray 2	Face up
	Tray 3/4/5	—
Driver Media Type	Glossy	
Weight	64–90 g/m ² (17–24 lb)	
Duplexing	Not supported	

DO NOT use glossy stock that is

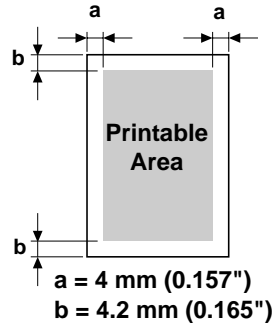
- Mixed with any other media in Tray 1/2 (as this will cause printer misfeeding)

What Is the Guaranteed Imageable (Printable) Area?

The printable area on all media sizes is excluding 4mm (0.157") section from the right/left edge and 4.2mm (0.165") section from Top/Bottom edge of the media.

Each media size has a specific imageable area, the maximum area on which the printer can print clearly and without distortion.

This area is subject to both hardware limits (the physical media size and the margins required by the printer) and software constraints (the amount of memory available for the full-page frame buffer). The guaranteed imageable (printable) area for all media sizes is the page size minus 4 mm (0.157") from the right/left edge and 4.2 mm (0.165") from the top/bottom edge of the media.



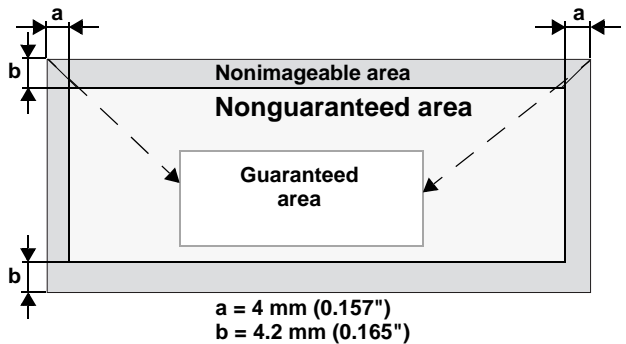
In case of A3Wide, printable area is excluding 2 mm (0.079") section from the each edge of the each paper.

Imageable Area—Envelopes

Envelopes have a nonguaranteed imageable area that varies with envelope type.



The envelope print orientation is determined by your application.



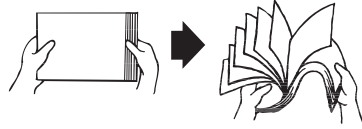
Page Margins

Margins are set through your application. Some applications allow you to set custom page sizes and margins while others have only standard page sizes and margins from which to choose. If you choose a standard format, you may lose part of your image (due to imageable area constraints). If you can custom-size your page in your application, use those sizes given for the imageable area for optimum results.

Loading Media

How do I load media?

Take off the top and bottom sheets of a ream of media. Holding a stack of approximately 100 sheets at a time, fan the stack to prevent static buildup before inserting it in a tray.



Do not fan transparencies.

Note

Although this printer was designed for printing on a wide range of media types, it is not intended to print exclusively on a single media type except plain paper. Continuous printing on media other than plain paper (such as envelopes, labels, thick stock, or transparencies) may adversely affect print quality or reduce engine life.

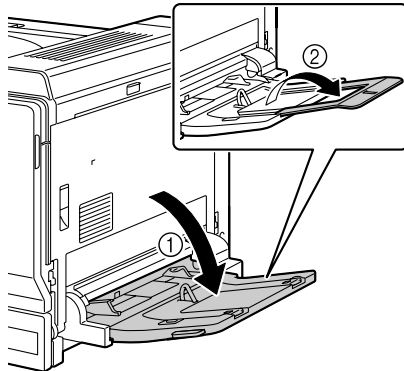
When refilling media, first remove any media remaining in the tray. Stack it with the new media, even the edges, then reload it.

Tray 1 (Manual Feed Tray)

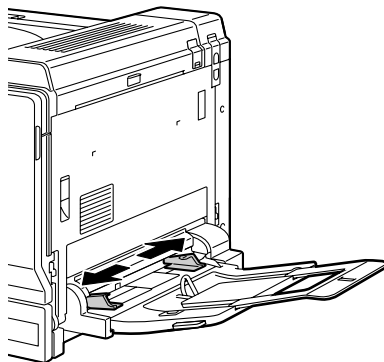
For details on the types and sizes of media that can be printed from Tray 1, refer to “Media Specifications” on page 88.

Loading Plain Paper

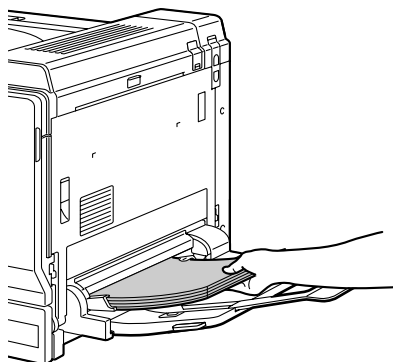
- 1 Open Tray 1.



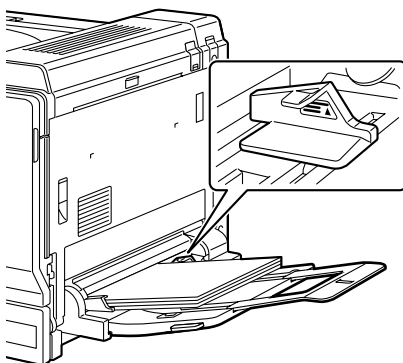
- 2 Slide the media guides to provide more space between them.



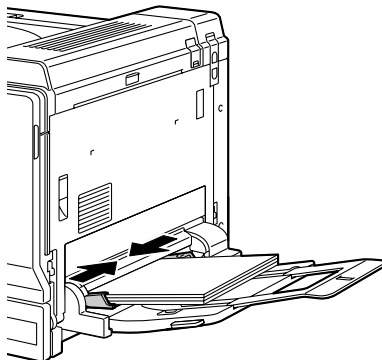
- 3 Load the paper face down in the tray.



Do not load paper above the line. Up to 100 sheets (80 g/m² [22 lb]) of plain paper can be loaded into the tray at one time.



- 4 Slide the media guides against the edges of the paper.



- 5 Select PAPER MENU/PAPER SOURCE/TRAY1/PAPER SIZE in the configuration menu, and then select the setting for the size of paper that is loaded. See also "PAPER SIZE" on page 39.



When printing from Tray 1 with the corresponding Paper Source setting selected in the printer driver (Manual Feed), it is not necessary to change the configuration menu setting.

Other Media

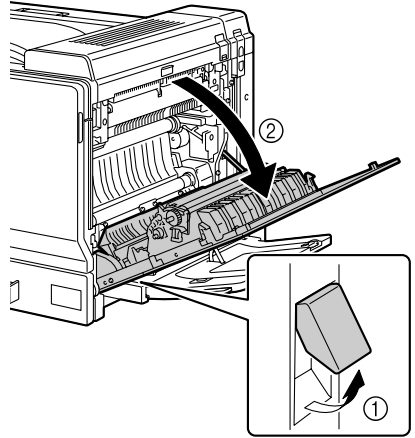
When loading media other than plain paper, set the media mode (Envelope, Label, Letterhead, Postcard, Thick 1, Thick 2, Thick 3, or Transparency) in the driver for optimum print quality.

Loading Envelopes

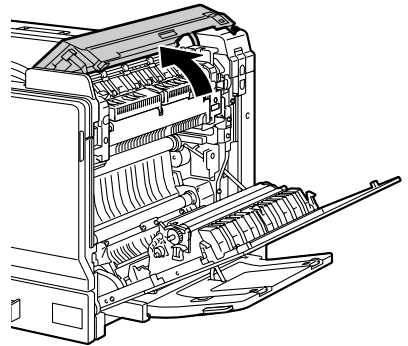
- 1 Pull the lever, and then open the right side cover.




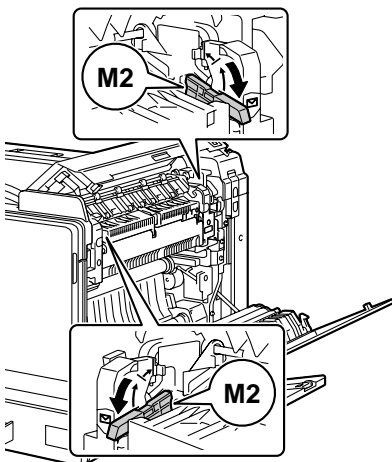
Before opening the right side cover, open Tray 1.



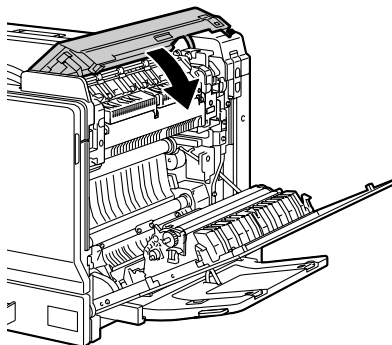
- 2 Push up the top cover.



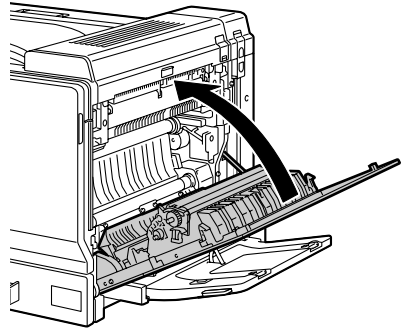
- 3 Push down the left and right release levers M2 to the  position.



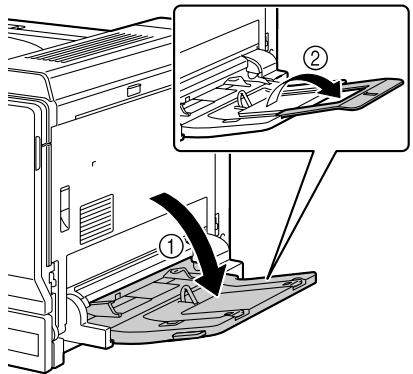
- 4 Close the top cover.



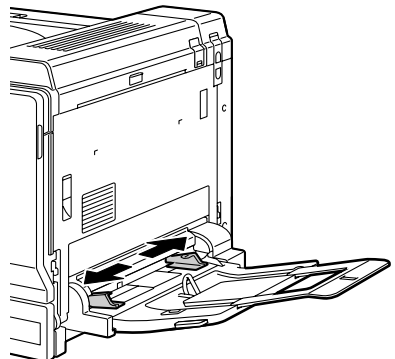
5 Close the right side cover.



6 Open Tray 1.



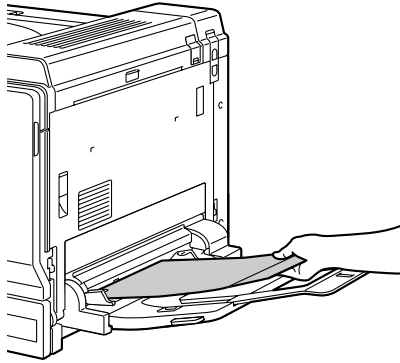
7 Slide the media guides to provide more space between them.



- 8 Load the envelopes in the tray face down with the flaps toward the outside of the tray.



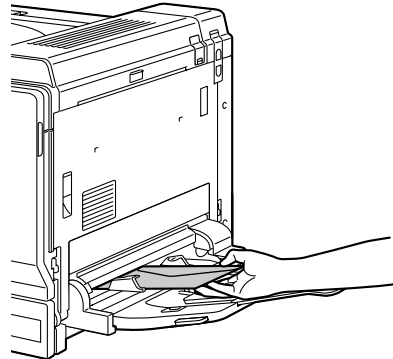
Before loading envelopes, press them down to make sure that all air is removed, and make sure that the flaps are completely open and pressed flat; otherwise the envelopes may become wrinkled or a media misfeed may occur.



Up to 10 envelopes can be loaded into the tray at one time.



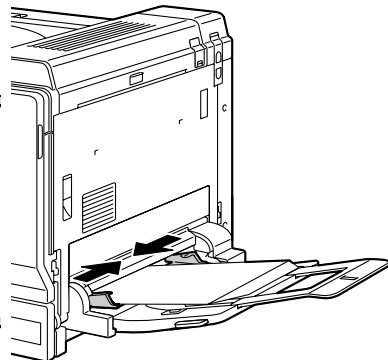
For envelopes with the flap along the long edge, load the envelopes with the flap toward the right of Tray 1.



- 9 Slide the media guides against the edges of the envelopes.

Note

Since a media misfeed or decreased print quality may occur, be sure to return the levers on the fuser unit to the setting for plain paper before printing on media other than envelopes.



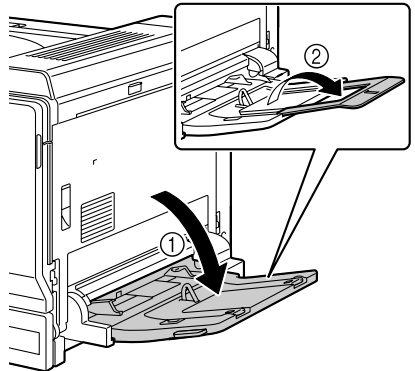
- 10 Select PAPER MENU/PAPER SOURCE/TRAY1/PAPER TYPE in the configuration menu, and then select the setting for the type of paper that is loaded. See also "PAPER TYPE" on page 41.



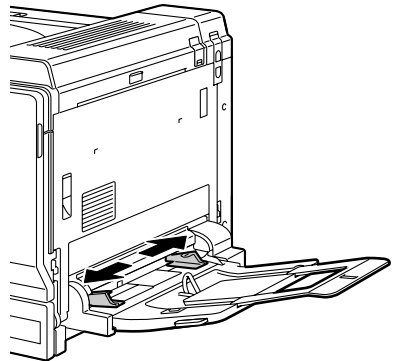
When printing from Tray 1 with the corresponding Paper Source setting selected in the printer driver (Manual Feed), it is not necessary to change the configuration menu setting.

Loading Label Sheets/Postcards/Thick Stock/Glossy Stock and Transparencies

- 1 Open Tray 1.



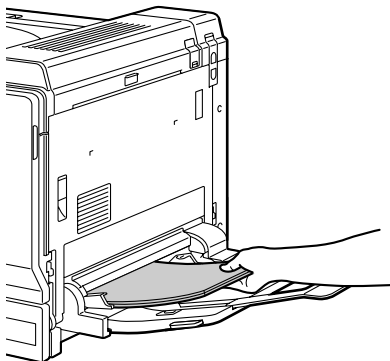
- 2 Slide the media guides to provide more space between them.



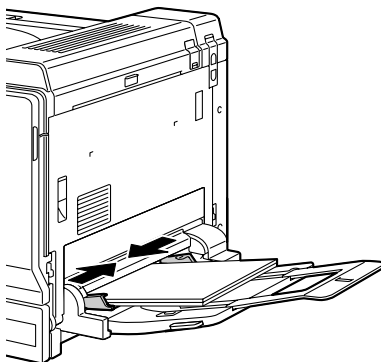
- 3** Load the media face down in the tray.



Up to 20 sheets can be loaded into the tray at one time.



- 4** Slide the media guides against the edges of the media.



- 5** Select PAPER MENU/PAPER SOURCE/TRAY1/PAPER TYPE in the configuration menu, and then select the setting for the type of media that is loaded. See also "PAPER TYPE" on page 41.



When printing from Tray 1 with the corresponding Paper Source setting selected in the printer driver (Manual Feed), it is not necessary to change the configuration menu setting.

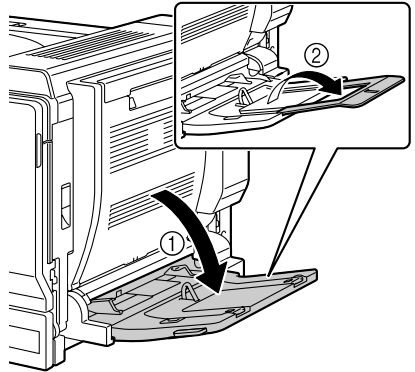
Loading the Banner Paper

Paper up to 1200 mm long can be loaded into the bypass tray and printed one at a time.

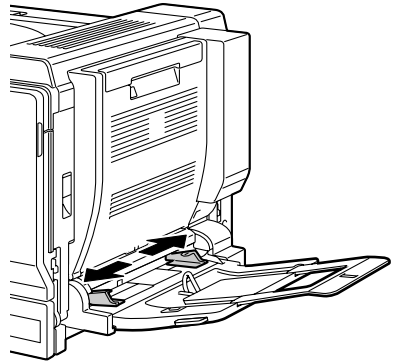


If the optional banner tray is installed, up to 10 sheets can be printed continuously. For details, refer to “Banner Tray” on page 229.

- 1 Open Tray 1.



- 2 Slide the media guides to provide more space between them.



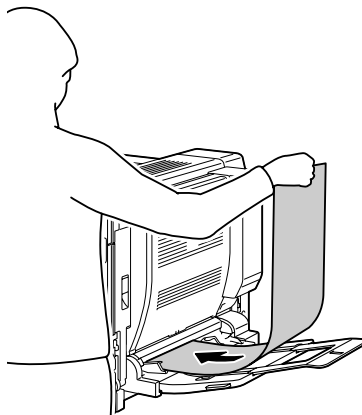
- 3** Load the banner paper face down with the end inserted into the slot as much as possible.



1 sheet of the banner paper can be loaded into the tray at one time.



In order to avoid toner smudges, do not load curled paper.



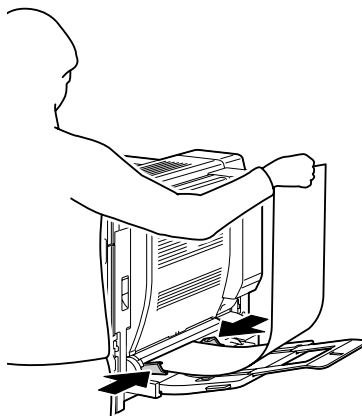
- 4** Slide the media guides against the edges of the banner paper.



Print while supporting the loaded paper with your hands.



When printing multiple copies on banner paper, repeat the procedure starting from step 2.



- 5** Select PAPER MENU/PAPER SOURCE/TRAY1/CUSTOM SIZE in the configuration menu, and then select the setting for the size of paper that is loaded. See also "CUSTOM SIZE" on page 40.

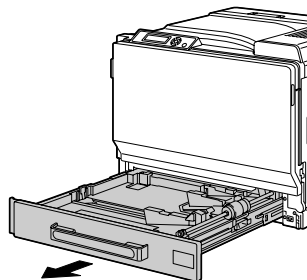


When printing from Tray 1 with the corresponding Paper Source setting selected in the printer driver (Manual Feed), it is not necessary to change the configuration menu setting.

Tray 2

Loading Media

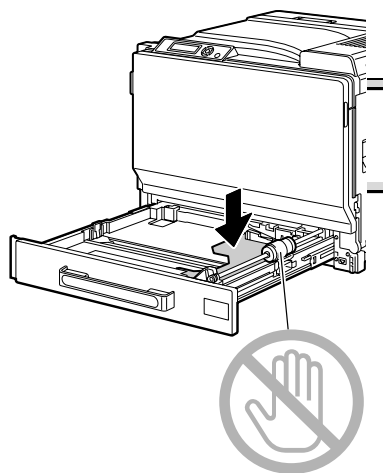
- 1 Pull out Tray 2.



- 2 Press down the media pressure plate to lock it into place.

Note

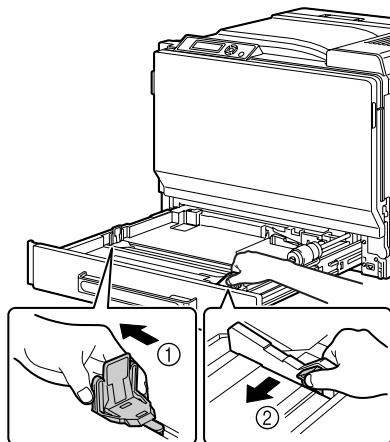
Do not touch the media feed roller's surface. This could lower image quality.



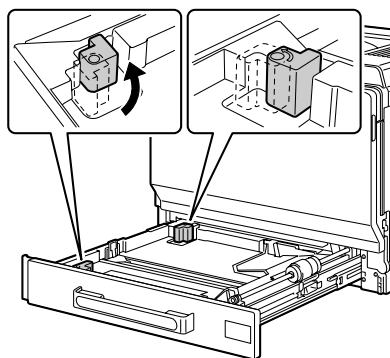
- 3** Slide the media guides to provide more space between them.



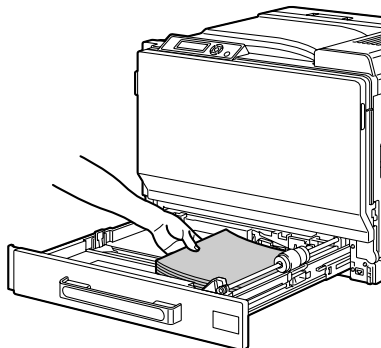
To load media of a non-standard size, first load the media and then adjust the media guides to the size of the loaded media.



- 4** For media exceeding A3 size, adjust the guides as shown in the illustration.



- 5** Load the media face up in the tray.

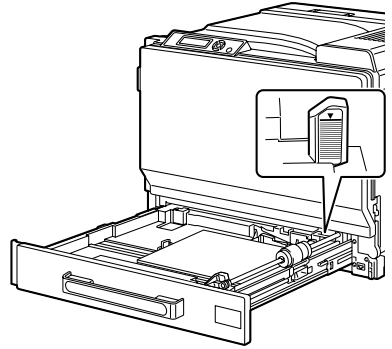




Do not load above the ▼ mark. Up to 250 sheets (80 g/m² [22 lb]) of plain paper can be loaded into the tray at one time.

A maximum of 50 sheets of thick paper, label sheets, letterhead pages, postcards, overhead projector transparencies or glossy paper can be loaded.

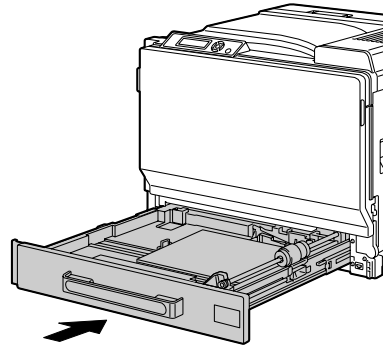
A maximum of 10 postcards can be loaded.



When feeding envelopes with the flap along the shorter edge, load the envelopes flap side up with the flaps open and toward the left side of the tray.

When feeding envelopes with the flap along the longer edge, load the envelopes flap side up with the flaps closed and toward the back of the tray.

6 Close Tray 2.



7 If TRAY2/SIZE SETTING in the configuration menu is set to USER SELECT, select TRAY2/PAPER SIZE, and then select the setting for the size of media that is loaded. See also "PAPER SIZE" on page 41.

8 Select TRAY2/PAPER TYPE in the configuration menu, and then select the setting for the type of media that is loaded. See also "PAPER TYPE" on page 42.



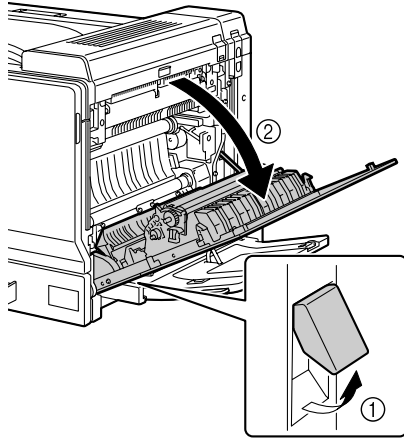
If envelopes are loaded, continue with "Printing on Envelopes" on page 114.

Printing on Envelopes

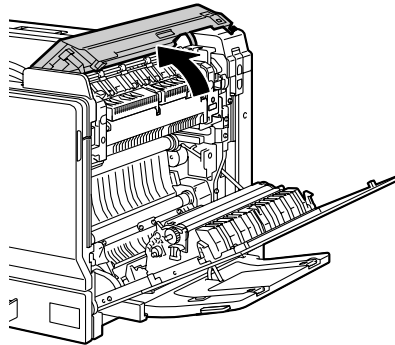
- 1 Pull the lever, and then open the right side cover.




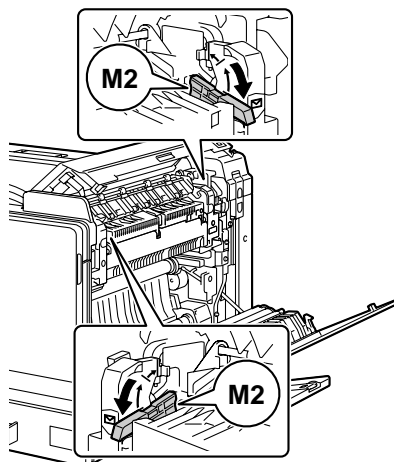
Before opening the right side cover, open Tray 1.



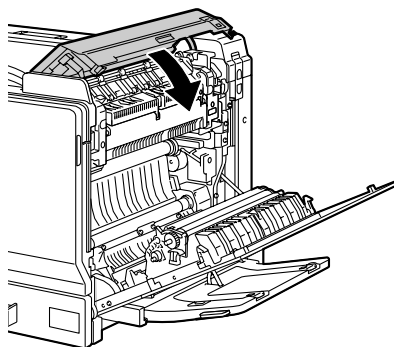
- 2 Open the top cover.



- 3 Push down the left and right release levers M2 to the  position.



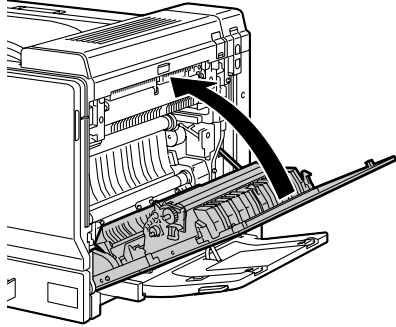
- 4 Close the top cover.



- 5 Close the right side cover.

Note

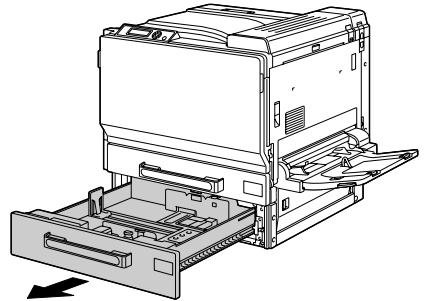
Since a media misfeed or decreased print quality may occur, be sure to return the levers on the fuser unit to the setting for plain paper before printing on media other than envelopes.



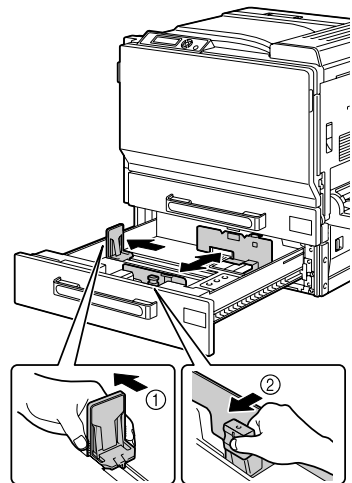
Tray 3/4/5 (Optional Lower Feeder Units)

Loading Plain Paper

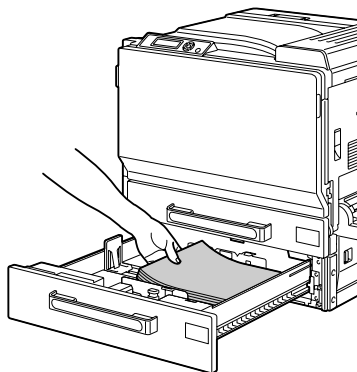
1 Pull out Tray 3/4/5.



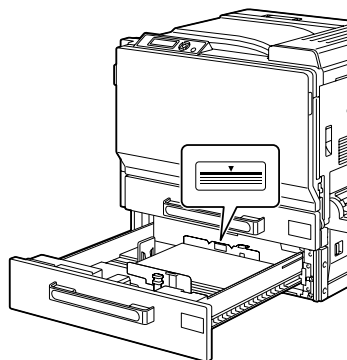
2 Slide the media guides to provide more space between them.



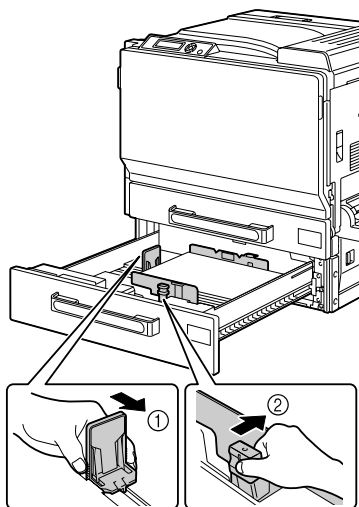
- 3** Load the paper face up in the tray.



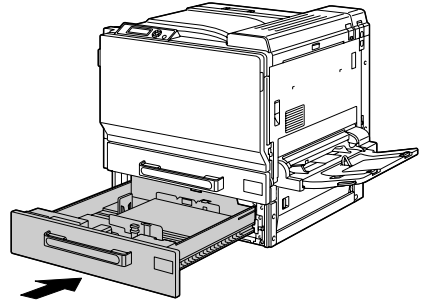
Do not load above the ▼ mark. Up to 500 sheets (80 g/m² [22 lb]) of plain paper can be loaded into the tray at one time.



- 4** Slide the media guides against the edges of the paper.



5 Close Tray 3 (4/5).



6 Select TRAY3 (or TRAY4 or TRAY5) / PAPER TYPE in the configuration menu, and then select the setting for the type of paper that is loaded. See also "PAPER TYPE" on page 43.

Duplexing

Select paper with high opacity for duplex (2-sided) printing. Opacity refers to how effectively paper blocks out what is written on the opposite side of the page. If the paper has low opacity (high translucency), then the printed data from one side of the page will show through to the other side. Check your application for margin information. For best results, print a small quantity to make sure the opacity is acceptable.

Duplex (2-sided) printing can be done manually or can be done automatically with the duplex option installed and selected.

Note

Only plain paper, 64–90 g/m² (17–24 lb bond) and thick paper, 91–256 g/m² (25–68.1 lb bond) can be aut duplexed. See “Media Specifications” on page 88.

Duplexing envelopes, labels, postcards, glossy stock or transparencies is not supported.

How do I aut duplex?

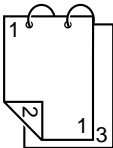
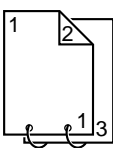
You should verify that the duplex option is physically installed on the printer to successfully duplex the job.

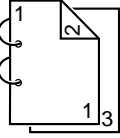
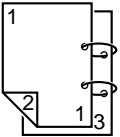
Check your application to determine how to set your margins for duplex printing.

The following Binding Position settings are available.



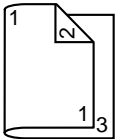
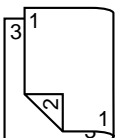
The binding position settings are supported only PCL printer driver.

	If “Short Edge (Top)” is selected, the pages will be laid out to flip at the top.
	If “Short Edge (Bottom)” is selected, the pages will be laid out to flip at the bottom.

	<p>If “Long Edge (Left)” is selected, the pages will be laid out to flip at the left side.</p>
	<p>If “Long Edge (Right)” is selected, the pages will be laid out to flip at the right side.</p>

In addition, if “N-up” has been set to “Booklet”, autoduplex printing is performed.

The following Order settings are available when “Booklet” is selected.

	<p>If “Left Binding” is selected, the pages can be folded as a left-bound booklet.</p>
	<p>If “Right Binding” is selected, the pages can be folded as a right-bound booklet.</p>

- 1 Load plain paper or thick paper into the tray.
- 2 From the printer driver, specify double-sided printing (Layout tab in Windows).
- 3 Click **OK**.



With autoduplexing, the back side is printed first, and then the front side is printed.

Output Tray

All printed media is output to the face-down output tray on top of the printer. This tray has a capacity of approximately 350 sheets (A4/Letter) of 80 g/m² (22 lb) paper.



If the media is stacked too high in the output tray, your printer may experience media misfeeds, excessive media curl, or static buildup.



Remove transparencies as soon as possible from the output tray to avoid static buildup.

Media Storage

How do I store media?

- Keep media on a flat, level surface in its original wrapper until it is time to load it.

Media that has been stored for a long time out of its packaging may dry up too much and cause misfeeding.

- If media has been removed from its wrapper, place it in its original packaging and store in a cool, dark place on a level surface.
- Avoid moisture, excessive humidity, direct sunlight, excessive heat (above 35°C [95°F]), and dust.
- Avoid leaning media against other objects or placing it in an upright position.

Before using stored media, do a trial print to check print quality.

***Replacing
Consumables***

7

Replacing Consumables

Note

Failure to follow instructions as outlined in this manual could result in voiding your warranty.

Note

If an error message (TONER EMPTY, TRANS. BELT END OF LIFE, etc.) appears, print out the configuration page, and then check the status of the other consumables. For details on the error messages, refer to “Error Messages (Warning:)” on page 190. For details on printing the configuration page, refer to “Printing a Configuration Page” on page 156.

About Toner Cartridges

Your printer uses four toner cartridges: black, yellow, magenta, and cyan. Handle the toner cartridges carefully to avoid spilling toner inside the printer or on yourself.



Install only new toner cartridges in your printer. If a used toner cartridge is installed, the indicator message will not clear and the supplies status in the Status Monitor will not be updated.



The toner is nontoxic. If you get toner on your skin, wash it off with cool water and a mild soap. If you get toner on your clothes, lightly dust them off as best as you can. If some toner remains on your clothes, use cool, not hot water, to rinse the toner off.



CAUTION

If you get toner in your eyes, wash it out immediately with cool water and consult a doctor.



*Refer to the following URL for recycling information.
US: printer.konicaminolta.com/products/recycle/index.asp
Europe: printer.konicaminolta.com*

Note

Do not use refilled toner cartridges or unapproved toner cartridges. Any damage to the printer or quality problems caused by a refilled toner cartridge or an unapproved toner cartridge will void your warranty. No technical support is provided to recover from these problems.

When replacing a toner cartridge, refer to the following table. For optimum print quality and performance, use only approved KONICA MINOLTA toner cartridges for your specific printer type, as listed in the table below. You can find your printer type and the toner cartridge part numbers on the consumables reorder label inside the front cover your printer.

Printer Type	Printer Parts Number	Toner Cartridge Type	Toner Cartridge Parts Number
AM	4039321	High-Capacity Toner Cartridge - Black (K)	8938613
		High-Capacity Toner Cartridge - Yellow (Y)	8938614
		High-Capacity Toner Cartridge - Magenta (M)	8938615
		High-Capacity Toner Cartridge - Cyan (C)	8938616
EU	4039221	High-Capacity Toner Cartridge - Black (K)	8938621
	4039421	High-Capacity Toner Cartridge - Yellow (Y)	8938622
		High-Capacity Toner Cartridge - Magenta (M)	8938623
		High-Capacity Toner Cartridge - Cyan (C)	8938624
AP	4039222	High-Capacity Toner Cartridge - Black (K)	8938629
		High-Capacity Toner Cartridge - Yellow (Y)	8938630
		High-Capacity Toner Cartridge - Magenta (M)	8938631
		High-Capacity Toner Cartridge - Cyan (C)	8938632
GC	4039223	High-Capacity Toner Cartridge - Black (K)	8938637
		High-Capacity Toner Cartridge - Yellow (Y)	8938638
		High-Capacity Toner Cartridge - Magenta (M)	8938639
		High-Capacity Toner Cartridge - Cyan (C)	8938640



For optimum print quality and performance, use only the corresponded TYPE genuine KONICA MINOLTA toner cartridges.

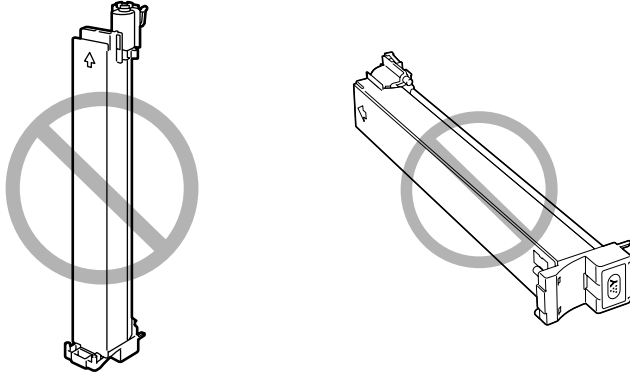
Keep toner cartridges:

- In their packaging until you're ready to install them.
- In a cool, dry location away from sunlight (due to heat).

The maximum storage temperature is 35° C (95° F) and the maximum storage humidity is 85% (noncondensing). If the toner cartridge is moved from a cold place to a warm, humid place, condensation may occur, degrading print quality. Allow the toner to adapt to the environment for about one hour before use.

- Level during handling and storage.

Do not hold, stand or store cartridges on their ends or turn them upside down; the toner inside the cartridges may become caked or unequally distributed.



- Away from salty air and corrosive gases such as aerosols.

Replacing a Toner Cartridge

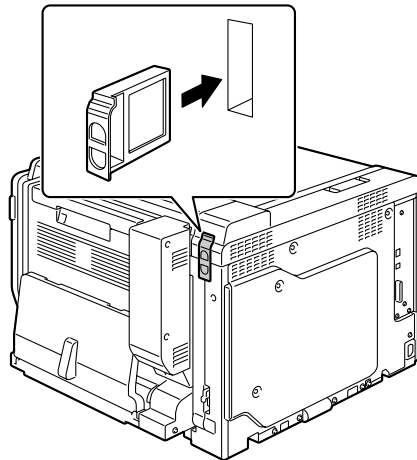
Note

Be careful not to spill toner while replacing a toner cartridge. If toner spills, immediately wipe it off with a soft, dry cloth.

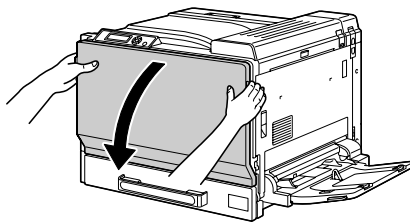
- 1 Check the message window to see which color of toner is empty.
- 2 Remove the air filter from the printer, and then slide the new filter into the printer until it snaps into place.



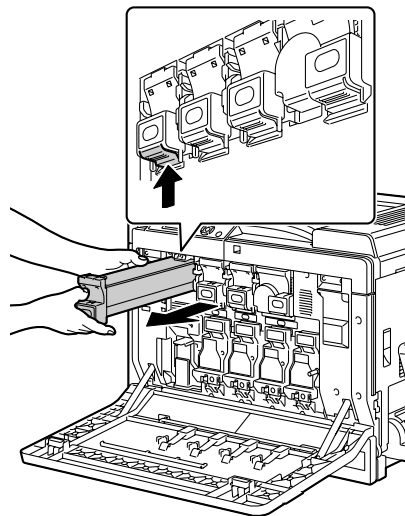
It is necessary to replace the air filter only when replacing the black toner cartridge. An air filter is included with the black toner cartridge.



- 3 Open the printer's front cover.



- 4 Pull up the locking tab of the empty toner cartridge to unlock it. Pull out the toner cartridge as far as possible, and then pull it up to remove it.

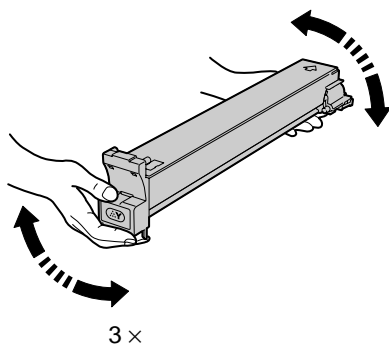


Note

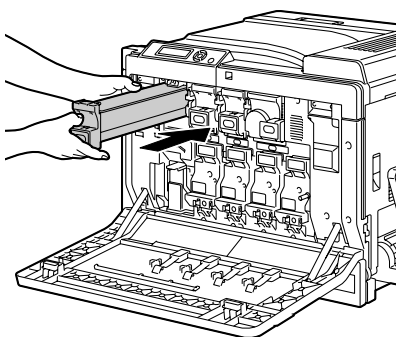
Dispose of the used toner cartridge according to your local regulations. Do not burn the toner cartridge. For details, refer to “About Toner Cartridges” on page 126.

- 5 Check the color of the new toner cartridge to be installed.

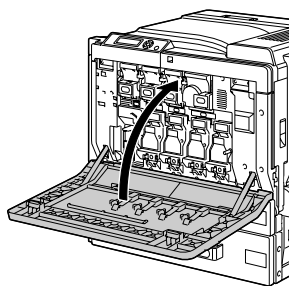
- 6 Shake the cartridge to distribute the toner.



- 7 Align the toner cartridge with the slots in the machine, and then insert the cartridge until the locking tab locks into place.



- 8 Close the front cover.



If the toner cartridge is not fully inserted, the front cover cannot be closed.



*The printer must complete a 75-second calibration cycle after the toner cartridge has been replaced. If you open the front cover before the message **READY** appears, the printer stops and repeats the calibration cycle.*

Replacing a Imaging Unit

When replacing a imaging unit, refer to the following table. For optimum print quality and performance, use only approved KONICA MINOLTA imaging units for your specific printer type, as listed in the table below. You can find your printer type and the imaging unit part numbers on the consumables reorder label inside the front cover your printer.

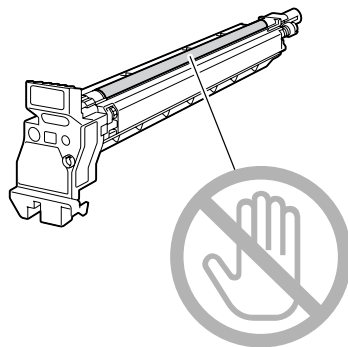
Printer Type	Printer Parts Number	Imaging Unit Type	Imaging Unit Parts Number
AM	4039321	Imaging Unit - Black (K)	4062211
		Imaging Unit - Yellow (Y)	4062311
		Imaging Unit - Magenta (M)	4062411
		Imaging Unit - Cyan (C)	4062511
EU	4039221	Imaging Unit - Black (K)	4062213
	4039421	Imaging Unit - Yellow (Y)	4062313
		Imaging Unit - Magenta (M)	4062413
AP	4039222	Imaging Unit - Cyan (C)	4062513
		Imaging Unit - Black (K)	4062214
		Imaging Unit - Yellow (Y)	4062314
		Imaging Unit - Magenta (M)	4062414
GC	4039223	Imaging Unit - Cyan (C)	4062514
		Imaging Unit - Black (K)	4062216
		Imaging Unit - Yellow (Y)	4062316
		Imaging Unit - Magenta (M)	4062416
		Imaging Unit - Cyan (C)	4062516



"I-UNIT" displayed in the control panel refers to the imaging unit.

Note

Do not touch the OPC drum surface. This could lower image quality.

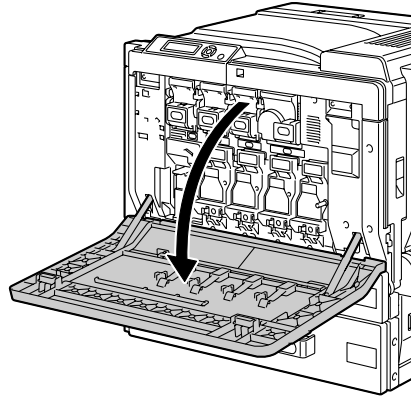


If *IMAGING UNIT LIFE* on the *SYS DEFAULT MENU* is set to *STOP*, the message *I-UNIT LIFE X* (where “X” represents the color of the toner) appears when an imaging unit becomes empty. Follow the steps below to replace the imaging unit.

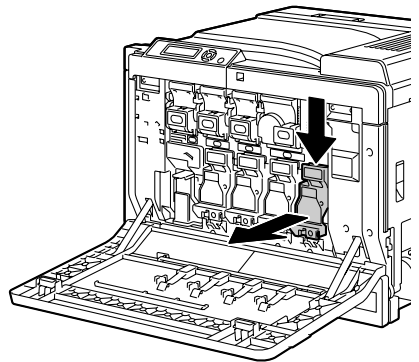


If IMAGING UNIT LIFE on the SYS DEFAULT MENU menu is set to CONTINUE, you are advised to replace the indicated imaging unit when the message I-UNIT END X appears.

- 1 Check the message window to see which color imaging unit needs replacing.
- 2 Open the printer's front cover.



- 3 Press down the area marked “Push” on the imaging unit to be replaced, and then slide the unit all the way out of the printer.



Dispose of the used imaging unit according to your local regulations.

Do not burn the imaging unit.

- 4 Check the color of the new imaging unit to be installed.

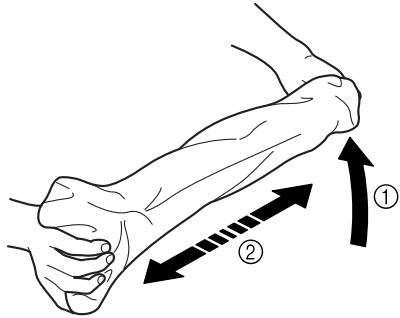
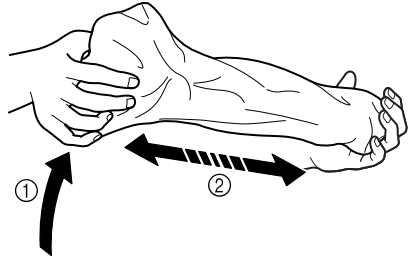


In order to prevent toner from spilling, leave the imaging unit in the bag until step 5 is being performed.

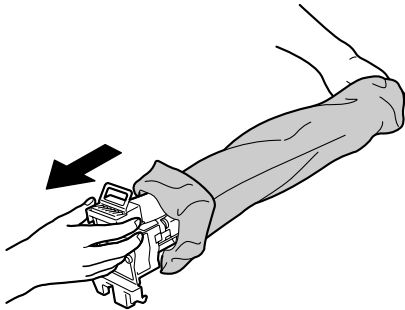
- 5** Hold the imaging unit with both hands, and then shake it twice as shown in the illustration.



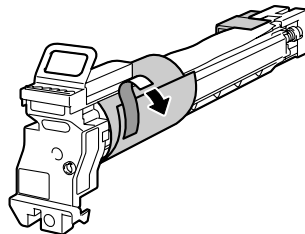
Do not grab the bottom of the bag; otherwise, the imaging unit may be damaged, resulting in decreased print quality.



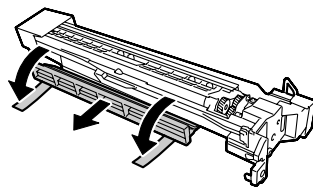
- 6** Remove the imaging unit from the bag.



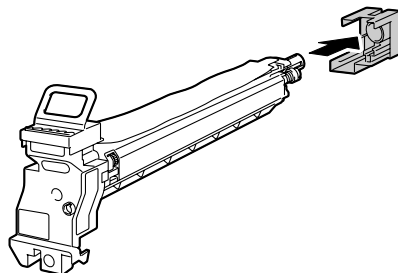
- 7** Remove the paper wrapped around the imaging unit.



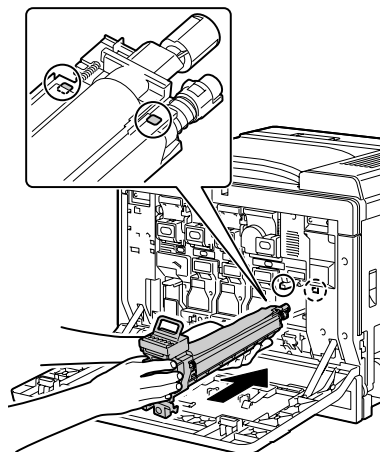
- 8 Remove the mounting bracket attached with the tape to the bottom of the imaging unit.



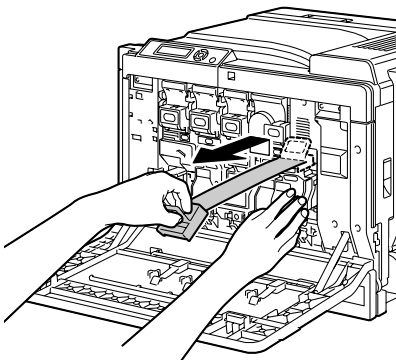
- 9 Remove the cover on the end of the imaging unit.



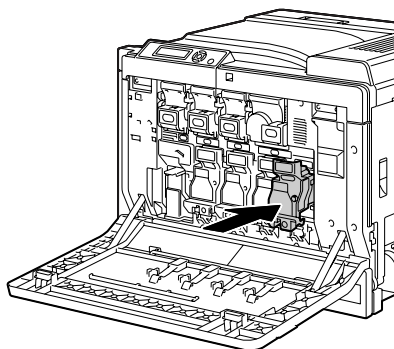
- 10 While supporting the imaging unit from the bottom, insert it into the printer. At this time, make sure that the imaging unit is the same color as the imaging unit compartment.



- 11 Grab the handle on top of the imaging unit, slightly pull it up, then toward you to remove the OPC drum cover.



- 12 Push the imaging unit to securely insert it so that it snaps into place.



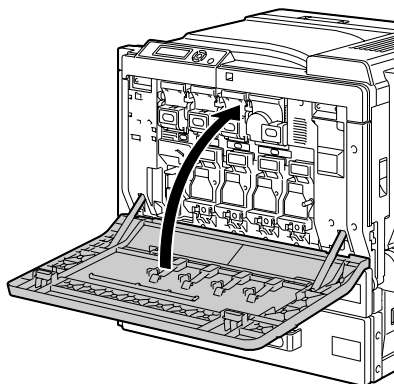
- 13 Close the front cover.



If the imaging unit is not fully inserted, the front cover cannot be closed.



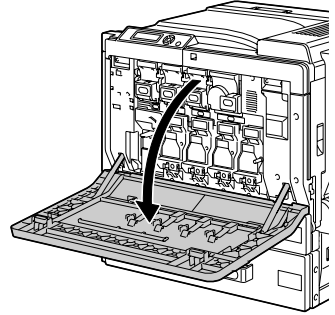
*The printer must complete a 75-second calibration cycle after the toner cartridge has been replaced. If you open the front cover before the message **READY** appears, the printer stops and repeats the calibration cycle.*



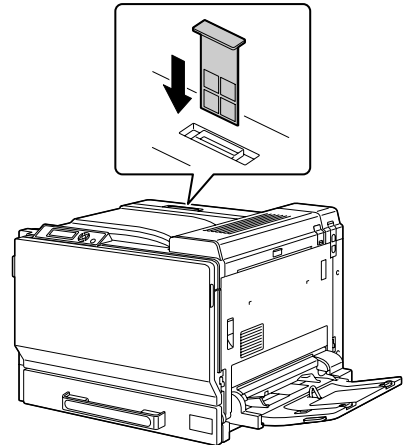
Replacing the Waste Toner Bottle

When the waste toner bottle becomes full, the message **WASTE TONER FULL/REPLACE BOTTLE** appears in the message window. The printer stops and will not start again until the waste toner bottle is replaced.

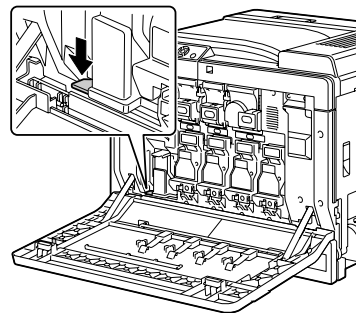
- 1 Open the printer's front cover.



- 2 Remove the dust filter, and then insert the new dust filter included with the waste toner bottle.



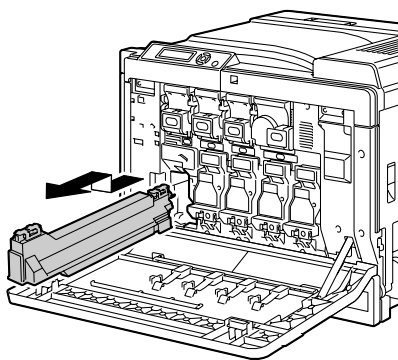
- 3 Push the waste toner release lever.



- 4 Slowly slide the waste toner bottle all the way out.



Be careful not to spill any toner.



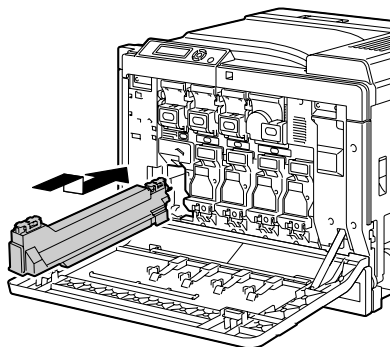
- 5 Dispose of the waste toner bottle.

Note

Dispose of the used waste toner bottle according to your local regulations. Do not burn the waste toner bottle.

- 6 Prepare a new waste toner bottle.

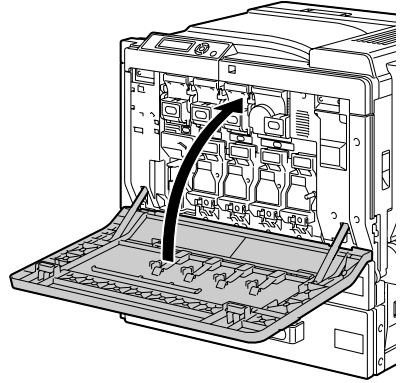
- 7 Slide the waste toner bottle all the way into the printer.



8 Close the front cover.



If the waste toner bottle is not fully inserted, the front cover cannot be closed.



Replacing the Backup Battery

If the backup battery is dead, the printer's date and time cannot be retained. Follow the procedure described below to replace the backup battery.

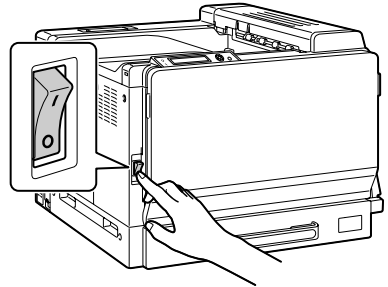


Only CR2032 3V Lithium coin battery can be used.

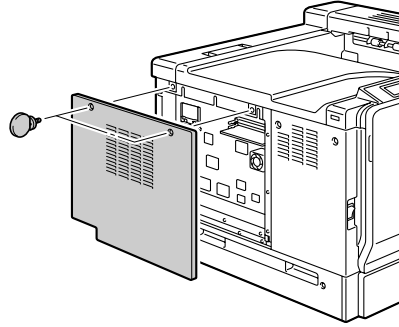
Note

It's very important to protect the printer controller board and any associated circuit boards from electrostatic damage. Before performing this procedure, review the antistatic caution on page 203. In addition, always handle circuit boards by the edges only.

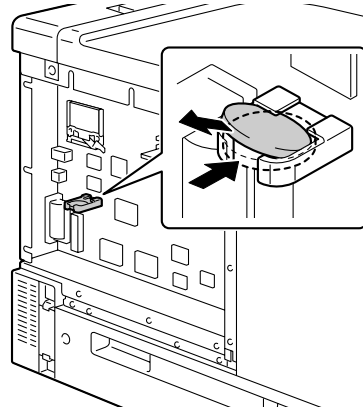
1 Turn off the printer and disconnect the power cord and interface cables.



- 2** Using a coin, remove the screw.
Then, remove the left cover.



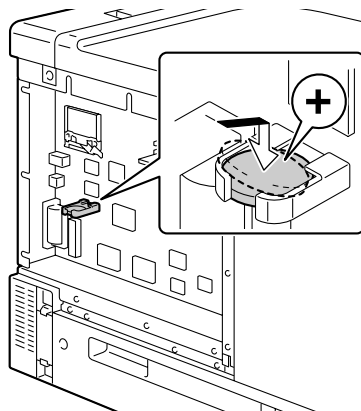
- 3** Remove the backup battery.



4 Insert a new backup battery.



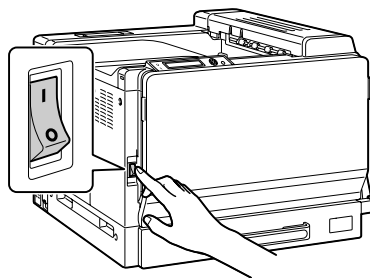
When inserting the new backup battery, be sure that the + side faces upside.



5 Attach the left cover.

6 Reconnect all interface cables.

7 Reconnect the power cord, and turn on the printer.



8 Use DATE on the SYS DEFAULT MENU/CLOCK menu to set the date, and use TIME on the SYS DEFAULT MENU/CLOCK menu to set the time.

***Maintaining the
Printer***

8

Maintaining the Printer



CAUTION

Read all caution and warning labels carefully, making sure to follow any instructions contained in them. These labels are located on the inside of the printer's covers and the interior of the printer body.

Handle the printer with care to preserve its life. Abuse handling may cause damage and void your warranty. If dust and paper scraps remain on the inside or outside of the printer, printer performance and print quality will suffer, so the printer should be cleaned periodically. Keep the following guidelines in mind.



WARNING!

Turn off the printer, unplug the power cord, and disconnect all interface cables before cleaning. Do not spill water or detergent into the printer; otherwise the printer will be damaged and an electric shock may occur.



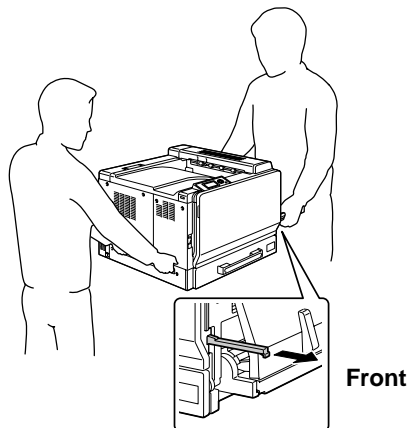
CAUTION

The fuser unit is hot. When the right side cover is opened, the fuser unit temperature drops gradually (one hour wait time).



- Be careful when cleaning the inside of the printer or removing media mis-feeds, as the fuser unit and other internal parts may be very hot.
- Do not place anything on top of the printer.
- Use a soft cloth to clean the printer.
- Never spray cleaning solutions directly on the printer's surface; the spray could penetrate through the air vents of the printer and damage the internal circuits.
- Avoid using abrasive or corrosive solutions or solutions that contain solvents (such as alcohol and benzene) to clean the printer.
- Always test any cleaning solution (such as mild detergent) on a small inconspicuous area of your printer to check the solution's performance.
- Never use sharp or rough implements, such as wire or plastic cleaning pads.
- Always close the printer's covers gently. Never subject the printer to vibration.
- Do not cover the printer immediately after using it. Turn it off and wait until it cools down.

- Do not leave the printer's covers open for any length of time, especially in well-lit places; light may damage the imaging units.
- Do not open the printer during printing.
- Do not tap media stacks on the printer.
- Do not lubricate or disassemble the printer.
- Do not tilt the printer.
- Do not touch the electrical contacts, gears, or laser devices. Doing so may damage the printer and cause the print quality to deteriorate.
- Keep media in the output tray at a minimum level. If the media is stocked too high, your printer may experience media misfeeds and excessive media curl.
- Make sure two people are available to lift the printer when moving it.
Keep the printer level to avoid toner spillage.



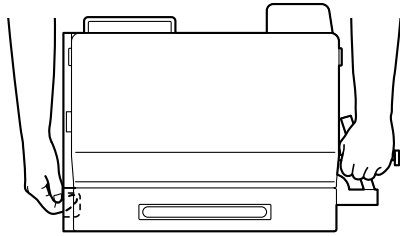
WARNING!

Lifting the printer in an awkward position or transporting it in a poorly balanced position could result in personal injury.
When transporting the printer, assign an adequate number of persons to the job and ensure that each person can take a good position of not being excessively loaded. (weight: 59 kg/129.9 lb)

- When lifting the printer, fold up Tray 1, and then lift the printer as shown in the illustration at the right.



If an optional lower feeder unit is installed, remove it before lifting the printer.



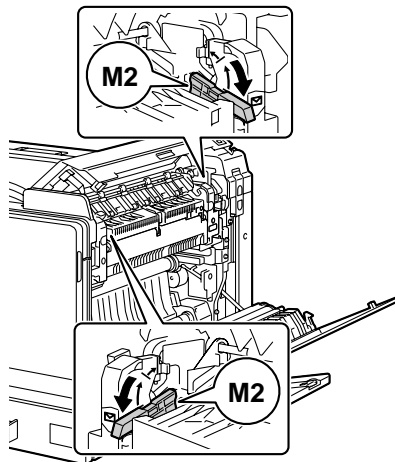
- If you get toner on your skin, wash it off with cool water and a mild soap.



CAUTION

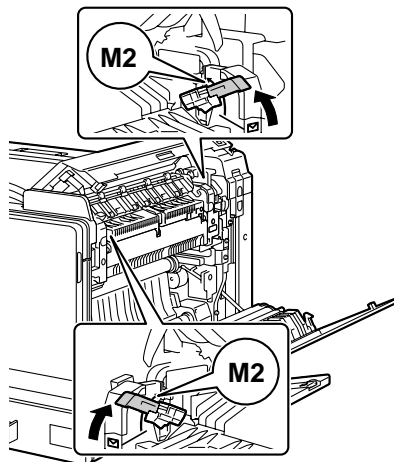
If you get toner in your eyes, wash it out immediately with cool water and consult a doctor.

- Make sure any parts removed during cleaning are replaced before you plug in the printer.
- If the printer is not to be used for two weeks or more (not turned on), lower the left and right M2 release levers to the position for envelopes.





Before using the printer again, be sure to return the levers to the position for normal printing. If media other than envelopes are printed without the levers returned to their normal positions, decreased print quality may result.



Cleaning the Printer



CAUTION

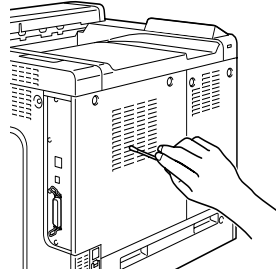
Be sure to turn off the printer and unplug the power cord before cleaning.

Exterior

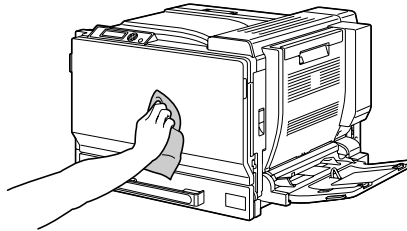
Control Panel



Ventilation Grill



Printer Exterior

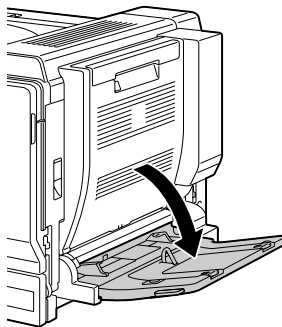


Media Rollers

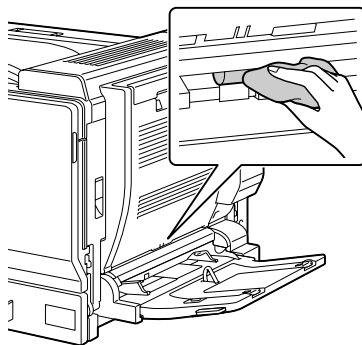
The accumulation of paper dust and other debris on the media rollers can cause media-feeding problems.

Cleaning the Media Feed Rollers (Manual Feed Tray)

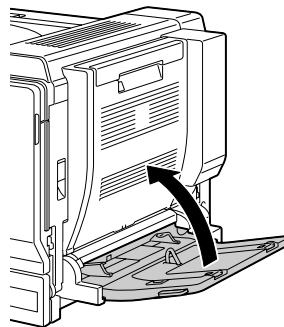
1 Open Tray 1.



2 Clean the media feed rollers by wiping them with a soft, dry cloth.

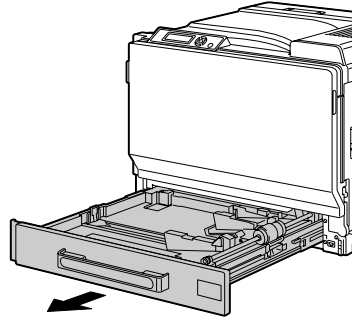


3 Close the tray.

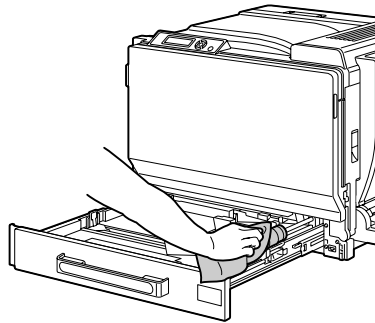


Cleaning the Media Feed Rollers (Tray 2/3/4/5)

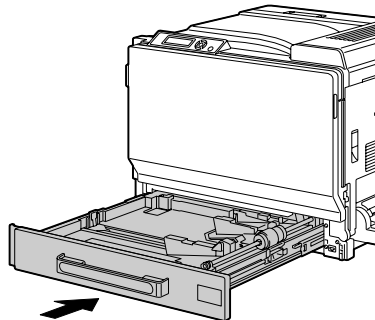
1 Pull out the tray.



2 Clean the media feed rollers by wiping them with a soft, dry cloth.

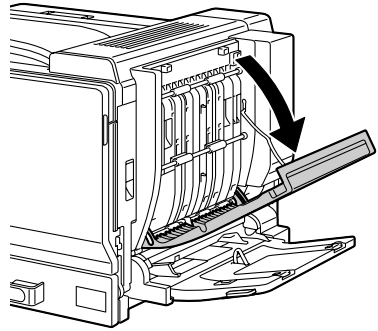


3 Close the tray.

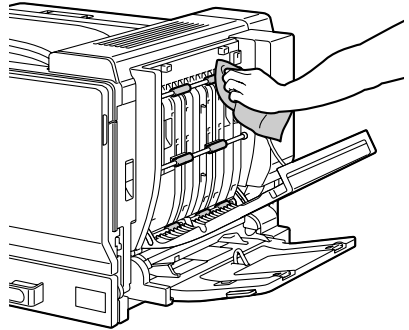


Cleaning the Duplex Option Feed Rollers

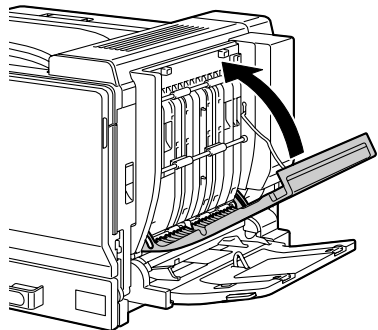
1 Open the duplex cover.



2 Clean the feed rollers by wiping them with a soft, dry cloth.



3 Close the duplex cover.

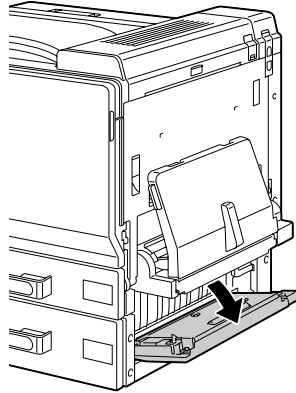


Cleaning the Media Transfer Rollers for Tray 3/4/5

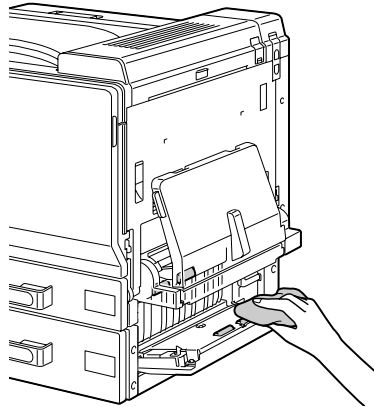
- 1 Open the right side cover of Tray 3/4/5.



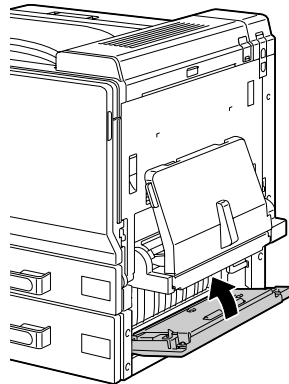
Before opening the right side cover of Tray 3/4/5, fold up Tray 1.



- 2 Clean the media transfer rollers by wiping them with a soft, dry cloth.



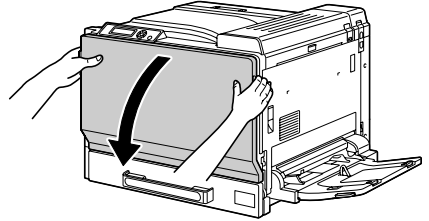
- 3 Close the right side cover of Tray 3/4/5.



Cleaning the Laser Lens

This printer is constructed with four laser lenses. Clean all lenses as described below. The laser lens cleaning tool should be attached to the inside of the front cover.

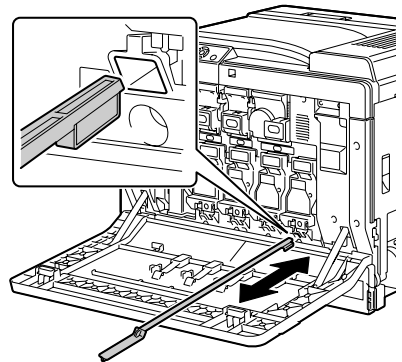
- 1 Open the printer's front cover and remove the cleaning tool from the machine's front cover.



- 2 Insert the laser lens cleaning tool into the laser lens cleaning opening, pull it out, and then repeat this back and forth movement 2 or 3 times.
- 3 Clean between each of the laser lenses in the same way.

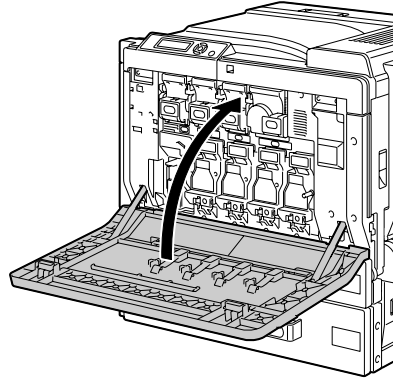


The laser lens cleaning tool is included with the printer. Safely store the laser lens cleaning tool so that it will not be lost.



- 4 Return the laser lens cleaning tool to its holder on the inside of the front cover.

5 Close the front cover.



Troubleshooting

9

Introduction

This chapter provides information to aid you in resolving printer problems you may encounter, or at least guide you to the proper sources for help.

Printing the configuration page	Page 156
Preventing media misfeeds	Page 157
Understanding the media path	Page 158
Clearing media misfeeds	Page 159
Solving problems with media misfeeds	Page 175
Solving other problems	Page 178
Solving problems with printing quality	Page 183
Status, error, and service messages	Page 189

Printing a Configuration Page

Print a configuration page to verify the printer is printing correctly, or to check the printer configuration.

Press Key (once)	Until Display Reads
	READY
* Menu Select ↵	PRINT MENU If the hard disk is installed, the PROOF/PRINT menu appears at the top of the menu. Press the Down key to select the PRINT menu.
* Menu Select ↵	CONFIGURATION PG PRINT
* Menu Select ↵	The configuration page prints and the printer goes back to READY .

Preventing Media Misfeeds

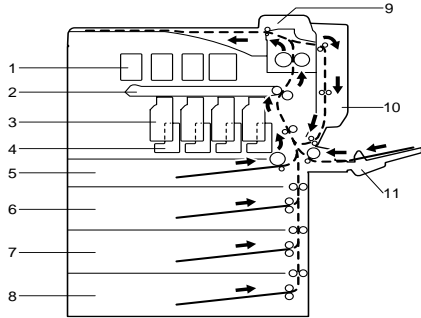
Make sure that...
Media matches the printer specifications.
Media is flat, especially on the leading edge.
The printer is on a hard, flat, level surface.
You store media in a dry location away from moisture and humidity.
You remove transparencies from the output tray immediately after printing to avoid static buildup.
You always adjust the media guides in the tray <i>after</i> inserting the media (<i>a guide that is not properly adjusted can cause poor print quality, media misfeeds, and printer damage</i>).
You load the media printing-side up in the tray (<i>many manufacturers place an arrow on the end of the wrapper to indicate the printing side</i>).

Avoid...
Media that is folded, wrinkled, or excessively curled.
Double feeding (<i>remove the media and fan the sheets—they may be sticking together</i>).
Fanning transparencies since this causes static.
Loading more than one type/size/weight of media in a tray at the same time.
Overfilling the trays.
Allowing the output tray to overfill (<i>the output tray has a 350-sheet capacity—misfeeding may occur if you allow more than 350 sheets of media to accumulate at one time</i>).
Allowing the output tray to fill with more than a few transparencies.

Understanding the Media Path

Understanding the printer's media path will help you locate media misfeeds.

- 1 Toner cartridge
- 2 Transfer belt unit
- 3 Imaging unit
- 4 Laser
- 5 Tray 2
- 6 Tray 3 (optional)
- 7 Tray 4 (optional)
- 8 Tray 5 (optional)
- 9 Fuser unit
- 10 Duplex option
- 11 Tray 1 (Manual feed tray)



Clearing Media Misfeeds

To avoid damage, always remove misfed media gently, without tearing it. Any piece of media left in the printer, whether large or small, can obstruct the media path and cause further misfeeds. Do not reload media that has misfed.

Note

The image is not fixed on the media before the fusing process. If you touch the printed surface, the toner may stick to your hands, so be careful not to touch the printed face when removing the misfed media. Make sure not to spill any toner inside the printer.



CAUTION

Unfused toner can dirty your hands, clothes, or anything else it gets on. If you accidentally get toner on your clothes, lightly dust them off as best as you can. If some toner remains on your clothes, use cool, not hot water, to rinse the toner off. If toner gets on your skin, wash it off with cool water and a mild soap.



CAUTION

If you get toner in your eyes, wash it out immediately with cool water and consult a doctor.

If, after clearing the media misfeed, the misfeed message in the control panel window persists, open and close the printer's covers. This should clear the misfeed message.

Media Misfeed Messages and Clearing Procedures

Media Misfeed Message	Page Reference
PAPER JAM TRAY2	Page 161
PAPER JAM TRAY3	Page 165
PAPER JAM TRAY4	Page 165
PAPER JAM TRAY5	Page 165
PAPER JAM DUPLEX1	Page 167
PAPER JAM DUPLEX2	Page 167
PAPER JAM FUSER/EXIT	Page 168
PAPER JAM TRAY1	Page 172
PAPER JAM SECOND TRANS	Page 172
PAPER JAM VERTICAL TRANS	Page 165, Page 172



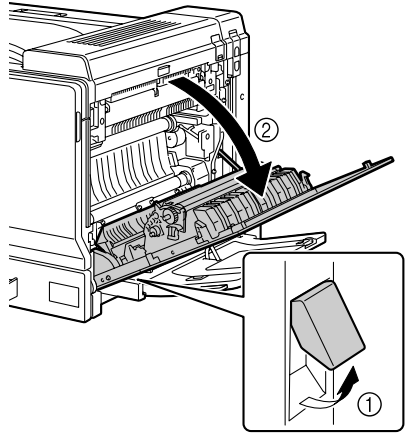
If the message PAPER JAM/VERTICAL TRANS appears, check for media misfeeds in the transfer roller section of the right side covers for Tray 3 and/or Tray 4 and/or Tray 5.

Clearing a Media Misfeed in Tray 2

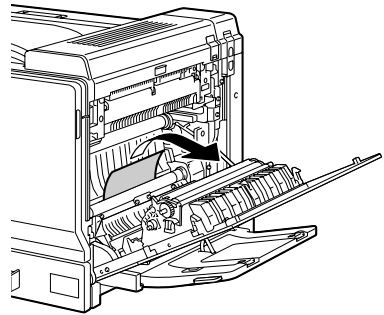
- 1 Pull the lever, and then open the right side cover.



Before opening the right side cover, open Tray 1.



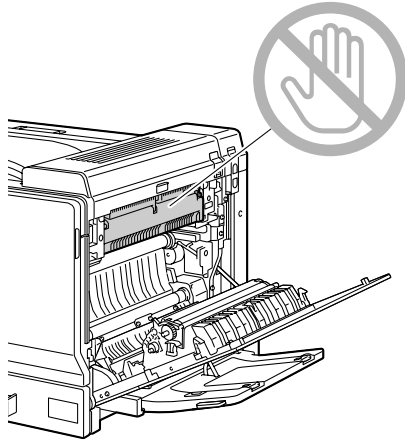
- 2 Carefully pull out the misfed media.





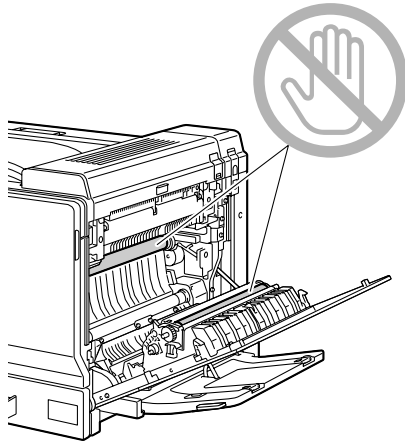
CAUTION

The area around the fuser unit is extremely hot. Touching anything other than the indicated levers and dials may result in burns. If you get burned, immediately cool the skin under cold water, and then seek professional medical attention.

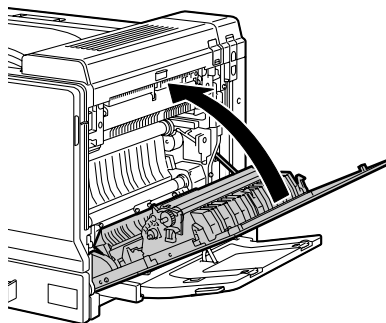


Note

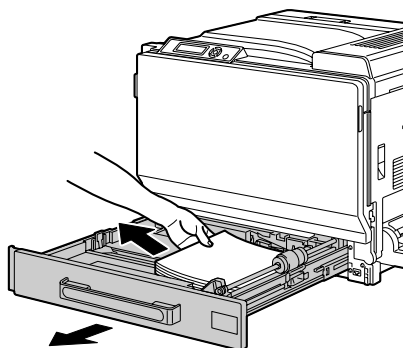
Decreased print quality may result if the surface of the image transfer belt or the transfer roller is touched. Be careful not to touch the surface of the image transfer belt or transfer roller.



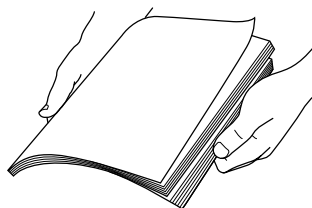
- 3 Close the right side cover.



- 4 Pull out Tray 2, and then remove all media from the tray.



- 5 Fan the media you removed and then align it well.



If transparencies are loaded, do not fan them; otherwise, static electricity may be produced, resulting in another media misfeed.

6 Load the media face up in Tray 2.



Make sure that the media is flat.

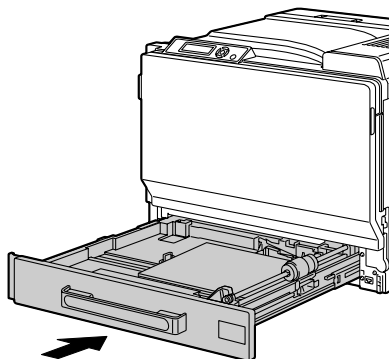


Do not load media above the ▼ mark.



Slide the media guides against the edges of the media.

7 Close Tray 2.

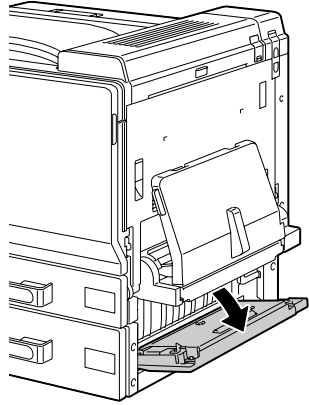


Clearing a Media Misfeed in Tray 3/4/5

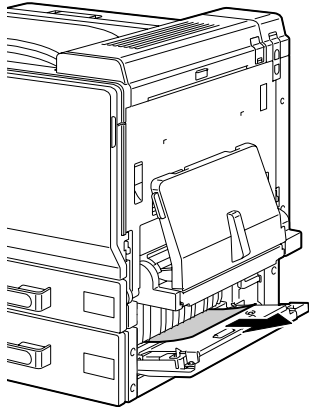
- 1 Open the right side cover of Tray 3 (4/5).



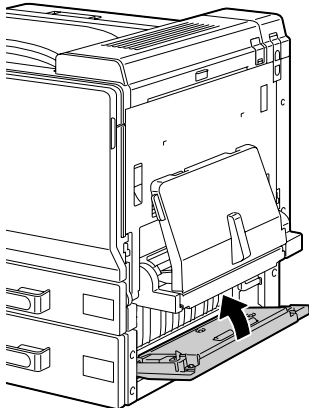
Before opening the right side cover of Tray 3 (4/5), fold up Tray 1.



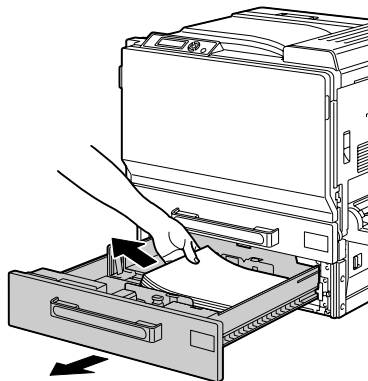
- 2 Carefully pull out the misfed media.



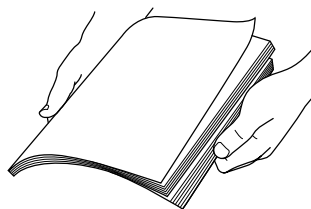
- 3 Close the right side cover of Tray 3 (4/5).



- 4 Pull out Tray 3 (4/5), and then remove all media from the tray.



- 5 Fan the media you removed and then align it well.



- 6 Load the media face up in Tray 3 (4/5).



Make sure that the media is flat.

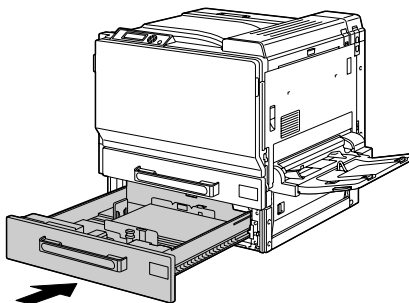


Do not load media above the ▼ mark.



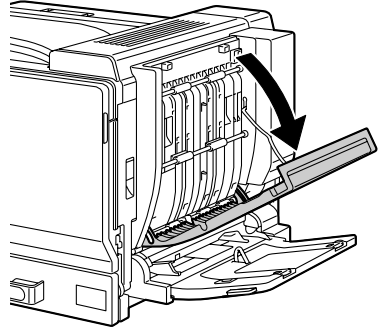
Slide the media guides against the edges of the media.

- 7 Close Tray 3 (4/5).

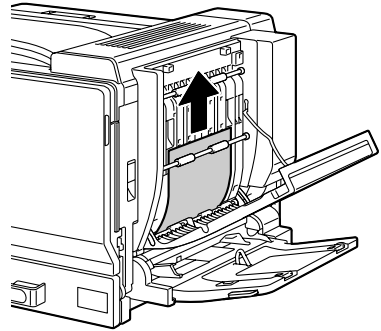


Clearing a Media Misfeed from the Duplex Option

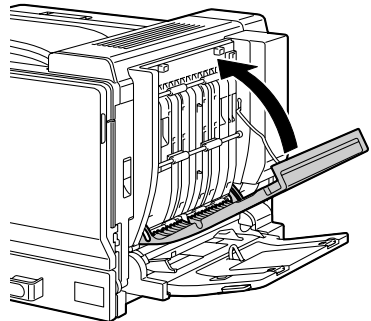
- 1 Open the duplex cover.



- 2 Carefully pull out the misfed media.



- 3 Close the duplex cover.

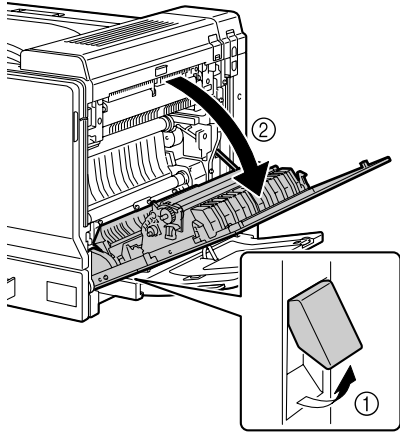


Clearing a Media Misfeed from the Fuser Unit

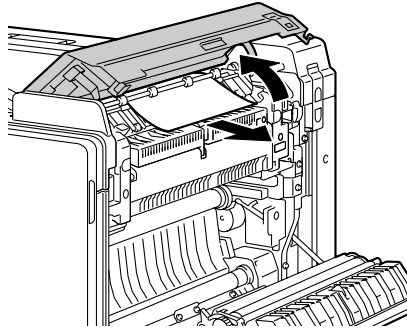
- 1 Pull the lever, and then open the right side cover.



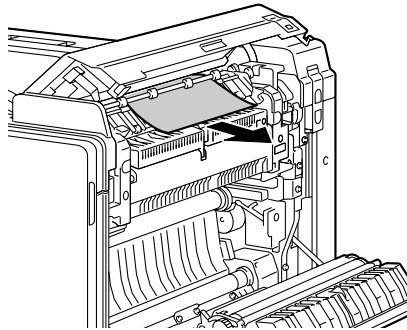
Before opening the right side cover, open Tray 1.



- 2 Push up the top cover.



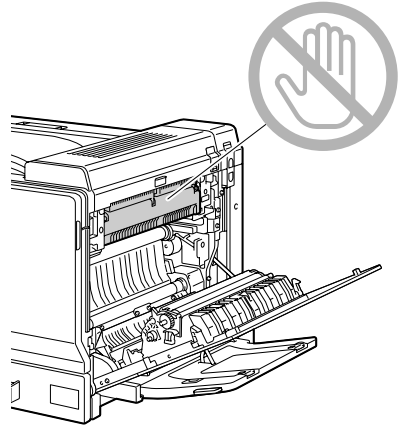
- 3 Carefully pull out the misfed media.





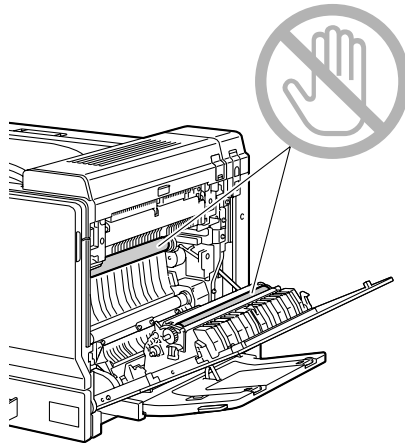
CAUTION

The area around the fuser unit is extremely hot. Touching anything other than the indicated levers and dials may result in burns. If you get burned, immediately cool the skin under cold water, and then seek professional medical attention.

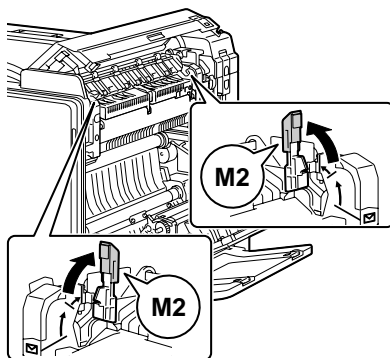


Note

Decreased print quality may result if the surface of the image transfer belt or the transfer roller is touched. Be careful not to touch the surface of the image transfer belt or transfer roller.



- 4 Push up the M2 release levers, and then pull inside cover M3 toward you to open it.

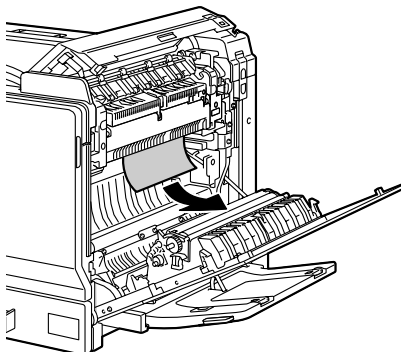


When pushing up the M2 release levers, push up both at the same time.



The M2 release levers will automatically return to their correct original positions when you close the top cover. Do not close them by hand.

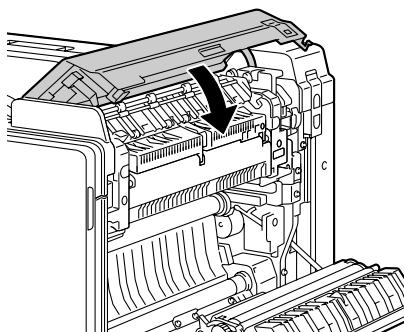
- 5 Pull out any media caught in the fuser unit.



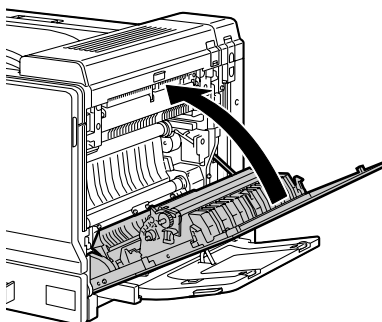
- 6 After closing the top cover, close the right side cover.



Be sure to close the top cover before closing the right side cover.

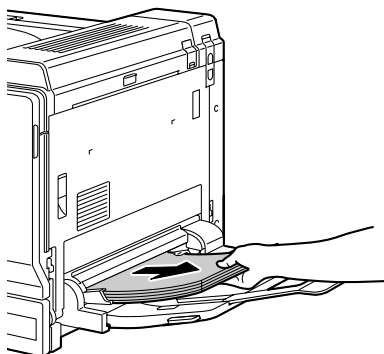


- 7 Close the right side cover.



Clearing a Media Misfeed from Tray 1 (Manual Feed Tray) and Transfer Roller

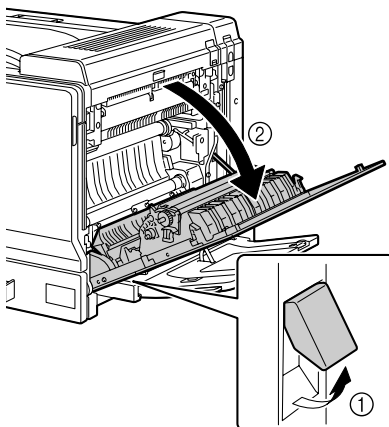
- 1 Remove all media from Tray 1.



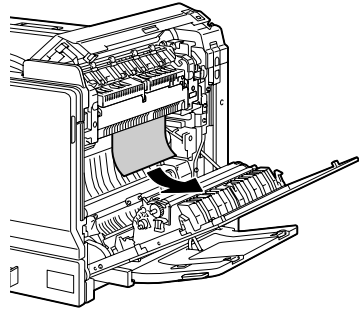
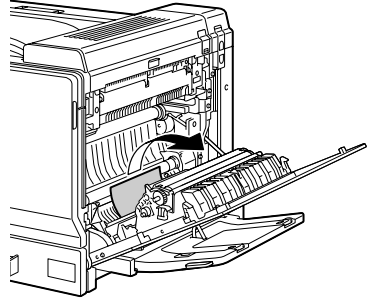
- 2 If the misfed media cannot be removed, pull the lever, and then open the right side cover.



Before opening the right side cover, open Tray 1.

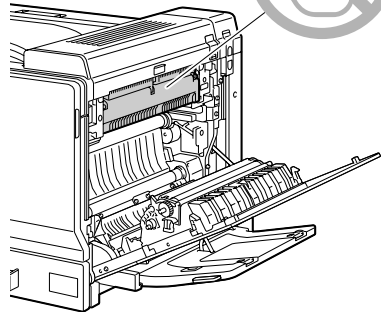


- 3 Carefully pull out the misfed media.



CAUTION

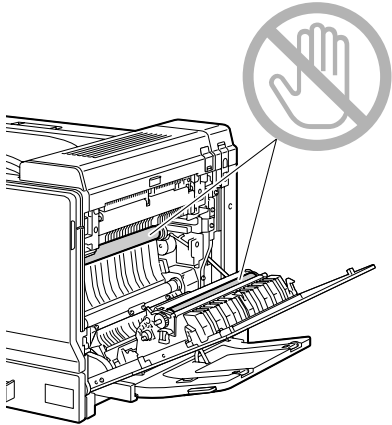
The area around the fuser unit is extremely hot. Touching anything other than the indicated levers and dials may result in burns. If you get burned, immediately cool the skin under cold water, and then seek professional medical attention.



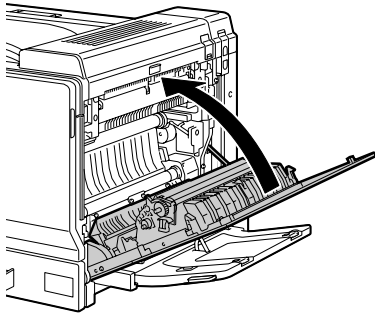
Note

Decreased print quality may result if the surface of the image transfer belt or the transfer roller is touched.

Be careful not to touch the surface of the image transfer belt or transfer roller.



4 Close the right side cover.



Solving Problems with Media Misfeeds



Frequent misfeeds in any area indicate that area should be checked, repaired, or cleaned. Repeated misfeeds may also happen if you're using unsupported print media.

Symptom	Cause	Solution
Several sheets go through the printer together.	The front edges of the media are not even.	Remove the media and even up the front edges, then reload it.
	The media is moist from humidity.	Remove the moist media and replace it with new, dry media.
	Too much static electricity is present.	Do not fan transparencies.
Media misfeed message stays on.	Right side cover needs to be opened and closed again to reset the printer.	Open and close the right side cover of the printer again.
	Some media remains misfed in the printer.	Recheck the media path and make sure that you have removed all of the misfed media.
Duplex option misfeeds.	Unsupported media (wrong size, thickness, type, etc.) is being used.	Use KONICA MINOLTA-approved media. See "Media Specifications" on page 88.
		Only plain paper, 60–90 g/m ² (16–24 lb) and thick paper, 91–256 g/m ² (25–68.1 lb) can be autoduplexed. See "Media Specifications" on page 88.
		Make sure that you have not mixed media types in Tray 1.
	Do not duplex envelopes, labels, thick stock, or transparencies.	
Media is still being misfed.		Recheck the media path inside the duplex option and make sure that you have removed all of the misfed media.

Symptom	Cause	Solution
Media is misfeeding.	The media is not correctly positioned in the tray.	Remove the misfed media and reposition the media properly in the tray.
	The number of sheets in the tray exceeds the maximum allowed.	Remove the excess media and reload the correct number of sheets in the tray.
	The media guides are not correctly adjusted to the media size.	Adjust the media guides in the tray to match the size of the media.
	Warped or wrinkled media is loaded in the tray.	Remove the media, smooth it out, and reload it. If it still misfeeds, do not use that media.
	The media is moist from humidity.	Remove the moist media and replace it with new, dry media.
	Custom-sized media, envelopes, labels, postcards, thick stock, or transparencies are loaded in Tray 2, 3, 4 or 5.	Special media must be loaded in Tray 1 only.
	The recommended transparency or label sheet is facing the wrong way in Tray 1.	Load the transparencies or label sheets according to the manufacturer's instructions.
	Envelopes are facing the wrong way in Tray 1.	Load the envelopes in Tray 1 so the flaps are facing up.
If the flaps are on the long edge, load the envelopes with the flaps toward the right of the printer.		


Symptom	Cause	Solution
Media is misfeeding.	Transparencies have collected static electricity in the tray.	Remove the transparencies and load them in the tray one sheet at a time. Do not fan transparencies before loading them.
	Unsupported media (wrong size, thickness, type, etc.) is being used.	Use KONICA MINOLTA-approved media. See "Media Specifications" on page 88.
	The media roller is dirty.	Clean the media supply roller. For more details, refer to "Media Rollers" on page 149.

Solving Other Problems



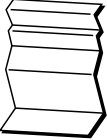
For details on consumables, access www.q-shop.com.

Symptom	Cause	Solution
Printer power is not on.	The power cord is not correctly plugged into the outlet.	Turn off the printer, confirm that the power cord is correctly plugged into the outlet, and then turn on the printer.
	Something is wrong with the outlet connected to the printer.	Plug another electrical appliance into the outlet and see whether it operates properly.
	The power switch is not correctly turned on (I position).	Turn the power switch off (O position), then turn it back to the on (I position).
	The printer is connected to an outlet with a voltage or frequency that does not match the printer specifications.	Use a power source with the specifications listed in appendix A, "Technical Specifications."
Data was sent to the printer, but it doesn't print.	An error message is displayed in the message window.	Handle according to the message displayed.
The control panel displays TONER LOW much sooner than expected.	One of the cartridges may be defective.	Remove the toner cartridges and check them for damage. If one is damaged, replace it.
	You printed with heavy toner coverage.	See the specifications in Appendix A.
You can't print the configuration page.	The tray is empty.	Check that at least Tray 1 is loaded with media, in place, and secure.
	The printer's covers aren't closed securely.	Make sure the covers are closed securely. Close all covers gently to avoid jarring the printer. Make sure the waste toner bottle and toner cartridges and imaging units are installed correctly.
	There is a media misfeed.	Clear the media misfeed.



Symptom	Cause	Solution
Images cannot be printed from the digital camera.	<p>The digital camera transfer mode is not set to PictBridge.</p>  <p><i>Printer only supports a PictBridge compliant digital camera.</i></p>	Set the digital camera transfer mode to PictBridge.
Printing takes too much time.	The printer is set to a slow printing mode (for example, thick stock or transparency).	It takes more time to print on special media. When using regular paper, make sure that the media type is set properly in the driver.
	The printer is set to Energy Saver mode.	It takes time for printing to start in Energy Saver mode. If you do not want to use this mode, disable it. (SYS DEFAULT MENU/ENERGY SAVER menu)
	The job is very complex.	Wait. No action needed.
	The printer memory is insufficient.	Add more memory.
	A toner cartridge for a different region or an unapproved genuine toner cartridge is installed (INCORRECT TONER X is displayed in the message window).	Install a correct KONICA MINOLTA toner cartridge approved for your specific printer.
Blank pages come out during printing.	One or more of the toner cartridges are defective or empty.	Check the toner cartridges. The image will not print if one or more cartridges are empty.
	The wrong media is being used.	Check that the media type set in the driver matches the media loaded in the printer.




Symptom	Cause	Solution
Not all pages print.	The printer has the wrong kind of cable, or the printer is not configured for the correct cable and port.	Check your cable.
	The Cancel key was pressed.	Make sure no one pressed the Cancel key while your job was printing.
Not all pages print.	The tray is empty.	Check that the trays are loaded with media, in place, and secure.
	A document is printed with an overlay file which has been created by a non-magicolor 7450 driver.	Print the overlay file using a magicolor 7450 driver.
Printer resets or turns off frequently.	The power cord is not correctly plugged into the outlet.	Turn off the printer, confirm that the power cord is correctly plugged into the outlet, and then turn on the printer.
	A system error occurred.	Contact Technical Support with the error information.




Symptom	Cause	Solution
You are experiencing duplex problems.	Media or settings are not correct.	For autoduplexing, make sure that you have a duplex option installed.
		Make sure that you are using correct media. <ul style="list-style-type: none"> ■ See “Media Specifications” on page 88. ■ Do not duplex envelopes, labels, postcards, thick stock, or transparencies. ■ Make sure that you have not mixed media types in Tray 1.
		Make sure that your document has more than one page.
		Make sure the duplex option is installed and declared in the Windows printer driver (Properties/Configure tab).
		In the Windows printer driver (Layout/Double-Sided), choose “Double-Sided.”
		For N-up on duplexed pages, choose Collate only in the Windows driver’s Paper Tab. Do not set collation in the application.
With N-up on multiple copies, the output is incorrect.	Both the driver and the application have been set for collation.	For N-up on multiple copies, choose Collate only in the Windows driver’s Paper Tab. Do not set collation in the application.
You hear unusual noises.	The printer is not level.	Place the printer on a flat, hard, level surface.
	The tray is not installed correctly.	Remove the tray that you are printing from and reinsert it completely into the printer.
	There is a foreign object stuck inside the printer.	Turn off the printer and remove the object. If you cannot remove it, contact Technical Support.




Symptom	Cause	Solution
The web-based utility cannot be accessed.	The PageScope Web Connection Administrator's password is incorrect.	The PageScope Web Connection Administrator password has a 6-character minimum and a 16-character maximum. For details of the PageScope Web Connection administrator password, refer to the magicolor 7450 Reference Guide on the Documentation CD-ROM.
Media is wrinkled. 	The media is moist from humidity or having water spilled on it.	Remove the moist media and replace it with new, dry media.
	The transfer roller or fuser unit is defective.	Check them for damage. If necessary, contact Technical Support with the error information.
	Unsupported media (wrong size, thickness, type, etc.) is being used.	Use KONICA MINOLTA-approved media. See "Media Specifications" on page 88.
The date and time is not correctly maintained on the printer.	The backup battery has reached the end of its service life.	Replace the backup battery. For details, see "Replacing the Backup Battery" on page 139.


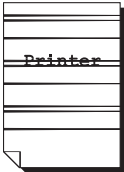
Solving Problems with Printing Quality


Symptom	Cause	Solution
<p>Nothing is printed, or there are blank spots on the printed page.</p> 	One or more of the imaging units may be defective.	Remove the imaging units and check for damage. If it is damaged, replace it.
	The printer driver is not set correctly.	Select the proper setting in the printer driver to switch from transparencies to plain paper.
	The media is moist from humidity.	Adjust the humidity for media storage. Remove the moist media and replace it with new, dry media.
	The media set in the printer driver mismatches the media loaded in the printer.	Load the correct media in the printer.
	The power source does not match the printer specifications.	Use a power source with the proper specifications.
	Several sheets are being fed at the same time.	Remove the media from the tray and check it for static electricity. Fan plain paper or other media (but not transparencies), and replace it in the tray.
	Media is not set properly in the tray(s).	Remove the media, tap it to straighten it out, return it to the tray, and realign the media guides.
<p>Entire sheet is printed in black or color.</p> 	One or more of the imaging units may be defective.	Remove the imaging units and check for damage. If it is damaged, replace it.

Symptom	Cause	Solution
Image is too light; there is low image density. 	Laser lens is dirty.	Clean the laser lens.
	The media is moist from humidity.	Remove the moist media and replace with new, dry media.
	There is not much toner left in the cartridge.	Replace the toner cartridge.
	One or more of the imaging units may be defective.	Remove the imaging units and check them for damage. If one is damaged, replace it.
	The media type is set incorrectly.	When printing envelopes, labels, postcards, thick stock, or transparencies, specify the appropriate media type in the printer driver.
Image is too dark. 	One or more of the imaging units may be defective.	Remove the imaging units and check them for damage. If one is damaged, replace it.
Image is blurred; background is lightly stained; there is insufficient gloss of the printed image. 	One or more of the imaging units may be defective.	Remove the imaging units and check them for damage. If one is damaged, replace it.

Symptom	Cause	Solution
The print or color density is uneven. 	One or more of the toner cartridges may be defective or low.	Remove the toner cartridges and check them for damage. If one is damaged, replace it.
	The printer is not level.	Place the printer on a flat, hard, level surface.
Irregular print or mottled image appears. 	The media is moist from humidity.	Adjust the humidity in the media storage area. Remove the moist media and replace it with new, dry media.
	Unsupported media (wrong size, thickness, type, etc.) is being used.	Use KONICA MINOLTA-approved media. See "Media Specifications" on page 88.
	One or more of the imaging units may be defective.	Remove the imaging units and check for damage. If it is damaged, replace it.
There is insufficient fusing or the image comes off when rubbed. 	The media is moist from humidity.	Remove the moist media and replace it with new, dry media.
	Unsupported media (wrong size, thickness, type, etc.) is being used.	Use KONICA MINOLTA-approved media. See "Media Specifications" on page 88.
	Media type is set incorrectly.	When printing envelopes, labels, postcards, thick stock, or transparencies, specify the appropriate media type in the printer driver.
	The levers on the fuser unit are set to the position for envelopes.	Before printing on media other than envelopes, be sure to return the levers on the fuser unit to the setting for plain paper.

Symptom	Cause	Solution
<p>There are toner smudges or residual images.</p> 	<p>One or more of the imaging units may be defective or installed incorrectly.</p>	<p>Remove the imaging units and check them for damage. If one is damaged, replace it.</p>
<p>There are toner smudges on the back side of the page (whether or not it has been duplexed).</p> 	<p>The media transfer roller is dirty.</p>	<p>Clean the media transfer roller. If you think the transfer roller should be replaced, contact Technical Support with the error information.</p>
	<p>The media path is dirty with toner.</p>	<p>Print several blank sheets and the excess toner should disappear.</p>
	<p>One or more of the imaging units may be defective.</p>	<p>Remove the imaging units and check for damage. If it is damaged, replace it.</p>
<p>Abnormal areas (white, black, or color) appear in a regular pattern.</p> 	<p>The laser lens is dirty.</p>	<p>Clean the laser lens.</p>
	<p>A imaging unit may be defective.</p>	<p>Remove the imaging unit with the color causing the abnormal image. Replace it with a new imaging unit.</p>

Symptom	Cause	Solution
Image defects. 	The laser lens is dirty.	Clean the laser lens.
	A toner cartridge may be leaking.	Remove the toner cartridges and check them for damage. If one is damaged, replace it.
	A imaging unit may be defective.	Remove the imaging unit with the color causing the abnormal image. Replace it with a new imaging unit.
Lateral lines or bands appear on image. 	The printer is not level.	Place the printer on a flat, hard, level surface.
	The media path is dirty with toner.	Print several sheets and the excess toner should disappear.
	One or more of the imaging units may be defective.	Remove the imaging units and check them for damage. If one is damaged, replace it.
Colors look drastically wrong.	One or more of the imaging units may be defective.	Remove the imaging units and verify that the toner is distributed evenly on each cartridge roller, and reinstall the imaging units.
	One or more of the toner cartridges may be low or empty.	Check the control panel for an X TONER LOW or TONER EMPTY X message. If necessary, replace the specified toner cartridge.
Colors are not registering properly; colors are mixed or have page-to-page variation.	One or more of the imaging units may be defective.	Remove the imaging units and check them for damage. If one is damaged, replace it.
	The media is moist from humidity.	Remove the moist media and replace it with new, dry media.

Symptom	Cause	Solution
<p>The color has a poor reproduction or has poor color density.</p> 	<p>One or more of the imaging units may be defective.</p>	<p>Remove the imaging units and check them for damage. If one is damaged, replace it.</p>

If the problem is not resolved, even after all of the above have been performed, contact Technical Support with the error information.

For contact information, refer to the magicolor 7450 General Information Guide.

Status, Error, and Service Messages

Status, error, and service messages are displayed in the control panel message window. They provide information about your printer and help you locate many problems. When the condition associated with a displayed message has changed, the message is cleared from the window.

Standard Status Messages

This message...	means...	do this...
CALIBRATING	After replacing a toner cartridge, or after rebooting your printer after environmental changes, your printer automatically pauses to do a 75-second Auto-Image Density Control (AIDC) cycle. This process is provided to make reliable printer operation with optimum output quality possible.	No action needed.
CANCELLING JOB	The job is being cancelled.	
COPYING	The printer is printing with the collating function.	
ENERGY SAVER	The printer is in Energy Saver mode to reduce power consumption during periods of inactivity. When a print job is received, the printer returns to normal power within 30 seconds.	
FIRMWARE UPDATE	The firmware is being updated.	
INITIALIZING	The printer is being initialized.	
PRINTING	The printer is printing.	
PROCESSING	The printer is processing data.	
READY	The printer is on and ready to receive data.	

This message...	means...	do this...
REBOOTING	The printer is being restarted.	No action needed.
WARMING UP	The printer is warming up.	

Error Messages (Warning: ⚠)



"I-UNIT" in a message refers to the imaging unit.

This message...	means...	do this...
FUSER UNIT END OF LIFE	The fuser unit has reached the end of its life.	Contact Technical Support with the error information. Printing does not stop immediately when this message appears. Therefore, if printing is continued, an error appears, and then printing stops.
HDD NEAR FULL	The hard disk is full.	Delete print jobs saved on the hard disk.
ILLEGAL INSTALLATION	Since the CompactFlash was inserted into the memory slot after the printer was turned on, the CompactFlash could not be used.	Turn off the printer, insert the CompactFlash into the memory slot, and then turn the printer off, then on again.
INCORRECT HDD	Since the hard disk drive was formatted with a different machine, the hard disk drive could not be used.	Replace the hard disk drive with one compatible with this machine, or select HDD FORMAT from SYS DEFAULT MENU and format the hard disk.

This message...	means...	do this...
INCORRECT MEMORY CARD	Since the CompactFlash was formatted with a different machine, the CompactFlash could not be used.	Replace the CompactFlash with one compatible with this machine, or select CARD FORMAT from SYS DEFAULT MENU and format the CompactFlash.
INCORRECT I-UNIT X	The x imaging unit is an unapproved type.	Install a KONICA MINOLTA imaging unit of the appropriate type (AM, EU, AP or GC). See page 127.
INCORRECT TONER X	The x toner cartridge is an unapproved type.	Install a KONICA MINOLTA toner cartridge of the appropriate type (AM, EU, AP or GC). See page 127.
MEMORY CARD NEAR FULL	The memory card is nearly full.	Delete resources (fonts, forms, etc.) which saved on the memory card by using Download Manager or PSWC.
NON SUPPORT CARD	Since incompatible CompactFlash was inserted into the memory slot, the CompactFlash could not be used.	Use CompactFlash compatible with this printer.

This message...	means...	do this...
PAPER EMPTY TRAY X	Tray x (Tray 1, 2, 3, 4, or 5) is empty. (Appears when SYS DEFAULT MENU/ENABLE WARNING/PAPER EMPTY TRAY X is set to ON.)	Load media into the specified tray.
	Tray x (Tray 2, 3, 4 or 5) is not correctly installed. (Appears when SYS DEFAULT MENU/ENABLE WARNING/PAPER EMPTY TRAY X is set to ON.)	Correctly install the specified tray.
I-UNIT END X	The X imaging unit has reached the end of its life. (Appears when SYS DEFAULT MENU/IMAGING UNIT LIFE is set to STOP.)	Replace the imaging unit.
I-UNIT LOW X	The x imaging unit is low and should be replaced within 2,000 pages at 5% coverage of letter/A4 pages. (Appears when SYS DEFAULT MENU/ENABLE WARNING/I-UNIT LOW is set to ON.)	Prepare the specified color imaging unit.

This message...	means...	do this...
I-UNIT LIFE X	The X imaging unit has reached the end of its life. If IMAGING UNIT LIFE on the SYS DEFAULT MENU is set to CONTINUE, you are advised to replace the indicated imaging unit when the message I-UNIT END X appears.	Replace the imaging unit. If CONTINUE was set, instead of the Operator Call message "I-UNIT LIFE" appearing, printing continues until the message "I-UNIT END" appears.
TONER EMPTY X	The X toner cartridge is empty.	Replace the toner cartridge. Printing does not stop immediately when this message appears. Therefore, if printing is continued, the Operator Call message "TONER EMPTY" appears, and then printing stops. (Refer to page 198.)
TONER LOW X	The X toner cartridge is low and should be replaced within 1,200 pages at 5% coverage of letter/A4 pages. (Appears when SYS DEFAULT MENU/ENABLE WARNING/TONER LOW is set to ON.)	Prepare the specified color toner cartridge.

This message...	means...	do this...
TRANS . BELT END OF LIFE	The transfer belt unit has reached the end of its life.	Contact Technical Support with the error information. Printing does not stop immediately when this message appears. Therefore, if printing is continued, the Operator Call message "TRANS . BELT LIFE" appears, and then printing stops. (Refer to page 198.)
UNABLE TO COLLATE JOB	The hard disk is full. Print jobs over 10,000 pages cannot be collated.	Print one copy of the file at a time.
UNKNOWN PAPER TRAY X	The media size cannot be detected automatically.	Use media of a size that can be detected by the printer. Otherwise, adjust the media guides in the tray to a position where the media size can be recognized.
WASTE TONER NEAR FULL	The waste toner bottle is nearly full.	Prepare a new waste toner bottle.

Error Messages (Operator Call:)

This message...	means...	do this...
COVER OPEN DUPLEX COVER	The duplex cover is open.	Close the duplex cover.
COVER OPEN FRONT COVER	The printer's front cover is open.	Close the front cover.
COVER OPEN SIDE COVER	The printer's right side cover is open.	Close the right side cover.
COVER OPEN TRAYX COVER	The right side cover of Tray x (Tray 3, 4 or 5) is open.	Close the right side cover of the tray.
FUSER UNIT LIFE REPLACE FUSER UNIT	The fuser unit has reached the end of its life.	Contact Technical Support with the error information.
HOLD JOB ERROR UNABLE TO STORE JOB	The specified print job saved on the hard disk is sent while the hard disk is not installed.	Print jobs can be saved only if a hard disk is installed. If desired, install a hard disk.
MANUAL EMPTY "SIZE" "MEDIA"	Tray 1 was specified with the printer driver as Manual Feed for printing, but Tray 1 is empty.	Load the correct media into Tray 1.
MANUAL FEED "SIZE" "MEDIA"	The Paper Source in the printer driver is set to Tray 1 (Manual Feed), but there is already media in the tray when printing begins.	Press the Up key to print, or remove and reload the media in Tray 1.

This message...	means...	do this...
MEMORY FULL PRESS CANCEL	The printer has received more data than can be processed with its internal memory.	Press the Cancel key to cancel the print job. Decrease the amount of data to be printed (for example, by decreasing the resolution), and then try printing again. If that doesn't solve the problem, install an optional memory module.
NO WASTE BOTTLE CHECK BOTTLE	The waste toner bottle is not installed.	Install waste toner bottle.
OUTPUT FULL REMOVE PAPER	The output tray is full of media.	Remove all media from the output tray.
PAPER EMPTY "SIZE" "MEDIA"	The specified tray is empty. (Appears when PAPER/PAPER SOURCE/TRAY CHAINING ON is set.)	Load the correct media into the specified tray.
PAPER ERROR "SIZE" "MEDIA"	The media size/type set in the printer driver is different from the size/type of media loaded (Appears when PAPER/PAPER SOURCE/TRAY CHAINING ON is set.)	Load the correct media size and type.

This message...	means...	do this...
PAPER JAM DUPLEX1	Media has misfed in the duplex option.	Press the Down key to display the help screen. Follow the instructions in the help screen to remove the misfed media.
PAPER JAM DUPLEX2	Media has misfed in the duplex option.	
PAPER JAM FUSER/EXIT	Media has misfed leaving the fuser area.	
PAPER JAM SECOND TRANS	Media has misfed in the transfer roller area. This type of misfeed means that the media did not make it to the media exit area.	
PAPER JAM TRAY1	Media has misfed in Tray 1.	
PAPER JAM TRAYX	Media has misfed while being pulled from the specified tray (Tray 2, 3, 4 or 5).	
PAPER JAM VERTICAL TRANS	Media has misfed in the vertical transfer area.	
I-UNIT END REPLACE X	The x imaging unit has completely reached the end of its life.	Replace the imaging unit.
I-UNIT LIFE REPLACE X	The x imaging unit has reached the end of its life. This message appears when the SYS DEFAULT/IMAGING UNIT LIFE menu is set to STOP.	Replace the imaging unit. Press ▽ in the control panel and select CONTINUE from the help screen to print 20 pages or temporarily continue printing until the current job is completed. However, if printing is continued, the message "I-UNIT END" appears and printing stops.

This message...	means...	do this...
I-UNIT MISSING CHECK X	The x imaging unit is not installed, or an unapproved imaging unit is installed.	Install a correct KONICA MINOLTA imaging unit.
TONER EMPTY REPLACE X	The x toner cartridge is completely empty.	Replace the toner cartridge.
TONER MISSING CHECK X	The x toner cartridge is not installed, or an unapproved toner cartridge is installed.	Install a correct KONICA MINOLTA toner cartridge.
TRANS . BELT LIFE REPLACE TRANS . BELT	The transfer belt unit has reached the end of its life.	Contact Technical Support with the error information.
TRAYX EMPTY "SIZE" "MEDIA"	The x (Tray 1, 2, 3, 4 or 5) was specified with the printer driver for printing, but Tray x is empty. This message appears when the PAPER / PAPER SOURCE / TRAY CHAINING menu is set to OFF.	Load the correct media into the specified tray.
TRAYX PAPER ERR "SIZE" "MEDIA"	The media size/type set in the printer driver is different from the size/type of media loaded. This message appears when the PAPER / PAPER SOURCE / TRAY CHAINING menu is set to OFF.	Load the correct media size and type.
TRAYX SIZE ERR ADD "SIZE"	The media size set in the printer driver is different from the size of media loaded.	Load the correct media size into the specified tray.

This message...	means...	do this...
TRAYX TYPE ERR ADD "MEDIA"	The media type set in the printer driver is different from the type of media loaded.	Load the correct media type into the specified tray.
WASTE TONER FULL REPLACE BOTTLE	The waste toner bottle is full.	Install a new waste toner bottle.

Service Messages:

These messages indicate a more serious error that can only be corrected by a customer service engineer. If one of these messages appears, turn the printer off, then turn it on again. If the problem persists, contact your local vendor or authorized service provider.

This service message...	means...	do this...
SERVICE CALL XXXX "Error"	An error has been detected with the item indicated "XXXX" in the service message. Information about errors appears at the bottom of the message window.	Reboot the printer. This often clears the service message, and printer operation can resume. If the problem persists, contact Technical Support.

***Installing
Accessories***

10

Introduction

Note

Use of accessories not manufactured or supported by KONICA MINOLTA will void your warranty.



This chapter provides information about the following accessories.

Dual In-Line Memory Module (DIMM)	256 MB, 512 MB DIMM (DDR-SDRAM, 266 MHz, 184 pins, No ECC, Unbuffered, CL=2 or 2.5)
Duplex Option	Auto duplexing
Lower Feeder Unit (Tray 3/4/5)	500-sheet tray included
Hard Disk	40 GB Hard Disk
CompactFlash	256 MB/512 MB CompactFlash Card
Caster Base	For floor setup
Banner Tray	For long paper

Note

Installing accessories always requires that the printer and accessories are turned off and unplugged during installation.

Antistatic Protection

Note

It's very important to protect the printer controller board from electrostatic damage while performing any task involving the controller board.

Turn off all power switches first. If an antistatic wrist strap is provided in your printer option kit, attach one end of it to your wrist and the other end to the bare metal chassis on the back of your printer. Never attach the wrist strap to any piece of equipment with an electrical current present. Plastic, rubber, wood, painted metal surfaces, and telephones are not acceptable grounding points.

If you don't have an antistatic wrist strap, discharge your body's static electric charge by touching a grounded surface before you handle any printer boards or components. Also avoid walking around after grounding yourself.

Dual In-Line Memory Module (DIMM)



You may need additional memory (DIMM) for complex graphics and for duplex printing.

Dual in-line memory module (or DIMM) is compact circuit board with surface-mount memory chips.

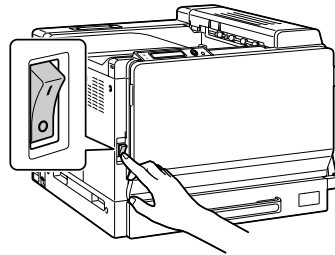
The printer, which has two memory slots, has a 256 MB memory module already installed in one of the slots. By using both slots, the memory can be expanded to a maximum of 1024 MB (512 MB + 512 MB).

Installing a DIMM

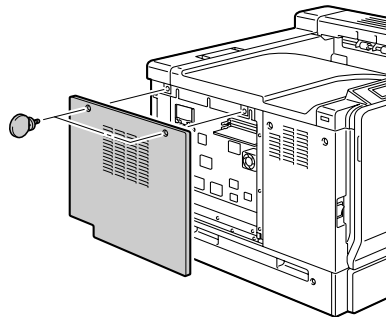
Note

It's very important to protect the printer controller board and any associated circuit boards from electrostatic damage. Before performing this procedure, review the antistatic caution on page 203. In addition, always handle circuit boards by the edges only.

- 1 Turn off the printer and disconnect the power cord and interface cables.

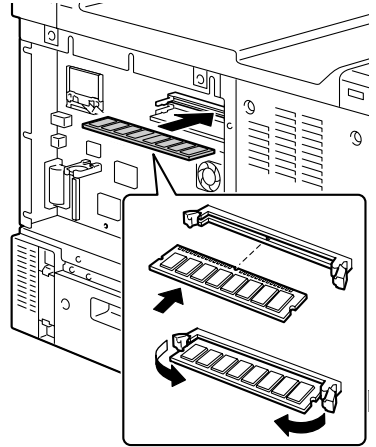


- 2 Using a coin, remove the screw, and then lift up the left-side cover to remove it.

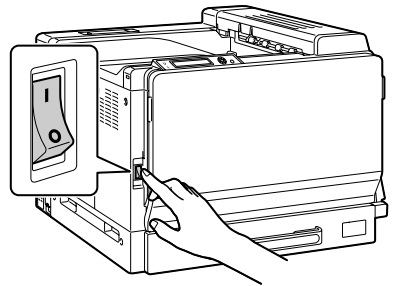


- 3 Insert the new DIMM straight into the DIMM connector until the latches snap into the locked position.

Observe the keyed side of the DIMM to align it with the connector. If you cannot snap the DIMM into place, do not force it. Reposition it, making sure that the DIMM is seated completely in the connector.



- 4 Attach the left-side cover and tighten the screws.
- 5 Reconnect all interface cables.
- 6 Reconnect the power cord, and turn on the printer.



- 7 Declare the additional RAM in the Windows printer driver (Properties/Configure tab).
- 8 Print a configuration page (PRINT/CONFIGURATION PG) and verify that the total amount of the RAM installed in your printer is listed.

Hard Disk

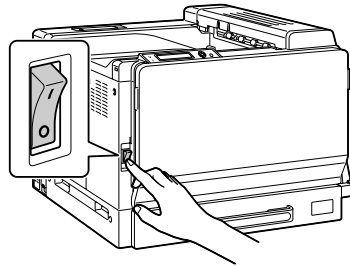
If a hard disk is installed, fonts can be downloaded and saved, and the overlay function can be used.

Installing a Hard Disk

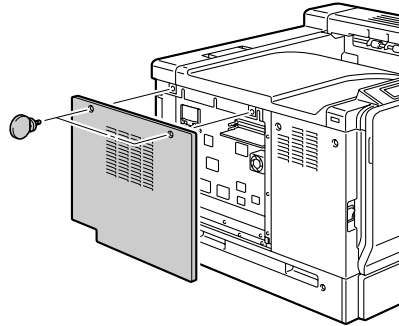
Note

It's very important to protect the printer controller board and any associated circuit boards from electrostatic damage. Before performing this procedure, review the antistatic caution on page 203. In addition, always handle circuit boards by the edges only.

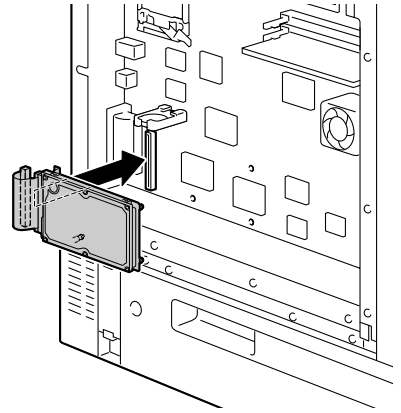
- 1 Turn off the printer and disconnect the power cord and interface cables.



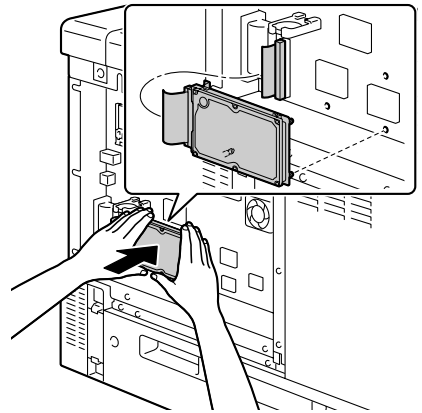
- 2 Using a coin, remove the screw, and then lift up the left-side cover to remove it.



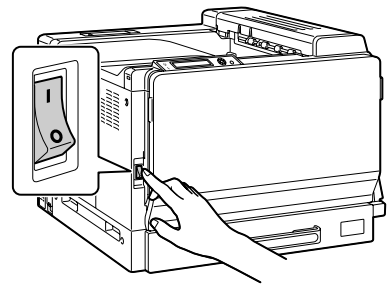
- 3 Plug the cable on the hard disk into the connector on the controller board.



- 4 Insert the three mounting pins on the hard disk into the holes in the controller board to mount the hard disk onto the controller board.



- 5 Attach the left-side cover and tighten the screws.
- 6 Reconnect all interface cables.
- 7 Reconnect the power cord, and turn on the printer.



- 8 Declare the hard disk in the Windows printer driver (Properties/Configure tab).

CompactFlash

If a CompactFlash card is installed, resources such as fonts, macros and profiles can be downloaded, and image files can be printed directly.



Only CompactFlash cards with a capacity of 256 MB or 512 MB can be used.



The Collate, Hold Job, and job accounting functions are not available with a CompactFlash card. These functions require that an optional hard disk be installed.

Installing the CompactFlash card

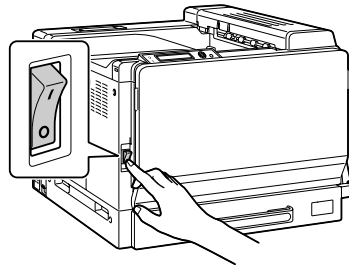
Note

If the installed CompactFlash card was used with a device other than this printer, such as a computer or digital camera, the card is automatically formatted and all of its data is deleted.

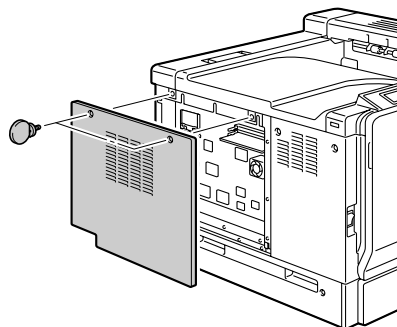
Note

It is very important to protect the printer controller board and any associated circuit boards from electrostatic damage. Before performing this procedure, review the antistatic caution on page 203. In addition, always handle circuit boards by their edges only.

- 1 Turn off the printer and disconnect the power cord and interface cables.



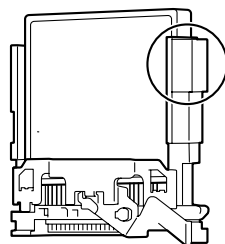
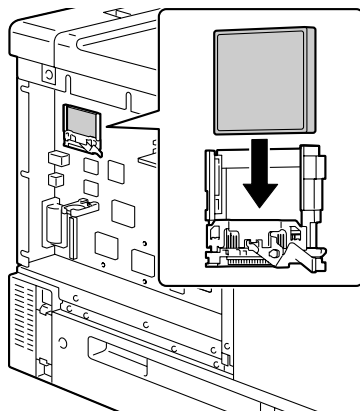
- 2 Using a coin, remove the screw, and then lift up the left-side cover to remove it.



- 3 Fully insert the CompactFlash card into the appropriate slot. When the CompactFlash card is correctly inserted, the button on the right side of the slot (circled in the illustration) slightly pops out.

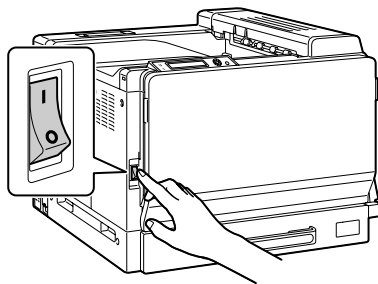


Before removing the CompactFlash card, press in this button.



- 4 Attach the left-side cover and tighten the screw.
5 Reconnect all interface cables.

- 6 Reconnect the power cord, and turn on the printer.



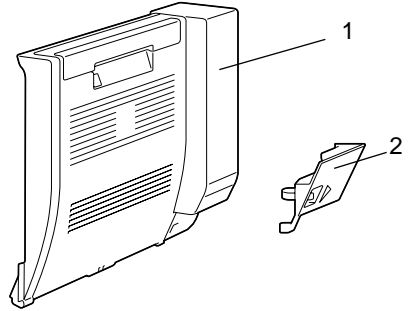
- 7 Declare the CompactFlash card in the Windows printer driver (Properties/Configure tab).

Duplex Option

Duplex (2-sided) printing can be performed automatically with the duplex option and enough memory installed. See “Duplexing” on page 120.

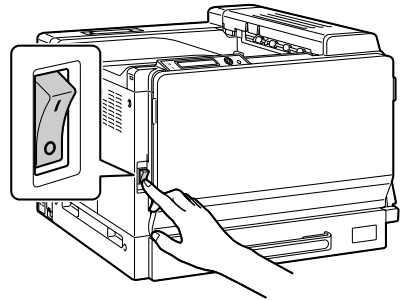
Kit Contents

- 1—Duplex option
- 2—Connector cover

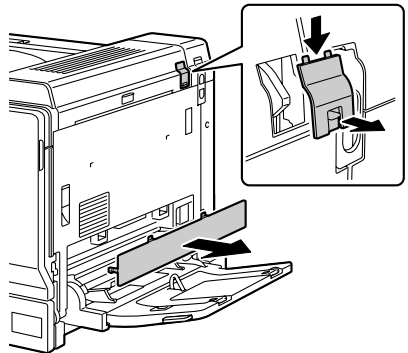


Installing the Duplex Option

- 1 Turn off the printer.



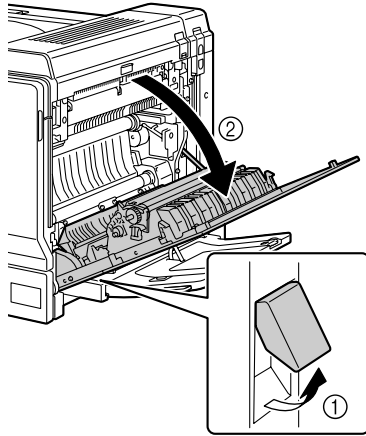
- 2 Remove the two covers on the right side.



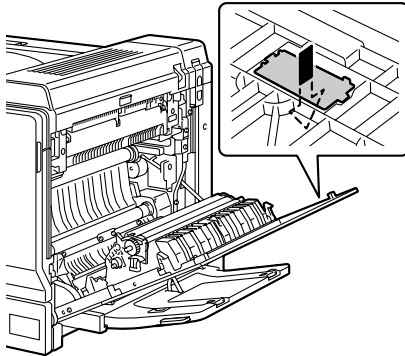
- 3** Pull the lever, and then open the right side cover.



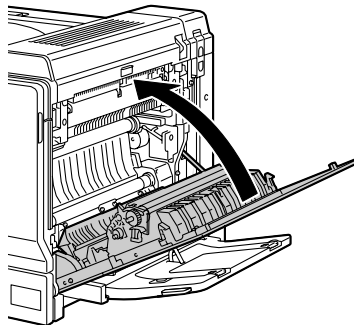
Before opening the right side cover, open Tray 1.



- 4** Inside the right-side cover, press the tab on the cover shown in the illustration, and then remove the cover.



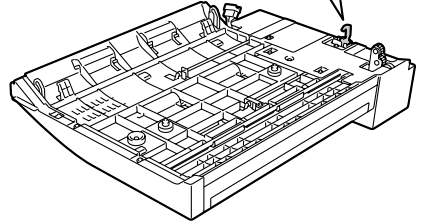
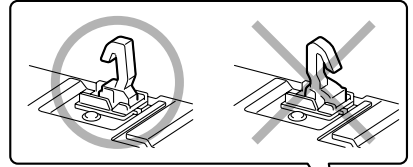
- 5** Close the right side cover.



6 Prepare the duplex option.



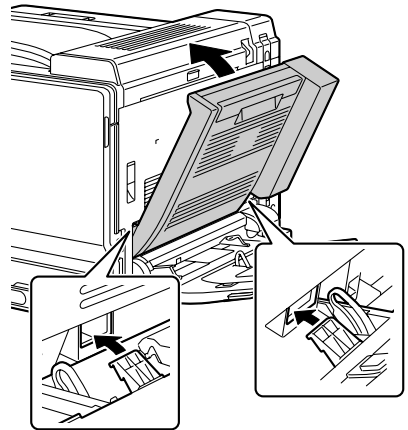
Before installing the duplex option, check that the hook is the correct direction as shown in the illustration.



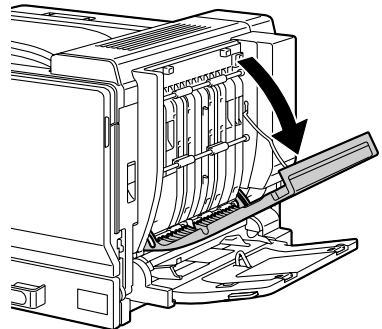
7 Insert the two tabs on the duplex option into the mounting holes in the printer to install the duplex option.



Support the duplex option with your hands until it is securely mounted onto the machine.



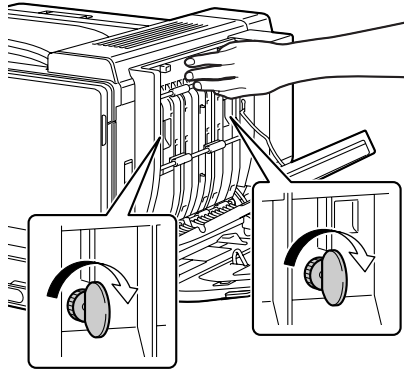
8 Open the duplex cover.



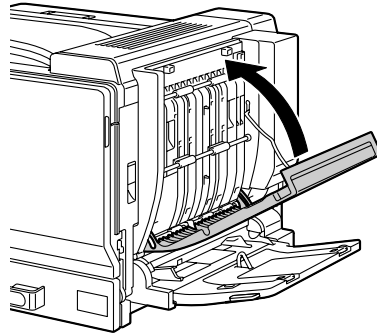
- 9 While pressing on the inside the cover of the duplex option, secure the duplex option with the two screws.



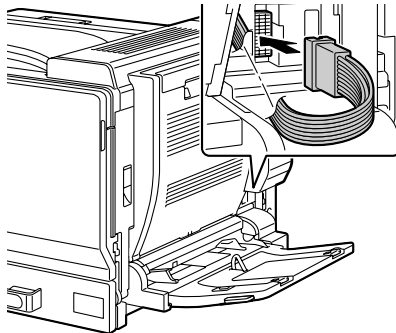
Use a coin to install the screws.



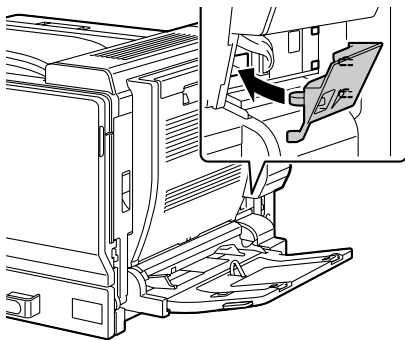
- 10 Close the duplex cover.



- 11 Insert the connector on the duplex option into the connector on the machine.



- 12 Attach the connector cover to the machine.

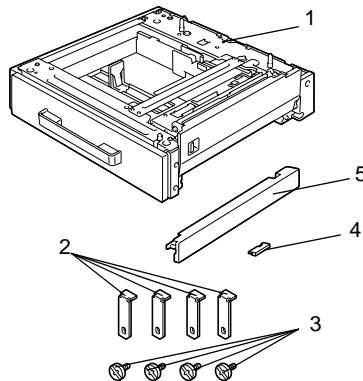


Lower Feeder Unit

You can install up to three optional lower feeder units (Trays 3, 4 and 5). Each lower feeder unit increases your printer's media feed capacity by 500 sheets.

Kit Contents

- 1— Lower feeder unit with a tray (500-sheet capacity)
- 2— Four metal brackets
 - Two front brackets
 - Two rear brackets
- 3— Four securing screws
- 4— Upper cover
- 5— Lower cover
- 6— Media size label



Installing a Lower Feeder Unit

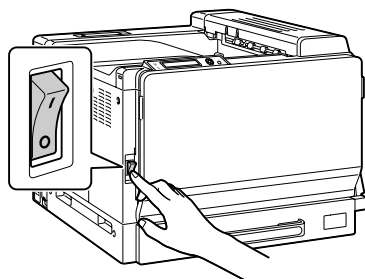
Note

Since consumables are installed in the printer, be sure to keep the printer level when moving it in order to prevent accidental spills.

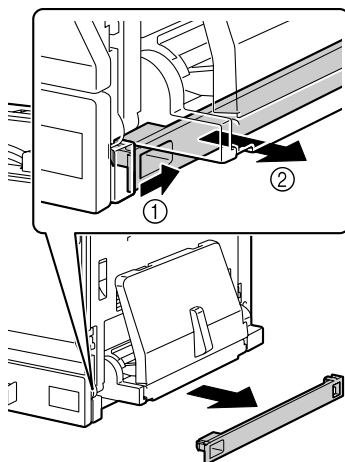
Note

When setting up the printer and lower feeder unit at the same time, attach the lower feeder unit before setting up the printer. If consumables are first loaded into the printer, it may become heavy, making it difficult to perform the procedure.

- 1 Turn off the printer and disconnect the power cord and interface cables.



- 2 Remove the lower-right cover of the printer, as shown in the illustration. Remove the cover by inserting your finger into the hole at the front of the cover, then pulling off the cover as shown.



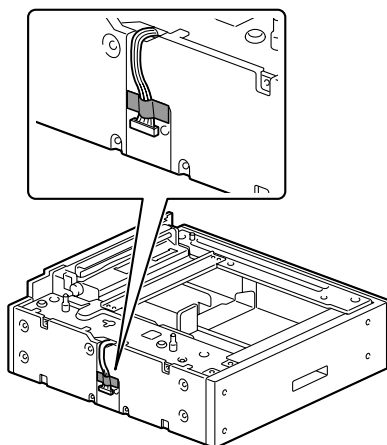
- 3 Prepare the lower feeder unit.



Be sure to place the lower feeder unit on a level surface.



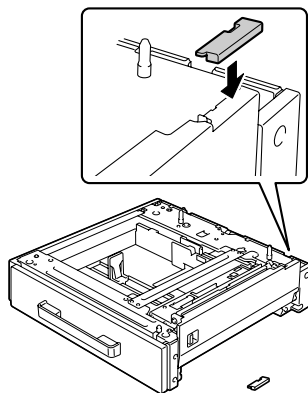
Do not remove the tape securing the relay harness on the lower feeder unit until the unit is connected to the machine.



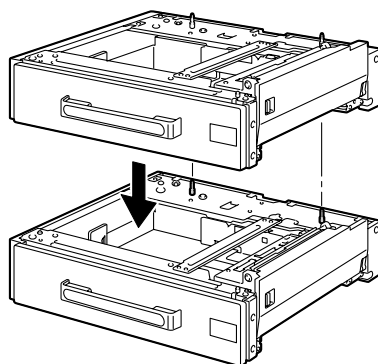
- 4 Attach the upper cover to the second and subsequent lower feeder units.



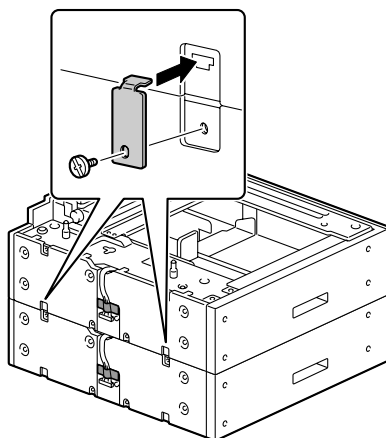
If only one lower feeder unit was installed, do not install the upper cover.



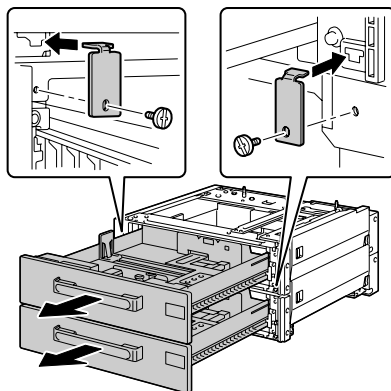
- 5 If multiple lower feeder units are to be installed, stack them together.



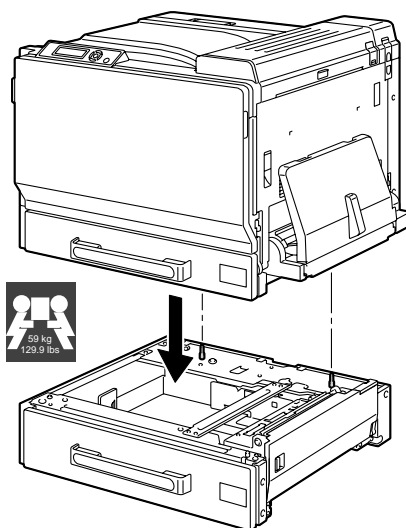
- 6 Use a screwdriver to attach the two securing brackets to the rear of the trays in order to secure the lower feeder units together.





- 7 Pull out the trays, and then use a screwdriver to attach the two securing brackets in order to secure the lower feeder units together.



- 8 With another person's help, place the printer on top of the lower feeder unit, making sure that the positioning pins on the lower feeder unit correctly fit into the holes on the bottom of the printer.



-  If two or three lower feeder units are to be installed, stack the lower feeder units and secure them together before installing them to the printer.
-  When placing the printer on the optional tray unit, align the front and back of the printer and the unit.



WARNING!

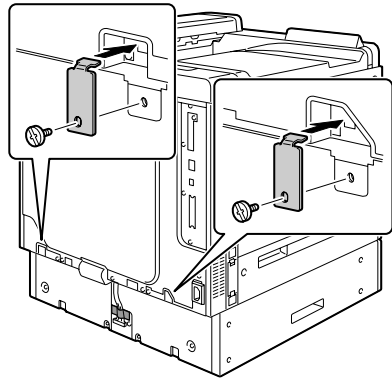
Lifting the printer in an awkward position or transporting it in a poorly balanced position could result in personal injury.

When transporting the printer, assign an adequate number of persons to the job and ensure that each person can take a good position of not being excessively loaded. (weight: 59 kg/129.9 lb)

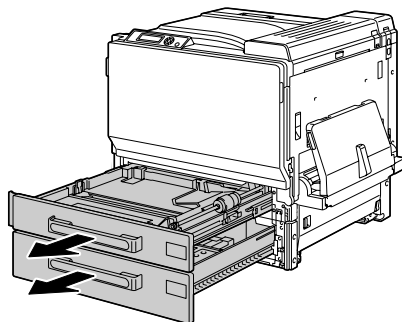
Note

Before placing the printer on the lower feeder unit, make sure that the lower-right cover of the printer has been removed. If the cover has not been removed, the printer or lower feeder unit may be damaged.

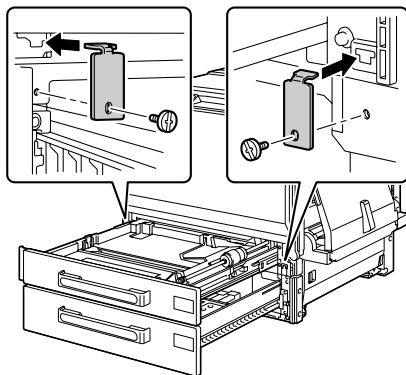
- 9 Using a screwdriver, install the two securing brackets at the rear of the printer.



- 10 Pull out the trays.



- 11 Install the two securing brackets at the front of the printer.

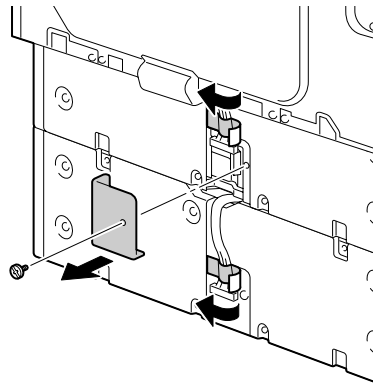
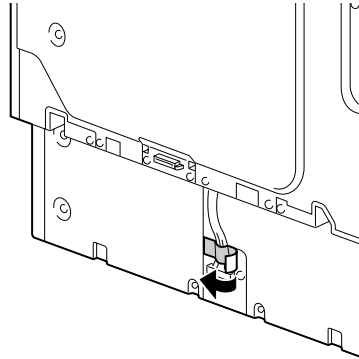
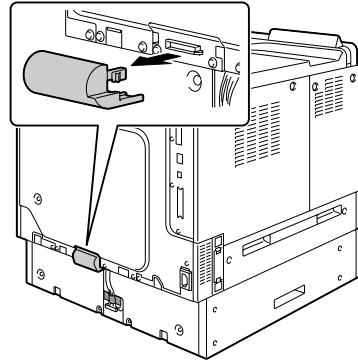


- 12 Close the trays.

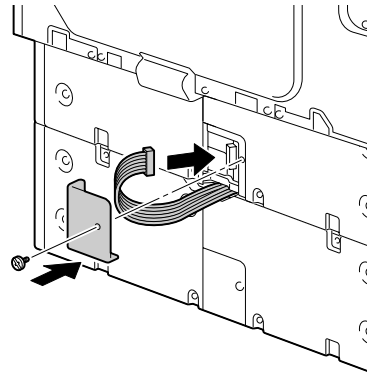
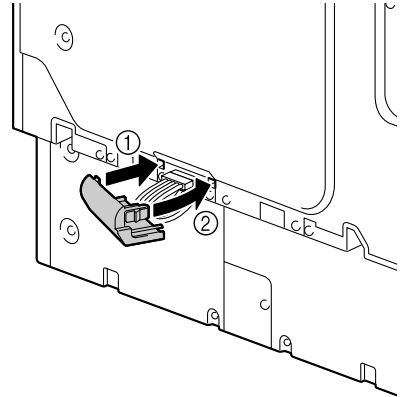
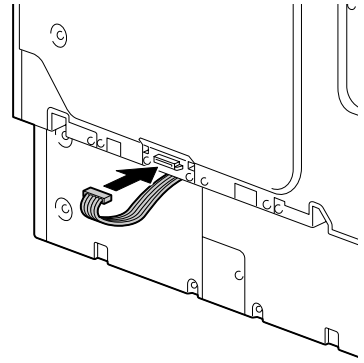
- 13** Remove the mounting tape on the relay harness of the lower feeder unit, and then remove the cover over the relay harness connection slot on the printer. If multiple lower feeder units have been installed, remove the cover over the relay harness connection slot for any lower feeder unit other than that on the bottom, and remove the mounting tape on the relay harness.



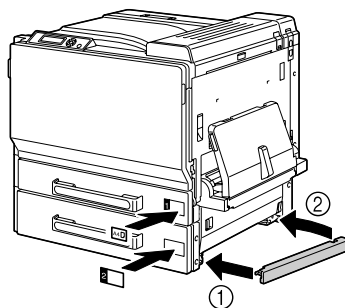
Use a coin to remove the screws of the cover.



- 14** Connect the relay harness to the slot.
If multiple lower feeder units have been installed, connect the relay harness of the bottom unit to the relay harness connection slot of the lower feeder unit, and then install the cover at its original position.



- 15** Attach the covers included with the lower feeder units to the right side of the printer, and attach the label indicating the size of the loaded media onto the front of the lower feeder unit.



- 16** Declare Tray 3/4/5 in the Windows printer driver (Properties/Configure tab).

Caster Base

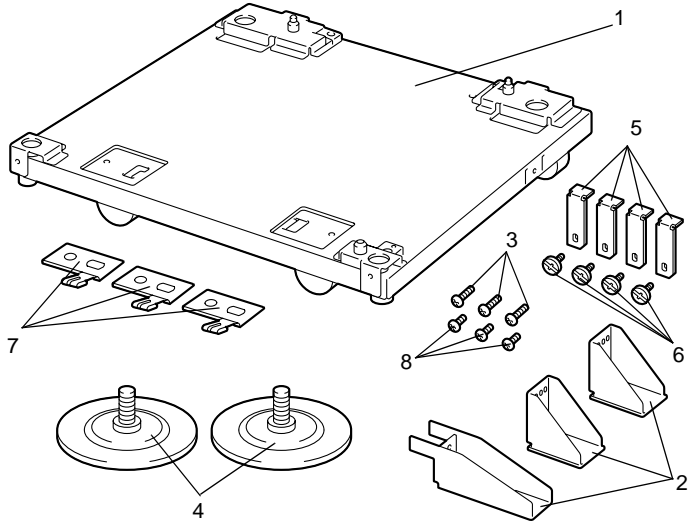
By installing the caster base, the printer can more easily be set up at different locations.

Note

When using the caster base, attach the bottom lower feeder unit to the caster base before attaching the lower feeder unit to the printer.

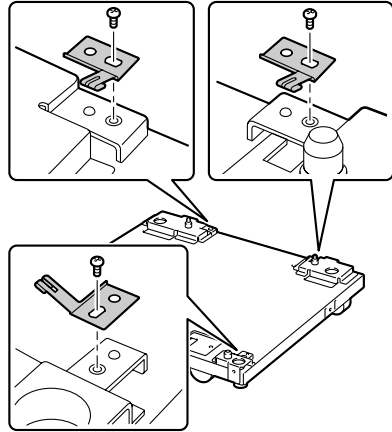
Kit Contents

- 1— Caster Base
- 2— Three fixed legs
- 3— Three mounting screws for fixed legs
- 4— Two adjusters
- 5— Four linking plates
- 6— Four mounting screws for linking plates
- 7— Three ground fittings
- 8— Three mounting screws for ground fittings

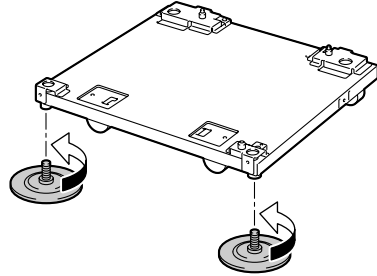


Installing the Caster Base

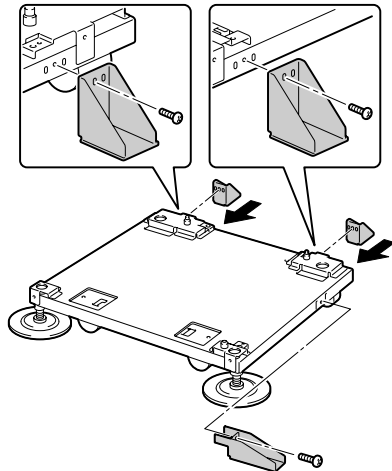
- 1 Use the screws to attach the three ground fittings to the caster base.



- 2 Screw the two adjusters onto the caster base.



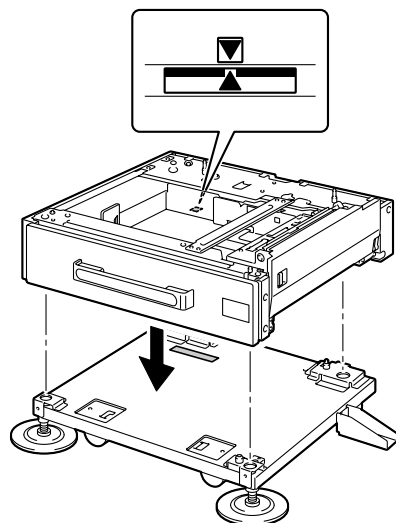
- 3 Use the screws to attach the three fixed legs to the caster base.



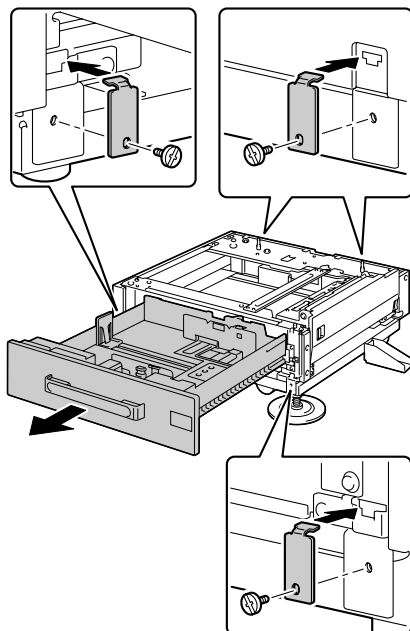
- 4 Place the bottom optional lower feeder unit that is to be installed on the caster base.



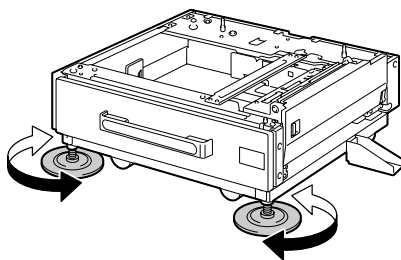
For correct positioning, align the two ▼ marks, which can be seen inside the hole in the lower feeder unit.



- 5 Use the screws and linking plates to secure the lower feeder unit to the caster base. The linking plates can be installed at either the two locations at the front or the two locations at the back of the caster base.



- 6 Turn the adjusters to adjust their heights and secure the caster base so that it does not move.



Note

Be sure that the caster base is secured at all times except when the printer is being moved to a different location.



For details on attaching lower feeder units to the printer, See "Installing a Lower Feeder Unit" on page 216.

Banner Tray

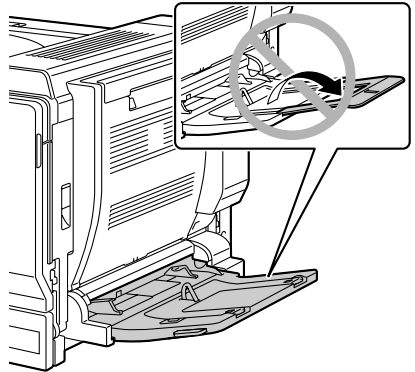
If the banner tray is installed, banner paper up to 1200 mm long can be loaded.

Installing the Banner Tray

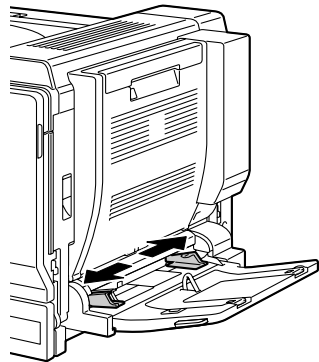
- 1 Open Tray 1 (Manual Feed Tray).



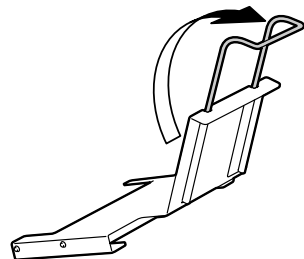
Do not pull out the tray extension. If the tray extension is already pulled out, push it in.



- 2 Slide the media guides to provide more space between them.



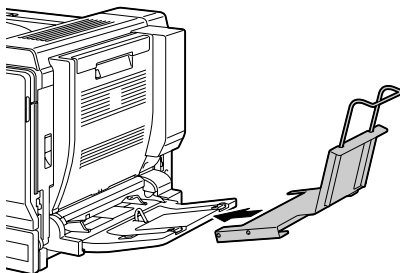
- 3 Lift up the banner tray paper guide.



4 Insert the banner tray into Tray 1.



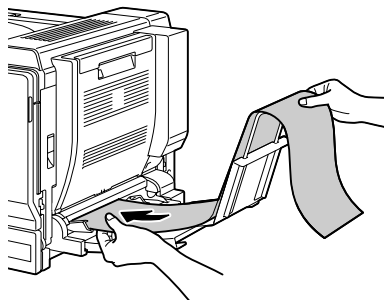
Fully insert the banner tray until the tab on the back of the banner tray touches the side of Tray 1



5 Load the banner paper face down with the end inserted into the slot as much as possible, and then place the other end of the paper over the banner tray paper guide.



A maximum of 10 sheets of banner paper can be loaded into the banner tray.

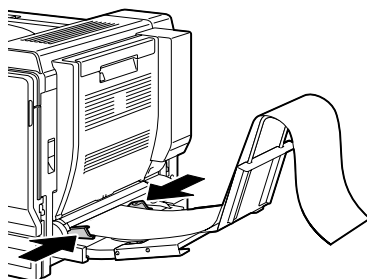


In order to avoid toner smudges, do not load curled paper.

6 Slide the media guides against the edges of the banner paper.



Make sure that the media guides are firmly pushed against the left and right sides of the banner paper.



7 Begin printing.



Specify the same paper size as that specified with the custom size settings in the printer driver.



Remove each sheet of banner paper after it is fed out, otherwise the banner paper that is fed out may fall from the printer or cause a media misfeed in the printer.



After printing on banner paper, be sure to remove the banner tray and store it in a safe place.

Appendix

A

Safety Specifications

Printer		
Safety standards	U.S. model	UL 60950-1, CSA C22.2 No. 60950-1-03
	European model	EU Directive 73/23/EEC EU Directive 93/68/EEC EN 60950-1 (IEC 60950)
	China model	GB 4943
EMC standards	U.S. model	FCC part 15 subpart B class B ICES-003
	European model	EU Directive 89/336/EEC EU Directive 93/68/EEC EN 55022 (CISPR Pub. 22) class B EN 61000-3-2 EN 61000-3-3
	China model	GB 9254 class B, GB 17625.1
	Australian model	EN 55022 class B

Technical Specifications

Printer

Type	Desktop full color tandem laser beam printer
Print system	Semiconductor laser beam scanning + Dry electron photography method
Exposure system	4 laser diode and polygon mirror
Developing system	Two-component HMT
Resolution	600 dpi × 600 dpi × 4 bits

First print	<p>Simplex</p> <p>Monochrome/Full color: 8.1/11.4 seconds for A4 (plain paper)</p> <p>Monochrome/Full color: 8.2/11.4 seconds for Letter (plain paper)</p> <p>Duplex</p> <p>Monochrome/Full color: 15.8/19.1 seconds for A4 (plain paper)</p> <p>Monochrome/Full color: 15.9/19.2 seconds for Letter (plain paper)</p>
Print speed	<p>Simplex</p> <p>Monochrome/Full color: 25.0 pages per minute for A4 (plain paper)</p> <p>Monochrome/Full color: 24.5 pages per minute for Letter (plain paper)</p> <p>Duplex</p> <p>Monochrome/Full color: 23.5 pages per minute for A4 (plain paper)</p> <p>Monochrome/Full color: 23.0 pages per minute for Letter (plain paper)</p>
Warm-up time	Avg. 99 seconds
Media sizes	<p>Tray 1 (Manual feed tray)</p> <p>Paper width: 90 to 311 mm (3.55 to 12.25")</p> <p>Paper length: 140 to 1200 mm (5.50 to 47.24")</p> <p>Tray 2</p> <p>Paper width: 90 to 311 mm (3.55 to 12.25")</p> <p>Paper length: 140 to 457 mm (5.50 to 18.00")</p> <p>Trays 3, 4 and 5 (Optional)</p> <p>A5 - A3/11 × 14</p>

Paper/Media	<ul style="list-style-type: none"> • Plain paper (64 to 90 g/m²; 17 to 24 lb bond) • Recycled paper (64 to 90 g/m²; 17 to 24 lb bond) • Transparency • Transparency2 • Envelopes • Thick Stock 1 (91 to 150 g/m²) • Thick Stock 2 (151 to 210 g/m²) • Thick Stock 3 (211 to 256 g/m²) • Postcard • Letterhead • Label sheets • Glossy Stock
Input capacity	<p>Tray 1 (Manual feed tray) Plain/Recycled paper: 100 sheets Envelope/Label/Postcard/Thick Stock/Glossy Stock/Transparency/Letterhead: 10 sheets</p> <p>Tray 2 Plain/Recycled paper: 250 sheets Envelope/Thick Stock 3: 10 sheets Label/Postcard/Thick Stock 1, 2/Glossy Stock Transparency/Letterhead: 50 sheets</p> <p>Tray 3, 4 and 5 (Optional) Plain/Recycled paper: 500 sheets</p>
Output capacity	Output tray: 350 sheets (A4, Letter)
Operating temperature	10 to 35°C (50 to 95°F)
Operating humidity	15 to 85%
Power supply	110 to 127 V, 50 to 60 Hz 220 to 240 V, 50 to 60 Hz
Power consumption	120 V: 1450 W 230 V: 1450 W Energy Saver Mode: Average 28W or less (without options)
Amperage	120 V: 12.0 A or less 220 to 240 V: 6.5 A or less
Acoustic Noise	Printing: 52 dB or less Standby: 40 dB or less
External dimensions	Height: 477 mm (18.8") Width: 650 mm (25.6") Depth: 603 mm (23.7")

Weight	<p>Printer: approximately 50.5 kg (111.3 lb)</p> <p>Toner cartridge:</p> <p>Standard in-box cartridge =</p> <p>0.3 kg (0.7 lb) (Y, M, C)/</p> <p>0.4 kg (0.9 lb) (K)</p> <p>Replacement cartridge (High-Capacity) =</p> <p>0.5 kg (1.1 lb) (Y, M, C)/</p> <p>0.7 kg (1.6 lb) (K)</p> <p>Imaging unit: 1.7 kg (3.7 lb) (Y, M, C, K)</p>
Interface	<p>USB 2.0 (High Speed) compliant, 10Base-T/ 100Base-TX/1000Base-T Ethernet, Parallel, PictBridge 1.0, Compact Flash Card Slot</p>
Standard memory	256 MB
Backup battery	CR2032 3V Lithium Coin Battery

Consumable Life Expectancy Chart



The values listed in the below tables indicate the number of pages for simplex printing using A4/Letter-size media with 5% coverage. The actual life may differ (be shorter) depending on the printing conditions (coverage, paper size, etc.), differences in the printing method, such as continuous printing or intermittent printing (when print jobs of one page are often printed), or the type of paper used, for example, thick paper. In addition, the life will be affected by the temperature and humidity of the operating environment.

User-Replaceable

Item	Average Life Expectancy
Toner cartridge	Standard in-box Cartridge: Printed within a constant environment Average 3,000 pages (3 pages per job) Replacement Cartridge (High-Capacity): Printed within a constant environment Average 15,000 pages (K) (3 pages per job) Average 12,000 pages (C, M, Y) (3 pages per job)
Waste toner bottle	18,000 pages (3 pages per job)
Imaging unit	30,000 pages (C, M, Y) (3 pages per job) 50,000 pages (K) (3 pages per job)
Air Filter (Bundle with black toner cartridge)	7,500 or 15,000 pages (3 pages per job)
Dust Filter (Bundle with waste toner bottle)	18,000 pages (3 pages per job)
Note: A constant environment is one with a temperature between 15 °C [59 °F] and 25 °C [77 °F] and humidity between 35% and 70%.	

Service-Replaceable

Item	Average Life Expectancy
Fuser unit	120,000 pages (3 pages per job)
Media feed roller	200,000 pages (3 pages per job)
Transfer unit	120,000 pages (3 pages per job)
Transfer roller	120,000 pages (3 pages per job)
Ozone filter	120,000 pages (3 pages per job)
Dustproof filter	120,000 pages (3 pages per job)

Index

A

Accessories 202

- DIMMs 204
- Duplex option 211
- Hard disk 206
- Lower feeder unit 216

Antistatic protection 203

B

Banner Tray 229

C

Camera Direct 84

Caster Base 225

Configuration menu 32

Consumables

- Backup battery 139
- Imaging unit 132
- Toner cartridge 126

Waste toner bottle 137

Control panel 28

D

Dual in-line memory module 204

Duplexing 120

- Duplex option 211

E

Electrostatic discharge 203

Envelopes 92

Error messages 190

G

Glossy Stock 97

H

Hard disk 206

- I**
- Imageable area** 99
- L**
- Labels** 94
- Letterhead** 95
- Loading media** 100
- Lower feeder unit** 216
- M**
- Maintenance** 144
- Media**
 - Clearing misfeeds 159
 - Imageable area 99
 - Loading 100
 - Path 158
 - Preventing misfeeds 157
- Media misfeed**
 - Duplex option 167
 - Fuser unit 168
 - Transfer roller 172
 - Tray 1 172
 - Tray 2 161
 - Tray 3/4/5 165
- Media path** 158
- Media storage** 123
- Media type**
 - Envelopes 92
 - Glossy stock 97
 - Labels 94
 - Letterhead 95
 - Plain paper 89
 - Postcards 95
 - Thick stock 91
 - Transparencies 96
- Message window** 30
- Messages** 189
- Misfeed problems** 175
 - Clearing 159
 - Media path 158
 - Preventing 157
- O**
- Output tray** 122
- P**
- Plain paper** 89
- Postcards** 95
- Preventing media misfeeds** 157
- Print quality** 183
- Printer**
 - Parts 3
- Printer driver (Postscript, PCL)** 15
 - Advanced tab 16
 - Basic tab 17
 - Cover page tab 17
 - Displaying 14
 - Layout tab 17
 - Overlay tab 18
 - Quality tab 18
 - Uninstalling 13
 - Version tab 19
 - Watermark tab 18
- Printer driver (PPD)** 20
 - Displaying 14
 - Graphics tab 21
 - Paper tab 20
 - Uninstalling 13
- S**
- Service messages** 200
- Status monitor** 24
 - Opening 24
 - Using 24
- T**
- Thick stock** 91
- Transparencies** 96
- Troubleshooting** 155