



C54x Series

User's Guide

November 2012

www.lexmark.com

Machine type(s):

5025

Model(s):

210, 230, 410, 430, 43W, 439, n01, n02, dnw, xd1, xd2, dn1, dn2, gd1, gd2, dw1, dw2, dt1, dt2, gt1, gt2

Contents

- Safety information.....5**
- Learning about the printer.....6**
 - Thank you for choosing this printer!.....6
 - Finding information about the printer.....6
 - Selecting a location for the printer.....7
 - Printer configurations.....8
 - Understanding the printer control panel.....10
- Additional printer setup.....12**
 - Installing internal options.....12
 - Installing hardware options.....19
 - Attaching cables.....20
 - Verifying printer setup.....21
 - Setting up the printer software.....22
 - Setting up wireless printing.....24
 - Installing the printer on an Ethernet network.....29
- Minimizing your printer's environmental impact.....32**
 - Saving paper and toner.....32
 - Saving energy.....34
 - Recycling.....36
- Loading paper and specialty media.....37**
 - Linking and unlinking trays.....37
 - Setting the paper size and type.....38
 - Configuring Universal paper settings.....38
 - Loading the standard 250-sheet tray.....39
 - Loading the 650-sheet duo drawer.....41
 - Using the multipurpose feeder.....42
 - Using the manual feeder.....44
- Paper and specialty media guidelines.....46**
 - Paper guidelines.....46
 - Storing paper.....47

Supported paper sizes, types, and weights.....48

Printing.....53

Printing a document.....53

Printing specialty documents.....53

Printing from a flash drive.....58

Printing photos from a PictBridge-enabled digital camera.....59

Printing information pages.....59

Canceling a print job.....60

Understanding printer menus.....62

Menus list.....62

Supplies menu.....62

Paper menu.....63

Reports.....71

Network/Ports.....73

Settings.....79

Maintaining the printer.....93

Storing supplies.....93

Checking the status of supplies.....93

Ordering supplies.....94

Replacing supplies.....97

Cleaning the exterior of the printer.....113

Moving the printer.....114

Administrative support.....115

Restoring the factory default settings.....115

Using the Embedded Web Server.....115

Setting up e-mail alerts.....116

Configuring supply notifications.....116

Copying printer settings to other printers.....116

Clearing jams.....118

Avoiding jams.....118

Understanding jam numbers and locations.....118

200–202 and 230 paper jams.....119

231 and 235 paper jams.....122

24x paper jam.....122
250 paper jam.....123

Troubleshooting.....124

Understanding printer messages.....124
Solving basic printer problems.....130
Solving printing problems.....130
Solving option problems.....134
Solving paper feed problems.....136
Solving print quality problems.....137
Solving color quality problems.....148
Contacting Customer Support.....151

Notices.....152


Product information.....152
Edition notice.....152
Power consumption.....156

Index.....164


Safety information


Connect the power cord to a properly grounded electrical outlet that is near the product and easily accessible.


Do not place or use this product near water or wet locations.

 **CAUTION—POTENTIAL INJURY:** This product uses a laser. Use of controls or adjustments or performance of procedures other than those specified herein may result in hazardous radiation exposure.

This product uses a printing process that heats the print media, and the heat may cause the media to release emissions. You must understand the section in your operating instructions that discusses the guidelines for selecting print media to avoid the possibility of harmful emissions.

 **CAUTION—HOT SURFACE:** The inside of the printer might be hot. To reduce the risk of injury from a hot component, allow the surface to cool before touching.


 **CAUTION—POTENTIAL INJURY:** The printer weight is greater than 18 kg (40 lb) and requires two or more trained personnel to lift it safely.


 **CAUTION—POTENTIAL INJURY:** Before moving the printer, follow these guidelines to avoid personal injury or printer damage:

- Turn the printer off using the power switch, and then unplug the power cord from the electrical outlet.
- Disconnect all cords and cables from the printer before moving it.
- Lift the printer off the optional tray, and then set it aside instead of trying to lift the tray and printer at the same time.


Note: Use the handholds located on both sides of the printer to lift it.

Use only the power cord provided with this product or the manufacturer's authorized replacement.


 **CAUTION—SHOCK HAZARD:** If you are accessing the system board or installing optional hardware or memory devices sometime after setting up the printer, then turn the printer off, and unplug the power cord from the wall outlet before continuing. If you have any other devices attached to the printer, then turn them off as well, and unplug any cables going into the printer.


 **CAUTION—SHOCK HAZARD:** Make sure that all external connections (such as Ethernet and telephone system connections) are properly installed in their marked plug-in ports.

This product is designed, tested, and approved to meet strict global safety standards with the use of specific manufacturer's components. The safety features of some parts may not always be obvious. The manufacturer is not responsible for the use of other replacement parts.

 **CAUTION—POTENTIAL INJURY:** Do not cut, twist, bind, crush, or place heavy objects on the power cord. Do not subject the power cord to abrasion or stress. Do not pinch the power cord between objects such as furniture and walls. If any of these things happen, a risk of fire or electrical shock results. Inspect the power cord regularly for signs of such problems. Remove the power cord from the electrical outlet before inspecting it.

Refer service or repairs, other than those described in the user documentation, to a professional service person.

 **CAUTION—SHOCK HAZARD:** To avoid the risk of electric shock when cleaning the exterior of the printer, unplug the power cord from the wall outlet and disconnect all cables from the printer before proceeding.

 **CAUTION—SHOCK HAZARD:** Do not set up this product or make any electrical or cabling connections, such as the power supply cord or telephone, during a lightning storm.

SAVE THESE INSTRUCTIONS.

Learning about the printer


Thank you for choosing this printer!

We've worked hard to make sure it will meet your needs.

To start using your new printer right away, use the setup materials that came with the printer, and then skim the *User's Guide* to learn how to perform basic tasks. To get the most out of your printer, read the *User's Guide* carefully, and make sure you check the latest updates on our Web site.

We're committed to delivering performance and value with our printers, and we want to make sure you're satisfied. If you do encounter any problems along the way, one of our knowledgeable support representatives will be delighted to help you get back on track fast. And if you find something we could do better, please let us know. After all, you are the reason we do what we do, and your suggestions help us do it better.

Finding information about the printer

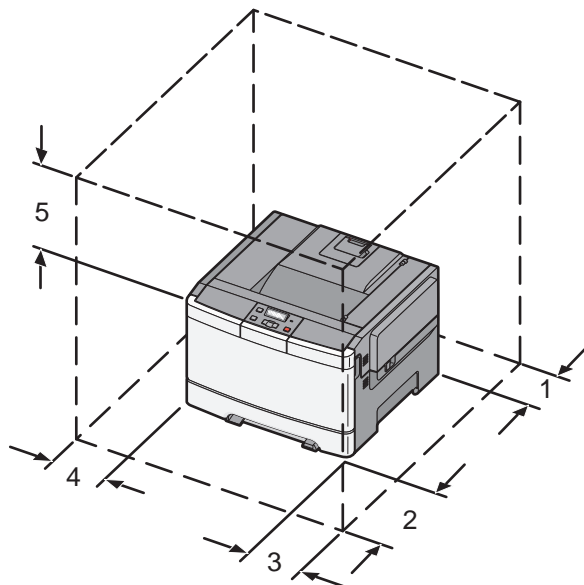
What are you looking for?	Find it here
Initial setup instructions: <ul style="list-style-type: none"> • Connecting the printer • Installing the printer software 	Setup documentation—The setup documentation came with the printer and is also available at http://support.lexmark.com .
Additional setup and instructions for using the printer: <ul style="list-style-type: none"> • Selecting and storing paper and specialty media • Loading paper • Configuring printer settings • Viewing and printing documents and photos • Setting up and using the printer software • Configuring the printer on a network • Caring for and maintaining the printer • Troubleshooting and solving problems 	<i>User's Guide</i> and <i>Quick Reference Guide</i> —The guides may be available on the <i>Software and Documentation CD</i> . For more information, visit http://support.lexmark.com .
Instructions for: <ul style="list-style-type: none"> • Connecting the printer to an Ethernet network • Troubleshooting printer connection problems 	<i>Networking Guide</i> —Open the <i>Software and Documentation CD</i> , and then look for <i>Printer and Software Documentation</i> under the Pubs folder. From the list of publications, click the Networking Guide link.
Help using the printer software	Windows or Mac Help—Open a printer software program or application, and then click Help . Click  to view context-sensitive information. Notes: <ul style="list-style-type: none"> • Help is automatically installed with the printer software. • The printer software is located in the printer program folder or on the desktop, depending on your operating system.

What are you looking for?	Find it here
<p>The latest supplemental information, updates, and customer support:</p> <ul style="list-style-type: none"> • Documentation • Driver downloads • Live chat support • E-mail support • Voice support 	<p>Lexmark Support Web site— http://support.lexmark.com</p> <p>Note: Select your country or region, and then select your product to view the appropriate support site.</p> <p>Support telephone numbers and hours of operation for your country or region can be found on the Support Web site or on the printed warranty that came with your printer.</p> <p>Record the following information (located on the store receipt and at the back of the printer), and have it ready when you contact customer support so that they may serve you faster:</p> <ul style="list-style-type: none"> • Machine Type number • Serial number • Date purchased • Store where purchased
<p>Warranty information</p>	<p>Warranty information varies by country or region:</p> <ul style="list-style-type: none"> • In the U.S.—See the Statement of Limited Warranty included with this printer, or at http://support.lexmark.com. • In other countries and regions—See the printed warranty that came with your printer.

Selecting a location for the printer

When selecting a location for the printer, leave enough room to open trays, covers, and doors. If you plan to install any options, leave enough room for them also. It is important to:

- Make sure airflow in the room meets the latest revision of the ASHRAE 62 standard.
- Provide a flat, sturdy, and stable surface.
- Keep the printer:
 - Away from the direct airflow of air conditioners, heaters, or ventilators
 - Free from direct sunlight, humidity extremes, or temperature fluctuations
 - Clean, dry, and free of dust
- Allow the following recommended amount of space around the printer for proper ventilation:

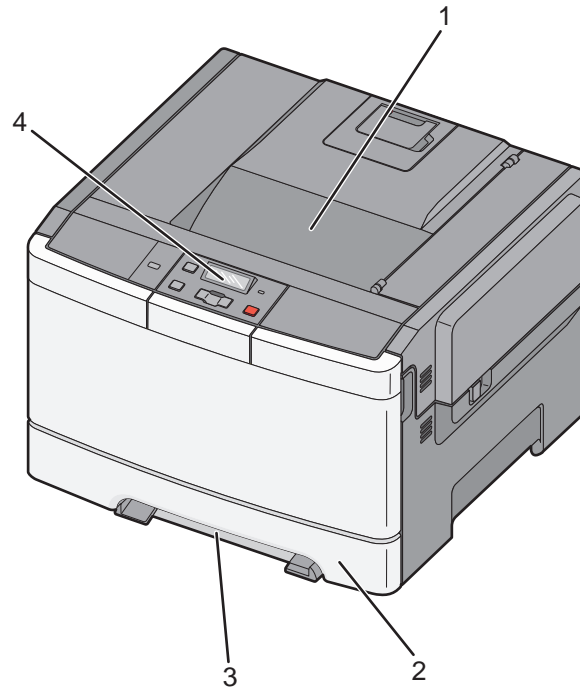


1	102 mm (4 in.)
2	508 mm (20 in.)
3	152 mm (6 in.)
4	76 mm (3 in.)
5	254 mm (10 in.)

Printer configurations

Basic model

Note: Your printer model may have come with a 650-sheet duo drawer.

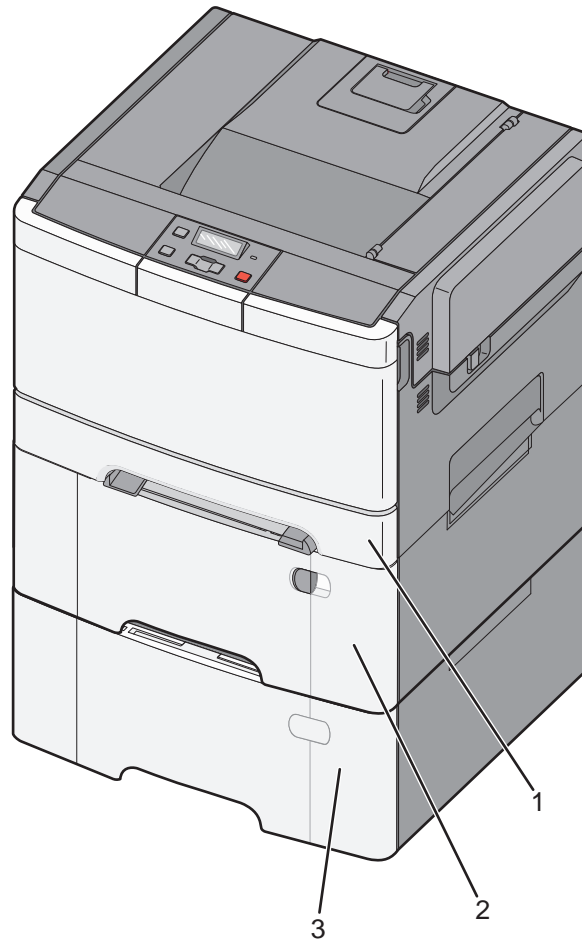


1	Standard exit bin
2	Standard 250-sheet tray (Tray 1)
3	Manual feeder
4	Printer control panel

Fully configured model

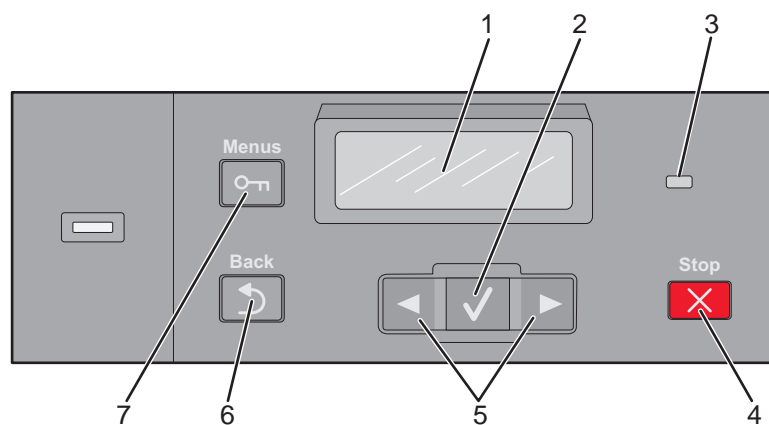
The following illustration shows a fully configured printer model with a 650-sheet duo drawer and an optional 550-sheet tray:







Note: Some printer models may not support the optional 550-sheet tray.



1	Standard 250-sheet tray (Tray 1)
2	650-sheet duo drawer with integrated multipurpose feeder (Tray 2)
3	Optional 550-sheet tray


Understanding the printer control panel



Item		Description
1	Display	Shows messages that communicate the status of the printer
2	Select 	Press  to initiate action on a menu item.
3	Indicator light	Indicates the printer status: <ul style="list-style-type: none"> • Off—The printer is off. • Blinking green—The printer is warming up, processing data, or printing. • Solid green—The printer is on, but idle. • Blinking red—Operator intervention is needed.
4	Stop/Cancel 	Stops all printer activity A list of options is offered once Stopped appears on the display.
5	Navigation buttons 	Scrolls through menus, submenus, or settings on the display
6	Back 	Returns the display to the previous screen
7	Menu 	Opens the menu index Note: The menus are available only when the printer is in the Ready state.

Additional printer setup

Installing internal options

 **CAUTION—SHOCK HAZARD:** If you are accessing the system board or installing optional hardware or memory devices sometime after setting up the printer, then turn the printer off, and unplug the power cord from the wall outlet before continuing. If you have any other devices attached to the printer, then turn them off as well, and unplug any cables going into the printer.

You can customize your printer connectivity and memory capacity by adding optional cards. The instructions in this section explain how to install the available cards; you can also use them to locate a card for removal.

Note: Options are available only for some printer models.

Available options

Note: Certain options are not available on selected printer models.

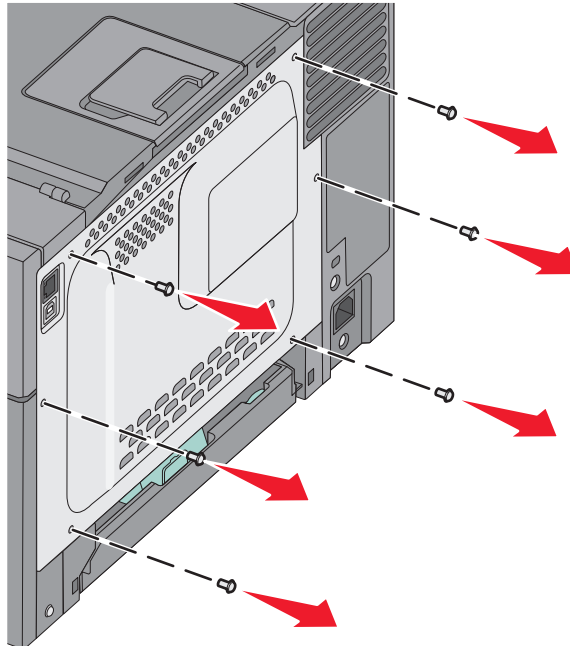
Memory cards

- Printer memory
- Flash memory
- Font cards

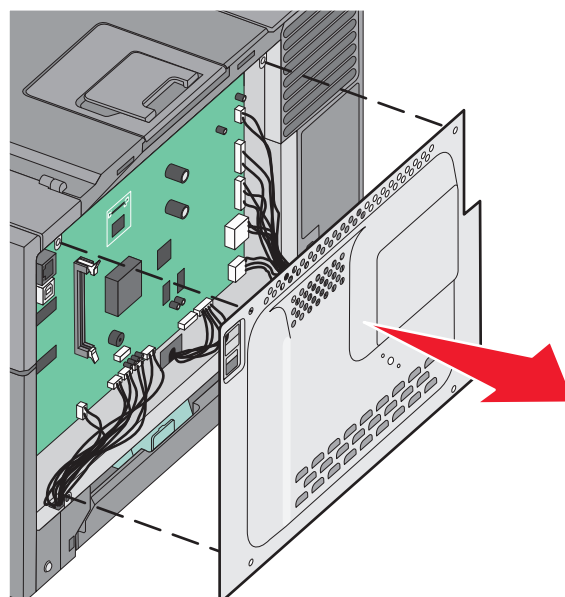
Accessing the system board to install internal options

⚠ CAUTION—SHOCK HAZARD: If you are accessing the system board or installing optional hardware or memory devices sometime after setting up the printer, then turn the printer off, and unplug the power cord from the wall outlet before continuing. If you have any other devices attached to the printer, then turn them off as well, and unplug any cables going into the printer.

- 1 Access the system board at the back of the printer.
- 2 Turn the screws counterclockwise to remove them.

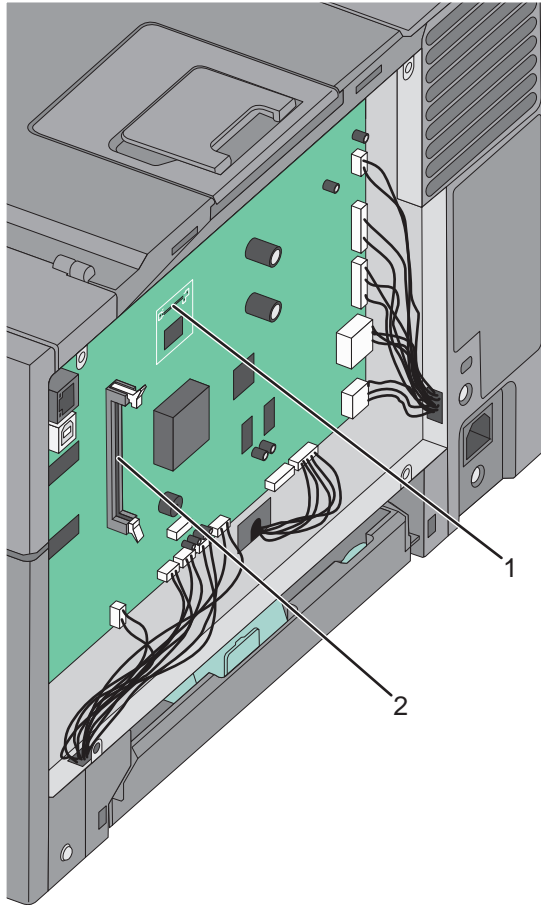


- 3 Gently pull the cover away from the printer, and then remove it.



4 Locate the appropriate connector on the system board.

Warning—Potential Damage: System board electrical components are easily damaged by static electricity. Touch something metal on the printer before touching any system board electronic components or connectors.



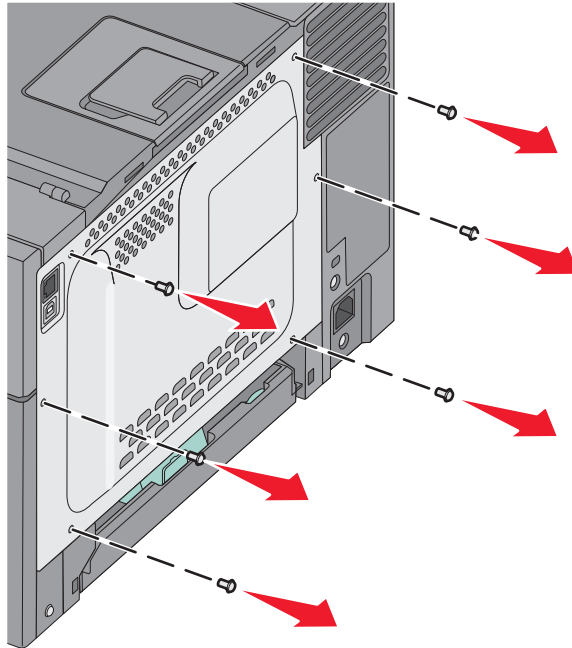
1	Flash memory card connector
2	Memory card connector

Installing a memory card

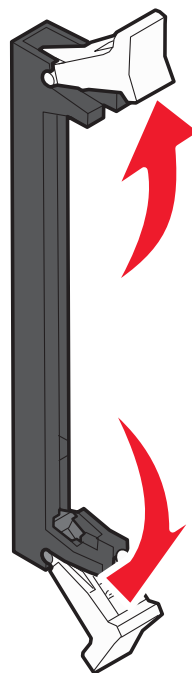
The system board has one connector for an optional memory card.

⚠ CAUTION—SHOCK HAZARD: If you are accessing the system board or installing optional hardware or memory devices sometime after setting up the printer, then turn the printer off, and unplug the power cord from the wall outlet before continuing. If you have any other devices attached to the printer, then turn them off as well, and unplug any cables going into the printer.

- 1 Access the system board.

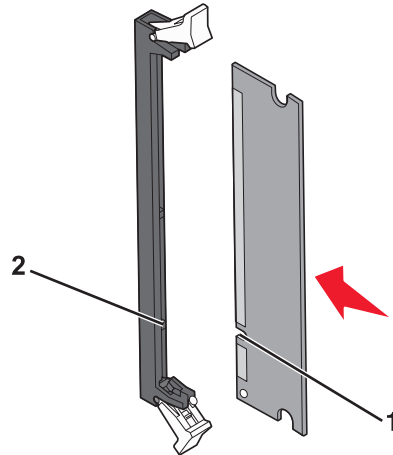


- 2 Open both latches on the connector completely.

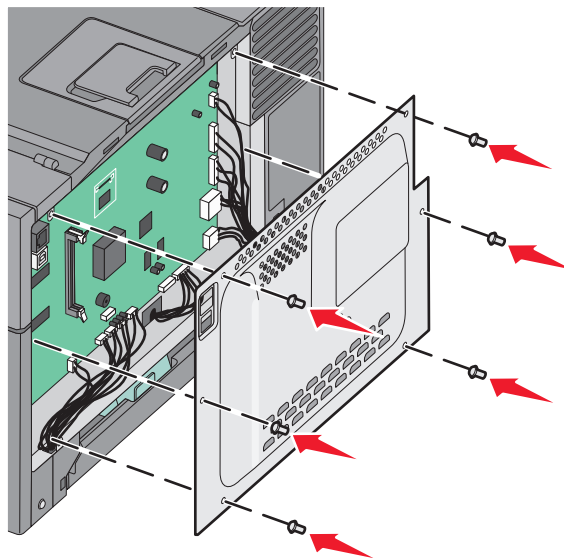


3 Unpack the memory card.

Note: Avoid touching the connection points along the edge of the card.

4 Align the notch on the memory card with the ridge on the connector.**5** Push the memory card straight into the connector until it *snaps* into place. Make sure each latch fits over the notch located on either side of the memory card.

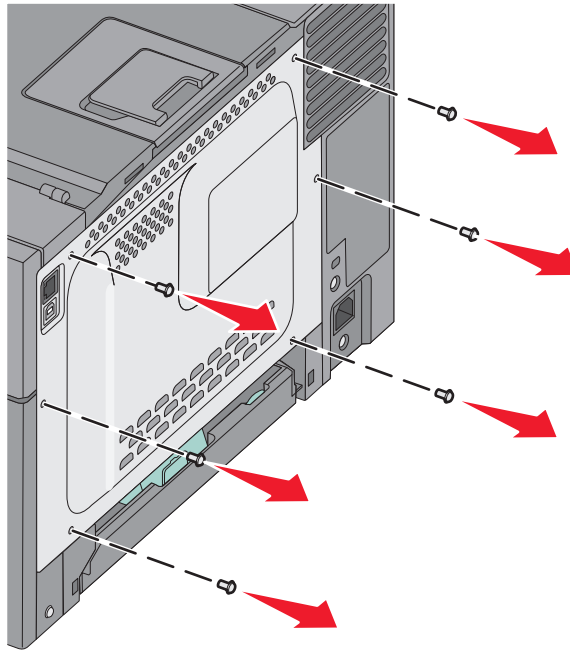
1	Notch
2	Ridge

6 Reinstall the system board access cover.

Installing a flash memory card

⚠ CAUTION—SHOCK HAZARD: If you are accessing the system board or installing optional hardware or memory devices sometime after setting up the printer, then turn the printer off, and unplug the power cord from the wall outlet before continuing. If you have any other devices attached to the printer, then turn them off as well, and unplug any cables going into the printer.

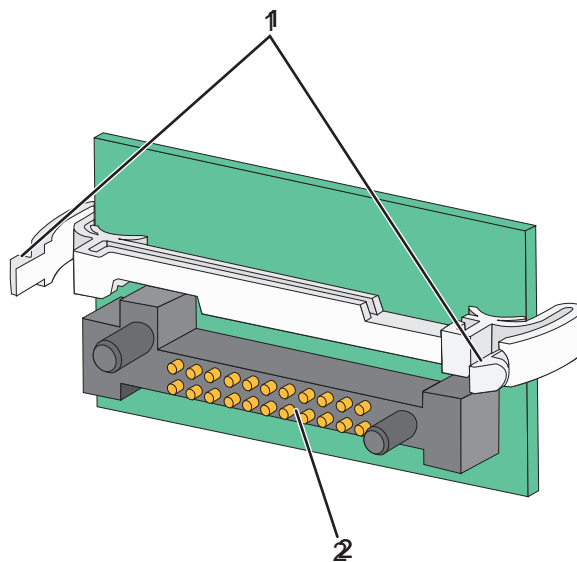
- 1 Access the system board.



- 2 Unpack the memory card.

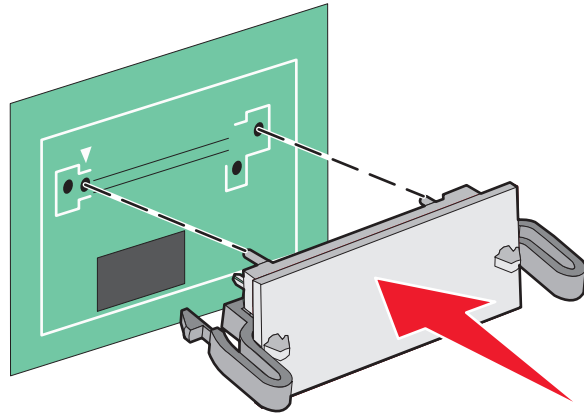
Note: Avoid touching the connection points along the edge of the card.

- 3 Holding the card by its sides, align the plastic pins on the card with the holes on the system board. This ensures the metal pins line up correctly as well.



1	Plastic pins
2	Metal pins

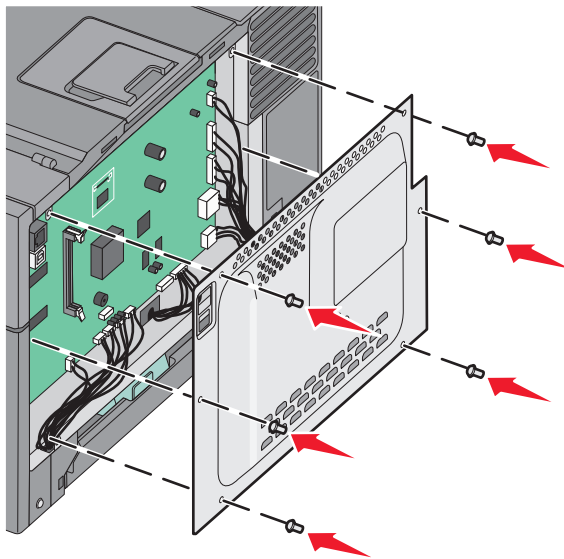
4 Push the card firmly into place.



Notes:

- The entire length of the connector on the card must touch and be flush against the system board.
- Be careful not to damage the connectors.

5 Reinstall the system board cover.



Installing hardware options

Installing an optional tray or drawer

The printer supports two additional input sources: an optional 550-sheet tray and a 650-sheet duo drawer (Tray 2) with an integrated multipurpose feeder.

Note: Some printer models may not support the optional 550-sheet tray.

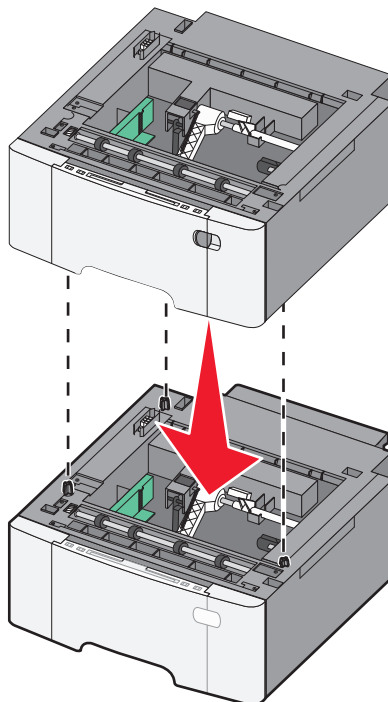
CAUTION—POTENTIAL INJURY: The printer weight is greater than 18 kg (40 lb) and requires two or more trained personnel to lift it safely.

CAUTION—SHOCK HAZARD: If you are accessing the system board or installing optional hardware or memory devices sometime after setting up the printer, then turn the printer off, and unplug the power cord from the wall outlet before continuing. If you have any other devices attached to the printer, then turn them off as well, and unplug any cables going into the printer.

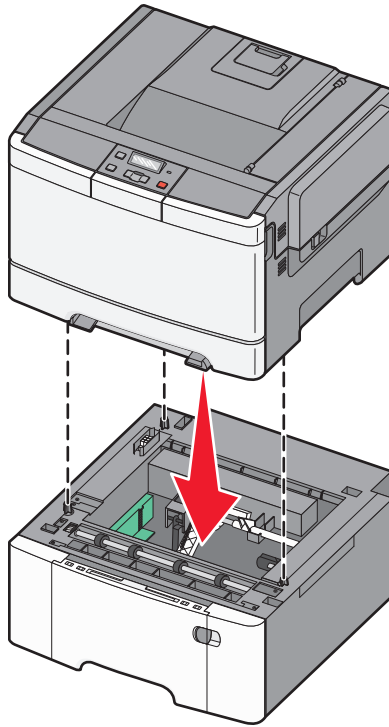
- 1 Unpack the optional 550-sheet tray, and then remove all packing material and the dust cover.
- 2 Place the tray in the location chosen for the printer.

Note: If you are installing both the optional tray and the 650-sheet duo drawer, the optional 550-sheet tray must always be installed as the first tray (configuring from the bottom up).

- 3 Align a 650-sheet duo drawer with the optional 550-sheet tray, and then lower it into place.



- 4 Align the printer with the 650-sheet duo drawer, and then lower the printer into place.

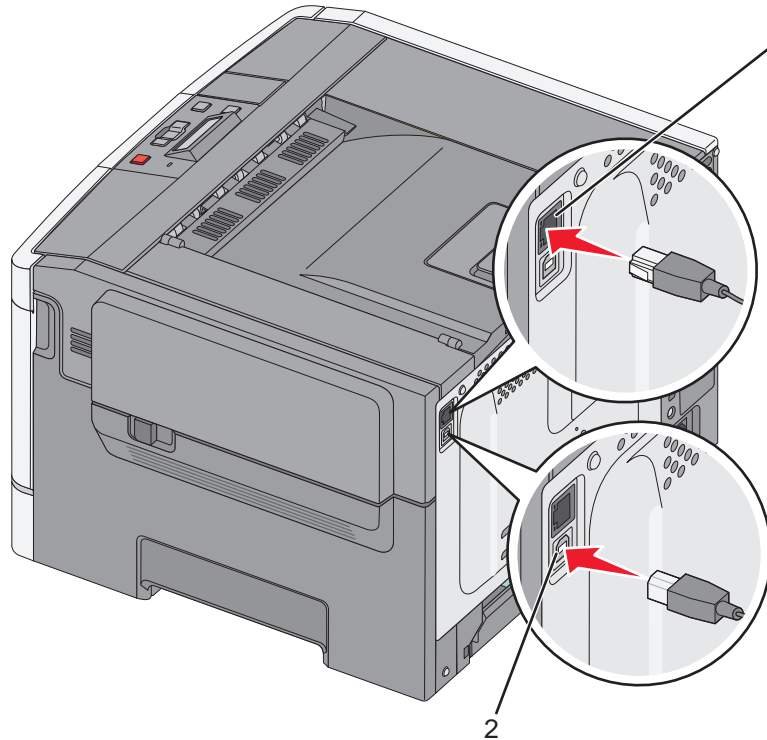


- 5 Install the dust covers.

Note: Once the printer software and any options are installed, it may be necessary to manually add the options in the printer driver to make them available for print jobs. For more information, see “Updating available options in the printer driver” on page 23.

Attaching cables

Connect the printer to the computer using a USB cable or an Ethernet cable. A USB port requires a USB cable. Be sure to match the USB symbol on the cable with the USB symbol on the printer. Match the appropriate Ethernet cable to the Ethernet port.






1	Ethernet port
2	USB port

Verifying printer setup

Printing a menu settings page




Print menu settings pages to review the current menu settings and to verify if the printer options are installed correctly.

Note: If you have not made any menu item settings changes yet, then the menu settings pages list all the factory default settings. Once you select and save other settings from the menus, they replace the factory default settings as *user default settings*. A user default setting remains in effect until you access the menu again, choose another value, and save it.

- 1 Make sure that the printer is on and **Ready** appears.
 - 2 From the printer control panel, press .
 - 3 Press the arrow buttons until **Reports** appears, and then press .
 - 4 Press the arrow buttons until **Menu Settings Page** appears, and then press .
- After the menu settings pages print, **Ready** appears.

Printing a network setup page

If the printer is attached to a network, print a network setup page to verify the network connection. This page also provides important information that aids network printing configuration.

- 1 Make sure the printer is on and **Ready** appears.
- 2 From the printer control panel, press .
- 3 Press the arrow buttons until **Reports** appears, and then press .
- 4 Press the arrow buttons until **Network Setup Page** appears, and then press .
After the network setup page prints, **Ready** appears.
- 5 Check the first section on the network setup page, and confirm that Status is “Connected.”
If Status is “Not Connected,” the LAN drop may not be active, or the network cable may be malfunctioning. Consult a system support person for a solution, and then print another network setup page.

Setting up the printer software

Installing the printer software

Notes:

- If you installed the printer software on the computer before but need to reinstall the software, then uninstall the current software first.
- Close all open software programs before installing the printer software.

- 1 Obtain a copy of the software installer package.
 - From the *Software and Documentation* CD that came with your printer.
 - From our Web site:
Go to <http://support.lexmark.com>, and then navigate to:
SUPPORT & DOWNLOAD > select your printer > select your operating system

- 2 Double-click the software installer package.

Wait for the installation dialog to appear.


If you are using a *Software and Documentation* CD and the installation dialog does not appear, then do the following:

In Windows 8

From the Search charm, type **run**, and then navigate to:

Apps list > **Run** > type **D:\setup.exe** > **OK**.

In Windows 7 or earlier

- a Click  or click **Start**, and then click **Run**.
- b In the Start Search or Run dialog, type **D:\setup.exe**.
- c Press **Enter**, or click **OK**.

In Macintosh

Click the CD icon on the desktop.

Note: D is the letter of your CD or DVD drive.

- 3 Click **Install**, and then follow the instructions on the computer screen.

Updating available options in the printer driver

When any hardware options are installed, you may need to manually add the options in the printer driver to make them available for use.

For Windows users


- 1 Open the printers folder.

In Windows 8

From the Search charm, type **run**, and then navigate to:

Apps list > **Run** > type **control printers** > **OK**

In Windows 7 or earlier

- a Click  or click **Start**, and then click **Run**.
- b In the Start Search or Run dialog, type **control printers**.
- c Press **Enter**, or click **OK**.

- 2 Depending on your device, do either of the following:
 - Press and hold the printer you want to update.
 - Right-click the printer you want to update.
- 3 From the menu that appears, do either of the following:
 - For Windows 7 or later, select **Printer properties**.
 - For earlier versions, select **Properties**.
- 4 Click the **Configuration** tab.
- 5 Do either of the following:
 - Click **Update Now - Ask Printer**.
 - Under Configuration Options, manually add any installed hardware options.
- 6 Click **Apply**.

For Macintosh users

- 1 From the Apple menu, navigate to either of the following:
 - **System Preferences** > **Print & Scan** > select your printer > **Options & Supplies** > **Driver**
 - **System Preferences** > **Print & Fax** > select your printer > **Options & Supplies** > **Driver**
- 2 Add any installed hardware options, and then click **OK**.

Setting up wireless printing

Note: A Service Set Identifier (SSID) is a name assigned to a wireless network. Wireless Encryption Protocol (WEP) and Wi-Fi Protected Access (WPA) are types of security used on a network.

Preparing to set up the printer on a wireless network

Notes:

- Make sure your access point (wireless router) is turned on and is working properly.
- Do not connect the installation or network cables until prompted to do so by the setup software.

Make sure you have the following information before setting up the printer on a wireless network:

- **SSID**—The SSID is also referred to as the network name.
- **Wireless Mode (or Network Mode)**—The mode is either infrastructure or ad hoc.
- **Channel (for ad hoc networks)**—The channel defaults to automatic for infrastructure networks.

Some ad hoc networks will also require the automatic setting. Check with your system support person if you are not sure which channel to select.

- **Security Method**—There are four basic options for Security Method:

- WEP key

If your network uses more than one WEP key, then enter up to four in the provided spaces. Select the key currently in use on the network by selecting the default WEP transmit key.

- WPA or WPA2 preshared key or passphrase

WPA includes encryption as an additional layer of security. The choices are AES or TKIP. Encryption must be set for the same type on the router and on the printer, or the printer will not be able to communicate on the network.

- 802.1X–RADIUS

If you are installing the printer on an 802.1X network, then you may need the following:

- Authentication type
- Inner authentication type
- 802.1X user name and password
- Certificates

- No security

If your wireless network does not use any type of security, then you will not have any security information.

Note: Using an unsecured wireless network is not recommended.

Notes:

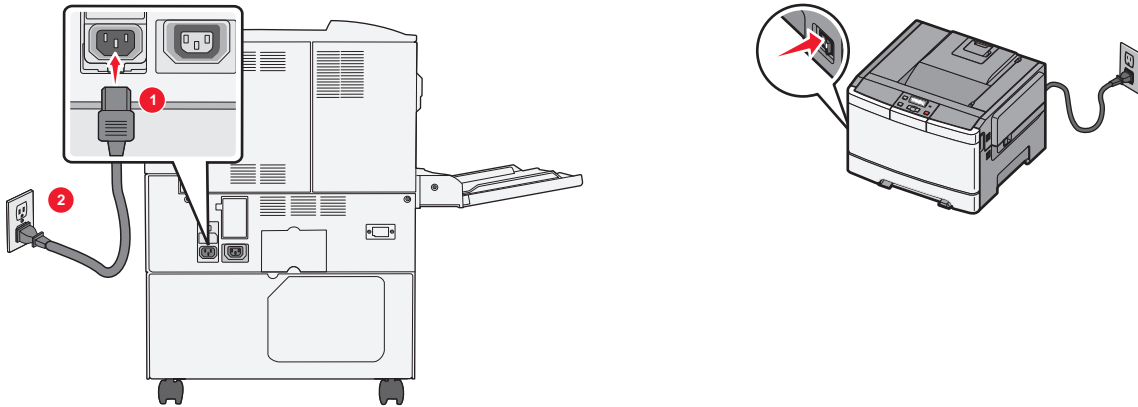
- If you do not know the SSID of the network that your computer is connected to, then launch the wireless utility of the computer network adapter, and then look for the network name. If you cannot find the SSID or the security information for your network, then see the documentation that came with the access point or contact your system support person.
- To find the WPA/WPA2 preshared key or passphrase for the wireless network, see the documentation that came with the access point, see the Embedded Web Server associated with the access point, or consult your system support person.

Installing the printer on a wireless network (Windows)

Before installing the printer on a wireless network, make sure:

- Your wireless network is set up and is working properly.
- The computer you are using is connected to the same wireless network where you want to set up the printer.

1 Connect the power cord to the printer, then to a properly grounded electrical outlet, and then turn on the printer.



Note: Make sure the printer and the computer are fully on and ready.

Warning—Potential Damage: Do not connect the USB cable until instructed to do so on the computer screen.



2 Obtain a copy of the software installer package.

- From the *Software and Documentation* CD that came with your printer.
- From our Web site:

Go to <http://support.lexmark.com>, and then navigate to:

SUPPORT & DOWNLOAD > select your printer > select your operating system

3 Double-click the software installer package.

Wait for the installation dialog to appear.


If you are using the *Software and Documentation* CD and the installation dialog does not appear, then do the following:

In Windows 8

From the Search charm, type **run**, and then navigate to:

Apps list > **Run** > type **D:\setup.exe** > **OK**

In Windows 7 or earlier

- Click  or click **Start**, and then click **Run**.
- In the Start Search or Run dialog, type **D:\setup.exe**.

c Press **Enter** or click **OK**.

Note: **D** is the letter of your CD or DVD drive.

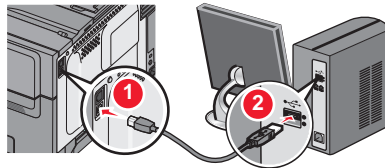
4 Click **Install**, and then follow the instructions on the computer screen.

5 Select **Wireless connection** when asked to choose a connection type.

6 From the Wireless Configuration dialog, select **Guided Setup (Recommended)**.

Note: Choose **Advanced Setup** only if you want to customize your installation.

7 Temporarily connect a USB cable between the computer on the wireless network and the printer.



Note: After the printer is configured, the software will instruct you to disconnect the temporary USB cable so you can print wirelessly.

8 Follow the instructions on the computer screen.

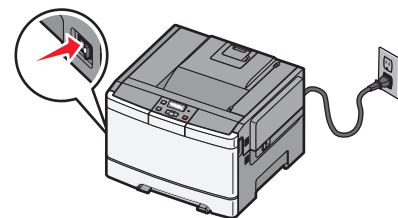
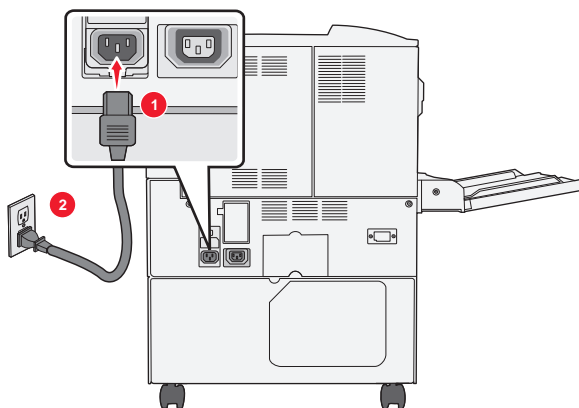
Note: For more information on allowing other computers on the network to use the wireless printer, see the *Networking Guide*.

Installing the printer on a wireless network (Macintosh)

Note: Make sure to disconnect the Ethernet cable when installing the printer on a wireless network.

Prepare to configure the printer

1 Connect the power cord to the printer, then to a properly grounded electrical outlet, and then turn on the printer.



2 Locate the printer MAC address.

a From the printer control panel, navigate to:

 > **Reports** > > **Network Setup Page** >

or

 > **Reports** > **Network Setup Page**

b In the Standard Network Card section, look for **UAA (MAC)**.

Note: You will need this information later.

Enter the printer information

1 Access the AirPort options:

In Mac OS X version 10.5 or later

From the Apple menu, navigate to either of the following:

- **System Preferences > Network > Wi-Fi**
- **System Preferences > Network > AirPort**

In Mac OS X version 10.4

From the Finder, navigate to:

Applications > Internet Connect > AirPort

2 From the Network Name pop-up menu, select **print server [yyyyyy]**, where the **y**'s are the last six digits of the MAC address located on the MAC address sheet.

3 Open a Web browser.

4 From the Bookmarks menu, select **Show** or **Show All Bookmarks**.

5 Under COLLECTIONS, select **Bonjour** or **Rendezvous**, and then double-click the printer name.

Note: The application referred to as *Rendezvous* in Mac OS X version 10.2 is now called *Bonjour* by Apple Inc.

6 From the Embedded Web Server, navigate to the location of the wireless settings information.

Configure the printer for wireless access

1 Type the network name (SSID) in the appropriate field.

2 Select **Infrastructure** as your Network Mode setting if you are using an access point (wireless router).

3 Select the type of security you want to use to protect the wireless network.

4 Enter the security information necessary for the printer to connect to the wireless network.

5 Click **Submit**.

6 Open the AirPort application on the computer:

In Mac OS X version 10.5 or later

From the Apple menu, navigate to either of the following:

- **System Preferences > Network > Wi-Fi**
- **System Preferences > Network > AirPort**

In Mac OS X version 10.4

From the Finder, navigate to:

Applications > Internet Connect > AirPort

- 7** From the Network pop-up menu, select the name of the wireless network.

Configure your computer to use the printer wirelessly

To print on a network printer, each Macintosh user must install a custom printer driver file and create a print queue in the Printer Setup Utility or Print Center.

- 1** Install a printer driver file on the computer:
 - a** Obtain a copy of the software installer package.
 - From the *Software and Documentation* CD that came with your printer.
 - From our Web site:
Go to <http://support.lexmark.com>, and then navigate to:
SUPPORT & DOWNLOAD > select your printer > select your operating system
 - b** Double-click the installer package for the printer.
 - c** Follow the instructions on the computer screen.
 - d** Select a destination, and then click **Continue**.
 - e** From the Easy Install screen, click **Install**.
 - f** Type the user password, and then click **OK**.
All necessary applications are installed in the computer.
 - g** Click **Close** when the installation is complete.

- 2** Add the printer:

- a** For IP printing:

In Mac OS X version 10.5 or later

- 1** From the Apple menu, navigate to either of the following:
 - **System Preferences > Print & Scan**
 - **System Preferences > Print & Fax**
- 2** Click **+**.
- 3** If necessary, click **Add Printer or Scanner** or **Add Other Printer or Scanner**.
- 4** Click the **IP** tab.
- 5** Type the IP address of the printer in the address field, and then click **Add**.

In Mac OS X version 10.4

- 1** From the Finder, navigate to:
Applications > Utilities
- 2** Double-click **Printer Setup Utility** or **Print Center**.
- 3** From the Printer List, choose **Add**, and then click **IP Printer**.
- 4** Type the IP address of the printer in the address field, and then click **Add**.

- b** For AppleTalk printing:

Notes:

- Make sure AppleTalk is activated on your printer.

- This feature is supported only in Mac OS X version 10.5 or earlier.

In Mac OS X version 10.5

- 1 From the Apple menu, navigate to:
System Preferences > Print & Fax
- 2 Click **+**, and then navigate to:
AppleTalk > select the printer from the list > Add

In Mac OS X version 10.4

- 1 From the Finder, navigate to:
Applications > Utilities
- 2 Double-click **Printer Setup Utility** or **Print Center**.
- 3 From the Printer List, click **Add**.
- 4 Click **Default Browser** tab > **More Printers**.
- 5 From the first pop-up menu, select **AppleTalk**.
- 6 From the second pop-up menu, select **Local AppleTalk Zone**.
- 7 Select the printer from the list, and then click **Add**.

Installing the printer on an Ethernet network

Note: Make sure you have completed the initial setup of the printer.

For Windows users

- 1 Obtain a copy of the software installer package.
 - From the *Software and Documentation* CD that came with your printer.
 - From our Web site:
Go to <http://support.lexmark.com>, and then navigate to:
SUPPORT & DOWNLOAD > select your printer > select your operating system

- 2 Double-click the software installer package.

Wait for the installation dialog to appear.


If you are using the *Software and Documentation* CD and the installation dialog does not appear, then do the following:

In Windows 8

From the Search charm, type **run**, and then navigate to:

Apps list > **Run** > type **D:\setup.exe** > **OK**

In Windows 7 or earlier

- a Click  or click **Start**, and then click **Run**.
- b In the Start Search or Run dialog, type **D:\setup.exe**.
- c Press **Enter** or click **OK**.

Note: D is the letter of your CD or DVD drive.

3 Click **Install**, and then follow the instructions on the computer screen.

Note: To configure the printer using a static IP address, IPv6, or scripts, select **Advanced Options > Administrator Tools**.

4 Select **Ethernet connection**, and then click **Continue**.

5 Attach the Ethernet cable when instructed to do so.

6 Select the printer from the list, and then click **Continue**.

Note: If the configured printer does not appear in the list, then click **Modify Search**.

7 Follow the instructions on the computer screen.

For Macintosh users

1 Allow the network DHCP server to assign an IP address to the printer.

2 Obtain the printer IP address either:

- From the printer control panel
- From the TCP/IP section in the Network/Ports menu
- By printing a network setup page or menu settings page, and then finding the TCP/IP section

Note: You will need the IP address if you are configuring access for computers on a different subnet than the printer.

3 Install the printer driver on the computer.

- a** Double-click the installer package for the printer.
- b** Follow the instructions on the computer screen.
- c** Select a destination, and then click **Continue**.
- d** From the Easy Install screen, click **Install**.
- e** Type the user password, and then click **OK**.
All the necessary applications are installed on the computer.
- f** Click **Close** when the installation is complete.

4 Add the printer.

- For IP printing:

In Mac OS X version 10.5 or later

- a** From the Apple menu, navigate to either of the following:
 - **System Preferences > Print & Scan**
 - **System Preferences > Print & Fax**
- b** Click **+**.
- c** If necessary, click **Add Printer or Scanner** or **Add Other Printer or Scanner**.
- d** Click the **IP** tab.
- e** Type the printer IP address in the address field, and then click **Add**.

In Mac OS X version 10.4 or earlier

- a** From the Finder, navigate to:
Applications > Utilities
- b** Double-click **Printer Setup Utility** or **Print Center**.

- c From the printer list, click **Add**, and then click **IP Printer**.
- d Type the scanner IP address in the address field, and then click **Add**.
- For AppleTalk printing:

Notes:

- Make sure AppleTalk is activated on your printer.
- This feature is supported only in Mac OS X version 10.5 or earlier.

In Mac OS X version 10.5

- a From the Apple menu, navigate to:
System Preferences > Print & Fax
- b Click +, and then navigate to:
AppleTalk > select your printer > Add

In Mac OS X version 10.4 or earlier

- a From the Finder, navigate to:
Applications > Utilities
- b Double-click **Printer Setup Utility** or **Print Center**.
- c From the printer list, click **Add**.
- d Click **Default Browser** tab > **More Printers**.
- e From the first pop-up menu, select **AppleTalk**.
- f From the second pop-up menu, select **Local AppleTalk Zone**.
- g Select the device from the list, and then click **Add**.

Note: If the scanner does not show up in the list, then you may need to add it using the IP address. For more information, contact your system support person.

Minimizing your printer's environmental impact

Lexmark is committed to environmental sustainability and is continually improving its printers to reduce their impact on the environment. We design with the environment in mind, engineer our packaging to reduce materials, and provide collection and recycling programs. For more information, see:

- The Notices chapter
- The Environmental Sustainability section of the Lexmark Web site at www.lexmark.com/environment
- The Lexmark recycling program at www.lexmark.com/recycle

By selecting certain printer settings or tasks, you may be able to reduce your printer's impact even further. This chapter outlines the settings and tasks that may yield a greater environmental benefit.

Saving paper and toner

Studies show that as much as 80% of the carbon footprint of a printer is related to paper usage. You can significantly reduce your carbon footprint by using recycled paper and the following printing suggestions, such as printing on both sides of the paper and printing multiple pages on one side of a single sheet of paper.

For information on how you can quickly save paper and energy using one printer setting, see “Using Eco-Mode” on page 34.

Using recycled paper and other office papers

As an environmentally conscientious company, Lexmark supports the use of recycled paper produced specifically for use in laser (electrophotographic) printers.

While no blanket statement can be made that all recycled paper will feed well, Lexmark consistently tests papers that represent recycled cut size copier papers available on the global market. This scientific testing is conducted with rigor and discipline. Many factors are taken into consideration both separately and as a whole, including the following:

- Amount of post-consumer waste (Lexmark tests up to 100% post-consumer waste content.)
- Temperature and humidity conditions (Testing chambers simulate climates from all over the world.)
- Moisture content (Business papers should have low moisture: 4–5%.)
- Bending resistance and proper stiffness means optimum feeding through the printer.
- Thickness (impacts how much can be loaded into a tray)
- Surface roughness (measured in Sheffield units, impacts print clarity and how well toner fuses to the paper)
- Surface friction (determines how easily sheets can be separated)
- Grain and formation (impacts curling, which also influences the mechanics of how the paper behaves as it moves through the printer)
- Brightness and texture (look and feel)

Recycled papers are better than ever; however, the amount of recycled content in a paper affects the degree of control over foreign matter. And while recycled papers are one good path to printing in an environmentally responsible manner, they are not perfect. The energy required to de-ink and deal with additives such as colorants and “glue” often generates more carbon emissions than does normal paper production. However, using recycled papers enables better resource management overall.

Lexmark concerns itself with the responsible use of paper in general based on life cycle assessments of its products. To gain a better understanding of the impact of printers on the environment, the company commissioned a number of

life cycle assessments and found that paper was identified as the primary contributor (up to 80%) of carbon emissions caused throughout the entire life of a device (from design to end-of-life). This is due to the energy-intensive manufacturing processes required to make paper.

Thus, Lexmark seeks to educate customers and partners on minimizing the impact of paper. Using recycled paper is one way. Eliminating excessive and unnecessary paper consumption is another. Lexmark is well-equipped to help customers minimize printing and copying waste. In addition, the company encourages purchasing paper from suppliers who demonstrate their commitment to sustainable forestry practices.

Lexmark does not endorse specific suppliers, although a converter's product list for special applications is maintained. However, the following paper choice guidelines will help alleviate the environmental impact of printing:

- 1 Minimize paper consumption.
- 2 Be selective about the origin of wood fiber. Buy from suppliers who carry certifications such as the Forestry Stewardship Council (FSC) or The Program for the Endorsement of Forest Certification (PEFC). These certifications guarantee that the paper manufacturer uses wood pulp from forestry operators that employ environmentally and socially responsible forest management and restoration practices.
- 3 Choose the most appropriate paper for printing needs: normal 75 or 80 g/m² certified paper, lower weight paper, or recycled paper.

Unacceptable paper examples

Test results indicate that the following paper types are at risk for use with laser printers:

- Chemically treated papers used to make copies without carbon paper, also known as *carbonless papers*
- Preprinted papers with chemicals that may contaminate the paper
- Preprinted papers that can be affected by the temperature in the printer fuser
- Preprinted papers that require a registration (the precise location on the page) greater than ± 2.3 mm (± 0.9 in.), such as optical character recognition (OCR) forms. In some cases, registration can be adjusted with a software application to successfully print on these forms.)
- Coated papers (erasable bond), synthetic papers, thermal papers
- Rough-edged, rough or heavily textured surface papers or curled papers
- Recycled papers that fail EN12281:2002 (European testing)
- Paper weighing less than 60 g/m² (16 lb)
- Multiple part forms or documents

For more information about Lexmark, visit www.lexmark.com. General sustainability-related information can be found at the **Environmental Sustainability** link.

Conserving supplies

There are a number of ways you can reduce the amount of paper and toner you use when printing. You can:

Use both sides of the paper

If your printer model supports duplex printing, you can control whether print appears on one or two sides of the paper by selecting **2-sided printing** from the Print dialog or the Lexmark Toolbar.

Place multiple pages on one sheet of paper

You can print up to 16 consecutive pages of a multiple-page document onto one side of a single sheet of paper by selecting a setting from the Multipage printing (N-Up) section of the Print dialog.

Check your first draft for accuracy

Before printing or making multiple copies of a document:

- Use the preview feature, which you can select from the Print dialog or the Lexmark Toolbar, to see how the document will look before you print it.
- Print one copy of the document to check its content and format for accuracy.

Avoid paper jams

Carefully select and load paper to avoid paper jams. For more information, see “Avoiding jams” on page 118.

Saving energy






Using Eco-Mode

Use Eco-Mode to quickly select one or more ways to reduce your printer's environmental impact.

Note: See the table for the multiple settings that change when you select an Eco-Mode setting.

Choose	To
Energy	Reduce energy use, especially when the printer is idle. <ul style="list-style-type: none"> • Printer engine motors do not start until a job is ready to print. You may notice a short delay before the first page is printed. • The printer enters Power Saver mode after one minute of inactivity.
Paper	Duplex is enabled on printer models supporting duplex.
Energy/Paper	Use all the settings associated with Energy mode and Paper mode.
Off	Use factory default settings for all settings associated with Eco-Mode. This setting supports the performance specifications for your printer.

To select an Eco-Mode setting:

- 1 From the printer control panel, press .
- 2 Press the arrow buttons until **Settings** appears, and then press .
- 3 Press the arrow buttons until **General Settings** appears, and then press .
- 4 Press the arrow buttons until **Eco-Mode** appears, and then press .
- 5 Select the setting you want, and then press . **Submitting changes** appears.






Reducing printer noise

Use Quiet Mode to reduce the printer noise.









Note: See the table for the multiple settings that change when you select a Quiet Mode setting.

Choose	To
On	Reduce printer noise. <ul style="list-style-type: none"> You may notice a reduction in processing speed. Printer engine motors do not start until a job is ready to print. You may notice a short delay before the first page is printed. Fans run at a reduced speed or are turned off. If your printer has faxing capability, fax sounds are reduced or disabled, including those made by the fax speaker and ringer.
Off	Use factory default settings. This setting supports the performance specifications for your printer.

To select a Quiet Mode setting:

- From the printer control panel, press .
- Press the arrow buttons until **Settings** appears, and then press .
- Press the arrow buttons until **General Settings** appears, and then press .
- Press the arrow buttons until **Quiet Mode** appears, and then press .
- Select the setting you want, and then press . **Submitting changes** appears.

Adjusting Power Saver

- Make sure the printer is on and **Ready** appears.
- From the printer control panel, press .
- Press the arrow buttons until **Settings** appears, and then press .
- Press the arrow buttons until **General Settings** appears, and then press .
- Press the arrow buttons until **Timeout** appears, and then press .
- Press the arrow buttons until **Power Saver** appears, and then press .
- Press the arrow buttons to enter the number of minutes for the printer to wait before entering the Power Saver mode. Available settings range from 1–240 minutes.
- Press . **Submitting changes** appears.
- Press , and then press  until **Ready** appears.

Note: Power Saver settings can also be adjusted by typing the printer IP address into the address field of your Web browser.

Recycling

Lexmark provides collection programs and environmentally progressive approaches to recycling. For more information, see:

- The Notices chapter
- The Environmental Sustainability section of the Lexmark Web site at www.lexmark.com/environment
- The Lexmark recycling program at www.lexmark.com/recycle

Recycling Lexmark products

To return Lexmark products for recycling:

- 1 Go to www.lexmark.com/recycle.
- 2 Find the product type you want to recycle, and then select your country or region from the list.
- 3 Follow the instructions on the computer screen.

Note: Printer supplies and hardware not listed in the Lexmark collection program may be recycled through your local recycling center. Contact your local recycling center to determine the items they accept.

Recycling Lexmark packaging

Lexmark continually strives to minimize packaging. Less packaging helps to ensure that Lexmark printers are transported in the most efficient and environmentally sensitive manner and that there is less packaging to dispose of. These efficiencies result in fewer greenhouse emissions, energy savings, and natural resource savings.

Lexmark cartons are 100% recyclable where corrugated recycling facilities exist. Facilities may not exist in your area.

The foam used in Lexmark packaging is recyclable where foam recycling facilities exist. Facilities may not exist in your area.

When you return a cartridge to Lexmark, you can reuse the box that the cartridge came in. Lexmark will recycle the box.

Returning Lexmark cartridges for reuse or recycling

Lexmark Cartridge Collection Program diverts millions of Lexmark cartridges from landfills annually by making it both easy and free for Lexmark customers to return used cartridges to Lexmark for reuse or recycling. One hundred percent of the empty cartridges returned to Lexmark are either reused or demanufactured for recycling. Boxes used to return the cartridges are also recycled.

To return Lexmark cartridges for reuse or recycling, follow the instructions that came with your printer or cartridge and use the prepaid shipping label. You can also do the following:

- 1 Go to www.lexmark.com/recycle.
- 2 From the Toner Cartridges section, select your country or region.
- 3 Follow the instructions on the computer screen.

Loading paper and specialty media

This section explains how to use the 250-sheet tray, the manual feeder, an optional 550-sheet tray and the 650-sheet duo drawer with an integrated multipurpose feeder. It also includes information about paper orientation, setting the Paper Size and Paper Type, and linking and unlinking trays.

Linking and unlinking trays

Linking trays

Tray linking is useful for large print jobs or multiple copies. When one linked tray is empty, paper feeds from the next linked tray. When the Paper Size and Paper Type settings are the same for any trays, the trays are automatically linked. The Paper Size setting for all trays must be set manually from the Paper Size menu. The Paper Type setting must be set for all trays from the Paper Type menu. The Paper Type menu and the Paper Size menu are both available from the Paper Size/Type menu.

Unlinking trays

Unlinked trays have settings that are *not* the same as the settings of any other tray.





To unlink a tray, change the following tray settings so that they do not match the settings of any other tray:





- Paper Type (for example: Plain Paper, Letterhead, Custom Type <x>)
Paper Type names describe the paper characteristics. If the name that best describes your paper is used by linked trays, assign a different Paper Type name to the tray, such as Custom Type <x>, or define your own custom name.
- Paper Size (for example: letter, A4, statement)
Load a different paper size to change the Paper Size setting for a tray. Paper Size settings are not automatic; they must be set manually from the Paper Size menu.

Warning—Potential Damage: Do not assign a Paper Type name that does not accurately describe the type of paper loaded in the tray. The temperature of the fuser varies according to the specified Paper Type. Paper may not be properly processed if an inaccurate Paper Type is selected.









Assigning a custom paper type name to a tray

Assign a Custom Type <x> name to a tray to link or unlink it. Associate the same Custom Type <x> name to each tray that you want to link.

- 1 Make sure the printer is on and **Ready** appears.
- 2 From the printer control panel, press .
- 3 Press the arrow buttons until **Paper Menu** appears, and then press .
- 4 Press the arrow buttons until **Size/Type** appears, and then press .
- 5 Press the arrow buttons, and then press  to select the tray.
The Paper Size menu appears.
- 6 Press the arrow buttons until the Paper Type menu appears.

- 7 Press .
- 8 Press the arrow buttons until **Custom Type <x>** or another custom name appears, and then press .
Submitting changes appears, followed by **Paper Menu**.
- 9 Press , and then press  to return to the **Ready** state.

Setting the paper size and type

- 1 Make sure that the printer is on and **Ready** appears.
- 2 From the printer control panel, press .
- 3 Press the arrow buttons until **Paper Menu** appears, and then press .
- 4 Press the arrow buttons until **Size/Type** appears, and then press .
- 5 Press the arrow buttons until the correct tray appears, and then press .
- 6 Press  when **Size** appears.
- 7 Press the arrow buttons until the correct size appears, and then press .
- Submitting changes** appears, followed by **Size**.
- 8 Press the arrow buttons until **Type** appears, and then press .
- 9 Press the arrow buttons until the correct type appears, and then press .
- Submitting changes** appears, followed by **Type**.





Configuring Universal paper settings




The Universal Paper Size is a user-defined setting that lets you print on paper sizes that are not preset in the printer menus. Set the Paper Size for the specified tray to Universal when the size you want is not available from the Paper Size menu. Then, specify all of the following Universal size settings for your paper:

- Units of Measure (inches or millimeters)
- Portrait Height and Portrait Width
- Feed Direction

Note: The smallest supported Universal size is 76 x 127 mm (3 x 5 in.); the largest is 216 x 356 mm (8.5 x 14 in.).





Specify a unit of measure

- 1 Make sure the printer is on and **Ready** appears.
- 2 From the printer control panel, press .
- 3 Press the arrow buttons until **Paper Menu** appears, and then press .
- 4 Press the arrow buttons until **Universal Setup** appears, and then press .
- 5 Press the arrow buttons until **Units of Measure** appears, and then press .

- 6 Press the arrow buttons until the correct unit of measure appears, and then press .
Submitting changes appears, followed by the **Universal Setup** menu.
- 7 Press , and then press  to return to the **Ready** state.

Specify the paper height and width

Defining a specific height and width measurement for the Universal paper size (in the portrait orientation) allows the printer to support the size, including support for standard features such as duplex printing and printing multiple pages on one sheet.

- 1 From the Universal Setup menu, press the arrow buttons until **Portrait Width** or **Portrait Height** appears, and then press .
Note: Select **Portrait Height** to adjust the paper height setting or **Paper Width** to adjust the paper width setting.
- 2 Press the arrow buttons to decrease or increase the setting, and then press .
Submitting changes appears, followed by the **Universal Setup** menu.
- 3 Press , and then press  to return to the **Ready** state.

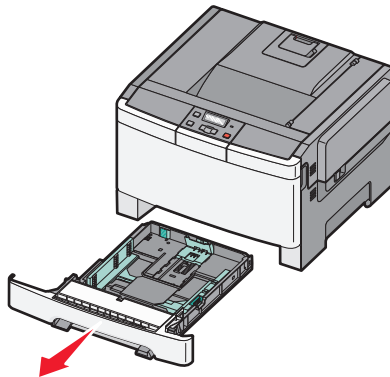
Loading the standard 250-sheet tray

The printer has one standard 250-sheet tray (Tray 1) with an attached manual feeder. The 250-sheet tray, the 650-sheet duo drawer, and the optional 550-sheet tray support the same paper sizes and types and are loaded in the same way.

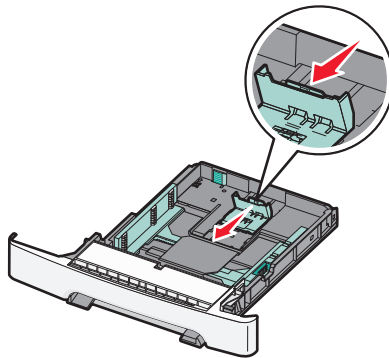
Note: The optional 550-sheet tray is not available for all printer models.

- 1 Pull the tray out.

Note: Do not remove trays while a job prints or while **Busy** appears on the display. Doing so may cause a jam.

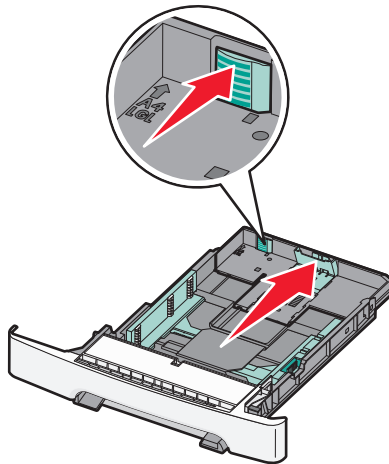


- 2 Squeeze the length guide tab inward as shown, and slide the guide to the correct position for the paper size being loaded.



Note: Use the size indicators on the bottom of the tray to help position the guide.

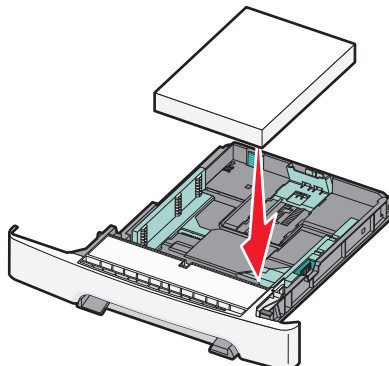
- 3 If the paper is longer than A4 or letter size, push the green tab at the back of the tray to extend it.



- 4 Flex the sheets back and forth to loosen them, and then fan them. Do not fold or crease the paper. Straighten the edges on a level surface.



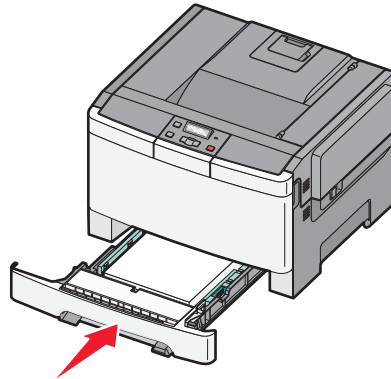
- 5 Load the paper stack with the recommended print side faceup.



6 Make sure the paper guides are secure against the edges of the paper.

Note: Make sure that side guides are placed tightly against the edges of the paper so that the image is registered properly on the page.

7 Insert the tray.



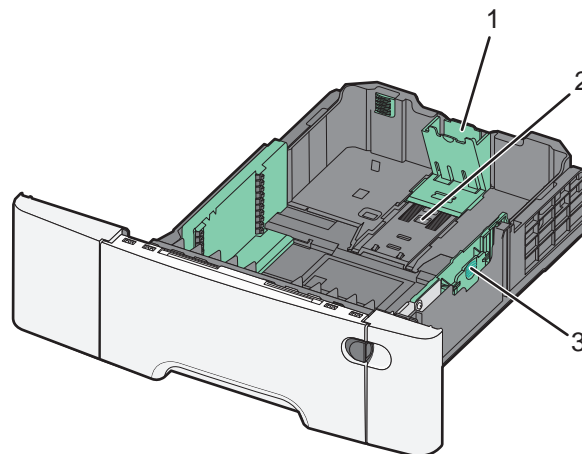
8 If a different type or size of paper was loaded than the type or size previously loaded in the tray, change the Paper Type or Paper Size setting for the tray from the printer control panel.

Note: Mixing paper sizes or types in a tray may lead to jams.

Loading the 650-sheet duo drawer

The 650-sheet duo drawer (Tray 2) consists of a 550-sheet tray and an integrated 100-sheet multipurpose feeder. The drawer is loaded in the same way as the 250-sheet tray and the optional 550-sheet tray, and supports the same paper types and sizes. The only differences are the look of the guide tabs and the location of the paper size indicators, as shown in the following illustration:

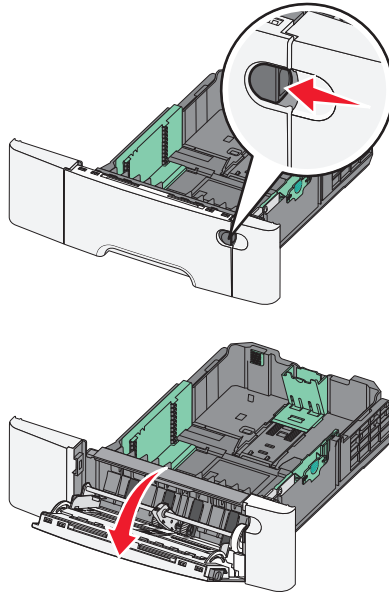
Note: The optional 550-sheet tray is not available for all printer models.



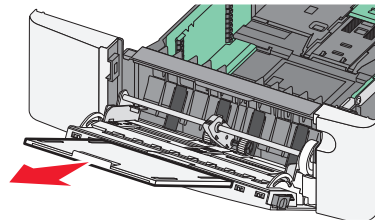
1	Length guide tabs
2	Size indicators
3	Width guide tabs

Using the multipurpose feeder

- 1 Push the feeder release latch to the left to open the multipurpose feeder.



- 2 Grasp the extension, and pull it straight out until it is fully extended.



- 3 Prepare the paper for loading.

- Flex sheets of paper back and forth to loosen them, and then fan them. Do not fold or crease the paper. Straighten the edges on a level surface.



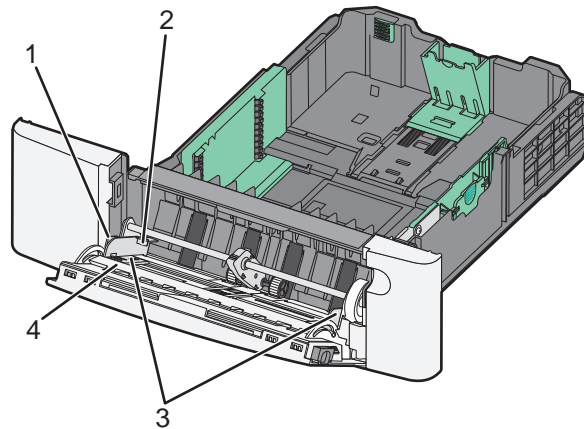
- Hold transparencies by the edges and fan them. Straighten the edges on a level surface.

Note: Avoid touching the print side of transparencies. Be careful not to scratch them.

- Flex a stack of envelopes back and forth to loosen them, and then fan them. Straighten the edges on a level surface.

- 4 Locate the stack height limiter and tab.

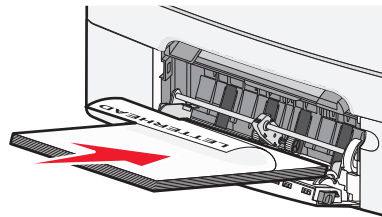
Note: Do not exceed the maximum stack height by forcing paper under the stack height limiter.



1	Tab
2	Stack height limiter
3	Width guides
4	Size indicators

5 Load the paper, and then adjust the width guide to lightly touch the edge of the paper stack.

- Load paper, card stock, and transparencies with the recommended print side facedown and the top edge entering first.



- Load envelopes with the flap side up.

Warning—Potential Damage: Never use envelopes with stamps, clasps, snaps, windows, coated linings, or self-stick adhesives. These envelopes may severely damage the printer.

Notes:

- Do not load or close the multipurpose feeder while a job is printing.
- Load only one size and type of paper at a time.

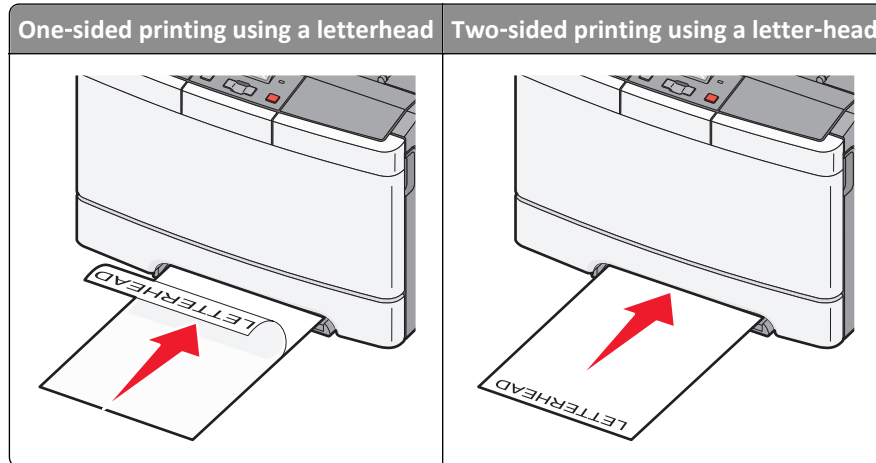
6 Make sure the paper is as far into the multipurpose feeder as it will go with very gentle pushing. Paper should lie flat in the multipurpose feeder. Make sure the paper fits loosely in the multipurpose feeder and is not bent or wrinkled.

Using the manual feeder

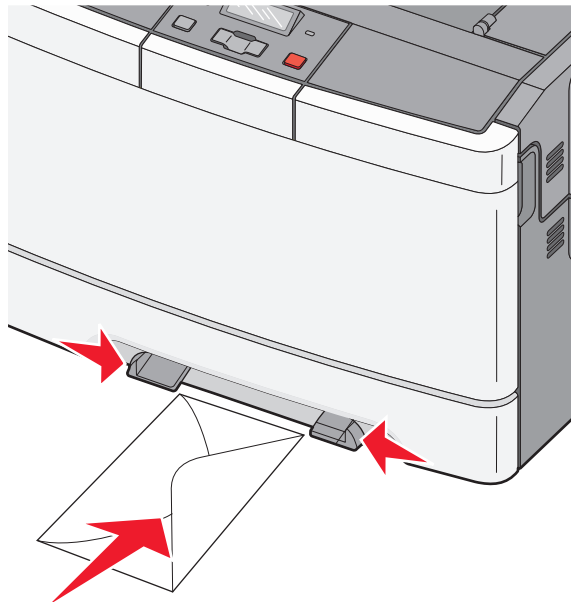
The standard 250-sheet tray has an integrated manual feeder that can be used to print on different types of paper one sheet at a time.

- 1 Load a sheet of paper into the manual feeder.
 - Printable side facedown for one-sided printing.
 - Printable side faceup for two-sided (duplex) printing.

Note: There are different ways for loading letterhead depending on the mode of printing.



- Load envelopes with the flap side up and against the right side of the paper guide.

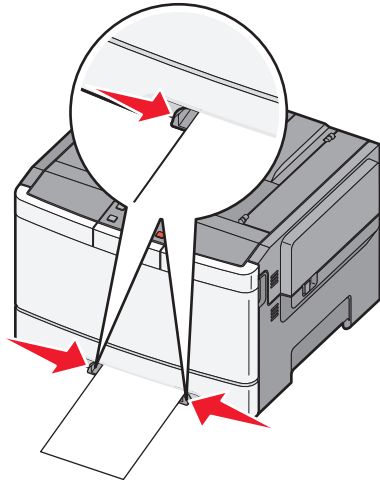


- 2 Feed paper into the manual feeder only to the point where its leading edge can contact the paper guides.

Note: To achieve the best possible print quality, use only high-quality media designed for laser printers.

- 3 Adjust the paper guides to the paper width.

Warning—Potential Damage: Do not force the paper into the feeder. Forcing the paper causes jams.



Paper and specialty media guidelines

Additional information for printing on speciality medias may be found in the *Cardstock and Label Guide* available at <http://support.lexmark.com>.

Paper guidelines

Paper characteristics

The following paper characteristics affect print quality and reliability. Consider these characteristics when evaluating new paper stock.

Weight

The printer can automatically feed paper weights from 60 to 176 g/m² (16 to 47 lb bond) grain long. Paper lighter than 75 g/m² (20 lb) might not be stiff enough to feed properly, causing jams. For best performance, use 80 g/m² (21 lb bond) grain long paper. For paper smaller than 182 x 257 mm (7.2 x 10.1 in.), we recommend 90 g/m² or heavier paper.

Curl

Curl is the tendency for paper to curl at its edges. Excessive curl can cause paper feeding problems. Curl can occur after the paper passes through the printer, where it is exposed to high temperatures. Storing paper unwrapped in hot, humid, cold, or dry conditions, even in the trays, can contribute to paper curling prior to printing and can cause feeding problems.

Smoothness

Paper smoothness directly affects print quality. If paper is too rough, toner cannot fuse to it properly. If paper is too smooth, it can cause paper feeding or print quality issues. Always use paper between 100 and 300 Sheffield points; however, smoothness between 150 and 200 Sheffield points produces the best print quality.

Moisture content

The amount of moisture in paper affects both print quality and the ability of the printer to feed the paper correctly. Leave paper in its original wrapper until it is time to use it. This limits the exposure of paper to moisture changes that can degrade its performance.

Condition paper before printing by storing it in its original wrapper in the same environment as the printer for 24 to 48 hours before printing. Extend the time several days if the storage or transportation environment is very different from the printer environment. Thick paper may also require a longer conditioning period.

Grain direction

Grain refers to the alignment of the paper fibers in a sheet of paper. Grain is either *grain long*, running the length of the paper, or *grain short*, running the width of the paper.

For 60 to 176 g/m² (16 to 47 lb bond) paper, use grain long fibers.

Fiber content

Most high-quality xerographic paper is made from 100% chemically treated pulped wood. This content provides the paper with a high degree of stability resulting in fewer paper feeding problems and better print quality. Paper containing fibers such as cotton possesses characteristics that can negatively affect paper handling.

Selecting paper

Using appropriate paper prevents jams and helps ensure trouble-free printing.

To help avoid jams and poor print quality:

- *Always* use new, undamaged paper.
- Before loading paper, know the recommended print side of the paper. This information is usually indicated on the paper package.
- *Do not* use paper that has been cut or trimmed by hand.
- *Do not* mix paper sizes, types, or weights in the same source; mixing results in jams.
- *Do not* use coated papers unless they are specifically designed for electrophotographic printing.

Selecting preprinted forms and letterhead

Use these guidelines when selecting preprinted forms and letterhead:

- Use grain long for 60 to 176 g/m² weight paper.
- Use only forms and letterhead printed using an offset lithographic or engraved printing process.
- Avoid papers with rough or heavily textured surfaces.

Use papers printed with heat-resistant inks designed for use in xerographic copiers. The ink must be able to withstand temperatures up to 200°C (392°F) without melting or releasing hazardous emissions. Use inks that are not affected by the resin in toner. Inks that are oxidation-set or oil-based generally meet these requirements; latex inks might not. When in doubt, contact the paper supplier.

Preprinted papers such as letterhead must be able to withstand temperatures up to 200°C (392°F) without melting or releasing hazardous emissions.

Storing paper

Use these paper storage guidelines to help avoid jams and uneven print quality:

- For best results, store paper where the temperature is 21°C (70°F) and the relative humidity is 40%. Most label manufacturers recommend printing in a temperature range of 18 to 24°C (65 to 75°F) with relative humidity between 40 and 60%.
- Store paper in cartons when possible, on a pallet or shelf, rather than on the floor.
- Store individual packages on a flat surface.
- Do not store anything on top of individual paper packages.

Supported paper sizes, types, and weights

The following tables provide information on standard and optional input sources and the sizes, types, and weights of print media they support.

Note: For an unlisted paper size, select the closest *larger* listed size.

Paper sizes supported by the printer

Notes:

- Your printer model may have a 650-sheet duo drawer, which consists of a 550-sheet tray and an integrated 100-sheet multipurpose feeder. The 550-sheet tray part of the 650-sheet duo drawer supports the same paper as the optional 550-sheet tray. The integrated multipurpose feeder supports different paper sizes, types, and weights.
- The optional 550-sheet tray is not available for all printer models.

Paper size	Dimensions	250-sheet tray	Optional 550-sheet tray	Multipurpose feeder	Manual feeder
A4	210 x 297 mm (8.3 x 11.7 in.)	✓	✓	✓	✓
A5	148 x 210 mm (5.83 x 8.3 in.)	✓	✓	✓	✓
JIS B5	182 x 257 mm (7.2 x 10.1 in.)	✓	✓	✓	✓
A6	105 x 148 mm (4.1 x 5.8 in.)	X	X	✓	✓
Statement	140 x 216 mm (5.5 x 8.5 in.)	X	X	✓	✓
Letter	216 x 279 mm (8.5 x 11 in.)	✓	✓	✓	✓
Folio	216 x 330 mm (8.5 x 13 in.)	✓	✓	✓	✓
Oficio (Mexico)	216 x 340 mm (8.5 x 13 in.)	✓	✓	✓	✓
Legal	216 x 356 mm (8.5 x 14 in.)	✓	✓	✓	✓
Executive	184 x 267 mm (7.3 x 10.5 in.)	✓	✓	✓	✓

* When Universal is selected, the page is formatted for 216 x 356 mm (8.5 x 14 in.) unless the size is specified by the software program.

Paper size	Dimensions	250-sheet tray	Optional 550-sheet tray	Multipurpose feeder	Manual feeder
Universal*	148 x 210 mm (5.8 x 8.3 in.) up to 216 x 356 mm (8.5 x 14 in.)	✓	✓	✓	✓
	76 x 127 mm (3 x 5 in.) up to 216 x 356 mm (8.5 x 14 in.)	X	X	✓	✓
7 3/4 Envelope (Monarch)	98 x 191 mm (3.9 x 7.5 in.)	X	X	✓	✓
9 Envelope	98 x 225 mm (3.9 x 8.9 in.)	X	X	✓	✓
10 Envelope	105 x 241 mm (4.1 x 9.5 in.)	X	X	✓	✓
DL Envelope	110 x 220 mm (4.3 x 8.7 in.)	X	X	✓	✓
B5 Envelope	176 x 250 mm (6.9 x 9.8 in.)	X	X	✓	✓
C5 Envelope	162 x 229 mm (6.4 x 9 in.)	X	X	✓	✓
Monarch	105 x 241 mm (4.1 x 9.5 in.)	X	X	✓	✓
Other Envelope	98 x 162 mm (3.9 x 6.3 in.) up to 176 x 250 mm (6.9 x 9.8 in.)	X	X	✓	✓

* When Universal is selected, the page is formatted for 216 x 356 mm (8.5 x 14 in.) unless the size is specified by the software program.

Paper types supported by the printer

Notes:

- Your printer model may have a 650-sheet duo drawer, which consists of a 550-sheet tray and an integrated 100-sheet multipurpose feeder. The 550-sheet tray part of the 650-sheet duo drawer supports the same paper as the optional 550-sheet tray. The integrated multipurpose feeder supports different paper sizes, types, and weights.
- The optional 550-sheet tray is not available for all printer models.

Paper type	Standard 250-sheet tray	Optional 550-sheet tray	Multipurpose feeder	Manual feeder
Paper	✓	✓	✓	✓
Card stock	✓	✓	✓	✓
Transparencies*	✓	X	✓	✓
Envelopes	X	X	✓	✓
Paper labels	✓	✓	✓	✓

* Lexmark transparency part numbers 12A8240 and 12A8241 are supported from the standard tray, the manual feeder, and the multipurpose feeder.

Paper types and weights supported by the printer

Notes:

- Your printer model may have a 650-sheet duo drawer, which consists of a 550-sheet tray and an integrated 100-sheet multipurpose feeder. The 550-sheet tray part of the 650-sheet duo drawer supports the same paper as the optional 550-sheet tray. The integrated multipurpose feeder supports different paper sizes, types, and weights.
- The optional 550-sheet tray is not available for all printer models.

Paper type	250-sheet tray	Optional 550-sheet tray	Multipurpose feeder	Manual feeder
Light ^{1,2}	60 to 74.9 g/m ² grain long (16 to 19.9 lb bond)	60 to 74.9 g/m ² grain long (16 to 19.9 lb bond)	60 to 74.9 g/m ² grain long (16 to 19.9 lb bond)	60 to 74.9 g/m ² grain long (16 to 19.9 lb bond)
Plain ^{1,2}	75 to 89.9 g/m ² grain long (20 to 23.8 lb bond)	75 to 89.9 g/m ² grain long (20 to 23.8 lb bond)	75 to 89.9 g/m ² grain long (20 to 23.8 lb bond)	75 to 89.9 g/m ² grain long (20 to 23.8 lb bond)
Heavy ^{1,2}	90 to 104.9 g/m ² grain long (23.9 to 27.8 lb bond)	90 to 104.9 g/m ² grain long (23.9 to 27.8 lb bond)	90 to 104.9 g/m ² grain long (23.9 to 27.8 lb bond)	90 to 104.9 g/m ² grain long (23.9 to 27.8 lb bond)

¹ Paper types must be set to match the supporting paper weights.

² The duplex supports paper weights between 60–105 g/m² (16–28 lb) grain long bond. The duplex does not support card stock, transparencies, envelopes, or labels.

³ For 60 to 176 g/m² (16 to 47 lb bond) paper, we recommend grain long fibers.

⁴ Lexmark transparency part numbers 12A8240 and 12A8241 are supported from the 250-sheet tray, manual feeder, and multipurpose feeder.

⁵ The pressure sensitive area must enter the printer first.

⁶ 100 percent cotton content maximum weight is 90 g/m² (24 lb) bond.

⁷ 105 g/m² (28 lb) bond envelopes are limited to 25 percent cotton content.

Paper type	250-sheet tray	Optional 550-sheet tray	Multipurpose feeder	Manual feeder
Cardstock ^{1,2}	105 to 176 g/m ² grain long (27.8 to 47 lb bond)	105 to 176 g/m ² grain long (27.8 to 47 lb bond)	105 to 176 g/m ² grain long (27.8 to 47 lb bond)	105 to 176 g/m ² grain long (27.8 to 47 lb bond)
Glossy papers	Book —88 to 176 g/m ² grain long (60 to 120 lb book) Cover —162 to 176 g/m ² grain long (60 to 65 lb cover)	Book —88 to 176 g/m ² grain long (60 to 120 lb book) Cover —162 to 176 g/m ² grain long (60 to 65 lb cover)	Book —88 to 176 g/m ² grain long (60 to 120 lb book) Cover —162 to 176 g/m ² grain long (60 to 65 lb cover)	Book —88 to 176 g/m ² grain long (60 to 120 lb book) Cover —162 to 176 g/m ² grain long (60 to 65 lb cover)
Card stock—maximum (grain long) ³	Index Bristol —120 g/m ² (67 lb) Tag —120 g/m ² (74 lb) Cover —135 g/m ² (50 lb)	Index Bristol —120 g/m ² (67 lb) Tag —120 g/m ² (74 lb) Cover —135 g/m ² (50 lb)	Index Bristol —120 g/m ² (67 lb) Tag —120 g/m ² (74 lb) Cover —135 g/m ² (50 lb)	Index Bristol —120 g/m ² (67 lb) Tag —120 g/m ² (74 lb) Cover —135 g/m ² (50 lb)
Card stock—maximum (grain short) ¹	Index Bristol —163 g/m ² (90 lb) Tag —163 g/m ² (100 lb) Cover —176 g/m ² (65 lb)	Index Bristol —163 g/m ² (90 lb) Tag —163 g/m ² (100 lb) Cover —176 g/m ² (65 lb)	Index Bristol —163 g/m ² (90 lb) Tag —163 g/m ² (100 lb) Cover —176 g/m ² (65 lb)	Index Bristol —163 g/m ² (90 lb) Tag —163 g/m ² (100 lb) Cover —176 g/m ² (65 lb)
Transparencies ⁴	170–180 g/m ² (45 to 48 lb)	N/A	170–180 g/m ² (45 to 48 lb)	170–180 g/m ² (45 to 48 lb)
Labels—maximum ⁵	Paper —131 g/m ² (35 lb bond)	Paper —131 g/m ² (35 lb bond)	Paper —131 g/m ² (35 lb bond)	Paper —131 g/m ² (35 lb bond)
Envelopes ^{6,7}	X	X	60 to 105 g/m ² (16 to 28 lb bond)	60 to 105 g/m ² (16 to 28 lb bond)

¹ Paper types must be set to match the supporting paper weights.

² The duplex supports paper weights between 60–105 g/m² (16–28 lb) grain long bond. The duplex does not support card stock, transparencies, envelopes, or labels.

³ For 60 to 176 g/m² (16 to 47 lb bond) paper, we recommend grain long fibers.

⁴ Lexmark transparency part numbers 12A8240 and 12A8241 are supported from the 250-sheet tray, manual feeder, and multipurpose feeder.

⁵ The pressure sensitive area must enter the printer first.

⁶ 100 percent cotton content maximum weight is 90 g/m² (24 lb) bond.

⁷ 105 g/m² (28 lb) bond envelopes are limited to 25 percent cotton content.

Paper capacities

Input capacities

Notes:

- Your printer model may have a 650-sheet duo drawer, which consists of a 550-sheet tray and an integrated 100-sheet multipurpose feeder. The 550-sheet tray part of the 650-sheet duo drawer supports the same paper as the optional 550-sheet tray. The integrated multipurpose feeder supports different paper sizes, types, and weights.
- The optional 550-sheet tray is not available for all printer models.

Paper type	250-sheet tray	Optional 550-sheet tray	Multipurpose tray
Paper	250 sheets ¹	550 sheets ¹	100 sheets ¹
Labels	100 ²	200 ²	50 ²
Transparencies	50	X	50
Envelopes	X	X	10
Other	X	X	Various quantities ³
¹ Based on 75 g/m ² (20 lb) paper ² Capacity varies depending on label material and construction. ³ Capacity varies depending on the weight and type of paper.			

Output capacity

Paper type	Standard output bin ¹
Paper	100 sheets ²
¹ Capacity may vary depending on media specifications and the printer operating environment. ² Based on 75 g/m ² (20 lb) paper	

Printing

Printing a document

Printing a document

- 1 From the printer control panel, set the paper type and size to match the paper loaded.
- 2 Send the print job:

For Windows users

- a With a document open, click **File > Print**.
- b Click **Properties, Preferences, Options, or Setup**.
- c Adjust the settings, if necessary.
- d Click **OK > Print**.

For Macintosh users

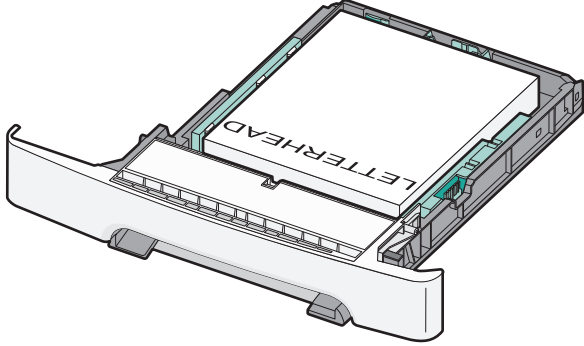
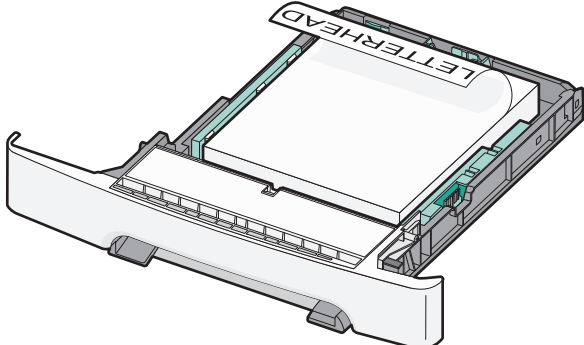
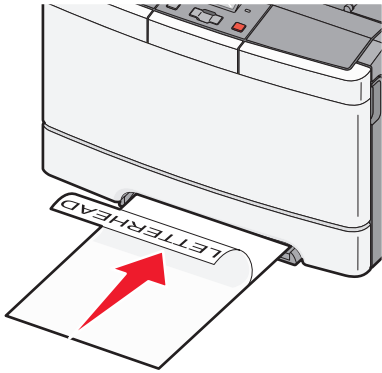
- a Customize the settings in the Page Setup dialog:
 - 1 With a document open, choose **File > Page Setup**.
 - 2 Choose a paper size or create a custom size to match the paper loaded.
 - 3 Click **OK**.
- b Customize the settings in the Print dialog:
 - 1 With a document open, choose **File > Print**.
If necessary, click the disclosure triangle to see more options.
 - 2 From the print options pop-up menus, adjust the settings, if necessary.
Note: To print on a specific paper type, adjust the paper type setting to match the paper loaded, or select the appropriate tray or feeder.
 - 3 Click **Print**.

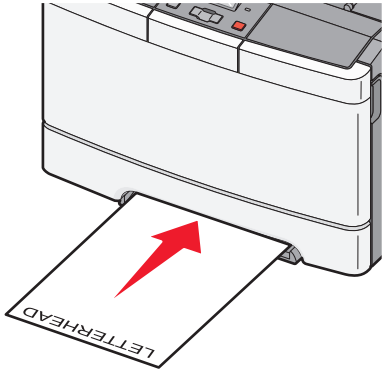
Printing specialty documents

Additional information for printing on speciality medias may be found in the *Cardstock and Label Guide* available on <http://support.lexmark.com>.

Tips on using letterhead

Page orientation is important when printing on letterhead. Use the following table to determine which direction to load the letterhead:

Source or process	Print side and paper orientation
<ul style="list-style-type: none"> • Standard 250-sheet tray • Optional 550-sheet tray • Simplex (one-sided) printing from trays 	<p>Printed letterhead design is placed faceup. The top edge of the sheet with the logo is placed at the front of the tray.</p> 
<p>Duplex (two-sided) printing from trays</p>	<p>Printed letterhead design is placed facedown. The top edge of the sheet with the logo is placed at the back of the tray.</p> 
<p>Manual feeder (simplex printing) Multipurpose feeder</p>	<p>Preprinted letterhead design is placed facedown. The top edge of the sheet with the logo should enter the manual feeder first.</p> 
<p>Note: Check with the manufacturer or vendor to determine whether the chosen preprinted letterhead is acceptable for laser printers.</p>	

Source or process	Print side and paper orientation
Manual feeder (duplex printing) Multipurpose feeder	Preprinted letterhead design is placed faceup. The top edge of the sheet with the logo should enter the manual feeder last. <div style="text-align: center;">  </div>
<p>Note: Check with the manufacturer or vendor to determine whether the chosen preprinted letterhead is acceptable for laser printers.</p>	

Tips on using transparencies

Print samples on the transparencies being considered for use before buying large quantities.

When printing on transparencies:

- Feed transparencies from the standard 250-sheet tray or the manual feeder.
- Use transparencies designed specifically for laser printers. Check with the manufacturer or vendor to ensure that the transparencies are able to withstand temperatures up to 175° C (350° F) without melting, discoloring, offsetting, or releasing hazardous emissions.

Note: Transparencies can be printed at a temperature up to 180° C (356° F) if Transparency Weight is set to Heavy and Transparency Texture is set to Rough. Select these settings in the Paper menu using a local utility.

- To prevent print quality problems, avoid getting fingerprints on the transparencies.
- Before loading transparencies, fan the stack to prevent sheets from sticking together.
- We recommend Lexmark part number 70X7240 for letter-size transparencies and Lexmark part number 12A5010 for A4-size transparencies.

Tips on using envelopes

Print samples on the envelopes being considered for use before buying large quantities.

When printing on envelopes:

- Feed envelopes from the manual feeder or optional multipurpose feeder.
- Set the Paper Type to Envelope, and select the envelope size.
- Use envelopes designed specifically for laser printers. Check with the manufacturer or vendor to ensure the envelopes can withstand temperatures up to 200°C (392°F) without sealing, wrinkling, curling excessively, or releasing hazardous emissions.
- For the best performance, use envelopes made from 60 g/m² (16 lb bond) paper. Use up to 105 g/m² (28 lb bond) weight for envelopes as long as the cotton content is 25% or less. All-cotton envelopes must not exceed 90 g/m² (24 lb bond) weight.

- Use only new envelopes.
- To optimize performance and minimize jams, do not use envelopes that:
 - Have excessive curl or twist
 - Are stuck together or damaged in any way
 - Have windows, holes, perforations, cutouts, or embossing
 - Have metal clasps, string ties, or folding bars
 - Have an interlocking design
 - Have postage stamps attached
 - Have any exposed adhesive when the flap is in the sealed or closed position
 - Have bent corners
 - Have rough, cockle, or laid finishes
- Adjust the width guides to fit the width of the envelopes.

Note: A combination of high humidity (over 60%) and the high printing temperature may wrinkle or seal envelopes.

Tips on using labels

Print samples on the labels being considered for use before buying large quantities.

Note: Use only paper label sheets. Vinyl, pharmacy, and dual-sided labels are not supported.

For detailed information on label printing, characteristics, and design, see the *Card Stock & Label Guide* available on the Lexmark Web site at <http://support.lexmark.com>.

When printing on labels:

- Use labels designed specifically for laser printers. Check with the manufacturer or vendor to verify that:
 - The labels can withstand temperatures up to 210°C (410°F) without sealing, excessive curling, wrinkling, or releasing hazardous emissions.
 - Note:** Labels can be printed at a higher fusing temperature up to 220°C (428°F) if Label Weight is set to Heavy. Select this setting using the Embedded Web Server, or from the printer control panel Paper menu.
 - Label adhesives, face sheet (printable stock), and topcoats can withstand up to 25-psi (172-kPa) pressure without delaminating, oozing around the edges, or releasing hazardous fumes.
- Do not use labels with slick backing material.
- Use full label sheets. Partial sheets may cause labels to peel off during printing, resulting in a jam. Partial sheets also contaminate the printer and the cartridge with adhesive, and could void the printer and cartridge warranties.
- Do not use labels with exposed adhesive.
- Do not print within 1 mm (0.04 in.) of the edge of the label, of the perforations, or between die-cuts of the label.
- Be sure adhesive backing does not reach to the sheet edge. Zone coating of the adhesive at least 1 mm (0.04 in.) away from edges is recommended. Adhesive material contaminates the printer and could void the warranty.
- If zone coating of the adhesive is not possible, remove a 2-mm (0.06-in.) strip on the leading and driver edge, and use a non-oozing adhesive.
- Portrait orientation works best, especially when printing bar codes.

Tips on using card stock

Card stock is heavy, single-ply specialty media. Many of its variable characteristics, such as moisture content, thickness, and texture, can significantly impact print quality. Print samples on the card stock being considered for use before buying large quantities.

When printing on card stock:

- From MarkVision Professional, the printer software, or the printer control panel:
 - 1** Set the Paper Type to Card Stock.
 - 2** Set the Paper Weight to Card Stock Weight.
 - 3** Set the Card Stock Weight to Normal or Heavy.
- Be aware that preprinting, perforation, and creasing may significantly affect the print quality and cause jams or other paper handling problems.
- Check with the manufacturer or vendor to ensure the card stock can withstand temperatures up to 200°C (392°F) without releasing hazardous emissions.
- Do not use preprinted card stock manufactured with chemicals that may contaminate the printer. Preprinting introduces semi-liquid and volatile components into the printer.
- Use grain short card stock when possible.

Printing from a flash drive

A USB port is located on the printer control panel of some models. Insert a flash drive to print supported file types. Supported file types include: .pdf, .gif, .jpeg, .jpg, .bmp, .png, .tiff, .tif, .pcx, and .dcx.

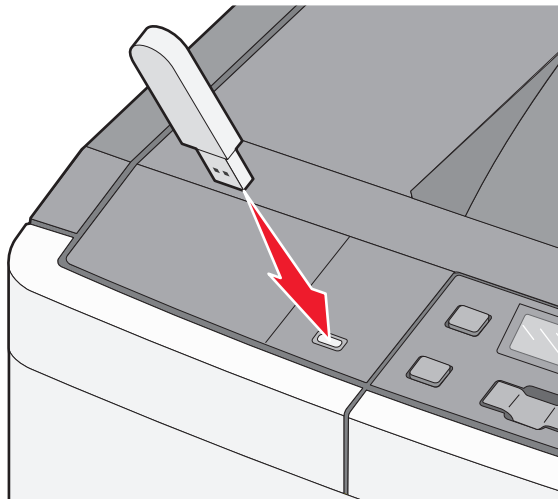
Many flash drives are tested and approved for use with the printer. For more information, visit the Lexmark Web site at www.lexmark.com.

Notes:

- Hi-Speed USB devices must support the Full-speed standard. Devices only supporting USB Low-speed capabilities are not supported.
- USB devices must support the FAT (*File Allocation Tables*) system. Devices formatted with NTFS (*New Technology File System*) or any other file system are not supported.
- Before printing an encrypted .pdf file, enter the file password from the printer control panel.
- You cannot print files for which you do not have printing permissions.

1 Make sure the printer is on and **Ready** or **Busy** appears.

2 Insert a flash drive into the USB port.



Note: If you insert the flash drive when the printer requires attention, such as when a jam has occurred, the printer ignores the memory device.

3 Press the arrow buttons until the document you want to print appears, and then press .

Note: Folders found on the flash drive appear as folders. File names are appended by the extension type (for example, .jpg).

4 Press to print one copy, or enter the number of copies using the arrow buttons, and then press to initiate the print job.

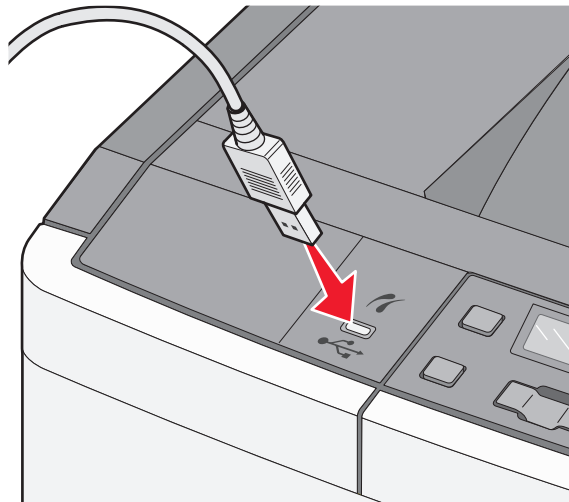
Note: Do not remove the flash drive from the USB port until the document has finished printing.

Printing photos from a PictBridge-enabled digital camera

- 1 Insert one end of the USB cable into the camera.

Note: Use only the USB cable that came with your camera.

- 2 Insert the other end of the USB cable into the USB port on the front of the printer.



Notes:





- Make sure the PictBridge-enabled digital camera is set to the correct USB mode. For more information, see the camera documentation.
- If the PictBridge connection is successful, then a confirmation message appears on the printer display.

- 3 Follow the instructions on the camera to select and print photos.

Note: If the printer is turned off while the camera is connected, then you must disconnect and then reconnect the camera.




Printing information pages

Printing a font sample list

- 1 Make sure the printer is on and **Ready** appears.
 - 2 From the printer control panel, press .
 - 3 Press the arrow buttons until **Reports** appears, and then press .
 - 4 Press the arrow buttons until **Print Fonts** appears, and then press .
 - 5 Press the arrow buttons until **PCL Fonts** or **PostScript Fonts** appears, and then press .
- After the font sample list prints, **Ready** appears.





Printing a directory list

A directory list shows the resources stored in flash memory.

- 1 Make sure the printer is on and **Ready** appears.
 - 2 From the printer control panel, press .
 - 3 Press the arrow buttons until **Reports** appears, and then press .
 - 4 Press the arrow buttons until **Print Directory** appears, and then press .
- After the directory list prints, **Ready** appears.



Printing the print quality test pages

Print the print quality test pages to isolate print quality problems.

- 1 Turn the printer off.
 - 2 Hold down  and  while turning the printer on.
 - 3 Release the buttons when the dots appear, and then wait for **Config Menu** to appear.
 - 4 Press the arrow buttons until **Prt Quality Pgs** appears, and then press .
- The print quality test pages print.
- 5 Press the arrow buttons until **Exit Config Menu** appears, and then press .
- Ready** appears.

Canceling a print job

Canceling a print job from the printer control panel

- 1 Press .
- Stopping** appears, followed by **Cancel Print Job**.
- 2 Press .
- Canceling** appears, followed by **Ready**.

Canceling a print job from the computer


For Windows users

- 1 Open the printers folder.

In Windows 8

From the Search charm, type **run**, and then navigate to:
Apps list > **Run** > type **control printers** > **OK**

In Windows 7 or earlier

- a Click  or click **Start**, and then click **Run**.
 - b In the Start Search or Run dialog, type **control printers**.
 - c Press **Enter**, or click **OK**.
- 2 Double-click the printer icon.
 - 3 Select the print job you want to cancel.
 - 4 Click **Delete**.

For Macintosh users

- 1 From the Apple menu, navigate to either of the following:
 - **System Preferences > Print & Scan > select your printer > Open Print Queue**
 - **System Preferences > Print & Fax > select your printer > Open Print Queue**
- 2 From the printer window, select the print job you want to cancel, and then delete it.

Understanding printer menus

Menus list

Supplies Menu	Paper Menu	Reports	Network/Ports	Settings
Cyan Cartridge	Default Source	Menu Settings Page	Active NIC	General Settings
Magenta Cartridge	Size/Type	Device Statistics	Network Menu	Setup Menu
Yellow Cartridge	Paper Texture	Network Setup Page	USB Menu	Finishing Menu
Black Cartridge	Paper Weight	Print Fonts	Wireless Menu	Quality Menu
Imaging Kit	Paper Loading	Print Defects		Utilities Menu
Waste Toner Box	Custom Types	Asset Report		PDF Menu
	Universal Setup			PostScript Menu
				PCL Emul Menu
				Image Menu
				PictBridge Menu
				Flash Drive Menu

Note: Certain menus are not available on selected printer models.

Supplies menu

Menu item	Description
Cyan, Magenta, Yellow, or Black Toner Cartridges Early Warning Low Invalid Replace Missing or Defective OK Unsupported	Shows the status of the toner cartridges Note: Replace Cartridge indicates the cartridge is nearly empty, and print quality problems may result.
Imaging Kit OK Replace Black Imaging Kit Replace Color Imaging Kit Defective	Shows the status of the imaging kit
Waste Toner Box Near Full Replace Missing OK	Shows the status of the waste toner box

Paper menu

Default Source menu

Menu item	Description
Default Source Tray <x> MP Feeder Manual Paper Manual Env	Sets a default paper source for all print jobs Notes: <ul style="list-style-type: none"> • Tray 1 (standard tray) is the factory default setting. • The 650-sheet duo drawer must be installed in order for MP Feeder or Tray 2 to appear as a menu setting in the Paper menu. • Only an installed paper source will appear as a menu setting. • A paper source selected by a print job will override the Default Source setting for the duration of the print job. • If the same size and type of paper are in two trays and the Paper Size and Paper Type settings match, the trays are automatically linked. When one tray is empty, the job prints using the linked tray.

Paper Size/Type menu

Menu item	Description
Tray <x> Size A4 A5 JIS B5 Letter Folio Oficio (Mexico) Legal Executive Universal	Specifies the paper size loaded in each tray Notes: <ul style="list-style-type: none"> • Letter is the US factory default setting. A4 is the international factory default setting. • If the same size and type of paper are in two trays and the Paper Size and Paper Type settings match, the trays are automatically linked. When one tray is empty, the job prints using the linked tray.
Note: Only installed trays, drawers, and feeders are listed in this menu.	

Menu item	Description
<p>Tray <x> Type</p> <ul style="list-style-type: none"> Plain Paper Glossy Paper Card Stock Transparency Recycled Letterhead Colored Paper Labels Bond Preprinted Light Paper Heavy Paper Rough/Cotton Custom Type <x> 	<p>Specifies the type of paper loaded in each tray</p> <p>Notes:</p> <ul style="list-style-type: none"> • Plain Paper is the factory default setting for Tray 1. Custom Type <x> is the factory default setting for all other trays. • If available, a user-defined name will appear instead of Custom Type <x>. • Use this menu item to configure automatic tray linking.
<p>MP Feeder Size</p> <ul style="list-style-type: none"> A4 A5 JIS B5 A6 Statement Letter Folio Oficio (Mexico) Legal Executive Universal 7 3/4 Envelope 9 Envelope 10 Envelope DL Envelope B5 Envelope C5 Envelope Other Envelope 	<p>Specifies the paper size loaded in the multipurpose feeder</p> <p>Notes:</p> <ul style="list-style-type: none"> • The 650-sheet duo drawer must be installed in order for MP Feeder to appear as a menu setting in the Paper menu. • Letter is the US factory default setting. A4 is the international factory default setting. • The multipurpose feeder does not automatically sense paper size. The paper size value must be set.
<p>Note: Only installed trays, drawers, and feeders are listed in this menu.</p>	

Menu item	Description
<p>MP Feeder Type</p> <ul style="list-style-type: none"> Plain Paper Glossy Paper Card Stock Transparency Recycled Letterhead Colored Paper Labels Bond Envelope Preprinted Light Paper Heavy Paper Rough/Cotton Custom Type <x> 	<p>Specifies the type of paper loaded in the multipurpose feeder</p> <p>Notes:</p> <ul style="list-style-type: none"> The 650-sheet duo drawer must be installed in order for MP Feeder to appear as a menu setting in the Paper menu. Plain paper is the factory default setting.
<p>Manual Paper Size</p> <ul style="list-style-type: none"> A4 A5 JIS B5 A6 Statement Letter Folio Oficio (Mexico) Legal Executive Universal 	<p>Specifies the size of the paper being manually loaded</p> <p>Note: Letter is the US factory default setting. A4 is the international factory default setting.</p>
<p>Manual Paper Type</p> <ul style="list-style-type: none"> Plain Paper Glossy Paper Card Stock Transparency Recycled Letterhead Colored Paper Labels Bond Preprinted Light Paper Heavy Paper Rough/Cotton Custom Type <x> 	<p>Specifies the type of paper being manually loaded</p> <p>Note: Plain Paper is the factory default setting.</p>
<p>Note: Only installed trays, drawers, and feeders are listed in this menu.</p>	

Menu item	Description
Manual Envelope Size 7 3/4 Envelope 9 Envelope 10 Envelope DL Envelope B5 Envelope C5 Envelope Other Envelope	Specifies the size of the envelope being manually loaded Note: 10 Envelope is the US factory default setting. DL Envelope is the international factory default setting.
Manual Envelope Type Envelope Custom Type <x>	Specifies the type of envelope being manually loaded Note: Envelope is the factory default setting.
Note: Only installed trays, drawers, and feeders are listed in this menu.	

Paper Texture menu

Menu item	Description
Plain Texture Normal Smooth Rough	Specifies the relative texture of the paper loaded Note: Normal is the factory default setting.
Card Stock Texture Normal Smooth Rough	Specifies the relative texture of the card stock loaded Notes: <ul style="list-style-type: none"> • Normal is the factory default setting. • Settings appear only if card stock is supported.
Transparency Texture Normal Smooth Rough	Specifies the relative texture of the transparencies loaded Note: Normal is the factory default setting.
Recycled Texture Normal Smooth Rough	Specifies the relative texture of the recycled paper loaded Note: Normal is the factory default setting.
Glossy Texture Normal Smooth Rough	Specifies the relative texture of the glossy paper loaded Note: Normal is the factory default setting.
Labels Texture Normal Smooth Rough	Specifies the relative texture of the labels loaded Note: Normal is the factory default setting.

Menu item	Description
Bond Texture Rough Smooth Normal	Specifies the relative texture of the paper loaded Note: Rough is the factory default setting.
Envelope Texture Normal Smooth Rough	Specifies the relative texture of the envelopes loaded Note: Normal is the factory default setting.
Letterhead Texture Normal Smooth Rough	Specifies the relative texture of the paper loaded Note: Normal is the factory default setting.
Preprinted Texture Normal Smooth Rough	Specifies the relative texture of the paper loaded Note: Normal is the factory default setting.
Colored Texture Normal Smooth Rough	Specifies the relative texture of the colored paper loaded Note: Normal is the factory default setting.
Light Paper Normal Smooth Rough	Specifies the relative texture of the light paper loaded Notes: <ul style="list-style-type: none"> • Normal is the factory default setting. • Settings appear only if the custom type is supported.
Heavy Paper Normal Smooth Rough	Specifies the relative texture of the heavy paper loaded Notes: <ul style="list-style-type: none"> • Normal is the factory default setting. • Settings appear only if the custom type is supported.
Rough/Cotton Paper Rough	Specifies the relative texture of the rough/cotton paper loaded Notes: <ul style="list-style-type: none"> • Rough is the factory default setting. • Settings appear only if the custom type is supported.
Custom <x> Paper Normal Smooth Rough	Specifies the relative texture of the custom paper loaded Notes: <ul style="list-style-type: none"> • Normal is the factory default setting. • Settings appear only if the custom type is supported.

Paper Weight menu

Menu items	Definition
Plain Weight, Glossy Weight, Bond Weight, Letterhead Weight, Preprinted Weight, or Colored Weight Normal Light Heavy	Identifies the relative weight of the paper loaded Note: Normal is the factory default setting.
Transparency Weight Normal Light Heavy	Identifies the relative weight of the transparencies loaded Note: Normal is the factory default setting.
Recycled Weight Normal Light Heavy	Identifies the relative weight of the recycled paper loaded Note: Normal is the factory default setting.
Labels Weight Normal Light Heavy	Identifies the relative weight of the labels loaded Note: Normal is the factory default setting.
Envelope Weight Normal Light Heavy	Identifies the relative weight of the envelopes loaded Note: Normal is the factory default setting.
Card Stock Weight Normal Light Heavy	Identifies the relative weight of the card stock loaded Notes: <ul style="list-style-type: none"> • Normal is the factory default setting. • Settings appear only if card stock is supported.
Light Paper Weight Light	Identifies the relative weight of the light paper loaded Notes: <ul style="list-style-type: none"> • Light is the factory default setting. • Settings appear only if light paper is supported.
Heavy Paper Weight Heavy	Identifies the relative weight of the heavy paper loaded Notes: <ul style="list-style-type: none"> • Heavy is the factory default setting. • Settings appear only if heavy paper is supported.

Menu items	Definition
Rough/Cotton Paper Weight Normal	Identifies the relative weight of the rough/cotton paper loaded Notes: <ul style="list-style-type: none"> • Normal is the factory default setting. • Settings appear only if rough/cotton paper is supported.
Custom <x> Normal Light Heavy	Identifies the relative weight of the custom paper type loaded Notes: <ul style="list-style-type: none"> • Normal is the factory default setting. • Settings appear only if custom paper is supported.

Paper Loading menu

Note: Certain options are not available on select printer models.

Menu item	Description
Recycled Loading Off Duplex	Determines the paper loading direction for all jobs that specify Recycled as the paper type Note: Off is the factory default setting.
Glossy Loading Off Duplex	Determines the paper loading direction for all jobs that specify glossy as the paper type Note: Off is the factory default setting.
Bond Loading Off Duplex	Determines the paper loading direction for all jobs that specify Bond as the paper type Note: Off is the factory default setting.
Letterhead Loading Off Duplex	Determines the paper loading direction for all jobs that specify Letterhead as the paper type Note: Off is the factory default setting.
Preprinted Loading Off Duplex	Determines the paper loading direction for all jobs that specify Preprinted as the paper type Note: Off is the factory default setting.
Colored Loading Off Duplex	Determines the paper loading direction for all jobs that specify Colored as the paper type Note: Off is the factory default setting.
Light Paper Loading Off Duplex	Determines the paper loading direction for all jobs that specify Light Paper as the paper type Note: Off is the factory default setting.
Note: Duplex sets the printer default to 2-sided printing for every print job unless 1-sided printing is selected from Print Properties (in Windows) or the Print dialog (in Macintosh).	

Menu item	Description
Heavy Paper Loading Off Duplex	Determines the paper loading direction for all jobs that specify Heavy Paper as the paper type Note: Off is the factory default setting.
Rough/Cotton Loading Off Duplex	Determines the paper loading direction for all jobs that specify Rough/Cotton as the paper type Note: Off is the factory default setting.
Custom <x> Loading Off Duplex	Determines the paper loading direction for all jobs that specify Custom <x> as the paper type Notes: <ul style="list-style-type: none"> • Off is the factory default setting. • Custom <x> Loading is available only if the custom type is supported.
Note: Duplex sets the printer default to 2-sided printing for every print job unless 1-sided printing is selected from Print Properties (in Windows) or the Print dialog (in Macintosh).	

Custom Types menu

Menu item	Description
Custom Type <x> Paper Card Stock Transparency Glossy Labels Envelope Rough/Cotton	Associates a paper or specialty media type with a factory default Custom Type <x> name or a user-defined Custom Name created from the Embedded Web Server or MarkVision™ Professional. This user-defined name displays instead of Custom Type <x> . Notes: <ul style="list-style-type: none"> • Paper is the factory default setting. • The custom media type must be supported by the selected tray or feeder in order for you to print from that source.
Recycled Paper Card Stock Transparency Glossy Labels Envelope Rough/Cotton	Specifies a paper type when the Recycled setting is selected in other menus Notes: <ul style="list-style-type: none"> • Paper is the factory default setting. • The Recycled type must be supported by the selected tray or feeder in order for you to print from that source.

Universal Setup menu

Menu item	Description
Units of Measure Inches Millimeters	Identifies the units of measure Notes: <ul style="list-style-type: none"> • Inches is the US factory default setting. • Millimeters is the international factory default setting.
Portrait Width 3–14.17 inches 76–360 mm	Sets the portrait width Notes: <ul style="list-style-type: none"> • If the width exceeds the maximum, then the printer uses the maximum width allowed. • 8.5 inches is the US factory default setting. Inches can be increased in 0.01-inch increments. • 216 mm is the international factory default setting. Millimeters can be increased in 1-mm increments.
Portrait Height 3–14.17 inches 76–360 mm	Sets the portrait height Notes: <ul style="list-style-type: none"> • If the height exceeds the maximum, then the printer uses the maximum height allowed. • 14 inches is the US factory default setting. Inches can be increased in 0.01-inch increments. • 356 mm is the international factory default setting. Millimeters can be increased in 1-mm increments.
Feed Direction Short Edge Long Edge	Specifies the feed direction Notes: <ul style="list-style-type: none"> • Short Edge is the factory default setting. • Long Edge appears only if the longest edge is shorter than the maximum length supported in the tray.

Reports

Menu Settings Page menu

Menu item	Description
Menu Settings Page	Prints a report containing information about paper loaded into trays, installed memory, the total page count, alarms, timeouts, the printer control panel language, the TCP/IP address, the status of supplies, the status of the network connection, and other information Note: The page prints when this item is selected.

Device Statistics menu

Menu item	Description
Device Statistics	Prints a report containing printer statistics such as supply information and details about printed pages Note: The page prints when this item is selected.

Network Setup Page menu

Menu item	Description
Network Setup Page	Prints a report containing information about the network settings, such as TCP/IP address information Notes: <ul style="list-style-type: none"> • This menu item appears only for printers with a network print server installed. • The page prints when this item is selected.

Print Fonts menu

Menu item	Description
Print Fonts PCL Fonts PostScript Fonts	Prints a report of all the fonts available for the printer language currently set in the printer Note: A separate report is available for PCL and PostScript emulations. Each emulator report contains print samples and information about the language's available fonts.

Print Defects menu

Menu item	Description
Print Defects	Prints a diagnostic list of problems Notes: <ul style="list-style-type: none"> • The page prints when this item is selected. • The list should be printed on letter- or A4-size paper.

Asset Report menu

Menu item	Description
Asset Report	Prints a report containing asset information including the printer serial number and model name. The report contains text and UPC bar codes that can be scanned into an asset database.

Network/Ports

Active NIC menu

Menu item	Description
Active NIC Auto <list of available network cards>	Shows the print server Notes: <ul style="list-style-type: none"> • Auto is the factory default setting. • This menu item appears only if an optional network card is installed.

Network menu

Menu item	Description
PCL SmartSwitch On Off	Sets the printer to automatically switch to PCL emulation when a print job requires it, regardless of the default printer language Notes: <ul style="list-style-type: none"> • On is the factory default setting. • When the Off setting is used, the printer does not examine incoming data. • When the Off setting is used, the printer uses PostScript emulation if PS SmartSwitch is set to On. It uses the default printer language specified in the Setup menu if PS SmartSwitch is set to Off.
PS SmartSwitch On Off	Sets the printer to automatically switch to PostScript emulation when a print job requires it, regardless of the default printer language Notes: <ul style="list-style-type: none"> • On is the factory default setting. • When the Off setting is used, the printer does not examine incoming data. • When the Off setting is used, the printer uses PCL emulation if PCL SmartSwitch is set to On. It uses the default printer language specified in the Setup menu if PCL SmartSwitch is set to Off.
NPA Mode Auto Off	Sets the printer to perform the special processing required for bidirectional communication following the conventions defined by the NPA protocol Notes: <ul style="list-style-type: none"> • Auto is the factory default setting. • Changing this setting from the printer control panel and then exiting the menus causes the printer to restart. The menu selection is updated.
Network Buffer Auto Disabled	Sets the size of the network input buffer Notes: <ul style="list-style-type: none"> • Auto is the factory default setting. • Changing this setting from the printer control panel and then exiting the menus causes the printer to restart. The menu selection is updated.

Menu item	Description
Mac Binary PS Auto On Off	Sets the printer to process Macintosh binary PostScript print jobs Notes: <ul style="list-style-type: none"> • Auto is the factory default setting. • The Off setting filters print jobs using the standard protocol. • The On setting processes raw binary PostScript print jobs.
Network Setup Reports Network Card TCP/IP IPv6 Wireless AppleTalk	Sets printer settings on jobs sent through a network port Note: Certain options are not available on selected printer models.

Reports menu

This menu is available from the Network/Ports menu:

Network/Ports > Network Menu > Reports

Menu item	Description
Print Setup Page	Prints a report containing information about the current network setup Note: The Setup Page contains information about the network printer settings, such as the TCP/IP address.

Network Card menu

This menu is available from the Network/Ports menu:

Network/Ports > Network Menu > Network Card

Menu item	Description
View Card Status Connected Disconnected	Lets you view the connection status of the network card
View Card Speed	Lets you view the speed of a currently active network card
Network Address UAA LAA	Lets you view the network addresses

Menu item	Description
Job Timeout 0-225 seconds	Sets the amount of time in seconds that a network print job can take before it is canceled Notes: <ul style="list-style-type: none"> • 90 seconds is the factory default setting. • A setting value of 0 disables the timeout. • If a value of 1–9 is selected, then the setting is saved as 10.
Banner Page Off On	Allows the printer to print a banner page Note: Off is the factory default setting.

TCP/IP menu

Note: This menu is available only for network models or printers attached to print servers.

This menu is available from the Network/Ports menu:

Network/Ports > Network Menu > TCP/IP

Menu item	Description
Activate On Off	Activates TCP/IP Note: On is the factory default setting.
View Hostname	Lets you view the current TCP/IP hostname Note: This can be changed only from the Embedded Web Server.
IP Address	Lets you view or change the current TCP/IP Address Note: Manually setting the IP address sets the Enable DHCP and Enable Auto IP settings to Off.
Netmask	Lets you view or change the current TCP/IP Netmask
Gateway	Lets you view or change the current TCP/IP Gateway
Enable DHCP On Off	Specifies the DHCP address and parameter assignment setting Note: On is the factory default setting.
Enable Auto IP Yes No	Specifies the Zero Configuration Networking setting Note: Yes is the factory default setting.
Enable FTP/TFTP Yes No	Enables the built-in FTP server, which allows you to send files to the printer using the File Transfer Protocol. Note: Yes is the factory default setting.
Enable HTTP Server Yes No	Enables the built-in Web server (Embedded Web Server). When enabled, the printer can be monitored and managed remotely using a Web browser. Note: Yes is the factory default setting.
WINS Server Address	Lets you view or change the current WINS Server Address

Menu item	Description
Enable DDNS/mDNS Yes No	Lets you view or change the current DDNS/mDNS Server Address Note: Yes is the factory default setting.
DNS Server Address	Lets you view or change the current DNS Server Address

IPv6 menu

Note: The Internet Protocol version 6 (IPv6) menu is available only for network models or printers attached to print servers.

This menu is available from the Network/Ports menu:

Network/Ports > Network Menu > IPv6

Menu item	Description
Enable IPv6 On Off	Enables IPv6 in the printer Note: On is the factory default setting.
Auto Configuration On Off	Specifies whether the network adapter accepts the automatic IPv6 address configuration entries provided by a router Note: On is the factory default setting.
View Hostname View Address View Router Address	Lets you view the current setting Note: These settings can be changed only from the Embedded Web Server.
Enable DHCPv6 On Off	Enables DHCPv6 in the printer Note: On is the factory default setting.

Wireless menu

Use the following menu items to view or configure the wireless internal print server settings.

Note: This menu is available only for network models or printers attached to print servers when an optional wireless internal print server is installed in the printer.

This menu is available from the Network/Ports menu:

Network/Ports > Network Menu > Wireless

Menu item	Description
Network Mode Ad hoc Infrastructure	Specifies the network mode Notes: <ul style="list-style-type: none"> Ad hoc is the factory default setting. Ad hoc mode configures the printer for wireless networking directly between it and a computer. Infrastructure mode lets the printer access a network using an access point.
Compatibility 802.11b/g/n 802.11n 802.11b/g	Specifies the wireless standard for the wireless network Note: 802.11b/g/n is the factory default setting.
Choose Network <list of available networks>	Lets you select an available network for the printer to use
View Signal Quality	Lets you view the quality of the wireless connection
View Security Mode	Lets you view the encryption method for the wireless connection

AppleTalk menu

This menu is available from the Network/Ports menu:

Network/Ports > Network Menu > AppleTalk

Menu item	Description
Activate Yes No	Activates AppleTalk support Note: Yes is the factory default setting.
View Name	Shows the assigned AppleTalk name Note: The name can be changed only from the Embedded Web Server.
View Address	Shows the assigned AppleTalk address Note: The address can be changed only from the Embedded Web Server.
Set Zone <list of zones available on the network>	Provides a list of AppleTalk zones available on the network Note: The default setting is the default zone for the network. If no default zone exists, the zone marked with an * is the default setting.

USB menu

Menu item	Description
PCL SmartSwitch On Off	Sets the printer to automatically switch to PCL emulation when a print job requires it, regardless of the default printer language Notes: <ul style="list-style-type: none"> • On is the factory default setting. • When the Off setting is used, the printer does not examine incoming data. • When the Off setting is used, the printer uses PostScript emulation if PS SmartSwitch is set to On. It uses the default printer language specified in the Setup menu if PS SmartSwitch is set to Off.
PS SmartSwitch On Off	Sets the printer to automatically switch to PostScript emulation when a print job requires it, regardless of the default printer language Notes: <ul style="list-style-type: none"> • On is the factory default setting. • When the Off setting is used, the printer does not examine incoming data. • When the Off setting is used, the printer uses PCL emulation if PCL SmartSwitch is set to On. It uses the default printer language specified in the Setup menu if PCL SmartSwitch is set to Off.
NPA Mode Auto Off	Sets the printer to perform the special processing required for bidirectional communication following the conventions defined by the NPA protocol Notes: <ul style="list-style-type: none"> • Auto is the factory default setting. • Changing this setting from the printer control panel and then exiting the menus causes the printer to restart. The menu selection is updated.
USB Buffer Auto Disabled	Sets the size of the USB input buffer Notes: <ul style="list-style-type: none"> • Auto is the factory default setting. • Changing this setting from the printer control panel and then exiting the menus causes the printer to restart. The menu selection is updated.
Mac Binary PS Auto Off On	Sets the printer to process Macintosh binary PostScript print jobs Notes: <ul style="list-style-type: none"> • Auto is the factory default setting. • The Off setting filters print jobs using the standard protocol. • The On setting processes raw binary PostScript print jobs.
USB With ENA ENA Address ENA Netmask ENA Gateway	Sets the network address, netmask, or gateway information for an external print server that is attached to the printer using a USB cable Note: This menu item is available only if the printer is attached to an external print server through the USB port.

Settings

General Settings menu

Menu item	Description
Display Language English Francais Deutsch Italiano Espanol Dansk Norsk Nederlands Svenska Portugues Suomi Russian Polski Magyar Turkce Cesky Simplified Chinese Traditional Chinese Korean Japanese	Sets the language of the text appearing on the display Note: All languages may not be available for all printers.
Eco-Mode Off Energy Energy/Paper Paper	Minimizes the use of energy, paper, or specialty media Notes: <ul style="list-style-type: none"> • Off is the factory default setting. Off resets the printer to its factory default settings. • The Energy setting minimizes the power used by the printer. Performance may be affected, but print quality is not. • Energy/Paper minimizes the use of power and of paper and specialty media. • Paper minimizes the amount of paper and specialty media needed for a print job. Performance may be affected, but print quality is not.
Quiet Mode Off On	Reduces the amount of noise produced by the printer Notes: <ul style="list-style-type: none"> • Off is the factory default setting. • On configures the printer to produce as little noise as possible.

Menu item	Description
Run Initial Setup Yes No	Instructs the printer to run the setup wizard Notes: <ul style="list-style-type: none"> • Yes is the factory default setting. • After completing the setup wizard by selecting Done at the Country select screen, the default setting becomes No.
Alarms Cartridge Alarm	Sets an alarm to sound when the printer requires operator intervention Available selections are: <ul style="list-style-type: none"> • Single • Off Notes: <ul style="list-style-type: none"> • Single is the factory default setting for Alarm Control. Single sounds three quick beeps. • Off means no alarm will sound.
Timeouts Power Saver 1–240 min	Specifies the number of minutes of inactivity before some systems begin entering a minimum power state Note: 30 minutes is the factory default setting.
Timeouts Screen Timeout 15–300 sec	Sets the amount of time in seconds the printer waits before returning the printer display to a Ready state Note: 30 seconds is the factory default setting.
Timeouts Print Timeout Disabled 1–255 sec	Sets the amount of time in seconds the printer waits to receive an end-of-job message before canceling the remainder of the print job Notes: <ul style="list-style-type: none"> • 90 seconds is the factory default setting. • When the timer expires, any partially printed page still in the printer is printed, and then the printer checks to see if any new print jobs are waiting. • Print Timeout is available only when using PCL or PPDS emulation. This setting has no effect on PostScript emulation print jobs.
Timeouts Wait Timeout Disabled 15–65535 sec	Sets the amount of time in seconds the printer waits for additional data before canceling a print job Notes: <ul style="list-style-type: none"> • 40 seconds is the factory default setting. • Wait Timeout is available only when the printer is using PostScript emulation. This setting has no effect on PCL or PPDS emulation print jobs.

Menu item	Description
Print Recovery Auto Continue Disabled 5–255 sec	Lets the printer automatically continue printing from certain offline situations when not resolved within the specified time period Note: Disabled is the factory default setting.
Print Recovery Jam Recovery Auto On Off	Specifies whether the printer reprints jammed pages Notes: <ul style="list-style-type: none"> • Auto is the factory default setting. The printer reprints jammed pages unless the memory required to hold the pages is needed for other printer tasks. • On sets the printer to always reprint jammed pages. • Off sets the printer to never reprint jammed pages.
Print Recovery Page Protect Off On	Lets the printer successfully print a page that may not have printed otherwise Notes: <ul style="list-style-type: none"> • Off is the factory default setting. Off prints a partial page when there is not enough memory to print the whole page. • On sets the printer to process the whole page so that the entire page prints.
Factory Defaults Do Not Restore Restore	Returns the printer settings to the factory default settings Notes: <ul style="list-style-type: none"> • Do Not Restore is the factory default setting. Do Not Restore keeps the user-defined settings. • Restore returns all printer settings to the factory default settings except Network/Ports menu settings. All downloads stored in RAM are deleted. Downloads stored in flash memory or on a printer hard disk are not affected.

Setup menu

Menu item	Description
Printer Language PCL Emulation PS Emulation PPDS Emulation	Sets the default printer language Notes: <ul style="list-style-type: none"> • PCL is the factory default printer language. • PCL emulation uses a PCL interpreter for processing print jobs. PostScript emulation uses a PS interpreter for processing print jobs. PPDS emulation uses a PPDS interpreter for processing print jobs • Setting a printer language as the default does not prevent a software program from sending print jobs that use another printer language.

Menu item	Description
Print Area Normal Fit to Page Whole Page	Sets the logical and physical printable area Note: Normal is the factory default setting. When attempting to print data in the non-printable area defined by the Normal setting, the printer clips the image at the boundary.
Download Target RAM Flash	Sets the storage location for downloads Notes: <ul style="list-style-type: none"> • RAM is the factory default setting. • Storing downloads in flash memory places them in permanent storage. Downloads remain in flash memory even when the printer is turned off. • Storing downloads in RAM is temporary. • This menu appears only if a flash option is installed.
Resource Save Off On	Specifies how the printer handles temporary downloads, such as fonts and macros stored in RAM, when the printer receives a job that requires more memory than is available Notes: <ul style="list-style-type: none"> • Off is the factory default setting. Off sets the printer to retain the downloads only until memory is needed. Downloads are deleted in order to process print jobs. • The On setting retains the downloads during language changes and printer resets. If the printer runs out of memory, 38 Memory Full appears, and downloads are not deleted.

Finishing menu

Menu item	Description
Sides (Duplex) 1 sided 2 sided	Specifies whether duplex (2-sided) printing is set as the default for all print jobs Notes: <ul style="list-style-type: none"> • 1 sided is the factory default setting. • To set 2-sided printing from the software program: for Windows users, click File > Print, and then click Properties, Preferences, Options, or Setup; for Macintosh users, choose File > Print, and then adjust the settings from the Print dialog and pop-up menus.
Duplex Binding Long Edge Short Edge	Defines the way duplexed pages are bound and how the printing on the back of the page is oriented in relation to the printing on the front of the page Notes: <ul style="list-style-type: none"> • Long Edge is the factory default setting. • Long Edge specifies that binding be placed on the left edge of portrait pages and the top edge of landscape pages. • Short Edge specifies that binding be placed on the top edge of portrait pages and the left edge of landscape pages.

Menu item	Description
Copies 1–999	Specifies a default number of copies for each print job Note: 1 is the factory default setting.
Blank Pages Do Not Print Print	Specifies whether blank pages are inserted in a print job Note: Do Not Print is the factory default setting.
Collate Off (1,1,1,2,2,2) On (1,2,1,2,1,2)	Stacks the pages of a print job in sequence when printing multiple copies Notes: <ul style="list-style-type: none"> • Off is the factory default setting. No pages will be collated. • The On setting stacks the print job sequentially. • Both settings print the entire job the number of times specified by the Copies menu setting.
Separator Sheets None Between Copies Between Jobs Between Pages	Specifies whether blank separator sheets are inserted Notes: <ul style="list-style-type: none"> • None is the factory default setting. • Between Copies inserts a blank sheet between each copy of a print job if Collation is set to On. If Collation is set to Off, a blank page is inserted between each set of printed pages, such as after all page 1's and after all page 2's. • Between Jobs inserts a blank sheet between print jobs. • Between Pages inserts a blank sheet between each page of the print job. This setting is useful when printing transparencies or inserting blank pages in a document for notes.
Separator Source Tray <x> MP Feeder	Specifies the paper source for separator sheets Notes: <ul style="list-style-type: none"> • Tray 1 (standard tray) is the factory default setting. • From the Paper menu, Configure MP must be set to Cassette in order for Multi-Purpose Feeder to appear as a menu setting.
N-up (pages-side) Off 2-Up 3-Up 4-Up 6-Up 9-Up 12-Up 16-Up	Specifies that multiple-page images be printed on one side of a sheet of paper Notes: <ul style="list-style-type: none"> • Off is the factory default setting. • The number selected is the number of page images that will print per side.
N-up Ordering Horizontal Reverse Horizontal Reverse Vertical Vertical	Specifies the positioning of multiple-page images when using N-up (pages-sides) Notes: <ul style="list-style-type: none"> • Horizontal is the factory default setting. • Positioning depends on the number of images and whether the images are in portrait or landscape orientation.

Menu item	Description
Orientation Auto Landscape Portrait	Specifies the orientation of a multiple-page sheet Note: Auto is the factory default setting. The printer chooses between portrait and landscape.
N-up Border None Solid	Prints a border around each page image when using N-up (pages-sides) Note: None is the factory default setting.

Quality menu

Menu item	Description
Color Correction Auto Off Manual	Adjusts the color output on the printed page Notes: <ul style="list-style-type: none"> • Auto is the factory default setting. Auto applies different color conversion tables to each object on the printed page. • Off turns off color correction. • Manual allows customization of the color tables using the settings available from the Manual Color menu. • Due to the differences in additive and subtractive colors, certain colors that appear on computer monitors are impossible to duplicate on the printed page.
Print Resolution 4800 CQ 1200 dpi	Specifies the printed output resolution Note: 4800 CQ is the factory default setting.
Toner Darkness 1–5	Lightens or darkens the printed output Notes: <ul style="list-style-type: none"> • 4 is the factory default setting. • Selecting a smaller number can help conserve toner. • If Print Mode is set to Black Only, a setting of 5 increases toner density and darkness to all print jobs. • If Print Mode is set to Color, a setting of 5 is the same as a setting of 4.
Enhance Fine Lines Off On	Enables a print mode preferable for files such as architectural drawings, maps, electrical circuit diagrams, and flow charts Notes: <ul style="list-style-type: none"> • Off is the factory default setting. • To set Enhance Fine Lines from the software program: for Windows users, click File > Print, and then click Properties, Preferences, Options, or Setup; for Macintosh users, choose File > Print, and then adjust the settings from the Print dialog and pop-up menus.

Menu item	Description
Color Saver Off On	Reduces the amount of toner used for graphics and images. The amount of toner used for text is not reduced. Notes: <ul style="list-style-type: none"> • Off is the factory default setting. • On overrides Toner Darkness settings.
RGB Brightness -6-6	Adjusts brightness in color outputs Notes: <ul style="list-style-type: none"> • 0 is the factory default setting. • -6 is the maximum decrease. 6 is the maximum increase.
RGB Contrast 0-5	Adjusts contrast in color outputs Note: 0 is the factory default setting.
RGB Saturation 0-5	Adjusts saturation in color outputs Note: 0 is the factory default setting.
Color Balance Cyan Magenta Yellow Black	Adjusts color in printed output by increasing or decreasing the amount of toner used for each color Notes: <ul style="list-style-type: none"> • 0 is the factory default setting. • Available selections for each setting are -5 to 5.
Color Balance Reset Defaults	Restores the Color Balance factory default settings
Color Samples sRGB Display sRGB Vivid Display—True Black Vivid Off—RGB US CMYK Euro CMYK Vivid CMYK Off—CMYK	Prints sample pages for each of the RGB and CMYK color conversion tables used in the printer Notes: <ul style="list-style-type: none"> • Selecting any setting prints the sample. • Color samples consist of a series of colored boxes along with the RGB or CMYK combination that creates the color observed. These pages can be used to help decide which combinations to use to get the desired printed output. • From a browser window, type the IP address of the printer to access a complete list of color sample pages from the Embedded Web Server.

Menu item	Description
Manual Color RGB Image RGB Text RGB Graphics	Customizes the RGB color conversions Available selections for each setting are: Vivid sRGB Display Display—True Black sRGB Vivid Off Notes: <ul style="list-style-type: none"> • sRGB Display is the factory default setting for RGB Image. This applies a color conversion table to an output that matches the colors displayed on a computer monitor. • sRGB Vivid is the factory default setting for RGB Text and RGB Graphics. sRGB Vivid applies a color conversion table that increases saturation. This is preferred for business graphics and text. • Vivid applies a color conversion table that produces brighter, more saturated colors. • Display—True Black applies a color conversion table that uses only black toner for neutral gray colors. • Off turns off color conversion.
Manual Color CMYK Image CMYK Text CMYK Graphics	Customizes the CMYK color conversions Available selections for each setting are: US CMYK Euro CMYK Vivid CMYK Off Notes: <ul style="list-style-type: none"> • US CMYK is the US factory default setting. US CMYK applies a color conversion table that tries to produce output that matches SWOP color output. • Euro CMYK is the international factory default setting. Euro CMYK applies a color conversion table that tries to produce output that matches EuroScale color output. • Vivid CMYK increases color saturation for the US CMYK color conversion table. • Off turns off color conversion.
Color Adjust	Initiates an automatic color adjust calibration

Utilities menu

Menu item	Description
Format Flash No Yes	Formats the flash memory. Flash memory refers to the memory added by installing an optional flash memory card in the printer. Warning—Potential Damage: Do not turn off the printer while the flash memory is formatting. Notes: <ul style="list-style-type: none"> An optional flash memory card must be installed in the printer and operating properly for this menu item to be available. The optional flash memory card must not be Read/Write or Write protected. No cancels the format request. Yes deletes all data stored in flash memory.
Defragment Flash No Yes	Prepares the flash memory to receive new data by retrieving lost storage space Warning—Potential Damage: Do not turn off the printer while the flash memory is defragmenting. Notes: <ul style="list-style-type: none"> An optional flash memory card must be installed in the printer and operating properly for this menu item to be available. The optional flash memory card must not be Read/Write or Write protected. No cancels the defragment request. Yes reformats the flash memory after transferring all downloads to regular printer memory. When formatting is complete, the downloads are loaded back into flash memory.
Hex Trace Activate	Assists in isolating the source of a print job problem Notes: <ul style="list-style-type: none"> When Activate is selected, all data sent to the printer is printed in hexadecimal, and character representation and control codes are not executed. To exit Hex Trace, turn the printer off or reset the printer.
Coverage Estimator Off On	Provides an estimate of the percentage coverage of cyan, magenta, yellow, and black toner on a page. The estimate is printed on a separator page. Note: Off is the factory default setting.

PDF menu

Note: Certain options are not available on selected printer models.

Menu item	Description
Scale to Fit No Yes	Scales page content to fit the selected paper size Note: No is the factory default setting.

Menu item	Description
Annotations Do Not Print Print	Prints annotations in a PDF Note: Do Not Print is the factory default setting.

PostScript menu

Menu item	Description
Print PS Error Off On	Prints a page containing the PostScript error Note: Off is the factory default setting.
Font Priority Resident Flash	Establishes the font search order Notes: <ul style="list-style-type: none"> Resident is the factory default setting. A formatted flash memory option card or printer hard disk must be installed in the printer and operating properly for this menu item to be available. The flash memory option or printer hard disk cannot be Read/Write, Write, or password protected. Job Buffer Size must not be set to 100%.
Image Smoothing Off On	Enhances the contrast and sharpness of low-resolution images and smooths their color transitions Notes: <ul style="list-style-type: none"> Off is the factory default setting. Image Smoothing has no effect on images that are 300 dpi or higher in resolution.

PCL Emul menu

Menu item	Description
Font Source Resident Download Flash All	Specifies the set of fonts used by the Font Name menu item Notes: <ul style="list-style-type: none"> Resident is the factory default setting. It shows the factory default set of fonts downloaded into RAM. Flash settings show all fonts resident in that option. Flash options must be properly formatted and cannot be Read/Write, Write, or password protected. Download shows all the fonts downloaded into RAM. All shows all fonts available to any option.

Menu item	Description
Font Name Courier	Identifies a specific font and the option where it is stored Notes: <ul style="list-style-type: none"> • Courier is the factory default setting. • Courier shows the font name, font ID, and storage location in the printer. The font source abbreviation is R for Resident, F for Flash, and D for Download.
Symbol Set 10U PC-8 12U PC-850	Specifies the symbol set for each font name Notes: <ul style="list-style-type: none"> • 10U PC-8 is the US factory default setting. • 12U PC-850 is the international factory default setting. • A symbol set is a set of alphabetic and numeric characters, punctuation, and special symbols. Symbol sets support the different languages, or specific programs such as math symbols for scientific text. Only the supported symbol sets are shown.
PCL Emulation Settings Point Size 1.00–1008.00	Changes the point size for scalable typographic fonts Notes: <ul style="list-style-type: none"> • 12 is the factory default setting. • Point Size refers to the height of the characters in the font. One point equals approximately 1/72 of an inch. • Point sizes can be increased or decreased in 0.25-point increments.
PCL Emulation Settings Pitch 0.08–100	Specifies the font pitch for scalable monospaced fonts Notes: <ul style="list-style-type: none"> • 10 is the factory default setting. • Pitch refers to the number of fixed-space characters per inch (cpi). • Pitch can be increased or decreased in 0.01-cpi increments. • For nonscalable monospaced fonts, the pitch appears on the display but cannot be changed.
PCL Emulation Settings Orientation Portrait Landscape	Specifies the orientation of text and graphics on the page Notes: <ul style="list-style-type: none"> • Portrait is the factory default setting. • Portrait prints text and graphics parallel to the short edge of the page. • Landscape prints text and graphics parallel to the long edge of the page.
PCL Emulation Settings Lines per Page 1–255 60 64	Specifies the number of lines that print on each page Notes: <ul style="list-style-type: none"> • 60 is the US factory default setting. 64 is the international factory default setting. • The printer sets the amount of space between each line based on the Lines per Page, Paper Size, and Orientation settings. Select the desired Paper Size and Orientation before setting Lines per Page.

Menu item	Description
PCL Emulation Settings A4 Width 198 mm 203 mm	Sets the printer to print on A4-size paper Notes: <ul style="list-style-type: none"> • 198 mm is the factory default setting. • The 203-mm setting sets the width of the page to allow the printing of eighty 10-pitch characters.
PCL Emulation Settings Auto CR after LF Off On	Specifies whether the printer automatically performs a carriage return (CR) after a line feed (LF) control command Notes: <ul style="list-style-type: none"> • Off is the factory default setting. • Changes to these settings are duplicated in the PPDS menu.
PCL Emulation Settings Auto LF after CR Off On	Specifies whether the printer automatically performs a line feed (LF) after a carriage return (CR) control command Notes: <ul style="list-style-type: none"> • Off is the factory default setting. • Changes to these settings are duplicated in the PPDS menu.
Tray Renumber Assign MP Feeder Assign Tray <x> Assign Manual Paper Assign Man Env	Configures the printer to work with printer software or programs that use different source assignments for trays, drawers, and feeders Available selections for each setting are: Off None 0–199 Notes: <ul style="list-style-type: none"> • Off is the factory default setting. • None is not an available selection. It is displayed only when it is selected by the PCL 5 interpreter. • None ignores the Select Paper Feed command. • 0–199 allows a custom setting to be assigned.
Tray Renumber View Factory Def	Displays the factory default setting assigned to each tray, drawer, or feeder
Tray Renumber Restore Defaults Yes No	Returns all tray, drawer, and feeder assignments to the factory default settings

Image menu

Menu item	Description
Auto Fit On Off	Selects the optimal paper size, scaling, and orientation Notes: <ul style="list-style-type: none"> • On is the factory default setting. • The On setting overrides scaling and orientation settings for some images.
Invert Off On	Inverts bi-tonal monochrome images Notes: <ul style="list-style-type: none"> • Off is the factory default setting. • The font size can be increased in 1-point increments. • This setting does not apply to GIF or JPEG images.
Scaling Best Fit Anchor Top Left Anchor Center Fit Height/Width Fit Height Fit Width	Scales the image to fit the selected paper size Notes: <ul style="list-style-type: none"> • Best Fit is the factory default setting. • When Auto Fit is set to On, Scaling is automatically set to Best Fit.
Orientation Portrait Landscape Rev Portrait Rev Landscape	Sets the image orientation Note: Portrait is the factory default setting.

PictBridge menu

Note: Certain options are not available on select printer models.

Menu item	Description
Photo Size Auto L 2L Hagaki Postcard Card Size 100 x 150 mm 4 x 6 in 8 x 10 in Letter A4 A5 JIS B5	Controls the size of each photo printed from a PictBridge-enabled digital camera Notes: <ul style="list-style-type: none"> • Auto is the factory default setting. • If both the printer and the PictBridge-enabled digital camera have a value for this setting, the camera value <i>always</i> supersedes the printer value.

Menu item	Description
Layout Auto Off 2 Up 3 Up 4 Up 6 Up 9 Up 12 Up 16 Up Index Print	Determines the maximum number of images that can be printed on one side of the paper Notes: <ul style="list-style-type: none"> • Auto is the factory default setting. • If both the printer and the PictBridge-enabled digital camera have a value for this setting, the camera value <i>always</i> supersedes the printer value.
Quality Normal Draft Fine	Determines which resolution, toner darkness, and color saver values the printer uses when printing photos sent from a PictBridge-enabled digital camera Notes: <ul style="list-style-type: none"> • Normal is the factory default setting. • If both the printer and the PictBridge-enabled camera have a value for this setting, the camera value <i>always</i> supersedes the printer value.
Paper Source Manual Paper MP Feeder Tray <x>	Identifies the printer default input source when printing photos from a PictBridge-enabled digital camera Notes: <ul style="list-style-type: none"> • Manual Paper is the factory default setting. • A photo size larger than the size of the media installed in the PictBridge-enabled digital camera cannot be selected.

Flash drive menu

Note: The USB Direct Interface is not available on select printer models.

Menu item	Description
Enable Drive Enable Disable	Enables or disables the USB port on the front of the printer Note: Enable is the factory default setting.
Update Code Enable Disable	Enables or disables the ability of the flash drive to update the firmware code by way of a USB device Note: Enable is the factory default setting.
Copies 1–999	Sets the number of copies the printer should produce for each page contained in a print job Note: 1 is the factory default setting.
Sides (Duplex) 1 sided 2 sided	Controls whether the printer prints on one side or both sides of the paper Note: 1 sided is the factory default setting.

Maintaining the printer

Periodically, certain tasks are required to maintain optimum print quality.

Storing supplies

Choose a cool, clean storage area for the printer supplies. Store supplies right side up in their original packing until you are ready to use them.

Do not expose supplies to:




- Direct sunlight
- Temperatures above 35°C (95°F)
- High humidity above 80%
- Salty air
- Corrosive gases
- Heavy dust

Checking the status of supplies

A message appears on the display when a replacement supply item is needed or when maintenance is required.

Checking the status of supplies from the printer control panel

You can check the status of printer supplies by printing a menu settings page:

- 1 Make sure the printer is on and **Ready** appears.
- 2 From the printer control panel, press .
- 3 Press the arrow buttons until **Reports** appears, and then press .
- 4 Press the arrow buttons until **Menu Settings Page** appears, and then press .

Checking the status of supplies from a network computer

Note: The computer must be connected to the same network as the printer.

- 1 Type the printer IP address into the address field of your Web browser.

Note: If you do not know the IP address of the printer, print a network setup page and locate the IP address in the TCP/IP section.

- 2 Click **Device Status**. The Device Status page appears, displaying a summary of supply levels.

Ordering supplies

To order supplies in the U.S., contact Lexmark at 1-800-539-6275 for information about Lexmark authorized supplies dealers in your area. In other countries or regions, visit the Lexmark Web Site at www.lexmark.com or contact the place where you purchased the printer.

Note: All life estimates for printer supplies assume printing on letter- or A4-size plain paper.

Ordering toner cartridges

When **88 Cyan Cartridge Low**, **88 Magenta Cartridge Low**, **88 Yellow Cartridge Low**, or **88 Black Cartridge low** appears, order a new cartridge.

When **88 Replace Cyan Cartridge**, **88 Replace Magenta Cartridge**, **88 Replace Yellow Cartridge**, or **88 Replace Black Cartridge** appears, you *must* replace the specified toner cartridge.

Part name	Part number	C540 and C543	C544	C546
Black Return Program Toner Cartridge	C540A1KG	✓	✓	✓
Cyan Return Program Toner Cartridge	C540A1CG	✓	✓	✓
Magenta Return Program Toner Cartridge	C540A1MG	✓	✓	✓
Yellow Return Program Toner Cartridge	C540A1YG	✓	✓	✓
Black High Yield Return Program Toner Cartridge	C540H1KG	✓	✓	✓
Cyan High Yield Return Program Toner Cartridge	C540H1CG	✓	✓	✓
Magenta High Yield Return Program Toner Cartridge	C540H1MG	✓	✓	✓
Yellow High Yield Return Program Toner Cartridge	C540H1YG	✓	✓	✓
Black High Yield Toner Cartridge	C540H2KG	✓	✓	✓
Cyan High Yield Toner Cartridge	C540H2CG	✓	✓	✓
Magenta High Yield Toner Cartridge	C540H2MG	✓	✓	✓
Yellow High Yield Toner Cartridge	C540H2YG	✓	✓	✓

Part name	Part number	C540 and C543	C544	C546
Black Extra High Yield Return Program Toner Cartridge	C544X1KG	X	✓	X
Cyan Extra High Yield Return Program Toner Cartridge	C544X1CG	X	✓	✓
Magenta Extra High Yield Return Program Toner Cartridge	C544X1MG	X	✓	✓
Yellow Extra High Yield Return Program Toner Cartridge	C544X1YG	X	✓	✓
Black Extra High Yield Toner Cartridge	C544X2KG	X	✓	X
Cyan Extra High Yield Toner Cartridge	C544X2CG	X	✓	✓
Magenta Extra High Yield Toner Cartridge	C544X2MG	X	✓	✓
Yellow Extra High Yield Toner Cartridge	C544X2YG	X	✓	✓
Black Extra High Yield Return Program Toner Cartridge	C546U1KG	X	X	✓
Black Extra High Yield Toner Cartridge	C546U2KG	X	X	✓

Ordering imaging kits

When **Replace black and color imaging kit** or **Replace black imaging kit** appears, order a replacement imaging kit.

Part name	Part number	C540, C543, C544	C546
Black and Color Imaging Kit	C540X74G	✓	✓
Black Imaging Kit	C540X71G	✓	✓
Photoconductor Unit	C540X35G	Not Supported	✓
Black Developer Unit	C540X31G	Not Supported	✓
Cyan Developer Unit	C540X32G	Not Supported	✓
Magenta Developer Unit	C540X33G	Not Supported	✓
Yellow Developer Unit	C540X34G	Not Supported	✓

Ordering a waste toner bottle

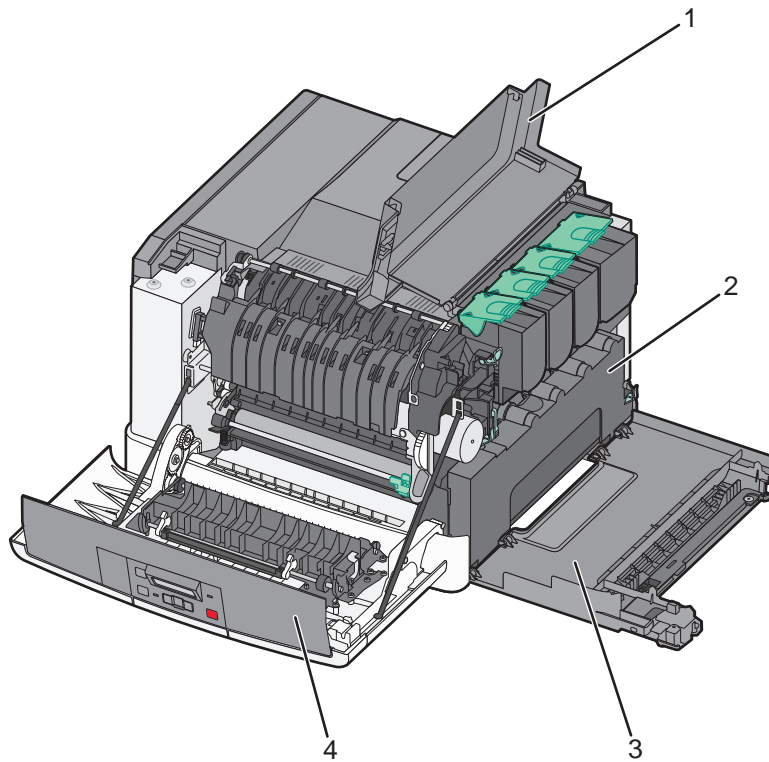
When **82 Replace Waste Toner** appears, order a replacement waste toner box. The waste toner box *must* be replaced when **82 Replace Waste Toner** appears.

Part name	Part number
Waste toner bottle	C540X75G

Replacing supplies

Replacing the waste toner box

Replace the waste toner box when **82 Replace waste toner** appears. The printer will not continue printing until the waste toner box is replaced.

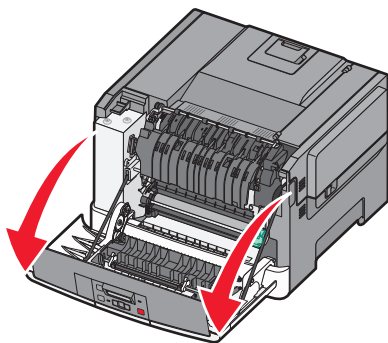


1	Top door
2	Waste toner box
3	Right side cover
4	Front door

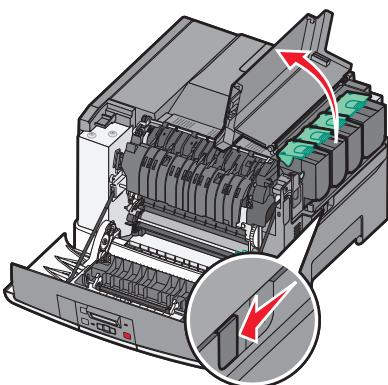
- 1 Unpack the replacement waste toner box.
- 2 Grasp the front door at the sides, and then pull it toward you.



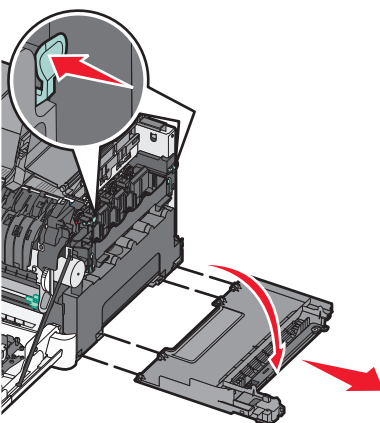
CAUTION—HOT SURFACE: The inside of the printer might be hot. To reduce the risk of injury from a hot component, allow the surface to cool before touching.



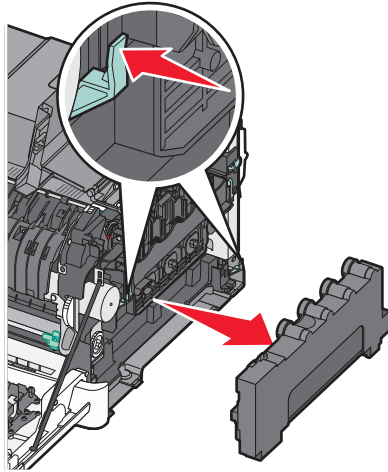
3 Open the top door by sliding the button forward.



4 Remove the right side cover.

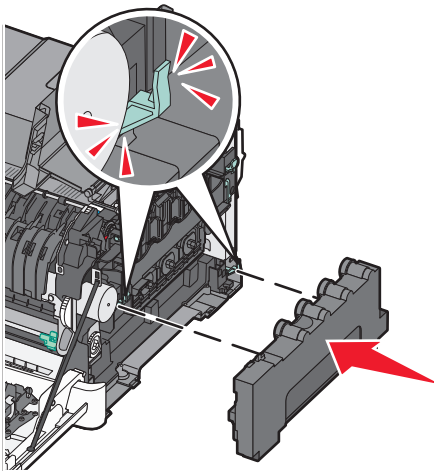


- 5** Press the green levers on each side of the waste toner box, and then remove it.

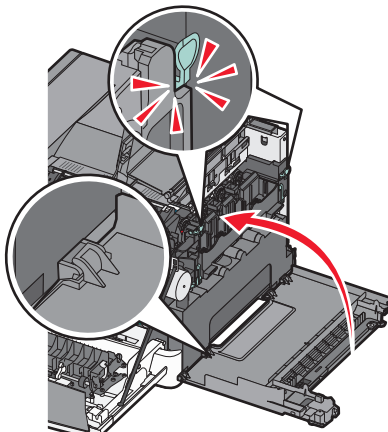


- 6** Place the waste toner box in the enclosed packaging.
For more information, see “Recycling Lexmark products” on page 36.

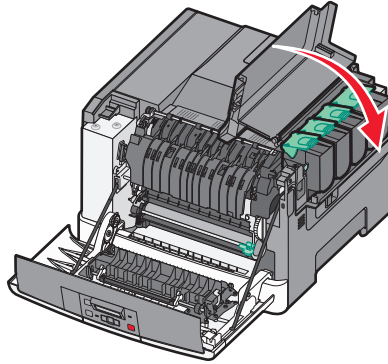
- 7** Insert the new waste toner box.



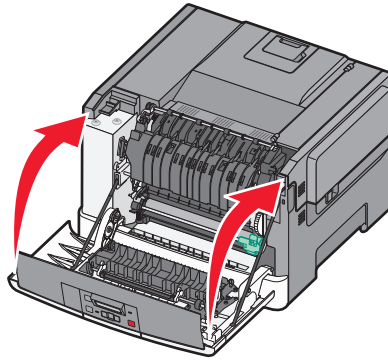
- 8** Replace the right side cover.



9 Close the top door.



10 Close the front door.



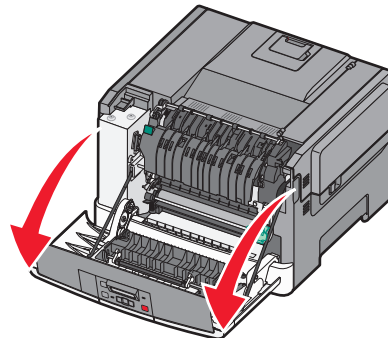
Replacing a black and color imaging kit

Replace the black and color imaging kit when **31.yy Defective Imaging Kit** appears.

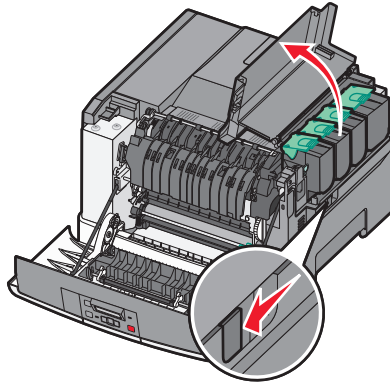
1 Grasp the front door at the sides, and then pull it toward you.



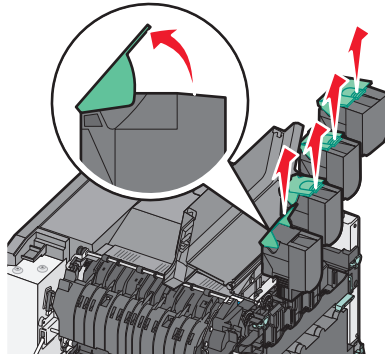
CAUTION—HOT SURFACE: The inside of the printer might be hot. To reduce the risk of injury from a hot component, allow the surface to cool before touching.



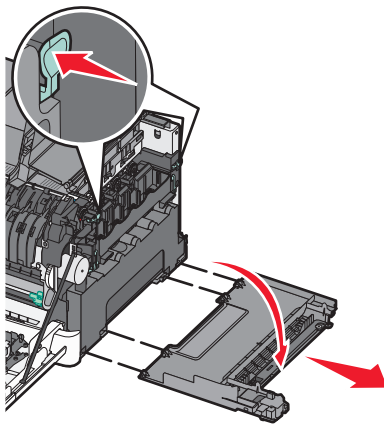
- 2 Open the top door by sliding the button forward.



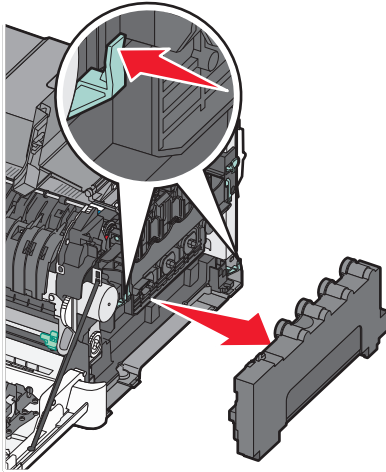
- 3 Remove the toner cartridges by lifting the handles, and then gently pulling them away from the imaging kit.



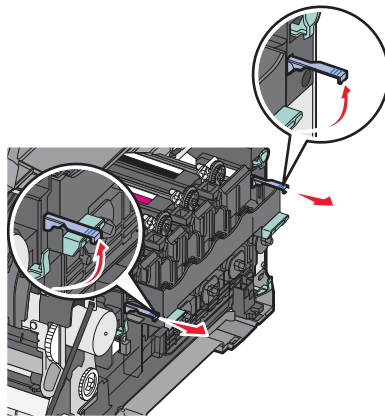
- 4 Remove the right side cover.



- 5 Press the green levers on each side of the waste toner box, and then remove it.

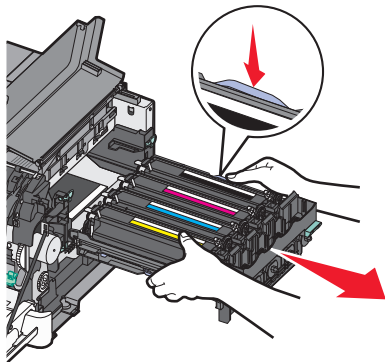


- 6 Lift the blue levers on the imaging kit, and then pull it toward you.

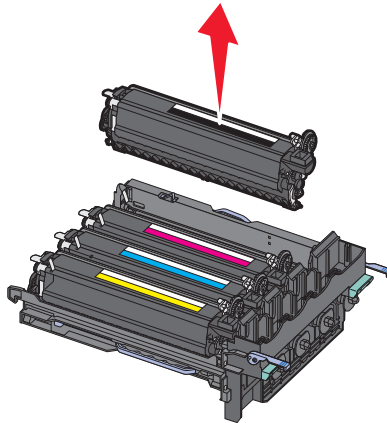


- 7 Press down on the blue levers, grasp the green handles on the sides, and then pull the imaging kit out.

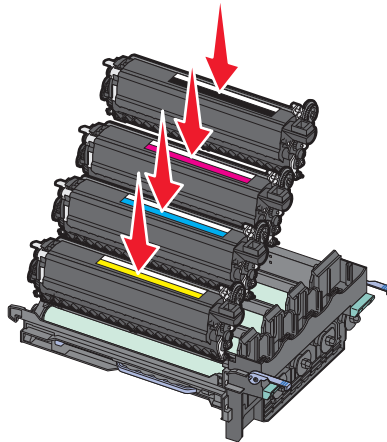
Warning—Potential Damage: Do not touch the underside of the imaging kit. This could damage the imaging kit.



- 8** Remove the yellow, cyan, magenta, and black developer units.



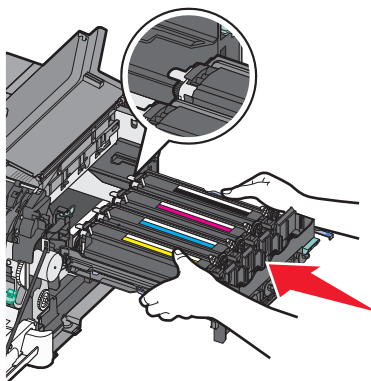
- 9** Unpack the replacement black and color imaging kit, and leave the packaging on the developer units.
- 10** Gently shake the yellow, cyan, magenta, and black developer units side to side.
- 11** Remove the packaging from the developer units.
- 12** Insert the yellow, cyan, magenta, and black developer units.



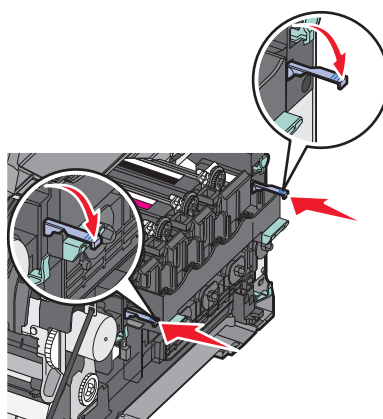
Note: Make sure each developer unit is inserted into a matching color slot.

- 13** Place the used black and color imaging kit in the enclosed package.
For more information, see “Recycling Lexmark products” on page 36.

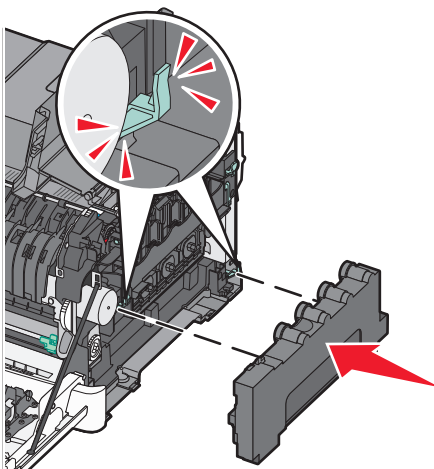
14 Align and insert the imaging kit.



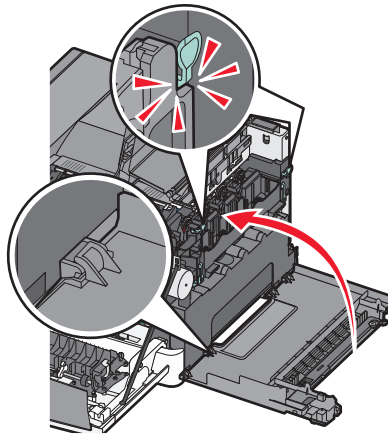
15 Gently, but firmly push the blue levers down until the imaging kit drops into place.



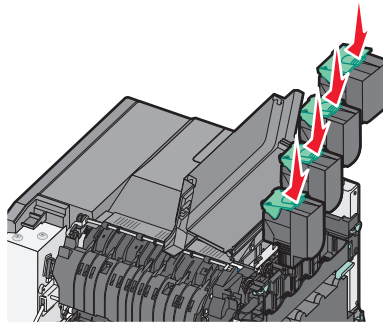
16 Replace the waste toner box.



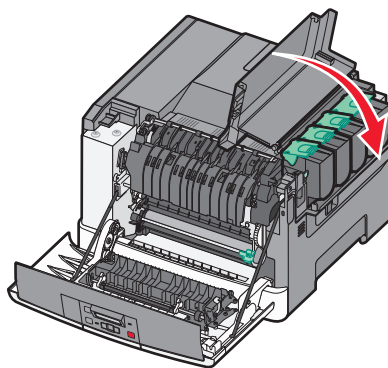
17 Replace the right side cover.



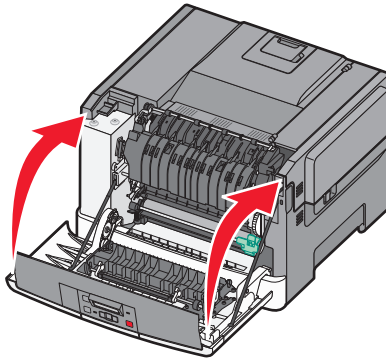
18 Replace the toner cartridges.



19 Close the top door.



- 20** Close the front door.



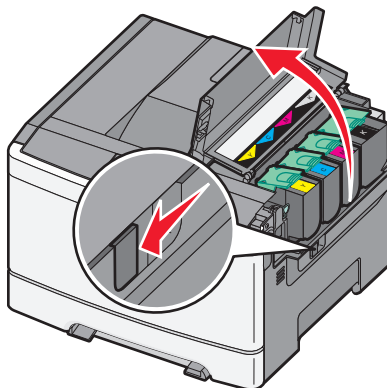
Replacing a toner cartridge

Replace the specified toner cartridge (yellow, cyan, magenta, or black) when **88 Replace <color> Cartridge** appears. The printer will not continue printing until the specified cartridge is replaced.

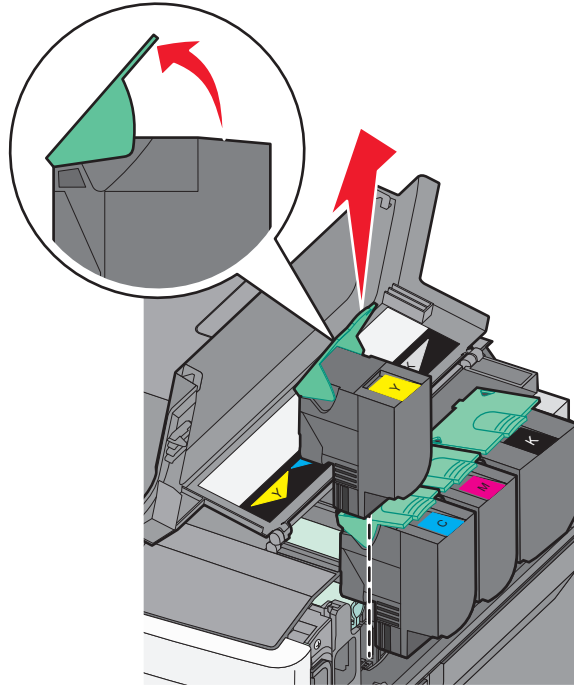
Warning—Potential Damage: Damage caused by use of a non-Lexmark toner cartridge is not covered under warranty.

Note: Degraded print quality may result from using non-Lexmark toner cartridges.

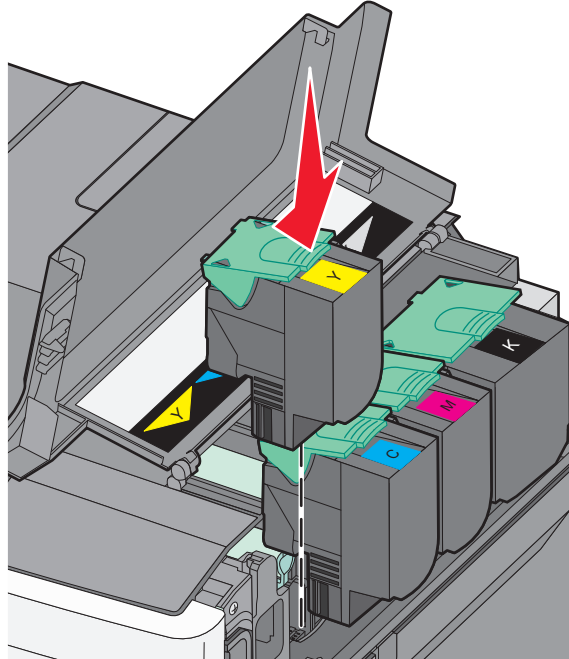
- 1** Make sure the printer is on and **Ready** or **88 Replace <color> Cartridge** appears.
- 2** Unpack the new cartridge, and then set it near the printer.
- 3** Open the top door by sliding the button forward.



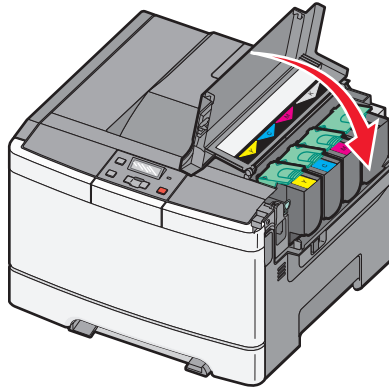
- 4 Remove the toner cartridge by lifting the handle, and then gently pulling it away from the imaging kit.



- 5 Align the new toner cartridge, and then press down until it clicks into place.



- 6 Close the top door.




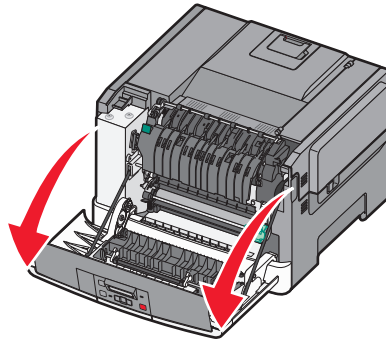
Replacing a developer unit

Replace a developer unit when a print quality defect occurs.

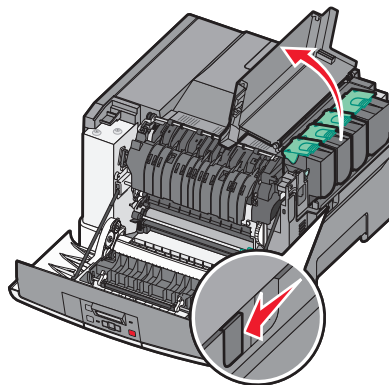
Note: When a developer unit is replaced, you must manually calibrate the color. For more information, see “Color misregistration” on page 148.

- 1 Grasp the front door at the sides, and then pull it toward you.

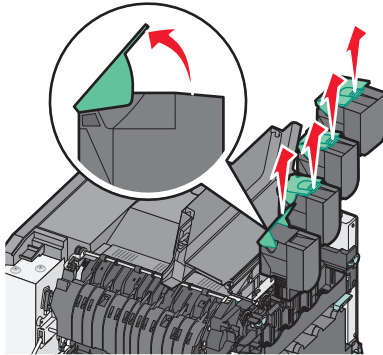
 **CAUTION—HOT SURFACE:** The inside of the printer might be hot. To reduce the risk of injury from a hot component, allow the surface to cool before touching.



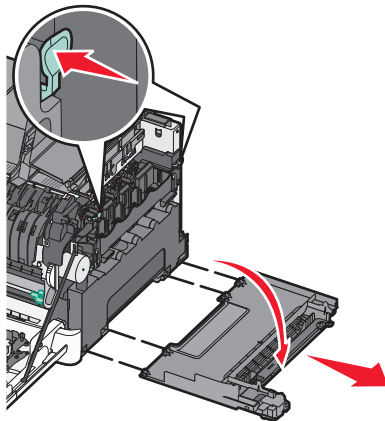
- 2 Open the top door by sliding the button forward.



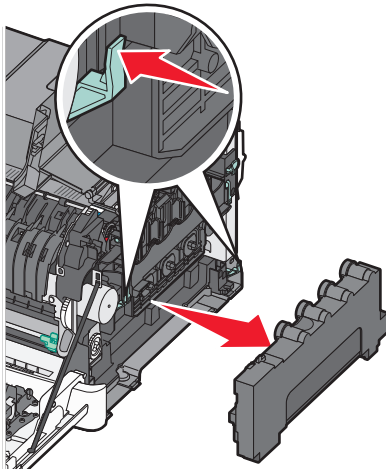
- 3 Remove the toner cartridges by lifting the handles and then gently pulling them away from the imaging kit.



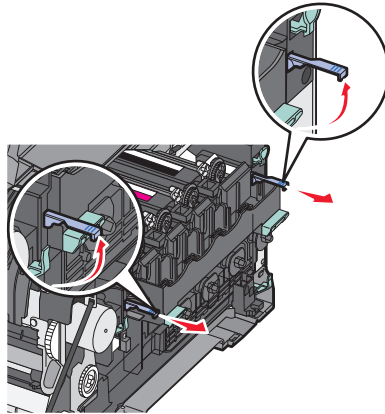
- 4 Remove the right side cover.



- 5 Press the green levers on each side of the waste toner bottle, and then remove it.

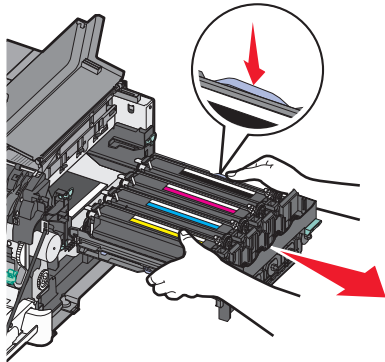


- 6 Lift the blue levers on the imaging kit, and then pull it toward you.

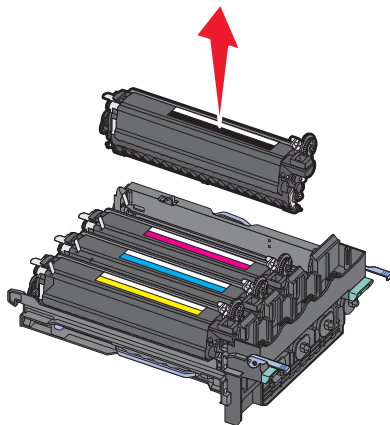


- 7 Press down on the blue levers, grasp the handles on the sides, and then pull the imaging kit out.

Warning—Potential Damage: Do not touch the underside of the imaging kit. This could damage the imaging kit.



- 8 Remove the used developer unit.

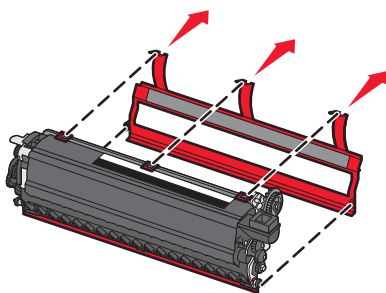


- 9 Place the used developer unit in the enclosed package.

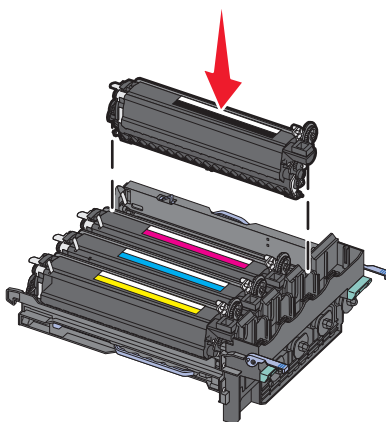
For more information, see “Recycling Lexmark products” on page 36.

- 10 Unpack the replacement developer unit, and leave the packaging on.
- 11 Gently shake the developer unit from side to side.

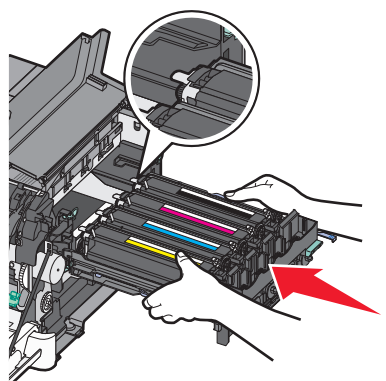
12 Remove the red shipping cover from the developer unit.



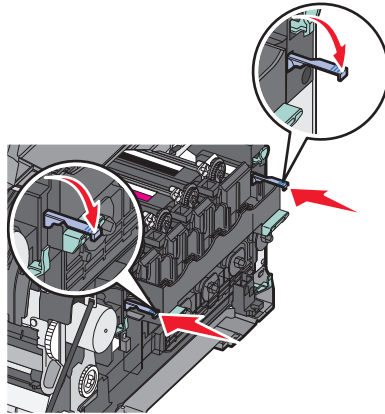
13 Insert the developer unit.



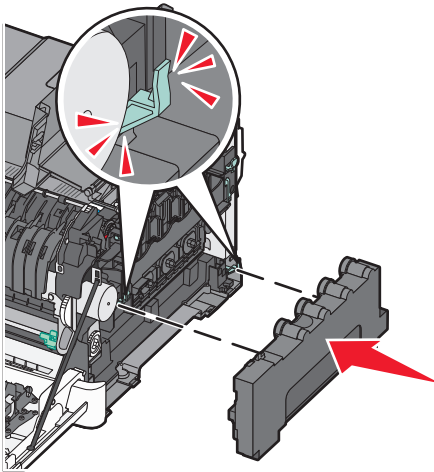
14 Align and insert the imaging kit.



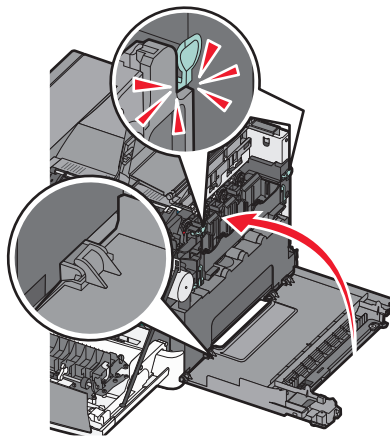
15 Gently, but firmly push the blue levers down until the imaging kit drops into place.



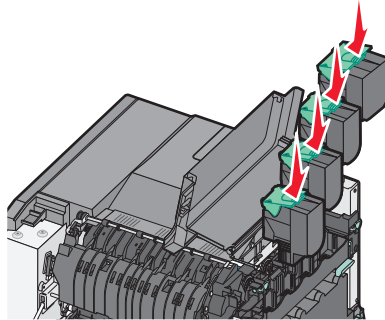
16 Replace the waste toner box.



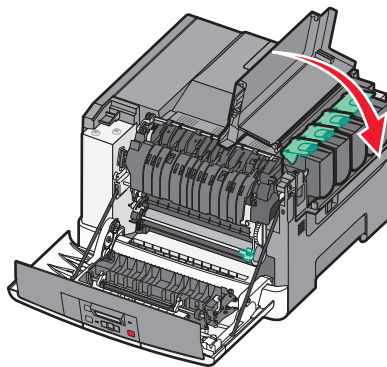
17 Replace the right side cover.



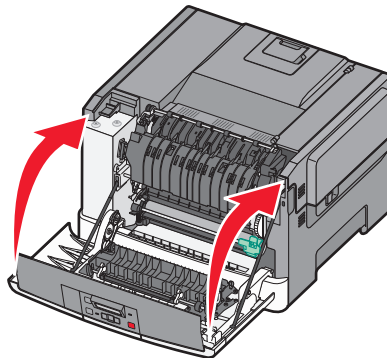
18 Replace the toner cartridges.



19 Close the top door.




20 Close the front door.



Cleaning the exterior of the printer

1 Make sure that the printer is turned off and unplugged from the wall outlet.

 **CAUTION—SHOCK HAZARD:** To avoid the risk of electric shock when cleaning the exterior of the printer, unplug the power cord from the wall outlet and disconnect all cables from the printer before proceeding.

2 Remove paper from the standard exit tray.

3 Dampen a clean, lint-free cloth with water.

Warning—Potential Damage: Do not use household cleaners or detergents, as they may damage the finish of the printer.

4 Wipe only the outside of the printer, making sure to include the standard exit tray.

Warning—Potential Damage: Using a damp cloth to clean the interior may cause damage to your printer.

5 Make sure the standard exit tray is dry before beginning a new print job.

Moving the printer

Before moving the printer



CAUTION—POTENTIAL INJURY: The printer weight is greater than 18 kg (40 lb) and requires two or more trained personnel to lift it safely.



CAUTION—POTENTIAL INJURY: Before moving the printer, follow these guidelines to avoid personal injury or printer damage:

- Turn the printer off using the power switch, and then unplug the power cord from the electrical outlet.
- Disconnect all cords and cables from the printer before moving it.
- Lift the printer off the optional tray, and then set it aside instead of trying to lift the tray and printer at the same time.

Note: Use the handholds located on both sides of the printer to lift it.

Warning—Potential Damage: Damage to the printer caused by improper moving is not covered by the printer warranty.

Moving the printer to another location

The printer and options can be safely moved to another location by following these precautions:

- Any cart used to move the printer must have a surface able to support the full footprint of the printer. Any cart used to move the options must have a surface able to support the dimensions of the options.
- Keep the printer in an upright position.
- Avoid severe jarring movements.

Shipping the printer








When shipping the printer, use the original packaging or call the place of purchase for a relocation kit.

Administrative support

Restoring the factory default settings

Menu settings marked with an asterisk (*) indicate the active settings. You can restore the original printer settings, often referred to as the *factory default settings*. If you want to retain a list of the current menu settings for reference, then print a menu settings page before you restore the factory default settings.

Warning—Potential Damage: Restoring factory default settings returns most printer settings to the original factory default setting. All downloaded resources in the printer memory are deleted. This includes fonts, macros, and symbol sets.

- 1 Make sure the printer is on and **Ready** appears.
- 2 From the printer control panel, press .
- 3 Press the arrow buttons until **Settings** appears, and then press .
- 4 Press the arrow buttons until **General Settings** appears, and then press .
- 5 Press the arrow buttons until **Factory Defaults** appears, and then press .
- 6 Press the arrow buttons until **Restore Now** appears, and then press .
Submitting changes appears briefly.
- 7 Press , and then press  until **Ready** appears.

Using the Embedded Web Server

If the printer is installed on a network, the Embedded Web Server is available for a range of functions:

- Configuring printer settings
- Checking the status of the printer supplies
- Configuring network settings
- Viewing reports
- Restoring the factory default settings
- Viewing the virtual display
- Setting Web page password protect
- Setting Panel PIN protect
- Setting the date and time

To access the Embedded Web Server:

- 1 Type the printer IP address into the address field of your Web browser.

Note: If you do not know the IP address of the printer, then print a network setup page and locate the IP address in the TCP/IP section.

- 2 Click one of the tabs to access information about the printer, change settings, or view a report.

Note: If the printer is connected to a computer by a USB or parallel cable, then open the Local Printer Settings Utility for Windows or Printer Settings for Macintosh to access printer menus.

Setting up e-mail alerts

You can have the printer send you an e-mail when the supplies are getting low or when the paper needs to be changed, added, or unjammed.

To set up e-mail alerts:

- 1 Type the printer IP address into the address field of your Web browser.
Note: If you do not know the IP address of the printer, then print a network setup page and locate the IP address in the TCP/IP section.
- 2 Click **Settings**.
- 3 Under Other Settings, click **E-mail Alert Setup**.
- 4 Select the items for notification and type in the e-mail addresses that you want to receive e-mail alerts.
- 5 Click **Submit**.

Note: See your system support person to set up the e-mail server.

Configuring supply notifications

You can determine how you would like to be notified when supplies run low or reach their end-of-life.

To configure supply notifications using the Embedded Web Server:

- 1 Type the printer IP address into the address field of your Web browser.
Note: If you do not know the IP address of the printer, then print a network setup page and locate the IP address in the TCP/IP section.
- 2 Click **Settings**.
- 3 Click **Print Settings**.
- 4 Click **Supply Notifications**.
- 5 From the drop-down box for each supply, select among the options for notification. Explanations for each option are provided.
- 6 Click **Submit** to save your selections.

Copying printer settings to other printers

Using the Embedded Web Server, you can copy printer settings to up to 15 other network printers. To copy printer settings:

- 1 Type the printer IP address into the address field of your Web browser.
Note: If you do not know the IP address of the printer, then print a network setup page and locate the IP address in the TCP/IP section.
- 2 Click **Copy Printer Settings**.
- 3 To change the language, select a language from the drop-down list, and then click **Click here to submit language**.
- 4 Click **Printer Settings**.

5 Enter the IP addresses of the source and target printers.

Note: To add additional target printers, click the **Add Target IP** button.

6 Click **Copy Printer Settings**.

Clearing jams

Jam error messages appear on the printer control panel display and include the area of the printer where the jam occurred. When there is more than one jam, the number of jammed pages is displayed.

Avoiding jams

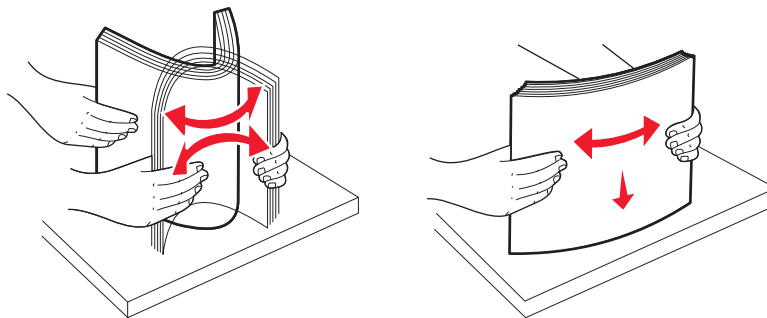
The following hints can help you avoid jams:

Paper tray recommendations

- Make sure the paper lies flat in the tray.
- Do not remove a tray while the printer is printing.
- Do not load a tray while the printer is printing. Load it prior to printing, or wait for a prompt to load it.
- Do not load too much paper. Make sure the stack height does not exceed the indicated maximum height.
- Make sure the guides in the tray or the multipurpose feeder are properly positioned and are not pressing too tightly against the paper or envelopes.
- Push the tray in firmly after loading paper.

Paper recommendations

- Use only recommended paper or specialty media.
- Do not load wrinkled, creased, damp, bent, or curled paper.
- Flex, fan, and straighten paper before loading it.



- Do not use paper that has been cut or trimmed by hand.
- Do not mix paper sizes, weights, or types in the same stack.
- Make sure all sizes and types are set correctly in the printer control panel menus.
- Store paper per the manufacturer's recommendations.

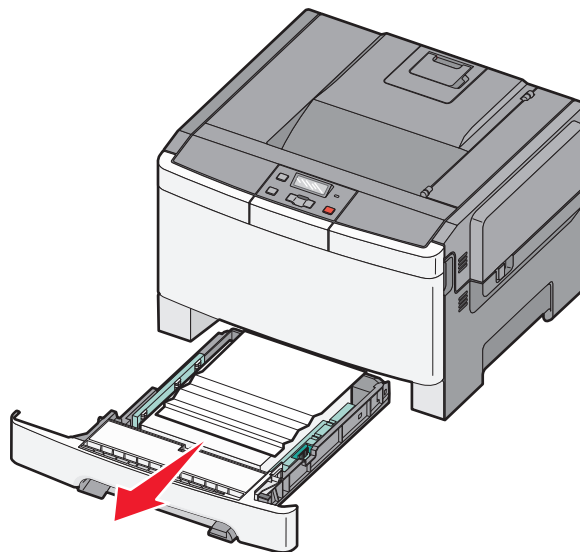
Understanding jam numbers and locations

When a jam occurs, a message indicating the jam location appears. Open doors and covers, and remove trays to access jam locations.

Jam number	Access point	To access the jam
200	250-sheet tray (Tray 1) and manual feeder	<ol style="list-style-type: none"> 1 Open the front door, and then remove any jams. 2 Open the fuser cover, and then remove any jams. 3 Close the fuser cover. 4 Close the front door. 5 Pull out Tray 1, and then remove any jams. 6 Reinsert Tray 1.
201	Under the fuser	
202	In the fuser	
230–231 and 235	In the duplex area	
24x	550-sheet tray	<ol style="list-style-type: none"> 1 Pull the 550-sheet tray out, and then remove any jams. 2 Reinsert the tray.
250	In the multipurpose feeder	<ol style="list-style-type: none"> 1 Press the release latch to the left to release the multipurpose feeder. 2 Inspect the multipurpose feeder, and then remove any jams. 3 Close the multipurpose feeder. <p>Note: You may need to open the 650-sheet duo tray to remove jammed pages behind the multipurpose feeder.</p>

200–202 and 230 paper jams


- 1 If the jam is in the paper tray:
 - a Grasp the handle, and pull the standard 250-sheet tray (Tray 1) and manual feeder out.



- b Remove the jam.


Note: Make sure all paper fragments are removed.

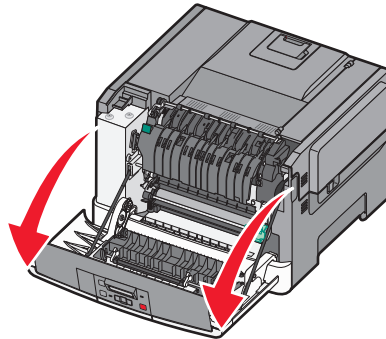
c Insert the tray.

d Press .

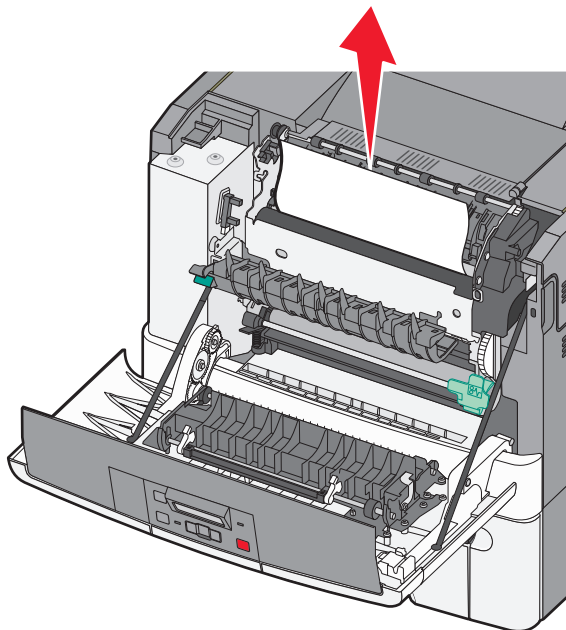
2 If the jam is inside the printer:

a Grasp the front door at the side handholds, and then pull it toward you to open it.

 **CAUTION—HOT SURFACE:** The inside of the printer might be hot. To reduce the risk of injury from a hot component, allow the surface to cool before touching.



b If the jam is visible, remove the jammed paper.

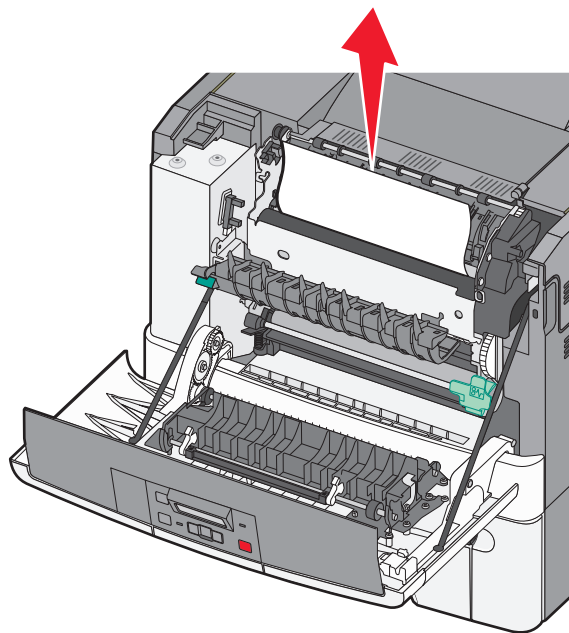
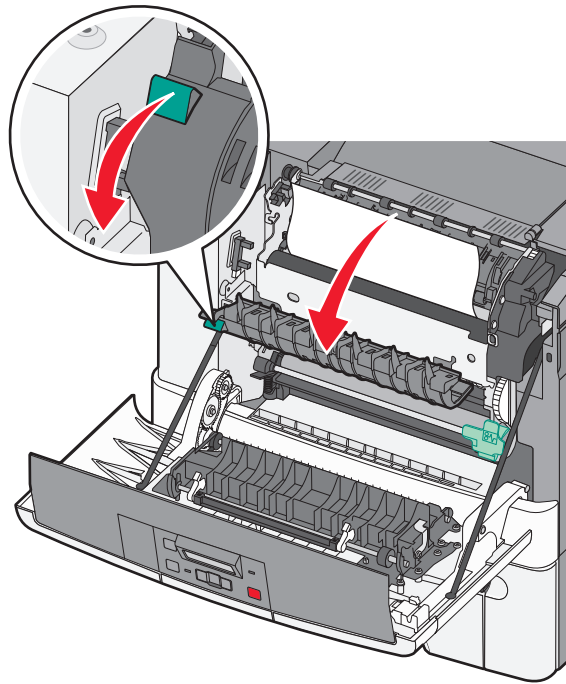


Note: Make sure all paper fragments are removed.

c If the jam is in the fuser area, grasp the green lever, and then pull the fuser cover toward you

d Hold the fuser cover down, and then remove the jammed paper.

The fuser cover closes when released.




Note: Make sure all paper fragments are removed.

e Close the front door.

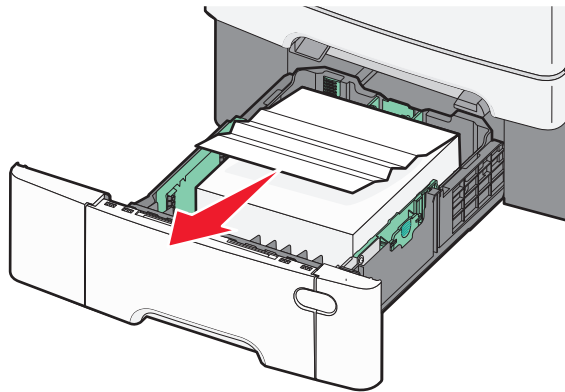
f Press .

231 and 235 paper jams


- 1 Grasp the front door at the side handholds, and then pull it toward you to open it.
- 2 Remove the jam.
- 3 Load the tray with the correct paper size.
- 4 Insert the tray.
- 5 Close the front door.
- 6 Press .

24x paper jam

- 1 Grasp the handle, and pull the optional 550-sheet tray out.

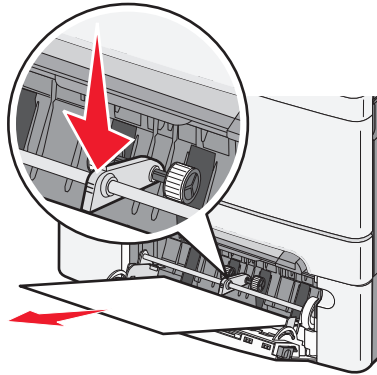


Note: The optional 550-sheet tray is not available on all printer models.

- 2 Remove the jammed paper.
Note: Make sure all paper fragments are removed.
- 3 Insert the tray.
- 4 Press .

250 paper jam

- 1 Push the lever in the multipurpose feeder down to access the jammed paper.



- 2 Remove the jam.

Note: Make sure all paper fragments are removed.

- 3 Insert the tray.

- 4 Press .

Troubleshooting

Understanding printer messages

Calibrating

The printer is adjusting the color. Wait for the message to clear.




Close door

Close the upper and lower doors.

Insert Tray <x>



Insert the specified tray into the printer.

Reload printed pages in Tray <x>

- Press  to clear the message and continue processing the second side of the sheet.
- Press , and then press  to cancel printing.



Load <input src> with <custom type name>

Try one or more of the following:

- Load the specified paper to clear the message and continue printing.
- Press , and then press  to cancel the print job.



Load <input src> with <custom string>

Try one or more of the following:

- Load the specified paper to clear the message and continue printing.
- Press , and then press  to cancel printing.



Load <input src> with <size>

Try one or more of the following:

- Load the paper tray or other source with the correct paper type and size.
- Press , and then press  to cancel the print job.





Load <input src> with <type> <size>

Try one or more of the following:

- Load the paper tray or other source with the correct paper type and size.
- Press , and then press  to cancel the print job.




Load single sheet feeder with <custom type name>

Try one or more of the following:

- Load the manual feeder with the correct paper type and size.
If there is no paper in the feeder, load a sheet, and then press  to clear the message and continue printing.
- Press  to clear the message and continue printing.
The printer manually overrides the request, and then prints from an automatically selected tray.
- Press , and then press  to cancel the print job.





Load single sheet feeder with <custom string>

Try one or more of the following:

- Load the manual feeder with the correct paper type and size.
If there is no paper in the feeder, load a sheet, and then press  to clear the message and continue printing.
- Select the paper type and size to manually override the request.
- Press , and then press  to cancel the print job.





Load single sheet feeder with <size>

Try one or more of the following:

- Load the manual feeder with the correct paper type and size.
If there is no paper in the feeder, load a sheet of paper, and then press  to clear the message and continue printing.
- Select the paper type and size to manually override the request.
- Press  to clear the message and continue printing.
The printer manually overrides the request, and then prints from an automatically selected tray.
- Press , and then press  to cancel the print job.

Load single sheet feeder with <type> <size>

Try one or more of the following:

- Load the manual feeder with the correct paper type and size.
If there is no paper in the feeder, load a sheet, and then select  to clear the message and continue printing.
- Press  to clear the message and continue printing.
The printer manually overrides the request, and then prints from an automatically selected tray.
- Press , and then press  to cancel the print job.

Remove paper from standard output bin

Remove the stack of paper from the standard exit bin.

Remove packaging material

Check for and remove any packaging materials from the toner cartridges.

Unsupported USB device, please remove

Remove the unrecognized USB device.

Unsupported USB hub, please remove

Remove the unrecognized USB hub.

Unplug and change mode

Make sure that the camera is in a valid mode for PictBridge

30 <color> Toner Cart Missing

Insert the missing toner cartridge to clear the message and continue printing. If the message appears again, remove the cartridge, and then insert it until it *clicks* into place.

31.yy Defective <color> Cartridge

Try one or more of the following:

- Open and close the top cover.
- Remove the specified toner cartridge, and then insert it until it *clicks* into place.
- Turn the printer off, wait ten seconds, and then turn the printer on.
- Replace the specified toner cartridge with a new one.

31.yy Defective Imaging Kit

Try one or more of the following:

- Open and close the top cover.
- Remove the imaging kit, and then insert it until it *clicks* into place.
- Turn the printer off, wait ten seconds, and then turn the printer on.
- Replace the defective imaging kit with a new one.

31.yy Replace black and color imaging kit

Replace the black and color imaging kit.

32.yy Replace Unsupported <color> Cartridge

Replace the unsupported toner cartridge with a supported one.

34 Short paper

The paper in the selected tray is too short for the current print job.

Try one or more of the following:

- Load the appropriate paper in the tray.
- Press the arrow buttons until **Continue** appears, and then press to clear the message and continue printing.
- Check tray length and width guides and make sure the paper is properly loaded in the tray.
- For Windows users, check the Print Properties settings to make sure the print job is requesting the correct paper size and type.
For Macintosh users, check the Print dialog settings to make sure the print job is requesting the correct paper size and type.
- Check that the paper size is correctly set. For example, if the MP Feeder Size is set to Universal, make sure the paper is large enough for the data being printed.
- Cancel the current print job.

35 Insufficient memory to support Resource Save feature

The printer lacks sufficient memory to save settings. Install additional memory, or press to disable Resource Save, clear the message, and continue printing.

37 Insufficient memory to collate job

Try one or more of the following:

- Press the arrow buttons until **Continue** appears, and then press to print the portion of the job already stored and begin collating the rest of the print job.
- Cancel the current print job.

37 Insufficient memory for Flash Memory Defragment operation

Try one or more of the following:

- Press the arrow buttons until **Continue** appears, and then press to stop the defragment operation and continue printing.
- Delete fonts, macros, and other data in printer memory.
- Install additional printer memory.

38 Memory full

Try one or more of the following:

- Press the arrow buttons until **Continue** appears, and then press to clear the message.
- Cancel the current print job.

- Install additional printer memory.

39 Complex page, some data may not have printed

Try one or more of the following:

- Press the arrow buttons until **Continue** appears, and then press to clear the message and continue printing.
- Cancel the current print job.
- Install additional printer memory.

51 Defective flash detected

Try one or more of the following:

- Replace the defective flash memory card.
- Press the arrow buttons until **Continue** appears, and then press to clear the message and continue printing.

52 Not enough free space in flash memory for resources

Try one or more of the following:

- Press to clear the message and continue printing.
- Delete fonts, macros, and other data stored in flash memory.
- Upgrade to a larger capacity flash memory.
- Press (with a red X), and then press to cancel printing.

53 Unformatted flash detected

Try one or more of the following:

- Press the arrow buttons until **Continue** appears, and then press to continue printing.
- Format the flash memory. If the error message remains, the flash memory may be defective and require replacing.

54 Standard network software error

The printer detects unformatted flash memory when the power is turned on.

Try one or more of the following:

- Press to clear the message and continue printing.
- Turn the power off and then back on to reset the printer.
- Upgrade (flash) the network firmware in the printer or print server.
- Format the flash memory. If the error message remains, the flash memory may be defective and require replacing.

54 Standard <x> software error

The printer detects that a network port is installed, but cannot communicate with it. The printer disables all communication to the associated network interface.

Try one or more of the following:

- Press to clear the message and continue printing.
- Turn the power off and then back on to reset the printer.
- Upgrade (flash) the network firmware in the printer or print server.

56 Standard USB port disabled

Try one or more of the following:

- The printer discards any data received through the USB port. Press to clear the message and continue printing.
- Make sure the USB Buffer menu item is not set to Disabled.

58 Too many flash options installed

Try one or more of the following:

- Turn the printer off, and then remove extra flash options:
 - 1 Turn the printer off.
 - 2 Unplug the power cord from the wall outlet.
 - 3 Remove the excess flash memory.
 - 4 Connect the power cord to a properly grounded outlet.
 - 5 Turn the printer back on.
- Press to clear the message and continue printing.

58 Too many trays attached

- 1 Turn the printer off.
- 2 Unplug the power cord from the wall outlet.

Note: Optional trays lock together when stacked. Remove stacked trays one at a time from the top down.
- 3 Remove the additional tray(s).
- 4 Connect the power cord to a properly grounded outlet.
- 5 Turn the printer back on.

59 Incompatible tray <x>

Only options designed specifically for this printer are supported.

Try one or more of the following:

- Remove the specified tray.
- Press the arrow buttons until **Continue** appears, and then press to clear the message and continue printing without using the specified tray.

82 Replace waste toner box

Replace the waste toner bottle, and then press to clear the message.

82 Waste toner box missing

Replace the waste toner bottle, and then press to clear the message.

82 Waste toner box nearly full

Press to clear the message.

88 Cartridge is low

Press to clear the message.

88 Replace <color> cartridge

The specified toner cartridge is exhausted.

- 1 Replace the specified toner cartridge.
- 2 Touch **Continue** to clear the message and continue printing.

Solving basic printer problems

If there are basic printer problems, or the printer is unresponsive, make sure:

- The power cord is plugged into the printer and a properly grounded electrical outlet.
- The electrical outlet is not turned off by any switch or breaker.
- The printer is not plugged into any surge protectors, uninterrupted power supplies, or extension cords.
- Other electronic equipment plugged into the outlet is working.
- The printer is turned on. Check the printer power switch.
- The printer cable is securely attached to the printer and the host computer, print server, option, or other network device.
- All options are properly installed.
- The printer driver settings are correct.

Once you have checked each of these possibilities, turn the printer off, wait for about 10 seconds, and then turn the printer back on. This often fixes the problem.

Solving printing problems

Printer control panel display is blank or displays only diamonds

The printer self test failed. Turn the printer off, wait about 10 seconds, and then turn the printer back on.

If **Ready** does not appear, turn the printer off and contact Customer Support.

Error message about reading USB drive appears

Make sure the USB drive is supported.

Jobs do not print

These are possible solutions. Try one or more of the following:

MAKE SURE THE PRINTER IS READY TO PRINT

Make sure **Ready** or **Power Saver** appears on the display before sending a job to print.

CHECK TO SEE IF THE STANDARD EXIT BIN IS FULL

Remove the stack of paper from the standard exit bin.

CHECK TO SEE IF THE PAPER TRAY IS EMPTY

Load paper in the tray.

MAKE SURE THE CORRECT PRINTER SOFTWARE IS INSTALLED

- Verify that you are using the correct printer software.
- If you are using a USB port, make sure you are running a supported operating system and using compatible printer software.

MAKE SURE THE INTERNAL PRINT SERVER IS INSTALLED PROPERLY AND WORKING

- Make sure the internal print server is properly installed and that the printer is connected to the network.
- Print a network setup page and check that the status shows **Connected**. If the status is **Not Connected**, check the network cables, and then try printing the network setup page again. Contact your system support person to make sure the network is functioning correctly.

Copies of the printer software are also available on the Lexmark Web site at <http://support.lexmark.com>.

MAKE SURE YOU ARE USING A RECOMMENDED USB, SERIAL, OR ETHERNET CABLE

For more information, visit the Lexmark Web site at <http://support.lexmark.com>.

MAKE SURE PRINTER CABLES ARE SECURELY CONNECTED

Check the cable connections to the printer and print server to make sure they are secure.

For more information, see the setup documentation that came with the printer.







Job takes longer than expected to print

These are possible solutions. Try one or more of the following:

REDUCE THE COMPLEXITY OF THE PRINT JOB

Eliminate the number and size of fonts, the number and complexity of images, and the number of pages in the job.

CHANGE THE PAGE PROTECT SETTING TO OFF

- 1 From the printer control panel, press .
- 2 Press the arrow buttons until **Settings** appears, and then press .
- 3 Press the arrow buttons until **Setup Menu** appears, and then press .
- 4 Press the arrow buttons until **Print Recovery** appears, and then press .
- 5 Press the arrow buttons until **Page Protect** appears, and then press .
- 6 Press the arrow buttons until **Off** appears, and then press .

Job prints from the wrong tray or on the wrong paper

CHECK THE PAPER TYPE SETTING

Make sure the paper type setting matches the paper loaded in the tray:

- 1 From the printer control panel Paper menu, check the Paper Type setting.
- 2 Before sending the job to print, specify the correct type setting:
 - For Windows users, specify the type from Print Properties.
 - For Macintosh users, specify the type from the Print dialog.

Incorrect characters print

MAKE SURE THE PRINTER IS NOT IN HEX TRACE MODE

If **Ready Hex** appears on the display, then you must exit Hex Trace mode before you can print your job. Turn the printer off and back on to exit Hex Trace mode.

Tray linking does not work

These are possible solutions. Try one or more of the following:

LOAD THE SAME SIZE AND TYPE OF PAPER

- Load the same size and type of paper in each tray to be linked.
- Move the paper guides to the correct positions for the paper size loaded in each tray.

USE THE SAME PAPER SIZE AND PAPER TYPE SETTINGS

- Print a menu settings page and compare the settings for each tray.
- If necessary, adjust the settings from the Paper Size/Type menu.

Note: The multipurpose feeder does not automatically sense the paper size. You must set the size from the Paper Size/Type menu.

Large jobs do not collate

These are possible solutions. Try one or more of the following:

MAKE SURE COLLATE IS SET TO ON

From the Finishing menu or Print Properties, set Collate to On.

Note: Setting Collate to Off in the software overrides the setting in the Finishing menu.

REDUCE THE COMPLEXITY OF THE PRINT JOB







Reduce the complexity of the print job by eliminating the number and size of fonts, the number and complexity of images, and the number of pages in the job.

MAKE SURE THE PRINTER HAS ENOUGH MEMORY

Add printer memory or an optional hard disk.

Unexpected page breaks occur

Increase the Print Timeout value:

- 1 From the printer control panel, press .
- 2 Press the arrow buttons until **Settings** appears, and then press .
- 3 Press the arrow buttons until **General Settings** appears, and then press .
- 4 Press the arrow buttons until **Timeouts** appears, and then press .
- 5 Press the arrow buttons until **Print Timeout** appears, and then press .
- 6 Press the arrow buttons until the desired value appears, and then press .

Solving option problems

Settings chosen from the software program or application can change or override settings chosen from the printer control panel. If an option is not functioning, then make sure it is selected in the software as well as the printer control panel.

Option does not operate correctly or quits after it is installed

These are possible solutions. Try one or more of the following:

RESET THE PRINTER

Turn the printer off, wait for about 10 seconds, and then turn the printer on.

CHECK TO SEE IF THE OPTION IS CONNECTED TO THE PRINTER

- 1 Turn the printer off.
- 2 Unplug the printer from the wall outlet.
- 3 Check the connection between the option and the printer.

MAKE SURE THE OPTION IS INSTALLED

Print a menu settings page and check to see if the option is listed in the Installed Options list. If the option is not listed, reinstall it.

MAKE SURE THE OPTION IS SELECTED

From the program you are using, select the option. Mac OS 9 users should make sure the printer is set up in the Chooser.

Paper trays

These are possible solutions. Try one or more of the following:

MAKE SURE THE PAPER IS LOADED CORRECTLY

- 1 Open the paper tray.
- 2 Check for paper jams or misfeeds.
- 3 Make sure paper guides are aligned against the edges of the paper.
- 4 Make sure the paper tray closes properly.

RESET THE PRINTER

Turn the printer off, wait about 10 seconds, and then turn the printer on.

MAKE SURE THE PAPER TRAY IS INSTALLED CORRECTLY

If the paper tray is listed on the menu settings page, but paper jams when it enters or exits the tray, then it may not be properly installed. Reinstall the paper tray. For more information, see the hardware setup documentation that came with the paper tray, or go to <http://support.lexmark.com> to view the paper tray instruction sheet.

Memory card

Make sure the memory card is securely connected to the printer system board.

Flash memory card

Make sure the flash memory card is securely connected to the printer system board.

Multipurpose feeder

These are possible solutions. Try one or more of the following:

CHECK THE MULTIPURPOSE FEEDER

Make sure the 650-sheet duo drawer (multipurpose feeder) is installed properly.

CLEAR ANY JAMS

Clear any jams in the multipurpose feeder.

CHECK THE POWER CORD CONNECTION

Make sure:

- The power cord is plugged into the printer and a properly grounded electrical outlet.
- The outlet has power.

CHECK THE PAPER

Use recommended paper and specialty media. For more information, see “Paper and specialty media guidelines” on page 46.

CHECK THE PAPER GUIDES

Move the guides in the tray to the correct position for the size loaded.

CHECK FOR SERVICE MESSAGES

If a service message appears, turn the printer off, wait about 10 seconds, and then turn the printer back on. If the error recurs, then call for service. You may have a printer part that requires adjustment or replacement.

Solving paper feed problems

Paper frequently jams

These are possible solutions. Try one or more of the following:

CHECK THE PAPER

Use recommended paper and specialty media. For more information, see “Paper and specialty media guidelines” on page 46.

MAKE SURE THERE IS NOT TOO MUCH PAPER IN THE PAPER TRAY

Make sure the stack of paper you load does not exceed the maximum stack height indicated in the tray or on the multipurpose feeder.

CHECK THE PAPER GUIDES

Move the guides in the tray to the correct positions for the paper size loaded.

THE PAPER MAY HAVE ABSORBED MOISTURE DUE TO HIGH HUMIDITY

- Load paper from a fresh package.
- Store paper in its original wrapper until you use it.

Paper jam message remains after jam is cleared

- 1 Clear jammed paper from the entire paper path.
- 2 Press to clear the message and continue printing.

Page that jammed does not reprint after you clear the jam




In the Setup menu, Jam Recovery is set to Off. Set Jam Recovery to Auto or On:

- 1 Press .
- 2 Press the arrow buttons until **Settings** appears, and then press .
- 3 Press the arrow buttons until **General settings** appears, and then press .
- 4 Press the arrow buttons until **Print Recovery** appears, and then press .
- 5 Press the arrow buttons until **Jam Recovery** appears, and then press .
- 6 Press the arrow buttons until **On** or **Auto** appears, and then press .

Solving print quality problems

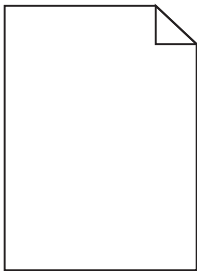
Isolating print quality problems

To help isolate print quality problems, print the print quality test pages:

- 1 Turn the printer off.
- 2 From the printer control panel, press and hold  and the right arrow button while turning the printer on.
- 3 Release both buttons when the clock animation appears.
The printer performs its power-on sequence, and then **Config Menu** appears.
- 4 Press the arrow buttons until **Prt Quality Pgs** appears, and then press .
The pages are formatted, **Printing Quality Test Pages** appears, and then the pages print. The message remains on the display until all the pages print.
- 5 After the print quality test pages print, press the arrow buttons until **Exit Config Menu** appears, and then press .

The information in the following topics may help you solve print quality problems. If these suggestions still do not correct the problem, then call for service. You may have a printer part that requires adjustment or replacement.

Blank pages



These are possible solutions. Try one or more of the following:

PACKING MATERIAL MAY BE ON THE TONER CARTRIDGE

Remove the toner cartridge and make sure the packing material is properly removed. Reinstall the toner cartridge.

THE TONER MAY BE LOW

When **88 Cartridge Low** appears, order a new toner cartridge.

If the problem continues, the printer may need to be serviced. For more information, contact Customer Support.

Clipped images

Try one or more of the following:

CHECK THE GUIDES

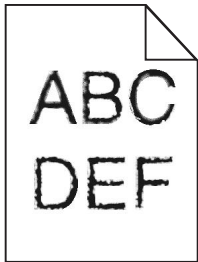
Move the width and length guides in the tray to the correct positions for the paper size loaded.

CHECK THE PAPER SIZE SETTING

Make sure the paper size setting matches the paper loaded in the tray:

- 1 From the printer control panel Paper menu, check the Paper Size setting.
- 2 Before sending the job to print, specify the correct size setting:
 - For Windows users, specify the size from Print Properties.
 - For Macintosh users, specify the size from the Page Setup dialog.

Characters have jagged or uneven edges



These are possible solutions. Try one or more of the following:

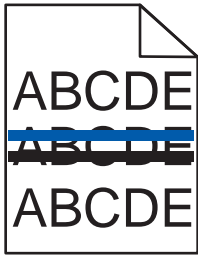
CHECK THE PRINT QUALITY SETTINGS

- Change the Print Resolution setting in the Quality menu to 600 dpi, 1200 Image Q, 1200 dpi, or 2400 Image Q.
- Enable Enhance Fine Lines in the Quality menu.

MAKE SURE DOWNLOADED FONTS ARE SUPPORTED

If you are using downloaded fonts, then verify that the fonts are supported by the printer, the host computer, and the software program.

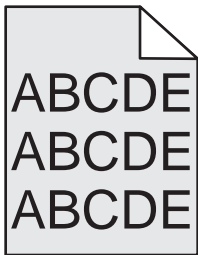
Dark lines



The imaging kit may be defective.

If **Black and color imaging kit life warning** or **Black imaging kit life warning** appears, replace the imaging kit.

Gray background

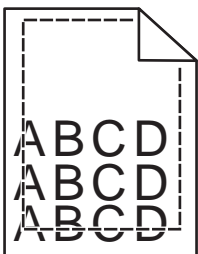


CHECK THE TONER DARKNESS SETTING

Select a lighter Toner Darkness setting:

- From the printer control panel Quality menu, change the setting.
- For Windows users, change the setting from Print Properties.
- For Macintosh users, change the setting from the Print dialog.

Incorrect margins



These are possible solutions. Try one or more of the following:

CHECK THE PAPER GUIDES

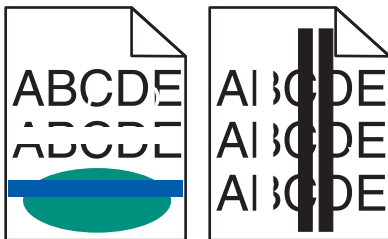
Move the guides in the tray to the correct positions for the paper size loaded.

CHECK THE PAPER SIZE SETTING

Make sure the paper size setting matches the paper loaded in the tray:

- 1 From the printer control panel Paper menu, check the Paper Size setting.
- 2 Before sending the job to print, specify the correct size setting:
 - For Windows users, specify the size from Print Properties.
 - For Macintosh users, specify the size from the Page Setup dialog.

Light colored line, white line, or incorrectly colored line



These are possible solutions. Try one or more of the following:

A TONER CARTRIDGE MAY BE DEFECTIVE

Replace the defective toner cartridge.

THE IMAGING KIT MAY BE DEFECTIVE

Replace the imaging kit.

Note: The printer has two types of imaging kits: a black and color imaging kit, and a black imaging kit. The black and color imaging kit contains cyan, magenta, yellow, and black. The black imaging kit contains black only.

Paper curl

These are possible solutions. Try one or more of the following:

CHECK THE PAPER TYPE SETTING

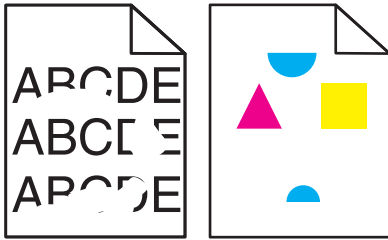
Make sure the paper type setting matches the paper loaded in the tray:

- 1 From the printer control panel Paper menu, check the Paper Type setting.
- 2 Before sending the job to print, specify the correct type setting:
 - For Windows users, specify the type from Print Properties.
 - For Macintosh users, specify the type from the Print dialog.

THE PAPER HAS ABSORBED MOISTURE DUE TO HIGH HUMIDITY

- Load paper from a fresh package.
- Store paper in its original wrapper until you use it.

Print irregularities



These are possible solutions. Try one or more of the following:

THE PAPER MAY HAVE ABSORBED MOISTURE DUE TO HIGH HUMIDITY

- Load paper from a fresh package.
- Store paper in its original wrapper until you use it.

CHECK THE PAPER TYPE SETTING

Make sure the paper type setting matches the paper loaded in the tray:

- 1 From the printer control panel Paper menu, check the Paper Type setting.
- 2 Before sending the job to print, specify the correct type setting:
 - For Windows users, specify the type from Print Properties.
 - For Macintosh users, specify the type from the Print dialog.

CHECK THE PAPER

Avoid textured paper with rough finishes.

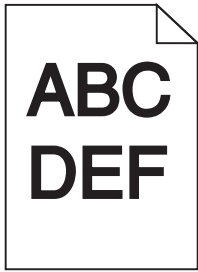
THE TONER MAY BE LOW

When **88 <color> cartridge low** appears or when the print becomes faded, replace the toner cartridge.

THE FUSER MAY BE WORN OR DEFECTIVE

Replace the fuser.





Print is too dark



These are possible solutions. Try one or more of the following:

CALIBRATE THE COLOR

The printer automatically calibrates the colors whenever a new imaging kit is detected. If a cartridge is replaced, then you can calibrate the colors manually:

- 1 From the printer control panel, press .
 - 2 From the **Admin menu**, press the arrow buttons until **Settings** appears, and then press .
 - 3 Press the arrow buttons until **Quality menu** appears, and then press .
 - 4 Press the arrow buttons until **Color Adjust** appears, and then press .
- Calibrating** appears.

CHECK THE DARKNESS, BRIGHTNESS, AND CONTRAST SETTINGS

The Toner Darkness setting is too dark, the RGB Brightness setting is too dark, or the RGB Contrast setting is too high.

- For Windows users: from Print Properties, select **Print Quality** and then select **More Print Quality Options** to change these settings.
- From the printer control panel Quality menu, change these settings.
- For Macintosh users:
 - 1 Choose **File > Print**.
 - 2 Locate the drop-down box under the Orientation pictures, and then click the down button.
 - 3 Click **Printer Features**.
 - 4 Change the settings for Toner Darkness, Brightness, and Contrast.

THE PAPER HAS ABSORBED MOISTURE DUE TO HIGH HUMIDITY

- Load paper from a fresh package.
- Store paper in its original wrapper until you use it.

CHECK THE PAPER

Avoid textured paper with rough finishes.

CHECK THE PAPER TYPE SETTING

Make sure the paper type setting matches the paper loaded in the tray:

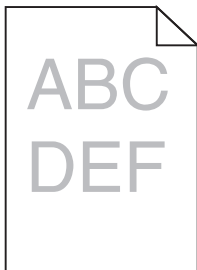
- 1 From the printer control panel Paper menu, check the Paper Type setting.
- 2 Before sending the job to print, specify the correct type setting:
 - For Windows users, specify the type from Print Properties.
 - For Macintosh users, specify the type from the Print dialog.

THE IMAGING KIT MAY BE WORN OR DEFECTIVE

Replace the imaging kit.

Note: The printer has two types of imaging kits: a black and color imaging kit, and a black imaging kit. The black and color imaging kit contains cyan, magenta, yellow, and black. The black imaging kit contains black only.





Print is too light



These are possible solutions. Try one or more of the following:

CALIBRATE THE COLOR

The printer automatically calibrates the colors whenever a new imaging kit is detected. If a cartridge is replaced, then you can calibrate the colors manually:

- 1 From the printer control panel, press .
 - 2 From the **Admin menu**, press the arrow buttons until **Settings** appears, and then press .
 - 3 Press the arrow buttons until **Quality menu** appears, and then press .
 - 4 Press the arrow buttons until **Color Adjust** appears, and then press .
- Calibrating** appears.

CHECK THE DARKNESS, BRIGHTNESS, AND CONTRAST SETTINGS

The Toner Darkness setting is too light, the RGB Brightness setting is too light, or the RGB Contrast setting is too low.

- For Windows users: from Print Properties, select **Print Quality** and then select **More Print Quality Options** to change these settings.
- For Macintosh users:
 - 1 Choose **File > Print**.
 - 2 Locate the drop-down box under the Orientation pictures, and then click the down button.

3 Click **Printer Features**.

4 Change the settings for Toner Darkness, Brightness, and Contrast.

- From the printer control panel Quality menu, change these settings.

THE PAPER HAS ABSORBED MOISTURE DUE TO HIGH HUMIDITY

- Load paper from a fresh package.
- Store paper in its original wrapper until you use it.

CHECK THE PAPER

Avoid textured paper with rough finishes.

CHECK THE PAPER TYPE SETTING

Make sure the paper type setting matches the paper loaded in the tray.

- 1** From the printer control panel Paper menu, check the Paper Type setting.
- 2** Before sending the job to print, specify the correct type setting:
 - For Windows users, specify the type from Print Properties.
 - For Macintosh users, specify the type from the Print dialog.

MAKE SURE COLOR SAVER IS SET TO OFF

Color Saver may be set to On.

THE TONER MAY BE LOW

When **88 <color> Cartridge Low** appears or when the print becomes faded, replace the toner cartridge.

A TONER CARTRIDGE MAY BE DEFECTIVE

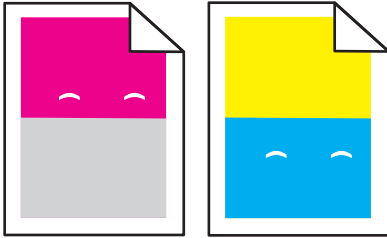
Replace the toner cartridge.

THE IMAGING KIT MAY BE WORN OR DEFECTIVE

Replace the imaging kit.

Note: The printer has two types of imaging kits: a black and color imaging kit, and a black imaging kit. The black and color imaging kit contains cyan, magenta, yellow, and black. The black imaging kit contains black only.

Repeating defects



REPEATING MARKS OCCUR REPEATEDLY ONLY IN ONE COLOR AND MULTIPLE TIMES ON A PAGE

Replace the developer unit if the defects occur every 43.9 mm (1.7 in.)

Replace the imaging kit if the defects occur every:

- 34.6 mm (1.4 in.)
- 94.2 mm (3.71 in.)

Notes:

- The printer has two types of imaging kits: a black and color imaging kit, and a black imaging kit. The black and color imaging kit contains cyan, magenta, yellow, and black. The black imaging kit contains black only.
- The Print Defects menu prints a diagnostic list of problems. For more information, see “Menu Settings Page menu” on page 71.

Skewed print

CHECK THE PAPER GUIDES

Move the guides in the tray to the correct positions for the paper size loaded.

CHECK THE PAPER

Make sure you are using paper that meets the printer specifications.

Solid color pages



The printer may need to be serviced. For more information, contact Customer Support.

Toner fog or background shading appears on the page

These are possible solutions. Try one or more of the following:

THE IMAGING KIT MAY BE WORN OR DEFECTIVE

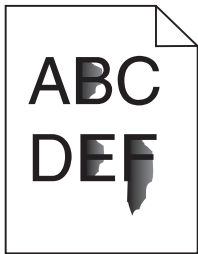
Replace the imaging kit.

Note: The printer has two types of imaging kits: a black and color imaging kit, and a black imaging kit. The black and color imaging kit contains cyan, magenta, yellow, and black. The black imaging kit contains black only.

IS THERE TONER IN THE PAPER PATH?

Contact Customer Support.

Toner rubs off



These are possible solutions. Try one or more of the following:

CHECK THE PAPER TYPE SETTING

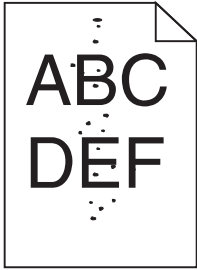
Make sure the paper type setting matches the paper loaded in the tray:

- 1 From the printer control panel, check the Paper Type setting from the Paper menu.
- 2 Before sending the job to print, specify the correct type setting:
 - For Windows users, specify the type from Print Properties.
 - For Macintosh users, specify the type from the Print dialog.

CHECK THE PAPER TEXTURE SETTING

From the printer control panel Paper menu, make sure the Paper Texture setting matches the paper loaded in the tray.

Toner specks



These are possible solutions. Try one or more of the following:

THE IMAGING KIT MAY BE WORN OR DEFECTIVE

Replace the imaging kit.

Note: The printer has two types of imaging kits: a black and color imaging kit, and a black imaging kit. The black and color imaging kit contains cyan, magenta, yellow, and black. The black imaging kit contains black only.

IS THERE TONER IN THE PAPER PATH?

Contact Customer Support.

Transparency print quality is poor

CHECK THE TRANSPARENCIES

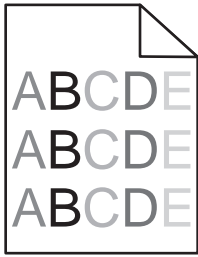
Use only transparencies recommended by the printer manufacturer.

CHECK THE PAPER TYPE SETTING

Make sure the paper type setting matches the paper loaded in the tray:

- 1 From the printer control panel, check the Paper Type setting from the Paper menu.
- 2 Before sending the job to print, specify the correct type setting:
 - For Windows users, specify the type from Print Properties.
 - For Macintosh users, specify the type from the Print dialog.

Uneven print density

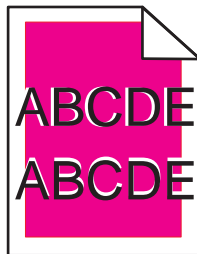


Replace the black and color imaging kit.

Solving color quality problems

This section helps answer some basic color-related questions and describes how some of the features provided in the printer control panel Quality menu can be used to solve typical color problems.

Color misregistration



Color has shifted outside of the appropriate area or has been superimposed over another color area.





These are possible solutions. Try one or more of the following:

REMOVE AND REINSTALL THE TONER CARTRIDGES

Remove the toner cartridges, and then reinstall them.

CALIBRATE THE COLOR

The printer will automatically calibrate the colors whenever a new imaging kit is detected. If a cartridge is replaced, then you can calibrate the colors manually:

- 1 From the printer control panel, press .
 - 2 From the **Admin menu**, press the arrow buttons until **Settings** appears, and then press .
 - 3 Press the arrow buttons until **Quality menu** appears, and then press .
 - 4 Press the arrow buttons until **Color Adjust** appears, and then press .
- Calibrating** appears.

Note: If you have not resolved the issue, calibrate the color again.

FAQ about color printing

What is RGB color?

Red, green, and blue light can be added together in various amounts to produce a large range of colors observed in nature. For example, red and green can be combined to create yellow. Televisions and computer monitors create colors in this manner. RGB color is a method of describing colors by indicating the amount of red, green, or blue needed to produce a certain color.

What is CMYK color?

Cyan, magenta, yellow, and black inks or toners can be printed in various amounts to produce a large range of colors observed in nature. For example, cyan and yellow can be combined to create green. Printing presses, inkjet printers, and color laser printers create colors in this manner. CMYK color is a method of describing colors by indicating the amount of cyan, magenta, yellow, and black needed to reproduce a particular color.

How is color specified in a document to be printed?

Software programs typically specify document color using RGB or CMYK color combinations. Additionally, they allow users to modify the color of each object in a document. For more information, see the software program Help topics.

How does the printer know what color to print?

When a user prints a document, information describing the type and color of each object is sent to the printer. The color information is passed through color conversion tables that translate the color into the appropriate amounts of cyan, magenta, yellow, and black toner needed to produce the desired color. The object information determines the application of color conversion tables. For example, it is possible to apply one type of color conversion table to text while applying a different color conversion table to photographic images.

Should I use PostScript or PCL emulation printer software? What settings should I use for the best color?

The PostScript driver is strongly recommended for best color quality. The default settings in the PostScript driver provide the preferred color quality for the majority of printouts.

Why doesn't the printed color match the color I see on the computer screen?

The color conversion tables used in Auto Color Correction mode generally approximate the colors of a standard computer monitor. However, because of technology differences that exist between printers and monitors, there are many colors that can also be affected by monitor variations and lighting conditions. For recommendations on how the printer color sample pages may be useful in solving certain color-matching problems, see the question, "How can I match a particular color (such as a corporate logo)?"

The printed page appears tinted. Can I adjust the color?

Sometimes a printed page may appear tinted (for example, everything printed seems to be too red). This can be caused by environmental conditions, paper type, lighting conditions, or user preference. In these instances, adjust the Color Balance setting to create a more preferable color. Color Balance provides the user with the ability to make subtle adjustments to the amount of toner being used in each color plane. Selecting positive or negative values for cyan, magenta, yellow, and black (from the Color Balance menu) will slightly increase or decrease the amount of toner used for the chosen color. For example, if a printed page has a red tint, then decreasing both magenta and yellow could potentially improve the color balance.

My color transparencies seem dark when they are projected. Is there anything I can do to improve the color?

This problem most commonly occurs when projecting transparencies with reflective overhead projectors. To obtain the highest projected color quality, transmissive overhead projectors are recommended. If a reflective projector must be used, then adjusting the Toner Darkness setting to 1, 2, or 3 will lighten the transparency. Make sure to print on the recommended type of color transparencies.

What is manual color correction?

When manual color correction is enabled, the printer employs user-selected color conversion tables to process objects. However, Color Correction must be set to Manual, or no user-defined color conversion will be implemented. Manual color correction settings are specific to the type of object being printed (text, graphics, or images), and how the color of the object is specified in the software program (RGB or CMYK combinations).

Notes:

- Manual color correction is not useful if the software program does not specify colors with RGB or CMYK combinations. It is also not effective in situations in which the software program or the computer operating system controls the adjustment of colors.
- The color conversion tables—applied to each object when Color Correction is set to Auto—generate preferred colors for the majority of documents.

To manually apply a different color conversion table:

- 1 From the Quality menu, select **Color Correction**, and then select **Manual**.
- 2 From the Quality menu, select **Manual Color**, and then select the appropriate color conversion table for the affected object type.

Manual Color menu

Object type	Color conversion tables
RGB Image RGB Text RGB Graphics	<ul style="list-style-type: none"> • Vivid—Produces brighter, more saturated colors and may be applied to all incoming color formats. • sRGB Display—Produces an output that approximates the colors displayed on a computer monitor. Black toner usage is optimized for printing photographs. • Display—True Black—Produces an output that approximates the colors displayed on a computer monitor. Uses only black toner to create all levels of neutral gray. • sRGB Vivid—Provides an increased color saturation for the sRGB Display color correction. Black usage is optimized for printing business graphics. • Off—No color correction is implemented.
CMYK Image CMYK Text CMYK Graphics	<ul style="list-style-type: none"> • US CMYK—Applies color correction to approximate the SWOP (Specifications for Web Offset Publishing) color output. • Euro CMYK—Applies color correction to approximated EuroScale color output. • Vivid CMYK—Increases the color saturation of the US CMYK color correction setting. • Off—No color correction is implemented.

How can I match a particular color (such as a corporate logo)?

From the printer Quality menu, nine types of Color Samples sets are available. These are also available from the Color Samples page of the Embedded Web Server. Selecting any sample set generates a multiple-page printout consisting of hundreds of colored boxes. Either a CMYK or RGB combination is located on each box, depending on the table selected. The observed color of each box is obtained by passing the CMYK or RGB combination labeled on the box through the selected color conversion table.

By examining Color Samples sets, a user can identify the box whose color is the closest to the desired color. The color combination labeled on the box can then be used for modifying the color of the object in a software program. For more information, see the software program Help topics. Manual color correction may be necessary to utilize the selected color conversion table for the particular object.

Selecting which Color Samples set to use for a particular color-matching problem depends on the Color Correction setting being used (Auto, Off, or Manual), the type of object being printed (text, graphics, or images), and how the color of the object is specified in the software program (RGB or CMYK combinations). When the printer Color Correction setting is set to Off, the color is based on the print job information; and no color conversion is implemented.

Note: The Color Samples pages are not useful if the software program does not specify colors with RGB or CMYK combinations. Additionally, certain situations exist in which the software program or the computer operating system adjusts the RGB or CMYK combinations specified in the program through color management. The resulting printed color may not be an exact match of the Color Samples pages.

What are detailed Color Samples and how do I access them?

Detailed Color Samples sets are available only through the Embedded Web Server of a network printer. A detailed Color Samples set contains a range of shades (displayed as colored boxes) that are similar to a user-defined RGB or CMYK value. The likeness of the colors in the set are dependent on the value entered in the RGB or CMYK Increment box.

To access a detailed Color Samples set from the Embedded Web Server:

- 1 Open a Web browser.
- 2 In the address bar, type the network printer IP address.
- 3 Click **Configuration**.
- 4 Click **Color Samples**.
- 5 Click **Detailed Options** to narrow the set to one color range.
- 6 When the Detailed Options page appears, select a color conversion table.
- 7 Enter the RGB or CMYK color number.
- 8 Enter an Increment value from 1–255.

Note: The closer the value is to 1, the narrower the color sample range will appear.

- 9 Click **Print** to print the detailed Color Samples set.

Contacting Customer Support

When you call Customer Support, describe the problem you are experiencing, the message on the display, and the troubleshooting steps you have already taken to find a solution.

You need to know your printer model type and serial number. For more information, see the label on the inside top front cover of the printer. The serial number is also listed on the menu settings page.

In the U.S. or Canada, call 1-800-539-6275. For other countries or regions, visit the Lexmark Web site at <http://support.lexmark.com>.

Notices

Product information

Product name:

Lexmark C540n, C543dn, C544n, C544dn, C544dw, C546dtn

Machine type:

5025

Model(s):

210, 230, 410, 430, 43W, 439, n01, n02, dnw, xd1, xd2, dn1, dn2, gd1, gd2, dw1, dw2, dt1, dt2, gt1, gt2

Edition notice

November 2012

The following paragraph does not apply to any country where such provisions are inconsistent with local law:

LEXMARK INTERNATIONAL, INC., PROVIDES THIS PUBLICATION "AS IS" WITHOUT WARRANTY OF ANY KIND, EITHER EXPRESS OR IMPLIED, INCLUDING, BUT NOT LIMITED TO, THE IMPLIED WARRANTIES OF MERCHANTABILITY OR FITNESS FOR A PARTICULAR PURPOSE. Some states do not allow disclaimer of express or implied warranties in certain transactions; therefore, this statement may not apply to you.

This publication could include technical inaccuracies or typographical errors. Changes are periodically made to the information herein; these changes will be incorporated in later editions. Improvements or changes in the products or the programs described may be made at any time.

References in this publication to products, programs, or services do not imply that the manufacturer intends to make these available in all countries in which it operates. Any reference to a product, program, or service is not intended to state or imply that only that product, program, or service may be used. Any functionally equivalent product, program, or service that does not infringe any existing intellectual property right may be used instead. Evaluation and verification of operation in conjunction with other products, programs, or services, except those expressly designated by the manufacturer, are the user's responsibility.

For Lexmark technical support, visit <http://support.lexmark.com>.

For information on supplies and downloads, visit www.lexmark.com.

© 2012 Lexmark International, Inc.

All rights reserved.

GOVERNMENT END USERS

The Software Program and any related documentation are "Commercial Items," as that term is defined in 48 C.F.R. 2.101, "Computer Software" and "Commercial Computer Software Documentation," as such terms are used in 48 C.F.R. 12.212 or 48 C.F.R. 227.7202, as applicable. Consistent with 48 C.F.R. 12.212 or 48 C.F.R. 227.7202-1 through 227.7207-4, as applicable, the Commercial Computer Software and Commercial Software Documentation are licensed to the U.S. Government end users (a) only as Commercial Items and (b) with only those rights as are granted to all other end users pursuant to the terms and conditions herein.

Trademarks

Lexmark, Lexmark with diamond design, and MarkVision are trademarks of Lexmark International, Inc., registered in the United States and/or other countries.

Mac and the Mac logo are trademarks of Apple Inc., registered in the U.S. and other countries.

PCL® is a registered trademark of the Hewlett-Packard Company. PCL is Hewlett-Packard Company's designation of a set of printer commands (language) and functions included in its printer products. This printer is intended to be compatible with the PCL language. This means the printer recognizes PCL commands used in various application programs, and that the printer emulates the functions corresponding to the commands.

All other trademarks are the property of their respective owners.

Federal Communications Commission (FCC) compliance information statement

This product has been tested and found to comply with the limits for a Class B digital device, pursuant to Part 15 of the FCC Rules. Operation is subject to the following two conditions: (1) this device may not cause harmful interference, and (2) this device must accept any interference received, including interference that may cause undesired operation.

The FCC Class B limits are designed to provide reasonable protection against harmful interference when the equipment is operated in a residential installation. This equipment generates, uses, and can radiate radio frequency energy and, if not installed and used in accordance with the instructions, may cause harmful interference to radio communications. However, there is no guarantee that interference will not occur in a particular installation. If this equipment does cause harmful interference to radio or television reception, which can be determined by turning the equipment off and on, the user is encouraged to try to correct the interference by one or more of the following measures:

- Reorient or relocate the receiving antenna.
- Increase the separation between the equipment and receiver.
- Connect the equipment into an outlet on a circuit different from that to which the receiver is connected.
- Consult your point of purchase or service representative for additional suggestions.

The manufacturer is not responsible for radio or television interference caused by using other than recommended cables or by unauthorized changes or modifications to this equipment. Unauthorized changes or modifications could void the user's authority to operate this equipment.

Note: To assure compliance with FCC regulations on electromagnetic interference for a Class B computing device, use a properly shielded and grounded cable such as Lexmark part number 1021231 for parallel attach or 1021294 for USB attach. Use of a substitute cable not properly shielded and grounded may result in a violation of FCC regulations.

Any questions regarding this compliance information statement should be directed to:

Director of Lexmark Technology & Services
Lexmark International, Inc.
740 West New Circle Road
Lexington, KY 40550
(859) 232-3000

Modular component notice

Wireless-equipped models contain the following modular component(s):

Lexmark regulatory type/model LEX-M04-001; FCC ID:IYLLEXM04001; IC:2376A-M04001

Noise emission levels

The following measurements were made in accordance with ISO 7779 and reported in conformance with ISO 9296.

Note: Some modes may not apply to your product.

1-meter average sound pressure, dBA	
Printing	48 dBA
Ready	Inaudible

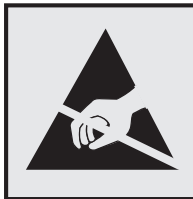
Values are subject to change. See www.lexmark.com for current values.

Waste from Electrical and Electronic Equipment (WEEE) directive



The WEEE logo signifies specific recycling programs and procedures for electronic products in countries of the European Union. We encourage the recycling of our products. If you have further questions about recycling options, visit the Lexmark Web site at www.lexmark.com for your local sales office phone number.

Static sensitivity notice



This symbol identifies static-sensitive parts. Do not touch in the areas near these symbols without first touching the metal frame of the printer.

ENERGY STAR

Any Lexmark product bearing the ENERGY STAR emblem on the product or on a start-up screen is certified to comply with Environmental Protection Agency (EPA) ENERGY STAR requirements as configured when shipped by Lexmark.



Temperature information

Ambient temperature	15.6-32.2°C (60-90°F)
Shipping and storage temperature	-40-43.3°C (-40-110°F)

Laser notice

The printer is certified in the U.S. to conform to the requirements of DHHS 21 CFR Subchapter J for Class I (1) laser products, and elsewhere is certified as a Class I laser product conforming to the requirements of IEC 60825-1.

Class I laser products are not considered to be hazardous. The printer contains internally a Class IIIb (3b) laser that is nominally a 7 milliwatt gallium arsenide laser operating in the wavelength of 655-675 nanometers. The laser system and printer are designed so there is never any human access to laser radiation above a Class I level during normal operation, user maintenance, or prescribed service condition.

Laser advisory label

A laser notice label may be affixed to this printer as shown:

DANGER - Invisible laser radiation when cartridges are removed and interlock defeated. Avoid exposure to laser beam.
 PERIGO - Radiação a laser invisível será liberada se os cartuchos forem removidos e o lacre rompido. Evite a exposição aos feixes de laser.
 Opasnost - Nevidljivo lasersko zračenje kada su kasete uklonjene i poništena sigurnosna veza. Izbjegavati izlaganje zracima.
 NEBEZPEČÍ - Když jsou vyjmuty kazety a je odblokována pojistka, ze zařízení je vysíláno neviditelné laserové záření. Nevystavujte se působení laserového paprsku.
 FARE - Usynlig laserstrålning, når patroner fjernes, og spærreanordningen er slået fra. Undgå at blive udsat for laserstrålen.
 GEVAAR - Onzichtbare laserstraling wanneer cartridges worden verwijderd en een vergrendeling wordt genegeerd. Voorkom blootstelling aan de laser.
 DANGER - Rayonnements laser invisibles lors du retrait des cartouches et du déverrouillage des loquets. Eviter toute exposition au rayon laser.
 VAARA - Näkymättöntä lasersäteilyä on varottava, kun värikasetit on poistettu ja lukitus on auki. Vältä lasersäteelle altistumista.
 GEFAHR - Unsichtbare Laserstrahlung beim Herausnehmen von Druckkassetten und offener Sicherheitssperre. Laserstrahl meiden.
 ΚΙΝΔΥΝΟΣ - Εκκλυση αόρατης ακτινοβολίας laser κατά την αφαίρεση των κασετών και την απασφάλιση της μανδάλωσης. Αποφεύγετε την έκθεση στην ακτινοβολία laser.
 VESZÉLY - Nem látható lézersugárzás fordulhat elő a patronok eltávolításakor és a zárószervezet felbontásakor. Kerülje a lézersugárnak való kitettséget.
 PERICOLO - Emissione di radiazioni laser invisibili durante la rimozione delle cartucce e del blocco. Evitare l'esposizione al raggio laser.
 FARE - Usynlig laserstrålning når kassetten tas ut og sperrer er satt ut av spill. Unngå eksponering for laserstrålen.
 NIEBEZPIECZENSTWO - niewidzialne promieniowanie laserowe podczas usuwania kaset i blokady. Należy unikać naświetlenia promieniami lasera.
 ОПАСНО! Невидимое лазерное излучение при извлеченных картриджах и снятии блокировки. Избегайте воздействия лазерных лучей.
 Pozor - Nebezpečnostvo neviditeľného laserového žiarenia pri odobratých kazetách a odblokovanej pojistke. Nevystavujte sa lúčom.
 PELIGRO: Se producen radiaciones láser invisibles al extraer los cartuchos con el interbloqueo desactivado. Evite la exposición al haz de láser.
 FARA - Osynlig laserstrålning när patroner tas ur och spärrmekanismen är upphävd. Undvik exponering för laserstrålen.
 危険 - 当移除碳粉盒及互锁失效时会产生看不见的激光辐射, 请避免暴露在激光光束下。
 危険 - 移除碳粉匣與安全連續開關失效時會產生看不見的雷射輻射。請避免暴露在雷射光束下。
 危険 - カートリッジが取り外され、内部ロックが無効になると、見えないレーザー光が放射されます。このレーザー光に当たらないようにしてください。

Power consumption

Product power consumption

The following table documents the power consumption characteristics of the product.

Note: Some modes may not apply to your product.

Mode	Description	Power consumption (Watts)
Printing	The product is generating hard-copy output from electronic inputs.	480 W (C540, C543); 500 W (C544, C546)
Copying	The product is generating hard-copy output from hard-copy original documents.	N/A
Scanning	The product is scanning hard-copy documents.	N/A
Ready	The product is waiting for a print job.	34 W (C540, C543); 36 W (C544, C546)
Power Saver	The product is in energy-saving mode.	<18 W (C540); <16 W (C543, C544, C546)
Off	The product is plugged into a wall outlet, but the power switch is turned off.	0 W

The power consumption levels listed in the previous table represent time-averaged measurements. Instantaneous power draws may be substantially higher than the average.

Values are subject to change. See www.lexmark.com for current values.

Power Saver

This product is designed with an energy-saving mode called Power Saver. The Power Saver Mode is equivalent to the Sleep Mode. The Power Saver Mode saves energy by lowering power consumption during extended periods of inactivity. The Power Saver Mode is automatically engaged after this product is not used for a specified period of time, called the Power Saver Timeout.

Factory default Power Saver Timeout for this product (in minutes):	20 minutes (C540, C543); 30 minutes (C544, C546)
--------------------------------------------------------------------	--------------------------------------------------

By using the configuration menus, the Power Saver Timeout can be modified between 1 minute and 240 minutes. Setting the Power Saver Timeout to a low value reduces energy consumption, but may increase the response time of the product. Setting the Power Saver Timeout to a high value maintains a fast response, but uses more energy.

Off mode

If this product has an off mode which still consumes a small amount of power, then to completely stop product power consumption, disconnect the power supply cord from the wall outlet.

Total energy usage

It is sometimes helpful to calculate the total product energy usage. Since power consumption claims are provided in power units of Watts, the power consumption should be multiplied by the time the product spends in each mode in order to calculate energy usage. The total product energy usage is the sum of each mode's energy usage.

Industry Canada compliance statement

This Class B digital apparatus meets all requirements of the Canadian Interference-Causing Equipment Standard ICES-003.

Avis de conformité aux normes de l'industrie du Canada

Cet appareil numérique de classe B est conforme aux exigences de la norme canadienne relative aux équipements pouvant causer des interférences NMB-003.

European Community (EC) directives conformity

This product is in conformity with the protection requirements of EC Council directives 2004/108/EC, 2006/95/EC and 2009/125/EC on the approximation and harmonization of the laws of the Member States relating to electromagnetic compatibility, safety of electrical equipment designed for use within certain voltage limits and the ecodesign of energy-related products.

The manufacturer of this product is: Lexmark International, Inc., 740 West New Circle Road, Lexington, KY, 40550 USA. The authorized representative is: Lexmark International Technology Hungária Kft., 8 Lechner Ödön fasor, Millennium Tower III, 1095 Budapest HUNGARY, A declaration of conformity to the requirements of the Directives is available upon request from the Authorized Representative.

This product satisfies the Class B limits of EN 55022 and safety requirements of EN 60950.

Regulatory notices for wireless products

This section contains the following regulatory information pertaining to wireless products that contain transmitters, for example, but not limited to, wireless network cards or proximity card readers.

Exposure to radio frequency radiation

The radiated output power of this device is far below the radio frequency exposure limits of the FCC and other regulatory agencies. A minimum separation of 20 cm (8 inches) must be maintained between the antenna and any persons for this device to satisfy the RF exposure requirements of the FCC and other regulatory agencies.

Industry Canada (Canada)

This device complies with Industry Canada specification RSS-210. Operation is subject to the following two conditions: (1) this device may not cause interference, and (2) this device must accept any interference, including interference that may cause undesired operation of the device.

This device has been designed to operate only with the antenna provided. Use of any other antenna is strictly prohibited per regulations of Industry Canada.

To prevent radio interference to the licensed service, this device is intended to be operated indoors and away from windows to provide maximum shielding. Equipment (or its transmit antenna) that is installed outdoors is subject to licensing.

The installer of this radio equipment must ensure that the antenna is located or pointed such that it does not emit RF fields in excess of Health Canada limits for the general population; consult Safety Code 6, obtainable from Health Canada's Web site www.hc-sc.gc.ca/rpb.

The term "IC:" before the certification/registration number only signifies that the Industry Canada technical specifications were met.

Industry Canada (Canada)

Cet appareil est conforme à la norme RSS-210 d'Industry Canada. Son fonctionnement est soumis aux deux conditions suivantes :

(1) cet appareil ne doit pas provoquer d'interférences et (2) il doit accepter toute interférence reçue, y compris celles risquant d'altérer son fonctionnement.

Cet appareil a été conçu pour fonctionner uniquement avec l'antenne fournie. L'utilisation de toute autre antenne est strictement interdite par la réglementation d'Industry Canada.

En application des réglementations d'Industry Canada, l'utilisation d'une antenne de gain supérieur est strictement interdite.

Pour empêcher toute interférence radio au service faisant l'objet d'une licence, cet appareil doit être utilisé à l'intérieur et loin des fenêtres afin de garantir une protection optimale.

Si le matériel (ou son antenne d'émission) est installé à l'extérieur, il doit faire l'objet d'une licence.

L'installateur de cet équipement radio doit veiller à ce que l'antenne soit implantée et dirigée de manière à n'émettre aucun champ HF dépassant les limites fixées pour l'ensemble de la population par Santé Canada. Reportez-vous au Code de sécurité 6 que vous pouvez consulter sur le site Web de Santé Canada www.hc-sc.gc.ca/rpb.

Le terme « IC » précédant le numéro de d'accréditation/inscription signifie simplement que le produit est conforme aux spécifications techniques d'Industry Canada.

Notice to users in the European Union

This product is in conformity with the protection requirements of EC Council directives 2004/108/EC, 2006/95/EC, 1999/5/EC, and 2009/125/EC on the approximation and harmonization of the laws of the Member States relating to electromagnetic compatibility, safety of electrical equipment designed for use within certain voltage limits, radio equipment and telecommunications terminal equipment and on the ecodesign of energy-related products.

Compliance is indicated by the CE marking.



The manufacturer of this product is: Lexmark International, Inc., 740 West New Circle Road, Lexington, KY, 40550 USA. The authorized representative is: Lexmark International Technology Hungária Kft., 8 Lechner Ödön fasor, Millennium Tower III, 1095 Budapest HUNGARY, A declaration of conformity to the requirements of the Directives is available upon request from the Authorized Representative.

This product satisfies the Class B limits of EN 55022 and safety requirements of EN 60950.

Products equipped with 2.4GHz Wireless LAN option are in conformity with the protection requirements of EC Council directives 2004/108/EC, 2006/95/EC, 1999/5/EC, and 2009/125/EC on the approximation and harmonization of the laws of the Member States relating to electromagnetic compatibility, safety of electrical equipment designed for use

within certain voltage limits and on radio equipment and telecommunications terminal equipment and on the ecodesign of energy-related products.

Compliance is indicated by the CE marking.



Operation is allowed in all EU and EFTA countries, but is restricted to indoor use only.

The manufacturer of this product is: Lexmark International, Inc., 740 West New Circle Road, Lexington, KY, 40550 USA. The authorized representative is: Lexmark International Technology Hungária Kft., 8 Lechner Ödön fasor, Millennium Tower III, 1095 Budapest HUNGARY, A declaration of conformity to the requirements of the Directives is available upon request from the Authorized Representative.

This product may be used in the countries indicated in the table below.

AT	BE	BG	CH	CY	CZ	DE	DK	EE
EL	ES	FI	FR	HR	HU	IE	IS	IT
LI	LT	LU	LV	MT	NL	NO	PL	PT
RO	SE	SI	SK	TR	UK			

Česky	Společnost Lexmark International, Inc. tímto prohlašuje, že výrobek tento výrobek je ve shodě se základními požadavky a dalšími příslušnými ustanoveními směrnice 1999/5/ES.
Dansk	Lexmark International, Inc. erklærer herved, at dette produkt overholder de væsentlige krav og øvrige relevante krav i direktiv 1999/5/EF.
Deutsch	Hiermit erklärt Lexmark International, Inc., dass sich das Gerät dieses Gerät in Übereinstimmung mit den grundlegenden Anforderungen und den übrigen einschlägigen Bestimmungen der Richtlinie 1999/5/EG befindet.
Ελληνική	ΜΕ ΤΗΝ ΠΑΡΟΥΣΑ Η LEXMARK INTERNATIONAL, INC. ΔΗΛΩΝΕΙ ΟΤΙ ΑΥΤΟ ΤΟ ΠΡΟΪΟΝ ΣΥΜΜΟΡΦΩΝΕΤΑΙ ΠΡΟΣ ΤΙΣ ΟΥΣΙΩΔΕΙΣ ΑΠΑΙΤΗΣΕΙΣ ΚΑΙ ΤΙΣ ΛΟΙΠΕΣ ΣΧΕΤΙΚΕΣ ΔΙΑΤΑΞΕΙΣ ΤΗΣ ΟΔΗΓΙΑΣ 1999/5/ΕΚ.
English	Hereby, Lexmark International, Inc., declares that this type of equipment is in compliance with the essential requirements and other relevant provisions of Directive 1999/5/EC.
Español	Por medio de la presente, Lexmark International, Inc. declara que este producto cumple con los requisitos esenciales y cualesquiera otras disposiciones aplicables o exigibles de la Directiva 1999/5/CE.
Eesti	Käesolevaga kinnitab Lexmark International, Inc., et seade see toode vastab direktiivi 1999/5/EÜ põhinõuetele ja nimetatud direktiivist tulenevatele muudele asjakohastele sätetele.
Suomi	Lexmark International, Inc. vakuuttaa täten, että tämä tuote on direktiivin 1999/5/EY oleellisten vaatimusten ja muiden sitä koskevien direktiivin ehtojen mukainen.
Français	Par la présente, Lexmark International, Inc. déclare que l'appareil ce produit est conforme aux exigences fondamentales et autres dispositions pertinentes de la directive 1999/5/CE.
Magyar	Alulírott, Lexmark International, Inc. nyilatkozom, hogy a termék megfelel a vonatkozó alapvető követelményeknek és az 1999/5/EC irányelv egyéb előírásainak.
Íslenska	Hér með lýsir Lexmark International, Inc. yfir því að þessi vara er í samræmi við grunnkröfur og aðrar kröfur, sem gerðar eru í tilskipun 1999/5/EC.

Italiano	Con la presente Lexmark International, Inc. dichiara che questo prodotto è conforme ai requisiti essenziali ed alle altre disposizioni pertinenti stabilite dalla direttiva 1999/5/CE.
Latviski	Ar šo Lexmark International, Inc. deklarē, ka šis izstrādājums atbilst Direktīvas 1999/5/EK būtiskajām prasībām un citiem ar to saistītajiem noteikumiem.
Lietuvių	Šiuo Lexmark International, Inc. deklaruoja, kad šis produktas atitinka esminius reikalavimus ir kitas 1999/5/EB direktyvos nuostatas.
Malti	Bil-preżenti, Lexmark International, Inc., jiddikjara li dan il-prodott huwa konformi mal-ħtiġijiet essenzjali u ma dispożizzjonijiet oħrajn relevanti li jinsabu fid-Direttiva 1999/5/KE.
Nederlands	Hierbij verklaart Lexmark International, Inc. dat het toestel dit product in overeenstemming is met de essentiële eisen en de andere relevante bepalingen van richtlijn 1999/5/EG.
Norsk	Lexmark International, Inc. erklærer herved at dette produktet er i samsvar med de grunnleggende krav og øvrige relevante krav i direktiv 1999/5/EF.
Polski	Niniejszym Lexmark International, Inc. oświadcza, że niniejszy produkt jest zgodny z zasadniczymi wymogami oraz pozostałymi stosownymi postanowieniami Dyrektywy 1999/5/EC.
Português	A Lexmark International Inc. declara que este produto está conforme com os requisitos essenciais e outras disposições da Diretiva 1999/5/CE.
Slovensky	Lexmark International, Inc. týmto vyhlasuje, že tento produkt spĺňa základné požiadavky a všetky príslušné ustanovenia smernice 1999/5/ES.
Slovensko	Lexmark International, Inc. izjavlja, da je ta izdelek v skladu z bistvenimi zahtevami in ostalimi relevantnimi določili direktive 1999/5/ES.
Svenska	Härmed intygar Lexmark International, Inc. att denna produkt står i överensstämmelse med de väsentliga egenskapskrav och övriga relevanta bestämmelser som framgår av direktiv 1999/5/EG.

STATEMENT OF LIMITED WARRANTY FOR LEXMARK LASER PRINTERS, LEXMARK LED PRINTERS, AND LEXMARK MULTIFUNCTION LASER PRINTERS

Lexmark International, Inc., Lexington, KY

This limited warranty applies to the United States and Canada. For customers outside the U.S., refer to the country-specific warranty information that came with your product.

This limited warranty applies to this product only if it was originally purchased for your use, and not for resale, from Lexmark or a Lexmark Remarketer, referred to in this statement as “Remarketer.”

Limited warranty

Lexmark warrants that this product:

- Is manufactured from new parts, or new and serviceable used parts, which perform like new parts
- Is, during normal use, free from defects in material and workmanship

If this product does not function as warranted during the warranty period, contact a Remarketer or Lexmark for repair or replacement (at Lexmark’s option).

If this product is a feature or option, this statement applies only when that feature or option is used with the product for which it was intended. To obtain warranty service, you may be required to present the feature or option with the product.

If you transfer this product to another user, warranty service under the terms of this statement is available to that user for the remainder of the warranty period. You should transfer proof of original purchase and this statement to that user.

Limited warranty service

The warranty period starts on the date of original purchase as shown on the purchase receipt and ends 12 months later provided that the warranty period for any supplies and for any maintenance items included with the printer shall end earlier if it, or its original contents, are substantially used up, depleted, or consumed. Fuser Units, Transfer/Transport Units, Paper Feed items, if any, and any other items for which a Maintenance Kit is available are substantially consumed when the printer displays a "Life Warning" or "Scheduled Maintenance" message for such item.

To obtain warranty service you may be required to present proof of original purchase. You may be required to deliver your product to the Remarketer or Lexmark, or ship it prepaid and suitably packaged to a Lexmark designated location. You are responsible for loss of, or damage to, a product in transit to the Remarketer or the Lexmark designated location.

When warranty service involves the exchange of a product or part, the item replaced becomes the property of the Remarketer or Lexmark. The replacement may be a new or repaired item.

The replacement item assumes the remaining warranty period of the original product.

Replacement is not available to you if the product you present for exchange is defaced, altered, in need of a repair not included in warranty service, damaged beyond repair, or if the product is not free of all legal obligations, restrictions, liens, and encumbrances.

As part of your warranty service and/or replacement, Lexmark may update the firmware in your printer to the latest version. Firmware updates may modify printer settings and cause counterfeit and/or unauthorized products, supplies, parts, materials (such as toners and inks), software, or interfaces to stop working. Authorized use of genuine Lexmark products will not be impacted.

Before you present this product for warranty service, remove all print cartridges, programs, data, and removable storage media (unless directed otherwise by Lexmark).

For further explanation of your warranty alternatives and the nearest Lexmark authorized servicer in your area contact Lexmark on the World Wide Web.

Remote technical support is provided for this product throughout its warranty period. For products no longer covered by a Lexmark warranty, technical support may not be available or only be available for a fee.

Extent of limited warranty

Lexmark does not warrant uninterrupted or error-free operation of any product or the durability or longevity of prints produced by any product.

Warranty service does not include repair of failures caused by:

- Modification or unauthorized attachments
- Accidents, misuse, abuse or use inconsistent with Lexmark user's guides, manuals, instructions or guidance
- Unsuitable physical or operating environment
- Maintenance by anyone other than Lexmark or a Lexmark authorized servicer
- Operation of a product beyond the limit of its duty cycle
- Use of printing media outside of Lexmark specifications
- Refurbishment, repair, refilling or remanufacture by a third party of products, supplies or parts

—Products, supplies, parts, materials (such as toners and inks), software, or interfaces not furnished by Lexmark

TO THE EXTENT PERMITTED BY APPLICABLE LAW, NEITHER LEXMARK NOR ITS THIRD PARTY SUPPLIERS OR REMARKETERS MAKE ANY OTHER WARRANTY OR CONDITION OF ANY KIND, WHETHER EXPRESS OR IMPLIED, WITH RESPECT TO THIS PRODUCT, AND SPECIFICALLY DISCLAIM THE IMPLIED WARRANTIES OR CONDITIONS OF MERCHANTABILITY, FITNESS FOR A PARTICULAR PURPOSE, AND SATISFACTORY QUALITY. ANY WARRANTIES THAT MAY NOT BE DISCLAIMED UNDER APPLICABLE LAW ARE LIMITED IN DURATION TO THE WARRANTY PERIOD. NO WARRANTIES, EXPRESS OR IMPLIED, WILL APPLY AFTER THIS PERIOD. ALL INFORMATION, SPECIFICATIONS, PRICES, AND SERVICES ARE SUBJECT TO CHANGE AT ANY TIME WITHOUT NOTICE.

Limitation of liability

Your sole remedy under this limited warranty is set forth in this document. For any claim concerning performance or nonperformance of Lexmark or a Remarketer for this product under this limited warranty, you may recover actual damages up to the limit set forth in the following paragraph.

Lexmark's liability for actual damages from any cause whatsoever will be limited to the amount you paid for the product that caused the damages. This limitation of liability will not apply to claims by you for bodily injury or damage to real property or tangible personal property for which Lexmark is legally liable. **IN NO EVENT WILL LEXMARK BE LIABLE FOR ANY LOST PROFITS, LOST SAVINGS, INCIDENTAL DAMAGE, OR OTHER ECONOMIC OR CONSEQUENTIAL DAMAGES.** This is true even if you advise Lexmark or a Remarketer of the possibility of such damages. Lexmark is not liable for any claim by you based on a third party claim.

This limitation of remedies also applies to claims against any Suppliers and Remarketers of Lexmark. Lexmark's and its Suppliers' and Remarketers' limitations of remedies are not cumulative. Such Suppliers and Remarketers are intended beneficiaries of this limitation.

Additional rights

Some states do not allow limitations on how long an implied warranty lasts, or do not allow the exclusion or limitation of incidental or consequential damages, so the limitations or exclusions contained above may not apply to you.

This limited warranty gives you specific legal rights. You may also have other rights that vary from state to state.

Patent acknowledgment

The use of this product or service is subject to the reasonable, non-discriminatory terms in the Intellectual Property Rights (IPR) Disclosure of Certicom Corp. at the IETF for Elliptic Curve Cryptography (ECC) Cipher Suites for Transport Layer Security (TLS) implemented in the product or service.

The use of this product or service is subject to the reasonable, non-discriminatory terms in the Intellectual Property Rights (IPR) Disclosure of Certicom Corp. at the IETF for TLS Elliptic Curve Cipher Suites with SHA-256/382 and AES Galois Counter Mode (GCM) implemented in the product or service.

The use of this product or service is subject to the reasonable, non-discriminatory terms in the Intellectual Property Rights (IPR) Disclosure of Certicom Corp. at the IETF for TLS Suite B Profile for Transport Layer Security (TLS) implemented in the product or service.

The use of this product or service is subject to the reasonable, non-discriminatory terms in the Intellectual Property Rights (IPR) Disclosure of Certicom Corp. at the IETF for Addition of the Camellia Cipher Suites to Transport Layer Security (TLS) implemented in the product or service.

The use of certain patents in this product or service is subject to the reasonable, non-discriminatory terms in the Intellectual Property Rights (IPR) Disclosure of Certicom Corp. at the IETF for AES-CCM ECC Cipher Suites for TLS implemented in the product or service.

The use of this product or service is subject to the reasonable, non-discriminatory terms in the Intellectual Property Rights (IPR) Disclosure of Certicom Corp. at the IETF for IKE and IKEv2 Authentication Using the Elliptic Curve Digital Signature Algorithm (ECDSA) implemented in the product or service.

The use of this product or service is subject to the reasonable, non-discriminatory terms in the Intellectual Property Rights (IPR) Disclosure of Certicom Corp. at the IETF for Suite B Cryptographic Suites for IPsec implemented in the product or service.

The use of this product or service is subject to the reasonable, non-discriminatory terms in the Intellectual Property Rights (IPR) Disclosure of Certicom Corp. at the IETF for Algorithms for Internet Key Exchange version 1 (IKEv1) implemented in the product or service.

Index

Numerics

250-sheet tray (standard)
 loading 39
 30.yy <color> Toner Cart
 Missing 126
 31.yy Defective Imaging Kit 126
 31.yy Replace black and color
 imaging kit 126
 34 Short paper 127
 35 Insufficient memory to support
 Resource Save feature 127
 37 Insufficient memory for Flash
 Memory Defragment
 operation 127
 37 Insufficient memory to collate
 job 127
 38 Memory full 127
 39 Complex page, some data may
 not have printed 128
 51 Defective flash detected 128
 52 Not enough free space in flash
 memory for resources 128
 53 Unformatted flash detected 128
 54 Standard <x> software error 128
 54 Standard network software
 error 128
 550-sheet tray
 installing 19
 56 Standard USB port disabled 129
 58 Too many flash options
 installed 129
 58 Too many trays attached 129
 59 Incompatible tray <x> 129
 650-sheet duo drawer
 installing 19
 loading 41
 82 Replace waste toner box 130
 82 Waste toner box missing 130
 82 Waste toner box nearly full 130
 88 Cartridge is low 130
 88 Replace <color> cartridge 130

A

Active NIC menu 73
 AppleTalk menu 77
 Asset Report menu 72
 attaching cables 20

C

cables, attaching
 Ethernet 20
 USB 20
 Calibrating 124
 calling Customer Support 151
 canceling
 print job, from computer 60
 canceling a job
 from the printer control panel 60
 canceling a print job
 from a computer 60
 card stock
 loading 42
 tips on using 57
 checking an unresponsive
 printer 130
 cleaning
 exterior of the printer 113
 Close Door 124
 configuration information
 wireless network 24
 configurations
 printer 8
 configuring
 multiple printers 116
 configuring supply notifications 116
 conservation settings
 Eco-Mode 34
 Quiet Mode 35
 conserving supplies 33
 contacting Customer Support 151
 control panel, printer
 factory defaults, restoring 115
 Custom Types menu
 printer menus 70

D

Defective <color> Cartridge 126
 developer unit
 replacing 108
 Device Statistics menu 72
 directory list
 printing 60
 display troubleshooting
 display is blank 130
 display shows only diamonds 130
 display, printer control panel 10

documents, printing
 from Macintosh 53
 from Windows 53

E

Eco-Mode setting 34
 Embedded Web Server 115
 copying settings to other
 printers 116
 setting up e-mail alerts 116
 emission notices 153, 154, 157, 158
 envelopes
 loading 42, 44
 tips 55
 environmental settings 33
 Eco-Mode 34
 Quiet Mode 35
 Ethernet network setup
 using Macintosh 29
 using Windows 29
 Ethernet networking
 Macintosh 29
 Windows 29
 Ethernet port 20
 exterior of the printer
 cleaning 113
 e-mail
 notice of low supply level 116
 notice of paper jam 116
 notice of paper needed 116
 notice that different paper is
 needed 116

F

factory defaults, restoring
 printer control panel menus 115
 FAQ about color printing 149
 FCC notices 153, 157
 finding more information about the
 printer 6
 Finishing menu 82
 Flash drive menu 92
 flash memory card
 installing 17
 troubleshooting 135
 font sample list
 printing 59

G

General Settings menu 79
green settings
 Quiet Mode 35
guidelines
 card stock 57
 envelopes 55
 letterhead 53

I

Image menu 91
imaging kit
 replacing 100
imaging kits
 ordering 95
Insert Tray <x> 124
installing on a wireless network
 using Windows 25
installing printer
 on wireless network 25
installing printer on a network
 Ethernet networking 29
installing printer on a wireless
 network
 using Macintosh 26
installing printer software
 adding options 23
installing printer software
 (Windows) 22
IPv6 menu 76

J

jams
 avoiding 118
 locations 118
 number codes 118
jams, clearing
 200 119
 201 119
 202 119
 230 119
 231 122
 235 122
 24x 122
 250 123

L

labels, paper
 tips 56

letterhead
 loading, manual feeder 53
 loading, trays 53
 tips on using 53
light, indicator 10
linking trays 37
Load <input src> with <custom
string> 124
Load <input src> with <custom type
name> 124
Load <input src> with <size> 124
Load <input src> with <type>
<size> 125
Load single sheet feeder with
<custom string> 125
Load single sheet feeder with
<custom type name> 125
Load single sheet feeder with
<size> 125
Load single sheet feeder with
<type> <size> 125
loading
 250-sheet tray (standard) 39
 650-sheet duo drawer 41
 card stock 42
 envelopes 42, 44
 letterhead in manual feeder 53
 letterhead in trays 53
 manual feeder 44
 multipurpose feeder 42
 transparencies 42

M

manual feeder
 loading 44
memory card
 installing 15
 troubleshooting 135
menu settings
 loading on multiple printers 116
Menu Settings Page menu 71
menu settings page, printing 21
menus
 Active NIC 73
 Asset Report 72
 Default Source 63
 Device Statistics 72
 diagram of 62
 Finishing 82
 Flash drive 92
 General Settings 79
 Image 91

IPv6 76
Menu Settings Page 71
Network 73
Network Card 74
Network Reports 74
Network Setup Page 72
Paper Loading 69
Paper Size/Type 63
Paper Texture 66
Paper Weight 68
PCL Emul 88
PDF 87
PictBridge 91
PostScript 88
Print Defects 72
Print Fonts 72
Quality 84
Setup 81
Supplies 62
TCP/IP 75
Universal Setup 71
USB 78
Utilities 87
Wireless 76
moving the printer 114
multipurpose feeder
 loading 42

N

Network Card menu 74
Network menu 73
Network Reports menu 74
network setup page 22
Network Setup Page menu 72
noise emission levels 154
notices 153, 154, 155, 156, 157,
158, 159

O

options
 550-sheet tray 19
 650-sheet duo drawer 19
 flash memory card 17
 internal 12
 memory card 15
 memory cards 12
 updating in printer driver 23
ordering
 imaging kits 95
 toner cartridges 94
 waste toner bottle 96

P

paper

- capacities 52
 - characteristics 46
 - letterhead 47
 - preprinted forms 47
 - recycled 32
 - selecting 47
 - selecting weight 68
 - setting size 38
 - setting type 38
 - storing 47
 - unacceptable 32
 - Universal Paper Size 71
 - Universal size setting 38
- paper feed troubleshooting
- message remains after jam is cleared 136
- paper jams
- avoiding 118
- Paper Size/Type menu 63
- paper sizes
- supported by the printer 48
- paper types
- supported by printer 49
 - where to load 49
- paper types and weights
- supported by the printer 50
- Paper Weight menu 68
- PCL Emul menu 88
- PDF menu 87
- PictBridge-enabled printing
- photos 59
- PostScript menu 88
- Power Saver
- adjusting 35
- Print Defects menu 72
- Print Fonts menu 72
- print job
- canceling from the printer control panel 60
 - canceling, from computer 60
- print quality
- replacing developer unit 108
 - replacing imaging kit 100
 - replacing the waste toner box 97
- print quality test pages, printing 60
- print quality troubleshooting
- blank pages 137
 - characters have jagged edges 138
 - clipped images 138
 - color misregistration 148
 - dark lines 139
 - gray background 139
 - light colored line, white line, or incorrectly colored line 140
 - poor transparency quality 147
 - print irregularities 141
 - print is too dark 142
 - print is too light 143
 - print quality test pages 137
 - repeating defects 145
 - skewed print 145
 - solid color pages 145
 - toner fog or background shading 146
 - toner rubs off 146
 - toner specks 147
 - uneven print density 148
- print troubleshooting
- error reading USB drive 131
 - incorrect characters print 132
 - incorrect margins 139
 - jammed page does not reprint 136
 - job prints from wrong tray 132
 - job prints on wrong paper 132
 - job takes longer than expected 132
 - jobs do not print 131
 - Large jobs do not collate 133
 - paper curl 140
 - paper frequently jams 136
 - tray linking does not work 132
 - unexpected page breaks occur 133
- printer
- configurations 8
 - minimum clearances 7
 - models 8
 - moving 114
 - selecting a location 7
 - shipping 114
- printer control panel 10
- factory defaults, restoring 115
- printer information
- where to find 6
- printer menus
- AppleTalk menu 77
 - Custom Types menu 70
 - Default Source menu 63
 - Paper Loading 69
 - Paper Texture menu 66
 - PictBridge menu 91
 - Quality menu 84
 - USB menu 78
 - Utilities 87
 - Wireless menu 76
- printer messages
- 30.yy <color> Toner Cart Missing 126
 - 31.yy Defective Imaging Kit 126
 - 31.yy Replace black and color imaging kit 126
 - 34 Short paper 127
 - 35 Insufficient memory to support Resource Save feature 127
 - 37 Insufficient memory for Flash Memory Defragment operation 127
 - 37 Insufficient memory to collate job 127
 - 38 Memory full 127
 - 39 Complex page, some data may not have printed 128
 - 51 Defective flash detected 128
 - 52 Not enough free space in flash memory for resources 128
 - 53 Unformatted flash detected 128
 - 54 Standard <x> software error 128
 - 54 Standard network software error 128
 - 56 Standard USB port disabled 129
 - 58 Too many flash options installed 129
 - 58 Too many trays attached 129
 - 59 Incompatible tray <x> 129
 - 82 Replace waste toner box 97, 130
 - 82 Waste toner box missing 130
 - 82 Waste toner box nearly full 130
 - 88 Cartridge is low 130
 - 88 Replace <color> Cartridge 106
 - 88 Replace <color> cartridge 130
 - Calibrating 124
 - Close door 124
 - Defective <color> Cartridge 126
 - Imaging Kit 100
 - Insert Tray <x> 124
 - Load <input src> with <custom string> 124

- Load <input src> with <custom type name> 124
- Load <input src> with <size> 124
- Load <input src> with <type> <size> 125
- Load single sheet feeder with <custom string> 125
- Load single sheet feeder with <custom type name> 125
- Load single sheet feeder with <size> 125
- Load single sheet feeder with <type> <size> 125
- Reload printed pages in Tray <x> 124
- Remove packaging material 126
- Remove paper from standard output bin 126
- Replace Unsupported <color> Cartridge 127
- Unplug and change mode 126
- Unsupported USB device, please remove 126
- Unsupported USB hub, please remove 126
- printer options troubleshooting
 - flash memory card 135
 - memory card 135
 - multipurpose feeder 135
 - option not working 134
 - paper trays 134
- printer problems, solving basic 130
- printer software, installing (Windows) 22
- printing
 - directory list 60
 - font sample list 59
 - from Macintosh 53
 - from USB flash memory device 58
 - from Windows 53
 - menu settings page 21
 - network setup page 22
 - photos 59
 - print quality test pages 60
- printing a document 53
- publications
 - where to find 6

Q

- Quiet Mode 35

R

- recycled paper
 - using 32
- recycling
 - Lexmark packaging 36
 - Lexmark products 36
 - toner cartridges 36
 - WEEE statement 154
- reducing noise 35
- Reload printed pages in Tray <x> 124
- Remove packaging material 126
- Remove paper from standard output bin 126
- Replace Unsupported <color> Cartridge 127
- replacing
 - developer unit 108

S

- safety information 5
- setting
 - Active NIC 73
 - paper size 38
 - paper type 38
 - TCP/IP address 75
 - Universal Paper Size 38
- setting up the printer
 - on an Ethernet network (Macintosh only) 29
 - on an Ethernet network (Windows only) 29
- Setup menu 81
- shipping the printer 114
- standard tray
 - loading 39
- status of supplies, checking 93
- storing
 - paper 47
 - supplies 93
- supplies
 - conserving 33
 - status of 93
 - storing 93
- Supplies menu 62
- supplies, ordering
 - imaging kits 95
 - toner cartridges 94
 - waste toner bottle 96
- supply notifications
 - configuring 116

- system board
 - accessing 13

T

- TCP/IP menu 75
- tips
 - labels, paper 56
 - transparencies 55
- toner cartridges
 - ordering 94
 - recycling 36
 - replacing 106
- transparencies
 - loading 42
 - tips 55
- tray linking 37
- tray unlinking 37
- trays
 - linking 37
 - unlinking 37
- troubleshooting
 - checking an unresponsive printer 130
 - contacting Customer Support 151
 - FAQ about color printing 149
 - solving basic printer problems 130
 - troubleshooting, display
 - display is blank 130
 - display shows only diamonds 130
 - troubleshooting, paper feed
 - message remains after jam is cleared 136
 - troubleshooting, print
 - error reading USB drive 131
 - incorrect characters print 132
 - incorrect margins 139
 - jammed page does not reprint 136
 - job prints from wrong tray 132
 - job prints on wrong paper 132
 - job takes longer than expected 132
 - jobs do not print 131
 - Large jobs do not collate 133
 - paper curl 140
 - paper frequently jams 136
 - tray linking does not work 132
 - unexpected page breaks occur 133
 - troubleshooting, print quality
 - blank pages 137

- characters have jagged edges 138
- clipped images 138
- color misregistration 148
- dark lines 139
- gray background 139
- light colored line, white line, or incorrectly colored line 140
- poor transparency quality 147
- print irregularities 141
- print is too dark 142
- print is too light 143
- print quality test pages 137
- repeating defects 145
- skewed print 145
- solid color pages 145
- toner fog or background shading 146
- toner rubs off 146
- toner specks 147
- uneven print density 148
- troubleshooting, printer options
 - flash memory card 135
 - memory card 135
 - multipurpose feeder 135
 - option not working 134
 - paper trays 134
- wireless network setup
 - in Windows 25
- wireless printer setup
 - in Macintosh 26

U

- Universal Paper Size 71
 - setting 38
- Universal Setup menu 71
- unlinking trays 37
- Unplug and change mode 126
- Unsupported USB device, please remove 126
- Unsupported USB hub, please remove 126
- updating options in printer driver 23
- USB flash memory device 58
- USB port 20

W

- waste toner bottle
 - ordering 96
- waste toner box
 - replacing 97
- wireless network
 - configuration information 24
 - installation, using Macintosh 26
 - installation, using Windows 25