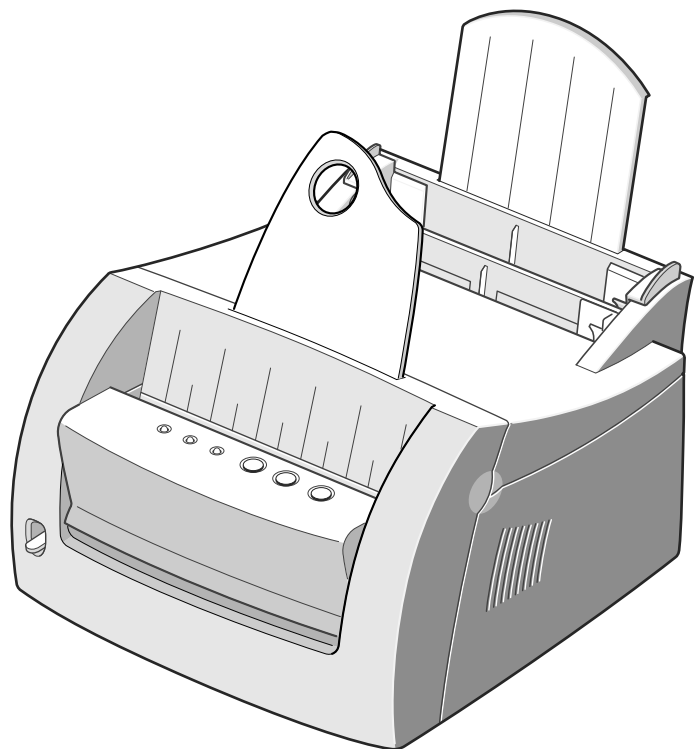




# Lexmark E210

---

## *User's Guide*



May 2001

## **Edition: May 2001**

**The following paragraph does not apply to any country where such provisions are inconsistent with local law:** LEXMARK INTERNATIONAL, INC., PROVIDES THIS PUBLICATION "AS IS" WITHOUT WARRANTY OF ANY KIND, EITHER EXPRESS OR IMPLIED, INCLUDING, BUT NOT LIMITED TO, THE IMPLIED WARRANTIES OF MERCHANTABILITY OR FITNESS FOR A PARTICULAR PURPOSE. Some states do not allow disclaimer of express or implied warranties in certain transactions; therefore, this statement may not apply to you.

This publication could include technical inaccuracies or typographical errors. Changes are periodically made to the information herein; these changes will be incorporated in later editions. Improvements or changes in the products or the programs described may be made at any time.

Comments about this publication may be addressed to Lexmark International, Inc., Department F95/032-2, 740 West New Circle Road, Lexington, Kentucky 40550, U.S.A. In the United Kingdom and Eire, send to Lexmark International Ltd., Marketing and Services Department, Westhorpe House, Westhorpe, Marlow Bucks SL7 3RQ. Lexmark may use or distribute any of the information you supply in any way it believes appropriate without incurring any obligation to you. You can purchase additional copies of publications related to this product by calling 1-800-553-9727. In the United Kingdom and Eire, call 0628-481500. In other countries, contact your point of purchase.

References in this publication to products, programs, or services do not imply that the manufacturer intends to make these available in all countries in which it operates. Any reference to a product, program, or service is not intended to state or imply that only that product, program, or service may be used. Any functionally equivalent product, program, or service that does not infringe any existing intellectual property right may be used instead. Evaluation and verification of operation in conjunction with other products, programs, or services, except those expressly designated by the manufacturer, are the user's responsibility.

Lexmark and Lexmark with diamond design are trademarks of Lexmark International, Inc., registered in the United States and/or other countries.

Other trademarks are the property of their respective owners.

© Copyright 2001 Lexmark International, Inc.  
All rights reserved.

### **UNITED STATES GOVERNMENT RESTRICTED RIGHTS**

This software and documentation are provided with RESTRICTED RIGHTS. Use, duplication or disclosure by the Government is subject to restrictions as set forth in subparagraph (c)(1)(ii) of the Rights in Technical Data and Computer Software clause at DFARS 252.227-7013 and in applicable FAR provisions: Lexmark International, Inc., Lexington, KY 40550.

## **Conventions**

**Warning!** A warning identifies something that could damage your printer hardware or software.

**CAUTION!** A caution identifies something that can cause you harm.

# Table of Contents

## Chapter 1 Introducing Your Printer

---

Special Features .....	1.2
Printer Components .....	1.4

## Chapter 2 Setting Up Your Printer

---

STEP 1: Unpacking Your Printer .....	2.2
STEP 2: Installing the Toner Cartridge .....	2.3
STEP 3: Loading Print Media .....	2.5
STEP 4: Connecting to the Computer with a Parallel Cable .....	2.7
STEP 5: Turning on the Printer .....	2.8
STEP 6: Printing a Demo Page! .....	2.8
STEP 7: Installing the Printer Software .....	2.9
Installing Software from Diskette .....	2.15

## Chapter 3 Using the Control Panel

---

Control Panel Buttons .....	3.2
Control Panel Lights .....	3.4

## Chapter 4 Using Print Media

---

Choosing Paper and Print Media . . . . .	4.2
Selecting the Output Location . . . . .	4.6
Printing on Paper . . . . .	4.8
Printing on Envelopes . . . . .	4.11
Printing on Heavy Paper . . . . .	4.14
Printing on Labels . . . . .	4.16
Printing on Transparencies . . . . .	4.18
Printing on Preprinted Paper . . . . .	4.20
Printing on Card Stock . . . . .	4.21

## Chapter 5 Printing Tasks

---

Printing a Document . . . . .	5.2
Printing Multiple Pages on One Sheet of Paper . . . . .	5.8
Fitting Your Document to a selected Paper Size . . . . .	5.9
Printing Posters . . . . .	5.10
Setting Graphic Properties . . . . .	5.12
Printing Watermarks . . . . .	5.14
Using Page Overlay . . . . .	5.17
Printing on a Network Environment . . . . .	5.22

## Chapter 6 Maintaining Your Printer

---

Maintaining the Print Cartridge . . . . .	6.2
Cleaning the Printer . . . . .	6.6

## Chapter 7 Troubleshooting

---

Troubleshooting Checklist . . . . .	7.2
Solving General Printing Problems . . . . .	7.3
Clearing Jams . . . . .	7.7
Solving Print Quality Problems . . . . .	7.12
Troubleshooting Error Messages . . . . .	7.18
Solving Common Windows Problems . . . . .	7.20

## Appendix A: Driver and Printer Specifications

---

Printer Specifications . . . . .	A.2
Print Media Specifications . . . . .	A.3
Using Your Printer with a USB cable . . . . .	A.11
Linux Driver Installation . . . . .	A.17

## Appendix B: Safety

---

## Appendix C: Notices

---

## Appendix D: Warranty

---

## Index

---

chapter

# 1

## *Introducing Your Printer*

Congratulations on your purchase of the Lexmark™ E210 printer! This chapter provides information on the following topics:

- Special Features
- Printer Components

# Special Features

Lexmark E210 is a versatile, productive printer equipped with special features that improve print quality, giving you a competitive edge. You can:

Print with excellent quality



- You can print at **600 dots per inch** (dpi). See “Setting Graphic Properties” on page [5.12](#).

Handle print media flexibly



- Standard **150-sheet automatic input tray** and a **1-sheet manual input tray** support various sizes and types of print media.
- Two output locations: Select either **the face-down output slot** or **the face-up output slot** for the most convenient access.

Save your time and money



- Print multiple pages on a single sheet of paper to save paper (N-Up printing). See “Printing Multiple Pages on One Sheet of Paper” on page [5.8](#).
- The printer automatically conserves electricity by substantially reducing power consumption when not printing.
- This product meets Energy Star guidelines for energy efficiency.

### Create professional documents



- You can customize your documents by using watermarks such as “Confidential.” See “Printing Watermarks” on page [5.14](#).
- Preprinted forms and letterheads can be printed on plain paper. See “Using Page Overlay” on page [5.17](#).
- You can print posters. The text and pictures of each page of your document can be magnified and printed across several sheets of paper. After the document has printed, trim off the white edges of each sheet. Tape the sheets together to form a poster. See “Printing Posters” on page [5.10](#).

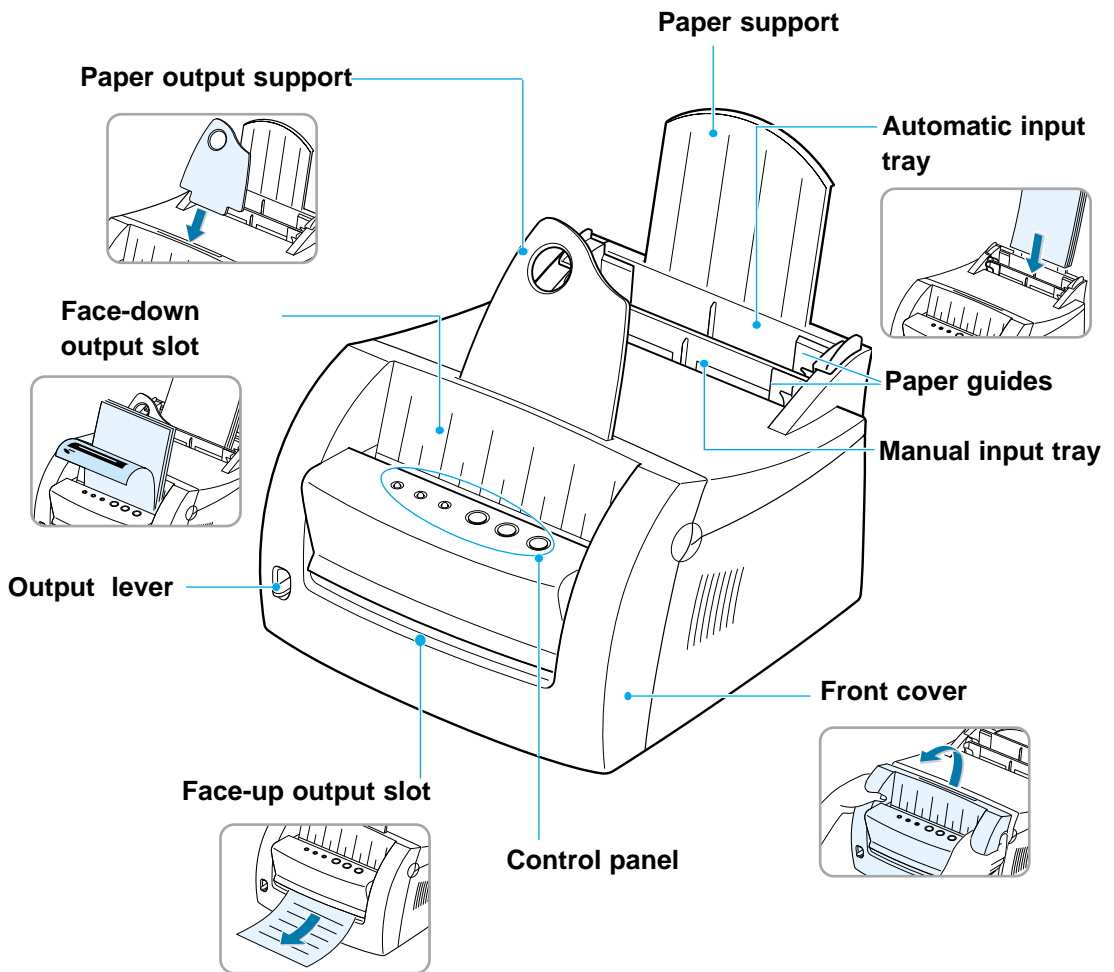
### Print in various environments

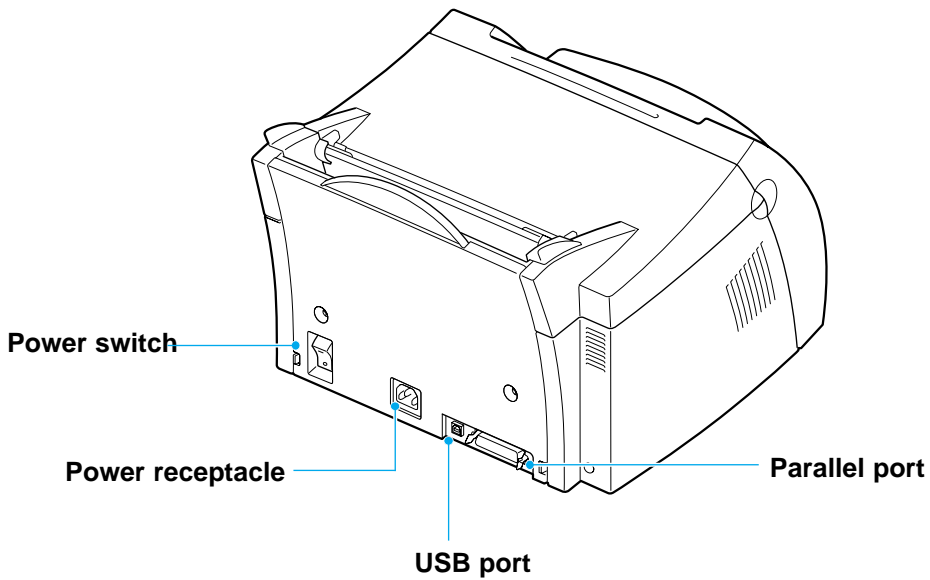
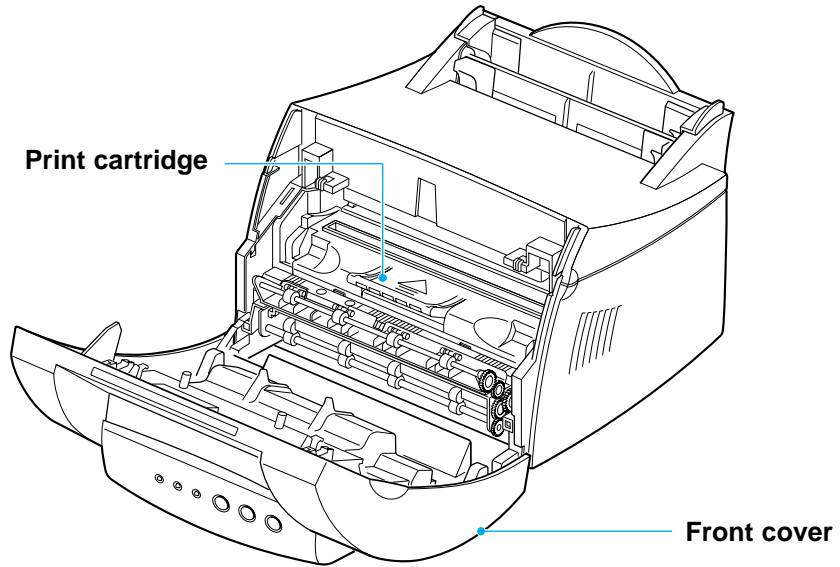


- Your printer is compatible with Windows 95/98/Me/NT 4.0/2000.
- Your printer is compatible with the Linux system.
- Your printer comes with both Parallel and USB interfaces.



# Printer Components





chapter

# 2

## *Setting Up Your Printer*

This chapter provides step-by-step information on setting up your printer.

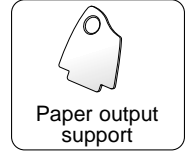
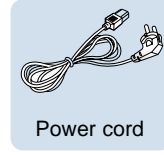
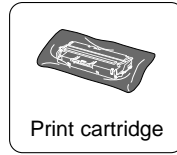
Topics included are:

- *STEP 1*: Unpacking Your Printer
- *STEP 2*: Installing the Print Cartridge
- *STEP 3*: Loading Print Media
- *STEP 4*: Connecting to the Computer with a Parallel Cable
- *STEP 5*: Turning on the Printer
- *STEP 6*: Printing a Demo Page!
- *STEP 7*: Installing the Printer Software
- Installing Software from Diskette

# STEP 1

## Unpacking Your Printer

- 1 Remove the printer and all accessories from the packing carton. Make sure that your printer has been packed with the items shown on the right.

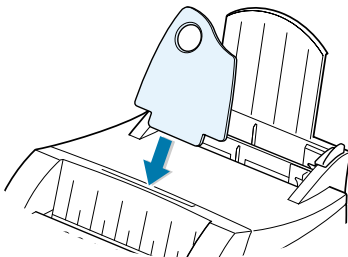
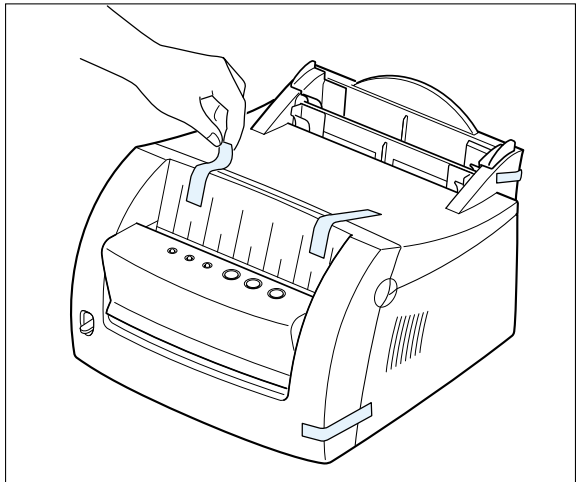


### Notes:

- If any items are missing or damaged, notify your point of purchase.
- Components may differ from one country to another.
- The CD (compact disk) contains the printer driver, the *User's Guide*, the Adobe Acrobat Reader program and the Make Your Own Diskette setup software.

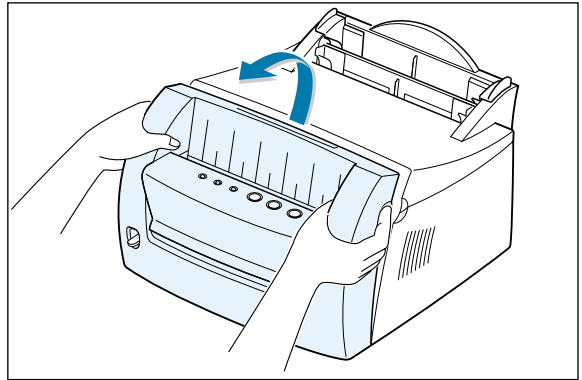
- 2 Remove all packing tapes from the printer.

- 3 Attach the paper output support.

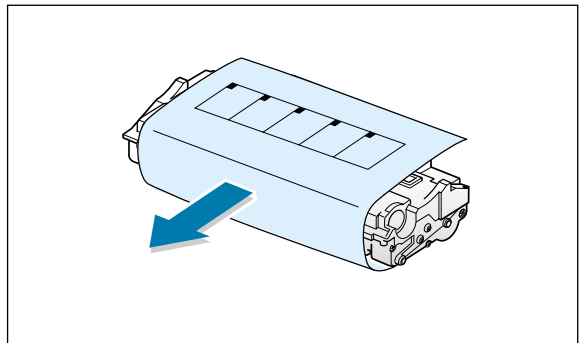


# Installing the Print Cartridge

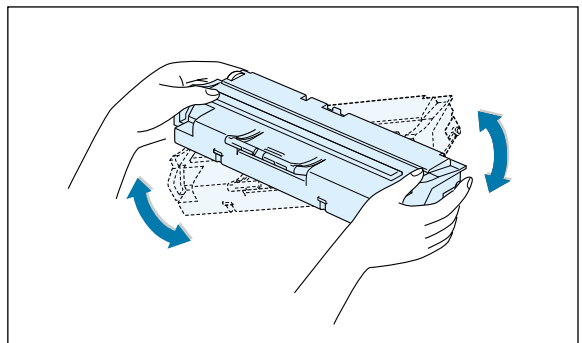
- 1 Pull the cover open.



- 2 Remove the print cartridge from its bag and remove the paper covering from the print cartridge completely.



- 3 Gently shake the cartridge from side to side to distribute the toner evenly.

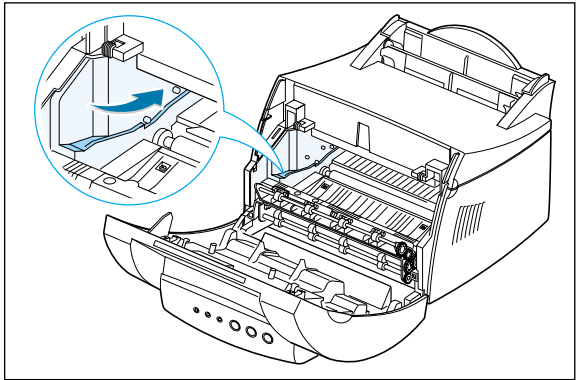


**Note:** If toner gets on your clothing, wipe it off with a dry cloth and wash the clothing in cold water. Hot water sets toner into fabric.

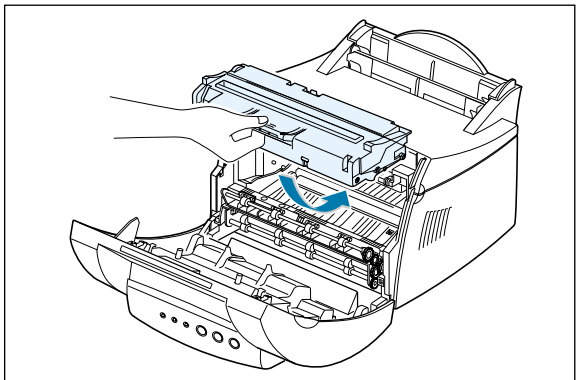
**Warning!** To prevent damage, do not expose the print cartridge to light for more than a few minutes. Cover it with a piece of paper if it will be left exposed for more than a few minutes.

## Installing the Print Cartridge

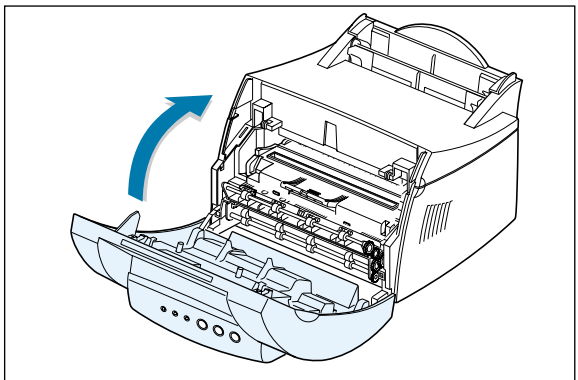
- 4 Locate the cartridge slots, one on each side.



- 5 Insert the cartridge until it snaps into place.



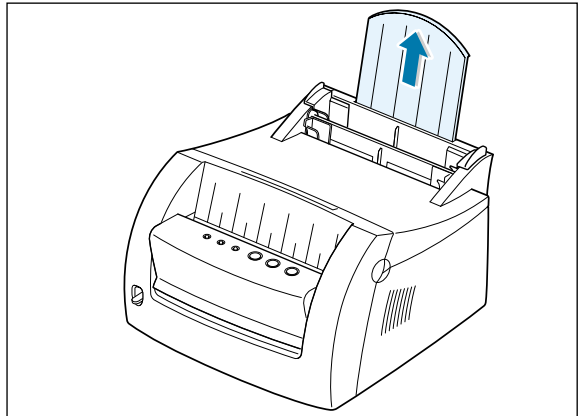
- 6 Close the front cover securely.



**Note:** When printing text at 5% coverage, expect a print cartridge life of approximately 2,000 pages (1,000 pages for the print cartridge that is shipped with the printer).

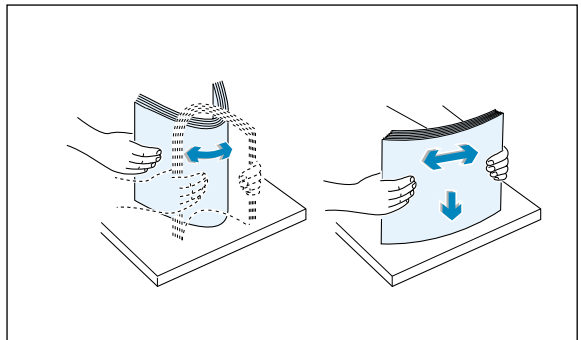
# Loading Print Media

- 1 Pull on the automatic input tray support until it stops.

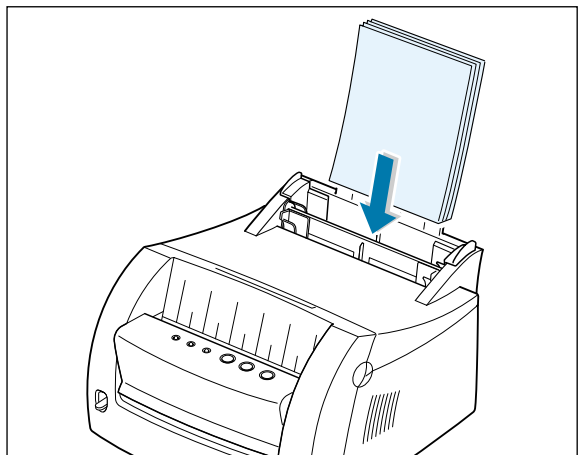


- 2 Before loading any print media, flex the sheets back and forth to loosen them, and then fan them.

Tap the edges of the stack on a table top to straighten them. This helps prevent jams.



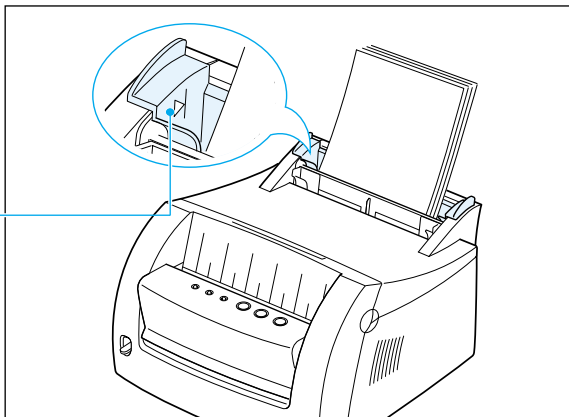
- 3 Load a stack of paper into the automatic input tray with the print side facing up.



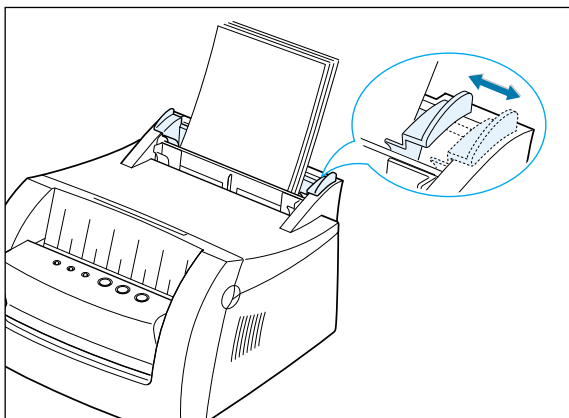
## Loading Print Media

Do not load too much paper. This tray holds 150 sheets.

Keep the paper below this height mark.



- 4** Push the guide gently against the paper stack.



### Notes:

- Do not push the width guide tightly causing the print media to warp.
- Adjust the width guide to avoid jams.
- To add more print media to the tray while a job is printing, first remove the remaining print media from the tray. Reinsert it with the new print media.
- Adding print media to the print media already in the tray may cause jams or multiple feeding.



# STEP 4

## Connecting to the Computer with a Parallel Cable

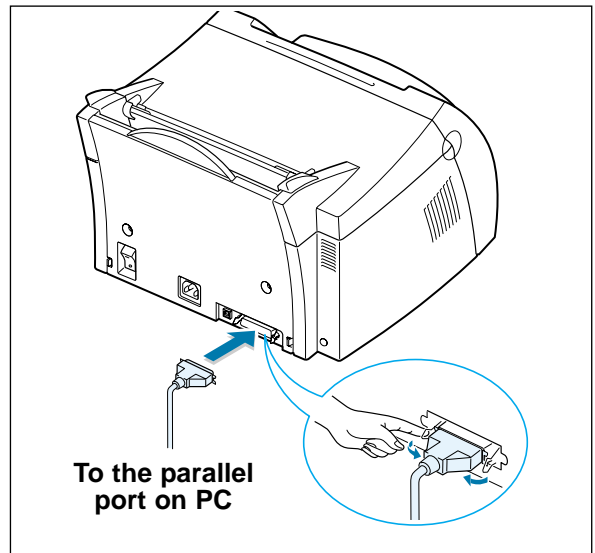
**1** Make sure both the printer and the computer are turned off and unplugged.

**2** Plug the parallel printer cable into the connector as shown.

Push the metal clips down to fit inside the notches on the cable plug.

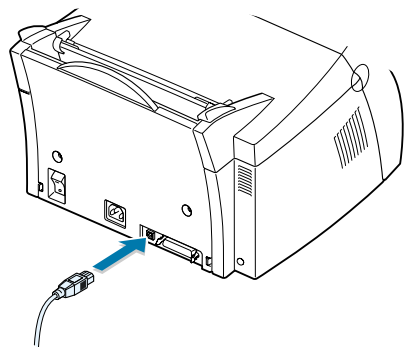
**3** Connect the other end of the cable to the parallel interface port on your computer, and tighten the screws.

Refer to your computer documentation if you need help.



### If you are using a USB interface

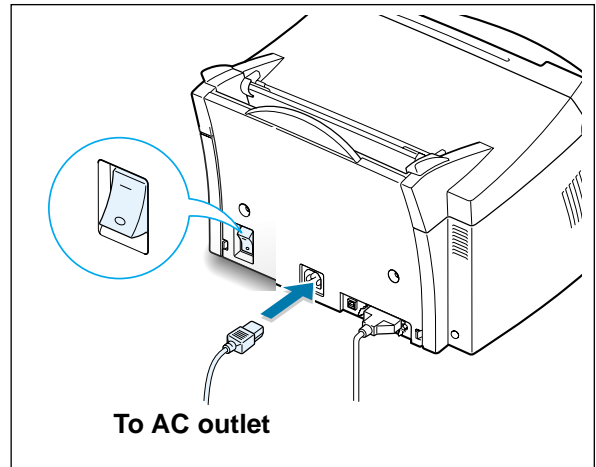
Go to “Using Your Printer with a USB Cable” on page [A.11](#).



## STEP 5

# Turning on the Printer



- 1 Plug the power cord in as shown.
- 2 Plug the other end into a properly grounded AC outlet.
- 3 Turn on the power.

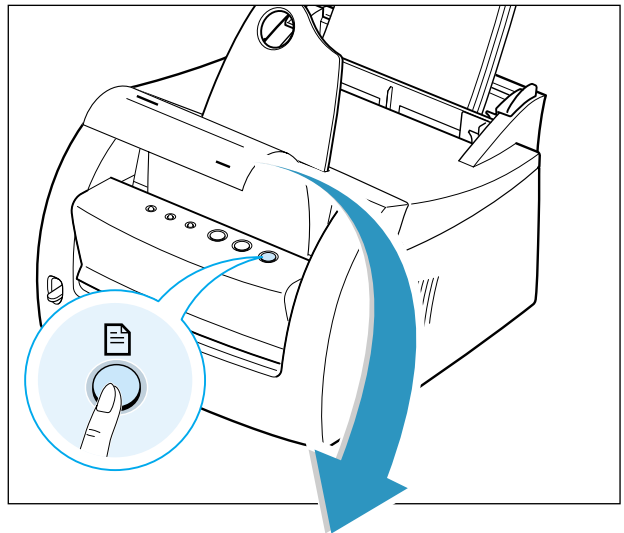


## STEP 6

# Printing a Demo Page!

As the printer powers up, all the printer control panel lights turn on briefly.

- 1 Press and hold the  button when only the  light remains on.
- 2 Hold down the button for two seconds until all lights blink slowly, then release. The Demo page prints.



The demo page provides a sample of the print quality and helps you verify the printer is printing correctly.

## LEXMARK E210

*Personal Laser Printer for the Home or Office*

- 12 Pages per minute
- 66 MHz processor
- Parallel & USB standard
- Windows & Linux support
- 5,000 pages maximum monthly usage

Included with your printer is a CD containing the printer driver for some of the most popular Windows-based software applications. To operate your printer, you must install a printer driver, which translates data from your application into data that the printer understands.

---

### **If you are printing with a parallel interface**

See “Connecting to the Computer with a Parallel Port” on page [2.7](#) for information on installing the print software on a computer that is attached directly to the printer with a parallel cable.

---

### **If you are printing with a USB interface**

See “Using Your Printer with a USB Cable” on page [A.11](#), for information on installing the print software on a USB-enabled computer.

---

### **If you are printing in Linux**

See “Linux Driver Installation” on page [A.17](#), for information on installing the Linux driver.

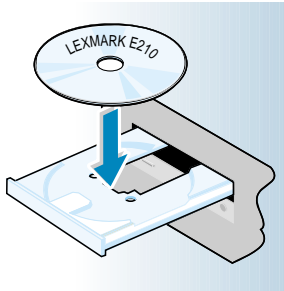
## Before Installing the Printer Software

---

Verify the following:

- At least 16MB or more of RAM is installed on your PC.
- There is at least 50MB of free disk space on your PC.
- All applications are closed on your PC before beginning installation.
- You are using Windows 95, Windows 98, Windows Me, Windows NT 4.0 or Windows 2000.

## Installing the Printer Software from the CD



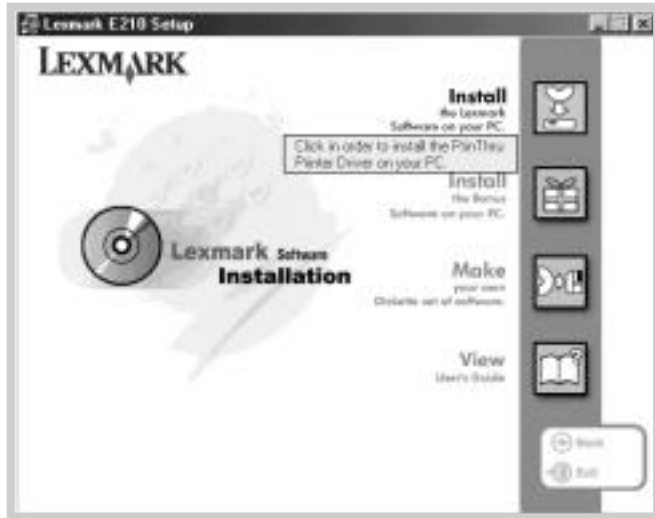
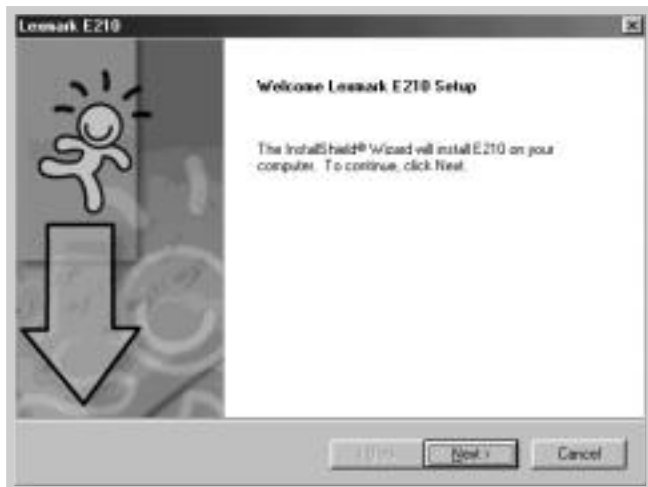
- 1 Place the CD in the CD-ROM drive. Installation begins automatically.

If the CD-ROM drive does not automatically run:

Select **Run** from the **Start** menu, and type **x:\cdsetup.exe** in the Open box (where **x** is the drive letter for the CD-ROM drive), and click **OK**.

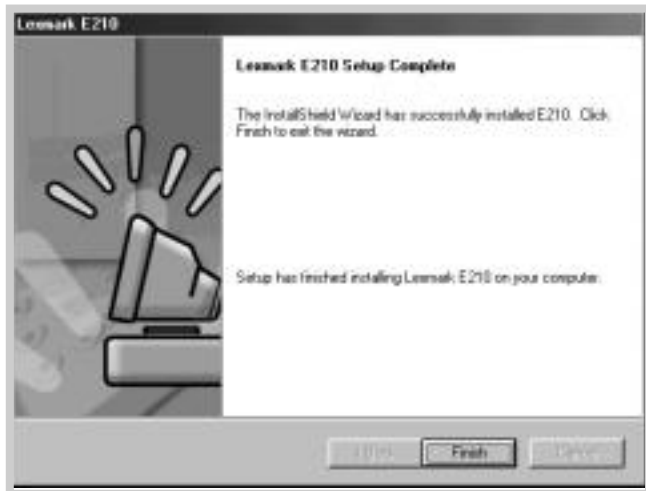


**Note:** If the New Hardware Found box appears during the installation procedure, click the  in the upper right corner of the box, or click **Cancel**.

**2** Click **Install the Lexmark Software on your PC.****3** The Welcome window opens. Click **Next.**

The files are copied into the appropriate directory.

### 4 Click **Finish**.



## Software Installation Tips

---

I do not have a CD-ROM drive

If you have access to another computer with a CD-ROM drive, you can use the Make Diskette utility in Windows to create the disks you need for the installation. See "Installing Software from Diskette" on page [2.15](#).

How do I access printer features?

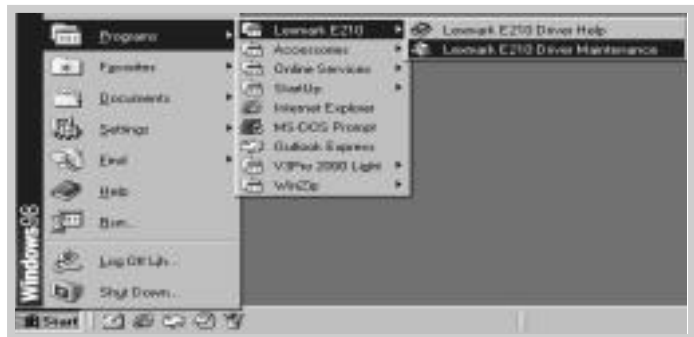
Some printer features, such as paper size and page orientation, may be available through your application settings. Use application settings, if available, because they override printer driver settings.

Access advanced printer features through your printer driver. See [Chapter 5](#) "Printing Tasks" for instructions on using your printer driver features.

How do I remove the printing software?

In Windows, after installation, the Uninstall icon in the Lexmark E210 program group allows you to select and remove any or all of the Lexmark E210 printing system components. If you are upgrading the printer driver, or if your installation fails, follow these instructions to uninstall the driver.

- 1 From the **Start** menu, select **Programs**.
- 2 Select **Lexmark E210**, and then **Lexmark E210 Driver Maintenance**.



- 3 When your computer confirms your selection, click **OK**.

- 4 The Lexmark E210 printer driver and all of its components are removed from your computer.



- 5 Click **Finish**.

If you have installing problems

- Exit your software programs. Then, turn off your computer and printer. Turn on your printer, and then turn on your computer.
- Close any virus protection programs that are running on your computer.
- Uninstall the printer software using the instruction above, and repeat the installation procedure.

Can I use this printer in other operating systems?

The Lexmark E210 Printer supports the Linux system. See “Linux Driver Installation” on page [A.17](#) for information on installing the Linux driver.



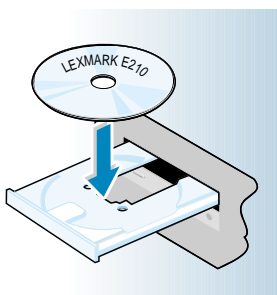
# Installing Software from Diskettes

If you do not have a CD-ROM drive and if you have access to another computer with a CD-ROM drive, you can copy software installation files from your printer software CD onto floppy diskettes, and then use the diskettes instead of the CD to install the software.

2

## Making Installation Diskettes

You can make the installation diskettes for the Lexmark E210 printer driver. Make sure that you have several formatted diskettes ready, and then follow these steps:



- 1 Insert the CD shipped with your printer into the CD-ROM drive. Installation begins automatically.

If the CD-ROM drive does not automatically run:

Select **Run** from the **Start** menu, and type **x:\cdsetup.exe** in the Open box (where **x** is the drive letter for the CD-ROM drive), and click **OK**.

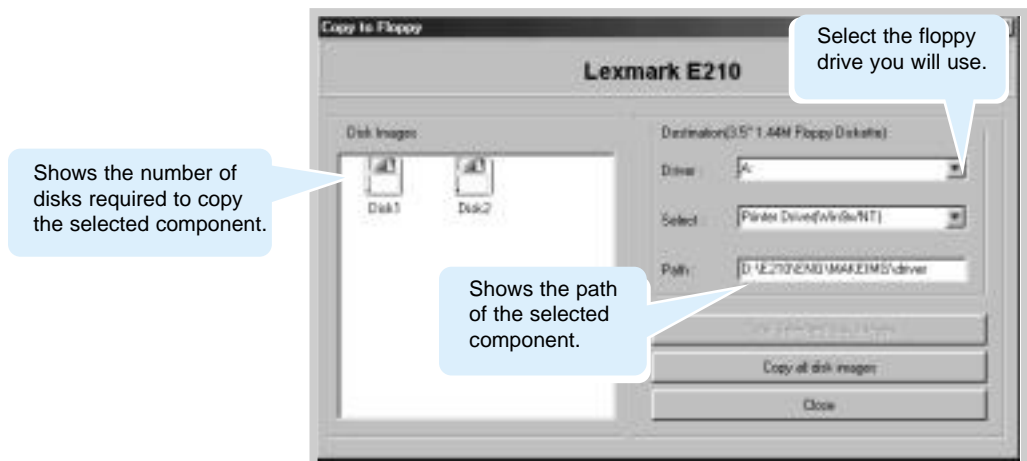
- 2 When the opening screen appears, select the appropriate language.

- 3 Click **Make your own Diskette set of software.**



The Copy to Floppy dialog box appears.

- 4 Select the floppy disk drive you will use to insert the diskette.



### 5 Click **Copy all disk images**.

If you want to copy a portion of the selected component, select the disk you want to copy in the Disk Images window, and then click **Copy Selected disk image**.

### 6 When prompted, insert a blank, formatted diskette into the floppy drive, and click **Yes** to copy the first diskette. For multiple diskettes, when the first diskette is finished, you are prompted to insert disk 2.

Make sure you label each diskette in order as you create it: Lexmark E210 driver, disk 1 of 2, and so on.

### 7 If you have more than one disk, insert the next disk and click **Yes**.

### 8 When copying to diskettes is complete, click **Close** in the Copy to Floppy dialog box. Then, click **Exit** in the Lexmark printer dialog box.

# Installing Software

---

To install the printer driver from the diskettes, complete the following steps:

- 1 Insert the first diskette (if the selected software diskettes are more than one).
- 2 From the **Start** menu, select **Run**.



- 3 Type **A:\setup.exe** in the Open box and click **OK**. (If your floppy drive is not **A**, substitute the correct letter.)
- 4 Follow the on-screen instructions to complete the installation.

chapter

# 3

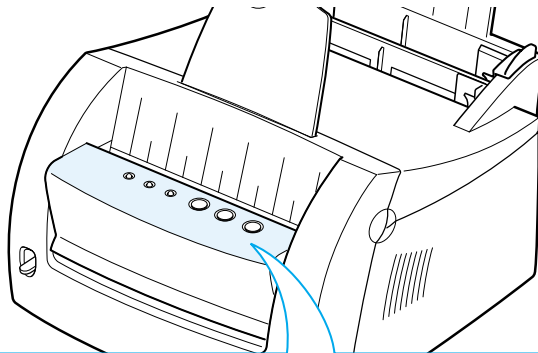
## *Using the Control Panel*

This chapter describes how to use the printer control panel. It provides information on the following topics:

- Control Panel Buttons
- Control Panel Lights

# Control Panel Buttons

The printer has three buttons: ↓ (**Continue**), ✕ (**Cancel**) and 📄 (**Demo**).

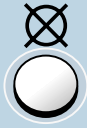


## Printing a demo page

Press and hold 📄 for 2 seconds until the control panel lights blink slowly to print a demo page. The printer must be in Ready mode. For more information, see “Printing a Demo Page” on page 2.8.

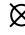

## Cleaning the inside of the printer


Press and hold 📄 for 10 seconds until the control panel lights remain lit. After cleaning the printer, one cleaning sheet prints. For further information, see “Cleaning the Inside” on page 6.6.

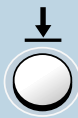


### Canceling a job

---


Press and hold  until the control panel lights blink to cancel a job the printer is currently printing. The  light blinks while the print job is cleared from both the printer and the computer, and then returns to the Ready mode. This may take some time, depending on the size of the print job.

**Note:** If the  button is accidentally pushed, the job must be reprinted. There is no undo function.




### Manual feeding

---

When you select **Manual** for **Paper Source** from your software application, you should press  each time you load a sheet of paper manually. For further information, see “Using the Manual Input tray” on page [4.8](#).


# Control Panel Lights


The control panel lights indicate the status of your printer. If the  light is on, the printer is experiencing an error. See “Troubleshooting Error Messages” on page 7.18.

## Control Panel Light Message



### Ready mode

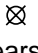
The  light is on and the printer is ready to print.

No action is needed. If you press and hold the  button for about 2 seconds, a demo page prints.



### Processing


The printer is receiving or processing data. Wait for the job to print.

Pressing the  button cancels the current job. One or two pages may print as the printer clears the print job. The printer returns to the Ready mode after the job is canceled.



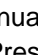
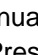
### Paper out

The printer is out of paper.

Load paper into the printer. For the automatic tray, there is no need to press any button to reset. For the manual tray, press the  button after loading.



### Waiting for the Continue button to be pressed

In the Manual Feed mode, the printer is waiting for the  button to be pressed. Press the  button to start printing. You must press the button to print each page after loading paper into the manual input tray.



chapter

# 4

## *Using Print Media*

This chapter explains the kinds of print media you can use with the Lexmark E210 printer and how to properly load the different input trays for the best print quality.

Topics included are:

- Choosing Paper and Print Media
- Selecting the Output Location
- Printing on Paper
- Printing on Envelopes
- Printing on Heavy Paper
- Printing on Labels
- Printing on Transparencies
- Printing on Preprinted Paper
- Printing on Card Stock

# Choosing Paper and Print Media

You can print on a variety of print media, such as plain paper, envelopes, labels, transparencies, card stocks, and so on. See “Print Media Specifications” on page [A.3](#). To get the best possible print quality, use only high-quality copier-grade paper.

When you choose print media, consider the following:

- **Desired outcome:** The print media you choose should be appropriate for the project.
- **Size:** You can use any print media that fits easily within the guides of the tray.
- **Weight:** Your printer supports paper weights as follows:
  - 16-24 lb bond for the automatic input tray
  - 16-43 lb bond for the manual input tray
- **Brightness:** Some papers are whiter than others and produce sharper, more vibrant images.
- **Surface smoothness:** The smoothness of the paper affects how crisp the printing looks.

Always test a sample of paper before purchasing large quantities.

**Warning!** Using print media that does not conform to the specifications listed in the paper specifications can cause problems that may require service. This service is not covered by the warranty or service agreements.

## Print Media Sizes and Capacities

Media Size	Input Source/Capacity*	
	Automatic Input Tray	Manual Input Tray
<b>Plain Paper</b>		
Letter 216 x 279 mm (8.5 x 11 in.)	150	1
Legal 216 x 356 mm (8.5 x 14 in.)	150	1
Executive 184 x 267 mm (7.25 x 10.5 in.)	150	1
A4 210 x 297 mm (8.27 x 11.7 in.)	150	1
A5 148 x 210 mm (5.83 x 8.27 in.)	150	1
B5 182 x 257 mm (7.17 x 10.1 in.)	150	1
<b>Envelopes</b>		
No. 10 105 x 241 mm (4.12 x 9.5 in.)	5	1
DL 110 x 220 mm (4.33 x 8.66 in.)	5	1
C5 162 x 229 mm (6.38 x 9.01 in.)	5	1
C6 114 x 162 mm (4.49 x 6.38 in.)	5	1
Monarch (3.87 x 7.5 in.)	5	1
<b>Labels</b>		
Letter 216 x 279 mm (8.5 x 11 in.)	5	1
A4 210 x 297 mm (8.27 x 11.7 in.)	5	1
<b>Transparency films</b>		
Letter 216 x 279 mm (8.5 x 11 in.)	5	1
A4 210 x 297 mm (8.27 x 11.7 in.)	5	1
<b>Card stock</b>	5	1
<b>Bond</b>	5	1
<b>Thick Paper</b>	5	1
<b>Thin Paper</b>	150	1

\* Depending on paper thickness, maximum capacity may be reduced. Numbers listed are based on 20 lb paper.

# Print Media Guidelines

---

When selecting or loading paper, envelopes, or other special print media, follow these guidelines:

- Attempting to print on damp, curled, wrinkled, or torn print media can cause jams and poor print quality.
- Use cut-sheet paper only. You cannot use multi-part paper.
- Use only high-quality, copier grade paper.
- Do not use print media that has already been printed on or that has been fed through a photocopier.
- Do not use paper with irregularities, such as tabs or staples.
- Do not attempt to load any tray during printing and never overfill a tray. This may cause a jam.
- Avoid paper with embossed lettering, perforations or texture that is too smooth or too rough.
- Colored paper should be of the same high quality as white photocopy paper. The pigments must withstand the printer fusing temperature of 400°F (205°C) for 0.1 second without deterioration. Do not use paper with a colored coating that was added after the paper was produced.

- Preprinted forms must be printed with nonflammable, heat-resistant inks that do not melt, vaporize, or release hazardous emissions when subject to the printer fusing temperature of approximately 400°F (205°C) for 0.1 second.
- Store paper in its ream wrapper until ready to use. Place cartons on pallets or shelves, not on the floor.
- Do not place heavy objects on top of the print media, whether it is packaged or unpackaged.
- Keep print media away from moisture, direct sunlight or other conditions that can cause it to wrinkle or curl.

# Selecting the Output Location

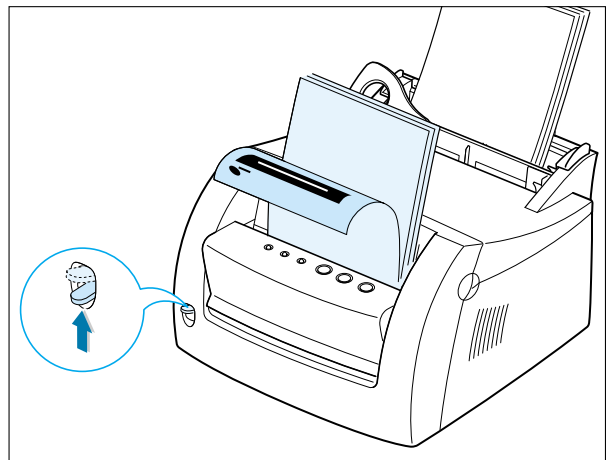
The printer has two output locations: the face-up output slot and the face-down output slot. You can select the output location by changing the position of the output lever on the front of the printer. To use the face-down output slot, be sure the output lever is in upper (normal) position. To use the face-up output slot, push it down to open the slot.

- If paper coming out of the face-down output slot has problems, such as excessive curl, try printing to the face-up output slot.
- To avoid jams, do not change the position of the output lever while the printer is printing.

## Printing to the Face-Down Output Slot

The face-down output slot collects paper face down in correct order. Make sure that the output lever is in the upper position. (If not, push it up.)

The face-down output slot is used for most print jobs and is recommended for printing up to 100 sheets of paper continuously.

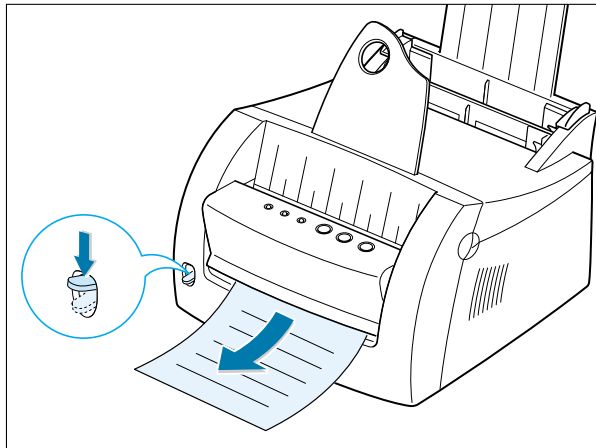


## Printing to the Face-Up Output Slot

The printer prints to the face-up output slot if the slot is open. Push the output lever down to open the slot. Paper comes out of the printer face-up.

Using the face-up output slot might improve output quality with the following:

- Envelopes
- Labels
- Transparency films
- Paper heavier than 24 lb (90 g/m<sup>2</sup>)

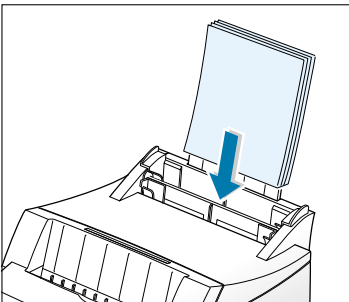


# Printing on Paper

Proper paper loading helps prevent jams and ensure trouble-free printing. Do not remove paper from any tray while a job is printing. Doing so may cause a jam.

## Using the Automatic Input Tray

---



The automatic input tray holds 150 sheets of 20 lb paper or five sheets of special media. See “Print Media Sizes and Capacities” on page 4.3 for acceptable paper size and capacities for each input tray.

Load a stack of paper into the automatic input tray and print. For details on loading paper in the automatic input tray, see “Loading Print Media” on page 2.5.

**Note:** Before using the automatic input tray, you must remove paper from the manual input tray.

## Using the Manual Input Tray

---

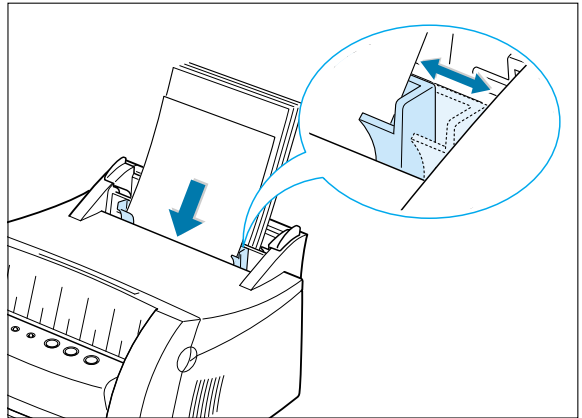
When you change the print settings in your software application, if you select **Manual** in the **Paper Source** option, you can manually load paper in the manual input tray. Manually loading paper allows the use of different print media without unloading the automatic input tray.

If you experience a jam from the automatic input tray, load one sheet of paper at a time into the manual input tray.

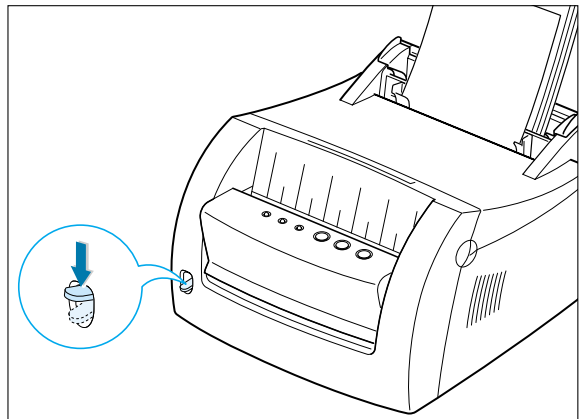
**Note:** To avoid a jam, use the manual tray with the automatic input tray loaded with paper.



- 1 Place a sheet of paper in the manual input tray with the print side up.
- 2 Push the paper guide gently against the paper.



- 3 Push the output lever down to open the face-up output slot.



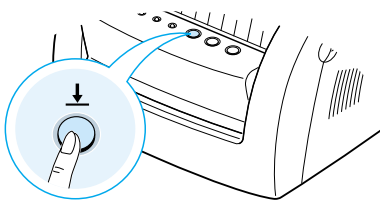
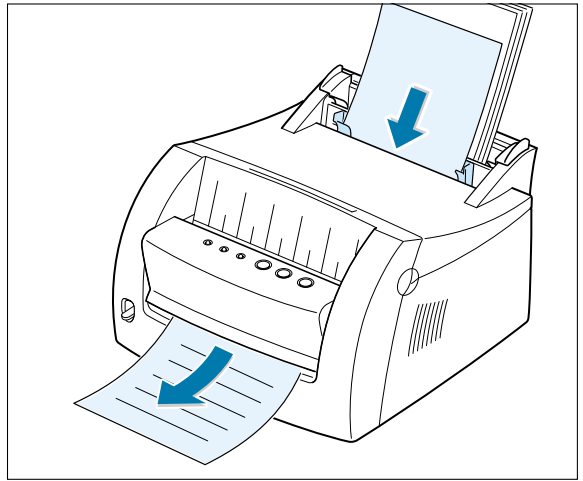
- 4 Select **Manual** under **Paper Source** from the software application, and then select the correct paper size and type. For details, see page 5.4.



**5** Print the document.

**Note:** If you are printing multiple pages, load the next sheet after the first page prints.

**6** Press  $\downarrow$  to start feeding.

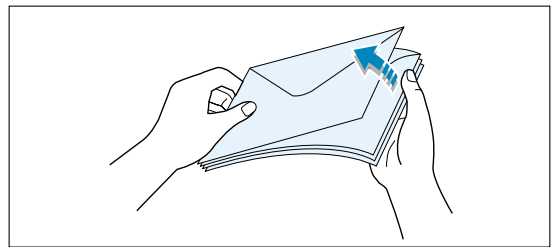


# Printing on Envelopes

## Guidelines

- Only use envelopes recommended for laser printers.
- Before you load envelopes in the input tray, make sure that they are undamaged and are not stuck together.
- Do not feed stamped envelopes.
- Never use envelopes with clasps, snaps, windows, coated lining or self-stick adhesives. These envelopes may severely damage the printer.

- 1 Flex or fan the envelopes.

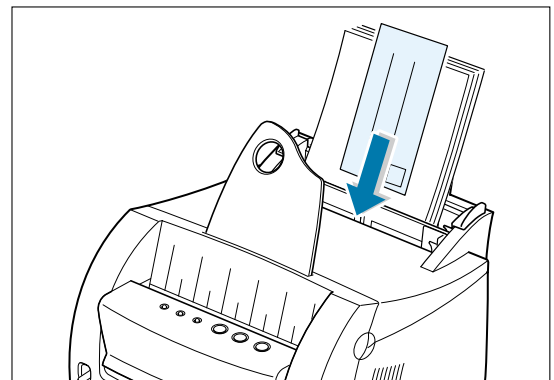


- 2 Load the envelopes into the input tray you want to use with the flap side down.

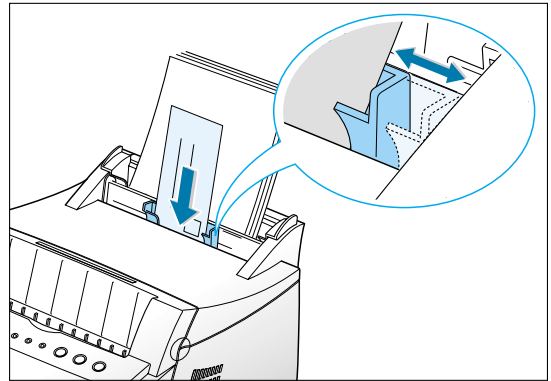
The end of the envelope with the stamp area enters the tray first.

### Notes:

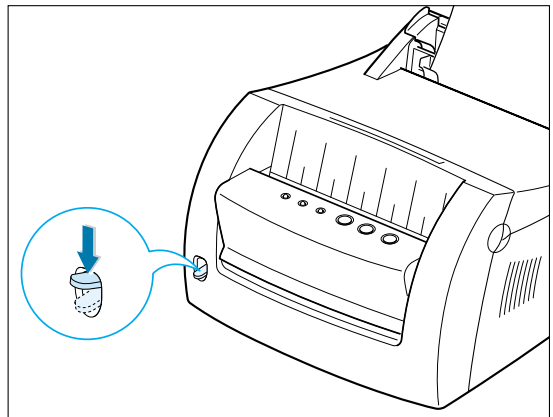
- Do not feed stamped envelopes. The stamp is shown for direction only.
- Up to five envelopes can be loaded in the automatic input tray. The manual input tray holds only one at a time. Manually-loaded envelopes are shown.



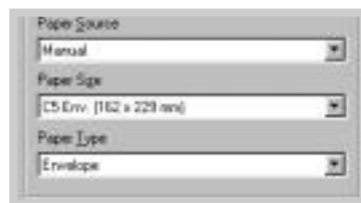
- 3 Push the guide to the edge of the envelope stack.



- 4 Push the output lever down.



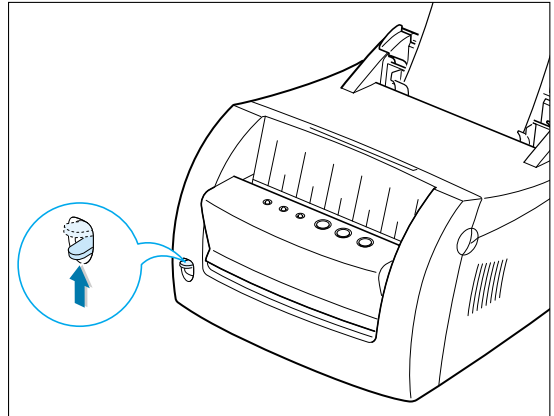
- 5 When you print on envelopes, configure the source, type and size properly in the software application. For details, see page 5.4.



**Note:** If you are printing multiple envelopes, load the next envelope after the first prints.

6 Print the document.

7 After printing, push the output lever up.



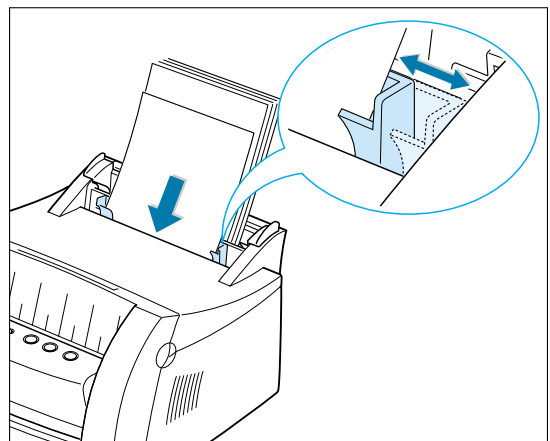
# Printing on Heavy Paper

## Guidelines

- Heavy paper is any paper heavier than 24 lb (90 g/m<sup>2</sup>). For cotton papers, you can use 24 lb paper. The maximum paper weight available for your printer is 43 lb (163 g/m<sup>2</sup>).
- Do not use extremely heavy paper stock, which is greater than 43 lb (163 g/m<sup>2</sup> bond). Misfeeds, mis-stacking, jams, poor toner fusing, poor print quality and excessive mechanical wear can result.

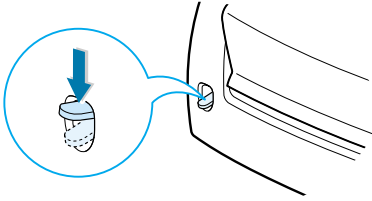
- 1 Load paper in the input tray you want to use with print side up.

**Note:** Up to five sheets of heavy paper can be loaded in the automatic input tray. The manual input tray holds only one at a time. Manually-loaded heavy paper is shown.

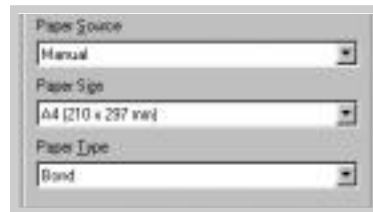


- 2 Push the guide against the stack of paper without bending it.

- 3 Push the output lever down.



- 4 When you print on heavy paper, select **Bond** in the Paper Type section, and then configure the paper source and size in the software application. For details, see page 5.4.



- 5 Print the document.

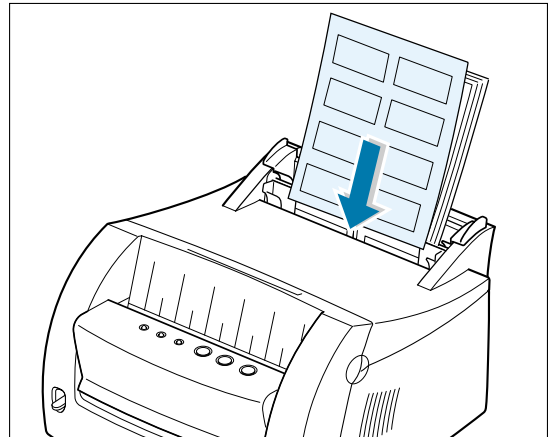
# Printing on Labels

## Guidelines

- Only use paper labels recommended for laser printers.
- Verify that the label adhesive material can tolerate fusing temperature of 200°C (392°F) for 0.1 second.
- Make sure that there is no exposed adhesive material between the labels. Exposed areas can cause labels to peel off during printing, which can cause paper jams. Exposed adhesive can also cause damage to printer components.
- Do not feed a sheet of labels through the printer more than once. The adhesive backing is designed for one pass through the printer.
- Do not use labels that are separating from the backing sheet or are wrinkled, bubbled or otherwise damaged.

- 1 Load the labels in the input tray you want to use with print side up.

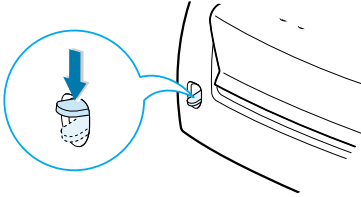
**Note:** Up to five sheets of labels can be loaded in the automatic input tray. The manual input tray holds only one sheet at a time. A manually-loaded sheet is shown.



- 2 Push the guide against the stack of labels without bending it.



- 3 Push the output lever down.



- 4 When you print on labels, configure the source, type and size in the software application. For details, see page 5.4.



- 5 Print the document.

4

**Note:** To prevent labels from sticking together, do not let the printed label sheets stack up as they are printed out.

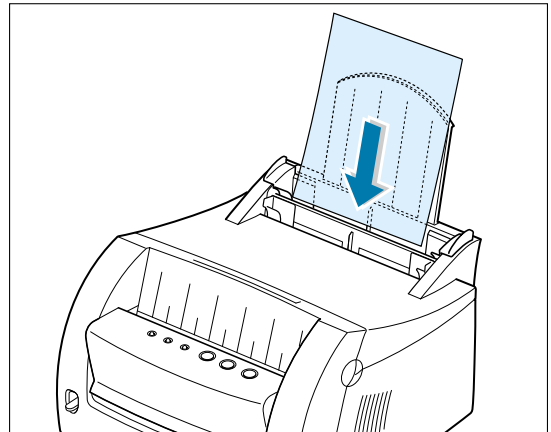
# Printing on Transparencies

## Guidelines

- Only use transparencies recommended for use in laser printers.
- Make sure that the transparencies are not wrinkled or curled, and that they do not have any torn edge.
- Hold the transparencies by the edges and avoid touching the print side. Oils from your fingers on the transparency can cause print quality problems.
- Be careful not to scratch or leave fingerprints on the print side.

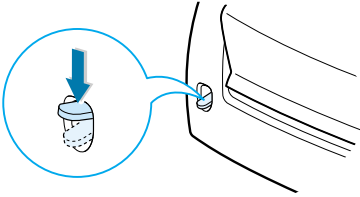
- 1** Load transparencies in the input tray you want to use with print side up, and the top with the adhesive strip going first.

**Note:** Up to five transparencies can be loaded in the automatic input tray. The manual input tray holds only one at a time. A manually-loaded transparency is shown.

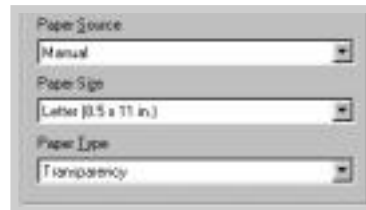


- 2** Push the guide against the stack of transparencies without bending it.

**3** Push the output lever down.



**4** When you print on transparencies, configure the source, type and size in the software application. For details, see page 5.4.



**5** Print the document.

**Notes:**

- To prevent transparencies from sticking together, do not let the printed sheets stack up as they are printed out.
- Place transparencies on a flat surface after removing them from the printer.

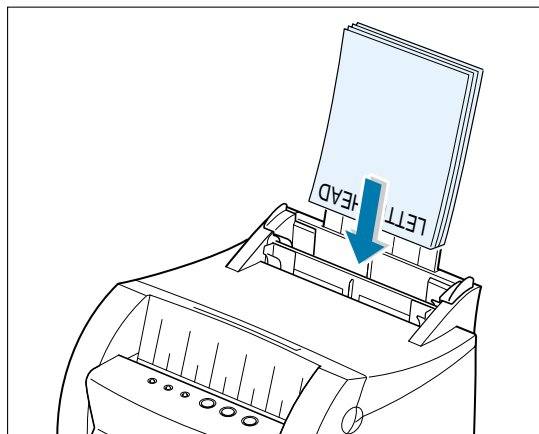
# Printing on Preprinted Paper

Preprinted paper is a form with some type of printing on it before it is sent through the printer, such as a letterhead sheet having a preprinted logo or text located at the top of the page.

## Guidelines

- Letterheads must be printed with heat-resistant ink that will not melt, vaporize, or release hazardous emissions when subjected to the printer fusing temperature of 400°F (205°C) for 0.1 second.
- Ink on letterhead must be non-flammable and should not adversely affect any printer rollers.
- Forms and letterheads should be sealed in a moisture-proof wrapping to prevent changes during storage.
- Before you load preprinted paper, such as forms and letterheads, verify that the ink on the paper is dry. During the fusing process, wet ink can come off preprinted paper.

- 1** Load letterhead paper into the input tray you want to use with the design face up, top edge toward the printer.
- 2** Push the guide against the paper stack without bending the stack.
- 3** When you print on the preprinted paper, configure the paper source, type and size in the software application. For details, see page 5.4.



- 4** Print the document.

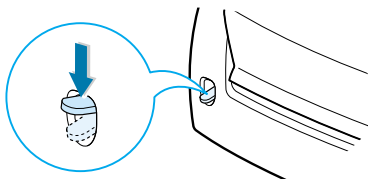
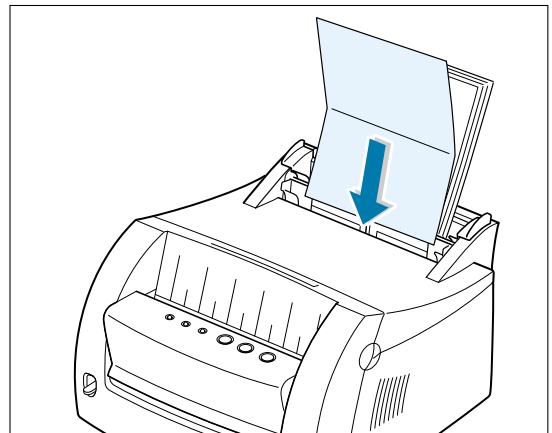
# Printing on Card Stock

Postcards and 3 by 5 in. (index) cards can be printed with your printer.

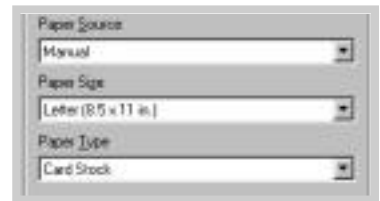
## Guidelines

- Always insert the short-edge first into the input tray. If you want to print in landscape mode, make this selection through your software. Inserting paper long-edge first may cause a jam.
- Do not print on card stock that is too small or too large. The minimum size is 76 by 127 mm (3 by 5 in.) for the manual input tray and 95 by 127 mm (3.8 by 5 in.) for the automatic input tray, and the maximum size is 216 by 356 mm (8.5 by 14 in.).
- Set margins at least 6.4 mm (0.25 in.) away from the edges of the print media in the software application.

- 1** Load card stock in the input tray you want to use with print side up, short edge first.
- 2** Push the guide against the stack of card stock without bending the stack.
- 3** Push the output lever down.



- 4 Configure the source, size and type in the software application. For details, see page 5.4.
- 5 Print the document.



chapter

# 5

## *Printing Tasks*

This chapter explains your printing options and some common printing tasks.

Topics included are:

- Printing a Document
- Printing Multiple Pages on One Sheet of Paper (N-Up Printing)
- Fitting Your Document to a Selected Paper Size
- Printing Posters
- Setting Graphic Properties
- Printing Watermarks
- Using Page Overlay
- Printing on a Network Environment

# Printing a Document

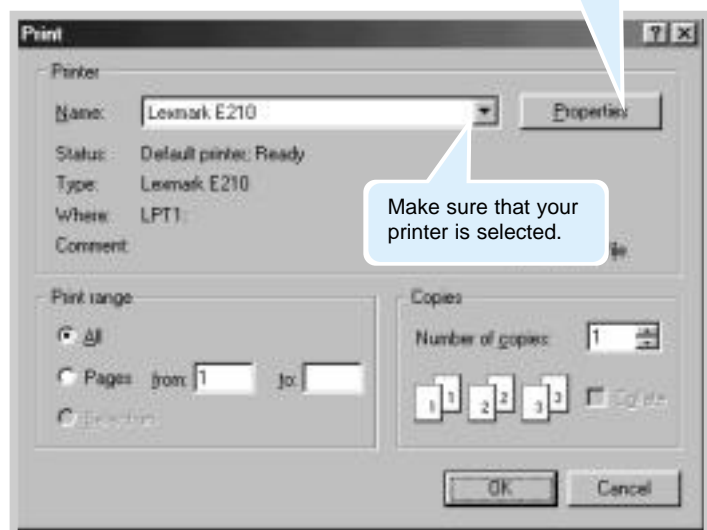
The following procedure describes the steps required for printing from various Windows-based applications. The exact steps for printing a document may vary depending on the software application program. Refer to your software application documentation for the exact printing procedure.

- 1 Open the document you want to print.
- 2 Select **Print** from the **File** menu. The Print dialog box for your application displays (the Print dialog box for your application may look slightly different).

The basic print settings you require are usually selected within this Print dialog box. These settings include the number of copies, paper size and page orientation.

If you see a **Properties** button, click it. If you see **Setup**, **Printer**, or **Options**, click that button instead; then click **Properties** in the next screen.

Make sure that your printer is selected.





- 3 To take advantage of the printer features provided by your printer, click **Properties** in the application Print dialog box and go to step 4.

If you see **Setup**, **Printer**, or **Options**, click that button instead. Then, click **Properties** in the next screen.

- 4 The Lexmark E210 Properties dialog box lets you access and change printer settings.

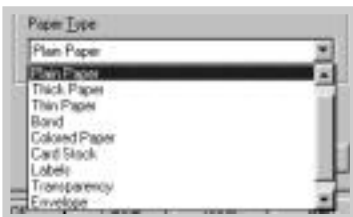
If necessary, click the **Paper** tab to display the settings shown as follows. The **Paper** tab lets you access and change the settings for basic paper handling.



## Printing a Document



Select **Auto Select** from the **Paper Source** options box unless you are printing with special print media. To print with special print media, select **Manual** and feed one sheet at a time into the printer. See page [4.8](#).

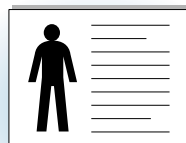


Select **Plain Paper** from the **Paper Type** options box unless you want to use a different kind of print media. To use a different kind of print media, select the corresponding print media name in the **Paper Type** options box. For more information, see [Chapter 4](#) “Using Print Media.”

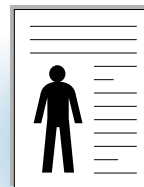
Select the page size you loaded in your printer.



The **Paper Orientation** options box lets you select the direction in which information is printed on a page. **Portrait** prints across the width of the page, letter style. **Landscape** prints across the length of the page, spreadsheet style.



Landscape



Portrait

You can also see the printable area.

- 5 Click the other tabs on the top of the Properties dialog box to access other features, if needed.
- 6 When you complete the print settings, click **OK** until the Print dialog box displays.
- 7 Click **OK** to start printing.

#### Notes:

- Most Windows-based applications override settings you specify in the printer driver. First, change all print settings available in the software application and then, any remaining settings in the printer driver.
- The settings you change remain in effect only while you are using the current program. **To make your changes permanent**, make them in the Printers folder as follows:

- 1 Click the Windows **Start** button.
- 2 Select **Settings**, and then **Printers** to open the Printers window.



- 3 Select the **Lexmark E210** printer icon.
- 4 Right-click the mouse button and select **Properties** to open the properties window.

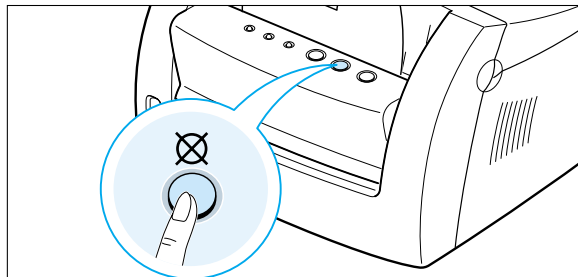
## Canceling a Print Job

---

There are two ways to cancel a print job.

### To stop a print job that is currently printing:

Press and hold the Cancel button until the control panel lights blink.



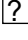
The printer finishes printing the page that is moving through the printer and deletes the rest of the print job while the  $\Delta$  light is blinking. Pressing  $\otimes$  cancels only the current job in the printer. If more than one print job is in printer memory,  $\otimes$  must be pressed once for each job.

### To stop a print job from the Printers folder

- 1 From the **Start** menu, select **Settings**.
- 2 Select **Printers** to open the Printers window, and double-click the **Lexmark E210** icon.
- 3 From the **Document** menu, select **Cancel Printing** (Windows 9x) or **Cancel** (Windows Me/NT 4.0/2000).

## Using Help

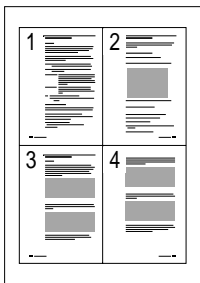


The printer has a help screen that can be activated by the **Help** button in the printer properties dialog box. You can also click  from the upper right corner, and then click on any setting.

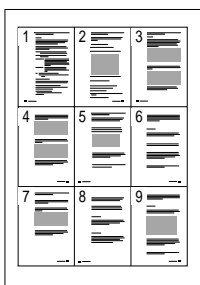
These help screens give detailed information about the printer features provided by the Lexmark E210 printer driver.

To restore the default printer properties setting when you change the print settings, click **Default** in the Lexmark E210 Properties dialog box.

# Printing Multiple Pages on One Sheet of Paper (N-Up Printing)



4 pages per sheet



9 pages per sheet

You can select the number of pages you want to print on a single sheet of paper. If you choose to print more than one page per sheet, the pages appear decreased in size and arranged on the sheet. You can specify up to 16 pages.

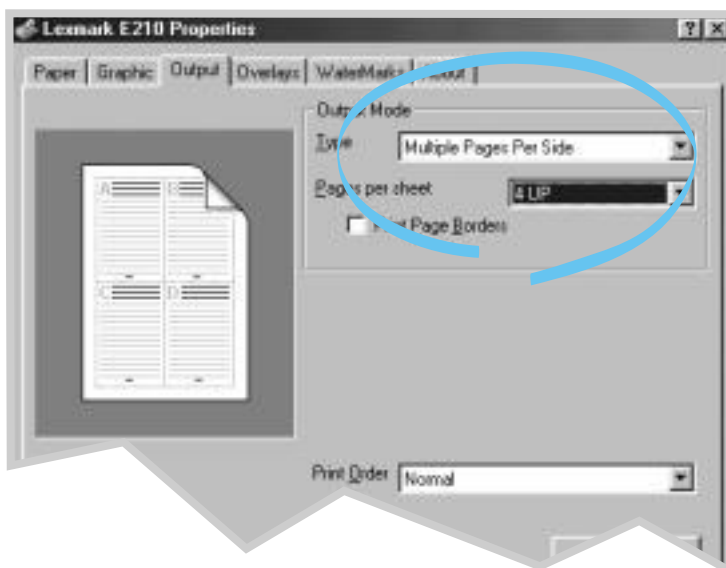
- 1 To change the print settings from your software application, access the printer properties. See page 5.3 to access the printer properties.

From the **Paper** tab, select the paper orientation, source, size and type.

- 2 Click the **Output** tab, and choose **Multiple Pages Per Side** in the **Type** drop-down list. Then, select the number of pages you want to print per sheet (1, 2, 4, 9 or 16) in the **Pages per sheet** drop-down list.

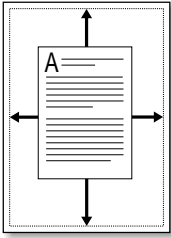
- 3 Click **Print Page Borders** if you want to print a border around each page on the sheet.

**Note:** **Print Page Borders** is enabled only if **Pages per sheet** is 2, 4, 9 or 16.



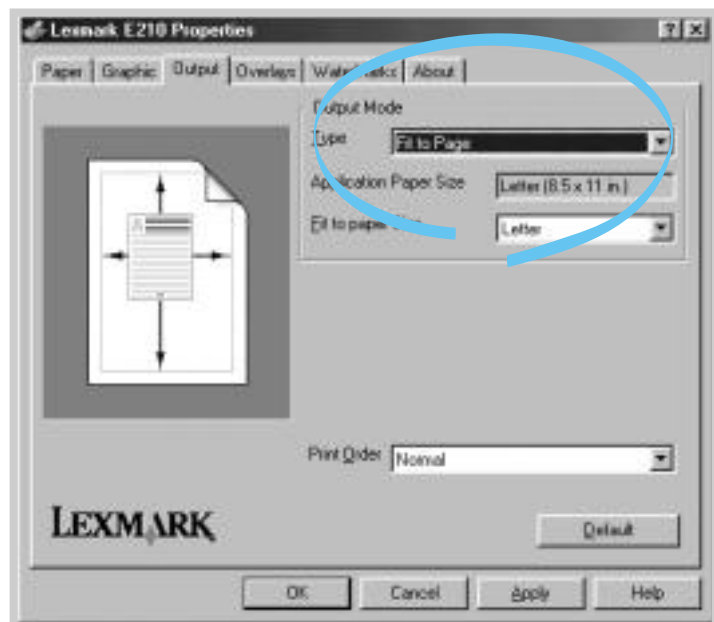
- 4 Click **OK**, then start printing.

# Fitting Your Document to a Selected Paper Size



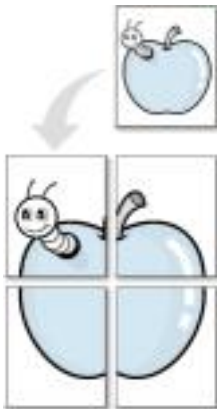
This printer feature lets you scale your print job to any selected print media size regardless of the digital document size. This can be useful when you want to check fine details on a small document.

- 1 To change the print settings from your software application, access the printer properties. See page 5.3 to access the printer properties.
- 2 Click the **Output** tab, and select **Fit to Page** in the **Type** drop-down list.
- 3 In the Application page size box, select Fit to Paper Size. Select the correct size from the drop-down list.



- 4 Click **OK**, and then start printing.

# Printing Posters



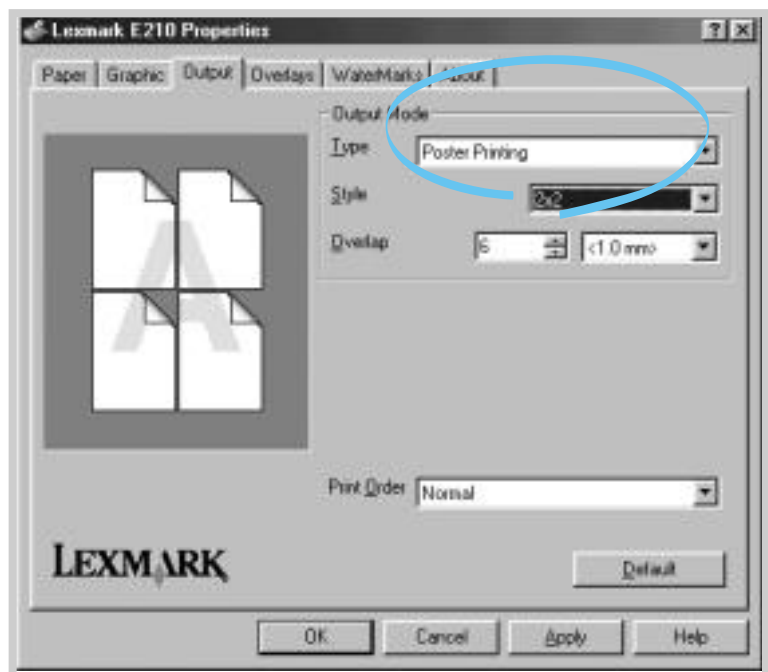
Poster printing  
with 2x2 style

This feature lets you print a single-page document on 4, 9 or 16 sheets of paper, which can be pasted together to form one poster-size document.

- 1 To change the print settings from your software application, access the printer properties. See “Setting Graphic Properties” on page 5.12 to access the printer properties.

From the **Paper** tab, select the paper orientation, source, size and type.

- 2 Click the **Output** tab, and select **Poster printing** in the **Type** drop-down list.

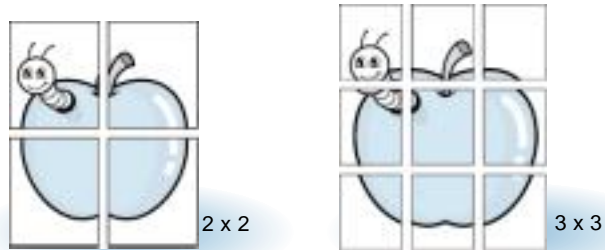






- 3 To determine the scaling factor, select the **Style: 2x2, 3x3, 4x4, 5x5 or 6x6.**

For example, if you select **2x2**, the output is automatically stretched to cover 4 physical pages.



- 4 You may specify an overlap in pixel to make it easier to reconstruct the resulting poster.



- 5 Click **OK**, and then start printing.

# Setting Graphic Properties

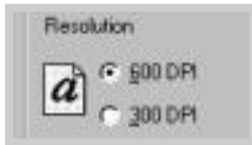
Use the following options to adjust the print quality for your specific printing needs when you access the printer properties. See page 5.3 for more information on accessing printer properties.

If necessary, click the **Graphic** tab to display the settings shown below.



Click here to save the changes when setting is done.

## Resolution



You can select the printing resolution by choosing either **300 dpi** or **600 dpi**. The higher the setting, the sharper the clarity of printed characters and graphics. Higher settings may increase the time it takes to print a document.

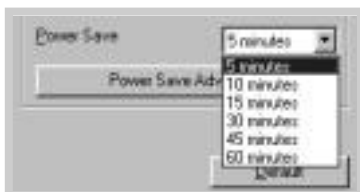
## Darkness



Use this option to lighten or darken the image appearance of your print jobs.

- **Normal** – This setting is for normal documents.
- **Light** – This setting is for bolder line widths or darker grayscale images.
- **Dark** – This setting is for finer line width, higher definition in graphics, and lighter grayscale images.

## Power Save Mode



To conserve power when a printer is idle, the printer enters a reduced power state after completing a print job, according to a time specified by you in the Power Save Mode box.

Select the length of time you want from the drop-down list.

If your printer is constantly used, select **OFF** to keep the printer ready to print with the minimum warm-up time. This uses more energy to keep the printer warm and ready to print.

## Altitude Correction



With this option checked, you can optimize the print quality for a low pressure area, such as a high ground.

# Printing Watermarks

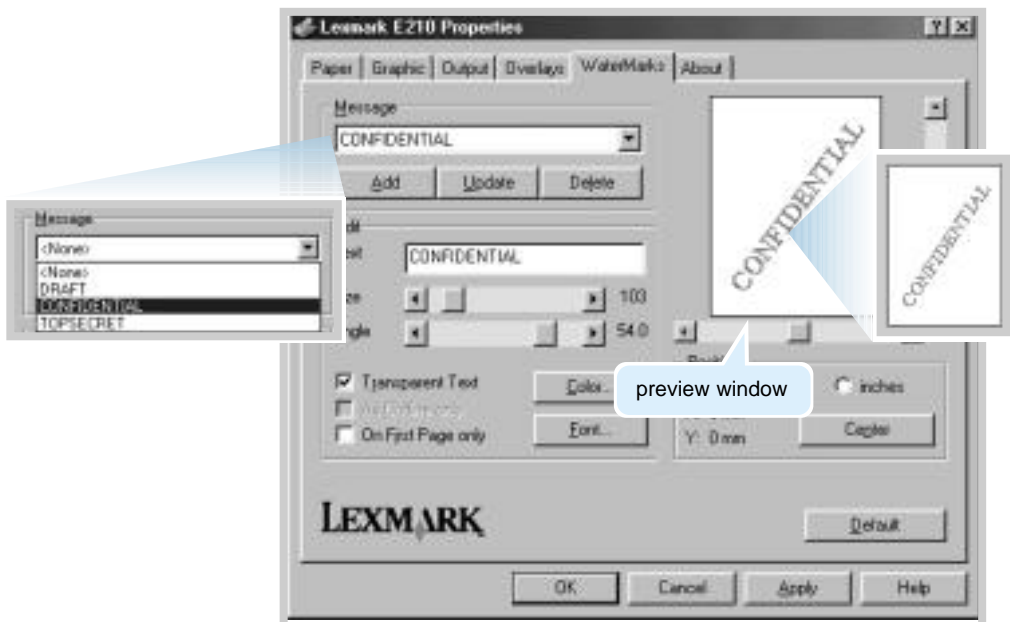


The Watermark option lets you print text over an existing document. For example, you may want to have large gray letters reading “Draft” or “Confidential” printed diagonally across the first page or all pages of a document.

There are several predefined watermarks that come with the printer, and they can be modified or you can add new ones to the list.

To use an existing watermark

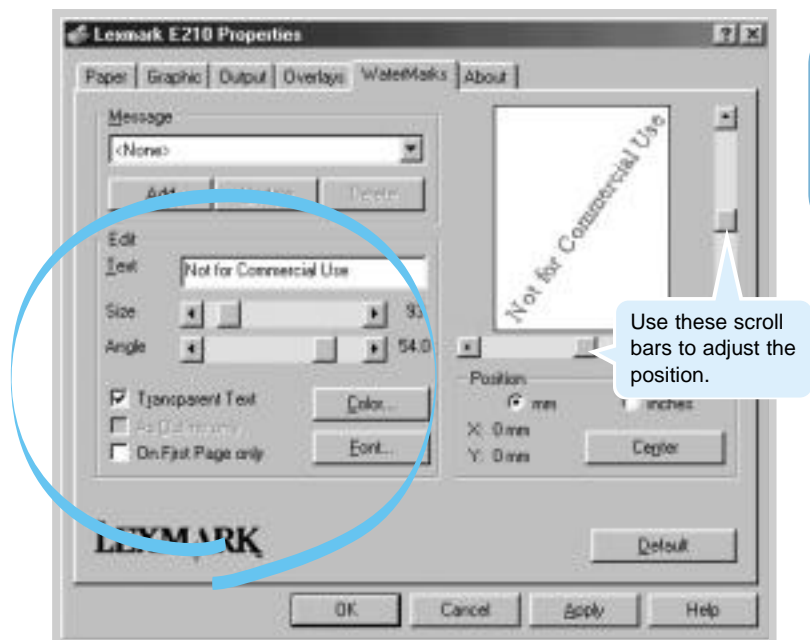
- 1 To change the print settings from your software application, access the printer properties. See page 5.3 to access the printer properties.
- 2 Click the **Watermark** tab, and select the desired watermark in the **Message** drop-down list. You will see the selected watermark in the preview window.

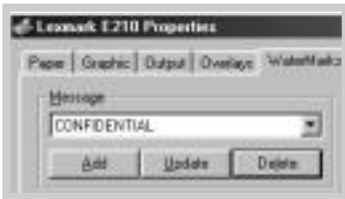


- 3 Click **OK**, and then start printing.

## To create or edit a watermark

- 1 To change the print settings from your software application, access the printer properties. See page 5.3 to access the printer properties.
- 2 Click the **Watermark** tab, and enter the text message in the **Text** field. The watermark is displayed in the preview window. The preview window is provided so that you can see how the watermark appears on the printed page.
- 3 Select the watermark options you want. You can select the font type, size, color and angle. There are three checkboxes at the bottom of the dialog box:
  - **Transparent Text** – Allows the document to show through the watermark.
  - **As Outline Only** – Prints the text outline of the watermark. This setting globally affects all watermarks in the list.
  - **On First Page Only** – Prints the watermark only on the first page.





- 4 If you created a new watermark or edited an existing one, the **Add** and **Update** buttons are enabled.

To add a new watermark to the list, click **Add**.

- 5 If you want to edit a watermark, select the watermark you want from the list, edit and then click **Update**.

- 6 When you're finished editing, click **OK**, and then start printing.

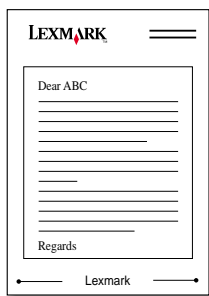
To stop printing the watermark, select **None** in the Message drop-down list.

### To delete a watermark

- 1 To change the print settings from your software application, access the printer properties. See page 5.3 to access the printer properties.
- 2 From the **Watermark** tab, select the watermark you want to delete in the **Messages** drop-down list.
- 3 Click **Delete**.
- 4 Click **OK**.

# Using Page Overlay

## What is an Overlay?



An overlay is text or images stored in the computer hard disk drive (HDD) as a special file format that can be printed on any document you choose. Overlays are often used to take the place of preprinted forms and letterhead paper. Rather than using preprinted letterhead, for example, you can create an overlay containing the same information that is currently on your letterhead. Then, when you want to print a letter with your company letterhead, you do not need to load preprinted letterhead paper. You need only tell the printer to print the letterhead overlay on your document.

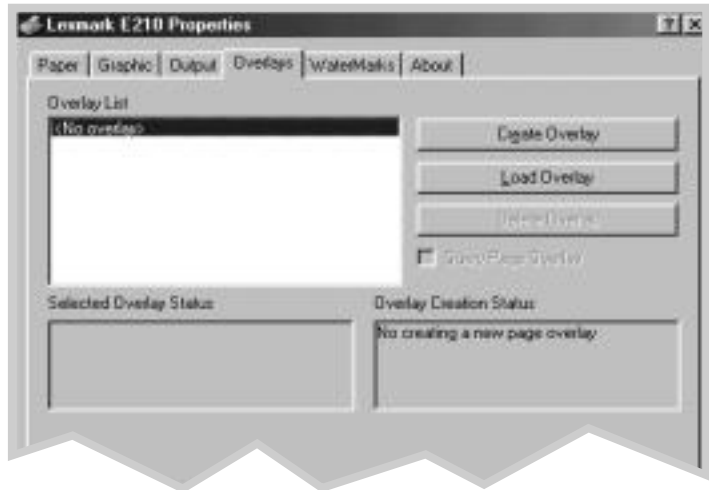
## Creating a New Page Overlay



To use a page overlay, you must create a new page overlay containing your logo or image.

- 1 Create or open a document containing text or an image you want to use for page overlay. Position the items exactly as you want them to appear when printed as an overlay. If needed, save the file for later use.
- 2 Select **Print** from the **File** menu. Then click **Properties** in the application's Print dialog box to access the printer properties. For details, see page 5.3.

- 3 Click the **Overlays** tab, and click **Create Overlay**.



- 4 In the Create Overlay dialog box, type a name of up to eight characters in the **File name** box. Select the destination path if necessary. (The default is C:\FORMOVER).



- 5 Click **Save**. You see the name in the **Overlay List** box.
- 6 Click **OK** or **Yes** until you complete the creation. The file is not printed. It is stored on your computer HDD disk.

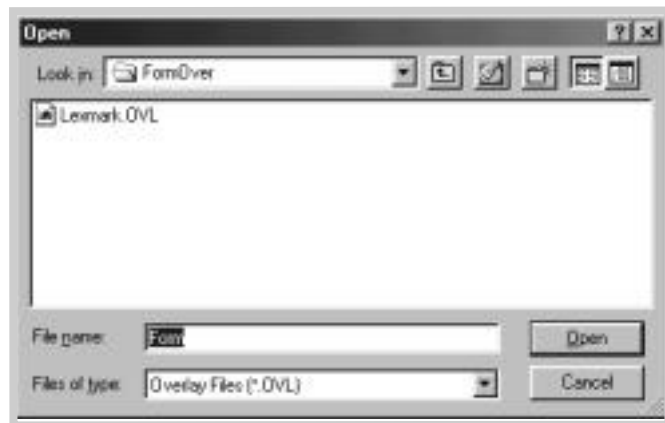
**Note:** The overlay document size must be the same as documents you print with the overlay.



## Printing an Overlay in Your Document

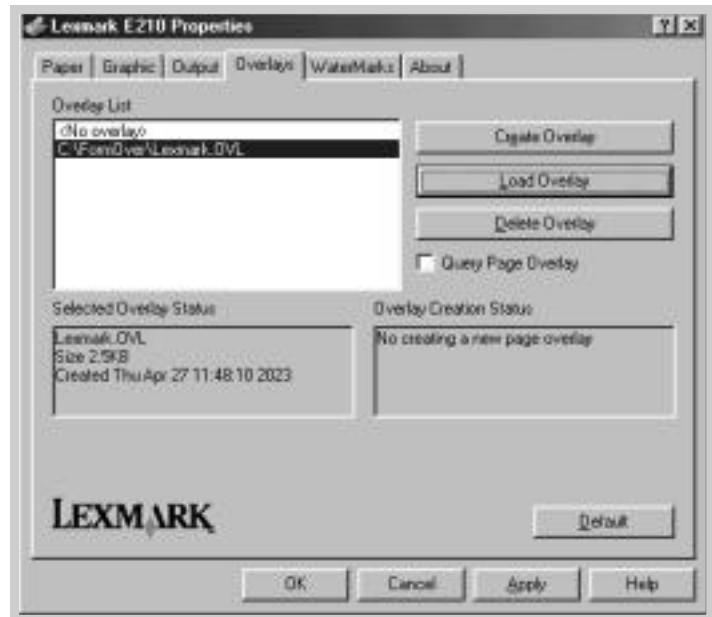
After an overlay has been created, it is ready to be printed with your document. To print an overlay with a document:

- 1 Create or open the document you want to print.
- 2 To change the print settings from your software application, access the printer properties. See page 5.3 to access the printer properties.
- 3 Click the **Overlays** tab, and select the overlay you want from the **Overlay List** box.
- 4 If the overlay file does not appear in the **Overlay List** box, click **Load Overlay**, and select the overlay file.



If you have stored the overlay file you want to use in an external source, you can load the file when you access the Load Overlay window.

- 5 After you select the file, click **OK**. The file is now shown in the **Overlay List** box and is available for printing. Select the overlay from the **Overlay List** box.



- 6 If necessary, click **Query Page Overlay**. If this box is checked, a message box appears each time you submit a document for printing, asking you to confirm you want to print an overlay on your document.

Answering **Yes** to the message box means that the selected overlay is printed with your document. Answering **No** to the message box cancels overlay printing.

If this box is empty, and an overlay has been selected, the overlay is automatically printed with your document.

- 7 Click **OK** or **Yes** until the printing starts.

The selected overlay is downloaded with your print job and printed on your document.

- 8 Click **OK** or **Yes** until the printing starts.

The selected overlay is downloaded with your print job and printed on your document.

## Deleting a Page Overlay

You can delete page overlays that are no longer used.

- 1 In the Printer Properties dialog box, click the **Overlays** tab.
- 2 Select the overlay you want to delete from the **Overlay List** box.
- 3 Click **Delete Overlay**.
- 4 Click **OK** until you exit the Print dialog box.

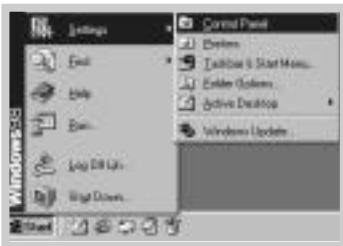
# Printing on a Network Environment

If you work in a network environment, you can connect your printer directly to a selected computer (called the “host computer”) on the network. The printer can then be shared by other users on the network through a Windows 9x, Me, NT 4.0 or 2000 network printer connection.

**Note:** You need to install the Lexmark E210 printer driver on each computer connected to the printer.

## Setting Up the Host Computer

---



- 1 Start Windows.
- 2 From the **Start** menu, select **Control Panel**, and double-click on the **Network** icon.
- 3 Check the **File and Print Sharing** box, and click **OK**. Close the window.
- 4 Click **Start** and select **Printers** from **Settings**, and double-click your printer name.
- 5 Select **Properties** in the **Printers** menu.
- 6 Click the **Sharing** tab, and check the **Shared As** box. Fill in the **Shared Name** field, and click **OK**.

## Setting Up the Client PC

---



- 1 Right-click **Start**, and select **Explore**.
- 2 Open your network folder in the left column.
- 3 Right-click the shared name, and select **Capture Printer Port**.
- 4 Select the port you want, check the **Reconnect at log on** box, and then click **OK**.
- 5 From the **Start** menu, select **Settings**, and then **Printers**.
- 6 Double-click your printer icon.
- 7 From the **Printers** menu, select **Properties**.
- 8 Press the **Details** tab, select the printer port, and then click **OK**.

chapter

# 6

## *Maintaining Your Printer*

This chapter provides suggestions for high-quality and economical printing, and information for maintaining the print cartridge and the printer.

Topics included are:

- Maintaining the Print Cartridge
- Cleaning the Printer

# Maintaining the Print Cartridge

## Ordering a print cartridge

To order a new print cartridge (P/N 10S0150) in the U.S. or Canada, call 1-800-438-2468 for information about Lexmark Authorized Supplies Dealers in your area, or visit the Lexmark Web site at [www.lexmark.com](http://www.lexmark.com). In other countries, contact the place where you bought your printer.

## Print cartridge storage

To get the most from the print cartridge, follow these guidelines:

- Do not remove the print cartridge from its package until you are ready to use it.
- Do not refill print cartridges. The printer warranty does not cover damage caused by using a refilled cartridge.
- Store print cartridges in the same environment as the printer.
- Do not remove a print cartridge from the printer except to replace it, clean it or clear a jam. Replace the cartridge immediately.
- To prevent damage to the print cartridge, do not expose it to light for more than a few minutes.

## Print cartridge life expectancy

The life of the print cartridge depends on the amount of the toner that print jobs require. When printing text at 5% coverage, a new print cartridge lasts an average of 2,000 pages.

**Note:** The print cartridge supplied with your printer lasts an average of 1,000 pages.

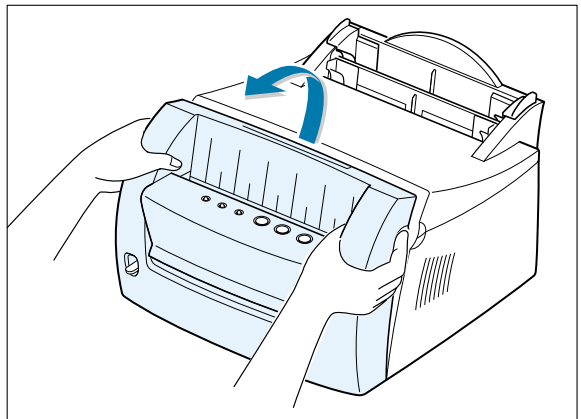
## Recycling print cartridge

After you install a new print cartridge (see “Installing the Print Cartridge” on page 2.3), follow the instructions included in the print cartridge box to recycle the used cartridge.

## Redistributing Toner

When toner is low, faded or light areas may appear on a printed page. You may be able to temporarily improve print quality by redistributing the toner. The following procedures may let you finish the current print job before replacing the print cartridge.

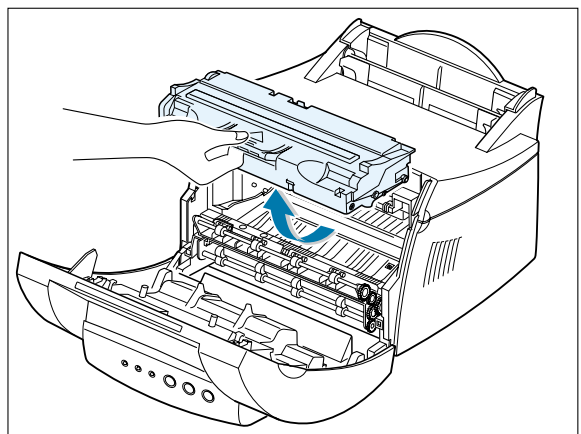
- 1 Pull the front cover open.



- 2 Remove the print cartridge from the printer by lifting up and pulling it towards the front.

**CAUTION!** The fuser area may be hot.

**Warning!** To prevent damage to the print cartridge, do not expose it to light for more than a few minutes.

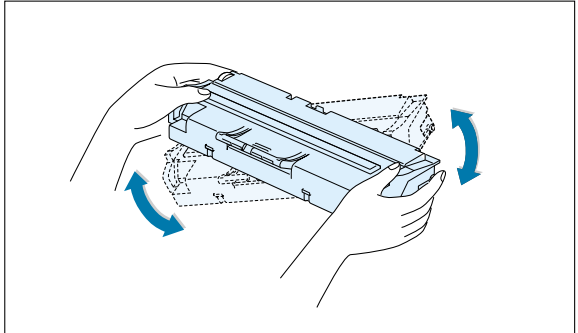




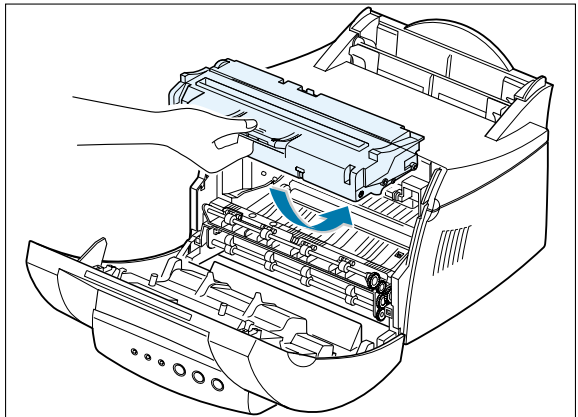
## Maintaining the Print Cartridge

- 3 Gently shake the print cartridge from side to side 5 or 6 times to redistribute the toner.

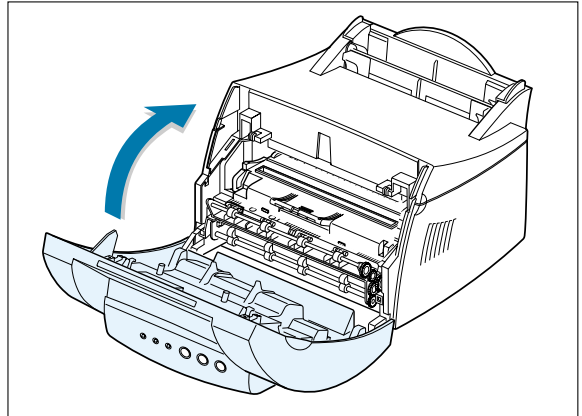
**Note:** If the toner gets on your clothing, wipe it off with a dry cloth and wash the clothing in cold water. Hot water sets toner into fabric.



- 4 Reinsert the print cartridge and make sure it snaps into place.



- 5 Firmly close the cover.



**Notes:**

- If the print remains light, remove the used cartridge and install a new print cartridge. See "Installing the Print Cartridge" on page 2.3.

# Cleaning the Printer

To maintain print quality, complete the cleaning procedures as follows every time the print cartridge is replaced or whenever print quality problems occur. As much as possible, keep the printer free from dust and debris.

## Warning!

- Do not use ammonia-based cleaners or volatile solvents, such as thinner, on or around the printer. These can damage the printer.
- While cleaning the inside of the printer, be careful not to touch the transfer roller (located underneath the print cartridge). The oil from your hands on the roller can cause print quality problems.

## Cleaning the Outside

---

Wipe the outside surface of the printer with a soft, clean, lint-free cloth. You can dampen the cloth slightly with water, but be careful not to let any water drip onto the printer or inside it.

## Cleaning the Inside

---

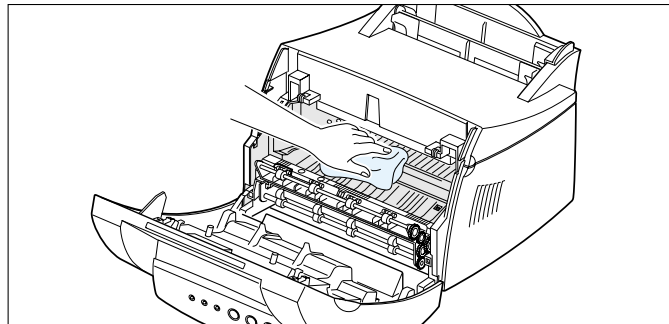
During the printing process, paper, toner and dust particles can accumulate inside the printer. Over time, this buildup can cause print quality problems such as toner specks or smearing. Cleaning inside the printer eliminates or reduces these problems.

### Cleaning inside the printer

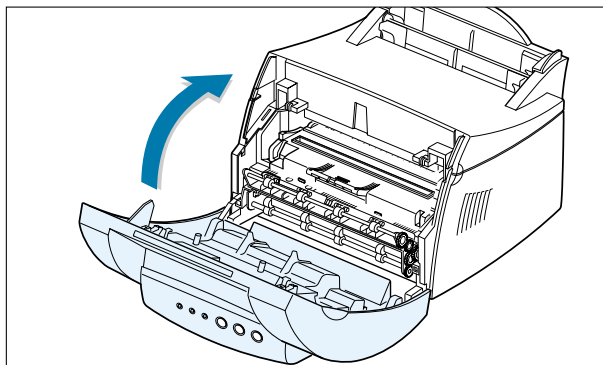
- 1 Turn the printer off and unplug the power cord, disconnect from PC and then wait for the printer to cool.
- 2 Open the front cover and remove the print cartridge by lifting up and pulling it towards the front.

- 3 With a dry, lint-free cloth, wipe away any dust and spilled toner from the print cartridge area and the print cartridge cavity.

**Warning!** To prevent damage to the print cartridge, do not expose it to light for more than a few minutes. Cover it with a piece of paper, if necessary. Also, do not touch the black transfer roller inside the printer. Doing so can damage your printer.




- 4 Reinsert the print cartridge and close the cover.

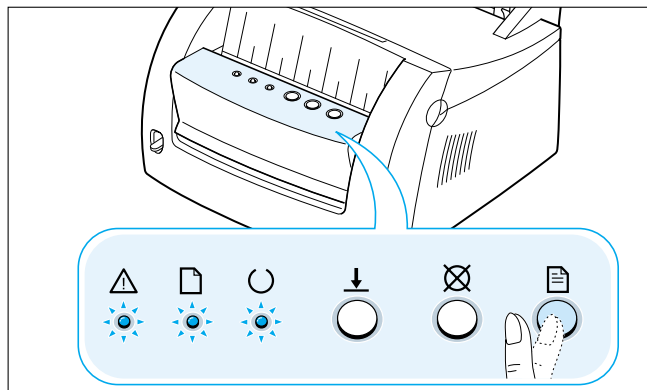


- 5 Plug in the power cord and turn the printer on.

### Printing a cleaning sheet

Printing a cleaning sheet cleans the drum inside the print cartridge. Use this process if you are experiencing blurred, faded or smeared printouts. This process produces a page with toner debris. Discard it.

- 1 Make sure the printer is turned on, in the Ready mode, and paper is loaded in the automatic input tray.
- 2 Press and hold down  on the control panel for about 10 seconds until all control panel lights are lit, and then release the button.



- 3 Your printer automatically picks up a sheet of paper from the tray and prints out a cleaning sheet with the dust or toner particles on it.

**Note:** The cartridge cleaning process takes some time. To stop the process, turn the power off.

chapter

# 7

## *Troubleshooting*


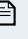

This chapter gives helpful information on what to do if you encounter a printer error.

It provides information on the following topics:

- Troubleshooting Checklist
- Solving General Printing Problems
- Clearing Jams
- Solving Print Quality Problems
- Troubleshooting Error Messages
- Solving Common Windows Problems



# Troubleshooting Checklist

If the printer is not working properly, complete the following checklist in order. If the printer does not pass a step, follow the corresponding troubleshooting suggestions.

Check	Solution
Make sure that the  light on the control panel is on.	<ul style="list-style-type: none"><li>• If no lights are on, check the power cord connection and the power switch. Check the power source by plugging into another outlet.</li><li>• If other lights are on, see “Troubleshooting Error Messages” on page <a href="#">7.18</a>.</li></ul>
Press the  button to print a demo page to verify that the printer is feeding paper correctly. See “Printing a Demo Page” on page <a href="#">2.8</a> .	<ul style="list-style-type: none"><li>• If a demo page does not print, check the paper supply in the input tray.</li><li>• If the paper jams in the printer, see “Clearing Jams” on page <a href="#">7.7</a>.</li><li>• If the  indicator light is illuminated on the control panel, see “Troubleshooting Error Messages” on page <a href="#">7.18</a>.</li></ul>
Check the demo page to see if it printed correctly.	If there is a print quality problem, see “Solving Print Quality Problems” on page <a href="#">7.12</a> .
Print a short document from a software application to verify the computer and printer are connected and are communicating correctly.	<ul style="list-style-type: none"><li>• If the page does not print, check the cable connection between the printer and computer.</li><li>• Check the print queue or print spooler to see if the printer is paused.</li><li>• Check the software application to make sure you are using the proper printer driver and communication port. If the page is interrupted during printing, see “Solving General Printing Problems” on page <a href="#">7.3</a>.</li></ul>
If completing the checklist did not diagnose the problem with the printer, check the following troubleshooting sections.	<ul style="list-style-type: none"><li>• See “Solving General Printing Problems” on page <a href="#">7.3</a>.</li><li>• See “Troubleshooting Error Messages” on page <a href="#">7.18</a>.</li><li>• See “Solving Common Windows Problems” on page <a href="#">7.20</a>.</li></ul>


# Solving General Printing Problems

If you have any problems with the operation of your printer, see the following table for suggested solutions.

Problem	Possible Cause	Solution
The printer does not print.	The printer is not receiving power.	If no lights are on, check the power cord connections. Check the power switch and the power source.
	Your printer is not selected as the default printer.	Select <b>Lexmark E210</b> as your default printer.
	Check the printer for the following:	<ul style="list-style-type: none"> <li>• The printer cover is not closed.</li> <li>• Print media is jammed.</li> <li>• No print media is loaded.</li> <li>• Print cartridge is not installed.</li> <li>• Printer system error occurs. Contact a service representative.</li> </ul>
	The printer may be in manual feed mode or out of print media. (The  light is on or flashing.)	Add print media to the manual input tray, and press the  button on the printer control panel to start printing.
	The connection cable between the computer and the printer is not connected properly.	Disconnect the printer cable and reconnect it.
	The connection cable between the computer and the printer is defective.	If possible, attach the cable to another computer that is working properly and print a job. You may also try replacing the printer cable.
	The port setting is incorrect.	Check the Windows printer setting to make sure that the print job is sent to the correct port (for example, LPT1). If the computer has more than one port, make sure the printer is attached to the correct one.



## Solving General Printing Problems

Problem	Possible Cause	Solution
The printer does not print. (continued)	The printer may be configured incorrectly.	Check the printer properties to make sure that all print settings are correct.
	The printer driver may be installed incorrectly.	Uninstall the printer driver, and then reinstall the printer driver, see “Installing the Printer Software” on page 2.9. Try printing a demo page, see “Printing a Demo Page!” on page 2.8.
	The printer is malfunctioning.	Check the lights on the control panel to determine if the printer is indicating a system error.
Printer selects print media from the wrong print media source.	The print media source selection in the printer properties may be incorrect.	For many software applications, the print media source selection is found under the  tab within the printer properties. Select the correct print media source.
Print media does not feed into the printer.	Print media has not been loaded correctly.	Remove print media from the input tray and reload it correctly, see “Loading Print Media” on page 2.5.
	There is too much print media in the input tray.	Remove excess print media from the input tray.
	The print media is too thick.	Use only print media that meets the specifications required by the printer.
Print job is extremely slow.	The job may be very complex.	Reduce the complexity of the page or try adjusting the print quality settings.
	If using Windows 95, the Spooling Setting may be set incorrectly.	From the <b>Start</b> menu, choose <b>Settings</b> and <b>Printers</b> . Right-click the Lexmark E210 printer icon, choose <b>Properties</b> , click the <b>Details</b> tab, and then choose the <b>Spool Settings</b> button. Select the spool setting you want from the available choices.

Problem	Possible Cause	Solution
Half of the page is blank.	The page layout is too complex.	Simplify the page layout and remove any unnecessary graphics from the document, if possible.
	The page orientation setting may be incorrect.	Change the page orientation in your application.
	The print media size and size settings do not match.	Make sure that the size in the print settings matches the print media size loaded in the input tray.
The print media keeps jamming.	There is too much print media in the tray.	Remove excess print media from the tray. If printing special media, use the manual input tray.
	An incorrect type of print media is being used.	Use only print media that meets the specifications required by the printer.
	An incorrect output method is being used.	Print media such as thick paper should not be printed using the face-down output slot. Use the face-up output slot instead.
	There may be debris inside the machine.	Open the front cover and remove the debris.
The printer prints, but the text is wrong, garbled or incomplete.	The printer cable is loose or defective.	Disconnect the printer cable and reconnect it. Try a previous print job that printed correctly. If possible, attach the cable and printer to another computer and try the same print job. If still unable to print, try replacing the printer cable.
	The wrong printer driver was selected.	Check the application printer selection menu to make sure that your printer is selected.

Problem	Possible Cause	Solution
The printer prints, but the text is wrong, garbled or incomplete. (continued)	The software application is malfunctioning.	Try printing a job from another application.
Pages print, but are totally blank.	The print cartridge is defective or out of toner.	Replace the print cartridge.
	The file may have blank pages.	Check the file to make sure that it does not contain blank pages.
	Some parts, such as the controller and the board, may be defective.	Contact a service representative.
The illustrations print wrong in Adobe Illustrator.	The setting in the software application is wrong.	Print the document with the <b>Bitmap Printing</b> in the Print dialog box unchecked.

**Note:** If printing is light or faded after approximately 50,000 pages, the transfer roller has reached its life expectancy and must be replaced. In the United States and Canada, call Lexmark Service at 1-800-Lexmark (1-800-539-6275). For other countries, refer to the numbers listed on the drivers CD.

# Clearing Jams

Occasionally, print media can jam during a print job. Some of the causes include:

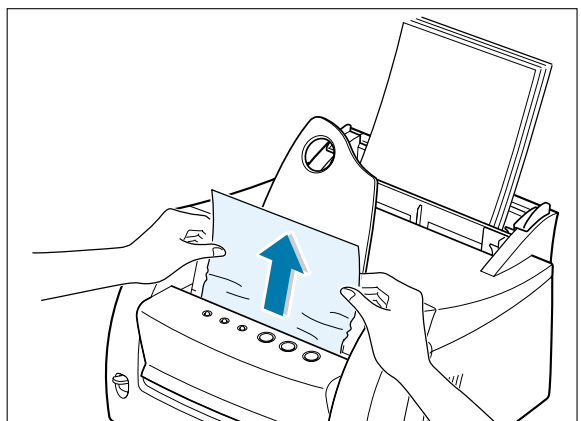
- The tray is loaded improperly or overfilled.
- The tray has been removed during a print job.
- The top cover has been opened during a print job.
- Print media does not meet specifications. See “Print Media Specifications” on page [A.3](#).
- Print media outside of the supported size range has been used. See “Print Media Specifications” on page [A.3](#).

If a jam occurs, the □ and the △ lights remain lit on the control panel. Find and remove the jam. If the location of the jam is not obvious, first look inside the printer.

## Output Area

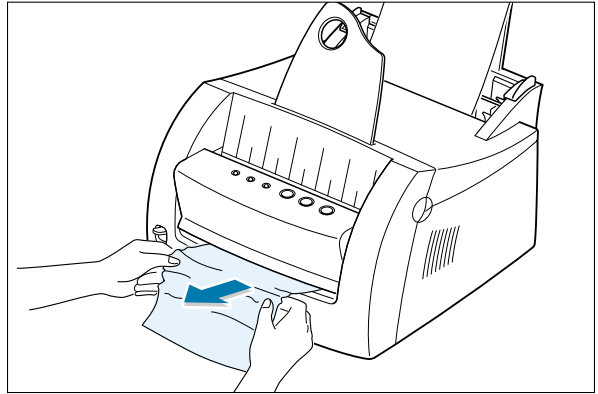
**Note:** Print media jams in this area may result in loose toner on the page. If you get any toner on your clothes, wash them in cold water. Hot water sets the toner into the fabric.

- 1 Pull the jammed paper carefully out of the output slot.





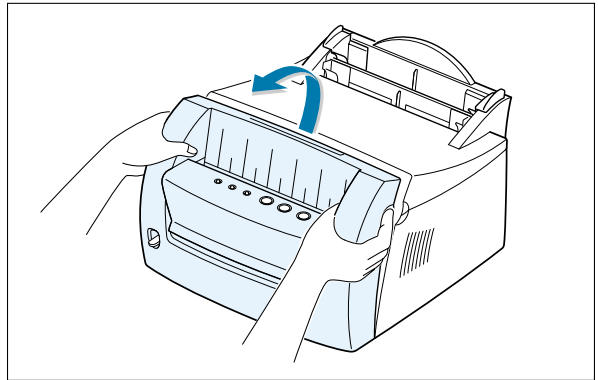
## Clearing Jams

If print media is jammed in the face-up output slot, carefully remove the print media as shown.



- 2 Open and close the front cover. Resume printing.

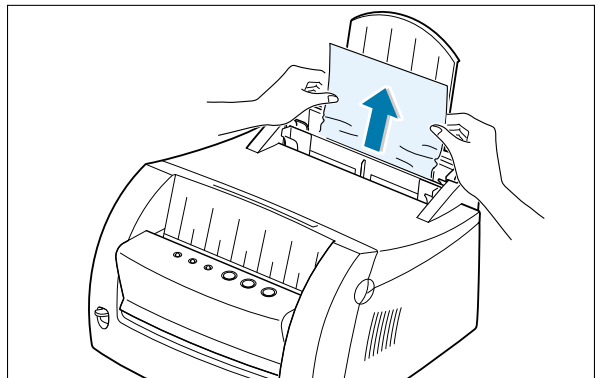
**Note:** If the  and the  lights do not turn off, there is still jammed print media inside the printer. Check the inside of the printer.



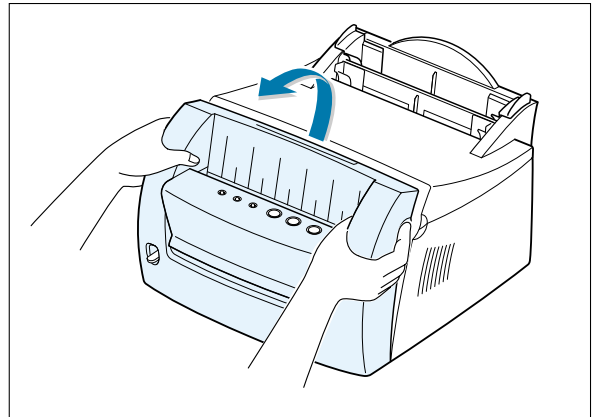
## Input Area

**Note:** If print media enters the print cartridge area, see “Inside the Printer” on page 7.9. It is easier to remove jams from the inside of the printer than the input area.

- 1 Carefully pull the jammed print media out of the input tray.



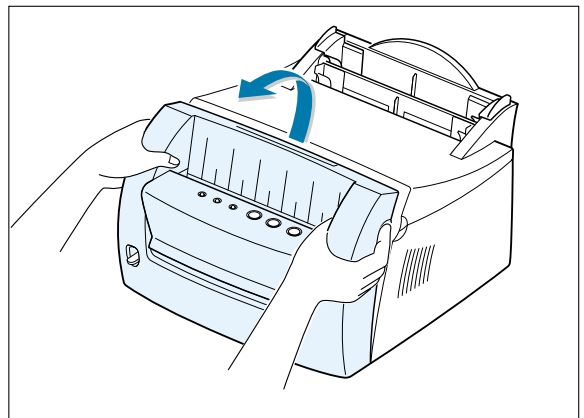
- 2 Open and close the front cover to resume printing.



## Inside the Printer

**Note:** Print media jams in this area may result in loose toner on the page. If you get any toner on your clothes, wash them in cold water because hot water sets the toner into the fabric.

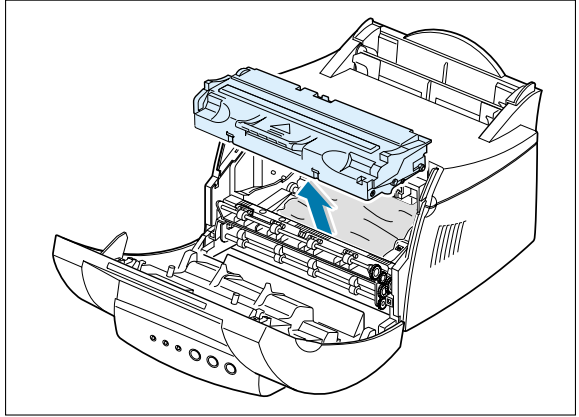
- 1 Pull the cover open.



## Clearing Jams

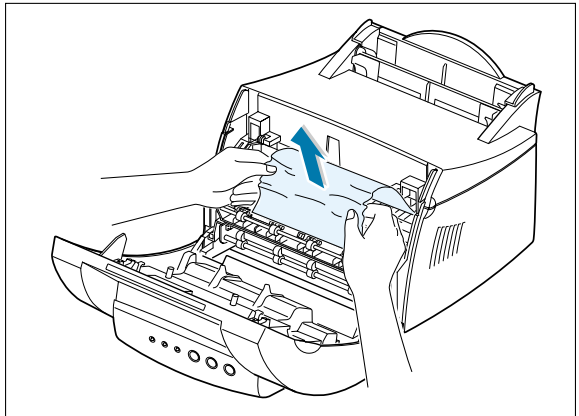
- 2 Remove the print cartridge by pulling up and towards the front of the printer.

**Warning!** To prevent damage to the print cartridge, do not expose it to light for more than a few minutes. Place a piece of paper over the top of the toner cartridge to shield it while it is out of the printer.

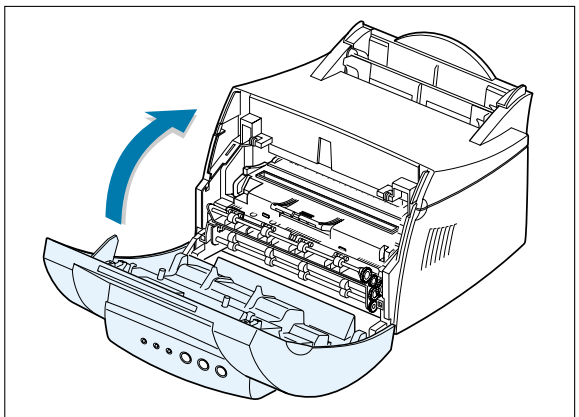


- 3 Gently pull the print media toward you to remove it.

Make sure no print media remains inside the printer.



- 4 Reinsert the print cartridge and close the cover. Resume printing.



## Tips for Avoiding Jams

---

By selecting correct print media types and loading them properly, you should be able to avoid most jams. If jams occur, follow the steps outlined in “Clearing Jams” on page 7.7. If jams occur frequently, make sure you are following these tips to avoid jams.

- Follow the procedures in “Loading Print Media” on page 2.5 to load the print media properly. Make sure the adjustable guides are positioned correctly.
- Do not overload the automatic input tray. Make sure the print media is under the capacity mark on the inside of the tray.
- Do not remove print media from the input tray while jobs are printing.
- Flex, fan and straighten the print media before loading it.
- Do not load wrinkled, creased, damp or highly curled print media.
- Do not mix print media types in the input tray.
- Use only recommended print media. See “Print Media Specifications” on page A.3.
- Make sure that the recommended print side is facing up when loading the print media in both input trays.
- Keep print media stored in an acceptable environment. See “Printer and Print Media Storage Environment” on page A.7.



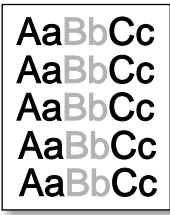
# Solving Print Quality Problems


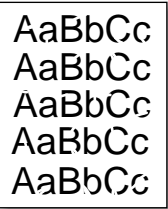
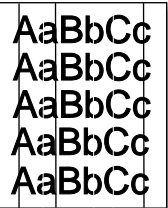
## Print Quality Checklist


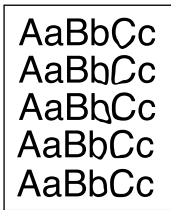
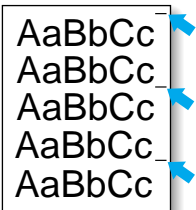
General print quality problems can be solved by using the following checklist.

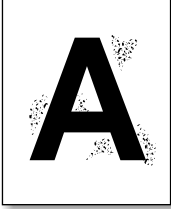
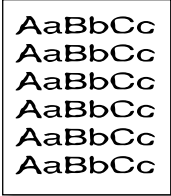


- Redistribute the toner in the print cartridge (see “Redistributing Toner” on page [6.3](#)).
- Clean the inside of the printer (see “Cleaning the Inside” on page [6.6](#)).
- Adjust the print resolution from the printer properties (see “Resolution” on page [5.13](#)).
- Troubleshoot general printing problems (see “Solving General Printing Problems” on page [7.3](#)).
- Install a new print cartridge, and then check print quality again (see “Installing the Print Cartridge” on page [2.3](#)).

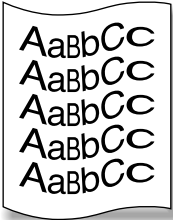
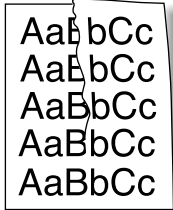
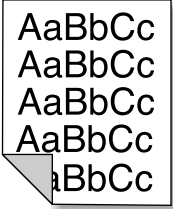
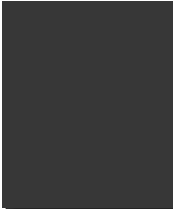
## Solving Print Quality Problems

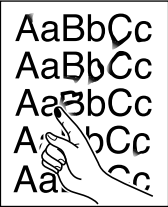

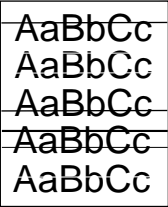
Problem	Solution
<p>Light or faded print</p> 	<p>If a vertical white streak or faded area appears on the page:</p> <ul style="list-style-type: none"><li>• The toner supply is low. You may be able to temporarily extend the print cartridge life. See “Redistributing Toner” on page <a href="#">6.3</a>. If this does not improve the print quality, install a new print cartridge.</li><li>• The print media may not meet specifications (for example, if the print media is too moist or too rough). See “Print Media Specifications” on page <a href="#">A.3</a>.</li><li>• A combination of faded and smeared defects may indicate that the print cartridge needs cleaning. See “Cleaning the Printer” on page <a href="#">6.6</a>.</li></ul>

Problem	Solution
<p>Toner specks</p> 	<ul style="list-style-type: none"> <li>• The print media may not meet specifications (for example, if the print media is too moist or too rough). See “Print Media Specifications” on page <a href="#">A.3</a>.</li> <li>• The transfer roller may be dirty. See “Cleaning the Inside” on page <a href="#">6.6</a>.</li> <li>• The paper path may need cleaning. See “Cleaning the Inside” on page <a href="#">6.6</a>.</li> </ul>
<p>Dropouts</p> 	<p>If faded areas, generally rounded, occur randomly on the page:</p> <ul style="list-style-type: none"> <li>• A single sheet of print media may be defective. Try reprinting the job.</li> <li>• The moisture content of the print media is uneven or the print media has moist spots on its surface. Try a different kind or brand of print media. See “Print Media Specifications” on page <a href="#">A.3</a>.</li> <li>• The print media lot is bad. The manufacturing processes can cause some areas to reject toner. Try a different kind or brand of print media.</li> <li>• The print cartridge may be defective. See “Vertical repetitive defects” on page <a href="#">7.14</a>.</li> <li>• If these steps do not correct the problems, contact a service representative.</li> </ul>
<p>Vertical lines</p> 	<p>If black vertical streaks appear on the page:</p> <ul style="list-style-type: none"> <li>• The photosensitive drum inside the print cartridge has probably been scratched. Install a new print cartridge.</li> </ul>

Problem	Solution
<p>Gray background</p> 	<p>If the amount of background toner shading becomes unacceptable, the following procedures may clear the condition:</p> <ul style="list-style-type: none"> <li>• Change the print media to a lighter basis weight. See “Print Media Specifications” on page <a href="#">A.3</a>.</li> <li>• Check the printer environment; very dry (low humidity) or high humidity (higher than 80% relative humidity) conditions can increase the amount of background shading.</li> <li>• Install a new print cartridge.</li> </ul>
<p>Toner smear</p> 	<ul style="list-style-type: none"> <li>• Clean the inside of the printer. See “Cleaning the Inside” on page <a href="#">6.6</a>.</li> <li>• Check the type and quality. See “Print Media Specifications” on page <a href="#">A.3</a>.</li> <li>• Install a new print cartridge.</li> </ul>
<p>Vertical repetitive defects</p> 	<p>If marks repeatedly appear on the printed side of the page at even intervals:</p> <ul style="list-style-type: none"> <li>• The print cartridge may be damaged. If a repetitive mark occurs every 95 mm or 38 mm on the page, print a cleaning sheet several times to clean the cartridge (see “Printing a Cleaning Sheet” on page <a href="#">6.8</a>). After the printout, if you still have the same problems, install a new print cartridge.</li> <li>• Parts in the printer may have toner on them. If the defects occur on the back of the page, the problem corrects itself after a few more pages.</li> <li>• The fusing assembly may be damaged. Contact a service representative.</li> </ul>

Problem	Solution
<p data-bbox="148 369 428 401">Background scatter</p> 	<p data-bbox="491 369 1237 430">Background scatter results from bits of toner distributed on the printed page.</p> <ul data-bbox="509 471 1245 865" style="list-style-type: none"> <li>• The print media may be too damp. Try printing with a different batch of print media. Do not open packages of print media until necessary so that the print media does not absorb too much moisture from the air.</li> <li>• If background scatter occurs on an envelope, change your printing layout to avoid printing over areas that have overlapping seams on the reverse side. Printing on seams can cause this problem.</li> <li>• If background scatter covers the entire surface of a printed page, adjust the print resolution through your software application or the printer properties.</li> </ul>
<p data-bbox="134 954 441 987">Misformed characters</p> 	<ul data-bbox="499 954 1232 1232" style="list-style-type: none"> <li>• If characters are improperly formed, producing hollow images, the print media may be too slick. Try a different kind. See “Print Media Specifications” on page <a href="#">A.3</a>.</li> <li>• If characters are improperly formed, producing a wavy effect, the scanner unit may need service. Verify that it also occurs on a demo page by pressing the  button on the control panel when printer is ready. If you need service, contact a service representative.</li> </ul>
<p data-bbox="214 1340 373 1373">Page skew</p> 	<ul data-bbox="509 1340 1237 1483" style="list-style-type: none"> <li>• Check the type and quality. See “Print Media Specifications” on page <a href="#">A.3</a>.</li> <li>• Make sure that the print media is loaded correctly and the guides are not too tight or too loose against the stack.</li> </ul>

Problem	Solution
<p data-bbox="193 372 375 401">Curl or wave</p> 	<ul data-bbox="504 372 1232 624" style="list-style-type: none"> <li>• Check the type and quality. Both high temperature and humidity will cause curl. See “Print Media Specifications” on page <a href="#">A.3</a>.</li> <li>• Turn over the stack of print media in the input tray. Also try rotating the print media 180° in the input tray.</li> <li>• Push the output lever and try printing to the face up output slot.</li> </ul>
<p data-bbox="142 712 426 741">Wrinkles or creases</p> 	<ul data-bbox="504 712 1232 975" style="list-style-type: none"> <li>• Make sure the print media is loaded properly.</li> <li>• Check the type and quality of print media. See “Print Media Specifications” on page <a href="#">A.3</a>.</li> <li>• Push the output lever down and try printing to the face up output slot.</li> <li>• Turn over the stack of print media in the input tray. Also try rotating the print media 180° in the feeder.</li> </ul>
<p data-bbox="128 1076 440 1105">Back of printouts dirty</p> 	<ul data-bbox="504 1076 1232 1251" style="list-style-type: none"> <li>• The paper path may be dirty. See “Cleaning the Inside” on page <a href="#">6.6</a>.</li> <li>• Check to see if the toner is leaking from the print cartridge. Clean inside the printer. See “Cleaning the Inside” on page <a href="#">6.6</a>.</li> </ul>
<p data-bbox="197 1450 373 1479">Black pages</p> 	<ul data-bbox="504 1450 1204 1667" style="list-style-type: none"> <li>• The print cartridge may not be installed properly. Remove the cartridge and reinsert it.</li> <li>• The print cartridge may be defective and need replacing. Install a new print cartridge.</li> <li>• The printer may require repairs. Contact a service representative.</li> </ul>


Problem	Solution
<p>Loose toner</p> 	<ul style="list-style-type: none"> <li>• Clean the inside of the printer. See “Cleaning the Inside” on page <a href="#">6.6</a>.</li> <li>• Check the type and quality of print media. See “Print Media Specifications” on page <a href="#">A.3</a>.</li> <li>• Install a new print cartridge.</li> <li>• If the problem persists, the printer may require repairs. Contact a service representative.</li> </ul>
<p>Character Voids</p> 	<p>Character voids are white areas within the parts of characters that should be solid black:</p> <ul style="list-style-type: none"> <li>• If you are using transparencies when you experience this problem, try another type of transparency. (Because of the composition of transparencies, some character voids are normal.)</li> <li>• You may be printing on the wrong side of the print media. Remove the print media and turn it around.</li> <li>• The print media may not meet specifications. See “Print Media Specifications” on page <a href="#">A.3</a>.</li> </ul>
<p>Horizontal stripes</p> 	<p>If horizontally aligned black streaks or smears appear:</p> <ul style="list-style-type: none"> <li>• The print cartridge may be installed incorrectly. Remove the cartridge and reinsert it.</li> <li>• The print cartridge may be defective. Install a new print cartridge.</li> <li>• If the problem persists, the printer may require repairs. Contact a service representative.</li> </ul>


# Troubleshooting Error Messages


When the printer experiences an error, the control panel indicates error messages by the indicator lights. The following printer light patterns give the solutions to clear the print errors.

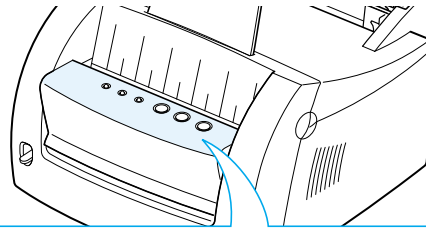
## Printer Light Patterns

### Light status legend

 symbol for “light off”

 symbol for “light on”

 symbol for “light blinking”



### Power off

- Check the power cord and the power switch if your printer does not generate a response.
- Make sure the printer is powered with the specified AC voltage.



### Jam or no print cartridge

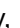
Print Media is jammed inside the printer or the print cartridge is not installed.

- Clear the paper jam. See “Clearing Paper Jams” on page 7.7.
- Make sure the print cartridge is correctly installed in the printer.




### Print media out


The printer is out of print media in the input tray.

- Load print media into the tray. For the automatic input tray, loading print media cancels this message and allows you to continue with the print job. For the manual input tray, press the  button after loading print media.



### Waiting for the Continue button to be pressed

While printing in the manual feed mode, the printer is waiting for the  button to be pressed.

- Press the  button on the control panel to start printing. You must press the button to print each page after loading print media into the manual input tray.





### Door open

The printer front cover may be opened.

- Check that the printer front cover door is closed properly.



### Canceling a job or memory out

While your printer cancels a job (see “Canceling a Print Job” on page 5.6), the  light blinks. When canceling completes, this message automatically clears. Otherwise, the printer memory ran out of memory in the middle of a print job. The page being printed may have been too complex for the memory capacity of the printer. Press the  button to cancel the current job.

- Simplify the image or print at a lower resolution.




### System error - Fuser or LSU error

- Reset the printer by briefly turning the printer off and back on again.
- If the error persists, contact a service representative.



# Solving Common Windows Problems

Problem	Possible Cause and Solution
"File in Use" message appears during installation.	Quit all software applications. Remove all software from the StartUp Group, and then restart Windows. Reinstall the printer driver.
"Error Writing to LPTx" message appears.	<ul style="list-style-type: none"><li>• Make sure the cables are connected correctly, the printer is on and the  light on the control panel is on.</li><li>• If bi-directional communication is not turned on in the driver, this message occurs. Turn bi-directional communication on in the driver.</li><li>• From the <b>Start</b> menu, select <b>Settings</b>, and then <b>Printers</b>. Right-click on the Lexmark E210 printer icon and select <b>Properties</b>. From the <b>Details</b> tab, click on <b>Port Settings</b>. Remove check from <b>Check Port State before Printing</b> box and click <b>OK</b>. From <b>Spool Settings</b>, select <b>Print Directly to Printer</b> and click <b>OK</b>. Try printing again.</li></ul>
"General Protection Fault", "Exception OE", "Spool32", or "Illegal Operation" messages appear.	<ul style="list-style-type: none"><li>• Close all other applications, restart Windows and try printing again.</li><li>• Delete all temporary (temp) files from the Temp sub-directory. You can determine the name of the directory by editing the AUTOEXEC.BAT file and looking for the statement, "<b>Set Temp =</b>". The name after this statement is the temp directory. It is usually <b>C:\temp</b> by default, but can be redefined.</li></ul>

**Note:** Refer to Microsoft Windows 9x, Me, NT 4.0 or 2000 documentation that came with your computer for further information on Windows error messages.

# *Appendix A: Driver and Printer Specifications*

This appendix provides information on the following topics:

- Printer Specifications
- Print Media Specifications
- Using Your Printer with a USB cable
- Linux Driver Installation

# Printer Specifications

Item	Specification and Description
Speed	12 ppm
Resolution	600 dpi
First Printing Time	Less than 13 seconds
Warmup Time	30 seconds
Power Rating	AC 100 ~ 127 V (USA, Canada) / 220 ~ 240 V (Others), 50 / 60 Hz
Power Consumption	250 W average during operation / Less than 10 W in sleep mode
Acoustic Noise	Stand by: Less than 35 dB; Printing: Less than 48 dB
Toner Supply	Single cartridge
Print Cartridge Life	2,000 pages (for starter, 1,000 pages), 5% area coverage
Duty Cycle	Monthly: 5,000 pages maximum
Weight	6.5 Kg / 13.4 lb.
Package Weight	Paper: 1.83 Kg Plastic: 0.33 Kg
External Dimensions (W x D x H)	329 x 352 x 229 mm (13 x 13.9 x 9 in.)
Operating Environment	Temperature: 10 - 32 °C / 60 - 90 °F; Humidity: 20 - 80 % RH
Emulation	GDI
Random Access Memory (RAM)	2 MB (nonexpandable)
Interface	<ul style="list-style-type: none"><li>• IEEE 1284 Bidirectional Parallel<ul style="list-style-type: none"><li>- Modes supported: Compatible, Nibble, Byte, ECP</li></ul></li><li>• USB Interface Standard<ul style="list-style-type: none"><li>- USB 1.0 compliant</li><li>- 12 Mbps 1 port</li></ul></li></ul>

# Print Media Specifications

## Overview

---

This printer accepts a variety of print media, such as cut-sheet paper (including up to 100% recycled fiber content paper), envelopes, labels, transparencies and custom-size paper. Properties such as weight, composition, grain and moisture content are important factors affecting printer performance and output quality. Print media that does not meet the guidelines outlined in this manual can cause the following problems:

- Poor print quality
- Increased paper jams
- Premature wear on the printer, requiring repairs

### Notes:

- Some print media may meet all of the guidelines in this manual and still not produce satisfactory results. This might be the result of improper handling, unacceptable temperature and humidity levels or other variables over which Lexmark has no control.
- Before purchasing large quantities of print media, make sure the paper meets the requirements specified in this manual. Always test print media before buying large quantities.

**Warning!** Using print media that does not meet these specifications may cause problems for the printer, requiring repairs. This repair is not covered by the Lexmark warranty or service agreements.

## Supported Sizes of Print Media

Print Media	Dimensions		Weight	Capacity <sup>1</sup>
Letter	8.5 x 11 in. (216 x 279 mm)		16 to 24 lb Bond (60 to 105 g/m <sup>2</sup> )	<ul style="list-style-type: none"> <li>• 150 sheets of 20 lb bond (75 g/m<sup>2</sup>) paper for the automatic input tray</li> <li>• 1 sheet for the manual input tray</li> </ul>
A4	210 x 297 mm (8.3 x 11.7 in.)			
Executive	7.3 x 10.5 in. (191 x 267 mm)			
Legal	8.5 x 14 in. (216 x 356 mm)			
B5 (JIS)	182 x 257 mm (7.2 x 10 in.)			
Minimum Size (custom)	Automatic Input Tray	95 x 127 mm (3.8 x 5 in.)	60 to 163 g/m <sup>2</sup> Bond (16 to 43 lb)	<ul style="list-style-type: none"> <li>• 5 sheets for the automatic input tray</li> <li>• 1 sheet paper for the manual input tray</li> </ul>
	Manual Input Tray	76 x 127 mm (3 x 5 in.)		
Maximum Size (custom)	216 x 356 mm (8.5 x 14 in.)			
Transparencies	Same as minimum and maximum sizes listed.		Thickness: .10 X .14 mm (0.0039 X 0.0055 in.)	
Labels <sup>2</sup>				
Envelopes			up to 90 g/m <sup>2</sup> (16-24 lb)	

1. Capacity may vary depending on print media weight and thickness, and environmental conditions.
2. Smoothness - 100 to 250 (Sheffield points)

**Note:** You may experience some jams when using any print media with a length of less than 127 mm (5 in.). For optimum performance, make sure you are storing and handling the print media correctly. See “Printer and Print Media Storage Environment” on page [A.7](#).

## Guidelines for Using Paper

For best results, use conventional 75 g/m<sup>2</sup> (20 lb) paper. Make sure the paper is of good quality, and free of cuts, nicks, tears, spots, loose particles, dust, wrinkles, voids and curled or bent edges.

If you are unsure of what type of paper you are loading (such as bond or recycled), check the label on the package of the paper.

The following problems with paper cause print quality deviations, jams or even damage to the printer.

Symptom	Problem with Paper	Solution
Poor print quality or toner adhesion problems with feeding	Too moist, too rough, too smooth, or embossed; faulty paper lot	Try another kind of paper, between 100 - 250 Sheffield points, 4 - 5% moisture content.
Dropout, jams, curl	Stored improperly	Store paper flat in its moisture-proof wrapping.
Increased gray background shading /printer wear	Too heavy	<ul style="list-style-type: none"> <li>• Use lighter paper.</li> <li>• Use face-up output slot.</li> </ul>
Excessive curl problems with feeding	Too moist, wrong grain direction or short-grain construction	<ul style="list-style-type: none"> <li>• Use the face-up output slot.</li> <li>• Use long-grain paper.</li> </ul>
Jams, damage to printer	Cutouts or perforations	Do not use paper with cutouts or perforations.
Problems with feeding	Ragged edges	Use good quality paper.

### Notes:

- Do not use letterhead paper that is printed with low-temperature inks, such as those used in some types of thermography.
- Do not use raised or embossed letterhead.
- The printer uses heat and pressure to fuse toner to the paper. Make sure that any colored paper or preprinted forms use inks that are compatible with this fusing temperature (200 °C or 392 °F for 0.1 second).

## Paper Specifications

Category	Specifications
Acid Content	5.5 - 8.0 pH
Caliper	.094 - .18 mm (3.0 - 7.0 mils)
Curl in Ream	Flat within 5 mm (.02 in.)
Cut Edge Conditions	Cut with sharp blades with no visible fray.
Fusing Compatibility	Must not scorch, melt, offset or release hazardous emissions when heated to 200 °C (392 °F) for .1 second.
Grain	Long Grain
Moisture Content	4% - 6% by weight
Smoothness	100 - 250 Sheffield points

## Paper Output Capacity

Output Slot	Capacity
Face-down output slot	100 sheets of 20 lb bond (75 g/m <sup>2</sup> ) paper
Face-up output slot	1 sheet of 20 lb bond (75 g/m <sup>2</sup> ) paper

## Printer and Print Media Storage Environment

---

Ideally, the printer and print media storage environment should be at or near room temperature, and not too dry or humid. Remember that print media, such as paper, envelopes or card stock, is hygroscopic; it absorbs and loses moisture rapidly.

Heat works with humidity to damage print media. Heat causes the moisture in print media to evaporate, while cold causes it to condense on the sheets. Heating systems and air conditioners remove most of the humidity from a room. As print media is opened and used, it loses moisture, causing streaks and smudging. Humid weather or water coolers can cause the humidity to increase in a room. As print media is opened and used it absorbs any excess moisture, causing light print and dropouts. Also, as print media loses and gains moisture it can distort printouts. This can cause jams.

As a result, print media storage and handling are as important as the paper-making process itself. Print media storage environmental conditions directly affect the feed operation.

Care should be taken not to purchase more print media than can be easily used in a short time (about 3 months). Print media stored for long periods may experience heat and moisture extremes, which can cause damage. Planning is important to prevent damage to large supply of print media.

Unopened paper or card stock in sealed reams can remain stable for several months before use. Opened packages of paper, envelopes or card stock have more potential for environment damage, especially if they are not wrapped with a moisture-proof barrier.

The print media storage environment should be properly maintained to ensure optimum printer performance. The required condition is 20° to 24°C (68° to 75°F), with a relative humidity of 45% to 55%. The following guidelines should be helpful when evaluating the storage environment:

- Print media should be stored at or near room temperature.
- The air should not be too dry or too humid (due to the hygroscopic properties of certain print media).
- The best way to store an opened ream of paper is to rewrap it tightly in its moisture-proof wrapping. If the printer environment is subject to extremes, unwrap only the amount of paper to be used during the day operation to prevent unwanted moisture changes.



## Guidelines for Using Envelopes

Envelope construction is critical. Envelope fold lines can vary considerably, not only between manufacturers, but also within a box from the same manufacturer. Successful printing on envelopes depends upon the quality of the envelopes. When selecting envelopes, consider the following components:

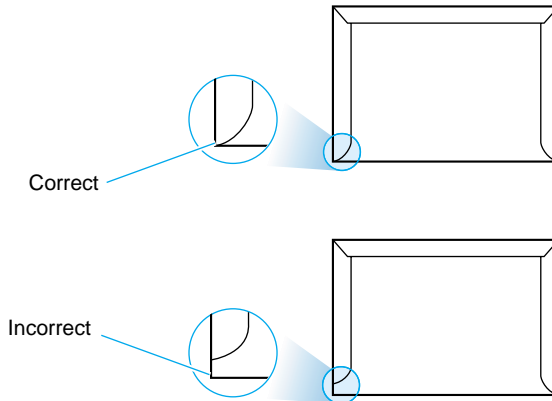
- **Weight:** The weight of the envelope paper should not exceed 90 g/m<sup>2</sup> (24 lbs). Otherwise, jams may occur.
- **Construction:** Prior to printing, envelopes should lie flat with less than 6 mm (0.25 in.) curl, and should not contain air.
- **Condition:** Envelopes should not be wrinkled, nicked or otherwise damaged.
- **Temperature:** Use envelopes that are compatible with the heat and pressure of the printer.
- **Size:** Use only envelopes within the following size ranges.

	Minimum	Maximum
Automatic input tray	95 x 127 mm (3.8 x 5 in.)	216 x 356 mm (8.5 x 14 in.)
Manual input tray	76 x 127 mm (3 x 5 in.)	

**Note:** You may experience some jams when using any print media with a length of less than 127 mm (5 in.). This may be caused by print media that has been affected by environmental conditions. For optimum performance, make sure you are storing and handling the print media correctly. See “Printer and Print Media Storage Environment” on page [A.7](#).

## Envelopes with Double Side Seams

Double side-seams construction has vertical seams at both ends of the envelope rather than diagonal seams. This style may be more likely to wrinkle. Be sure the seam extends all the way to the corner of the envelope as illustrated below.



## Envelopes with Adhesive Strips or Flaps

Envelopes with a peel-off adhesive strip or with more than one flap that folds over to seal must use adhesives compatible with the heat and pressure in the printer. The extra flaps and strips might cause wrinkling, creasing or jams, and may even damage the fuser.

## Envelope Margins

The following table gives typical address margins for a commercial #10 or DL envelope.

Type of Address	Minimum	Maximum
Return address	15 mm (0.6 in.)	15 mm (0.6 in.)
Delivery address	51 mm (2 in.)	89 mm (3.5 in.)

### Notes:

- For best print quality, position margins no closer than 15 mm (0.6 in.) from the edges of the envelope.
- Avoid printing over the area where the envelope seams meet.

## Envelope Storage

Proper storage of envelopes helps contribute to print quality. Envelopes should be stored flat. If air is trapped in an envelope, creating an air bubble, then the envelope may wrinkle during printing. See “Printing on Envelopes” on page 4.11.

## Guidelines for Using Labels

---

### **Warning!**

- To avoid damaging the printer, use only labels recommended for laser printers.
- To prevent serious jams, always use the face-up output slot.
- Never print on the same sheet of labels more than once or print on a partial sheet of labels.

When selecting labels, consider the quality of each component:

- **Adhesives:** The adhesive material should be stable at 200 °C (392 °F), the printer fusing temperature.
- **Arrangement:** Only use labels with no exposed backing between them. Labels can peel off sheets with spaces between the labels, causing serious jams.
- **Curl:** Prior to printing, labels must lie flat with no more than 13 mm (.5 in.) of curl in any direction.
- **Condition:** Do not use labels with wrinkles, bubbles, or other indications of separation.

See “Printing on Labels” on page [4.16](#).

## Guidelines for Using Transparencies

---

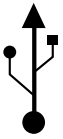
Transparencies used in the printer must be able to withstand 200 °C (392 °F), the printer fusing temperature.

**Warning!** To avoid damaging the printer, use only transparencies recommended for use in laser printers.

See “Printing on Transparencies” on page [4.18](#).

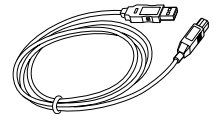
# Using Your Printer with a USB Cable

## Installing the Printer Software - Windows 2000/XP



- 1 Turn the printer on and connect the USB cable to the PC and printer.
- 2 Follow your on screen instructions for driver installation.

**Note:** To connect the printer to the USB port of the computer requires a certified USB cable. You will need to buy the USB 1.0 compliant cable.



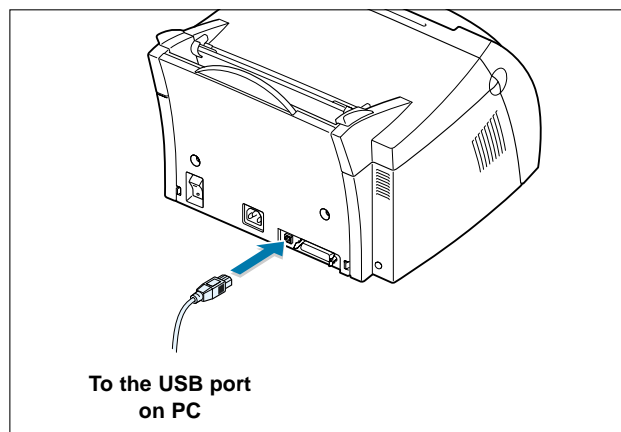
## Installing the Printer Software - Windows 98/ME

### 1 Install Lexmark E210 USB driver

To operate your printer with a Windows PC, you must install the Lexmark E210 USB printer driver. Place the CD in the CD-ROM drive and follow the instructions under “Installing the Printer Software from the CD” on page 2.9.

### 2 Connect printer with USB cable and install USB driver

- a Make sure that both the printer and computer are turned **ON**.
- b Plug one end of the USB cable into the USB port on the printer.



- c Plug the other end into the USB port on the computer.
- d The Add New Hardware Wizard dialog box appears. Click **Next**.



- e Check **Search for the best driver for your device** and click **Next**.



- f Check **CD-ROM drive** and click **Browse**, then choose **x:\USB** (where **x** is the drive letter for the CD-ROM drive).



- g Click **Next**. The USB driver will be installed.

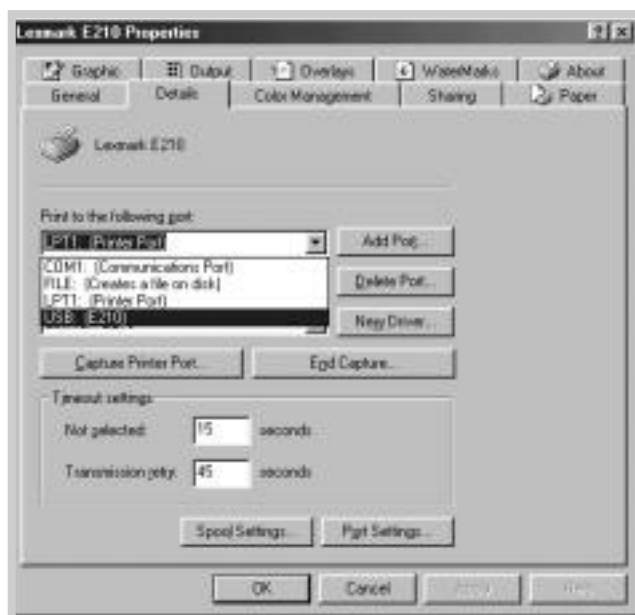


- h Follow the instructions on the screen to complete the installation.

- 3 Set your PC printer port**
- a From the **Start** menu, select **Settings**, then select **Printers**.



- b Select the **Lexmark E210** printer icon in the **Printers** folder.
- c Select **Properties** from the **File** menu.
- d Click the **Details** tab. Select **USB: (E210)** in the **Print to the following port** box. Click **OK**. The setup is now completed.



## Frequently Asked Questions About USB

### Q What is USB?

**A** Universal Serial Bus (USB) makes it easy to connect devices to your computer without having to open your PC. USB uses a standard port and plug combination for connecting devices like printers, modems, scanners and digital cameras. It also offers the benefit of being able to easily add, remove and move devices.

Because USB is a relatively new technology, we recommend using a parallel printing connection. However, USB is an option to customers who want to print from Windows 98, Windows 2000 and Windows Me using a USB printing connection. If your computer USB port is enabled and properly setup, you can connect your printer to it or to a chain of USB devices via a USB cable.

### Q How can I determine if my computer's USB port is enabled?

- A**
- 1 In Windows 98, select **Start -> Settings -> Control Panel**.
  - 2 Double-click the **System** icon.
  - 3 Click the **Device Manager** tab.
  - 4 Click the plus (+) icon before the **Universal Serial Bus Controller** item.

If you see a USB host controller and a USB root hub listed, USB is properly enabled. If you have multiple hubs on the USB chain, try connecting your printer to a different hub or to another USB device. Also, make sure the cable connections are firm. (USB hubs are hardware devices into which you can plug multiple USB cables.)

If you do not see these devices listed, refer to your computer's documentation or contact the manufacturer for more information on enabling and setting up USB. Remember, you can always use a parallel cable to connect your printer's parallel port to your computer. (If you decide to switch to a parallel cable connection, you may need to remove and reinstall the printer software.)



**Q Can other users on my USB chain print to my Lexmark E210 printer on the USB chain?**

**A** Yes. Windows 98 allows you to “share” your printer using software settings on your computer. After others on the USB chain have installed the printer software for your specific printer, they can print to your shared printer.

**Q After I install my printer, why isn't my Lexmark E210 printer assigned to an LPT printer port in the Print dialog box of my software application?**

**A** USB uses a different naming convention for USB devices. After the printer has been installed, you see **USB:(your printer name)** instead of **LPT**.

**Q How can I increase printing speed and quality?**

**A** When operated on a USB chain, your printer may become slower if other USB devices are being used while you're printing. For optimal print performance, avoid using other devices in the USB chain while printing.

# Linux Driver Installation

This Linux Configuration file is designed for the GDI compatible Lexmark E210 printer and supports Linux RedHat 6.0 or higher, Mandrake, SuSE and so on. If you want to know the detail installation method for non-RedHat Linux, see the readme.txt file in the Linux directory of the driver CD.

## Linux Driver Configuration

---

- Configuration Setup File
  - a. /cdrom/linux/install/install.sh
  - b. /cdrom/linux/install/ssprt.db
  - c. /cdrom/linux/install/readme.txt
- Ghostscript Package file
  - a. /cdrom/linux/gs5.10/ghostscript-5.10-10.i386.rpm
  - b. /cdrom/linux/gs5.10/COPYING
  - c. /cdrom/linux/gs5.50/ghostscript-5.50-2.i386.rpm
  - d. /cdrom/linux/gs5.50/COPYING

## Installation

---

To install the driver, open the x terminal screen and complete the following steps:

### 1 Mount the CD-ROM drive.

**Note:** To mount the CD-ROM drive, you must be superuser or must be authorized to mount the CD-ROM by a system administrator. If you fail to mount the CD-ROM drive, ask a system administrator.

To mount the CD-ROM drive:

- a Insert the Lexmark E210 CD into the CD-ROM drive.
- b Mount the CD-ROM drive under a directory, such as **/mnt**, in order to access the files on the CD-ROM:  
**>mount -t iso9660 /dev/cdrom /mnt/cdrom**

## 2 Install the Ghostscript.

**Note:** Ghostscript may already be installed in your Linux machine. To support the Lexmark printer GDI, you must update the ghostscript. If you are not sure whether the ghostscript is already installed in your machine, use the command: **>rpm -q ghostscript** (you can see the version of the ghostscript currently installed in your machine by this command.)

To update the ghostscript:

- a Change to the directory where the ghostscript is in by typing in:  
**>cd/mnt/cdrom/linux/g5.XX** (where **/mnt/cdrom** is the CD-ROM directory you have mounted at step 1 and **XX** is the version of the ghostscript to be installed, 10 or 50.)
- b Delete the ghostscript currently installed in your machine by typing in:  
**/mnt/cdrom/linux/g5.XX>rpm -e --nodeps ghostscript**
- c Install the ghostscript which is supplied in the Lexmark E210 CD-ROM by typing in:  
**/mnt/cdrom/linux/g5.XX/rpm -ivh ghostscript - 5.XX-xx.i386.rpm**
- d When **#** appears on the screen and the installation completes, the ghostscript is successfully updated. To make sure, type in:  
**/mnt/cdrom/linux/g5.XX/rpm -q ghostscript**

If the 'ghostscript-5.XX-xx' message appears, the installation is successfully completed.

## 3 Install setup script.

For details on installing the setup script, refer to the **/cdrom/linux/install/readme.txt** file.

Add the driver to the printer list by typing in:  
**/cdrom/linux/install>install.sh** (or)  
**/cdrom/linux/install>./install.sh** (if the path of the current working directory is not determined.)

## 4 Set up the printer filter.

To set up:

- a Run **printtool** at x terminal.
- b To add the printer driver, click the **Add** button.
- c In the Add a Printer Entry window, select the printer type you will use. Select **Local Printer** if you have a PC-connected printer.
- d Click the **OK** button.
- e If the **Info** button appears, ignore it, and then click the **OK** button.
- f The Edit xxxx Entry window opens (where xxxx is the printer type you have selected at step 3).

If you are not an advanced user, do not change the **Names/Spool Directory/File Limit in Kb/Printer Device** option.

- g Click the **Select** button in the **Input Filter** to access filter setup.
- h Select **Lexmark Printer GDI Compatible** for the Printer Type item. Then select the default resolution and paper size.
- i To save the setting, press the **OK** button.
- j In the Edit xxxx Entry window, press the **OK** button to complete the printer driver installation.
- k The printer driver is added to the driver window. Select **Quit** from the **PrintTool** menu.


GNU Ghostscript software, in directory /linux/gs5.10 and /linux/gs5.50 on this CD is Copyright (C) 1999 Aladdin Enterprise, Menlo Park, California, and other authors as indicated in its documentation.

This software is not subject to the End User License Agreement: your rights to this software are given by the GNU License, which is in a file called COPYING in that directory.

GNU Ghostscript should be available on all GNU site such as <ftp://ftp.gnu.org/pub/gnu/>.

# *Appendix B: Safety*

# Safety Information

- If your product is NOT marked with this symbol  , it MUST be connected to an electrical outlet that is properly grounded.
- The power cord must be connected to an electrical outlet that is near the product and easily accessible.
- Refer service or repairs, other than those described in the operating instructions, to a professional service person.
- This product is designed, tested, and approved to meet strict global safety standards with the use of specific Lexmark components. The safety features of some parts may not always be obvious. Lexmark is not responsible for the use of other replacement parts.
- Your product uses a laser.  
**CAUTION: Use of controls or adjustments or performance of procedures other than those specified herein may result in hazardous radiation exposure.**
- Your product uses a printing process that heats the print media, and the heat may cause the media to release emissions. You must understand the section in your operating instructions that discusses the guidelines for selecting print media to avoid the possibility of harmful emissions.

# *Appendix C: Notices*

## Laser Notice

---

The Lexmark E210 printer is certified in the U.S. to conform to the requirements of DHHS 21 CFR Subchapter J for Class I (1) laser products, and elsewhere is certified as a Class I laser product conforming to the requirements of IEC 825.

Class I laser products are not considered to be hazardous. The printer contains internally a Class IIIb (3b) laser that is nominally a 5 milliwatt gallium arsenide laser operating in the wavelength region of 770-795 nanometers. The laser system and printer are designed so there is never any human access to laser radiation above a Class I level during normal operation, user maintenance, or prescribed service condition.



# *Appendix D: Warranty*

This appendix provides information on your printer warranty.

# Statement of Limited Warranty

## Lexmark International, Inc., Lexington, KY

---

This warranty applies to the United States. For customers outside the U.S., refer to the country-specific warranty information that came with your printer.

### **Lexmark E210**

This Statement of Limited Warranty applies to this product if it was originally purchased for your use, and not for resale, from Lexmark or a Lexmark remarketer, referred to in this statement as "Remarketer."

### **Warranty**

Lexmark warrants that this product:

- Is manufactured from new parts, or new and serviceable used parts, which perform like new parts
- Is free from defects in material and workmanship
- Conforms to Lexmark's official published specifications
- Is in good working order

If this product does not function as warranted during the warranty period, contact a Remarketer or Lexmark for repair without charge.

If this product is a feature or option, this statement applies only when that feature or option is used with the product for which it was designed. To obtain warranty service, you may be required to present the feature or option with the product.

If you transfer this product to another user, warranty service under the terms of this statement is available to that user for the remainder of the warranty period. You should transfer proof of original purchase and this statement to that user.

### Warranty service

The warranty period is 12 months and starts on the date of original purchase as shown on the purchase receipt.

To obtain warranty service you may be required to present proof of original purchase. Warranty service will be provided at your location at a Remarketer or a Lexmark designated location. You may be required to deliver your product to the Remarketer or Lexmark, or ship it prepaid and suitably packaged to a Lexmark designated location. You are responsible for loss of, or damage to, a product in transit to the Remarketer or the designated location at a Lexmark designated location.

When warranty service involves the exchange of a product or part, the item replaced becomes the property of the Remarketer or Lexmark. The replacement may be a new or repaired item. The replacement item assumes the remaining warranty period of the original product.

Replacement is not available to you if the product you present for exchange is defaced, altered, in need of a repair not included in warranty service, or damaged beyond repair. Also, such product must be free of any legal obligation or restrictions that prevent its exchange.

Before you present this product for warranty service, remove all programs, data, and removable storage media.

For further explanation of your warranty alternatives and the nearest Lexmark authorized servicer in your area, please contact Lexmark at 1-800-LEXMARK (1-800-539-6275), or on the World Wide Web at [www.lexmark.com](http://www.lexmark.com).

Free remote technical support is provided for this product throughout its warranty period. Lexmark offers a variety of extended warranty programs that include an extension of technical support. For products no longer covered by a Lexmark warranty, technical support may only be available for a fee.

### Extent of warranty

We do not warrant uninterrupted or error-free operation of a product.

Warranty service does not include repair of failures caused by:

- Modification or attachments
- Accidents or misuse
- Unsuitable physical or operating environment
- Maintenance by anyone other than Lexmark or a Lexmark authorized servicer
- Operation of a product beyond the limit of its duty cycle
- Failure to have installed a maintenance kit as specified (if applicable)
- Use of printing media outside of Lexmark specifications
- Use of other than Lexmark supplies (such as print cartridges, inkjet cartridges, and ribbons)
- Use of other than Lexmark product or component

**ALL EXPRESS AND IMPLIED WARRANTIES, INCLUDING THE IMPLIED WARRANTIES OF MERCHANTABILITY AND FITNESS FOR A PARTICULAR PURPOSE, ARE LIMITED IN DURATION TO THE WARRANTY PERIOD. NO WARRANTIES, EXPRESS OR IMPLIED, WILL APPLY AFTER THIS PERIOD.**

### Limitation of liability

Your sole remedy under this Statement of Limited Warranty is set forth in this section. For any claim concerning performance or nonperformance of Lexmark or a Remarketer for this product under this Statement of Limited Warranty, you may recover actual damages up to the limit set forth in the following paragraph.

Lexmark's liability for actual damages from any cause whatsoever will be limited to the greater of 1) \$5,000 or 2) the amount you paid for the product that caused the damages. This limitation of liability will not apply to claims by you for bodily injury or damage to real property or tangible personal property for which Lexmark is legally liable. In no event will Lexmark be liable for any lost profits, lost savings, incidental damage, or other economic consequential damages. This is true even if you advise Lexmark or a Remarketer of the possibility of such damages. Lexmark is not liable for any claim by you based on a third party claim.

This limitation of remedies also applies to any developer of materials supplied to Lexmark. Lexmark's and the developer's limitations of remedies are not cumulative. Such developer is an intended beneficiary of this limitation.

### **Additional rights**

Some states do not allow limitations on how long an implied warranty lasts, or do not allow the exclusion or limitation of incidental or consequential damages. If such laws apply, the limitations or exclusions contained in this statement may not apply to you.

This warranty gives you specific legal rights. You may also have other rights which vary from state to state.

## A

- automatic input tray
  - loading paper 4.8
  - paper source setting 5.4

## C

- cancel, print job 5.6
- Cancel button 3.3
- card stock, print 4.21
- cleaning, printer 6.6
- cleaning sheet, print 6.8
- components 1.5
- control panel
  - buttons 3.3
  - lights 3.4

## D

- Data light 3.4
- Demo button 3.2
- demo page, print 2.8
- diskette, making installation 2.15
- driver
  - access 5.2
  - install 2.9
  - in Linux A.17
  - remove 2.13
  - USB A.11

## E

- envelopes, print 4.11
- Error light 7.18
- error messages 7.18

## F

- face-down output bin 4.6
- face-up output slot 4.7
- features 1.2
- fitting to a selected paper size 5.9

## G

- graphic properties 5.12

## I

- install
  - Linux driver A.17
  - print cartridge 2.3
  - printer software 2.9
  - software from diskette 2.15
  - USB driver A.11

## J

- jams, clearing
  - input area 7.8
  - inside the printer 7.9
  - output area 7.7
  - tips for avoiding 7.11

## L

- labels, printing 4.16
- letterhead, printing 4.20
- Linux A.17

loading print media  
 in the automatic input tray 2.5, 4.8  
 in the manual input tray 4.8

## M

manual input tray  
 loading paper 4.8  
 paper source setting 5.4  
 multiple pages on one sheet,  
 printing 5.8

## N

network setup 5.22  
 N-Up printing 5.8

## O

orientation 5.4  
 output lever 4.6  
 output location, selecting 4.6  
 overlays, printing 5.17

## P

page overlays, printing 5.17  
 page orientation, setting 5.4  
 page size, setting 5.3  
 Paper light 3.4

paper out, indication 3.4, 7.18  
 paper source, setting 5.4  
 parallel connection 2.7  
 posters, printing 5.10  
 print cartridge  
 cleaning 6.5  
 installing 2.3  
 life expectancy 6.2  
 recycling 6.2  
 redistributing toner 6.3  
 storage 6.2  
 print media  
 acceptable size and capacities  
 4.3, A.4  
 choose 4.2  
 guidelines 4.4, A.5  
 load 2.5, 4.8  
 specifications A.3  
 storage environment A.7  
 print media type, setting 5.4  
 printer light patterns 3.4, 7.18  
 print quality problem, solving  
 back of printouts dirty 7.16  
 background scatter 7.15  
 black pages 7.16  
 character voids 7.17  
 checklist 7.12  
 curl or wave 7.16  
 dropouts 7.13  
 gray background 7.14  
 horizontal stripes 7.17  
 light or faded print 7.12  
 loose toner 7.17  
 misformed characters 7.15  
 page skew 7.15  
 toner smear 7.14  
 toner specks 7.13  
 vertical lines 7.13  
 vertical repetitive defects 7.14  
 wrinkles or creases 7.16

printer driver *see driver*  
printer software, installing 2.9  
printer setup 2.2  
printing  
    cancel 5.6  
    cleaning sheet 6.8  
    demo page 2.8  
    fitting to a selected paper size 5.9  
    general problems, solving 7.3  
    help 5.7  
    multi pages on one sheet 5.8  
    on a network environment 5.22  
    page overlay 5.17  
    posters 5.10  
    quality problems, solving 7.12  
    watermarks 5.14  
problems, solving  
    checklist 7.2  
    common windows problems 7.20  
    error messages 7.18  
    general 7.3  
    jams 7.7  
    print quality 7.12

## Q

quality problems 7.12

## R

resolution 5.13

## S

safety B.1  
setup, printer 2.2

specifications  
    printer A.2  
    print media A.3  
    system error 7.19

## T

transparencies, printing 4.18  
troubleshooting *see problems, solving*

## U

uninstalling drivers 2.13  
unpacking the printer 2.2  
USB cable setup A.11

## W

watermarks, printing 5.14





**P/N:** 10S0152

**E.C.:**

Lexmark and Lexmark with diamond design are trademarks of Lexmark International, Inc., registered in the United States and/or other countries.

© 2001 Lexmark International, Inc.

740 West New Circle Road

Lexington, Kentucky 40550

[www.lexmark.com](http://www.lexmark.com)