

Safety information

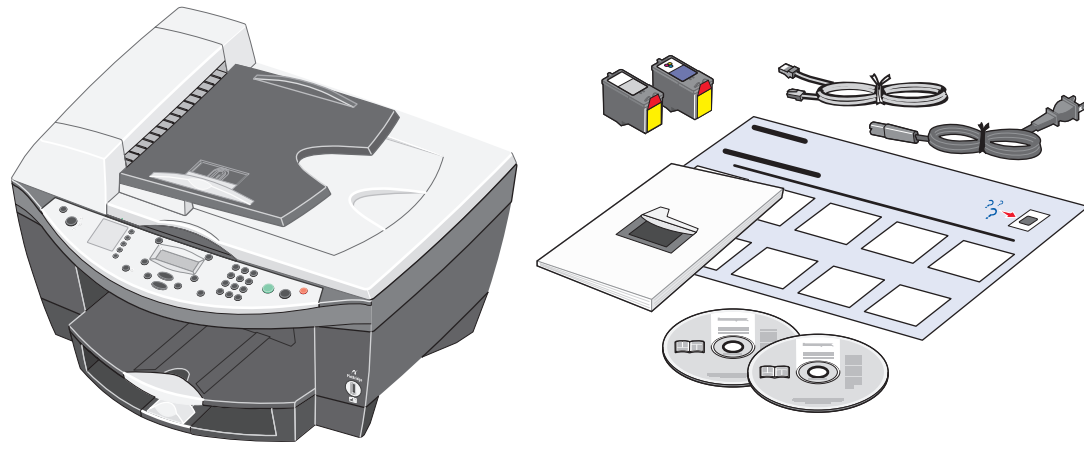
- Use only the power supply provided with this product or the manufacturer's authorized replacement power supply.
- Connect the power cord to a properly grounded electrical outlet that is near the product and easily accessible.
- Refer service or repairs, other than those described in the user documentation, to a professional service person.

CAUTION: Do not use the fax feature during a lightning storm. Do not set up this product or make any electrical or cabling connections, such as the power supply cord or telephone, during a lightning storm.

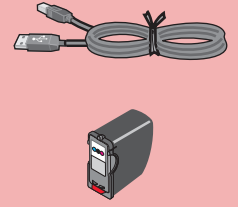
For more help:

- 1 See the *User's Guide*.
- 2 Visit our Web site: <http://support.lexmark.com/>.
- 3 Call us at 1-800-332-4120.
Monday–Friday (9:00 AM–9:00 PM EST)
Saturday (Noon–6:00 PM EST)
*Phone number and support times may change without notice.

1 Unpack your printer.



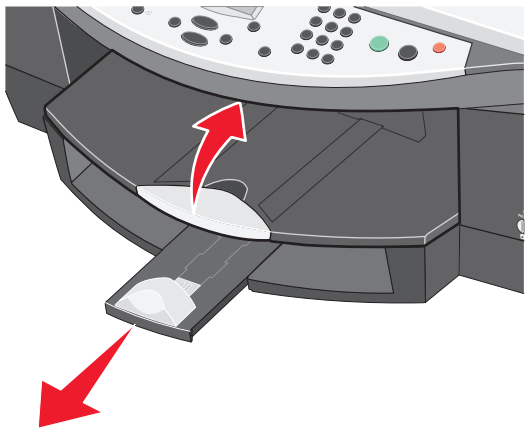
Sold separately.



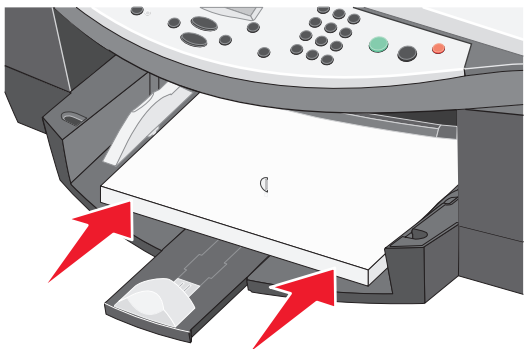
See the *User's Guide* for a listing.

2 Load paper.

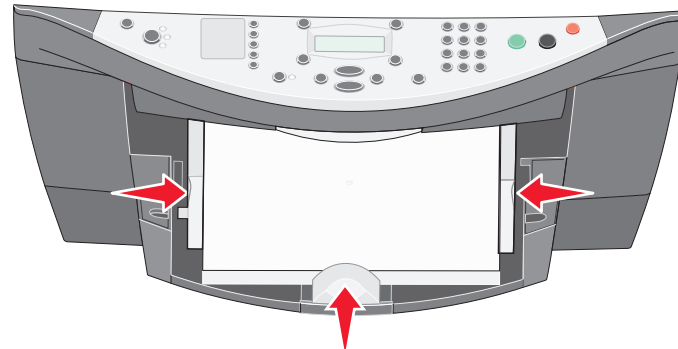
- 1 Raise the paper exit tray, and then extend the paper guide.



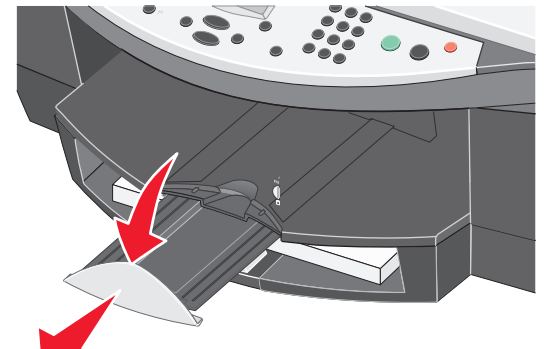
- 2 Load plain paper in the paper tray.



- 3 Adjust the paper guides.

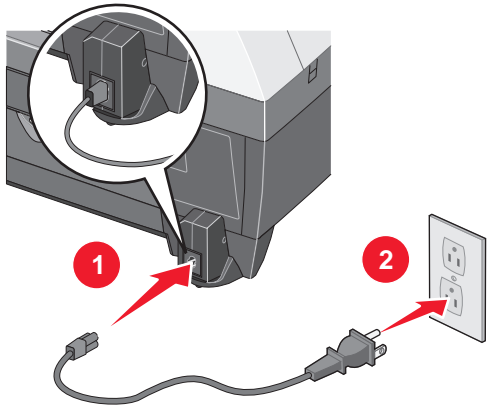


- 4 Lower the paper exit tray, and then extend the paper stop.

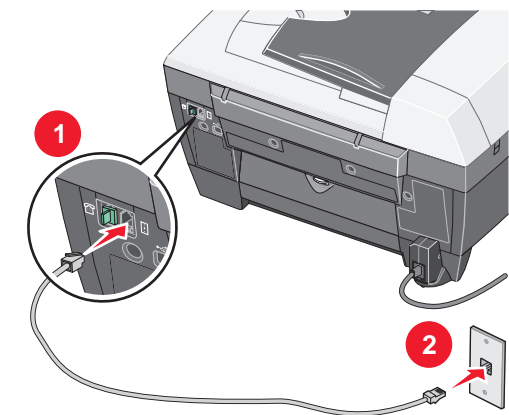


3 Prepare the All-In-One.

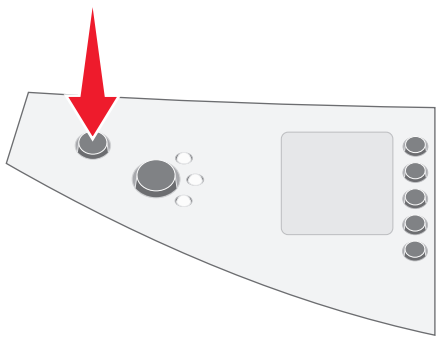
- 1 Make sure the power cord is pushed all the way into the connector.



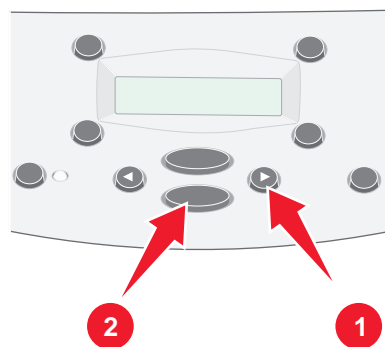
- 2 Connect the telephone line.



- 3 Press Power.

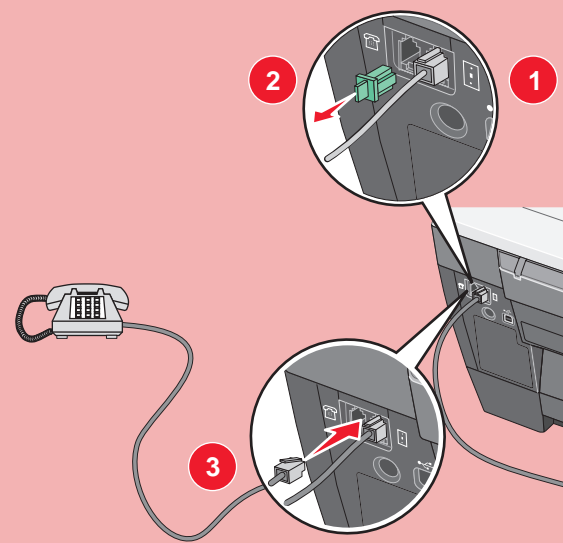


- 4 Press + to scroll, and then press **Select** to enter your *default* language, and then your *default* country or region.

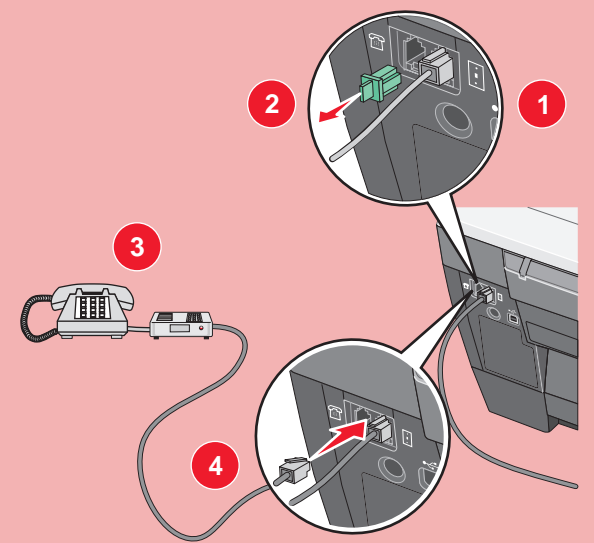


See the *User's Guide* before adding additional equipment.

Add a telephone.



Add a telephone and answering machine.



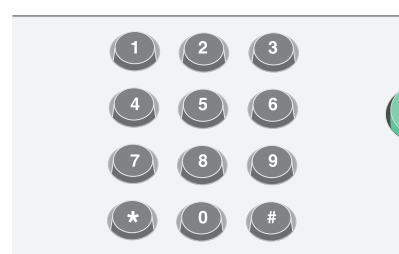
- 5 Press the keypad to enter the:

- 1 **Date** using two digits for the month, day, and year.
- 2 **Time** using the two digits for both hour and minute.
- 3 **Fax number**.

Press **Select**.

Press **Select**.

Press **Select**.

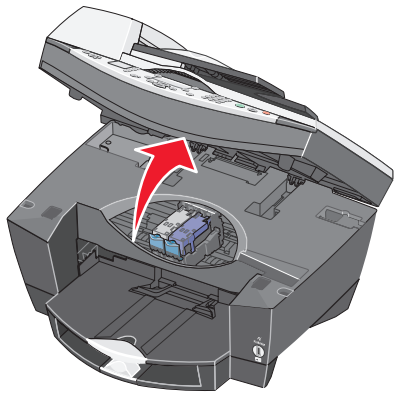


21H0070

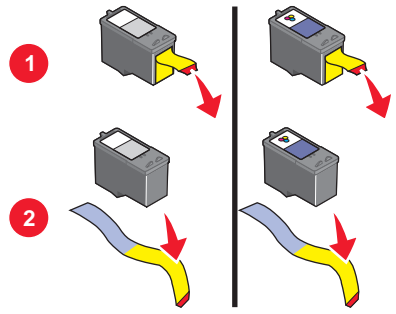


4 Install the print cartridges.

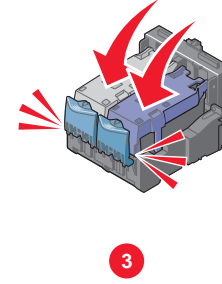
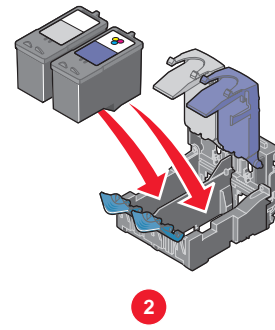
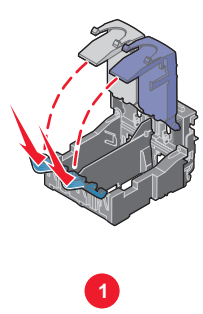
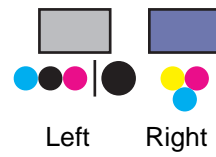
1 Open the scanner unit.



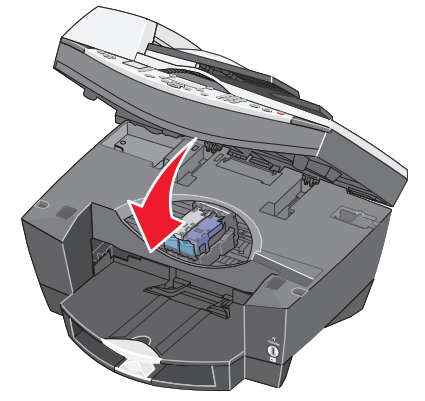
2 Remove the sticker and tape from the print cartridges.



3 Insert the print cartridges.



4 Close the scanner unit.



If you are using your All-In-One **with** a computer, continue with the following step.

If you are using your All-In-One **without** a computer, you are finished.

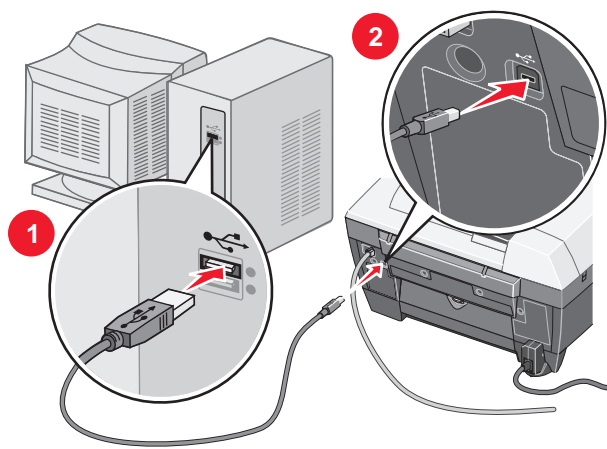
Windows

5 Install the software.

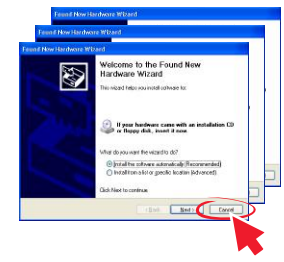
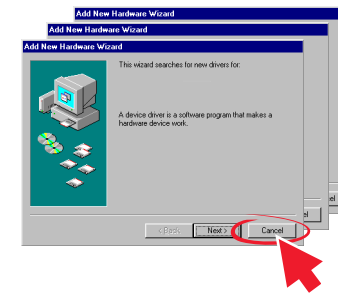
1 Make sure your computer is on.



2 Connect the USB cable.



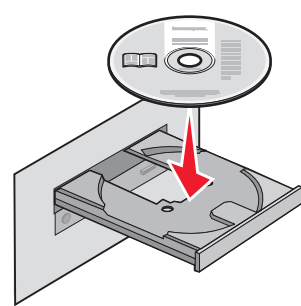
3 Click **Cancel** on all New Hardware Screens.



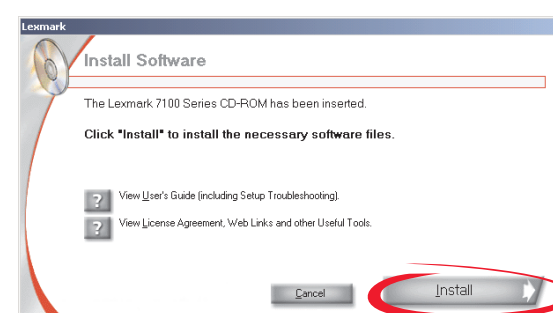
! To prevent errors during installation:
1 Close all open programs.
2 Temporarily disable any anti-virus software. For help, refer to your program documentation, or contact the software manufacturer for support.

Important: After installation is complete, remember to enable your anti-virus software.

4 Insert CD1.



5 Click **Install**.

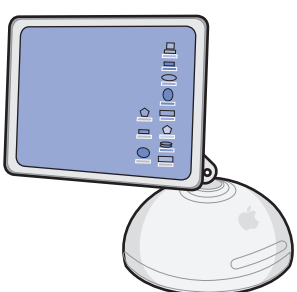


If this install screen does not appear, click **Start → Run** and then type **D:\setup**, where **D** is the letter of your CD-ROM drive.

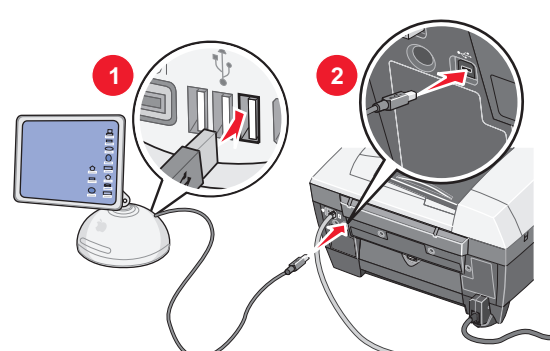
Macintosh

5 Install the software.

1 Make sure your computer is on.



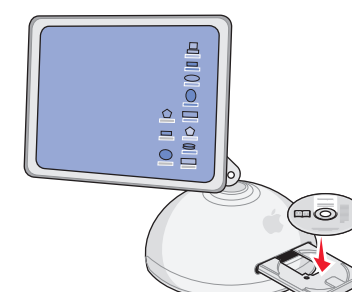
2 Connect the USB cable.



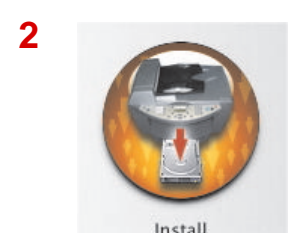
! To prevent errors during installation:
1 Close all open programs.
2 Temporarily disable any anti-virus software. For help, refer to your program documentation, or contact the software manufacturer for support.

Important: After installation is complete, remember to enable your anti-virus software.

3 Insert CD1.



4 Double-click:



This file was downloaded from the site
mans.io

Instruction manuals and user guides

[Samsung](#)

[Pioneer](#)

[Alpine](#)

[LG](#)

[Dell](#)

[Sharp](#)

[Sony](#)

[Philips](#)

[Epson](#)

[Netgear](#)