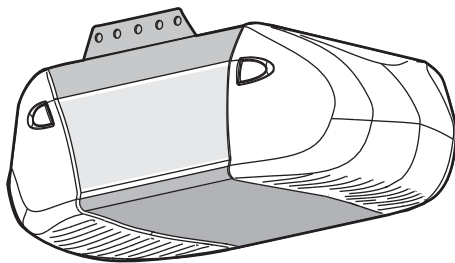


LiftMaster®

PREMIUM Series 1/2 hp Chain Drive Garage Door Opener

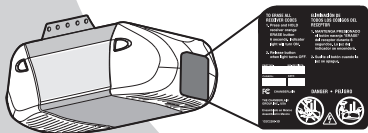
Model 8365-267

FOR RESIDENTIAL USE ONLY



- Please read this manual and the enclosed safety materials carefully!
- Fasten the manual near the garage door after installation.
- The door **WILL NOT CLOSE** unless the Protector System® is connected and properly aligned.
- Periodic checks of the garage door opener are required to ensure safe operation.
- The model number label is located on the front panel of your garage door opener.
- This garage door opener is **ONLY** compatible with MyQ® and Security+ 2.0® accessories.
- **DO NOT** install on a one-piece door if using devices or features providing unattended close. Unattended devices and features are to be used **ONLY** with sectional doors.

NOTE: If you are installing the garage door opener on a one-piece door, visit LiftMaster.com for installation instructions.



Write down the following information for future reference:

Serial Number:

Date of Purchase:

CONTENTS

Preparation	2-4
Assembly	5
Installation	6-13
Install the Door Control	14-15
Install the Protector System®	16-19
Power	20-21
Adjustments	22-24
Operation	25-30
Maintenance	31
Troubleshooting	32-33
Accessories	34
Warranty	35
Notes	36
Repair Parts	37-38



LiftMaster.com

LiftMaster
845 Larch Avenue
Elmhurst, Illinois 60126-1196

Preparation

Safety Symbol and Signal Word Review

This garage door opener has been designed and tested to offer safe service provided it is installed, operated, maintained and tested in strict accordance with the instructions and warnings contained in this manual.

When you see these Safety Symbols and Signal Words on the following pages, they will alert you to the possibility of **serious injury or death** if you do not comply with the warnings that accompany them. The hazard may come from something mechanical or from electric shock. Read the warnings carefully.



Mechanical



Electrical

When you see this Signal Word on the following pages, it will alert you to the possibility of damage to your garage door and/or the garage door opener if you do not comply with the cautionary statements that accompany it. Read them carefully.



Unattended Operation

The Timer-to-Close (TTC) feature, the MyQ® Smartphone Control app, and MyQ® Garage Door and Gate Monitor are examples of unattended close and are to be used **ONLY** with sectional doors. Any device or feature that allows the door to close without being in the line of sight of the door is considered unattended close. The Timer-to-Close (TTC) feature, the MyQ® Smartphone Control, and any other MyQ® devices are to be used **ONLY** with sectional doors.



WARNING: This product can expose you to chemicals including lead, which are known to the State of California to cause cancer or birth defects or other reproductive harm. For more information go to www.P65Warnings.ca.gov

Check the Door



To prevent possible **SERIOUS INJURY** or **DEATH**:

- **ALWAYS** call a trained door systems technician if garage door binds, sticks, or is out of balance. An unbalanced garage door may **NOT** reverse when required.
- **NEVER** try to loosen, move or adjust garage door, door springs, cables, pulleys, brackets or their hardware, **ALL** of which are under **EXTREME** tension.
- Disable **ALL** locks and remove **ALL** ropes connected to garage door **BEFORE** installation and operating garage door opener to avoid entanglement.
- **DO NOT** install on a one-piece door if using devices or features providing unattended close. Unattended devices and features are to be used **ONLY** with sectional doors.

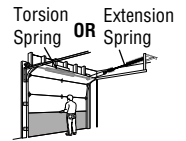
CAUTION

To prevent damage to garage door and opener:

- **ALWAYS** disable locks **BEFORE** installing and operating the opener.
- **ONLY** operate garage door opener at 120V, 60 Hz to avoid malfunction and damage.

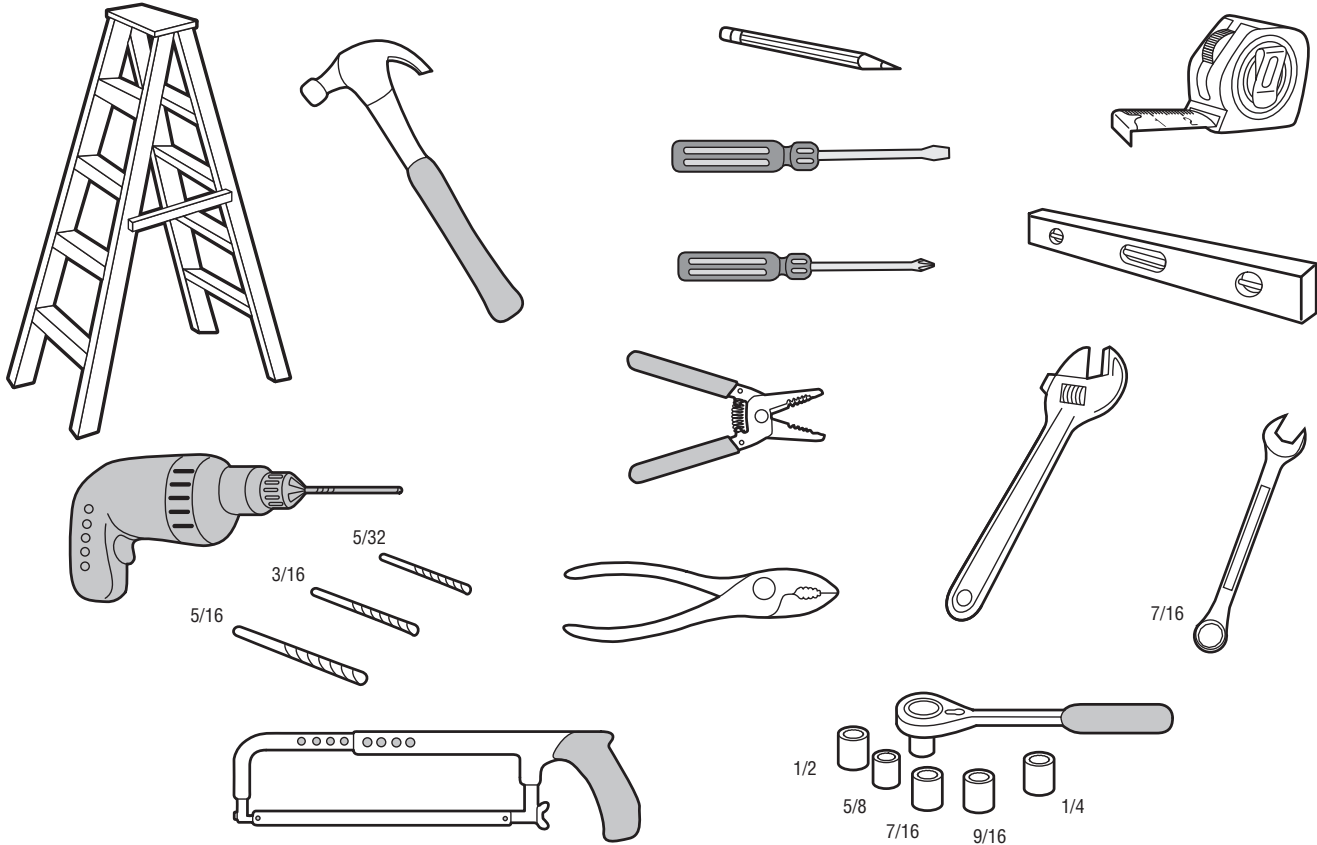
Before you begin:

1. Disable locks and remove any ropes connected to the garage door.
2. Lift the door halfway up. Release the door. If balanced, it should stay in place, supported entirely by its springs.
3. Raise and lower the door to check for binding or sticking. If your door binds, sticks, or is out of balance, call a trained door systems technician.
4. Check the seal on the bottom of the door. Any gap between the floor and the bottom of the door must not exceed 1/4 inch (6 mm). Otherwise, the safety reversal system may not work properly.
5. The opener should be installed above the center of the door. If there is a torsion spring or center bearing plate in the way of the header bracket, it may be installed within 4 feet (1.2 m) to the left or right of the door center. See page 7.



Preparation

Tools Needed



Preparation

Carton Inventory

Accessories will vary depending on the garage door opener model purchased. Depending on your specific model, other accessories may be included with your garage door opener. The instructions for these accessories will be attached to the accessory and are not included in this manual. The images throughout this manual are for reference and your product may look different.

- A. Header bracket
- B. Pulley and bracket
- C. Door bracket
- D. Curved door arm
- E. Straight door arm
- F. Trolley
- G. Emergency release rope and handle
- H. Rail
- I. Garage door opener
- J. Sprocket cover
- K. Chain
- L. Door control
- M. White and red/white wire
- N. The Protector System®
Safety reversing sensors with white and white/black wire attached: Sending Sensor (1)
Receiving Sensor (1) and Safety Sensor Brackets (2)
- O. Safety labels and literature
- P. Rail grease

Security+ 2.0® Accessories

882LMW

Multi-Function Door Control



893LM

Remote Control



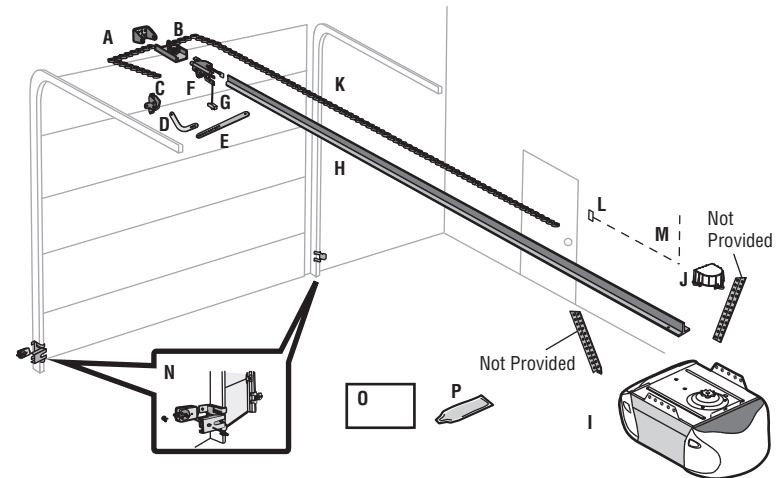
Hardware

Installation

- Hex bolt 5/16"-18 x 7/8" (4)
- Lag screw 5/16"-9 x 1-5/8" (2)
- Clevis Pin 5/16" x 2-3/4" (1)
- Clevis Pin 5/16" x 1-1/4" (1)
- Clevis Pin 5/16" x 1" (1)
- Nut 5/16"-18 (4)
- Lock washer 5/16" (4)
- Self-threading screw 1/4"-14 x 5/8" (2)
- Ring fastener (3)
- Carriage bolt 1/4"-20 x 1/2" (2)
- Wing nut 1/4"-20 (2)

Door Control Hardware

- Screw 6AB x 1" (2)
- Screw 6-32 x 1" (2)
- Drywall anchors (2)
- Insulated staples



Assembly

1 Attach the Rail to the Garage Door Opener

WARNING

To avoid possible **SERIOUS INJURY** to finger from moving garage door opener:

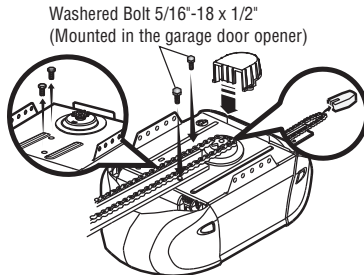
- ALWAYS keep hand clear of sprocket while operating opener.
- Securely attach sprocket cover **BEFORE** operating.

CAUTION

To avoid **SERIOUS** damage to garage door opener, use **ONLY** those bolts/fasteners mounted in the top of the opener.

NOTE: *ONLY use the bolts removed from the garage door opener. Place the garage door opener on the packing material to prevent scratching.*

1. Remove the two bolts from the top of the garage door opener.
2. Align the rail and the styrofoam over the sprocket. Cut the tape from the rail, chain, and styrofoam.
3. Fasten the rail with the previously removed bolts.
4. Position the chain around the garage door opener sprocket.
5. Install the sprocket cover by squeezing the sides and inserting the tabs into the slots on the garage door opener.

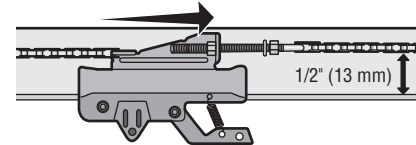


2 Tighten the Chain

1. Loosen the inner nut and lock washer on the trolley threaded shaft.
2. Tighten the outer nut until the chain is 1/2 inch above the base of the rail at the midpoint of the rail.
3. Re-tighten the inner nut.

Slack in the chain is normal when the door is closed. No readjustment is necessary.

Sprocket noise can result if the chain is too loose. During future maintenance, **ALWAYS** pull the emergency release handle to disconnect the trolley before adjusting the chain.



IMPORTANT INSTALLATION INSTRUCTIONS



To reduce the risk of SEVERE INJURY or DEATH:

1. READ AND FOLLOW ALL INSTALLATION WARNINGS AND INSTRUCTIONS.
2. Install garage door opener ONLY on properly balanced and lubricated garage door. An improperly balanced door may NOT reverse when required and could result in SEVERE INJURY or DEATH.
3. ALL repairs to cables, spring assemblies and other hardware MUST be made by a trained door systems technician BEFORE installing opener.
4. Disable ALL locks and remove ALL ropes connected to garage door BEFORE installing opener to avoid entanglement.
5. Install garage door opener 7 feet (2.13 m) or more above floor.
6. Mount the emergency release within reach, but at least 6 feet (1.83 m) above the floor and avoiding contact with vehicles to avoid accidental release.
7. NEVER connect garage door opener to power source until instructed to do so.
8. NEVER wear watches, rings or loose clothing while installing or servicing opener. They could be caught in garage door or opener mechanisms.
9. Install wall-mounted garage door control:
 - within sight of the garage door.
 - out of reach of children at minimum height of 5 feet (1.5 m).
 - away from ALL moving parts of the door.
10. Place entrapment warning label on wall next to garage door control.
11. Place manual release/safety reverse test label in plain view on inside of garage door.
12. Upon completion of installation, test safety reversal system. Door MUST reverse on contact with a 1-1/2" (3.8 cm) high object (or a 2x4 laid flat) on the floor.
13. To avoid SERIOUS PERSONAL INJURY or DEATH from electrocution, disconnect ALL electric power BEFORE performing ANY service or maintenance.
14. DO NOT install on a one-piece door if using devices or features providing unattended close. Unattended devices and features are to be used ONLY with sectional doors.

NOTE: If you are installing the garage door opener on a one-piece door, visit LiftMaster.com for installation instructions.

Installation

1 Determine the Header Bracket Location

WARNING

To prevent possible **SERIOUS INJURY** or **DEATH**:

- Header bracket **MUST** be **RIGIDLY** fastened to structural support on header wall or ceiling, otherwise garage door might **NOT** reverse when required. **DO NOT** install header bracket over drywall.
- Concrete anchors **MUST** be used if mounting header bracket or 2x4 into masonry.
- **NEVER** try to loosen, move or adjust garage door, springs, cables, pulleys, brackets, or their hardware, **ALL** of which are under **EXTREME** tension.
- **ALWAYS** call a trained door systems technician if garage door binds, sticks, or is out of balance. An unbalanced garage door might **NOT** reverse when required.
- **DO NOT** enable the Timer-to-Close functionality if operating either one-piece or swinging garage doors. To be enabled **ONLY** when operating a sectional door.

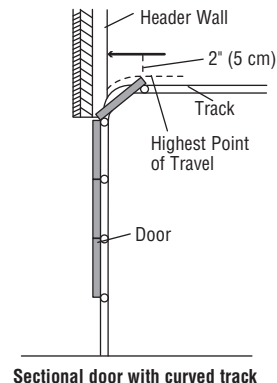
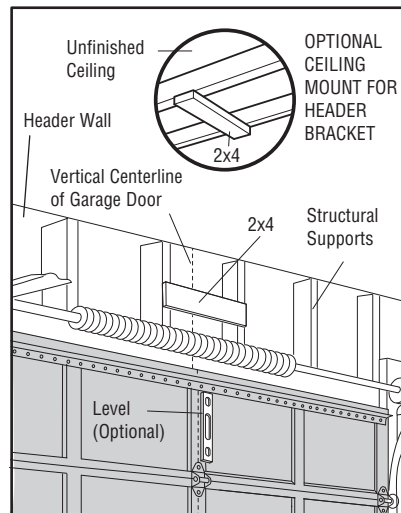
NOTE: If you are installing the garage door opener on a one-piece door, visit LiftMaster.com for installation instructions.

Close the door and mark the inside vertical centerline of the garage door.

Extend the line onto the header wall above the door. You can fasten the header bracket within 4 feet (1.22 m) of the left or right of the door center only if a torsion spring or center bearing plate is in the way, or you can attach it to the ceiling when clearance is minimal. (It may be mounted on the wall upside down if necessary, to gain approximately 1/2" (1 cm).) If you need to install the header bracket on a 2x4 (on wall or ceiling), use lag screws (not provided) to securely fasten the 2x4 to structural supports.

Open your door to the highest point of travel as shown. Draw an intersecting horizontal line on the header wall 2" (5 cm) above the high point. This height will provide travel clearance for the top edge of the door.

NOTE: If the total number of inches exceeds the height available in your garage, use the maximum height possible, or refer to page 8 for ceiling installation.



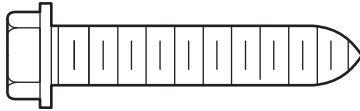
Installation

2 Install the Header Bracket

You can attach the header bracket either to the wall above the garage door, or to the ceiling. Follow the instructions which will work best for your particular requirements. **Do not install the header bracket over drywall. If installing into masonry, use concrete anchors (not provided).**

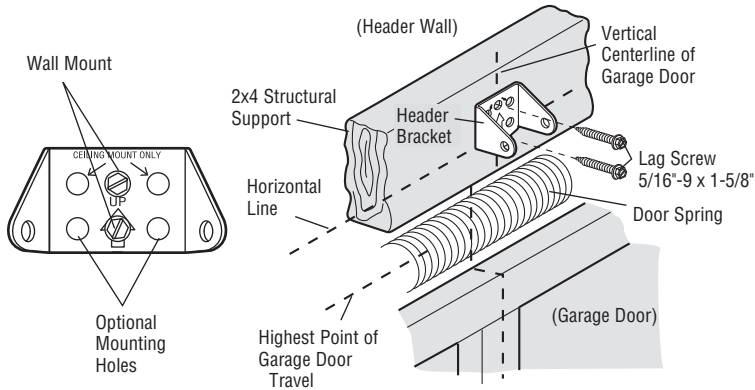
HARDWARE

Lag Screw 5/16"-9 x 1-5/8"



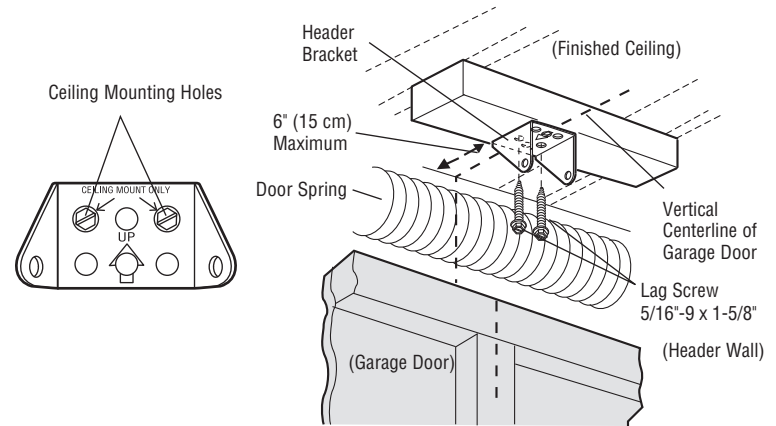
OPTION A WALL INSTALLATION

1. Center the bracket on the vertical centerline with the bottom edge of the bracket on the horizontal line as shown (with the arrow pointing toward the ceiling).
2. Mark the vertical set of bracket holes (do not use the holes designated for ceiling mount). Drill 3/16" pilot holes and fasten the bracket securely to a structural support with lag screws.



OPTION B CEILING INSTALLATION

1. Extend the vertical centerline onto the ceiling as shown.
2. Center the bracket on the vertical mark, no more than 6" (15 cm) from the wall. Make sure the arrow is pointing toward the wall. The bracket can be mounted flush against the ceiling when clearance is minimal.
3. Mark the side holes. Drill 3/16" pilot holes and fasten bracket securely to a structural support with lag screws.



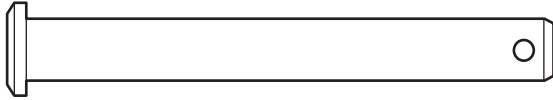
Installation

3 Attach the Rail to the Header Bracket

1. Align the rail with the header bracket. Insert the clevis pin through the holes in the header bracket and rail. Secure with the ring fastener.

NOTE: Use the packing material as a protective base for the garage door opener.

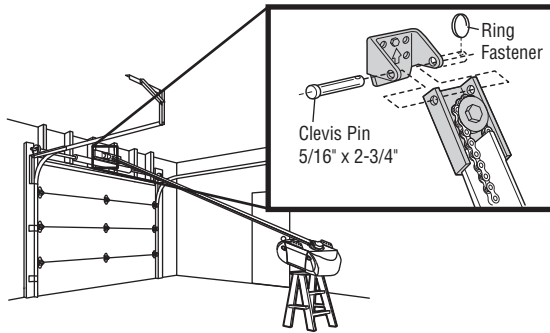
HARDWARE



Clevis Pin 5/16" x 2-3/4"



Ring Fastener



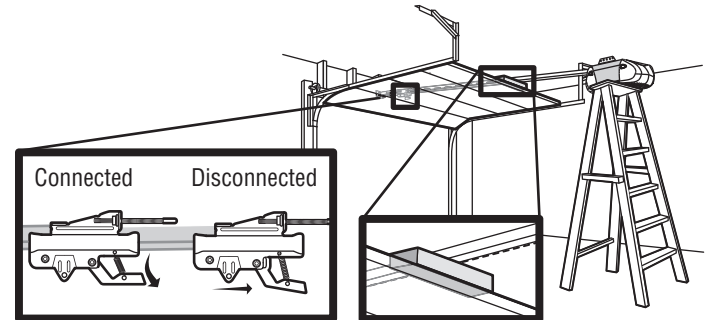
4 Position the Garage Door Opener

CAUTION

To prevent damage to garage door, rest garage door opener rail on 2x4 placed on top section of door.

1. Remove the packing material and lift the garage door opener onto a ladder.
2. Fully open the door and place a 2x4 (laid flat) under the rail.

A 2x4 is ideal for setting the distance between the rail and the door. If the ladder is not tall enough you will need help at this point. If the door hits the trolley when it is raised, pull the trolley release arm down to disconnect the inner and outer trolley. Slide the outer trolley toward the garage door opener. The trolley can remain disconnected until instructed.



Installation

5 Hang the Garage Door Opener

WARNING

To avoid possible **SERIOUS INJURY** from a falling garage door opener, fasten it **SECURELY** to structural supports of the garage. Concrete anchors **MUST** be used if installing **ANY** brackets into masonry.

Hanging your garage door opener will vary depending on your garage. Two representative installations are shown. Yours may be different. Hanging brackets should be angled (Figure 1) to provide rigid support. On finished ceilings (Figure 2), attach a sturdy metal bracket to structural supports before installing the opener. This bracket and fastening hardware are not provided.

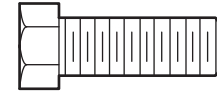
1. Measure the distance from each side of the motor unit to the structural support.
2. Cut both pieces of the hanging bracket to required lengths.
3. Drill 3/16" pilot holes in the structural supports.
4. Attach one end of each bracket to a support with 5/16"-18 x 1-7/8" lag screws (not provided).
5. Fasten the opener to the hanging brackets with 5/16"-18 x 7/8" hex bolts, lock washers and nuts.
6. Check to make sure the rail is centered over the door (or in line with the header bracket if the bracket is not centered above the door).
7. Remove the 2x4. Operate the door manually. If the door hits the rail, raise the header bracket.

NOTE: DO NOT connect power to opener at this time.

HARDWARE



Lock Washer 5/16"



Hex Bolt 5/16"-18 x 7/8"



Nut 5/16"-18

FIGURE 1

Unfinished Ceiling

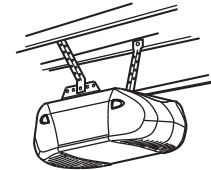


FIGURE 2

Finished Ceiling

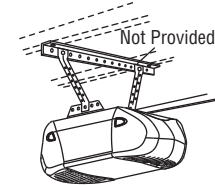
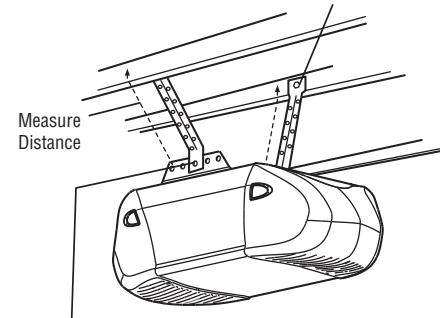


FIGURE 3

(Not Provided)
Lag Screws
5/16"-18 x 1-7/8"



Hex Bolt 5/16"-18 x 7/8", Lock Washer 5/16", Nut 5/16"-18

Installation

6 Install the Light Bulbs

CAUTION

To prevent possible OVERHEATING of the endpanel or light socket:

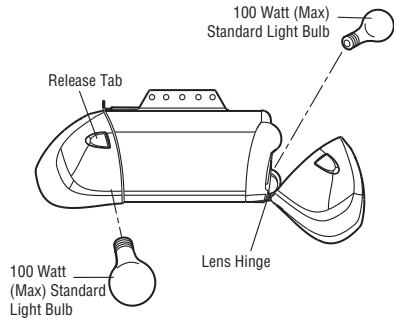
- DO NOT use short neck or specialty light bulbs.
- DO NOT use halogen bulbs. Use ONLY incandescent.

To prevent damage to the opener:

- DO NOT use bulbs larger than 100W.
- ONLY use A19 size bulbs.

1. Press the release tabs on both sides of lens. Gently rotate lens back and downward until the lens hinge is in the fully open position. Do not remove the lens.
2. Install a 100 watt maximum light bulb in each socket. Light bulb size should be A19, standard neck only. The lights will turn ON and remain lit for approximately 4-1/2 minutes when power is connected. Then the lights will turn OFF.
3. Reverse the procedure to close the lens.

If the bulbs burn out prematurely due to vibration, replace with A19, standard neck garage door opener bulbs. The use of short neck or specialty light bulbs may overheat the endpanel or light socket.



7 Attach the Emergency Release Rope and Handle

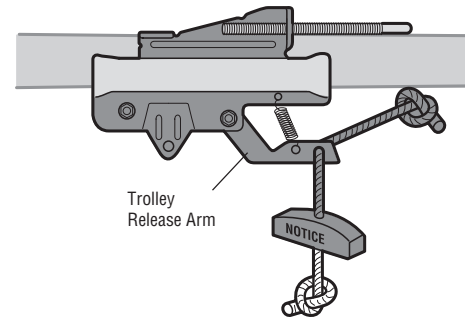
! WARNING

To prevent possible SERIOUS INJURY or DEATH from a falling garage door:

- If possible, use emergency release handle to disengage trolley ONLY when garage door is CLOSED. Weak or broken springs or unbalanced door could result in an open door falling rapidly and/or unexpectedly.
- NEVER use emergency release handle unless garage doorway is clear of persons and obstructions.
- NEVER use handle to pull door open or closed. If rope knot becomes untied, you could fall.

1. Insert one end of the emergency release rope through the handle. Make sure that "NOTICE" is right side up. Tie a knot at least 1 inch (2.5 cm) from the end of the emergency release rope.
2. Insert the other end of the emergency release rope through the hole in the trolley release arm. Mount the emergency release within reach, but at least 6 feet (1.83 m) above floor, avoiding contact with vehicles to prevent accidental release and secure with a knot.

NOTE: If it is necessary to cut the emergency release rope, seal the cut end with a match or lighter to prevent unraveling. Ensure the emergency release rope and handle are above the top of all vehicles to avoid entanglement.



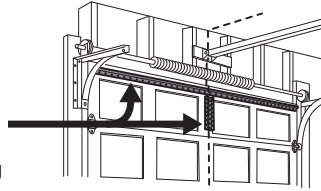
Installation

8 Install the Door Bracket

CAUTION

Fiberglass, aluminum or lightweight steel garage doors **WILL REQUIRE** reinforcement BEFORE installation of door bracket. Contact the garage door manufacturer or installing dealer for opener reinforcement instructions or reinforcement kit. Failure to reinforce the top section as required according to the door manufacturer may void the door warranty.

A horizontal and vertical reinforcement is needed for lightweight garage doors (fiberglass, aluminum, steel, doors with glass panel, etc.) (not provided). A horizontal reinforcement brace should be long enough to be secured to two or three vertical supports. A vertical reinforcement brace should cover the height of the top panel. Contact the garage door manufacturer or installing dealer for opener reinforcement instructions or reinforcement kit.



NOTE: Many door reinforcement kits provide for direct attachment of the clevis pin and door arm. In this case you will not need the door bracket; proceed to the next step.

SECTIONAL DOORS

1. Center the door bracket on the previously marked vertical centerline used for the header bracket installation. Note correct UP placement, as stamped inside the bracket.
2. Position the top edge of the bracket 2"-4" (5-10 cm) below the top edge of the door, OR directly below any structural support across the top of the door.
3. Mark, drill holes and install as follows, depending on your door's construction:

Metal or light weight doors using a vertical angle iron brace between the door panel support and the door bracket:

- Drill 3/16" fastening holes. Secure the door bracket using the two self-threading screws. (Figure 1)
- Alternately, use two 5/16" bolts, lock washers and nuts (not provided). (Figure 2)

Metal, insulated or light weight factory reinforced doors:

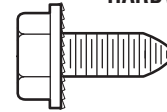
- Drill 3/16" fastening holes. Secure the door bracket using the self-threading screws. (Figure 3)

Wood Doors:

- Use top and bottom or side to side door bracket holes. Drill 5/16" holes through the door and secure bracket with 5/16"-18 x 2" carriage bolts, lock washers and nuts (not provided). (Figure 4)

NOTE: The 1/4"-14 x 5/8" self-threading screws are not intended for use on wood doors.

HARDWARE



Self-Threading Screw
1/4"-14 x 5/8"

FIGURE 1

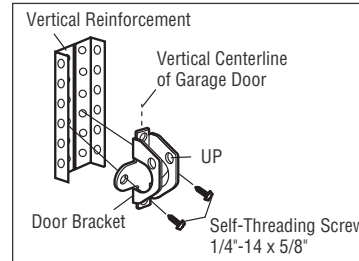


FIGURE 2

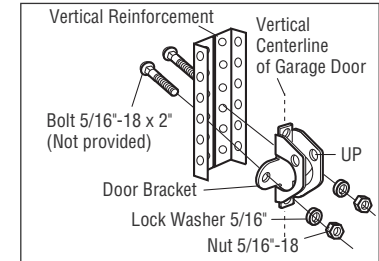


FIGURE 3

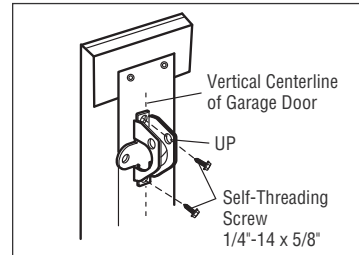
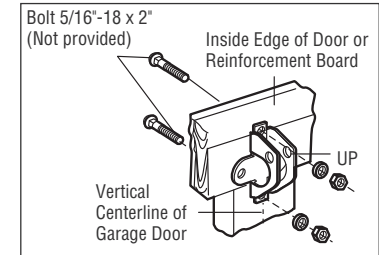


FIGURE 4



Installation

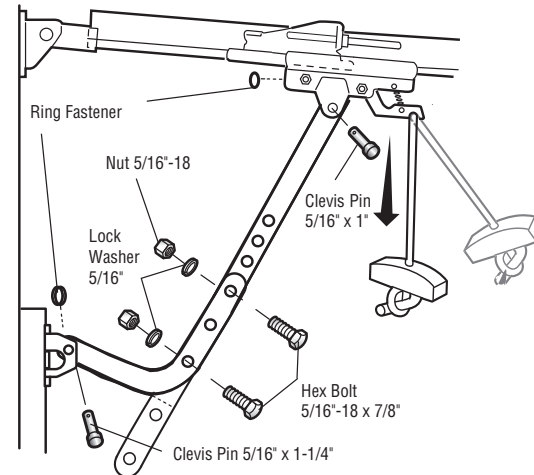
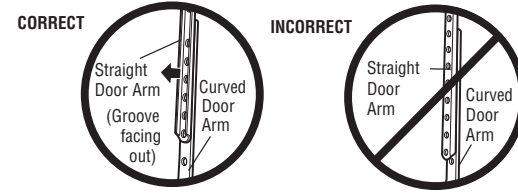
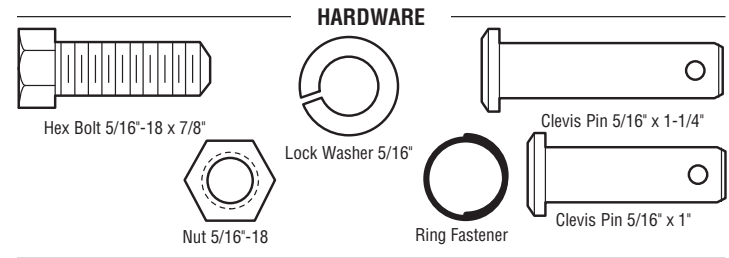
9 Connect the Door Arm to the Trolley

IMPORTANT: The groove on the straight door arm **MUST** face away from the curved door arm.

1. Close the door. Disconnect the trolley by pulling the emergency release handle. Slide the outer trolley back (away from the door) about 2" (5 cm).
2. Attach the straight door arm to the outer trolley using the clevis pin. Attach with the ring fastener.
3. Attach the curved door arm to the door bracket using the clevis pin. Attach with the ring fastener.
4. Align the straight door arm with the curved door arm. Select two aligned holes (as far apart as possible) and attach using the bolts, nuts and lock washers.

NOTE: If the holes do not line up, reverse the straight door arm. Select two aligned holes (as far apart as possible) and attach using the bolts, nuts and lock washers.

5. Pull the emergency release handle toward the garage door opener until the trolley release arm is horizontal. The trolley will re-engage automatically when the garage door opener is activated.



Install the Door Control

1 Install the Door Control

WARNING

To prevent possible **SERIOUS INJURY** or **DEATH** from electrocution:

- Be sure power is **NOT** connected **BEFORE** installing door control.
- Connect door control **ONLY** to 12 VOLT low voltage wires.

To prevent possible **SERIOUS INJURY** or **DEATH** from a closing garage door:

- Install door control within sight of garage door, out of reach of children at a minimum height of 5 feet (1.5 m), and away from **ALL** moving parts of door.
- **NEVER** permit children to operate or play with door control push buttons or remote control transmitters.
- Activate door **ONLY** when it can be seen clearly, is properly adjusted, and there are no obstructions to door travel.
- **ALWAYS** keep garage door in sight until completely closed. **NEVER** permit anyone to cross path of closing garage door.

INTRODUCTION

Compatible with MyQ® and Security+ 2.0® accessories, see page 34. Your garage door opener is compatible with up to 2 Smart Control Panels or 4 of any other Security+ 2.0® door controls.

NOTE: Older LiftMaster door controls and third party products are not compatible.

Install the door control within sight of the door at a minimum height of 5 feet (1.5 m) where small children cannot reach, and away from the moving parts of the door. For gang box installations it is not necessary to drill holes or install the drywall anchors. Use the existing holes in the gang box.

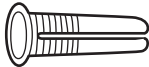
NOTE: Your product may look different than the illustrations.

HARDWARE

Screw
6-32 x 1" (2)



Drywall
Anchors (2)



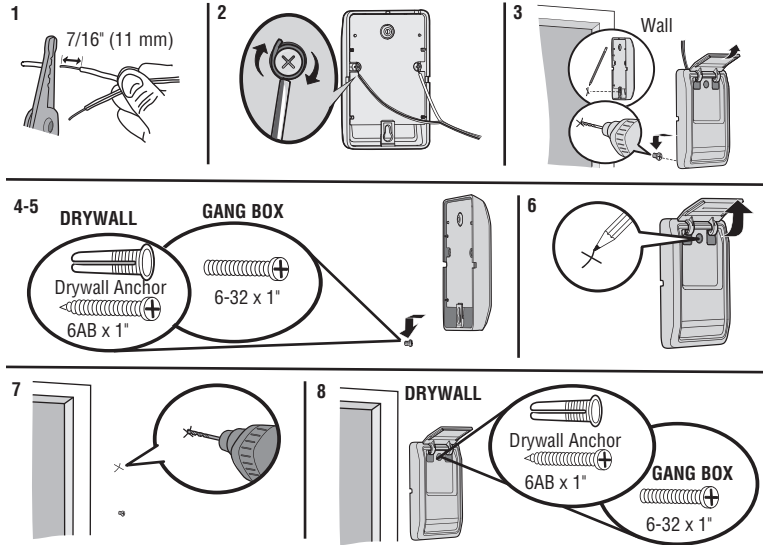
Screw
6AB x 1" (2)



1. Strip 7/16" (11 mm) of insulation from one end of the wire and separate the wires.
2. Connect one wire to each of the two screws on the back of the door control. The wires can be connected to either screw.

PRE-WIRED INSTALLATIONS: Choose any two wires to connect, note which wires are used so the correct wires are connected at the garage door opener in a later step.

3. Mark the location of the bottom mounting hole and drill a 5/32" hole.
4. Install the bottom screw, allowing 1/8" (3 mm) to protrude from the wall.
5. Position the bottom hole of the door control over the screw and slide down into place.
6. Lift the push bar up and mark the top hole.
7. Remove the door control from the wall and drill a 5/32" hole for the top screw.
8. Position the bottom hole of the door control over the screw and slide down into place. Attach the top screw.



Install the Door Control

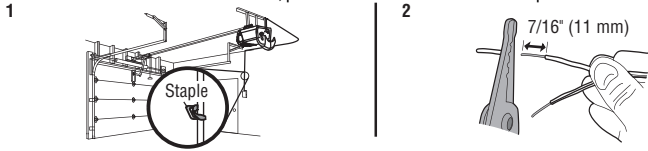
2 Wire the door control to the garage door opener

HARDWARE

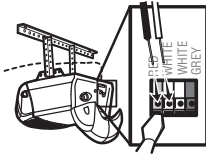
Insulated Staple
(Not Shown)

PRE-WIRED INSTALLATIONS: When wiring the door control to the garage door opener make sure you use the same wires that are connected to the door control.

1. Run the white and red/white wire from the door control to the garage door opener. Attach the wire to the wall and ceiling with the staples (not applicable for gang box or pre-wired installations). Do not pierce the wire with the staple as this may cause a short or an open circuit.
2. Strip 7/16 inch (11 mm) of insulation from the end of the wire near the garage door opener.
3. Connect the wire to the red and white terminals on the garage door opener. To insert or release wires from the terminal, push in the tab with screwdriver tip.

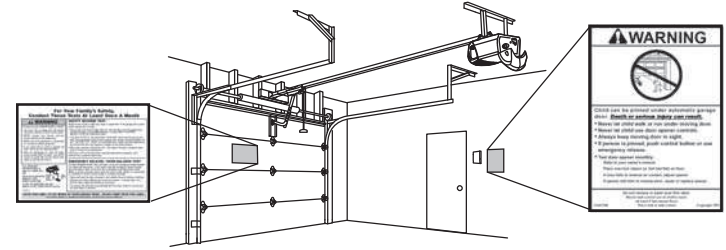


3



3 Attach the warning labels

1. Attach the entrapment warning label on the wall near the door control with tacks or staples.
2. Attach the manual release/safety reverse test label in a visible location on the inside of the garage door.



Install the Protector System®

Introduction

WARNING

Be sure power is NOT connected to the garage door opener BEFORE installing the safety reversing sensor.

To prevent SERIOUS INJURY or DEATH from closing garage door:

- Correctly connect and align the safety reversing sensor. This required safety device MUST NOT be disabled.
- Install the safety reversing sensor so beam is NO HIGHER than 6" (15 cm) above garage floor.

IMPORTANT INFORMATION ABOUT THE SAFETY REVERSING SENSORS

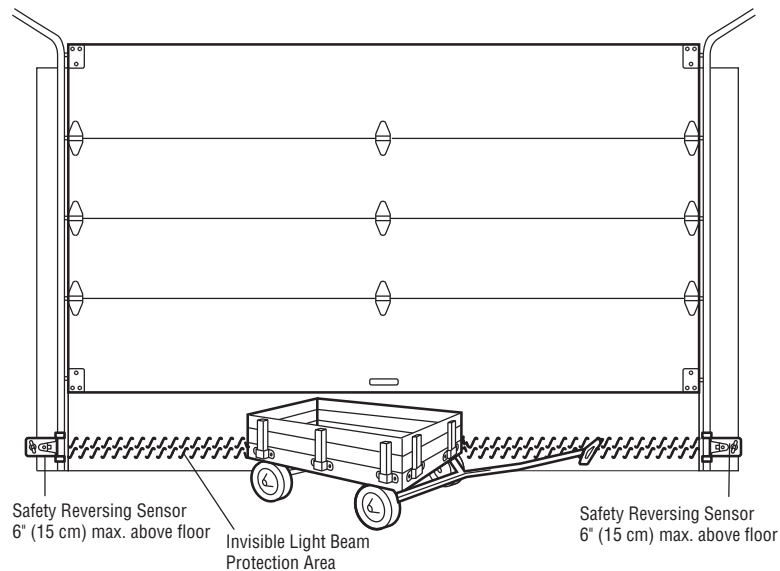
The safety reversing sensors must be connected and aligned correctly before the garage door opener will move in the down direction.

The sending sensor (with an amber LED) transmits an invisible light beam to the receiving sensor (with a green LED). If an obstruction breaks the light beam while the door is closing, the door will stop and reverse to the full open position, and the garage door opener lights will flash 10 times.

NOTE: For energy efficiency the garage door opener will enter sleep mode when the door is fully closed. The sleep mode shuts the garage door opener down until activated. The sleep mode is sequenced with the garage door opener light bulb; as the light bulb turns off the sensor LEDs will turn off and whenever the garage door opener lights turn on the sensor LEDs will light. The garage door opener will not go into the sleep mode until the garage door opener has completed 5 cycles upon power up.

When installing the safety reversing sensors check the following:

- Sensors are installed inside the garage, one on either side of the door.
- Sensors are facing each other with the lenses aligned and the receiving sensor lens does not receive direct sunlight.
- Sensors are no more than 6 inches (15 cm) above the floor and the light beam is unobstructed.

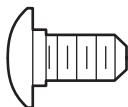


Install the Protector System®

1 Install the Safety Reversing Sensors

HARDWARE

Carriage Bolt
1/4"-20 x 1/2"



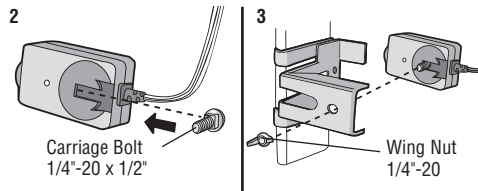
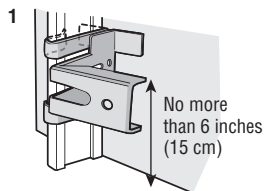
Wing Nut
1/4"-20



The safety reversing sensors can be attached to the door track, the wall, or the floor. If the door track will not support the sensor bracket a wall installation is recommended. Choose one of the following installations.

OPTION A DOOR TRACK INSTALLATION

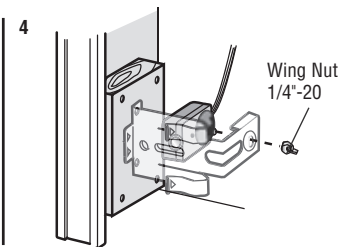
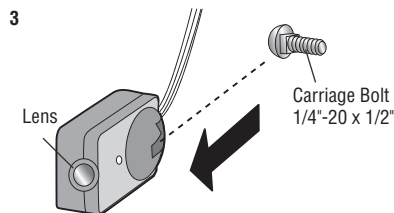
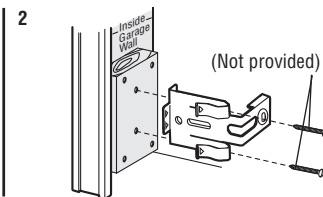
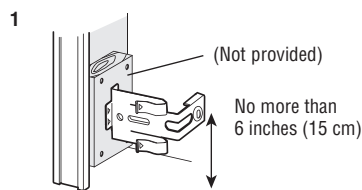
1. Slide the curved arms of the sensor bracket around the edge of the door track. Snap into place so that the sensor bracket is flush against the track.
2. Slide the carriage bolt into the slot on each sensor.
3. Insert the bolt through the hole in the sensor bracket and attach with the wing nut. The lenses on both sensors should point toward each other. Make sure the lens is not obstructed by the sensor bracket.



OPTION B WALL INSTALLATION

If additional clearance is needed an extension bracket (not provided) or wood blocks can be used. Make sure each bracket has the same amount of clearance so they will align correctly.

1. Position the sensor bracket against the wall with the curved arms facing the door. Make sure there is enough clearance for the beam to be unobstructed. Mark holes.
2. Drill 3/16 inch pilot holes for each sensor bracket and attach the sensor brackets to the wall using lag screws (not provided).
3. Slide the carriage bolt into the slot on each sensor.
4. Insert the bolt through the hole in the sensor bracket and attach with the wing nut. The lenses on both sensors should point toward each other. Make sure the lens is not obstructed by the sensor bracket.

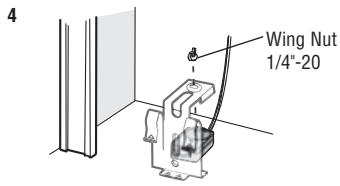
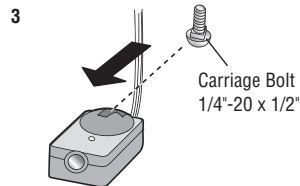
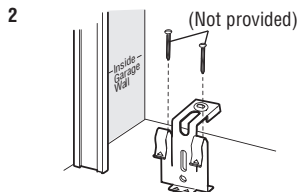
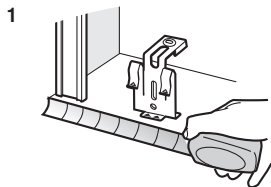


Install the Protector System®

OPTION C FLOOR INSTALLATION

Use an extension bracket (not provided) or wood block to raise the sensor bracket if needed.

1. Carefully measure the position of both sensor brackets so they will be the same distance from the wall and unobstructed.
2. Attach the sensor brackets to the floor using concrete anchors (not provided).
3. Slide the carriage bolt into the slot on each sensor.
4. Insert the bolt through the hole in the sensor bracket and attach with the wing nut. The lenses on both sensors should point toward each other. Make sure the lens is not obstructed by the sensor bracket.



2 Wire the Safety Reversing Sensors

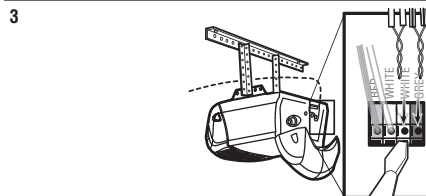
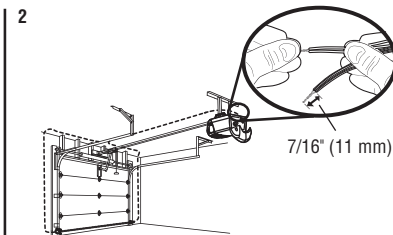
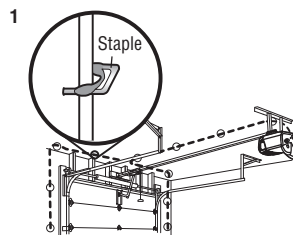
PRE-WIRED INSTALLATIONS: If your garage already has wires installed for the safety reversing sensors, see page 19.

HARDWARE

Insulated Staple
(Not Shown)

OPTION A INSTALLATION WITHOUT PRE-WIRING

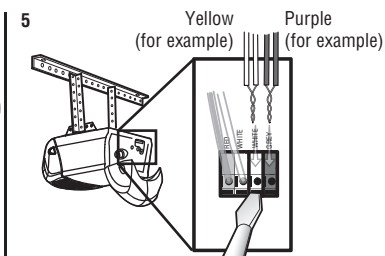
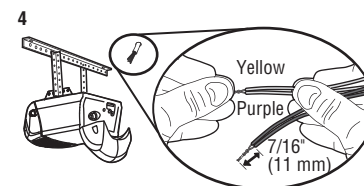
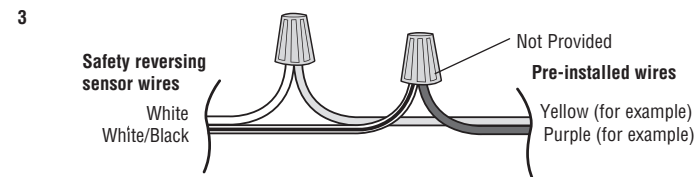
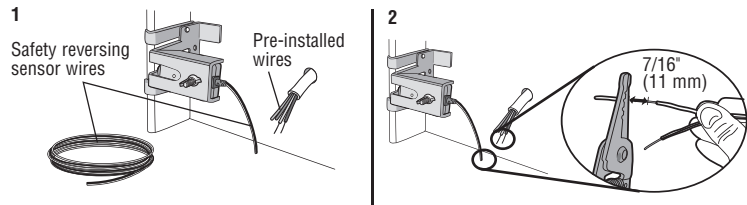
1. Run the wire from both sensors to the garage door opener. Attach the wire to the wall and ceiling with the staples.
2. Strip 7/16 inch (11 mm) of insulation from each set of wires. Separate the wires. Twist the white wires together. Twist the white/black wires together.
3. Insert the white wires into the white terminal on the garage door opener. Insert the white/black wires into the grey terminal on the garage door opener. To insert or remove the wires from the terminal, push in the tab with a screwdriver tip.



Install the Protector System®

OPTION B PRE-WIRED INSTALLATION

1. Cut the end of the safety reversing sensor wire, making sure there is enough wire to reach the pre-installed wires from the wall.
2. Separate the safety reversing sensor wires and strip 7/16 inch (11 mm) of insulation from each end. Choose two of the pre-installed wires and strip 7/16 inch (11 mm) of insulation from each end. Make sure that you choose the same color pre-installed wires for each sensor.
3. Connect the pre-installed wires to the sensor wires with wire nuts making sure the colors correspond for each sensor. For example, the white wire would connect to the yellow wire and the white/black wire would connect to the purple wire.
4. At the garage door opener, strip 7/16 inch (11 mm) of insulation from each end of the wires previously chosen for the safety reversing sensors. Twist the like-colored wires together.
5. Insert the wires connected to the white safety sensor wires to the white terminal on the garage door opener. Insert the wires that are connected to the white/black safety sensor wires to the grey terminal on the garage door opener.



To insert or remove the wires from the terminal, push in the tab with a screwdriver tip.

Power

1 Connect Power

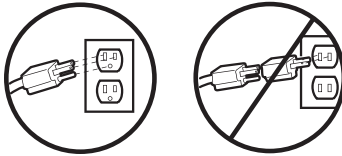
WARNING

To prevent possible **SERIOUS INJURY** or **DEATH** from electrocution or fire:

- Be sure power is **NOT** connected to the opener, and disconnect power to circuit **BEFORE** removing cover to establish permanent wiring connection.
- Garage door installation and wiring **MUST** be in compliance with **ALL** local electrical and building codes.
- **NEVER** use an extension cord, 2-wire adapter, or change plug in **ANY** way to make it fit outlet. Be sure the opener is grounded.

To avoid installation difficulties, do not activate the garage door opener at this time.

To reduce the risk of electric shock, your garage door opener has a grounding type plug with a third grounding pin. This plug will only fit into a grounding type outlet. If the plug doesn't fit into your outlet, contact a qualified electrician to install the proper outlet.

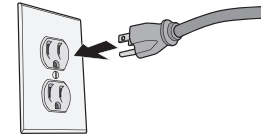


THERE ARE TWO OPTIONS FOR CONNECTING POWER:

OPTION A TYPICAL WIRING

1. Plug in the garage door opener into a grounded outlet.
2. **DO NOT** run garage door opener at this time.

TYPICAL WIRING

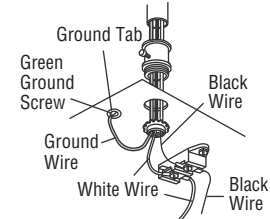


OPTION B PERMANENT WIRING

If permanent wiring is required by your local code, refer to the following procedure. To make a permanent connection through the 7/8 inch hole in the top of the motor unit (according to local code):

1. Remove the motor unit cover screws and set the cover aside.
2. Remove the attached 3-prong cord.
3. Connect the black (line) wire to the screw on the brass terminal; the white (neutral) wire to the screw on the silver terminal; and the ground wire to the green ground screw. **The opener must be grounded.**
4. Reinstall the cover.

PERMANENT WIRING



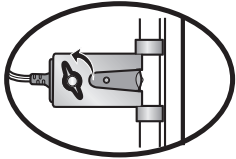
Power

2 Ensure the Safety Reversing Sensors are Aligned

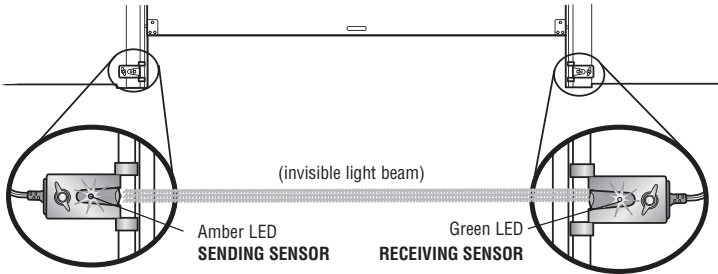
The door will not close if the sensors have not been installed and aligned correctly.

When the light beam is obstructed or misaligned while the door is closing, the door will reverse and the garage door opener lights will flash ten times. If the door is already open, it will not close. The sensors can be aligned by loosening the wing nuts, aligning the sensors, and tightening the wing nuts.

1. Check to make sure the LEDs in both sensors are glowing steadily. The LEDs in both sensors will glow steadily if they are aligned and wired correctly.

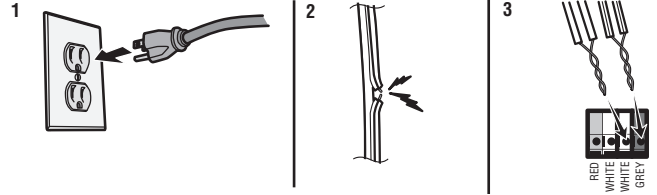


If the receiving sensor is in direct sunlight, switch it with sending sensor so it is on the opposite side of the door.



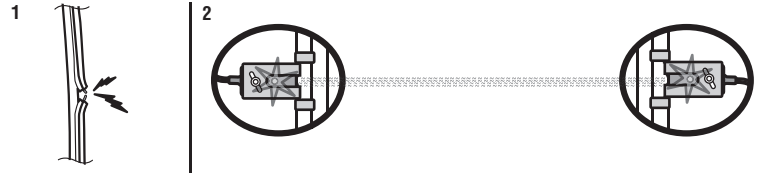
IF THE AMBER LED ON THE SENDING SENSOR IS NOT GLOWING:

1. Make sure there is power to the garage door opener.
2. Make sure the sensor wire is not shorted/broken.
3. Make sure the sensor has been wired correctly: White wires to white terminal and white/black wires to gray terminal.



IF THE GREEN LED ON THE RECEIVING SENSOR IS NOT GLOWING:

1. Make sure the sensor wire is not shorted/broken.
2. Make sure the sensors are aligned.



3 Ensure the Door Control is Wired Correctly

If the door control has been installed and wired correctly, the command LED behind the push bar will blink.

Adjustments

Introduction

WARNING

Without a properly installed safety reversal system, persons (particularly small children) could be SERIOUSLY INJURED or KILLED by a closing garage door.

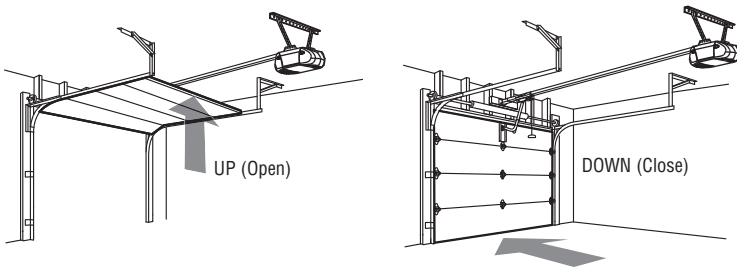
- Incorrect adjustment of garage door travel limits will interfere with proper operation of safety reversal system.
- After ANY adjustments are made, the safety reversal system MUST be tested. Door MUST reverse on contact with 1-1/2" (3.8 cm) high object (or 2x4 laid flat) on floor.

CAUTION

To prevent damage to vehicles, be sure fully open door provides adequate clearance.

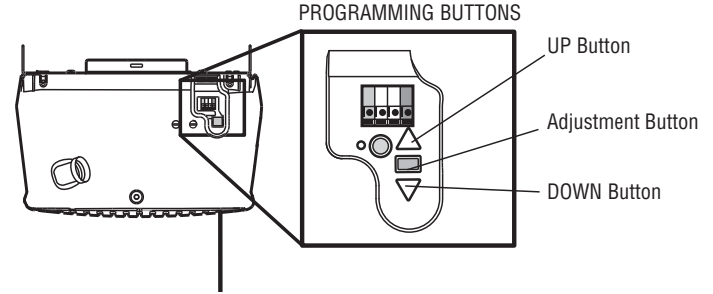
Your garage door opener is designed with electronic controls to make setup and adjustments easy. The adjustments allow you to program where the door will stop in the open (UP) and close (DOWN) position. The electronic controls sense the amount of force required to open and close the door. The force is adjusted automatically when you program the travel.

NOTE: *If anything interferes with the door's upward travel it will stop. If anything interferes with the door's downward travel, it will reverse.*



PROGRAMMING BUTTONS

The programming buttons are located on the left side panel of the garage door opener and are used to program the travel. While programming, the UP and DOWN buttons can be used to move the door as needed.



To watch a short instructional video on programming your new garage door opener use your smartphone to read the QR Code below.



Adjustments

1 Program the Travel

WARNING

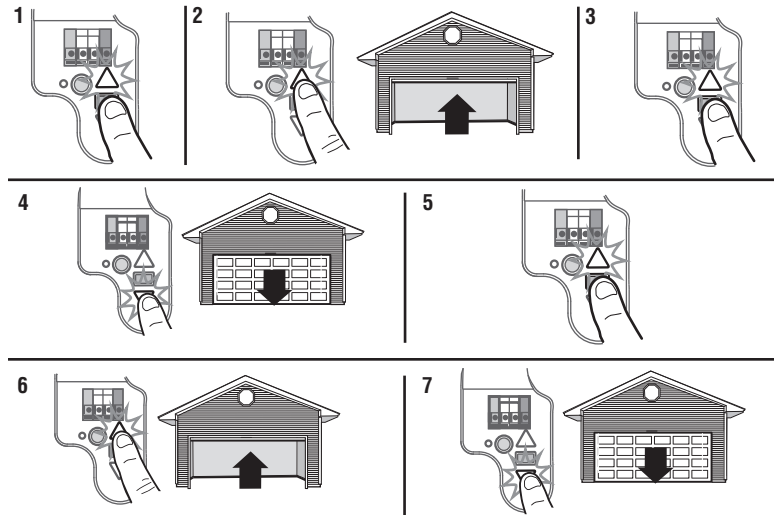
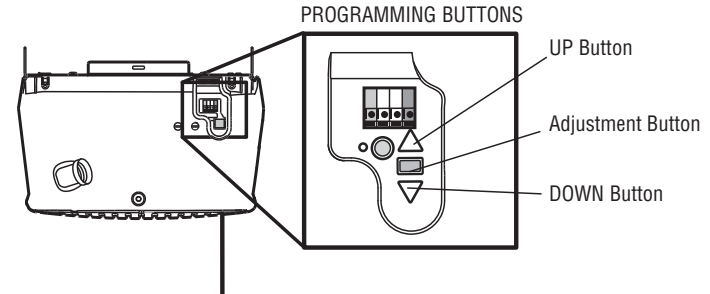
Without a properly installed safety reversal system, persons (particularly small children) could be **SERIOUSLY INJURED** or **KILLED** by a closing garage door.

- Incorrect adjustment of garage door travel limits will interfere with proper operation of safety reversal system.
- After ANY adjustments are made, the safety reversal system **MUST** be tested. Door **MUST** reverse on contact with 1-1/2" (3.8 cm) high object (or 2x4 laid flat) on floor.

While programming, the UP and DOWN buttons can be used to move the door as needed.

1. Press and hold the Adjustment Button until the UP Button begins to flash and/or a beep is heard.
2. Press and hold the UP Button until the door is in the desired UP position.
3. Once the door is in the desired UP position press and release the Adjustment Button. The garage door opener lights will flash twice and the DOWN Button will begin to flash.
4. Press and hold the DOWN button until the door is in the desired DOWN position.
5. Once the door is in the desired DOWN position press and release the Adjustment Button. The garage door opener lights will flash twice and the UP Button will begin to flash.
6. Press and release the UP Button. When the door travels to the programmed UP position, the DOWN Button will begin to flash.
7. Press and release the DOWN Button. The door will travel to the programmed DOWN position. Programming is complete.

If the garage door opener lights are flashing 5 times during the steps for Program the Travel, the programming has timed out. If the garage door opener lights are flashing 10 times during the steps for Program the Travel, the safety reversing sensors are misaligned or obstructed (refer to page 21). When the sensors are aligned and unobstructed, cycle the door through a complete up and down cycle using the remote control or the UP and DOWN buttons. Programming is complete. If you are unable to operate the door up and down, repeat the steps for Programming the Travel.



Adjustments

2 Test the Safety Reversal System

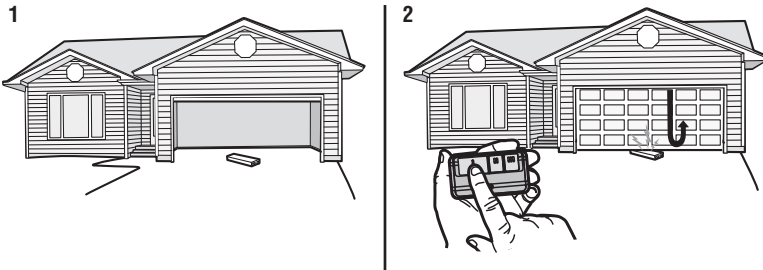
WARNING

Without a properly installed safety reversal system, persons (particularly small children) could be **SERIOUSLY INJURED** or **KILLED** by a closing garage door.

- Safety reversal system **MUST** be tested every month.
- After **ANY** adjustments are made, the safety reversal system **MUST** be tested. Door **MUST** reverse on contact with 1-1/2" (3.8 cm) high object (or 2x4 laid flat) on the floor.

1. With the door fully open, place a 1-1/2 inch (3.8 cm) board (or a 2x4 laid flat) on the floor, centered under the garage door.
2. Press the remote control push button to close the door. The door **MUST** reverse when it makes contact with the board.

If the door stops and does not reverse on the obstruction, increase the down travel (refer to Adjustment Step 1). Repeat the test. When the door reverses upon contact with the 1-1/2 inch board, remove the board and open/close the door 3 or 4 times to test the adjustment. If the garage door opener continues to fail the safety reversal test, call a trained door systems technician.



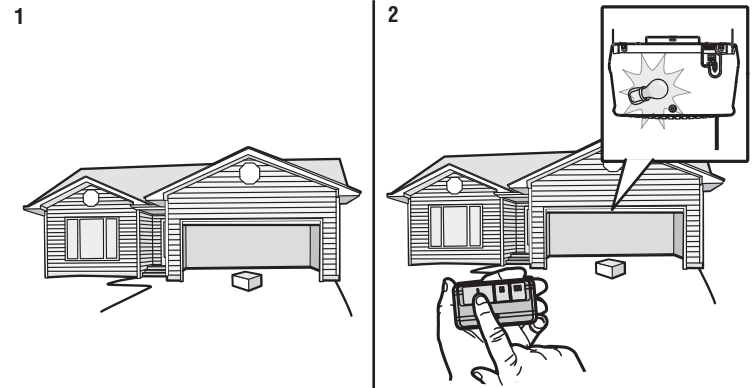
3 Test the Protector System®

WARNING

Without a properly installed safety reversing sensor, persons (particularly small children) could be **SERIOUSLY INJURED** or **KILLED** by a closing garage door.

1. Open the door. Place the garage door opener carton in the path of the door.
2. Press the remote control push button to close the door. The door will not move more than an inch (2.5 cm), and the garage door opener lights will flash 10 times.

The garage door opener will not close from a remote control if the LED in either safety reversing sensor is off (alerting you to the fact that the sensor is misaligned or obstructed). If the garage door opener closes the door when the safety reversing sensor is obstructed (and the sensors are no more than 6 inches [15 cm] above the floor), call a trained door systems technician.



IMPORTANT SAFETY INSTRUCTIONS

WARNING

To reduce the risk of SEVERE INJURY or DEATH:

1. READ AND FOLLOW ALL WARNINGS AND INSTRUCTIONS.
2. ALWAYS keep remote controls out of reach of children. NEVER permit children to operate or play with garage door control push buttons or remote controls.
3. ONLY activate garage door when it can be seen clearly, it is properly adjusted, and there are no obstructions to door travel.
4. ALWAYS keep garage door in sight and away from people and objects until completely closed. NO ONE SHOULD CROSS THE PATH OF THE MOVING DOOR.
5. NO ONE SHOULD GO UNDER A STOPPED, PARTIALLY OPENED DOOR.
6. If possible, use emergency release handle to disengage trolley ONLY when garage door is CLOSED. Use caution when using this release with the door open. Weak or broken springs or unbalanced door could result in an open door falling rapidly and/or unexpectedly and increasing the risk of SEVERE INJURY or DEATH.
7. NEVER use emergency release handle unless garage doorway is clear of persons and obstructions.
8. NEVER use handle to pull garage door open or closed. If rope knot becomes untied, you could fall.
9. After ANY adjustments are made, the safety reversal system MUST be tested.
10. Safety reversal system MUST be tested every month. Garage door MUST reverse on contact with 1-1/2" (3.8 cm) high object (or a 2x4 laid flat) on the floor. Failure to adjust the garage door opener properly increases the risk of SEVERE INJURY or DEATH.
11. ALWAYS KEEP GARAGE DOOR PROPERLY BALANCED (see page 2). An improperly balanced door may NOT reverse when required and could result in SEVERE INJURY or DEATH.
12. ALL repairs to cables, spring assemblies and other hardware, ALL of which are under EXTREME tension, MUST be made by a trained door systems technician.
13. To avoid SERIOUS PERSONAL INJURY or DEATH from electrocution, disconnect ALL electric power BEFORE performing ANY service or maintenance.
14. This operator system is equipped with an unattended operation feature. The door could move unexpectedly. NO ONE SHOULD CROSS THE PATH OF THE MOVING DOOR.
15. DO NOT install on a one-piece door if using devices or features providing unattended close. Unattended devices and features are to be used ONLY with sectional doors.

16. SAVE THESE INSTRUCTIONS.

Operation

Features

Your garage door opener is equipped with features to provide you with greater control over your garage door operation.

Alert2Close

The Alert2Close feature provides a visual and an audible alert that an unattended door is closing.

TIMER-TO-CLOSE (TTC)

The TTC feature automatically closes the door after a specified time period that can be adjusted using a TTC enabled door control (Models 881LMW or 880LMW). Prior to and during the door closing the garage door opener lights will flash and the garage door opener will beep.

MyQ®

MyQ® technology uses a 900MHz signal to provide two-way communication between the garage door opener and MyQ® enabled accessories. Your garage door opener is compatible with up to 16 MyQ® accessories.

SECURITY+ 2.0® REMOTE CONTROLS AND DOOR CONTROLS

Your garage door opener has already been programmed at the factory to operate with your remote control, which changes with each use, randomly accessing over 100 billion new codes. Compatible with MyQ® and Security+ 2.0® accessories, see page 34.

NOTE: Older LiftMaster remote controls, door controls, and third party products are not compatible.

SECURITY+ 2.0® Accessories	MEMORY CAPACITY
Remote Controls	Up to 24
Door Controls	Up to 2 Smart Control Panels or 4 of any other Security+ 2.0® door controls
Keyless Entries	Up to 1

THE PROTECTOR SYSTEM® (SAFETY REVERSING SENSORS)

When properly connected and aligned, the safety reversing sensors will detect an obstruction in the path of the infrared beam. If an obstruction breaks the infrared beam while the door is closing, the door will stop and reverse to full open position, and the opener lights will flash 10 times. If the door is fully open, and the safety reversing sensors are not installed, or are misaligned, the door will not close from a remote control. However, you can close the door if you hold the button on the door control or keyless entry until the door is fully closed. The safety reversing sensors do not effect the opening cycle.

ENERGY CONSERVATION

For energy efficiency the garage door opener will enter sleep mode when the door is fully closed. The sleep mode shuts the garage door opener down until activated. The sleep mode is sequenced with the garage door opener light bulb; as the light bulb turns off the sensor LEDs will turn off and whenever the garage door opener lights turn on the sensor LEDs will light. The garage door opener will not go into the sleep mode until the garage door opener has completed 5 cycles upon power up.

LIGHTS

The garage door opener light bulbs will turn on when the opener is initially plugged in; power is restored after interruption, or when the garage door opener is activated. The lights will turn off automatically after 4-1/2 minutes. Use an incandescent A19 light bulb (100 watt maximum).

Light Feature

The garage door opener is equipped with an added feature; the lights will turn on when someone enters through the open garage door and the safety reversing sensor infrared beam is broken. For added control over the light bulbs on your garage door opener, see page 28.

USING YOUR GARAGE DOOR OPENER

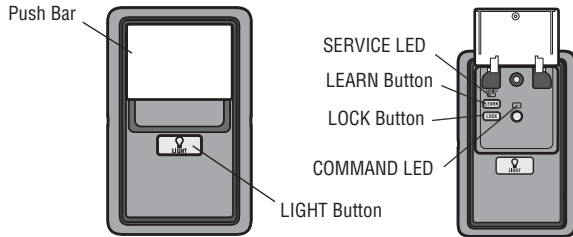
The garage door opener can be activated through a wall-mounted door control, remote control, wireless keyless entry or MyQ® accessory. When the door is closed and the garage door opener is activated the door will open. If the door senses an obstruction or is interrupted while opening the door will stop. When the door is in any position other than closed and the garage door opener is activated the door will close. If the garage door opener senses an obstruction while closing, the door will reverse. If the obstruction interrupts the sensor beam the garage door opener lights will blink 10 times. However, you can close the door if you hold the button on the door control or keyless entry until the door is fully closed. The safety reversing sensors do not affect the opening cycle. The safety reversing sensor must be connected and aligned correctly before the garage door opener will move in the down direction.

Operation

Using the Door Control

SYNCHRONIZE THE DOOR CONTROL

To synchronize the door control to the garage door opener, press the push bar until the garage door opener activates (it may take up to 3 presses). Test the door control by pressing the push bar, each press of the push bar will activate the garage door opener.



PUSH BAR

Press the push bar to open or close the door.

LIGHT BUTTON

Press the LIGHT button to turn the garage door opener lights on or off. When the lights are turned on they will stay on until the LIGHT button is pressed again, or until the garage door opener is activated. Once the garage door opener is activated the lights will turn off after the specified period of time (the factory setting is 4-1/2 minutes). The LIGHT button will not control the lights when the door is in motion.

The following features are accessible by lifting up the push bar:

LEARN A DEVICE

Any compatible remote controls, wireless keyless entry, or MyQ[®] accessories can be programmed to the garage door opener by pressing the LEARN button the door control, see page 29.

LOCK

The LOCK feature is designed to prevent activation of the garage door opener from remote controls while still allowing activation from the door control and keyless entry. This feature is useful for added peace of mind when the home is empty (i.e. vacation).

AUTOMATIC LIGHT

Light Feature

The lights will turn on when someone enters through the open garage door and the safety reversing sensor infrared beam is broken.

MAINTENANCE ALERT (MAS)

This feature assists the homeowner in ensuring the garage door opener system stays in good working condition. When the garage door opener needs to be serviced (approximately 4500 garage door opener cycles) the command (yellow) and service (red) LEDs will begin to alternately flash back and forth. The factory setting for the MAS feature is off and can be activated at time of installation. Contact your installing dealer for service.

Operation

Control Panel Setup

LOCK

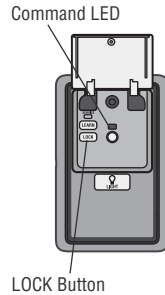
Your remote controls will NOT work when LOCK mode is active however your keyless entry will still allow access to your garage.

Activate:

Press and hold the LOCK button for 2 seconds. The command LED will flash as long as the lock feature is activated and your handheld remote control will not operate your door at this time.

Deactivate:

Press and hold the LOCK button again for 2 seconds. The command LED will stop flashing and normal operation will resume.



LIGHT

To change the amount of time the garage door opener lights will stay on:

Press and hold the LOCK button until the garage door opener lights flash.* The time interval is indicated by the number of flashes.

Number of times garage door opener lights flash	Time the garage door opener light stays on
1	1-1/2 Minutes
2	2-1/2 Minutes
3	3-1/2 Minutes
4	4-1/2 Minutes

To cycle through the time intervals repeat the step above.

* Approximately 10 seconds

LIGHT FEATURE (Default is Active)

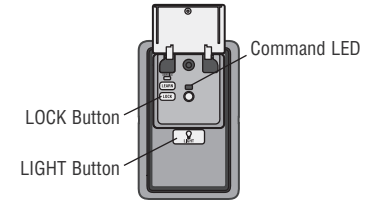
Deactivate:

Press and hold the LIGHT button until the garage door opener lights turn on, then off again.*

Activate:

Start with the garage door opener lights on. Press and hold the LIGHT button until the garage door opener lights turn off, then on again.*

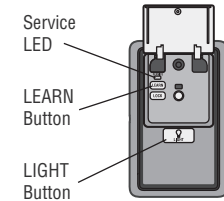
If the command LED is continuously blinking, the LOCK feature needs to be deactivated.



MAINTENANCE ALERT SYSTEM (MAS):

Activate/Deactivate:

Press and hold the LEARN button. Then press the LIGHT button. The service LED will flash the status; Active is 2 flashes and deactivated is 3 flashes.



Operation

Remote Control

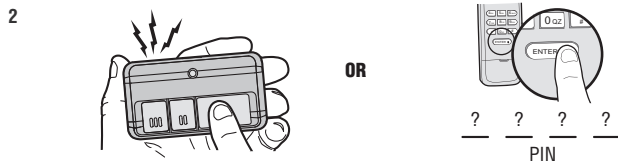
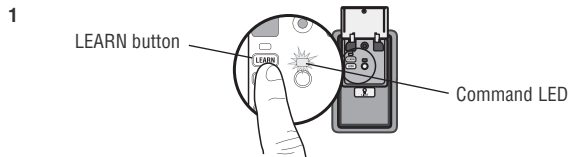
Your remote control has been programmed at the factory to operate with your garage door opener.

Older LiftMaster remote controls are NOT compatible, see page 34 for compatible accessories. Programming can be done through the door control or the learn button the garage door opener. To program additional accessories refer to the instructions provided with the accessory or visit LiftMaster.com. If your vehicle is equipped with a Homelink®, you may require an external adapter depending on the make, model, and year of your vehicle. Visit www.homelink.com for additional information.

TO ADD, REPROGRAM, OR CHANGE A REMOTE CONTROL/KEYLESS ENTRY PIN USING THE DOOR CONTROL

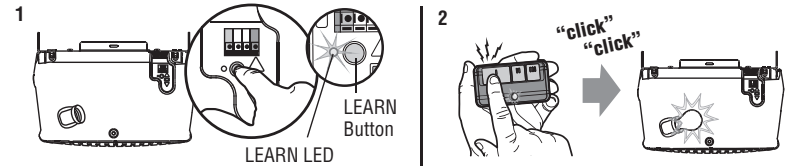
1. Press the LEARN button on the door control **twice**. The Command LED will blink.
2. **Remote Control:**
Press and release the button on the remote control that you wish to operate your garage door.
- Keyless Entry:**
Enter a 4-digit personal identification number (PIN) on the keypad. Then press the ENTER button.

The garage door opener lights will flash (or two clicks will be heard) and the Command LED will stop blinking when the code has been programmed. Repeat the steps above for programming additional remote controls or keyless entry devices. If programming is unsuccessful, program the remote using the learn button.



TO ADD, REPROGRAM, OR CHANGE A REMOTE CONTROL USING THE LEARN BUTTON

1. Press and release the LEARN Button on the garage door opener.
2. Press and hold the button on the remote control that you wish to use. Release the button when the garage door opener lights blink or two clicks are heard.



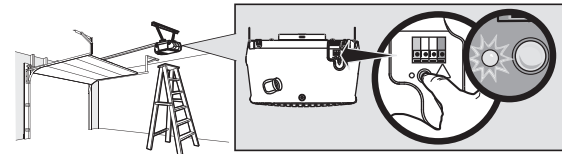
To Erase the Memory

ERASE ALL REMOTE CONTROLS AND KEYLESS ENTRIES

1. Press and hold the LEARN button on garage door opener until the learn LED goes out (approximately 6 seconds). All remote control and keyless entry codes are now erased. Reprogram any accessory you wish to use.

ERASE ALL DEVICES (Including MyQ® enabled accessories)

1. Press and hold the LEARN button on garage door opener until the learn LED goes out (approximately 6 seconds).
2. Immediately press and hold the LEARN button again until the learn LED goes out. All codes are now erased. Reprogram any accessory you wish to use.



Operation

To Open the Door Manually

WARNING

To prevent possible **SERIOUS INJURY** or **DEATH** from a falling garage door:

- If possible, use emergency release handle to disengage trolley **ONLY** when garage door is **CLOSED**. Weak or broken springs or unbalanced door could result in an open door falling rapidly and/or unexpectedly.
- **NEVER** use emergency release handle unless garage doorway is clear of persons and obstructions.
- **NEVER** use handle to pull door open or closed. If rope knot becomes untied, you could fall.

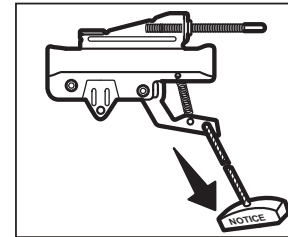
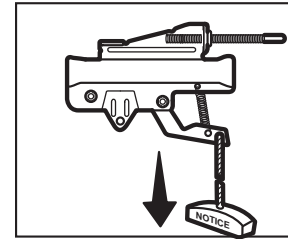
DISCONNECT THE TROLLEY

1. The door should be fully closed if possible.
2. Pull down on the emergency release handle.

RECONNECT THE TROLLEY

The lockout feature prevents the trolley from reconnecting automatically.

1. Pull the emergency release handle down and back (toward the opener). The door can then be raised and lowered manually as often as necessary.
2. To disengage the lockout feature, pull the handle straight down. The trolley will reconnect on the next UP or DOWN operation, either manually or by using the door control or remote control.



Maintenance

Maintenance Schedule

EVERY MONTH

- Manually operate door. If it is unbalanced or binding, call a trained door systems technician.
- Check to be sure door opens and closes fully. Adjust if necessary, see page 23.
- Test the safety reversal system. Adjust if necessary, see page 24.

EVERY YEAR

- Oil door rollers, bearings and hinges. The garage door opener does not require additional lubrication. Do not grease the door tracks.

EVERY TWO TO THREE YEARS

- Use a rag to wipe away the existing grease from the garage door opener rail. Reapply a small layer of white lithium grease to the top and underside of the rail surface where the trolley slides.

The Remote Control Battery

WARNING

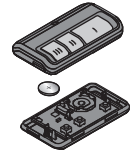
To prevent possible **SERIOUS INJURY** or **DEATH**:

- **NEVER** allow small children near batteries.
- If battery is swallowed, immediately notify doctor.

To reduce risk of fire, explosion or chemical burn:

- Replace **ONLY** with 3V CR2032 coin batteries.
- **DO NOT** recharge, disassemble, heat above 212°F (100°C) or incinerate.

To replace the battery, pry open the case in the middle, then at each side with the visor clip. Insert replacement battery positive side up (+). Replace the batteries with only 3V CR2032 coin cell batteries. Dispose of old batteries properly.



NOTICE: To comply with FCC and/or Industry Canada (IC) rules, adjustment or modifications of this transceiver are prohibited. THERE ARE NO USER SERVICEABLE PARTS.

This device complies with Part 15 of the FCC rules and IC RSS-210. Operation is subject to the following two conditions: (1) this device may not cause harmful interference, and (2) this device must accept any interference received, including interference that may cause undesired operation.

This Class B digital apparatus complies with Canadian ICES-003.

AVIS: Les règles de la FCC et/ou d'Industrie Canada (IC) interdisent tout ajustement ou toute modification de ce récepteur. IL N'EXISTE AUCUNE PIÈCE SUSCEPTIBLE D'ÊTRE ENTRETENUE PAR L'UTILISATEUR.

Cet appareil est conforme aux dispositions de la partie 15 du règlement de la FCC et de l' norme IC RSS-210. Son utilisation est assujettie aux deux conditions suivantes: (1) ce dispositif ne peut causer des interférences nuisibles, et (2) ce dispositif doit accepter toute interférence reçue, y compris une interférence pouvant causer un fonctionnement non souhaité.

Cet appareil numérique de la classe B est conforme à la norme NMB-003 du Canada.

Troubleshooting

Diagnostic Chart

Your garage door opener is programmed with self-diagnostic capabilities. The UP and DOWN arrows on the garage door opener flash the diagnostic codes.

DIAGNOSTIC CODE		SYMPTOM	SOLUTION
Up Arrow Flash(es)	Down Arrow Flash(es)		
1	1	The garage door opener will not close and the light bulbs flash.	Safety sensors are not installed, connected, or wires may be cut. Inspect sensor wires for a disconnected or cut wire.
1	2	The garage door opener will not close and the light bulbs flash.	There is a short or reversed wire for the safety sensors. Inspect safety sensor wire at all staple and connection points, replace wire or correct as needed.
1	3	The door control will not function.	The wires for the door control are shorted or the door control is faulty. Inspect door control wires at all staple and connection points, replace wire or correct as needed.
1	4	The garage door opener will not close and the light bulbs flash.	Safety sensors are misaligned or were momentarily obstructed. Realign both sensors to ensure both LEDs are steady and not flickering. Make sure nothing is hanging or mounted on the door that would interrupt the sensor's path while closing.
1	5	Door moves 6-8" (15-20 cm) stops or reverses.	Manually open and close the door. Check for binding or obstructions, such as a broken spring or door lock, correct as needed. Check wiring connections at travel module and at the logic board. Replace travel module if necessary.
		No movement, only a single click.	Manually open and close the door. Check for binding or obstructions, such as a broken spring or door lock, correct as needed. Replace logic board if necessary.
		Opener hums for 1-2 seconds no movement.	Manually open and close the door. Check for binding or obstructions, such as a broken spring or door lock, correct as needed. Replace motor if necessary.
1	6	Door coasts after it has come to a complete stop.	Program travel to coasting position or have door balanced by a trained door systems technician.
2	1-5	No movement, or sound.	Replace logic board.
3	2	Unable to set the travel or retain position.	Check travel module for proper assembly, replace if necessary.

Troubleshooting

DIAGNOSTIC CODE		SYMPTOM	SOLUTION
Up Arrow Flash (es)	Down Arrow Flash(es)		
4	1-4	Door is moving stops or reverses.	Manually open and close the door. Check for binding or obstructions, such as a broken spring or door lock, correct as needed. If the door is binding or sticking contact a trained door systems technician. If door is not binding or sticking attempt to reprogram travel (refer to page 23).
4	5	Opener runs approximately 6-8" (15-20 cm), stops and reverses.	Communication error to travel module. Check travel module connections, replace travel module if necessary.
4	6	The garage door opener will not close and the light bulbs flash.	Safety sensors are misaligned or were momentarily obstructed. Realign both sensors to ensure both LEDs are steady and not flickering. Make sure nothing is hanging or mounted on the door that would interrupt the sensor's path while closing.

The garage door opener can beep for several reasons:

- Garage door opener has been activated through a device or feature such as Timer-to-Close, garage door monitor or LiftMaster® Internet Gateway, see page 26.

My remote control will not activate the garage door:

- Verify the lock feature is not activated on the door control.
- Reprogram the remote control.
- If the remote control will still not activate the door check the diagnostic codes to ensure the garage door opener is working properly.

My door will not close and the light bulbs blink on my motor unit:

The safety reversing sensor must be connected and aligned correctly before the garage door opener will move in the down direction.

- Verify the safety sensors are properly installed, aligned and free of any obstructions.

My garage door opener light(s) will not turn off when the door is open:

The garage door opener is equipped with a feature that turns the light on when the safety reversing sensors have been obstructed. This feature can be disabled using the door control, see page 28.

My neighbor's remote control opens my garage door:

Erase the memory from your garage door opener and reprogram the remote control(s).

My vehicle's Homelink® is not programming to my garage door opener:

Depending on the make, model, and year of your vehicle an external adapter may be required. Visit www.homelink.com for additional information.

Accessories

828LM LiftMaster® Internet Gateway:



Internet enabled accessory which connects to the computer and allows you to monitor and control garage door openers and lighting accessories enabled by MyQ® technology.

823LM Remote Light Switch:



Automatically control your lights using your garage door opener, a Security+ 2.0® remote control or a LiftMaster® Internet Gateway. Simply replaces your current wired wall switch.

825LM Remote Light Control:



Automatically control your lights using your garage door opener, a Security+ 2.0® remote control or a LiftMaster® Internet Gateway. Plugs into any interior outlet.

975LM Laser Garage Parking Assist:



Laser enables homeowners to precisely park vehicles in the garage.

829LM Garage and Gate Monitor:



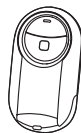
Monitor open/closed status for up to 4 MyQ® compatible garage door openers or gate operators and close them from anywhere in the home.

877MAX MAX Wireless Keyless Entry:



For use outside of the home to enable access to the garage using a 4-digit PIN. Works with ALL LiftMaster® openers from 1993- present.

374UT Mini Universal Remote Control:



The Mini Universal Remote Control can be programmed to activate up to two products, such as a garage door opener, MyQ® light controls, gate operator, or commercial door operator.

893MAX 3-Button MAX Remote Control:



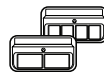
Compatible with LiftMaster® garage door openers manufactured since 1993. Includes visor clip.

890MAX Mini 3-Button MAX Remote Control:



Compatible with LiftMaster® garage door openers manufactured since 1993.

892LT/894LT 2 & 4 Button Learning Remote Controls:



Compatible with LiftMaster® garage door openers manufactured since 1997. Also compatible with Encrypted DIP for gate applications.

880LMW Smart Control Panel®:



Displays temperature, time and system diagnostics; includes a push bar to open and close the door and a lock feature for extra security. Security+ 2.0® and Wi-Fi® compatible.

881LMW Motion Detecting Control Panel with Timer-to-Close Control:



Multi-function door control with motion sensor that automatically turns opener lights on when it detects a person entering the garage. Security+ 2.0® and Wi-Fi® compatible.

886LMW Motion Detecting Control Panel:



Multi-function door control with motion sensor that automatically turns opener lights on when it detects a person entering the garage. Security+ 2.0® and Wi-Fi® compatible.

Warranty

LIFTMASTER® LIMITED WARRANTY

LiftMaster® (“Seller”) warrants to the first retail purchaser of this product, for the residence in which this product is originally installed, that it is free from defects in materials and/or workmanship for a specific period of time as defined below (the “Warranty Period”). The warranty period commences from the date of purchase.

WARRANTY PERIOD		
Parts	Motor	Accessories
1 year	Lifetime	1 year

The proper operation of this product is dependent on your compliance with the instructions regarding installation, operation, and maintenance and testing. Failure to comply strictly with those instructions will void this limited warranty in its entirety.

If, during the limited warranty period, this product appears to contain a defect covered by this limited warranty, call 1-800-528-9131, toll free, before dismantling this product. You will be advised of disassembly and shipping instructions when you call. Then send the product or component, pre-paid and insured, as directed to our service center for warranty repair. Please include a brief description of the problem and a dated proof-of-purchase receipt with any product returned for warranty repair. Products returned to Seller for warranty repair, which upon receipt by Seller are confirmed to be defective and covered by this limited warranty, will be repaired or replaced (at Seller’s sole option) at no cost to you and returned pre-paid. Defective parts will be repaired or replaced with new or factory rebuilt parts at Seller’s sole option. [You are responsible for any costs incurred in removing and/or reinstalling the product or any component.]

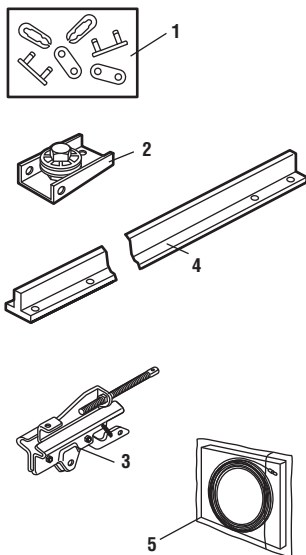
ALL IMPLIED WARRANTIES FOR THE PRODUCT, INCLUDING BUT NOT LIMITED TO ANY IMPLIED WARRANTIES OF MERCHANTABILITY AND FITNESS FOR A PARTICULAR PURPOSE, ARE LIMITED IN DURATION TO THE APPLICABLE LIMITED WARRANTY PERIOD SET FORTH ABOVE FOR THE RELATED COMPONENT(S), AND NO IMPLIED WARRANTIES WILL EXIST OR APPLY AFTER SUCH PERIOD. Some States and Provinces do not allow limitations on how long an implied warranty lasts, so the above limitation may not apply to you. THIS LIMITED WARRANTY DOES NOT COVER NON-DEFECT DAMAGE, DAMAGE CAUSED BY IMPROPER INSTALLATION, OPERATION OR CARE (INCLUDING, BUT NOT LIMITED TO ABUSE, MISUSE, FAILURE TO PROVIDE REASONABLE AND NECESSARY MAINTENANCE, UNAUTHORIZED REPAIRS OR ANY ALTERATIONS TO THIS PRODUCT), LABOR CHARGES FOR REINSTALLING A REPAIRED OR REPLACED UNIT, REPLACEMENT OF CONSUMABLE ITEMS (E.G., BATTERIES IN REMOTE CONTROL TRANSMITTERS AND LIGHT BULBS), OR UNITS INSTALLED FOR NON-RESIDENTIAL USE. THIS LIMITED WARRANTY DOES NOT COVER ANY PROBLEMS WITH, OR RELATING TO, THE GARAGE DOOR OR GARAGE DOOR HARDWARE, INCLUDING BUT NOT LIMITED TO THE DOOR SPRINGS, DOOR ROLLERS, DOOR ALIGNMENT OR HINGES. THIS LIMITED WARRANTY ALSO DOES NOT COVER ANY PROBLEMS CAUSED BY INTERFERENCE. UNDER NO CIRCUMSTANCES SHALL SELLER BE LIABLE FOR CONSEQUENTIAL, INCIDENTAL OR SPECIAL DAMAGES ARISING IN CONNECTION WITH USE, OR INABILITY TO USE, THIS PRODUCT. IN NO EVENT SHALL SELLER’S LIABILITY FOR BREACH OF WARRANTY, BREACH OF CONTRACT, NEGLIGENCE OR STRICT LIABILITY EXCEED THE COST OF THE PRODUCT COVERED HEREBY. NO PERSON IS AUTHORIZED TO ASSUME FOR US ANY OTHER LIABILITY IN CONNECTION WITH THE SALE OF THIS PRODUCT.

Some states and provinces do not allow the exclusion or limitation of consequential, incidental or special damages, so the above limitation or exclusion may not apply to you. This limited warranty gives you specific legal rights, and you may also have other rights, which vary from state to state and province to province.

Repair Parts

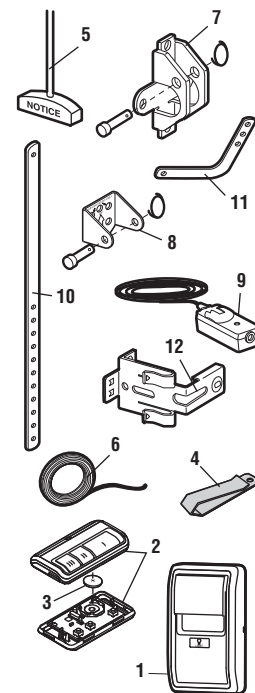
Rail Assembly Parts

Description	Part Number
1 Master link kit	4A1008
2 Chain pulley bracket	41A4813
3 Complete trolley assembly	41A3489
4 One-piece rail - 7' (2.1 m)	1707LM
One-piece rail - 8' (2.4 m)	1708LM
One-piece rail - 10' (3 m)	1710LM
5 Full chain assembly	41D3484
Not Shown	
Rail Grease	83A11-2



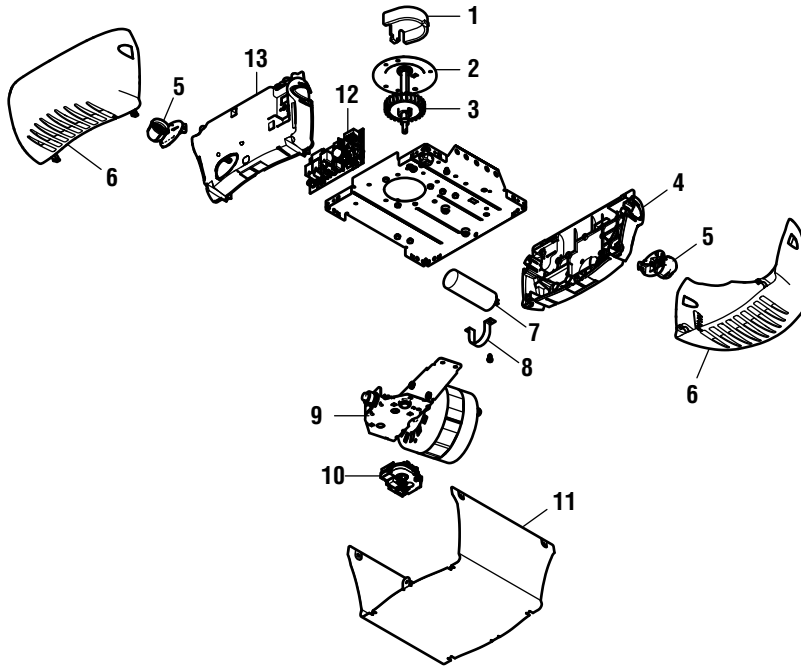
Installation Parts

Description	Part Number
1 Multi-function door control panel	882LMW
2 3 Button remote control	893LMW
3 3V CR2032 Lithium battery	10A20
4 Remote control visor clip	29B137
5 Emergency release rope & handle assembly	41A2828
6 2-Conductor bell wire, white & white/red	41B4494-1
7 Door bracket w/clevis pin & fastener	41A5047
8 Header bracket w/clevis pin & fastener	41A4353
9 Safety sensor kit (receiving and sending sensors) with 3' (.9 m) 2-conductor bell wire	41A5034
10 Straight door arm section	178B34
11 Curved door arm section	178B35
12 Safety reversing sensor brackets (2)	41A5266-1
Not Shown	
Installation hardware bag (includes hardware listed on page 5)	41A2770-6
Owner's Manual	114A4722



Repair Parts

Garage Door Opener Parts



	Description	Part Number
1	Sprocket cover with screws	31D380
2	Gear and sprocket	41C4220A
3	Drive and Worm Gear	41A2817
4	Front end panel with all labels	41A5484-1
5	Light socket	041C0279
6	Light lens	108D79
7	Capacitor	30B532
8	Capacitor bracket	12A373
9	Universal motor	041D7440
10	Travel module	041D7742-7
11	Cover	041D8141
12	Logic board	045ACT
13	Logic board end panel	041D0210

Contact Information

Address repair parts order to:
LiftMaster
6050 S. Country Club Rd.
Tucson, AZ 85706

For installation and service information call:
1-800-528-9131
Or visit us online at:
LiftMaster.com

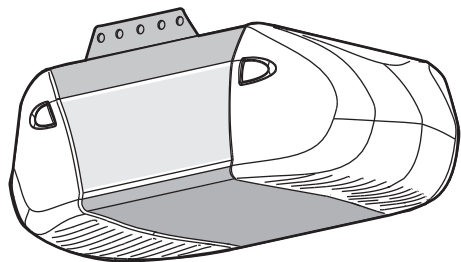
Before calling, please have the model number of the garage door opener. If you are calling about a Troubleshooting issue, it is recommended that you have access to your garage door opener while calling. If you are ordering a repair part please have the following information: part number, part name, and model number.

LiftMaster®

Ouvre-porte de garage à chaîne à 1/2 hp Série PREMIUM

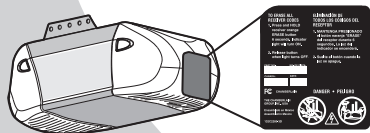
Modèle 8365-267

POUR RÉSIDENCES SEULEMENT



- Lire attentivement ce manuel ainsi que les consignes de sécurité!
- Après la pose, accrocher ce manuel près de la porte de garage pour s'y reporter ultérieurement.
- La porte NE SE FERMERA PAS si le Protector System® n'est pas branché et réglé correctement.
- Pour un bon fonctionnement en toute sécurité de cet ouvre-porte de garage, le vérifier et le régler périodiquement.
- L'étiquette du numéro de modèle est située sur le panneau avant de votre ouvre-porte.
- Les ouvre-portes de garage est compatible **UNIQUEMENT** avec les accessoires MyQ® et Security+ 2.0®.
- **NE PAS** installer sur une porte rigide dans le cas de dispositifs ou fonctions permettant la fermeture non surveillée. Les dispositifs et fonctions non surveillés doivent être utilisés **UNIQUEMENT** avec des portes articulées.

REMARQUE : Si on installez l'ouvre-porte de garage sur une porte monobloc, consulter le site LiftMaster.com pour obtenir les instructions d'installation.



Notez les informations suivantes pour référence future :

N° de Série :

Date d'achat :

MATIÈRES

Préparation	2-4
Montage	5
Installation	6-13
Pose de la commande de porte	14-15
Pose du Protector System®	16-19
Alimentation	20-21
Réglages	22-24
Fonctionnement	25-30
Entretien	31
Dépannage	32-33
Accessoires	34
Garantie	35
Remarque	36
Pièces de rechange	37-38



LiftMaster.com

LiftMaster
845 Larch Avenue
Elmhurst, Illinois 60126-1196

Préparation

Revue des symboles de sécurité et des mots de signalement

Cet ouvre-porte de garage a été conçu et mis à l'essai dans le but d'offrir un service sûr à condition qu'il soit installé, utilisé, entretenu et mis à l'essai en stricte conformité avec les instructions et les avertissements contenus dans le présent manuel.

Lorsque vous verrez ces symboles de sécurité et ces mots de signalement sur les pages suivantes, ils vous aviseront de la possibilité de **blessures graves ou de mort** si vous ne vous conformez pas aux avertissements qui les accompagnent. Le danger peut être de source mécanique ou provenir d'un choc électrique. Lisez attentivement les avertissements.

 **AVERTISSEMENT**

MÉCANIQUE

 **AVERTISSEMENT**

ÉLECTRIQUE

Lorsque vous verrez ce mot de signalement sur les pages suivantes, il vous avisera de la possibilité de dommages à votre porte de garage ou ouvre-porte de garage, ou les deux, si vous ne vous conformez pas aux énoncés de mise en garde qui l'accompagnent. Prière de les lire attentivement.

ATTENTION

Fonctionnement non surveillé

La fonction de temporisation de fermeture (TTC), l'application de commande MyQ® pour téléphone intelligent, l'ouvre-porte de garage et le moniteur MyQ® sont des exemples de fermeture non surveillée et doivent être utilisés UNIQUEMENT avec des portes articulées. Tout dispositif ou toute fonction qui permettent la fermeture de la porte sans visibilité directe de celle-ci constituent une fermeture non surveillée. La fonction de temporisation de fermeture (TTC), la commande MyQ® pour téléphone intelligent et tous les autres dispositifs MyQ® doivent être utilisés UNIQUEMENT avec des portes articulées.



AVERTISSEMENT : Ce produit peut vous exposer à des produits chimiques comme le plomb, reconnu par l'État de la Californie comme cause de cancers, d'anomalies congénitales et d'autres problèmes liés à la reproduction. Pour plus d'informations, visitez www.P65Warnings.ca.gov

Vérification de la porte

 **AVERTISSEMENT**

Pour éviter toute BLESSURE GRAVE voire MORTELLE :

- Appeler TOUJOURS un technicien formé en systèmes de porte si la porte de garage force ou est déséquilibrée. Une porte de garage déséquilibrée peut ne PAS remonter, au besoin.
- Ne JAMAIS tenter de desserrer, déplacer ou régler la porte de garage ainsi que les ressorts, câbles, poulies, supports de porte ou leurs ferrures de montage, lesquels sont TOUS sous une tension EXTRÊME.
- Désactiver TOUTES les serrures et retirer TOUTES les cordes raccordées à la porte de garage AVANT de poser et d'utiliser l'ouvre-porte de garage afin d'éviter un emmêlement.
- NE PAS installer sur une porte rigide dans le cas de dispositifs ou fonctions permettant la fermeture non surveillée. Les dispositifs et fonctions non surveillés doivent être utilisés UNIQUEMENT avec des portes articulées.

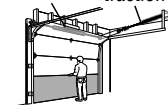
ATTENTION

Pour prévenir les dommages à la porte de garage et à l'ouvre-porte :

- TOUJOURS désactiver les serrures AVANT de poser et d'utiliser l'ouvre-porte.
- Faire fonctionner l'ouvre-porte de garage UNIQUEMENT à une tension de 120 V, 60 Hz pour éviter les défauts de fonctionnement et les dommages.

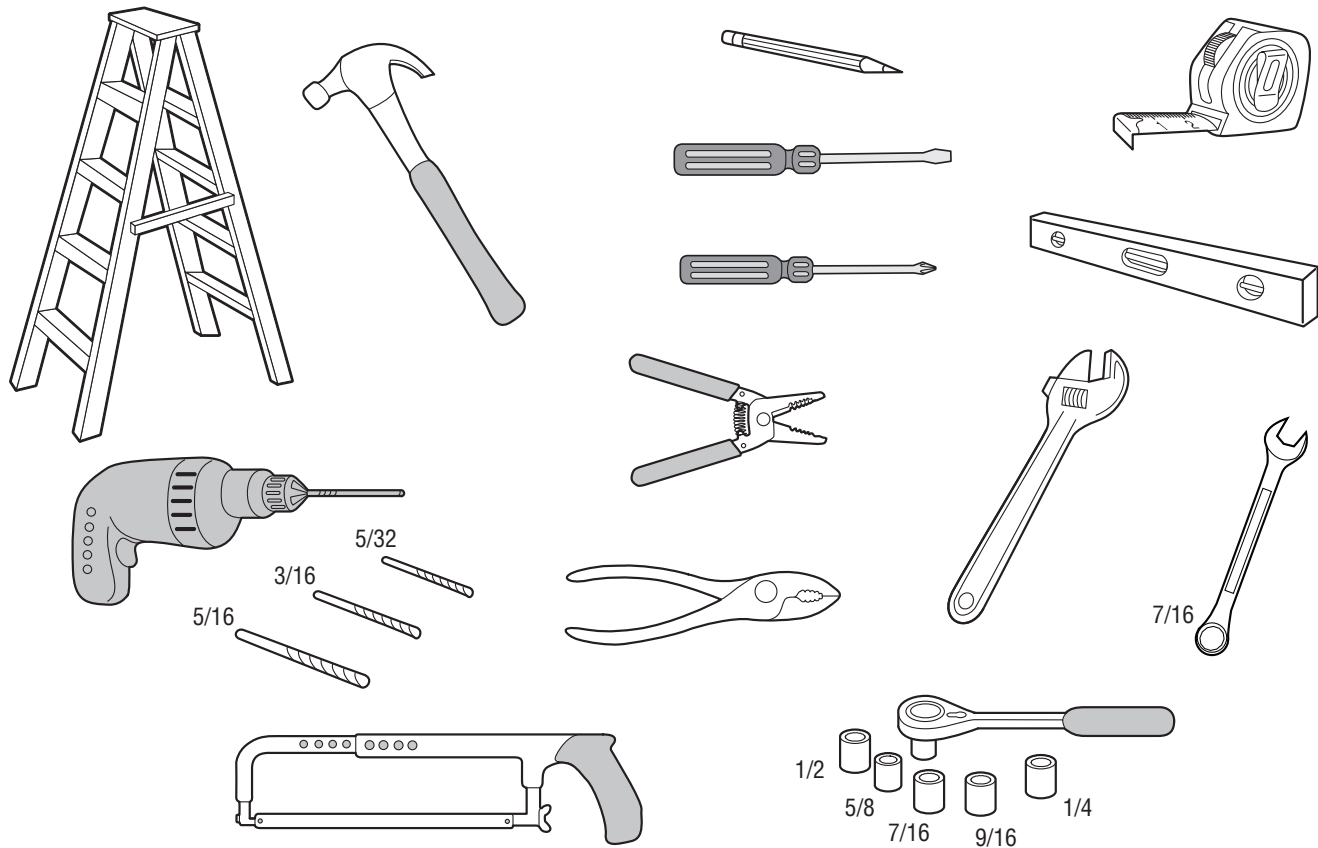
1. Désactiver les serrures et retirer toute corde raccordée à la porte de garage.
2. Soulever la porte à moitié. La relâcher. Si elle est équilibrée, elle devrait rester en place, entièrement supportée par ses ressorts.
3. Faire monter et descendre la porte pour vous assurer qu'elle ne force pas. Si votre porte force ou est déséquilibrée, appeler un technicien formé en systèmes de porte.
4. Vérifier le joint d'étanchéité situé sur la partie inférieure de la porte. Tout écartement entre le sol et le bas de la porte ne doit pas dépasser 6 mm (1/4 de po). Sinon le système inverseur de sécurité pourrait mal fonctionner. L'ouvre-porte doit être posé au-dessus de l'axe de la porte. S'il y a un ressort de torsion ou une plaque d'appui centrale dans le chemin du support de l'inteau, il peut être posé à moins de 1,2 m (4 pi) vers la gauche ou la droite de l'axe de la porte. Voir page 7.

Ressort de torsion **OU** Ressort de traction



Préparation

Outils nécessaires



Préparation

Inventaire de la boîte

Les accessoires varient en fonction du modèle d'ouvre-porte de garage que vous avez acheté. Selon le modèle, d'autres accessoires peuvent être inclus avec votre ouvre-porte de garage. Les instructions pour ces accessoires seront attachées à ceux-ci et ne sont pas incluses dans ce manuel. Les illustrations de ce manuel ne sont fournies qu'à titre de référence; votre produit peut avoir une apparence différente.

- A. Support du linteau
- B. Support et poulie
- C. Support de porte
- D. Bielle courbée
- E. Bras de porte rectiligne
- F. Charriot
- G. Poignée et corde de déclenchement d'urgence
- H. Rail
- I. Ouvre-porte de garage
- J. Carter du pignon
- K. Chaîne
- L. Commande de porte
- M. Fils blanc et rouge-blanc
- N. The Protector System®
Capteurs d'inversion de sécurité avec fil de sonnerie blanc et blanc/noir : Capteur de transmission (1) et capteur de réception (1) et support de capteurs d'inversion de sécurité (2)
- O. Documentation et étiquettes de sécurité
- P. Graisse sur le rail

Accessoires Security+ 2.0®

882LMW

Commande de porte multifonction



893LM

Télécommande



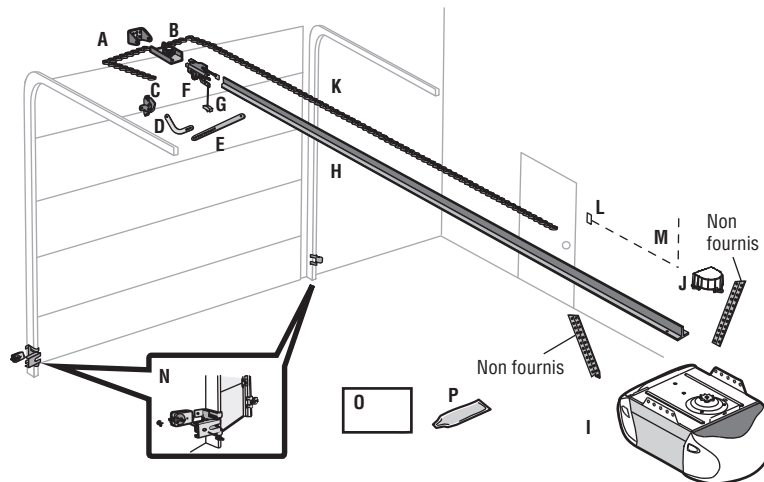
Matériel

Installation

- Boulon hexagonal 5/16 de po -18 x 7/8 de po (4)
- Tire-fond de 5/16 de po-9 x 1-5/8 de po (2)
- Axe de chape de 5/16 de po x 2-3/4 de po (1)
- Axe de chape de 5/16 de po x 1-1/4 de po (1)
- Axe de chape de 5/16 de po x 1 po (1)
- Écrou de 5/16 de po-18 (4)
- Rondelle de blocage de 5/16 de po (4)
- Vis autotaraudeuse 1/4 de po-14 x 5/8 de po (2)
- Anneau d'arrêt (3)
- Boulon à tête bombée et à collet carré 1/4 de po-20 x 1/2 de po (2)
- Écrou à oreilles de 1/4 de po-20 (2)

Fixations de commande de la porte :

- Vis 6AB x 1 po (2)
- Vis 6-32 x 1 po (2)
- Chevilles pour mur sec (2)
- Agrafes isolées



Montage

1 Fixation du rail au ouvre-porte de garage

AVERTISSEMENT

Pour éviter d'éventuelles BLESSURES GRAVES aux doigts par suite du mouvement de l'ouvre-porte :

- TOUJOURS garder la main à l'écart du pignon lorsque l'ouvre-porte fonctionne.
- Fixer solidement le carter du pignon AVANT de faire fonctionner l'ouvre-porte.

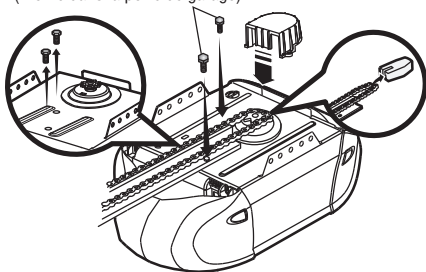
ATTENTION

Afin d'éviter d'endommager SÉRIEUSEMENT l'ouvre-porte de garage, utiliser UNIQUEMENT les boulons et les fixations montés sur le dessus de l'ouvre-porte.

REMARQUE : Utiliser SEULEMENT les boulons retirés de l'ouvre-porte de garage. Placer l'ouvre-porte de garage sur le matériel d'emballage pour éviter les rayures.

1. Retirer les deux boulons du haut de l'ouvre-porte de garage.
2. Aligner le rail et la mousse de polystyrène sur le pignon. Couper le ruban adhésif du rail, de la chaîne et de la mousse.
3. Fixez le rail avec les boulons retirés précédemment
4. Placer la chaîne par-dessus le pignon du ouvre-porte de garage.
5. Installer le carter de pignon en serrant les côtés et en insérant les languettes dans les fentes de l'ouvre-porte de garage.

Boulon à rondelle de blocage de 5/16 de po-18 x 1/2 de po
(Monté dans la porte de garage)

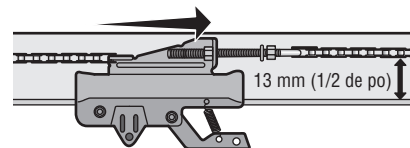


2 Serrage de la chaîne

1. Desserrer l'écrou intérieur et la rondelle de blocage de l'arbre fileté du chariot.
2. Resserrer l'écrou extérieur de façon à ce que la chaîne se trouve à 13 mm (1/2 de po) au-dessus de la base du rail, à mi-chemin de ce dernier.
3. Resserrer l'écrou intérieur.

Un jeu de la chaîne est normal quand la porte est fermée. Aucun réajustement n'est nécessaire.

REMARQUE : Le pignon peut faire du bruit si la chaîne est trop détendue. Pour toutes les mises au point ultérieures, TOUJOURS tirer la poignée de déclenchement d'urgence pour dégager le chariot avant d'ajuster la chaîne.



IMPORTANTES INSTRUCTIONS CONCERNANT L'INSTALLATION

AVERTISSEMENT

Pour réduire le risque de BLESSURES GRAVES, voire MORTELLES :

1. LIRE ET SUIVRE TOUS LES AVERTISSEMENTS ET INSTRUCTIONS DE POSE.
2. Poser l'ouvre-porte de garage uniquement sur une porte de garage bien équilibrée et lubrifiée. Une porte mal équilibrée peut ne PAS inverser sa course en cas de besoin et peut entraîner des BLESSURES GRAVES, voire MORTELLES.
3. TOUTES les réparations aux câbles, ensembles de ressort et autres ferrures de montage DOIVENT être confiées à un technicien formé en systèmes de porte AVANT de poser l'ouvre-porte.
4. Désactiver TOUTES les serrures et retirer TOUTES les cordes raccordées à la porte de garage AVANT de poser l'ouvre-porte afin d'éviter un emmêlement.
5. Poser l'ouvre-porte de garage à au moins 2,13 m (7 pi) au-dessus du sol.
6. Laisser le déverrouillage de secours à portée de main, mais à au moins 1,83 m (6 pi) du sol et éviter tout contact avec des véhicules afin d'éviter tout déclenchement accidentel.
7. Ne JAMAIS raccorder l'ouvre-porte de garage à une source de courant avant d'avoir reçu l'instruction de le faire.
8. Ne JAMAIS porter de montres, bagues ou vêtements amples durant la pose ou l'entretien de l'ouvre-porte. Ils pourraient être happés par la porte de garage ou les mécanismes de l'ouvre-porte.
9. Installer la commande de porte du garage murale :
 - bien en vue de la porte de garage;
 - hors de la portée des enfants, à une hauteur minimale de 1,5 m (5 pi);
 - à l'écart de TOUTES les pièces mobiles de la porte.
10. Placer l'étiquette d'avertissement de prise au piège sur le mur à côté de la commande de la porte de garage.
11. Placer l'étiquette d'essai d'inversion de sécurité/ouverture manuelle bien en vue sur le côté intérieur de la porte de garage.
12. Au terme de la pose, faire l'essai du système d'inversion de sécurité. La porte DOIT remonter au contact d'un objet d'une hauteur de 3,8 cm (1-1/2 de po) (ou un 2x4 posé à plat) sur le sol.
13. Pour éviter des BLESSURES GRAVES ou une MORT possibles par électrocution, débrancher TOUTE alimentation électrique et les batteries AVANT TOUTE intervention.
14. NE PAS installer sur une porte rigide dans le cas de dispositifs ou fonctions permettant la fermeture non surveillée. Les dispositifs et fonctions non surveillés doivent être utilisés UNIQUEMENT avec des portes articulées.

REMARQUE : Si vous installez l'ouvre-porte de garage sur une porte monobloc, consultez le site LiftMaster.com pour obtenir les instructions d'installation.

Installation

1 Déterminer l'emplacement du support de linteau

AVERTISSEMENT

Pour éviter des BLESSURES GRAVES, VOIRE MORTELLES :

- Le support de linteau **DOIT** être fixé **DE MANIÈRE RIGIDE** à la solive sur le linteau ou le plafond, sinon la porte de garage pourrait **NE PAS** remonter, au besoin. **NE PAS** installer le support de linteau sur une cloison sèche.
- Des ancrages en béton **DOIVENT ÊTRE UTILISÉS** en cas de montage sur un support de linteau ou sur un 2x4 dans la maçonnerie.
- Ne **JAMAIS** tenter de desserrer, déplacer ou régler la porte de garage ainsi que les ressorts, câbles, poulies, supports de porte ou leurs ferrures de montage, lesquels sont **TOUS** sous une tension **EXTRÊME**.
- Appeler **TOUJOURS** un technicien formé en systèmes de porte si la porte de garage force ou est déséquilibrée. Une porte de garage déséquilibrée peut **NE PAS** remonter, au besoin.
- **NE PAS** activer la temporisation de fermeture pour une porte de garage rigide ou battante. Elle doit être activée **UNIQUEMENT** avec une porte articulée.

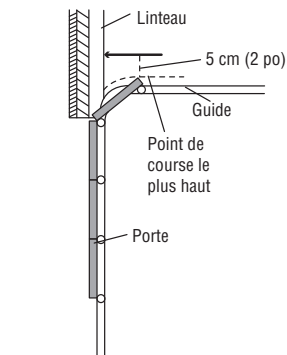
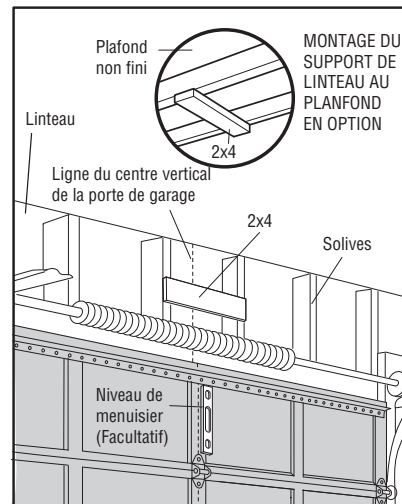
REMARQUE : Si vous installez l'ouvre-porte de garage sur une porte monobloc, consultez le site LiftMaster.com pour obtenir les instructions d'installation.

Fermer la porte et marquer l'axe vertical intérieur de la porte du garage.

Prolonger cet axe sur le linteau, au-dessus de la porte. Ne pas oublier que l'on ne peut fixer le support du linteau à moins de 1,22 m (4 pi) à droite ou à gauche de l'axe de la porte que si un ressort de torsion ou une plaque d'appui centrale gêne; sinon, il est possible de le fixer au plafond si le dégagement n'est pas suffisant. (Il peut être monté à l'envers sur un mur, au besoin, pour gagner environ 1 cm (1/2 de po). Si le support de linteau doit être posé sur un 2x4 (au mur ou au plafond), utiliser des tire-fond (non fournis) pour s'assurer que le 2x4 est bien retenu sur les solives.

Ouvrir la porte jusqu'à son point de course le plus haut, tel qu'illustré. Tracer une ligne horizontale d'intersection sur le linteau à 5 cm (2 po) au-dessus du point le plus haut : Cette hauteur permettra d'obtenir un dégagement suffisant pour le passage de la partie supérieure de la porte.

REMARQUE : Si le nombre total de pouces (centimètres) dépasse la hauteur disponible dans le garage, utiliser la hauteur maximum ou se reporter à la page 8 pour la pose au plafond.



Porte articulée avec guide courbé

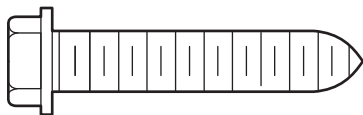
Installation

2 Installation du support de linteau

Le support de linteau peut être fixé soit sur le mur, au-dessus de la porte, soit sur le plafond. Suivre les instructions qui répondent le mieux aux besoins particuliers. **Ne pas poser le support de linteau sur des plaques de placoplâtre. Utiliser des ancrages de béton (non fournis) pour la pose dans la maçonnerie.**

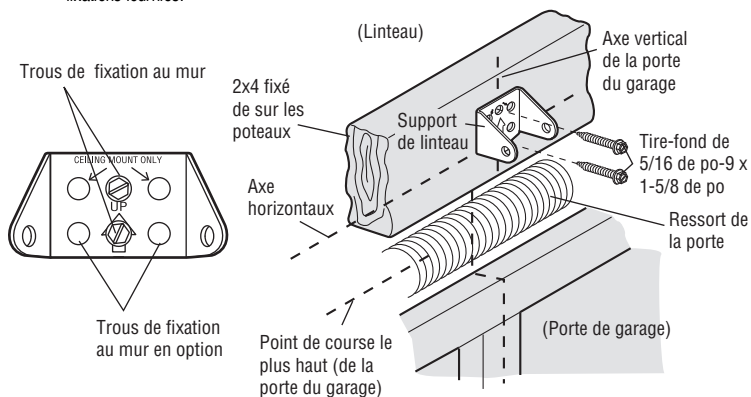
MATÉRIEL

Tire-fond de 5/16 de po-9 x 1-5/8 de po



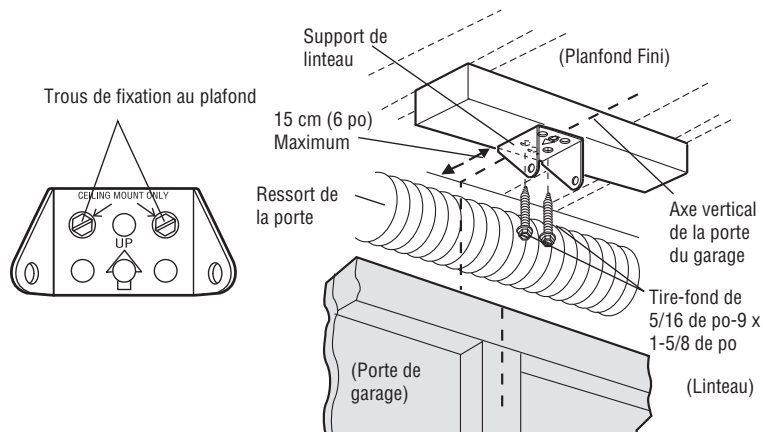
OPTION A INSTALLATION AU SOL OU AU MUR

1. Centrer le support par rapport à l'axe vertical, la partie inférieure du support étant alignée avec la ligne horizontale, comme illustré (la flèche du support doit être orientée vers le plafond).
2. Marquer la série verticale de trous de support (ne pas utiliser les trous destinés au montage sur le plafond). Percer des avant-trous de 3/16 de po et fixer fermement le support sur une solive du plafond à l'aide des fixations fournies.



OPTION B INSTALLATION AU PLAFOND

1. Prolonger l'axe vertical sur le plafond, comme illustré.
2. Centrer le support sur l'axe vertical à 15 cm (6 po) au maximum du mur. S'assurer que la flèche est orientée dans le sens opposé au mur. Le support peut être encastré dans le plafond si le dégagement n'est pas suffisant.
3. Marquer les trous latéraux. Percer des avant-trous de 3/16 de po et fixer fermement le support sur une solive du plafond à l'aide des fixations fournies.



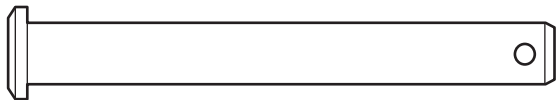
Installation

3 Fixation du rail sur le support de linteau

1. Aligner le rail sur le support de linteau. Insérez l'axe de chape dans les trous du support de linteau et du rail. Faire tenir l'axe de chape avec un anneau d'arrêt.

REMARQUE : Utiliser l'une des boîtes d'emballage pour protéger l'ouvre-porte de garage.

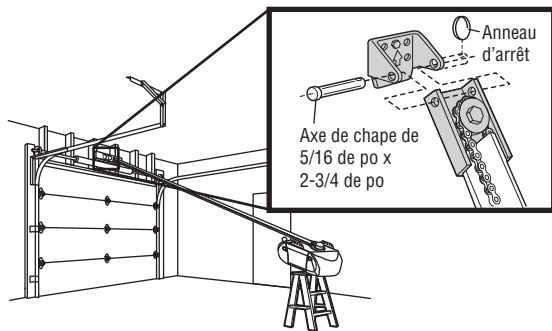
MATÉRIEL



Axe de chape de 5/16 de po x 2-3/4 de po



Anneau d'arrêt



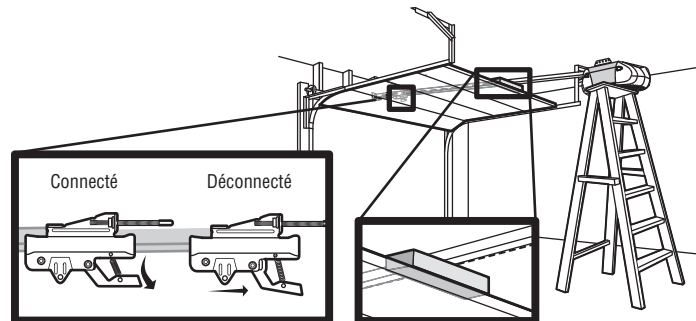
4 Positionnement de l'ouvre-porte de garage

ATTENTION

Pour éviter tous dommages à l'ouvre-porte de garage, faire reposer le rail de l'ouvre-porte de garage sur un 2x4 placé sur la section supérieure de la porte.

1. Retirer la boîte d'emballage, puis soulever l'ouvre-porte de garage sur une échelle.
2. Ouvrir complètement la porte et placer un 2x4 (à plat) sous le rail.

Une planche de 2x4 est idéale pour régler la distance entre le rail et la porte. Si l'échelle n'est pas assez haute, une assistance sera nécessaire à ce stade. Si la porte frotte contre le chariot quand elle s'ouvre, tirer le bras de dégagement du chariot vers le bas pour dégager le chariot intérieur et extérieur. Faire glisser le chariot extérieur vers l'ouvre-porte de garage. Laisser le chariot dégagé jusqu'à ce que vous ayez de nouvelles instructions.



Installation

5 Suspension de l'ouvre-porte de garage

AVERTISSEMENT

Pour éviter d'éventuelles BLESSURES GRAVES par suite de la chute d'un ouvre-porte de garage, fixer l'ouvre-porte SOLIDEMENT aux solives du garage. Des ancrages en béton DOIVENT être utilisés lors de l'installation des supports dans la maçonnerie.

La suspension de l'ouvre-porte de garage variera en fonction de votre garage. Les illustrations représentent deux poses types. La pose peut toutefois être différente. Les supports de suspension doivent être inclinés, (Figure 1) pour assurer un support rigide. Dans le cas d'un plafond fini, (Figure 2), fixer une cornière aux solives du plafond avant de poser l'ouvre-porte. La cornière et les fixations ne sont pas fournies.

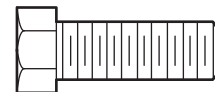
1. Mesurer, de chaque côté de l'ouvre-porte, la distance entre l'ouvre-porte et les solives.
2. Coupez les deux supports de suspension à la longueur requise.
3. Percez des avant-trous de 3/16 de po dans les solives.
4. Fixer une extrémité de chaque support de suspension sur une solive avec des tire-fond de 5/16 de po-18 x 1-7/8 de po (non fourni).
5. Fixer l'ouvre-porte aux supports de suspension à l'aide de boulons hexagonaux de 5/16 de po-18 x 7/8 de po, de rondelles-frein et d'écrous.
6. S'assurer que le rail est centré au-dessus de la porte (ou dans le prolongement du support de linteau si le support n'est pas centré au-dessus de la porte).
7. Retirer le 2x4. Faire fonctionner la porte manuellement. Si la porte heurte le rail, lever le support de linteau.

REMARQUE : NE PAS mettre l'ouvre-porte sous tension à ce stade.

MATÉRIEL



Rondelle frein de 5/16 de po



Boulon hexagonal de 5/16 de po-18 x 7/8 de po



Écrou de 5/16 de dpo-18

FIGURE 1

Plafond Non-fini

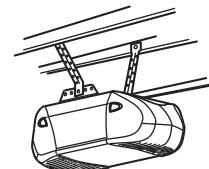


FIGURE 2

Plafond fini

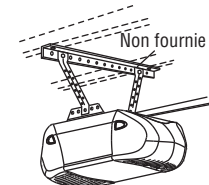
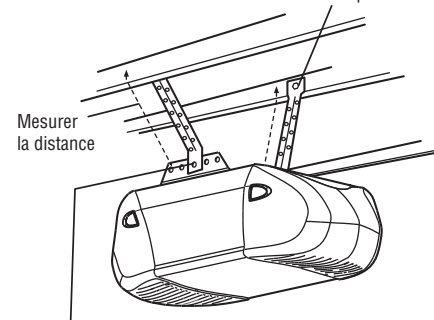


FIGURE 3

(Non fournie)
Tire-fond de 5/16 de po-18 x 1-7/8 de po



Boulon hexagonal de 5/16 de po-18 x 7/8 de po, Rondelle frein de 5/16 de po, Écrou de 5/16 de po-18

Installation

6 Fixation des ampoules

ATTENTION

Pour éviter toute SURCHAUFFE éventuelle du panneau d'éclairage,

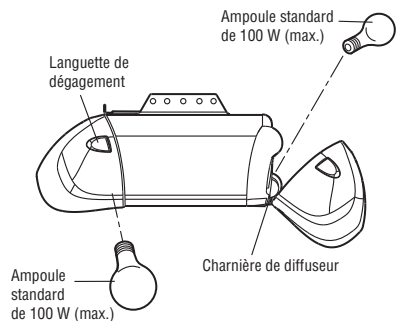
- NE PAS utiliser d'ampoules à col court ou de forme spéciale.
- NE PAS utiliser d'ampoules halogènes. Utiliser UNIQUEMENT des ampoules incandescentes.

Pour prévenir les dommages à la l'ouvre-porte :

- NE PAS utiliser d'ampoules de plus de 100W.
- SEULEMENT utiliser A19 ampoules de taille.

1. Appuyer sur les pattes de dégagement des deux côtés du diffuseur. Faire pivoter le diffuseur délicatement vers l'arrière et le bas jusqu'à ce que la charnière du diffuseur soit complètement ouverte. Ne pas retirer le diffuseur.
2. Visser une ampoule de 100 watts maximum dans chaque douille. La taille légère d'ampoule doit être A19, cou standard, seulement. Les lumières s'allumeront et resteront allumées pendant environ 4-1/2 minutes lorsque le courant sera établi. Les lumières s'éteindront ensuite.
3. Inverser la procédure pour fermer le diffuseur.

REMARQUE : Si les ampoules brûlent prématurément en raison de la vibration, remplacer par une ampoule d'ouvre-porte de garage. L'utilisation d'ampoules à col court ou d'ampoules spécialisées peut causer une surchauffe du panneau d'extrémité ou de la douille.



7 Pose de la corde et de la poignée de déclenchement d'urgence

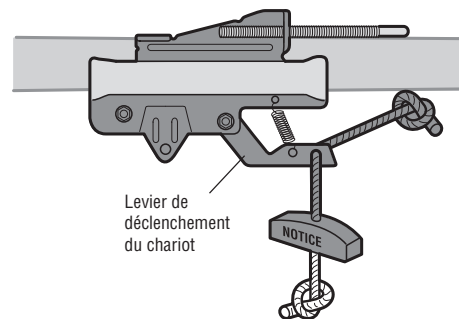
! AVERTISSEMENT

Pour prévenir d'éventuelles BLESSURES GRAVES ou LA MORT par suite de la chute d'une porte de garage :

- Si possible, utilisez la poignée de déclenchement d'urgence pour dégager le chariot UNIQUEMENT lorsque la porte de garage est FERMÉE. Des ressorts faibles ou brisés ou une porte déséquilibrée peuvent provoquer la chute rapide et/ou imprévue d'une porte ouverte.
- Ne JAMAIS utiliser la poignée de déclenchement d'urgence à moins que rien ou personne n'obstrue la trajectoire de la porte.
- Ne JAMAIS utiliser la poignée pour ouvrir ou fermer la porte. Il y a un risque de chute si le nœud de la corde se défait.

1. Insérer une extrémité de la corde de déclenchement d'urgence dans la poignée. S'assurer que l'inscription « NOTICE » (avis) est à l'endroit. Fixer à l'aide d'un nœud simple à au moins 2,5 cm (1 po) de l'extrémité de la corde de déclenchement d'urgence.
2. Passer l'autre extrémité de la corde dans le trou du levier de déclenchement du chariot. Ajuster la longueur de la corde de façon que la poignée soit à environ 1,83 m (6 pieds) du sol. S'assurer que la corde et la poignée ne risquent pas de toucher au capot d'aucun véhicule pour éviter qu'elle s'emmêle.

REMARQUE : Si la corde doit être coupée, brûler légèrement l'extrémité coupée avec une allumette ou un briquet pour empêcher qu'elle s'effiloche. S'assurer que la corde et la poignée ne risquent pas de toucher au capot d'aucun véhicule pour éviter qu'elle s'emmêle.



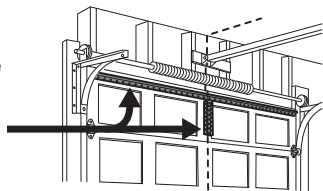
Installation

8 Installation du support de porte

ATTENTION

Les portes de garage en fibre de verre, en aluminium ou en acier léger **DOIVENT** être renforcées AVANT la fixation du support de porte. Contacter le fabricant de la porte de garage ou l'installateur pour les instructions relatives aux renforts ou obtenir un nécessaire de renforts. Négliger de renforcer la section supérieure, tel qu'exigé par le fabricant de la porte, peut annuler la garantie.

Un renfort horizontal et vertical est nécessaire pour les portes de garage légères (en fibre de verre, aluminium, acier, portes avec panneau de verre, etc.) (non fourni). Un renfort horizontal doit être suffisamment long pour être fixé à deux ou trois supports verticaux. Un renfort vertical doit couvrir la hauteur du panneau supérieur. Contacter le fabricant de la porte de garage ou l'installateur pour les instructions relatives aux renforts ou obtenir un nécessaire de renforts.



REMARQUE : Bon nombre de nécessaires de renforts de porte prévoient la fixation directe de l'axe de chape et de la biellette de porte. Dans ce cas, le support de porte ne sera pas nécessaire; passer à l'étape suivante.

PORTES ARTICULÉES

1. Centrer le support de la porte avec l'axe vertical précédemment tracé et utilisé pour la pose du support de linteau. Il convient de noter le positionnement correct du « HAUT » (UP), comme estampillé à l'intérieur du support.
2. Positionner le bord supérieur du support de 5 cm à 10 cm (2 à 4 pouces) plus bas que le bord supérieur de la porte, OU directement sous toute solive à travers le haut de la porte.
3. Marquer, percer des trous et poser comme indiqué ci-après, selon la construction de votre porte :

Portes métalliques ou légères utilisant une ferrure angulaire verticale entre le support du panneau de porte et le support de porte :

- Percer des trous de fixation de 3/16 de po. Fixer le support de porte à l'aide des vis autotaraudeuses. (Figure 1)
- On peut également utiliser deux boulons de 5/16 de po, des rondelles de blocage et des écrous (non fournis). (Figure 2)

Portes métalliques, isolées ou légères renforcées à l'usine :

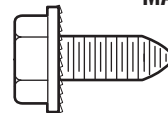
- Percer des trous de fixation de 3/16 de po. Fixer le support de porte à l'aide des vis autotaraudeuses. (Figure 3)

Portes en bois :

- Utiliser les trous supérieurs et inférieurs ou latéraux de support de porte. Percer des trous de 5/16 de po à travers la porte et fixer le support à l'aide de boulons à tête bombée et à collet carré de 5/16 de po-18 x 2 po, des rondelles de blocage et des écrous (non fournis). (Figure 4)

REMARQUE : Les vis autotaraudeuses de 1/4 de po-14 x 5/8 de po ne sont pas destinées à être utilisées sur des portes en bois.

MATÉRIEL



Vis autotaraudeuse
1/4 de po-14 x 5/8 de po

FIGURE 1

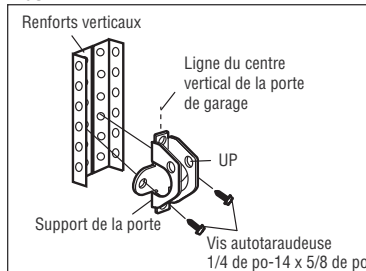


FIGURE 2

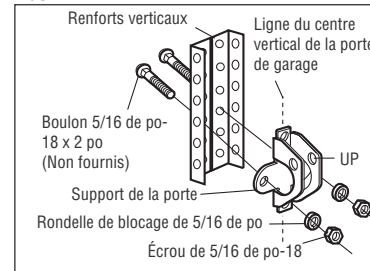


FIGURE 3

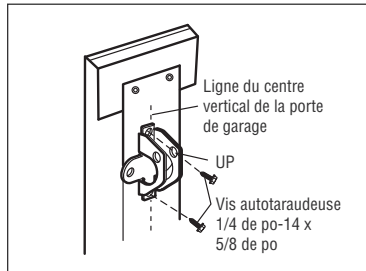
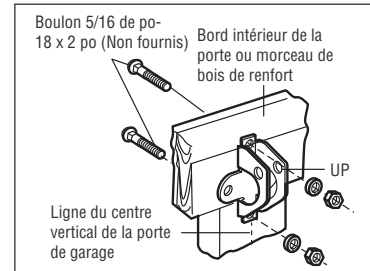


FIGURE 4



Installation

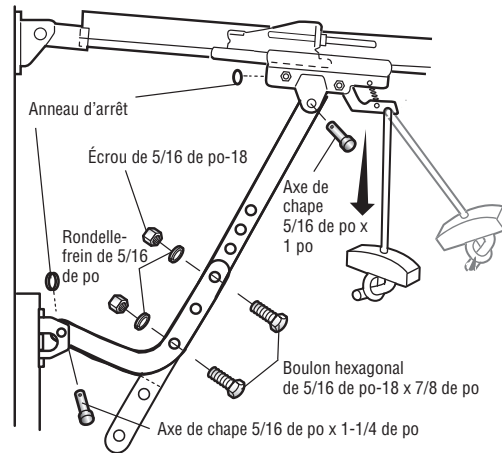
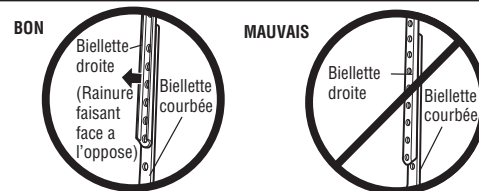
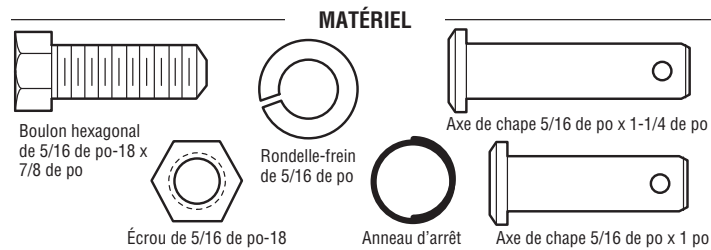
9 Fixation de la biellette de la porte au chariot

IMPORTANT : La rainure de la biellette de porte droite **DOIT pointer loin de la biellette de porte courbée.**

1. Fermez la porte. Débrancher le chariot en tirant la poignée de déverrouillage de secours. Faites reculer le chariot extérieur (en l'éloignant de la porte) d'environ 5 cm (2 po).
2. Fixez la biellette droite sur le chariot extérieur à l'aide d'un axe de chape. Fixez-la avec un anneau d'arrêt.
3. Fixez la biellette courbée sur le support de porte à l'aide d'un axe de chape. Fixez-la avec un anneau d'arrêt.
4. Alignez la biellette droite avec la biellette courbée. Sélectionnez deux trous alignés (aussi loin que possible) et fixez-les avec les boulons, les écrous et les rondelles.

REMARQUE : Si les trous ne s'alignent pas, inverser la biellette droite. Sélectionnez deux trous alignés (aussi loin que possible) et fixez-les avec les boulons, les écrous et les rondelles.

5. Tirer la poignée de déverrouillage de secours vers l'ouvre-porte de garage de façon à ce que la biellette de dégagement du chariot soit à l'horizontale. Le chariot se réenclenchera automatiquement lorsque l'ouvre-porte de garage fonctionnera.



Pose de la commande de porte

1 Pose de la commande de porte

AVERTISSEMENT

Pour prévenir d'éventuelles BLESSURES GRAVES, voire MORTELLES suite à une électrocution :

- S'assurer que l'alimentation est coupée AVANT d'installer la commande de la porte.
- Raccorder UNIQUEMENT à des fils basse tension de 12 V.

Pour prévenir d'éventuelles BLESSURES graves ou LA MORT par suite d'une porte de garage qui se ferme :

- Poser la commande de porte bien en vue de la porte de garage, hors de la portée des enfants à une hauteur minimale de 1,5 m (5 pi) et à l'écart de TOUTES les pièces mobiles de la porte.
- Ne JAMAIS laisser des enfants faire fonctionner les boutons-poussoirs de la commande de porte ou les émetteurs de la télécommande, ni jouer avec ceux-ci.
- Actionner la porte UNIQUEMENT lorsqu'on la voit clairement, qu'elle est bien réglée et que rien ne gêne la course de la porte.
- TOUJOURS garder la porte de garage bien en vue jusqu'à sa fermeture complète. Ne JAMAIS laisser personne croiser le chemin d'une porte de garage qui se ferme.

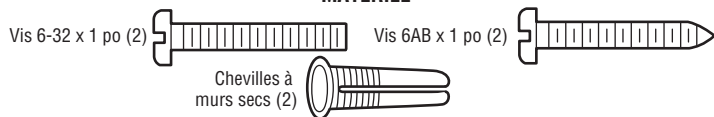
INTRODUCTION

Compatible avec les accessoires MyQ® et Security+ 2.0®, voir page 34. Votre porte de garage est compatible avec un maximum de 2 panneaux Smart Control ou 4 commandes de porte Security+ 2.0®. **REMARQUE :** Les anciens télécommandes, commandes de porte LiftMaster, et les produits de tiers ne sont pas compatibles.

Poser la commande de la porte dans un endroit où on pourra la voir de la porte, à au moins 1,5 m (5 pi) du sol, là où les enfants ne pourront pas l'atteindre et loin de toutes les pièces mobiles de la porte. Pour les installations de boîte simple, il n'est pas nécessaire de percer des trous ou d'installer des ancrages pour cloisons sèches. Utiliser les trous existants de la boîte simple.

REMARQUE : L'apparence de votre produit peut différer de ceux illustrés ici.

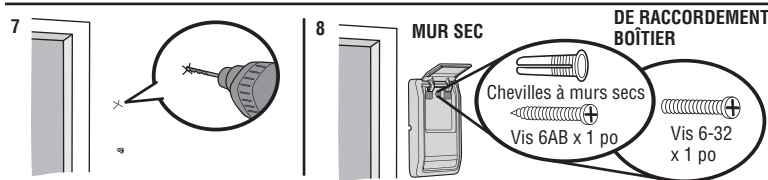
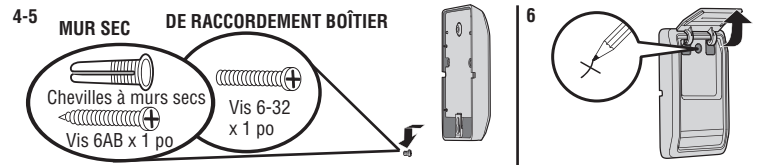
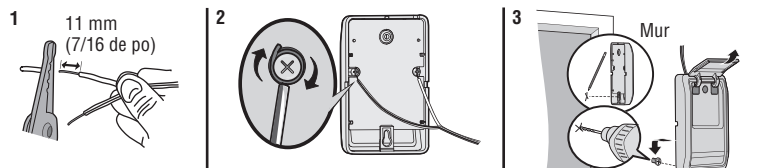
MATÉRIEL



1. Enlever 11 mm (7/16 de po) d'isolation à l'extrémité du fil, puis séparer les fils.
2. Connecter un fil à chacun des deux vis situées sur le dos de la commande de porte. Les fils peuvent être connectés à l'un ou l'autre vis.

INSTALLATIONS PRÉCÂBLÉES : Choisir deux fils à connecter, noter les fils qui sont utilisés pour que les bons fils soient connectés à l'ouvre-porte de garage dans une étape ultérieure.

3. Marquer l'emplacement de l'orifice inférieur de montage et percer un trou de 5/32 de po de diamètre.
4. Visser la vis inférieure en laissant 3 mm (1/8 de po) dépasser de la surface du mur.
5. Placer le trou inférieur du panneau de commande sur la vis et faire glisser ce dernier vers le bas jusqu'à ce qu'il soit bien en place.
6. Soulever la barre-poussoir et marquer le trou supérieur.
7. Retirer la commande de la porte du mur et percer un trou de 5/32 de po pour la vis du haut.
8. Placer le trou inférieur du panneau de commande sur la vis et faire glisser ce dernier vers le bas jusqu'à ce qu'il soit bien en place. Fixer la vis du haut.



Pose de la commande de porte

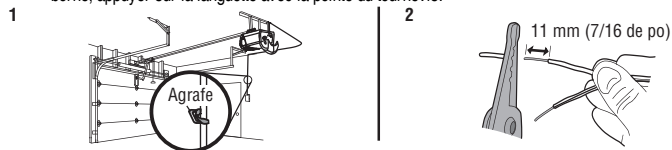
2 Raccordement des fils de la commande de porte à l'ouvre-porte de garage

MATÉRIEL

Agrafe isolée
(Non illustrés)

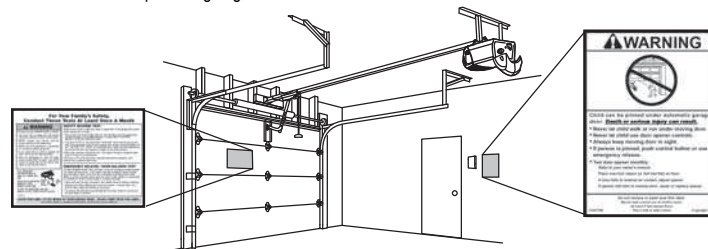
INSTALLATIONS PRÉCÂBLÉES : Lors du raccordement des fils de la commande de porte à l'ouvre-porte de garage, s'assurer d'utiliser les mêmes fils qui sont connectés à la commande de porte.

1. Acheminer les fils blanc et rouge/blanc de la commande de porte vers l'ouvre-porte de garage. Fixer le fil au mur et au plafond avec l'agrafe (cette directive ne s'applique pas à la boîte simple ou aux installations précâblées). Ne pas percer le fil avec une agrafe, car cela créerait un court-circuit ou un circuit ouvert.
2. Enlever 11 mm (7/16 de po) d'isolation à l'extrémité du fil, près de l'ouvre-porte de garage.
3. Relier le fil aux bornes rouge et blanche de l'ouvre-porte de garage. Pour insérer les fils ou les libérer de la borne, appuyer sur la languette avec la pointe du tournevis.



3 Fixation des étiquettes d'avertissement

1. Fixer l'étiquette d'avertissement sur le mur, près de la commande de porte, avec des punaises ou des agrafes.
2. Placer l'étiquette concernant l'essai d'inversion de sécurité/ouverture manuelle bien en vue sur le côté intérieur de la porte de garage.



Pose le Protector System®

Introduction

AVERTISSEMENT

S'assurer que l'ouvre-porte de garage est hors tension AVANT de poser le capteur d'inversion de sécurité.

Pour prévenir des BLESSURES GRAVES ou LA MORT par suite d'une porte de garage qui se ferme :

- Raccorder et aligner correctement le capteur d'inversion de sécurité. Ce dispositif de sécurité requis NE DOIT PAS être désactivé.
- Poser le capteur d'inversion de sécurité de manière à ce que le faisceau NE SOIT PAS À UNE HAUTEUR de plus de 15 cm (6 po) au-dessus du plancher du garage.

RENSEIGNEMENTS IMPORTANTS AU SUJET DU CAPTEUR D'INVERSION DE SÉCURITÉ

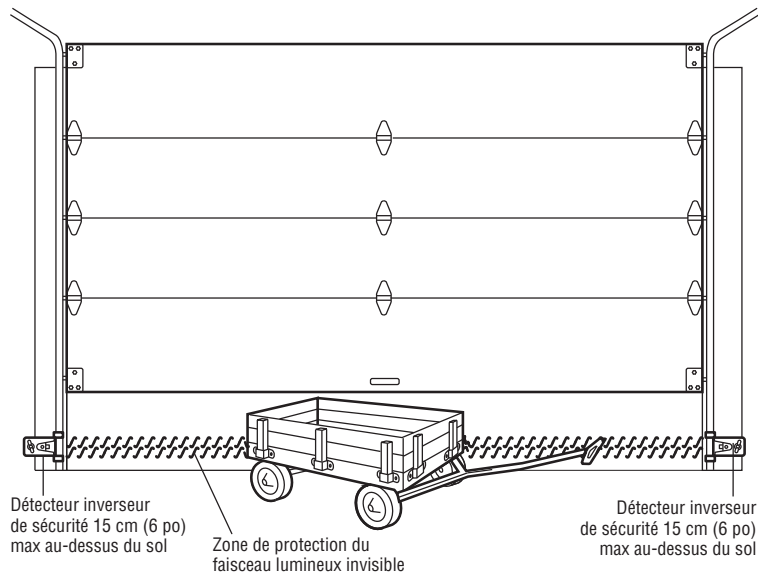
Le détecteur inverseur de sécurité doit être connecté et aligné correctement avant que l'ouvre-porte de garage n'entame le mouvement de fermeture.

Le capteur de transmission (doté d'un témoin DEL ambré) transmet un faisceau de lumière invisible au capteur de réception (muni d'un témoin DEL vert). Si un obstacle brise le faisceau de lumière pendant que la porte se ferme, la porte s'arrêtera et remontera jusqu'à la position entièrement ouverte et l'éclairage de l'ouvre-porte clignotera 10 fois.

REMARQUE : Pour économiser l'énergie, l'ouvre-porte de garage se met en mode de veille lorsque la porte est complètement fermée. Le mode de veille ferme l'ouvre-porte de garage jusqu'à ce qu'il soit activé. Le mode de veille est subordonné à l'éclairage de l'ouvre-porte de garage; lorsque l'ampoule s'éteint, le témoin DEL du capteur s'éteint et chaque fois que l'éclairage de l'ouvre-porte de garage s'allume, le témoin DEL du capteur s'allume. L'ouvre-porte de garage ne se met en mode de veille que lorsqu'il a achevé cinq cycles de mise sous tension.

Lors de l'installation des capteurs d'inversion de sécurité, vérifier les points suivants :

- Les capteurs sont installés à l'intérieur du garage, un de chaque côté de la porte.
- Les capteurs sont face à face avec les lentilles alignées et la lentille du détecteur de réception ne reçoit pas de lumière directe du soleil.
- Les capteurs sont pas plus de 15 cm (6 po) au-dessus du plancher et le faisceau lumineux est dégagé.

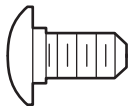


Pose le Protector System®

1 Installation des capteurs d'inversion de sécurité

MATÉRIEL

Boulon à tête bombée et à collet carré
1/4 de po-20 x
1/2 de po



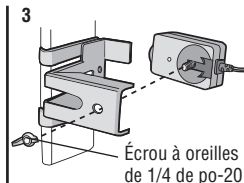
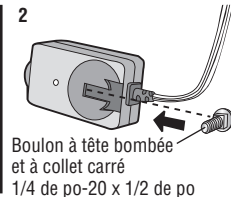
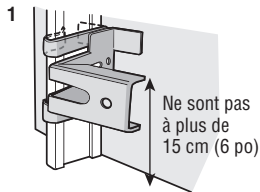
Écrou à oreilles
de 1/4 de po-20



Les capteurs d'inversion de sécurité peuvent être fixés au guide de porte, au mur ou au sol. Si votre guide de porte ne supporte pas solidement le support de capteur, une pose murale est recommandée. Choisir l'une des installations suivantes.

OPTION A POSE AUX GUIDES DE LA PORTE DE GARAGE

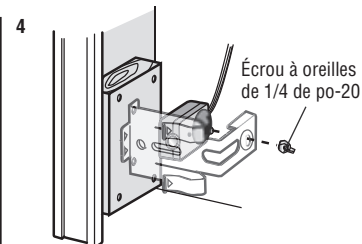
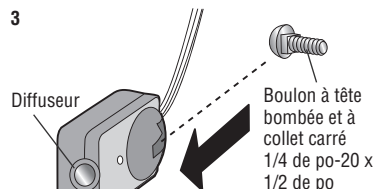
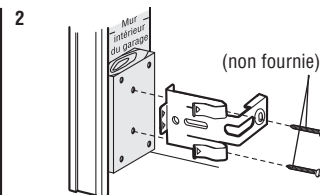
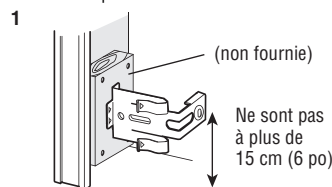
1. Faire glisser les biellettes courbées du support de capteur sur le pourtour du guide de la porte. Enclencher en place afin que le support de capteur soit abuté contre le guide.
2. Faire glisser le boulon à tête bombée dans la fente de chaque capteur.
3. Insérer le boulon dans le trou du support de capteur et le fixer avec l'écrou à oreilles. Les lentilles des deux capteurs doivent pointer l'une vers l'autre. S'assurer que la lentille n'est pas obstruée par le support de capteur.



OPTION B POSE MURALE

Si une profondeur supplémentaire est nécessaire, on peut employer un support de rallonge (non fourni) ou des blocs en bois. S'assurer que chaque support a la même quantité de jeu, de sorte qu'ils soient correctement alignés.

1. Placer le support de capteur contre le mur, les biellettes courbées étant dirigées vers la porte. S'assurer qu'il y a un dégagement suffisant et qu'aucun obstacle n'obstrue le faisceau du capteur. Marquer les trous.
2. Percer des avant-trous de 3/16 de po pour chaque support de capteur et fixer les supports sur le mur avec les tire-fond (non fournis).
3. Faire glisser le boulon à tête bombée dans la fente de chaque capteur.
4. Insérer le boulon dans le trou du support de capteur et le fixer avec l'écrou à oreilles. Les lentilles des deux capteurs doivent pointer l'une vers l'autre. S'assurer que la lentille n'est pas obstruée par le support de capteur.

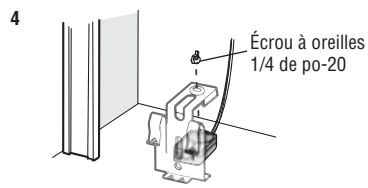
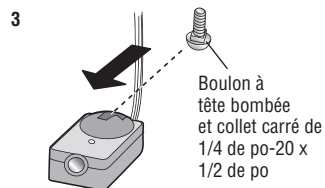
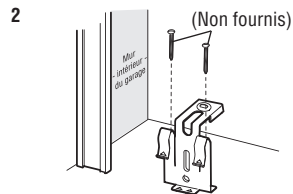
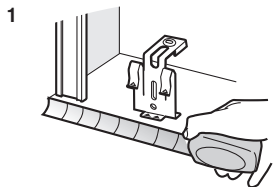


Pose le Protector System®

OPTION C POSE AU SOL

Utiliser un support de rallonge (non fourni) ou un bloc de bois pour soulever le support de capteur, au besoin.

1. Mesurer soigneusement la position des deux supports de capteurs de sorte qu'ils seront à la même distance du mur et dégagés.
2. Fixer les supports de capteurs au sol avec des ancrages de béton (non fournis).
3. Faire glisser le boulon à tête bombée dans la fente de chaque capteur.
4. Insérer le boulon dans le trou du support de capteur et le fixer avec l'écrou à oreilles. Les lentilles des deux capteurs doivent pointer l'une vers l'autre. S'assurer que la lentille n'est pas obstruée par le support de capteur.



2 Câblage des capteurs d'inversion de sécurité

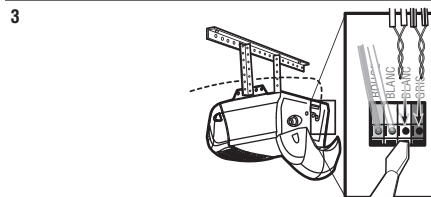
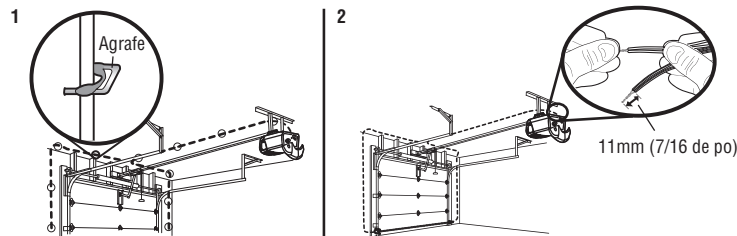
INSTALLATIONS PRÉCÂBLÉES : Si des câbles pour les capteurs de l'inverseur de sécurité sont déjà installés dans votre garage, voir page 19.

MATÉRIEL

Agrafe isolée
(Non illustrés)

OPTION A INSTALLATION SANS CÂBLES PRÉINSTALLÉS

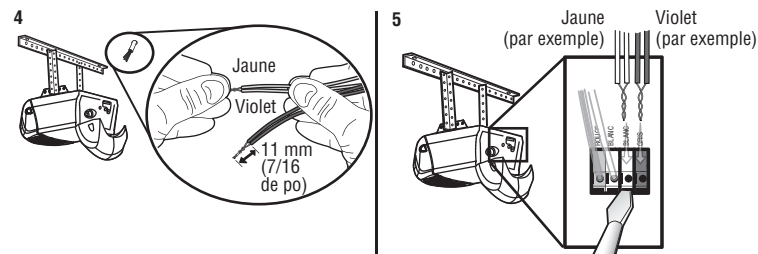
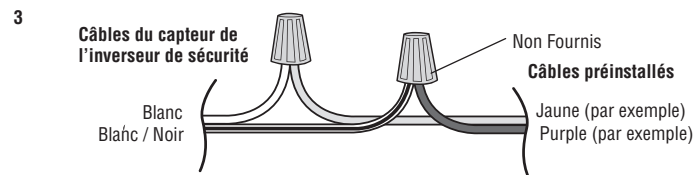
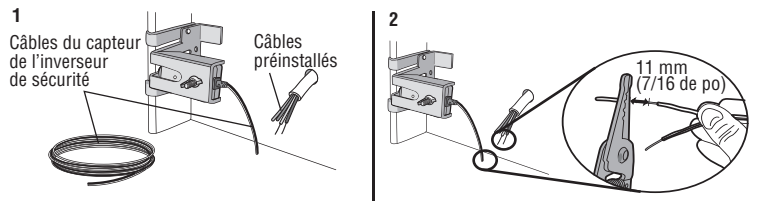
1. Faire acheminer le câble des deux capteurs vers l'ouvre-porte de garage. Fixer le câble au mur et au plafond avec les agrafes.
2. Enlever 11 mm (7/16 de po) d'isolation de chaque ensemble de fils. Séparer les fils. Torsader les fils blancs ensemble. Torsader les fils blanc-noir ensemble.
3. Insérer les fils blanc dans la borne blanche de l'ouvre-porte de garage. Insérer les fils blanc-noir dans la borne grise de l'ouvre-porte de garage. Pour insérer ou retirer les fils de la borne, appuyer sur la languette avec la pointe du tournevis.



Pose le Protector System®

OPTION B INSTALLATION PRÉCÂBLÉE

1. Couper l'extrémité du câble du capteur d'inversion de sécurité en s'assurant qu'il reste suffisamment de longueur pour atteindre les câbles préinstallés du mur.
2. Séparer les câbles du capteur d'inversion de sécurité et enlever 11 mm (7/16 de po) d'isolant de chaque extrémité. Choisissez deux des câbles préinstallés et dénudez sur chaque extrémité 11 mm (7/16 de po) de l'isolant. S'assurer de choisir les fils préinstallés de même couleur pour chacun des capteurs.
3. Connecter les fils préinstallés aux fils des capteurs avec un capuchon de connexion en s'assurant que les couleurs correspondent sur chaque capteur. Par exemple, le fil blanc se raccorde au fil jaune et le fil blanc/noir se raccorde au fil violet.
4. Au niveau de l'ouvre-porte de garage, enlever 11 mm (7/16 de po) d'isolation de chaque extrémité des fils choisis précédemment pour les capteurs d'inversion de sécurité. Torsader les fils de même couleur.
5. Insérer les fils reliés aux fils blancs des capteurs de sécurité à la borne blanche de l'ouvre-porte de garage. Insérer les fils reliés aux fils blancs/noirs des capteurs de sécurité à la borne grise de l'ouvre-porte de garage.



1 Raccordement de l'alimentation



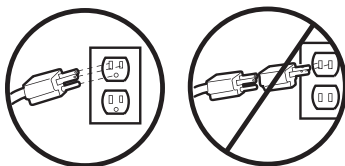
AVERTISSEMENT

Pour éviter toute blessure potentielle GRAVE voire MORTELLE par électrocution ou brûlure :

- S'assurer que l'ouvre-porte est hors tension et couper l'alimentation du circuit AVANT de retirer le couvercle pour procéder à un branchement permanent.
- La pose et le câblage de la porte de garage DOIVENT être conformes à TOUS les codes électriques et de construction locaux.
- Ne JAMAIS utiliser d'un cordon de rallonge ou d'un adaptateur bifilaire ni modifier la fiche de QUELQUE manière que ce soit pour l'insérer dans la prise. S'assurer que l'ouvre-porte est mis à la terre.

Pour éviter les difficultés pendant la pose, ne pas faire fonctionner l'ouvre-porte de garage pour le moment.

Afin de minimiser les risques de chocs électriques, le cordon d'alimentation de l'ouvre-porte de garage comporte une fiche à trois broches, dont une de mise à la terre. Cette fiche ne peut être branchée que dans une prise de courant mise à la terre. Si la fiche ne peut pas être branchée dans la prise de courant, adressez-vous à un électricien qualifié pour faire poser une prise de courant adéquate.

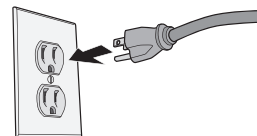


IL Y A DEUX OPTIONS CONCERNANT LA PRISE D'ALIMENTATION :

OPTION A CÂBLAGE TYPIQUE

1. Brancher l'ouvre-porte de garage dans une prise mise à la terre.
2. NE PAS faire fonctionner l'ouvre-porte de garage pour le moment.

CÂBLAGE TYPIQUE

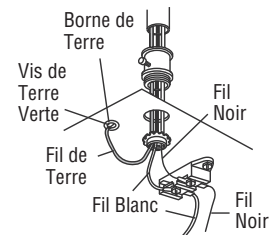


OPTION B CÂBLAGE PERMANENT

Si les codes municipaux exigent une installation électrique permanente, procéder comme suit. Pour procéder à un branchement permanent par le trou de 7/8 de po pratiqué dans le dessus du moteur (conformément au code local) :

1. Retirer les vis du couvercle du moteur et mettre le couvercle de côté.
2. Débrancher le cordon à 3 fils.
3. Brancher le fil noir (courant secteur) sur la vis de la borne en laiton; le fil blanc (neutre) sur la vis de la borne en argent, puis le fil de terre sur la vis verte de terre. L'ouvre-porte doit obligatoirement être mis à la terre.
4. Reposer le couvercle.

CÂBLAGE PERMANENT

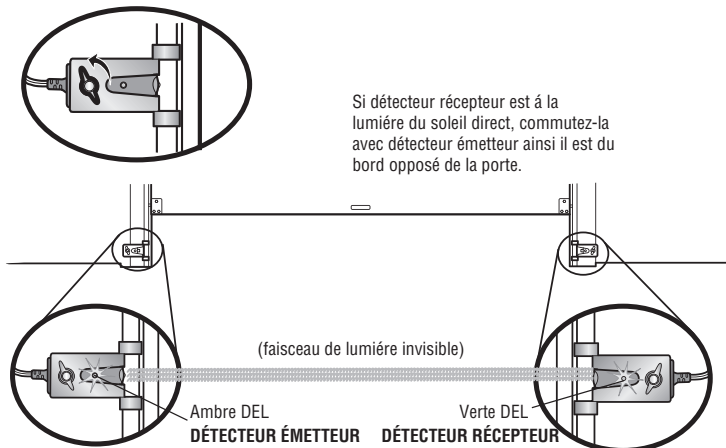


2 S'assurer de l'alignement des capteurs d'inversion de sécurité

La porte ne se fermera pas si les détecteurs n'ont pas été installés et alignés correctement.

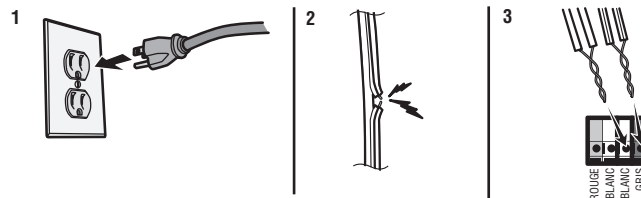
Si le faisceau lumineux est obstrué ou mal aligné quand la porte se ferme, celle-ci va revenir en arrière et les lumières de l'ouvre-porte de garage vont clignoter dix fois. Si la porte est déjà ouverte, elle ne se fermera pas. On peut aligner les détecteurs en desserrant les écrous à oreilles, en alignant les détecteurs, puis en serrant les écrous en question.

1. Assurez-vous que les témoins DEL des deux détecteurs sont allumés. Les témoins DEL des deux détecteurs s'allumeront en continu s'ils sont alignés et bien câblés.



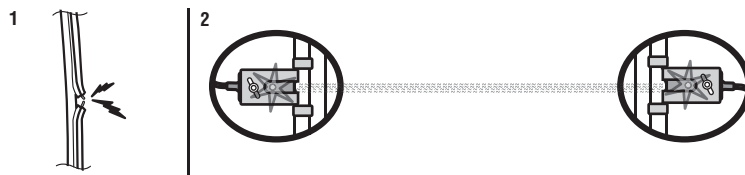
SI LE TÉMOIN DEL AMBRE DU DÉTECTEUR ÉMETTEUR NE S'ALLUME PAS :

1. S'assurer que l'ouvre-porte de garage reçoit bien l'alimentation électrique.
2. S'assurer que le fil du détecteur n'est pas court-circuité ni rompu.
3. Assurez-vous que l'inverseur été câblé correctement : fil blanc à terminal blanc et fil blanc/noir à terminal gris.



SI LE TÉMOIN DEL VERT DU DÉTECTEUR RÉCEPTEUR NE S'ALLUME PAS :

1. S'assurer que le fil du détecteur n'est pas court-circuité ni rompu.
2. Assurez-vous que les inverseurs sont alignés.



3 Assurez-vous que la commande de porte est correctement raccordée

Si la commande de la porte a été installée et câblée correctement, le témoin DEL de la commande situé derrière la barre-poussoir va clignoter.

Réglages

Introduction

AVERTISSEMENT

Sans un système d'inversion de sécurité bien installé, des personnes (plus particulièrement les petits enfants) pourraient être GRIÈVEMENT BLESSÉES ou TUÉES par une porte de garage qui se referme.

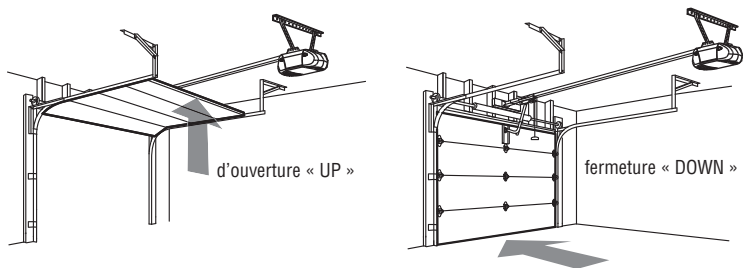
- Un réglage erroné des courses de la porte de garage gênera un fonctionnement approprié du système d'inversion de sécurité.
- Après avoir effectué QUELQUE réglage que ce soit, on DOIT faire l'essai du système d'inversion de sécurité. La porte de garage DOIT remonter au contact d'un objet d'une hauteur de 3,8 cm (1-1/2 de po) (ou un 2x4 posé à plat) du sol.

ATTENTION

Pour prévenir les dommages aux véhicules, s'assurer que la porte entièrement ouverte offre un dégagement suffisant.

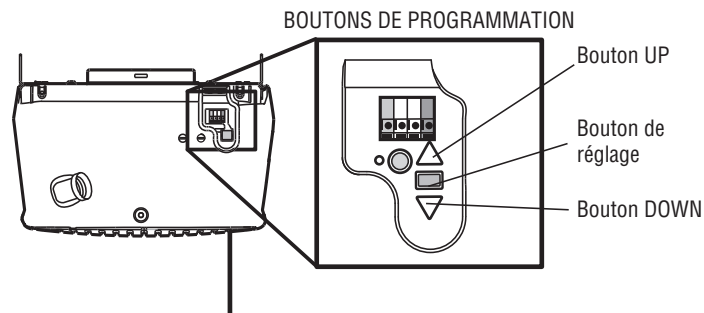
Votre ouvre-porte de garage a été conçu avec des commandes électroniques pour simplifier la configuration et les réglages. Les réglages vous permettent de programmer là où la porte s'arrêtera en position d'ouverture (UP) et de fermeture (DOWN). Les commandes électroniques détectent la force requise pour l'ouverture et pour la fermeture de la porte. La puissance est réglée automatiquement lorsqu'on programme la course.

REMARQUE : Si quoi que ce soit gêne l'ouverture de la porte, elle s'arrêtera. Si quoi que ce soit gêne la fermeture de la porte, elle remontera.



BOUTONS DE PROGRAMMATION

Les boutons de programmation sont situés sur le panneau gauche de l'ouvre-porte de garage et servent à programmer la course. Durant programmation, les boutons UP et DOWN pour déplacer la porte vers le haut et le bas, au besoin.



Pour observer un vidéo d'instruction court sur programmer votre nouvel ouvre porte de garage employez votre smartphone pour lire le code de QR ci-dessous.



Réglages

1 Programmation de la course

AVERTISSEMENT

Sans un système d'inversion de sécurité bien installé, des personnes (plus particulièrement les petits enfants) pourraient être GRIÈVEMENT BLESSÉES ou TUÉES par une porte de garage qui se referme.

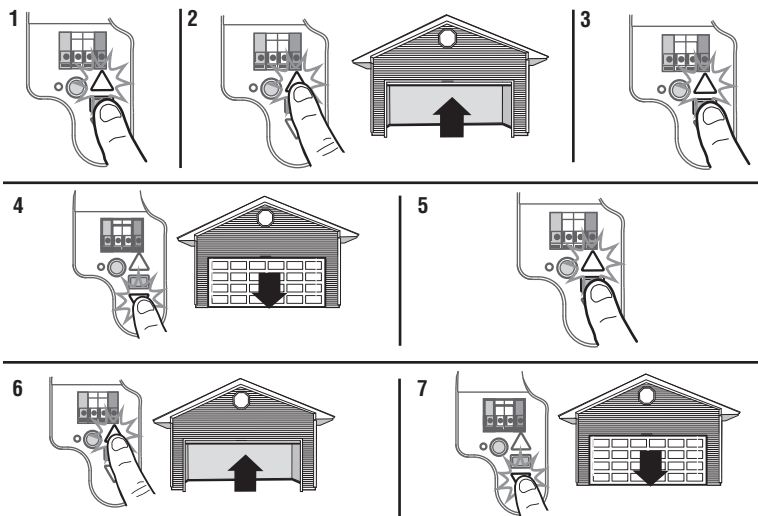
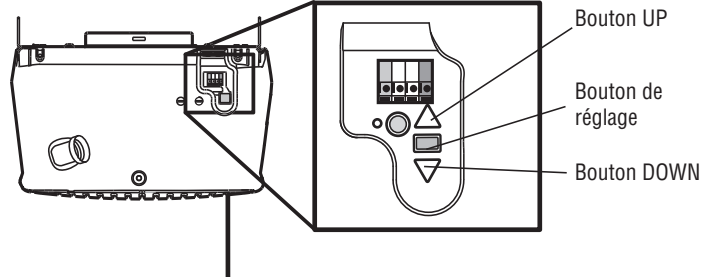
- Un réglage erroné des courses de la porte de garage gênera un fonctionnement approprié du système d'inversion de sécurité.
- Après avoir effectué QUELQUE réglage que ce soit, on DOIT faire l'essai du système d'inversion de sécurité. La porte de garage DOIT remonter au contact d'un objet d'une hauteur de 3,8 cm (1-1/2 de po) (ou un 2x4 posé à plat) du sol.

Durant programmation, les boutons UP et DOWN pour déplacer la porte vers le haut et le bas, au besoin.

1. Appuyer sur le bouton de réglage et le maintenir enfoncé jusqu'à ce que le bouton UP commence à clignoter ou qu'un bip se fasse entendre.
2. Appuyer sur le bouton UP et le maintenir enfoncé jusqu'à ce que la porte soit à la position d'ouverture désirée.
3. Une fois que la porte est dans la position d'ouverture désirée, appuyer sur le bouton de réglage et le relâcher. Les lampes de l'ouvre-porte de garage clignoteront deux fois et le bouton DOWN commencera à clignoter.
4. Appuyer sur le bouton DOWN et le maintenir enfoncé jusqu'à ce que la porte soit à la position de fermeture désirée.
5. Une fois que la porte est dans la position de fermeture désirée, appuyer sur le bouton de réglage et le relâcher. Les lampes de l'ouvre-porte de garage clignoteront deux fois et le bouton UP commencera à clignoter.
6. Appuyer et relâcher le bouton UP. Lorsque la porte se déplace à la position UP programmée, le bouton DOWN commencera à clignoter.
7. Appuyer et relâcher le bouton DOWN. La porte se déplacera jusqu'à la position de fermeture programmée. La programmation est terminée.

Si les lampes de l'ouvre-porte de garage clignotent 5 fois au cours des étapes de programmation de la course, le délai de programmation a expiré. Si l'éclairage de l'ouvre-porte de garage clignote 10 fois au cours des étapes de programmation de la course, les capteurs d'inversion de sécurité sont mal alignés ou obstrués (voir page 21). Lorsque les capteurs sont alignés et dégagés, effectuer un cycle d'ouverture et de fermeture complet de la porte en utilisant la télécommande ou les boutons UP et DOWN. La programmation est terminée. Si la porte ne s'actionne pas, répéter les étapes de la programmation de la course.

BOUTONS DE PROGRAMMATION



Réglages

2 Essai du système d'inversion de sécurité

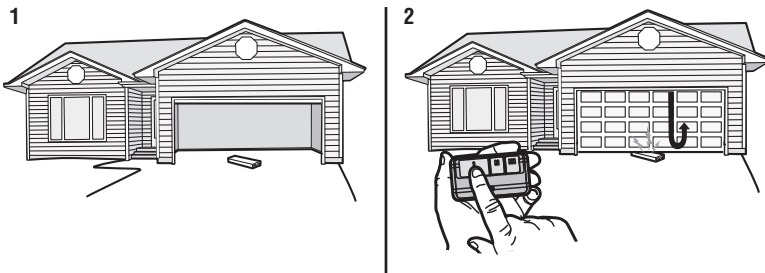
AVERTISSEMENT

Sans un système d'inversion de sécurité bien installé, des personnes (plus particulièrement les petits enfants) pourraient être GRIÈVEMENT BLESSÉES ou TUÉES par une porte de garage qui se referme.

- Le système d'inversion de sécurité DOIT être testé chaque mois.
- Après avoir effectué QUELQUE réglage que ce soit, on DOIT faire l'essai du système d'inversion de sécurité. La porte de garage DOIT remonter au contact d'un objet d'une hauteur de 3,8 cm (1- 1/2 de po) (ou un 2x4 posé à plat) du sol.

1. La porte étant entièrement ouverte, placer une planche de 3,8 cm (1-1/2 de po) d'épaisseur (ou un 2x4 à plat) sur le sol, centrée sous la porte de garage.
2. Appuyer sur le bouton-poussoir de la télécommande pour fermer la porte. La porte DOIT remonter quand elle entre en contact avec la planche.

Si la porte s'arrête et ne remonte pas en raison de l'obstruction, augmenter la course de fermeture (voir l'étape de réglage n° 1). Répéter l'essai. Lorsque la porte remonte au contact de la planche de 3,8 cm (1-1/2 de po), retirer la planche et ouvrir-fermer la porte 3 ou 4 fois afin de vérifier le réglage. Si l'ouvre-porte de garage persiste à échouer à l'essai d'inversion de sécurité, appelez un technicien formé en systèmes de porte.



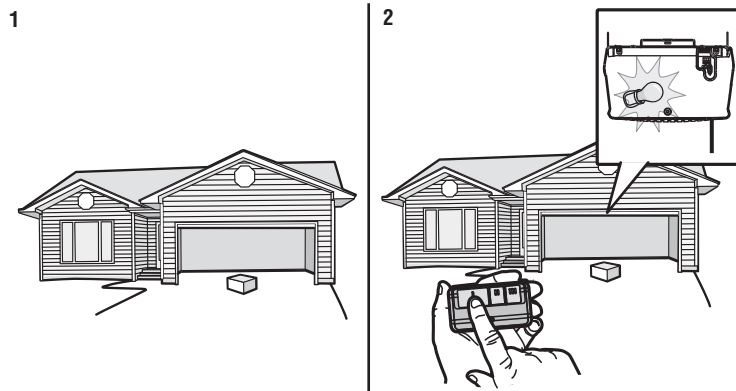
3 Essai du Protector System®

AVERTISSEMENT

Sans un système d'inversion de sécurité bien installé, des personnes (plus particulièrement les petits enfants) pourraient être GRIÈVEMENT BLESSÉES ou TUÉES par une porte de garage qui se referme.

1. Ouvrir la porte. Mettre la boîte en carton de l'ouvre-porte dans la trajectoire de la porte.
2. Appuyer sur le bouton-poussoir de la télécommande pour fermer la porte. La porte ne se déplacera pas plus de 2,5 cm (1 po) et les lampes de l'ouvre-porte de garage clignoteront 10 fois.

L'ouvre-porte de garage ne se fermera pas à l'aide d'une télécommande si le témoin DEL d'un des deux capteurs d'inversion est éteint (ce qui avertit que le détecteur est mal aligné ou obstrué). Si l'ouvre-porte de garage ferme la porte lorsque le capteur d'inversion de sécurité est obstrué (et que les capteurs ne sont pas à plus de 15 cm ou 6 po du sol), appeler un technicien formé en systèmes de porte.



IMPORTANTES CONSIGNES DE SÉCURITÉ

AVERTISSEMENT

Pour réduire le risque de BLESSURES GRAVES, voire MORTELLES :

1. LIRE ET RESPECTER TOUS LES AVERTISSEMENTS ET TOUTES LES INSTRUCTIONS.
2. Garder EN TOUT TEMPS la télécommande hors de portée des enfants. Ne laissez JAMAIS les enfants faire fonctionner les télécommandes ou les boutons-poussoirs de la commande de porte de garage ou jouer avec ceux-ci.
3. Actionner la porte de garage UNIQUEMENT lorsqu'on peut la voir clairement, qu'elle est bien réglée et qu'aucun objet n'obstrue sa course.
4. Gardez TOUJOURS la porte de garage en vue toute personne ou tout objet à l'écart de la porte jusqu'à sa fermeture complète. PERSONNE NE DOIT CROISER LA TRAJECTOIRE DE LA PORTE EN MOUVEMENT.
5. PERSONNE NE DOIT PASSER SOUS UNE PORTE ARRÊTÉE OU PARTIELLEMENT OUVERTE.
6. Si possible, utilisez la poignée de déclenchement d'urgence pour dégager le chariot UNIQUEMENT lorsque la porte de garage est FERMÉE. Faites preuve de prudence lorsque vous utilisez cette poignée lorsque la porte est ouverte. Des ressorts affaiblis ou brisés ou une porte déséquilibrée peuvent entraîner la chute rapide et/ou inattendue de la porte et accroître le risque de BLESSURES GRAVES, voire MORTELLES.
7. Ne JAMAIS utiliser la poignée de déclenchement d'urgence à moins que rien ou personne n'obstrue la trajectoire de la porte.
8. Ne JAMAIS utiliser la poignée pour ouvrir ou fermer la porte de garage. Il y a risque de chute si le nœud de la corde se défait.
9. Après avoir effectué QUELQUE réglage que ce soit, on DOIT faire l'essai du système d'inversion de sécurité.
10. Le système d'inversion de sécurité DOIT être testé chaque mois. La porte de garage DOIT pouvoir inverser sa course au contact d'un objet de 3,8 cm (1-1/2 de po) (ou d'une planche de 2x4) posé(e) sur le sol. À défaut de régler l'ouvre-porte de garage correctement, le risque de BLESSURE GRAVE, voire MORTELLES.
11. GARDEZ TOUJOURS LA PORTE DE GARAGE BIEN ÉQUILIBRÉE (voir la page 2). Une porte mal équilibrée peut ne PAS inverser sa course en cas de besoin et peut entraîner des BLESSURES GRAVES, voire MORTELLES.
12. TOUTES les réparations des câbles, des ressorts et de la quincaillerie, et de TOUT ce qui se trouve sous une tension EXTRÊME, DOIVENT être confiées à des techniciens formés à cet effet.
13. Pour éviter des BLESSURES GRAVES ou la MORT par électrocution, débranchez TOUTE alimentation électrique ainsi que les piles AVANT TOUTE intervention.
14. Ce système opérateur est équipé d'un dispositif de fonctionnement sans surveillance. La porte est susceptible de se mettre en mouvement inopinément. PERSONNE NE DOIT CROISER LA TRAJECTOIRE DE LA PORTE EN MOUVEMENT.
15. NE PAS installer sur une porte rigide dans le cas de dispositifs ou fonctions permettant la fermeture non surveillée. Les dispositifs et fonctions non surveillés doivent être utilisés UNIQUEMENT avec des portes articulées.

16. CONSERVER CES INSTRUCTIONS.

Fonctionnement

Caractéristiques

Votre ouvre-porte de garage est doté de fonctions vous permettant de mieux commander le fonctionnement de votre porte de garage.

Alert2Close (Alerte de fermeture)

La fonction d'alerte de fermeture fournit une alerte visuelle et audible vous avertissant de la fermeture d'une porte non surveillée.

MINUTERIE DE FERMETURE (TTC)

La minuterie de fermeture ferme automatiquement la porte après une période déterminée qu'on peut régler en utilisant la commande de porte avec TTC (Modèle 881LMW ou 880LMW). Avant et pendant la fermeture de la porte, l'ouvre-porte de garage émet des bips et l'éclairage se met à clignoter.

MyQ®

La technologie MyQ® utilise un signal de 900 MHz offrant une communication à deux voies entre l'ouvre-porte de garage et les accessoires activés par MyQ®. Votre porte de garage est compatible avec un maximum de 16 accessoires MyQ®.

TÉLÉCOMMANDES ET COMMANDES DE PORTE SECURITY+ 2.0®

L'ouvre-porte de garage a été programmé en usine de manière à fonctionner avec la télécommande, qui change de code à chaque utilisation, accédant au hasard à plus de 100 milliards de nouveaux codes. Compatible avec les accessoires MyQ® et Security+ 2.0®, voir page 34.

REMARQUE : Les anciens télécommandes, commandes de porte LiftMaster, et les produits de tiers ne sont pas compatibles.

Security+ 2.0® Accessoires	CAPACITÉ DE MISE EN MÉMOIRE
Télécommandes	Jusqu'à 24
Commandes de porte	Jusqu'à 2 panneaux Smart Control ou 4 commandes de portes Security+ 2.0®
Ouvre-porte sans clé	Jusqu'à 1

LE PROTECTOR SYSTEM® (CAPTEURS D'INVERSION DE SÉCURITÉ)

Lorsqu'ils sont bien connectés et bien alignés, les détecteurs inverseurs détecteront un obstacle sur le passage de leur faisceau infrarouge. Si un obstacle brise le faisceau infrarouge pendant que la porte se ferme, la porte s'arrêtera et remontera jusqu'à la position entièrement ouverte et les lumières de l'ouvre-porte clignoteront 10 fois. Si la porte est complètement ouverte et les détecteurs inverseurs ne sont pas installés ou sont mal alignés, la porte ne se fermera pas à l'aide d'une télécommande. Cependant, vous pouvez fermer la porte si vous maintenez le bouton de la commande de porte ou l'émetteur à code jusqu'à ce que la porte soit totalement fermée. Les capteurs d'inversion de sécurité n'ont aucun effet sur le cycle d'ouverture.

ÉCONOMIE D'ÉNERGIE

Pour économiser l'énergie, l'ouvre-porte de garage se met en mode de veille lorsque la porte est complètement fermée. Le mode de veille ferme l'ouvre-porte de garage jusqu'à ce qu'il soit activé. Le mode de veille est subordonné à l'éclairage de l'ouvre-porte de garage; lorsque l'ampoule s'éteint, le témoin DEL du capteur s'éteint et chaque fois que l'éclairage de l'ouvre-porte de garage s'allume, le témoin DEL du capteur s'allume. L'ouvre-porte de garage ne se met en mode de veille que lorsqu'il a achevé cinq cycles de mise sous tension.

ÉCLAIRAGE

Les ampoules de l'ouvre-porte de garage s'allument lors de son branchement initial, lorsque l'alimentation est rétablie après une panne de courant ou lorsque l'ouvre-porte de garage est actionné. Les lumières s'éteignent automatiquement après 4 1/2 minutes. Utiliser une ampoule à incandescence A19 (100 W maximum).

Éclairage

L'ouvre-porte de garage est doté d'une fonction supplémentaire; l'éclairage s'allume quand quelqu'un entre par la porte de garage ouverte et interrompt le faisceau infrarouge du détecteur inverseur de sécurité. Pour un contrôle supplémentaire des ampoules de votre ouvre-porte de garage, reportez-vous au page 28.

UTILISATION DE VOTRE OUVRE-PORTE DE GARAGE

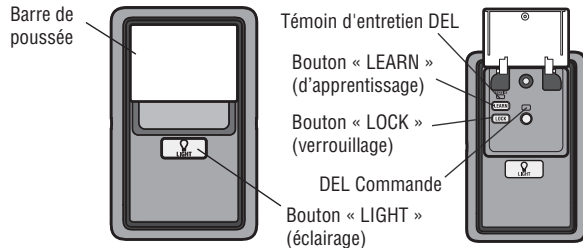
L'ouvre-porte de garage peut être activé par une commande de porte murale, une télécommande, un émetteur à code ou un accessoire MyQ®. Lorsque la porte est fermée et que l'ouvre-porte de garage est activé, la porte s'ouvrira. Si la porte détecte un obstacle ou est interrompue lors de son ouverture, elle s'arrêtera. Si la porte n'est pas fermée et que l'ouvre-porte de garage est activé, elle fermera. Si l'ouvre-porte de garage détecte un obstacle pendant la fermeture, la porte inversera sa course. Si l'obstacle interrompt le faisceau du détecteur, les lumières de l'ouvre-porte clignoteront pendant 10 secondes. Cependant, vous pouvez fermer la porte si vous maintenez le bouton de la commande de porte ou l'émetteur à code jusqu'à ce que la porte soit totalement fermée. Les capteurs d'inversion de sécurité n'ont aucun effet sur le cycle d'ouverture. Le capteur d'inversion de sécurité doit être connecté et aligné correctement avant que l'ouvre-porte de garage n'entame le mouvement de fermeture.

Fonctionnement

Pose de la commande de porte

SYNCHRONISATION DE LA COMMANDE DE PORTE

Pour synchroniser la commande de porte et l'ouvre-porte de garage, appuyer sur la barre-poussoir jusqu'à ce que l'ouvre-porte de garage s'active (cela peut prendre jusqu'à 3 pressions). Vérifier la commande de la porte en appuyant sur la barre-poussoir, chaque pression sur la barre-poussoir activera l'ouvre-porte de garage.



BARRE DE POUSSÉE

Appuyer sur la touche-poussoir pour ouvrir ou fermer la porte.

BOUTON LIGHT (ÉCLAIRAGE)

Appuyer sur le bouton « LIGHT » (éclairage) pour allumer ou éteindre l'éclairage de l'ouvre-porte de garage. Quand les témoins sont allumés, ils resteront ainsi jusqu'à ce qu'on appuie à nouveau sur le bouton « LIGHT » (éclairage) ou qu'on mette l'ouvre-porte de garage sous tension. Quand on met l'ouvre-porte de garage sous tension, les témoins s'éteignent après le délai spécifié (le réglage d'usine est de 4 minutes et demie). Ce bouton « LIGHT » (éclairage) ne permet pas de commander l'éclairage pendant que la porte est en mouvement.

Les fonctions suivantes sont accessibles sur l'écran quand on soulevant la barre-poussoir :

APPRENTISSAGE D'UN DISPOSITIF

On peut programmer toutes les télécommandes compatibles, les commandes de télédéverrouillage ou les accessoires MyQ® pour l'ouvre-porte de garage en accédant au menu et de navigation en appuyant sur la touche « LEARN » (apprentissage) sur le panneau de détection de mouvement, voir page 29.

VERROUILLAGE

La fonction de « LOCK » verrouillage est conçue pour empêcher l'activation de l'ouvre-porte de garage à partir des télécommandes tout en permettant l'activation à partir de la commande de porte et de télédéverrouillage. Cette fonction est utile pour avoir l'esprit en paix lorsque la maison est vide (p. ex., pendant les vacances).

ÉCLAIRAGE AUTOMATIQUE

Éclairage

L'éclairage s'allume quand quelqu'un entre par la porte de garage ouverte et que le faisceau infrarouge du capteur d'inversion de sécurité est défectueux.

ALERTE D'ENTRETIEN (MAS)

Cette fonction permet au propriétaire de s'assurer que l'ouvre-porte de garage restera en bon état de fonctionnement. Lorsque l'ouvre-porte de garage doit faire l'objet d'un entretien (après environ 4500 cycles d'ouverture-fermeture), les DEL de commande (jaune) et d'entretien (rouge) commenceront à clignoter en alternance. La fonction d'alerte d'entretien est réglée en usine à la position de désactivation, elle peut être activée au moment de l'installation. Contactez le concessionnaire chargé de l'installation.

Fonctionnement

Pose de la commande de porte

VERROUILLAGE

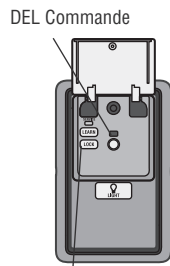
REMARQUE : La fonction de verrouillage est conçue pour empêcher l'activation de l'ouvre-porte de garage à partir des télécommandes tout en permettant l'activation à partir de la commande de porte et de télédéverrouillage.

Activer :

Appuyer sur le bouton « LOCK » (verrouillage) et le maintenir enfoncé pendant 2 secondes. Le témoin DEL de la commande clignotera tant que la fonction de verrouillage est activée et la télécommande ne fera pas fonctionner votre porte pour le moment.

Désactiver :

Appuyer sur le bouton « LOCK » (verrouillage) et le maintenir enfoncé pendant 2 secondes. Le témoin DEL de la commande s'arrête de clignoter et le fonctionnement normal reprend.



Bouton « LOCK »
(verrouillage)

ÉCLAIRAGE

Pour modifier la durée de l'éclairage de l'ouvre-porte de garage :

Appuyez sur le bouton « LOCK » (verrouillage) et le maintenir enfoncé jusqu'à ce que l'éclairage de l'ouvre-porte de garage clignote.* L'intervalle de temps est indiqué par le nombre de clignotements.

Nombre de clignotements de l'éclairage de l'ouvre-porte de garage	Durée d'allumage de l'éclairage de l'ouvre-porte de garage
1	1 1/2 minute
2	2 1/2 minutes
3	3 1/2 minutes
4	4 1/2 minutes

Pour effectuer un cycle des intervalles de temps, répéter l'étape ci-dessus.

* Environ 10 secondes

FONCTION D'ÉCLAIRAGE (le défaut est en

activité)

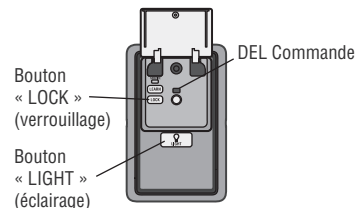
Désactiver :

Appuyez sur le bouton « LIGHT » (éclairage) et le maintenir enfoncé jusqu'à ce que l'éclairage de l'ouvre-porte de garage s'allume, puis s'éteint de nouveau.*

Activer :

Commencer avec l'éclairage de l'ouvre-porte de garage allumé. Appuyer sur le bouton « LIGHT » (éclairage) et le maintenir enfoncé jusqu'à ce que l'éclairage de l'ouvre-porte de garage s'éteigne, puis s'allume de nouveau.*

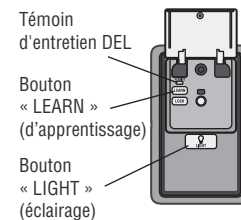
Si le témoin DEL de la commande clignote continuellement, la fonction de déverrouillage doit être désactivée.



SYSTÈME D'ALERTE D'ENTRETIEN (MAS) :

Activer/désactiver :

Appuyez sur le bouton « LEARN » (apprentissage) et le maintenir enfoncé. Appuyer ensuite sur le bouton « LIGHT » (éclairage). Le témoin DEL de l'entretien fera clignoter l'état; 2 éclairs pour l'état actif et 3 éclairs pour l'état inactif.



Fonctionnement

Télécommande

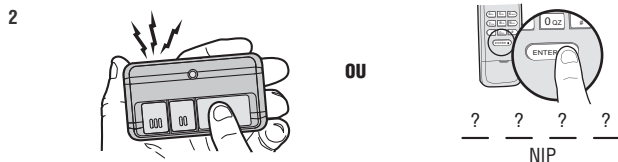
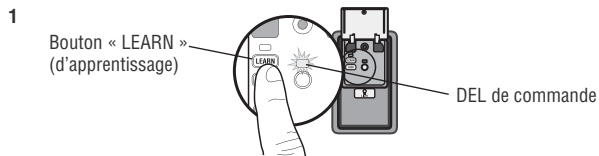
Votre télécommande a été programmée en usine pour faire fonctionner votre ouvre-porte de garage.

Les télécommandes LiftMaster plus anciennes ne sont PAS compatibles, consultez la page 34 pour les accessoires compatibles. La programmation peut être réalisée par le biais de la commande de porte ou du bouton d'apprentissage de l'ouvre-porte de garage. Pour programmer des accessoires supplémentaires, consultez les instructions qui accompagnent l'accessoire en question ou allez sur LiftMaster.com. Si votre véhicule est équipé du système Homelink®, un adaptateur externe peut être nécessaire selon la marque et l'année-modèle de votre véhicule. Aller sur www.homelink.com pour de l'information supplémentaire.

POUR AJOUTER, REPROGRAMMER OU MODIFIER UN NIP DE TÉLÉCOMMANDE OU D'ÉMETTEUR À CODE À L'AIDE DE LA COMMANDE DE PORTE

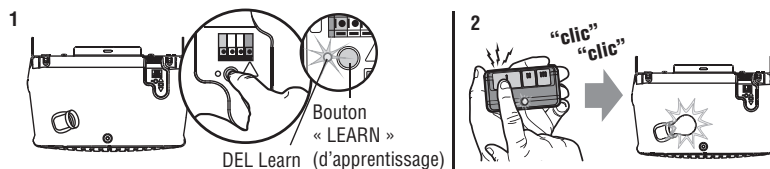
1. Enfoncer et relâcher **deux fois** le bouton LEARN (d'apprentissage) sur la commande de porte. La DEL de la commande se met à clignoter.
2. **Télécommande :**
Appuyer sur le bouton de la télécommande qui fera fonctionner votre porte de garage.
Clavier sans fil :
Introduire un numéro d'identification personnelle (NIP) à quatre chiffres de son choix sur le pavé numérique. Appuyer ensuite sur le bouton ENTER (entrée).

L'éclairage de l'ouvre-porte de garage clignote (ou deux dé clics se font entendre) et la DEL de commande cesse de clignoter une fois que le code a été programmé. Répétez les étapes ci-dessus pour la programmation des télécommandes supplémentaires ou des dispositifs d'émetteur mural à code. Si la programmation échoue, programmer la télécommande en utilisant le bouton d'apprentissage (LEARN).



POUR AJOUTER, REPROGRAMMER OU MODIFIER UNE TÉLÉCOMMANDE AVEC LE BOUTON D'APPRENTISSAGE.

1. Appuyez et relâchez le bouton LEARN (d'apprentissage) de l'ouvre-porte de garage.
2. Enfoncer et tenir le bouton de la télécommande que vous désirez utiliser. Relâcher le bouton lorsque l'éclairage de l'ouvre-porte de garage clignote ou que deux clics se font entendre.



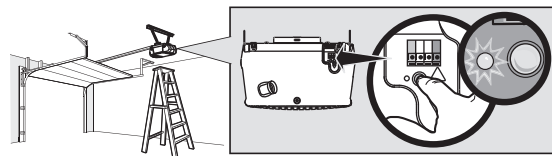
Pour effacer la mémoire

EFFACER TOUTES LES TÉLÉCOMMANDES ET LES COMMANDES DE TÉLÉDÉVERROUILLAGE

1. Appuyer sur le bouton « LEARN » (apprentissage) de l'ouvre-porte de garage et le maintenir enfoncé jusqu'à ce que le témoin DEL du bouton LEARN s'éteigne (environ 6 secondes). Tous les codes de la télécommande et de l'émetteur à code sont maintenant effacés. Reprogrammer tout accessoire que vous souhaitez utiliser.

EFFACER TOUTES LES DISPOSITIFS (Y compris les accessoires MyQ®)

1. Appuyer sur le bouton « LEARN » (apprentissage) de l'ouvre-porte de garage et le maintenir enfoncé jusqu'à ce que le témoin DEL du bouton LEARN s'éteigne (environ 6 secondes).
2. Appuyer immédiatement sur le bouton « LEARN » (apprentissage) et le maintenir enfoncé une nouvelle fois jusqu'à ce que le témoin DEL du bouton LEARN s'éteigne. Tous les codes sont maintenant effacés. Reprogrammer tout accessoire que vous souhaitez utiliser.



Fonctionnement

Ouverture manuelle de la porte

AVERTISSEMENT

Pour prévenir d'éventuelles BLESSURES GRAVES ou LA MORT par suite de la chute d'une porte de garage :

- Si possible, utilisez la poignée de déclenchement d'urgence pour dégager le chariot **UNIQUEMENT** lorsque la porte de garage est **FERMÉE**. Des ressorts faibles ou brisés ou une porte déséquilibrée peuvent provoquer la chute rapide et/ou imprévue d'une porte ouverte.
- Ne **JAMAIS** utiliser la poignée de déclenchement d'urgence à moins que rien ou personne n'obstrue la trajectoire de la porte.
- Ne **JAMAIS** utiliser la poignée pour ouvrir ou fermer la porte. Il y a risque de chute si le nœud de la corde se défait.

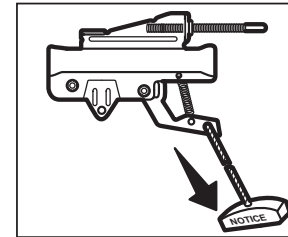
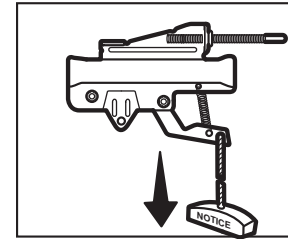
DÉGAGEMENT DU CHARIOT

1. Dans la mesure du possible, la porte doit être complètement fermée.
2. Tirer la poignée de déclenchement d'urgence.

RACCORDEMENT DU CHARIOT

La fonction de verrouillage empêche le chariot de se réenclencher automatiquement.

1. Tirez la poignée de déverrouillage d'urgence vers le bas et la laisser revenir (vers l'ouvre-porte). Il sera alors possible d'ouvrir et de fermer la porte à la main autant de fois qu'on le désirera.
2. Pour désactiver la fonction de verrouillage, tirez la poignée vers le bas. Le chariot se réenclencherà lors de la prochaine ouverture ou fermeture de la porte, soit manuellement ou à l'aide de la commande de la porte ou de la télécommande.



Planification des maintenances

CHAQUE MOIS

- Faire fonctionner la porte à la main. Si elle est déséquilibrée ou si elle force, appeler un technicien formé en systèmes de porte.
- S'assurer que la porte s'ouvre et se ferme complètement. Ajuster, au besoin, voir page 23.
- Contrôle du système d'inversion de sécurité. Ajuster, au besoin, voir page 24.

CHAQUE ANNÉE

- Huiler les galets, les roulements et les charnières de la porte. Il n'est pas nécessaire de lubrifier davantage l'ouvre-porte de garage. Ne pas graisser les guides de la porte.

TOUS LES DEUX OU TROIS ANS

- Utiliser un chiffon pour éliminer la graisse sur le rail de l'ouvre-porte de garage. Appliquer de nouveau une fine couche de graisse blanche au lithium sur la surface du rail, là où le chariot glisse.

La pile de la télécommande



AVERTISSEMENT

Pour éviter des BLESSURES GRAVES, VOIRE MORTELLES :

- Ne laissez JAMAIS des enfants s'approcher de la pile.
- Communiquez immédiatement avec un médecin en cas d'ingestion d'une pile.

Pour réduire le risque d'incendie, d'explosion ou de brûlure chimique :

- La remplacer UNIQUEMENT par une pile bouton 3V CR2032.
- NE PAS recharger, démonter, chauffer à plus de 100 °C (212 °F) ou incinérer les piles.

Pour remplacer la pile, soulever le boîtier au milieu, puis de chaque côté de l'agrape de pare-soleil. Insérer la pile de recharge avec le côté positif (+) vers le haut. Remplacer les piles uniquement par des piles bouton 3V CR2032. Mettre la pile usée au rebut de manière appropriée.



AVIS. - Les règles de la FCC et/ou d'Industrie Canada (IC) interdisent tout ajustement ou toute modification de ce récepteur. IL N'EXISTE AUCUNE AUTRE PIÈCE SUSCEPTIBLE D'ÊTRE ENTRETENU PAR L'UTILISATEUR.

Cet appareil est conforme aux dispositions de la partie 15 du règlement de la FCC et de la norme IC RSS-210. Son utilisation est assujettie aux deux conditions suivantes: (1) ce dispositif ne peut causer des interférences nuisibles, et (2) ce dispositif doit accepter toute interférence reçue, y compris une interférence pouvant causer un fonctionnement non souhaité.

Cet appareil numérique de classe Best conforme à la norme NMB-003 du Canada.

Dépannage

Fiche diagnostique

Des fonctions d'autodiagnostic ont été programmées dans votre ouvre-porte de garage. Les flèches vers le haut et le bas de l'ouvre-porte de garage font clignoter les codes d'anomalie.

CODE D'ANOMALIE		SYMPTÔME	SOLUTION
La flèche vers le haut clignote	La flèche vers le bas clignote		
1	1	L'ouvre-porte de garage ne ferme pas la porte et l'éclairage clignote.	Les détecteurs inverseurs de sécurité ne sont pas installés, connectés, ou les fils sont coupés. Vérifier les fils du détecteur pour y déceler tout fil débranché ou coupé.
1	2	L'ouvre-porte de garage ne ferme pas la porte et l'éclairage clignote.	Les détecteurs inverseurs de sécurité sont court-circuités ou un fil est inversé. Inspecter le câblage des détecteurs inverseurs de sécurité et tous les points d'agrafe et de connexion; remplacer ou corriger les fils au besoin.
1	3	La commande de porte ne fonctionne pas.	Les fils de la commande de porte sont court-circuités ou la commande de porte est défectueuse. Inspecter le câblage des détecteurs inverseurs de sécurité et tous les points d'agrafe et de connexion; remplacer ou corriger les fils au besoin.
1	4	L'ouvre-porte de garage ne ferme pas la porte et l'éclairage clignote.	Les détecteurs inverseurs de sécurité sont désalignés ou momentanément obstrués. Réaligner les deux détecteurs pour s'assurer que les deux DEL s'allument de manière continue et ne clignent pas. S'assurer que rien ne pend ou n'est monté sur la porte, ce qui pourrait perturber le champ des détecteurs pendant la fermeture.
1	5	La porte est en mouvement sur une distance de 15 à 20 cm (6 à 8 po), puis s'arrête ou inverse sa course.	Ouvrir et fermer manuellement la porte. Vérifier si un objet est collé ou obstrue la porte, comme un ressort ou une serrure brisé(e); corriger au besoin. Vérifier les connexions de câble au module de course et à la plaque logique. Remplacer le module au besoin.
		Aucun mouvement, même pas un dé clic.	Ouvrir et fermer manuellement la porte. Vérifier si un objet est collé ou obstrue la porte, comme un ressort ou une serrure brisé(e); corriger au besoin. Remplacer la plaque logique au besoin.
		L'ouvre-porte émet un faible murmure pendant une à deux secondes, mais la porte ne bouge pas.	Ouvrir et fermer manuellement la porte. Vérifier si un objet est collé ou obstrue la porte, comme un ressort ou une serrure brisé(e); corriger au besoin. Remplacer le moteur au besoin.
1	6	La porte glisse après qu'elle se soit complètement arrêtée.	Programmer la course jusqu'à la position de glissement ou faire équilibrer la porte par un technicien formé.
2	1-5	Aucun mouvement ni son.	Remplacer la carte logique.
3	2	Impossible de régler la course ou la position de retenue.	Vérifier le module de course, le remplacer au besoin.

Dépannage

CODE D'ANOMALIE		SYMPTÔME	SOLUTION
La flèche vers le haut clignote	La flèche vers le bas clignote		
4	1-4	Le mouvement de porte s'interrompt ou repart en direction inverse.	Ouvrir et fermer manuellement la porte. Vérifier si un objet est collé ou obstrue la porte, comme un ressort ou une serrure brisé(e); corriger au besoin. Si la porte force ou colle, appeler un technicien formé en systèmes de porte. Si la porte ne force pas ou ne colle pas, essayer de reprogrammer la course (consulter la page 23).
4	5	La porte est en mouvement sur une distance de 15 à 20 cm (6 à 8 po), puis s'arrête ou inverse sa course.	Erreur de communication avec le module de commande de course. Vérifier les connexions du module de course; remplacer le module au besoin.
4	6	L'ouvre-porte de garage ne ferme pas la porte et l'éclairage clignote.	Les détecteurs inverseurs de sécurité sont désalignés ou momentanément obstrués. Réaligner les deux détecteurs pour s'assurer que les deux DEL s'allument de manière continue et ne clignent pas. S'assurer que rien ne pend ou n'est monté sur la porte, ce qui pourrait perturber le champ des détecteurs pendant la fermeture.

L'ouvre-porte de garage peut émettre des bips pour plusieurs raisons :

- L'ouvre-porte de garage a été activé par un dispositif ou d'une fonctionne comme une minuterie de fermeture, un moniteur de porte de garage ou une passerelle internet LiftMaster®, consulter la page 26.

Ma télécommande n'actionne pas la porte de garage :

- Vérifier si la fonction de verrouillage n'est pas activée sur la commande de porte.
- Reprogrammer la télécommande.
- Si la télécommande n'actionne toujours pas la porte, vérifier les codes d'anomalie pour s'assurer que l'ouvre-porte de garage fonctionne correctement.

Ma porte ne se ferme pas et les ampoules de l'éclairage du moteur clignent :

Le capteur d'inversion de sécurité doit être connecté et aligné correctement avant que l'ouvre-porte de garage n'entame le mouvement de fermeture.

- Vérifier que les détecteurs inverseurs de sécurité sont bien installés et libres de toute obstruction.

L'éclairage de l'ouvre-porte de garage ne s'éteint pas quand la porte est ouverte :

L'ouvre-porte de garage est équipé d'une fonction qui allume l'éclairage lorsque les détecteurs inverseurs sont obstrués. Ces fonctions peuvent être désactivées à l'aide de la commande de porte, consulter la page 28.

La télécommande de mon voisin ouvre ma porte de garage :

Effacer la mémoire de votre ouvre-porte de garage et reprogrammer la ou les télécommandes.

La télécommande Homelink® de mon véhicule n'arrive pas à programmer mon ouvre-porte de garage :

Un adaptateur externe peut être nécessaire selon la marque et l'année-modèle de votre véhicule. Aller sur www.homelink.com pour de l'information supplémentaire.

Accessoires

828LM Passerelle Internet de LiftMaster® :



Accessoire qui se connecte à un ordinateur et vous permet de surveiller et commande les ouvreporte de garage et les accessoires d'éclairage activés par la technologie MyQ®.

823LM Télécommande d'éclairage :



Commandez automatiquement votre éclairage en vous servant de l'ouvreporte de garage, d'une télécommande Security+ 2.0® ou d'une passerelle Internet LiftMaster®. Remplacez tout simplement votre interrupteur mural câblé actuel.

825LM Télécommande d'éclairage :



Commandez automatiquement votre éclairage en vous servant de l'ouvreporte de garage, d'une télécommande Security+ 2.0® ou d'une passerelle Internet LiftMaster®. Branchez à toute sortie intérieur.

975LM Dispositif laser d'assistance au stationnement du garage :



Le laser permet aux propriétaires de garer leur véhicule de manière précise dans leur garage.

829LM Moniteur de garage et de portail :



Surveille l'état de marche-arrêt de 4 ouvre-porte de garage ou actionneurs de portail compatibles avec MyQ®, au maximum, et permet de les fermer depuis n'importe quel endroit dans la maison.

877MAX Émetteur à code sans fil MAX :



Pour une utilisation à l'extérieur de la maison vous permettant d'activer l'accès au garage à l'aide d'un NIP à quatre chiffres. Fonctionne avec TOUS les ouvre-porte LiftMaster® fabriqués depuis 1993.

374UT Mini-Télécommande Universelle :



La mini-télécommande universelle peut être programmée pour activer jusqu'à deux produits, comme un ouvre-porte de garage, des commandes d'éclairage MyQ®, un actionneur de barrière ou de porte commerciale.

893MAX Télécommande à trois boutons MAX :



Compatible avec les ouvre-porte de garage LiftMaster® fabriqués depuis 1993. Comprend l'agrafe de paresoleil.

890MAX Mini-télécommande à trois boutons MAX :



Compatible avec les ouvre-porte de garage LiftMaster® fabriqués depuis 1993.

892LT/894LT Télécommandes d'apprentissage à deux et quatre boutons :



Compatible avec les ouvre-porte de garage LiftMaster® fabriqués depuis 1997. Également compatible avec les DIP encodés des portails.

880LMW Smart Control Panel® :



Affiche la température, l'heure et le diagnostic du système; comprend une barre-poussoir pour ouvrir et fermer la porte et une fonction de verrouillage pour assurer une meilleure sécurité. Compatible avec Security+ 2.0® et Wi-Fi®.

881LMW Panneau de commande de détecteur de mouvement doté d'une commande de minuterie de fermeture :



Commande de porte multifonction avec détecteur de mouvement qui allume automatiquement l'éclairage lorsqu'il détecte une personne pénétrant dans le garage. Compatible avec Security+ 2.0® et Wi-Fi®.

886LMW Panneau de commande de porte avec détection de mouvement :



Commande de porte multifonction avec détecteur de mouvement qui allume automatiquement l'éclairage lorsqu'il détecte une personne pénétrant dans le garage. Compatible avec Security+ 2.0® et Wi-Fi®.

Garantie

GARANTIE LIMITÉE LIFTMASTER®

LiftMaster (« le Vendeur ») garantit à l'acheteur au détail initial de ce produit pour la résidence dans laquelle ce produit est originalement installé, que ce dernier est exempt de tout défaut matériel ou de fabrication pour une période de temps précisée ci-dessous (la « Période de garantie »). La période de garantie commence à la date d'achat.

PÉRIODE DE GARANTIE		
Pièces	Moteur	Accessoires
1 an	À vie	1 an

Le bon fonctionnement de ce produit dépend de la conformité de l'utilisateur aux instructions relatives à l'installation, au fonctionnement, à l'entretien et aux tests. Tout défaut de se conformer strictement à ces instructions annulera la présente garantie limitée dans son intégralité.

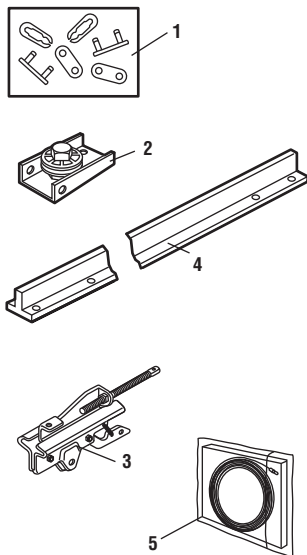
Si, pendant la période de garantie limitée, ce produit semble présenter un défaut couvert par cette garantie limitée, prière d'appeler sans frais au 1-800-528-9131 avant de désassembler ce produit. Des instructions de démontage et d'expédition seront fournies lors de votre appel. Le produit ou la pièce doit ensuite être envoyé à notre centre de réparation sous garantie, conformément aux instructions reçues, frais d'affranchissement et d'assurance prépayés. Une brève description du problème et une preuve d'achat datée devront accompagner tout produit retourné pour une réparation sous garantie. Les produits retournés au vendeur pour une réparation couverte sous garantie qui, après réception par le vendeur, sont confirmés comme étant défectueux et couverts par la présente garantie limitée, seront réparés ou remplacés (à la discrétion du Vendeur) sans frais et retournés port payé. Les pièces défectueuses seront réparées ou remplacées par des pièces neuves ou réusinées, à la seule discrétion du Vendeur. [Les frais engagés pour le retrait et/ou la réinstallation du produit ou de tout composant incombent à l'acheteur].

TOUTE GARANTIE IMPLICITE POUR CE PRODUIT, Y COMPRIS, MAIS DE FAÇON NON LIMITATIVE, TOUTE GARANTIE IMPLICITE DE QUALITÉ MARCHANDE ET D'ADÉQUATION À UN USAGE PARTICULIER, SE LIMITE À LA DURÉE DE LA PÉRIODE DE GARANTIE LIMITÉE APPLICABLE STIPULÉE CI-DESSUS POUR LES COMPOSANTS CONCERNÉS; AUCUNE GARANTIE IMPLICITE N'EXISTERA OU NE S'APPLIQUERA APRÈS UNE TELLE PÉRIODE. Certains États et provinces ne permettent pas les limitations de la durée des garanties implicites, auquel cas la limitation précitée pourrait ne pas s'appliquer à l'Acheteur. LA PRÉSENTE GARANTIE LIMITÉE NE COUVRE PAS LES DOMMAGES QUI NE SONT PAS DUS À UN DÉFAUT, CEUX CAUSÉS PAR UNE MAUVAISE INSTALLATION, UNE OPÉRATION OU UN ENTRETIEN INADÉQUATS (INCLUANT, NOTAMMENT, LES AVARIES DUES À UN MAUVAIS TRAITEMENT, UN USAGE INAPPROPRIÉ, L'ABSENCE D'ENTRETIEN RAISONNABLE ET NÉCESSAIRE, LES RÉPARATIONS NON AUTORISÉES OU TOUTE MODIFICATION À CE PRODUIT), LES FRAIS DE MAIN-D'ŒUVRE POUR LA RÉINSTALLATION D'UNE UNITÉ RÉPARÉE OU REMPLACÉE OU LE REMPLACEMENT DES CONSOMMABLES (P. EX. LES PILES D'ÉMETTEURS À TÉLÉCOMMANDE ET AMPOULES DE LAMPE) OU LES UNITÉS INSTALLÉES À USAGE NON RÉSIDENTIEL. LA PRÉSENTE GARANTIE LIMITÉE NE COUVRE PAS LES PROBLÈMES RELATIFS OU CONNEXES À LA PORTE DU GARAGE OU À LA QUINCAILLERIE DE LA PORTE DU GARAGE, NOTAMMENT LES RESSORTS DE LA PORTE, LES GALETS DE PORTE, L'ALIGNEMENT DE LA PORTE OU LES CHARNIÈRES. LA PRÉSENTE GARANTIE LIMITÉE NE COUVRE PAS NON PLUS LES PROBLÈMES CAUSÉS PAR LES INTERFÉRENCES. LE VENDEUR NE SERA EN AUCUN CAS TENU RESPONSABLE DES DOMMAGES-INTÉRÊTS PARTICULIERS OU INDIRECTS RÉSULTANT DE L'UTILISATION OU DE L'INAPTITUDE À UTILISER CE PRODUIT CORRECTEMENT. EN AUCUN CAS, LA RESPONSABILITÉ DU VENDEUR POUR BRIS DE GARANTIE, RUPTURE DE CONTRAT, NÉGLIGENCE OU RESPONSABILITÉ STRICTE N'EXCÉDERA LE COÛT DU PRODUIT COUVERT AUX PRÉSENTES. NUL N'EST AUTORISÉ À ASSUMER POUR NOUS D'AUTRES RESPONSABILITÉS RELATIVEMENT À LA VENTE DE CE PRODUIT.

Certains États et provinces n'acceptant pas l'exclusion ou les restrictions relatives aux dommages spéciaux ou indirects, les restrictions ou exclusions figurant dans la présente garantie pourraient ne pas s'appliquer à l'Acheteur. Certains droits légaux particuliers sont conférés à l'Acheteur en vertu de cette garantie et celui-ci pourrait avoir d'autres droits qui varient selon l'État ou la province dans lequel ou laquelle réside l'Acheteur.

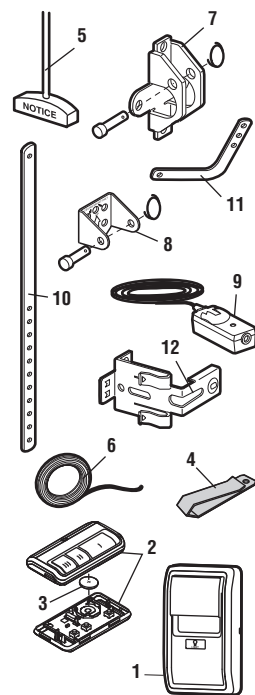
Pièces de Rechange

Description	Numéro de la pièce
1 Maillon de raccord	4A1008
2 Support de poulie de chaîne	41A4813
3 Chariot complet	41A3489
4 Rail monobloc 2.1 m (7 pi)	1707LM
Rail monobloc 2.4 m (8 pi)	1708LM
Rail monobloc 3 m (10 pi)	1710LM
5 Chaîne dans un carton distributeur	41D3484
Non illustrés	
Graisse à rail	83A11-2



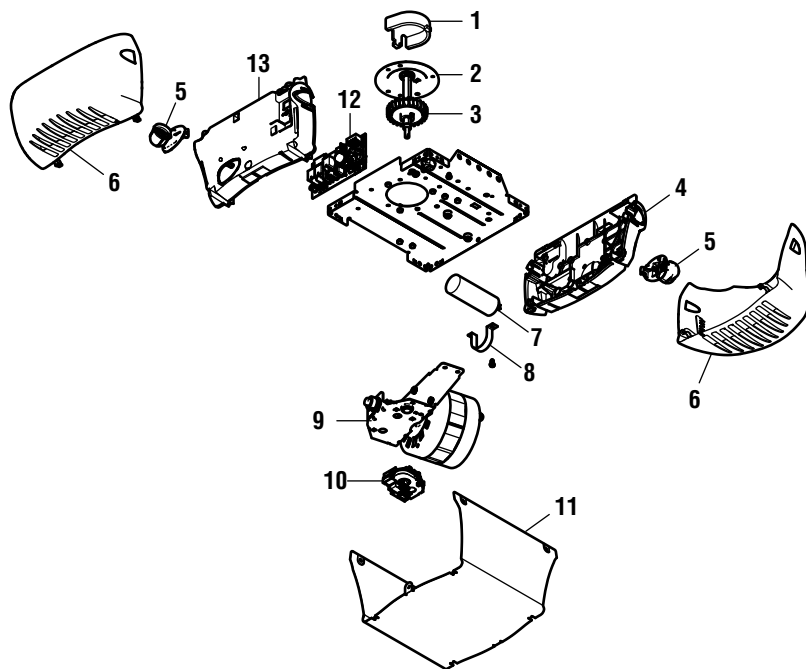
Pièces pour la pose

Description	Numéro de la pièce
1 Panneau commande de porte multifonction	882LMW
2 Télécommande à trois boutons	893LMW
3 Pile au Lithium 3V CR2032	10A20
4 Agrafe de pare-soleil de la télécommande	29B137
5 Poignée et corde pour fonctionnement d'urgence	41A2828
6 Fil de sonnerie blanc et blanc/rouge à 2 conducteurs	41B4494-1
7 Support de porte avec axe de chape et fixation	41A5047
8 Support de linteau avec axe de chape et fixation	41A4353
9 Nécessaire de capteur de sécurité (capteurs de réception et de transmission) avec fil de sonnerie à deux conducteurs de 3 pi (0,9 m)	41A5034
10 Bielle droite	178B34
11 Bielle courbée	178B35
12 Supports de détecteurs inverseurs de sécurité (2)	41A5266-1
Non illustrés	
Sachet des fixations de pose (comprend les fixations à la page 5).	41A2770-6
Manuel d'instructions	114A4722



Pièces de Rechange

Pièces de l'ouvre-porte de garage



Description	Numéro de la pièce
1 Carter de pignon avec vis	31D380
2 Pignon et engrenage	41C4220A
3 Vis sans fin y pignon menant	41A2817
4 Panneau d'extrémité avec toutes les étiquettes	41A5484-1
5 Douille d'ampoule	041C0279
6 Diffuseur	108D79
7 Condensateur	30B532
8 Support de condensateur	12A373
9 Moteur de rechange universel	041D7440
10 Module de voyage	041D7742-7
11 Couverture	041D8141
12 Carte logique du récepteur	045ACT
13 Panneau d'extrémité du carte logique	041D0210

Coordonnées

Adressez la commande des pièces de rechange à :
LiftMaster
6050 S. Country Club Rd.
Tucson, AZ 85706

Pour des renseignements sur l'installation et l'entretien,
1-800-528-9131
Sinon, rendez-vous au site Web :
LiftMaster.com

Avant d'appeler, ayez le numéro de modèle de l'ouvre-porte de garage à portée de la main. Si vous appelez au sujet d'un dépannage, il est recommandé que vous soyez accès à votre ouvre-porte de garage tout en appelant. Si vous commandez une pièce de rechange, notez les renseignements suivants : le numéro de la pièce, le nom de la pièce et le numéro du modèle.