

LiftMaster®

The 892LT/894LT remote control is compatible with Security+ 2.0™ garage door openers, gate operators, commercial door operators and commercial receivers. The remote control can also be programmed to Security+ 2.0™ products with encrypted DIP switches. The remote control can also be used as a replacement for LiftMaster® remote control models 972LM/974LM and 372LM/374LM.

After following the correct programming steps, the 892LT and 894LT remote control will work with garage door openers or receivers which use the following accessories:

- 890 Series (Security+ 2.0™)
- 370 Series (Security+ 315 Mhz)
- 970 Series (Security+ 390 Mhz)

The 892LT and 894LT can clone the following DIP switch remote controls:

- 61LM (390 Mhz)
- 361LM (315 Mhz)
- 811LM (Security+ 2.0™)

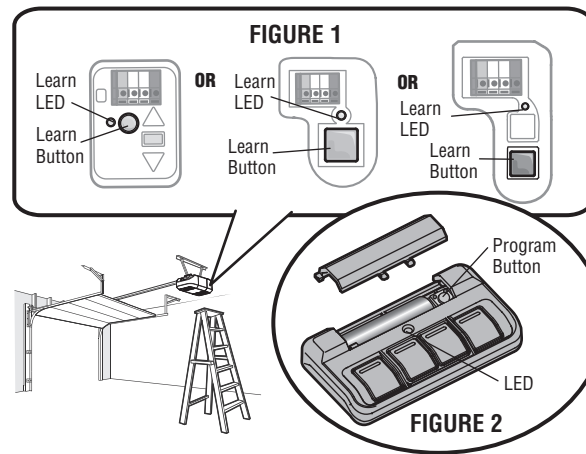
PROGRAMMING

There are two different programming options depending on your application. If you are programming the remote control to an existing DIP switch remote control, refer to OPTION B. For all other programming, refer to OPTION A.

A OPTION A

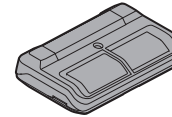
The instructions are written for garage door openers, however the steps still apply for compatible products. Make sure the garage door opener has a working light bulb because it is a programming indicator. The illustrations are generic, so your garage door opener may look different.

- 1** Locate the Learn button on the garage door opener (Figure 1).
- 2** Remove the battery cover from the **new** remote control and locate the Program button (Figure 2).
- 3** To enter programming mode, press the Program button until the LED on the remote control turns on.
- 4** Press and release the Learn button on the garage door opener. The Learn LED will light. Within 30 seconds...
- 5** Press and release the remote control button that you want to use...
Check to see if the garage door opener light bulb blinks. If not, wait for the remote control LED to light solid then **slowly** press and release the remote control button again. **Repeat** until the light bulb blinks. **DO NOT** press the button after the light bulb blinks.
- 6** To exit programming mode, press and release the Program button on the remote control. The LED on the remote control will turn off.
- 7** To test, press and release the programmed button on the remote control. The garage door opener will activate.

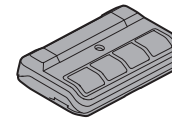


2-BUTTON AND 4-BUTTON REMOTE CONTROLS MODELS 892LT AND 894LT

MODEL 892LT



MODEL 894LT



⚠ WARNING

- To prevent possible **SERIOUS INJURY** or **DEATH** from a moving gate or garage door:
- **ALWAYS** keep remote controls out of reach of children. **NEVER** permit children to operate or play with remote controls.
 - Activate gate or door **ONLY** when it can be seen clearly, is properly adjusted and there are no obstructions to door travel.
 - **ALWAYS** keep gate or garage door in sight until completely closed. **NEVER** permit anyone to cross path of moving gate or door.

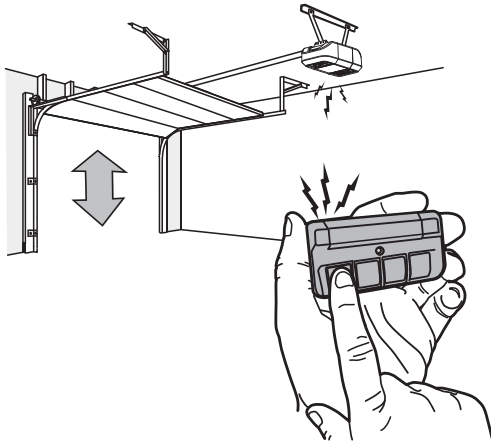
B OPTION B

- 1** Make sure the existing dip-switch remote control and the new remote control are in close proximity to each other.
- 2** Remove the battery cover from the **new** remote control and locate the Program button (Figure 2).
- 3** To enter programming mode on the new remote control, press the program button until the LED on the remote control turns on.
- 4** Press and hold the button that currently activates your product on the **existing** remote control that you want to copy to the new remote control. The LED on the new remote control will flash.
- 5** Press and release the button on the new remote control that you want to program. The LED on the new remote control will flash rapidly, then return to a flash slowly. **DO NOT** press the button after the LED flashes.
- 6** To exit programming mode, press and release the Program button on the remote control. The LED on the remote control will turn off.
- 7** To test, press and release the programmed button on the remote control. The gate operator or commercial door operator will activate.

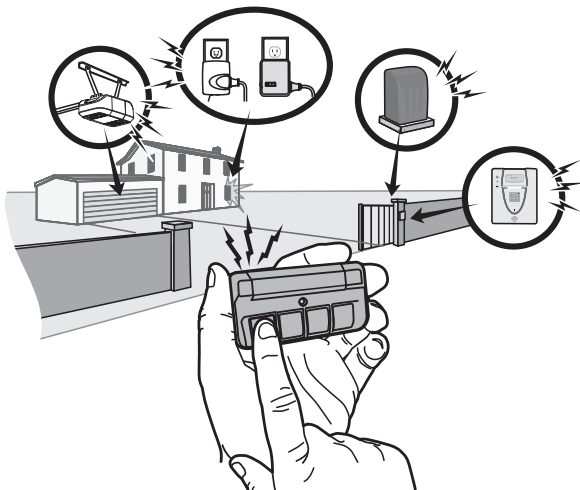
For more information
visit www.devancocanada.com

HOW TO USE THE REMOTE CONTROL

Press and hold the button down until the door or gate starts to move. The remote control will operate from up to 3 car lengths away on typical installations. Installations and conditions vary, contact an installing dealer for more information.



Additional buttons on the remote control can be programmed to operate up to 3 devices such as additional garage door openers, light controls, gate operators or access control systems.



BATTERY

WARNING

To prevent possible **SERIOUS INJURY** or **DEATH**:

- NEVER allow small children near batteries.
- If battery is swallowed, immediately notify doctor.

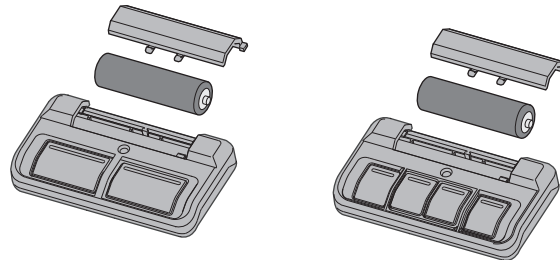
To reduce risk of fire, explosion or chemical burn:

- DO NOT recharge, disassemble, heat above 212° F (100° C) or incinerate.

NOTICE: To comply with FCC and or Industry Canada rules (IC), adjustment or modifications of this receiver and/or transmitter are prohibited, except for changing the code setting or replacing the battery. **THERE ARE NO OTHER USER SERVICEABLE PARTS.**

Tested to Comply with FCC Standards for Home or office use. Operation is subject to the following two conditions: (1) this device may not cause harmful interference, and (2) this device must accept any interference received, including interference that may cause undesired operation.

The LED(s) on your remote control will stop flashing when the battery is low and needs to be replaced. To replace battery, open the cover as shown. Insert battery. Replace the battery with AAA batteries. Dispose of old battery properly.



WARRANTY

ONE YEAR LIMITED WARRANTY

The Chamberlain Group, Inc. warrants to the first consumer purchaser of this product that is free from defect in materials and/or workmanship for a period of 1 year from the date of purchase.

REPLACEMENT PARTS

Visor Clip29B137

HOW TO ORDER REPAIR PARTS

DEVANCO CANADA

19192 HAY ROAD, UNIT Q
SUMMERSTOWN, ON K0C 2E0

TOLL FREE: 855-931-3334

www.devancocanada.com

**WHEN ORDERING REPAIR PARTS
PLEASE SUPPLY THE
FOLLOWING INFORMATION:**

- ✓ PART NUMBER
- ✓ DESCRIPTION
- ✓ MODEL NUMBER