

# RESIDENTIAL DC VEHICULAR SWING GATE OPERATOR

## INSTALLATION MANUAL

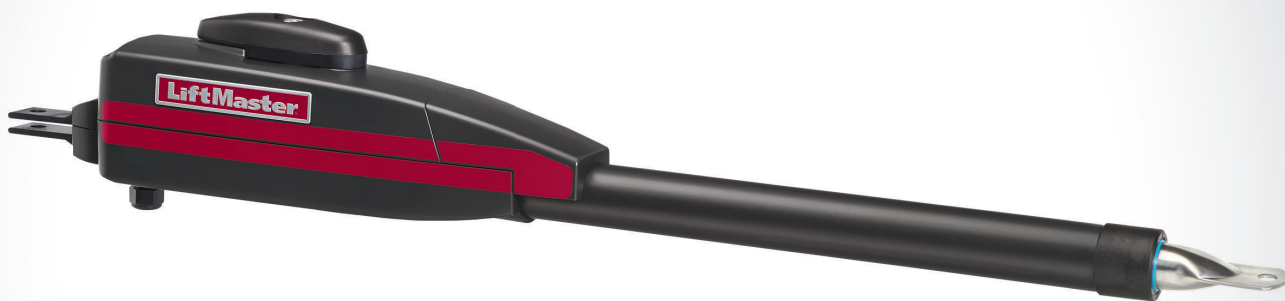
Model LA400

**LA400PKG** Single Arm Package

**LA400DC** Primary 24 VDC Actuator Arm  
for single swing gate applications

**LA400DCS** Secondary 24 VDC Actuator Arm  
for dual swing gate applications

OPERATOR REQUIRES  
EXTERNAL MONITORED  
ENTRAPMENT  
PROTECTION DEVICE



- THIS PRODUCT IS TO BE INSTALLED AND SERVICED BY A TRAINED GATE SYSTEMS TECHNICIAN ONLY.
- This model is for use on vehicular passage gates ONLY and not intended for use on pedestrian passage gates.
- This model is intended for use in Class I, II, and III vehicular swing gate applications.
- Visit [LiftMaster.com](http://LiftMaster.com) to locate a professional installing dealer in your area.
- This gate operator is compatible with MyQ® and Security+ 2.0® accessories.



LiftMaster  
845 Larch Avenue  
Elmhurst, IL 60126-1196

# LiftMaster®



# TABLE OF CONTENTS

|  |           |   |           |
|--|-----------|---|-----------|
| <b>SAFETY</b>  | <b>1</b>  | <b>OPERATION</b>                          | <b>28</b> |
| SAFETY SYMBOL AND SIGNAL WORD REVIEW .....                           | 1         | CONTROL BOARD OVERVIEW .....              | 28        |
| USAGE CLASS .....  | 2         | MANUAL RELEASE .....                      | 29        |
| UL325 ENTRAPMENT PROTECTION REQUIREMENTS .....                       | 2         | RESET BUTTON .....                        | 29        |
| SAFETY INSTALLATION INFORMATION .....                                | 3         | PARTY MODE .....                          | 29        |
| GATE CONSTRUCTION INFORMATION .....                                  | 4         | OPERATOR ALARM .....                      | 30        |
| <b>INTRODUCTION</b>  | <b>5</b>  | REMOTE CONTROL .....                      | 30        |
| CARTON INVENTORY .....   | 5         | <b>ACCESSORY WIRING</b>                   | <b>31</b> |
| SPECIFICATIONS .....   | 6         | EXTERNAL CONTROL DEVICES .....            | 31        |
| SITE PREPARATION .....   | 7         | LOCKS .....                               | 32        |
| CHECK YOUR GATE .....  | 7         | MISCELLANEOUS WIRING .....                | 32        |
| OVERVIEW OF TYPICAL INSTALLATION .....                               | 8         | <b>MAINTENANCE</b>                        | <b>33</b> |
| <b>INSTALLATION</b>  | <b>9</b>  | IMPORTANT SAFETY INFORMATION .....        | 33        |
| IMPORTANT SAFETY INFORMATION .....                                   | 9         | MAINTENANCE CHART .....                   | 33        |
| INSTALLATION TIPS .....  | 9         | BATTERIES .....                           | 33        |
| ATTACH BRACKETS TO OPERATOR .....                                    | 10        | <b>TROUBLESHOOTING</b>                    | <b>34</b> |
| DETERMINE MOUNTING LOCATION .....                                    | 11        | DIAGNOSTIC CODES .....                    | 34        |
| POSITION THE OPERATOR .....  | 12        | CONTROL BOARD LEDS .....                  | 37        |
| SECURE THE BRACKETS .....  | 13        | TROUBLESHOOTING CHART .....               | 38        |
| INSTALL THE CONTROL BOX .....  | 14        | <b>APPENDIX</b>                           | <b>41</b> |
| EARTH GROUND ROD .....   | 16        | BRACKET TYPES .....                       | 41        |
| WIRE THE OPERATOR ARM TO THE CONTROL BOARD .....                     | 16        | SOLAR PANEL(S) .....                      | 42        |
| DUAL GATES ONLY .....  | 17        | LIMIT SETUP WITH A REMOTE CONTROL .....   | 47        |
| INSTALL ENTRAPMENT PROTECTION .....                                  | 20        | <b>REPAIR PARTS</b>                       | <b>48</b> |
| POWER WIRING .....   | 22        | CONTROL BOX .....                         | 48        |
| FINISH INSTALL .....   | 23        | GATE OPERATOR ARM .....                   | 48        |
| <b>ADJUSTMENT</b>  | <b>23</b> | <b>WIRING DIAGRAM</b>                     | <b>49</b> |
| LIMIT AND FORCE ADJUSTMENT .....                                     | 23        | STANDARD CONTROL BOX .....                | 49        |
| OBSTRUCTION TEST .....   | 25        | <b>ACCESSORIES</b>                        | <b>50</b> |
| <b>PROGRAMMING</b>   | <b>26</b> | <b>WARRANTY</b>                           | <b>52</b> |
| REMOTE CONTROLS (NOT PROVIDED) .....                                 | 26        | <b>TEMPLATE FOR POST BRACKET MOUNTING</b> | <b>53</b> |
| LIFTMASTER INTERNET GATEWAY (NOT PROVIDED) .....                     | 27        |   |           |
| ERASE ALL CODES .....  | 27        |   |           |
| ERASE LIMITS .....   | 27        |   |           |
| TO REMOVE AND ERASE MONITORED ENTRAPMENT<br>PROTECTION DEVICES ..... | 27        |   |           |

## SAFETY

### SAFETY SYMBOL AND SIGNAL WORD REVIEW

When you see these Safety Symbols and Signal Words on the following pages, they will alert you to the possibility of **Serious Injury or Death** if you do not comply with the warnings that accompany them. The hazard may come from something mechanical or from electric shock. Read the warnings carefully.

When you see this Signal Word on the following pages, it will alert you to the possibility of damage to your gate and/or the gate operator if you do not comply with the cautionary statements that accompany it. Read them carefully.

#### IMPORTANT NOTE:

- *BEFORE attempting to install, operate or maintain the operator, you must read and fully understand this manual and follow all safety instructions.*
- *DO NOT attempt repair or service of your gate operator unless you are an Authorized Service Technician.*

 **WARNING**

**MECHANICAL**

 **WARNING**

**ELECTRICAL**

**CAUTION**

# SAFETY

## USAGE CLASS

### CLASS I – RESIDENTIAL VEHICULAR GATE OPERATOR

A vehicular gate operator (or system) intended for use in garages or parking areas associated with a residence of one-to four single families.



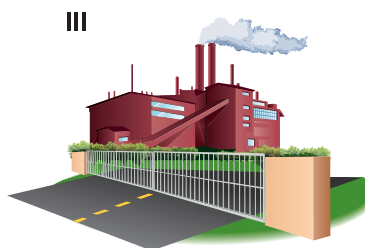
### CLASS II – COMMERCIAL/GENERAL ACCESS VEHICULAR GATE OPERATOR

A vehicular gate operator (or system) intended for use in a commercial location or building such as a multi-family housing unit (five or more single family units), hotel, garages, retail store, or other buildings accessible by or servicing the general public.



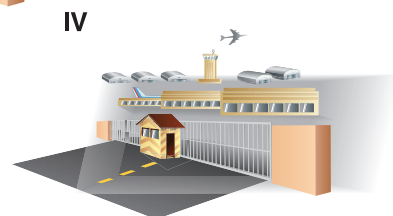
### CLASS III – INDUSTRIAL/LIMITED ACCESS VEHICULAR GATE OPERATOR

A vehicular gate operator (or system) intended for use in an industrial location or building such as a factory or loading dock area or other locations not accessible by or intended to service the general public.



### CLASS IV – RESTRICTED ACCESS VEHICULAR GATE OPERATOR

A vehicular gate operator (or system) intended for use in a guarded industrial location or building such as an airport security area or other restricted access locations not servicing the general public, in which unauthorized access is prevented via supervision by security personnel.



## UL325 ENTRAPMENT PROTECTION REQUIREMENTS

This vehicular gate operator must be installed with at least two independent entrapment protection means as specified in the table below.

| HORIZONTAL SLIDE AND SWING GATE OPERATOR  |   |
|---|---|
| GATE OPERATOR ENTRAPMENT PROTECTION TYPES |   |
| Type A                                    | Inherent (built into the operator) entrapment protection system |
| Type B1                                   | Non-contact sensors such as photoelectric sensors               |
| Type B2                                   | Contact sensors such as edge sensors                            |

The same type of device shall not be used for both entrapment protection means. Use of a single device to cover both the opening and closing directions is in accordance with the requirement; however, a single device is not required to cover both directions. This operator is provided with Type A. The installer is required to install additional entrapment protection devices in each entrapment zone.

## IMPORTANT SAFETY INFORMATION

WARNING

To reduce the risk of INJURY or DEATH:

- READ AND FOLLOW ALL INSTRUCTIONS.
- NEVER let children operate or play with gate controls. Keep the remote control away from children.
- ALWAYS keep people and objects away from the gate. NO ONE SHOULD CROSS THE PATH OF THE MOVING GATE.
- Test the gate operator monthly. The gate MUST reverse on contact with a rigid object or reverse when an object activates the non-contact sensors. After adjusting the force or the limit of travel, retest the gate operator. Failure to adjust and retest the gate operator properly can increase the risk of INJURY or DEATH.
- Use the emergency release ONLY when the gate is not moving.
- KEEP GATES PROPERLY MAINTAINED. Read the owner's manual. Have a qualified service person make repairs to gate hardware.
- The entrance is for vehicles ONLY. Pedestrians MUST use separate entrance.
- SAVE THESE INSTRUCTIONS.

## SAFETY INSTALLATION INFORMATION

1. Vehicular gate systems provide convenience and security. Gate systems are comprised of many component parts. The gate operator is only one component. Each gate system is specifically designed for an individual application.
2. Gate operating system designers, installers and users must take into account the possible hazards associated with each individual application. Improperly designed, installed or maintained systems can create risks for the user as well as the bystander. Gate systems design and installation must reduce public exposure to potential hazards.
3. A gate operator can create high levels of force in its function as a component part of a gate system. Therefore, safety features must be incorporated into every design. Specific safety features include:
  - Edges Sensors (contact)
  - Photoelectric Sensors
  - Vertical Posts
  - Guards for Exposed Rollers
  - Screen Mesh
  - Instructional and Precautionary Signage
4. Install the gate operator only when:
  - a. The operator is appropriate for the construction and the usage class of the gate.
  - b. All openings of a horizontal slide gate are guarded or screened from the bottom of the gate to a minimum of 6 feet (1.8 m) above the ground to prevent a 2-1/4 inches (6 cm) diameter sphere from passing through the openings anywhere in the gate, and in that portion of the adjacent fence that the gate covers in the open position.
  - c. All exposed pinch points are eliminated or guarded, and guarding is supplied for exposed rollers.
5. The operator is intended for installation only on gates used for vehicles. Pedestrians must be supplied with a separate access opening. The pedestrian access opening shall be designed to promote pedestrian usage. Locate the gate such that persons will not come in contact with the vehicular gate during the entire path of travel of the vehicular gate.
6. The gate must be installed in a location so that enough clearance is supplied between the gate and adjacent structures when opening and closing to reduce the risk of entrapment. Swinging gates shall not open into public access areas.
7. The gate must be properly installed and work freely in both directions prior to the installation of the gate operator.
8. Controls intended for user activation must be located at least 6 feet (1.8 m) away from any moving part of the gate and where the user is prevented from reaching over, under, around or through the gate to operate the controls. Outdoor or easily accessible controls shall have a security feature to prevent unauthorized use. Exception: Emergency access controls only accessible by authorized personnel (e.g. fire, police) may be placed at any location in the line-of-sight of the gate.
9. The Stop and/or Reset (if provided separately) must be located in the line-of-sight of the gate. Activation of the reset control shall not cause the operator to start.
10. A minimum of two (2) WARNING SIGNS shall be installed, one on each side of the gate where easily visible.
11. For a gate operator utilizing a non-contact sensor:
  - a. Reference owner's manual regarding placement of non-contact sensor for each type of application. See *Install Entrapment Protection* section.
  - b. Care shall be exercised to reduce the risk of nuisance tripping, such as when a vehicle trips the sensor while the gate is still moving.
  - c. One or more non-contact sensors shall be located where the risk of entrapment or obstruction exists, such as the perimeter reachable by a moving gate or barrier.
12. For a gate operator utilizing a contact sensor such as an edge sensor:
  - a. One or more contact sensors shall be located where the risk of entrapment or obstruction exists, such as at the leading edge, trailing edge and post mounted both inside and outside of a vehicular horizontal slide gate.
  - b. A hard wired contact sensor shall be located and its wiring arranged so the communication between the sensor and the gate operator is not subject to mechanical damage.
  - c. A wireless device such as one that transmits radio frequency (RF) signals to the gate operator for entrapment protection functions shall be located where the transmission of the signals are not obstructed or impeded by building structures, natural landscaping or similar obstruction. A wireless device shall function under the intended end-use conditions.
  - d. One or more contact sensors shall be located on the inside and outside leading edge of a swing gate. Additionally, if the bottom edge of a swing gate is greater than 6 inches (152 mm) above the ground at any point in its arc of travel, one or more contact sensors shall be located on the bottom edge.
  - e. One or more contact sensors shall be located at the bottom edge of a vertical barrier (arm).

## GATE CONSTRUCTION INFORMATION

Vehicular gates should be installed in accordance with ASTM F2200: Standard Specification for Automated Vehicular Gate Construction. For a copy, contact ASTM directly at 610-832-9585 or [www.astm.org](http://www.astm.org).

### 1. GENERAL REQUIREMENTS

- 1.1 Gates shall be constructed in accordance with the provisions given for the appropriate gate type listed, refer to ASTM F2200 for additional gate types.
- 1.2 Gates shall be designed, constructed and installed to not fall over more than 45 degrees from the vertical plane, when a gate is detached from the supporting hardware.
- 1.3 Gates shall have smooth bottom edges, with vertical bottom edged protrusions not exceeding 0.50 inches (12.7 mm) when other than the exceptions listed in ASTM F2200.
- 1.4 The minimum height for barbed tape shall not be less than 8 feet (2.44 m) above grade and for barbed wire shall not be less than 6 feet (1.83 m) above grade.
- 1.5 An existing gate latch shall be disabled when a manually operated gate is retrofitted with a powered gate operator.
- 1.6 A gate latch shall not be installed on an automatically operated gate.
- 1.7 Protrusions shall not be permitted on any gate, refer to ASTM F2200 for Exceptions.
- 1.8 Gates shall be designed, constructed and installed such that their movement shall not be initiated by gravity when an automatic operator is disconnected, in accordance with the following.
  - 1.8.1 Vehicular horizontal slide gate. Shall not result in continuous, unimpeded movement in either lineal direction of its travel.
  - 1.8.2 Vehicular horizontal swing gate. Shall not result in continuous, unimpeded movement in either direction along the arc of its path of travel.
- 1.9 For pedestrian access in the vicinity of an automated vehicular gate, a separate pedestrian gate shall be provided. The pedestrian gate shall be installed in a location such that a pedestrian shall not come in contact with a moving vehicular access gate. A pedestrian gate shall not be incorporated into an automated vehicular gate panel.

### 2. SPECIFIC APPLICATIONS

- 2.1 Any non-automated gate that is to be automated shall be upgraded to conform to the provisions of this specification.
- 2.2 This specification shall not apply to gates generally used for pedestrian access and to vehicular gates not to be automated.
- 2.3 Any existing automated gate, when the operator requires replacement, shall be upgraded to conform to the provisions of this specification in effect at that time.

### 3. VEHICULAR HORIZONTAL SLIDE GATES

- 3.1 The following provisions shall apply to Class I, Class II and Class III vehicular horizontal slide gates:
  - 3.1.1 All weight bearing exposed rollers 8 feet (2.44 m), or less, above grade shall be guarded or covered.

- 3.1.2 All openings shall be designed, guarded, or screened from the bottom of the gate to the top of the gate or a minimum of 72 in. (1.83 m) above grade, whichever is less, to prevent a 2 1/4 in. (57 mm) diameter sphere from passing through the openings anywhere in the gate, and in that portion of the adjacent fence that the gate covers in the open position. The gate panel shall include the entire section of the moving gate, including any back frame or counterbalance portion of the gate.
- 3.1.3 A gap, measured in the horizontal plane parallel to the roadway, between a fixed stationary object nearest the roadway, (such as a gate support post) and the gate frame when the gate is in either the fully open position or the fully closed position, shall not exceed 2 1/4 inches (57 mm), refer to ASTM F2200 for Exception.
- 3.1.4 Positive stops shall be required to limit travel to the designed fully open and fully closed positions. These stops shall be installed at either the top of the gate, or at the bottom of the gate where such stops shall horizontally or vertically project no more than is required to perform their intended function.
- 3.1.5 All gates shall be designed with sufficient lateral stability to assure that the gate will enter a receiver guide, refer to ASTM F2200 for panel types.
- 3.2 The following provisions shall apply to Class IV vehicular horizontal slide gates:
  - 3.2.1 All weight bearing exposed rollers 8 feet (2.44 m), or less, above grade shall be guarded or covered.
  - 3.2.2 Positive stops shall be required to limit travel to the designed fully open and fully closed positions. These stops shall be installed at either the top of the gate, or at the bottom of the gate where such stops shall horizontally or vertically project no more than is required to perform their intended function.

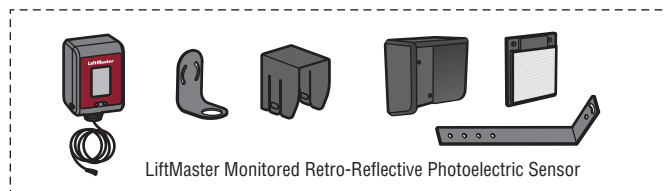
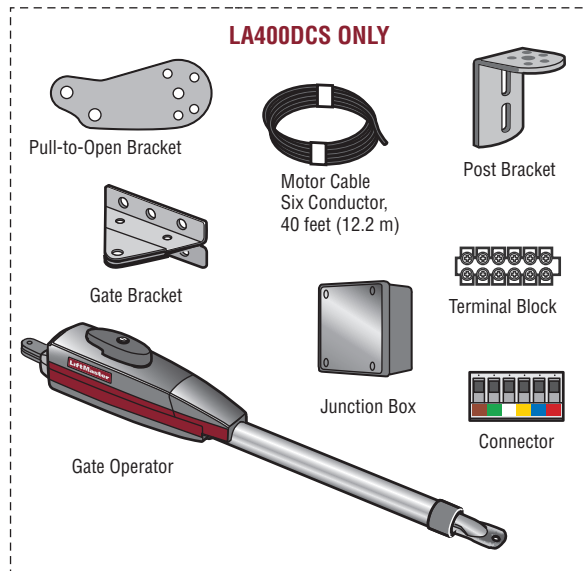
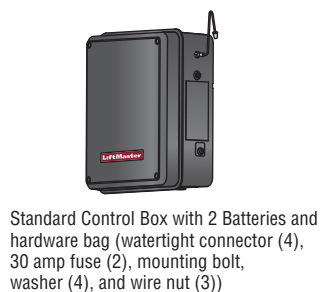
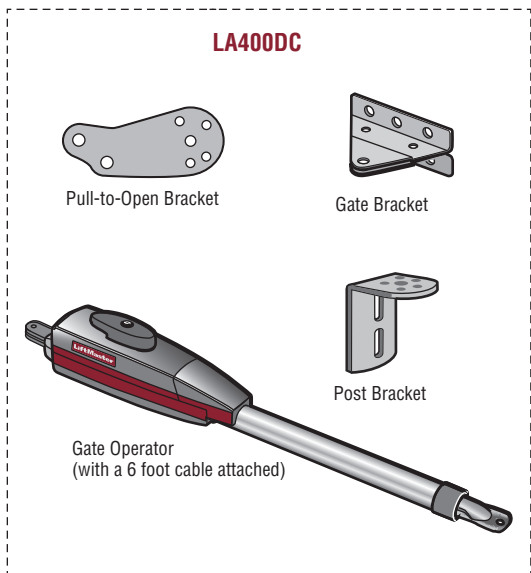
### 4. VEHICULAR HORIZONTAL SWING GATES

- 4.1 The following provisions shall apply to Class I, Class II and Class III vehicular horizontal swing gates:
  - 4.1.1 Gates shall be designed, constructed and installed so as not to create an entrapment area between the gate and the supporting structure or other fixed object when the gate moves toward the fully open position, subject to the provisions in 4.1.1.1 and 4.1.1.2.
    - 4.1.1.1 The width of an object (such as a wall, pillar or column) covered by a swing gate when in the open position shall not exceed 4 inches (102 mm), measured from the center line of the pivot point of the gate, refer to ASTM F2200 for exception.
    - 4.1.1.2 Except for the zone specified in Section 4.1.1.1, the distance between a fixed object such as a wall, pillar or column, and a swing gate when in the open position shall not be less than 16 inches (406 mm), refer to ASTM F2200 for exception.
- 4.2 Class IV vehicular horizontal swing gates shall be designed, constructed and installed in accordance with security related parameters specific to the application in question.

# INTRODUCTION

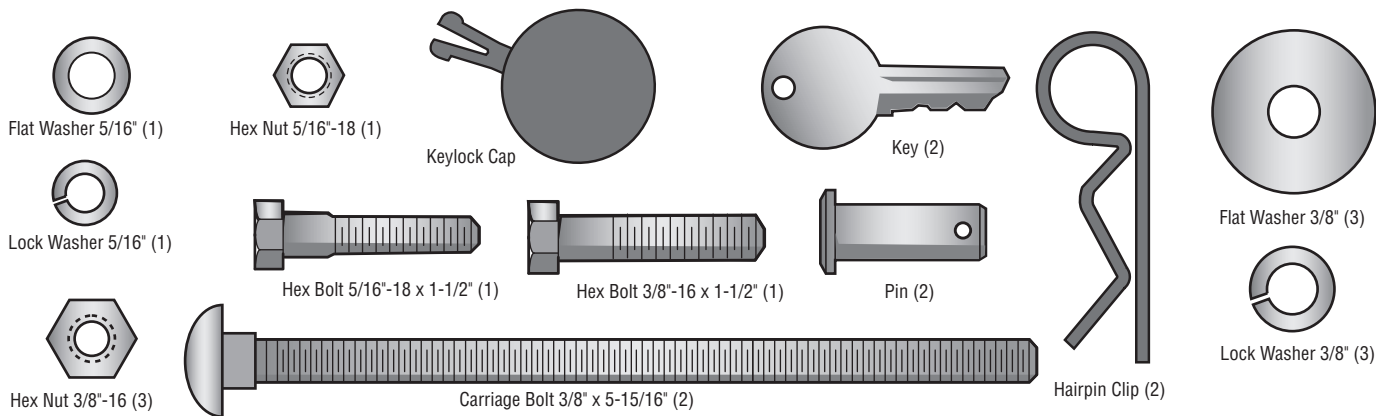
## CARTON INVENTORY

NOT SHOWN: Documentation packet



## HARDWARE INVENTORY

**NOTE:** Hardware quantities shown below are for LA400DC. Quantities are doubled for LA400DCS.



## OPTIONAL ACCESSORIES (ORDERED SEPARATELY)

### Push-to-Open Bracket (Model 50-19503)

If your application requires the gate to be pushed open, a push-to-open bracket is required (refer to accessories).

### Expansion Board (Model K1D8387-1CC)

### Large Metal Control Box for Solar Applications (Model XLSOLARCONTU)

Required for solar installations (batteries not included). Requires two 33AH batteries, battery tray, and solar battery harness (refer to accessories).



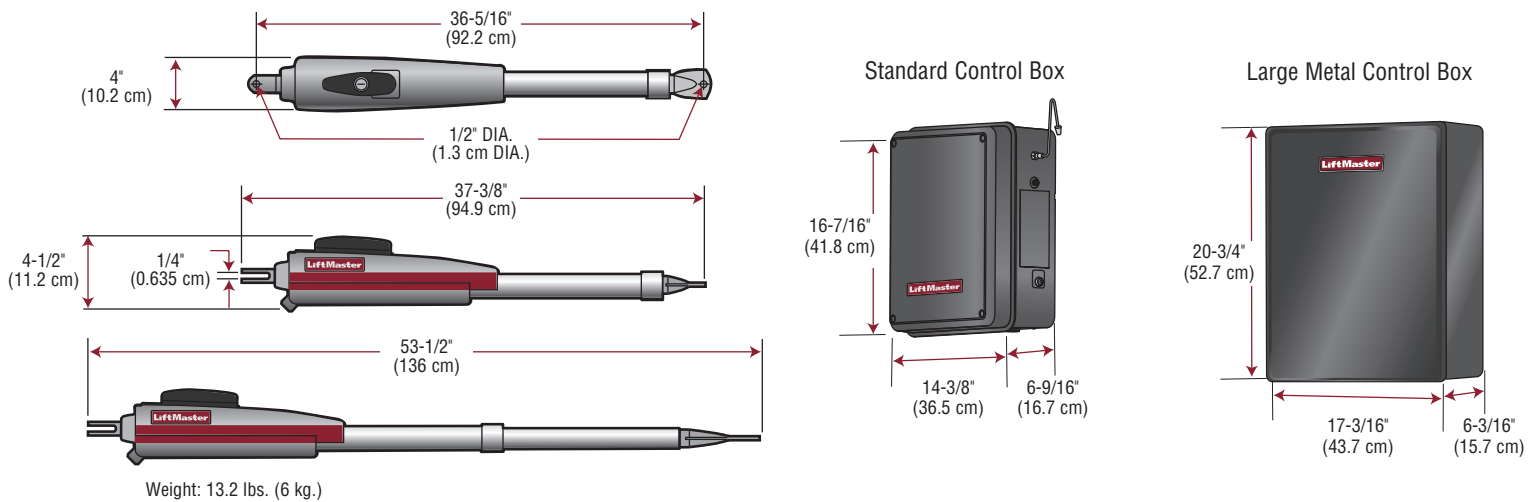
# INTRODUCTION

## SPECIFICATIONS

This model is intended for use in vehicular swing gate applications:

|  |  |
|--|--|
| <b>Usage Classification</b>                                    | Class I, II, & III   |
| <b>Main AC Supply</b>  | 120 Vac, .5 Amps (6.5 Amps including Accessory Outlets)  |
| <b>System Operating Voltage</b>                                | 24 Vdc Battery Run / Direct Plug-in Transformer Charge   |
| <b>Accessory Power</b>   | 24 Vdc, 500mA max. for ON + SW (switched)  |
| <b>Solar Power Max</b>   | 24 Vdc at 60 watts max.  |
| <b>Maximum Gate Weight/Length</b>                              | 850 lbs. (385.6 kg) / 10 ft (3.0 m)<br>750 lbs. (340.2 kg) / 12 ft (3.7 m)<br>650 lbs. (294.8 kg) / 14 ft (4.3 m)<br>550 lbs. (249.5 kg) / 16 ft (4.9 m) |
| <b>90 Degree Travel Time*</b>                                  | 15-18 seconds  |
| <b>Maximum Travel Range*</b>                                   | 115 degrees  |
| <b>Maximum Daily Cycle Rate</b>                                | 100 cycles / day   |
| <b>Maximum Duty Cycle</b>                                      | 4 min on   |
| <b>Operating Temperature</b>                                   | -20°C to 60°C (-4°F to 140°F)  |
| <b>Expansion Board</b>   | Optional   |
| <b>Inherent Entrapment Protection (Type A)</b>                 | Dual - RPM and Current Sense   |
| <b>External Entrapment Protection (Type B1 and/or Type B2)</b> | 3 inputs per board - any combination of up to 3 photoelectric sensors and up to 2 edge sensors   |

\*Travel time and range are affected by A and B mounting dimensions





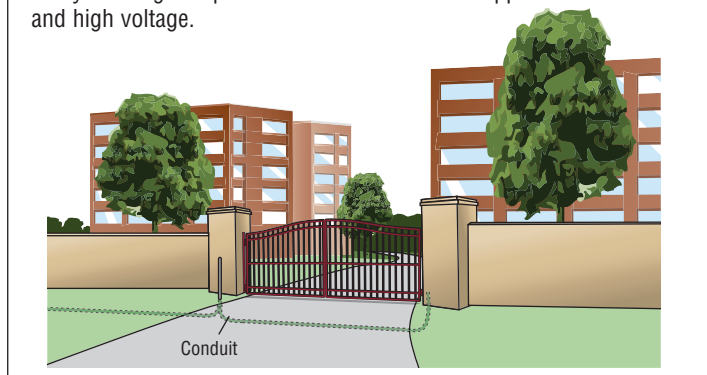
# INTRODUCTION

## SITE PREPARATION

Check the national and local building codes **BEFORE** installation.

### TRENCH

Trench and install conduit. Before trenching, contact underground utility locating companies. Conduit must be UL approved for low and high voltage.



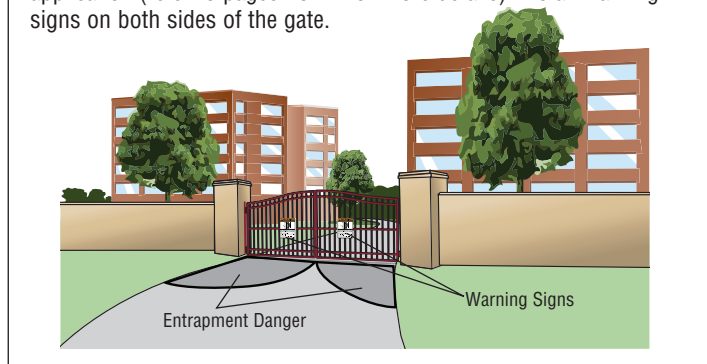
### LOOPS

Loops allow the gate to stay open when vehicles are obstructing the gate path. Suggested for vehicles 14 feet (4.27 m) or longer. Loops are not required but are recommended.



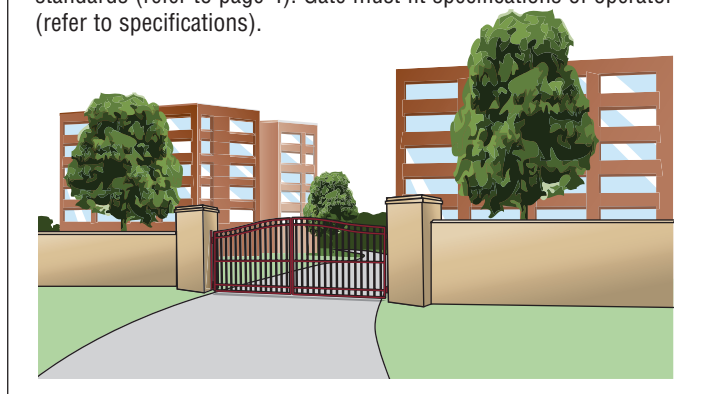
### SAFETY

Entrapment protection devices are required to protect against any entrapment or safety conditions encountered in your gate application (refer to pages 20-21 for more details). Install warning signs on both sides of the gate.



### GATE

Gate must be constructed and installed according to ASTM F2200 standards (refer to page 4). Gate must fit specifications of operator (refer to specifications).



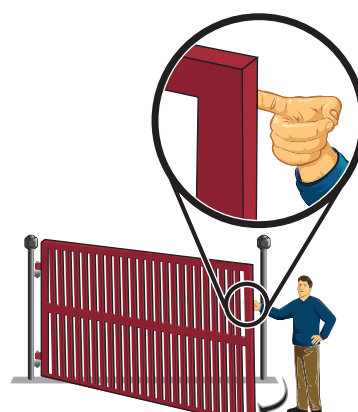
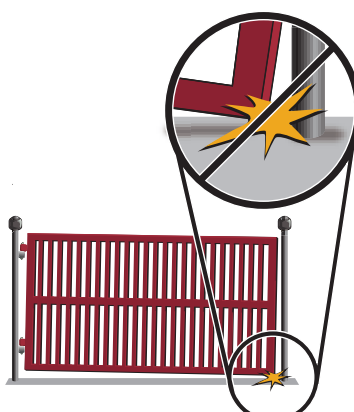
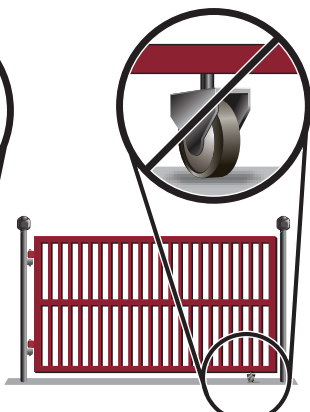
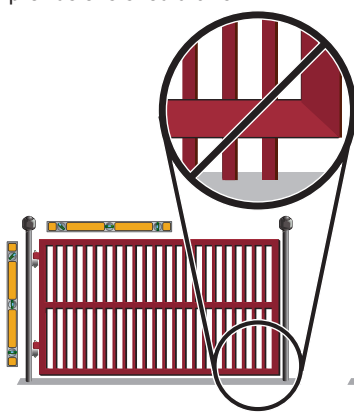
## CHECK YOUR GATE

Gate **MUST** be level. Gate and gate post **MUST** be plumb. Gate **MUST** have smooth bottom edge, no protrusions should exist.

Remove **ANY/ALL** wheels from the bottom of gate.

Gate **MUST NOT** hit or drag across the ground.

Gate **MUST** swing freely and be supported entirely by its hinges.

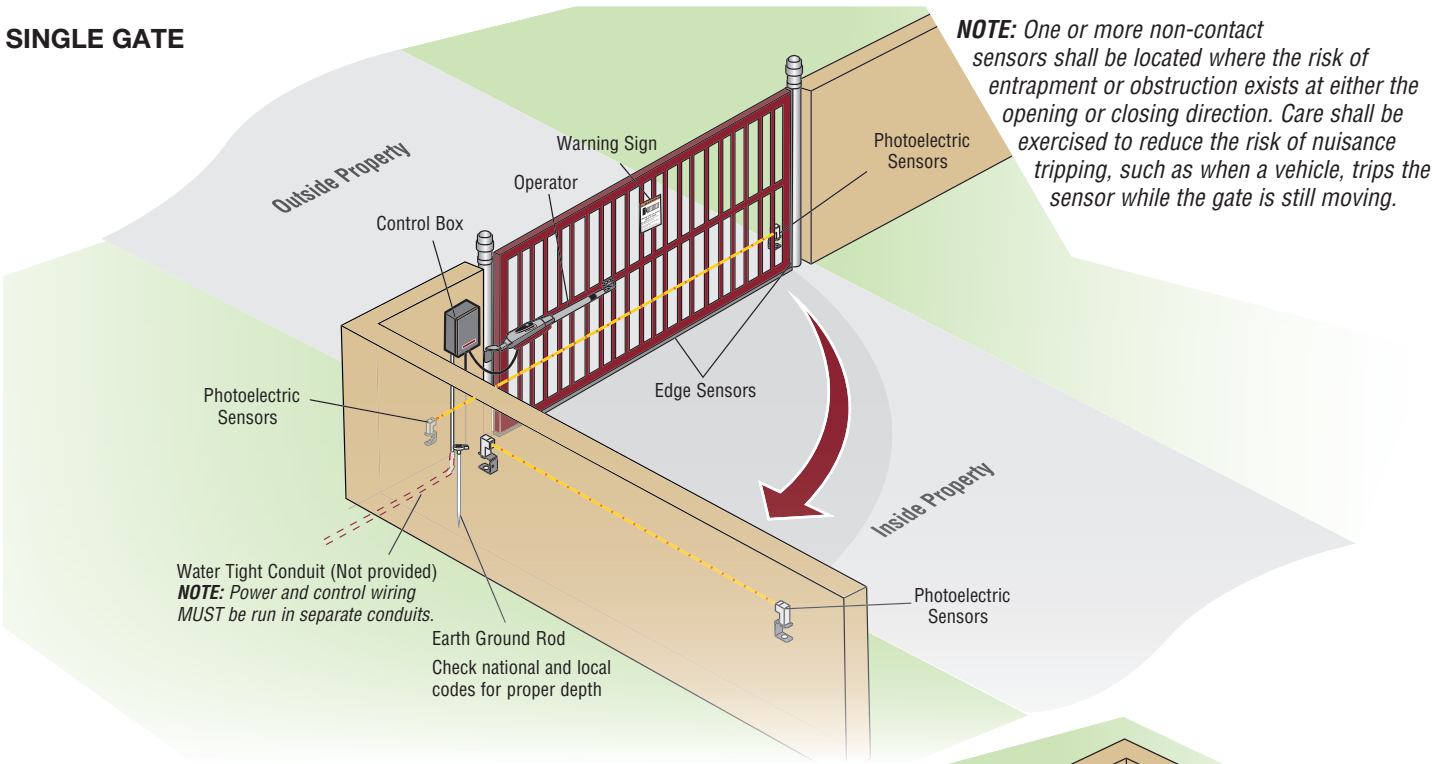


# INTRODUCTION

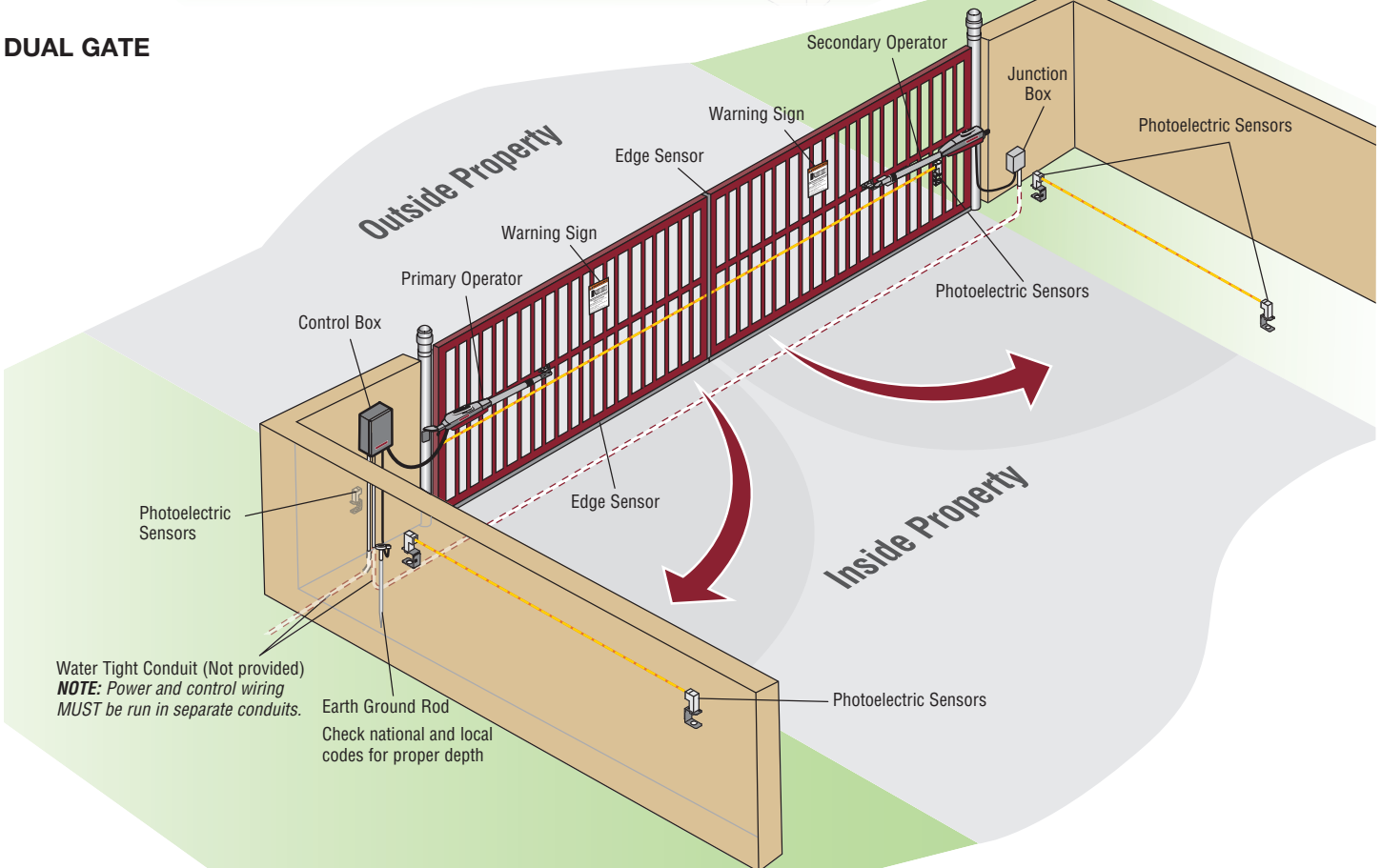
## OVERVIEW OF TYPICAL INSTALLATION

Identify your installation type (refer to the Appendix in the back of the manual for more information). All the illustrations on the following pages display a typical Left-Hand Gate installation with a pull-to-open bracket. For Push-to-Open applications refer to the Appendix.

### SINGLE GATE



### DUAL GATE



# INSTALLATION

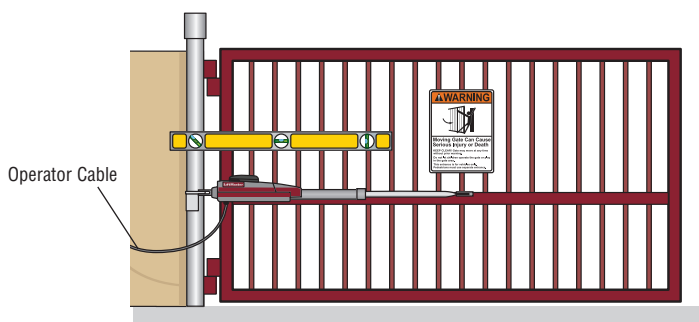
## CAUTION

- To AVOID damaging gas, power or other underground utility lines, contact underground utility locating companies BEFORE digging more than 18 inches (46 cm) deep.
- ALWAYS wear protective gloves and eye protection when changing the battery or working around the battery compartment.

## INSTALLATION TIPS

### DO's

- Weld a horizontal bar across entire gate on any installation for strength. Make sure that the operator is mounted level or it will not function properly.
- Make sure there is slack in the operator cable.
- The operator can be mounted on top of the gate frame.
- The operator must be installed at least 12 inches from the ground.



### DON'Ts

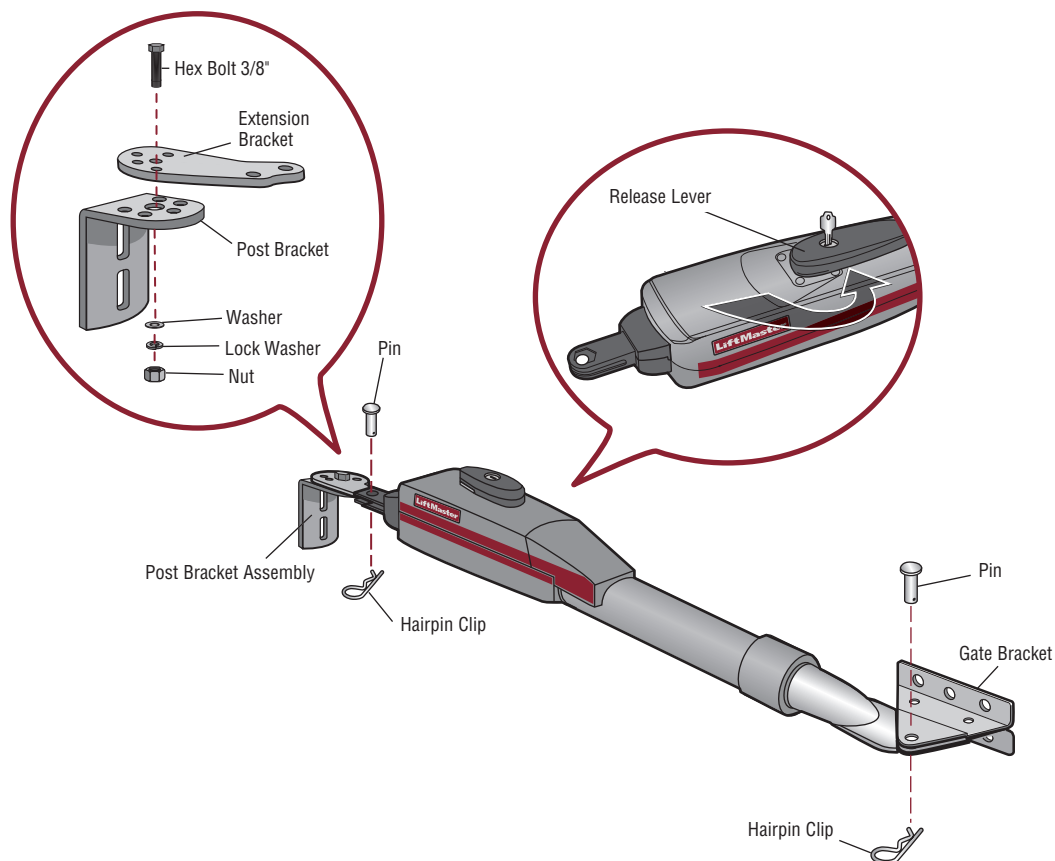
- DO NOT install upside down.
- DO NOT install next to sprinklers or any area that may expose the bottom of operator to water.
- DO NOT install on uphill or downhill gates.
- DO NOT install on ANY pedestrian passageways, doorways, or gates.
- DO NOT over-bend the operator cable. Doing this will cause the wires to eventually break.
- DO NOT weld the crossbar on just a few pickets, or they could bend.

# INSTALLATION

## STEP 1

### ATTACH BRACKETS TO OPERATOR

1. Insert the key into the lock on the release lever and turn it 180° counterclockwise.
2. Turn the release lever 180° counterclockwise. The operator is now in manual mode.
3. Assemble gate post bracket by placing pull-to-open bracket on top of post bracket.
4. Insert the bolt through both brackets and secure with washer, lock washer and nut.
5. Attach post bracket assembly to operator using pins and hairpin clips.
6. Attach gate bracket to operator using pins and hairpin clips.



# INSTALLATION

## STEP 2

### DETERMINE MOUNTING LOCATION

#### MEASURING AND MARKING FOR THE GATE BRACKET

Before proceeding, begin with the gate in the fully closed position. There are two methods for determining the proper location of the post brackets:

- Paper template (Located on the back page of this manual. Must be cut out.)
- Tape measure.

Either method will work depending on preference.

**NOTE:** There should only be a maximum of 4" (10.2 cm) from the center of the hinge to the edge of the post or column. If the distance is greater than 4" (10.2 cm) entrapment protection for this area is required.

#### TEMPLATE METHOD

1. Close the gate.
2. Place the template (provided on the back page of this manual) under the center of the gate hinge point.
3. Use a screwdriver or dowel rod to temporarily mark the location in front of the gate post.

OR

#### TAPE MEASURE METHOD

1. Close the gate.
2. Place the measuring tape under the center of the gate hinge point and measure out 7 inches (17.8 cm).
3. Use a screwdriver or dowel rod to temporarily mark the location of the first measurement.
4. Measure 7 inches (17.8 cm) from the previous mark.
5. Use the screwdriver or dowel rod to mark the location of the second measurement.

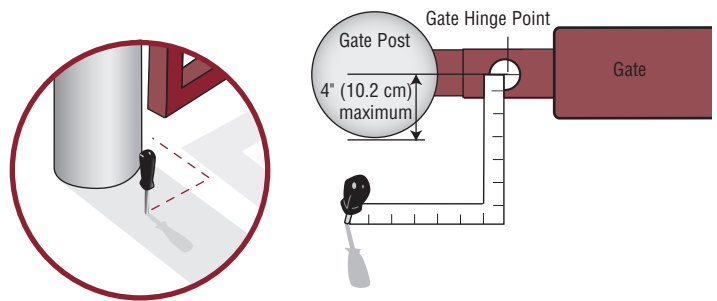
#### ALTERNATE DIMENSIONS

The ideal installation measurements are A = 7" (17.8 cm) and B = 7" (17.8 cm). If different measurements are used, the sum of A and B cannot be greater than 15" (38.1 cm).

| DIMENSION CHART  |                  |
|------------------|------------------|
| A                | B                |
| 7" (17.8 cm)     | 7" (17.8 cm)     |
| 8" (20.3 cm)     | 6" (15.2 cm)     |
| 7-1/2" (19.1 cm) | 7-1/2" (19.1 cm) |
| 6-1/2" (16.5 cm) | 6-1/2" (16.5 cm) |
| 6" (15.2 cm)     | 6" (15.2 cm)     |

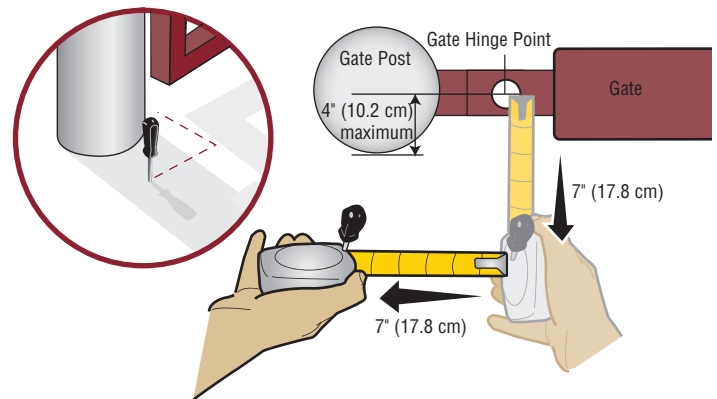
#### TEMPLATE METHOD

##### TOP VIEW

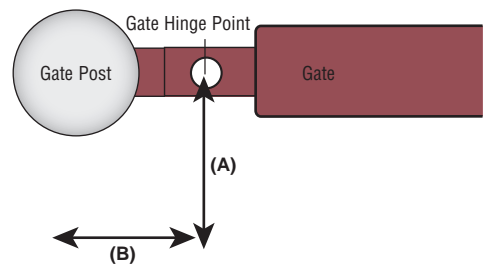


#### TAPE MEASURE METHOD

##### TOP VIEW



#### ALTERNATE DIMENSIONS



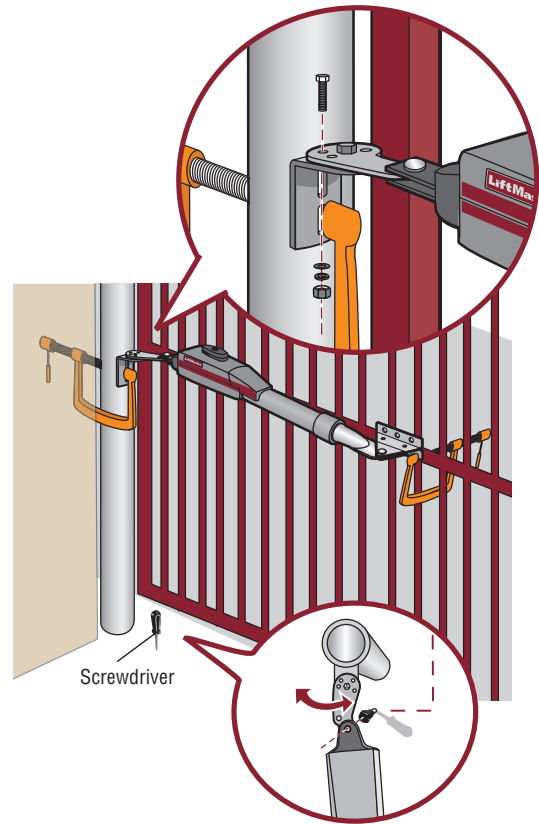
# INSTALLATION

## STEP 3

### POSITION THE OPERATOR

**NOTE:** The post bracket assembly can be mounted several places on the gate post.

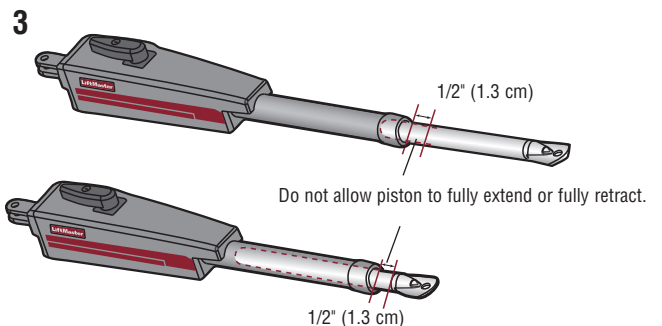
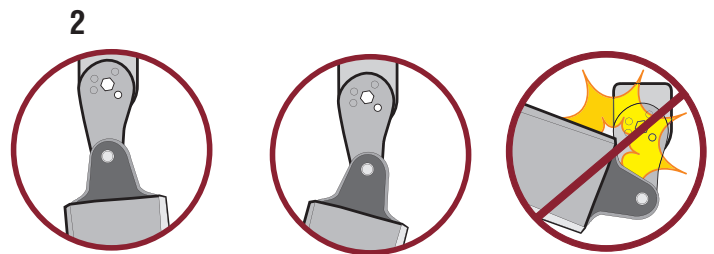
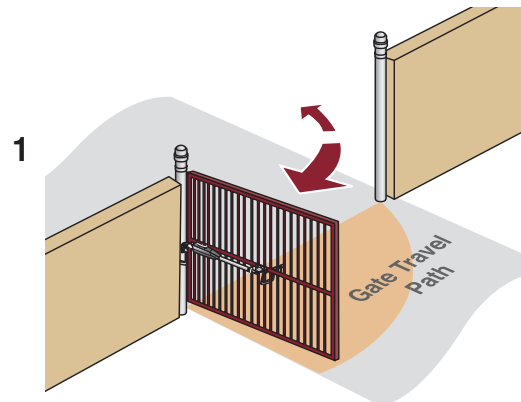
1. Open the gate to desired open position (no greater than 100°) and hold operator against gate.
2. Place the operator arm against gate post at the desired position. Temporarily secure gate post bracket with clamp. **The gate operator (arm) must be level.**
3. Mark mounting holes on gate for reference. Temporarily secure the gate bracket using a clamp.
4. Align the pull-to-open bracket to a position as **CLOSE AS POSSIBLE** above the screwdriver or dowel rod.
5. Insert hex bolt through pull-to-open bracket and post bracket and secure with washer, lock washer and nut.



### TEST GATE TRAVEL

**NOTE:** If gate does not open and close completely adjust the position of the gate bracket and mark new mounting holes.

1. Manually open and close the gate.
2. Ensure that the operator does not bind against the pull-to-open bracket.
3. Ensure that the piston does not bottom out.



# INSTALLATION

## STEP 4

### SECURE THE BRACKETS

#### POST BRACKET

The gate operator (arm) must be level.

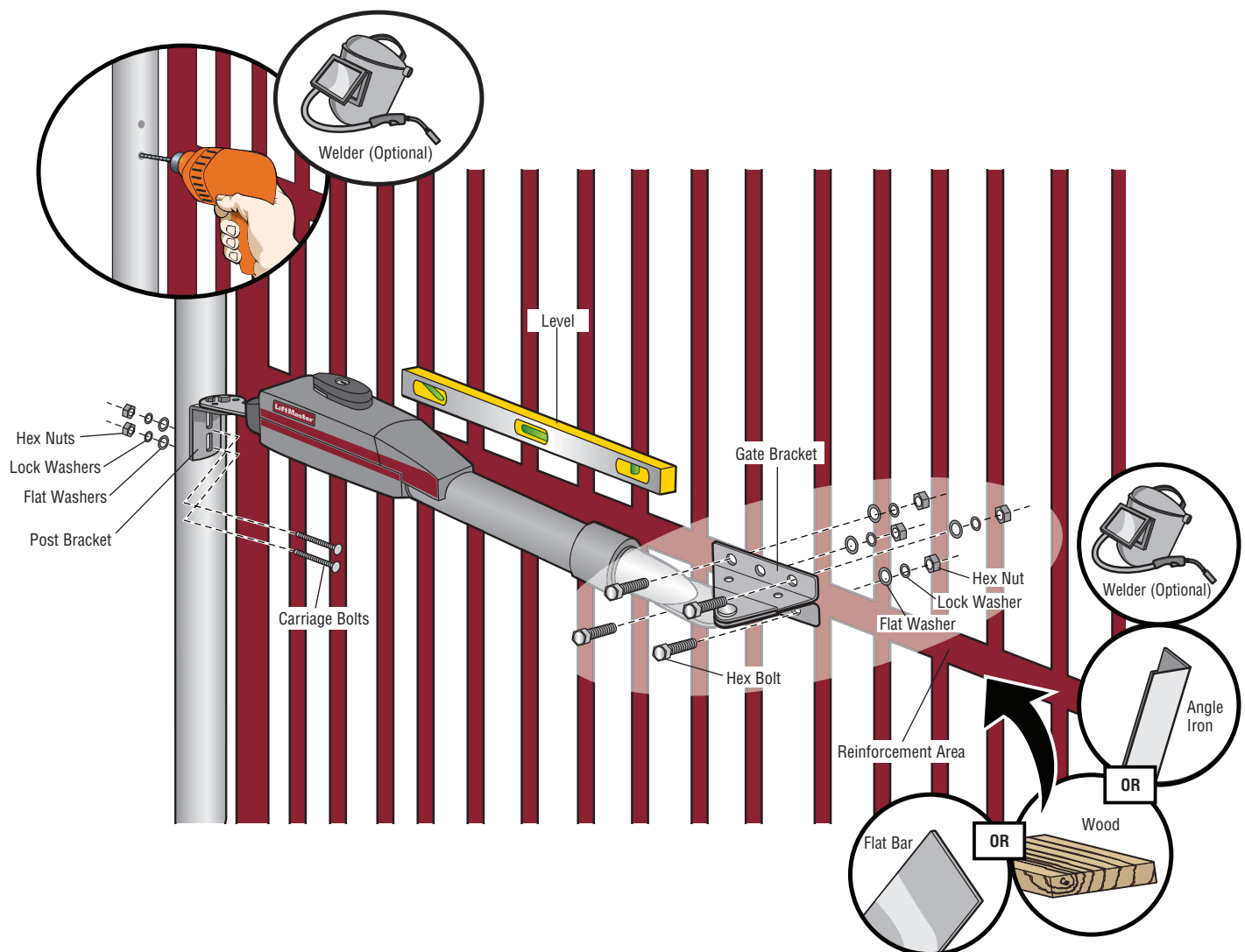
1. Mark holes for the post bracket. Remove the clamp and the operator, set aside.
2. Drill adequate holes in the gate post.
3. Secure the post bracket to the gate post using hardware.

#### GATE BRACKET

The gate operator (arm) must be level.

Some installations may require additional reinforcement be installed on the gate.

1. Drill holes in gate (or reinforcement, if necessary) that are large enough for the gate bracket mounting hardware.
2. Secure the gate operator to the gate using hardware (not provided).
3. Manually move the gate to verify that it opens and closes fully.



# INSTALLATION

## STEP 5

### INSTALL THE CONTROL BOX

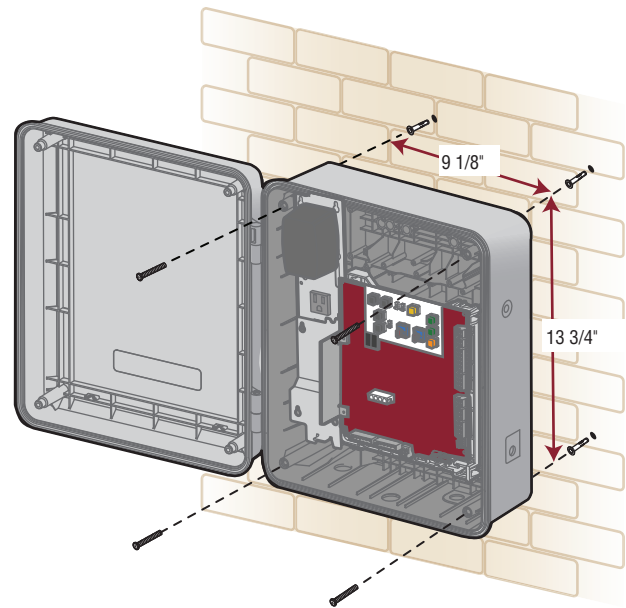
For Large Metal Control Box installation, refer to the following page.

#### STANDARD CONTROL BOX

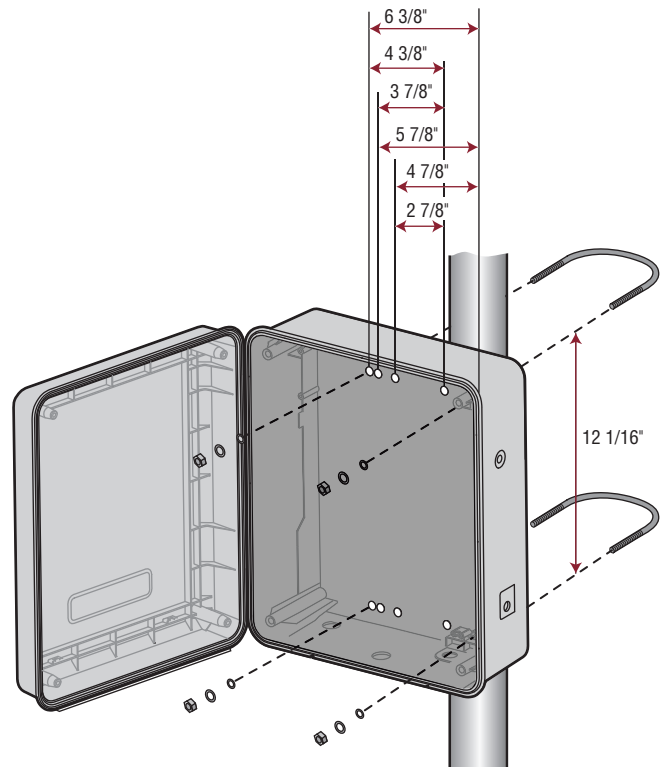
The control box MUST be mounted within 5 feet (1.52 m) of the gate operator. Mount the control box as high as possible for best radio reception. Make sure the control box is level.

1. Remove the screws and open the control box.
2. Select the mounting holes (according to your application) and remove the knockouts using a screwdriver and hammer.
3. Secure the control box to mounting surface.
  - A. Wall or Column:** Use the provided screws (4).
  - B. Post:** Use U-bolts and rubber washers (not provided) to ensure a watertight seal. Make sure the U-bolts do not protrude more than 3/4 inch from the control box because this can short the control board.

WALL OR COLUMN MOUNT



POST MOUNT





# INSTALLATION

## STEP 5 continued...

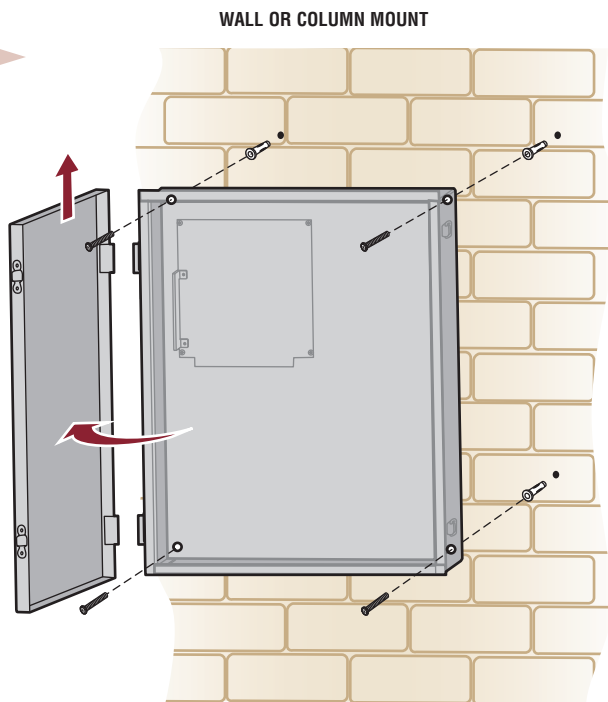
### INSTALL THE CONTROL BOX

#### LARGE METAL CONTROL BOX (XLSOLARCONTU)

The control box MUST be mounted within 5 feet (1.52 m) of the gate operator. Mount the control box as high as possible for best radio reception. Make sure the control box is level.

#### WALL OR COLUMN MOUNT

1. Open the control box. The control box door may be removed by opening the door 90°. Lift the door from the hinges and set aside until the installation is complete.
2. Use knock outs located at the 4 corners of the control box and knock out using a screwdriver and hammer.
3. Secure the control box to mounting surface using the provided screws (4).

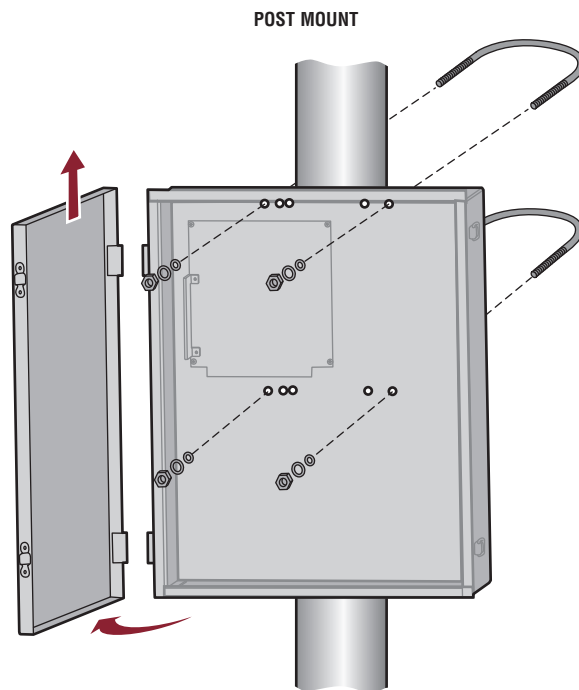


#### POST MOUNT

**NOTE:** The post mount option is not recommended for the 33AH battery application.

1. Open the control box. The control box door may be removed by opening the door 90°. Lift the door from the hinges and set aside until the installation is complete.
2. The control box can be mounted to a post with 'U' bolts (refer to chart). The knock out will accommodate a 3/8" diameter 'U' bolt. Select center mounting holes (top and bottom) and knock out using a screwdriver and hammer.
3. Secure the control box to mounting surface with U-bolts and rubber washers (not provided) to ensure a watertight seal.

| TYPE AND SIZE           | 'U' BOLT OPENING |
|-------------------------|------------------|
| Standard 3" Round Pipe  | 3-1/2"           |
| Standard 4" Square Post | 4"               |
| Standard 6" Square Post | 6"               |



# INSTALLATION

## WARNING

To reduce the risk of SEVERE INJURY or DEATH:

- ANY maintenance to the operator or in the area near the operator MUST NOT be performed until disconnecting the electrical power (AC or solar and battery) and locking-out the power via the operator power switch. Upon completion of maintenance the area MUST be cleared and secured, at that time the unit may be returned to service.
- Disconnect power at the fuse box BEFORE proceeding. Operator MUST be properly grounded and connected in accordance with national and local electrical codes. **NOTE:** The operator should be on a separate fused line of adequate capacity.
- ALL electrical connections MUST be made by a qualified individual.
- DO NOT install ANY wiring or attempt to run the operator without consulting the wiring diagram.
- ALL power wiring should be on a dedicated circuit and well protected. The location of the power disconnect should be visible and clearly labeled.
- ALL power and control wiring MUST be run in separate conduit.

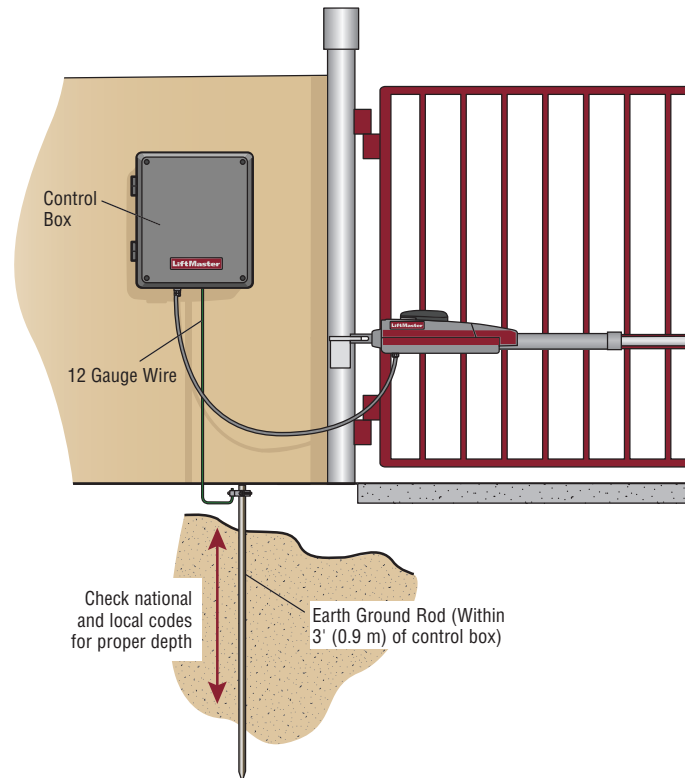
## STEP 6

### EARTH GROUND ROD

Use the proper earth ground rod for your local area. The ground wire must be a single, whole piece of wire. Never splice two wires for the ground wire. If you should cut the ground wire too short, break it, or destroy its integrity, replace it with a single wire length.

1. Install the earth ground rod within 3 feet of the control box.
2. Run wire from the earth ground rod to the control box. The earth ground wire will be connected in a later step.

**NOTE:** If the operator is not grounded properly the range of the remote controls will be reduced.

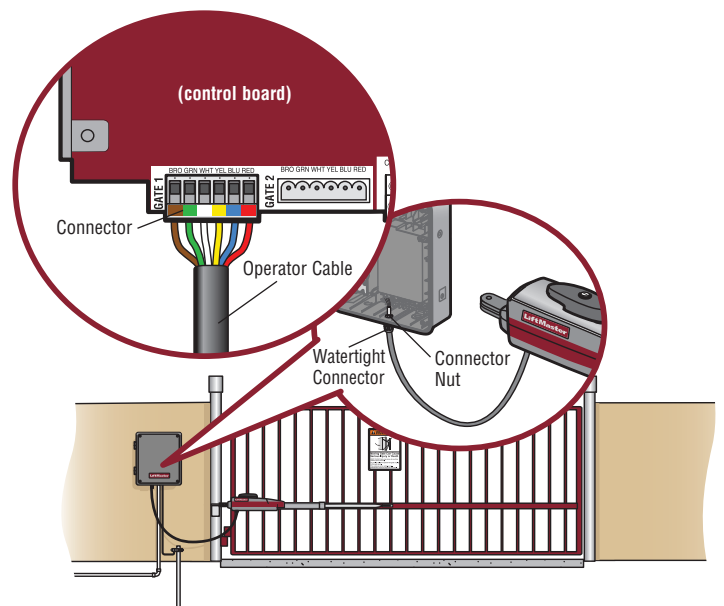


## STEP 7

### WIRE THE OPERATOR ARM TO THE CONTROL BOARD

1. Choose a knockout in the bottom of the control box.
2. Insert the operator cable through the provided watertight connector.
3. Insert the operator cable and watertight connector into the knockout.
4. Slide the connector nut onto the operator cable.
5. Connect the operator cable wires to the connector according to the colored label on the connector (white to white, red to red, etc.).
6. Plug the connector into the GATE 1 terminal on the control board as shown.
7. Tighten the connector nut.

If installing one operator, proceed to page 20. If installing two operators, go to the following page.



# INSTALLATION

## STEP 8

### DUAL GATES ONLY

There are two options for dual gate communication: wired or wireless. Follow the directions according to your application. Do not use wired and wireless communication simultaneously. Wired dual gate applications will have a longer battery standby time than wireless applications. Wireless dual gates will require the installation of two control boxes, one for each operator arm.

#### WIRELESS DUAL GATES

#### INSTALL A SECOND OPERATOR ARM AND CONTROL BOX

Install a second operator arm and control box by following installation steps 1-7.

#### TO ACTIVATE THE WIRELESS FEATURE

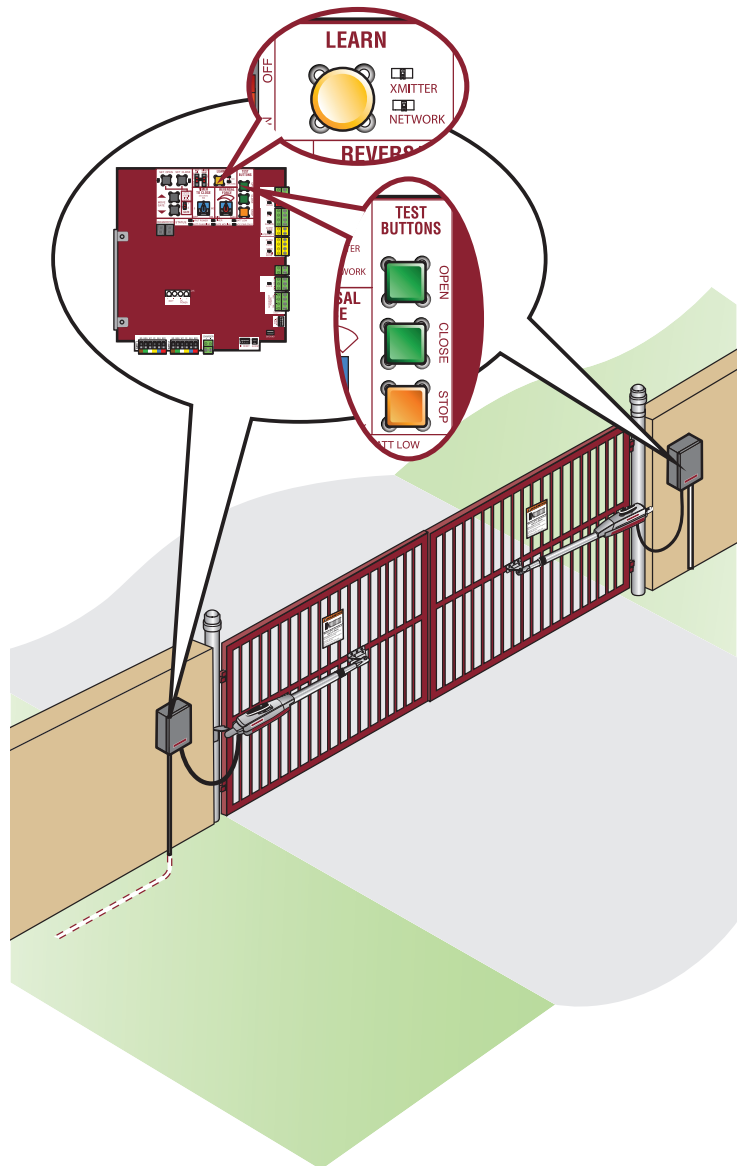
1. Choose a control box to be the network primary operator. All wireless accessories will need to be programmed to the primary control board. **NOTE:** We recommend that all accessories and board configurations are set on the primary control board.
2. Press and release the LEARN button on the primary control board. The green XMITTER LED will light. **NOTE:** The operator will time out of programming mode after 180 seconds.
3. Press and release the LEARN button again on the primary control board. The yellow NETWORK LED will light.
4. Press and release the OPEN test button to assign this operator as network primary.
5. Press and release the LEARN button on the secondary control board. The green XMITTER LED will light.
6. Press and release the LEARN button again on the secondary control board. The yellow NETWORK LED will light.
7. Press and release the CLOSE test button to assign this operator as network secondary.

Both operators will beep and the yellow NETWORK LEDs will turn off indicating programming is successful.

#### TO DEACTIVATE THE WIRELESS FEATURE:

1. Press and release the LEARN button on either control board. The green XMITTER LED will light.
2. Press and release the LEARN button again on the same control board. The yellow NETWORK LED will light.
3. Press and hold the LEARN button for 5 seconds. The yellow NETWORK LED will blink (operator will beep) then turn off indicating successful deactivation.

Repeat the steps for the other control board.



# INSTALLATION

## STEP 8 continued...

### DUAL GATES ONLY

#### WIRED DUAL GATES

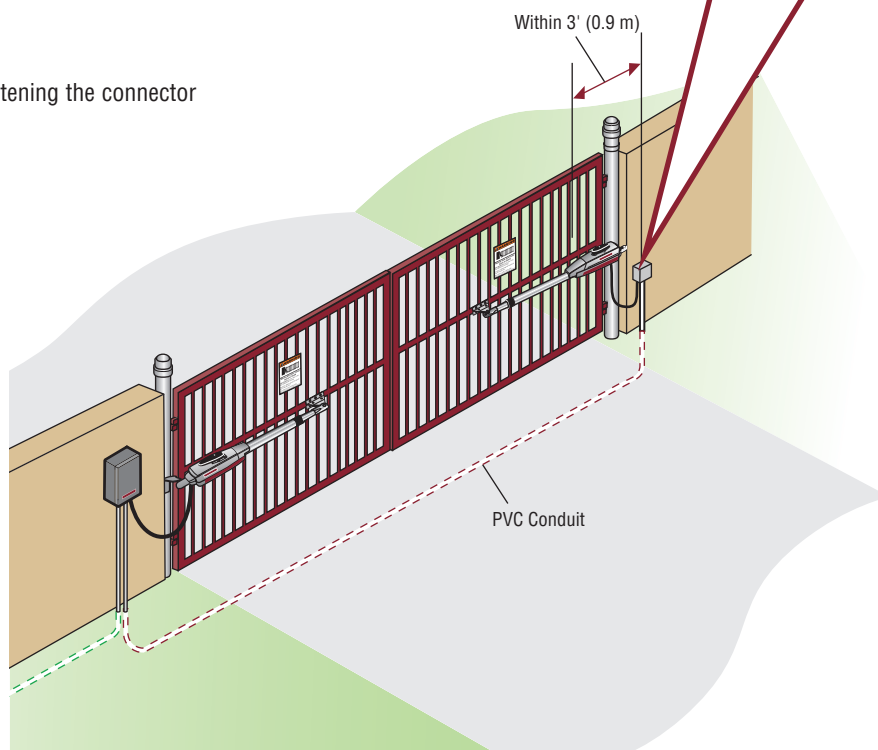
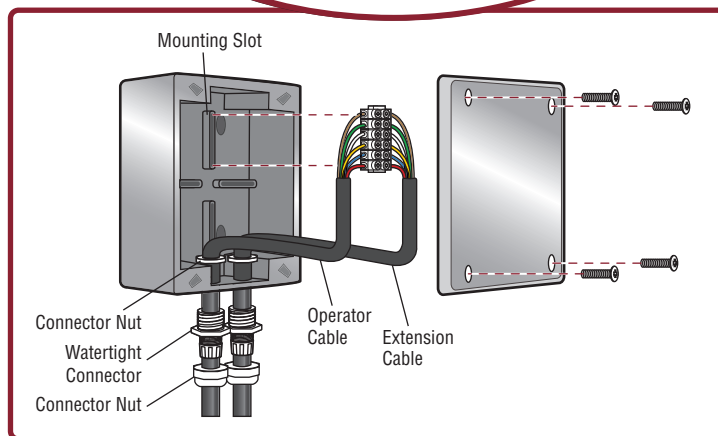
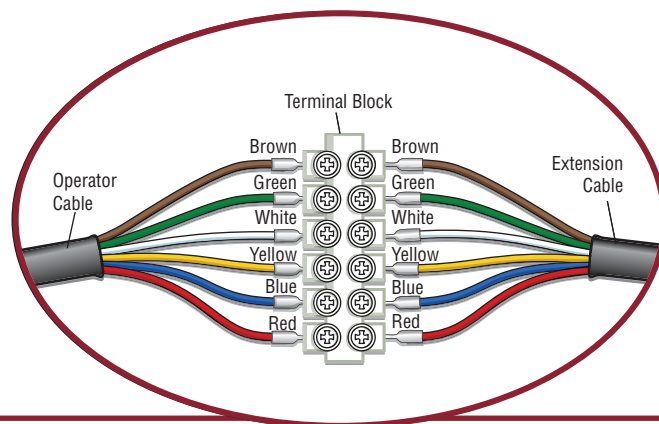
#### INSTALL A SECOND OPERATOR ARM

Install a second operator arm by following installation steps 1-4.

#### INSTALL THE EXTENSION CABLE AND JUNCTION BOX

Before digging, contact local underground utility locating companies.

1. Trench across driveway to bury the extension cable. Use PVC conduit to prevent damage to cables.
2. Open the junction box by removing screws (4) and set aside.
3. Select holes to be used for mounting and knock out using a screwdriver and hammer. Drill two holes in the bottom of the junction box large enough for the watertight connectors.
4. Mount the junction box within 3 feet (0.9 m) of second operator.
5. Route operator cable and extension cable through watertight connector nut and watertight connector.
6. Insert the cables and watertight connectors into the holes in the bottom of the junction box.
7. Slide the connector nut onto the operator cable and extension cable.
8. Connect the wires from extension cable and operator cable to the terminal block connector as shown (like-colored wires must face each other).
9. Put wires inside of junction box.
10. Secure operator and extension cables by tightening the connector nut.
11. Reinstall cover.



# INSTALLATION

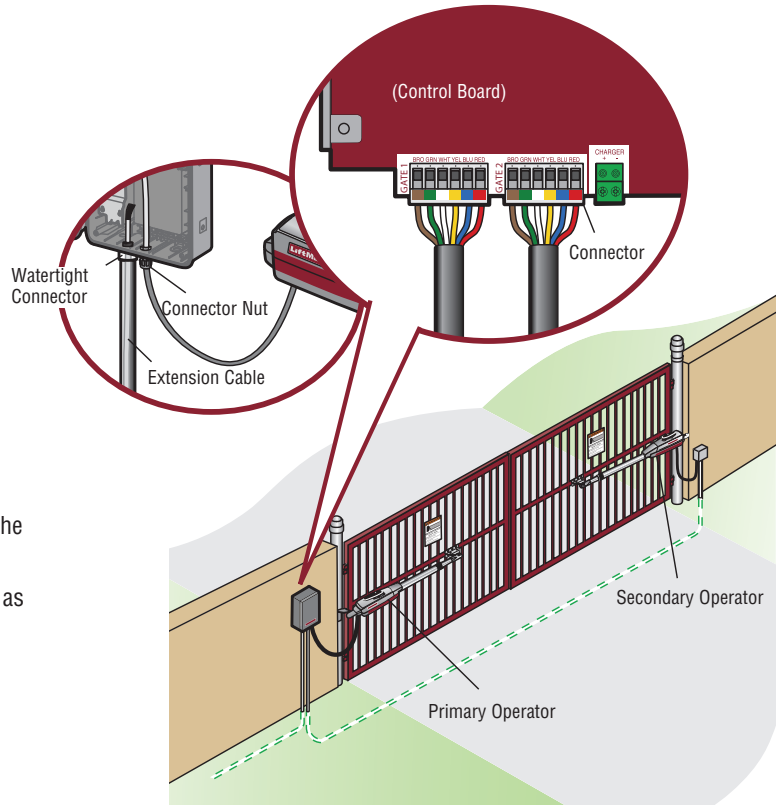
## STEP 8 continued...

### DUAL GATES ONLY

#### WIRED DUAL GATES

#### WIRE THE SECONDARY OPERATOR ARM TO THE CONTROL BOARD

1. Choose a knockout in the bottom of the control box.
2. Insert the extension cable through the watertight connector.
3. Insert the extension cable and watertight connector into the knockout.
4. Slide the connector nut onto the operator cable.
5. Connect the extension cable wires to the connector according to the colored label on the connector (white to white, red to red, etc.).
6. Plug the connector into the GATE 2 terminal on the control board as shown.
7. Tighten the connector nut.

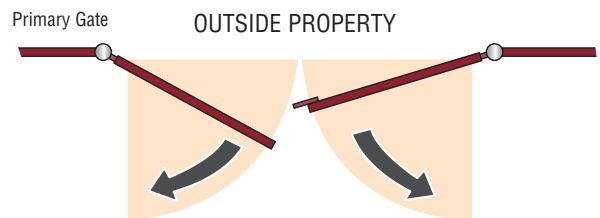


#### SET THE BIPART DELAY (SINGLE CONTROL BOX)

Occasionally in dual gate installations, one gate will need to open first and close second. This would happen if there was an ornamental overhang on one gate or if using a solenoid lock, for example. This gate is called the Primary gate and needs to be connected to Gate 1 connections on the control board. Thus, it is preferred that the control box be installed on the same side as this gate. If there is no appropriate location on that side for the control box, then mount the control box on the opposite side, but connect the operator closest to the control box to the Gate 2 connector and the operator on the opposite side to the Gate 1 connector.

1. The BIPART DELAY switch on the control board needs to be set to the ON position.

The following illustration shows a dual gate configuration with a decorative overlapping piece on the outside of the gate.



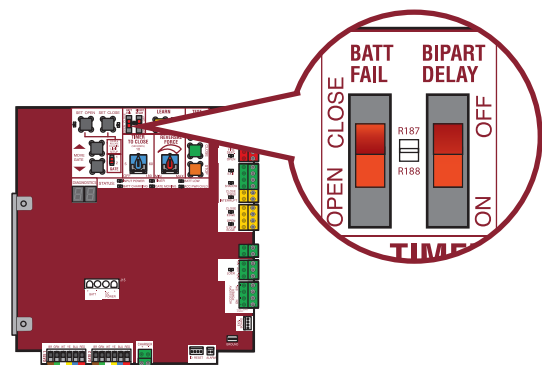
Primary Gate - Connect to Gate 1 Connector on Control Board.

#### SET THE BIPART DELAY (DUAL CONTROL BOX)

##### BIPART DELAY/SYNCHRONIZED CLOSE

The LOCK/BIPART DELAY switch is used with dual control box applications and serves two functions:

- **BIPART DELAY:** The BIPART DELAY is used in applications where a mag-lock, solenoid lock, or decorative overlay would require one gate to close before the other. The control box with the LOCK/BIPART DELAY switch ON will delay from the close limit when opening and be the first to close from the open limit.
- **SYNCHRONIZED CLOSE:** The BIPART DELAY is also used in applications where one gate travels a longer distance than the other. To synchronize the closing of the gates, set the LOCK/BIPART DELAY switch to ON for both control boxes.



# INSTALLATION

## ⚠ WARNING

To prevent SERIOUS INJURY or DEATH from a moving gate:

- ALL gate operator systems REQUIRE two independent entrapment protection systems for each entrapment zone.
- Entrapment protection devices MUST be installed to protect anyone who may come near a moving gate.
- Locate entrapment protection devices to protect in BOTH the open and close gate cycles.
- Locate entrapment protection devices to protect between moving gate and RIGID objects, such as posts, walls, pillars, or columns.

## STEP 9

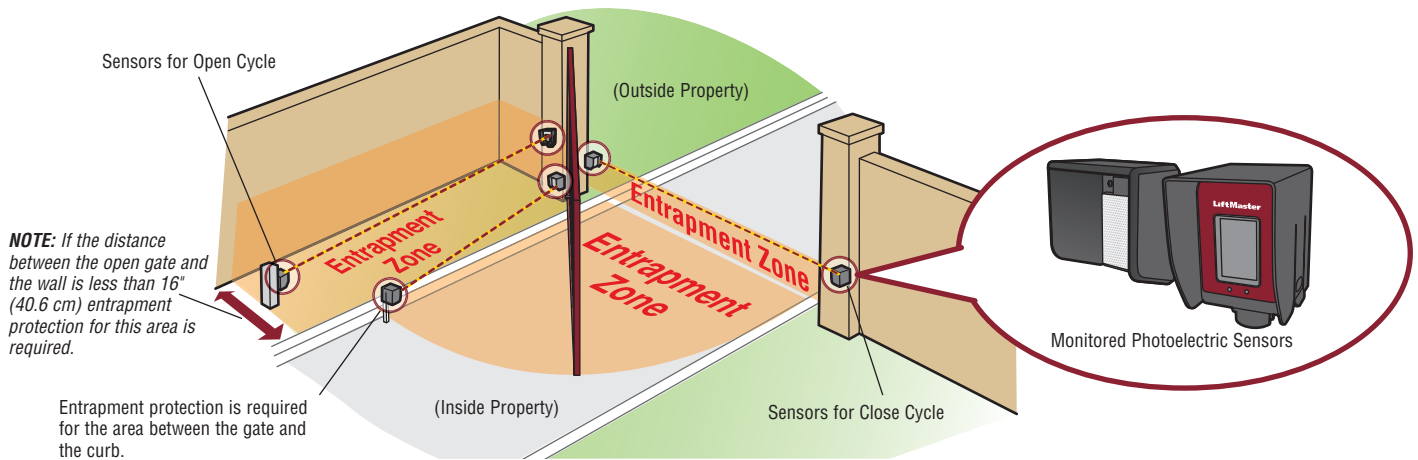
### INSTALL ENTRAPMENT PROTECTION

This operator contains an inherent (internal) entrapment protection system and **REQUIRES** the addition of an external monitored entrapment protection system (non-contact photoelectric sensor or contact edge sensor) for EACH entrapment zone prior to gate movement. A monitored device sends a pulsed signal to the operator so the operator is aware of the device. If the operator does not receive the signal from the device it will not run.

An entrapment zone is every location or point of contact where a person can become entrapped between a moving gate and a stationary object. Your application may contain one or many entrapment zones. Property owners are obligated to test entrapment protection devices monthly. **Use only LiftMaster approved entrapment protection devices (refer to the accessory page).**

#### NON-CONTACT SENSORS

If the photoelectric sensor beam gets blocked while the gate is moving, the gate will stop and reverse. The gate will not be able to travel in that direction until the obstruction is cleared. Monitored photoelectric sensors **MUST** be used. If a monitored photoelectric sensor is not working or loses power or the beam is blocked, then ALL gate operation in that direction will stop.

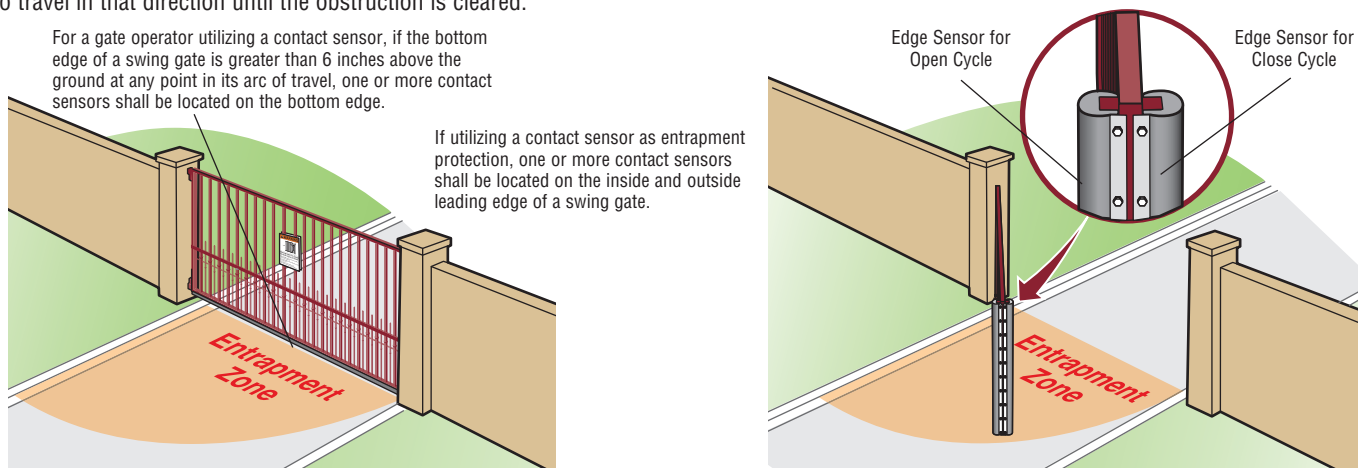


#### CONTACT SENSORS (EDGE SENSORS)

If the electrically activated edge sensor comes in contact with an obstruction while the gate is moving, the gate will stop and reverse. The gate will not be able to travel in that direction until the obstruction is cleared.

For a gate operator utilizing a contact sensor, if the bottom edge of a swing gate is greater than 6 inches above the ground at any point in its arc of travel, one or more contact sensors shall be located on the bottom edge.

If utilizing a contact sensor as entrapment protection, one or more contact sensors shall be located on the inside and outside leading edge of a swing gate.



# INSTALLATION

## STEP 9 continued...

### INSTALL ENTRAPMENT PROTECTION

There are three options for wiring the entrapment protection devices depending on the specific device and how the device will function. Refer to the specific entrapment protection device manual for more information. These entrapment protection device inputs are for monitored devices, which include pulsed photoelectric sensors, resistive edge sensors, and pulsed edge sensors. **Only one monitored entrapment protection device may be wired to each input.** Additional entrapment protection devices may be wired to the expansion board (not provided).

#### CONTROL BOARD

##### CLOSE EYES/INTERRUPT (2 Terminals)

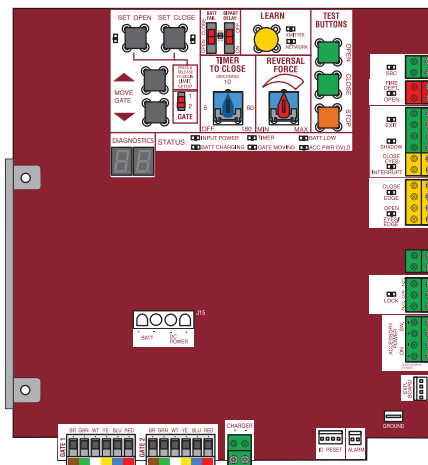
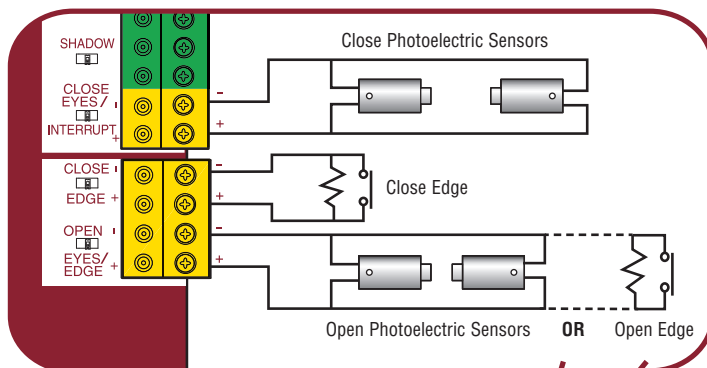
The CLOSE EYES/INTERRUPT input is for photoelectric sensor entrapment protection for the close direction. When an obstruction is sensed during gate closing the gate will open to the full open position and resets the Timer-to-Close. This input will be disregarded during gate opening.

##### CLOSE EDGE (2 Terminals)

The CLOSE EDGE input is for edge sensor entrapment protection for the close direction. When an obstruction is sensed during gate closing the gate will reverse to the full open position, disengaging the Timer-to-Close. This input will be disregarded during gate opening.

##### OPEN EYES/EDGE (2 Terminals)

The OPEN EYES/EDGE input is for photoelectric sensor or edge sensor entrapment protection for the open direction. When an obstruction is sensed during gate opening the gate will reverse for 4 seconds then stop. This input will be disregarded during gate closing.



#### EXPANSION BOARD (NOT PROVIDED)

##### EYE ONLY and COM

Open or Close Direction Photoelectric Sensors, the functionality is based on the switch settings (located next to the terminals)

**Switch set to CLOSE:** gate reverses fully when obstruction is sensed

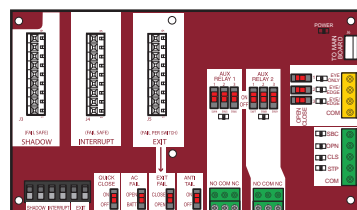
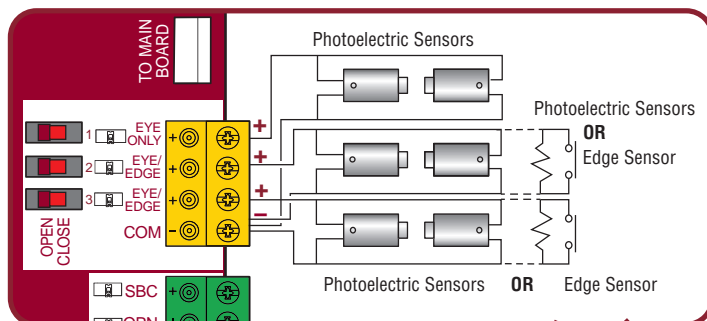
**Switch set to OPEN:** gate reverses 4 seconds when obstruction is sensed

##### EYE/EDGE and COM

Open or Close Direction Photoelectric Sensors or Edge Sensor, the functionality is based on the switch settings (located next to the terminals)

**Switch set to CLOSE:** gate reverses fully when obstruction is sensed

**Switch set to OPEN:** gate reverses 4 seconds when obstruction is sensed



# INSTALLATION

## STEP 10

### POWER WIRING

**SOLAR APPLICATIONS:** For solar applications refer to Solar Panels section in the Appendix. Follow the directions according to your application.

**NOTE:** All power wiring should be on a dedicated circuit, calculated using NEC guidelines. Local codes and conditions must be reviewed for suitability of wire installation.

1. Turn off the AC power from the main power source circuit breaker.
2. Run the AC power wires to the control box.
3. Remove the junction box cover.
4. Connect the green wire to the earth ground rod wire using a wire nut.
5. Connect the white wire to NEUTRAL using a wire nut.
6. Connect the black wire to HOT using a wire nut.
7. Replace the junction box cover. Ensure the wires are not pinched.
8. Plug the J15 plug into the control board. The control board will power up. **NOTE:** You may see a small spark when plugging the J15 plug into the board.
9. Turn ON AC power to the operator.

### OPERATOR POWER SOURCE

#### DIRECT PLUG-IN TRANSFORMER (120 VAC)

|               |                  |
|---------------|------------------|
| Wire Gauge 14 | 350 feet (107 m) |
| Wire Gauge 12 | 525 feet (160 m) |
| Wire Gauge 10 | 850 feet (259 m) |

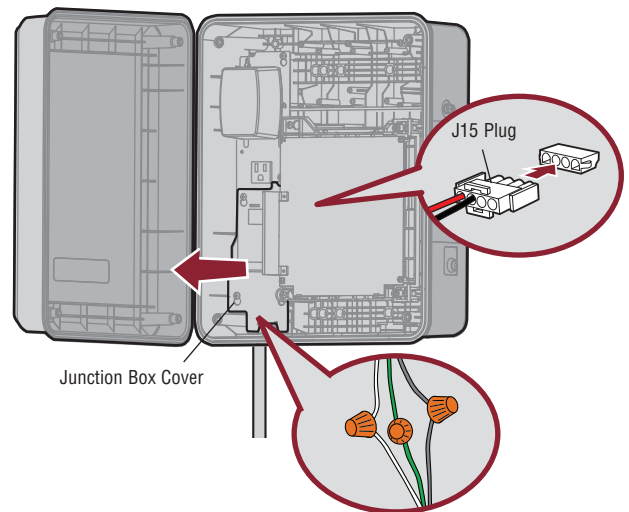
OR

#### EXTERNAL PLUG-IN TRANSFORMER (24 VAC)

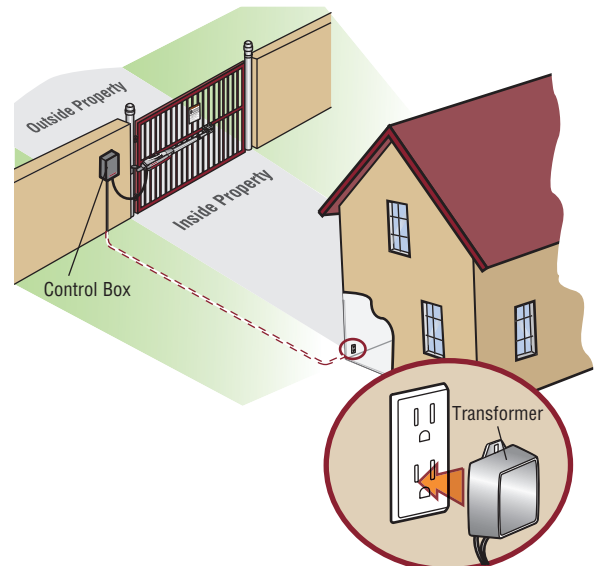
|               |                    |
|---------------|--------------------|
| Wire Gauge 18 | 150 feet (46 m)    |
| Wire Gauge 16 | 250 feet (76 m)    |
| Wire Gauge 14 | 400 feet (122 m)   |
| Wire Gauge 12 | 600 feet (183 m)   |
| Wire Gauge 10 | 1,000 feet (305 m) |

**NOTE:** Use copper conductors ONLY.

STANDARD CONTROL BOX



EXTERNAL PLUG-IN TRANSFORMER



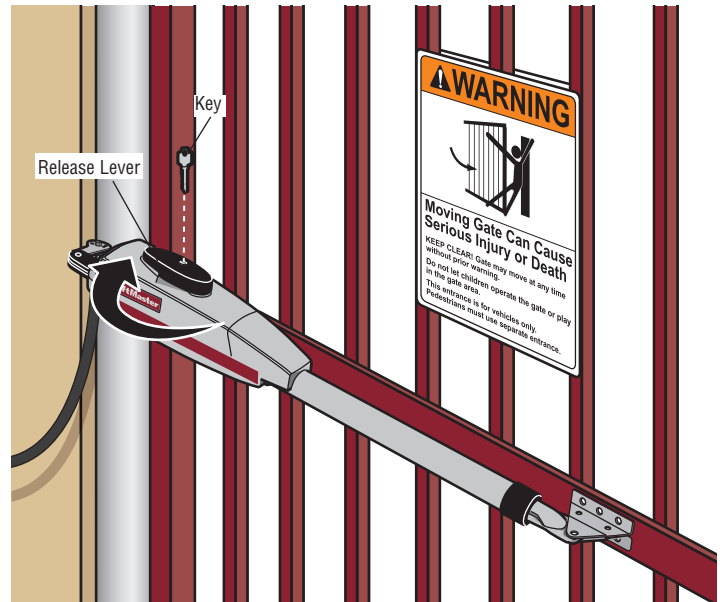


# INSTALLATION

## STEP 11

### FINISH INSTALL

1. Turn the release lever clockwise 180° back to the engaged position. This engages the motor. The illustration shows the release lever in the engaged position.
2. Turn the key clockwise 180°. This locks the release lever. The operator is now engaged.
3. Fasten warning signs to the gate with cable ties. Warning signs **MUST** be installed on both sides of the gate and in plain view.



# ADJUSTMENT

## LIMIT AND FORCE ADJUSTMENT

### WARNING

To reduce the risk of SEVERE INJURY or DEATH:

- Without a properly installed safety reversal system, persons (particularly small children) could be SERIOUSLY INJURED or KILLED by a moving gate.
- Too much force on gate will interfere with proper operation of safety reversal system.
- NEVER increase force beyond minimum amount required to move gate.
- NEVER use force adjustments to compensate for a binding or sticking gate.
- If one control (force or travel limits) is adjusted, the other control may also need adjustment.
- After ANY adjustments are made, the safety reversal system **MUST** be tested. Gate **MUST** reverse on contact with a rigid object.

## INTRODUCTION

Your operator is designed with electronic controls to make travel limit and force adjustments easy. The adjustments allow you to program where the gate will stop in the open and close position. The electronic controls sense the amount of force required to open and close the gate. The force is adjusted automatically when you program the limits but should be fine tuned using the REVERSAL FORCE dial on the control board (refer to Fine Tune the Force section) to compensate for environmental changes.

The limits can be set using the control board (following page) or a remote control (refer to Limit Setup with a Remote Control in the Appendix). Setting the limits with a remote control requires a 3-button remote control programmed to OPEN, CLOSE, and STOP.

**NOTE:** The Test Buttons on the control board will not work until the limits have been set.

# ADJUSTMENT

## LIMIT AND FORCE ADJUSTMENT continued...

For dual gate applications the limits will have to be set for each operator. The gate MUST be attached to the operator before setting the limits and force.

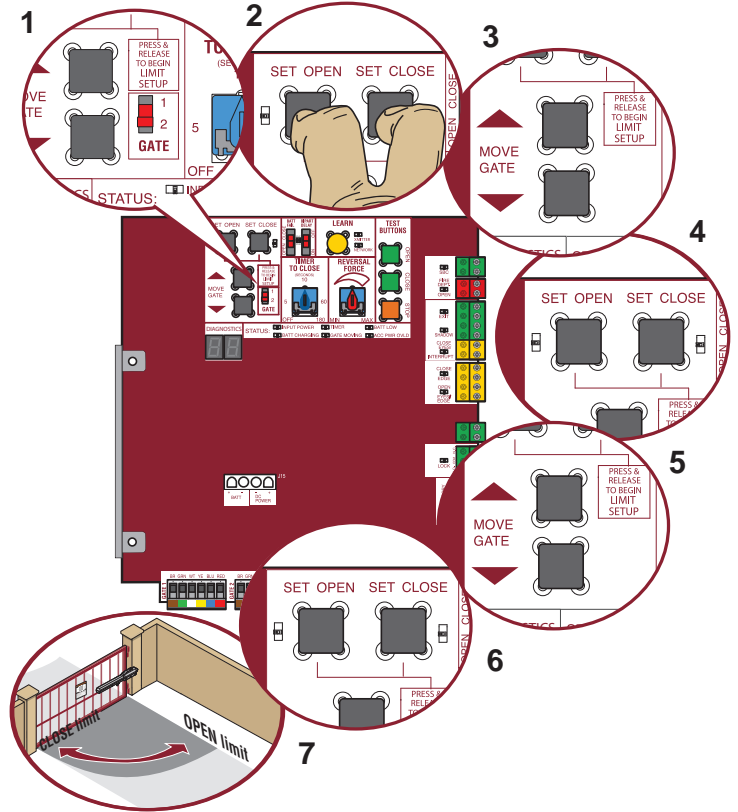
### INITIAL LIMITS AND FORCE ADJUSTMENT

If a mistake is made while programming the limits press the reset button to start over.

1. Set the GATE switch to the 1 position.
2. Press and release the SET OPEN and SET CLOSE buttons simultaneously to enter limit setting mode.
3. Press and hold the MOVE GATE buttons to move the gate to the open or close limit.
4. Press and release the SET CLOSE or SET OPEN button depending on which limit is being set.
5. Press and hold the MOVE GATE button to move the gate to the other limit.
6. Press and release the SET CLOSE or SET OPEN button depending on which limit is being set. The operator will exit limit setting mode.\*
7. Cycle the gate open and close using the TEST BUTTONS. This automatically sets the force.
8. For dual gates set the Gate switch to the 2 position and repeat steps 2-7.

When limits are set properly the operator will automatically exit limit setting mode.

\* **Dual Gates ONLY:** When the limits are set on the secondary gate first the control board will not exit the limit setting mode until the limits are set on the primary gate.



### LIMIT SETUP LEDS

| SET OPEN LED | SET CLOSE LED | OPERATOR MODE      | EXPLANATION             |
|--------------|---------------|--------------------|-------------------------|
| OFF          | OFF           | NORMAL MODE        | Limits are set.         |
| BLINKING     | BLINKING      | LIMIT SETTING MODE | Limits are not set.     |
| BLINKING     | ON            | LIMIT SETTING MODE | Open limit is not set.  |
| ON           | BLINKING      | LIMIT SETTING MODE | Close limit is not set. |
| ON           | ON            | LIMIT SETTING MODE | Limits are set.         |

# ADJUSTMENT

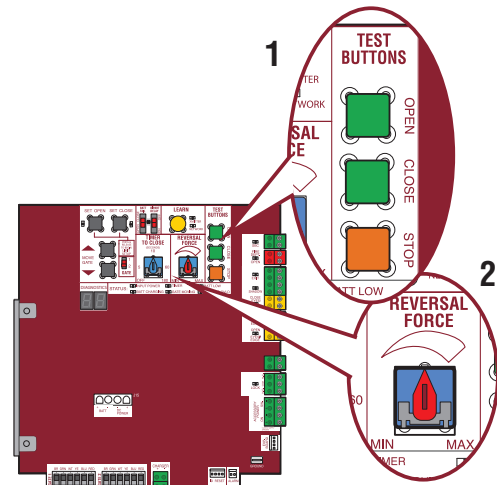
## LIMIT AND FORCE ADJUSTMENT continued...

### FINE TUNE THE FORCE

The REVERSAL FORCE DIAL on the control board is used for fine tuning the force in cases where wind or environmental changes may affect the gate travel.

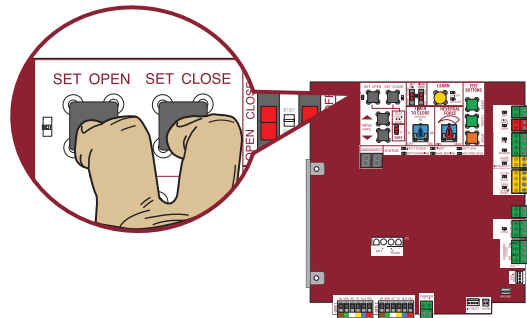
Based on the length and weight of the gate it may be necessary to make additional force adjustments. The force setting should be high enough that the gate will not reverse by itself nor cause nuisance interruptions, but low enough to prevent serious injury to a person. The force setting is the same for both the open and close gate directions.

1. Open and close the gate with the test buttons.
2. If the gate stops or reverses before reaching the fully open or closed position, increase the force by turning the force control slightly clockwise.
3. Perform the "Obstruction Test" after every force setting adjustment (see below).



### ADJUST THE LIMITS

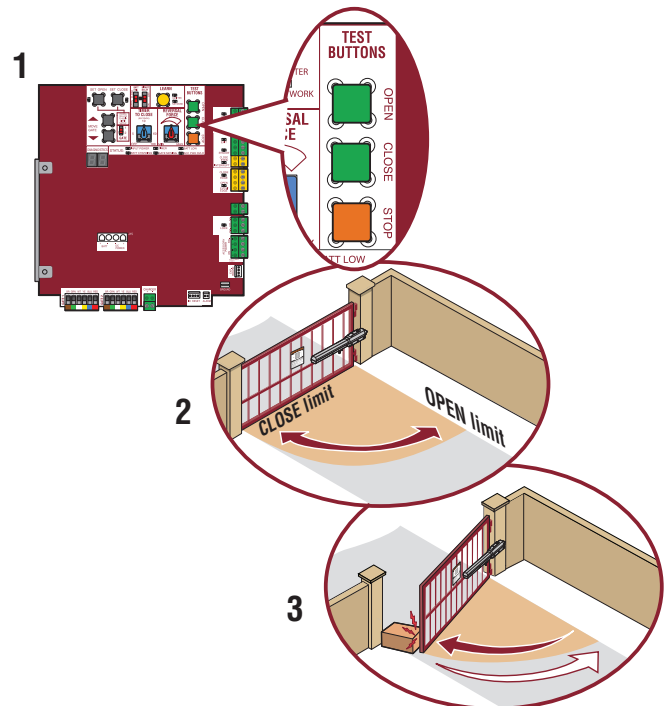
After both limits are set and the operator is ready to run, one limit can be adjusted independently from the other by following steps 1-3 of the Initial Limit and Force Adjustment section, on page 24.



### OBSTRUCTION TEST

The operator is equipped with an automatic obstruction sensing feature. If the gate encounters an obstruction during motion, the operator will automatically reverse direction of the gate for a short time and then stop the gate. After any adjustments are made, test the operator:

1. Open and close the gate with the test buttons, ensuring that the gate is stopping at the proper open and close limit positions.
2. Place a solid object between the open gate and a rigid structure. Ensure that the gate, the solid object, and the rigid structure can withstand the forces generated during this obstruction test.
3. Run the gate in the close direction. The gate should stop and reverse upon contact with the solid object. If the gate does not reverse off the solid object, reduce the force setting by turning the force control slightly counter-clockwise. The gate should have enough force to reach both the open and close limits, but **MUST** reverse after contact with a solid object.
4. Repeat the test for the open direction.

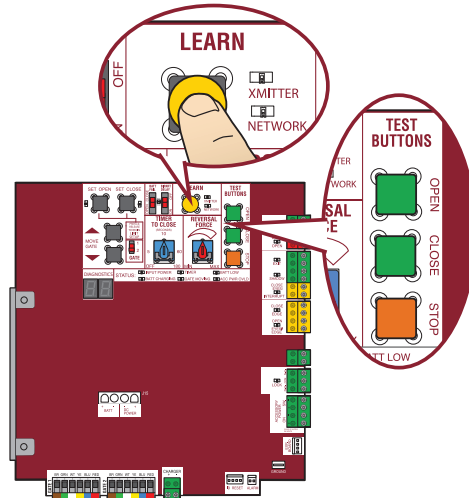


# PROGRAMMING

## REMOTE CONTROLS (NOT PROVIDED)

A total of 50 Security+ 2.0® remote controls and 2 keyless entries (1 PIN for each keyless entry) can be programmed to the operator. When programming a third keyless entry to the operator, the first keyless entry will be erased to allow the third keyless entry to be programmed. When the operator's memory is full it will exit the programming mode and the remote control will not be programmed. The memory will need to be erased before programming any additional remote controls. **NOTE: If installing an 86LM to extend the range of the remote controls DO NOT straighten the antenna.**

There are 3 different options for programming the remote control depending on how you would like the remote control to function. Choose a programming option:



| OPTION  | DESCRIPTION   | PROGRAMMING STEPS  |
|---|---|--|
| Single button as OPEN only                      | Program a single button on the remote control for open only. The Timer-to-Close can be set to close the gate. | <ol style="list-style-type: none"> <li>1. Press and release the LEARN button (operator will beep and green XMITTER LED will light). <b>NOTE: The operator will time out of programming mode after 30 seconds.</b></li> <li>2. Press the OPEN button.</li> <li>3. Press the remote control button that you would like to program.</li> </ol>  |
| Single button (SBC) as OPEN, CLOSE, and STOP    | Program one remote control button as an open, close, and stop.  | <ol style="list-style-type: none"> <li>1. Press and release the LEARN button (operator will beep and green XMITTER LED will light). <b>NOTE: The operator will time out of programming mode after 30 seconds.</b></li> <li>2. Press the remote control button that you would like to program.</li> </ol>   |
| Three separate buttons as OPEN, CLOSE, and STOP | Program each remote control button as an open, close, and stop.   | <ol style="list-style-type: none"> <li>1. Press and release the LEARN button (operator will beep and green XMITTER LED will light). <b>NOTE: The operator will time out of programming mode after 30 seconds.</b></li> <li>2. Press the OPEN, CLOSE, or STOP button, depending on the desired function.</li> <li>3. Press the remote control button that you would like to program.</li> </ol> |

The operator will automatically exit learn mode (operator will beep and green XMITTER LED will go out) if programming is successful. To program additional Security+ 2.0® remote controls or remote control buttons, repeat the programming steps above.

NOTICE: This device complies with part 15 of the FCC rules and Industry Canada (IC) licence-exempt RSS standard(s). Operation is subject to the following two conditions: (1) this device may not cause harmful interference, and (2) this device must accept any interference received, including interference that may cause undesired operation.

Any changes or modifications not expressly approved by the party responsible for compliance could void the user's authority to operate the equipment.

This Class B digital apparatus complies with Canadian ICES-003.

This device has been tested and found to comply with the limits for a Class B digital device, pursuant to part 15 of the FCC rules. These limits are designed to provide reasonable protection against harmful interference in a residential installation. This equipment generates, uses and can radiate radio frequency energy and, if not installed and used in accordance with the instructions, may cause harmful interference to radio communications. However, there is no guarantee that interference will not occur in a particular installation. If this equipment does cause harmful interference to radio or television reception, which can be determined by turning the equipment off and on, the user is encouraged to try to correct the interference by one or more of the following measures:

- Reorient or relocate the receiving antenna.
- Increase the separation between the equipment and receiver.
- Connect the equipment into an outlet on a circuit different from that to which the receiver is connected.
- Consult the dealer or an experienced radio/TV technician for help.

# PROGRAMMING

## LIFTMASTER INTERNET GATEWAY (NOT PROVIDED)

To program the operator to the LiftMaster Internet Gateway:

### USING THE LEARN BUTTON ON THE OPERATOR'S CONTROL BOARD

1. Connect the ethernet cable to the LiftMaster Internet Gateway and the router.
2. Connect power to the LiftMaster Internet Gateway.
3. Create an online account by visiting [www.myliftmaster.com](http://www.myliftmaster.com).
4. Register the LiftMaster Internet Gateway.
5. Use an internet enabled computer or smartphone to add devices. The LiftMaster Internet Gateway will stay in learn mode for three minutes.
6. Press the Learn button twice on the primary operator (the operator will beep as it enters learn mode). The LiftMaster Internet Gateway will pair to the operator if it is within range and the operator will beep if programming is successful.

### USING THE RESET BUTTON ON THE OPERATOR

1. Connect the ethernet cable to the LiftMaster Internet Gateway and the router.
2. Connect power to the LiftMaster Internet Gateway.
3. Create an online account by visiting [www.myliftmaster.com](http://www.myliftmaster.com).
4. Register the LiftMaster Internet Gateway.
5. Use an internet enabled computer or smartphone to add devices. The LiftMaster Internet Gateway will stay in learn mode for three minutes.
6. Ensure gate is closed.
7. Give the operator an OPEN command.
8. Within 30 seconds, when the gate is at the open limit press and release the reset button 3 times (on primary gate) to put primary operator into High Band Learn Mode (the operator will beep as it enters learn mode). The LiftMaster Internet Gateway will pair to the operator if it is within range and the operator will beep if programming is successful.

The status as shown by the LiftMaster Internet Gateway app will be either "open" or "closed". The gate operator can then be controlled through the LiftMaster Internet Gateway app.

## ERASE ALL CODES

1. Press and release the LEARN button (operator will beep and green XMITTER LED will light).
2. Press and hold the LEARN button again until the green XMITTER LED flashes and then release the button (approximately 6 seconds). All remote control codes are now erased.

## ERASE LIMITS

1. To erase the limits, press and hold the SET OPEN and SET CLOSE buttons simultaneously (5 seconds) until both the SET OPEN and SET CLOSE LEDs blink rapidly and the operator beeps.
2. Release the buttons and the SET OPEN and SET CLOSE LEDs will blink slowly indicating the limits will need to be set.

## TO REMOVE AND ERASE MONITORED ENTRAPMENT PROTECTION DEVICES

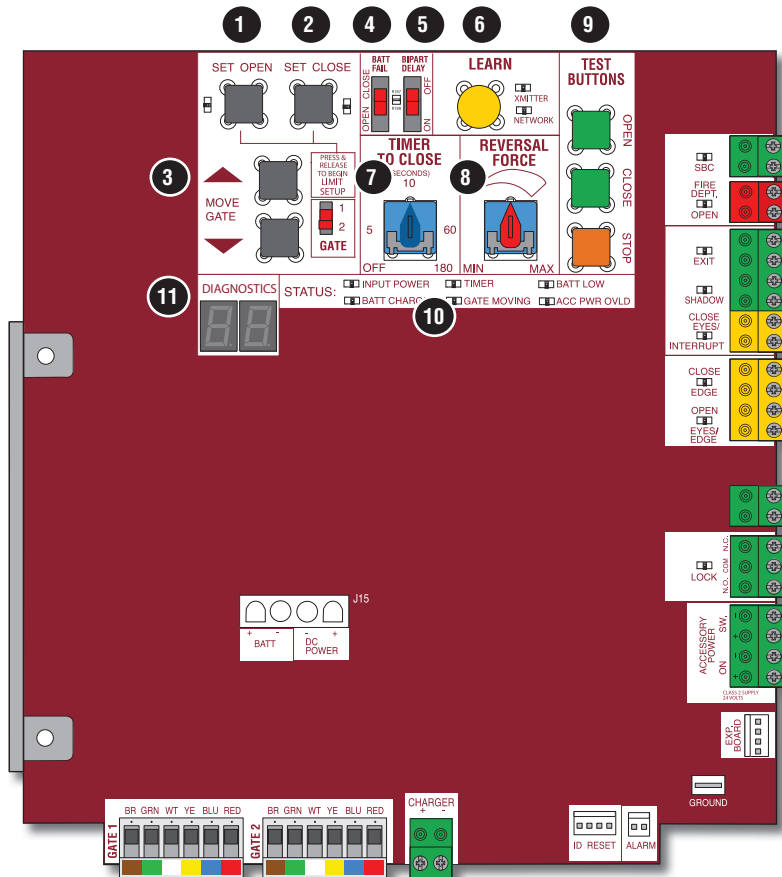
1. Remove the entrapment protection device wires from the terminal block.
2. Press and release the SET OPEN and SET CLOSE buttons simultaneously. The SET OPEN and SET CLOSE LEDs will turn on (entering learn limit mode).
3. Press and release both SET OPEN and SET CLOSE buttons again to turn off the SET OPEN and SET CLOSE LEDs (exiting learn limit mode).

# OPERATION

## CONTROL BOARD OVERVIEW

- 1 **SET OPEN Button:** The SET OPEN button sets the OPEN limit. See Adjust Limits section.
- 2 **SET CLOSE Button:** The SET CLOSE button sets the CLOSE limit. See Adjust Limits section.
- 3 **MOVE GATE Buttons:** The MOVE GATE buttons will either open or close the gate when the operator is in Limit setting mode. See Adjust Limits section.
- 4 **BATT FAIL:**
  - When AC power is OFF and battery voltage is critically low the gate will latch at a limit until AC power is restored or batteries voltage increases.
  - Option select switch set to OPEN forces gate to automatically open and then latch at the OPEN limit until AC power is restored or battery voltage increases.
  - Option select switch set to CLOSE forces gate to latch at CLOSE limit if at CLOSE limit or on next CLOSE command until AC power restored or battery voltage increases.
  - Constant pressure on a hard command input overrides to open or close the gate.
  - Critically low battery is less than 23 V
- 5 **BIPART DELAY Switch:** The LOCK/BIPART DELAY switch is used only for dual gates. See Bipart Delay section.
- 6 **LEARN Button:** The LEARN button is for programming remote controls and the network.
- 7 **TIMER-TO-CLOSE dial:** The TIMER-TO-CLOSE (TTC) dial can be set to automatically close the gate after a specified time period. The TTC is factory set to OFF. If the TTC is set to the OFF position, then the gate will remain open until the operator receives another command from a control. Rotate the TIMER-TO-CLOSE dial to the desired setting. The range is 0 to 180 seconds, 0 seconds is OFF.
 

**NOTE:** Any radio command, single button control, or CLOSE command on the control board prior to the TTC expiring will close the gate. The TTC is reset by any signals from the open controls, loops, close edges, and close photoelectric sensors (IR's).
- 8 **REVERSAL FORCE dial:** The REVERSAL FORCE dial adjusts the force. See Force Adjustment section.
- 9 **TEST BUTTONS:** The TEST BUTTONS will operate the gate (OPEN, STOP and CLOSE).
- 10 **STATUS LEDs:** The STATUS LEDs are diagnostic codes for the operator. See Status LED Chart in the Troubleshooting section.
- 11 **DIAGNOSTICS Display:** The diagnostics display will show the operator type, firmware version, and codes. The operator type will display as "LA" followed by a "40" which indicates the operator type as LA400DC. The firmware version will show after the operator type, example "1.2".



# OPERATION

## MANUAL RELEASE

In case of a power failure, the operator can be disengaged from the gate. With an operator, the release action may sometimes feel stiff/jerky, which is normal and has no effect on function. **NOTE:** *It is normal for the operator to run slow right after a disconnect or complete loss of AC/battery power (the operator will need to run a complete open and close cycle).*

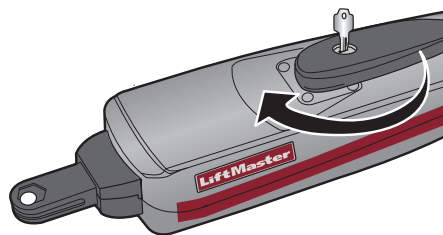
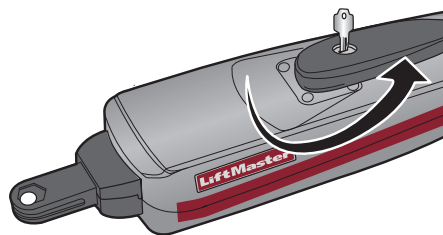
### RELEASE

1. Insert the key into the lock.
2. Turn the key counter-clockwise 180°.
3. Turn the release lever counter-clockwise 180°.

Operator is in manual mode and the gate can be opened and closed manually.

### ENGAGE

1. Turn the release lever clockwise 180°. This engages the motor.
2. Turn the key clockwise 180°. This locks the release lever.
3. Remove the key and store in a safe place. The operator is now engaged.



## RESET BUTTON

The reset button is located on the side of the control box and serves several functions:

- Press the reset button to stop a moving gate during a normal open/close cycle, like a stop button.
- Press the reset button once while the gate is in open position to disable the Timer-to-Close. The gate will stay in the open position. To restart the Timer-to-Close either press the reset button or activate the gate with a programmed remote control.
- Press the reset button to shut off the alarm and reset the operator.



## PARTY MODE

Press the reset button once while the gate is in open position to disable the Timer-to-Close. The gate will stay in the open position. To restart the Timer-to-Close either press the reset button or activate the gate with a programmed remote control.

# OPERATION

## OPERATOR ALARM

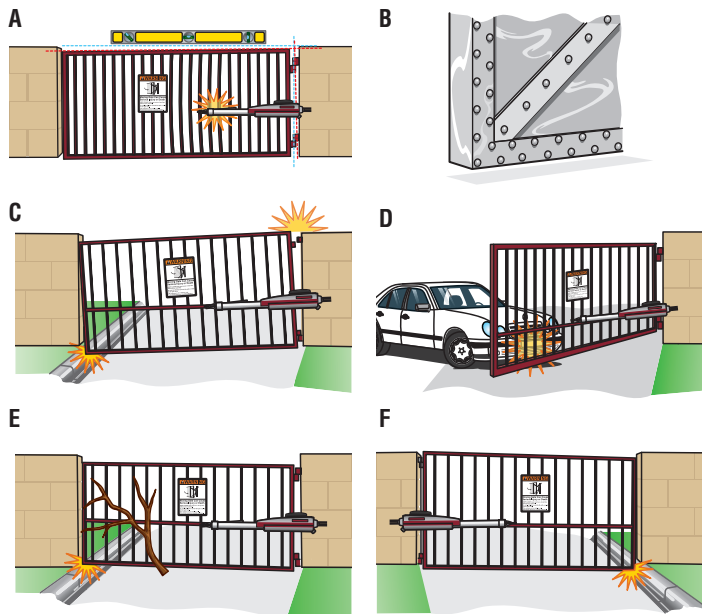
If a contact sensor detects an obstruction twice consecutively the alarm will sound (up to 5 minutes) and the operator will need to be reset.

When the inherent force of the operator (RPM/current sensor) detects the following (twice consecutively) the alarm will sound (up to 5 minutes) and the operator will need to be reset:

- A. The operator arm or gate is incorrectly installed.
- B. The gate does not meet specifications.
- C. Gate hinges are too tight or broken and the gate is not moving freely.
- D. The gate is moving and a car pushes the gate.
- E. A foreign object is on the gate frame while the gate is moving.
- F. The gate hits the driveway, curb or other, and gets stuck or bent in an awkward position.

Remove any obstructions. Press the reset button to shut off the alarm and reset the operator. After the operator is reset, normal functions will resume.

The operator alarm will beep 3 times with a command if the battery is low.



## REMOTE CONTROL

### SINGLE BUTTON CONTROL (SBC) FUNCTIONALITY

Once the remote control has been programmed the operator will operate as follows:

When gate is in the closed position, activation of the remote control button will open the gate. During the open cycle another activation of the remote control will stop the gate and the next activation of the remote control will close the gate.

When the gate is in the open position, activation of the remote control button will close the gate. If the remote control is activated while the gate is closing, the gate will stop and the next activation will open the gate.



# ACCESSORY WIRING

## EXTERNAL CONTROL DEVICES

### EXIT (2 Terminals)

This input is a soft open command (maintained switch does not override external safeties and does not reset alarm condition). Used for exit probe, telephone entry, external exit loop detector, or any device that would command the gate to open.

- Opens a closing gate and holds open an open gate, if maintained, pauses Timer-to-Close at OPEN limit.

### SHADOW (2 Terminals)

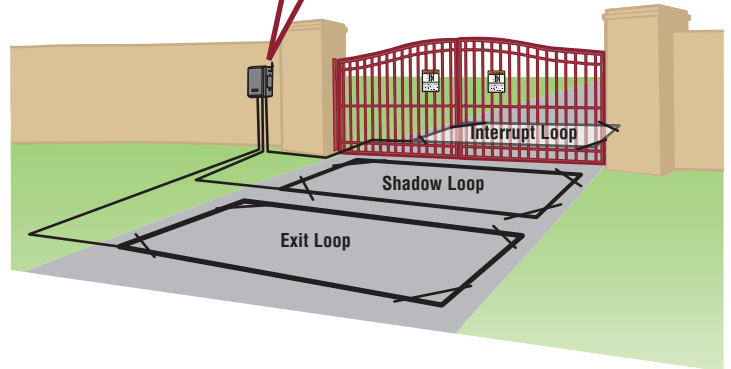
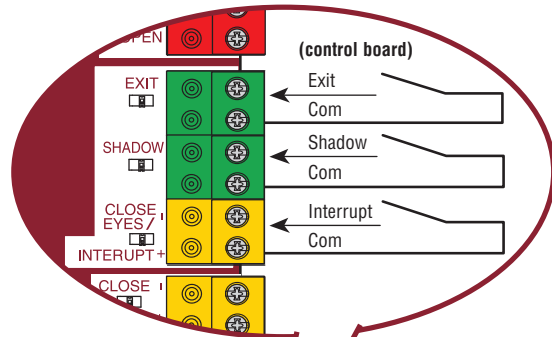
This input is used for external shadow loop detector when loop is positioned under the swing of the gate.

- Holds open gate at open limit
- Only active when the gate is at the OPEN limit, disregarded at all other times
- Pauses Timer-to-Close at OPEN limit

### INTERRUPT (2 Terminals)

This input is used for photoelectric sensors and external interrupt loop detector when loop is on the outside of the gate.

- Holds open gate at open limit
- Stops and reverses a closing gate to open limit
- Pauses Timer-to-Close at OPEN limit, activates quick close and anti-tailgate features when enabled on the expansion board



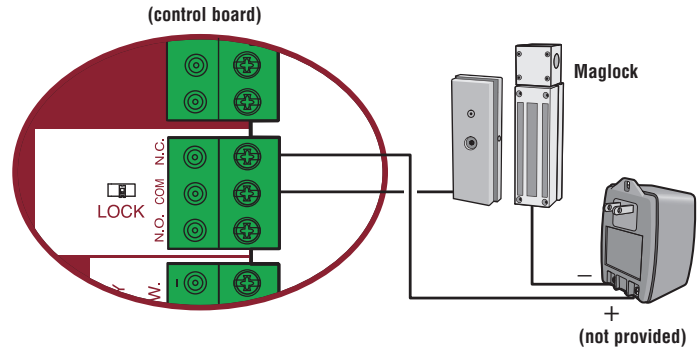
# ACCESSORY WIRING

## LOCKS

### MAGLOCK (2 Terminals, N.C. and COM)

Relay contact output, Normally - closed (N.C.) output for maglocks.

Relay activates prior to motor activation and during motor run. Relay is off when motor is off.

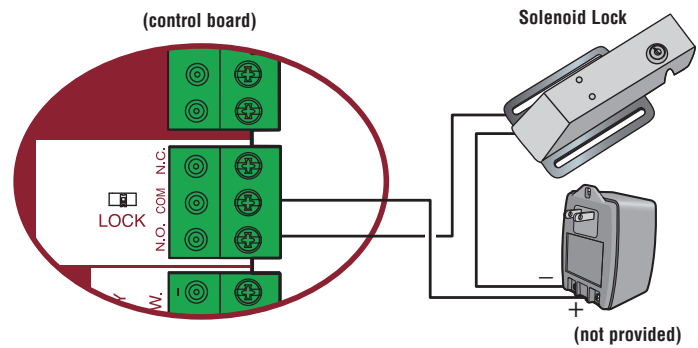


### SOLENOID (2 Terminals, N.O. and COM)

Normally - open (N.O.) output for solenoid locks

Relay activates prior to motor activation and during motor run. Relay is off when motor is off.

**NOTE:** To conserve power for solar applications, the lock relay will only activate for four seconds near the close limit.



## MISCELLANEOUS WIRING

### SINGLE BUTTON CONTROL (SBC) (2 Terminals)

Gate command sequence - Open, Stop, Close, Stop,...

Soft open (maintained switch does not override external safeties and does not reset alarm condition).

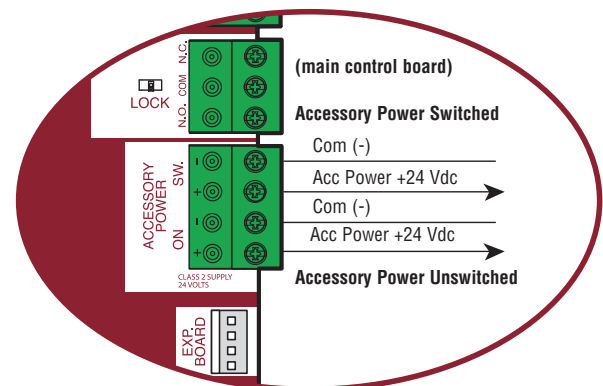
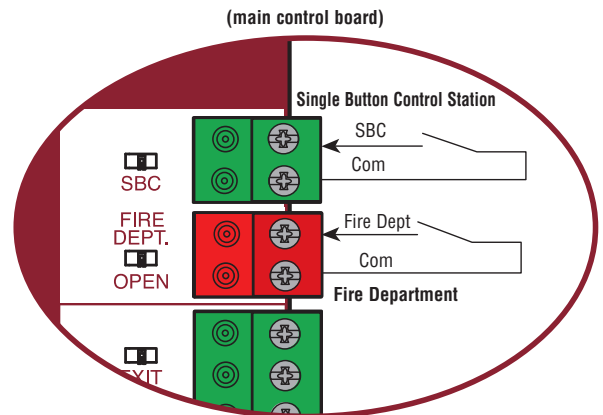
### FIRE DEPARTMENT OPEN INPUT (2 Terminals)

Acts as hard open.

Maintained input overrides (ignores) external safeties (photoelectric sensor and edge), pauses Timer-to-Close momentary input logic as single button control and safeties remain active, re-enables Timer-to-Close.

### ACCESSORY POWER 24 VDC, MAX 500 mA (4 Terminals)

- SWITCHED: Switched ON with gate motion (stays on 5 seconds after motion).
- UNSWITCHED: 24 Vdc voltage out to power accessories, always ON.



# MAINTENANCE

## IMPORTANT SAFETY INFORMATION

### **WARNING**

To reduce the risk of SEVERE INJURY or DEATH:

- READ AND FOLLOW ALL INSTRUCTIONS.
- ANY maintenance to the operator or in the area near the operator MUST NOT be performed until disconnecting the electrical power (AC or solar and battery) and locking-out the power via the operator power switch. Upon completion of maintenance the area MUST be cleared and secured, at that time the unit may be returned to service.
- Disconnect power at the fuse box BEFORE proceeding. Operator MUST be properly grounded and connected in accordance with national and local electrical codes. **NOTE:** *The operator should be on a separate fused line of adequate capacity.*
- NEVER let children operate or play with gate controls. Keep the remote control away from children.
- ALWAYS keep people and objects away from the gate. NO ONE SHOULD CROSS THE PATH OF THE MOVING GATE.
- The entrance is for vehicles ONLY. Pedestrians MUST use separate entrance.
- Test the gate operator monthly. The gate MUST reverse on contact with a rigid object or reverse when an object activates the non-contact sensors. After adjusting the force or the limit of travel, retest the gate operator. Failure to adjust and retest the gate operator properly can increase the risk of INJURY or DEATH.
- Use the manual disconnect release ONLY when the gate is NOT moving.
- KEEP GATES PROPERLY MAINTAINED. Read the owner's manual. Have a qualified service person make repairs to gate hardware.
- ALL maintenance MUST be performed by a LiftMaster professional.
- Activate gate ONLY when it can be seen clearly, is properly adjusted and there are no obstructions to gate travel.
- To reduce the risk of FIRE or INJURY to persons use ONLY LiftMaster part 29-NP712 for replacement batteries.
- SAVE THESE INSTRUCTIONS.

### **CAUTION**

- ALWAYS wear protective gloves and eye protection when changing the battery or working around the battery compartment.

## MAINTENANCE CHART

**Disconnect all power (AC and battery) to the operator before servicing.** The operator's AC Power switch ONLY turns off AC power to the control board and DOES NOT turn off battery power. ALWAYS disconnect the batteries to service the operator.

| DESCRIPTION                   | TASK                                | CHECK AT LEAST ONCE EVERY |          |         |
|-------------------------------|-------------------------------------|---------------------------|----------|---------|
|                               |                                     | MONTH                     | 6 MONTHS | 3 YEARS |
| Entrapment Protection Devices | Check and test for proper operation | X                         |          |         |
| Warning Signs                 | Make sure they are present          | X                         |          |         |
| Manual Release                | Check and test for proper operation |                           | X        |         |
| Gate                          | Inspect for wear or damage          | X                         |          |         |
| Accessories                   | Check all for proper operation      |                           | X        |         |
| Electrical                    | Inspect all wire connections        |                           | X        |         |
| Mounting Hardware             | Check for tightness                 |                           | X        |         |
| Operator                      | Inspect for wear or damage          |                           | X        |         |
| Batteries                     | Replace                             |                           |          | X       |

### NOTES:

- Severe or high cycle usage will require more frequent maintenance checks.
- It is suggested that while at the site voltage readings be taken at the operator. Using a digital voltmeter, verify that the incoming voltage to the operator is within ten percent of the operator's rating.

## BATTERIES

Batteries will degrade over time depending on temperature and usage. The operator alarm will beep 3 times with a command if the battery is low. Batteries do not perform well in extremely cold temperatures. For best performance, the batteries should be replaced every 3 years. Use only LiftMaster part 29-NP712 for replacement batteries. The standard control box comes with two 7AH batteries.

# TROUBLESHOOTING

## ⚡ WARNING

To protect against fire and electrocution:

- DISCONNECT power (AC or solar and battery) BEFORE installing or servicing operator.

For continued protection against fire:

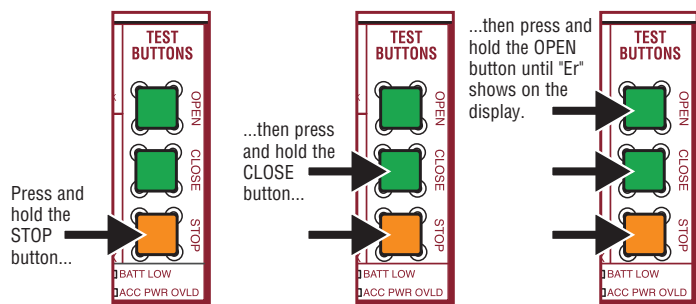
- Replace ONLY with fuse of same type and rating.

## DIAGNOSTIC CODES

**NOTE:** When cycling or disconnecting power (ac/dc) to the control board, it is recommended that you unplug the J15 plug.

### TO VIEW THE CODES

The codes will show on the diagnostic display.



The operator will show the code sequence number followed by the code number:

#### CODE SEQUENCE NUMBER

The first number shown is the most recent code (example: "01"). The display will show the sequence of codes that occurred starting with "01" and going up to code "20".

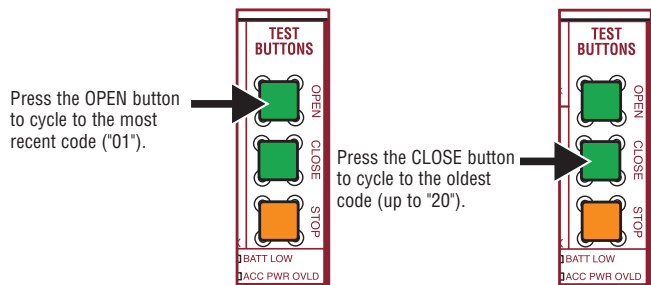
#### A SECOND LATER....

#### CODE NUMBER

The second number shown after the code sequence number is the code itself (31-99, example "31"). Refer to the chart on the following page for an explanation of each code.

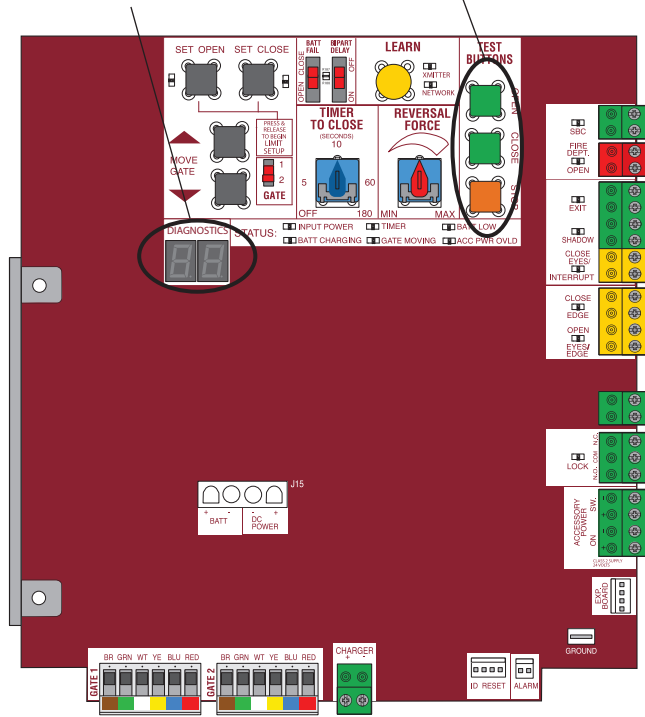


### TO SCROLL THROUGH THE SAVED CODES



The operator will only keep track of up to 20 codes, then will start saving over the oldest codes as new codes occur.

### DIAGNOSTICS DISPLAY



### TO EXIT

Press and release the STOP button to exit. The display will also time out after two minutes of inactivity.

### TO RESET THE CODE HISTORY

1. Press and hold the STOP button for six seconds. The display will show "Er" then "CL" alternately for six seconds.
2. Release the STOP button. The code history has now been reset and the display will show "-" until a new code occurs.
3. Press and release the STOP button to exit.

# TROUBLESHOOTING

## DIAGNOSTIC CODES continued...

Some codes are saved in the code history and some are not. If a code is not saved it will briefly appear on the display as it occurs, then disappear.

LiftMaster System    
  Installed System    
  Informational    
  External Entrapment Protection    
  Inherent Entrapment Protection

| Code | Meaning  | Solution  | Saved |
|------|--|---|-------|
| 31   | Main control board has experienced an internal failure.                        | Disconnect all power, wait 15 seconds, then reconnect power (reboot). If issue continues, replace main control board.   | NO    |
| 32   | Linear Drive Disengaged (Arm 1)  | Disengage then re-engage arm. Check wiring and connections.   | YES   |
| 33   | Linear Drive Disengaged (Arm 2)  |   |       |
| 34   | Absolute Position Encoder Error, not getting position information from encoder | Check APE assembly and wiring connections. Replace the APE assembly if necessary.   | YES   |
| 35   | Max-Run-Time Exceeded Error  | Check for an obstruction, then reprogram the limits.  | YES   |
| 36   | Product ID Error   | Was the control board just replaced? If so, erase limits, enter limit setup mode and set limits. If not, disconnect all power, wait 15 seconds, then reconnect power before changing product ID harness.  | YES   |
| 37   | Product ID Failure   | Unplug product ID harness then plug back in. Disconnect all power, wait 15 seconds, then reconnect power before replacing product ID harness.   | YES   |
| 38   | Hard Stop Limit (Arm 1)  | Limit may be set too tightly against a non-resilient hard stop (re-adjust limit). Operator may be at end of travel (re-adjust mounting).  | NO    |
| 39   | Hard Stop Limit (Arm 2)  |   |       |
| 40   | Battery overvoltage  | Too much voltage on the battery. Check harness. Make sure there is NOT a 24V battery on a 12V system.   | YES   |
| 41   | Battery overcurrent  | Possible short of the battery charge harness. Check harness. Make sure you do NOT have a 12V battery on a 24V system.   | YES   |
| 42   | No battery at boot up  | Check battery connections and installation. Replace batteries if depleted to less than 20V on a 24V system or less than 10V on a 12V system. Make sure there is NOT a single 12V battery on a 24V system. | YES   |
| 43   | Exit Loop Error  | Failure or missing loop (SHORT or OPEN - LiftMaster Plug-in Loop Detector only) Check loop wiring throughout connection. May be a short in the loop, or an open connection in the loop.                   | YES   |
| 44   | Shadow Loop Error  |   |       |
| 45   | Interrupt Loop Error   |   |       |
| 46   | Wireless edge battery low  | Replace batteries in wireless edge.   | YES   |
| 50   | Run-Distance Error   | Gate unbalance detected. Make sure the gate is installed on a level surface and not on an excessive grade.  | YES   |
| 51   | Pass-point not detected (Arm 1)  | Check yellow pass-point wiring. If limits are not accurate, reprogram.  | NO    |
| 52   | Pass-point not detected (Arm 2)  |   |       |
| 53   | Brownout occurred  | AC/DC board supply dipped below allowable level. Review power supply and wiring. If rebooting, ensure enough time for discharge of power to force a fresh boot.   | YES   |
| 54   | Wireless Second Operator Communication Error                                   | Check the second operator for power. If OFF, restore power and try to run the system. If powered, deactivate the wireless feature and then reprogram the second operator.                                 | YES   |

# TROUBLESHOOTING

## DIAGNOSTIC CODES continued...

Some codes are saved in the code history and some are not. If a code is not saved it will briefly appear on the display as it occurs, then disappear.

LiftMaster System    
  Installed System    
  Informational    
  External Entrapment Protection    
  Inherent Entrapment Protection

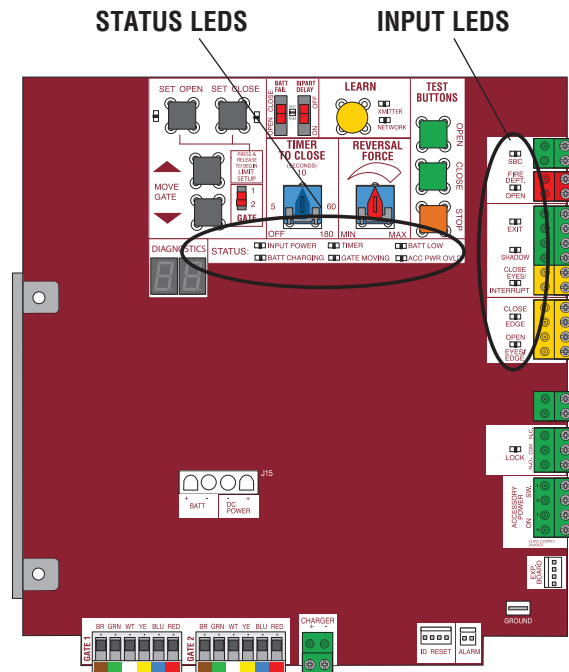
| Code | Meaning   | Solution  | Saved |
|------|---|---|-------|
| 60   | Minimum number of monitored entrapment protection devices (one) not installed.      | Review monitored entrapment protection device connections.  | NO    |
| 61   | CLOSE EYE/INTERRUPT held more than 3 minutes  | Check wired input on main control board; check for alignment or obstruction.  | YES   |
| 62   | CLOSE EDGE held more than 3 minutes   |   |       |
| 63   | OPEN EYE/EDGE held more than 3 minutes  |   |       |
| 64   | CLOSE EYE/INTERRUPT held more than 3 minutes  | Check wired input on expansion board; check for alignment or obstruction.   | YES   |
| 65   | CLOSE EYE/EDGE held more than 3 minutes   |   |       |
| 66   | OPEN EYE/EDGE held more than 3 minutes  |   |       |
| 67   | Wireless edge triggered more than 3 minutes   | Check wired input for wiring issue or obstruction.  | YES   |
| 68   | Wireless edge loss of monitoring  | Check wireless edge inputs.   | YES   |
| 69   | Wireless edge triggered   | IF an obstruction occurred, no action required. If an obstruction did NOT occur, check inputs and wiring.   | NO    |
| 70   | CLOSE EYE/INTERRUPT triggered, causing reversal, preventing close, or resetting TTC | IF an obstruction occurred, no action required. If an obstruction did NOT occur, check alignment, inputs, and wiring on main control board.   | NO    |
| 71   | CLOSE EDGE triggered, causing reversal, preventing close, or canceling TTC          |   |       |
| 72   | OPEN EYE/EDGE triggered, causing reversal or preventing opening                     |   |       |
| 73   | CLOSE EYE/INTERRUPT triggered, causing reversal, preventing close, or resetting TTC | IF an obstruction occurred, no action required. If an obstruction did NOT occur, check alignment, inputs, and wiring on expansion board.  | NO    |
| 74   | CLOSE EYE/EDGE triggered, causing reversal and preventing close or canceling TTC    |   |       |
| 75   | OPEN EYE/EDGE triggered, causing reversal or preventing opening                     |   |       |
| 80   | Close input (EYE/EDGE) communication fault from other operator                      | Check inputs and communication method between operators, either wired bus or radio. Ensure operator is powered. May have to erase the wireless communication and reprogram the two operators. | YES   |
| 81   | Open input (EYE/EDGE) communication fault from other operator                       |   |       |
| 82   | Close input (EYE/EDGE) communication fault (expansion board)                        | Check the connections between the main board and the expansion board.   | YES   |
| 83   | Open input (EYE/EDGE) communication fault (expansion board)                         |   |       |
| 91   | Force Reversal (Operator 1)   | Check for obstruction. If no obstruction, check that the mechanical assembly is engaged and free to move. See section on Limit and Force Adjustment, and Obstruction Test.                    | YES   |
| 92   | Force Reversal (Operator 2)   |   |       |
| 93   | RPM / STALL Reversal (Operator 1)   | Check for obstruction. If no obstruction, check the operator wiring and that the mechanical assembly is engaged and free to move. Replace APE assembly.                                       | YES   |
| 94   | RPM / STALL Reversal (Operator 2)   |   |       |
| 99   | Normal Operation  | No action required  | YES   |

# TROUBLESHOOTING

## CONTROL BOARD LEDS

| STATUS LEDS   |                                     |   |
|---------------|-------------------------------------|---|
| INPUT POWER   | OFF                                 | OFF state                                 |
|               | ON                                  | AC charger or Solar power available       |
| BATT CHARGING | OFF                                 | Not charging                              |
|               | ON                                  | Three stage battery charging              |
| TIMER         | OFF                                 | The timer is disabled                     |
|               | ON                                  | The timer is enabled                      |
|               | MEDIUM BLINK (1 blink per second)   | The timer is running                      |
|               | FAST BLINK (2 blinks per second)    | The timer is paused                       |
|               | FASTEST BLINK (8 blinks per second) | The timer is canceled                     |
| GATE MOVING   | OFF                                 | The gate is stopped                       |
|               | ON                                  | The gate is opening or closing            |
|               | MEDIUM BLINK (1 blink per second)   | Operator is in E1 (single entrapment)     |
|               | FASTEST BLINK (8 blinks per second) | The operator is in E2 (double entrapment) |
| BATT LOW      | OFF                                 | No battery error                          |
|               | ON                                  | Battery low                               |
|               | BLINK (1 blink per second)          | Battery critically low                    |
| ACC PWR OVLD  | OFF                                 | OFF state                                 |
|               | ON                                  | Accessory overload protector opened       |

| INPUT LEDS            |       |                                |
|-----------------------|-------|--------------------------------|
| SBC INPUT             | OFF   | Input inactive                 |
|                       | ON    | Input active                   |
|                       | BLINK | Input active on other operator |
| FIRE DEPT INPUT       | OFF   | Input inactive                 |
|                       | ON    | Input active                   |
|                       | BLINK | Input active on other operator |
| EXIT                  | OFF   | Input inactive                 |
|                       | ON    | Input active                   |
|                       | BLINK | Input active on other operator |
| SHADOW                | OFF   | Input inactive                 |
|                       | ON    | Input active                   |
|                       | BLINK | Input active on other operator |
| CLOSE EYES/ INTERRUPT | OFF   | Input inactive                 |
|                       | ON    | Input active                   |
|                       | BLINK | Input active on other operator |
| CLOSE EDGE            | OFF   | Input inactive                 |
|                       | ON    | Input active                   |
|                       | BLINK | Input active on other operator |
| OPEN EYES/ EDGE       | OFF   | Input inactive                 |
|                       | ON    | Input active                   |
|                       | BLINK | Input active on other operator |
| LOCK                  | OFF   | Maglock relay inactive         |
|                       | ON    | Maglock relay active           |



# TROUBLESHOOTING

## TROUBLESHOOTING CHART

| SYMPTOM   | POSSIBLE CAUSES  | SOLUTIONS   |
|---|--|---|
| <b>Operator does not run and error code display not on.</b>                                   | <ul style="list-style-type: none"> <li>a) No power to control board</li> <li>b) Open fuse</li> <li>c) If on battery power only, low or dead batteries</li> <li>d) Defective control board</li> </ul>   | <ul style="list-style-type: none"> <li>a) Check AC and battery power</li> <li>b) Check fuses</li> <li>c) Charge batteries by AC or solar power or replace batteries</li> <li>d) Replace defective control board</li> </ul>  |
| <b>Control board powers up, but motor does not run.</b>                                       | <ul style="list-style-type: none"> <li>a) Reset button is stuck</li> <li>b) Stop button active or jumper not in place for stop circuit</li> <li>c) If on battery power only, low or dead batteries</li> <li>d) Open or Close input active</li> <li>e) Entrapment Protection Device active</li> <li>f) Vehicle loop detector or probe active</li> <li>g) Defective control board</li> </ul> | <ul style="list-style-type: none"> <li>a) Check Reset button</li> <li>b) Check Stop button is not “stuck on”, or verify that the stop button is a normally closed circuit, or put a jumper on the stop circuit.</li> <li>c) Charges batteries by AC or solar power or replace batteries</li> <li>d) Check all Open and Close inputs for a “stuck on” input</li> <li>e) Check all Entrapment Protection Device inputs for a “stuck on” sensor</li> <li>f) Check all vehicle detector inputs for a “stuck on” detector</li> <li>g) Replace defective control board</li> </ul>                 |
| <b>Arm moves, but cannot set correct limits.</b>  | <ul style="list-style-type: none"> <li>a) Arm does not extend or retract enough during travel</li> <li>b) Arm is interfering with mounting bracket</li> <li>c) Gate is too difficult to move</li> </ul>  | <ul style="list-style-type: none"> <li>a) Disengage the arm and ensure arm moves freely</li> <li>b) Examine the hinge point where the arm mounts to the gate post. Make sure that the arm housing does not hit or interfere with the gate post or mounting bracket. Correct as necessary.</li> <li>c) Disconnect arm from gate and move gate manually. Gate must move easily and freely through its entire range, limit-to-limit. Repair gate as needed.</li> </ul>   |
| <b>Gate does not fully open or fully close when setting limits.</b>                           | <ul style="list-style-type: none"> <li>a) Arm does not extend or retract enough during travel</li> <li>b) Arm is interfering with mounting bracket</li> <li>c) Gate is too difficult to move</li> </ul>  | <ul style="list-style-type: none"> <li>a) Disengage the arm and ensure arm moves freely</li> <li>b) Examine the hinge point where the arm mounts to the gate post. Make sure that the arm housing does not hit or interfere with the gate post or mounting bracket. Correct as necessary.</li> <li>c) Remove arm from gate and move gate manually. Gate must move easily and freely through its entire range, limit-to-limit. Repair gate as needed.</li> </ul>   |
| <b>Operator does not respond to a wired control/command (example: Open, Close, SBC, etc.)</b> | <ul style="list-style-type: none"> <li>a) Check Open and Close command input LEDs</li> <li>b) Stop button is active</li> <li>c) Reset button is stuck</li> <li>d) If on battery power only, low or dead batteries</li> <li>e) Entrapment Protection Device active</li> <li>f) Vehicle loop detector or vehicle probe active</li> </ul>   | <ul style="list-style-type: none"> <li>a) Check all Open and Close inputs for a “stuck on” input</li> <li>b) Check Stop button is not “stuck on”</li> <li>c) Check Reset button</li> <li>d) Charges batteries by AC or solar power or replace batteries</li> <li>e) Check all Entrapment Protection Device inputs for a “stuck on” sensor</li> <li>f) Check all vehicle detector inputs for a “stuck on” detector</li> </ul>  |
| <b>Operator does not respond to a wireless control or transmitter</b>                         | <ul style="list-style-type: none"> <li>a) Check XMITTER LED when wireless control is active</li> <li>b) Stop button is active</li> <li>c) Reset button is stuck</li> <li>d) Poor radio reception</li> </ul>  | <ul style="list-style-type: none"> <li>a) Activate wireless control and check XMITTER LED is on. Re-learn wireless control/transmitter to control board. Replace wireless control as needed.</li> <li>b) Check Stop button is not “stuck on”</li> <li>c) Check Reset button</li> <li>d) Check if similar wired control operates correctly. Check if wireless controls works properly when within a few feet of operator. Check operator’s antenna and antenna wire. Check other wireless controls or devices.</li> </ul>  |
| <b>Gate stops during travel and reverses immediately.</b>                                     | <ul style="list-style-type: none"> <li>a) Control (Open, Close) becoming active</li> <li>b) Vehicle loop detector active</li> <li>c) Low battery voltage</li> </ul>  | <ul style="list-style-type: none"> <li>a) Check all Open and Close inputs for an active input</li> <li>b) Check all vehicle detector inputs for an active detector</li> <li>c) Battery voltage must be 23.0 Vdc or higher. Charge batteries by AC or solar power or replace batteries</li> </ul>  |
| <b>Gate opens, but will not close with transmitter or Timer-to-Close.</b>                     | <ul style="list-style-type: none"> <li>a) Open control active</li> <li>b) Vehicle loop detector active</li> <li>c) Loss of AC power with AC FAIL set to OPEN</li> <li>d) Low battery with LOW BATT set to OPEN</li> <li>e) Fire Dept input active</li> <li>f) Timer-to-Close not set</li> <li>g) Close Entrapment Protection Device active</li> </ul>                                      | <ul style="list-style-type: none"> <li>a) Check all Open inputs for an active input</li> <li>b) Check all vehicle detector inputs for an active detector</li> <li>c) Check AC power and AC Fail option setting</li> <li>d) Check if AC power is available. If no AC power, then running on batteries and battery voltage must be 23.0 Vdc or higher. Charge batteries by AC or solar power or replace batteries.</li> <li>e) Check Fire Dept input</li> <li>f) Check Timer-to-Close (TTC) setting</li> <li>g) Check all Entrapment Protection Device inputs for an active sensor</li> </ul> |



# TROUBLESHOOTING

## TROUBLESHOOTING CHART continued...

| SYMPTOM   | POSSIBLE CAUSES   | SOLUTIONS   |
|---|---|---|
| <b>Gate closes, but will not open.</b>                                    | <ul style="list-style-type: none"> <li>a) Vehicle loop detector active</li> <li>b) Low battery with LOW BATT option set to CLOSE</li> </ul>   | <ul style="list-style-type: none"> <li>a) Check all vehicle detector inputs for an active detector</li> <li>b) Check if AC power is available. If no AC power, then running on batteries and battery voltage must be 23.0 Vdc or higher. Charge batteries by AC or solar power or replace batteries</li> </ul>  |
| <b>Exit loop activation does not cause gate to open.</b>                  | <ul style="list-style-type: none"> <li>a) Exit vehicle detector setup incorrectly</li> <li>b) Defective Exit loop detector</li> <li>c) Low battery with LOW BATT option set to CLOSE</li> </ul>                         | <ul style="list-style-type: none"> <li>a) Review Exit loop detector settings. Adjust settings as needed.</li> <li>b) Replace defective Exit loop detector.</li> <li>c) Check if AC power is available. If no AC power, then running on batteries and battery voltage must be 23.0 Vdc or higher. Charge batteries by AC or solar power or replace batteries.</li> </ul> |
| <b>Interrupt loop does not cause gate to stop and reverse.</b>            | <ul style="list-style-type: none"> <li>a) Vehicle detector setup incorrectly</li> <li>b) Defective vehicle loop detector</li> </ul>   | <ul style="list-style-type: none"> <li>a) Review Interrupt loop detector settings. Adjust settings as needed.</li> <li>b) Replace defective Interrupt loop detector.</li> </ul>   |
| <b>Shadow loop does not keep gate at open limit.</b>                      | <ul style="list-style-type: none"> <li>a) Vehicle detector setup incorrectly</li> <li>b) Defective vehicle loop detector</li> </ul>   | <ul style="list-style-type: none"> <li>a) Review Shadow loop detector settings. Adjust settings as needed.</li> <li>b) Replace defective Shadow loop detector.</li> </ul>   |
| <b>Obstruction in gate's path does not cause gate to stop and reverse</b> | <ul style="list-style-type: none"> <li>a) Force adjustment needed</li> </ul>  | <ul style="list-style-type: none"> <li>a) Refer to the Adjustment section to conduct the obstruction test and perform the proper force adjustment that is needed.</li> </ul>  |
| <b>Photoelectric sensor does not stop or reverse gate.</b>                | <ul style="list-style-type: none"> <li>a) Incorrect photoelectric sensor wiring</li> <li>b) Defective photoelectric sensor</li> </ul>   | <ul style="list-style-type: none"> <li>a) Check photoelectric sensor wiring. Retest that obstructing photoelectric sensor causes moving gate to stop, and may reverse direction.</li> <li>b) Replace defective photoelectric sensor. Retest that obstructing photoelectric sensor causes moving gate to stop, and may reverse direction.</li> </ul>                     |
| <b>Edge Sensor does not stop or reverse gate.</b>                         | <ul style="list-style-type: none"> <li>a) Incorrect edge sensor wiring</li> <li>b) Defective edge sensor</li> </ul>   | <ul style="list-style-type: none"> <li>a) Check edge sensor wiring. Retest that activating edge sensor causes moving gate to stop and reverse direction.</li> <li>b) Replace defective edge sensor. Retest that activating edge sensor causes moving gate to stop and reverse direction.</li> </ul>   |
| <b>Alarm sounds for 5 minutes or alarm sounds with a command.</b>         | <ul style="list-style-type: none"> <li>a) Double entrapment occurred (two obstructions within a single activation)</li> </ul>   | <ul style="list-style-type: none"> <li>a) Check for cause of entrapment (obstruction) detection and correct. Press the reset button to shut off alarm and reset the operator.</li> </ul>  |
| <b>Alarm beeps three times with a command.</b>                            | <ul style="list-style-type: none"> <li>a) Low battery</li> </ul>  | <ul style="list-style-type: none"> <li>a) Check if AC power is available. If no AC power, then running on batteries and battery voltage must be 23.0 Vdc or higher. Charge batteries by AC or solar power or replace batteries</li> </ul>   |
| <b>On dual-gate system, incorrect gate opens first or closes first.</b>   | <ul style="list-style-type: none"> <li>a) Incorrect Bipart switch setting</li> </ul>  | <ul style="list-style-type: none"> <li>a) Change setting of both operator's Bipart switch settings. One operator should have Bipart switch ON (operator that opens second) and the other operator should have Bipart switch OFF (operator that opens first)</li> </ul>  |
| <b>Alarm beeps when running.</b>  | <ul style="list-style-type: none"> <li>a) Expansion board setting</li> <li>b) Constant pressure to open or close is given</li> </ul>  | <ul style="list-style-type: none"> <li>a) Pre-warning is set to "ON"</li> <li>b) Constant pressure to open or closed is given</li> </ul>  |
| <b>Expansion board function not controlling gate.</b>                     | <ul style="list-style-type: none"> <li>a) Defective main board to expansion board wiring</li> <li>b) Incorrect input wiring to expansion board</li> <li>c) Defective expansion board or defective main board</li> </ul> | <ul style="list-style-type: none"> <li>a) Check main board to expansion board wiring. If required, replace wire cable.</li> <li>b) Check wiring to all inputs on expansion board.</li> <li>c) Replace defective expansion board or defective main board</li> </ul>  |

# TROUBLESHOOTING

## TROUBLESHOOTING CHART continued...

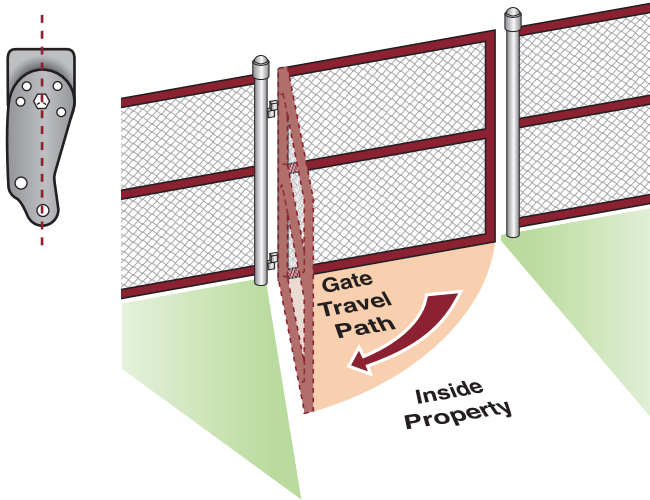
| SYMPTOM   | POSSIBLE CAUSES   | SOLUTIONS  |
|---|---|--|
| <b>Maglock not working correctly.</b>   | a) Maglock wired incorrectly  | a) Check that Maglock is wired to N.C. and COM terminals. Check that Maglock has power (do not power maglock from control board accessory power terminals). If shorting lock's NO and COM wires does not activate Maglock, then replace Maglock or Maglock wiring (refer to Wiring Diagrams).            |
| <b>Solenoid lock not working correctly.</b>   | a) Solenoid wired incorrectly   | a) Check that Solenoid is wired to N.O. and COM terminals. Check that Solenoid has power (do not power solenoid from control board accessory power terminals). If shorting lock's NC and COM wires does not activate Solenoid, then replace Solenoid lock or Solenoid wiring (refer to Wiring Diagrams). |
| <b>Switched (SW) Accessory power remaining on.</b>  | a) In limit setup mode  | a) Learn the limits  |
| <b>Accessories connected to Switch (SW) Accessory power not working correctly, turning off, or resetting.</b> | a) Normal behavior  | a) Move accessory to accessory power "ON"  |
| <b>Accessories connected to Accessory power not working correctly, turning off, or resetting.</b>             | a) Accessory power protector active<br>b) Defective control board                               | a) Disconnect all accessory powered devices and measure accessory power voltage (should be 23 – 30 Vdc). If voltage is correct, connect accessories one at a time, measuring accessory voltage after every new connection.<br>b) Replace defective control board   |
| <b>Quick Close not working correctly.</b>   | a) Quick Close setting incorrect<br>b) Interrupt loop detector<br>c) Defective Expansion board  | a) Check that Quick Close setting is ON<br>b) Check operation of Interrupt Loop detector<br>c) Replace defective Expansion board   |
| <b>Anti-Tailgating not working correctly.</b>   | a) Anti-Tail setting incorrect<br>b) Interrupt loop detector<br>c) Defective Expansion board    | a) Check that Anti-Tail setting is ON<br>b) Check operation of Interrupt Loop detector<br>c) Replace defective Expansion board   |
| <b>AUX Relay not working correctly.</b>   | a) AUX Relay setting incorrect<br>b) AUX Relay wiring incorrect<br>c) Defective Expansion board | a) Check AUX Relay switches settings<br>b) Check that wiring is connected to either N.O. and COM or to N.C. and COM.<br>c) Set AUX Relay to another setting and test. Replace defective expansion board.   |

# APPENDIX

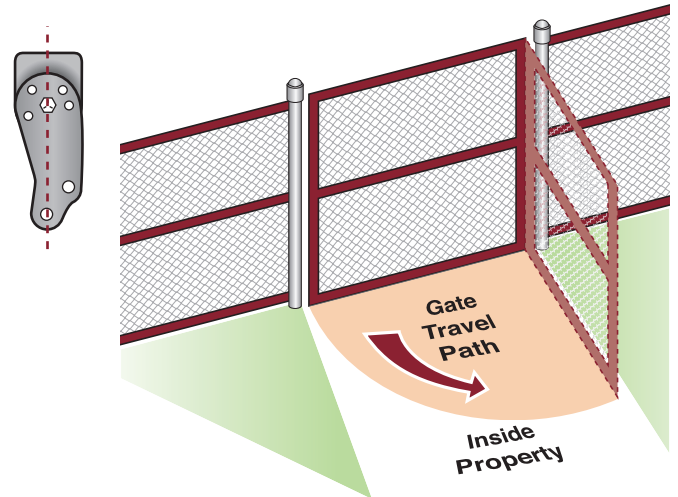
## BRACKET TYPES

### PULL-TO-OPEN

Left-Hand Gate

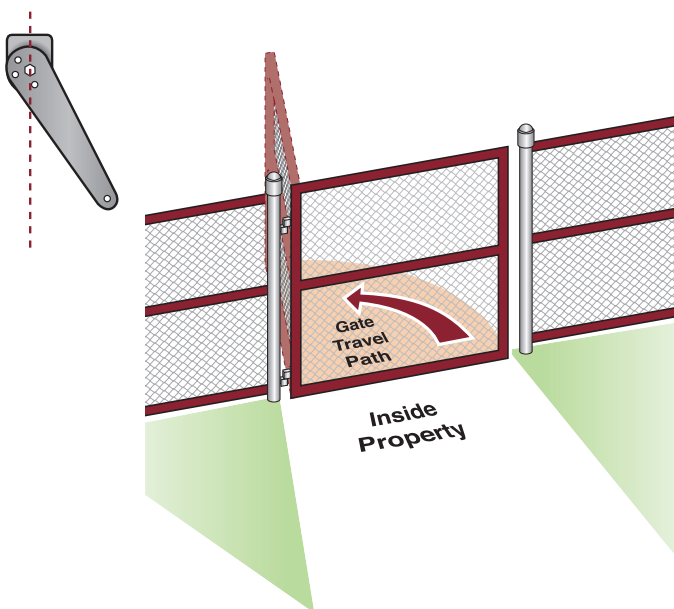


Right-Hand Gate

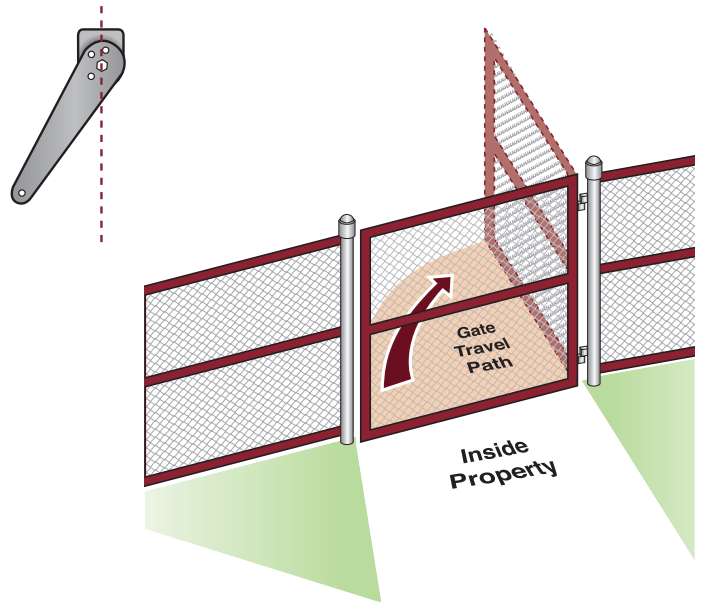


### PUSH-TO-OPEN

Left-Hand Gate



Right-Hand Gate



## STEP 10

### SOLAR PANEL(S)

SOLAR PANELS ARE NOT PROVIDED. SEE ACCESSORIES.

#### 33AH Battery Requirements:

- Large Metal Control Box for Solar Applications (Model XLSOLARCONTU)
- A minimum of two 10W solar panels in series (Model SOLPNL10W12V)
- A maximum of six 10W solar panels (Model SOLPNL10W12V). Configuration of three sets of two 10W paralleled panels put in series.
- Two 33AH Batteries (Model A12330SGLPK)
- Solar Battery Harness (Model K94-37236)
- Battery Tray (Model K10-36183)

#### 7AH Battery Requirements:

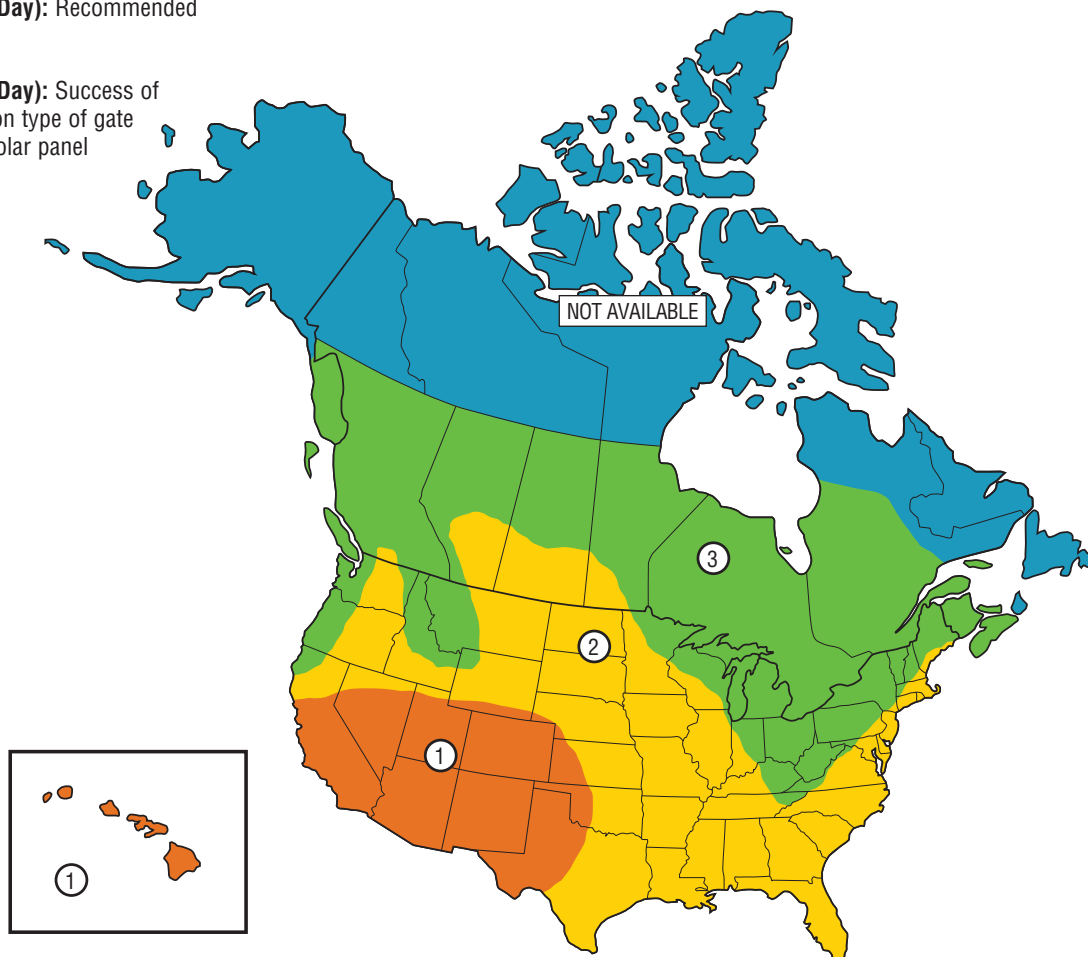
- Standard Control Box for Solar Applications (Model LA400CONTU)
- A minimum of two 10W solar panels in series (Model SOLPNL10W12V)
- A maximum of six 10W solar panels (Model SOLPNL10W12V). Configuration of three sets of two 10W paralleled panels put in series.
- Two 7AH batteries (29-NP712)
- Solar Battery Harness (Model K94-37236)

Disconnect the expansion board if it is not in use to improve performance. We recommend LiftMaster low power draw accessories to minimize power draw, refer to accessory page. **NOTE:** Input solar power is 24 Vdc at 60 watts maximum.

The solar panel(s) must be located in an open area clear of obstructions and shading for the entire day. The gate operator is not supported in northern climates where temperatures reach below -4°F. This is due to cold weather and a reduced number of hours of sunlight during the winter months. Cycle rate may vary from solar chart for areas that reach below 32°F. Solar panels should be cleaned on a regular basis for best performance to ensure proper operation.

### SOLAR ZONES

- 1** ZONE 1 (6 Hours of Sunlight/Day): Ideal for solar application
- 2** ZONE 2 (4 Hours of Sunlight/Day): Recommended for solar application
- 3** ZONE 3 (2 Hours of Sunlight/Day): Success of solar application will depend on type of gate operator and location of the solar panel
- NOT AVAILABLE**



# APPENDIX

## STEP 10 continued...

### SOLAR PANEL(S)

#### SOLAR USAGE GUIDE

| Typical System Standby Battery Current Consumption (mA)                                       |          |
|---|----------|
| System voltage  | 24V      |
| Main board with no radios programmed  | 2.7 mA   |
| One or more LiftMaster® remote controls programmed  | +1 mA    |
| MyQ® device or wireless dual gate programmed  | +2.4 mA  |
| Expansion board   | +11.1 mA |
| Per loop detector LOOPDETLM (up to 3 loop detectors can be plugged in to the expansion board) | +3.8 mA  |

Add up current draw by feature and accessory to determine total current draw.

| SOLAR GATE CYCLES PER DAY (SINGLE GATE)                  |                           |               |                |               |                |               |                |
|--|---------------------------|---------------|----------------|---------------|----------------|---------------|----------------|
|  | BATTERY CURRENT DRAW (mA) | ZONE 1        |                | ZONE 2        |                | ZONE 3        |                |
|  |                           | 7AH batteries | 33AH batteries | 7AH batteries | 33AH batteries | 7AH batteries | 33AH batteries |
| <b>10W SOLAR PANEL</b><br>(Must use 24V solar panel)     | 5                         | 81            | 87             | 47            | 51             | 18            | 19             |
|  | 15                        | 68            | 74             | 36            | 39             |               |                |
|  | 20                        | 61            | 68             | 30            | 34             |               |                |
|  | 40                        | 37            | 43             |               | 13             |               |                |
|  | 60                        | 16            | 21             |               |                |               |                |
| <b>20W SOLAR PANEL</b><br>(Two 10W 12V panels in series) | 5                         | 100           | 100            | 100           | 100            | 42            | 50             |
|  | 15                        | 100           | 100            | 92            | 100            | 31            | 38             |
|  | 20                        | 100           | 100            | 85            | 100            | 25            | 33             |
|  | 50                        | 100           | 100            | 47            | 63             |               |                |
|  | 100                       | 46            | 70             |               |                |               |                |
| <b>40W SOLAR PANEL</b><br>(Two 20W 12V panels in series) | 5                         | 100           | 100            | 100           | 100            | 83            | 100            |
|  | 15                        | 100           | 100            | 100           | 100            | 70            | 100            |
|  | 20                        | 100           | 100            | 100           | 100            | 63            | 97             |
|  | 100                       | 100           | 100            | 65            | 100            |               |                |
|  | 200                       | 42            | 100            |               | 11             |               |                |
| SOLAR GATE CYCLES PER DAY (DUAL GATE)                    |                           |               |                |               |                |               |                |
| <b>10W SOLAR PANEL</b><br>(Must use 24V solar panel)     | 5                         | 35            | 37             | 20            | 22             |               |                |
|  | 15                        | 29            | 32             | 15            | 17             |               |                |
|  | 20                        | 26            | 29             | 13            | 14             |               |                |
|  | 40                        | 16            | 18             |               |                |               |                |
|  | 60                        |               |                |               |                |               |                |
| <b>20W SOLAR PANEL</b><br>(Two 10W 12V panels in series) | 5                         | 76            | 89             | 45            | 53             | 18            | 21             |
|  | 15                        | 69            | 82             | 39            | 47             | 13            | 16             |
|  | 20                        | 66            | 79             | 36            | 44             | 11            | 14             |
|  | 50                        | 48            | 59             | 20            | 27             |               |                |
|  | 100                       | 20            | 30             |               |                |               |                |
| <b>40W SOLAR PANEL</b><br>(Two 20W 12V panels in series) | 5                         | 100           | 100            | 86            | 100            | 35            | 51             |
|  | 15                        | 100           | 100            | 79            | 100            | 30            | 45             |
|  | 20                        | 100           | 100            | 76            | 100            | 27            | 42             |
|  | 100                       | 77            | 100            | 28            | 58             |               |                |
|  | 200                       | 18            | 63             |               |                |               |                |

All numbers are estimates. Actual results may vary.

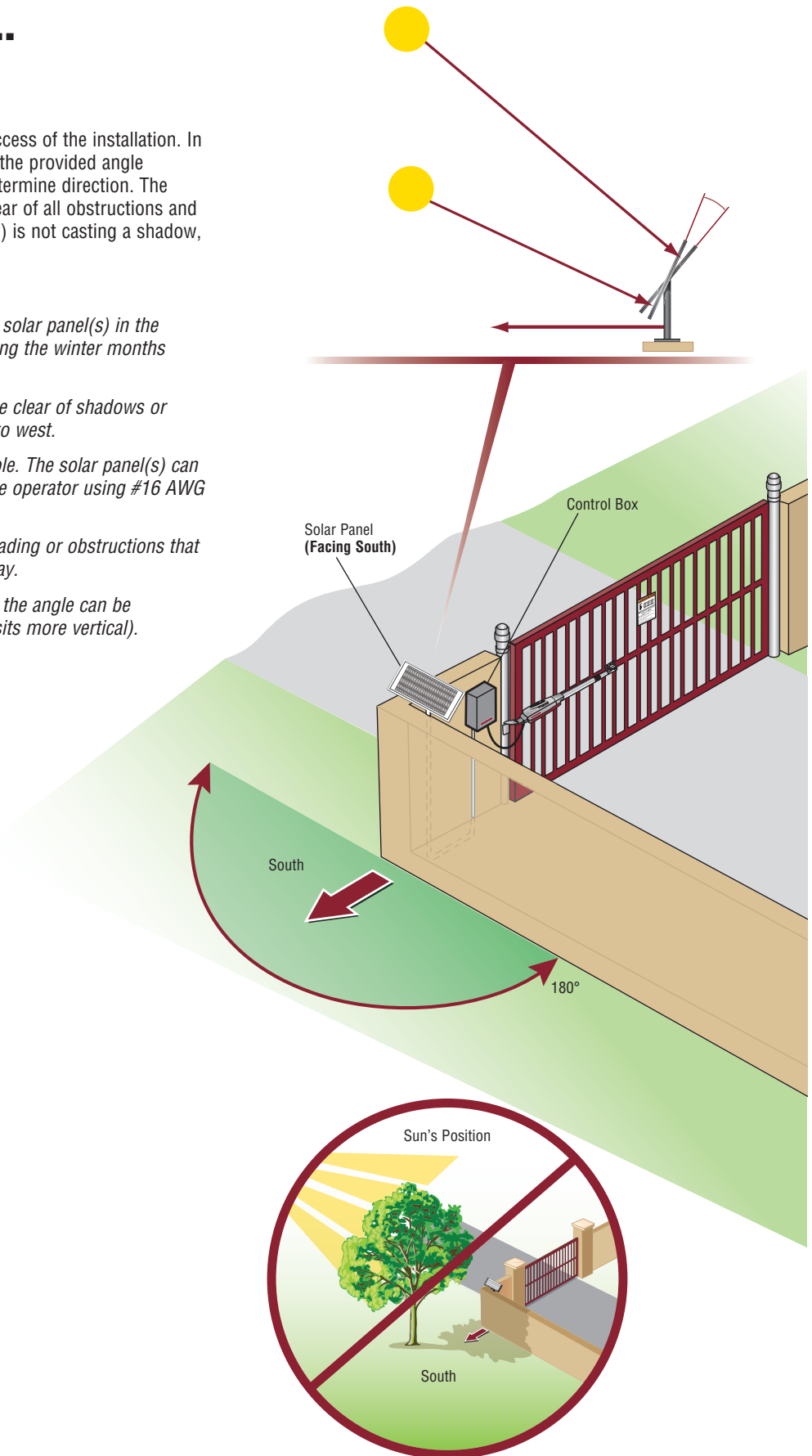
## STEP 10 continued...

### SOLAR PANEL(S)

The location of the panel(s) is critical to the success of the installation. In general, the panel(s) should be mounted using the provided angle bracket facing **due south**. Use a compass to determine direction. The solar panel(s) should be mounted in an area clear of all obstructions and shading from buildings and trees. If the panel(s) is not casting a shadow, the battery is not being charged.

#### TIPS:

- Tall trees or buildings that do not shade the solar panel(s) in the summer could shade the solar panel(s) during the winter months when the sun sits lower in the sky.
- The area around the solar panel(s) should be clear of shadows or obstructions to the sun for a 180° arc east to west.
- Wire runs should be kept as short as possible. The solar panel(s) can be located up to 100 feet (30.48 m) from the operator using #16 AWG wire in any direction, including elevating it.
- DO NOT install solar panel near potential shading or obstructions that will block the panel during any part of the day.
- To optimize the system for winter operation the angle can be increased an additional 15° (solar panel(s) sits more vertical).

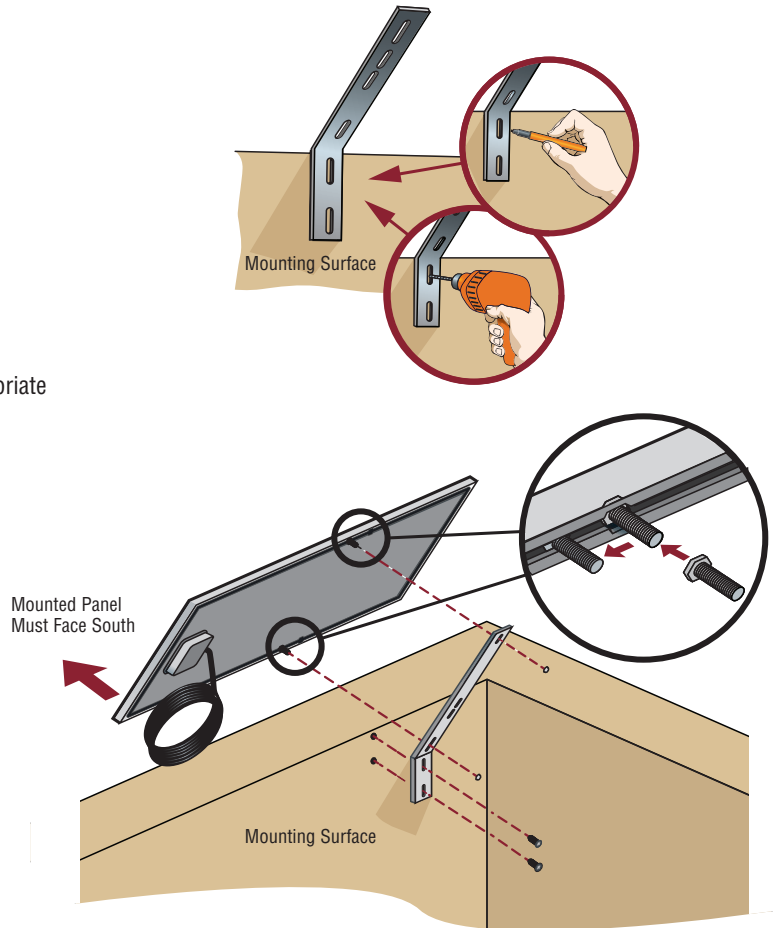


## STEP 10 continued...

### SOLAR PANEL(S)

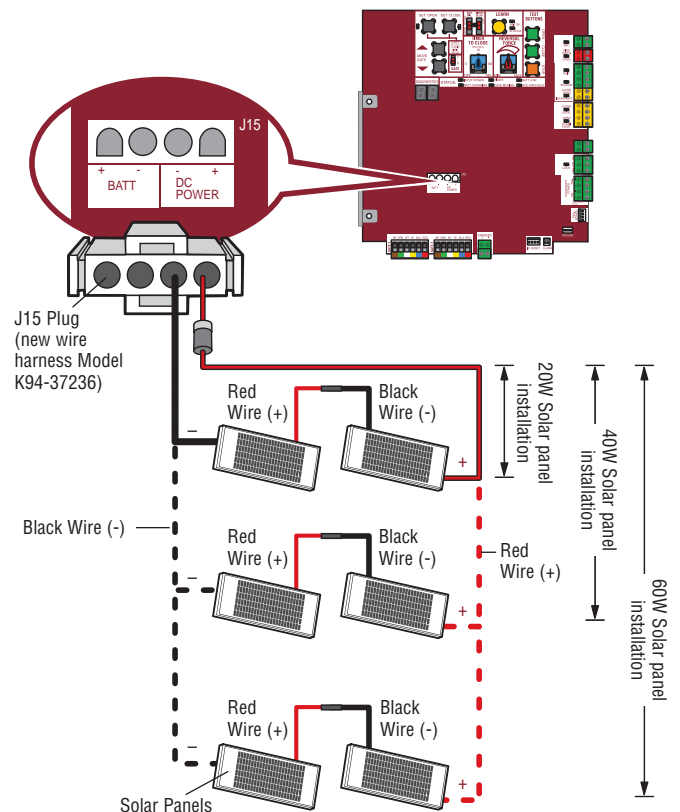
#### INSTALL THE SOLAR PANEL

1. Position solar bracket on mounting surface. Mark and drill holes.
2. Insert two bolts into the track located on the back of the solar panel(s).
3. Slide bolts in track away from bolt hole and align both bolts.
4. Secure solar panel(s) to solar bracket using two washered nuts.
5. Secure solar panel(s) assembly to mounting surface using appropriate hardware.



#### WIRE THE SOLAR PANELS

1. Connect the red wire (+) from one solar panel to the black wire (-) of the other solar panel.
2. Connect the shorter red wire (+) from the J15 plug (new wire harness) labeled DC Power to the red wire on one solar panel.
3. Connect the shorter black wire (-) from the J15 plug (new wire harness) labeled DC Power to the black wire from the other solar panel.



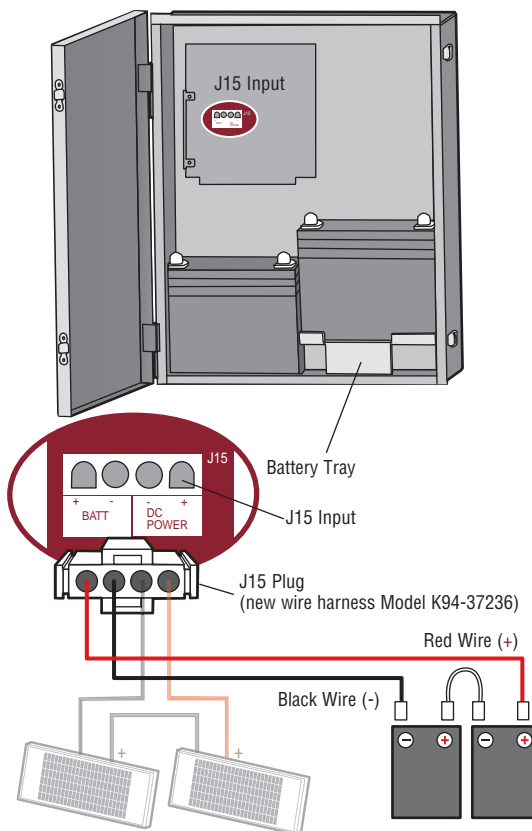
## STEP 10 continued...

### SOLAR PANEL(S)

#### CONNECT BATTERIES

1. Place the battery tray in the bottom right corner of the control box. Ensure the wires are not pinched and routed to the side of the battery tray.
2. Place the batteries in the control box as shown.
3. Connect the longer red wire from the J15 plug (new solar wire harness) to the positive (+) terminal of one battery. Connect the longer black wire from the J15 plug (new wire harness) to the negative (-) terminal of the other battery.
4. Apply power by plugging the J15 plug (new solar wire harness) into the J15 input on the control board. **NOTE:** You may see a small spark when plugging the J15 plug into the board.

Large Metal Control Box for Solar Applications  
(Model XLSOLARCONTU)





# APPENDIX

## LIMIT SETUP WITH A REMOTE CONTROL

To set the limits using a remote control, first you will need a 3-button remote control that has been programmed for OPEN, CLOSE, and STOP. Refer to the Programming section.

### INITIAL LIMITS AND FORCE ADJUSTMENT

**For dual gate applications the limits will have to be set for each operator. The gate MUST be attached to the operator before setting the limits and force.**

Ensure the gate is closed.

1. Press and release the SET OPEN and SET CLOSE buttons simultaneously to enter limit setting mode.
2. Press and hold the OPEN or CLOSE button on the remote control until the gate reaches the desired open position. The gate can be jogged back and forth using the OPEN and CLOSE buttons on the remote control.
3. Once the gate is in the desired open position, press and release the STOP button on the remote control.
4. Press and release the OPEN button on the remote control again to set the open limit.
5. Press and hold the CLOSE or OPEN button on the remote control until the gate reaches the desired close position. The gate can be jogged back and forth using the OPEN and CLOSE buttons on the remote control.
6. Once the gate is in the desired close position, press and release the STOP button on the remote control.
7. Press and release the CLOSE button on the remote control again to set the close limit.
8. Cycle the gate open and close. This automatically sets the force.

When limits are set properly the operator will automatically exit limit setting mode.

### ADJUST THE LIMITS

If the limits have already been set the operator will exit the limit setting mode after resetting each limit.

#### Set the Close Limit Only

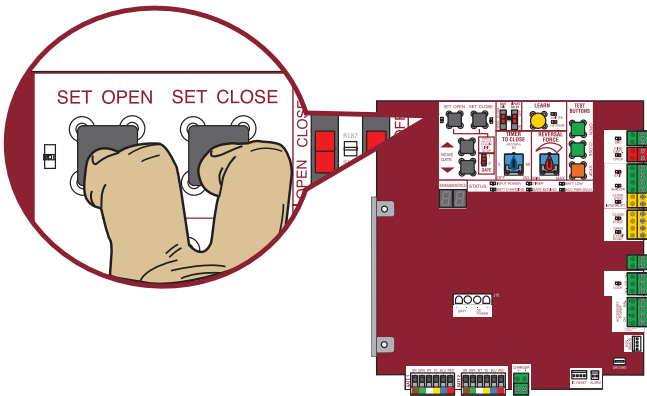
1. Press and release the SET OPEN and SET CLOSE buttons simultaneously to enter limit setting mode.
2. Press and hold the CLOSE button on the remote control until the gate reaches the desired close position. The gate can be jogged back and forth using the OPEN and CLOSE buttons on the remote control.
3. Once the gate is in the desired close position, press and release the STOP button on the remote control.
4. Press and release the CLOSE button on the remote control again to set the close limit.

When the close limit is set properly the operator will automatically exit limit setting mode.

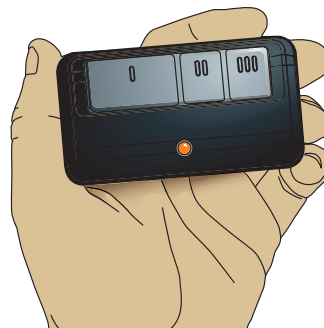
#### Set the Open Limit Only

1. Press and release the SET OPEN and SET CLOSE buttons simultaneously to enter limit setting mode.
2. Press and hold the OPEN button on the remote control until the gate reaches the desired open position. The gate can be jogged back and forth using the OPEN and CLOSE buttons on the remote control.
3. Once the gate is in the desired open position, press and release the STOP button on the remote control.
4. Press and release the OPEN button on the remote control again to set the open limit.

When the open limit is set properly the operator will automatically exit limit setting mode.



3-Button Remote Control programmed for OPEN, CLOSE, and STOP



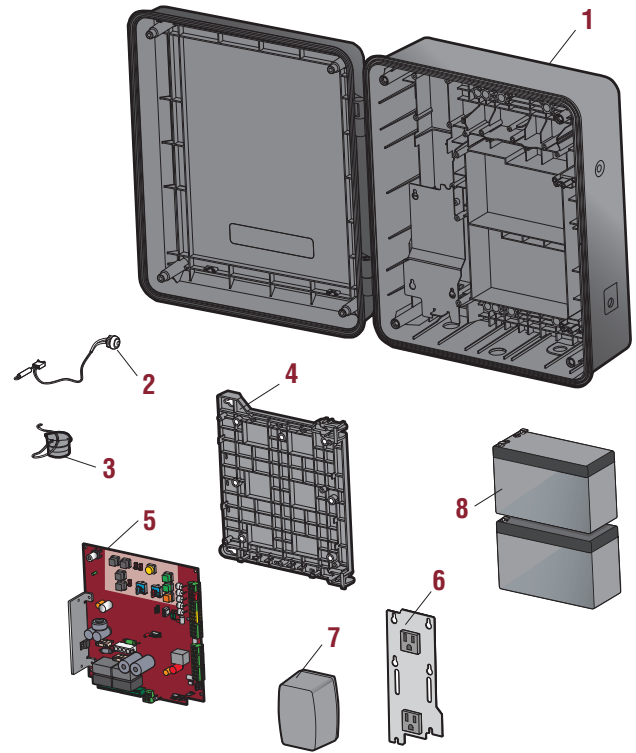
## REPAIR PARTS

### CONTROL BOX

| ITEM | PART NUMBER | DESCRIPTION                       |
|------|-------------|-----------------------------------|
| 1    | K74-36798-5 | Standard Plastic Control Box Only |
| 2    | K94-36408-2 | Reset Switch with Product ID      |
| 3    | K94-36411   | Piezo Alarm                       |
| 4    | K75-36635   | Control Board Bracket             |
| 5    | K1D8388-1CC | Control Board                     |
| 6    | K76-36296-1 | Outlet                            |
| 7    | APOW3       | Transformer                       |
| 8    | K74-30762   | Batteries (2)                     |

#### NOT SHOWN

|             |   |
|-------------|---|
| K94-36274-1 | 7AH Battery Harness                               |
| K77-36541   | Antenna   |
| LA400CONTU  | Standard Plastic Control Box (with control board) |
| K74-30941   | ATC Fuse Kit Includes 20 Amp (1), 15 Amp (2)      |

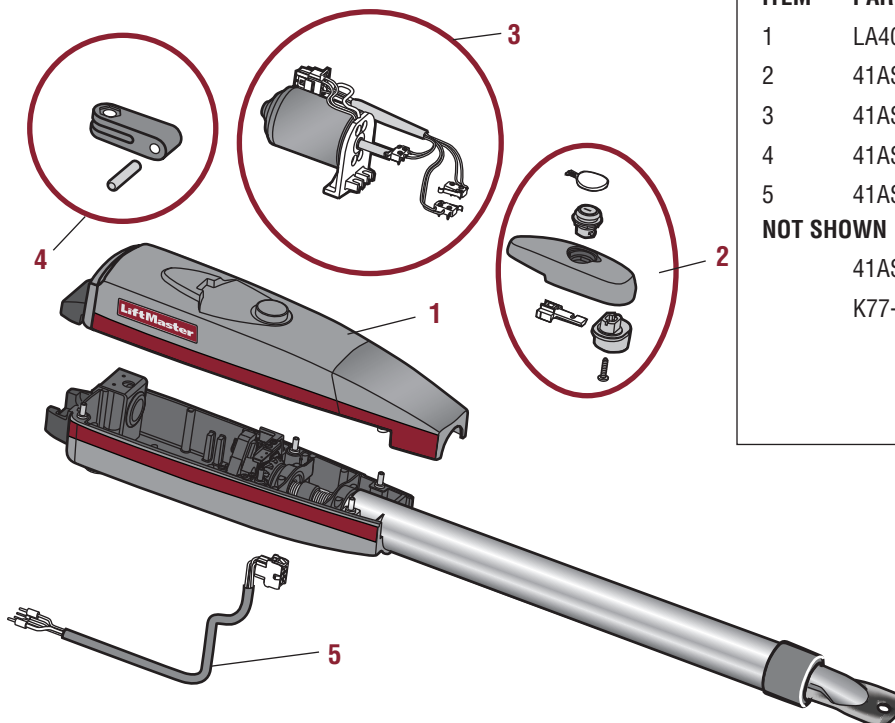


### GATE OPERATOR ARM

| ITEM | PART NUMBER   | DESCRIPTION                     |
|------|---------------|---------------------------------|
| 1    | LA400DC       | Primary Arm                     |
| 2    | 41ASWG-442SA  | Release Lever                   |
| 3    | 41ASWG-438SA  | Motor with Limit Switch Harness |
| 4    | 41ASWG-0014SA | Rear Connector                  |
| 5    | 41ASWG-489    | Cable 24 V with Connector       |

#### NOT SHOWN

|             |  |
|-------------|--|
| 41ASWG-0119 | Release Key  |
| K77-19130   | Hardware Bag<br>Complete with: Gate bracket, post bracket, pull-to-open bracket and hardware |



# WIRING DIAGRAM

## STANDARD CONTROL BOX

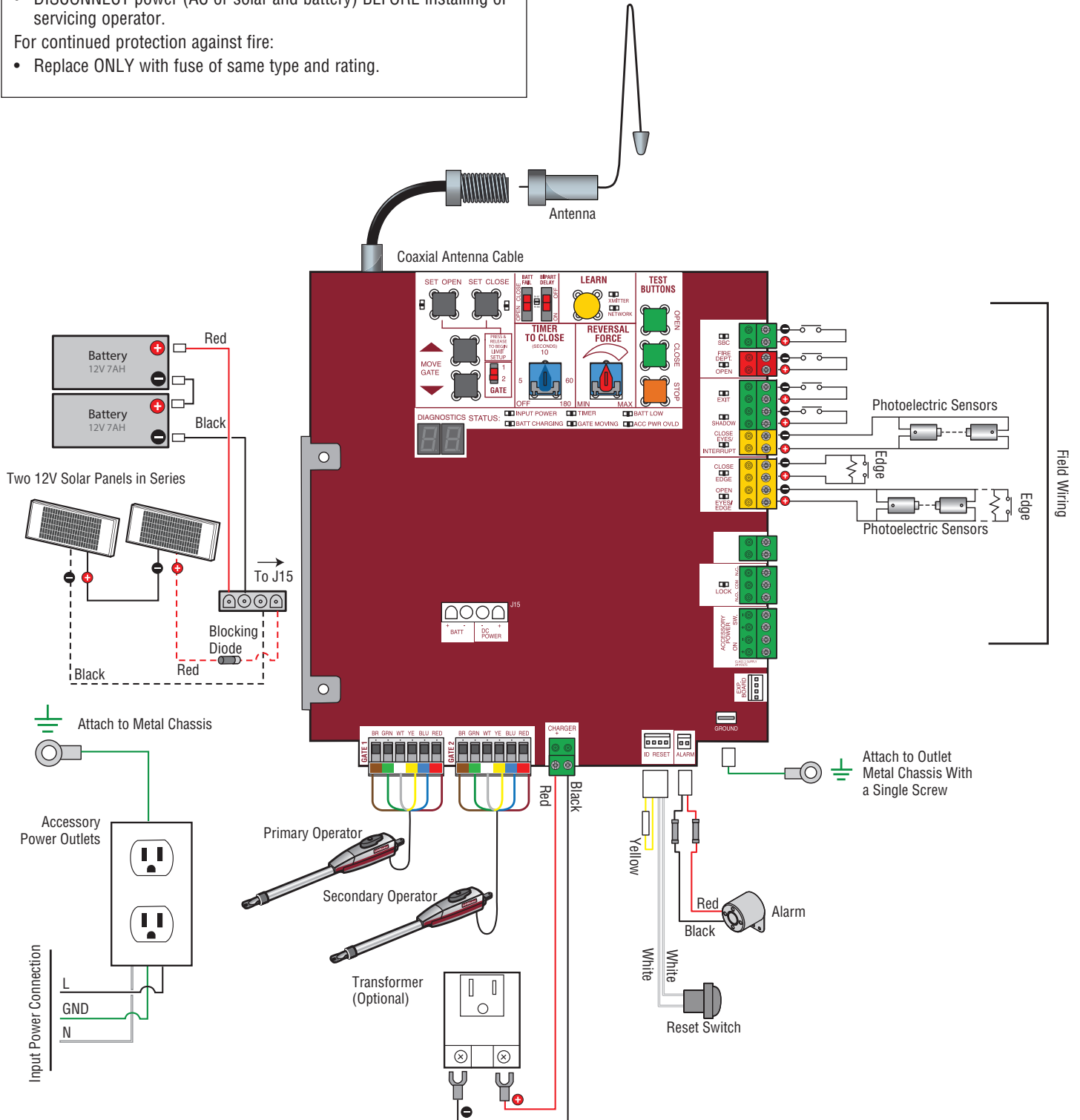
### WARNING

To protect against fire and electrocution:

- DISCONNECT power (AC or solar and battery) BEFORE installing or servicing operator.

For continued protection against fire:

- Replace ONLY with fuse of same type and rating.



## ACCESSORIES

### ENTRAPMENT PROTECTION

#### LIFTMASTER MONITORED THROUGH BEAM PHOTOELECTRIC SENSOR

Model LMTBU

#### LIFTMASTER MONITORED RETRO-REFLECTIVE PHOTOELECTRIC SENSOR

Model LMRRU and CPS-RPEN4GM

#### LIFTMASTER COMMERCIAL PROTECTOR SYSTEM®

Models CPS-UN4 and CPS-UN4G

#### LIFTMASTER MONITORED WIRELESS EDGE KIT (TRANSMITTER AND RECEIVER)

Model LMWEKITU

#### LIFTMASTER MONITORED WIRELESS EDGE TRANSMITTER

Model LMWETXU

#### LARGE PROFILE MONITORED EDGE\*

Model L50

#### LARGE PROFILE ENDS KIT (PAIR)\*\*

Model L50E

#### LARGE PROFILE CHANNEL - PVC (8 FT)\*\*

Model L50CHP

#### LARGE PROFILE CHANNEL - ALUMINUM (8 FT)\*\*

Model L50CHAL

#### SMALL PROFILE MONITORED EDGE\*

Model S50

#### SMALL PROFILE ENDS KIT (PAIR)\*

Model S50E

#### SMALL PROFILE CHANNEL - PVC (8 FT)\*

Model S50CHP

#### SMALL PROFILE CHANNEL - ALUMINUM (8 FT)\*

Model S50CHAL

#### EDGE CUTTING TOOL\*\*

Model ETOOL

#### WRAPAROUND SQUARE MONITORED EDGE (4 FT)\*\*

Model WS4

#### WRAPAROUND SQUARE MONITORED EDGE (5 FT)\*\*

Model WS5

#### WRAPAROUND SQUARE MONITORED EDGE (6 FT)\*\*

Model WS6

#### WRAPAROUND ROUND MONITORED EDGE (4 FT)\*\*

Model WR4

#### WRAPAROUND ROUND MONITORED EDGE (5 FT)\*\*

Model WR5

#### WRAPAROUND ROUND MONITORED EDGE (6 FT)\*\*

Model WR6

### REMOTE CONTROLS

LiftMaster offers a variety of LiftMaster remote controls to satisfy your application needs. Single-button to 4-button, visor or key chain. The following remote controls are compatible with operators manufactured by LiftMaster after 1993. Contact your authorized LiftMaster dealer for additional details and options.



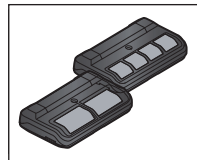
#### 3-BUTTON REMOTE CONTROL

The 3-button remote control can be programmed to control the operator. Includes visor clip.  
Model 893MAX



#### 3-BUTTON MINI-REMOTE CONTROL

The 3-button remote control can be programmed to control the operator. Includes key ring and fastening strip.  
Model 890MAX



#### SECURITY+ 2.0® LEARNING REMOTE CONTROLS

One button can control a gate operator and the other(s) can control garage door(s). It can also be programmed to Security+® or Security+ 2.0® code format.  
Models 892LT and 894LT



#### KEYLESS ENTRY

Enables homeowner to operate gate operator from outside by entering a 4-digit code on a specially designed keypad.  
Model 877MAX

\* Available November 2015

\*\* Available early 2016

# ACCESSORIES

## MISCELLANEOUS



### REMOTE ANTENNA EXTENSION KIT

The remote antenna extension kit allows the antenna to be remotely installed.

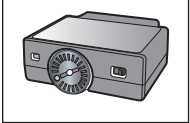
Model 86LM



### WIRELESS ACCESS CONTROL RECEIVER

Access control receiver for up to 450 remote controls.

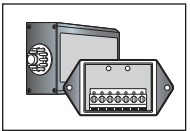
Model STAR450-315



### PLUG-IN LOOP DETECTOR

Low power. Conveniently plugs into existing control board.

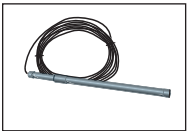
Model LOOPDETLM



### LOOP DETECTOR

Low power loop detectors mounted and wired separately inside control box. LiftMaster low power accessory.

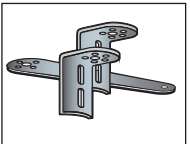
Model LD7LP



### VEHICLE SENSING PROBE

The vehicle sensing probe is buried in the ground and can detect a car as it approaches and will then open the gate.

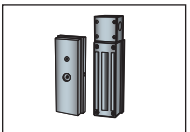
Model CP3



### PUSH-TO-OPEN BRACKET

Used to allow the gate operator to push the gate open.

Model 50-19503



### MAGNETIC GATE LOCK

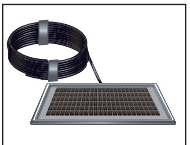
Outdoor magnetic lock, transformer, junction box, mounting plate and hardware. Not for use with Solar Applications. Must be powered separately.

Model MG1300 (12/24 Vdc)



### TRANSFORMER

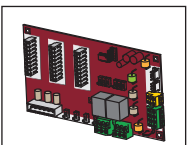
Model APOW3



### SOLAR PANEL KIT

This kit is to replace or add a solar panel to the operator application. 60W maximum for 24 Vdc operators and 30W maximum for 12 Vdc operators. Requires a 33AH battery harness.

Models SOLPNL10W12V (10 Watt, 12V), SP10W12V\* (10 Watt, 12V) and SP20W12V\* (20 Watt, 12V)



### EXPANSION BOARD

Additional programming features including external loops, plug-in loops, auxiliary relays, and inputs for additional controls and entrapment protection devices.

Model K1D8387-1CC

### WIRE HARNESS

Between main control board and expansion board.

Model K94-34778



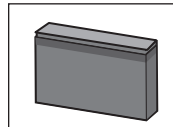
### WIRELESS COMMERCIAL KEYPAD

Durable wireless keypad with blue LED backlight metal keypad, zinc-alloy metal front cover and 5 year 9V lithium battery. Security+ 2.0® compatible.

Model KPW250

## BATTERIES

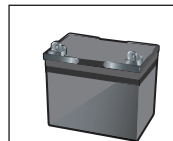
Gate access system batteries replace or upgrade the gate operator batteries. Two identical 12 Vdc batteries are required for each gate operator. Do not mix 7AH and 33AH batteries within a gate operator.



### 7AH BATTERIES

Standard 7 AMP-Hour Battery, 12 Vdc, to replace original batteries provided with operator. Reuse existing harnesses.

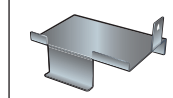
Model 29-NP712



### 33AH BATTERIES

Upgrade 33 AMP-Hour Battery, 12 Vdc. Ideal for solar applications and extended battery backup. For use with Large Metal Control Box ONLY.

Model A12330SGLPK



### BATTERY TRAY

Required for 33AH applications.

Model K10-36183)



### 33AH BATTERY HARNESS

Required for 33AH applications.

Model K94-37236

\* Available end of 2015

# WARRANTY

## LIFTMASTER TWO YEAR LIMITED WARRANTY

LiftMaster warrants to the first purchaser of this product, for the structure in which this product is originally installed, that it is free from defect in materials and/or workmanship for a period of TWO years from the date of purchase. The proper operation of this product is dependent on your compliance with the instructions regarding installation, operation, maintenance and testing. Failure to comply strictly with those instructions will void this limited warranty in its entirety.

If, during the limited warranty period, this product appears to contain a defect covered by this limited warranty, call 1-800-528-2806, toll free, before dismantling this product. Then send this product, pre-paid and insured, to our service center for warranty repair. You will be advised of shipping instructions when you call. Please include a brief description of the problem and a dated proof-of purchase receipt with any product returned for warranty repair. Products returned to Seller for warranty repair, which upon receipt by Seller are confirmed to be defective and covered by this limited warranty, will be repaired or replaced (at Seller's sole option) at no cost to you and returned pre-paid. Defective parts will be repaired or replaced with new or factory-rebuilt parts at Seller's sole option.

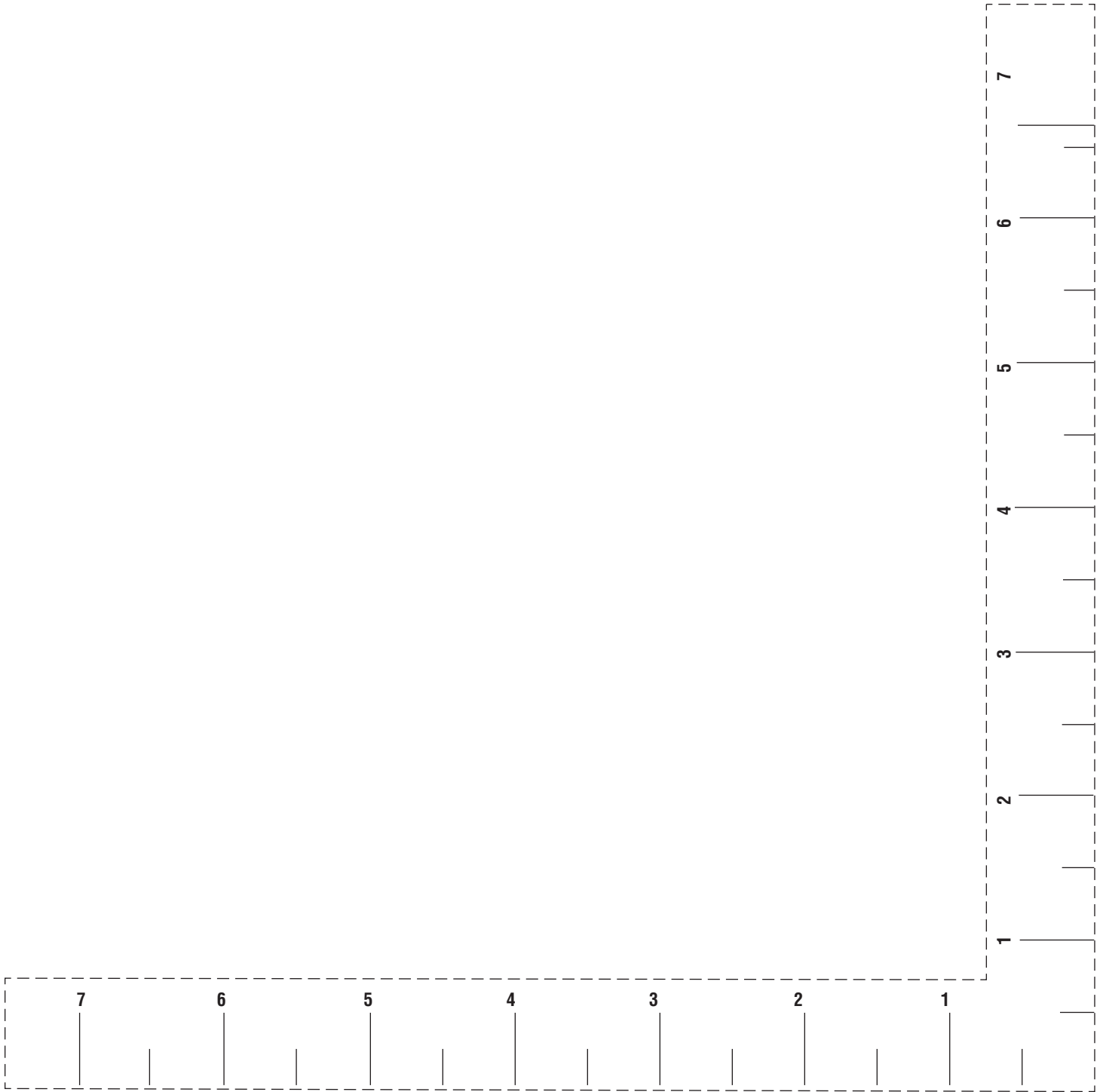
**ALL IMPLIED WARRANTIES FOR THE PRODUCT, INCLUDING BUT NOT LIMITED TO ANY IMPLIED WARRANTIES OF MERCHANTABILITY AND FITNESS FOR A PARTICULAR PURPOSE, ARE LIMITED IN DURATION TO THE TWO YEAR LIMITED WARRANTY PERIOD SET FORTH ABOVE, AND NO IMPLIED WARRANTIES WILL EXIST OR APPLY AFTER SUCH PERIOD. Some states do not allow limitations on how long an implied warranty lasts, so the above limitation may not apply to you. THIS LIMITED WARRANTY DOES NOT COVER NON-DEFECT DAMAGE, DAMAGE CAUSED BY IMPROPER INSTALLATION, OPERATION OR CARE (INCLUDING, BUT NOT LIMITED TO ABUSE, MISUSE, FAILURE TO PROVIDE REASONABLE AND NECESSARY MAINTENANCE, UNAUTHORIZED REPAIRS OR ANY ALTERATIONS TO THIS PRODUCT), LABOR CHARGES FOR REINSTALLING A REPAIRED OR REPLACED UNIT, OR REPLACEMENT OF BATTERIES.**

**THIS LIMITED WARRANTY DOES NOT COVER ANY PROBLEMS WITH, OR RELATING TO, THE GATE OR GATE HARDWARE, INCLUDING BUT NOT LIMITED TO THE GATE SPRINGS, GATE ROLLERS, GATE ALIGNMENT OR HINGES. THIS LIMITED WARRANTY ALSO DOES NOT COVER ANY PROBLEMS CAUSED BY INTERFERENCE. ANY SERVICE CALL THAT DETERMINES THE PROBLEM HAS BEEN CAUSED BY ANY OF THESE ITEMS COULD RESULT IN A FEE TO YOU.**

**UNDER NO CIRCUMSTANCES SHALL SELLER BE LIABLE FOR CONSEQUENTIAL, INCIDENTAL OR SPECIAL DAMAGES ARISING IN CONNECTION WITH USE, OR INABILITY TO USE, THIS PRODUCT. IN NO EVENT SHALL SELLER'S LIABILITY FOR BREACH OF WARRANTY, BREACH OF CONTRACT, NEGLIGENCE OR STRICT LIABILITY EXCEED THE COST OF THE PRODUCT COVERED HEREBY. NO PERSON IS AUTHORIZED TO ASSUME FOR US ANY OTHER LIABILITY IN CONNECTION WITH THE SALE OF THIS PRODUCT.**

Some states do not allow the exclusion or limitation of consequential, incidental or special damages, so the above limitation or exclusion may not apply to you. This limited warranty gives you specific legal rights, and you may also have other rights which vary from state to state.

# TEMPLATE FOR POST BRACKET MOUNTING



**845 Larch Avenue**  
**Elmhurst, Illinois 60126-1196**  
**LiftMaster.com**