

Preface

H81I
H81I-S01
Motherboard

Copyright Notice

The material in this document is the intellectual property of **MICRO-STAR INTERNATIONAL**. We take every care in the preparation of this document, but no guarantee is given as to the correctness of its contents. Our products are under continual improvement and we reserve the right to make changes without notice.

Trademarks

All trademarks in this manual are properties of their respective owners.

- MSI® is registered trademark of Micro-Star Int'l Co.,Ltd.
- NVIDIA® is registered trademark of NVIDIA Corporation.
- ATI® is registered trademark of AMD Corporation.
- AMD® is registered trademarks of AMD Corporation.
- Intel® is registered trademarks of Intel Corporation.
- Windows® is registered trademarks of Microsoft Corporation.
- AMI® is registered trademark of American Megatrends Inc.
- Award® is a registered trademark of Phoenix Technologies Ltd.
- Sound Blaster® is registered trademark of Creative Technology Ltd.
- Realtek® is registered trademark of Realtek Semiconductor Corporation.
- JMicron® is registered trademark of JMicron Technology Corporation.
- Netware® is registered trademark of Novell, Inc.
- Lucid® is trademark of LucidLogix Technologies, Ltd.
- VIA® is registered trademark of VIA Technologies, Inc.
- ASMedia® is registered trademark of ASMedia Technology Inc.
- iPad, iPhone, and iPod are trademarks of Apple Inc.
- Qualcomm Atheros and Killer are trademarks of Qualcomm Atheros Inc.

Revision History

Revision	Revision History	Date
V2.0	First release	2013/ 08
V2.1	Add JC11	2014/ 01

Smartphone Application



MSI+ is a smart web gadget that works as a shopping navigator and provides specs comparison for IT buyers. With a simple tap of the smartphone, you'll efficiently locate your ideal products from a wide variety of choices and, if product details are required, you may easily download user manuals within minutes. Better yet, the power calculator provides accurate estimates of power unit capacity for DIY users.



Technical Support

If a problem arises with your system and no solution can be obtained from the user's manual, please contact your place of purchase or local distributor. Alternatively, please try the following help resources for further guidance.



Visit the MSI website for technical guide, BIOS updates, driver updates, and other information:

<http://www.msi.com/service/download/>



Contact our technical staff at:

<http://support.msi.com>

Safety Instructions

- Always read the safety instructions carefully.
- Keep this User's Manual for future reference.
- Keep this equipment away from humidity.
- Lay this equipment on a reliable flat surface before setting it up.
- The openings on the enclosure are for air convection hence protects the equipment from overheating. **DO NOT COVER THE OPENINGS.**
- Make sure the voltage of the power source is at 110/220V before connecting the equipment to the power inlet.
- Place the power cord such a way that people can not step on it. Do not place anything over the power cord.
- Always Unplug the Power Cord before inserting any add-on card or module.
- All cautions and warnings on the equipment should be noted.
- Never pour any liquid into the opening that can cause damage or cause electrical shock.
- If any of the following situations arises, get the equipment checked by service personnel:
 - The power cord or plug is damaged.
 - Liquid has penetrated into the equipment.
 - The equipment has been exposed to moisture.
 - The equipment does not work well or you can not get it work according to User's Manual.
 - The equipment has been dropped and damaged.
 - The equipment has obvious sign of breakage.
- **DO NOT LEAVE THIS EQUIPMENT IN AN ENVIRONMENT ABOVE 60°C (140°F), IT MAY DAMAGE THE EQUIPMENT.**

FCC-B Radio Frequency Interference Statement

This equipment has been tested and found to comply with the limits for a Class B digital device, pursuant to Part 15 of the FCC Rules. These limits are designed to provide reasonable protection against harmful interference in a residential installation. This equipment generates, uses and can radiate radio frequency energy and, if not installed and used in accordance with the instructions, may cause harmful interference to radio communications. However, there is no guarantee that interference will not occur in a particular installation. If this equipment does cause harmful interference to radio or television reception, which can be determined by turning the equipment off and on, the user is encouraged to try to correct the interference by one or more of the measures listed below.

- Reorient or relocate the receiving antenna.
- Increase the separation between the equipment and receiver.
- Connect the equipment into an outlet on a circuit different from that to which the receiver is connected.
- Consult the dealer or an experienced radio/television technician for help.

Notice 1

The changes or modifications not expressly approved by the party responsible for compliance could void the user's authority to operate the equipment.

Notice 2

Shielded interface cables and A.C. power cord, if any, must be used in order to comply with the emission limits.

VOIR LA NOTICE D'INSTALLATION AVANT DE RACCORDER AU RESEAU.



This device complies with Part 15 of the FCC Rules. Operation is subject to the following two conditions:

- 1) this device may not cause harmful interference, and
- 2) this device must accept any interference received, including interference that may cause undesired operation.

CE Conformity

Hereby, Micro-Star International CO., LTD declares that this device is in compliance with the essential safety requirements and other relevant provisions set out in the European Directive.



Radiation Exposure Statement

This equipment complies with FCC radiation exposure limits set forth for an uncontrolled environment. This equipment and its antenna should be installed and operated with minimum distance 20 cm between the radiator and your body. This equipment and its antenna must not be co-located or operating in conjunction with any other antenna or transmitter.

European Community Compliance Statement

The equipment complies with the RF Exposure Requirement 1999/519/EC, Council Recommendation of 12 July 1999 on the limitation of exposure of the general public to electromagnetic fields (0–300GHz). This wireless device complies with the R&TTE Directive.

Taiwan Wireless Statements

無線設備警告聲明

經型式認證合格之低功率射頻電機，非經許可，公司、商號或使用者均不得擅自變更頻率、加大功率或變更原設計之特性及功能。

低功率射頻電機之使用不得影響飛航安全及干擾合法通信；經發現有干擾現象時，應立即停用，並改善至無干擾時方得繼續使用。前項合法通信，指依電信法規定作業之無線電通信。低功率射頻電機須忍受合法通信或工業、科學及醫療用電波輻射性電機設備之干擾。

警告使用者：這是甲類資訊產品，在居住的環境中使用時，可能會造成無線電干擾，在這種情況下，使用者會被要求採取某些適當的對策。

Japan VCCI Class B Statement

クラス B 情報技術装置

この装置は、情報技術装置等電波障害自主規制協議会（VCCI）の基準に基づくクラスB情報技術装置です。この装置が家庭内でラジオやテレビジョン受信機に近接して使われると、受信障害を引き起こすことがあります。取扱説明書にしたがって正しい取り扱いをしてください。

Korea Warning Statements

당해 무선설비는 운용중 전파혼신 가능성이 있음

Battery Information



European Union:

Batteries, battery packs, and accumulators should not be disposed of as unsorted household waste. Please use the public collection system to return, recycle, or treat them in compliance with the local regulations.



Taiwan:

For better environmental protection, waste batteries should be collected separately for recycling or special disposal.

廢電池請回收



California, USA:

The button cell battery may contain perchlorate material and requires special handling when recycled or disposed of in California.

For further information please visit:

<http://www.dtsc.ca.gov/hazardouswaste/perchlorate/>

CAUTION: There is a risk of explosion, if battery is incorrectly replaced.
Replace only with the same or equivalent type recommended by the manufacturer.

Chemical Substances Information

In compliance with chemical substances regulations, such as the EU REACH Regulation (Regulation EC No. 1907/2006 of the European Parliament and the Council), MSI provides the information of chemical substances in products at:

http://www.msi.com/html/popup/csr/evmtprtt_pcm.html

WEEE (Waste Electrical and Electronic Equipment) Statement

ENGLISH

To protect the global environment and as an environmentalist, MSI must remind you that...

Under the European Union ("EU") Directive on Waste Electrical and Electronic Equipment, Directive 2002/96/EC, which takes effect on August 13, 2005, products of "electrical and electronic equipment" cannot be discarded as municipal wastes anymore, and manufacturers of covered electronic equipment will be obligated to take back such products at the end of their useful life. MSI will comply with the product take back requirements at the end of life of MSI-branded products that are sold into the EU. You can return these products to local collection points.



DEUTSCH

Hinweis von MSI zur Erhaltung und Schutz unserer Umwelt

Gemäß der Richtlinie 2002/96/EG über Elektro- und Elektronik-Altgeräte dürfen Elektro- und Elektronik-Altgeräte nicht mehr als kommunale Abfälle entsorgt werden. MSI hat europaweit verschiedene Sammel- und Recyclingunternehmen beauftragt, die in die Europäische Union in Verkehr gebrachten Produkte, am Ende seines Lebenszyklus zurückzunehmen. Bitte entsorgen Sie dieses Produkt zum gegebenen Zeitpunkt ausschliesslich an einer lokalen Altgerätesammelstelle in Ihrer Nähe.

FRANÇAIS

En tant qu'écologiste et afin de protéger l'environnement, MSI tient à rappeler ceci...

Au sujet de la directive européenne (EU) relative aux déchets des équipement électriques et électroniques, directive 2002/96/EC, prenant effet le 13 août 2005, que les produits électriques et électroniques ne peuvent être déposés dans les décharges ou tout simplement mis à la poubelle. Les fabricants de ces équipements seront obligés de récupérer certains produits en fin de vie. MSI prendra en compte cette exigence relative au retour des produits en fin de vie au sein de la communauté européenne. Par conséquent vous pouvez retourner localement ces matériels dans les points de collecte.

РУССКИЙ

Компания MSI предпринимает активные действия по защите окружающей среды, поэтому напоминаем вам, что....

В соответствии с директивой Европейского Союза (ЕС) по предотвращению загрязнения окружающей среды использованным электрическим и электронным оборудованием (директива WEEE 2002/96/EC), вступающей в силу 13 августа 2005 года, изделия, относящиеся к электрическому и электронному оборудованию, не могут рассматриваться как бытовой мусор, поэтому производители вышеперечисленного электронного оборудования обязаны принимать его для переработки по окончании срока службы. MSI обязуется соблюдать требования по приему продукции, проданной под маркой MSI на территории ЕС, в переработку по окончании срока службы. Вы можете вернуть эти изделия в специализированные пункты приема.

ESPAÑOL

MSI como empresa comprometida con la protección del medio ambiente, recomienda: Bajo la directiva 2002/96/EC de la Unión Europea en materia de desechos y/o equipos electrónicos, con fecha de rigor desde el 13 de agosto de 2005, los productos clasificados como “eléctricos y equipos electrónicos” no pueden ser depositados en los contenedores habituales de su municipio, los fabricantes de equipos electrónicos, están obligados a hacerse cargo de dichos productos al termino de su período de vida. MSI estará comprometido con los términos de recogida de sus productos vendidos en la Unión Europea al final de su periodo de vida. Usted debe depositar estos productos en el punto limpio establecido por el ayuntamiento de su localidad o entregar a una empresa autorizada para la recogida de estos residuos.

NEDERLANDS

Om het milieu te beschermen, wil MSI u eraan herinneren dat...

De richtlijn van de Europese Unie (EU) met betrekking tot Vervuiling van Electriche en Electronische producten (2002/96/EC), die op 13 Augustus 2005 in zal gaan kunnen niet meer beschouwd worden als vervuiling. Fabrikanten van dit soort producten worden verplicht om producten retour te nemen aan het eind van hun levenscyclus. MSI zal overeenkomstig de richtlijn handelen voor de producten die de merknaam MSI dragen en verkocht zijn in de EU. Deze goederen kunnen geretourneerd worden op lokale inzamelingspunten.

SRPSKI

Da bi zaštitili prirodnu sredinu, i kao preduzeće koje vodi računa o okolini i prirodnoj sredini, MSI mora da vas pedesti da...

Po Direktivi Evropske unije (“EU”) o odbačenoj eelektronskoj i električnoj opremi, Direktiva 2002/96/EC, koja stupa na snagu od 13. Avgusta 2005, proizvodi koji spadaju pod “elektronsku i električnu opremu” ne mogu više biti odbačeni kao običan otpad i proizvođači ove opreme biće prinuđeni da uzmu natrag ove proizvode na kraju njihovog uobičajenog veka trajanja. MSI će poštovati zahtev o preuzimanju ovakvih proizvoda kojima je istekao vek trajanja, koji imaju MSI oznaku i koji su prodati u EU. Ove proizvode možete vratiti na lokalnim mestima za prikupljanje.

POLSKI

Aby chronić nasze środowisko naturalne oraz jako firma dbająca o ekologię, MSI przypomina, że...

Zgodnie z Dyrektywą Unii Europejskiej (“UE”) dotyczącą odpadów produktów elektrycznych i elektronicznych (Dyrektywa 2002/96/EC), która wchodzi w życie 13 sierpnia 2005, tzw. “produkty oraz wyposażenie elektryczne i elektroniczne “ nie mogą być traktowane jako śmieci komunalne, tak więc producenci tych produktów będą zobowiązani do odbierania ich w momencie gdy produkt jest wycofywany z użycia. MSI wypełni wymagania UE, przyjmując produkty (sprzedawane na terenie Unii Europejskiej) wycofywane z użycia. Produkty MSI będzie można zwracać w wyznaczonych punktach zbiorczych.

TÜRKÇE

Çevreci özelliğiyle bilinen MSI dünyada çevreyi korumak için hatırlatır:

Avrupa Birliği (AB) Kararnamesi Elektrik ve Elektronik Malzeme Atığı, 2002/96/EC Kararnamesi altında 13 Ağustos 2005 tarihinden itibaren geçerli olmak üzere, elektrikli ve elektronik malzemeler diğer atıklar gibi çöpe atılmayacak ve bu elektronik cihazların üreticileri, cihazların kullanım süreleri bittikten sonra ürünleri geri toplamakla yükümlü olacaktır. Avrupa Birliği'ne satılan MSI markalı ürünlerin kullanım süreleri bittiğinde MSI ürünlerin geri alınması isteği ile işbirliği içerisinde olacaktır. Ürünlerinizi yerel toplama noktalarına bırakabilirsiniz.

ČESKY

Záleží nám na ochraně životního prostředí - společnost MSI upozorňuje...

Podle směrnice Evropské unie ("EU") o likvidaci elektrických a elektronických výrobků 2002/96/EC platné od 13. srpna 2005 je zakázáno likvidovat "elektrické a elektronické výrobky" v běžném komunálním odpadu a výrobci elektronických výrobků, na které se tato směrnice vztahuje, budou povinni odebírat takové výrobky zpět po skončení jejich životnosti. Společnost MSI splní požadavky na odebírání výrobků značky MSI, prodávaných v zemích EU, po skončení jejich životnosti. Tyto výrobky můžete odevzdat v místních sběrnách.

MAGYAR

Annak érdekében, hogy környezetünket megvédjük, illetve környezetvédként fellépve az MSI emlékezteti Önt, hogy ...

Az Európai Unió („EU”) 2005. augusztus 13-án hatályba lépő, az elektromos és elektronikus berendezések hulladékairól szóló 2002/96/EK irányelve szerint az elektromos és elektronikus berendezések többé nem kezelhetőek lakossági hulladékként, és az ilyen elektronikus berendezések gyártói kötelesek válnak az ilyen termékek visszavételére azok hasznos élettartama végén. Az MSI betartja a termékvisszavétellel kapcsolatos követelményeket az MSI márkanév alatt az EU-n belül értékesített termékek esetében, azok élettartamának végén. Az ilyen termékeket a legközelebbi gyűjtőhelyre viheti.

ITALIANO

Per proteggere l'ambiente, MSI, da sempre amica della natura, ti ricorda che....

In base alla Direttiva dell'Unione Europea (EU) sullo Smaltimento dei Materiali Elettrici ed Elettronici, Direttiva 2002/96/EC in vigore dal 13 Agosto 2005, prodotti appartenenti alla categoria dei Materiali Elettrici ed Elettronici non possono più essere eliminati come rifiuti municipali: i produttori di detti materiali saranno obbligati a ritirare ogni prodotto alla fine del suo ciclo di vita. MSI si adegnerà a tale Direttiva ritirando tutti i prodotti marchiati MSI che sono stati venduti all'interno dell'Unione Europea alla fine del loro ciclo di vita. È possibile portare i prodotti nel più vicino punto di raccolta

CONTENTS

English	En-1
Motherboard Specifications.....	En-2
Connectors Quick Guide.....	En-4
Back Panel Quick Guide.....	En-6
CPU (Central Processing Unit).....	En-9
Memory.....	En-13
Mounting Screw Holes.....	En-14
Power Supply.....	En-15
Expansion Slot.....	En-16
Video/ Graphics Cards.....	En-17
Internal Connectors.....	En-18
Jumper.....	En-23
Drivers and Utilities.....	En-24
BIOS Setup.....	En-25
Deutsch	De-1
Spezifikationen.....	De-2
Anschlussübersicht.....	De-4
Rücktafel-Übersicht.....	De-6
CPU (Prozessor).....	De-9
Speicher.....	De-13
Schraubenlöcher für die Montage.....	De-14
Stromversorgung.....	De-15
Erweiterungssteckplatz.....	De-16
Video/ Grafikkarten.....	De-17
Interne Anschlüsse.....	De-18
Steckbrücke.....	De-23
Treiber und Dienstprogramme.....	De-24
BIOS Setup.....	De-25
Français	Fr-1
Spécifications.....	Fr-2
Guide Rapide Des Connecteurs.....	Fr-4
Guide rapide du panneau arrière.....	Fr-6
Processeur : CPU.....	Fr-9
Mémoire.....	Fr-13
Trous Taraudés de Montage.....	Fr-14
Connecteurs d'alimentation.....	Fr-15
Emplacements d'extension.....	Fr-16

Cartes Vidéo/ Graphics	Fr-17
Connecteurs internes	Fr-18
Cavaliers	Fr-23
Pilotes et Utilitaires.....	Fr-24
Configuration BIOS	Fr-25
Русский	Ru-1
Характеристики материнской платы.....	Ru-2
Краткое руководство по разъемам	Ru-4
Краткое руководство по работе с задней панелью	Ru-6
ЦП (центральный процессор).....	Ru-9
Память.....	Ru-13
Отверстия под установочные винты.....	Ru-14
Электропитание.....	Ru-15
Слоты расширения.....	Ru-16
Видео/ Установка дискретной видеокарты	Ru-17
Внутренние разъемы	Ru-18
Перемычки.....	Ru-23
Драйверы и утилиты	Ru-24
Настройка BIOS	Ru-25
Installation/ Установка	A-1
CPU.....	A-2
Memory/ Speicher/ Mémoire/ Памяти	A-4
Motherboard/ Carte mère/ Материнские платы	A-5
Power Connector/ ATX-Stromanschluss/ Connecteurs d'alimentation/ Разъема питания.....	A-7
SATA HDD.....	A-9
mSATA SSD	A-10
Front Panel Connector/ Frontpanel Anschluss/ Connecteur panneau avant/ Разъемов передней панели	A-11
Peripheral Connector/ Peripheriestecker/ Connecteur périphérique/ Периферийных разъемов	A-12
Graphics Card/ Grafikkarte/ Carte graphique/ Видеокарты	A-13

English

Thank you for choosing the H81I/ H81I-S01 series (MS-7851 v2.X) Mini-ITX motherboard. The the H81I/ H81I-S01 series motherboards are based on Intel® H81 chipset for optimal system efficiency. Designed to fit the advanced Intel® LGA1150 processor, the H81I/ H81I-S01 series motherboards deliver a high performance and professional desktop platform solution.

Motherboard Specifications

CPU Support	<ul style="list-style-type: none"> ■ 4th Generation Intel® Core™ i7 / Core™ i5 / Core™ i3 / Pentium® / Celeron® processors for LGA 1150 socket
Chipset	<ul style="list-style-type: none"> ■ Intel® H81 Express Chipset
Memory Support	<ul style="list-style-type: none"> ■ 2x DDR3 memory slots supporting up to 16GB ■ Supports DDR3 1600/ 1333/ 1066 MHz ■ Dual channel memory architecture ■ Supports non-ECC, un-buffered memory ■ Supports Intel® Extreme Memory Profile (XMP)
Expansion Slot	<ul style="list-style-type: none"> ■ 1x PCIe 2.0 x16 slot
Onboard Graphics	<ul style="list-style-type: none"> ■ 1x VGA port, supports the maximum resolution of 1920x1200 @ 60Hz, 24bpp ■ 1x DVI-D port, supports the maximum resolution of 1920x1200 @ 60Hz, 24bpp ■ 1x HDMI port, supports the maximum resolutions of 2560x1600@60Hz, 24bpp/ 1920x1080@60Hz, 36bpp* <p>* For H81l only.</p>
Storage	<ul style="list-style-type: none"> ■ Intel H81 Express Chipset <ul style="list-style-type: none"> - 2x SATA 6Gb/s ports (SATA1~2) - 2x SATA 3Gb/s ports (SATA3~4)
USB	<ul style="list-style-type: none"> ■ Intel H81 Express Chipset <ul style="list-style-type: none"> - 2x USB 3.0 ports (2 ports available through the internal USB 3.0 connector) - 6x USB 2.0 ports (2 ports on the back panel, 4 ports available through the internal USB 2.0 connectors)* - 8x USB 2.0 ports (4 ports on the back panel, 4 ports available through the internal USB 2.0 connectors)** <p>* For H81l only. ** For H81l-S01 only.</p> <ul style="list-style-type: none"> ■ RENESAS UPD720202 chip <ul style="list-style-type: none"> - 2x USB 3.0 ports (2 ports on the back panel)* <p>* For H81l only.</p>
Audio	<ul style="list-style-type: none"> ■ Realtek® ALC887 Codec <ul style="list-style-type: none"> - 7.1-Channel High Definition Audio - Supports S/PDIF output
LAN	<ul style="list-style-type: none"> ■ Realtek® RTL8111G Gigabit LAN controller
Back Panel Connectors	<ul style="list-style-type: none"> ■ 1x PS/2 keyboard/ mouse combo port ■ 2x USB 2.0 ports, 2x USB 3.0 ports (for H81l) ■ 4x USB 2.0 ports (for H81l-S01) ■ 1x VGA Port ■ 1x DVI-D port ■ 1x HDMI port (for H81l) ■ 1x Optical S/PDIF-OUT connector ■ 1x LAN (RJ45) port ■ 3x audio jacks

Internal Connectors	<ul style="list-style-type: none"> ■ 1x 24-pin ATX main power connector ■ 1x 4-pin ATX 12V power connector ■ 4x SATA connectors ■ 2x USB 2.0 connectors (supports additional 4 USB 2.0 ports) ■ 1x USB 3.0 connector (supports additional 2 USB 3.0 ports) ■ 1x 4-pin CPU fan connector ■ 1x 4-pin system fan connector ■ 1x Clear CMOS jumper ■ 1x Front panel audio connector ■ 2x System panel connectors ■ 1x Serial port connector ■ 1x TPM connector ■ 1x Chassis Intrusion connector
I/O Controller	<ul style="list-style-type: none"> ■ NUVOTON NCT5533 Controller Chip
Hardware Monitor	<ul style="list-style-type: none"> ■ CPU/System temperature detection ■ CPU/System fan speed detection ■ CPU/System fan speed control
BIOS Features	<ul style="list-style-type: none"> ■ 64 Mb flash ■ UEFI AMI BIOS ■ ACPI 5.0, PnP 1.0a, SM BIOS 2.7, DMI 2.0 ■ Multi-language
Special Features	<ul style="list-style-type: none"> ■ Military Class 4 ■ OC Genie 4 ■ Click BIOS 4 ■ Total Fan Control ■ Command Center
Software	<ul style="list-style-type: none"> ■ Drivers ■ MSI <ul style="list-style-type: none"> - Command Center - Super Charger - Live Update 5 - Fast Boot ■ 7-ZIP ■ Intel Extreme Tuning Utility ■ Norton Internet Security Solution ■ Trend Micro SafeSync ■ Network genie
Form Factor	<ul style="list-style-type: none"> ■ Mini-ITX Form Factor ■ 6.7 in. x 6.7 in. (17 cm x 17 cm)



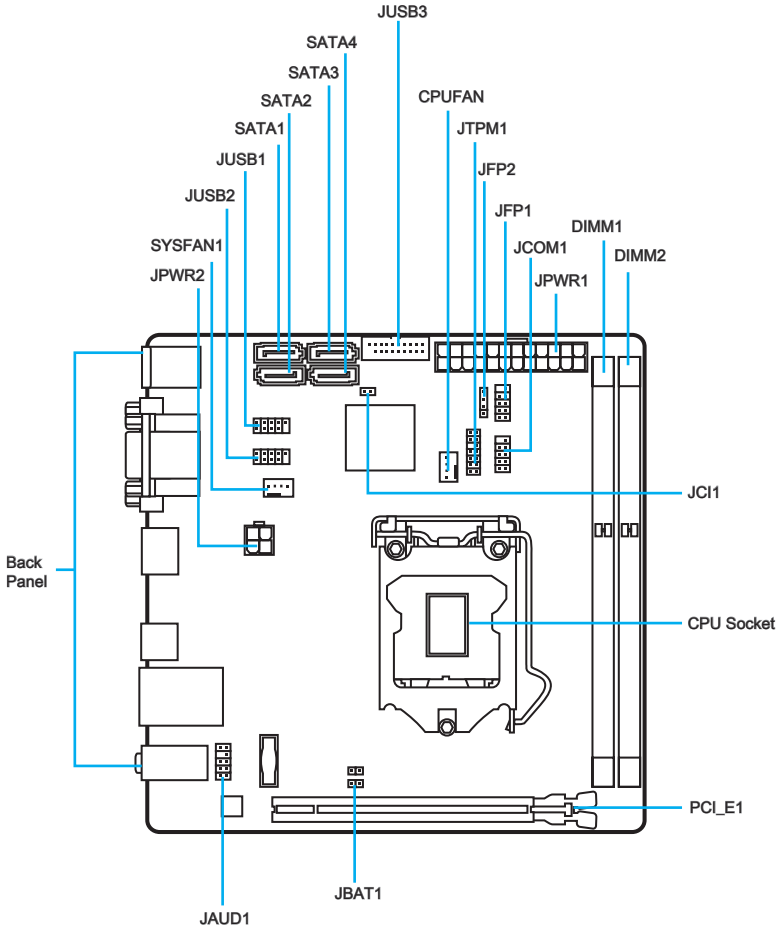
For the latest information about CPU, please visit
<http://www.msi.com/service/cpu-support/>



For more information on compatible components, please visit
<http://www.msi.com/service/test-report/>

Connectors Quick Guide

English

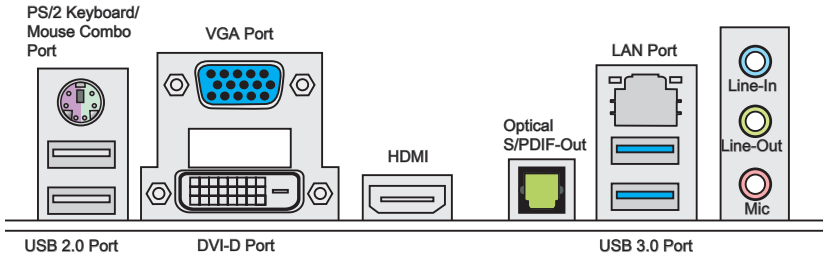


Connectors Reference Guide

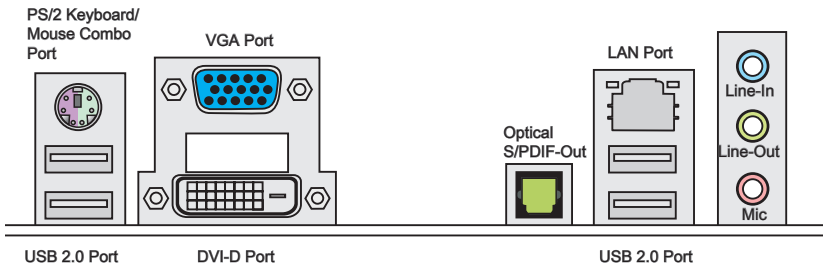
Port Name	Port Type	Page
Back Panel		En-6
CPU	LGA1150 CPU Socket	En-10
CPUFAN,SYSFAN1	Fan Power Connectors	En-19
DIMM1~2	DDR3 Memory Slots	En-13
JAUD1	Front Panel Audio Connector	En-22
JBAT1	Clear CMOS Jumper	En-23
JCI1	Chassis Intrusion Connector	En-19
JCOM1	Serial Port Connector	En-22
JFP1, JFP2	System Panel Connectors	En-20
JPWR1~2	ATX Power Connectors	En-15
JTPM1	TPM Module Connector	En-23
JUSB1/ JUSB2	USB 2.0 Expansion Connectors	En-21
JUSB3	USB 3.0 Expansion Connector	En-21
PCI_E1	PCIe 2.0 Expansion Slot	En-16
SATA1~4	SATA Connectors	En-18

Back Panel Quick Guide

H81



H81-S01



► **PS/2 Keyboard/Mouse Combo Port**

A combination of PS/2® mouse/keyboard DIN connector for a PS/2® mouse/keyboard.

► **USB 2.0 Port**

The USB 2.0 port is for attaching USB 2.0 devices such as keyboard, mouse, or other USB 2.0-compatible devices.

► **VGA Port**

The DB15-pin female connector is provided for monitor.

► **DVI-D Port**

The DVI-D (Digital Visual Interface- Digital) connector can be connected to a LCD monitor, or a CRT monitor with an adapter. To connect a monitor, please refer to the monitor's manual for more information.



► **HDMI Port (For H81l)**

The High-Definition Multimedia Interface (HDMI) is an all-digital audio-video interface that is capable of transmitting uncompressed streams. HDMI supports all types of TV formats, including standard, enhanced, or high-definition video, plus multi-channel digital audio on a single cable.



Important

This platform supports dual-display function.

	Dual-display mode
	VGA+DVI-D/ DVI-D+HDMI/ HDMI+VGA
Extend mode (Extend the desktop to the other monitor)	○
Clone mode (Monitors have the same screen)	○

► **Optical S/PDIF-Out**

This S/PDIF (Sony & Philips Digital Interconnect Format) connector is provided for digital audio transmission to external speakers through an optical fiber cable.

► USB 3.0 Port (For H811)

USB 3.0 port is backward-compatible with USB 2.0 devices. It supports data transfer rate up to 5 Gbit/s (SuperSpeed).

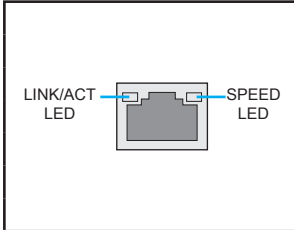


Important

In order to use USB 3.0 devices, you must connect to a USB 3.0 port. If a USB cable is used, it must be USB 3.0 compliant.

► LAN Port

The standard RJ-45 LAN jack is for connecting to a Local Area Network (LAN).

	LED	LED Status	Description
	Link/ Activity LED	Off	No link
		Yellow	Linked
		Blinking	Data activity
	Speed LED	Off	10 Mbps connection
		Green	100 Mbps connection
Orange		1 Gbps connection	

► Audio Ports

These connectors are used for audio devices. The color of the jack refers to the function of the connector.

- Blue- Line in: Used for connecting external audio outputting devices.
- Green- Line out: Used as a connector for speakers or headphone.
- Pink- Mic: Used as a connector for a microphone.

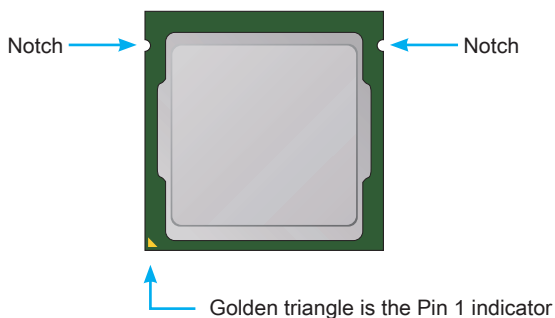
2, 4, 6 or 8-channel audio-out configuration

Port	2-channel	4-channel	6-channel	8-channel
Blue	Line in	RS-Out	RS-Out	RS-Out
Green	Line out	FS-Out	FS-Out	FS-Out
Pink	Mic	Mic	CS-Out	CS-Out
Front audio	-	-	-	SS-Out

CPU (Central Processing Unit)

Introduction to the LGA 1150 CPU

The surface of the LGA 1150 CPU has two notches and a golden triangle to assist in correctly lining up the CPU for motherboard placement. The golden triangle is the Pin 1 indicator.



Important

Overheating

Overheating can seriously damage the CPU and motherboard. Always make sure the cooling fans work properly to protect the CPU from overheating. Be sure to apply an even layer of thermal paste (or thermal tape) between the CPU and the heatsink to enhance heat dissipation.

Replacing the CPU

When replacing the CPU, always turn off the system's power supply and unplug the power supply's power cord to ensure the safety of the CPU.

Overclocking

This motherboard is designed to support overclocking. Before attempting to overclock, please make sure that all other system components can tolerate overclocking. Any attempt to operate beyond product specifications is not recommend. MSI does not guarantee the damages or risks caused by inadequate operation beyond product specifications.

CPU & Heatsink Installation

When installing a CPU, always remember to install a CPU heatsink. A CPU heatsink is necessary to prevent overheating and maintain system stability. Follow the steps below to ensure correct CPU and heatsink installation. Wrong installation can damage both the CPU and the motherboard.



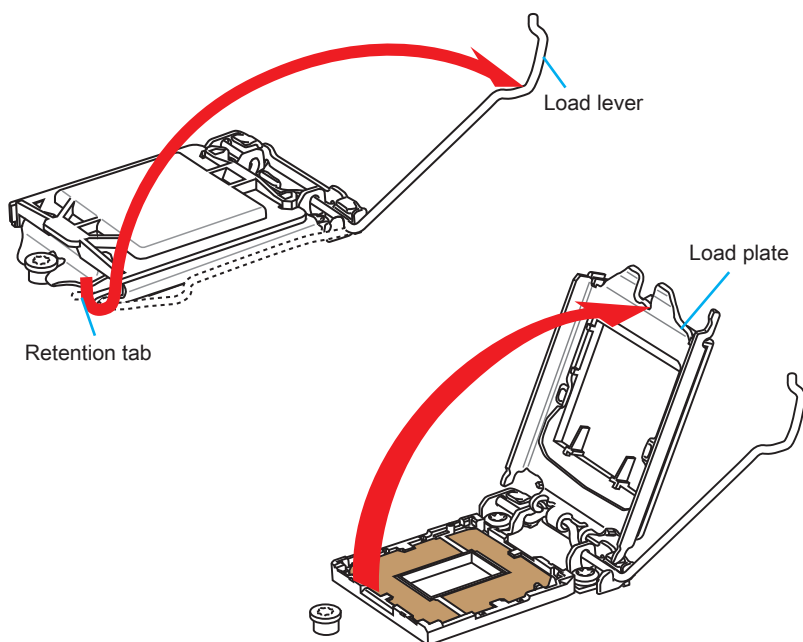
Video Demonstration

Watch the video to learn how to install CPU & heatsink.

<http://youtu.be/bf5La099url>



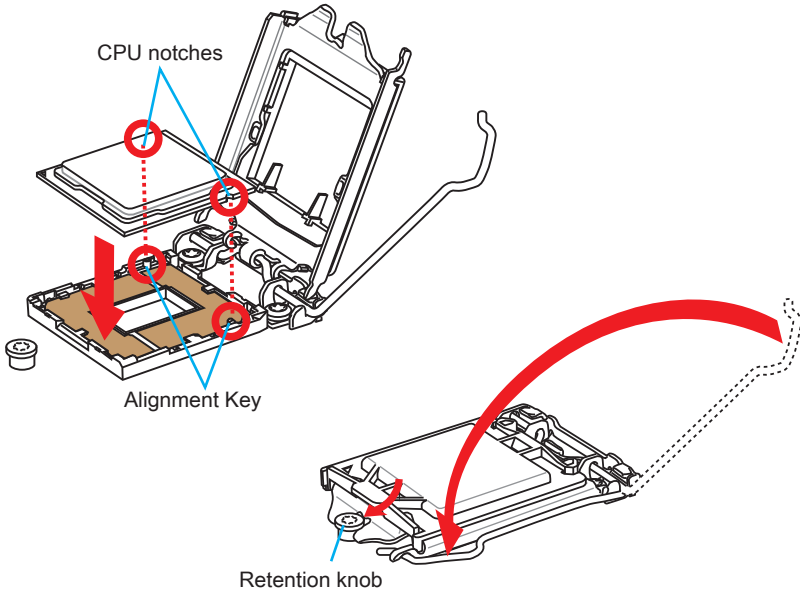
1. Push the load lever down to unclip it and lift to the fully open position.
2. The load plate will automatically lift up as the load lever is pushed to the fully open position.



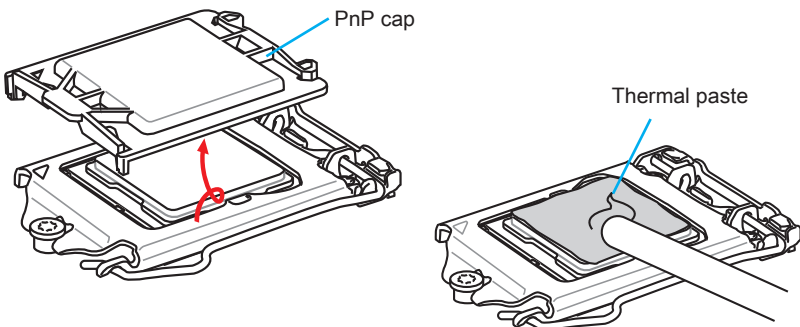
Important

Do not touch the socket contacts or the bottom of the CPU.

- Align the notches with the socket alignment keys. Lower the CPU straight down, without tilting or sliding the CPU in the socket. Inspect the CPU to check if it is properly seated in the socket.
- Close and slide the load plate under the retention knob. Close and engage the load lever.

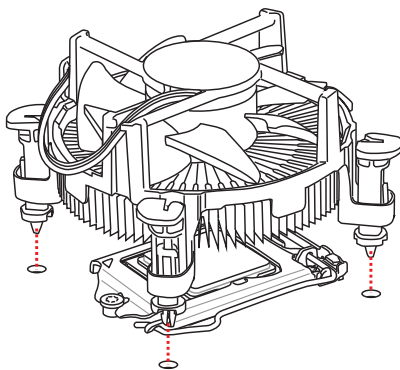
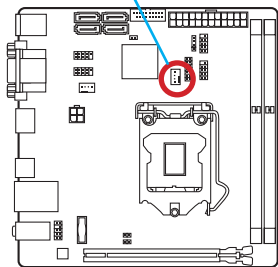


- When you press down the load lever the PnP cap will automatically pop up from the CPU socket. Do not discard the PnP cap. Always replace the PnP cap if the CPU is removed from the socket.
- Evenly spread a thin layer of thermal paste (or thermal tape) on the top of the CPU. This will help in heat dissipation and prevent CPU overheating.

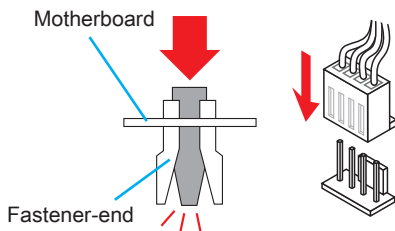
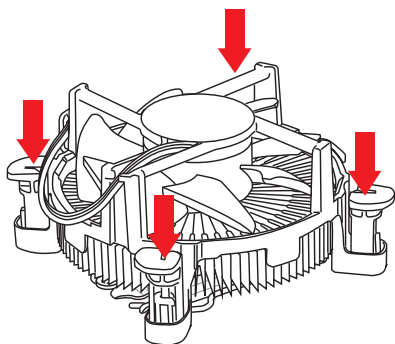


7. Locate the CPU fan connector on the motherboard.
8. Place the heatsink on the motherboard with the fan's cable facing towards the fan connector and the fasteners matching the holes on the motherboard.

CPU fan connector



9. Push down the heatsink until the four fasteners get wedged into the holes on the motherboard. Press the four fasteners down to fasten the heatsink. As each fastener locks into position a click should be heard.
10. Inspect the motherboard to ensure that the fastener-ends have been properly locked in place.
11. Finally, attach the CPU fan cable to the CPU fan connector on the motherboard.

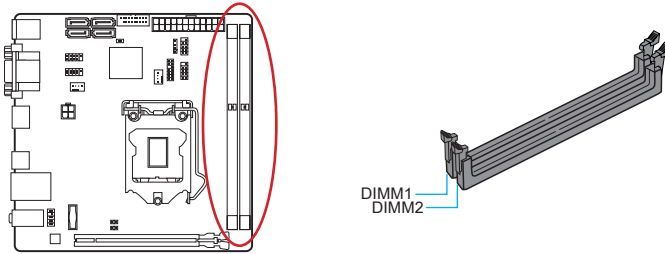


! Important

- Confirm that the CPU heatsink has formed a tight seal with the CPU before booting your system.
- Whenever the CPU is not installed, always protect the CPU socket pins by covering the socket with the plastic cap.
- If you purchased a separate CPU and heatsink/ cooler, Please refer to the documentation in the heatsink/ cooler package for more details about installation.

Memory

These DIMM slots are used for installing memory modules. For more information on compatible components, please visit <http://www.msi.com/service/test-report/>



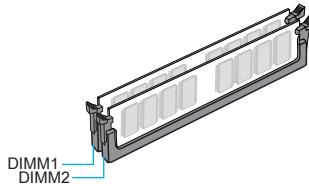
Video Demonstration

Watch the video to learn how to install memories at the address below.
<http://youtu.be/76yLtJaKICQ>



Dual-Channel mode Population Rule

In Dual-Channel mode, the memory modules can transmit and receive data with two data bus channels simultaneously. Enabling Dual-Channel mode can enhance system performance. The following illustrations explain the population rules for Dual-Channel mode.

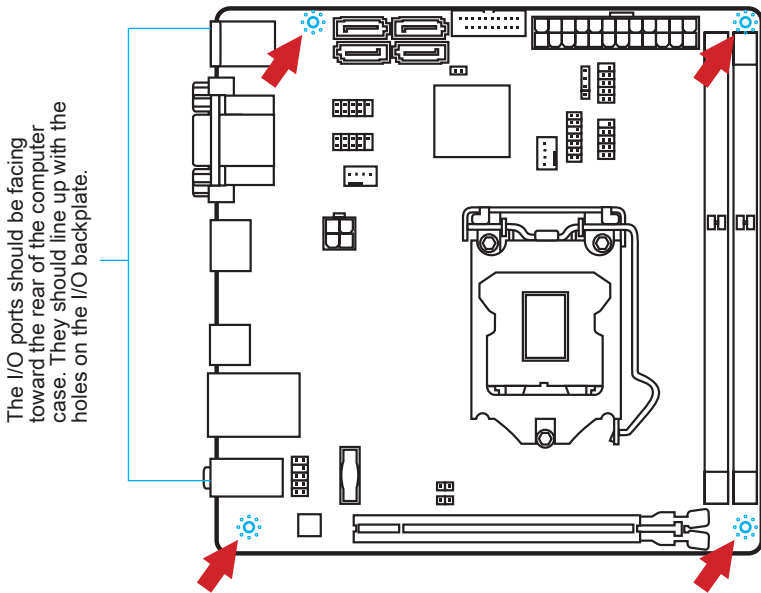


Important

- *DDR3 memory modules are not interchangeable with DDR2, and the DDR3 standard is not backward compatible. Always install DDR3 memory modules in DDR3 DIMM slots.*
- *To ensure system stability, memory modules must be of the same type and density in Dual-Channel mode.*
- *Due to chipset resource usage, the system will only detect up to 15+ GB of memory (not full 16 GB) when all DIMM slots have 8GB memory modules installed.*

Mounting Screw Holes

When installing the motherboard, first install the necessary mounting stands required for an motherboard on the mounting plate in your computer case. If there is an I/O back plate that came with the computer case, please replace it with the I/O backplate that came with the motherboard package. The I/O backplate should snap easily into the computer case without the need for any screws. Align the mounting plate's mounting stands with the screw holes on the motherboard and secure the motherboard with the screws provided with your computer case. The locations of the screw holes on the motherboard are shown below. For more information, please refer to the manual that came with the computer case.



Important

- Install the motherboard on a flat surface free from unnecessary debris.
- To prevent damage to the motherboard, any contact between the motherboard circuitry and the computer case, except for the mounting stands, is prohibited.
- Please make sure there are no loose metal components on the motherboard or within the computer case that may cause a short circuit of the motherboard.

Power Supply



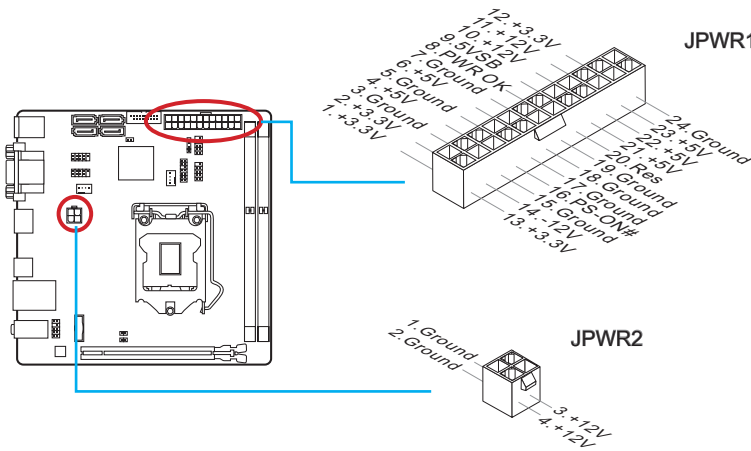
Video Demonstration

Watch the video to learn how to install power supply connectors.
http://youtu.be/gkDYyR_8314



JPWR1~2: ATX Power Connectors

These connectors allow you to connect an ATX power supply. To connect the ATX power supply, align the power supply cable with the connector and firmly press the cable into the connector. If done correctly, the clip on the power cable should be hooked on the motherboard's power connector.



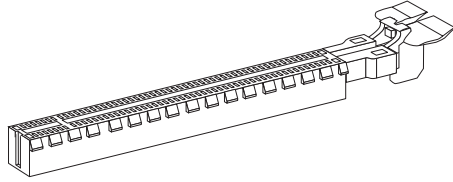
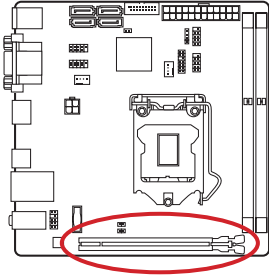
Important

Make sure that all the power cables are securely connected to a proper ATX power supply to ensure stable operation of the motherboard.

Expansion Slot

PCI_E1: PCIe 2.0 Expansion Slot

The PCIe slot supports the PCIe interface expansion card.



Important

When adding or removing expansion cards, always turn off the power supply and unplug the power supply power cable from the power outlet. Read the expansion card's documentation to check for any necessary additional hardware or software changes.

Video/ Graphics Cards

If available, this motherboard takes advantage of the CPU's integrate graphics processor, but discrete video cards can be installed by way of the motherboard's expansion slots. Adding on one or more discrete video cards will significantly boost the system's graphics performance. For best compatibility, MSI graphics cards are recommended.



Video Demonstration

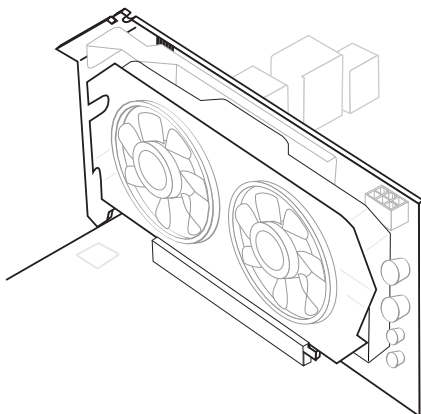
Watch the video to learn how to install a graphics card on PCIe x16 slot with butterfly lock.

http://youtu.be/mG0GZpr9w_A



Single Video Card Installation

1. Determine what type of expansion slot(s) the video card will use. Locate the expansion slot(s) on the motherboard. Remove any protective expansion slot covers from the computer case.
2. Line up the video card on top of the expansion slot(s) with the display ports facing out of the computer case.
3. Push the video card into its expansion slot(s). Depending on the expansion slot(s) used, there should be clip(s) on the expansion slot(s) that will lock in place.
4. If needed, screw the edge of the graphics card to the computer case. Some video cards might require a power cable directly from the power supply.
5. Please consult your video card's manual for further instructions regarding driver installation or other special settings.



Internal Connectors

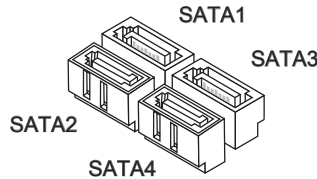
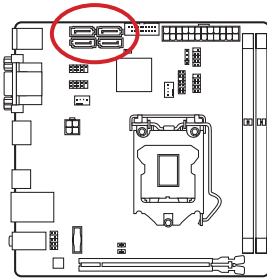
SATA1~4: SATA Connectors

This connector is a high-speed SATA interface port. Each connector can connect to one SATA device. SATA devices include disk drives (HDD), solid state drives (SSD), and optical drives (CD/ DVD/ Blu-Ray).



Video Demonstration

Watch the video to learn how to Install SATA HDD.
<http://youtu.be/RZsMpqxthc>



SATA1~2 (6Gb/s, by Intel® H81)

SATA3~4 (3Gb/s, by Intel® H81)

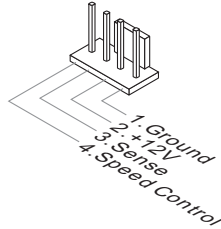
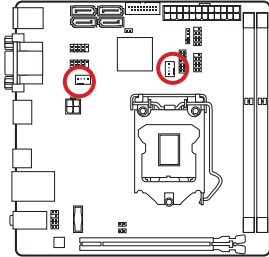


Important

- Many SATA devices also need a power cable from the power supply. Such devices include disk drives (HDD), solid state drives (SSD), and optical drives (CD / DVD / Blu-Ray). Please refer to the device's manual for further information.
- Many computer cases also require that large SATA devices, such as HDDs, SSDs, and optical drives, be screwed down into the case. Refer to the manual that came with your computer case or your SATA device for further installation instructions.
- Please do not fold the SATA cable at a 90-degree angle. Data loss may result during transmission otherwise.
- SATA cables have identical plugs on either sides of the cable. However, it is recommended that the flat connector be connected to the motherboard for space saving purposes.

CPUFAN,SYSFAN1: Fan Power Connectors

The fan power connectors support system cooling fans with +12V. If the motherboard has a System Hardware Monitor chipset on-board, you must use a specially designed fan with a speed sensor to take advantage of the CPU fan control. Remember to connect all system fans. Some system fans may not connect to the motherboard and will instead connect to the power supply directly. A system fan can be plugged into any available system fan connector.

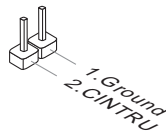
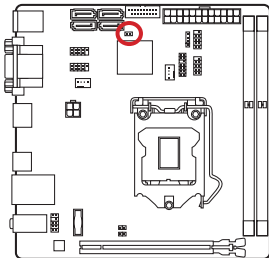


Important

- Please refer to your processor's official website or consult your vendor to find recommended CPU heatsink.
- These connectors support Smart Fan Control with liner mode. The Command Center utility can be installed to automatically control the fan speeds according to the CPU's and system's temperature.
- If there are not enough ports on the motherboard to connect all system fans, adapters are available to connect a fan directly to a power supply.
- Before first boot up, ensure that there are no cables impeding any fan blades.

JCI1: Chassis Intrusion Connector

This connector connects to the chassis intrusion switch cable. If the computer case is opened, the chassis intrusion mechanism will be activated. The system will record this intrusion and a warning message will flash on screen. To clear the warning, you must enter the BIOS utility and clear the record.



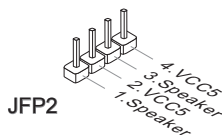
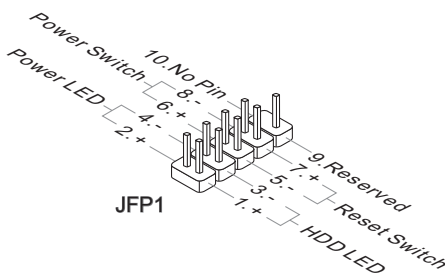
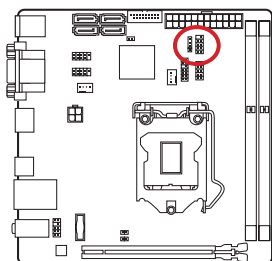
JFP1, JFP2: System Panel Connectors

These connectors connect to the front panel switches and LEDs. The JFP1 connector is compliant with the Intel® Front Panel I/O Connectivity Design Guide. When installing the front panel connectors, please use the optional M-Connector to simplify installation. Plug all the wires from the computer case into the M-Connector and then plug the M-Connector into the motherboard.

Video Demonstration

Watch the video to learn how to install front panel connectors.

<http://youtu.be/DPELIdVNZUI>

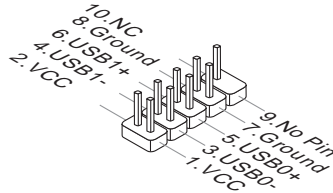
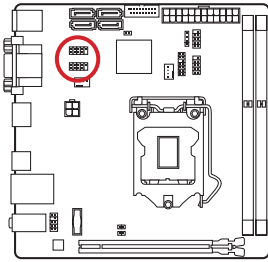


Important

- On the connectors coming from the case, pins marked by small triangles are positive wires. Please use the diagrams above and the writing on the optional M-Connector to determine correct connector orientation and placement.
- The majority of the computer case's front panel connectors will primarily be plugged into JFP1.

JUSB1/ JUSB2: USB 2.0 Expansion Connector

This connector is designed for connecting high-speed USB peripherals such as USB HDDs, digital cameras, MP3 players, printers, modems, and many others.

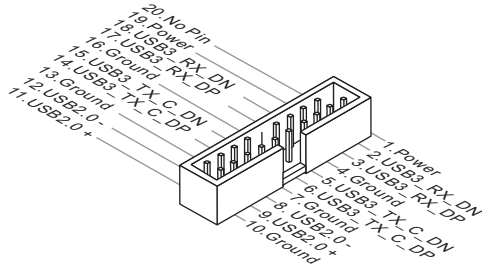
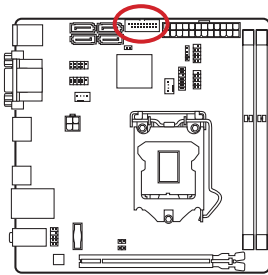


Important

Note that the VCC and GND pins must be connected correctly to avoid possible damage.

JUSB3: USB 3.0 Expansion Connector

The USB 3.0 port is backwards compatible with USB 2.0 devices. It supports data transfer rates up to 5Gbits/s (SuperSpeed).

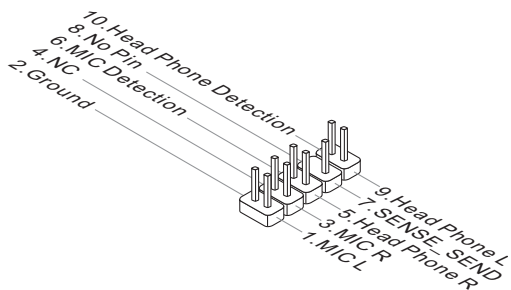
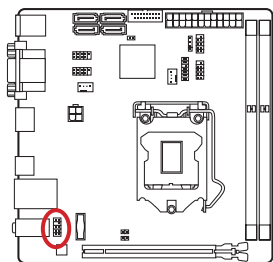


Important

- Note that the VCC and GND pins must be connected correctly to avoid possible damage.
- To use a USB 3.0 device, you must connect the device to a USB 3.0 port through an optional USB 3.0 compliant cable.

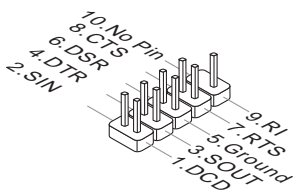
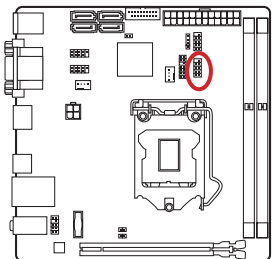
JAUD1: Front Panel Audio Connector

This connector allows you to connect the front audio panel located on your computer case. This connector is compliant with the Intel® Front Panel I/O Connectivity Design Guide.



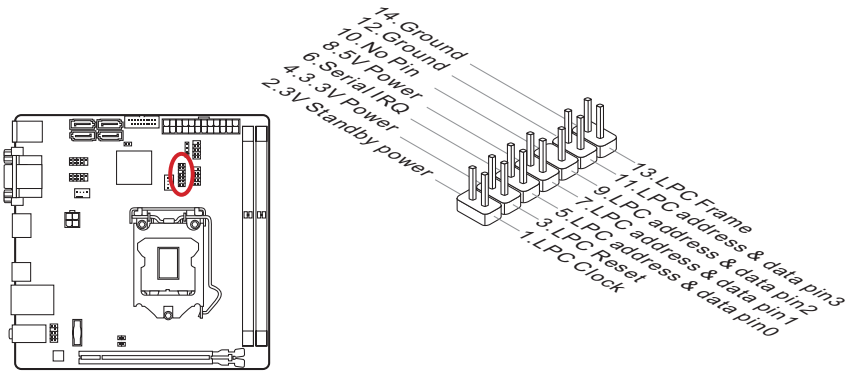
JCOM1: Serial Port Connector

This connector is a 16550A high speed communication port that sends/receives 16 bytes FIFOs. You can attach a serial device.



JTPM1: TPM Module Connector

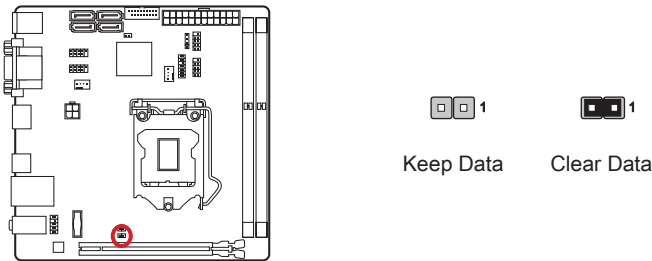
This connector connects to an optional TPM (Trusted Platform Module) Module. Please refer to the TPM security platform manual for more details and usages.



Jumper

JBAT1: Clear CMOS Jumper

There is CMOS RAM onboard that is external powered from a battery located on the motherboard to save system configuration data. With the CMOS RAM, the system can automatically boot into the operating system (OS) every time it is turned on. If you want to clear the system configuration, set the jumpers to clear the CMOS RAM.



Important

You can clear the CMOS RAM by shorting this jumper while the system is off. Afterwards, open the jumper. Do not clear the CMOS RAM while the system is on because it will damage the motherboard.

Drivers and Utilities

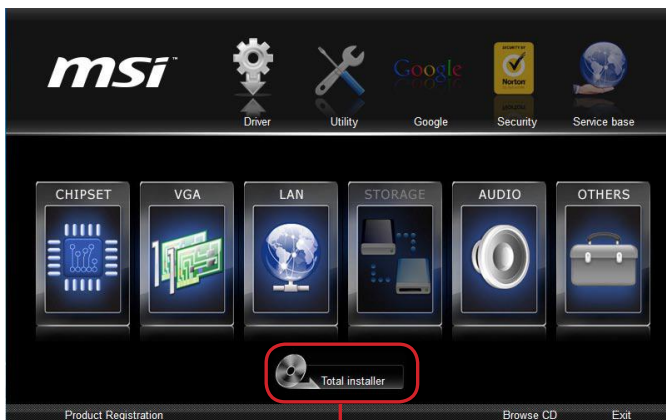
After you install the operating system you will need to install drivers to maximize the performance of the new computer you just built. MSI motherboard comes with a Driver Disc. Drivers allow the computer to utilize your motherboard more efficiently and take advantage of any special features we provide.

You can protect your computer from viruses by installing the bundled security program. The bundle also includes a variety of powerful and creative utilities.

Total Installer

Total Installer is very easy to use and does a great job of finding necessary drivers. Please follow the steps below to install drivers and utilities for your new computer.

1. Insert MSI Driver Disc into the optical drive. The setup screen will automatically appear if autorun is enabled in OS.
2. Click Total Installer. A popup dialogue will appear listing all necessary drivers.



Click here

3. Select all checkbox on driver listing dialog.
4. Click **Install** button.
5. The software installation will then be in progress, after it has finished it will prompt you to restart.
6. Click **OK** button to finish.
7. Restart your computer.

You can also use the same method to install the utilities.

BIOS Setup

CLICK BIOS is developed by MSI that provides a graphical user interface for setting parameters of BIOS by using the mouse and the keyboard.

With the CLICK BIOS, users can change BIOS settings, monitor CPU temperature, select the boot device priority and view system information such as the CPU name, DRAM capacity, the OS version and the BIOS version. Users can import and export parameters data for backup or sharing with friends.

Entering BIOS Setup

Power on the computer and the system will start the Power On Self Test (POST) process. When the message below appears on the screen, press key to enter BIOS:

Press DEL key to enter Setup Menu, F11 to enter Boot Menu

If the message disappears before you respond and you still need to enter BIOS, restart the system by turning the computer OFF then back ON or pressing the RESET button. You may also restart the system by simultaneously pressing <Ctrl>, <Alt>, and <Delete> keys.

MSI additionally provides a method to enter the BIOS setup. You can click the "GO2BIOS" tab on "MSI Fast Boot" utility screen to enable the system going to BIOS setup directly at next boot.



Click "GO2BIOS" tab on "MSI Fast Boot" utility screen.

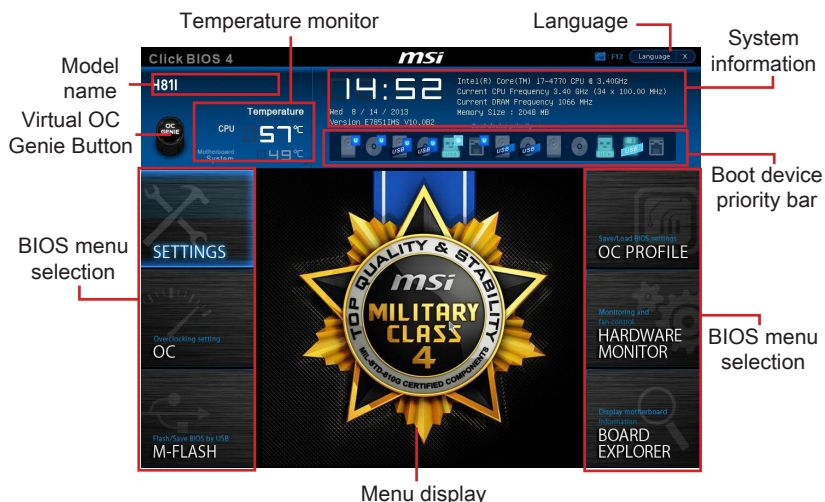


Important

- Please be sure to install the "MSI Fast Boot" utility before using it to enter the BIOS setup.
- The items under each BIOS category described in this chapter are under continuous update for better system performance. Therefore, the description may be slightly different from the latest BIOS and should be held for reference only.

Overview

After entering BIOS, the following screen is displayed.



► Temperature monitor

Shows the temperatures of the processor and the motherboard.

► Language

Allows you to select the language of the BIOS setup.

► System information

Shows the time, date, CPU name, CPU frequency, DRAM frequency, DRAM capacity and the BIOS version.

► BIOS menu selection

The following options are available:

- **SETTINGS** - Uses this menu to specify the parameters for chipset and boot devices.
- **OC** - This menu contains the frequency and voltage adjustments. Increasing the frequency can get better performance, however high frequency and heat can cause instability, we do not recommend general users to overclock.
- **M-FLASH** - This menu provides the way to update BIOS with a USB flash disk.
- **OC PROFILE** - This menu is used to set various overclocking profiles.
- **HARDWARE MONITOR** - This menu is used to set the speeds of fans and monitor voltages of system.
- **BOARD EXPLORER** - It will provide the information of the installed devices on the motherboard.

► Boot device priority bar

You can move the device icons to change the boot priority.



► Menu display

This area provides BIOS settings and information to be configured.

► Virtual OC Genie Button

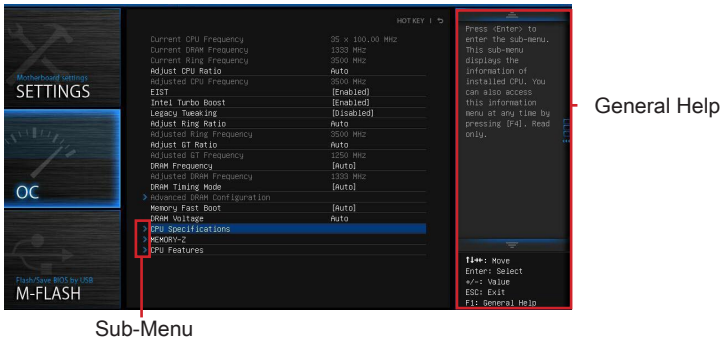
Enables or disables the OC Genie function by clicking on this button. When enabled, this button will be light. Enabling OC Genie function can automatically overclock with MSI optimized overclocking profile.



We recommend that you do not to make any modification in OC menu and do not to load defaults after enabling the OC Genie function.

► Model Name

Shows the model name of motherboard.



► Sub-menu




If you find a point symbol to the left of certain items, that means a sub-menu can be launched for additional options. You can use the arrow keys or mouse to highlight the item and press <Enter> or double-click the left mouse button to enter the sub-menu.

► General Help

The General Help displays a brief description to assist you in grasping the selected item.

Operation

You can control BIOS settings with the mouse and the keyboard. The following table lists and describes the hot keys and the mouse operations.

Hot key	Mouse	Description
<↑↓→←>	 Move the cursor	Select Item
<Enter>	 Click/ Double-click the left button	Select Icon/ Field
<Esc>	 Click the right button	Jump to the Exit menu or return to the previous from a submenu
<+>	X	Increase the numeric value or make changes
<->		Decrease the numeric value or make changes
<F1>		General Help
<F4>		CPU Specifications
<F5>		Enter Memory-Z
<F6>		Load optimized defaults
<F8>		OC Profile Load From USB
<F9>		OC Profile Save to USB
<F10>		Save Change and Reset
<F12>		Save a screenshot to a FAT/FAT32 USB drive

OC Menu

This menu is for advanced users who want to overclock the mainboard.



Important

- *Overclocking your PC manually is only recommended for advanced users.*
- *Overclocking is not guaranteed, and if done improperly, can void your warranty or severely damage your hardware.*
- *If you are unfamiliar with overclocking, we advise you to use OC Genie for easy overclocking.*

► Current CPU/ DRAM/ Ring Frequency

These items show the current frequencies of installed CPU, Memory and Ring. Read-only.

► Adjust CPU Ratio [Auto]

Sets the CPU ratio that is used to determine CPU clock speed. This item can only be changed if the processor supports this function.

► Adjusted CPU Frequency

Shows the adjusted CPU frequency. Read-only.

► EIST [Enabled]

Enables or disables the Enhanced Intel® SpeedStep Technology.

► Intel Turbo Boost [Enabled]

Enables or disables the Intel® Turbo Boost. This item appears when the installed CPU supports this function.

[Enabled] Enables this function to boost CPU performance automatically above rated specifications when system request the highest performance state.

[Disabled] Disables this function.

▶ **Legacy Tweaking [Disabled]**

Enables or disabled to improve performance for legacy benchmarking application like 3DMark 01.

[Enabled] Enables this function for improving 3DMark 01 performance.

[Disabled] Disables this function.

▶ **Adjust Ring Ratio [Auto]**

Sets the ring ratio. The valid value range depends on the installed CPU.

▶ **Adjusted Ring Frequency**

Shows the adjusted Ring frequency. Read-only.

▶ **Adjust GT Ratio [Auto]**

Sets the integrated graphics ratio. The valid value range depends on the installed CPU.

▶ **Adjusted GT Frequency**

Shows the adjusted integrated graphics frequency. Read-only.

▶ **DRAM Frequency [Auto]**

Sets the DRAM frequency. Please note the overclocking behavior is not guaranteed.

▶ **Adjusted DRAM Frequency**

Shows the adjusted DRAM frequency. Read-only.

▶ **DRAM Timing Mode [Auto]**

Selects the memory timing mode.

[Auto] DRAM timings will be determined based on SPD (Serial Presence Detect) of installed memory modules.

[Link] Allows user to configure the DRAM timing manually for all memory channel.

[UnLink] Allows user to configure the DRAM timing manually for respective memory channel.

▶ **Advanced DRAM Configuration**

Press <Enter> to enter the sub-menu. This sub-menu will be activated after setting [Link] or [Unlink] in "DRAM Timing Mode". User can set the memory timing for each memory channel. The system may become unstable or unbootable after changing memory timing. If it occurs, please clear the CMOS data and restore the default settings. (Refer to the Clear CMOS jumper/ button section to clear the CMOS data, and enter the BIOS to load the default settings.)

▶ **Memory Fast Boot [Auto]**

Enables or disables the initiation and training for memory every booting.

[Auto] This setting will be configured automatically by BIOS.

[Enabled] Memory will completely imitate the archive of first initiation and first training. After that, the memory will not be initialed and trained when booting to accelerate the system booting time.

[Disabled] The memory will be initialed and trained every booting.

▶ **DRAM Voltage [Auto]**

Sets the memory voltage. If set to "Auto", BIOS will set memory voltage automatically or you can set it manually.

▶ CPU Specifications

Press <Enter> to enter the sub-menu. This sub-menu displays the information of installed CPU. You can also access this information menu at any time by pressing [F4].
Read only.

▶ CPU Technology Support

Press <Enter> to enter the sub-menu. The sub-menu shows what the key features does the installed CPU support. Read only.

▶ MEMORY-Z

Press <Enter> to enter the sub-menu. This sub-menu displays all the settings and timings of installed memory. You can also access this information menu at any time by pressing [F5].

▶ DIMM1~2 Memory SPD

Press <Enter> to enter the sub-menu. The sub-menu displays the information of installed memory. Read only.

▶ CPU Features

Press <Enter> to enter the sub-menu.

▶ Hyper-Threading Technology [Enabled]

The processor uses Hyper-Threading technology to increase transaction rates and reduces end-user response times. Intel Hyper-Threading technology treats the multi cores inside the processor as multi logical processors that can execute instructions simultaneously. In this way, the system performance is highly improved.

[Enabled] Enables Intel Hyper-Threading technology.

[Disabled] Disables this item if the system does not support HT function.

▶ Active Processor Cores [All]

This item allows you to select the number of active processor cores.

▶ Limit CPUID Maximum [Disabled]

Enables or disables the extended CPUID value.

[Enabled] BIOS will limit the maximum CPUID input value to circumvent boot problems with older operating system that do not support the processor with extended CPUID value.

[Disabled] Use the actual maximum CPUID input value.

▶ Execute Disable Bit [Enabled]

Intel's Execute Disable Bit functionality can prevent certain classes of malicious "buffer overflow" attacks where worms attempt to execute code to damage the system. It is recommended that keeps this item enabled always.

[Enabled] Enables NO-Execution protection to prevent the malicious attacks and worms.

[Disabled] Disables this function.

► Intel Virtualization Tech [Enabled]

Enables or disables Intel Virtualization technology.

[Enabled] Enables Intel Virtualization technology and allows a platform to run multiple operating systems in independent partitions. The system can function as multiple systems virtually.

[Disabled] Disables this function.

► Hardware Prefetcher [Enabled]

Enables or disables the hardware prefetcher (MLC Streamer prefetcher).

[Enabled] Allows the hardware prefetcher to automatically pre-fetch data and instructions into L2 cache from memory for tuning the CPU performance.

[Disabled] Disables the hardware prefetcher.

► Adjacent Cache Line Prefetch [Enabled]

Enables or disables the CPU hardware prefetcher (MLC Spatial prefetcher).

[Enabled] Enables adjacent cache line prefetching for reducing the cache latency time and tuning the performance to the specific application.

[Disabled] Enables the requested cache line only.

► CPU AES Instructions [Enabled]

Enables or disables the CPU AES (Advanced Encryption Standard-New Instructions) support. This item appears when a CPU supports this function.

[Enabled] Enables Intel AES support.

[Disabled] Disables Intel AES support.

► Intel Adaptive Thermal Monitor [Enabled]

Enables or disables the Intel adaptive thermal monitor function to protect the CPU from overheating.

[Enabled] Throttles down the CPU core clock speed when the CPU is over the adaptive temperature.

[Disabled] Disables this function.

► Intel C-State [Auto]

C-state is a processor power management technology defined by ACPI.

[Auto] This setting will be configured automatically by BIOS.

[Enabled] Detects the idle state of system and reduce CPU power consumption accordingly.

[Disabled] Disable this function.

► C1E Support [Disabled]

Enables or disables the C1E function for power-saving in halt state. This item appears when "Intel C-State" is enabled.

[Enabled] Enables C1E function to reduce the CPU frequency and voltage for power-saving in halt state.

[Disabled] Disables this function.

► **Package C State limit [Auto]**

This item allows you to select a CPU C-state mode for power-saving when system is idle. This item appears when "Intel C-State" is enabled.

[Auto] This setting will be configured automatically by BIOS.

[C0~C7s] The power-saving level from high to low is C7s, C7, C6, C3, C2, then C0.

[No limit] No C-state limit for CPU.

► **LakeTiny Feature [Disabled]**

Enables or disables Intel Lake Tiny feature with iRST for SSD. This item appears when a installed CPU supports this function and "Intel C-State" is disabled.

[Enabled] Enhance the dynamic IO load adjusted performance for accelerating the SSD speed.

[Disabled] Disables this feature.

Note: The following items will appear when "Intel Turbo Boost " is enabled.

► **Long Duration Power Limit (W) [Auto]**

Sets the long duration TDP power limit for CPU in Turbo Boost mode.

► **Long Duration Maintained (s) [Auto]**

Sets the maintaining time for "Long duration power Limit(W)".

► **Short Duration Power Limit (W) [Auto]**

Sets the short duration TDP power limit for CPU in Turbo Boost mode.

► **CPU Current limit (A) [Auto]**

Sets maximum current limit of CPU package in Turbo Boost mode. When the current is over the specified limit value, the CPU will automatically reduce the core frequency for reducing the current.

► **1/2/3/4-Core Ratio Limit [Auto]**

These items only appear when a CPU that support this function is installed. These items allow you to set the CPU ratios for different number of active cores in turbo boost mode. These items appear when the installed processor supports this function.

Deutsch

Danke, dass Sie das H81I/ H81I-S01 (MS-7851 v2.X) Mini-ITX Motherboard gewählt haben. Diese H81I/ H81I-S01 Motherboard basiert auf dem Intel® H81 Chipsatz und ermöglicht so ein optimales und effizientes System. Entworfen, um den hochentwickeltesten Intel® LGA1150 Prozessor zu unterstützen, stellt die H81I/ H81I-S01 die ideale Lösung zum Aufbau eines professionellen Hochleistungsdesktopsystems dar.

Spezifikationen

Prozessor	<ul style="list-style-type: none"> ■ Die Intel® Core™ i7 / Core™ i5 / Core™ i3 / Pentium® / Celeron® Prozessoren der 4. Generation für LGA 1150 Sockel
Chipsatz	<ul style="list-style-type: none"> ■ Intel® H81 Express Chipsatz
Speicher	<ul style="list-style-type: none"> ■ 2x DDR3 Speicherplätze unterstützen bis zu 16GB ■ Unterstützt DDR3 1600/ 1333/ 1066 MHz ■ Dual-Kanal-Speicherarchitektur ■ Unterstützt ungepufferte Non-ECC-Speicher ■ Unterstützt Intel® Extreme Memory Profile (XMP)
Erweiterungsanschluss	<ul style="list-style-type: none"> ■ 1x PCIe 2.0 x16-Steckplatz
Onboard-Grafik	<ul style="list-style-type: none"> ■ 1x VGA Anschluss, unterstützt eine maximale Auflösung von 1920x1200 @ 60Hz, 24bpp ■ 1x DVI-D Anschluss, unterstützt eine maximale Auflösung von 1920x1200 @ 60Hz, 24bpp ■ 1x HDMI Anschluss, unterstützt eine maximale Auflösung von 2560x1600@60Hz, 24bpp/ 1920x1080@60Hz, 36bpp* <p>* Nur für H81I.</p>
Aufbewahrung	<ul style="list-style-type: none"> ■ Intel H81 Express Chipsatz <ul style="list-style-type: none"> - 2x SATA 6Gb/s Anschlüsse (SATA1~2) - 2x SATA 3Gb/s Anschlüsse (SATA3~4)
USB	<ul style="list-style-type: none"> ■ Intel H81 Express Chipsatz <ul style="list-style-type: none"> - 2x USB 3.0 Anschlüsse (2 Anschlüsse stehen durch die internen USB 3.0 Anschlüsse zur Verfügung) - 6x USB 2.0 Anschlüsse (2 Anschlüsse an der Rückwand, 4 Anschlüsse stehen durch die internen USB 2.0 Anschlüsse zur Verfügung)* - 8x USB 2.0 Anschlüsse (4 Anschlüsse an der Rückwand, 4 Anschlüsse stehen durch die internen USB 2.0 Anschlüsse zur Verfügung)** <p>* Nur für H81I. ** Nur für H81I-S01.</p>
	<ul style="list-style-type: none"> ■ RENESAS UPD720202 Chip <ul style="list-style-type: none"> - 2x USB 3.0 Anschlüsse (2 Anschlüsse an der Rückwand)* <p>* Nur für H81I.</p>
Audio	<ul style="list-style-type: none"> ■ Realtek® ALC887 Codec <ul style="list-style-type: none"> - 7,1-Kanal-HD-Audio - Unterstützt S/PDIF-Ausgang
LAN	<ul style="list-style-type: none"> ■ Realtek® RTL8111G Gigabit LAN Controller
Hintere Ein- und Ausgänge	<ul style="list-style-type: none"> ■ PS/2 Tastatur-/Maus-Combo-Anschluss x1 ■ USB 2.0 Anschlüsse x2, USB 3.0 Anschlüsse x4 (Für H81I) ■ USB 2.0 Anschlüsse x4 (Für H81I-S01) ■ VGA Anschluss x1 ■ DVI-D Anschluss x1 ■ HDMI Anschluss x1 (Für H81I) ■ Optischer S/PDIF-Ausgang x1 ■ LAN (RJ45) Anschluss x1 ■ Audiobuchsen x3

Deutsch

Interne Anschlüsse	<ul style="list-style-type: none"> ■ ATX 24-poliger Stromanschluss x1 ■ ATX12V 4-poliger Stromanschluss x1 ■ SATA Anschlüsse x4 ■ USB 2.0 Anschlüsse x2 (unterstützt zusätzliche 4 USB 2.0 Ports) ■ USB 3.0 Anschluss x1 (unterstützt zusätzliche 2 USB 3.0 Ports) ■ 4-poliger CPU-Lüfter-Anschluss x1 ■ 4-poliger System-Lüfter-Anschluss x1 ■ Steckbrücke zur CMOS-Löschung x1 ■ Audioanschluss des Frontpanels x1 ■ Systemtafelanschlüsse x2 ■ Serielle Stiffliste x1 ■ TPM Anschluss x1 ■ Gehäusekontaktschalter x1
E/A Anschluss	<ul style="list-style-type: none"> ■ NUVOTON NCT5533 Controller Chip
Hardware-Monitor	<ul style="list-style-type: none"> ■ CPU/System Temperaturerfassung ■ CPU/System Geschwindigkeitserfassung ■ CPU/System Lüfterdrehzahlregelung
BIOS Funktionen	<ul style="list-style-type: none"> ■ 64 Mb Flash ■ UEFI AMI BIOS ■ ACPI 5.0, PnP 1.0a, SM BIOS 2.7, DMI 2.0 ■ Mehrsprachenunterstützung
Besonderheiten	<ul style="list-style-type: none"> ■ Military Class 4 ■ OC Genie 4 ■ Click BIOS 4 ■ Total Lüftersteuerung ■ Kommandozentrale
Software	<ul style="list-style-type: none"> ■ Treiber ■ MSI <ul style="list-style-type: none"> - Kommandozentrale - Super Charger - Live Update 5 - Fast Boot ■ 7-ZIP ■ Intel Extreme Tuning Utility ■ Norton Internet Security Solution ■ Trend Micro SafeSync ■ Network Genie
Form Faktor	<ul style="list-style-type: none"> ■ Mini-ITX Form Faktor ■ 6,7 Zoll x 6,7 Zoll (17 cm x 17 cm)

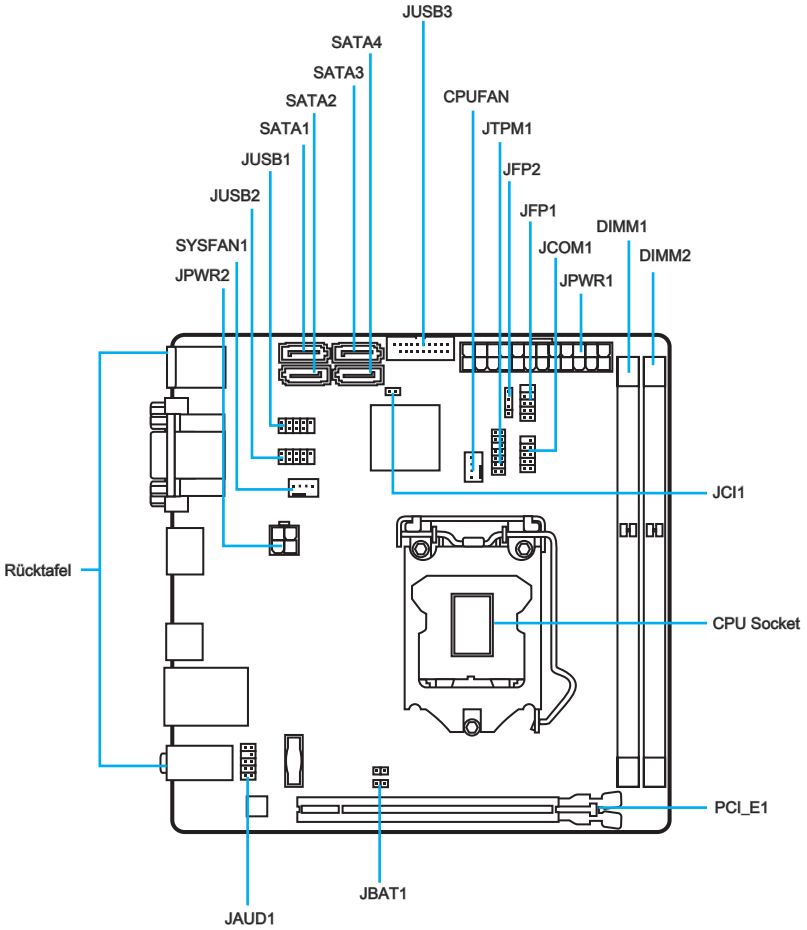


Weitere CPU Informationen finden Sie unter <http://www.msi.com/service/cpu-support/>



Die neuesten Informationen über kompatible Bauteile finden Sie unter <http://www.msi.com/service/test-report/>

Anschlussübersicht

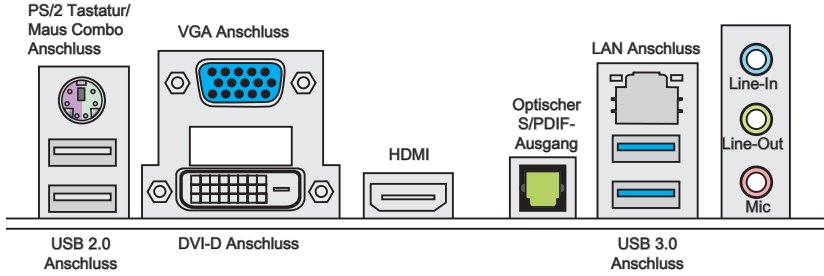


Übersicht der Motherboard-Anschlüsse

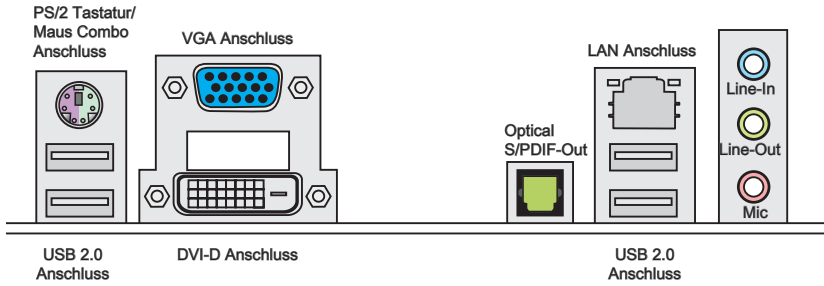
Port-Name	Port-Type	Seite
Rücktafel		De-6
CPU	LGA1150 CPU Sockel	De-10
CPUFAN,SYSFAN1	Stromanschlüsse für Lüfter	De-19
DIMM1~2	DDR3 Speichersteckplätze	De-13
JAUD1	Audioanschluss des Frontpanels	De-22
JBAT1	Steckbrücke zur CMOS-Löschung	De-23
JCI1	Gehäusekontaktanschluss	De-19
JCOM1	Serieller Anschluss	De-22
JFP1, JFP2	Systemtafelanschlüsse	De-20
JPWR1~2	ATX Stromanschlüsse	De-15
JTPM1	TPM Anschluss	De-23
JUSB1/ JUSB2	USB 2.0 Erweiterungsanschluss	De-21
JUSB3	USB 3.0 Erweiterungsanschluss	De-21
PCI_E1	PCIe 2.0 Erweiterungssteckplatz	De-16
SATA1~4	SATA Anschlüsse	De-18

Rücktafel-Übersicht

H81I



H81I-S01



► **PS/2 Tastatur/Maus Combo Anschluss**

Die Standard PS/2® Maus/Tastatur Stecker DIN ist für eine PS/2® Maus/Tastatur.

► **USB 2.0 Anschluss**

Der USB 2.0 Anschluss dient zum direkten Anschluss von USB 2.0-Geräten, wie etwa Tastatur, Maus oder weiterer USB 2.0-kompatibler Geräte.

► **VGA Anschluss**

Die DB 15-Pin Buchse dient zum Anschluss eines VGA Monitors.

► **DVI-D Anschluss**

Der DVI-D (Digital Visual Interface-Digital) Anschluss erlaubt Ihnen, einen LCD- oder CRT-Monitor anzuschließen. Um einen Monitor anzuschließen, können Sie weitere Informationen dem Handbuch Ihres Monitors entnehmen.



► **HDMI Anschluss (Für H811)**

Das High-Definition Multimedia Interface (kurz HDMI) ist eine Schnittstelle für die volldigitale Übertragung von dekomprimierten Audio- und Video-Daten. Dieser HDMI unterstützt alle Formate für Fernsehen, einschließlich Standard- und Enhanced- oder HD-Video sowie das Audioformate der Unterhaltungselektronik.



Wichtig

Diese Plattform unterstützt die Ausgabe über 2-Displays:

	Dual-Display Modus
	VGA+DVI-D/ DVI-D+HDMI/ HDMI+VGA
Erweiterter-Modus (Erweiterung des Desktops auf den anderen Monitor)	<input type="radio"/>
Clone-Modus (Monitore zeigen das gleiche Bild)	<input type="radio"/>

► **Optischer S/PDIF-Ausgang**

Dieser S/PDIF-Ausgang (Sony & Philips Digital Interconnect Format) dient als digitale Schnittstelle zur Audioausgabe zur den externen Lautsprechern durch ein optisches Faserkabel.

► **USB 3.0 Anschluss (Für H81l)**

Der USB 3.0 Anschluss ist abwärtskompatibel mit USB 2.0-Geräten. Er unterstützt Datentransferraten bis zu 5 Gbit/s (SuperSpeed).



Wichtig

Um ein USB 3.0 einzusetzen, schließen Sie es bitte mit einem USB 3.0 kompatiblen Kabel an einen USB 3.0 Anschluss an.

► **LAN Port**

Die Standard RJ-45 Buchse dient zur Verbindung in einem lokalen Netzwerk (LAN).

	LED	LED Status	Bezeichnung
	Link/ Activity LED (Verbindung/ Aktivität LED)	Aus	Keine Verbindung
		Gelb	Verbindung
		Blinkt	Datenaktivität
	Speed LED (Geschwindigkeit LED)	Aus	10 Mbps-Verbindung
		Grün	100 Mbps-Verbindung
Orange		1 Gbps-Verbindung	

► **Audioanschlüsse**

Diese Audioanschlüsse dienen zur Verbindung mit Audiogeräten. Durch die Farben erkennen Sie die unterschiedlichen Funktionen der Audioanschlüsse.

- Blau - Line-In : Der Anschluss "Line In" kann externe Audioausgabegeräte aufnehmen.
- Grün - Line-Out : An den Anschluss "Line Out" können Sie Lautsprecher oder Kopfhörer anschließen.
- Rosa - Mikrofon : Der Anschluss "Mic" nimmt ein Mikrofon auf.

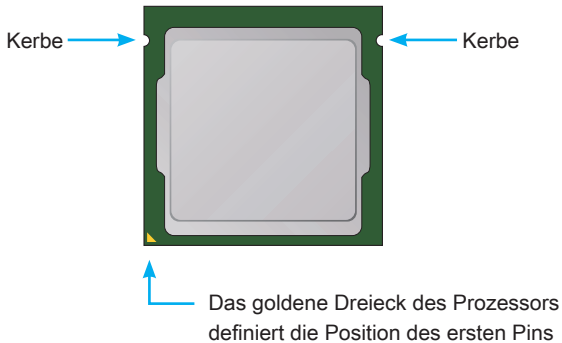
2, 4, 6 oder 8-Kanal Audio-Ausgang-Konfiguration

Port	2-Kanal	4-Kanal	6-Kanal	8-Kanal
Blau	Line-Eingang	RS-Ausgang	RS-Ausgang	RS-Ausgang
Grün	Line-Ausgang	FS-Ausgang	FS-Ausgang	FS-Ausgang
Rosa	Mic	Mic	CS-Ausgang	CS-Ausgang
Front-Audio	-	-	-	SS-Ausgang

CPU (Prozessor)

Erklärung zur LGA 1150 CPU

Die Oberseite der LGA 1150 CPU hat zwei Justierungen und ein gelbes Dreieck um die korrekte Ausrichtung der CPU auf dem Motherboard zu gewährleisten. Das gelbe Dreieck des Prozessors definiert die Position des ersten Pins.



Wichtig

Überhitzung

Überhitzung beschädigt die CPU und das System nachhaltig. Stellen Sie stets eine korrekte Funktionsweise des CPU Kühlers sicher, um die CPU vor Überhitzung zu schützen. Überprüfen Sie eine gleichmäßige Schicht der thermischen Paste (oder thermischen Klebandes) zwischen der CPU und dem Kühlblech anwenden, um Wärmeableitung zu erhöhen.

CPU Wechsel

Stellen Sie vor einem Wechsel des Prozessors stets sicher, dass das Netzteil ausgeschaltet und der Netzstecker gezogen ist, um die Unversehrtheit der CPU zu gewährleisten.

Übertakten

Dieses Motherboard wurde so entworfen, dass es Übertakten unterstützt. Stellen Sie jedoch bitte sicher, dass die betroffenen Komponenten mit den abweichenden Einstellungen während des Übertaktens zurecht kommen. Von jedem Versuch des Betriebes außerhalb der Produktspezifikationen kann nur abgeraten werden. Wir übernehmen keinerlei Garantie für die Schäden und Risiken, die aus einem unzulässigem Betrieb oder einem Betrieb außerhalb der Produktspezifikation resultieren.

CPU & Kühlkörper Einbau

Wenn Sie die CPU einbauen, denken sie bitte daran einen CPU-Kühler zu installieren. Ein CPU-Kühlkörper ist notwendig, um eine Überhitzung zu vermeiden und die Systemstabilität beizubehalten. Befolgen Sie die nachstehenden Schritte, um die richtige CPU und CPU-Kühlkörper Installation zu gewährleisten. Ein fehlerhafter Einbau führt zu Schäden an der CPU und dem Motherboard.



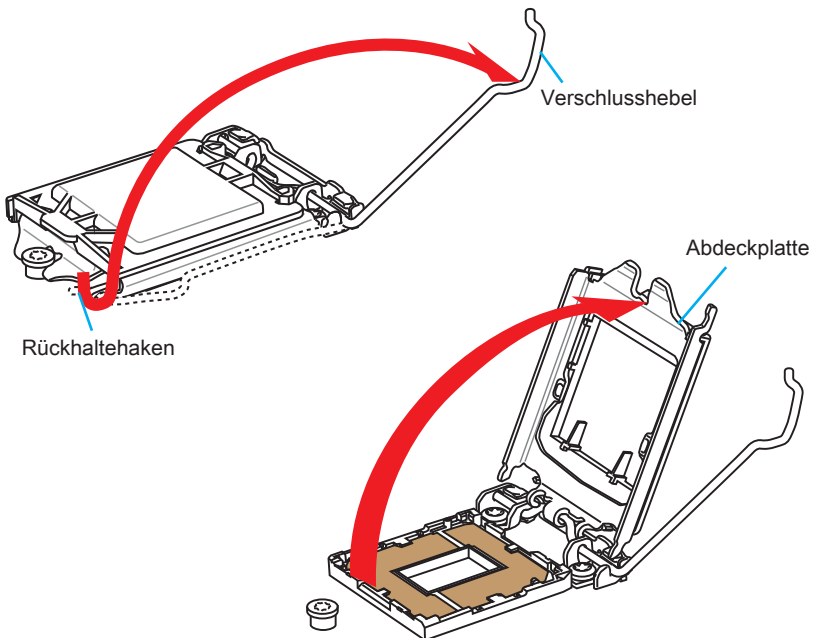
Video-Demonstration

Anhand dieses Video an untenstehende Adresse lernen Sie, wie Sie CPU & Kühlkörper installieren.

<http://youtu.be/bf5La099url>



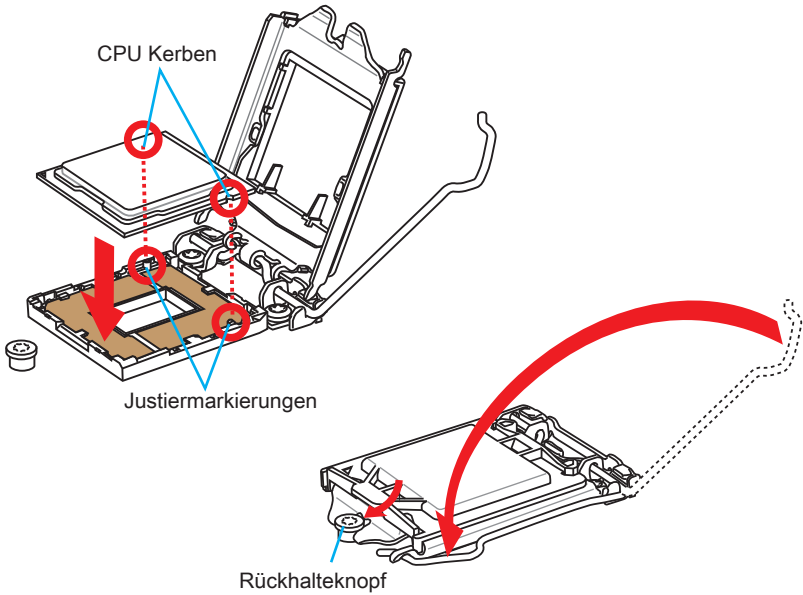
1. Drücken Sie den Verschlusshebel nach unten zum Öffnen des Hebels und öffnen Sie anschließend die Abdeckplatte.
2. Die Abdeckplatte sollte nach vollständigem zurückklappen des Verschlusshebels mit nach hinten klappen.



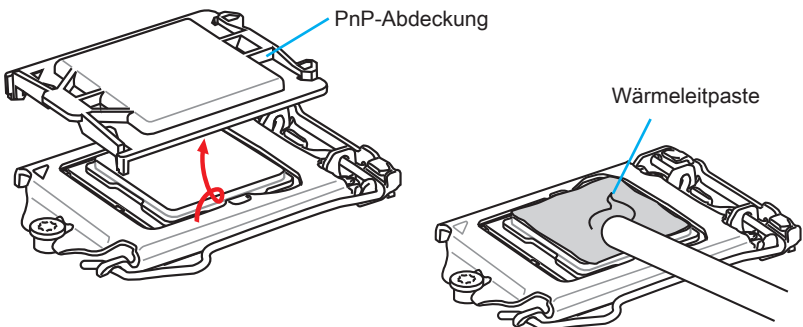
Wichtig

Berühren Sie die Sockelkontakte oder die Unterseite der CPU nicht.

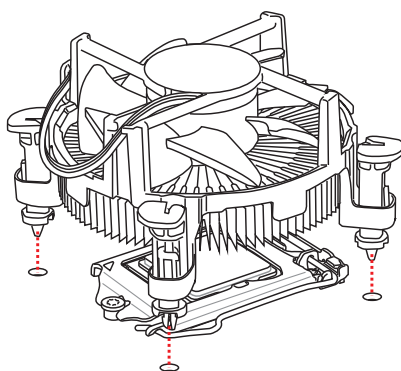
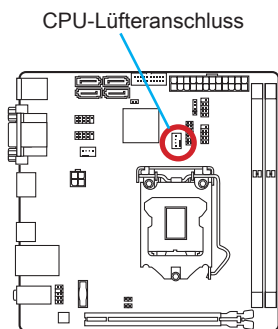
3. Positionieren Sie die Kerben mit die Justiermarkierungen des Sockels. Setzen Sie die CPU nach unten, ohne Kippen oder Schieben der CPU im Sockel. Begutachten Sie, ob die CPU richtig im Sockel sitzt.
4. Schließen Sie und schieben Sie die Abdeckplatte unter dem Rückhalteknopf. Verschließen Sie den Verschlusshebel.



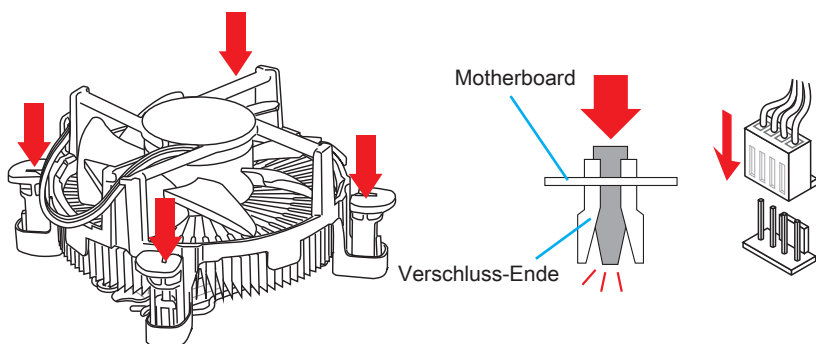
5. Wenn Sie den Verschlusshebel herunterdrücken, wird die PnP-Abdeckung aus dem CPU-Sockel automatisch getrennt. Bitte bewahren Sie die PnP-Abdeckung. Setzen Sie bitte immer die PnP-Abdeckung ein, wenn die CPU aus dem Sockel entfernt wird.
6. Verteilen Sie dann eine geeignete Wärmeleitpaste oder ein Wärmeleitpad auf der Oberseite der eingesetzten CPU. Dies verbessert die Wärmeableitung maßgeblich und verhindert damit die Überhitzung des Prozessors.



7. Machen Sie den CPU-Lüfteranschluss auf dem Motherboard ausfindig.
8. Setzen Sie den Kühlkörper auf die CPU und beachten Sie die Übereinstimmung der Lüfterverankerungen mit den dafür vorgesehenen Löchern auf der Motherboard-Platine.



9. Drücken Sie nach der korrekten Positionierung des Kühlkörpers die Arretierungsstifte mit leichtem Druck nach unten bis sie einrasten. Das Einrasten sollte mit einem klick hörbar sein.
10. Überprüfen Sie das Motherboard um sicherzustellen, dass das der Kühler korrekt installiert ist.
11. Schließlich verbinden Sie das Stromkabel des CPU Lüfters mit dem Anschluss auf dem Motherboard.

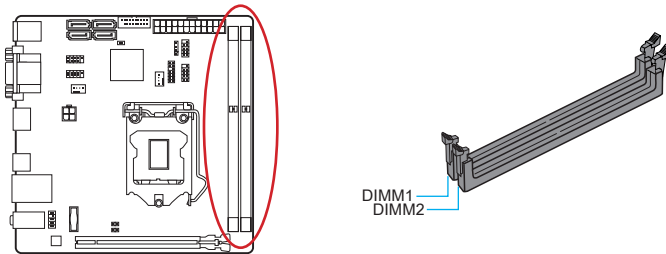


! Wichtig

- Stellen Sie sicher, dass Ihr Kühlkörper eine feste Verbindung mit der CPU hergestellt hat, bevor Sie Ihr System starten.
- Wenn keine CPU installiert ist, schützen Sie immer den CPU-Sockel durch die Plastikabdeckung.
- Wenn Sie eigene CPU und den Kühlkörper/ Kühler gekauft haben, beziehen Sie sich bitte auf die Unterlagen des Kühlers für mehr Details über die Kühlerininstallation.

Speicher

Die DIMM-Steckplätze nehmen Arbeitsspeichermodule auf. Die neuesten Informationen über kompatible Bauteile finden Sie unter <http://www.msi.com/service/test-report/>



Video-Demonstration

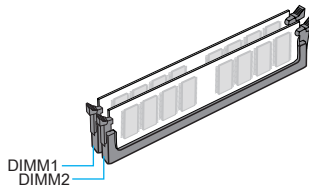
Anhand dieses Video an untenstehende Adresse lernen Sie, wie Sie die Speichermodule installieren.

<http://youtu.be/76yLtJaKICQ>



Populationsregeln für Dual-Kanal-Speicher

Im Dual-Kanal-Modus können Arbeitsspeichermodule Daten über zwei Datenbusleitungen gleichzeitig senden und empfangen. Durch Aktivierung des Dual-Kanal-Modus wird die Leistung Ihres Systems verbessert. Bitte beachten Sie die folgenden Abbildungen zur Veranschaulichung der Installationsvorgaben im Dual-Kanal-Modus.

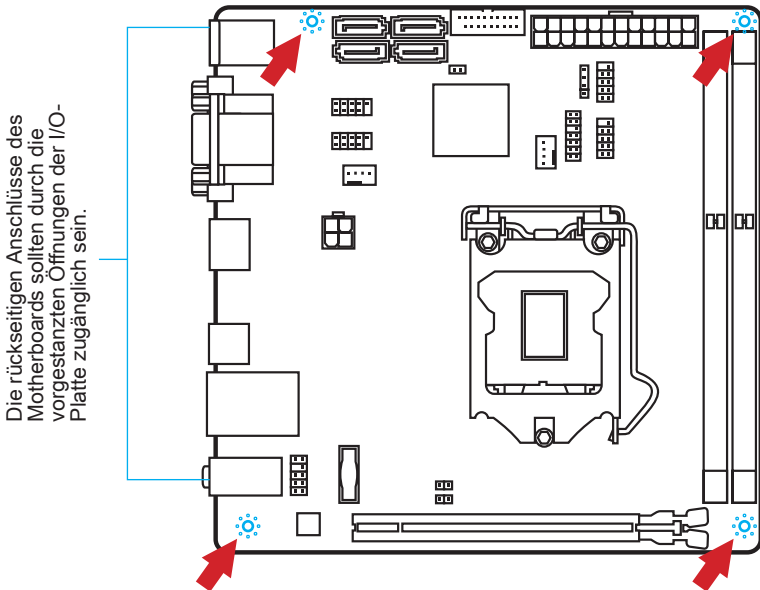


Wichtig

- *DDR3 und DDR2 können nicht untereinander getauscht werden und der Standard DDR3 ist nicht abwärtskompatibel. Installieren Sie DDR3 Speichermodule stets in DDR3 DIMM Slots.*
- *Verwenden Sie die Speichermodule des gleichen Typs und identischer Speicherdichte im Zweikanalbetrieb, um die Systemstabilität zu gewährleisten.*
- *Aufgrund der Chipsatzressourcennutzung wird nur eine Systemdichte bis 15+GB (nicht volle 16GB) erkannt, wenn jeder DIMM Slot mit einem 8GB Speichermodul besetzt wird.*

Schraubenlöcher für die Montage

Verwenden Sie die dem Motherboard beiliegende I/O-Platte und setzen Sie sie mit leichtem Druck von innen in die Aussparung des Computergehäuses ein. Zur Installation des Motherboards in Ihrem PC-Gehäuse befestigen Sie zunächst die dem Gehäuse beiliegenden Abstandhalter im Gehäuse. Legen Sie das Motherboard mit den Schraubenöffnungen über den Abstandhaltern und schrauben Sie das Motherboard mit den dem Gehäuse beiliegenden Schrauben fest. Die Positionen der Befestigungslöcher sehen Sie in der Zeichnung unten. Weitere Informationen erfahren Sie über Ihr Gehäusehandbuch.



Deutsch

Wichtig

- Installieren Sie das Motherboard auf einer ebenen Fläche ohne Schmutz.
- Um Schäden am Motherboard zu verhindern, vermeiden Sie jegliche Berührung des Motherboards mit dem Gehäuse mit Ausnahme der Abstandhalter unter den Befestigungslöchern.
- Stellen Sie sicher, dass sich keine losen metallischen Teile im Gehäuseinneren befinden.

Stromversorgung



Video-Demonstration

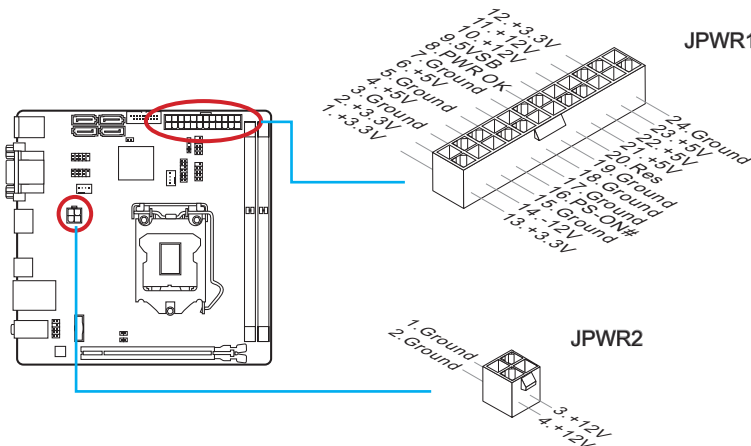
Anhand dieses Video an untenstehende Adresse lernen Sie, wie Sie die Stromversorgungsstecker installieren.

http://youtu.be/gkDYyR_8314



JPWR1~2: ATX Stromanschlüsse

Mit diesem Anschluss verbinden Sie den ATX Stromanschlüsse. Achten Sie bei dem Verbinden des ATX Stromanschlusses darauf, dass der Anschluss des Netzteils richtig auf den Anschluss an der Hauptplatine ausgerichtet ist. Drücken Sie dann den Anschluss des Netzteils fest nach unten, um eine richtige Verbindung zu gewährleisten.



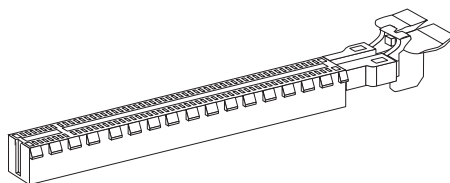
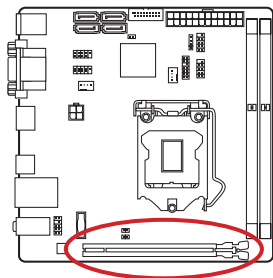
Wichtig

Stellen Sie sicher, dass diese Anschlüsse mit den richtigen Anschlüssen des Netzteils verbunden werden, um einen stabilen Betrieb der Hauptplatine sicherzustellen.

Erweiterungssteckplatz

PCI_E1: PCIe 2.0 Erweiterungssteckplatz

Der PCIe Steckplatz unterstützt PCIe-Erweiterungskarte.



Wichtig

Achten Sie darauf, dass Sie den Strom abschalten und das Netzkabel aus der Steckdose herausziehen, bevor Sie eine Erweiterungskarte installieren oder entfernen. Lesen Sie bitte auch die Dokumentation der Erweiterungskarte, um notwendige zusätzliche Hardware oder Software-Änderungen zu überprüfen.

Video/ Grafikkarten

Fall im Prozessor integriert, nutzt dieses Motherboard den im Prozessor befindlichen Grafikprozessor. Zusätzliche Grafikkarten können aber über die auf dem Motherboard verfügbaren Erweiterungssteckplätze eingesetzt werden um die Systemleistung zu erhöhen.



Video-Demonstration

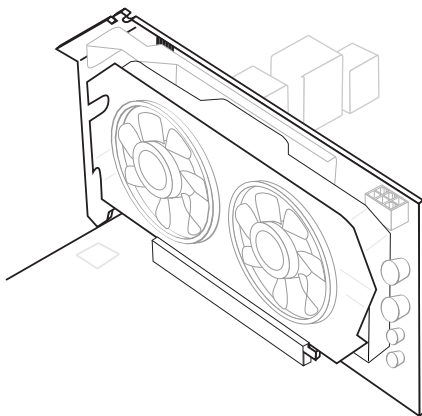
Anhand dieses Video an untenstehende Adresse lernen Sie, wie Sie eine Grafikkarte im PCIe x16 Steckplatz mit Butterfly-Verschlässen installieren.

http://youtu.be/mG0GZpr9w_A



Installation einer Grafikkarte

1. Stellen Sie fest für welchen Steckplatz Ihre Grafikkarte geeignet ist. Suchen Sie einen entsprechenden freien Steckplatz auf Ihrem Motherboard. Entfernen Sie eine eventuelle Schutzvorrichtung für den Steckplatz im Gehäuse.
2. Positionieren Sie die Grafikkarte über den gewählten Steckplatz, mit dem Display-Anschluss in Richtung Gehäuseausgang.
3. Pressen Sie die Grafikkarte in den Steckplatz. je nach Steckplatz sollte die Karte in einer Halterung am Steckplatzende einrasten.
4. Befestigen Sie das vordere Ende der Grafikkarte mit einer dafür vorgesehenen Schraube am Computergehäuse.
5. Konsultieren Sie das Handbuch Ihrer Grafikkarte für weitere Angaben zur Treiberinstallation und zu den Einstellungen. Einige Grafikkarten benötigen den Anschluss einer gesonderten Stromversorgung.



Interne Anschlüsse

SATA1~4: SATA Anschlüsse

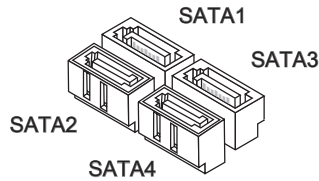
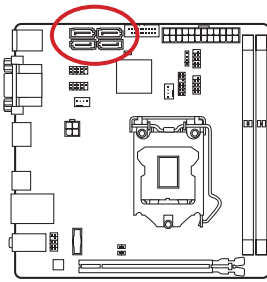
Dieser Anschluss basiert auf der Hochgeschwindigkeitsschnittstelle Serial ATA (SATA). Pro Anschluss kann ein Serial ATA Gerät angeschlossen werden. Zu Serial ATA Geräten gehören Festplatten (HDD), SSD Festplatten (SSD) und optische Laufwerke (CD-/DVD-/Blu-Ray-Laufwerke).



Video-Demonstration

Anhand dieses Video an untenstehende Adresse lernen Sie, wie Sie eine SATA-Festplatte installieren.

<http://youtu.be/RZsMpqxythc>



SATA1~2 (6Gb/s, über Intel® H81)

SATA3~4 (3Gb/s, über Intel® H81)

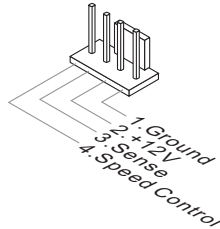
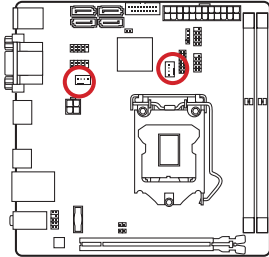


Wichtig

- Viele Serial ATA Geräte benötigen eine zusätzliche Stromversorgung über das PC-Netzteil. Dazu gehören Festplatten (SSD und HDD), und optische Laufwerke (CD-/DVD-/ Blu-Ray). Weitere Informationen bietet das entsprechende Handbuch des Laufwerks.
- Meist müssen Serial-ATA Geräte im Gehäuse verschraubt werden. Informationen dazu finden Sie im Gehäuse- oder Gerätehandbuch.
- Knicken Sie das Serial ATA Kabel nicht in einem 90° Winkel. Datenverlust könnte die Folge sein.
- SATA-Kabel haben identische Stecker an beiden Enden. Es wird empfohlen den flachen Stecker auf dem Motherboard einstecken.

CPUFAN, SYSFAN1: Stromanschlüsse für Lüfter

Die Anschlüsse unterstützen aktive Systemlüfter mit +12V. Ist Ihr Motherboard mit einem Chipsatz zur Überwachung der Systemhardware versehen, dann brauchen Sie einen speziellen Lüfter mit Geschwindigkeitsregelung, um die Vorteile der Steuerung des CPU Lüfters zu nutzen. Vergessen Sie nicht, alle Systemlüfter anzuschließen. Einige Systemlüfter können nicht direkt an dem Motherboard angeschlossen werden und müssen stattdessen mit dem Netzteil direkt verbunden werden. Kompatible Systemlüfter können an jeder der onboard-Systemlüfteranschlüsse angeschlossen werden.

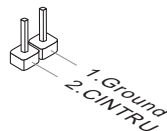
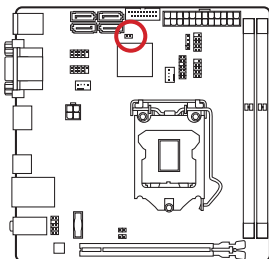


Wichtig

- Informieren Sie sich vor dem Käuferkauf über die empfohlenen CPU-Kühler des Prozessorherstellers auf dessen website.
- Die Anschlüsse unterstützen die Smart Fan Lüftersteuerung. Das Utility Command Center kann installiert werden, um die Lüftergeschwindigkeit in Abhängigkeit von der der Prozessor- und System-Temperatur zu steuern.
- Für den Fall, dass nicht genügend Lüfteranschlüsse auf dem Motherboard zur Verfügung stehen, können weitere Lüfter mittels Adapter direkt am Netzteil angeschlossen werden.
- Stellen Sie vor dem ersten Systemstart sicher, dass sich keine Kabel in den Lüftern verfangen können.

JCI1: Gehäusekontaktanschluss

Dieser Anschluss wird mit einem Kontaktschalter verbunden. Wenn das PC-Gehäuse geöffnet wird, aktiviert dies den Gehäuse-Kontaktschalter und eine Warnmeldung wird auf dem Bildschirm angezeigt. Um die Warnmeldung zu löschen, muss das BIOS aufgerufen und die Aufzeichnung gelöscht werden.



JFP1, JFP2: Frontpanel Anschlüsse

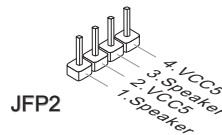
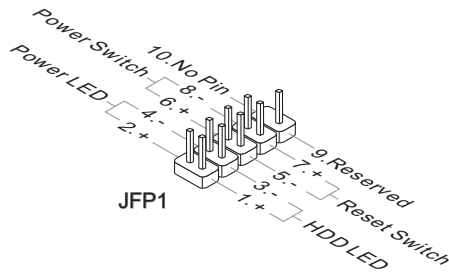
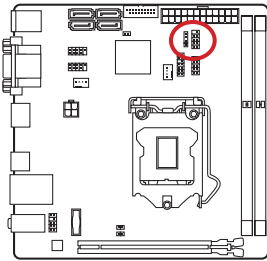
Diese Anschlüsse sind für das Frontpanel angelegt. Sie dienen zum Anschluss der Schalter und LEDs des Frontpanels. JFP1 erfüllt die Anforderungen des "Intel® Front Panel I/O Connectivity Design Guide". Bei der Installation des Frontpanel-Anschlüsse, nutzen Sie bitte die optionalen M-Connectors um die Installation zu vereinfachen. Schließen Sie alle Kabel aus dem PC-Gehäuse zunächst an die M-Connectors an und stecken Sie die M-Connectors auf das Motherboard.



Video-Demonstration

Anhand dieses Videos an untenstehender Adresse lernen Sie, wie Sie die Frontpanel-Anschlüsse installieren.

<http://youtu.be/DPELIdVNZUI>

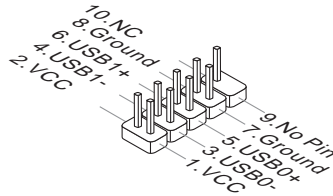
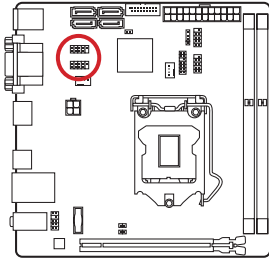


Wichtig

- An den Anschlüssen aus dem Gehäuse sind die positiven Kabel an den Pins, die mit kleinen Dreiecken markiert sind erkennbar. Bitte verwenden Sie das Diagramm oben und die Bezeichnungen auf den M-Connectors um die korrekte Positionierung und Platzierung festzustellen.
- Die meisten Anschlüsse in der Frontplatte des PC-Gehäuse soll vor allem in JFP1 gesteckt werden.

JUSB1/ JUSB2: USB 2.0 Erweiterungsanschluss

Dieser Anschluss eignet sich für die Verbindung der Hochgeschwindigkeits- USB-Peripheriegeräte, wie z.B. USB Festplattenlaufwerke, Digitalkameras, MP3-Player, Drucker, Modems und ähnliches.

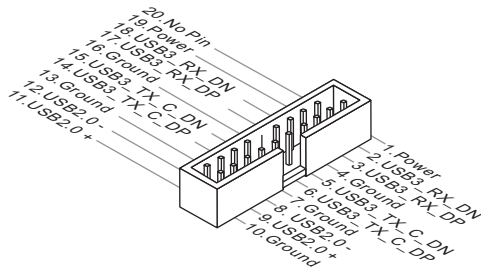
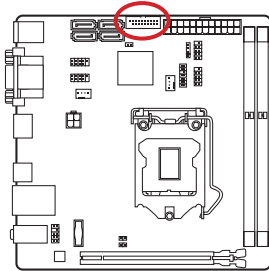


Wichtig

- Bitte beachten Sie, dass Sie die mit VCC (Stromführende Leitung) und GND (Erdleitung) bezeichneten Pins korrekt verbinden müssen, ansonsten kann es zu Schäden kommen.

JUSB3: USB 3.0 Erweiterungsanschluss

Der USB 3.0 Anschluss ist abwärtskompatibel mit USB 2.0-Geräten. Unterstützt Datentransferraten bis zu 5 Gbit/s (SuperSpeed).

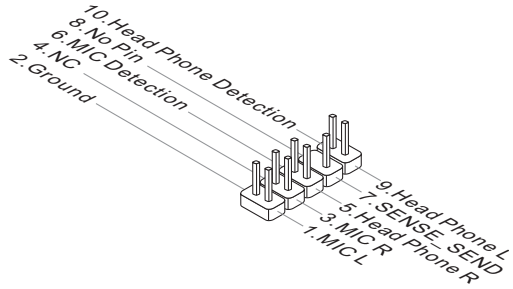
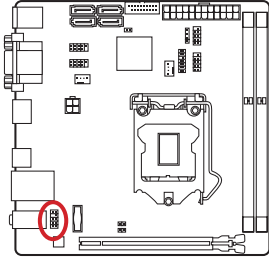


Wichtig

- Bitte beachten Sie, dass Sie die mit VCC (Stromführende Leitung) und GND (Erdleitung) bezeichneten Pins korrekt verbinden müssen, ansonsten kann es zu Schäden kommen.
- Zur Verwendung eines USB 3.0-Gerät, müssen Sie das Gerät an einen USB 3.0 Port über ein optionales USB 3.0-kompatibles Kabel anschließen.

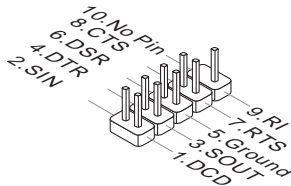
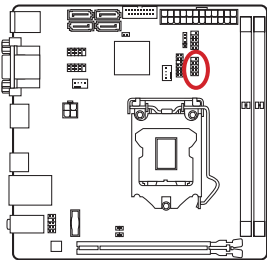
JAUD1: Audioanschluss des Frontpanels

Dieser Anschluss ermöglicht den Anschluss von Audio Ein- und Ausgängen eines Frontpanels. Der Anschluss entspricht den Richtlinien des " Intel® Front Panel I/O Connectivity Design Guide".



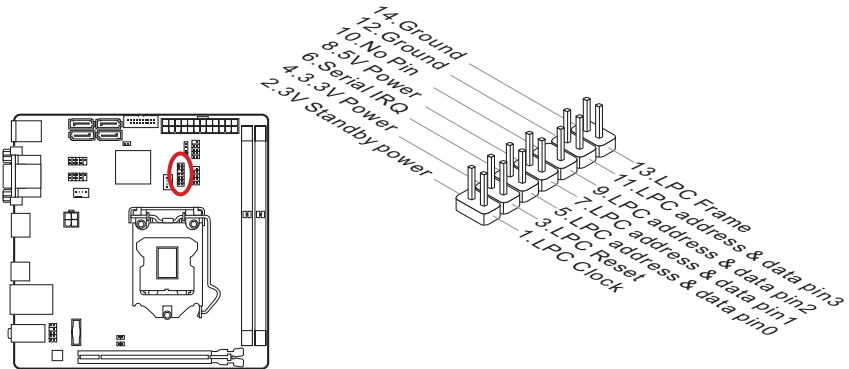
JCOM1: Serieller Anschluss

Es handelt sich um eine 16550A Kommunikationsschnittstelle, die 16 Bytes FIFOs sendet/empfängt. Hier lässt sich eine serielle Maus oder andere serielle Geräte direkt anschließen.



JTPM1: TPM Anschluss

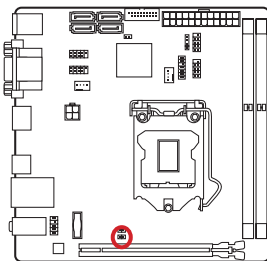
Dieser Anschluss wird für das TPM Modul (Trusted Platform Module) verwendet. Weitere Informationen über den Einsatz des optionalen TPM Modules entnehmen Sie bitte dem TPM Plattform Handbuch.



Steckbrücke

JBAT1: Steckbrücke zur CMOS-Löschung

Der Onboard CMOS Speicher (RAM) wird durch eine externe Spannungsversorgung durch eine Batterie auf dem Motherboard versorgt, um die Daten der Systemkonfiguration zu speichern. Er ermöglicht es dem Betriebssystem, mit jedem Einschalten automatisch hochzufahren. Wenn Sie die Systemkonfiguration löschen wollen, müssen Sie die Steckbrücke für kurze Zeit umsetzen. Halten Sie sich an die Anweisungen in der Grafik, um die Daten zu löschen.



Daten beibehalten



CMOS-Daten löschen



Wichtig

Wenn das System ausgeschaltet ist, können Sie die Steckbrücke stecken, um die Daten im CMOS zu löschen. Danach entfernen Sie die Steckbrücke. Versuchen Sie niemals die Daten im CMOS zu löschen, wenn das System eingeschaltet ist. Die Hauptplatine kann dadurch beschädigt werden.

Treiber und Dienstprogramme

Nach der Installation des Betriebssystems müssen Sie Treiber installieren, um die Leistung des neuen Computers zu maximieren. Dem MSI Mainboard liegt eine Treiber-CD bei. Die enthaltenen Treiber ermöglichen es Ihnen, das Motherboard effizienter zu nutzen und von den besonderen Eigenschaften des MSI Motherboards zu profitieren.

Sie können Ihren Computer durch den Einsatz des beiliegenden Sicherheitsprogramms vor Viren schützen. Zusätzlich liegen dem Paket eine Vielzahl von leistungsfähigen und nützlichen Utilities bei.

Total Installer

Total Installer ist sehr einfach zu verwenden und es gewährleistet eine zuverlässige Installation aller notwendigen Treiber sowie der gewünschten Programme. Befolgen Sie bitte folgende Schritte, um die Treiber und Dienstprogramme auf Ihrem neuen Computer zu installieren.

1. Legen Sie die MSI-Treiber-Disk in das optische Laufwerk ein. Der Setup-Bildschirm erscheint automatisch, wenn "Autorun" aktiviert ist.
2. Klicken Sie auf das Symbol "Total Installer". Ein Popup-Dialog erscheint, in dem alle notwendigen Treiber aufgelistet werden.



Klicken Sie hier

3. Wählen Sie alle Kontrollkästchen der Treiber-Liste.
4. Klicken Sie die "Install" Taste.
5. Die Installation der Software wird dann in Gang gesetzt. Nach der Fertigstellung wird ein Neustart durchgeführt.
6. Klicken Sie auf **OK**, um den Installation zu beenden.
7. Starten Sie den Computer neu.

Sie können auch die gleiche Methode verwenden, um die gewünschten Dienstprogramme zu installieren.

BIOS Setup

CLICK BIOS wurde von MSI entwickelt, es bietet eine intuitiv bedienbare grafische Benutzeroberfläche in der BIOS-Parameter einfach per Maus und Tastatur konfiguriert werden können.

Mit **CLICK BIOS** können Benutzer alle wichtigen BIOS-Einstellungen ändern, die CPU-Temperatur überwachen, die Boot-Reihenfolge festlegen und die Systeminformationen anzeigen, wie CPU-Name, DRAM Kapazität, OS-Version und BIOS-Version. Benutzer können die Einstellungen exportieren und importieren, um sie zu sichern, einzuspielen oder mit Freunden zu teilen.

Aufruf des BIOS Setups

Nach dem Einschalten beginnt der Computer den POST (Power On Self Test - Selbstüberprüfung nach Anschalten). Sobald die Meldung unten erscheint drücken Sie die Taste <Entf>(), um das BIOS aufzurufen:

Press DEL key to enter Setup Menu, F11 to enter Boot Menu

(ENTF drücken, um das Einstellungsprogramm zu öffnen;
F11 drücken um das Bootmenü zu öffnen)

Wenn die Nachricht verschwindet, bevor Sie reagieren und Sie möchten immer noch ins BIOS, starten Sie das System neu, indem Sie es erst AUS- und danach wieder ANSCHALTEN, oder die "RESET"-Taste am Gehäuse betätigen. Sie können das System außerdem neu starten, indem Sie gleichzeitig die Tasten <Strg>, <Alt> und <Entf> drücken (bei manchen Tastaturen <Ctrl>, <Alt> und).

MSI bietet zusätzlich zwei Methoden, um das BIOS-Setup zu gelangen. Klicken Sie auf das Auswahlfeld "GO2BIOS" des Bildschirms "MSI Fast Boot" uauf dem Motherboard, um beim nächsten Systemstart automatisch ins BIOS Menu zu wechseln.



Klicken Sie auf das Auswahlfeld "GO2BIOS" des Bildschirms "MSI Fast Boot".

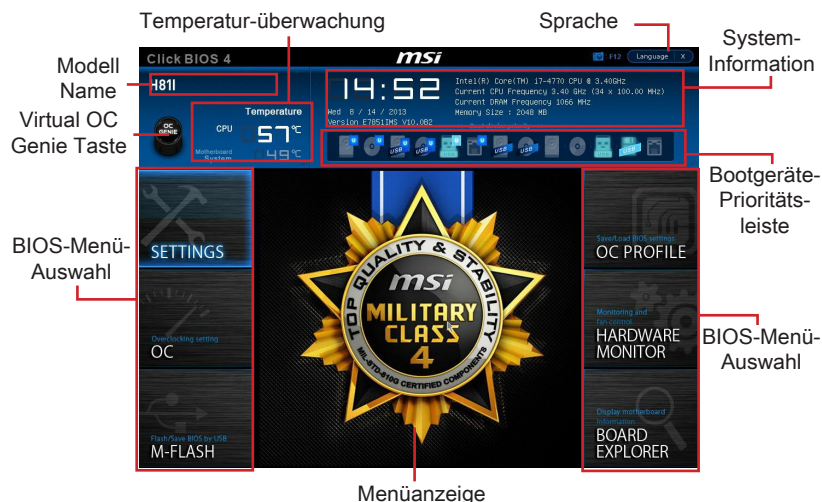


Wichtig

- Beim Einsatz des "MSI Fastboot"-Dienstprogramms zum automatischen Aufrufen des BIOS müssen Sie das Programm zunächst installieren.
- Die Menüpunkte jeder in diesem Kapitel beschriebenen BIOS Kategorie befinden sich in permanenter Weiterentwicklung um die Systemleistung zu verbessern. Deswegen können die Beschreibungen leicht von der letzten Fassung des BIOS abweichen und sollten demnach nur als Anhaltspunkte dienen.

Überblick

Nach dem Aufrufen des BIOS, sehen Sie die folgende Anzeige.



► Temperatur-überwachung

Es zeigt die Temperatur des Prozessors und des Motherboards.

► Sprache

Hier können Sie die Sprache der BIOS-Einstellungen auswählen.

► System-Information

Es zeigt Zeit, Datum, CPU-Name, CPU-Frequenz, DRAM-Frequenz, DRAM-Kapazität und die BIOS-Version.

► BIOS-Menü-Auswahl

Die folgenden Optionen stehen zur Verfügung:

- **SETTINGS** - Mit diesem Menü können Sie die Parameter für Chipsatz, Boot-Geräte angeben.
- **OC** - Dieses Menü enthält die Frequenz- und Spannungsanpassungen. Die Erhöhung der Frequenz kann eine bessere Leistung erreichen. Andererseits kann eine zu hohe Frequenz und hohe Wärmeentwicklung Instabilität verursachen. Daher empfehlen wir unerfahrenen Anwendern nicht zu übertakten.
- **M-FLASH** - Dieses Menü bietet die Funktion, das BIOS mit einem USB-Flash-Laufwerk zu aktualisieren.
- **OC PROFILE** - In diesem Menü werden die verschiedenen Overclocking-Profile gesetzt.
- **HARDWARE MONITOR** - In diesem Menü werden die Geschwindigkeiten der Lüfter gesetzt und die Spannungen des Systems überwacht.
- **BOARD EXPLORER** - In diesem Menü zeigt die Information der installierten Geräte auf dem Motherboard an.

► Boot-Geräte Prioritätsliste

Sie können die Gerätesymbole verschieben, um die Startreihenfolge zu ändern.



► Menüanzeige

Dieser Bereich ermöglicht die Konfiguration von BIOS Einstellungen.

► Virtual OC Genie Taste

Aktivieren oder deaktivieren Sie die OC Genie Funktion durch einen Klick auf diese Taste. Wenn aktiviert, leuchtet diese Taste auf. Aktivieren Sie die OC Genie-Funktion mit einem von MSI optimierten Übertaktungsprofil automatisch zu übertakten.

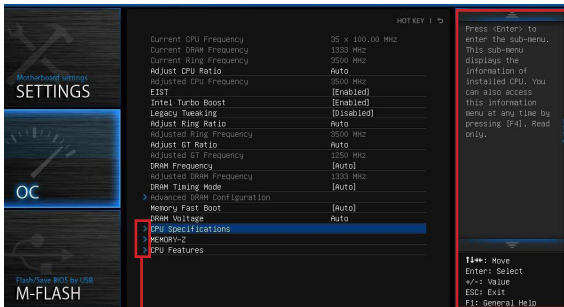


Wichtig

Es wird empfohlen, keine Änderung im OC-Menü zu machen und die Werkseinstellungen nach dem Aktivieren der OC Genie-Funktion nicht zu laden.

► Modell Name

Zeigt das Modell des Motherboards an.



Allgemeine Hilfe

Untermenü

► Untermenü




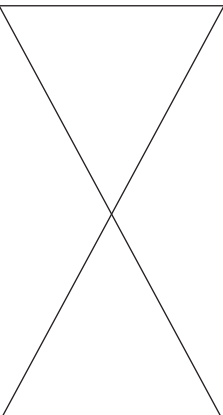
Wenn Sie an der linken Seite bestimmter Felder ein Dreieckssymbol finden, bedeutet dies, dass Sie über das entsprechende Feld ein Untermenü mit zusätzlichen Optionen aufrufen können. Durch die Steuertasten oder Maus können Sie ein Feld hervorheben und durch Drücken der Eingabetaste <Enter> oder durch einen Doppelklick mit der linken Maustaste in das Untermenü gelangen.

► Allgemeine Hilfe

Die Allgemeine Hilfe zeigt eine Kurzbeschreibung an, um Ihnen bei der Verwendung des ausgewählten Elements zu helfen.

Betrieb

Sie können die BIOS-Einstellungen mit der Maus oder der Tastatur steuern. Die folgende Tabelle zeigt und beschreibt die Hotkeys und Mauseaktionen.

Hotkey	Maus	Beschreibung
<↑↓→←>	 Bewegen Sie den Cursor	Auswahl eines Eintrages
<Enter>	 Klicken/ doppelklicken Sie mit der linken Maustaste	Auswahl eines Symbols/ Feldes
<Esc>	 Klicken Sie mit der rechten Maustaste	Das Menü verlassen oder zurück zum Hauptmenü aus dem Untermenü
<+>		Hochzählen oder ändern eines Wertes
<->		Herunterzählen oder ändern eines Wertes
<F1>		Allgemeine Hilfe
<F4>		CPU-Spezifikationen
<F5>		Aufruf des Memory-Z Fensters mit Details zum Speicher
<F6>		Laden der ursprünglichen Setup-Standardwerte
<F8>		OC-Profil wird vom USB-Stick geladen
<F9>		OC-Profil wird auf einem USB-Stick gespeichert
<F10>		Speichern oder Zurücksetzen der Änderungen
<F12>		Speichern des Bildschirmfotos auf einen FAT/ FAT32 USB-Laufwerk

OC-Menü

In diesem Menü können Benutzer das BIOS anpassen und übertakten. Bitte führen Sie nur Änderungen durch, wenn Sie sich über das Ergebnis im Klaren sind. Sie sollten Erfahrung beim Übertakten haben, da Sie sonst das Motherboard oder Komponenten des Systems beschädigen können.



Wichtig

- Die Übertaktung ist nur für fortgeschrittene Benutzer zu empfehlen.
- Die erfolgreiche Übertaktung ist nicht gewährleistet. Die Anwendung von Übertaktungsmaßnahmen kann zu Verlust der Garantie oder zur Beschädigung der Hardware führen.
- Falls Sie sich mit der Übertaktung nicht auskennen, empfehlen wir für einfaches Übertakten die OC-Genie Funktion.

▶ Current CPU/ DRAM/ Ring Frequency

Zeigt die derzeitigen Frequenz der installierten CPU, Speicher und Ring. Dies ist nur eine Anzeige – keine Änderung möglich.

▶ Adjust CPU Ratio [Auto]

Legen Sie den CPU-Multiplikator fest, um die CPU-Taktfrequenzen zu bestimmen. Diese Option kann nur geändert werden, wenn der Prozessor diese Funktion unterstützt.

▶ Adjusted CPU Frequency

Es zeigt die eingestellte Frequenz der CPU an. Es handelt sich um eine Anzeige – Änderungen sind nicht möglich.

▶ EIST [Enabled]

Aktivieren oder deaktivieren Sie die Enhanced Intel® SpeedStep Technologie.

► **Intel Turbo Boost [Enabled]**

Aktivieren oder deaktivieren Sie Intel® Turbo Boost. Diese Option wird angezeigt, wenn die installierte CPU diese Einstellungen unterstützt.

[Enabled] Aktivieren Sie diese Funktion, um die CPU-Leistung automatisch zu erhöhen, wenn das System mehr Leistung benötigt.

[Disabled] Deaktivieren Sie diese Funktion.

► **Legacy Tweaking [Disabled]**

Aktivieren oder deaktivieren Sie die Funktion zur Verbesserung der Performance für Legacy Benchmarking Anwendungen wie 3DMark 01.

[Enabled] Aktivieren Sie diese function zur Verbesserung der 3DMark 01 Performance.

[Disabled] Deaktivieren Sie diese Funktion.

► **Adjust Ring Ratio [Auto]**

Setzen Sie den Ring Ratio. Der erlaubte Wertebereich ist abhängig von der installierten CPU.

► **Adjusted Ring Frequency**

Zeigt die angepasste Ring Frequenz. Nur Anzeige – keine Änderung möglich.

► **Adjust GT Ratio [Auto]**

Setzen Sie den Multiplikator der integrierten Grafik. Der erlaubte Wertebereich ist abhängig von der installierten CPU.

► **Adjusted GT Frequency**

Zeigt die angepasste Frequenz der integrierten Grafik. Nur Anzeige – keine Änderung möglich.

► **DRAM Frequency [Auto]**

Setzen Sie die DRAM Frequenz. Bitte beachten Sie, dass ein zuverlässiges Übertaktungsverhalten nicht garantiert werden kann.

► **Adjusted DRAM Frequency**

Zeigt die Speicherfrequenz an. Nur Anzeige – keine Änderung möglich.

► **DRAM Timing Mode [Auto]**

Wählt den Speicher-Timing-Modus aus.

[Auto] Das DRAM-Timing wird basierend auf SPD (Serial Presence Detect) der installierten Speichermodule bestimmt.

[Link] Ermöglicht die manuelle Konfigurieren des DRAM-Timing für alle Speicherkanäle.

[UnLink] Ermöglicht die manuelle Konfigurieren des DRAM-Timing für die einzelnen Speicherkanäle.

► Advanced DRAM Configuration

Drücken Sie die Eingabetaste <Enter>, um das Untermenü aufzurufen. Dieses Untermenü wird nach der Einstellung [Link] oder [Unlink] in "DRAM Timing Mode" aktiviert werden. Der Anwender kann die Speicher-Timing für jeden Kanal des Speichers einstellen. Das System könnte nach dem Ändern Speicher-Timings instabil werden oder nicht mehr booten. Wenn Instabilität auftritt, löschen Sie bitte die CMOS-Daten und stellen Sie die Standardeinstellungen wieder her. (Lesen Sie bitte den Abschnitt "Clear CMOS Jumper/ Taste", um die CMOS-Daten zu löschen, und die Standardeinstellungen auf das BIOS zu laden.)

► Memory Fast Boot [Auto]

Aktivieren oder deaktivieren Sie die die Initiierung und Prüfung des Speichers für jeden.

[Auto]	Diese Einstellungen werden vom BIOS automatisch konfiguriert.
[Enabled]	Der Vorgang der Initiierung und Prüfung des Hauptspeichers wird aus dem Archiv der ersten Initiierung imitiert um den Systemstart zu beschleunigen.
[Disabled]	Der Speicher wird bei jedem Boot-Vorgang vollständig neu initiiert und geprüft.

► DRAM Voltage [Auto]

Setzen die Speicherspannung. Wenn die Einstellung auf [Auto] gesetzt ist, wird das BIOS die Speicher-Spannung automatisch einstellen. Sie können die Einstellungen auch manuell vornehmen.

► CPU Specifications

Drücken Sie die Eingabetaste <Enter>, um das Untermenü aufzurufen. Das Untermenü zeigt die Informationen installierte CPU an. Zu diesen Informationen gelangen Sie, indem Sie die Taste [F4] drücken. Nur Anzeige.

► CPU Technology Support

Drücken Sie die Eingabetaste <Enter>, um das Untermenü aufzurufen. Das Untermenü zeigt die wichtigsten Eigenschaften der installierten CPU an.

► MEMORY-Z

Drücken Sie die Eingabetaste <Enter>, um das Untermenü aufzurufen. Dieses Untermenü zeigt alle Einstellungen und Timings des installierten Speichers. Zu diesen Informationen gelangen Sie auch, indem Sie die Taste [F5] drücken.

► DIMM1~2 Memory SPD

Drücken Sie die Eingabetaste <Enter>, um das Untermenü aufzurufen. Das Untermenü zeigt die Technologien des verwendeten Speichers an. Nur Anzeige.

► CPU Features

Drücken Sie die Eingabetaste <Enter>, um das Untermenü aufzurufen.

► Hyper-Threading Technology [Enabled]

Der Prozessor verwendet die Technologie des Hyper-Threadings, um die Transaktionsraten zu erhöhen und die Antwortzeiten des Benutzers zu verringern. Die Intel Hyper-Threading Technologie behandelt die Prozessorkerne innerhalb des Prozessors als Multi logische Prozessoren, die Anweisungen simultan durchführen können. Dadurch tritt eine wesentliche Verbesserung der Systemleistung ein.

[Enabled] Aktiviert die Intel Hyper-Threading Technologie.

[Disabled] Deaktiviert die Option, wenn das System die HT-Funktion nicht unterstützt.

► Active Processor Cores [All]

Hier können Sie die Zahl der aktiven Prozessorkerne auswählen.

► Limit CPUID Maximum [Disabled]

Aktiviert oder deaktiviert den erweiterten CPUID-Wert.

[Enabled] Das BIOS begrenzt den maximalen CPUID Eingabewert, um Bootprobleme mit älteren Betriebssystem zu umgehen, die den Prozessor mit erweiterten CPUID-Wert nicht unterstützen.

[Disabled] Verwenden Sie den maximalen CPUID Eingabewert.

► Execute Disable Bit [Enabled]

Intel's Execute Disable Bit kann an den Rechner gerichtete "Buffer Overflow" Angriffe verhindern, bei denen Computer-Würmer versuchen, das System durch Ausführung von Codes zu schädigen. Es wird empfohlen, diese Funktion zu aktivieren.

[Enabled] Aktiviert den NO-Execution Schutz, um bösartigen Angriffe und Würmern abzuwehren.

[Disabled] Deaktiviert diese Funktion.

► Intel Virtualization Tech [Enabled]

Aktiviert oder deaktiviert die Intel Virtualization Technologie.

[Enabled] Aktiviert die Intel Virtualization-Technologie, die es mehreren Betriebssystemen ermöglicht in voneinander unabhängigen Partitionen zu arbeiten. Das System kann als mehrere Systeme virtuell einsetzen.

[Disabled] Deaktiviert diese Funktion.

► Hardware Prefetcher [Enabled]

Aktivieren oder deaktivieren Sie das Hardware Prefetcher (MLC Streamer prefetcher).

[Enabled] Der CPU Hardware Prefetcher kann frühzeitig Daten und Anweisungen aus dem Speicher in den L2-Cache laden um die Cache-Latency Zeiten zu reduzieren.

[Disabled] Deaktiviert den Hardware Prefetcher.

► Adjacent Cache Line Prefetch [Enabled]

Aktiviert oder deaktiviert den CPU Hardware Prefetcher (MLC Spatial prefetcher).

[Enabled] Ermöglicht Adjacent Cache Line Prefetch zur Verringerung der Cache Latenzzeit und zur Leistungssteigerung von Applikationen.

[Disabled] Aktiviert nur die angeforderten Cache-Zeilen.

► CPU AES Instructions [Enabled]

Aktiviert oder deaktiviert die CPU AES (Advanced Encryption Standard-New Instructions) Unterstützung. Diese Option wird angezeigt, wenn die CPU diese Funktion unterstützt.

[Enabled] Aktiviert die Intel AES Unterstützung.

[Disabled] Deaktiviert die Intel AES Unterstützung.

► Intel Adaptive Thermal Monitor [Enabled]

Aktiviert oder deaktiviert die Intel Adaptive Thermal-Monitor-Funktion, um die CPU vor Überhitzung zu schützen.

[Enabled] Drosselt die CPU Kerntakt, wenn die CPU-Temperatur über die adaptive Temperatur steigt.

[Disabled] Deaktiviert diese Funktion.

► Intel C-State [Auto]

C-State ist eine durch ACPI definierte Prozessor-Power-Management-Technologie.

[Auto] Diese Einstellungen werden vom BIOS automatisch konfiguriert.

[Enabled] Ermöglicht die Erkennung, wann sich das System im Leerlauf befindet und senkt den CPU-Stromverbrauch entsprechend.

[Disabled] Deaktiviert diese Funktion.

► C1E Support [Disabled]

Aktiviert oder deaktiviert die C1E-Funktion für Stromersparnis im Leerlauf. Diese Option wird angezeigt, wenn "Intel C-State" aktiviert ist.

[Enabled] Ermöglicht die C1E Funktion, um die CPU-Frequenz und Spannung zur Stromersparnis im Leerlauf zu reduzieren.

[Disabled] Deaktiviert diese Funktion.

► Package C State limit [Auto]

Hier können Sie einen CPU C-State-Modus für Stromsparen auswählen, wenn das System im Leerlauf ist. Diese Option wird angezeigt, wenn "Intel C-State" aktiviert ist.

[Auto] Diese Einstellungen werden vom BIOS automatisch konfiguriert.

[C0~C7s] Die Energiesparstufe ist von hoch zu niedrig ist C7, C7, C6, C3, C2, dann C0.

[No limit] Es gibt keinen C-state Grenzwert für die CPU.

► **LakeTiny Feature [Disabled]**

Aktivieren oder deaktivieren Sie die Intel See Tiny-Technologie mit IRST für SSD. Diese Option wird angezeigt, wenn eine installierte CPU diese Funktion unterstützt und "Intel C-State" aktiviert ist.

[Enabled] Verbessert die der dynamischen IO-Last angepasste Leistung für die Beschleunigung der SSD Geschwindigkeit.

[Disabled] Deaktiviert diese Funktion.

Hinweis: Die folgenden Elemente werden angezeigt, wenn Intel Turbo Boost aktiviert ist.

► **Long Duration Power Limit (W) [Auto]**

Hier stellen Sie die TDP Leistungsgrenze für die CPU in Turbo Boost Modus ein.

► **Long Duration Maintained (s) [Auto]**

Hier stellen Sie den Zeitraum (ms) für die TDP Leistungsgrenze (W) ein.

► **Short Duration Power Limit (W) [Auto]**

Hier stellen Sie die TDP Leistungsgrenze für CPU in Turbo Boost Modus ein.

► **CPU Current limit (A) [Auto]**

Hier legen Sie die maximale Stromgrenze der CPU im Turbo Boost Modus fest. Wenn der Strom über den angegebenen Grenzwert steigt, verringert die CPU automatisch Core-Frequenz.

► **1/2/3/4-Core Ratio Limit [Auto]**

Diese Option erscheint nur, wenn eine CPU installiert ist, die diese Funktion unterstützt. Hier können Sie den CPU Multiplikator in den verschiedenen aktiven Kernen im Turbo Boost Modus einstellen. Diese Option wird angezeigt, wenn der installierte Prozessor diese Funktion unterstützt.

Français

Merci d'avoir choisi une carte mère Mini-ITX de la série H81/ H81I-S01 (MS-7851 v2.X). La série H81/ H81I-S01 est basée sur le chipset Intel® H81 pour une efficacité optimale. Conçue pour fonctionner avec les processeurs Intel® LGA1150, les cartes mères de la série H81/ H81I-S01 délivrent de hautes performances et offrent une solution adaptée tant aux professionnels qu'aux particuliers.

Spécifications

Processeur	<ul style="list-style-type: none"> ■ Processeurs 4ème génération Intel® Core™ i7 / Core™ i5 / Core™ i3 / Pentium® / Celeron® pour socket LGA 1150
Chipset	<ul style="list-style-type: none"> ■ Intel® H81 Express Chipset
Mémoire supportée	<ul style="list-style-type: none"> ■ 2x emplacements de mémoire DDR3 supportent jusqu'à 16GB ■ Support DDR3 1600/ 1333/ 1066 MHz ■ Architecture mémoire double canal ■ Support émoire non-ECC, mémoire un-buffered ■ Support Intel® Extreme Memory Profile (XMP)
Emplacement d'extension	<ul style="list-style-type: none"> ■ 1x emplacement PCIe 2.0 x16
Graphiques intégrées	<ul style="list-style-type: none"> ■ 1x port VGA, supportant une résolution maximum de 1920x1200 @ 60Hz, 24bpp ■ 1x port DVI-D, supportant une résolution maximum de 1920x1200 @ 60Hz, 24bpp ■ 1x port HDMI, supportant une résolution maximum de 2560x1600@60Hz, 24bpp/ 1920x1080@60Hz, 36bpp* <p>* Pour H81I uniquement.</p>
Stockage	<ul style="list-style-type: none"> ■ Chipset Intel H81 Express <ul style="list-style-type: none"> - 2x ports SATA 6Gb/s (SATA1~2) - 2x ports SATA 3Gb/s (SATA3~4)
USB	<ul style="list-style-type: none"> ■ Chipset Intel H81 Express <ul style="list-style-type: none"> - 2x ports USB 3.0 (2 ports available through the internal USB 3.0 connector) - 6x ports USB 2.0 (2 ports sur le panneau arrière, 4 ports disponibles via les connecteurs USB 2.0 internes)* - 8x ports USB 2.0 (4 ports sur le panneau arrière, 4 ports disponibles via les connecteurs USB 2.0 internes)** <p>* Pour H81I uniquement. ** Pour H81I-S01 uniquement.</p> <ul style="list-style-type: none"> ■ Chip RENESAS UPD720202 <ul style="list-style-type: none"> - 2x ports USB 3.0 (2 ports sur le panneau arrière)* <p>* Pour H81I uniquement.</p>
Audio	<ul style="list-style-type: none"> ■ Realtek® ALC887 Codec <ul style="list-style-type: none"> - 7.1-canal audio haute-définition - Support S/PDIF output
LAN	<ul style="list-style-type: none"> ■ Realtek® RTL8111G Gigabit LAN contrôleur
Connecteurs sur le panneau arrière	<ul style="list-style-type: none"> ■ 1x port PS/2 combo clavier/ souris ■ 2x ports USB 2.0, 2x ports USB 3.0 (pour H81I) ■ 4x ports USB 2.0 (pour H81I-S01) ■ 1x port VGA ■ 1x port DVI-D ■ 1x port HDMI (pour H81I) ■ 1x connecteur S/PDIF-OUT optique ■ 1x port LAN (RJ45) ■ 3x prises audio

Connecteurs internes	<ul style="list-style-type: none"> ■ 1x connecteur d'alimentation principal 24-pin ATX ■ 1x connecteur d'alimentation 4-pin ATX 12V ■ 4x connecteurs SATA ■ 2x connecteurs USB 2.0 (support 4 autres ports USB 2.0) ■ 1x connecteur USB 3.0 (support 2 autres ports USB 3.0) ■ 1x connecteur de ventilateur de CPU 4-pin ■ 1x connecteur de ventilateur de système 4-pin ■ 1x cavalier d'effacement CMOS ■ 1x connecteur audio avant ■ 2x connecteurs de panneau système ■ 1x connecteur de port série ■ 1x connecteur TPM ■ 1x connecteur intrusion châssis
Contrôleur I/O	<ul style="list-style-type: none"> ■ Chip de contrôleur NUVOTON NCT5533
Moniteur de matériel	<ul style="list-style-type: none"> ■ Détection de la température du CPU/ du système ■ Détection de la vitesse du ventilateur du CPU/ du système ■ Le contrôle de la vitesse du ventilateur du CPU/ du système
Fonctions BIOS	<ul style="list-style-type: none"> ■ 64 Mb flash ■ UEFI AMI BIOS ■ ACPI 5.0, PnP 1.0a, SM BIOS 2.7, DMI 2.0 ■ Multi-langue
Fonctions spéciales	<ul style="list-style-type: none"> ■ Military Class 4 ■ OC Genie 4 ■ Click BIOS 4 ■ Total Fan Control ■ Command Center
Logiciel	<ul style="list-style-type: none"> ■ Pilotes ■ MSI <ul style="list-style-type: none"> - Command Center - Super Charger - Live Update 5 - Fast Boot ■ 7-ZIP ■ Intel Extreme Tuning Utility ■ Norton Internet Security Solution ■ Trend Micro SafeSync ■ Network genie
Dimension	<ul style="list-style-type: none"> ■ Dimension Mini-ITX ■ 6.7 in. x 6.7 in. (17 cm x 17 cm)

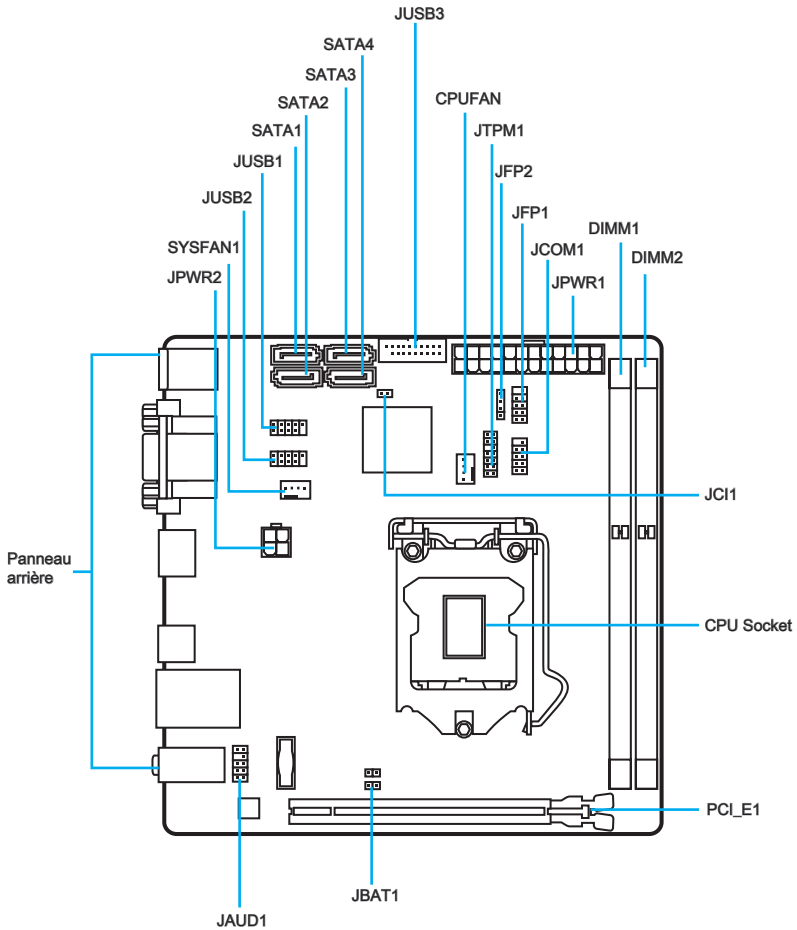


Pour plus d'information sur le CPU, veuillez visiter
<http://www.msi.com/service/cpu-support/>



Pour plus d'information sur les composants compatibles, veuillez visiter
<http://www.msi.com/service/test-report/>

Guide Rapide Des Connecteurs

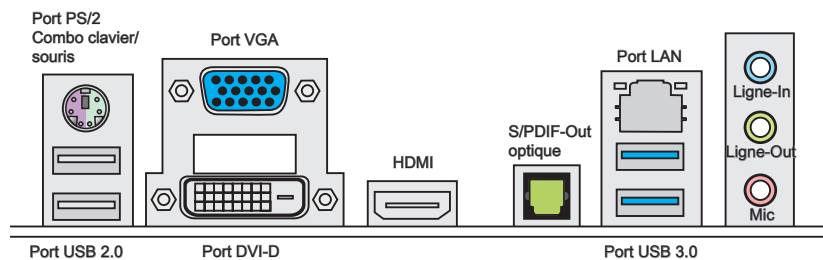


Guide référence des connecteurs

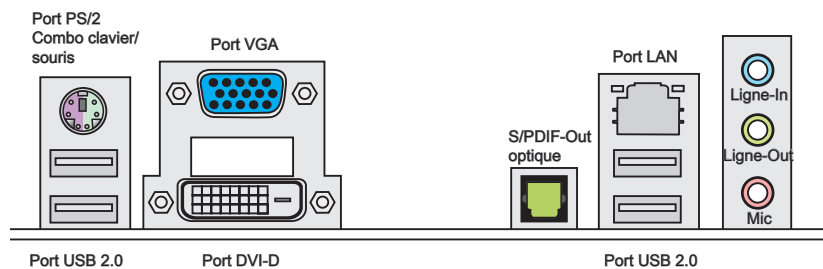
Noms de ports	Types des ports	Page
Panneau arrière		Fr-6
CPU	LGA1150 CPU Socket	Fr-10
CPUFAN,SYSFAN1	Connecteurs d'alimentation de ventilateurs	Fr-19
DIMM1~2	Emplacements de mémoire DDR3	Fr-13
JAUD1	Connecteur audio avant	Fr-22
JBAT1	Cavalier d'effacement CMOS	Fr-23
JCI1	Connecteur intrusion châssis	Fr-19
JCOM1	Connecteur de port série	Fr-22
JFP1, JFP2	Connecteurs de panneau système	Fr-20
JPWR1~2	Connecteurs d'alimentation ATX	Fr-15
JTPM1	Connecteur de Module TPM	Fr-23
JUSB1/ JUSB2	Connecteur d'extension USB 2.0	Fr-21
JUSB3	Connecteur d'extension USB 3.0	Fr-21
PCI_E1	Emplacement d'extension PCIe 2.0	Fr-16
SATA1~4	Connecteurs SATA	Fr-18

Guide rapide du panneau arrière

H81I



H81I-S01



► **Port PS/2 combo clavier / souris**

Combinaison d'un connecteur souris / clavier DIN PS/2 pour une souris ou un clavier PS/2®.

► **Port USB 2.0**

Le port USB 2.0 sert à brancher des périphériques USB 2.0 tels que le clavier, la souris, ou d'autres périphériques compatibles USB 2.0.

► **Port VGA**

Le connecteur féminin de DB15-pin est fourni pour un moniteur.

► **Port DVI-D**

Le connecteur DVI-D (Digital Visual Interface- Digital) peut être relié à un moniteur LCD, ou un moniteur CRT avec un adaptateur. Pour connecter un moniteur, veuillez vous référer au manuel du moniteur pour plus d'information.



► **Port HDMI (Pour H81l)**

Le High-Definition Multimedia Interface est une interface audio/vidéo tout-numérique, qui est capable de transmettre des flux décompressés. HDMI supporte toutes les formes de TV, y compris le standard, l'amélioré, ou les vidéos hautes définitions, plus l'audio numérique multicanal sur un simple câble.



Important

Cette plate-forme supporte la fonction double-écran.

	Mode double-écran
	VGA+DVI-D/ DVI-D+HDMI/ HDMI+VGA
Mode étendu (Etendre le bureau à un autre moniteur)	<input type="radio"/>
Mode clone (Les moniteurs ont le même écran)	<input type="radio"/>

► **S/PDIF-Out optique**

Ce connecteur S/PDIF (Sony et Philips Digital Interconnect Format) est utilisé pour la transmission audio numérique à des haut-parleurs externes via un câble optique.

► Port USB 3.0 (Pour H81I)

Le port USB 3.0 est rétro-compatible avec les périphériques USB 2.0. Il supporte un taux de transfert jusqu'à 5 Gbit/s (Super-Vitesse).

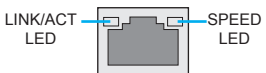


Important

Si vous voulez installer un périphérique USB 3.0, vous devez vous connecter à un port USB 3.0. Si un câble USB est utilisé, il doit être compatible USB 3.0.

► Port LAN

La prise standard RJ-45 LAN sert à la connexion au réseau local (Local Area Network (LAN)).

	LED	Etat de LED	Description
	Link/ Activity LED (LED de lien/ activité)	Eteint	Non relié
		Jaune	Relié
		Clignote	Activité de donnée
	Speed LED (LED de vitesse)	Eteint	Débit de 10 Mbps
		Vert	Débit de 100 Mbps
Orange		Débit de 1 Gbps	

► Ports Audio

Ces connecteurs audio sont utilisés pour les périphériques audio. Vous pouvez différencier leur utilisation grâce à la couleur des prises audio.

- Bleu-Ligne In : sert à connecter les périphériques externes de sortie audio.
- Vert-Ligne Out : est utilisé pour un haut-parleur ou un casque.
- Rose-Mic : est utilisé pour un microphone.

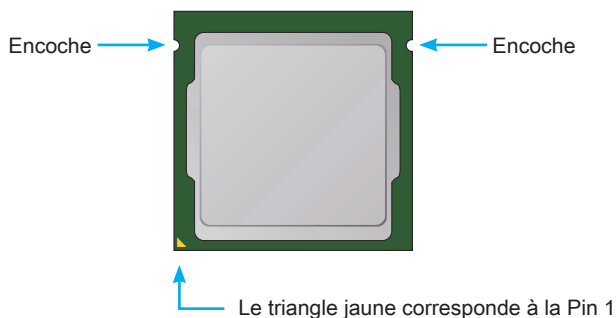
Configuration audio-out de 2, 4, 6 ou 8-canal

Port	2-canal	4-canal	6-canal	8-canal
Bleu	Ligne in	RS-Out	RS-Out	RS-Out
Vert	Ligne out	FS-Out	FS-Out	FS-Out
Rose	Mic	Mic	CS-Out	CS-Out
Audio avant	-	-	-	SS-Out

Processeur : CPU

Introduction du CPU LGA 1150

A la surface du CPU LGA 1150 vous noterez deux encoches et un triangle jaune servant à aligner le CPU dans la bonne position sur la carte mère. Le triangle jaune correspond à la Pin 1.



Important

Surchauffe

La surchauffe endommage sérieusement le processeur et le système. Assurez-vous toujours que le système de refroidissement fonctionne correctement pour protéger le processeur de la surchauffe. Assurez-vous d'appliquer une couche de pâte thermique (ou adhésif thermique) entre le processeur et le système de refroidissement afin d'améliorer la dissipation de la chaleur.

Remplacement du processeur

Lorsque vous remplacez le processeur, commencez toujours par couper l'alimentation électrique du système et débranchez le cordon d'alimentation de la prise pour garantir la sécurité du processeur.

Overclocking

Cette carte mère supporte l'overclocking. Néanmoins, veuillez vous assurer que vos composants soient capables de tolérer l'overclocking. Toutefois l'utilisation au delà des spécifications constructeur n'est pas recommandé. Nous ne garantissons pas les dommages et risques causés par les utilisations non prévues dans les spécifications du produit.

Installation du CPU et son ventilateur

Quand vous installez un CPU, assurez-vous toujours que le CPU soit équipé d'un ventilateur, qui est nécessaire pour éviter la surchauffe et maintenir la stabilité. Suivez les instructions suivantes pour installer le CPU et son ventilateur correctement. Une installation incorrecte peut endommager votre CPU et la carte mère.



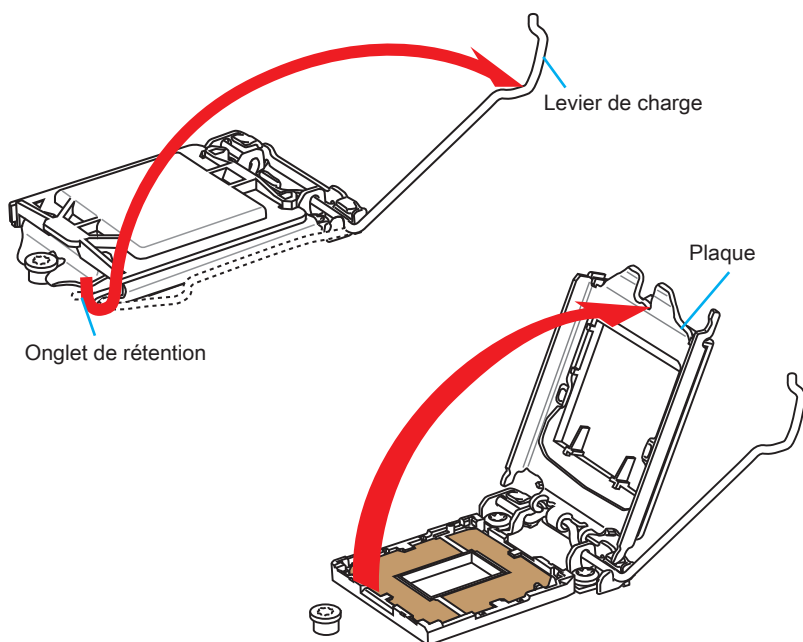
Démonstration de vidéo

Voir le vidéo d'installation du CPU et de son ventilateur sur le site ci-dessous.

<http://youtu.be/bf5La099url>



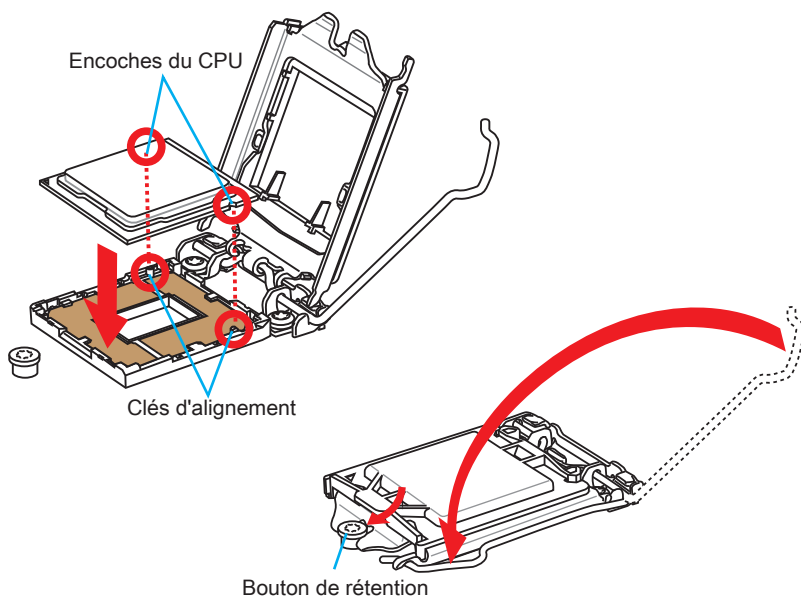
1. Poussez le levier de charge vers le bas pour le détacher et levez jusqu'à la position complètement ouverte.
2. La plaque se lève automatiquement lorsque le levier est levé à la position complètement ouverte.



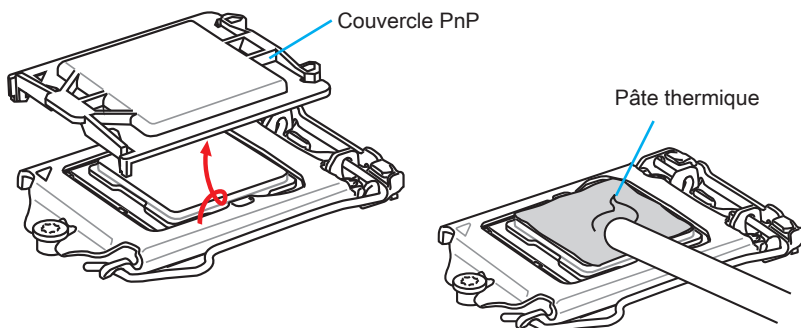
Important

Ne pas toucher les contacts du socket ou l'envers du CPU.

- Alignez les encoches et les clés d'alignement du socket. Abaissez le CPU en ligne droite, évitez de faire basculer ou glisser le CPU dans l'emplacement. Vérifiez qu'il est bien installé dans la bonne direction.
- Fermez et glissez le plaque de charge sous le bouton de rétention. Fermez et engagez le levier de charge.

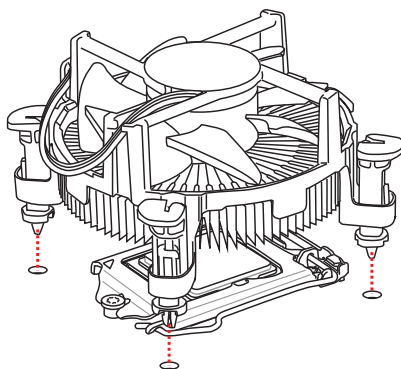
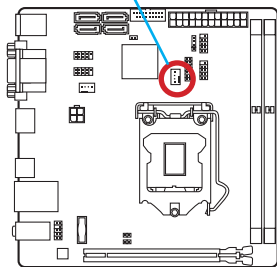


- Quand vous poussez le levier, le couvercle PnP surgit automatiquement de l'emplacement du CPU. Ne pas jeter le couvercle PnP. Toujours replacez le couvercle PnP si le CPU est enlevée de son emplacement.
- Appliquez une couche de pâte thermique (ou d'adhésif thermique) sur le dessus du CPU. Cela aide la dissipation de chaleur et prévient la surchauffe du CPU.

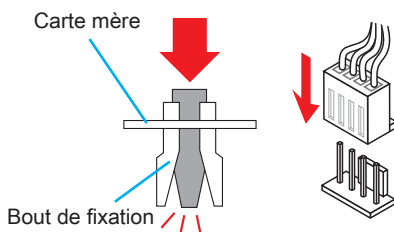
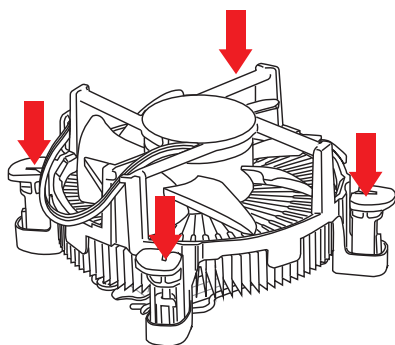


7. Localisez le connecteur du ventilateur CPU sur la carte mère.
8. Placez le ventilateur sur la carte mère avec son câble face au connecteur du ventilateur. Les éléments de fixation doivent correspondre aux trous sur la carte.

Connecteur de ventilateur CPU



9. Appuyez sur le ventilateur jusqu'à ce que les quatre éléments de fixation se coincent dans les trous de la carte mère. Appuyez sur les quatre éléments de fixation pour fixer le ventilateur. Lorsque tous les quatre sont bien en position, vous devez entendre un clic.
10. Inspectez la carte mère pour vous assurer que les bouts des éléments de fixation sont bien verrouillés en position.
11. Finalement, reliez le câble du ventilateur de CPU au connecteur sur la carte mère.

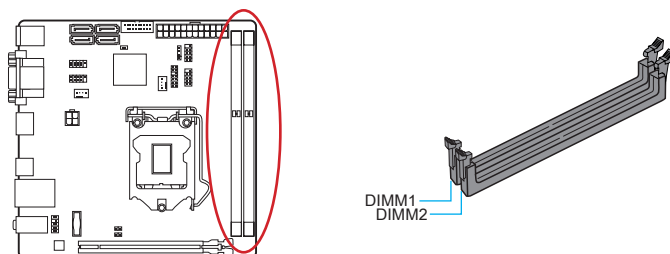


Important

- Vérifiez que le ventilateur de CPU est bien attaché sur le CPU avant de démarrer votre système.
- Quand le CPU n'est pas installé, toujours protégez les broches de l'emplacement du CPU avec le couvercle recouvrant l'emplacement.
- Si vous avez acheté un CPU avec son ventilateur séparé, veuillez vous référer à la documentation dans le paquet du ventilateur pour plus d'information d'installation.

Mémoire

Ces emplacements DIMM sont destinés à installer les modules de mémoire. Pour plus d'informations sur les composants compatibles, veuillez visiter <http://www.msi.com/service/test-report/>



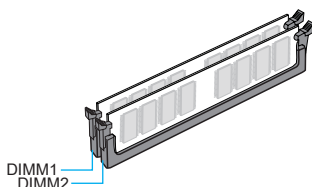
Démonstration de vidéo

Voir la vidéo sur l'installation des mémoires sur le site ci-dessous.
<http://youtu.be/76yLtJaKICQ>



Règle de population en mode double canal

En mode de double canal, les modules de mémoire peuvent transmettre et recevoir simultanément deux lignes de données. L'activation du mode double canal peut améliorer les performances du système. Veuillez vous reporter aux illustrations suivantes pour connaître les règles de population en mode double canal.

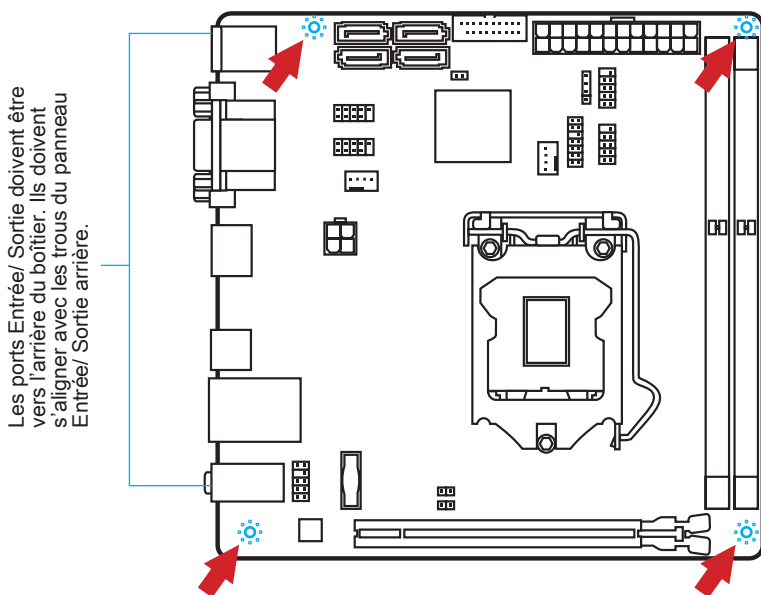


Important

- Les modules de mémoire DDR3 ne sont pas interchangeables avec les modules DDR2. Vous devez toujours installer les modules de mémoire DDR3 dans les emplacements DDR3 DIMM.
- Pour garantir la stabilité du système, assurez-vous d'installer les modules de mémoire du même type et de la même densité en mode double canal.
- A cause des ressources utilisées par le chipset, le système ne détectera que jusqu'à 15+GB (non 16GB plein) lorsque tous les emplacements DIMM sont installés avec des modules de mémoire de 8GB.

Trous Taraudés de Montage

Avant d'installer votre carte mère, il faut d'abord installer les socles de montage nécessaires sur le plateau de montage du boîtier de l'ordinateur. Si le boîtier de l'ordinateur est accompagné par un panneau Entrée/ Sortie arrière, veuillez le remplacer et utiliser celui qui est fourni dans la boîte de la carte. Le panneau Entrée/ Sortie arrière doit se fixer facilement dans le boîtier sans recourir à des vis. Alignez les socles de montage du plateau avec les trous taraudés de la carte mère et sécurisez la carte mère avec les vis fournies avec le boîtier de l'ordinateur. L'emplacement des trous taraudés de la carte est montrée ci-dessous. Pour plus d'information, veuillez vous référer au manuel de votre boîtier ordinateur.



Important

- Installez la carte mère sur une surface plate et propre.
- Pour prévenir tous dommages à la carte mère, veillez à n'avoir aucun contact entre la carte mère et le boîtier de l'ordinateur hormis les socles de montage.
- Veuillez vous assurer qu'il n'y pas de composant en métal mis sur la carte ou dans le boîtier de l'ordinateur qui entraînerait un court circuit à la carte mère.

Connecteurs d'alimentation



Démonstration de vidéo

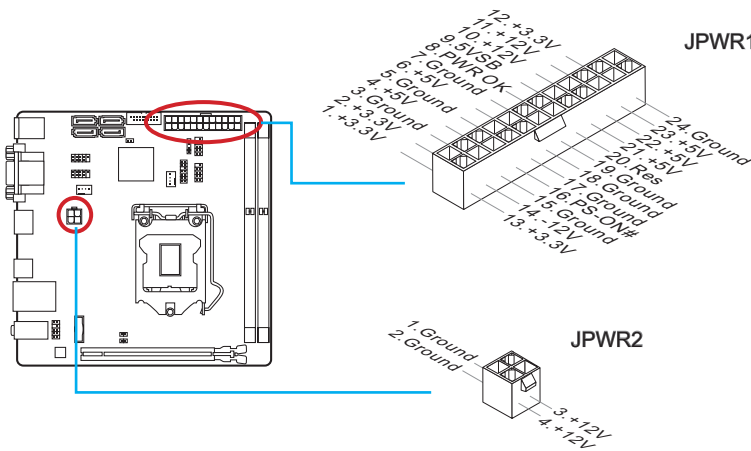
Voir le vidéo sur l'installation des connecteurs d'alimentation sur le site ci-dessous.

http://youtu.be/gkDYyR_8314



JPWR1~2 : Connecteur d'alimentation ATX

Ce connecteur vous permet de relier une alimentation ATX. Pour cela, alignez le câble d'alimentation avec le connecteur et appuyez fermement le câble dans le connecteur. Si ceci est bien fait, la pince sur le câble d'alimentation doit être accrochée sur le connecteur d'alimentation de la carte mère.



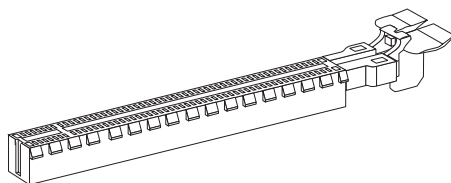
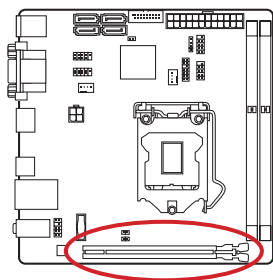
Important

Veillez vous assurer que tous les connecteurs sont connectés aux bonnes alimentations ATX afin garantir une opération stable de la carte mère.

Emplacements d'extension

PCI_E1 : Emplacement d'extension PCIe 2.0

L'emplacement PCIe supporte l'interface de carte d'extension PCIe.



Important

Lorsque vous ajoutez ou retirez une carte d'extension, assurez-vous que le PC n'est pas relié au secteur. Lisez la documentation pour faire les configurations nécessaires du matériel ou logiciel ajoutés.

Cartes Vidéo/ Graphics

La carte mère peut utiliser la partie graphique intégrée au processeur, mais peut également utiliser une carte vidéo distincte installée sur un port d'extension de la carte mère. Une ou plusieurs cartes vidéo ajoutées peuvent améliorer fortement la performance graphique du système. Pour une compatibilité parfaite, nous vous recommandons d'utiliser des cartes graphiques MSI.



Démonstration de vidéo

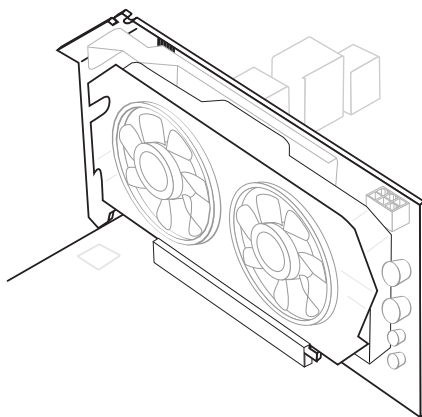
Voir le vidéo sur l'installation d'une carte graphique dans l'emplacement PCIe x16 avec verrou papillon sur le site ci-dessous.

http://youtu.be/mG0GZpr9w_A



Installation de simple carte vidéo

1. Déterminez quelle sorte d'emplacement(s) d'extension la carte vidéo utilisera. Localisez l'emplacement(s) d'extension sur la carte mère. Otez les caches de protection correspondants à cet emplacement du boîtier de l'ordinateur.
2. Alignez la carte vidéo sur le haut de l'emplacement d'extension, les sorties vidéo de la carte graphique orientés vers l'extérieur du boîtier de l'ordinateur.
3. Poussez la carte vidéo dans l'emplacement d'extension. Selon l'emplacement(s) d'extension utilisé, il doit y avoir des pinces sur l'emplacement(s) d'extension qui se verrouillent en place.
4. S'il est nécessaire, vissez l'équerre de la carte graphique au boîtier de l'ordinateur. Certaines cartes vidéo exigent un câble venant directement de l'alimentation.
5. Veuillez consulter le manuel de votre carte graphique pour plus d'instructions concernant l'installation des pilotes ou d'autres réglages spécifiques.



Connecteurs internes

SATA1~4 : Connecteurs SATA

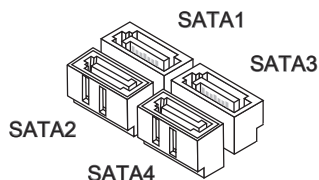
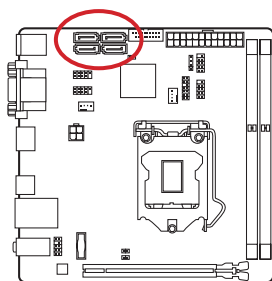
Ce connecteur est un port d'interface SATA haut débit. Chaque connecteur peut être relié à un appareil SATA. Les appareils SATA sont des disques durs (HDD), disque état solide (SSD), et lecteurs optiques (CD / DVD / Blu-Ray).



Démonstration de vidéo

Voir le vidéo sur l'installation d'un SATA HDD.

<http://youtu.be/RZsMpqxythc>



SATA1~2 (6Gb/s, par Intel® H81)

SATA3~4 (3Gb/s, par Intel® H81)

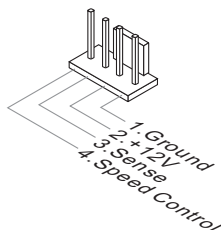
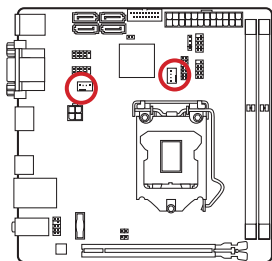


Important

- De nombreux périphériques Sérial ATA ont besoin d'un câble d'alimentation. Ce type de périphériques comprend les disques durs (HDD), les disque état solide (SSD), et les périphériques optiques (CD / DVD / Blu-Ray). Veuillez vous référer au manuel des périphériques pour plus d'information.
- Dans la plupart des boîtiers d'ordinateur, il est nécessaire de fixer les périphériques SATA, tels que HDD, SSD, et lecteur optique au boîtier. Référez-vous au manuel de votre boîtier ou de votre périphérique SATA pour plus d'instructions d'installation.
- Veuillez ne pas plier le câble de Sérial ATA à 90°. Autrement il entraînerait une perte de données pendant la transmission.
- Les câbles SATA en ont des prises identiques sur chaque côté. Néanmoins, il est recommandé de connecter la prise plate sur la carte mère pour un gain d'espace.

CPUFAN, SYSFAN1 : Connecteur d'alimentation du ventilateur

Les connecteurs d'alimentation du ventilateur supportent les ventilateurs de type +12V. Si la carte mère est équipée d'un moniteur du matériel système intégré, vous devrez utiliser un ventilateur spécial pourvu d'un capteur de vitesse afin de contrôler le ventilateur de l'unité centrale. N'oubliez pas de connecter tous les ventilateurs. Certains ventilateurs de système se connectent directement à l'alimentation au lieu de se connecter à la carte mère. Un ventilateur de système peut être relié à n'importe quel connecteur de ventilateur système.

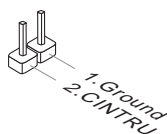
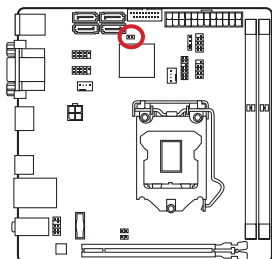


Important

- Veuillez vous référer au site officiel de votre processeur ou consulter votre vendeur pour trouver ventilateurs de refroidissement CPU recommandés.
- Ces connecteurs supportent le contrôle Smart fan avec le mode liner. Vous pouvez installer l'utilitaire Command Center qui contrôlera automatiquement la vitesse du ventilateur en fonction de la température actuelle.
- S'il n'y pas assez de ports sur la carte mère pour connecter tous les ventilateurs du système, des adaptateurs sont disponibles pour connecter directement un ventilateur à l'alimentation du boîtier.
- Avant le premier démarrage, assurez-vous qu'aucune câble n'endommage les lames de ventilateurs.

JCI1 : Connecteur Intrusion Châssis

Ce connecteur est relié à un câble d'interrupteur intrusion châssis. Si le châssis est ouvert, l'interrupteur en informera le système, qui enregistrera ce statut et affichera un écran d'alerte. Pour effacer ce message d'alerte, vous devez entrer dans le BIOS et désactiver l'alerte.



JFP1, JFP2 : Connecteur panneau système

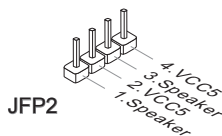
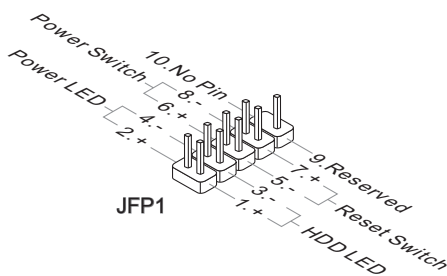
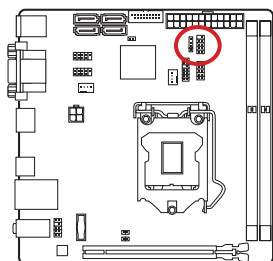
Ces connecteurs se connectent aux interrupteurs et LEDs du panneau avant. Le JFP1 est conforme au guide de conception de la connectivité Entrée/sortie du panneau avant Intel®. Lors de l'installation des connecteurs du panneau avant, veuillez utiliser le M-Connector en option afin de vous simplifier l'installation. Connectez tous les fils du boîtier à M-Connector et puis connectez le M-Connector à la carte mère.



Démonstration de vidéo

Voir le vidéo pour l'installation des connecteurs du panneau avant.

<http://youtu.be/DPELIdVNZUI>

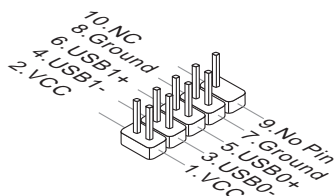
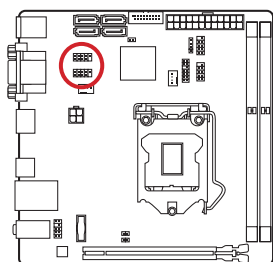


Important

- Sur les branchements du boîtiers, les broches marquées par de petits triangles sont des fils positifs. Veuillez utiliser les diagrammes ci-dessus et l'explication relative au M-Connector en option pour déterminer la bonne orientation et la position des connecteurs.
- La majorité des connecteurs sur le panneau avant du boîtier d'ordinateur sont connectés au JFP1 à l'origine.

JUSB1/ JUSB2 : Connecteurs d'extension USB 2.0

Ce connecteur est destiné à connecter les périphériques USB haute vitesse tels que les disques durs USB, les appareils photo numériques, les lecteurs MP3, les imprimantes, les modems et les appareils similaires.

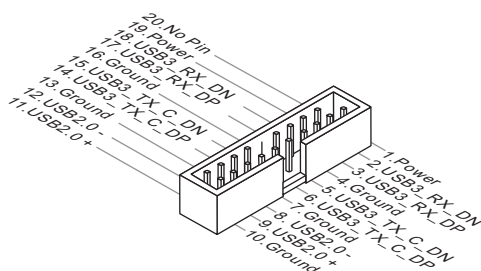
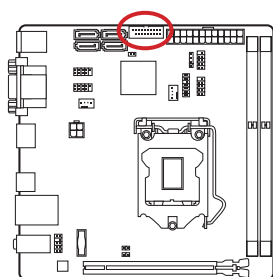


Important

Notez que les pins VCC et GND doivent être branchées correctement afin d'éviter tout dommage possible.

JUSB3 : Connecteurs d'extension USB 3.0

Le port USB 3.0 est rétro-compatible avec les périphériques USB 2.0. Il supporte un taux de transfert jusqu'à 5 Gbit/s (Super-Vitesse).

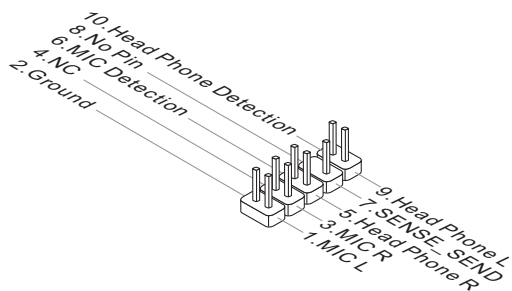
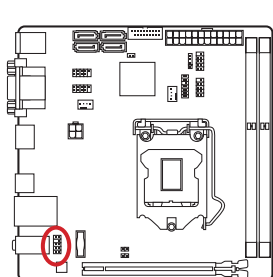


Important

- Notez que les pins de VCC et GND doivent être branchées correctement afin d'éviter tout dommage possible.
- Si vous voulez utiliser un périphérique USB 3.0, il faut utiliser une câble USB 3.0.

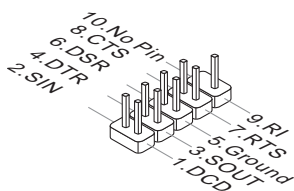
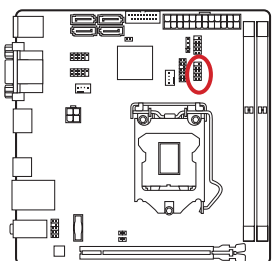
JAUD1 : Connecteur audio panneau avant

Ce connecteur vous permet de connecter le panneau audio avant. Il est conforme au guide de conception de la connectivité Entrée/sortie du panneau avant Intel®.



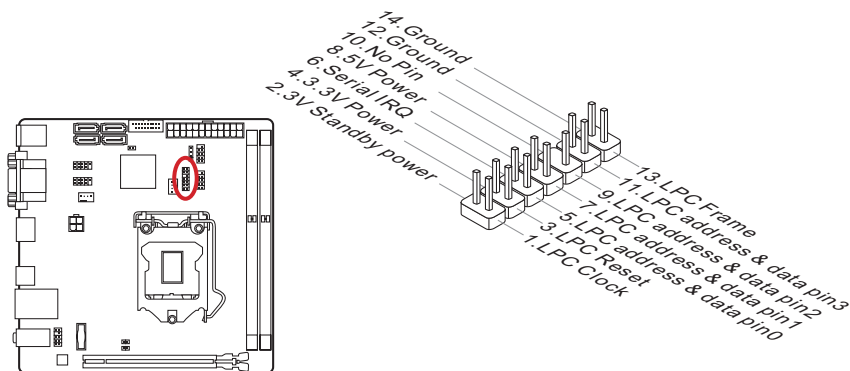
JCOM1 : Connecteur de port série

Le port serial est un port de communications de haute vitesse de 16550A, qui envoie/reçoit 16 bytes FIFOs. Vous pouvez attacher un périphérique série.



JTPM1 : Connecteur de Module TPM

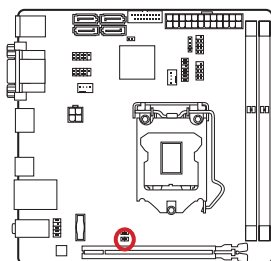
Ce connecteur permet de relier un module TPM (Trusted Platform Module) en option. Veuillez vous référer au manuel du module TPM pour plus de détails.



Cavaliers

JBAT1 : Cavalier d'effacement CMOS

Il y a un CMOS RAM intégré, qui possède un bloc d'alimentation alimenté par une batterie externe, destiné à conserver les données de configuration du système. Avec le CMOS RAM, le système peut lancer automatiquement le système d'exploitation chaque fois qu'il est allumé. Si vous souhaitez effacer la configuration du système, réglez le cavalier pour effacer CMOS RAM.



Conservar les données



Effacer les données



Important

Vous pouvez effacer le CMOS RAM en raccourcissant ce cavalier quand le système est éteint. Ensuite, ouvriez le cavalier. Evitez d'effacer le CMOS pendant que le système est allumé; cela endommagerait la carte mère.

Pilotes et Utilitaires

Après l'installation du système d'exploitation, il faut installer des pilotes pour maximiser les performances de l'ordinateur. La carte mère MSI est dotée d'un disque de pilotes. Ces pilotes permettent à l'ordinateur d'employer la carte mère plus efficacement et de bien développer les fonctions fournies.

Vous pouvez protéger votre ordinateur des virus par l'installaton des programmes de sécurité empaquetés. Le paquet comprend aussi une variété d'utilitaires puissants et créatifs.

Total installer

Total installer est simple à utiliser et fait du bon travail en trouvant les pilotes nécessaires. Veuillez suivre les étapes suivantes pour installer les pilotes et les utilitaires pour votre ordinateur neuf.

1. Insérez le disque de pilote MSI dans le lecteur optique. L'écran de réglages apparaît automatiquement si l'autorun est activé dans le système d'exploitation.
2. Cliquez sur Total Installer. Une boîte de dialogue surgit et affiche tous les pilotes nécessaires.



Cliquez ici

3. Choisissez les case à cocher sur le dialogue.
4. Cliquez sur le bouton **Install**.
5. L'installation des logiciels sera en cours. Une fois terminé, il vous rappellera de redémarrer.
6. Cliquez sur le bouton **OK** pour terminer.
7. Redémarrez votre ordinateur.

Vous pouvez installer les utilitaires de la même façon.

Configuration BIOS

CLICK BIOS est développé par MSI qui fournit une interface graphique utilisateur pour régler les paramètres du BIOS à l'aide de la souris et du clavier.

Avec CLICK BIOS, vous pouvez modifier les réglages BIOS, surveiller la température du CPU, choisir la priorité de périphérique démarrage et voir les informations du système tel que le nom du CPU, la capacité DRAM, la version du système d'exploitation et du BIOS. Vous pouvez importer et exporter les données de paramétrages pour les sauvegarder et les partager avec vos amis.

Entrer dans le réglage BIOS

Allumez l'ordinateur et le système lancera le processus POST (Test automatique d'allumage). Lorsque le message ci-dessous apparaît à l'écran, appuyez sur la touche pour entrer dans le Réglage:

Press DEL key to enter Setup Menu, F11 to enter Boot Menu
(Appuyez sur la touche DEL pour entrer dans le BIOS, F11 dans Démarrage)

Si le message disparaît avant que vous ne répondiez et que vous souhaitez encore entrer dans le BIOS, redémarrez le système en éteignant puis en rallumant en appuyant sur le bouton RESET (Réinitialiser). Vous pouvez également redémarrer le système en appuyant simultanément sur les touches <Ctrl>, <Alt>, et <Delete>.

MSI fournit deux façons supplémentaires pour entrer dans la configuration BIOS. Vous pouvez cliquer sur l'onglet "GO2BIOS" à l'écran d'utilitaire "MSI Fast Boot" ou appuyez sur le bouton "GO2BIOS" physique (en option) sur la carte mère pour permettre au système d'aller dans la configuration BIOS directement au prochain démarrage.



Cliquez sur l'onglet "GO2BIOS" depuis l'écran d'utilitaire "MSI Fast Boot".

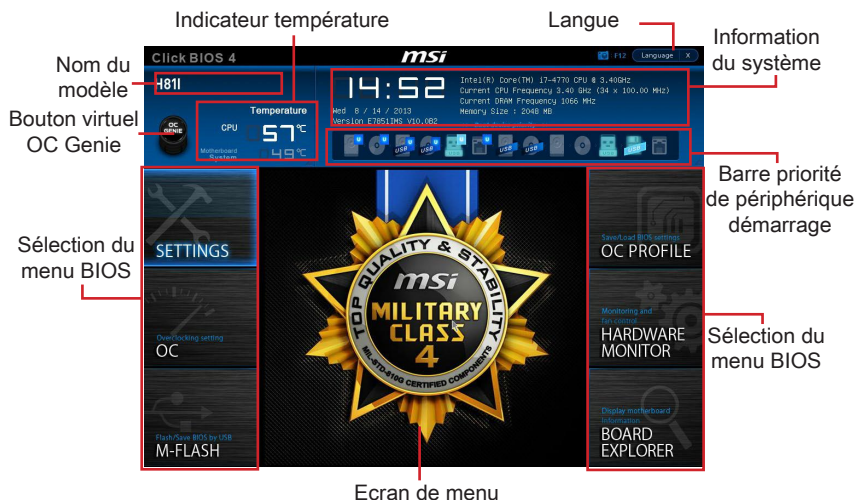


Important

- Veuillez vous assurer d'avoir installé l'utilitaire "MSI Fast Boot" avant d'utiliser le service pour accéder à la configuration du BIOS.
- Les menus du BIOS décrits ici sont mis à jour régulièrement. La description ci-dessous peut donc être légèrement différente et ne doit être considérée que comme une référence.

Vue d'ensemble

Entrer BIOS, l'écran suivant apparaît.



► Indicateur température

Cette partie affiche la température du processeur et de la carte mère.

► Langue

Ce menu vous permet de choisir la langue de la configuration BIOS.

► Information du système

Cette partie affiche l'heure, la date, le nom du CPU, la fréquence CPU, la fréquence DRAM, la capacité DRAM et la version BIOS.

► Sélection du menu BIOS

Les options suivantes sont disponibles :

- **SETTINGS** - Utilisez ce menu pour spécifier vos réglages du chipset et des périphériques de démarrage.
- **OC** - Ce menu permet l'ajustement des fréquences et des tensions. L'augmentation de la fréquence permettra de meilleures performances, néanmoins une haute fréquence, produit plus de chaleur et pourrait entraîner une instabilité, nous déconseillons aux utilisateurs non initiés d'overclocker.
- **M-FLASH** - Ce menu fournit la méthode pour mettre à jour le BIOS avec un disque flash USB.
- **OC PROFILE** - Ce menu sert à régler divers profils d'overclocking.
- **HARDWARE MONITOR** - Ce menu permet de régler la vitesse des ventilateurs et de surveiller les tensions du système.
- **BOARD EXPLORER** - Il fournit les informations relatives aux périphériques installés sur la carte mère.

► Barre priorité de périphérique démarrage

Bougez les icônes des périphériques pour changer la priorité au démarrage.



Haute priorité —————> Basse priorité

► Ecran de menu

Cette zone fournit les réglages BIOS et les informations qui permettent de changer les paramètres.

► Bouton OC Genie virtuel

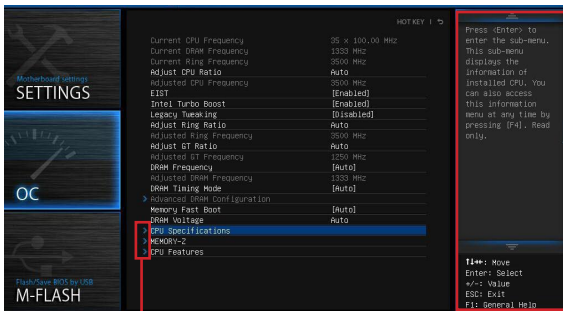
Activer ou désactiver la fonction OC Genie en cliquant sur ce bouton. Lorsqu'il est activé, le bouton s'allume. Activer la fonction OC Genie peut automatiquement over-clocker avec le profil d'overclocking optimisé MSI.



Il est conseillé de ne faire aucune modification au menu OC ni de charger les valeurs par défaut après l'activation de la fonction OC Genie.

► Nom du modèle

Affiche le nom du modèle de cette carte mère.



Aide générale

Sous-Menu

► Sous-menu


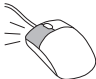

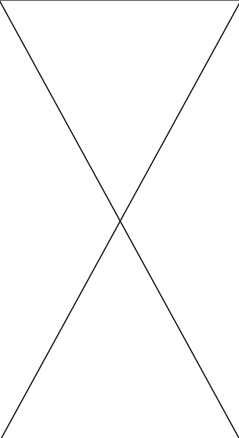
Si vous avez un symbole de flèche à gauche de certains champs, cela signifie qu'un sous-menu servant à modifier d'autres options est disponible. Vous pouvez utiliser les flèches ou la souris pour illuminer le champ puis appuyer sur <Enter> ou double cliquer sur la souris pour entrer dans le sous-menu.

► Aide générale

L'Aide générale affiche une brève description pour vous aider à saisir les menus sélectionnés.

Opération

Vous pouvez contrôler le réglage BIOS avec la souris et le clavier. La liste ci-dessous décrit les opérations des touches raccourcis et de la souris.

Touches	Souris	Description
<↑↓→←>	 Choisir un champ	Choisir un article
<Enter>	 Cliquer/ Double-cliquer le bouton gauche	Choisir une icône/ un domaine
<Esc>	 Cliquer le bouton droite	Retourner au menu Exit ou revenir à la page précédente d'un sous-menu
<+>		Augmenter la valeur numérique ou faire un changement
<->		Diminuer la valeur numérique ou faire un changement
<F1>		Aide générale
<F4>		CPU Spécifications
<F5>		Entrer dans Memory-Z
<F6>		Charger les réglages optimaux par défaut
<F8>		Charger les profils OC de USB
<F9>		Conserver les profils OC à USB
<F10>		Conserver les changement et réinitialiser
<F12>		Conserver une capture d'écran sur un lecteur USB FAT/FAT32

OC Menu

Ce menu est destiné aux utilisateur avancés souhaitant overclocker la carte mère.



Important

- L'Overclocking manuel du PC n'est recommandé que pour les utilisateurs avancés.
- L'Overclocking n'est pas garanti, et une mauvaise manipulation peut invalider votre garantie et endommager sévèrement votre matériel.
- Si vous n'êtes pas familier avec l'overclocking, nous recommandons d'utiliser OC Genie pour un overclocking simplifié et plus stable.

► Current CPU/ DRAM/ Ring Frequency

Ces menus affichent la fréquence actuelle du CPU installé, de la mémoire et du Ring. En lecture seule.

► Adjust CPU Ratio [Auto]

Définit le ratio CPU qui sert à déterminer la vitesse d'horloge CPU. Ce menu peut être modifié uniquement si le CPU prend cette fonction en charge.

► Adjusted CPU Frequency

Montre la fréquence ajustée du CPU. En lecture seule.

► EIST [Enabled]

Active ou désactive Enhanced Intel® SpeedStep Technology.

► Intel Turbo Boost [Enabled]

Active ou désactive Intel® Turbo Boost. Ce menu peut être modifié uniquement si le CPU installé prend cette fonction en charge.

[Enabled] Active la fonction d'augmenter automatiquement les performances du CPU, supérieures à la spécification nominale lorsque le système exige un état de performance de plus élevée.

[Disabled] Désactive cette fonction.

► **Legacy Tweaking [Disabled]**

Active ou désactive pour améliorer la performance de l'application de référence legacy comme 3DMark 01.

[Enabled] Active cette fonction pour améliorer la performance 3DMark 01.

[Disabled] Désactive cette fonction.

► **Adjust Ring Ratio [Auto]**

Définit le ratio ring. La gamme de valeurs validée dépend du CPU installé.

► **Adjusted Ring Frequency**

Montre la fréquence ajustée Ring. En lecture seule.

► **Adjust GT Ratio [Auto]**

Définit le ratio graphique intégré. Gamme de valeurs validée dépend du CPU installé.

► **Adjusted GT Frequency**

Affiche la fréquence graphique intégrée. En lecture seule.

► **DRAM Frequency [Auto]**

Définit la fréquence DRAM. Veuillez noter que le comportement d'overclocking n'est pas garanti.

► **Adjusted DRAM Frequency**

Montre la fréquence ajustée DRAM. En lecture seule.

► **DRAM Timing Mode [Auto]**

Choisit le mode de latences mémoire.

[Auto] DRAM timings sera déterminé selon le SPD (Serial Presence Detect) des modules de mémoire installés.

[Link] Ceci vous permet de configurer les latences DRAM manuellement pour tous les canaux de mémoire.

[UnLink] Ceci vous permet de configurer les latences DRAM manuellement pour chaque canal de mémoire.

► **Advanced DRAM Configuration**

Appuyez sur <Enter> pour entrer dans le sous-menu. Ce sous-menu est activé par le réglage en [Link] ou [Unlink] dans "DRAM Timing Mode". L'utilisateur peut régler la synchronisation de mémoire pour chaque canal de mémoire. Le système peut être instable ou ne peut plus redémarrer après le changement de la synchronisation de la mémoire. Dans ce cas-là, veuillez effacer les données CMOS et remettre le réglage par défaut. (Se référer à l'interrupteur/ au bouton Clear CMOS pour effacer les données CMOS, et entrer dans le BIOS pour charger les réglages par défaut.)

► **Memory Fast Boot [Auto]**

Active ou désactive l'initialisation et le test de la mémoire à chaque démarrage.

[Auto] Ce réglage est automatiquement configuré par le BIOS.

[Enabled] La mémoire imitera complètement l'archive de la première initiation et de la première formation. La mémoire n'est ensuite plus initialisée ni testée au moment du démarrage, de façon à accélérer le démarrage du système.

[Disabled] La mémoire est initialisée et testée à chaque démarrage.

► **DRAM Voltage [Auto]**

Définit la tension de mémoire. En "Auto", le BIOS définit automatiquement la tension de mémoire. Vous pouvez également la régler manuellement.

► CPU Specifications

Appuyez sur <Enter> pour entrer dans le sous-menu. Ce sous-menu affiche l'information du CPU installé. Vous pouvez également accéder au menu d'information à tout temps en appuyant sur [F4]. En lecture seule.

► CPU Technology Support

Appuyez sur <Enter> pour entrer dans le sous-menu. Ce sous-menu affiche les principales fonctions prises en charge par le CPU installé. En lecture seule.

► MEMORY-Z

Appuyez sur <Enter> pour entrer dans le sous-menu. Ce sous-menu affiche tous les réglages et délai de la mémoire installée. Vous pouvez également accéder au menu d'information à tout temps en appuyant sur [F5].

► DIMM1~2 Memory SPD

Appuyez sur <Enter> pour entrer dans le sous-menu. Ce sous-menu affiche l'information de la mémoire installée. En lecture seule.

► CPU Features

Appuyez sur <Enter> pour entrer dans le sous-menu.

► Hyper-Threading Technology [Enabled]

Le processeur utilise la technologie Hyper-Threading pour augmenter le taux de transaction et réduire le temps de réponse utilisateur. La technologie traite les multi cœurs dans le processeur comme des multi processeurs logiques qui exécutent les instructions simultanément. Dans ce cas-là, la performance du système est considérablement augmentée.

[Enabled] Active la technologie Intel Hyper-Threading.

[Disabled] Désactive ce menu si le système ne prend pas la fonction HT en charge.

► Active Processor Cores [All]

Ce menu vous permet de choisir le nombre de cœurs actifs du processeur.

► Limit CPUID Maximum [Disabled]

Active ou désactive la valeur étendue CPUID.

[Enabled] Le BIOS limite la valeur d'entrée maximum CPUID pour contourner le problème de démarrage de l'ancien système d'exploitation ne prenant pas en charge le processeur avec la valeur étendue CPUID.

[Disabled] Utilise la valeur d'entrée maximum actuelle CPUID.

► Execute Disable Bit [Enabled]

La fonctionnalité Intel's Execute Disable Bit prévient certains niveaux d'attaques malveillantes de "buffer overflow" dans lesquelles les vers essaient d'exécuter un code pour endommager le système. Il est recommandé de toujours garder ce élément activé.

[Enabled] Active la protection NO-Execution pour prévenir les attaques malveillantes et les vers.

[Disabled] Désactive cette fonction.

► Intel Virtualization Tech [Enabled]

Active ou désactive la technologie Intel Virtualization.

[Enabled] Active la technologie Intel Virtualization et autoriser une plate-forme visant à faire fonctionner plusieurs systèmes d'exploitation dans des partitions indépendantes. Le système peut fonctionner virtuellement comme des systèmes multiples.

[Disabled] Désactive cette fonction.

► Hardware Prefetcher [Enabled]

Active ou désactive le prefetcher matériel (MLC Streamer prefetcher).

[Enabled] Permet au prefetcher matériel d'acquérir automatiquement les données et les instructions dans le cache L2 de la mémoire pour ajuster les performances du CPU.

[Disabled] Désactive le prefetcher matériel.

► Adjacent Cache Line Prefetch [Enabled]

Active ou désactive le prefetcher matériel CPU (MLC Spatial prefetcher).

[Enabled] Active le prefetcher de la ligne de cache adjacente pour réduire le temps de latence et ajuster les performances dans l'application spécifique.

[Disabled] Active seulement la ligne de cache exigée.

► CPU AES Instructions [Enabled]

Active ou désactive le support CPU AES (Advanced Encryption Standard-New Instructions). Ce menu apparaît si le CPU prend cette fonction en charge.

[Enabled] Active le support Intel AES.

[Disabled] Désactive le support Intel AES.

► Intel Adaptive Thermal Monitor [Enabled]

Active ou désactive la fonction de régulation adaptative de la température du moniteur Intel pour protéger le CPU contre la surchauffe.

[Enabled] Ralentit l'horloge du cœur CPU lorsque sa température dépasse la température du régulateur adaptatif.

[Disabled] Désactive cette fonction.

► Intel C-State [Auto]

C-state est une technologie de gestion d'alimentation processeur, définie par ACPI.

[Auto] Ce réglage est configuré automatiquement par le BIOS.

[Enabled] Détecte l'état de repos du système et réduit en conséquence la consommation d'énergie du CPU.

[Disabled] Désactive cette fonction.

► C1E Support [Disabled]

Active ou désactive la fonction C1E pour l'économie d'énergie en état d'arrêt. Ce menu apparaît lorsque "Intel C-State" est activé.

[Enabled] Active la fonction C1E pour réduire la fréquence et la tension CPU visant à économiser l'énergie en état d'arrêt.

[Disabled] Désactive cette fonction.

► **Package C State limit [Auto]**

Ce menu permet de choisir un mode C-state de CPU pour économiser l'énergie lorsque le système est au repos. Ce menu apparaît lorsque "Intel C-State" est activé.

[Auto] Ce réglage est configuré automatiquement par le BIOS.

[C0~C7s] Le niveau d'économie d'énergie du plus élevé au plus bas est C7s, C7, C6, C3, C2, puis C0.

[No limit] Aucune limite C-state pour le CPU.

► **LakeTiny Feature [Disabled]**

Active ou désactive la fonction Intel Lake Tiny avec iRST pour SSD. Cet article apparaît lorsque le CPU installé prend cette fonction en charge et que "Intel C-State" est activé.

[Enabled] Améliore les performances ajustées de charge ES dynamique pour accélérer la vitesse SSD.

[Disabled] Désactive cette fonction.

Remarque : Les menus ci-dessous apparaissent lorsque "Intel Turbo Boost" est activé.

► **Long Duration Power Limit (W) [Auto]**

Définit la limite d'alimentation de longue durée TDP pour le CPU en mode Turbo Boost.

► **Long Duration Maintained (s) [Auto]**

Définit le temps de maintien pour "Long duration power Limit(W)".

► **Short Duration Power Limit (W) [Auto]**

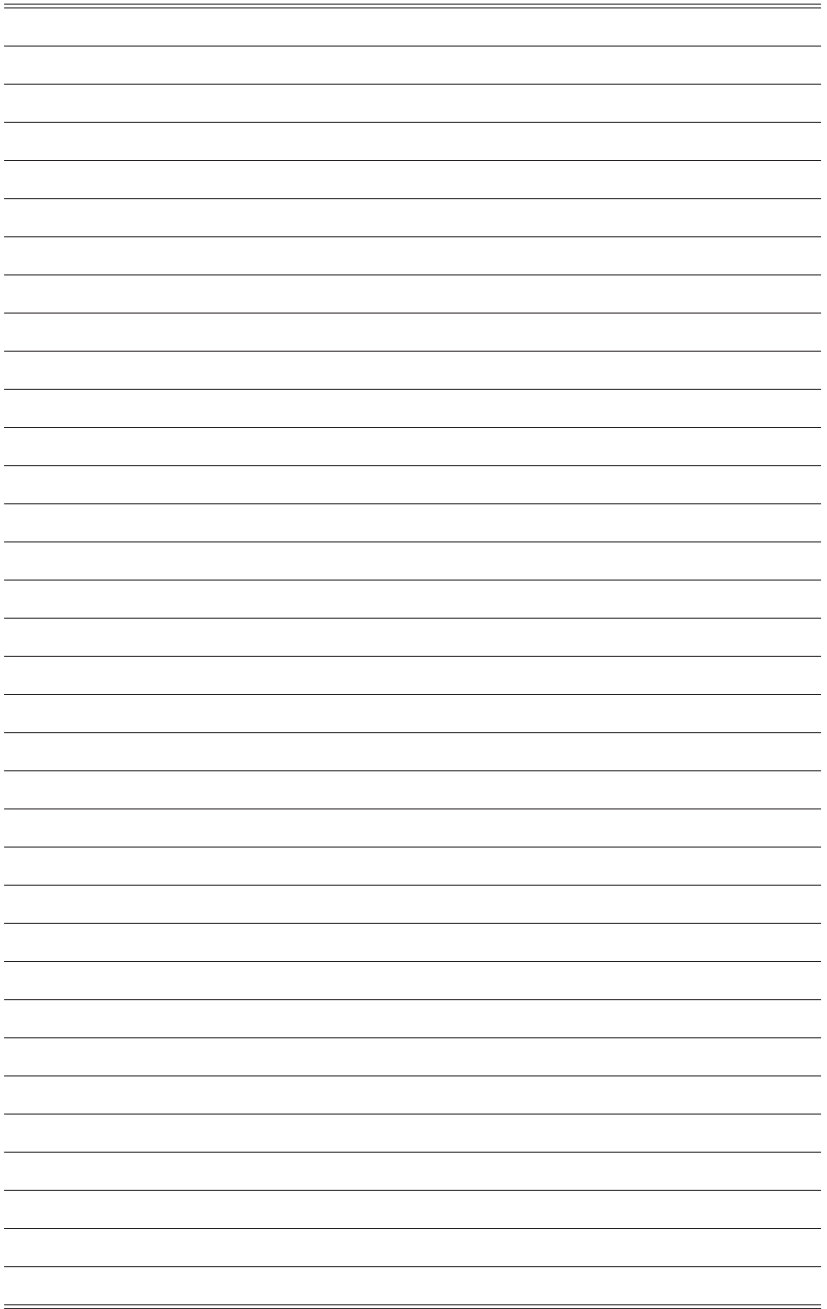
Définit la limite d'alimentation de courte durée TDP pour le CPU en mode Turbo Boost.

► **CPU Current limit (A) [Auto]**

Définit la limite actuelle maximum du paquet CPU en mode Turbo Boost. Lorsque la valeur actuelle est supérieure à la valeur spécifiée, le CPU réduit automatiquement la fréquence du cœur pour réduire la limite actuelle.

► **1/2/3/4-Core Ratio Limit [Auto]**

Ces menus apparaissent uniquement si le CPU installé prend cette fonction en charge. Ces menus permettent de régler le ratio CPU pour différents nombres de cœurs en mode turbo boost. Ces menus apparaissent si le processeur installé prend cette fonction en charge.



Русский

Благодарим вас за выбор системной платы серии H81I/ H81I-S01 (MS-7851 v2.X) Mini-ITX. Материнские платы серии H81I/ H81I-S01 на базе чипсета Intel® H81 и обеспечивают оптимальную производительность системы. Серия H81I/ H81I-S01 обеспечивает высокую производительность и является профессиональной платформой для настольных ПК, благодаря совместимости с усовершенствованным процессором Intel® LGA1150.

Характеристики материнской платы

Поддержка процессоров	<ul style="list-style-type: none"> ■ Поддержка процессоров Intel® Core™ i7 / Core™ i5 / Core™ i3 / Pentium® / Celeron® 4-го поколения для сокета LGA 1150
Чипсет	<ul style="list-style-type: none"> ■ Intel® H81 Express
Память	<ul style="list-style-type: none"> ■ 2x DDR3 слота памяти с поддержкой до 16ГБ ■ Поддержка DDR3 1600/ 1333/ 1066 МГц ■ Двухканальная архитектура памяти ■ Поддержка non-ECC, небуферизованной памяти ■ Поддержка Intel® Extreme Memory Profile (XMP)
Слоты расширения	<ul style="list-style-type: none"> ■ 1x слот PCIe 2.0 x16
Встроенная графика	<ul style="list-style-type: none"> ■ 1x порт VGA, с поддержкой максимального разрешения 1920x1200 @ 60Гц, 24bpp ■ 1x порт DVI-D, с поддержкой максимального разрешения 1920x1200 @ 60Гц, 24bpp ■ 1x порт HDMI, с поддержкой максимального разрешения 2560x1600@60Гц, 24bpp/ 1920x1080@60Гц, 36bpp* <p>* Только для H81I.</p>
Устройства хранения данных	<ul style="list-style-type: none"> ■ Чипсет Intel H81 Express <ul style="list-style-type: none"> - 2x порта SATA 6Гб/с (SATA1~2) - 2x порта SATA 3Гб/с (SATA3~4)
USB	<ul style="list-style-type: none"> ■ Чипсет Intel H81 Express <ul style="list-style-type: none"> - 2x порта USB 3.0 (2 порта доступны через внутренние USB 3.0 разъемы) - 6x портов USB 2.0 (2 порта на задней панели, 4 порта доступны через внутренние USB 2.0 разъемы)* - 8x портов USB 2.0 (4 порта на задней панели, 4 порта доступны через внутренние USB 2.0 разъемы)** <p>* Только для H81I. ** Только для H81I-S01.</p>
	<ul style="list-style-type: none"> ■ RENESAS UPD720202 chip <ul style="list-style-type: none"> - 2x USB 3.0 ports (2 порта на задней панели)* <p>* Только для H81I.</p>
Аудио	<ul style="list-style-type: none"> ■ Realtek® ALC887 Codec <ul style="list-style-type: none"> - 7.1-канальный High Definition Audio - Поддержка выход S/PDIF
LAN	<ul style="list-style-type: none"> ■ Realtek® RTL8111G Гигабитный Сетевой контроллер
Разъемы на задней панели	<ul style="list-style-type: none"> ■ 1x комбинированный порт PS/2 клавиатуры/ мыши ■ 2x порта USB 2.0, 2x порта USB 3.0 (для H81I) ■ 4x порта USB 2.0 (для H81I-S01) ■ 1x порт VGA ■ 1x порт DVI-D ■ 1x порт HDMI (для H81I) ■ 1x оптический разъем S/PDIF ВЫХОД ■ 1x порт LAN (RJ45) ■ 3x аудиоразъемов

Разъемы на плате	<ul style="list-style-type: none"> ■ 1x 24-контактный ATX основной разъем питания ■ 1x 4-контактный ATX 12В разъем питания ■ 4x разъемов SATA ■ 2x разъемы USB 2.0 (Поддержка 4 дополнительных портов USB 2.0) ■ 1x разъем USB 3.0 (Поддержка 2 дополнительных портов USB 3.0) ■ 1x 4-контактный разъем вентилятора ЦП ■ 1x 4-контактный разъем вентилятора системы ■ 1x перемычка очистки CMOS ■ 1x аудиоразъем на передней панели ■ 2x разъемы панели системы ■ 1x разъем последовательного порта ■ 1x разъем TPM ■ 1x разъем датчика открывания корпуса
Контроллер ввода-вывода	<ul style="list-style-type: none"> ■ NUVOTON NCT5533 Чип-контроллера
Hardware Монитор	<ul style="list-style-type: none"> ■ Детектирование температуры CPU/Системы ■ Детектирование скорости вентилятора CPU/Системы ■ Контроль скорости вентилятора CPU/Системы
Функции BIOS	<ul style="list-style-type: none"> ■ 64 Мб флэш ■ UEFI AMI BIOS ■ ACPI 5.0, PnP 1.0a, SM BIOS 2.7, DMI 2.0 ■ Multi-язык
Особенные функции	<ul style="list-style-type: none"> ■ Military Class 4 ■ OC Genie 4 ■ Click BIOS 4 ■ Общий контроль вентилятора ■ Command Center
Программное обеспечение	<ul style="list-style-type: none"> ■ Драйверы ■ MSI <ul style="list-style-type: none"> - Command Center - Super Charger - Live Update 5 - Fast Boot ■ 7-ZIP ■ Intel Extreme Tuning Utility ■ Norton Internet Security Solution ■ Trend Micro SafeSync ■ Network genie
Форм-фактор	<ul style="list-style-type: none"> ■ Mini-ITX Форм-факторы ■ 6.7 дюймов x 6.7 дюймов (17 см x 17 см)

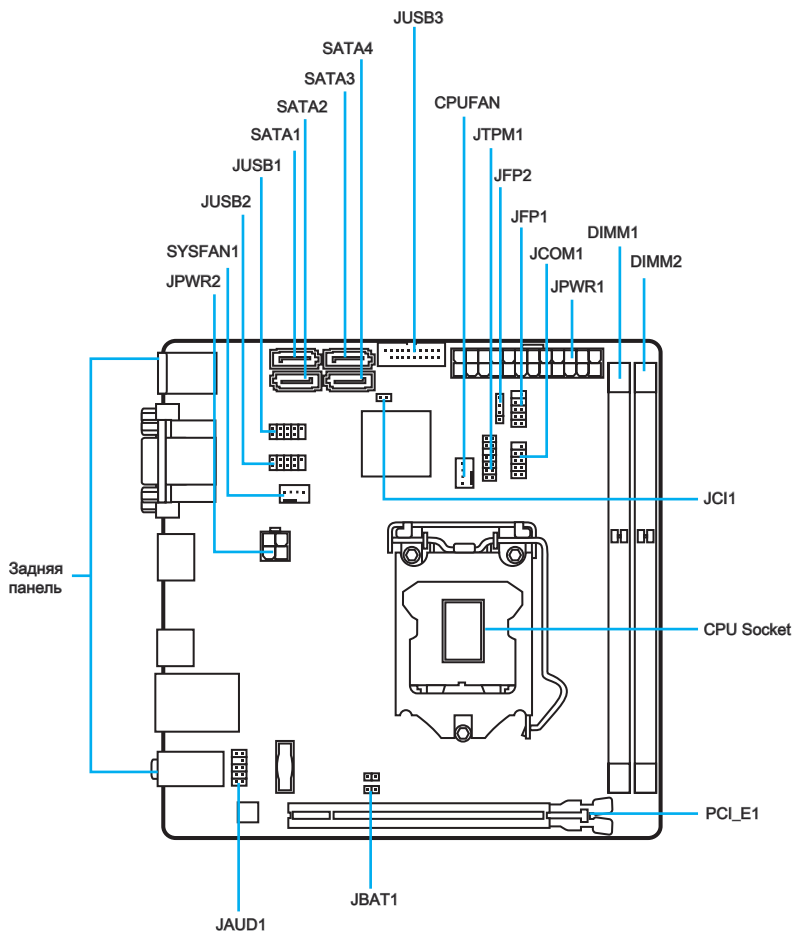


Последние сведения о поддержке ЦП см. на веб-странице
<http://www.msi.com/service/cpu-support/>



Дополнительные сведения о совместимых компонентах см.
на веб-странице
<http://www.msi.com/service/test-report/>

Краткое руководство по разъемам

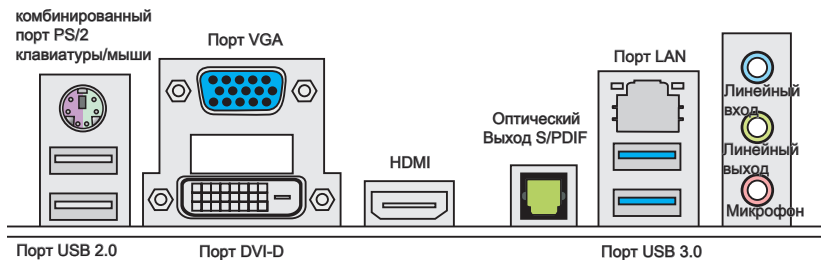


Справочное руководство по разъемам

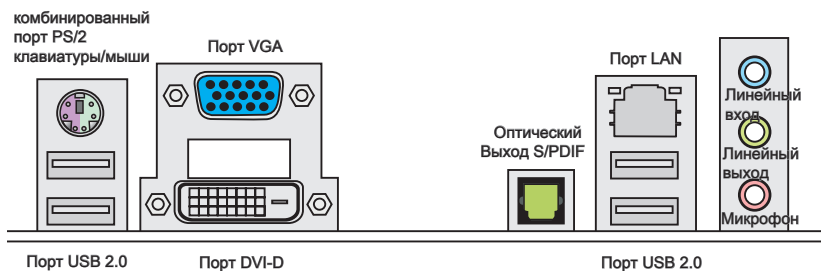
Наименование порта	Тип порта	Страница
Разъемы на задней панели		Ru-6
CPU	Разъем LGA1150 CPU	Ru-10
CPUFAN,SYSFAN1	Разъемы питания вентиляторов	Ru-19
DIMM1~2	Слоты для модулей памяти DDR3	Ru-13
JAUD1	Аудиоразъем на передней панели	Ru-22
JBAT1	Переключатель очистки данных CMOS	Ru-23
JCI1	Разъем датчика открывания корпуса	Ru-19
JCOM1	Разъем последовательного порта	Ru-22
JFP1, JFP2	Разъемы передней панели	Ru-20
JPWR1~2	ATX разъем питания	Ru-15
JTPM1	Разъем модуля TPM	Ru-23
JUSB1/ JUSB2	Разъемы расширения USB 2.0	Ru-21
JUSB3	Разъем расширения USB 3.0	Ru-21
PCI_E1	Слот расширения PCIe 2.0	Ru-16
SATA1~4	Разъемы SATA	Ru-18

Краткое руководство по работе с задней панелью

H81I



H81I-S01



► **Комбинированный порт PS/2 клавиатуры/мыши**

Комбинированный разъем DIN PS/2® для подключения мыши/клавиатуры с интерфейсом PS/2®.

► **Порт USB 2.0**

Порт USB 2.0 предназначен для подключения USB 2.0-устройств, таких как клавиатура, мышь и другие USB 2.0-совместимые устройства.

► **Порт VGA**

Разъем DB15 гнездового типа для подключения монитора.

► **Порт DVI-D**

Разъем DVI-D (цифровой видеоинтерфейс) подключается к ЖК или ЭЛТ монитору с помощью переходника. Подробную информацию о подключении монитора см. в руководстве к монитору.



► **Порт HDMI (для H81)**

Мультимедийный интерфейс высокой четкости (HDMI) представляет собой полностью цифровой аудио- видеоинтерфейс, позволяющий передавать несжатые потоки данных. Интерфейс HDMI обеспечивает передачу ТВ-сигнала по одному кабелю в любом формате, включая телевидение стандартной, повышенной и высокой четкости, а также многоканальный цифровой звук.



Внимание

Данная платформа поддерживает функции *dual-display* (два дисплея).

	Режим Dual-display
	VGA+DVI-D/ DVI-D+HDMI/ HDMI+VGA
Режим расширения (Расширение рабочего стола на другой монитор)	○
Режим «клонирование» (Изображения на мониторах совпадают)	○

► **Оптический выход S/PDIF**

Разъем S/PDIF (цифровой интерфейс Sony/Philips) предназначен для передачи цифрового аудио на внешние громкоговорители через оптоволоконный кабель.

► Порт USB 3.0 (Для H811)

Порт USB 3.0 обратно совместим с устройствами USB 2.0. Поддержка передачи данных со скоростью до 5 Гбит/с (SuperSpeed).



Внимание

Для использования устройств USB 3.0 их следует подключать к порту USB 3.0. Используемый USB-кабель должен быть совместим со стандартом USB 3.0.

► Порт LAN

Стандартный разъем RJ-45 для подключения к локальной вычислительной сети (LAN).

	Индикатор	Состояние индикатора	Описание
	Link/ Activity LED (Подключение/ Работа индикатора)	Выкл.	Не подключен
		Желтый	Подключен
		Мигает	Передача данных
	Speed LED (Скорость передачи данных)	Выкл.	10 Мбит/с подключение
		Зеленый	100 Мбит/с подключение
Оранжевый		1 Гбит/с подключение	

► Аудиоразъемы

Эти разъемы используются для подключения аудиоустройств. Цвет гнезда определяет функцию разъема.

- Голубой-линейный вход: Служат для подключения внешних источников звукового сигнала.
- Зеленый — линейный выход: Разъем для подключения динамиков или наушников.
- Розовый — микрофон: Разъем для подключения микрофона.

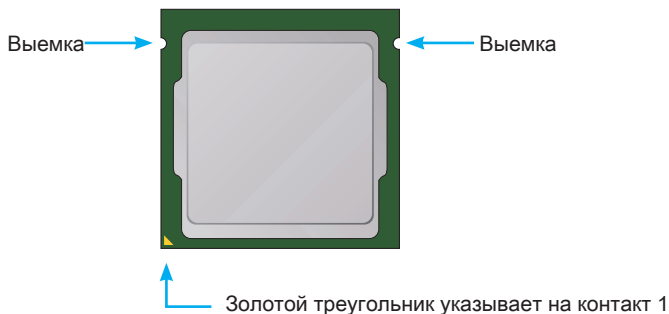
Конфигурации 2, 4, 6 или 8-канальной аудио-выход

Порт	2-канальный	4-канальный	6-канальный	8-канальный
Синий	Линейный вход	RS-выход	RS-выход	RS-выход
Зеленый	Линейный выход	FS-выход	FS-выход	FS-выход
Розовый	Микрофон	Микрофон	CS-выход	CS-выход
Аудио на передней панели	-	-	-	SS-выход

ЦП (центральный процессор)

Процессор LGA 1150

На поверхности процессора LGA 1150 имеются два знака совмещения и золотой треугольник для правильной установки процессора относительно материнской платы. Золотой треугольник указывает на контакт 1.



Внимание

Перегрев

Перегревание может привести к серьезному повреждению процессора и материнской платы. Всегда проверяйте работоспособность вентилятора для защиты процессора от перегрева. При установке вентилятора нанесите ровный слой термопасты (или термоленту) между ЦП и вентилятором для увеличения теплопередачи.

Замена ЦП

При замене процессора всегда отключайте блок питания системы и вынимайте шнур питания из розетки, чтобы избежать повреждения процессора.

Разгон

Эта системная плата разработана с учетом возможности "разгона". Перед выполнением разгона системы убедитесь в том, что все компоненты системы смогут выдержать разгон. Производитель не рекомендует использовать параметры, выходящие за пределы технических характеристик устройств. Гарантия MSI не распространяется на повреждения и другие возможные последствия ненадлежащей эксплуатации и несоблюдения технических характеристик изделия.

Установка ЦП и радиатора

При установке процессора обязательно установите радиатор ЦП. Радиатор ЦП предупреждает перегревание и обеспечивает стабильность работы системы. Ниже представлены инструкции по правильной установке процессора и радиатора ЦП. Неправильная установка приводит к выходу из строя процессора и материнской платы.

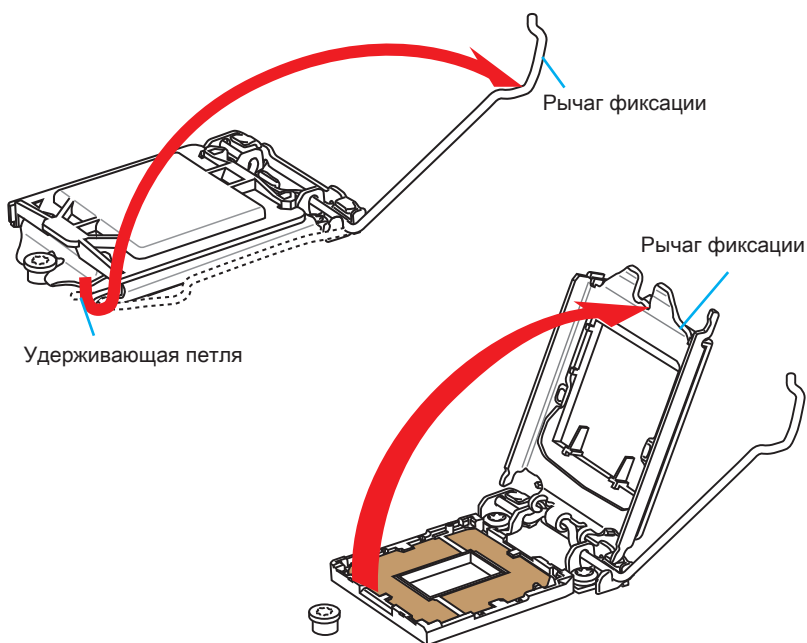


Видео Демонстрация

Смотрите видео, чтобы узнать как установить процессор и кулер:
<http://youtu.be/bf5La099url>



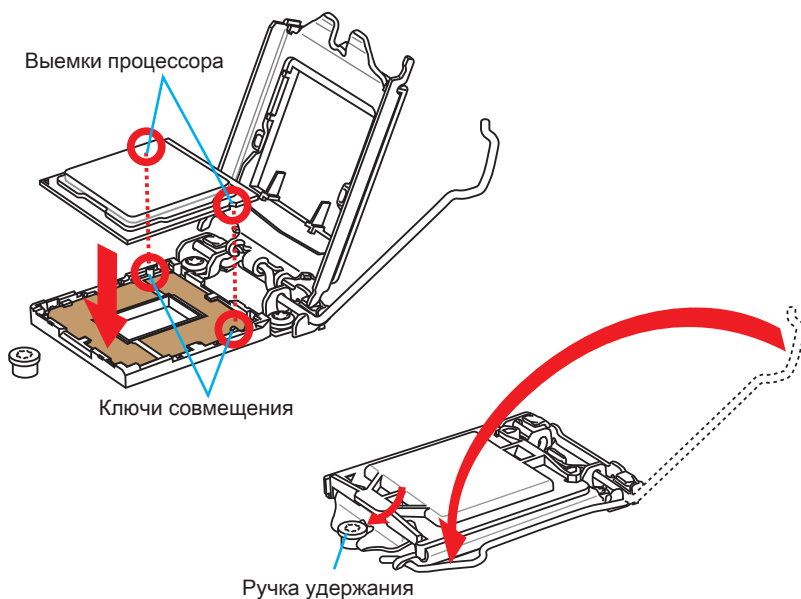
1. Отцепите и полностью поднимите рычаг фиксации.
2. При подъеме рычага фиксации автоматически поднимается прижимная пластина.



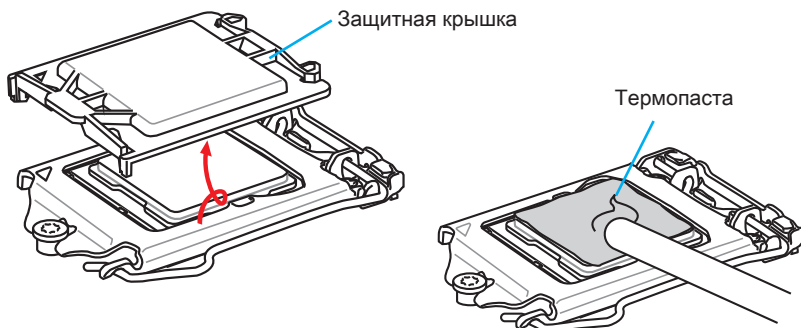
Внимание

Не трогайте контакты разъема или нижней части процессора.

3. Выровняйте выемки на процессоре к ключам совмещения на сокете.
Опустите процессор вниз, без наклона или движения процессора в сокете.
Проверьте надежность установки процессора в сокете.
4. Закройте и сдвиньте прижимную пластину под ручку удержания. Закройте и зацепите рычаг фиксации.

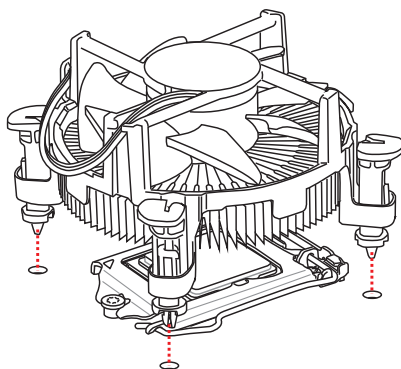
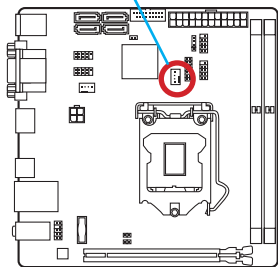


5. При нажатии на рычаг фиксации защитная крышка автоматически выскочит из гнезда процессора. Не выбрасывайте защитную крышку. Всегда устанавливайте защитную крышку, если процессор вынимается из сокета.
6. Равномерно нанесите тонкий слой термопасты (или термоленту) на верхнюю крышку процессора. Это позволит увеличить теплопередачу и предотвратит перегрев процессора.

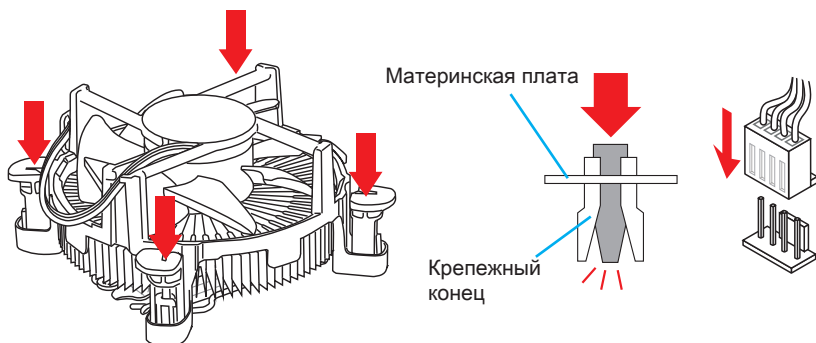


7. Найдите разъем для подключения вентилятора ЦП на материнской плате.
8. Установите кулер на материнскую плату, направив его кабель в сторону разъема для подключения вентилятора.

Разъем подключения
вентилятора



9. Нажмите на радиатор сверху так, чтобы закрепить четыре защелки в отверстиях на материнской плате. Нажмите на защелки для закрепления вентилятора. Каждый из защелок фиксируется с характерным щелчком.
10. Осмотрите материнскую плату и определите правильность закрепления зажимов.
11. И, наконец, подключите кабель вентилятора процессора к разъему вентилятора на системной плате.

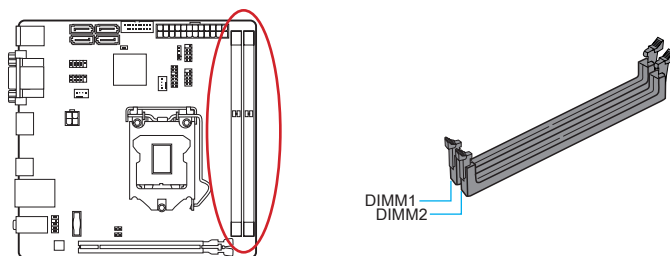


Внимание

- Перед включением системы проверьте герметичность соединения между процессором и радиатором.
- Если процессор не установлен, всегда защищайте контакты процессорного сокета пластиковой крышкой.
- Если вы приобрели отдельно процессор и процессорный кулер, подробное описание установки см. в документации в данному кулеру.

Память

Разъемы DIMM предназначены для установки модулей памяти. Подробную информацию о совместимых компонентах см. на сайте <http://www.msi.com/service/test-report/>



Видео Демонстрация

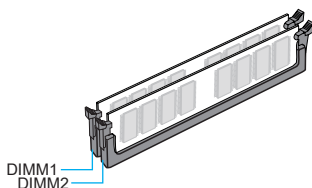
Смотрите видео, чтобы узнать как установить память по указанному адресу.

<http://youtu.be/76yLtJaKICQ>



Правила заполнения гнезд при использовании двухканального режима Dual-Channel

В двухканальном режиме модули памяти могут одновременно передавать и получать данные по двум каналам шины. Включение двухканального режима Dual-Channel может повысить производительность системы. На рисунках ниже показаны правила заполнения гнезд памяти при использовании двухканального режима Dual-Channel.

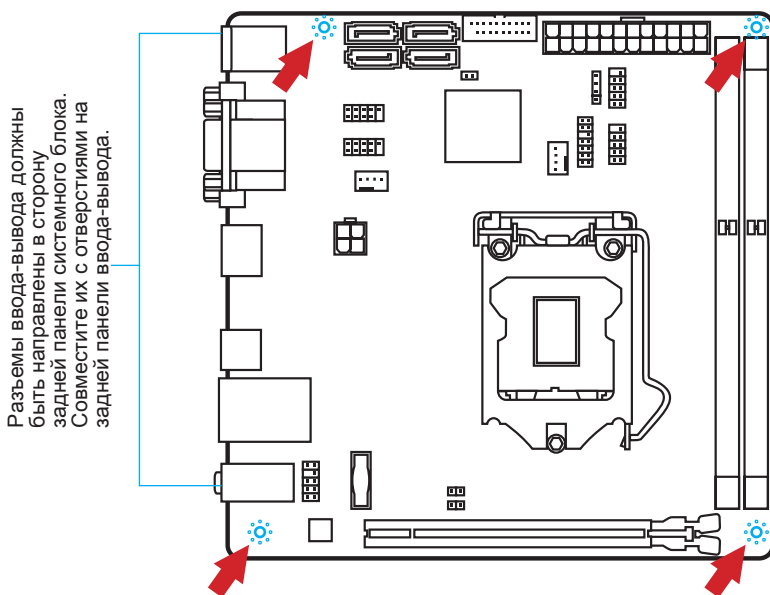


Внимание

- Модули DDR3 не взаимозаменяемы с модулями DDR2, стандарт DDR3 не поддерживает обратную совместимость. Модули памяти DDR3 следует устанавливать в разъемы DDR3 DIMM.
- Для обеспечения стабильной работы системы в двухканальном режиме устанавливаются модули памяти одинакового типа и емкости.
- В связи со спецификой использования ресурсов микропроцессора, при установке модулей памяти емкостью 8 ГБ во все разъемы DIMM системная память определяется только до 15+ ГБ (неполные 16 ГБ).

Отверстия под установочные винты

Для установки материнской платы на монтажной плате системного блока сначала установите необходимые установочные стойки. Если в комплект поставки системного блока входит задняя панель ввода-вывода, замените ее задней панелью ввода-вывода, которая поставляется с материнской платой. Задняя панель ввода-вывода без труда устанавливается в системном блоке компьютера без применения винтов. Совместите установочные стойки монтажной платы с отверстиями под установочные винты на материнской плате и закрепите материнскую плату винтами, которые поставляются вместе с системным блоком. Ниже показано расположение отверстий под установочные винты. Дополнительную информацию см. в руководстве к системному блоку.



Внимание

- Положите материнскую плату на ровную и чистую поверхность.
- Во избежание повреждения материнской платы, закрепляйте электронные компоненты на установочных стойках, избегая их соприкосновения с системным блоком.
- Проверьте надежность крепления всех металлических компонентов на материнской плате или внутри системного блока. Незакрепленные детали могут привести к короткому замыканию материнской платы.

Электроснабжение



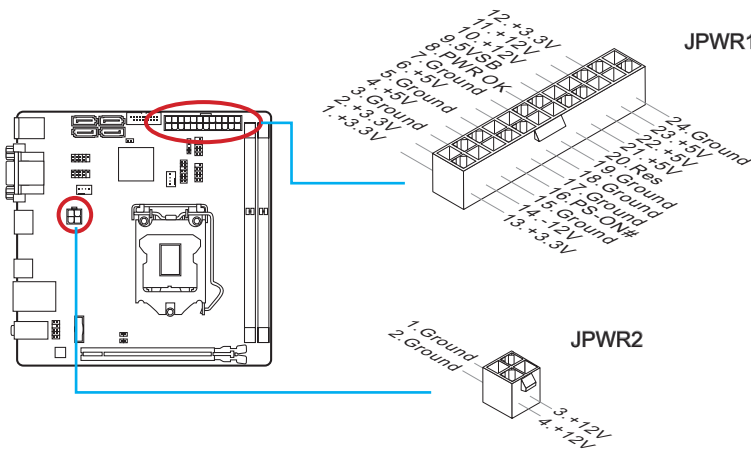
Видео Демонстрация

Смотрите видео, чтобы узнать как установить разъем питания.
http://youtu.be/gkDYyR_83I4



JPWR1~2: Разъемы питания ATX

Эти разъемы предназначены для подключения разъема питания ATX. Для подключения ATX разъема питания совместите кабель питания с разъемом и прочно закрепите его. При правильном выполнении подключения защелка на кабеле питания закрепляется в силовом разъеме материнской платы.



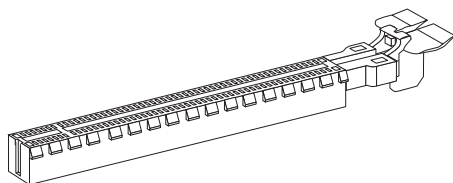
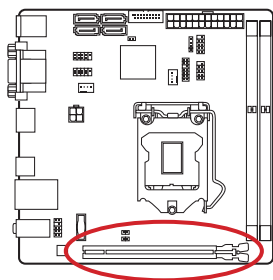
Внимание

Для обеспечения стабильной работы системной платы проверьте надежность подключения всех кабелей питания к соответствующему блоку питания ATX.

Слоты расширения

PCI_E1: PCIe 2.0 Слот Расширения

Слот PCIe поддерживает платы расширения с интерфейсом PCIe.



Внимание

Перед установкой или извлечением плат расширения убедитесь, что шнур питания отключен от электрической сети. Прочтите документацию на карту расширения и выполните необходимые дополнительные аппаратные или программные изменения для данной карты.

Видео/ Установка дискретной видеокарты

По умолчанию, данная плата использует графическое ядро интегрированное в CPU, но Вы так же можете значительно повысить графическую производительность системы, путем добавление одной или нескольких дискретных видеокарт в слоты расширения. Для лучшей совместимости рекомендуется использовать графические карты MSI.



Видео Демонстрация

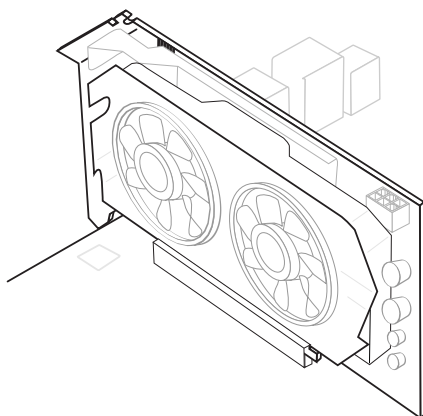
Смотрите видео, чтобы узнать как установить видеокарту на слоте PCIe x16 с замком.

http://youtu.be/mG0GZpr9w_A



Установка одной видеокарты

1. Определите тип слота расширения, который используется видеокартой. Найдите соответствующий слот(ы) на материнской плате. Выньте защитную крышку слота(ов) расширения из корпуса системного блока.
2. Расположите видеокарту над слотом(ами) для расширения так, чтобы порты подключения мониторов были направлены ко внешней стороне системного блока.
3. Вставьте видеокарту в слот(ы) расширения. В случае правильной установки карты, защелка(и) на слоте(ах) расширения должны защелкнуться.
4. При необходимости, прикрутите видеокарту к корпусу системного блока винтом. Для некоторых видеокарт требуется подключение непосредственно к блоку питания отдельным кабелем.
5. Дополнительные инструкции по установке драйверов и настройке специальных параметров представлены в руководстве пользователя к видеокарте.



Внутренние разъемы

SATA1~4: Разъемы SATA

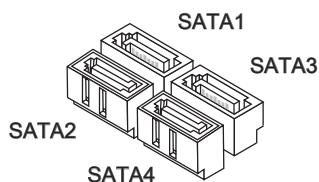
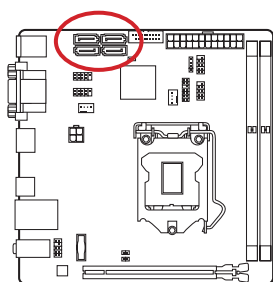
Данный разъем является высокоскоростным интерфейсом SATA. К любому разъему SATA можно подключить одно устройство SATA. К устройствам SATA относятся жесткие диски, твердотельные накопители и накопители на оптических дисках (компакт-диски/ DVD-диски/ Blu-Ray-диски).



Видео Демонстрация

Смотрите видео, чтобы узнать как установить SATA жесткие диски.

<http://youtu.be/RZsMpqxYthc>



SATA1~2 (6Гб/с, на основе Intel® H81)

SATA3~4 (3Гб/с, на основе Intel® H81)

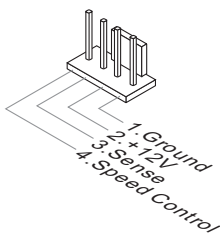
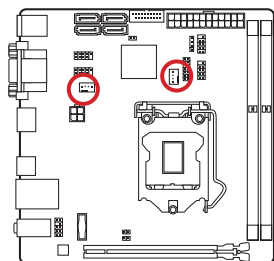


Внимание

- Многие устройства SATA требуют подключения к источнику питания с помощью кабеля питания. К таким устройствам относятся жесткие диски, твердотельные накопители и накопители на оптических дисках (компакт-диски/ DVD-диски/ Blu-Ray-диски). Дополнительную информацию можно получить в руководствах к соответствующим устройствам.
- Во многих системных блоках устройства SATA большого размера (в том числе, жесткие диски, твердотельные накопители и накопители на оптических дисках) прикрепляются с помощью винтов. Дополнительные инструкции по установке см. в руководствах к системному блоку или устройству SATA.
- Избегайте перегибов кабеля SATA под прямым углом. В противном случае, возможна потеря данных при передаче.
- Кабели SATA оснащены одинаковыми вилками с обеих сторон. Однако для экономии занимаемого пространства рекомендуется к материнской плате подключать плоский разъем.

CPUFAN, SYSFAN1: Разъемы питания вентиляторов

Разъемы питания вентиляторов поддерживают вентиляторы с питанием +12 В. Если на системной плате установлена микросхема аппаратного мониторинга, необходимо использовать специальные вентиляторы с датчиками скорости для использования функции управления вентиляторами. Обязательно подключите все системные вентиляторы. Некоторые системные вентиляторы невозможно подключить к материнской плате. Вместо этого они подключаются к источнику питания напрямую. Системные вентиляторы подключаются к свободным разъемам для вентиляторов.

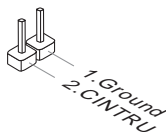
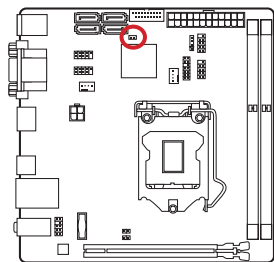


Внимание

- Для получения кулеров, рекомендованных для охлаждения процессора, обратитесь на официальный веб-сайт производителя процессора или к местному поставщику.
- Эти разъемы поддерживают функцию управления скоростью вращения вентиляторов в линейном режиме. Установите утилиту Command Center для автоматического управления скоростью вращения вентиляторов в зависимости от температуры процессора и системы.
- В том случае, если на материнской плате не достаточно разъемов для подключения всех системных вентиляторов, вентиляторы подключают напрямую к источнику питания с помощью переходника.
- Перед первой загрузкой проверьте, чтобы кабели не мешали вращению вентиляторов.

JCI1: Разъем датчика открывания корпуса

К этому разъему подключается кабель датчика, установленного в корпусе. Этот датчик срабатывает при вскрытии системного блока. Система запоминает это событие и выдает предупреждение на экран. Для отключения предупреждения необходимо удалить записанное событие в настройках BIOS.



JFP1, JFP2: Разъемы панели системы

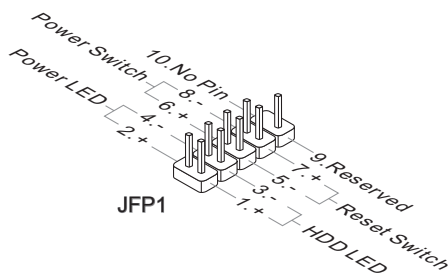
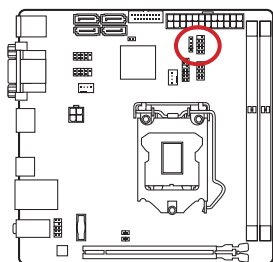
Эти разъемы служат для подключения кнопок и светодиодных индикаторов, расположенных на передней панели. Разъем JFP1 соответствует стандартам Intel® Front Panel I/O Connectivity Design. При установке разъемов передней панели для удобства используются переходники и кабели, входящие в комплект поставки. Подключите все провода системного блока к разъемам, а затем подключите разъемы к материнской плате.



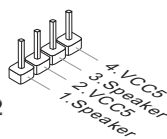
Видео Демонстрация

Смотрите видео, чтобы узнать как подключить разъемы передней панели.

<http://youtu.be/DPELIdVNZUI>



JFP1



JFP2

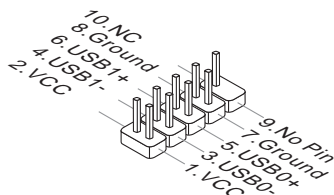
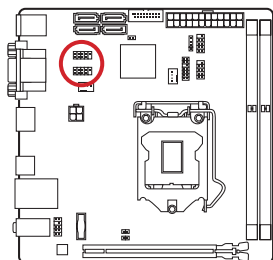


Внимание

- На разъемах, выходящих из системного блока, плюсовым проводам соответствуют контакты, обозначенные небольшими треугольниками. Для определения правильности направления и расположения служат вышеуказанные схемы и надписи на дополнительных разъемах.
- Большинство кнопок, расположенных на передней панели системного блока, подключены к разъему JFP1.

JUSB1/ JUSB2: Разъемы расширения USB 2.0

Этот разъем служит для подключения таких высокоскоростных периферийных устройств, как жесткие диски с интерфейсом USB, цифровые камеры, MP3 плееры, принтеры, модемы и т. д.

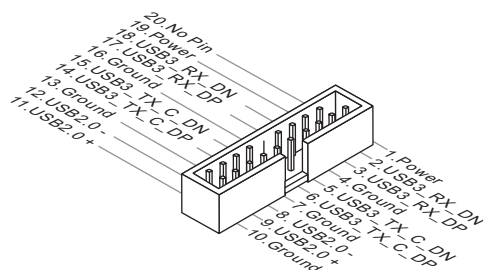
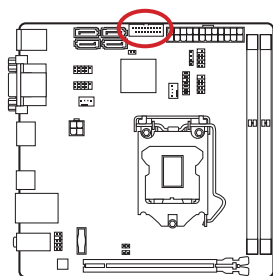


Внимание

Помните, что во избежание повреждений необходимо правильно подключать контакты VCC и GND.

JUSB3: Разъем расширения USB 3.0

Порт USB 3.0 обратно совместим с устройствами USB 2.0. Он поддерживает скорость передачи данных до 5 Гбит/с(SuperSpeed).

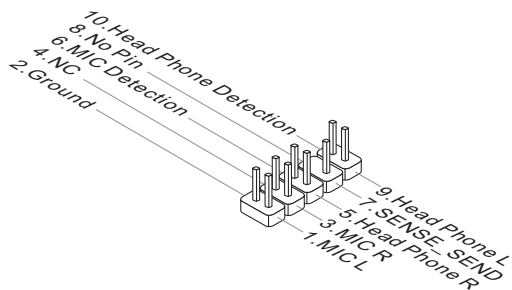
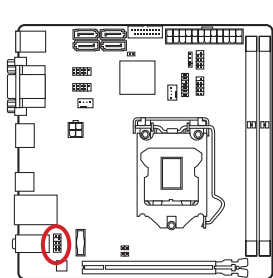


Внимание

- Помните, что во избежание повреждений необходимо правильно подключать контакты VCC и GND.
- Для использования устройства USB 3.0 подключитесь к разъему USB 3.0 с помощью кабеля USB 3.0 (приобретается дополнительно).

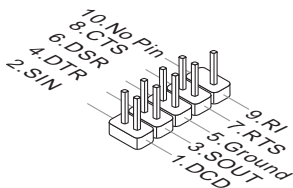
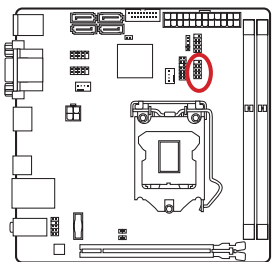
JAUD1: Аудиоразъем на передней панели

Этот разъем служит для подключения аудиоразъема на передней панели системного блока. Этот разъем соответствует стандарту Intel® Front Panel I/O Connectivity Design.



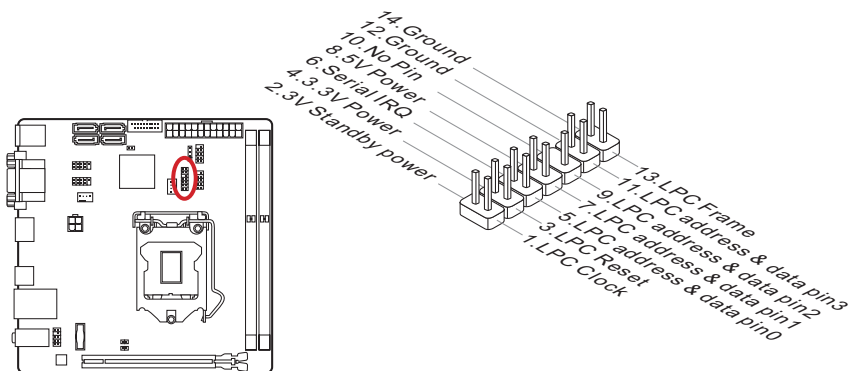
JCOM1: Разъем последовательного порта

Данный разъем является высокоскоростным последовательным портом передачи данных 16550A с 16-разрядной передачей FIFO. К этому разъему можно подключить устройство с последовательным интерфейсом.



ЖТРМ1: Разъем модуля ТРМ

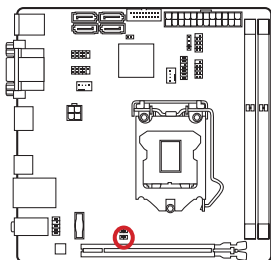
Данный разъем подключается к модулю ТРМ (Trusted Platform Module).
Дополнительные сведения см. в описании модуля безопасности ТРМ.



Перемычки

ЖВАТ1: Переключатель очистки данных CMOS

На плате установлена CMOS память с питанием от батарейки для хранения данных о конфигурации системы. С помощью памяти CMOS операционная система (ОС) автоматически загружается каждый раз при включении. Для сброса конфигурации системы (очистки данных CMOS памяти), воспользуйтесь этой переключателем.



Сохранение
данных



Очистка
данных



Внимание

Очистка CMOS памяти производится замыканием указанных контактов переключателем при выключенной системе. После выполнения очистки разомкните переключатель. Очистка CMOS памяти во время работы системы не допустима, т.к. это приведет к выходу материнской платы из строя.

Драйверы и утилиты

После установки операционной системы для достижения максимальной производительности собранного вами нового компьютера требуется установка драйверов. В комплект поставки системной платы MSI входит компакт-диск с драйверами (Driver Disc). Установка драйверов позволит использовать системную плату компьютера более эффективно, а также воспользоваться специальными функциями, которые мы предоставляем.

Вы можете защитить свой компьютер от вирусов, установив антивирусную программу защиты с данного диска. В комплект ПО включены также различные полезные и креативные утилиты.

Утилита Total Installer

Утилита Total Installer очень удобна в использовании и позволяет выполнить основную работу по поиску необходимых драйверов. Для установки драйверов и утилит на своем компьютере следуйте приведенным ниже указаниям.

1. Вставьте диск с драйверами MSI Driver Disc в привод для оптических дисков. Если в операционной системе включена функция автозапуска, автоматически отобразится экран настройки.
2. Щелкните значок Total Installer. Во всплывающем окне отобразится список всех необходимых драйверов.



Нажмите здесь

3. Установите все флажки на списке драйверов.
4. Нажмите кнопку **Install** (Установить).
5. Начнется установка программ, а после ее завершения будет предложено перезапустить систему.
6. Нажмите кнопку **OK** для завершения.
7. Перезапустите компьютер.

Для установки утилит можно использовать этот же способ.

Настройка BIOS

Утилита CLICK BIOS от MSI обеспечивает графический интерфейс пользователя для установки параметров BIOS с помощи мыши и клавиатуры.

С помощью утилиты CLICK BIOS пользователи смогут изменять параметры BIOS, следить за температурой процессора, выбирать приоритетность загрузочных устройств и просматривать информацию о системе, в частности, наименование ЦП, емкость памяти, версию ОС и версию BIOS. Пользователи смогут импортировать и экспортировать данные параметров для выполнения резервного копирования и отправки друзьям.

Вход в настройки BIOS

Включите компьютер и дождитесь начала процедуры самотестирования POST (Power On Self Test). При появлении на экране сообщения, приведенного ниже, нажмите клавишу для запуска программы настройки:

Press DEL key to enter Setup Menu, F11 to enter Boot Menu
(Нажмите на клавишу DEL для входа в меню настройки, F11 для входа в меню загрузки)

Если вы не успели нажать клавишу до отображения сообщения и по-прежнему требуется войти в программу настройки, перезапустите систему, либо включив и выключив ее, либо нажав кнопку RESET. Можно также выполнить перезагрузку, одновременно нажав клавиши <Ctrl>+<Alt>+<Delete>.

MSI также дополнительно предоставляет один метод для входа в настройки BIOS. Вы можете нажать "GO2BIOS" на экране в утилите "MSI Fast Boot" для непосредственно входа в настройки BIOS при следующей загрузке.



Нажмите "GO2BIOS" на экране утилиты "MSI Fast Boot".

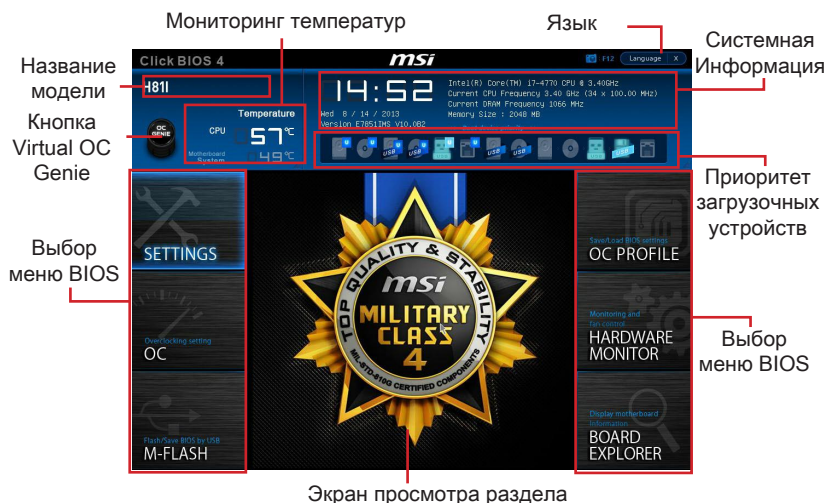


Внимание

- Не забудьте установить "MSI Fast Boot" до того как войти в настройки BIOS.
- Для улучшения работы системы содержимое каждого из разделов BIOS, рассматриваемое в данной главе, постоянно совершенствуется. Поэтому для новых версий BIOS оно может несколько отличаться от данного описания, которое можно использовать для справки.

Общие Сведения

После входа в BIOS отображается следующий экран.



► Мониторинг температур

Показывает температуру процессора и материнской платы.

► Язык

Позволяет выбрать язык для настройки BIOS.

► Системная информация

Показывает время, дату, наименование ЦП, частоту ЦП, частоту памяти, емкость памяти и версию BIOS.

► Выбор меню BIOS

Доступны следующие опции:

- **SETTINGS** - В данном меню указывают параметры настройки для микропроцессора, загрузочного устройства.
- **OC** - Данное меню содержит элементы настройки частоты и напряжения. Увеличение частоты приводит к увеличению производительности, однако это может привести к нестабильной работе системы. Мы не рекомендуем неопытным пользователям производить разгон системы.
- **M-FLASH** - Позволяет выбрать метод обновления BIOS с USB флэш-диска.
- **OC PROFILE** -Используется для настройки различных профилей разгона.
- **HARDWARE MONITOR** - Это меню используется для установки скорости вентилятора и мониторинга напряжений системы.
- **BOARD EXPLORER** - Предоставляет информации об установленных устройствах на материнской плате.

► Приоритет загрузочных устройств

Вы можете переместить иконку устройства для изменения приоритета загрузки.



Высокий приоритет —————> Низкий приоритет

► Меню

Здесь отображаются настройки BIOS дополнительная информация.

► Кнопка Virtual OC Genie

Включает или выключает функции OC Genie, при нажатии кнопки. Данная кнопка мигает при включении. Включение функции OC Genie приводит к автоматическому разгону с оптимизированным профилем MSI.

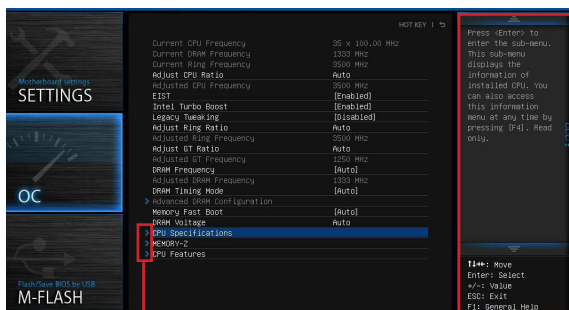


Внимание

Мы рекомендуем не делать никаких изменений в меню ОС и не загружать значения по умолчанию после включения функции OC Genie.

► Название модели

Показывает название модели материнской платы.



Общая справка

Подменю

► Подменю


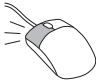

Указывающий символ слева от некоторых пунктов означает, что подменю имеет дополнительные опции. Для входа в подменю выделите пункт с помощью кнопок со стрелками, нажав клавишу <Enter>, или дважды щелкните левой кнопкой мыши.

► Общая справка

Общая справка показывает краткое описание выбранного пункта.

Работа

Вы можете управлять параметрами настройки BIOS с помощью мыши и клавиатуры. В нижеследующей таблице представлен перечень и описание «клавиш быстрого вызова» и функций мыши.

Клавиша быстрого вызова	Мыши	Описание
<↑↓→←>	 Перемещение указателя	Выбор элемента
<Enter>	 Щелчок/ Двойной щелчок левой кнопкой	Выбор значка/ поля
<Esc>	 Щелчок правой кнопкой	Переход в меню Exit(Выход) или возврат к предыдущему меню из подменю
<+>	X	Увеличение или изменение значения параметра
<->		Уменьшение или изменение значения параметра
<F1>		Общая справка
<F4>		Технические параметры процессора
<F5>		Вход в раздел Memory-Z
<F6>		Загрузить оптимизированные настройки по умолчанию
<F8>		Загрузка профиля ОС с USB флэш-накопителя
<F9>		Сохранить профиль ОС на USB флэш-накопитель
<F10>		Сохранение изменений и перезагрузка
<F12>		Сохранение снимка экрана на флэш-накопителе FAT/FAT32

Меню OC

Данное меню предназначено для опытных пользователей и предоставляет возможности для "разгона" системы.



Внимание

- Разгонять ПК вручную рекомендуется только опытным пользователям.
- Производитель не гарантирует успешность разгона. Неправильное выполнение разгона может привести к аннулированию гарантии и серьезному повреждению оборудования.
- Неопытным пользователям, рекомендуется использовать OC Genie.

▶ Current CPU/ DRAM/ Ring Frequency

Эти элементы показывают текущие частоты установленного процессора, памяти и шины Ring. Эти значения нельзя изменять.

▶ Adjust CPU Ratio [Auto]

Задание множителя процессора для установки его тактовой частоты процессора. Изменение данного параметра возможно только в том случае, если процессор поддерживает данную функцию.

▶ Adjusted CPU Frequency

Показывает текущую частоту ЦП. Это значение нельзя изменять.

▶ EIST [Enabled]

Включение или выключение технологии Enhanced Intel® SpeedStep.

► **Intel Turbo Boost [Enabled]**

Включение или выключение Intel® Turbo Boost. Этот пункт появляется, когда установленный процессор поддерживает данную функцию.

[Enabled] Включение этой функции приводит к автоматическому увеличению производительности процессора.

[Disabled] Функция выключена.

► **Legacy Tweaking [Disabled]**

Включение или выключение для повышения производительности устаревших приложений бенчмаркинга, как 3DMark 01.

[Enabled] Включение этой функции для улучшения производительности 3DMark 01.

[Disabled] Функция выключена.

► **Adjust Ring Ratio [Auto]**

Установка множителя шины Ring. Диапазон допустимых значений зависит от установленного процессора.

► **Adjusted Ring Frequency**

Показывает скорректированную частоту шины Ring процессора. Это значение нельзя изменять.

► **Adjust GT Ratio [Auto]**

Установка множителя для интегрированной графики. Диапазон допустимых значений зависит от установленного процессора.

► **Adjusted GT Frequency**

Показывает настроенную частоту интегрированной графики. Это значение нельзя изменять.

► **DRAM Frequency [Auto]**

Установка частоты памяти (DRAM). Обратите внимание, что возможность успешного разгона не гарантируется.

► **Adjusted DRAM Frequency**

Показывает текущую частоту DRAM. Это значение нельзя изменять.

► **DRAM Timing Mode [Auto]**

Выбор режима таймингов памяти.

[Auto] Временные параметры DRAM устанавливаются на основе SPD (Serial Presence Detect) модуля памяти.

[Link] Позволяет пользователю настроить тайминги DRAM вручную для всех каналов памяти.

[UnLink] Позволяет пользователю настроить тайминги DRAM вручную для соответствующего канала памяти.

► Advanced DRAM Configuration

Нажмите <Enter> для входа в подменю. Данное подменю будет доступно после установки [Link] или [Unlink] в режиме “DRAM Timing Mode”. Пользователь может настроить тайминги для каждого канала памяти. Система может работать нестабильно или не загружается после изменения таймингов памяти. Если система работает нестабильно, пожалуйста, очистите данные CMOS и восстановите настройки по умолчанию. (см. переключатель очистки данных CMOS/раздел кнопки для очистки данных CMOS и вход в BIOS, чтобы загрузить настройки по умолчанию.)

► Memory Fast Boot [Auto]

Включает или выключает инициализацию тренировки памяти при каждой загрузке.

[Auto] Этот параметр будет настроен автоматически с помощью BIOS.

[Enabled] Память будет полностью имитировать настройки при первой инициализации и тренировке. После этого память не будет инициализирована с измененными настройками для ускорения загрузки.

[Disabled] Память будет инициализирована и тренирована при каждой загрузке.

► DRAM Voltage [Auto]

Установка напряжения памяти. Если значение установлено в “Auto”, BIOS устанавливает напряжения на памяти автоматически. Вы также можете настроить его вручную.

► CPU Specifications

Нажмите <Enter> для входа в подменю. В этом подменю представлена информация об установленном процессоре. Для просмотра этой информации в любое время нажмите на кнопку [F4]. Это значение нельзя изменять.

► CPU Technology Support

Нажмите <Enter> для входа в подменю. В данном подменю отображаются основные функции, поддерживаемые установленным процессором. Это значение нельзя изменять.

► MEMORY-Z

Нажмите <Enter> для входа в подменю. В подменю выделены все параметры и тайминги установленной памяти. Для просмотра этой информации в любое время нажмите на кнопку [F5].

► DIMM1~2 Memory SPD

Нажмите <Enter> для входа в подменю. Это подменю показывает информацию об установленной памяти. Это значение нельзя изменять.

► CPU Features

Нажмите <Enter> для входа в подменю.

► Hyper-Threading Technology [Enabled]

Процессор использует технологию Hyper-threading для увеличения производительности. Технология Intel Hyper-Threading позволяет нескольким наборам регистров в процессоре исполнять инструкции одновременно. Это существенно увеличивает производительность системы.

[Enabled] Включить технологию Intel Hyper-Threading.

[Disabled] Выключите эту функцию, если система не поддерживает функцию HT.

► Active Processor Cores [All]

Этот пункт позволяет задать число активных ядер процессора.

► Limit CPUID Maximum [Disabled]

Включение или выключение расширенных значений CPUID.

[Enabled] BIOS будет ограничивать максимальное входное значение CPUID для обхода проблемы загрузки с старой операционной системы, не поддерживающие процессор с расширенными значениями CPUID.

[Disabled] Используйте фактическое максимальное входное значение CPUID.

► Execute Disable Bit [Enabled]

Функция Intel's Execute Disable Bit позволяет защититься от некоторых видов злонамеренных действий типа «ошибки переполнения буфера», при которых вирусы пытаются выполнить код, разрушающий систему. Рекомендуется не отключать данную функцию.

[Enabled] NO-Execution позволяет защититься от злонамеренных действий и вирусы.

[Disabled] Выключение этой функции.

► Intel Virtualization Tech [Enabled]

Включение или выключение технологии Intel Virtualization.

[Enabled] Включает технологии Intel Virtualization и позволяет платформу для запуска нескольких операционных систем в независимых разделах. Система может функционировать как несколько систем практически.

[Disabled] Выключение этой функции.

► Hardware Prefetcher [Enabled]

Включение или выключение аппаратного предвыборки (MLC Streamer prefetcher).

[Enabled] Позволяет автоматически предвыборки данных и инструкций из памяти в кэш L2 для настройки производительности процессора.

[Disabled] Выключение аппаратного предвыбора.

► Adjacent Cache Line Prefetch [Enabled]

Включение или выключение предвыборки процессора (MLC Spatial prefetcher).

[Enabled] Включение соседней предвыборки линии кэша для сокращения времени задержки кэш и настройки производительности для конкретного использования.

[Disabled] Включает запрашиваемую линию кэша.

► CPU AES Instructions [Enabled]

Включение или выключение поддержки CPU AES (Advanced Encryption Standard-New Instructions). Этот пункт появляется, когда процессор поддерживает эту функцию.

[Enabled] Включение поддержки Intel AES.

[Disabled] Выключение поддержки Intel AES.

► Intel Adaptive Thermal Monitor [Enabled]

Включение или выключение этой функции для защиты процессора от перегрева.

[Enabled] Уменьшает частоту ядра процессора, когда процессор превышает адаптивную температуру.

[Disabled] Выключение функции.

► Intel C-State [Auto]

C-state- это технология управления питанием процессора, определяется ACPI.

[Auto] Параметр будет настроен автоматически с помощью BIOS.

[Enabled] Определяет состояние простоя системы и значительно сокращает энергопотребление процессором.

[Disabled] Выключение функции.

► C1E Support [Disabled]

Включение или выключение функции C1E для энергосбережения в состоянии остановки. Этот элемент появляется при включении "Intel C-State".

[Enabled] Включение функции C1E для снижения частоты и напряжения процессора для энергосбережения в состоянии остановки.

[Disabled] Функция выключена.

► Package C State limit [Auto]

Данный параметр позволяет выбрать режим C-state для энергосбережения при простое системы. Этот элемент появляется при включении "Intel C-State".

[Auto] Параметр будет настроен автоматически с помощью BIOS.

[C0~C7s] Уровни энергосбережения от высокого к низкому (C7s, C7, C6, C3, C2, C0).

[No limit] Не ограничивать C-state процессора.

► LakeTiny Feature [Disabled]

Включение или выключение технологии Intel Lake Tiny с iRST для SSD. Этот элемент появляется, когда установленный процессор поддерживает данную функцию и при включении "Intel C-State".

[Enabled] Повышение динамической нагрузки IO скорректированной производительности для ускорения скорости SSD.

[Disabled] Функция выключена.

Внимание: Следующие пункты появляются при включении "Intel Turbo Boost".

► **Long Duration Power Limit (W) [Auto]**

Настроить предельную мощность TDP на длительный срок для CPU в режиме Turbo Boost.

► **Long Duration Maintained (s) [Auto]**

Настроить максимальное время работы процессора с ограничением мощности при Long Duration Power Limit.

► **Short Duration Power Limit (W) [Auto]**

Настроить предельную мощность TDP на короткий срок для процессора в режиме Turbo Boost.

► **CPU Current limit (A) [Auto]**

Устанавливает текущий максимальный предел тока в режиме Turbo Boost. Когда текущий ток превышает указанный предел, процессор будет автоматически снижать частоты ядра для уменьшения тока.

► **1/2/3/4-Core Ratio Limit [Auto]**

Эти пункты появляются, только если процессор поддерживает данную функцию. Эти элементы позволяют устанавливать процессорные множители в различных ядрах в режиме turbo boost. Пункты доступны, когда установленный процессор поддерживает эту функцию.

Installation/ Установка

This chapter provides demonstration diagrams about how to install your computer. Some of the installations also provide video demonstrations. Please link to the URL to watch it with the web browser on your phone or tablet. You may have even link to the URL by scanning the QR code.

Das vorliegende Kapitel bietet die Demo-Diagrammen, wie Sie Ihren Computer zu installieren. Einige der Installationen auch bieten die Videodemonstrationen. Bitte geben Sie die URL, um es mit dem Web-Browser auf Ihrem Handy ode Tablet zu sehen. Sie können sogar auf die URL durch das Scannen des QR Code verlinken.

Ce chapitre fournit des figures pour montrer comment installer votre ordinateur. La démonstration de vidéo est disponible pour certaines installations. Veuillez vous connecter à URL pour le voir, soit avec le navigateur de votre portable ou tablette, soit scanner le code QR.

В этой главе приведена демонстрация диаграмм о том, как установить ваш компьютер. Часть установки также предоставляет видео-демонстрации. Соединяйте на URL, чтобы посмотреть его с веб-браузером на телефоне или планшетном компьютере. Вы даже соединить на URL с помощью сканирования QR-кода.



The diagrams in this chapter are for reference only and may vary from the product you purchased.

Die Diagramme in diesem Kapitel sind nur zur Bezugnahme und können von Ihnen gekauften Produkt abweichen.

Les figures dans ce chapitre ne sont qu'à titre de référence et peuvent varier selon le modèle que vous achetez.

Диаграммы в этой главе приведены только для справки и могут отличаться от купленного вами продукта.

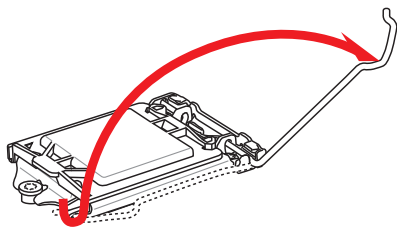
CPU



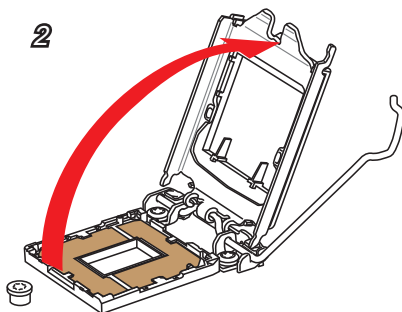
<http://youtu.be/bf5La099url>

Installation/ Установка

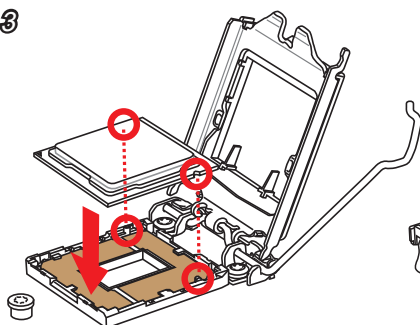
1



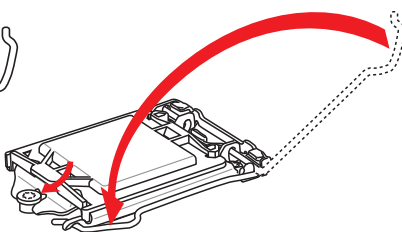
2



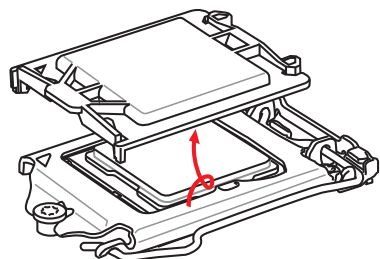
3



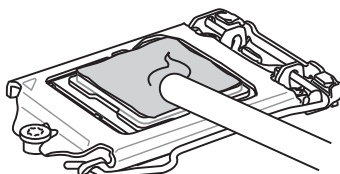
4



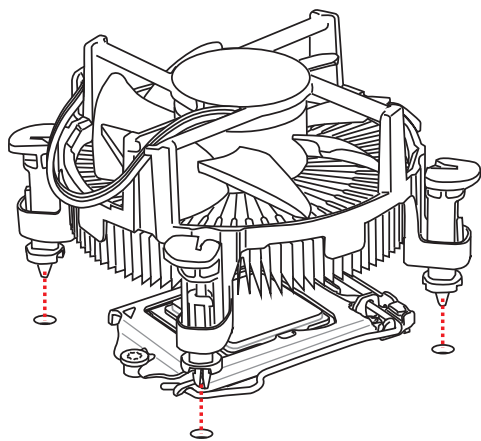
5



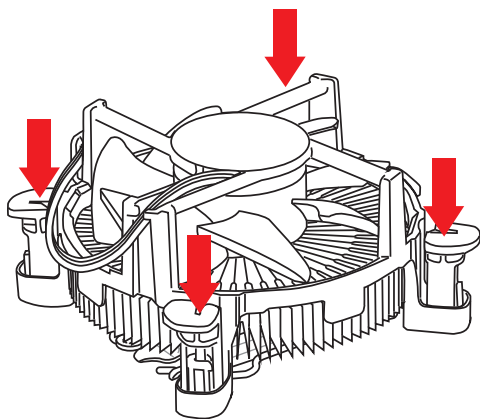
6



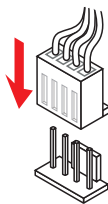
7



8



9

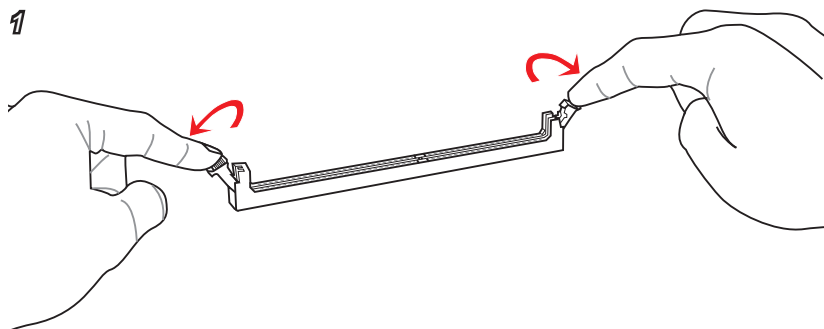


Memory/ Speicher/ Mémoire/ Памяти

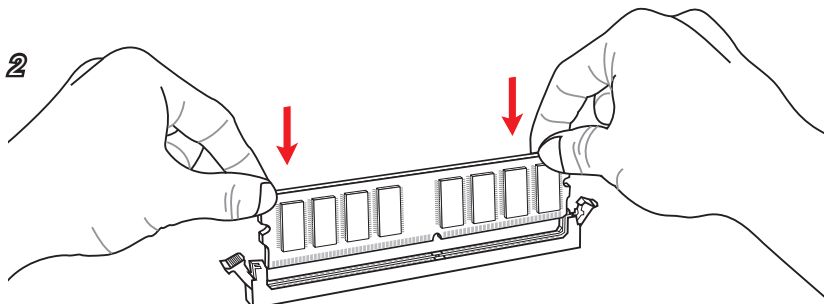


<http://youtu.be/76yLtJaKICQ>

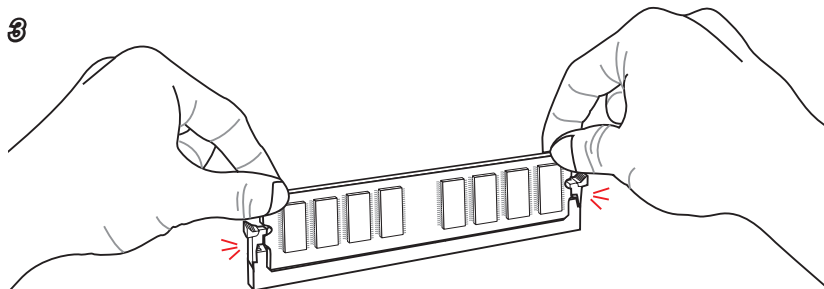
1



2

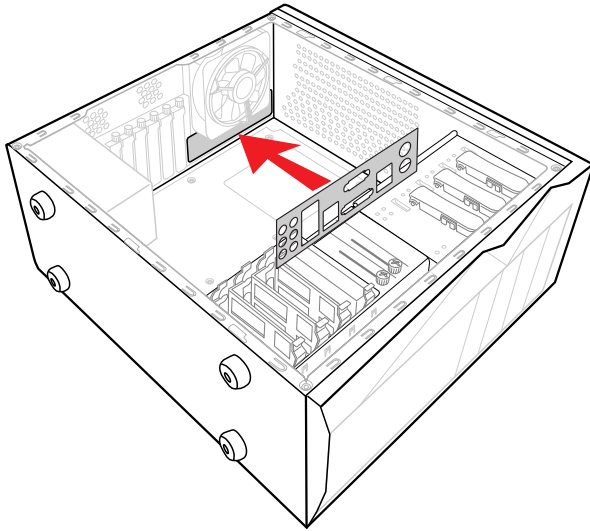


3

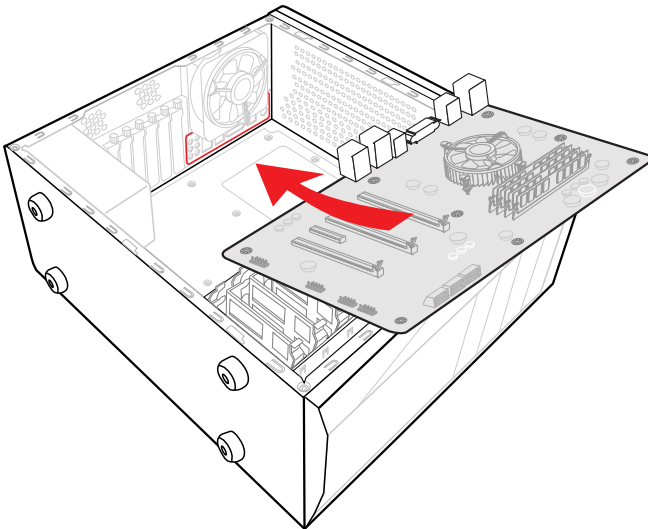


Motherboard/ Carte mère/ Материнские платы

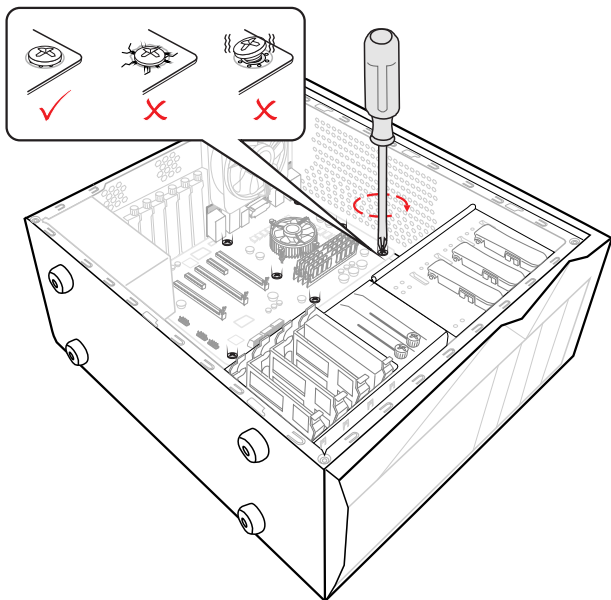
1



2



69



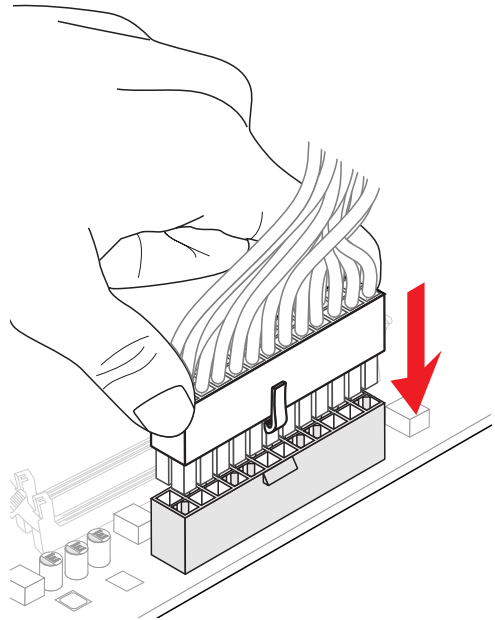
Power Connector/ ATX-Stromanschluss/

Connecteurs d'alimentation/ Разъема питания

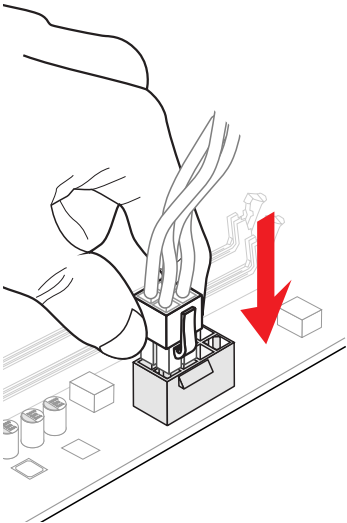


http://youtu.be/gkDYyR_8314

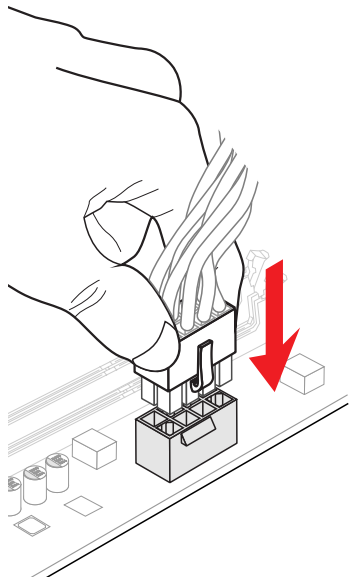
1



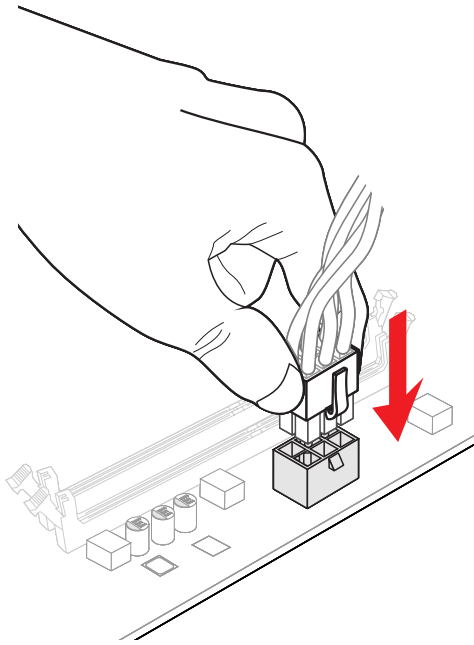
2



*or
oder
ou
или*



3

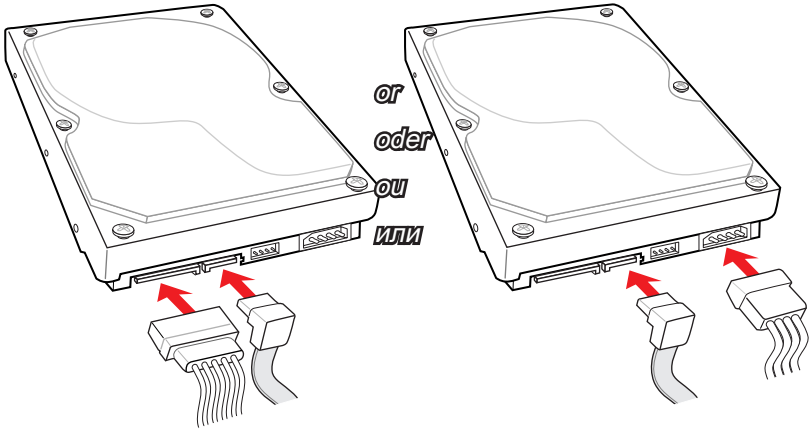


SATA HDD

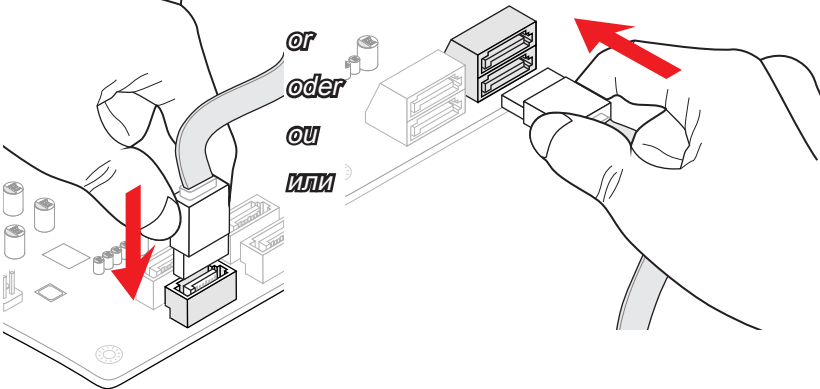


<http://youtu.be/RZsMpqxythc>

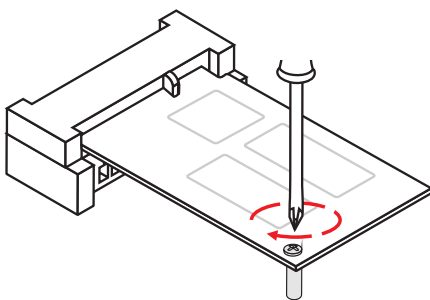
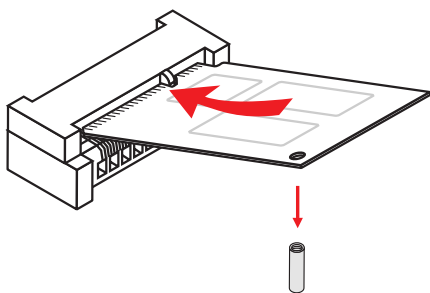
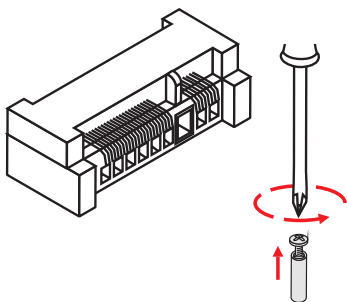
1



2



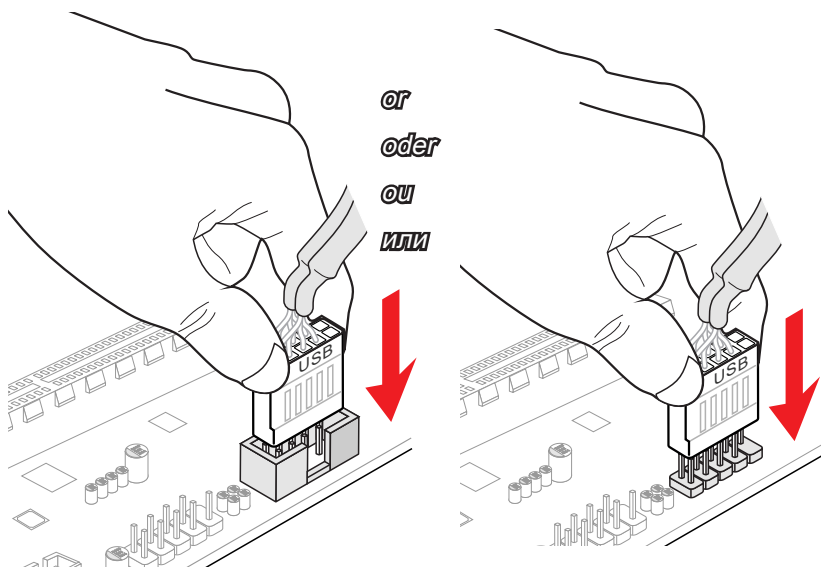
mSATA SSD



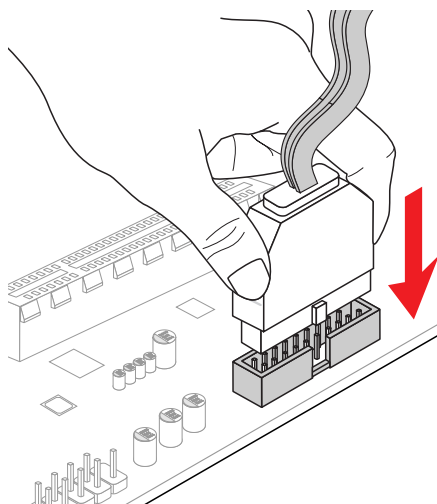
Peripheral Connector/ Peripheriestecker/

Connecteur périphérique/ Периферийных разъемов

USB2.0



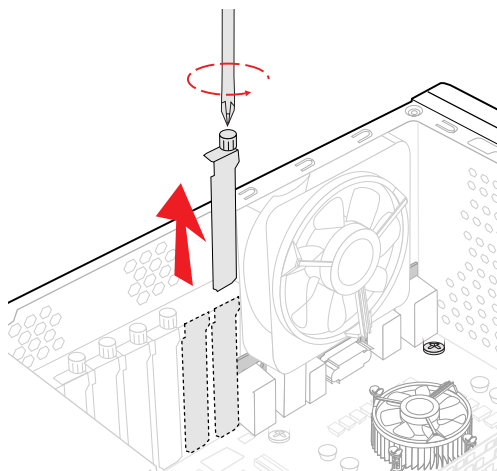
USB3.0



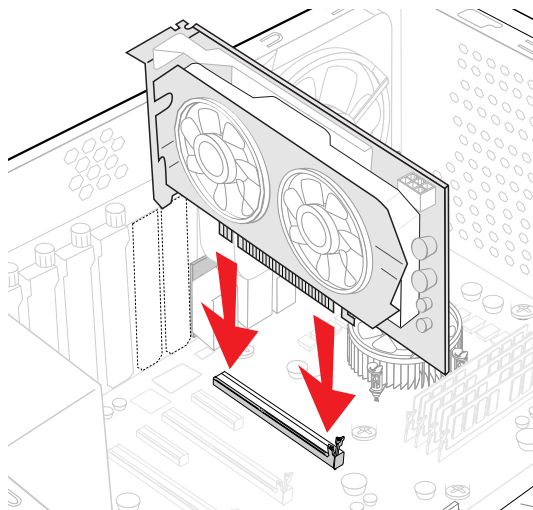


http://youtu.be/mG0GZpr9w_A

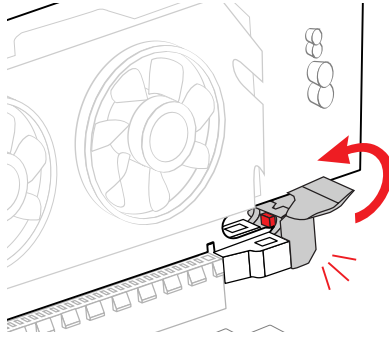
1



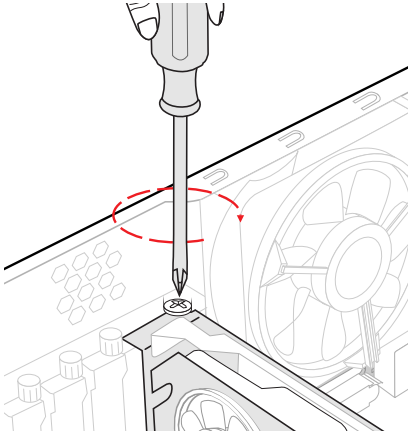
2



3



4



5

