

## Quick Start

Thank you for purchasing the MSI® **X470 GAMING M7 AC** motherboard. This Quick Start section provides demonstration diagrams about how to install your computer. Some of the installations also provide video demonstrations. Please link to the URL to watch it with the web browser on your phone or tablet. You may have even link to the URL by scanning the QR code.

## Kurzanleitung

Danke, dass Sie das MSI® **X470 GAMING M7 AC** Motherboard gewählt haben. Dieser Abschnitt der Kurzanleitung bietet eine Demo zur Installation Ihres Computers. Manche Installationen bieten auch die Videodemonstrationen. Klicken Sie auf die URL, um diese Videoanleitung mit Ihrem Browser auf Ihrem Handy oder Table anzusehen. Oder scannen Sie auch den QR Code mit Ihrem Handy, um die URL zu öffnen.

## Présentation rapide

Merci d' avoir choisi la carte mère MSI® **X470 GAMING M7 AC**. Ce manuel fournit une rapide présentation avec des illustrations explicatives qui vous aideront à assembler votre ordinateur. Des tutoriels vidéo sont disponibles pour certaines étapes. Cliquez sur le lien fourni pour regarder la vidéo sur votre téléphone ou votre tablette. Vous pouvez également accéder au lien en scannant le QR code qui lui est associé.

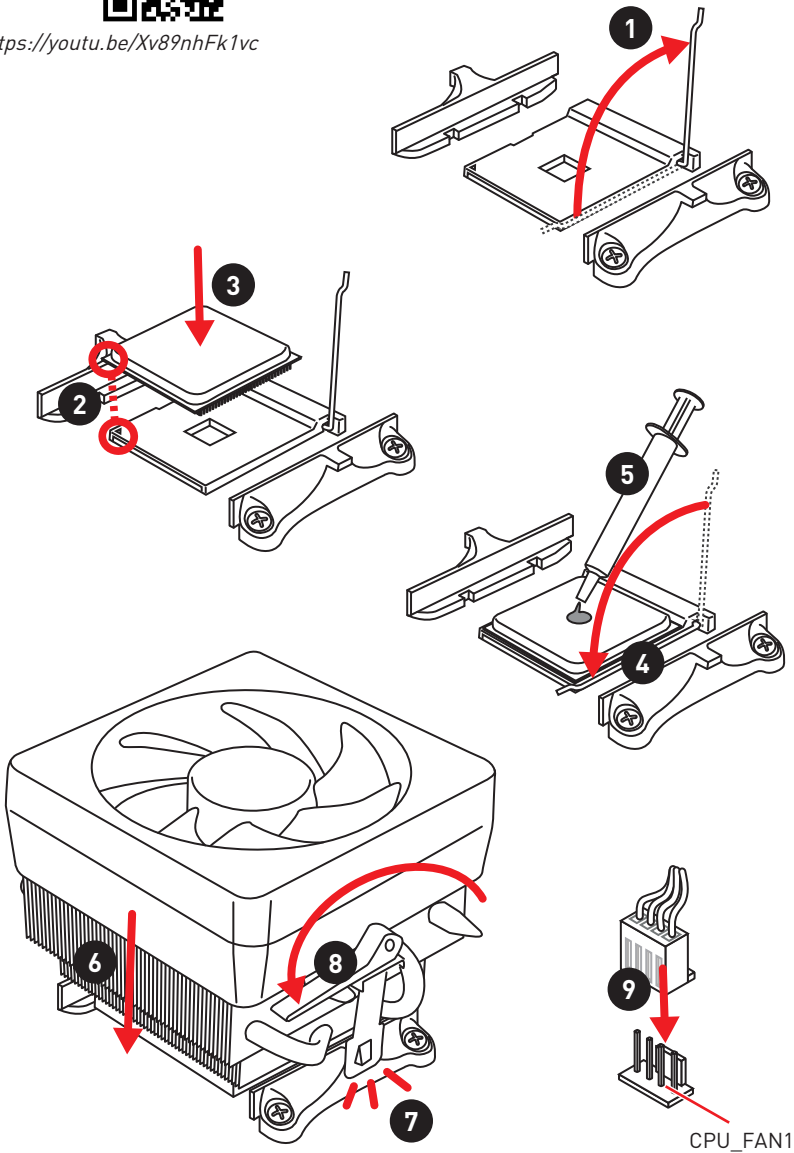
## Быстрый старт

Благодарим вас за покупку материнской платы MSI® **X470 GAMING M7 AC**. В этом разделе представлена информация, которая поможет вам при сборке компьютера. Для некоторых этапов сборки имеются видеопроцедуры. Для просмотра видео, необходимо открыть соответствующую ссылку в веб-браузере на вашем телефоне или планшете. Вы также можете выполнить переход по ссылке, путем сканирования QR-кода.

# Installing a Processor/ Installation des Prozessors/ Installer un processeur/ Установка процессора



<https://youtu.be/Xv89nhFk1vc>



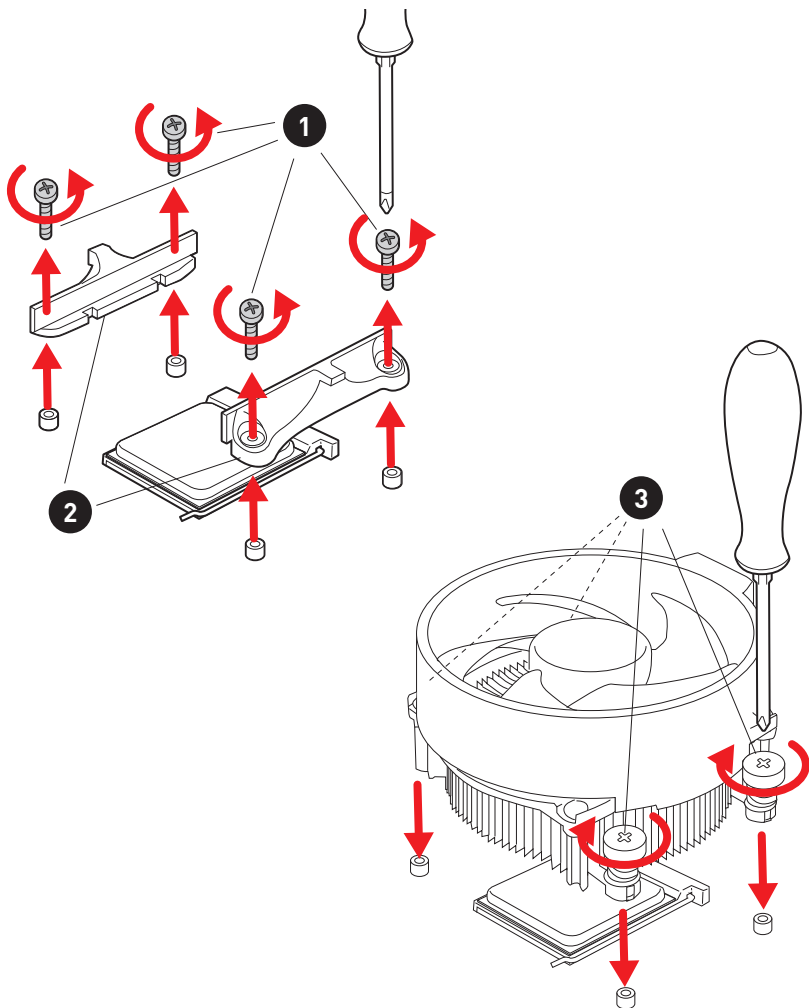


If you are installing the screw-type CPU heatsink, please follow the figure below to remove the retention module first and then install the heatsink.

Wenn Sie einen CPU-Kühler mit Schraubenbefestigung einsetzen, folgen Sie bitte den Anweisungen unten um das Retention-Modul zu entfernen und den Kühler zu installieren.

Si vous voulez installer un ventilad pour processeur à vis, veuillez suivre les instructions ci-dessous pour d'abord retirer le module de rétention puis installer le ventilad.

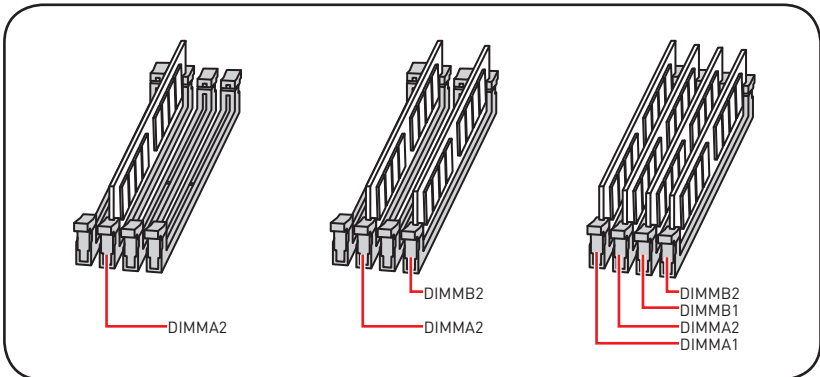
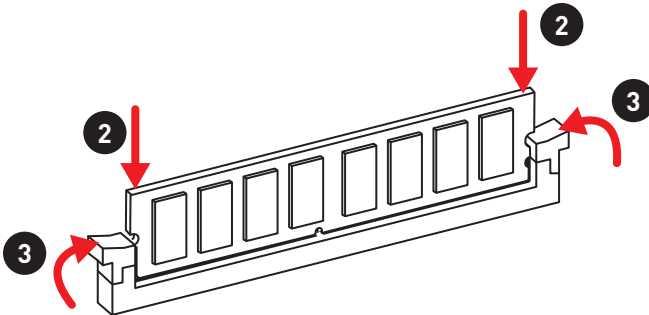
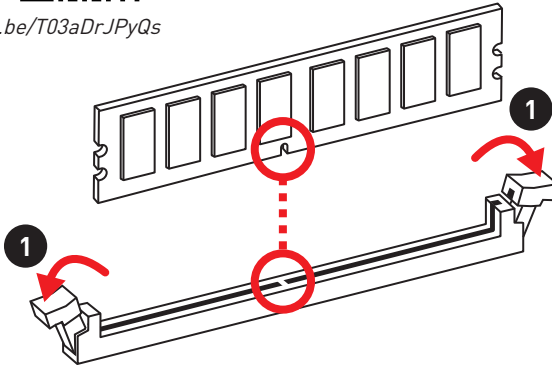
В случае установки процессорного кулера с системой крепления на винтах, следуйте указаниям на рисунке ниже для снятия пластикового модуля крепления. Затем установите кулер.



# Installing DDR4 memory/ Installation des DDR4-Speichers/ Installer une mémoire DDR4/ Установка памяти DDR4



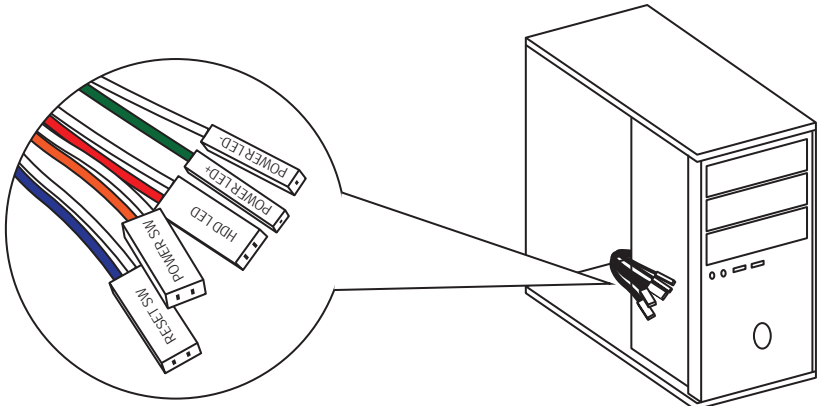
<http://youtu.be/T03aDrJPYqs>



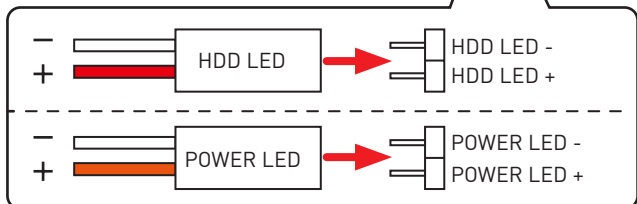
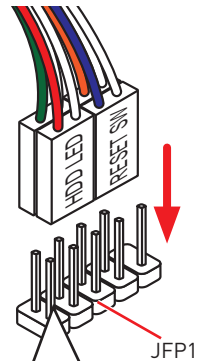
# Connecting the Front Panel Header/ Anschließen der Frontpanel-Stiftleiste/ Connecter un connecteur du panneau avant/ Подключение разъемов передней панели



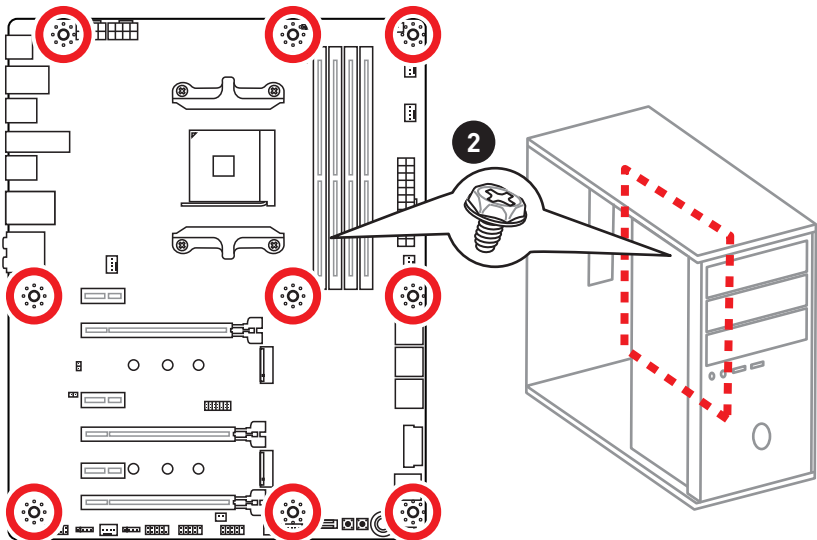
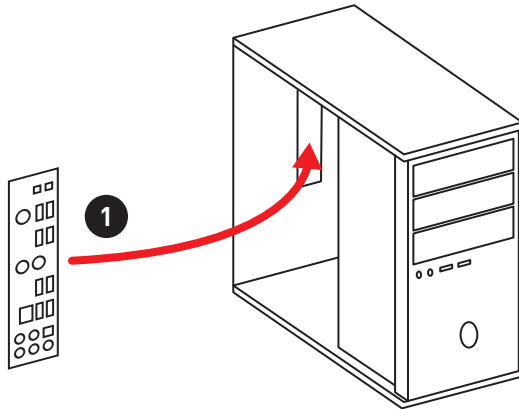
<http://youtu.be/DPELIdVNZUI>



<p>JFP1</p>		1	HDD LED +	2	Power LED +
		3	HDD LED -	4	Power LED -
		5	Reset Switch	6	Power Switch
		7	Reset Switch	8	Power Switch
		9	Reserved	10	No Pin



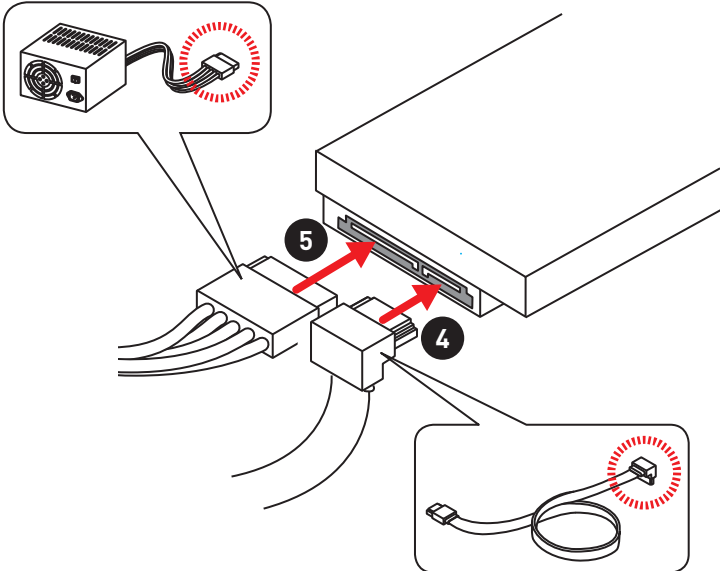
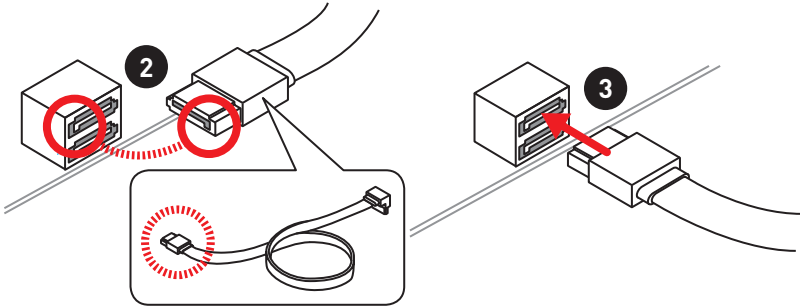
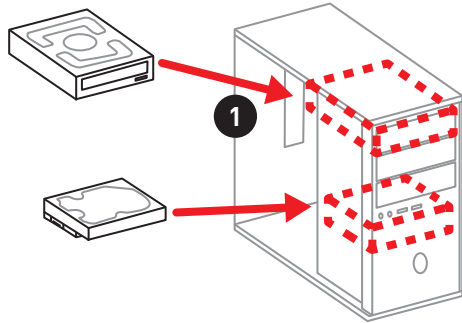
# Installing the Motherboard/ Installation des Motherboards/ Installer la carte mère/ Установка материнской платы



# Installing SATA Drives/ Installation der SATA-Laufwerke/ Installer le disque dur SATA/ Установка дисков SATA



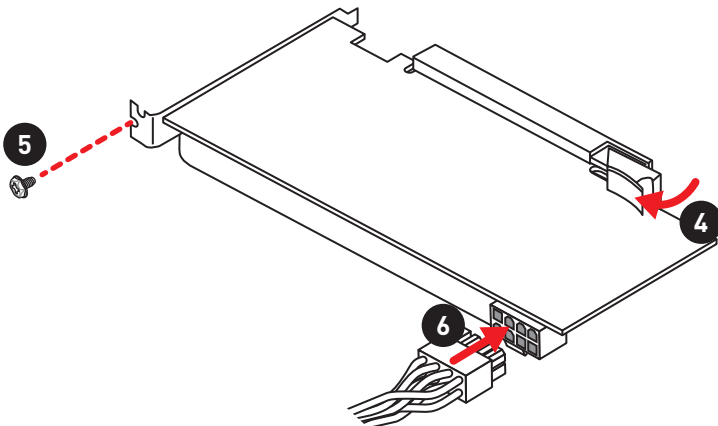
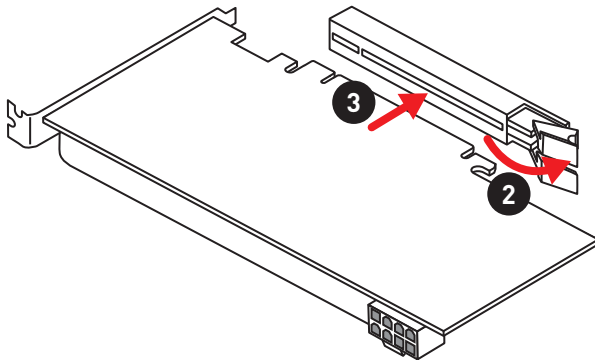
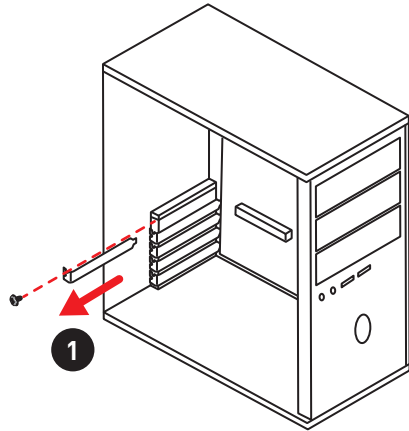
<http://youtu.be/RZsMpqxythc>



# Installing a Graphics Card/ Einbau der Grafikkarte/ Installer une carte graphique/ Установка дискретной видеокарты

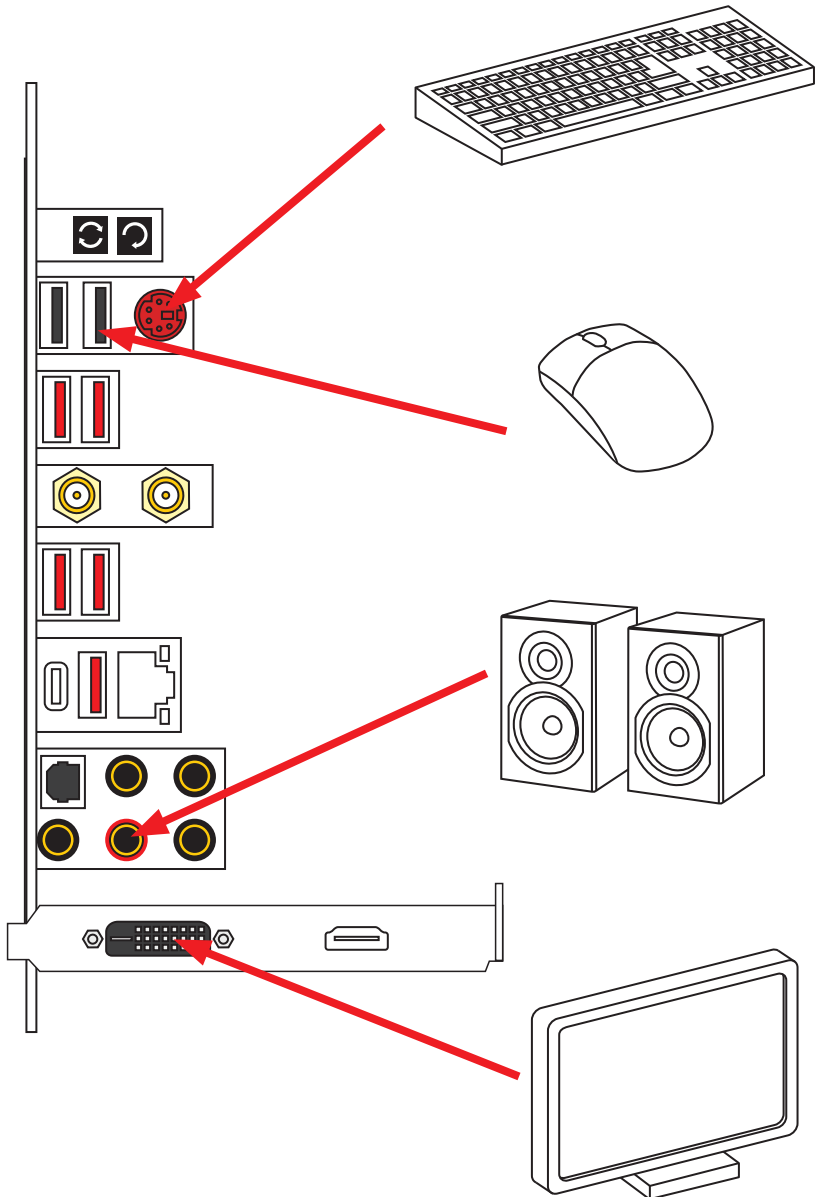


[http://youtu.be/mG0GZpr9w\\_A](http://youtu.be/mG0GZpr9w_A)





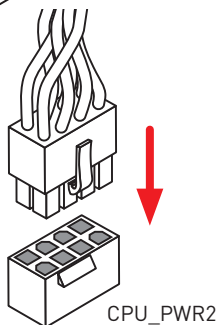
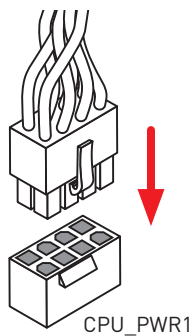
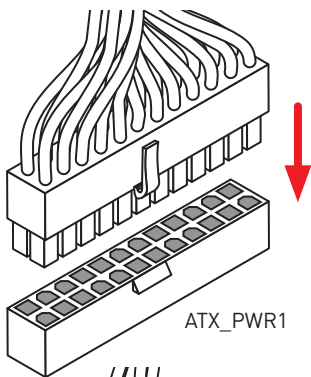
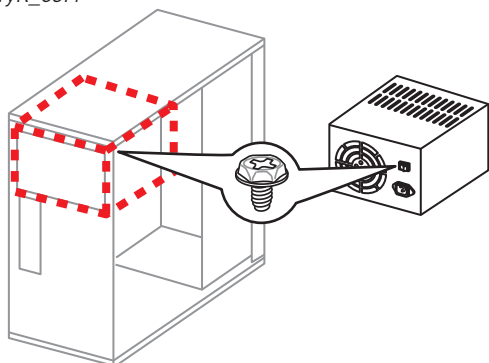
**Connecting Peripheral Devices/ Peripheriegeräte/  
Connecter un périphérique anschliessen/ Подключение  
периферийных устройств**



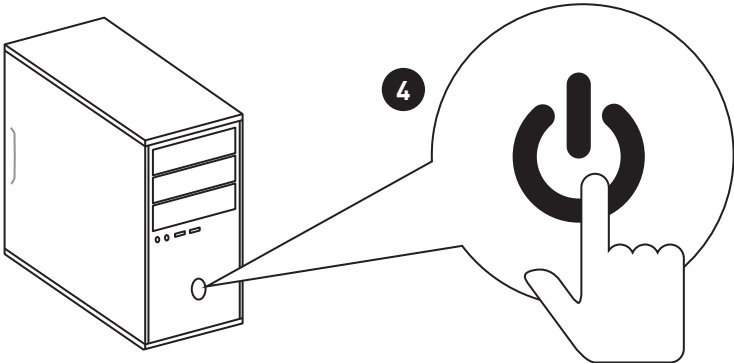
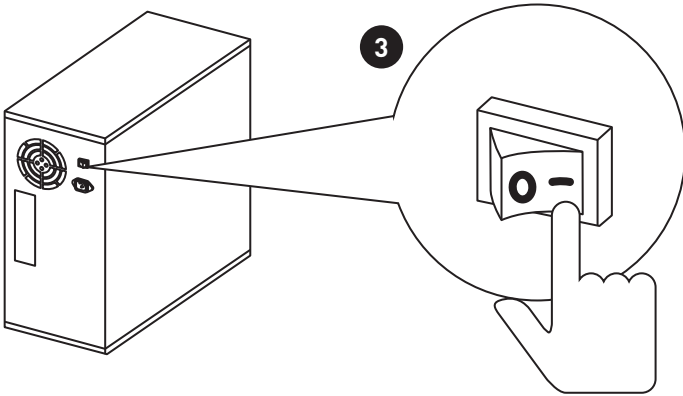
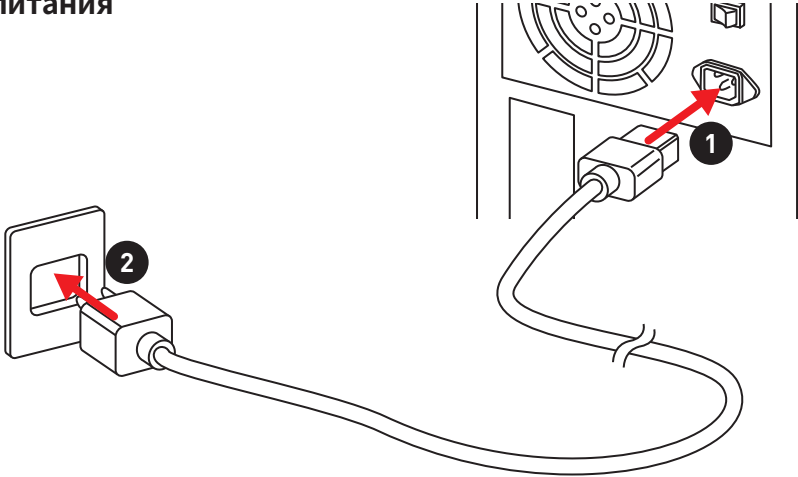
# Connecting the Power Connectors/ Stromanschlüsse anschliessen/ Connecter les câbles du module d' alimentation/ Подключение разъемов питания



[http://youtu.be/gkDYr\\_83I4](http://youtu.be/gkDYr_83I4)



**Power On/ Einschalten/ Mettre sous-tension/ Включение  
питания**





# Contents

<b>Safety Information</b> .....	<b>3</b>
<b>Specifications</b> .....	<b>4</b>
JCORSAIR1 Connector Specification.....	9
<b>Rear I/O Panel</b> .....	<b>10</b>
LAN Port LED Status Table.....	10
Audio Ports Configuration.....	10
Realtek HD Audio Manager.....	11
Installing antennas.....	13
<b>Overview of Components</b> .....	<b>14</b>
CPU Socket.....	15
OC1: GAME BOOST Knob.....	16
DIMM Slots.....	18
PCI_E1~6: PCIe Expansion Slots.....	19
M2_1~2: M.2 Slots (Key M).....	22
SATA1~6: SATA 6Gb/s Connectors.....	23
JPWRLED1: LED power input.....	23
CPU_PWR1, CPU_PWR2, ATX_PWR1: Power Connectors.....	24
JUSB1~2: USB 2.0 Connectors.....	25
JUSB5: USB 3.1 Gen2 Type-C Connector.....	25
JUSB3~4: USB 3.1 Gen1 Connectors.....	26
CPU_FAN1, PUMP_FAN1, SYS_FAN1~4: Fan Connectors.....	27
JAUD1: Front Audio Connector.....	28
JC11: Chassis Intrusion Connector.....	28
JFP1, JFP2: Front Panel Connectors.....	29
JTPM1: TPM Module Connector.....	29
JBAT1: Clear CMOS (Reset BIOS) Jumper.....	30
POWER1, RESET1: Power Button, Reset Button.....	30
JRGB1, JRGB2, JRAINBOW1: RGB LED Connectors.....	31
JCORSAIR1: CORSAIR Connector.....	32
<b>Onboard LEDs</b> .....	<b>33</b>
DIMM LEDs.....	33
XMP LED.....	33
PCIe x16 slot LEDs.....	33
Fan LEDs.....	34
EZ Debug LED.....	34
GAME BOOST LEDs.....	34
Debug Code LED.....	35
Hexadecimal Character Table.....	35

Boot Phases.....	35
Debug Code LED Table.....	35
ACPI States Codes.....	37
<b>BIOS Setup.....</b>	<b>38</b>
Entering BIOS Setup.....	38
Resetting BIOS.....	39
Updating BIOS.....	39
OC Menu.....	41
<b>Software Description.....</b>	<b>46</b>
Installing Windows® 10.....	46
Installing Drivers.....	46
Installing Utilities.....	46

# Safety Information

- The components included in this package are prone to damage from electrostatic discharge (ESD). Please adhere to the following instructions to ensure successful computer assembly.
- Ensure that all components are securely connected. Loose connections may cause the computer to not recognize a component or fail to start.
- Hold the motherboard by the edges to avoid touching sensitive components.
- It is recommended to wear an electrostatic discharge (ESD) wrist strap when handling the motherboard to prevent electrostatic damage. If an ESD wrist strap is not available, discharge yourself of static electricity by touching another metal object before handling the motherboard.
- Store the motherboard in an electrostatic shielding container or on an anti-static pad whenever the motherboard is not installed.
- Before turning on the computer, ensure that there are no loose screws or metal components on the motherboard or anywhere within the computer case.
- Do not boot the computer before installation is completed. This could cause permanent damage to the components as well as injury to the user.
- If you need help during any installation step, please consult a certified computer technician.
- Always turn off the power supply and unplug the power cord from the power outlet before installing or removing any computer component.
- Keep this user guide for future reference.
- Keep this motherboard away from humidity.
- Make sure that your electrical outlet provides the same voltage as is indicated on the PSU, before connecting the PSU to the electrical outlet.
- Place the power cord such a way that people can not step on it. Do not place anything over the power cord.
- All cautions and warnings on the motherboard should be noted.
- If any of the following situations arises, get the motherboard checked by service personnel:
  - Liquid has penetrated into the computer.
  - The motherboard has been exposed to moisture.
  - The motherboard does not work well or you can not get it work according to user guide.
  - The motherboard has been dropped and damaged.
  - The motherboard has obvious sign of breakage.
- Do not leave this motherboard in an environment above 60°C (140°F), it may damage the motherboard.

# Specifications

<b>CPU</b>	Supports 1st, 2nd and 3rd Gen AMD Ryzen™, Ryzen™ with Radeon™ Vega Graphics, 2nd Gen AMD Ryzen™ with Radeon™ Graphics and Athlon™ with Radeon™ Vega Graphics Desktop Processors for Socket AM4
<b>Chipset</b>	AMD® X470 Chipset
<b>Memory</b>	<ul style="list-style-type: none"> <li>• 4x DDR4 memory slots, support up to 64GB             <ul style="list-style-type: none"> <li>▪ Supports DDR4 1866/ 2133/ 2400/ 2667 Mhz by JEDEC, and 2667/ 2800/ 2933/ 3000/ 3066/ 3200/ 3466/ 3600 Mhz by A-XMP OC MODE*</li> </ul> </li> <li>• Dual channel memory architecture</li> <li>• Supports non-ECC UDIMM memory</li> <li>• Supports ECC UDIMM memory (non-ECC mode)</li> </ul> <p>* A-series/ Athlon™ X4 processors support up to 2400 MHz. And the supporting frequency of memory varies with installed processor. Please refer <a href="http://www.msi.com">www.msi.com</a> for more information on compatible memory.</p>
<b>Expansion Slots</b>	<ul style="list-style-type: none"> <li>• 2x PCIe 3.0 x16 slots (PCIE_2, PCIE_4)             <ul style="list-style-type: none"> <li>▪ 1st, 2nd and 3rd Gen AMD Ryzen™ processors support x16/x0, x8/x8 mode</li> <li>▪ Ryzen™ with Radeon™ Vega Graphics and 2nd Gen AMD Ryzen™ with Radeon™ Graphics processors support x8/x0 mode</li> <li>▪ Athlon™ with Radeon™ Vega Graphics processors support x4/x0 mode</li> </ul> </li> <li>• 1x PCIe 2.0 x16 slot (PCIE_6, supports x4 mode)*</li> <li>• 3x PCIe 2.0 x1 slots</li> </ul> <p>* PCI_E3 slot will be unavailable when installing PCIe card in PCI_E5 slot. * PCI_E6 slot will be unavailable when installing PCIe M.2 SSD in M2_2 slot.</p>
<b>Multi-GPU</b>	<ul style="list-style-type: none"> <li>• 1st, 2nd and 3rd Gen AMD Ryzen™ Processors             <ul style="list-style-type: none"> <li>▪ Supports 2-Way NVIDIA® SLI™ Technology</li> <li>▪ Supports 3-Way AMD® CrossFire™ Technology</li> </ul> </li> <li>• Ryzen™ with Radeon™ Vega Graphics, 2nd Gen AMD Ryzen™ with Radeon™ Graphics and Athlon™ with Radeon™ Vega Graphics Desktop Processors             <ul style="list-style-type: none"> <li>▪ Supports 2-Way AMD® CrossFire™ Technology</li> </ul> </li> </ul>
<b>LAN</b>	1x Killer™ E2500 Gigabit LAN controller

Continued on next page



Continued from previous page

<p><b>Wireless LAN &amp; Bluetooth®</b></p>	<p>Intel® Dual Band Wireless-AC 8265 card</p> <ul style="list-style-type: none"> <li>• The Wireless card is pre-install in the M2_3 (M.2 Key E) slot.</li> <li>• Supports Wi-Fi 802.11 a/b/g/n/ac, dual band (2.4GHz, 5GHz) up to 867 Mbps speed.</li> <li>• Supports Dual Mode Bluetooth® 2.1, 2.1+EDR, 3.0, 4.0, BLE, 4.2</li> </ul>
<p><b>Storage</b></p>	<ul style="list-style-type: none"> <li>• 6x SATA 6Gb/s ports (from AMD® X470 Chipset)</li> <li>• 2x M.2 ports (Key M)*             <ul style="list-style-type: none"> <li>▪ M2_1 slot (from AMD® processor) supports PCIe 3.0 x4 (1st, 2nd and 3rd Gen AMD Ryzen™/ Ryzen™ with Radeon™ Vega Graphics and 2nd Gen AMD Ryzen™ with Radeon™ Graphics) or PCIe 3.0 x2 (Athlon™ with Radeon™ Vega Graphics) 2242/ 2260 /2280 storage devices</li> <li>▪ M2_2 slot (from AMD® X470 Chipset) supports PCIe 2.0 x4 and SATA 6Gb/s 2242/ 2260 /2280 storage devices</li> </ul> </li> </ul> <p>* SATA3 port will be unavailable when installing SATA M.2 SSD in M2_2 slot.          * PCI_E6 slot will be unavailable when installing PCIe M.2 SSD in M2_2 slot.</p>
<p><b>RAID</b></p>	<p>AMD® X470 Chipset</p> <ul style="list-style-type: none"> <li>• Supports RAID 0, RAID 1 and RAID 10 for SATA storage devices</li> </ul>
<p><b>USB</b></p>	<ul style="list-style-type: none"> <li>• ASMedia® ASM1143 Chipset             <ul style="list-style-type: none"> <li>▪ 1x USB 3.1 Gen2 (SuperSpeed USB 10Gbps) Type-C port through the internal USB connector</li> </ul> </li> <li>• AMD® X470 Chipset             <ul style="list-style-type: none"> <li>▪ 1x USB 3.1 Gen2 (SuperSpeed USB 10Gbps) Type-C port on the back panel</li> <li>▪ 1x USB 3.1 Gen2 (SuperSpeed USB 10Gbps) Type-A port on the back panel</li> <li>▪ 4x USB 3.1 Gen1 (SuperSpeed USB) ports through the internal USB connectors</li> <li>▪ 6x USB 2.0 (High-speed USB) ports (2 Type-A ports on the back panel, 4 ports available through the internal USB connectors)</li> </ul> </li> <li>• AMD® CPU             <ul style="list-style-type: none"> <li>▪ 4x USB 3.1 Gen1 (SuperSpeed USB) Type-A ports on the back panel</li> </ul> </li> </ul>

Continued on next page

Continued from previous page

<b>Audio</b>	<ul style="list-style-type: none"><li>• Realtek® ALC1220 Codec</li><li>• 7.1-Channel High Definition Audio</li><li>• Supports S/PDIF output</li></ul>
<b>Back Panel Connectors</b>	<ul style="list-style-type: none"><li>• 1x Clear CMOS button</li><li>• 1x Flash BIOS Button</li><li>• 1x PS/2 keyboard/ mouse combo port</li><li>• 2x USB 2.0 Type-A ports</li><li>• 4x USB 3.1 Gen1 Type-A ports</li><li>• 2x Antenna connectors</li><li>• 1x LAN (RJ45) port</li><li>• 1x USB 3.1 Gen2 Type-A port</li><li>• 1x USB 3.1 Gen2 Type-C port</li><li>• 5x OFC audio jacks</li><li>• 1x Optical S/PDIF OUT connector</li></ul>
<b>Internal Connectors</b>	<ul style="list-style-type: none"><li>• 1x 24-pin ATX 12V power connector</li><li>• 2x 8-pin ATX 12V power connectors</li><li>• 6x SATA 6Gb/s connectors</li><li>• 2x USB 2.0 connectors (support additional 4 USB 2.0 ports)</li><li>• 2x USB 3.1 Gen1 connectors (support additional 4 USB 3.1 Gen1 ports)</li><li>• 1x USB 3.1 Gen2 connector (supports additional 1 USB 3.1 Gen2 Type C port)</li><li>• 1x 4-pin CPU fan connector</li><li>• 1x 4-pin PUMP fan connector (supports up to 2A)</li><li>• 4x 4-pin system fan connectors</li><li>• 2x 5050 RGB LED strip 12V connectors</li><li>• 1x WS2812B Individually Addressable RGB LED strip 5V connector</li><li>• 1x CORSAIR connector</li><li>• 1x TPM module connector</li><li>• 1x Front panel audio connector</li><li>• 2x System panel connectors</li><li>• 1x Chassis Intrusion connector</li><li>• 1x Clear CMOS jumper</li><li>• 1x 2-Digit Debug Code LED</li></ul>

Continued on next page

Continued from previous page

<b>Internal Buttons</b>	<ul style="list-style-type: none"><li>• 1x GAME BOOST knob</li><li>• 1x Power button</li><li>• 1x Reset button</li></ul>
<b>I/O Controller</b>	NUVOTON NCT6795D Controller Chip
<b>Hardware Monitor</b>	<ul style="list-style-type: none"><li>• CPU/System temperature detection</li><li>• CPU/System fan speed detection</li><li>• CPU/System fan speed control</li></ul>
<b>Form Factor</b>	<ul style="list-style-type: none"><li>• ATX Form Factor</li><li>• 12 in. x 9.6 in. (30.4 cm x 24.4 cm)</li></ul>
<b>BIOS Features</b>	<ul style="list-style-type: none"><li>• 1x 128 Mb flash</li><li>• UEFI AMI BIOS</li><li>• ACPI 6.1, SM BIOS 2.8</li><li>• Multi-language</li></ul>
<b>Software</b>	<ul style="list-style-type: none"><li>• Drivers</li><li>• APP MANAGER</li><li>• COMMAND CENTER</li><li>• LIVE UPDATE 6</li><li>• MYSTIC LIGHT</li><li>• SUPER CHARGER</li><li>• GAMING APP</li><li>• X-BOOST</li><li>• SMART TOOL</li><li>• Nahimic Audio</li><li>• Open Broadcaster Software (OBS)</li><li>• Norton™ Internet Security Solution</li><li>• Google Chrome™, Google Toolbar, Google Drive</li><li>• Killer Control Center</li><li>• CPU-Z MSI GAMING</li></ul>

Continued on next page

Continued from previous page

## Special Features

- Audio
  - Audio Boost 4
  - Voice Boost
  - Nahimic 2.5
- Network
  - GAMING LAN with Killer LAN Manager
  - Intel WiFi
- Storage
  - Twin Turbo M.2
- Fan
  - Pump Fan
  - Smart Fan Control
- LED
  - Mystic Light
  - Mystic Light Extension (RGB, RAINBOW & CORSAIR)
  - Mystic light SYNC
  - EZ DEBUG LED
- Protection
  - PCI-E Steel Armor
  - DDR4 Steel Armor
  - M.2 SHIELD FROZR
  - Audio Cover
- Performance
  - Multi GPU-SLI Technology
  - Multi GPU-CrossFire Technology
  - DDR4 Boost
  - GAME Boost
  - Lightning USB
  - USB with type A+C
  - X-Boost
  - A-XMP
  - OC Engine

Continued on next page

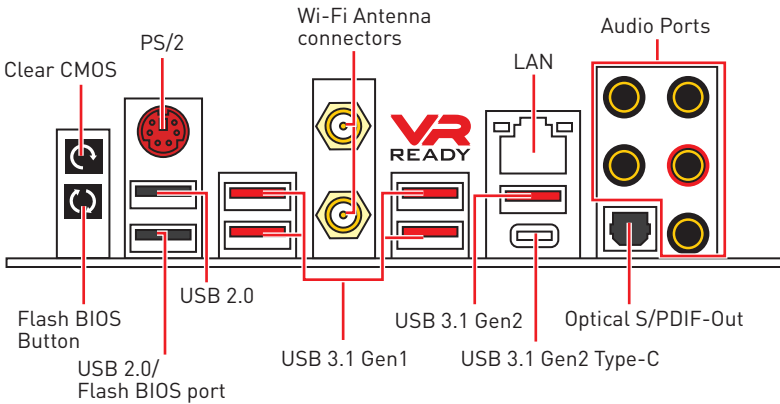
Continued from previous page

<b>Special Features</b>	<ul style="list-style-type: none"><li>• Stability<ul style="list-style-type: none"><li>▪ 7000+ Quality Test</li></ul></li><li>• VR<ul style="list-style-type: none"><li>▪ VR Ready</li></ul></li><li>• Gamer Experience<ul style="list-style-type: none"><li>▪ GAMING HOTKEY</li></ul></li><li>• BIOS<ul style="list-style-type: none"><li>▪ Flash BIOS Button</li></ul></li><li>• Certification<ul style="list-style-type: none"><li>▪ GAMING Certified</li></ul></li></ul>
-------------------------	--

## JCORSAIR1 Connector Specification

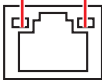
Supporting CORSAIR RGB Products	Maximum connection
Lighting PRO RGB LED Strip	7
HD RGB Fan	6
SP RGB Fan	6
LL RGB Fan	5

# Rear I/O Panel

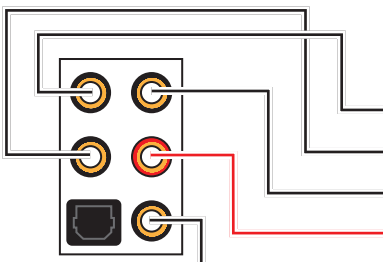


- **Clear CMOS button** - Power off your computer. Press and hold the Clear CMOS button for about 5-10 seconds to reset BIOS to default values.
- **Flash BIOS Button/ port** - Please refer to page 40 for Updating BIOS with Flash BIOS Button.

## LAN Port LED Status Table

Link/ Activity LED			Speed LED	
Status	Description		Status	Description
Off	No link	Off	10 Mbps connection	
Yellow	Linked	Green	100 Mbps connection	
Blinking	Data activity	Orange	1 Gbps connection	

## Audio Ports Configuration



Audio Ports	Channel			
	2	4	6	8
Center/ Subwoofer Out			●	●
Rear Speaker Out		●	●	●
Line-In/ Side Speaker Out				●
Line-Out/ Front Speaker Out	●	●	●	●
Mic In				

(●: connected, **Blank**: empty)

# Realtek HD Audio Manager

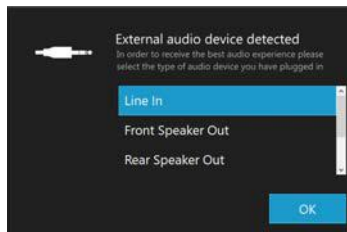
After installing the **Realtek HD Audio** driver, the **Realtek HD Audio Manager** icon will appear in the system tray. Double click on the icon to launch.



- **Device Selection** - allows you to select a audio output source to change the related options. The **check** sign indicates the devices as default.
- **Application Enhancement** - the array of options will provide you a complete guidance of anticipated sound effect for both output and input device.
- **Main Volume** - controls the volume or balance the right/left side of the speakers that you plugged in front or rear panel by adjust the bar.
- **Profiles** - toggles between profiles.
- **Advanced Settings** - provides the mechanism to deal with 2 independent audio streams.
- **Jack Status** - depicts all render and capture devices currently connected with your computer.
- **Connector Settings** - configures the connection settings.

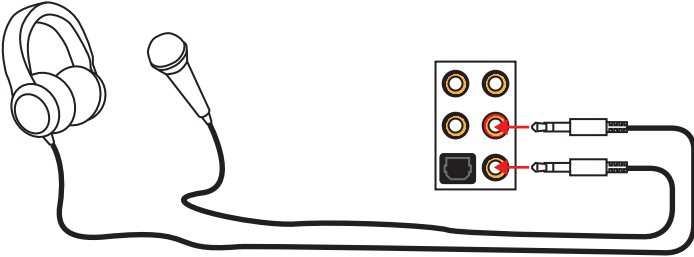
## Auto popup dialog

When you plug into a device at an audio jack, a dialogue window will pop up asking you which device is current connected.

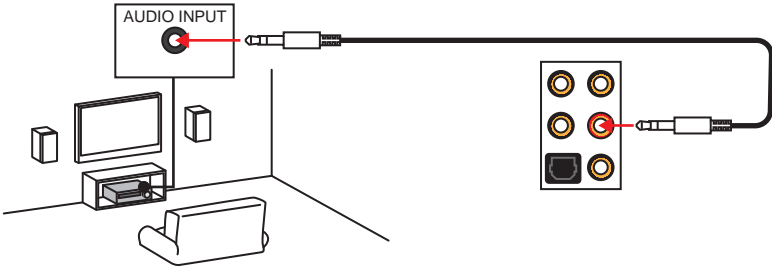


Each jack corresponds to its default setting as shown on the next page.

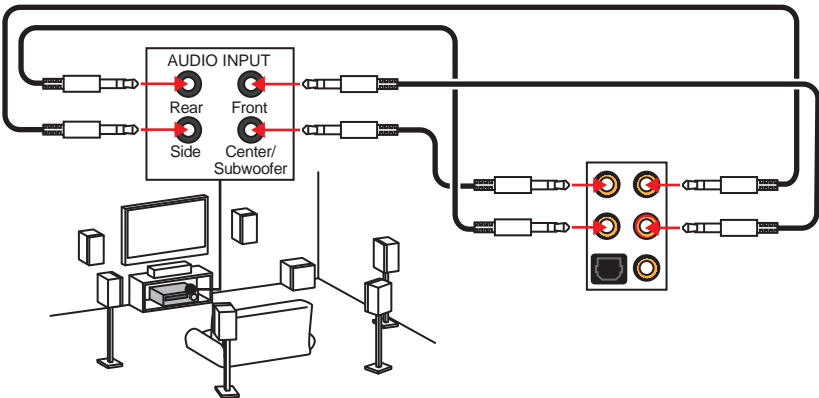
### Audio jacks to headphone and microphone diagram



### Audio jacks to stereo speakers diagram



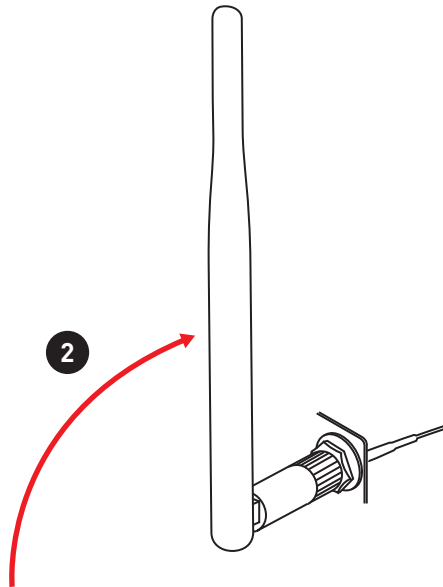
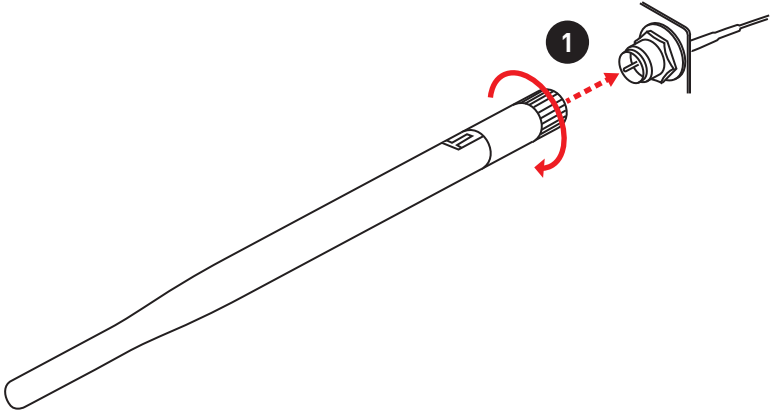
### Audio jacks to 7.1-channel speakers diagram



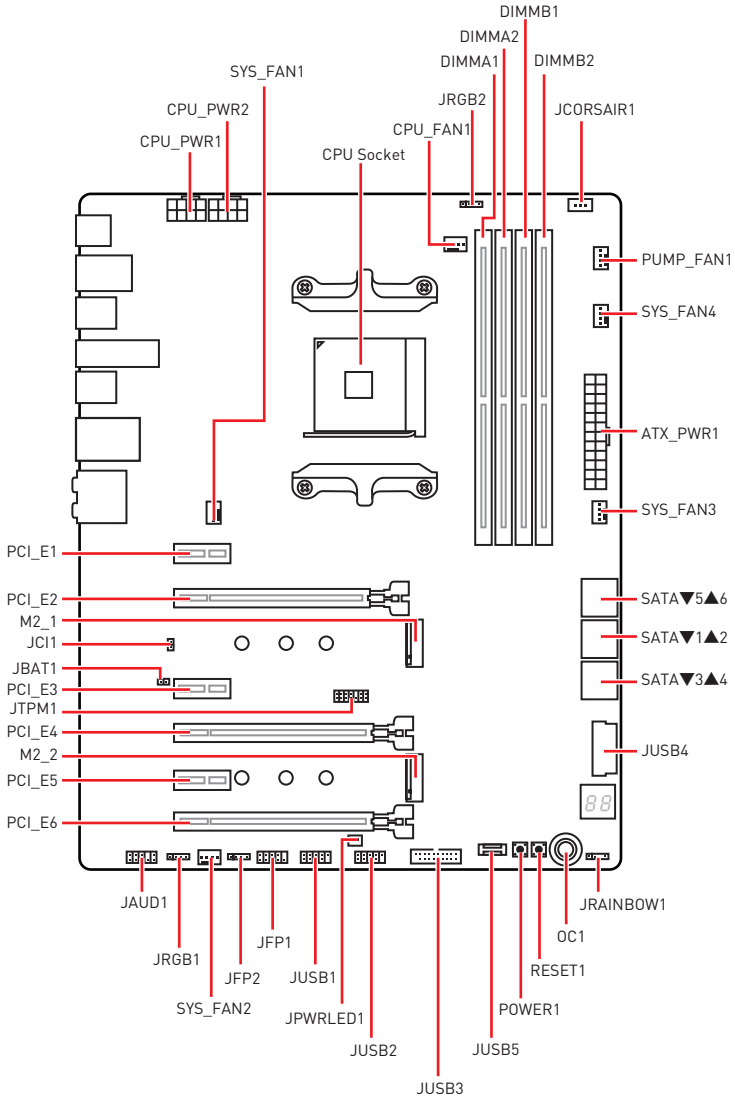


## Installing antennas

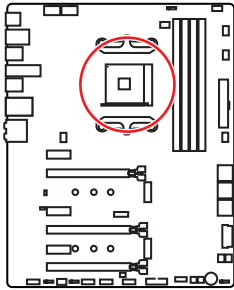
1. Screw the antennas tight to the antenna connectors as shown below.
2. Orient the antennas.



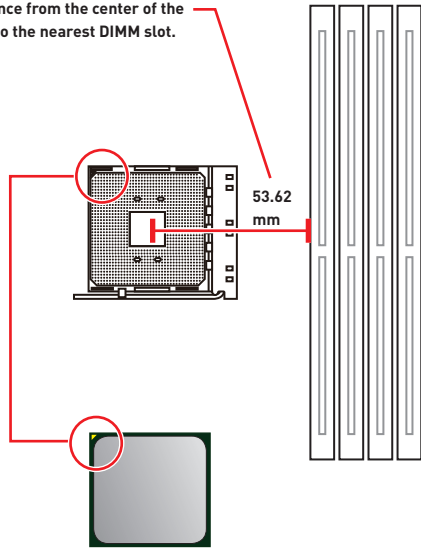
# Overview of Components



## CPU Socket



Distance from the center of the CPU to the nearest DIMM slot.



### Introduction to the AM4 CPU

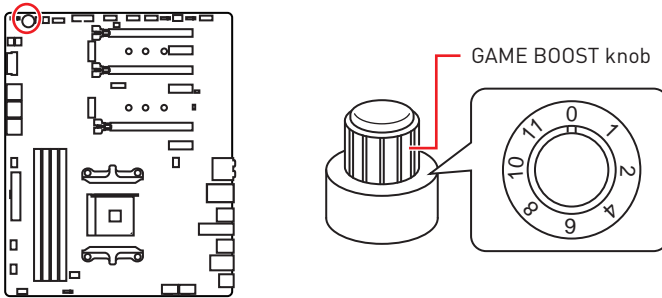
The surface of the AM4 CPU has a yellow triangle to assist in correctly lining up the CPU for motherboard placement. The yellow triangle is the Pin 1 indicator.

### Important

- When changing the processor, the system configuration could be cleared and reset BIOS to default values, due to the AM4 processor's architecture.
- Always unplug the power cord from the power outlet before installing or removing the CPU.
- When installing a CPU, always remember to install a CPU heatsink. A CPU heatsink is necessary to prevent overheating and maintain system stability.
- Confirm that the CPU heatsink has formed a tight seal with the CPU before booting your system.
- Overheating can seriously damage the CPU and motherboard. Always make sure the cooling fans work properly to protect the CPU from overheating. Be sure to apply an even layer of thermal paste (or thermal tape) between the CPU and the heatsink to enhance heat dissipation.
- If you purchased a separate CPU and heatsink/ cooler, Please refer to the documentation in the heatsink/ cooler package for more details about installation.
- This motherboard is designed to support overclocking. Before attempting to overclock, please make sure that all other system components can tolerate overclocking. Any attempt to operate beyond product specifications is not recommended. MSI® does not guarantee the damages or risks caused by inadequate operation beyond product specifications.

## OC1: GAME BOOST Knob

This knob allows you to manually select a stage from number 0 (default) to number 11 (extreme) for overclocking the processor. The processor's voltage and frequency will be automatically adjusted after you power on your computer.



### Using GAME BOOST Knob

To setup the GAME BOOST knob, take the following steps:

1. Set the GAME BOOST knob to hardware mode in BIOS Setup.
2. Power off the computer.
3. Rotate the GAME BOOST knob to select the overclocking stage as you desire.

Stage	Ryzen 7 CPU Frequency (GHz)			
	1800X	1700X	PRO 1700X	1700
0	3.6	3.4	3.4	3.0
1	3.8	3.6	3.6	3.2
2	3.85	3.65	3.65	3.25
4	3.9	3.7	3.7	3.3
6	3.95	3.75	3.75	3.35
8	4	3.8	3.8	3.4
10	4.05	3.85	3.85	3.45
11	4.1	3.9	3.9	3.5

Stage	Ryzen 5 CPU Frequency (GHz)				
	1600X	1600	1500X	1400	2400G
0	3.6	3.2	3.5	3.2	3.6
1	3.8	3.4	3.7	3.4	3.8
2	3.85	3.45	3.75	3.45	3.85
4	3.9	3.5	3.8	3.5	3.9
6	3.95	3.55	3.85	3.55	3.95
8	4	3.6	3.9	3.6	4
10	4.05	3.65	3.95	3.65	4.05
11	4.1	3.7	4	3.7	4.1

Stage	Ryzen 3 CPU Frequency (GHz)		
	1300X	1200	2200G
0	3.5	3.1	3.5
1	3.7	3.3	3.7
2	3.75	3.35	3.75
4	3.8	3.4	3.8
6	3.85	3.45	3.85
8	3.9	3.5	3.9
10	3.95	3.55	3.95
11	4	3.75	4

4. Power on and then GAME BOOST will automatically overclock processor depending on the stage you selected.

To disable GAME BOOST:

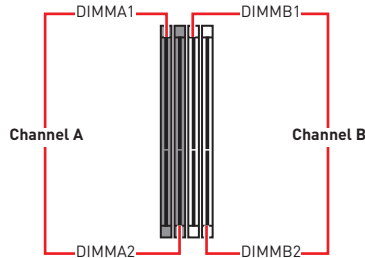
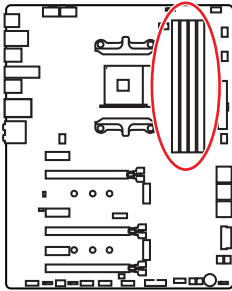
1. Set the GAME BOOST knob to HW mode in BIOS Setup.
2. Power off the computer.
3. Rotate the GAME BOOST knob to 0 and then power on. The configuration parameters will be returned to default values.



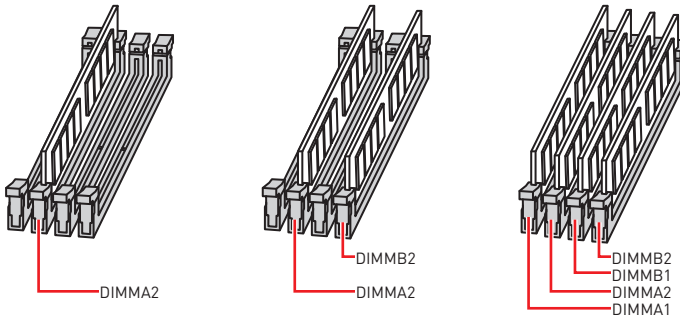
### **Important**

- You can also control the GAME BOOST function in **BIOS Setup** or with **MSI COMMAND CENTER** software.
- In order to optimize performance and improve system stability, when you activate the GAME BOOST function, please leave the settings in the **BIOS > OC** menu unchanged.
- The success of overclocking depends on the components of your computer.
- We do not guarantee the GAME BOOST overclocking range or the damages/ risks caused by overclocking behavior.
- MSI components are recommended for better compatibility when using GAME BOOST function.

## DIMM Slots



## Memory module installation recommendation



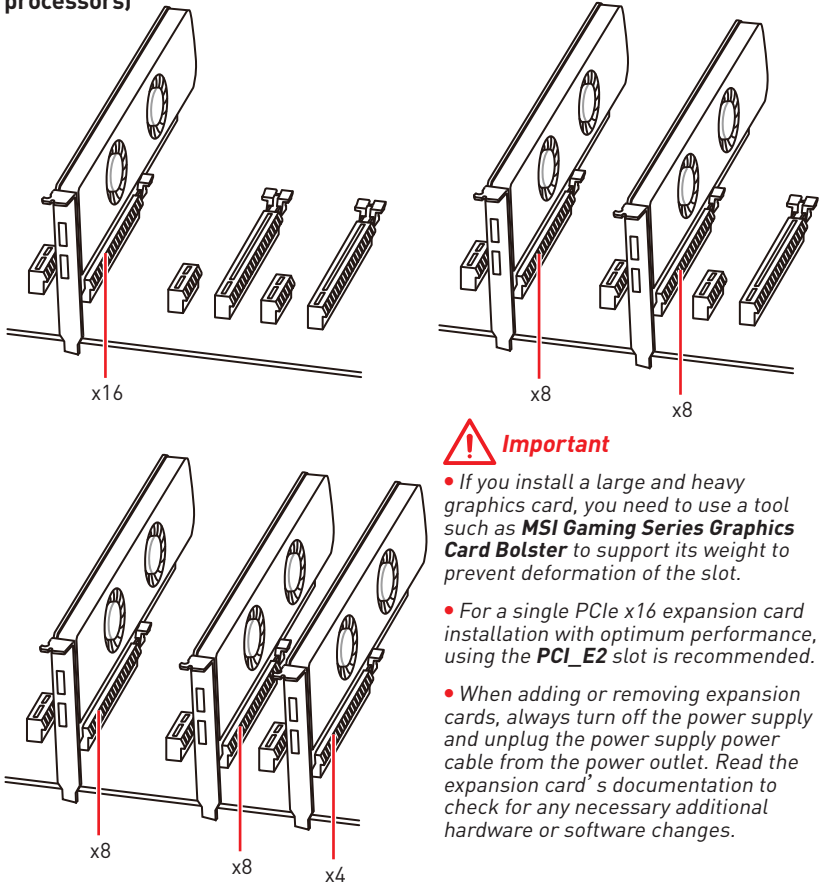
### Important

- Always insert memory modules in the **DIMMA2** slot first.
- Due to chipset resource usage, the available capacity of memory will be a little less than the amount of installed.
- Based on the processor specification, the Memory DIMM voltage below 1.35V is suggested to protect the processor.
- Some memory modules may operate at a lower frequency than the marked value when overclocking due to the memory frequency operates dependent on its Serial Presence Detect (SPD). Go to BIOS and find the **DRAM Frequency** to set the memory frequency if you want to operate the memory at the marked or at a higher frequency.
- It is recommended to use a more efficient memory cooling system for full DIMMs installation or overclocking.
- The stability and compatibility of installed memory module depend on installed CPU and devices when overclocking.
- Due to AM4 CPU/memory controller official specification limitation, the frequency of memory modules may operate lower than the marked value under the default state. Please refer [www.msi.com](http://www.msi.com) for more information on compatible memory.

## PCI\_E1~6: PCIe Expansion Slots

Processors \ Slots	1st, 2nd and 3rd Gen AMD Ryzen™	For Ryzen™ with Radeon™ Vega Graphics and 2nd Gen AMD Ryzen™ with Radeon™ Graphics	Athlon™ with Radeon Vega Graphics
PCI_E1	PCIe 2.0 x1	PCIe 2.0 x1	PCIe 2.0 x1
PCI_E2	PCIe 3.0 x16	PCIe 3.0 x8	PCIe 3.0 x4
PCI_E3	PCIe 2.0 x1	PCIe 2.0 x1	PCIe 2.0 x1
PCI_E4	PCIe 3.0 x8	Unavailable	Unavailable
PCI_E5	PCIe 2.0 x1	PCIe 2.0 x1	PCIe 2.0 x1
PCI_E6	PCIe 2.0 x4	PCIe 2.0 x4	PCIe 2.0 x4

### Multiple graphics cards installation recommendation (Ryzen™ series processors)



### Important

- If you install a large and heavy graphics card, you need to use a tool such as **MSI Gaming Series Graphics Card Bolster** to support its weight to prevent deformation of the slot.
- For a single PCIe x16 expansion card installation with optimum performance, using the **PCI\_E2** slot is recommended.
- When adding or removing expansion cards, always turn off the power supply and unplug the power supply power cable from the power outlet. Read the expansion card's documentation to check for any necessary additional hardware or software changes.

## PCIe bandwidth table

### For Ryzen™ Desktop processors

Slot	Single				2-Way			
PCI_E1 (PCH)	Gen 2.0 x 1				Gen 2.0 x 1			
PCI_E2 (CPU)	Gen 3.0 x 16*				Gen 3.0 x 8*			
PCI_E3 (PCH)	Gen 2.0 x 1	—		Gen 2.0 x 1		—		
PCI_E4 (CPU)	—				Gen 3.0 x 8*			
PCI_E5 (PCH)	—		Gen 2.0 x 1		—		Gen 2.0 x 1	
PCI_E6 (PCH)	Gen 2.0 x 4	—	Gen 2.0 x 4	—	Gen 2.0 x 4	—	Gen 2.0 x 4	—
M2_1 (CPU)	Gen 3.0 x 4				Gen 3.0 x 4			
M2_2 (PCH)	—	Gen 2.0 x 4	—	Gen 2.0 x 4	—	Gen 2.0 x 4	—	Gen 2.0 x 4

### For Ryzen™ with Radeon™ Vega Graphics and 2nd Gen AMD Ryzen™ with Radeon™ Graphics processors

Slot	Single				
PCI_E1 (PCH)	Gen 2.0 x 1				
PCI_E2 (CPU)	Gen 3.0 x 8*				
PCI_E3 (PCH)	Gen 2.0 x 1		—		
PCI_E4 (CPU)	—				
PCI_E5 (PCH)	—		Gen 2.0 x 1		
PCI_E6 (PCH)	Gen 2.0 x 4	—	Gen 2.0 x 4	—	
M2_1 (CPU)	Gen 3.0 x 4				
M2_2 (PCH)	—	Gen 2.0 x 4		—	Gen 2.0 x 4

### For Athlon™ with Radeon Vega Graphics processors

Slot	Single				
PCI_E1 (PCH)	Gen 2.0 x 1				
PCI_E2 (CPU)	Gen 3.0 x 4*				
PCI_E3 (PCH)	Gen 2.0 x 1		—		
PCI_E4 (CPU)	—				
PCI_E5 (PCH)	—		Gen 2.0 x 1		
PCI_E6 (PCH)	Gen 2.0 x 4	—	Gen 2.0 x 4	—	
M2_1 (CPU)	Gen 3.0 x 2				
M2_2 (PCH)	—	Gen 2.0 x 4		—	Gen 2.0 x 4

(—: unavailable, \*: graphics card)

#### **Important**

- PCI\_E3 slot will be unavailable when installing PCIe card in PCI\_E5 slot.
- PCI\_E6 slot will be unavailable when installing PCIe M.2 SSD in M2\_2 slot.

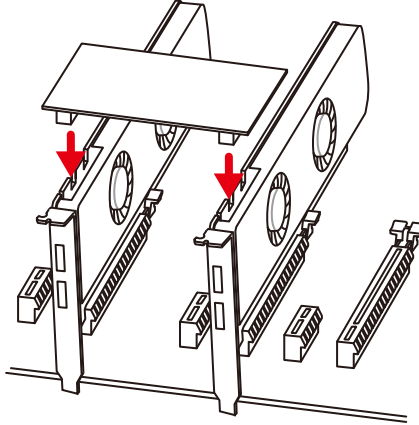


## Installing SLI graphics cards

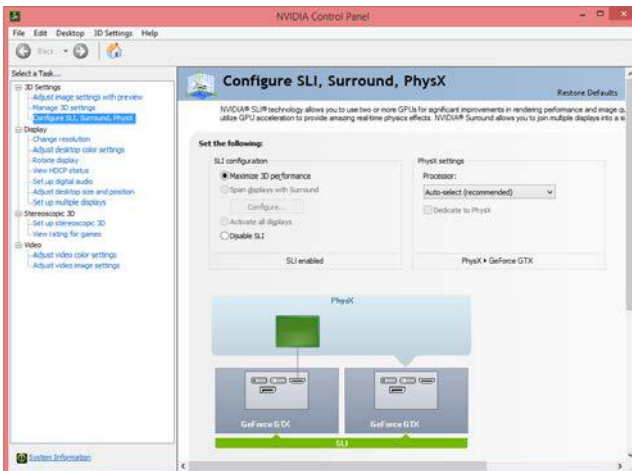
For power supply recommendations for SLI configurations, please refer to the user guide of your graphics card to make sure you meet all the system requirements.

To install SLI graphics cards:

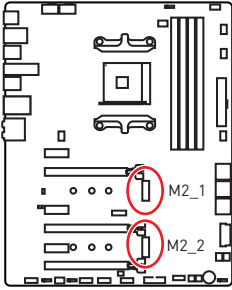
1. Turn off your computer and disconnect the power cord, install two graphics cards into the **PCI\_E2** and **PCI\_E4** slots.
2. Connect the two cards together using the **SLI Bridge Connector**.



3. Connect all PCIe power connectors of the graphics cards.
4. Reconnect the power cord, power up the computer and install the drivers and software included in your graphics card package.
5. Right-click the Windows desktop and select **NVIDIA Control Panel** from the menu, click on **Configure SLI, Surround, PhysX** in the left task pane and select **Maximize 3D performance** in the SLI configuration menu, and then click **Apply**.



## M2\_1~2: M.2 Slots (Key M)



### Important

- SATA3 port will be unavailable when installing SATA M.2 SSD in M2\_2 slot.
- PCI\_E6 slot will be unavailable when installing PCIe M.2 SSD in M2\_2 slot.
- M2\_1 slot only supports PCIe mode.



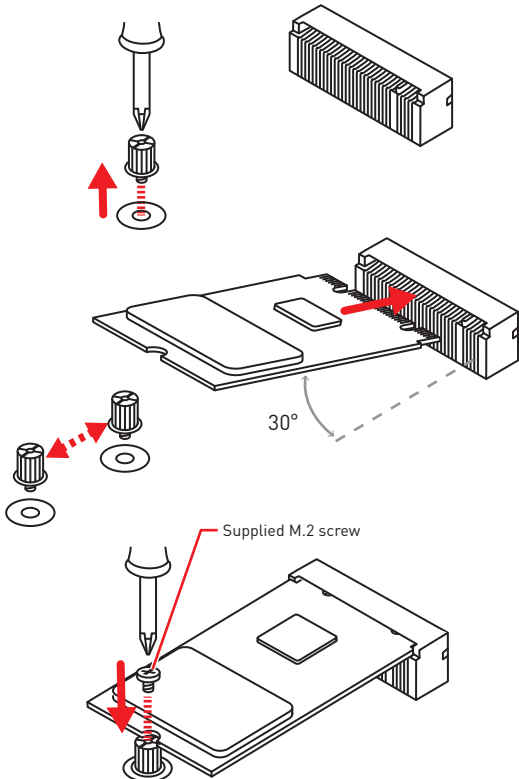
### Video Demonstration

Watch the video to learn how to Install M.2 SSD.

<http://youtu.be/JCTFABYtrYA>

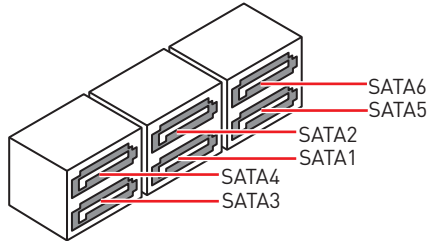
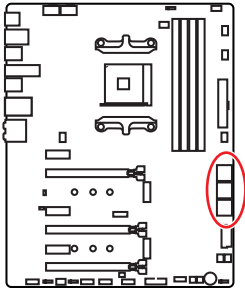
## Installing M.2 SSD

1. Loosen the M.2 riser screw from the motherboard.
2. Move and fasten the M.2 riser screw to the appropriate location according to your M.2 SSD size.
3. Insert your M.2 SSD into the M.2 slot at a 30-degree angle.
4. Secure the M.2 SSD in place with the supplied M.2 screw.



## SATA1~6: SATA 6Gb/s Connectors

These connectors are SATA 6Gb/s interface ports. Each connector can connect to one SATA device.

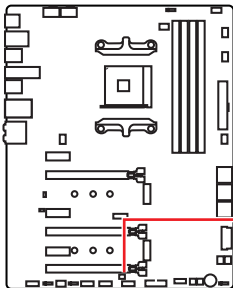


### Important

- SATA3 port will be unavailable when installing SATA M.2 SSD in M2\_2 slot.
- Please do not fold the SATA cable at a 90-degree angle. Data loss may result during transmission otherwise.
- SATA cables have identical plugs on either sides of the cable. However, it is recommended that the flat connector be connected to the motherboard for space saving purposes.

## JPWRLED1: LED power input

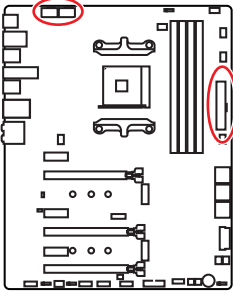
This connector is used by retailers to demonstrate onboard LED light effects.



JPWRLED1 - LED power input

## CPU\_PWR1, CPU\_PWR2, ATX\_PWR1: Power Connectors

These connectors allow you to connect an ATX power supply.



8		5	CPU_PWR1/
4		1	CPU_PWR2
1	Ground	5	+12V
2	Ground	6	+12V
3	Ground	7	+12V
4	Ground	8	+12V

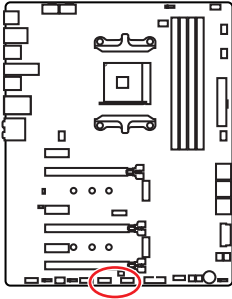
	1	+3.3V	13	+3.3V
	2	+3.3V	14	-12V
	3	Ground	15	Ground
	4	+5V	16	PS-ON#
	5	Ground	17	Ground
	6	+5V	18	Ground
	7	Ground	19	Ground
	8	PWR OK	20	Res
	9	5VSB	21	+5V
	10	+12V	22	+5V
	11	+12V	23	+5V
	12	+3.3V	24	Ground

### **Important**

Make sure that all the power cables are securely connected to a proper ATX power supply to ensure stable operation of the motherboard.

## JUSB1~2: USB 2.0 Connectors

These connectors allow you to connect USB 2.0 ports on the front panel.



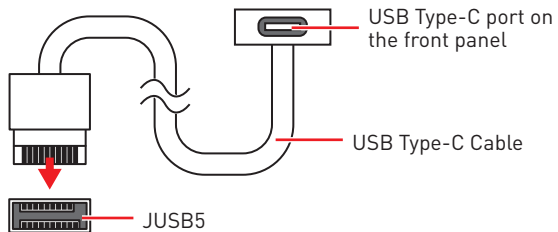
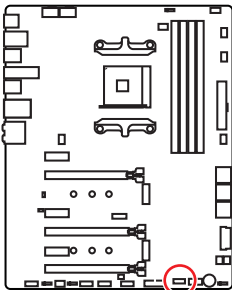
1	VCC	2	VCC
3	USB0-	4	USB1-
5	USB0+	6	USB1+
7	Ground	8	Ground
9	No Pin	10	NC

### Important

- Note that the VCC and Ground pins must be connected correctly to avoid possible damage.
- In order to recharge your iPad, iPhone and iPod through USB ports, please install MSI® SUPER CHARGER utility.

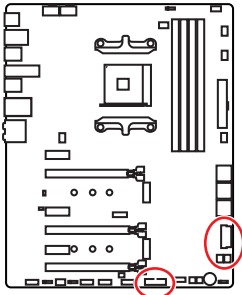
## JUSB5: USB 3.1 Gen2 Type-C Connector

This connector allows you to connect USB 3.1 Gen2 Type-C connector on the front panel. The connector possesses a foolproof design. When you connecting the cable, be sure to connect it in the correct orientation.



## JUSB3~4: USB 3.1 Gen1 Connectors

These connectors allow you to connect USB 3.1 Gen1 ports on the front panel.



JUSB3		JUSB4	
1	10	10	11
20	11	1	20
1	Power	11	USB2.0+
2	USB3_RX_DN	12	USB2.0-
3	USB3_RX_DP	13	Ground
4	Ground	14	USB3_TX_C_DP
5	USB3_TX_C_DN	15	USB3_TX_C_DN
6	USB3_TX_C_DP	16	Ground
7	Ground	17	USB3_RX_DP
8	USB2.0-	18	USB3_RX_DN
9	USB2.0+	19	Power
10	NC	20	No Pin

### Important

Note that the Power and Ground pins must be connected correctly to avoid possible damage.

## Charger Port

The **JUSB4** connector is a charger port which can increase USB power output for fast charging your smartphone or USB-powered devices. The Charger Port is hardware controlled by motherboard chip, it can still charge your device in suspend, hibernate state or even shutdown states. However, when you boot the computer into Windows®, you will need to install the MSI® SUPER CHARGER application to turn ON/OFF the Charging mode.



### Video Demonstration

Watch the video to learn how to charge the smartphone with Super-Charge.

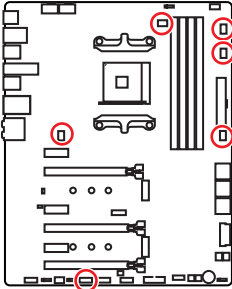
<http://youtu.be/FCyvj5Nb0w>

### Important

When the Charging mode is enabled, the Charger Port data syncing will be disabled.

## CPU\_FAN1, PUMP\_FAN1, SYS\_FAN1~4: Fan Connectors

Fan connectors can be classified as PWM (Pulse Width Modulation) Mode or DC Mode. PWM Mode fan connectors provide constant 12V output and adjust fan speed with speed control signal. DC Mode fan connectors control fan speed by changing voltage. When you plug a 3-pin (Non-PWM) fan to a fan connector in PWM mode, the fan speed will always maintain at 100%, which might create a lot of noise. CPU\_FAN1 and PUMP\_FAN1 can automatically detect PWM and DC mode. You can follow the instruction below to adjust the fan connector to PWM or DC Mode.



### Default Auto Mode fan connector



### Default PWM Mode fan connector



### Default DC Mode fan connectors



## Switching fan mode and adjusting fan speed

You can switch between PWM mode and DC mode and adjust fan speed in **BIOS > Advanced > Hardware Monitor**.



*Make sure fans are working properly after switching the PWM/ DC mode.*

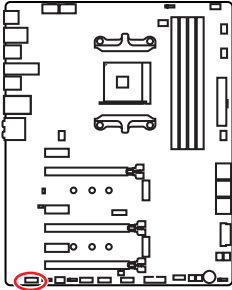
## Pin definition of fan connectors

PWM Mode pin definition			
1	Ground	2	+12V
3	Sense	4	Speed Control Signal

DC Mode pin definition			
1	Ground	2	Voltage Control
3	Sense	4	NC

## JAUD1: Front Audio Connector

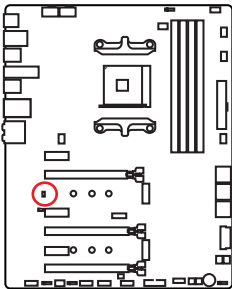
This connector allows you to connect audio jacks on the front panel.



1	MIC L	2	Ground
3	MIC R	4	NC
5	Head Phone R	6	MIC Detection
7	SENSE_SEND	8	No Pin
9	Head Phone L	10	Head Phone Detection

## JCI1: Chassis Intrusion Connector

This connector allows you to connect the chassis intrusion switch cable.



Normal  
(default)



Trigger the chassis  
intrusion event

### Using chassis intrusion detector

1. Connect the **JCI1** connector to the chassis intrusion switch/ sensor on the chassis.
2. Close the chassis cover.
3. Go to **BIOS > Security > Chassis Intrusion Configuration**.
4. Set **Chassis Intrusion** to **Enabled**.
5. Press **F10** to save and exit and then press the **Enter** key to select **Yes**.
6. Once the chassis cover is opened again, a warning message will be displayed on screen when the computer is turned on.

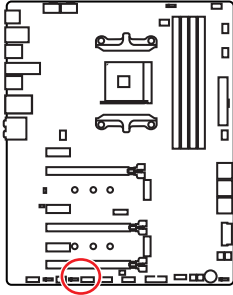
### Resetting the chassis intrusion warning

1. Go to **BIOS > Security > Chassis Intrusion Configuration**.
2. Set **Chassis Intrusion** to **Reset**.
3. Press **F10** to save and exit and then press the **Enter** key to select **Yes**.



## JFP1, JFP2: Front Panel Connectors

These connectors connect to the switches and LEDs on the front panel.

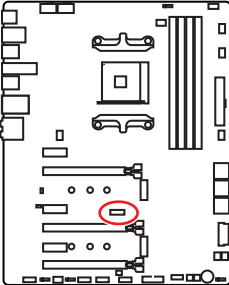


1	HDD LED +	2	Power LED +
3	HDD LED -	4	Power LED -
5	Reset Switch	6	Power Switch
7	Reset Switch	8	Power Switch
9	Reserved	10	No Pin

1	Speaker -	2	Buzzer +
3	Buzzer -	4	Speaker +

## JTPM1: TPM Module Connector

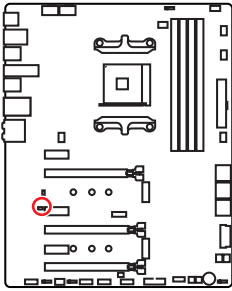
This connector is for TPM (Trusted Platform Module). Please refer to the TPM security platform manual for more details and usages.



1	LPC Clock	2	3V Standby power
3	LPC Reset	4	3.3V Power
5	LPC address & data pin0	6	Serial IRQ
7	LPC address & data pin1	8	5V Power
9	LPC address & data pin2	10	No Pin
11	LPC address & data pin3	12	Ground
13	LPC Frame	14	Ground

## JBAT1: Clear CMOS (Reset BIOS) Jumper

There is CMOS memory onboard that is external powered from a battery located on the motherboard to save system configuration data. If you want to clear the system configuration, set the jumpers to clear the CMOS memory.



Keep Data  
(default)



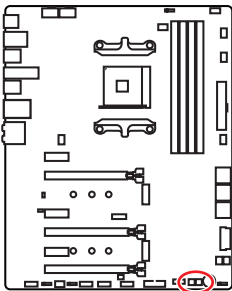
Clear CMOS/  
Reset BIOS

### Resetting BIOS to default values

1. Power off the computer and unplug the power cord
2. Use a jumper cap to short **JBAT1** for about 5-10 seconds.
3. Remove the jumper cap from **JBAT1**.
4. Plug the power cord and power on the computer.

## POWER1, RESET1: Power Button, Reset Button

The Power / Reset button allows you to power on / reset the computer.



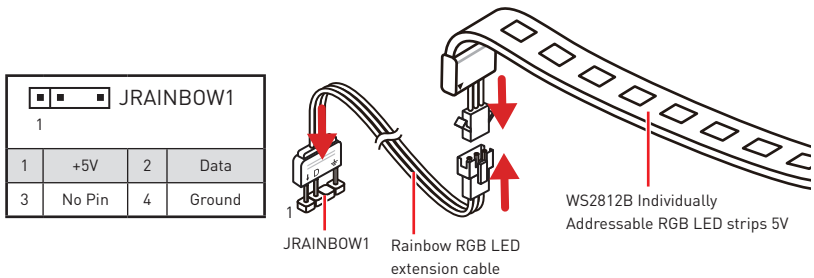
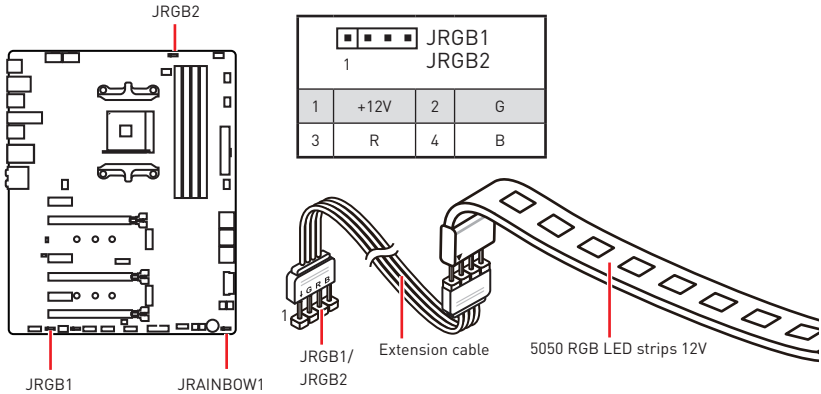
Power button



Reset button

## JRGB1, JRGB2, JRAINBOW1: RGB LED Connectors

The JRGB1/JRGB2 connector allows you to connect the 5050 RGB LED strips 12V. The JRAINBOW1 connector allows you to connect the WS2812B Individually Addressable RGB LED strips 5V.



### CAUTION

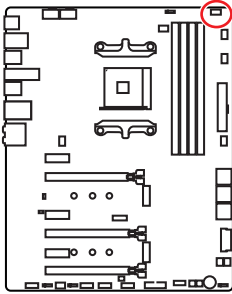
Do not connect the wrong type of LED strips. The JRGB1/JRGB2 connector and the JRAINBOW1 connector provide different voltages, and connecting the 5V LED strip to the JRGB1/JRGB2 connector will result in damage to the LED strip.

### Important

- The JRGB1/JRGB2 connector supports up to 2 meters continuous 5050 RGB LED strips (12V/G/R/B) with the maximum power rating of 3A (12V).
- The JRAINBOW1 connector supports up to 72 LEDs WS2812B Individually Addressable RGB LED strips (5V/Data/Ground) with the maximum power rating of 3A (5V).
- Always turn off the power supply and unplug the power cord from the power outlet before installing or removing the RGB LED strip.
- Please use MSI's software to control the extended LED strip.

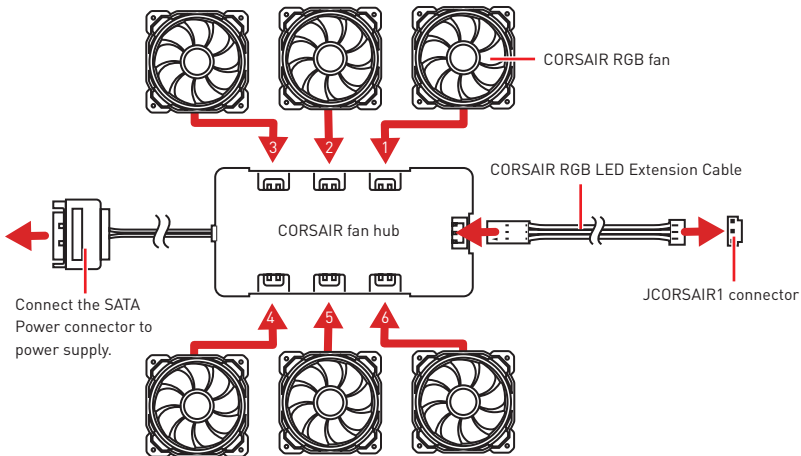
## JCORSAIR1: CORSAIR Connector

The JCORSAIR1 connector allows you to connect the CORSAIR Individually Addressable RGB LED strips 5V or CORSAIR RGB LED fans with the CORSAIR fan hub. Once all items are connected properly, you can control the CORSAIR RGB LED strips and fans with MSI's software.

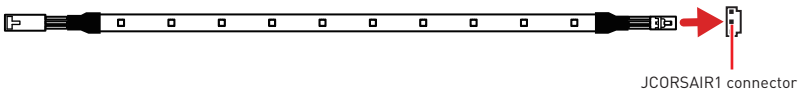


1 JCORSAIR1			
1	+5V	2	Data
3	Ground		

### CORSAIR RGB LED Fan Connection



### CORSAIR Lighting Node PRO Connection



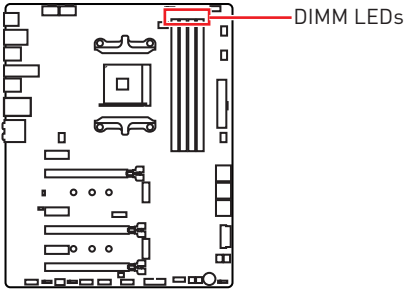
### Important

- Fans must start at 1 and continue in series. 1 > 2 > 3 > 4 > 5 > 6. Any fan not connected in series will break communication and the RGB LED lighting function will not work.
- Quantity of RGB LED Fans or RGB LED Lighting PRO strips supported may differ between models. Please refer to the motherboard specification.
- CORSAIR RGB LED Fan and CORSAIR Lighting Node PRO can't be used at the same time.

# Onboard LEDs

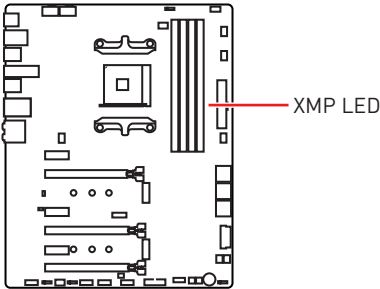
## DIMM LEDs

These LEDs indicate the memory modules are installed.



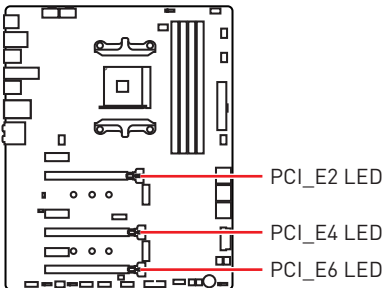
## XMP LED

This LED indicates the A-XMP (AMD-Extreme Memory Profile) mode is enabled.



## PCIe x16 slot LEDs

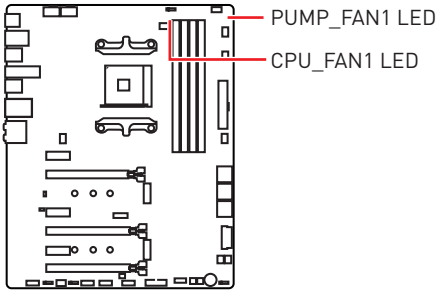
These LEDs indicate the PCIe x16 slots status.



LED Color	PCIe slot status
Red	x16 mode
White	x8, x4, x1 mode

## Fan LEDs

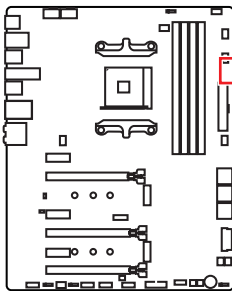
These LEDs indicate the fan control mode.



LED Color	Fan control mode
Red	PWM mode
Green	DC mode

## EZ Debug LED

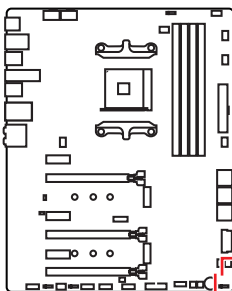
These LEDs indicate the debug status of the motherboard.



- CPU** - indicates CPU is not detected or fail.
- DRAM** - indicates DRAM is not detected or fail.
- VGA** - indicates GPU is not detected or fail.
- BOOT** - indicates the booting device is not detected or fail.

## GAME BOOST LEDs

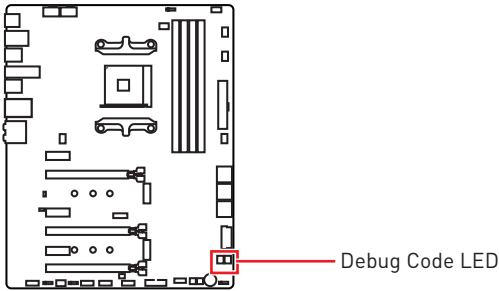
These LEDs indicate GAME BOOST control status.



LED Color	GAME BOOST control status
Red	GAME BOOST control by physical button
White	GAME BOOST control by BIOS

## Debug Code LED

The Debug Code LED displays progress and error codes during and after POST. Refer to the Debug Code LED table for details.



## Hexadecimal Character Table

Hexadecimal	0	1	2	3	4	5	6	7	8	9	A	B	C	D	E	F
Debug Code LED display	0	1	2	3	4	5	6	7	8	9	A	B	C	D	E	F

## Boot Phases

**Security (SEC)** – initial low-level initialization

**Pre-EFI Initialization (PEI)** – memory initialization

**Driver Execution Environment (DXE)** – main hardware initialization

**Boot Device Selection (BDS)** – system setup, pre-OS user interface & selecting a bootable device (CD/DVD, HDD, USB, Network, Shell, ...)

## Debug Code LED Table

### SEC Progress Codes

01	Power on. Reset type detection (soft/hard)
02	AP initialization before microcode loading
03	System Agent initialization before microcode loading
04	PCH initialization before microcode loading
06	Microcode loading
07	AP initialization after microcode loading
08	System Agent initialization after microcode loading
09	PCH initialization after microcode loading
0B	Cache initialization

### SEC Error Codes

0C - 0D	Reserved for future AMI SEC error codes
0E	Microcode not found
0F	Microcode not loaded

### PEI Progress Codes

10	PEI Core is started
11	Pre-memory CPU initialization is started
12 - 14	Pre-memory CPU initialization (CPU module specific)
15	Pre-memory System Agent initialization is started
16 - 18	Pre-Memory System Agent initialization (System Agent module specific)
19	Pre-memory PCH initialization is started
1A - 1C	Pre-memory PCH initialization (PCH module specific)

2B	Memory initialization. Serial Presence Detect (SPD) data reading
2C	Memory initialization. Memory presence detection
2D	Memory initialization. Programming memory timing information
2E	Memory initialization. Configuring memory
2F	Memory initialization (other)
31	Memory Installed
32	CPU post-memory initialization is started
33	CPU post-memory initialization. Cache initialization
34	CPU post-memory initialization. Application Processor(s) (AP) initialization
35	CPU post-memory initialization. Boot Strap Processor (BSP) selection
36	CPU post-memory initialization. System Management Mode (SMM) initialization
37	Post-Memory System Agent initialization is started
38 - 3A	Post-Memory System Agent initialization (System Agent module specific)
3B	Post-Memory PCH initialization is started
3C - 3E	Post-Memory PCH initialization (PCH module specific)
4F	DXE IPL is started

## PEI Error Codes

4B	Memory not installed (For Summit CPU)
E0	Memory not installed (For Bristol CPU)

## DXE Progress Codes

60	DXE Core is started
61	NVRAM initialization
62	Installation of the PCH Runtime Services
63	CPU DXE initialization is started
64 - 67	CPU DXE initialization (CPU module specific)
68	PCI host bridge initialization
69	System Agent DXE initialization is started
6A	System Agent DXE SMM initialization is started
6B - 6F	System Agent DXE initialization (System Agent module specific)
70	PCH DXE initialization is started

71	PCH DXE SMM initialization is started
72	PCH devices initialization
73 - 77	PCH DXE Initialization (PCH module specific)
78	ACPI module initialization
79	CSM initialization
7A - 7F	Reserved for future AMI DXE codes
90	Boot Device Selection (BDS) phase is started
91	Driver connecting is started
92	PCI Bus initialization is started
93	PCI Bus Hot Plug Controller Initialization
94	PCI Bus Enumeration 32
95	PCI Bus Request Resources
96	PCI Bus Assign Resources
97	Console Output devices connect
98	Console input devices connect
99	Super IO Initialization
9A	USB initialization is started
9B	USB Reset
9C	USB Detect
9D	USB Enable
9E - 9F	Reserved for future AMI codes
A0	IDE initialization is started
A1	IDE Reset
A2	IDE Detect
A3	IDE Enable
A4	SCSI initialization is started
A5	SCSI Reset
A6	SCSI Detect
A7	SCSI Enable
A8	Setup Verifying Password
A9	Start of Setup
AB	Setup Input Wait
AD	Ready To Boot event
AE	Legacy Boot event
AF	Exit Boot Services event
B0	Runtime Set Virtual Address MAP Begin
B1	Runtime Set Virtual Address MAP End
B2	Legacy Option ROM Initialization
B3	System Reset
B4	USB hot plug
B5	PCI bus hot plug



<b>B6</b>	Clean-up of NVRAM
<b>B7</b>	Configuration Reset (reset of NVRAM settings)
<b>B8 - BF</b>	Reserved for future AMI codes

### DXE Error Codes

<b>D0</b>	CPU initialization error
<b>D1</b>	System Agent initialization error
<b>D2</b>	PCH initialization error
<b>D3</b>	Some of the Architectural Protocols are not available
<b>D4</b>	PCI resource allocation error. Out of Resources
<b>D5</b>	No Space for Legacy Option ROM
<b>D6</b>	No Console Output Devices are found
<b>D7</b>	No Console Input Devices are found
<b>D8</b>	Invalid password
<b>D9</b>	Error loading Boot Option (LoadImage returned error)
<b>DA</b>	Boot Option is failed (StartImage returned error)
<b>DB</b>	Flash update is failed
<b>DC</b>	Reset protocol is not available

### S3 Resume Progress Codes

<b>E0</b>	S3 Resume is started (S3 Resume PPI is called by the DXE IPL)
<b>E1</b>	S3 Boot Script execution
<b>E2</b>	Video repost
<b>E3</b>	OS S3 wake vector call
<b>E4 - E7</b>	Reserved for future AMI progress codes

### S3 Resume Error Codes

<b>E8</b>	S3 Resume Failed
<b>E9</b>	S3 Resume PPI not Found
<b>EA</b>	S3 Resume Boot Script Error
<b>EB</b>	S3 OS Wake Error
<b>EC - EF</b>	Reserved for future AMI error codes

### Recovery Progress Codes

<b>F0</b>	Recovery condition triggered by firmware (Auto recovery)
<b>F1</b>	Recovery condition triggered by user (Forced recovery)
<b>F2</b>	Recovery process started
<b>F3</b>	Recovery firmware image is found

<b>F4</b>	Recovery firmware image is loaded
<b>F5 - F7</b>	Reserved for future AMI progress codes

### Recovery Error Codes

<b>F8</b>	Recovery PPI is not available
<b>F9</b>	Recovery capsule is not found
<b>FA</b>	Invalid recovery capsule
<b>FB - FF</b>	Reserved for future AMI error codes

### ACPI States Codes

The following codes appear after booting and the operating system into ACPI modes.

<b>01</b>	System is entering S1 sleep state
<b>02</b>	System is entering S2 sleep state
<b>03</b>	System is entering S3 sleep state
<b>04</b>	System is entering S4 sleep state
<b>05</b>	System is entering S5 sleep state
<b>10</b>	System is waking up from the S1 sleep state
<b>20</b>	System is waking up from the S2 sleep state
<b>30</b>	System is waking up from the S3 sleep state
<b>40</b>	System is waking up from the S4 sleep state
<b>AC</b>	System has transitioned into ACPI mode. Interrupt controller is in PIC mode.
<b>AA</b>	System has transitioned into ACPI mode. Interrupt controller is in APIC mode.

# BIOS Setup

The default settings offer the optimal performance for system stability in normal conditions. You should **always keep the default settings** to avoid possible system damage or failure booting unless you are familiar with BIOS.



## **Important**

- *BIOS items are continuously update for better system performance. Therefore, the description may be slightly different from the latest BIOS and should be for reference only. You could also refer to the **HELP** information panel for BIOS item description.*
- *The pictures in this chapter are for reference only and may vary from the product you purchased.*
- *The BIOS items will vary with the processor.*

## Entering BIOS Setup

Press **Delete** key, when the **Press DEL key to enter Setup Menu, F11 to enter Boot Menu** message appears on the screen during the boot process.

### Function key

- F1:** General Help list
- F4:** Enter CPU Specifications menu
- F5:** Enter Memory-Z menu
- F6:** Load optimized defaults
- F10:** Save Change and Reset\*
- F12:** Take a screenshot and save it to USB flash drive (FAT/ FAT32 format only).

\* When you press F10, a confirmation window appears and it provides the modification information. Select between Yes or No to confirm your choice.

## Resetting BIOS

You might need to restore the default BIOS setting to solve certain problems. There are several ways to reset BIOS:

- Go to BIOS and press **F6** to load optimized defaults.
- Short the **Clear CMOS** jumper on the motherboard.



*Be sure the computer is off before clearing CMOS data. Please refer to the **Clear CMOS** jumper section for resetting BIOS.*

## Updating BIOS

### Updating BIOS with M-FLASH

Before updating:

Please download the latest BIOS file that matches your motherboard model from MSI website. And then save the BIOS file into the USB flash drive.

Updating BIOS:

1. Insert the USB flash drive that contains the update file into the computer.
2. Press Del key to enter the BIOS Setup during POST.
3. Go to **BIOS > M-FLASH > Select one file to update BIOS**, select a BIOS file to perform the BIOS update process.
4. After the flashing process is 100% completed, the system will reboot automatically.

### Updating the BIOS with Live Update 6

Before updating:

Make sure the LAN driver is already installed and the internet connection is set properly.

Updating BIOS:

1. Install and launch MSI LIVE UPDATE 6.
2. Select **BIOS Update**.
3. Click on **Scan** button.
4. Click on **Download** icon to download and install the latest BIOS file.
5. Click **Next** and choose **In Windows mode**. And then click **Next** and **Start** to start updating BIOS.
6. After the flashing process is 100% completed, the system will restart automatically.

## Updating BIOS with Flash BIOS Button

Before updating:

Please download the latest BIOS file that matches your motherboard model from MSI® website and rename the BIOS file to **MSI.ROM**. And then, save the **MSI.ROM** file to the root of USB flash drive.

Using Flash BIOS Button:

1. Connect power supply to ATX\_PWR1 and CPU\_PWR1. (No other components are necessary but power supply.)
2. Plug the USB flash drive that contains the MSI.ROM file into the Flash BIOS Button port on rear I/O panel.
3. Press the Flash BIOS Button button to flash BIOS, and the Flash BIOS Button LED starts flashing.
4. After the flashing BIOS process is 100% completed, the Flash BIOS Button LED stops flashing and be off.



### **Important**

*Only the FAT32 format USB flash drive supports updating BIOS by **Flash BIOS Button**.*

## OC Menu

This menu is for advanced users who want to overclock the motherboard.



### **Important**

- Overclocking your PC manually is only recommended for advanced users.
- Overclocking is not guaranteed, and if done improperly, it could void your warranty or severely damage your hardware.
- If you are unfamiliar with overclocking, we advise you to use **GAME BOOST** function for easy overclocking.
- The BIOS items in OC menu will vary with the processor.

#### ► CPU Ratio [Auto]

Sets the CPU ratio that is used to determine CPU clock speed. This item can only be changed if the processor supports this function.

#### ► Advanced CPU Configuration

Press **Enter** to enter the sub-menu. User can set the parameters about CPU power/ current. The system may become unstable or unbootable after changing the parameters. If it occurs, please clear the CMOS data and restore the default settings.

#### ► Game Boost Function Control [By Onboard Button]

Enables the GAME BOOST function by virtual button in BIOS or physical button on motherboard. Enabling GAME BOOST function can automatically overclock the system with MSI optimized overclocking profile.

#### ► Game Boost Switch [Disabled]

Enables or disables the Game Boost Switch function.

### ▶ **A-XMP [Disabled]**

Please enable A-XMP or select a profile of memory module for overclocking the memory. This item will be available when the installed processor, memory modules and motherboard support this function.

### ▶ **DRAM Frequency [Auto]**

Sets the DRAM frequency. Please note the overclocking behavior is not guaranteed.

### ▶ **Adjusted DRAM Frequency**

Shows the adjusted DRAM frequency. Read-only.

### ▶ **Memory Try It ! [Disabled]**

It can improve memory compatibility or performance by choosing optimized memory preset.

### ▶ **Advanced DRAM Configuration**

Press **Enter** to enter the sub-menu. User can set the memory timing for each/ all memory channel. The system may become unstable or unbootable after changing memory timing. If it occurs, please clear the CMOS data and restore the default settings. (Refer to the Clear CMOS jumper section to clear the CMOS data, and enter the BIOS to load the default settings.)

### ▶ **DigitALL Power**

Press **Enter** to enter the sub-menu. Controls the digital powers related to CPU PWM.

#### ▶ **CPU Loadline Calibration Control [Auto]**

The CPU voltage will decrease proportionally according to CPU loading. Higher load-line calibration could get higher voltage and good overclocking performance, but increase the temperature of the CPU and VRM. If set to **Auto**, BIOS will configure this setting automatically.

#### ▶ **CPU NB Loadline Calibration Control [Auto]**

The CPU-NB voltage will decrease proportionally according to CPU-NB loading. Higher load-line calibration could get higher voltage and good overclocking performance, but increase the temperature. If set to **Auto**, BIOS will configure this setting automatically.

#### ▶ **CPU Over Voltage Protection [Auto]**

Sets the voltage limit for CPU over-voltage protection. If set to **Auto**, BIOS will configure this setting automatically. Higher voltage provides less protection and may damage the system.

#### ▶ **CPU Under Voltage Protection [Auto]**

Sets the voltage limit for CPU under-voltage protection. If set to **Auto**, BIOS will configure this setting automatically. Higher voltage provides less protection and may damage the system.

#### ▶ **CPU Over Current Protection [Auto]**

Sets the current limit for CPU over-current protection. If set to **Auto**, BIOS will configure this setting automatically.

[Auto] This setting will be configured automatically by BIOS.

[Enhanced] Extends the current range for over-current protection.

► **CPU NB/SoC Over Voltage Protection [Auto]**

Sets the voltage limit for CPU NB/ SoC over-voltage protection. If set to **Auto**, BIOS will configure this setting automatically. Higher voltage provides less protection and may damage the system.

► **CPU NB/SoC Under Voltage Protection [Auto]**

Sets the voltage limit for NB/ SoC under-voltage protection. If set to **Auto**, BIOS will configure this setting automatically. Higher voltage provides less protection and may damage the system.

► **CPU NB/SoC Over Current Protection [Auto]**

Sets the current limit for CPU NB/ SoC over-current protection. If set to **Auto**, BIOS will configure this setting automatically.

[Auto] This setting will be configured automatically by BIOS.

[Enhanced] Extends the current range for over-current protection.

► **VR 12VIN OCP Expander [Auto]**

Expands the limitation of VR Over Current Protection with 12V input voltage. The higher expanding value indicates less protection. Therefore, please adjust the current carefully if needed, or it may damage the CPU/ VR MOS. If set to "Auto", BIOS will configure this setting automatically.

► **CPU Voltages control [Auto]**

These options allows you to set the voltages related to CPU. If set to **Auto**, BIOS will set these voltages automatically or you can set it manually.

► **DRAM Voltages control [Auto]**

These options allows you to set the voltages related to memory. If set to **Auto**, BIOS will set these voltages automatically or you can set it manually.

► **CPU Specifications**

Press **Enter** to enter the sub-menu. This sub-menu displays the information of installed CPU. You can also access this information menu at any time by pressing [F4]. Read only.

► **CPU Technology Support**

Press **Enter** to enter the sub-menu. The sub-menu shows the key features of installed CPU. Read only.

► **MEMORY-Z**

Press **Enter** to enter the sub-menu. This sub-menu displays all the settings and timings of installed memory. You can also access this information menu at any time by pressing [F5].

► **DIMMx Memory SPD**

Press **Enter** to enter the sub-menu. The sub-menu displays the information of installed memory. Read only.

► **CPU Features**

Press **Enter** to enter the sub-menu.

► **Global C-state Control [Enabled] (optional)**

Enables/ disables IO based C-state generation and DF C-states.

### ► Simultaneous Multi-Threading [Enabled] (optional)

Enables/ disables the AMD Simultaneous Multi-Threading. This item appears when the installed CPU supports this technology.

### ► Opcache Control [Auto] (optional)

Enables/ disables Opcache. Opcache stores recent decode instruction to save the decoding time when the instruction is repeated. And it may increase the CPU performance and reduce the power consumption slightly.

### ► IOMMU Mode (optional)

Enables/disables the IOMMU (I/O Memory Management Unit) for I/O Virtualization.

### ► Spread Spectrum (optional)

This function reduces the EMI (Electromagnetic Interference) generated by modulating clock generator pulses.

[Enabled] Enables the spread spectrum function to reduce the EMI (Electromagnetic Interference) problem.

[Disabled] Enhances the overclocking ability of CPU Base clock.



### **Important**

- If you do not have any EMI problem, leave the setting at [Disabled] for optimal system stability and performance. But if you are plagued by EMI, select the value of Spread Spectrum for EMI reduction.
- The greater the Spread Spectrum value is, the greater the EMI is reduced, and the system will become less stable. For the most suitable Spread Spectrum value, please consult your local EMI regulation.
- Remember to disable Spread Spectrum if you are overclocking because even a slight jitter can introduce a temporary boost in clock speed which may just cause your overclocked processor to lock up.

### ► Relaxed EDC throttling [Auto] (optional)

Relaxed EDC throttling reduces the amount of time the processor will throttle the cores.

[Auto] AMD's recommendation

[Enabled] Reduce the amount of time the processor will throttle.

[Disabled] Part-specific EDC throttling protection enabled.

### ► AMD Cool' n' Quiet [Enabled]

The Cool' n' Quiet technology can effectively and dynamically lower CPU speed and power consumption.

### ► SVM Mode [Enabled]

Enables/ disables the AMD SVM (Secure Virtual Machine) Mode.

### ► BIOS PSP Support [Enabled] (optional)

Enables/ disables the BIOS PSP support. It manages PSP sub-items including all C2P/P2C mailbox, Secure S3, fTPM support.

### ► Power Supply Idle Control [Auto] (optional)

It allows you to select the power-saving control mode for the CPU when all cores are in a non-CO state. If set to **Auto**, BIOS will configure these settings.



► **CPU VDD\_SoC Current Optimization [Auto] (optional)**

Sets the currents of CPU VDD and SoC. If set to **Auto**, BIOS will configure this setting automatically.

[Auto] This setting will be configured automatically by BIOS.

[Custom Setting] Allows you to set the currents manually.

# Software Description

## Installing Windows® 10

1. Power on the computer.
2. Insert the Windows® 10 disc into your optical drive.
3. Press the **Restart** button on the computer case.
4. Press **F11** key during the computer POST (Power-On Self Test) to get into Boot Menu.
5. Select your optical drive from the Boot Menu.
6. Press any key when screen shows **Press any key to boot from CD or DVD...** message.
7. Follow the instructions on the screen to install Windows® 10.

## Installing Drivers

1. Start up your computer in Windows® 10.
2. Insert MSI® Driver Disc into your optical drive.
3. The installer will automatically appear and it will find and list all necessary drivers.
4. Click **Install** button.
5. The software installation will then be in progress, after it has finished it will prompt you to restart.
6. Click **OK** button to finish.
7. Restart your computer.

## Installing Utilities

Before you install utilities, you must complete drivers installation.

1. Insert MSI® Driver Disc into your optical drive.
2. The installer will automatically appear.
3. Click **Utilities** tab.
4. Select the utilities you want to install.
5. Click **Install** button.
6. The utilities installation will then be in progress, after it has finished it will prompt you to restart.
7. Click **OK** button to finish.
8. Restart your computer.

# Table des matières

<b>Informations de sécurité</b> .....	<b>3</b>
<b>Spécifications</b> .....	<b>4</b>
Spécifications du connecteur JCORSAIR1 .....	10
<b>Panneau arrière Entrée / Sortie</b> .....	<b>11</b>
Tableau explicatif de l'état de la LED du port LAN .....	11
Configuration des ports audio.....	11
Realtek HD Audio Manager .....	12
Installation des antennes .....	14
<b>Vue d'ensemble des composants</b> .....	<b>15</b>
Socket processeur .....	16
OC1 : Molette GAME BOOST .....	17
Slots DIMM .....	19
PCI_E1~6 : Slots d'extension PCIe .....	20
M2_1~2 : Slots M.2 (Touche M).....	23
SATA1~6 : Connecteurs SATA 6Gb/s .....	24
JPWLED1 : Indicateur LED de l'entrée d'alimentation.....	24
CPU_PWR1, CPU_PWR2, ATX_PWR1 : Connecteurs d'alimentation .....	25
JUSB1~2 : Connecteurs USB 2.0.....	26
JUSB5 : Connecteur USB 3.1 Gen2 Type-C.....	26
JUSB3~4 : Connecteurs USB 3.1 Gen1 .....	27
CPU_FAN1, PUMP_FAN1, SYS_FAN1~4 : Connecteurs pour ventilateurs.....	28
JAUD1 : Connecteur audio avant.....	29
JCI1 : Connecteur intrusion châssis .....	29
JFP1, JFP2 : Connecteurs de panneau avant .....	30
JTPM1 : Connecteur de module TPM.....	30
JBAT1 : Cavalier Clear CMOS (Réinitialisation BIOS) .....	31
POWER1, RESET1 : Boutons d'alimentation et de réinitialisation.....	31
JRGB1, JRGB2, JRAINBOW1 : Connecteurs LED RGB .....	32
JCORSAIR1 : Connecteur CORSAIR .....	33
<b>Indicateurs LED embarqués</b> .....	<b>34</b>
Indicateurs LED des barrettes DIMM.....	34
Indicateur LED du mode XMP.....	34
Indicateurs LED du slot PCIe x 16 .....	34
Indicateurs LED des ventilateurs .....	35
EZ Debug LED.....	35
Indicateurs LED de GAME BOOST .....	35
Debug Code LED.....	36
Tableau des caractères hexadécimaux .....	36

Phase de démarrage .....	36
Tableau de Debug Code LED .....	36
Codes d' état ACPI .....	38
<b>Configuration du BIOS .....</b>	<b>40</b>
Entrer dans l' interface Setup du BIOS .....	40
Réinitialiser le BIOS.....	41
Mettre le BIOS à jour .....	41
OC Menu (menu overclocking).....	43
<b>Informations sur les logiciels .....</b>	<b>48</b>
Installer Windows® 10 .....	48
Installer les pilotes .....	48
Installer les utilitaires .....	48

# Informations de sécurité

- Les composants dans l' emballage peuvent être endommagés par des décharges électrostatiques (ESD). Pour vous assurer de correctement monter votre ordinateur, veuillez vous référer aux instructions ci-dessous.
- Assurez-vous de bien connecter tous les composants. En cas de mauvaise connexion, il se peut que l' ordinateur ne reconnaisse pas le composant et que le démarrage échoue.
- Veuillez tenir la carte mère par les bords pour éviter de toucher les composants sensibles.
- Il est recommandé de porter un bracelet antistatique lors de la manipulation de la carte mère pour prévenir tout dommage. Si vous n' avez pas de bracelet antistatique, touchez un objet métallique relié à la terre avant de manipuler la carte mère afin de vous décharger de votre charge statique. Touchez régulièrement l' objet métallique pendant toute la manipulation.
- Tant que la carte mère n' est pas installée, conservez-la dans un récipient protégé contre les ondes électrostatiques ou sur une couche antistatique.
- Avant de démarrer l' ordinateur, vérifiez si toutes les vis et les composants métalliques sont bien fixés sur la carte mère ou ailleurs dans le boîtier de l' ordinateur.
- Ne démarrez pas l' ordinateur avant d' avoir terminé l' installation. Ceci peut endommager les composants ou vous blesser.
- Si vous avez besoin d' aide pendant l' installation, veuillez consulter un technicien informatique certifié.
- Avant d' installer les composants d' ordinateur, veuillez toujours mettre hors tension et débrancher le cordon d' alimentation.
- Gardez ce manuel pour références futures.
- Protégez ce manuel contre l' humidité.
- Avant de brancher le bloc d' alimentation sur la sortie électrique, veuillez vous assurer que la tension de la sortie électrique est bien égale à celle du bloc d' alimentation.
- Placez le cordon d' alimentation de façon à éviter que l' on marche dessus. Ne posez rien sur le cordon d' alimentation.
- Veuillez prêter attention à toutes les alertes et remarques indiquées sur la carte mère.
- Dans un cas comme ci-dessous, faites appel au service autorisé pour vérifier votre carte mère :
  - Un liquide a pénétré dans l' ordinateur.
  - La carte mère a été exposée à de l' humidité.
  - La carte mère ne fonctionne pas comme indiqué dans les instructions.
  - La carte mère est tombée par terre et a été endommagée.
  - La carte mère est cassée.
- Ne pas mettre la carte mère dans un environnement dont la température est supérieure à 60°C (140°F) sous peine de l'endommager.

# Spécifications

<b>CPU</b>	Socket AM4 pour processeurs AMD Ryzen™ de 1ère, 2ème et 3ème génération / Ryzen™ avec cœurs graphiques Radeon™ Vega / AMD Ryzen™ avec cœurs graphiques Radeon™ de 2ème génération / Athlon™ avec cœurs graphiques Radeon™ Vega
<b>Chipset</b>	Chipset AMD® X470
<b>Mémoire</b>	<ul style="list-style-type: none"> <li>• 4 x slots pour mémoire DDR4, support jusqu' à 64 GO             <ul style="list-style-type: none"> <li>▪ Support DDR4 1866 / 2133 / 2400 / 2667 Mhz par JEDEC, et 2667 / 2800 / 2933 / 3000 / 3066 / 3200 / 3466 / 3600 Mhz par A-XMP OC MODE*</li> </ul> </li> <li>• Architecture mémoire double canal</li> <li>• Support mémoire non-ECC UDIMM</li> <li>• Support mémoire ECC UDIMM (mode non-ECC)</li> </ul> <p>* Les processeurs de série A ou Athlon™ supportent jusqu' à 2400 MHz. La fréquence mémoire supportée varie selon le processeur installé. Veuillez vous référer au site <a href="http://www.msi.com">www.msi.com</a> pour plus d' informations sur la mémoire compatible.</p>
<b>Slots d' extension</b>	<ul style="list-style-type: none"> <li>• 2 x slots PCIe 3.0 x 16 (PCI_E_2, PCI_E_4)             <ul style="list-style-type: none"> <li>▪ Les processeurs AMD Ryzen™ de 1ère, 2ème et 3ème génération supportent les modes x16 / x 0, x 8 / x 8</li> <li>▪ Les processeurs Ryzen™ avec cœurs graphiques Radeon™ Vega / AMD Ryzen™ avec cœurs graphiques Radeon™ de 2ème génération supportent les modes x 8 / x 0</li> <li>▪ Les processeurs Athlon™ avec cœurs graphiques Radeon™ Vega supportent les modes x 4 / x 0</li> </ul> </li> <li>• 1 x slot PCIe 2.0 x 16 (PCI_E_6, support mode x 4)*</li> <li>• 3 x slots PCIe 2.0 x 1</li> </ul> <p>* Le slot PCI_E3 est indisponible lorsqu' une carte PCIe est installée dans le slot PCI_E5.</p> <p>* Le slot PCI_E6 est indisponible lorsqu' un SSD PCIe M.2 est installé dans le slot M2_2.</p>
<b>Multi-GPU</b>	<ul style="list-style-type: none"> <li>• Processeurs AMD Ryzen™ de 1ère, 2ème et 3ème génération             <ul style="list-style-type: none"> <li>▪ Support de la technologie NVIDIA® SLI™ 2-Way</li> <li>▪ Support de la technologie AMD® CrossFire™ 3-Way</li> </ul> </li> <li>• Processeurs de bureau Ryzen™ avec cœurs graphiques Radeon™ Vega / AMD Ryzen™ avec cœurs graphiques Radeon™ de 2ème génération / Athlon™ avec cœurs graphiques Radeon™ Vega             <ul style="list-style-type: none"> <li>▪ Support de la technologie AMD® CrossFire™ 2-Way</li> </ul> </li> </ul>

Suite du tableau sur la page suivante

Suite du tableau de la page précédente

<b>LAN</b>	1 x contrôleur Killer™ E2500 Gigabit LAN
<b>Wireless LAN et Bluetooth®</b>	<p>Carte Intel® Dual Band Wireless-AC 8265</p> <ul style="list-style-type: none"> <li>• La carte sans fil est préinstallée dans le slot M2_3 (M.2 Touche E).</li> <li>• Support Wi-Fi 802.11 a/b/g/n/ac, double bande (2.4GHz, 5GHz) jusqu' à la vitesse de 867 Mbps.</li> <li>• Support Dual Mode Bluetooth® 2.1, 2.1+EDR, 3.0, 4.0, BLE, 4.2</li> </ul>
<b>Stockage</b>	<ul style="list-style-type: none"> <li>• 6 x ports SATA 6Gb/s (du chipset AMD® X470)</li> <li>• 2 x ports M.2 (Touche M)* <ul style="list-style-type: none"> <li>▪ Le slot M2_1 slot (du processeur AMD®) supporte PCIe 3.0 x 4 (AMD Ryzen™ de 1ère, 2ème et 3ème génération / Ryzen™ avec cœurs graphiques Radeon™ Vega / AMD Ryzen™ avec cœurs graphiques Radeon™ de 2ème génération) ou PCIe 3.0 x 2 (Athlon™ avec cœurs graphiques Radeon™ Vega) et des périphériques de stockage 2242 / 2260 / 2280</li> <li>▪ Le slot M2_2 (du Chipset AMD® X470) supporte PCIe 2.0 x 4 et des périphériques de stockage SATA 6Gb/s 2242 / 2260 / 2280</li> </ul> </li> </ul> <p>* Le port SATA3 est indisponible lorsqu' un SSD SATA M.2 est installé dans le slot M2_2.</p> <p>* Le slot PCI_E6 est indisponible lorsqu' un SSD PCIe M.2 est installé dans le slot M2_2.</p>
<b>RAID</b>	<p>Chipset AMD® X470</p> <ul style="list-style-type: none"> <li>• Support des architectures RAID 0, RAID 1 et RAID 10 pour les périphériques de stockage SATA</li> </ul>

Suite du tableau sur la page suivante

Suite du tableau de la page précédente

<b>USB</b>	<ul style="list-style-type: none"><li>• Chipset ASMedia® ASM1143<ul style="list-style-type: none"><li>▪ 1 x port USB 3.1 Gen2 (SuperSpeed USB 10Gbps) Type-C par l'intermédiaire du connecteur USB interne</li></ul></li><li>• Chipset AMD® X470<ul style="list-style-type: none"><li>▪ 1 x port USB 3.1 Gen2 (SuperSpeed USB 10Gbps) Type-C sur le panneau arrière</li><li>▪ 1 x port USB 3.1 Gen2 (SuperSpeed USB 10Gbps) Type-A sur le panneau arrière</li><li>▪ 4 x ports USB 3.1 Gen1 (SuperSpeed USB) par l'intermédiaire des connecteurs USB internes</li><li>▪ 6 x ports USB 2.0 (High-speed USB) (2 ports Type-A sur le panneau arrière, 4 ports disponibles par l'intermédiaire des connecteurs USB internes)</li></ul></li><li>• Processeur AMD®<ul style="list-style-type: none"><li>▪ 4 x ports USB 3.1 Gen1 (SuperSpeed USB) Type-A sur le panneau arrière</li></ul></li></ul>
<b>Audio</b>	<ul style="list-style-type: none"><li>• Realtek® ALC1220 Codec</li><li>• Audio haute définition 7.1</li><li>• Support sortie S/PDIF</li></ul>
<b>Connecteurs sur le panneau arrière</b>	<ul style="list-style-type: none"><li>• 1 x bouton Clear CMOS</li><li>• 1 x bouton Flash BIOS</li><li>• 1 x port clavier / souris PS/2</li><li>• 2 x ports USB 2.0 Type-A</li><li>• 4 x ports USB 3.1 Gen1 Type-A</li><li>• 2 x connecteurs d'antenne</li><li>• 1 x port LAN (RJ45)</li><li>• 1 x port USB 3.1 Gen2 Type-A</li><li>• 1 x port USB 3.1 Gen2 Type-C</li><li>• 5 x jacks audio OFC</li><li>• 1 x connecteur Sortie S/PDIF optique</li></ul>

Suite du tableau sur la page suivante



Suite du tableau de la page précédente

<b>Connecteurs internes</b>	<ul style="list-style-type: none"> <li>• 1 x connecteur d'alimentation principal ATX à 24 broches</li> <li>• 2 x connecteurs d'alimentation ATX 12V à 8 broches</li> <li>• 6 x connecteurs SATA 6 Gb/s</li> <li>• 2 x connecteurs USB 2.0 (support de 4 autres ports USB 2.0)</li> <li>• 2 x connecteurs USB 3.1 Gen1 (support de 4 autres ports USB 3.1 Gen1)</li> <li>• 1 x connecteur USB 3.1 Gen2 (support de 1 autre port USB 3.1 Gen2 Type C)</li> <li>• 1 x connecteur de ventilateur CPU à 4 broches</li> <li>• 1 x connecteur de ventilateur à 4 broches pour la pompe (support jusqu'à 2A)</li> <li>• 4 x connecteurs de ventilateur système à 4 broches</li> <li>• 2 x connecteurs pour ruban LED RGB de type 5050, sortie 12V</li> <li>• 1 x connecteur pour ruban LED RGB WS2812B adressables individuellement, sortie 5V</li> <li>• 1 x connecteur CORSAIR</li> <li>• 1 x connecteur de module TPM</li> <li>• 1 x connecteur audio avant</li> <li>• 2 x connecteurs de panneau système</li> <li>• 1 x connecteur intrusion châssis</li> <li>• 1 x cavalier Clear CMOS</li> <li>• 1 x 2-Digit Debug Code LED</li> </ul>
<b>Boutons internes</b>	<ul style="list-style-type: none"> <li>• 1 x molette GAME BOOST</li> <li>• 1 x bouton d'alimentation</li> <li>• 1 x bouton de réinitialisation</li> </ul>
<b>Contrôleur E/S</b>	Contrôleur NUVOTON NCT6795D
<b>Moniteur système</b>	<ul style="list-style-type: none"> <li>• Détection de la température du CPU et du système</li> <li>• Détection de la vitesse du ventilateur du CPU et du système</li> <li>• Contrôle de la vitesse du ventilateur du CPU et du système</li> </ul>
<b>Dimensions</b>	<ul style="list-style-type: none"> <li>• Format ATX</li> <li>• 30,4 cm x 24,4 cm (12" x 9,6")</li> </ul>

Suite du tableau sur la page suivante

Suite du tableau de la page précédente

<b>Fonctions BIOS</b>	<ul style="list-style-type: none"><li>• 1 x flash 128 Mb</li><li>• UEFI AMI BIOS</li><li>• ACPI 6.1, SM BIOS 2.8</li><li>• Multilingue</li></ul>
<b>Logiciel</b>	<ul style="list-style-type: none"><li>• Pilotes</li><li>• APP MANAGER</li><li>• COMMAND CENTER</li><li>• LIVE UPDATE 6</li><li>• MYSTIC LIGHT</li><li>• SUPER CHARGER</li><li>• GAMING APP</li><li>• X-BOOST</li><li>• SMART TOOL</li><li>• Nahimic Audio</li><li>• Open Broadcaster Software (OBS)</li><li>• Norton™ Internet Security Solution</li><li>• Google Chrome™, Google Toolbar, Google Drive</li><li>• Killer Control Center</li><li>• CPU-Z MSI GAMING</li></ul>

Suite du tableau sur la page suivante

Suite du tableau de la page précédente

## Fonctions spéciales

- Audio
  - Audio Boost 4
  - Voice Boost
  - Nahimic 2.5
- Network
  - GAMING LAN with Killer LAN Manager
  - Intel WiFi
- Stockage
  - Twin Turbo M.2
- Ventilateur
  - Ventilateurs pour la pompe
  - Contrôle des ventilateurs
- LED
  - Mystic Light
  - Mystic Light Extension (RGB, RAINBOW & CORSAIR)
  - Mystic light SYNC
  - EZ DEBUG LED
- Protection
  - PCI-E Steel Armor
  - DDR4 Steel Armor
  - M.2 SHIELD FROZR
  - Audio Cover
- Performance
  - Technologie Multi GPU-SLI
  - Technologie Multi GPU-CrossFire
  - DDR4 Boost
  - GAME Boost
  - Lightning USB
  - Port USB de type A et C
  - X-Boost
  - A-XMP
  - OC Engine

Suite du tableau sur la page suivante

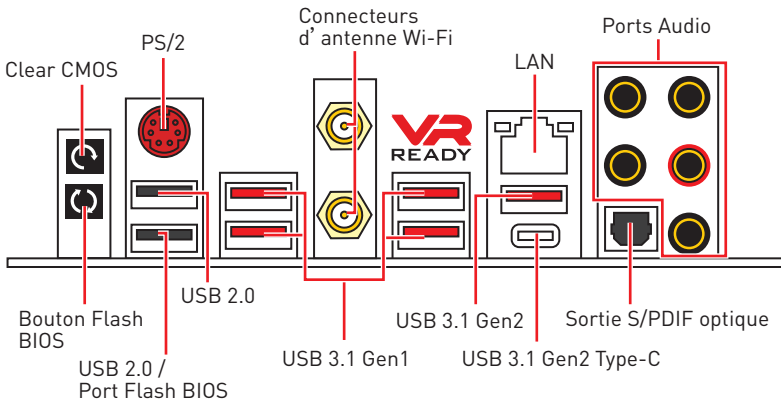
Suite du tableau de la page précédente

<b>Fonctions spéciales</b>	<ul style="list-style-type: none"><li>• Stabilité<ul style="list-style-type: none"><li>▪ 7000+ Quality Test</li></ul></li><li>• VR<ul style="list-style-type: none"><li>▪ VR Ready</li></ul></li><li>• Expérience des joueurs<ul style="list-style-type: none"><li>▪ GAMING HOTKEY</li></ul></li><li>• BIOS<ul style="list-style-type: none"><li>▪ Bouton Flash BIOS</li></ul></li><li>• Certification<ul style="list-style-type: none"><li>▪ GAMING Certifié</li></ul></li></ul>
----------------------------	---

## Spécifications du connecteur JCORSAIR1

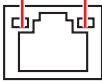
Produits CORSAIR à LED RGB supportés	Connexion maximale
Ruban LED RGB Lighting PRO	7
Ventilateur RGB HD	6
Ventilateur RGB SP	6
Ventilateur RGB LL	5

# Panneau arrière Entrée / Sortie



- **Bouton Clear CMOS** - Eteignez votre ordinateur. Appuyez sur le bouton Clear CMOS environ 5-10 secondes pour remettre le BIOS aux valeurs par défaut.
- **Bouton / Port Flash BIOS** - Veuillez vous référer à la page 42 pour en savoir plus sur la mise à jour du BIOS avec Bouton Flash BIOS.

## Tableau explicatif de l'état de la LED du port LAN

LED indiquant la connexion et l'activité			LED indiquant la vitesse	
Etat	Description		Etat	Description
Eteint	Pas de connexion		Eteint	Débit de 10 Mbps
Jaune	Connexion correcte		Vert	Débit de 100 Mbps
Clignote	Activité en cours		Orange	Débit de 1 Gbps

## Configuration des ports audio

Ports audio	Canal			
	2	4	6	8
Sortie centre / Caisson de basse			●	●
Sortie audio haut-parleur arrière		●	●	●
Entrée Ligne / Sortie audio haut-parleur côté				●
Sortie Ligne / Sortie casque avant	●	●	●	●
Entrée Microphone				

(● : connecté, Espace : vide)

## Realtek HD Audio Manager

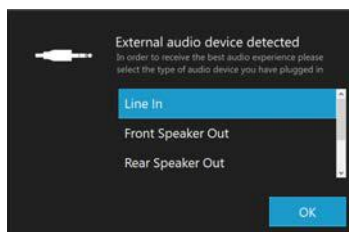
Après l'installation du pilote **Realtek HD Audio**, l'icône **Realtek HD Audio Manager** apparaît dans la barre des tâches du système. Double-cliquez sur l'icône pour lancer le programme.



- **Sélection du périphérique** - vous permet de sélectionner une source de sortie audio pour en modifier les paramètres. Le symbole de coche indique le périphérique sélectionné par défaut.
- **Amélioration d'application** - les diverses options vous fournissent un guide complet des effets acoustiques proposés pour les périphériques de sortie et d'entrée.
- **Volume principal** - contrôle le volume ou équilibre le son gauche / droite des haut-parleurs branchés sur le panneau avant ou derrière en ajustant la barre de volume.
- **Profils** - bascule entre les profils.
- **Paramètres avancés** - fournit le mécanisme pour gérer deux flux audio indépendants.
- **Etat des prises Jack** - présente tous les périphériques de diffusion et de capture connectés à votre ordinateur.
- **Paramètres du connecteur** - configure les paramètres de connexion.

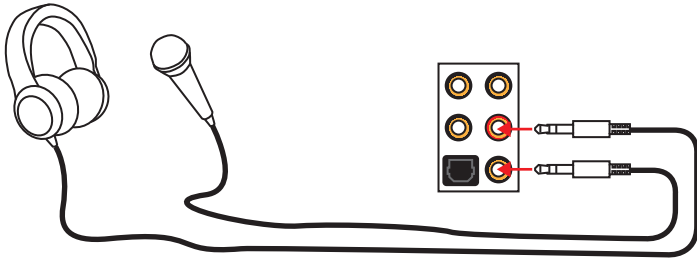
## Dialogue popup automatique

Lorsqu'un périphérique est branché sur une prise audio, une fenêtre de dialogue apparaît vous demande de choisir le périphérique connecté que vous souhaitez utiliser.

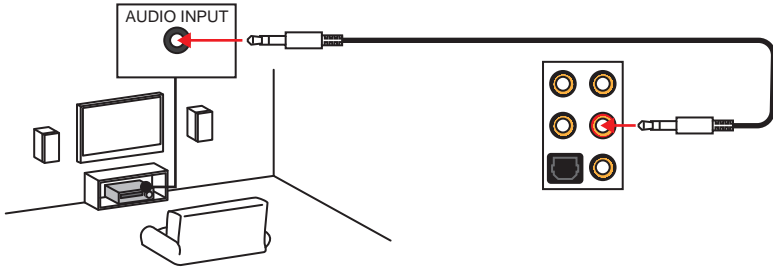


Chaque jack est réglé avec ses paramètres par défaut comme indiqué sur la page suivante.

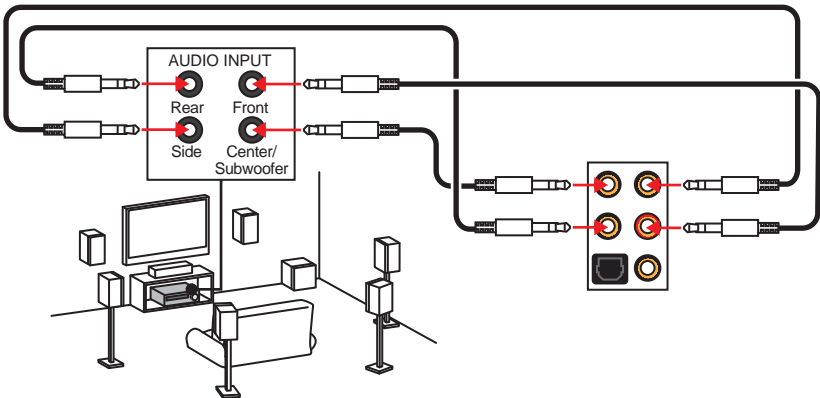
**Illustration de l' utilisation des ports audio dédiés au casque et au microphone**



**Illustration de l' utilisation du port audio dédié aux haut-parleurs**

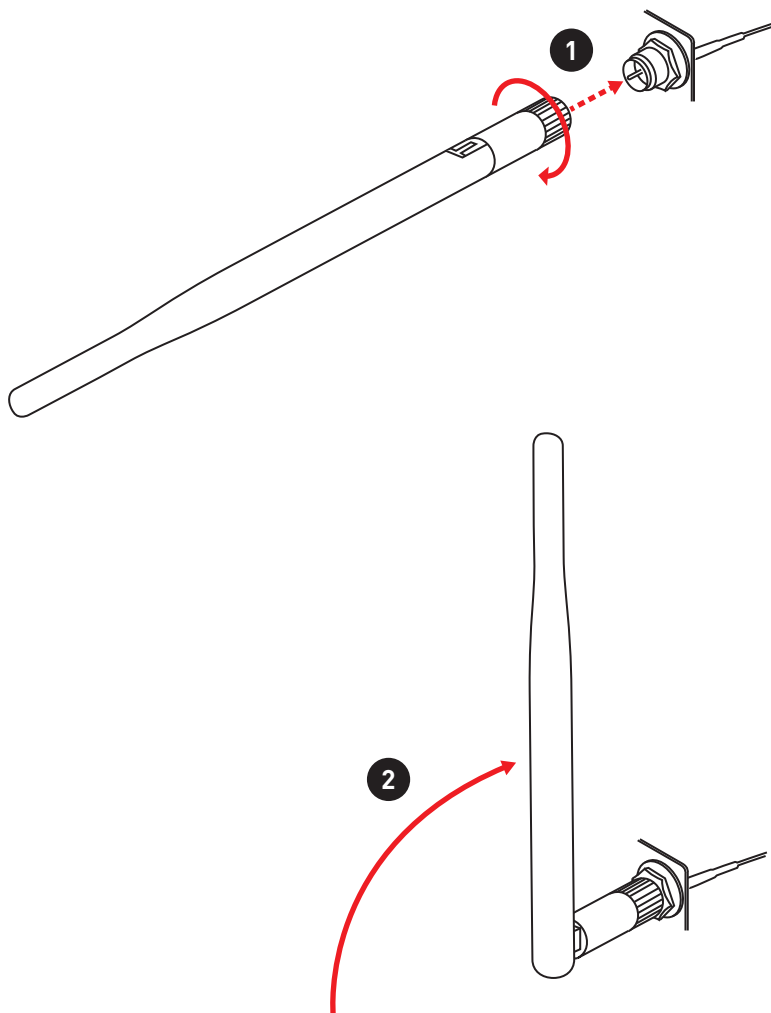


**Illustration de l' utilisation des ports audio dédiés aux haut-parleurs 7.1**



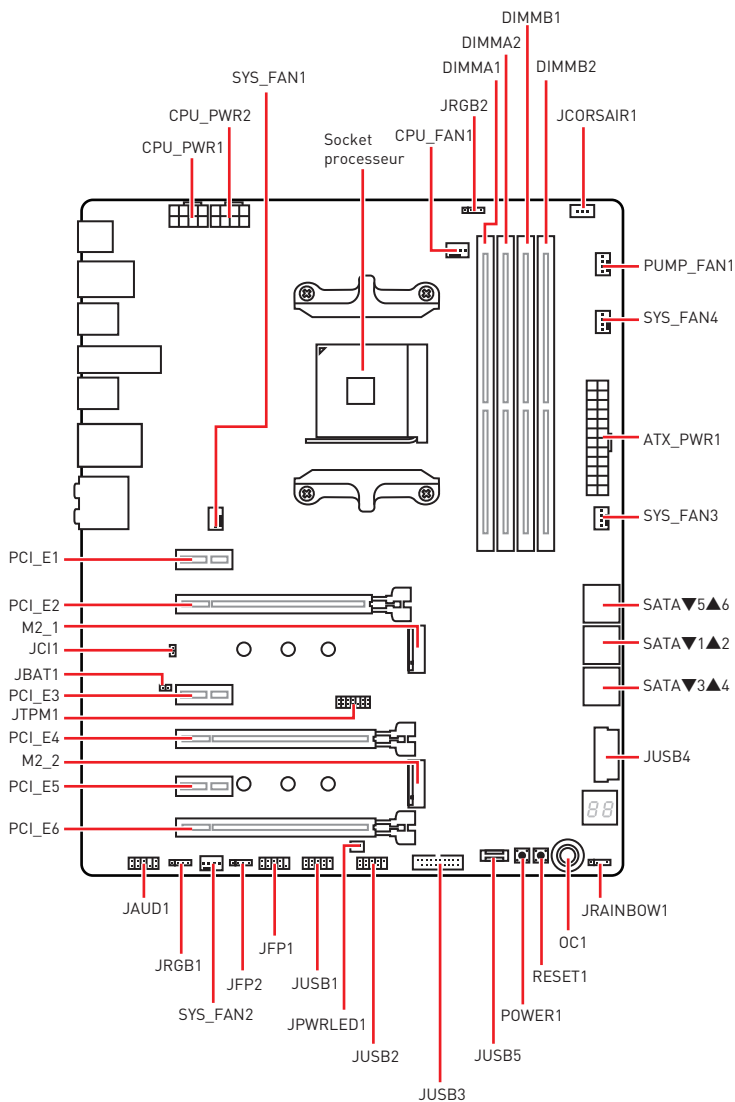
## Installation des antennes

1. Vissez fermement les antennes aux connecteurs dédiés, comme illustré ici.
2. Orientez les antennes.

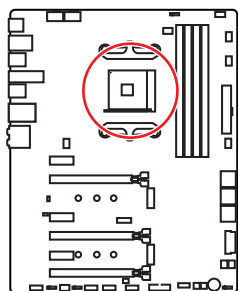




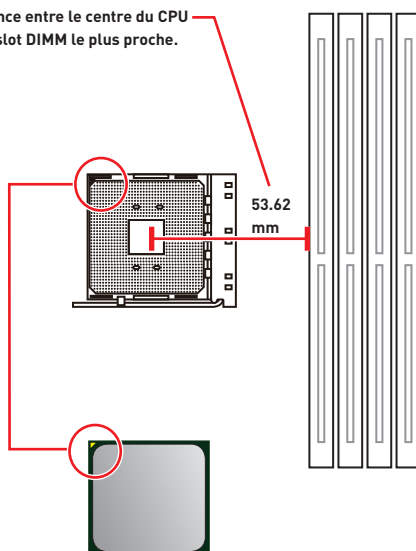
# Vue d'ensemble des composants



## Socket processeur



Distance entre le centre du CPU  
et le slot DIMM le plus proche.



### Présentation du socket AM4

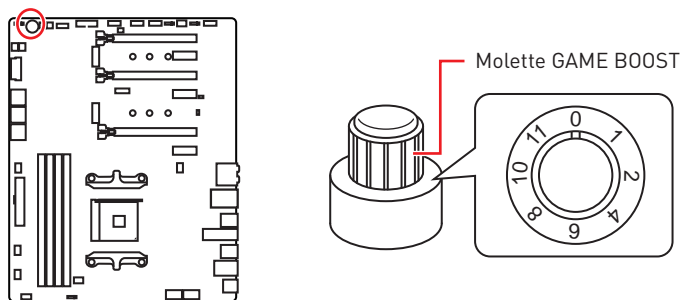
Sur le socket AM4, vous remarquerez un triangle jaune servant d'indicateur pour placer le processeur dans la bonne position sur la carte mère. Le triangle jaune correspond à la broche 1 du processeur.

### Important

- Lorsque vous changez le processeur, il se peut que la configuration du système soit effacée et que le BIOS soit réinitialisé à ses valeurs par défaut en raison de l'architecture du processeur AM4.
- Avant d'installer ou de retirer le processeur du socket, veuillez à toujours débrancher le câble d'alimentation de la prise électrique.
- Lors de l'installation d'un processeur, n'oubliez pas d'installer un ventilateur pour processeur. Un ventilateur de processeur est nécessaire pour protéger le processeur contre la surchauffe et maintenir la stabilité du système.
- Assurez-vous de l'étanchéité entre le ventilateur et le processeur avant de démarrer votre système.
- La surchauffe peut facilement endommager le processeur et la carte mère. Assurez-vous toujours que le système de refroidissement fonctionne correctement pour protéger le processeur de la surchauffe. Assurez-vous d'appliquer une couche de pâte thermique (ou adhésif thermique) entre le processeur et le système de refroidissement afin d'améliorer la dissipation de la chaleur.
- Si vous avez acheté un processeur indépendamment du ventilateur, veuillez vous référer à la documentation dans le paquet du ventilateur pour plus d'informations concernant l'installation.
- Cette carte mère supporte l'overclocking. Néanmoins, veuillez vous assurer que vos composants soient capables de tolérer l'overclocking. Prenez note que l'utilisation au-delà des spécifications du constructeur n'est pas recommandée. MSI® ne garantit pas les dommages et risques causés par les utilisations non prévues dans les spécifications du produit.

## OC1 : Molette GAME BOOST

Cette molette de réglage vous permet de choisir manuellement le niveau d'overclocking du processeur allant de 0 (par défaut) à 11 (extrême). La tension et la fréquence du processeur seront automatiquement ajustées après le démarrage de l'ordinateur.



### Utiliser la molette de réglage GAME BOOST

Pour utiliser la molette de réglage GAME BOOST, suivez les étapes ci-dessous :

1. Mettez la molette GAME BOOST en mode Hardware (contrôle au niveau matériel) par l'intermédiaire des paramètres du BIOS.
2. Eteignez l'ordinateur.
3. Tournez la molette GAME BOOST et choisissez le niveau d'overclocking que vous désirez.

Niveau	Fréquence du CPU Ryzen 7 (GHz)			
	1800X	1700X	PRO 1700X	1700
0	3.6	3.4	3.4	3.0
1	3.8	3.6	3.6	3.2
2	3.85	3.65	3.65	3.25
4	3.9	3.7	3.7	3.3
6	3.95	3.75	3.75	3.35
8	4	3.8	3.8	3.4
10	4.05	3.85	3.85	3.45
11	4.1	3.9	3.9	3.5

Niveau	Fréquence du CPU Ryzen 5 (GHz)				
	1600X	1600	1500X	1400	2400G
0	3.6	3.2	3.5	3.2	3.6
1	3.8	3.4	3.7	3.4	3.8
2	3.85	3.45	3.75	3.45	3.85
4	3.9	3.5	3.8	3.5	3.9
6	3.95	3.55	3.85	3.55	3.95
8	4	3.6	3.9	3.6	4
10	4.05	3.65	3.95	3.65	4.05
11	4.1	3.7	4	3.7	4.1

Niveau	Fréquence du CPU Ryzen 3 (GHz)		
	1300X	1200	2200G
0	3.5	3.1	3.5
1	3.7	3.3	3.7
2	3.75	3.35	3.75
4	3.8	3.4	3.8
6	3.85	3.45	3.85
8	3.9	3.5	3.9
10	3.95	3.55	3.95
11	4	3.75	4

4. Allumez l'ordinateur. GAME BOOST overclockera automatiquement le processeur selon le niveau que vous avez choisi.

Pour désactiver GAME BOOST:

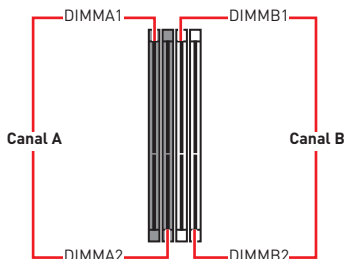
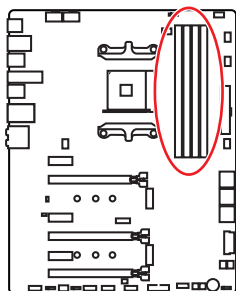
1. Mettez la molette GAME BOOST en mode Hardware par l'intermédiaire des paramètres du BIOS.
2. Eteignez l'ordinateur.
3. Tournez la molette GAME BOOST au niveau 0 puis allumez l'ordinateur. Les paramètres de configuration seront alors remis aux valeurs normales.



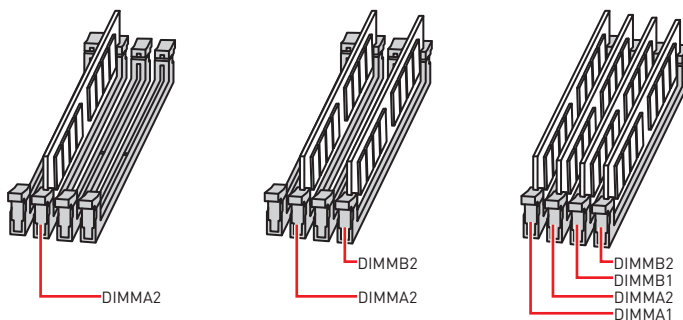
### **Important**

- Vous pouvez aussi contrôler la fonction GAME BOOST par l'intermédiaire du **Setup du BIOS** ou du logiciel **MSI COMMAND CENTER**.
- Pour optimiser les performances et améliorer la stabilité du système, veuillez ne pas modifier les réglages du menu **OC** du **BIOS** quand vous activez la fonction GAME BOOST.
- La réussite de l'overclocking dépend des composants de votre ordinateur.
- Nous ne garantissons pas le niveau d'overclocking offert par GAME BOOST ni les dommages et risques causés par l'overclocking.
- Les composants MSI sont recommandés pour une meilleure compatibilité avec la fonction GAME BOOST.

## Slots DIMM



## Installation recommandée de module mémoire



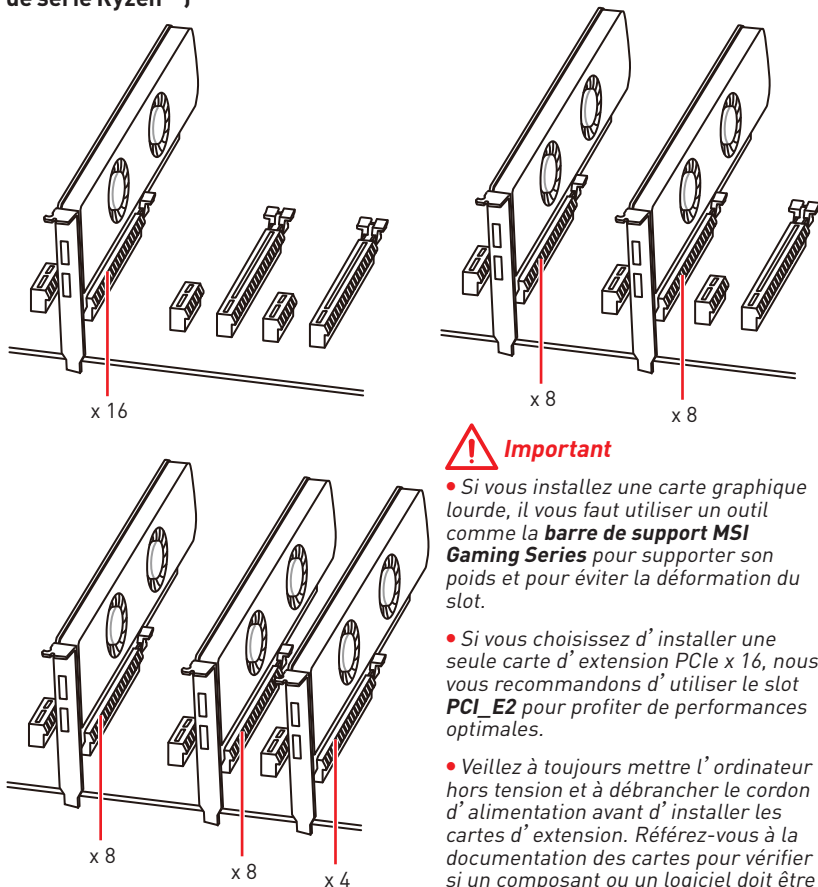
### **Important**

- Veillez à toujours insérer un module de mémoire dans l' emplacement **DIMMA2** en premier.
- Du fait des ressources utilisées par le chipset, la capacité de mémoire disponible est un peu moins élevée que celle installée.
- Basé sur les spécifications du processeur, une tension d' une barrette mémoire en dessous de 1.35V est conseillée pour protéger le processeur.
- Certaines mémoires peuvent fonctionner à une fréquence réduite par rapport à la valeur indiquée lors de l' overclocking car la fréquence d' opération de mémoire dépend du Serial Presence Detect (SPD). Rendez-vous sur le BIOS et choisissez la fonction **DRAM Frequency** pour régler la fréquence de mémoire si vous voulez faire fonctionner la mémoire à la fréquence indiquée ou à une fréquence plus élevée.
- Il est recommandé d' utiliser un système de refroidissement qui sera capable de refroidir toutes les barrettes mémoire et d' offrir de bonnes performances lors d' un overclocking.
- La stabilité et la compatibilité du module de mémoire lors de l' overclocking dépendent du processeur et des périphériques installés.
- Du fait des limites officiels des spécifications du contrôleur CPU / mémoire AM4, les modules de mémoire peuvent fonctionner à une fréquence réduite par rapport à la valeur indiquée en mode défaut. Veuillez vous référer au site [www.msi.com](http://www.msi.com) pour plus d' informations sur la mémoire compatible.

## PCI\_E1~6 : Slots d'extension PCIe

Processeurs	AMD Ryzen™ de 1ère, 2ème et 3ème génération	Pour Ryzen™ avec cœurs graphiques Radeon™ Vega / AMD Ryzen™ avec cœurs graphiques Radeon™ de 2ème génération	Athlon™ avec cœurs graphiques Radeon Vega
PCI_E1	PCIe 2.0 x 1	PCIe 2.0 x 1	PCIe 2.0 x 1
PCI_E2	PCIe 3.0 x 16	PCIe 3.0 x 8	PCIe 3.0 x 4
PCI_E3	PCIe 2.0 x 1	PCIe 2.0 x 1	PCIe 2.0 x 1
PCI_E4	PCIe 3.0 x 8	Indisponible	Indisponible
PCI_E5	PCIe 2.0 x 1	PCIe 2.0 x 1	PCIe 2.0 x 1
PCI_E6	PCIe 2.0 x 4	PCIe 2.0 x 4	PCIe 2.0 x 4

### Installation recommandée pour une configuration multi-GPU (processeurs de série Ryzen™)



### Important

- Si vous installez une carte graphique lourde, il vous faut utiliser un outil comme la **barre de support MSI Gaming Series** pour supporter son poids et pour éviter la déformation du slot.
- Si vous choisissez d'installer une seule carte d'extension PCIe x 16, nous vous recommandons d'utiliser le slot **PCI\_E2** pour profiter de performances optimales.
- Veuillez à toujours mettre l'ordinateur hors tension et à débrancher le cordon d'alimentation avant d'installer les cartes d'extension. Référez-vous à la documentation des cartes pour vérifier si un composant ou un logiciel doit être modifié.

## Tableau de la bande passante du PCIe

### Pour les processeurs de bureau Ryzen™

Slot	Unique				2-Way			
PCI_E1 (PCH)	Gen 2.0 x 1				Gen 2.0 x 1			
PCI_E2 (CPU)	Gen 3.0 x 16*				Gen 3.0 x 8*			
PCI_E3 (PCH)	Gen 2.0 x 1		—		Gen 2.0 x 1		—	
PCI_E4 (CPU)	—				Gen 3.0 x 8*			
PCI_E5 (PCH)	—		Gen 2.0 x 1		—		Gen 2.0 x 1	
PCI_E6 (PCH)	Gen 2.0 x 4	—	Gen 2.0 x 4	—	Gen 2.0 x 4	—	Gen 2.0 x 4	—
M2_1 (CPU)	Gen 3.0 x 4				Gen 3.0 x 4			
M2_2 (PCH)	—	Gen 2.0 x 4	—	Gen 2.0 x 4	—	Gen 2.0 x 4	—	Gen 2.0 x 4

### Pour les processeurs Ryzen™ avec cœurs graphiques Radeon™ Vega / AMD Ryzen™ avec cœurs graphiques Radeon™ de 2ème génération

Slot	Unique			
PCI_E1 (PCH)	Gen 2.0 x 1			
PCI_E2 (CPU)	Gen 3.0 x 8*			
PCI_E3 (PCH)	Gen 2.0 x 1		—	
PCI_E4 (CPU)	—			
PCI_E5 (PCH)	—		Gen 2.0 x 1	
PCI_E6 (PCH)	Gen 2.0 x 4	—	Gen 2.0 x 4	—
M2_1 (CPU)	Gen 3.0 x 4			
M2_2 (PCH)	—	Gen 2.0 x 4	—	Gen 2.0 x 4

### Pour les processeurs Athlon™ avec cœurs graphiques Radeon Vega

Slot	Unique			
PCI_E1 (PCH)	Gen 2.0 x 1			
PCI_E2 (CPU)	Gen 3.0 x 4*			
PCI_E3 (PCH)	Gen 2.0 x 1		—	
PCI_E4 (CPU)	—			
PCI_E5 (PCH)	—		Gen 2.0 x 1	
PCI_E6 (PCH)	Gen 2.0 x 4	—	Gen 2.0 x 4	—
M2_1 (CPU)	Gen 3.0 x 2			
M2_2 (PCH)	—	Gen 2.0 x 4	—	Gen 2.0 x 4

(— : indisponible, \* : carte graphique)

### Important

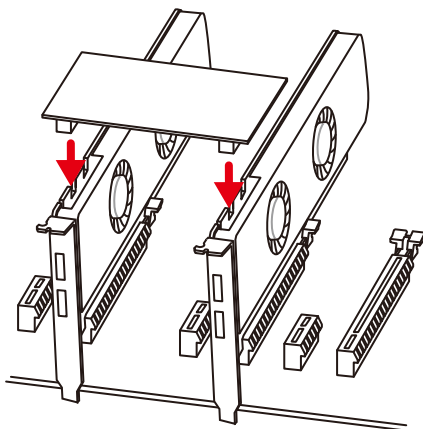
- Le slot PCI\_E3 est indisponible lorsqu'une carte PCIe est installée dans le slot PCI\_E5.
- Le slot PCI\_E6 est indisponible lorsqu'un SSD PCIe M.2 est installé dans le slot M2\_2.

## Installation des cartes graphiques SLI

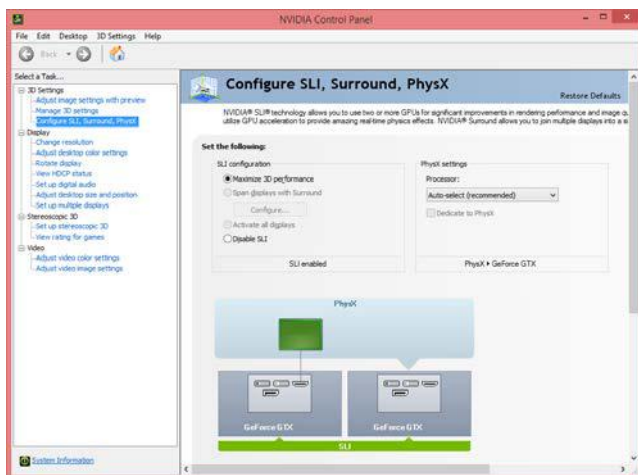
Pour savoir quel type d'alimentation est recommandé pour une configuration SLI, veuillez vous référer au mode d'emploi de votre carte graphique, afin de parfaitement répondre à la demande du système.

Pour installer les cartes graphiques en SLI :

1. Eteignez votre ordinateur et déconnectez le cordon d'alimentation. Installez deux cartes graphiques dans les slots **PCI\_E2** et **PCI\_E4**.
2. Connectez les deux cartes graphiques avec un **pont SLI**.

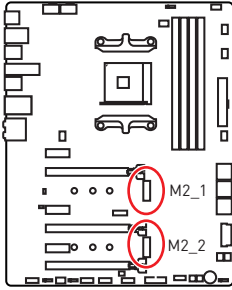


3. Reliez tous les connecteurs d'alimentation PCIe des cartes graphiques.
4. Reconnectez le cordon d'alimentation, allumez votre ordinateur et installez les pilotes et logiciels fournis avec la carte graphique.
5. Faites un clic droit sur le bureau de Windows et choisissez **NVIDIA Control Panel** dans le menu. Sur l'onglet de gauche, cliquez sur **Configure SLI, Surround, PhysX** dans l'onglet à gauche. Sélectionnez **Maximize 3D performance** dans le menu de configuration SLI et puis cliquez sur **Appliquer**.





## M2\_1~2 : Slots M.2 (Touche M)



### Important

- Le port SATA3 est indisponible lorsqu'un SSD SATA M.2 est installé dans le slot M2\_2.
- Le slot PCI\_E6 est indisponible lorsqu'un SSD PCIe M.2 est installé dans le slot M2\_2.
- Le slot M2\_1 supporte seulement le mode PCIe.



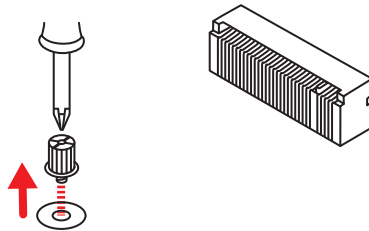
### Vidéo de démonstration

Référez-vous à la vidéo d'instruction sur l'installation du SSD M.2.

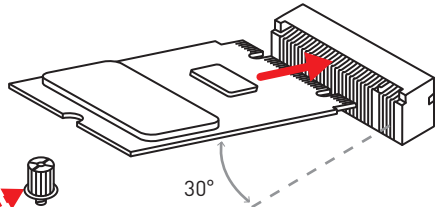
<http://youtu.be/JCTFABytrYA>

## Installation du SSD M.2

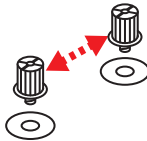
1. Desserrez la vis M.2 de la carte mère.



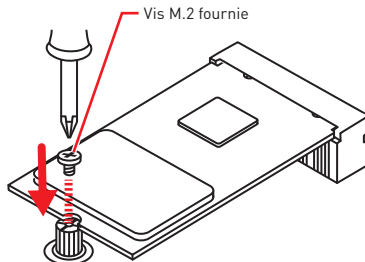
2. Déplacez et fixez la vis M.2 à l'emplacement approprié selon la taille de votre SSD M.2.



3. Insérez votre SSD M.2 dans le slot M.2 à un angle de 30 degrés.

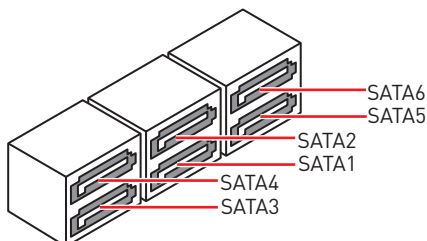
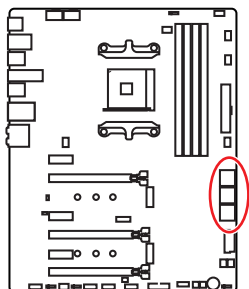


4. Fixez le SSD M.2 avec la vis M.2 fournie.



## SATA1~6 : Connecteurs SATA 6Gb/s

Ces connecteurs utilisent une interface SATA 6 Gb/s. Chaque connecteur peut être relié à un appareil SATA.

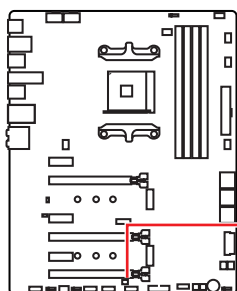


### **Important**

- Le port SATA3 est indisponible lorsqu'un SSD SATA M.2 est installé dans le slot M2\_2.
- Veuillez ne pas plier les câbles SATA à 90° car cela pourrait entraîner une perte de données pendant la transmission.
- Les câbles SATA disposent de prises identiques sur chaque côté. Néanmoins, il est recommandé de connecter la prise plate sur la carte mère pour un gain d'espace.

## JPWRLED1 : Indicateur LED de l'entrée d'alimentation

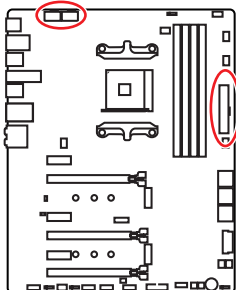
Ce connecteur est utilisé par les revendeurs pour faire une démonstration des effets de lumière des indicateurs LED.



JPWRLED1 - Indicateur LED de l'entrée d'alimentation

## CPU\_PWR1, CPU\_PWR2, ATX\_PWR1 : Connecteurs d'alimentation

Ces connecteurs vous permettent de relier une alimentation ATX.



8		5	CPU_PWR1/
4		1	CPU_PWR2
1	Ground	5	+12V
2	Ground	6	+12V
3	Ground	7	+12V
4	Ground	8	+12V

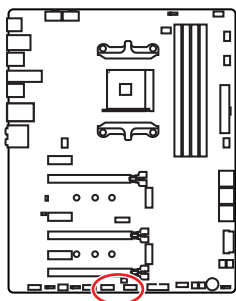
1	+3.3V	13	+3.3V
2	+3.3V	14	-12V
3	Ground	15	Ground
4	+5V	16	PS-ON#
5	Ground	17	Ground
6	+5V	18	Ground
7	Ground	19	Ground
8	PWR OK	20	Res
9	5VSB	21	+5V
10	+12V	22	+5V
11	+12V	23	+5V
12	+3.3V	24	Ground

### Important

*Veillez vous assurer que tous les câbles d'alimentation sont branchés aux connecteurs adéquats afin garantir une opération stable de la carte mère.*

## JUSB1~2 : Connecteurs USB 2.0

Ces connecteurs vous permettent de relier des ports USB 2.0 sur le panneau avant.



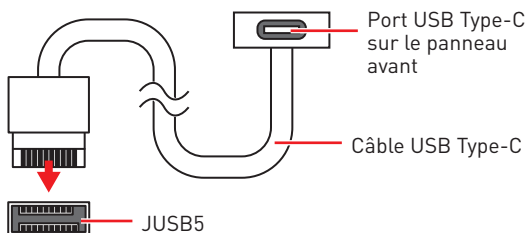
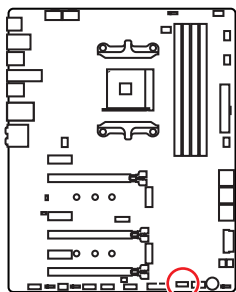
2		10	
1	2	3	4
VCC	VCC	USB0-	USB1-
USB0+	USB1+	Ground	Ground
No Pin	NC		

### Important

- Notez que les broches VCC et Terre doivent être branchées correctement afin d'éviter tout dommage sur la carte mère.
- Pour recharger votre iPad, iPhone et iPod par l'intermédiaire d'un port USB, veuillez installer l'utilitaire MSI® SUPER CHARGER.

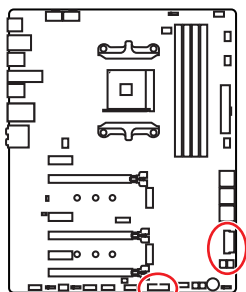
## JUSB5 : Connecteur USB 3.1 Gen2 Type-C

Ce connecteur vous permet de relier un port USB 3.1 Gen2 Type-C sur le panneau avant. Pour plus de sécurité, ce connecteur a été conçu pour offrir une excellente robustesse. Quand vous connectez le câble, assurez-vous de le brancher dans le bon sens.



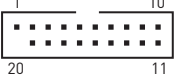

## JUSB3~4 : Connecteurs USB 3.1 Gen1

Ces connecteurs vous permettent de relier un port USB 3.1 Gen1 sur le panneau avant.



### Important

Notez que les câbles d'alimentation et de terre doivent être branchés correctement afin d'éviter d'endommager la carte.

 <p>JUSB3</p>		 <p>JUSB4</p>	
1	Power	11	USB2.0+
2	USB3_RX_DN	12	USB2.0-
3	USB3_RX_DP	13	Ground
4	Ground	14	USB3_TX_C_DP
5	USB3_TX_C_DN	15	USB3_TX_C_DN
6	USB3_TX_C_DP	16	Ground
7	Ground	17	USB3_RX_DP
8	USB2.0-	18	USB3_RX_DN
9	USB2.0+	19	Power
10	NC	20	No Pin

## Port Charger

Le connecteur **JUSB4** est un port de recharge capable d'augmenter le débit USB en sortie afin de recharger rapidement votre téléphone portable ou d'autres périphériques USB compatibles. Le port Charger est contrôlé au niveau matériel par la puce de la carte mère et peut supporter le rechargement lorsque l'ordinateur est en mode veille, hibernation ou éteint. Néanmoins, quand vous démarrez l'ordinateur sous Windows®, il vous faut installer l'application MSI® SUPER CHARGER pour activer ou désactiver le mode Charging (rechargement).



### Vidéo de démonstration

Pour en savoir plus sur Super Charger, cliquez sur le lien ci-dessous.

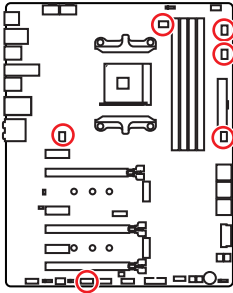
<http://youtu.be/FCyvr5Nb0w>

### Important

Lorsque le mode Charging est activé, la synchronisation des données du port Super Charger sera désactivée.

## CPU\_FAN1, PUMP\_FAN1, SYS\_FAN1~4 : Connecteurs pour ventilateurs

Les connecteurs pour ventilateurs peuvent être utilisés en mode PWM (Pulse Width Modulation) et en mode DC. En mode PWM, les connecteurs fournissent une sortie de 12V constante et ajustent la vitesse des ventilateurs avec un signal de contrôle de vitesse. En mode DC, les connecteurs contrôlent la vitesse des ventilateurs en modifiant la tension. Par conséquent, quand vous branchez un ventilateur à 3 broches (Non-PWM) à un connecteur de ventilateur de mode PWM, la vitesse sera toujours maintenue à 100% et cela occasionnera du bruit. CPU\_FAN1 et PUMP\_FAN1 peuvent détecter automatiquement le mode PWM et le mode DC. Vous pouvez suivre les instructions ci-dessous pour régler le connecteur de ventilateur en mode PWM ou mode DC.



### Connecteurs pour ventilateurs en mode Auto par défaut



### Connecteurs pour ventilateurs en mode PWM par défaut



### Connecteurs pour ventilateurs en mode DC par défaut



SYS\_FAN1 / SYS\_FAN3 / SYS\_FAN4



SYS\_FAN2

## Basculer entre les modes des ventilateurs et ajuster la vitesse

Vous pouvez alterner entre le mode PWM et le mode DC et ajuster la vitesse des ventilateurs dans le **BIOS > Advanced > Hardware Monitor**.



*Veillez vous assurer que les ventilateurs fonctionnent correctement après avoir basculé entre les modes PWM et DC.*

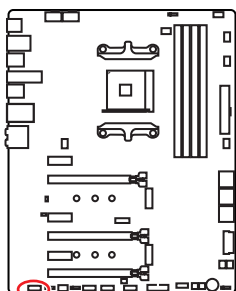
## Définition des broches des connecteurs de ventilateur

Définition des broches en mode PWM			
1	Ground	2	+12V
3	Sense	4	Speed Control Signal

Définition des broches en mode DC			
1	Ground	2	Voltage Control
3	Sense	4	NC

## JAUD1 : Connecteur audio avant

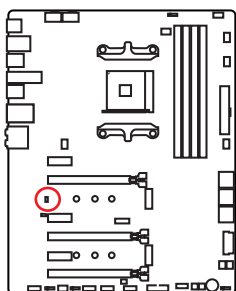
Ce connecteur se lie aux jacks audio du panneau avant.



		2		10
		1		9
1	MIC L	2	Ground	
3	MIC R	4	NC	
5	Head Phone R	6	MIC Detection	
7	SENSE_SEND	8	No Pin	
9	Head Phone L	10	Head Phone Detection	

## JCI1 : Connecteur intrusion châssis

Ce connecteur est relié à un câble d'interrupteur intrusion châssis.



Normal  
(défaut)



Commencer l'activité  
intrusion châssis

### Utilisation du détecteur d'intrusion châssis

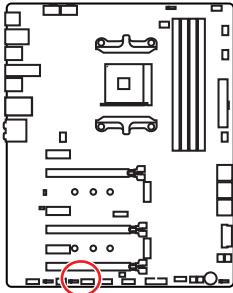
1. Reliez le connecteur **JCI1** à l'interrupteur ou au capteur d'intrusion châssis situé sur le boîtier du PC.
2. Fermez le couvercle du boîtier.
3. Allez dans le **BIOS > Security (Sécurité) > Chassis Intrusion Configuration (Configuration intrusion châssis)**.
4. Réglez **Chassis Intrusion (intrusion châssis)** sur **Enabled (Activé)**.
5. Appuyez sur **F10** pour sauvegarder et quitter. Ensuite appuyez sur la touche **Enter (Entrée)** pour choisir **Yes (Oui)**.
6. Désormais, si le boîtier du PC est ouvert quand l'ordinateur est allumé, vous recevrez un message d'alerte à l'écran.

### Réinitialisation de l'alerte intrusion châssis

1. Allez dans le **BIOS > Security (Sécurité) > Chassis Intrusion Configuration (Configuration intrusion châssis)**.
2. Mettez **Chassis Intrusion (Intrusion châssis)** en **Reset (Remettre)**.
3. Appuyez sur **F10** pour sauvegarder et quitter. Ensuite appuyez sur la touche **Enter (Entrée)** pour choisir **Yes (Oui)**.

## JFP1, JFP2 : Connecteurs de panneau avant

Ces connecteurs se lient aux interrupteurs et indicateurs LED du panneau avant.

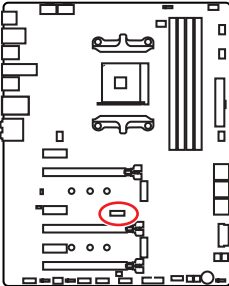


1	HDD LED +	2	Power LED +
3	HDD LED -	4	Power LED -
5	Reset Switch	6	Power Switch
7	Reset Switch	8	Power Switch
9	Reserved	10	No Pin

1	Speaker -	2	Buzzer +
3	Buzzer -	4	Speaker +

## JTPM1 : Connecteur de module TPM

Ce connecteur est relié à un module TPM (Trusted Platform Module). Veuillez vous référer au manuel du module TPM pour plus d'informations.

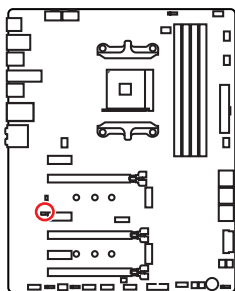


1	LPC Clock	2	3V Standby power
3	LPC Reset	4	3.3V Power
5	LPC address & data pin0	6	Serial IRQ
7	LPC address & data pin1	8	5V Power
9	LPC address & data pin2	10	No Pin
11	LPC address & data pin3	12	Ground
13	LPC Frame	14	Ground



## JBAT1 : Cavalier Clear CMOS (Réinitialisation BIOS)

Une mémoire CMOS est intégrée et est alimentée en externe par une batterie située sur la carte mère afin de conserver les données de configuration système. Si vous souhaitez nettoyer la configuration système, placez le cavalier sur Effacer CMOS de manière à nettoyer la mémoire CMOS.



Conserver  
les données  
(défaut)



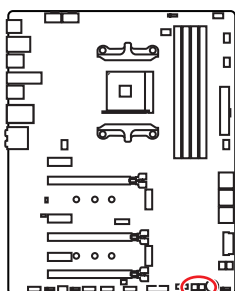
Effacer CMOS /  
Réinitialiser BIOS

### Réinitialiser le BIOS aux valeurs par défaut

1. Eteignez l'ordinateur et débranchez le câble d'alimentation de la prise électrique.
2. Utilisez un couvercle de cavalier pour fermer **JBAT1** pour environ 5-10 secondes.
3. Enlevez le couvercle de cavalier du **JBAT1**.
4. Branchez de nouveau le câble d'alimentation à votre ordinateur et allumez-le.

## POWER1, RESET1 : Boutons d'alimentation et de réinitialisation

Les boutons d'alimentation et de réinitialisation vous permettent d'allumer ou de redémarrer l'ordinateur.



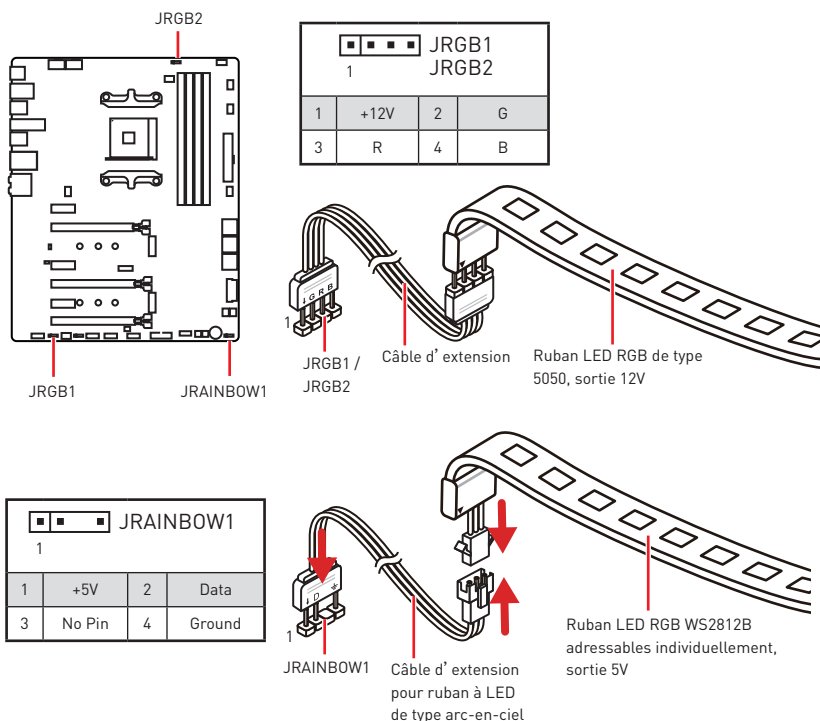
Bouton  
d'alimentation



Bouton de  
réinitialisation

## JRGB1, JRGB2, JRAINBOW1 : Connecteurs LED RGB

Le connecteur JRGB1 / JRGB2 vous permet de connecter un ruban LED RGB de type 5050 12V. Le connecteur JRAINBOW1 vous permet de connecter un ruban à LED RGB WS2812B adressables individuellement 5V.



### ⚠ ATTENTION

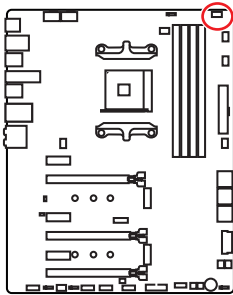
Faites attention à bien connecter le bon type de ruban LED. Le connecteur JRGB1 / JRGB2 et le connecteur JRAINBOW1 fournissent des tensions différentes. La connexion d'un ruban LED 5V au connecteur JRGB1 / JRGB2 peut endommager le ruban.

### ⚠ Important

- Le connecteur JRGB1 / JRGB2 supporte des rubans LED RGB (12V/G/R/B) de type 5050 d'une longueur de 2 mètres maximum avec une puissance nominale maximale de 3A (12V).
- Le connecteur JRAINBOW1 supporte au maximum des rubans LED RGB WS2812B adressables individuellement (5V/Data/Ground) de 72 LEDs avec une puissance nominale maximale de 3A (5V).
- Avant d'installer ou de retirer le ruban LED RGB, veuillez à toujours éteindre l'alimentation et à débrancher le câble d'alimentation de la prise électrique.
- Veuillez utiliser un logiciel MSI dédié pour contrôler le ruban d'extension LED.

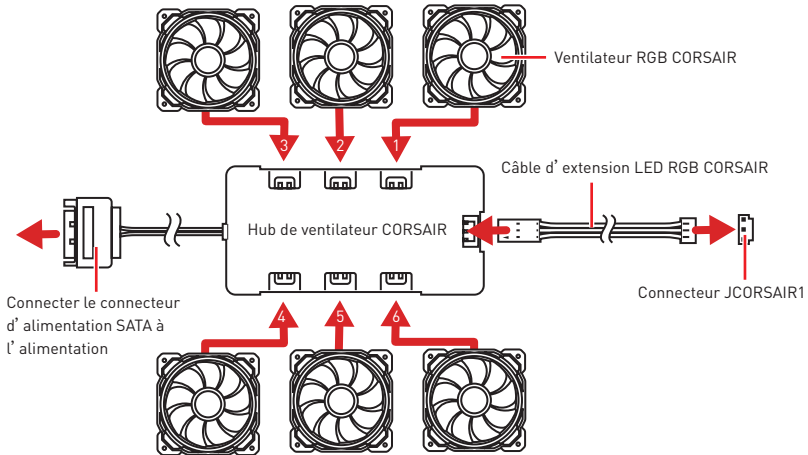
## JCORSAIR1 : Connecteur CORSAIR

Le connecteur JCORSAIR1 vous permet de connecter un ruban à LED RGB adressables individuellement 5V ou un ventilateur RGB de marque CORSAIR via un hub de ventilateur CORSAIR. Une fois que tous les éléments sont correctement connectés, vous pourrez contrôler les rubans et les ventilateurs LED RGB de marque CORSAIR avec un logiciel MSI dédié.

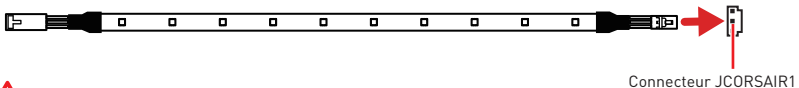


1 JCORSAIR1			
1	+5V	2	Data
3	Ground		

### Connexion du ventilateur RGB de marque CORSAIR



### Connexion du ruban CORSAIR Lighting Node PRO



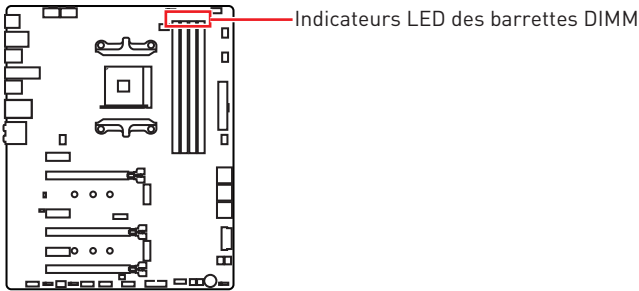
### Important

- Veuillez connecter les ventilateurs en série 1 > 2 > 3 > 4 > 5 > 6. Tout ventilateur qui n'est pas connecté en série interrompra la communication et la fonction de rétroéclairage LED RGB ne fonctionnera pas.
- Le nombre de ventilateurs RGB LED ou de rubans CORSAIR Lighting Pro supportés peut varier selon le modèle. Veuillez vous référer aux spécifications de la carte mère.
- Le ventilateur RGB de marque CORSAIR et le ruban CORSAIR Lighting Node PRO ne peuvent pas être utilisés en même temps.

# Indicateurs LED embarqués

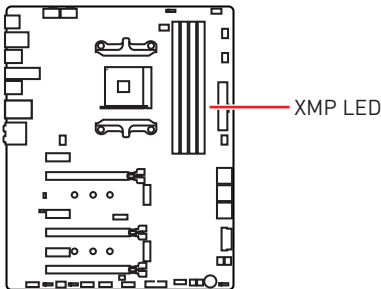
## Indicateurs LED des barrettes DIMM

Ces LEDs indiquent que les barrettes de mémoire sont installées.



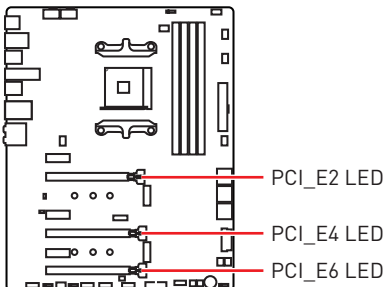
## Indicateur LED du mode XMP

Cette LED indique que le mode A-XMP (AMD-Extreme Memory Profile) est activé.



## Indicateurs LED du slot PCIe x 16

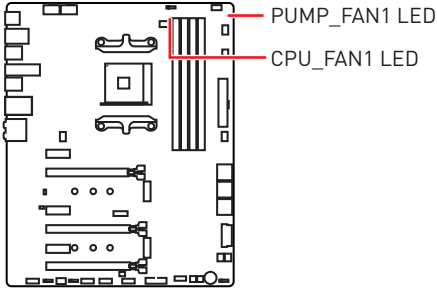
Ces LED indiquent l'état des slots PCIe x 16.



Couleur de la LED	Etat du slot PCIe
Rouge	mode x 16
Blanc	mode x 8, x 4, x 1

## Indicateurs LED des ventilateurs

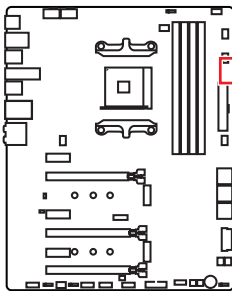
Ces LEDs indiquent le mode de contrôle de ventilateurs.



Couleur de la LED	Mode de contrôle de ventilateurs
Rouge	mode PWM
Vert	mode DC

## EZ Debug LED

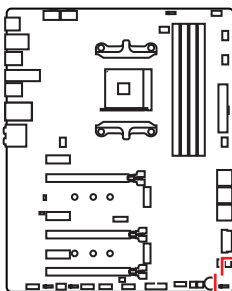
Ces LEDs indiquent l'état de débogage de la carte mère.



- CPU** - indique que le CPU n'est pas détecté ou que son initialisation a échoué.
- DRAM** - indique que la mémoire DRAM n'est pas détectée ou que son initialisation a échoué.
- VGA** - indique que le GPU n'est pas détecté ou que son initialisation a échoué.
- BOOT** - indique que le périphérique de démarrage n'est pas détecté ou que son initialisation a échoué.

## Indicateurs LED de GAME BOOST

Les indicateurs LED indiquent l'état de contrôle de GAME BOOST.

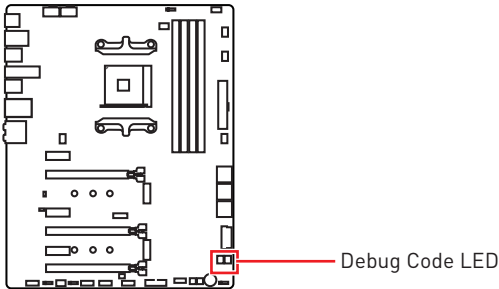


Couleur de la LED	Etat de contrôle de GAME BOOST
Rouge	GAME BOOST contrôlé par le bouton physique
Blanc	GAME BOOST contrôlé par le BIOS

- HW GAME BOOST LED (Rouge)
- SW GAME BOOST LED (Blanc)

## Debug Code LED

La Debug Code LED affiche les codes de progression et d'erreur pendant et après le processus de POST. Référez-vous au tableau de Debug Code LED pour plus de détails.



## Tableau des caractères hexadécimaux

Hexadécimaux	0	1	2	3	4	5	6	7	8	9	A	B	C	D	E	F
Affichage de Debug Code LED	0	1	2	3	4	5	6	7	8	9	A	B	C	D	E	F

## Phase de démarrage

**Sécurité (SEC)** - initialisation de très bas niveau

**Initialisation Pre-EFI (PEI)** – initialisation de la mémoire

**Environnement d'exécution des pilotes (DXE)** – initialisation du matériel principal

**Sélection du périphérique de démarrage (BDS)** – la configuration du système, l'interface d'utilisateur de pré-OS et la sélection d'un périphérique amorçable (CD / DVD, disque dur, USB, réseau, interface système, etc.)

## Tableau de Debug Code LED

### Codes de progression SEC

01	Sous tension. Détection du type de réinitialisation (soft / hard)
02	Initialisation AP avant chargement du microcode
03	Initialisation de l'agent système avant chargement du microcode
04	Initialisation PCH avant chargement du microcode
06	Chargement du microcode
07	Initialisation AP après chargement du microcode
08	Initialisation de l'agent système après chargement du microcode
09	Initialisation PCH après chargement du microcode
0B	Initialisation du cache

### Codes d'erreur SEC

0C - 0D	Réservé aux futurs codes d'erreur AMI SEC
0E	Microcode introuvable
0F	Microcode non chargé

### Codes de progression PEI

10	Le cœur PEI est lancé
11	L'initialisation de la pré-mémoire du processeur est lancée
12 - 14	Initialisation de la pré-mémoire du processeur (module processeur spécifique)
15	L'initialisation de la pré-mémoire de l'agent système est lancée
16 - 18	Initialisation de la pré-mémoire de l'agent système (module agent système spécifique)

19	L'initialisation de la pré-mémoire du PCH est lancée
1A - 1C	Initialisation de la pré-mémoire du PCH (module PCH spécifique)
2B	Initialisation de la mémoire. Lecture des données SPD
2C	Initialisation de la mémoire. Détection de présence de la mémoire
2D	Initialisation de la mémoire. Information sur la programmation de synchronisation de la mémoire
2E	Initialisation de la mémoire. Configuration de la mémoire
2F	Initialisation de la mémoire (autre)
31	Mémoire installée
32	L'initialisation de la post-mémoire du processeur est lancée.
33	Initialisation de la post-mémoire du processeur. Initialisation du cache
34	Initialisation de la post-mémoire du processeur. Initialisation du ou des processeurs d'application (AP)
35	Initialisation de la post-mémoire du processeur. Sélection du processeur d'amorçage (BSP)
36	Initialisation de la post-mémoire du processeur. Initialisation du mode de gestion du système (SMM)
37	L'initialisation de la post-mémoire de l'agent système est lancée
38 - 3A	Initialisation de la post-mémoire de l'agent système (module agent système spécifique)
3B	L'initialisation de la post-mémoire du PCH est lancée
3C - 3E	Initialisation de la post-mémoire du PCH (module PCH spécifique)
4F	DXE IPL est lancé

### Codes d'erreur PEI

4B	Mémoire non installée (Pour Summit CPU)
E0	Mémoire non installée (Pour Bristol CPU)

### Codes de progression DXE

60	Le coeur DXE est lancé
61	Initialisation de la NVRAM
62	Installation des services d'exécution du PCH

63	L'initialisation du processeur DXE est lancée
64 - 67	Initialisation du processeur DXE (module processeur spécifique)
68	Initialisation du pont hôte PCI.
69	L'initialisation de l'agent système DXE est lancée
6A	L'initialisation de l'agent système DXE SMM est lancée
6B - 6F	Initialisation de l'agent système DXE (module agent système spécifique)
70	L'initialisation du PCH DXE est lancée
71	L'initialisation du PCH DXE SMM est lancée
72	Initialisation des périphériques du PCH
73 - 77	Initialisation du PCH DXE (module PCH spécifique)
78	Initialisation du module ACPI
79	Initialisation CSM
7A - 7F	Réservé aux futurs codes AMI DXE
90	La phase de sélection du périphérique de démarrage (BDS) est lancée
91	La connexion du pilote est lancée
92	L'initialisation du bus PCI est lancée
93	Initialisation du contrôleur de branchement à chaud du bus PCI
94	Enumération du bus PCI 32
95	Demande des ressources du bus PCI
96	Distribution des ressources du bus PCI
97	Connexion du périphérique de sortie de console
98	Connexion du périphérique d'entrée de console
99	Initialisation Super IO
9A	L'initialisation USB est lancée
9B	Réinitialisation USB
9C	Détection USB
9D	USB activée
9E - 9F	Réservé aux futurs codes AMI
A0	L'initialisation IDE est lancée
A1	Réinitialisation IDE
A2	Détection IDE
A3	IDE activé
A4	L'initialisation SCSI est lancée
A5	Réinitialisation SCSI
A6	Détection SCSI

<b>A7</b>	SCSI activé
<b>A8</b>	Configuration de vérification du mot de passe
<b>A9</b>	Démarrage de la configuration
<b>AB</b>	Configuration de l'attente d'entrée
<b>AD</b>	Événement Prêt à démarrer
<b>AE</b>	Événement de démarrage du mode Legacy Boot (Démarrage hérité)
<b>AF</b>	Quitter l'événement des services de démarrage
<b>B0</b>	Début de temps de définition d'adresse virtuelle MAP
<b>B1</b>	Fin de temps de définition d'adresse virtuelle MAP
<b>B2</b>	Initialisation des options Legacy de la mémoire ROM
<b>B3</b>	Réinitialisation du système
<b>B4</b>	Branchement à chaud de la USB
<b>B5</b>	Branchement à chaud du bus PCI
<b>B6</b>	Nettoyage de la NVRAM
<b>B7</b>	Réinitialisation de la configuration (réinitialisation des paramètres NVRAM)
<b>B8 - BF</b>	Réservé aux futurs codes AMI

### Codes d'erreur DXE

<b>D0</b>	Erreur d'initialisation du processeur
<b>D1</b>	Erreur d'initialisation de l'agent système
<b>D2</b>	Erreur d'initialisation du PCH
<b>D3</b>	Certains protocoles architecturaux ne sont pas disponibles
<b>D4</b>	Erreur d'allocation des ressources PCI. Manque de ressources
<b>D5</b>	Aucun espace pour les options Legacy de la mémoire ROM
<b>D6</b>	Aucun périphérique de sortie de console n'est trouvé
<b>D7</b>	Aucun périphérique d'entrée de console n'est trouvé
<b>D8</b>	Mot de passe invalide
<b>D9</b>	Erreur lors du chargement de l'option de démarrage (erreur LoadImage)
<b>DA</b>	Echec de l'option de démarrage (erreur StartImage)
<b>DB</b>	Echec de la mise à jour du flash
<b>DC</b>	Le protocole de réinitialisation n'est pas disponible

### Codes de progression de reprise S3

<b>E0</b>	La reprise S3 est lancée (le PPI de reprise S3 est appelé par le DXE IPL)
<b>E1</b>	Exécution du Boot Script S3
<b>E2</b>	Reposter la vidéo
<b>E3</b>	Appel du vecteur d'éveil S3 du système d'exploitation
<b>E4 - E7</b>	Réservé aux futurs codes de progression AMI

### Codes d'erreur de reprise S3

<b>E8</b>	Echec de reprise S3
<b>E9</b>	Reprise S3 PPI introuvable
<b>EA</b>	Erreur de script de reprise démarrage S3
<b>EB</b>	Erreur de réveil du système d'exploitation S3
<b>EC - EF</b>	Réservé aux futurs codes d'erreur AMI

### Codes de progression de la récupération

<b>F0</b>	Condition de récupération déclenchée par le firmware (récupération automatique)
<b>F1</b>	Condition de récupération déclenchée par l'utilisateur (récupération forcée)
<b>F2</b>	Le processus de récupération est lancé
<b>F3</b>	L'image de la récupération du firmware est trouvée
<b>F4</b>	L'image de la récupération du firmware est chargée
<b>F5 - F7</b>	Réservé aux futurs codes de progression AMI

### Codes d'erreur de récupération

<b>F8</b>	La récupération PPI n'est pas disponible
<b>F9</b>	La capsule de récupération est introuvable
<b>FA</b>	Capsule de récupération invalide
<b>FB - FF</b>	Réservé aux futurs codes d'erreur AMI

### Codes d'état ACPI

Les codes suivants apparaissent après le démarrage et après l'entrée du système d'exploitation en mode ACPI.

<b>01</b>	Le système entre en état de veille S1
<b>02</b>	Le système entre en état de veille S2
<b>03</b>	Le système entre en état de veille S3



<b>04</b>	Le système entre en état de veille S4
<b>05</b>	Le système entre en état de veille S5
<b>10</b>	Le système sort de l'état de mode veille S1
<b>20</b>	Le système sort de l'état de mode veille S2
<b>30</b>	Le système sort de l'état de mode veille S3
<b>40</b>	Le système sort de l'état de mode veille S4
<b>AC</b>	Le système est passé en mode ACPI. Le contrôleur d'interruption est en mode PIC
<b>AA</b>	Le système est passé en mode ACPI. Le contrôleur d'interruption est en mode APIC

# Configuration du BIOS

Les réglages par défaut fournissent une performance optimale pour la stabilité du système en conditions normales. Veuillez à **toujours garder les réglages par défaut** pour éviter d'endommager le système ou tout problème au démarrage, sauf si vous êtes familier avec le BIOS.



## Important

- Le BIOS est constamment mis à jour afin d'offrir de meilleures performances système. Par conséquent, la description peut différer selon la version de BIOS utilisée et n'est donc donnée qu'à titre de référence. Vous pouvez aussi vous référer à l'onglet **Help (Aide)** pour obtenir la description des fonctions du BIOS.
- Les photos ne sont données qu'à titre de référence et peuvent varier selon le produit que vous achetez.
- Les éléments du BIOS peuvent varier selon le processeur.

## Entrer dans l' interface Setup du BIOS

Pendant le démarrage, lorsqu'apparaît le message "**Press DEL key to enter Setup Menu, F11 to enter Boot Menu**" sur l'écran, veuillez appuyer sur la touche **Suppr.**

### Touches de fonction

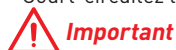
- F1** : Aide générale
- F4** : Entrer dans le menu de réglages du processeur
- F5** : Entrer dans le menu Memory-Z
- F6** : Charger les réglages par défaut
- F10** : Sauvegarder les modifications et réglages\*
- F12** : Prendre une capture d'écran et la conserver dans le lecteur flash USB (au format FAT / FAT32 uniquement).

\* Lorsque vous appuyez sur F10, une fenêtre de confirmation apparaît et fournit l'information de modification. Choisissez entre Oui et Non pour confirmer.

## Réinitialiser le BIOS

Il se peut que vous ayez besoin de récupérer les réglages BIOS par défaut pour résoudre des problèmes. Pour réinitialiser les réglages du BIOS, veuillez suivre l'une des méthodes suivantes :

- Allez dans le Setup du BIOS et appuyez sur **F6** pour charger les réglages par défaut.
- Court-circuitez le cavalier **Clear CMOS** sur la carte mère.



*Assurez-vous que l'ordinateur est éteint avant d'effacer les données CMOS. Veuillez vous référer à la section cavalier **Clear CMOS** pour en savoir plus sur la réinitialisation du BIOS.*

## Mettre le BIOS à jour

### Mettre le BIOS à jour avec M-FLASH

Avant la mise à jour :

Veuillez télécharger la dernière version de BIOS compatible à votre carte mère sur le site MSI. Ensuite, veuillez sauvegarder le nouveau BIOS sur le lecteur flash USB.

Mettre le BIOS à jour :

1. Connectez le lecteur Flash USB contenant le profil à l'ordinateur.
2. Appuyez sur la touche Suppr pour entrer dans l'interface Setup du BIOS pendant le processus de POST.
3. Allez dans le **BIOS > M-FLASH > Select one file to update BIOS**, choisissez un profil BIOS pour commencer la mise à jour du BIOS.
4. Une fois la mise à jour terminée, le système redémarrera automatiquement.

### Mettre le BIOS à jour avec Live Update 6

Avant la mise à jour :

Assurez-vous que le lecteur LAN est bien installé et que l'ordinateur est correctement connecté à internet.

Mettre le BIOS à jour :

1. Installez et lancez MSI LIVE UPDATE 6.
2. Choisissez **BIOS Update (Mettre le BIOS à jour)**.
3. Cliquez sur le bouton **Scan**.
4. Cliquez sur l'icône **Download** pour télécharger et installer la dernière version du BIOS.
5. Cliquez sur **Next (Suivant)** et choisissez le mode **In Windows**. Ensuite, cliquez sur **Next (Suivant)** et **Start (Commencer)** pour lancer la mise à jour du BIOS.
6. Une fois la mise à jour terminée, le système redémarrera automatiquement.

## Mettre le BIOS à jour avec Bouton Flash BIOS

Avant la mise à jour :

Veillez télécharger la dernière version du BIOS compatible à votre carte mère sur le site MSI et renommer le BIOS en **MSI.ROM**. Ensuite, veuillez sauvegarder le profil **MSI.ROM** sur le répertoire racine du lecteur flash USB.

Utiliser le Bouton Flash BIOS :

1. Connectez l'alimentation aux connecteurs ATX\_PWR1 et CPU\_PWR1. (ici, seul le module d'alimentation est nécessaire)
2. Branchez le lecteur flash USB contenant le fichier MSI.ROM au port Flash BIOS situé sur le panneau arrière Entrée / Sortie.
3. Appuyez sur le bouton Flash BIOS pour activer le BIOS, et le bouton LED commence à clignoter.
4. Une fois la mise à jour terminée, l'indicateur LED du bouton Flash BIOS arrête de clignoter et s'éteint.



### **Important**

*Seul un lecteur flash USB au format FAT32 supporte la mise à jour du BIOS avec **Bouton Flash BIOS**.*

## OC Menu (menu overclocking)

Ce menu est destiné aux utilisateurs avancés souhaitant overclocker leur carte mère.



### Important

- L'overclocking manuel du PC n'est recommandé que pour les utilisateurs avancés.
- L'overclocking n'est pas garanti et une mauvaise manipulation peut rendre nulle votre garantie et sévèrement endommager votre matériel.
- Si vous n'êtes pas familier avec l'overclocking, nous vous recommandons d'utiliser **GAME BOOST** pour un overclocking simplifié et plus stable.
- Les éléments du BIOS dans le menu OC peuvent varier selon le processeur.

#### ► CPU Ratio [Auto]

Définit le ratio servant à déterminer la vitesse d'horloge du processeur. Ce menu peut être modifié uniquement si le processeur prend cette fonction en charge.

#### ► Advanced CPU Configuration

Appuyez sur la touche **Entrée** pour entrer dans le sous-menu. L'utilisateur peut définir les paramètres concernant l'alimentation et le courant du processeur. Le système peut être instable ou peut ne plus redémarrer après le changement des paramètres. Dans ce cas-là, veuillez effacer les données CMOS et remettre les réglages par défaut.

#### ► Game Boost Function Control [By Onboard Button]

Active la fonction GAME BOOST via le bouton virtuel dans le BIOS ou le bouton physique sur la carte mère. L'activation de la fonction GAME BOOST peut overclocker automatiquement le système avec le profil d'overclocking MSI optimisé.

#### ► Game Boost Switch [Disabled]

Active ou désactive la fonction Interrupteur Game Boost.

#### ► **A-XMP [Disabled]**

Activez la technologie A-XMP ou sélectionnez un profil de module de mémoire pour overclocker la mémoire. Ce menu est seulement disponible si les modules de mémoire, le processeur ou la carte mère installés prennent cette fonction en charge.

#### ► **DRAM Frequency [Auto]**

Définit la fréquence de la mémoire. Veuillez noter que les résultats de l'overclocking ne sont pas garantis.

#### ► **Adjusted DRAM Frequency**

Affiche la fréquence ajustée de la mémoire. Fonctionne en lecture seule.

#### ► **Memory Try It ! [Disabled]**

Memory Try It! permet d'améliorer la compatibilité ou les performances en optimisant les préreglages de la mémoire.

#### ► **Advanced DRAM Configuration**

Appuyez sur la touche **Entrée** pour entrer dans le sous-menu. L'utilisateur peut régler la synchronisation de mémoire de chaque barrette de mémoire. Le système peut être instable ou peut ne plus redémarrer après le changement de la synchronisation de la mémoire. Dans ce cas-là, veuillez effacer les données CMOS et remettre les réglages par défaut (référez-vous à la section cavalier Clear CMOS pour effacer les données CMOS et entrez ensuite dans le BIOS pour charger les réglages par défaut).

#### ► **DigitALL Power**

Appuyez sur la touche **Entrée** pour entrer dans le sous-menu. Gère l'alimentation numérique du contrôleur PWM du processeur.

##### ► **CPU Loadline Calibration Control [Auto]**

La tension du processeur diminue proportionnellement à la charge du processeur. Une valeur plus élevée peut entraîner une tension plus élevée et de bonnes performances d'overclocking mais augmentera la température du processeur et du module de régulation de tension (VRM). Mis en **Auto**, le BIOS configure ce réglages automatiquement.

##### ► **CPU NB Loadline Calibration Control [Auto]**

La tension du processeur diminue proportionnellement à la charge du CPU-NB. Une valeur plus élevée peut entraîner une tension plus élevée et de bonnes performances d'overclocking mais augmentera la température. Mis en **Auto**, le BIOS configure ce réglages automatiquement.

##### ► **CPU Over Voltage Protection [Auto]**

Définit une limite de tension pour la protection contre la surtension du CPU. En **Auto**, le BIOS configure automatiquement ce réglage. Une tension plus élevée protège moins et peut endommager le système.

##### ► **CPU Under Voltage Protection [Auto]**

Définit une limite de tension pour la protection contre la sous-tension du CPU. En **Auto**, le BIOS configure automatiquement ce réglage. Une tension plus élevée protège moins et peut endommager le système.

#### ► CPU Over Current Protection [Auto]

Définit une limite actuelle pour la protection contre la surcharge du CPU. En **Auto**, le BIOS configure automatiquement ce réglage.

[Auto] Le BIOS configure automatiquement ce réglage.

[Enhanced] Augmente la limite de consommation pour protéger contre la surcharge électrique.

#### ► CPU NB / SoC Over Voltage Protection [Auto]

Définit une limite de tension pour la protection contre la surtension du CPU NB / SoC. En **Auto**, le BIOS configure automatiquement ce réglage. Une tension plus élevée protège moins et peut endommager le système.

#### ► CPU NB / SoC Under Voltage Protection [Auto]

Définit une limite de tension pour la protection contre la sous-tension du CPU NB / SoC. En **Auto**, le BIOS configure automatiquement ce réglage. Une tension plus élevée protège moins et peut endommager le système.

#### ► CPU NB / SoC Over Current Protection [Auto]

Définit une limite actuelle pour la protection contre la surcharge électrique du CPU NB/ SoC. En **Auto**, le BIOS configure automatiquement ce réglage.

[Auto] Le BIOS configure automatiquement ce réglage.

[Enhanced] Augmente la limite de consommation pour protéger contre la surcharge électrique.

#### ► VR 12VIN OCP Expander [Auto]

Étendre la limitation de VR Over Current Protection avec la tension d'entrée de 12V. La valeur d'extension plus haute signifie moins de protection. Par conséquent, veuillez ajuster le courant soigneusement en cas nécessaire, ou ceci endommagerait le CPU / VR MOS. Mis en **Auto**, le BIOS configure ce réglage automatiquement.

#### ► CPU Voltages control [Auto]

Permet de définir les tensions relatives au processeur. En mode **Auto**, le BIOS configure ces tensions automatiquement. Vous pouvez également les paramétrer manuellement.

#### ► DRAM Voltages control [Auto]

Permet de définir les tensions relatives à la mémoire. En mode **Auto**, le BIOS configure ces tensions automatiquement. Vous pouvez également les paramétrer manuellement.

#### ► CPU Specifications

Appuyez sur la touche **Entrée** pour accéder au sous-menu. Ce sous-menu affiche les caractéristiques du processeur installé. Vous pouvez également accéder à ce sous-menu à tout moment en appuyant sur la touche [F4]. Fonctionne en lecture seule.

#### ► CPU Technology Support

Appuyez sur la touche **Entrée** pour accéder au sous-menu. Ce sous-menu affiche les principales fonctions du processeur installé. Fonctionne en lecture seule.

#### ► MEMORY-Z

Appuyez sur la touche **Entrée** pour accéder au sous-menu. Ce sous-menu affiche tous les réglages et timings de la mémoire installée. Vous pouvez également accéder à ce sous-menu à tout moment en appuyant sur la touche [F5].

### ► DIMMx Memory SPD

Appuyez sur la touche **Entrée** pour accéder au sous-menu. Ce sous-menu affiche les caractéristiques de la mémoire installée. Fonctionne en lecture seule.

### ► CPU Features

Appuyez sur la touche **Entrée** pour accéder au sous-menu.

#### ► Global C-state Control [Enabled] (en option)

Activer ou désactiver l'interface C-state et DF C-states basée sur l'E/S.

#### ► Simultaneous Multi-Threading [Enabled] (en option)

Active ou désactive la technologie AMD Simultaneous Multi-Threading. Cette fonction ne sera utilisable que si le processeur installé y est compatible.

#### ► Opcache Control [Auto] (en option)

Activer ou désactiver Opcache. Opcache mémorise l'instruction de décodage la plus récente pour sauvegarder le temps de décodage lorsque l'instruction est répétée. Cela peut améliorer la performance du processeur et réduire légèrement la consommation d'énergie.

#### ► IOMMU Mode (en option)

Active ou désactive l'IOMMU (I/O Memory Management Unit) pour I/O Virtualization.

#### ► Spread Spectrum (en option)

Cette fonction réduit les interférences électromagnétiques EMI (Electromagnetic Interference) en réglant les impulsions du générateur d'horloge.

[Enabled] Active la fonction spread spectrum pour réduire le problème EMI (Electromagnetic Interference).

[Disabled] Améliore la capacité d'overclocking de la base clock CPU.

### Important

- Si vous n'avez pas de problème d'EMI, laissez l'option sur [Disable], ceci vous permet d'avoir une stabilité du système et des performances optimales. Dans le cas contraire, choisissez Spread Spectrum pour réduire les EMI.
- Plus la valeur Spread Spectrum est importante, plus les EMI sont réduites, et le système devient moins stable. Pour la valeur Spread Spectrum la plus convenable, veuillez consulter le règlement EMI local.
- N'oubliez pas de désactiver la fonction Spread Spectrum si vous êtes en train d'overclocker parce que même un battement léger peut causer un accroissement temporaire de la vitesse de l'horloge qui verrouillera votre processeur overclocké.

#### ► Relaxed EDC throttling [Auto] (en option)

Relaxed EDC throttling réduit le laps de temps pendant lequel le processeur réduira la consommation des cœurs.

[Auto] Recommandation d'AMD.

[Enabled] Réduire le laps de temps pendant lequel le processeur réduira sa consommation.

[Disabled] Activer la fonction de protection EDC throttling des parties spécifiques.



► **AMD Cool' n' Quiet [Enabled]**

La technologie Cool' n' Quiet peut efficacement et dynamiquement réduire la vitesse et la consommation d'énergie du processeur.

► **SVM Mode [Enabled]**

Active ou désactive le mode AMD SVM (Secure Virtual Machine).

► **BIOS PSP Support [Enabled] (en option)**

Activer ou désactiver le support PSP du BIOS. Il gère les sous-menus de PSP, y compris toutes les boîtes mails C2P / P2C, Secure S3 et le support fTPM.

► **Power Supply Idle Control [Auto] (en option)**

Cette fonction vous permet de choisir le mode de contrôle d'économie d'énergie pour le processeur si tous les cœurs ne sont pas en état C0. En **Auto**, le BIOS configurera ce réglage.

► **CPU VDD\_SoC Current Optimization [Auto] (en option)**

Définit les courants de CPU VDD et SoC. En **Auto**, le BIOS configure automatiquement ce réglage.

[Auto] Le BIOS configure automatiquement ce réglage.

[Custom Setting] Vous permet de définir le courant manuellement.

# Informations sur les logiciels

## Installer Windows® 10

1. Allumez l'ordinateur.
2. Insérez le disque de Windows® 10 dans le lecteur optique.
3. Appuyez sur le bouton **Restart** du boîtier de l'ordinateur.
4. Appuyez sur la touche **F11** pendant le POST (Power-On Self Test) du système pour entrer dans le menu Boot Menu.
5. Choisissez le lecteur optique du Boot Menu.
6. Appuyez sur n'importe quelle touche lorsqu'apparaît le message **[Press any key to boot from CD or DVD]**.
7. Suivez les instructions à l'écran pour installer Windows® 10.

## Installer les pilotes

1. Allumez l'ordinateur sous Windows® 10.
2. Insérez le disque MSI® Driver Disc dans le lecteur optique.
3. L'outil d'installation apparaît automatiquement. Il trouvera et listera tous les pilotes dont vous avez besoin.
4. Cliquez sur le bouton **Install**.
5. L'installation des pilotes commence. Une fois terminée, il vous sera demandé de redémarrer.
6. Cliquez sur le bouton **OK** pour terminer.
7. Redémarrez votre ordinateur.

## Installer les utilitaires

Avant d'installer les utilitaires, il faut compléter l'installation des pilotes.

1. Insérez le disque MSI® Driver Disc dans le lecteur optique.
2. L'outil d'installation apparaît automatiquement.
3. Cliquez sur l'onglet **Utilities**.
4. Choisissez les utilitaires que vous voulez installer.
5. Cliquez sur le bouton **Install**.
6. L'installation des utilitaires commence. Une fois terminée, il vous sera demandé de redémarrer.
7. Cliquez sur le bouton **OK** pour terminer.
8. Redémarrez votre ordinateur.

# Inhalt

<b>Sicherheitshinweis</b> .....	<b>3</b>
<b>Spezifikationen</b> .....	<b>4</b>
JCORSAIR1 Anschluss-Spezifikationen.....	10
<b>Rückseite E/A</b> .....	<b>11</b>
LAN Port LED Zustandstabelle.....	11
Konfiguration der Audioanschlüsse.....	11
Realtek HD Audio Manager.....	12
Antennen installieren.....	14
<b>Übersicht der Komponenten</b> .....	<b>15</b>
CPU Socket.....	16
OC1: GAME BOOST Drehschalter.....	17
DIMM Steckplätze.....	19
PCI_E1~6: PCIe Erweiterungssteckplätze.....	20
M2_1~2: M.2 Steckplätze (Key M).....	23
SATA1~6: SATA 6Gb/s Anschlüsse.....	24
JPWRLED1: LED Stromzufuhr.....	24
CPU_PWR1, CPU_PWR2, ATX_PWR1: Stromanschlüsse.....	25
JUSB1~2: USB 2.0 Anschlüsse.....	26
JUSB5: USB 3.1 Gen2 Typ-C Anschluss.....	26
JUSB3~4: USB 3.1 Gen1 Anschlüsse.....	27
CPU_FAN1, PUMP_FAN1, SYS_FAN1~4: Stromanschlüsse für Lüfter.....	28
JAUD1: Audioanschluss des Frontpanels.....	29
JCI1: Gehäusekontaktanschluss.....	29
JFP1, JFP2: Frontpanel-Anschlüsse.....	30
JTPM1: TPM Anschluss.....	30
JBAT1: Clear CMOS Steckbrücke (Reset BIOS).....	31
POWER1, RESET1: Power-Taste, Reset-Taste.....	31
JRGB1, JRGB2, JRAINBOW1: RGB LED Anschlüsse.....	32
JCORSAIR1: CORSAIR Anschluss.....	33
<b>Onboard LEDs</b> .....	<b>34</b>
DIMM LEDs.....	34
XMP LED.....	34
PCIe x16 Steckplatz LEDs.....	34
Lüfter LEDs.....	35
EZ Debug LED.....	35
GAME BOOST LEDs.....	35
Debug-Code-LED.....	36
Hexadezimalzeichen.....	36

Boot-Phasen.....	36
Debug-Code-LED-Tabelle .....	36
ACPI Status-Codes .....	38
<b>BIOS-Setup .....</b>	<b>39</b>
Öffnen des BIOS Setups.....	39
Reset des BIOS .....	40
Aktualisierung des BIOS.....	40
OC Menü.....	42
<b>Softwarebeschreibung .....</b>	<b>48</b>
Installation von Windows® 10 .....	48
Installation von Treibern.....	48
Installation von Utilities.....	48

# Sicherheitshinweis

- Die im Paket enthaltene Komponenten sind der Beschädigung durch elektrostatischen Entladung (ESD). Beachten Sie bitte die folgenden Hinweise, um die erfolgreichen Computermontage sicherzustellen.
- Stellen Sie sicher, dass alle Komponenten fest angeschlossen sind. Lockere Steckverbindungen können Probleme verursachen, zum Beispiel: Der Computer erkennt eine Komponente nicht oder startet nicht.
- Halten Sie das Motherboard nur an den Rändern fest, und verhindern Sie die Berührung der sensiblen Komponenten.
- Um eine Beschädigung der Komponenten durch elektrostatische Entladung (ESD) zu vermeiden, sollten Sie eines elektrostatischen Armbands während der Handhabung des Motherboards tragen. Wenn kein elektrostatischen Handgelenkband vorhanden ist, sollten Sie Ihre statische Elektrizität ableiten, indem Sie ein anderes Metallobjekt berühren, bevor Sie das Motherboard anfassen.
- Bewahren Sie das Motherboard in einer elektrostatische Abschirmung oder einem Antistatiktuch auf, wenn das Motherboard nicht installiert ist.
- Überprüfen Sie vor dem Einschalten des Computers, dass sich keine losen Schrauben und andere Bauteile auf dem Motherboard oder im Computergehäuse befinden.
- Bitte starten Sie den Computer nicht, bevor die Installation abgeschlossen ist. Dies könnte permanente Schäden an den Komponenten sowie zu das Verletzung des Benutzers verursachen.
- Sollten Sie Hilfe bei der Installation benötigen, wenden Sie sich bitte an einen zertifizierten Computer-Techniker.
- Schalten Sie die Stromversorgung aus und ziehen Sie das das Stromkabel ab, bevor Sie jegliche Computer-Komponente ein- und ausbauen.
- Bewahren Sie die Bedienungsanleitung als künftige Referenz auf.
- Halten Sie das Motherboard von Feuchtigkeit fern.
- Bitte stellen Sie sicher, dass Ihre Netzspannung den Hinweisen auf dem Netzteil vor Anschluss des Netzteils an die Steckdose entspricht.
- Verlegen Sie das Netzkabel so, dass niemand versehentlich darauf treten kann. Stellen Sie nichts auf dem Netzkabel ab.
- Alle Achtungs- und Warnhinweise auf dem Motherboard müssen befolgt werden.
- Falls einer der folgenden Umstände eintritt, lassen Sie bitte das Motherboard von Kundendienstpersonal prüfen:
  - Flüssigkeit ist in dem Computer eingedrungen.
  - Das Motherboard wurde Feuchtigkeit ausgesetzt.
  - Das Motherboard funktioniert nicht richtig oder Sie können es nicht wie in der Bedienungsanleitung beschrieben bedienen.
  - Das Motherboard ist heruntergefallen und beschädigt.
  - Das Motherboard weist offensichtlich Zeichen eines Schadens auf.
- Nutzen und lagern Sie das Gerät nicht an Stellen, an denen Temperaturen von mehr als 60°C herrschen - das Motherboard kann in diesem Fall Schaden nehmen.

# Spezifikationen

CPU	Unterstützt die AMD Ryzen™ der 1., 2. und 3. Generation Prozessoren, Ryzen™ Prozessoren mit Radeon™ Vega Grafikprozessor, AMD Ryzen™ der 2. Generation Prozessoren mit Radeon™ Grafikprozessoren und Athlon™ Prozessoren mit Radeon™ Vega Grafik-Desktop-Prozessoren für Socket AM4
Chipsatz	AMD® X470 Chipsatz
Speicher	<ul style="list-style-type: none"> <li>• 4x DDR4 Speicherplätze, aufrüstbar bis 64GB             <ul style="list-style-type: none"> <li>▪ Unterstützt DDR4 1866/ 2133/ 2400/ 2667 Mhz durch JEDEC und 2667/ 2800/ 2933/ 3000/ 3066/ 3200/ 3466/ 3600 Mhz durch A-XMP OC MODE*</li> </ul> </li> <li>• Dual-Kanal-Speicherarchitektur</li> <li>• Unterstützt non-ECC UDIMM-Speicher</li> <li>• Unterstützt ECC UDIMM-Speicher (non-ECC Modus)</li> </ul> <p>* A-Serie/ Athlon™ X4 Prozessoren unterstützen bis zu 2400 MHz. Die unterstützende Frequenz des Speichers ist unterschiedlich je nach dem installierten Prozessor. Weitere Informationen zu kompatiblen Speicher finden Sie unter: <a href="http://www.msi.com">http://www.msi.com</a>.</p>
Erweiterungsanschlüsse	<ul style="list-style-type: none"> <li>• 2x PCIe 3.0 x16-Steckplätze (PCI_E_2, PCI_E_4)             <ul style="list-style-type: none"> <li>▪ AMD Ryzen™ der 1., 2. und 3. Generation Prozessoren unterstützen x16/x0, x8/x8 Modus</li> <li>▪ Ryzen™ Prozessoren mit Radeon™ Vega Grafikprozessor und AMD Ryzen™ der 2. Generation Prozessoren mit Radeon™ Grafikprozessoren unterstützen x8/x0 Modus</li> <li>▪ Athlon™ Prozessoren mit Radeon™ Vega Grafikprozessoren unterstützen x4/x0 Modus</li> </ul> </li> <li>• 1x PCIe 2.0 x16-Steckplatz (PCI_E_6, unterstützt x4 Modus)*</li> <li>• 3x PCIe 2.0 x1-Steckplätze</li> </ul> <p>* Der PCI_E3 Steckplatz wird nicht zur Verfügung, wenn Sie eine PCIe Karte im PCI_E5-Steckplatz installieren.</p> <p>* Der PCI_E6 Steckplatz wird nicht zur Verfügung, wenn Sie eine PCIe M.2 SSD im M2_2-Steckplatz installieren.</p>

Fortsetzung auf der nächsten Seite

Fortsetzung der vorherigen Seite

<b>Multi-GPU</b>	<ul style="list-style-type: none"><li>• AMD Ryzen™ der 1., 2. und 3. Generation Prozessoren<ul style="list-style-type: none"><li>▪ Unterstützt die 2-Wege NVIDIA® SLI™ Technologie</li><li>▪ Unterstützt die 3-Wege AMD® CrossFire™ Technologie</li></ul></li><li>• Ryzen™ Prozessoren mit Radeon™ Vega Grafikkarten, AMD Ryzen™ der 2. Generation Prozessoren mit Radeon™ Grafikprozessoren und Athlon™ Prozessoren mit Radeon™ Vega Grafik-Desktop-Prozessoren<ul style="list-style-type: none"><li>▪ Unterstützt die 2-Wege AMD® CrossFire™ Technologie</li></ul></li></ul>
<b>LAN</b>	1x Killer™ E2500 Gigabit LAN Controller
<b>Wireless LAN &amp; Bluetooth®</b>	<p>Intel® Dualband Wireless-AC 8265 Karte</p> <ul style="list-style-type: none"><li>• Das Wireless-Modul ist im M2_3 (M.2 Key E) Steckplatz vorinstalliert.</li><li>• Unterstützt Wi-Fi 802.11 a/b/g/n/ac, Dualband (2,4 GHz, 5 GHz) mit Datenraten von bis zu 867 Mbit/s.</li><li>• Unterstützt einen Dual-Modus Bluetooth® 2.1, 2.1+EDR, 3.0, 4.0, BLE, 4.2</li></ul>
<b>Aufbewahrung</b>	<ul style="list-style-type: none"><li>• 6x SATA 6Gb/s Anschlüsse (aus dem AMD® X470 Chipsatz)</li><li>• 2x M.2 Anschlüsse (Key M)*<ul style="list-style-type: none"><li>▪ M2_1 Steckplatz (aus dem AMD® Prozessor) unterstützt PCIe 3.0 x4 (AMD Ryzen™ der 1., 2. und 3. Generation Prozessoren/ Ryzen™ Prozessoren mit Radeon™ Vega Grafikprozessor und AMD Ryzen™ der 2. Generation Prozessoren mit Radeon™ Grafikprozessoren) oder PCIe 3.0 x2 (Athlon™ Prozessoren mit Radeon™ Vega Grafikprozessoren) und SATA 6Gb/s 2242/ 2260 /2280 Speichergeräte</li><li>▪ M2_2 Steckplatz (aus dem AMD® X470 Chipsatz) unterstützt PCIe 2.0 x4 und SATA 6Gb/s 2242/ 2260 /2280 Speichergeräte</li></ul></li></ul> <p>* Der SATA3 Steckplatz wird nicht zur Verfügung stehen, wenn Sie eine SATA M.2 SSD im M2_2 Steckplatz installieren.</p> <p>* Der PCI_E6 Steckplatz wird nicht zur Verfügung stehen, wenn Sie eine PCIe M.2 SSD im M2_2 Steckplatz installieren.</p>
<b>RAID</b>	<p>AMD® X470 Chipsatz</p> <ul style="list-style-type: none"><li>• Unterstützt RAID 0, RAID 1 und RAID 10 für SATA Speichergeräte</li></ul>

Fortsetzung auf der nächsten Seite

Fortsetzung der vorherigen Seite

<b>USB</b>	<ul style="list-style-type: none"><li>• ASMedia® ASM1143 Chipsatz<ul style="list-style-type: none"><li>▪ 1x USB 3.1 Gen2 (SuperSpeed USB 10Gbps) Typ-C Anschluss steht durch die internen USB Anschluss zur Verfügung</li></ul></li><li>• AMD® X470 Chipsatz<ul style="list-style-type: none"><li>▪ 1x USB 3.1 Gen2 (SuperSpeed USB 10Gbps) Typ-C Anschluss an der rückseitigen Anschlussleiste</li><li>▪ 1x USB 3.1 Gen2 (SuperSpeed USB 10Gbps) Typ-A Anschluss an der rückseitigen Anschlussleiste</li><li>▪ 4x USB 3.1 Gen1 (SuperSpeed USB) Anschlüsse stehen durch die internen USB Anschluss zur Verfügung</li><li>▪ 6x USB 2.0 (High-speed USB) ports (2 Typ-A Anschlüsse an der rückseitigen Anschlussleiste, 4 Anschlüsse stehen durch die internen USB Anschluss zur Verfügung)</li></ul></li><li>• AMD® CPU<ul style="list-style-type: none"><li>▪ 4x USB 3.1 Gen1 (SuperSpeed USB) Typ-A Anschlüsse an der rückseitigen Anschlussleiste</li></ul></li></ul>
<b>Audio</b>	<ul style="list-style-type: none"><li>• Realtek® ALC1220 Codec</li><li>• 7.1-Kanal-HD-Audio</li><li>• Unterstützt S/PDIF-Ausgang</li></ul>
<b>Hintere Ein-/ und Ausgänge</b>	<ul style="list-style-type: none"><li>• 1x Clear CMOS Taste</li><li>• 1x Flash BIOS Taste</li><li>• 1x PS/2 Tastatur/ Maus-Combo-Anschluss</li><li>• 2x USB 2.0 Typ-A Anschlüsse</li><li>• 4x USB 3.1 Gen1 Typ-A Anschlüsse</li><li>• 2x Antennenanschlüsse</li><li>• 1x LAN (RJ45) Anschluss</li><li>• 1x USB 3.1 Gen2 Typ-A Anschluss</li><li>• 1x USB 3.1 Gen2 Typ-C Anschluss</li><li>• 5x OFC Audiobuchsen</li><li>• 1x Optischer S/PDIF-Ausgang</li></ul>

Fortsetzung auf der nächsten Seite



Fortsetzung der vorherigen Seite

<b>Interne Anschlüsse</b>	<ul style="list-style-type: none"><li>• 1x 24-poliger ATX 12 V Stromanschluss</li><li>• 2x 8-polige ATX 12 V Stromanschlüsse</li><li>• 6x SATA 6Gb/s Anschlüsse</li><li>• 2x USB 2.0 Anschlüsse (unterstützt zusätzliche 4 USB 2.0 Anschlüsse)</li><li>• 2x USB 3.1 Gen1 Anschlüsse (unterstützt zusätzliche 4 USB 3.1 Gen1 Anschlüsse)</li><li>• 1x USB 3.1 Gen2 Anschluss (unterstützt zusätzliche 1 USB 3.1 Gen2 Typ-C Anschluss)</li><li>• 1x 4-poliger CPU-Lüfter-Anschluss</li><li>• 1x 4-poliger PUMP-Lüfter-Anschluss (unterstützt bis zu 2A)</li><li>• 4x 4-polige System-Lüfter-Anschlüsse</li><li>• 2x 5050 RGB LED Streifen 12 V Anschlüsse</li><li>• 1x WS2812B Einzel adressierbare RGB-LED-Streifen 5 V Anschluss</li><li>• 1x CORSAIR Anschluss</li><li>• 1x TPM Anschluss</li><li>• 1x Audioanschluss des Frontpanels</li><li>• 2x System-Panel-Anschlüsse</li><li>• 1x Gehäusekontaktschalter</li><li>• 1x Clear CMOS Steckbrücke</li><li>• 1x 2-Digit Debug Code LED</li></ul>
<b>Interne Tasten</b>	<ul style="list-style-type: none"><li>• 1x GAME BOOST Drehschalter</li><li>• 1x Power Taste</li><li>• 1x Reset Taste</li></ul>
<b>E/A Anschluss</b>	NUVOTON NCT6795D Controller Chip
<b>Hardware Monitor</b>	<ul style="list-style-type: none"><li>• CPU/System Temperaturenerfassung</li><li>• CPU/System Geschwindigkeitserfassung</li><li>• CPU/System Lüfterdrehzahlregelung</li></ul>
<b>Formfaktor</b>	<ul style="list-style-type: none"><li>• ATX Formfaktor</li><li>• 12 Zoll x 9,6 Zoll (30,4 cm x 24,4 cm)</li></ul>

Fortsetzung auf der nächsten Seite

Fortsetzung der vorherigen Seite

<b>BIOS Funktionen</b>	<ul style="list-style-type: none"><li>• 1x 128 Mb Flash</li><li>• UEFI AMI BIOS</li><li>• ACPI 6.1, SM BIOS 2.8</li><li>• Mehrsprachenunterstützung</li></ul>
<b>Software</b>	<ul style="list-style-type: none"><li>• Treiber</li><li>• APP MANAGER</li><li>• COMMAND CENTER</li><li>• LIVE UPDATE 6</li><li>• MYSTIC LIGHT</li><li>• SUPER CHARGER</li><li>• GAMING APP</li><li>• X-BOOST</li><li>• SMART TOOL</li><li>• Nahimic Audio</li><li>• Open Broadcaster Software (OBS)</li><li>• Norton™ Internet Security Solution</li><li>• Google Chrome™, Google Toolbar, Google Drive</li><li>• Killer Control Center</li><li>• CPU-Z MSI GAMING</li></ul>

Fortsetzung auf der nächsten Seite

Fortsetzung der vorherigen Seite

**Besondere  
Funktionen**

- Audio
  - Audio Boost 4
  - Voice Boost
  - Nahimic 2.5
- Netzwerk
  - GAMING LAN mit Killer LAN Manager
  - Intel WiFi
- Speicherung
  - Twin Turbo M.2
- Lüfter
  - Pump-Lüfter
  - Smart-Lüftersteuerung
- LED
  - Mystic Light
  - Mystic Light Extension (RGB, RAINBOW & CORSAIR)
  - Mystic Light SYNC
  - EZ DEBUG LED
- Schutz
  - PCI-E Steel Armor
  - DDR4 Steel Armor
  - M.2-Abdeckung FROZR
  - Audio Cover
- Leistung
  - Multi GPU-SLI Technologie
  - Multi GPU-CrossFire Technologie
  - DDR4 Boost
  - GAME Boost
  - Lightning USB
  - USB Anschluss mit Typ A+C
  - X-Boost
  - A-XMP
  - OC Engine

Fortsetzung auf der nächsten Seite

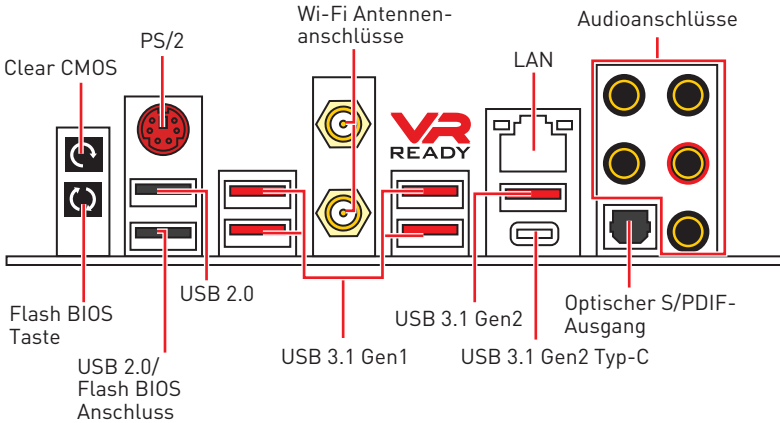
Fortsetzung der vorherigen Seite

<b>Besondere Funktionen</b>	<ul style="list-style-type: none"><li>• Stabilität<ul style="list-style-type: none"><li>▪ 7000+ Quality Test</li></ul></li><li>• VR<ul style="list-style-type: none"><li>▪ VR Ready</li></ul></li><li>• Gamer-Erfahrungen<ul style="list-style-type: none"><li>▪ GAMING HOTKEY</li></ul></li><li>• BIOS<ul style="list-style-type: none"><li>▪ Flash BIOS Taste</li></ul></li><li>• Zertifizierung<ul style="list-style-type: none"><li>▪ GAMING Certified</li></ul></li></ul>
-----------------------------	--

## JCORSAIR1 Anschluss-Spezifikationen

Unterstützung von CORSAIR RGB-Produkten	Maximale Verbindung
Lighting PRO RGB LED Streifen	7
HD RGB Lüfter	6
SP RGB Lüfter	6
LL RGB Lüfter	5

# Rückseite E/A



- **Clear CMOS Taste** - Schalten Sie den Computer aus. Halten Sie die Taste "Clear CMOS" für 5-10 Sekunden gedrückt, um das BIOS auf die Standardwerte zurückzusetzen.
- **Flash BIOS Taste/ Anschluss** - Auf der Seite 41 finden Sie eine Anleitung für eine BIOS-Aktualisierung per Flash BIOS Taste.

## LAN Port LED Zustandstabelle

Verbindung/ Aktivität LED			Geschwindigkeit LED	
Zustand	Bezeichnung		Zustand	Bezeichnung
Aus	Keine Verbindung	Aus	10 Mbps-Verbindung	
Gelb	Verbindung	Grün	100 Mbps-Verbindung	
Blinkt	Datenaktivität	Orange	1 Gbps-Verbindung	

## Konfiguration der Audioanschlüsse

Audioanschlüsse	Kanal			
	2	4	6	8
Mitte-/ Subwoofer-Ausgang			●	●
Hinterer Lautsprecher		●	●	●
Line-In/ Seitliche Lautsprecher				●
Line-Out/ Vorderer Lautsprecher	●	●	●	●
Mic-In				

(●: verbindet, **Blank:** leer)

# Realtek HD Audio Manager

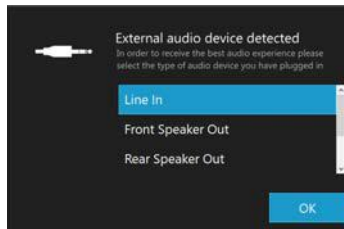
Nach der Installation des **Realtek HD Audio**-Treibers, wird das Symbol **Realtek HD Audio Manager** in der Taskleiste angezeigt. Klicken Sie doppelt auf dieses Symbol, um das Programm zu starten.



- **Geräteauswahl** - Ermöglicht die Auswahl der Audio-Ausgangs Quelle. Das aktuell aktivierte Gerät ist mit einem Haken gekennzeichnet.
- **Optimierungen** - Die Vielfalt an Optionen bietet eine komplette Anleitung von erwarteten Sound-Effekt für beide Ausgangs- und Eingangsvorrichtung.
- **Lautstärke** - Steuert die Lautstärke und die Balance-Einstellung der Lautsprecher, die im Front-Panel oder auf der Rückseite des PCs eingesteckt sind.
- **Profil** - Ermöglicht die Umschaltung zwischen den Profilen.
- **Erweiterte Einstellungen** - Ermöglicht die zeitgleiche Verwendung von zwei Audiostreams.
- **Verbindungsstatus** - Bildet die angeschlossenen Render- und Capture-Geräte ab.
- **Anschlüsse** - Konfiguriert die Anschlusseinstellungen.

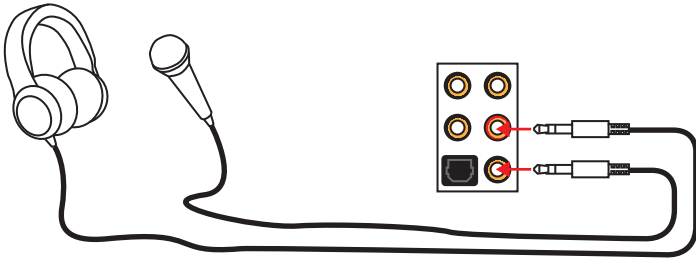
## Auto Popup-Dialog

Nach dem Anschluss eines Audio-Klinkensteckers erscheint ein Dialogfenster und fragt nach einer Bestätigung für das angeschlossene Gerät.

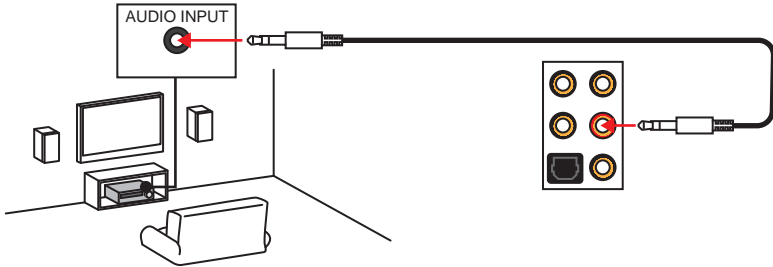


Jede Buchse entspricht diesem Wert der Grundeinstellung, wie es auf den nächsten Seiten gezeigt wird.

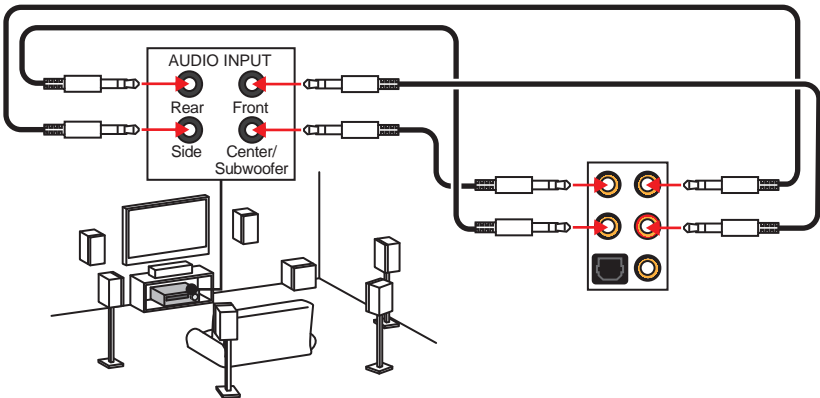
## Audiobuchsen für den Anschluss von einem Kopfhörer und Mikrofon



## Audiobuchsen für Stereo-Lautsprecher

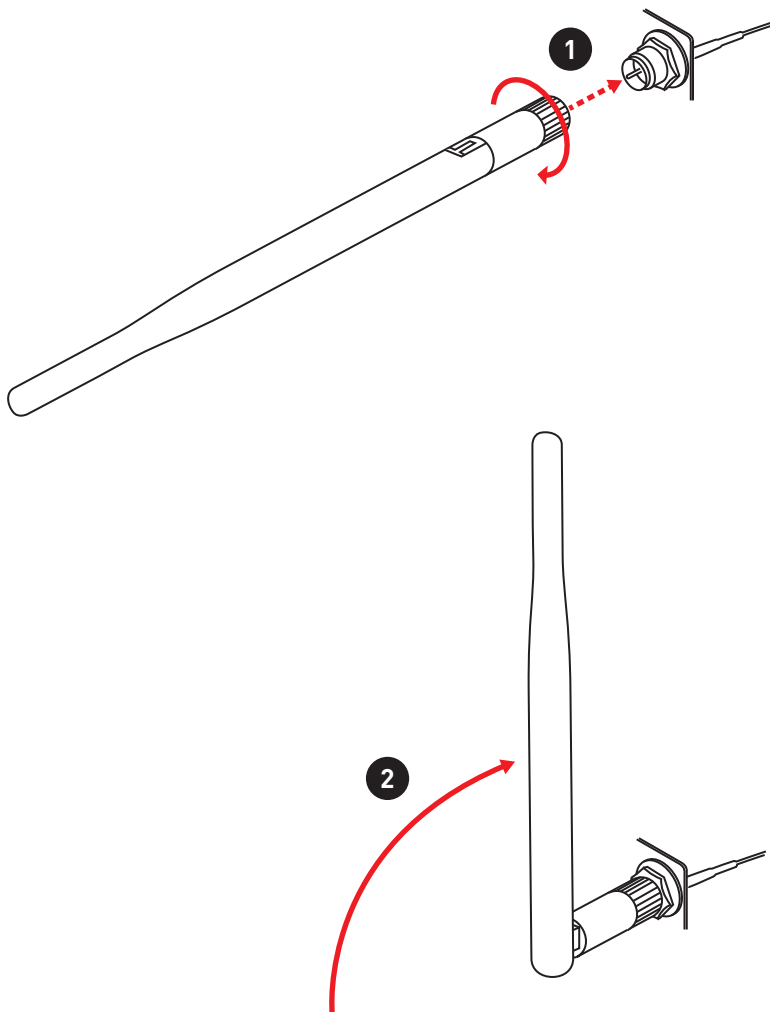


## Audiobuchsen für 7.1 Kanal Anlage



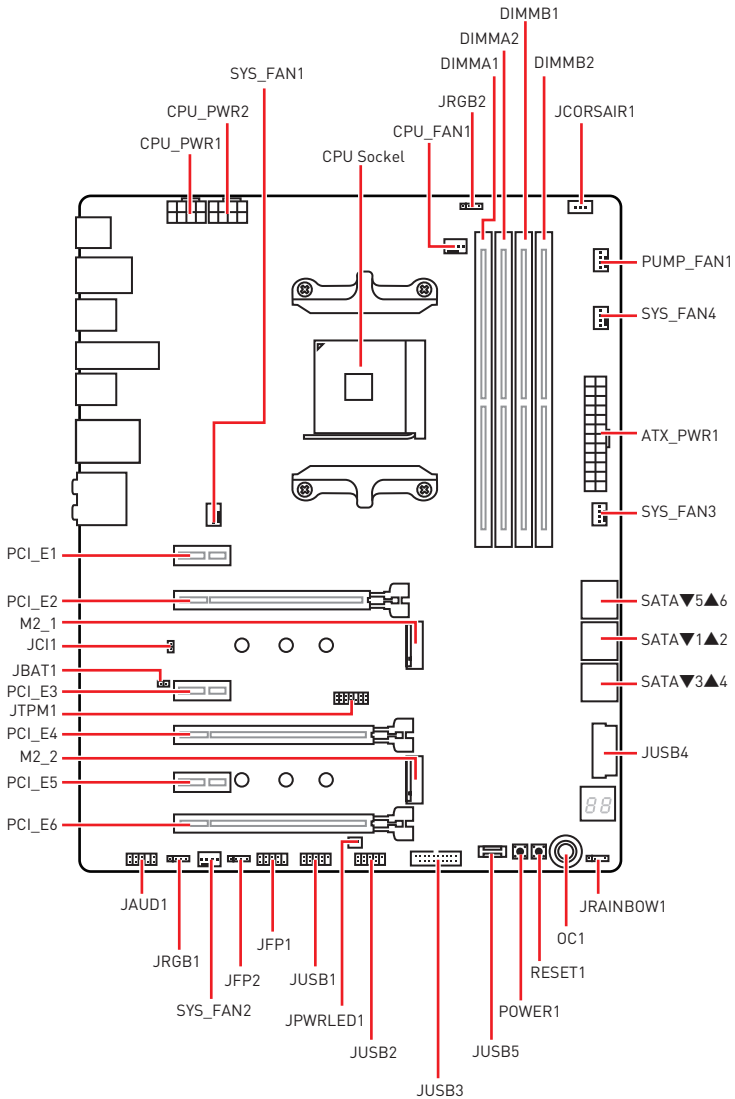
## Antennen installieren

1. Schrauben Sie die Antennen fest an die Antennenanschlüsse, wie gezeigt.
2. Richten Sie die Antennenspitzen aus.

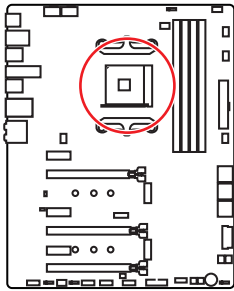




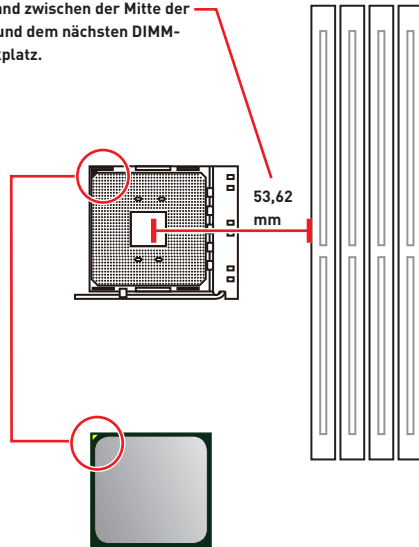
# Übersicht der Komponenten



## CPU Socket



Abstand zwischen der Mitte der CPU und dem nächsten DIMM-Steckplatz.



### Erklärung zur AM4 CPU

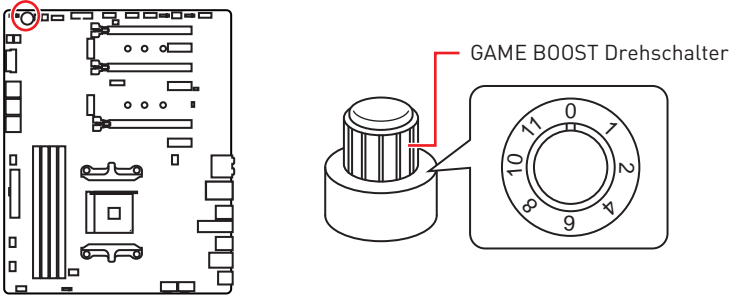
Die Oberseite der AM4 CPU hat ein gelbes Dreieck um die korrekte Ausrichtung der CPU auf dem Motherboard zu gewährleisten. Das gelbe Dreieck des Prozessors definiert die Position des ersten Pins.

### Wichtig

- Bei einem Wechsel der CPU sollte aufgrund der AM4-Prozessorarchitektur die Systemkonfiguration gelöscht und das BIOS auf die Standardwerte zurückgesetzt werden.
- Ziehen Sie das Netzkabel ab, bevor Sie die CPU ein- und ausbauen.
- Wenn Sie die CPU einbauen, denken Sie bitte daran einen CPU-Kühler zu installieren. Ein CPU-Kühlkörper ist notwendig, um eine Überhitzung zu vermeiden und die Systemstabilität beizubehalten.
- Stellen Sie sicher, dass Ihr Kühlkörper eine feste Verbindung mit der CPU hergestellt hat, bevor Sie Ihr System starten.
- Überhitzung beschädigt die CPU und das System nachhaltig. Stellen Sie stets eine korrekte Funktionsweise des CPU Kühlers sicher, um die CPU vor Überhitzung zu schützen. Stellen Sie sicher, dass eine gleichmäßige Schicht thermischer Paste oder thermischen Tapes zwischen der CPU und dem Kühlkörper vorhanden ist, um die Wärmeableitung zu erhöhen.
- Verwenden Sie bitte die Installationsanweisung des Kühlkörpers/Kühlers, falls Sie eine separate CPU oder einen Kühlkörper/ Kühler erworben haben.
- Dieses Motherboard wurde so entworfen, dass es Übertakten unterstützt. Stellen Sie jedoch bitte sicher, dass die betroffenen Komponenten mit den abweichenden Einstellungen während des Übertaktens zurecht kommen. Von jedem Versuch des Betriebes außerhalb der Produktspezifikationen kann nur abgeraten werden. MSI übernimmt keinerlei Garantie für die Schäden und Risiken, die aus einem unzulässigem Betrieb oder einem Betrieb außerhalb der Produktspezifikation resultieren.

## OC1: GAME BOOST Drehschalter

Mit diesem Drehschalter können Sie eine Stufe von Number 0 (Standard) zu Number 11 (Extremwert) auswählen, um die Prozessoren zu übertakten. Die Spannung und Frequenz des CPUs wird dementsprechend automatisch angepasst, nachdem Sie Ihren Computer einschalten.



### GAME BOOST Drehschalter verwenden

Zum Einrichten des GAME BOOST Drehschalters befolgen Sie folgende Schritte:

1. Stellen Sie den GAME BOOST Drehschalter auf Hardware-Modus im BIOS-Setup.
2. Schalten Sie den Computer aus.
3. Drehen Sie den GAME BOOST Drehschalter, um die benötigte Übertaktungsstufe auszuwählen.

Stufe	Ryzen 7 CPU Frequenz (GHz)			
	1800X	1700X	PRO 1700X	1700
0	3,6	3,4	3,4	3,0
1	3,8	3,6	3,6	3,2
2	3,85	3,65	3,65	3,25
4	3,9	3,7	3,7	3,3
6	3,95	3,75	3,75	3,35
8	4	3,8	3,8	3,4
10	4,05	3,85	3,85	3,45
11	4,1	3,9	3,9	3,5

Stufe	Ryzen 5 CPU Frequenz (GHz)				
	1600X	1600	1500X	1400	2400G
0	3,6	3,2	3,5	3,2	3,6
1	3,8	3,4	3,7	3,4	3,8
2	3,85	3,45	3,75	3,45	3,85
4	3,9	3,5	3,8	3,5	3,9
6	3,95	3,55	3,85	3,55	3,95
8	4	3,6	3,9	3,6	4
10	4,05	3,65	3,95	3,65	4,05
11	4,1	3,7	4	3,7	4,1

Stufe	Ryzen 3 CPU Frequenz (GHz)		
	1300X	1200	2200G
0	3,5	3,1	3,5
1	3,7	3,3	3,7
2	3,75	3,35	3,75
4	3,8	3,4	3,8
6	3,85	3,45	3,85
8	3,9	3,5	3,9
10	3,95	3,55	3,95
11	4	3,75	4

- Schalten Sie den Computer ein und GAME BOOST übertaktet die CPU abhängig von der eingestellten Stufe.

GAME BOOST deaktivieren:

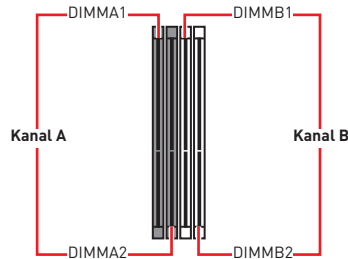
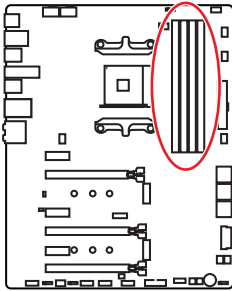
- Stellen Sie den GAME BOOST Drehschalter auf HW-Modus im BIOS-Setup.
- Schalten Sie den Computer aus.
- Drehen Sie den GAME BOOST Drehschalter auf 0 und schalten Sie den PC ein. Die Konfigurationsparameter werden auf die Normalwerte zurückgesetzt.



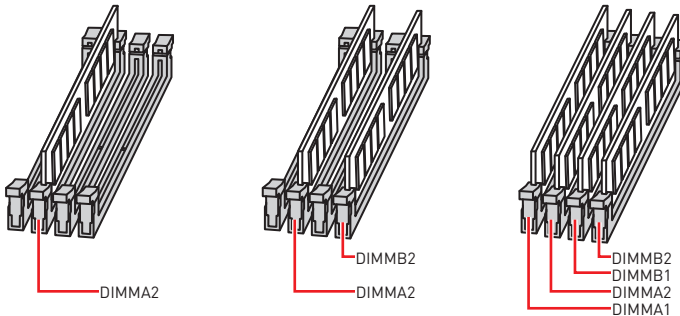
### **Wichtig**

- Sie können auch die GAME-Boost-Funktion im **BIOS-Setup** oder mit der **MSI COMMAND CENTER**-Software steuern.
- Nach Aktivierung der GAME BOOST Funktion lassen Sie die Einstellungen im **BIOS > OC** Menü unverändert, um die Performance zu optimieren und die Stabilität des System zu verbessern.
- Der Erfolg der Übertaktung hängt von den Komponenten des Computers ab.
- MSI gibt keine Garantie auf den GAME BOOST Übertaktungsbereich und auf eventuelle Schäden, die durch eine Übertaktung entstehen können.
- MSI-Komponenten werden für eine bessere GAME BOOST Kompatibilität empfohlen.

## DIMM Steckplätze



## Mehrere Grafikkarten Einbauempfehlung



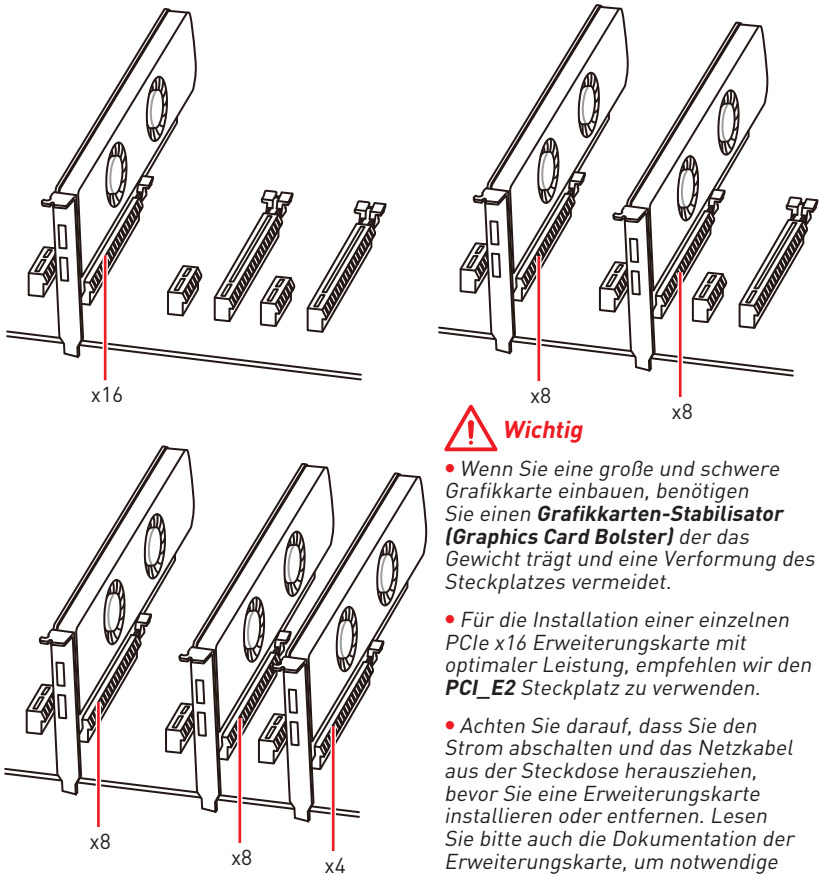
### **Wichtig**

- Um einen sicheren Systemstart zu gewährleisten, bestücken Sie immer **DIMMA2** zuerst.
- Aufgrund der Chipsatzressourcennutzung wird die verfügbare Kapazität des Speichers kleiner sein als die Größe der installierten Speicherkapazität.
- Basierend auf der Prozessorspezifikation wird eine Speicherspannung unter 1,35 Volt vorgeschlagen, um der Prozessor zu schützen.
- Einige Speichermodule können beim Übertakten auf einer niedrigeren Frequenz arbeiten, als der festgelegte Wert - abhängig von dem SPD (Serial Presence Detect). Stellen Sie im BIOS-Setup mit **DRAM Frequency!** die Speicherfrequenz ein, wenn Sie mit der festgelegten oder einer höheren Speicherfrequenz arbeiten möchten.
- Es wird empfohlen, ein effizienteres Speicherkühlsystem bei einer Vollbestückung des DIMMs oder beim Übertakten zu verwenden.
- Die Stabilität und Kompatibilität beim Übertakten der installierten Speichermodule sind abhängig von der installierten CPU und den installierten Geräten.
- Speichermodule können auf Basis der offiziellen Spezifikation der AM4 CPU/ Speicher-Controller mit einer niedrigeren Frequenz unter dem Standardzustand arbeiten. Weitere Informationen zu kompatiblen Speichermodulen finden Sie unter: <http://www.msi.com>.

## PCI\_E1~6: PCIe Erweiterungssteckplätze

Prozessoren Steckplätze	AMD Ryzen™ der 1., 2. und 3. Generation Prozessoren	Für Ryzen™ Prozessoren mit Radeon™ Vega Grafikprozessor und AMD Ryzen™ der 2. Generation Prozessoren mit Radeon™ Grafikprozessoren	Athlon™ Prozessoren mit Radeon Vega Grafikprozessor
PCI_E1	PCIe 2.0 x1	PCIe 2.0 x1	PCIe 2.0 x1
PCI_E2	PCIe 3.0 x16	PCIe 3.0 x8	PCIe 3.0 x4
PCI_E3	PCIe 2.0 x1	PCIe 2.0 x1	PCIe 2.0 x1
PCI_E4	PCIe 3.0 x8	Nicht verfügbar	Nicht verfügbar
PCI_E5	PCIe 2.0 x1	PCIe 2.0 x1	PCIe 2.0 x1
PCI_E6	PCIe 2.0 x4	PCIe 2.0 x4	PCIe 2.0 x4

### Mehrere Grafikkarten Einbauempfehlung (Ryzen™ Serie Prozessoren)



#### ! Wichtig

- Wenn Sie eine große und schwere Grafikkarte einbauen, benötigen Sie einen **Grafikkarten-Stabilisator (Graphics Card Bolster)** der das Gewicht trägt und eine Verformung des Steckplatzes vermeidet.
- Für die Installation einer einzelnen PCIe x16 Erweiterungskarte mit optimaler Leistung, empfehlen wir den **PCI\_E2** Steckplatz zu verwenden.
- Achten Sie darauf, dass Sie den Strom abschalten und das Netzkabel aus der Steckdose herausziehen, bevor Sie eine Erweiterungskarte installieren oder entfernen. Lesen Sie bitte auch die Dokumentation der Erweiterungskarte, um notwendige zusätzliche Hardware oder Software-Änderungen zu überprüfen.

## Tabelle der PCIe Bandbreiten

### Für Ryzen™ Desktop-Prozessoren

Steckplatz	Einzel				2-Wege			
PCI_E1 (PCH)	Gen 2.0 x 1				Gen 2.0 x 1			
PCI_E2 (CPU)	Gen 3.0 x 16*				Gen 3.0 x 8*			
PCI_E3 (PCH)	Gen 2.0 x 1		—		Gen 2.0 x 1		—	
PCI_E4 (CPU)	—				Gen 3.0 x 8*			
PCI_E5 (PCH)	—		Gen 2.0 x 1		—		Gen 2.0 x 1	
PCI_E6 (PCH)	Gen 2.0 x 4	—	Gen 2.0 x 4	—	Gen 2.0 x 4	—	Gen 2.0 x 4	—
M2_1 (CPU)	Gen 3.0 x 4				Gen 3.0 x 4			
M2_2 (PCH)	—	Gen 2.0 x 4	—	Gen 2.0 x 4	—	Gen 2.0 x 4	—	Gen 2.0 x 4

### Für Ryzen™ Prozessoren mit Radeon™ Vega Grafikprozessoren und AMD Ryzen™ der 2. Generation Prozessoren mit Radeon™ Grafikprozessoren

Steckplatz	Einzel			
PCI_E1 (PCH)	Gen 2.0 x 1			
PCI_E2 (CPU)	Gen 3.0 x 8*			
PCI_E3 (PCH)	Gen 2.0 x 1		—	
PCI_E4 (CPU)	—			
PCI_E5 (PCH)	—		Gen 2.0 x 1	
PCI_E6 (PCH)	Gen 2.0 x 4	—	Gen 2.0 x 4	—
M2_1 (CPU)	Gen 3.0 x 2**/ Gen 3.0 x 4***			
M2_2 (PCH)	—	Gen 2.0 x 4	—	Gen 2.0 x 4

### Für Athlon™ Prozessoren mit Radeon Vega Grafikprozessoren

Steckplatz	Einzel			
PCI_E1 (PCH)	Gen 2.0 x 1			
PCI_E2 (CPU)	Gen 3.0 x 4*			
PCI_E3 (PCH)	Gen 2.0 x 1		—	
PCI_E4 (CPU)	—			
PCI_E5 (PCH)	—		Gen 2.0 x 1	
PCI_E6 (PCH)	Gen 2.0 x 4	—	Gen 2.0 x 4	—
M2_1 (CPU)	Gen 3.0 x 2			
M2_2 (PCH)	—	Gen 2.0 x 4	—	Gen 2.0 x 4

(—: Nicht verfügbar, \*: Grafikkarte)



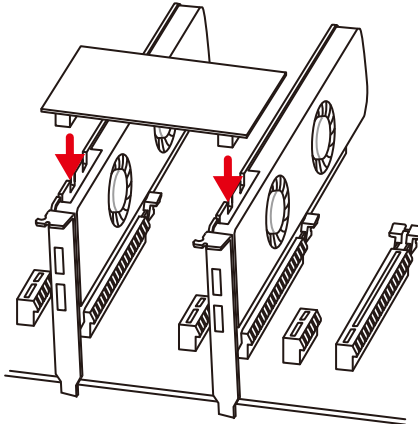
- Der PCI\_E3 Steckplatz wird nicht zur Verfügung, wenn Sie eine PCIe Karte im PCI\_E5 Steckplatz installieren.
- Der PCI\_E6 Steckplatz wird nicht zur Verfügung, wenn Sie eine PCIe M.2 SSD im M2\_2 Steckplatz installieren.

## Einbau von SLI-Grafikkarten

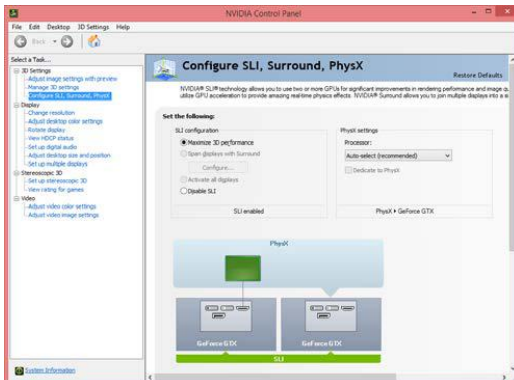
Stellen Sie eine ausreichende Stromversorgung für SLI-Konfigurationen sicher. Die notwendigen Informationen können Sie aus dem Handbuch Ihrer Grafikkarte entnehmen.

Installation der SLI-Grafikkarten:

1. Schalten Sie Ihren Computer aus und ziehen Sie die Kabel ab. Installieren Sie Ihre Grafikkarten im **PCI\_E2** und **PCI\_E4** Slot.
2. Verbinden Sie beide Karten mit einer **SLI-Brücke**.

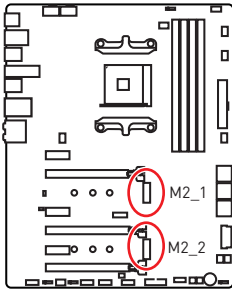


3. Verbinden Sie alle PCIe-Stromanschlüsse der Grafikkarten.
4. Schliessen Sie das Netzkabel wieder an und schalten Sie den Computer ein. Installieren Sie die Treiber und die Software, die im Lieferumfang Ihrer Grafikkarten enthalten sind.
5. Klicken Sie in Ihrem Windows-Desktop auf die rechte Maustaste, und wählen Sie **NVIDIA Control Panel** aus dem Menü aus. Klicken Sie auf **Configure SLI, Surround, PhysX** im linken Task-Fensterbereich und wählen Sie **Maximize 3D performance** im SLI-Konfigurationsmenü aus, und klicken Sie dann auf **Anwenden (Apply)**.





## M2\_1~2: M.2 Steckplätze (Key M)



### **Wichtig**

- Der SATA3 Steckplatz wird nicht zur Verfügung, wenn Sie eine SATA M.2 SSD im M2\_2 SATA M.2 SSD in M2\_2-Steckplatz installieren.
- Der PCI\_E6 Steckplatz wird nicht zur Verfügung, wenn Sie eine PCIe M.2 SSD im M2\_2-Steckplatz installieren.
- Der M2\_1 Steckplatz unterstützt nur den PCIe Modus.



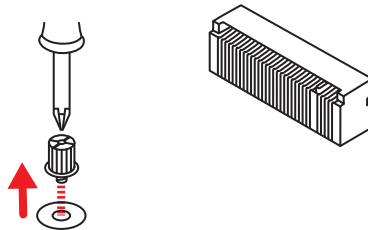
### **Video-Demonstration**

In diesem Video erfahren Sie, wie Sie die M.2 SSD installieren.

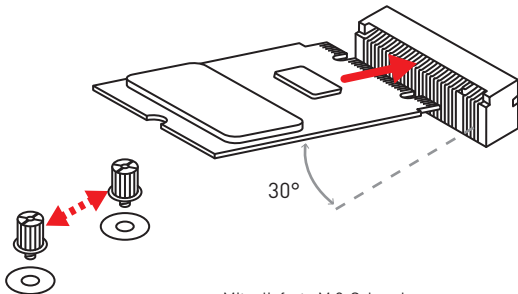
<http://youtu.be/JCTFABytrYA>

## Installation einer M.2 SSD

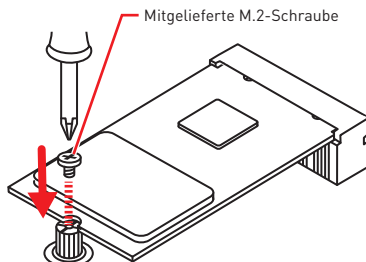
1. Lösen Sie die M.2-Schraube aus dem Motherboard.



2. Platzieren Sie die M.2-Schraube an der geeigneten Position für Ihre M.2 SSD.
3. Stecken Sie eine M.2-SSD im 30-Grad-Winkel in den M.2-Steckplatz.

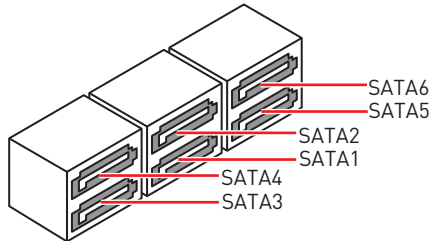
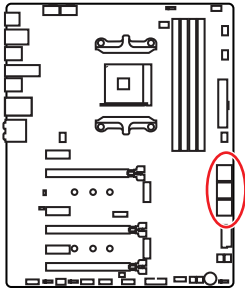


4. Schrauben Sie die M.2-SSD mit der mitgelieferten M.2-Schraube fest.



## SATA1~6: SATA 6Gb/s Anschlüsse

Dieser Anschluss basiert auf der Hochgeschwindigkeitsschnittstelle SATA 6 Gb/s. Pro Anschluss kann ein SATA Gerät angeschlossen werden.

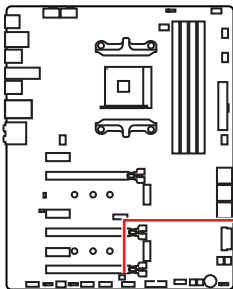


### **Wichtig**

- Der SATA3 Steckplatz wird nicht zur Verfügung, wenn Sie eine SATA M.2 SSD im M2\_2 -Steckplatz installieren.
- Knicken Sie das SATA-Kabel nicht in einem 90° Winkel. Datenverlust könnte die Folge sein.
- SATA-Kabel haben identische Stecker an beiden Enden. Es wird empfohlen den flachen Stecker auf dem Motherboard einstecken.

## JPWRLED1: LED Stromzufuhr

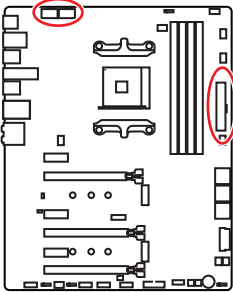
Der Anschluss ermöglicht es dem Fachhändler die integrierten LEDLichteffekte zu zeigen.



JPWRLED1 - LED Stromzufuhr

## CPU\_PWR1, CPU\_PWR2, ATX\_PWR1: Stromanschlüsse

Mit diesen Anschlüssen verbinden Sie die ATX Stromstecker.



1	Ground	5	+12V
2	Ground	6	+12V
3	Ground	7	+12V
4	Ground	8	+12V

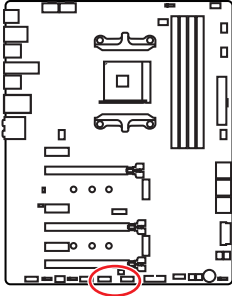
	1	+3.3V	13	+3.3V
	2	+3.3V	14	-12V
	3	Ground	15	Ground
	4	+5V	16	PS-ON#
	5	Ground	17	Ground
	6	+5V	18	Ground
	7	Ground	19	Ground
	8	PWR OK	20	Res
	9	5VSB	21	+5V
	10	+12V	22	+5V
	11	+12V	23	+5V
	12	+3.3V	24	Ground

### **Wichtig**

Stellen Sie sicher, dass alle Anschlüsse mit den richtigen Anschlüssen des Netzteils verbunden sind, um einen stabilen Betrieb der Hauptplatine sicherzustellen.

## JUSB1~2: USB 2.0 Anschlüsse

Mit diesen Anschlüssen können Sie die USB 2.0 Anschlüsse auf dem Frontpanel verbinden.



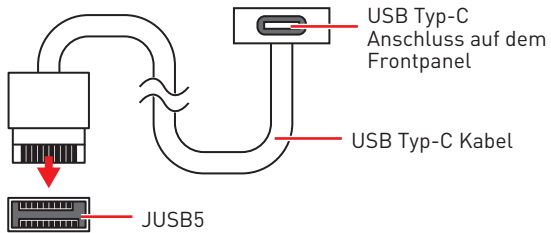
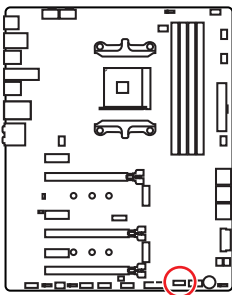
2		10	
1	VCC	2	VCC
3	USB0-	4	USB1-
5	USB0+	6	USB1+
7	Ground	8	Ground
9	No Pin	10	NC

### **Wichtig**

- Bitte beachten Sie, dass Sie die mit VCC (Stromführende Leitung) und Ground (Erdleitung) bezeichneten Pins korrekt verbinden müssen, ansonsten kann es zu Schäden kommen.
- Um ein iPad, iPhone und einen iPod über USB-Anschlüsse aufzuladen, installieren Sie bitte die MSI® SUPER CHARGER Software.

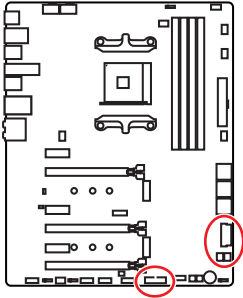
## JUSB5: USB 3.1 Gen2 Typ-C Anschluss

Mit diesem Anschluss können Sie den USB 3.1 Gen2 Typ-C Anschluss auf dem Frontpanel verbinden. Der Anschluss verfügt über ein besonders sicheres Design. Wenn Sie das Kabel anschließen, müssen Sie es in der entsprechenden Ausrichtung verbinden.



## JUSB3~4: USB 3.1 Gen1 Anschlüsse

Mit diesen Anschlüssen können Sie die USB 3.1 Gen1 Anschlüsse auf dem Frontpanel verbinden.



JUSB3		JUSB4	
1	Power	11	USB2.0+
2	USB3_RX_DN	12	USB2.0-
3	USB3_RX_DP	13	Ground
4	Ground	14	USB3_TX_C_DP
5	USB3_TX_C_DN	15	USB3_TX_C_DN
6	USB3_TX_C_DP	16	Ground
7	Ground	17	USB3_RX_DP
8	USB2.0-	18	USB3_RX_DN
9	USB2.0+	19	Power
10	NC	20	No Pin

### ! Wichtig

Bitte beachten Sie, dass Sie die mit „Stromführende Leitung“ und „Erdleitung“ bezeichneten Pins korrekt verbinden müssen, ansonsten kann es zu Schäden kommen.

### Ladegerätanschluss

Der **JUSB4** Anschluss ist ein Ladegerätanschluss, mit dem Sie die Ladegeschwindigkeit Ihres Smartphones oder anderen USB-betriebenen Geräten erhöhen. Der Ladegerätanschluss ist eine vom Mainboard-Chip gesteuerte Hardware, die auch im Ruhezustand, Standby- oder im ausgeschalteten Modus Geräte aufladen kann. Wenn Sie den Computer in Windows® starten, müssen Sie die MSI® SUPER CHARGER Anwendung installieren, um den Lademodus EIN/AUSZUSCHALTEN.



### ▶ Video-Demonstration

In diesem Video erfahren Sie, wie das Smartphone mit Super-Charger aufgeladen wird.

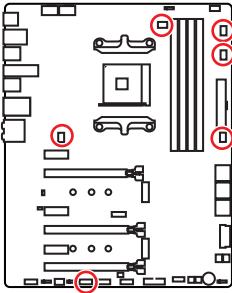
<http://youtu.be/FCyvj5Nb0w>

### ! Wichtig

Wenn der Lademodus aktiviert ist, können Sie keine Daten über die Ladebuchse synchronisieren.

## CPU\_FAN1, PUMP\_FAN1, SYS\_FAN1~4: Stromanschlüsse für Lüfter

Diese Anschlüsse können im PWM (Pulse Width Modulation) Modus oder Spannungsmodus betrieben werden. Im PWM-Modus bieten die Lüfteranschlüsse konstante 12V Ausgang und regeln die Lüftergeschwindigkeit per Drehzahlsteuersignal. Im DC-Modus bestimmen die Lüfteranschlüsse die Lüftergeschwindigkeit durch Ändern der Spannung. Wenn Sie ein 3-Pin (Non-PWM) Lüfter an einen PWM-Modus Lüfteranschluss anschließen, läuft der Lüfter mit höchster Drehzahl und kann unangenehm laut werden. Folgen Sie den folgenden Anweisungen, um den PWM- oder DC-Modus auszuwählen.



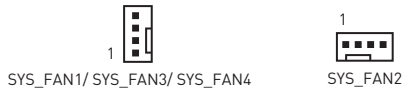
### Lüfteranschlüsse des Standard-Auto-Modus



### Lüfteranschlüsse des Standard-PWM-Modus



### Lüfteranschlüsse des Standard-DC-Modus



## Umschalten des Lüfter-Modus und Anpassung der Lüfterdrehzahl

Sie können unter **BIOS > Advanced > Hardware Monitor** zwischen dem PWM- und DC-Modus umschalten und die Lüfterdrehzahl ändern.



Überprüfen Sie die ordnungsgemäße Funktion der Lüfter nach dem Umschalten des PWM-/DC-Modus.

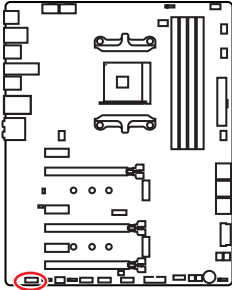
## Pin-Belegung der Lüfteranschlüsse

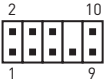
Pin-Belegung des PWM-Modus			
1	Ground	2	+12V
3	Sense	4	Speed Control Signal

Pin-Belegung des DC-Modus			
1	Ground	2	Voltage Control
3	Sense	4	NC

## JAUD1: Audioanschluss des Frontpanels

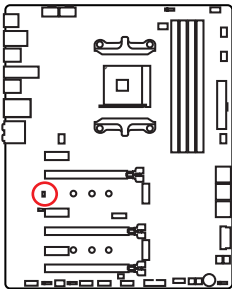
Dieser Anschluss ermöglicht den Anschluss von Audiobuchsen eines Frontpanels.



			
1	MIC L	2	Ground
3	MIC R	4	NC
5	Head Phone R	6	MIC Detection
7	SENSE_SEND	8	No Pin
9	Head Phone L	10	Head Phone Detection

## JCI1: Gehäusekontaktanschluss

Dieser Anschluss wird mit einem Kontaktschalter verbunden.



Normal  
(Standardwert)



Löse den  
Gehäuseeingriff aus

### Gehäusekontakt-Detektor verwenden

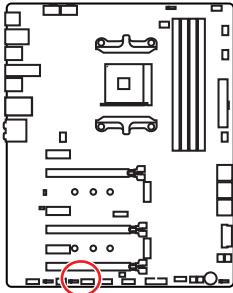
1. Schließen Sie den **JCI1**-Anschluss am Gehäusekontakt-Schalter/ Sensor am Gehäuse an.
2. Schließen Sie die Gehäuseabdeckung.
3. Gehen Sie zu **BIOS > Security > Chassis Intrusion Configuration**.
4. Stellen Sie **Chassis Intrusion** auf **Enabled**.
5. Drücken Sie **F10** zum Speichern und Beenden und drücken Sie dann die **Enter**-Taste, um **Ja** auszuwählen.
6. Bei eingeschaltetem Computer wird eine Warnmeldung auf dem Bildschirm angezeigt, wenn die Gehäuseabdeckung wieder geöffnet wird.

### Gehäusekontakt-Warnung zurücksetzen

1. Gehen Sie zu **BIOS > Security > Chassis Intrusion Configuration**.
2. Stellen Sie **Chassis Intrusion** auf **Reset**.
3. Drücken Sie **F10** zum Speichern und Beenden und drücken Sie dann die **Enter**-Taste, um **Ja** auszuwählen.

## JFP1, JFP2: Frontpanel-Anschlüsse

Diese Anschlüsse verbinden die Schalter und LEDs des Frontpanels.

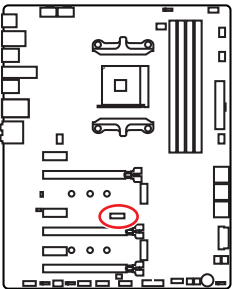


1	HDD LED +	2	Power LED +
3	HDD LED -	4	Power LED -
5	Reset Switch	6	Power Switch
7	Reset Switch	8	Power Switch
9	Reserved	10	No Pin

1	Speaker -	2	Buzzer +
3	Buzzer -	4	Speaker +

## JTPM1: TPM Anschluss

Dieser Anschluss wird für das TPM Modul (Trusted Platform Module) verwendet. Weitere Informationen über den Einsatz des optionalen TPM Modules entnehmen Sie bitte dem TPM Plattform Handbuch.

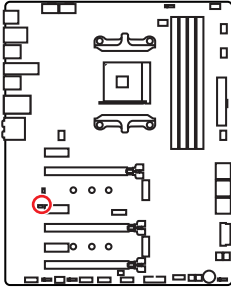


1	LPC Clock	2	3V Standby power
3	LPC Reset	4	3.3V Power
5	LPC address & data pin0	6	Serial IRQ
7	LPC address & data pin1	8	5V Power
9	LPC address & data pin2	10	No Pin
11	LPC address & data pin3	12	Ground
13	LPC Frame	14	Ground



## JBAT1: Clear CMOS Steckbrücke (Reset BIOS)

Der Onboard CMOS Speicher (RAM) wird durch eine externe Spannungsversorgung durch eine Batterie auf dem Motherboard versorgt, um die Daten der Systemkonfiguration zu speichern. Wenn Sie die Systemkonfiguration löschen wollen, müssen Sie die Steckbrücke für kurze Zeit umsetzen.



Daten  
beibehalten  
(Standardwert)



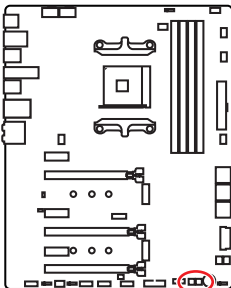
CMOS-Daten  
löschen/ Reset  
des BIOS

### Rücksetzen des BIOS auf Standardwerte

1. Schalten Sie den Computer ab und ziehen Sie das Netzkabel ab.
2. Verwenden Sie eine Steckbrücke, um **JBAT1** für 5-10 Sekunden kurzzuschließen.
3. Entfernen Sie die Steckbrücke von **JBAT1**.
4. Stecken Sie das Kabel Ihres Computers in die Steckdose hinein und schalten Sie den Computer ein.

## POWER1, RESET1: Power-Taste, Reset-Taste

Mit dieser Power-Taste können Sie den Computer einschalten. Mit der Reset-Taste können Sie den Computer zurücksetzen.



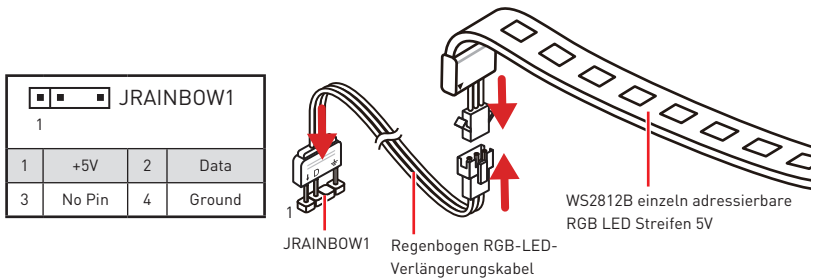
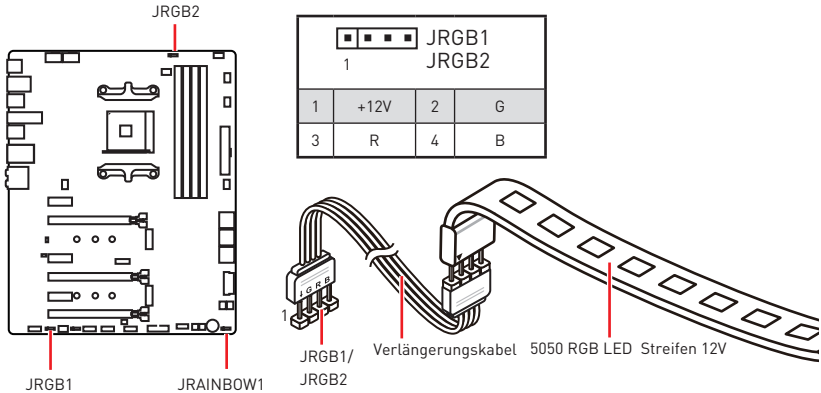
Power-Taste



Reset-Taste

## JRGB1, JRGB2, JRAINBOW1: RGB LED Anschlüsse

Mit diesen JRGB1/2 Anschlüsse können Sie den 5050 RGB-LED-Streifen (12 V) anschließen. JRAINBOW1 ermöglicht den Anschluss von WS2812B einzeln adressierbaren RGB-LED-Streifen (5 V).



### ! ACHTUNG

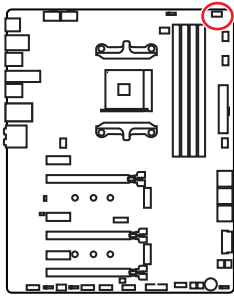
Schließen Sie nur passende LED-Streifen an. Der JRGB1/JRGB2-Anschluss und der JRAINBOW1-Anschluss verfügen über unterschiedliche Spannungen. Der Anschluss eines 5 V LED-Streifens an den JRGB1/JRGB2-Anschluss führt zu einer Beschädigung des LED-Streifens.

### ! Wichtig

- Der JRGB1/ JRGB2 Anschluss unterstützt bis maximal 2 Meter 5050 RGB LED Streifen (12V/G/R/B) mit der maximalen Leistung von 3 A (12 V).
- Der JRAINBOW1 Anschluss unterstützt bis zu 72 LEDs WS2812B einzeln adressierbare RGB-LED-Streifen (5 V/Daten/ Erdung) mit der maximalen Leistung von 3 A (5 V).
- Schalten Sie die Stromversorgung aus und ziehen Sie das Netzkabel ab, bevor Sie die RGB-LED-Streifen ein- und ausbauen.
- Bitte verwenden Sie die MSI-Software zur Steuerung des LED-Leuchtbereichs.

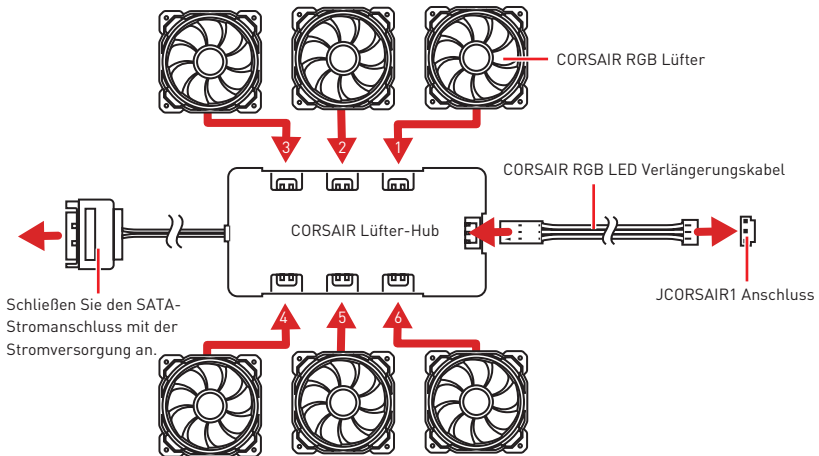
## JCORSAIR1: CORSAIR Anschluss

Mit dem JCORSAIR1 Anschluss können Sie CORSAIR einzeln adressierbare RGB-LED-Strips (5 V) oder CORSAIR RGB LED Lüfter mit dem CORSAIR-Lüfter-Hub verbinden. Nach ordnungsgemäßem Anschluss können Sie die MSI-Software zur Steuerung der CORSAIR RGB LED-Streifen und Lüfter verwenden.

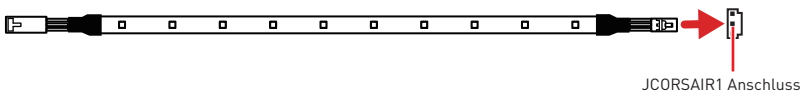


1 JCORSAIR1			
1	+5V	2	Data
3	Ground		

## CORSAIR RGB LED Lüfteranschluss



## CORSAIR Lighting Node PRO Streifen



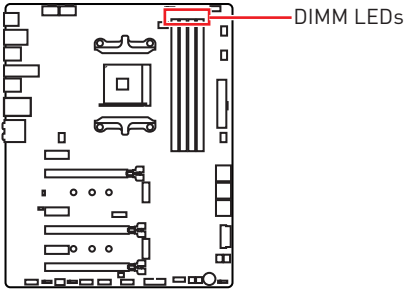
### ! Wichtig

- Bitte verbinden Sie die Lüfter mit dem CORSAIR Lüfter-Hub in der Reihenfolge 1 > 2 > 3 > 4 > 5 > 6. Falls Sie den Lüfter in einer falschen Reihenfolge verbinden, wird die Kommunikation gestört und die RGB-LEDs funktionieren nicht.
- Die Anzahl der RGB-Lüfter oder der RGB Lighting PRO LED Streifen kann je nach Modell unterschiedlich sein. Um mehr Informationen zu erfahren, lesen Sie bitte die Spezifikation des Motherboards.
- CORSAIR RGB Lüfter und CORSAIR Lighting Node PRO RGB LED Streifen können nicht gleichzeitig genutzt werden.

# Onboard LEDs

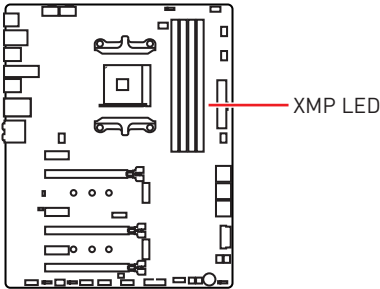
## DIMM LEDs

Diese LEDs zeigen an, dass die Speichermodule installiert sind.



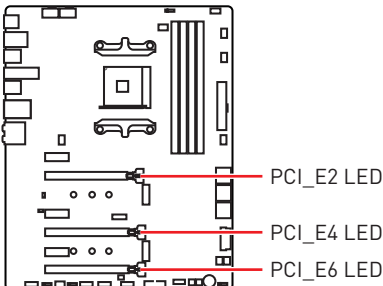
## XMP LED

Diese LED zeigt an, der A-XMP (AMD-Extreme Memory Profile) Modus aktiviert ist.



## PCIe x16 Steckplatz LEDs

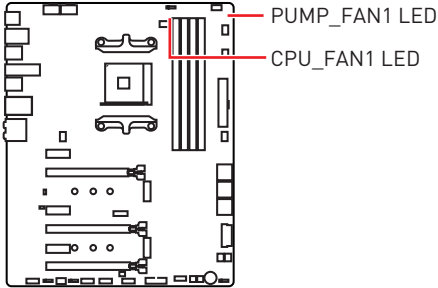
Die LED zeigen den Status der PCIe x16-Steckplätze an.



LED-Farbe	Status des PCIe-Steckplatzes
Rot	x16 Modus
Weiß	x8, x4, x1 Modus

## Lüfter LEDs

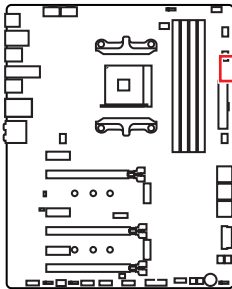
Die LEDs zeigen den Lüftersteuerungsmodus an.



LED-Farbe	Lüftersteuerungsmodus
Rot	PWM Modus
Grün	DC Modus

## EZ Debug LED

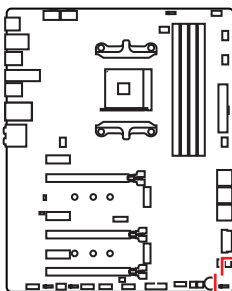
Diese LEDs zeigen den Debug-Status des Motherboards an.



- CPU** - CPU wird nicht erkannt oder ist fehlerhaft.
- DRAM** - DRAM wird nicht erkannt oder ist fehlerhaft.
- VGA** - GPU wird nicht erkannt oder ist fehlerhaft.
- BOOT** - Boot-Gerät wird nicht erkannt oder ist fehlerhaft.

## GAME BOOST LEDs

Die LEDs geben Auskunft über den GAME BOOST-Status.

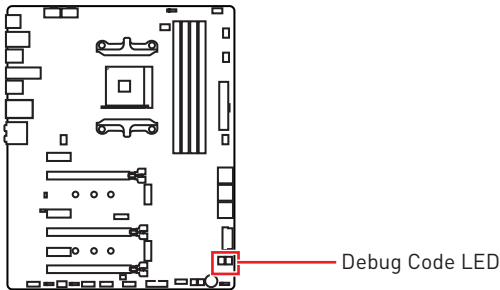


LED-Farbe	GAME BOOST-Status
Rot	GAME BOOST wird via Drehschalter gesteuert
Weiß	GAME BOOST wird durch BIOS gesteuert

- HW GAME BOOST LED (rot)
- SW GAME BOOST LED (weiß)

## Debug-Code-LED

Die Debug-Code-LED-Anzeige zeigt den Fortschritt und das Fehlercode während und nach dem POST-Vorgang an. Einzelheiten entnehmen Sie bitte der Debug-Code LED-Tabelle.



## Hexadezimalzeichen

Hexadezimal	0	1	2	3	4	5	6	7	8	9	A	B	C	D	E	F
Debug-Code LED-Anzeige	0	1	2	3	4	5	6	7	8	9	A	B	C	D	E	F

## Boot-Phasen

**Sicherheit (SEC)** – Low-Level-Initialisierung beim Start

**Pre-EFI-Initialisierung (PEI)** – Speicher-Initialisierung

**Ausführungsumgebung des Treibers (DXE)** – Primäre Hardware-Initialisierung

**Auswahl des Boot-Gerätes (BDS)** – Systemeinstellungen, Pre-OS Benutzer-Interface & Auswahl eines Boot-Gerätes (CD/DVD, HDD, USB, Netzwerk, Gehäuse, ...)

## Debug-Code-LED-Tabelle

### SEC-Fortschritt-Codes

01	Computerstart. Reset Typ-Erkennung (Soft/Hard-Reset)
02	AP-Initialisierung vor dem Mikrocode-Ladevorgang
03	System-Agent-Initialisierung vor dem Mikrocode-Ladevorgang
04	PCH-Initialisierung vor dem Mikrocode-Ladevorgang
06	Mikrocode-Ladevorgang
07	Nach der Mikrocode-Ladung initialisiert die AP
08	AP-Initialisierung nach dem Mikrocode-Ladevorgang
09	PCH-Initialisierung nach dem Mikrocode-Ladevorgang
0B	Cache-Initialisierung

### SEC-Fehler-Codes

0C - 0D	Reserviert für zukünftige AMI SEC Fehler-Codes
0E	Der Microcode wurde nicht gefunden
0F	Der Microcode wurde nicht geladen

### PEI-Fortschritt-Codes

10	PEI-Kern wird gestartet
11	Pre-Memory CPU-Initialisierung wird gestartet
12 - 14	Pre-Memory CPU-Initialisierung (CPU-spezifisch)
15	Pre-Memory System-Agent-Initialisierung wird gestartet
16 - 18	Pre-Memory System-Agent-Initialisierung (System-Agent spezifisch)
19	Pre-Memory PCH- Initialisierung wird gestartet
1A - 1C	Pre-Memory PCH- Initialisierung (PCH-Modul spezifisch)

2B	Speicher-Initialisierung. Serial Presence Detect (SPD) liest die Daten aus
2C	Speicher-Initialisierung. Speicher-Erfassung
2D	Speicher-Initialisierung. Programmierung des Speicher-Timings
2E	Speicher-Initialisierung. Konfiguration des Speichers
2F	Speicher-Initialisierung (sonstige)
31	Speicher ist installiert
32	CPU Post-Memory-Initialisierung wird gestartet
33	CPU Post-Memory-Initialisierung. Cache-Initialisierung
34	CPU Post-Memory-Initialisierung. Application Processor (AP) Initialisierung
35	CPU Post-Memory-Initialisierung. Boot Strap Prozessorauswahl (BSP)
36	CPU Post-Memory-Initialisierung. System Management Mode (SMM) Initialisierung
37	Post-Memory System-Agent-Initialisierung wird gestartet
38 - 3A	Post-Speicher-System-Agent Initialisierung (System Agent spezifisch)
3B	Post-Memory PCH-Initialisierung wird gestartet
3C - 3E	Post-Memory PCH-Initialisierung (PCH-Modul spezifisch)
4F	DXE IPL wird gestartet

### PEI-Fehler-Codes

4B	Speicher ist nicht installiert (für Summit CPU)
E0	Speicher ist nicht installiert (for Bristol CPU)

### DXE-Fortschritt-Codes

60	DXE Core wird gestartet
61	NVRAM-Initialisierung
62	Installation des PCH Runtime Services
63	CPU DXE-Initialisierung wird gestartet
64 - 67	CPU DXE-Initialisierung (CPU modulspezifisch)
68	PCI Host Bridge Initialisierung
69	System Agent DXE Initialisierung wird gestartet
6A	System Agent DXE SMM Initialisierung wird gestartet

6B - 6F	System Agent DXE Initialisierung (modulspezifischer System Agent)
70	PCH DXE Initialisierung wird gestartet
71	PCH DXE SMM Initialisierung wird gestartet
72	PCH-Geräte Initialisierung
73 - 77	PCH DXE Initialisierung (PCH modulspezifisch)
78	ACPI Modul Initialisierung
79	CSM Initialisierung
7A - 7F	Reserviert für zukünftige AMI-DXE-Codes
90	Boot Device Selection (BDS) Phase wird gestartet
91	Treiber-Verbindung wird gestartet
92	PCI Bus Initialisierung wird gestartet
93	PCI Bus Hot Plug Controller Initialisierung
94	PCI Bus Enumeration 32
95	PCI Bus Request Resources
96	PCI Bus Assign Resources
97	Verbindung der Konsolen-Ausgangsgeräte
98	Verbindung der Konsolen-Eingangsgeräte
99	Super-I/O-Initialisierung
9A	USB-Initialisierung wird gestartet
9B	USB-Rücksetzung
9C	USB-Erkennung
9D	USB-Aktivierung
9E - 9F	Reserviert für zukünftige AMI-Codes
A0	IDE Initialisierung wird gestartet
A1	IDE-Rücksetzung
A2	IDE-Erkennung
A3	IDE-Aktivierung
A4	SCSI Initialisierung wird gestartet
A5	SCSI-Rücksetzung
A6	SCSI-Erkennung
A7	SCSI-Aktivierung
A8	Bereite Kennwortüberprüfung vor
A9	Beginn der Einstellung
AB	Warten auf Eingabe
AD	Bereit für Boot-Event
AE	Legacy Boot Event
AF	Beendet das Boot-Services-Event

<b>B0</b>	Laufzeit stellt virtuelle MAP Start-Adresse ein
<b>B1</b>	Laufzeit stellt virtuelle MAP End-Adresse ein
<b>B2</b>	Legacy Option ROM Initialisierung
<b>B3</b>	System Reset
<b>B4</b>	USB hot plug
<b>B5</b>	PCI bus hot plug
<b>B6</b>	Clean-up of NVRAM
<b>B7</b>	Configuration Reset (reset of NVRAM settings)
<b>B8 - BF</b>	Reserved for future AMI codes

### DXE-Fehler-Codes

<b>D0</b>	CPU-Initialisierungs-Fehler
<b>D1</b>	System-Agent-Initialisierungs-Fehler
<b>D2</b>	PCH-Initialisierungs-Fehler
<b>D3</b>	Einige der Architektur-Protokolle sind nicht verfügbar
<b>D4</b>	PCI-Ressourcenzuordnungsfehler. Keine ausreichenden Ressourcen verfügbar.
<b>D5</b>	Kein Platz für Legacy-Option-ROM
<b>D6</b>	Kein Konsolen-Ausgangsgerät gefunden
<b>D7</b>	Kein Konsolen-Eingangsgeräte gefunden
<b>D8</b>	Ungültiges Passwort
<b>D9</b>	Fehler beim Laden der Boot-Option (Load-Image gibt Fehler zurück)
<b>DA</b>	Boot Option ist fehlgeschlagen (Start-Image gibt Fehler zurück)
<b>DB</b>	Flash-Update ist fehlgeschlagen
<b>DC</b>	Das Reset-Protokoll steht nicht zur Verfügung

### S3 Wiederaufnahme Fortschritt-Codess

<b>E0</b>	S3-Wiederaufnahmen wird gestartet (S3-Wiederaufnahmen-PPI wird von DXE IPL aufgerufen)
<b>E1</b>	Führt das S3-Boot-Skript aus
<b>E2</b>	Veröffentlicht Video neu
<b>E3</b>	OS S3 Ruhezustand
<b>E4 - E7</b>	Reserviert für zukünftige AMI-Fortschrittscodes

### S3 Wiederaufnahme Fehler-Codes

<b>E8</b>	Boot-Skript-Fehler bei der S3-Wiederaufnahmen
<b>E9</b>	S3 OS Ruhezustand-Fehler

<b>EA</b>	Reserviert für zukünftige AMI-Fehlercodes
<b>EB</b>	S3 OS Wake Error
<b>EC - EF</b>	Reserved for future AMI error codes

### Wiederherstellung Fortschritt-Codes

<b>F0</b>	Wiederherstellung ausgelöst durch die Firmware (Auto recovery)
<b>F1</b>	Wiederherstellung ausgelöst durch den Benutzer (Forced recovery)
<b>F2</b>	Der Wiederherstellungsprozess wurde gestartet
<b>F3</b>	Das Image der Wiederherstellung-Firmware wurde gefunden
<b>F4</b>	Das Image der Wiederherstellung-Firmware wurde geladen
<b>F5 - F7</b>	Reserviert für zukünftige AMI-Fortschrittscodes

### Wiederherstellung Fehler-Codes

<b>F8</b>	Wiederherstellung-PPI ist nicht verfügbar
<b>F9</b>	Wiederherstellung-Kapsel ist nicht gefunden
<b>FA</b>	Ungültige Wiederherstellung-Kapsel
<b>FB - FF</b>	Reserviert für zukünftige AMI-Fehlercodes

### ACPI Status-Codes

Nach dem Start erscheinen die folgende Codes und versetzen das Betriebssystem in den ACPI-Modus.

<b>01</b>	Das System geht in den Ruhezustand S1
<b>02</b>	Das System geht in den Ruhezustand S2
<b>03</b>	Das System geht in den Ruhezustand S3
<b>04</b>	Das System geht in den Ruhezustand S4
<b>05</b>	Das System geht in den Ruhezustand S5
<b>10</b>	Das System beendet den Ruhezustand S1
<b>20</b>	Das System beendet den Ruhezustand S2
<b>30</b>	Das System beendet den Ruhezustand S3
<b>40</b>	Das System beendet den Ruhezustand S4
<b>AC</b>	Das System hat auf den ACPI-Modus umgestellt. Interrupt-Controller ist im PIC-Modus.
<b>AA</b>	Das System hat auf den ACPI-Modus umgestellt. Interrupt-Controller ist im APIC-Modus.



# BIOS-Setup

Die Standardeinstellungen bieten die optimale Leistung für die Systemstabilität unter Normalbedingungen. Sie sollten **immer die Standardeinstellungen behalten**, um mögliche Schäden des Systems oder Boot-Fehler zu vermeiden, außer Sie besitzen ausreichende BIOS Kenntnisse.



## Wichtig

- *BIOS Funktionen werden für eine bessere Systemleistung kontinuierlich aktualisiert. Deswegen können die Beschreibungen leicht von der letzten Fassung des BIOS abweichen und sollten demnach nur als Anhaltspunkte dienen. Für eine Beschreibung der BIOS Funktionen rufen Sie die **HELP** Informationstafel aus.*
- *Die Bilder in diesem Kapitel stellen lediglich Referenzen dar und können von dem von Ihnen erworbenen Produkt abweichen.*
- *Die BIOS-Funktion variiert je nach dem Prozessor.*

## Öffnen des BIOS Setups

Während des BOOT-Vorgangs drücken Sie die Taste **ENTF**, wenn die Meldung **Press DEL key to enter Setup Menu, F11 to enter Boot Menu** erscheint.

### Funktionstasten

- F1:** Allgemeine Hilfe
- F4:** Öffnen des Menüs CPU-Spezifikationen
- F5:** Öffnen des Memory-Z Menüs
- F6:** Laden der ursprünglichen Setup-Standardwerte
- F10:** Speichern oder Zurücksetzen der Änderungen\*
- F12:** Macht einen Screenshot und speichert auf einen FAT/FAT32-USB-Laufwerk.

\* Beim Drücken der F10 Taste wird das Fenster zum Speichern der Einstellungen angezeigt. Wählen Sie **Yes**, um die Wahl zu bestätigen, oder **No**, um die derzeitige Einstellung beizubehalten.

## Reset des BIOS

Sie können die Werkseinstellung wieder herstellen, um bestimmte Probleme zu lösen. Es gibt verschiedene Möglichkeiten, um das BIOS zurückzusetzen:

- Öffnen Sie das BIOS und drücken Sie **F6**, um optimierten Einstellungen zu laden.
- Schließen Sie die **Clear CMOS Steckbrücke** an das Motherboard an.



**Wichtig**

Bitte lesen Sie für Informationen zum BIOS-Reset im Bereich „**Clear CMOS Steckbrücke**“ nach.

## Aktualisierung des BIOS

### Aktualisierung des BIOS mit dem M-FLASH-Programm

Vorbereitung:

Laden Sie bitte die neueste BIOS Version, die dem Motherboard-Modell entspricht, von der offiziellen MSI Website herunter und speichern Sie die BIOS-Datei auf USB-Flash-Laufwerk.

BIOS-Aktualisierungsschritte:

1. Schließen das USB-Flashlaufwerk mit der BIOS-Datei an den Computer.
2. Drücken Sie während des POST-Vorgangs die Taste (Entf), um das BIOS zu öffnen.
3. Gehen Sie ins **BIOS > M-FLASH > Select one file to update BIOS** und wählen Sie die BIOS-Datei zur Durchführung des BIOS-Aktualisierungsprozesses aus.
4. Nachdem das Flashen des BIOS vollständig ist, startet das System automatisch neu.

### Aktualisierung des BIOS mit Live Update 6

Vorbereitung:

Stellen Sie sicher, dass zuvor die LAN-Treiber installiert wurden und eine Internetverbindung eingerichtet ist.

BIOS-Aktualisierungsschritte:

1. Installieren und starten Sie „MSI LIVE UPDATE 6“.
2. Wählen Sie **BIOS Update** aus.
3. Klicken Sie auf die **Scan** Taste.
4. Klicken Sie auf dieses **Download**-Icon, um die neueste BIOS-Datei zu laden und zu installieren.
5. Klicken Sie auf **Next (Weiter)** und wählen Sie **In Windows Mode** aus. Und klicken dann auf **Next (Weiter)** und **Start (Starten)**, um das BIOS-Update zu starten.
6. Nachdem das Flashen des BIOS vollständig ist, startet das System automatisch neu.

## Aktualisierung des BIOS mit Flash BIOS Taste

Vorbereitung:

Laden Sie bitte die neueste BIOS Version, die das Modell des Motherboards entspricht, von der offiziellen MSI Website und benennen die BIOS-Datei im **MSI.ROM** um. Und speichern Sie die **MSI.ROM**-Datei im Root-Verzeichnis des USB-Flash-Speichers.

Verwendung der Flash BIOS Taste:

1. Verbinden Sie die Stromversorgung an dem ATX\_PWR1 und CPU\_PWR1-Stecker. (Die Stromversorgung ist erforderlich.)
2. Stecken Sie das USB-Flashlaufwerk, das die MSI.ROM-Datei enthält, in dem Anschluss der Flash BIOS Taste auf der Rückseite E/A des Panels ein.
3. Drücken Sie die Taste „Flash BIOS Taste“, um das BIOS zu flashen, nun beginnt die LED der Flash BIOS Taste zu blinken.
4. Nachdem das Flashen des BIOS vollständig ist, erlischt die LED der Flash BIOS Taste.



**Wichtig**

*Nur USB-Flashlaufwerke im FAT32-Format unterstützen einen BIOS-Update per **Flash BIOS Taste**.*

## OC Menü

In diesem Menü können Benutzer das BIOS anpassen und das Mainboard übertakten. Bitte führen Sie nur Änderungen durch, wenn Sie sich über das Ergebnis im Klaren sind. Sie sollten Erfahrung beim Übertakten haben, da Sie sonst das Motherboard oder Komponenten des Systems beschädigen können.



### **Wichtig**

- Die Übertaktung ist nur für fortgeschrittene Benutzer zu empfehlen.
- Eine erfolgreiche Übertaktung ist nicht gewährleistet. Die Anwendung von Übertaktungsmaßnahmen kann zu Verlust der Garantie oder zur Beschädigung der Hardware führen.
- Falls Sie sich mit der Übertaktung nicht auskennen, empfehlen wir für einfaches Übertakten die **GAME BOOST** Funktion.
- Die BIOS-Funktionen im OC Menü werden abhängig von dem Prozessor variieren.

#### ► CPU Ratio [Auto]

Legen Sie den CPU-Multiplikator fest, um die CPU-Taktfrequenzen zu bestimmen. Diese Option kann nur geändert werden, wenn der Prozessor diese Funktion unterstützt.

#### ► Advanced CPU Configuration

Drücken Sie die **Eingabetaste <Enter>**, um das Untermenü aufzurufen. Der Benutzer kann die Parameter für CPU-Leistung / Strom einstellen. Das System könnte nach dem Ändern des Parameters instabil werden oder nicht mehr booten. Wenn Instabilität auftritt, löschen Sie bitte die CMOS-Daten und stellen Sie die Standardeinstellungen wieder her.

#### ► Game Boost Function Control [By Onboard Button]

Aktivieren Sie die GAME BOOST Funktion durch die virtuelle Taste im BIOS oder die physische Taste auf dem Motherboard. Die Aktivierung der GAME BOOST-Funktion kann das System mit dem optimierten Übertaktungsprofil von MSI automatisch übertakten.

### ► **Game Boost Switch [Disabled]**

Aktiviert oder deaktiviert diese Funktion.

### ► **A-XMP [Disabled]**

Aktivieren Sie die A-XMP Funktion oder wählen Sie ein Profil des Speichermoduls aus, um den Speicher zu übertakten. Diese Option erscheint nur, wenn die installierten Speichermodule/ das installierte Motherboard diese Funktion unterstützen.

### ► **DRAM Frequency [Auto]**

Setzen Sie die DRAM Frequenz. Bitte beachten Sie, dass ein zuverlässiges Übertaktungsverhalten nicht garantiert werden kann.

### ► **Adjusted DRAM Frequency**

Zeigt die Speicherfrequenz an. Nur Anzeige – keine Änderung möglich.

### ► **Memory Try It ! [Disabled]**

Die Option „Memory Try It!“ dient der Verbesserung der Speicherkompatibilität oder auch der Speicherleistung durch die Auswahl der optimierten Speicher-Voreinstellungen.

### ► **Advanced DRAM Configuration**

Drücken Sie die **Eingabetaste <Enter>**, um das Untermenü aufzurufen. Der Anwender kann die Speicher-Timing für jeden Kanal des Speichers einstellen. Das System könnte nach dem Ändern der Speicher-Timings instabil werden oder nicht mehr booten. Wenn Instabilität auftritt, löschen Sie bitte die CMOS-Daten und stellen Sie die Standardeinstellungen wieder her. (Lesen Sie bitte den Abschnitt „Clear CMOS Steckbrücke/ Taste [optional]“, um die CMOS-Daten zu löschen, und die Standardeinstellungen auf das BIOS zu laden.)

### ► **DigitALL Power**

Drücken Sie die **Eingabetaste <Enter>**, um das Untermenü aufzurufen. Steuert die digitale CPU PWM.

#### ► **CPU Loadline Calibration Control [Auto]**

Die CPU-Spannung verringert proportional zur CPU-Belastung. Höheres Loadline-Calibration könnten eine höhere Spannung und einen höheren Übertaktungswert bekommen, auch einen Temperaturanstieg der CPU und VRM verursachen. Wenn die Einstellung auf **Auto** gesetzt ist, wird das BIOS diese Einstellungen automatisch konfigurieren.

#### ► **CPU NB Loadline Calibration Control [Auto]**

Die CPU-NB-Spannung verringert proportional zur CPU-NB-Belastung. Höheres Loadline-Calibration könnten eine höhere Spannung und einen höheren Übertaktungswert bekommen, auch einen Temperaturanstieg verursachen. Wenn die Einstellung auf **Auto** gesetzt ist, wird das BIOS diese Einstellungen automatisch konfigurieren.

#### ► **CPU Over Voltage Protection [Auto]**

Legen Sie die Spannungsgrenze für den CPU-Überspannungsschutz fest. Wenn die Einstellung auf **Auto** gesetzt ist, wird das BIOS diese Einstellungen automatisch konfigurieren. Höhere Spannung bietet weniger Sicherheit und kann das System beschädigen.

#### ► CPU Under Voltage Protection [Auto]

Legen Sie die Spannungsgrenze für den CPU-Unterspannungsschutz fest. Wenn die Einstellung auf **Auto** gesetzt ist, wird das BIOS diese Einstellungen automatisch konfigurieren. Höhere Spannung bietet weniger Schutz und kann das System beschädigen.

#### ► CPU Over Current Protection [Auto]

Legen Sie den aktuellen Grenzwert für den CPU-Überstromschutz fest. Wenn die Einstellung auf **Auto** gesetzt ist, wird das BIOS diese Einstellungen automatisch konfigurieren.

[Auto] Diese Einstellungen werden vom BIOS automatisch konfiguriert.

[Enhanced] Erweitert die Begrenzung des Speicher-Überstromschutz.

#### ► CPU NB/SoC Over Voltage Protection [Auto]

Legen Sie die Spannungsgrenze für den CPU NB/ SoC-Überspannungsschutz fest. Wenn die Einstellung auf **Auto** gesetzt ist, wird das BIOS diese Einstellungen automatisch konfigurieren. Höhere Spannung bietet weniger Sicherheit und kann das System beschädigen.

#### ► CPU NB/SoC Under Voltage Protection [Auto]

Legen Sie die Spannungsgrenze für den NB/ SoC-Unterspannungsschutz fest. Wenn die Einstellung auf **Auto** gesetzt ist, wird das BIOS diese Einstellungen automatisch konfigurieren. Höhere Spannung bietet weniger Schutz und kann das System beschädigen.

#### ► CPU NB/SoC Over Current Protection [Auto]

Legen Sie den aktuellen Grenzwert für den CPU NB/ SoC-Überstromschutz fest. Wenn die Einstellung auf **Auto** gesetzt ist, wird das BIOS diese Einstellungen automatisch konfigurieren.

[Auto] Diese Einstellungen werden vom BIOS automatisch konfiguriert.

[Enhanced] Erweitert die Begrenzung des Speicher-Überstromschutz.

#### ► VR 12VIN OCP Expander [Auto]

Erweitert die Begrenzung des VR-Überstromschutzes mit 12 V Eingangsspannung. Dies kann aufgrund erhöhter Toleranz einen geringeren Schutz bedeuten. Bitte passen Sie deshalb den Strom sorgfältig an, um Beschädigungen des CPU/ VR MOS zu vermeiden. Wenn die Einstellung auf [Auto] gesetzt ist, wird das BIOS diese Einstellungen automatisch konfigurieren.

#### ► CPU Voltages control [Auto]

Erlaubt das Einstellen der CPU-Spannungen. Wenn die Einstellung auf **Auto** gesetzt ist, wird das BIOS die Spannungen automatisch einstellen oder Sie können es manuell einstellen.

#### ► DRAM Voltages control [Auto]

Erlaubt das Einstellen der DRAM-Spannungen. Wenn die Einstellung auf **Auto** gesetzt ist, wird das BIOS die Spannungen automatisch einstellen oder Sie können es manuell einstellen.

#### ► CPU Specifications

Drücken Sie die **Eingabetaste <Enter>**, um das Untermenü aufzurufen. Das Untermenü zeigt die Informationen der installierten CPU an. Zu diesen Informationen gelangen Sie, indem Sie die Taste [F4] drücken. Nur Anzeige.

### ► CPU Technology Support

Drücken Sie die **Eingabetaste <Enter>**, um das Untermenü aufzurufen. Das Untermenü zeigt die wichtigsten Eigenschaften der installierten CPU an.

### ► MEMORY-Z

Drücken Sie die **Eingabetaste <Enter>**, um das Untermenü aufzurufen. Dieses Untermenü zeigt alle Einstellungen und Timings des installierten Speichers. Zu diesen Informationen gelangen Sie auch, indem Sie die Taste [F5] drücken.

### ► DIMMx Memory SPD

Drücken Sie die **Eingabetaste <Enter>**, um das Untermenü aufzurufen. Das Untermenü zeigt die Informationen des verwendeten Speichers an. Nur Anzeige.

### ► CPU Features

Drücken Sie die **Eingabetaste <Enter>**, um das Untermenü aufzurufen.

#### ► Global C-state Control [Enabled] (optional)

Aktiviert oder deaktiviert die IO-basierten C-States und DF C-States.

#### ► Simultaneous Multi-Threading [Enabled] (optional)

Aktiviert oder deaktiviert das AMD Simultaneous Multi-Threading. Diese Option erscheint nur, wenn die installierte CPU die Technologie unterstützt.

#### ► Opcache Control [Auto] (optional)

Aktiviert oder deaktiviert die Opcache-Funktion. Opcache speichert die letzte dekodierte Anweisung um die Dekodierzeit bei wiederholten Anweisungen zu verringern. Zusätzlich kann es die CPU-Leistung erhöhen und den Stromverbrauch leicht reduzieren.

#### ► IOMMU Mode (optional)

Hier können Sie den IOMMU (I/O Memory Management Unit) für I/O-Virtualisierung aktivieren/ deaktivieren.

#### ► Spread Spectrum (optional)

Diese Funktion reduziert die EMI (Electromagnetic Interference) durch Modulation Taktgenerator erzeugten Impulse.

[Enabled]     Aktiviert die Spread-Spectrum-Funktion, um die elektromagnetische Wechselwirkung zu verringern.

[Disabled]     Steigert die Übertaktungs-Fähigkeiten des CPU-Grundtakts.



### **Wichtig**

- *Sollten Sie keine Probleme mit Interferenzen haben, belassen Sie es bei der Einstellung [Disabled] (ausgeschaltet), um bestmögliche Systemstabilität und -leistung zu gewährleisten. Stellt für sie EMI ein Problem dar, wählen Sie die gewünschte Bandbreite zur Reduktion der EMI.*
- *Je größer Spread Spectrum Wert ist, desto größer nimmt der EMI ab, und das System wird weniger stabil. Bitte befragen Sie Ihren lokalen EMI Regelung zum meist passend Spread Spectrum Wert.*
- *Denken Sie daran Spread Spectrum zu deaktivieren, wenn Sie übertakten, da sogar eine leichte Schwankung eine vorübergehende Taktsteigerung erzeugen kann, die gerade ausreichen mag, um Ihren übertakteten Prozessor zum einfrieren zu bringen.*

► **Relaxed EDC throttling [Auto] (optional)**

„Relaxed EDC throttling“ reduziert die Zeit, in der der Prozessor gedrosselt wird.

[Auto] Empfehlung von AMD

[Enabled] Reduziert die Zeit, in der der Prozessor gedrosselt wird.

[Disabled] Der spezifische EDC-Drosselschutz ist aktiviert.

► **AMD Cool'n'Quiet [Enabled]**

Die Cool'n'Quiet-Technologie kann die CPU-Geschwindigkeit und den Stromverbrauch effizient und dynamisch herabsetzen.

► **SVM Mode [Disabled]**

Aktiviert oder deaktiviert den AMD SVM (Secure Virtual Machine) Modus.

► **BIOS PSP Support [Enabled] (optional)**

Aktiviert oder deaktiviert die Funktion BIOS PSP Support. Es steuert den PSP-Unterpunkt einschließlich C2P/ P2C-Mailbox, Secure-S3 und fTPM-Support.

► **Power Supply Idle Control [Auto] (optional)**

Erlaubt den Energiespar-Modus für die CPU wenn sich alle Kerne im Zustand non-C0 befinden. Wenn die Einstellung auf **Auto** gesetzt ist, wird das BIOS diese Einstellungen automatisch konfigurieren.

► **CPU VDD\_SoC Current Optimization [Auto] (optional)**

Legen Sie die Ströme von CPU VDD und SoC. Wenn die Einstellung auf **Auto** gesetzt ist, wird das BIOS diese Einstellungen automatisch konfigurieren.

[Auto] Diese Einstellungen werden vom BIOS automatisch konfiguriert.

[Custom Setting] Sie können es manuell einstellen.





# Softwarebeschreibung

## Installation von Windows® 10

1. Schalten Sie den Computer ein.
2. Legen Sie die Windows® 10 Disk in das optisches Laufwerk.
3. Drücken Sie die Taste **Restart** auf dem Computergehäuse.
4. Drücken Sie die **F11**-Taste während des POST-Vorgangs (Power-On Self Test), um das Bootmenu zu öffnen.
5. Wählen Sie das optische Laufwerk aus dem Bootmenu.
6. Wenn eine entsprechende Meldung **Press any key to boot from CD or DVD...** angezeigt wird, drücken Sie eine beliebige Taste.
7. Folgen Sie den Anweisungen auf dem Bildschirm, um das Dienstprogramm „Windows® 10“ zu installieren.

## Installation von Treibern

1. Starten Sie Ihren Computer mit Windows® 10.
2. Legen Sie die MSI® Treiber Disk in das optisches Laufwerk.
3. Der Installer wird automatisch erscheint und findet und finden Sie die benötigten Treiber in die Liste.
4. Klicken Sie auf **Install**.
5. Die Software-Installation ist im Gange. Wenn die Installation abgeschlossen ist, werden Sie dazu aufgefordert, den Computer neu zu starten.
6. Klicken Sie auf **OK** zum Beenden.
7. Starten Sie Ihren Computer neu.

## Installation von Utilities

Bevor Sie Anwendungen installieren, müssen Sie die Treiber-Installation vollständig beendet haben.

1. Legen Sie die MSI® Treiber Disk in das optisches Laufwerk.
2. Der Installer wird automatisch erscheint.
3. Klicken Sie auf **Utilities**.
4. Wählen Sie die Dienstprogramme, die installiert werden soll.
5. Klicken Sie die Taste **Install**.
6. Die Utilities-Installation ist im Gange. Wenn die Installation abgeschlossen ist, werden Sie dazu aufgefordert, den Computer neu zu starten.
7. Klicken Sie auf **OK** zum Beenden.
8. Starten Sie Ihren Computer neu.

# Содержание

<b>Безопасное использование продукции.....</b>	<b>3</b>
<b>Технические характеристики .....</b>	<b>4</b>
Технические характеристики разъема JCORSAIR1 .....	9
<b>Задняя панель портов ввода/ вывода .....</b>	<b>10</b>
Таблица состояний индикатора порта LAN .....	10
Конфигурация портов Аудио .....	10
Менеджер Realtek HD Audio .....	11
Установка антенн .....	13
<b>Компоненты материнской платы.....</b>	<b>14</b>
Процессорный сокет .....	15
OC1: Кнопка GAME BOOST .....	16
Слоты DIMM .....	18
PCI_E1~6: Слоты расширения PCIe .....	19
M2_1~2: Разъемы M.2 (Ключ M) .....	22
SATA1~6: Разъемы SATA 6Гб/с .....	23
JPWRLED1: Индикатор подключения питания .....	23
CPU_PWR1, CPU_PWR2, ATX_PWR1: Разъемы питания .....	24
JUSB1~2: Разъемы USB 2.0 .....	25
JUSB5: Разъем USB 3.1 Gen2 Type-C .....	25
JUSB3~4: Разъемы USB 3.1 Gen1 .....	26
CPU_FAN1, PUMP_FAN1, SYS_FAN1~4: Разъемы вентиляторов .....	27
JAUD1: Разъем аудио передней панели .....	28
JC11: Разъем датчика открытия корпуса .....	28
JFP1, JFP2: Разъемы передней панели .....	29
JTPM1: Разъем модуля TPM .....	29
JBAT1: Джампер очистки данных CMOS (Сброс BIOS) .....	30
POWER1, RESET1: Кнопка питания, Кнопка перезагрузки .....	30
JRGB1, JRGB2, JRAINBOW1: Разъемы RGB LED .....	31
JCORSAIR1: Разъем CORSAIR .....	32
<b>Встроенные индикаторы.....</b>	<b>33</b>
Индикаторы DIMM .....	33
Индикатор XMP .....	33
Индикаторы слотов PCIe x16 .....	33
Индикаторы вентилятора .....	34
Индикаторы отладки EZ .....	34
Индикаторы GAME BOOST .....	34
Индикатор отладочных кодов .....	35
Таблица шестнадцатиричных символов .....	35

Фазы загрузки.....	35
Таблица отладочных кодов.....	35
Коды состояний ACPI.....	38
<b>Настройка BIOS .....</b>	<b>39</b>
Вход в настройки BIOS .....	39
Сброс BIOS .....	40
Обновление BIOS.....	40
Меню ОС .....	42
<b>Описание программного обеспечения .....</b>	<b>47</b>
Установка Windows® 10.....	47
Установка драйверов .....	47
Установка утилит .....	47

# Безопасное использование продукции

- Компоненты, входящие в комплект поставки могут быть повреждены статическим электричеством. Для успешной сборки компьютера, пожалуйста, следуйте указаниям ниже.
- Убедитесь, что все компоненты компьютера подключены должным образом. Ослабленные соединения компонентов могут привести как к сбоям в работе, так и полной неработоспособности компьютера.
- Чтобы избежать повреждений компонентов платы всегда держите ее за края.
- При сборке компьютера рекомендуется пользоваться электростатическим браслетом. В случае, если это невозможно, перед работой с платой снимите электростатический заряд со своего тела, прикоснувшись к металлическому предмету.
- В случае, если материнская плата не установлена в корпус, храните ее в антистатической упаковке или на антистатическом коврике.
- Перед включением компьютера убедитесь, что все винты крепления и другие металлические компоненты на материнской плате и внутри корпуса надежно зафиксированы.
- Не включайте компьютер, если сборка не завершена. Это может привести к повреждению компонентов, а также травмированию пользователя.
- Если вам нужна помощь на любом этапе сборки компьютера, пожалуйста, обратитесь к сертифицированному компьютерному специалисту.
- Всегда выключайте питание и отсоединяйте шнур питания от электрической розетки перед установкой или удалением любого компонента компьютера.
- Сохраните это руководство для справки.
- Не допускайте воздействия на материнскую плату высокой влажности.
- Перед тем как подключить блок питания компьютера к электрической розетке убедитесь, что напряжение электросети соответствует напряжению, указанному на блоке питания.
- Располагайте шнур питания так, чтобы на него не могли наступить люди. Не ставьте на шнур питания никаких предметов.
- Необходимо учитывать все предостережения и предупреждения, указанные на материнской плате.
- При возникновении любой из перечисленных ниже ситуаций обратитесь в сервисный центр для проверки материнской платы:
  - Попадание жидкости внутрь компьютера.
  - Материнская плата подверглась воздействию влаги.
  - Материнская плата не работает должным образом или невозможно наладить ее работу в соответствии с руководством пользователя.
  - Материнская плата получила повреждения при падении.
  - Материнская плата имеет явные признаки повреждения.
- Не храните материнскую плату в местах с температурой выше 60 °C (140 °F), так как это может привести к ее повреждению.

# Технические характеристики

<b>Процессор</b>	Поддержка процессоров AMD Ryzen™ 1-го, 2-го и 3-го поколения, процессоров Ryzen™ с видеокартой Radeon™ Vega, процессоров AMD Ryzen™ 2-го поколения с видеокартой Radeon™ и процессоров Athlon™ для настольных ПК с видеокартой Radeon™ Vega для сокета AM4
<b>Чипсет</b>	AMD® X470
<b>Память</b>	<ul style="list-style-type: none"><li>• 4x слота памяти DDR4 с поддержкой до 64 ГБ<ul style="list-style-type: none"><li>▪ Поддержка DDR4 1866/ 2133/ 2400/ 2667 МГц по стандартам JEDEC, и 2667/ 2800/ 2933/ 3000/ 3066/ 3200/ 3466/ 3600 МГц с поддержкой A-XMP OC MODE*</li></ul></li><li>• Двухканальная архитектура памяти</li><li>• Поддержка non-ECC UDIMM памяти</li><li>• Поддержка ECC UDIMM памяти (режим non-ECC)</li></ul> <p>* Процессоры A-серии/ Athlon™ максимально поддерживают 2400 МГц. Поддерживаемая частота памяти зависит от модели установленного процессора. Пожалуйста, обратитесь <a href="http://www.msi.com">www.msi.com</a> для получения дополнительной информации о совместимых памяти.</p>
<b>Слоты расширения</b>	<ul style="list-style-type: none"><li>• 2x слота PCIe 3.0 x16 (PCI_E_2, PCI_E_4)<ul style="list-style-type: none"><li>▪ Процессоры AMD Ryzen™ 1-го, 2-го и 3-го поколения поддерживают режим x16/x0, x8/x8</li><li>▪ Процессоры Ryzen™ с видеокартой Radeon™ Vega и процессоры AMD Ryzen™ 2-го поколения с видеокартой Radeon™ поддерживают режим x8/x0</li><li>▪ Процессоры Athlon™ с видеокартой Radeon™ Vega поддерживают режим x4/x0</li></ul></li><li>• 1x слот PCIe 2.0 x16 (PCI_E_6, поддержка режима x4)*</li><li>• 3x слота PCIe 2.0 x1</li></ul> <p>* Слот PCI_E3 будет недоступен при установке карты PCIe в слоте PCI_E5. * Слот PCI_E6 будет недоступен при установке PCIe M.2 SSD в разъем M2_2.</p>
<b>Поддержка Multi-GPU</b>	<ul style="list-style-type: none"><li>• Процессоры AMD Ryzen™ 1-го, 2-го и 3-го поколения<ul style="list-style-type: none"><li>▪ Поддержка технологии 2-Way NVIDIA® SLI™</li><li>▪ Поддержка технологии 3-Way AMD® CrossFire™</li></ul></li><li>• Процессоры Ryzen™ с видеокартой Radeon™ Vega, процессоры AMD Ryzen™ 2-го поколения с видеокартой Radeon™ и процессоры Athlon™ для настольных ПК с видеокартой Radeon™ Vega<ul style="list-style-type: none"><li>▪ Поддержка технологии 2-Way AMD® CrossFire™</li></ul></li></ul>
<b>LAN</b>	1x Гигабитный сетевой контроллер Killer™ E2500

Продолжение на следующей странице

Продолжение с предыдущей страницы

<b>Wi-Fi и Bluetooth®</b>	<p>Модуль беспроводной связи на базе Intel® Dual Band Wireless-AC 8265</p> <ul style="list-style-type: none"> <li>• Беспроводная плата предварительно установлена в разъем M2_3 (M.2 Ключ E).</li> </ul>
<b>Wi-Fi и Bluetooth®</b>	<ul style="list-style-type: none"> <li>• Поддержка Wi-Fi 802.11 a/b/g/n/ac, два диапазона (2.4ГГц, 5ГГц) со скоростью передачи до 867 Мбит/с.</li> <li>• Поддержка Dual Mode Bluetooth® 2.1, 2.1+EDR, 3.0, 4.0, BLE, 4.2</li> </ul>
<b>Подключение накопителей</b>	<ul style="list-style-type: none"> <li>• 6x портов SATA 6Гб/с (для чипсета AMD® X470)</li> <li>• 2x разъема M.2 (Ключ M)*             <ul style="list-style-type: none"> <li>▪ Разъем M2_1 (для процессоров AMD®) поддерживает PCIe 3.0 x4 (процессоры AMD Ryzen™ 1-го, 2-го и 3-го поколения/ процессоры Ryzen™ с видеокартой Radeon™ Vega и процессоры AMD Ryzen™ 2-го поколения с видеокартой Radeon™) или PCIe 3.0 x2 (процессоры Athlon™ с видеокартой Radeon™ Vega), накопители 2242/ 2260 /2280</li> <li>▪ Разъем M2_2 (для чипсета AMD® X470) поддерживает накопители PCIe 2.0 x4 и SATA 6Гб/с 2242/ 2260 /2280</li> </ul> </li> </ul> <p>* Порт SATA3 будет недоступен при установке SATA M.2 SSD в разъем M2_2. * Порт PCI_E6 будет недоступен при установке PCIe M.2 SSD в разъем M2_2.</p>
<b>RAID</b>	<p>Чипсет AMD® X470</p> <ul style="list-style-type: none"> <li>• Поддержка RAID 0, RAID 1 и RAID 10 для накопителей SATA</li> </ul>
<b>USB</b>	<ul style="list-style-type: none"> <li>• Контроллер ASMedia® ASM1143             <ul style="list-style-type: none"> <li>▪ 1x порт USB 3.1 Gen2 (SuperSpeed USB 10Гб/с) Type-C доступны через внутренние разъемы USB</li> </ul> </li> <li>• Контроллер AMD® X470             <ul style="list-style-type: none"> <li>▪ 1x порт USB 3.1 Gen2 (SuperSpeed USB 10Гб/с) Type-C на задней панели</li> <li>▪ 1x порт USB 3.1 Gen2 (SuperSpeed USB 10Гб/с) Type-A на задней панели</li> <li>▪ 4x порта USB 3.1 Gen1 (SuperSpeed USB) доступны через внутренние разъемы USB</li> <li>▪ 6x портов USB 2.0 (High-speed USB) (2 порта Type-A на задней панели, 4 порта доступны через внутренние разъемы USB)</li> </ul> </li> <li>• Контроллер процессора AMD®             <ul style="list-style-type: none"> <li>▪ 4x порта USB 3.1 Gen1 (SuperSpeed USB) Type-A на задней панели</li> </ul> </li> </ul>

Продолжение на следующей странице

Продолжение с предыдущей страницы

<b>Аудио</b>	<ul style="list-style-type: none"> <li>• Realtek® ALC1220 Codec</li> <li>• 7.1-канальный High Definition Audio</li> <li>• Поддержка выхода S/PDIF-out</li> </ul>
<b>Разъемы задней панели</b>	<ul style="list-style-type: none"> <li>• 1x кнопка очистки данных CMOS</li> <li>• 1x кнопка Flash BIOS</li> <li>• 1x комбинированный порт PS/2 клавиатуры/ мыши</li> <li>• 2x порта USB 2.0 Type-A</li> <li>• 4x порта USB 3.1 Gen1 Type-A</li> <li>• 2x разъема антенны</li> <li>• 1x порт LAN (RJ45)</li> <li>• 1x порт USB 3.1 Gen2 Type-A</li> <li>• 1x порт USB 3.1 Gen2 Type-C</li> <li>• 5x аудиоразъемов OFC</li> <li>• 1x оптический разъем S/PDIF-OUT</li> </ul>
<b>Разъемы на плате</b>	<ul style="list-style-type: none"> <li>• 1x 24-контактный разъем питания ATX 12B</li> <li>• 2x 8-контактных разъема питания ATX 12B</li> <li>• 6x разъемов SATA 6Гб/с</li> <li>• 2x разъема USB 2.0 (поддержка 4-х дополнительных портов USB 2.0)</li> <li>• 2x разъема USB 3.1 Gen1 (поддержка 4-х дополнительных портов USB 3.1 Gen1)</li> <li>• 1x разъем USB 3.1 Gen2 (поддержка 1-го дополнительного порта USB 3.1 Gen2 Type C)</li> <li>• 1x 4-контактный разъем вентилятора процессора</li> <li>• 1x 4-контактный разъем вентилятора PUMP (поддержка до 2A)</li> <li>• 4x 4-контактных разъема вентилятора системы</li> <li>• 2x разъема 5050 RGB светодиодных лент 12B</li> <li>• 1x разъем RGB светодиодных лент WS2812B (5B) с индивидуальной адресацией</li> <li>• 1x разъем CORSAIR</li> <li>• 1x разъем модуля TPM</li> <li>• 1x разъем аудио передней панели</li> <li>• 2x разъема системной панели</li> <li>• 1x разъем датчика открытия корпуса</li> <li>• 1x джампер очистки данных CMOS</li> <li>• 1x 2-значный светодиодный индикатор отладки</li> </ul>

Продолжение на следующей странице



Продолжение с предыдущей страницы

<b>Кнопки на плате</b>	<ul style="list-style-type: none"><li>• 1x кнопка GAME BOOST</li><li>• 1x кнопка питания</li><li>• 1x кнопка перезагрузки</li></ul>
<b>Контроллер ввода-вывода</b>	NUVOTON NCT6795D
<b>Аппаратный мониторинг</b>	<ul style="list-style-type: none"><li>• Определение температуры процессора/системы</li><li>• Определение скорости вентиляторов процессора/системы</li><li>• Управление скоростью вентиляторов процессора/системы</li></ul>
<b>Форм-фактор</b>	<ul style="list-style-type: none"><li>• ATX Форм-фактор</li><li>• 12 x 9.6 дюйма (30.4 x 24.4 см)</li></ul>
<b>Параметры BIOS</b>	<ul style="list-style-type: none"><li>• 1x 128 Мб флэш</li><li>• UEFI AMI BIOS</li><li>• ACPI 6.1, SM BIOS 2.8</li><li>• Мультиязычный интерфейс</li></ul>
<b>Программное обеспечение</b>	<ul style="list-style-type: none"><li>• Драйверы</li><li>• APP MANAGER</li><li>• COMMAND CENTER</li><li>• LIVE UPDATE 6</li><li>• MYSTIC LIGHT</li><li>• SUPER CHARGER</li><li>• GAMING APP</li><li>• X-BOOST</li><li>• SMART TOOL</li><li>• Nahimic Audio</li><li>• Open Broadcaster Software (OBS)</li><li>• Norton™ Internet Security Solution</li><li>• Google Chrome™, Google Toolbar, Google Drive</li><li>• Killer Control Center</li><li>• CPU-Z MSI GAMING</li></ul>

Продолжение на следующей странице

Продолжение с предыдущей страницы

**Эксклюзивные  
функции**

- **Аудио**
  - Audio Boost 4
  - Voice Boost
  - Nahimic 2.5
- **Сеть**
  - GAMING LAN с контроллером Killer LAN Manager
  - Intel WiFi
- **Накопитель**
  - Twin Turbo M.2
- **Индикатор**
  - Pump Fan
  - Интеллектуальное управление вентилятором
- **Индикатор**
  - Mystic Light
  - Mystic Light Extension (RGB, RAINBOW & CORSAIR)
  - Mystic light SYNC
  - EZ DEBUG LED
- **Защита**
  - PCI-E Steel Armor
  - DDR4 Steel Armor
  - M.2 SHIELD FROZR
  - Audio Cover
- **Производительность**
  - Multi GPU-SLI Technology
  - Multi GPU-CrossFire Technology
  - DDR4 Boost
  - GAME Boost
  - Lightning USB
  - USB с интерфейсом Type A+C
  - X-Boost
  - A-XMP
  - OC Engine

Продолжение на следующей странице

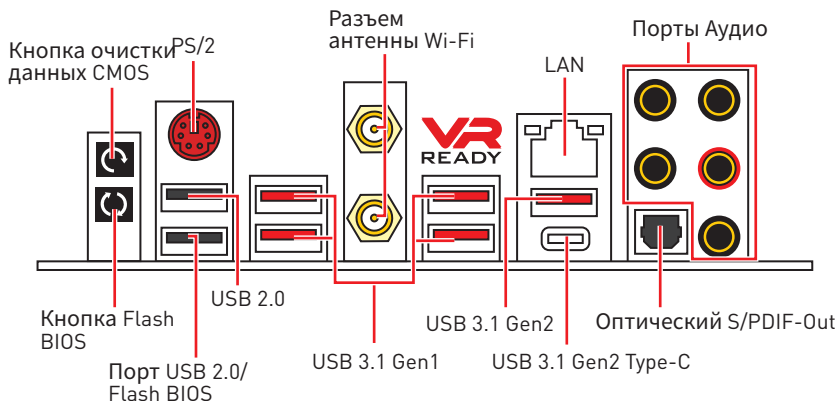
Продолжение с предыдущей страницы

<b>Эксклюзивные функции</b>	<ul style="list-style-type: none"><li>• Стабильность<ul style="list-style-type: none"><li>▪ 7000+ Quality Test</li></ul></li><li>• VR<ul style="list-style-type: none"><li>▪ VR Ready</li></ul></li><li>• Ощущение игроков<ul style="list-style-type: none"><li>▪ GAMING HOTKEY</li></ul></li><li>• BIOS<ul style="list-style-type: none"><li>▪ Кнопка Flash BIOS</li></ul></li><li>• Сертификация<ul style="list-style-type: none"><li>▪ GAMING Certified</li></ul></li></ul>
-----------------------------	--

## Технические характеристики разъема JCORSAIR1

Поддерживаемые продукты CORSAIR RGB	Максимальное количество подключенных устройств
RGB светодиодные полосы Lighting PRO	7
Вентиляторы HD с RGB светодиодной подсветкой	6
Вентиляторы SP с RGB светодиодной подсветкой	6
Вентиляторы LL с RGB светодиодной подсветкой	5

# Задняя панель портов ввода/ вывода



- **Кнопка очистки данных CMOS** - Выключите компьютер. Нажмите и удерживайте кнопку очистки данных CMOS на 5-10 секунд для сброса настройки BIOS по умолчанию.
- **Кнопка/ Порт Flash BIOS** - Обратитесь к странице 41 для получения информации о обновлении BIOS при помощи кнопки Flash BIOS.

## Таблица состояний индикатора порта LAN

Подключение/ Работа индикатора		Скорость передачи данных								
Состояние	Описание									
Выкл.	Не подключен	<table border="1"> <thead> <tr> <th>Состояние</th> <th>Описание</th> </tr> </thead> <tbody> <tr> <td>Выкл.</td> <td>10 Мбит/с подключение</td> </tr> <tr> <td>Зеленый</td> <td>100 Мбит/с подключение</td> </tr> <tr> <td>Оранжевый</td> <td>1 Гбит/с подключение</td> </tr> </tbody> </table>	Состояние	Описание	Выкл.	10 Мбит/с подключение	Зеленый	100 Мбит/с подключение	Оранжевый	1 Гбит/с подключение
Состояние	Описание									
Выкл.	10 Мбит/с подключение									
Зеленый	100 Мбит/с подключение									
Оранжевый	1 Гбит/с подключение									
Желтый	Подключен									
Мигает	Передача данных									

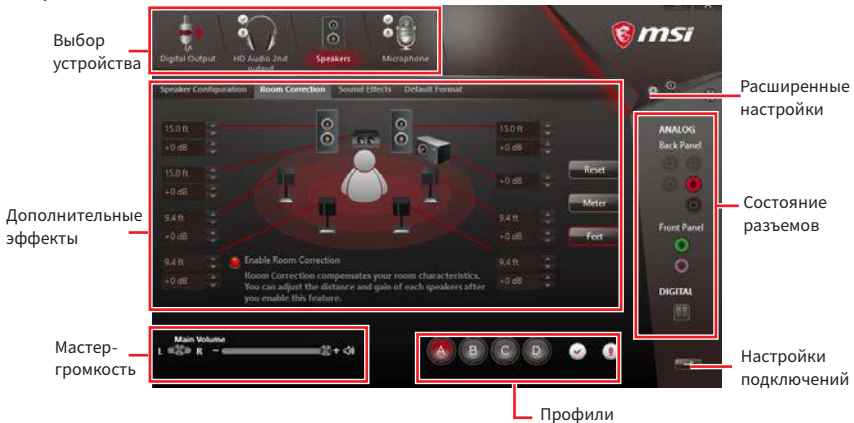
## Конфигурация портов Аудио

Порты Аудио	Канал			
	2	4	6	8
Выход центральной колонки/ сабвуфера			●	●
Тыловые колонки		●	●	●
Линейный вход/ Выход боковых колонок				●
Линейный выход/ Выход фронтальных колонок	●	●	●	●
Микрофонный вход				

(●: подключен, Пусто: не подключен)

## Менеджер Realtek HD Audio

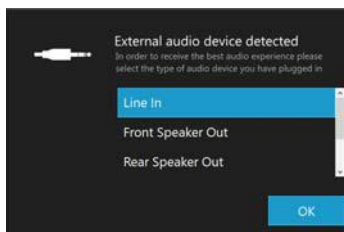
После установки драйвера **Realtek HD Audio**, в системном трее появится значок **Realtek HD Audio Manager**. Дважды щелкните по значку для запуска приложения.



- **Выбор устройства** - позволяет выбрать источник аудио выхода и изменить соответствующие параметры. Отмеченное устройство будет использоваться по умолчанию.
- **Дополнительные эффекты** - это список опций по настройке звуковых эффектов для входного и выходного сигнала аудио устройства.
- **Мастер-громкость** - регулирует громкость или баланс правой и левой колонок, подключенных к передней или задней панели.
- **Профили** - позволяют переключаться между различными профилями.
- **Расширенные настройки** - обеспечивают работу с двумя независимыми потоками аудио.
- **Состояние разъемов** - отображает все устройства воспроизведения и записи, подключенные к компьютеру.
- **Настройки подключений** - настраивают параметры подключения.

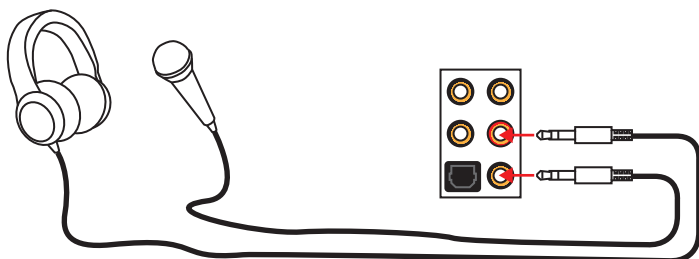
### Автоматическое всплывающее диалоговое окно

При подключении устройства к разъему аудио появится диалоговое окно с просьбой подтвердить подключенное устройство.

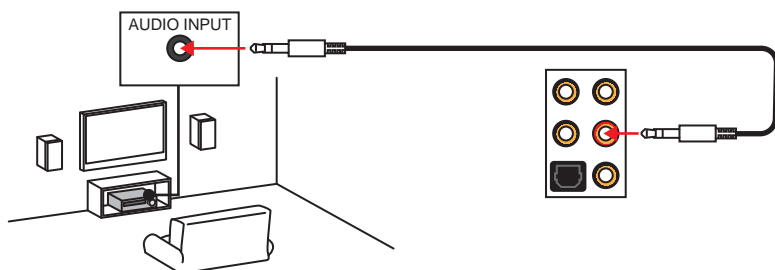


Каждый разъем соответствует его настройкам по умолчанию, как показано на следующей странице.

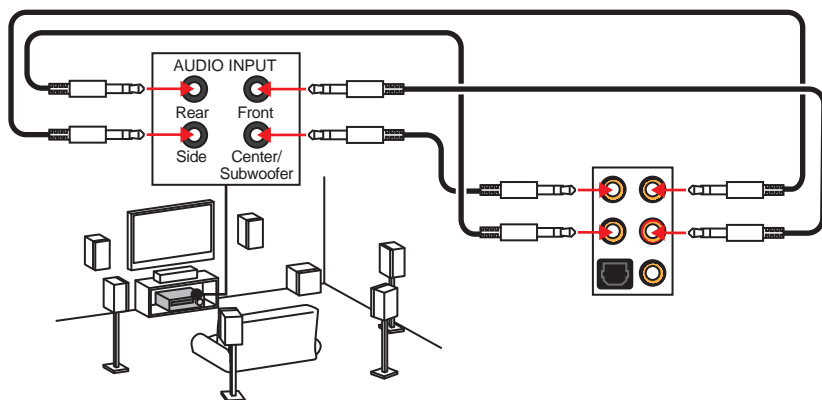
## Подключение наушников и микрофона



## Подключение внешнего стерео усилителя (колонок)

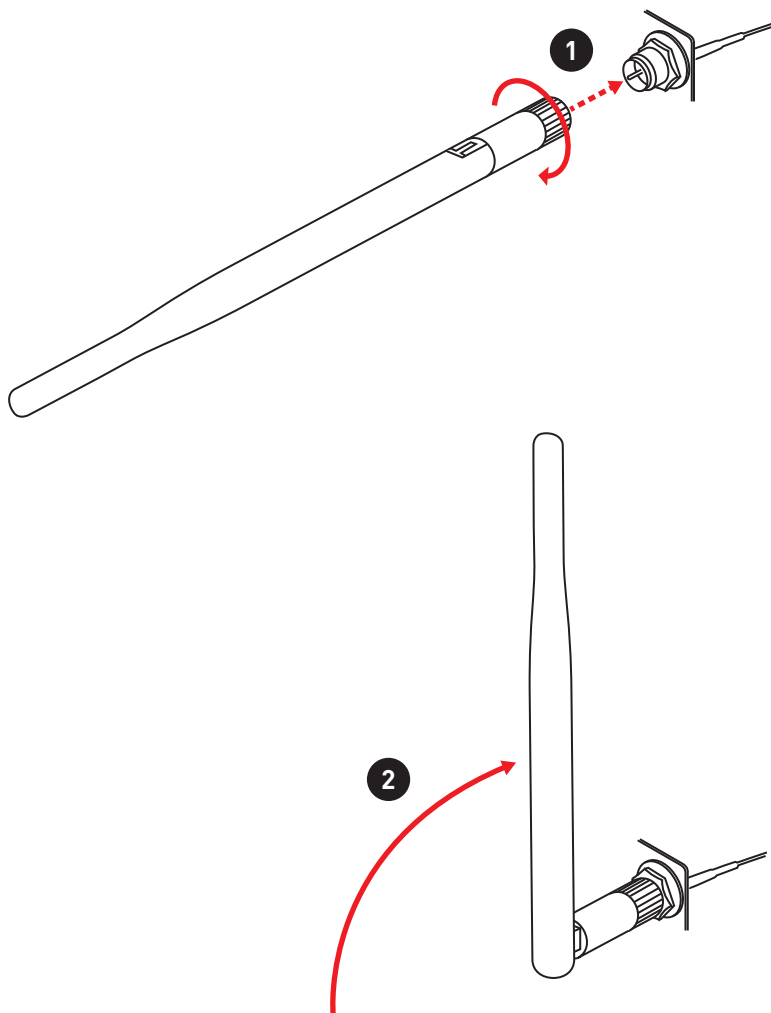


## Подключение звуковой системы 7.1

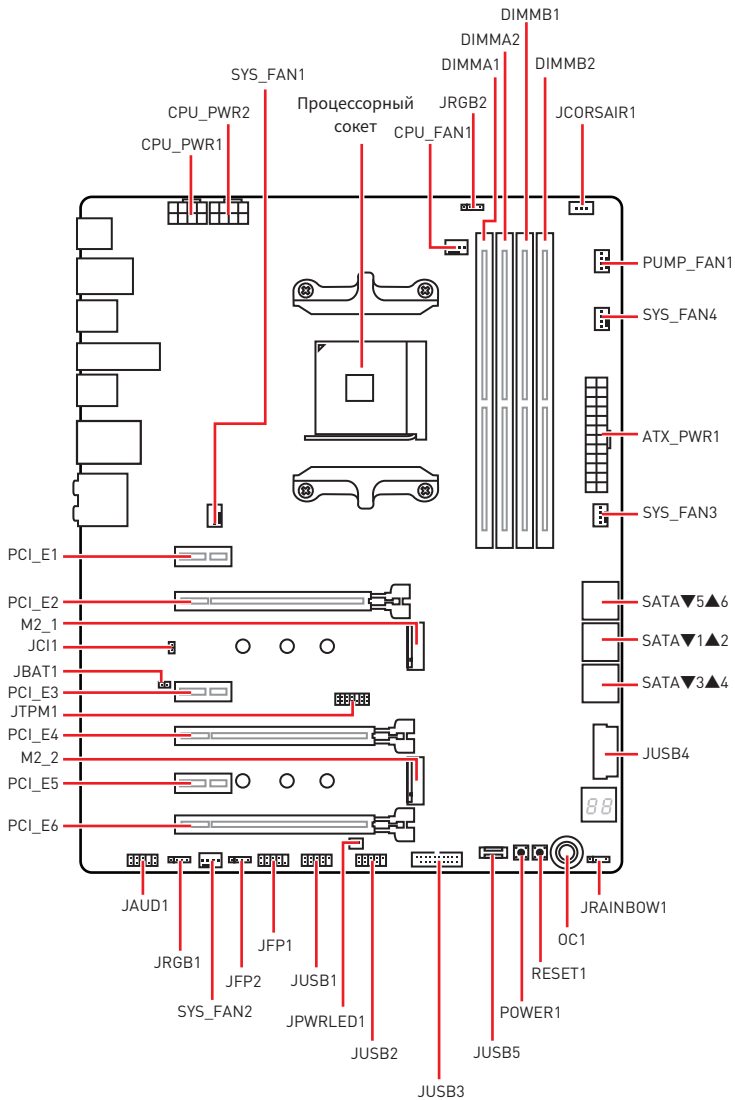


## Установка антенн

1. Прикрутите антенны к антенным разъемам, как показано ниже.
2. Сориентируйте антенны.

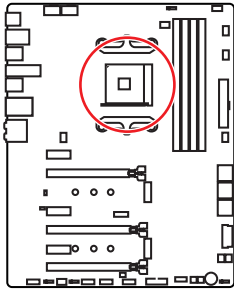


# Компоненты материнской платы

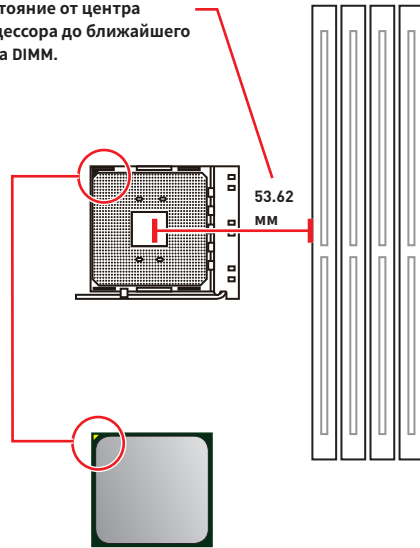




## Процессорный сокет



Расстояние от центра процессора до ближайшего слота DIMM.



### Процессор AM4

На поверхности процессора AM4 имеется золотой треугольник для правильной установки процессора относительно процессорного сокета материнской платы. Золотой треугольник указывает на контакт 1.

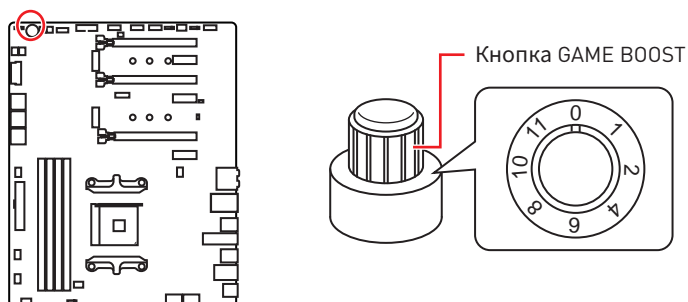


#### **Внимание!**

- Из-за особенностей архитектуры процессоров AM4, замена процессора может привести к сбросу настроек BIOS до значений по умолчанию.
- Перед установкой или заменой процессора, необходимо отключить кабель питания.
- При установке процессора обязательно установите процессорный кулер. Кулер, представляющий собой систему охлаждения процессора, предотвращает перегрев и обеспечивает стабильную работу системы.
- Перед включением системы проверьте герметичность соединения между процессором и радиатором.
- Перегрев может привести к серьезному повреждению процессора и материнской платы. Всегда проверяйте работоспособность вентилятора для защиты процессора от перегрева. При установке кулера нанесите ровный слой термопасты (или термоленту) на крышку установленного процессора для улучшения теплопередачи.
- Если вы приобрели отдельно процессор и процессорный кулер, подробное описание установки см. в документации в данном кулере.
- Данная системная плата разработана с учетом возможности ее «разгона». Перед выполнением разгона системы убедитесь в том, что все компоненты системы смогут его выдержать. Производитель не рекомендует использовать параметры, выходящие за пределы технических характеристик устройств. Гарантия MSI® не распространяется на повреждения и другие возможные последствия ненадлежащей эксплуатации оборудования.

## OC1: Кнопка GAME BOOST

Эта кнопка позволяет вручную выбрать уровень разгона процессора, начиная с уровня 0 (по умолчанию) до уровня 11 (экстремальный). Напряжение и частота процессора будут регулироваться автоматически после включения компьютера.



### Использование кнопки GAME BOOST

Для настройки кнопки GAME BOOST, выполните следующие шаги:

1. Установите кнопку GAME BOOST в состояние аппаратного режима в настройках BIOS.
2. Выключите компьютер.
3. Поверните кнопку GAME BOOST для выбора желаемого уровня разгона.

Уровень	Частота процессора Ryzen 7 (ГГц)			
	1800X	1700X	PRO 1700X	1700
0	3.6	3.4	3.4	3.0
1	3.8	3.6	3.6	3.2
2	3.85	3.65	3.65	3.25
4	3.9	3.7	3.7	3.3
6	3.95	3.75	3.75	3.35
8	4	3.8	3.8	3.4
10	4.05	3.85	3.85	3.45
11	4.1	3.9	3.9	3.5

Уровень	Частота процессора Ryzen 5 (ГГц)				
	1600X	1600	1500X	1400	2400G
0	3.6	3.2	3.5	3.2	3.6
1	3.8	3.4	3.7	3.4	3.8
2	3.85	3.45	3.75	3.45	3.85
4	3.9	3.5	3.8	3.5	3.9
6	3.95	3.55	3.85	3.55	3.95
8	4	3.6	3.9	3.6	4
10	4.05	3.65	3.95	3.65	4.05
11	4.1	3.7	4	3.7	4.1

Уровень	Частота процессора Ryzen 3 (ГГц)		
	1300X	1200	2200G
0	3.5	3.1	3.5
1	3.7	3.3	3.7
2	3.75	3.35	3.75
4	3.8	3.4	3.8
6	3.85	3.45	3.85
8	3.9	3.5	3.9
10	3.95	3.55	3.95
11	4	3.75	4

4. Включите компьютер и GAME BOOST будет автоматически разгонять процессор в зависимости от выбранного уровня.

Для отключения GAME BOOST:

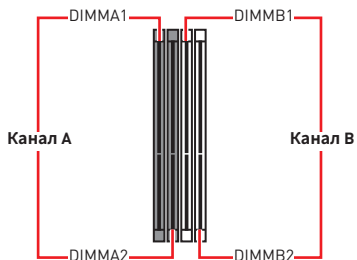
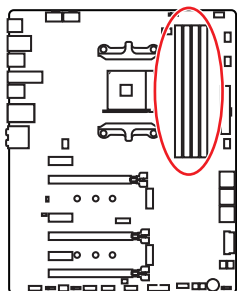
1. Установите кнопку GAME BOOST в режим HW в настройках BIOS.
2. Выключите компьютер.
3. Поверните кнопку GAME BOOST в положение 0 и потом включите компьютер. Параметры конфигурации будут возвращены к своим значениям по умолчанию.



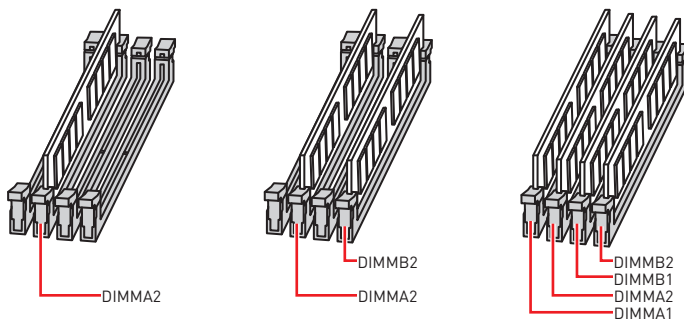
### **Внимание!**

- Вы также можете управлять функцией GAME BOOST через **настройки BIOS** или при помощи утилиты **MSI COMMAND CENTER**.
- Для того, чтобы оптимизировать производительность и улучшить стабильность системы, при активации функции GAME BOOST, пожалуйста, оставьте настройки в меню **BIOS > OC** без изменения.
- Успешность разгона зависит от компонентов компьютера.
- Мы не гарантируем результаты оверклокинга при использовании функции GAME BOOST, а также не несем ответственности за повреждения и риски, вызванные разгоном.
- Для лучшей совместимости при использовании функции GAME BOOST рекомендуется использовать компоненты MSI.

## Слоты DIMM



## Рекомендации по установке модулей памяти



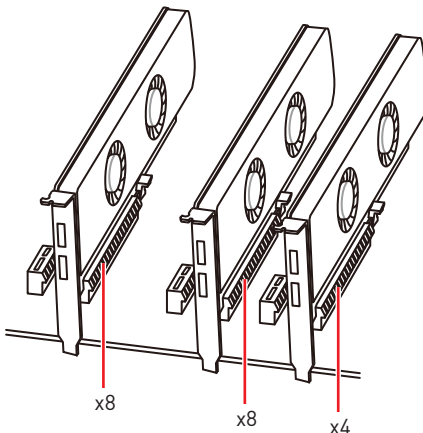
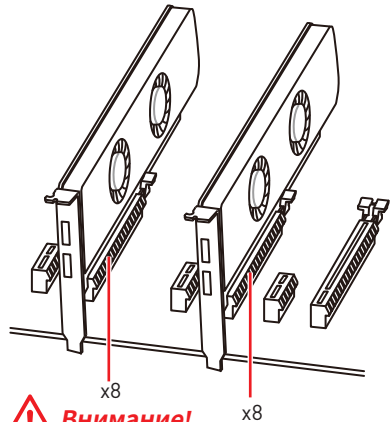
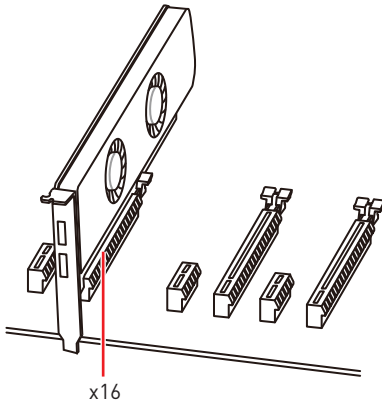
### **Внимание!**

- Всегда устанавливайте модуль памяти сначала в слот **DIMMA2**.
- В связи со спецификой использования ресурсов чипсета, доступный объем памяти будет немного меньше, чем фактически установленный.
- На основе характеристик процессора, рекомендуется устанавливать напряжение на памяти DIMM менее 1.35 В. Это позволит защитить процессор.
- Некоторые модули памяти при разгоне могут работать на частотах ниже заявленной производителем, поскольку выставляемая для памяти частота зависит от информации, записанной в SPD (Serial Presence Detect). Зайдите в BIOS и выберите опцию **DRAM Frequency**, чтобы установить заявленную или более высокую частоту.
- При установке памяти во все слоты, а также при ее разгоне, рекомендуется использовать более эффективную систему охлаждения памяти.
- Совместимость и стабильность работы установленного модуля памяти при разгоне зависит от установленного процессора и других устройств.
- Из-за ограничений официальной спецификации процессора AM4/ контроллера памяти, модули памяти могут работать на частотах ниже заявленной производителем при настройках по умолчанию. Дополнительную информацию о совместимых модулях памяти можно найти на веб-сайте [www.msi.com](http://www.msi.com).

## PCI\_E1~6: Слоты расширения PCIe

Процессор \ Слот	AMD Ryzen™ 1-го, 2-го и 3-го поколения	Ryzen™ с видеокартой Radeon™ Vega и AMD Ryzen™ 2-го поколения с видеокартой Radeon™	Athlon™ с видеокартой Radeon Vega
PCI_E1	PCIe 2.0 x1	PCIe 2.0 x1	PCIe 2.0 x1
PCI_E2	PCIe 3.0 x16	PCIe 3.0 x8	PCIe 3.0 x4
PCI_E3	PCIe 2.0 x1	PCIe 2.0 x1	PCIe 2.0 x1
PCI_E4	PCIe 3.0 x8	Недоступно	Недоступно
PCI_E5	PCIe 2.0 x1	PCIe 2.0 x1	PCIe 2.0 x1
PCI_E6	PCIe 2.0 x4	PCIe 2.0 x4	PCIe 2.0 x4

### Рекомендации по установке нескольких видеокарт (для процессоров серии RYZEN™)



#### **Внимание!**

- При установке массивной видеокарты, необходимо использовать такой инструмент, как **MSI Gaming Series Graphics Card Bolster** для поддержки веса графической карты и во избежание деформации слота.

- Для установки одной карты расширения PCIe x16 с оптимальной производительностью рекомендуется использовать слот **PCI\_E2**.

- Перед установкой или извлечением плат расширения убедитесь, что кабель питания отключен от электрической сети. Прочтите документацию на карту расширения и выполните необходимые дополнительные аппаратные или программные изменения для данной карты.

## Таблица пропускной способности PCIe

### Для процессоров Ryzen™ для настольных ПК

Слот	Одинарный				2-Way			
PCI_E1 (PCH)	Gen 2.0 x 1				Gen 2.0 x 1			
PCI_E2 (CPU)	Gen 3.0 x 16*				Gen 3.0 x 8*			
PCI_E3 (PCH)	Gen 2.0 x 1	—			Gen 2.0 x 1	—		
PCI_E4 (CPU)	—				Gen 3.0 x 8*			
PCI_E5 (PCH)	—		Gen 2.0 x 1		—		Gen 2.0 x 1	
PCI_E6 (PCH)	Gen 2.0 x 4	—	Gen 2.0 x 4	—	Gen 2.0 x 4	—	Gen 2.0 x 4	—
M2_1 (CPU)	Gen 3.0 x 4				Gen 3.0 x 4			
M2_2 (PCH)	—	Gen 2.0 x 4	—	Gen 2.0 x 4	—	Gen 2.0 x 4	—	Gen 2.0 x 4

### Для процессоров Ryzen™ с видеокартой Radeon™ Vega и процессоров AMD Ryzen™ 2-го поколения с видеокартой Radeon™

Слот	Одинарный			
PCI_E1 (PCH)	Gen 2.0 x 1			
PCI_E2 (CPU)	Gen 3.0 x 8*			
PCI_E3 (PCH)	Gen 2.0 x 1		—	
PCI_E4 (CPU)	—			
PCI_E5 (PCH)	—		Gen 2.0 x 1	
PCI_E6 (PCH)	Gen 2.0 x 4	—	Gen 2.0 x 4	—
M2_1 (CPU)	Gen 3.0 x 4			
M2_2 (PCH)	—	Gen 2.0 x 4		Gen 2.0 x 4

### Для процессоров Athlon™ с видеокартой Radeon™ Vega

Слот	Одинарный			
PCI_E1 (PCH)	Gen 2.0 x 1			
PCI_E2 (CPU)	Gen 3.0 x 4*			
PCI_E3 (PCH)	Gen 2.0 x 1		—	
PCI_E4 (CPU)	—			
PCI_E5 (PCH)	—		Gen 2.0 x 1	
PCI_E6 (PCH)	Gen 2.0 x 4	—	Gen 2.0 x 4	—
M2_1 (CPU)	Gen 3.0 x 2			
M2_2 (PCH)	—	Gen 2.0 x 4		Gen 2.0 x 4

(—: недоступно, \*: видеокарта)

#### **Внимание!**

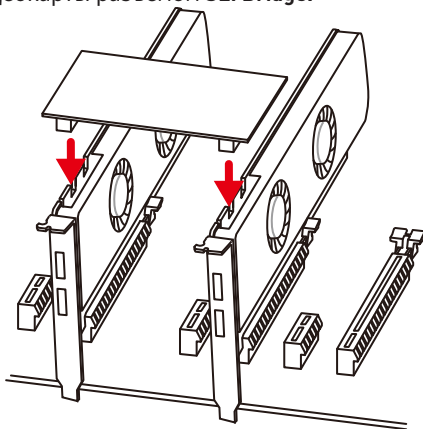
- Слот PCI\_E3 будет недоступен при установке карты PCIe в разъеме PCI\_E5.
- Слот PCI\_E6 будет недоступен при установке PCIe M.2 SSD в разъеме M2\_2.

## Установка видеокарт в режиме SLI

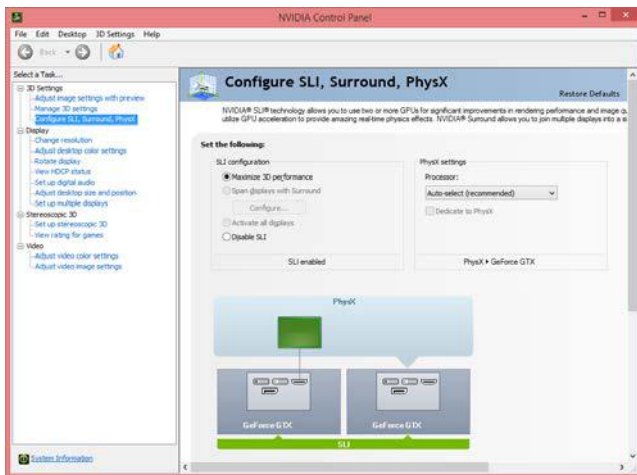
Для выполнения рекомендаций по питанию видеокарт в SLI конфигурациях, пожалуйста, обратитесь к руководству пользователя вашей видеокарты, чтобы убедиться, что она соответствует всем требованиям системы.

Для установки видеокарт в SLI:

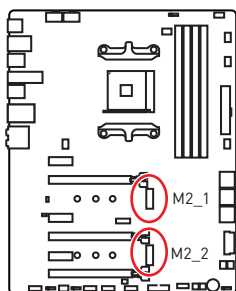
1. Выключите компьютер и отсоедините шнур питания. Установите две видеокарты в слот **PCI\_E2** и **PCI\_E4**.
2. Соедините видеокарты разъемом **SLI Bridge**.



3. Подключите все разъемы питания PCIe видеокарт.
4. Подключите кабель питания, включите компьютер, установите драйверы и программное обеспечение из комплекта поставки видеокарты.
5. Щелкните правой кнопкой мыши на Рабочем столе Windows и выберите **NVIDIA Control Panel** из раскрывшегося меню. Нажмите на **Configure SLI, Surround, PhysX** в левой панели задач и выберите **Maximize 3D performance** в меню конфигурации SLI, а затем нажмите кнопку **Apply**.



## M2\_1~2: Разъемы M.2 (Ключ M)



### **Внимание!**

- Порт SATA3 будет недоступен при установке SATA M.2 SSD в разъеме M2\_2.
- Слот PCI\_E6 будет недоступен при установке PCIe M.2 SSD в разъеме M2\_2.
- Разъем M2\_1 только поддерживает режим PCIe.



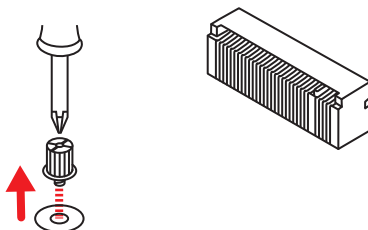
### **Видео Инструкция**

Смотрите видео, чтобы узнать как установить M.2 SSD.

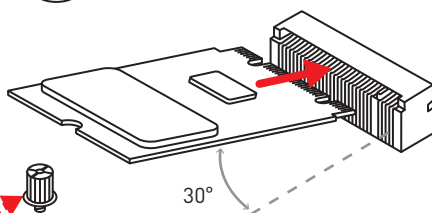
<http://youtu.be/JCTFABytrYA>

## Установка M.2 SSD

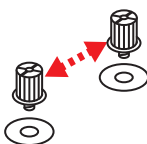
1. Выкрутите стойку для крепления M.2 модуля из материнской платы.



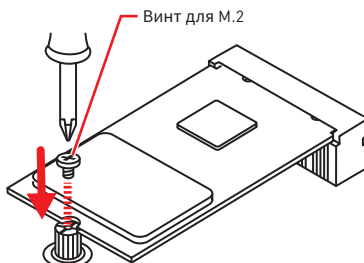
2. Закрутите стойку для крепления M.2 модуля в подходящее отверстие, в соответствии с длиной вашего M.2 SSD.



3. Вставьте M.2 SSD в разъем M.2 под углом 30 градусов.



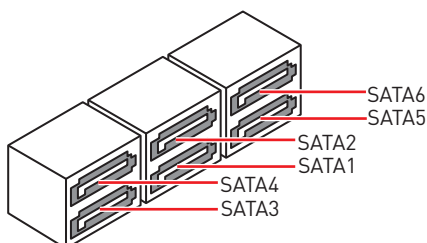
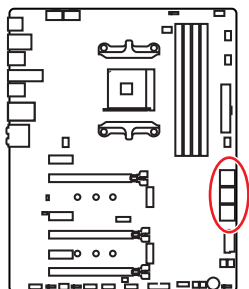
4. Закрепите M.2 SSD с помощью прилагаемого винта для M.2.





## SATA1~6: Разъемы SATA 6Гб/с

Эти разъемы представляют собой интерфейсные порты SATA 6Гб/с. К каждому порту можно подключить одно устройство SATA.

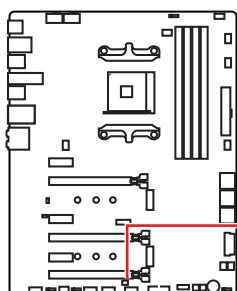


### **Внимание!**

- Порт SATA3 будет недоступен при установке SATA M.2 SSD в разьеме M2\_2.
- Избегайте перегибов кабеля SATA под прямым углом. В противном случае, возможна потеря данных при передаче.
- Кабели SATA оснащены одинаковыми коннекторами с обеих сторон. Однако, для экономии занимаемого пространства к материнской плате рекомендуется подключать плоский разъем.

## JPWRLED1: Индикатор подключения питания

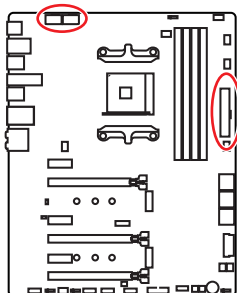
Данные компоненты используются в розничных магазинах для демонстрации светодиодных эффектов на плате.



JPWRLED1 - Индикатор подключения питания

## CPU\_PWR1, CPU\_PWR2, ATX\_PWR1: Разъемы питания

Данные разъемы предназначены для подключения блока питания АТХ.



1	Ground	5	+12V
2	Ground	6	+12V
3	Ground	7	+12V
4	Ground	8	+12V

	1	+3.3V	13	+3.3V
	2	+3.3V	14	-12V
	3	Ground	15	Ground
	4	+5V	16	PS-ON#
	5	Ground	17	Ground
	6	+5V	18	Ground
	7	Ground	19	Ground
	8	PWR OK	20	Res
	9	5VSB	21	+5V
	10	+12V	22	+5V
	11	+12V	23	+5V
	12	+3.3V	24	Ground

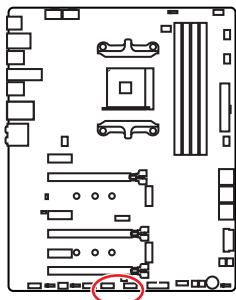


### Внимание!

Для обеспечения стабильной работы системной платы проверьте надежность подключения всех кабелей питания к блоку питания АТХ.

## JUSB1~2: Разъемы USB 2.0

Данные разъемы предназначены для подключения портов USB 2.0 на передней панели.



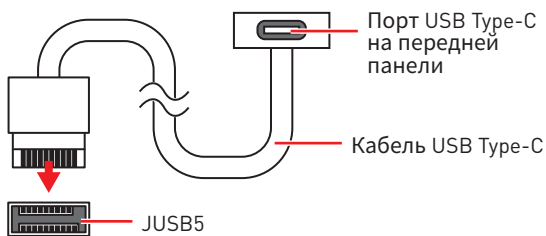
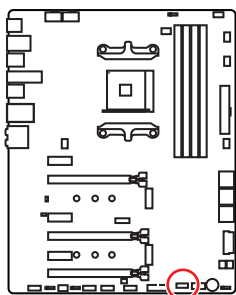
2		10	
1	2	3	4
1	VCC	2	VCC
3	USB0-	4	USB1-
5	USB0+	6	USB1+
7	Ground	8	Ground
9	No Pin	10	NC

### **Внимание!**

- Помните, что во избежание повреждений, необходимо правильно подключать контакты VCC и земли.
- Для того, чтобы зарядить ваш iPad, iPhone и iPod через порты USB, пожалуйста, установите утилиту MSI® SUPER CHARGER.

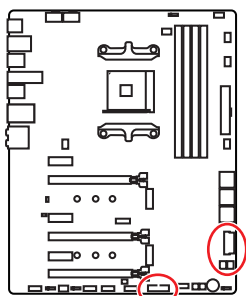
## JUSB5: Разъем USB 3.1 Gen2 Type-C

Данный разъем предназначен для подключения разъемов USB 3.1 Gen2 Type-C на передней панели. Данный коннектор имеет защиту от неправильного подключения. При подключении кабеля убедитесь, что коннектор сориентирован правильно относительно разъема.



## JUSB3~4: Разъемы USB 3.1 Gen1

Данные разъемы предназначены для подключения портов USB 3.1 Gen1 на передней панели.



<p>JUSB3</p>		<p>JUSB4</p>	
1	Power	11	USB2.0+
2	USB3_RX_DN	12	USB2.0-
3	USB3_RX_DP	13	Ground
4	Ground	14	USB3_TX_C_DP
5	USB3_TX_C_DN	15	USB3_TX_C_DN
6	USB3_TX_C_DP	16	Ground
7	Ground	17	USB3_RX_DP
8	USB2.0-	18	USB3_RX_DN
9	USB2.0+	19	Power
10	NC	20	No Pin

### **Внимание!**

Помните, что во избежание повреждений, необходимо правильно подключать контакты питания и земли.

## Порт для зарядки устройств

Разъем **JUSB4** является портом для зарядки устройств и обеспечивает высокий зарядный ток при подключении USB устройства, например смартфона. Порт для зарядки имеет независимое от материнской платы аппаратное управление, и позволяет производить зарядку в ждущем, спящем режиме и даже при выключенном компьютере. Для нормального функционирования порта в Windows® необходимо установить приложение MSI® SUPER CHARGER, чтобы включить/ выключить режим зарядки.



### **Видео Инструкция**

Смотрите видео, чтобы узнать как зарядить смартфон при помощи Super-Charge.

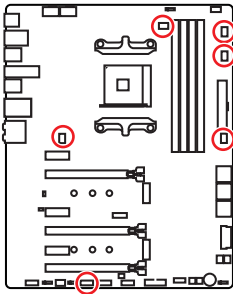
<http://youtu.be/FCyvjr5Nb0w>

### **Внимание!**

При включении режима зарядки, передача данных через порт прекращается.

## CPU\_FAN1, PUMP\_FAN1, SYS\_FAN1~4: Разъемы вентиляторов

Разъемы вентиляторов можно разделить на два типа: с PWM (PulseWidth Modulation) управлением и управлением постоянным током. Разъемы вентиляторов с PWM управлением имеют контакт с постоянным напряжением 12В, а также контакт с сигналом управления скоростью вращения. Управление скоростью вращения вентиляторов с управлением постоянным током, осуществляется через соответствующие разъемы путем изменения величины напряжения. Поэтому, при подключении 3-х контактного (Non-PWM) вентилятора к разъему для вентилятора PWM, скорость вентилятора всегда будет максимальной. Работа такого вентилятора может оказаться достаточно шумной. CPU\_FAN1 и PUMP\_FAN1 могут автоматически определить режим работы вентилятора - PWM или DC. Для настройки режима работы вентилятора вручную (PWM или DC), следуйте указаниям ниже.



### Разъем вентилятора с автоматическим управлением по умолчанию



### Разъем вентилятора с PWM управлением по умолчанию



### Разъем вентилятора с управлением постоянным током по умолчанию



SYS\_FAN1/ SYS\_FAN3/ SYS\_FAN4



SYS\_FAN2

## Переключение режимов работы и скорости вращения вентилятора

В меню BIOS > Advanced > Hardware Monitor вы можете выбрать режим работы вентилятора: PWM или DC и настроить его скорость вращения.



**Внимание!**

Убедитесь, что вентиляторы работают правильно после выбора режима PWM/ DC.

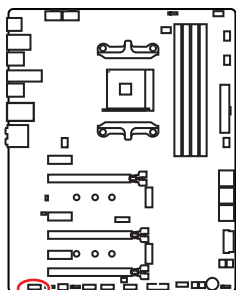
## Назначение контактов разъема для подключения вентилятора

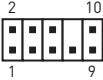
Назначение контактов разъема для режима PWM			
1	Ground	2	+12V
3	Sense	4	Speed Control Signal

Назначение контактов разъема для режима DC			
1	Ground	2	Voltage Control
3	Sense	4	NC

## JAUD1: Разъем аудио передней панели

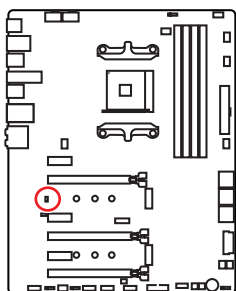
Данный разъем предназначен для подключения аудиоразъемов передней панели.



			
1	MIC L	2	Ground
3	MIC R	4	NC
5	Head Phone R	6	MIC Detection
7	SENSE_SEND	8	No Pin
9	Head Phone L	10	Head Phone Detection

## JC11: Разъем датчика открытия корпуса

К этому разъему подключается кабель от датчика открытия корпуса.



Нормально  
(По умолчанию)



Разрешить запись по  
событию открытия  
корпуса

### Использование датчика открытия корпуса

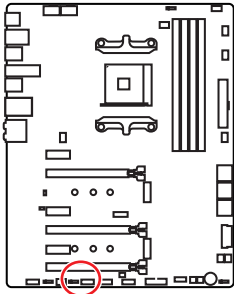
1. Подключите датчик открытия корпуса к разъему **JC11**.
2. Закройте крышку корпуса.
3. Войдите в **BIOS > Security > Chassis Intrusion Configuration**.
4. Установите **Chassis Intrusion** в **Enabled**.
5. Нажмите клавишу **F10**, чтобы сохранить настройки и выйти, а затем нажмите клавишу **Enter**, чтобы выбрать **Yes**.
6. При открытии корпуса на экране будет появляться предупреждающее сообщение каждый раз при включении компьютера.

### Сброс сообщения об открытии корпуса

1. Войдите в **BIOS > Security > Chassis Intrusion Configuration**.
2. Выберите **Chassis Intrusion, Reset**.
3. Нажмите клавишу **F10**, чтобы сохранить настройки и выйти, а затем нажмите клавишу **Enter**, чтобы выбрать **Yes**.

## JFP1, JFP2: Разъемы передней панели

Эти разъемы служат для подключения кнопок и светодиодных индикаторов, расположенных на передней панели.

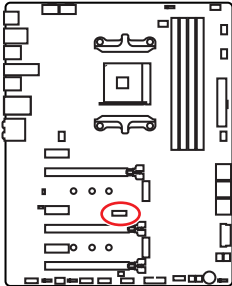


1	HDD LED +	2	Power LED +
3	HDD LED -	4	Power LED -
5	Reset Switch	6	Power Switch
7	Reset Switch	8	Power Switch
9	Reserved	10	No Pin

1	Speaker -	2	Buzzer +
3	Buzzer -	4	Speaker +

## JTPM1: Разъем модуля TPM

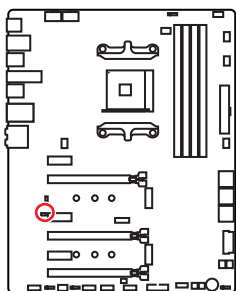
Данный разъем используется для подключения модуля TPM (Trusted Platform Module). Дополнительные сведения см. в описании модуля TPM.



1	LPC Clock	2	3V Standby power
3	LPC Reset	4	3.3V Power
5	LPC address & data pin0	6	Serial IRQ
7	LPC address & data pin1	8	5V Power
9	LPC address & data pin2	10	No Pin
11	LPC address & data pin3	12	Ground
13	LPC Frame	14	Ground

## JBAT1: Джемпер очистки данных CMOS (Сброс BIOS)

На плате установлена CMOS память с питанием от батарейки для хранения данных о конфигурации системы. Для сброса конфигурации системы (очистки данных CMOS памяти), воспользуйтесь этим джемпером.



Сохранение данных  
(По умолчанию)



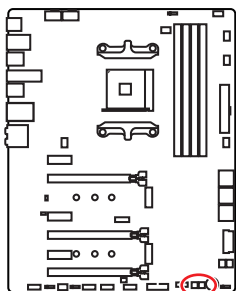
Очистка данных/  
Сброс BIOS

### Сброс настроек BIOS до значений по умолчанию

1. Выключите компьютер и отключите шнур питания.
2. Используйте джемпер, чтобы замкнуть соответствующие контакты **JBAT1** в течение 5-10 секунд.
3. Снимите джемпер с контактов **JBAT1**.
4. Подключите шнур питания и включите компьютер.

## POWER1, RESET1: Кнопка питания, Кнопка перезагрузки

Кнопка питания/ перезагрузки позволяет вам включить/ перезагрузить компьютер.



Кнопка  
питания

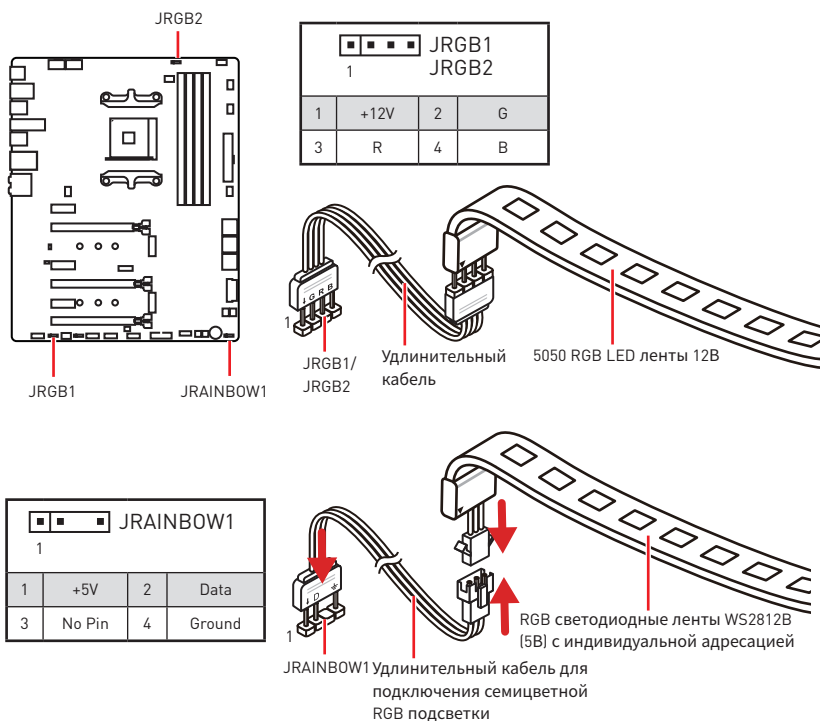


Кнопка  
перезагрузки



## JRGB1, JRGB2, JRAINBOW1: Разъемы RGB LED

Разъем JRGB1/JRGB2 предназначен для подключения 5050 RGB светодиодных лент 12В. Разъем JRAINBOW1 предназначен для подключения RGB светодиодных лент WS2812B (5В) с индивидуальной адресацией.



### **ВНИМАНИЕ!**

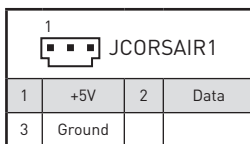
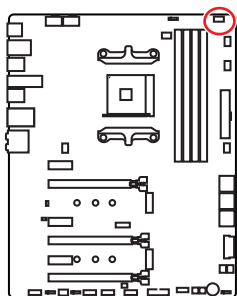
Не подключайте несовместимые с материнской платой светодиодные ленты. Разъем JRGB1/JRGB2 и разъем JRAINBOW1 имеют разное напряжение, и подключение светодиодных лент 5В к разъему JRGB1/JRGB2 приведет к их повреждению.

### **Внимание!**

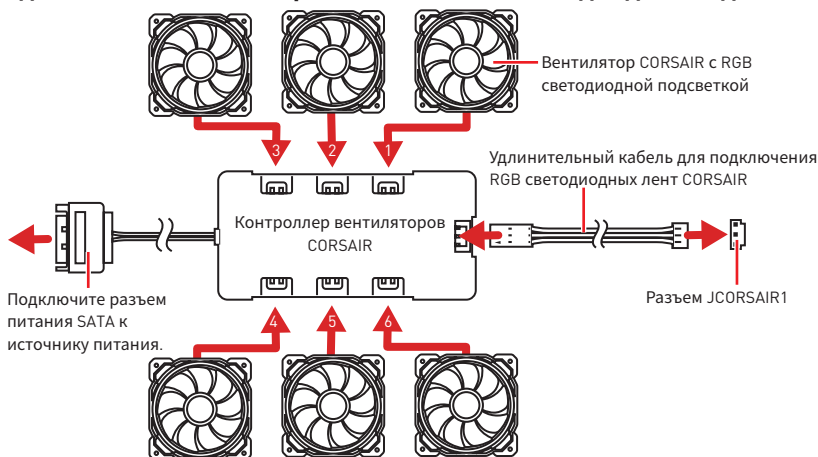
- Разъем JRGB1/JRGB2 поддерживает подключение 5050 RGB непрерывных светодиодных лент (12В/Г/Р/В) длиной до 2 метров с максимальной мощностью 3А (12В).
- Разъем JRAINBOW1 поддерживает подключение RGB лент WS2812B с 72 светодиодами с индивидуальной адресацией (5В/Data/Ground) с максимальной мощностью 3А (5В).
- Перед установкой или заменой светодиодных лент RGB, необходимо полностью обесточить систему и отключить кабель питания.
- Используйте утилиту MSI® для управления удлинительными светодиодными лентами.

## JCORSAIR1: Разъем CORSAIR

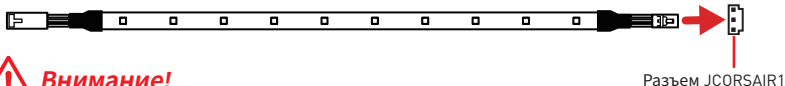
Разъем JCORSAIR1 используется для подключения RGB светодиодных лент CORSAIR (5B) с индивидуальной адресацией или вентиляторов CORSAIR с RGB светодиодной подсветкой через контроллер вентиляторов CORSAIR. Когда все элементы правильно подключены, используйте утилиту MSI для управления RGB светодиодными лентами и вентиляторами CORSAIR с подсветкой.



### Подключение вентиляторов CORSAIR с RGB светодиодной подсветкой



### Подключение RGB светодиодных лент CORSAIR Lighting Node PRO



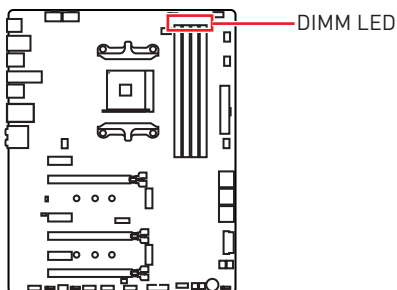
#### **⚠ Внимание!**

- Вентиляторы необходимо подключать последовательно, начиная с разъема № 1. Последовательность подключения вентиляторов к разъемам: 1 > 2 > 3 > 4 > 5 > 6. Пренебрежение правилами подключения вентиляторов к разъемам может привести к неработоспособности их подсветки.
- Количество поддерживаемых вентиляторов с RGB светодиодной подсветкой или светодиодных лент RGB Lighting PRO может различаться в зависимости от модели. Для получения подробной информации обратитесь к техническим характеристикам материнской платы.
- Вентиляторы CORSAIR с RGB светодиодной подсветкой нельзя использовать одновременно со светодиодными лентами CORSAIR Lighting Node PRO.

# Встроенные индикаторы

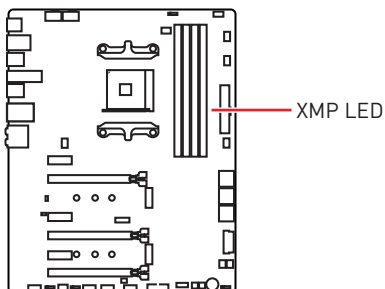
## Индикаторы DIMM

Данные светодиоды показывают установленные модуля памяти.



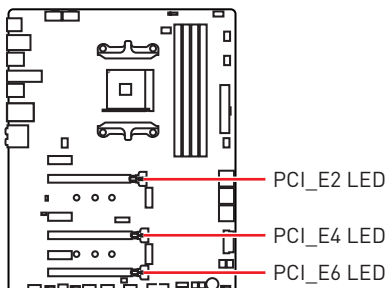
## Индикатор XMP

Данный LED показывает включение режима XMP (Extreme Memory Profile).



## Индикаторы слотов PCIe x16

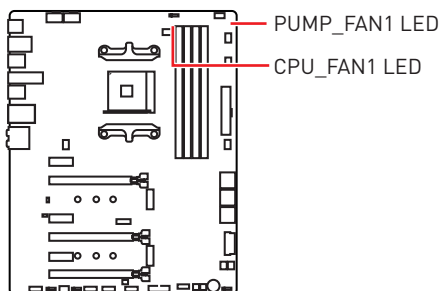
Данные светодиоды показывают состояния слотов PCIe x16.



Цвет LED	Состояния слотов PCIe
Красный	x16
Белый	x8, x4, x1

## Индикаторы вентилятора

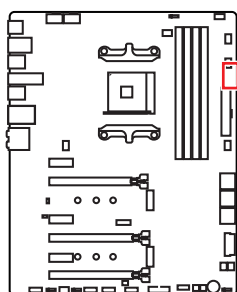
Эти индикаторы показывают режим управления вентилятором.



Цвет LED	Режим управления вентилятором
Красный	Режим PWM
Зеленый	Режим DC

## Индикаторы отладки EZ

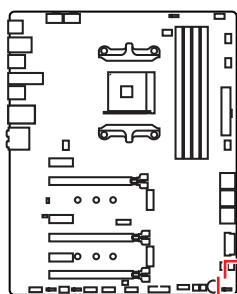
Данные светодиоды показывают состояния материнской платы.



- CPU - процессор не обнаружен или поврежден.
- DRAM - память DRAM не обнаружена или повреждена.
- VGA - видеокarta не обнаружена или повреждена.
- BOOT - устройство загрузки не обнаружено или повреждено.

## Индикаторы GAME BOOST

Эти индикаторы показывают состояние управления GAME BOOST.

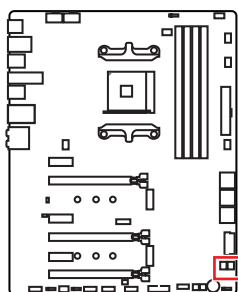


Цвет LED	Способ управления GAME BOOST
Красный	GAME BOOST управляется с помощью физической кнопки на материнской плате
Белый	GAME BOOST управляется с помощью виртуальной кнопки в настройках BIOS

- HW GAME BOOST LED (Красный)
- SW GAME BOOST LED (Белый)

## Индикатор отладочных кодов

Индикатор отладочных кодов отображает фазы процесса самотестирования POST, а также коды ошибок. Для получения дополнительной информации см. таблицу отладочных кодов.



Индикатор отладочных кодов

## Таблица шестнадцатиричных символов

Шестнадцатиричный символ	0	1	2	3	4	5	6	7	8	9	A	B	C	D	E	F
Индикатор отладочных кодов	0	1	2	3	4	5	6	7	8	9	A	B	C	D	E	F

## Фазы загрузки

**Security (SEC)** – начальная инициализация низкого уровня

**Pre-EFI Initialization (PEI)** – инициализация памяти

**Driver Execution Environment (DXE)** – инициализация оборудования

**Boot Device Selection (BDS)** – настройки системы, пользовательский интерфейс до загрузки ОС & выбор загрузочного устройства (CD/DVD, HDD, USB, Network, Shell, ...)

## Таблица отладочных кодов

### Прогресс-коды SEC

01	Питание включено. Определение типа сброса (soft/hard)
02	Инициализация AP перед загрузкой микрокода
03	Инициализация System Agent перед загрузкой микрокода
04	Инициализация PCH перед загрузкой микрокода
06	Загрузка микрокода
07	Инициализация AP после загрузки микрокода

08	Инициализация System Agent после загрузки микрокода
09	Инициализация PCH после загрузки микрокода
0B	Инициализация Кэша

### Коды ошибок SEC

0C - 0D	Зарезервировано для будущего использования кодами ошибок AMI SEC
0E	Микрокод не найден
0F	Микрокод не загружен

### Прогресс-коды PEI

10	Запущено ядро PEI
----	-------------------

11	Запущена инициализация Pre-memory CPU
12 - 14	Инициализация Pre-memory CPU (только модуль CPU)
15	Запущена предварительная инициализации System Agent
16 - 18	Предварительная инициализация System Agent (только модуль System Agent)
19	Запущена предварительная инициализации памяти PCH
1A - 1C	Предварительная инициализация памяти PCH (только модуль PCH)
2B	Инициализация памяти. Чтение данных Serial Presence Detect (SPD)
2C	Инициализация памяти. Определение наличия памяти
2D	Инициализация памяти. Информация о программировании таймингов памяти
2E	Инициализация памяти. Конфигурирование памяти
2F	Инициализация памяти (другое)
31	Память установлена
32	Запущена инициализация CPU post-memory
33	Инициализация CPU post-memory. Инициализация Кэша
34	Инициализация CPU post-memory. Инициализация Application Processor(s) (AP)
35	Инициализация CPU post-memory Загрузка. Выбор Strap Processor (BSP)
36	Инициализация CPU post-memory Система. Инициализация Management Mode (SMM)
37	Запущена предварительная инициализация Post-Memory System Agent
38 - 3A	Инициализация Post-Memory System Agent (только модуль System Agent)
3B	Запущена инициализация Post-Memory PCH
3C - 3E	Инициализация Post-Memory PCH (только модуля PCH)
4F	Запущен DXE IPL

### Коды ошибок PEI

4B	Память не установлена (Для Summit CPU)
----	--

E0	Память не установлена (Для Bristol CPU)
----	---

### Прогресс-коды DXE

60	Запущен DXE Core
61	Инициализация NVRAM
62	Настройка PCH Runtime Services
63	Запущена инициализация CPU DXE
64 - 67	Инициализация CPU DXE (только модуль CPU)
68	Инициализация PCI host bridge
69	Запущена инициализация System Agent DXE
6A	Запущена инициализация System Agent DXE SMM
6B - 6F	Инициализация System Agent DXE(только модуль System Agent)
70	Запущена инициализация PCH DXE
71	Запущена инициализация PCH DXE SMM
72	Инициализация устройств PCH
73 - 77	Инициализация PCH DXE (только модуль PCH)
78	Инициализация модуля ACPI
79	Инициализация CSM
7A - 7F	Зарезервировано для будущего использования кодами AMI DXE
90	Запуск фазы выбора загрузочного устройства Boot Device Selection (BDS)
91	Запущено подключение драйвера
92	Запущена инициализация PCI Bus
93	Инициализация контроллера PCI Bus Hot Plug Controller
94	PCI Bus Enumeration 32
95	PCI Bus Request Resources
96	PCI Bus Assign Resources
97	Подключение устройств Console Output
98	Подключение устройств Console Input
99	Инициализация Super IO
9A	Запущена инициализация USB
9B	USB Reset
9C	USB Detect
9D	USB Enable
9E -9F	Зарезервировано для будущих кодов AMI

A0	Запущена инициализация IDE
A1	IDE Reset
A2	IDE Detect
A3	IDE Enable
A4	Запущена инициализация SCSI
A5	SCSI Reset
A6	SCSI Detect
A7	SCSI Enable
A8	Проверка пароля Setup
A9	Запуск Setup
AB	Ожидание ввода Setup
AD	Событие Ready To Boot
AE	Событие Legacy Boot
AF	Событие Exit Boot Services
B0	Начало Runtime Set Virtual Address MAP
B1	Конец Runtime Set Virtual Address MAP
B2	Инициализация Legacy Option ROM
B3	System Reset
B4	PCI bus hot plug
B5	PCI bus hot plug
B6	Очистка NVRAM
B7	Сброс конфигурации (сброс настроек NVRAM)
B8 - BF	Зарезервировано для будущего использования кодами AMI

### Коды ошибок DXE

D0	Ошибка инициализации процессора
D1	Ошибка инициализации System Agent
D2	Ошибка инициализации PCH
D3	Некоторые протоколы архитектуры недоступны
D4	Ошибка выделения ресурсов для PCI. Вне Ресурсов
D5	Нет свободного места для Legacy Option ROM
D6	Не найдены консольные устройства вывода
D7	Не найдены консольные устройства ввода
D8	Неверный пароль

D9	Ошибка загрузки Boot Option (ошибка загрузки образа)
DA	Ошибка Boot Option (ошибка запуска образа)
DB	Ошибка обновления
DC	Протокол сброса недоступен

### Прогресс-коды S3 Resume

E0	Запущен S3 Resume (S3 Resume PPI вызывается DXE IPL)
E1	Выполнение S3 Boot Script
E2	Перезапуск видео
E3	OS S3 wake vector call
E4 - E7	Зарезервировано для будущих прогресс-кодов AMI

### Коды ошибок S3 Resume

E8	Ошибка S3 Resume
E9	S3 Resume PPI не найден
EA	Ошибка загрузочного скрипта S3 Resume
EB	Ошибка выхода ОС из состояния S3
EC - EF	Зарезервировано для будущего использования кодами AMI

### Прогресс-коды восстановления

F0	Состояние восстановления инициировано прошивкой (Автоматическое восстановление)
F1	Состояние восстановления инициировано пользователем (Принудительное восстановление)
F2	Запущен процесс восстановления
F3	Найден образ прошивки восстановления
F4	Загружен образ прошивки восстановления
F5 - F7	Зарезервировано для будущего использования прогресс-кодами AMI

### Коды ошибок восстановления

F8	Восстановление PPI не доступно
F9	Капсула восстановления не найдена
FA	Неверная капсула восстановления
FB - FF	Reserved for future AMI error codes

## Коды состояний ACPI

Следующие коды появляются после загрузки и перехода операционной системы в режимы ACPI.

01	Система входит в режим сна S1
02	Система входит в режим сна S2
03	Система входит в режим сна S3
04	Система входит в режим сна S4
05	Система входит в режим сна S5
10	Система выходит из состояния сна S1
20	Система выходит из состояния сна S2
30	Система выходит из состояния сна S3
40	Система выходит из состояния сна S4
AC	Система перешла в режим ACPI. Контроллер прерываний в режиме PIC.
AA	Система перешла в режим ACPI. Контроллер прерываний в режиме APIC.



# Настройка BIOS

Настройки по умолчанию обеспечивают оптимальную производительность и стабильность системы при нормальных условиях. Если вы недостаточно хорошо знакомы с BIOS, **всегда устанавливайте настройки по умолчанию**. Это позволит избежать возможных повреждений системы, а также проблем с загрузкой.

## **Внимание!**

- С целью улучшения производительности, меню BIOS постоянно обновляется. В связи с этим данное описание может немного отличаться от последней версии BIOS и может использоваться в качестве справки. Для описания какого либо пункта меню настроек BIOS, вы можете обратиться к информационной панели **HELP**.
- Изображения в этой главе приведены исключительно в справочных целях и могут отличаться от фактических.
- Пункты BIOS могут меняться в зависимости от моделей процессоров.

## Вход в настройки BIOS

Нажмите клавишу **Delete**, когда появляется сообщение на экране **Press DEL key to enter Setup Menu, F11 to enter Boot Menu** во время загрузки.

### Функциональные клавиши

- F1:** Общая справка
- F4:** Вход в меню технических параметров процессора
- F5:** Вход в меню Memory-Z
- F6:** Загрузить оптимизированные настройки по умолчанию
- F10:** Сохранение изменений и перезагрузка\*
- F12:** Сделать скриншот и сохранить его на USB флэш-диск (только FAT / FAT32 формат).

\* При нажатии клавиши F10 появится информационное окно. Выберите Yes или No, чтобы подтвердить выбор.

## Сброс BIOS

В некоторых ситуациях необходимо выполнить восстановление настроек BIOS до значений по умолчанию. Существует несколько способов сброса настроек:

- Войдите в BIOS и нажмите клавишу **F6** для загрузки оптимизированных значений по умолчанию.
- Замкните джампер **Clear CMOS** на материнской плате.



### **Внимание!**

*Убедитесь, что компьютер выключен перед очисткой данных CMOS. Для получения дополнительной информации о сбросе настроек BIOS, обратитесь к разделу “Джампер очистки данных CMOS”.*

## Обновление BIOS

### Обновление BIOS при помощи M-FLASH

Подготовительные операции:

Пожалуйста, скачайте последнюю версию файла BIOS с сайта MSI, который соответствует вашей модели материнской платы. Сохраните файл BIOS на флэш-диске USB.

Обновление BIOS:

1. Вставьте флэш-диск USB, содержащий файл обновления в компьютер.
2. Нажмите клавиши Del во время процедуры POST.
3. Войдите в **BIOS > M-FLASH > Select one file to update BIOS**, и выберите файл BIOS для выполнения процесса обновления BIOS.
4. После завершения процесса обновления, система перезагрузится автоматически.

### Обновление BIOS при помощи Live Update 6

Перед обновлением:

Убедитесь, что драйвер локальной сети установлен и есть подключение к сети Интернет.

Обновление BIOS:

1. Установите и запустите MSI LIVE UPDATE 6.
2. Выберите **BIOS Update**.
3. Нажмите на кнопку **Scan**.
4. Нажмите на значок **Download**, чтобы загрузить и установить последнюю версию файла BIOS.
5. Нажмите кнопку **Next** и выберите **In Windows mode**. И затем нажмите кнопку **Next** и **Start** для запуска обновления BIOS.
6. По завершению процесса обновления, система перезагрузится автоматически.

## Обновление BIOS при помощи кнопки Flash BIOS

Подготовительные операции:

Пожалуйста, скачайте последнюю версию файла BIOS с сайта MSI, который соответствует вашей модели материнской платы и переименуйте файл BIOS в **MSI.ROM**. Затем сохраните файл **MSI.ROM** в корневую папку флэш-диска USB.

С помощью кнопки Flash BIOS:

1. Подключите блок питания к ATX\_PWR1 и CPU\_PWR1. (Никакие другие компоненты кроме блока питания не используются.)
2. Подключите USB флэш-диск, содержащий файл MSI.ROM в порт Flash BIOS на задней панели портов ввода/ вывода.
3. Нажмите кнопку Flash BIOS для обновления BIOS. Светодиод на кнопке Flash BIOS начинает мигать.
4. По завершению процесса обновления BIOS светодиод гаснет.



*Перед использованием кнопки **Flash BIOS** убедитесь, что USB флэш-диск имеет файловую систему FAT32.*

## Меню ОС

Данное меню предназначено для опытных пользователей и предоставляет возможности для «разгона» системы.



### Внимание!

- Разгонять ПК вручную рекомендуется только опытным пользователям.
- Производитель не гарантирует успешность разгона. Неправильное выполнение разгона может привести к аннулированию гарантии и серьезному повреждению оборудования.
- Неопытным пользователям рекомендуется использовать функцию **GAME BOOST**.
- Пункты BIOS в меню ОС будут меняться в зависимости от модели процессора.

#### ► CPU Ratio [Auto]

Задание множителя процессора для установки его тактовой частоты. Этот пункт появляется при установке процессора с поддержкой данной функции.

#### ► Advanced CPU Configuration

Нажмите Enter для входа в подменю. Пользователь может настроить параметры для мощности / тока процессора. Система может работать нестабильно или не загружаться после изменения параметров памяти. Если система работает нестабильно, пожалуйста, очистите данные CMOS и восстановите настройки по умолчанию.

#### ► Game Boost Function Control [By Onboard Button]

Устанавливает способ включения функции Game Boost: с помощью виртуальной кнопки в настройках BIOS или с помощью физической кнопки на материнской плате. Включение функции GAME BOOST позволяет автоматически разгонять систему с оптимизированным профилем разгона MSI.

► **Game Boost Switch [Disabled]**

Включает или выключает функцию Переключателя Game Boost.

► **A-XMP [Disabled]**

Включите A-XMP или выберите профиль модуля памяти для разгона. Данный пункт доступен, когда установлен модуль памяти, процессора и материнской платы с поддержкой данной функции.

► **DRAM Frequency [Auto]**

Установка частоты памяти DRAM. Обратите внимание, что возможность успешного разгона не гарантируется.

► **Adjusted DRAM Frequency**

Показывает текущую частоту DRAM. Это значение нельзя изменять.

► **Memory Try It ! [Disabled]**

Позволяет улучшить совместимость памяти и производительность, путем выбора наиболее оптимального пресета.

► **Advanced DRAM Configuration**

Нажмите Enter для входа в подменю. Пользователь может настроить тайминги для каждого канала памяти. Система может работать нестабильно или не загружаться после изменения таймингов памяти. Если система работает нестабильно, пожалуйста, очистите данные CMOS и восстановите настройки по умолчанию. (см. переключатель очистки данных CMOS/раздел кнопки для очистки данных CMOS и вход в BIOS, чтобы загрузить настройки по умолчанию.)

► **DigitALL Power**

Нажмите Enter для входа в подменю. Функция управляет цепями питания, связанными с PWM процессора.

► **CPU Loadline Calibration Control [Auto]**

Напряжение на процессоре уменьшается пропорционально, в зависимости от его загрузки. Повышение значения Load-line Calibration приводит к повышению напряжения и производительности при разгоне, но и увеличивает температуру процессора и VRM. При установке в Auto, BIOS установит данный параметр автоматически.

► **CPU NB Loadline Calibration Control [Auto]**

Напряжение на CPU-NB уменьшается пропорционально, в зависимости от его загрузки. Повышение значения Load-line Calibration приводит к повышению напряжения и производительности при разгоне, но и увеличивает температуру. При установке в Auto, BIOS установит данный параметр автоматически.

► **CPU Over Voltage Protection [Auto]**

Устанавливает верхнюю границу максимального напряжения для защиты процессора от повышенного напряжения. При установке в Auto, BIOS установит данный параметр автоматически. Чем выше значение, тем ниже степень защиты и выше вероятность выхода системы из строя.

#### ► CPU Under Voltage Protection [Auto]

Устанавливает нижнюю границу напряжения для защиты процессора от пониженного напряжения. При установке в Auto, BIOS установит данный параметр автоматически. Чем выше значение, тем ниже степень защиты и выше вероятность выхода системы из строя.

#### ► CPU Over Current Protection [Auto]

Устанавливает ограничение по максимальному току для защиты процессора. При установке в Auto, BIOS установит данный параметр автоматически.

[Auto] Этот параметр будет настроен автоматически с помощью BIOS.

[Enhanced] Расширяет ограничение по току от перегрузки по току.

#### ► CPU NB/SoC Over Voltage Protection [Auto]

Устанавливает верхнюю границу максимального напряжения для защиты процессора NB/ SoC от повышенного напряжения. При установке в Auto, BIOS установит данный параметр автоматически. Чем выше значение, тем ниже степень защиты и выше вероятность выхода системы из строя.

#### ► CPU NB/SoC Under Voltage Protection [Auto]

Устанавливает нижнюю границу напряжения для защиты процессора NB/ SoC от пониженного напряжения. При установке в Auto, BIOS установит данный параметр автоматически. Чем выше значение, тем ниже степень защиты и выше вероятность выхода системы из строя.

#### ► CPU NB/SoC Over Current Protection [Auto]

Устанавливает ограничение по максимальному току для защиты процессора NB/ SoC. При установке в Auto, BIOS установит данный параметр автоматически.

[Auto] Этот параметр будет настроен автоматически с помощью BIOS.

[Enhanced] Расширяет ограничение по току от перегрузки по току.

#### ► VR 12VIN OCP Expander [Auto]

Расширяет ограничение по току регуляторов напряжения для защиты процессора с входным напряжением 12В. Чем выше значение, тем ниже степень защиты. Будьте аккуратны при настройке текущего значения, в противном случае регуляторы напряжения процессора могут выйти из строя. При установке в Auto, BIOS установит данный параметр автоматически.

#### ► CPU Voltages control [Auto]

Эти параметры позволяют вам задать напряжения, связанные с процессором. При установке в Auto, BIOS установит напряжения автоматически. Вы также можете настроить напряжения вручную.

#### ► DRAM Voltages control [Auto]

Эти параметры позволяют вам задать напряжения, связанные с памятью. При установке в Auto, BIOS установит напряжения автоматически. Вы также можете настроить напряжения вручную.

### ► CPU Specifications

Нажмите Enter для входа в подменю. В этом подменю представлена информация об установленном процессоре. Для просмотра этой информации в любое время нажмите на кнопку [F4]. Это значение нельзя изменять.

### ► CPU Technology Support

Нажмите Enter для входа в подменю. В данном подменю отображаются основные функции, поддерживаемые установленным процессором. Это значение нельзя изменять.

### ► MEMORY-Z

Нажмите Enter для входа в подменю. В подменю выделены все параметры и тайминги установленной памяти. Для просмотра этой информации в любое время нажмите на кнопку [F5].

### ► DIMMx Memory SPD

Нажмите Enter для входа в подменю. Это подменю показывает информацию об установленной памяти. Это значение нельзя изменять.

### ► CPU Features

Нажмите Enter для входа в подменю.

#### ► Global C-state Control [Enabled] (опционально)

Включение или выключение IO based C-state generation и DF C-states.

#### ► Simultaneous Multi-Threading [Enabled] (опционально)

Включение или выключение AMD Simultaneous Multi-Threading. Этот пункт появляется при установке процессора с поддержкой данной функции.

#### ► Orpcache Control [Auto] (опционально)

Включение или выключение Orpcache. Orpcache сохраняет последние команды декодирования для сокращения времени исполнения повторной команды. Включение данной функции может увеличить производительность процессора и немного снизить энергопотребление.

#### ► IOMMU Mode (опционально)

Включение или выключение IOMMU (I/O Memory Management Unit) для I/O Virtualization.

#### ► Spread Spectrum (опционально)

Данная функция уменьшает EMI (электромагнитные помехи), вызванные колебаниями импульсного генератора тактовых сигналов.

[Enabled] Включение этой функции для уменьшения электромагнитных помех.

[Disabled] Увеличивает возможности разгона базовой тактовой частоты процессора.

### **Внимание!**

• Если проблемы с помехами отсутствуют, оставьте значение в [Disabled] для лучшей стабильности и производительности. Однако, если возникают электромагнитные помехи, включите параметр Spread Spectrum для их уменьшения.

- Чем больше значение *Spread Spectrum*, тем ниже будет уровень электромагнитных помех, но система станет менее стабильной. Для выбора подходящего значения *Spread Spectrum*, сверьтесь со значениями уровней электромагнитных помех, установленных законодательством.
- Не забудьте запретить использование функции *Spread Spectrum*, если вы «разгоняете» системную плату. Это необходимо, так как даже небольшой дребезг сигнала тактового генератора может привести к отказу разогнанного процессора.

► **Relaxed EDC throttling [Auto] (опционально)**

Relaxed EDC throttling уменьшает время троттлинга ядра процессора.

[Auto]           Рекомендовано AMD

[Enabled]       Уменьшает время троттлинга процессора.

[Disabled]      Включает специальную частичную защиту EDC троттлинга.

► **AMD Cool' n' Quiet [Enabled]**

Технология Cool' n' Quiet позволяет эффективно динамически изменять частоту CPU и энергопотребление системы.

► **SVM Mode [Enabled]**

Включение или выключение AMD SVM (Secure Virtual Machine) Mode.

► **BIOS PSP Support [Enabled] (опционально)**

Включение или выключение BIOS PSP, который управляет подпунктами PSP, включая все почтовые ящики C2P /P2C, Secure S3 и поддержку fTPM.

► **Power Supply Idle Control [Auto] (опционально)**

Позволяет выбрать режим энергосбережения для процессора при простое системы. При установке в Auto, BIOS автоматически настроит этот параметр.

► **CPU VDD\_SoC Current Optimization [Auto] (опционально)**

Устанавливает значение тока CPU VDD и SoC. При установке в Auto, BIOS установит данный параметр автоматически.

[Auto]           Этот параметр будет настроен автоматически с помощью BIOS.

[Custom Setting] Позволяет установить значение тока вручную.



# Описание программного обеспечения

## Установка Windows® 10

1. Включите компьютер.
2. Вставьте диск Windows® 10 в привод для оптических дисков.
3. Нажмите кнопку **Restart** на корпусе компьютера.
4. Нажмите клавишу **F11** во время POST (Power-On Self Test) компьютера, чтобы войти в меню загрузки.
5. Выберите оптический привод в меню загрузки.
6. Нажмите любую клавишу, когда на экране показывает сообщение **Press any key to boot from CD or DVD...**
7. Следуйте инструкциям на экране, чтобы установить Windows® 10.

## Установка драйверов

1. Загрузите компьютер в Windows® 10.
2. Вставьте диск с драйверами MSI® Driver Disc в привод для оптических дисков.
3. Автоматически отобразится окно установщика, который найдет и перечислит все необходимые драйверы.
4. Нажмите кнопку **Install**.
5. Начнется установка драйверов. После ее завершения будет предложено перезапустить систему.
6. Нажмите кнопку **OK** для завершения.
7. Перезапустите компьютер.

## Установка утилит

Перед установкой утилиты необходимо выполнить установку драйверов.

1. Вставьте диск с драйверами MSI® Driver Disc в привод для оптических дисков.
2. Автоматически отобразится окно установщика.
3. Нажмите вкладку **Utilities**.
4. Выберите необходимые для установки утилиты.
5. Нажмите кнопку **Install**.
6. Начнется установка программного обеспечения. После ее завершения будет предложено перезапустить систему.
7. Нажмите кнопку **OK** для завершения.
8. Перезапустите компьютер.



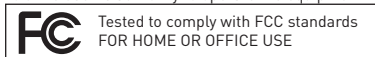
# Regulatory Notices

## FCC Compliance Statement

Note: This equipment has been tested and found to comply with the limits for a Class B digital device, pursuant to part 15 of the FCC Rules. These limits are designed to provide reasonable protection against harmful interference in a residential installation. This equipment generates, uses and can radiate radio frequency energy and, if not installed and used in accordance with the instructions, may cause harmful interference to radio communications. However, there is no guarantee that interference will not occur in a particular installation. If this equipment does cause harmful interference to radio or television reception, which can be determined by turning the equipment off and on, the user is encouraged to try to correct the interference by one or more of the following measures:

- Reorient or relocate the receiving antenna.
- Increase the separation between the equipment and receiver.
- Connect the equipment into an outlet on a circuit different from that to which the receiver is connected.
- Consult the dealer or an experienced radio/TV technician for help.

Caution: Changes or modifications not expressly approved by the party responsible for compliance could void the user's authority to operate the equipment.



This device complies with part 15 of the FCC Rules. Operation is subject to the following two conditions: (1) This device may not cause harmful interference, and (2) this device must accept any interference received, including interference that may cause undesired operation.

## CE Conformity

**CE** Products bearing the CE marking comply with one or more of the following EU Directives as may be applicable:  
RED 2014/53/EU; Low Voltage Directive 2014/35/EU; EMC Directive 2014/30/EU; RoHS Directive 2011/65/EU. Compliance with these directives is assessed using applicable European Harmonized Standards. The point of contact for regulatory matters is MSI, MSI-NL Eindhoven 5706 5692 ER Son.

## B급 기기 (가정용 방송통신기자재)

**K** 이 기기는 가정용(B급) 전자파적합기기로서 주로 가정에서 사용하는 것을 목적으로 하며, 모든 지역에서 사용할 수 있습니다.

## クラスB情報技術装置

**VCCI** この装置は、クラスB情報技術装置です。この装置は、家庭環境で使用することを目的としていますが、この装置がラジオやテレビジョン受信機に近接して使用されると、受信障害を引き起こすことがあります。取扱説明書に従って正しい取り扱いをして下さい。

**VCCI-B**

## C-Tick Compliance



## Battery Information

European Union:



Batteries, battery packs, and accumulators should not be disposed of as unsorted household waste. Please use the public collection system to return, recycle, or treat them in compliance with the local regulations.

Taiwan:



廢電池請回收

For better environmental protection, waste batteries should be collected separately for recycling or special disposal.

California, USA:



The button cell battery may contain perchlorate material and requires special handling when recycled or disposed of in California.

For further information please visit:

<http://www.dtsc.ca.gov/hazardouswaste/perchlorate/>

CAUTION: There is a risk of explosion, if battery is incorrectly replaced.

Replace only with the same or equivalent type recommended by the manufacturer.

## Chemical Substances Information

In compliance with chemical substances regulations, such as the EU REACH Regulation (Regulation EC No. 1907/2006 of the European Parliament and the Council), MSI provides the information of chemical substances in products at:  
[http://www.msi.com/html/popup/csr/evmtprrt\\_pcm.html](http://www.msi.com/html/popup/csr/evmtprrt_pcm.html)

## Environmental Policy

- The product has been designed to enable proper reuse of parts and recycling and should not be thrown away at its end of life.
- Users should contact the local authorized point of collection for recycling and disposing of their end-of-life products.
- Visit the MSI website and locate a nearby distributor for further recycling information.
- Users may also reach us at [gpcontdev@msi.com](mailto:gpcontdev@msi.com) for information regarding proper Disposal, Take-back, Recycling, and Disassembly of MSI products.



## WEEE (Waste Electrical and Electronic Equipment) Statement

ENGLISH

To protect the global environment and as an environmentalist, MSI must remind you that...

Under the European Union ("EU") Directive on Waste Electrical and Electronic Equipment, Directive 2002/96/EC, which takes effect on August 13, 2005, products of "electrical and electronic equipment" cannot



be discarded as municipal wastes anymore, and manufacturers of covered electronic equipment will be obligated to take back such products at the end of their useful life. MSI will comply with the product take back requirements at the end of life of MSI-branded products that are sold into the EU. You can return these products to local collection points.

#### DEUTSCH

Hinweis von MSI zur Erhaltung und Schutz unserer Umwelt  
Gemäß der Richtlinie 2002/96/EG über Elektro- und Elektronik-Altgeräte dürfen Elektro- und Elektronik-Altgeräte nicht mehr als kommunale Abfälle entsorgt werden. MSI hat europaweit verschiedene Sammel- und Recyclingunternehmen beauftragt, die in die Europäische Union in Verkehr gebrachten Produkte, am Ende seines Lebenszyklus zurückzunehmen. Bitte entsorgen Sie dieses Produkt zum gegebenen Zeitpunkt ausschließlich an einer lokalen Altgerätesammelstelle in Ihrer Nähe.

#### FRANÇAIS

En tant qu'écologiste et afin de protéger l'environnement, MSI tient à rappeler ceci...  
Au sujet de la directive européenne (EU) relative aux déchets des équipements électriques et électroniques, directive 2002/96/EC, prenant effet le 13 août 2005, que les produits électriques et électroniques ne peuvent être déposés dans les décharges ou tout simplement mis à la poubelle. Les fabricants de ces équipements seront obligés de récupérer certains produits en fin de vie. MSI prendra en compte cette exigence relative au retour des produits en fin de vie au sein de la communauté européenne. Par conséquent vous pouvez retourner localement ces matériels dans les points de collecte.

#### РУССКИЙ

Компания MSI предпринимает активные действия по защите окружающей среды, поэтому напоминаем вам, что...  
В соответствии с директивой Европейского Союза (ЕС) по предотвращению загрязнения окружающей среды использованным электрическим и электронным оборудованием (директива WEEE 2002/96/EC), вступающей в силу 13 августа 2005 года, изделия, относящиеся к электрическому и электронному оборудованию, не могут рассматриваться как бытовой мусор, поэтому производители вышеперечисленного электронного оборудования обязаны принимать его для переработки по окончании срока службы. MSI обязуется соблюдать требования по приему продукции, проданной под маркой MSI на территории ЕС, в переработку по окончании срока службы. Вы можете вернуть эти изделия в специализированные пункты приема.

#### ESPAÑOL

MSI como empresa comprometida con la protección del medio ambiente, recomienda:  
Bajo la directiva 2002/96/EC de la Unión Europea en materia de desechos y/o equipos electrónicos, con fecha de rigor desde el 13 de agosto de 2005, los productos clasificados como "eléctricos y equipos electrónicos" no pueden ser depositados en los contenedores habituales de su municipio, los fabricantes de equipos electrónicos, están obligados a hacerse cargo de dichos productos al término de su período de vida. MSI estará comprometido con los términos de recogida de sus productos vendidos en

la Unión Europea al final de su periodo de vida. Usted debe depositar estos productos en el punto limpio establecido por el ayuntamiento de su localidad o entregar a una empresa autorizada para la recogida de estos residuos.

#### NEDERLANDS

Om het milieu te beschermen, wil MSI u eraan herinneren dat...  
De richtlijn van de Europese Unie (EU) met betrekking tot Vervuiling van Electrische en Electronische producten (2002/96/EC), die op 13 Augustus 2005 in zal gaan kunnen niet meer beschouwd worden als vervuiling. Fabrikanten van dit soort producten worden verplicht om producten retour te nemen aan het eind van hun levenscyclus. MSI zal overeenkomstig de richtlijn handelen voor de producten die de merknaam MSI dragen en verkocht zijn in de EU. Deze goederen kunnen geretourneerd worden op lokale inzamelingspunten.

#### SRPSKI

Da bi zaštitili prirodnu sredinu, i kao proizvođače koje vodi računa o okolini i prirodnoj sredini, MSI mora da vas podesti da...  
Po Direktivi Evropske unije ("UE") o odbačenoj elektronskoj i električnoj opremi, Direktiva 2002/96/EC, koja stupa na snagu od 13. Avgusta 2005, proizvođači koji spadaju pod "elektronsku i električnu opremu" ne mogu više biti odbačeni kao običan otpad i proizvođači ove opreme biće prinuđeni da uzmu natrag ove proizvode na kraju njihovog uobičajenog veka trajanja. MSI će poštovati zahtev o preuzimanju ovakvih proizvoda kojima je istekao vek trajanja, koji imaju MSI oznaku i koji su prodati u EU. Ove proizvode možete vratiti na lokalnim mestima za prikupljanje.

#### POLSKI

Aby chronić nasze środowisko naturalne oraz jako firma dbająca o ekologię, MSI przypomina, że...  
Zgodnie z Dyrektywą Unii Europejskiej ("UE") dotyczącą odpadów produktów elektrycznych i elektronicznych (Dyrektywa 2002/96/EC), która wchodzi w życie 13 sierpnia 2005, tzw. "produkty oraz wyposażenie elektryczne i elektroniczne" nie mogą być traktowane jako śmieci komunalne, tak więc producenci tych produktów będą zobowiązani do odbierania ich w momencie gdy produkt jest wycofywany z użycia. MSI wypełni wymagania UE, przyjmując produkty (sprzedawane na terenie Unii Europejskiej) wycofywane z użycia. Produkty MSI będzie można zwracać w wyznaczonych punktach zbiorczych.

#### TÜRKÇE

Çevreci özelliğiyle bilinen MSI dünyada çevreyi korumak için titrlatır:  
Avrupa Birliği (AB) Kararnamesi Elektrik ve Elektronik Malzeme Atığı, 2002/96/EC Kararnamesi altında 13 Ağustos 2005 tarihinden itibaren geçerli olmak üzere, elektrikli ve elektronik malzemeler diğer atıklar gibi çöpe atılmayacak ve bu elektronik cihazların üreticileri, cihazların kullanım süreleri bittikten sonra ürünleri geri toplamakla yükümlü olacaktır. Avrupa Birliği'ne satılan MSI markalı ürünlerin kullanım süreleri bittiğinde MSI ürünlerin geri alınması isteği ile işbirliği içerisinde olacaktır. Ürünlerinizi yerel toplama noktalarına bırakabilirsiniz.

#### ČESKY

Záleží nám na ochraně životního prostředí - společnost MSI upozorňuje...  
Podle směrnice Evropské unie ("UE") o likvidaci elektrických a elektronických výrobků 2002/96/

EC platné od 13. srpna 2005 je zakázáno likvidovat "elektrické a elektronické výrobky" v běžném komunálním odpadu a výrobci elektronických výrobků, na které se tato směrnice vztahuje, budou povinni odebrat takové výrobky zpět po skončení jejich životnosti. Společnost MSI splní požadavky na odebrání výrobků značky MSI, prodávaných v zemích EU, po skončení jejich životnosti. Tyto výrobky můžete odevzdat v místních sběrnách.

#### MAGYAR

Annak érdekében, hogy környezetünket megvédjük, illetve környezetvédeként fellépve az MSI emlékezteti Önt, hogy ...

Az Európai Unió („EU”) 2005. augusztus 13-án hatályba lépő, az elektromos és elektronikus berendezések hulladékaikról szóló 2002/96/EK irányelve szerint az elektromos és elektronikus berendezések többé nem kezelhetők lakossági hulladékként, és az ilyen elektronikus berendezések gyártói kötelesek válnak az ilyen termékek visszavételére azok hasznos élettartama végén. Az MSI betartja a termék visszavételével kapcsolatos követelményeket az MSI márkánév alatt az EU-n belül értékesített termékek esetében, azok élettartamának végén. Az ilyen termékeket a legközelebbi gyűjtőhelyre viheti.

#### ITALIANO

Per proteggere l'ambiente, MSI, da sempre amica della natura, ti ricorda che...

In base alla Direttiva dell'Unione Europea (EU) sullo Smtaltimento dei Materiali Elettrici ed Elettronici, Direttiva 2002/96/EC in vigore dal 13 Agosto 2005, prodotti appartenenti alla categoria dei Materiali Elettrici ed Elettronici non possono più essere eliminati come rifiuti municipali: i produttori di detti materiali saranno obbligati a ritirare ogni prodotto alla fine del suo ciclo di vita. MSI si adegnerà a tale Direttiva ritirando tutti i prodotti marchiati MSI che sono stati venduti all'interno dell'Unione Europea alla fine del loro ciclo di vita. È possibile portare i prodotti nel più vicino punto di raccolta

## 日本JIS C 0950材質宣言

日本工業規格JIS C 0950により、2006年7月1日以降に販売される特定分野の電気および電子機器について、製造者による含有物質の表示が義務付けられます。

[http://www.msi.com/html/popup/csr/cemm\\_jp.html](http://www.msi.com/html/popup/csr/cemm_jp.html)  
[http://tw.msi.com/html/popup/csr\\_tw/cemm\\_jp.html](http://tw.msi.com/html/popup/csr_tw/cemm_jp.html)

## India RoHS

This product complies with the "India E-waste (Management and Handling) Rule 2011" and prohibits use of lead, mercury, hexavalent chromium, polybrominated biphenyls or polybrominated diphenyl ethers in concentrations exceeding 0.1 weight % and 0.01 weight % for cadmium, except for the exemptions set in Schedule 2 of the Rule.

## Türkiye EEE yönetmeliği

Türkiye Cumhuriyeti: EEE Yönetmeliğine Uygundur

## Україна обмеження на наявність небезпечних речовин

Обладнання відповідає вимогам Технічного регламенту щодо обмеження Використання деяких небезпечних речовин в електричному та електронному обладнанні, затвердженого постановою Кабінету Міністрів України від 3 грудня 2008 № 1057.

## Việt Nam RoHS

Kể từ ngày 01/12/2012, tất cả các sản phẩm do công ty MSI sản xuất tuân thủ Thông tư số 30/2011/TT-BCT quy định tạm thời về giới hạn hàm lượng cho phép của một số hóa chất độc hại có trong các sản phẩm điện, điện tử"

## Wireless Radio Use

This device is restricted to indoor use when operating in the 2.4GHz, 5GHz frequency band.

Cet appareil doit être utilisé à l'intérieur.

당해 무선설비는 운용중 전파혼신 가능성이 있음.

この製品は、周波数帯域 2.4GHz, 5GHz で動作しているときは、屋内においてのみ使用可能です。

### NCC無線設備警告聲明


工作頻率 2.4GHz, 5GHz 該频段限於室內使用。經型式認證合格之低功率射頻電機，非經許可，公司、商號或使用者均不得擅自變更頻率、加大功率或變更原設計之特性及功能。

低功率射頻電機之使用不得影響飛航安全及干擾合法通信；經發現有干擾現象時，應立即停用，並改善至無干擾時方得繼續使用。前項合法通信，指依電信法規定作業之無線電通信。低功率射頻電機須忍受合法通信或工業、科學及醫療用電波輻射性電機設備之干擾。

### Products with radio functionality (EMF)

This product incorporates a radio transmitting and receiving device. For computers in normal use, a separation distance of 20 cm ensures that radio frequency exposure levels comply with EU requirements. Products designed to be operated at closer proximities, such as tablet computers, comply with applicable EU requirements in typical operating positions. Products can be operated without maintaining a separation distance unless otherwise indicated in instructions specific to the product.


### Restrictions for products with radio functionality

 CAUTION: IEEE 802.11x wireless LAN with 5.15–5.35 GHz frequency band is restricted for indoor use only in all European Union member states, EFTA (Iceland, Norway, Liechtenstein), and most other European countries (e.g., Switzerland, Turkey, Republic of Serbia). Using this WLAN application outdoors might lead to interference issues with existing radio services.

### Radio frequency bands and maximum power levels

Features	:802.11 a/b/g/n/ac, BT
Frequency Range	:2.4GHz, 5GHz
Modulation	:FHSS, DSSS, OFDM
Power Output	:10, 20, 23
Channel Band Width	:1, 5, 20, 40, 80MHz

## 产品中有害物质的名称及含量

部件名称	有害物质					
	铅 (Pb)	汞 (Hg)	镉 (Cd)	六价铬 (Cr(VI))	多溴联苯 (PBB)	多溴二苯醚 (PBDE)
印刷电路板组件*	×	○	○	○	○	○
电池** 	×	○	○	○	○	○
外部信号连接头	×	○	○	○	○	○
线材	×	○	○	○	○	○

本表格依据 SJ/T 11364 的规定编制。

○: 表示该有害物质在该部件所有均质材料中的含量均在 GB/T 26572 规定的限量要求以下。

×: 表示该有害物质至少在该部件的某一均质材料中的含量超出 GB/T 26572 规定的限量要求,但所有部件都符合欧盟RoHS要求。

\* 印刷电路板组件: 包括印刷电路板及其构成的零部件。

\*\* 电池本体上如有环保使用期限标识,以本体标识为主。

■ 上述有毒有害物质或元素清单会依型号之部件差异而有所增减。

■ 产品部件本体上如有环保使用期限标识,以本体标识为主。

## 限用物質含有情況標示聲明書

單元	限用物質及其化學符號					
	鉛 (Pb)	汞 (Hg)	鎘 (Cd)	六價鉻 (Cr <sup>VI</sup> )	多溴聯苯 (PBB)	多溴二苯醚 (PBDE)
電路板	○	○	○	○	○	○
電子元件	—	○	○	○	○	○
金屬機構件	—	○	○	○	○	○
塑膠機構件	○	○	○	○	○	○

備考1. “超出0.1 wt %”及“超出0.01 wt %”係指限用物質之百分比含量超出百分比含量基準值。

備考2. “○”係指該項限用物質之百分比含量未超出百分比含量基準值。

備考3. “—”係指該項限用物質為排除項目。

## Copyright

**msi** Micro-Star Int'l Co., Ltd.  
Copyright © 2019 All rights reserved.

The MSI logo used is a registered trademark of Micro-Star Int'l Co., Ltd. All other marks and names mentioned may be trademarks of their respective owners. No warranty as to accuracy or completeness is expressed or implied. MSI reserves the right to make changes to this document without prior notice.

## Technical Support

If a problem arises with your system and no solution can be obtained from the user guide, please contact your place of purchase or local distributor. Alternatively, please try the following help resources for further guidance.

- Visit the MSI website for technical guide, BIOS updates, driver updates, and other information: <http://www.msi.com>
- Register your product at: <http://register.msi.com>

## Revision History

Version 1.0, 2018/03, First release  
Version 1.1, 2018/03, Update OC knob  
Version 1.2, 2018/10, Add new CPU  
Version 1.3, 2019/04, Update M2\_1 spec.  
Version 1.4, 2019/07, GSE Lite BIOS  
Version 1.5, 2019/11, Update Flash BIOS Button.