

# Preface

Z87-G43  
H87-G43  
B85-G43  
Motherboard

## Copyright Notice

---

The material in this document is the intellectual property of **MICRO-STAR INTERNATIONAL**. We take every care in the preparation of this document, but no guarantee is given as to the correctness of its contents. Our products are under continual improvement and we reserve the right to make changes without notice.

## Trademarks

---

All trademarks in this manual are properties of their respective owners.

- MSI® is registered trademark of Micro-Star Int'l Co.,Ltd.
- NVIDIA® is registered trademark of NVIDIA Corporation.
- ATI® is registered trademark of AMD Corporation.
- AMD® is registered trademarks of AMD Corporation.
- Intel® is registered trademarks of Intel Corporation.
- Windows® is registered trademarks of Microsoft Corporation.
- AMI® is registered trademark of American Megatrends Inc.
- Award® is a registered trademark of Phoenix Technologies Ltd.
- Sound Blaster® is registered trademark of Creative Technology Ltd.
- Realtek® is registered trademark of Realtek Semiconductor Corporation.
- JMicron® is registered trademark of JMicron Technology Corporation.
- Netware® is registered trademark of Novell, Inc.
- Lucid® is trademark of LucidLogix Technologies, Ltd.
- VIA® is registered trademark of VIA Technologies, Inc.
- ASMedia® is registered trademark of ASMedia Technology Inc.
- iPad, iPhone, and iPod are trademarks of Apple Inc.
- Qualcomm Atheros and Killer are trademarks of Qualcomm Atheros Inc.

## Revision History

---

Revision	Revision History	Date
V1.0	First release	2013/ 03

## Smartphone Application

---



MSI+ is a smart web gadget that works as a shopping navigator and provides specs comparison for IT buyers. With a simple tap of the smartphone, you'll efficiently locate your ideal products from a wide variety of choices and, if product details are required, you may easily download user manuals within minutes. Better yet, the power calculator provides accurate estimates of power unit capacity for DIY users.



## Technical Support

---

If a problem arises with your system and no solution can be obtained from the user's manual, please contact your place of purchase or local distributor. Alternatively, please try the following help resources for further guidance.



Visit the MSI website for technical guide, BIOS updates, driver updates, and other information:

<http://www.msi.com/service/download/>



Contact our technical staff at:

<http://support.msi.com>

## Safety Instructions

---

- Always read the safety instructions carefully.
- Keep this User's Manual for future reference.
- Keep this equipment away from humidity.
- Lay this equipment on a reliable flat surface before setting it up.
- The openings on the enclosure are for air convection hence protects the equipment from overheating. **DO NOT COVER THE OPENINGS.**
- Make sure the voltage of the power source is at 110/220V before connecting the equipment to the power inlet.
- Place the power cord such a way that people can not step on it. Do not place anything over the power cord.
- Always Unplug the Power Cord before inserting any add-on card or module.
- All cautions and warnings on the equipment should be noted.
- Never pour any liquid into the opening that can cause damage or cause electrical shock.
- If any of the following situations arises, get the equipment checked by service personnel:
  - The power cord or plug is damaged.
  - Liquid has penetrated into the equipment.
  - The equipment has been exposed to moisture.
  - The equipment does not work well or you can not get it work according to User's Manual.
  - The equipment has been dropped and damaged.
  - The equipment has obvious sign of breakage.
- **DO NOT LEAVE THIS EQUIPMENT IN AN ENVIRONMENT ABOVE 60°C (140°F), IT MAY DAMAGE THE EQUIPMENT.**

## FCC-B Radio Frequency Interference Statement

---

This equipment has been tested and found to comply with the limits for a Class B digital device, pursuant to Part 15 of the FCC Rules. These limits are designed to provide reasonable protection against harmful interference in a residential installation. This equipment generates, uses and can radiate radio frequency energy and, if not installed and used in accordance with the instructions, may cause harmful interference to radio communications. However, there is no guarantee that interference will not occur in a particular installation. If this equipment does cause harmful interference to radio or television reception, which can be determined by turning the equipment off and on, the user is encouraged to try to correct the interference by one or more of the measures listed below.

- Reorient or relocate the receiving antenna.
- Increase the separation between the equipment and receiver.
- Connect the equipment into an outlet on a circuit different from that to which the receiver is connected.
- Consult the dealer or an experienced radio/television technician for help.

### Notice 1

The changes or modifications not expressly approved by the party responsible for compliance could void the user's authority to operate the equipment.

### Notice 2

Shielded interface cables and A.C. power cord, if any, must be used in order to comply with the emission limits.

VOIR LA NOTICE D'INSTALLATION AVANT DE RACCORDER AU RESEAU.



This device complies with Part 15 of the FCC Rules. Operation is subject to the following two conditions:

- 1) this device may not cause harmful interference, and
- 2) this device must accept any interference received, including interference that may cause undesired operation.

## CE Conformity

---

Hereby, Micro-Star International CO., LTD declares that this device is in compliance with the essential safety requirements and other relevant provisions set out in the European Directive.



## Radiation Exposure Statement

---

This equipment complies with FCC radiation exposure limits set forth for an uncontrolled environment. This equipment and its antenna should be installed and operated with minimum distance 20 cm between the radiator and your body. This equipment and its antenna must not be co-located or operating in conjunction with any other antenna or transmitter.

## European Community Compliance Statement

---

The equipment complies with the RF Exposure Requirement 1999/519/EC, Council Recommendation of 12 July 1999 on the limitation of exposure of the general public to electromagnetic fields (0–300GHz). This wireless device complies with the R&TTE Directive.

## Taiwan Wireless Statements

---

### 無線設備警告聲明

經型式認證合格之低功率射頻電機，非經許可，公司、商號或使用者均不得擅自變更頻率、加大功率或變更原設計之特性及功能。

低功率射頻電機之使用不得影響飛航安全及干擾合法通信；經發現有干擾現象時，應立即停用，並改善至無干擾時方得繼續使用。前項合法通信，指依電信法規定作業之無線電通信。低功率射頻電機須忍受合法通信或工業、科學及醫療用電波輻射性電機設備之干擾。

警告使用者：這是甲類資訊產品，在居住的環境中使用時，可能會造成無線電干擾，在這種情況下，使用者會被要求採取某些適當的對策。

## Japan VCCI Class B Statement

---

### クラス B 情報技術装置

この装置は、情報技術装置等電波障害自主規制協議会（VCCI）の基準に基づくクラスB情報技術装置です。この装置が家庭内でラジオやテレビジョン受信機に近接して使われると、受信障害を引き起こすことがあります。取扱説明書にしたがって正しい取り扱いをしてください。

## Korea Warning Statements

---

당해 무선설비는 운용중 전파혼신 가능성이 있음

## Battery Information

---



European Union:

Batteries, battery packs, and accumulators should not be disposed of as unsorted household waste. Please use the public collection system to return, recycle, or treat them in compliance with the local regulations.



Taiwan:

For better environmental protection, waste batteries should be collected separately for recycling or special disposal.

廢電池請回收



California, USA:

The button cell battery may contain perchlorate material and requires special handling when recycled or disposed of in California.

For further information please visit:

<http://www.dtsc.ca.gov/hazardouswaste/perchlorate/>

**CAUTION:** There is a risk of explosion, if battery is incorrectly replaced.  
Replace only with the same or equivalent type recommended by the manufacturer.

## Chemical Substances Information

---

In compliance with chemical substances regulations, such as the EU REACH Regulation (Regulation EC No. 1907/2006 of the European Parliament and the Council), MSI provides the information of chemical substances in products at:

[http://www.msi.com/html/popup/csr/evmtprtt\\_pcm.html](http://www.msi.com/html/popup/csr/evmtprtt_pcm.html)

# WEEE (Waste Electrical and Electronic Equipment) Statement

## ENGLISH

To protect the global environment and as an environmentalist, MSI must remind you that...

Under the European Union ("EU") Directive on Waste Electrical and Electronic Equipment, Directive 2002/96/EC, which takes effect on August 13, 2005, products of "electrical and electronic equipment" cannot be discarded as municipal wastes anymore, and manufacturers of covered electronic equipment will be obligated to take back such products at the end of their useful life. MSI will comply with the product take back requirements at the end of life of MSI-branded products that are sold into the EU. You can return these products to local collection points.



## DEUTSCH

Hinweis von MSI zur Erhaltung und Schutz unserer Umwelt

Gemäß der Richtlinie 2002/96/EG über Elektro- und Elektronik-Altgeräte dürfen Elektro- und Elektronik-Altgeräte nicht mehr als kommunale Abfälle entsorgt werden. MSI hat europaweit verschiedene Sammel- und Recyclingunternehmen beauftragt, die in die Europäische Union in Verkehr gebrachten Produkte, am Ende seines Lebenszyklus zurückzunehmen. Bitte entsorgen Sie dieses Produkt zum gegebenen Zeitpunkt ausschliesslich an einer lokalen Altgerätesammelstelle in Ihrer Nähe.

## FRANÇAIS

En tant qu'écologiste et afin de protéger l'environnement, MSI tient à rappeler ceci...

Au sujet de la directive européenne (EU) relative aux déchets des équipement électriques et électroniques, directive 2002/96/EC, prenant effet le 13 août 2005, que les produits électriques et électroniques ne peuvent être déposés dans les décharges ou tout simplement mis à la poubelle. Les fabricants de ces équipements seront obligés de récupérer certains produits en fin de vie. MSI prendra en compte cette exigence relative au retour des produits en fin de vie au sein de la communauté européenne. Par conséquent vous pouvez retourner localement ces matériels dans les points de collecte.

## РУССКИЙ

Компания MSI предпринимает активные действия по защите окружающей среды, поэтому напоминаем вам, что....

В соответствии с директивой Европейского Союза (ЕС) по предотвращению загрязнения окружающей среды использованным электрическим и электронным оборудованием (директива WEEE 2002/96/EC), вступающей в силу 13 августа 2005 года, изделия, относящиеся к электрическому и электронному оборудованию, не могут рассматриваться как бытовой мусор, поэтому производители вышеперечисленного электронного оборудования обязаны принимать его для переработки по окончании срока службы. MSI обязуется соблюдать требования по приему продукции, проданной под маркой MSI на территории ЕС, в переработку по окончании срока службы. Вы можете вернуть эти изделия в специализированные пункты приема.



## ESPAÑOL

MSI como empresa comprometida con la protección del medio ambiente, recomienda: Bajo la directiva 2002/96/EC de la Unión Europea en materia de desechos y/o equipos electrónicos, con fecha de rigor desde el 13 de agosto de 2005, los productos clasificados como “eléctricos y equipos electrónicos” no pueden ser depositados en los contenedores habituales de su municipio, los fabricantes de equipos electrónicos, están obligados a hacerse cargo de dichos productos al termino de su período de vida. MSI estará comprometido con los términos de recogida de sus productos vendidos en la Unión Europea al final de su periodo de vida. Usted debe depositar estos productos en el punto limpio establecido por el ayuntamiento de su localidad o entregar a una empresa autorizada para la recogida de estos residuos.

## NEDERLANDS

Om het milieu te beschermen, wil MSI u eraan herinneren dat...

De richtlijn van de Europese Unie (EU) met betrekking tot Vervuiling van Electriche en Electronische producten (2002/96/EC), die op 13 Augustus 2005 in zal gaan kunnen niet meer beschouwd worden als vervuiling. Fabrikanten van dit soort producten worden verplicht om producten retour te nemen aan het eind van hun levenscyclus. MSI zal overeenkomstig de richtlijn handelen voor de producten die de merknaam MSI dragen en verkocht zijn in de EU. Deze goederen kunnen geretourneerd worden op lokale inzamelingspunten.

## SRPSKI

Da bi zaštitili prirodnu sredinu, i kao preduzeće koje vodi računa o okolini i prirodnoj sredini, MSI mora da vas pedesti da...

Po Direktivi Evropske unije (“EU”) o odbačenoj eelektronskoj i električnoj opremi, Direktiva 2002/96/EC, koja stupa na snagu od 13. Avgusta 2005, proizvodi koji spadaju pod “elektronsku i električnu opremu” ne mogu više biti odbačeni kao običan otpad i proizvođači ove opreme biće prinuđeni da uzmu natrag ove proizvode na kraju njihovog uobičajenog veka trajanja. MSI će poštovati zahtev o preuzimanju ovakvih proizvoda kojima je istekao vek trajanja, koji imaju MSI oznaku i koji su prodati u EU. Ove proizvode možete vratiti na lokalnim mestima za prikupljanje.

## POLSKI

Aby chronić nasze środowisko naturalne oraz jako firma dbająca o ekologię, MSI przypomina, że...

Zgodnie z Dyrektywą Unii Europejskiej (“UE”) dotyczącą odpadów produktów elektrycznych i elektronicznych (Dyrektywa 2002/96/EC), która wchodzi w życie 13 sierpnia 2005, tzw. “produkty oraz wyposażenie elektryczne i elektroniczne “ nie mogą być traktowane jako śmieci komunalne, tak więc producenci tych produktów będą zobowiązani do odbierania ich w momencie gdy produkt jest wycofywany z użycia. MSI wypełni wymagania UE, przyjmując produkty (sprzedawane na terenie Unii Europejskiej) wycofywane z użycia. Produkty MSI będzie można zwracać w wyznaczonych punktach zbiorczych.

## TÜRKÇE

Çevreci özelliğiyle bilinen MSI dünyada çevreyi korumak için hatırlatır:

Avrupa Birliği (AB) Kararnamesi Elektrik ve Elektronik Malzeme Atığı, 2002/96/EC Kararnamesi altında 13 Ağustos 2005 tarihinden itibaren geçerli olmak üzere, elektrikli ve elektronik malzemeler diğer atıklar gibi çöpe atılmayacak ve bu elektronik cihazların üreticileri, cihazların kullanım süreleri bittikten sonra ürünleri geri toplamakla yükümlü olacaktır. Avrupa Birliği'ne satılan MSI markalı ürünlerin kullanım süreleri bittiğinde MSI ürünlerin geri alınması isteği ile işbirliği içerisinde olacaktır. Ürünlerinizi yerel toplama noktalarına bırakabilirsiniz.

## ČESKY

Záleží nám na ochraně životního prostředí - společnost MSI upozorňuje...

Podle směrnice Evropské unie ("EU") o likvidaci elektrických a elektronických výrobků 2002/96/EC platné od 13. srpna 2005 je zakázáno likvidovat "elektrické a elektronické výrobky" v běžném komunálním odpadu a výrobci elektronických výrobků, na které se tato směrnice vztahuje, budou povinni odebírat takové výrobky zpět po skončení jejich životnosti. Společnost MSI splní požadavky na odebírání výrobků značky MSI, prodávaných v zemích EU, po skončení jejich životnosti. Tyto výrobky můžete odevzdat v místních sběrnách.

## MAGYAR

Annak érdekében, hogy környezetünket megvédjük, illetve környezetvédként fellépve az MSI emlékezteti Önt, hogy ...

Az Európai Unió („EU”) 2005. augusztus 13-án hatályba lépő, az elektromos és elektronikus berendezések hulladékairól szóló 2002/96/EK irányelve szerint az elektromos és elektronikus berendezések többé nem kezelhetőek lakossági hulladékként, és az ilyen elektronikus berendezések gyártói kötelesek válnak az ilyen termékek visszavételére azok hasznos élettartama végén. Az MSI betartja a termékvisszavétellel kapcsolatos követelményeket az MSI márkanév alatt az EU-n belül értékesített termékek esetében, azok élettartamának végén. Az ilyen termékeket a legközelebbi gyűjtőhelyre viheti.

## ITALIANO

Per proteggere l'ambiente, MSI, da sempre amica della natura, ti ricorda che....

In base alla Direttiva dell'Unione Europea (EU) sullo Smaltimento dei Materiali Elettrici ed Elettronici, Direttiva 2002/96/EC in vigore dal 13 Agosto 2005, prodotti appartenenti alla categoria dei Materiali Elettrici ed Elettronici non possono più essere eliminati come rifiuti municipali: i produttori di detti materiali saranno obbligati a ritirare ogni prodotto alla fine del suo ciclo di vita. MSI si adegnerà a tale Direttiva ritirando tutti i prodotti marchiati MSI che sono stati venduti all'interno dell'Unione Europea alla fine del loro ciclo di vita. È possibile portare i prodotti nel più vicino punto di raccolta

# CONTENTS

<b>Preface</b> .....	<b>i</b>
Copyright Notice.....	ii
Trademarks .....	ii
Revision History .....	ii
Smartphone Application .....	iii
Technical Support .....	iii
Safety Instructions.....	iv
FCC-B Radio Frequency Interference Statement .....	v
CE Conformity.....	v
Radiation Exposure Statement .....	vi
European Community Compliance Statement .....	vi
Taiwan Wireless Statements.....	vi
Japan VCCI Class B Statement.....	vi
Korea Warning Statements .....	vi
Battery Information.....	vii
Chemical Substances Information .....	vii
WEEE (Waste Electrical and Electronic Equipment) Statement.....	viii
<b>Chapter 1 Getting Started</b> .....	<b>1-1</b>
Packing Contents .....	1-2
Optional Accessories .....	1-2
Assembly Precautions.....	1-3
Motherboard Specifications.....	1-4
Connectors Quick Guide .....	1-7
Back Panel Quick Guide .....	1-9
CPU (Central Processing Unit) .....	1-11
Introduction to the LGA 1150 CPU .....	1-11
CPU & Heatsink Installation.....	1-12
Memory .....	1-15
Dual-Channel mode Population Rule .....	1-15
Mounting Screw Holes .....	1-16
Power Supply .....	1-17
JPWR1~2: ATX Power Connectors .....	1-17
Expansion Slots .....	1-18
PCI_E1~E4: PCIe Expansion Slot .....	1-18
Video/ Graphics Cards .....	1-19
Single Video Card Installation.....	1-19
AMD CrossFire™ (Multi-GPU) Technology .....	1-20
Internal Connectors.....	1-22
SATA1~6: SATA Connector .....	1-22

CPUFAN1~2,SYSFAN1~3: Fan Power Connectors.....	1-23
JFP1, JFP2: System Panel Connectors .....	1-24
JUSB1~2: USB 2.0 Expansion Connector.....	1-25
JTPM1: TPM Module Connector .....	1-26
JAUD1: Front Panel Audio Connector .....	1-27
JCOM1: Serial Port Connector .....	1-28
Jumper .....	1-29
JBAT1: Clear CMOS Jumper.....	1-29
Drivers and Utilities .....	1-30
Total Installer .....	1-30
<b>Chapter 2 Quick Installation .....</b>	<b>2-1</b>
CPU Installation .....	2-2
Memory Installation.....	2-4
Motherboard Installation.....	2-5
Power Connectors Installation .....	2-7
SATA HDD Installation.....	2-9
mSATA SSD Installation .....	2-10
Front Panel Connector Installation.....	2-11
JFP1 Connecotr Installation.....	2-11
Front Panel Audio Connector Installation .....	2-11
Peripheral Connector Installation .....	2-12
USB2.0 Connector Installation.....	2-12
USB3.0 Connector Installation.....	2-12
Graphics Card Installation.....	2-13
<b>Chapter 3 BIOS Setup.....</b>	<b>3-1</b>
Entering Setup .....	3-2
Entering BIOS Setup .....	3-2
Press DEL key to enter Setup Menu, F11 to enter Boot Menu.....	3-2
Overview .....	3-3
Operation .....	3-5
SETTINGS .....	3-6
System Status.....	3-6
Advanced.....	3-7
Boot .....	3-15
Security.....	3-15
Save & Exit .....	3-16
OC.....	3-17
M-FLASH .....	3-27
OC PROFILE .....	3-28
HARDWARE MONITOR .....	3-29

<b>Appendix A Realtek Audio</b> .....	<b>A-1</b>
Software Configuration.....	A-2
Software panel overview.....	A-2
Auto popup dialog.....	A-3
Hardware Default Setting.....	A-4
<b>Appendix B Intel RAID</b> .....	<b>B-1</b>
Introduction.....	B-2
Using Intel Rapid Storage Technology Option ROM.....	B-3
Degraded RAID Array.....	B-10
System Acceleration (optional).....	B-12
RST Synchronization (optional).....	B-14
<b>Appendix C Intel SBA</b> .....	<b>C-1</b>
Prerequisites.....	C-2
Installing Intel SBA.....	C-3
Software Configuration.....	C-3
Software panel overview.....	C-3
Password settings.....	C-4
Help Button.....	C-4



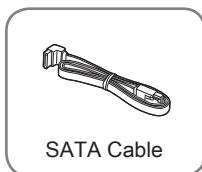
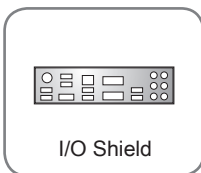
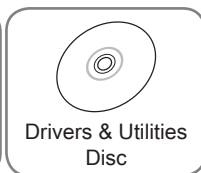
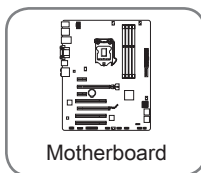
# Chapter 1

## Getting Started

Thank you for choosing the Z87-G43/ H87-G43/ B85-G43 Series (MS-7816 v1.X) ATX motherboard. The Z87-G43/ H87-G43/ B85-G43 Series motherboards are based on Intel® Z87/ H87/ B85 chipset for optimal system efficiency. Designed to fit the advanced Intel® LGA1150 processor, the Z87-G43/ H87-G43/ B85-G43 Series motherboards deliver a high performance and professional desktop platform solution.

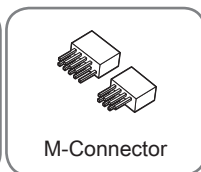
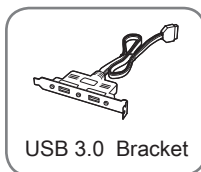
## Packing Contents

---



## Optional Accessories

---



- \* These pictures are for reference only and may vary without notice.
- \* The packing contents may vary according to the model you purchased.
- \* If you need to purchase the optional accessories or request part numbers, please visit the MSI website at <http://www.msi.com/index.php> or consult the dealer.



## Assembly Precautions

---

- The components included in this package are prone to damage from electrostatic discharge (ESD). Please adhere to the following instructions to ensure successful computer assembly.
- Always turn off the power supply and unplug the power cord from the power outlet before installing or removing any computer component.
- Ensure that all components are securely connected. Loose connections may cause the computer to not recognize a component or fail to start.
- Hold the motherboard by the edges to avoid touching sensitive components.
- It is recommended to wear an electrostatic discharge (ESD) wrist strap when handling the motherboard to prevent electrostatic damage. If an ESD wrist strap is not available, discharge yourself of static electricity by touching another metal object before handling the motherboard.
- Store the motherboard in an electrostatic shielding container or on an antistatic pad whenever the motherboard is not installed.
- Before turning on the computer, ensure that there are no loose screws or metal components on the motherboard or anywhere within the computer case.
- Do not use the computer in a high-temperature environment.
- Do not boot the computer before installation is completed. This could cause permanent damage to the components as well as injury to the user.
- If you need help during any installation step, please consult a certified computer technician.



*A screwdriver (not included) may be required for computer assembly.*

# Motherboard Specifications

<b>CPU Support</b>	<ul style="list-style-type: none"> <li>■ 4th Generation Intel® Core™ i7 / Core™ i5 / Core™ i3 / Pentium® / Celeron® processors for LGA 1150 socket</li> </ul>
<b>Chipset</b>	<ul style="list-style-type: none"> <li>■ Intel® Z87 Express Chipset (Z87-G43)</li> <li>■ Intel® H87 Express Chipset (H87-G43)*</li> <li>■ Intel® B85 Express Chipset (B85-G43)*</li> </ul> <p>* Supports Intel® SBA.</p>
<b>Memory Support</b>	<ul style="list-style-type: none"> <li>■ 4x DDR3 memory slots supporting up to 32GB</li> <li>■ Supports DDR3 3000(OC)/ 2800(OC)/ 2666(OC)/ 2600(OC)/ 2400(OC)/ 2200(OC)/ 2133(OC)/ 2000(OC)/ 1866(OC)/ 1600/ 1333/ 1066 MHz <ul style="list-style-type: none"> <li>- OC is for Z87-G43 only.</li> </ul> </li> <li>■ Dual channel memory architecture</li> <li>■ Supports non-ECC, un-buffered memory</li> <li>■ Supports Intel® Extreme Memory Profile (XMP)</li> </ul>
<b>Expansion Slots</b>	<ul style="list-style-type: none"> <li>■ 1x PCIe 3.0 x16 slot</li> <li>■ 1x PCIe 2.0 x16 slot <ul style="list-style-type: none"> <li>- Supports up to PCIe 2.0 x4 speed.</li> </ul> </li> <li>■ 2x PCIe 2.0 x1 slots</li> <li>■ 3x PCI slots</li> </ul>
<b>Onboard Graphics</b>	<ul style="list-style-type: none"> <li>■ 1x VGA port, supporting a maximum resolution of 1920x1200 @ 60Hz</li> <li>■ 1x HDMI® port, supporting a maximum resolution of 4096x2160@24Hz, 24bpp/ 2560x1600@60Hz, 24bpp/ 1920x1080@60Hz, 36bpp</li> <li>■ 1x DVI-D port, supporting a maximum resolution of 1920x1200 @ 60Hz</li> </ul>
<b>Multi-GPU Support</b>	<ul style="list-style-type: none"> <li>■ Supports 2-Way AMD CrossFire™ Technology*</li> </ul> <p>* Supports Windows 7 and Windows 8.</p>
<b>Storage</b>	<ul style="list-style-type: none"> <li>■ Intel Z87/ H87/ B85 Express Chipset <ul style="list-style-type: none"> <li>- 6x SATA 6Gb/s ports (SATA1~6) (Z87-G43/ H87-G43)</li> <li>- 4x SATA 6Gb/s ports (SATA1~4) (B85-G43)</li> <li>- 2x SATA 3Gb/s ports (SATA5~6) (B85-G43)</li> <li>- Supports RAID 0, RAID1, RAID 5 and RAID 10 (For Z87-G43/ H87-G43)</li> <li>- Supports Intel Smart Response Technology, Intel® Rapid Start Technology and Intel® Smart Connect Technology*</li> </ul> </li> </ul> <p>* Supports Intel Core processors on Windows 7 and Windows 8.</p>
<b>USB</b>	<ul style="list-style-type: none"> <li>■ Intel Z87/ H87/ B85 Express Chipset <ul style="list-style-type: none"> <li>- 4x USB 3.0 ports (2 ports on the back panel, 2 ports available through the internal USB connectors)</li> <li>- 10x USB 2.0 ports (6 ports on the back panel, 4 ports available through the internal USB connectors)</li> </ul> </li> </ul>
<b>Audio</b>	<ul style="list-style-type: none"> <li>■ Realtek® ALC892 Codec <ul style="list-style-type: none"> <li>- 7.1-Channel High Definition Audio</li> </ul> </li> </ul>
<b>LAN</b>	<ul style="list-style-type: none"> <li>■ 1x Realtek® 8111E Gigabit LAN controller</li> </ul>

<b>Back Panel Connectors</b>	<ul style="list-style-type: none"> <li>■ 1x PS/2 keyboard/ mouse combo port</li> <li>■ 6x USB 2.0 ports</li> <li>■ 1x HDMI port</li> <li>■ 1x VGA port</li> <li>■ 1x DVI-D port</li> <li>■ 1x LAN (RJ45) port</li> <li>■ 2x USB 3.0 ports</li> <li>■ 6x audio jacks</li> </ul>
<b>Internal Connectors</b>	<ul style="list-style-type: none"> <li>■ 1x 24-pin ATX main power connector</li> <li>■ 1x 8-pin ATX 12V power connector</li> <li>■ 6x SATA 6Gb/s connectors <ul style="list-style-type: none"> <li>- For Z87-G43/ H87-G43.</li> </ul> </li> <li>■ 4x SATA 6Gb/s connectors and 2x SATA 3Gb/s connectors <ul style="list-style-type: none"> <li>- For B85-G43.</li> </ul> </li> <li>■ 2x USB 2.0 connectors (supports additional 4 USB 2.0 ports)</li> <li>■ 1x USB 3.0 connectors (supports additional 2 USB 3.0 ports)</li> <li>■ 2x 4-pin CPU fan connectors</li> <li>■ 3x 4-pin system fan connectors</li> <li>■ 1x Clear CMOS jumper</li> <li>■ 1x Front panel audio connector</li> <li>■ 2x System panel connectors</li> <li>■ 1x TPM module connector</li> <li>■ 1x Serial port connector</li> <li>■ 1x Parallel port connector</li> <li>■ 1x Chassis Intrusion connector</li> </ul>
<b>I/O Controller</b>	<ul style="list-style-type: none"> <li>■ NUVOTON NCT6779 Controller Chip</li> </ul>
<b>Hardware Monitor</b>	<ul style="list-style-type: none"> <li>■ CPU/System temperature detection</li> <li>■ CPU/System fan speed detection</li> <li>■ CPU/System fan speed control</li> </ul>
<b>BIOS Features</b>	<ul style="list-style-type: none"> <li>■ 64 Mb flash (Z87-G43)</li> <li>■ 128 Mb flash (H87-G43/ B85-G43)</li> <li>■ UEFI AMI BIOS</li> <li>■ ACPI 5.0, PnP 1.0a, SM BIOS 2.7, DMI 2.0</li> <li>■ Multi-language</li> </ul>
<b>Special Features</b>	<ul style="list-style-type: none"> <li>■ DigitALL Power</li> <li>■ Military Class 4</li> <li>■ OC Genie 4</li> <li>■ CLICK BIOS 4</li> <li>■ All Solid CAPs</li> <li>■ AMD CrossFire</li> <li>■ PCI Express Gen 3</li> <li>■ Sound Blaster Cinema (optional)</li> <li>■ Super RAID</li> <li>■ USB 3.0</li> <li>■ SATA 6Gb/s</li> <li>■ HDMI</li> <li>■ Command Center</li> <li>■ Live Update</li> <li>■ M-Flash</li> </ul>

<b>Software</b>	<ul style="list-style-type: none"><li>■ Drivers</li><li>■ MSI<ul style="list-style-type: none"><li>- Command Center</li><li>- Super Charger</li><li>- Super RAID</li><li>- Live Update 5</li><li>- Fast Boot</li></ul></li><li>■ 7-ZIP</li><li>■ Intel Turbo Boost Monitor</li><li>■ Intel Extreme Tuning Utility</li><li>■ Intel Small Business Advantage (Optional)</li><li>■ Sound Blaster Cinema (Optional)</li><li>■ Norton Internet Security Solution</li><li>■ Trend Micro SafeSync</li></ul>
<b>Form Factor</b>	<ul style="list-style-type: none"><li>■ ATX Form Factor</li><li>■ 12.0 in. x 9.6 in. (30.5 cm x 24.4 cm)</li></ul>

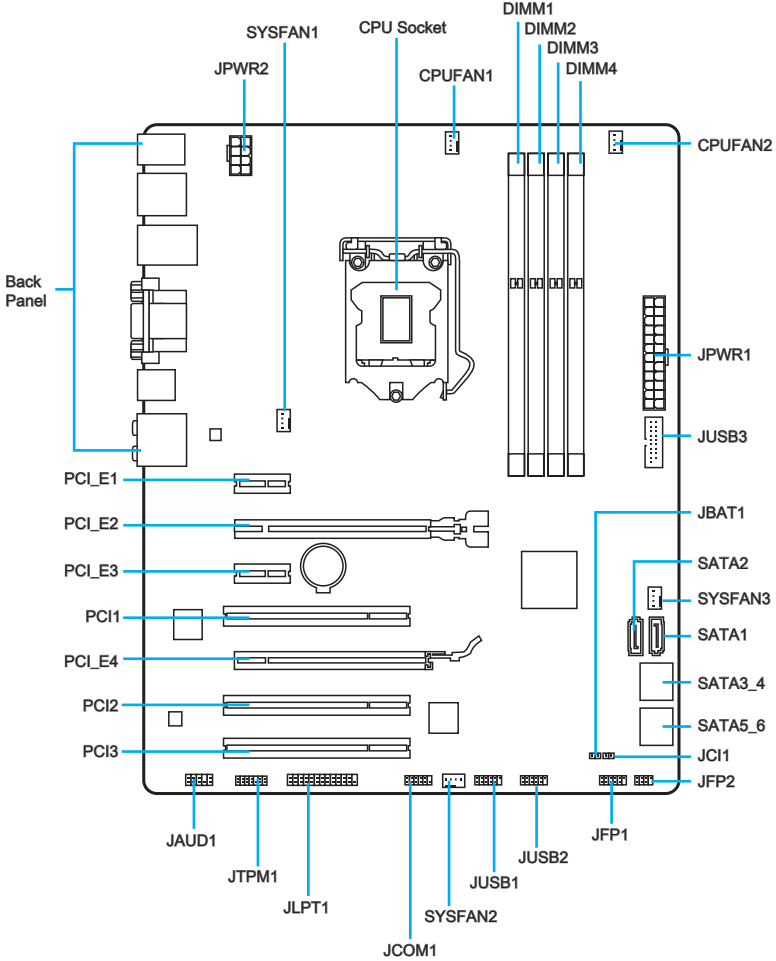


For the latest information about CPU, please visit  
<http://www.msi.com/service/cpu-support/>



For more information on compatible components, please visit  
<http://www.msi.com/service/test-report/>

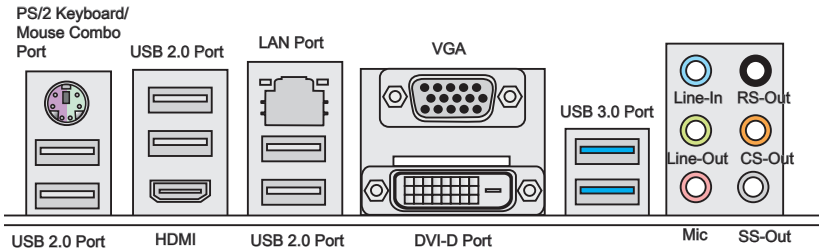
# Connectors Quick Guide



## Connectors Reference Guide

Port Name	Port Type	Page
Back Panel	I/O Ports	1-9
CPU Socket	LGA1150 CPU Socket	1-12
CPUFAN1~2,SYSFAN1~3	Fan Power Connectors	1-23
DIMM1~4	DDR3 Memory Slots	1-15
JAUD1	Front Panel Audio Connector	1-27
JBAT1	Clear CMOS Jumper	1-29
JCI1	Chassis Intrusion Connector	1-26
JCOM1	Serial Port Connector	1-28
JFP1, JFP2	System Panel Connectors	1-24
JLPT1	Parallel Port Connector	1-27
JPWR1~2	ATX Power Connectors	1-17
JTPM1	TPM Module Connector	1-26
JUSB1~2	USB 2.0 Expansion Connectors	1-25
JUSB3	USB 3.0 Expansion Connector	1-25
PCI_E1, 3	PCIe x1 Expansion Slots	1-18
PCI_E2, 4	PCIe x16 Expansion Slots	1-18
PCI1~3	PCI Expansion Slots	1-18
SATA1~6	SATA Connectors	1-22

# Back Panel Quick Guide



## ▶ PS/2 Keyboard/Mouse Combo Port

A combination of PS/2® mouse/keyboard DIN connector for a PS/2® mouse/keyboard.

## ▶ VGA Port

The DB15-pin female connector is provided for monitor.

## ▶ DVI-D Port

The DVI-D (Digital Visual Interface- Digital) connector can be connected to a LCD monitor, or a CRT monitor with an adapter. To connect a monitor, please refer to the monitor's manual for more information.

## ▶ HDMI Port **HDMI**<sup>™</sup> HIGH-DEFINITION MULTIMEDIA INTERFACE

The High-Definition Multimedia Interface (HDMI) is an all-digital audio-video interface that is capable of transmitting uncompressed streams. HDMI supports all types of TV formats, including standard, enhanced, or high-definition video, plus multi-channel digital audio on a single cable.



### **Important**

*This platform supports dual-display or triple-display function by integrated graphics output ports.*

	VGA+DVI-D	DVI-D+HDMI	HDMI+VGA	HDMI+VGA+DVI-D
Extend mode (Extend the desktop to the other monitors)	○	○	○	○
Clone mode (Monitors have the same screen)	○	○	○	○

## ▶ USB 2.0 Port

The USB 2.0 port is for attaching USB 2.0 devices such as keyboard, mouse, or other USB 2.0-compatible devices.

► **USB 3.0 Port**

USB 3.0 port is backward-compatible with USB 2.0 devices. It supports data transfer rate up to 5 Gbit/s (SuperSpeed).

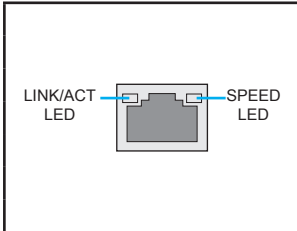


**Important**

*In order to use USB 3.0 devices, you must connect to a USB 3.0 port. If a USB cable is used, it must be USB 3.0 compliant.*

► **LAN Port**

The standard RJ-45 LAN jack is for connecting to a Local Area Network (LAN).

	<b>LED</b>	<b>LED Status</b>	<b>Description</b>
	Link/ Activity LED	Off	No link
		Yellow	Linked
		Blinking	Data activity
	Speed LED	Off	10 Mbps connection
		Green	100 Mbps connection
Orange		1 Gbps connection	

► **Audio Ports**

These connectors are used for audio devices. The color of the jack refers to the function of the connector.

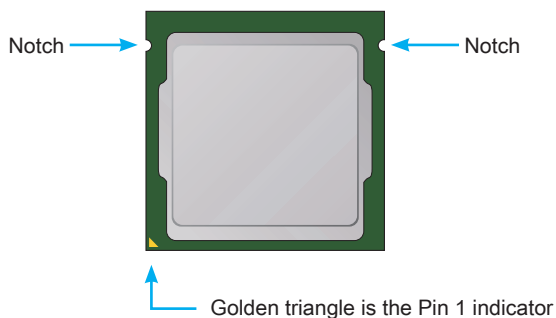
- Blue-Line in: Used for connecting external audio outputting devices.
- Green- Line out: Used as a connector for speakers or headphone.
- Pink- Mic: Used as a connector for a microphone.
- Black- RS-Out: Rear surround sound line out in 4/ 5.1/ 7.1 channel mode.
- Orange- CS-Out: Center/ subwoofer line out in 5.1/ 7.1 channel mode.
- Gray- SS-Out: Side surround sound line out in 7.1 channel mode.



# CPU (Central Processing Unit)

## Introduction to the LGA 1150 CPU

The surface of the LGA 1150 CPU has two notches and a golden triangle to assist in correctly lining up the CPU for motherboard placement. The golden triangle is the Pin 1 indicator.



### **Important**

#### **Overheating**

Overheating can seriously damage the CPU and motherboard. Always make sure the cooling fans work properly to protect the CPU from overheating. Be sure to apply an even layer of thermal paste (or thermal tape) between the CPU and the heatsink to enhance heat dissipation.

#### **Replacing the CPU**

When replacing the CPU, always turn off the system's power supply and unplug the power supply's power cord to ensure the safety of the CPU.

#### **Overclocking**

This motherboard is designed to support overclocking. Before attempting to overclock, please make sure that all other system components can tolerate overclocking. Any attempt to operate beyond product specifications is not recommend. MSI does not guarantee the damages or risks caused by inadequate operation beyond product specifications.

## CPU & Heatsink Installation

When installing a CPU, always remember to install a CPU heatsink. A CPU heatsink is necessary to prevent overheating and maintain system stability. Follow the steps below to ensure correct CPU and heatsink installation. Wrong installation can damage both the CPU and the motherboard.

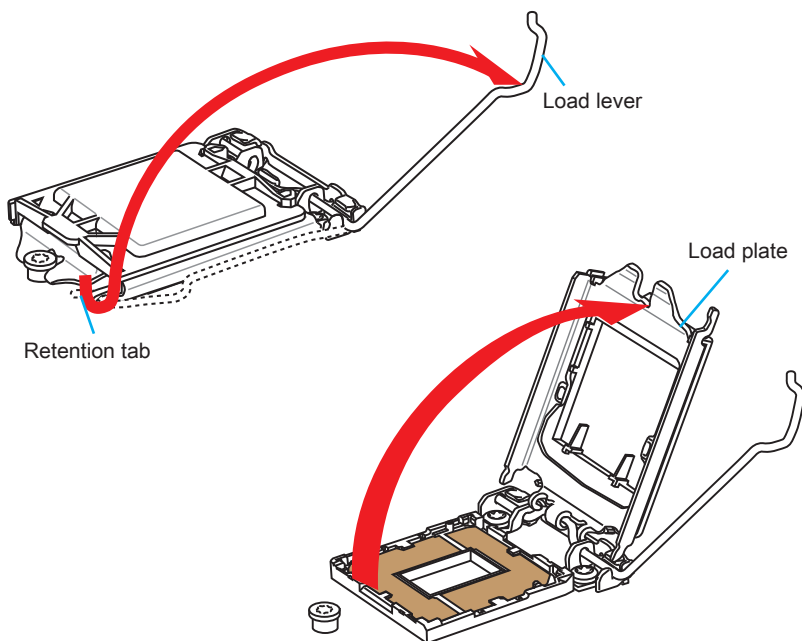
### **Video Demonstration**

Watch the video to learn how to install CPU & heatsink. at the address below.

<http://youtu.be/bf5La099url>



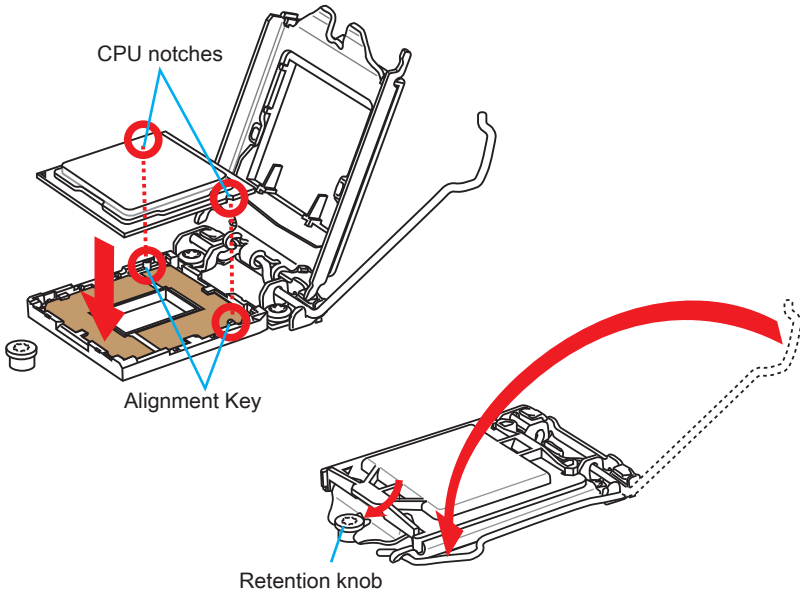
1. Push the load lever down to unclip it and lift to the fully open position.
2. The load plate will automatically lift up as the load lever is pushed to the fully open position.



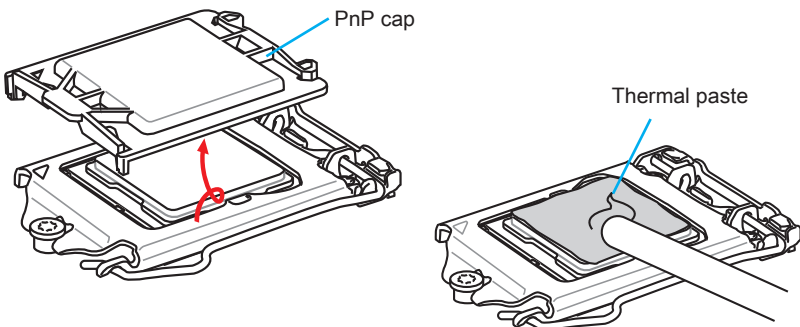
### **Important**

Do not touch the socket contacts or the bottom of the CPU.

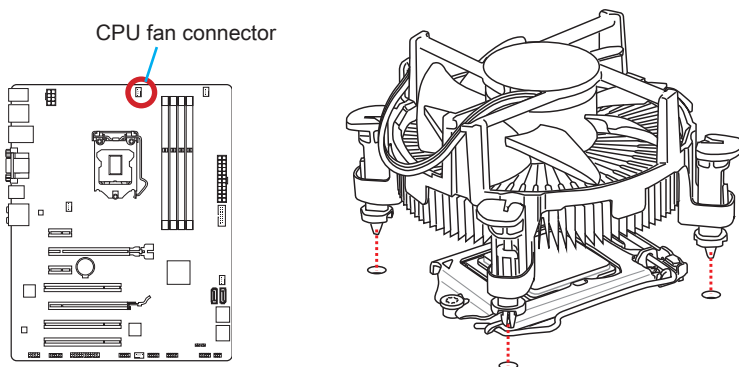
- Align the notches with the socket alignment keys. Lower the CPU straight down, without tilting or sliding the CPU in the socket. Inspect the CPU to check if it is properly seated in the socket.
- Close and slide the load plate under the retention knob. Close and engage the load lever.



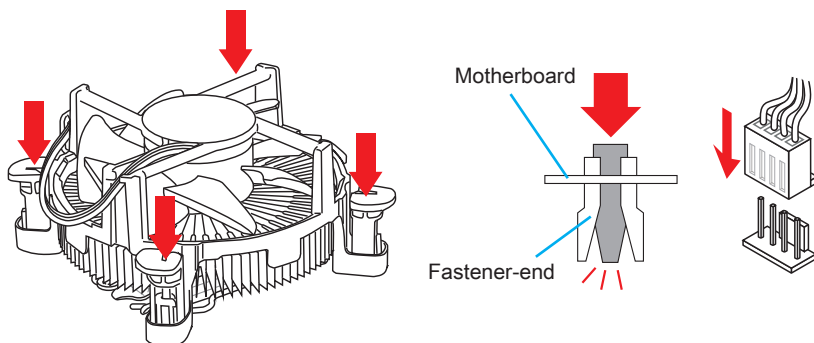
- When you press down the load lever the PnP cap will automatically pop up from the CPU socket. Do not discard the PnP cap. Always replace the PnP cap if the CPU is removed from the socket.
- Evenly spread a thin layer of thermal paste (or thermal tape) on the top of the CPU. This will help in heat dissipation and prevent CPU overheating.



7. Locate the CPU fan connector on the motherboard.
8. Place the heatsink on the motherboard with the fan's cable facing towards the fan connector and the fasteners matching the holes on the motherboard.



9. Push down the heatsink until the four fasteners get wedged into the holes on the motherboard. Press the four fasteners down to fasten the heatsink. As each fastener locks into position a click should be heard.
10. Inspect the motherboard to ensure that the fastener-ends have been properly locked in place.
11. Finally, attach the CPU fan cable to the CPU fan connector on the motherboard.

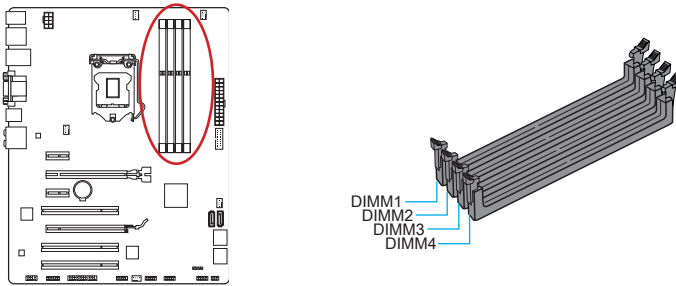


### **Important**

- Confirm that the CPU heatsink has formed a tight seal with the CPU before booting your system.
- Whenever the CPU is not installed, always protect the CPU socket pins by covering the socket with the plastic cap.
- If you purchased a separate CPU and heatsink/ cooler, Please refer to the documentation in the heatsink/ cooler package for more details about installation.

# Memory

These DIMM slots are used for installing memory modules. For more information on compatible components, please visit <http://www.msi.com/service/test-report/>



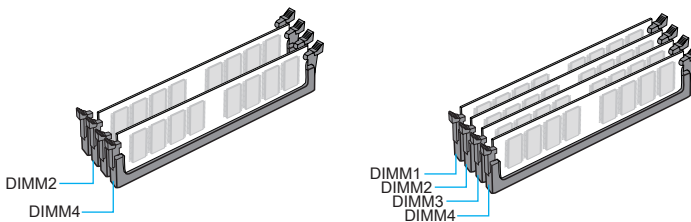
## Video Demonstration

Watch the video to learn how to install memories at the address below.  
<http://youtu.be/76yLtJaKICQ>



## Dual-Channel mode Population Rule

In Dual-Channel mode, the memory modules can transmit and receive data with two data bus channels simultaneously. Enabling Dual-Channel mode can enhance system performance. The following illustrations explain the population rules for Dual-Channel mode.

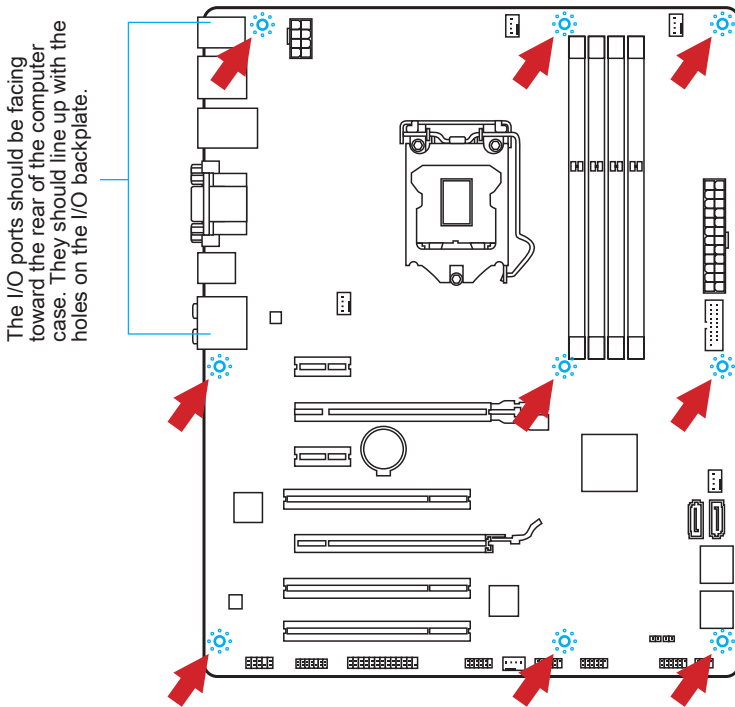


### **Important**

- *DDR3 memory modules are not interchangeable with DDR2, and the DDR3 standard is not backward compatible. Always install DDR3 memory modules in DDR3 DIMM slots.*
- *To ensure system stability, memory modules must be of the same type and density in Dual-Channel mode.*
- *Due to chipset resource usage, the system will only detect up to 31+ GB of memory (not full 32 GB) when all DIMM slots have 8GB memory modules installed.*

## Mounting Screw Holes

When installing the motherboard, first install the necessary mounting stands required for an motherboard on the mounting plate in your computer case. If there is an I/O back plate that came with the computer case, please replace it with the I/O backplate that came with the motherboard package. The I/O backplate should snap easily into the computer case without the need for any screws. Align the mounting plate's mounting stands with the screw holes on the motherboard and secure the motherboard with the screws provided with your computer case. The locations of the screw holes on the motherboard are shown below. For more information, please refer to the manual that came with the computer case.



### **Important**

- Install the motherboard on a flat surface free from unnecessary debris.
- To prevent damage to the motherboard, any contact between the motherboard circuitry and the computer case, except for the mounting stands, is prohibited.
- Please make sure there are no loose metal components on the motherboard or within the computer case that may cause a short circuit of the motherboard.

# Power Supply



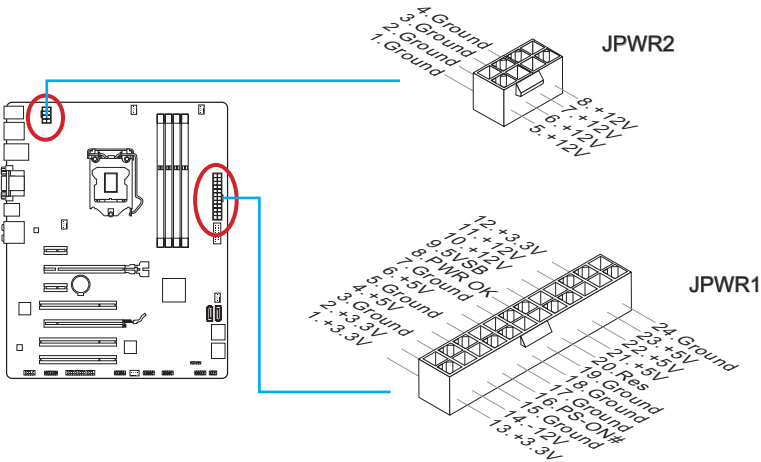
## Video Demonstration

Watch the video to learn how to install power supply connectors.  
[http://youtu.be/gkDYyR\\_83l4](http://youtu.be/gkDYyR_83l4)



## JPWR1~2: ATX Power Connectors

These connectors allow you to connect an ATX power supply. To connect the ATX power supply, align the power supply cable with the connector and firmly press the cable into the connector. If done correctly, the clip on the power cable should be hooked on the motherboard's power connector.



## Important

Make sure that all the power cables are securely connected to a proper ATX power supply to ensure stable operation of the motherboard.

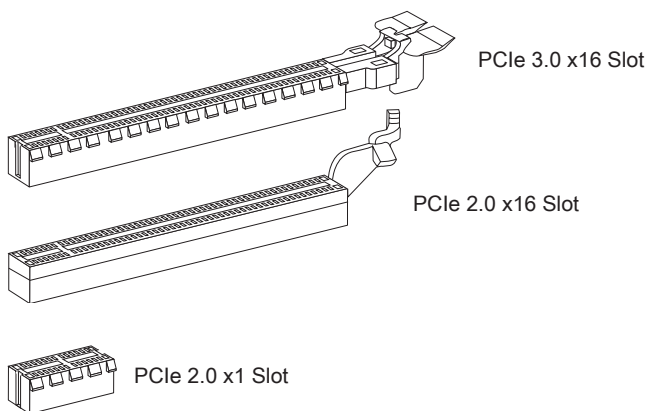
## Expansion Slots

---

This motherboard contains numerous slots for expansion cards, such as discrete graphics or audio cards.

### PCI\_E1~E4: PCIe Expansion Slot

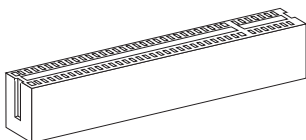
The PCIe slot supports the PCIe interface expansion card.



---

### PCI1~3: PCI Expansion Slot

The PCI slot supports additional LAN, SCSI, USB, and other add-on cards that comply with PCI specifications.



### ***Important***

*When adding or removing expansion cards, always turn off the power supply and unplug the power supply power cable from the power outlet. Read the expansion card's documentation to check for any necessary additional hardware or software changes.*



## Video/ Graphics Cards

---

If available, this motherboard takes advantage of the CPU's integrate graphics processor, but discrete video cards can be installed by way of the motherboard's expansion slots. Adding on one or more discrete video cards will significantly boost the system's graphics performance. For best compatibility, MSI graphics cards are recommended.



### *Video Demonstration*

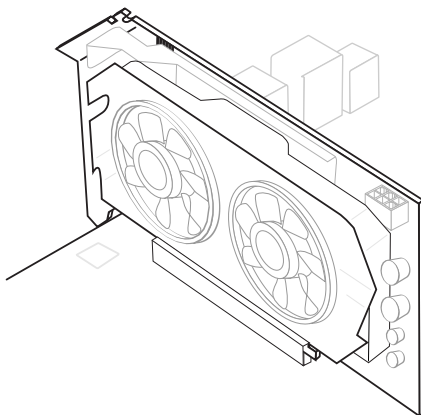
Watch the video to learn how to install a graphics card on PCIe x16 slot with butterfly lock.

[http://youtu.be/mG0GZpr9w\\_A](http://youtu.be/mG0GZpr9w_A)



### Single Video Card Installation

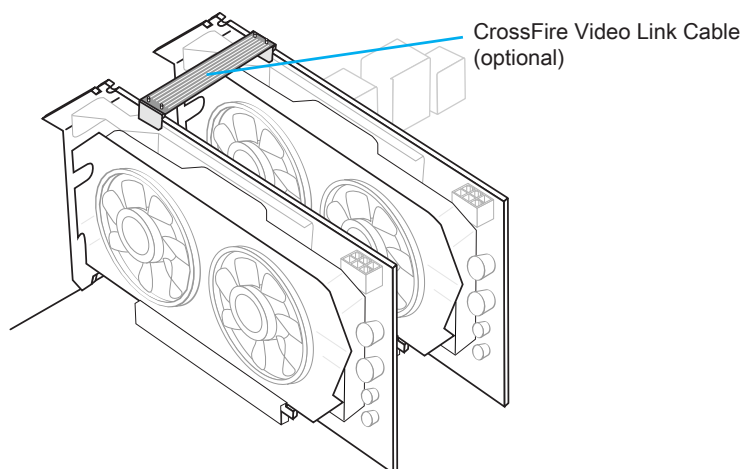
1. Determine what type of expansion slot(s) the video card will use. Locate the expansion slot(s) on the motherboard. Remove any protective expansion slot covers from the computer case.
2. Line up the video card on top of the expansion slot(s) with the display ports facing out of the computer case. For a single video card installation, using the PCI\_E2 slot is recommended.
3. Push the video card into its expansion slot(s). Depending on the expansion slot(s) used, there should be clip(s) on the expansion slot(s) that will lock in place.
4. If needed, screw the edge of the graphics card to the computer case. Some video cards might require a power cable directly from the power supply.
5. Please consult your video card's manual for further instructions regarding driver installation or other special settings.



## AMD CrossFire™ (Multi-GPU) Technology

AMD CrossFire™ is a multi-GPU performance gaming platform. By linking together two or more discrete GPUs, CrossFire™ can significantly improve system graphics performance. It allows the ability to scale a system's graphics power as needed, making it the most scalable gaming platform. This motherboard will automatically detect CrossFire™ technology and make changes in the BIOS as needed. Follow the instructions below to ensure a successful two-way CrossFire™ installation.

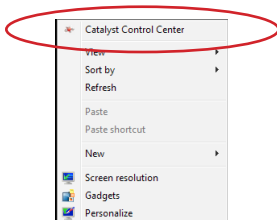
1. Install two AMD Radeon™ HD graphics cards into the PCI\_E2 & PCI\_E5 expansion slots.
2. With the two cards installed, a CrossFire™ Video Link cable(optional) is required to connect the graphics cards. Attach one side of the cable on each of the cards by way of the metal contacts (please refer to the picture below). Please note that although two graphics cards have been installed, only the display ports on the graphics card installed in the first PCIe x16 slot will work. All displays should be connected to this graphics card.



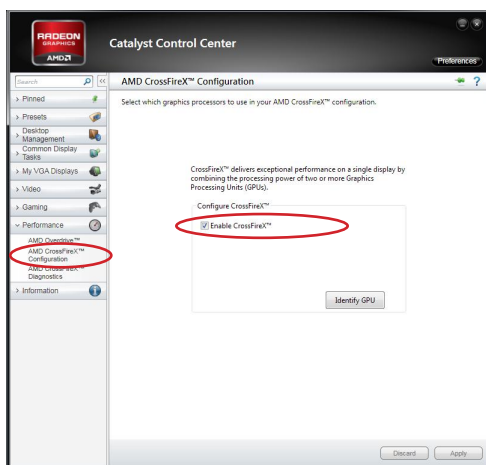
### **Important**

- Please ensure that all graphics cards used in CrossFire™ mode are of the same brand and specifications. For best compatibility with the motherboard, MSI graphics cards are recommended.
- Make sure to connect an adequate power supply to the power connectors on the graphics cards to ensure stable operation.

3. Boot up the computer and install the drivers and software included in your video card package. For more information, please refer to the manual that came with your video card.
4. After all of the hardware and software has been properly installed, reboot the system. After entering the operating system (OS), right click on the desktop and choose the "Catalyst Control Center".



5. The CrossFire™ setting must be enabled to allow CrossFire™ mode to operate. The follow screen appears in the Catalyst Control Center. Depending on your operating system, the screen may look different.



### **Important**

A CrossFire™ system has four possible display modes:

- SuperTiling
- Scissor Mode
- Alternate Frame Rendering
- Super Anti-aliasing.

For more details, please consult the graphics card manual.

# Internal Connectors

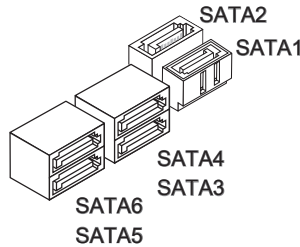
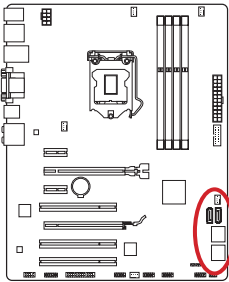
## SATA1~6: SATA Connector

This connector is a high-speed SATA interface port. Each connector can connect to one SATA device. SATA devices include disk drives (HDD), solid state drives (SSD), and optical drives (CD/ DVD/ Blu-Ray).



### Video Demonstration

Watch the video to learn how to Install SATA HDD.  
<http://youtu.be/RZsMpqxythc>



SATA1~6 (6Gb/s) by Intel® Z87/ H87

SATA1~4 (6Gb/s), SATA5~6 (3Gb/s) by Intel® B85

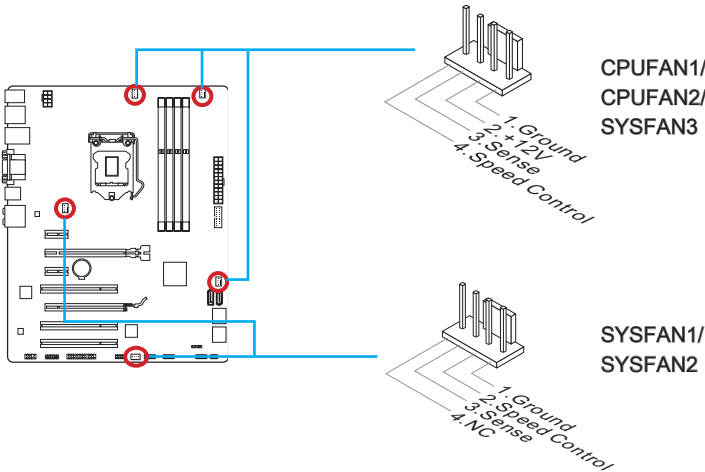


### Important

- Many SATA devices also need a power cable from the power supply. Such devices include disk drives (HDD), solid state drives (SSD), and optical drives (CD / DVD / Blu-Ray). Please refer to the device's manual for further information.
- Many computer cases also require that large SATA devices, such as HDDs, SSDs, and optical drives, be screwed down into the case. Refer to the manual that came with your computer case or your SATA device for further installation instructions.
- Please do not fold the SATA cable at a 90-degree angle. Data loss may result during transmission otherwise.
- SATA cables have identical plugs on either sides of the cable. However, it is recommended that the flat connector be connected to the motherboard for space saving purposes.

## CPUFAN1~2,SYSFAN1~3: Fan Power Connectors

The fan power connectors support system cooling fans with +12V. If the motherboard has a System Hardware Monitor chipset on-board, you must use a specially designed fan with a speed sensor to take advantage of the CPU fan control. Remember to connect all system fans. Some system fans may not connect to the motherboard and will instead connect to the power supply directly. A system fan can be plugged into any available system fan connector.



### **Important**

- Please refer to your processor's official website or consult your vendor to find recommended CPU heatsink.
- These connectors support Smart Fan Control with liner mode. The Command Center utility can be installed to automatically control the fan speeds according to the CPU's and system's temperature.
- If there are not enough ports on the motherboard to connect all system fans, adapters are available to connect a fan directly to a power supply.
- Before first boot up, ensure that there are no cables impeding any fan blades.

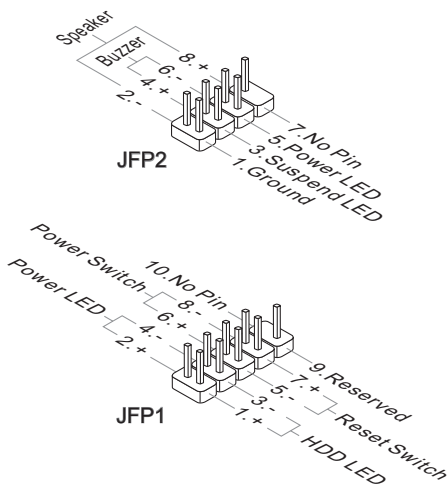
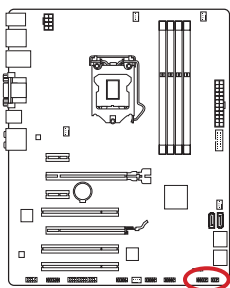
## JFP1, JFP2: System Panel Connectors

These connectors connect to the front panel switches and LEDs. The JFP1 connector is compliant with the Intel® Front Panel I/O Connectivity Design Guide. When installing the front panel connectors, please use the optional M-Connector to simplify installation. Plug all the wires from the computer case into the M-Connector and then plug the M-Connector into the motherboard.

### Video Demonstration

Watch the video to learn how to install front panel connectors.

<http://youtu.be/DPELIdVNZUI>

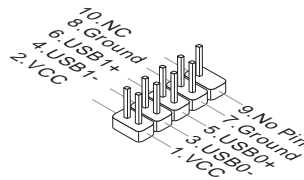
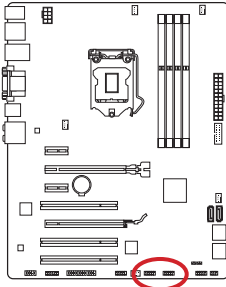


### Important

- On the connectors coming from the case, pins marked by small triangles are positive wires. Please use the diagrams above and the writing on the optional M-Connectors to determine correct connector orientation and placement.
- The majority of the computer case's front panel connectors will primarily be plugged into JFP1.

## JUSB1~2: USB 2.0 Expansion Connector

This connector is designed for connecting high-speed USB peripherals such as USB HDDs, digital cameras, MP3 players, printers, modems, and many others.

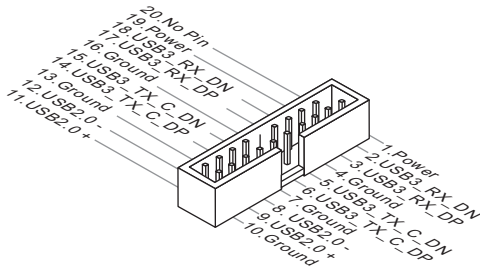
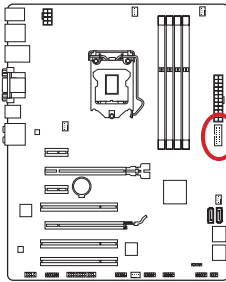


### **Important**

Note that the VCC and GND pins must be connected correctly to avoid possible damage.

## JUSB3: USB 3.0 Expansion Connector

The USB 3.0 port is backwards compatible with USB 2.0 devices. It supports data transfer rates up to 5Gbits/s (SuperSpeed).

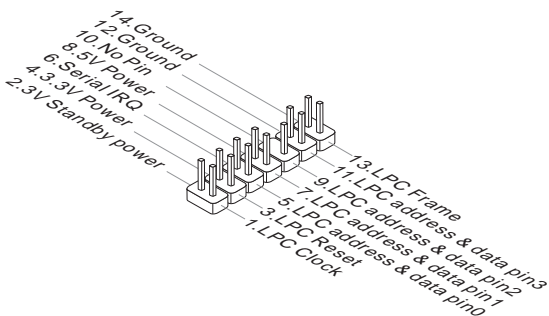
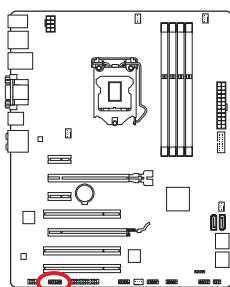


### **Important**

- Note that the VCC and GND pins must be connected correctly to avoid possible damage.
- To use a USB 3.0 device, you must connect the device to a USB 3.0 port through an optional USB 3.0 compliant cable.

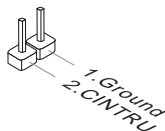
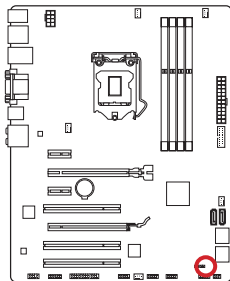
## JTPM1: TPM Module Connector

This connector connects to an optional TPM (Trusted Platform Module) Module. Please refer to the TPM security platform manual for more details and usages.



## JCI1: Chassis Intrusion Connector

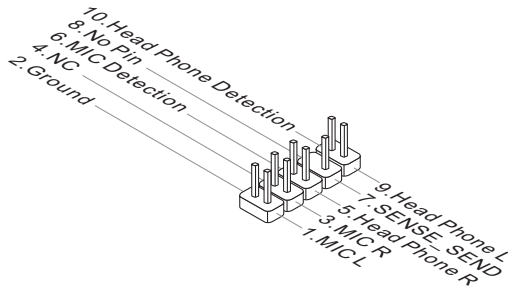
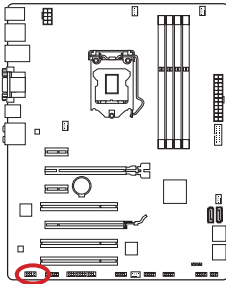
This connector connects to the chassis intrusion switch cable. If the computer case is opened, the chassis intrusion mechanism will be activated. The system will record this intrusion and a warning message will flash on screen. To clear the warning, you must enter the BIOS utility and clear the record.





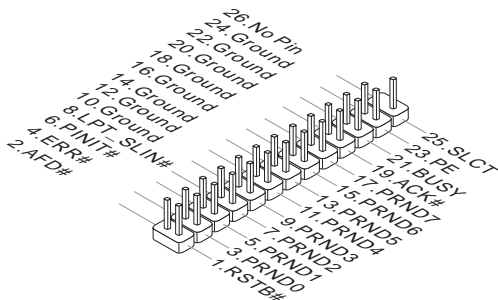
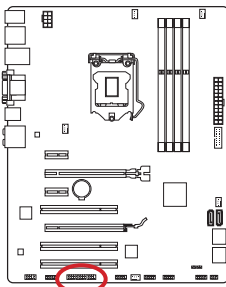
## JAUD1: Front Panel Audio Connector

This connector allows you to connect the front audio panel located on your computer case. This connector is compliant with the Intel® Front Panel I/O Connectivity Design Guide.



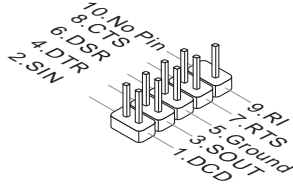
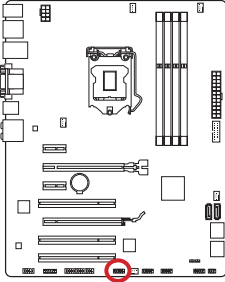
## JLPT1: Parallel Port Connector

This connector is used to connect an optional parallel port bracket. The parallel port is a standard printer port that supports Enhanced Parallel Port (EPP) and Extended Capabilities Parallel Port (ECP) mode.



## JCOM1: Serial Port Connector

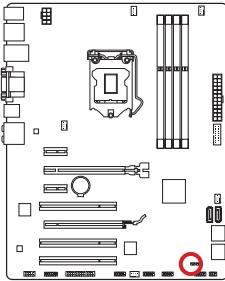
This connector is a 16550A high speed communication port that sends/receives 16 bytes FIFOs. You can attach a serial device.



# Jumper

## JBAT1: Clear CMOS Jumper

There is CMOS RAM onboard that is external powered from a battery located on the motherboard to save system configuration data. With the CMOS RAM, the system can automatically boot into the operating system (OS) every time it is turned on. If you want to clear the system configuration, set the jumpers to clear the CMOS RAM.



Keep Data



Clear Data



### ***Important***

*You can clear the CMOS RAM by shorting this jumper while the system is off. Afterwards, open the jumper. Do not clear the CMOS RAM while the system is on because it will damage the motherboard.*

## Drivers and Utilities

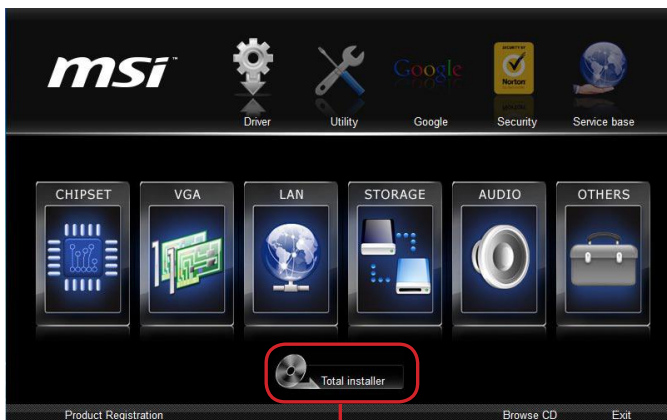
After you install the operating system you will need to install drivers to maximize the performance of the new computer you just built. MSI motherboard comes with a Driver Disc. Drivers allow the computer to utilize your motherboard more efficiently and take advantage of any special features we provide.

You can protect your computer from viruses by installing the bundled security program. The bundle also includes a variety of powerful and creative utilities.

### Total Installer

Total Installer is very easy to use and does a great job of finding necessary drivers. Please follow the steps below to install drivers and utilities for your new computer.

1. Insert MSI Driver Disc into the optical drive. The setup screen will automatically appear if autorun is enabled in OS.
2. Click Total Installer. A popup dialogue will appear listing all necessary drivers.



Click here

3. Select all checkbox on driver listing dialog.
4. Click **Install** button.
5. The software installation will then be in progress, after it has finished it will prompt you to restart.
6. Click **OK** button to finish.
7. Restart your computer.

You can also use the same method to install the utilities.

# Chapter 2

## Quick Installation

This chapter provides demonstration diagrams about how to install your computer. Some of the installations also provide video demonstrations. Please link to the URL to watch it with the web browser on your phone or tablet. You may have even link to the URL by scanning the QR code.



### ***Important***

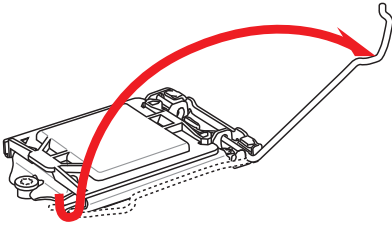
*The diagrams in this chapter are for reference only and may vary from the product you purchased.*

# CPU Installation

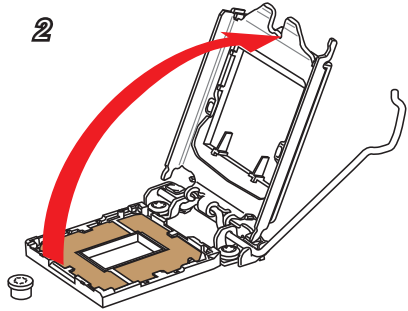


<http://youtu.be/bf5La099url>

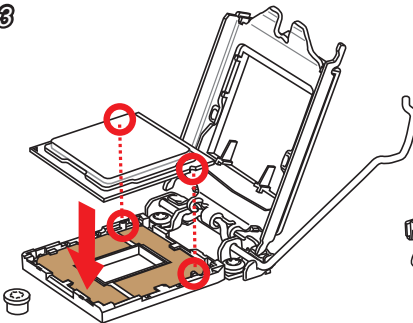
1



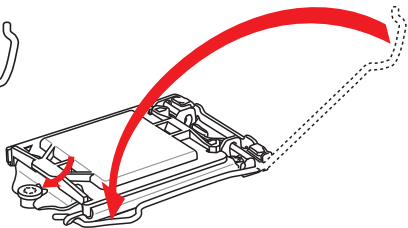
2



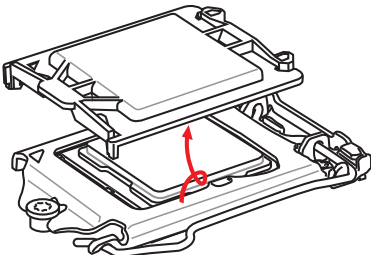
3



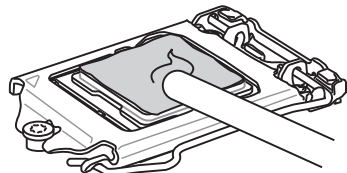
4



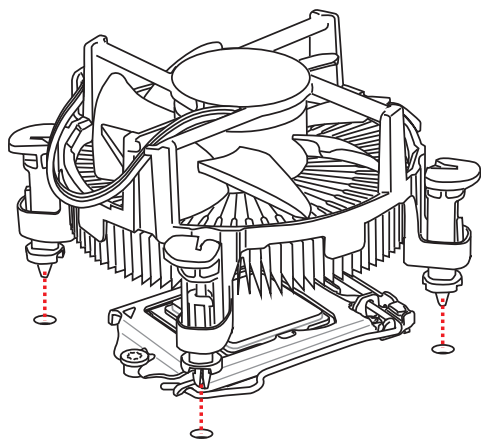
5



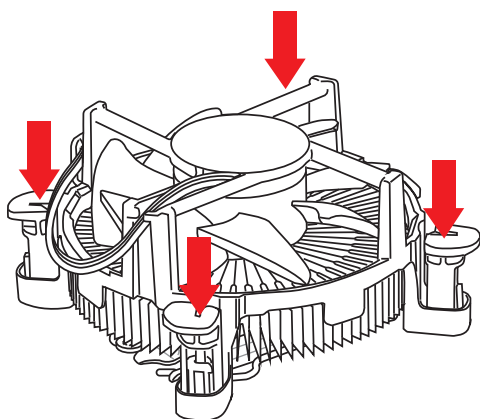
6



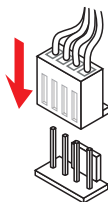
7



8



9



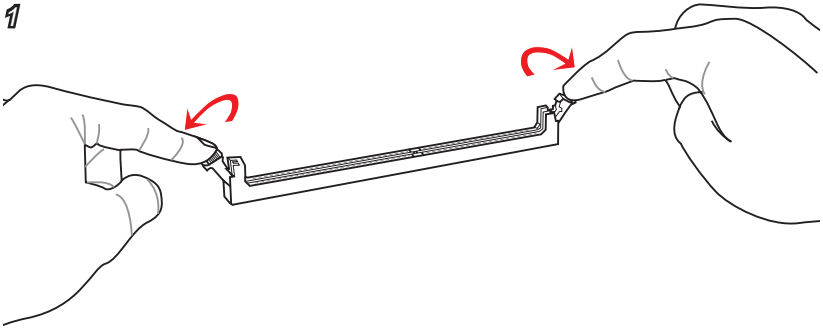
# Memory Installation

---

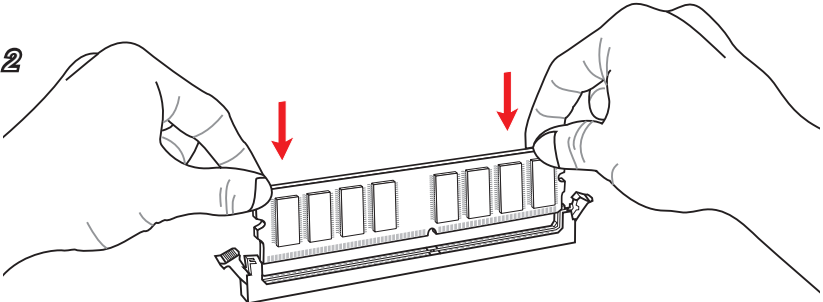


<http://youtu.be/76yLtJaKICQ>

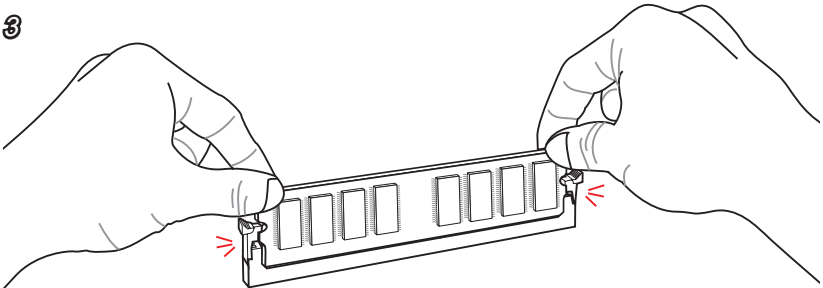
1



2



3

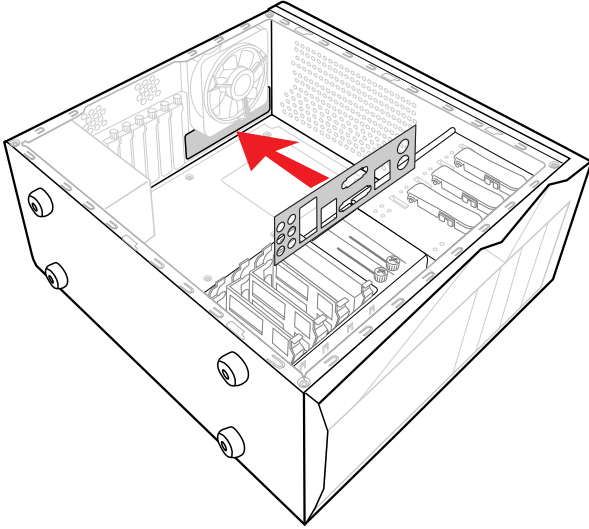




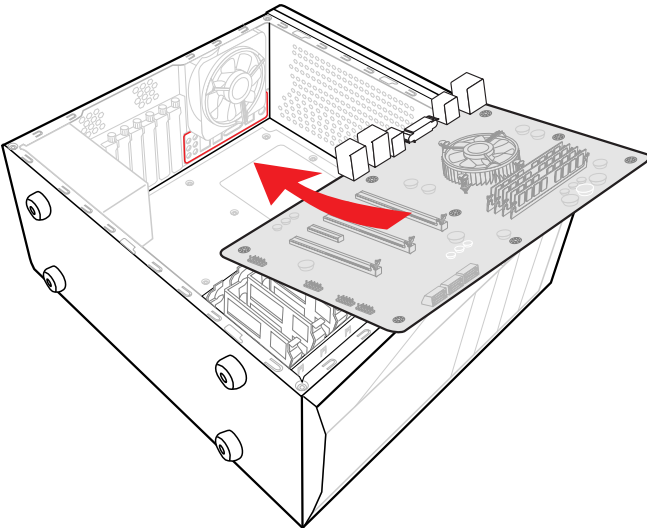
# Motherboard Installation

---

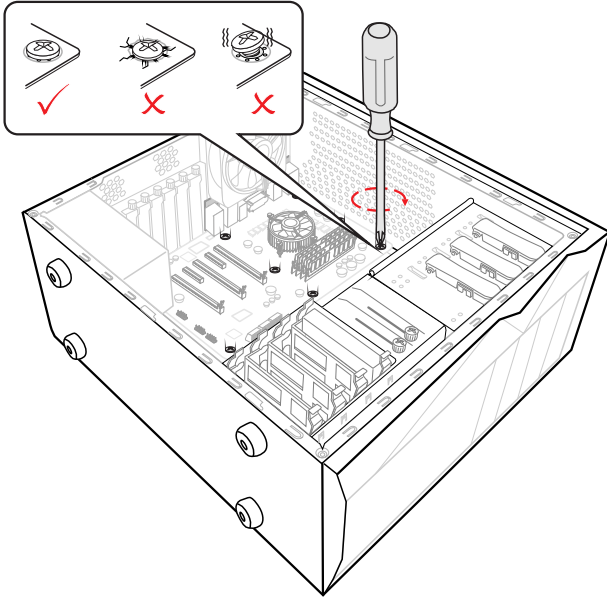
1



2



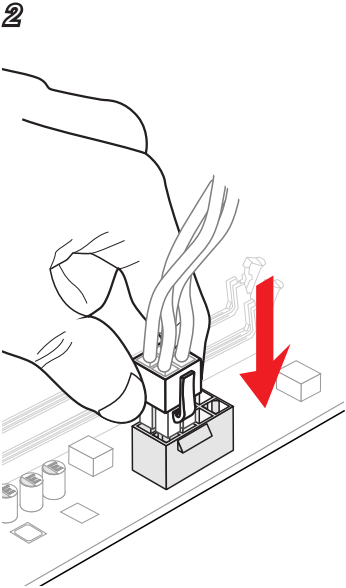
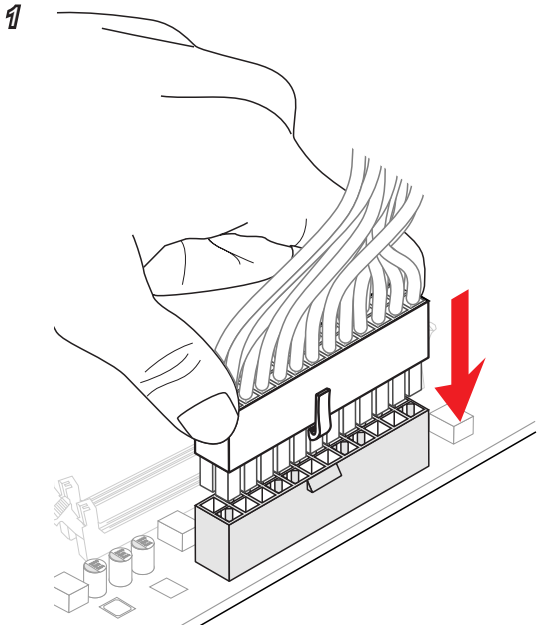
③



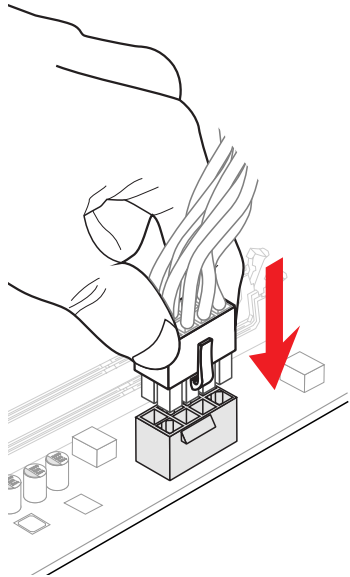
# Power Connectors Installation



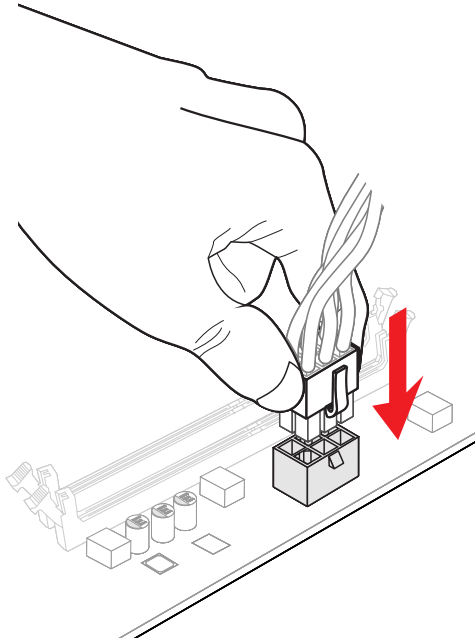
[http://youtu.be/gkDYyR\\_83I4](http://youtu.be/gkDYyR_83I4)



or



3

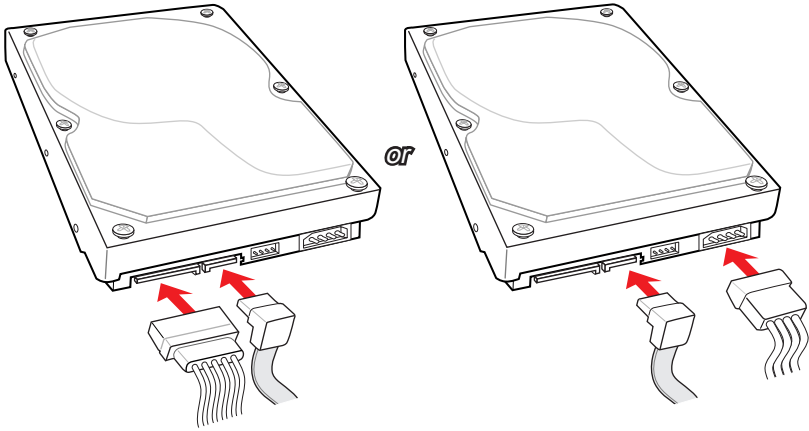


# SATA HDD Installation

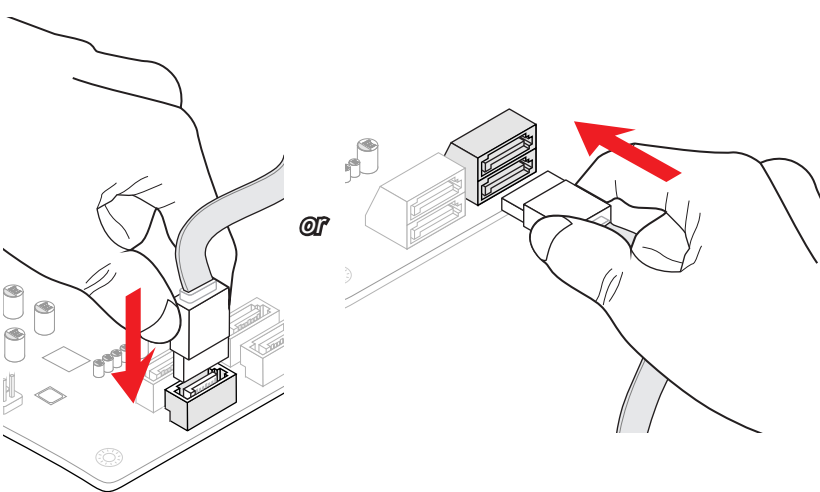


<http://youtu.be/RZsMpqxythc>

1

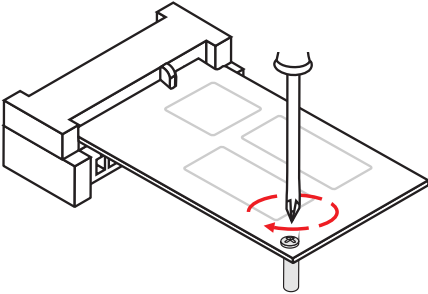
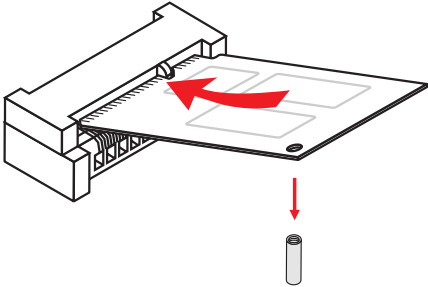
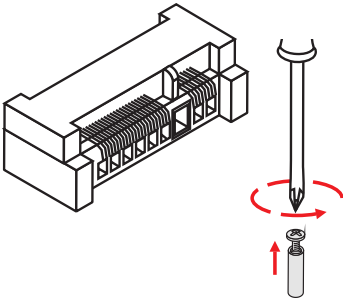


2



# mSATA SSD Installation

Chapter 2

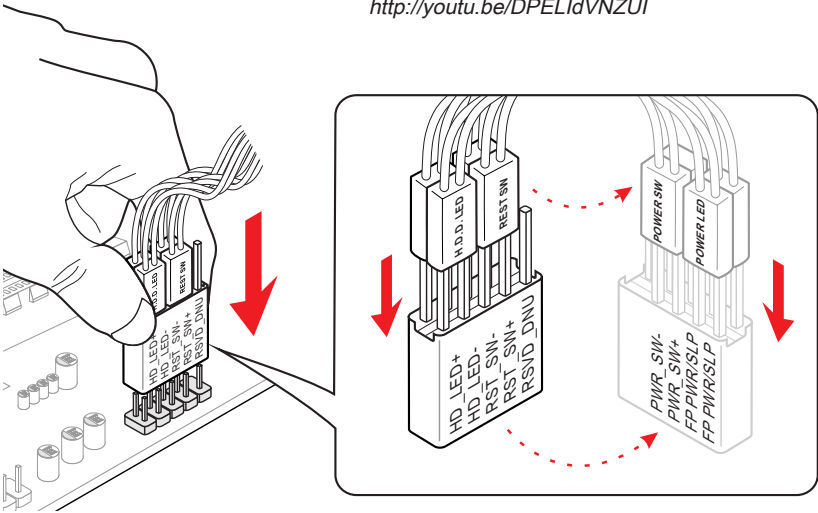


# Front Panel Connector Installation

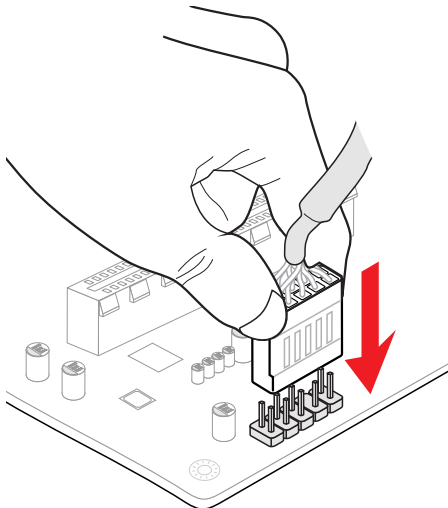
## JFP1 Connecotr Installation



<http://youtu.be/DPELIdVNZUI>

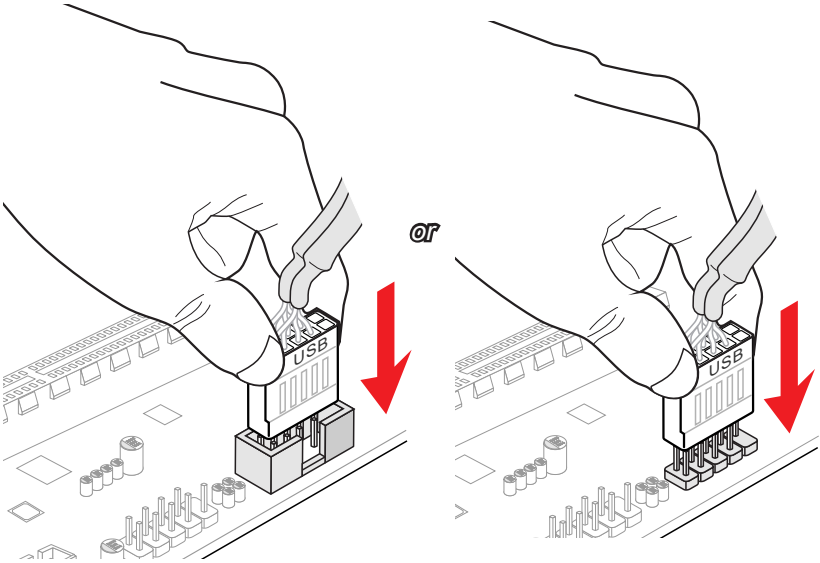


## Front Panel Audio Connector Installation

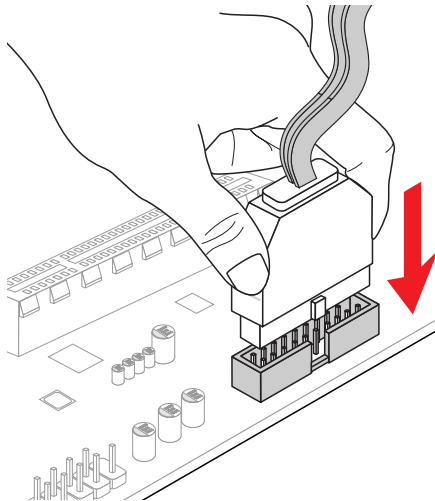


# Peripheral Connector Installation

## USB2.0 Connector Installation



## USB3.0 Connector Installation



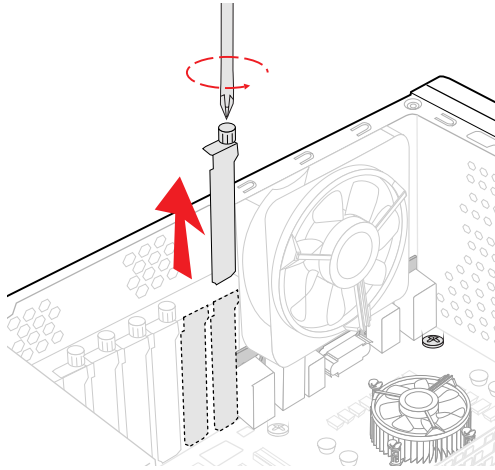


# Graphics Card Installation

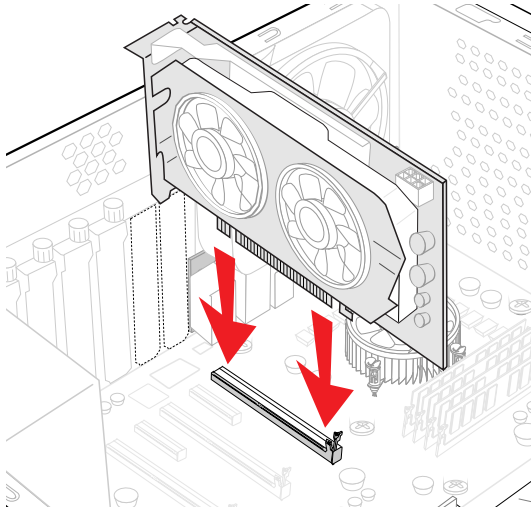


[http://youtu.be/mG0GZpr9w\\_A](http://youtu.be/mG0GZpr9w_A)

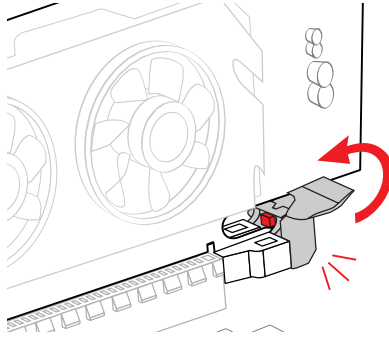
1



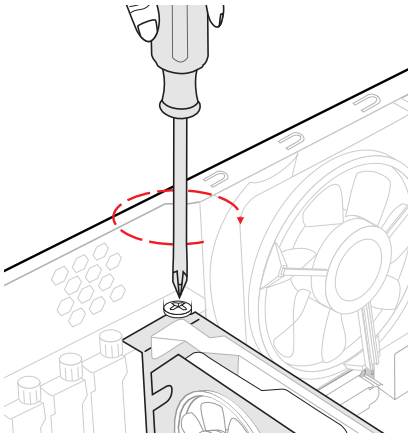
2



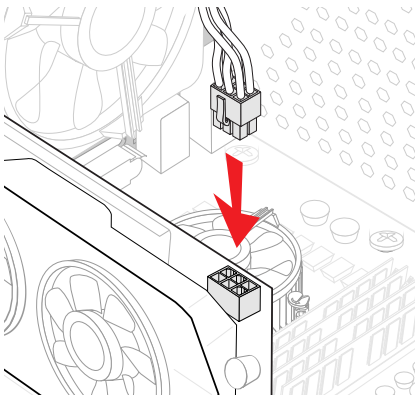
3



4



5



# Chapter 3

## BIOS Setup

CLICK BIOS is a revolutionary UEFI interface that allows you to setup and configure your system for optimum use. Using your mouse and keyboard, users can change BIOS settings, monitor CPU temperature, select the boot device priority and view system information such as the CPU name, DRAM capacity, the OS version and the BIOS version. Users can import and export parameter data for backup or for sharing with friends. By connecting to the Internet within CLICK BIOS, users can browse webpages, check mail and use Live Update in your system.



### *Important*

- *The items under each BIOS category described in this chapter are under continuous update for better system performance. Therefore, the description may be slightly different from the latest BIOS and should be held for reference only.*
- *The pictures in this chapter are for reference only and may vary from the product you purchased. Please refer to the actual screens of your system for detailed information.*
- *Please clear the CMOS data and restore the default settings if the system becomes unbootable after changing BIOS settings. (Refer to the Clear CMOS jumper/ button section to clear the CMOS data, select the "Restore Defaults" and press <Enter> in BIOS to load the default settings.)*

## Entering Setup

The default settings offer the optimal performance for system stability in normal conditions. You may need to run the Setup program when:

- An error message appears on the screen during the system booting up, and requests you to run SETUP.
- You want to change the default settings for customized features.



### ***Important***

- Please load the default settings to restore the optimal system performance and stability if the system becomes unstable after changing BIOS settings. Select the "Restore Defaults" and press <Enter> in BIOS to load the default settings.
- Please clear the CMOS data and restore the default settings if the system becomes unbootable after changing BIOS settings. (Refer to the Clear CMOS jumper/ button section to clear the CMOS data, select the "Restore Defaults" and press <Enter> in BIOS to load the default settings.)
- If you are unfamiliar with the BIOS settings, we recommend that you keep the default settings to avoid possible system damage or failure booting due to inappropriate BIOS configuration.

## Entering BIOS Setup

Power on the computer and the system will start the Power On Self Test (POST) process. When the message below appears on the screen, please <DEL> key to enter BIOS:

### Press DEL key to enter Setup Menu, F11 to enter Boot Menu

If the message disappears before you respond and you still need to enter BIOS, restart the system by turning the computer OFF then back ON or pressing the RESET button. You may also restart the system by simultaneously pressing <Ctrl>, <Alt>, and <Delete> keys.

MSI additionally provides two methods to enter the BIOS setup. You can click the "GO2BIOS" tab on "MSI Fast Boot" utility screen or press the physical "GO2BIOS" button (optional) on the motherboard to enable the system going to BIOS setup directly at next boot.



Click "GO2BIOS" tab on "MSI Fast Boot" utility screen.

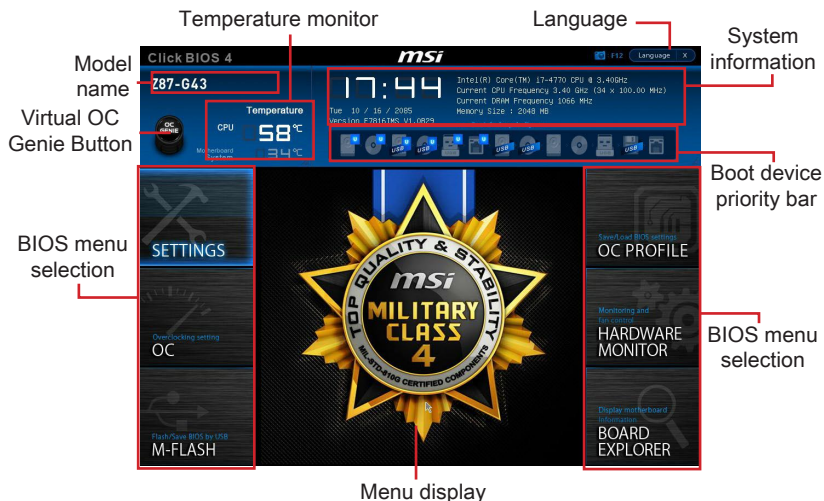


### ***Important***

Please be sure to install the "MSI Fast Boot" utility before using it to enter the BIOS setup.

# Overview

After entering BIOS, the following screen is displayed.



## ► Temperature monitor

Shows the temperatures of the processor and the motherboard.

## ► Language

Allows you to select the language of the BIOS setup.

## ► System information

Shows the time, date, CPU name, CPU frequency, DRAM frequency, DRAM capacity and the BIOS version.

## ► BIOS menu selection

The following options are available:

- **SETTINGS** - Uses this menu to specify the parameters for chipset and boot devices.
- **OC** - This menu contains the frequency and voltage adjustments. Increasing the frequency can get better performance, however high frequency and heat can cause instability, we do not recommend general users to overclock.
- **M-FLASH** - This menu provides the way to update BIOS with a USB flash disk.
- **OC PROFILE** - This menu is used to set various overclocking profiles.
- **HARDWARE MONITOR** - This menu is used to set the speeds of fans and monitor voltages of system.
- **BOARD EXPLORER** - It will provide the information of the installed devices on the motherboard.

### ► Boot device priority bar

You can move the device icons to change the boot priority.



### ► Menu display

This area provides BIOS settings and information to be configured.

### ► Virtual OC Genie Button

Enables or disables the OC Genie function by clicking on this button. When enabled, this button will be light. Enabling OC Genie function can automatically overclock with MSI optimized overclocking profile.

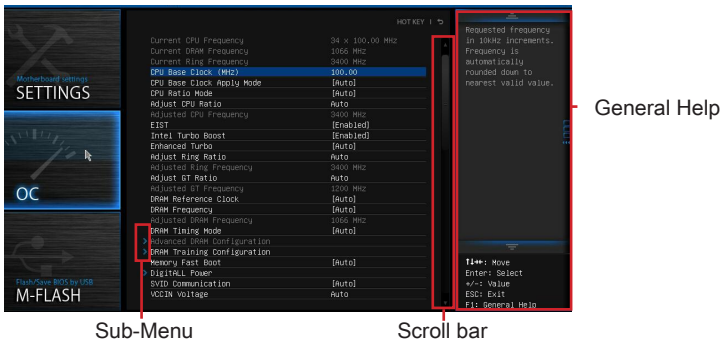


### **Important**

- We recommend that you do not to make any modification in OC menu and do not to load defaults after enabling the OC Genie function.
- Updating BIOS or clearing CMOS is not allowed in OC Genie mode, and it may cause OC Genie function fail or other effect.

### ► Model Name

Shows the model name of motherboard.



### ► Sub-menu

If you find a point symbol to the left of certain items, that means a sub-menu can be launched for additional options. You can use the arrow keys or mouse to highlight the item and press <Enter> or double-click the left mouse button to enter the sub-menu.

### ► Scroll bar

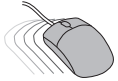


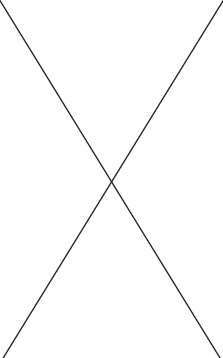
Slide the scroll bar or use the arrow keys to display the other items that are available on the "menu display" area.

### ► General Help

The General Help displays a brief description to assist you in grasping the selected item.

## Operation

You can control BIOS settings with the mouse and the keyboard. The following table lists and describes the hot keys and the mouse operations.

Hot key	Mouse	Description
<↑↓→←>	 Move the cursor	Select Item
<Enter>	 Click/ Double-click the left button	Select Icon/ Field
<Esc>	 Click the right button	Jump to the Exit menu or return to the previous from a submenu
<+>		Increase the numeric value or make changes
<->		Decrease the numeric value or make changes
<F1>		General Help
<F4>		CPU Specifications
<F5>		Enter Memory-Z
<F6>		Load optimized defaults
<F8>		OC Profile Load From USB
<F9>		OC Profile Save to USB
<F10>		Save Change and Reset
<F12>		Save a screenshot to a FAT/FAT32 USB drive

# SETTINGS



## System Status

### ► System Date

Sets the system date. Use tab key to switch between date elements.

The format is <day> <month> <date> <year>.

<day> Day of the week, from Sun to Sat, determined by BIOS. Read-only.

<month> The month from Jan. through Dec.

<date> The date from 1 to 31 can be keyed by numeric function keys.

<year> The year can be adjusted by users.

### ► System Time

Sets the system time. Use tab key to switch between time elements.

The time format is <hour> <minute> <second>.

### ► SATA Port

Show the information of connected SATA device.



### **Important**

*If the connected SATA device is not displayed, turn off computer and re-check SATA cable and power cable connections of the device and motherboard.*

### ► System Information

Shows detailed system information, including CPU type, BIOS version, and Memory (read only).



## Advanced

### ► PCI Subsystem Settings

Sets PCI, PCI express interface protocol and latency timer. Press <Enter> to enter the sub-menu.

#### ► PEG0/ 1 - Gen X [Auto]

Sets PCI Express protocol for matching different installed devices. PEG0 and PEG1 are as first and second PCIe x16 slots.

[Auto] Enables all PCIe Gen1, Gen2 and Gen3. supports.

[Gen1] Enables PCIe Gen1 support only.

[Gen2] Enables PCIe Gen2 support only.

[Gen3] Enables PCIe Gen3 support only.

#### ► PCI Latency Timer [32]

Sets latency timer of PCI interface device.

[Options: 32, 64, 96, 128, 160, 192, 224, 248 PCI Bus clocks]

### ► ACPI Settings

Sets ACPI parameters of onboard power LED behaviors. Press <Enter> to enter the sub-menu.

#### ► Power LED [Blinking]

Sets shining behaviors of the onboard Power LED.

[Dual Color] The power LED turns to another color to indicate the S3 state.

[Blinking] The power LED blinks to indicate the S3 state.

### ► Integrated Peripherals

Sets integrated peripherals' parameters, such as LAN, HDD, USB and audio. Press <Enter> to enter the sub-menu.

#### ► Onboard LAN Controller [Enabled]

Enables or disables the onboard LAN controller.

#### ► LAN Option ROM [Disabled]

Enables or disables the legacy network Boot Option ROM for detailed settings. This item will appear when "Onboard LAN Controller" is enabled.

[Enabled] Enables the onboard LAN Boot ROM.

[Disabled] Disables the onboard LAN Boot ROM.

#### ► Network Stack [Disabled]

Sets UEFI network stack for optimizing IPv4 / IPv6 function.

[Enabled] Enables UEFI network stack.

[Disabled] Disables UEFI network stack.

#### ► Ipv4 PXE Support [Enabled]

When "Enabled", the system UEFI network stack will support Ipv4 protocol. This item will appear when "Network Stack" is enabled.

[Enabled] Enables the Ipv4 PXE boot support.

[Disabled] Disables the Ipv4 PXE boot support.

▶ **Ipv6 PXE Support [Enabled]**

When “Enabled”, the system UEFI network stack will support Ipv6 protocol. This item will appear when “Network Stack” is enabled.

[Enabled] Enables the Ipv6 PXE boot support.

[Disabled] Disables the Ipv6 PXE boot support.

▶ **SATA Mode [AHCI Mode]**

Sets the operation mode of the onboard SATA controller. The default mode is AHCI.

[Disabled] Disables the SATA function.

[IDE Mode] Specify the IDE mode for SATA storage devices.

[AHCI Mode] Specify the AHCI mode for SATA storage devices. AHCI (Advanced Host Controller Interface) offers some advanced features to enhance the speed and performance of SATA storage device, such as Native Command Queuing (NCQ) and hot-plugging.

[RAID Mode]\* Enables RAID function for SATA storage devices.

\* B85-G43 does not support RAID mode.

▶ **SATA1~6 Hot Plug [Disabled]**

Allows user to enable or disable the SATA hot plug support. This item will appear when the “SATA Mode” set to [AHCI]/ [RAID].

[Enabled] Enables hot plug support for the SATA ports.

[Disabled] Disables hot plug support for the SATA ports.

▶ **HD Audio Controller [Enabled]**

Enables or disables the onboard High Definition Audio controller.

▶ **HPET [Enabled]**

Enables or disables the HPET (High Precision Event Timers) support.

▶ **Integrated Graphics Configuration**

Adjusts integrated graphics settings for optimum system. Press <Enter> to enter the sub-menu.

▶ **Initiate Graphic Adapter [PEG]**

Selects a graphics device as the primary boot device.

[IGD] Integrated Graphics Display.

[PEG] PCI-Express Graphics Device.

▶ **Integrated Graphics Share Memory [64M]**

Selects a fixed amount of system memory allocated to the onboard graphics. This item defines the exact memory size shared to the onboard graphics. [Options: 32M, 64M, 128M, 256M]

▶ **DVMT Memory [256MB]**

DVMT memory can dynamically allocate system memory for running graphics-intensive applications, such as 2D/3D games. [Options: 128MB, 256MB, Maximum]

▶ **IGD Multi-Monitor [Disabled]**

Enables or disables the multi-screen output from integrated graphics and external graphics card. For motherboard with Lucid Virtu MVP Technology support, please enable this item to support this function.

[Enabled] Enables IGD multi-screen function.

[Disabled] Disables IGD multi-screen function.

▶ **Intel(R) Rapid Start Technology**

Sets Intel® Rapid Start Technology for optimizing the system resume operation. Press <Enter> to enter the sub-menu.

▶ **Intel(R) Rapid Start Technology [Disabled]**

Intel® Rapid Start Technology lets the system resume from sleep mode quickly. This function is available when an SSD is installed.

[Enabled] Enables Intel Rapid Start Technology.

[Disabled] Disables Intel Rapid Start Technology.

▶ **Entry on S3 RTC Wake [Enabled]**

Enables or disables to support S3 RTC wake up with Intel Rapid Start Technology. This item will appear when “Intel(R) Rapid Start Technology” is enabled.

[Enabled] Allows the system to enter the sleep mode with Intel Rapid Start Technology.

[Disabled] Disables this function.

▶ **Entry After [10 minutes]**

Sets a timer for system to enter the sleep mode with Intel Rapid Start Technology. This item will appear when “Intel(R) Rapid Start Technology” is enabled. [Options: 1 minute ~ 120 minutes]

▶ **Active Page Threshold Support [Enabled]**

Enables or disables to support Active Page Threshold when the Rapid Start partition size is less than the system DRAM size.

[Enabled] Enables the additional partition size of SSD for iRST.

[Disabled] Disables this function.

▶ **Active Memory Threshold**

Sets Rapid Start partition size for Active Page Threshold. This item will appear when “Active Page Threshold Support” is enabled.



**Important**

*The partition size must be larger than the amount of memory.*

▶ **Hybrid Hard Disk Support [Disabled]**

Enables or disables the Intel Rapid Start Technology to support hybrid hard disk drive.

[Enabled] Enables hybrid hard disk support.

[Disabled] Disables hybrid hard disk support.

► **RapidStart Display Save/Restore [Enabled]**

Enables or disables the Intel Rapid Start Display screen to be saved or restored. The screen will be saved before the system enters sleep mode. Then the system will restore the screen when wakened.

[Enabled] Enables this function.

[Disabled] Disables this function.

► **RapidStart Display Type [BIOS Save/Restore]**

Selects the screen type of Intel Rapid Start Display.

[BIOS Save/Restore] The BIOS POST splash screen will be saved/ restored.

[DeskTop Save/Restore] The desktop image will be saved/ restored.

► **LakeTiny Feature [Disabled]**

Enables or disables Intel Lake Tiny technology with iRST for SSD. This item appears when "Intel C-State" is enabled.

[Enabled] Enhance the dynamic IO load adjusted performance for accelerating the SSD speed.

[Disabled] Disables this feature.

► **USB Configuration**

Sets the onboard USB controller and device function. Press <Enter> to enter the sub-menu.

► **USB Controller [Enabled]**

Enables or disables the onboard USB controller.

► **Legacy USB Support [Enabled]**

Sets Legacy USB function support.

[Auto] The system will automatically detect if any USB device is connected and enables or disables the legacy USB support.

[Enabled] Enable the USB support for legacy operating systems that do not support USB.

[Disabled] The USB devices are available only for UEFI applications.

► **Super IO Configuration**

Sets system Super I/O chip parameters including LPT and COM ports. Press <Enter> to enter the sub-menu.

► **Serial (COM) Port 0 Configuration**

Sets detailed configuration of serial(COM) port 0. Press <Enter> to enter the sub-menu.

► **Serial (COM) Port 0 [Enabled]**

Enables or disables serial (COM) port 0.

► **Serial (COM) Port 0 Settings [Auto]**

Sets serial port 0 (COM). If set to "Auto", BIOS will optimize the IRQ automatically or you can set it manually.

► **Parallel (LPT) Port Configuration**

Sets detailed configuration of parallel port (LPT). Press <Enter> to enter the sub-menu.

▶ **Parallel (LPT) Port [Enabled]**

Enables or disables parallel(LPT) port.

▶ **Parallel (LPT) Port Settings [Auto]**

Sets parallel port (LPT). If set to "Auto", BIOS will optimize the IRQ automatically or you can set it manually.

▶ **Device Mode [Printer Mode]**

Selects an operating mode for parallel port.

[Printer Mode]	Printer port mode
[SPP]	Standard Parallel Port mode
[EPP-1.9/ 1.7 + SPP]	Enhanced Parallel Port-1.9/ 1.7 mode + Standard Parallel Port mode.
[ECP]	Extended Capability Port mode
[ECP + EPP-1.9/ 1.7]	Extended Capability Port mode + Enhanced Parallel Port-1.9/ 1.7 mode.

▶ **Intel(R) Smart Connect Configuration**

Sets Intel Smart Connect Technology for optimizing system network performance in sleep mode. Press <Enter> to enter the sub-menu.

▶ **Intel(R) Smart Connect Technology [Enabled]**

Enables or disables Intel(R) Smart Connect Technology. This feature can update applications (ex. email and social networks) by periodically waking your system from sleep mode. And you do not need to wait for the applications to update when you wake up the system.

[Enabled]	Enables Intel smart connect technology.
[Disabled]	Disables Intel smart connect technology.

▶ **Power Management Setup**

Sets system Power Management of EuP2013 and AC Power Loss behaviors. Press <Enter> to enter the sub-menu.

▶ **EuP 2013 [Disabled]**

Enables or disables the system power consumption according to EuP2013 regulation.

[Enabled]	Optimize the system power consumption according to EuP 2013 regulation.
[Disabled]	Disables this function.

Note: When enabled, the system will not support RTC wake up event functions.

▶ **Restore after AC Power Loss [Power Off]**

Sets the system behaviors while encountering the AC power loss.

[Power Off]	Leaves the system in power off state after restoring AC power.
[Power On]	Boot up the system after restoring AC power.
[Last State]	Restores the system to the previous state (power on/ power off) before AC power loss.

## ► Windows 8 Configuration

Sets Windows 8 detailed configuration and behaviors. Press <Enter> to enter the sub-menu.

### ► Windows 8 Feature [Disabled]

Enables the supports for Windows 8 or disables for other operating systems. Before enabling this item, make sure all installed devices & utilities (hardware & software) should meet the Windows 8 requirements.

[Enabled] The system will switch to UEFI mode to meet the Windows 8 requirement.

[Disabled] Disables this function.

### ► MSI Fast Boot [Disabled]

MSI Fast Boot is the fastest way to boot the system. When enabled, the USB, PS2 and SATA devices will not be detected while booting.

[Enabled] Enables the MSI Fast Boot function to minimize booting time. And the following related "Fast Boot" items will be disabled and fixed.

[Disabled] Disables MSI Fast Boot.



### ***Important***

*If you want to enter BIOS with enabled "MSI Fast Boot" mode, you have to click the "GO2BIOS" tab on MSI Fast Boot utility screen or press the "GO2BIOS" button (optional) on the motherboard. And then the system will enter to BIOS setup directly at next boot.*

### ► Fast Boot [Enabled for Windows 8, Disabled for other OS]

Windows 8 fast boot allows user to enable or disable the USB, PS2 and SATA devices to accelerate system boot. This item will only be available when "MSI Fast Boot" is disabled.

[Enabled] Enables the Fast Boot configuration.

[Disabled] Disables the Fast Boot configuration.

### ► USB Support [Full Initial]

Disabling the USB devices temporarily during POST will accelerate the system boot. The USB devices will be available after entering the operating system. This item will appear when "Fast Boot" is enabled.

[Disabled] Disables the USB devices during POST for faster boot time.

[Full Initial] Enables the USB devices during POST.

### ► PS2 Devices Support [Enabled]

Disabling the PS2 devices temporarily during POST will accelerate the system boot. The PS2 devices will be available after entering the operating system. This item will appear when "Fast Boot" is enabled.

[Disabled] Disables the PS2 devices during POST for faster boot time.

[Enabled] Enables the PS2 devices during POST.



## **Important**

If you disable the PS/2 or USB devices and you want to enter BIOS with PS/2 or USB keyboard, you have to click the "GO2BIOS" tab on MSI Fast Boot utility screen or press the "GO2BIOS" button (optional) on the motherboard. And then the system will enter to BIOS setup directly at next boot.

### ▶ SATA Device Support [Enabled]

Disabling the SATA devices temporarily during POST will accelerate the system boot. The SATA devices will be available after entering the operating system. This item will appear when "Fast Boot" is enabled.

[Disabled] Disables the SATA devices during POST for faster boot time.

[Enabled] Enables the SATA devices during POST.

### ▶ Internal GOP Configuration

Manages the onboard Graphics Output Protocol (GOP). Press <Enter> to enter the sub-menu. This menu shows the iGFX Driver version for system information management. This sub-menu will appear when "Windows 8 Feature" is enabled.

### ▶ Secure Boot

Sets the Windows secure boot to prevent the unauthorized accessing. Press <Enter> to enter the sub-menu. This sub-menu will appear when "Windows 8 Feature" is enabled.

#### ▶ Secure Boot Control [Disabled]

Enables or disables secure boot.

[Enabled] Enables the secure boot function and allow you to set the secure boot settings.

[Disabled] Disables this function.

#### ▶ Secure Boot Mode [Standard]

Selects the secure boot mode. This item is to select how the secure boot keys be loaded. This item appears when "Secure Boot" is enabled.

[Standard] The system will automatically load the secure keys from BIOS.

[Custom] Allows user to configure the secure boot settings and manually load the secure keys.

#### ▶ Image Execution Policy

Sets the policy when the system image execution policy on Security Violation.

Press <Enter> to enter the sub-menu. This sub-menu will appear when "Secure Boot Mode" sets to [Custom].

#### ▶ Key Management

Manages the secure boot keys. Press <Enter> to enter the sub-menu. This sub-menu will appear when "Secure Boot Mode" sets to [Custom].

### ▶ Wake Up Event Setup

Sets system wake up behaviors for different sleep modes. Press <Enter> to enter the sub-menu.

### ► Wake Up Event By [BIOS]

Selects the wake up event by BIOS or operating system.

[BIOS] Activates the following items, and use these items to set the wake up events.

[OS] The wake up events will be defined by OS.

### ► Resume By RTC Alarm [Disabled]

Disables or enables the system wake up by RTC Alarm.

[Enabled] Enables the system to boot up on a scheduled time/ date.

[Disabled] Disables this function.

### ► Date (of month) Alarm/ Time (hh:mm:ss) Alarm

Sets RTC alarm date/ Time. If Resume By RTC Alarm is set to [Enabled], the system will automatically resume (boot up) on a specified date/hour/minute/second in these fields (using the <+> and <-> to select the date & time settings).

### ► Resume By PCI or PCI-E Device [Disabled]

Disables or enables the system wake up by PCI or PCI express device.

[Enabled] Enables the system to be awakened from the power saving modes when activity or input signal of PCI/ PCIe device is detected.

[Disabled] Disables this function.

### ► Resume By Onboard LAN [Disabled]

Disables or enables the system wake up by Onboard LAN.

[Enabled] Enables the system to be awakened from the power saving modes when activity or input signal of LAN device is detected.

[Disabled] Disables this function.

### ► Resume From S3 by USB Device [Disabled]

Disables or enables the system wake up by USB devices.

[Enabled] Enables the system to be awakened from S3 (Suspend to RAM) sleep state when activity of USB device is detected.

[Disabled] Disables this function.

### ► Resume From S3/S4/S5 by PS/2 Mouse [Disabled]

Disables or enables the system wake up by PS/2 mouse.

[Enabled] Enables the system to be awakened from S3/ S4/ S5 state when activity of PS/2 mouse is detected.

[Disabled] Disables this function.

### ► Resume From S3/S4/S5 by PS/2 Keyboard [Disabled]

Disables or enables the system wake up by PS/2 keyboard.

[Any Key] Enables the system to be awakened from S3/ S4/ S5 state when activity of any key on PS/2 keyboard is detected.

[Hot Key] Enables the system to be awakened from S3/ S4/ S5 state when activity of hot key on PS/2 keyboard is detected.

[Disabled] Disables this function.

### ► Realtek PCIe GBE Family Controller

Shows driver information and configures ethernet controller parameter. Press <Enter> to enter the sub-menu.



## Boot

Sets the sequence of system boot devices.

### ▶ Full Screen Logo Display [Enabled]

Enables or disables to show the full screen logo while system POST.

[Enabled] The OS boots straight to the GUI without showing the POST screen.

[Disabled] Shows the POST messages at booting.

### ▶ Boot Mode Select [LEGACY+UEFI]

Sets the system boot mode from legacy or UEFI architecture depending on OS installation requirement.

[UEFI] Enables UEFI BIOS boot mode support only.

[LEGACY+UEFI] Enables both Legacy BIOS boot mode and UEFI BIOS boot mode.

### ▶ FIXED BOOT ORDER Priorities

Sets device priority for system boot.

### ▶ Boot Option #1~N

These items are used to prioritize the installed boot devices.

## Security

### ▶ Administrator Password

Sets administrator password for system security. Enters the administrator password if set; user has full rights to change the BIOS items.

### ▶ User Password

Sets User Password for system security. Enters the user password if set; but user might have limited rights to change the BIOS items.

### **Important**

*When selecting the Administrator / User Password items, a password box will appear on the screen. Type the password then press <Enter>. The password typed now will replace any previous set password from CMOS memory. You will be prompted to confirm the password. You may also press <Esc> to abort the selection.*

*To clear a set password, press <Enter> when you are prompted to enter a new password. A message will confirm the password is being disabled. Once the password is disabled, you can enter the setup and OS without authorization.*

### ▶ U-Key [Disabled]

Enables or disables U-Key as user's password to access the system.

### ▶ Make U-Key at

Makes a key at the USB flash drive to prevent other people from accessing the system. Only the user who has the key with the flash drive can access the system.

### ▶ **Trusted Computing**

Sets TPM (Trusted Platform Module) function.

#### ▶ **TPM SUPPORT [Disabled]**

Enables or disables the TPM function to build the endorsement key for accessing the system.

### ▶ **Chassis Intrusion Configuration**

Press <Enter> to enter the sub-menu.

#### ▶ **Chassis Intrusion [Disabled]**

This function will be available if the chassis equips a chassis intrusion switch.

Once the chassis is opened, the system will record and issue a warning message.

To clear the warning message, set the item to [Reset], then it will return to

[Enabled] later. [Options: Disabled, Enabled, Reset]

## **Save & Exit**

### ▶ **Discard Changes and Exit**

Exit BIOS setup without saving any change. This it is used to abandon all changes and exit BIOS setup.

### ▶ **Save Changes and Reboot**

This item is used to save all changes and reboot the system.

### ▶ **Save Changes**

This item is used to save current changes.

### ▶ **Discard Changes**

This item is used to discard current all changes and restore to the previous values.

### ▶ **Restore Defaults**

This item is used to restore/ load all default values by the BIOS vendor.

### ▶ **Boot Override**

The installed boot-able devices will appear on this menu, you can select one of them be a boot device to start booting.



**! Important**

- Overclocking your PC manually is only recommended for advanced users.
- Overclocking is not guaranteed, and if done improperly, can void your warranty or severely damage your hardware.
- If you are unfamiliar with overclocking, we advise you to use OC Genie for easy overclocking.

► **Current CPU/ DRAM/ Ring Frequency**

These items show the current frequencies of installed CPU and Memory. Read-only.

► **CPU Base Clock (MHz) [Default]**

Sets the CPU Base clock. You may overclock the CPU by adjusting this value. Please note that overclocking behavior and stability is not guaranteed. This item appears when the installed processor supports this function.

► **Current CPU Base Clock Strap (Z87-G43)**

Shows the current CPU Base clock strap. Read only. This item can only be changed if the processor supports this function.

► **Adjust CPU Base Clock Strap [Auto] (Z87-G43)**

Sets the CPU Base Clock Strap. You may overclock the CPU Base Clock by adjusting this value. Please note that overclocking behavior and stability is not guaranteed.

This item can only be changed if the processor supports this function. If set to "Auto", BIOS will configure this setting automatically. [Options: Auto, 1.00, 1.25, 1.67]

### ► CPU Base Clock Apply Mode [Auto]

Sets the applying mode for adjusted CPU base clock.

[Auto] This setting will be configured automatically by BIOS.

[Next Boot] CPU will run the adjusted CPU base clock after reboot.

[Immediate] CPU runs the adjusted CPU base clock immediately.

### ► CPU PCIE PLL [Auto] (Z87-G43)

Selects a PLL (Phase Lock Loop) mode for CPU PCIe. This item appears when the installed CPU supports this setting.

[Auto] This setting will be configured automatically by BIOS.

[LC PLL] Enables LC PLL for normal usage.

[SB PLL] Enables SB PLL for extreme overclocking.

### ► Filter PLL [Auto] (Z87-G43)

Enables or disables the filter PLL for CPU. This item appears when the installed CPU supports this setting.

[Auto] This setting will be configured automatically by BIOS.

[Enabled] Provides wide range of base clock for overclocking when base clock strap be set to higher value.

[Disabled] Provides normal range of base clock.

### ► CPU Ratio Mode [Auto]

Selects the CPU Ratio operating mode.

[Auto] This setting will be configured automatically by BIOS.

[Fixed Mode] Fixes the CPU ratio.

[Dynamic Mode] CPU ratio will be changed dynamically according to the CPU loading.

### ► Adjust CPU Ratio [Auto]

Sets the CPU ratio that is used to determine CPU clock speed. This item can only be changed if the processor supports this function.

### ► Adjusted CPU Frequency

Shows the adjusted CPU frequency. Read-only.

### ► EIST [Enabled]

Enables or disables the Enhanced Intel® SpeedStep Technology.

[Enabled] Enables the EIST to adjust CPU voltage and core frequency dynamically. It can decrease average power consumption and average heat production.

[Disabled] Disables EIST.

### ► Intel Turbo Boost [Enabled]

Enables or disables the Intel® Turbo Boost. This item appears when the installed CPU supports this function.

[Enabled] Enables this function to boost CPU performance automatically above rated specifications when system request the highest performance state.

[Disabled] Disables this function.

► **Enhanced Turbo [Auto]**

Enables or disables Enhanced Turbo function for all CPU cores to boost CPU performance.

[Auto] This setting will be configured automatically by BIOS.

[Enabled] All CPU cores would be increased to maximum turbo ratio.

[Disabled] Disables this function.

► **Adjust Ring Ratio [Auto]**

Sets the ring ratio. The valid value range depends on the installed CPU.

► **Adjusted Ring Frequency**

Shows the adjusted Ring frequency. Read-only.

► **Adjust GT Ratio [Auto]**

Sets the integrated graphics ratio. The valid value range depends on the installed CPU.

► **Adjusted GT Frequency**

Shows the adjusted integrated graphics frequency. Read-only.

► **DRAM Reference Clock [Auto]**

Sets the DRAM reference clock. The valid value range depends on the installed CPU. This item appears when a CPU that supports this adjustment is installed.

► **DRAM Frequency [Auto]**

Sets the DRAM frequency. Please note the overclocking behavior is not guaranteed.

► **Adjusted DRAM Frequency**

Shows the adjusted DRAM frequency. Read-only.

► **Extreme Memory Profile (X.M.P) [Disabled]**

X.M.P. (Extreme Memory Profile) is the overclocking technology by memory module. This item will be available when you install the memory modules that support X.M.P. technology.

[Disabled] Disables this function.

[Profile 1] Uses profile1 over-clocking settings of installed XMP memory module.

[Profile 2] Uses profile2 over-clocking settings of installed XMP memory module.

► **DRAM Timing Mode [Auto]**

Selects the memory timing mode.

[Auto] DRAM timings will be determined based on SPD (Serial Presence Detect) of installed memory modules.

[Link] Allows user to configure the DRAM timing manually for all memory channel.

[UnLink] Allows user to configure the DRAM timing manually for respective memory channel.

► **Advanced DRAM Configuration**

Press <Enter> to enter the sub-menu. This sub-menu will be activated after setting [Link] or [Unlink] in "DRAM Timing Mode". User can set the memory timing for each memory channel. The system may become unstable or unbootable after changing memory timing. If it occurs, please clear the CMOS data and restore the default settings. (Refer to the Clear CMOS jumper/ button section to clear the CMOS data, and enter the BIOS to load the default settings.)

### ► DRAM Training Configuration

Press <Enter> to enter the sub-menu. Enables or disables the various training ways of DRAM. The system may become unstable or unbootable after changing these items in this sub-menu. If it occurs, please clear the CMOS data and restore the default settings. (Refer to the Clear CMOS jumper/ button section to clear the CMOS data, and enter the BIOS to load the default settings.)

### ► Memory Fast Boot [Auto]

Enables or disables the initiation and training for memory every booting.

[Auto] This setting will be configured automatically by BIOS.

[Enabled] Memory will completely imitate the archive of first initiation and first training. After that, the memory will not be initialed and trained when booting to accelerate the system booting time.

[Disabled] The memory will be initialed and trained every booting.

### ► DigitALL Power

Press <Enter> to enter the sub-menu. Controls the digital powers related to CPU PWM.

#### ► CPU Phase Control [Auto]

Controls PWM phase proportionally to the CPU loading. If set to "Auto", BIOS will optimize the CPU PWM phase automatically.

[Auto] This setting will be configured automatically by BIOS.

[Disabled] Disables the PWM power phase switching feature.

#### ► CPU Vdroop Offset Control [Auto]

Sets a percentage of offset voltage for CPU vdroop. If set to "Auto", BIOS will configure this setting automatically. [Options: Auto, +12.5%, +25%, +37.5%, +50%, +62.5%, +75%, +87.5%, +100%]

#### ► CPU Over Voltage Protection [Auto]

Sets the voltage limit for CPU over-voltage protection. If set to "Auto", BIOS will configure this setting automatically. Higher voltage provides less protection and may damage the system.

#### ► CPU Under Voltage Protection [Auto]

Sets the voltage limit for CPU under-voltage protection. If set to "Auto", BIOS will configure this setting automatically. Higher voltage provides less protection and may damage the system.

#### ► CPU Over Current Protection [Auto]

Sets the current limit for CPU over-current protection. If set to "Auto", BIOS will configure this setting automatically. Higher percentage provides less protection and may damage the system.

#### ► Phase Over Current Protection [Enabled]

Enables or disables the phase over-current protection.

[Enabled] Sets the current limit on the phase for over-current protection.

[Disabled] Disables this function.

► **CPU Switching Frequency [Auto]**

Sets the PWM working speed to stabilize CPU Core voltage and minimize ripple range. Increasing the PWM working speed will cause higher temperature of MOSFET. So please make sure a cooling solution is well-prepared for MOSFET before you increase the value. If set to "Auto", BIOS will configure this setting automatically.

► **CPU VRM Over Temperature Protection [Enabled]**

Enables or disables the CPU VRM over-temperature protection.

[Enabled] Sets the temperature limit on CPU VRM for over-temperature protection.

[Disabled] Disables this function.

► **Digital Compensation Level [Auto]**

Sets the current compensation level for CPU PWM when the MOS phases are changed. If set to "Auto", BIOS will configure this setting automatically. Higher compensation level provides more overlocking ability.

► **Imon Overwrite [Auto]**

Sets the Imon current for CPU.

[Auto] This setting will be configured automatically by BIOS.

[Quarter] Sets the Imon current into quarter.

[Half] Sets the Imon current into half.

[Disabled] Sets the default values for Imon current.

► **Transient Boost [Disabled]**

Enables or disables the transient boost.

[Enabled] Enables this function may lead into a stable system under heavy system loading.

[Disabled] Disables this function.

► **SVID Communication [Auto]**

Enables or disables SVID (Serial Voltage Identification) support.

[Auto] This setting will be configured automatically by BIOS.

[Enabled] PWM phase will be changed dynamically according to the CPU SVID (Serial Voltage Identification).

[Disabled] Disables SVID (Serial Voltage Identification) support.

► **VCCIN Voltage [Auto]**

Sets the CPU input voltage. The CPU input voltage is the CPU power source that is shared with components of the CPU.

► **Current VCCIN Voltage**

Shows current CPU VCCIN voltage. Read-only.

► **CPU Core Voltage Mode/ CPU Ring Voltage Mode/ CPU GT Voltage Mode [Auto]**

Selects the control modes for these voltages.

[Auto] This setting will be configured automatically by BIOS.

[Adaptive Mode] Sets adaptive voltages automatically for optimizing the system performance.

[Override Mode] Allows you to set these voltages manually.

► **CPU Core Voltage/ CPU Ring Voltage/ CPU GT Voltage [Auto]**

Sets these voltages. If set to "Auto", BIOS will set these voltages automatically or you can set it manually.

► **CPU Core Voltage Offset Mode/ CPU Ring Voltage Offset Mode/ CPU GT Voltage Offset Mode/ CPU SA Voltage Offset Mode/ CPU IO Analog Voltage Offset Mode/ CPU IO Digital Voltage Offset Mode [Auto]**

Selects the voltage offset modes.

[Auto] This setting will be configured automatically by BIOS.

[+] Allows you to set the positive offset voltage.

[-] Allows you to set the negative offset voltage.

► **CPU Core Voltage Offset/ CPU Ring Voltage Offset/ CPU GT Voltage Offset/ CPU SA Voltage Offset/ CPU IO Analog Voltage Offset/ CPU IO Digital Voltage Offset [Auto]**

Set the offset values for these voltages.

► **Current CPU Core Voltage/ Current CPU Ring Voltage/ Current CPU GT Voltage/ Current CPU SA Voltage/ Current CPU IO Digital Voltage**

Show the current voltages. Read-only.

► **Internal VR OVP OCP Protection [Auto]**

Enables or disables the over-voltage protection and over-current protection for CPU internal VR (Voltage Regulator).

[Auto] This setting will be configured automatically by BIOS.

[Enabled] Sets the voltage limit on the CPU internal VR for over-voltage protection and over-current protection.

[Disabled] Disables this function for overclocking.

► **Internal VR Efficiency Management [Auto]**

Enables or disables the CPU internal VR efficiency management.

[Auto] This setting will be configured automatically by BIOS.

[Enabled] Enables the VR efficiency management for power-saving control.

[Disabled] Disables this function.

► **DRAM Voltage [Auto]**

Sets the memory voltage. If set to "Auto", BIOS will set memory voltage automatically or you can set it manually.

► **Current DRAM Voltage**

Shows current memory voltage. Read only.

► **DDR\_VREF\_CA/ DDR\_VREF\_DQ\_A/ DDR\_VREF\_DQ\_B/ PCH 1.05 Voltage/ PCH 1.5 Voltage**

Set these voltages. If set to "Auto", BIOS will set these voltages automatically or you can set it manually.

► **Current PCH 1.05 Voltage**

Shows current PCH 1.05 voltage. Read only.



### ► CPU Memory Changed Detect [Enabled]

Enables or disables the system to issue a warning message during boot when the CPU or memory has been replaced.

[Enabled] The system will issue a warning message during boot and then needs to load the default settings for new devices.

[Disabled] Disables this function and keeps the current BIOS settings.

### ► Spread Spectrum

This function reduces the EMI (Electromagnetic Interference) generated by modulating clock generator pulses.

[Enabled] Enables the spread spectrum function to reduce the EMI (Electromagnetic Interference) problem.

[Disabled] Enhances the overclocking ability of CPU Base clock.



### ***Important***

- *If you do not have any EMI problem, leave the setting at [Disabled] for optimal system stability and performance. But if you are plagued by EMI, select the value of Spread Spectrum for EMI reduction.*
- *The greater the Spread Spectrum value is, the greater the EMI is reduced, and the system will become less stable. For the most suitable Spread Spectrum value, please consult your local EMI regulation.*
- *Remember to disable Spread Spectrum if you are overclocking because even a slight jitter can introduce a temporary boost in clock speed which may just cause your overclocked processor to lock up.*

### ► CPU Specifications

Press <Enter> to enter the sub-menu. This sub-menu displays the information of installed CPU. You can also access this information menu at any time by pressing [F4]. Read only.

#### ► CPU Technology Support

Press <Enter> to enter the sub-menu. The sub-menu shows what the key features does the installed CPU support. Read only.

### ► MEMORY-Z

Press <Enter> to enter the sub-menu. This sub-menu displays all the settings and timings of installed memory. You can also access this information menu at any time by pressing [F5].

#### ► DIMM1~4 Memory SPD

Press <Enter> to enter the sub-menu. The sub-menu displays the information of installed memory. Read only.

### ► CPU Features

Press <Enter> to enter the sub-menu.

### ► Hyper-Threading Technology [Enabled]

The processor uses Hyper-Threading technology to increase transaction rates and reduces end-user response times. Intel Hyper-Threading technology treats the multi cores inside the processor as multi logical processors that can execute instructions simultaneously. In this way, the system performance is highly improved.

[Enable] Enables Intel Hyper-Threading technology.

[Disabled] Disables this item if the system does not support HT function.

### ► Active Processor Cores [All]

This item allows you to select the number of active processor cores.

### ► Limit CPUID Maximum [Disabled]

Enables or disables the extended CPUID value.

[Enabled] BIOS will limit the maximum CPUID input value to circumvent boot problems with older operating system that do not support the processor with extended CPUID value.

[Disabled] Use the actual maximum CPUID input value.

### ► Execute Disable Bit [Enabled]

Intel's Execute Disable Bit functionality can prevent certain classes of malicious "buffer overflow" attacks where worms attempt to execute code to damage the system. It is recommended that keeps this item enabled always.

[Enabled] Enables NO-Execution protection to prevent the malicious attacks and worms.

[Disabled] Disables this function.

### ► Intel Virtualization Tech [Enabled]

Enables or disables Intel Virtualization technology.

[Enabled] Enables Intel Virtualization technology and allows a platform to run multiple operating systems in independent partitions. The system can function as multiple systems virtually.

[Disabled] Disables this function.

### ► Hardware Prefetcher [Enabled]

Enables or disables the hardware prefetcher (MLC Streamer prefetcher).

[Enabled] Allows the hardware prefetcher to automatically pre-fetch data and instructions into L2 cache from memory for tuning the CPU performance.

[Disabled] Disables the hardware prefetcher.

### ► Adjacent Cache Line Prefetch [Enabled]

Enables or disables the CPU hardware prefetcher (MLC Spatial prefetcher).

[Enabled] Enables adjacent cache line prefetching for reducing the cache latency time and tuning the performance to the specific application.

[Disabled] Enables the requested cache line only.

**► CPU AES Instructions [Enabled]**

Enables or disables the CPU AES (Advanced Encryption Standard-New Instructions) support. This item appears when a CPU supports this function.

[Enabled] Enables Intel AES support.

[Disabled] Disables Intel AES support.

**► Intel Adaptive Thermal Monitor [Enabled]**

Enables or disables the Intel adaptive thermal monitor function to protect the CPU from overheating.

[Enabled] Throttles down the CPU core clock speed when the CPU is over the adaptive temperature.

[Disabled] Disables this function.

**► Intel C-State [Enabled]**

C-state is a processor power management technology defined by ACPI.

[Auto] This setting will be configured automatically by BIOS.

[Enabled] Detects the idle state of system and reduce CPU power consumption accordingly.

[Disabled] Disable this function.

**► C1E Support [Disabled]**

Enables or disables the C1E function for power-saving in halt state. This item appears when "Intel C-State" is enabled.

[Enabled] Enables C1E function to reduce the CPU frequency and voltage for power-saving in halt state.

[Disabled] Disables this function.

**► Package C State limit [Auto]**

This item allows you to select a CPU C-state mode for power-saving when system is idle. This item appears when "Intel C-State" is enabled.

[Auto] This setting will be configured automatically by BIOS.

[C0~C7s] The power-saving level from high to low is C7s, C7, C6, C3, C2, then C0.

[No limit] No c-state limit for CPU.

**► LakeTiny Feature [Disabled]**

Enables or disables Intel Lake Tiny technology with iRST for SSD. This item appears when "Intel C-State" is enabled.

[Enabled] Enhance the dynamic IO load adjusted performance for accelerating the SSD speed.

[Disabled] Disables this feature.

Note: The following items will appear when "Intel Turbo Boost " is enabled.

▶ **Long Duration Power Limit (W) [Auto]**

Sets the long duration TDP power limit for CPU in Turbo Boost mode.

▶ **Long Duration Maintained (s) [Auto]**

Sets the maintaining time for "Long duration power Limit(W)".

▶ **Short Duration Power Limit (W) [Auto]**

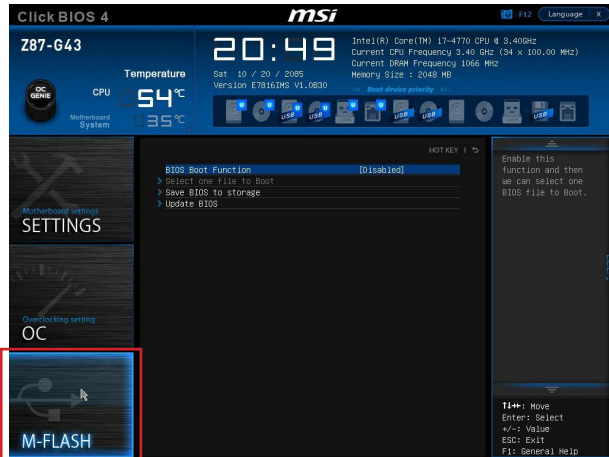
Sets the short duration TDP power limit for CPU in Turbo Boost mode.

▶ **CPU Current limit (A) [Auto]**

Sets maximum current limit of CPU package in Turbo Boost mode. When the current is over the specified limit value, the CPU will automatically reduce the core frequency for reducing the current.

▶ **1/2/3/4-Core Ratio Limit [Auto]**

These items only appear when a CPU that support this function is installed. These items allow you to set the CPU ratios for different number of active cores in turbo boost mode. These items appear when the installed processor supports this function.



## **Important**

*M-Flash function allows you to update BIOS from USB flash disk (FAT32/ NTFS format only), or allows the system to boot from the BIOS file inside USB flash disk (FAT/ FAT32 format only).*

### ► BIOS Boot Function [Disabled]

Enables or disables the system to boot from USB flash disk with BIOS file.

[Enabled] Enables the system to boot from the BIOS within USB flash disk.

[Disabled] Enables the system to boot from the BIOS within ROM on motherboard.

\*This may cause system unstable, MSI recommend it only for power users.

### ► Select one file to boot

Selects a BIOS file in the USB flash disk (NTFS/ FAT 32 format) to boot the system. This item will selectable when the “BIOS Boot function” is enabled.

### ► Save BIOS to storage

Saves the current BIOS file to the USB flash disk. The USB flash disk drive should be in FAT32 format.

### ► Update BIOS

Selects a BIOS file in the USB flash disk (NTFS/ FAT 32 format) to update the BIOS.

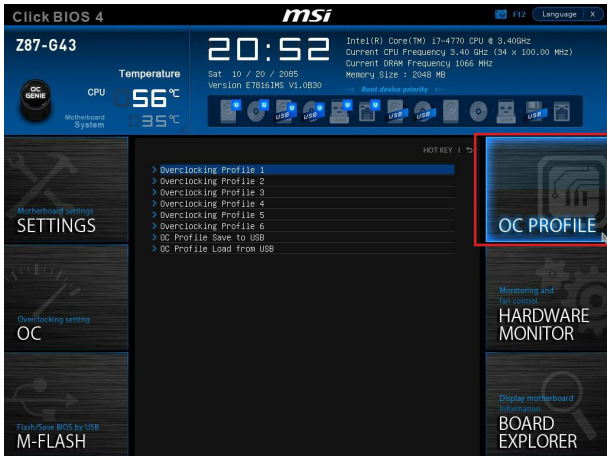
#### ► Select one file to update BIOS

Selects a BIOS file in the USB flash disk (NTFS/ FAT 32 format) to update the BIOS. The system will reboot after updating.

#### ► Select one file to update BIOS and ME

Selects a BIOS file, includes the ME management settings, in the USB flash disk (NTFS/ FAT 32 format) to update the BIOS and ME. The system will reboot after updating.

# OC PROFILE



## ► Overclocking Profile 1/ 2/ 3/ 4/ 5/ 6

Overclocking Profile 1/ 2/ 3/ 4/ 5/ 6 management. Press <Enter> to enter the sub-menu.

### ► Set Name for Overclocking Profile 1/ 2/ 3/ 4/ 5/ 6

Names the current overclocking profile.

### ► Save Overclocking Profile 1/ 2/ 3/ 4/ 5/ 6

Saves the current overclocking profile.

### ► Load Overclocking Profile 1/ 2/ 3/ 4/ 5/ 6

Loads the current overclocking profile.

### ► Clear Overclocking Profile 1/ 2/ 3/ 4/ 5/ 6

Clears the current overclocking profile.

## ► OC Profile Save to USB

Saves OC profile to the USB flash disk drive. The USB flash disk should be FAT32 format only.

## ► OC Profile Load from USB

Loads OC profile from the USB flash disk drive. The USB flash disk should be FAT32 format only.

# HARDWARE MONITOR



## ► Current Temperature & Speed information

Shows the current CPU temperature, system temperature and fans' speeds.

## ► Temperature & Speed graphic display

The red graph shows the minimum and maximum temperatures that be set on the "Fan control field". The yellow graph shows current CPU/ system temperature. The green shows current CPU/ System fan speed.

## ► Fan control field

This motherboard provides a fan speed control feature call "Smart Fan Control". Smart Fan Control automatically controls fan speed depending on the current CPU/ system temperature and to keep it with a specific operating speed. When the current CPU/ system temperature is over the maximum temperature, the CPU/ system fan will run at the maximum speed. When the current CPU/ system temperature is under the minimum temperature, the CPU/ system fan will run at the minimum speed. In this field, you can set the CPU and system fans' speeds and target temperatures.

Please follow the description below to set the temperatures and fan speeds.



- a - Selects a fan you want to specify the speed.
- b - Checks this item to activate the following items for changing default values.
- c - Slides the Min and Max tabs to set the minimum and maximum temperatures.
- d - Slides the arrow symbol to set the minimum fan speed in percentage.
- e - Slides the arrow symbol to set the maximum fan speed in percentage.
- f - Click the "Default" button to restore the default values. Or click the "Cancel" button to abandon all changes and restore to the previous values.



### ***Important***

The minimum values of temperature and speed can not be set larger then the maximum values.

#### ► Voltage display

Shows the current voltages of CPU, system and memory.



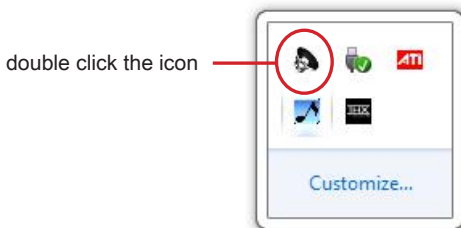
# Appendix A

## Realtek Audio

The Realtek audio provides 10-channel DAC that simultaneously supports 7.1 sound playback and 2 channels of independent stereo sound output (multiple streaming) through the Front-Out-Left and Front-Out-Right channels.

## Software Configuration

After installing the audio driver (see Chapter 1 - Driver and Utilities), the “Realtek HD Audio Manager” icon will appear at the notification area (lower right of the screen). You may double click the icon and the GUI will pop up accordingly.



It is also available to enable the audio driver by clicking the Realtek HD Audio Manager from the Control Panel.

### Software panel overview

The following figure describes the function of the Realtek HD Audio Manager panel.

Device Selection

Application Enhancement



Volume Adjustment

Jack status panel

#### ► Device Selection

Here you can select an audio output source to change the related options. The “check” sign (in orange) indicates the devices as default.

#### ► Volume Adjustment

You can control the volume or balance the right/left side of the speakers that you plugged in front or rear panel by adjust the bar.

#### ► Application Enhancement

The array of options will provide you a complete guidance of anticipated sound effect for both output and input device.

#### ► Jack status panel

This panel depicts all render and capture devices currently connected with your computer.

## Auto popup dialog

When you plug into the device at the jack, a dialogue window will pop up asking you which device is current connected.

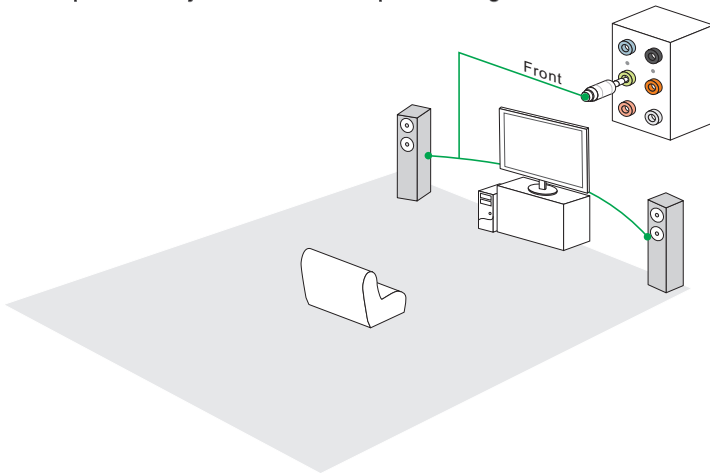


As you know, each jack corresponds to its default setting, you can refer to the next section “Hardware Default Setting”.

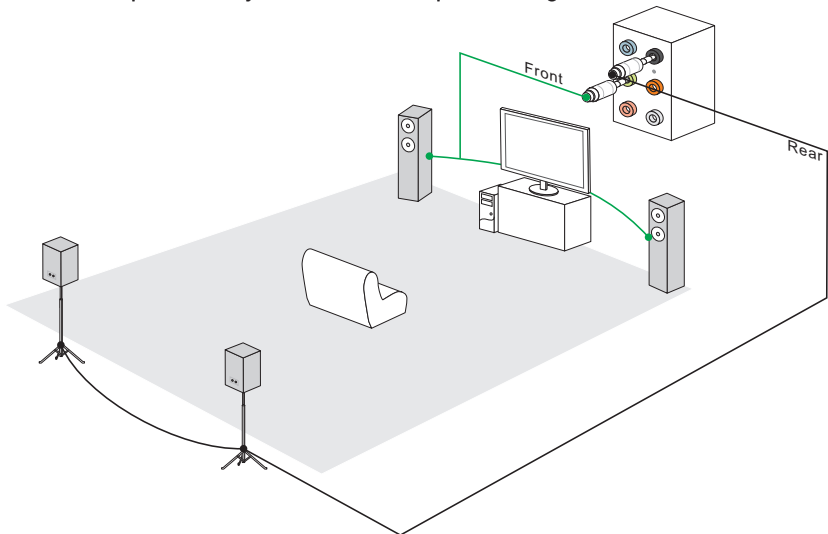
## Hardware Default Setting

The following diagrams are audio back panel default setting.

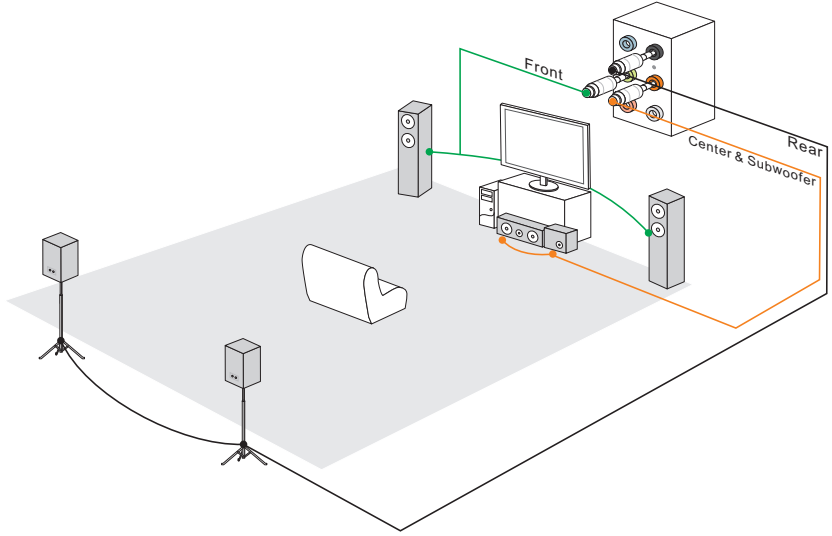
- Backpanel audio jacks to 2-channel speakers diagram



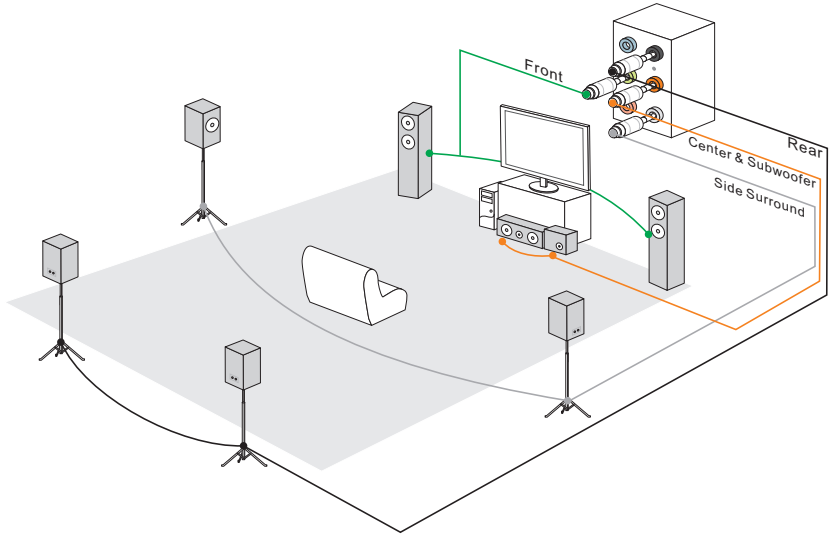
- Backpanel audio jacks to 4-channel speakers diagram



■ Backpanel audio jacks to 6-channel speakers diagram



■ Backpanel audio jacks to 8-channel speakers diagram





# Appendix B

## Intel RAID

This appendix will assist users in configuring and enabling RAID functionality and accelerating system on platforms

# Introduction

---

The motherboard comes with the Intel RAID controller that allows you to configure SATA hard drives as RAID sets.

SATA hard drives deliver blistering transfer speeds up to 6 Gb/s. Serial ATA uses long, thin cables, making it easier to connect your drive and improving the airflow inside your PC. The most outstanding features are:

1. Supports 3 Gb/s or 6 Gb/s transfers with CRC error checking.
2. Supports Hot-plug-n-play feature.
3. Data handling optimizations including tagged command queuing, elevator seek and packet chain command.

Intel® RAID controller offers RAID level 0 (Striping), RAID level 1 (Mirroring and Duplexing), RAID level 5 (Block Interleaved Distributed Parity), RAID level 10 (A Stripe of Mirrors) , Intel® Rapid Storage Technology.

RAID 0 breaks the data into blocks which are written to separate hard drives. Spreading the hard drive I/O load across independent channels greatly improves I/O performance.

RAID 1 provides data redundancy by mirroring data between the hard drives and provides enhanced read performance.

RAID 5 Provides data striping at the byte level and also stripe error correction information. This results in excellent performance and good fault tolerance. Level 5 is one of the most popular implementations of RAID.

RAID 10 Not one of the original RAID levels, multiple RAID 1 mirrors are created, and a RAID 0 stripe is created over these.

Intel® Rapid Storage Technology is the advanced ability for two RAID volumes to share the combined space of two hard drives being used in unison.

Intel® Rapid Storage Technology utilizes RAID 1 functionality to copy data from a designated Master drive to a designated Recovery drive. The size of the Master drive must be less than or equal to the size of the Recovery drive. When a Recovery volume is created, complete capacity of the Master drive will be used as the Master volume. Only one Recovery Volume can exist on a system. There are 2 methods of updating the data on the Master to the Recovery drive. They are Continuous Update Policy and On Request Update Policy.



## ***Important***

*The least number of hard drives for RAID 0, RAID 1, Recovery or Matrix mode is 2.*

*The least number of hard drives for RAID 10 mode is 4. And the least number of hard drives for RAID 5 mode is 3.*

*All the information/ volumes/ pictures listed in your system might differ from the illustrations in this appendix.*



## Using Intel Rapid Storage Technology Option ROM

The Intel Rapid Storage Technology Option ROM should be integrated with the system BIOS on all motherboards with a supported Intel chipset. The Intel Rapid Storage Technology Option ROM is the Intel RAID implementation and provides BIOS and DOS disk services. Please use <Ctrl> + <I> keys to enter the “Intel® RAID for Serial ATA” status screen, which should appear early in system boot-up, during the POST (Power-On Self Test). Also, you need to enable the RAID function in BIOS to create, delete and reset RAID volumes.

### Creating, Deleting and Resetting RAID Volumes:

The Serial ATA RAID volume may be configured using the RAID Configuration utility stored within the Intel RAID Option ROM. During the Power-On Self Test (POST), the following message will appear for a few seconds.



### **Important**

The “Device Model”, “Serial #” and “Size” in the following example might be different from your system.

```
RAID Volumes
None defined.

Physical Disks:
Port  Device Model      Serial #      Size      Type/Status(Vol ID)
1      XXXXXXXXXXXXXXXX    XXXXXXXXXXXX XXX.XGB   Non-RAID Disk
2      XXXXXXXXXXXXXXXX    XXXXXXXXXXXX XXX.XGB   Non-RAID Disk

Press <CTRL-I> to enter Configuration Utility..
```

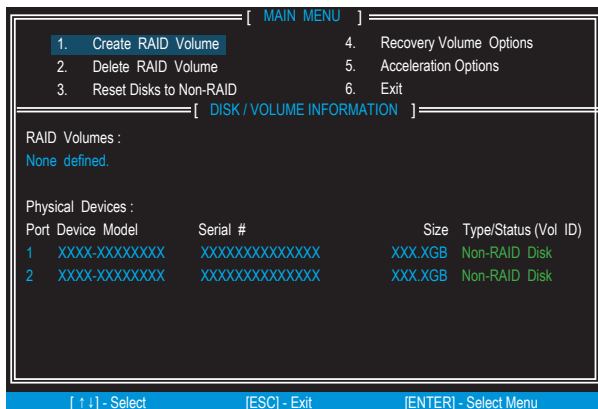
After the above message shows, press <Ctrl> and <I> keys simultaneously to enter the Intel Rapid Storage Technology Option ROM.



### **Important**

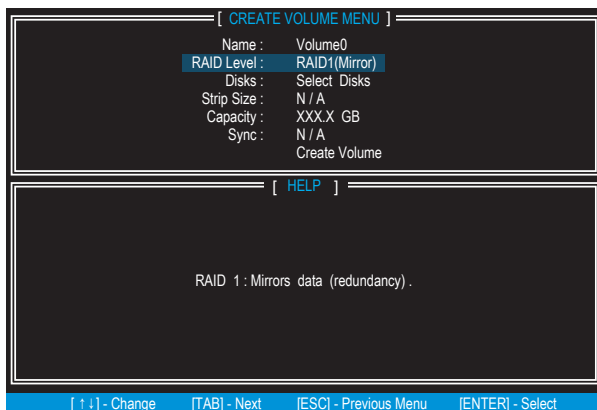
The following procedure is only available with a newly-built system or if you are reinstalling your OS. It should not be used to migrate an existing system to RAID.

After pressing the <Ctrl> and <I> keys simultaneously, the following window will appear:



### ■ Create RAID Volume

1. Select option 1 “Create RAID Volume” and press <Enter> key. The following screen appears. Then in the Name field, specify a RAID Volume name and then press the <TAB> or <Enter> key to go to the next field.
2. Use the arrow keys to select the RAID level best suited to your usage model in RAID Level.



- In the Disk field, press <Enter> key and use <Space> key to select the disks you want to create for the RAID volume, then click <Enter> key to finish selection. This field will become available according to the selected RAID level.
- Then select the strip size for the RAID array by using the “upper arrow” or “down arrow” keys to scroll through the available values, and pressing the <Enter> key to select and advance to the next field. The available values range from 4KB to 128 KB in power of 2 increments. The strip size should be chosen based on the planned drive usage. Here are some typical values:  
RAID0 -128KB / RAID10 - 64KB / RAID5 - 64KB. This field will become available according to the selected RAID level.
- Then select the capacity of the volume in the Capacity field. The default value is the maximum volume capacity of the selected disks.

[ CREATE VOLUME MENU ]

Name : Volume0  
RAID Level : RAID1(Mirror)  
Disks : Select Disks  
Strip Size : N / A  
Capacity : XXXX GB  
Sync : N / A  
Create Volume

[ HELP ]

The default value indicates the maximum capacity using the selected disks. Entering a lower capacity allows you to create a second volume on these disks.

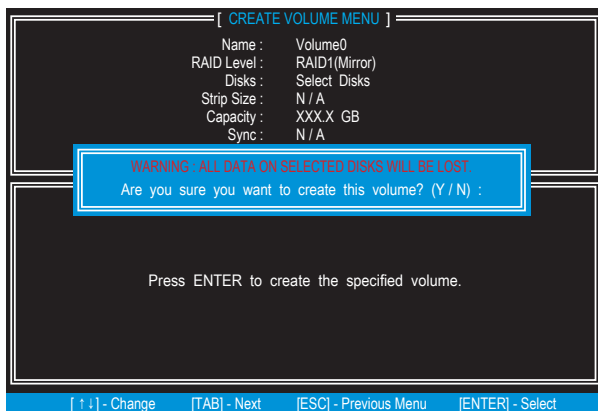
[ ↑ ] - Change    [TAB] - Next    [ESC] - Previous Menu    [ENTER] - Select



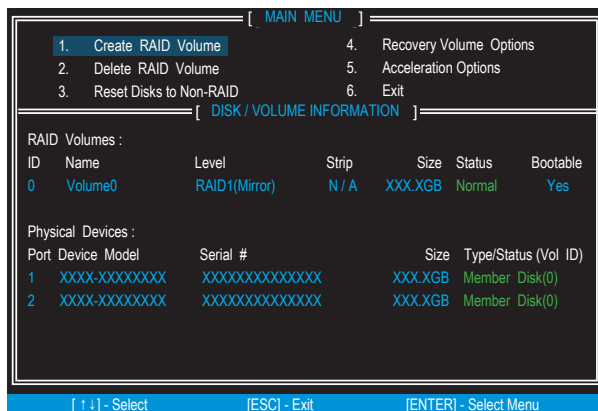
### **Important**

Since you want to create two volumes, this default size (maximum) needs to be reduced. Type in a new size for the first volume. As an example: if you want the first volume to span the first half of the two disks, re-type the size to be half of what is shown by default. The second volume, when created, will automatically span the remainder of two hard drives.

- Go to the Create Volume field and press <Enter>, the following screen appears for you to confirm you are sure to create the RAID volume. Press <Y> to continue.



- Then the following screen appears to indicate that the creation is finished.



■ **Delete RAID Volume**

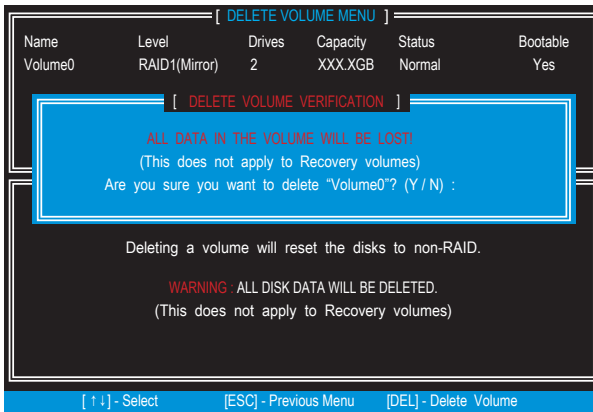
Here you can delete the RAID volume, but please be noted that all data on RAID drives will be lost.



**Important**

*If your system currently boots to RAID and you delete the RAID volume in the Intel RAID Option ROM, your system will become un-bootable.*

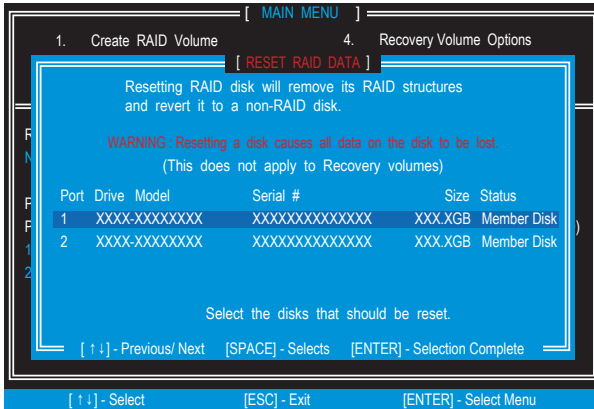
Select option 2 **Delete RAID Volume** from the main menu screen and press <Enter> key to select a RAID volume for deletion. Then press <Delete> key to delete the selected RAID volume. The following screen appears.



Press <Y> key to accept the volume deletion.

## ■ Reset Disks to Non-RAID

Select option 3 Reset Disks to Non-RAID and press <Enter> to delete the RAID volume and remove any RAID structures from the drives. The following screen appears:



Use the <Space> key to select the disks and press <Enter> key. A confirmation sentence will appear below, and then press <Y> key to accept the selection.



### ***Important***

- You will lose all data on the RAID drives and any internal RAID structures when you perform this operation.
- Possible reasons to “Reset Disks to Non-RAID” could include issues such as incompatible RAID configurations or a failed volume or failed disk.

## ■ Recovery Volume Options

Select option 4 Recovery Volume Options and press <Enter> to change recovery volume mode. The following screen appears:



Recovery mode will change from Continuous Update to On-Request after you enable "Only Recovery Disk" or "Only Master Disk".

# Degraded RAID Array

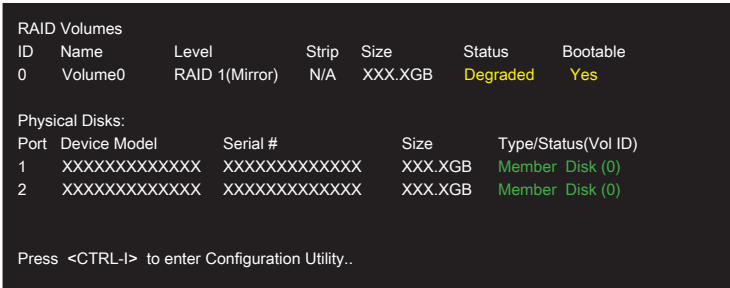
A RAID 1, RAID 5 or RAID 10 volume is reported as degraded when one of its hard drive members fails or is temporarily disconnected, and data mirroring is lost. As a result, the system can only utilize the remaining functional hard drive member. To re-establish data mirroring and restore data redundancy, refer to the procedure below that corresponds to the current situation.

## Missing Hard Drive Member

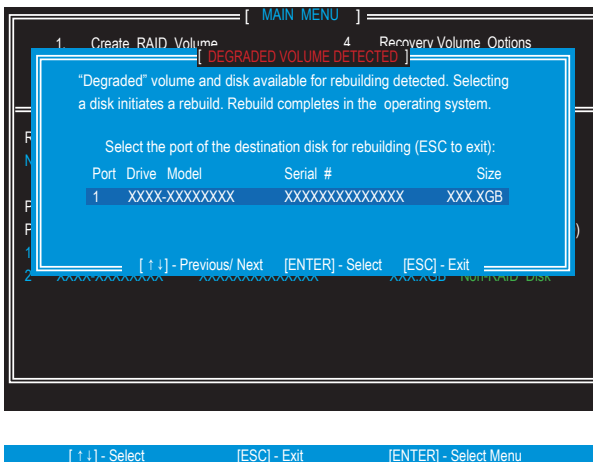
1. Make sure the system is powered off.
2. Reconnect the hard drive.
3. Reboot the system to Windows; the rebuild will occur automatically.

## Failed Hard Drive Member

1. Make sure the system is powered off.
2. Replace the failed hard drive with a new one that is of equal or greater capacity.
3. Reboot the system to Intel RAID Option ROM by press <Ctrl> and <I> keys simultaneously during the Power-On Self Test (POST).

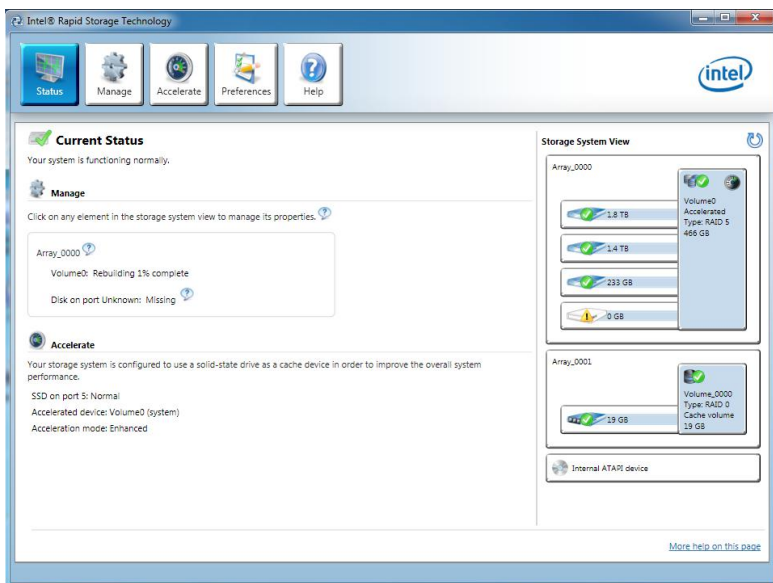


4. Select the port of the destination disk for rebuilding, and then press ENTER.





5. Exit Intel RAID Option ROM, and then reboot to Windows system.
6. When prompted to rebuild the RAID volume, click 'Yes'.
7. The Intel Rapid Storage Technology application will be launched. Right-click the new hard drive and select 'Rebuild to this Disk'. The 'Rebuild Wizard' will be launched which will guide you through the process of rebuilding to the new hard drive.



## System Acceleration (optional)

Intel® Rapid Storage Technology use a SSD as a cache. Which can store frequently used data without having to use a slow virtual disk or depend on RAM. The SSD cache with the advantages of high-speed read/write and non-volatile memory to accelerate the system performance.



### **Important**

Check your SSD manufacturer's website, upgrade firmware in order to support Intel® Rapid Storage Technology.

Intel® Rapid Storage Technology can only work with RAID mode. Even though there is only one hard drive, you must set the SATA Mode to RAID in BIOS. The OS must be installed in the RAID ready disk in order to use the SSD caching.

Follow these steps to enable system acceleration. If Windows has been installed in RAID mode, skip to the step 5.

1. Reboot and enter the BIOS setup.
2. Set the SATA Mode to RAID in BIOS.
3. Install Intel® RAID controller driver. Please refer to the section "Installing Driver".
4. Install Windows operating system.
5. Powered off.
6. Connect the SSD.
7. Reboot the system to Windows.
8. Insert the MSI DVD into the DVD-ROM drive.

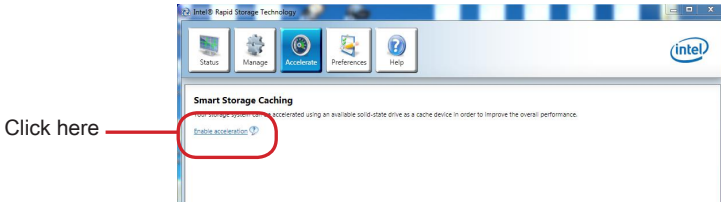


9. Click the "STORAGE" on the Setup screen.

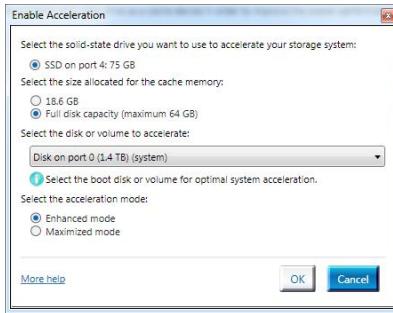


10. Click the "Intel RAID Driver" to install Intel® Rapid Storage Technology application.

- Run Intel® Rapid Storage Technology application.
- Click "Enable acceleration" under Accelerate.



- Select the acceleration options.



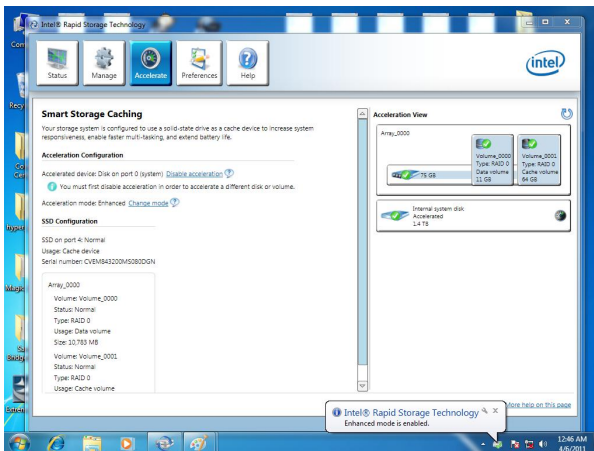
- Click OK and reboot the system.

The page refreshes and reports the new acceleration configuration in the Acceleration View.



### **Important**

You can click "More help on this page" or "More help" of the Intel® Rapid Storage Technology application to view more information.

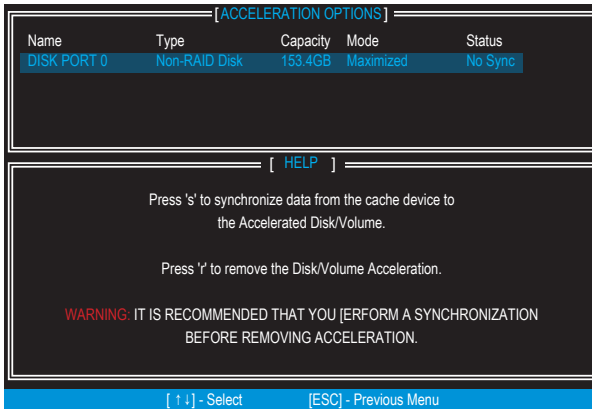


## RST Synchronization (optional)

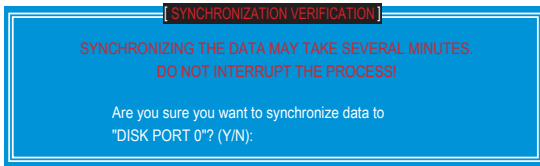
If you are using Maximized mode as the Acceleration mode, the data on the hard disk is not always synchronized with the data in the SSD cache. In some situations, you may want to manually sync the disks for avoiding data loss.

Follow these steps to sync manually.

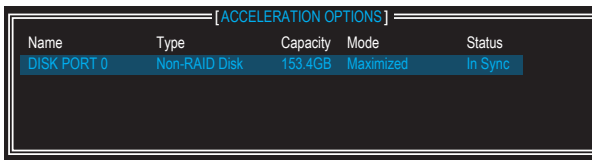
1. Reboot system, during the Power-On Self Test (POST) press, press <Ctrl> and <I> keys simultaneously to enter the Intel Rapid Storage Technology Option ROM.
2. Select option 5 "Acceleration Options" and press <Enter> key. The following screen appears.



3. Press <S> to synchronize data.



4. When prompted, press <Y> to confirm.



5. Once synchronization is complete, the status will change to In Sync.

# Appendix C

## Intel SBA

Intel® Small Business Advantage (Intel® SBA) provides an out-of-the-box hardware-based security and productivity suite designed for the small business user. Intel® SBA includes a customizable user interface and several bundled Intel applications.

## Prerequisites

---

### ■ Supported Operating Systems

Intel SBA supports following OS:

- Windows 7 Professional 64-bit and 32-bit
- Windows 7 Enterprise 64-bit
- Windows 8 PRO 64-bit and 32-bit

### ■ Required User Permissions

You must run the installer and the customization wizard with a user that has local administrator permissions on the computer.

### ■ Windows Update Settings

In certain conditions, the **Windows Update** task in the PC Health Center application is disabled and cannot be enabled. This can occur if Intel SBA is installed on a computer where Windows Update was disabled during installation of the Windows operating system. The Windows Update task is shown in the GUI but is grayed out (disabled). Even if the end user enables Windows Update in the operating system, the PC Health Center task cannot be enabled. This means that the end user cannot use PC Health Center to manage Windows Update.

To prevent this, make sure that you do NOT select the **Never check for updates** option when installing the Windows operating system.

### ■ Windows Task Scheduler

Some PC Health Center tasks are applications that can also be used directly from the operating system and scheduled via the Windows Task Scheduler. When a task is set via PC Health Center, an alarm clock is set that will wake up the computer if it is turned off. Defining a scheduled time for an application/task outside of PC Health Center does not set an alarm clock. This means that the computer will not be woken up to do the task.

For this reason, it is NOT recommended to define schedules for these applications:

- Windows Updates
- Windows Backup and Restore
- Disk defragmentation

Instead, let the end user set the schedule for all these tasks via PC Health Center.

# Installing Intel SBA

This procedure describes how to install Intel SBA.

■ **To install Intel SBA:**

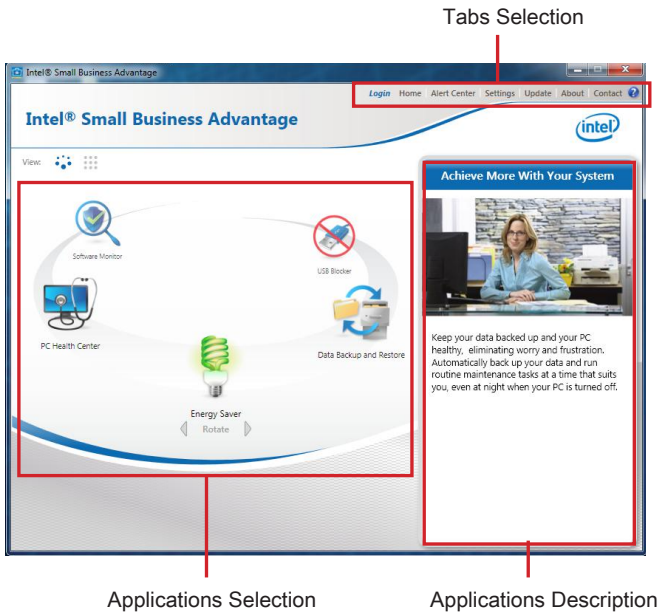
1. Logon to the computer with a user that has administrator privileges.
2. Insert the application DVD into the DVD-ROM drive. The setup screen will automatically appear.
3. Click OTHERS tab.
4. Select Intel SBA to start installing.
5. Follow the on-screen instructions to install.

## Software Configuration

After installation of the Intel SBA software is complete, the Intel SBA service is started. The desktop, system tray, and programs menu include shortcuts to the GUI of Intel SBA.

### Software panel overview

The following figure describes the function of the Intel SBA control panel.



## Password settings

By default, the system is in an unconfigured state. Before the hardware capabilities can be used by Intel SBA software, the system must be configured. This is done in the Settings > Password Settings tab in the main menu of the GUI.

Settings

### Settings

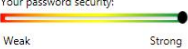
Password Settings    Send Email Settings

#### Password

Only users with Administrator privileges can access the Settings window and password protected applications. For increased security, it is recommended to restrict access by creating a unique secure password.

Enter new password:  How do I define a secure password?

Retype password to confirm:

Your password security:  Weak Strong

#### Security Questions

If you forget the unique secure password, the questions and answers you define here will be used for authentication.

Security question one:

Answer to question one (case-sensitive):

Security question two:

Answer to question two (case-sensitive):

Security question three:

Answer to question three (case-sensitive):

Note: The option to automatically check for updates has been disabled. You can enable it again by selecting 'Update' from the main menu and accepting the license agreement.


Cancel    Save

Fill out the form to create the new password and click "Save". You will be asked to enter the password when you want to start using Intel SBA.



- Upon completion of the password settings, please keep your password secure.
- Please remember your answers to the security questions.

## Help Button

There is a help button  on the top right. If you need to know detailed introductions. Just click on the help button, to get the information.