



MACKIE.

**SRM1850
SRM2850**

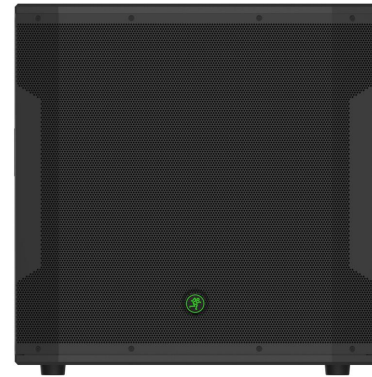
**1600W
18" Powered Subwoofers**

SRM1850 • SRM2850

SRM 18" Powered Subwoofers are "Built-like-a-Tank," delivering 1600W of intense power in an ultra-high output design that can shake the room. The professional-grade, internally-braced all-wood enclosure provides tour level road-worthiness with maximum low-frequency extension and punch.

SRM subwoofers feature stereo XLR inputs, full-range and high-pass outputs plus a variable digital crossover that includes presets for SRM top boxes.

The Smart Protect™ DSP is also in place to protect your investment when things get pushed a little too hard. Get the high-output, air-moving lows you demand in a rock solid subwoofer with our proven performance.



FEATURES:

- 1600W of intense power paired with custom high-output 18" woofers for room-shaking, chest-pounding low end performance
- "Built-Like-A-Tank" all-wood, internally-braced cabinet delivers professional-grade road-worthiness and near-zero distortion, even at high volume
- Front ported for maximum low-frequency extension and punch
- Stereo XLR inputs plus stereo XLR full-range and high-pass outputs
- Integrated digital crossover with variable control and presets for SRM loudspeakers
- Smart Protect™ DSP kicks in to protect your investment when things get pushed a little too hard
- Built-in cup for easily pole-mounting full-range loudspeakers



Like us



Follow us



Watch our dang videos



SRM1850
SRM2850

1600W
18" Powered Subwoofers

SRM SUBWOOFER SPECIFICATIONS

Acoustic Performance

Frequency Response (-3 dB)	40 Hz – 120 Hz [SRM1850] 34 Hz – 100 Hz [SRM2850]
Frequency Response (-10 dB)	35 Hz – 150 Hz [SRM1850] 26 Hz – 145 Hz [SRM2850]
Max peak SPL	132 dB [SRM1850] 135 dB [SRM2850]
Crossover Point	115 Hz plus alignment delay [SRM550] 115 Hz plus alignment delay [SRM650] 115 Hz plus alignment delay [SRM750] 60 Hz – 120 Hz [Variable]
Slope	3rd order HP, 4th order LP

Transducer

Woofers Diameter	18.0 in / 457 mm
Voice Coil Diameter	3.0 in / 76 mm
Subwoofer Diaphragm Material	Paper
Magnet Material	Ferrite

Power Amplifier

Rated Power	800 watts rms 1600 watts peak
Rated THD	< 1%
Cooling	Convection
Design	Class D

Input / Output

Input Type	Female XLR balanced differential (stereo left / right)
Input Impedance	20 k Ω balanced, 10 k Ω unbalanced
Full Range Outputs	Male XLR balanced (parallel with inputs – mono)
High Pass Outputs	Male XLR balanced

Line Input Power

US detachable line cord	100 – 120 VAC, 50 – 60 Hz, 200W
EU detachable line cord	200 – 240 VAC, 50 – 60 Hz, 200W
AC Connector	3-pin IEC 250 VAC
Power Supply Type	Switchmode
Operating Temperature [extended ambient temperature]	0 - 40 °C 32 - 104 °F

Safety Features

Input Protection	Peak and RMS limiting, power supply and amplifier thermal protection
Display LEDs	Defeatable front power ON (Running Man logo), Front load power limiter, High Pass Mode, input signal

Construction Features

Cabinet	18 mm Poplar plywood
Finish	High durability black paint
Handles	One on each side [SRM1850] Two on each side [SRM2850]
Grille	Powder-coated 16 gauge steel

Mounting Method

SRM subwoofers are designed to sit on the floor or stage. They are NOT designed to be pole-mounted or suspended. The cabinet has no rigging points and is not suitable for rigging. Never attempt to suspend an SRM subwoofer by its handles.



SRM1850
SRM2850

1600W
18" Powered Subwoofers

SRM SUBWOOFER SPECIFICATIONS CONT..

Physical Properties (packaged product)

SRM1850:	
Height	24.8 in / 630 mm
Width	28.0 in / 711 mm
Depth	29.6 in / 752 mm
Weight	74 lb / 33.6 kg

SRM2850:	
Height	27.8 in / 706 mm
Width	31.3 in / 795 mm
Depth	53.2 in / 1351 mm
Weight	188 lb / 85.3 kg

Physical Properties (product)

SRM1850:	
Height	22.5 in / 572 mm
Width	22.2 in / 565 mm
Depth	23.9 in / 608 mm
Weight	64 lb / 29 kg

SRM2850:	
Height	24.5 in / 623 mm
Width	44.0 in / 1117 mm
Depth (without casters)	24.0 in / 610 mm
Depth (with casters)	29.5 in / 750 mm
Weight	144 lb / 65.2 kg

Options

SRM1850 Subwoofer Cover	P/N 2036809-24
SRM2850 Subwoofer Cover	P/N 2036809-27
SPM200 Loudspeaker Pole Mount	P/N 2035170-01


Ordering Information

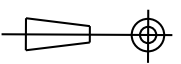
SRM1850 1600W 18" Powered Subwoofer, US	P/N 2035116-00
SRM1850 1600W 18" Powered Subwoofer, EU	P/N 2035116-01
SRM1850 1600W 18" Powered Subwoofer, UK	P/N 2035116-03
SRM1850 1600W 18" Powered Subwoofer, AU	P/N 2035116-04
SRM1850 1600W 18" Powered Subwoofer, CN	P/N 2035116-05
SRM1850 1600W 18" Powered Subwoofer, BZ (120V)	P/N 2035116-06
SRM1850 1600W 18" Powered Subwoofer, BZ (230V)	P/N 2035116-16

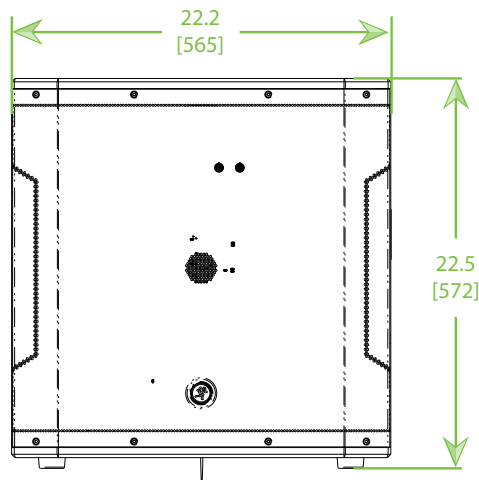
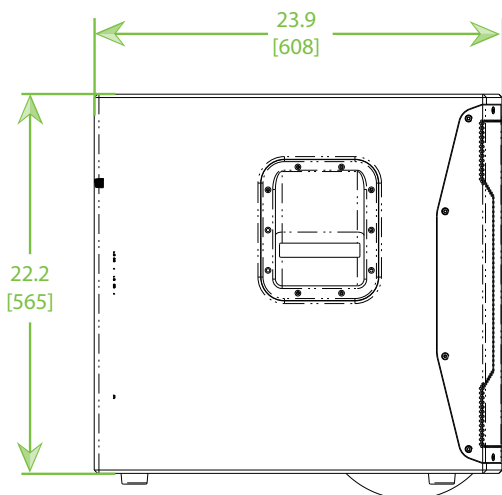
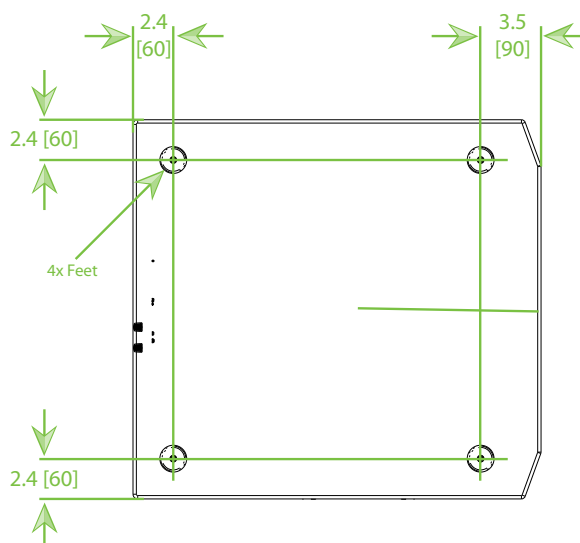
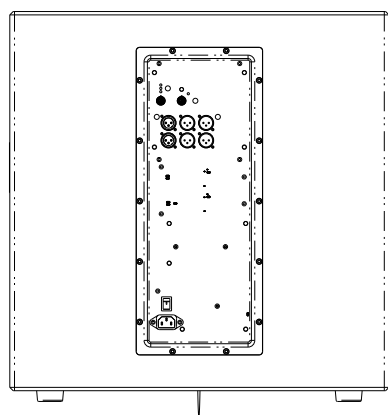
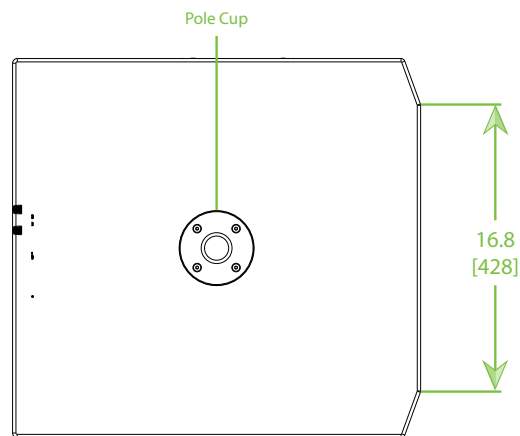
SRM2850 1600W Dual 18" Powered Subwoofer, US	P/N 2043140-00
SRM2850 1600W Dual 18" Powered Subwoofer, EU	P/N 2043140-01
SRM2850 1600W Dual 18" Powered Subwoofer, UK	P/N 2043140-03
SRM2850 1600W Dual 18" Powered Subwoofer, AU	P/N 2043140-04
SRM2850 1600W Dual 18" Powered Subwoofer, CN	P/N 2043140-05
SRM2850 1600W Dual 18" Powered Sub, BZ (120V)	P/N 2043140-06
SRM2850 1600W Dual 18" Powered Sub, BZ (230V)	P/N 2043140-16

SRM1850 SUBWOOFER DIMENSIONS

NOTES:


1. SYMBOL  INDICATES CENTER OF BALANCE.
2. WEIGHT APPROX. 64 lb [29 kg].
3. SHIPPING WEIGHT APPROX. 74 lb [33.6 kg].

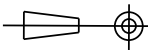
<p>THIRD ANGLE PROJECTION</p> 	<p>UNLESS OTHERWISE SPECIFIED: ALL DIMENSIONS ARE IN INCHES DUAL [MM] DIMENSIONS FOR REF ONLY</p> <p>TOLERANCE IN INCHES LINEAR ± 0.13 in / ± 3.3 mm ANGLES $\pm 1^\circ$</p> <p>(X.XX) = REF DIMS NO TOLERANCE IMPLIED</p> <p>TSC = THEORETICAL SHARP CORNER</p> <p>DIMENSIONS ACROSS CENTERLINES TO BE SYMMETRICAL</p>
<p>THE INFORMATION CONTAINED HEREIN IS PROPRIETARY AND CONFIDENTIAL PROPERTY OF LOUD TECHNOLOGIES, INC. ALL RIGHTS RESERVED</p>	

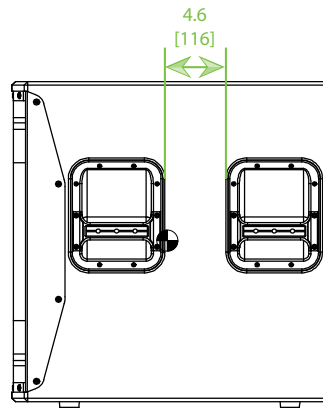

FRONT

SIDE

BOTTOM

BACK

TOP

SRM2850 SUBWOOFER DIMENSIONS

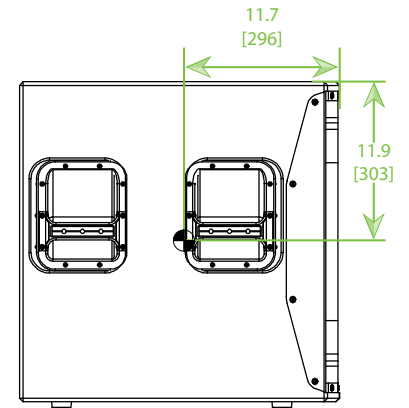
NOTES:

1. SYMBOL  INDICATES CENTER OF BALANCE.
2. WEIGHT APPROX. 144 lb [65.2 kg].
3. SHIPPING WEIGHT APPROX. 188 lb [85.3 kg].

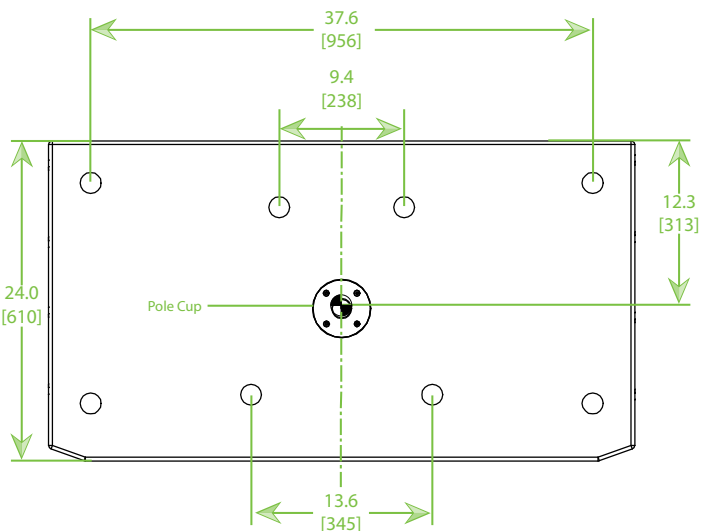
<p>THIRD ANGLE PROJECTION</p> 	<p>UNLESS OTHERWISE SPECIFIED: ALL DIMENSIONS ARE IN INCHES DUAL [MM] DIMENSIONS FOR REF ONLY</p> <p>TOLERANCE IN INCHES LINEAR ± 0.13 in / ± 3.3 mm ANGLES $\pm 1^\circ$</p> <p>(X.XX) = REF DIMS NO TOLERANCE IMPLIED</p> <p>TSC = THEORETICAL SHARP CORNER</p> <p>DIMENSIONS ACROSS CENTERLINES TO BE SYMMETRICAL</p>
<p>THE INFORMATION CONTAINED HEREIN IS PROPRIETARY AND CONFIDENTIAL PROPERTY OF LOUD TECHNOLOGIES, INC. ALL RIGHTS RESERVED</p>	



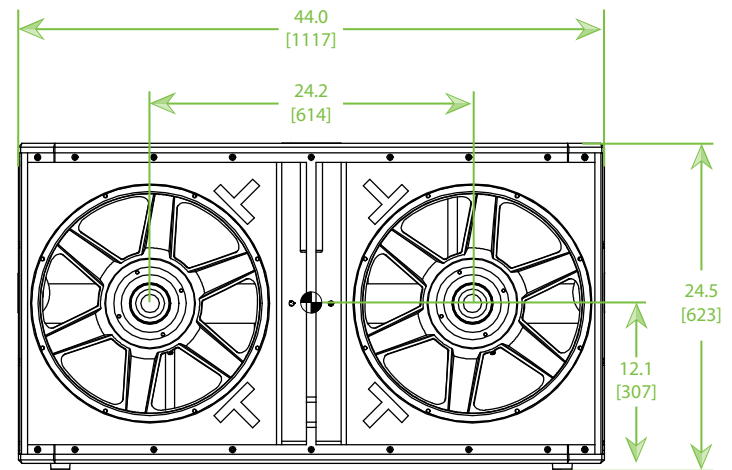
SIDE



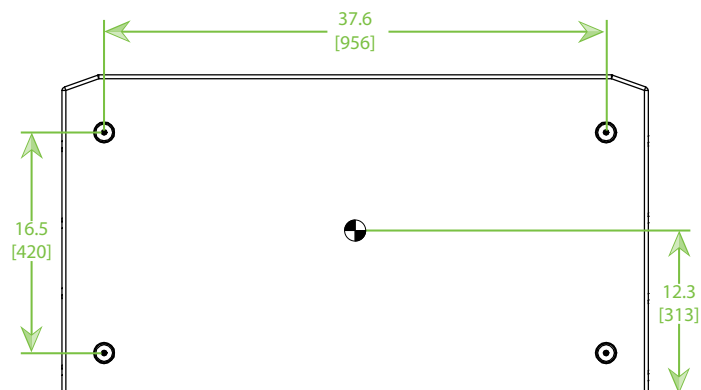
SIDE



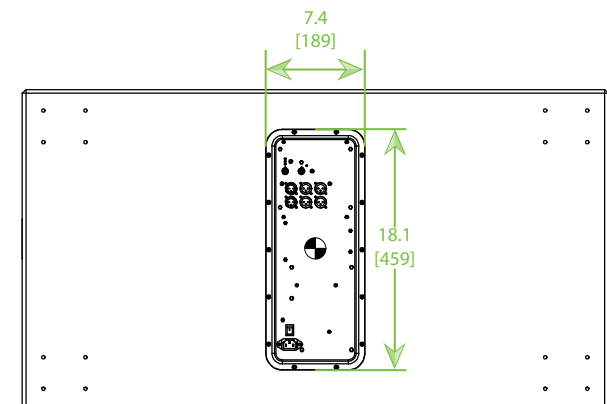
TOP



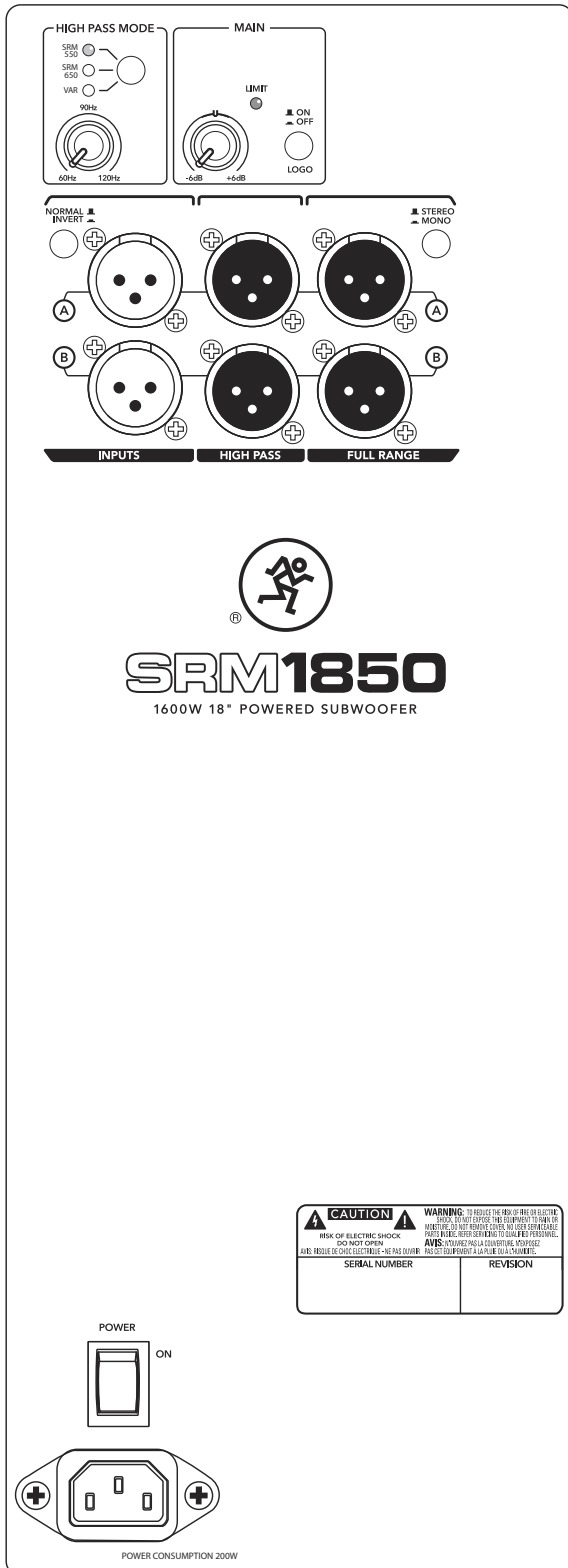
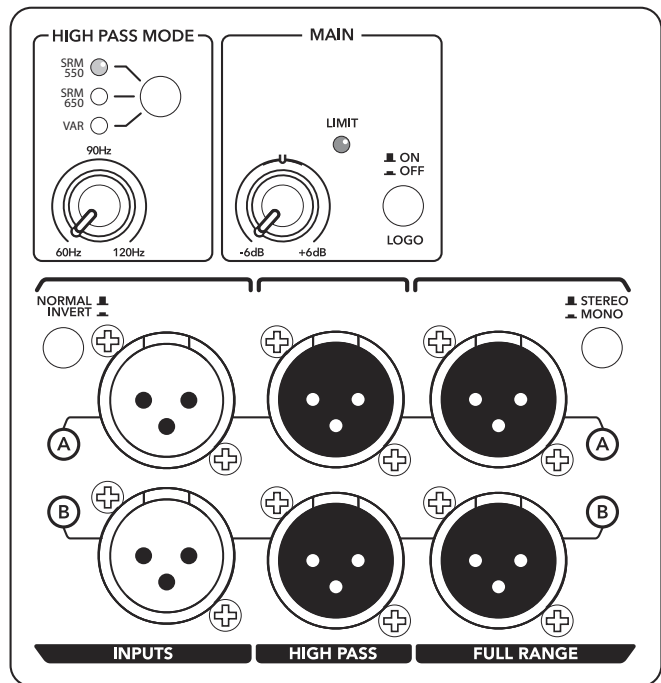
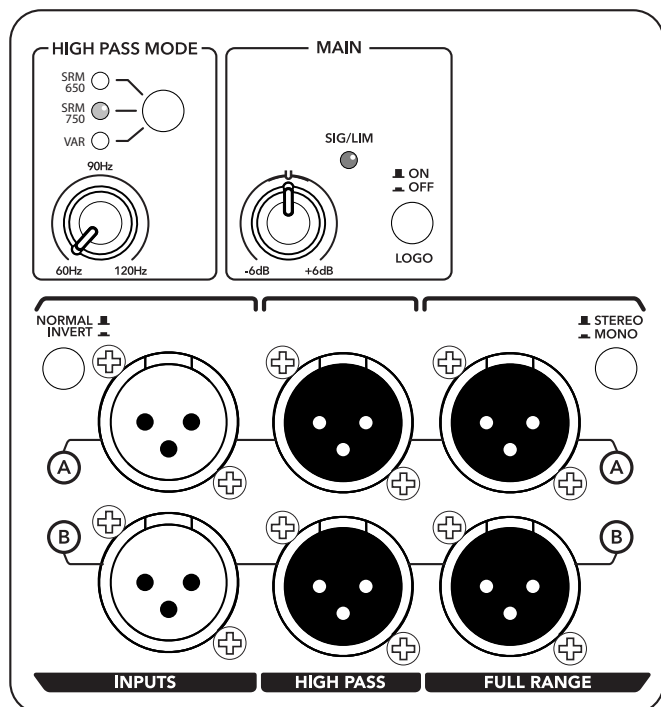
BACK

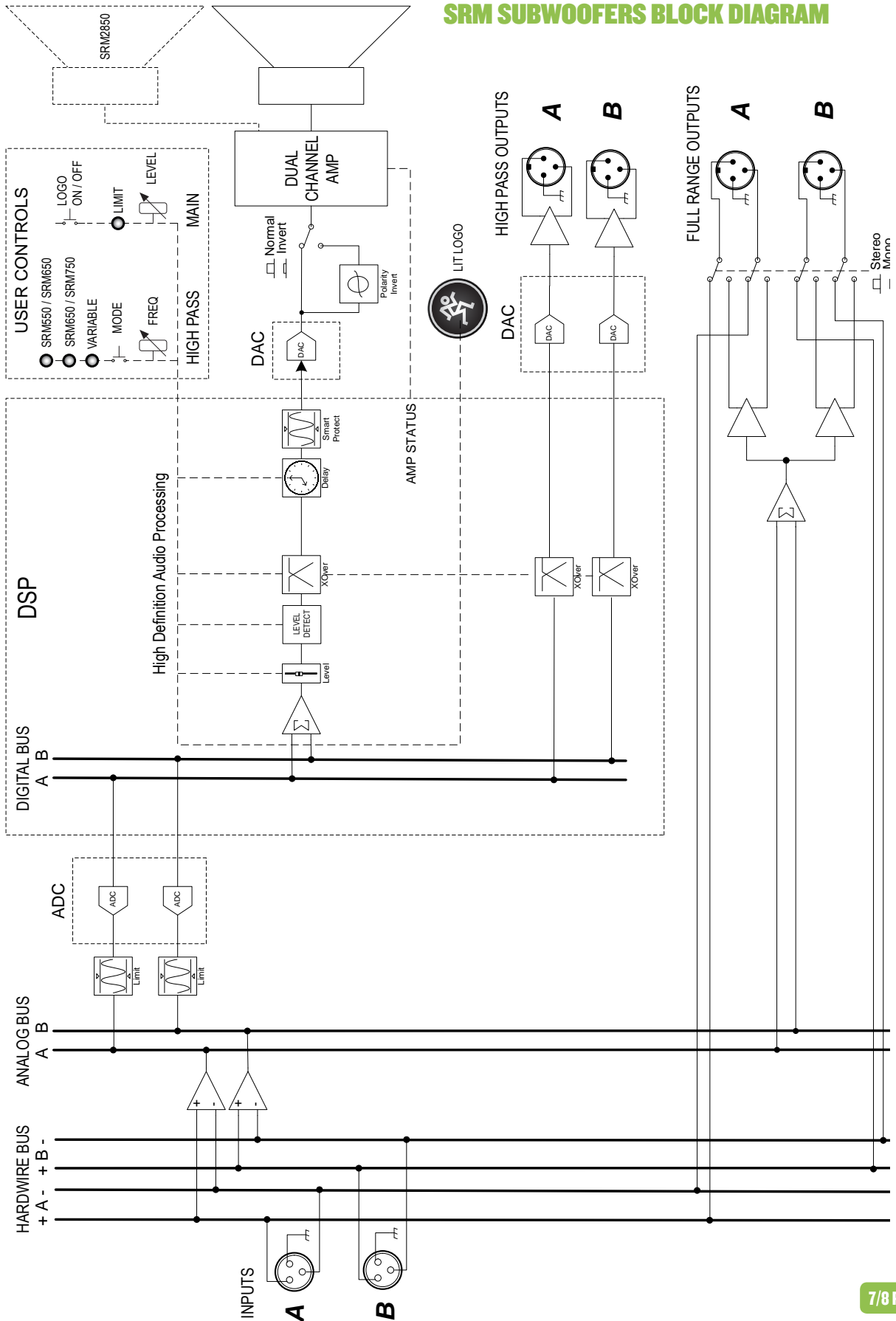


BOTTOM

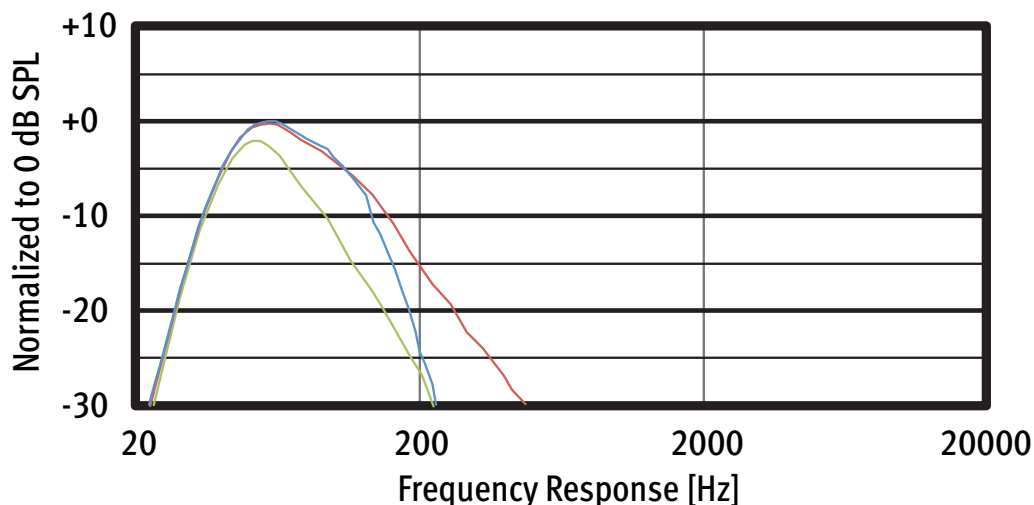


BACK

SRM SUBWOOFER REAR PANELS

SRM1850 SUBWOOFER REAR PANEL

SRM2850 SUBWOOFER REAR PANEL


SRM SUBWOOFERS BLOCK DIAGRAM


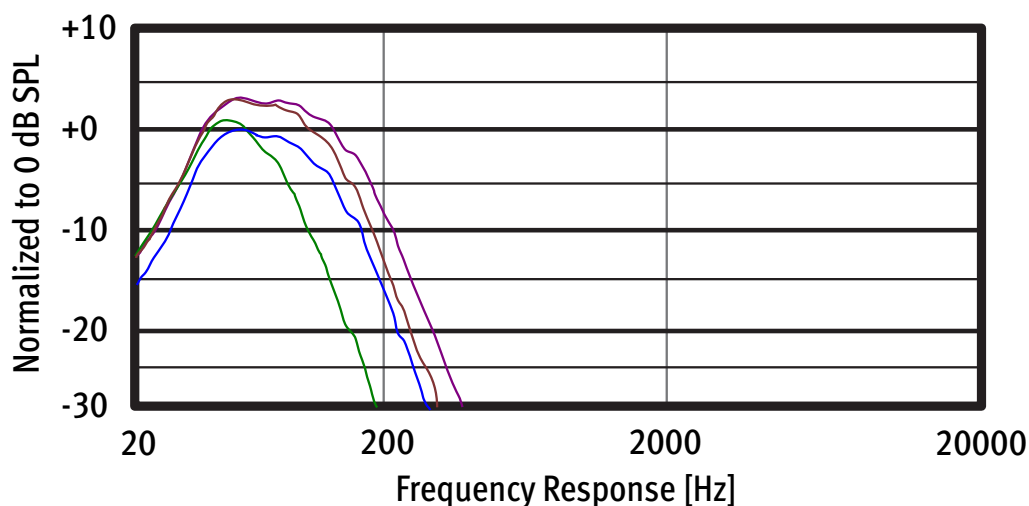
SRM1850 SUBWOOFER FREQUENCY RESPONSE



LEGEND

- SRM550 / SRM650
- VARIABLE : HIGH
- VARIABLE : LOW

SRM2850 SUBWOOFER FREQUENCY RESPONSE



LEGEND

- SRM650
- SRM750
- VARIABLE : 60 Hz
- VARIABLE : 120 Hz

LOUD Technologies Inc. is always striving to improve our products by incorporating new and improved materials, components, and manufacturing methods. Therefore, we reserve the right to change these specifications at any time without notice.

"Mackie" and the "Running Man" figure are registered trademarks of LOUD Technologies Inc. All other brands mentioned are trademarks or registered trademarks of their respective holders, and are hereby acknowledged.

©2014 LOUD Technologies Inc. All rights reserved.

Electronic files for this product are available at:

www.mackie.com

Specification Sheet

SRM_Subwoofers_SS.PDF

Owner's Manual

SRM_Subwoofers_OM.PDF



www.mackie.com
16220 Wood-Red Road NE
Woodinville, WA 98072 USA
800-898-3211, Fax 425-487-4337

Part No. SW1000 Rev. B 06/14